

# QMCL series

## Multiple Color LED Steady Signal Lights



### • 7 Color modes available via wiring

You can configure seven color signals by combining the 4 signal wires (red, green, blue, black) attached to the warning light.

## Multi-Color Warning Light with Seven Color Options

### • Emits a cozy and comfortable hue

QMCL series signal lights have a milky translucent hue when turned on. These signal lights provide a comfortable and stable viewing condition for workers in close proximity.



### Common Specifications(QMCL60/ QMCL80/ QMCL100/ QMCL125)

- Helps reduce the costs of installation by reducing the space needed to emit seven color signals in a single warning light
- Milky translucent color when off, the soft LED illuminates designated color when on
- Built-in buzzer available (Volume : Max 80dB at 1m)
- Materials : Lens-AS, Body-ABS
- Ambient operating temperature : -30°C to +50°C
- Protection rating : IP65
- Certificates : CE Compliant
- Compliant with RoHS directive



QMCL60



QMCL80

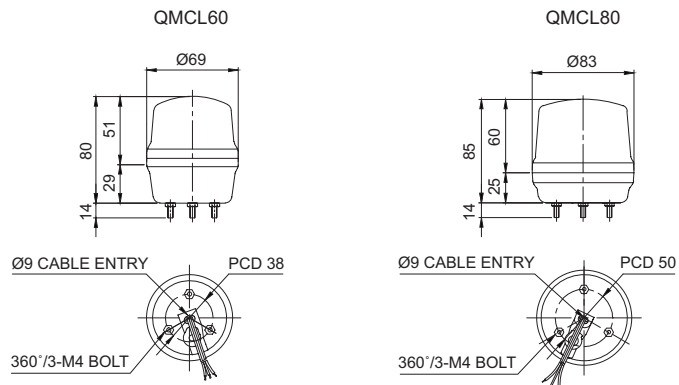
### QMCL60 Ø60mm Multiple Color LED Steady Signal Light

Model number	Voltage	Current	Certificates	Weight	Color
QMCL60	DC12V	0.120A	CE	0.12kg	7 Colors
	DC24V	0.060A		0.12kg	

### QMCL80 Ø80mm Multiple Color LED Steady Signal Light

Model number	Voltage	Current	Certificates	Weight	Color
QMCL80	DC12V	0.120A	CE	0.17kg	7 Colors
	DC24V	0.060A		0.17kg	

### Technical Diagram (Units : mm)



	Voltage	AC/DC12V	AC/DC24V
QMCL60	Signal Line	0.120A	0.060A
QMCL80	Buzzer Line	0.020A	0.020A
QMCL100	Signal Line	0.240A	0.120A
QMCL125	Buzzer Line	0.020A	0.020A



Warning/Signal/Stackable



Signal & Electric Horn/Speakers



Vessels and Heavy-Duty Equipment



Explosion Proof



Warning Light Bar



Aviation Obstruction Lights



Signal Tower Lights



USB/ETN Signal Tower Lights



Wireless Network System



Electric Horn/Speakers



Industrial LED Lights

# QMCL series



New innovative LED signal light that can be configure with 7 colors in 1 signal lamp



QMCL100



QMCL125



## Wiring Instructions

- External signal line standard : Signal line 4P(R,G,B,K) threading, signal line standard UL1007 AWG22(0.3sq) 400mm
- Product can be wired regardless of polarity
- Please refer to Wiring Instructions diagram to properly configure color options



## Ordering Specification

<b>QMCL80</b> [Model number]	<b>BZ</b> [Buzzer option]	<b>24</b> [Voltage]
<ul style="list-style-type: none"> <li>• QMCL60</li> <li>• QMCL80</li> <li>• QMCL100</li> <li>• QMCL125</li> </ul>	<ul style="list-style-type: none"> <li>• None</li> <li>• No buzzer</li> <li>• BZ</li> <li>• Built-in buzzer</li> </ul>	<ul style="list-style-type: none"> <li>• 12-DC12V</li> <li>• 24-DC24V</li> </ul>

## Multiple Color LED Steady Signal Lights



### QMCL100 Ø100mm Multiple Color LED Steady Signal Light

Model number	Voltage	Current	Certificates	Weight	Color
QMCL100	DC12V	0.240A	CE	0.24kg	7 Colors
	DC24V	0.120A		0.24kg	



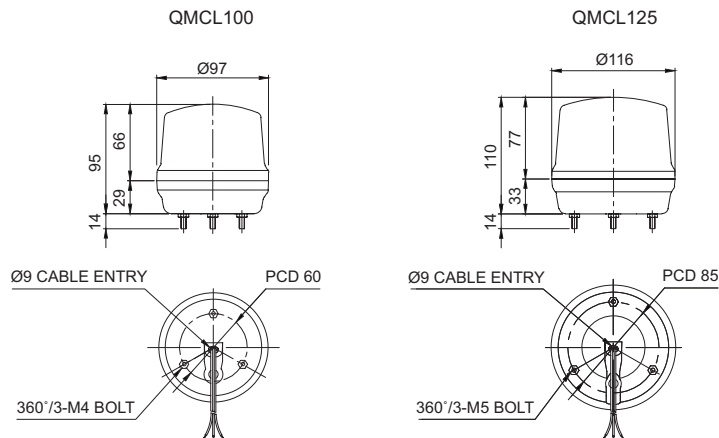
### QMCL125 Ø125mm Multiple Color LED Steady Signal Light

Model number	Voltage	Current	Certificates	Weight	Color
QMCL125	DC12V	0.240A	CE	0.31kg	7 Colors
	DC24V	0.120A		0.31kg	



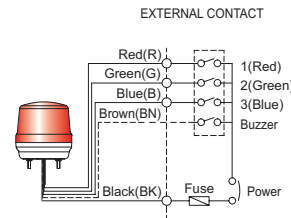
## Technical Diagram

(Units : mm)

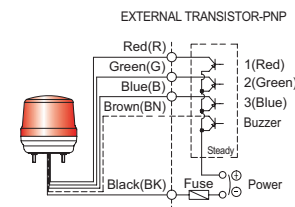
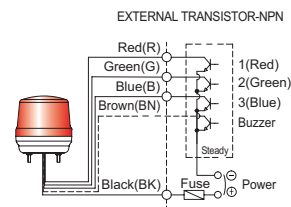


## Wiring Instructions

QMCL60/ QMCL80/ QMCL100/ QMCL125-DC



No.	Color	Wiring
1	Red	1(Red)
2	Green	2(Green)
3	Blue	3(Blue)
4	Amber	1(Red)+2(Green)
5	Cyan	2(Green)+3(Blue)
6	Purple	1(Red)+3(Blue)
7	White	1(Red)+2(Green)+3(Blue)



## Customization

- Wall mounting bracket options : Bracket structure allows for threading through the bracket hole or into the wall mount

