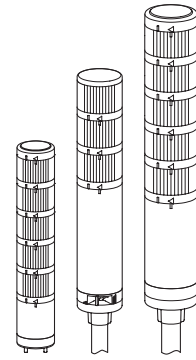


# Modular LED Signal Tower Lights

## QTC50/ QTC60/ QTC70



Thank you for purchasing Qlight's products. Please read this user manual carefully prior to installation and operation to ensure safe and correct use.

### ⚠ Precautions for Safety

Failure to follow the instructions below may cause a loss of life or serious physical injury.

1. During wiring or maintenance, please completely turn off the power of the product. (Failure to follow this may lead to an electric shock.)
2. Do not install the product in locations that subjects it to excessive dust or water other than the conditions designated by the IP protection ratings indicated for each product. (Failure to follow these instructions may cause a fire to the product, electric shock, physical injury, malfunction or damage to the product.)
3. Do not alter or repair this product. If maintenance or repair service is required, please contact your local Qlight contact point. (Failure to follow these instructions may lead to fire, electric shock, or product damage.)
4. Please apply the correct voltage to the product. (Failure to follow these instructions may lead to fire, electric shock, or product damage.)
5. When the product is applied to a condition that may impact lives or property, please make sure to have a double safety device. (Failure to follow this may cause damage to property, fire, electric shock and loss of life.)

### ⚠ Precautions for Correct Use

Failure to follow the proper instructions may cause damage to property, the product, or malfunction of the product that would void the warranty.

1. Please remove any objects that can interrupt ventilation around the product.
2. Please turn off the power of the product immediately if it fails to operate properly.
3. Carefully wire the product according to each product's specification.
4. Please be careful in preventing chemicals such as thinner, benzene, etc. in contact with the surface of the product.
5. Do not apply excessive force/impact to the product.
6. Failure to follow any of the instructions above may cause malfunction or damage to the product, fire, and electric shock.

### Ordering Specifications

QTC50/ 60/ 70L	3	110/220	RAG	LW18
[Model number]	[Layer count]	[Voltage]	[Color]	[Mounting option]
• QTC50/ 60/ 70L	• 1-1 Layer	• 12-DC12V	R-Red	• (Blank)
• QTC50/ 60/ 70L-BZ	• 2-2 Layers	• 24-DC24V	A-Amber	- Standard type
• QTC50/ 60/ 70LF	• 3- 3Layers	• 110/220	G-Green	• Mounting type
• QTC50/ 60/ 70LF-BZ	• 4-4 Layers	-AC110V-220V	B-Blue	-LB18/24 -LW18/24
• QTCA50/ 60/ 70L	• 5-5 Layers		W-White	-QZ18/24 -SZ18/24
• QTCA50/ 60/ 70L-BZ				-QL18/24 -SL18/24
• QTCA50/ 60/ 70LF				-QLA18/24
• QTCA50/ 60/ 70LF-BZ				

QTC50/ 60/ 70ML	3	110/220	RAG
[Model number]	[Layer count]	[Voltage]	[Color]
• QTC50/ 60/ 70ML	• 1-1 Layer	• 12-DC12V	R-Red
• QTC50/ 60/ 70ML-BZ	• 2-2 Layers	• 24-DC24V	A-Amber
• QTC50/ 60/ 70MLF	• 3- 3Layers	• 110/220-AC110V-220V	G-Green
• QTC50/ 60/ 70MLF-BZ	• 4-4 Layers		B-Blue
• QTCA50/ 60/ 70ML	• 5-5 Layers		W-White
• QTCA50/ 60/ 70ML-BZ			
• QTCA50/ 60/ 70MLF			
• QTCA50/ 60/ 70MLF-BZ			





Please scan the QR code for more detailed product information.



[www.qlight.com](http://www.qlight.com)

# Product Specifications



## • QTC50L

Model number	Layer count	Voltage	Current	Certificate	Weight	Color
QTC50L Steady	1	AC/DC12V	0.085A	 	0.35kg	R-Red
QTC50L-BZ Steady/w built-in buzzer		AC/DC24V	0.065A		0.35kg	
QTC50LF Steady/Flashing	2	AC/DC12V	0.170A		0.44kg	R-Red G-Green
QTC50LF-BZ Steady/Flashing /w built-in buzzer		AC/DC24V	0.130A		0.44kg	
QTC50LF-BZ Steady/Flashing /w built-in buzzer	3	AC/DC12V	0.255A		0.52kg	R-Red A-Amber
QTC50LF-BZ Steady/Flashing /w built-in buzzer		AC/DC24V	0.195A		0.52kg	
QTC50LF-BZ Steady/Flashing /w built-in buzzer	4	AC/DC12V	0.340A		0.61kg	R-Red A-Amber G-Green B-Blue
QTC50LF-BZ Steady/Flashing /w built-in buzzer		AC/DC24V	0.260A		0.61kg	
QTC50LF-BZ Steady/Flashing /w built-in buzzer	5	AC/DC12V	0.425A		0.69kg	R-Red A-Amber G-Green B-Blue W-White
QTC50LF-BZ Steady/Flashing /w built-in buzzer		AC/DC24V	0.325A		0.69kg	



## • QTC50ML

Model number	Layer count	Voltage	Current	Certificate	Weight	Color
QTC50ML Steady	1	AC/DC12V	0.085A	 	0.20kg	R-Red
QTC50ML-BZ Steady/w built-in buzzer		AC/DC24V	0.065A		0.20kg	
QTC50MLF Steady/Flashing	2	AC/DC12V	0.170A		0.28kg	R-Red G-Green
QTC50MLF-BZ Steady/Flashing /w built-in buzzer		AC/DC24V	0.130A		0.28kg	
QTC50MLF-BZ Steady/Flashing /w built-in buzzer	3	AC/DC12V	0.255A		0.37kg	R-Red A-Amber
QTC50MLF-BZ Steady/Flashing /w built-in buzzer		AC/DC24V	0.195A		0.37kg	
QTC50MLF-BZ Steady/Flashing /w built-in buzzer	4	AC/DC12V	0.340A		0.45kg	R-Red A-Amber G-Green B-Blue
QTC50MLF-BZ Steady/Flashing /w built-in buzzer		AC/DC24V	0.260A		0.45kg	
QTC50MLF-BZ Steady/Flashing /w built-in buzzer	5	AC/DC12V	0.425A		0.54kg	R-Red A-Amber G-Green B-Blue W-White
QTC50MLF-BZ Steady/Flashing /w built-in buzzer		AC/DC24V	0.325A		0.54kg	



## • QTC60L

Model number	Layer count	Voltage	Current	Certificate	Weight	Color
QTC60L Steady	1	AC/DC12V	0.100A	 	0.43kg	R-Red
QTC60L-BZ Steady/w built-in buzzer		AC/DC24V	0.070A		0.43kg	
QTC60LF Steady/Flashing	2	AC/DC12V	0.200A		0.52kg	R-Red G-Green
QTC60LF-BZ Steady/Flashing /w built-in buzzer		AC/DC24V	0.140A		0.52kg	
QTC60LF-BZ Steady/Flashing /w built-in buzzer	3	AC/DC12V	0.300A		0.60kg	R-Red A-Amber
QTC60LF-BZ Steady/Flashing /w built-in buzzer		AC/DC24V	0.210A		0.60kg	
QTC60LF-BZ Steady/Flashing /w built-in buzzer	4	AC/DC12V	0.400A		0.69kg	R-Red A-Amber G-Green B-Blue
QTC60LF-BZ Steady/Flashing /w built-in buzzer		AC/DC24V	0.280A		0.69kg	
QTC60LF-BZ Steady/Flashing /w built-in buzzer	5	AC/DC12V	0.500A		0.77kg	R-Red A-Amber G-Green B-Blue W-White
QTC60LF-BZ Steady/Flashing /w built-in buzzer		AC/DC24V	0.350A		0.77kg	



## • QTC60ML

Model number	Layer count	Voltage	Current	Certificate	Weight	Color
QTC60ML Steady	1	AC/DC12V	0.100A	 	0.28kg	R-Red
QTC60ML-BZ Steady/w built-in buzzer		AC/DC24V	0.070A		0.28kg	
QTC60MLF Steady/Flashing	2	AC/DC12V	0.200A		0.36kg	R-Red G-Green
QTC60MLF-BZ Steady/Flashing /w built-in buzzer		AC/DC24V	0.140A		0.36kg	
QTC60MLF-BZ Steady/Flashing /w built-in buzzer	3	AC/DC12V	0.300A		0.45kg	R-Red A-Amber
QTC60MLF-BZ Steady/Flashing /w built-in buzzer		AC/DC24V	0.210A		0.45kg	
QTC60MLF-BZ Steady/Flashing /w built-in buzzer	4	AC/DC12V	0.400A		0.53kg	R-Red A-Amber G-Green B-Blue
QTC60MLF-BZ Steady/Flashing /w built-in buzzer		AC/DC24V	0.280A		0.53kg	
QTC60MLF-BZ Steady/Flashing /w built-in buzzer	5	AC/DC12V	0.500A		0.61kg	R-Red A-Amber G-Green B-Blue W-White
QTC60MLF-BZ Steady/Flashing /w built-in buzzer		AC/DC24V	0.350A		0.61kg	

## • QTC70L

Model number	Layer count	Voltage	Current	Certificate	Weight	Color
QTC70L Steady	1	AC/DC12V	0.100A	 	0.56kg	R-Red
QTC70L-BZ Steady/w built-in buzzer		AC/DC24V	0.070A		0.56kg	
QTC70LF Steady/Flashing	2	AC/DC12V	0.200A		0.68kg	R-Red G-Green
QTC70LF-BZ Steady/Flashing /w built-in buzzer		AC/DC24V	0.140A		0.68kg	
QTC70LF-BZ Steady/Flashing /w built-in buzzer	3	AC/DC12V	0.300A		0.83kg	R-Red A-Amber
QTC70LF-BZ Steady/Flashing /w built-in buzzer		AC/DC24V	0.210A		0.83kg	
QTC70LF-BZ Steady/Flashing /w built-in buzzer	4	AC/DC12V	0.400A		0.98kg	R-Red A-Amber G-Green B-Blue
QTC70LF-BZ Steady/Flashing /w built-in buzzer		AC/DC24V	0.280A		0.98kg	
QTC70LF-BZ Steady/Flashing /w built-in buzzer	5	AC/DC12V	0.500A		1.22kg	R-Red A-Amber G-Green B-Blue W-White
QTC70LF-BZ Steady/Flashing /w built-in buzzer		AC/DC24V	0.350A		1.22kg	

## • QTC70ML

Model number	Layer count	Voltage	Current	Certificate	Weight	Color
QTC70ML Steady	1	AC/DC12V	0.100A	 	0.44kg	R-Red
QTC70ML-BZ Steady/w built-in buzzer		AC/DC24V	0.070A		0.44kg	
QTC70MLF Steady/Flashing	2	AC/DC12V	0.200A		0.58kg	R-Red G-Green
QTC70MLF-BZ Steady/Flashing /w built-in buzzer		AC/DC24V	0.140A		0.58kg	
QTC70MLF-BZ Steady/Flashing /w built-in buzzer	3	AC/DC12V	0.300A		0.79kg	R-Red A-Amber
QTC70MLF-BZ Steady/Flashing /w built-in buzzer		AC/DC24V	0.210A		0.79kg	
QTC70MLF-BZ Steady/Flashing /w built-in buzzer	4	AC/DC12V	0.400A		0.94kg	R-Red A-Amber G-Green B-Blue
QTC70MLF-BZ Steady/Flashing /w built-in buzzer		AC/DC24V	0.280A		0.94kg	
QTC70MLF-BZ Steady/Flashing /w built-in buzzer	5	AC/DC12V	0.500A		1.09kg	R-Red A-Amber G-Green B-Blue W-White
QTC70MLF-BZ Steady/Flashing /w built-in buzzer		AC/DC24V	0.350A		1.09kg	

※ QTC series UL listed : DC24V

# Dimensions

(Units : mm)

## • QTC50(M)L

QTC50ML : DC  
QTC50MLF : DC  
QTC50ML-BZ : DC

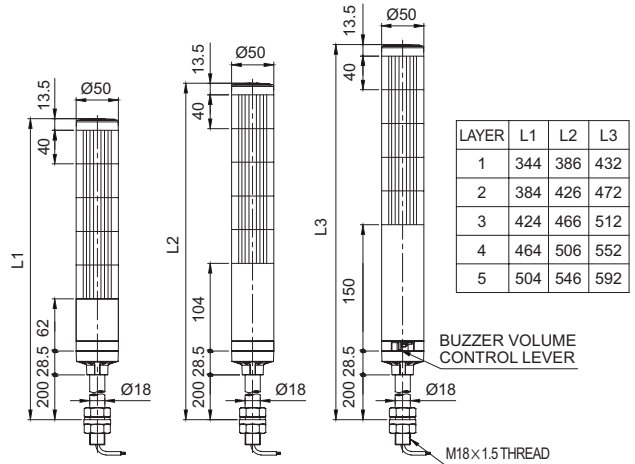
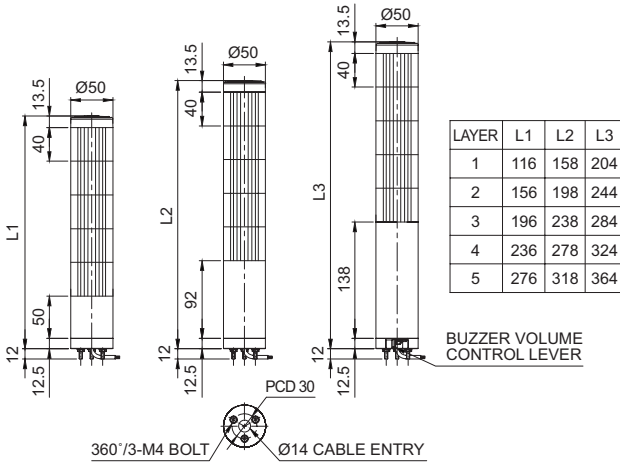
QTC50ML : AC  
QTC50MLF-BZ : DC

QTC50MLF : AC  
QTC50ML-BZ : AC  
QTC50MLF-BZ : AC

QTC50L : DC  
QTC50LF : DC  
QTC50L-BZ : DC

QTC50L : AC  
QTC50LF-BZ : DC

QTC50LF : AC  
QTC50L-BZ : AC  
QTC50LF-BZ : AC



## • QTC60(M)L

QTC60ML : DC  
QTC60MLF : DC  
QTC60ML-BZ : DC

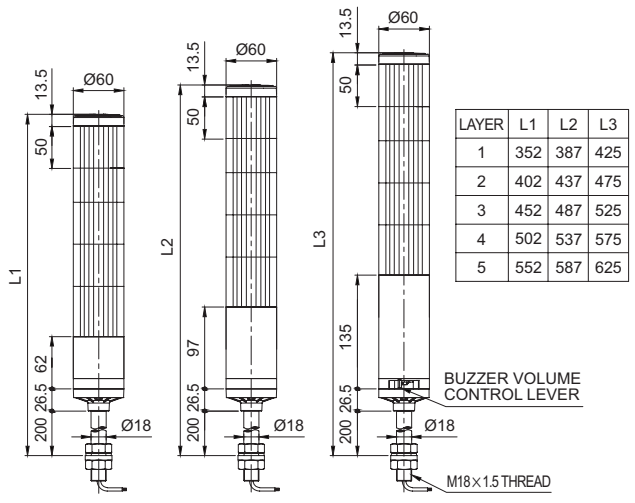
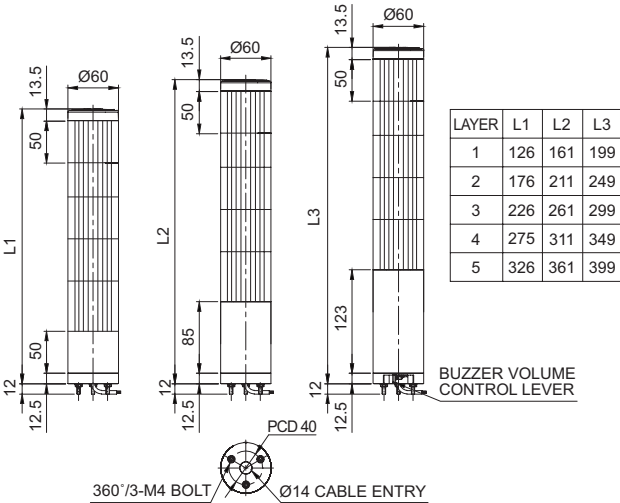
QTC60ML : AC  
QTC60MLF-BZ : DC

QTC60MLF : AC  
QTC60ML-BZ : AC  
QTC60MLF-BZ : AC

QTC60L : DC  
QTC60LF : DC  
QTC60L-BZ : DC

QTC60L : AC  
QTC60LF-BZ : DC

QTC60LF : AC  
QTC60L-BZ : AC  
QTC60LF-BZ : AC



## • QTC70(M)L

QTC70ML : DC  
QTC70MLF : DC  
QTC70ML-BZ : DC

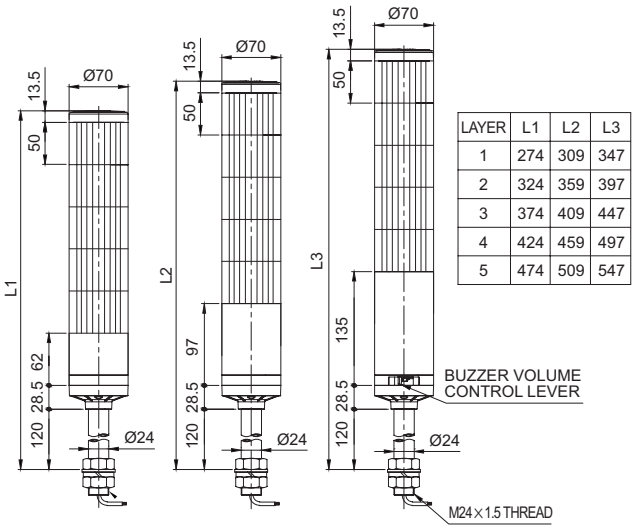
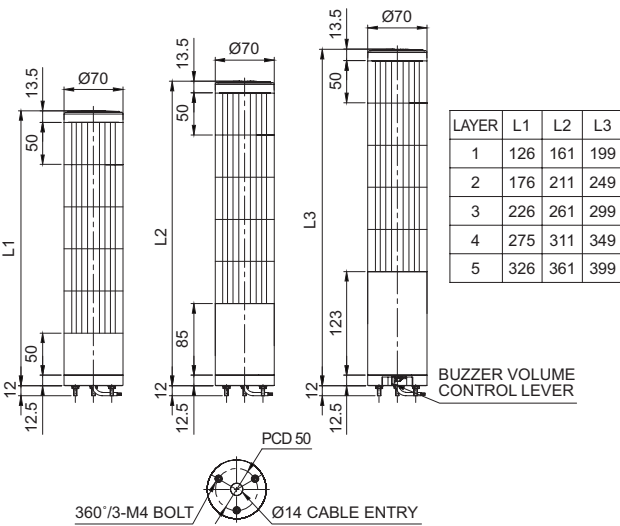
QTC70ML : AC  
QTC70MLF-BZ : AC  
QTC70ML-BZ : AC  
QTC70MLF-BZ : DC

QTC70MLF-BZ : AC

QTC70L : DC  
QTC70LF : DC  
QTC70L-BZ : DC

QTC70L : AC  
QTC70LF-BZ : AC  
QTC70L-BZ : AC  
QTC70LF-BZ : DC

QTC70LF-BZ : AC



# Wiring Instructions

## ■ Wiring using external contact

- In case of wiring with external contacts, refer to the wiring diagrams below according to your product's type and voltage setting.

	Wiring diagrams		Wiring diagrams
DC steady	<p>QTC50ML QTC50L QTC60ML QTC60L QTC70ML QTC70L</p> <ul style="list-style-type: none"> <li>• QTC(A) □ □ (M)L - Refer to this diagram for buzzer type product</li> <li>• QTC □ □ L  <ul style="list-style-type: none"> <li>└ Lens diameter 50(50mm) : QTC50(M)L</li> <li>60(60mm) : QTC60(M)L</li> <li>70(70mm) : QTC70(M)L</li> </ul> </li> </ul>	AC steady	<p>QTC50ML QTC50L QTC60ML QTC60L QTC70ML QTC70L</p> <ul style="list-style-type: none"> <li>• QTC(A) □ □ (M)L - Refer to this diagram for buzzer type product</li> <li>• QTC □ □ L  <ul style="list-style-type: none"> <li>└ Lens diameter 50(50mm) : QTC50(M)L</li> <li>60(60mm) : QTC60(M)L</li> <li>70(70mm) : QTC70(M)L</li> </ul> </li> </ul>
DC steady/flashing	<p>QTC50MLF QTC50LF QTC60MLF QTC60LF QTC70MLF QTC70LF</p> <ul style="list-style-type: none"> <li>• QTC(A) □ □ (M)LF - Refer to this diagram for buzzer type product</li> <li>• QTC □ □ LF  <ul style="list-style-type: none"> <li>└ Lens diameter 50(50mm) : QTC50(M)LF</li> <li>60(60mm) : QTC60(M)LF</li> <li>70(70mm) : QTC70(M)LF</li> </ul> </li> </ul>	AC steady/Flashing	<p>QTC50MLF QTC50LF QTC60MLF QTC60LF QTC70MLF QTC70LF</p> <ul style="list-style-type: none"> <li>• QTC(A) □ □ (M)LF - Refer to this diagram for buzzer type product</li> <li>• QTC □ □ LF  <ul style="list-style-type: none"> <li>└ Lens diameter 50(50mm) : QTC50(M)LF</li> <li>60(60mm) : QTC60(M)LF</li> <li>70(70mm) : QTC70(M)LF</li> </ul> </li> </ul>

- DC steady type cable specification : External power/ signal line - UL1007 AWG22(0.3sq) 400mm
- AC steady, AC/DC steady/flashing type cable specification : External power line - UL1015 AWG18(0.75sq) × 2C 400mm, External signal line - UL1007 AWG22(0.3sq) 400mm

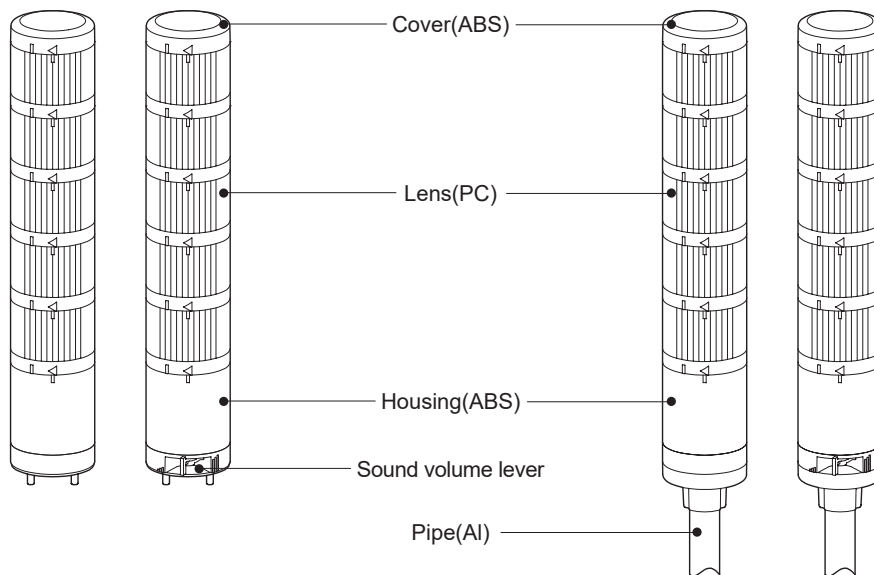
■ Wiring using transistor

- When using a transistor, please choose between the NPN or PNP type transistor which best matches the voltage and product type, then connect them correctly according to the wiring diagrams below.

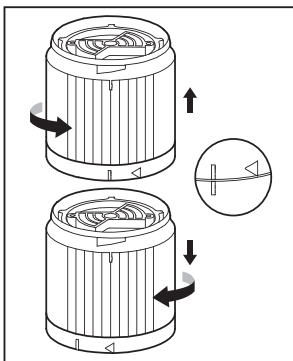
		Wiring diagrams	
DC steady		<p>NPN-Transistor      External Transistor-NPN</p> <p>PNP-Transistor      External Transistor-PNP</p> <p>QTC50ML QTC50L QTC60ML QTC60L QTC70ML QTC70L</p> <ul style="list-style-type: none"> <li>• QTC(A) □□ (M)L - Refer to this diagram for buzzer type product</li> <li>• QTC □□ L <ul style="list-style-type: none"> <li>□ Lens diameter 50(50mm) : QTC50(M)L</li> <li>60(60mm) : QTC60(M)L</li> <li>70(70mm) : QTC70(M)L</li> </ul> </li> </ul>	
DC steady/flashing		<p>PNP-Transistor      External Transistor-PNP</p> <p>QTC50MLF QTC50LF QTC60MLF QTC60LF QTC70MLF QTC70LF</p> <ul style="list-style-type: none"> <li>• QTC(A) □□ (M)LF - Refer to this diagram for buzzer type product</li> <li>• QTC □□ LF <ul style="list-style-type: none"> <li>□ Lens diameter 50(50mm) : QTC50(M)LF</li> <li>60(60mm) : QTC60(M)LF</li> <li>70(70mm) : QTC70(M)LF</li> </ul> </li> </ul>	<p>AC steady/flashing</p> <p>PNP-Transistor      External Transistor-PNP</p> <p>QTC50MLF QTC50LF QTC60MLF QTC60LF QTC70MLF QTC70LF</p> <ul style="list-style-type: none"> <li>• QTC(A) □□ (M)LF - Refer to this diagram for buzzer type product</li> <li>• QTC □□ LF <ul style="list-style-type: none"> <li>□ Lens diameter 50(50mm) : QTC50(M)LF</li> <li>60(60mm) : QTC60(M)LF</li> <li>70(70mm) : QTC70(M)LF</li> </ul> </li> </ul>

- DC steady type cable specification : External power/ signal line - UL1007 AWG22(0.3sq) 400mm
- AC steady, AC/DC steady/flashing type cable specification : External power line - UL1015 AWG18(0.75sq) × 2C 400mm, External signal line - UL1007 AWG22(0.3sq) 400mm

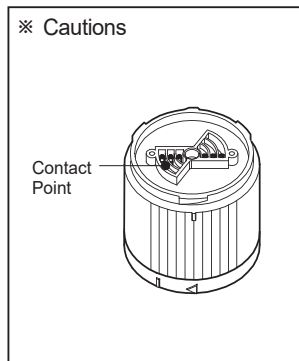
## Parts Definition



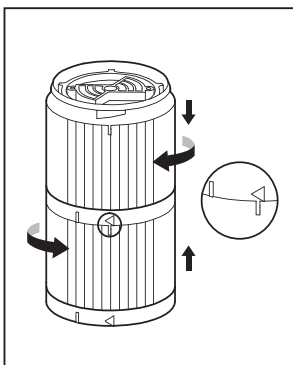
## How to replace the module



- Disassembling the module
- ① Twist the upper module kit in a counterclockwise direction so the “□” mark from both kits align.
- ② Disassemble by removing the upper module kit from the lower one.



※ Cautions  
Lens modules are connected through cone-shaped contact point. In case the contact point is damaged, it may cause a contact failure.

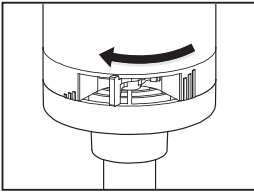


- Assembling the module
- ① Put the two module together by aligning the upper module’ “□” mark and the lower module’ “□” mark together.
- ② Lock the two kits by twisting the upper module kit in a clock wise direction so the upper module’ “◁” mark aligns with the lower module’ “□” mark.

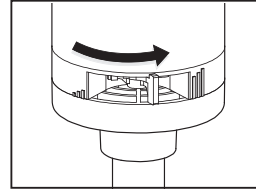
## Installation Environment and Protection Rating

- This product is designed for indoor use with protection rating of IP65(standard type) or IP54(buzzer type).
- If the product is installed in locations that subject it to excessive dust or water other than the designated IP protection rating indicated(IP65), it may cause malfunction or damage to the product.
- For further information, please visit our website([www.qlight.com](http://www.qlight.com)).

## Buzzer Sound Volume Adjustment Instructions



Buzzer volume is reduced by sliding the volume control lever to the left as show in the diagram to the left.  
( Min.  $65\pm 4\text{dB/m}$  )

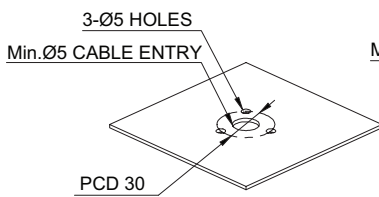


Raise/ Increase the buzzer volume by sliding the control lever to the right as shown in the diagram to the left.  
( Max.  $85\pm 4\text{dB/m}$  )

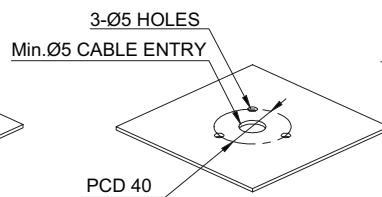
## Mounting Hole Specifications

### ■ QTC50M/ QTC60M/ QTC70M -Direct Mounting Type Model

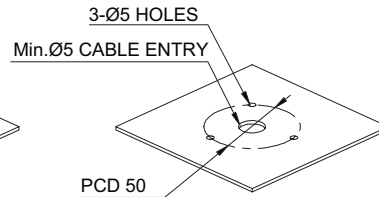
① Machine holes on the mounting surface referring to the diagram below.



QTC50M



QTC60M



QTC70M

② Remove the flange nuts from bolts and place the product through the mounting surface holes.

③ Fasten the flange nuts on the opposite side of the mounting surface until the product is tightened securely.

## Mounting Accessories (Sold Separately)

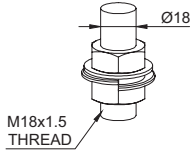
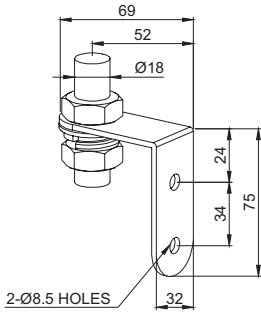
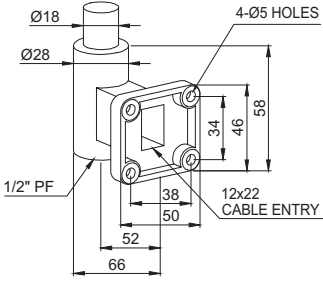
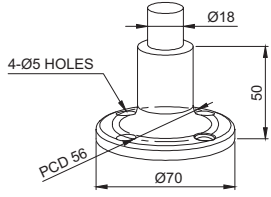
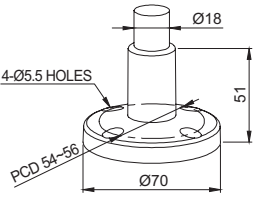
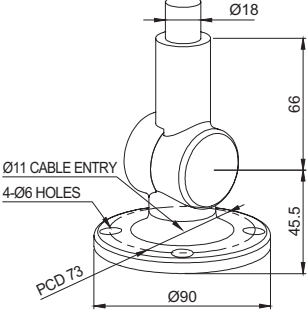
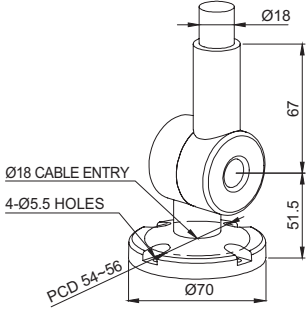
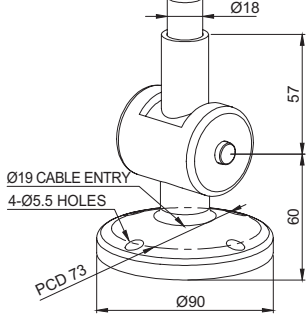
• Please refer to the dimensions below for installation of mounting brackets.

### ■ QTC50ML/ QTC60ML/ QTC70ML - Direct Mounting Type Model

		Dimensions	
QTC50 series QTC60 series	<p>TWS45</p>	<p>TWA45</p>	
	<p>TWS80</p>	<p>TWA80</p>	
QTC70 series			

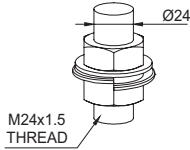
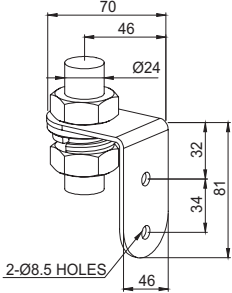
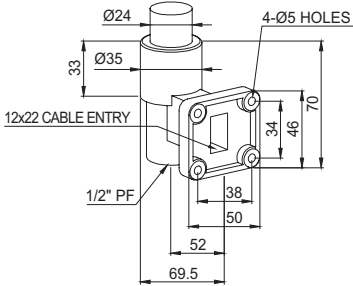
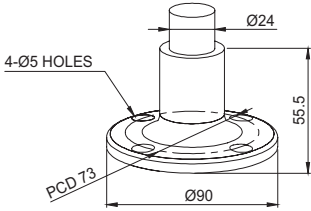
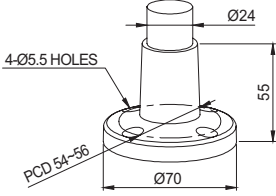
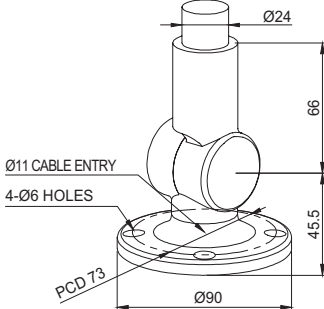
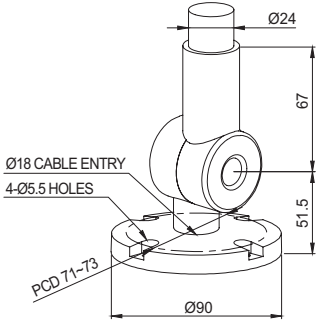
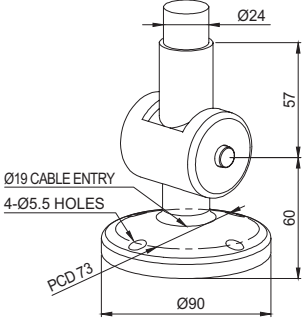


■ QTC50L/ QTC60L - Pole Mounting Type Model

Dimensions	
<p>QTC50 series QTC60 series</p>  <p>M18x1.5 THREAD</p> <p>Ø18</p>	 <p>69</p> <p>52</p> <p>Ø18</p> <p>24</p> <p>34</p> <p>75</p> <p>2-Ø8.5 HOLES</p> <p>32</p>
<p>18mm SCREW &amp; NUT</p>	<p>LB18</p>
 <p>Ø18</p> <p>4-Ø5 HOLES</p> <p>Ø28</p> <p>1/2" PF</p> <p>12x22 CABLE ENTRY</p> <p>34</p> <p>46</p> <p>58</p> <p>38</p> <p>50</p> <p>52</p> <p>66</p>	 <p>Ø18</p> <p>4-Ø5 HOLES</p> <p>50</p> <p>PCD 56</p> <p>Ø70</p>
<p>LW18</p>	<p>SZ18</p>
 <p>Ø18</p> <p>4-Ø5.5 HOLES</p> <p>51</p> <p>PCD 54-56</p> <p>Ø70</p>	 <p>Ø18</p> <p>66</p> <p>Ø11 CABLE ENTRY</p> <p>4-Ø6 HOLES</p> <p>45.5</p> <p>PCD 73</p> <p>Ø90</p>
<p>QZ18</p>	<p>SL18</p>
 <p>Ø18</p> <p>67</p> <p>Ø18 CABLE ENTRY</p> <p>4-Ø5.5 HOLES</p> <p>51.5</p> <p>PCD 54-56</p> <p>Ø70</p>	 <p>Ø18</p> <p>57</p> <p>Ø19 CABLE ENTRY</p> <p>4-Ø5.5 HOLES</p> <p>60</p> <p>PCD 73</p> <p>Ø90</p>
<p>QL18</p>	<p>QLA18</p>



■ QTC70L - Pole Mounting Type Model

Dimensions	
<p>QTC70 series</p>  <p style="text-align: center;">24mm SCREW &amp; NUT</p>	 <p style="text-align: center;">LB24</p>
 <p style="text-align: center;">LW24</p>	 <p style="text-align: center;">SZ24</p>
 <p style="text-align: center;">QZ24</p>	 <p style="text-align: center;">SL24</p>
 <p style="text-align: center;">QL24</p>	 <p style="text-align: center;">QLA24</p>

## Technical Certification

- Qlight products are designed to meet strict quality and technical standards. Thus, the Qlight brand is widely recognized for its high quality and technical innovations from leading institutions around the world.



### ISO International Organization for Standardization

Qlight quality assurance systems have been certified by ISO by applying the ISO 9001:2008, KS Q ISO 9001:2009 regulation.



### IECEX International Explosion Proof Certification (IECEX)

Certified that Qlight's products are being manufactured and manage according to international standards.



### ATEX The European Regulatory Framework or Manufacture, Installation and Use of Equipment in Explosive Atmospheres

Qlight's explosion proof products comply with ATEX Directives 94/9/EC.



### NEPSI National Supervision and Inspection Center for Explosion Protection and Safety of Instrumentation

Qlight's design and manufacturing system meets the People's Republic of China National explosion proof Standard. (Chinese Standard-GB3836/GB12476)



### KCs Explosion Proof Device Safety Certification System

The safety performance of machines and equipment subject to safety certification and Technical capability and production system have been certified safety certification standards.



### TIIS Japan Explosion-proof Certification

TIIS is a Japanes explosion proof test and certification system accordance with the Ministry of Health, Labour and Welfare Notice and the explosion proof guidelines for factory electrical equipment. Qlight's explosion proof products hasve been tested and certified by TIIS.



### CCS China Classification Society

Qlight's design and quality assurance system has been certified by the China Classification Society.



### RMRS Russian Maritime Register of Shipping

Qlight's design and quality assurance system has been certified from Russian Maritime Register of Shipping.



### LR Lloyd's Register

Qlight's design and quality assurance system has been certified from Lloyd's Register.



### KR Korean Register of Shipping

Qlight's design and quality assurance system has been certified by the Korean Register of Shipping.



### KC Korea Safety Certification

Qlight's products are certified by KC for preventing accident caused by fire.



### E-mark Commission Directive Regarding Vehicle Industry

Qlight has obtained EU mark for approved vehicles and vehicle components sold into the EU(EEA : European Economic Area)



### ICAO International Civil Aviation Organization

Qlight guarantees our products satisfy the criteria regulated by the International Civil Aviation Organization(ICAO, FAA).



### KCC Conformity Assessment of Broadcasting Communication Equipment

Qlight has been certified to protect the electromagnetic environment that causes unwanted electromagnetic waves from the device, communication failure due to other devices or external radio waves, and malfunction of the device.



### UL Underwriters Laboratories

Qlight's design and quality assurance system has been certified from UL to ensure the stability of consumption goods and to protect consumers.



### CCCF China Certification Center for Security & Protection

Qlight has passed the rigorous examination process of "Passing Fire Protection Products Centering" In order to sell fire-fighting products such as fire alarm equipment to Chinese market.



### CCC China Compulsory Certificate

Qlight's has obtained CCC which guarantees safety, protection against fraud, environment, etc.



### CE European Commission

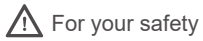
Qlight has been certified by the European Commission.



### RoHS2 Restriction of Hazardous Substances Directive

Qlight c omplies with the Restriction of Hazardous Substances Directive by limiting its use of hazardous materials.





For your safety

Specification and dimensions listed in this catalogue subject to change without notice for product quality improvement.  
The newest product information is available on our website.(www.qlight.com)  
Please read the instruction manual attached to the product carefully before installation and use.

*Qlight Co., Ltd. www.qlight.com | trade@qlight.com*

Head Office | Suite #1510, STX-V Tower, 128 Gasan digital 1-ro, Geumcheon-gu, Seoul, Korea

Tel. +82-2-2679-6152(Toll free. +82-80-328-2222) Fax. +82-2-2679-6154

Factory | 185-25, Mukbang-ro, Sangdong-myeon, Gimhae-si, Gyeongsangnamdo, Korea Tel. +82-55-328-1111(Toll free. +82-80-328-1111)

Qlight OverSEAs Sales Dept | 704 Nakdong-daero, Sasang-gu, Busan, Korea(Eomgung-Dong) Tel : +82-51-620-4100

Qlight Public Relations & Marketing Team Office | 704 Nakdong-daero, Sasang-gu, Busan, Korea(Eomgung-Dong) Tel. +82-51-245-0017

---

*Qlight USA, Inc. www.qlight.com www.qlightusa.com | sales@qlightusa.com*

3003 North First Street, Suite #341, San Jose, CA 95134 USA Tel. +1-408-519-5740 Fax. +1-408-519-5739

---

*SHANGHAI Qlight Electronic Co., Ltd. www.qlight.com www.qlightcn.com | qlightcn@qlight.com*

China Factory/ Shanghai Sales Office | #19, Nanda Road, Baoshan Area, Shanghai, China Tel. +86-21-6651-7100 Fax. +86-21-6315-3929

China Factory Site 2 (Qidong) | #33, Haiyan Road, Qidong High-tech Industrial Development Zone, Qidong, Jiangsu Province, China

Tel +86-513-8384-9999 Fax +86-513-8384-9910

**Qlightec**

Innovation in Alarm & Signal

Product Operation Inquiry / Customer Support +82-51-620-4100

You can expect prompt service if you have exact information such as model name, symptom, telephone number and address.

※ ALL PRODUCT, PRODUCT SPECIFICATIONS AND DATA ARE SUBJECT TO CHANGE WITHOUT NOTICE TO IMPROVE RELIABILITY, FUNCTION OR DESIGN OR OTHERWISE.

Head office : Suite #1510, STX-V Tower, 128 Gasan digital 1-ro, Geumcheon-gu, Seoul, Korea (Postal Code : 08507)

Factory : 185-25, Mukbang-Ro, Sangdong-Myeon, Gimhae-Si, Gyeongsangnam-Do, Korea (Postal Code : 50805)

www.qlight.com

EN - QTC50ML - 2106A