

SWMV

As 12-volt and 24-volt motor with Interference suppression and hall sensors



Technical description

Motor housing	Sheet steel deep drawn & protected against corrosion
Magnetic field	Permanent magnet
Type of transmission	Worm gear transmission
Transmission housing	Zinc die casting
Gearwheel material	Plastic, laminated fabric, metal
Transmission lubrication	Grease, permanent lubrication
Mechanical interface	Drive shaft
Electrical interface	Plugs or stranded wires with plugs or tin-plated stranded wires
Sensor	–
Thermal protection	Optional
Interference suppression	Optional

Applications

Industry

General mechanical engineering, machines, agricultural technology, office machines, laboratory devices, medical technology, photo/optics, cleaning devices, printing machines

- Information
- GMK · GML
- GMP
- GMAG
- GMP1
- GMPS
- GMPD
- GMPG
- SWMP
- DCK31
- DCK35
- SW2L
- SWMV**
- SWMG
- SW3K

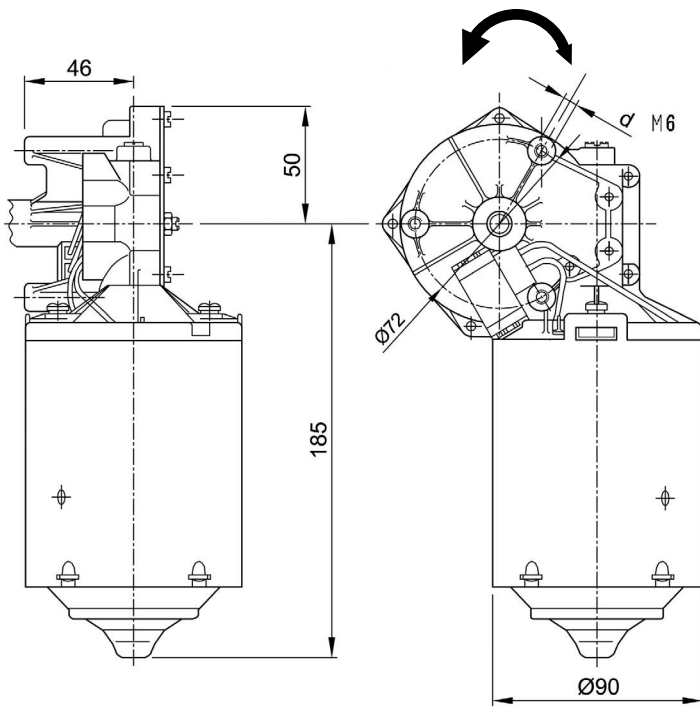
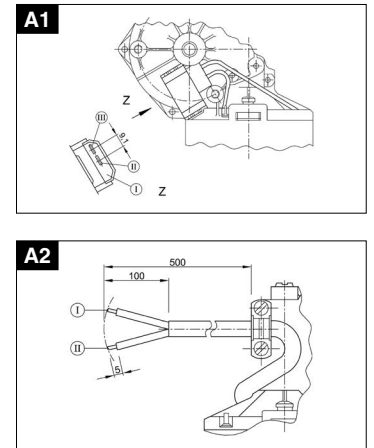
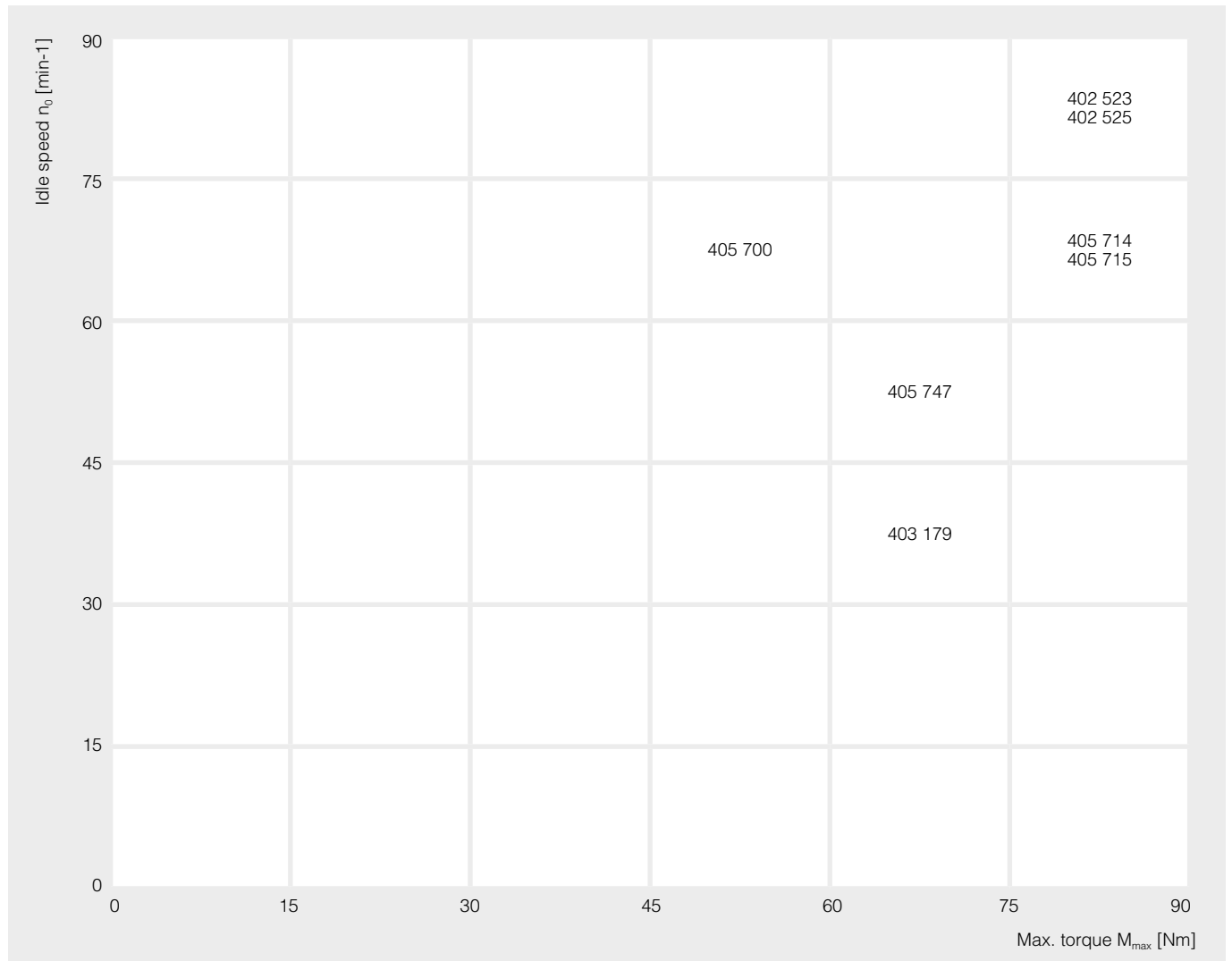


Image shows the transmission design on the left

Connections



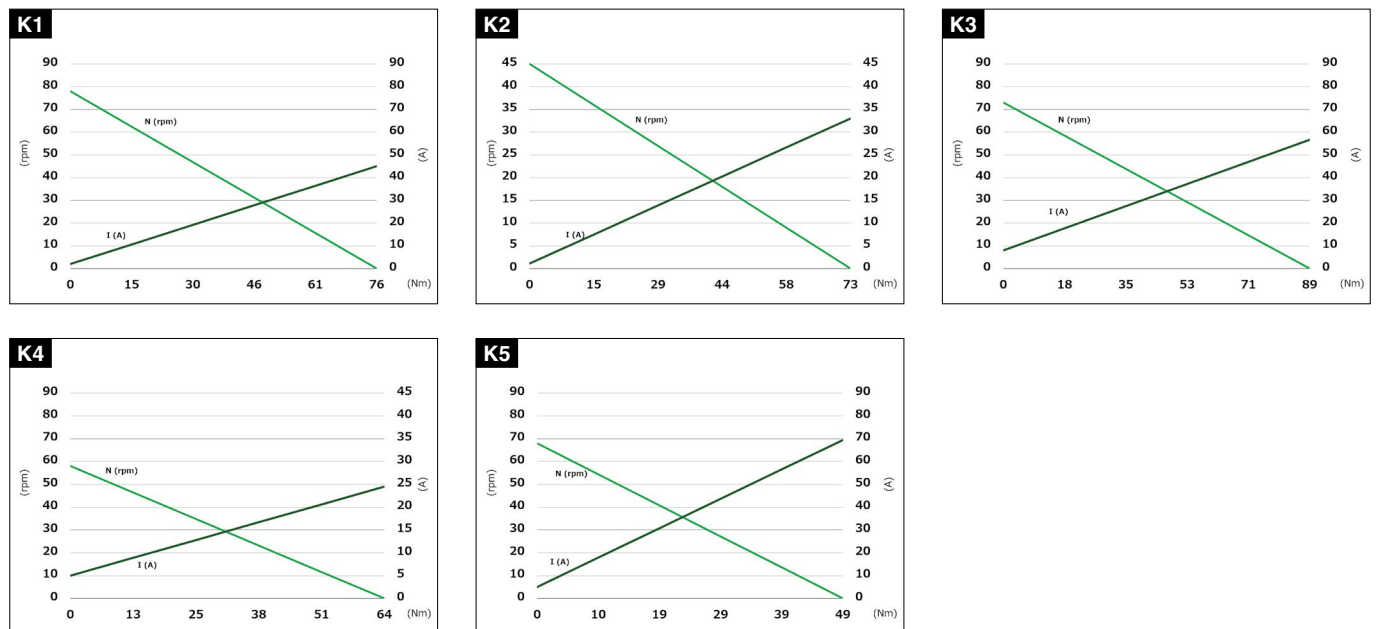
Product matrix



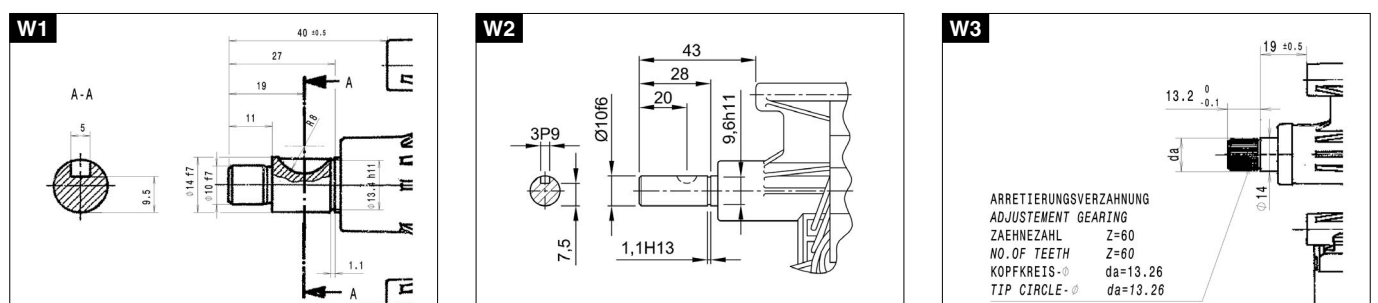
Overview

Type	Nominal voltage	Max. torque	Idle speed	Nominal output	Nominal current	No-load current	Max. power	Hall sensors	Gear reduction	Gearwheel material	Thermal switch	Interference suppression	Transmission housing	Characteristic curve	Shaft	Electrical connection
402 523	24.0	76.0	78.0	105.0	4.4	2.0	44.8	N	46:1	H	N	N	lh	K1	W1	A1
402 525	24.0	76.0	78.0	128.0	5.3	1.5	45.1	N	46:1	H	N	N	lh	K1	W2	A1
403 179	24.0	73.0	45.0	194.3	8.1	1.1	33.4	N	59:1	H	N	J	lh	K2	W1	A2
405 700	12.0	48.5	68.0	186.1	15.5	5.0	69.4	N	46:1	K	N	N	lh	K5	W2	A2
405 714	24.0	88.5	73.0	228.0	9.5	8.0	56.7	N	59:1	H	N	J	lh	K3	W1	A2
405 715	24.0	88.5	73.0	228.0	9.5	8.0	56.7	2	59:1	H	N	J	lh	K3	W1	A2
405 747	24.0	63.7	58.0	172.6	6.4	5.0	24.5	N	46:1	K	J	J	lh	K4	W3	A1

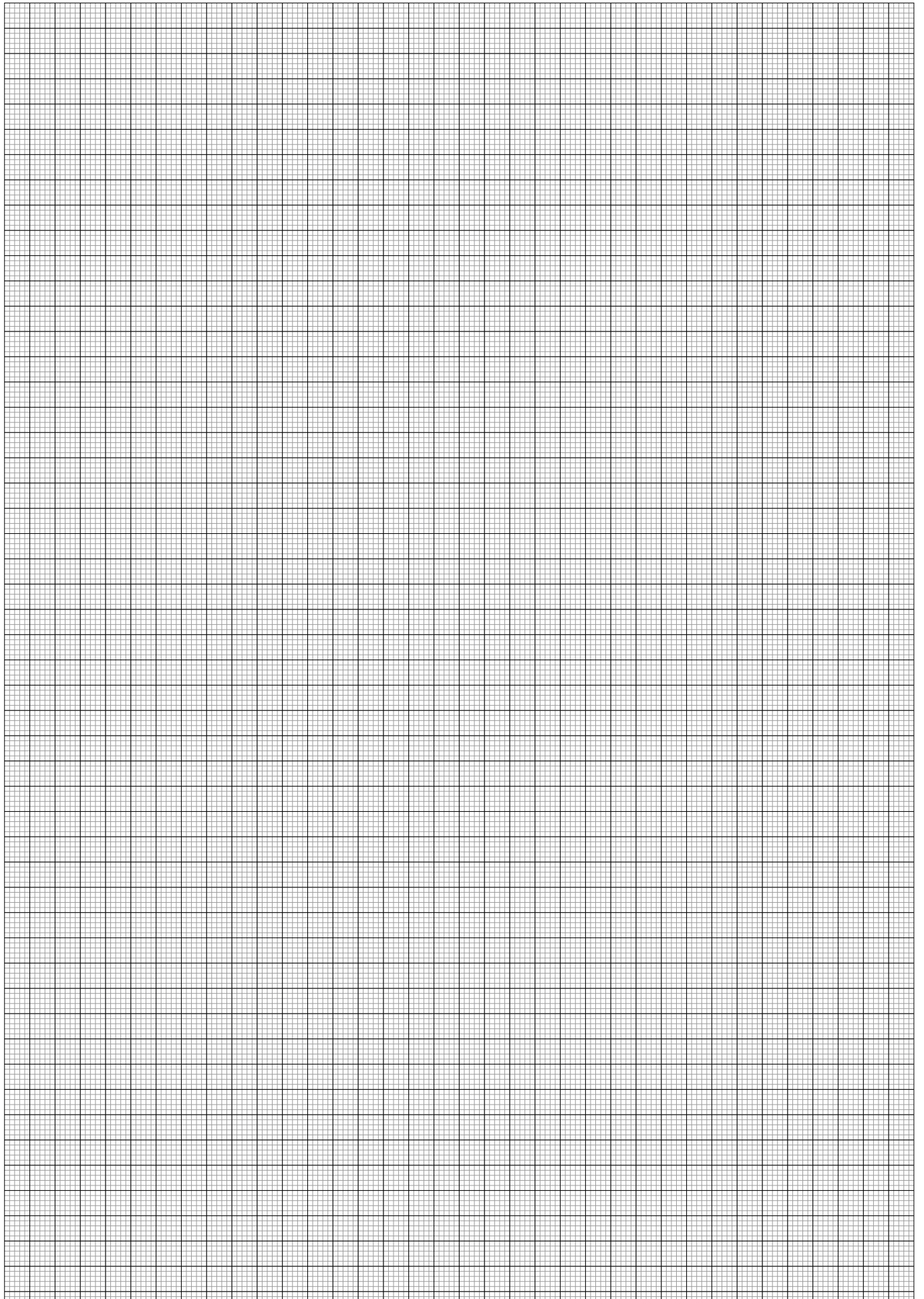
Characteristic curves



Shafts



Notes



- Information
- GMK · GML
- GMP
- GMAG
- GMP1
- GMPS
- GMPD
- GMPG
- SWMP
- DCK31
- DCK35
- SW2L
- SWMV**
- SWMG
- SW3K

Global distributors

Belgium

Eisses Import B.V.
Admiraal Trompstraat 11
3115 HK Schiedam
Tel. +31 1 02 46 00 18
Fax +31 1 02 46 00 19
info@eissesbv.nl
www.eissesbv.nl

Denmark

Wald Antriebe GmbH
Hanns-Hoerbiger-Straße 1
29664 Walsrode
Tel. +49 51 61 48 63 20
Fax +49 51 61 48 63 233
info@waldantriebe.de
www.waldantriebe.de

Germany - West

101 automation GmbH
Schallbruch 19-21
42781 Haan
Tel. +49 21 29 37 63 50
Fax +49 21 29 37 63 59
sales@101automation.de
www.101automation.de

Germany - East

JBW GmbH
Jakob-Baumann-Straße 5
81249 Munich
Tel. +49 89 89 74 54 30
Fax +49 89 89 74 54 310
info@elektromotore.eu
www.elektromotore.eu

Germany - South

Ott GmbH & Co. KG
Baarstraße 3
78652 Deisslingen
Tel. +49 74 20 93 99 0
info@ott-antriebe.de
www.ott-antriebe.de

Germany - North

Wald Antriebe GmbH
Hanns-Hoerbiger-Straße 1
29664 Walsrode
Tel. +49 51 61 48 63 20
Fax +49 51 61 48 63 233
info@waldantriebe.de
www.waldantriebe.de

Finland

Oy Movetec Ab
Suokalliontie 9
01740 VANTAA
Tel. +35 89 52 59 23 0
Fax +358 9 5259 2333
info@movetec.fi
www.movetec.fi

France

Comotech Industries SAS
6 rue des Blonnières
CS 82441
44115 Haute Goulaine
Tel. +33 2 40 05 05 05
Fax +33 2 40 05 05 03
accueil@comotech.fr
www.comotech-industries.fr

United Kingdom

Electro Mechanical Systems Ltd
Eros House, Calleva Park, Aldermaston
Berkshire RG7 8LN
Tel. +44 11 89 81 73 91
Fax +44 11 89 81 76 13
info@ems-ltd.com
www.ems-limited.co.uk

India

Strategi Automation Solutions Pvt Ltd
Plot 25/B, Dodannakundi Indl Estate
560048 Bangalore
Tel. +91 99 80 56 38 50
Fax +91 80 41 16 30 47
arun@strategiautomation.com
www.strategiautomation.com

Israel

Mechatronics Ltd.
P.O. Box 3818
49130 Petach-Tikva
Tel. +97 2 39 28 88 88
Fax +97 2 39 28 88 80
office@mechatronics.co.il
www.mechatronics.co.il

Italy

Motech S.p.A.
Via Salvemini, 20
41122 Modena
Tel. +39 59 45 42 96
Fax +39 59 45 16 93
m.coda@motech-italia.com
www.motech-italia.com

Japan

Nidec-Shimpo Corp
1 Terada Kohtari, Nagaokakyo City
617-0833 Kyoto
Tel. +81 7 59 58 38 86
Fax +81 7 59 58 36 48
shinichi.takahashi@nidec-shimpo.co.jp
www.nidec-shimpo.co.jp

Canada

Drive Systems Group
7150 Torbram Road, Unit 1 & 2
L4T 3Z8 Mississauga, ON
Tel. +1 90 54 05 03 10
Fax +1 90 54 05 03 13
georger@drivesystemsgroup.com
www.drivesystemsgroup.com

The Netherlands

Eisses Import B.V.
Admiraal Trompstraat 11
3115 HK Schiedam
Tel. +31 1 02 46 00 18
Fax +31 1 02 46 00 19
info@eissesbv.nl
www.eissesbv.nl

Norway

Aratron AS
Bjernerudveien 17
1266 Oslo
Tel. +47 23 19 16 60
Fax +47 23 19 16 61
christer@aratron.no
www.aratron.no

Austria

Kwapil & Co GmbH
Kammelweg 9
1210 Vienna
Tel. +43 12 78 85 85
verkauf@kwapil.com
www.kwapil.com

Poland

WH Technologies Sp. z o o
ul. Pusta 3c
82-550 Prabuty
Tel. +48 58 67 75 571
Fax +48 58 67 75 574
whmotor@wh-tech.pl
www.whmotors.pl

Sweden

KG Knutsson AB
Hammarbacken 8
191 49 Sollentuna
Tel. +46 8 92 30 0
johan.nilsson@kgk.se
www.kgk.se

Switzerland

Antrimon Motion AG
Gotthardstraße 3
5630 Muri (AG)
Tel. +41 5 66 75 40 30
Fax +41 5 66 75 40 31
motion@antrimon.com
www.antrimon.com

Slovakia

Opis Engineering, s.r.o
Lucna 476
03202 Zavazna Poruba
Tel. +42 14 44 55 14 31 0
Fax +42 14 45 54 72 34
opis@opis.sk
www.opis.sk

Spain

Útiles Cerámicos, S.A.
C/ San Jaime, 198 - Ap. 118
12550 - Almazora (Castellón)
Tel. +34 96 45 03 333
Fax +34 96 45 50 712
ucersa@ucersa.com
www.ucersa.com

Czech Republic

Opis Engineering k.s.
Selská 64
61400 Brno-Maloměřice
Tel. +42 05 43 33 00 55
Fax +42 05 43 24 26 53
cada@opis.cz
www.opis.cz

Turkey

S-M KRON Elektronik A.S.
Nilufer Ticaret Merkezi 66. Sokak No:6-8
16120 Nilufer-BURSA
Tel. +90 22 44 43 52 33
Fax +90 22 44 43 52 42
ahmetselim@s-mikron.com.tr
www.s-mikron.com.tr

USA

Power Electric
15300 25th Ave North, Suite 400
Plymouth MN 55447
Tel. +1 76 3 383 60 07
Fax +1 76 35 53 12 42
info@powerelectric.com
www.powerelectric.com



Nidec Motors & Actuators (Germany) GmbH
Seewiesenstraße 9
74321 Bietigheim-Bissingen

Tel. +49 (0) 71 42 / 508-0
Fax +49 (0) 71 42 / 508-20 10
sales@nidec-ma.com

www.nidec-ma.com