

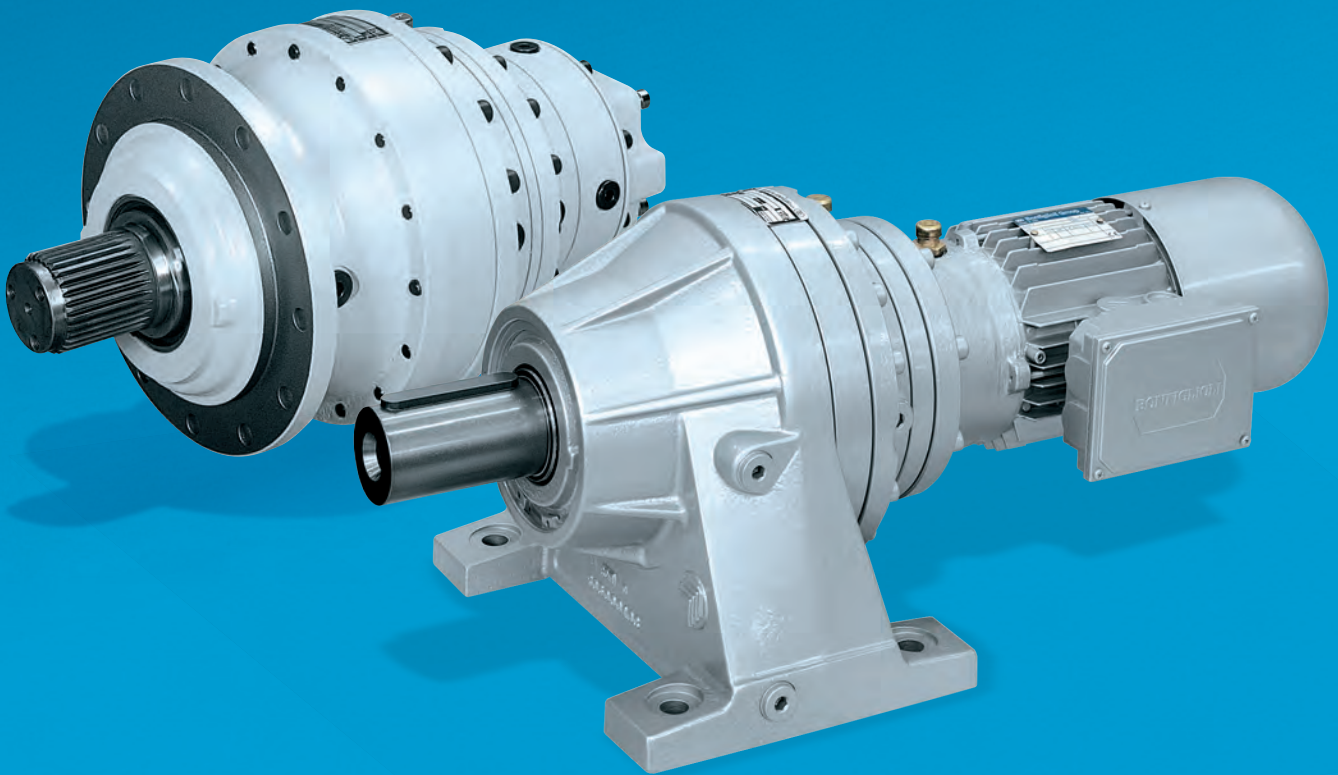
 **Bonfiglioli**
Riduttori

300 Industrial series

Modular planetary gearboxes

Power Series IE2-IE3

 Included





Chapter	Description	Page	Chapter	Description	Page
GENERAL INFORMATION			NEGATIVE MULTIDISC BRAKE AND HYDRAULIC MOTORS		
		2			460
1	Symbols and units of measure	2	H1	Symbols and units of measure	460
2	Introduction	4	H2	Negative multidisc brake	460
3	Allowed temperature limits	4	H3	Inputs for hydraulic motors	461
4	Specifications	5	H4	Hydraulic motors	471
5	Versions	6	H5	Technical features	471
6	Output torque	8	H6	Designation	472
7	Power	9	H7	Displacement selection	473
8	Efficiency	10	H8	Checking	473
9	Reduction ratio	10	H9	Technical data MG motors	475
10	Angular speed	10	H10	Dimensions MG motors	476
11	Service factor	10	H11	Technical databrakes for MG motors	477
12	Service factor requested by application	11	H12	Installation	477
13	Life factor	11	PLANETARY GEARBOX SERIES 300 ATEX CONFIGURATION		
14	Product selection	12			480
15	Installation	24	A1	Scope of document	480
16	Lubrication	26	A2	Introduction to the atex directives	480
17	Storage	28	A3	Use, installation and maintenance	482
18	Supply conditions	28	A4	Peculiarities of 300 series gear units compliant with directive Atex	482
SERIES 300 MODULAR PLANETARY GEARBOXES			A5	Ordering numbers	490
		28	A6	Declaration of conformity	494
19	300 Gearbox designation	30	ELECTRIC MOTORS		
20	3/V Gearbox designation	32			496
21	3/A Gearbox designation	34	M1	Symbols and units of measurement	496
22	Motor designation	36	M2	Introduction	497
23	Surface protection and painting options	37	M3	General characteristics	499
24	Mounting position	38	M4	Motor designation	501
25	Rating charts	43	M5	Variants and options	504
26	Dimensions	246	M6	Mechanical features	506
CUSTOMER'S SHAFT			M7	Electrical characteristics	510
		456	M8	Asynchronous brake motors	518
TORQUE ARM			M9	DC brake motors type BN_FD and M_FD	519
		459	M10	AC brake motors type BN_FA and M_FA	523
TORQUE ARM KIT FOR FP VERSIONS			M11	Brake release systems	526
		459	M12	Options	528
			M13	Tables of motors correlation	540
			M14	Motor rating charts BX-MX	542
			M15	Motors dimensions BX-MX	543
			M16	Motor rating charts BE-ME	545
			M17	Motors dimensions BE-ME	549
			M18	Motor rating charts BN-M	551
			M19	Motors dimensions BN-M	568

Revisions

Refer to page 574 for the catalogue revision index. Visit www.bonfiglioli.com to search for catalogues with up-to-date revisions.



1 SYMBOLS AND UNITS OF MEASURE

Symbols	Units of Measure	Description
$A_{c1,2}$	[N]	Calculated thrust load
$A_{n1,2}$	[N]	Rated thrust load
A_{r2}	[N]	Thrust load at gearbox output shaft
F_h	–	Lifetime factor for gearbox calculation
$F_{h1,2}$	–	Lifetime factor for bearing calculation
$f_{n1,2}$	–	Speed factor referred to input and output shaft loading
f_L	–	Lifetime factor
f_m	–	Increase factor
$f_{h1,2}$	–	Load corrective factor on shafts
f_s	–	Service factor
f_s'	–	Service factor required by the application
f_t	–	Thermal factor
f_v	–	Speed factor
h	[h]	Lifetime in hours
i	–	Reduction ratio
K_a	–	Axial load duty factor
K_r	–	Radial load factor
l	–	Intermittence factor
M_2	[Nm]	Torque delivered to output shaft
M_{c2}	[Nm]	Calculated torque at gearbox output
M_{2REF}	[Nm]	Reference torque
M_{n2}	[Nm]	Gearbox rated output torque
M_{2max}	[Nm]	Gearbox max. output torque
M_b	[Nm]	Rated brake torque
$M_{r1,2}$	[Nm]	Required torque at gearbox
$n_{1,2}$	[min ⁻¹]	Angular speed

Symbols	Units of Measure	Description
p	[bar]	Hydraulic oil pressure
P_1	[kW]	Max transmissible power at gearbox input
P_1'	[kW]	Transmitted power at gearbox input
P_2	[kW]	Transmitted power at gearbox output
P_n	[kW]	Motor rated power
P_{r1}	[kW]	Required input power
P_{r2}	[kW]	Output power at n_2 max
P_{r2}'	[kW]	Output power at n_2 min
P_s	[kW]	Excess power
P_t	[kW]	Gearbox thermal capacity
Q	[l/min]	Hydraulic flow rate
$R_{c1,2}$	[N]	Calculated radial load
$R_{n1,2}$	[N]	Rated radial load at shaft mid-point
$R_{x1,2}$	[N]	Rated radial load at gearbox re-calculated with respect to different load application points
t_a	[°C]	Ambient temperature
t_s	[°C]	Surface temperature
t_o	[°C]	Oil temperature
V	[cm ³]	Hydraulic motor displacement
V_c	[cm ³]	(Theoretical) Hydraulic motor displacement
X	[mm]	Load application distance from shaft shoulder
η_d	–	Dynamic efficiency
Z	–	Frequency of starts

$_1$ value applies to input shaft

$_2$ value applies to output shaft



Symbol referring to weight of gearboxes.



The number associated with the wrench symbol indicates the tightening torque for friction coupling screws.



Columns marked with this symbol indicate the reference page showing dimensions.



Negative multidisc brake.



This symbol identifies reference page number.



Hydraulic motor connection.



DANGER - WARNING
This symbol indicates situations of danger, which if ignored, may result in serious injury to the operator.



Cover for standard input flanging.



Inline units.



IMPORTANT
This symbol indicates important technical information.



Right angle units.



Apply to equipment complying with "ATEX" Directive



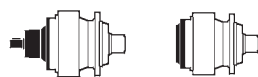
Worm-planetary combined design.



These symbols identify the mounting positions of accessories.



Bevel helical-planetary combined design.



These symbols identify the position of gearbox input (black-filled areas).





2 INTRODUCTION

This catalogue presents BONFIGLIOLI RIDOTTORI's range of Series 300 modular planetary gearboxes. The range has been expanded and integrated with new sizes, technical improvements and enhanced modularity right through to the larger sizes. This feature signifies greater flexibility in internal production to ensure quick availability of products in the sizes and types requested either directly from the company or from the many affiliates belonging to the BONFIGLIOLI sales network in various countries around the world.

The gearboxes are tested in conformity with the following standards:


ISO 6336 : 2006 - method B for gears

ISO 281 for bearings


DIN 743 : 2012 for shafts

3 ALLOWED TEMPERATURE LIMITS

Symbols	Description / Condition	Value (*)	
		Synthetic Oil	Mineral Oil
t_a	Ambient temperature		
$t_{au \text{ min}}$	Minimum operating ambient temperature	-30°C	-10°C
$t_{au \text{ Max}}$	Maximum operating ambient temperature	+50°C	+40°C
$t_{as \text{ min}}$	Minimum storage ambient temperature	-40°C	-10°C
$t_{as \text{ Max}}$	Maximum storage ambient temperature	+50°C	+50°C
t_s	Surface temperature		
$t_{s \text{ min}}$	Minimum gearbox surface temperature starting with partial load (#)	-25°C	-10°C
$t_{sc \text{ min}}$	Minimum gearbox surface temperature starting with full load	-10°C	-5°C
$t_{s \text{ Max}}$	Maximum casing surface temperature during continuous operation (measured next to the gearbox input)	+100°C	+100°C (@)
t_o	Oil temperature		
$t_{o \text{ Max}}$	Maximum oil temperature during continuous operation	+95°C	+95°C (@)

(*) = Refer to the table "Selection of the optimal oil viscosity" for further information about minimum and maximum values of different oil viscosity and for using hydraulic circuits. For values of $t_a < -20^\circ\text{C}$ and $t_s, t_o > 80^\circ\text{C}$, choose (as permitted in the product configuration stage) the sealing type of the most suitable material to the type of application. If needed contact Bonfiglioli Technical Service. 

(@) = Continuous operation it is not advised if t_s and t_o range is 80°C to 95°C .

(#) = For full load start-up it is recommended to ramp-up and provide for greater absorption of the motor. If needed, contact Bonfiglioli Technical Service. 



4 SPECIFICATIONS

The 300 series consist of a range of multi-purpose planetary gearboxes that can be operated by either hydraulic or electric motors. Basic features are:





- 20 frame sizes of modular design
- output torque up to 1,286,700 Nm
- transmissible power up to 1050 kW
- ratios from 3.4:1 to 5234:1
- versions:
 - in-line with 1 to 4 reductions
 - right angle (spiral bevel gear set into first stage) with 2 to 4 reductions
- combinations with:
 - worm gear units
 - bevel-helical gear units
- flange, foot and shaft mounting arrangements
- slow output shafts: keyed, splined male, splined hollow, shrink disk mounted
- input adaptors for:
 - IEC-normalised electric motors
 - integral motor for in-line units up to size 307 and for units combined with bevel helical and worm gears
 - hydraulic motors by major manufacturers and according to SAE J744C
- parallel input shafts
- gearmotors with:
 - electric motors IEC
 - hydraulic orbital motors by BONFIGLIOLI TRASMITAL MG
- negative hydraulic parking brakes for operation by hydraulic motors
- output shaft accessories:
 - flanges
 - pinions
 - splined bars
 - shrink discs

More design features:

- high ratio of transmissible torque to overall dimensions
- high overhung and axial load capacity due to heavy duty tapered roller bearings featured on H and P versions
- high efficiency
- inner parts are coupled through splined connections rather than keys
- planetary gears mounted onto self-centering carriers to ensure the most even load distribution among planetary gears
- housing made of spheroidal cast iron.

Configurations

(A 1)

Configuration	Power	Torque	Ratios	Efficiency	Noise level
	$0.25 \leq P_n \text{ [kW]} \leq 55$	$M_{2REF} \leq 1286700 \text{ Nm}$	$3.4 \leq i \leq 2916$	High	Medium
	$0.25 \leq P_n \text{ [kW]} \leq 55$	$M_{2REF} \leq 656000 \text{ Nm}$	$7 \leq i \leq 953$	High	Medium
	$0.12 \leq P_n \text{ [kW]} \leq 22$	$M_{2REF} \leq 656000 \text{ Nm}$	$370 \leq i \leq 5234$	Medium	Low
	$0.12 \leq P_n \text{ [kW]} \leq 22$	$M_{2REF} \leq 15680 \text{ Nm}$	$18.7 \leq i \leq 731$	High	Low



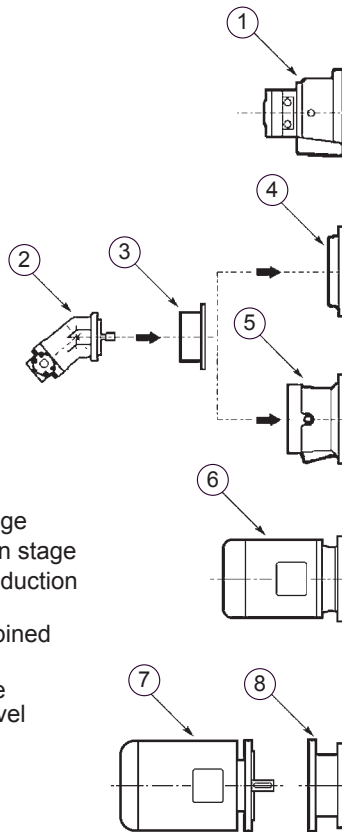
5 VERSIONS

A INPUT

B REDUCTIONS

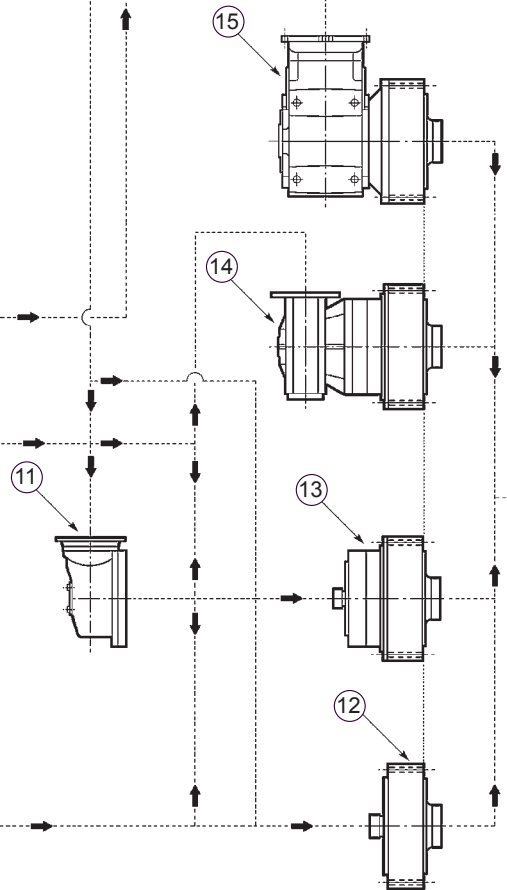
A

- 1 Orbital hydraulic motor
MG with/without brake
- 2 Hydraulic motor
- 3 Hydraulic motor setting
- 4 Cover
- 5 Negative brake
- 6 Compact electric motor
- 7 IEC electric motor
- 8 Electric motor setting
- 9 Input shaft
- 10 Solid input shaft
with fan



B

- 11 Right-angle reduction stage
- 12 Single planetary reduction stage
- 13 Two or more planetary reduction stages
- 14 Planetary reduction combined
with wormgear unit
- 15 Planetary reduction stage
combined with helical bevel
gear unit



C

- 16 **MC/MZ** - Keyed or splined solid shaft
output
- 17 **HC/HZ** - Keyed or splined heavy
duty solid output shaft
- 18 **PC/PZ** - Output with support bracket
and keyed or splined solid shaft
- 19 **FZ** - Splined hollow output shaft
- 20 **FP** - Hollow output shaft for
shrink disc
- 21 **HC** - Parallel solid output shaft
- 22 **HZ** - Splined solid output shaft
- 23 **FZ** - Splined hollow output shaft
- 24 **FP** - Hollow output shaft
for shrink disc
- 25 **PC** - Foot mount
- 26 **VK** - Reinforced output with parallel
shaft for stirrers and mixers
- 27 **FDK** - Hollow shaft with double
keyway
- 28 **FZP** - Hollow splined shaft with axial
blockage device

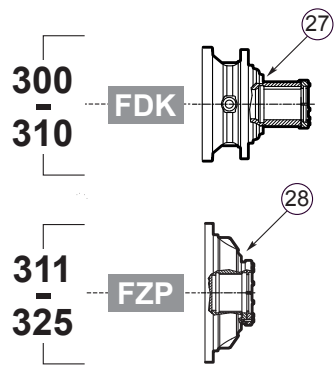
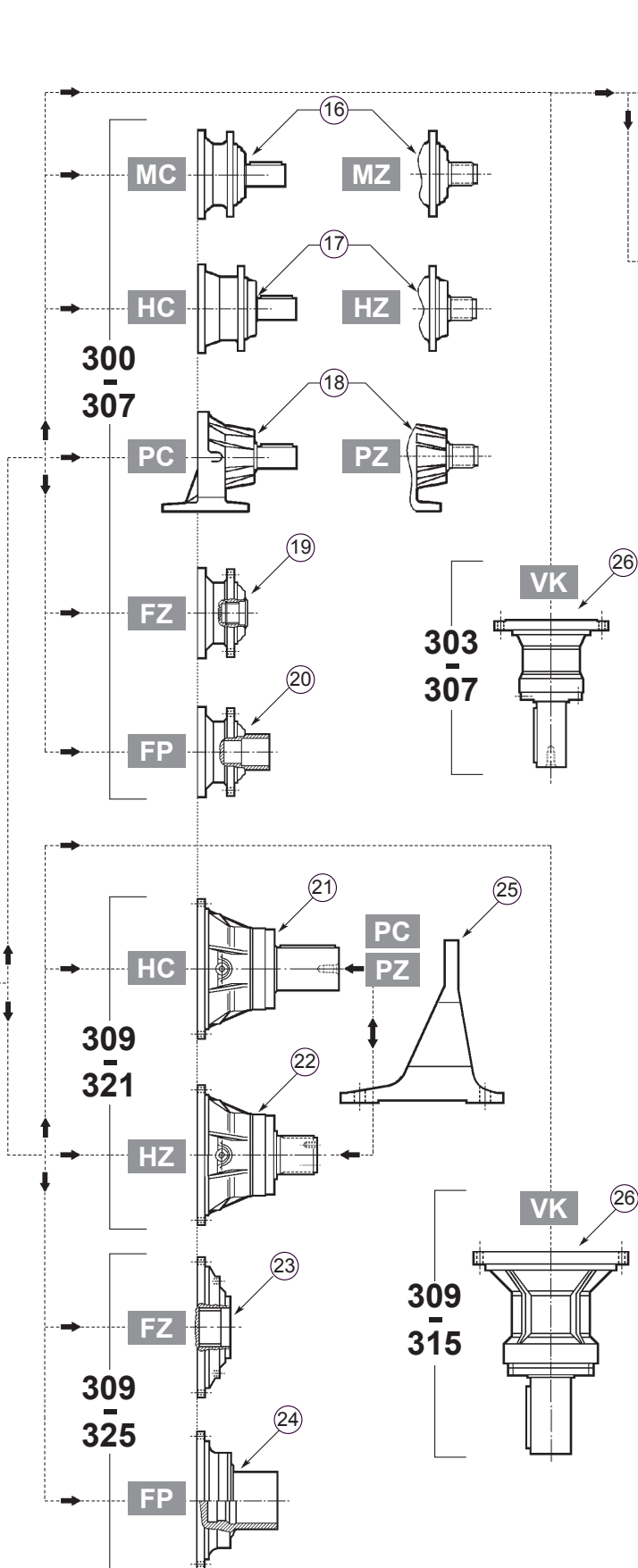
D

- 29 **W0A** - Flange
- 30 **P_** - Pinion
- 31 **M0A** - Sleeve coupling

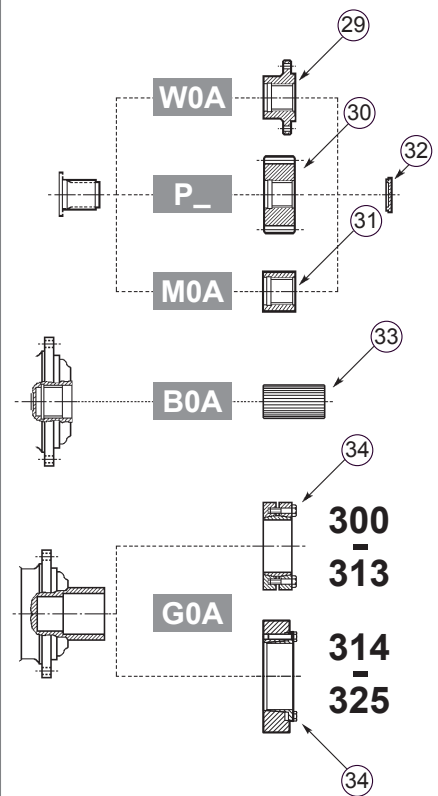
- 32 End plate
- 33 **B0A** - Splined bar
- 34 **G0A** - Shrink disc



C OUTPUT



D FITTINGS



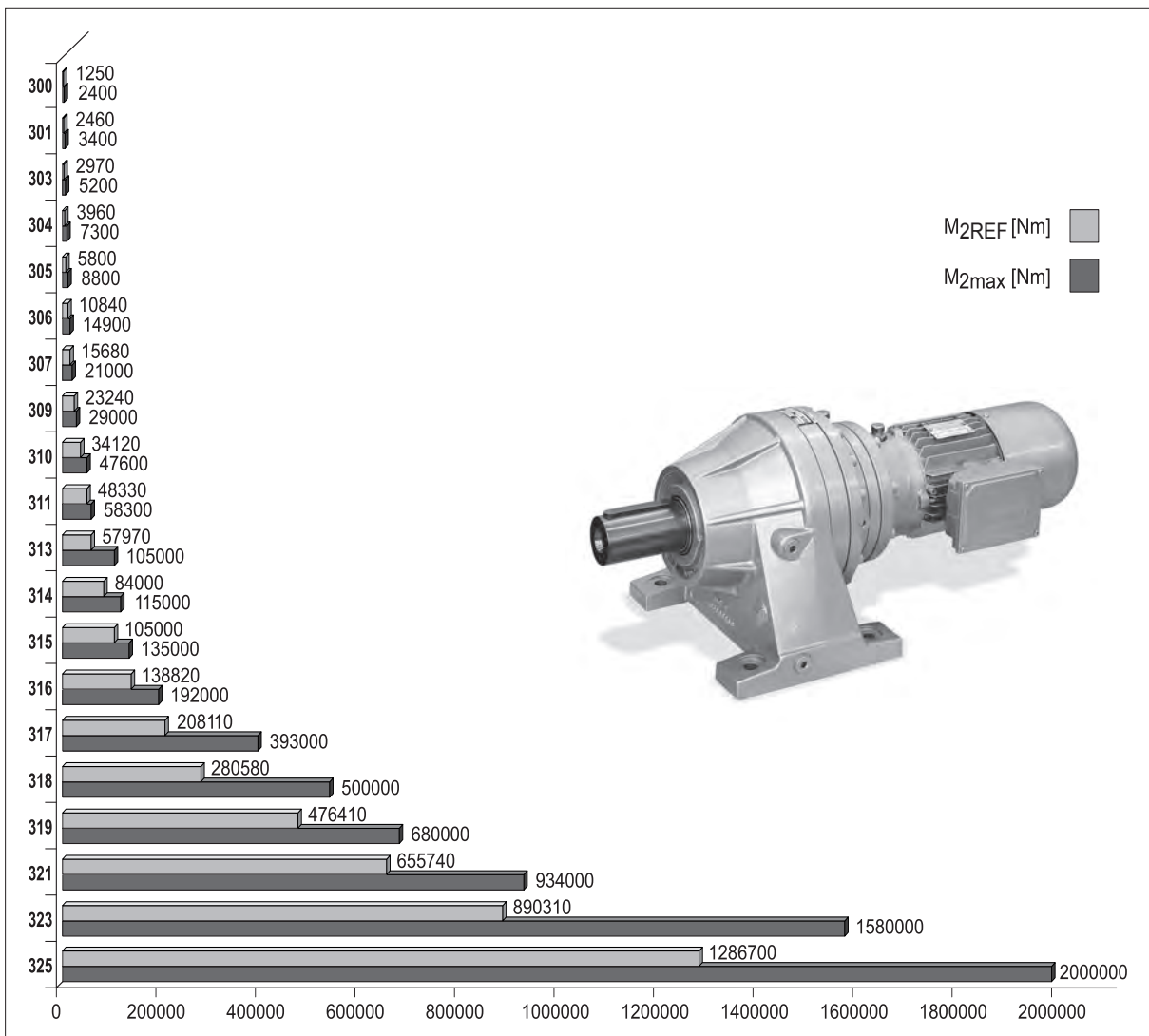


GENERAL INFORMATION

The following paragraphs contain information on essential elements for selection and correct use of gearmotors.

6 OUTPUT TORQUE

(A 2)



6.1 Reference torque M_{2REF} [Nm]

It is the significant value for the size. It is equivalent to the maximum value of nominal torque M_{n2} for a life factor $n_2 \times h = 10000$ (referred to single stage configuration L1).

6.2 Rated output torque M_{n2} [Nm]

It is the output torque which the gearbox can transmit with steady load under working condition specified in the calculation method.



6.3 Maximum torque M_{2max} [Nm]

It is the output torque that the gearbox can withstand under static or almost static conditions. It is generally meant as a momentary peak load or starting-up torque under load.
The values in the tables are valid only in versions with output splined shaft (accessories excluded).

6.4 Required torque M_{r2} [Nm]

The torque drawn by the application. It must always be equal to or less than rated output torque M_{n2} for the gearbox under study.

7 POWER

7.1 Input rated power P_{n1} [kW]

P_{n1} is the maximum power that can be safely applied to the gearbox when the same is operated:
- at a n_1 drive speed
- yielding a theoretical lifetime of 10000 hours
- service factor $f_s=1$

Check that the formula here below is always satisfied:

$$P_1' \times f_s \leq P_1 \quad (1)$$

7.2 Output power P_2 [kW]

This value is the net power delivered to the output shaft.
It can be calculated through the following formulas:

Efficiency values are listed in table (A3).

$$P_2 = P_1 \times \eta_d \quad (2)$$

$$P_2 = \frac{M_{r2} \times n_2}{9550} \quad (3)$$

7.3 Thermal power P_t [kW]

This parameter is linked to the gearbox thermal limit. Values for the thermal capacity are listed within the rating charts of gearboxes and gearmotors and represent the mechanical power that can be transmitted continuously at an input speed n_1 and at an ambient temperature of 20°C, without the lubricant exceeding the temperature of 85-90°C and the gear case the temperature of 75-80°C, without the use a supplementary cooling system.



8 EFFICIENCY

8.1 Dynamic efficiency η_d

The parameter is defined as the relationship of the net power delivered to the output shaft P_2 to the power applied to the input shaft P_1 :

$$\eta_d = \frac{P_2}{P_1} \quad (4)$$

Indicative values for the efficiency are listed in the chart here after.

(A 3)

No. of reductions	Configuration		
	Planetary	Combined with worm gear unit	Combined with right-angle unit
1	0.97	—	—
2	0.94	0.73	—
3	0.91	0.70	0.91
4	0.88	—	—

9 REDUCTION RATIO i

It is defined as the relationship of the speed the input shaft is driven at and the speed delivered at the output shaft of a gearbox.

$$i = \frac{n_1}{n_2} \quad (5)$$

10 ANGULAR SPEED

10.1 Input speed n_1 [min⁻¹]

The speed the gearbox is driven at.

The value is coincident with the motor speed if this is directly connected to the gearbox.

Input speed should never exceed the n_{1max} value listed in the gearbox rating chart.

10.2 Output speed n_2 [min⁻¹]

It is calculated from drive speed n_1 and gear ratio i , as per the following equation:

$$n_2 = \frac{n_1}{i} \quad (6)$$

11 SERVICE FACTOR f_s

This is the relationship of the gear unit rated power to the power of the electric motor actually driving the unit.

$$f_s = \frac{P_{n1}}{P_1} \quad (7)$$



12 SERVICE FACTOR REQUESTED BY APPLICATION f_s'

It's a coefficient that represents the severity of the application. This factor takes into account, although approximately, the type of load the gearbox operates with, the specific duty cycle as well as the operating daily hours.

The table (A4) is of reference when determining the appropriate service factor for the application.

(A 4)

Service factor f_s' required depending on the application						
Type of load	Number of starts/hour z	Total operating hours (h)				
		≤ 5000	10000	15000	25000	50000
		Daily operating hours (h)				
		$h < 4$	$4 < h < 8$	$8 < h < 12$	$12 < h < 16$	$16 < h < 24$
Uniform load	$Z < 10$	0.90	1.00	1.15	1.30	1.60
	$10 < Z < 30$	0.95	1.15	1.30	1.50	1.80
	$30 < Z < 100$	1.00	1.25	1.45	1.60	2.00
Moderate shock load	$Z < 10$	1.00	1.25	1.45	1.60	2.00
	$10 < Z < 30$	1.10	1.40	1.60	1.80	2.20
	$30 < Z < 100$	1.20	1.50	1.70	2.00	2.40
Heavy shock load	$Z < 10$	1.20	1.50	1.70	2.00	2.40
	$10 < Z < 30$	1.30	1.60	1.80	2.10	2.60
	$30 < Z < 100$	1.40	1.75	2.00	2.30	2.80

13 LIFE FACTOR F_{h1} , F_{h2}

Factor resulting by multiplying angular speed at input (n_1) or output (n_2) by actual operating working hours h , break times excluded.

$$F_{h1} = (n_1 \times h) \quad (8)$$

$$F_{h2} = (n_2 \times h) \quad (9)$$

Life factor is directly proportional to gearbox rpms during the whole duty time



14 PRODUCT SELECTION

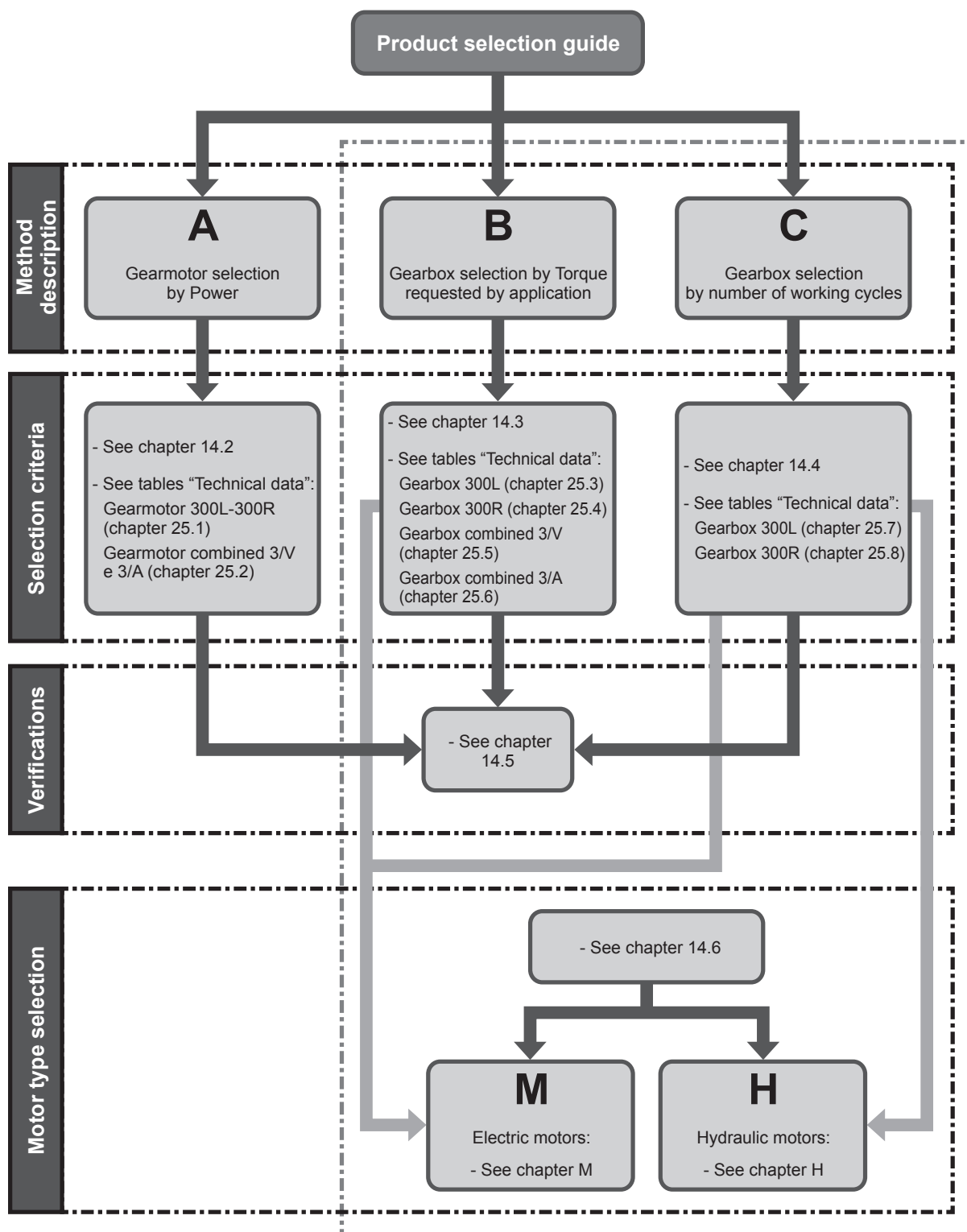
		TECHNICAL DATA REQUIRED FOR THE SELECTION OF 300				Nr: _____ Date: _____ Rev_ _____ Date: _____	
A) GENERAL DATA							
#	1	Company / Customer					
#	2	Contact					
#	3	Branch / Distributor					
#	4	Order quantity					
#	5	Delivery time					
B₁) ELECTRIC MOTOR				B₂) HYDRAULIC MOTOR			
#	6	Motor Type					
#	7	P_{n1} Rated motor Power	[kW]	V	Displacement	[cm ³]	
#	8	P_{r1} Motor power demand	[kW]	Δp	Max drop of pressure	[bar]	
#	9	n_1 Input speed	[min ⁻¹]	Q	Max oil flow rate	[l/min]	
#	10	Pole number					
#	11	Motor mounting: B3 - B5 - B14					
C₁) PLANETARY GEARBOX				C₂) ATEX CONDITION [GROUP II] -2014/34/EU			
#	12	Gearbox configuration					
#	13	i Gear ratio	Category: [2=standard / 3=special]				
#	14	n_2 Output speed	[min ⁻¹]	Atmosphere: [G=gas / D=dust]			
#	15	M_{r2} Output torque demand	[Nm]	Zone: [1 - 21 / 2 - 22]			
#	16	M_{p2} Peak torque demand	[Nm]	Temperature Class [T4 / 135 °C]			
#	17	f_s Service factor demand					
#	18	Rotation of the output shaft [frontal view]:	CW		CCW		
#	19	L_{10H} Bearings lifetime	[h]				
#	20	Gears lifetime	[h]				
#	21	SF_{min} Safety for tooth root stress	standard reference (ISO preferred)				
#	22	SH_{min} Safety for flank pressure	standard reference (ISO preferred)				
D) ADDITIONAL LOADS							
#	23	R_{c2} Radial load on output shaft	[N]				
#	24	x_2 Load application distance from shaft shoulder	[mm]				
#	26	R_{c1} Radial load on input shaft	[N]				
#	27	x_1 Load application distance from shaft shoulder	[mm]				
#	29	A_{n2} Thrust load on output shaft (+ / -)	[N]				
#	30	A_{n1} Thrust load on input shaft (+ / -)	[N]				
E) APPLICATION							
#	31	Type of application					
#	32	Duty cycle	Time phase %	Time phase hours	Gearbox output torque [Nm]	Gearbox output speed [min ⁻¹]	
			****	****			
			****	****			
			****	****			
			****	****			
			****	****			
#	33	Notes about Duty Cycle:					
		Duty type	S1	S2	S3	S4-S8	
#	34	v_A Ambient air velocity	[m/s]	≤ 0.5	> 0.5 ≤ 1.4	> 1.4	
#	35	t_a Ambient temperature range	[°C]				
#	36	Altitude a.s.l.	[m]				
#	37	Rating according FEM class	T-	L-	M-		
F) OPTIONS OR ADDITIONAL REQUESTS							
#	38	Lubrication					
#	39	Supplementary cooling systems					
#	40	Paint coating					
#	41	To specific requests for testing					
G) NOTES							
#	42	Notes and additional Customer requirements:					
#	43	PLP number if present for Special Gearbox					

Mandatory for the selection

The form, duly filled in, can be forwarded to our Technical Service which will assist the Customer in selecting the most suitable drive for the specific application.



14.1 PRODUCT SELECTION GUIDE



NOTE:

The selection criteria and specifications reported in this catalogue are not valid for every and each application, including those where the gearbox operates as a safety device preventing injury to persons or damage to objects, as is the case with hoisting equipment.

For these applications, the gearbox should be selected according to specific criteria and in compliance with the applicable safety regulations. Should this be the case we recommend that you seek advice from BONFIGLIOLI Technical Service.



For the selection of gear units in ATEX configuration, see also the specific chapter on page 480.

14.2 METHOD A (Gearbox selection by power)

Based on application type, it should be defined :

a) Required service factor f_s' (see tab A4);

b) Required drive power:

$$P_{r1} = \frac{M_{r2} \times n_2}{9550 \times \eta_d} \quad (10)$$

Table (A3) lists the indicative values of efficiency η_d for the different types of gearboxes.

c) After required power P_{r1} and output speed n_2 are known, locate the gearmotor rating charts and select the one relevant to normalized power P_n equal to or greater than P_{r1} :

$$P_n \geq P_{r1} \quad (11)$$

Unless otherwise specified, power P_n listed in the motor rating chart refers to continuous duty S1. For motors operating in conditions other than S1, determine type of duty according to CEI 2-3/IEC 60034-1 standards.

Note that for duty cycles from S2 to S8 and motor frame sizes up to 132 included, power may be upgraded over that specified for continuous duty. In this event, the condition to be verified is the following:

$$P_n = \frac{P_{r1}}{f_m} \quad (12)$$

The adjusting factor f_m can be obtained from table (A5).

(A 5)

	DUTY						Please contact us
	S2			S3*			
	Cycle duration			Cyclic duration factor			
	10	30	60	25%	40%	60%	
f_m	1.35	1.15	1.05	1.25	1.15	1.1	

* Cycle time must be equal to or less than 10 minutes. Should this not be the case contact our Technical Service for assistance.

Cyclic duration rate: see formula (25).

For the output speed n_2 , or closest to, select the gearmotor that yields a service factor f_s meeting the following condition:

$$f_s \geq f_s' \quad (13)$$



In case of FP configuration, please see Verification paragraph (chapter 14.5 - item g) .



14.3 METHOD B (Gearbox selection by Torque requested by application)

Based on application type, it should be defined :

a) Required service factor f_s' (see tab A4);

b) Determine calculated torque according to required output torque M_{r2} as follows:

$$M_{c2} = M_{r2} \times f_s' \quad (14)$$

c) Determine gear ratio from required output speed n_2 and drive speed n_1 :

$$i = \frac{n_1}{n_2} \quad (15)$$

d) Once M_{c2} and i are determined, locate the gearbox rating chart for the drive speed n_1 and select a gearbox featuring the ratio i nearest to calculated ratio that also satisfies the condition:

$$M_{n2} \geq M_{c2} \quad (16)$$

If a IEC-normalised motor is to be fitted onto the gearbox, check availability of the applicable adapter.



In case of **FP** configuration, please see Verification paragraph (chapter 14.5 - item g) .

14.4 METHOD C (Gearbox selection by number of working cycles)

a) Determine the following according to the required application:

- Required service factor f_s' (see tab. A4)
- required gearbox working life h
- required drive unit (hydraulic, electric or others).

b) Define the calculated torque with the required output torque M_{r2} :

$$M_{c2} = M_{r2} \times f_s' \quad (17)$$

c) Calculate the life factor with required working life h and output speed n_2 :

$$Fh_2 = (n_2 \times h) \quad (18)$$

d) Calculate the required reduction ratio:

$$i = \frac{n_1}{n_2} \quad (19)$$



e) Select gearbox size which, having a reduction ratio close to the calculated value, which satisfies the following

$$M_{c2} \leq M_{n2} \quad (20)$$

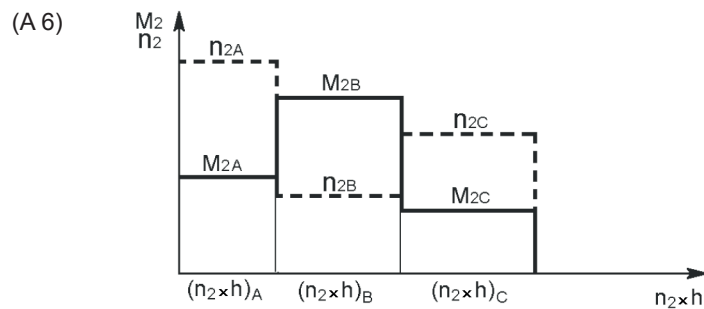
$$Fh_2 \leq (n_2 \times h) \quad (21)$$

where M_{n2} and Fh_2 are indicated in the tables on technical features for each gearbox size.

In case of applications in which the required torque M_{r2} and speed n_2 vary within a wide range, best selection could be an equivalent required torque given by:

$$M_{r2} = \sqrt[4]{\frac{(n_2 \times h)_A \times M_A^4 + (n_2 \times h)_B \times M_B^4 + (n_2 \times h)_C \times M_C^4 + \dots}{(n_2 \times h)_A + (n_2 \times h)_B + (n_2 \times h)_C + \dots}} \quad (22)$$

referred to:



and calculating the life factor Fh with:

$$Fh_{calc} = (n_2 \times h)_A + (n_2 \times h)_B + (n_2 \times h)_C + \dots \quad (23)$$



Then follow the same procedure as specified in d) and e).

In case of **FP** configuration, please see Verification paragraph (chapter 14.5 - item g) .



14.5 VERIFICATION

After selecting the drive units, please check the following:

a) Thermal power

Make sure that the thermal capacity of the gearbox is equal to or greater than the the mechanical power required by the application, as per equation (24).

If this is not the case provide a supplementary cooling system or select a larger gearbox.

When the duty cycle is formed by short operating periods and rest time is long enough for the unit to cool down, the thermal capacity is hardly significant and it may be omitted from calculation.

For ambient temperatures other than 20°C, intermittent duty and drive speed n_1 other than the reference speed listed in the rating charts, P_t is to be adjusted through thermal factor f_t and/or speed factor f_v as listed in table (A7).

Finally, make sure that the following condition is always satisfied:

$$P_{r1} \leq P_t \times f_t \times f_v \quad (24)$$

(A7)

		f_t			
t_a max. [°C]	Continuous duty	Intermittent duty			
		Cyclic duration factor % (I)			
		80	60	40	20
10	1.2	1.3	1.6	1.8	2.0
20	1.0	1.1	1.3	1.5	1.7
30	0.9	1.0	1.2	1.3	1.5
40	0.7	0.8	0.9	1.0	1.2
50	0.5	0.6	0.7	0.8	0.9

n_1	f_v
500	1.35
900	1.2
1500	1.0
1800	0.85

Cyclic duration factor is the relationship of operating time under load t_f to total cycle time ($t_f + t_r$, where t_r stands for time at rest), expressed as a percentage.

$$I = \frac{t_f}{t_f + t_r} \times 100 \quad (25)$$

Should the gear unit in the conventional configuration fall short of thermal capacity and not verify the condition (24) above, it is recommended that the fan cooled input shaft - ordering code FV__ is specified instead. The relevant thermal capacity is listed in the charts here after.



(A 8)

		Thermal capacity P_t [kW] @ $n_1 = 1450 \text{ min}^{-1}$					
		FV05B	FV06B	FV07A	FV07B	FV010B	FV011B
303	L1	29	-	-	-	-	-
304	L1	30	-	-	-	-	-
305	L1	31	-	-	-	-	-
306	L1	-	45	-	-	-	-
	L2	31	-	-	-	-	-
307	L1	-	-	49	49	-	-
	L2	36	-	-	-	-	-
309	L1	-	-	52	52	-	-
	L2	36	-	-	-	-	-
310	L1	-	-	-	-	62	-
	L2	-	49	-	-	-	-
	L3	36	-	-	-	-	-
311	L1	-	-	-	-	-	62 (*)
	L2	-	-	53	52	-	-
	L3	36	-	-	-	-	-
313	L1	-	-	-	-	-	-
	L2	-	-	57	57	-	-
	L3	36	-	-	-	-	-
314	L2	-	-	-	-	67	-
	L3	-	52	-	-	-	-
	L4	33	-	-	-	-	-
315	L2	-	-	-	-	-	72 (*)
	L3	-	-	57	57	-	-
	L4	36	-	-	-	-	-
316	L2	-	-	-	-	-	72 (*)
	L3	-	-	57	57	-	-
	L4	36	-	-	-	-	-
317	L2	-	-	-	-	-	77 (*)
	L3	-	-	62	62	-	-
	L4	36	-	-	-	-	-
318	L3	-	-	-	-	-	62 (*)
	L4	-	-	45	45	-	-
319	L3	-	-	-	-	-	77 (*)
	L4	-	-	57	57	-	-
321	L3	-	-	-	-	-	87 (*)
	L4	-	-	62	62	-	-
323	L4	-	-	-	-	-	87 (*)
325	L4	-	-	-	-	-	87 (*)

		Thermal capacity P_t [kW] @ $n_1 = 1450 \text{ min}^{-1}$	
		FV05B	FV06B
307	R2	52	-
309	R2	52	-
310	R2 (B)	-	82
	R2 (C)	-	82
311	R2 (B)	-	102
	R2 (C)	-	117
	R3	58	-
313	R2 (B)	-	102
	R2 (C)	-	117
	R3	58	-
314	R3 (B)	-	82
	R3 (C)	-	82
	R4	-	-
315	R3 (B)	-	102
	R3 (C)	-	117
316	R3 (B)	-	102
	R3 (C)	-	117
317	R3 (B)	-	102
	R3 (C)	-	117
	R4	63	-
318	R3 (B)	-	117
	R3 (C)	-	127
319	R4	68	-
	R4 (B)	-	108
	R4 (C)	-	137
321	R4 (B)	-	122
	R4 (C)	-	142
321	R4 (B)	-	132
	R4 (C)	-	152

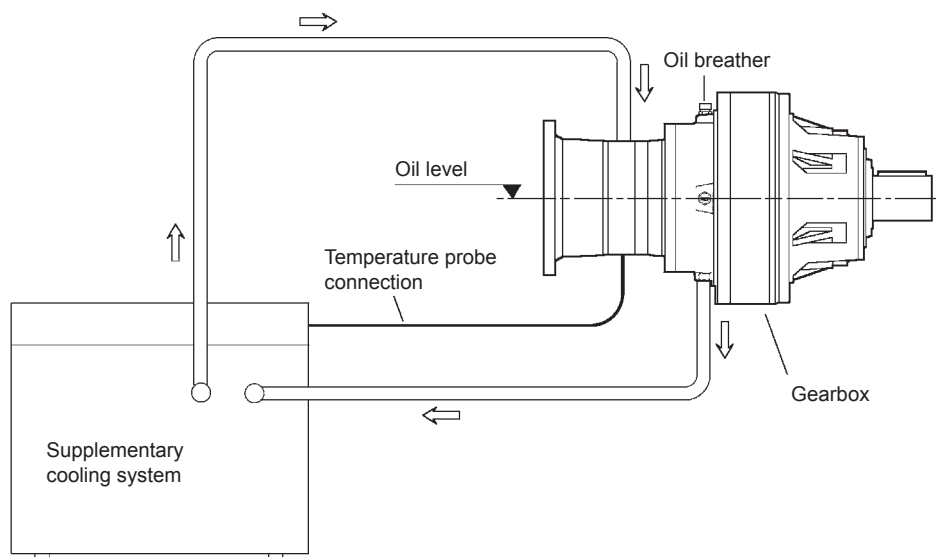
* @ $n_1 = 1150 \text{ min}^{-1}$

NOTE: The thermal power values indicated in the selection charts for each size apply to the versions without negative multidisc brake. For the versions fitted with brakes, please contact our sales organization.

b) Supplementary cooling systems

In the event transmitted mechanical power is higher than transmissible thermal power (see tables of gearbox specifications), gearboxes are available complete with a cooling system.

These separate cooling systems are made up of an air-oil heat exchanger, a motor pump, a filter for warm oil and an electric system that incorporates an overload cutout for electric motors. A special feature of these cooling systems is their low noise.



Technical data

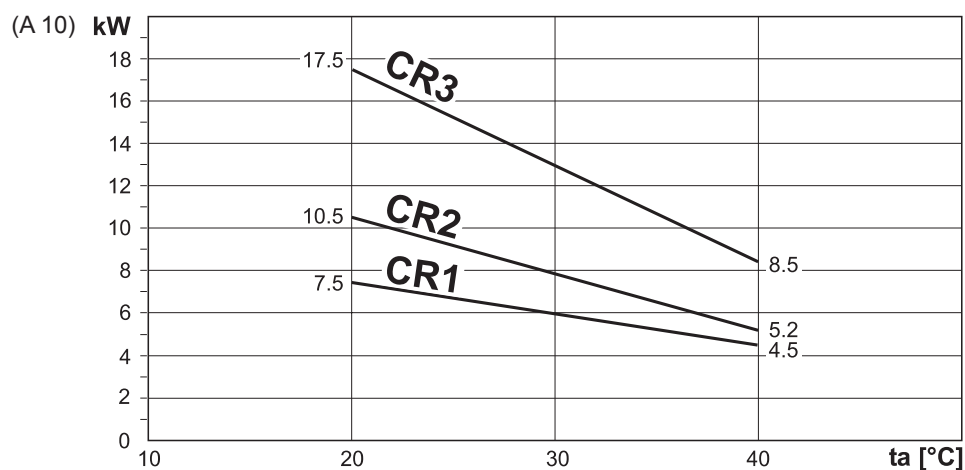
		CR1	CR2	CR3
Power absorption	[kW]	0.55	0.75	1.1
Pumpflow	[l/min]	13	22	34
Air flow	[m ³ /h]	850	1500	2000
Noise level at 1 mt.	[dB(A)]	68	70	75
Weight	[kg]	24	36	58

Selection criteria

Power P to be transmitted is known. Once you have determined that it is higher than thermal power P_t , calculate excess power P_s using this formula:

$$P_s = 0.1 \times (P - P_t) \quad (26)$$

Select cooling system size in chart (A10) according to ambient temperature t_a (20° - 40°C). Check that the cooling system you have selected will fit the gearbox (see table A11). If this is not the case, contact our sales organization.

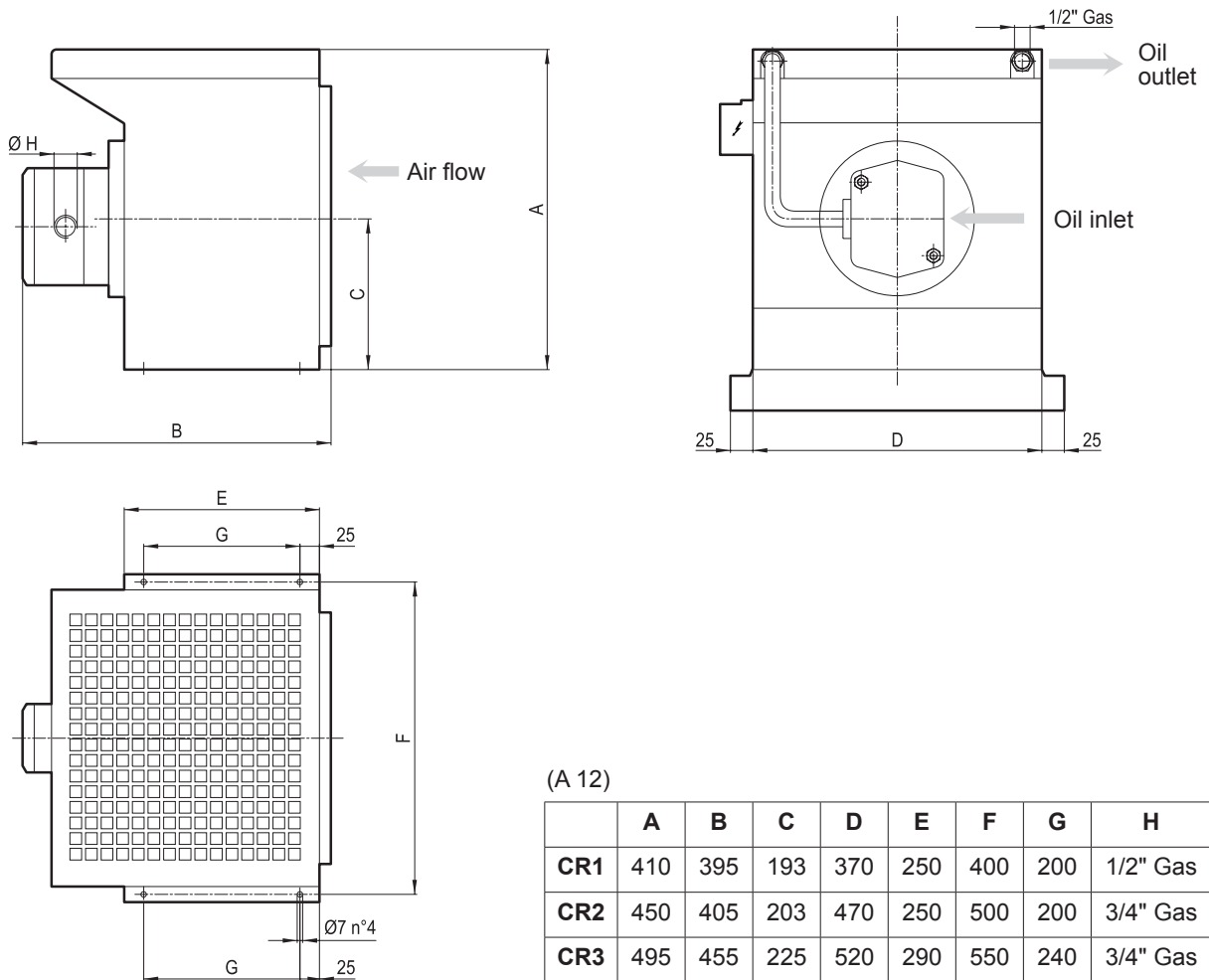




(A 11)

Gearbox	L1	L2	L3	L4	R2	R3	R4
306	CR1	CR1	—	—	—	—	—
307	CR1	CR1	—	—	CR1	—	—
309	CR1	CR1	CR1	—	CR1	—	—
310	CR2	CR1	CR1	—	—	CR1	—
311	CR2	CR1	CR1	—	CR1	CR1	—
313	CR2	CR1	CR1	—	CR1	CR1	—
314	CR3	CR2	CR1	—	—	CR1	—
315	CR3	CR2	CR1	—	—	CR1	—
316	CR3	CR2	CR1	—	—	CR1	—
317	CR3	CR2	CR2	CR1	—	—	—
318	CR3	CR2	CR2	CR1	—	—	—
319	CR3	CR2	CR2	CR1	—	—	—
321	CR3	CR2	CR2	CR2	—	—	—

Dimensions



(A 12)

	A	B	C	D	E	F	G	H
CR1	410	395	193	370	250	400	200	1/2" Gas
CR2	450	405	203	470	250	500	200	3/4" Gas
CR3	495	455	225	520	290	550	240	3/4" Gas



c) Maximum torque

Make sure that neither the momentary peak torque nor the starting torque under load ever exceed the M_{2max} value that the gearbox is rated for (see figure A2).

d) Radial loads

Examine the application and establish:

- overhung load applying to input and/or output shaft through the following formula:

$$R_{c1-2} = \frac{2000 \times M_{r1-2} \times K_r}{d} \quad (27)$$

R_{c1-2} = overhung load [N]

1 = for input shaft

2 = for output shaft

M_{r1-2} = Torque at the shaft [Nm]

d = P.C.D [mm] of transmission element (sprocket, gear, pulley, etc.)

$K_r = 1$ chain transmission

$K_r = 1.25$ gear transmission

$K_r = 1.5-2.5$ V-belt transmission

- Define the trust load position X onto shaft. Check this value with the chart indicating the load R_{x1-2} bearable by the gearbox. Check that the following is satisfied:

$$R_{c1-2} \leq R_{x1-2} \times fh_{1-2} \quad (28)$$

where fh_{1-2} are the radial and thrust load corrective factor depending on the required life factor Fh_1 and Fh_2 (refers to radial and thrust loads in the "Dimensions" chapter).

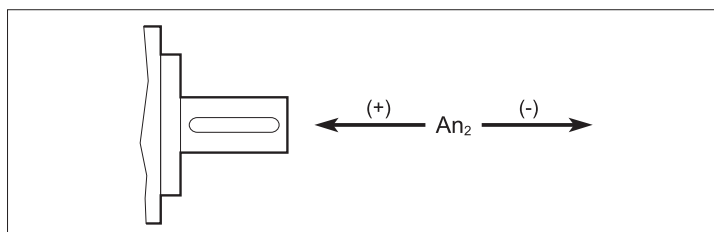
e) Thrust loads

Check the thrust load, when exerted onto the output shaft, as specified for the radial load.

The following should be satisfied:

$$\pm A_{c2} \leq \pm A_{n2} \times fh_2 \quad (29)$$

(A 13)



where fh_2 are the radial and thrust load corrective factor depending on the required life factor Fh_2 (refers to radial and thrust loads in the "Dimensions" chapter).

When a thrust load is combined with an axial load contact our Sales Dept. for a proper checking procedure.



f) VK output

Determine:

- Radial load R_{c2}
- Thrust load A_{c2}
- Offset x of load R_{c2}

Look up the diagram relevant to the gearbox under study and identify permitted radial load R_{x2} corresponding to distance X and the ratio $An2/Rn2$ nearest to value $Ac2/Rc2$.

Make sure the following equation is verified:

$$R_{x2} \geq R_{c2} \quad (30)$$

Values in the diagram refer to:

- $n_2 = 10$ rpm
- 10000 hrs theoretical lifetime

For different output speed n_2 , or lifetime expectancy, consider:

- a speed factor f_{n2} as per table (A14):

(A 14)

n_2	1	2.5	5	10	15	25	50	100
f_{n2}	2.0	1.51	1.23	1.00	0.88	0.76	0.62	0.50

- a lifetime factor f_L according to table (A15).

(A 15)

Lifetime	2500 h	5000 h	10000 h	15000 h	25000 h	50000 h	100000 h	100
f_L	0.66	0.81	1.00	1.13	1.32	1.62	2.00	0.50

This condition must be verified:

$$R_{x2} \times f_{n2} \geq R_{c2} \times f_L \quad (31)$$

g) FP output (FDK and FZP when and if available)

On shaft-mounted installations, gearmotors produce a reaction force due to fixing position and motor weight and/or external loads from other connection elements.

These forces combination is added to normal load condition and will influence :

- bearings life
- output shaft resistance
- flange tightening condition

In the event that there is an additional load (like a large size electric motor) and /or a single stage gearbox (with particular attention to sizes from 300 to 307), it's recommended to contact our Technical Service.

For the specific reaction loads due to fixing position, in the dimensional section for each size are reported the minimum length for torque reaction arms (single or double) that can reach the rated performances.



14.6 HOW TO SELECT THE MOTOR

14.6.1 Electric motor (see section M in this catalogue)

a) n_2 and dynamic efficiency η_d are known, calculate input power based on torque M_{r2} as follows

$$P_{r1} = \frac{M_{r2} \times n_2}{9550 \times \eta_d} \quad [\text{kW}] \quad (32)$$

Table (A3) reports the values of efficiency η_d related to the different reduction stages of the gearboxes of series 300.

b) Look up the motor selection charts and select a size with such rated power to satisfy this condition:

$$P_{r1} \leq P_n \quad (33)$$

4-pole motors and over should be preferred.

Unless otherwise specified, power P_n of motors indicated in the catalogue refers to continuous duty S1. For motors used in conditions other than S1, the type of duty required by reference to CEI 2-3/IEC 34-1 Standards must be mentioned.

For duties from S2 to S8 in particular and for motor frame 132 or smaller, extra power can be obtained with respect to continuous duty power, consequently the following condition must be satisfied:

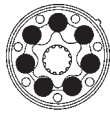
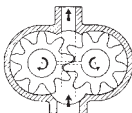

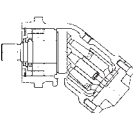
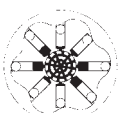
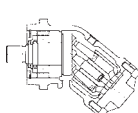
$$\frac{P_{r1}}{f_m} \leq P_n \quad (34)$$

The increased power factor f_m can be obtained from table (A5).

For duties other than S1 with considerable number of starts per hour, factor Z must be considered (it is ascertained by using the information in the motors chapter). Factor Z defines the maximum number of starts for the application under consideration.

14.6.2 Hydraulic motor (see section H in this catalogue)

Determine hydraulic motor type according to the application, choosing from the options given in guidance table (A16).

Duty	Light		Medium		Heavy	
Pressure p [bar]	<175		175 - 200		200 - 450	
Motor design	orbital 	gear motor 	radial piston 	axial piston 	cam motor 	axial piston 
Speed	medium ≤ 700	high ≤ 3000	medium ≤ 500	high ≤ 4000	low ≤ 200	medium ≤ 4000
η_{mh}	0.80	0.85	0.95	0.93	0.93	0.93
η_v	0.90	0.87	0.95	0.95	0.95	0.95



Based on the specifications of gearbox input:

- input torque M_{r1} [Nm]
- input speed n_1 [min^{-1}]

and on allowed pressure p [bar] for the hydraulic circuit, calculate the displacement of the hydraulic motor by formula:

$$V_c = \frac{20 \times p \times M_{r1}}{p \times \eta_{mh}} \text{ [cm}^3\text{]} \quad (35)$$

where η_{mh} is the hydraulic mechanical efficiency of the motor (tab. A16).

Select a motor size with displacement V that satisfies the following condition:

$$V_c \leq V \quad (36)$$

Calculate the flow required for the hydraulic motor

$$Q_1 = \frac{V \times n_1}{\eta_v \times 1000} \text{ [l/min]} \quad (37)$$

where η_v is volumetric efficiency.

For hydraulic orbital motors by BONFIGLIOLI TRASMITAL, please see section H in this catalogue. For other types of hydraulic motors, see the relevant technical literature.

15 INSTALLATION

Observing a few rules for correct installation is essential to the reliable and proper operation of the gearbox.

The rules set out here are intended as a preliminary guide to selecting gearbox.

For effective and proper installation, follow the instructions given in the Installation, use and maintenance manual available from our Sales network.

Following is a brief outline of installation rules:

a) Fastening:

– Place the gearbox on a surface providing adequate rigidity. Mating surfaces should be machined and flat.

– This applies especially to flange-mounted gearboxes with splined hollow output shafts (refer to the Installation, Operation and Maintenance Manual available on www.bonfiglioli.com).

– In applications that involve high radial loads at the output end, flange mounting is recommended for some gearboxes as this mounting pattern benefits from the double pilot diameters provided on these gearboxes (refer to the Installation, Operation and Maintenance Manual available on www.bonfiglioli.com).

– Make sure the gearbox is suitable for the required mounting position.



– Use bolts specified in Use and Maintenance Manual (available on www.bonfiglioli.com) and tighten the bolts to the rated values specified in the relevant charts.

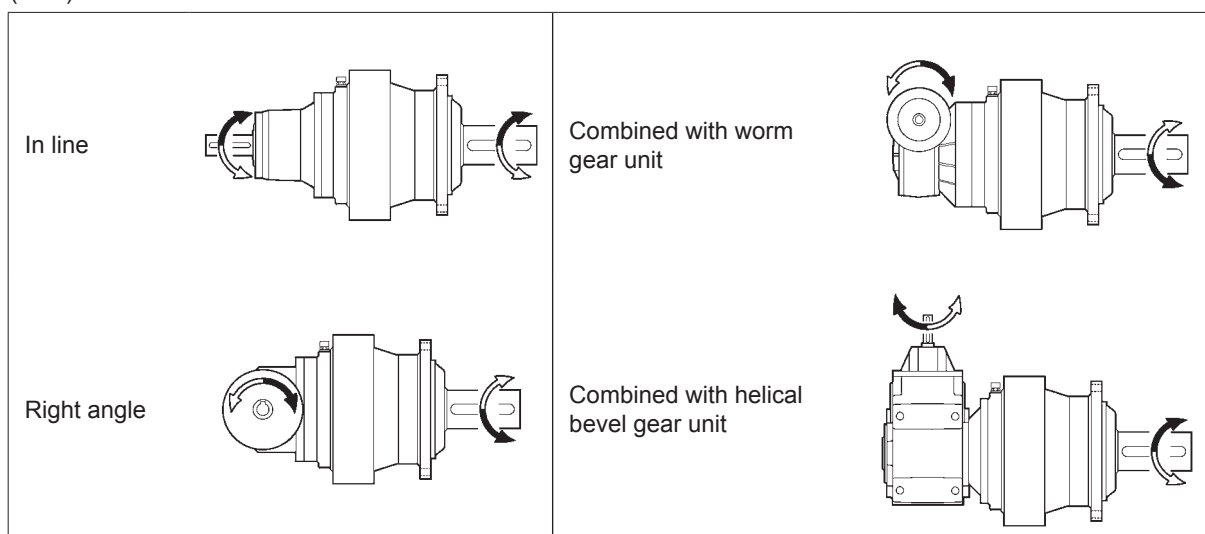
b) Connections

– When fitting transmission elements onto the gearbox do not tap them with hammers or similar tools. To slide these parts in, use the service screws and tappings provided at the shaft ends. Be sure to clean off any grease or rust preventative from the shafts before fitting any parts.

– Direction of rotation

Before wiring the motor please note the input/output shaft arrangement, as described in the diagram here after:

(A 17)



RA/RO: For the monodirectional applications or for the applications requiring a sense of rotation prevailing on that opposite to it, the selection of "**RA/RO**" option ensures the declared performance. For applications not requiring a prevailing sense of rotation with respect to each other, the performances are guaranteed regardless of the selected "**RA/RO**" option.

c) Paint coating

– Use paint compatible with the primer applied to the gearbox, see "Supply conditions". Prior to painting, tape the seal rings installed on the shafts. Contact with the solvent may damage the seals with subsequent oil leakage.

d) Lubrication

– Prior to commissioning, fill the gearbox with the recommended type and quantity of oil (refer to the Installation, Operation and Maintenance Manual available on www.bonfiglioli.com). The level is to be checked through the appropriate plug, or sight glass, each gearbox is provided with, and located according to the mounting position originally specified.

NOTE: Combined gearboxes feature separate lubrication for planetary stages and for worm gears (series 3/V) or bevel helical units (series 3/A).

The operations described above are not to be performed with life-lubed gearboxes, that are factory filled with synthetic oil.



16 LUBRICATION

Refer to the User's Manual available at www.bonfiglioli.com for indications about checking the oil level and its replacement.

Do not mix mineral oils with synthetic oils and/or different brands.

However, oil level should be checked at regular intervals and topped up as required.

Check monthly if unit operates under intermittent duty, more frequently if duty is continuous.

16.1 Selection of the optimal oil viscosity (data relating to Shell Oils)

		Operating ambient temperature [C°]																				
		-40	-35	-30	-25	-20	-15	-10	-5	0	+5	+10	+15	+20	+25	+30	+35	+40	+45	+50		
		suitability seals check				standard seals provided in the catalog																
Splash lubrication	Mineral oil	150 VG							*													
		220 VG	⊘	☎					*													☎
		320 VG								*												
		460 VG									*											
	Synthetic oil (PAG)	150 VG			*																	☎
		220 VG	⊘	☎		*																
320 VG				*																		
Synthetic oil (PAO)	150 VG			*																	☎	
	220 VG	⊘	☎		*																	
	320 VG				*																	
Forced lubrication	Mineral oil	150 VG								*												
		220 VG	⊘	☎						*												☎
		320 VG									*											
		460 VG										*										
	Synthetic oil (PAG)	150 VG						*	*													☎
		220 VG	⊘	☎				*	*													
320 VG							*	*														
Synthetic oil (PAO)	150 VG						*	*													☎	
	220 VG	⊘	☎				*	*														
	320 VG						*	*														

☐ Recommended operating limits

☐ Allowed operating limits. ☎

⊘ Forbidden operating limits.

* = It is recommended to ramp-up and to provide for greater absorption of the motor.

If needed and in the event of impulse loads, contact Bonfiglioli Technical Service. ☎



16.2 Lubrication for 300 series gearboxes

All gearboxes are oil-bath lubricated. For applications calling for gearboxes with a vertically positioned axis, in which oil coverage during operation would not be sufficient to ensure correct lubrication of upper bearings, suitable life lubrication systems are used.

Before start-up, fill the gearbox with the correct quantity of oil, selecting the viscosity level as per table (A10). These gearboxes are provided with oil filling, level and drain plugs.

Prior to starting-up, fill the gearbox with the appropriate quantity of oil.

Gearboxes are generally provided with oil fill, level and drain plugs. As such, the mounting position needs always to be specified when ordering the gearbox.

For the reference charts of oil plugs placement and quantity of lubricant, refer to the Installation, Operation and Maintenance Manual (available on www.bonfiglioli.com).

– Note: For applications with non-routine operating conditions, consult factory with complete information.

– Unless otherwise specified, gear units are supplied unlubricated. Primary gear units belonging to 3/V and 3/A combinations instead may be supplied factory filled with long-life synthetic lubricant, depending on their frame size, as indicated in the Use and Maintenance Manual (available at www.bonfiglioli.com).

– The oil capacities listed for the various types of unit are indicative only. Fill the gearbox up to the level plug, located as per the mounting position specified when ordering to ensure the gearbox is properly filled.

– Should transmitted power exceed the thermal capacity of the unit a supplementary cooling unit must be provided (see: Supplementary cooling systems).

NOTE: Combined gearboxes and gearmotors feature separate lubrication for planetary stages and for worm gearboxes (3/V) or helical bevel units (3/A).

16.3 Brakes lubrication

The hydraulically operated multidisc brakes are lubricated by the same oil as the gearbox.



17 STORAGE

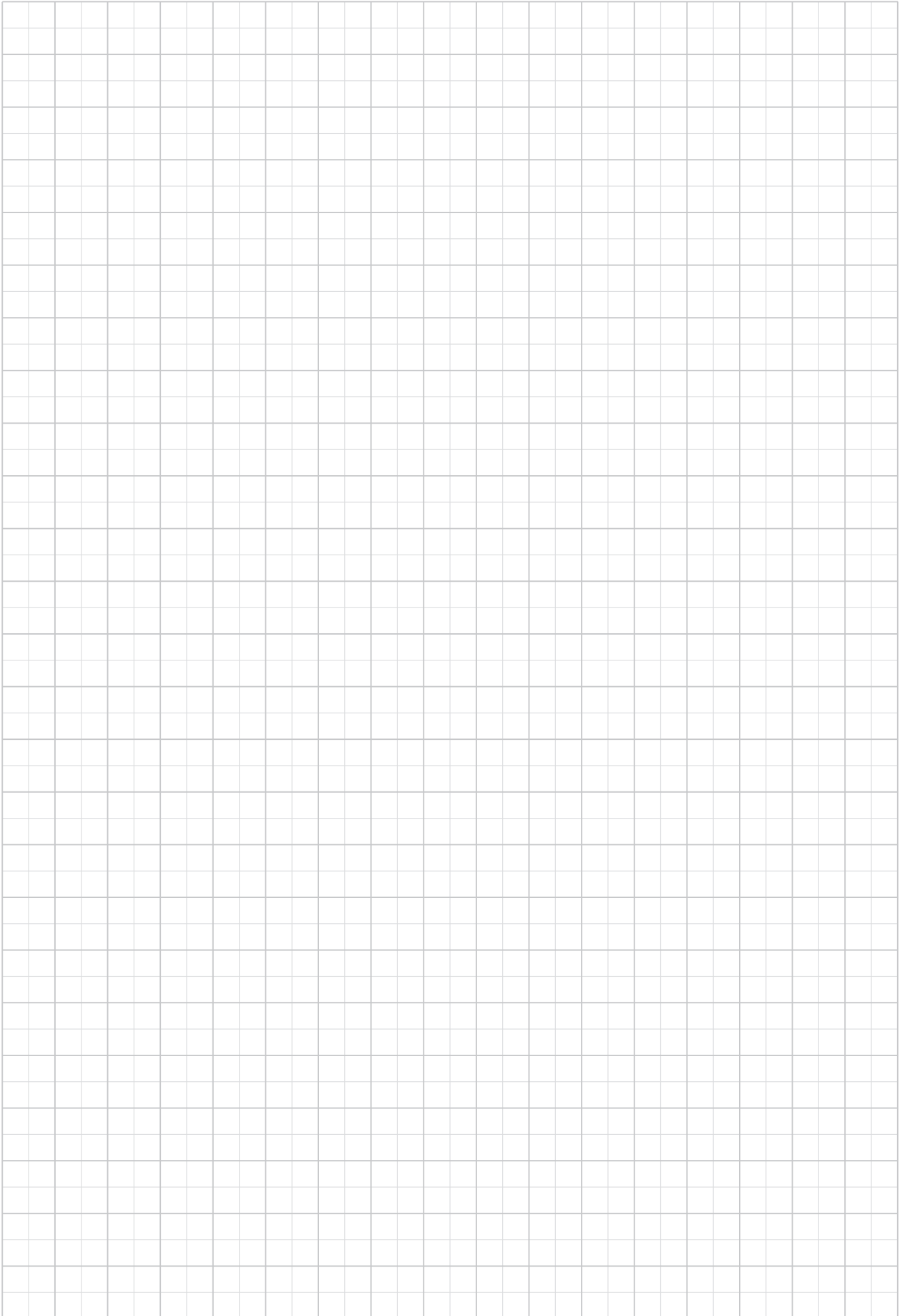
Observe the following instructions to ensure correct storage of delivered products:

- a) Do not store outdoors, in areas exposed to weather or with excessive humidity.
- b) Always place boards, wood, or other material between the products and the floor. The gearbox should not have direct contact with the floor.
- c) For storage periods of over 60 days, all machined surfaces such as flanges, shafts and couplings must be protected with a suitable anti-oxidation product.
- d) When units are expected to be in storage for more than 6 months, the following extra measures are required:
 - Smear all machined parts with grease to prevent oxidation.
 - Place the gearbox so that the breather plug is uppermost and fill it with oil (this does not apply to life-lubricated gearboxes). Before the gearbox is put into operation, the appropriate type and quantity of oil should be restored.

18 SUPPLY CONDITIONS

Gearboxes are supplied as follows:

- a) arranged for installation in the mounting position specified in the purchase order;
- b) Unlubricated. Inner parts are protected by a film of the oil used for testing purpose;
- c) when no specific protection class is requested, the surfaces of gearboxes are protected to at least corrosivity class C2 (UNI EN ISO 12944-2), realized with a grey antioxidant water-based primer Ral 7042. Mating surface are not coated .
- d) tested to factory specifications;
- e) suitably packed;
- f) complete with mounting hardware for IEC electric or hydraulic motors;
- g) gearboxes lubricated "for life" are factory filled with oil.

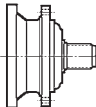
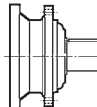
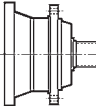
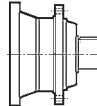

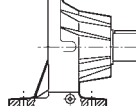
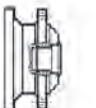
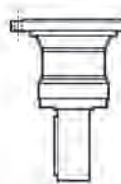
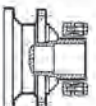
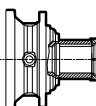
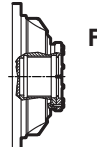




19 300 GEARBOX DESIGNATION

3 11 L 2 16.7 HZ

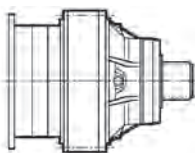
OUTPUT VERSION

	MZ: Splined male shaft		MC: Solid keyed shaft
	HZ: Heavy duty splined male shaft		HC: Heavy duty solid keyed shaft
	PZ: Foot base with splined shaft		PC: Foot base with solid keyed shaft
	FZ / FZB: Hollow splined shaft		VK: Reinforced output with heavy duty keyed shaft for stirrers and mixer
	FP: Hollow shaft for shrink disc		
	FDK: Hollow shaft with double keyway		FZP: Hollow splined shaft with axial blockage device (recommended for shaft mounted installation)

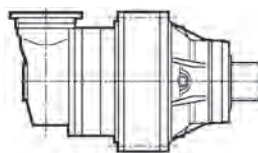
Reduction ratio
 Fill in the value of the transm. ratio (including point and decimals) reported in the selection charts
 Es. : 1/5.33 = 5.33 1/44.6 = 44.6 1/131 = 131

No. OF REDUCTIONS
1, 2, 3, 4

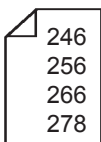

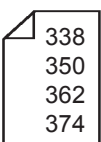


DESIGN
L = Linear



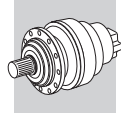
R = Right angle



GEARBOX SIZE

00 = 300	 246	05 = 305	 290	10 = 310	 338	15 = 315	 386	19 = 319	 428
01 = 301	256	06 = 306	302	11 = 311	350	16 = 316	398	21 = 321	438
03 = 303	266	07 = 307	314	13 = 313	362	17 = 317	408	23 = 323	448
04 = 304	278	09 = 309	326	14 = 314	374	18 = 318	418	25 = 325	452

SERIES

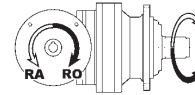


6A S5EC A A W0A

OPTIONS
GASKET
 STANDARD = NBR
PV = Fluoro elastomer
 (hydraulic inputs
 BONFIGLIOLI
 TECHNICAL SERVICE)

ONLY FOR RIGHT ANGLE DESIGN
 preferential input direction of rotation

RA = left
RO = right



25

SURFACE PROTECTION
C2 (default), **C3**, **C4**

37

PAINTING
RAL7042 (default), **RAL5010**,
RAL9005, **RAL9006**, **RAL9010**

37

CERTIFICATES
AC, **CC**

38

SUPPLEMENTARY COOLING SYSTEM
CR1, **CR2**, **CR3**

19

OUTPUT FITTINGS



P... = Pinions



B0A = Splined bar



M0A = Sleeve coupling



G0A = Shrink disc



W0A = Flange

MOTOR FLANGE ORIENTATION

461

MOUNTING POSITION

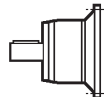
38

INPUT



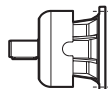
Without motor adaptor

V9AA	V9AC	V9AE	V9AG	V9AL
V9AB	V9AD	V9AF	V9AH	



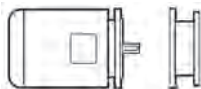
Input keyed shaft

V01A	V01B	V05B	V06B	V07A	V07B	V10B	V11B	V15B	
diam.	Ø24	Ø38	Ø48	Ø60	Ø60	Ø80	Ø80	Ø80	Ø120



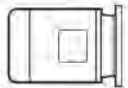
Solid input shaft with fan

FV05B	FV06B	FV07A	FV07B	FV10B	FV11B	
diam.	Ø48	Ø60	Ø60	Ø80	Ø80	Ø80



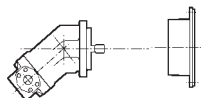
Electric motor connection

P+IEC (P71...P250)



Integrated gearmotor with in-built compact electric motor (available up to size 307)

S2, **S3**, **S4**



Hydraulic Motor connection
 (PV option) (BONFIGLIOLI TECHNICAL SERVICE)

S5AP, **COAA**, **HOBA**, ...

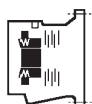
461



Hydraulic motor MG
 (PV option) (BONFIGLIOLI TECHNICAL SERVICE)

471

ONLY WITH HYDRAULIC MOTOR ADAPTOR



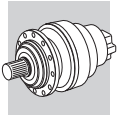
Standard negative multidisc brake

6 = Type : **4**, **5**, **6**
A = Braking torque : **A**, **B**, **C**, ...

460

Negative multidisc brake for MG hydraulic motor
SF = Without brake

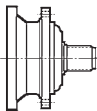
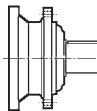
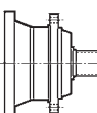
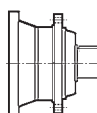
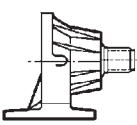
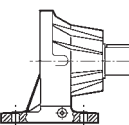
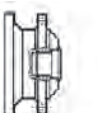
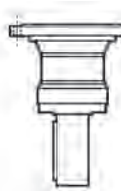
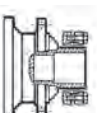
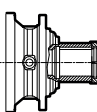
477



20 3/V GEARBOX DESIGNATION

3/V 05 L 3 623 PC

OUTPUT VERSION

	MZ: Splined male shaft		MC: Solid keyed shaft
	HZ: Heavy duty splined male shaft		HC: Heavy duty solid keyed shaft
	PZ: Foot base with splined shaft		PC: Foot base with solid keyed shaft
	FZ / FZB: Hollow splined shaft		VK: Reinforced output with heavy duty keyed shaft for stirrers and mixer
	FP: Hollow shaft for shrink disc		
	FDK: Hollow shaft with double keyway		

REDUCTION RATIO

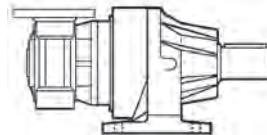
Fill in the value of the transm. ratio reported in the selection charts
Es. : 1/773 = 773

No. OF REDUCTIONS

3, 4

DESIGN

L = Combined 300 unit,
2 or 3 planetary stages + worm gear units

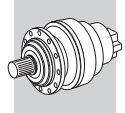


GEARBOX SIZE

00 = 3/V 00	250	05 = 3/V 05	294	10 = 3/V 10	342	15 = 3/V 15	390	19 = 3/V 19	432
01 = 3/V 01	260	06 = 3/V 06	306	11 = 3/V 11	354	16 = 3/V 16	402	21 = 3/V 21	442
03 = 3/V 03	270	07 = 3/V 07	318	13 = 3/V 13	366	17 = 3/V 17	412		
04 = 3/V 04	282	09 = 3/V 09	330	14 = 3/V 14	378	18 = 3/V 18	422		

SERIES

Combined 300 gearboxes / Worm gear units



P80 B5 AF W0A ...

OPTIONS

GASKET
STANDARD = NBR
PV = Fluoro elastomer

SURFACE
PROTECTION
C2 (default), **C3**, **C4**



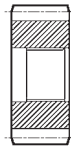
PAINTING
RAL7042 (default), **RAL5010**,
RAL9005, **RAL9006**, **RAL9010**



CERTIFICATES
AC, **CC**



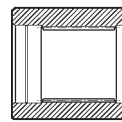
OUTPUT FITTINGS



P... = Pinions



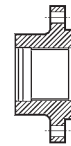
B0A = Splined bar



M0A = Sleeve coupling



G0A = Shrink disc



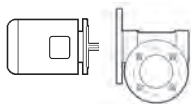
W0A = Flange

MOUNTING POSITION



DESIGN
B5, **B14**

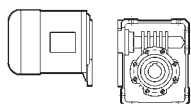
ENTRATA



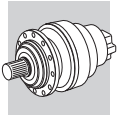
Electric motor connection **P+IEC** (P63...P180)



Input keyed shaft **HS**

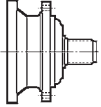
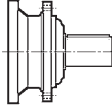
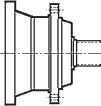
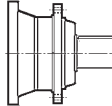
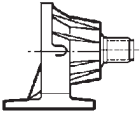
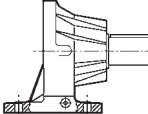
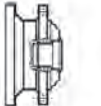
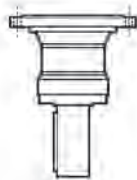
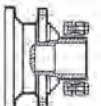
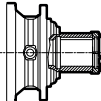


Integrated gearmotor with in-built compact electric motor **S1**, **S2**, **S3**



3/A 06 L 2 69.9 PC

OUTPUT VERSION

	MZ: Splined male shaft		MC: Solid keyed shaft
	HZ: Heavy duty splined male shaft		HC: Heavy duty solid keyed shaft
	PZ: Foot base with splined shaft		PC: Foot base with solid keyed shaft
	FZ / FZB: Hollow splined shaft		VK: Reinforced output with heavy duty keyed shaft for stirrers and mixer
	FP: Hollow shaft for shrink disc		
	FDK: Hollow shaft with double keyway		

REDUCTION RATIO

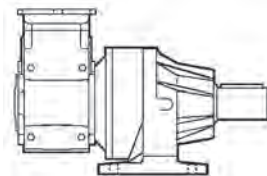
Fill in the value of the transm. ratio reported in the selection charts
 Es. : 1/19.4 = 19.4 1/175 = 175

No. OF REDUCTIONS

2

DESIGN

L = Combined 300 unit,
 1 planetary stages + A helical bevel units



GEARBOX SIZE

- 00** = 3/A 00 (300+A10)
- 01** = 3/A 01 (301+A20)
- 03** = 3/A 03 (303+A30)
- 04** = 3/A 04 (304+A41)

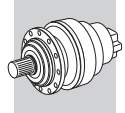
251
261
271
283

- 05** = 3/A 05 (305+A41)
- 06** = 3/A 06 (306+A50)
- 07** = 3/A 07 (307+A60)

295
307
319


SERIES


Combined 300 gearboxes / A series helical bevel gear units

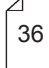


S4 EF WOA ...

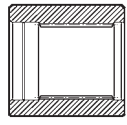
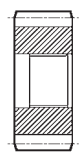
OPTIONS
GASKET
STANDARD = NBR
PV = Fluoro elastomer

SURFACE PROTECTION
C2 (default), **C3**, **C4** 

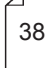
PAINTING
RAL7042 (default), **RAL5010**, **RAL9005**, **RAL9006**, **RAL9010** 

CERTIFICATES
AC, **CC** 

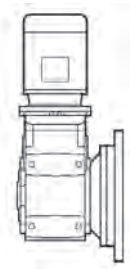
OUTPUT FITTINGS



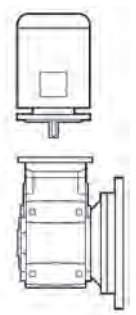
P... = Pinions **B0A** = Splined bar **M0A** = Sleeve coupling **G0A** = Shrink disc **W0A** = Flange

MOUNTING POSITION 

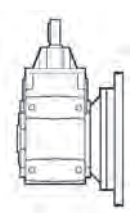
INPUT



Integrated gearmotor with in-built compact electric motor **S2, S3, S4**



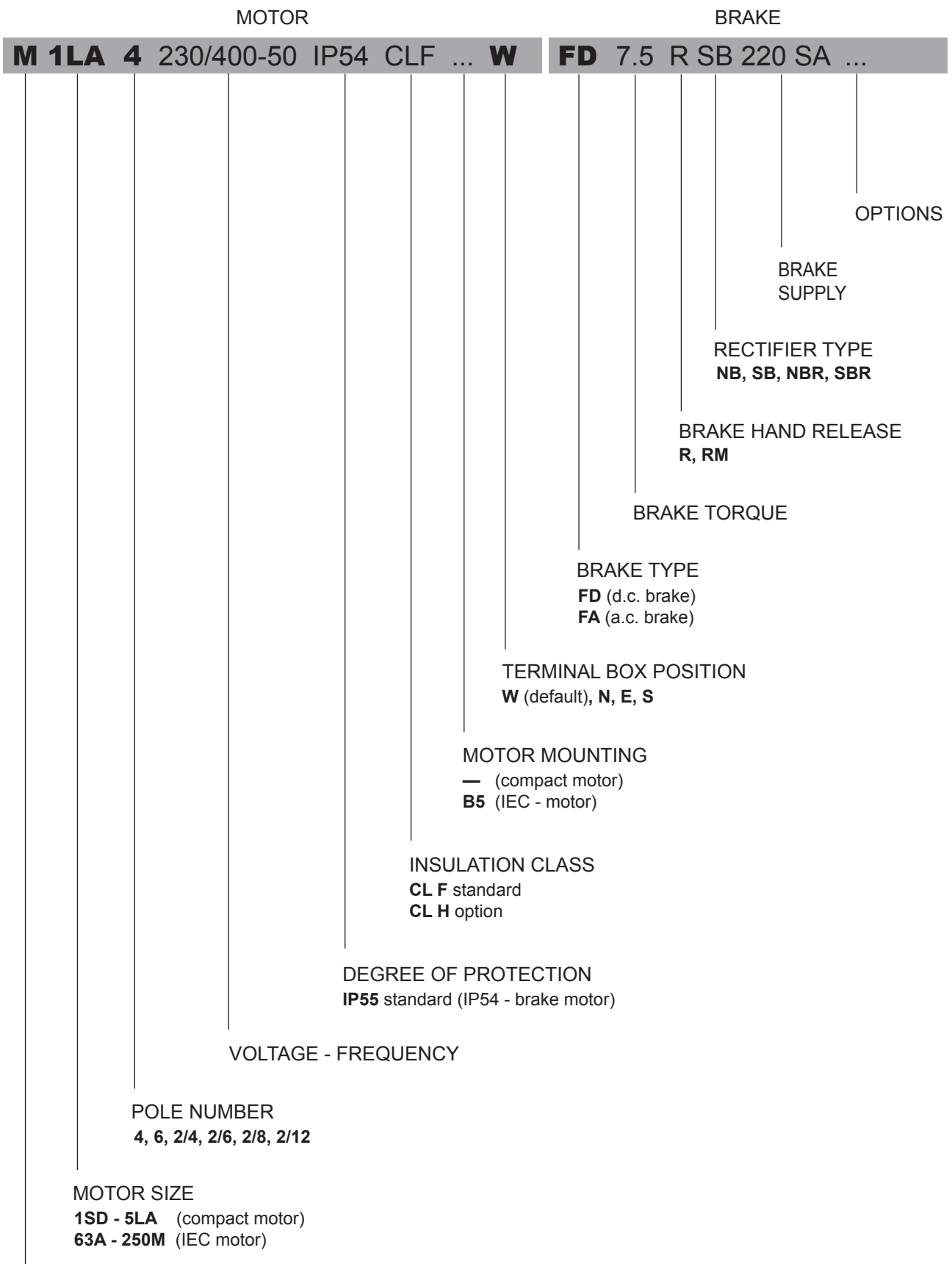
Electric motor connection **P+IEC** (P63...P180)



Input keyed shaft **HS**



22 MOTOR DESIGNATION



MOTOR TYPE

M = compact 3-phase **ME** = compact 3-phase, class IE2 **MX** = compact 3-phase, class IE3
BN = IEC 3-phase **BE** = IEC 3-phase, class IE2 **BX** = IEC 3-phase, class IE3



23 ADDITIONAL OPTIONS

23.1 SURFACE PROTECTION

When no specific protection class is requested, the surfaces of gearboxes are protected to at least corrosivity class C2 (UNI EN ISO 12944-2). For improved resistance to atmospheric corrosion, gearboxes can be delivered with C3 and C4 surface protection, obtained by painting the complete gearbox.

SURFACE PROTECTION	Typical environments	Maximum surface temperature	Corrosivity class according to UNI EN ISO 12944-2
C3	Urban and industrial environments with up to 100% relative humidity (medium air pollution)	120°C	C3
C4	Industrial areas, coastal areas, chemical plant, with up to 100% relative humidity (high air pollution)	120°C	C4

Gearboxes with optional protection to class C3 or C4 are available in a choice of colours. If no specific colour is requested (see the “PAINTING” option) gearboxes are finished in RAL 7042. Gearboxes can also be supplied with surface protection for corrosivity class C5 according to UNI EN ISO 12944-2. Contact our Technical Service for further details.

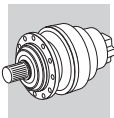
23.2 PAINTING

Gearboxes with optional protection to class C3 or C4 are available in the colours listed in the following table.

PAINTING	Colour	RAL number
RAL7042*	Traffic Grey A	7042
RAL5010	Gentian Blue	5010
RAL9005	Jet Black	9005
RAL9006	White Aluminium	9006
RAL9010	Pure White	9010

* Gearboxes are supplied in this standard colour if no other colour is specified.

NOTE – “PAINTING” options can only be specified in conjunction with “SURFACE PROTECTION” options.



23.3 CERTIFICATES

AC - Certificate of compliance

The document certifies the compliance of the product with the purchase order and the construction in conformity with the applicable procedures of the Bonfiglioli Quality System.

CC - Inspection certificate

The document entails checking on order compliance, the visual inspection of external conditions and of mating dimensions. Checking on main functional parameters in unloaded conditions is also performed along with oil seal proofing, both in static and in running conditions. Units inspected are sampled within the shipping batch and marked individually.

23.4 TACONITE SEALS

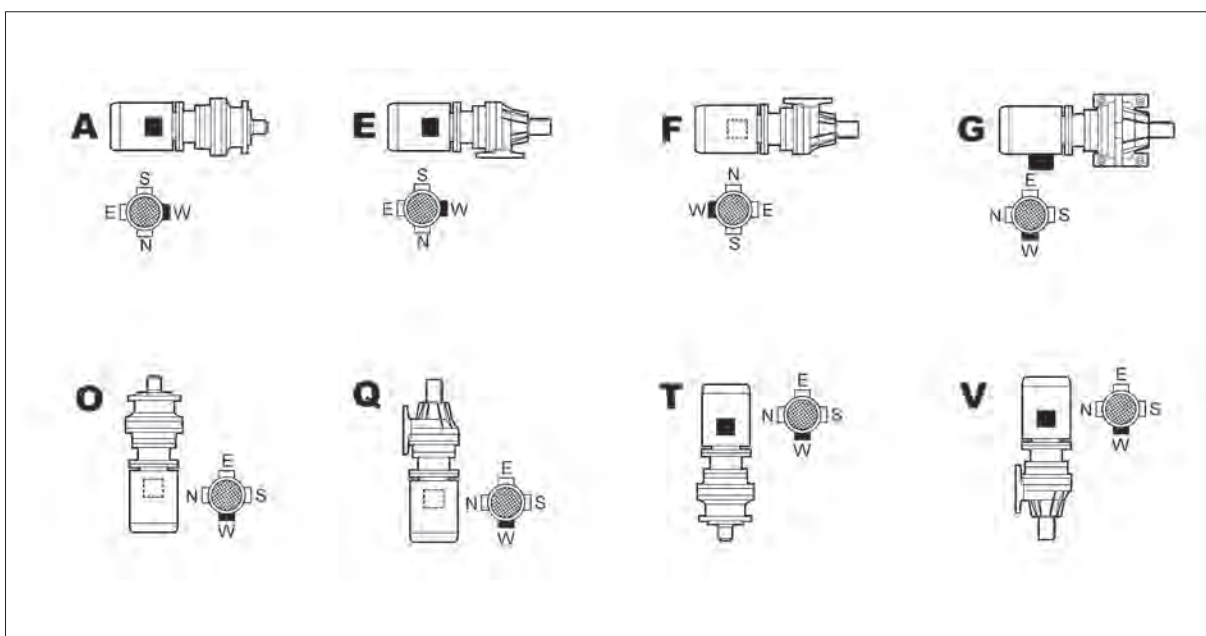
Taconite seals are recommended for environments characterised by the presence of abrasive dust or powders. Taconite seals incorporate a combination of sealing rings, labyrinths and a grease chamber. This option is available for **FP** and **FZ** version from size 314 to 325. For detailed information please contact our Technical Service.

24 MOUNTING POSITION

The product designation is only complete when the mounting position is also specified. Please refer to table (A18) for in-line gear units and to (A19) for right angle drives.

24.1 In-line units

(A2)

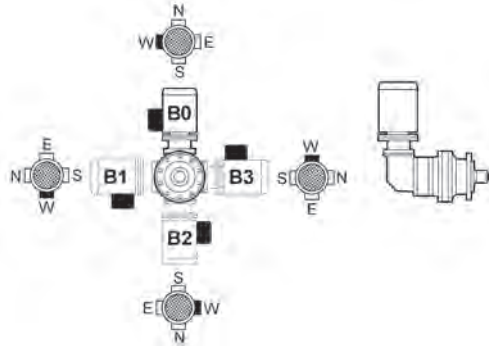




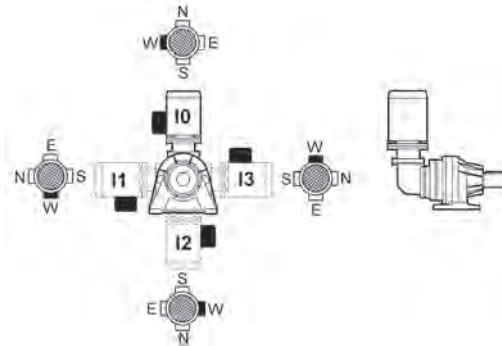
24.2 Right angle units

(A 3)

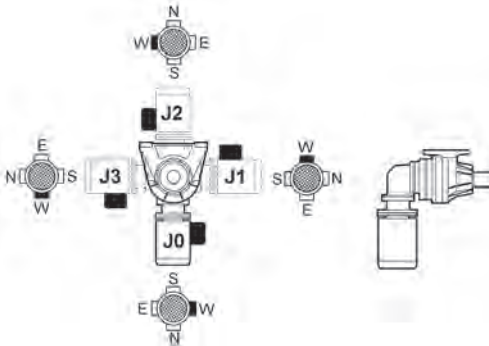
B0 - B1 - B2 - B3



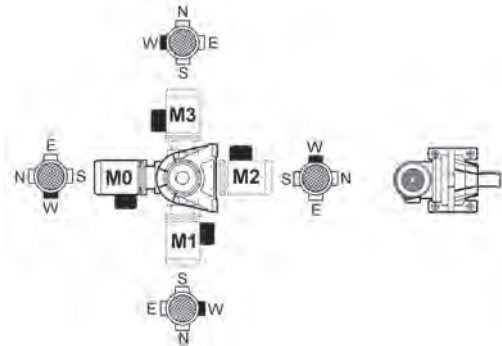
I0 - I1 - I2 - I3



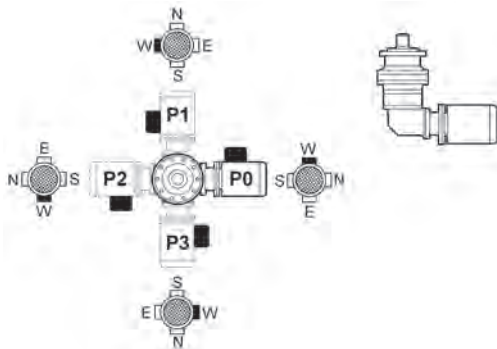
J0 - J1 - J2 - J3



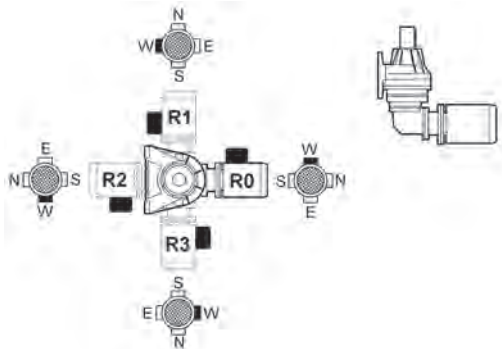
M0 - M1 - M2 - M3



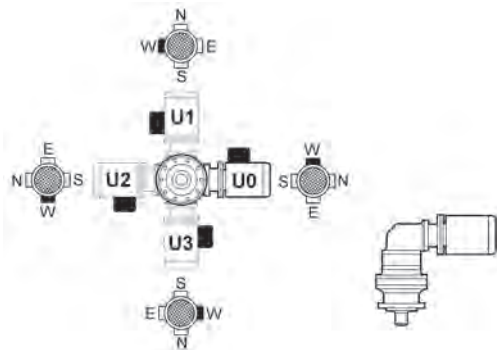
P0 - P1 - P2 - P3



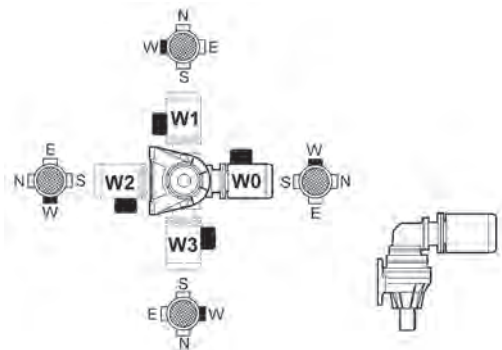
R0 - R1 - R2 - R3

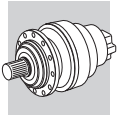


U0 - U1 - U2 - U3



W0 - W1 - W2 - W3

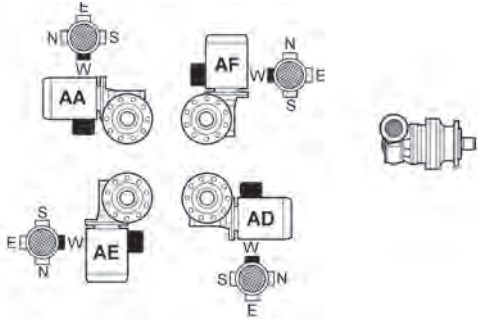




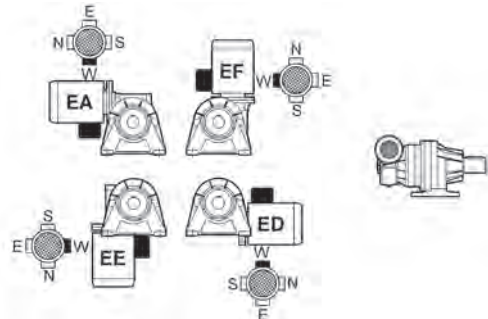
24.3 3/V Series

(A4)

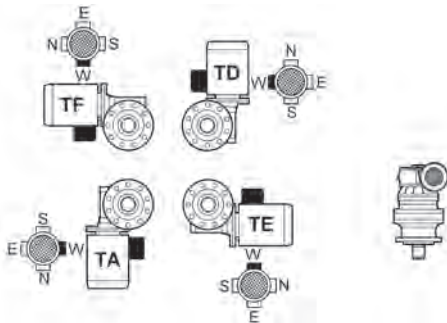
AA - AE - AF - AD



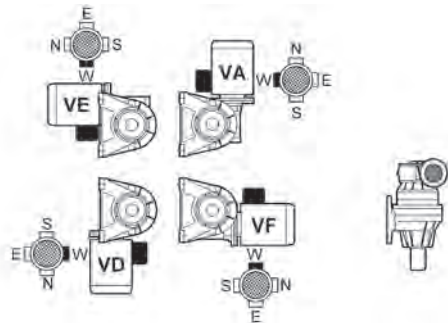
EA - EE - EF - ED



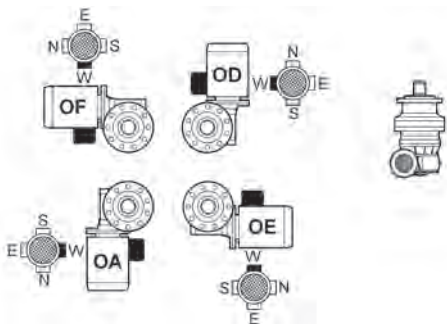
TA - TE - TF - TD



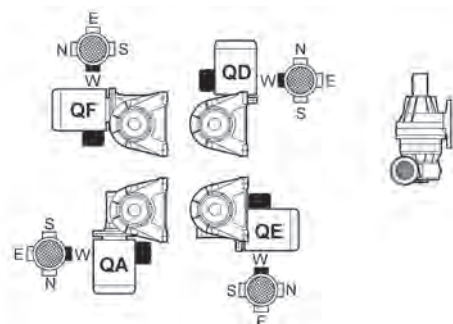
VA - VE - VF - VD



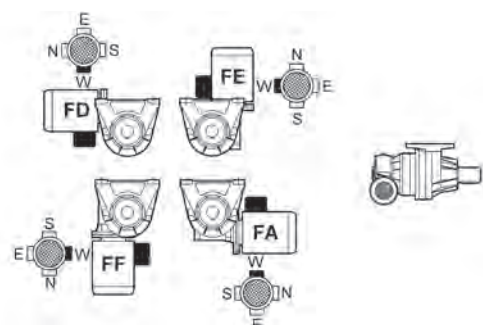
OA - OE - OF - OD

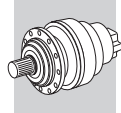


QA - QE - QF - QD



FA - FE - FF - FD

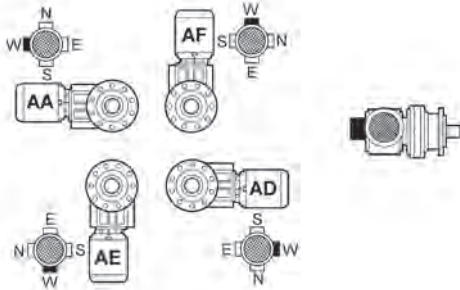




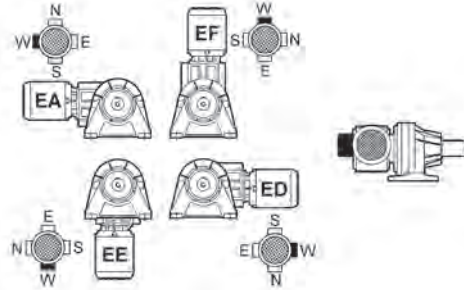
24.4 3/A Series

(A 5)

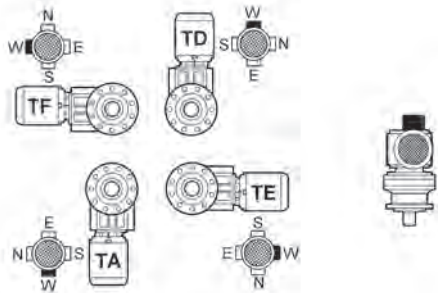
AA - AE - AF - AD



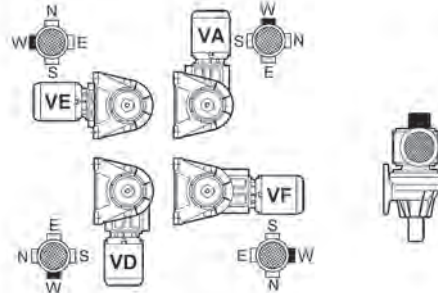
EA - EE - EF - ED



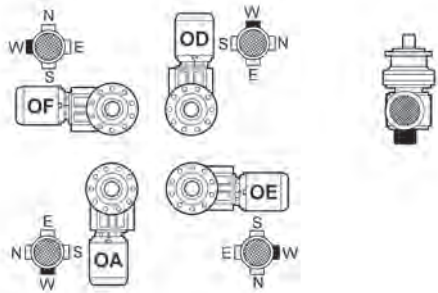
TA - TE - TF - TD



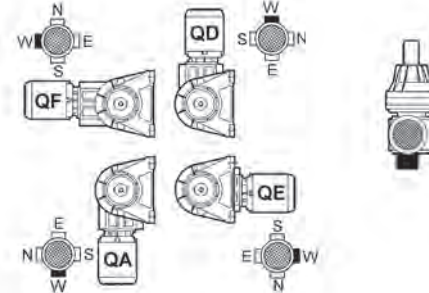
VA - VE - VF - VD



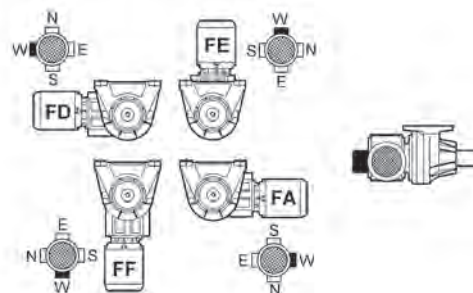
OA - OE - OF - OD

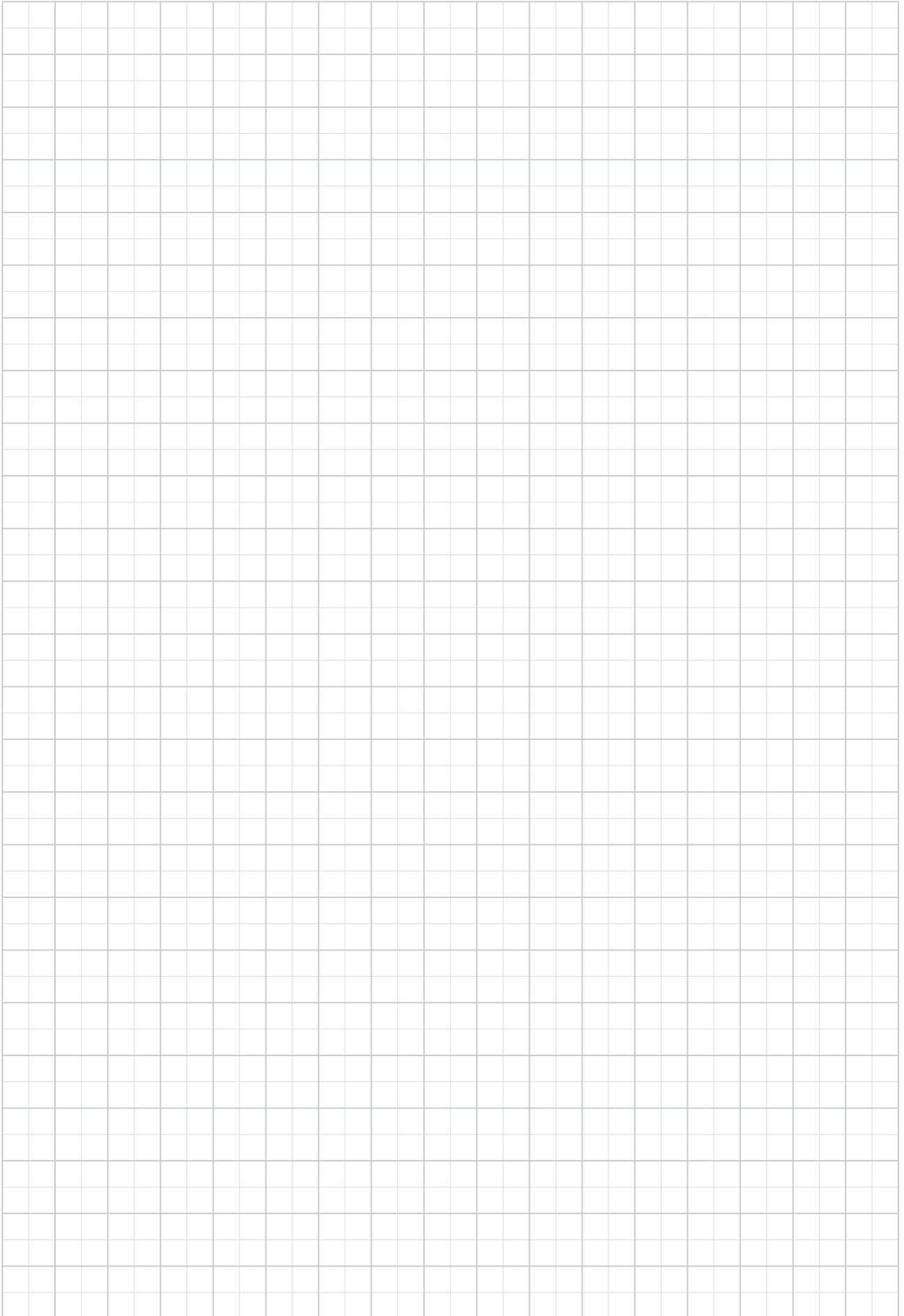
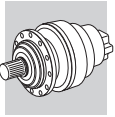


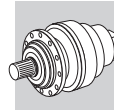
QA - QE - QF - QD



FA - FE - FF - FD







25 RATING CHARTS

A GEARMOTOR SELECTION BY POWER

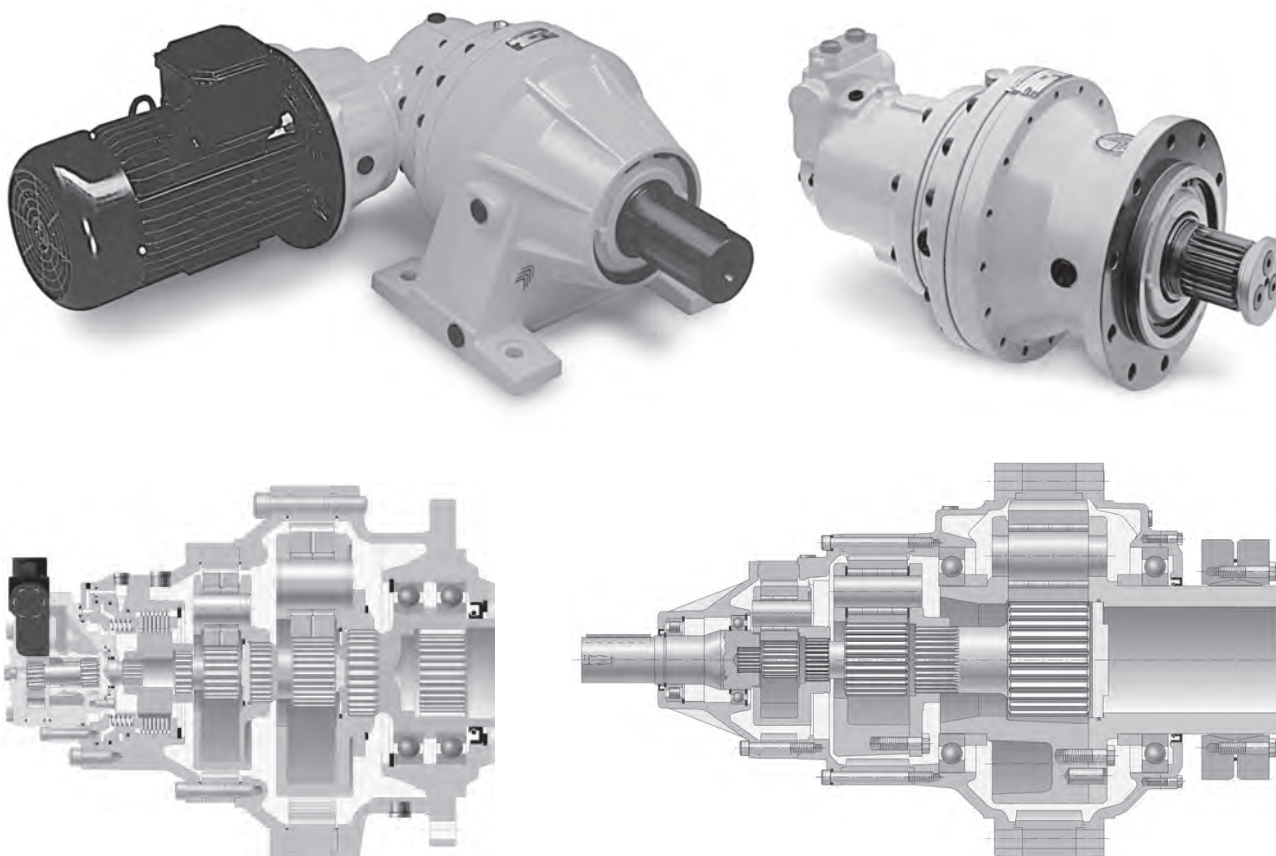
A

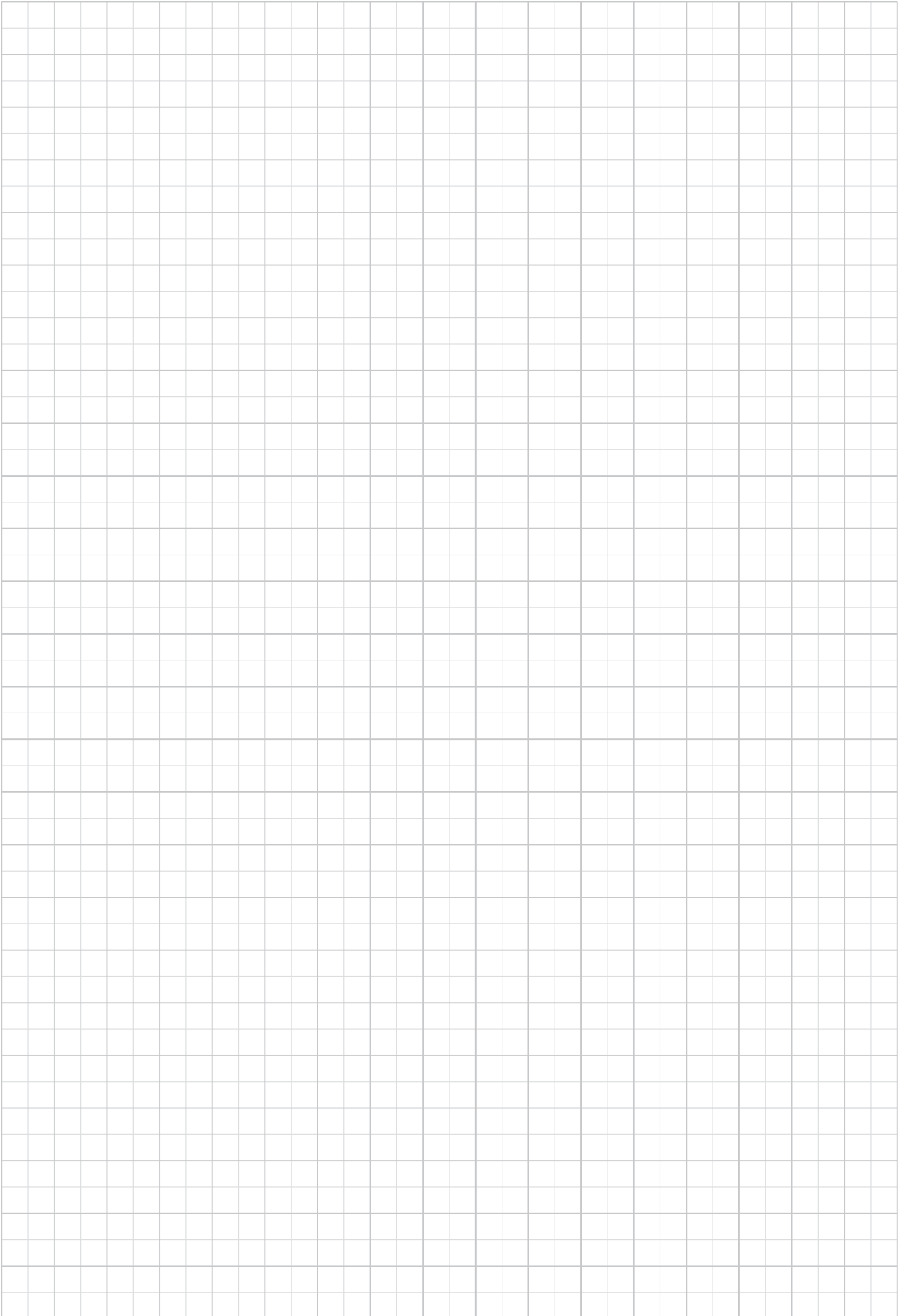
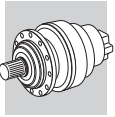
B GEARBOX SELECTION BY APPLICATION TORQUE

B

C GEARBOX SELECTION BY NUMBER OF WORKING CYCLES

C







25.1 300 L - 300 R GEARMOTOR RATING CHARTS

Reading the rating chart.

1
 ↓

$P_1 = 9.2 \text{ kW}$																		
n_2 min ⁻¹	M_2 Nm	S	i	Pt kW									Rn ₂ [N]					
													MC	MZ	HC/PC	HZ/PZ	FZ	
31	2623	2.5	46.5	13.0	306 L2	—	BE132MB4	BX160MA4	ME4LB4	MX5SA4	15000	17000	36900	43000	11300	302		
32	2527	3.0	46.3	14.0	—	306 R3	BE132MB4	BX160MA4	ME4LB4	—	15000	16900	36800	42900	11200	304		
33	2518	1.4	44.6	9.0	305 L2	—	BE132MB4	BX160MA4	ME4LB4	—	11900	13700	22300	26800	7610	290		
33	2380	1.3	43.6	7.5	304 L3	—	BE132MB4	BX160MA4	ME4LB4	—	11800	13600	22100	26600	7550	278		
34	2325	1.4	42.6	14.0	—	304 R3	BE132MB4	—	—	—	11700	13500	22000	26400	7490	280		

2
↑

3
↑

4
↑

5
↑

6
↑

7
↑

8
↑

9
↑

10
↑

11
↑

12
↑

Thermal capacity lower than power applied

1 Rating of electric motor connected to the gearbox	9 IEC motor size and pole number
2 Gearbox output speed	10 Integral motor frame size and pole number
3 Rated torque to the output shaft based on: - specified service factor - 10000 h theoretical lifetime	11 Permitted overhung loading on output shaft, based on: - service factor $f_S=1$ - 10000 h theoretical lifetime - speed of output n_2
4 Service factor	For forces not applied at shaft midpoint, see diagrams provided in the specific gearbox overall dimensioning pages
5 Gear ratio	12 Dimensions page. Gearmotor overall dimensions refer to matches with BONFIGLIOLI motors only
6 Gearbox thermal capacity	
7 Frame size of the in-line gear unit	
8 Frame size of the right-angle gear unit. NOTE: letters (B) (C) near size indication identify different angle reduction dimensions. See dimensions pages.	

A



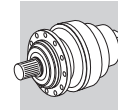
The selection of motors without brake takes into account the requirements of Regulation EC 640/2009 (see section **M** of this catalogue). When the motor rated power is below 0.75kW, BN/M motors can be provided.

Considering that the Regulation EC 640/2009 shall not apply to the motors equipped with brake, the brakemotor selection takes into account BN/M motors only, without taking into account the rated power. BX, BE, MX and ME brakemotors are available on request.






A

P₁ = 0.25 kW






n ₂ min ⁻¹	M ₂ Nm	S	i	Pt kW					Rn ₂ [N]					
									MC	MZ	HC/PC	HZ/PZ	FZ	
0.47	4439	1.6	2916	6.0	306 L4	—	BN71A4	—	45000	51000	101000	119000	35000	302
0.57	3688	3.0	2423	7.5	307 L4	—	BN71A4	—	52000	65000	109000	145000	45000	314
0.59	3557	2.0	2337	6.0	306 L4	—	BN71A4	—	45000	51000	101000	119000	35000	302
0.62	3415	1.1	2243	6.0	305 L4	—	BN71A4	—	36000	42000	64000	74000	24000	290
0.67	3157	2.2	2074	6.0	306 L4	—	BN71A4	—	45000	51000	101000	119000	35000	302
0.69	3031	0.9	1991	6.0	303 L4	—	BN71A4	—	36000	42000	64000	74000	24000	266
0.69	3031	1.2	1991	6.0	304 L4	—	BN71A4	—	36000	42000	64000	74000	24000	278
0.69	3031	1.8	1991	6.0	305 L4	—	BN71A4	—	36000	42000	64000	74000	24000	290
0.74	2823	1.7	1854	6.0	305 L4	—	BN71A4	—	36000	42000	64000	74000	24000	290
0.76	2764	1.1	1815	6.0	304 L4	—	BN71A4	—	36000	42000	64000	74000	24000	278
0.87	2415	0.9	1586	6.0	303 L4	—	BN71A4	—	36000	42000	64000	74000	24000	266
0.87	2415	1.6	1586	6.0	304 L4	—	BN71A4	—	36000	42000	64000	74000	24000	278
0.87	2415	2.0	1586	6.0	305 L4	—	BN71A4	—	36000	42000	64000	74000	24000	290
1.0	2086	1.2	1370	6.0	303 L4	—	BN71A4	—	36000	42000	62200	74000	23800	266
1.0	2086	2.2	1370	6.0	305 L4	—	BN71A4	—	36000	42000	62200	74000	23800	290
1.0	2046	1.8	1344	6.0	304 L4	—	BN71A4	—	36000	42000	61900	74000	23700	278
1.1	1946	1.4	1278	6.0	303 L4	—	BN71A4	—	36000	41900	60900	73300	23300	266
1.1	1946	2.8	1278	6.0	305 L4	—	BN71A4	—	36000	41900	60900	73300	23300	290
1.1	1941	1.2	1275	6.0	301 L4	—	BN71A4	—	11800	11800	29800	34000	7750	256
1.1	1935	2.0	1271	6.0	304 L4	—	BN71A4	—	36000	41800	60800	73200	23200	278
1.2	1772	1.6	1164	6.0	304 L4	—	BN71A4	—	35200	40600	59200	71300	22600	278
1.2	1687	1.0	1108	6.0	301 L4	—	BN71A4	—	11300	11300	28600	32900	7400	256
1.3	1671	1.4	1098	6.0	303 L4	—	BN71A4	—	34500	39800	58200	70000	22100	266
1.3	1671	2.7	1098	6.0	305 L4	—	BN71A4	—	34500	39800	58200	70000	22100	290
1.4	1555	1.5	1022	6.0	301 L4	—	BN71A4	—	11000	11000	27900	32100	7200	256
1.4	1551	1.8	1018	6.0	303 L4	—	BN71A4	—	33600	38800	56900	68500	21600	266
1.4	1551	2.5	1018	6.0	304 L4	—	BN71A4	—	33600	38800	56900	68500	21600	278
1.5	1434	1.6	942	6.0	301 L4	—	BN71A4	—	10700	10700	27200	31300	7010	256
1.5	1364	1.6	896	6.0	303 L4	—	BN71A4	—	32200	37200	54800	65900	20700	266
1.7	1254	1.8	824	12.0	—	303 R4	BN71A4	—	31300	36200	53400	64300	20100	268
1.7	1246	0.9	819	6.0	300 L4	—	BN71A4	—	9940	9940	25600	29400	6540	246
1.7	1246	1.8	819	6.0	301 L4	—	BN71A4	—	10200	10200	26100	30000	6690	256
1.7	1242	2.2	816	6.0	303 L4	—	BN71A4	—	31300	36100	53300	64100	20000	266
1.7	1213	1.5	797	12.0	—	303 R4	BN71A4	—	31000	35800	52900	63600	19900	268
1.7	1213	2.8	797	12.0	—	305 R4	BN71A4	—	31000	35800	52900	63600	19900	292
1.8	1167	1.3	766	10.0	—	301 R4	BN71A4	—	9950	9950	25600	29400	6540	258
1.8	1149	1.0	755	6.0	300 L4	—	BN71A4	—	9680	9680	25000	28700	6360	246
1.8	1149	1.9	755	6.0	301 L4	—	BN71A4	—	9900	9900	25500	29300	6510	256
1.9	1093	2.0	718	6.0	303 L4	—	BN71A4	—	29900	34600	51300	61700	19200	266
2.0	1069	2.5	702	6.0	304 L4	—	BN71A4	—	29700	34300	50900	61300	19100	278
2.0	1065	2.5	699	12.0	—	304 R4	BN71A4	—	29700	34300	50900	61200	19000	280
2.1	1003	2.1	659	12.0	—	303 R4	BN71A4	—	29100	33600	50000	60100	18700	268
2.1	989	2.3	649	6.0	303 L4	—	BN71A4	—	29000	33400	49700	59800	18600	266
2.2	938	1.1	616	6.0	300 L4	—	BN71A4	—	9260	9260	24000	27600	6090	246
2.2	938	2.3	616	6.0	301 L4	—	BN71A4	—	9260	9260	24000	27600	6090	256
2.3	933	1.6	613	10.0	—	301 R4	BN71A4	—	9240	9240	23900	27500	6080	258
2.4	863	2.8	567	12.0	—	303 R4	BN71A4	—	27700	32000	47700	57400	17800	268
2.5	852	3.0	560	12.0	—	304 R4	BN71A4	—	27600	31800	47600	57200	17700	280
2.5	849	1.2	558	6.0	300 L4	—	BN71A4	—	8950	8950	23300	26700	5890	246
2.5	849	2.5	558	6.0	301 L4	—	BN71A4	—	8950	8950	23300	26700	5890	256
2.6	804	2.5	528	12.0	—	303 R4	BN71A4	—	27000	31200	46700	56200	17300	268
2.8	752	1.4	494	6.0	300 L4	—	BN71A4	—	8600	8600	22400	25800	5650	246
2.8	752	2.8	494	6.0	301 L4	—	BN71A4	—	8600	8600	22400	25800	5650	256
2.8	748	0.9	491	10.0	—	300 R4	BN71A4	—	8580	8580	22400	25700	5640	248
2.8	748	1.9	491	10.0	—	301 R4	BN71A4	—	8580	8580	22400	25700	5640	258
3.0	690	1.5	453	10.0	—	300 R4	BN71A4	—	8350	8350	21900	25100	5490	248



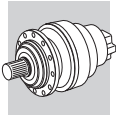
P₁ = 0.25 kW

n ₂ min ⁻¹	M ₂ Nm	S	i	Pt kW					Rn ₂ [N]						
									MC	MZ	HC/PC	HZ/PZ	FZ		
3.0	690	2.8	453	10.0	—	301 R4	BN71A4	—	—	8350	8350	21900	25100	5490	258
3.1	681	1.5	447	6.0	300 L4	—	BN71A4	—	—	8320	8320	21800	25000	5470	246
3.1	681	3.0	447	6.0	301 L4	—	BN71A4	—	—	8320	8320	21800	25000	5470	256
3.4	614	1.1	403	6.0	300 L4	—	BN71A4	—	—	8040	8040	21100	24300	5280	246
3.4	614	2.2	403	6.0	301 L4	—	BN71A4	—	—	8040	8040	21100	24300	5280	256
3.5	599	1.1	394	10.0	—	300 R4	BN71A4	—	—	7970	7970	21000	24100	5240	248
3.5	599	2.3	394	10.0	—	301 R4	BN71A4	—	—	7970	7970	21000	24100	5240	258
3.5	612	2.8	389	7.5	303 L3	—	BN71A4	—	—	24400	28200	42600	51300	15700	266
3.7	589	1.1	374	7.5	300 L3	—	BN71A4	—	—	7840	7840	20600	23700	5150	246
3.7	589	2.3	374	7.5	301 L3	—	BN71A4	—	—	7840	7840	20600	23700	5150	256
3.8	553	1.8	363	10.0	—	300 R4	BN71A4	—	—	7760	7760	20500	23500	5100	248
4.2	503	1.9	330	6.0	300 L4	—	BN71A4	—	—	7520	7520	19900	22900	4940	246
4.6	471	1.4	299	7.5	300 L3	—	BN71A4	—	—	7270	7270	19300	22200	4780	246
4.6	471	2.8	299	7.5	301 L3	—	BN71A4	—	—	7270	7270	19300	22200	4780	256
4.7	443	2.1	291	10.0	—	300 R4	BN71A4	—	—	7210	7210	19100	22000	4740	248
5.1	408	2.3	268	10.0	—	300 R4	BN71A4	—	—	7020	7020	18700	21500	4610	248
5.8	377	1.7	240	7.5	300 L3	—	BN71A4	—	—	6760	6760	18100	20800	4440	246
5.8	361	1.8	237	10.0	—	300 R4	BN71A4	—	—	6740	6740	18000	20700	4430	248
6.2	348	2.6	221	7.5	300 L3	—	BN71A4	—	—	6580	6580	17600	20300	4320	246
6.4	327	2.8	215	10.0	—	300 R4	BN71A4	—	—	6520	6520	17500	20100	4280	248
7.2	302	2.2	192	7.5	300 L3	—	BN71A4	—	—	6280	6280	16900	19400	4130	246
9.6	218	3.0	143	10.0	—	300 R4	BN71A4	—	—	5690	5690	15500	17800	3740	248
10.4	209	2.6	133	12.0	—	300 R3	BN71A4	—	—	5550	5550	15100	17400	3650	248






P₁ = 0.37 kW

n ₂ min ⁻¹	M ₂ Nm	S	i	Pt kW					Rn ₂ [N]						
									MC	MZ	HC/PC	HZ/PZ	FZ		
0.47	6672	1.0	2916	6.0	306 L4	—	BN71B4	M1SD4	—	45000	51000	101000	119000	35000	302
0.57	5543	2.0	2423	7.5	307 L4	—	BN71B4	M1SD4	—	52000	65000	109000	145000	45000	314
0.59	5346	1.3	2337	6.0	306 L4	—	BN71B4	M1SD4	—	45000	51000	101000	119000	35000	302
0.66	4744	1.5	2074	6.0	306 L4	—	BN71B4	M1SD4	—	45000	51000	101000	119000	35000	302
0.69	4555	1.2	1991	6.0	305 L4	—	BN71B4	M1SD4	—	36000	42000	64000	74000	24000	290
0.74	4243	1.1	1854	6.0	305 L4	—	BN71B4	M1SD4	—	36000	42000	64000	74000	24000	290
0.74	4217	2.4	1843	6.0	306 L4	—	BN71B4	M1SD4	—	45000	51000	101000	119000	35000	302
0.86	3653	2.4	1597	6.0	306 L4	—	BN71B4	M1SD4	—	45000	51000	101000	119000	35000	302
0.86	3629	1.1	1586	6.0	304 L4	—	BN71B4	M1SD4	—	36000	42000	64000	74000	24000	278
0.86	3629	1.3	1586	6.0	305 L4	—	BN71B4	M1SD4	—	36000	42000	64000	74000	24000	290
0.93	3374	3.0	1475	6.0	306 L4	—	BN71B4	M1SD4	—	45000	51000	101000	119000	35000	302
1.0	3135	1.5	1370	6.0	305 L4	—	BN71B4	M1SD4	—	36000	42000	62200	74000	23800	290
1.0	3074	1.2	1344	6.0	304 L4	—	BN71B4	M1SD4	—	36000	42000	61900	74000	23700	278
1.1	2927	2.9	1279	6.0	306 L4	—	BN71B4	M1SD4	—	45000	51000	99700	116100	34000	302
1.1	2924	1.0	1278	6.0	303 L4	—	BN71B4	M1SD4	—	36000	41900	60900	73300	23300	266
1.1	2924	1.9	1278	6.0	305 L4	—	BN71B4	M1SD4	—	36000	41900	60900	73300	23300	290
1.1	2908	1.3	1271	6.0	304 L4	—	BN71B4	M1SD4	—	36000	41800	60800	73200	23200	278
1.2	2663	1.1	1164	6.0	304 L4	—	BN71B4	M1SD4	—	35200	40600	59200	71300	22600	278
1.2	2512	0.9	1098	6.0	303 L4	—	BN71B4	M1SD4	—	33700	38900	57000	68600	21600	266
1.2	2512	1.8	1098	6.0	305 L4	—	BN71B4	M1SD4	—	34500	39800	58200	70000	22100	290
1.3	2338	1.0	1022	6.0	301 L4	—	BN71B4	M1SD4	—	10700	10700	27300	31400	7040	256
1.3	2330	1.2	1018	6.0	303 L4	—	BN71B4	M1SD4	—	33600	38800	56900	68500	21600	266
1.3	2330	1.7	1018	6.0	304 L4	—	BN71B4	M1SD4	—	33600	38800	56900	68500	21600	278
1.3	2330	2.3	1018	6.0	305 L4	—	BN71B4	M1SD4	—	33600	38800	56900	68500	21600	290
1.5	2156	1.1	942	6.0	301 L4	—	BN71B4	M1SD4	—	10700	10700	27200	31300	7010	256
1.5	2051	1.1	896	6.0	303 L4	—	BN71B4	M1SD4	—	32200	37200	54800	65900	20700	266
1.5	2051	2.1	896	6.0	305 L4	—	BN71B4	M1SD4	—	32200	37200	54800	65900	20700	290
1.7	1884	1.2	824	12.0	—	303 R4	BN71B4	M1SD4	—	31300	36200	53400	64300	20100	268
1.7	1884	2.2	824	12.0	—	305 R4	BN71B4	M1SD4	—	31300	36200	53400	64300	20100	292
1.7	1873	1.2	819	6.0	301 L4	—	BN71B4	M1SD4	—	10200	10200	26100	30000	6690	256
1.7	1867	1.5	816	6.0	303 L4	—	BN71B4	M1SD4	—	31300	36100	53300	64100	20000	266
1.7	1867	2.0	816	6.0	304 L4	—	BN71B4	M1SD4	—	31300	36100	53300	64100	20000	278
1.7	1867	2.9	816	6.0	305 L4	—	BN71B4	M1SD4	—	31300	36100	53300	64100	20000	290
1.7	1824	1.0	797	12.0	—	303 R4	BN71B4	M1SD4	—	31000	35800	52900	63600	19900	268
1.7	1824	1.9	797	12.0	—	305 R4	BN71B4	M1SD4	—	31000	35800	52900	63600	19900	292
1.8	1727	1.3	755	6.0	301 L4	—	BN71B4	M1SD4	—	9900	9900	25500	29300	6510	256
1.9	1643	1.3	718	6.0	303 L4	—	BN71B4	M1SD4	—	29900	34600	51300	61700	19200	266
1.9	1643	2.5	718	6.0	305 L4	—	BN71B4	M1SD4	—	29900	34600	51300	61700	19200	290
2.0	1606	1.6	702	6.0	304 L4	—	BN71B4	M1SD4	—	29700	34300	50900	61300	19100	278
2.0	1600	1.6	699	12.0	—	304 R4	BN71B4	M1SD4	—	29700	34300	50900	61200	19000	280
2.1	1508	1.4	659	12.0	—	303 R4	BN71B4	M1SD4	—	29100	33600	50000	60100	18700	268
2.1	1508	2.7	659	12.0	—	305 R4	BN71B4	M1SD4	—	29100	33600	50000	60100	18700	292








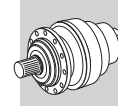


P₁ = 0.37 kW

n ₂ min ⁻¹	M ₂ Nm	S	i	Pt kW					Rn ₂ [N]					
									MC	MZ	HC/PC	HZ/PZ	FZ	
2.1	1486	1.6	649	6.0	303 L4	—	BN71B4	M1SD4	29000	33400	49700	59800	18600	266
2.1	1486	2.4	649	6.0	304 L4	—	BN71B4	M1SD4	29000	33400	49700	59800	18600	278
2.2	1410	1.5	616	6.0	301 L4	—	BN71B4	M1SD4	9260	9260	24000	27600	6090	256
2.2	1403	1.0	613	10.0	—	301 R4	BN71B4	M1SD4	9240	9240	23900	27500	6080	258
2.4	1297	1.9	567	12.0	—	303 R4	BN71B4	M1SD4	27700	32000	47700	57400	17800	268
2.4	1280	2.0	560	12.0	—	304 R4	BN71B4	M1SD4	27600	31800	47600	57200	17700	280
2.5	1276	1.7	558	6.0	301 L4	—	BN71B4	M1SD4	8950	8950	23300	26700	5890	256
2.5	1272	2.2	556	6.0	303 L4	—	BN71B4	M1SD4	27500	31700	47500	57100	17600	266
2.5	1272	2.9	556	6.0	304 L4	—	BN71B4	M1SD4	27500	31700	47500	57100	17600	278
2.6	1208	1.7	528	12.0	—	303 R4	BN71B4	M1SD4	27000	31200	46700	56200	17300	268
2.8	1130	0.9	494	6.0	300 L4	—	BN71B4	M1SD4	8400	8400	22000	25300	5520	246
2.8	1130	1.8	494	6.0	301 L4	—	BN71B4	M1SD4	8600	8600	22400	25800	5650	256
2.8	1126	2.4	492	6.0	303 L4	—	BN71B4	M1SD4	26400	30500	45800	55100	16900	266
2.8	1124	1.3	491	10.0	—	301 R4	BN71B4	M1SD4	8580	8580	22400	25700	5640	258
3.0	1037	1.0	453	10.0	—	300 R4	BN71B4	M1SD4	8350	8350	21900	25100	5490	248
3.0	1037	1.9	453	10.0	—	301 R4	BN71B4	M1SD4	8350	8350	21900	25100	5490	258
3.0	1033	2.2	452	12.0	—	303 R4	BN71B4	M1SD4	25700	29600	44600	53700	16500	268
3.1	1023	1.0	447	6.0	300 L4	—	BN71B4	M1SD4	8320	8320	21800	25000	5470	246
3.1	1023	2.0	447	6.0	301 L4	—	BN71B4	M1SD4	8320	8320	21800	25000	5470	256
3.1	1020	2.8	446	6.0	303 L4	—	BN71B4	M1SD4	25500	29500	44400	53400	16400	266
3.2	1008	2.5	426	7.5	304 L3	—	BN71B4	M1SD4	25200	29000	43800	52700	16100	278
3.3	946	2.6	414	12.0	—	304 R4	BN71B4	M1SD4	24900	28800	43400	52300	16000	280
3.3	945	2.5	413	6.0	303 L4	—	BN71B4	M1SD4	24900	28800	43400	52200	16000	266
3.4	922	1.5	403	6.0	301 L4	—	BN71B4	M1SD4	8040	8040	21100	24300	5280	256
3.4	951	2.0	402	7.5	303 L3	—	BN71B4	M1SD4	24700	28500	43100	51800	15800	266
3.5	901	1.5	394	10.0	—	301 R4	BN71B4	M1SD4	7970	7970	21000	24100	5240	258
3.5	893	2.2	390	12.0	—	303 R4	BN71B4	M1SD4	24400	28200	42700	51400	15700	268
3.5	920	1.8	389	7.5	303 L3	—	BN71B4	M1SD4	24400	28200	42600	51300	15700	266
3.7	885	1.5	374	7.5	301 L3	—	BN71B4	M1SD4	7840	7840	20600	23700	5150	256
3.8	833	2.8	364	12.0	—	303 R4	BN71B4	M1SD4	23900	27600	41800	50300	15300	268
3.8	831	1.2	363	10.0	—	300 R4	BN71B4	M1SD4	7760	7760	20500	23500	5100	248
3.8	831	2.4	363	10.0	—	301 R4	BN71B4	M1SD4	7760	7760	20500	23500	5100	258
4.0	807	3.0	341	7.5	304 L3	—	BN71B4	M1SD4	23400	27000	41000	49300	15000	278
4.1	768	3.0	336	12.0	—	303 R4	BN71B4	M1SD4	23200	26800	40800	49100	14900	268
4.1	756	1.3	330	6.0	300 L4	—	BN71B4	M1SD4	7520	7520	19900	22900	4940	246
4.1	756	2.5	330	6.0	301 L4	—	BN71B4	M1SD4	7520	7520	19900	22900	4940	256
4.3	760	2.4	321	7.5	303 L3	—	BN71B4	M1SD4	22900	26400	40300	48500	14700	266
4.4	715	2.6	313	12.0	—	303 R4	BN71B4	M1SD4	22700	26200	39900	48100	14600	268
4.6	708	0.9	299	7.5	300 L3	—	BN71B4	M1SD4	7270	7270	19300	22200	4780	246
4.6	708	1.8	299	7.5	301 L3	—	BN71B4	M1SD4	7270	7270	19300	22200	4780	256
4.7	666	1.4	291	10.0	—	300 R4	BN71B4	M1SD4	7210	7210	19100	22000	4740	248
4.7	666	2.8	291	10.0	—	301 R4	BN71B4	M1SD4	7210	7210	19100	22000	4740	258
5.1	614	1.5	268	10.0	—	300 R4	BN71B4	M1SD4	7020	7020	18700	21500	4610	248
5.7	567	1.1	240	7.5	300 L3	—	BN71B4	M1SD4	6760	6760	18100	20800	4440	246
5.7	567	2.3	240	7.5	301 L3	—	BN71B4	M1SD4	6760	6760	18100	20800	4440	256
5.8	543	1.2	237	10.0	—	300 R4	BN71B4	M1SD4	6740	6740	18000	20700	4430	248
5.8	543	2.4	237	10.0	—	301 R4	BN71B4	M1SD4	6740	6740	18000	20700	4430	258
6.2	523	1.7	221	7.5	300 L3	—	BN71B4	M1SD4	6580	6580	17600	20300	4320	246
6.4	492	1.9	215	10.0	—	300 R4	BN71B4	M1SD4	6520	6520	17500	20100	4280	248
7.1	454	1.4	192	7.5	300 L3	—	BN71B4	M1SD4	6280	6280	16900	19400	4130	246
7.1	454	2.9	192	7.5	301 L3	—	BN71B4	M1SD4	6280	6280	16900	19400	4130	256
7.7	419	2.1	177	7.5	300 L3	—	BN71B4	M1SD4	6110	6110	16500	19000	4020	246
7.8	401	2.2	175	10.0	—	300 R4	BN71B4	M1SD4	6090	6090	16500	18900	4000	248
8.6	363	2.4	159	10.0	—	300 R4	BN71B4	M1SD4	5890	5890	16000	18300	3870	248
9.6	328	2.0	143	10.0	—	300 R4	BN71B4	M1SD4	5690	5690	15500	17800	3740	248
9.7	336	2.6	142	7.5	300 L3	—	BN71B4	M1SD4	5670	5670	15400	17700	3730	246
10.3	314	1.7	133	12.0	—	300 R3	BN71B4	M1SD4	5550	5550	15100	17400	3650	248
10.5	310	2.8	131	7.5	300 L3	—	BN71B4	M1SD4	5520	5520	15100	17300	3630	246
10.6	297	2.9	130	10.0	—	300 R4	BN71B4	M1SD4	5510	5510	15000	17300	3620	248
11.8	274	2.4	116	7.5	300 L3	—	BN71B4	M1SD4	5300	5300	14500	16700	3490	246
12.9	252	2.6	106	12.0	—	300 R3	BN71B4	M1SD4	5160	5160	14200	16300	3390	248

P₁ = 0.55 kW

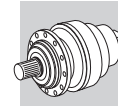
n ₂ min ⁻¹	M ₂ Nm	S	i	Pt kW					Rn ₂ [N]					
									MC	MZ	HC/PC	HZ/PZ	FZ	
0.57	8101	1.4	2423	7.5	307 L4	—	BN80A4	M1LA4	52000	65000	109000	145000	45000	314
0.57	8101	2.1	2423	7.5	309 L4	—	BN80A4	—	—	—	110000	145000	36000	326
0.67	6934	1.0	2074	6.0	306 L4	—	BN80A4	M1LA4	45000	51000	101000	119000	35000	302
0.68	6826	2.1	2041	7.5	307 L4	—	BN80A4	M1LA4	52000	65000	109000	145000	45000	314
0.69	6697	2.5	2003	7.5	309 L4	—	BN80A4	—	—	—	110000	145000	36000	326







P₁ = 0.55 kW

n ₂ min ⁻¹	M ₂ Nm	S	i	Pt kW					Rn ₂ [N]					
									MC	MZ	HC/PC	HZ/PZ	FZ	
0.75	6164	1.6	1843	6.0	306 L4	—	BN80A4	M1LA4	45000	51000	101000	119000	35000	302
0.79	5910	2.7	1767	7.5	307 L4	—	BN80A4	M1LA4	52000	65000	109000	145000	45000	314
0.81	5761	3.0	1723	7.5	309 L4	—	BN80A4	—	—	—	110000	145000	36000	326
0.87	5339	1.6	1597	6.0	306 L4	—	BN80A4	M1LA4	45000	51000	101000	119000	35000	302
0.87	5319	2.8	1591	7.5	307 L4	—	BN80A4	M1LA4	52000	65000	109000	145000	45000	314
0.94	4931	2.0	1475	6.0	306 L4	—	BN80A4	M1LA4	45000	51000	101000	119000	35000	302
1.0	4582	1.0	1370	6.0	305 L4	—	BN80A4	M1LA4	36000	42000	62200	74000	23800	290
1.1	4278	2.0	1279	6.0	306 L4	—	BN80A4	M1LA4	45000	51000	99700	116100	34000	302
1.1	4274	1.3	1278	6.0	305 L4	—	BN80A4	M1LA4	36000	41900	60900	73300	23300	290
1.1	4262	2.9	1274	7.5	307 L4	—	BN80A4	M1LA4	50200	63000	107100	140400	43600	314
1.1	4250	0.9	1271	6.0	304 L4	—	BN80A4	M1LA4	36000	41800	60800	73200	23200	278
1.3	3671	1.2	1098	6.0	305 L4	—	BN80A4	M1LA4	34500	39800	58200	70000	22100	290
1.3	3660	2.1	1095	6.0	306 L4	—	BN80A4	M1LA4	42900	48600	95200	110800	32200	302
1.4	3406	1.1	1018	6.0	304 L4	—	BN80A4	M1LA4	33600	38800	56900	68500	21600	278
1.4	3406	1.6	1018	6.0	305 L4	—	BN80A4	M1LA4	33600	38800	56900	68500	21600	290
1.4	3394	2.8	1015	6.0	306 L4	—	BN80A4	M1LA4	41900	47400	93000	108300	31400	302
1.6	2997	1.4	896	6.0	305 L4	—	BN80A4	M1LA4	32200	37200	54800	65900	20700	290
1.6	2933	2.6	877	6.0	306 L4	—	BN80A4	M1LA4	39900	45200	89000	103700	29900	302
1.7	2776	2.3	830	12.0	—	306 R4	BN80A4	M1LA4	39100	44300	87600	102000	29400	304
1.7	2754	1.5	824	12.0	—	305 R4	BN80A4	M1LA4	31300	36200	53400	64300	20100	292
1.7	2729	1.0	816	6.0	303 L4	—	BN80A4	M1LA4	31300	36100	53300	64100	20000	266
1.7	2729	1.4	816	6.0	304 L4	—	BN80A4	M1LA4	31300	36100	53300	64100	20000	278
1.7	2729	2.0	816	6.0	305 L4	—	BN80A4	M1LA4	31300	36100	53300	64100	20000	290
1.7	2705	2.8	809	6.0	306 L4	—	BN80A4	M1LA4	38800	44000	86900	101200	29200	302
1.7	2665	1.3	797	12.0	—	305 R4	BN80A4	M1LA4	31000	35800	52900	63600	19900	292
1.9	2401	1.7	718	6.0	305 L4	—	BN80A4	M1LA4	29900	34600	51300	61700	19200	290
2.0	2347	1.1	702	6.0	304 L4	—	BN80A4	M1LA4	29700	34300	50900	61300	19100	278
2.0	2339	1.1	699	12.0	—	304 R4	BN80A4	M1LA4	29700	34300	50900	61200	19000	280
2.1	2225	2.7	665	12.0	—	306 R4	BN80A4	M1LA4	36400	41200	82000	95400	27300	304
2.1	2203	1.0	659	12.0	—	303 R4	BN80A4	M1LA4	29100	33600	50000	60100	18700	268
2.1	2203	1.8	659	12.0	—	305 R4	BN80A4	M1LA4	29100	33600	50000	60100	18700	292
2.1	2172	1.1	649	6.0	303 L4	—	BN80A4	M1LA4	29000	33400	49700	59800	18600	266
2.1	2172	1.6	649	6.0	304 L4	—	BN80A4	M1LA4	29000	33400	49700	59800	18600	278
2.1	2172	2.1	649	6.0	305 L4	—	BN80A4	M1LA4	29000	33400	49700	59800	18600	290
2.3	2061	1.0	616	6.0	301 L4	—	BN80A4	M1LA4	9260	9260	24000	27600	6090	256
2.5	1895	1.3	567	12.0	—	303 R4	BN80A4	M1LA4	27700	32000	47700	57400	17800	268
2.5	1895	2.6	567	12.0	—	305 R4	BN80A4	M1LA4	27700	32000	47700	57400	17800	292
2.5	1871	1.4	560	12.0	—	304 R4	BN80A4	M1LA4	27600	31800	47600	57200	17700	280
2.5	1865	1.1	558	6.0	301 L4	—	BN80A4	M1LA4	8950	8950	23300	26700	5890	256
2.5	1860	1.5	556	6.0	303 L4	—	BN80A4	M1LA4	27500	31700	47500	57100	17600	266
2.5	1860	2.0	556	6.0	304 L4	—	BN80A4	M1LA4	27500	31700	47500	57100	17600	278
2.5	1860	3.0	556	6.0	305 L4	—	BN80A4	M1LA4	27500	31700	47500	57100	17600	290
2.6	1765	1.1	528	12.0	—	303 R4	BN80A4	M1LA4	27000	31200	46700	56200	17300	268
2.6	1765	2.2	528	12.0	—	305 R4	BN80A4	M1LA4	27000	31200	46700	56200	17300	292
2.8	1651	1.3	494	6.0	301 L4	—	BN80A4	M1LA4	8600	8600	22400	25800	5650	256
2.8	1646	1.6	492	6.0	303 L4	—	BN80A4	M1LA4	26400	30500	45800	55100	16900	266
2.8	1646	2.3	492	6.0	304 L4	—	BN80A4	M1LA4	26400	30500	45800	55100	16900	278
3.1	1515	1.3	453	10.0	—	301 R4	BN80A4	M1LA4	8350	8350	21900	25100	5490	258
3.1	1510	1.5	452	12.0	—	303 R4	BN80A4	M1LA4	25700	29600	44600	53700	16500	268
3.1	1510	2.4	452	12.0	—	304 R4	BN80A4	M1LA4	25700	29600	44600	53700	16500	280
3.1	1495	1.4	447	6.0	301 L4	—	BN80A4	M1LA4	8320	8320	21800	25000	5470	256
3.1	1490	1.9	446	6.0	303 L4	—	BN80A4	M1LA4	25500	29500	44400	53400	16400	266
3.1	1490	2.5	446	6.0	304 L4	—	BN80A4	M1LA4	25500	29500	44400	53400	16400	278
3.3	1473	1.7	426	7.5	304 L3	—	BN80A4	M1LA4	25200	29000	43800	52700	16100	278
3.4	1383	1.8	414	12.0	—	304 R4	BN80A4	M1LA4	24900	28800	43400	52300	16000	280
3.4	1382	1.7	413	6.0	303 L4	—	BN80A4	M1LA4	24900	28800	43400	52200	16000	266
3.4	1382	2.2	413	6.0	304 L4	—	BN80A4	M1LA4	24900	28800	43400	52200	16000	278
3.4	1348	1.0	403	6.0	301 L4	—	BN80A4	M1LA4	8040	8040	21100	24300	5280	256
3.5	1389	1.4	402	7.5	303 L3	—	BN80A4	M1LA4	24700	28500	43100	51800	15800	266
3.5	1389	2.7	402	7.5	305 L3	—	BN80A4	M1LA4	24700	28500	43100	51800	15800	290
3.5	1316	1.0	394	10.0	—	301 R4	BN80A4	M1LA4	7970	7970	21000	24100	5240	258
3.6	1305	1.5	390	12.0	—	303 R4	BN80A4	M1LA4	24400	28200	42700	51400	15700	268
3.6	1305	2.9	390	12.0	—	305 R4	BN80A4	M1LA4	24400	28200	42700	51400	15700	292
3.6	1344	1.3	389	7.5	303 L3	—	BN80A4	M1LA4	24400	28200	42600	51300	15700	266
3.6	1344	2.4	389	7.5	305 L3	—	BN80A4	M1LA4	24400	28200	42600	51300	15700	290
3.7	1293	1.0	374	7.5	301 L3	—	BN80A4	M1LA4	7840	7840	20600	23700	5150	256
3.8	1217	1.9	364	12.0	—	303 R4	BN80A4	M1LA4	23900	27600	41800	50300	15300	268
3.8	1217	2.4	364	12.0	—	304 R4	BN80A4	M1LA4	23900	27600	41800	50300	15300	280
3.8	1214	1.6	363	10.0	—	301 R4	BN80A4	M1LA4	7760	7760	20500	23500	5100	258
4.1	1180	2.1	341	7.5	304 L3	—	BN80A4	M1LA4	23400	27000	41000	49300	15000	278
4.1	1129	2.1	338	12.0	—	304 R4	BN80A4	M1LA4	23300	26900	40900	49200	14900	280
4.1	1122	2.0	336	12.0	—	303 R4	BN80A4	M1LA4	23200	26800	40800	49100	14900	268
4.2	1105	1.7	330	6.0	301 L4	—	BN80A4	M1LA4	7520	7520	19900	22900	4940	256
4.3	1111	1.7	321	7.5	303 L3	—	BN80A4	M1LA4	22900	26400	40300	48500	14700	266
4.4	1045	1.8	313	12.0	—	303 R4	BN80A4	M1LA4	22700	26200	39900	48100	14600	268
4.6	1034	1.3	299	7.5	301 L3	—	BN80A4	M1LA4	7270	7270	19300	22200	4780	256










P₁ = 0.75 kW






n ₂ min ⁻¹	M ₂ Nm	S	i	Pt kW							Rn ₂ [N]					
					IE2	IE3	IE2	IE3	MC	MZ	HC/PC	HZ/PZ	FZ			
1.6	3859	2.0	877	6.0	306 L4	—	BE80B4	BX80B4	ME2SB4	MX2SB4	39900	45200	89000	103700	29900	302
1.7	3653	1.7	830	12.0	—	306 R4	BE80B4	BX80B4	ME2SB4	MX2SB4	39100	44300	87600	102000	29400	304
1.7	3624	1.2	824	12.0	—	305 R4	BE80B4	BX80B4	ME2SB4	MX2SB4	31300	36200	53400	64300	20100	292
1.8	3591	1.1	816	6.0	304 L4	—	BE80B4	BX80B4	ME2SB4	MX2SB4	31300	36100	53300	64100	20000	278
1.8	3591	1.5	816	6.0	305 L4	—	BE80B4	BX80B4	ME2SB4	MX2SB4	31300	36100	53300	64100	20000	290
1.8	3559	2.2	809	6.0	306 L4	—	BE80B4	BX80B4	ME2SB4	MX2SB4	38800	44000	86900	101200	29200	302
1.8	3507	1.0	797	12.0	—	305 R4	BE80B4	BX80B4	ME2SB4	MX2SB4	31000	35800	52900	63600	19900	292
2.0	3160	1.3	718	6.0	305 L4	—	BE80B4	BX80B4	ME2SB4	MX2SB4	29900	34600	51300	61700	19200	290
2.1	2927	2.1	665	12.0	—	306 R4	BE80B4	BX80B4	ME2SB4	MX2SB4	36400	41200	82000	95400	27300	304
2.2	2899	1.4	659	12.0	—	305 R4	BE80B4	BX80B4	ME2SB4	MX2SB4	29100	33600	50000	60100	18700	292
2.2	2858	1.2	649	6.0	304 L4	—	BE80B4	BX80B4	ME2SB4	MX2SB4	29000	33400	49700	59800	18600	278
2.2	2858	1.6	649	6.0	305 L4	—	BE80B4	BX80B4	ME2SB4	MX2SB4	29000	33400	49700	59800	18600	290
2.5	2494	1.0	567	12.0	—	303 R4	BE80B4	BX80B4	ME2SB4	MX2SB4	27700	32000	47700	57400	17800	268
2.5	2494	1.9	567	12.0	—	305 R4	BE80B4	BX80B4	ME2SB4	MX2SB4	27700	32000	47700	57400	17800	292
2.6	2462	1.0	560	12.0	—	304 R4	BE80B4	BX80B4	ME2SB4	MX2SB4	27600	31800	47600	57200	17700	280
2.6	2447	1.1	556	6.0	303 L4	—	BE80B4	BX80B4	ME2SB4	MX2SB4	27500	31700	47500	57100	17600	266
2.6	2447	1.5	556	6.0	304 L4	—	BE80B4	BX80B4	ME2SB4	MX2SB4	27500	31700	47500	57100	17600	278
2.6	2447	2.2	556	6.0	305 L4	—	BE80B4	BX80B4	ME2SB4	MX2SB4	27500	31700	47500	57100	17600	290
2.7	2323	1.7	528	12.0	—	305 R4	BE80B4	BX80B4	ME2SB4	MX2SB4	27000	31200	46700	56200	17300	292
2.9	2173	1.0	494	6.0	301 L4	—	BE80B4	BX80B4	ME2SB4	MX2SB4	8400	8400	22000	25300	5520	256
2.9	2166	1.2	492	6.0	303 L4	—	BE80B4	BX80B4	ME2SB4	MX2SB4	26400	30500	45800	55100	16900	266
2.9	2166	1.7	492	6.0	304 L4	—	BE80B4	BX80B4	ME2SB4	MX2SB4	26400	30500	45800	55100	16900	278
2.9	2166	2.5	492	6.0	305 L4	—	BE80B4	BX80B4	ME2SB4	MX2SB4	26400	30500	45800	55100	16900	290
3.2	1993	1.0	453	10.0	—	301 R4	BE80B4	BX80B4	ME2SB4	MX2SB4	8350	8350	21900	25100	5490	258
3.2	1987	1.1	452	12.0	—	303 R4	BE80B4	BX80B4	ME2SB4	MX2SB4	25700	29600	44600	53700	16500	268
3.2	1987	1.9	452	12.0	—	304 R4	BE80B4	BX80B4	ME2SB4	MX2SB4	25700	29600	44600	53700	16500	280
3.2	1987	2.4	452	12.0	—	305 R4	BE80B4	BX80B4	ME2SB4	MX2SB4	25700	29600	44600	53700	16500	292
3.2	1967	1.0	447	6.0	301 L4	—	BE80B4	BX80B4	ME2SB4	MX2SB4	8320	8320	21800	25000	5470	256
3.2	1961	1.4	446	6.0	303 L4	—	BE80B4	BX80B4	ME2SB4	MX2SB4	25500	29500	44400	53400	16400	266
3.2	1961	1.9	446	6.0	304 L4	—	BE80B4	BX80B4	ME2SB4	MX2SB4	25500	29500	44400	53400	16400	278
3.2	1961	2.8	446	6.0	305 L4	—	BE80B4	BX80B4	ME2SB4	MX2SB4	25500	29500	44400	53400	16400	290
3.4	1938	1.3	426	7.5	304 L3	—	BE80B4	BX80B4	ME2SB4	MX2SB4	25200	29000	43800	52700	16100	278
3.5	1819	1.4	414	12.0	—	304 R4	BE80B4	BX80B4	ME2SB4	MX2SB4	24900	28800	43400	52300	16000	280
3.5	1818	1.3	413	6.0	303 L4	—	BE80B4	BX80B4	ME2SB4	MX2SB4	24900	28800	43400	52200	16000	266
3.5	1818	1.6	413	6.0	304 L4	—	BE80B4	BX80B4	ME2SB4	MX2SB4	24900	28800	43400	52200	16000	278
3.5	1818	2.6	413	6.0	305 L4	—	BE80B4	BX80B4	ME2SB4	MX2SB4	24900	28800	43400	52200	16000	290
3.6	1828	1.1	402	7.5	303 L3	—	BE80B4	BX80B4	ME2SB4	MX2SB4	24700	28500	43100	51800	15800	266
3.6	1828	2.1	402	7.5	305 L3	—	BE80B4	BX80B4	ME2SB4	MX2SB4	24700	28500	43100	51800	15800	290
3.7	1717	1.1	390	12.0	—	303 R4	BE80B4	BX80B4	ME2SB4	MX2SB4	24400	28200	42700	51400	15700	268
3.7	1717	2.2	390	12.0	—	305 R4	BE80B4	BX80B4	ME2SB4	MX2SB4	24400	28200	42700	51400	15700	292
3.7	1769	1.0	389	7.5	303 L3	—	BE80B4	BX80B4	ME2SB4	MX2SB4	24400	28200	42600	51300	15700	266
3.7	1769	1.8	389	7.5	305 L3	—	BE80B4	BX80B4	ME2SB4	MX2SB4	24400	28200	42600	51300	15700	290
3.9	1601	1.4	364	12.0	—	303 R4	BE80B4	BX80B4	ME2SB4	MX2SB4	23900	27600	41800	50300	15300	268
3.9	1601	1.8	364	12.0	—	304 R4	BE80B4	BX80B4	ME2SB4	MX2SB4	23900	27600	41800	50300	15300	280
3.9	1601	2.9	364	12.0	—	305 R4	BE80B4	BX80B4	ME2SB4	MX2SB4	23900	27600	41800	50300	15300	292
3.9	1597	1.2	363	10.0	—	301 R4	BE80B4	BX80B4	ME2SB4	MX2SB4	7760	7760	20500	23500	5100	258
4.2	1553	1.6	341	7.5	304 L3	—	BE80B4	BX80B4	ME2SB4	MX2SB4	23400	27000	41000	49300	15000	278
4.2	1485	1.6	338	12.0	—	304 R4	BE80B4	BX80B4	ME2SB4	MX2SB4	23300	26900	40900	49200	14900	280
4.3	1477	1.5	336	12.0	—	303 R4	BE80B4	BX80B4	ME2SB4	MX2SB4	23200	26800	40800	49100	14900	268
4.3	1453	1.3	330	6.0	301 L4	—	BE80B4	BX80B4	ME2SB4	MX2SB4	7520	7520	19900	22900	4940	256
4.4	1462	1.3	321	7.5	303 L3	—	BE80B4	BX80B4	ME2SB4	MX2SB4	22900	26400	40300	48500	14700	266
4.4	1462	2.5	321	7.5	305 L3	—	BE80B4	BX80B4	ME2SB4	MX2SB4	22900	26400	40300	48500	14700	290
4.6	1375	1.3	313	12.0	—	303 R4	BE80B4	BX80B4	ME2SB4	MX2SB4	22700	26200	39900	48100	14600	268
4.6	1375	2.6	313	12.0	—	305 R4	BE80B4	BX80B4	ME2SB4	MX2SB4	22700	26200	39900	48100	14600	292
4.7	1349	2.6	307	12.0	—	304 R4	BE80B4	BX80B4	ME2SB4	MX2SB4	22500	26000	39700	47800	14500	280
4.8	1361	1.0	299	7.5	301 L3	—	BE80B4	BX80B4	ME2SB4	MX2SB4	7270	7270	19300	22200	4780	256
4.9	1280	1.5	291	10.0	—	301 R4	BE80B4	BX80B4	ME2SB4	MX2SB4	7210	7210	19100	22000	4740	258
4.9	1276	2.1	290	12.0	—	303 R4	BE80B4	BX80B4	ME2SB4	MX2SB4	22100	25600	39100	47000	14200	268
4.9	1276	2.9	290	12.0	—	304 R4	BE80B4	BX80B4	ME2SB4	MX2SB4	22100	25600	39100	47000	14200	280
5.2	1258	1.8	276	7.5	303 L3	—	BE80B4	BX80B4	ME2SB4	MX2SB4	21800	25200	38500	46300	14000	266
5.2	1242	1.9	273	7.5	304 L3	—	BE80B4	BX80B4	ME2SB4	MX2SB4	21700	25000	38300	46100	13900	278
5.3	1180	1.6	268	10.0	—	301 R4	BE80B4	BX80B4	ME2SB4	MX2SB4	7020	7020	18700	21500	4610	258
5.6	1172	1.6	258	7.5	303 L3	—	BE80B4	BX80B4	ME2SB4	MX2SB4	21300	24600	37700	45300	13600	266
5.6	1123	1.6	255	12.0	—	303 R4	BE80B4	BX80B4	ME2SB4	MX2SB4	21200	24500	37600	45200	13600	268
6.0	1090	1.2	240	7.5	301 L3	—	BE80B4	BX80B4	ME2SB4	MX2SB4	6760	6760	18100	20800	4440	256
6.0	1045	1.2	237	10.0	—	301 R4	BE80B4	BX80B4	ME2SB4	MX2SB4	6740	6740	18000	20700	4430	258
6.2	1016	1.8	231	12.0	—	303 R4	BE80B4	BX80B4	ME2SB4	MX2SB4	20500	23700	36500	43900	13200	268
6.5	1006	0.9	221	7.5	300 L3	—	BE80B4	BX80B4	ME2SB4	MX2SB4	6430	6430	17300	19800	4230	246
6.5	1006	1.8	221	7.5	301 L3	—	BE80B4	BX80B4	ME2SB4	MX2SB4	6580	6580	17600	20300	4320	256
6.5	1002	2.2	220	7.5	303 L3	—	BE80B4	BX80B4	ME2SB4	MX2SB4	20200	23300	36000	43300	13000	266
6.7	946	1.0	215	10.0	—	300 R4	BE80B4	BX80B4	ME2SB4	MX2SB4	6370	6370	17100	19700	4190	248
6.7	946	1.9	215	10.0	—	301 R4	BE80B4	BX80B4	ME2SB4	MX2SB4	6520	6520	17500	20100	4280	258
6.7	943	2.9	214	12.0	—	303 R4	BE80B4	BX80B4	ME2SB4	MX2SB4	20000	23100	35700	42900	12800	268
7.1	918	2.6	202	7.5	304 L3	—	BE80B4	BX80B4	ME2SB4	MX2SB4	19600	22600	35000	42100	12600	278
7.4	874	1.5	192	7.5	301 L3	—	BE80B4	BX80B4	ME2SB4	MX2SB4	6280	6280	16900	19400	4130	256
7.5	866	2.1	1													

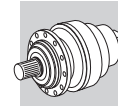


P₁ = 0.75 kW

n ₂ min ⁻¹	M ₂ Nm	S	i	Pt kW	 						Rn ₂ [N]					
					IE2	IE3	IE2	IE3	MC	MZ	HC/PC	HZ/PZ	FZ			
7.7	814	2.8	185	12.0	—	303 R4	BE80B4	BX80B4	ME2SB4	MX2SB4	19100	22000	34100	41100	12200	268
8.1	808	2.7	178	7.5	303 L3	—	BE80B4	BX80B4	ME2SB4	MX2SB4	18800	21700	33700	40600	12100	266
8.1	806	1.1	177	7.5	300 L3	—	BE80B4	BX80B4	ME2SB4	MX2SB4	6110	6110	16500	19000	4020	246
8.1	806	2.2	177	7.5	301 L3	—	BE80B4	BX80B4	ME2SB4	MX2SB4	6110	6110	16500	19000	4020	256
8.1	772	1.1	175	10.0	—	300 R4	BE80B4	BX80B4	ME2SB4	MX2SB4	6090	6090	16500	18900	4000	248
8.1	772	2.3	175	10.0	—	301 R4	BE80B4	BX80B4	ME2SB4	MX2SB4	6090	6090	16500	18900	4000	258
8.7	745	3.0	164	7.5	303 L3	—	BE80B4	BX80B4	ME2SB4	MX2SB4	18300	21100	32900	39600	11700	266
9.0	699	1.2	159	10.0	—	300 R4	BE80B4	BX80B4	ME2SB4	MX2SB4	5890	5890	16000	18300	3870	248
9.0	699	2.5	159	10.0	—	301 R4	BE80B4	BX80B4	ME2SB4	MX2SB4	5890	5890	16000	18300	3870	258
9.4	694	2.6	152	7.5	303 L3	—	BE80B4	BX80B4	ME2SB4	MX2SB4	17900	20600	32200	38700	11500	266
10.0	630	1.0	143	10.0	—	300 R4	BE80B4	BX80B4	ME2SB4	MX2SB4	5690	5690	15500	17800	3740	248
10.0	630	2.1	143	10.0	—	301 R4	BE80B4	BX80B4	ME2SB4	MX2SB4	5690	5690	15500	17800	3740	258
10.1	646	1.3	142	7.5	300 L3	—	BE80B4	BX80B4	ME2SB4	MX2SB4	5670	5670	15400	17700	3730	246
10.1	646	2.7	142	7.5	301 L3	—	BE80B4	BX80B4	ME2SB4	MX2SB4	5670	5670	15400	17700	3730	256
10.8	604	0.9	133	12.0	—	300 R3	BE80B4	BX80B4	ME2SB4	MX2SB4	5420	5420	14800	17000	3570	248
10.8	604	1.9	133	12.0	—	301 R3	BE80B4	BX80B4	ME2SB4	MX2SB4	5550	5550	15100	17400	3650	258
10.9	595	1.4	131	7.5	300 L3	—	BE80B4	BX80B4	ME2SB4	MX2SB4	5520	5520	15100	17300	3630	246
10.9	595	2.9	131	7.5	301 L3	—	BE80B4	BX80B4	ME2SB4	MX2SB4	5520	5520	15100	17300	3630	256
11.0	570	1.5	130	10.0	—	300 R4	BE80B4	BX80B4	ME2SB4	MX2SB4	5510	5510	15000	17300	3620	248
12.3	527	1.2	116	7.5	300 L3	—	BE80B4	BX80B4	ME2SB4	MX2SB4	5300	5300	14500	16700	3490	246
12.3	527	2.5	116	7.5	301 L3	—	BE80B4	BX80B4	ME2SB4	MX2SB4	5300	5300	14500	16700	3490	256
13.4	484	1.3	106	12.0	—	300 R3	BE80B4	BX80B4	ME2SB4	MX2SB4	5160	5160	14200	16300	3390	248
13.4	484	2.7	106	12.0	—	300 R3	BE80B4	BX80B4	ME2SB4	MX2SB4	5160	5160	14200	16300	3390	248
13.5	466	1.8	106	10.0	—	300 R4	BE80B4	BX80B4	ME2SB4	MX2SB4	5150	5150	14100	16200	3380	248
13.6	477	1.8	105	7.5	300 L3	—	BE80B4	BX80B4	ME2SB4	MX2SB4	5130	5130	14100	16200	3370	246
16.7	389	2.2	85.6	7.5	300 L3	—	BE80B4	BX80B4	ME2SB4	MX2SB4	4790	4790	13300	15200	3150	246
16.8	387	1.7	85.2	12.0	—	300 R3	BE80B4	BX80B4	ME2SB4	MX2SB4	4790	4790	13200	15200	3150	248
18.2	358	2.4	78.7	12.0	—	300 R3	BE80B4	BX80B4	ME2SB4	MX2SB4	4660	4660	12900	14900	3060	248
18.5	353	2.4	77.5	7.5	300 L3	—	BE80B4	BX80B4	ME2SB4	MX2SB4	4640	4640	12900	14800	3050	246
20.5	318	2.0	69.9	7.5	300 L3	—	BE80B4	BX80B4	ME2SB4	MX2SB4	4480	4480	12500	14300	2950	246
21.0	310	2.1	68.2	12.0	—	300 R3	BE80B4	BX80B4	ME2SB4	MX2SB4	4440	4440	12400	14200	2920	248
22.1	305	1.8	64.8	7.5	300 L2	—	BE80B4	BX80B4	ME2SB4	MX2SB4	4370	4370	12200	14000	2870	246
22.6	288	3.0	63.2	7.5	300 L3	—	BE80B4	BX80B4	ME2SB4	MX2SB4	4330	4330	12100	13900	2850	246
22.7	286	3.0	62.9	12.0	—	300 R3	BE80B4	BX80B4	ME2SB4	MX2SB4	4330	4330	12100	13900	2840	248
27.5	244	2.7	51.9	7.5	300 L2	—	BE80B4	BX80B4	ME2SB4	MX2SB4	4060	4060	11400	13100	2670	246

P₁ = 1.1 kW

n ₂ min ⁻¹	M ₂ Nm	S	i	Pt kW	 						Rn ₂ [N]					
					IE2	IE3	IE2	IE3	MC	MZ	HC/PC	HZ/PZ	FZ			
0.57	16433	1.6	2523	11.0	310 L4	—	BE90S4	BX90S4	—	—	—	—	133000	166000	65000	338
0.59	15775	1.1	2423	7.5	309 L4	—	BE90S4	BX90S4	—	—	—	—	110000	145000	36000	326
0.68	13652	2.5	2096	11.0	311 L4	—	BE90S4	BX90S4	—	—	—	—	157000	195000	65000	350
0.70	13292	1.1	2041	7.5	307 L4	—	BE90S4	BX90S4	ME3SA4	MX3SA4	52000	65000	109000	145000	45000	314
0.71	13167	2.0	2022	11.0	310 L4	—	BE90S4	BX90S4	—	—	—	—	133000	166000	65000	338
0.71	13041	1.3	2003	7.5	309 L4	—	BE90S4	BX90S4	—	—	—	—	110000	145000	36000	326
0.80	11686	2.2	1794	11.0	310 L4	—	BE90S4	BX90S4	—	—	—	—	133000	166000	65000	338
0.81	11508	1.4	1767	7.5	307 L4	—	BE90S4	BX90S4	ME3SA4	MX3SA4	52000	65000	109000	145000	45000	314
0.83	11218	1.5	1723	7.5	309 L4	—	BE90S4	BX90S4	—	—	—	—	110000	145000	36000	326
0.86	10885	2.4	1672	11.0	310 L4	—	BE90S4	BX90S4	—	—	—	—	133000	166000	65000	338
0.89	10450	1.6	1605	7.5	309 L4	—	BE90S4	BX90S4	—	—	—	—	110000	145000	36000	326
0.90	10358	1.4	1591	7.5	307 L4	—	BE90S4	BX90S4	ME3SA4	MX3SA4	52000	65000	109000	145000	45000	314
0.97	9602	1.1	1475	6.0	306 L4	—	BE90S4	BX90S4	ME3SA4	MX3SA4	45000	51000	101000	119000	35000	302
0.99	9363	2.8	1438	11.0	310 L4	—	BE90S4	BX90S4	—	—	—	—	133000	166000	65000	338
1.0	9171	1.7	1408	7.5	307 L4	—	BE90S4	BX90S4	ME3SA4	MX3SA4	51900	65000	109000	144700	45000	314
1.0	8989	1.9	1380	7.5	309 L4	—	BE90S4	BX90S4	—	—	—	—	110000	143800	35800	326
1.1	8373	2.0	1286	7.5	309 L4	—	BE90S4	BX90S4	—	—	—	—	109200	140800	35000	326
1.1	8332	1.0	1279	6.0	306 L4	—	BE90S4	BX90S4	ME3SA4	MX3SA4	45000	51000	99700	116100	34000	302
1.1	8299	1.5	1274	7.5	307 L4	—	BE90S4	BX90S4	ME3SA4	MX3SA4	50200	63000	107100	140400	43600	314
1.2	7532	1.9	1157	7.5	307 L4	—	BE90S4	BX90S4	ME3SA4	MX3SA4	48600	60900	104100	136400	42200	314
1.2	7485	2.2	1149	7.5	309 L4	—	BE90S4	BX90S4	—	—	—	—	105500	136100	33700	326
1.3	7128	1.1	1095	6.0	306 L4	—	BE90S4	BX90S4	ME3SA4	MX3SA4	42900	48600	95200	110800	32200	302
1.4	6610	1.4	1015	6.0	306 L4	—	BE90S4	BX90S4	ME3SA4	MX3SA4	41900	47400	93000	108300	31400	302
1.4	6506	2.1	999	7.5	307 L4	—	BE90S4	BX90S4	ME3SA4	MX3SA4	46300	58000	99600	130500	40200	314
1.4	6506	2.8	999	7.5	309 L4	—	BE90S4	BX90S4	—	—	—	—	101200	130500	32200	326
1.6	5902	2.6	906	7.5	307 L4	—	BE90S4	BX90S4	ME3SA4	MX3SA4	44800	56200	96700	126800	38900	314
1.6	5711	1.3	877	6.0	306 L4	—	BE90S4	BX90S4	ME3SA4	MX3SA4	39900	45200	89000	103700	29900	302
1.7	5407	1.2	830	12.0	—	306 R4	BE90S4	BX90S4	ME3SA4	MX3SA4	39100	44300	87600	102000	29400	304
1.8	5314	1.0	816	6.0	305 L4	—	BE90S4	BX90S4	ME3SA4	MX3SA4	31300	36100	53300	64100	20000	290
1.8	5267	1.5	809	6.0	306 L4	—	BE90S4	BX90S4	ME3SA4	MX3SA4	38800	44000	86900	101200	29200	302



P₁ = 1.1 kW

n ₂ min ⁻¹	M ₂ Nm	S	i	Pt kW									Rn ₂ [N]			
					IE2	IE3	IE2	IE3	MC	MZ	HC/PC	HZ/PZ	FZ			
1.8	5213	2.6	801	7.5	307 L4	—	BE90S4	BX90S4	ME3SA4	MX3SA4	43000	53900	93200	122100	37400	314
2.0	4556	2.1	700	6.0	306 L4	—	BE90S4	BX90S4	ME3SA4	MX3SA4	37000	41900	83200	96900	27800	302
2.1	4492	2.2	690	15.0	—	307 R4	BE90S4	BX90S4	ME3SA4	MX3SA4	40900	51300	89100	116800	35500	316
2.1	4332	1.4	665	12.0	—	306 R4	BE90S4	BX90S4	ME3SA4	MX3SA4	36400	41200	82000	95400	27300	304
2.2	4291	0.9	659	12.0	—	305 R4	BE90S4	BX90S4	ME3SA4	MX3SA4	29100	33600	50000	60100	18700	292
2.2	4229	1.1	649	6.0	305 L4	—	BE90S4	BX90S4	ME3SA4	MX3SA4	29000	33400	49700	59800	18600	290
2.3	4139	2.3	636	6.0	306 L4	—	BE90S4	BX90S4	ME3SA4	MX3SA4	35800	40600	80800	94100	26900	302
2.4	3845	2.2	590	12.0	—	306 R4	BE90S4	BX90S4	ME3SA4	MX3SA4	34900	39600	79100	92100	26200	304
2.4	3838	2.4	589	6.0	306 L4	—	BE90S4	BX90S4	ME3SA4	MX3SA4	34900	39600	79000	92000	26200	302
2.5	3691	1.3	567	12.0	—	305 R4	BE90S4	BX90S4	ME3SA4	MX3SA4	27700	32000	47700	57400	17800	292
2.6	3622	1.0	556	6.0	304 L4	—	BE90S4	BX90S4	ME3SA4	MX3SA4	27500	31700	47500	57100	17600	278
2.6	3622	1.5	556	6.0	305 L4	—	BE90S4	BX90S4	ME3SA4	MX3SA4	27500	31700	47500	57100	17600	290
2.6	3581	2.0	550	12.0	—	306 R4	BE90S4	BX90S4	ME3SA4	MX3SA4	34100	38700	77400	90100	25600	304
2.7	3438	1.1	528	12.0	—	305 R4	BE90S4	BX90S4	ME3SA4	MX3SA4	27000	31200	46700	56200	17300	292
2.8	3316	2.8	509	6.0	306 L4	—	BE90S4	BX90S4	ME3SA4	MX3SA4	33300	37700	75600	88100	25000	302
2.9	3206	1.2	492	6.0	304 L4	—	BE90S4	BX90S4	ME3SA4	MX3SA4	26400	30500	45800	55100	16900	278
2.9	3206	1.7	492	6.0	305 L4	—	BE90S4	BX90S4	ME3SA4	MX3SA4	26400	30500	45800	55100	16900	290
2.9	3194	2.9	490	15.0	—	307 R4	BE90S4	BX90S4	ME3SA4	MX3SA4	36500	45800	80500	105400	31700	316
2.9	3178	2.8	488	12.0	—	306 R4	BE90S4	BX90S4	ME3SA4	MX3SA4	32800	37100	74700	87000	24600	304
3.1	2961	2.4	455	12.0	—	306 R4	BE90S4	BX90S4	ME3SA4	MX3SA4	32000	36300	73100	85100	24100	304
3.2	2941	1.3	452	12.0	—	304 R4	BE90S4	BX90S4	ME3SA4	MX3SA4	25700	29600	44600	53700	16500	280
3.2	2941	1.6	452	12.0	—	305 R4	BE90S4	BX90S4	ME3SA4	MX3SA4	25700	29600	44600	53700	16500	292
3.2	2902	1.0	446	6.0	303 L4	—	BE90S4	BX90S4	ME3SA4	MX3SA4	25500	29500	44400	53400	16400	266
3.2	2902	1.3	446	6.0	304 L4	—	BE90S4	BX90S4	ME3SA4	MX3SA4	25500	29500	44400	53400	16400	278
3.2	2902	1.9	446	6.0	305 L4	—	BE90S4	BX90S4	ME3SA4	MX3SA4	25500	29500	44400	53400	16400	290
3.5	2693	0.9	414	12.0	—	304 R4	BE90S4	BX90S4	ME3SA4	MX3SA4	24300	28100	42500	51200	15600	280
3.5	2691	1.1	413	6.0	304 L4	—	BE90S4	BX90S4	ME3SA4	MX3SA4	24900	28800	43400	52200	16000	278
3.5	2691	1.8	413	6.0	305 L4	—	BE90S4	BX90S4	ME3SA4	MX3SA4	24900	28800	43400	52200	16000	290
3.5	2727	2.1	405	7.5	306 L3	—	BE90S4	BX90S4	ME3SA4	MX3SA4	30800	34900	70600	82200	23100	302
3.6	2705	1.4	402	7.5	305 L3	—	BE90S4	BX90S4	ME3SA4	MX3SA4	24700	28500	43100	51800	15800	290
3.7	2546	2.7	391	6.0	306 L4	—	BE90S4	BX90S4	ME3SA4	MX3SA4	30400	34500	69900	81400	22900	302
3.7	2541	1.5	390	12.0	—	305 R4	BE90S4	BX90S4	ME3SA4	MX3SA4	24400	28200	42700	51400	15700	292
3.7	2533	3.0	389	12.0	—	306 R4	BE90S4	BX90S4	ME3SA4	MX3SA4	30400	34400	69800	81200	22800	304
3.7	2618	1.2	389	7.5	305 L3	—	BE90S4	BX90S4	ME3SA4	MX3SA4	24400	28200	42600	51300	15700	290
3.9	2370	1.0	364	12.0	—	303 R4	BE90S4	BX90S4	ME3SA4	MX3SA4	23900	27600	41800	50300	15300	268
3.9	2370	1.2	364	12.0	—	304 R4	BE90S4	BX90S4	ME3SA4	MX3SA4	23900	27600	41800	50300	15300	280
3.9	2370	1.9	364	12.0	—	305 R4	BE90S4	BX90S4	ME3SA4	MX3SA4	23900	27600	41800	50300	15300	292
4.2	2298	1.1	341	7.5	304 L3	—	BE90S4	BX90S4	ME3SA4	MX3SA4	23400	27000	41000	49300	15000	278
4.2	2198	1.1	338	12.0	—	304 R4	BE90S4	BX90S4	ME3SA4	MX3SA4	23300	26900	40900	49200	14900	280
4.3	2185	1.0	336	12.0	—	303 R4	BE90S4	BX90S4	ME3SA4	MX3SA4	23200	26800	40800	49100	14900	268
4.3	2185	2.1	336	12.0	—	305 R4	BE90S4	BX90S4	ME3SA4	MX3SA4	23200	26800	40800	49100	14900	292
4.4	2185	2.5	325	7.5	306 L3	—	BE90S4	BX90S4	ME3SA4	MX3SA4	28600	32400	66100	76900	21500	302
4.4	2164	1.7	321	7.5	305 L3	—	BE90S4	BX90S4	ME3SA4	MX3SA4	22900	26400	40300	48500	14700	290
4.6	2036	0.9	313	12.0	—	303 R4	BE90S4	BX90S4	ME3SA4	MX3SA4	22200	25600	39100	47100	14200	268
4.6	2036	1.8	313	12.0	—	305 R4	BE90S4	BX90S4	ME3SA4	MX3SA4	22700	26200	39900	48100	14600	292
4.7	1996	1.8	307	12.0	—	304 R4	BE90S4	BX90S4	ME3SA4	MX3SA4	22500	26000	39700	47800	14500	280
4.9	1894	1.0	291	10.0	—	301 R4	BE90S4	BX90S4	ME3SA4	MX3SA4	7210	7210	19100	22000	4740	258
4.9	1888	1.4	290	12.0	—	303 R4	BE90S4	BX90S4	ME3SA4	MX3SA4	22100	25600	39100	47000	14200	268
4.9	1888	1.9	290	12.0	—	304 R4	BE90S4	BX90S4	ME3SA4	MX3SA4	22100	25600	39100	47000	14200	280
4.9	1888	2.8	290	12.0	—	305 R4	BE90S4	BX90S4	ME3SA4	MX3SA4	22100	25600	39100	47000	14200	292
5.0	1939	2.8	288	7.5	306 L3	—	BE90S4	BX90S4	ME3SA4	MX3SA4	27500	31200	63700	74200	20700	302
5.2	1862	1.2	276	7.5	303 L3	—	BE90S4	BX90S4	ME3SA4	MX3SA4	21800	25200	38500	46300	14000	266
5.2	1862	2.4	276	7.5	305 L3	—	BE90S4	BX90S4	ME3SA4	MX3SA4	21800	25200	38500	46300	14000	290
5.2	1838	1.3	273	7.5	304 L3	—	BE90S4	BX90S4	ME3SA4	MX3SA4	21700	25000	38300	46100	13900	278
5.3	1747	1.1	268	10.0	—	301 R4	BE90S4	BX90S4	ME3SA4	MX3SA4	7020	7020	18700	21500	4610	258
5.3	1741	2.1	267	12.0	—	304 R4	BE90S4	BX90S4	ME3SA4	MX3SA4	21500	24900	38100	45900	13800	280
5.6	1734	1.1	258	7.5	303 L3	—	BE90S4	BX90S4	ME3SA4	MX3SA4	21300	24600	37700	45300	13600	266
5.6	1734	2.1	258	7.5	305 L3	—	BE90S4	BX90S4	ME3SA4	MX3SA4	21300	24600	37700	45300	13600	290
5.6	1662	1.1	255	12.0	—	303 R4	BE90S4	BX90S4	ME3SA4	MX3SA4	21200	24500	37600	45200	13600	268
5.6	1662	2.2	255	12.0	—	305 R4	BE90S4	BX90S4	ME3SA4	MX3SA4	21200	24500	37600	45200	13600	292
6.2	1504	1.2	231	12.0	—	303 R4	BE90S4	BX90S4	ME3SA4	MX3SA4	20500	23700	36500	43900	13200	268
6.2	1504	2.4	231	12.0	—	305 R4	BE90S4	BX90S4	ME3SA4	MX3SA4	20500	23700	36500	43900	13200	292
6.3	1475	2.4	227	12.0	—	304 R4	BE90S4	BX90S4	ME3SA4	MX3SA4	20400	23500	36300	43600	13100	280
6.5	1488	1.2	221	7.5	301 L3	—	BE90S4	BX90S4	ME3SA4	MX3SA4	6580	6580	17600	20300	4320	256
6.5	1484	1.5	220	7.5	303 L3	—	BE90S4	BX90S4	ME3SA4	MX3SA4	20200	23300	36000	43300	13000	266
6.5	1484	2.4	220	7.5	304 L3	—	BE90S4	BX90S4	ME3SA4	MX3SA4	20200	23300	36000	43300	13000	278
6.7	1400	1.3	215	10.0	—	301 R4	BE90S4	BX90S4	ME3SA4	MX3SA4	6520	6520	17500	20100	4280	258
6.7	1395	2.0	214	12.0	—	303 R4	BE90S4	BX90S4	ME3SA4	MX3SA4	20000	23100	35700	42900	12800	268
6.7	1395	2.6	214	12.0	—	304 R4	BE90S4	BX90S4	ME3SA4	MX3SA4	20000	23100	35700	42900	12800	280
7.1	1358	1.8	202	7.5	304 L3	—	BE90S4	BX90S4	ME3SA4	MX3SA4	19600	22600	35000	42100	12600	278
7.4	1293	1.0	192	7.5	301 L3	—	BE90S4	BX90S4	ME3SA4	MX3SA4	6280	6280	16900	19400	4130	256
7.5	1282	1.4	190	7.5	303 L3	—	BE90S4	BX90S4	ME3SA4	MX3SA4	19200	22200	34400	41400	12300	266
7.5	1282	2.8	190	7.5	305 L3	—	BE90S4	BX90S4	ME3SA4	MX3SA4	19200	22200	34400	41400	12300	290
7.7	1204	1.9	185	12.0	—	303 R4	BE90S4	BX90S4	ME3SA4	MX3SA4	19100	22000	34100	41100	12200	268
7.7	1204	2.9	185	12.0	—	304 R4	BE90S4	BX90S4	ME3SA4	MX3SA4	19100	22000	34100	41100	12200	280
8.1	1195	1.8	178													

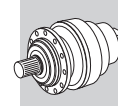


P₁ = 1.1 kW

n ₂ min ⁻¹	M ₂ Nm	S	i	Pt kW					Rn ₂ [N]							
					IE2	IE3	IE2	IE3	MC	MZ	HC/PC	HZ/PZ	FZ			
8.1	1195	2.4	178	7.5	304 L3	—	BE90S4	BX90S4	ME3SA4	MX3SA4	18800	21700	33700	40600	12100	278
8.1	1192	1.5	177	7.5	301 L3	—	BE90S4	BX90S4	ME3SA4	MX3SA4	6110	6110	16500	19000	4020	256
8.1	1143	1.5	175	10.0	—	301 R4	BE90S4	BX90S4	ME3SA4	MX3SA4	6090	6090	16500	18900	4000	258
8.7	1109	2.2	165	7.5	304 L3	—	BE90S4	BX90S4	ME3SA4	MX3SA4	18300	21200	33000	39600	11800	278
8.7	1102	2.0	164	7.5	303 L3	—	BE90S4	BX90S4	ME3SA4	MX3SA4	18300	21100	32900	39600	11700	266
9.0	1034	1.7	159	10.0	—	301 R4	BE90S4	BX90S4	ME3SA4	MX3SA4	5890	5890	16000	18300	3870	258
9.0	1031	2.6	158	12.0	—	303 R4	BE90S4	BX90S4	ME3SA4	MX3SA4	18100	20900	32600	39200	11600	268
9.4	1027	1.8	152	7.5	303 L3	—	BE90S4	BX90S4	ME3SA4	MX3SA4	17900	20600	32200	38700	11500	266
9.7	965	2.4	148	12.0	—	303 R4	BE90S4	BX90S4	ME3SA4	MX3SA4	17700	20400	31900	38400	11400	268
10.0	933	1.4	143	10.0	—	301 R4	BE90S4	BX90S4	ME3SA4	MX3SA4	5690	5690	15500	17800	3740	258
10.1	956	0.9	142	7.5	300 L3	—	BE90S4	BX90S4	ME3SA4	MX3SA4	5540	5540	15100	17400	3650	246
10.1	956	1.8	142	7.5	301 L3	—	BE90S4	BX90S4	ME3SA4	MX3SA4	5670	5670	15400	17700	3730	256
10.1	953	2.7	141	7.5	303 L3	—	BE90S4	BX90S4	ME3SA4	MX3SA4	17400	20100	31500	37900	11200	266
10.8	895	1.3	133	12.0	—	301 R3	BE90S4	BX90S4	ME3SA4	MX3SA4	5550	5550	15100	17400	3650	258
10.9	881	1.0	131	7.5	300 L3	—	BE90S4	BX90S4	ME3SA4	MX3SA4	5520	5520	15100	17300	3630	246
10.9	881	2.0	131	7.5	301 L3	—	BE90S4	BX90S4	ME3SA4	MX3SA4	5520	5520	15100	17300	3630	256
11.0	844	1.0	130	10.0	—	300 R4	BE90S4	BX90S4	ME3SA4	MX3SA4	5510	5510	15000	17300	3620	248
11.0	844	2.0	130	10.0	—	301 R4	BE90S4	BX90S4	ME3SA4	MX3SA4	5510	5510	15000	17300	3620	258
11.5	838	2.2	124	7.5	303 L3	—	BE90S4	BX90S4	ME3SA4	MX3SA4	16700	19300	30300	36500	10700	266
11.8	816	2.9	121	14.0	—	304 R3	BE90S4	BX90S4	ME3SA4	MX3SA4	16600	19100	30100	36200	10600	280
12.3	780	1.7	116	7.5	301 L3	—	BE90S4	BX90S4	ME3SA4	MX3SA4	5300	5300	14500	16700	3490	256
12.5	770	2.4	114	14.0	—	303 R3	BE90S4	BX90S4	ME3SA4	MX3SA4	16200	18700	29500	35500	10400	268
12.7	759	2.4	113	7.5	303 L3	—	BE90S4	BX90S4	ME3SA4	MX3SA4	16200	18600	29400	35400	10400	266
13.4	717	0.9	106	12.0	—	300 R3	BE90S4	BX90S4	ME3SA4	MX3SA4	5040	5040	13900	15900	3310	248
13.4	717	1.8	106	12.0	—	301 R3	BE90S4	BX90S4	ME3SA4	MX3SA4	5160	5160	14200	16300	3390	258
13.5	689	1.2	106	10.0	—	300 R4	BE90S4	BX90S4	ME3SA4	MX3SA4	5150	5150	14100	16200	3380	248
13.5	689	2.5	106	10.0	—	301 R4	BE90S4	BX90S4	ME3SA4	MX3SA4	5150	5150	14100	16200	3380	258
13.6	706	1.2	105	7.5	300 L3	—	BE90S4	BX90S4	ME3SA4	MX3SA4	5130	5130	14100	16200	3370	246
13.6	706	2.4	105	7.5	301 L3	—	BE90S4	BX90S4	ME3SA4	MX3SA4	5130	5130	14100	16200	3370	256
15.6	616	3.0	91.5	14.0	—	303 R3	BE90S4	BX90S4	ME3SA4	MX3SA4	15100	17400	27600	33200	9670	268
16.7	576	1.5	85.6	7.5	300 L3	—	BE90S4	BX90S4	ME3SA4	MX3SA4	4790	4790	13300	15200	3150	246
16.7	576	2.9	85.6	7.5	301 L3	—	BE90S4	BX90S4	ME3SA4	MX3SA4	4790	4790	13300	15200	3150	256
16.8	573	1.1	85.2	12.0	—	300 R3	BE90S4	BX90S4	ME3SA4	MX3SA4	4790	4790	13200	15200	3150	248
16.8	573	2.3	85.2	12.0	—	301 R3	BE90S4	BX90S4	ME3SA4	MX3SA4	4790	4790	13200	15200	3150	258
18.2	530	1.6	78.7	12.0	—	300 R3	BE90S4	BX90S4	ME3SA4	MX3SA4	4660	4660	12900	14900	3060	248
18.2	530	3.0	78.7	12.0	—	301 R3	BE90S4	BX90S4	ME3SA4	MX3SA4	4660	4660	12900	14900	3060	258
18.5	522	1.6	77.5	7.5	300 L3	—	BE90S4	BX90S4	ME3SA4	MX3SA4	4640	4640	12900	14800	3050	246
20.5	470	1.4	69.9	7.5	300 L3	—	BE90S4	BX90S4	ME3SA4	MX3SA4	4480	4480	12500	14300	2950	246
20.5	470	2.8	69.9	7.5	301 L3	—	BE90S4	BX90S4	ME3SA4	MX3SA4	4480	4480	12500	14300	2950	256
21.0	459	1.4	68.2	12.0	—	300 R3	BE90S4	BX90S4	ME3SA4	MX3SA4	4440	4440	12400	14200	2920	248
21.0	459	2.8	68.2	12.0	—	301 R3	BE90S4	BX90S4	ME3SA4	MX3SA4	4440	4440	12400	14200	2920	258
22.1	451	1.2	64.8	7.5	300 L2	—	BE90S4	BX90S4	ME3SA4	MX3SA4	4370	4370	12200	14000	2870	246
22.1	451	2.6	64.8	7.5	301 L2	—	BE90S4	BX90S4	ME3SA4	MX3SA4	4370	4370	12200	14000	2870	256
22.6	426	2.0	63.2	7.5	300 L3	—	BE90S4	BX90S4	ME3SA4	MX3SA4	4330	4330	12100	13900	2850	246
22.7	424	2.0	62.9	12.0	—	300 R3	BE90S4	BX90S4	ME3SA4	MX3SA4	4330	4330	12100	13900	2840	248
27.5	361	1.8	51.9	7.5	300 L2	—	BE90S4	BX90S4	ME3SA4	MX3SA4	4060	4060	11400	13100	2670	246
27.7	348	2.4	51.6	7.5	300 L3	—	BE90S4	BX90S4	ME3SA4	MX3SA4	4050	4050	11400	13100	2660	246
28.4	340	2.5	50.4	12.0	—	300 R3	BE90S4	BX90S4	ME3SA4	MX3SA4	4020	4020	11300	13000	2640	248
34	289	2.2	41.5	7.5	300 L2	—	BE90S4	BX90S4	ME3SA4	MX3SA4	3770	3770	10700	12300	2480	246
35	277	2.3	41.2	12.0	—	300 R3	BE90S4	BX90S4	ME3SA4	MX3SA4	3760	3760	10600	12200	2470	248
43	232	2.8	33.3	7.5	300 L2	—	BE90S4	BX90S4	ME3SA4	MX3SA4	3500	3500	9990	11500	2300	246
78	128	2.9	18.5	12.0	—	300 R2	BE90S4	BX90S4	ME3SA4	MX3SA4	2870	2870	8370	9620	1890	248

P₁ = 1.5 kW

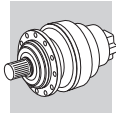
n ₂ min ⁻¹	M ₂ Nm	S	i	Pt kW					Rn ₂ [N]							
					IE2	IE3	IE2	IE3	MC	MZ	HC/PC	HZ/PZ	FZ			
0.57	22206	1.2	2523	11.0	310 L4	—	BE90LA4	BX90LA4	—	—	—	—	133000	166000	65000	338
0.65	19246	2.5	2187	11.0	313 L4	—	BE90LA4	BX90LA4	—	—	—	—	192000	231000	80000	362
0.68	18448	1.8	2096	11.0	311 L4	—	BE90LA4	BX90LA4	—	—	—	—	157000	195000	65000	350
0.71	17794	1.5	2022	11.0	310 L4	—	BE90LA4	BX90LA4	—	—	—	—	133000	166000	65000	338
0.71	17623	1.0	2003	7.5	309 L4	—	BE90LA4	BX90LA4	—	—	—	—	110000	145000	36000	326
0.80	15791	1.6	1794	11.0	310 L4	—	BE90LA4	BX90LA4	—	—	—	—	133000	166000	65000	338
0.81	15552	1.0	1767	7.5	307 L4	—	BE90LA4	BX90LA4	ME3SB4	MX3SB4	52000	65000	109000	145000	45000	314
0.81	15545	2.8	1766	11.0	311 L4	—	BE90LA4	BX90LA4	—	—	—	—	157000	195000	65000	350
0.83	15160	1.1	1723	7.5	309 L4	—	BE90LA4	BX90LA4	—	—	—	—	110000	145000	36000	326
0.85	14782	2.3	1680	11.0	311 L4	—	BE90LA4	BX90LA4	—	—	—	—	157000	195000	65000	350
0.86	14709	1.8	1672	11.0	310 L4	—	BE90LA4	BX90LA4	—	—	—	—	133000	166000	65000	338








P₁ = 1.5 kW

n ₂ min ⁻¹	M ₂ Nm	S	i	Pt kW	IE2		IE3		IE2		IE3		Rn ₂ [N]					FZ
					MC	MZ	HC/PC	HZ/PZ	MC	MZ	HC/PC	HZ/PZ	FZ					
0.89	14121	1.2	1605	7.5	309 L4	—	BE90LA4	BX90LA4	—	—	—	—	110000	145000	36000	326		
0.90	13997	1.1	1591	7.5	307 L4	—	BE90LA4	BX90LA4	ME3SB4	MX3SB4	52000	65000	109000	145000	45000	314		
0.99	12653	2.0	1438	11.0	310 L4	—	BE90LA4	BX90LA4	—	—	—	—	133000	166000	65000	338		
1.0	12393	1.3	1408	7.5	307 L4	—	BE90LA4	BX90LA4	ME3SB4	MX3SB4	51900	65000	109000	144700	45000	314		
1.0	12147	1.4	1380	7.5	309 L4	—	BE90LA4	BX90LA4	—	—	—	—	110000	143800	35800	326		
1.1	11315	1.5	1286	7.5	309 L4	—	BE90LA4	BX90LA4	—	—	—	—	109200	140800	35000	326		
1.1	11215	1.1	1274	7.5	307 L4	—	BE90LA4	BX90LA4	ME3SB4	MX3SB4	50200	63000	107100	140400	43600	314		
1.1	11079	2.5	1259	11.0	310 L4	—	BE90LA4	BX90LA4	—	—	—	—	128500	161600	62700	338		
1.2	10246	2.9	1164	11.0	310 L4	—	BE90LA4	BX90LA4	—	—	—	—	125500	157900	61100	338		
1.2	10179	1.4	1157	7.5	307 L4	—	BE90LA4	BX90LA4	ME3SB4	MX3SB4	48600	60900	104100	136400	42200	314		
1.2	10114	1.6	1149	7.5	309 L4	—	BE90LA4	BX90LA4	—	—	—	—	105500	136100	33700	326		
1.4	8932	1.1	1015	6.0	306 L4	—	BE90LA4	BX90LA4	ME3SB4	MX3SB4	41900	47400	93000	108300	31400	302		
1.4	8792	1.6	999	7.5	307 L4	—	BE90LA4	BX90LA4	ME3SB4	MX3SB4	46300	58000	99600	130500	40200	314		
1.4	8792	2.1	999	7.5	309 L4	—	BE90LA4	BX90LA4	—	—	—	—	101200	130500	32200	326		
1.6	7975	1.9	906	7.5	307 L4	—	BE90LA4	BX90LA4	ME3SB4	MX3SB4	44800	56200	96700	126800	38900	314		
1.6	7975	2.2	906	7.5	309 L4	—	BE90LA4	BX90LA4	—	—	—	—	98300	126800	31100	326		
1.6	7903	2.9	898	15.0	—	310 R4	BE90LA4	BX90LA4	—	—	—	—	116100	146000	56100	340		
1.6	7718	1.0	877	6.0	306 L4	—	BE90LA4	BX90LA4	ME3SB4	MX3SB4	39900	45200	89000	103700	29900	302		
1.8	7117	1.1	809	6.0	306 L4	—	BE90LA4	BX90LA4	ME3SB4	MX3SB4	38800	44000	86900	101200	29200	302		
1.8	7045	1.9	801	7.5	307 L4	—	BE90LA4	BX90LA4	ME3SB4	MX3SB4	43000	53900	93200	122100	37400	314		
1.8	7045	2.6	801	7.5	309 L4	—	BE90LA4	BX90LA4	—	—	—	—	94700	122100	29900	326		
2.0	6355	2.4	722	7.5	307 L4	—	BE90LA4	BX90LA4	ME3SB4	MX3SB4	41500	52100	90400	118400	36100	314		
2.0	6156	1.5	700	6.0	306 L4	—	BE90LA4	BX90LA4	ME3SB4	MX3SB4	37000	41900	83200	96900	27800	302		
2.1	6070	1.6	690	15.0	—	307 R4	BE90LA4	BX90LA4	ME3SB4	MX3SB4	40900	51300	89100	116800	35500	316		
2.1	6070	2.4	690	15.0	—	309 R4	BE90LA4	BX90LA4	—	—	—	—	90600	116800	28400	328		
2.1	5854	1.0	665	12.0	—	306 R4	BE90LA4	BX90LA4	ME3SB4	MX3SB4	36400	41200	82000	95400	27300	304		
2.2	5751	2.2	654	7.5	307 L4	—	BE90LA4	BX90LA4	ME3SB4	MX3SB4	40200	50400	87700	114900	34900	314		
2.3	5593	1.7	636	6.0	306 L4	—	BE90LA4	BX90LA4	ME3SB4	MX3SB4	35800	40600	80800	94100	26900	302		
2.4	5196	1.6	590	12.0	—	306 R4	BE90LA4	BX90LA4	ME3SB4	MX3SB4	34900	39600	79100	92100	26200	304		
2.4	5186	1.8	589	6.0	306 L4	—	BE90LA4	BX90LA4	ME3SB4	MX3SB4	34900	39600	79000	92000	26200	302		
2.5	5114	2.5	581	15.0	—	307 R4	BE90LA4	BX90LA4	ME3SB4	MX3SB4	38600	48500	84700	110900	33600	316		
2.5	5092	2.9	579	7.5	307 L4	—	BE90LA4	BX90LA4	ME3SB4	MX3SB4	38600	48400	84500	110800	33500	314		
2.5	4988	1.0	567	12.0	—	305 R4	BE90LA4	BX90LA4	ME3SB4	MX3SB4	27700	32000	47700	57400	17800	292		
2.6	4894	1.1	556	6.0	305 L4	—	BE90LA4	BX90LA4	ME3SB4	MX3SB4	27500	31700	47500	57100	17600	290		
2.6	4840	1.5	550	12.0	—	306 R4	BE90LA4	BX90LA4	ME3SB4	MX3SB4	34100	38700	77400	90100	25600	304		
2.8	4481	2.1	509	6.0	306 L4	—	BE90LA4	BX90LA4	ME3SB4	MX3SB4	33300	37700	75600	88100	25000	302		
2.9	4332	1.2	492	6.0	305 L4	—	BE90LA4	BX90LA4	ME3SB4	MX3SB4	26400	30500	45800	55100	16900	290		
2.9	4316	2.2	490	15.0	—	307 R4	BE90LA4	BX90LA4	ME3SB4	MX3SB4	36500	45800	80500	105400	31700	316		
2.9	4295	2.1	488	12.0	—	306 R4	BE90LA4	BX90LA4	ME3SB4	MX3SB4	32800	37100	74700	87000	24600	304		
3.1	4091	3.0	465	7.5	307 L4	—	BE90LA4	BX90LA4	ME3SB4	MX3SB4	35800	45000	79200	103700	31200	314		
3.1	4001	1.8	455	12.0	—	306 R4	BE90LA4	BX90LA4	ME3SB4	MX3SB4	32000	36300	73100	85100	24100	304		
3.2	3975	0.9	452	12.0	—	304 R4	BE90LA4	BX90LA4	ME3SB4	MX3SB4	25700	29600	44600	53700	16500	280		
3.2	3975	1.2	452	12.0	—	305 R4	BE90LA4	BX90LA4	ME3SB4	MX3SB4	25700	29600	44600	53700	16500	292		
3.2	3922	0.9	446	6.0	304 L4	—	BE90LA4	BX90LA4	ME3SB4	MX3SB4	25500	29500	44400	53400	16400	278		
3.2	3922	1.4	446	6.0	305 L4	—	BE90LA4	BX90LA4	ME3SB4	MX3SB4	25500	29500	44400	53400	16400	290		
3.2	3909	2.5	444	6.0	306 L4	—	BE90LA4	BX90LA4	ME3SB4	MX3SB4	31800	36000	72600	84500	23900	302		
3.4	3695	2.4	420	12.0	—	306 R4	BE90LA4	BX90LA4	ME3SB4	MX3SB4	31200	35300	71400	83100	23400	304		
3.5	3636	1.3	413	6.0	305 L4	—	BE90LA4	BX90LA4	ME3SB4	MX3SB4	24900	28800	43400	52200	16000	290		
3.5	3686	1.5	405	7.5	306 L3	—	BE90LA4	BX90LA4	ME3SB4	MX3SB4	30800	34900	70600	82200	23100	302		
3.6	3656	1.0	402	7.5	305 L3	—	BE90LA4	BX90LA4	ME3SB4	MX3SB4	24700	28500	43100	51800	15800	290		
3.7	3440	2.0	391	6.0	306 L4	—	BE90LA4	BX90LA4	ME3SB4	MX3SB4	30400	34500	69900	81400	22900	302		
3.7	3433	1.1	390	12.0	—	305 R4	BE90LA4	BX90LA4	ME3SB4	MX3SB4	24400	28200	42700	51400	15700	292		
3.7	3423	2.2	389	12.0	—	306 R4	BE90LA4	BX90LA4	ME3SB4	MX3SB4	30400	34400	69800	81200	22800	304		
3.9	3202	0.9	364	12.0	—	304 R4	BE90LA4	BX90LA4	ME3SB4	MX3SB4	23300	26900	40900	49300	15000	280		
3.9	3202	1.4	364	12.0	—	305 R4	BE90LA4	BX90LA4	ME3SB4	MX3SB4	23900	27600	41800	50300	15300	292		
4.3	3062	2.9	336	11.0	307 L3	—	BE90LA4	BX90LA4	ME3SB4	MX3SB4	32200	40400	71900	94200	28000	314		
4.3	2953	1.5	336	12.0	—	305 R4	BE90LA4	BX90LA4	ME3SB4	MX3SB4	23200	26800	40800	49100	14900	292		
4.4	2953	1.9	325	7.5	306 L3	—	BE90LA4	BX90LA4	ME3SB4	MX3SB4	28600	32400	66100	76900	21500	302		
4.4	2925	1.2	321	7.5	305 L3	—	BE90LA4	BX90LA4	ME3SB4	MX3SB4	22900	26400	40300	48500	14700	290		
4.6	2751	1.3	313	12.0	—	305 R4	BE90LA4	BX90LA4	ME3SB4	MX3SB4	22700	26200	39900	48100	14600	292		
4.6	2742	2.8	312	12.0	—	306 R4	BE90LA4	BX90LA4	ME3SB4	MX3SB4	28200	32000	65300	76000	21200	304		
4.7	2698	1.3	307	12.0	—	304 R4	BE90LA4	BX90LA4	ME3SB4	MX3SB4	22500	26000	39700	47800	14500	280		
4.9	2552	1.0	290	12.0	—	303 R4	BE90LA4	BX90LA4	ME3SB4	MX3SB4	22100	25600	39100	47000	14200	268		
4.9	2552	1.4	290	12.0	—	304 R4	BE90LA4	BX90LA4	ME3SB4	MX3SB4	22100	25600	39100	47000	14200	280		
4.9	2552	2.1	290	12.0	—	305 R4	BE90LA4	BX90LA4	ME3SB4	MX3SB4	22100	25600	39100	47000	14200	292		

A



P₁ = 1.5 kW

n ₂ min ⁻¹	M ₂ Nm	S	i	Pt kW	 		 		Rn ₂ [N]							
					IE2	IE3	IE2	IE3	MC	MZ	HC/PC	HZ/PZ	FZ			
5.0	2621	2.1	288	7.5	306 L3	—	BE90LA4	BX90LA4	ME3SB4	MX3SB4	27500	31200	63700	74200	20700	302
5.2	2516	1.8	276	7.5	305 L3	—	BE90LA4	BX90LA4	ME3SB4	MX3SB4	21800	25200	38500	46300	14000	290
5.2	2484	1.0	273	7.5	304 L3	—	BE90LA4	BX90LA4	ME3SB4	MX3SB4	21700	25000	38300	46100	13900	278
5.3	2441	2.3	268	7.5	306 L3	—	BE90LA4	BX90LA4	ME3SB4	MX3SB4	26900	30400	62400	72700	20200	302
5.3	2353	1.6	267	12.0	—	304 R4	BE90LA4	BX90LA4	ME3SB4	MX3SB4	21500	24900	38100	45900	13800	280
5.6	2344	1.5	258	7.5	305 L3	—	BE90LA4	BX90LA4	ME3SB4	MX3SB4	21300	24600	37700	45300	13600	290
5.6	2246	1.6	255	12.0	—	305 R4	BE90LA4	BX90LA4	ME3SB4	MX3SB4	21200	24500	37600	45200	13600	292
6.2	2033	0.9	231	12.0	—	303 R4	BE90LA4	BX90LA4	ME3SB4	MX3SB4	20100	23100	35700	43000	12900	268
6.2	2033	1.8	231	12.0	—	305 R4	BE90LA4	BX90LA4	ME3SB4	MX3SB4	20500	23700	36500	43900	13200	292
6.3	1993	1.7	227	12.0	—	304 R4	BE90LA4	BX90LA4	ME3SB4	MX3SB4	20400	23500	36300	43600	13100	280
6.5	2005	1.1	220	7.5	303 L3	—	BE90LA4	BX90LA4	ME3SB4	MX3SB4	20200	23300	36000	43300	13000	266
6.5	2005	1.8	220	7.5	304 L3	—	BE90LA4	BX90LA4	ME3SB4	MX3SB4	20200	23300	36000	43300	13000	278
6.5	2005	2.4	220	7.5	305 L3	—	BE90LA4	BX90LA4	ME3SB4	MX3SB4	20200	23300	36000	43300	13000	290
6.7	1892	1.0	215	10.0	—	301 R4	BE90LA4	BX90LA4	ME3SB4	MX3SB4	6520	6520	17500	20100	4280	258
6.7	1886	1.4	214	12.0	—	303 R4	BE90LA4	BX90LA4	ME3SB4	MX3SB4	20000	23100	35700	42900	12800	268
6.7	1886	1.9	214	12.0	—	304 R4	BE90LA4	BX90LA4	ME3SB4	MX3SB4	20000	23100	35700	42900	12800	280
6.7	1886	2.9	214	12.0	—	305 R4	BE90LA4	BX90LA4	ME3SB4	MX3SB4	19600	22600	34900	42000	12500	292
7.1	1836	1.3	202	7.5	304 L3	—	BE90LA4	BX90LA4	ME3SB4	MX3SB4	19600	22600	35000	42100	12600	278
7.5	1732	1.1	190	7.5	303 L3	—	BE90LA4	BX90LA4	ME3SB4	MX3SB4	19200	22200	34400	41400	12300	266
7.5	1732	2.1	190	7.5	305 L3	—	BE90LA4	BX90LA4	ME3SB4	MX3SB4	19200	22200	34400	41400	12300	290
7.7	1627	1.4	185	12.0	—	303 R4	BE90LA4	BX90LA4	ME3SB4	MX3SB4	19100	22000	34100	41100	12200	268
7.7	1627	2.1	185	12.0	—	304 R4	BE90LA4	BX90LA4	ME3SB4	MX3SB4	19100	22000	34100	41100	12200	280
7.7	1627	2.8	185	12.0	—	305 R4	BE90LA4	BX90LA4	ME3SB4	MX3SB4	19100	22000	34100	41100	12200	292
8.1	1615	1.4	178	7.5	303 L3	—	BE90LA4	BX90LA4	ME3SB4	MX3SB4	18800	21700	33700	40600	12100	266
8.1	1615	1.8	178	7.5	304 L3	—	BE90LA4	BX90LA4	ME3SB4	MX3SB4	18800	21700	33700	40600	12100	278
8.1	1615	2.7	178	7.5	305 L3	—	BE90LA4	BX90LA4	ME3SB4	MX3SB4	18800	21700	33700	40600	12100	290
8.1	1611	1.1	177	7.5	301 L3	—	BE90LA4	BX90LA4	ME3SB4	MX3SB4	6110	6110	16500	19000	4020	256
8.1	1544	1.1	175	10.0	—	301 R4	BE90LA4	BX90LA4	ME3SB4	MX3SB4	6090	6090	16500	18900	4000	258
8.7	1498	1.6	165	7.5	304 L3	—	BE90LA4	BX90LA4	ME3SB4	MX3SB4	18300	21200	33000	39600	11800	278
8.7	1490	1.5	164	7.5	303 L3	—	BE90LA4	BX90LA4	ME3SB4	MX3SB4	18300	21100	32900	39600	11700	266
8.7	1490	3.0	164	7.5	305 L3	—	BE90LA4	BX90LA4	ME3SB4	MX3SB4	18300	21100	32900	39600	11700	290
9.0	1398	1.2	159	10.0	—	301 R4	BE90LA4	BX90LA4	ME3SB4	MX3SB4	5890	5890	16000	18300	3870	258
9.0	1393	1.9	158	12.0	—	303 R4	BE90LA4	BX90LA4	ME3SB4	MX3SB4	18100	20900	32600	39200	11600	268
9.0	1393	2.5	158	12.0	—	304 R4	BE90LA4	BX90LA4	ME3SB4	MX3SB4	18100	20900	32600	39200	11600	280
9.4	1388	1.3	152	7.5	303 L3	—	BE90LA4	BX90LA4	ME3SB4	MX3SB4	17900	20600	32200	38700	11500	266
9.4	1388	2.6	152	7.5	305 L3	—	BE90LA4	BX90LA4	ME3SB4	MX3SB4	17900	20600	32200	38700	11500	290
9.6	1361	2.5	150	7.5	304 L3	—	BE90LA4	BX90LA4	ME3SB4	MX3SB4	17800	20500	32000	38500	11400	278
9.7	1304	2.6	148	12.0	—	304 R4	BE90LA4	BX90LA4	ME3SB4	MX3SB4	17700	20400	31900	38400	11400	280
9.7	1304	1.8	148	12.0	—	303 R4	BE90LA4	BX90LA4	ME3SB4	MX3SB4	17700	20400	31900	38400	11400	268
10.0	1260	1.0	143	10.0	—	301 R4	BE90LA4	BX90LA4	ME3SB4	MX3SB4	5690	5690	15500	17800	3740	258
10.1	1291	1.3	142	7.5	301 L3	—	BE90LA4	BX90LA4	ME3SB4	MX3SB4	5670	5670	15400	17700	3730	256
10.1	1287	2.0	141	7.5	303 L3	—	BE90LA4	BX90LA4	ME3SB4	MX3SB4	17400	20100	31500	37900	11200	266
10.1	1287	2.8	141	7.5	304 L3	—	BE90LA4	BX90LA4	ME3SB4	MX3SB4	17400	20100	31500	37900	11200	278
10.8	1209	1.0	133	12.0	—	301 R3	BE90LA4	BX90LA4	ME3SB4	MX3SB4	5550	5550	15100	17400	3650	258
10.9	1191	1.4	131	7.5	301 L3	—	BE90LA4	BX90LA4	ME3SB4	MX3SB4	5520	5520	15100	17300	3630	256
11.0	1187	3.0	130	7.5	304 L3	—	BE90LA4	BX90LA4	ME3SB4	MX3SB4	17000	19600	30700	37000	10900	278
11.0	1141	1.5	130	10.0	—	301 R4	BE90LA4	BX90LA4	ME3SB4	MX3SB4	5510	5510	15000	17300	3620	258
11.1	1137	2.3	129	12.0	—	303 R4	BE90LA4	BX90LA4	ME3SB4	MX3SB4	16900	19500	30600	36900	10800	268
11.5	1133	1.6	124	7.5	303 L3	—	BE90LA4	BX90LA4	ME3SB4	MX3SB4	16700	19300	30300	36500	10700	266
11.8	1103	2.2	121	14.0	—	304 R3	BE90LA4	BX90LA4	ME3SB4	MX3SB4	16600	19100	30100	36200	10600	280
12.3	1054	1.2	116	7.5	301 L3	—	BE90LA4	BX90LA4	ME3SB4	MX3SB4	5300	5300	14500	16700	3490	256
12.5	1041	1.7	114	14.0	—	303 R3	BE90LA4	BX90LA4	ME3SB4	MX3SB4	16200	18700	29500	35500	10400	268
12.7	1025	1.8	113	7.5	303 L3	—	BE90LA4	BX90LA4	ME3SB4	MX3SB4	16200	18600	29400	35400	10400	266
13.4	969	1.3	106	12.0	—	301 R3	BE90LA4	BX90LA4	ME3SB4	MX3SB4	5160	5160	14200	16300	3390	258
13.5	931	0.9	106	10.0	—	300 R4	BE90LA4	BX90LA4	ME3SB4	MX3SB4	5030	5030	13800	15900	3310	248
13.5	931	1.8	106	10.0	—	301 R4	BE90LA4	BX90LA4	ME3SB4	MX3SB4	5150	5150	14100	16200	3380	258
13.6	954	0.9	105	7.5	300 L3	—	BE90LA4	BX90LA4	ME3SB4	MX3SB4	5010	5010	13800	15900	3300	246
13.6	954	1.8	105	7.5	301 L3	—	BE90LA4	BX90LA4	ME3SB4	MX3SB4	5130	5130	14100	16200	3370	256
13.7	951	2.7	105	7.5	303 L3	—	BE90LA4	BX90LA4	ME3SB4	MX3SB4	15800	18200	28800	34600	10100	266
14.7	883	2.7	97.0	14.0	—	304 R3	BE90LA4	BX90LA4	ME3SB4	MX3SB4	15400	17700	28100	33800	9860	280
15.6	833	2.2	91.5	14.0	—	303 R3	BE90LA4	BX90LA4	ME3SB4	MX3SB4	15100	17400	27600	33200	9670	268
15.9	821	2.7	90.2	7.5	303 L3	—	BE90LA4	BX90LA4	ME3SB4	MX3SB4	15000	17300	27500	33100	9620	266
16.7	779	1.1	85.6	7.5	300 L3	—	BE90LA4	BX90LA4	ME3SB4	MX3SB4	4790	4790	13300	15200	3150	246
16.7	779	2.2	85.6	7.5	301 L3	—	BE90LA4	BX90LA4	ME3SB4	MX3SB4	4790	4790	13300	15200	3150	256
16.8	775	1.7	85.2	12.0	—	301 R3	BE90LA4	BX90LA4	ME3SB4	MX3SB4	4790	4790	13200	15200	3150	258



P₁ = 1.5 kW

n ₂ min ⁻¹	M ₂ Nm	S	i	Pt kW	Motor Type		IE2		IE3		Rn ₂ [N]					FZ
					IE2	IE3	IE2	IE3	MC	MZ	HC/PC	HZ/PZ	FZ			
18.2	716	1.2	78.7	12.0	—	300 R3	BE90LA4	BX90LA4	ME3SB4	MX3SB4	4660	4660	12900	14900	3060	248
18.2	716	2.2	78.7	12.0	—	301 R3	BE90LA4	BX90LA4	ME3SB4	MX3SB4	4660	4660	12900	14900	3060	258
18.5	705	1.2	77.5	7.5	300 L3	—	BE90LA4	BX90LA4	ME3SB4	MX3SB4	4640	4640	12900	14800	3050	246
18.5	705	2.4	77.5	7.5	301 L3	—	BE90LA4	BX90LA4	ME3SB4	MX3SB4	4640	4640	12900	14800	3050	256
19.5	667	2.7	73.3	14.0	—	303 R3	BE90LA4	BX90LA4	ME3SB4	MX3SB4	14000	16200	25900	31100	8980	268
20.5	636	1.0	69.9	7.5	300 L3	—	BE90LA4	BX90LA4	ME3SB4	MX3SB4	4480	4480	12500	14300	2950	246
20.5	636	2.0	69.9	7.5	301 L3	—	BE90LA4	BX90LA4	ME3SB4	MX3SB4	4480	4480	12500	14300	2950	256
21.0	621	1.0	68.2	12.0	—	300 R3	BE90LA4	BX90LA4	ME3SB4	MX3SB4	4440	4440	12400	14200	2920	248
21.0	621	2.1	68.2	12.0	—	301 R3	BE90LA4	BX90LA4	ME3SB4	MX3SB4	4440	4440	12400	14200	2920	258
22.1	609	0.9	64.8	7.5	300 L2	—	BE90LA4	BX90LA4	ME3SB4	MX3SB4	4270	4270	12000	13700	2810	246
22.1	609	1.9	64.8	7.5	301 L2	—	BE90LA4	BX90LA4	ME3SB4	MX3SB4	4370	4370	12200	14000	2870	256
22.6	576	1.5	63.2	7.5	300 L3	—	BE90LA4	BX90LA4	ME3SB4	MX3SB4	4330	4330	12100	13900	2850	246
22.6	576	2.9	63.2	7.5	301 L3	—	BE90LA4	BX90LA4	ME3SB4	MX3SB4	4330	4330	12100	13900	2850	256
22.7	573	1.5	62.9	12.0	—	300 R3	BE90LA4	BX90LA4	ME3SB4	MX3SB4	4330	4330	12100	13900	2840	248
22.7	573	2.9	62.9	12.0	—	301 R3	BE90LA4	BX90LA4	ME3SB4	MX3SB4	4330	4330	12100	13900	2840	258
27.5	488	1.3	51.9	7.5	300 L2	—	BE90LA4	BX90LA4	ME3SB4	MX3SB4	4060	4060	11400	13100	2670	246
27.5	488	2.7	51.9	7.5	301 L2	—	BE90LA4	BX90LA4	ME3SB4	MX3SB4	4060	4060	11400	13100	2670	256
27.7	470	1.8	51.6	7.5	300 L3	—	BE90LA4	BX90LA4	ME3SB4	MX3SB4	4050	4050	11400	13100	2660	246
28.4	459	1.9	50.4	12.0	—	300 R3	BE90LA4	BX90LA4	ME3SB4	MX3SB4	4020	4020	11300	13000	2640	248
34	390	1.7	41.5	7.5	300 L2	—	BE90LA4	BX90LA4	ME3SB4	MX3SB4	3770	3770	10700	12300	2480	246
35	375	1.7	41.2	12.0	—	300 R3	BE90LA4	BX90LA4	ME3SB4	MX3SB4	3760	3760	10600	12200	2470	248
37	361	2.3	38.4	7.5	300 L2	—	BE90LA4	BX90LA4	ME3SB4	MX3SB4	3670	3670	10400	12000	2410	246
38	339	2.5	37.3	12.0	—	300 R3	BE90LA4	BX90LA4	ME3SB4	MX3SB4	3630	3630	10300	11900	2390	248
43	313	2.1	33.3	7.5	300 L2	—	BE90LA4	BX90LA4	ME3SB4	MX3SB4	3500	3500	9990	11500	2300	246
47	289	2.9	30.7	7.5	300 L2	—	BE90LA4	BX90LA4	ME3SB4	MX3SB4	3410	3410	9750	11200	2240	246
78	173	2.1	18.5	12.0	—	300 R2	BE90LA4	BX90LA4	ME3SB4	MX3SB4	2870	2870	8370	9620	1890	248

P₁ = 2.2 kW

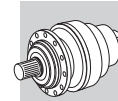
n ₂ min ⁻¹	M ₂ Nm	S	i	Pt kW	Motor Type		IE2		IE3		Rn ₂ [N]					FZ
					IE2	IE3	IE2	IE3	MC	MZ	HC/PC	HZ/PZ	FZ			
0.65	28291	1.7	2187	11.0	313 L4	—	BE100LA4	BX100LA4	—	—	—	—	192000	231000	80000	362
0.68	27119	1.3	2096	11.0	311 L4	—	BE100LA4	BX100LA4	—	—	—	—	157000	195000	65000	350
0.71	26157	1.0	2022	11.0	310 L4	—	BE100LA4	BX100LA4	—	—	—	—	133000	166000	65000	338
0.79	23503	2.5	1817	11.0	313 L4	—	BE100LA4	BX100LA4	—	—	—	—	192000	231000	80000	362
0.80	23213	1.1	1794	11.0	310 L4	—	BE100LA4	BX100LA4	—	—	—	—	133000	166000	65000	338
0.81	22850	1.9	1766	11.0	311 L4	—	BE100LA4	BX100LA4	—	—	—	—	157000	195000	65000	350
0.85	21730	1.6	1680	11.0	311 L4	—	BE100LA4	BX100LA4	—	—	—	—	157000	195000	65000	350
0.86	21623	1.2	1672	11.0	310 L4	—	BE100LA4	BX100LA4	—	—	—	—	133000	166000	65000	338
0.95	19429	3.0	1502	11.0	313 L4	—	BE100LA4	BX100LA4	—	—	—	—	192000	231000	80000	362
0.99	18600	1.4	1438	11.0	310 L4	—	BE100LA4	BX100LA4	—	—	—	—	133000	166000	65000	338
1.0	18310	2.3	1415	11.0	311 L4	—	BE100LA4	BX100LA4	—	—	—	—	157000	195000	65000	350
1.0	18032	2.9	1394	11.0	313 L4	—	BE100LA4	BX100LA4	—	—	—	—	192000	229000	79900	362
1.0	17856	0.9	1380	7.5	309 L4	—	BE100LA4	BX100LA4	—	—	—	—	110000	143800	35800	326
1.1	16633	1.0	1286	7.5	309 L4	—	BE100LA4	BX100LA4	—	—	—	—	109200	140800	35000	326
1.1	16286	1.7	1259	11.0	310 L4	—	BE100LA4	BX100LA4	—	—	—	—	128500	161600	62700	338
1.2	15916	2.8	1230	11.0	311 L4	—	BE100LA4	BX100LA4	—	—	—	—	150800	187900	62300	350
1.2	15061	1.9	1164	11.0	310 L4	—	BE100LA4	BX100LA4	—	—	—	—	125500	157900	61100	338
1.2	14963	0.9	1157	7.5	307 L4	—	BE100LA4	BX100LA4	ME3LA4	MX3LA4	47500	59600	101900	133600	41300	314
1.2	14868	1.1	1149	7.5	309 L4	—	BE100LA4	BX100LA4	—	—	—	—	105500	136100	33700	326
1.4	13202	2.2	1021	11.0	310 L4	—	BE100LA4	BX100LA4	—	—	—	—	120700	151800	58500	338
1.4	12925	1.1	999	7.5	307 L4	—	BE100LA4	BX100LA4	ME3LA4	MX3LA4	46300	58000	99600	130500	40200	314
1.4	12925	1.4	999	7.5	309 L4	—	BE100LA4	BX100LA4	—	—	—	—	101200	130500	32200	326
1.5	12145	2.7	939	11.0	310 L4	—	BE100LA4	BX100LA4	—	—	—	—	117700	148000	56900	338
1.6	11724	1.3	906	7.5	307 L4	—	BE100LA4	BX100LA4	ME3LA4	MX3LA4	44800	56200	96700	126800	38900	314
1.6	11724	1.5	906	7.5	309 L4	—	BE100LA4	BX100LA4	—	—	—	—	98300	126800	31100	326
1.6	11618	2.0	898	15.0	—	310 R4	BE100LA4	BX100LA4	—	—	—	—	116100	146000	56100	340
1.7	10579	2.6	818	11.0	310 L4	—	BE100LA4	BX100LA4	—	—	—	—	112900	142000	54300	338
1.8	10356	1.3	801	7.5	307 L4	—	BE100LA4	BX100LA4	ME3LA4	MX3LA4	43000	53900	93200	122100	37400	314
1.8	10356	1.8	801	7.5	309 L4	—	BE100LA4	BX100LA4	—	—	—	—	94700	122100	29900	326
1.9	9789	2.7	757	15.0	—	310 R4	BE100LA4	BX100LA4	—	—	—	—	110300	138700	52900	340
2.0	9388	2.9	726	11.0	310 L4	—	BE100LA4	BX100LA4	—	—	—	—	108900	137000	52200	338
2.0	9342	1.6	722	7.5	307 L4	—	BE100LA4	BX100LA4	ME3LA4	MX3LA4	41500	52100	90400	118400	36100	314
2.0	9342	2.3	722	7.5	309 L4	—	BE100LA4	BX100LA4	—	—	—	—	91800	118400	28900	326





P₁ = 2.2 kW

n ₂ min ⁻¹	M ₂ Nm	S	i	Pt kW							Rn ₂ [N]					
					IE2	IE3	IE2	IE3	MC	MZ	HC/PC	HZ/PZ	FZ			
2.0	9050	1.0	700	6.0	306 L4	—	BE100LA4	BX100LA4	ME3LA4	MX3LA4	37000	41900	83200	96900	27800	302
2.1	8923	1.1	690	15.0	—	307 R4	BE100LA4	BX100LA4	ME3LA4	MX3LA4	40900	51300	89100	116800	35500	316
2.1	8923	1.7	690	15.0	—	309 R4	BE100LA4	BX100LA4	—	—	—	—	90600	116800	28400	328
2.2	8454	1.5	654	7.5	307 L4	—	BE100LA4	BX100LA4	ME3LA4	MX3LA4	40200	50400	87700	114900	34900	314
2.2	8454	2.1	654	7.5	309 L4	—	BE100LA4	BX100LA4	—	—	—	—	89100	114900	27900	326
2.2	8262	2.6	639	15.0	—	310 R4	BE100LA4	BX100LA4	—	—	—	—	104800	131800	50000	340
2.3	8221	1.1	636	6.0	306 L4	—	BE100LA4	BX100LA4	ME3LA4	MX3LA4	35800	40600	80800	94100	26900	302
2.4	7637	1.1	590	12.0	—	306 R4	BE100LA4	BX100LA4	ME3LA4	MX3LA4	34900	39600	79100	92100	26200	304
2.4	7628	2.9	590	15.0	—	310 R4	BE100LA4	BX100LA4	—	—	—	—	102400	128700	48700	340
2.4	7624	1.2	589	6.0	306 L4	—	BE100LA4	BX100LA4	ME3LA4	MX3LA4	34900	39600	79000	92000	26200	302
2.5	7518	1.7	581	15.0	—	307 R4	BE100LA4	BX100LA4	ME3LA4	MX3LA4	38600	48500	84700	110900	33600	316
2.5	7518	2.1	581	15.0	—	309 R4	BE100LA4	BX100LA4	—	—	—	—	86000	110900	26900	328
2.5	7486	2.0	579	7.5	307 L4	—	BE100LA4	BX100LA4	ME3LA4	MX3LA4	38600	48400	84500	110800	33500	314
2.5	7486	2.8	579	7.5	309 L4	—	BE100LA4	BX100LA4	—	—	—	—	85900	110800	26800	326
2.6	7114	1.0	550	12.0	—	306 R4	BE100LA4	BX100LA4	ME3LA4	MX3LA4	34100	38700	77400	90100	25600	304
2.8	6588	1.4	509	6.0	306 L4	—	BE100LA4	BX100LA4	ME3LA4	MX3LA4	33300	37700	75600	88100	25000	302
2.8	6587	2.1	509	7.5	307 L4	—	BE100LA4	BX100LA4	ME3LA4	MX3LA4	37000	46400	81400	106600	32100	314
2.8	6587	2.2	509	7.5	309 L4	—	BE100LA4	BX100LA4	—	—	—	—	82700	106600	25700	326
2.9	6345	1.5	490	15.0	—	307 R4	BE100LA4	BX100LA4	ME3LA4	MX3LA4	36500	45800	80500	105400	31700	316
2.9	6345	2.2	490	15.0	—	309 R4	BE100LA4	BX100LA4	—	—	—	—	81700	105400	25400	328
2.9	6314	1.4	488	12.0	—	306 R4	BE100LA4	BX100LA4	ME3LA4	MX3LA4	32800	37100	74700	87000	24600	304
3.1	6013	2.0	465	7.5	307 L4	—	BE100LA4	BX100LA4	ME3LA4	MX3LA4	35800	45000	79200	103700	31200	314
3.1	5910	2.3	457	15.0	—	309 R4	BE100LA4	BX100LA4	—	—	—	—	80000	103200	24800	328
3.1	5881	1.2	455	12.0	—	306 R4	BE100LA4	BX100LA4	ME3LA4	MX3LA4	32000	36300	73100	85100	24100	304
3.2	5858	2.3	453	15.0	—	307 R4	BE100LA4	BX100LA4	ME3LA4	MX3LA4	35500	44600	78600	102900	30900	316
3.2	5765	1.0	446	6.0	305 L4	—	BE100LA4	BX100LA4	ME3LA4	MX3LA4	25500	29500	44400	53400	16400	290
3.2	5747	1.7	444	6.0	306 L4	—	BE100LA4	BX100LA4	ME3LA4	MX3LA4	31800	36000	72600	84500	23900	302
3.4	5431	1.6	420	12.0	—	306 R4	BE100LA4	BX100LA4	ME3LA4	MX3LA4	31200	35300	71400	83100	23400	304
3.5	5346	2.2	413	15.0	—	307 R4	BE100LA4	BX100LA4	ME3LA4	MX3LA4	34500	43200	76400	100100	30000	316
3.5	5246	2.3	406	7.5	307 L4	—	BE100LA4	BX100LA4	ME3LA4	MX3LA4	34300	43000	76000	99600	29800	314
3.5	5418	1.0	405	7.5	306 L3	—	BE100LA4	BX100LA4	ME3LA4	MX3LA4	30800	34900	70600	82200	23100	302
3.7	5057	1.4	391	6.0	306 L4	—	BE100LA4	BX100LA4	ME3LA4	MX3LA4	30400	34500	69900	81400	22900	302
3.7	5031	1.5	389	12.0	—	306 R4	BE100LA4	BX100LA4	ME3LA4	MX3LA4	30400	34400	69800	81200	22800	304
3.8	4843	3.0	374	15.0	—	309 R4	BE100LA4	BX100LA4	—	—	—	—	75400	97200	23200	328
3.9	4707	1.0	364	12.0	—	305 R4	BE100LA4	BX100LA4	ME3LA4	MX3LA4	23900	27600	41800	50300	15300	292
3.9	4694	2.6	363	15.0	—	307 R4	BE100LA4	BX100LA4	ME3LA4	MX3LA4	33000	41400	73500	96300	28700	316
4.3	4501	2.0	336	11.0	307 L3	—	BE100LA4	BX100LA4	ME3LA4	MX3LA4	32200	40400	71900	94200	28000	314
4.3	4501	2.9	336	11.0	309 L3	—	BE100LA4	BX100LA4	—	—	—	—	73000	94200	22400	326
4.3	4341	1.1	336	12.0	—	305 R4	BE100LA4	BX100LA4	ME3LA4	MX3LA4	23200	26800	40800	49100	14900	292
4.3	4284	2.7	331	15.0	—	307 R4	BE100LA4	BX100LA4	ME3LA4	MX3LA4	32000	40200	71500	93700	27800	316
4.4	4341	1.3	325	7.5	306 L3	—	BE100LA4	BX100LA4	ME3LA4	MX3LA4	28600	32400	66100	76900	21500	302
4.6	4031	1.9	312	12.0	—	306 R4	BE100LA4	BX100LA4	ME3LA4	MX3LA4	28200	32000	65300	76000	21200	304
4.9	3751	1.0	290	12.0	—	304 R4	BE100LA4	BX100LA4	ME3LA4	MX3LA4	22100	25600	39100	47000	14200	280
4.9	3751	1.4	290	12.0	—	305 R4	BE100LA4	BX100LA4	ME3LA4	MX3LA4	22100	25600	39100	47000	14200	292
4.9	3738	2.2	289	12.0	—	306 R4	BE100LA4	BX100LA4	ME3LA4	MX3LA4	27500	31200	63800	74300	20700	304
5.0	3853	1.4	288	7.5	306 L3	—	BE100LA4	BX100LA4	ME3LA4	MX3LA4	27500	31200	63700	74200	20700	302
5.0	3792	3.0	284	11.0	307 L3	—	BE100LA4	BX100LA4	ME3LA4	MX3LA4	30400	38100	68300	89400	26400	314
5.2	3698	1.2	276	7.5	305 L3	—	BE100LA4	BX100LA4	ME3LA4	MX3LA4	21800	25200	38500	46300	14000	290
5.3	3589	1.5	268	7.5	306 L3	—	BE100LA4	BX100LA4	ME3LA4	MX3LA4	26900	30400	62400	72700	20200	302
5.3	3459	1.1	267	12.0	—	304 R4	BE100LA4	BX100LA4	ME3LA4	MX3LA4	21500	24900	38100	45900	13800	280
5.6	3445	1.0	258	7.5	305 L3	—	BE100LA4	BX100LA4	ME3LA4	MX3LA4	21300	24600	37700	45300	13600	290
5.6	3301	1.1	255	12.0	—	305 R4	BE100LA4	BX100LA4	ME3LA4	MX3LA4	21200	24500	37600	45200	13600	292
5.8	3216	2.5	249	12.0	—	306 R4	BE100LA4	BX100LA4	ME3LA4	MX3LA4	26200	29700	61000	71000	19700	304
6.0	3201	2.7	239	11.0	307 L3	—	BE100LA4	BX100LA4	ME3LA4	MX3LA4	28700	36000	64900	85000	25000	314
6.0	3185	2.6	238	7.5	306 L3	—	BE100LA4	BX100LA4	ME3LA4	MX3LA4	25800	29200	60200	70100	19400	302
6.2	2988	1.2	231	12.0	—	305 R4	BE100LA4	BX100LA4	ME3LA4	MX3LA4	20500	23700	36500	43900	13200	292
6.2	2979	2.5	230	12.0	—	306 R4	BE100LA4	BX100LA4	ME3LA4	MX3LA4	25500	28900	59600	69400	19200	304
6.3	2930	1.2	227	12.0	—	304 R4	BE100LA4	BX100LA4	ME3LA4	MX3LA4	20400	23500	36300	43600	13100	280
6.4	2967	2.2	222	7.5	306 L3	—	BE100LA4	BX100LA4	ME3LA4	MX3LA4	25200	28600	58900	68600	18900	302
6.5	2947	1.2	220	7.5	304 L3	—	BE100LA4	BX100LA4	ME3LA4	MX3LA4	20200	23300	36000	43300	13000	278
6.5	2947	1.6	220	7.5	305 L3	—	BE100LA4	BX100LA4	ME3LA4	MX3LA4	20200	23300	36000	43300	13000	290
6.7	2772	1.0	214	12.0	—	303 R4	BE100LA4	BX100LA4	ME3LA4	MX3LA4	20000	23100	35700	42900	12800	268
6.7	2772	1.3	214	12.0	—	304 R4	BE100LA4	BX100LA4	ME3LA4	MX3LA4	20000	23100	35700	42900	12800	280
6.7	2772	1.9	214	12.0	—	305 R4	BE100LA4	BX100LA4	ME3LA4	MX3LA4	20000	23100	35700	42900	12800	292
7.0	2740	3.0	205	7.5	306 L3	—	BE100LA4	BX100LA4	ME3LA4	MX3LA4	24500	27800	57600	67000	18400	302
7.5	2546	1.4	190	7.5	305 L3	—	BE100LA4	BX100LA4	ME3LA4	MX3LA4	19200	22200	34400	41400	12300	290
7.5	2538	2.6	190	7.5	306 L3	—	BE100LA4	BX100LA4	ME3LA4	MX3LA4	23900	27100	56200	65500	18000	302
7.7	2392	1.0	185	12.0	—	303 R4	BE100LA4	BX100LA4	ME3LA4	MX3LA4	18600	21500	33400	40200	11900	268
7.7	2392	1.4	185	12.0	—	304 R4	BE100LA4	BX100LA4	ME3LA4	MX3LA4	19100	22000	34100	41100	12200	280
7.7	2392	1.9	185	12.0	—	305 R4	BE100LA4	BX100LA4	ME3LA4	MX3LA4	19100	22000	34100	41100	12200	292
8.1	2375	0.9	178	7.5	303 L3	—	BE100LA4	BX100LA4	ME3LA4	MX3LA4	18800	21700	33700	40600	12100	266



P₁ = 2.2 kW

n ₂ min ⁻¹	M ₂ Nm	S	i	Pt kW									Rn ₂ [N]					
					IE2	IE3	IE2	IE3	MC	MZ	HC/PC	HZ/PZ	FZ					
8.1	2375	1.2	178	7.5	304 L3	—	BE100LA4	BX100LA4	ME3LA4	MX3LA4	18800	21700	33700	40600	12100	278		
8.1	2375	1.9	178	7.5	305 L3	—	BE100LA4	BX100LA4	ME3LA4	MX3LA4	18800	21700	33700	40600	12100	290		
8.7	2203	1.1	165	7.5	304 L3	—	BE100LA4	BX100LA4	ME3LA4	MX3LA4	18300	21200	33000	39600	11800	278		
8.7	2190	1.0	164	7.5	303 L3	—	BE100LA4	BX100LA4	ME3LA4	MX3LA4	18300	21100	32900	39600	11700	266		
8.7	2190	2.0	164	7.5	305 L3	—	BE100LA4	BX100LA4	ME3LA4	MX3LA4	18300	21100	32900	39600	11700	290		
9.0	2048	1.3	158	12.0	—	303 R4	BE100LA4	BX100LA4	ME3LA4	MX3LA4	18100	20900	32600	39200	11600	268		
9.0	2048	1.7	158	12.0	—	304 R4	BE100LA4	BX100LA4	ME3LA4	MX3LA4	18100	20900	32600	39200	11600	280		
9.0	2048	2.6	158	12.0	—	305 R4	BE100LA4	BX100LA4	ME3LA4	MX3LA4	18100	20900	32600	39200	11600	292		
9.4	2040	1.8	152	7.5	305 L3	—	BE100LA4	BX100LA4	ME3LA4	MX3LA4	17900	20600	32200	38700	11500	290		
9.6	2000	1.7	150	7.5	304 L3	—	BE100LA4	BX100LA4	ME3LA4	MX3LA4	17800	20500	32000	38500	11400	278		
9.7	1917	1.8	148	12.0	—	304 R4	BE100LA4	BX100LA4	ME3LA4	MX3LA4	17700	20400	31900	38400	11400	280		
9.7	1917	1.2	148	12.0	—	303 R4	BE100LA4	BX100LA4	ME3LA4	MX3LA4	17700	20400	31900	38400	11400	268		
9.7	1917	2.3	148	12.0	—	305 R4	BE100LA4	BX100LA4	ME3LA4	MX3LA4	17700	20400	31900	38400	11400	292		
9.9	1928	2.8	144	14.0	—	306 R3	BE100LA4	BX100LA4	ME3LA4	MX3LA4	21800	24700	51800	60300	16400	304		
10.1	1898	0.9	142	7.5	301 L3	—	BE100LA4	BX100LA4	ME3LA4	MX3LA4	5540	5540	15100	17400	3650	256		
10.1	1892	1.4	141	7.5	303 L3	—	BE100LA4	BX100LA4	ME3LA4	MX3LA4	17400	20100	31500	37900	11200	266		
10.1	1892	1.9	141	7.5	304 L3	—	BE100LA4	BX100LA4	ME3LA4	MX3LA4	17400	20100	31500	37900	11200	278		
10.1	1892	2.7	141	7.5	305 L3	—	BE100LA4	BX100LA4	ME3LA4	MX3LA4	17400	20100	31500	37900	11200	290		
10.9	1750	1.0	131	7.5	301 L3	—	BE100LA4	BX100LA4	ME3LA4	MX3LA4	5520	5520	15100	17300	3630	256		
11.0	1745	2.0	130	7.5	304 L3	—	BE100LA4	BX100LA4	ME3LA4	MX3LA4	17000	19600	30700	37000	10900	278		
11.0	1677	1.0	130	10.0	—	301 R4	BE100LA4	BX100LA4	ME3LA4	MX3LA4	5510	5510	15000	17300	3620	258		
11.1	1672	1.6	129	12.0	—	303 R4	BE100LA4	BX100LA4	ME3LA4	MX3LA4	16900	19500	30600	36900	10800	268		
11.1	1672	2.1	129	12.0	—	304 R4	BE100LA4	BX100LA4	ME3LA4	MX3LA4	16900	19500	30600	36900	10800	280		
11.5	1665	1.1	124	7.5	303 L3	—	BE100LA4	BX100LA4	ME3LA4	MX3LA4	16700	19300	30300	36500	10700	266		
11.5	1665	2.2	124	7.5	305 L3	—	BE100LA4	BX100LA4	ME3LA4	MX3LA4	16700	19300	30300	36500	10700	290		
11.8	1622	1.5	121	14.0	—	304 R3	BE100LA4	BX100LA4	ME3LA4	MX3LA4	16600	19100	30100	36200	10600	280		
12.5	1530	1.2	114	14.0	—	303 R3	BE100LA4	BX100LA4	ME3LA4	MX3LA4	16200	18700	29500	35500	10400	268		
12.5	1530	2.3	114	14.0	—	305 R3	BE100LA4	BX100LA4	ME3LA4	MX3LA4	16200	18700	29500	35500	10400	292		
12.7	1507	1.2	113	7.5	303 L3	—	BE100LA4	BX100LA4	ME3LA4	MX3LA4	16200	18600	29400	35400	10400	266		
12.7	1507	2.4	113	7.5	305 L3	—	BE100LA4	BX100LA4	ME3LA4	MX3LA4	16200	18600	29400	35400	10400	290		
12.9	1478	2.3	111	7.5	304 L3	—	BE100LA4	BX100LA4	ME3LA4	MX3LA4	16000	18500	29200	35200	10300	278		
13.1	1416	2.4	109	12.0	—	304 R4	BE100LA4	BX100LA4	ME3LA4	MX3LA4	16000	18500	29200	35100	10300	280		
13.4	1424	0.9	106	12.0	—	301 R3	BE100LA4	BX100LA4	ME3LA4	MX3LA4	5160	5160	14200	16300	3390	258		
13.5	1369	1.2	106	10.0	—	301 R4	BE100LA4	BX100LA4	ME3LA4	MX3LA4	5150	5150	14100	16200	3380	258		
13.6	1403	1.2	105	7.5	301 L3	—	BE100LA4	BX100LA4	ME3LA4	MX3LA4	5130	5130	14100	16200	3370	256		
13.7	1398	1.8	105	7.5	303 L3	—	BE100LA4	BX100LA4	ME3LA4	MX3LA4	15800	18200	28800	34600	10100	266		
13.7	1398	2.5	105	7.5	304 L3	—	BE100LA4	BX100LA4	ME3LA4	MX3LA4	15800	18200	28800	34600	10100	278		
14.7	1297	1.8	97.0	14.0	—	304 R3	BE100LA4	BX100LA4	ME3LA4	MX3LA4	15400	17700	28100	33800	9860	280		
15.6	1224	1.5	91.5	14.0	—	303 R3	BE100LA4	BX100LA4	ME3LA4	MX3LA4	15100	17400	27600	33200	9670	268		
15.6	1224	2.9	91.5	14.0	—	305 R3	BE100LA4	BX100LA4	ME3LA4	MX3LA4	15100	17400	27600	33200	9670	292		
15.9	1207	1.9	90.2	7.5	303 L3	—	BE100LA4	BX100LA4	ME3LA4	MX3LA4	15000	17300	27500	33100	9620	266		
15.9	1207	2.8	90.2	7.5	304 L3	—	BE100LA4	BX100LA4	ME3LA4	MX3LA4	15000	17300	27500	33100	9620	278		
16.0	1156	2.9	89.4	12.0	—	304 R4	BE100LA4	BX100LA4	ME3LA4	MX3LA4	15000	17300	27400	33000	9590	280		
16.7	1145	1.5	85.6	7.5	301 L3	—	BE100LA4	BX100LA4	ME3LA4	MX3LA4	4790	4790	13300	15200	3150	256		
16.8	1139	1.1	85.2	12.0	—	301 R3	BE100LA4	BX100LA4	ME3LA4	MX3LA4	4790	4790	13200	15200	3150	258		
18.2	1053	2.1	78.7	14.0	—	303 R3	BE100LA4	BX100LA4	ME3LA4	MX3LA4	14300	16500	26400	31800	9190	268		
18.2	1053	2.7	78.7	14.0	—	304 R3	BE100LA4	BX100LA4	ME3LA4	MX3LA4	14300	16500	26400	31800	9190	280		
18.2	1052	1.5	78.7	12.0	—	301 R3	BE100LA4	BX100LA4	ME3LA4	MX3LA4	4660	4660	12900	14900	3060	258		
18.5	1036	1.6	77.5	7.5	301 L3	—	BE100LA4	BX100LA4	ME3LA4	MX3LA4	4640	4640	12900	14800	3050	256		
18.5	1033	2.4	77.2	7.5	303 L3	—	BE100LA4	BX100LA4	ME3LA4	MX3LA4	14200	16400	26300	31600	9140	266		
19.5	981	1.9	73.3	14.0	—	303 R3	BE100LA4	BX100LA4	ME3LA4	MX3LA4	14000	16200	25900	31100	8980	268		
19.8	967	2.3	72.3	7.5	303 L3	—	BE100LA4	BX100LA4	ME3LA4	MX3LA4	13900	16100	25700	31000	8940	266		
20.5	935	1.4	69.9	7.5	301 L3	—	BE100LA4	BX100LA4	ME3LA4	MX3LA4	4480	4480	12500	14300	2950	256		
21.0	913	1.4	68.2	12.0	—	301 R3	BE100LA4	BX100LA4	ME3LA4	MX3LA4	4440	4440	12400	14200	2920	258		
22.1	895	1.3	64.8	7.5	301 L2	—	BE100LA4	BX100LA4	ME3LA4	MX3LA4	4370	4370	12200	14000	2870	256		
22.6	846	1.0	63.2	7.5	300 L3	—	BE100LA4	BX100LA4	ME3LA4	MX3LA4	4330	4330	12100	13900	2850	246		
22.6	846	2.0	63.2	7.5	301 L3	—	BE100LA4	BX100LA4	ME3LA4	MX3LA4	4330	4330	12100	13900	2850	256		
22.7	844	2.6	63.1	14.0	—	303 R3	BE100LA4	BX100LA4	ME3LA4	MX3LA4	13300	15400	24700	29700	8540	268		
22.7	843	3.0	63.1	7.5	303 L3	—	BE100LA4	BX100LA4	ME3LA4	MX3LA4	13300	15400	24700	29700	8540	266		
22.7	842	1.0	62.9	12.0	—	300 R3	BE100LA4	BX100LA4	ME3LA4	MX3LA4	4330	4330	12100	13900	2840	248		
22.7	842	2.0	62.9	12.0	—	301 R3	BE100LA4	BX100LA4	ME3LA4	MX3LA4	4330	4330	12100	13900	2840	258		
24.2	817	2.9	59.1	9.0	304 L2	—	BE100LA4	BX100LA4	ME3LA4	MX3LA4	13000	15000	24200	29200	8360	278		
25.6	771	2.4	55.8	9.0	303 L2	—	BE100LA4	BX100LA4	ME3LA4	MX3LA4	12800	14800	23800	28700	8200	266		
26.4	725	2.5	54.2	14.0	—	303 R3	BE100LA4	BX100LA4	ME3LA4	MX3LA4	12700	14600	23600	28400	8120	268		
27.5	717	0.9	51.9	7.5	300 L2	—	BE100LA4	BX100LA4	ME3LA4	MX3LA4	3970	3970	11200	12900	2610	246		
27.5	717	1.8	51.9	7.5	301 L2	—	BE100LA4	BX100LA4	ME3LA4	MX3LA4	4060	4060	11400	13100	2670	256		
27.7	691	1.2	51.6	7.5	300 L3	—	BE100LA4	BX100LA4	ME3LA4	MX3LA4	4050	4050	11400	13100	2660	246		
27.7	691	2.4	51.6	7.5	301 L3	—	BE100LA4	BX100LA4	ME3LA4	MX3LA4	4050	4050	11400	13100	2660	256		
28.4	674	1.3	50.4	12.0	—	300 R3	BE100LA4	BX100LA4	ME3LA4	MX3LA4	4020	4020	11300	13000	2640	248		
28.4	674	2.4	50.4	12.0	—	301 R3	BE100LA4	BX100LA4	ME3LA4	MX3LA4	4020	4020	11300	13000	2640	258		
32	617	3.0	44.6	9.0	303 L2	—	BE100LA4	BX100LA4	ME3LA4	MX3LA4	11900	13700	22300	26800	7610	266		



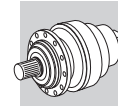


P₁ = 2.2 kW

n ₂ min ⁻¹	M ₂ Nm	S	i	Pt kW			IE2 IE3				Rn ₂ [N]					
											MC	MZ	HC/PC	HZ/PZ	FZ	
34	574	1.1	41.5	7.5	300 L2	—	BE100LA4	BX100LA4	ME3LA4	MX3LA4	3770	3770	10700	12300	2480	246
34	574	2.3	41.5	7.5	301 L2	—	BE100LA4	BX100LA4	ME3LA4	MX3LA4	3770	3770	10700	12300	2480	256
35	551	1.2	41.2	12.0	—	300 R3	BE100LA4	BX100LA4	ME3LA4	MX3LA4	3760	3760	10600	12200	2470	248
35	551	2.4	41.2	12.0	—	301 R3	BE100LA4	BX100LA4	ME3LA4	MX3LA4	3760	3760	10600	12200	2470	258
37	530	1.6	38.4	7.5	300 L2	—	BE100LA4	BX100LA4	ME3LA4	MX3LA4	3670	3670	10400	12000	2410	246
37	530	2.9	38.4	7.5	301 L2	—	BE100LA4	BX100LA4	ME3LA4	MX3LA4	3670	3670	10400	12000	2410	256
38	498	1.7	37.3	12.0	—	300 R3	BE100LA4	BX100LA4	ME3LA4	MX3LA4	3630	3630	10300	11900	2390	248
43	460	1.4	33.3	7.5	300 L2	—	BE100LA4	BX100LA4	ME3LA4	MX3LA4	3500	3500	9990	11500	2300	246
43	460	2.8	33.3	7.5	301 L2	—	BE100LA4	BX100LA4	ME3LA4	MX3LA4	3500	3500	9990	11500	2300	256
47	424	2.0	30.7	7.5	300 L2	—	BE100LA4	BX100LA4	ME3LA4	MX3LA4	3410	3410	9750	11200	2240	246
47	407	2.1	30.4	12.0	—	300 R3	BE100LA4	BX100LA4	ME3LA4	MX3LA4	3400	3400	9730	11200	2230	248
58	332	2.2	24.8	12.0	—	300 R3	BE100LA4	BX100LA4	ME3LA4	MX3LA4	3170	3170	9150	10500	2090	248
58	342	2.5	24.8	18.0	—	303 R2	BE100LA4	BX100LA4	ME3LA4	MX3LA4	9750	11300	18700	22500	6250	268
58	340	2.4	24.6	7.5	300 L2	—	BE100LA4	BX100LA4	ME3LA4	MX3LA4	3160	3160	9130	10500	2080	246
71	277	2.3	20.1	7.5	300 L2	—	BE100LA4	BX100LA4	ME3LA4	MX3LA4	2960	2960	8590	9870	1940	246
78	255	1.5	18.5	12.0	—	300 R2	BE100LA4	BX100LA4	ME3LA4	MX3LA4	2870	2870	8370	9620	1890	248
78	255	2.9	18.5	12.0	—	301 R2	BE100LA4	BX100LA4	ME3LA4	MX3LA4	2870	2870	8370	9620	1890	258
79	251	3.0	18.2	7.5	300 L2	—	BE100LA4	BX100LA4	ME3LA4	MX3LA4	2860	2860	8330	9580	1880	246
97	204	2.5	14.8	12.0	—	300 R2	BE100LA4	BX100LA4	ME3LA4	MX3LA4	2670	2670	7830	9000	1750	248
159	128	2.5	9.00	7.5	300 L1	—	BE100LA4	BX100LA4	ME3LA4	MX3LA4	2260	2260	6750	7750	1490	246

P₁ = 3 kW

n ₂ min ⁻¹	M ₂ Nm	S	i	Pt kW			IE2 IE3				Rn ₂ [N]					
											MC	MZ	HC/PC	HZ/PZ	FZ	
0.65	38491	1.3	2187	11.0	313 L4	—	BE100LB4	BX100LB4	—	—	—	—	192000	231000	80000	362
0.68	36897	0.9	2096	11.0	311 L4	—	BE100LB4	BX100LB4	—	—	—	—	157000	195000	65000	350
0.78	31977	1.8	1817	11.0	313 L4	—	BE100LB4	BX100LB4	—	—	—	—	192000	231000	80000	362
0.80	31089	1.4	1766	11.0	311 L4	—	BE100LB4	BX100LB4	—	—	—	—	157000	195000	65000	350
0.85	29565	1.2	1680	11.0	311 L4	—	BE100LB4	BX100LB4	—	—	—	—	157000	195000	65000	350
0.95	26435	2.2	1502	11.0	313 L4	—	BE100LB4	BX100LB4	—	—	—	—	192000	231000	80000	362
0.99	25307	1.0	1438	11.0	310 L4	—	BE100LB4	BX100LB4	—	—	—	—	133000	166000	65000	338
1.0	24911	1.7	1415	11.0	311 L4	—	BE100LB4	BX100LB4	—	—	—	—	157000	195000	65000	350
1.0	24533	2.1	1394	11.0	313 L4	—	BE100LB4	BX100LB4	—	—	—	—	192000	229000	79900	362
1.1	22274	2.5	1266	11.0	313 L4	—	BE100LB4	BX100LB4	—	—	—	—	188000	222500	77400	362
1.1	22158	1.2	1259	11.0	310 L4	—	BE100LB4	BX100LB4	—	—	—	—	128500	161600	62700	338
1.2	21655	2.0	1230	11.0	311 L4	—	BE100LB4	BX100LB4	—	—	—	—	150800	187900	62300	350
1.2	20491	1.4	1164	11.0	310 L4	—	BE100LB4	BX100LB4	—	—	—	—	125500	157900	61100	338
1.3	19658	2.7	1117	11.0	313 L4	—	BE100LB4	BX100LB4	—	—	—	—	181100	214300	74200	362
1.3	18628	2.3	1058	11.0	311 L4	—	BE100LB4	BX100LB4	—	—	—	—	144200	179600	59200	350
1.4	17963	1.6	1021	11.0	310 L4	—	BE100LB4	BX100LB4	—	—	—	—	120700	151800	58500	338
1.4	17584	1.0	999	7.5	309 L4	—	BE100LB4	BX100LB4	—	—	—	—	101200	130500	32200	326
1.4	17352	2.4	986	11.0	311 L4	—	BE100LB4	BX100LB4	—	—	—	—	141100	175800	57800	350
1.5	16524	2.0	939	11.0	310 L4	—	BE100LB4	BX100LB4	—	—	—	—	117700	148000	56900	338
1.6	15951	1.0	906	7.5	307 L4	—	BE100LB4	BX100LB4	ME3LB4	MX3LB4	43800	54900	94700	124200	38000	314
1.6	15951	1.1	906	7.5	309 L4	—	BE100LB4	BX100LB4	—	—	—	—	98300	126800	31100	326
1.6	15905	2.9	904	11.0	311 L4	—	BE100LB4	BX100LB4	—	—	—	—	137500	171300	56200	350
1.6	15807	1.5	898	15.0	—	310 R4	BE100LB4	BX100LB4	—	—	—	—	116100	146000	56100	340
1.7	14393	1.9	818	11.0	310 L4	—	BE100LB4	BX100LB4	—	—	—	—	112900	142000	54300	338
1.8	14090	0.9	801	7.5	307 L4	—	BE100LB4	BX100LB4	ME3LB4	MX3LB4	42000	52700	91300	119600	36500	314
1.8	14090	1.3	801	7.5	309 L4	—	BE100LB4	BX100LB4	—	—	—	—	94700	122100	29900	326
1.9	13319	2.0	757	15.0	—	310 R4	BE100LB4	BX100LB4	—	—	—	—	110300	138700	52900	340
1.9	13132	2.3	746	22.0	—	311 R4	BE100LB4	BX100LB4	—	—	—	—	129800	161700	52700	352
2.0	12773	2.1	726	11.0	310 L4	—	BE100LB4	BX100LB4	—	—	—	—	108900	137000	52200	338
2.0	12711	1.2	722	7.5	307 L4	—	BE100LB4	BX100LB4	ME3LB4	MX3LB4	41500	52100	90400	118400	36100	314
2.0	12711	1.7	722	7.5	309 L4	—	BE100LB4	BX100LB4	—	—	—	—	91800	118400	28900	326
2.1	12140	1.2	690	15.0	—	309 R4	BE100LB4	BX100LB4	—	—	—	—	90600	116800	28400	328
2.2	11502	1.1	654	7.5	307 L4	—	BE100LB4	BX100LB4	ME3LB4	MX3LB4	40200	50400	87700	114900	34900	314
2.2	11502	1.6	654	7.5	309 L4	—	BE100LB4	BX100LB4	—	—	—	—	89100	114900	27900	326
2.2	11240	1.9	639	15.0	—	310 R4	BE100LB4	BX100LB4	—	—	—	—	104800	131800	50000	340
2.2	11205	2.4	637	11.0	310 L4	—	BE100LB4	BX100LB4	—	—	—	—	104700	131700	50000	338
2.4	10378	2.1	590	15.0	—	310 R4	BE100LB4	BX100LB4	—	—	—	—	102400	128700	48700	340



$P_1 = 3 \text{ kW}$

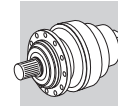
n ₂ min ⁻¹	M ₂ Nm	S	i	Pt kW									Rn ₂ [N]			
					IE2	IE3	IE2	IE3	MC	MZ	HC/PC	HZ/PZ	FZ			
2.4	10229	1.2	581	15.0	—	307 R4	BE100LB4	BX100LB4	ME3LB4	MX3LB4	38600	48500	84700	110900	33600	316
2.4	10229	1.5	581	15.0	—	309 R4	BE100LB4	BX100LB4	—	—	—	—	86000	110900	26900	328
2.5	10185	1.5	579	7.5	307 L4	—	BE100LB4	BX100LB4	ME3LB4	MX3LB4	38600	48400	84500	110800	33500	314
2.5	10185	2.1	579	7.5	309 L4	—	BE100LB4	BX100LB4	—	—	—	—	85900	110800	26800	326
2.7	9102	2.8	517	15.0	—	310 R4	BE100LB4	BX100LB4	—	—	—	—	98400	123800	46600	340
2.8	8963	1.1	509	6.0	306 L4	—	BE100LB4	BX100LB4	ME3LB4	MX3LB4	33300	37700	75600	88100	25000	302
2.8	8962	1.6	509	7.5	307 L4	—	BE100LB4	BX100LB4	ME3LB4	MX3LB4	37000	46400	81400	106600	32100	314
2.8	8962	1.6	509	7.5	309 L4	—	BE100LB4	BX100LB4	—	—	—	—	82700	106600	25700	326
2.8	8929	2.9	507	11.0	310 L4	—	BE100LB4	BX100LB4	—	—	—	—	97900	123000	46300	338
2.9	8633	1.1	490	15.0	—	307 R4	BE100LB4	BX100LB4	ME3LB4	MX3LB4	36500	45800	80500	105400	31700	316
2.9	8633	1.6	490	15.0	—	309 R4	BE100LB4	BX100LB4	—	—	—	—	81700	105400	25400	328
2.9	8590	1.1	488	12.0	—	306 R4	BE100LB4	BX100LB4	ME3LB4	MX3LB4	32800	37100	74700	87000	24600	304
3.1	8181	1.5	465	7.5	307 L4	—	BE100LB4	BX100LB4	ME3LB4	MX3LB4	35800	45000	79200	103700	31200	314
3.1	8181	2.2	465	7.5	309 L4	—	BE100LB4	BX100LB4	—	—	—	—	80400	103700	24900	326
3.1	8041	1.7	457	15.0	—	309 R4	BE100LB4	BX100LB4	—	—	—	—	80000	103200	24800	328
3.1	7993	2.5	454	15.0	—	310 R4	BE100LB4	BX100LB4	—	—	—	—	94700	119000	44700	340
3.1	7970	1.7	453	15.0	—	307 R4	BE100LB4	BX100LB4	ME3LB4	MX3LB4	35500	44600	78600	102900	30900	316
3.2	7819	1.3	444	6.0	306 L4	—	BE100LB4	BX100LB4	ME3LB4	MX3LB4	31800	36000	72600	84500	23900	302
3.4	7389	1.2	420	12.0	—	306 R4	BE100LB4	BX100LB4	ME3LB4	MX3LB4	31200	35300	71400	83100	23400	304
3.4	7274	1.6	413	15.0	—	307 R4	BE100LB4	BX100LB4	ME3LB4	MX3LB4	34500	43200	76400	100100	30000	316
3.4	7274	2.5	413	15.0	—	309 R4	BE100LB4	BX100LB4	—	—	—	—	77700	100100	24000	328
3.5	7137	1.7	406	7.5	307 L4	—	BE100LB4	BX100LB4	ME3LB4	MX3LB4	34300	43000	76000	99600	29800	314
3.5	7137	2.5	406	7.5	309 L4	—	BE100LB4	BX100LB4	—	—	—	—	77200	99600	23800	326
3.6	6893	2.8	392	11.0	310 L4	—	BE100LB4	BX100LB4	—	—	—	—	90500	113900	42500	338
3.6	6880	1.0	391	6.0	306 L4	—	BE100LB4	BX100LB4	ME3LB4	MX3LB4	30400	34500	69900	81400	22900	302
3.7	6845	1.1	389	12.0	—	306 R4	BE100LB4	BX100LB4	ME3LB4	MX3LB4	30400	34400	69800	81200	22800	304
3.8	6589	2.2	374	15.0	—	309 R4	BE100LB4	BX100LB4	—	—	—	—	75400	97200	23200	328
3.9	6387	1.9	363	15.0	—	307 R4	BE100LB4	BX100LB4	ME3LB4	MX3LB4	33000	41400	73500	96300	28700	316
4.1	6144	2.4	349	7.5	307 L4	—	BE100LB4	BX100LB4	ME3LB4	MX3LB4	32600	40900	72700	95200	28300	314
4.2	6124	1.4	336	11.0	307 L3	—	BE100LB4	BX100LB4	ME3LB4	MX3LB4	32200	40400	71900	94200	28000	314
4.2	6124	2.2	336	11.0	309 L3	—	BE100LB4	BX100LB4	—	—	—	—	73000	94200	22400	326
4.3	5828	2.0	331	15.0	—	307 R4	BE100LB4	BX100LB4	ME3LB4	MX3LB4	32000	40200	71500	93700	27800	316
4.3	5828	3.0	331	15.0	—	309 R4	BE100LB4	BX100LB4	—	—	—	—	72700	93700	22300	328
4.4	5906	0.9	325	7.5	306 L3	—	BE100LB4	BX100LB4	ME3LB4	MX3LB4	28600	32400	66100	76900	21500	302
4.6	5485	1.4	312	12.0	—	306 R4	BE100LB4	BX100LB4	ME3LB4	MX3LB4	28200	32000	65300	76000	21200	304
4.7	5280	2.7	300	15.0	—	307 R4	BE100LB4	BX100LB4	ME3LB4	MX3LB4	31000	38900	69400	91000	26900	316
4.9	5104	1.0	290	12.0	—	305 R4	BE100LB4	BX100LB4	ME3LB4	MX3LB4	22100	25600	39100	47000	14200	292
4.9	5086	1.6	289	12.0	—	306 R4	BE100LB4	BX100LB4	ME3LB4	MX3LB4	27500	31200	63800	74300	20700	304
4.9	5242	1.0	288	7.5	306 L3	—	BE100LB4	BX100LB4	ME3LB4	MX3LB4	27500	31200	63700	74200	20700	302
5.0	5007	2.3	284	15.0	—	307 R4	BE100LB4	BX100LB4	ME3LB4	MX3LB4	30400	38200	68300	89500	26500	316
5.0	5160	2.2	284	11.0	307 L3	—	BE100LB4	BX100LB4	ME3LB4	MX3LB4	30400	38100	68300	89400	26400	314
5.3	4883	1.1	268	7.5	306 L3	—	BE100LB4	BX100LB4	ME3LB4	MX3LB4	26900	30400	62400	72700	20200	302
5.7	4375	1.9	249	12.0	—	306 R4	BE100LB4	BX100LB4	ME3LB4	MX3LB4	26200	29700	61000	71000	19700	304
5.9	4355	2.0	239	11.0	307 L3	—	BE100LB4	BX100LB4	ME3LB4	MX3LB4	28700	36000	64900	85000	25000	314
5.9	4355	3.0	239	11.0	309 L3	—	BE100LB4	BX100LB4	—	—	—	—	65900	85000	20000	326
6.0	4333	1.9	238	7.5	306 L3	—	BE100LB4	BX100LB4	ME3LB4	MX3LB4	25800	29200	60200	70100	19400	302
6.1	4087	2.7	232	15.0	—	307 R4	BE100LB4	BX100LB4	ME3LB4	MX3LB4	28400	35700	64300	84200	24700	316
6.2	4053	1.9	230	12.0	—	306 R4	BE100LB4	BX100LB4	ME3LB4	MX3LB4	25500	28900	59600	69400	19200	304
6.4	4036	1.6	222	7.5	306 L3	—	BE100LB4	BX100LB4	ME3LB4	MX3LB4	25200	28600	58900	68600	18900	302
6.4	4010	0.9	220	7.5	304 L3	—	BE100LB4	BX100LB4	ME3LB4	MX3LB4	19700	22800	35200	42400	12700	278
6.4	4010	1.2	220	7.5	305 L3	—	BE100LB4	BX100LB4	ME3LB4	MX3LB4	20200	23300	36000	43300	13000	290
6.6	3771	1.0	214	12.0	—	304 R4	BE100LB4	BX100LB4	ME3LB4	MX3LB4	20000	23100	35700	42900	12800	280
6.6	3771	1.4	214	12.0	—	305 R4	BE100LB4	BX100LB4	ME3LB4	MX3LB4	20000	23100	35700	42900	12800	292
6.6	3760	2.6	214	12.0	—	306 R4	BE100LB4	BX100LB4	ME3LB4	MX3LB4	24900	28200	58300	67900	18700	304
6.9	3727	2.2	205	7.5	306 L3	—	BE100LB4	BX100LB4	ME3LB4	MX3LB4	24500	27800	57600	67000	18400	302
7.0	3669	3.0	202	11.0	307 L3	—	BE100LB4	BX100LB4	ME3LB4	MX3LB4	27100	34000	61600	80700	23600	314
7.5	3464	1.0	190	7.5	305 L3	—	BE100LB4	BX100LB4	ME3LB4	MX3LB4	19200	22200	34400	41400	12300	290
7.5	3453	1.9	190	7.5	306 L3	—	BE100LB4	BX100LB4	ME3LB4	MX3LB4	23900	27100	56200	65500	18000	302
7.7	3254	1.1	185	12.0	—	304 R4	BE100LB4	BX100LB4	ME3LB4	MX3LB4	19100	22000	34100	41100	12200	280
7.7	3254	1.4	185	12.0	—	305 R4	BE100LB4	BX100LB4	ME3LB4	MX3LB4	19100	22000	34100	41100	12200	292
7.8	3185	3.0	181	12.0	—	306 R4	BE100LB4	BX100LB4	ME3LB4	MX3LB4	23600	26700	55500	64600	17700	304
8.0	3231	1.4	178	7.5	305 L3	—	BE100LB4	BX100LB4	ME3LB4	MX3LB4	18800	21700	33700	40600	12100	290
8.5	2953	2.6	168	12.0	—	306 R4	BE100LB4	BX100LB4	ME3LB4	MX3LB4	23000	26000	54200	63100	17300	304
8.7	2979	1.5	164	7.5	305 L3	—	BE100LB4	BX100LB4	ME3LB4	MX3LB4	18300	21100	32900	39600	11700	290
9.0	2787	1.0	158	12.0	—	303 R4	BE100LB4	BX100LB4	ME3LB4	MX3LB4	18100	20900	32600	39200	11600	268

A








$P_1 = 3 \text{ kW}$






n_2 min ⁻¹	M_2 Nm	S	i	Pt kW									Rn ₂ [N]					
					IE2	IE3	IE2	IE3	MC	MZ	HC/PC	HZ/PZ	FZ					
9.0	2787	1.3	158	12.0	—	304 R4	BE100LB4	BX100LB4	ME3LB4	MX3LB4	18100	20900	32600	39200	11600	280		
9.0	2787	1.9	158	12.0	—	305 R4	BE100LB4	BX100LB4	ME3LB4	MX3LB4	18100	20900	32600	39200	11600	292		
9.3	2775	1.3	152	7.5	305 L3	—	BE100LB4	BX100LB4	ME3LB4	MX3LB4	17900	20600	32200	38700	11500	290		
9.3	2767	2.7	152	7.5	306 L3	—	BE100LB4	BX100LB4	ME3LB4	MX3LB4	22200	25200	52600	61300	16700	302		
9.5	2722	1.3	150	7.5	304 L3	—	BE100LB4	BX100LB4	ME3LB4	MX3LB4	17800	20500	32000	38500	11400	278		
9.6	2608	1.3	148	12.0	—	304 R4	BE100LB4	BX100LB4	ME3LB4	MX3LB4	17700	20400	31900	38400	11400	280		
9.6	2608	1.7	148	12.0	—	305 R4	BE100LB4	BX100LB4	ME3LB4	MX3LB4	17700	20400	31900	38400	11400	292		
9.9	2623	2.1	144	14.0	—	306 R3	BE100LB4	BX100LB4	ME3LB4	MX3LB4	21800	24700	51800	60300	16400	304		
10.0	2575	1.0	141	7.5	303 L3	—	BE100LB4	BX100LB4	ME3LB4	MX3LB4	17400	20100	31500	37900	11200	266		
10.0	2575	1.4	141	7.5	304 L3	—	BE100LB4	BX100LB4	ME3LB4	MX3LB4	17400	20100	31500	37900	11200	278		
10.0	2575	2.0	141	7.5	305 L3	—	BE100LB4	BX100LB4	ME3LB4	MX3LB4	17400	20100	31500	37900	11200	290		
10.9	2374	1.5	130	7.5	304 L3	—	BE100LB4	BX100LB4	ME3LB4	MX3LB4	17000	19600	30700	37000	10900	278		
11.0	2275	1.2	129	12.0	—	303 R4	BE100LB4	BX100LB4	ME3LB4	MX3LB4	16900	19500	30600	36900	10800	268		
11.0	2275	1.6	129	12.0	—	304 R4	BE100LB4	BX100LB4	ME3LB4	MX3LB4	16900	19500	30600	36900	10800	280		
11.0	2275	2.3	129	12.0	—	305 R4	BE100LB4	BX100LB4	ME3LB4	MX3LB4	16900	19500	30600	36900	10800	292		
11.4	2265	1.6	124	7.5	305 L3	—	BE100LB4	BX100LB4	ME3LB4	MX3LB4	16700	19300	30300	36500	10700	290		
11.7	2207	1.1	121	14.0	—	304 R3	BE100LB4	BX100LB4	ME3LB4	MX3LB4	16600	19100	30100	36200	10600	280		
11.9	2169	3.0	119	14.0	—	306 R3	BE100LB4	BX100LB4	ME3LB4	MX3LB4	20500	23200	48900	57000	15400	304		
12.4	2082	1.7	114	14.0	—	305 R3	BE100LB4	BX100LB4	ME3LB4	MX3LB4	16200	18700	29500	35500	10400	292		
12.6	2051	1.8	113	7.5	305 L3	—	BE100LB4	BX100LB4	ME3LB4	MX3LB4	16200	18600	29400	35400	10400	290		
12.9	2011	1.7	111	7.5	304 L3	—	BE100LB4	BX100LB4	ME3LB4	MX3LB4	16000	18500	29200	35200	10300	278		
13.0	1927	1.7	109	12.0	—	304 R4	BE100LB4	BX100LB4	ME3LB4	MX3LB4	16000	18500	29200	35100	10300	280		
13.4	1863	0.9	106	10.0	—	301 R4	BE100LB4	BX100LB4	ME3LB4	MX3LB4	5030	5030	13800	15900	3310	258		
13.6	1902	1.4	105	7.5	303 L3	—	BE100LB4	BX100LB4	ME3LB4	MX3LB4	15800	18200	28800	34600	10100	266		
13.6	1902	1.9	105	7.5	304 L3	—	BE100LB4	BX100LB4	ME3LB4	MX3LB4	15800	18200	28800	34600	10100	278		
13.6	1902	2.6	105	7.5	305 L3	—	BE100LB4	BX100LB4	ME3LB4	MX3LB4	15800	18200	28800	34600	10100	290		
14.6	1765	1.4	97.0	14.0	—	304 R3	BE100LB4	BX100LB4	ME3LB4	MX3LB4	15400	17700	28100	33800	9860	280		
15.5	1666	1.1	91.5	14.0	—	303 R3	BE100LB4	BX100LB4	ME3LB4	MX3LB4	15100	17400	27600	33200	9670	268		
15.5	1666	2.1	91.5	14.0	—	305 R3	BE100LB4	BX100LB4	ME3LB4	MX3LB4	15100	17400	27600	33200	9670	292		
15.7	1642	1.4	90.2	7.5	303 L3	—	BE100LB4	BX100LB4	ME3LB4	MX3LB4	15000	17300	27500	33100	9620	266		
15.7	1642	2.0	90.2	7.5	304 L3	—	BE100LB4	BX100LB4	ME3LB4	MX3LB4	15000	17300	27500	33100	9620	278		
15.7	1642	2.6	90.2	7.5	305 L3	—	BE100LB4	BX100LB4	ME3LB4	MX3LB4	15000	17300	27500	33100	9620	290		
15.9	1573	2.1	89.4	12.0	—	304 R4	BE100LB4	BX100LB4	ME3LB4	MX3LB4	15000	17300	27400	33000	9590	280		
16.6	1558	1.1	85.6	7.5	301 L3	—	BE100LB4	BX100LB4	ME3LB4	MX3LB4	4790	4790	13300	15200	3150	256		
18.0	1433	1.5	78.7	14.0	—	303 R3	BE100LB4	BX100LB4	ME3LB4	MX3LB4	14300	16500	26400	31800	9190	268		
18.0	1433	2.0	78.7	14.0	—	304 R3	BE100LB4	BX100LB4	ME3LB4	MX3LB4	14300	16500	26400	31800	9190	280		
18.1	1432	1.1	78.7	12.0	—	301 R3	BE100LB4	BX100LB4	ME3LB4	MX3LB4	14300	16500	26400	31800	9190	258		
18.3	1410	1.2	77.5	7.5	301 L3	—	BE100LB4	BX100LB4	ME3LB4	MX3LB4	4640	4640	12900	14800	3050	256		
18.4	1406	1.8	77.2	7.5	303 L3	—	BE100LB4	BX100LB4	ME3LB4	MX3LB4	14200	16400	26300	31600	9140	266		
18.4	1406	2.5	77.2	7.5	304 L3	—	BE100LB4	BX100LB4	ME3LB4	MX3LB4	14200	16400	26300	31600	9140	278		
19.4	1335	1.4	73.3	14.0	—	303 R3	BE100LB4	BX100LB4	ME3LB4	MX3LB4	14000	16200	25900	31100	8980	268		
19.4	1335	2.7	73.3	14.0	—	305 R3	BE100LB4	BX100LB4	ME3LB4	MX3LB4	14000	16200	25900	31100	8980	292		
19.6	1315	2.5	72.3	7.5	304 L3	—	BE100LB4	BX100LB4	ME3LB4	MX3LB4	13900	16100	25700	31000	8940	278		
19.6	1315	1.7	72.3	7.5	303 L3	—	BE100LB4	BX100LB4	ME3LB4	MX3LB4	13900	16100	25700	31000	8940	266		
20.3	1272	1.0	69.9	7.5	301 L3	—	BE100LB4	BX100LB4	ME3LB4	MX3LB4	4480	4480	12500	14300	2950	256		
20.8	1242	1.0	68.2	12.0	—	301 R3	BE100LB4	BX100LB4	ME3LB4	MX3LB4	4440	4440	12400	14200	2920	258		
21.9	1218	0.9	64.8	7.5	301 L2	—	BE100LB4	BX100LB4	ME3LB4	MX3LB4	4370	4370	12200	14000	2870	256		
22.5	1151	1.4	63.2	7.5	301 L3	—	BE100LB4	BX100LB4	ME3LB4	MX3LB4	4330	4330	12100	13900	2850	256		
22.5	1148	1.9	63.1	14.0	—	303 R3	BE100LB4	BX100LB4	ME3LB4	MX3LB4	13300	15400	24700	29700	8540	268		
22.5	1148	2.5	63.1	14.0	—	304 R3	BE100LB4	BX100LB4	ME3LB4	MX3LB4	13300	15400	24700	29700	8540	280		
22.5	1148	2.2	63.1	7.5	303 L3	—	BE100LB4	BX100LB4	ME3LB4	MX3LB4	13300	15400	24700	29700	8540	266		
22.6	1145	1.4	62.9	12.0	—	301 R3	BE100LB4	BX100LB4	ME3LB4	MX3LB4	4330	4330	12100	13900	2840	258		
24.0	1112	2.1	59.1	9.0	304 L2	—	BE100LB4	BX100LB4	ME3LB4	MX3LB4	13000	15000	24200	29200	8360	278		
25.4	1049	1.7	55.8	9.0	303 L2	—	BE100LB4	BX100LB4	ME3LB4	MX3LB4	12800	14800	23800	28700	8200	266		
26.2	986	1.8	54.2	14.0	—	303 R3	BE100LB4	BX100LB4	ME3LB4	MX3LB4	12700	14600	23600	28400	8120	268		
26.6	972	2.2	53.4	7.5	303 L3	—	BE100LB4	BX100LB4	ME3LB4	MX3LB4	12600	14500	23500	28300	8080	266		
27.3	976	1.3	51.9	7.5	301 L2	—	BE100LB4	BX100LB4	ME3LB4	MX3LB4	4060	4060	11400	13100	2670	256		
27.5	940	0.9	51.6	7.5	300 L3	—	BE100LB4	BX100LB4	ME3LB4	MX3LB4	3960	3960	11200	12800	2600	246		
27.5	940	1.7	51.6	7.5	301 L3	—	BE100LB4	BX100LB4	ME3LB4	MX3LB4	4050	4050	11400	13100	2660	256		
28.2	918	0.9	50.4	12.0	—	300 R3	BE100LB4	BX100LB4	ME3LB4	MX3LB4	3930	3930	11100	12700	2580	248		
28.2	918	1.8	50.4	12.0	—	301 R3	BE100LB4	BX100LB4	ME3LB4	MX3LB4	4020	4020	11300	13000	2640	258		
28.3	915	2.6	50.3	14.0	—	303 R3	BE100LB4	BX100LB4	ME3LB4	MX3LB4	12300	14200	23100	27800	7920	268		
30	890	2.7	47.3	9.0	304 L2	—	BE100LB4	BX100LB4	ME3LB4	MX3LB4	12100	14000	22700	27300	7760	278		
30	848	2.5	46.6	14.0	—	303 R3	BE100LB4	BX100LB4	ME3LB4	MX3LB4	12000	13900	22600	27200	7720	268		
32	839	2.2	44.6	9.0	303 L2	—	BE100LB4	BX100LB4	ME3LB4	MX3LB4	11900	13700	22300	26800	7610	266		



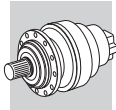
P₁ = 3 kW

n ₂ min ⁻¹	M ₂ Nm	S	i	Pt kW	 		 IE2		 IE3		Rn ₂ [N]					
											MC	MZ	HC/PC	HZ/PZ	FZ	
33	775	2.7	42.6	14.0	—	303 R3	BE100LB4	BX100LB4	ME3LB4	MX3LB4	11700	13500	22000	26400	7490	268
34	781	1.7	41.5	7.5	301 L2	—	BE100LB4	BX100LB4	ME3LB4	MX3LB4	3770	3770	10700	12300	2480	256
35	749	1.7	41.2	12.0	—	301 R3	BE100LB4	BX100LB4	ME3LB4	MX3LB4	3760	3760	10600	12200	2470	258
37	722	3.0	38.4	9.0	303 L2	—	BE100LB4	BX100LB4	ME3LB4	MX3LB4	11300	13000	21300	25600	7240	266
37	721	1.2	38.4	7.5	300 L2	—	BE100LB4	BX100LB4	ME3LB4	MX3LB4	3670	3670	10400	12000	2410	246
37	721	2.1	38.4	7.5	301 L2	—	BE100LB4	BX100LB4	ME3LB4	MX3LB4	3670	3670	10400	12000	2410	256
38	678	1.2	37.3	12.0	—	300 R3	BE100LB4	BX100LB4	ME3LB4	MX3LB4	3630	3630	10300	11900	2390	248
38	678	2.4	37.3	12.0	—	301 R3	BE100LB4	BX100LB4	ME3LB4	MX3LB4	3630	3630	10300	11900	2390	258
40	672	2.7	35.8	9.0	303 L2	—	BE100LB4	BX100LB4	ME3LB4	MX3LB4	10800	12400	20400	24600	6910	266
43	626	1.0	33.3	7.5	300 L2	—	BE100LB4	BX100LB4	ME3LB4	MX3LB4	3420	3420	9790	11200	2250	246
43	626	2.1	33.3	7.5	301 L2	—	BE100LB4	BX100LB4	ME3LB4	MX3LB4	3420	3420	9790	11200	2250	256
46	577	1.5	30.7	7.5	300 L2	—	BE100LB4	BX100LB4	ME3LB4	MX3LB4	3330	3330	9550	11000	2190	246
46	577	2.7	30.7	7.5	301 L2	—	BE100LB4	BX100LB4	ME3LB4	MX3LB4	3410	3410	9750	11200	2240	256
47	554	1.5	30.4	12.0	—	300 R3	BE100LB4	BX100LB4	ME3LB4	MX3LB4	3400	3400	9730	11200	2230	248
47	554	2.9	30.4	12.0	—	301 R3	BE100LB4	BX100LB4	ME3LB4	MX3LB4	3400	3400	9730	11200	2230	258
57	452	1.6	24.8	12.0	—	300 R3	BE100LB4	BX100LB4	ME3LB4	MX3LB4	3170	3170	9150	10500	2090	248
57	466	1.8	24.8	18.0	—	303 R2	BE100LB4	BX100LB4	ME3LB4	MX3LB4	9750	11300	18700	22500	6250	268
58	462	1.7	24.6	7.5	300 L2	—	BE100LB4	BX100LB4	ME3LB4	MX3LB4	3160	3160	9130	10500	2080	246
71	377	1.7	20.1	7.5	300 L2	—	BE100LB4	BX100LB4	ME3LB4	MX3LB4	2960	2960	8590	9870	1940	246
77	347	1.1	18.5	12.0	—	300 R2	BE100LB4	BX100LB4	ME3LB4	MX3LB4	2870	2870	8370	9620	1890	248
77	347	2.1	18.5	12.0	—	301 R2	BE100LB4	BX100LB4	ME3LB4	MX3LB4	2870	2870	8370	9620	1890	258
78	342	2.2	18.2	7.5	300 L2	—	BE100LB4	BX100LB4	ME3LB4	MX3LB4	2860	2860	8330	9580	1880	246
96	279	2.6	14.8	7.5	300 L2	—	BE100LB4	BX100LB4	ME3LB4	MX3LB4	2670	2670	7840	9010	1760	246
96	277	1.8	14.8	12.0	—	300 R2	BE100LB4	BX100LB4	ME3LB4	MX3LB4	2670	2670	7830	9000	1750	248
117	228	3.0	12.1	7.5	300 L2	—	BE100LB4	BX100LB4	ME3LB4	MX3LB4	2500	2500	7380	8480	1640	246
120	222	2.7	11.8	12.0	—	300 R2	BE100LB4	BX100LB4	ME3LB4	MX3LB4	2480	2480	7330	8420	1630	248
158	175	1.8	9.00	7.5	300 L1	—	BE100LB4	BX100LB4	ME3LB4	MX3LB4	2260	2260	6750	7750	1490	246
197	140	2.9	7.20	7.5	300 L1	—	BE100LB4	BX100LB4	ME3LB4	MX3LB4	2100	2100	6310	7250	1380	246






P₁ = 4 kW

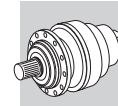
n ₂ min ⁻¹	M ₂ Nm	S	i	Pt kW	 		 IE2		 IE3		Rn ₂ [N]					
											MC	MZ	HC/PC	HZ/PZ	FZ	
0.66	51963	0.9	2187	11.0	313 L4	—	BE112M4	BX112M4	—	—	—	—	192000	231000	80000	362
0.79	43169	1.3	1817	11.0	313 L4	—	BE112M4	BX112M4	—	—	—	—	192000	231000	80000	362
0.82	41970	1.0	1766	11.0	311 L4	—	BE112M4	BX112M4	—	—	—	—	157000	195000	65000	350
0.96	35687	1.6	1502	11.0	313 L4	—	BE112M4	BX112M4	—	—	—	—	192000	231000	80000	362
1.0	33630	1.3	1415	11.0	311 L4	—	BE112M4	BX112M4	—	—	—	—	157000	195000	65000	350
1.0	33119	1.6	1394	11.0	313 L4	—	BE112M4	BX112M4	—	—	—	—	192000	229000	79900	362
1.1	30069	1.9	1266	11.0	313 L4	—	BE112M4	BX112M4	—	—	—	—	188000	222500	77400	362
1.1	29913	0.9	1259	11.0	310 L4	—	BE112M4	BX112M4	—	—	—	—	128500	161600	62700	338
1.2	29234	1.5	1230	11.0	311 L4	—	BE112M4	BX112M4	—	—	—	—	150800	187900	62300	350
1.2	27663	1.1	1164	11.0	310 L4	—	BE112M4	BX112M4	—	—	—	—	125500	157900	61100	338
1.3	26538	2.0	1117	11.0	313 L4	—	BE112M4	BX112M4	—	—	—	—	181100	214300	74200	362
1.4	25148	1.7	1058	11.0	311 L4	—	BE112M4	BX112M4	—	—	—	—	144200	179600	59200	350
1.4	24249	1.2	1021	11.0	310 L4	—	BE112M4	BX112M4	—	—	—	—	120700	151800	58500	338
1.4	24094	2.3	1014	11.0	313 L4	—	BE112M4	BX112M4	—	—	—	—	175900	208200	71800	362
1.5	23425	1.8	986	11.0	311 L4	—	BE112M4	BX112M4	—	—	—	—	141100	175800	57800	350
1.5	22307	1.5	939	11.0	310 L4	—	BE112M4	BX112M4	—	—	—	—	117700	148000	56900	338
1.6	21472	2.2	904	11.0	311 L4	—	BE112M4	BX112M4	—	—	—	—	137500	171300	56200	350
1.6	21339	1.1	898	15.0	—	310 R4	BE112M4	BX112M4	—	—	—	—	116100	146000	56100	340
1.6	21130	2.5	889	11.0	313 L4	—	BE112M4	BX112M4	—	—	—	—	169100	200100	68800	362
1.7	19596	2.3	825	11.0	311 L4	—	BE112M4	BX112M4	—	—	—	—	133800	166600	54500	350
1.8	19431	1.4	818	11.0	310 L4	—	BE112M4	BX112M4	—	—	—	—	112900	142000	54300	338
1.8	19022	1.0	801	7.5	309 L4	—	BE112M4	BX112M4	—	—	—	—	94700	122100	29900	326
1.8	18768	2.8	790	11.0	313 L4	—	BE112M4	BX112M4	—	—	—	—	163200	193100	66100	362
1.9	18494	2.4	778	22.0	—	313 R4	BE112M4	BX112M4	—	—	—	—	162500	192300	65800	364
1.9	17980	1.5	757	15.0	—	310 R4	BE112M4	BX112M4	—	—	—	—	110300	138700	52900	340
1.9	17728	1.7	746	22.0	—	311 R4	BE112M4	BX112M4	—	—	—	—	129800	161700	52700	352
2.0	17244	1.6	726	11.0	310 L4	—	BE112M4	BX112M4	—	—	—	—	108900	137000	52200	338
2.0	17205	2.7	724	11.0	311 L4	—	BE112M4	BX112M4	—	—	—	—	128700	160300	52200	350

A








P₁ = 4 kW

n ₂ min ⁻¹	M ₂ Nm	S	i	Pt kW	 						Rn ₂ [N]					
					IE2	IE3	IE2	IE3	MC	MZ	HC/PC	HZ/PZ	FZ			
2.0	17160	1.2	722	7.5	309 L4	—	BE112M4	BX112M4	—	—	—	—	91800	118400	28900	326
2.1	16388	0.9	690	15.0	—	309 R4	BE112M4	BX112M4	—	—	—	—	90600	116800	28400	328
2.2	15527	1.2	654	7.5	309 L4	—	BE112M4	BX112M4	—	—	—	—	89100	114900	27900	326
2.3	15174	1.4	639	15.0	—	310 R4	BE112M4	BX112M4	—	—	—	—	104800	131800	50000	340
2.3	15126	1.8	637	11.0	310 L4	—	BE112M4	BX112M4	—	—	—	—	104700	131700	50000	338
2.3	14937	2.7	629	22.0	—	311 R4	BE112M4	BX112M4	—	—	—	—	123300	153600	49800	352
2.3	14890	2.7	627	11.0	311 L4	—	BE112M4	BX112M4	—	—	—	—	123200	153500	49700	350
2.4	14010	1.6	590	15.0	—	310 R4	BE112M4	BX112M4	—	—	—	—	102400	128700	48700	340
2.5	13809	0.9	581	15.0	—	307 R4	BE112M4	BX112M4	ME4SA4	MX4SA4	37700	47400	82900	108700	32800	316
2.5	13809	1.1	581	15.0	—	309 R4	BE112M4	BX112M4	—	—	—	—	86000	110900	26900	328
2.5	13750	1.1	579	7.5	307 L4	—	BE112M4	BX112M4	ME4SA4	MX4SA4	37700	47300	82800	108500	32800	314
2.5	13750	1.5	579	7.5	309 L4	—	BE112M4	BX112M4	—	—	—	—	85900	110800	26800	326
2.6	13208	2.4	556	11.0	310 L4	—	BE112M4	BX112M4	—	—	—	—	100600	126500	47800	338
2.8	12287	2.1	517	15.0	—	310 R4	BE112M4	BX112M4	—	—	—	—	98400	123800	46600	340
2.8	12099	1.2	509	7.5	307 L4	—	BE112M4	BX112M4	ME4SA4	MX4SA4	37000	46400	81400	106600	32100	314
2.8	12099	1.2	509	7.5	309 L4	—	BE112M4	BX112M4	—	—	—	—	82700	106600	25700	326
2.8	12054	2.1	507	11.0	310 L4	—	BE112M4	BX112M4	—	—	—	—	97900	123000	46300	338
2.9	11654	1.2	490	15.0	—	309 R4	BE112M4	BX112M4	—	—	—	—	81700	105400	25400	328
2.9	11639	3.0	490	22.0	—	311 R4	BE112M4	BX112M4	—	—	—	—	114400	142500	45800	352
3.1	11045	1.1	465	7.5	307 L4	—	BE112M4	BX112M4	ME4SA4	MX4SA4	35800	45000	79200	103700	31200	314
3.1	11045	1.7	465	7.5	309 L4	—	BE112M4	BX112M4	—	—	—	—	80400	103700	24900	326
3.2	10856	1.3	457	15.0	—	309 R4	BE112M4	BX112M4	—	—	—	—	80000	103200	24800	328
3.2	10791	1.9	454	15.0	—	310 R4	BE112M4	BX112M4	—	—	—	—	94700	119000	44700	340
3.2	10760	1.2	453	15.0	—	307 R4	BE112M4	BX112M4	ME4SA4	MX4SA4	35500	44600	78600	102900	30900	316
3.2	10708	2.8	451	11.0	310 L4	—	BE112M4	BX112M4	—	—	—	—	94400	118700	44500	338
3.2	10555	0.9	444	6.0	306 L4	—	BE112M4	BX112M4	ME4SA4	MX4SA4	31100	35200	71100	82800	23300	302
3.4	9963	2.9	419	15.0	—	310 R4	BE112M4	BX112M4	—	—	—	—	92400	116200	43500	340
3.5	9820	1.2	413	15.0	—	307 R4	BE112M4	BX112M4	ME4SA4	MX4SA4	34500	43200	76400	100100	30000	316
3.5	9820	1.8	413	15.0	—	309 R4	BE112M4	BX112M4	—	—	—	—	77700	100100	24000	328
3.6	9635	1.2	406	7.5	307 L4	—	BE112M4	BX112M4	ME4SA4	MX4SA4	34300	43000	76000	99600	29800	314
3.6	9635	1.8	406	7.5	309 L4	—	BE112M4	BX112M4	—	—	—	—	77200	99600	23800	326
3.7	9306	2.1	392	11.0	310 L4	—	BE112M4	BX112M4	—	—	—	—	90500	113900	42500	338
3.8	8895	1.6	374	15.0	—	309 R4	BE112M4	BX112M4	—	—	—	—	75400	97200	23200	328
4.0	8630	2.8	363	15.0	—	310 R4	BE112M4	BX112M4	—	—	—	—	88500	111300	41500	340
4.0	8622	1.4	363	15.0	—	307 R4	BE112M4	BX112M4	ME4SA4	MX4SA4	33000	41400	73500	96300	28700	316
4.1	8294	1.8	349	7.5	307 L4	—	BE112M4	BX112M4	ME4SA4	MX4SA4	32600	40900	72700	95200	28300	314
4.1	8294	2.6	349	7.5	309 L4	—	BE112M4	BX112M4	—	—	—	—	73800	95200	22700	326
4.3	8267	1.1	336	11.0	307 L3	—	BE112M4	BX112M4	ME4SA4	MX4SA4	32200	40400	71900	94200	28000	314
4.3	8267	1.6	336	11.0	309 L3	—	BE112M4	BX112M4	—	—	—	—	73000	94200	22400	326
4.3	7868	1.5	331	15.0	—	307 R4	BE112M4	BX112M4	ME4SA4	MX4SA4	32000	40200	71500	93700	27800	316
4.3	7868	2.2	331	15.0	—	309 R4	BE112M4	BX112M4	—	—	—	—	72700	93700	22300	328
4.6	7405	1.0	312	12.0	—	306 R4	BE112M4	BX112M4	ME4SA4	MX4SA4	28200	32000	65300	76000	21200	304
4.8	7127	2.0	300	15.0	—	307 R4	BE112M4	BX112M4	ME4SA4	MX4SA4	31000	38900	69400	91000	26900	316
5.0	6866	1.2	289	12.0	—	306 R4	BE112M4	BX112M4	ME4SA4	MX4SA4	27500	31200	63800	74300	20700	304
5.1	6759	1.7	284	15.0	—	307 R4	BE112M4	BX112M4	ME4SA4	MX4SA4	30400	38200	68300	89500	26500	316
5.1	6759	2.5	284	15.0	—	309 R4	BE112M4	BX112M4	—	—	—	—	69400	89500	21200	328
5.1	6966	1.6	284	11.0	307 L3	—	BE112M4	BX112M4	ME4SA4	MX4SA4	30400	38100	68300	89400	26400	314
5.1	6966	2.3	284	11.0	309 L3	—	BE112M4	BX112M4	—	—	—	—	69400	89400	21100	326
5.6	6131	2.4	258	15.0	—	307 R4	BE112M4	BX112M4	ME4SA4	MX4SA4	29500	37000	66400	87000	25600	316
5.6	6131	2.8	258	15.0	—	309 R4	BE112M4	BX112M4	—	—	—	—	67400	87000	20500	328
5.8	5906	1.4	249	12.0	—	306 R4	BE112M4	BX112M4	ME4SA4	MX4SA4	26200	29700	61000	71000	19700	304
6.0	5879	1.5	239	11.0	307 L3	—	BE112M4	BX112M4	ME4SA4	MX4SA4	28700	36000	64900	85000	25000	314
6.0	5879	2.2	239	11.0	309 L3	—	BE112M4	BX112M4	—	—	—	—	65900	85000	20000	326
6.0	5850	1.4	238	7.5	306 L3	—	BE112M4	BX112M4	ME4SA4	MX4SA4	25800	29200	60200	70100	19400	302
6.2	5517	2.0	232	15.0	—	307 R4	BE112M4	BX112M4	ME4SA4	MX4SA4	28400	35700	64300	84200	24700	316
6.3	5472	1.4	230	12.0	—	306 R4	BE112M4	BX112M4	ME4SA4	MX4SA4	25500	28900	59600	69400	19200	304
6.5	5476	2.4	223	11.0	309 L3	—	BE112M4	BX112M4	—	—	—	—	64500	83200	19500	326
6.5	5449	1.2	222	7.5	306 L3	—	BE112M4	BX112M4	ME4SA4	MX4SA4	25200	28600	58900	68600	18900	302
6.5	5428	2.3	221	11.0	307 L3	—	BE112M4	BX112M4	ME4SA4	MX4SA4	28000	35100	63300	83000	24300	314
6.7	5091	1.1	214	12.0	—	305 R4	BE112M4	BX112M4	ME4SA4	MX4SA4	20000	23100	35700	42900	12800	292
6.7	5076	1.9	214	12.0	—	306 R4	BE112M4	BX112M4	ME4SA4	MX4SA4	24900	28200	58300	67900	18700	304
7.0	4886	2.9	206	15.0	—	307 R4	BE112M4	BX112M4	ME4SA4	MX4SA4	27300	34300	62000	81200	23700	316
7.0	5032	1.6	205	7.5	306 L3	—	BE112M4	BX112M4	ME4SA4	MX4SA4	24500	27800	57600	67000	18400	302
7.1	4953	2.2	202	11.0	307 L3	—	BE112M4	BX112M4	ME4SA4	MX4SA4	27100	34000	61600	80700	23600	314
7.6	4661	1.4	190	7.5	306 L3	—	BE112M4	BX112M4	ME4SA4	MX4SA4	23900	27100	56200	65500	18000	302



$P_1 = 4 \text{ kW}$

n ₂ min ⁻¹	M ₂ Nm	S	i	Pt kW									Rn ₂ [N]					
					IE2	IE3	IE2	IE3	MC	MZ	HC/PC	HZ/PZ	FZ					
7.8	4394	1.0	185	12.0	—	305 R4	BE112M4	BX112M4	ME4SA4	MX4SA4	19100	22000	34100	41100	12200	292		
8.0	4299	2.2	181	12.0	—	306 R4	BE112M4	BX112M4	ME4SA4	MX4SA4	23600	26700	55500	64600	17700	304		
8.1	4362	1.0	178	7.5	305 L3	—	BE112M4	BX112M4	ME4SA4	MX4SA4	18800	21700	33700	40600	12100	290		
8.1	4349	2.8	177	11.0	307 L3	—	BE112M4	BX112M4	ME4SA4	MX4SA4	26000	32600	59300	77700	22600	314		
8.6	3987	1.9	168	12.0	—	306 R4	BE112M4	BX112M4	ME4SA4	MX4SA4	23000	26000	54200	63100	17300	304		
8.8	4022	1.1	164	7.5	305 L3	—	BE112M4	BX112M4	ME4SA4	MX4SA4	18300	21100	32900	39600	11700	290		
8.9	3969	2.7	162	11.0	307 L3	—	BE112M4	BX112M4	ME4SA4	MX4SA4	25200	31600	57700	75600	21900	314		
9.1	3762	0.9	158	12.0	—	304 R4	BE112M4	BX112M4	ME4SA4	MX4SA4	18100	20900	32600	39200	11600	280		
9.1	3762	1.4	158	12.0	—	305 R4	BE112M4	BX112M4	ME4SA4	MX4SA4	18100	20900	32600	39200	11600	292		
9.1	3751	2.6	158	12.0	—	306 R4	BE112M4	BX112M4	ME4SA4	MX4SA4	22500	25500	53200	62000	16900	304		
9.4	3747	1.0	152	7.5	305 L3	—	BE112M4	BX112M4	ME4SA4	MX4SA4	17900	20600	32200	38700	11500	290		
9.5	3735	2.0	152	7.5	306 L3	—	BE112M4	BX112M4	ME4SA4	MX4SA4	22200	25200	52600	61300	16700	302		
9.6	3674	0.9	150	7.5	304 L3	—	BE112M4	BX112M4	ME4SA4	MX4SA4	17800	20500	32000	38500	11400	278		
9.7	3520	1.0	148	12.0	—	304 R4	BE112M4	BX112M4	ME4SA4	MX4SA4	17700	20400	31900	38400	11400	280		
9.7	3520	1.3	148	12.0	—	305 R4	BE112M4	BX112M4	ME4SA4	MX4SA4	17700	20400	31900	38400	11400	292		
10.0	3542	1.6	144	14.0	—	306 R3	BE112M4	BX112M4	ME4SA4	MX4SA4	21800	24700	51800	60300	16400	304		
10.2	3476	1.0	141	7.5	304 L3	—	BE112M4	BX112M4	ME4SA4	MX4SA4	17400	20100	31500	37900	11200	278		
10.2	3476	1.5	141	7.5	305 L3	—	BE112M4	BX112M4	ME4SA4	MX4SA4	17400	20100	31500	37900	11200	290		
10.2	3464	2.3	141	7.5	306 L3	—	BE112M4	BX112M4	ME4SA4	MX4SA4	21700	24600	51500	59900	16300	302		
11.0	3205	1.1	130	7.5	304 L3	—	BE112M4	BX112M4	ME4SA4	MX4SA4	17000	19600	30700	37000	10900	278		
11.1	3071	1.1	129	12.0	—	304 R4	BE112M4	BX112M4	ME4SA4	MX4SA4	16900	19500	30600	36900	10800	280		
11.1	3071	1.7	129	12.0	—	305 R4	BE112M4	BX112M4	ME4SA4	MX4SA4	16900	19500	30600	36900	10800	292		
11.6	3058	1.2	124	7.5	305 L3	—	BE112M4	BX112M4	ME4SA4	MX4SA4	16700	19300	30300	36500	10700	290		
11.9	2979	2.6	121	7.5	306 L3	—	BE112M4	BX112M4	ME4SA4	MX4SA4	20600	23400	49200	57300	15500	302		
12.0	2942	2.9	120	22.0	—	307 R3	BE112M4	BX112M4	ME4SA4	MX4SA4	22800	28600	52700	69100	19800	316		
12.1	2928	2.2	119	14.0	—	306 R3	BE112M4	BX112M4	ME4SA4	MX4SA4	20500	23200	48900	57000	15400	304		
12.6	2811	1.3	114	14.0	—	305 R3	BE112M4	BX112M4	ME4SA4	MX4SA4	16200	18700	29500	35500	10400	292		
12.8	2769	1.3	113	7.5	305 L3	—	BE112M4	BX112M4	ME4SA4	MX4SA4	16200	18600	29400	35400	10400	290		
12.8	2760	2.7	112	7.5	306 L3	—	BE112M4	BX112M4	ME4SA4	MX4SA4	20100	22800	48100	56000	15100	302		
13.0	2715	1.2	111	7.5	304 L3	—	BE112M4	BX112M4	ME4SA4	MX4SA4	16000	18500	29200	35200	10300	278		
13.2	2601	1.3	109	12.0	—	304 R4	BE112M4	BX112M4	ME4SA4	MX4SA4	16000	18500	29200	35100	10300	280		
13.8	2568	1.0	105	7.5	303 L3	—	BE112M4	BX112M4	ME4SA4	MX4SA4	15800	18200	28800	34600	10100	266		
13.8	2568	1.4	105	7.5	304 L3	—	BE112M4	BX112M4	ME4SA4	MX4SA4	15800	18200	28800	34600	10100	278		
13.8	2568	2.0	105	7.5	305 L3	—	BE112M4	BX112M4	ME4SA4	MX4SA4	15800	18200	28800	34600	10100	290		
14.6	2420	2.7	98.5	14.0	—	306 R3	BE112M4	BX112M4	ME4SA4	MX4SA4	19200	21800	46200	53800	14400	304		
14.8	2383	1.0	97.0	14.0	—	304 R3	BE112M4	BX112M4	ME4SA4	MX4SA4	15400	17700	28100	33800	9860	280		
15.7	2248	1.6	91.5	14.0	—	305 R3	BE112M4	BX112M4	ME4SA4	MX4SA4	15100	17400	27600	33200	9670	292		
16.0	2216	1.0	90.2	7.5	303 L3	—	BE112M4	BX112M4	ME4SA4	MX4SA4	15000	17300	27500	33100	9620	266		
16.0	2216	1.5	90.2	7.5	304 L3	—	BE112M4	BX112M4	ME4SA4	MX4SA4	15000	17300	27500	33100	9620	278		
16.0	2216	1.9	90.2	7.5	305 L3	—	BE112M4	BX112M4	ME4SA4	MX4SA4	15000	17300	27500	33100	9620	290		
16.1	2124	1.6	89.4	12.0	—	304 R4	BE112M4	BX112M4	ME4SA4	MX4SA4	15000	17300	27400	33000	9590	280		
18.3	1934	1.1	78.7	14.0	—	303 R3	BE112M4	BX112M4	ME4SA4	MX4SA4	14300	16500	26400	31800	9190	268		
18.3	1934	1.5	78.7	14.0	—	304 R3	BE112M4	BX112M4	ME4SA4	MX4SA4	14300	16500	26400	31800	9190	280		
18.3	1934	2.2	78.7	14.0	—	305 R3	BE112M4	BX112M4	ME4SA4	MX4SA4	14300	16500	26400	31800	9190	292		
18.6	1898	1.3	77.2	7.5	303 L3	—	BE112M4	BX112M4	ME4SA4	MX4SA4	14200	16400	26300	31600	9140	266		
18.6	1898	1.8	77.2	7.5	304 L3	—	BE112M4	BX112M4	ME4SA4	MX4SA4	14200	16400	26300	31600	9140	278		
18.6	1898	2.5	77.2	7.5	305 L3	—	BE112M4	BX112M4	ME4SA4	MX4SA4	14200	16400	26300	31600	9140	290		
19.6	1802	1.0	73.3	14.0	—	303 R3	BE112M4	BX112M4	ME4SA4	MX4SA4	14000	16200	25900	31100	8980	268		
19.6	1802	2.0	73.3	14.0	—	305 R3	BE112M4	BX112M4	ME4SA4	MX4SA4	14000	16200	25900	31100	8980	292		
19.9	1776	1.9	72.3	7.5	304 L3	—	BE112M4	BX112M4	ME4SA4	MX4SA4	13900	16100	25700	31000	8940	278		
19.9	1776	1.3	72.3	7.5	303 L3	—	BE112M4	BX112M4	ME4SA4	MX4SA4	13900	16100	25700	31000	8940	266		
19.9	1776	2.3	72.3	7.5	305 L3	—	BE112M4	BX112M4	ME4SA4	MX4SA4	13900	16100	25700	31000	8940	290		
22.8	1554	1.1	63.2	7.5	301 L3	—	BE112M4	BX112M4	ME4SA4	MX4SA4	4330	4330	12100	13900	2850	256		
22.8	1550	1.4	63.1	14.0	—	303 R3	BE112M4	BX112M4	ME4SA4	MX4SA4	13300	15400	24700	29700	8540	268		
22.8	1550	1.8	63.1	14.0	—	304 R3	BE112M4	BX112M4	ME4SA4	MX4SA4	13300	15400	24700	29700	8540	280		
22.8	1550	2.8	63.1	14.0	—	305 R3	BE112M4	BX112M4	ME4SA4	MX4SA4	13300	15400	24700	29700	8540	292		
22.8	1549	1.6	63.1	7.5	303 L3	—	BE112M4	BX112M4	ME4SA4	MX4SA4	13300	15400	24700	29700	8540	266		
22.8	1549	2.2	63.1	7.5	304 L3	—	BE112M4	BX112M4	ME4SA4	MX4SA4	13300	15400	24700	29700	8540	278		
22.9	1546	1.1	62.9	12.0	—	301 R3	BE112M4	BX112M4	ME4SA4	MX4SA4	4330	4330	12100	13900	2840	258		
24.3	1501	1.6	59.1	9.0	304 L2	—	BE112M4	BX112M4	ME4SA4	MX4SA4	13000	15000	24200	29200	8360	278		
25.8	1416	1.3	55.8	9.0	303 L2	—	BE112M4	BX112M4	ME4SA4	MX4SA4	12800	14800	23800	28700	8200	266		
25.8	1416	2.5	55.8	9.0	305 L2	—	BE112M4	BX112M4	ME4SA4	MX4SA4	12800	14800	23800	28700	8200	290		
26.6	1331	1.4	54.2	14.0	—	303 R3	BE112M4	BX112M4	ME4SA4	MX4SA4	12700	14600	23600	28400	8120	268		
26.6	1331	2.7	54.2	14.0	—	305 R3	BE112M4	BX112M4	ME4SA4	MX4SA4	12700	14600	23600	28400	8120	292		
27.0	1312	1.7	53.4	7.5	303 L3	—	BE112M4	BX112M4	ME4SA4	MX4SA4	12600	14500	23500	28300	8080	266		

A

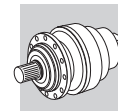


P₁ = 4 kW

n ₂ min ⁻¹	M ₂ Nm	S	i	Pt kW							Rn ₂ [N]					
											IE2	IE3	IE2	IE3	MC	
27.0	1312	2.5	53.4	7.5	304 L3	—	BE112M4	BX112M4	ME4SA4	MX4SA4	12600	14500	23500	28300	8080	278
27.7	1318	1.0	51.9	7.5	301 L2	—	BE112M4	BX112M4	ME4SA4	MX4SA4	4060	4060	11400	13100	2670	256
27.9	1269	1.3	51.6	7.5	301 L3	—	BE112M4	BX112M4	ME4SA4	MX4SA4	4050	4050	11400	13100	2660	256
28.6	1239	1.3	50.4	12.0	—	301 R3	BE112M4	BX112M4	ME4SA4	MX4SA4	4020	4020	11300	13000	2640	258
28.6	1235	1.9	50.3	14.0	—	303 R3	BE112M4	BX112M4	ME4SA4	MX4SA4	12300	14200	23100	27800	7920	268
28.6	1235	2.8	50.3	14.0	—	304 R3	BE112M4	BX112M4	ME4SA4	MX4SA4	12300	14200	23100	27800	7920	280
30	1201	2.0	47.3	9.0	304 L2	—	BE112M4	BX112M4	ME4SA4	MX4SA4	12100	14000	22700	27300	7760	278
31	1145	1.9	46.6	14.0	—	303 R3	BE112M4	BX112M4	ME4SA4	MX4SA4	12000	13900	22600	27200	7720	268
31	1145	2.5	46.6	14.0	—	304 R3	BE112M4	BX112M4	ME4SA4	MX4SA4	12000	13900	22600	27200	7720	280
32	1133	1.6	44.6	9.0	303 L2	—	BE112M4	BX112M4	ME4SA4	MX4SA4	11900	13700	22300	26800	7610	266
33	1071	3.0	43.6	7.5	304 L3	—	BE112M4	BX112M4	ME4SA4	MX4SA4	11800	13600	22100	26600	7550	278
34	1046	2.0	42.6	14.0	—	303 R3	BE112M4	BX112M4	ME4SA4	MX4SA4	11700	13500	22000	26400	7490	268
35	1054	1.2	41.5	7.5	301 L2	—	BE112M4	BX112M4	ME4SA4	MX4SA4	3770	3770	10700	12300	2480	256
35	1011	1.3	41.2	12.0	—	301 R3	BE112M4	BX112M4	ME4SA4	MX4SA4	3760	3760	10600	12200	2470	258
38	975	2.2	38.4	9.0	303 L2	—	BE112M4	BX112M4	ME4SA4	MX4SA4	11300	13000	21300	25600	7240	266
38	975	2.9	38.4	9.0	304 L2	—	BE112M4	BX112M4	ME4SA4	MX4SA4	11300	13000	21300	25600	7240	278
38	974	1.6	38.4	7.5	301 L2	—	BE112M4	BX112M4	ME4SA4	MX4SA4	3670	3670	10400	12000	2410	256
39	915	0.9	37.3	12.0	—	300 R3	BE112M4	BX112M4	ME4SA4	MX4SA4	3550	3550	10100	11600	2330	248
39	915	1.7	37.3	12.0	—	301 R3	BE112M4	BX112M4	ME4SA4	MX4SA4	3630	3630	10300	11900	2390	258
39	913	2.6	37.1	14.0	—	303 R3	BE112M4	BX112M4	ME4SA4	MX4SA4	11200	12900	21100	25400	7160	268
40	908	2.0	35.8	9.0	303 L2	—	BE112M4	BX112M4	ME4SA4	MX4SA4	11000	12700	20800	25100	7070	266
43	845	1.5	33.3	7.5	301 L2	—	BE112M4	BX112M4	ME4SA4	MX4SA4	3500	3500	9990	11500	2300	256
46	773	2.7	31.5	14.0	—	303 R3	BE112M4	BX112M4	ME4SA4	MX4SA4	10600	12200	20100	24100	6770	268
47	781	2.7	30.8	9.0	303 L2	—	BE112M4	BX112M4	ME4SA4	MX4SA4	10500	12100	19900	24000	6720	266
47	779	1.1	30.7	7.5	300 L2	—	BE112M4	BX112M4	ME4SA4	MX4SA4	3410	3410	9750	11200	2240	246
47	779	2.0	30.7	7.5	301 L2	—	BE112M4	BX112M4	ME4SA4	MX4SA4	3410	3410	9750	11200	2240	256
47	747	1.1	30.4	12.0	—	300 R3	BE112M4	BX112M4	ME4SA4	MX4SA4	3400	3400	9730	11200	2230	248
47	747	2.1	30.4	12.0	—	301 R3	BE112M4	BX112M4	ME4SA4	MX4SA4	3400	3400	9730	11200	2230	258
54	671	2.7	26.4	9.0	303 L2	—	BE112M4	BX112M4	ME4SA4	MX4SA4	9960	11500	19000	22900	6390	266
58	610	1.2	24.8	12.0	—	300 R3	BE112M4	BX112M4	ME4SA4	MX4SA4	3170	3170	9150	10500	2090	248
58	610	2.3	24.8	12.0	—	301 R3	BE112M4	BX112M4	ME4SA4	MX4SA4	3170	3170	9150	10500	2090	258
58	629	1.4	24.8	18.0	—	303 R2	BE112M4	BX112M4	ME4SA4	MX4SA4	9750	11300	18700	22500	6250	268
59	624	1.3	24.6	7.5	300 L2	—	BE112M4	BX112M4	ME4SA4	MX4SA4	3160	3160	9130	10500	2080	246
59	624	2.4	24.6	7.5	301 L2	—	BE112M4	BX112M4	ME4SA4	MX4SA4	3160	3160	9130	10500	2080	256
72	510	1.3	20.1	7.5	300 L2	—	BE112M4	BX112M4	ME4SA4	MX4SA4	2960	2960	8590	9870	1940	246
72	510	2.5	20.1	7.5	301 L2	—	BE112M4	BX112M4	ME4SA4	MX4SA4	2960	2960	8590	9870	1940	256
78	468	1.6	18.5	12.0	—	301 R2	BE112M4	BX112M4	ME4SA4	MX4SA4	2870	2870	8370	9620	1890	258
79	461	1.6	18.2	7.5	300 L2	—	BE112M4	BX112M4	ME4SA4	MX4SA4	2860	2860	8330	9580	1880	246
79	461	2.9	18.2	7.5	301 L2	—	BE112M4	BX112M4	ME4SA4	MX4SA4	2860	2860	8330	9580	1880	256
97	377	1.9	14.8	7.5	300 L2	—	BE112M4	BX112M4	ME4SA4	MX4SA4	2670	2670	7840	9010	1760	246
98	375	1.4	14.8	12.0	—	300 R2	BE112M4	BX112M4	ME4SA4	MX4SA4	2670	2670	7830	9000	1750	248
98	375	2.5	14.8	12.0	—	301 R2	BE112M4	BX112M4	ME4SA4	MX4SA4	2670	2670	7830	9000	1750	258
119	307	2.2	12.1	7.5	300 L2	—	BE112M4	BX112M4	ME4SA4	MX4SA4	2500	2500	7380	8480	1640	246
122	300	2.0	11.8	12.0	—	300 R2	BE112M4	BX112M4	ME4SA4	MX4SA4	2480	2480	7330	8420	1630	248
160	236	1.4	9.00	7.5	300 L1	—	BE112M4	BX112M4	ME4SA4	MX4SA4	2260	2260	6750	7750	1490	246
160	236	2.7	9.00	7.5	301 L1	—	BE112M4	BX112M4	ME4SA4	MX4SA4	2260	2260	6750	7750	1490	256
165	222	2.8	8.74	12.0	—	300 R2	BE112M4	BX112M4	ME4SA4	MX4SA4	2240	2240	6690	7690	1470	248
200	189	2.2	7.20	7.5	300 L1	—	BE112M4	BX112M4	ME4SA4	MX4SA4	2100	2100	6310	7250	1380	246

P₁ = 5.5 kW

n ₂ min ⁻¹	M ₂ Nm	S	i	Pt kW							Rn ₂ [N]					
											IE2	IE3	IE2	IE3	MC	
0.77	59957	2.6	1893	18.0	317 L4	—	BE132S4	BX132S4	—	—	—	—	442000	470000	150000	408
0.80	57559	1.0	1817	11.0	313 L4	—	BE132S4	BX132S4	—	—	—	—	192000	231000	80000	362
0.81	57190	1.5	1805	18.0	315 L4	—	BE132S4	BX132S4	—	—	—	—	206000	243000	90000	386
0.81	56908	1.2	1796	15.0	314 L4	—	BE132S4	BX132S4	—	—	—	—	206000	243000	90000	374
0.97	47582	1.2	1502	11.0	313 L4	—	BE132S4	BX132S4	—	—	—	—	192000	231000	80000	362
0.98	47277	1.8	1492	18.0	315 L4	—	BE132S4	BX132S4	—	—	—	—	206000	243000	90000	386
0.98	47044	1.4	1485	15.0	314 L4	—	BE132S4	BX132S4	—	—	—	—	206000	243000	90000	374



P₁ = 5.5 kW

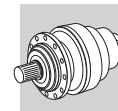
n ₂ min ⁻¹	M ₂ Nm	S	i	Pt kW	Gear Type		IE2		IE3		Rn ₂ [N]					FZ
					BE132S4	BX132S4	IE2	IE3	MC	MZ	HC/PC	HZ/PZ	FZ			
1.0	44840	1.0	1415	11.0	311 L4	—	BE132S4	BX132S4	—	—	—	—	157000	195000	65000	350
1.0	44159	1.2	1394	11.0	313 L4	—	BE132S4	BX132S4	—	—	—	—	192000	229000	79900	362
1.1	40669	2.4	1284	18.0	315 L4	—	BE132S4	BX132S4	—	—	—	—	201500	236600	87400	386
1.1	40468	1.9	1277	15.0	314 L4	—	BE132S4	BX132S4	—	—	—	—	201200	236300	87300	374
1.2	40092	1.4	1266	11.0	313 L4	—	BE132S4	BX132S4	—	—	—	—	188000	222500	77400	362
1.2	38979	1.1	1230	11.0	311 L4	—	BE132S4	BX132S4	—	—	—	—	150800	187900	62300	350
1.3	35384	1.5	1117	11.0	313 L4	—	BE132S4	BX132S4	—	—	—	—	181100	214300	74200	362
1.3	34984	2.7	1104	18.0	315 L4	—	BE132S4	BX132S4	—	—	—	—	192600	226200	83200	386
1.3	34811	2.2	1099	15.0	314 L4	—	BE132S4	BX132S4	—	—	—	—	192400	225800	83000	374
1.4	33530	1.3	1058	11.0	311 L4	—	BE132S4	BX132S4	—	—	—	—	144200	179600	59200	350
1.4	32869	2.5	1038	15.0	314 L4	—	BE132S4	BX132S4	—	—	—	—	189100	222000	81400	374
1.4	32125	1.7	1014	11.0	313 L4	—	BE132S4	BX132S4	—	—	—	—	175900	208200	71800	362
1.5	31233	1.4	986	11.0	311 L4	—	BE132S4	BX132S4	—	—	—	—	141100	175800	57800	350
1.6	29743	1.1	939	11.0	310 L4	—	BE132S4	BX132S4	—	—	—	—	115300	145000	55600	338
1.6	29331	2.5	926	15.0	314 L4	—	BE132S4	BX132S4	—	—	—	—	182700	214500	78400	374
1.6	28807	2.7	909	40.0	—	315 R4	BE132S4	BX132S4	—	—	—	—	181700	213400	77900	388
1.6	28630	1.6	904	11.0	311 L4	—	BE132S4	BX132S4	—	—	—	—	137500	171300	56200	350
1.6	28174	1.9	889	11.0	313 L4	—	BE132S4	BX132S4	—	—	—	—	169100	200100	68800	362
1.7	27172	3.0	858	15.0	314 L4	—	BE132S4	BX132S4	—	—	—	—	178600	209700	76400	374
1.8	26127	1.7	825	11.0	311 L4	—	BE132S4	BX132S4	—	—	—	—	133800	166600	54500	350
1.8	25908	1.1	818	11.0	310 L4	—	BE132S4	BX132S4	—	—	—	—	112900	142000	54300	338
1.8	25024	2.1	790	11.0	313 L4	—	BE132S4	BX132S4	—	—	—	—	163200	193100	66100	362
1.9	24658	1.8	778	22.0	—	313 R4	BE132S4	BX132S4	—	—	—	—	162500	192300	65800	364
1.9	23973	1.1	757	15.0	—	310 R4	BE132S4	BX132S4	—	—	—	—	110300	138700	52900	340
2.0	23637	1.3	746	22.0	—	311 R4	BE132S4	BX132S4	—	—	—	—	129800	161700	52700	352
2.0	22992	1.2	726	11.0	310 L4	—	BE132S4	BX132S4	—	—	—	—	108900	137000	52200	338
2.0	22941	2.0	724	11.0	311 L4	—	BE132S4	BX132S4	—	—	—	—	128700	160300	52200	350
2.0	22879	0.9	722	7.5	309 L4	—	BE132S4	BX132S4	—	—	—	—	89900	116000	28200	326
2.1	22021	2.3	695	11.0	313 L4	—	BE132S4	BX132S4	—	—	—	—	157000	185900	63300	362
2.3	20485	2.5	647	22.0	—	313 R4	BE132S4	BX132S4	—	—	—	—	153700	181900	61800	364
2.3	20233	1.1	639	15.0	—	310 R4	BE132S4	BX132S4	—	—	—	—	104800	131800	50000	340
2.3	20168	1.3	637	11.0	310 L4	—	BE132S4	BX132S4	—	—	—	—	104700	131700	50000	338
2.3	20051	2.6	633	11.0	313 L4	—	BE132S4	BX132S4	—	—	—	—	152700	180700	61400	362
2.3	19916	2.0	629	22.0	—	311 R4	BE132S4	BX132S4	—	—	—	—	123300	153600	49800	352
2.3	19853	2.0	627	11.0	311 L4	—	BE132S4	BX132S4	—	—	—	—	123200	153500	49700	350
2.4	19443	3.0	614	22.0	—	314 R4	BE132S4	BX132S4	—	—	—	—	161500	189600	68400	376
2.5	18681	1.2	590	15.0	—	310 R4	BE132S4	BX132S4	—	—	—	—	102400	128700	48700	340
2.5	18333	1.2	579	7.5	309 L4	—	BE132S4	BX132S4	—	—	—	—	85900	110800	26800	326
2.6	17984	2.4	568	11.0	311 L4	—	BE132S4	BX132S4	—	—	—	—	119600	149000	48100	350
2.6	17611	1.8	556	11.0	310 L4	—	BE132S4	BX132S4	—	—	—	—	100600	126500	47800	338
2.7	16935	2.9	535	22.0	—	313 R4	BE132S4	BX132S4	—	—	—	—	145100	171800	58000	364
2.8	16464	2.3	520	22.0	—	311 R4	BE132S4	BX132S4	—	—	—	—	116500	145100	46700	352
2.8	16383	1.6	517	15.0	—	310 R4	BE132S4	BX132S4	—	—	—	—	98400	123800	46600	340
2.8	16273	3.0	514	11.0	313 L4	—	BE132S4	BX132S4	—	—	—	—	143400	169700	57300	362
2.9	16224	2.7	512	11.0	311 L4	—	BE132S4	BX132S4	—	—	—	—	116000	144500	46500	350
2.9	16072	1.6	507	11.0	310 L4	—	BE132S4	BX132S4	—	—	—	—	97900	123000	46300	338
3.0	15539	0.9	490	15.0	—	309 R4	BE132S4	BX132S4	—	—	—	—	80100	103300	24800	328
3.0	15519	2.2	490	22.0	—	311 R4	BE132S4	BX132S4	—	—	—	—	114400	142500	45800	352
3.1	14726	1.2	465	7.5	309 L4	—	BE132S4	BX132S4	—	—	—	—	80400	103700	24900	326
3.2	14474	1.0	457	15.0	—	309 R4	BE132S4	BX132S4	—	—	—	—	80000	103200	24800	328
3.2	14388	1.4	454	15.0	—	310 R4	BE132S4	BX132S4	—	—	—	—	94700	119000	44700	340
3.2	14277	2.1	451	11.0	310 L4	—	BE132S4	BX132S4	—	—	—	—	94400	118700	44500	338
3.3	13873	2.7	438	22.0	—	311 R4	BE132S4	BX132S4	—	—	—	—	110600	137800	44100	352

A



P₁ = 5.5 kW

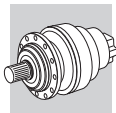
n ₂ min ⁻¹	M ₂ Nm	S	i	Pt kW									Rn ₂ [N]					
					IE2	IE3	IE2	IE3	MC	MZ	HC/PC	HZ/PZ	FZ					
3.5	13284	2.2	419	15.0	—	310 R4	BE132S4	BX132S4	—	—	—	—	92400	116200	43500	340		
3.5	13093	1.4	413	15.0	—	309 R4	BE132S4	BX132S4	—	—	—	—	77700	100100	24000	328		
3.6	12847	1.4	406	7.5	309 L4	—	BE132S4	BX132S4	—	—	—	—	77200	99600	23800	326		
3.7	12407	1.6	392	11.0	310 L4	—	BE132S4	BX132S4	—	—	—	—	90500	113900	42500	338		
3.9	11860	1.2	374	15.0	—	309 R4	BE132S4	BX132S4	—	—	—	—	75400	97200	23200	328		
4.0	11507	2.1	363	15.0	—	310 R4	BE132S4	BX132S4	—	—	—	—	88500	111300	41500	340		
4.2	11482	1.7	350	18.0	310 L3	—	BE132S4	BX132S4	—	—	—	—	87600	110100	41000	338		
4.2	11058	1.9	349	7.5	309 L4	—	BE132S4	BX132S4	—	—	—	—	73800	95200	22700	326		
4.3	11022	1.2	336	11.0	309 L3	—	BE132S4	BX132S4	—	—	—	—	73000	94200	22400	326		
4.4	10586	2.6	334	15.0	—	310 R4	BE132S4	BX132S4	—	—	—	—	86300	108600	40300	340		
4.4	10491	1.6	331	15.0	—	309 R4	BE132S4	BX132S4	—	—	—	—	72700	93700	22300	328		
4.8	9660	2.4	305	15.0	—	310 R4	BE132S4	BX132S4	—	—	—	—	84000	105600	39100	340		
4.9	9674	2.4	295	18.0	310 L3	—	BE132S4	BX132S4	—	—	—	—	83200	104600	38700	338		
5.0	9539	2.8	291	18.0	311 L3	—	BE132S4	BX132S4	—	—	—	—	97900	121900	38500	350		
5.1	9012	1.9	284	15.0	—	309 R4	BE132S4	BX132S4	—	—	—	—	69400	89500	21200	328		
5.1	9287	1.7	284	11.0	309 L3	—	BE132S4	BX132S4	—	—	—	—	69400	89400	21100	326		
5.2	8967	2.9	283	15.0	—	310 R4	BE132S4	BX132S4	—	—	—	—	82100	103300	38100	340		
5.7	8183	2.8	258	15.0	—	310 R4	BE132S4	BX132S4	—	—	—	—	79900	100500	37000	340		
5.7	8175	2.1	258	15.0	—	309 R4	BE132S4	BX132S4	—	—	—	—	67400	87000	20500	328		
5.9	8165	2.3	249	18.0	310 L3	—	BE132S4	BX132S4	—	—	—	—	79100	99400	36600	338		
6.1	7838	1.7	239	11.0	309 L3	—	BE132S4	BX132S4	—	—	—	—	65900	85000	20000	326		
6.3	7356	2.3	232	15.0	—	309 R4	BE132S4	BX132S4	—	—	—	—	65300	84200	19800	328		
6.3	7539	2.8	230	18.0	310 L3	—	BE132S4	BX132S4	—	—	—	—	77200	97100	35600	338		
6.6	7301	1.8	223	11.0	309 L3	—	BE132S4	BX132S4	—	—	—	—	64500	83200	19500	326		
7.2	6604	2.5	202	11.0	309 L3	—	BE132S4	BX132S4	—	—	—	—	62600	80700	18900	326		
7.7	6041	2.9	191	15.0	—	309 R4	BE132S4	BX132S4	—	—	—	—	61600	79400	18500	328		
8.0	5983	2.4	183	11.0	309 L3	—	BE132S4	BX132S4	—	—	—	—	60800	78400	18300	326		
13.3	3469	1.0	109	12.0	—	304 R4	BE132S4	BX132S4	—	—	16000	18500	29200	35100	10300	280		
16.3	2831	1.2	89.4	12.0	—	304 R4	BE132S4	BX132S4	—	—	15000	17300	27400	33000	9590	280		
18.5	2579	1.1	78.7	14.0	—	304 R3	BE132S4	BX132S4	—	—	14300	16500	26400	31800	9190	280		
23.1	2066	1.1	63.1	14.0	—	303 R3	BE132S4	BX132S4	—	—	13300	15400	24700	29700	8540	268		
23.1	2066	1.4	63.1	14.0	—	304 R3	BE132S4	BX132S4	—	—	13300	15400	24700	29700	8540	280		
26.9	1775	1.0	54.2	14.0	—	303 R3	BE132S4	BX132S4	—	—	12700	14600	23600	28400	8120	268		
29.0	1652	1.0	50.4	12.0	—	301 R3	BE132S4	BX132S4	—	—	3930	3930	11100	12700	2580	258		
29.0	1647	1.4	50.3	14.0	—	303 R3	BE132S4	BX132S4	—	—	12300	14200	23100	27800	7920	268		
29.0	1647	2.1	50.3	14.0	—	304 R3	BE132S4	BX132S4	—	—	12300	14200	23100	27800	7920	280		
31	1527	1.4	46.6	14.0	—	303 R3	BE132S4	BX132S4	—	—	12000	13900	22600	27200	7720	268		
31	1527	1.9	46.6	14.0	—	304 R3	BE132S4	BX132S4	—	—	12000	13900	22600	27200	7720	280		
34	1395	1.5	42.6	14.0	—	303 R3	BE132S4	BX132S4	—	—	11700	13500	22000	26400	7490	268		
34	1395	2.3	42.6	14.0	—	304 R3	BE132S4	BX132S4	—	—	11700	13500	22000	26400	7490	280		
35	1348	1.0	41.2	12.0	—	301 R3	BE132S4	BX132S4	—	—	3760	3760	10600	12200	2470	258		
39	1221	1.3	37.3	12.0	—	301 R3	BE132S4	BX132S4	—	—	3630	3630	10300	11900	2390	258		
39	1217	2.0	37.1	14.0	—	303 R3	BE132S4	BX132S4	—	—	11200	12900	21100	25400	7160	268		
39	1217	2.8	37.1	14.0	—	304 R3	BE132S4	BX132S4	—	—	11200	12900	21100	25400	7160	280		
46	1031	2.0	31.5	14.0	—	303 R3	BE132S4	BX132S4	—	—	10600	12200	20100	24100	6770	268		
46	1031	3.0	31.5	14.0	—	304 R3	BE132S4	BX132S4	—	—	10600	12200	20100	24100	6770	280		
48	996	1.6	30.4	12.0	—	301 R3	BE132S4	BX132S4	—	—	3400	3400	9730	11200	2230	258		
57	841	2.4	25.7	14.0	—	303 R3	BE132S4	BX132S4	—	—	9870	11400	18900	22700	6330	268		
59	813	1.7	24.8	12.0	—	301 R3	BE132S4	BX132S4	—	—	3170	3170	9150	10500	2090	258		



P₁ = 7.5 kW

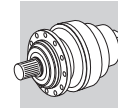
n ₂ min ⁻¹	M ₂ Nm	S	i	Pt kW	Input		IE2		IE3		Rn ₂ [N]					FZ
					IE2	IE3	IE2	IE3	MC	MZ	HC/PC	HZ/PZ	FZ			
0.77	81609	1.9	1893	18.0	317 L4	—	BE132MA4	BX132MA4	—	—	—	—	442000	470000	150000	408
0.81	77842	1.1	1805	18.0	315 L4	—	BE132MA4	BX132MA4	—	—	—	—	206000	243000	90000	386
0.92	68763	2.5	1595	18.0	317 L4	—	BE132MA4	BX132MA4	—	—	—	—	442000	470000	150000	408
0.98	64350	1.3	1492	18.0	315 L4	—	BE132MA4	BX132MA4	—	—	—	—	206000	243000	90000	386
0.98	64032	1.0	1485	15.0	314 L4	—	BE132MA4	BX132MA4	—	—	—	—	206000	243000	90000	374
1.1	56844	3.0	1318	18.0	317 L4	—	BE132MA4	BX132MA4	—	—	—	—	434300	462400	147000	408
1.1	55354	1.8	1284	18.0	315 L4	—	BE132MA4	BX132MA4	—	—	—	—	201500	236600	87400	386
1.1	55081	1.4	1277	15.0	314 L4	—	BE132MA4	BX132MA4	—	—	—	—	201200	236300	87300	374
1.2	54570	1.0	1266	11.0	313 L4	—	BE132MA4	BX132MA4	—	—	—	—	188000	222500	77400	362
1.2	53360	2.3	1237	18.0	316 L4	—	BE132MA4	BX132MA4	—	—	—	—	331400	368600	144000	398
1.3	48161	1.1	1117	11.0	313 L4	—	BE132MA4	BX132MA4	—	—	—	—	181100	214300	74200	362
1.3	47617	2.0	1104	18.0	315 L4	—	BE132MA4	BX132MA4	—	—	—	—	192600	226200	83200	386
1.3	47382	1.6	1099	15.0	314 L4	—	BE132MA4	BX132MA4	—	—	—	—	192400	225800	83000	374
1.4	45638	0.9	1058	11.0	311 L4	—	BE132MA4	BX132MA4	—	—	—	—	141200	175900	57900	350
1.4	44960	2.3	1043	18.0	315 L4	—	BE132MA4	BX132MA4	—	—	—	—	189400	222300	81600	386
1.4	44960	2.9	1043	18.0	316 L4	—	BE132MA4	BX132MA4	—	—	—	—	314800	350100	136000	398
1.4	44738	1.8	1038	15.0	314 L4	—	BE132MA4	BX132MA4	—	—	—	—	189100	222000	81400	374
1.4	43726	1.2	1014	11.0	313 L4	—	BE132MA4	BX132MA4	—	—	—	—	175900	208200	71800	362
1.5	42512	1.0	986	11.0	311 L4	—	BE132MA4	BX132MA4	—	—	—	—	141100	175800	57800	350
1.6	40096	2.3	930	18.0	315 L4	—	BE132MA4	BX132MA4	—	—	—	—	183000	214800	78500	386
1.6	39923	1.9	926	15.0	314 L4	—	BE132MA4	BX132MA4	—	—	—	—	182700	214500	78400	374
1.6	39209	2.0	909	40.0	—	315 R4	BE132MA4	BX132MA4	—	—	—	—	181700	213400	77900	388
1.6	38968	1.2	904	11.0	311 L4	—	BE132MA4	BX132MA4	—	—	—	—	137500	171300	56200	350
1.6	38348	1.4	889	11.0	313 L4	—	BE132MA4	BX132MA4	—	—	—	—	169100	200100	68800	362
1.7	37167	2.7	862	18.0	315 L4	—	BE132MA4	BX132MA4	—	—	—	—	178800	210000	76600	386
1.7	36984	2.2	858	15.0	314 L4	—	BE132MA4	BX132MA4	—	—	—	—	178600	209700	76400	374
1.8	35562	1.3	825	11.0	311 L4	—	BE132MA4	BX132MA4	—	—	—	—	133800	166600	54500	350
1.8	34060	1.5	790	11.0	313 L4	—	BE132MA4	BX132MA4	—	—	—	—	163200	193100	66100	362
1.9	33729	2.7	782	40.0	—	315 R4	BE132MA4	BX132MA4	—	—	—	—	173700	203900	74100	388
1.9	33563	1.3	778	22.0	—	313 R4	BE132MA4	BX132MA4	—	—	—	—	162500	192300	65800	364
2.0	32173	0.9	746	22.0	—	311 R4	BE132MA4	BX132MA4	—	—	—	—	129800	161700	52700	352
2.0	31814	2.5	738	15.0	314 L4	—	BE132MA4	BX132MA4	—	—	—	—	170700	200400	72700	374
2.0	31225	1.5	724	11.0	311 L4	—	BE132MA4	BX132MA4	—	—	—	—	128700	160300	52200	350
2.1	29974	1.7	695	11.0	313 L4	—	BE132MA4	BX132MA4	—	—	—	—	157000	185900	63300	362
2.2	28818	2.8	668	15.0	314 L4	—	BE132MA4	BX132MA4	—	—	—	—	165700	194500	70300	374
2.3	27883	1.8	647	22.0	—	313 R4	BE132MA4	BX132MA4	—	—	—	—	153700	181900	61800	364
2.3	27452	1.0	637	11.0	310 L4	—	BE132MA4	BX132MA4	—	—	—	—	104700	131700	50000	338
2.3	27291	1.9	633	11.0	313 L4	—	BE132MA4	BX132MA4	—	—	—	—	152700	180700	61400	362
2.3	27108	1.5	629	22.0	—	311 R4	BE132MA4	BX132MA4	—	—	—	—	123300	153600	49800	352
2.3	27023	1.5	627	11.0	311 L4	—	BE132MA4	BX132MA4	—	—	—	—	123200	153500	49700	350
2.4	26465	2.2	614	22.0	—	314 R4	BE132MA4	BX132MA4	—	—	—	—	161500	189600	68400	376
2.6	24478	1.8	568	11.0	311 L4	—	BE132MA4	BX132MA4	—	—	—	—	119600	149000	48100	350
2.6	24309	2.3	564	11.0	313 L4	—	BE132MA4	BX132MA4	—	—	—	—	147500	174500	59100	362
2.6	23971	1.3	556	11.0	310 L4	—	BE132MA4	BX132MA4	—	—	—	—	100600	126500	47800	338
2.7	23050	2.1	535	22.0	—	313 R4	BE132MA4	BX132MA4	—	—	—	—	145100	171800	58000	364
2.8	22410	1.7	520	22.0	—	311 R4	BE132MA4	BX132MA4	—	—	—	—	116500	145100	46700	352
2.8	22299	1.1	517	15.0	—	310 R4	BE132MA4	BX132MA4	—	—	—	—	98400	123800	46600	340
2.8	22149	2.2	514	11.0	313 L4	—	BE132MA4	BX132MA4	—	—	—	—	143400	169700	57300	362
2.9	22082	2.0	512	11.0	311 L4	—	BE132MA4	BX132MA4	—	—	—	—	116000	144500	46500	350





P₁ = 7.5 kW

n ₂ min ⁻¹	M ₂ Nm	S	i	Pt kW									Rn ₂ [N]					
					IE2	IE3	IE2	IE3	MC	MZ	HC/PC	HZ/PZ	FZ					
2.9	21875	1.2	507	11.0	310 L4	—	BE132MA4	BX132MA4	—	—	—	—	97900	123000	46300	338		
2.9	21392	2.4	496	22.0	—	313 R4	BE132MA4	BX132MA4	—	—	—	—	141900	168000	56600	364		
3.0	21123	1.6	490	22.0	—	311 R4	BE132MA4	BX132MA4	—	—	—	—	114400	142500	45800	352		
3.1	20044	0.9	465	7.5	309 L4	—	BE132MA4	BX132MA4	—	—	—	—	78800	101600	24400	326		
3.2	19583	1.0	454	15.0	—	310 R4	BE132MA4	BX132MA4	—	—	—	—	94700	119000	44700	340		
3.2	19479	2.8	452	11.0	313 L4	—	BE132MA4	BX132MA4	—	—	—	—	138000	163300	54900	362		
3.2	19432	1.5	451	11.0	310 L4	—	BE132MA4	BX132MA4	—	—	—	—	94400	118700	44500	338		
3.2	19422	2.5	450	22.0	—	313 R4	BE132MA4	BX132MA4	—	—	—	—	137900	163200	54800	364		
3.3	18882	2.0	438	22.0	—	311 R4	BE132MA4	BX132MA4	—	—	—	—	110600	137800	44100	352		
3.5	18081	1.6	419	15.0	—	310 R4	BE132MA4	BX132MA4	—	—	—	—	92400	116200	43500	340		
3.5	17821	1.0	413	15.0	—	309 R4	BE132MA4	BX132MA4	—	—	—	—	77700	100100	24000	328		
3.5	17798	2.3	413	22.0	—	311 R4	BE132MA4	BX132MA4	—	—	—	—	108700	135400	43300	352		
3.6	17694	2.3	410	11.0	311 L4	—	BE132MA4	BX132MA4	—	—	—	—	108500	135200	43200	350		
3.6	17486	1.0	406	7.5	309 L4	—	BE132MA4	BX132MA4	—	—	—	—	77200	99600	23800	326		
3.7	16888	1.1	392	11.0	310 L4	—	BE132MA4	BX132MA4	—	—	—	—	90500	113900	42500	338		
3.8	16707	2.8	387	22.0	—	313 R4	BE132MA4	BX132MA4	—	—	—	—	131800	156000	52100	364		
4.0	15663	1.5	363	15.0	—	310 R4	BE132MA4	BX132MA4	—	—	—	—	88500	111300	41500	340		
4.2	15628	1.2	350	18.0	310 L3	—	BE132MA4	BX132MA4	—	—	—	—	87600	110100	41000	338		
4.2	15052	1.0	349	7.5	307 L4	—	BE132MA4	BX132MA4	ME4LA4	MX4LA4	31800	40000	71200	93300	27700	314		
4.2	15052	1.4	349	7.5	309 L4	—	BE132MA4	BX132MA4	—	—	—	—	73800	95200	22700	326		
4.2	14988	2.7	348	11.0	311 L4	—	BE132MA4	BX132MA4	—	—	—	—	103200	128600	40900	350		
4.3	14713	2.7	341	22.0	—	311 R4	BE132MA4	BX132MA4	—	—	—	—	102700	127900	40600	352		
4.4	14408	1.9	334	15.0	—	310 R4	BE132MA4	BX132MA4	—	—	—	—	86300	108600	40300	340		
4.4	14279	1.2	331	15.0	—	309 R4	BE132MA4	BX132MA4	—	—	—	—	72700	93700	22300	328		
4.5	13869	2.8	322	22.0	—	311 R4	BE132MA4	BX132MA4	—	—	—	—	100900	125600	39800	352		
4.8	13149	1.8	305	15.0	—	310 R4	BE132MA4	BX132MA4	—	—	—	—	84000	105600	39100	340		
4.8	13544	2.9	304	18.0	313 L3	—	BE132MA4	BX132MA4	—	—	—	—	122500	145000	48100	362		
4.9	12935	1.1	300	15.0	—	307 R4	BE132MA4	BX132MA4	ME4LA4	MX4LA4	31000	38900	69400	91000	26900	316		
4.9	13168	1.8	295	18.0	310 L3	—	BE132MA4	BX132MA4	—	—	—	—	83200	104600	38700	338		
5.0	12983	2.1	291	18.0	311 L3	—	BE132MA4	BX132MA4	—	—	—	—	97900	121900	38500	350		
5.1	12266	0.9	284	15.0	—	307 R4	BE132MA4	BX132MA4	ME4LA4	MX4LA4	29700	37300	66900	87700	25900	316		
5.1	12266	1.4	284	15.0	—	309 R4	BE132MA4	BX132MA4	—	—	—	—	69400	89500	21200	328		
5.1	12641	1.2	284	11.0	309 L3	—	BE132MA4	BX132MA4	—	—	—	—	69400	89400	21100	326		
5.2	12205	2.1	283	15.0	—	310 R4	BE132MA4	BX132MA4	—	—	—	—	82100	103300	38100	340		
5.7	11138	2.0	258	15.0	—	310 R4	BE132MA4	BX132MA4	—	—	—	—	79900	100500	37000	340		
5.7	11127	1.3	258	15.0	—	307 R4	BE132MA4	BX132MA4	ME4LA4	MX4LA4	29500	37000	66400	87000	25600	316		
5.7	11127	1.6	258	15.0	—	309 R4	BE132MA4	BX132MA4	—	—	—	—	67400	87000	20500	328		
5.9	11113	1.7	249	18.0	310 L3	—	BE132MA4	BX132MA4	—	—	—	—	79100	99400	36600	338		
6.1	10669	1.2	239	11.0	309 L3	—	BE132MA4	BX132MA4	—	—	—	—	65900	85000	20000	326		
6.2	10089	2.4	234	15.0	—	310 R4	BE132MA4	BX132MA4	—	—	—	—	77600	97600	35800	340		
6.3	10013	1.1	232	15.0	—	307 R4	BE132MA4	BX132MA4	ME4LA4	MX4LA4	28400	35700	64300	84200	24700	316		
6.3	10013	1.7	232	15.0	—	309 R4	BE132MA4	BX132MA4	—	—	—	—	65300	84200	19800	328		
6.3	10261	2.1	230	18.0	310 L3	—	BE132MA4	BX132MA4	—	—	—	—	77200	97100	35600	338		
6.6	9938	1.3	223	11.0	309 L3	—	BE132MA4	BX132MA4	—	—	—	—	64500	83200	19500	326		
6.6	9850	1.3	221	11.0	307 L3	—	BE132MA4	BX132MA4	ME4LA4	MX4LA4	28000	35100	63300	83000	24300	314		
6.8	9211	1.1	214	12.0	—	306 R4	BE132MA4	BX132MA4	ME4LA4	MX4LA4	24900	28200	58300	67900	18700	304		
7.1	8876	2.5	206	15.0	—	310 R4	BE132MA4	BX132MA4	—	—	—	—	74700	93900	34300	340		
7.1	8867	1.6	206	15.0	—	307 R4	BE132MA4	BX132MA4	ME4LA4	MX4LA4	27300	34300	62000	81200	23700	316		
7.1	8867	2.2	206	15.0	—	309 R4	BE132MA4	BX132MA4	—	—	—	—	63000	81200	19000	328		



P₁ = 7.5 kW

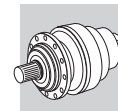
n ₂ min ⁻¹	M ₂ Nm	S	i	Pt kW												
					IE2	IE3	IE2	IE3	MC	MZ	HC/PC	HZ/PZ	FZ			
7.2	8999	2.4	202	18.0	310 L3	—	BE132MA4	BX132MA4	—	—	—	—	74200	93300	34100	338
7.2	8989	1.2	202	11.0	307 L3	—	BE132MA4	BX132MA4	ME4LA4	MX4LA4	27100	34000	61600	80700	23600	314
7.2	8989	1.8	202	11.0	309 L3	—	BE132MA4	BX132MA4	—	—	—	—	62600	80700	18900	326
7.7	8222	1.7	191	15.0	—	307 R4	BE132MA4	BX132MA4	ME4LA4	MX4LA4	26600	33400	60600	79400	23200	316
7.7	8222	2.1	191	15.0	—	309 R4	BE132MA4	BX132MA4	—	—	—	—	61600	79400	18500	328
7.7	8165	2.8	189	15.0	—	310 R4	BE132MA4	BX132MA4	—	—	—	—	72800	91500	33400	340
8.0	8143	1.8	183	11.0	309 L3	—	BE132MA4	BX132MA4	—	—	—	—	60800	78400	18300	326
8.1	7803	1.2	181	12.0	—	306 R4	BE132MA4	BX132MA4	ME4LA4	MX4LA4	23600	26700	55500	64600	17700	304
8.2	7903	2.3	177	18.0	310 L3	—	BE132MA4	BX132MA4	—	—	—	—	71400	89800	32600	338
8.2	7893	1.6	177	11.0	307 L3	—	BE132MA4	BX132MA4	ME4LA4	MX4LA4	26000	32600	59300	77700	22600	314
8.7	7235	1.0	168	12.0	—	306 R4	BE132MA4	BX132MA4	ME4LA4	MX4LA4	23000	26000	54200	63100	17300	304
8.8	7122	2.3	165	15.0	—	309 R4	BE132MA4	BX132MA4	—	—	—	—	59000	76100	17700	328
9.0	7203	1.5	162	11.0	307 L3	—	BE132MA4	BX132MA4	ME4LA4	MX4LA4	25200	31600	57700	75600	21900	314
9.0	7203	2.3	162	11.0	309 L3	—	BE132MA4	BX132MA4	—	—	—	—	58600	75600	17500	326
9.2	6807	1.4	158	12.0	—	306 R4	BE132MA4	BX132MA4	ME4LA4	MX4LA4	22500	25500	53200	62000	16900	304
9.6	6779	1.1	152	7.5	306 L3	—	BE132MA4	BX132MA4	ME4LA4	MX4LA4	22200	25200	52600	61300	16700	302
9.6	6552	2.8	152	15.0	—	309 R4	BE132MA4	BX132MA4	—	—	—	—	57500	74200	17200	328
10.0	6525	2.1	146	11.0	307 L3	—	BE132MA4	BX132MA4	ME4LA4	MX4LA4	24400	30600	56000	73300	21200	314
10.4	6286	1.3	141	7.5	306 L3	—	BE132MA4	BX132MA4	ME4LA4	MX4LA4	21700	24600	51500	59900	16300	302
10.5	6188	1.7	139	11.0	307 L3	—	BE132MA4	BX132MA4	ME4LA4	MX4LA4	24000	30100	55100	72200	20800	314
10.5	6188	2.6	139	11.0	309 L3	—	BE132MA4	BX132MA4	—	—	—	—	56000	72200	16700	326
11.3	5574	0.9	129	12.0	—	305 R4	BE132MA4	BX132MA4	ME4LA4	MX4LA4	16900	19500	30600	36900	10800	292
11.6	5613	2.3	126	11.0	307 L3	—	BE132MA4	BX132MA4	ME4LA4	MX4LA4	23200	29100	53500	70100	20200	314
11.6	5613	2.9	126	11.0	309 L3	—	BE132MA4	BX132MA4	—	—	—	—	54400	70100	16100	326
11.8	5348	2.0	124	15.0	—	307 R4	BE132MA4	BX132MA4	ME4LA4	MX4LA4	24800	31100	56900	74500	21600	316
12.0	5407	1.4	121	7.5	306 L3	—	BE132MA4	BX132MA4	ME4LA4	MX4LA4	20600	23400	49200	57300	15500	302
12.2	5340	1.6	120	22.0	—	307 R3	BE132MA4	BX132MA4	ME4LA4	MX4LA4	22800	28600	52700	69100	19800	316
12.2	5340	2.4	120	22.0	—	309 R3	BE132MA4	BX132MA4	—	—	—	—	53600	69100	15900	328
12.3	5313	1.2	119	14.0	—	306 R3	BE132MA4	BX132MA4	ME4LA4	MX4LA4	20500	23200	48900	57000	15400	304
12.9	5051	2.1	113	11.0	307 L3	—	BE132MA4	BX132MA4	ME4LA4	MX4LA4	22400	28100	51800	67900	19500	314
13.0	5009	1.5	112	7.5	306 L3	—	BE132MA4	BX132MA4	ME4LA4	MX4LA4	20100	22800	48100	56000	15100	302
13.9	4530	3.0	105	15.0	—	307 R4	BE132MA4	BX132MA4	ME4LA4	MX4LA4	24100	30300	55400	72700	21000	316
14.0	4661	1.1	105	7.5	305 L3	—	BE132MA4	BX132MA4	ME4LA4	MX4LA4	15800	18200	28800	34600	10100	290
14.0	4647	1.9	104	7.5	306 L3	—	BE132MA4	BX132MA4	ME4LA4	MX4LA4	19600	22200	47000	54700	14700	302
14.6	4473	2.8	100	11.0	307 L3	—	BE132MA4	BX132MA4	ME4LA4	MX4LA4	21500	27000	50000	65500	18700	314
14.7	4414	1.9	99.0	22.0	—	307 R3	BE132MA4	BX132MA4	ME4LA4	MX4LA4	21400	26900	49800	65200	18600	316
14.7	4414	2.9	99.0	22.0	—	309 R3	BE132MA4	BX132MA4	—	—	—	—	50600	65200	14900	328
14.8	4392	1.5	98.5	14.0	—	306 R3	BE132MA4	BX132MA4	ME4LA4	MX4LA4	19200	21800	46200	53800	14400	304
15.7	4148	2.9	93.0	11.0	307 L3	—	BE132MA4	BX132MA4	ME4LA4	MX4LA4	21000	26300	48900	64000	18200	314
16.2	4022	1.1	90.2	7.5	305 L3	—	BE132MA4	BX132MA4	ME4LA4	MX4LA4	15000	17300	27500	33100	9620	290
16.5	3936	2.2	88.3	7.5	306 L3	—	BE132MA4	BX132MA4	ME4LA4	MX4LA4	18500	21000	44700	52100	13900	302
17.2	3778	2.0	84.7	14.0	—	306 R3	BE132MA4	BX132MA4	ME4LA4	MX4LA4	18300	20700	44200	51400	13700	304
17.5	3719	2.7	83.4	22.0	—	307 R3	BE132MA4	BX132MA4	ME4LA4	MX4LA4	20200	25400	47300	62000	17600	316
17.8	3650	1.9	81.9	7.5	306 L3	—	BE132MA4	BX132MA4	ME4LA4	MX4LA4	18100	20500	43700	50900	13600	302
18.1	3593	2.8	80.6	11.0	307 L3	—	BE132MA4	BX132MA4	ME4LA4	MX4LA4	20000	25100	46800	61300	17400	314
18.5	3510	1.2	78.7	14.0	—	305 R3	BE132MA4	BX132MA4	ME4LA4	MX4LA4	14300	16500	26400	31800	9190	292
18.9	3444	1.0	77.2	7.5	304 L3	—	BE132MA4	BX132MA4	ME4LA4	MX4LA4	14200	16400	26300	31600	9140	278
18.9	3444	1.4	77.2	7.5	305 L3	—	BE132MA4	BX132MA4	ME4LA4	MX4LA4	14200	16400	26300	31600	9140	290
19.0	3434	2.4	77.0	7.5	306 L3	—	BE132MA4	BX132MA4	ME4LA4	MX4LA4	17700	20100	42900	50000	13300	302





P₁ = 7.5 kW

n ₂ min ⁻¹	M ₂ Nm	S	i	Pt kW									Rn ₂ [N]					
					IE2	IE3	IE2	IE3	MC	MZ	HC/PC	HZ/PZ	FZ					
19.9	3270	1.1	73.3	14.0	—	305 R3	BE132MA4	BX132MA4	ME4LA4	MX4LA4	14000	16200	25900	31100	8980	292		
20.0	3250	2.3	72.9	14.0	—	306 R3	BE132MA4	BX132MA4	ME4LA4	MX4LA4	17400	19700	42200	49200	13100	304		
20.1	3339	1.6	72.5	13.0	306 L2	—	BE132MA4	BX132MA4	ME4LA4	MX4LA4	17400	19700	42100	49100	13000	302		
20.2	3223	1.0	72.3	7.5	304 L3	—	BE132MA4	BX132MA4	ME4LA4	MX4LA4	13900	16100	25700	31000	8940	278		
20.2	3223	1.3	72.3	7.5	305 L3	—	BE132MA4	BX132MA4	ME4LA4	MX4LA4	13900	16100	25700	31000	8940	290		
21.6	3011	2.4	67.5	14.0	—	306 R3	BE132MA4	BX132MA4	ME4LA4	MX4LA4	17000	19200	41300	48000	12700	304		
22.4	2908	2.6	65.2	7.5	306 L3	—	BE132MA4	BX132MA4	ME4LA4	MX4LA4	16800	19000	40800	47500	12600	302		
23.1	2813	1.0	63.1	14.0	—	304 R3	BE132MA4	BX132MA4	—	—	13300	15400	24700	29700	8540	280		
23.1	2813	1.5	63.1	14.0	—	305 R3	BE132MA4	BX132MA4	ME4LA4	MX4LA4	13300	15400	24700	29700	8540	292		
23.2	2811	1.2	63.1	7.5	304 L3	—	BE132MA4	BX132MA4	ME4LA4	MX4LA4	13300	15400	24700	29700	8540	278		
23.2	2811	1.7	63.1	7.5	305 L3	—	BE132MA4	BX132MA4	ME4LA4	MX4LA4	13300	15400	24700	29700	8540	290		
25.1	2590	2.9	58.1	14.0	—	306 R3	BE132MA4	BX132MA4	ME4LA4	MX4LA4	16100	18300	39400	45900	12100	304		
26.0	2591	2.0	56.3	13.0	306 L2	—	BE132MA4	BX132MA4	ME4LA4	MX4LA4	16000	18100	39100	45500	12000	302		
26.2	2570	1.4	55.8	9.0	305 L2	—	BE132MA4	BX132MA4	ME4LA4	MX4LA4	12800	14800	23800	28700	8200	290		
26.9	2416	1.5	54.2	14.0	—	305 R3	BE132MA4	BX132MA4	ME4LA4	MX4LA4	12700	14600	23600	28400	8120	292		
27.3	2382	0.9	53.4	7.5	303 L3	—	BE132MA4	BX132MA4	ME4LA4	MX4LA4						266		
27.3	2382	1.4	53.4	7.5	304 L3	—	BE132MA4	BX132MA4	ME4LA4	MX4LA4	12600	14500	23500	28300	8080	278		
27.3	2382	1.7	53.4	7.5	305 L3	—	BE132MA4	BX132MA4	ME4LA4	MX4LA4	12600	14500	23500	28300	8080	290		
27.4	2374	3.0	53.2	7.5	306 L3	—	BE132MA4	BX132MA4	ME4LA4	MX4LA4	15700	17800	38400	44700	11800	302		
29.0	2241	1.1	50.3	14.0	—	303 R3	BE132MA4	BX132MA4	—	—	12300	14200	23100	27800	7920	268		
29.0	2241	1.5	50.3	14.0	—	304 R3	BE132MA4	BX132MA4	—	—	12300	14200	23100	27800	7920	280		
29.0	2241	2.0	50.3	14.0	—	305 R3	BE132MA4	BX132MA4	ME4LA4	MX4LA4	12300	14200	23100	27800	7920	292		
31	2179	1.1	47.3	9.0	304 L2	—	BE132MA4	BX132MA4	ME4LA4	MX4LA4	12100	14000	22700	27300	7760	278		
31	2078	1.0	46.6	14.0	—	303 R3	BE132MA4	BX132MA4	—	—	12000	13900	22600	27200	7720	268		
31	2078	1.4	46.6	14.0	—	304 R3	BE132MA4	BX132MA4	—	—	12000	13900	22600	27200	7720	280		
31	2078	2.1	46.6	14.0	—	305 R3	BE132MA4	BX132MA4	ME4LA4	MX4LA4	12000	13900	22600	27200	7720	292		
33	2056	1.7	44.6	9.0	305 L2	—	BE132MA4	BX132MA4	ME4LA4	MX4LA4	11900	13700	22300	26800	7610	290		
33	1944	1.6	43.6	7.5	304 L3	—	BE132MA4	BX132MA4	ME4LA4	MX4LA4	11800	13600	22100	26600	7550	278		
34	1899	1.1	42.6	14.0	—	303 R3	BE132MA4	BX132MA4	—	—	11700	13500	22000	26400	7490	268		
34	1899	1.7	42.6	14.0	—	304 R3	BE132MA4	BX132MA4	ME4LA4	MX4LA4	11700	13500	22000	26400	7490	280		
34	1899	2.0	42.6	14.0	—	305 R3	BE132MA4	BX132MA4	ME4LA4	MX4LA4	11700	13500	22000	26400	7490	292		
38	1769	1.2	38.4	9.0	303 L2	—	BE132MA4	BX132MA4	ME4LA4	MX4LA4	11300	13000	21300	25600	7240	266		
38	1769	1.6	38.4	9.0	304 L2	—	BE132MA4	BX132MA4	ME4LA4	MX4LA4	11300	13000	21300	25600	7240	278		
38	1769	2.4	38.4	9.0	305 L2	—	BE132MA4	BX132MA4	ME4LA4	MX4LA4	11300	13000	21300	25600	7240	290		
39	1661	1.0	37.3	12.0	—	301 R3	BE132MA4	BX132MA4	—	—	3550	3550	10100	11600	2330	258		
39	1656	1.4	37.1	14.0	—	303 R3	BE132MA4	BX132MA4	—	—	11200	12900	21100	25400	7160	268		
39	1656	2.1	37.1	14.0	—	304 R3	BE132MA4	BX132MA4	—	—	11200	12900	21100	25400	7160	280		
39	1656	2.6	37.1	14.0	—	305 R3	BE132MA4	BX132MA4	ME4LA4	MX4LA4	11200	12900	21100	25400	7160	292		
41	1648	1.1	35.8	9.0	303 L2	—	BE132MA4	BX132MA4	ME4LA4	MX4LA4	11000	12700	20800	25100	7070	266		
41	1648	2.2	35.8	9.0	305 L2	—	BE132MA4	BX132MA4	ME4LA4	MX4LA4	11000	12700	20800	25100	7070	290		
46	1403	1.5	31.5	14.0	—	303 R3	BE132MA4	BX132MA4	—	—	10600	12200	20100	24100	6770	268		
46	1403	2.2	31.5	14.0	—	304 R3	BE132MA4	BX132MA4	—	—	10600	12200	20100	24100	6770	280		
46	1403	2.7	31.5	14.0	—	305 R3	BE132MA4	BX132MA4	ME4LA4	MX4LA4	10600	12200	20100	24100	6770	292		
47	1417	1.5	30.8	9.0	303 L2	—	BE132MA4	BX132MA4	ME4LA4	MX4LA4	10500	12100	19900	24000	6720	266		
47	1417	2.0	30.8	9.0	304 L2	—	BE132MA4	BX132MA4	ME4LA4	MX4LA4	10500	12100	19900	24000	6720	278		
48	1414	1.1	30.7	7.5	301 L2	—	BE132MA4	BX132MA4	ME4LA4	MX4LA4	3410	3410	9750	11200	2240	256		
48	1356	1.2	30.4	12.0	—	301 R3	BE132MA4	BX132MA4	—	—	3400	3400	9730	11200	2230	258		
55	1217	1.5	26.4	9.0	303 L2	—	BE132MA4	BX132MA4	ME4LA4	MX4LA4	9960	11500	19000	22900	6390	266		
55	1217	2.9	26.4	9.0	305 L2	—	BE132MA4	BX132MA4	ME4LA4	MX4LA4	9960	11500	19000	22900	6390	290		



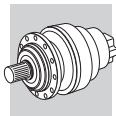
P₁ = 7.5 kW

n ₂ min ⁻¹	M ₂ Nm	S	i	Pt kW									Rn ₂ [N]					
					IE2	IE3	IE2	IE3	MC	MZ	HC/PC	HZ/PZ	FZ					
57	1145	1.8	25.7	14.0	—	303 R3	BE132MA4	BX132MA4	—	—	9870	11400	18900	22700	6330	268		
57	1145	2.6	25.7	14.0	—	304 R3	BE132MA4	BX132MA4	—	—	9870	11400	18900	22700	6330	280		
59	1107	1.3	24.8	12.0	—	301 R3	BE132MA4	BX132MA4	—	—	3170	3170	9150	10500	2090	258		
59	1133	1.3	24.6	7.5	301 L2	—	BE132MA4	BX132MA4	ME4LA4	MX4LA4	3160	3160	9130	10500	2080	256		
60	1129	1.9	24.5	9.0	303 L2	—	BE132MA4	BX132MA4	ME4LA4	MX4LA4	9720	11200	18600	22400	6230	266		
60	1129	2.9	24.5	9.0	304 L2	—	BE132MA4	BX132MA4	ME4LA4	MX4LA4	9720	11200	18600	22400	6230	278		
64	1047	2.0	22.7	9.0	303 L2	—	BE132MA4	BX132MA4	ME4LA4	MX4LA4	9470	10900	18200	21900	6080	266		
64	1047	2.7	22.7	9.0	304 L2	—	BE132MA4	BX132MA4	ME4LA4	MX4LA4	9470	10900	18200	21900	6080	278		
70	957	1.9	20.8	9.0	303 L2	—	BE132MA4	BX132MA4	ME4LA4	MX4LA4	9190	10600	17700	21300	5900	266		
73	925	1.4	20.1	7.5	301 L2	—	BE132MA4	BX132MA4	ME4LA4	MX4LA4	2960	2960	8590	9870	1940	256		
76	885	1.8	19.2	18.0	—	303 R2	BE132MA4	BX132MA4	ME4LA4	MX4LA4	8960	10300	17300	20800	5750	268		
80	837	1.6	18.2	7.5	301 L2	—	BE132MA4	BX132MA4	ME4LA4	MX4LA4	2860	2860	8330	9580	1880	256		
81	835	2.4	18.1	9.0	303 L2	—	BE132MA4	BX132MA4	ME4LA4	MX4LA4	8780	10100	17000	20400	5630	266		
92	732	2.5	15.9	18.0	—	303 R2	BE132MA4	BX132MA4	ME4LA4	MX4LA4	8410	9710	16300	19700	5390	268		
95	707	2.4	15.3	9.0	303 L2	—	BE132MA4	BX132MA4	ME4LA4	MX4LA4	8310	9590	16200	19500	5330	266		
98	683	1.1	14.8	7.5	300 L2	—	BE132MA4	BX132MA4	ME4LA4	MX4LA4	2610	2610	7680	8820	1720	246		
98	683	1.9	14.8	7.5	301 L2	—	BE132MA4	BX132MA4	ME4LA4	MX4LA4	2670	2670	7840	9010	1760	256		
99	680	1.4	14.8	12.0	—	301 R2	BE132MA4	BX132MA4	ME4LA4	MX4LA4	2670	2670	7830	9000	1750	258		
117	577	2.8	12.5	9.0	303 L2	—	BE132MA4	BX132MA4	ME4LA4	MX4LA4	7770	8970	15200	18300	4980	266		
121	558	1.2	12.1	7.5	300 L2	—	BE132MA4	BX132MA4	ME4LA4	MX4LA4	2500	2500	7380	8480	1640	246		
121	558	2.2	12.1	7.5	301 L2	—	BE132MA4	BX132MA4	ME4LA4	MX4LA4	2500	2500	7380	8480	1640	256		
123	545	1.1	11.8	12.0	—	300 R2	BE132MA4	BX132MA4	ME4LA4	MX4LA4	2480	2480	7330	8420	1630	248		
123	545	2.1	11.8	12.0	—	301 R2	BE132MA4	BX132MA4	ME4LA4	MX4LA4	2480	2480	7330	8420	1630	258		
151	459	1.6	9.67	11.0	303 L1	—	BE132MA4	BX132MA4	ME4LA4	MX4LA4	7120	8220	14100	16900	4570	266		
162	428	1.5	9.00	7.5	301 L1	—	BE132MA4	BX132MA4	ME4LA4	MX4LA4	2260	2260	6750	7750	1490	256		
167	403	1.5	8.74	12.0	—	300 R2	BE132MA4	BX132MA4	ME4LA4	MX4LA4	2240	2240	6690	7690	1470	248		
167	403	2.7	8.74	12.0	—	301 R2	BE132MA4	BX132MA4	ME4LA4	MX4LA4	2240	2240	6690	7690	1470	258		
203	342	1.2	7.20	7.5	300 L1	—	BE132MA4	BX132MA4	ME4LA4	MX4LA4	2100	2100	6310	7250	1380	246		
203	342	2.2	7.20	7.5	301 L1	—	BE132MA4	BX132MA4	ME4LA4	MX4LA4	2100	2100	6310	7250	1380	256		
205	329	1.8	7.13	12.0	—	300 R2	BE132MA4	BX132MA4	ME4LA4	MX4LA4	2090	2090	6300	7230	1380	248		
253	274	1.7	5.77	7.5	300 L1	—	BE132MA4	BX132MA4	ME4LA4	MX4LA4	1950	1950	5910	6790	1280	246		
342	203	2.4	4.26	7.5	300 L1	—	BE132MA4	BX132MA4	ME4LA4	MX4LA4	1760	1760	5390	6200	1160	246		
420	165	2.8	3.48	7.5	300 L1	—	BE132MA4	BX132MA4	ME4LA4	MX4LA4	1610	1610	4970	5710	1060	246		

P₁ = 9.2 kW

n ₂ min ⁻¹	M ₂ Nm	S	i	Pt kW							Rn ₂ [N]					
					IE2	IE3	IE2	IE3	MC	MZ	HC/PC	HZ/PZ	FZ			
0.77	99929	1.6	1893	18.0	317 L4	—	BE132MB4	BX160MA4	—	—	—	—	442000	470000	150000	408
0.92	84199	2.0	1595	18.0	317 L4	—	BE132MB4	BX160MA4	—	—	—	—	442000	470000	150000	408
0.98	78795	1.1	1492	18.0	315 L4	—	BE132MB4	BX160MA4	—	—	—	—	206000	243000	90000	386
1.1	69605	2.4	1318	18.0	317 L4	—	BE132MB4	BX160MA4	—	—	—	—	434300	462400	147000	408
1.1	67781	1.4	1284	18.0	315 L4	—	BE132MB4	BX160MA4	—	—	—	—	201500	236600	87400	386
1.1	67446	1.1	1277	15.0	314 L4	—	BE132MB4	BX160MA4	—	—	—	—	201200	236300	87300	374
1.2	65338	1.9	1237	18.0	316 L4	—	BE132MB4	BX160MA4	—	—	—	—	331400	368600	144000	398
1.3	59875	2.8	1134	18.0	317 L4	—	BE132MB4	BX160MA4	—	—	—	—	415100	442000	139800	408
1.3	58306	1.6	1104	18.0	315 L4	—	BE132MB4	BX160MA4	—	—	—	—	192600	226200	83200	386

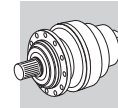




$P_1 = 9.2 \text{ kW}$

n_2 min ⁻¹	M_2 Nm	S	i	Pt kW									Rn ₂ [N]					
					IE2	IE3	IE2	IE3	MC	MZ	HC/PC	HZ/PZ	FZ					
1.3	58018	1.3	1099	15.0	314 L4	—	BE132MB4 BX160MA4	—	—	—	—	192400	225800	83000	374			
1.4	55054	1.9	1043	18.0	315 L4	—	BE132MB4 BX160MA4	—	—	—	—	189400	222300	81600	386			
1.4	55054	2.4	1043	18.0	316 L4	—	BE132MB4 BX160MA4	—	—	—	—	314800	350100	136000	398			
1.4	54782	1.5	1038	15.0	314 L4	—	BE132MB4 BX160MA4	—	—	—	—	189100	222000	81400	374			
1.4	53542	1.0	1014	11.0	313 L4	—	BE132MB4 BX160MA4	—	—	—	—	175900	208200	71800	362			
1.5	50335	2.9	953	50.0	—	317 R4	BE132MB4 BX160MA4	—	—	—	—	394100	419600	132000	410			
1.6	49098	1.9	930	18.0	315 L4	—	BE132MB4 BX160MA4	—	—	—	—	183000	214800	78500	386			
1.6	48886	1.5	926	15.0	314 L4	—	BE132MB4 BX160MA4	—	—	—	—	182700	214500	78400	374			
1.6	48012	1.6	909	40.0	—	315 R4	BE132MB4 BX160MA4	—	—	—	—	181700	213400	77900	388			
1.6	47716	1.0	904	11.0	311 L4	—	BE132MB4 BX160MA4	—	—	—	—	137500	171300	56200	350			
1.6	46956	1.1	889	11.0	313 L4	—	BE132MB4 BX160MA4	—	—	—	—	169100	200100	68800	362			
1.7	45511	2.2	862	18.0	315 L4	—	BE132MB4 BX160MA4	—	—	—	—	178800	210000	76600	386			
1.7	45511	2.8	862	18.0	316 L4	—	BE132MB4 BX160MA4	—	—	—	—	297400	330700	127600	398			
1.7	45286	1.8	858	15.0	314 L4	—	BE132MB4 BX160MA4	—	—	—	—	178600	209700	76400	374			
1.8	43546	1.0	825	11.0	311 L4	—	BE132MB4 BX160MA4	—	—	—	—	133800	166600	54500	350			
1.8	41706	1.3	790	11.0	313 L4	—	BE132MB4 BX160MA4	—	—	—	—	163200	193100	66100	362			
1.9	41300	2.2	782	40.0	—	315 R4	BE132MB4 BX160MA4	—	—	—	—	173700	203900	74100	388			
1.9	41097	1.1	778	22.0	—	313 R4	BE132MB4 BX160MA4	—	—	—	—	162500	192300	65800	364			
2.0	39125	2.6	741	18.0	315 L4	—	BE132MB4 BX160MA4	—	—	—	—	170900	200700	72800	386			
2.0	38956	2.1	738	15.0	314 L4	—	BE132MB4 BX160MA4	—	—	—	—	170700	200400	72700	374			
2.0	38234	1.2	724	11.0	311 L4	—	BE132MB4 BX160MA4	—	—	—	—	128700	160300	52200	350			
2.1	36702	1.4	695	11.0	313 L4	—	BE132MB4 BX160MA4	—	—	—	—	157000	185900	63300	362			
2.2	35463	2.8	672	18.0	315 L4	—	BE132MB4 BX160MA4	—	—	—	—	165900	194800	70500	386			
2.2	35288	2.3	668	15.0	314 L4	—	BE132MB4 BX160MA4	—	—	—	—	165700	194500	70300	374			
2.2	34799	2.5	659	40.0	—	315 R4	BE132MB4 BX160MA4	—	—	—	—	165000	193700	70000	388			
2.3	34142	1.5	647	22.0	—	313 R4	BE132MB4 BX160MA4	—	—	—	—	153700	181900	61800	364			
2.3	33418	1.6	633	11.0	313 L4	—	BE132MB4 BX160MA4	—	—	—	—	152700	180700	61400	362			
2.3	33194	1.2	629	22.0	—	311 R4	BE132MB4 BX160MA4	—	—	—	—	123300	153600	49800	352			
2.3	33089	1.2	627	11.0	311 L4	—	BE132MB4 BX160MA4	—	—	—	—	123200	153500	49700	350			
2.4	32406	1.8	614	22.0	—	314 R4	BE132MB4 BX160MA4	—	—	—	—	161500	189600	68400	376			
2.5	31043	2.6	588	15.0	314 L4	—	BE132MB4 BX160MA4	—	—	—	—	159500	187200	67400	374			
2.6	29973	1.4	568	11.0	311 L4	—	BE132MB4 BX160MA4	—	—	—	—	119600	149000	48100	350			
2.6	29767	1.8	564	11.0	313 L4	—	BE132MB4 BX160MA4	—	—	—	—	147500	174500	59100	362			
2.6	29352	1.1	556	11.0	310 L4	—	BE132MB4 BX160MA4	—	—	—	—	100600	126500	47800	338			
2.6	29261	2.7	554	15.0	314 L4	—	BE132MB4 BX160MA4	—	—	—	—	156600	183900	66100	374			
2.7	28224	1.7	535	22.0	—	313 R4	BE132MB4 BX160MA4	—	—	—	—	145100	171800	58000	364			
2.8	27876	2.5	528	22.0	—	314 R4	BE132MB4 BX160MA4	—	—	—	—	154400	181300	65000	376			
2.8	27440	1.4	520	22.0	—	311 R4	BE132MB4 BX160MA4	—	—	—	—	116500	145100	46700	352			
2.8	27305	0.9	517	15.0	—	310 R4	BE132MB4 BX160MA4	—	—	—	—	98400	123800	46600	340			
2.8	27121	1.8	514	11.0	313 L4	—	BE132MB4 BX160MA4	—	—	—	—	143400	169700	57300	362			
2.9	27039	1.6	512	11.0	311 L4	—	BE132MB4 BX160MA4	—	—	—	—	116000	144500	46500	350			
2.9	26786	1.0	507	11.0	310 L4	—	BE132MB4 BX160MA4	—	—	—	—	97900	123000	46300	338			
2.9	26194	2.0	496	22.0	—	313 R4	BE132MB4 BX160MA4	—	—	—	—	141900	168000	56600	364			
3.0	25865	1.3	490	22.0	—	311 R4	BE132MB4 BX160MA4	—	—	—	—	114400	142500	45800	352			
3.2	23851	2.3	452	11.0	313 L4	—	BE132MB4 BX160MA4	—	—	—	—	138000	163300	54900	362			
3.2	23795	1.3	451	11.0	310 L4	—	BE132MB4 BX160MA4	—	—	—	—	94400	118700	44500	338			
3.2	23782	2.0	450	22.0	—	313 R4	BE132MB4 BX160MA4	—	—	—	—	137900	163200	54800	364			
3.3	23488	2.9	445	22.0	—	314 R4	BE132MB4 BX160MA4	—	—	—	—	146700	172200	61400	376			
3.3	23121	1.6	438	22.0	—	311 R4	BE132MB4 BX160MA4	—	—	—	—	110600	137800	44100	352			

A








P₁ = 9.2 kW

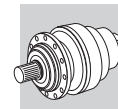
n ₂ min ⁻¹	M ₂ Nm	S	i	Pt kW									Rn ₂ [N]					
					IE2	IE3	IE2	IE3	MC	MZ	HC/PC	HZ/PZ	FZ					
3.5	22140	1.3	419	15.0	—	310 R4	BE132MB4	BX160MA4	—	—	—	—	92400	116200	43500	340		
3.5	21794	1.9	413	22.0	—	311 R4	BE132MB4	BX160MA4	—	—	—	—	108700	135400	43300	352		
3.6	21666	1.9	410	11.0	311 L4	—	BE132MB4	BX160MA4	—	—	—	—	108500	135200	43200	350		
3.7	20807	2.6	394	11.0	313 L4	—	BE132MB4	BX160MA4	—	—	—	—	132500	156800	52400	362		
3.7	20679	0.9	392	11.0	310 L4	—	BE132MB4	BX160MA4	—	—	—	—	90500	113900	42500	338		
3.8	20457	2.3	387	22.0	—	313 R4	BE132MB4	BX160MA4	—	—	—	—	131800	156000	52100	364		
4.0	19179	1.3	363	15.0	—	310 R4	BE132MB4	BX160MA4	—	—	—	—	88500	111300	41500	340		
4.1	18585	2.8	352	11.0	313 L4	—	BE132MB4	BX160MA4	—	—	—	—	128000	151500	50500	362		
4.2	19136	1.0	350	18.0	310 L3	—	BE132MB4	BX160MA4	—	—	—	—	87600	110100	41000	338		
4.2	18431	1.2	349	7.5	309 L4	—	BE132MB4	BX160MA4	—	—	—	—	73800	95200	22700	326		
4.2	18352	2.2	348	11.0	311 L4	—	BE132MB4	BX160MA4	—	—	—	—	103200	128600	40900	350		
4.2	18245	2.9	346	22.0	—	313 R4	BE132MB4	BX160MA4	—	—	—	—	127300	150700	50200	364		
4.3	18016	2.2	341	22.0	—	311 R4	BE132MB4	BX160MA4	—	—	—	—	102700	127900	40600	352		
4.4	17643	1.6	334	15.0	—	310 R4	BE132MB4	BX160MA4	—	—	—	—	86300	108600	40300	340		
4.4	17485	1.0	331	15.0	—	309 R4	BE132MB4	BX160MA4	—	—	—	—	72700	93700	22300	328		
4.5	16982	2.3	322	22.0	—	311 R4	BE132MB4	BX160MA4	—	—	—	—	100900	125600	39800	352		
4.7	16302	2.7	309	22.0	—	313 R4	BE132MB4	BX160MA4	—	—	—	—	123100	145700	48300	364		
4.8	16101	1.5	305	15.0	—	310 R4	BE132MB4	BX160MA4	—	—	—	—	84000	105600	39100	340		
4.8	16585	2.4	304	18.0	313 L3	—	BE132MB4	BX160MA4	—	—	—	—	122500	145000	48100	362		
4.9	16124	1.4	295	18.0	310 L3	—	BE132MB4	BX160MA4	—	—	—	—	83200	104600	38700	338		
5.0	15498	2.5	294	22.0	—	311 R4	BE132MB4	BX160MA4	—	—	—	—	98100	122200	38600	352		
5.0	15898	1.7	291	18.0	311 L3	—	BE132MB4	BX160MA4	—	—	—	—	97900	121900	38500	350		
5.1	15020	1.1	284	15.0	—	309 R4	BE132MB4	BX160MA4	—	—	—	—	69400	89500	21200	328		
5.1	15479	1.0	284	11.0	309 L3	—	BE132MB4	BX160MA4	—	—	—	—	69400	89400	21100	326		
5.2	14944	1.7	283	15.0	—	310 R4	BE132MB4	BX160MA4	—	—	—	—	82100	103300	38100	340		
5.5	14039	2.6	266	22.0	—	311 R4	BE132MB4	BX160MA4	—	—	—	—	95300	118700	37400	352		
5.7	13638	1.7	258	15.0	—	310 R4	BE132MB4	BX160MA4	—	—	—	—	79900	100500	37000	340		
5.7	13625	1.1	258	15.0	—	307 R4	BE132MB4	BX160MA4	ME4LB4	—	29500	37000	66400	87000	25600	316		
5.7	13625	1.3	258	15.0	—	309 R4	BE132MB4	BX160MA4	—	—	—	—	67400	87000	20500	328		
5.9	13608	1.4	249	18.0	310 L3	—	BE132MB4	BX160MA4	—	—	—	—	79100	99400	36600	338		
6.0	13395	2.6	245	18.0	311 L3	—	BE132MB4	BX160MA4	—	—	—	—	93000	115800	36400	350		
6.1	13064	1.0	239	11.0	309 L3	—	BE132MB4	BX160MA4	—	—	—	—	65900	85000	20000	326		
6.2	12354	2.0	234	15.0	—	310 R4	BE132MB4	BX160MA4	—	—	—	—	77600	97600	35800	340		
6.3	12261	0.9	232	15.0	—	307 R4	BE132MB4	BX160MA4	ME4LB4	—	27800	34900	63000	82500	24200	316		
6.3	12261	1.4	232	15.0	—	309 R4	BE132MB4	BX160MA4	—	—	—	—	65300	84200	19800	328		
6.3	12564	1.7	230	18.0	310 L3	—	BE132MB4	BX160MA4	—	—	—	—	77200	97100	35600	338		
6.4	12076	2.9	229	22.0	—	311 R4	BE132MB4	BX160MA4	—	—	—	—	91100	113400	35500	352		
6.6	12169	1.1	223	11.0	309 L3	—	BE132MB4	BX160MA4	—	—	—	—	64500	83200	19500	326		
6.6	12062	1.1	221	11.0	307 L3	—	BE132MB4	BX160MA4	ME4LB4	—	28000	35100	63300	83000	24300	314		
7.1	10868	2.0	206	15.0	—	310 R4	BE132MB4	BX160MA4	—	—	—	—	74700	93900	34300	340		
7.1	10857	1.3	206	15.0	—	307 R4	BE132MB4	BX160MA4	ME4LB4	—	27300	34300	62000	81200	23700	316		
7.1	10857	1.8	206	15.0	—	309 R4	BE132MB4	BX160MA4	—	—	—	—	63000	81200	19000	328		
7.2	11019	2.0	202	18.0	310 L3	—	BE132MB4	BX160MA4	—	—	—	—	74200	93300	34100	338		
7.2	11007	1.0	202	11.0	307 L3	—	BE132MB4	BX160MA4	ME4LB4	—	27100	34000	61600	80700	23600	314		
7.2	11007	1.5	202	11.0	309 L3	—	BE132MB4	BX160MA4	—	—	—	—	62600	80700	18900	326		
7.7	10068	1.4	191	15.0	—	307 R4	BE132MB4	BX160MA4	ME4LB4	—	26600	33400	60600	79400	23200	316		
7.7	10068	1.7	191	15.0	—	309 R4	BE132MB4	BX160MA4	—	—	—	—	61600	79400	18500	328		
7.7	9998	2.3	189	15.0	—	310 R4	BE132MB4	BX160MA4	—	—	—	—	72800	91500	33400	340		
8.0	9971	1.4	183	11.0	309 L3	—	BE132MB4	BX160MA4	—	—	—	—	60800	78400	18300	326		

A



P₁ = 9.2 kW

n ₂ min ⁻¹	M ₂ Nm	S	i	Pt kW									Rn ₂ [N]					
					IE2	IE3	IE2	IE3	MC	MZ	HC/PC	HZ/PZ	FZ					
8.1	9554	1.0	181	12.0	—	306 R4	BE132MB4	BX160MA4	ME4LB4	—	23000	26100	54300	63200	17300	304		
8.2	9677	1.9	177	18.0	310 L3	—	BE132MB4	BX160MA4	—	—	—	—	71400	89800	32600	338		
8.2	9665	1.3	177	11.0	307 L3	—	BE132MB4	BX160MA4	ME4LB4	—	26000	32600	59300	77700	22600	314		
8.8	8721	1.9	165	15.0	—	309 R4	BE132MB4	BX160MA4	—	—	—	—	59000	76100	17700	328		
8.9	8935	2.5	164	18.0	310 L3	—	BE132MB4	BX160MA4	—	—	—	—	69700	87600	31800	338		
9.0	8820	1.2	162	11.0	307 L3	—	BE132MB4	BX160MA4	ME4LB4	—	25200	31600	57700	75600	21900	314		
9.0	8820	1.8	162	11.0	309 L3	—	BE132MB4	BX160MA4	—	—	—	—	58600	75600	17500	326		
9.1	8469	2.6	160	15.0	—	310 R4	BE132MB4	BX160MA4	—	—	—	—	69300	87100	31600	340		
9.2	8335	1.2	158	12.0	—	306 R4	BE132MB4	BX160MA4	ME4LB4	—	22500	25500	53200	62000	16900	304		
9.6	8300	0.9	152	7.5	306 L3	—	BE132MB4	BX160MA4	ME4LB4	—	21700	24600	51600	60000	16300	302		
9.6	8023	2.3	152	15.0	—	309 R4	BE132MB4	BX160MA4	—	—	—	—	57500	74200	17200	328		
10.0	7990	1.7	146	11.0	307 L3	—	BE132MB4	BX160MA4	ME4LB4	—	24400	30600	56000	73300	21200	314		
10.3	7740	2.7	142	18.0	310 L3	—	BE132MB4	BX160MA4	—	—	—	—	66700	83900	30300	338		
10.4	7697	1.0	141	7.5	306 L3	—	BE132MB4	BX160MA4	ME4LB4	—	21700	24600	51500	59900	16300	302		
10.5	7577	1.4	139	11.0	307 L3	—	BE132MB4	BX160MA4	ME4LB4	—	24000	30100	55100	72200	20800	314		
10.5	7577	2.1	139	11.0	309 L3	—	BE132MB4	BX160MA4	—	—	—	—	56000	72200	16700	326		
10.7	7173	2.9	136	15.0	—	310 R4	BE132MB4	BX160MA4	—	—	—	—	65900	82900	29900	340		
11.2	7120	2.9	130	18.0	310 L3	—	BE132MB4	BX160MA4	—	—	—	—	65100	81900	29500	338		
11.6	6873	1.9	126	11.0	307 L3	—	BE132MB4	BX160MA4	ME4LB4	—	23200	29100	53500	70100	20200	314		
11.6	6873	2.4	126	11.0	309 L3	—	BE132MB4	BX160MA4	—	—	—	—	54400	70100	16100	326		
11.8	6549	1.7	124	15.0	—	307 R4	BE132MB4	BX160MA4	ME4LB4	—	24800	31100	56900	74500	21600	316		
12.0	6621	1.2	121	7.5	306 L3	—	BE132MB4	BX160MA4	ME4LB4	—	20600	23400	49200	57300	15500	302		
12.2	6538	1.3	120	22.0	—	307 R3	BE132MB4	BX160MA4	ME4LB4	—	22800	28600	52700	69100	19800	316		
12.2	6538	2.0	120	22.0	—	309 R3	BE132MB4	BX160MA4	—	—	—	—	53600	69100	15900	328		
12.2	6538	2.7	120	22.0	—	310 R3	BE132MB4	BX160MA4	—	—	—	—	63500	79800	28600	340		
12.3	6506	1.0	119	14.0	—	306 R3	BE132MB4	BX160MA4	ME4LB4	—	20500	23200	48900	57000	15400	304		
12.9	6185	1.7	113	11.0	307 L3	—	BE132MB4	BX160MA4	ME4LB4	—	22400	28100	51800	67900	19500	314		
12.9	6185	2.5	113	11.0	309 L3	—	BE132MB4	BX160MA4	—	—	—	—	52700	67900	15600	326		
13.0	6133	1.2	112	7.5	306 L3	—	BE132MB4	BX160MA4	ME4LB4	—	20100	22800	48100	56000	15100	302		
13.9	5547	2.4	105	15.0	—	307 R4	BE132MB4	BX160MA4	ME4LB4	—	24100	30300	55400	72700	21000	316		
14.0	5690	1.6	104	7.5	306 L3	—	BE132MB4	BX160MA4	ME4LB4	—	19600	22200	47000	54700	14700	302		
14.6	5477	2.3	100	11.0	307 L3	—	BE132MB4	BX160MA4	ME4LB4	—	21500	27000	50000	65500	18700	314		
14.7	5405	1.6	99.0	22.0	—	307 R3	BE132MB4	BX160MA4	ME4LB4	—	21400	26900	49800	65200	18600	316		
14.7	5405	2.4	99.0	22.0	—	309 R3	BE132MB4	BX160MA4	—	—	—	—	50600	65200	14900	328		
14.8	5378	1.2	98.5	14.0	—	306 R3	BE132MB4	BX160MA4	ME4LB4	—	19200	21800	46200	53800	14400	304		
15.7	5079	2.4	93.0	11.0	307 L3	—	BE132MB4	BX160MA4	ME4LB4	—	21000	26300	48900	64000	18200	314		
15.7	5079	3.0	93.0	11.0	309 L3	—	BE132MB4	BX160MA4	—	—	—	—	49600	64000	14600	326		
16.5	4820	1.8	88.3	7.5	306 L3	—	BE132MB4	BX160MA4	ME4LB4	—	18500	21000	44700	52100	13900	302		
17.2	4627	1.6	84.7	14.0	—	306 R3	BE132MB4	BX160MA4	ME4LB4	—	18300	20700	44200	51400	13700	304		
17.5	4554	2.2	83.4	22.0	—	307 R3	BE132MB4	BX160MA4	ME4LB4	—	20200	25400	47300	62000	17600	316		
17.8	4469	1.5	81.9	7.5	306 L3	—	BE132MB4	BX160MA4	ME4LB4	—	18100	20500	43700	50900	13600	302		
18.1	4399	2.3	80.6	11.0	307 L3	—	BE132MB4	BX160MA4	ME4LB4	—	20000	25100	46800	61300	17400	314		
18.5	4298	1.0	78.7	14.0	—	305 R3	BE132MB4	—	ME4LB4	—	14300	16500	26400	31800	9190	292		
18.6	4293	2.6	78.6	22.0	—	307 R3	BE132MB4	BX160MA4	ME4LB4	—	19800	24900	46500	60900	17200	316		
18.9	4217	1.1	77.2	7.5	305 L3	—	BE132MB4	BX160MA4	ME4LB4	—	14200	16400	26300	31600	9140	290		
19.0	4204	2.0	77.0	7.5	306 L3	—	BE132MB4	BX160MA4	ME4LB4	—	17700	20100	42900	50000	13300	302		
19.7	4047	2.9	74.1	11.0	307 L3	—	BE132MB4	BX160MA4	ME4LB4	—	19400	24400	45600	59800	16900	314		
20.0	3980	1.9	72.9	14.0	—	306 R3	BE132MB4	BX160MA4	ME4LB4	—	17400	19700	42200	49200	13100	304		
20.1	4089	1.3	72.5	13.0	306 L2	—	BE132MB4	BX160MA4	ME4LB4	—	17400	19700	42100	49100	13000	302		



P₁ = 9.2 kW

n ₂ min ⁻¹	M ₂ Nm	S	i	Pt kW									Rn ₂ [N]					
					IE2	IE3	IE2	IE3	MC	MZ	HC/PC	HZ/PZ	FZ					
20.2	3946	1.1	72.3	7.5	305 L3	—	BE132MB4 BX160MA4	ME4LB4	—	13900	16100	25700	31000	8940	290			
20.3	3918	2.6	71.8	22.0	—	307 R3	BE132MB4 BX160MA4	ME4LB4	—	19200	24100	45200	59200	16700	316			
21.6	3687	1.9	67.5	14.0	—	306 R3	BE132MB4 BX160MA4	ME4LB4	—	17000	19200	41300	48000	12700	304			
22.4	3561	2.1	65.2	7.5	306 L3	—	BE132MB4 BX160MA4	ME4LB4	—	16800	19000	40800	47500	12600	302			
23.1	3444	1.3	63.1	14.0	—	305 R3	BE132MB4	—	ME4LB4	—	13300	15400	24700	29700	8540	292		
23.2	3443	1.0	63.1	7.5	304 L3	—	BE132MB4 BX160MA4	ME4LB4	—	13300	15400	24700	29700	8540	278			
23.2	3443	1.4	63.1	7.5	305 L3	—	BE132MB4 BX160MA4	ME4LB4	—	13300	15400	24700	29700	8540	290			
25.1	3171	2.4	58.1	14.0	—	306 R3	BE132MB4 BX160MA4	ME4LB4	—	16100	18300	39400	45900	12100	304			
26.0	3172	1.6	56.3	13.0	306 L2	—	BE132MB4 BX160MA4	ME4LB4	MX5SA4	16000	18100	39100	45500	12000	302			
26.2	3147	1.1	55.8	9.0	305 L2	—	BE132MB4 BX160MA4	ME4LB4	—	12800	14800	23800	28700	8200	290			
26.9	2958	1.2	54.2	14.0	—	305 R3	BE132MB4	—	ME4LB4	—	12700	14600	23600	28400	8120	292		
27.3	2916	1.1	53.4	7.5	304 L3	—	BE132MB4 BX160MA4	ME4LB4	—	12600	14500	23500	28300	8080	278			
27.3	2916	1.4	53.4	7.5	305 L3	—	BE132MB4 BX160MA4	ME4LB4	—	12600	14500	23500	28300	8080	290			
27.4	2907	2.4	53.2	7.5	306 L3	—	BE132MB4 BX160MA4	ME4LB4	—	15700	17800	38400	44700	11800	302			
29.0	2744	1.3	50.3	14.0	—	304 R3	BE132MB4	—	—	—	12300	14200	23100	27800	7920	280		
29.0	2744	1.6	50.3	14.0	—	305 R3	BE132MB4	—	ME4LB4	—	12300	14200	23100	27800	7920	292		
31	2545	1.1	46.6	14.0	—	304 R3	BE132MB4	—	—	—	12000	13900	22600	27200	7720	280		
31	2545	1.7	46.6	14.0	—	305 R3	BE132MB4	—	ME4LB4	—	12000	13900	22600	27200	7720	292		
31	2623	2.5	46.5	13.0	306 L2	—	BE132MB4 BX160MA4	ME4LB4	MX5SA4	15000	17000	36900	43000	11300	302			
32	2527	3.0	46.3	14.0	—	306 R3	BE132MB4 BX160MA4	ME4LB4	—	15000	16900	36800	42900	11200	304			
33	2518	1.4	44.6	9.0	305 L2	—	BE132MB4 BX160MA4	ME4LB4	—	11900	13700	22300	26800	7610	290			
33	2380	1.3	43.6	7.5	304 L3	—	BE132MB4 BX160MA4	ME4LB4	—	11800	13600	22100	26600	7550	278			
34	2325	1.4	42.6	14.0	—	304 R3	BE132MB4	—	—	—	11700	13500	22000	26400	7490	280		
34	2325	1.6	42.6	14.0	—	305 R3	BE132MB4	—	ME4LB4	—	11700	13500	22000	26400	7490	292		
38	2168	3.0	38.4	13.0	306 L2	—	BE132MB4 BX160MA4	ME4LB4	MX5SA4	14100	15900	34800	40600	10600	302			
38	2166	1.0	38.4	9.0	303 L2	—	BE132MB4 BX160MA4	ME4LB4	—	11300	13000	21300	25600	7240	266			
38	2166	1.3	38.4	9.0	304 L2	—	BE132MB4 BX160MA4	ME4LB4	—	11300	13000	21300	25600	7240	278			
38	2166	2.0	38.4	9.0	305 L2	—	BE132MB4 BX160MA4	ME4LB4	—	11300	13000	21300	25600	7240	290			
39	2028	1.2	37.1	14.0	—	303 R3	BE132MB4	—	—	—	11200	12900	21100	25400	7160	268		
39	2028	1.7	37.1	14.0	—	304 R3	BE132MB4	—	—	—	11200	12900	21100	25400	7160	280		
39	2028	2.1	37.1	14.0	—	305 R3	BE132MB4	—	ME4LB4	—	11200	12900	21100	25400	7160	292		
41	2017	0.9	35.8	9.0	303 L2	—	BE132MB4 BX160MA4	ME4LB4	—	10800	12400	20400	24600	6910	266			
41	2017	1.8	35.8	9.0	305 L2	—	BE132MB4 BX160MA4	ME4LB4	—	11000	12700	20800	25100	7070	290			
46	1718	1.2	31.5	14.0	—	303 R3	BE132MB4	—	—	—	10600	12200	20100	24100	6770	268		
46	1718	1.8	31.5	14.0	—	304 R3	BE132MB4	—	—	—	10600	12200	20100	24100	6770	280		
46	1718	2.2	31.5	14.0	—	305 R3	BE132MB4	—	ME4LB4	—	10600	12200	20100	24100	6770	292		
47	1735	1.2	30.8	9.0	303 L2	—	BE132MB4 BX160MA4	ME4LB4	—	10500	12100	19900	24000	6720	266			
47	1735	1.6	30.8	9.0	304 L2	—	BE132MB4 BX160MA4	ME4LB4	—	10500	12100	19900	24000	6720	278			
47	1735	2.5	30.8	9.0	305 L2	—	BE132MB4 BX160MA4	ME4LB4	—	10500	12100	19900	24000	6720	290			
48	1731	0.9	30.7	7.5	301 L2	—	BE132MB4	—	ME4LB4	—	3330	3330	9550	11000	2190	256		
48	1661	1.0	30.4	12.0	—	301 R3	BE132MB4	—	—	—	3320	3320	9530	10900	2180	258		
55	1491	1.2	26.4	9.0	303 L2	—	BE132MB4 BX160MA4	ME4LB4	—	9960	11500	19000	22900	6390	266			
55	1491	2.4	26.4	9.0	305 L2	—	BE132MB4 BX160MA4	ME4LB4	—	9960	11500	19000	22900	6390	290			
57	1402	1.4	25.7	14.0	—	303 R3	BE132MB4	—	—	—	9870	11400	18900	22700	6330	268		
57	1402	2.2	25.7	14.0	—	304 R3	BE132MB4	—	—	—	9870	11400	18900	22700	6330	280		
57	1402	2.6	25.7	14.0	—	305 R3	BE132MB4	—	ME4LB4	—	9870	11400	18900	22700	6330	292		
59	1356	1.0	24.8	12.0	—	301 R3	BE132MB4	—	—	—	3170	3170	9150	10500	2090	258		
59	1387	1.1	24.6	7.5	301 L2	—	BE132MB4	—	ME4LB4	—	3160	3160	9130	10500	2080	256		
60	1383	1.6	24.5	9.0	303 L2	—	BE132MB4 BX160MA4	ME4LB4	—	9720	11200	18600	22400	6230	266			

A

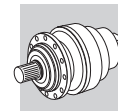


P₁ = 9.2 kW

n ₂ min ⁻¹	M ₂ Nm	S	i	Pt kW	Gear Type		IE2		IE3		Rn ₂ [N]					FZ
					BE132MB4	BX160MA4	ME4LB4	—	ME4LB4	—	MC	MZ	HC/PC	HZ/PZ		
60	1383	2.3	24.5	9.0	304 L2	—	BE132MB4	BX160MA4	ME4LB4	—	9720	11200	18600	22400	6230	278
60	1383	2.8	24.5	9.0	305 L2	—	BE132MB4	BX160MA4	ME4LB4	—	9720	11200	18600	22400	6230	290
64	1282	1.6	22.7	9.0	303 L2	—	BE132MB4	BX160MA4	ME4LB4	—	9470	10900	18200	21900	6080	266
64	1282	2.2	22.7	9.0	304 L2	—	BE132MB4	BX160MA4	ME4LB4	—	9470	10900	18200	21900	6080	278
70	1171	1.6	20.8	9.0	303 L2	—	BE132MB4	BX160MA4	ME4LB4	—	9190	10600	17700	21300	5900	266
70	1171	2.5	20.8	9.0	304 L2	—	BE132MB4	BX160MA4	ME4LB4	—	9190	10600	17700	21300	5900	278
70	1171	2.8	20.8	9.0	305 L2	—	BE132MB4	BX160MA4	ME4LB4	—	9190	10600	17700	21300	5900	290
73	1132	1.1	20.1	7.5	301 L2	—	BE132MB4	—	ME4LB4	—	2960	2960	8590	9870	1940	256
76	1084	1.4	19.2	18.0	—	303 R2	BE132MB4	—	ME4LB4	—	8960	10300	17300	20800	5750	268
76	1084	2.6	19.2	18.0	—	305 R2	BE132MB4	—	ME4LB4	—	8960	10300	17300	20800	5750	292
80	1025	1.3	18.2	7.5	301 L2	—	BE132MB4	—	ME4LB4	—	2860	2860	8330	9580	1880	256
81	1022	2.0	18.1	9.0	303 L2	—	BE132MB4	BX160MA4	ME4LB4	—	8780	10100	17000	20400	5630	266
81	1022	2.9	18.1	9.0	304 L2	—	BE132MB4	BX160MA4	ME4LB4	—	8780	10100	17000	20400	5630	278
87	950	2.5	16.8	18.0	—	304 R2	BE132MB4	—	ME4LB4	—	8570	9900	16600	20000	5500	280
92	896	2.0	15.9	18.0	—	303 R2	BE132MB4	—	ME4LB4	—	8410	9710	16300	19700	5390	268
95	866	2.0	15.3	9.0	303 L2	—	BE132MB4	BX160MA4	ME4LB4	—	8310	9590	16200	19500	5330	266
98	837	1.5	14.8	7.5	301 L2	—	BE132MB4	—	ME4LB4	—	2670	2670	7840	9010	1760	256
99	832	1.1	14.8	12.0	—	301 R2	BE132MB4	—	ME4LB4	—	2670	2670	7830	9000	1750	258
107	771	2.6	13.7	18.0	—	303 R2	BE132MB4	—	ME4LB4	—	8000	9230	15600	18800	5130	268
117	707	2.3	12.5	9.0	303 L2	—	BE132MB4	BX160MA4	ME4LB4	—	7770	8970	15200	18300	4980	266
121	683	1.0	12.1	7.5	300 L2	—	BE132MB4	—	ME4LB4	—	2440	2440	7230	8300	1600	246
121	683	1.8	12.1	7.5	301 L2	—	BE132MB4	—	ME4LB4	—	2500	2500	7380	8480	1640	256
123	667	1.7	11.8	12.0	—	301 R2	BE132MB4	—	ME4LB4	—	2480	2480	7330	8420	1630	258
151	563	1.3	9.67	11.0	303 L1	—	BE132MB4	BX160MA4	ME4LB4	—	7120	8220	14100	16900	4570	266
162	524	1.2	9.00	7.5	301 L1	—	BE132MB4	—	ME4LB4	—	2260	2260	6750	7750	1490	256
167	493	1.2	8.74	12.0	—	300 R2	BE132MB4	—	ME4LB4	—	2240	2240	6690	7690	1470	248
167	493	2.2	8.74	12.0	—	301 R2	BE132MB4	—	ME4LB4	—	2240	2240	6690	7690	1470	258
195	437	2.8	7.50	11.0	303 L1	—	BE132MB4	BX160MA4	ME4LB4	—	6550	7560	13000	15700	4200	266
203	419	1.0	7.20	7.5	300 L1	—	BE132MB4	—	ME4LB4	—	2100	2100	6310	7250	1380	246
203	419	1.8	7.20	7.5	301 L1	—	BE132MB4	—	ME4LB4	—	2100	2100	6310	7250	1380	256
205	402	1.4	7.13	12.0	—	300 R2	BE132MB4	—	ME4LB4	—	2090	2090	6300	7230	1380	248
205	402	2.6	7.13	12.0	—	301 R2	BE132MB4	—	ME4LB4	—	2090	2090	6300	7230	1380	258
253	336	1.4	5.77	7.5	300 L1	—	BE132MB4	—	ME4LB4	—	1950	1950	5910	6790	1280	246
253	336	2.8	5.77	7.5	301 L1	—	BE132MB4	—	ME4LB4	—	1950	1950	5910	6790	1280	256
342	248	2.0	4.26	7.5	300 L1	—	BE132MB4	—	ME4LB4	—	1760	1760	5390	6200	1160	246
420	203	2.3	3.48	7.5	300 L1	—	BE132MB4	—	ME4LB4	—	1610	1610	4970	5710	1060	246

P₁ = 11 kW

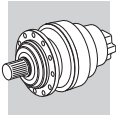
n ₂ min ⁻¹	M ₂ Nm	S	i	Pt kW	Gear Type		IE2		IE3		Rn ₂ [N]					FZ
					BE160M4	BX160MB4	—	—	—	—	MC	MZ	HC/PC	HZ/PZ		
0.77	119915	1.3	1893	18.0	317 L4	—	BE160M4	BX160MB4	—	—	—	—	442000	470000	150000	408
0.92	101039	1.7	1595	18.0	317 L4	—	BE160M4	BX160MB4	—	—	—	—	442000	470000	150000	408
1.1	83526	2.0	1318	18.0	317 L4	—	BE160M4	BX160MB4	—	—	—	—	434300	462400	147000	408
1.1	81337	1.2	1284	18.0	315 L4	—	BE160M4	BX160MB4	—	—	—	—	201500	236600	87400	386
1.1	80935	1.0	1277	15.0	314 L4	—	BE160M4	BX160MB4	—	—	—	—	201200	236300	87300	374
1.2	78406	1.6	1237	18.0	316 L4	—	BE160M4	BX160MB4	—	—	—	—	331400	368600	144000	398








P₁ = 11 kW

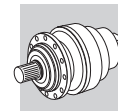
n ₂ min ⁻¹	M ₂ Nm	S	i	Pt kW	Motor Type		IE2		IE3		Rn ₂ [N]					FZ
					BE160M4	BX160MB4	IE2	IE3	MC	MZ	HC/PC	HZ/PZ	FZ			
1.3	71850	2.3	1134	18.0	317 L4	—	BE160M4	BX160MB4	—	—	—	—	415100	442000	139800	408
1.3	69967	1.4	1104	18.0	315 L4	—	BE160M4	BX160MB4	—	—	—	—	192600	226200	83200	386
1.3	69622	1.1	1099	15.0	314 L4	—	BE160M4	BX160MB4	—	—	—	—	192400	225800	83000	374
1.4	66064	1.6	1043	18.0	315 L4	—	BE160M4	BX160MB4	—	—	—	—	189400	222300	81600	386
1.4	66064	2.0	1043	18.0	316 L4	—	BE160M4	BX160MB4	—	—	—	—	314800	350100	136000	398
1.4	65738	1.3	1038	15.0	314 L4	—	BE160M4	BX160MB4	—	—	—	—	189100	222000	81400	374
1.4	65408	2.8	1032	18.0	317 L4	—	BE160M4	BX160MB4	—	—	—	—	403600	429700	135500	408
1.5	60402	2.4	953	50.0	—	317 R4	BE160M4	BX160MB4	—	—	—	—	394100	419600	132000	410
1.6	58917	1.6	930	18.0	315 L4	—	BE160M4	BX160MB4	—	—	—	—	183000	214800	78500	386
1.6	58663	1.3	926	15.0	314 L4	—	BE160M4	BX160MB4	—	—	—	—	182700	214500	78400	374
1.6	57614	1.3	909	40.0	—	315 R4	BE160M4	BX160MB4	—	—	—	—	181700	213400	77900	388
1.6	57256	2.9	904	18.0	317 L4	—	BE160M4	BX160MB4	—	—	—	—	387800	412900	129600	408
1.6	56347	0.9	889	11.0	313 L4	—	BE160M4	BX160MB4	—	—	—	—	169100	200100	68800	362
1.7	54613	1.9	862	18.0	315 L4	—	BE160M4	BX160MB4	—	—	—	—	178800	210000	76600	386
1.7	54613	2.4	862	18.0	316 L4	—	BE160M4	BX160MB4	—	—	—	—	297400	330700	127600	398
1.7	54343	1.5	858	15.0	314 L4	—	BE160M4	BX160MB4	—	—	—	—	178600	209700	76400	374
1.8	51479	2.5	812	18.0	316 L4	—	BE160M4	BX160MB4	—	—	—	—	292100	324900	125100	398
1.9	50047	1.0	790	11.0	313 L4	—	BE160M4	BX160MB4	—	—	—	—	163200	193100	66100	362
1.9	49560	1.8	782	40.0	—	315 R4	BE160M4	BX160MB4	—	—	—	—	173700	203900	74100	388
2.0	46950	2.2	741	18.0	315 L4	—	BE160M4	BX160MB4	—	—	—	—	170900	200700	72800	386
2.0	46950	2.7	741	18.0	316 L4	—	BE160M4	BX160MB4	—	—	—	—	284200	316100	121400	398
2.0	46747	1.7	738	15.0	314 L4	—	BE160M4	BX160MB4	—	—	—	—	170700	200400	72700	374
2.0	46017	2.8	726	18.0	316 L4	—	BE160M4	BX160MB4	—	—	—	—	282500	314100	120500	398
2.0	45881	1.0	724	11.0	311 L4	—	BE160M4	BX160MB4	—	—	—	—	128700	160300	52200	350
2.1	44043	1.2	695	11.0	313 L4	—	BE160M4	BX160MB4	—	—	—	—	157000	185900	63300	362
2.1	43375	2.9	685	18.0	316 L4	—	BE160M4	BX160MB4	—	—	—	—	277500	308600	118200	398
2.2	42556	2.4	672	18.0	315 L4	—	BE160M4	BX160MB4	—	—	—	—	165900	194800	70500	386
2.2	42346	1.9	668	15.0	314 L4	—	BE160M4	BX160MB4	—	—	—	—	165700	194500	70300	374
2.2	41759	2.1	659	40.0	—	315 R4	BE160M4	BX160MB4	—	—	—	—	165000	193700	70000	388
2.3	40971	1.2	647	22.0	—	313 R4	BE160M4	BX160MB4	—	—	—	—	153700	181900	61800	364
2.3	40102	1.3	633	11.0	313 L4	—	BE160M4	BX160MB4	—	—	—	—	152700	180700	61400	362
2.3	39833	1.0	629	22.0	—	311 R4	BE160M4	BX160MB4	—	—	—	—	123300	153600	49800	352
2.3	39707	1.0	627	11.0	311 L4	—	BE160M4	BX160MB4	—	—	—	—	123200	153500	49700	350
2.4	39493	2.5	623	40.0	—	315 R4	BE160M4	BX160MB4	—	—	—	—	162300	190500	68700	388
2.4	39493	2.9	623	45.0	—	316 R4	BE160M4	BX160MB4	—	—	—	—	269800	300100	114500	400
2.4	38887	1.5	614	22.0	—	314 R4	BE160M4	BX160MB4	—	—	—	—	161500	189600	68400	376
2.5	37436	2.7	591	18.0	315 L4	—	BE160M4	BX160MB4	—	—	—	—	159700	187500	67500	386
2.5	37252	2.1	588	15.0	314 L4	—	BE160M4	BX160MB4	—	—	—	—	159500	187200	67400	374
2.6	35968	1.2	568	11.0	311 L4	—	BE160M4	BX160MB4	—	—	—	—	119600	149000	48100	350
2.6	35720	1.5	564	11.0	313 L4	—	BE160M4	BX160MB4	—	—	—	—	147500	174500	59100	362
2.6	35113	2.3	554	15.0	314 L4	—	BE160M4	BX160MB4	—	—	—	—	156600	183900	66100	374
2.7	33869	1.4	535	22.0	—	313 R4	BE160M4	BX160MB4	—	—	—	—	145100	171800	58000	364
2.7	33799	2.9	533	18.0	315 L4	—	BE160M4	BX160MB4	—	—	—	—	154900	181800	65200	386
2.8	33451	2.1	528	22.0	—	314 R4	BE160M4	BX160MB4	—	—	—	—	154400	181300	65000	376
2.8	33277	3.0	525	40.0	—	315 R4	BE160M4	BX160MB4	—	—	—	—	154100	181000	64900	388
2.8	32928	1.2	520	22.0	—	311 R4	BE160M4	BX160MB4	—	—	—	—	116500	145100	46700	352
2.9	32545	1.5	514	11.0	313 L4	—	BE160M4	BX160MB4	—	—	—	—	143400	169700	57300	362
2.9	32447	1.4	512	11.0	311 L4	—	BE160M4	BX160MB4	—	—	—	—	116000	144500	46500	350
3.0	31433	1.7	496	22.0	—	313 R4	BE160M4	BX160MB4	—	—	—	—	141900	168000	56600	364





$P_1 = 11 \text{ kW}$

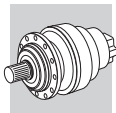
n_2 min ⁻¹	M_2 Nm	S	i	Pt kW									Rn ₂ [N]					
					IE2	IE3	IE2	IE3	MC	MZ	HC/PC	HZ/PZ	FZ					
3.0	31334	2.5	495	15.0	314 L4	—	BE160M4	BX160MB4	—	—	—	—	151400	177700	63600	374		
3.0	31039	1.1	490	22.0	—	311 R4	BE160M4	BX160MB4	—	—	—	—	114400	142500	45800	352		
3.2	29027	2.7	458	15.0	314 L4	—	BE160M4	BX160MB4	—	—	—	—	148000	173700	62000	374		
3.2	28622	1.9	452	11.0	313 L4	—	BE160M4	BX160MB4	—	—	—	—	138000	163300	54900	362		
3.3	28553	1.0	451	11.0	310 L4	—	BE160M4	BX160MB4	—	—	—	—	92500	116300	43500	338		
3.3	28538	1.7	450	22.0	—	313 R4	BE160M4	BX160MB4	—	—	—	—	137900	163200	54800	364		
3.3	28186	2.4	445	22.0	—	314 R4	BE160M4	BX160MB4	—	—	—	—	146700	172200	61400	376		
3.3	27745	1.4	438	22.0	—	311 R4	BE160M4	BX160MB4	—	—	—	—	110600	137800	44100	352		
3.5	26656	3.0	421	22.0	—	314 R4	BE160M4	BX160MB4	—	—	—	—	144200	169300	60300	376		
3.5	26568	1.1	419	15.0	—	310 R4	BE160M4	BX160MB4	—	—	—	—	92400	116200	43500	340		
3.5	26153	1.6	413	22.0	—	311 R4	BE160M4	BX160MB4	—	—	—	—	108700	135400	43300	352		
3.6	25999	1.6	410	11.0	311 L4	—	BE160M4	BX160MB4	—	—	—	—	108500	135200	43200	350		
3.7	24969	2.2	394	11.0	313 L4	—	BE160M4	BX160MB4	—	—	—	—	132500	156800	52400	362		
3.8	24549	1.9	387	22.0	—	313 R4	BE160M4	BX160MB4	—	—	—	—	131800	156000	52100	364		
4.0	23015	1.0	363	15.0	—	310 R4	BE160M4	BX160MB4	—	—	—	—	88500	111300	41500	340		
4.2	22303	2.4	352	11.0	313 L4	—	BE160M4	BX160MB4	—	—	—	—	128000	151500	50500	362		
4.2	22117	1.0	349	7.5	309 L4	—	BE160M4	BX160MB4	—	—	—	—	72300	93300	22100	326		
4.2	22023	1.8	348	11.0	311 L4	—	BE160M4	BX160MB4	—	—	—	—	103200	128600	40900	350		
4.2	21894	2.4	346	22.0	—	313 R4	BE160M4	BX160MB4	—	—	—	—	127300	150700	50200	364		
4.3	21620	1.8	341	22.0	—	311 R4	BE160M4	BX160MB4	—	—	—	—	102700	127900	40600	352		
4.4	21171	1.3	334	15.0	—	310 R4	BE160M4	BX160MB4	—	—	—	—	86300	108600	40300	340		
4.6	20379	1.9	322	22.0	—	311 R4	BE160M4	BX160MB4	—	—	—	—	100900	125600	39800	352		
4.7	19562	2.3	309	22.0	—	313 R4	BE160M4	BX160MB4	—	—	—	—	123100	145700	48300	364		
4.8	19321	1.2	305	15.0	—	310 R4	BE160M4	BX160MB4	—	—	—	—	84000	105600	39100	340		
4.8	19902	2.0	304	18.0	313 L3	—	BE160M4	BX160MB4	—	—	—	—	122500	145000	48100	362		
5.0	19349	1.2	295	18.0	310 L3	—	BE160M4	BX160MB4	—	—	—	—	83200	104600	38700	338		
5.0	18598	2.0	294	22.0	—	311 R4	BE160M4	BX160MB4	—	—	—	—	98100	122200	38600	352		
5.0	19077	1.4	291	18.0	311 L3	—	BE160M4	BX160MB4	—	—	—	—	97900	121900	38500	350		
5.1	18024	0.9	284	15.0	—	309 R4	BE160M4	BX160MB4	—	—	—	—	68000	87700	20700	328		
5.2	17933	1.5	283	15.0	—	310 R4	BE160M4	BX160MB4	—	—	—	—	82100	103300	38100	340		
5.2	17812	2.7	281	22.0	—	313 R4	BE160M4	BX160MB4	—	—	—	—	119700	141700	46800	364		
5.5	16847	2.2	266	22.0	—	311 R4	BE160M4	BX160MB4	—	—	—	—	95300	118700	37400	352		
5.7	16366	1.4	258	15.0	—	310 R4	BE160M4	BX160MB4	—	—	—	—	79900	100500	37000	340		
5.7	16350	1.1	258	15.0	—	309 R4	BE160M4	BX160MB4	—	—	—	—	67400	87000	20500	328		
5.8	16534	2.7	252	18.0	313 L3	—	BE160M4	BX160MB4	—	—	—	—	115900	137100	45200	362		
5.9	16330	1.1	249	18.0	310 L3	—	BE160M4	BX160MB4	—	—	—	—	79100	99400	36600	338		
6.0	16074	2.1	245	18.0	311 L3	—	BE160M4	BX160MB4	—	—	—	—	93000	115800	36400	350		
6.2	15008	2.7	237	22.0	—	313 R4	BE160M4	BX160MB4	—	—	—	—	113700	134600	44200	364		
6.3	14825	1.7	234	15.0	—	310 R4	BE160M4	BX160MB4	—	—	—	—	77600	97600	35800	340		
6.3	14713	1.1	232	15.0	—	309 R4	BE160M4	BX160MB4	—	—	—	—	65300	84200	19800	328		
6.4	15077	1.4	230	18.0	310 L3	—	BE160M4	BX160MB4	—	—	—	—	77200	97100	35600	338		
6.4	14492	2.4	229	22.0	—	311 R4	BE160M4	BX160MB4	—	—	—	—	91100	113400	35500	352		
7.1	13042	1.7	206	15.0	—	310 R4	BE160M4	BX160MB4	—	—	—	—	74700	93900	34300	340		
7.1	13029	1.1	206	15.0	—	307 R4	BE160M4	BX160MB4	—	—	27300	34300	62000	81200	23700	316		
7.1	13029	1.5	206	15.0	—	309 R4	BE160M4	BX160MB4	—	—	—	—	63000	81200	19000	328		
7.2	13288	2.5	203	18.0	311 L3	—	BE160M4	BX160MB4	—	—	—	—	87800	109400	34100	350		
7.3	13223	1.7	202	18.0	310 L3	—	BE160M4	BX160MB4	—	—	—	—	74200	93300	34100	338		
7.3	13209	1.2	202	11.0	309 L3	—	BE160M4	BX160MB4	—	—	—	—	62600	80700	18900	326		
7.3	12713	2.7	201	22.0	—	313 R4	BE160M4	BX160MB4	—	—	—	—	108200	128000	41900	364		



P₁ = 11 kW

n ₂ min ⁻¹	M ₂ Nm	S	i	Pt kW									Rn ₂ [N]					
					IE2	IE3	IE2	IE3	MC	MZ	HC/PC	HZ/PZ	FZ					
7.4	12553	2.7	198	22.0	—	311 R4	BE160M4	BX160MB4	—	—	—	—	87200	108600	33900	352		
7.7	12526	2.6	191	18.0	311 L3	—	BE160M4	BX160MB4	—	—	—	—	86300	107500	33500	350		
7.7	12081	1.2	191	15.0	—	307 R4	BE160M4	BX160MB4	—	—	26600	33400	60600	79400	23200	316		
7.7	12081	1.4	191	15.0	—	309 R4	BE160M4	BX160MB4	—	—	—	—	61600	79400	18500	328		
7.7	11997	1.9	189	15.0	—	310 R4	BE160M4	BX160MB4	—	—	—	—	72800	91500	33400	340		
7.9	11695	2.7	185	22.0	—	313 R4	BE160M4	BX160MB4	—	—	—	—	105500	124900	40700	364		
8.0	11965	1.2	183	11.0	309 L3	—	BE160M4	BX160MB4	—	—	—	—	60800	78400	18300	326		
8.0	11548	2.7	182	22.0	—	311 R4	BE160M4	BX160MB4	—	—	—	—	85100	106000	32900	352		
8.3	11612	1.6	177	18.0	310 L3	—	BE160M4	BX160MB4	—	—	—	—	71400	89800	32600	338		
8.3	11598	1.1	177	11.0	307 L3	—	BE160M4	BX160MB4	—	—	26000	32600	59300	77700	22600	314		
8.6	11197	2.9	171	18.0	311 L3	—	BE160M4	BX160MB4	—	—	—	—	83400	103900	32200	350		
8.9	10466	1.6	165	15.0	—	309 R4	BE160M4	BX160MB4	—	—	—	—	59000	76100	17700	328		
9.0	10721	2.1	164	18.0	310 L3	—	BE160M4	BX160MB4	—	—	—	—	69700	87600	31800	338		
9.1	10584	1.0	162	11.0	307 L3	—	BE160M4	BX160MB4	—	—	25200	31600	57700	75600	21900	314		
9.1	10584	1.5	162	11.0	309 L3	—	BE160M4	BX160MB4	—	—	—	—	58600	75600	17500	326		
9.1	10162	2.2	160	15.0	—	310 R4	BE160M4	BX160MB4	—	—	—	—	69300	87100	31600	340		
9.3	10002	1.0	158	12.0	—	306 R4	BE160M4	BX160MB4	—	—	22000	24900	52100	60700	16500	304		
9.5	9782	2.7	154	22.0	—	311 R4	BE160M4	BX160MB4	—	—	—	—	80900	100800	31200	352		
9.6	9627	1.9	152	15.0	—	309 R4	BE160M4	BX160MB4	—	—	—	—	57500	74200	17200	328		
10.0	9609	2.8	147	40.0	—	311 R3	BE160M4	BX160MB4	—	—	—	—	79700	99300	30600	352		
10.0	9587	1.4	146	11.0	307 L3	—	BE160M4	BX160MB4	—	—	24400	30600	56000	73300	21200	314		
10.3	9287	2.2	142	18.0	310 L3	—	BE160M4	BX160MB4	—	—	—	—	66700	83900	30300	338		
10.6	9092	1.2	139	11.0	307 L3	—	BE160M4	BX160MB4	—	—	24000	30100	55100	72200	20800	314		
10.6	9092	1.8	139	11.0	309 L3	—	BE160M4	BX160MB4	—	—	—	—	56000	72200	16700	326		
10.8	8608	2.4	136	15.0	—	310 R4	BE160M4	BX160MB4	—	—	—	—	65900	82900	29900	340		
11.2	8544	2.4	130	18.0	310 L3	—	BE160M4	BX160MB4	—	—	—	—	65100	81900	29500	338		
11.6	8247	1.6	126	11.0	307 L3	—	BE160M4	BX160MB4	—	—	23200	29100	53500	70100	20200	314		
11.6	8247	2.0	126	11.0	309 L3	—	BE160M4	BX160MB4	—	—	—	—	54400	70100	16100	326		
12.1	7945	1.0	121	7.5	306 L3	—	BE160M4	BX160MB4	—	—	20600	23400	49200	57300	15500	302		
12.2	7846	1.1	120	22.0	—	307 R3	BE160M4	BX160MB4	—	—	22800	28600	52700	69100	19800	316		
12.2	7846	1.6	120	22.0	—	309 R3	BE160M4	BX160MB4	—	—	—	—	53600	69100	15900	328		
12.2	7846	2.2	120	22.0	—	310 R3	BE160M4	BX160MB4	—	—	—	—	63500	79800	28600	340		
12.3	7797	2.5	119	18.0	310 L3	—	BE160M4	BX160MB4	—	—	—	—	63300	79600	28600	338		
12.5	7869	1.1	120	22.0	—	307 R3	BE 160M 4	BX160MB4	—	—	22300	28000	51600	67600	19400	316		
12.9	7422	1.4	113	11.0	307 L3	—	BE160M4	BX160MB4	—	—	22400	28100	51800	67900	19500	314		
12.9	7422	2.1	113	11.0	309 L3	—	BE160M4	BX160MB4	—	—	—	—	52700	67900	15600	326		
13.0	7360	1.0	112	7.5	306 L3	—	BE160M4	BX160MB4	—	—	20100	22800	48100	56000	15100	302		
13.3	7237	2.7	110	18.0	310 L3	—	BE160M4	BX160MB4	—	—	—	—	61900	77900	27900	338		
14.1	6828	1.3	104	7.5	306 L3	—	BE160M4	BX160MB4	—	—	19600	22200	47000	54700	14700	302		
14.5	6604	2.8	101	18.0	310 L3	—	BE160M4	BX160MB4	—	—	—	—	60300	75800	27000	338		
14.6	6572	1.9	100	11.0	307 L3	—	BE160M4	BX160MB4	—	—	21500	27000	50000	65500	18700	314		
14.6	6572	2.5	100	11.0	309 L3	—	BE160M4	BX160MB4	—	—	—	—	50800	65500	15000	326		
14.8	6486	1.3	99.0	22.0	—	307 R3	BE160M4	BX160MB4	—	—	21400	26900	49800	65200	18600	316		
14.8	6486	2.0	99.0	22.0	—	309 R3	BE160M4	BX160MB4	—	—	—	—	50600	65200	14900	328		
14.8	6486	2.5	99.0	22.0	—	310 R3	BE160M4	BX160MB4	—	—	—	—	59900	75400	26900	340		
14.9	6454	1.0	98.5	14.0	—	306 R3	BE160M4	BX160MB4	—	—	19200	21800	46200	53800	14400	304		
15.2	6505	1.3	99.0	22.0	—	307 R3	BE 160M 4	BX160MB4	—	—	20900	26200	48800	63900	18200	316		
15.8	6094	2.0	93.0	11.0	307 L3	—	BE160M4	BX160MB4	—	—	21000	26300	48900	64000	18200	314		
15.8	6094	2.5	93.0	11.0	309 L3	—	BE160M4	BX160MB4	—	—	—	—	49600	64000	14600	326		

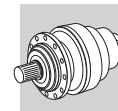
A



$P_1 = 11 \text{ kW}$

n_2 min ⁻¹	M_2 Nm	S	i	Pt kW	IE2		IE3		R _{n2} [N]					FZ	Icon	
					IE2	IE3	IE2	IE3	MC	MZ	HC/PC	HZ/PZ	FZ			
16.6	5783	1.5	88.3	7.5	306 L3	—	BE160M4	BX160MB4	—	—	18500	21000	44700	52100	13900	302
17.3	5552	1.4	84.7	14.0	—	306 R3	BE160M4	BX160MB4	—	—	18300	20700	44200	51400	13700	304
17.6	5465	1.9	83.4	22.0	—	307 R3	BE160M4	BX160MB4	—	—	20200	25400	47300	62000	17600	316
17.6	5465	2.6	83.4	22.0	—	309 R3	BE160M4	BX160MB4	—	—	—	—	48000	62000	14100	328
17.6	5465	2.7	83.4	22.0	—	310 R3	BE160M4	BX160MB4	—	—	—	—	56900	71600	25400	340
17.9	5363	1.3	81.9	7.5	306 L3	—	BE160M4	BX160MB4	—	—	18100	20500	43700	50900	13600	302
18.2	5279	1.9	80.6	11.0	307 L3	—	BE160M4	BX160MB4	—	—	20000	25100	46800	61300	17400	314
18.2	5279	2.8	80.6	11.0	309 L3	—	BE160M4	BX160MB4	—	—	—	—	47600	61300	13900	326
18.6	5151	2.7	78.6	22.0	—	310 R3	BE160M4	BX160MB4	—	—	—	—	55900	70300	24900	340
18.6	5151	2.2	78.6	22.0	—	307 R3	BE160M4	BX160MB4	—	—	19800	24900	46500	60900	17200	316
19.0	5061	1.0	77.2	7.5	305 L3	—	BE160M4	BX160MB4	—	—	13900	16100	25700	30900	8930	290
19.0	5045	1.7	77.0	7.5	306 L3	—	BE160M4	BX160MB4	—	—	17700	20100	42900	50000	13300	302
19.8	4856	2.4	74.1	11.0	307 L3	—	BE160M4	BX160MB4	—	—	19400	24400	45600	59800	16900	314
20.1	4776	1.6	72.9	14.0	—	306 R3	BE160M4	BX160MB4	—	—	17400	19700	42200	49200	13100	304
20.2	4907	1.1	72.5	13.0	306 L2	—	BE160M4	BX160MB4	ME5SA4	MX5SB4	17400	19700	42100	49100	13000	302
20.4	4701	2.1	71.8	22.0	—	307 R3	BE160M4	BX160MB4	—	—	19200	24100	45200	59200	16700	316
20.4	4701	2.7	71.8	22.0	—	309 R3	BE160M4	BX160MB4	—	—	—	—	45900	59200	13400	328
20.4	4701	2.7	71.8	22.0	—	310 R3	BE160M4	BX160MB4	—	—	—	—	54400	68400	24100	340
21.7	4424	1.6	67.5	14.0	—	306 R3	BE160M4	BX160MB4	—	—	17000	19200	41300	48000	12700	304
22.5	4274	1.8	65.2	7.5	306 L3	—	BE160M4	BX160MB4	—	—	16800	19000	40800	47500	12600	302
22.5	4258	2.7	65.0	22.0	—	310 R3	BE160M4	BX160MB4	—	—	—	—	52800	66400	23400	340
22.5	4258	2.6	65.0	22.0	—	307 R3	BE160M4	BX160MB4	—	—	18600	23300	43900	57500	16200	316
22.5	4258	2.6	65.0	22.0	—	309 R3	BE160M4	BX160MB4	—	—	—	—	44600	57500	12900	328
23.2	4131	1.1	63.1	7.5	305 L3	—	BE160M4	BX160MB4	—	—	13000	15000	24200	29100	8340	290
24.2	3964	2.8	60.5	11.0	307 L3	—	BE160M4	BX160MB4	—	—	18200	22800	42900	56300	15800	314
25.2	3806	2.0	58.1	14.0	—	306 R3	BE160M4	BX160MB4	—	—	16100	18300	39400	45900	12100	304
26.0	3807	1.4	56.3	13.0	306 L2	—	BE160M4	BX160MB4	ME5SA4	MX5SB4	16000	18100	39100	45500	12000	302
26.2	3663	2.7	55.9	22.0	—	310 R3	BE160M4	BX160MB4	—	—	17700	22200	41900	55000	15400	340
26.2	3663	2.7	55.9	22.0	—	307 R3	BE160M4	BX160MB4	—	—	—	—	42600	55000	12300	316
26.2	3663	2.7	55.9	22.0	—	309 R3	BE160M4	BX160MB4	—	—	—	—	50500	63500	22200	328
26.3	3777	0.9	55.8	9.0	305 L2	—	BE160M4	BX160MB4	—	—	12500	14400	23300	28100	8010	290
27.4	3499	0.9	53.4	7.5	304 L3	—	BE160M4	BX160MB4	—	—	12600	14500	23500	28300	8080	278
27.4	3499	1.1	53.4	7.5	305 L3	—	BE160M4	BX160MB4	—	—	12600	14500	23500	28300	8080	290
27.5	3489	2.0	53.2	7.5	306 L3	—	BE160M4	BX160MB4	—	—	15700	17800	38400	44700	11800	302
31	3163	2.6	46.7	18.0	307 L2	—	BE160M4	BX160MB4	ME5SA4	MX5SB4	16700	20900	39700	52100	14500	314
32	3147	2.1	46.5	13.0	306 L2	—	BE160M4	BX160MB4	ME5SA4	MX5SB4	15000	17000	36900	43000	11300	302
32	3033	2.5	46.3	14.0	—	306 R3	BE160M4	BX160MB4	—	—	15000	16900	36800	42900	11200	304
33	3021	1.2	44.6	9.0	305 L2	—	BE160M4	BX160MB4	—	—	11900	13700	22300	26800	7610	290
33	2919	2.7	44.6	22.0	—	310 R3	BE160M4	BX160MB4	—	—	—	—	47200	59300	20600	340
33	2919	2.7	44.6	22.0	—	307 R3	BE160M4	BX160MB4	—	—	16400	20600	39200	51300	14300	316
33	2919	2.7	44.6	22.0	—	309 R3	BE160M4	BX160MB4	—	—	—	—	39800	51300	11400	328
34	2857	1.1	43.6	7.5	304 L3	—	BE160M4	BX160MB4	—	—	11800	13600	22100	26600	7550	278
37	2569	2.5	39.2	14.0	—	306 R3	BE160M4	BX160MB4	—	—	14100	16000	35000	40800	10600	304
38	2602	2.5	38.4	13.0	306 L2	—	BE160M4	BX160MB4	ME5SA4	MX5SB4	14100	15900	34800	40600	10600	302
38	2599	1.1	38.4	9.0	304 L2	—	BE160M4	BX160MB4	—	—	11300	13000	21300	25600	7240	278
38	2599	1.7	38.4	9.0	305 L2	—	BE160M4	BX160MB4	—	—	11300	13000	21300	25600	7240	290
39	2473	2.7	37.7	22.0	—	310 R3	BE160M4	BX160MB4	—	—	—	—	44900	56400	19500	340
39	2473	2.7	37.7	22.0	—	307 R3	BE160M4	BX160MB4	—	—	15500	19500	37300	48800	13500	316
39	2473	2.7	37.7	22.0	—	309 R3	BE160M4	BX160MB4	—	—	—	—	37900	48800	10800	328

A



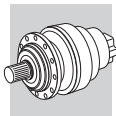
P₁ = 11 kW

n ₂ min ⁻¹	M ₂ Nm	S	i	Pt kW							Rn ₂ [N]					
							IE2	IE3	IE2	IE3	MC	MZ	HC/PC	HZ/PZ	FZ	
41	2421	1.5	35.8	9.0		—	BE160M4	BX160MB4	—	—	11000	12700	20800	25100	7070	290
44	2176	2.7	33.2	14.0	—		BE160M4	BX160MB4	—	—	13400	15200	33300	38800	10100	304
46	2072	2.7	31.6	22.0	—		BE160M4	BX160MB4	—	—	14600	18400	35400	46300	12700	316
46	2072	2.7	31.6	22.0	—		BE160M4	BX160MB4	—	—	—	—	35900	46300	10200	328
48	2082	1.0	30.8	9.0		—	BE160M4	BX160MB4	—	—	10500	12100	19900	24000	6720	266
48	2082	1.4	30.8	9.0		—	BE160M4	BX160MB4	—	—	10500	12100	19900	24000	6720	278
48	2082	2.1	30.8	9.0		—	BE160M4	BX160MB4	—	—	10500	12100	19900	24000	6720	290
55	1789	1.0	26.4	9.0		—	BE160M4	BX160MB4	—	—	9960	11500	19000	22900	6390	266
55	1789	2.0	26.4	9.0		—	BE160M4	BX160MB4	—	—	9960	11500	19000	22900	6390	290
60	1659	1.3	24.5	9.0		—	BE160M4	BX160MB4	—	—	9720	11200	18600	22400	6230	266
60	1659	1.9	24.5	9.0		—	BE160M4	BX160MB4	—	—	9720	11200	18600	22400	6230	278
60	1659	2.3	24.5	9.0		—	BE160M4	BX160MB4	—	—	9720	11200	18600	22400	6230	290
64	1539	1.4	22.7	9.0		—	BE160M4	BX160MB4	—	—	9470	10900	18200	21900	6080	266
64	1539	1.8	22.7	9.0		—	BE160M4	BX160MB4	—	—	9470	10900	18200	21900	6080	278
64	1539	2.6	22.7	9.0		—	BE160M4	BX160MB4	—	—	9470	10900	18200	21900	6080	290
71	1406	1.3	20.8	9.0		—	BE160M4	BX160MB4	—	—	9190	10600	17700	21300	5900	266
71	1406	2.1	20.8	9.0		—	BE160M4	BX160MB4	—	—	9190	10600	17700	21300	5900	278
71	1406	2.3	20.8	9.0		—	BE160M4	BX160MB4	—	—	9190	10600	17700	21300	5900	290
76	1301	2.7	19.2	18.0	—		BE160M4	BX160MB4	—	—	11200	12600	28300	33000	8380	304
81	1226	1.6	18.1	9.0		—	BE160M4	BX160MB4	—	—	8780	10100	17000	20400	5630	266
81	1226	2.4	18.1	9.0		—	BE160M4	BX160MB4	—	—	8780	10100	17000	20400	5630	278
81	1226	3.0	18.1	9.0		—	BE160M4	BX160MB4	—	—	8780	10100	17000	20400	5630	290
92	1075	2.7	15.9	18.0	—		BE160M4	BX160MB4	—	—	10500	11900	26700	31100	7870	304
95	1039	1.6	15.3	9.0		—	BE160M4	BX160MB4	—	—	8310	9590	16200	19500	5330	266
95	1039	2.7	15.3	9.0		—	BE160M4	BX160MB4	—	—	8310	9590	16200	19500	5330	278
95	1039	2.9	15.3	9.0		—	BE160M4	BX160MB4	—	—	8310	9590	16200	19500	5330	290
107	925	2.7	13.7	18.0	—		BE160M4	BX160MB4	—	—	9960	11300	25500	29700	7480	304
117	848	1.9	12.5	9.0		—	BE160M4	BX160MB4	—	—	7770	8970	15200	18300	4980	266
135	737	2.7	10.9	18.0	—		BE160M4	BX160MB4	—	—	9230	10500	23900	27800	6930	304
152	675	1.1	9.67	11.0		—	BE160M4	BX160MB4	ME5SA4	MX5SB4	7120	8220	14100	16900	4570	266
159	624	2.7	9.23	18.0	—		BE160M4	BX160MB4	—	—	8730	9900	22700	26400	6560	304
195	524	2.3	7.50	11.0		—	BE160M4	BX160MB4	ME5SA4	MX5SB4	2260	2260	6750	7750	1490	266

P₁ = 15 kW

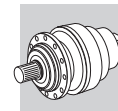
n ₂ min ⁻¹	M ₂ Nm	S	i	Pt kW							Rn ₂ [N]					
							IE2	IE3	IE2	IE3	MC	MZ	HC/PC	HZ/PZ	FZ	
0.77	163217	1.0	1893	18.0		—	BE160L4	BX160LA4	—	—	—	—	442000	470000	150000	408
0.92	137526	1.2	1595	18.0		—	BE160L4	BX160LA4	—	—	—	—	442000	470000	150000	408
1.1	113688	1.5	1318	18.0		—	BE160L4	BX160LA4	—	—	—	—	434300	462400	147000	408
1.2	106719	1.1	1237	18.0		—	BE160L4	BX160LA4	—	—	—	—	331400	368600	144000	398
1.3	97796	1.7	1134	18.0		—	BE160L4	BX160LA4	—	—	—	—	415100	442000	139800	408
1.3	95233	1.0	1104	18.0		—	BE160L4	BX160LA4	—	—	—	—	192600	226200	83200	386
1.4	89921	1.1	1043	18.0		—	BE160L4	BX160LA4	—	—	—	—	189400	222300	81600	386
1.4	89921	1.5	1043	18.0		—	BE160L4	BX160LA4	—	—	—	—	314800	350100	136000	398
1.4	89477	0.9	1038	15.0		—	BE160L4	BX160LA4	—	—	—	—	189100	222000	81400	374
1.4	89028	2.0	1032	18.0		—	BE160L4	BX160LA4	—	—	—	—	403600	429700	135500	408

A



$P_1 = 15 \text{ kW}$

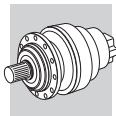
n_2 min ⁻¹	M_2 Nm	S	i	Pt kW	Motor Configurations		IE2		IE3		Rn ₂ [N]					📄
					317 R4	315 L4	BE160L4	BX160LA4	IE2	IE3	MC	MZ	HC/PC	HZ/PZ	FZ	
1.5	82213	1.8	953	50.0	—	317 R4	BE160L4	BX160LA4	—	—	—	—	394100	419600	132000	410
1.6	80193	1.2	930	18.0	315 L4	—	BE160L4	BX160LA4	—	—	—	—	183000	214800	78500	386
1.6	79847	0.9	926	15.0	314 L4	—	BE160L4	BX160LA4	—	—	—	—	182700	214500	78400	374
1.6	78419	1.0	909	40.0	—	315 R4	BE160L4	BX160LA4	—	—	—	—	181700	213400	77900	388
1.6	77931	2.1	904	18.0	317 L4	—	BE160L4	BX160LA4	—	—	—	—	387800	412900	129600	408
1.7	74334	1.4	862	18.0	315 L4	—	BE160L4	BX160LA4	—	—	—	—	178800	210000	76600	386
1.7	74334	1.7	862	18.0	316 L4	—	BE160L4	BX160LA4	—	—	—	—	297400	330700	127600	398
1.7	73967	1.1	858	15.0	314 L4	—	BE160L4	BX160LA4	—	—	—	—	178600	209700	76400	374
1.8	70068	1.9	812	18.0	316 L4	—	BE160L4	BX160LA4	—	—	—	—	292100	324900	125100	398
1.8	69272	2.4	803	50.0	—	317 R4	BE160L4	BX160LA4	—	—	—	—	374300	398500	124600	410
1.8	68302	2.7	792	18.0	317 L4	—	BE160L4	BX160LA4	—	—	—	—	372700	396900	124100	408
1.9	67457	1.3	782	40.0	—	315 R4	BE160L4	BX160LA4	—	—	—	—	173700	203900	74100	388
2.0	63904	1.6	741	18.0	315 L4	—	BE160L4	BX160LA4	—	—	—	—	170900	200700	72800	386
2.0	63904	2.0	741	18.0	316 L4	—	BE160L4	BX160LA4	—	—	—	—	284200	316100	121400	398
2.0	63628	1.3	738	15.0	314 L4	—	BE160L4	BX160LA4	—	—	—	—	170700	200400	72700	374
2.0	62634	2.1	726	18.0	316 L4	—	BE160L4	BX160LA4	—	—	—	—	282500	314100	120500	398
2.0	62012	2.9	719	18.0	317 L4	—	BE160L4	BX160LA4	—	—	—	—	362100	385500	120100	408
2.1	59039	2.2	685	18.0	316 L4	—	BE160L4	BX160LA4	—	—	—	—	277500	308600	118200	398
2.2	58368	2.8	677	50.0	—	317 R4	BE160L4	BX160LA4	—	—	—	—	355600	378600	117700	410
2.2	57923	1.7	672	18.0	315 L4	—	BE160L4	BX160LA4	—	—	—	—	165900	194800	70500	386
2.2	57637	1.4	668	15.0	314 L4	—	BE160L4	BX160LA4	—	—	—	—	165700	194500	70300	374
2.2	56839	1.6	659	40.0	—	315 R4	BE160L4	BX160LA4	—	—	—	—	165000	193700	70000	388
2.3	55766	0.9	647	22.0	—	313 R4	BE160L4	BX160LA4	—	—	—	—	150500	178100	60400	364
2.3	54583	1.0	633	11.0	313 L4	—	BE160L4	BX160LA4	—	—	—	—	152700	180700	61400	362
2.3	53978	2.9	626	50.0	—	317 R4	BE160L4	BX160LA4	—	—	—	—	347300	369800	114700	410
2.3	53845	2.3	624	18.0	316 L4	—	BE160L4	BX160LA4	—	—	—	—	270000	300300	114600	398
2.4	53755	1.9	623	40.0	—	315 R4	BE160L4	BX160LA4	—	—	—	—	162300	190500	68700	388
2.4	53755	2.1	623	45.0	—	316 R4	BE160L4	BX160LA4	—	—	—	—	269800	300100	114500	400
2.4	52929	1.1	614	22.0	—	314 R4	BE160L4	BX160LA4	—	—	—	—	161500	189600	68400	376
2.5	50955	2.0	591	18.0	315 L4	—	BE160L4	BX160LA4	—	—	—	—	159700	187500	67500	386
2.5	50955	2.4	591	18.0	316 L4	—	BE160L4	BX160LA4	—	—	—	—	265500	295300	112500	398
2.5	50703	1.6	588	15.0	314 L4	—	BE160L4	BX160LA4	—	—	—	—	159500	187200	67400	374
2.6	48805	2.5	566	18.0	316 L4	—	BE160L4	BX160LA4	—	—	—	—	262100	291500	110900	398
2.6	48619	1.1	564	11.0	313 L4	—	BE160L4	BX160LA4	—	—	—	—	147500	174500	59100	362
2.6	47793	1.7	554	15.0	314 L4	—	BE160L4	BX160LA4	—	—	—	—	156600	183900	66100	374
2.7	46100	1.1	535	22.0	—	313 R4	BE160L4	BX160LA4	—	—	—	—	145100	171800	58000	364
2.7	46004	2.2	533	18.0	315 L4	—	BE160L4	BX160LA4	—	—	—	—	154900	181800	65200	386
2.7	46004	2.6	533	18.0	316 L4	—	BE160L4	BX160LA4	—	—	—	—	257500	286400	108700	398
2.8	45531	1.5	528	22.0	—	314 R4	BE160L4	BX160LA4	—	—	—	—	154400	181300	65000	376
2.8	45293	2.2	525	40.0	—	315 R4	BE160L4	BX160LA4	—	—	—	—	154100	181000	64900	388
2.8	45293	2.6	525	45.0	—	316 R4	BE160L4	BX160LA4	—	—	—	—	256300	285000	108200	400
2.9	44298	1.1	514	11.0	313 L4	—	BE160L4	BX160LA4	—	—	—	—	143400	169700	57300	362
2.9	44164	1.0	512	11.0	311 L4	—	BE160L4	BX160LA4	—	—	—	—	116000	144500	46500	350
3.0	42783	1.2	496	22.0	—	313 R4	BE160L4	BX160LA4	—	—	—	—	141900	168000	56600	364
3.0	42650	1.9	495	15.0	314 L4	—	BE160L4	BX160LA4	—	—	—	—	151400	177700	63600	374
3.0	41983	2.4	487	18.0	315 L4	—	BE160L4	BX160LA4	—	—	—	—	150700	176900	63300	386
3.0	41983	2.8	487	18.0	316 L4	—	BE160L4	BX160LA4	—	—	—	—	250500	278600	105500	398
3.2	39509	2.0	458	15.0	314 L4	—	BE160L4	BX160LA4	—	—	—	—	148000	173700	62000	374
3.2	38957	1.4	452	11.0	313 L4	—	BE160L4	BX160LA4	—	—	—	—	138000	163300	54900	362



P₁ = 15 kW

n ₂ min ⁻¹	M ₂ Nm	S	i	Pt kW	Motor		IE2		IE3		Rn ₂ [N]					Icon
					Icon	Icon	Icon	Icon	IE2	IE3	MC	MZ	HC/PC	HZ/PZ	FZ	
3.3	38843	1.2	450	22.0	—	313 R4	BE160L4	BX160LA4	—	—	—	—	137900	163200	54800	364
3.3	38364	1.8	445	22.0	—	314 R4	BE160L4	BX160LA4	—	—	—	—	146700	172200	61400	376
3.3	38030	2.6	441	18.0	315 L4	—	BE160L4	BX160LA4	—	—	—	—	146300	171700	61200	386
3.3	37764	1.0	438	22.0	—	311 R4	BE160L4	BX160LA4	—	—	—	—	110600	137800	44100	352
3.5	36282	2.2	421	22.0	—	314 R4	BE160L4	BX160LA4	—	—	—	—	144200	169300	60300	376
3.5	35597	1.1	413	22.0	—	311 R4	BE160L4	BX160LA4	—	—	—	—	108700	135400	43300	352
3.6	35388	1.2	410	11.0	—	311 L4	BE160L4	BX160LA4	—	—	—	—	108500	135200	43200	350
3.6	35294	2.8	409	40.0	—	315 R4	BE160L4	BX160LA4	—	—	—	—	143000	167900	59700	388
3.7	33985	1.6	394	11.0	313 L4	—	BE160L4	BX160LA4	—	—	—	—	132500	156800	52400	362
3.8	33467	2.3	388	15.0	314 L4	—	BE160L4	BX160LA4	—	—	—	—	140800	165300	58700	374
3.8	33414	1.4	387	22.0	—	313 R4	BE160L4	BX160LA4	—	—	—	—	131800	156000	52100	364
4.1	30571	2.6	354	22.0	—	314 R4	BE160L4	BX160LA4	—	—	—	—	137000	160800	56900	376
4.2	30356	1.7	352	11.0	313 L4	—	BE160L4	BX160LA4	—	—	—	—	128000	151500	50500	362
4.2	29976	1.3	348	11.0	311 L4	—	BE160L4	BX160LA4	—	—	—	—	103200	128600	40900	350
4.2	29801	1.8	346	22.0	—	313 R4	BE160L4	BX160LA4	—	—	—	—	127300	150700	50200	364
4.3	29427	1.3	341	22.0	—	311 R4	BE160L4	BX160LA4	—	—	—	—	102700	127900	40600	352
4.4	28817	1.0	334	15.0	—	310 R4	BE160L4	BX160LA4	—	—	—	—	84600	106300	39400	340
4.6	27738	1.4	322	22.0	—	311 R4	BE160L4	BX160LA4	—	—	—	—	100900	125600	39800	352
4.7	27083	2.9	314	15.0	314 L4	—	BE160L4	BX160LA4	—	—	—	—	132100	155100	54700	374
4.7	26627	1.7	309	22.0	—	313 R4	BE160L4	BX160LA4	—	—	—	—	123100	145700	48300	364
4.8	27088	1.4	304	18.0	313 L3	—	BE160L4	BX160LA4	—	—	—	—	122500	145000	48100	362
5.0	25313	1.5	294	22.0	—	311 R4	BE160L4	BX160LA4	—	—	—	—	98100	122200	38600	352
5.0	25966	1.0	291	18.0	311 L3	—	BE160L4	BX160LA4	—	—	—	—	97900	121900	38500	350
5.2	24409	1.1	283	15.0	—	310 R4	BE160L4	BX160LA4	—	—	—	—	82100	103300	38100	340
5.2	24244	2.0	281	22.0	—	313 R4	BE160L4	BX160LA4	—	—	—	—	119700	141700	46800	364
5.5	22930	1.6	266	22.0	—	311 R4	BE160L4	BX160LA4	—	—	—	—	95300	118700	37400	352
5.7	22276	1.0	258	15.0	—	310 R4	BE160L4	BX160LA4	—	—	—	—	79900	100500	37000	340
5.8	22504	2.0	252	18.0	313 L3	—	BE160L4	BX160LA4	—	—	—	—	115900	137100	45200	362
6.0	21879	1.6	245	18.0	311 L3	—	BE160L4	BX160LA4	—	—	—	—	93000	115800	36400	350
6.1	21360	2.4	240	25.0	314 L3	—	BE160L4	BX160LA4	—	—	—	—	119300	140100	48800	374
6.2	20428	2.0	237	22.0	—	313 R4	BE160L4	BX160LA4	—	—	—	—	113700	134600	44200	364
6.3	20178	1.2	234	15.0	—	310 R4	BE160L4	BX160LA4	—	—	—	—	77600	97600	35800	340
6.4	20522	1.0	230	18.0	310 L3	—	BE160L4	BX160LA4	—	—	—	—	77200	97100	35600	338
6.4	19725	1.8	229	22.0	—	311 R4	BE160L4	BX160LA4	—	—	—	—	91100	113400	35500	352
7.0	18603	2.4	209	18.0	313 L3	—	BE160L4	BX160LA4	—	—	—	—	109400	129500	42400	362
7.1	17751	1.2	206	15.0	—	310 R4	BE160L4	BX160LA4	—	—	—	—	74700	93900	34300	340
7.1	17733	1.1	206	15.0	—	309 R4	BE160L4	BX160LA4	—	—	—	—	63000	81200	19000	328
7.2	18087	1.8	203	18.0	311 L3	—	BE160L4	BX160LA4	—	—	—	—	87800	109400	34100	350
7.3	17997	1.2	202	18.0	310 L3	—	BE160L4	BX160LA4	—	—	—	—	74200	93300	34100	338
7.3	17979	0.9	202	11.0	309 L3	—	BE160L4	BX160LA4	—	—	—	—	61300	79100	18400	326
7.3	17304	2.0	201	22.0	—	313 R4	BE160L4	BX160LA4	—	—	—	—	108200	128000	41900	364
7.4	17087	2.0	198	22.0	—	311 R4	BE160L4	BX160LA4	—	—	—	—	87200	108600	33900	352
7.6	17265	2.8	194	18.0	313 L3	—	BE160L4	BX160LA4	—	—	—	—	107000	126700	41400	362
7.7	17049	1.9	191	18.0	311 L3	—	BE160L4	BX160LA4	—	—	—	—	86300	107500	33500	350
7.7	16444	1.1	191	15.0	—	309 R4	BE160L4	BX160LA4	—	—	—	—	61600	79400	18500	328
7.7	16329	1.4	189	15.0	—	310 R4	BE160L4	BX160LA4	—	—	—	—	72800	91500	33400	340
7.9	15918	2.0	185	22.0	—	313 R4	BE160L4	BX160LA4	—	—	—	—	105500	124900	40700	364
8.0	15718	2.0	182	22.0	—	311 R4	BE160L4	BX160LA4	—	—	—	—	85100	106000	32900	352
8.0	16231	2.4	182	18.0	313 L3	—	BE160L4	BX160LA4	—	—	—	—	105100	124300	40500	362

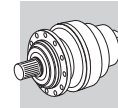
A



$P_1 = 15 \text{ kW}$

n ₂ min ⁻¹	M ₂ Nm	S	i	Pt kW							Rn ₂ [N]					
							IE2	IE3	IE2	IE3	MC	MZ	HC/PC	HZ/PZ	FZ	
8.3	15805	1.2	177	18.0	310 L3	—	BE160L4	BX160LA4	—	—	—	—	71400	89800	32600	338
8.3	15675	2.9	176	18.0	313 L3	—	BE160L4	BX160LA4	—	—	—	—	104000	123000	40100	362
8.6	15240	2.1	171	18.0	311 L3	—	BE160L4	BX160LA4	—	—	—	—	83400	103900	32200	350
8.9	14245	1.1	165	15.0	—	309 R4	BE160L4	BX160LA4	—	—	—	—	59000	76100	17700	328
9.0	14593	1.5	164	18.0	310 L3	—	BE160L4	BX160LA4	—	—	—	—	69700	87600	31800	338
9.1	14406	1.1	162	11.0	309 L3	—	BE160L4	BX160LA4	—	—	—	—	58600	75600	17500	326
9.1	14365	2.2	161	18.0	311 L3	—	BE160L4	BX160LA4	—	—	—	—	82000	102100	31600	350
9.1	13832	1.6	160	15.0	—	310 R4	BE160L4	BX160LA4	—	—	—	—	69300	87100	31600	340
9.5	13314	2.0	154	22.0	—	311 R4	BE160L4	BX160LA4	—	—	—	—	80900	100800	31200	352
9.6	13645	2.9	153	40.0	—	313 R3	BE160L4	BX160LA4	—	—	—	—	99700	118000	38200	364
9.6	13104	1.4	152	15.0	—	309 R4	BE160L4	BX160LA4	—	—	—	—	57500	74200	17200	328
10.0	13109	2.4	147	18.0	311 L3	—	BE160L4	BX160LA4	—	—	—	—	79700	99300	30700	350
10.0	13079	2.1	147	40.0	—	311 R3	BE160L4	BX160LA4	—	—	—	—	79700	99300	30600	352
10.0	13050	1.0	146	11.0	307 L3	—	BE160L4	BX160LA4	—	—	24400	30600	56000	73300	21200	314
10.3	12641	1.6	142	18.0	310 L3	—	BE160L4	BX160LA4	—	—	—	—	66700	83900	30300	338
10.6	12375	1.3	139	11.0	309 L3	—	BE160L4	BX160LA4	—	—	—	—	56000	72200	16700	326
10.8	11716	1.8	136	15.0	—	310 R4	BE160L4	BX160LA4	—	—	—	—	65900	82900	29900	340
11.0	11875	2.5	133	18.0	311 L3	—	BE160L4	BX160LA4	—	—	—	—	77400	96400	29700	350
11.2	11629	1.8	130	18.0	310 L3	—	BE160L4	BX160LA4	—	—	—	—	65100	81900	29500	338
11.6	11225	1.2	126	11.0	307 L3	—	BE160L4	BX160LA4	—	—	23200	29100	53500	70100	20200	314
11.6	11225	1.5	126	11.0	309 L3	—	BE160L4	BX160LA4	—	—	—	—	54400	70100	16100	326
11.7	11194	2.6	126	18.0	311 L3	—	BE160L4	BX160LA4	—	—	—	—	76100	94700	29100	350
11.8	10697	1.0	124	15.0	—	307 R4	BE160L4	BX160LA4	—	—	24800	31100	56900	74500	21600	316
11.9	11021	2.7	124	40.0	—	311 R3	BE160L4	BX160LA4	—	—	—	—	75700	94300	28900	352
12.2	10679	1.2	120	22.0	—	309 R3	BE160L4	BX160LA4	—	—	—	—	53600	69100	15900	328
12.2	10679	1.6	120	22.0	—	310 R3	BE160L4	BX160LA4	—	—	—	—	63500	79800	28600	340
12.3	10612	1.9	119	18.0	310 L3	—	BE160L4	BX160LA4	—	—	—	—	63300	79600	28600	338
12.8	10215	2.8	115	18.0	311 L3	—	BE160L4	BX160LA4	—	—	—	—	74000	92200	28200	350
12.9	10102	1.0	113	11.0	307 L3	—	BE160L4	BX160LA4	—	—	22400	28100	51800	67900	19500	314
12.9	10102	1.5	113	11.0	309 L3	—	BE160L4	BX160LA4	—	—	—	—	52700	67900	15600	326
13.3	9850	2.0	110	18.0	310 L3	—	BE160L4	BX160LA4	—	—	—	—	61900	77900	27900	338
13.9	9061	1.5	105	15.0	—	307 R4	BE160L4	BX160LA4	—	—	24100	30300	55400	72700	21000	316
14.1	9293	1.0	104	7.5	306 L3	—	BE160L4	BX160LA4	—	—	19200	21700	46000	53600	14400	302
14.5	8989	2.1	101	18.0	310 L3	—	BE160L4	BX160LA4	—	—	—	—	60300	75800	27000	338
14.6	8945	1.4	100	11.0	307 L3	—	BE160L4	BX160LA4	—	—	21500	27000	50000	65500	18700	314
14.6	8945	1.8	100	11.0	309 L3	—	BE160L4	BX160LA4	—	—	—	—	50800	65500	15000	326
14.8	8828	1.0	99.0	22.0	—	307 R3	BE160L4	BX160LA4	—	—	21400	26900	49800	65200	18600	316
14.8	8828	1.4	99.0	22.0	—	309 R3	BE160L4	BX160LA4	—	—	—	—	50600	65200	14900	328
14.8	8828	1.9	99.0	22.0	—	310 R3	BE160L4	BX160LA4	—	—	—	—	59900	75400	26900	340
15.8	8295	1.5	93.0	11.0	307 L3	—	BE160L4	BX160LA4	—	—	21000	26300	48900	64000	18200	314
15.8	8295	1.8	93.0	11.0	309 L3	—	BE160L4	BX160LA4	—	—	—	—	49600	64000	14600	326
16.0	8143	2.3	91.3	18.0	310 L3	—	BE160L4	BX160LA4	—	—	—	—	58500	73600	26200	338
16.6	7872	1.1	88.3	7.5	306 L3	—	BE160L4	BX160LA4	—	—	18100	20500	43800	51000	13600	302
17.3	7557	1.0	84.7	14.0	—	306 R3	BE160L4	BX160LA4	—	—	18300	20700	44200	51400	13700	304
17.6	7438	1.4	83.4	22.0	—	307 R3	BE160L4	BX160LA4	—	—	20200	25400	47300	62000	17600	316
17.6	7438	1.9	83.4	22.0	—	309 R3	BE160L4	BX160LA4	—	—	—	—	48000	62000	14100	328
17.6	7438	2.0	83.4	22.0	—	310 R3	BE160L4	BX160LA4	—	—	—	—	56900	71600	25400	340
17.9	7300	0.9	81.9	7.5	306 L3	—	BE160L4	BX160LA4	—	—	17700	20000	42800	49900	13300	302
18.2	7186	1.4	80.6	11.0	307 L3	—	BE160L4	BX160LA4	—	—	20000	25100	46800	61300	17400	314

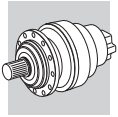
A



P₁ = 15 kW

n ₂ min ⁻¹	M ₂ Nm	S	i	Pt kW	Motor Configurations		IE2		IE3		Rn ₂ [N]					Icon
					BE160L4	BX160LA4	IE2	IE3	MC	MZ	HC/PC	HZ/PZ	FZ			
18.2	7186	2.1	80.6	11.0	309 L3	—	BE160L4	BX160LA4	—	—	—	—	47600	61300	13900	326
18.2	7163	2.4	80.3	18.0	310 L3	—	BE160L4	BX160LA4	—	—	—	—	56300	70800	25100	338
18.6	7012	2.0	78.6	22.0	—	310 R3	BE160L4	BX160LA4	—	—	—	—	55900	70300	24900	340
18.6	7012	1.6	78.6	22.0	—	307 R3	BE160L4	BX160LA4	—	—	19800	24900	46500	60900	17200	316
19.0	6867	1.2	77.0	7.5	306 L3	—	BE160L4	BX160LA4	—	—	17700	20100	42900	50000	13300	302
19.8	6610	1.8	74.1	11.0	307 L3	—	BE160L4	BX160LA4	—	—	19400	24400	45600	59800	16900	314
19.8	6610	2.3	74.1	11.0	309 L3	—	BE160L4	BX160LA4	—	—	—	—	46400	59800	13500	326
19.8	6590	2.7	73.9	18.0	310 L3	—	BE160L4	BX160LA4	—	—	—	—	54900	69000	24400	338
20.1	6500	1.1	72.9	14.0	—	306 R3	BE160L4	BX160LA4	—	—	17400	19700	42200	49200	13100	304
20.4	6399	1.6	71.8	22.0	—	307 R3	BE160L4	BX160LA4	—	—	19200	24100	45200	59200	16700	316
20.4	6399	2.0	71.8	22.0	—	309 R3	BE160L4	BX160LA4	—	—	—	—	45900	59200	13400	328
20.4	6399	2.0	71.8	22.0	—	310 R3	BE160L4	BX160LA4	—	—	—	—	54400	68400	24100	340
21.7	6022	1.2	67.5	14.0	—	306 R3	BE160L4	BX160LA4	—	—	17000	19200	41300	48000	12700	304
22.5	5817	1.3	65.2	7.5	306 L3	—	BE160L4	BX160LA4	—	—	16800	19000	40800	47500	12600	302
22.5	5796	2.0	65.0	22.0	—	310 R3	BE160L4	BX160LA4	—	—	—	—	52800	66400	23400	340
22.5	5796	1.9	65.0	22.0	—	307 R3	BE160L4	BX160LA4	—	—	18600	23300	43900	57500	16200	316
22.5	5796	1.9	65.0	22.0	—	309 R3	BE160L4	BX160LA4	—	—	—	—	44600	57500	12900	328
23.4	5582	3.0	62.6	18.0	310 L3	—	BE160L4	BX160LA4	—	—	—	—	52200	65700	23100	338
24.2	5396	2.1	60.5	11.0	307 L3	—	BE160L4	BX160LA4	—	—	18200	22800	42900	56300	15800	314
24.2	5396	2.6	60.5	11.0	309 L3	—	BE160L4	BX160LA4	—	—	—	—	43600	56300	12600	326
25.2	5180	1.5	58.1	14.0	—	306 R3	BE160L4	BX160LA4	—	—	16100	18300	39400	45900	12100	304
26.0	5182	1.0	56.3	13.0	306 L2	—	BE160L4	BX160LA4	ME5LA4	MX5LA4	16000	18100	39100	45500	12000	302
26.2	4986	2.0	55.9	22.0	—	310 R3	BE160L4	BX160LA4	—	—	—	—	50500	63500	22200	340
26.2	4986	2.0	55.9	22.0	—	307 R3	BE160L4	BX160LA4	—	—	17700	22200	41900	55000	15400	316
26.2	4986	2.0	55.9	22.0	—	309 R3	BE160L4	BX160LA4	—	—	—	—	42600	55000	12300	328
27.5	4748	1.5	53.2	7.5	306 L3	—	BE160L4	BX160LA4	—	—	15700	17800	38400	44700	11800	302
28.6	4571	2.3	51.3	11.0	307 L3	—	BE160L4	BX160LA4	—	—	17200	21600	40900	53500	14900	314
28.6	4571	2.9	51.3	11.0	309 L3	—	BE160L4	BX160LA4	—	—	—	—	41500	53500	12000	326
31	4305	1.9	46.7	18.0	307 L2	—	BE160L4	BX160LA4	ME5LA4	MX5LA4	16700	20900	39700	52100	14500	314
31	4305	2.9	46.7	18.0	309 L2	—	BE160L4	BX160LA4	—	—	—	—	40400	52100	11600	326
32	4284	1.5	46.5	13.0	306 L2	—	BE160L4	BX160LA4	ME5LA4	MX5LA4	15000	17000	36900	43000	11300	302
32	4128	1.8	46.3	14.0	—	306 R3	BE160L4	BX160LA4	—	—	15000	16900	36800	42900	11200	304
33	3973	2.0	44.6	22.0	—	310 R3	BE160L4	BX160LA4	—	—	—	—	47200	59300	20600	340
33	3973	2.0	44.6	22.0	—	307 R3	BE160L4	BX160LA4	—	—	16400	20600	39200	51300	14300	316
33	3973	2.0	44.6	22.0	—	309 R3	BE160L4	BX160LA4	—	—	—	—	39800	51300	11400	328
37	3497	1.9	39.2	14.0	—	306 R3	BE160L4	BX160LA4	—	—	14100	16000	35000	40800	10600	304
38	3559	2.3	38.6	18.0	307 L2	—	BE160L4	BX160LA4	ME5LA4	MX5LA4	15600	19600	37500	49200	13600	314
38	3541	1.8	38.4	13.0	306 L2	—	BE160L4	BX160LA4	ME5LA4	MX5LA4	14100	15900	34800	40600	10600	302
38	3537	1.2	38.4	9.0	305 L2	—	BE160L4	BX160LA4	—	—	11300	13000	21300	25600	7240	290
39	3366	2.0	37.7	22.0	—	310 R3	BE160L4	BX160LA4	—	—	—	—	44900	56400	19500	340
39	3366	2.0	37.7	22.0	—	307 R3	BE160L4	BX160LA4	—	—	15500	19500	37300	48800	13500	316
39	3366	2.0	37.7	22.0	—	309 R3	BE160L4	BX160LA4	—	—	—	—	37900	48800	10800	328
41	3295	1.1	35.8	9.0	305 L2	—	BE160L4	BX160LA4	—	—	11000	12700	20800	25100	7070	290
44	2962	2.0	33.2	14.0	—	306 R3	BE160L4	BX160LA4	—	—	13400	15200	33300	38800	10100	304
44	3046	2.3	33.1	13.0	306 L2	—	BE160L4	BX160LA4	ME5LA4	MX5LA4	13400	15100	33300	38800	10000	302
46	2821	2.0	31.6	22.0	—	307 R3	BE160L4	BX160LA4	—	—	14600	18400	35400	46300	12700	316
46	2821	2.0	31.6	22.0	—	309 R3	BE160L4	BX160LA4	—	—	—	—	35900	46300	10200	328
48	2834	1.0	30.8	9.0	304 L2	—	BE160L4	BX160LA4	—	—	10500	12100	19900	24000	6720	278
48	2834	1.5	30.8	9.0	305 L2	—	BE160L4	BX160LA4	—	—	10500	12100	19900	24000	6720	290

A

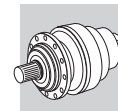


P₁ = 15 kW

n ₂ min ⁻¹	M ₂ Nm	S	i	Pt kW							Rn ₂ [N]					
							IE2	IE3	IE2	IE3	MC	MZ	HC/PC	HZ/PZ	FZ	
52	2620	2.6	28.4	13.0	306 L2	—	BE160L4	BX160LA4	ME5LA4	MX5LA4	12700	14400	31800	37100	9550	302
55	2435	1.4	26.4	9.0	305 L2	—	BE160L4	BX160LA4	—	—	9960	11500	19000	22900	6390	290
56	2427	2.6	26.4	13.0	306 L2	—	BE160L4	BX160LA4	ME5LA4	MX5LA4	12400	14000	31100	36200	9310	302
60	2259	1.0	24.5	9.0	303 L2	—	BE160L4	BX160LA4	—	—	9490	11000	18200	21900	6090	266
60	2259	1.4	24.5	9.0	304 L2	—	BE160L4	BX160LA4	—	—	9720	11200	18600	22400	6230	278
60	2259	1.7	24.5	9.0	305 L2	—	BE160L4	BX160LA4	—	—	9720	11200	18600	22400	6230	290
64	2095	1.0	22.7	9.0	303 L2	—	BE160L4	BX160LA4	—	—	9470	10900	18200	21900	6080	266
64	2095	1.3	22.7	9.0	304 L2	—	BE160L4	BX160LA4	—	—	9470	10900	18200	21900	6080	278
64	2095	1.9	22.7	9.0	305 L2	—	BE160L4	BX160LA4	—	—	9470	10900	18200	21900	6080	290
65	2088	2.9	22.7	13.0	306 L2	—	BE160L4	BX160LA4	ME5LA4	MX5LA4	11800	13400	29700	34600	8850	302
71	1913	1.0	20.8	9.0	303 L2	—	BE160L4	BX160LA4	—	—	8980	10400	17300	20900	5760	266
71	1913	1.5	20.8	9.0	304 L2	—	BE160L4	BX160LA4	—	—	9190	10600	17700	21300	5900	278
71	1913	1.7	20.8	9.0	305 L2	—	BE160L4	BX160LA4	—	—	9190	10600	17700	21300	5900	290
76	1771	2.0	19.2	18.0	—	306 R2	BE160L4	BX160LA4	—	—	11200	12600	28300	33000	8380	304
81	1669	1.2	18.1	9.0	303 L2	—	BE160L4	BX160LA4	—	—	8780	10100	17000	20400	5630	266
81	1669	1.8	18.1	9.0	304 L2	—	BE160L4	BX160LA4	—	—	8780	10100	17000	20400	5630	278
81	1669	2.2	18.1	9.0	305 L2	—	BE160L4	BX160LA4	—	—	8780	10100	17000	20400	5630	290
92	1464	2.0	15.9	18.0	—	306 R2	BE160L4	BX160LA4	—	—	10500	11900	26700	31100	7870	304
95	1414	1.2	15.3	9.0	303 L2	—	BE160L4	BX160LA4	—	—	8310	9590	16200	19500	5330	266
95	1414	2.0	15.3	9.0	304 L2	—	BE160L4	BX160LA4	—	—	8310	9590	16200	19500	5330	278
95	1414	2.2	15.3	9.0	305 L2	—	BE160L4	BX160LA4	—	—	8310	9590	16200	19500	5330	290
107	1259	2.0	13.7	18.0	—	306 R2	BE160L4	BX160LA4	—	—	9960	11300	25500	29700	7480	304
117	1154	1.4	12.5	9.0	303 L2	—	BE160L4	BX160LA4	—	—	7770	8970	15200	18300	4980	266
117	1154	2.3	12.5	9.0	304 L2	—	BE160L4	BX160LA4	—	—	7770	8970	15200	18300	4980	278
117	1154	2.5	12.5	9.0	305 L2	—	BE160L4	BX160LA4	—	—	7770	8970	15200	18300	4980	290
135	1003	2.0	10.9	18.0	—	306 R2	BE160L4	BX160LA4	—	—	9230	10500	23900	27800	6930	304
159	850	2.0	9.23	18.0	—	306 R2	BE160L4	BX160LA4	—	—	8730	9900	22700	26400	6560	304
195	713	1.7	7.50	11.0	303 L1	—	BE160L4	BX160LA4	ME5LA4	MX5LA4	6550	7560	13000	15700	4200	266
223	625	3.0	6.57	12.0	304 L1	—	BE160L4	BX160LA4	ME5LA4	MX5LA4	6260	7230	12500	15100	4020	278
236	589	2.4	6.20	11.0	303 L1	—	BE160L4	BX160LA4	ME5LA4	MX5LA4	6140	7090	12300	14800	3940	266
275	507	2.9	5.33	11.0	303 L1	—	BE160L4	BX160LA4	ME5LA4	MX5LA4	5840	6750	11800	14200	3750	266

P₁ = 18.5 kW

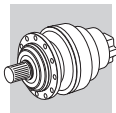
n ₂ min ⁻¹	M ₂ Nm	S	i	Pt kW							Rn ₂ [N]					
							IE2	IE3	IE2	IE3	MC	MZ	HC/PC	HZ/PZ	FZ	
0.92	169802	1.0	1595	18.0	317 L4	—	BE180M4	BX180M4	—	—	—	—	442000	470000	150000	408
1.1	147863	2.4	1389	30.0	319 L4	—	BE180M4	BX180M4	—	—	—	—	636100	700800	199500	428
1.1	140370	1.2	1318	18.0	317 L4	—	BE180M4	BX180M4	—	—	—	—	434300	462400	147000	408
1.2	131765	0.9	1237	18.0	316 L4	—	BE180M4	BX180M4	—	—	—	—	331400	368600	144000	398
1.2	127194	2.8	1195	30.0	319 L4	—	BE180M4	BX180M4	—	—	—	—	608000	669900	189700	428
1.3	120748	1.4	1134	18.0	317 L4	—	BE180M4	BX180M4	—	—	—	—	415100	442000	139800	408
1.4	112771	2.4	1059	22.0	318 L4	—	BE180M4	BX180M4	—	—	—	—	503000	520700	182200	418
1.4	111025	0.9	1043	18.0	315 L4	—	BE180M4	BX180M4	—	—	—	—	189400	222300	81600	386
1.4	111025	1.2	1043	18.0	316 L4	—	BE180M4	BX180M4	—	—	—	—	314800	350100	136000	398
1.4	109922	1.6	1032	18.0	317 L4	—	BE180M4	BX180M4	—	—	—	—	403600	429700	135500	408
1.5	101508	1.4	953	50.0	—	317 R4	BE180M4	BX180M4	—	—	—	—	394100	419600	132000	410



P₁ = 18.5 kW

n ₂ min ⁻¹	M ₂ Nm	S	i	Pt kW	Gear Type		IE2		IE3		Rn ₂ [N]					Icon
					BE	BX	IE2	IE3	MC	MZ	HC/PC	HZ/PZ	FZ			
1.6	99014	0.9	930	18.0	315 L4	—	BE180M4	BX180M4	—	—	—	—	183000	214800	78500	386
1.6	97007	2.8	911	22.0	318 L4	—	BE180M4	BX180M4	—	—	—	—	487700	497700	173300	418
1.6	96221	1.7	904	18.0	317 L4	—	BE180M4	BX180M4	—	—	—	—	387800	412900	129600	408
1.7	91780	1.1	862	18.0	315 L4	—	BE180M4	BX180M4	—	—	—	—	178800	210000	76600	386
1.7	91780	1.4	862	18.0	316 L4	—	BE180M4	BX180M4	—	—	—	—	297400	330700	127600	398
1.8	86513	1.5	812	18.0	316 L4	—	BE180M4	BX180M4	—	—	—	—	292100	324900	125100	398
1.8	85530	1.9	803	50.0	—	317 R4	BE180M4	BX180M4	—	—	—	—	374300	398500	124600	410
1.8	84332	2.2	792	18.0	317 L4	—	BE180M4	BX180M4	—	—	—	—	372700	396900	124100	408
1.9	83289	1.1	782	40.0	—	315 R4	BE180M4	BX180M4	—	—	—	—	173700	203900	74100	388
2.0	78901	1.3	741	18.0	315 L4	—	BE180M4	BX180M4	—	—	—	—	170900	200700	72800	386
2.0	78901	1.6	741	18.0	316 L4	—	BE180M4	BX180M4	—	—	—	—	284200	316100	121400	398
2.0	78561	1.0	738	15.0	314 L4	—	BE180M4	BX180M4	—	—	—	—	170700	200400	72700	374
2.0	77333	1.7	726	18.0	316 L4	—	BE180M4	BX180M4	—	—	—	—	282500	314100	120500	398
2.0	76565	2.3	719	18.0	317 L4	—	BE180M4	BX180M4	—	—	—	—	362100	385500	120100	408
2.1	72895	1.8	685	18.0	316 L4	—	BE180M4	BX180M4	—	—	—	—	277500	308600	118200	398
2.2	72067	2.3	677	50.0	—	317 R4	BE180M4	BX180M4	—	—	—	—	355600	378600	117700	410
2.2	71517	1.4	672	18.0	315 L4	—	BE180M4	BX180M4	—	—	—	—	165900	194800	70500	386
2.2	71164	1.1	668	15.0	314 L4	—	BE180M4	BX180M4	—	—	—	—	165700	194500	70300	374
2.2	70179	1.3	659	40.0	—	315 R4	BE180M4	BX180M4	—	—	—	—	165000	193700	70000	388
2.3	66647	2.3	626	50.0	—	317 R4	BE180M4	BX180M4	—	—	—	—	347300	369800	114700	410
2.3	66482	1.9	624	18.0	316 L4	—	BE180M4	BX180M4	—	—	—	—	270000	300300	114600	398
2.4	66371	1.5	623	40.0	—	315 R4	BE180M4	BX180M4	—	—	—	—	162300	190500	68700	388
2.4	66371	1.7	623	45.0	—	316 R4	BE180M4	BX180M4	—	—	—	—	269800	300100	114500	400
2.4	65863	2.7	619	18.0	317 L4	—	BE180M4	BX180M4	—	—	—	—	346100	368500	114200	408
2.5	62914	1.6	591	18.0	315 L4	—	BE180M4	BX180M4	—	—	—	—	159700	187500	67500	386
2.5	62914	1.9	591	18.0	316 L4	—	BE180M4	BX180M4	—	—	—	—	265500	295300	112500	398
2.5	62603	1.3	588	15.0	314 L4	—	BE180M4	BX180M4	—	—	—	—	159500	187200	67400	374
2.6	60260	2.1	566	18.0	316 L4	—	BE180M4	BX180M4	—	—	—	—	262100	291500	110900	398
2.6	59010	1.4	554	15.0	314 L4	—	BE180M4	BX180M4	—	—	—	—	156600	183900	66100	374
2.7	58741	3.0	552	18.0	317 L4	—	BE180M4	BX180M4	—	—	—	—	334400	356100	110000	408
2.7	56801	1.8	533	18.0	315 L4	—	BE180M4	BX180M4	—	—	—	—	154900	181800	65200	386
2.7	56801	2.1	533	18.0	316 L4	—	BE180M4	BX180M4	—	—	—	—	257500	286400	108700	398
2.8	55924	1.8	525	40.0	—	315 R4	BE180M4	BX180M4	—	—	—	—	154100	181000	64900	388
2.8	55924	2.1	525	45.0	—	316 R4	BE180M4	BX180M4	—	—	—	—	256300	285000	108200	400
2.8	55368	3.0	520	50.0	—	317 R4	BE180M4	BX180M4	—	—	—	—	328500	349800	107800	410
3.0	52659	1.5	495	15.0	314 L4	—	BE180M4	BX180M4	—	—	—	—	151400	177700	63600	374
3.0	51836	1.9	487	18.0	315 L4	—	BE180M4	BX180M4	—	—	—	—	150700	176900	63300	386
3.0	51836	2.3	487	18.0	316 L4	—	BE180M4	BX180M4	—	—	—	—	250500	278600	105500	398
3.2	48782	1.6	458	15.0	314 L4	—	BE180M4	BX180M4	—	—	—	—	148000	173700	62000	374
3.3	47121	2.5	443	45.0	—	316 R4	BE180M4	BX180M4	—	—	—	—	243500	270800	102200	400
3.3	46956	2.1	441	18.0	315 L4	—	BE180M4	BX180M4	—	—	—	—	146300	171700	61200	386
3.3	46956	2.5	441	18.0	316 L4	—	BE180M4	BX180M4	—	—	—	—	243200	270500	102100	398
3.6	43577	2.3	409	40.0	—	315 R4	BE180M4	BX180M4	—	—	—	—	143000	167900	59700	388
3.6	43577	2.6	409	45.0	—	316 R4	BE180M4	BX180M4	—	—	—	—	237800	264500	99600	400
3.8	41321	1.9	388	15.0	314 L4	—	BE180M4	BX180M4	—	—	—	—	140800	165300	58700	374
4.0	39353	2.5	370	18.0	315 L4	—	BE180M4	BX180M4	—	—	—	—	138700	162900	57700	386
4.0	39353	2.8	370	18.0	316 L4	—	BE180M4	BX180M4	—	—	—	—	230600	256500	96200	398
4.2	36717	2.6	345	40.0	—	315 R4	BE180M4	BX180M4	—	—	—	—	135900	159500	56400	388
4.2	36717	2.9	345	45.0	—	316 R4	BE180M4	BX180M4	—	—	—	—	225900	251200	94000	400

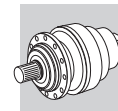




P₁ = 18.5 kW

n ₂ min ⁻¹	M ₂ Nm	S	i	Pt kW	Motor		IE2		IE3		Rn ₂ [N]					
									IE2	IE3	MC	MZ	HC/PC	HZ/PZ	FZ	
4.7	33439	2.3	314	15.0	314 L4	—	BE180M4	BX180M4	—	—	—	—	132100	155100	54700	374
4.8	33446	1.2	304	18.0	313 L3	—	BE180M4	BX180M4	—	—	—	—	122500	145000	48100	362
5.5	28611	2.9	269	40.0	—	315 R4	BE180M4	BX180M4	—	—	—	—	126100	148000	51900	388
5.8	27786	1.6	252	18.0	313 L3	—	BE180M4	BX180M4	—	—	—	—	115900	137100	45200	362
6.0	27014	1.3	245	18.0	311 L3	—	BE180M4	BX180M4	—	—	—	—	93000	115800	36400	350
6.1	26503	2.5	241	30.0	315 L3	—	BE180M4	BX180M4	—	—	—	—	122000	143200	50000	386
6.1	26373	2.0	240	25.0	314 L3	—	BE180M4	BX180M4	—	—	—	—	121800	143000	50000	374
7.0	22970	2.0	209	18.0	313 L3	—	BE180M4	BX180M4	—	—	—	—	109400	129500	42400	362
7.1	22686	2.8	206	25.0	314 L3	—	BE180M4	BX180M4	—	—	—	—	116400	136700	47500	374
7.2	22332	1.5	203	18.0	311 L3	—	BE180M4	BX180M4	—	—	—	—	87800	109400	34100	350
7.3	22221	1.0	202	18.0	310 L3	—	BE180M4	BX180M4	—	—	—	—	74200	93300	34100	338
7.6	21317	2.2	194	18.0	313 L3	—	BE180M4	BX180M4	—	—	—	—	107000	126700	41400	362
7.7	21050	1.5	191	18.0	311 L3	—	BE180M4	BX180M4	—	—	—	—	86300	107500	33500	350
8.0	20040	1.9	182	18.0	313 L3	—	BE180M4	BX180M4	—	—	—	—	105100	124300	40500	362
8.3	19515	0.9	177	18.0	310 L3	—	BE180M4	BX180M4	—	—	—	—	71400	89800	32600	338
8.3	19354	2.3	176	18.0	313 L3	—	BE180M4	BX180M4	—	—	—	—	104000	123000	40100	362
8.6	18816	1.7	171	18.0	311 L3	—	BE180M4	BX180M4	—	—	—	—	83400	103900	32200	350
9.0	18018	1.2	164	18.0	310 L3	—	BE180M4	BX180M4	—	—	—	—	69700	87600	31800	338
9.0	17962	2.6	163	18.0	313 L3	—	BE180M4	BX180M4	—	—	—	—	101700	120300	39100	362
9.1	17736	1.8	161	18.0	311 L3	—	BE180M4	BX180M4	—	—	—	—	82000	102100	31600	350
9.6	16847	2.3	153	40.0	—	313 R3	BE180M4	BX180M4	—	—	—	—	99700	118000	38200	364
9.7	16649	2.7	151	18.0	313 L3	—	BE180M4	BX180M4	—	—	—	—	99400	117600	38100	362
10.0	16186	2.0	147	18.0	311 L3	—	BE180M4	BX180M4	—	—	—	—	79700	99300	30700	350
10.0	16149	1.7	147	40.0	—	311 R3	BE180M4	BX180M4	—	—	—	—	79700	99300	30600	352
10.2	15745	2.8	143	18.0	313 L3	—	BE180M4	BX180M4	—	—	—	—	97700	115700	37400	362
10.3	15608	1.3	142	18.0	310 L3	—	BE180M4	BX180M4	—	—	—	—	66700	83900	30300	338
10.9	14848	3.0	135	18.0	313 L3	—	BE180M4	BX180M4	—	—	—	—	96000	113600	36700	362
11.0	14662	2.0	133	18.0	311 L3	—	BE180M4	BX180M4	—	—	—	—	77400	96400	29700	350
11.2	14358	1.4	130	18.0	310 L3	—	BE180M4	BX180M4	—	—	—	—	65100	81900	29500	338
11.5	13996	2.9	127	40.0	—	313 R3	BE180M4	BX180M4	—	—	—	—	94300	111600	36000	364
11.7	13821	2.1	126	18.0	311 L3	—	BE180M4	BX180M4	—	—	—	—	76100	94700	29100	350
11.9	13607	2.2	124	40.0	—	311 R3	BE180M4	BX180M4	—	—	—	—	75700	94300	28900	352
12.3	13103	1.5	119	18.0	310 L3	—	BE180M4	BX180M4	—	—	—	—	63300	79600	28600	338
12.8	12613	2.3	115	18.0	311 L3	—	BE180M4	BX180M4	—	—	—	—	74000	92200	28200	350
13.3	12162	1.6	110	18.0	310 L3	—	BE180M4	BX180M4	—	—	—	—	61900	77900	27900	338
14.1	11465	2.5	104	40.0	—	311 R3	BE180M4	BX180M4	—	—	—	—	71900	89600	27300	352
14.1	11425	2.4	104	18.0	311 L3	—	BE180M4	BX180M4	—	—	—	—	71800	89500	27300	350
14.5	11099	1.7	101	18.0	310 L3	—	BE180M4	BX180M4	—	—	—	—	60300	75800	27000	338
15.2	10603	2.6	96.3	40.0	—	311 R3	BE180M4	BX180M4	—	—	—	—	70200	87500	26600	352
16.0	10054	1.9	91.3	18.0	310 L3	—	BE180M4	BX180M4	—	—	—	—	58500	73600	26200	338
16.4	9828	2.7	89.3	18.0	311 L3	—	BE180M4	BX180M4	—	—	—	—	68100	84900	25700	350
18.1	8934	2.9	81.1	40.0	—	311 R3	BE180M4	BX180M4	—	—	—	—	66700	83100	25200	352
18.2	8845	2.0	80.3	18.0	310 L3	—	BE180M4	BX180M4	—	—	—	—	56300	70800	25100	338
18.9	8514	3.0	77.3	18.0	311 L3	—	BE180M4	BX180M4	—	—	—	—	65800	81900	24800	350
19.8	8136	2.2	73.9	18.0	310 L3	—	BE180M4	BX180M4	—	—	—	—	54900	69000	24400	338
23.4	6892	2.4	62.6	18.0	310 L3	—	BE180M4	BX180M4	—	—	—	—	52200	65700	23100	338
27.6	5838	2.7	53.0	18.0	310 L3	—	BE180M4	BX180M4	—	—	—	—	49700	62500	21800	338
31	5315	1.6	46.7	18.0	307 L2	—	BE180M4	BX180M4	—	—	16700	20900	39700	52100	14500	314
31	5315	2.4	46.7	18.0	309 L2	—	BE180M4	BX180M4	—	—	—	—	40400	52100	11600	326

A



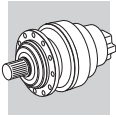
P₁ = 18.5 kW

n ₂ min ⁻¹	M ₂ Nm	S	i	Pt kW							Rn ₂ [N]					
							IE2	IE3	IE2	IE3	MC	MZ	HC/PC	HZ/PZ	FZ	
31	5315	2.7	46.7	22.0		—	BE180M4	BX180M4	—	—	—	—	47800	60200	20900	338
32	5289	1.2	46.5	13.0		—	BE180M4	BX180M4	—	—	15000	17000	36900	43000	11300	302
38	4394	1.9	38.6	18.0		—	BE180M4	BX180M4	—	—	15600	19600	37500	49200	13600	314
38	4394	2.8	38.6	18.0		—	BE180M4	BX180M4	—	—	—	—	38100	49200	10900	326
38	4372	1.5	38.4	13.0		—	BE180M4	BX180M4	—	—	14100	15900	34800	40600	10600	302
44	3761	1.8	33.1	13.0		—	BE180M4	BX180M4	—	—	13400	15100	33300	38800	10000	302
45	3702	2.5	32.6	18.0		—	BE180M4	BX180M4	—	—	14800	18500	35700	46700	12800	314
48	3490	2.7	30.7	18.0		—	BE180M4	BX180M4	—	—	14500	18200	35000	45900	12600	314
52	3235	2.1	28.4	13.0		—	BE180M4	BX180M4	—	—	12700	14400	31800	37100	9550	302
52	3185	2.9	28.0	18.0		—	BE180M4	BX180M4	—	—	14100	17600	34100	44700	12200	314
56	2997	2.1	26.4	13.0		—	BE180M4	BX180M4	—	—	12400	14000	31100	36200	9310	302
62	2677	3.0	23.5	35.0	—		BE180M4	BX180M4	—	—	13300	16600	32400	42400	11500	316
65	2578	2.4	22.7	13.0		—	BE180M4	BX180M4	—	—	11800	13400	29700	34600	8850	302
81	2054	2.9	18.1	13.0		—	BE180M4	BX180M4	—	—	10900	12400	27800	32300	8210	302
96	1740	2.9	15.3	13.0		—	BE180M4	BX180M4	—	—	10300	11700	26400	30800	7770	302
195	880	1.4	7.50	11.0		—	BE180M4	BX180M4	—	—	6550	7560	13000	15700	4200	266
195	880	2.6	7.50	13.0		—	BE180M4	BX180M4	—	—	6550	7560	13000	15700	4200	290
223	771	2.4	6.57	12.0		—	BE180M4	BX180M4	—	—	6260	7230	12500	15100	4020	278
236	728	1.9	6.20	11.0		—	BE180M4	BX180M4	—	—	6140	7090	12300	14800	3940	266
275	626	2.4	5.33	11.0		—	BE180M4	BX180M4	—	—	5840	6750	11800	14200	3750	266
345	499	2.9	4.25	11.0		—	BE180M4	BX180M4	—	—	5420	6250	11000	13200	3480	266

P₁ = 22 kW

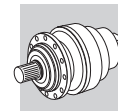
n ₂ min ⁻¹	M ₂ Nm	S	i	Pt kW							Rn ₂ [N]					
							IE2	IE3	IE2	IE3	MC	MZ	HC/PC	HZ/PZ	FZ	
1.1	174748	2.0	1389	30.0		—	BE180L4	BX180L4	—	—	—	—	636100	700800	199500	428
1.1	165892	1.0	1318	18.0		—	BE180L4	BX180L4	—	—	—	—	425400	452900	143700	408
1.2	150321	2.4	1195	30.0		—	BE180L4	BX180L4	—	—	—	—	608000	669900	189700	428
1.3	142703	1.2	1134	18.0		—	BE180L4	BX180L4	—	—	—	—	415100	442000	139800	408
1.4	133274	2.1	1059	22.0		—	BE180L4	BX180L4	—	—	—	—	503000	520700	182200	418
1.4	131211	1.0	1043	18.0		—	BE180L4	BX180L4	—	—	—	—	314800	350100	136000	398
1.4	129908	1.4	1032	18.0		—	BE180L4	BX180L4	—	—	—	—	403600	429700	135500	408
1.5	126659	2.7	1007	30.0		—	BE180L4	BX180L4	—	—	—	—	577600	636300	179200	428
1.5	119964	1.2	953	50.0	—		BE180L4	BX180L4	—	—	—	—	394100	419600	132000	410
1.6	114733	2.9	912	30.0		—	BE180L4	BX180L4	—	—	—	—	560700	617700	173400	428
1.6	114645	2.4	911	22.0		—	BE180L4	BX180L4	—	—	—	—	487700	497700	173300	418
1.6	114053	2.9	906	115.0	—		BE180L4	BX180L4	—	—	—	—	559700	616600	173000	430
1.6	113716	1.5	904	18.0		—	BE180L4	BX180L4	—	—	—	—	387800	412900	129600	408
1.7	108468	0.9	862	18.0		—	BE180L4	BX180L4	—	—	—	—	178800	210000	76600	386
1.7	108468	1.2	862	18.0		—	BE180L4	BX180L4	—	—	—	—	297400	330700	127600	398
1.8	102242	1.3	812	18.0		—	BE180L4	BX180L4	—	—	—	—	292100	324900	125100	398
1.8	101081	1.6	803	50.0	—		BE180L4	BX180L4	—	—	—	—	374300	398500	124600	410
1.8	99665	1.9	792	18.0		—	BE180L4	BX180L4	—	—	—	—	372700	396900	124100	408
1.9	98432	0.9	782	40.0	—		BE180L4	BX180L4	—	—	—	—	173700	203900	74100	388
1.9	96599	2.8	768	22.0		—	BE180L4	BX180L4	—	—	—	—	463300	472800	163700	418
2.0	93247	1.1	741	18.0		—	BE180L4	BX180L4	—	—	—	—	170900	200700	72800	386





$P_1 = 22 \text{ kW}$

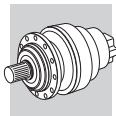
n_2 min ⁻¹	M_2 Nm	S	i	Pt kW	Motor Configurations		IE2		IE3		Rn ₂ [N]					📄
					BE180L4	BX180L4	IE2	IE3	MC	MZ	HC/PC	HZ/PZ	FZ			
2.0	93247	1.4	741	18.0	316 L4	—	BE180L4	BX180L4	—	—	—	—	284200	316100	121400	398
2.0	91394	1.4	726	18.0	316 L4	—	BE180L4	BX180L4	—	—	—	—	282500	314100	120500	398
2.0	91357	2.9	726	22.0	318 L4	—	BE180L4	BX180L4	—	—	—	—	455600	464900	160700	418
2.0	90486	2.0	719	18.0	317 L4	—	BE180L4	BX180L4	—	—	—	—	362100	385500	120100	408
2.1	86149	1.5	685	18.0	316 L4	—	BE180L4	BX180L4	—	—	—	—	277500	308600	118200	398
2.2	85170	1.9	677	50.0	—	317 R4	BE180L4	BX180L4	—	—	—	—	355600	378600	117700	410
2.2	84520	1.2	672	18.0	315 L4	—	BE180L4	BX180L4	—	—	—	—	165900	194800	70500	386
2.2	84103	1.0	668	15.0	314 L4	—	BE180L4	BX180L4	—	—	—	—	165700	194500	70300	374
2.2	82938	1.1	659	40.0	—	315 R4	BE180L4	BX180L4	—	—	—	—	165000	193700	70000	388
2.3	78764	2.0	626	50.0	—	317 R4	BE180L4	BX180L4	—	—	—	—	347300	369800	114700	410
2.3	78569	1.6	624	18.0	316 L4	—	BE180L4	BX180L4	—	—	—	—	270000	300300	114600	398
2.4	78438	1.3	623	40.0	—	315 R4	BE180L4	BX180L4	—	—	—	—	162300	190500	68700	388
2.4	78438	1.5	623	45.0	—	316 R4	BE180L4	BX180L4	—	—	—	—	269800	300100	114500	400
2.4	77838	2.3	619	18.0	317 L4	—	BE180L4	BX180L4	—	—	—	—	346100	368500	114200	408
2.5	74353	1.3	591	18.0	315 L4	—	BE180L4	BX180L4	—	—	—	—	159700	187500	67500	386
2.5	74353	1.6	591	18.0	316 L4	—	BE180L4	BX180L4	—	—	—	—	265500	295300	112500	398
2.5	73986	1.1	588	15.0	314 L4	—	BE180L4	BX180L4	—	—	—	—	159500	187200	67400	374
2.6	71216	1.7	566	18.0	316 L4	—	BE180L4	BX180L4	—	—	—	—	262100	291500	110900	398
2.6	69739	1.1	554	15.0	314 L4	—	BE180L4	BX180L4	—	—	—	—	156600	183900	66100	374
2.7	69421	2.5	552	18.0	317 L4	—	BE180L4	BX180L4	—	—	—	—	334400	356100	110000	408
2.7	67129	1.5	533	18.0	315 L4	—	BE180L4	BX180L4	—	—	—	—	154900	181800	65200	386
2.7	67129	1.8	533	18.0	316 L4	—	BE180L4	BX180L4	—	—	—	—	257500	286400	108700	398
2.8	66091	1.5	525	40.0	—	315 R4	BE180L4	BX180L4	—	—	—	—	154100	181000	64900	388
2.8	66091	1.8	525	45.0	—	316 R4	BE180L4	BX180L4	—	—	—	—	256300	285000	108200	400
2.8	65435	2.5	520	50.0	—	317 R4	BE180L4	BX180L4	—	—	—	—	328500	349800	107800	410
3.0	62234	1.3	495	15.0	314 L4	—	BE180L4	BX180L4	—	—	—	—	151400	177700	63600	374
3.0	62027	2.7	493	18.0	317 L4	—	BE180L4	BX180L4	—	—	—	—	323300	344200	105900	408
3.0	61261	1.6	487	18.0	315 L4	—	BE180L4	BX180L4	—	—	—	—	150700	176900	63300	386
3.0	61261	1.9	487	18.0	316 L4	—	BE180L4	BX180L4	—	—	—	—	250500	278600	105500	398
3.2	57651	1.4	458	15.0	314 L4	—	BE180L4	BX180L4	—	—	—	—	148000	173700	62000	374
3.3	56477	2.9	449	18.0	317 L4	—	BE180L4	BX180L4	—	—	—	—	314300	334700	102700	408
3.3	55688	2.1	443	45.0	—	316 R4	BE180L4	BX180L4	—	—	—	—	243500	270800	102200	400
3.3	55493	1.8	441	18.0	315 L4	—	BE180L4	BX180L4	—	—	—	—	146300	171700	61200	386
3.3	55493	2.1	441	18.0	316 L4	—	BE180L4	BX180L4	—	—	—	—	243200	270500	102100	398
3.3	55135	2.8	438	50.0	—	317 R4	BE180L4	BX180L4	—	—	—	—	312100	332300	101800	410
3.6	51500	1.9	409	40.0	—	315 R4	BE180L4	BX180L4	—	—	—	—	143000	167900	59700	388
3.6	51500	2.2	409	45.0	—	316 R4	BE180L4	BX180L4	—	—	—	—	237800	264500	99600	400
3.7	50201	2.9	399	50.0	—	317 R4	BE180L4	BX180L4	—	—	—	—	303400	323100	98700	410
3.8	48834	1.6	388	15.0	314 L4	—	BE180L4	BX180L4	—	—	—	—	140800	165300	58700	374
4.0	46509	2.1	370	18.0	315 L4	—	BE180L4	BX180L4	—	—	—	—	138700	162900	57700	386
4.0	46509	2.4	370	18.0	316 L4	—	BE180L4	BX180L4	—	—	—	—	230600	256500	96200	398
4.2	43393	2.2	345	40.0	—	315 R4	BE180L4	BX180L4	—	—	—	—	135900	159500	56400	388
4.2	43393	2.5	345	45.0	—	316 R4	BE180L4	BX180L4	—	—	—	—	225900	251200	94000	400
4.4	42299	2.9	336	50.0	—	317 R4	BE180L4	BX180L4	—	—	—	—	288200	306900	93200	410
4.5	41351	2.6	329	18.0	316 L4	—	BE180L4	BX180L4	—	—	—	—	222700	247600	92500	398
4.7	39519	2.0	314	15.0	314 L4	—	BE180L4	BX180L4	—	—	—	—	132100	155100	54700	374
4.8	39527	1.0	304	18.0	313 L3	—	BE180L4	BX180L4	—	—	—	—	122500	145000	48100	362
4.8	38040	2.5	302	18.0	315 L4	—	BE180L4	BX180L4	—	—	—	—	130600	153300	54000	386
4.8	38040	2.7	302	18.0	316 L4	—	BE180L4	BX180L4	—	—	—	—	217100	241500	90000	398
5.1	36368	2.9	289	45.0	—	316 R4	BE180L4	BX180L4	—	—	—	—	214200	238300	88700	400








$P_1 = 22 \text{ kW}$

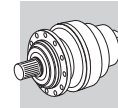
n ₂ min ⁻¹	M ₂ Nm	S	i	Pt kW	Motor		IE2		IE3		Rn ₂ [N]					Icon
					IE2	IE3	IE2	IE3	MC	MZ	HC/PC	HZ/PZ	FZ			
5.5	33813	2.4	269	40.0	—	315 R4	BE180L4	BX180L4	—	—	—	—	126100	148000	51900	388
5.5	33813	2.9	269	45.0	—	316 R4	BE180L4	BX180L4	—	—	—	—	209600	233100	86500	400
5.6	32961	2.9	262	50.0	—	317 R4	BE180L4	BX180L4	—	—	—	—	267500	284800	85800	410
5.8	32838	1.4	252	18.0	313 L3	—	BE180L4	BX180L4	—	—	—	—	115900	137100	45200	362
6.0	31926	1.1	245	18.0	311 L3	—	BE180L4	BX180L4	—	—	—	—	93000	115800	36400	350
6.1	31322	2.1	241	30.0	315 L3	—	BE180L4	BX180L4	—	—	—	—	122000	143200	50000	386
6.1	31168	1.7	240	25.0	314 L3	—	BE180L4	BX180L4	—	—	—	—	121800	143000	50000	374
6.5	28339	2.7	225	40.0	—	315 R4	BE180L4	BX180L4	—	—	—	—	119600	140400	48900	388
6.7	27624	2.9	220	50.0	—	317 R4	BE180L4	BX180L4	—	—	—	—	253600	270100	80900	410
7.0	27146	1.7	209	18.0	313 L3	—	BE180L4	BX180L4	—	—	—	—	109400	129500	42400	362
7.1	26944	3.0	207	30.0	315 L3	—	BE180L4	BX180L4	—	—	—	—	116600	136900	47600	386
7.1	26811	2.4	206	25.0	314 L3	—	BE180L4	BX180L4	—	—	—	—	116400	136700	47500	374
7.2	26392	1.3	203	18.0	311 L3	—	BE180L4	BX180L4	—	—	—	—	87800	109400	34100	350
7.6	25193	1.9	194	18.0	313 L3	—	BE180L4	BX180L4	—	—	—	—	107000	126700	41400	362
7.7	24877	1.3	191	18.0	311 L3	—	BE180L4	BX180L4	—	—	—	—	86300	107500	33500	350
8.0	23684	1.6	182	18.0	313 L3	—	BE180L4	BX180L4	—	—	—	—	105100	124300	40500	362
8.3	22873	2.0	176	18.0	313 L3	—	BE180L4	BX180L4	—	—	—	—	104000	123000	40100	362
8.4	22591	2.8	174	25.0	314 L3	—	BE180L4	BX180L4	—	—	—	—	110600	129800	44900	374
8.6	22238	1.5	171	18.0	311 L3	—	BE180L4	BX180L4	—	—	—	—	83400	103900	32200	350
9.0	21294	1.0	164	18.0	310 L3	—	BE180L4	BX180L4	—	—	—	—	69700	87600	31800	338
9.0	21227	2.2	163	18.0	313 L3	—	BE180L4	BX180L4	—	—	—	—	101700	120300	39100	362
9.1	20961	1.5	161	18.0	311 L3	—	BE180L4	BX180L4	—	—	—	—	82000	102100	31600	350
9.3	20443	2.5	157	55.0	—	314 R3 (C)	BE180L4	BX180L4	—	—	—	—	107300	126000	43400	376
9.6	19910	2.0	153	40.0	—	313 R3	BE180L4	BX180L4	—	—	—	—	99700	118000	38200	364
9.7	19676	2.3	151	18.0	313 L3	—	BE180L4	BX180L4	—	—	—	—	99400	117600	38100	362
10.0	19129	1.7	147	18.0	311 L3	—	BE180L4	BX180L4	—	—	—	—	79700	99300	30700	350
10.0	19085	1.4	147	40.0	—	311 R3	BE180L4	BX180L4	—	—	—	—	79700	99300	30600	352
10.2	18608	2.4	143	18.0	313 L3	—	BE180L4	BX180L4	—	—	—	—	97700	115700	37400	362
10.3	18446	1.1	142	18.0	310 L3	—	BE180L4	BX180L4	—	—	—	—	66700	83900	30300	338
10.9	17548	2.5	135	18.0	313 L3	—	BE180L4	BX180L4	—	—	—	—	96000	113600	36700	362
11.0	17328	1.7	133	18.0	311 L3	—	BE180L4	BX180L4	—	—	—	—	77400	96400	29700	350
11.2	16969	1.2	130	18.0	310 L3	—	BE180L4	BX180L4	—	—	—	—	65100	81900	29500	338
11.5	16541	2.5	127	40.0	—	313 R3	BE180L4	BX180L4	—	—	—	—	94300	111600	36000	364
11.7	16333	1.8	126	18.0	311 L3	—	BE180L4	BX180L4	—	—	—	—	76100	94700	29100	350
11.9	16081	1.9	124	40.0	—	311 R3	BE180L4	BX180L4	—	—	—	—	75700	94300	28900	352
12.2	15679	2.7	120	18.0	313 L3	—	BE180L4	BX180L4	—	—	—	—	92800	109900	35300	362
12.3	15485	1.3	119	18.0	310 L3	—	BE180L4	BX180L4	—	—	—	—	63300	79600	28600	338
12.8	14906	1.9	115	18.0	311 L3	—	BE180L4	BX180L4	—	—	—	—	74000	92200	28200	350
13.3	14373	1.4	110	18.0	310 L3	—	BE180L4	BX180L4	—	—	—	—	61900	77900	27900	338
13.4	14276	2.9	110	18.0	313 L3	—	BE180L4	BX180L4	—	—	—	—	90300	106800	34200	362
13.7	13937	2.8	107	40.0	—	313 R3	BE180L4	BX180L4	—	—	—	—	89600	106000	34000	364
14.1	13550	2.1	104	40.0	—	311 R3	BE180L4	BX180L4	—	—	—	—	71900	89600	27300	352
14.1	13502	2.1	104	18.0	311 L3	—	BE180L4	BX180L4	—	—	—	—	71800	89500	27300	350
14.5	13117	1.4	101	18.0	310 L3	—	BE180L4	BX180L4	—	—	—	—	60300	75800	27000	338
15.0	12690	2.9	97.5	40.0	—	313 R3	BE180L4	BX180L4	—	—	—	—	87100	103100	32900	364
15.2	12531	2.2	96.3	40.0	—	311 R3	BE180L4	BX180L4	—	—	—	—	70200	87500	26600	352
16.0	11882	1.6	91.3	18.0	310 L3	—	BE180L4	BX180L4	—	—	—	—	58500	73600	26200	338
16.4	11615	2.3	89.3	18.0	311 L3	—	BE180L4	BX180L4	—	—	—	—	68100	84900	25700	350
17.8	10692	2.9	82.2	40.0	—	313 R3	BE180L4	BX180L4	—	—	—	—	82800	97900	31100	364
18.1	10558	2.5	81.1	40.0	—	311 R3	BE180L4	BX180L4	—	—	—	—	66700	83100	25200	352

A








P₁ = 22 kW

n ₂ min ⁻¹	M ₂ Nm	S	i	Pt kW							Rn ₂ [N]					
							IE2	IE3	IE2	IE3	MC	MZ	HC/PC	HZ/PZ	FZ	
18.2	10453	1.7	80.3	18.0	310 L3	—	BE180L4	BX180L4	—	—	—	—	56300	70800	25100	338
18.9	10061	2.5	77.3	18.0	311 L3	—	BE180L4	BX180L4	—	—	—	—	65800	81900	24800	350
19.8	9616	1.8	73.9	18.0	310 L3	—	BE180L4	BX180L4	—	—	—	—	54900	69000	24400	338
20.6	9256	2.7	71.1	18.0	311 L3	—	BE180L4	BX180L4	—	—	—	—	64100	79900	24100	350
20.9	9102	2.9	69.9	40.0	—	313 R3	BE180L4	BX180L4	—	—	—	—	78900	93300	29500	364
21.5	8849	2.7	68.0	40.0	—	311 R3	BE180L4	BX180L4	—	—	—	—	63300	78800	23700	352
22.9	8332	2.9	64.0	40.0	—	313 R3	BE180L4	BX180L4	—	—	—	—	76800	90900	28600	364
23.2	8227	2.9	63.2	40.0	—	311 R3	BE180L4	BX180L4	—	—	—	—	61900	77100	23100	352
23.4	8145	2.0	62.6	18.0	310 L3	—	BE180L4	BX180L4	—	—	—	—	52200	65700	23100	338
27.3	6983	2.9	53.7	40.0	—	313 R3	BE180L4	BX180L4	—	—	—	—	72800	86200	27000	364
27.6	6899	2.3	53.0	18.0	310 L3	—	BE180L4	BX180L4	—	—	—	—	49700	62500	21800	338
27.6	6895	2.9	53.0	40.0	—	311 R3	BE180L4	BX180L4	—	—	—	—	58700	73100	21800	352
31	6282	1.3	46.7	18.0	307 L2	—	BE180L4	BX180L4	—	—	16700	20900	39700	52100	14500	314
31	6282	2.0	46.7	18.0	309 L2	—	BE180L4	BX180L4	—	—	—	—	40400	52100	11600	326
31	6282	2.3	46.7	22.0	310 L2	—	BE180L4	BX180L4	—	—	—	—	47800	60200	20900	338
32	6251	1.0	46.5	13.0	306 L2	—	BE180L4	BX180L4	—	—	15000	17000	36900	43000	11300	302
38	5193	1.6	38.6	18.0	307 L2	—	BE180L4	BX180L4	—	—	15600	19600	37500	49200	13600	314
38	5193	2.4	38.6	18.0	309 L2	—	BE180L4	BX180L4	—	—	—	—	38100	49200	10900	326
38	5193	2.6	38.6	22.0	310 L2	—	BE180L4	BX180L4	—	—	—	—	45200	56800	19600	338
38	5167	1.3	38.4	13.0	306 L2	—	BE180L4	BX180L4	—	—	14100	15900	34800	40600	10600	302
44	4445	1.5	33.1	13.0	306 L2	—	BE180L4	BX180L4	—	—	13400	15100	33300	38800	10000	302
45	4375	2.2	32.6	18.0	307 L2	—	BE180L4	BX180L4	—	—	14800	18500	35700	46700	12800	314
45	4375	3.0	32.6	18.0	309 L2	—	BE180L4	BX180L4	—	—	—	—	36200	46700	10300	326
48	4124	2.3	30.7	18.0	307 L2	—	BE180L4	BX180L4	—	—	14500	18200	35000	45900	12600	314
52	3824	1.8	28.4	13.0	306 L2	—	BE180L4	BX180L4	—	—	12700	14400	31800	37100	9550	302
52	3764	2.4	28.0	18.0	307 L2	—	BE180L4	BX180L4	—	—	14100	17600	34100	44700	12200	314
56	3542	1.8	26.4	13.0	306 L2	—	BE180L4	BX180L4	—	—	12400	14000	31100	36200	9310	302
58	3409	2.7	25.4	18.0	307 L2	—	BE180L4	BX180L4	—	—	13600	17100	33100	43400	11800	314
62	3164	2.9	23.5	35.0	—	309 R2	BE180L4	BX180L4	—	—	—	—	32900	42400	9220	328
62	3164	2.5	23.5	35.0	—	307 R2	BE180L4	BX180L4	—	—	13300	16600	32400	42400	11500	316
65	3047	2.0	22.7	13.0	306 L2	—	BE180L4	BX180L4	—	—	11800	13400	29700	34600	8850	302
67	2933	3.0	21.8	18.0	307 L2	—	BE180L4	BX180L4	—	—	12900	16200	31600	41400	11200	314
74	2666	2.9	19.8	35.0	—	309 R2	BE180L4	BX180L4	—	—	—	—	31200	40300	8710	328
74	2666	2.9	19.8	35.0	—	307 R2	BE180L4	BX180L4	—	—	12500	15700	30700	40300	10900	316
81	2428	2.4	18.1	13.0	306 L2	—	BE180L4	BX180L4	—	—	10900	12400	27800	32300	8210	302
95	2077	2.9	15.5	35.0	—	309 R2	BE180L4	BX180L4	—	—	—	—	29000	37400	8020	328
95	2077	2.9	15.5	35.0	—	307 R2	BE180L4	BX180L4	—	—	11500	14500	28500	37400	10000	316
96	2057	2.4	15.3	13.0	306 L2	—	BE180L4	BX180L4	—	—	10300	11700	26400	30800	7770	302
113	1742	2.8	13.0	13.0	306 L2	—	BE180L4	BX180L4	—	—	9780	11100	25100	29300	7350	302
113	1741	2.9	13.0	35.0	—	309 R2	BE180L4	BX180L4	—	—	—	—	27500	35400	7560	328
113	1741	2.9	13.0	35.0	—	307 R2	BE180L4	BX180L4	—	—	10900	13600	27000	35400	9450	316
195	1040	1.2	7.50	11.0	303 L1	—	BE180L4	BX180L4	—	—	6550	7560	13000	15700	4200	266
195	1040	2.2	7.50	13.0	305 L1	—	BE180L4	BX180L4	—	—	6550	7560	13000	15700	4200	290
223	912	2.1	6.57	12.0	304 L1	—	BE180L4	BX180L4	—	—	6260	7230	12500	15100	4020	278
236	860	1.6	6.20	11.0	303 L1	—	BE180L4	BX180L4	—	—	6140	7090	12300	14800	3940	266
275	740	2.0	5.33	11.0	303 L1	—	BE180L4	BX180L4	—	—	5840	6750	11800	14200	3750	266
275	740	2.7	5.33	12.0	304 L1	—	BE180L4	BX180L4	—	—	5840	6750	11800	14200	3750	278
345	590	2.4	4.25	11.0	303 L1	—	BE180L4	BX180L4	—	—	5420	6250	11000	13200	3480	266
407	499	2.8	3.60	11.0	303 L1	—	BE180L4	BX180L4	—	—	5010	5780	10300	12300	3210	266

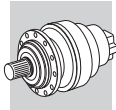


P₁ = 30 kW






n ₂ min ⁻¹	M ₂ Nm	S	i	Pt kW					Rn ₂ [N]					
									MC	MZ	HC/PC	HZ/PZ	FZ	
1.1	239514	1.5	1389	30.0	319 L4	—	IEC200L4	—	—	—	636100	700800	199500	428
1.2	206034	1.7	1195	30.0	319 L4	—	IEC200L4	—	—	—	608000	669900	189700	428
1.3	193443	2.7	1122	35.0	321 L4	—	IEC200L4	—	—	—	731900	867900	1114500	438
1.4	182670	1.5	1059	22.0	318 L4	—	IEC200L4	—	—	—	503000	520700	182200	418
1.4	178055	1.0	1032	18.0	317 L4	—	IEC200L4	—	—	—	403600	429700	135500	408
1.5	173603	2.0	1007	30.0	319 L4	—	IEC200L4	—	—	—	577600	636300	179200	428
1.6	157257	2.1	912	30.0	319 L4	—	IEC200L4	—	—	—	560700	617700	173400	428
1.6	157135	1.7	911	22.0	318 L4	—	IEC200L4	—	—	—	487700	497700	173300	418
1.6	156325	2.1	906	115.0	—	319 R4 (C)	IEC200L4	—	—	—	559700	616600	173000	430
1.6	155863	1.1	904	18.0	317 L4	—	IEC200L4	—	—	—	387800	412900	129600	408
1.7	146694	2.5	850	30.0	319 L4	—	IEC200L4	—	—	—	549100	605000	169400	428
1.8	140136	0.9	812	18.0	316 L4	—	IEC200L4	—	—	—	286100	318200	122300	398
1.8	138545	1.2	803	50.0	—	317 R4	IEC200L4	—	—	—	374300	398500	124600	408
1.8	136603	1.4	792	18.0	317 L4	—	IEC200L4	—	—	—	372700	396900	124100	408
1.9	134473	2.5	780	115.0	—	319 R4 (C)	IEC200L4	—	—	—	535000	589400	164500	430
1.9	132401	2.0	768	22.0	318 L4	—	IEC200L4	—	—	—	463300	472800	163700	418
2.0	127807	1.0	741	18.0	316 L4	—	IEC200L4	—	—	—	284200	316100	121400	398
2.0	125267	1.0	726	18.0	316 L4	—	IEC200L4	—	—	—	282500	314100	120500	398
2.0	125217	2.1	726	22.0	318 L4	—	IEC200L4	—	—	—	455600	464900	160700	418
2.0	124023	1.4	719	18.0	317 L4	—	IEC200L4	—	—	—	362100	385500	120100	408
2.0	123603	2.9	717	30.0	319 L4	—	IEC200L4	—	—	—	521600	574700	160000	428
2.1	119224	2.2	691	110.0	—	318 R4 (C)	IEC200L4	—	—	—	448900	458100	158100	420
2.1	118078	1.1	685	18.0	316 L4	—	IEC200L4	—	—	—	277500	308600	118200	398
2.2	116737	1.4	677	50.0	—	317 R4	IEC200L4	—	—	—	355600	378600	117700	408
2.2	113306	2.8	657	115.0	—	319 R4 (C)	IEC200L4	—	—	—	508200	559900	155400	430
2.2	112919	2.8	655	95.0	—	319 R4 (B)	IEC200L4	—	—	—	507700	559300	155200	430
2.3	111560	2.4	647	22.0	318 L4	—	IEC200L4	—	—	—	440100	449100	154600	418
2.3	107957	1.4	626	50.0	—	317 R4	IEC200L4	—	—	—	347300	369800	114700	408
2.3	107690	1.2	624	18.0	316 L4	—	IEC200L4	—	—	—	270000	300300	114600	398
2.3	107510	0.9	623	40.0	—	315 R4	IEC200L4	—	—	—	162300	190500	68700	388
2.3	107510	1.1	623	45.0	—	316 R4	IEC200L4	—	—	—	269800	300100	114500	388
2.4	106687	1.7	619	18.0	317 L4	—	IEC200L4	—	—	—	346100	368500	114200	408
2.4	105507	2.5	612	22.0	318 L4	—	IEC200L4	—	—	—	432800	441700	151800	418
2.5	102558	2.6	595	110.0	—	318 R4 (C)	IEC200L4	—	—	—	429100	437900	150300	420
2.5	101910	1.0	591	18.0	315 L4	—	IEC200L4	—	—	—	159700	187500	67500	386
2.5	101910	1.2	591	18.0	316 L4	—	IEC200L4	—	—	—	265500	295300	112500	398
2.6	97611	1.3	566	18.0	316 L4	—	IEC200L4	—	—	—	262100	291500	110900	398
2.6	95150	1.8	552	18.0	317 L4	—	IEC200L4	—	—	—	334400	356100	110000	408
2.7	92009	1.1	533	18.0	315 L4	—	IEC200L4	—	—	—	154900	181800	65200	386
2.7	92009	1.3	533	18.0	316 L4	—	IEC200L4	—	—	—	257500	286400	108700	398
2.8	90587	1.1	525	40.0	—	315 R4	IEC200L4	—	—	—	154100	181000	64900	388
2.8	90587	1.3	525	45.0	—	316 R4	IEC200L4	—	—	—	256300	285000	108200	388
2.8	89687	1.8	520	50.0	—	317 R4	IEC200L4	—	—	—	328500	349800	107800	408
2.8	88899	2.8	515	22.0	318 L4	—	IEC200L4	—	—	—	411100	419500	143300	418
2.9	86415	2.9	501	110.0	—	318 R4 (C)	IEC200L4	—	—	—	407600	416000	142000	420
2.9	86120	2.9	499	90.0	—	318 R4 (B)	IEC200L4	—	—	—	407200	415600	141800	420
3.0	85299	0.9	495	15.0	314 L4	—	IEC200L4	—	—	—	151400	177700	63600	374
3.0	85016	2.0	493	18.0	317 L4	—	IEC200L4	—	—	—	323300	344200	105900	408
3.0	83966	1.2	487	18.0	315 L4	—	IEC200L4	—	—	—	150700	176900	63300	386
3.0	83966	1.4	487	18.0	316 L4	—	IEC200L4	—	—	—	250500	278600	105500	398
3.2	79018	1.0	458	15.0	314 L4	—	IEC200L4	—	—	—	148000	173700	62000	374
3.3	77409	2.1	449	18.0	317 L4	—	IEC200L4	—	—	—	314300	334700	102700	408
3.3	76328	1.5	443	45.0	—	316 R4	IEC200L4	—	—	—	243500	270800	102200	388
3.3	76060	1.3	441	18.0	315 L4	—	IEC200L4	—	—	—	146300	171700	61200	386
3.3	76060	1.5	441	18.0	316 L4	—	IEC200L4	—	—	—	243200	270500	102100	398
3.3	75570	2.1	438	50.0	—	317 R4	IEC200L4	—	—	—	312100	332300	101800	408
3.6	70587	1.4	409	40.0	—	315 R4	IEC200L4	—	—	—	143000	167900	59700	388
3.6	70587	1.6	409	45.0	—	316 R4	IEC200L4	—	—	—	237800	264500	99600	388
3.7	68808	2.2	399	50.0	—	317 R4	IEC200L4	—	—	—	303400	323100	98700	408
3.8	66933	1.2	388	15.0	314 L4	—	IEC200L4	—	—	—	140800	165300	58700	374
4.0	63746	1.5	370	18.0	315 L4	—	IEC200L4	—	—	—	138700	162900	57700	386
4.0	63746	1.7	370	18.0	316 L4	—	IEC200L4	—	—	—	230600	256500	96200	398
4.1	62139	2.5	360	18.0	317 L4	—	IEC200L4	—	—	—	294300	313300	95400	408
4.2	59476	1.6	345	40.0	—	315 R4	IEC200L4	—	—	—	135900	159500	56400	388
4.2	59476	1.8	345	45.0	—	316 R4	IEC200L4	—	—	—	225900	251200	94000	388



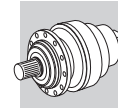
The technical information shall be considered as indicative, the configurations should be matching the data provided by motors manufacturers on rated powers greater than 22 kW.








P₁ = 30 kW

n ₂ min ⁻¹	M ₂ Nm	S	i	Pt kW					Rn ₂ [N]					
									MC	MZ	HC/PC	HZ/PZ	FZ	
4.3	57977	2.2	336	50.0	—	317 R4	IEC200L4	—	—	—	288200	306900	93200	408
4.4	56677	1.9	329	18.0	316 L4	—	IEC200L4	—	—	—	222700	247600	92500	398
4.6	54166	1.4	314	15.0	314 L4	—	IEC200L4	—	—	—	132100	155100	54700	374
4.7	53453	2.7	310	18.0	317 L4	—	IEC200L4	—	—	—	281300	299500	90700	408
4.8	52138	1.9	302	18.0	315 L4	—	IEC200L4	—	—	—	130600	153300	54000	386
4.8	52138	2.0	302	18.0	316 L4	—	IEC200L4	—	—	—	217100	241500	90000	398
5.1	49847	2.1	289	45.0	—	316 R4	IEC200L4	—	—	—	214200	238300	88700	388
5.4	46345	1.8	269	40.0	—	315 R4	IEC200L4	—	—	—	126100	148000	51900	388
5.4	46345	2.2	269	45.0	—	316 R4	IEC200L4	—	—	—	209600	233100	86500	388
5.6	45177	2.2	262	50.0	—	317 R4	IEC200L4	—	—	—	267500	284800	85800	408
5.7	44164	2.2	256	18.0	316 L4	—	IEC200L4	—	—	—	206600	229800	85100	398
5.8	45008	1.0	252	18.0	317 L3	—	IEC200L4	—	—	—	115900	137100	45200	408
5.8	45008	2.7	252	35.0	313 L3	—	IEC200L4	—	—	—	264500	281600	84700	362
6.1	42931	1.5	241	30.0	315 L3	—	IEC200L4	—	—	—	122000	143200	50000	386
6.1	42719	1.2	240	25.0	314 L3	—	IEC200L4	—	—	—	121800	143000	50000	374
6.5	38842	2.0	225	40.0	—	315 R4	IEC200L4	—	—	—	119600	140400	48900	388
6.5	38842	2.4	225	45.0	—	316 R4	IEC200L4	—	—	—	198800	221100	81600	388
6.7	37862	2.1	220	50.0	—	317 R4	IEC200L4	—	—	—	253600	270100	80900	408
6.8	37014	2.5	215	18.0	316 L4	—	IEC200L4	—	—	—	195900	217900	80300	398
7.0	37207	1.2	209	18.0	313 L3	—	IEC200L4	—	—	—	109400	129500	42400	362
7.1	36930	2.2	207	30.0	315 L3	—	IEC200L4	—	—	—	116600	136900	47600	386
7.1	36748	1.7	206	25.0	314 L3	—	IEC200L4	—	—	—	116400	136700	47500	374
7.2	36173	0.9	203	18.0	311 L3	—	IEC200L4	—	—	—	86000	107200	33400	350
7.5	34530	1.4	194	18.0	313 L3	—	IEC200L4	—	—	—	107000	126700	41400	362
7.6	34097	0.9	191	18.0	311 L3	—	IEC200L4	—	—	—	86300	107500	33500	350
8.0	32462	1.2	182	18.0	313 L3	—	IEC200L4	—	—	—	105100	124300	40500	362
8.3	31350	1.4	176	18.0	313 L3	—	IEC200L4	—	—	—	104000	123000	40100	362
8.4	31117	2.5	174	30.0	315 L3	—	IEC200L4	—	—	—	110700	130000	45000	386
8.4	30963	2.0	174	25.0	314 L3	—	IEC200L4	—	—	—	110600	129800	44900	374
8.5	30479	1.1	171	18.0	311 L3	—	IEC200L4	—	—	—	83400	103900	32200	350
8.8	29429	2.7	165	30.0	315 L3	—	IEC200L4	—	—	—	108900	127900	44100	386
8.8	29429	2.8	165	35.0	316 L3	—	IEC200L4	—	—	—	181100	201400	73500	398
8.9	29283	2.2	164	25.0	314 L3	—	IEC200L4	—	—	—	108700	127700	44100	374
9.0	29095	1.6	163	18.0	313 L3	—	IEC200L4	—	—	—	101700	120300	39100	362
9.1	28730	1.1	161	18.0	311 L3	—	IEC200L4	—	—	—	82000	102100	31600	350
9.3	28020	1.9	157	55.0	—	314 R3 (C)	IEC200L4	—	—	—	107300	126000	43400	376
9.3	28020	2.3	157	90.0	—	315 R3 (C)	IEC200L4	—	—	—	107300	126000	43400	388
9.5	27289	1.4	153	40.0	—	313 R3	IEC200L4	—	—	—	99700	118000	38200	364
9.7	26968	1.7	151	18.0	313 L3	—	IEC200L4	—	—	—	99400	117600	38100	362
9.9	26219	1.2	147	18.0	311 L3	—	IEC200L4	—	—	—	79700	99300	30700	350
10.0	26159	1.0	147	40.0	—	311 R3	IEC200L4	—	—	—	79700	99300	30600	376
10.2	25505	1.7	143	18.0	313 L3	—	IEC200L4	—	—	—	97700	115700	37400	362
10.6	24674	2.6	138	25.0	314 L3	—	IEC200L4	—	—	—	103300	121300	41600	374
10.8	24103	2.5	135	55.0	—	314 R3 (C)	IEC200L4	—	—	—	102600	120400	41300	376
10.8	24052	1.8	135	18.0	313 L3	—	IEC200L4	—	—	—	96000	113600	36700	362
11.0	23750	1.3	133	18.0	311 L3	—	IEC200L4	—	—	—	77400	96400	29700	350
11.5	22671	1.8	127	40.0	—	313 R3	IEC200L4	—	—	—	94300	111600	36000	364
11.6	22387	1.3	126	18.0	311 L3	—	IEC200L4	—	—	—	76100	94700	29100	350
11.8	22041	1.4	124	40.0	—	311 R3	IEC200L4	—	—	—	75700	94300	28900	376
12.1	21490	2.0	120	18.0	313 L3	—	IEC200L4	—	—	—	92800	109900	35300	362
12.3	21225	0.9	119	18.0	310 L3	—	IEC200L4	—	—	—	63300	79600	28600	338
12.7	20430	1.4	115	18.0	311 L3	—	IEC200L4	—	—	—	74000	92200	28200	350
12.8	20309	2.5	114	55.0	—	314 R3 (C)	IEC200L4	—	—	—	97400	114400	39000	376
12.9	20240	2.4	113	55.0	—	314 R3 (B)	IEC200L4	—	—	—	97300	114300	38900	376
12.9	20240	3.0	113	75.0	—	315 R3 (B)	IEC200L4	—	—	—	97300	114300	38900	388
13.2	19701	1.0	110	18.0	310 L3	—	IEC200L4	—	—	—	60700	76300	27200	338
13.3	19567	2.1	110	18.0	313 L3	—	IEC200L4	—	—	—	90300	106800	34200	362
13.5	19226	3.0	108	25.0	314 L3	—	IEC200L4	—	—	—	95900	112500	38300	374
13.6	19207	2.6	108	55.0	—	314 R3 (C)	IEC200L4	—	—	—	95800	112500	38300	376
13.6	19102	2.0	107	40.0	—	313 R3	IEC200L4	—	—	—	89600	106000	34000	364
14.0	18572	1.5	104	40.0	—	311 R3	IEC200L4	—	—	—	71900	89600	27300	376
14.1	18507	1.5	104	18.0	311 L3	—	IEC200L4	—	—	—	71800	89500	27300	350
14.5	17979	1.0	101	18.0	310 L3	—	IEC200L4	—	—	—	60300	75800	27000	338
15.0	17393	2.1	97.5	40.0	—	313 R3	IEC200L4	—	—	—	87100	103100	32900	364
15.2	17175	1.6	96.3	40.0	—	311 R3	IEC200L4	—	—	—	70200	87500	26600	376

The technical information shall be considered as indicative, the configurations should be matching the data provided by motors manufacturers on rated powers greater than 22 kW.



P₁ = 30 kW

n ₂ min ⁻¹	M ₂ Nm	S	i	Pt kW					Rn ₂ [N]					
									MC	MZ	HC/PC	HZ/PZ	FZ	
15.8	16487	2.4	92.4	18.0	313 L3	—	IEC200L4	—	—	—	85700	101500	32300	362
16.0	16286	1.1	91.3	18.0	310 L3	—	IEC200L4	—	—	—	58500	73600	26200	338
16.1	16184	2.9	90.7	55.0	—	314 R3 (C)	IEC200L4	—	—	—	91000	106900	36200	376
16.4	15920	1.7	89.3	18.0	311 L3	—	IEC200L4	—	—	—	68100	84900	25700	350
17.8	14655	2.1	82.2	40.0	—	313 R3	IEC200L4	—	—	—	82800	97900	31100	364
18.0	14471	1.8	81.1	40.0	—	311 R3	IEC200L4	—	—	—	66700	83100	25200	376
18.2	14327	1.2	80.3	18.0	310 L3	—	IEC200L4	—	—	—	56300	70800	25100	338
18.6	13966	2.7	78.3	18.0	313 L3	—	IEC200L4	—	—	—	81600	96500	30600	362
18.9	13790	1.8	77.3	18.0	311 L3	—	IEC200L4	—	—	—	65800	81900	24800	350
19.8	13179	1.3	73.9	18.0	310 L3	—	IEC200L4	—	—	—	54900	69000	24400	338
20.3	12847	2.8	72.0	18.0	313 L3	—	IEC200L4	—	—	—	79600	94100	29800	362
20.5	12686	2.0	71.1	18.0	311 L3	—	IEC200L4	—	—	—	64100	79900	24100	350
20.9	12475	2.1	69.9	40.0	—	313 R3	IEC200L4	—	—	—	78900	93300	29500	364
21.5	12128	2.0	68.0	40.0	—	311 R3	IEC200L4	—	—	—	63300	78800	23700	376
22.8	11420	2.1	64.0	40.0	—	313 R3	IEC200L4	—	—	—	76800	90900	28600	364
23.1	11276	2.1	63.2	40.0	—	311 R3	IEC200L4	—	—	—	61900	77100	23100	376
23.3	11164	1.5	62.6	18.0	310 L3	—	IEC200L4	—	—	—	52200	65700	23100	338
24.2	10746	2.2	60.2	18.0	311 L3	—	IEC200L4	—	—	—	61000	76000	22800	350
27.2	9571	2.1	53.7	40.0	—	313 R3	IEC200L4	—	—	—	72800	86200	27000	364
27.5	9456	1.7	53.0	18.0	310 L3	—	IEC200L4	—	—	—	49700	62500	21800	338
27.6	9451	2.1	53.0	40.0	—	311 R3	IEC200L4	—	—	—	58700	73100	21800	376
28.9	9006	2.5	50.5	18.0	311 L3	—	IEC200L4	—	—	—	57900	72100	21500	350
31	8610	1.0	46.7	18.0	307 L2	—	IEC200L4	—	16700	20900	39700	52100	14500	314
31	8610	1.5	46.7	18.0	309 L2	—	IEC200L4	—	—	—	40400	52100	11600	326
31	8610	1.6	46.7	22.0	310 L2	—	IEC200L4	—	—	—	47800	60200	20900	338
38	7153	2.8	38.8	26.0	311 L2	—	IEC200L4	—	—	—	53500	66600	19700	350
38	7117	1.2	38.6	18.0	307 L2	—	IEC200L4	—	15600	19600	37500	49200	13600	314
38	7117	1.8	38.6	18.0	309 L2	—	IEC200L4	—	—	—	38100	49200	10900	326
38	7117	1.9	38.6	22.0	310 L2	—	IEC200L4	—	—	—	45200	56800	19600	338
38	7082	0.9	38.4	13.0	306 L2	—	IEC200L4	—	13700	15600	34100	39700	10300	302
44	6092	1.1	33.1	13.0	306 L2	—	IEC200L4	—	13400	15100	33300	38800	10000	302
45	5997	1.6	32.6	18.0	307 L2	—	IEC200L4	—	14800	18500	35700	46700	12800	314
45	5997	2.2	32.6	18.0	309 L2	—	IEC200L4	—	—	—	36200	46700	10300	326
45	5997	2.2	32.6	22.0	310 L2	—	IEC200L4	—	—	—	42900	54000	18600	338
48	5653	2.4	30.7	22.0	310 L2	—	IEC200L4	—	—	—	42200	53000	18200	338
48	5653	1.7	30.7	18.0	307 L2	—	IEC200L4	—	14500	18200	35000	45900	12600	314
51	5241	1.3	28.4	13.0	306 L2	—	IEC200L4	—	12700	14400	31800	37100	9550	302
52	5159	1.8	28.0	18.0	307 L2	—	IEC200L4	—	14100	17600	34100	44700	12200	314
52	5159	2.4	28.0	18.0	309 L2	—	IEC200L4	—	—	—	34600	44700	9770	326
52	5159	2.5	28.0	22.0	310 L2	—	IEC200L4	—	—	—	41000	51600	17600	338
55	4855	1.3	26.4	13.0	306 L2	—	IEC200L4	—	12400	14000	31100	36200	9310	302
58	4673	2.7	25.4	22.0	310 L2	—	IEC200L4	—	—	—	39800	50100	17100	338
58	4673	1.9	25.4	18.0	307 L2	—	IEC200L4	—	13600	17100	33100	43400	11800	314
58	4673	2.2	25.4	18.0	309 L2	—	IEC200L4	—	—	—	33600	43400	9460	326
58	4668	2.6	25.3	55.0	—	310 R2 (C)	IEC200L4	—	—	—	39800	50100	17100	340
62	4337	2.1	23.5	35.0	—	309 R2	IEC200L4	—	—	—	32900	42400	9220	328
62	4337	1.8	23.5	35.0	—	307 R2	IEC200L4	—	13300	16600	32400	42400	11500	316
64	4176	1.5	22.7	13.0	306 L2	—	IEC200L4	—	11800	13400	29700	34600	8850	302
67	4020	2.2	21.8	18.0	307 L2	—	IEC200L4	—	12900	16200	31600	41400	11200	314
67	4020	2.5	21.8	18.0	309 L2	—	IEC200L4	—	—	—	32100	41400	8990	326
68	3934	3.0	21.3	55.0	—	310 R2 (C)	IEC200L4	—	—	—	37800	47600	16100	340
74	3654	2.1	19.8	35.0	—	309 R2	IEC200L4	—	—	—	31200	40300	8710	328
74	3654	2.1	19.8	35.0	—	307 R2	IEC200L4	—	12500	15700	30700	40300	10900	316
81	3328	1.8	18.1	13.0	306 L2	—	IEC200L4	—	10900	12400	27800	32300	8210	302
84	3203	2.5	17.4	18.0	307 L2	—	IEC200L4	—	12000	15000	29500	38700	10400	314
94	2847	2.1	15.5	35.0	—	309 R2	IEC200L4	—	—	—	29000	37400	8020	328
94	2847	2.1	15.5	35.0	—	307 R2	IEC200L4	—	11500	14500	28500	37400	10000	316
95	2819	1.8	15.3	13.0	306 L2	—	IEC200L4	—	10300	11700	26400	30800	7770	302
99	2713	2.8	14.7	18.0	307 L2	—	IEC200L4	—	11300	14200	28100	36800	9860	314
113	2388	2.0	13.0	13.0	306 L2	—	IEC200L4	—	9780	11100	25100	29300	7350	302
113	2386	2.1	13.0	35.0	—	309 R2	IEC200L4	—	—	—	27500	35400	7560	328
113	2386	2.1	13.0	35.0	—	307 R2	IEC200L4	—	10900	13600	27000	35400	9450	316
195	1426	1.6	7.50	13.0	305 L1	—	IEC200L4	—	6550	7560	13000	15700	4200	290
195	1426	2.9	7.50	18.0	306 L1	—	IEC200L4	—	8150	9240	21300	24800	6120	302
222	1249	1.5	6.57	12.0	304 L1	—	IEC200L4	—	6260	7230	12500	15100	4020	290

A

The technical information shall be considered as indicative, the configurations should be matching the data provided by motors manufacturers on rated powers greater than 22 kW.



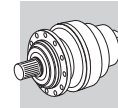
P₁ = 30 kW

n ₂ min ⁻¹	M ₂ Nm	S	i	Pt kW					Rn ₂ [N]					
									MC	MZ	HC/PC	HZ/PZ	FZ	
235	1179	1.2	6.20	11.0	303 L1	—	IEC200L4	—	6140	7090	12300	14800	3940	266
235	1179	2.2	6.20	13.0	305 L1	—	IEC200L4	—	6140	7090	12300	14800	3940	290
274	1014	1.5	5.33	11.0	303 L1	—	IEC200L4	—	5840	6750	11800	14200	3750	266
274	1014	2.0	5.33	12.0	304 L1	—	IEC200L4	—	5840	6750	11800	14200	3750	290
274	1014	2.5	5.33	13.0	305 L1	—	IEC200L4	—	5840	6750	11800	14200	3750	290
344	808	1.8	4.25	11.0	303 L1	—	IEC200L4	—	5420	6250	11000	13200	3480	266
344	808	2.4	4.25	12.0	304 L1	—	IEC200L4	—	5420	6250	11000	13200	3480	290
406	684	2.0	3.60	13.0	303 L1	—	IEC200L4	—	5420	6250	11000	13200	3480	266
406	684	2.7	3.60	18.0	304 L1	—	IEC200L4	—	6750	7640	18000	21000	5070	290

P₁ = 37 kW

n ₂ min ⁻¹	M ₂ Nm	S	i	Pt kW					Rn ₂ [N]					
									MC	MZ	HC/PC	HZ/PZ	FZ	
1.1	292061	1.2	1389	30.0	319 L4	—	IEC225S4	—	—	—	636100	700800	199500	428
1.2	251235	1.4	1195	30.0	319 L4	—	IEC225S4	—	—	—	608000	669900	189700	428
1.3	235882	2.2	1122	35.0	321 L4	—	IEC225S4	—	—	—	731900	867900	1114500	438
1.4	222745	1.2	1059	22.0	318 L4	—	IEC225S4	—	—	—	503000	520700	182200	418
1.5	211689	1.6	1007	30.0	319 L4	—	IEC225S4	—	—	—	577600	636300	179200	428
1.6	198752	2.9	945	35.0	321 L4	—	IEC225S4	—	—	—	695300	824500	1052600	438
1.6	191757	1.8	912	30.0	319 L4	—	IEC225S4	—	—	—	560700	617700	173400	428
1.6	191609	1.4	911	22.0	318 L4	—	IEC225S4	—	—	—	487700	497700	173300	418
1.6	190621	1.8	906	115.0	—	319 R4 (C)	IEC225S4	—	—	—	559700	616600	173000	430
1.7	178877	2.0	850	30.0	319 L4	—	IEC225S4	—	—	—	549100	605000	169400	428
1.9	163975	2.0	780	115.0	—	319 R4 (C)	IEC225S4	—	—	—	535000	589400	164500	430
1.9	161448	1.7	768	22.0	318 L4	—	IEC225S4	—	—	—	463300	472800	163700	418
2.0	152688	1.7	726	22.0	318 L4	—	IEC225S4	—	—	—	455600	464900	160700	418
2.1	150721	2.4	717	30.0	319 L4	—	IEC225S4	—	—	—	521600	574700	160000	428
2.1	145380	1.8	691	110.0	—	318 R4 (C)	IEC225S4	—	—	—	448900	458100	158100	420
2.2	142543	2.5	678	30.0	319 L4	—	IEC225S4	—	—	—	513000	565100	157000	428
2.3	138164	2.3	657	115.0	—	319 R4 (C)	IEC225S4	—	—	—	508200	559900	155400	430
2.3	137692	2.3	655	95.0	—	319 R4 (B)	IEC225S4	—	—	—	507700	559300	155200	430
2.3	136035	1.9	647	22.0	318 L4	—	IEC225S4	—	—	—	440100	449100	154600	418
2.4	128654	2.0	612	22.0	318 L4	—	IEC225S4	—	—	—	432800	441700	151800	418
2.5	125058	2.1	595	110.0	—	318 R4 (C)	IEC225S4	—	—	—	429100	437900	150300	420
2.6	120105	2.9	571	30.0	319 L4	—	IEC225S4	—	—	—	487300	536800	148300	428
2.6	118445	2.6	563	95.0	—	319 R4 (B)	IEC225S4	—	—	—	485200	534600	147600	430
2.7	116749	2.6	555	115.0	—	319 R4 (C)	IEC225S4	—	—	—	483100	532300	146900	430
2.8	110414	2.7	525	115.0	—	319 R4 (C)	IEC225S4	—	—	—	475100	523500	144200	430
2.9	108403	2.3	515	22.0	318 L4	—	IEC225S4	—	—	—	411100	419500	143300	418
3.0	105373	2.4	501	110.0	—	318 R4 (C)	IEC225S4	—	—	—	407600	416000	142000	420
3.0	105013	2.4	499	90.0	—	318 R4 (B)	IEC225S4	—	—	—	407200	415600	141800	420
3.1	100250	2.5	477	22.0	318 L4	—	IEC225S4	—	—	—	401600	409800	139700	418
3.1	99656	2.5	474	110.0	—	318 R4 (C)	IEC225S4	—	—	—	400900	409100	139400	420
3.4	90334	2.7	430	90.0	—	318 R4 (B)	IEC225S4	—	—	—	389200	397200	134900	420
3.5	88839	2.7	422	22.0	318 L4	—	IEC225S4	—	—	—	387300	395200	134100	418
3.7	84470	2.8	402	22.0	318 L4	—	IEC225S4	—	—	—	381500	389300	131900	418
3.7	83969	2.8	399	110.0	—	318 R4 (C)	IEC225S4	—	—	—	380800	388600	131600	420
5.9	54883	2.2	252	35.0	317 L3	—	IEC225S4	—	—	—	264500	281600	84700	408
6.1	52350	1.2	241	30.0	315 L3	—	IEC225S4	—	—	—	122000	143200	50000	386
6.2	52091	1.0	240	25.0	314 L3	—	IEC225S4	—	—	—	121800	143000	50000	374
7.1	45032	1.8	207	30.0	315 L3	—	IEC225S4	—	—	—	116600	136900	47600	386
7.2	44810	1.4	206	25.0	314 L3	—	IEC225S4	—	—	—	116400	136700	47500	374
8.5	37944	2.1	174	30.0	315 L3	—	IEC225S4	—	—	—	110700	130000	45000	386
8.5	37756	1.7	174	25.0	314 L3	—	IEC225S4	—	—	—	110600	129800	44900	374
9.0	35885	2.2	165	30.0	315 L3	—	IEC225S4	—	—	—	108900	127900	44100	386
9.0	35885	2.3	165	35.0	316 L3	—	IEC225S4	—	—	—	181100	201400	73500	398
9.0	35708	1.8	164	25.0	314 L3	—	IEC225S4	—	—	—	108700	127700	44100	374
9.4	34167	1.5	157	55.0	—	314 R3 (C)	IEC225S4	—	—	—	107300	126000	43400	376
9.4	34167	1.9	157	90.0	—	315 R3 (C)	IEC225S4	—	—	—	107300	126000	43400	388
10.6	30236	2.7	139	30.0	315 L3	—	IEC225S4	—	—	—	103500	121500	41700	386
10.6	30236	2.7	139	35.0	316 L3	—	IEC225S4	—	—	—	172000	191300	69500	398

The technical information shall be considered as indicative, the configurations should be matching the data provided by motors manufacturers on rated powers greater than 22 kW.



P₁ = 37 kW

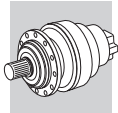
n ₂ min ⁻¹	M ₂ Nm	S	i	Pt kW					Rn ₂ [N]					
									MC	MZ	HC/PC	HZ/PZ	FZ	
10.7	30087	2.2	138	25.0	314 L3	—	IEC225S4	—	—	103300	121300	41600	374	
11.0	29391	2.1	135	55.0	—	314 R3 (C)	IEC225S4	—	—	102600	120400	41300	376	
11.0	29391	2.6	135	90.0	—	315 R3 (C)	IEC225S4	—	—	102600	120400	41300	388	
13.0	24765	2.1	114	55.0	—	314 R3 (C)	IEC225S4	—	—	97400	114400	39000	376	
13.0	24765	2.6	114	90.0	—	315 R3 (C)	IEC225S4	—	—	97400	114400	39000	388	
13.0	24680	1.9	113	55.0	—	314 R3 (B)	IEC225S4	—	—	97300	114300	38900	376	
13.0	24680	2.4	113	75.0	—	315 R3 (B)	IEC225S4	—	—	97300	114300	38900	388	
13.7	23444	2.4	108	25.0	314 L3	—	IEC225S4	—	—	95900	112500	38300	374	
13.7	23421	2.1	108	55.0	—	314 R3 (C)	IEC225S4	—	—	95800	112500	38300	376	
13.7	23421	2.7	108	90.0	—	315 R3 (C)	IEC225S4	—	—	95800	112500	38300	388	
15.2	21230	2.6	97.6	55.0	—	314 R3 (B)	IEC225S4	—	—	93000	109200	37000	376	
16.0	20167	2.7	92.7	25.0	314 L3	—	IEC225S4	—	—	91600	107600	36400	374	
16.3	19734	2.4	90.7	55.0	—	314 R3 (C)	IEC225S4	—	—	91000	106900	36200	376	
16.3	19734	3.0	90.7	90.0	—	315 R3 (C)	IEC225S4	—	—	91000	106900	36200	388	
18.0	17889	2.9	82.3	55.0	—	314 R3 (B)	IEC225S4	—	—	88400	103800	35000	376	
20.9	15378	2.9	70.7	55.0	—	314 R3 (C)	IEC225S4	—	—	84500	99200	33300	376	
32	10499	1.4	46.7	22.0	310 L2	—	IEC225S4	—	—	47800	60200	20900	338	
38	8722	2.3	38.8	26.0	311 L2	—	IEC225S4	—	—	53500	66600	19700	350	
38	8679	1.6	38.6	22.0	310 L2	—	IEC225S4	—	—	45200	56800	19600	338	
45	7349	2.7	32.7	26.0	311 L2	—	IEC225S4	—	—	50800	63300	18600	350	
45	7313	1.8	32.6	22.0	310 L2	—	IEC225S4	—	—	42900	54000	18600	338	
48	6893	1.9	30.7	22.0	310 L2	—	IEC225S4	—	—	42200	53000	18200	338	
53	6290	2.0	28.0	22.0	310 L2	—	IEC225S4	—	—	41000	51600	17600	338	
58	5698	2.2	25.4	22.0	310 L2	—	IEC225S4	—	—	39800	50100	17100	338	
58	5693	2.1	25.3	55.0	—	310 R2 (C)	IEC225S4	—	—	39800	50100	17100	340	
68	4902	2.5	21.8	22.0	310 L2	—	IEC225S4	—	—	38100	47900	16200	338	
69	4796	2.5	21.3	55.0	—	310 R2 (C)	IEC225S4	—	—	37800	47600	16100	340	
81	4112	2.7	18.3	55.0	—	310 R2 (B)	IEC225S4	—	—	36100	45400	15300	340	
85	3906	2.9	17.4	22.0	310 L2	—	IEC225S4	—	—	35600	44700	15100	338	
89	3738	3.0	16.6	55.0	—	310 R2 (C)	IEC225S4	—	—	35100	44100	14800	340	
197	1739	2.4	7.50	18.0	306 L1	—	IEC225S4	—	8150	9240	21300	24800	6120	302
239	1437	2.9	6.20	18.0	306 L1	—	IEC225S4	—	7650	8670	20200	23500	5750	302

P₁ = 45 kW






n ₂ min ⁻¹	M ₂ Nm	S	i	Pt kW					Rn ₂ [N]					
									MC	MZ	HC/PC	HZ/PZ	FZ	
1.1	355606	1.0	1389	30.0	319 L4	—	IEC225M4	—	—	636100	700800	199500	428	
1.2	327642	2.7	1279	50.0	323 L4	—	IEC225M4	—	—	—	—	1043200	448	
1.2	305897	1.2	1195	30.0	319 L4	—	IEC225M4	—	—	608000	669900	189700	428	
1.3	287204	1.8	1122	35.0	321 L4	—	IEC225M4	—	—	731900	867900	114500	438	
1.4	271209	1.0	1059	22.0	318 L4	—	IEC225M4	—	—	499800	510000	178100	418	
1.5	257747	1.3	1007	30.0	319 L4	—	IEC225M4	—	—	577600	636300	179200	428	
1.6	241996	2.4	945	35.0	321 L4	—	IEC225M4	—	—	695300	824500	1052600	438	
1.6	233478	1.4	912	30.0	319 L4	—	IEC225M4	—	—	560700	617700	173400	428	
1.6	233298	1.2	911	22.0	318 L4	—	IEC225M4	—	—	487700	497700	173300	418	
1.6	232095	1.4	906	115.0	—	319 R4 (C)	IEC225M4	—	—	559700	616600	173000	430	
1.7	217796	1.7	850	30.0	319 L4	—	IEC225M4	—	—	549100	605000	169400	428	
1.9	203904	2.7	796	35.0	321 L4	—	IEC225M4	—	—	660400	783200	994200	438	
1.9	199651	1.7	780	115.0	—	319 R4 (C)	IEC225M4	—	—	535000	589400	164500	430	
1.9	196575	1.4	768	22.0	318 L4	—	IEC225M4	—	—	463300	472800	163700	418	
2.0	188568	2.9	736	35.0	321 L4	—	IEC225M4	—	—	645100	765000	968700	438	
2.0	187451	2.8	732	125.0	—	321 R4 (C)	IEC225M4	—	—	644000	763700	966700	440	
2.0	185909	1.4	726	22.0	318 L4	—	IEC225M4	—	—	455600	464900	160700	418	
2.1	183513	1.9	717	30.0	319 L4	—	IEC225M4	—	—	521600	574700	160000	428	
2.1	177011	1.5	691	110.0	—	318 R4 (C)	IEC225M4	—	—	448900	458100	158100	420	
2.2	173556	2.0	678	30.0	319 L4	—	IEC225M4	—	—	513000	565100	157000	428	
2.3	168225	1.9	657	115.0	—	319 R4 (C)	IEC225M4	—	—	508200	559900	155400	430	
2.3	167650	1.9	655	95.0	—	319 R4 (B)	IEC225M4	—	—	507700	559300	155200	430	
2.3	165633	1.6	647	22.0	318 L4	—	IEC225M4	—	—	440100	449100	154600	418	
2.4	156646	1.7	612	22.0	318 L4	—	IEC225M4	—	—	432800	441700	151800	418	

The technical information shall be considered as indicative, the configurations should be matching the data provided by motors manufacturers on rated powers greater than 22 kW.

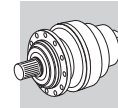









P₁ = 45 kW

n ₂ min ⁻¹	M ₂ Nm	S	i	Pt kW					Rn ₂ [N]					
									MC	MZ	HC/PC	HZ/PZ	FZ	
2.5	152268	1.7	595	110.0	—	318 R4 (C)	IEC225M4	—	—	—	429100	437900	150300	420
2.6	146237	2.4	571	30.0	319 L4	—	IEC225M4	—	—	—	487300	536800	148300	428
2.6	144215	2.2	563	95.0	—	319 R4 (B)	IEC225M4	—	—	—	485200	534600	147600	430
2.7	142150	2.2	555	115.0	—	319 R4 (C)	IEC225M4	—	—	—	483100	532300	146900	430
2.8	135239	2.5	528	30.0	319 L4	—	IEC225M4	—	—	—	476000	524400	144500	428
2.8	134437	2.2	525	115.0	—	319 R4 (C)	IEC225M4	—	—	—	475100	523500	144200	430
2.9	131988	1.9	515	22.0	318 L4	—	IEC225M4	—	—	—	411100	419500	143300	418
3.0	128299	2.0	501	110.0	—	318 R4 (C)	IEC225M4	—	—	—	407600	416000	142000	420
3.0	127861	2.0	499	90.0	—	318 R4 (B)	IEC225M4	—	—	—	407200	415600	141800	420
3.1	122062	2.0	477	22.0	318 L4	—	IEC225M4	—	—	—	401600	409800	139700	418
3.1	121515	2.5	475	95.0	—	319 R4 (B)	IEC225M4	—	—	—	460900	507800	139400	430
3.1	121338	2.0	474	110.0	—	318 R4 (C)	IEC225M4	—	—	—	400900	409100	139400	420
3.3	113951	2.8	445	30.0	319 L4	—	IEC225M4	—	—	—	452100	498100	136500	428
3.3	113276	2.5	442	115.0	—	319 R4 (C)	IEC225M4	—	—	—	451300	497200	136200	430
3.4	109988	2.2	430	90.0	—	318 R4 (B)	IEC225M4	—	—	—	389200	397200	134900	420
3.5	108168	2.2	422	22.0	318 L4	—	IEC225M4	—	—	—	387300	395200	134100	418
3.7	102848	2.3	402	22.0	318 L4	—	IEC225M4	—	—	—	381500	389300	131900	418
3.7	102239	2.3	399	110.0	—	318 R4 (C)	IEC225M4	—	—	—	380800	388600	131600	420
4.1	92675	2.5	362	90.0	—	318 R4 (B)	IEC225M4	—	—	—	369700	377300	127400	420
4.3	88267	2.9	345	115.0	—	319 R4 (C)	IEC225M4	—	—	—	418800	461400	125400	430
4.3	87647	2.6	342	90.0	—	318 R4 (B)	IEC225M4	—	—	—	363600	371000	125100	420
4.4	86197	2.6	337	22.0	318 L4	—	IEC225M4	—	—	—	361800	369200	124400	418
4.7	80141	2.8	313	22.0	318 L4	—	IEC225M4	—	—	—	353900	361200	121400	418
4.8	79666	2.8	311	110.0	—	318 R4 (C)	IEC225M4	—	—	—	353300	360600	121100	420
5.1	73851	2.9	288	90.0	—	318 R4 (B)	IEC225M4	—	—	—	345400	352500	118100	420
5.9	66824	1.8	252	35.0	317 L3	—	IEC225M4	—	—	—	264500	281600	84700	408
6.1	63740	1.0	241	30.0	315 L3	—	IEC225M4	—	—	—	122000	143200	50000	386
7.0	56305	2.5	213	35.0	317 L3	—	IEC225M4	—	—	—	251200	267500	80000	408
7.1	54830	1.5	207	30.0	315 L3	—	IEC225M4	—	—	—	116600	136900	47600	386
7.2	54559	1.2	206	25.0	314 L3	—	IEC225M4	—	—	—	116400	136700	47500	374
8.3	47442	2.9	179	35.0	317 L3	—	IEC225M4	—	—	—	238700	254100	75600	408
8.5	46199	1.7	174	30.0	315 L3	—	IEC225M4	—	—	—	110700	130000	45000	386
8.5	45971	1.4	174	25.0	314 L3	—	IEC225M4	—	—	—	110600	129800	44900	374
8.9	43874	2.7	166	35.0	317 L3	—	IEC225M4	—	—	—	233100	248200	73600	408
9.0	43692	1.8	165	30.0	315 L3	—	IEC225M4	—	—	—	108900	127900	44100	386
9.0	43692	1.9	165	35.0	316 L3	—	IEC225M4	—	—	—	181100	201400	73500	398
9.0	43614	2.7	165	100.0	—	317 R3 (C)	IEC225M4	—	—	—	232700	247800	73500	408
9.0	43477	1.5	164	25.0	314 L3	—	IEC225M4	—	—	—	108700	127700	44100	374
9.4	41601	1.2	157	55.0	—	314 R3 (C)	IEC225M4	—	—	—	107300	126000	43400	376
9.4	41601	1.6	157	90.0	—	315 R3 (C)	IEC225M4	—	—	—	107300	126000	43400	388
10.6	36815	2.2	139	30.0	315 L3	—	IEC225M4	—	—	—	103500	121500	41700	386
10.6	36815	2.2	139	35.0	316 L3	—	IEC225M4	—	—	—	172000	191300	69500	398
10.7	36633	1.8	138	25.0	314 L3	—	IEC225M4	—	—	—	103300	121300	41600	374
11.0	35786	1.7	135	55.0	—	314 R3 (C)	IEC225M4	—	—	—	102600	120400	41300	376
11.0	35786	2.1	135	90.0	—	315 R3 (C)	IEC225M4	—	—	—	102600	120400	41300	388
12.6	31020	2.6	117	35.0	316 L3	—	IEC225M4	—	—	—	163400	181700	65600	398
13.0	30153	1.7	114	55.0	—	314 R3 (C)	IEC225M4	—	—	—	97400	114400	39000	376
13.0	30153	2.1	114	90.0	—	315 R3 (C)	IEC225M4	—	—	—	97400	114400	39000	388
13.0	30050	1.6	113	55.0	—	314 R3 (B)	IEC225M4	—	—	—	97300	114300	38900	376
13.0	30050	2.0	113	75.0	—	315 R3 (B)	IEC225M4	—	—	—	97300	114300	38900	388
13.7	28687	2.5	108	30.0	315 L3	—	IEC225M4	—	—	—	96000	112700	38400	386
13.7	28687	2.6	108	35.0	316 L3	—	IEC225M4	—	—	—	159600	177500	63900	398
13.7	28545	2.0	108	25.0	314 L3	—	IEC225M4	—	—	—	95900	112500	38300	374
13.7	28517	1.7	108	55.0	—	314 R3 (C)	IEC225M4	—	—	—	95800	112500	38300	376
13.7	28517	2.2	108	90.0	—	315 R3 (C)	IEC225M4	—	—	—	95800	112500	38300	388
13.7	28517	2.5	108	90.0	—	316 R3 (C)	IEC225M4	—	—	—	159300	177200	63800	388
15.2	25850	2.1	97.6	55.0	—	314 R3 (B)	IEC225M4	—	—	—	93000	109200	37000	376
15.2	25850	2.7	97.6	75.0	—	315 R3 (B)	IEC225M4	—	—	—	93000	109200	37000	388
16.0	24555	2.2	92.7	25.0	314 L3	—	IEC225M4	—	—	—	91600	107600	36400	374
16.2	24171	2.8	91.3	30.0	315 L3	—	IEC225M4	—	—	—	91200	107100	36200	386
16.2	24171	3.0	91.3	35.0	316 L3	—	IEC225M4	—	—	—	151600	168600	60400	398
16.3	24028	2.0	90.7	55.0	—	314 R3 (C)	IEC225M4	—	—	—	91000	106900	36200	376
16.3	24028	2.5	90.7	90.0	—	315 R3 (C)	IEC225M4	—	—	—	91000	106900	36200	388
16.3	24028	2.9	90.7	90.0	—	316 R3 (C)	IEC225M4	—	—	—	151300	168300	60300	388
18.0	21781	2.4	82.3	100.0	—	314 R3 (B)	IEC225M4	—	—	—	194000	206600	60100	376
19.0	20599	2.5	77.8	55.0	—	314 R3 (B)	IEC225M4	—	—	—	88400	103800	35000	376
20.0	19567	2.6	73.9	55.0	314 L3	—	IEC225M4	—	—	—	86900	102000	34300	374
20.9	18723	2.3	70.7	35.0	—	314 R3 (C)	IEC225M4	—	—	—	143800	159900	56900	376
20.9	18723	2.9	70.7	25.0	—	315 R3 (C)	IEC225M4	—	—	—	85600	100500	33800	388






The technical information shall be considered as indicative, the configurations should be matching the data provided by motors manufacturers on rated powers greater than 22 kW.



P₁ = 45 kW

n ₂ min ⁻¹	M ₂ Nm	S	i	Pt kW					Rn ₂ [N]					
									MC	MZ	HC/PC	HZ/PZ	FZ	
22.6	17356	2.9	65.5	30.0	—	314 R3 (B)	IEC225M4	—	—	84600	99300	33300	376	
23.6	16575	2.9	62.6	35.0	314 L3	—	IEC225M4	—	—	140700	156500	55600	374	
29.0	13524	2.8	51.1	55.0	—	314 R3 (B)	IEC225M4	—	—	76600	89900	29800	376	
32	12783	1.1	46.7	22.0	310 L2	—	IEC225M4	—	—	47800	60200	20900	338	
37	11078	2.7	40.5	30.0	313 L2	—	IEC225M4	—	—	66900	79200	24600	362	
38	10620	1.9	38.8	26.0	311 L2	—	IEC225M4	—	—	53500	66600	19700	350	
38	10567	1.3	38.6	22.0	310 L2	—	IEC225M4	—	—	45200	56800	19600	338	
45	8948	2.3	32.7	26.0	311 L2	—	IEC225M4	—	—	50800	63300	18600	350	
45	8904	1.5	32.6	22.0	310 L2	—	IEC225M4	—	—	42900	54000	18600	338	
48	8393	1.6	30.7	22.0	310 L2	—	IEC225M4	—	—	42200	53000	18200	338	
53	7659	1.7	28.0	22.0	310 L2	—	IEC225M4	—	—	41000	51600	17600	338	
54	7539	2.5	27.6	26.0	311 L2	—	IEC225M4	—	—	48300	60100	17600	350	
58	6972	2.6	25.5	26.0	311 L2	—	IEC225M4	—	—	47100	58700	17100	350	
58	6938	1.8	25.4	22.0	310 L2	—	IEC225M4	—	—	39800	50100	17100	338	
58	6931	1.8	25.3	55.0	—	310 R2 (C)	IEC225M4	—	—	39800	50100	17100	340	
58	6931	2.5	25.3	90.0	—	311 R2 (C)	IEC225M4	—	—	47100	58600	17100	376	
68	5968	2.0	21.8	22.0	310 L2	—	IEC225M4	—	—	38100	47900	16200	338	
69	5875	3.0	21.5	26.0	311 L2	—	IEC225M4	—	—	44800	55800	16200	350	
69	5840	2.0	21.3	55.0	—	310 R2 (C)	IEC225M4	—	—	37800	47600	16100	340	
69	5840	2.9	21.3	90.0	—	311 R2 (C)	IEC225M4	—	—	44700	55700	16100	376	
81	5007	2.2	18.3	55.0	—	310 R2 (B)	IEC225M4	—	—	36100	45400	15300	340	
85	4756	2.4	17.4	22.0	310 L2	—	IEC225M4	—	—	35600	44700	15100	338	
89	4551	2.5	16.6	55.0	—	310 R2 (C)	IEC225M4	—	—	35100	44100	14800	340	
96	4218	2.5	15.4	55.0	—	310 R2 (B)	IEC225M4	—	—	34300	43100	14500	340	
100	4028	2.7	14.7	22.0	310 L2	—	IEC225M4	—	—	33800	42600	14200	338	
197	2117	1.9	7.50	18.0	306 L1	—	IEC225M4	—	8150	9240	21300	24800	6120	302
239	1750	2.4	6.20	18.0	306 L1	—	IEC225M4	—	7650	8670	20200	23500	5750	302
278	1505	2.7	5.33	18.0	306 L1	—	IEC225M4	—	7280	8240	19300	22400	5470	302

P₁ = 55 kW






n ₂ min ⁻¹	M ₂ Nm	S	i	Pt kW					Rn ₂ [N]					
									MC	MZ	HC/PC	HZ/PZ	FZ	
1.2	399701	2.2	1279	50.0	323 L4	—	IEC250M4	—	—	—	—	1043200	448	
1.2	373174	0.9	1195	30.0	319 L4	—	IEC250M4	—	—	595600	656200	185400	428	
1.3	350369	1.5	1122	35.0	321 L4	—	IEC250M4	—	—	731900	867900	1114500	438	
1.3	343828	2.5	1101	50.0	323 L4	—	IEC250M4	—	—	—	—	992100	448	
1.4	320273	2.7	1025	50.0	323 L4	—	IEC250M4	—	—	—	—	968900	448	
1.5	314433	1.1	1007	30.0	319 L4	—	IEC250M4	—	—	577600	636300	179200	428	
1.6	295218	2.0	945	35.0	321 L4	—	IEC250M4	—	—	695300	824500	1052600	438	
1.6	284828	1.2	912	30.0	319 L4	—	IEC250M4	—	—	560700	617700	173400	428	
1.6	284607	1.0	911	22.0	318 L4	—	IEC250M4	—	—	477700	487500	169400	418	
1.6	283140	1.2	906	115.0	—	319 R4 (C)	IEC250M4	—	—	559700	616600	173000	430	
1.7	265696	1.4	850	30.0	319 L4	—	IEC250M4	—	—	549100	605000	169400	428	
1.9	248748	2.2	796	35.0	321 L4	—	IEC250M4	—	—	660400	783200	994200	438	
1.9	243561	1.4	780	115.0	—	319 R4 (C)	IEC250M4	—	—	535000	589400	164500	430	
1.9	239808	1.1	768	22.0	318 L4	—	IEC250M4	—	—	463300	472800	163700	418	
2.0	230040	2.4	736	35.0	321 L4	—	IEC250M4	—	—	645100	765000	968700	438	
2.0	228677	2.3	732	125.0	—	321 R4 (C)	IEC250M4	—	—	644000	763700	966700	440	
2.0	226796	1.2	726	22.0	318 L4	—	IEC250M4	—	—	455600	464900	160700	418	
2.1	223874	1.6	717	30.0	319 L4	—	IEC250M4	—	—	521600	574700	160000	428	
2.1	215941	1.2	691	110.0	—	318 R4 (C)	IEC250M4	—	—	448900	458100	158100	420	
2.2	211727	1.7	678	30.0	319 L4	—	IEC250M4	—	—	513000	565100	157000	428	
2.3	205223	1.6	657	115.0	—	319 R4 (C)	IEC250M4	—	—	508200	559900	155400	430	
2.3	204522	1.6	655	95.0	—	319 R4 (B)	IEC250M4	—	—	507700	559300	155200	430	
2.3	202060	1.3	647	22.0	318 L4	—	IEC250M4	—	—	440100	449100	154600	418	
2.4	192681	2.6	617	125.0	—	321 R4 (C)	IEC250M4	—	—	611700	725400	913100	440	
2.4	191110	2.7	612	35.0	321 L4	—	IEC250M4	—	—	610200	723600	910600	438	
2.4	191097	1.4	612	22.0	318 L4	—	IEC250M4	—	—	432800	441700	151800	418	
2.5	185756	1.4	595	110.0	—	318 R4 (C)	IEC250M4	—	—	429100	437900	150300	420	
2.6	178399	1.9	571	30.0	319 L4	—	IEC250M4	—	—	487300	536800	148300	428	
2.6	175933	1.8	563	95.0	—	319 R4 (B)	IEC250M4	—	—	485200	534600	147600	430	
2.7	173413	1.8	555	115.0	—	319 R4 (C)	IEC250M4	—	—	483100	532300	146900	430	
2.8	165181	2.9	529	105.0	—	321 R4 (B)	IEC250M4	—	—	584100	692700	867400	440	
2.8	164982	2.0	528	30.0	319 L4	—	IEC250M4	—	—	476000	524400	144500	428	

The technical information shall be considered as indicative, the configurations should be matching the data provided by motors manufacturers on rated powers greater than 22 kW.

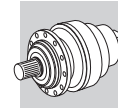









P₁ = 55 kW

n ₂ min ⁻¹	M ₂ Nm	S	i	Pt kW					Rn ₂ [N]					
									MC	MZ	HC/PC	HZ/PZ	FZ	
2.8	164004	1.8	525	115.0	—	319 R4 (C)	IEC250M4	—	—	—	475100	523500	144200	430
2.9	161017	1.6	515	22.0	318 L4	—	IEC250M4	—	—	—	411100	419500	143300	418
2.9	160074	2.6	512	125.0	—	321 R4 (C)	IEC250M4	—	—	—	578600	686200	858400	440
3.0	156517	1.6	501	110.0	—	318 R4 (C)	IEC250M4	—	—	—	407600	416000	142000	420
3.0	155982	1.6	499	90.0	—	318 R4 (B)	IEC250M4	—	—	—	407200	415600	141800	420
3.1	150141	2.6	481	125.0	—	321 R4 (C)	IEC250M4	—	—	—	567600	673100	840200	440
3.1	148907	1.7	477	22.0	318 L4	—	IEC250M4	—	—	—	401600	409800	139700	418
3.1	148240	2.0	475	95.0	—	319 R4 (B)	IEC250M4	—	—	—	460900	507800	139400	430
3.1	148024	1.7	474	110.0	—	318 R4 (C)	IEC250M4	—	—	—	400900	409100	139400	420
3.3	139181	2.9	446	105.0	—	321 R4 (B)	IEC250M4	—	—	—	554800	658000	819300	440
3.3	139012	2.3	445	30.0	319 L4	—	IEC250M4	—	—	—	452100	498100	136500	428
3.3	138189	2.0	442	115.0	—	319 R4 (C)	IEC250M4	—	—	—	451300	497200	136200	430
3.4	134178	1.8	430	90.0	—	318 R4 (B)	IEC250M4	—	—	—	389200	397200	134900	420
3.5	131958	1.8	422	22.0	318 L4	—	IEC250M4	—	—	—	387300	395200	134100	418
3.7	125468	1.9	402	22.0	318 L4	—	IEC250M4	—	—	—	381500	389300	131900	418
3.7	125263	2.5	401	95.0	—	319 R4 (B)	IEC250M4	—	—	—	438200	482800	131800	430
3.7	124733	2.6	399	125.0	—	321 R4 (C)	IEC250M4	—	—	—	536900	636700	789900	440
3.7	124724	1.9	399	110.0	—	318 R4 (C)	IEC250M4	—	—	—	380800	388600	131600	420
3.9	118466	2.6	379	95.0	—	319 R4 (B)	IEC250M4	—	—	—	430900	474800	129400	430
4.0	115627	3.0	370	105.0	—	321 R4 (B)	IEC250M4	—	—	—	524800	622400	770200	440
4.1	113058	2.0	362	90.0	—	318 R4 (B)	IEC250M4	—	—	—	369700	377300	127400	420
4.3	108452	3.0	347	105.0	—	321 R4 (B)	IEC250M4	—	—	—	514800	610500	753900	440
4.3	108321	2.8	347	30.0	319 L4	—	IEC250M4	—	—	—	419500	462200	125600	428
4.3	107679	2.4	345	115.0	—	319 R4 (C)	IEC250M4	—	—	—	418800	461400	125400	430
4.3	106923	2.1	342	90.0	—	318 R4 (B)	IEC250M4	—	—	—	363600	371000	125100	420
4.4	105154	2.1	337	22.0	318 L4	—	IEC250M4	—	—	—	361800	369200	124400	418
4.6	99819	2.9	320	95.0	—	319 R4 (B)	IEC250M4	—	—	—	409400	451000	122200	430
4.7	97767	2.3	313	22.0	318 L4	—	IEC250M4	—	—	—	353900	361200	121400	418
4.8	97188	2.3	311	110.0	—	318 R4 (C)	IEC250M4	—	—	—	353300	360600	121100	420
4.8	95694	2.6	306	125.0	—	321 R4 (C)	IEC250M4	—	—	—	495900	588000	723100	440
5.1	90099	2.9	288	105.0	—	321 R4 (B)	IEC250M4	—	—	—	487000	577500	708700	440
5.1	90093	2.4	288	90.0	—	318 R4 (B)	IEC250M4	—	—	—	345400	352500	118100	420
5.6	81938	2.6	262	22.0	318 L4	—	IEC250M4	—	—	—	335700	342600	114400	418
5.9	81520	1.5	252	35.0	317 L3	—	IEC250M4	—	—	—	471100	558700	683100	408
5.9	77781	2.9	249	95.0	—	319 R4 (B)	IEC250M4	—	—	—	379800	418500	112500	430
6.6	70202	2.9	225	90.0	—	318 R4 (B)	IEC250M4	—	—	—	320500	327000	108700	420
6.7	69124	3.0	221	105.0	—	321 R4 (B)	IEC250M4	—	—	—	449800	533400	648800	440
7.0	68689	2.1	213	35.0	317 L3	—	IEC250M4	—	—	—	251200	267500	80000	408
7.1	66889	1.2	207	30.0	315 L3	—	IEC250M4	—	—	—	116600	136900	47600	386
7.2	66558	1.0	206	25.0	314 L3	—	IEC250M4	—	—	—	116400	136700	47500	374
8.3	57876	2.4	179	35.0	317 L3	—	IEC250M4	—	—	—	238700	254100	75600	408
8.5	56360	1.4	174	30.0	315 L3	—	IEC250M4	—	—	—	110700	130000	45000	386
8.5	56081	1.1	174	25.0	314 L3	—	IEC250M4	—	—	—	110600	129800	44900	374
8.9	53524	2.3	166	35.0	317 L3	—	IEC250M4	—	—	—	233100	248200	73600	408
9.0	53302	1.5	165	30.0	315 L3	—	IEC250M4	—	—	—	108900	127900	44100	386
9.0	53302	1.5	165	35.0	316 L3	—	IEC250M4	—	—	—	181100	201400	73500	398
9.0	53206	2.2	165	100.0	—	317 R3 (C)	IEC250M4	—	—	—	232700	247800	73500	408
9.0	53039	1.2	164	25.0	314 L3	—	IEC250M4	—	—	—	108700	127700	44100	374
9.4	50751	1.0	157	55.0	—	314 R3 (C)	IEC250M4	—	—	—	107300	126000	43400	376
9.4	50751	1.3	157	90.0	—	315 R3 (C)	IEC250M4	—	—	—	107300	126000	43400	388
10.6	44912	1.8	139	30.0	315 L3	—	IEC250M4	—	—	—	103500	121500	41700	386
10.6	44912	1.8	139	35.0	316 L3	—	IEC250M4	—	—	—	172000	191300	69500	398
10.7	44831	2.6	139	100.0	—	317 R3 (C)	IEC250M4	—	—	—	221000	235400	69400	408
10.7	44690	1.4	138	25.0	314 L3	—	IEC250M4	—	—	—	103300	121300	41600	374
10.8	44466	2.6	138	35.0	317 L3	—	IEC250M4	—	—	—	220500	234800	69200	408
11.0	43656	1.4	135	55.0	—	314 R3 (C)	IEC250M4	—	—	—	102600	120400	41300	376
11.0	43656	1.7	135	90.0	—	315 R3 (C)	IEC250M4	—	—	—	102600	120400	41300	388
12.4	38433	2.9	119	90.0	—	317 R3 (B)	IEC250M4	—	—	—	211100	224700	65900	408
12.6	37842	2.1	117	35.0	316 L3	—	IEC250M4	—	—	—	163400	181700	65600	398
12.8	37466	2.9	116	35.0	317 L3	—	IEC250M4	—	—	—	209500	223000	65400	408
12.8	37244	2.6	115	100.0	—	317 R3 (C)	IEC250M4	—	—	—	209100	222600	65300	408
13.0	36785	1.4	114	55.0	—	314 R3 (C)	IEC250M4	—	—	—	97400	114400	39000	376
13.0	36785	1.8	114	90.0	—	315 R3 (C)	IEC250M4	—	—	—	97400	114400	39000	388
13.0	36659	1.3	113	40.0	—	314 R3 (B)	IEC250M4	—	—	—	95300	111900	38100	376
13.0	36659	1.6	113	75.0	—	315 R3 (B)	IEC250M4	—	—	—	97300	114300	38900	388
13.7	34996	2.0	108	30.0	315 L3	—	IEC250M4	—	—	—	96000	112700	38400	386
13.7	34996	2.2	108	35.0	316 L3	—	IEC250M4	—	—	—	159600	177500	63900	398
13.7	34933	2.6	108	100.0	—	317 R3 (C)	IEC250M4	—	—	—	205100	218400	63900	408
13.7	34823	1.6	108	25.0	314 L3	—	IEC250M4	—	—	—	95900	112500	38300	374

The technical information shall be considered as indicative, the configurations should be matching the data provided by motors manufacturers on rated powers greater than 22 kW.

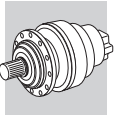


$P_1 = 55 \text{ kW}$

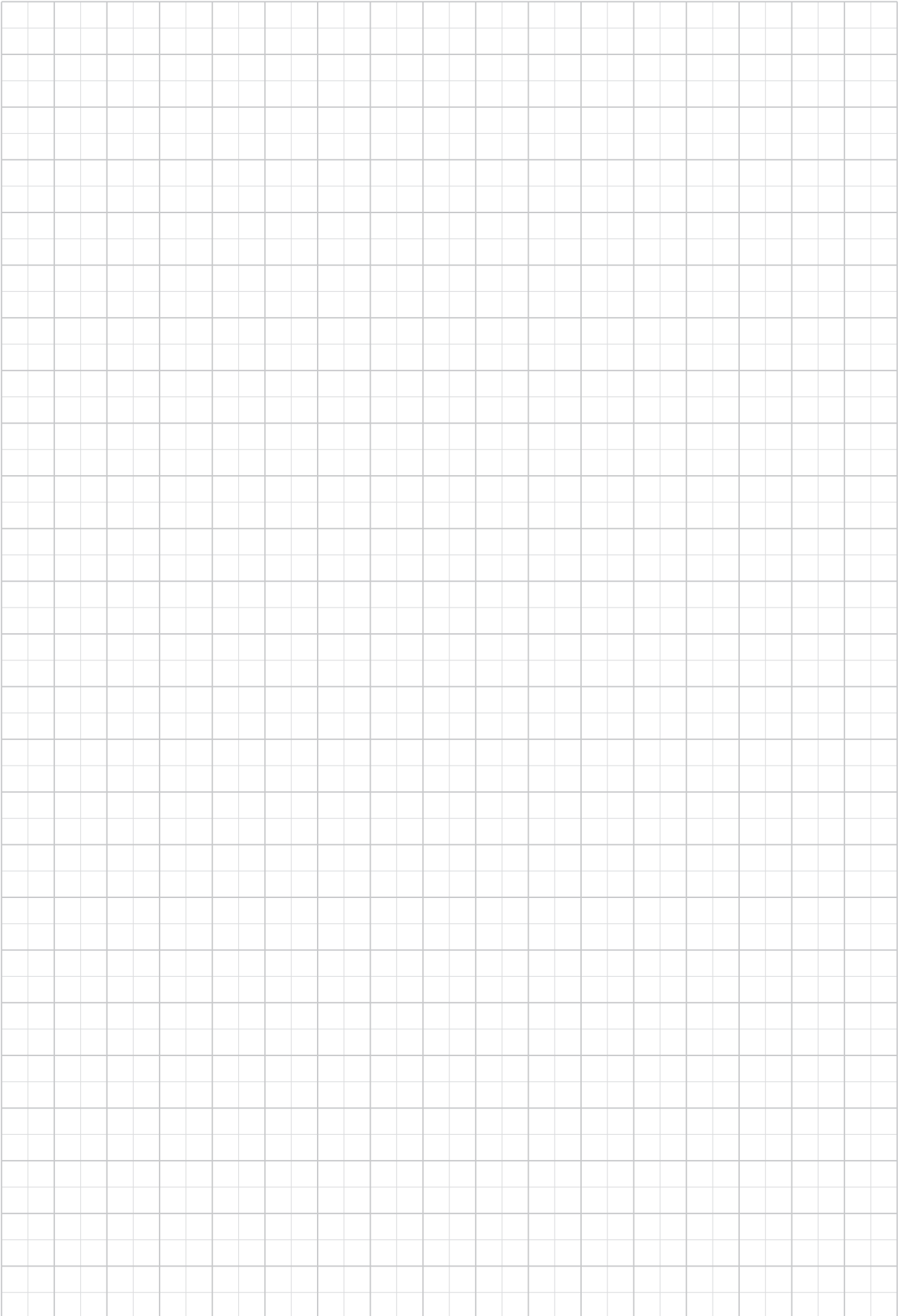
n ₂ min ⁻¹	M ₂ Nm	S	i	Pt kW					Rn ₂ [N]					
									MC	MZ	HC/PC	HZ/PZ	FZ	
13.7	34789	1.4	108	55.0	—	314 R3 (C)	IEC250M4	—	—	—	95800	112500	38300	376
13.7	34789	1.8	108	90.0	—	315 R3 (C)	IEC250M4	—	—	—	95800	112500	38300	388
13.7	34789	2.1	108	90.0	—	316 R3 (C)	IEC250M4	—	—	—	159300	177200	63800	388
14.8	32383	3.0	100	90.0	—	317 R3 (B)	IEC250M4	—	—	—	200500	213500	62300	408
15.2	31535	1.7	97.6	40.0	—	314 R3 (B)	IEC250M4	—	—	—	91100	107000	36200	376
15.2	31535	2.2	97.6	75.0	—	315 R3 (B)	IEC250M4	—	—	—	93000	109200	37000	388
16.0	29956	1.8	92.7	25.0	314 L3	—	IEC250M4	—	—	—	91600	107600	36400	374
16.2	29487	2.3	91.3	30.0	315 L3	—	IEC250M4	—	—	—	91200	107100	36200	386
16.2	29487	2.4	91.3	35.0	316 L3	—	IEC250M4	—	—	—	151600	168600	60400	398
16.3	29313	1.6	90.7	55.0	—	314 R3 (C)	IEC250M4	—	—	—	91000	106900	36200	376
16.3	29313	2.0	90.7	90.0	—	315 R3 (C)	IEC250M4	—	—	—	91000	106900	36200	388
16.3	29313	2.4	90.7	90.0	—	316 R3 (C)	IEC250M4	—	—	—	151300	168300	60300	388
16.5	29022	2.6	89.8	100.0	—	317 R3 (C)	IEC250M4	—	—	—	194000	206600	60100	408
17.8	26903	3.0	83.3	90.0	—	317 R3 (B)	IEC250M4	—	—	—	189700	201900	58600	408
18.0	26571	2.0	82.3	40.0	—	314 R3 (B)	IEC250M4	—	—	—	86600	101600	34200	376
18.0	26571	2.5	82.3	75.0	—	315 R3 (B)	IEC250M4	—	—	—	88400	103800	35000	388
18.9	25234	3.0	78.1	90.0	—	317 R3 (B)	IEC250M4	—	—	—	186000	198100	57300	408
19.0	25129	2.0	77.8	40.0	—	314 R3 (B)	IEC250M4	—	—	—	85100	100000	33600	376
19.0	25129	2.6	77.8	75.0	—	315 R3 (B)	IEC250M4	—	—	—	86900	102000	34300	388
19.0	25129	2.6	77.8	75.0	—	316 R3 (B)	IEC250M4	—	—	—	144500	160700	57200	388
19.3	24713	2.8	76.5	35.0	316 L3	—	IEC250M4	—	—	—	143800	159900	56900	398
20.0	23871	2.1	73.9	25.0	314 L3	—	IEC250M4	—	—	—	85600	100500	33800	374
20.8	22977	2.7	71.1	30.0	315 L3	—	IEC250M4	—	—	—	84600	99300	33300	386
20.8	22977	2.9	71.1	35.0	316 L3	—	IEC250M4	—	—	—	140700	156500	55600	398
20.9	22841	1.9	70.7	55.0	—	314 R3 (C)	IEC250M4	—	—	—	84500	99200	33300	376
20.9	22841	2.4	70.7	90.0	—	315 R3 (C)	IEC250M4	—	—	—	84500	99200	33300	388
20.9	22841	2.6	70.7	90.0	—	316 R3 (C)	IEC250M4	—	—	—	140400	156200	55400	388
21.5	22265	2.6	68.9	100.0	—	317 R3 (C)	IEC250M4	—	—	—	179200	190800	55000	408
22.6	21174	2.3	65.5	40.0	—	314 R3 (B)	IEC250M4	—	—	—	80900	94900	31700	376
22.6	21174	2.9	65.5	75.0	—	315 R3 (B)	IEC250M4	—	—	—	82600	96900	32400	388
22.8	20963	2.9	64.9	90.0	—	317 R3 (B)	IEC250M4	—	—	—	176000	187400	53900	408
23.6	20220	2.4	62.6	25.0	314 L3	—	IEC250M4	—	—	—	81400	95600	31900	374
29.0	16499	2.3	51.1	40.0	—	314 R3 (B)	IEC250M4	—	—	—	75000	88100	29200	376
29.0	16499	2.9	51.1	75.0	—	315 R3 (B)	IEC250M4	—	—	—	76600	89900	29800	388
29.7	16083	2.9	49.8	90.0	—	317 R3 (B)	IEC250M4	—	—	—	162500	173000	49300	408
32	15594	0.9	46.7	22.0	310 L2	—	IEC250M4	—	—	—	47800	60200	20900	338
37	13515	2.2	40.5	30.0	313 L2	—	IEC250M4	—	—	—	66900	79200	24600	362
38	12955	1.5	38.8	26.0	311 L2	—	IEC250M4	—	—	—	53500	66600	19700	350
38	12891	1.1	38.6	22.0	310 L2	—	IEC250M4	—	—	—	45200	56800	19600	338
38	12891	2.7	38.6	40.0	314 L2	—	IEC250M4	—	—	—	69000	81000	26600	374
44	11228	2.6	33.6	30.0	313 L2	—	IEC250M4	—	—	—	63300	74900	23100	362
45	10916	1.9	32.7	26.0	311 L2	—	IEC250M4	—	—	—	50800	63300	18600	350
45	10862	1.2	32.6	22.0	310 L2	—	IEC250M4	—	—	—	42900	54000	18600	338
48	10239	1.3	30.7	22.0	310 L2	—	IEC250M4	—	—	—	42200	53000	18200	338
52	9460	2.9	28.4	30.0	313 L2	—	IEC250M4	—	—	—	60100	71200	21800	362
53	9344	1.4	28.0	22.0	310 L2	—	IEC250M4	—	—	—	41000	51600	17600	338
54	9198	2.1	27.6	26.0	311 L2	—	IEC250M4	—	—	—	48300	60100	17600	350
56	8821	2.6	26.4	90.0	—	313 R2 (C)	IEC250M4	—	—	—	58900	69700	21300	364
58	8506	2.2	25.5	26.0	311 L2	—	IEC250M4	—	—	—	47100	58700	17100	350
58	8464	1.5	25.4	22.0	310 L2	—	IEC250M4	—	—	—	39800	50100	17100	338
58	8455	2.1	25.3	55.0	—	311 R2 (C)	IEC250M4	—	—	—	39800	50100	17100	376
67	7328	2.6	22.0	90.0	—	313 R2 (C)	IEC250M4	—	—	—	47100	58600	17100	364
68	7281	1.7	21.8	22.0	310 L2	—	IEC250M4	—	—	—	38100	47900	16200	338
69	7167	2.4	21.5	26.0	311 L2	—	IEC250M4	—	—	—	44800	55800	16200	350
69	7124	2.4	21.3	90.0	—	311 R2 (C)	IEC250M4	—	—	—	44700	55700	16100	376
78	6372	3.0	19.1	75.0	—	313 R2 (B)	IEC250M4	—	—	—	53400	63200	19100	364
81	6108	2.6	18.3	75.0	—	311 R2 (B)	IEC250M4	—	—	—	42700	53200	15300	376
82	6007	2.8	18.0	26.0	311 L2	—	IEC250M4	—	—	—	42500	52900	15200	350
85	5802	1.9	17.4	22.0	310 L2	—	IEC250M4	—	—	—	35600	44700	15100	338
88	5622	2.6	16.8	90.0	—	313 R2 (C)	IEC250M4	—	—	—	51400	60900	18300	364
88	5585	2.9	16.7	26.0	311 L2	—	IEC250M4	—	—	—	41600	51800	14900	350
89	5552	2.6	16.6	90.0	—	311 R2 (C)	IEC250M4	—	—	—	41500	51700	14800	376
93	5293	3.0	15.9	75.0	—	313 R2 (B)	IEC250M4	—	—	—	50500	59800	18000	364
96	5146	3.0	15.4	75.0	—	311 R2 (B)	IEC250M4	—	—	—	40500	50500	14500	376
100	4914	2.2	14.7	22.0	310 L2	—	IEC250M4	—	—	—	33800	42600	14200	338
122	4061	3.0	12.2	75.0	—	313 R2 (B)	IEC250M4	—	—	—	46700	55200	16400	364
123	4010	3.0	12.0	75.0	—	311 R2 (B)	IEC250M4	—	—	—	37600	46900	13300	376
197	2583	1.6	7.50	18.0	306 L1	—	IEC250M4	—	8150	9240	21300	24800	6120	302
238	2146	2.7	6.23	22.0	307 L1	—	IEC250M4	—	8520	10700	21700	28500	7400	314
239	2135	2.0	6.20	18.0	306 L1	—	IEC250M4	—	7650	8670	20200	23500	5750	302
278	1837	2.2	5.33	18.0	306 L1	—	IEC250M4	—	7280	8240	19300	22400	5470	302
348	1463	2.7	4.25	18.0	306 L1	—	IEC250M4	—	6750	7640	18000	21000	5070	302

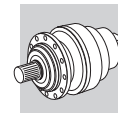
A

The technical information shall be considered as indicative, the configurations should be matching the data provided by motors manufacturers on rated powers greater than 22 kW.



A

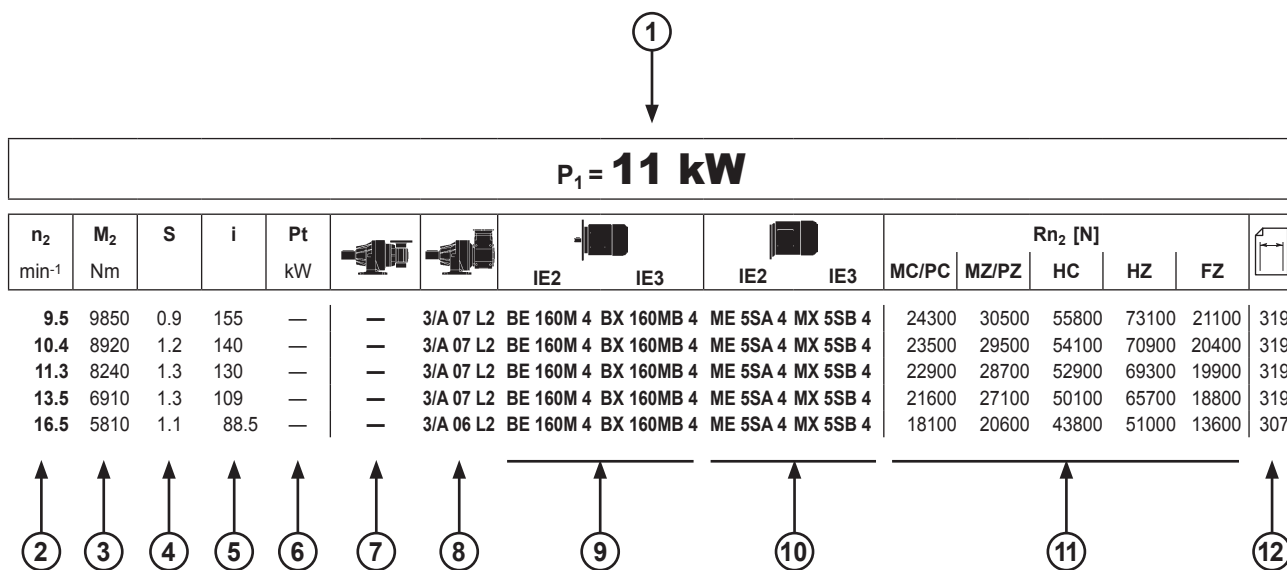




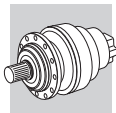
A

25.2 3/V - 3/A GEARMOTOR RATING CHARTS

Reading the rating chart.



1 Power applied at gearbox input shaft	9 IEC motor size and pole number
2 Gearbox output speed	10 Compact motor size and pole number
3 Torque delivered at output shaft: - specified service factor - 10000 h theoretical lifetime	11 Permitted overhung loading on output shaft, based on: - service factor $f_s=1$ - 10000 h theoretical lifetime - speed of output n_2
4 Service factor	For forces not applied at shaft midpoint, see diagrams provided in the specific gearbox overall dimensioning pages
5 Gear ratio	12 Dimensions page. Gearmotor overall dimensions refer to matches with BONFIGLIOLI motors only
6 Gearbox thermal capacity	
7 Model and frame size of combined planetary + worm gear unit	
8 Model and frame size of combined planetary + helical bevel gear unit	



i The selection of motors without brake takes into account the requirements of Regulation EC 640/2009 (see section **M** of this catalogue). When the motor rated power is below 0.75kW, BN/M motors can be provided.

Considering that the Regulation EC 640/2009 shall not apply to the motors equipped with brake, the brakemotor selection takes into account BN/M motors only, without taking into account the rated power. BX, BE, MX and ME brakemotors are available on request.

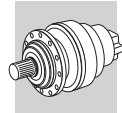
A

P₁ = 0.12 kW

n ₂ min ⁻¹	M ₂ Nm	S	i	Pt kW					Rn ₂ [N]					
					MC/PC	MZ/PZ	HC	HZ	FZ					
0.58	1180	1.5	2337	—	3/V 01 L3	—	BN 63A 4	—	12000	12500	31000	34000	8000	260
0.72	940	0.9	1869	—	3/V 00 L3	—	BN 63A 4	—	12000	12500	31000	34000	8000	250
0.72	940	1.8	1869	—	3/V 01 L3	—	BN 63A 4	—	12000	12500	31000	34000	8000	260
0.90	800	1.1	1495	—	3/V 00 L3	—	BN 63A 4	—	12000	12200	30700	34000	7990	250
0.90	800	2.1	1495	—	3/V 01 L3	—	BN 63A 4	—	12000	12200	30700	34000	7990	260
0.98	700	1.8	1381	—	3/V 00 L3	—	BN 63A 4	—	11800	11800	29900	34000	7780	250
0.98	700	2.7	1381	—	3/V 01 L3	—	BN 63A 4	—	11800	11800	29900	34000	7780	260
1.1	640	1.3	1198	—	3/V 00 L3	—	BN 63A 4	—	11300	11300	28700	33000	7420	250
1.1	640	2.6	1198	—	3/V 01 L3	—	BN 63A 4	—	11300	11300	28700	33000	7420	260
1.2	560	2.1	1107	—	3/V 00 L3	—	BN 63A 4	—	11000	11000	28000	32200	7230	250
1.4	600	1.3	997	—	3/V 00 L3	—	BN 63A 4	—	10600	10600	27100	31200	6980	250
1.4	600	2.7	997	—	3/V 01 L3	—	BN 63A 4	—	10600	10600	27100	31200	6980	260
1.5	455	1.7	903	—	3/V 00 L3	—	BN 63A 4	—	10300	10300	26400	30300	6760	250
1.5	455	2.7	903	—	3/V 01 L3	—	BN 63A 4	—	10300	10300	26400	30300	6760	260
1.7	410	2.7	818	—	3/V 00 L3	—	BN 63A 4	—	9940	9940	25600	29400	6540	250
2.0	390	2.8	689	—	3/V 00 L3	—	BN 63A 4	—	9390	9390	24300	27900	6170	250
2.0	520	2.2	665	—	—	3/A 01 L2	BN 63A 4	—	9280	9280	24000	27600	6100	261
2.0	510	1.2	660	—	—	3/A 00 L2	BN 63A 4	—	9250	9250	24000	27500	6080	251
2.4	320	2.3	562	—	3/V 00 L3	—	BN 63A 4	—	8770	8770	22900	26300	5770	250
2.5	425	1.4	550	—	—	3/A 00 L2	BN 63A 4	—	8710	8710	22700	26100	5730	251
2.5	415	2.7	533	—	—	3/A 01 L2	BN 63A 4	—	8620	8620	22500	25800	5660	261
3.1	340	2.0	441	—	—	3/A 00 L2	BN 63A 4	—	8090	8090	21200	24400	5320	251
3.4	305	2.7	393	—	—	3/A 01 L2	BN 63A 4	—	7790	7790	20500	23600	5120	261
3.5	305	1.8	391	—	—	3/A 00 L2	BN 63A 4	—	7770	7770	20500	23500	5110	251
3.7	285	2.0	369	—	—	3/A 00 L2	BN 63A 4	—	7630	7630	20100	23100	5010	251
4.2	245	1.8	319	—	—	3/A 00 L2	BN 63A 4	—	7260	7260	19300	22100	4770	251
4.6	230	2.8	296	—	—	3/A 00 L2	BN 63A 4	—	7080	7080	18900	21700	4660	251
5.3	195	2.8	253	—	—	3/A 00 L2	BN 63A 4	—	6720	6720	18000	20700	4420	251

P₁ = 0.18 kW

n ₂ min ⁻¹	M ₂ Nm	S	i	Pt kW					Rn ₂ [N]					
					MC/PC	MZ/PZ	HC	HZ	FZ					
0.56	1800	1.0	2337	—	3/V 01 L3	—	BN 63B 4	—	12000	12500	31000	34000	8000	260
0.71	1440	1.2	1869	—	3/V 01 L3	—	BN 63B 4	—	12000	12500	31000	34000	8000	260
0.88	1230	1.4	1495	—	3/V 01 L3	—	BN 63B 4	—	12000	12200	30700	34000	7990	260
0.96	1060	1.2	1381	—	3/V 00 L3	—	BN 63B 4	—	11800	11800	29900	34000	7780	250
0.96	1060	1.8	1381	—	3/V 01 L3	—	BN 63B 4	—	11800	11800	29900	34000	7780	260
1.1	980	1.7	1198	—	3/V 01 L3	—	BN 63B 4	—	11300	11300	28700	33000	7420	260
1.2	850	1.4	1107	—	3/V 00 L3	—	BN 63B 4	—	11000	11000	28000	32200	7230	250
1.2	910	2.2	1105	—	3/V 01 L3	—	BN 63B 4	—	11000	11000	28000	32200	7230	260
1.3	910	1.7	997	—	3/V 01 L3	—	BN 63B 4	—	10600	10600	27100	31200	6980	260
1.5	700	1.1	903	—	3/V 00 L3	—	BN 63B 4	—	10300	10300	26400	30300	6760	250
1.5	700	1.8	903	—	3/V 01 L3	—	BN 63B 4	—	10300	10300	26400	30300	6760	260
1.6	630	1.8	818	—	3/V 00 L3	—	BN 63B 4	—	9940	9940	25600	29400	6540	250
1.7	730	2.1	799	—	3/V 01 L3	—	BN 63B 4	—	9860	9860	25400	29200	6480	260
1.8	870	2.1	731	—	—	3/A 03 L2	BN 63B 4	—	29400	34000	50500	60700	18900	271
1.9	600	1.8	689	—	3/V 00 L3	—	BN 63B 4	—	9390	9390	24300	27900	6170	250
1.9	600	2.9	689	—	3/V 01 L3	—	BN 63B 4	—	9390	9390	24300	27900	6170	260
2.0	790	1.5	665	—	—	3/A 01 L2	BN 63B 4	—	9280	9280	24000	27600	6100	261
2.0	540	2.0	654	—	3/V 00 L3	—	BN 63B 4	—	9230	9230	23900	27500	6070	250



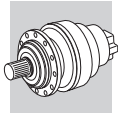
P₁ = 0.18 kW

n ₂ min ⁻¹	M ₂ Nm	S	i	Pt kW					Rn ₂ [N]					
									MC/PC	MZ/PZ	HC	HZ	FZ	
2.0	540	2.2	654	—	3/V 01 L3	—	BN 63B 4	—	9230	9230	23900	27500	6070	260
2.2	720	2.5	605	—	—	3/A 03 L2	BN 63B 4	—	27600	31900	47700	57400	17700	271
2.3	680	2.6	574	—	—	3/A 03 L2	BN 63B 4	—	27200	31400	46900	56500	17400	271
2.3	490	1.5	562	—	3/V 00 L3	—	BN 63B 4	—	8770	8770	22900	26300	5770	250
2.3	490	2.9	562	—	3/V 01 L3	—	BN 63B 4	—	8770	8770	22900	26300	5770	260
2.4	650	0.9	550	—	—	3/A 00 L2	BN 63B 4	—	8710	8710	22700	26100	5730	251
2.5	630	1.8	533	—	—	3/A 01 L2	BN 63B 4	—	8620	8620	22500	25800	5660	261
2.6	440	2.4	509	—	3/V 00 L3	—	BN 63B 4	—	8490	8490	22200	25500	5580	250
2.6	440	2.9	509	—	3/V 01 L3	—	BN 63B 4	—	8490	8490	22200	25500	5580	260
2.7	590	2.9	495	—	—	3/A 03 L2	BN 63B 4	—	25900	29800	44900	54000	16600	271
2.9	540	2.1	454	—	—	3/A 01 L2	BN 63B 4	—	8170	8170	21400	24600	5370	261
3.0	520	1.3	441	—	—	3/A 00 L2	BN 63B 4	—	8090	8090	21200	24400	5320	251
3.0	355	2.0	436	—	3/V 00 L3	—	BN 63B 4	—	8060	8060	21200	24300	5300	250
3.2	360	2.8	415	—	3/V 00 L3	—	BN 63B 4	—	7930	7930	20900	24000	5210	250
3.4	465	1.8	393	—	—	3/A 01 L2	BN 63B 4	—	7790	7790	20500	23600	5120	261
3.4	465	1.2	391	—	—	3/A 00 L2	BN 63B 4	—	7770	7770	20500	23500	5110	251
3.6	440	1.3	369	—	—	3/A 00 L2	BN 63B 4	—	7630	7630	20100	23100	5010	251
4.1	380	1.2	319	—	—	3/A 00 L2	BN 63B 4	—	7260	7260	19300	22100	4770	251
4.5	350	1.9	296	—	—	3/A 00 L2	BN 63B 4	—	7080	7080	18900	21700	4660	251
5.2	300	1.8	253	—	—	3/A 00 L2	BN 63B 4	—	6720	6720	18000	20700	4420	251
6.0	260	2.4	219	—	—	3/A 00 L2	BN 63B 4	—	6400	6400	17200	19800	4210	251
6.5	240	2.7	203	—	—	3/A 00 L2	BN 63B 4	—	6240	6240	16800	19300	4100	251
7.7	205	2.71	171	—	—	3/A 00 L2	BN 63B 4	—	5900	5900	16000	18400	3880	251






P₁ = 0.25 kW

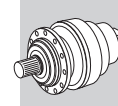
n ₂ min ⁻¹	M ₂ Nm	S	i	Pt kW					Rn ₂ [N]					
									MC/PC	MZ/PZ	HC	HZ	FZ	
0.90	1680	1.0	1495	—	3/V 01 L3	—	BN 63C 4	—	12000	12200	30700	34000	7990	260
0.97	1460	1.3	1381	—	3/V 01 L3	—	BN 63C 4	—	11800	11800	29900	34000	7780	260
1.1	1340	1.2	1198	—	3/V 01 L3	—	BN 63C 4	—	11300	11300	28700	33000	7420	260
1.2	1170	1.0	1107	—	3/V 00 L3	—	BN 63C 4	—	11000	11000	28000	32200	7230	250
1.2	1240	1.6	1105	—	3/V 01 L3	—	BN 63C 4	—	11000	11000	28000	32200	7230	260
1.3	1250	1.3	997	—	3/V 01 L3	—	BN 63C 4	—	10600	10600	27100	31200	6980	260
1.5	950	1.3	903	—	3/V 01 L3	—	BN 63C 4	—	10300	10300	26400	30300	6760	260
1.6	860	1.3	818	—	3/V 00 L3	—	BN 63C 4	—	9940	9940	25600	29400	6540	250
1.7	1000	1.5	799	—	3/V 01 L3	—	BN 63C 4	—	9860	9860	25400	29200	6480	260
1.8	1190	1.5	731	—	—	3/A 03 L2	BN 63C 4	—	29400	34000	50500	60700	18900	271
1.9	820	1.3	689	—	3/V 00 L3	—	BN 63C 4	—	9390	9390	24300	27900	6170	250
1.9	820	2.1	689	—	3/V 01 L3	—	BN 63C 4	—	9390	9390	24300	27900	6170	260
2.0	1080	1.1	665	—	—	3/A 01 L2	BN 63C 4	—	9280	9280	24000	27600	6100	261
2.0	730	1.5	654	—	3/V 00 L3	—	BN 63C 4	—	9230	9230	23900	27500	6070	250
2.0	730	1.6	654	—	3/V 01 L3	—	BN 63C 4	—	9230	9230	23900	27500	6070	260
2.2	980	1.8	605	—	—	3/A 03 L2	BN 63C 4	—	27600	31900	47700	57400	17700	271
2.3	930	1.9	574	—	—	3/A 03 L2	BN 63C 4	—	27200	31400	46900	56500	17400	271
2.4	670	1.1	562	—	3/V 00 L3	—	BN 63C 4	—	8770	8770	22900	26300	5770	250
2.4	670	2.1	562	—	3/V 01 L3	—	BN 63C 4	—	8770	8770	22900	26300	5770	260
2.5	860	1.3	533	—	—	3/A 01 L2	BN 63C 4	—	8620	8620	22500	25800	5660	261
2.6	840	3.0	520	—	—	3/A 04 L2	BN 63C 4	—	26300	30300	45600	54800	16900	283
2.6	610	1.7	509	—	3/V 00 L3	—	BN 63C 4	—	8490	8490	22200	25500	5580	250
2.6	610	2.1	509	—	3/V 01 L3	—	BN 63C 4	—	8490	8490	22200	25500	5580	260
2.7	800	2.1	495	—	—	3/A 03 L2	BN 63C 4	—	25900	29800	44900	54000	16600	271
2.9	740	1.6	454	—	—	3/A 01 L2	BN 63C 4	—	8170	8170	21400	24600	5370	261
3.0	580	2.4	443	—	3/V 01 L3	—	BN 63C 4	—	8100	8100	21300	24400	5330	260
3.0	720	1.0	441	—	—	3/A 00 L2	BN 63C 4	—	8090	8090	21200	24400	5320	251
3.1	490	1.5	436	—	3/V 00 L3	—	BN 63C 4	—	8060	8060	21200	24300	5300	250
3.2	495	2.0	415	—	3/V 00 L3	—	BN 63C 4	—	7930	7930	20900	24000	5210	250
3.3	660	2.9	409	—	—	3/A 03 L2	BN 63C 4	—	24300	28000	42400	51000	15600	271
3.4	640	1.3	393	—	—	3/A 01 L2	BN 63C 4	—	7790	7790	20500	23600	5120	261
3.6	600	0.9	369	—	—	3/A 00 L2	BN 63C 4	—	7630	7630	20100	23100	5010	251
3.7	590	2.3	364	—	—	3/A 01 L2	BN 63C 4	—	7590	7590	20100	23000	4990	261
4.3	500	2.3	311	—	—	3/A 01 L2	BN 63C 4	—	7200	7200	19100	22000	4740	261
4.5	480	1.4	296	—	—	3/A 00 L2	BN 63C 4	—	7080	7080	18900	21700	4660	251
5.0	435	2.3	269	—	—	3/A 01 L2	BN 63C 4	—	6860	6860	18300	21000	4510	261
5.3	415	2.8	255	—	—	3/A 01 L2	BN 63C 4	—	6740	6740	18000	20700	4430	261
5.3	410	1.3	253	—	—	3/A 00 L2	BN 63C 4	—	6720	6720	18000	20700	4420	251
6.1	355	2.3	220	—	—	3/A 01 L2	BN 63C 4	—	6410	6410	17200	19800	4220	261
6.1	355	1.7	219	—	—	3/A 00 L2	BN 63C 4	—	6400	6400	17200	19800	4210	251
6.6	330	2.0	203	—	—	3/A 00 L2	BN 63C 4	—	6240	6240	16800	19300	4100	251
7.8	280	2.0	171	—	—	3/A 00 L2	BN 63C 4	—	5900	5900	16000	18400	3880	251
10.0	215	2.5	134	—	—	3/A 00 L2	BN 63C 4	—	5440	5440	14900	17100	3580	251










P₁ = 0.37 kW

n ₂ min ⁻¹	M ₂ Nm	S	i	Pt kW					Rn ₂ [N]					
									MC/PC	MZ/PZ	HC	HZ	FZ	
0.53	4620	1.5	2588	—	3/V 06 L3	—	BN 71B 4	M 1SD 4	45000	51000	101000	119000	35000	306
0.61	3930	1.1	2232	—	3/V 05 L3	—	BN 71B 4	M 1SD 4	36000	42000	64000	74000	24000	294
0.64	3820	2.2	2139	—	3/V 06 L3	—	BN 71B 4	M 1SD 4	45000	51000	101000	119000	35000	306
0.77	3150	1.5	1786	—	3/V 05 L3	—	BN 71B 4	M 1SD 4	36000	42000	64000	74000	24000	294
0.77	3160	2.7	1768	—	3/V 06 L3	—	BN 71B 4	M 1SD 4	45000	51000	101000	119000	35000	306
0.79	2830	1.0	1728	—	3/V 03 L3	—	BN 71B 4	M 1SD 4	36000	42000	64000	74000	24000	270
0.82	3150	1.4	1674	—	3/V 05 L3	—	BN 71B 4	M 1SD 4	36000	42000	64000	74000	24000	294
0.85	2640	0.9	1610	—	3/V 03 L3	—	BN 71B 4	M 1SD 4	36000	42000	64000	74000	24000	270
0.89	2710	1.4	1536	—	3/V 04 L3	—	BN 71B 4	M 1SD 4	36000	42000	63100	74000	24000	282
0.96	2520	1.8	1431	—	3/V 05 L3	—	BN 71B 4	M 1SD 4	36000	42000	61700	74000	23600	294
0.97	2670	1.1	1419	—	3/V 04 L3	—	BN 71B 4	M 1SD 4	36000	42000	61600	74000	23600	282
0.99	2270	1.2	1385	—	3/V 03 L3	—	BN 71B 4	M 1SD 4	36000	42000	61100	73600	23400	270
1.1	2170	1.7	1231	—	3/V 04 L3	—	BN 71B 4	M 1SD 4	35000	40400	59000	71000	22500	282
1.1	2170	2.5	1231	—	3/V 05 L3	—	BN 71B 4	M 1SD 4	35000	40400	59000	71000	22500	294
1.2	1950	1.2	1189	—	3/V 03 L3	—	BN 71B 4	M 1SD 4	34600	40000	58400	70300	22200	270
1.2	2170	1.6	1152	—	3/V 04 L3	—	BN 71B 4	M 1SD 4	34300	39600	57900	69600	22000	282
1.2	2180	2.0	1116	—	3/V 05 L3	—	BN 71B 4	M 1SD 4	33900	39100	57300	69000	21700	294
1.2	1810	1.1	1105	—	3/V 01 L3	—	BN 71B 4	—	11000	11000	28000	32200	7230	260
1.3	1860	2.4	1057	—	3/V 05 L3	—	BN 71B 4	M 1SD 4	33300	38400	56400	67800	21400	294
1.3	1680	1.6	1023	—	3/V 03 L3	—	BN 71B 4	M 1SD 4	32900	38000	55800	67200	21100	270
1.4	1730	2.2	981	—	3/V 04 L3	—	BN 71B 4	M 1SD 4	32500	37500	55100	66300	20800	282
1.5	1670	1.6	923	—	3/V 03 L3	—	BN 71B 4	M 1SD 4	31800	36700	54100	65100	20400	270
1.5	1750	2.5	894	—	3/V 05 L3	—	BN 71B 4	M 1SD 4	31500	36300	53600	64500	20200	294
1.5	1840	1.5	887	—	3/V 04 L3	—	BN 71B 4	M 1SD 4	31400	36300	53500	64400	20100	282
1.7	1470	1.1	799	—	3/V 01 L3	—	BN 71B 4	—	9860	9860	25400	29200	6480	260
1.7	1440	1.5	793	—	3/V 03 L3	—	BN 71B 4	M 1SD 4	30200	34900	51700	62200	19400	270
1.7	1490	2.8	793	—	3/V 05 L3	—	BN 71B 4	M 1SD 4	30200	34900	51700	62200	19400	294
1.8	1510	2.2	769	—	3/V 04 L3	—	BN 71B 4	M 1SD 4	29900	34600	51300	61700	19200	282
1.9	1330	2.0	736	—	3/V 03 L3	—	BN 71B 4	M 1SD 4	29500	34100	50600	60800	18900	270
1.9	1730	1.0	731	—	—	3/A 03 L2	BN 71B 4	—	29400	34000	50500	60700	18900	271
1.9	1450	2.8	715	—	3/V 05 L3	—	BN 71B 4	M 1SD 4	29200	33700	50200	60300	18800	294
1.9	1480	1.8	710	—	3/V 04 L3	—	BN 71B 4	M 1SD 4	29200	33700	50000	60200	18700	282
2.0	1200	0.9	689	—	3/V 00 L3	—	BN 71B 4	—	9390	9390	24300	27900	6170	250
2.0	1200	1.4	689	—	3/V 01 L3	—	BN 71B 4	—	9390	9390	24300	27900	6170	260
2.1	1070	1.0	654	—	3/V 00 L3	—	BN 71B 4	—	9230	9230	23900	27500	6070	250
2.1	1070	1.1	654	—	3/V 01 L3	—	BN 71B 4	—	9230	9230	23900	27500	6070	260
2.2	1130	2.0	623	—	3/V 03 L3	—	BN 71B 4	M 1SD 4	27900	32200	48100	57900	17900	270
2.3	1430	1.3	605	—	—	3/A 03 L2	BN 71B 4	—	27600	31900	47700	57400	17700	271
2.3	1410	2.3	594	—	—	3/A 05 L2	BN 71B 4	M 1SD 4	27500	31700	47400	57100	17600	295
2.4	1360	1.3	574	—	—	3/A 03 L2	BN 71B 4	M 1SD 4	27200	31400	46900	56500	17400	271
2.4	1110	2.8	568	—	3/V 04 L3	—	BN 71B 4	M 1SD 4	27100	31300	46800	56300	17400	282
2.4	980	1.4	562	—	3/V 01 L3	—	BN 71B 4	—	8770	8770	22900	26300	5770	260
2.5	980	2.8	544	—	3/V 03 L3	—	BN 71B 4	M 1SD 4	26700	30800	46200	55600	17100	270
2.6	1230	2.0	520	—	—	3/A 04 L2	BN 71B 4	M 1SD 4	26300	30300	45600	54800	16900	283
2.7	880	1.2	509	—	3/V 00 L3	—	BN 71B 4	—	8490	8490	22200	25500	5580	250
2.7	880	1.4	509	—	3/V 01 L3	—	BN 71B 4	—	8490	8490	22200	25500	5580	260
2.7	1000	2.0	502	—	3/V 03 L3	—	BN 71B 4	M 1SD 4	26000	30000	45100	54300	16700	270
2.8	1170	1.5	495	—	—	3/A 03 L2	BN 71B 4	M 1SD 4	25900	29800	44900	54000	16600	271
2.9	1110	2.3	469	—	—	3/A 04 L2	BN 71B 4	M 1SD 4	25400	29300	44200	53100	16300	283
3.0	830	2.8	460	—	3/V 03 L3	—	BN 71B 4	M 1SD 4	25200	29100	43900	52900	16200	270
3.0	1080	1.1	454	—	—	3/A 01 L2	BN 71B 4	M 1SD 4	8170	8170	21400	24600	5370	261
3.1	840	1.6	443	—	3/V 01 L3	—	BN 71B 4	—	8100	8100	21300	24400	5330	260
3.1	710	1.0	436	—	3/V 00 L3	—	BN 71B 4	—	8060	8060	21200	24300	5300	250
3.2	850	2.2	430	—	3/V 01 L3	—	BN 71B 4	—	8020	8020	21100	24200	5270	260
3.3	720	1.4	415	—	3/V 00 L3	—	BN 71B 4	—	7930	7930	20900	24000	5210	250
3.3	970	2.0	409	—	—	3/A 03 L2	BN 71B 4	M 1SD 4	24300	28000	42400	51000	15600	271
3.5	780	2.8	395	—	3/V 03 L3	—	BN 71B 4	M 1SD 4	24000	27700	42000	50500	15400	270
3.5	920	2.7	386	—	—	3/A 04 L2	BN 71B 4	M 1SD 4	23800	27500	41700	50200	15300	283
3.8	860	1.6	364	—	—	3/A 01 L2	BN 71B 4	M 1SD 4	7590	7590	20100	23000	4990	261
3.9	830	2.4	352	—	—	3/A 03 L2	BN 71B 4	M 1SD 4	23100	26600	40500	48800	14800	271
3.9	830	2.9	349	—	—	3/A 04 L2	BN 71B 4	M 1SD 4	23000	26600	40400	48600	14800	283
4.2	770	2.2	326	—	—	3/A 03 L2	BN 71B 4	M 1SD 4	22500	26000	39600	47600	14400	271
4.4	740	1.6	311	—	—	3/A 01 L2	BN 71B 4	M 1SD 4	7200	7200	19100	22000	4740	261
4.6	700	0.9	296	—	—	3/A 00 L2	BN 71B 4	M 1SD 4	7080	7080	18900	21700	4660	251
5.1	640	2.9	269	—	—	3/A 03 L2	BN 71B 4	M 1SD 4	21100	24400	37400	45000	13500	271
5.1	640	2.9	269	—	—	3/A 03 L2	BN 71B 4	M 1SD 4	21100	24400	37400	45000	13500	271
5.1	640	1.6	269	—	—	3/A 01 L2	BN 71B 4	M 1SD 4	6860	6860	18300	21000	4510	261
5.4	600	1.9	255	—	—	3/A 01 L2	BN 71B 4	M 1SD 4	6740	6740	18000	20700	4430	261
5.4	600	0.9	253	—	—	3/A 00 L2	BN 71B 4	M 1SD 4	6720	6720	18000	20700	4420	251
6.2	520	1.6	220	—	—	3/A 01 L2	BN 71B 4	M 1SD 4	6410	6410	17200	19800	4220	261
6.3	520	1.2	219	—	—	3/A 00 L2	BN 71B 4	M 1SD 4	6400	6400	17200	19800	4210	251
6.7	485	2.7	204	—	—	3/A 01 L2	BN 71B 4	M 1SD 4	6260	6260	16900	19400	4120	261
6.8	480	1.4	203	—	—	3/A 00 L2	BN 71B 4	M 1SD 4	6240	6240	16800	19300	4100	251
7.4	435	2.4	184	—	—	3/A 01 L2	BN 71B 4	M 1SD 4	6050	6050	16400	18800	3980	261
8.0	405	1.4	171	—	—	3/A 00 L2	BN 71B 4	M 1SD 4	5900	5900	16000	18400	3880	251
8.2	395	2.9	166	—	—	3/A 01 L2	BN 71B 4	M 1SD 4	5850	5850	15900	18200	3840	261
10.2	315	1.7	134	—	—	3/A 00 L2	BN 71B 4	M 1SD 4	5440	5440	14900	17100	3580	251
12.8	255	2.6	107	—	—	3/A 00 L2	BN 71B 4	M 1SD 4	5050	5050	13900	16000	3320	251
13.7	235	2.3	100	—	—	3/A 00 L2	BN 71B 4	M 1SD 4	4940	4940	13600	15600	3240	251
15.5	210	2.6	88.6	—	—	3/A 00 L2	BN 71B 4	M 1SD 4	4740	4740	13100	15100	3120	251



P₁ = 0.55 kW

n ₂ min ⁻¹	M ₂ Nm	S	i	Pt kW					Rn ₂ [N]					
									MC/PC	MZ/PZ	HC	HZ	FZ	
0.27	12900	2.7	5081	—	3/V 10 L4	—	BN 80A 4	M 1LA 4	—	—	133000	166000	65000	342
0.27	12900	2.7	5081	—	3/V 10 L4	—	BN 80A 4	M 1LA 4	—	—	133000	166000	65000	342
0.30	11700	2.6	4637	—	3/V 10 L4	—	BN 80A 4	M 1LA 4	—	—	133000	166000	65000	342
0.30	11700	2.6	4637	—	3/V 10 L4	—	BN 80A 4	M 1LA 4	—	—	133000	166000	65000	342
0.34	11800	2.6	4036	—	3/V 10 L4	—	BN 80A 4	M 1LA 4	—	—	133000	166000	65000	342
0.34	11800	2.6	4036	—	3/V 10 L4	—	BN 80A 4	M 1LA 4	—	—	133000	166000	65000	342
0.54	6750	1.0	2588	—	3/V 06 L3	—	BN 80A 4	M 1LA 4	45000	51000	101000	119000	35000	306
0.56	6190	1.8	2472	—	3/V 07 L3	—	BN 80A 4	—	52000	65000	109000	145000	45000	318
0.65	5690	1.9	2150	—	3/V 07 L3	—	BN 80A 4	—	52000	65000	109000	145000	45000	318
0.65	5580	1.5	2139	—	3/V 06 L3	—	BN 80A 4	M 1LA 4	45000	51000	101000	119000	35000	306
0.71	4910	2.5	1964	—	3/V 07 L3	—	BN 80A 4	—	52000	65000	109000	145000	45000	318
0.78	4600	1.0	1786	—	3/V 05 L3	—	BN 80A 4	M 1LA 4	36000	42000	64000	74000	24000	294
0.79	4620	1.9	1768	—	3/V 06 L3	—	BN 80A 4	M 1LA 4	45000	51000	101000	119000	35000	306
0.83	4610	1.0	1674	—	3/V 05 L3	—	BN 80A 4	M 1LA 4	36000	42000	64000	74000	24000	294
0.90	4200	2.6	1545	—	3/V 07 L3	—	BN 80A 4	—	52000	65000	109000	145000	45000	318
0.90	3950	0.9	1536	—	3/V 04 L3	—	BN 80A 4	M 1LA 4	36000	42000	63100	74000	24000	282
0.97	3680	1.3	1431	—	3/V 05 L3	—	BN 80A 4	M 1LA 4	36000	42000	61700	74000	23600	294
1.0	3790	2.2	1395	—	3/V 06 L3	—	BN 80A 4	M 1LA 4	45000	51000	100200	116700	34200	306
1.1	3170	1.1	1231	—	3/V 04 L3	—	BN 80A 4	M 1LA 4	35000	40400	59000	71000	22500	282
1.1	3170	1.7	1231	—	3/V 05 L3	—	BN 80A 4	M 1LA 4	35000	40400	59000	71000	22500	294
1.1	3160	2.5	1212	—	3/V 06 L3	—	BN 80A 4	M 1LA 4	43400	49200	96100	111900	32600	306
1.2	3130	2.6	1153	—	3/V 06 L3	—	BN 80A 4	M 1LA 4	42700	48400	94700	110200	32100	306
1.2	3170	1.1	1152	—	3/V 04 L3	—	BN 80A 4	M 1LA 4	34300	39600	57900	69600	22000	282
1.2	3190	1.4	1116	—	3/V 05 L3	—	BN 80A 4	M 1LA 4	33900	39100	57300	69000	21700	294
1.3	2720	1.6	1057	—	3/V 05 L3	—	BN 80A 4	M 1LA 4	33300	38400	56400	67800	21400	294
1.4	2450	1.1	1023	—	3/V 03 L3	—	BN 80A 4	M 1LA 4	32900	38000	55800	67200	21100	270
1.4	2520	1.5	981	—	3/V 04 L3	—	BN 80A 4	M 1LA 4	32500	37500	55100	66300	20800	282
1.5	2790	2.8	930	—	3/V 06 L3	—	BN 80A 4	M 1LA 4	39700	45000	88800	103400	29800	306
1.5	2440	1.1	923	—	3/V 03 L3	—	BN 80A 4	M 1LA 4	31800	36700	54100	65100	20400	270
1.6	2560	1.7	894	—	3/V 05 L3	—	BN 80A 4	M 1LA 4	31500	36300	53600	64500	20200	294
1.6	2700	1.0	887	—	3/V 04 L3	—	BN 80A 4	M 1LA 4	31400	36300	53500	64400	20100	282
1.8	2100	1.0	793	—	3/V 03 L3	—	BN 80A 4	M 1LA 4	30200	34900	51700	62200	19400	270
1.8	2180	1.9	793	—	3/V 05 L3	—	BN 80A 4	M 1LA 4	30200	34900	51700	62200	19400	294
1.8	2200	1.5	769	—	3/V 04 L3	—	BN 80A 4	M 1LA 4	29900	34600	51300	61700	19200	282
1.9	1950	1.4	736	—	3/V 03 L3	—	BN 80A 4	M 1LA 4	29500	34100	50600	60800	18900	270
1.9	2120	1.9	715	—	3/V 05 L3	—	BN 80A 4	M 1LA 4	29200	33700	50200	60300	18800	294
2.0	2160	1.2	710	—	3/V 04 L3	—	BN 80A 4	M 1LA 4	29200	33700	50000	60200	18700	282
2.0	1750	1.0	689	—	3/V 01 L3	—	BN 80A 4	—	9390	9390	24300	27900	6170	260
2.1	2250	2.7	671	—	—	3/A 06 L2	BN 80A 4	M 1LA 4	35600	40400	80500	93700	26800	307
2.2	1720	2.1	623	—	3/V 04 L3	—	BN 80A 4	M 1LA 4	27900	32200	48100	57900	17900	282
2.2	1650	1.3	623	—	3/V 03 L3	—	BN 80A 4	M 1LA 4	27900	32200	48100	57900	17900	270
2.2	1720	2.6	623	—	3/V 05 L3	—	BN 80A 4	M 1LA 4	27900	32200	48100	57900	17900	294
2.3	2050	2.9	611	—	—	3/A 06 L2	BN 80A 4	M 1LA 4	34500	39100	78300	91100	25900	307
2.3	2060	1.6	594	—	—	3/A 05 L2	BN 80A 4	M 1LA 4	27500	31700	47400	57100	17600	295
2.4	1750	2.8	576	—	3/V 05 L3	—	BN 80A 4	M 1LA 4	27200	31400	47000	56500	17400	294
2.4	1630	1.9	568	—	3/V 04 L3	—	BN 80A 4	M 1LA 4	27100	31300	46800	56300	17400	282
2.5	1430	1.0	562	—	3/V 01 L3	—	BN 80A 4	—	8770	8770	22900	26300	5770	260
2.6	1440	1.9	544	—	3/V 03 L3	—	BN 80A 4	M 1LA 4	26700	30800	46200	55600	17100	270
2.6	1570	2.5	529	—	3/V 05 L3	—	BN 80A 4	M 1LA 4	26400	30500	45800	55100	17000	294
2.7	1800	1.4	520	—	—	3/A 04 L2	BN 80A 4	M 1LA 4	26300	30300	45600	54800	16900	283
2.7	1290	1.0	509	—	3/V 01 L3	—	BN 80A 4	—	8490	8490	22200	25500	5580	260
2.8	1450	1.4	502	—	3/V 03 L3	—	BN 80A 4	M 1LA 4	26000	30000	45100	54300	16700	270
2.8	1290	2.3	501	—	3/V 04 L3	—	BN 80A 4	M 1LA 4	26000	30000	45100	54200	16700	282
2.8	1720	1.0	495	—	—	3/A 03 L2	BN 80A 4	M 1LA 4	25900	29800	44900	54000	16600	271
2.8	1700	2.3	491	—	—	3/A 05 L2	BN 80A 4	M 1LA 4	25800	29800	44800	53900	16500	295
3.0	1620	1.5	469	—	—	3/A 04 L2	BN 80A 4	M 1LA 4	25400	29300	44200	53100	16300	283
3.0	1220	1.9	460	—	3/V 03 L3	—	BN 80A 4	M 1LA 4	25200	29100	43900	52900	16200	270
3.1	1300	2.9	453	—	3/V 04 L3	—	BN 80A 4	M 1LA 4	25100	29000	43700	52600	16100	282
3.1	1230	1.1	443	—	3/V 01 L3	—	BN 80A 4	—	8100	8100	21300	24400	5330	260
3.2	1240	1.5	430	—	3/V 01 L3	—	BN 80A 4	—	8020	8020	21100	24200	5270	260
3.3	1050	0.9	415	—	3/V 00 L3	—	BN 80A 4	—	7930	7930	20900	24000	5210	250
3.4	1420	1.4	409	—	—	3/A 03 L2	BN 80A 4	M 1LA 4	24300	28000	42400	51000	15600	271
3.5	1380	2.3	398	—	—	3/A 05 L2	BN 80A 4	M 1LA 4	24000	27800	42100	50600	15400	295
3.5	1140	1.9	395	—	3/V 03 L3	—	BN 80A 4	M 1LA 4	24000	27700	42000	50500	15400	270
3.6	1340	1.8	386	—	—	3/A 04 L2	BN 80A 4	M 1LA 4	23800	27500	41700	50200	15300	283
3.8	1260	1.1	364	—	—	3/A 01 L2	BN 80A 4	M 1LA 4	7590	7590	20100	23000	4990	261
3.9	1220	1.7	352	—	—	3/A 03 L2	BN 80A 4	M 1LA 4	23100	26600	40500	48800	14800	271
4.0	1210	2.0	349	—	—	3/A 04 L2	BN 80A 4	M 1LA 4	23000	26600	40400	48600	14800	283
4.3	1130	1.5	326	—	—	3/A 03 L2	BN 80A 4	M 1LA 4	22500	26000	39600	47600	14400	271
4.4	1100	2.2	317	—	—	3/A 04 L2	BN 80A 4	M 1LA 4	22300	25700	39300	47300	14300	283
4.5	1080	1.1	311	—	—	3/A 01 L2	BN 80A 4	M 1LA 4	7200	7200	19100	22000	4740	261
4.9	980	2.9	283	—	—	3/A 04 L2	BN 80A 4	M 1LA 4	21500	24800	38000	45700	13800	283
5.2	930	2.0	269	—	—	3/A 03 L2	BN 80A 4	M 1LA 4	21100	24400	37400	45000	13500	271
5.2	930	2.0	269	—	—	3/A 03 L2	BN 80A 4	M 1LA 4	21100	24400	37400	45000	13500	271
5.2	930	1.1	269	—	—	3/A 01 L2	BN 80A 4	M 1LA 4	6860	6860	18300	21000	4510	261
5.5	880	1.3	255	—	—	3/A 01 L2	BN 80A 4	M 1LA 4	6740	6740	18000	20700	4430	261
6.3	760	2.2	220	—	—	3/A 03 L2	BN 80A 4	M 1LA 4	19700	22800	35200	42300	12700	271
6.3	760	1.1	220	—	—	3/A 01 L2	BN 80A 4	M 1LA 4	6410	6410	17200	19800	4220	261
6.8	710	1.8	204	—	—	3/A 01 L2	BN 80A 4	M 1LA 4	6260	6260	16900	19400	4120	261



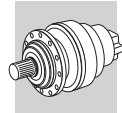


P₁ = 0.55 kW

n ₂ min ⁻¹	M ₂ Nm	S	i	Pt kW					Rn ₂ [N]					
									MC/PC	MZ/PZ	HC	HZ	FZ	
6.9	700	0.9	203	—	—	3/A 00 L2	BN 80A 4	M 1LA 4	6240	6240	16800	19300	4100	251
7.5	640	1.6	184	—	—	3/A 01 L2	BN 80A 4	M 1LA 4	6050	6050	16400	18800	3980	261
7.7	630	2.9	182	—	—	3/A 03 L2	BN 80A 4	M 1LA 4	18500	21400	33200	40000	11900	271
8.1	590	0.9	171	—	—	3/A 00 L2	BN 80A 4	M 1LA 4	5900	5900	16000	18400	3880	251
8.4	580	2.0	166	—	—	3/A 01 L2	BN 80A 4	M 1LA 4	5850	5850	15900	18200	3840	261
10.4	465	1.2	134	—	—	3/A 00 L2	BN 80A 4	M 1LA 4	5440	5440	14900	17100	3580	251
10.4	460	2.8	133	—	—	3/A 01 L2	BN 80A 4	M 1LA 4	5430	5430	14800	17100	3570	261
13.0	370	1.7	107	—	—	3/A 00 L2	BN 80A 4	M 1LA 4	5050	5050	13900	16000	3320	251
13.9	345	1.6	100	—	—	3/A 00 L2	BN 80A 4	M 1LA 4	4940	4940	13600	15600	3240	251
15.7	305	1.8	88.6	—	—	3/A 00 L2	BN 80A 4	M 1LA 4	4740	4740	13100	15100	3120	251
17.3	280	2.3	80.2	—	—	3/A 00 L2	BN 80A 4	M 1LA 4	4580	4580	12700	14600	3010	251
19.6	245	2.6	71.0	—	—	3/A 00 L2	BN 80A 4	M 1LA 4	4400	4400	12300	14100	2890	251

P₁ = 0.75 kW

n ₂ min ⁻¹	M ₂ Nm	S	i	Pt kW					Rn ₂ [N]							
									MC/PC	MZ/PZ	HC	HZ	FZ			
0.28	16900	2.0	5081	—	3/V 10 L4	—	BE 80B 4	BX 80B 4	ME 2SB 4	MX 2SB 4	—	—	133000	166000	65000	342
0.28	16900	2.0	5081	—	3/V 10 L4	—	BE 80B 4	BX 80B 4	ME 2SB 4	MX 2SB 4	—	—	133000	166000	65000	342
0.28	17400	2.8	5021	—	3/V 11 L4	—	BE 80B 4	BX 80B 4	ME 2SB 4	MX 2SB 4	—	—	157000	195000	65000	354
0.31	15400	2.0	4637	—	3/V 10 L4	—	BE 80B 4	BX 80B 4	ME 2SB 4	MX 2SB 4	—	—	133000	166000	65000	342
0.31	15400	2.0	4637	—	3/V 10 L4	—	BE 80B 4	BX 80B 4	ME 2SB 4	MX 2SB 4	—	—	133000	166000	65000	342
0.32	15500	2.9	4410	—	3/V 11 L4	—	BE 80B 4	BX 80B 4	ME 2SB 4	MX 2SB 4	—	—	157000	195000	65000	354
0.35	15500	2.0	4036	—	3/V 10 L4	—	BE 80B 4	BX 80B 4	ME 2SB 4	MX 2SB 4	—	—	133000	166000	65000	342
0.35	15500	2.0	4036	—	3/V 10 L4	—	BE 80B 4	BX 80B 4	ME 2SB 4	MX 2SB 4	—	—	133000	166000	65000	342
0.40	12400	2.5	3570	—	3/V 10 L4	—	BE 80B 4	BX 80B 4	ME 2SB 4	MX 2SB 4	—	—	133000	166000	65000	342
0.40	12400	2.5	3570	—	3/V 10 L4	—	BE 80B 4	BX 80B 4	ME 2SB 4	MX 2SB 4	—	—	133000	166000	65000	342
0.44	12500	2.7	3273	—	3/V 10 L4	—	BE 80B 4	BX 80B 4	ME 2SB 4	MX 2SB 4	—	—	133000	166000	65000	342
0.44	12500	2.7	3273	—	3/V 10 L4	—	BE 80B 4	BX 80B 4	ME 2SB 4	MX 2SB 4	—	—	133000	166000	65000	342
0.50	10900	2.8	2835	—	3/V 10 L4	—	BE 80B 4	BX 80B 4	ME 2SB 4	MX 2SB 4	—	—	133000	166000	65000	342
0.50	10900	2.8	2835	—	3/V 10 L4	—	BE 80B 4	BX 80B 4	ME 2SB 4	MX 2SB 4	—	—	133000	166000	65000	342
0.58	8140	1.4	2472	—	3/V 07 L3	—	BE 80B 4	BX 80B 4	ME 2SB 4	MX 2SB 4	52000	65000	109000	145000	45000	318
0.67	7480	1.5	2150	—	3/V 07 L3	—	BE 80B 4	BX 80B 4	ME 2SB 4	MX 2SB 4	52000	65000	109000	145000	45000	318
0.67	7350	1.2	2139	—	3/V 06 L3	—	BE 80B 4	BX 80B 4	ME 2SB 4	MX 2SB 4	45000	51000	101000	119000	35000	306
0.73	6470	1.9	1964	—	3/V 07 L3	—	BE 80B 4	BX 80B 4	ME 2SB 4	MX 2SB 4	52000	65000	109000	145000	45000	318
0.81	6070	1.4	1768	—	3/V 06 L3	—	BE 80B 4	BX 80B 4	ME 2SB 4	MX 2SB 4	45000	51000	101000	119000	35000	306
0.93	5520	2.0	1545	—	3/V 07 L3	—	BE 80B 4	BX 80B 4	ME 2SB 4	MX 2SB 4	52000	65000	109000	145000	45000	318
1.0	4850	1.0	1431	—	3/V 05 L3	—	BE 80B 4	BX 80B 4	ME 2SB 4	MX 2SB 4	36000	42000	61700	74000	23600	294
1.0	4910	2.5	1411	—	3/V 07 L3	—	BE 80B 4	BX 80B 4	ME 2SB 4	MX 2SB 4	50700	63600	108200	141800	44100	318
1.0	4990	1.7	1395	—	3/V 06 L3	—	BE 80B 4	BX 80B 4	ME 2SB 4	MX 2SB 4	45000	51000	100200	116700	34200	306
1.2	4170	1.3	1231	—	3/V 05 L3	—	BE 80B 4	BX 80B 4	ME 2SB 4	MX 2SB 4	35000	40400	59000	71000	22500	294
1.2	4160	1.9	1212	—	3/V 06 L3	—	BE 80B 4	BX 80B 4	ME 2SB 4	MX 2SB 4	43400	49200	96100	111900	32600	306
1.2	4200	2.5	1159	—	3/V 07 L3	—	BE 80B 4	BX 80B 4	ME 2SB 4	MX 2SB 4	47500	59600	102000	133700	41300	318
1.2	4120	2.0	1153	—	3/V 06 L3	—	BE 80B 4	BX 80B 4	ME 2SB 4	MX 2SB 4	42700	48400	94700	110200	32100	306
1.3	4200	1.1	1116	—	3/V 05 L3	—	BE 80B 4	BX 80B 4	ME 2SB 4	MX 2SB 4	33900	39100	57300	69000	21700	294
1.4	3580	1.2	1057	—	3/V 05 L3	—	BE 80B 4	BX 80B 4	ME 2SB 4	MX 2SB 4	33300	38400	56400	67800	21400	294
1.4	3550	2.7	992	—	3/V 06 L3	—	BE 80B 4	BX 80B 4	ME 2SB 4	MX 2SB 4	40600	46000	90500	105400	30500	306
1.5	3320	1.2	981	—	3/V 04 L3	—	BE 80B 4	BX 80B 4	ME 2SB 4	MX 2SB 4	32500	37500	55100	66300	20800	282
1.5	3680	2.1	930	—	3/V 06 L3	—	BE 80B 4	BX 80B 4	ME 2SB 4	MX 2SB 4	39700	45000	88800	103400	29800	306
1.6	3370	1.3	894	—	3/V 05 L3	—	BE 80B 4	BX 80B 4	ME 2SB 4	MX 2SB 4	31500	36300	53600	64500	20200	294
1.8	2870	1.5	793	—	3/V 05 L3	—	BE 80B 4	BX 80B 4	ME 2SB 4	MX 2SB 4	30200	34900	51700	62200	19400	294
1.8	2830	2.7	791	—	3/V 06 L3	—	BE 80B 4	BX 80B 4	ME 2SB 4	MX 2SB 4	37600	42600	84500	98400	28300	306
1.9	2900	1.2	769	—	3/V 04 L3	—	BE 80B 4	BX 80B 4	ME 2SB 4	MX 2SB 4	29900	34600	51300	61700	19200	282
1.9	2560	1.1	736	—	3/V 03 L3	—	BE 80B 4	BX 80B 4	ME 2SB 4	MX 2SB 4	29500	34100	50600	60800	18900	270
2.0	2790	1.5	715	—	3/V 05 L3	—	BE 80B 4	BX 80B 4	ME 2SB 4	MX 2SB 4	29200	33700	50200	60300	18800	294
2.0	2840	0.9	710	—	3/V 04 L3	—	BE 80B 4	BX 80B 4	ME 2SB 4	MX 2SB 4	29200	33700	50000	60200	18700	282
2.1	2790	2.7	698	—	3/V 06 L3	—	BE 80B 4	BX 80B 4	ME 2SB 4	MX 2SB 4	36100	40900	81400	94800	27100	306
2.1	2960	2.0	671	—	—	3/A 06 L2	BE 80B 4	BX 80B 4	ME 2SB 4	MX 2SB 4	35600	40400	80500	93700	26800	307
2.3	2260	1.6	623	—	3/V 04 L3	—	BE 80B 4	BX 80B 4	ME 2SB 4	MX 2SB 4	27900	32200	48100	57900	17900	282
2.3	2170	1.0	623	—	3/V 03 L3	—	BE 80B 4	BX 80B 4	ME 2SB 4	MX 2SB 4	27900	32200	48100	57900	17900	270
2.3	2260	2.0	623	—	3/V 05 L3	—	BE 80B 4	BX 80B 4	ME 2SB 4	MX 2SB 4	27900	32200	48100	57900	17900	294
2.3	2700	2.2	611	—	—	3/A 06 L2	BE 80B 4	BX 80B 4	ME 2SB 4	MX 2SB 4	34500	39100	78300	91100	25900	307
2.4	2710	1.2	594	—	—	3/A 05 L2	BE 80B 4	BX 80B 4	ME 2SB 4	MX 2SB 4	27500	31700	47400	57100	17600	295
2.5	2300	2.1	576	—	3/V 05 L3	—	BE 80B 4	BX 80B 4	ME 2SB 4	MX 2SB 4	27200	31400	47000	56500	17400	294
2.5	2140	1.5	568	—	3/V 04 L3	—	BE 80B 4	BX 80B 4	ME 2SB 4	MX 2SB 4	27100	31300	46800	56300	17400	282
2.6	2450	3.0	555	—	—	3/A 06 L2	BE 80B 4	BX 80B 4	ME 2SB 4	MX 2SB 4	33400	37900	76000	88500	25100	307
2.6	1890	1.4	544	—	3/V 03 L3	—	BE 80B 4	BX 80B 4	ME 2SB 4	MX 2SB 4	26700	30800	46200	55600	17100	270
2.7	2060	1.9	529	—	3/V 05 L3	—	BE 80B 4	BX 80B 4	ME 2SB 4	MX 2SB 4	26400	30500	45800	55100	17000	294
2.7	2370	1.1	520	—	—	3/A 04 L2	BE 80B 4	BX 80B 4	ME 2SB 4	MX 2SB 4	26300	30300	45600	54800	16900	283
2.8	1910	1.1	502	—	3/V 03 L3	—	BE 80B 4	BX 80B 4	ME 2SB 4	MX 2SB 4	26000	30000	45100	54300	16700	270
2.9	1700	1.8	501	—	3/V 04 L3	—	BE 80B 4	BX 80B 4	ME 2SB 4	MX 2SB 4	26000	30000	45100	54200	16700	282
2.9	2240	1.7	491	—	—	3/A 05 L2	BE 80B 4	BX 80B 4	ME 2SB 4	MX 2SB 4	25800	29800	44800	53900	16500	295
3.1	2140	1.2	469	—	—	3/A 04 L2	BE 80B 4	BX 80B 4	ME 2SB 4	MX 2SB 4	25400	29300	44200	53100	16300	283
3.1	1850	2.6	462	—	3/V 05 L3	—	BE 80B 4	BX 80B 4	ME 2SB 4	MX 2SB 4	25300	29200	44000	52900	16200	294



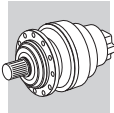
P₁ = 0.75 kW

n ₂ min ⁻¹	M ₂ Nm	S	i	Pt kW					Rn ₂ [N]							
							IE2	IE3	MC/PC	MZ/PZ	HC	HZ	FZ			
3.1	1600	1.4	460	—	3/V 03 L3	—	BE 80B 4	BX 80B 4	ME 2SB 4	MX 2SB 4	25200	29100	43900	52900	16200	270
3.2	1700	2.2	453	—	3/V 04 L3	—	BE 80B 4	BX 80B 4	ME 2SB 4	MX 2SB 4	25100	29000	43700	52600	16100	282
3.3	1640	1.1	430	—	3/V 01 L3	—	BE 80B 4	BX 80B 4	—	—	8020	8020	21100	24200	5270	260
3.4	1930	2.3	422	—	—	3/A 05 L2	BE 80B 4	BX 80B 4	ME 2SB 4	MX 2SB 4	24500	28300	42800	51500	15700	295
3.5	1870	1.0	409	—	—	3/A 03 L2	BE 80B 4	BX 80B 4	ME 2SB 4	MX 2SB 4	24300	28000	42400	51000	15600	271
3.6	1820	1.8	398	—	—	3/A 05 L2	BE 80B 4	BX 80B 4	ME 2SB 4	MX 2SB 4	24000	27800	42100	50600	15400	295
3.6	1590	2.4	396	—	3/V 05 L3	—	BE 80B 4	BX 80B 4	ME 2SB 4	MX 2SB 4	24000	27700	42000	50500	15400	294
3.6	1500	1.5	395	—	3/V 03 L3	—	BE 80B 4	BX 80B 4	ME 2SB 4	MX 2SB 4	24000	27700	42000	50500	15400	270
3.7	1760	1.4	386	—	—	3/A 04 L2	BE 80B 4	BX 80B 4	ME 2SB 4	MX 2SB 4	23800	27500	41700	50200	15300	283
3.7	1440	2.4	384	—	3/V 04 L3	—	BE 80B 4	BX 80B 4	ME 2SB 4	MX 2SB 4	23700	27400	41600	50100	15200	282
4.1	1600	1.3	352	—	—	3/A 03 L2	BE 80B 4	BX 80B 4	ME 2SB 4	MX 2SB 4	23100	26600	40500	48800	14800	271
4.1	1590	1.5	349	—	—	3/A 04 L2	BE 80B 4	BX 80B 4	ME 2SB 4	MX 2SB 4	23000	26600	40400	48600	14800	283
4.3	1500	2.4	329	—	—	3/A 05 L2	BE 80B 4	BX 80B 4	ME 2SB 4	MX 2SB 4	22600	26100	39700	47800	14500	295
4.4	1480	1.1	326	—	—	3/A 03 L2	BE 80B 4	BX 80B 4	ME 2SB 4	MX 2SB 4	22500	26000	39600	47600	14400	271
4.5	1450	1.7	317	—	—	3/A 04 L2	BE 80B 4	BX 80B 4	ME 2SB 4	MX 2SB 4	22300	25700	39300	47300	14300	283
5.0	1290	2.2	283	—	—	3/A 04 L2	BE 80B 4	BX 80B 4	ME 2SB 4	MX 2SB 4	21500	24800	38000	45700	13800	283
5.1	1270	2.8	280	—	—	3/A 05 L2	BE 80B 4	BX 80B 4	ME 2SB 4	MX 2SB 4	21400	24700	37800	45500	13700	295
5.3	1230	1.5	269	—	—	3/A 03 L2	BE 80B 4	BX 80B 4	ME 2SB 4	MX 2SB 4	21100	24400	37400	45000	13500	271
5.3	1230	1.5	269	—	—	3/A 03 L2	BE 80B 4	BX 80B 4	ME 2SB 4	MX 2SB 4	21100	24400	37400	45000	13500	271
5.6	1160	1.0	255	—	—	3/A 01 L2	BE 80B 4	BX 80B 4	ME 2SB 4	MX 2SB 4	6740	6740	18000	20700	4430	261
6.5	1000	1.6	220	—	—	3/A 03 L2	BE 80B 4	BX 80B 4	ME 2SB 4	MX 2SB 4	19700	22800	35200	42300	12700	271
7.0	930	1.4	204	—	—	3/A 01 L2	BE 80B 4	BX 80B 4	ME 2SB 4	MX 2SB 4	6260	6260	16900	19400	4120	261
7.8	840	1.2	184	—	—	3/A 01 L2	BE 80B 4	BX 80B 4	ME 2SB 4	MX 2SB 4	6050	6050	16400	18800	3980	261
7.9	830	2.2	182	—	—	3/A 03 L2	BE 80B 4	BX 80B 4	ME 2SB 4	MX 2SB 4	18500	21400	33200	40000	11900	271
8.6	760	1.5	166	—	—	3/A 01 L2	BE 80B 4	BX 80B 4	ME 2SB 4	MX 2SB 4	5850	5850	15900	18200	3840	261
10.7	610	0.9	134	—	—	3/A 00 L2	BE 80B 4	BX 80B 4	ME 2SB 4	MX 2SB 4	5440	5440	14900	17100	3580	251
10.7	610	2.1	133	—	—	3/A 01 L2	BE 80B 4	BX 80B 4	ME 2SB 4	MX 2SB 4	5430	5430	14800	17100	3570	261
13.3	490	1.3	107	—	—	3/A 00 L2	BE 80B 4	BX 80B 4	ME 2SB 4	MX 2SB 4	5050	5050	13900	16000	3320	251
14.1	465	2.5	102	—	—	3/A 01 L2	BE 80B 4	BX 80B 4	ME 2SB 4	MX 2SB 4	4960	4960	13700	15700	3260	261
14.3	455	1.2	100	—	—	3/A 00 L2	BE 80B 4	BX 80B 4	ME 2SB 4	MX 2SB 4	4940	4940	13600	15600	3240	251
16.1	405	1.4	88.6	—	—	3/A 00 L2	BE 80B 4	BX 80B 4	ME 2SB 4	MX 2SB 4	4740	4740	13100	15100	3120	251
17.8	365	1.8	80.2	—	—	3/A 00 L2	BE 80B 4	BX 80B 4	ME 2SB 4	MX 2SB 4	4580	4580	12700	14600	3010	251
20.2	325	2.0	71.0	—	—	3/A 00 L2	BE 80B 4	BX 80B 4	ME 2SB 4	MX 2SB 4	4400	4400	12300	14100	2890	251
23.4	280	2.3	61.2	—	—	3/A 00 L2	BE 80B 4	BX 80B 4	ME 2SB 4	MX 2SB 4	4190	4190	11700	13500	2750	251
27.6	235	2.3	51.8	—	—	3/A 00 L2	BE 80B 4	BX 80B 4	ME 2SB 4	MX 2SB 4	3960	3960	11200	12800	2610	251

A

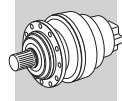
P₁ = 1.1 kW

n ₂ min ⁻¹	M ₂ Nm	S	i	Pt kW					Rn ₂ [N]							
							IE2	IE3	MC/PC	MZ/PZ	HC	HZ	FZ			
0.28	25100	1.4	5081	—	3/V 10 L4	—	BE 90S 4	BX 90S 4	ME 3SA 4	MX 3SA 4	—	—	133000	166000	65000	342
0.28	25100	1.4	5081	—	3/V 10 L4	—	BE 90S 4	BX 90S 4	ME 3SA 4	MX 3SA 4	—	—	133000	166000	65000	342
0.28	25200	2.1	5046	—	3/V 13 L4	—	BE 90S 4	BX 90S 4	ME 3SA 4	MX 3SA 4	—	—	192000	231000	80000	366
0.28	25800	1.9	5021	—	3/V 11 L4	—	BE 90S 4	BX 90S 4	ME 3SA 4	MX 3SA 4	—	—	157000	195000	65000	354
0.31	22900	1.3	4637	—	3/V 10 L4	—	BE 90S 4	BX 90S 4	ME 3SA 4	MX 3SA 4	—	—	133000	166000	65000	342
0.31	22900	1.3	4637	—	3/V 10 L4	—	BE 90S 4	BX 90S 4	ME 3SA 4	MX 3SA 4	—	—	133000	166000	65000	342
0.32	23600	2.5	4536	—	3/V 13 L4	—	BE 90S 4	BX 90S 4	ME 3SA 4	MX 3SA 4	—	—	192000	231000	80000	366
0.32	22900	2.0	4410	—	3/V 11 L4	—	BE 90S 4	BX 90S 4	ME 3SA 4	MX 3SA 4	—	—	157000	195000	65000	354
0.35	20500	2.4	4106	—	3/V 11 L4	—	BE 90S 4	BX 90S 4	ME 3SA 4	MX 3SA 4	—	—	157000	195000	65000	354
0.35	21000	2.6	4046	—	3/V 13 L4	—	BE 90S 4	BX 90S 4	ME 3SA 4	MX 3SA 4	—	—	192000	231000	80000	366
0.35	22900	1.3	4036	—	3/V 10 L4	—	BE 90S 4	BX 90S 4	ME 3SA 4	MX 3SA 4	—	—	133000	166000	65000	342
0.35	22900	1.3	4036	—	3/V 10 L4	—	BE 90S 4	BX 90S 4	ME 3SA 4	MX 3SA 4	—	—	133000	166000	65000	342
0.40	18300	1.7	3570	—	3/V 10 L4	—	BE 90S 4	BX 90S 4	ME 3SA 4	MX 3SA 4	—	—	133000	166000	65000	342
0.40	18300	1.7	3570	—	3/V 10 L4	—	BE 90S 4	BX 90S 4	ME 3SA 4	MX 3SA 4	—	—	133000	166000	65000	342
0.40	17800	2.4	3557	—	3/V 11 L4	—	BE 90S 4	BX 90S 4	ME 3SA 4	MX 3SA 4	—	—	157000	195000	65000	354
0.41	19900	2.9	3515	—	3/V 13 L4	—	BE 90S 4	BX 90S 4	ME 3SA 4	MX 3SA 4	—	—	192000	231000	80000	366
0.44	18600	1.8	3273	—	3/V 10 L4	—	BE 90S 4	BX 90S 4	ME 3SA 4	MX 3SA 4	—	—	133000	166000	65000	342
0.44	18600	1.8	3273	—	3/V 10 L4	—	BE 90S 4	BX 90S 4	ME 3SA 4	MX 3SA 4	—	—	133000	166000	65000	342
0.44	18500	3.0	3263	—	3/V 13 L4	—	BE 90S 4	BX 90S 4	ME 3SA 4	MX 3SA 4	—	—	192000	231000	80000	366
0.44	18300	2.6	3222	—	3/V 11 L4	—	BE 90S 4	BX 90S 4	ME 3SA 4	MX 3SA 4	—	—	157000	195000	65000	354
0.50	16200	3.0	2887	—	3/V 11 L4	—	BE 90S 4	BX 90S 4	ME 3SA 4	MX 3SA 4	—	—	157000	195000	65000	354
0.50	16100	1.9	2835	—	3/V 10 L4	—	BE 90S 4	BX 90S 4	ME 3SA 4	MX 3SA 4	—	—	133000	166000	65000	342
0.50	16100	1.9	2835	—	3/V 10 L4	—	BE 90S 4	BX 90S 4	ME 3SA 4	MX 3SA 4	—	—	133000	166000	65000	342
0.58	12000	0.9	2472	—	3/V 07 L3	—	BE 90S 4	BX 90S 4	ME 3SA 4	MX 3SA 4	52000	65000	109000	145000	45000	318
0.58	14100	2.4	2455	—	3/V 10 L4	—	BE 90S 4	BX 90S 4	ME 3SA 4	MX 3SA 4	—	—	133000	166000	65000	342
0.58	14100	2.4	2455	—	3/V 10 L4	—	BE 90S 4	BX 90S 4	ME 3SA 4	MX 3SA 4	—	—	133000	166000	65000	342
0.65	12500	2.6	2209	—	3/V 10 L4	—	BE 90S 4	BX 90S 4	ME 3SA 4	MX 3SA 4	—	—	133000	166000	65000	342
0.65	12500	2.6	2209	—	3/V 10 L4	—	BE 90S 4	BX 90S 4	ME 3SA 4	MX 3SA 4	—	—	133000	166000	65000	342
0.67	11100	1.0	2150	—	3/V 07 L3	—	BE 90S 4	BX 90S 4	ME 3SA 4	MX 3SA 4	52000	65000	109000	145000	45000	318
0.71	11400	2.6	2016	—	3/V 10 L4	—	BE 90S 4	BX 90S 4	ME 3SA 4	MX 3SA 4	—	—	133000	166000	65000	342
0.71	11400	2.6	2016	—	3/V 10 L4	—	BE 90S 4	BX 90S 4	ME 3SA 4	MX 3SA 4	—	—	133000	166000	65000	342
0.73	9570	1.3	1964	—	3/V 07 L3	—	BE 90S 4	BX 90S 4	ME 3SA 4	MX 3SA 4	52000	65000	109000	145000	45000	318
0.78	10400	2.6	1826	—	3/V 10 L4	—	BE 90S 4	BX 90S 4	ME 3SA 4	MX 3SA 4	—	—	133000	166000	65000	342
0.78	10400	2.6	1826	—	3/V 10 L4	—	BE 90S 4	BX 90S 4	ME 3SA 4	MX 3SA 4	—	—	133000	166000	65000	342
0.81	8990	1.0	1768	—	3/V 06 L3	—	BE 90S 4	BX 90S 4	ME 3SA 4	MX 3SA 4	45000	51000	101000	119000	35000	306
0.93	8180	1.3	1545	—	3/V 07 L3	—	BE 90S 4	BX 90S 4	ME 3SA 4	MX 3SA 4	52000	65000	109000	145000	45000	318



P₁ = 1.1 kW

n ₂ min ⁻¹	M ₂ Nm	S	i	Pt kW							Rn ₂ [N]					
											IE2	IE3	IE2	IE3	MC/PC	
1.2	6160	1.3	1212	—	3/V 06 L3	—	BE 90S 4	BX 90S 4	ME 3SA 4	MX 3SA 4	43400	49200	96100	111900	32600	306
1.2	6210	1.7	1159	—	3/V 07 L3	—	BE 90S 4	BX 90S 4	ME 3SA 4	MX 3SA 4	47500	59600	102000	133700	41300	318
1.2	6100	1.4	1153	—	3/V 06 L3	—	BE 90S 4	BX 90S 4	ME 3SA 4	MX 3SA 4	42700	48400	94700	110200	32100	306
1.4	5370	2.7	1015	—	3/V 07 L3	—	BE 90S 4	BX 90S 4	ME 3SA 4	MX 3SA 4	45400	57000	98000	128400	39500	318
1.4	5250	1.8	992	—	3/V 06 L3	—	BE 90S 4	BX 90S 4	ME 3SA 4	MX 3SA 4	40600	46000	90500	105400	30500	306
1.5	5440	1.5	930	—	3/V 06 L3	—	BE 90S 4	BX 90S 4	ME 3SA 4	MX 3SA 4	39700	45000	88800	103400	29800	306
1.6	4930	2.5	920	—	3/V 07 L3	—	BE 90S 4	BX 90S 4	ME 3SA 4	MX 3SA 4	44000	55200	95200	124700	38200	318
1.8	4250	1.0	793	—	3/V 05 L3	—	BE 90S 4	BX 90S 4	ME 3SA 4	MX 3SA 4	30200	34900	51700	62200	19400	294
1.8	4180	1.8	791	—	3/V 06 L3	—	BE 90S 4	BX 90S 4	ME 3SA 4	MX 3SA 4	37600	42600	84500	98400	28300	306
1.9	4520	2.2	773	—	3/V 07 L3	—	BE 90S 4	BX 90S 4	ME 3SA 4	MX 3SA 4	41500	52100	90300	118400	36100	318
2.0	4130	1.0	715	—	3/V 05 L3	—	BE 90S 4	BX 90S 4	ME 3SA 4	MX 3SA 4	29200	33700	50200	60300	18800	294
2.1	4130	1.8	698	—	3/V 06 L3	—	BE 90S 4	BX 90S 4	ME 3SA 4	MX 3SA 4	36100	40900	81400	94800	27100	306
2.1	4380	1.4	671	—	3/A 06 L2	—	BE 90S 4	BX 90S 4	ME 3SA 4	MX 3SA 4	35600	40400	80500	93700	26800	307
2.2	3870	2.4	661	—	3/V 06 L3	—	BE 90S 4	BX 90S 4	ME 3SA 4	MX 3SA 4	35500	40200	80100	93300	26600	306
2.3	3340	1.1	623	—	3/V 04 L3	—	BE 90S 4	BX 90S 4	ME 3SA 4	MX 3SA 4	27900	32200	48100	57900	17900	282
2.3	3340	1.3	623	—	3/V 05 L3	—	BE 90S 4	BX 90S 4	ME 3SA 4	MX 3SA 4	27900	32200	48100	57900	17900	294
2.3	3990	1.5	611	—	3/A 06 L2	—	BE 90S 4	BX 90S 4	ME 3SA 4	MX 3SA 4	34500	39100	78300	91100	25900	307
2.5	3410	1.4	576	—	3/V 05 L3	—	BE 90S 4	BX 90S 4	ME 3SA 4	MX 3SA 4	27200	31400	47000	56500	17400	294
2.5	3330	2.6	569	—	3/V 06 L3	—	BE 90S 4	BX 90S 4	ME 3SA 4	MX 3SA 4	33700	38200	76600	89200	25300	306
2.5	3170	1.0	568	—	3/V 04 L3	—	BE 90S 4	BX 90S 4	ME 3SA 4	MX 3SA 4	27100	31300	46800	56300	17400	282
2.6	3620	2.0	555	—	3/A 06 L2	—	BE 90S 4	BX 90S 4	ME 3SA 4	MX 3SA 4	33400	37900	76000	88500	25100	307
2.6	2800	1.0	544	—	3/V 03 L3	—	BE 90S 4	BX 90S 4	ME 3SA 4	MX 3SA 4	26700	30800	46200	55600	17100	270
2.7	3050	1.3	529	—	3/V 05 L3	—	BE 90S 4	BX 90S 4	ME 3SA 4	MX 3SA 4	26400	30500	45800	55100	17000	294
2.7	3080	2.5	527	—	3/V 06 L3	—	BE 90S 4	BX 90S 4	ME 3SA 4	MX 3SA 4	32900	37200	74900	87200	24700	306
2.8	3300	2.2	505	—	3/A 06 L2	—	BE 90S 4	BX 90S 4	ME 3SA 4	MX 3SA 4	32400	36700	73900	86100	24400	307
2.9	2510	1.2	501	—	3/V 04 L3	—	BE 90S 4	BX 90S 4	ME 3SA 4	MX 3SA 4	26000	30000	45100	54200	16700	282
2.9	3310	1.2	491	—	3/A 05 L2	—	BE 90S 4	BX 90S 4	ME 3SA 4	MX 3SA 4	25800	29800	44800	53900	16500	295
3.1	2730	1.8	462	—	3/V 05 L3	—	BE 90S 4	BX 90S 4	ME 3SA 4	MX 3SA 4	25300	29200	44000	52900	16200	294
3.1	2370	1.0	460	—	3/V 03 L3	—	BE 90S 4	BX 90S 4	ME 3SA 4	MX 3SA 4	25200	29100	43900	52900	16200	270
3.2	2520	1.5	453	—	3/V 04 L3	—	BE 90S 4	BX 90S 4	ME 3SA 4	MX 3SA 4	25100	29000	43700	52600	16100	282
3.3	2840	2.7	435	—	3/A 06 L2	—	BE 90S 4	BX 90S 4	ME 3SA 4	MX 3SA 4	30800	34900	70600	82300	23200	307
3.4	2850	1.5	422	—	3/A 05 L2	—	BE 90S 4	BX 90S 4	ME 3SA 4	MX 3SA 4	24500	28300	42800	51500	15700	295
3.6	2690	1.2	398	—	3/A 05 L2	—	BE 90S 4	BX 90S 4	ME 3SA 4	MX 3SA 4	24000	27800	42100	50600	15400	295
3.6	2350	1.6	396	—	3/V 05 L3	—	BE 90S 4	BX 90S 4	ME 3SA 4	MX 3SA 4	24000	27700	42000	50500	15400	294
3.6	2230	1.0	395	—	3/V 03 L3	—	BE 90S 4	BX 90S 4	ME 3SA 4	MX 3SA 4	24000	27700	42000	50500	15400	270
3.7	2530	2.2	388	—	3/A 06 L2	—	BE 90S 4	BX 90S 4	ME 3SA 4	MX 3SA 4	29700	33600	68300	79500	22300	307
3.7	2610	0.9	386	—	3/A 04 L2	—	BE 90S 4	BX 90S 4	ME 3SA 4	MX 3SA 4	23800	27500	41700	50200	15300	283
3.7	2140	1.6	384	—	3/V 04 L3	—	BE 90S 4	BX 90S 4	ME 3SA 4	MX 3SA 4	23700	27400	41600	50100	15200	282
3.8	2480	2.5	380	—	3/A 06 L2	—	BE 90S 4	BX 90S 4	ME 3SA 4	MX 3SA 4	29500	33400	67900	79000	22200	307
4.1	2350	1.0	349	—	3/A 04 L2	—	BE 90S 4	BX 90S 4	ME 3SA 4	MX 3SA 4	23000	26600	40400	48600	14800	283
4.3	2220	1.6	329	—	3/A 05 L2	—	BE 90S 4	BX 90S 4	ME 3SA 4	MX 3SA 4	22600	26100	39700	47800	14500	295
4.5	2140	1.1	317	—	3/A 04 L2	—	BE 90S 4	BX 90S 4	ME 3SA 4	MX 3SA 4	22300	25700	39300	47300	14300	283
5.0	1910	1.5	283	—	3/A 04 L2	—	BE 90S 4	BX 90S 4	ME 3SA 4	MX 3SA 4	21500	24800	38000	45700	13800	283
5.1	1890	1.9	280	—	3/A 05 L2	—	BE 90S 4	BX 90S 4	ME 3SA 4	MX 3SA 4	21400	24700	37800	45500	13700	295
5.3	1820	1.0	269	—	3/A 03 L2	—	BE 90S 4	BX 90S 4	ME 3SA 4	MX 3SA 4	21100	24400	37400	45000	13500	271
5.3	1820	1.0	269	—	3/A 03 L2	—	BE 90S 4	BX 90S 4	ME 3SA 4	MX 3SA 4	21100	24400	37400	45000	13500	271
5.7	1690	2.1	250	—	3/A 04 L2	—	BE 90S 4	BX 90S 4	ME 3SA 4	MX 3SA 4	20600	23800	36600	44000	13200	283
5.9	1620	2.6	241	—	3/A 05 L2	—	BE 90S 4	BX 90S 4	ME 3SA 4	MX 3SA 4	20300	23500	36200	43500	13000	295
6.3	1520	2.3	226	—	3/A 04 L2	—	BE 90S 4	BX 90S 4	ME 3SA 4	MX 3SA 4	19900	23000	35500	42700	12800	283
6.5	1480	1.1	220	—	3/A 03 L2	—	BE 90S 4	BX 90S 4	ME 3SA 4	MX 3SA 4	19700	22800	35200	42300	12700	271
6.7	1430	2.2	212	—	3/A 05 L2	—	BE 90S 4	BX 90S 4	ME 3SA 4	MX 3SA 4	19500	22500	34800	41900	12500	295
6.7	1430	2.2	212	—	3/A 05 L2	—	BE 90S 4	BX 90S 4	ME 3SA 4	MX 3SA 4	19500	22500	34800	41900	12500	295
7.0	1390	2.5	205	—	3/A 04 L2	—	BE 90S 4	BX 90S 4	ME 3SA 4	MX 3SA 4	19300	22300	34500	41500	12400	283
7.0	1380	0.9	204	—	3/A 01 L2	—	BE 90S 4	BX 90S 4	ME 3SA 4	MX 3SA 4	6260	6260	16900	19400	4120	261
7.9	1230	1.5	182	—	3/A 03 L2	—	BE 90S 4	BX 90S 4	ME 3SA 4	MX 3SA 4	18500	21400	33200	40000	11900	271
8.2	1170	2.5	174	—	3/A 04 L2	—	BE 90S 4	BX 90S 4	ME 3SA 4	MX 3SA 4	18200	21100	32800	39500	11700	283
8.6	1120	1.0	166	—	3/A 01 L2	—	BE 90S 4	BX 90S 4	ME 3SA 4	MX 3SA 4	5850	5850	15900	18200	3840	261
8.8	1100	2.6	162	—	3/A 04 L2	—	BE 90S 4	BX 90S 4	ME 3SA 4	MX 3SA 4	17800	20600	32100	38700	11400	283
8.8	1100	2.6	162	—	3/A 05 L2	—	BE 90S 4	BX 90S 4	ME 3SA 4	MX 3SA 4	17800	20600	32100	38700	11400	295
9.6	1010	2.4	149	—	3/A 04 L2	—	BE 90S 4	BX 90S 4	ME 3SA 4	MX 3SA 4	17300	20000	31300	37700	11100	283
10.7	900	1.4	133	—	3/A 01 L2	—	BE 90S 4	BX 90S 4	ME 3SA 4	MX 3SA 4	5430	5430	14800	17100	3570	261
14.1	680	1.7	102	—	3/A 01 L2	—	BE 90S 4	BX 90S 4	ME 3SA 4	MX 3SA 4	4960	4960	13700	15700	3260	261
14.8	650	2.6	96.9	—	3/A 03 L2	—	BE 90S 4	BX 90S 4	ME 3SA 4	MX 3SA 4	15000	17300	27500	33100	9630	271
16.1	600	0.9	88.6	—	3/A 00 L2	—	BE 90S 4	BX 90S 4	ME 3SA 4	MX 3SA 4	4740	4740	13100	15100	3120	251
16.2	600	2.8	88.5	—	3/A 03 L2	—	BE 90S 4	BX 90S 4	ME 3SA 4	MX 3SA 4	14600	16800	26800	32200	9340	271
17.6	550	2.4	81.3	—	3/A 01 L2	—	BE 90S 4	BX 90S 4	ME 3SA 4	MX 3SA 4	4610	4610	12800	14700	3030	261
17.8	540	1.2	80.2	—	3/A 00 L2	—	BE 90S 4	BX 90S 4	ME 3SA 4	MX 3SA 4	4580	4580	12700	14600	3010	251
19.3	500	2.3	74.2	—	3/A 01 L2	—	BE 90S 4	BX 90S 4	ME 3SA 4	MX 3SA 4	4470	4470	12400	14300	2940	261
20.2	480	1.4	71.0	—	3/A 00 L2	—	BE 90S 4	BX 90S 4	ME 3SA 4	MX 3SA 4	4400	4400	12300	14100	2890	251
23.4	415	1.6	61.2	—	3/A 00 L2	—	BE 90S 4	BX 90S 4	ME 3SA 4	MX 3SA 4	4190	4190	11700	13500	2750	251
27.6	350	1.6	51.8	—	3/A 00 L2	—	BE 90S 4	BX 90S 4	ME 3SA 4	MX 3SA 4	3960	3960	11200	12800	2610	251
29.1	330	2.5	49.1	—	3/A 01 L2	—	BE 90S 4	BX 90S 4	ME 3SA 4	MX 3SA 4	3890	3890	11000	12600	2560	261
34	280	2.3	41.5	—												



P₁ = 1.5 kW

n ₂ min ⁻¹	M ₂ Nm	S	i	Pt kW	Motor/Reducer								Rn ₂ [N]					Icon
					IE2	IE3	IE2	IE3	MC/PC	MZ/PZ	HC	HZ	FZ					
0.32	31900	1.8	4536	—	3/V 13 L4	—	BE 90L4	BX 90L4	ME 3SB 4	MX 3SB 4	—	—	192000	231000	80000	366		
0.32	31000	1.5	4410	—	3/V 11 L4	—	BE 90L4	BX 90L4	ME 3SB 4	MX 3SB 4	—	—	157000	195000	65000	354		
0.35	27700	1.7	4106	—	3/V 11 L4	—	BE 90L4	BX 90L4	ME 3SB 4	MX 3SB 4	—	—	157000	195000	65000	354		
0.35	28400	1.9	4046	—	3/V 13 L4	—	BE 90L4	BX 90L4	ME 3SB 4	MX 3SB 4	—	—	192000	231000	80000	366		
0.35	30900	1.0	4036	—	3/V 10 L4	—	BE 90L4	BX 90L4	ME 3SB 4	MX 3SB 4	—	—	133000	166000	65000	342		
0.35	30900	1.0	4036	—	3/V 10 L4	—	BE 90L4	BX 90L4	ME 3SB 4	MX 3SB 4	—	—	133000	166000	65000	342		
0.40	24800	1.2	3570	—	3/V 10 L4	—	BE 90L4	BX 90L4	ME 3SB 4	MX 3SB 4	—	—	133000	166000	65000	342		
0.40	24800	1.2	3570	—	3/V 10 L4	—	BE 90L4	BX 90L4	ME 3SB 4	MX 3SB 4	—	—	133000	166000	65000	342		
0.40	24000	1.8	3557	—	3/V 11 L4	—	BE 90L4	BX 90L4	ME 3SB 4	MX 3SB 4	—	—	157000	195000	65000	354		
0.41	27000	2.2	3515	—	3/V 13 L4	—	BE 90L4	BX 90L4	ME 3SB 4	MX 3SB 4	—	—	192000	231000	80000	366		
0.44	25100	1.4	3273	—	3/V 10 L4	—	BE 90L4	BX 90L4	ME 3SB 4	MX 3SB 4	—	—	133000	166000	65000	342		
0.44	25100	1.4	3273	—	3/V 10 L4	—	BE 90L4	BX 90L4	ME 3SB 4	MX 3SB 4	—	—	133000	166000	65000	342		
0.44	25000	2.2	3263	—	3/V 13 L4	—	BE 90L4	BX 90L4	ME 3SB 4	MX 3SB 4	—	—	192000	231000	80000	366		
0.44	24700	1.9	3222	—	3/V 11 L4	—	BE 90L4	BX 90L4	ME 3SB 4	MX 3SB 4	—	—	157000	195000	65000	354		
0.50	21900	2.2	2887	—	3/V 11 L4	—	BE 90L4	BX 90L4	ME 3SB 4	MX 3SB 4	—	—	157000	195000	65000	354		
0.50	21700	1.4	2835	—	3/V 10 L4	—	BE 90L4	BX 90L4	ME 3SB 4	MX 3SB 4	—	—	133000	166000	65000	342		
0.50	21700	1.4	2835	—	3/V 10 L4	—	BE 90L4	BX 90L4	ME 3SB 4	MX 3SB 4	—	—	133000	166000	65000	342		
0.52	19500	2.8	2773	—	3/V 13 L4	—	BE 90L4	BX 90L4	ME 3SB 4	MX 3SB 4	—	—	192000	231000	80000	366		
0.57	19200	2.5	2510	—	3/V 11 L4	—	BE 90L4	BX 90L4	ME 3SB 4	MX 3SB 4	—	—	157000	195000	65000	354		
0.58	19000	1.8	2455	—	3/V 10 L4	—	BE 90L4	BX 90L4	ME 3SB 4	MX 3SB 4	—	—	133000	166000	65000	342		
0.58	19000	1.8	2455	—	3/V 10 L4	—	BE 90L4	BX 90L4	ME 3SB 4	MX 3SB 4	—	—	133000	166000	65000	342		
0.65	16900	1.9	2209	—	3/V 10 L4	—	BE 90L4	BX 90L4	ME 3SB 4	MX 3SB 4	—	—	133000	166000	65000	342		
0.65	16900	1.9	2209	—	3/V 10 L4	—	BE 90L4	BX 90L4	ME 3SB 4	MX 3SB 4	—	—	133000	166000	65000	342		
0.71	15500	1.9	2016	—	3/V 10 L4	—	BE 90L4	BX 90L4	ME 3SB 4	MX 3SB 4	—	—	133000	166000	65000	342		
0.71	15500	1.9	2016	—	3/V 10 L4	—	BE 90L4	BX 90L4	ME 3SB 4	MX 3SB 4	—	—	133000	166000	65000	342		
0.73	12900	1.0	1964	—	3/V 07 L3	—	BE 90L4	BX 90L4	ME 3SB 4	MX 3SB 4	52000	65000	109000	145000	45000	318		
0.78	14000	1.9	1826	—	3/V 10 L4	—	BE 90L4	BX 90L4	ME 3SB 4	MX 3SB 4	—	—	133000	166000	65000	342		
0.78	14000	1.9	1826	—	3/V 10 L4	—	BE 90L4	BX 90L4	ME 3SB 4	MX 3SB 4	—	—	133000	166000	65000	342		
0.86	12900	2.6	1657	—	3/V 10 L4	—	BE 90L4	BX 90L4	ME 3SB 4	MX 3SB 4	—	—	133000	166000	65000	342		
0.86	12900	2.6	1657	—	3/V 10 L4	—	BE 90L4	BX 90L4	ME 3SB 4	MX 3SB 4	—	—	133000	166000	65000	342		
0.93	11000	1.0	1545	—	3/V 07 L3	—	BE 90L4	BX 90L4	ME 3SB 4	MX 3SB 4	52000	65000	109000	145000	45000	318		
1.0	9830	1.3	1411	—	3/V 07 L3	—	BE 90L4	BX 90L4	ME 3SB 4	MX 3SB 4	50700	63600	108200	141800	44100	318		
1.1	8970	1.6	1288	—	3/V 07 L3	—	BE 90L4	BX 90L4	ME 3SB 4	MX 3SB 4	49200	61700	105300	138000	42800	318		
1.2	8330	0.9	1212	—	3/V 06 L3	—	BE 90L4	BX 90L4	ME 3SB 4	MX 3SB 4	43400	49200	96100	111900	32600	306		
1.2	8400	1.3	1159	—	3/V 07 L3	—	BE 90L4	BX 90L4	ME 3SB 4	MX 3SB 4	47500	59600	102000	133700	41300	318		
1.2	8250	1.0	1153	—	3/V 06 L3	—	BE 90L4	BX 90L4	ME 3SB 4	MX 3SB 4	42700	48400	94700	110200	32100	306		
1.4	7250	2.0	1015	—	3/V 07 L3	—	BE 90L4	BX 90L4	ME 3SB 4	MX 3SB 4	45400	57000	98000	128400	39500	318		
1.4	7090	1.3	992	—	3/V 06 L3	—	BE 90L4	BX 90L4	ME 3SB 4	MX 3SB 4	40600	46000	90500	105400	30500	306		
1.5	7350	1.1	930	—	3/V 06 L3	—	BE 90L4	BX 90L4	ME 3SB 4	MX 3SB 4	39700	45000	88800	103400	29800	306		
1.6	6670	1.8	920	—	3/V 07 L3	—	BE 90L4	BX 90L4	ME 3SB 4	MX 3SB 4	44000	55200	95200	124700	38200	318		
1.8	5650	1.4	791	—	3/V 06 L3	—	BE 90L4	BX 90L4	ME 3SB 4	MX 3SB 4	37600	42600	84500	98400	28300	306		
1.9	6110	1.6	773	—	3/V 07 L3	—	BE 90L4	BX 90L4	ME 3SB 4	MX 3SB 4	41500	52100	90300	118400	36100	318		
1.9	5510	2.6	761	—	3/V 07 L3	—	BE 90L4	BX 90L4	ME 3SB 4	MX 3SB 4	41300	51800	89900	117800	35900	318		
2.1	5580	1.4	698	—	3/V 06 L3	—	BE 90L4	BX 90L4	ME 3SB 4	MX 3SB 4	36100	40900	81400	94800	27100	306		
2.1	5930	1.0	671	—	—	3/A 06 L2	BE 90L4	BX 90L4	ME 3SB 4	MX 3SB 4	35600	40400	80500	93700	26800	307		
2.2	5230	1.8	661	—	3/V 06 L3	—	BE 90L4	BX 90L4	ME 3SB 4	MX 3SB 4	35500	40200	80100	93300	26600	306		
2.3	4510	1.0	623	—	3/V 05 L3	—	BE 90L4	BX 90L4	ME 3SB 4	MX 3SB 4	27900	32200	48100	57900	17900	294		
2.3	5400	1.1	611	—	—	3/A 06 L2	BE 90L4	BX 90L4	ME 3SB 4	MX 3SB 4	34500	39100	78300	91100	25900	307		
2.5	4610	1.1	576	—	3/V 05 L3	—	BE 90L4	BX 90L4	ME 3SB 4	MX 3SB 4	27200	31400	47000	56500	17400	294		
2.5	4500	1.9	569	—	3/V 06 L3	—	BE 90L4	BX 90L4	ME 3SB 4	MX 3SB 4	33700	38200	76600	89200	25300	306		
2.6	4900	1.5	555	—	—	3/A 06 L2	BE 90L4	BX 90L4	ME 3SB 4	MX 3SB 4	33400	37900	76000	88500	25100	307		
2.7	4130	0.9	529	—	3/V 05 L3	—	BE 90L4	BX 90L4	ME 3SB 4	MX 3SB 4	26400	30500	45800	55100	17000	294		
2.7	4170	1.8	527	—	3/V 06 L3	—	BE 90L4	BX 90L4	ME 3SB 4	MX 3SB 4	32900	37200	74900	87200	24700	306		
2.8	4460	1.6	505	—	—	3/A 06 L2	BE 90L4	BX 90L4	ME 3SB 4	MX 3SB 4	32400	36700	73900	86100	24400	307		
3.1	3690	1.3	462	—	3/V 05 L3	—	BE 90L4	BX 90L4	ME 3SB 4	MX 3SB 4	25300	29200	44000	52900	16200	294		
3.2	3410	1.1	453	—	3/V 04 L3	—	BE 90L4	BX 90L4	ME 3SB 4	MX 3SB 4	25100	29000	43700	52600	16100	282		
3.3	3870	2.4	439	—	—	3/A 07 L2	BE 90L4	BX 90L4	ME 3SB 4	MX 3SB 4	34400	43100	76200	99900	29900	319		
3.3	3840	2.0	435	—	—	3/A 06 L2	BE 90L4	BX 90L4	ME 3SB 4	MX 3SB 4	30800	34900	70600	82300	23200	307		
3.4	3410	2.6	427	—	3/V 06 L3	—	BE 90L4	BX 90L4	ME 3SB 4	MX 3SB 4	30600	34700	70300	81800	23000	306		
3.4	3850	1.1	422	—	—	3/A 05 L2	BE 90L4	BX 90L4	ME 3SB 4	MX 3SB 4	24500	28300	42800	51500	15700	295		
3.5	3570	2.5	405	—	—	3/A 07 L2	BE 90L4	BX 90L4	ME 3SB 4	MX 3SB 4	33500	42000	74400	97500	29100	319		
3.6	3170	1.2	396	—	3/V 05 L3	—	BE 90L4	BX 90L4	ME 3SB 4	MX 3SB 4	24000	27700	42000	50500	15400	294		
3.6	3160	2.4	395	—	3/V 06 L3	—	BE 90L4	BX 90L4	ME 3SB 4	MX 3SB 4	29900	33800	68700	80000	22400	306		
3.7	3420	1.6	388	—	—	3/A 06 L2	BE 90L4	BX 90L4	ME 3SB 4	MX 3SB 4	29700	33600	68300	79500	22300	307		
3.7	3160	2.9	386	—	3/V 07 L3	—	BE 90L4	BX 90L4	ME 3SB 4	MX 3SB 4	32900	41300	73400	96100	28600	318		
3.7	2890	1.2	384	—	3/V 04 L3	—	BE 90L4	BX 90L4	ME 3SB 4	MX 3SB 4	23700	27400	41600	50100	15200	282		
3.8	3360	1.8	380	—	—	3/A 06 L2	BE 90L4	BX 90L4	ME 3SB 4	MX 3SB 4	29500	33400	67900	79000	22200	307		
4.3	3000	1.2	329	—	—	3/A 05 L2	BE 90L4	BX 90L4	ME 3SB 4	MX 3SB 4	22600	26100	39700	47800	14500	295		
4.5	2830	2.3	321	—	—	3/A 06 L2	BE 90L4	BX 90L4	ME 3SB 4	MX 3SB 4	27900	31600	64500	75100	20900	307		
5.0	2580	1.1	283	—	—	3/A 04 L2	BE 90L4	BX 90L4	ME 3SB 4	MX 3SB 4	21500	24800	38000	45700	13800	283		
5.1	2550	1.4	280	—	—	3/A 05 L2	BE 90L4	BX 90L4	ME 3SB 4	MX 3SB 4	21400	24700	37800	45500	13700	295		
5.4	2360	2.3	267	—	—	3/A 06 L2	BE 90L4	BX 90L4	ME 3SB 4	MX 3SB 4	26200	29700	61000	71100	19700	307		
5.7	2280	1.5	250	—	—	3/A 04 L2	BE 90L4	BX 90L4	ME 3SB 4	MX 3SB 4	20600	23800	36600	44000	13200	283		
5.9	2190	2.0	241	—	—	3/A 05 L2	BE 90L4	BX 90L4	ME 3SB 4	MX 3SB 4	20300	2350						

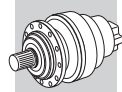


P₁ = 1.5 kW

n ₂ min ⁻¹	M ₂ Nm	S	i	Pt kW							Rn ₂ [N]					
											MC/PC	MZ/PZ	HC	HZ	FZ	
15.8	830	2.9	90.7	—	—	3/A 04 L2	BE 90LA 4	BX 90LA 4	ME 3SB 4	MX 3SB 4	14700	17000	27000	32500	9420	283
16.2	810	2.0	88.5	—	—	3/A 03 L2	BE 90LA 4	BX 90LA 4	ME 3SB 4	MX 3SB 4	14600	16800	26800	32200	9340	271
17.6	740	1.8	81.3	—	—	3/A 01 L2	BE 90LA 4	BX 90LA 4	ME 3SB 4	MX 3SB 4	4610	4610	12800	14700	3030	261
19.3	680	1.7	74.2	—	—	3/A 01 L2	BE 90LA 4	BX 90LA 4	ME 3SB 4	MX 3SB 4	4470	4470	12400	14300	2940	261
19.5	670	2.7	73.2	—	—	3/A 03 L2	BE 90LA 4	BX 90LA 4	ME 3SB 4	MX 3SB 4	13700	15800	25300	30400	8770	271
20.2	650	1.0	71.0	—	—	3/A 00 L2	BE 90LA 4	BX 90LA 4	ME 3SB 4	MX 3SB 4	4400	4400	12300	14100	2890	251
22.7	570	2.7	62.9	—	—	3/A 03 L2	BE 90LA 4	BX 90LA 4	ME 3SB 4	MX 3SB 4	13000	15000	24200	29100	8340	271
23.4	560	1.2	61.2	—	—	3/A 00 L2	BE 90LA 4	BX 90LA 4	ME 3SB 4	MX 3SB 4	4190	4190	11700	13500	2750	251
24.1	540	2.3	59.4	—	—	3/A 01 L2	BE 90LA 4	BX 90LA 4	ME 3SB 4	MX 3SB 4	4150	4150	11600	13400	2730	261
26.4	495	2.4	54.2	—	—	3/A 01 L2	BE 90LA 4	BX 90LA 4	ME 3SB 4	MX 3SB 4	4020	4020	11300	13000	2650	261
27.6	475	1.2	51.8	—	—	3/A 00 L2	BE 90LA 4	BX 90LA 4	ME 3SB 4	MX 3SB 4	3960	3960	11200	12800	2610	251
29.1	445	1.9	49.1	—	—	3/A 01 L2	BE 90LA 4	BX 90LA 4	ME 3SB 4	MX 3SB 4	3890	3890	11000	12600	2560	261
33	400	2.3	43.9	—	—	3/A 01 L2	BE 90LA 4	BX 90LA 4	ME 3SB 4	MX 3SB 4	3750	3750	10600	12200	2470	261
34	380	1.7	41.5	—	—	3/A 00 L2	BE 90LA 4	BX 90LA 4	ME 3SB 4	MX 3SB 4	3680	3680	10500	12000	2420	251
36	365	2.4	40.1	—	—	3/A 01 L2	BE 90LA 4	BX 90LA 4	ME 3SB 4	MX 3SB 4	3640	3640	10300	11900	2390	261
36	360	1.5	39.6	—	—	3/A 00 L2	BE 90LA 4	BX 90LA 4	ME 3SB 4	MX 3SB 4	3620	3620	10300	11800	2380	251
40	325	2.3	35.8	—	—	3/A 01 L2	BE 90LA 4	BX 90LA 4	ME 3SB 4	MX 3SB 4	3500	3500	10000	11500	2300	261
45	290	2.2	31.7	—	—	3/A 00 L2	BE 90LA 4	BX 90LA 4	ME 3SB 4	MX 3SB 4	3370	3370	9650	11100	2210	251
61	215	2.7	23.4	—	—	3/A 00 L2	BE 90LA 4	BX 90LA 4	ME 3SB 4	MX 3SB 4	3040	3040	8810	10100	2000	251
75	175	2.7	19.1	—	—	3/A 00 L2	BE 90LA 4	BX 90LA 4	ME 3SB 4	MX 3SB 4	2840	2840	8290	9530	1870	251

P₁ = 2.2 kW

n ₂ min ⁻¹	M ₂ Nm	S	i	Pt kW							Rn ₂ [N]					
											MC/PC	MZ/PZ	HC	HZ	FZ	
0.27	56200	1.8	5234	—	3/V 15 L4	—	BE 100LA 4	BX 100LA 4	—	—	—	—	206000	243000	90000	390
0.28	50100	1.1	5046	—	3/V 13 L4	—	BE 100LA 4	BX 100LA 4	ME 3LA 4	MX 3LA 4	—	—	192000	231000	80000	366
0.28	51200	0.9	5021	—	3/V 11 L4	—	BE 100LA 4	BX 100LA 4	ME 3LA 4	MX 3LA 4	—	—	157000	195000	65000	354
0.29	51200	1.6	4959	—	3/V 14 L4	—	BE 100LA 4	BX 100LA 4	—	—	—	—	206000	243000	90000	378
0.29	53100	2.0	4950	—	3/V 15 L4	—	BE 100LA 4	BX 100LA 4	—	—	—	—	206000	243000	90000	390
0.29	53100	2.3	4950	—	3/V 16 L4	—	BE 100LA 4	BX 100LA 4	—	—	—	—	345000	385000	150000	402
0.32	46900	1.2	4536	—	3/V 13 L4	—	BE 100LA 4	BX 100LA 4	ME 3LA 4	MX 3LA 4	—	—	192000	231000	80000	366
0.32	45600	1.0	4410	—	3/V 11 L4	—	BE 100LA 4	BX 100LA 4	ME 3LA 4	MX 3LA 4	—	—	157000	195000	65000	354
0.33	44500	1.9	4312	—	3/V 14 L4	—	BE 100LA 4	BX 100LA 4	—	—	—	—	206000	243000	90000	378
0.34	44800	2.3	4171	—	3/V 15 L4	—	BE 100LA 4	BX 100LA 4	—	—	—	—	206000	243000	90000	390
0.35	40800	1.2	4106	—	3/V 11 L4	—	BE 100LA 4	BX 100LA 4	ME 3LA 4	MX 3LA 4	—	—	157000	195000	65000	354
0.35	41800	1.3	4046	—	3/V 13 L4	—	BE 100LA 4	BX 100LA 4	ME 3LA 4	MX 3LA 4	—	—	192000	231000	80000	366
0.36	44500	1.7	3993	—	3/V 14 L4	—	BE 100LA 4	BX 100LA 4	—	—	—	—	206000	243000	90000	378
0.40	35300	1.2	3557	—	3/V 11 L4	—	BE 100LA 4	BX 100LA 4	ME 3LA 4	MX 3LA 4	—	—	157000	195000	65000	354
0.41	39600	1.5	3515	—	3/V 13 L4	—	BE 100LA 4	BX 100LA 4	ME 3LA 4	MX 3LA 4	—	—	192000	231000	80000	366
0.44	36900	0.9	3273	—	3/V 10 L4	—	BE 100LA 4	BX 100LA 4	ME 3LA 4	MX 3LA 4	—	—	133000	166000	65000	342
0.44	36900	0.9	3273	—	3/V 10 L4	—	BE 100LA 4	BX 100LA 4	ME 3LA 4	MX 3LA 4	—	—	133000	166000	65000	342
0.44	36800	1.5	3263	—	3/V 13 L4	—	BE 100LA 4	BX 100LA 4	ME 3LA 4	MX 3LA 4	—	—	192000	231000	80000	366
0.44	36300	1.3	3222	—	3/V 11 L4	—	BE 100LA 4	BX 100LA 4	ME 3LA 4	MX 3LA 4	—	—	157000	195000	65000	354
0.45	35400	2.3	3182	—	3/V 14 L4	—	BE 100LA 4	BX 100LA 4	—	—	—	—	206000	243000	90000	378
0.50	32100	1.5	2887	—	3/V 11 L4	—	BE 100LA 4	BX 100LA 4	ME 3LA 4	MX 3LA 4	—	—	157000	195000	65000	354
0.50	31900	1.0	2835	—	3/V 10 L4	—	BE 100LA 4	BX 100LA 4	ME 3LA 4	MX 3LA 4	—	—	133000	166000	65000	342
0.50	31900	1.0	2835	—	3/V 10 L4	—	BE 100LA 4	BX 100LA 4	ME 3LA 4	MX 3LA 4	—	—	133000	166000	65000	342
0.51	29900	2.8	2782	—	3/V 14 L4	—	BE 100LA 4	BX 100LA 4	—	—	—	—	206000	243000	90000	378
0.52	28600	1.9	2773	—	3/V 13 L4	—	BE 100LA 4	BX 100LA 4	ME 3LA 4	MX 3LA 4	—	—	192000	231000	80000	366
0.57	28300	1.7	2510	—	3/V 11 L4	—	BE 100LA 4	BX 100LA 4	ME 3LA 4	MX 3LA 4	—	—	157000	195000	65000	354
0.58	28000	1.2	2455	—	3/V 10 L4	—	BE 100LA 4	BX 100LA 4	ME 3LA 4	MX 3LA 4	—	—	133000	166000	65000	342
0.58	28000	1.2	2455	—	3/V 10 L4	—	BE 100LA 4	BX 100LA 4	ME 3LA 4	MX 3LA 4	—	—	133000	166000	65000	342
0.59	24900	2.0	2430	—	3/V 13 L3	—	BE 100LA 4	BX 100LA 4	—	—	—	—	192000	231000	80000	366
0.61	23800	1.4	2329	—	3/V 11 L3	—	BE 100LA 4	BX 100LA 4	—	—	—	—	157000	195000	65000	354
0.62	23700	2.8	2318	—	3/V 14 L3	—	BE 100LA 4	BX 100LA 4	—	—	—	—	206000	243000	90000	378
0.65	24900	1.3	2209	—	3/V 10 L4	—	BE 100LA 4	BX 100LA 4	ME 3LA 4	MX 3LA 4	—	—	133000	166000	65000	342
0.65	24900	1.3	2209	—	3/V 10 L4	—	BE 100LA 4	BX 100LA 4	ME 3LA 4	MX 3LA 4	—	—	133000	166000	65000	342
0.71	20700	2.8	2019	—	3/V 13 L3	—	BE 100LA 4	BX 100LA 4	—	—	—	—	192000	231000	80000	366
0.71	22700	1.3	2016	—	3/V 10 L4	—	BE 100LA 4	BX 100LA 4	ME 3LA 4	MX 3LA 4	—	—	133000	166000	65000	342
0.71	22700	1.3	2016	—	3/V 10 L4	—	BE 100LA 4	BX 100LA 4	ME 3LA 4	MX 3LA 4	—	—	133000	166000	65000	342
0.73	20100	2.1	1963	—	3/V 11 L3	—	BE 100LA 4	BX 100LA 4	—	—	—	—	157000	195000	65000	354
0.78	20600	1.3	1826	—	3/V 10 L4	—	BE 100LA 4	BX 100LA 4	ME 3LA 4	MX 3LA 4	—	—	133000	166000	65000	342
0.78	20600	1.3	1826	—	3/V 10 L4	—	BE 100LA 4	BX 100LA 4	ME 3LA 4	MX 3LA 4	—	—	133000	166000	65000	342
0.80	17800	1.2	1792	—	3/V 09 L3	—	BE 100LA 4	BX 100LA 4	—	—	—	—	110000	145000	36000	320
0.86	18900	1.8	1657	—	3/V 10 L4	—	BE 100LA 4	BX 100LA 4	ME 3LA 4	MX 3LA 4	—	—	133000	166000	65000	342
0.86	18900	1.8	1657	—	3/V 10 L4	—	BE 100LA 4	BX 100LA 4	ME 3LA 4	MX 3LA 4	—	—	133000	166000	65000	342
0.87	17200	2.5	1636	—	3/V 11 L3	—	BE 100LA 4	BX 100LA 4	—	—	—	—	157000	195000	65000	354
0.88	16200	0.9	1623	—	3/V 09 L3	—	BE 100LA 4	BX 100LA 4	—	—	—	—	110000	145000	36000	320
0.96	15900	1.1	1497	—	3/V 09 L3	—	BE 100LA 4	BX 100LA 4	—	—	—	—	110000	144300	36000	320
1.0	15000	1.5	1411	—	3/V 10 L3	—	BE 100LA 4	BX 100LA 4	—	—	—	—	130300	163800	63700	342
1.1	13200	1.1	1288	—	3/V 07 L3	—	BE 100LA 4	BX 100LA 4	ME 3LA 4	MX 3LA 4	49200	61700	105300	138000	42800	318
1.1	13700	1.6	1288	—	3/V 09 L3	—	BE 100LA 4	BX 100LA 4	—	—	—	—	107000	138000	34200	320
1.1	13400	2.6	1274	—	3/V 11 L3	—	BE 100LA 4	BX 100LA 4	—	—	—	—	149300	186000	61600	354
1.2	13100	1.7	1227	—	3/V 10 L3	—	BE 100LA 4	BX 100LA 4	—	—	—	—	124900	157100	60800	342
1.2	12800	1.3	1159	—	3/V 09 L3	—	BE 100LA 4	BX 100LA 4	—	—	—	—	103600	133700	33000	320
1.3	11900	2.4	1120	—	3/V 10 L3	—	BE 100LA 4	BX 100LA 4	—	—	—	—	121600	152800	59000	342








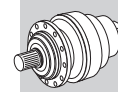
P₁ = 2.2 kW

n ₂ min ⁻¹	M ₂ Nm	S	i	Pt kW					Rn ₂ [N]							
					IE2	IE3	IE2	IE3	MC/PC	MZ/PZ	HC	HZ	FZ			
1.8	8520	2.5	800	—	3/V 09 L3	—	BE 100LA 4	BX 100LA 4	—	—	—	—	92700	119600	29200	320
1.8	8310	0.9	791	—	3/V 06 L3	—	BE 100LA 4	BX 100LA 4	ME 3LA 4	MX 3LA 4	37600	42600	84500	98400	28300	306
1.9	8980	1.1	773	—	3/V 07 L3	—	BE 100LA 4	BX 100LA 4	ME 3LA 4	MX 3LA 4	41500	52100	90300	118400	36100	318
1.9	8100	1.8	761	—	3/V 07 L3	—	BE 100LA 4	BX 100LA 4	ME 3LA 4	MX 3LA 4	41300	51800	89900	117800	35900	318
1.9	8420	1.7	761	—	3/V 09 L3	—	BE 100LA 4	BX 100LA 4	—	—	—	—	91300	117800	28700	320
2.1	8200	0.9	698	—	3/V 06 L3	—	BE 100LA 4	BX 100LA 4	ME 3LA 4	MX 3LA 4	36100	40900	81400	94800	27100	306
2.2	7680	1.2	661	—	3/V 06 L3	—	BE 100LA 4	BX 100LA 4	ME 3LA 4	MX 3LA 4	35500	40200	80100	93300	26600	306
2.2	6970	2.1	655	—	3/V 07 L3	—	BE 100LA 4	BX 100LA 4	ME 3LA 4	MX 3LA 4	39300	49300	85900	112600	34100	318
2.2	7240	2.4	655	—	3/V 09 L3	—	BE 100LA 4	BX 100LA 4	—	—	—	—	87300	112600	27300	320
2.5	6610	1.3	569	—	3/V 06 L3	—	BE 100LA 4	BX 100LA 4	ME 3LA 4	MX 3LA 4	33700	38200	76600	89200	25300	306
2.6	7200	1.0	555	—	—	3/A 06 L2	BE 100LA 4	BX 100LA 4	ME 3LA 4	MX 3LA 4	33400	37900	76000	88500	25100	307
2.7	6120	1.2	527	—	3/V 06 L3	—	BE 100LA 4	BX 100LA 4	ME 3LA 4	MX 3LA 4	32900	37200	74900	87200	24700	306
2.8	5890	2.3	507	—	3/V 07 L3	—	BE 100LA 4	BX 100LA 4	ME 3LA 4	MX 3LA 4	36100	45300	79600	104300	31400	318
2.8	6560	1.1	505	—	—	3/A 06 L2	BE 100LA 4	BX 100LA 4	ME 3LA 4	MX 3LA 4	32400	36700	73900	86100	24400	307
3.1	5350	2.3	460	—	3/V 07 L3	—	BE 100LA 4	BX 100LA 4	ME 3LA 4	MX 3LA 4	34900	43800	77300	101300	30400	318
3.3	5690	1.6	439	—	—	3/A 07 L2	BE 100LA 4	BX 100LA 4	ME 3LA 4	MX 3LA 4	34400	43100	76200	99900	29900	319
3.3	5640	1.4	435	—	—	3/A 06 L2	BE 100LA 4	BX 100LA 4	ME 3LA 4	MX 3LA 4	30800	34900	70600	82300	23200	307
3.4	5020	1.8	427	—	3/V 06 L3	—	BE 100LA 4	BX 100LA 4	ME 3LA 4	MX 3LA 4	30600	34700	70300	81800	23000	306
3.5	5260	1.7	405	—	—	3/A 07 L2	BE 100LA 4	BX 100LA 4	ME 3LA 4	MX 3LA 4	33500	42000	74400	97500	29100	319
3.6	4650	1.6	395	—	3/V 06 L3	—	BE 100LA 4	BX 100LA 4	ME 3LA 4	MX 3LA 4	29900	33800	68700	80000	22400	306
3.7	5030	1.1	388	—	—	3/A 06 L2	BE 100LA 4	BX 100LA 4	ME 3LA 4	MX 3LA 4	29700	33600	68300	79500	22300	307
3.7	4650	1.9	386	—	3/V 07 L3	—	BE 100LA 4	BX 100LA 4	ME 3LA 4	MX 3LA 4	32900	41300	73400	96100	28600	318
3.8	4940	1.3	380	—	—	3/A 06 L2	BE 100LA 4	BX 100LA 4	ME 3LA 4	MX 3LA 4	29500	33400	67900	79000	22200	307
4.2	4430	2.6	341	—	—	3/A 07 L2	BE 100LA 4	BX 100LA 4	ME 3LA 4	MX 3LA 4	31600	39700	70700	92600	27500	319
4.5	4160	1.6	321	—	—	3/A 06 L2	BE 100LA 4	BX 100LA 4	ME 3LA 4	MX 3LA 4	27900	31600	64500	75100	20900	307
5.1	3650	2.4	282	—	—	3/A 07 L2	BE 100LA 4	BX 100LA 4	ME 3LA 4	MX 3LA 4	29600	37200	66700	87400	25800	319
5.1	3750	1.0	280	—	—	3/A 05 L2	BE 100LA 4	BX 100LA 4	ME 3LA 4	MX 3LA 4	21400	24700	37800	45500	13700	295
5.2	3580	2.2	276	—	—	3/A 06 L2	BE 100LA 4	BX 100LA 4	ME 3LA 4	MX 3LA 4	26500	30000	61600	71800	19900	307
5.4	3460	1.6	267	—	—	3/A 06 L2	BE 100LA 4	BX 100LA 4	ME 3LA 4	MX 3LA 4	26200	29700	61000	71100	19700	307
5.7	3350	1.0	250	—	—	3/A 04 L2	BE 100LA 4	BX 100LA 4	ME 3LA 4	MX 3LA 4	20600	23800	36600	44000	13200	283
5.9	3130	2.9	241	—	—	3/A 07 L2	BE 100LA 4	BX 100LA 4	ME 3LA 4	MX 3LA 4	28200	35300	63700	83500	24500	319
5.9	3220	1.3	241	—	—	3/A 05 L2	BE 100LA 4	BX 100LA 4	ME 3LA 4	MX 3LA 4	20300	23500	36200	43500	13000	295
6.3	3020	1.2	226	—	—	3/A 04 L2	BE 100LA 4	BX 100LA 4	ME 3LA 4	MX 3LA 4	19900	23000	35500	42700	12800	283
6.5	2860	2.3	221	—	—	3/A 06 L2	BE 100LA 4	BX 100LA 4	ME 3LA 4	MX 3LA 4	24600	27900	57700	67100	18500	307
6.7	2840	1.1	212	—	—	3/A 05 L2	BE 100LA 4	BX 100LA 4	ME 3LA 4	MX 3LA 4	19500	22500	34800	41900	12500	295
6.7	2840	1.1	212	—	—	3/A 05 L2	BE 100LA 4	BX 100LA 4	ME 3LA 4	MX 3LA 4	19500	22500	34800	41900	12500	295
7.0	2750	1.3	205	—	—	3/A 04 L2	BE 100LA 4	BX 100LA 4	ME 3LA 4	MX 3LA 4	19300	22300	34500	41500	12400	283
7.2	2570	2.1	198	—	—	3/A 06 L2	BE 100LA 4	BX 100LA 4	ME 3LA 4	MX 3LA 4	23700	26900	55800	65000	17800	307
8.2	2350	1.5	175	—	—	3/A 05 L2	BE 100LA 4	BX 100LA 4	ME 3LA 4	MX 3LA 4	18300	21100	32900	39600	11700	295
8.2	2330	1.3	174	—	—	3/A 04 L2	BE 100LA 4	BX 100LA 4	ME 3LA 4	MX 3LA 4	18200	21100	32800	39500	11700	283
8.8	2180	1.3	162	—	—	3/A 04 L2	BE 100LA 4	BX 100LA 4	ME 3LA 4	MX 3LA 4	17800	20600	32100	38700	11400	283
8.8	2180	1.3	162	—	—	3/A 04 L2	BE 100LA 4	BX 100LA 4	ME 3LA 4	MX 3LA 4	17800	20600	32100	38700	11400	283
9.6	2000	1.2	149	—	—	3/A 04 L2	BE 100LA 4	BX 100LA 4	ME 3LA 4	MX 3LA 4	17300	20000	31300	37700	11100	283
10.2	1890	1.9	141	—	—	3/A 05 L2	BE 100LA 4	BX 100LA 4	ME 3LA 4	MX 3LA 4	17000	19600	30800	37000	10900	295
11.1	1730	1.6	129	—	—	3/A 04 L2	BE 100LA 4	BX 100LA 4	ME 3LA 4	MX 3LA 4	16500	19100	30000	36100	10600	283
11.8	1620	2.2	121	—	—	3/A 05 L2	BE 100LA 4	BX 100LA 4	ME 3LA 4	MX 3LA 4	16200	18700	29400	35400	10400	295
12.2	1570	1.5	117	—	—	3/A 04 L2	BE 100LA 4	BX 100LA 4	ME 3LA 4	MX 3LA 4	16000	18500	29100	35000	10300	283
13.8	1390	2.2	104	—	—	3/A 05 L2	BE 100LA 4	BX 100LA 4	ME 3LA 4	MX 3LA 4	15300	17700	28100	33800	9840	295
14.0	1370	1.9	102	—	—	3/A 04 L2	BE 100LA 4	BX 100LA 4	ME 3LA 4	MX 3LA 4	15300	17600	27900	33600	9790	283
14.8	1300	1.3	96.9	—	—	3/A 03 L2	BE 100LA 4	BX 100LA 4	ME 3LA 4	MX 3LA 4	15000	17300	27500	33100	9630	271
15.8	1220	2.0	90.7	—	—	3/A 04 L2	BE 100LA 4	BX 100LA 4	ME 3LA 4	MX 3LA 4	14700	17000	27000	32500	9420	283
16.2	1190	1.4	88.5	—	—	3/A 03 L2	BE 100LA 4	BX 100LA 4	ME 3LA 4	MX 3LA 4	14600	16800	26800	32200	9340	271
17.5	1100	2.2	81.7	—	—	3/A 04 L2	BE 100LA 4	BX 100LA 4	ME 3LA 4	MX 3LA 4	14200	16400	26200	31500	9100	283
17.6	1090	1.2	81.3	—	—	3/A 01 L2	BE 100LA 4	BX 100LA 4	ME 3LA 4	MX 3LA 4	4610	4610	12800	14700	3030	261
19.3	990	1.2	74.2	—	—	3/A 01 L2	BE 100LA 4	BX 100LA 4	ME 3LA 4	MX 3LA 4	4470	4470	12400	14300	2940	261
19.5	980	1.8	73.2	—	—	3/A 03 L2	BE 100LA 4	BX 100LA 4	ME 3LA 4	MX 3LA 4	13700	15800	25300	30400	8770	271
20.9	920	2.7	68.4	—	—	3/A 04 L2	BE 100LA 4	BX 100LA 4	ME 3LA 4	MX 3LA 4	13400	15400	24800	29800	8580	283
22.7	840	1.8	62.9	—	—	3/A 03 L2	BE 100LA 4	BX 100LA 4	ME 3LA 4	MX 3LA 4	13000	15000	24200	29100	8340	271
24.1	800	1.6	59.4	—	—	3/A 01 L2	BE 100LA 4	BX 100LA 4	ME 3LA 4	MX 3LA 4	4150	4150	11600	13400	2730	261
26.4	730	1.6	54.2	—	—	3/A 01 L2	BE 100LA 4	BX 100LA 4	ME 3LA 4	MX 3LA 4	4020	4020	11300	13000	2650	261
27.2	700	2.3	52.5	—	—	3/A 03 L2	BE 100LA 4	BX 100LA 4	ME 3LA 4	MX 3LA 4	12200	14100	22900	27600	7850	271
27.2	700	2.3	52.5	—	—	3/A 03 L2	BE 100LA 4	BX 100LA 4	ME 3LA 4	MX 3LA 4	12200	14100	22900	27600	7850	271
29.1	660	1.3	49.1	—	—	3/A 01 L2	BE 100LA 4	BX 100LA 4	ME 3LA 4	MX 3LA 4	3890	3890	11000	12600	2560	261
33	590	1.6	43.9	—	—	3/A 01 L2	BE 100LA 4	BX 100LA 4	ME 3LA 4	MX 3LA 4	3750	3750	10600	12200	2470	261
34	560	1.2	41.5	—	—	3/A 00 L2	BE 100LA 4	BX 100LA 4	ME 3LA 4	MX 3LA 4	3680	3680	10500	12000	2420	251
36	540	1.6	40.1	—	—	3/A 01 L2	BE 100LA 4	BX 100LA 4	ME 3LA 4	MX 3LA 4	3640	3640	10300	11900	2390	261
36	530	1.0	39.6	—	—	3/A 00 L2	BE 100LA 4	BX 100LA 4	ME 3LA 4	MX 3LA 4	3620	3620	10300	11800	2380	251
40	480	1.6	35.8	—	—	3/A 01 L2	BE 100LA 4	BX 100LA 4	ME 3LA 4	MX 3LA 4	3500	3500	10000	11500	2300	261
45	425	1.5	31.7	—	—	3/A 00 L2	BE 100LA 4	BX 100LA 4	ME 3LA 4	MX 3LA 4	3370	3370	9650	11100	2210	251
46	420	2.8	31.2	—	—	3/A 01 L2	BE 100LA 4	BX 100LA 4	ME 3LA 4	MX 3LA 4	3340	3340	9600	11000	2200	261
61	315	1.8	23.4	—	—	3/A 00 L2	BE 100LA 4	BX 100LA 4	ME 3LA 4	MX 3LA 4	3040	3040	8810	10100	2000	251
62	310	2.8	23.0	—	—	3/A 01 L2	BE 100LA 4	BX 100LA 4	ME 3LA 4							



P₁ = 3 kW

n ₂ min ⁻¹	M ₂ Nm	S	i	Pt kW									Rn ₂ [N]					
					IE2	IE3	IE2	IE3	MC/PC	MZ/PZ	HC	HZ	FZ					
0.31	63800	0.9	4536	—	3/V 13 L4	—	BE 100LB 4	BX 100LB 4	ME 3LB 4	MX 3LB 4	—	—	192000	231000	80000	366		
0.33	60600	1.4	4312	—	3/V 14 L4	—	BE 100LB 4	BX 100LB 4	—	—	—	—	206000	243000	90000	378		
0.34	60900	1.7	4171	—	3/V 15 L4	—	BE 100LB 4	BX 100LB 4	—	—	—	—	206000	243000	90000	390		
0.34	60900	2.3	4171	—	3/V 16 L4	—	BE 100LB 4	BX 100LB 4	—	—	—	—	345000	385000	150000	402		
0.35	56900	1.0	4046	—	3/V 13 L4	—	BE 100LB 4	BX 100LB 4	ME 3LB 4	MX 3LB 4	—	—	192000	231000	80000	366		
0.36	60500	1.2	3993	—	3/V 14 L4	—	BE 100LB 4	BX 100LB 4	—	—	—	—	206000	243000	90000	378		
0.40	53900	1.1	3515	—	3/V 13 L4	—	BE 100LB 4	BX 100LB 4	ME 3LB 4	MX 3LB 4	—	—	192000	231000	80000	366		
0.40	51300	2.7	3514	—	3/V 16 L4	—	BE 100LB 4	BX 100LB 4	—	—	—	—	345000	385000	150000	402		
0.44	50000	1.1	3263	—	3/V 13 L4	—	BE 100LB 4	BX 100LB 4	ME 3LB 4	MX 3LB 4	—	—	192000	231000	80000	366		
0.44	47500	2.9	3250	—	3/V 16 L4	—	BE 100LB 4	BX 100LB 4	—	—	—	—	345000	385000	150000	402		
0.44	49400	0.9	3222	—	3/V 11 L4	—	BE 100LB 4	BX 100LB 4	ME 3LB 4	MX 3LB 4	—	—	157000	195000	65000	354		
0.45	48200	1.7	3182	—	3/V 14 L4	—	BE 100LB 4	BX 100LB 4	—	—	—	—	206000	243000	90000	378		
0.49	43700	1.1	2887	—	3/V 11 L4	—	BE 100LB 4	BX 100LB 4	ME 3LB 4	MX 3LB 4	—	—	157000	195000	65000	354		
0.51	40600	2.0	2782	—	3/V 14 L4	—	BE 100LB 4	BX 100LB 4	—	—	—	—	206000	243000	90000	378		
0.51	39000	1.4	2773	—	3/V 13 L4	—	BE 100LB 4	BX 100LB 4	ME 3LB 4	MX 3LB 4	—	—	192000	231000	80000	366		
0.52	40000	2.9	2738	—	3/V 16 L4	—	BE 100LB 4	BX 100LB 4	—	—	—	—	345000	385000	150000	402		
0.57	38500	1.3	2510	—	3/V 11 L4	—	BE 100LB 4	BX 100LB 4	ME 3LB 4	MX 3LB 4	—	—	157000	195000	65000	354		
0.57	35200	2.4	2504	—	3/V 14 L4	—	BE 100LB 4	BX 100LB 4	—	—	—	—	206000	243000	90000	378		
0.58	33800	1.4	2430	—	3/V 13 L3	—	BE 100LB 4	BX 100LB 4	—	—	—	—	192000	231000	80000	366		
0.61	32400	1.0	2329	—	3/V 11 L3	—	BE 100LB 4	BX 100LB 4	—	—	—	—	157000	195000	65000	354		
0.61	32300	2.1	2318	—	3/V 14 L3	—	BE 100LB 4	BX 100LB 4	—	—	—	—	206000	243000	90000	378		
0.64	33900	1.0	2209	—	3/V 10 L4	—	BE 100LB 4	BX 100LB 4	ME 3LB 4	MX 3LB 4	—	—	133000	166000	65000	342		
0.64	33900	1.0	2209	—	3/V 10 L4	—	BE 100LB 4	BX 100LB 4	ME 3LB 4	MX 3LB 4	—	—	133000	166000	65000	342		
0.70	28100	2.1	2019	—	3/V 13 L3	—	BE 100LB 4	BX 100LB 4	—	—	—	—	192000	231000	80000	366		
0.70	30900	1.0	2016	—	3/V 10 L4	—	BE 100LB 4	BX 100LB 4	ME 3LB 4	MX 3LB 4	—	—	133000	166000	65000	342		
0.70	30900	1.0	2016	—	3/V 10 L4	—	BE 100LB 4	BX 100LB 4	ME 3LB 4	MX 3LB 4	—	—	133000	166000	65000	342		
0.71	27800	2.6	1994	—	3/V 14 L3	—	BE 100LB 4	BX 100LB 4	—	—	—	—	206000	243000	90000	378		
0.72	27300	1.6	1963	—	3/V 11 L3	—	BE 100LB 4	BX 100LB 4	—	—	—	—	157000	195000	65000	354		
0.78	28000	1.0	1826	—	3/V 10 L4	—	BE 100LB 4	BX 100LB 4	ME 3LB 4	MX 3LB 4	—	—	133000	166000	65000	342		
0.78	28000	1.0	1826	—	3/V 10 L4	—	BE 100LB 4	BX 100LB 4	ME 3LB 4	MX 3LB 4	—	—	133000	166000	65000	342		
0.79	24300	0.9	1792	—	3/V 09 L3	—	BE 100LB 4	BX 100LB 4	—	—	—	—	110000	145000	36000	320		
0.84	24100	2.4	1682	—	3/V 13 L3	—	BE 100LB 4	BX 100LB 4	—	—	—	—	192000	231000	80000	366		
0.86	25700	1.3	1657	—	3/V 10 L4	—	BE 100LB 4	BX 100LB 4	ME 3LB 4	MX 3LB 4	—	—	133000	166000	65000	342		
0.86	25700	1.3	1657	—	3/V 10 L4	—	BE 100LB 4	BX 100LB 4	ME 3LB 4	MX 3LB 4	—	—	133000	166000	65000	342		
0.87	23400	1.8	1636	—	3/V 11 L3	—	BE 100LB 4	BX 100LB 4	—	—	—	—	157000	195000	65000	354		
0.89	22100	2.6	1589	—	3/V 14 L3	—	BE 100LB 4	BX 100LB 4	—	—	—	—	206000	243000	90000	378		
1.0	20300	2.8	1418	—	3/V 13 L3	—	BE 100LB 4	BX 100LB 4	—	—	—	—	190500	225400	78500	366		
1.0	20500	1.1	1411	—	3/V 10 L3	—	BE 100LB 4	BX 100LB 4	—	—	—	—	130300	163800	63700	342		
1.0	19700	2.3	1378	—	3/V 11 L3	—	BE 100LB 4	BX 100LB 4	—	—	—	—	152900	190400	63200	354		
1.1	18600	2.6	1339	—	3/V 14 L3	—	BE 100LB 4	BX 100LB 4	—	—	—	—	199900	234700	86700	378		
1.1	18500	2.9	1291	—	3/V 13 L3	—	BE 100LB 4	BX 100LB 4	—	—	—	—	185200	219200	76100	366		
1.1	18700	1.2	1288	—	3/V 09 L3	—	BE 100LB 4	BX 100LB 4	—	—	—	—	107000	138000	34200	320		
1.1	18200	1.9	1274	—	3/V 11 L3	—	BE 100LB 4	BX 100LB 4	—	—	—	—	149300	186000	61600	354		
1.2	17800	1.2	1227	—	3/V 10 L3	—	BE 100LB 4	BX 100LB 4	—	—	—	—	124900	157100	60800	342		
1.2	17400	0.9	1159	—	3/V 09 L3	—	BE 100LB 4	BX 100LB 4	—	—	—	—	103600	133700	33000	320		
1.3	16200	1.8	1120	—	3/V 10 L3	—	BE 100LB 4	BX 100LB 4	—	—	—	—	121600	152800	59000	342		
1.4	14500	1.0	1015	—	3/V 07 L3	—	BE 100LB 4	BX 100LB 4	ME 3LB 4	MX 3LB 4	45400	57000	98000	128400	39500	318		
1.4	14000	2.6	1004	—	3/V 11 L3	—	BE 100LB 4	BX 100LB 4	—	—	—	—	139000	173200	56900	354		
1.4	14500	1.2	1004	—	3/V 09 L3	—	BE 100LB 4	BX 100LB 4	—	—	—	—	99300	128000	31500	320		
1.4	14500	2.2	1004	—	3/V 10 L3	—	BE 100LB 4	BX 100LB 4	—	—	—	—	117600	147900	56900	342		
1.5	13300	0.9	920	—	3/V 07 L3	—	BE 100LB 4	BX 100LB 4	ME 3LB 4	MX 3LB 4	44000	55200	95200	124700	38200	318		
1.5	13900	1.6	920	—	3/V 10 L3	—	BE 100LB 4	BX 100LB 4	—	—	—	—	114600	144100	55200	342		
1.7	12600	1.6	840	—	3/V 09 L3	—	BE 100LB 4	BX 100LB 4	—	—	—	—	94100	121400	29700	320		
1.8	11600	1.8	800	—	3/V 09 L3	—	BE 100LB 4	BX 100LB 4	—	—	—	—	92700	119600	29200	320		
1.9	11000	1.3	761	—	3/V 07 L3	—	BE 100LB 4	BX 100LB 4	ME 3LB 4	MX 3LB 4	41300	51800	89900	117800	35900	318		
1.9	11500	1.3	761	—	3/V 09 L3	—	BE 100LB 4	BX 100LB 4	—	—	—	—	91300	117800	28700	320		
2.2	9480	1.5	655	—	3/V 07 L3	—	BE 100LB 4	BX 100LB 4	ME 3LB 4	MX 3LB 4	39300	49300	85900	112600	34100	318		
2.2	9850	1.8	655	—	3/V 09 L3	—	BE 100LB 4	BX 100LB 4	—	—	—	—	87300	112600	27300	320		
2.5	8990	1.0	569	—	3/V 06 L3	—	BE 100LB 4	BX 100LB 4	ME 3LB 4	MX 3LB 4	33700	38200	76600	89200	25300	306		
2.7	8330	0.9	527	—	3/V 06 L3	—	BE 100LB 4	BX 100LB 4	ME 3LB 4	MX 3LB 4	32900	37200	74900	87200	24700	306		
2.8	8020	1.7	507	—	3/V 07 L3	—	BE 100LB 4	BX 100LB 4	ME 3LB 4	MX 3LB 4	36100	45300	79600	104300	31400	318		
3.1	7270	1.7	460	—	3/V 07 L3	—	BE 100LB 4	BX 100LB 4	ME 3LB 4	MX 3LB 4	34900	43800	77300	101300	30400	318		
3.2	6650	2.7	442	—	3/V 09 L3	—	BE 100LB 4	BX 100LB 4	—	—	—	—	77600	100100	24000	320		
3.2	7740	1.2	439	—	—	3/A 07 L2	BE 100LB 4	BX 100LB 4	ME 3LB 4	MX 3LB 4	34400	43100	76200	99900	29900	319		
3.3	7670	1.0	435	—	—	3/A 06 L2	BE 100LB 4	BX 100LB 4	ME 3LB 4	MX 3LB 4	30800	34900	70600	82300	23200	307		
3.3	6820	1.3	427	—	3/V 06 L3	—	BE 100LB 4	BX 100LB 4	ME 3LB 4	MX 3LB 4	30600	34700	70300	81800	23000	306		
3.5	7150	1.3	405	—	—	3/A 07 L2	BE 100LB 4	BX 100LB 4	ME 3LB 4	MX 3LB 4	33500	42000	74400	97500	29100	319		
3.6	6320	1.2	395	—	3/V 06 L3	—	BE 100LB 4	BX 100LB 4	ME 3LB 4	MX 3LB 4	29900	33800	68700	80000	22400	306		
3.7	6320	1.4	386	—	3/V 07 L3	—	BE 100LB 4	BX 100LB 4	ME 3LB 4	MX 3LB 4	32900	41300	73400	96100	28600	318		
3.7	6720	0.9	380	—	—	3/A 06 L2	BE 100LB 4	BX 100LB 4	ME 3LB 4	MX 3LB 4	29500	33400	67900	79000	22200	307		
3.8	5570	2.3	370	—	3/V 09 L3	—	BE 100LB 4	BX 100LB 4	—	—	—	—	73600	94900	22600	320		
4.2	6020	1.9	341	—	—	3/A 07 L2	BE 100LB 4	BX 100LB 4	ME 3LB 4	MX 3LB 4	31600	39700	70700	92600	27500	319		
4.4	5660	1.2	321	—	—	3/A 06 L2	BE 100LB 4	BX 100LB 4	ME 3LB 4	MX 3LB 4	27900	31600	64500	75100	20900	307		
5.0	4970	1.7	282	—	—	3/A 07 L2	BE 100LB 4	BX 100LB 4	ME 3LB 4	MX 3LB 4	29600	37200	66700	87400	25800	319		
5.2	4870	1.6	276															



P₁ = 3 kW

n ₂ min ⁻¹	M ₂ Nm	S	i	Pt kW			IE2		IE3		Rn ₂ [N]						
							IE2	IE3	IE2	IE3	MC/PC	MZ/PZ	HC	HZ	FZ		
7.2	3500	1.6	198	—	—	—	3/A 06 L2	BE 100LB 4	BX 100LB 4	ME 3LB 4	MX 3LB 4	23700	26900	55800	65000	17800	307
7.2	3490	2.5	198	—	—	—	3/A 07 L2	BE 100LB 4	BX 100LB 4	ME 3LB 4	MX 3LB 4	26300	33000	60000	78600	22900	319
7.5	3350	2.3	190	—	—	—	3/A 06 L2	BE 100LB 4	BX 100LB 4	ME 3LB 4	MX 3LB 4	23400	26500	55100	64200	17600	307
8.1	3200	1.1	175	—	—	—	3/A 05 L2	BE 100LB 4	BX 100LB 4	ME 3LB 4	MX 3LB 4	18300	21100	32900	39600	11700	295
8.2	3170	0.9	174	—	—	—	3/A 04 L2	BE 100LB 4	BX 100LB 4	ME 3LB 4	MX 3LB 4	18200	21100	32800	39500	11700	283
8.7	2890	2.2	164	—	—	—	3/A 06 L2	BE 100LB 4	BX 100LB 4	ME 3LB 4	MX 3LB 4	22300	25200	52700	61400	16700	307
8.7	2960	1.0	162	—	—	—	3/A 04 L2	BE 100LB 4	BX 100LB 4	ME 3LB 4	MX 3LB 4	17800	20600	32100	38700	11400	283
8.7	2960	1.0	162	—	—	—	3/A 05 L2	BE 100LB 4	BX 100LB 4	ME 3LB 4	MX 3LB 4	17800	20600	32100	38700	11400	295
10.1	2570	1.4	141	—	—	—	3/A 05 L2	BE 100LB 4	BX 100LB 4	ME 3LB 4	MX 3LB 4	17000	19600	30800	37000	10900	295
11.0	2360	1.2	129	—	—	—	3/A 04 L2	BE 100LB 4	BX 100LB 4	ME 3LB 4	MX 3LB 4	16500	19100	30000	36100	10600	283
11.4	2270	2.4	125	—	—	—	3/A 06 L2	BE 100LB 4	BX 100LB 4	ME 3LB 4	MX 3LB 4	20300	23000	48600	56500	15300	307
11.7	2210	1.6	121	—	—	—	3/A 05 L2	BE 100LB 4	BX 100LB 4	ME 3LB 4	MX 3LB 4	16200	18700	29400	35400	10400	295
12.1	2130	1.1	117	—	—	—	3/A 04 L2	BE 100LB 4	BX 100LB 4	ME 3LB 4	MX 3LB 4	16000	18500	29100	35000	10300	283
13.7	1890	1.6	104	—	—	—	3/A 05 L2	BE 100LB 4	BX 100LB 4	ME 3LB 4	MX 3LB 4	15300	17700	28100	33800	9840	295
13.9	1860	1.4	102	—	—	—	3/A 04 L2	BE 100LB 4	BX 100LB 4	ME 3LB 4	MX 3LB 4	15300	17600	27900	33600	9790	283
14.7	1770	1.0	96.9	—	—	—	3/A 03 L2	BE 100LB 4	BX 100LB 4	ME 3LB 4	MX 3LB 4	15000	17300	27500	33100	9630	271
15.7	1650	1.4	90.7	—	—	—	3/A 04 L2	BE 100LB 4	BX 100LB 4	ME 3LB 4	MX 3LB 4	14700	17000	27000	32500	9420	283
16.0	1610	1.0	88.5	—	—	—	3/A 03 L2	BE 100LB 4	BX 100LB 4	ME 3LB 4	MX 3LB 4	14600	16800	26800	32200	9340	271
16.6	1560	2.3	85.6	—	—	—	3/A 05 L2	BE 100LB 4	BX 100LB 4	ME 3LB 4	MX 3LB 4	14400	16600	26500	31900	9240	295
17.4	1490	1.6	81.7	—	—	—	3/A 04 L2	BE 100LB 4	BX 100LB 4	ME 3LB 4	MX 3LB 4	14200	16400	26200	31500	9100	283
18.7	1380	2.2	75.8	—	—	—	3/A 05 L2	BE 100LB 4	BX 100LB 4	ME 3LB 4	MX 3LB 4	13800	16000	25600	30800	8870	295
19.4	1330	1.3	73.2	—	—	—	3/A 03 L2	BE 100LB 4	BX 100LB 4	ME 3LB 4	MX 3LB 4	13700	15800	25300	30400	8770	271
19.6	1320	2.5	72.5	—	—	—	3/A 05 L2	BE 100LB 4	BX 100LB 4	ME 3LB 4	MX 3LB 4	13600	15700	25200	30400	8740	295
20.8	1250	2.0	68.4	—	—	—	3/A 04 L2	BE 100LB 4	BX 100LB 4	ME 3LB 4	MX 3LB 4	13400	15400	24800	29800	8580	283
22.6	1150	1.4	62.9	—	—	—	3/A 03 L2	BE 100LB 4	BX 100LB 4	ME 3LB 4	MX 3LB 4	13000	15000	24200	29100	8340	271
22.7	1140	2.8	62.6	—	—	—	3/A 05 L2	BE 100LB 4	BX 100LB 4	ME 3LB 4	MX 3LB 4	13000	15000	24200	29100	8330	295
22.8	1140	2.5	62.4	—	—	—	3/A 04 L2	BE 100LB 4	BX 100LB 4	ME 3LB 4	MX 3LB 4	13000	15000	24100	29000	8320	283
23.9	1080	1.2	59.4	—	—	—	3/A 01 L2	BE 100LB 4	BX 100LB 4	ME 3LB 4	MX 3LB 4	4150	4150	11600	13400	2730	261
26.0	990	2.4	54.5	—	—	—	3/A 04 L2	BE 100LB 4	BX 100LB 4	ME 3LB 4	MX 3LB 4	12400	14300	23200	27900	7950	283
26.2	990	1.2	54.2	—	—	—	3/A 01 L2	BE 100LB 4	BX 100LB 4	ME 3LB 4	MX 3LB 4	4020	4020	11300	13000	2650	261
27.0	960	1.7	52.5	—	—	—	3/A 03 L2	BE 100LB 4	BX 100LB 4	ME 3LB 4	MX 3LB 4	12200	14100	22900	27600	7850	271
27.0	960	1.7	52.5	—	—	—	3/A 03 L2	BE 100LB 4	BX 100LB 4	ME 3LB 4	MX 3LB 4	12200	14100	22900	27600	7850	271
28.6	910	2.5	49.7	—	—	—	3/A 04 L2	BE 100LB 4	BX 100LB 4	ME 3LB 4	MX 3LB 4	12000	13900	22500	27100	7710	283
28.9	890	0.9	49.1	—	—	—	3/A 01 L2	BE 100LB 4	BX 100LB 4	ME 3LB 4	MX 3LB 4	3890	3890	11000	12600	2560	261
32	800	1.2	43.9	—	—	—	3/A 01 L2	BE 100LB 4	BX 100LB 4	ME 3LB 4	MX 3LB 4	3750	3750	10600	12200	2470	261
33	790	2.3	43.4	—	—	—	3/A 03 L2	BE 100LB 4	BX 100LB 4	ME 3LB 4	MX 3LB 4	11500	13300	21600	26000	7370	271
35	740	2.2	40.5	—	—	—	3/A 03 L2	BE 100LB 4	BX 100LB 4	ME 3LB 4	MX 3LB 4	11200	13000	21200	25500	7200	271
35	730	1.2	40.1	—	—	—	3/A 01 L2	BE 100LB 4	BX 100LB 4	ME 3LB 4	MX 3LB 4	3640	3640	10300	11900	2390	261
40	650	1.2	35.8	—	—	—	3/A 01 L2	BE 100LB 4	BX 100LB 4	ME 3LB 4	MX 3LB 4	3500	3500	10000	11500	2300	261
42	610	2.9	33.5	—	—	—	3/A 03 L2	BE 100LB 4	BX 100LB 4	ME 3LB 4	MX 3LB 4	10500	12200	20000	24100	6760	271
45	580	1.1	31.7	—	—	—	3/A 00 L2	BE 100LB 4	BX 100LB 4	ME 3LB 4	MX 3LB 4	3370	3370	9650	11100	2210	251
46	570	2.1	31.2	—	—	—	3/A 01 L2	BE 100LB 4	BX 100LB 4	ME 3LB 4	MX 3LB 4	3340	3340	9600	11000	2200	261
49	530	3.0	28.8	—	—	—	3/A 03 L2	BE 100LB 4	BX 100LB 4	ME 3LB 4	MX 3LB 4	10000	11600	19100	23000	6430	271
61	430	1.4	23.4	—	—	—	3/A 00 L2	BE 100LB 4	BX 100LB 4	ME 3LB 4	MX 3LB 4	3040	3040	8810	10100	2000	251
62	420	2.1	23.0	—	—	—	3/A 01 L2	BE 100LB 4	BX 100LB 4	ME 3LB 4	MX 3LB 4	3020	3020	8760	10100	1990	261
62	420	3.0	23.0	—	—	—	3/A 03 L2	BE 100LB 4	BX 100LB 4	ME 3LB 4	MX 3LB 4	9290	10700	17900	21500	5960	271
73	355	3.0	19.4	—	—	—	3/A 03 L2	BE 100LB 4	BX 100LB 4	ME 3LB 4	MX 3LB 4	8790	10100	17000	20500	5640	271
74	350	1.3	19.1	—	—	—	3/A 00 L2	BE 100LB 4	BX 100LB 4	ME 3LB 4	MX 3LB 4	2840	2840	8290	9530	1870	251
76	345	2.1	18.8	—	—	—	3/A 01 L2	BE 100LB 4	BX 100LB 4	ME 3LB 4	MX 3LB 4	2830	2830	8250	9470	1860	261

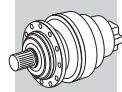
P₁ = 4 kW

n ₂ min ⁻¹	M ₂ Nm	S	i	Pt kW			IE2		IE3		Rn ₂ [N]					
							IE2	IE3	IE2	IE3	MC/PC	MZ/PZ	HC	HZ	FZ	
0.28	103200	1.0	5234	—	3/V 15 L4	—	BE 112M 4	BX 112M 4	—	—	—	—	206000	243000	90000	390
0.29	97600	1.1	4950	—	3/V 15 L4	—	BE 112M 4	BX 112M 4	—	—	—	—	206000	243000	90000	390
0.29	97600	1.3	4950	—	3/V 16 L4	—	BE 112M 4	BX 112M 4	—	—	—	—	345000	385000	150000	402
0.32	83300	2.4	4449	—	3/V 17 L4	—	BE 112M 4	BX 112M 4	—	—	—	—	442000	470000	150000	412
0.33	81800	1.0	4312	—	3/V 14 L4	—	BE 112M 4	BX 112M 4	—	—	—	—	206000	243000	90000	378
0.35	82200	1.3	4171	—	3/V 15 L4	—	BE 112M 4	BX 112M 4	—	—	—	—	206000	243000	90000	390
0.35	82200	1.7	4171	—	3/V 16 L4	—	BE 112M 4	BX 112M 4	—	—	—	—	345000	385000	150000	402
0.36	81700	0.9	3993	—	3/V 14 L4	—	BE 112M 4	BX 112M 4	—	—	—	—	206000	243000	90000	378
0.41	69300	2.0	3514	—	3/V 16 L4	—	BE 112M 4	BX 112M 4	—	—	—	—	345000	385000	150000	402
0.44	64100	2.1	3250	—	3/V 16 L4	—	BE 112M 4	BX 112M 4	—	—	—	—	345000	385000	150000	402
0.45	65100	1.2	3182	—	3/V 14 L4	—	BE 112M 4	BX 112M 4	—	—	—	—	206000	243000	90000	378
0.52	54800	1.5	2782	—	3/V 14 L4	—	BE 112M 4	BX 112M 4	—	—	—	—	206000	243000	90000	378
0.52	52600	1.1	2773	—	3/V 13 L4	—	BE 112M 4	BX 112M 4	ME 4SA 4	MX 4SA 4	—	—	192000	231000	80000	366
0.53	54000	2.1	2738	—	3/V 16 L4	—	BE 112M 4	BX 112M 4	—	—	—	—	345000	385000	150000	402
0.57	52000	0.9	2510	—	3/V 11 L4	—	BE 112M 4	BX 112M 4	ME 4SA 4	MX 4SA 4	—	—	157000	195000	65000	354
0.58	47500	1.8	2504	—	3/V 14 L4	—	BE 112M 4	BX 112M 4	—	—	—	—	206000	243000	90000	378
0.59	45700	1.1	2430	—	3/V 13 L3	—	BE 112M 4	BX 112M 4	—	—	—	—	192000	231000	80000	366
0.62	43600	1.5	2318	—	3/V 14 L3	—	BE 112M 4	BX 112M 4	—	—	—	—	206000	243000	90000	378
0.71	38000	1.5	2019	—	3/V 13 L3	—	BE 112M 4	BX 112M 4	—	—	—	—	192000	231000	80000	366
0.72	37500	1.9	1994	—	3/V 14 L3	—	BE 112M 4	BX 112M 4	—	—	—	—	206000	243000	90000	378
0.73	36900	1.2	1963	—</												








P₁ = 4 kW

n ₂ min ⁻¹	M ₂ Nm	S	i	Pt kW	IE2		IE3		IE2		IE3		Rn ₂ [N]					Icon
					MC/PC	MZ/PZ	HC	HZ	FZ									
0.87	32100	2.4	1662	—	3/V 14 L3	—	BE 112M 4	BX 112M 4	—	—	—	—	206000	243000	90000	378		
0.87	34700	1.0	1657	—	3/V 10 L4	—	BE 112M 4	BX 112M 4	ME 4SA 4	MX 4SA 4	—	—	133000	166000	65000	342		
0.87	34700	1.0	1657	—	3/V 10 L4	—	BE 112M 4	BX 112M 4	ME 4SA 4	MX 4SA 4	—	—	133000	166000	65000	342		
0.88	31600	1.4	1636	—	3/V 11 L3	—	BE 112M 4	BX 112M 4	—	—	—	—	157000	195000	65000	354		
0.91	29900	1.9	1589	—	3/V 14 L3	—	BE 112M 4	BX 112M 4	—	—	—	—	206000	243000	90000	378		
1.0	27400	2.1	1418	—	3/V 13 L3	—	BE 112M 4	BX 112M 4	—	—	—	—	190500	225400	78500	366		
1.0	26600	1.7	1378	—	3/V 11 L3	—	BE 112M 4	BX 112M 4	—	—	—	—	152900	190400	63200	354		
1.1	25200	1.9	1339	—	3/V 14 L3	—	BE 112M 4	BX 112M 4	—	—	—	—	199900	234700	86700	378		
1.1	25600	2.4	1324	—	3/V 14 L3	—	BE 112M 4	BX 112M 4	—	—	—	—	199300	233900	86300	378		
1.1	24900	2.1	1291	—	3/V 13 L3	—	BE 112M 4	BX 112M 4	—	—	—	—	185200	219200	76100	366		
1.1	24600	1.4	1274	—	3/V 11 L3	—	BE 112M 4	BX 112M 4	—	—	—	—	149300	186000	61600	354		
1.2	24000	0.9	1227	—	3/V 10 L3	—	BE 112M 4	BX 112M 4	—	—	—	—	124900	157100	60800	342		
1.3	21900	1.3	1120	—	3/V 10 L3	—	BE 112M 4	BX 112M 4	—	—	—	—	121600	152800	59000	342		
1.3	21500	2.4	1116	—	3/V 14 L3	—	BE 112M 4	BX 112M 4	—	—	—	—	189300	222200	81500	378		
1.3	21000	2.4	1088	—	3/V 13 L3	—	BE 112M 4	BX 112M 4	—	—	—	—	175900	208200	71900	366		
1.4	18900	1.9	1004	—	3/V 11 L3	—	BE 112M 4	BX 112M 4	—	—	—	—	139000	173200	56900	354		
1.4	19600	0.9	1004	—	3/V 09 L3	—	BE 112M 4	BX 112M 4	—	—	—	—	99300	128000	31500	320		
1.4	19600	1.6	1004	—	3/V 10 L3	—	BE 112M 4	BX 112M 4	—	—	—	—	117600	147900	56900	342		
1.6	18700	1.2	920	—	3/V 10 L3	—	BE 112M 4	BX 112M 4	—	—	—	—	114600	144100	55200	342		
1.6	17400	2.4	900	—	3/V 11 L3	—	BE 112M 4	BX 112M 4	—	—	—	—	134500	167600	54800	354		
1.7	17100	1.2	840	—	3/V 09 L3	—	BE 112M 4	BX 112M 4	—	—	—	—	94100	121400	29700	320		
1.8	15600	1.4	800	—	3/V 09 L3	—	BE 112M 4	BX 112M 4	—	—	—	—	92700	119600	29200	320		
1.9	14900	1.0	761	—	3/V 07 L3	—	BE 112M 4	BX 112M 4	ME 4SA 4	MX 4SA 4	41300	51800	89900	117800	35900	318		
1.9	15500	0.9	761	—	3/V 09 L3	—	BE 112M 4	BX 112M 4	—	—	—	—	91300	117800	28700	320		
2.2	12800	1.1	655	—	3/V 07 L3	—	BE 112M 4	BX 112M 4	ME 4SA 4	MX 4SA 4	39300	49300	85900	112600	34100	318		
2.2	13300	1.3	655	—	3/V 09 L3	—	BE 112M 4	BX 112M 4	—	—	—	—	87300	112600	27300	320		
2.8	10800	1.3	507	—	3/V 07 L3	—	BE 112M 4	BX 112M 4	ME 4SA 4	MX 4SA 4	36100	45300	79600	104300	31400	318		
3.1	9820	1.3	460	—	3/V 07 L3	—	BE 112M 4	BX 112M 4	ME 4SA 4	MX 4SA 4	34900	43800	77300	101300	30400	318		
3.3	8980	2.0	442	—	3/V 09 L3	—	BE 112M 4	BX 112M 4	—	—	—	—	77600	100100	24000	320		
3.4	9210	1.0	427	—	3/V 06 L3	—	BE 112M 4	BX 112M 4	ME 4SA 4	MX 4SA 4	30600	34700	70300	81800	23000	306		
3.6	9650	0.9	405	—	3/A 07 L2	—	BE 112M 4	BX 112M 4	ME 4SA 4	MX 4SA 4	33500	42000	74400	97500	29100	319		
3.7	8540	1.1	386	—	3/V 07 L3	—	BE 112M 4	BX 112M 4	ME 4SA 4	MX 4SA 4	32900	41300	73400	96100	28600	318		
3.9	7530	1.7	370	—	3/V 09 L3	—	BE 112M 4	BX 112M 4	—	—	—	—	73600	94900	22600	320		
4.2	8130	1.4	341	—	3/A 07 L2	—	BE 112M 4	BX 112M 4	ME 4SA 4	MX 4SA 4	31600	39700	70700	92600	27500	319		
5.1	6710	1.3	282	—	3/A 07 L2	—	BE 112M 4	BX 112M 4	ME 4SA 4	MX 4SA 4	29600	37200	66700	87400	25800	319		
5.2	6570	1.2	276	—	3/A 06 L2	—	BE 112M 4	BX 112M 4	ME 4SA 4	MX 4SA 4	26500	30000	61600	71800	19900	307		
6.0	5750	1.6	241	—	3/A 07 L2	—	BE 112M 4	BX 112M 4	ME 4SA 4	MX 4SA 4	28200	35300	63700	83500	24500	319		
6.5	5310	1.7	223	—	3/A 07 L2	—	BE 112M 4	BX 112M 4	ME 4SA 4	MX 4SA 4	27400	34400	62200	81500	23800	319		
6.5	5260	1.2	221	—	3/A 06 L2	—	BE 112M 4	BX 112M 4	ME 4SA 4	MX 4SA 4	24600	27900	57700	67100	18500	307		
7.3	4720	1.2	198	—	3/A 06 L2	—	BE 112M 4	BX 112M 4	ME 4SA 4	MX 4SA 4	23700	26900	55800	65000	17800	307		
7.3	4710	1.8	198	—	3/A 07 L2	—	BE 112M 4	BX 112M 4	ME 4SA 4	MX 4SA 4	26300	33000	60000	78600	22900	319		
7.6	4530	1.7	190	—	3/A 06 L2	—	BE 112M 4	BX 112M 4	ME 4SA 4	MX 4SA 4	23400	26500	55100	64200	17600	307		
8.0	4290	2.5	180	—	3/A 07 L2	—	BE 112M 4	BX 112M 4	ME 4SA 4	MX 4SA 4	25500	32000	58300	76500	22200	319		
8.8	3900	1.7	164	—	3/A 06 L2	—	BE 112M 4	BX 112M 4	ME 4SA 4	MX 4SA 4	22300	25200	52700	61400	16700	307		
9.3	3690	2.4	155	—	3/A 07 L2	—	BE 112M 4	BX 112M 4	ME 4SA 4	MX 4SA 4	24300	30500	55800	73100	21100	319		
10.2	3360	2.3	141	—	3/A 06 L2	—	BE 112M 4	BX 112M 4	ME 4SA 4	MX 4SA 4	21200	24000	50400	58700	15900	307		
10.2	3460	1.0	141	—	3/A 05 L2	—	BE 112M 4	BX 112M 4	ME 4SA 4	MX 4SA 4	17000	19600	30800	37000	10900	295		
11.6	3070	1.8	125	—	3/A 06 L2	—	BE 112M 4	BX 112M 4	ME 4SA 4	MX 4SA 4	20300	23000	48600	56500	15300	307		
11.9	2980	1.2	121	—	3/A 05 L2	—	BE 112M 4	BX 112M 4	ME 4SA 4	MX 4SA 4	16200	18700	29400	35400	10400	295		
12.8	2670	2.3	112	—	3/A 06 L2	—	BE 112M 4	BX 112M 4	ME 4SA 4	MX 4SA 4	19600	22200	47100	54800	14700	307		
13.9	2550	1.2	104	—	3/A 05 L2	—	BE 112M 4	BX 112M 4	ME 4SA 4	MX 4SA 4	15300	17700	28100	33800	9840	295		
14.1	2510	1.0	102	—	3/A 04 L2	—	BE 112M 4	BX 112M 4	ME 4SA 4	MX 4SA 4	15300	17600	27900	33600	9790	283		
14.7	2420	2.2	98.3	—	3/A 06 L2	—	BE 112M 4	BX 112M 4	ME 4SA 4	MX 4SA 4	18800	21300	45200	52700	14100	307		
15.9	2230	1.1	90.7	—	3/A 04 L2	—	BE 112M 4	BX 112M 4	ME 4SA 4	MX 4SA 4	14700	17000	27000	32500	9420	283		
16.3	2180	2.8	88.5	—	3/A 06 L2	—	BE 112M 4	BX 112M 4	ME 4SA 4	MX 4SA 4	18100	20600	43800	51000	13600	307		
16.8	2110	1.7	85.6	—	3/A 05 L2	—	BE 112M 4	BX 112M 4	ME 4SA 4	MX 4SA 4	14400	16600	26500	31900	9240	295		
17.6	2010	1.2	81.7	—	3/A 04 L2	—	BE 112M 4	BX 112M 4	ME 4SA 4	MX 4SA 4	14200	16400	26200	31500	9100	283		
19.0	1860	1.6	75.8	—	3/A 05 L2	—	BE 112M 4	BX 112M 4	ME 4SA 4	MX 4SA 4	13800	16000	25600	30800	8870	295		
19.7	1800	1.0	73.2	—	3/A 03 L2	—	BE 112M 4	BX 112M 4	ME 4SA 4	MX 4SA 4	13700	15800	25300	30400	8770	271		
19.9	1790	1.9	72.5	—	3/A 05 L2	—	BE 112M 4	BX 112M 4	ME 4SA 4	MX 4SA 4	13600	15700	25200	30400	8740	295		
21.0	1680	1.5	68.4	—	3/A 04 L2	—	BE 112M 4	BX 112M 4	ME 4SA 4	MX 4SA 4	13400	15400	24800	29800	8580	283		
22.9	1550	1.0	62.9	—	3/A 03 L2	—	BE 112M 4	BX 112M 4	ME 4SA 4	MX 4SA 4	13000	15000	24200	29100	8340	271		
23.0	1540	2.1	62.6	—	3/A 05 L2	—	BE 112M 4	BX 112M 4	ME 4SA 4	MX 4SA 4	13000	15000	24200	29100	8330	295		
23.1	1540	1.9	62.4	—	3/A 04 L2	—	BE 112M 4	BX 112M 4	ME 4SA 4	MX 4SA 4	13000	15000	24100	29000	8320	283		
25.2	1400	2.4	57.0	—	3/A 05 L2	—	BE 112M 4	BX 112M 4	ME 4SA 4	MX 4SA 4	12600	14500	23500	28300	8070	295		
26.4	1340	1.8	54.5	—	3/A 04 L2	—	BE 112M 4	BX 112M 4	ME 4SA 4	MX 4SA 4	12400	14300	23200	27900	7950	283		
27.0	1310	2.3	53.3	—	3/A 05 L2	—	BE 112M 4	BX 112M 4	ME 4SA 4	MX 4SA 4	12300	14200	23000	27700	7890	295		
27.4	1290	1.3	52.5	—	3/A 03 L2	—	BE 112M 4	BX 112M 4	ME 4SA 4	MX 4SA 4	12200	14100	22900	27600	7850	271		
27.4	1290	1.3	52.5	—	3/A 03 L2	—	BE 112M 4	BX 112M 4	ME 4SA 4	MX 4SA 4	12200	14100	22900	27600	7850	271		
29.0	1220	1.9	49.7	—	3/A 04 L2	—	BE 112M 4	BX 112M 4	ME 4SA 4	MX 4SA 4	12000	13900	22500	27100	7710	283		
33	1090	2.6	44.3	—	3/A 04 L2	—	BE 112M 4	BX 112M 4	ME 4SA 4	MX 4SA 4	11600	13300	21800	26200	7420	283		
33	1070	1.7	43.4	—	3/A 03 L2	—	BE 112M 4	BX 112M 4	ME 4SA 4	MX 4SA 4	11500	13300	21600	26000	7370	271		
36	1000	1.7	40.5	—	3/A 03 L2	—	BE 112M 4	BX 112M 4	ME 4SA 4	MX 4SA 4	11200	13000	21200	25500	7200	271		
37	960	2.4	39.1	—	3/A 04 L2	—	BE 112M 4	BX 112M 4	ME 4SA 4	MX 4								



P₁ = 5.5 kW

n ₂ min ⁻¹	M ₂ Nm	S	i	Pt kW							Rn ₂ [N]						
							IE2	IE3	IE2	IE3	MC/PC	MZ/PZ	HC	HZ	FZ		
0.29	139100	2.0	5099	—	3/V 18 L4	—	BE 132S 4 BX 132S 4	—	—	—	—	503000	565000	200000	422		
0.29	135500	1.1	4970	—	3/V 17 L4	—	BE 132S 4 BX 132S 4	—	—	—	—	442000	470000	150000	412		
0.29	130100	1.0	4950	—	3/V 16 L4	—	BE 132S 4 BX 132S 4	—	—	—	—	345000	385000	150000	402		
0.33	124500	2.9	4457	—	3/V 19 L4	—	BE 132S 4 BX 132S 4	—	—	—	—	638000	702000	200000	432		
0.33	111100	1.8	4449	—	3/V 17 L4	—	BE 132S 4 BX 132S 4	—	—	—	—	442000	470000	150000	412		
0.33	119600	2.3	4386	—	3/V 18 L4	—	BE 132S 4 BX 132S 4	—	—	—	—	503000	565000	200000	422		
0.35	109600	1.0	4171	—	3/V 15 L4	—	BE 132S 4 BX 132S 4	—	—	—	—	206000	243000	90000	390		
0.35	109600	1.3	4171	—	3/V 16 L4	—	BE 132S 4 BX 132S 4	—	—	—	—	345000	385000	150000	402		
0.35	112600	1.6	4129	—	3/V 17 L4	—	BE 132S 4 BX 132S 4	—	—	—	—	442000	470000	150000	412		
0.40	100800	2.8	3696	—	3/V 18 L4	—	BE 132S 4 BX 132S 4	—	—	—	—	503000	565000	200000	422		
0.42	92400	1.5	3514	—	3/V 16 L4	—	BE 132S 4 BX 132S 4	—	—	—	—	345000	385000	150000	402		
0.42	95300	2.9	3495	—	3/V 18 L4	—	BE 132S 4 BX 132S 4	—	—	—	—	503000	565000	200000	422		
0.42	96300	1.0	3489	—	3/V 15 L4	—	BE 132S 4 BX 132S 4	—	—	—	—	206000	243000	90000	390		
0.44	91100	1.2	3300	—	3/V 15 L4	—	BE 132S 4 BX 132S 4	—	—	—	—	206000	243000	90000	390		
0.45	85400	1.6	3250	—	3/V 16 L4	—	BE 132S 4 BX 132S 4	—	—	—	—	345000	385000	150000	402		
0.46	86800	0.9	3182	—	3/V 14 L4	—	BE 132S 4 BX 132S 4	—	—	—	—	206000	243000	90000	378		
0.46	86400	2.2	3168	—	3/V 17 L4	—	BE 132S 4 BX 132S 4	—	—	—	—	442000	470000	150000	412		
0.52	73100	1.1	2782	—	3/V 14 L4	—	BE 132S 4 BX 132S 4	—	—	—	—	206000	243000	90000	378		
0.53	76700	1.4	2780	—	3/V 15 L4	—	BE 132S 4 BX 132S 4	—	—	—	—	206000	243000	90000	390		
0.53	71100	2.3	2773	—	3/V 17 L4	—	BE 132S 4 BX 132S 4	—	—	—	—	442000	470000	150000	412		
0.53	72000	1.6	2738	—	3/V 16 L4	—	BE 132S 4 BX 132S 4	—	—	—	—	345000	385000	150000	402		
0.58	63300	1.3	2504	—	3/V 14 L4	—	BE 132S 4 BX 132S 4	—	—	—	—	206000	243000	90000	378		
0.62	64700	2.1	2343	—	3/V 16 L4	—	BE 132S 4 BX 132S 4	—	—	—	—	345000	385000	150000	402		
0.63	58100	1.1	2318	—	3/V 14 L3	—	BE 132S 4 BX 132S 4	—	—	—	—	206000	243000	90000	378		
0.63	57300	1.5	2318	—	3/V 15 L3	—	BE 132S 4 BX 132S 4	—	—	—	—	206000	243000	90000	390		
0.67	59800	2.1	2167	—	3/V 16 L4	—	BE 132S 4 BX 132S 4	—	—	—	—	345000	385000	150000	402		
0.72	50600	1.1	2019	—	3/V 13 L3	—	BE 132S 4 BX 132S 4	—	—	—	—	192000	231000	80000	366		
0.73	50000	1.4	1994	—	3/V 14 L3	—	BE 132S 4 BX 132S 4	—	—	—	—	206000	243000	90000	378		
0.73	49300	1.9	1994	—	3/V 15 L3	—	BE 132S 4 BX 132S 4	—	—	—	—	206000	243000	90000	390		
0.80	50400	2.1	1826	—	3/V 16 L4	—	BE 132S 4 BX 132S 4	—	—	—	—	345000	385000	150000	402		
0.87	43300	1.3	1682	—	3/V 13 L3	—	BE 132S 4 BX 132S 4	—	—	—	—	192000	231000	80000	366		
0.88	42800	1.8	1662	—	3/V 14 L3	—	BE 132S 4 BX 132S 4	—	—	—	—	206000	243000	90000	378		
0.88	42800	2.3	1662	—	3/V 15 L3	—	BE 132S 4 BX 132S 4	—	—	—	—	206000	243000	90000	390		
0.89	42100	1.0	1636	—	3/V 11 L3	—	BE 132S 4 BX 132S 4	—	—	—	—	157000	195000	65000	354		
0.90	42800	1.1	1620	—	3/V 13 L3	—	BE 132S 4 BX 132S 4	—	—	—	—	192000	231000	80000	366		
0.92	39800	1.4	1589	—	3/V 14 L3	—	BE 132S 4 BX 132S 4	—	—	—	—	206000	243000	90000	378		
0.92	40900	2.7	1589	—	3/V 16 L3	—	BE 132S 4 BX 132S 4	—	—	—	—	345000	385000	150000	402		
1.0	36500	1.6	1418	—	3/V 13 L3	—	BE 132S 4 BX 132S 4	—	—	—	—	190500	225400	78500	366		
1.0	36000	2.4	1400	—	3/V 15 L3	—	BE 132S 4 BX 132S 4	—	—	—	—	202600	237900	80000	390		
1.1	35500	1.3	1378	—	3/V 11 L3	—	BE 132S 4 BX 132S 4	—	—	—	—	152900	190400	63200	354		
1.1	33600	1.4	1339	—	3/V 14 L3	—	BE 132S 4 BX 132S 4	—	—	—	—	199900	234700	86700	378		
1.1	35100	2.8	1329	—	3/V 15 L3	—	BE 132S 4 BX 132S 4	—	—	—	—	199500	234200	86400	390		
1.1	34100	1.8	1324	—	3/V 14 L3	—	BE 132S 4 BX 132S 4	—	—	—	—	199300	233900	86300	378		
1.1	33200	1.6	1291	—	3/V 13 L3	—	BE 132S 4 BX 132S 4	—	—	—	—	185200	219200	76100	366		
1.1	32800	1.1	1274	—	3/V 11 L3	—	BE 132S 4 BX 132S 4	—	—	—	—	149300	186000	61600	354		
1.3	29200	1.0	1120	—	3/V 10 L3	—	BE 132S 4 BX 132S 4	—	—	—	—	121600	152800	59000	342		
1.3	28700	1.8	1116	—	3/V 14 L3	—	BE 132S 4 BX 132S 4	—	—	—	—	189300	222200	81500	378		
1.3	29100	1.5	1103	—	3/V 11 L3	—	BE 132S 4 BX 132S 4	—	—	—	—	143000	178100	58700	354		
1.3	28000	1.8	1088	—	3/V 13 L3	—	BE 132S 4 BX 132S 4	—	—	—	—	175900	208200	71900	366		
1.4	28400	1.9	1009	—	3/V 13 L3	—	BE 132S 4 BX 132S 4	—	—	—	—	172000	203600	70100	366		
1.5	25200	1.4	1004	—	3/V 11 L3	—	BE 132S 4 BX 132S 4	—	—	—	—	139000	173200	56900	354		
1.5	26200	1.2	1004	—	3/V 10 L3	—	BE 132S 4 BX 132S 4	—	—	—	—	117600	147900	56900	342		
1.5	28000	2.2	997	—	3/V 14 L3	—	BE 132S 4 BX 132S 4	—	—	—	—	183000	214800	78500	378		
1.6	23200	1.8	900	—	3/V 11 L3	—	BE 132S 4 BX 132S 4	—	—	—	—	134500	167600	54800	354		
1.6	23600	2.3	893	—	3/V 14 L3	—	BE 132S 4 BX 132S 4	—	—	—	—	177000	207800	75700	378		
1.7	23000	2.3	870	—	3/V 13 L3	—	BE 132S 4 BX 132S 4	—	—	—	—	164500	194700	66700	366		
1.8	23200	1.8	827	—	3/V 11 L3	—	BE 132S 4 BX 132S 4	—	—	—	—	131100	163400	53300	354		
1.8	20900	1.0	800	—	3/V 09 L3	—	BE 132S 4 BX 132S 4	—	—	—	—	92700	119600	29200	320		
1.8	22300	2.2	794	—	3/V 14 L3	—	BE 132S 4 BX 132S 4	—	—	—	—	170900	200700	72800	378		
1.9	22000	1.0	771	—	3/V 10 L3	—	BE 132S 4 BX 132S 4	—	—	—	—	108700	136700	52100	342		
2.0	19600	2.3	741	—	3/V 13 L3	—	BE 132S 4 BX 132S 4	—	—	—	—	156800	185500	63200	366		
2.0	19000	2.1	720	—	3/V 11 L3	—	BE 132S 4 BX 132S 4	—	—	—	—	125800	156700	50900	354		
2.1	20700	1.1	701	—	3/V 10 L3	—	BE 132S 4 BX 132S 4	—	—	—	—	105600	132800	50400	342		
2.1	18400	2.3	695	—	3/V 14 L3	—	BE 132S 4 BX 132S 4	—	—	—	—	164300	192800	69700	378		
2.2	17700	1.0	655	—	3/V 09 L3	—	BE 132S 4 BX 132S 4	—	—	—	—	87300	112600	27300	320		
2.3	18100	2.2	644	—	3/V 11 L3	—	BE 132S 4 BX 132S 4	—	—	—	—	121700	151600	49000	354		
2.4	17500	1.2	614	—	3/V 10 L3	—	BE 132S 4 BX 132S 4	—	—	—	—	101500	127600	48300	342		
2.6	15900	1.6	560	—	3/V 10 L3	—	BE 132S 4 BX 132S 4	—	—	—	—	98700	124100	46800	342		
2.9	14400	0.9	507	—	3/V 07 L3	—	BE 132S 4 BX 132S 4	—	—	—	—	36100	45300	79600	104300	31400	318
2.9	14400	1.0	507	—	3/V 09 L3	—	BE 132S 4 BX 132S 4	—	—	—	—	80900	104300	25100	320		
2.9	14400	1.8	507	—	3/V 10 L3	—	BE 132S 4 BX 132S 4	—	—	—	—	95800	120500	45300	342		
3.2	13100	0.9	460	—	3/V 07 L3	—	BE 132S 4 BX 132S 4	—	—	—	—	34900	43800	77300	101300	30400	318
3.3	12000	1.5	442	—	3/V 09 L3	—	BE 132S 4 BX 132S 4	—	—	—	—	77600	100100	24000	320		
3.3	12400	2.2	436	—	3/V 10 L3	—	BE 132S 4 BX 132S 4	—	—	—	—	91600	115200	43100	342		
3.9	10000	1.3	370	—	3/V 09 L3	—	BE 132S 4 BX 132S 4	—	—	—	—	73600	94900	22600	320		
4.3	10800	1.1	341	—	—	3/A 07 L2	BE 132S 4 BX 132S 4	—	—	—	—	31600	39700	70700	92600	27500	319
5.2	8950	1.0	282	—	—	3/A 07 L2	BE 132S 4 BX 132S 4	—	—	—	—	29600	37200	66700	87400	25800	319
6.0	7670	1.2	241	—	—	3/A 07 L2	BE 132S 4 BX 132S 4	—	—	—	—	28200	35300	63700	83500	24500	319
6.6	7080	1.3	223	—	—	3/A 07 L2	BE 132S 4 BX 132S 4	—	—	—	—	27400	3				

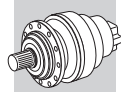


P₁ = 5.5 kW

n ₂ min ⁻¹	M ₂ Nm	S	i	Pt kW							Rn ₂ [N]					
							IE2	IE3	IE2	IE3	MC/PC	MZ/PZ	HC	HZ	FZ	
9.4	4920	1.8	155	—	—	3/A 07 L2	BE 132S 4 BX 132S 4	—	—	24300	30500	55800	73100	21100	319	
10.4	4470	1.7	141	—	—	3/A 06 L2	BE 132S 4 BX 132S 4	—	—	21200	24000	50400	58700	15900	307	
10.4	4460	2.5	140	—	—	3/A 07 L2	BE 132S 4 BX 132S 4	—	—	23500	29500	54100	70900	20400	319	
11.3	4120	2.7	130	—	—	3/A 07 L2	BE 132S 4 BX 132S 4	—	—	22900	28700	52900	69300	19900	319	
11.7	4090	1.3	125	—	—	3/A 06 L2	BE 132S 4 BX 132S 4	—	—	20300	23000	48600	56500	15300	307	
13.0	3570	1.7	112	—	—	3/A 06 L2	BE 132S 4 BX 132S 4	—	—	19600	22200	47100	54800	14700	307	
13.4	3450	2.6	109	—	—	3/A 07 L2	BE 132S 4 BX 132S 4	—	—	21600	27100	50100	65700	18800	319	
14.1	3400	0.9	104	—	—	3/A 05 L2	BE 132S 4 BX 132S 4	—	—	15300	17700	28100	33800	9840	295	
14.9	3230	1.7	98.3	—	—	3/A 06 L2	BE 132S 4 BX 132S 4	—	—	18800	21300	45200	52700	14100	307	
16.5	2910	2.1	88.5	—	—	3/A 06 L2	BE 132S 4 BX 132S 4	—	—	18100	20600	43800	51000	13600	307	
17.1	2810	1.3	85.6	—	—	3/A 05 L2	BE 132S 4 BX 132S 4	—	—	14400	16600	26500	31900	9240	295	
18.0	2670	2.4	81.2	—	—	3/A 06 L2	BE 132S 4 BX 132S 4	—	—	17600	20000	42700	49700	13200	307	
19.3	2490	1.2	75.8	—	—	3/A 05 L2	BE 132S 4 BX 132S 4	—	—	13800	16000	25600	30800	8870	295	
20.1	2380	1.4	72.5	—	—	3/A 05 L2	BE 132S 4 BX 132S 4	—	—	13600	15700	25200	30400	8740	295	
20.9	2290	2.5	69.9	—	—	3/A 06 L2	BE 132S 4 BX 132S 4	—	—	16800	19000	40800	47500	12600	307	
21.3	2250	1.1	68.4	—	—	3/A 04 L2	BE 132S 4 BX 132S 4	—	—	13400	15400	24800	29800	8580	283	
23.3	2060	1.6	62.6	—	—	3/A 05 L2	BE 132S 4 BX 132S 4	—	—	13000	15000	24200	29100	8330	295	
23.4	2050	1.4	62.4	—	—	3/A 04 L2	BE 132S 4 BX 132S 4	—	—	13000	15000	24100	29000	8320	283	
25.6	1870	1.8	57.0	—	—	3/A 05 L2	BE 132S 4 BX 132S 4	—	—	12600	14500	23500	28300	8070	295	
26.2	1830	2.5	55.7	—	—	3/A 06 L2	BE 132S 4 BX 132S 4	—	—	15500	17600	38100	44400	11700	307	
26.8	1790	1.3	54.5	—	—	3/A 04 L2	BE 132S 4 BX 132S 4	—	—	12400	14300	23200	27900	7950	283	
27.4	1750	1.7	53.3	—	—	3/A 05 L2	BE 132S 4 BX 132S 4	—	—	12300	14200	23000	27700	7890	295	
29.4	1630	1.4	49.7	—	—	3/A 04 L2	BE 132S 4 BX 132S 4	—	—	12000	13900	22500	27100	7710	283	
31	1550	2.5	47.2	—	—	3/A 06 L2	BE 132S 4 BX 132S 4	—	—	14700	16700	36300	42300	11000	307	
33	1450	2.0	44.3	—	—	3/A 04 L2	BE 132S 4 BX 132S 4	—	—	11600	13300	21800	26200	7420	283	
33	1440	2.3	44.0	—	—	3/A 05 L2	BE 132S 4 BX 132S 4	—	—	11500	13300	21700	26100	7400	295	
37	1280	1.8	39.1	—	—	3/A 04 L2	BE 132S 4 BX 132S 4	—	—	11100	12800	21000	25200	7120	283	
37	1280	2.4	39.0	—	—	3/A 05 L2	BE 132S 4 BX 132S 4	—	—	11100	12800	21000	25200	7110	295	
41	1160	2.0	35.3	—	—	3/A 04 L2	BE 132S 4 BX 132S 4	—	—	10700	12400	20300	24500	6880	283	
48	990	2.3	30.2	—	—	3/A 04 L2	BE 132S 4 BX 132S 4	—	—	10200	11700	19400	23300	6530	283	
57	840	2.3	25.6	—	—	3/A 04 L2	BE 132S 4 BX 132S 4	—	—	9630	11100	18500	22200	6180	283	

P₁ = 7.5 kW

n ₂ min ⁻¹	M ₂ Nm	S	i	Pt kW							Rn ₂ [N]					
							IE2	IE3	IE2	IE3	MC/PC	MZ/PZ	HC	HZ	FZ	
0.28	180100	2.2	5164	—	3/V 19 L4	—	BE 132MA 4 BX 132MA 4	—	—	—	—	638000	702000	200000	432	
0.29	189300	1.5	5099	—	3/V 18 L4	—	BE 132MA 4 BX 132MA 4	—	—	—	—	503000	565000	200000	422	
0.33	169400	2.1	4457	—	3/V 19 L4	—	BE 132MA 4 BX 132MA 4	—	—	—	—	638000	702000	200000	432	
0.33	151200	1.3	4449	—	3/V 17 L4	—	BE 132MA 4 BX 132MA 4	—	—	—	—	442000	470000	150000	412	
0.33	162800	1.7	4386	—	3/V 18 L4	—	BE 132MA 4 BX 132MA 4	—	—	—	—	503000	565000	200000	422	
0.35	149200	0.9	4171	—	3/V 16 L4	—	BE 132MA 4 BX 132MA 4	—	—	—	—	345000	385000	150000	402	
0.35	153300	1.2	4129	—	3/V 17 L4	—	BE 132MA 4 BX 132MA 4	—	—	—	—	442000	470000	150000	412	
0.36	152000	2.5	4095	—	3/V 19 L4	—	BE 132MA 4 BX 132MA 4	—	—	—	—	638000	702000	200000	432	
0.40	137200	2.0	3696	—	3/V 18 L4	—	BE 132MA 4 BX 132MA 4	—	—	—	—	503000	565000	200000	422	
0.42	125700	1.1	3514	—	3/V 16 L4	—	BE 132MA 4 BX 132MA 4	—	—	—	—	345000	385000	150000	402	
0.42	129700	2.2	3495	—	3/V 18 L4	—	BE 132MA 4 BX 132MA 4	—	—	—	—	503000	565000	200000	422	
0.45	116300	1.2	3250	—	3/V 16 L4	—	BE 132MA 4 BX 132MA 4	—	—	—	—	345000	385000	150000	402	
0.45	122800	3.0	3231	—	3/V 19 L4	—	BE 132MA 4 BX 132MA 4	—	—	—	—	638000	702000	200000	432	
0.46	117600	1.6	3168	—	3/V 17 L4	—	BE 132MA 4 BX 132MA 4	—	—	—	—	442000	470000	150000	412	
0.50	109300	2.5	2945	—	3/V 18 L4	—	BE 132MA 4 BX 132MA 4	—	—	—	—	503000	565000	200000	422	
0.53	104500	1.0	2780	—	3/V 15 L4	—	BE 132MA 4 BX 132MA 4	—	—	—	—	206000	243000	90000	390	
0.53	96700	1.7	2773	—	3/V 17 L4	—	BE 132MA 4 BX 132MA 4	—	—	—	—	442000	470000	150000	412	
0.53	98000	1.2	2738	—	3/V 16 L4	—	BE 132MA 4 BX 132MA 4	—	—	—	—	345000	385000	150000	402	
0.58	86200	1.0	2504	—	3/V 14 L4	—	BE 132MA 4 BX 132MA 4	—	—	—	—	206000	243000	90000	378	
0.59	93700	3.0	2464	—	3/V 18 L4	—	BE 132MA 4 BX 132MA 4	—	—	—	—	503000	565000	200000	422	
0.62	88000	1.6	2343	—	3/V 16 L4	—	BE 132MA 4 BX 132MA 4	—	—	—	—	345000	385000	150000	402	
0.63	78000	1.1	2318	—	3/V 15 L3	—	BE 132MA 4 BX 132MA 4	—	—	—	—	206000	243000	90000	390	
0.64	85200	2.5	2295	—	3/V 18 L4	—	BE 132MA 4 BX 132MA 4	—	—	—	—	503000	565000	200000	422	
0.67	81400	1.6	2167	—	3/V 16 L4	—	BE 132MA 4 BX 132MA 4	—	—	—	—	345000	385000	150000	402	
0.73	68000	1.0	1994	—	3/V 14 L3	—	BE 132MA 4 BX 132MA 4	—	—	—	—	206000	243000	90000	378	
0.73	67100	1.4	1994	—	3/V 15 L3	—	BE 132MA 4 BX 132MA 4	—	—	—	—	206000	243000	90000	390	
0.80	68600	1.6	1826	—	3/V 16 L4	—	BE 132MA 4 BX 132MA 4	—	—	—	—	345000	385000	150000	402	
0.87	58900	1.0	1682	—	3/V 13 L3	—	BE 132MA 4 BX 132MA 4	—	—	—	—	192000	231000	80000	366	
0.88	58200	1.3	1662	—	3/V 14 L3	—	BE 132MA 4 BX 132MA 4	—	—	—	—	206000	243000	90000	378	
0.88	58200	1.7	1662	—	3/V 15 L3	—	BE 132MA 4 BX 132MA 4	—	—	—	—	206000	243000	90000	390	
0.92	54200	1.0	1589	—	3/V 14 L3	—	BE 132MA 4 BX 132MA 4	—	—	—	—	206000	243000	90000	378	
0.92	55700	2.0	1589	—	3/V 16 L3	—	BE 132MA 4 BX 132MA 4	—	—	—	—	345000	385000	150000	402	
1.0	49700	1.2	1418	—	3/V 13 L3	—	BE 132MA 4 BX 132MA 4	—	—	—	—	190500	225400	78500	366	
1.0	49100	1.8	1400	—	3/V 15 L3	—	BE 132MA 4 BX 132MA 4	—	—	—	—	202600	237900	88000	390	
1.1	48300	0.9	1378	—	3/V 11 L3	—	BE 132MA 4 BX 132MA 4	—	—	—	—	152900	190400	63200	354	
1.1	45700	1.0	1339	—	3/V 14 L3	—	BE 132MA 4 BX 132MA 4	—	—	—	—	199900	234700	86700	378	
1.1	47800	2.0	1329	—	3/V 15 L3	—	BE 132MA 4 BX 132MA 4	—	—	—	—	199500	234200	86400	390	
1.1	46400	1.3	1324	—	3/V 14 L3	—	BE 132MA 4 BX 132MA 4	—	—	—	—	199300	233900	86300	378	
1.1	46400	2.4	1324	—	3/V 16 L3	—	BE 132MA 4 BX 132MA 4	—	—	—	—	331300	368500	143900	402	
1.1	45200	1.2	1291	—	3/V 13 L3	—	BE 132MA 4 BX 132MA 4	—	—	—	—	185200	219200	76100	366	
1.3	40300	2.3	1120	—	3/V 15 L3	—	BE 132MA 4 BX 132MA 4	—	—	—	—	189500	222500	81600	390	
1.3	39100	1.3	1116	—	3/V 14 L3	—	BE 132MA 4 BX 132MA 4	—	—	—	—	189300	222200	81500	378	
1.3	39600	1.1	1103	—	3/V 11 L3	—	BE 132MA 4 BX 132MA 4	—	—	—	—	143000	178100	58700	354	
1.3	38100	1.3	1088	—	3/V 13 L3	—	BE 132MA 4 BX 132MA 4	—	—	—	—	175900	208200	71900	366	
1.4	38600	1.4	1009	—	3/V 13 L3	—	BE 132MA 4 BX 132MA 4	—	—	—	—	172000	203600	70100	366	



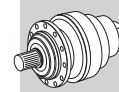
A

P₁ = 7.5 kW

n ₂ min ⁻¹	M ₂ Nm	S	i	Pt kW							Rn ₂ [N]					
							IE2	IE3	IE2	IE3	MC/PC	MZ/PZ	HC	HZ	FZ	
1.5	34300	1.0	1004	—	3/V 11 L3	—	BE 132MA 4	BX 132MA 4	—	—	—	—	139000	173200	56900	354
1.5	38100	1.6	997	—	3/V 14 L3	—	BE 132MA 4	BX 132MA 4	—	—	—	—	183000	214800	78500	378
1.5	38100	2.5	997	—	3/V 15 L3	—	BE 132MA 4	BX 132MA 4	—	—	—	—	183000	214800	78500	390
1.6	31500	1.3	900	—	3/V 11 L3	—	BE 132MA 4	BX 132MA 4	—	—	—	—	134500	167600	54800	354
1.6	32100	1.7	893	—	3/V 14 L3	—	BE 132MA 4	BX 132MA 4	—	—	—	—	177000	207800	75700	378
1.7	31300	1.7	870	—	3/V 13 L3	—	BE 132MA 4	BX 132MA 4	—	—	—	—	164500	194700	66700	366
1.7	32100	2.5	840	—	3/V 15 L3	—	BE 132MA 4	BX 132MA 4	—	—	—	—	173800	204100	74200	390
1.8	31600	1.3	827	—	3/V 11 L3	—	BE 132MA 4	BX 132MA 4	—	—	—	—	131100	163400	53300	354
1.8	30400	1.6	794	—	3/V 14 L3	—	BE 132MA 4	BX 132MA 4	—	—	—	—	170900	200700	72800	378
2.0	26600	1.7	741	—	3/V 13 L3	—	BE 132MA 4	BX 132MA 4	—	—	—	—	156800	185500	63200	366
2.0	25900	1.6	720	—	3/V 11 L3	—	BE 132MA 4	BX 132MA 4	—	—	—	—	125800	156700	50900	354
2.1	25000	1.7	695	—	3/V 14 L3	—	BE 132MA 4	BX 132MA 4	—	—	—	—	164300	192800	69700	378
2.3	24700	1.6	644	—	3/V 11 L3	—	BE 132MA 4	BX 132MA 4	—	—	—	—	121700	151600	49000	354
2.4	23800	0.9	614	—	3/V 10 L3	—	BE 132MA 4	BX 132MA 4	—	—	—	—	101500	127600	48300	342
2.6	21700	1.2	560	—	3/V 10 L3	—	BE 132MA 4	BX 132MA 4	—	—	—	—	98700	124100	46800	342
2.9	19600	1.3	507	—	3/V 10 L3	—	BE 132MA 4	BX 132MA 4	—	—	—	—	95800	120500	45300	342
3.3	16300	1.1	442	—	3/V 09 L3	—	BE 132MA 4	BX 132MA 4	—	—	—	—	77600	100100	24000	320
3.3	16900	1.6	436	—	3/V 10 L3	—	BE 132MA 4	BX 132MA 4	—	—	—	—	91600	115200	43100	342
3.9	13700	1.0	370	—	3/V 09 L3	—	BE 132MA 4	BX 132MA 4	—	—	—	—	73600	94900	22600	320
6.6	9640	0.9	223	—	3/A 07 L2	BE 132MA 4	BX 132MA 4	ME 4LA 4	MX 4LA 4	27400	34400	62200	81500	23800	319	
7.4	8540	1.0	198	—	3/A 07 L2	BE 132MA 4	BX 132MA 4	ME 4LA 4	MX 4LA 4	26300	33000	60000	78600	22900	319	
7.7	8210	0.9	190	—	3/A 06 L2	BE 132MA 4	BX 132MA 4	ME 4LA 4	MX 4LA 4	23400	26500	55100	64200	17600	307	
8.1	7790	1.4	180	—	3/A 07 L2	BE 132MA 4	BX 132MA 4	ME 4LA 4	MX 4LA 4	25500	32000	58300	76500	22200	319	
8.9	7080	0.9	164	—	3/A 06 L2	BE 132MA 4	BX 132MA 4	ME 4LA 4	MX 4LA 4	22300	25200	52700	61400	16700	307	
9.4	6700	1.3	155	—	3/A 07 L2	BE 132MA 4	BX 132MA 4	ME 4LA 4	MX 4LA 4	24300	30500	55800	73100	21100	319	
10.4	6090	1.3	141	—	3/A 06 L2	BE 132MA 4	BX 132MA 4	ME 4LA 4	MX 4LA 4	21200	24000	50400	58700	15900	307	
10.4	6070	1.8	140	—	3/A 07 L2	BE 132MA 4	BX 132MA 4	ME 4LA 4	MX 4LA 4	23500	29500	54100	70900	20400	319	
11.3	5610	2.0	130	—	3/A 07 L2	BE 132MA 4	BX 132MA 4	ME 4LA 4	MX 4LA 4	22900	28700	52900	69300	19900	319	
11.7	5560	1.0	125	—	3/A 06 L2	BE 132MA 4	BX 132MA 4	ME 4LA 4	MX 4LA 4	20300	23000	48600	56500	15300	307	
13.0	4850	1.3	112	—	3/A 06 L2	BE 132MA 4	BX 132MA 4	ME 4LA 4	MX 4LA 4	19600	22200	47100	54800	14700	307	
13.4	4700	1.9	109	—	3/A 07 L2	BE 132MA 4	BX 132MA 4	ME 4LA 4	MX 4LA 4	21600	27100	50100	65700	18800	319	
14.9	4390	1.2	98.3	—	3/A 06 L2	BE 132MA 4	BX 132MA 4	ME 4LA 4	MX 4LA 4	18800	21300	45200	52700	14100	307	
16.5	3960	1.6	88.5	—	3/A 06 L2	BE 132MA 4	BX 132MA 4	ME 4LA 4	MX 4LA 4	18100	20600	43800	51000	13600	307	
16.7	3920	2.6	87.7	—	3/A 07 L2	BE 132MA 4	BX 132MA 4	ME 4LA 4	MX 4LA 4	20100	25200	47000	61600	17500	319	
17.1	3820	0.9	85.6	—	3/A 05 L2	BE 132MA 4	BX 132MA 4	ME 4LA 4	MX 4LA 4	14400	16600	26500	31900	9240	295	
18.0	3630	1.8	81.2	—	3/A 06 L2	BE 132MA 4	BX 132MA 4	ME 4LA 4	MX 4LA 4	17600	20000	42700	49700	13200	307	
19.3	3380	0.9	75.8	—	3/A 05 L2	BE 132MA 4	BX 132MA 4	ME 4LA 4	MX 4LA 4	13800	16000	25600	30800	8870	295	
20.1	3240	1.0	72.5	—	3/A 05 L2	BE 132MA 4	BX 132MA 4	ME 4LA 4	MX 4LA 4	13600	15700	25200	30400	8740	295	
20.9	3120	1.8	69.9	—	3/A 06 L2	BE 132MA 4	BX 132MA 4	ME 4LA 4	MX 4LA 4	16800	19000	40800	47500	12600	307	
21.4	3050	2.6	68.3	—	3/A 07 L2	BE 132MA 4	BX 132MA 4	ME 4LA 4	MX 4LA 4	18500	23200	43600	57200	16100	319	
23.3	2800	1.2	62.6	—	3/A 05 L2	BE 132MA 4	BX 132MA 4	ME 4LA 4	MX 4LA 4	13000	15000	24200	29100	8330	295	
23.4	2790	1.0	62.4	—	3/A 04 L2	BE 132MA 4	BX 132MA 4	ME 4LA 4	MX 4LA 4	13000	15000	24100	29000	8320	283	
24.3	2690	2.2	60.1	—	3/A 06 L2	BE 132MA 4	BX 132MA 4	ME 4LA 4	MX 4LA 4	15900	18100	39000	45500	12000	307	
25.5	2560	2.6	57.3	—	3/A 07 L2	BE 132MA 4	BX 132MA 4	ME 4LA 4	MX 4LA 4	17400	21900	41400	54200	15200	319	
25.6	2550	1.3	57.0	—	3/A 05 L2	BE 132MA 4	BX 132MA 4	ME 4LA 4	MX 4LA 4	12600	14500	23500	28300	8070	295	
26.2	2490	1.8	55.7	—	3/A 06 L2	BE 132MA 4	BX 132MA 4	ME 4LA 4	MX 4LA 4	15500	17600	38100	44400	11700	307	
26.8	2440	1.0	54.5	—	3/A 04 L2	BE 132MA 4	BX 132MA 4	ME 4LA 4	MX 4LA 4	12400	14300	23200	27900	7950	283	
27.4	2380	1.3	53.3	—	3/A 05 L2	BE 132MA 4	BX 132MA 4	ME 4LA 4	MX 4LA 4	12300	14200	23000	27700	7890	295	
28.2	2310	2.2	51.7	—	3/A 06 L2	BE 132MA 4	BX 132MA 4	ME 4LA 4	MX 4LA 4	15200	17200	37300	43400	11400	307	
29.4	2220	1.0	49.7	—	3/A 04 L2	BE 132MA 4	BX 132MA 4	ME 4LA 4	MX 4LA 4	12000	13900	22500	27100	7710	283	
31	2110	1.8	47.2	—	3/A 06 L2	BE 132MA 4	BX 132MA 4	ME 4LA 4	MX 4LA 4	14700	16700	36300	42300	11000	307	
33	1980	1.4	44.3	—	3/A 04 L2	BE 132MA 4	BX 132MA 4	ME 4LA 4	MX 4LA 4	11600	13300	21800	26200	7420	283	
33	1970	1.7	44.0	—	3/A 05 L2	BE 132MA 4	BX 132MA 4	ME 4LA 4	MX 4LA 4	11500	13300	21700	26100	7400	295	
36	1830	2.7	41.1	—	3/A 06 L2	BE 132MA 4	BX 132MA 4	ME 4LA 4	MX 4LA 4	14000	15900	34800	40500	10500	307	
37	1750	1.3	39.1	—	3/A 04 L2	BE 132MA 4	BX 132MA 4	ME 4LA 4	MX 4LA 4	11100	12800	21000	25200	7120	283	
37	1740	1.7	39.0	—	3/A 05 L2	BE 132MA 4	BX 132MA 4	ME 4LA 4	MX 4LA 4	11100	12800	21000	25200	7110	295	
41	1580	1.4	35.3	—	3/A 04 L2	BE 132MA 4	BX 132MA 4	ME 4LA 4	MX 4LA 4	10700	12400	20300	24500	6880	283	
42	1560	2.2	34.9	—	3/A 06 L2	BE 132MA 4	BX 132MA 4	ME 4LA 4	MX 4LA 4	13300	15100	33200	38600	9990	307	
45	1460	2.7	32.7	—	3/A 06 L2	BE 132MA 4	BX 132MA 4	ME 4LA 4	MX 4LA 4	13000	14700	32500	37900	9780	307	
45	1440	2.3	32.2	—	3/A 05 L2	BE 132MA 4	BX 132MA 4	ME 4LA 4	MX 4LA 4	10400	12000	19800	23800	6670	295	
48	1350	1.7	30.2	—	3/A 04 L2	BE 132MA 4	BX 132MA 4	ME 4LA 4	MX 4LA 4	10200	11700	19400	23300	6530	283	
53	1240	2.3	27.7	—	3/A 04 L2	BE 132MA 4	BX 132MA 4	ME 4LA 4	MX 4LA 4	9890	11400	18900	22800	6350	283	
53	1240	2.3	27.7	—	3/A 05 L2	BE 132MA 4	BX 132MA 4	ME 4LA 4	MX 4LA 4	9890	11400	18900	22800	6350	295	
53	1240	2.7	27.7	—	3/A 06 L2	BE 132MA 4	BX 132MA 4	ME 4LA 4	MX 4LA 4	12300	14000	30900	36000	9250	307	
57	1140	1.7	25.6	—	3/A 04 L2	BE 132MA 4	BX 132MA 4	ME 4LA 4	MX 4LA 4	9630	11100	18500	22200	6180	283	
66	990	2.3	22.1	—	3/A 04 L2	BE 132MA 4	BX 132MA 4	ME 4LA 4	MX 4LA 4	9170	10600	17700	21300	5880	283	
66	990	2.3	22.1	—	3/A 05 L2	BE 132MA 4	BX 132MA 4	ME 4LA 4	MX 4LA 4	9170	10600	17700	21300	5880	295	
78	840	2.3	18.7	—	3/A 04 L2	BE 132MA 4	BX 132MA 4	ME 4LA 4	MX 4LA 4	8680	10000	16800	20200	5570	283	
78	840	2.3	18.7	—	3/A 05 L2	BE 132MA 4	BX 132MA 4	ME 4LA 4	MX 4LA 4	8680	10000	16800	20200	5570	295	

P₁ = 9.2 kW

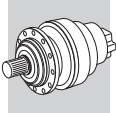
n ₂ min ⁻¹	M ₂ Nm	S	i	Pt kW							Rn ₂ [N]					
							IE2	IE3	IE2	IE3	MC/PC	MZ/PZ	HC	HZ	FZ	
0.28	220600	1.8	5164	—	3/V 19 L4	—	BE 132MB 4	BX 160MA 4	—	—	—	—	638000	702000	200000	432
0.29	231800	1.2	5099	—	3/V 18 L4	—	BE 132MB 4	BX 160MA 4	—	—	—	—	503000	565000	200000	422
0.29	218000	2.5	5040	—	3/V 21 L4	—	BE 132MB 4	BX 160MA 4	—	—	—	—	779000	923000	1200000	442
0.32	209300	2.6	4550	—	3/V 21 L4	—	BE 132MB									



P₁ = 11 kW

n ₂ min ⁻¹	M ₂ Nm	S	i	Pt kW							Rn ₂ [N]					
							IE2	IE3	IE2	IE3	MC/PC	MZ/PZ	HC	HZ	FZ	
0.28	264700	1.5	5164	—	3/V 19 L4	—	BE 160M 4	BX 160MB 4	—	—	—	—	638000	702000	200000	432
0.29	278100	1.0	5099	—	3/V 18 L4	—	BE 160M 4	BX 160MB 4	—	—	—	—	503000	565000	200000	422
0.29	261600	2.1	5040	—	3/V 21 L4	—	BE 160M 4	BX 160MB 4	—	—	—	—	779000	923000	1200000	442
0.32	251200	2.2	4550	—	3/V 21 L4	—	BE 160M 4	BX 160MB 4	—	—	—	—	779000	923000	1200000	442
0.33	249000	1.4	4457	—	3/V 19 L4	—	BE 160M 4	BX 160MB 4	—	—	—	—	638000	702000	200000	432
0.33	239200	1.2	4386	—	3/V 18 L4	—	BE 160M 4	BX 160MB 4	—	—	—	—	503000	565000	200000	422
0.36	223300	1.7	4095	—	3/V 19 L4	—	BE 160M 4	BX 160MB 4	—	—	—	—	638000	702000	200000	432
0.39	208700	2.2	3780	—	3/V 21 L4	—	BE 160M 4	BX 160MB 4	—	—	—	—	779000	923000	1200000	442
0.40	201600	1.4	3696	—	3/V 18 L4	—	BE 160M 4	BX 160MB 4	—	—	—	—	503000	565000	200000	422
0.41	203400	2.6	3600	—	3/V 21 L4	—	BE 160M 4	BX 160MB 4	—	—	—	—	779000	923000	1200000	442
0.42	190600	1.5	3495	—	3/V 18 L4	—	BE 160M 4	BX 160MB 4	—	—	—	—	503000	565000	200000	422
0.45	180500	2.0	3231	—	3/V 19 L4	—	BE 160M 4	BX 160MB 4	—	—	—	—	638000	702000	200000	432
0.46	172800	1.1	3168	—	3/V 17 L4	—	BE 160M 4	BX 160MB 4	—	—	—	—	442000	470000	150000	412
0.50	160600	1.7	2945	—	3/V 18 L4	—	BE 160M 4	BX 160MB 4	—	—	—	—	503000	565000	200000	422
0.53	142100	1.2	2773	—	3/V 17 L4	—	BE 160M 4	BX 160MB 4	—	—	—	—	442000	470000	150000	412
0.57	144200	2.5	2582	—	3/V 19 L4	—	BE 160M 4	BX 160MB 4	—	—	—	—	638000	702000	200000	432
0.59	143700	1.1	2485	—	3/V 17 L4	—	BE 160M 4	BX 160MB 4	—	—	—	—	442000	470000	150000	412
0.59	137600	2.0	2464	—	3/V 18 L4	—	BE 160M 4	BX 160MB 4	—	—	—	—	503000	565000	200000	422
0.63	129300	1.1	2343	—	3/V 16 L4	—	BE 160M 4	BX 160MB 4	—	—	—	—	345000	385000	150000	402
0.64	125200	1.7	2295	—	3/V 18 L4	—	BE 160M 4	BX 160MB 4	—	—	—	—	503000	565000	200000	422
0.68	119600	1.1	2167	—	3/V 16 L4	—	BE 160M 4	BX 160MB 4	—	—	—	—	345000	385000	150000	402
0.71	119400	1.5	2065	—	3/V 17 L4	—	BE 160M 4	BX 160MB 4	—	—	—	—	442000	470000	150000	412
0.73	98600	1.0	1994	—	3/V 15 L3	—	BE 160M 4	BX 160MB 4	—	—	—	—	206000	243000	90000	390
0.79	106900	2.6	1848	—	3/V 18 L4	—	BE 160M 4	BX 160MB 4	—	—	—	—	503000	565000	200000	422
0.80	100800	1.1	1826	—	3/V 16 L4	—	BE 160M 4	BX 160MB 4	—	—	—	—	345000	385000	150000	402
0.82	99400	1.9	1780	—	3/V 17 L4	—	BE 160M 4	BX 160MB 4	—	—	—	—	442000	470000	150000	412
0.84	101100	2.8	1748	—	3/V 18 L4	—	BE 160M 4	BX 160MB 4	—	—	—	—	503000	565000	200000	422
0.88	85500	1.2	1662	—	3/V 15 L3	—	BE 160M 4	BX 160MB 4	—	—	—	—	206000	243000	90000	390
0.92	81800	1.4	1589	—	3/V 16 L3	—	BE 160M 4	BX 160MB 4	—	—	—	—	345000	385000	150000	402
0.99	85200	3.0	1473	—	3/V 18 L4	—	BE 160M 4	BX 160MB 4	—	—	—	—	503000	563100	198800	422
1.0	72100	1.2	1400	—	3/V 15 L3	—	BE 160M 4	BX 160MB 4	—	—	—	—	202600	237900	88000	390
1.1	73100	2.1	1365	—	3/V 17 L3	—	BE 160M 4	BX 160MB 4	—	—	—	—	429900	457700	145400	412
1.1	70200	1.4	1329	—	3/V 15 L3	—	BE 160M 4	BX 160MB 4	—	—	—	—	199500	234200	86400	390
1.1	68200	1.6	1324	—	3/V 16 L3	—	BE 160M 4	BX 160MB 4	—	—	—	—	331300	368500	143900	402
1.2	69100	2.2	1215	—	3/V 17 L3	—	BE 160M 4	BX 160MB 4	—	—	—	—	415100	442000	139800	412
1.3	60700	2.1	1134	—	3/V 17 L3	—	BE 160M 4	BX 160MB 4	—	—	—	—	406600	432900	136600	412
1.3	59200	1.6	1120	—	3/V 15 L3	—	BE 160M 4	BX 160MB 4	—	—	—	—	189500	222500	81600	390
1.4	56700	2.1	1059	—	3/V 16 L3	—	BE 160M 4	BX 160MB 4	—	—	—	—	309800	344600	133600	402
1.4	58300	2.2	1024	—	3/V 17 L3	—	BE 160M 4	BX 160MB 4	—	—	—	—	394300	419900	132100	412
1.5	56800	1.0	1009	—	3/V 13 L3	—	BE 160M 4	BX 160MB 4	—	—	—	—	172000	203600	70100	366
1.5	56100	1.1	997	—	3/V 14 L3	—	BE 160M 4	BX 160MB 4	—	—	—	—	183000	214800	78500	378
1.5	56100	1.7	997	—	3/V 15 L3	—	BE 160M 4	BX 160MB 4	—	—	—	—	183000	214800	78500	390
1.6	47200	1.2	893	—	3/V 14 L3	—	BE 160M 4	BX 160MB 4	—	—	—	—	177000	207800	75700	378
1.6	47800	2.1	893	—	3/V 16 L3	—	BE 160M 4	BX 160MB 4	—	—	—	—	294300	327300	126200	402
1.7	46000	1.2	870	—	3/V 13 L3	—	BE 160M 4	BX 160MB 4	—	—	—	—	164500	194700	66700	366
1.7	48400	2.2	851	—	3/V 17 L3	—	BE 160M 4	BX 160MB 4	—	—	—	—	373000	397100	124200	412
1.7	47200	1.7	840	—	3/V 15 L3	—	BE 160M 4	BX 160MB 4	—	—	—	—	173800	204100	74200	390
1.8	46600	1.0	810	—	3/V 13 L3	—	BE 160M 4	BX 160MB 4	—	—	—	—	161100	190600	65100	366
1.8	47200	3.0	810	—	3/V 17 L3	—	BE 160M 4	BX 160MB 4	—	—	—	—	367600	391400	122100	412
1.8	44700	1.1	794	—	3/V 14 L3	—	BE 160M 4	BX 160MB 4	—	—	—	—	170900	200700	72800	378
1.8	45200	2.2	794	—	3/V 16 L3	—	BE 160M 4	BX 160MB 4	—	—	—	—	284200	316100	121400	402
2.0	39100	1.2	741	—	3/V 13 L3	—	BE 160M 4	BX 160MB 4	—	—	—	—	156800	185500	63200	366
2.0	38000	1.1	720	—	3/V 11 L3	—	BE 160M 4	BX 160MB 4	—	—	—	—	125800	156700	50900	354
2.1	36700	1.2	695	—	3/V 14 L3	—	BE 160M 4	BX 160MB 4	—	—	—	—	164300	192800	69700	378
2.2	38700	1.3	673	—	3/V 13 L3	—	BE 160M 4	BX 160MB 4	—	—	—	—	152300	180300	61200	366
2.2	38100	2.2	669	—	3/V 16 L3	—	BE 160M 4	BX 160MB 4	—	—	—	—	270000	300300	114600	402
2.2	38300	1.8	665	—	3/V 14 L3	—	BE 160M 4	BX 160MB 4	—	—	—	—	162000	190200	68600	378
2.2	38300	2.3	665	—	3/V 15 L3	—	BE 160M 4	BX 160MB 4	—	—	—	—	162000	190200	68600	390
2.3	36200	1.1	644	—	3/V 11 L3	—	BE 160M 4	BX 160MB 4	—	—	—	—	121700	151600	49000	354
2.5	34500	1.7	579	—	3/V 14 L3	—	BE 160M 4	BX 160MB 4	—	—	—	—	155500	182600	65500	378
2.6	32600	1.5	567	—	3/V 13 L3	—	BE 160M 4	BX 160MB 4	—	—	—	—	144700	171300	57800	366
2.6	32200	2.5	560	—	3/V 15 L3	—	BE 160M 4	BX 160MB 4	—	—	—	—	153900	180700	64800	390
2.7	31700	1.2	551	—	3/V 11 L3	—	BE 160M 4	BX 160MB 4	—	—	—	—	116100	144600	46600	354
2.8	29700	1.7	516	—	3/V 13 L3	—	BE 160M 4	BX 160MB 4	—	—	—	—	140700	166500	56100	366
2.9	29400	1.2	510	—	3/V 11 L3	—	BE 160M 4	BX 160MB 4	—	—	—	—	113400	141300	45400	354
2.9	29700	1.9	498	—	3/V 14 L3	—	BE 160M 4	BX 160MB 4	—	—	—	—	148600	174500	62300	378
2.9	29700	2.9	498	—	3/V 15 L3	—	BE 160M 4	BX 160MB 4	—	—	—	—	148600	174500	62300	390
3.3	25700	1.9	446	—	3/V 14 L3	—	BE 160M 4	BX 160MB 4	—	—	—	—	143800	168800	60100	378
3.3	25700	2.5	446	—	3/V 15 L3	—	BE 160M 4	BX 160MB 4	—	—	—	—	143800	168800	60100	390
3.4	24800	1.1	436	—	3/V 10 L3	—	BE 160M 4	BX 160MB 4	—	—	—	—	91600	115200	43100	342
3.4	24700	1.7	430	—	3/V 11 L3	—	BE 160M 4	BX 160MB 4	—	—	—	—	107800	134200	42800	354
3.4	25400	1.9	425	—	3/V 13 L3	—	BE 160M 4	BX 160MB 4	—	—	—	—	132700	157100	52600	366
3.7	23700	1.9	397	—	3/V 14 L3	—	BE 160M 4	BX 160MB 4	—	—	—	—	138800	163000	57800	378
3.8	23300	2.9	386	—	3/V 15 L3	—	BE 160M 4	BX 160MB 4	—	—	—	—	137700	161700	57300	390
4.0	21300	1.9	370	—	3/V 13 L3	—	BE 160M 4	BX 160MB 4	—	—	—	—	127300	150700	50200	366
8.1	11400	1.0	180	—	—	3/A 07 L2	BE 160M 4	BX 160MB 4	ME 5SA 4	MX 5SB 4	25500	32000	58300	76500	22200	319



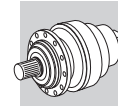


P₁ = 11 kW






n ₂ min ⁻¹	M ₂ Nm	S	i	Pt kW							Rn ₂ [N]					
					IE2	IE3	IE2	IE3	MC/PC	MZ/PZ	HC	HZ	FZ			
9.5	9850	0.9	155	—	—	3/A 07 L2	BE 160M 4	BX 160MB 4	ME 5SA 4	MX 5SB 4	24300	30500	55800	73100	21100	319
10.4	8920	1.2	140	—	—	3/A 07 L2	BE 160M 4	BX 160MB 4	ME 5SA 4	MX 5SB 4	23500	29500	54100	70900	20400	319
11.3	8240	1.3	130	—	—	3/A 07 L2	BE 160M 4	BX 160MB 4	ME 5SA 4	MX 5SB 4	22900	28700	52900	69300	19900	319
13.5	6910	1.3	109	—	—	3/A 07 L2	BE 160M 4	BX 160MB 4	ME 5SA 4	MX 5SB 4	21600	27100	50100	65700	18800	319
16.5	5810	1.1	88.5	—	—	3/A 06 L2	BE 160M 4	BX 160MB 4	ME 5SA 4	MX 5SB 4	18100	20600	43800	51000	13600	307
16.7	5760	1.8	87.7	—	—	3/A 07 L2	BE 160M 4	BX 160MB 4	ME 5SA 4	MX 5SB 4	20100	25200	47000	61600	17500	319
18.0	5330	1.2	81.2	—	—	3/A 06 L2	BE 160M 4	BX 160MB 4	ME 5SA 4	MX 5SB 4	17600	20000	42700	49700	13200	307
21.0	4590	1.2	69.9	—	—	3/A 06 L2	BE 160M 4	BX 160MB 4	ME 5SA 4	MX 5SB 4	16800	19000	40800	47500	12600	307
21.4	4490	1.8	68.3	—	—	3/A 07 L2	BE 160M 4	BX 160MB 4	ME 5SA 4	MX 5SB 4	18500	23200	43600	57200	16100	319
24.4	3950	1.5	60.1	—	—	3/A 06 L2	BE 160M 4	BX 160MB 4	ME 5SA 4	MX 5SB 4	15900	18100	39000	45500	12000	307
25.6	3760	1.8	57.3	—	—	3/A 07 L2	BE 160M 4	BX 160MB 4	ME 5SA 4	MX 5SB 4	17400	21900	41400	54200	15200	319
26.3	3660	1.2	55.7	—	—	3/A 06 L2	BE 160M 4	BX 160MB 4	ME 5SA 4	MX 5SB 4	15500	17600	38100	44400	11700	307
28.3	3400	1.5	51.7	—	—	3/A 06 L2	BE 160M 4	BX 160MB 4	ME 5SA 4	MX 5SB 4	15200	17200	37300	43400	11400	307
29.8	3230	2.6	49.2	—	—	3/A 07 L2	BE 160M 4	BX 160MB 4	ME 5SA 4	MX 5SB 4	16600	20800	39500	51800	14400	319
31	3100	1.2	47.2	—	—	3/A 06 L2	BE 160M 4	BX 160MB 4	ME 5SA 4	MX 5SB 4	14700	16700	36300	42300	11000	307
36	2700	1.8	41.1	—	—	3/A 06 L2	BE 160M 4	BX 160MB 4	ME 5SA 4	MX 5SB 4	14000	15900	34800	40500	10500	307
42	2290	1.5	34.9	—	—	3/A 06 L2	BE 160M 4	BX 160MB 4	ME 5SA 4	MX 5SB 4	13300	15100	33200	38600	9900	307
45	2150	1.8	32.7	—	—	3/A 06 L2	BE 160M 4	BX 160MB 4	ME 5SA 4	MX 5SB 4	13000	14700	32500	37900	9780	307
53	1820	1.8	27.7	—	—	3/A 06 L2	BE 160M 4	BX 160MB 4	ME 5SA 4	MX 5SB 4	12300	14000	30900	36000	9250	307

P₁ = 15 kW






n ₂ min ⁻¹	M ₂ Nm	S	i	Pt kW							Rn ₂ [N]					
					IE2	IE3	IE2	IE3	MC/PC	MZ/PZ	HC	HZ	FZ			
0.28	360200	1.1	5164	—	3/V 19 L4	—	BE 160L 4	BX 160LA 4	—	—	—	—	638000	702000	200000	432
0.29	356100	1.6	5040	—	3/V 21 L4	—	BE 160L 4	BX 160LA 4	—	—	—	—	779000	923000	1200000	442
0.32	341800	1.6	4550	—	3/V 21 L4	—	BE 160L 4	BX 160LA 4	—	—	—	—	779000	923000	1200000	442
0.33	338900	1.1	4457	—	3/V 19 L4	—	BE 160L 4	BX 160LA 4	—	—	—	—	638000	702000	200000	432
0.36	304000	1.3	4095	—	3/V 19 L4	—	BE 160L 4	BX 160LA 4	—	—	—	—	638000	702000	200000	432
0.39	284000	1.6	3780	—	3/V 21 L4	—	BE 160L 4	BX 160LA 4	—	—	—	—	779000	923000	1200000	442
0.40	274400	1.0	3696	—	3/V 18 L4	—	BE 160L 4	BX 160LA 4	—	—	—	—	503000	565000	200000	422
0.41	276900	1.9	3600	—	3/V 21 L4	—	BE 160L 4	BX 160LA 4	—	—	—	—	779000	923000	1200000	442
0.42	259500	1.1	3495	—	3/V 18 L4	—	BE 160L 4	BX 160LA 4	—	—	—	—	503000	565000	200000	422
0.45	245600	1.5	3231	—	3/V 19 L4	—	BE 160L 4	BX 160LA 4	—	—	—	—	638000	702000	200000	432
0.50	218600	1.2	2945	—	3/V 18 L4	—	BE 160L 4	BX 160LA 4	—	—	—	—	503000	565000	200000	422
0.54	212500	2.5	2700	—	3/V 21 L4	—	BE 160L 4	BX 160LA 4	—	—	—	—	779000	923000	1200000	442
0.57	196300	1.9	2582	—	3/V 19 L4	—	BE 160L 4	BX 160LA 4	—	—	—	—	638000	702000	200000	432
0.58	193800	2.6	2520	—	3/V 21 L4	—	BE 160L 4	BX 160LA 4	—	—	—	—	779000	923000	1200000	442
0.59	187300	1.5	2464	—	3/V 18 L4	—	BE 160L 4	BX 160LA 4	—	—	—	—	503000	565000	200000	422
0.64	170400	1.2	2295	—	3/V 18 L4	—	BE 160L 4	BX 160LA 4	—	—	—	—	503000	565000	200000	422
0.71	162500	1.1	2065	—	3/V 17 L4	—	BE 160L 4	BX 160LA 4	—	—	—	—	442000	470000	150000	412
0.79	145500	1.9	1848	—	3/V 18 L4	—	BE 160L 4	BX 160LA 4	—	—	—	—	503000	565000	200000	422
0.82	135300	1.4	1780	—	3/V 17 L4	—	BE 160L 4	BX 160LA 4	—	—	—	—	442000	470000	150000	412
0.84	137600	2.0	1748	—	3/V 18 L4	—	BE 160L 4	BX 160LA 4	—	—	—	—	503000	565000	200000	422
0.92	111300	1.0	1589	—	3/V 16 L3	—	BE 160L 4	BX 160LA 4	—	—	—	—	345000	385000	150000	402
0.99	115900	2.2	1473	—	3/V 18 L4	—	BE 160L 4	BX 160LA 4	—	—	—	—	503000	563100	198800	422
1.1	99400	1.5	1365	—	3/V 17 L3	—	BE 160L 4	BX 160LA 4	—	—	—	—	429900	457700	145400	412
1.1	95600	1.0	1329	—	3/V 15 L3	—	BE 160L 4	BX 160LA 4	—	—	—	—	199500	234200	86400	390
1.1	92800	1.2	1324	—	3/V 16 L3	—	BE 160L 4	BX 160LA 4	—	—	—	—	331300	368500	143900	402
1.2	98100	2.8	1232	—	3/V 18 L4	—	BE 160L 4	BX 160LA 4	—	—	—	—	503000	533700	187300	422
1.2	94100	1.6	1215	—	3/V 17 L3	—	BE 160L 4	BX 160LA 4	—	—	—	—	415100	442000	139800	412
1.3	92800	3.0	1165	—	3/V 18 L4	—	BE 160L 4	BX 160LA 4	—	—	—	—	503000	524900	183800	422
1.3	82600	1.5	1134	—	3/V 17 L3	—	BE 160L 4	BX 160LA 4	—	—	—	—	406600	432900	136600	412
1.3	80600	1.1	1120	—	3/V 15 L3	—	BE 160L 4	BX 160LA 4	—	—	—	—	189500	222500	81600	390
1.4	77200	1.6	1059	—	3/V 16 L3	—	BE 160L 4	BX 160LA 4	—	—	—	—	309800	344600	133600	402
1.4	79300	1.6	1024	—	3/V 17 L3	—	BE 160L 4	BX 160LA 4	—	—	—	—	394300	419900	132100	412
1.5	76300	1.2	997	—	3/V 15 L3	—	BE 160L 4	BX 160LA 4	—	—	—	—	183000	214800	78500	390
1.6	65000	1.6	893	—	3/V 16 L3	—	BE 160L 4	BX 160LA 4	—	—	—	—	294300	327300	126200	402
1.7	65900	1.6	851	—	3/V 17 L3	—	BE 160L 4	BX 160LA 4	—	—	—	—	373000	397100	124200	412
1.7	64300	1.3	840	—	3/V 15 L3	—	BE 160L 4	BX 160LA 4	—	—	—	—	173800	204100	74200	390
1.8	64200	2.2	810	—	3/V 17 L3	—	BE 160L 4	BX 160LA 4	—	—	—	—	367600	391400	122100	412
1.8	61500	1.6	794	—	3/V 16 L3	—	BE 160L 4	BX 160LA 4	—	—	—	—	284200	316100	121400	402
2.1	54100	2.6	683	—	3/V 17 L3	—	BE 160L 4	BX 160LA 4	—	—	—	—	349200	371800	115400	412
2.2	52700	1.0	673	—	3/V 13 L3	—	BE 160L 4	BX 160LA 4	—	—	—	—	152300	180300	61200	366
2.2	51800	1.6	669	—	3/V 16 L3	—	BE 160L 4	BX 160LA 4	—	—	—	—	270000	300300	114600	402
2.2	52100	1.3	665	—	3/V 14 L3	—	BE 160L 4	BX 160LA 4	—	—	—	—	162000	190200	68600	378
2.2	52100	1.7	665	—	3/V 15 L3	—	BE 160L 4	BX 160LA 4	—	—	—	—	162000	190200	68600	390
2.4	49300	2.7	608	—	3/V 17 L3	—	BE 160L 4	BX 160LA 4	—	—	—	—	337200	359000	111000	412
2.5	47000	1.2	579	—	3/V 14 L3	—	BE 160L 4	BX 160LA 4	—	—	—	—	155500	182600	65500	378
2.6	44400	1.1	567	—	3/V 13 L3	—	BE 160L 4	BX 160LA 4	—	—	—	—	144700	171300	57800	366
2.6	45000	2.6	567	—	3/V 17 L3	—	BE 160L 4	BX 160LA 4	—	—	—	—	330300	351700	108500	412



P₁ = 15 kW

n ₂ min ⁻¹	M ₂ Nm	S	i	Pt kW									Rn ₂ [N]					
													MC/PC	MZ/PZ	HC	HZ	FZ	
2.6	43900	1.9	560	—	3/V 15 L3	—	BE 160 L4	BX 160LA 4	—	—	—	—	153900	180700	64800	390		
2.7	43200	0.9	551	—	3/V 11 L3	—	BE 160 L4	BX 160LA 4	—	—	—	—	116100	144600	46600	354		
2.8	42000	2.6	530	—	3/V 16 L3	—	BE 160 L4	BX 160LA 4	—	—	—	—	251700	279900	106000	402		
2.8	40500	1.3	516	—	3/V 13 L3	—	BE 160 L4	BX 160LA 4	—	—	—	—	140700	166500	56100	366		
2.9	40400	1.4	498	—	3/V 14 L3	—	BE 160 L4	BX 160LA 4	—	—	—	—	148600	174500	62300	378		
2.9	40400	2.1	498	—	3/V 15 L3	—	BE 160 L4	BX 160LA 4	—	—	—	—	148600	174500	62300	390		
3.3	35000	1.4	446	—	3/V 14 L3	—	BE 160 L4	BX 160LA 4	—	—	—	—	143800	168800	60100	378		
3.3	35000	1.9	446	—	3/V 15 L3	—	BE 160 L4	BX 160LA 4	—	—	—	—	143800	168800	60100	390		
3.3	35400	2.6	446	—	3/V 16 L3	—	BE 160 L4	BX 160LA 4	—	—	—	—	239100	265900	100100	402		
3.4	33700	1.2	430	—	3/V 11 L3	—	BE 160 L4	BX 160LA 4	—	—	—	—	107800	134200	42800	354		
3.4	34500	1.4	425	—	3/V 13 L3	—	BE 160 L4	BX 160LA 4	—	—	—	—	132700	157100	52600	366		
3.7	32200	1.4	397	—	3/V 14 L3	—	BE 160 L4	BX 160LA 4	—	—	—	—	138800	163000	57800	378		
3.8	31700	2.1	386	—	3/V 15 L3	—	BE 160 L4	BX 160LA 4	—	—	—	—	137700	161700	57300	390		
4.0	29000	1.4	370	—	3/V 13 L3	—	BE 160 L4	BX 160LA 4	—	—	—	—	127300	150700	50200	366		
10.4	12100	0.9	140	—	—	3/A 07 L2	BE 160 L4	BX 160LA 4	ME 5LA 4	MX 5LA 4	23500	29500	54100	70900	20400	319		
11.3	11200	1.0	130	—	—	3/A 07 L2	BE 160 L4	BX 160LA 4	ME 5LA 4	MX 5LA 4	22900	28700	52900	69300	19900	319		
13.5	9400	0.9	109	—	—	3/A 07 L2	BE 160 L4	BX 160LA 4	ME 5LA 4	MX 5LA 4	21600	27100	50100	65700	18800	319		
16.7	7830	1.3	87.7	—	—	3/A 07 L2	BE 160 L4	BX 160LA 4	ME 5LA 4	MX 5LA 4	20100	25200	47000	61600	17500	319		
21.0	6240	0.9	69.9	—	—	3/A 06 L2	BE 160 L4	BX 160LA 4	ME 5LA 4	MX 5LA 4	16800	19000	40800	47500	12600	307		
21.4	6100	1.3	68.3	—	—	3/A 07 L2	BE 160 L4	BX 160LA 4	ME 5LA 4	MX 5LA 4	18500	23200	43600	57200	16100	319		
24.4	5370	1.1	60.1	—	—	3/A 06 L2	BE 160 L4	BX 160LA 4	ME 5LA 4	MX 5LA 4	15900	18100	39000	45500	12000	307		
25.6	5120	1.3	57.3	—	—	3/A 07 L2	BE 160 L4	BX 160LA 4	ME 5LA 4	MX 5LA 4	17400	21900	41400	54200	15200	319		
26.3	4970	0.9	55.7	—	—	3/A 06 L2	BE 160 L4	BX 160LA 4	ME 5LA 4	MX 5LA 4	15500	17600	38100	44400	11700	307		
28.3	4620	1.1	51.7	—	—	3/A 06 L2	BE 160 L4	BX 160LA 4	ME 5LA 4	MX 5LA 4	15200	17200	37300	43400	11400	307		
29.8	4400	1.9	49.2	—	—	3/A 07 L2	BE 160 L4	BX 160LA 4	ME 5LA 4	MX 5LA 4	16600	20800	39500	51800	14400	319		
31	4210	0.9	47.2	—	—	3/A 06 L2	BE 160 L4	BX 160LA 4	ME 5LA 4	MX 5LA 4	14700	16700	36300	42300	11000	307		
35	3710	2.6	41.5	—	—	3/A 07 L2	BE 160 L4	BX 160LA 4	ME 5LA 4	MX 5LA 4	15700	19600	37600	49200	13600	319		
36	3670	1.3	41.1	—	—	3/A 06 L2	BE 160 L4	BX 160LA 4	ME 5LA 4	MX 5LA 4	14000	15900	34800	40500	10500	307		
42	3120	1.1	34.9	—	—	3/A 06 L2	BE 160 L4	BX 160LA 4	ME 5LA 4	MX 5LA 4	13300	15100	33200	38600	9900	307		
45	2920	1.3	32.7	—	—	3/A 06 L2	BE 160 L4	BX 160LA 4	ME 5LA 4	MX 5LA 4	13000	14700	32500	37900	9780	307		
45	2890	2.7	32.3	—	—	3/A 07 L2	BE 160 L4	BX 160LA 4	ME 5LA 4	MX 5LA 4	14400	18100	34900	45700	12500	319		
53	2480	1.3	27.7	—	—	3/A 06 L2	BE 160 L4	BX 160LA 4	ME 5LA 4	MX 5LA 4	12300	14000	30900	36000	9250	307		
54	2420	2.7	27.1	—	—	3/A 07 L2	BE 160 L4	BX 160LA 4	ME 5LA 4	MX 5LA 4	13600	17000	33100	43300	11800	319		

P₁ = 18.5 kW

n ₂ min ⁻¹	M ₂ Nm	S	i	Pt kW									Rn ₂ [N]					
													MC/PC	MZ/PZ	HC	HZ	FZ	
0.28	444800	0.9	5164	—	3/V 19 L4	—	BE 180 M4	BX 180M 4	—	—	—	—	638000	702000	200000	432		
0.29	439700	1.3	5040	—	3/V 21 L4	—	BE 180 M4	BX 180M 4	—	—	—	—	779000	923000	1200000	442		
0.32	422100	1.3	4550	—	3/V 21 L4	—	BE 180 M4	BX 180M 4	—	—	—	—	779000	923000	1200000	442		
0.36	375300	1.0	4095	—	3/V 19 L4	—	BE 180 M4	BX 180M 4	—	—	—	—	638000	702000	200000	432		
0.39	350600	1.3	3780	—	3/V 21 L4	—	BE 180 M4	BX 180M 4	—	—	—	—	779000	923000	1200000	442		
0.41	341900	1.6	3600	—	3/V 21 L4	—	BE 180 M4	BX 180M 4	—	—	—	—	779000	923000	1200000	442		
0.45	303300	1.2	3231	—	3/V 19 L4	—	BE 180 M4	BX 180M 4	—	—	—	—	638000	702000	200000	432		
0.50	270000	1.0	2945	—	3/V 18 L4	—	BE 180 M4	BX 180M 4	—	—	—	—	503000	565000	200000	422		
0.54	262400	2.0	2700	—	3/V 21 L4	—	BE 180 M4	BX 180M 4	—	—	—	—	779000	923000	1200000	442		
0.57	242400	1.5	2582	—	3/V 19 L4	—	BE 180 M4	BX 180M 4	—	—	—	—	638000	702000	200000	432		
0.58	239300	2.1	2520	—	3/V 21 L4	—	BE 180 M4	BX 180M 4	—	—	—	—	779000	923000	1200000	442		
0.59	231300	1.2	2464	—	3/V 18 L4	—	BE 180 M4	BX 180M 4	—	—	—	—	503000	565000	200000	422		
0.64	210400	1.0	2295	—	3/V 18 L4	—	BE 180 M4	BX 180M 4	—	—	—	—	503000	565000	200000	422		
0.64	221100	2.5	2275	—	3/V 21 L4	—	BE 180 M4	BX 180M 4	—	—	—	—	779000	923000	1200000	442		
0.71	200600	0.9	2065	—	3/V 17 L4	—	BE 180 M4	BX 180M 4	—	—	—	—	442000	470000	150000	412		
0.78	183700	2.5	1890	—	3/V 21 L4	—	BE 180 M4	BX 180M 4	—	—	—	—	779000	923000	1200000	442		
0.79	179600	1.6	1848	—	3/V 18 L4	—	BE 180 M4	BX 180M 4	—	—	—	—	503000	565000	200000	422		
0.81	178900	3.0	1800	—	3/V 21 L4	—	BE 180 M4	BX 180M 4	—	—	—	—	779000	923000	1200000	442		
0.82	167000	1.1	1780	—	3/V 17 L4	—	BE 180 M4	BX 180M 4	—	—	—	—	442000	470000	150000	412		
0.84	169800	1.7	1748	—	3/V 18 L4	—	BE 180 M4	BX 180M 4	—	—	—	—	503000	565000	200000	422		
0.99	143100	1.8	1473	—	3/V 18 L4	—	BE 180 M4	BX 180M 4	—	—	—	—	503000	563100	198800	422		
1.1	122800	1.3	1365	—	3/V 17 L3	—	BE 180 M4	BX 180M 4	—	—	—	—	429900	457700	145400	412		
1.1	114600	1.0	1324	—	3/V 16 L3	—	BE 180 M4	BX 180M 4	—	—	—	—	331300	368500	143900	402		
1.2	121100	2.3	1232	—	3/V 18 L4	—	BE 180 M4	BX 180M 4	—	—	—	—	503000	533700	187300	422		
1.2	116200	1.3	1215	—	3/V 17 L3	—	BE 180 M4	BX 180M 4	—	—	—	—	415100	442000	139800	412		
1.3	114500	2.4	1165	—	3/V 18 L4	—	BE 180 M4	BX 180M 4	—	—	—	—	503000	524900	183800	422		
1.3	102000	1.3	1134	—	3/V 17 L3	—	BE 180 M4	BX 180M 4	—	—	—	—	406600	432900	136600	412		
1.3	99500	0.9	1120	—	3/V 15 L3	—	BE 180 M4	BX 180M 4	—	—	—	—	189500	222500	81600	390		
1.4	95300	1.3	1059	—	3/V 16 L3	—	BE 180 M4	BX 180M 4	—	—	—	—	309800	344600	133600	402		
1.4	97900	1.3	1024	—	3/V 17 L3	—	BE 180 M4	BX 180M 4	—	—	—	—	394300	419900	132100	412		
1.5	94200	1.0	997	—	3/V 15 L3	—	BE 180 M4	BX 180M 4	—	—	—	—	183000	214800	78500	390		
1.5	96500	2.5	982	—	3/V 18 L4	—	BE 180 M4	BX 180M 4	—	—	—	—	488500	498600	173600	422		



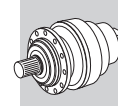


P₁ = 18.5 kW

n ₂ min ⁻¹	M ₂ Nm	S	i	Pt kW							Rn ₂ [N]							
					IE2	IE3	IE2	IE3	MC/PC	MZ/PZ	HC	HZ	FZ					
1.6	80300	1.3	893	—	3/V 16 L3	—	BE 180M 4	BX 180M 4	—	—	—	—	294300	327300	126200	402		
1.7	81300	1.3	851	—	3/V 17 L3	—	BE 180M 4	BX 180M 4	—	—	—	—	373000	397100	124200	412		
1.7	79400	1.0	840	—	3/V 15 L3	—	BE 180M 4	BX 180M 4	—	—	—	—	173800	204100	74200	390		
1.8	79300	1.8	810	—	3/V 17 L3	—	BE 180M 4	BX 180M 4	—	—	—	—	367600	391400	122100	412		
1.8	76000	1.3	794	—	3/V 16 L3	—	BE 180M 4	BX 180M 4	—	—	—	—	284200	316100	121400	402		
1.9	75200	2.5	765	—	3/V 18 L4	—	BE 180M 4	BX 180M 4	—	—	—	—	453300	462600	159800	422		
2.1	66800	2.1	683	—	3/V 17 L3	—	BE 180M 4	BX 180M 4	—	—	—	—	349200	371800	115400	412		
2.2	64000	1.3	669	—	3/V 16 L3	—	BE 180M 4	BX 180M 4	—	—	—	—	270000	300300	114600	402		
2.2	64300	1.1	665	—	3/V 14 L3	—	BE 180M 4	BX 180M 4	—	—	—	—	162000	190200	68600	378		
2.2	64300	1.4	665	—	3/V 15 L3	—	BE 180M 4	BX 180M 4	—	—	—	—	162000	190200	68600	390		
2.4	60900	2.2	608	—	3/V 17 L3	—	BE 180M 4	BX 180M 4	—	—	—	—	337200	359000	111000	412		
2.5	58100	1.0	579	—	3/V 14 L3	—	BE 180M 4	BX 180M 4	—	—	—	—	155500	182600	65500	378		
2.6	55500	2.1	567	—	3/V 17 L3	—	BE 180M 4	BX 180M 4	—	—	—	—	330300	351700	108500	412		
2.6	54200	1.5	560	—	3/V 15 L3	—	BE 180M 4	BX 180M 4	—	—	—	—	153900	180700	64800	390		
2.8	51900	2.1	530	—	3/V 16 L3	—	BE 180M 4	BX 180M 4	—	—	—	—	251700	279900	106000	402		
2.8	50000	1.0	516	—	3/V 13 L3	—	BE 180M 4	BX 180M 4	—	—	—	—	140700	166500	56100	366		
2.9	51300	2.5	512	—	3/V 17 L3	—	BE 180M 4	BX 180M 4	—	—	—	—	320300	341000	104800	412		
2.9	49900	1.2	498	—	3/V 14 L3	—	BE 180M 4	BX 180M 4	—	—	—	—	148600	174500	62300	378		
2.9	49900	1.7	498	—	3/V 15 L3	—	BE 180M 4	BX 180M 4	—	—	—	—	148600	174500	62300	390		
3.3	43200	1.1	446	—	3/V 14 L3	—	BE 180M 4	BX 180M 4	—	—	—	—	143800	168800	60100	378		
3.3	43200	1.5	446	—	3/V 15 L3	—	BE 180M 4	BX 180M 4	—	—	—	—	143800	168800	60100	390		
3.3	43700	2.1	446	—	3/V 16 L3	—	BE 180M 4	BX 180M 4	—	—	—	—	239100	265900	100100	402		
3.4	41600	1.0	430	—	3/V 11 L3	—	BE 180M 4	BX 180M 4	—	—	—	—	107800	134200	42800	354		
3.4	42600	1.1	425	—	3/V 13 L3	—	BE 180M 4	BX 180M 4	—	—	—	—	132700	157100	52600	366		
3.4	42600	2.5	425	—	3/V 17 L3	—	BE 180M 4	BX 180M 4	—	—	—	—	303000	322600	98500	412		
3.7	39800	1.2	397	—	3/V 14 L3	—	BE 180M 4	BX 180M 4	—	—	—	—	138800	163000	57800	378		
3.7	39800	2.5	397	—	3/V 16 L3	—	BE 180M 4	BX 180M 4	—	—	—	—	230900	256800	96300	402		
3.8	39100	1.7	386	—	3/V 15 L3	—	BE 180M 4	BX 180M 4	—	—	—	—	137700	161700	57300	390		
4.0	35800	1.1	370	—	3/V 13 L3	—	BE 180M 4	BX 180M 4	—	—	—	—	127300	150700	50200	366		
16.7	9670	1.1	87.7	—	—	3/A 07 L2	BE 180M 4	BX 180M 4	—	—	—	—	20100	25200	47000	61600	17500	319
21.4	7540	1.1	68.3	—	—	3/A 07 L2	BE 180M 4	BX 180M 4	—	—	—	—	18500	23200	43600	57200	16100	319
24.4	6640	0.9	60.1	—	—	3/A 06 L2	BE 180M 4	BX 180M 4	—	—	—	—	15900	18100	39000	45500	12000	307
25.6	6320	1.1	57.3	—	—	3/A 07 L2	BE 180M 4	BX 180M 4	—	—	—	—	17400	21900	41400	54200	15200	319
28.3	5710	0.9	51.7	—	—	3/A 06 L2	BE 180M 4	BX 180M 4	—	—	—	—	15200	17200	37300	43400	11400	307
29.8	5430	1.5	49.2	—	—	3/A 07 L2	BE 180M 4	BX 180M 4	—	—	—	—	16600	20800	39500	51800	14400	319
35	4580	2.1	41.5	—	—	3/A 07 L2	BE 180M 4	BX 180M 4	—	—	—	—	15700	19600	37600	49200	13600	319
36	4530	1.1	41.1	—	—	3/A 06 L2	BE 180M 4	BX 180M 4	—	—	—	—	14000	15900	34800	40500	10500	307
42	3850	0.9	34.9	—	—	3/A 06 L2	BE 180M 4	BX 180M 4	—	—	—	—	13300	15100	33200	38600	9990	307
45	3610	1.1	32.7	—	—	3/A 06 L2	BE 180M 4	BX 180M 4	—	—	—	—	13000	14700	32500	37900	9780	307
45	3570	2.2	32.3	—	—	3/A 07 L2	BE 180M 4	BX 180M 4	—	—	—	—	14400	18100	34900	45700	12500	319
53	3060	1.1	27.7	—	—	3/A 06 L2	BE 180M 4	BX 180M 4	—	—	—	—	12300	14000	30900	36000	9250	307
54	2990	2.2	27.1	—	—	3/A 07 L2	BE 180M 4	BX 180M 4	—	—	—	—	13600	17000	33100	43300	11800	319

P₁ = 22 kW

n ₂ min ⁻¹	M ₂ Nm	S	i	Pt kW							Rn ₂ [N]					
					IE2	IE3	IE2	IE3	MC/PC	MZ/PZ	HC	HZ	FZ			
0.29	519600	1.1	5040	—	3/V 21 L4	—	BE 180L 4	BX 180L 4	—	—	—	—	779000	923000	1200000	442
0.32	498800	1.1	4550	—	3/V 21 L4	—	BE 180L 4	BX 180L 4	—	—	—	—	779000	923000	1200000	442
0.39	414400	1.1	3780	—	3/V 21 L4	—	BE 180L 4	BX 180L 4	—	—	—	—	779000	923000	1200000	442
0.41	404100	1.3	3600	—	3/V 21 L4	—	BE 180L 4	BX 180L 4	—	—	—	—	779000	923000	1200000	442
0.45	358400	1.0	3231	—	3/V 19 L4	—	BE 180L 4	BX 180L 4	—	—	—	—	638000	702000	200000	432
0.54	310100	1.7	2700	—	3/V 21 L4	—	BE 180L 4	BX 180L 4	—	—	—	—	779000	923000	1200000	442
0.57	286400	1.3	2582	—	3/V 19 L4	—	BE 180L 4	BX 180L 4	—	—	—	—	638000	702000	200000	432
0.58	282800	1.8	2520	—	3/V 21 L4	—	BE 180L 4	BX 180L 4	—	—	—	—	779000	923000	1200000	442
0.59	273300	1.0	2464	—	3/V 18 L4	—	BE 180L 4	BX 180L 4	—	—	—	—	503000	565000	200000	422
0.64	261300	2.1	2275	—	3/V 21 L4	—	BE 180L 4	BX 180L 4	—	—	—	—	779000	923000	1200000	442
0.78	217100	2.1	1890	—	3/V 21 L4	—	BE 180L 4	BX 180L 4	—	—	—	—	779000	923000	1200000	442
0.79	212200	1.3	1848	—	3/V 18 L4	—	BE 180L 4	BX 180L 4	—	—	—	—	503000	565000	200000	422
0.81	211400	2.5	1800	—	3/V 21 L4	—	BE 180L 4	BX 180L 4	—	—	—	—	779000	923000	1200000	442
0.82	197400	0.9	1780	—	3/V 17 L4	—	BE 180L 4	BX 180L 4	—	—	—	—	442000	470000	150000	412
0.84	200700	1.4	1748	—	3/V 18 L4	—	BE 180L 4	BX 180L 4	—	—	—	—	503000	565000	200000	422
0.97	178100	2.9	1517	—	3/V 21 L4	—	BE 180L 4	BX 180L 4	—	—	—	—	779000	923000	1200000	442
0.99	169100	1.5	1473	—	3/V 18 L4	—	BE 180L 4	BX 180L 4	—	—	—	—	503000	563100	198800	422
1.1	145100	1.1	1365	—	3/V 17 L3	—	BE 180L 4	BX 180L 4	—	—	—	—	429900	457700	145400	412
1.2	148000	2.9	1260	—	3/V 21 L4	—	BE 180L 4	BX 180L 4	—	—	—	—	742400	880400	1132200	442
1.2	143100	1.9	1232	—	3/V 18 L4	—	BE 180L 4	BX 180L 4	—	—	—	—	503000	533700	187300	422
1.2	137300	1.1	1215	—	3/V 17 L3	—	BE 180L 4	BX 180L 4	—	—	—	—	415100	442000	139800	412
1.3	135300	2.0	1165	—	3/V 18 L4	—	BE 180L 4	BX 180L 4	—	—	—	—	503000	524900	183800	422
1.3	120500	1.1	1134	—	3/V 17 L3	—	BE 180L 4	BX 180L 4	—	—	—	—	406600	432900	136600	412



P₁ = 22 kW

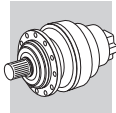
n ₂ min ⁻¹	M ₂ Nm	S	i	Pt kW							Rn ₂ [N]							
							IE2	IE3	IE2	IE3	MC/PC	MZ/PZ	HC	HZ	FZ			
1.4	112600	1.1	1059	—	3/V 16 L3	—	BE 180L 4	BX 180L 4	—	—	—	—	309800	344600	133600	402		
1.4	115700	1.1	1024	—	3/V 17 L3	—	BE 180L 4	BX 180L 4	—	—	—	—	394300	419900	132100	412		
1.5	114000	2.1	982	—	3/V 18 L4	—	BE 180L 4	BX 180L 4	—	—	—	—	488500	498600	173600	422		
1.6	94900	1.1	893	—	3/V 16 L3	—	BE 180L 4	BX 180L 4	—	—	—	—	294300	327300	126200	402		
1.7	96100	1.1	851	—	3/V 17 L3	—	BE 180L 4	BX 180L 4	—	—	—	—	373000	397100	124200	412		
1.8	93700	1.5	810	—	3/V 17 L3	—	BE 180L 4	BX 180L 4	—	—	—	—	367600	391400	122100	412		
1.8	89800	1.1	794	—	3/V 16 L3	—	BE 180L 4	BX 180L 4	—	—	—	—	284200	316100	121400	402		
1.9	88900	2.1	765	—	3/V 18 L4	—	BE 180L 4	BX 180L 4	—	—	—	—	453300	462600	159800	422		
2.1	79000	1.8	683	—	3/V 17 L3	—	BE 180L 4	BX 180L 4	—	—	—	—	349200	371800	115400	412		
2.2	75700	1.1	669	—	3/V 16 L3	—	BE 180L 4	BX 180L 4	—	—	—	—	270000	300300	114600	402		
2.2	76000	0.9	665	—	3/V 14 L3	—	BE 180L 4	BX 180L 4	—	—	—	—	162000	190200	86600	378		
2.2	76000	1.2	665	—	3/V 15 L3	—	BE 180L 4	BX 180L 4	—	—	—	—	162000	190200	86600	390		
2.4	71900	1.9	608	—	3/V 17 L3	—	BE 180L 4	BX 180L 4	—	—	—	—	337200	359000	111000	412		
2.6	65600	1.8	567	—	3/V 17 L3	—	BE 180L 4	BX 180L 4	—	—	—	—	330300	351700	108500	412		
2.6	64000	1.3	560	—	3/V 15 L3	—	BE 180L 4	BX 180L 4	—	—	—	—	153900	180700	64800	390		
2.8	61300	1.8	530	—	3/V 16 L3	—	BE 180L 4	BX 180L 4	—	—	—	—	251700	279900	106000	402		
2.9	60600	2.1	512	—	3/V 17 L3	—	BE 180L 4	BX 180L 4	—	—	—	—	320300	341000	104800	412		
2.9	59000	1.0	498	—	3/V 14 L3	—	BE 180L 4	BX 180L 4	—	—	—	—	148600	174500	62300	378		
2.9	59000	1.5	498	—	3/V 15 L3	—	BE 180L 4	BX 180L 4	—	—	—	—	148600	174500	62300	390		
3.3	51000	0.9	446	—	3/V 14 L3	—	BE 180L 4	BX 180L 4	—	—	—	—	143800	168800	60100	378		
3.3	51000	1.3	446	—	3/V 15 L3	—	BE 180L 4	BX 180L 4	—	—	—	—	143800	168800	60100	390		
3.3	51600	1.8	446	—	3/V 16 L3	—	BE 180L 4	BX 180L 4	—	—	—	—	239100	265900	100100	402		
3.4	50400	0.9	425	—	3/V 13 L3	—	BE 180L 4	BX 180L 4	—	—	—	—	132700	157100	52600	366		
3.4	50400	2.1	425	—	3/V 17 L3	—	BE 180L 4	BX 180L 4	—	—	—	—	303000	322600	98500	412		
3.6	49000	2.6	405	—	3/V 17 L3	—	BE 180L 4	BX 180L 4	—	—	—	—	298600	317900	96900	412		
3.7	47000	1.0	397	—	3/V 14 L3	—	BE 180L 4	BX 180L 4	—	—	—	—	138800	163000	57800	378		
3.7	47000	2.1	397	—	3/V 16 L3	—	BE 180L 4	BX 180L 4	—	—	—	—	230900	256800	96300	402		
3.8	46300	1.5	386	—	3/V 15 L3	—	BE 180L 4	BX 180L 4	—	—	—	—	137700	161700	57300	390		
4.0	42300	0.9	370	—	3/V 13 L3	—	BE 180L 4	BX 180L 4	—	—	—	—	127300	150700	50200	366		
29.8	6420	1.3	49.2	—	—	3/A 07 L2	BE 180L 4	BX 180L 4	—	—	—	—	16600	20800	39500	51800	14400	319
35	5410	1.8	41.5	—	—	3/A 07 L2	BE 180L 4	BX 180L 4	—	—	—	—	15700	19600	37600	49200	13600	319
36	5350	0.9	41.1	—	—	3/A 06 L2	BE 180L 4	BX 180L 4	—	—	—	—	14000	15900	34800	40500	10500	307
45	4270	0.9	32.7	—	—	3/A 06 L2	BE 180L 4	BX 180L 4	—	—	—	—	13000	14700	32500	37900	9780	307
45	4210	1.9	32.3	—	—	3/A 07 L2	BE 180L 4	BX 180L 4	—	—	—	—	14400	18100	34900	45700	12500	319
53	3610	0.9	27.7	—	—	3/A 06 L2	BE 180L 4	BX 180L 4	—	—	—	—	12300	14000	30900	36000	9250	307
54	3530	1.9	27.1	—	—	3/A 07 L2	BE 180L 4	BX 180L 4	—	—	—	—	13600	17000	33100	43300	11800	319

P₁ = 30 kW






n ₂ min ⁻¹	M ₂ Nm	S	i	Pt kW							Rn ₂ [N]					
							IE...	IE...	MC/PC	MZ/PZ	HC	HZ	FZ			
1.1	239514	1.5	1389	30.0	319 L4	—	IEC200L4	—	—	—	—	636100	700800	199500	428	
1.2	206034	1.7	1195	30.0	319 L4	—	IEC200L4	—	—	—	—	608000	669900	189700	428	
1.3	193443	2.7	1122	35.0	321 L4	—	IEC200L4	—	—	—	—	731900	867900	1114500	438	
1.4	182670	1.5	1059	22.0	318 L4	—	IEC200L4	—	—	—	—	503000	520700	182200	418	
1.4	178055	1.0	1032	18.0	317 L4	—	IEC200L4	—	—	—	—	403600	429700	135500	408	
1.5	173603	2.0	1007	30.0	319 L4	—	IEC200L4	—	—	—	—	577600	636300	179200	428	
1.6	157257	2.1	912	30.0	319 L4	—	IEC200L4	—	—	—	—	560700	617700	173400	428	
1.6	157135	1.7	911	22.0	318 L4	—	IEC200L4	—	—	—	—	487700	497700	173300	418	
1.6	156325	2.1	906	115.0	—	319 R4 (C)	IEC200L4	—	—	—	—	559700	616600	173000	430	
1.6	155863	1.1	904	18.0	317 L4	—	IEC200L4	—	—	—	—	387800	412900	129600	408	
1.7	146694	2.5	850	30.0	319 L4	—	IEC200L4	—	—	—	—	549100	605000	169400	428	
1.8	140136	0.9	812	18.0	316 L4	—	IEC200L4	—	—	—	—	286100	318200	122300	398	
1.8	138545	1.2	803	50.0	—	317 R4	IEC200L4	—	—	—	—	374300	398500	124600	408	
1.8	136603	1.4	792	18.0	317 L4	—	IEC200L4	—	—	—	—	372700	396900	124100	408	
1.9	134473	2.5	780	115.0	—	319 R4 (C)	IEC200L4	—	—	—	—	535000	589400	164500	430	
1.9	132401	2.0	768	22.0	318 L4	—	IEC200L4	—	—	—	—	463300	472800	163700	418	
2.0	127807	1.0	741	18.0	316 L4	—	IEC200L4	—	—	—	—	284200	316100	121400	398	
2.0	125267	1.0	726	18.0	316 L4	—	IEC200L4	—	—	—	—	282500	314100	120500	398	
2.0	125217	2.1	726	22.0	318 L4	—	IEC200L4	—	—	—	—	455600	464900	160700	418	
2.0	124023	1.4	719	18.0	317 L4	—	IEC200L4	—	—	—	—	362100	385500	120100	408	
2.0	123603	2.9	717	30.0	319 L4	—	IEC200L4	—	—	—	—	521600	574700	160000	428	
2.1	119224	2.2	691	110.0	—	318 R4 (C)	IEC200L4	—	—	—	—	448900	458100	158100	420	
2.1	118078	1.1	685	18.0	316 L4	—	IEC200L4	—	—	—	—	277500	308600	118200	398	
2.2	116737	1.4	677	50.0	—	317 R4	IEC200L4	—	—	—	—	355600	378600	117700	408	
2.2	113306	2.8	657	115.0	—	319 R4 (C)	IEC200L4	—	—	—	—	508200	559900	155400	430	
2.2	112919	2.8	655	95.0	—	319 R4 (B)	IEC200L4	—	—	—	—	507700	559300	155200	430	
2.3	111560	2.4	647	22.0	318 L4	—	IEC200L4	—	—	—	—	440100	449100	154600	418	
2.3	107957	1.4	626	50.0	—	317 R4	IEC200L4	—	—	—	—	347300	369800	114700	408	
2.3	107690	1.2	624	18.0	316 L4	—	IEC200L4	—	—	—	—	270000	300300	114600	398	

The technical information shall be considered as indicative, the configurations should be matching the data provided by motors manufacturers on rated powers greater than 22 kW.

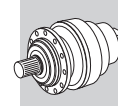









P₁ = 30 kW

n ₂ min ⁻¹	M ₂ Nm	S	i	Pt kW					Rn ₂ [N]					
									MC/PC	MZ/PZ	HC	HZ	FZ	
2.3	107510	0.9	623	40.0	—	315 R4	IEC200L4	—	—	—	162300	190500	68700	388
2.3	107510	1.1	623	45.0	—	316 R4	IEC200L4	—	—	—	269800	300100	114500	388
2.4	106687	1.7	619	18.0	317 L4	—	IEC200L4	—	—	—	346100	368500	114200	408
2.4	105507	2.5	612	22.0	318 L4	—	IEC200L4	—	—	—	432800	441700	151800	418
2.5	102558	2.6	595	110.0	—	318 R4 (C)	IEC200L4	—	—	—	429100	437900	150300	420
2.5	101910	1.0	591	18.0	315 L4	—	IEC200L4	—	—	—	159700	187500	67500	386
2.5	101910	1.2	591	18.0	316 L4	—	IEC200L4	—	—	—	265500	295300	112500	398
2.6	97611	1.3	566	18.0	316 L4	—	IEC200L4	—	—	—	262100	291500	110900	398
2.6	95150	1.8	552	18.0	317 L4	—	IEC200L4	—	—	—	334400	356100	110000	408
2.7	92009	1.1	533	18.0	315 L4	—	IEC200L4	—	—	—	154900	181800	65200	386
2.7	92009	1.3	533	18.0	316 L4	—	IEC200L4	—	—	—	257500	286400	108700	398
2.8	90587	1.1	525	40.0	—	315 R4	IEC200L4	—	—	—	154100	181000	64900	388
2.8	90587	1.3	525	45.0	—	316 R4	IEC200L4	—	—	—	256300	285000	108200	388
2.8	89687	1.8	520	50.0	—	317 R4	IEC200L4	—	—	—	328500	349800	107800	408
2.8	88899	2.8	515	22.0	318 L4	—	IEC200L4	—	—	—	411100	419500	143300	418
2.9	86415	2.9	501	110.0	—	318 R4 (C)	IEC200L4	—	—	—	407600	416000	142000	420
2.9	86120	2.9	499	90.0	—	318 R4 (B)	IEC200L4	—	—	—	407200	415600	141800	420
3.0	85299	0.9	495	15.0	314 L4	—	IEC200L4	—	—	—	151400	177700	63600	374
3.0	85016	2.0	493	18.0	317 L4	—	IEC200L4	—	—	—	323300	344200	105900	408
3.0	83966	1.2	487	18.0	315 L4	—	IEC200L4	—	—	—	150700	176900	63300	386
3.0	83966	1.4	487	18.0	316 L4	—	IEC200L4	—	—	—	250500	278600	105500	398
3.2	79018	1.0	458	15.0	314 L4	—	IEC200L4	—	—	—	148000	173700	62000	374
3.3	77409	2.1	449	18.0	317 L4	—	IEC200L4	—	—	—	314300	334700	102700	408
3.3	76328	1.5	443	45.0	—	316 R4	IEC200L4	—	—	—	243500	270800	102200	388
3.3	76060	1.3	441	18.0	315 L4	—	IEC200L4	—	—	—	146300	171700	61200	386
3.3	76060	1.5	441	18.0	316 L4	—	IEC200L4	—	—	—	243200	270500	102100	398
3.3	75570	2.1	438	50.0	—	317 R4	IEC200L4	—	—	—	312100	332300	101800	408
3.6	70587	1.4	409	40.0	—	315 R4	IEC200L4	—	—	—	143000	167900	59700	388
3.6	70587	1.6	409	45.0	—	316 R4	IEC200L4	—	—	—	237800	264500	99600	388
3.7	68808	2.2	399	50.0	—	317 R4	IEC200L4	—	—	—	303400	323100	98700	408
3.8	66933	1.2	388	15.0	314 L4	—	IEC200L4	—	—	—	140800	165300	58700	374
4.0	63746	1.5	370	18.0	315 L4	—	IEC200L4	—	—	—	138700	162900	57700	386
4.0	63746	1.7	370	18.0	316 L4	—	IEC200L4	—	—	—	230600	256500	96200	398
4.1	62139	2.5	360	18.0	317 L4	—	IEC200L4	—	—	—	294300	313300	95400	408
4.2	59476	1.6	345	40.0	—	315 R4	IEC200L4	—	—	—	135900	159500	56400	388
4.2	59476	1.8	345	45.0	—	316 R4	IEC200L4	—	—	—	225900	251200	94000	388
4.3	57977	2.2	336	50.0	—	317 R4	IEC200L4	—	—	—	288200	306900	93200	408
4.4	56677	1.9	329	18.0	316 L4	—	IEC200L4	—	—	—	222700	247600	92500	398
4.6	54166	1.4	314	15.0	314 L4	—	IEC200L4	—	—	—	132100	155100	54700	374
4.7	53453	2.7	310	18.0	317 L4	—	IEC200L4	—	—	—	281300	299500	90700	408
4.8	52138	1.9	302	18.0	315 L4	—	IEC200L4	—	—	—	130600	153300	54000	386
4.8	52138	2.0	302	18.0	316 L4	—	IEC200L4	—	—	—	217100	241500	90000	398
5.1	49847	2.1	289	45.0	—	316 R4	IEC200L4	—	—	—	214200	238300	88700	388
5.4	46345	1.8	269	40.0	—	315 R4	IEC200L4	—	—	—	126100	148000	51900	388
5.4	46345	2.2	269	45.0	—	316 R4	IEC200L4	—	—	—	209600	233100	86500	388
5.6	45177	2.2	262	50.0	—	317 R4	IEC200L4	—	—	—	267500	284800	85800	408
5.7	44164	2.2	256	18.0	316 L4	—	IEC200L4	—	—	—	206600	229800	85100	398
5.8	45008	1.0	252	18.0	317 L3	—	IEC200L4	—	—	—	115900	137100	45200	408
5.8	45008	2.7	252	35.0	313 L3	—	IEC200L4	—	—	—	264500	281600	84700	362
6.1	42931	1.5	241	30.0	315 L3	—	IEC200L4	—	—	—	122000	143200	50000	386
6.1	42719	1.2	240	25.0	314 L3	—	IEC200L4	—	—	—	121800	143000	50000	374
6.5	38842	2.0	225	40.0	—	315 R4	IEC200L4	—	—	—	119600	140400	48900	388
6.5	38842	2.4	225	45.0	—	316 R4	IEC200L4	—	—	—	198800	221100	81600	388
6.7	37862	2.1	220	50.0	—	317 R4	IEC200L4	—	—	—	253600	270100	80900	408
6.8	37014	2.5	215	18.0	316 L4	—	IEC200L4	—	—	—	195900	217900	80300	398
7.0	37207	1.2	209	18.0	313 L3	—	IEC200L4	—	—	—	109400	129500	42400	362
7.1	36930	2.2	207	30.0	315 L3	—	IEC200L4	—	—	—	116600	136900	47600	386
7.1	36748	1.7	206	25.0	314 L3	—	IEC200L4	—	—	—	116400	136700	47500	374
7.2	36173	0.9	203	18.0	311 L3	—	IEC200L4	—	—	—	86000	107200	33400	350
7.5	34530	1.4	194	18.0	313 L3	—	IEC200L4	—	—	—	107000	126700	41400	362
7.6	34097	0.9	191	18.0	311 L3	—	IEC200L4	—	—	—	86300	107500	33500	350
8.0	32462	1.2	182	18.0	313 L3	—	IEC200L4	—	—	—	105100	124300	40500	362
8.3	31350	1.4	176	18.0	313 L3	—	IEC200L4	—	—	—	104000	123000	40100	362
8.4	31117	2.5	174	30.0	315 L3	—	IEC200L4	—	—	—	110700	130000	45000	386
8.4	30963	2.0	174	25.0	314 L3	—	IEC200L4	—	—	—	110600	129800	44900	374
8.5	30479	1.1	171	18.0	311 L3	—	IEC200L4	—	—	—	83400	103900	32200	350
8.8	29429	2.7	165	30.0	315 L3	—	IEC200L4	—	—	—	108900	127900	44100	386
8.8	29429	2.8	165	35.0	316 L3	—	IEC200L4	—	—	—	181100	201400	73500	398
8.9	29283	2.2	164	25.0	314 L3	—	IEC200L4	—	—	—	108700	127700	44100	374
9.0	29095	1.6	163	18.0	313 L3	—	IEC200L4	—	—	—	101700	120300	39100	362
9.1	28730	1.1	161	18.0	311 L3	—	IEC200L4	—	—	—	82000	102100	31600	350
9.3	28020	1.9	157	55.0	—	314 R3 (C)	IEC200L4	—	—	—	107300	126000	43400	376
9.3	28020	2.3	157	90.0	—	315 R3 (C)	IEC200L4	—	—	—	107300	126000	43400	388
9.5	27289	1.4	153	40.0	—	313 R3	IEC200L4	—	—	—	99700	118000	38200	364
9.7	26968	1.7	151	18.0	313 L3	—	IEC200L4	—	—	—	99400	117600	38100	362
9.9	26219	1.2	147	18.0	311 L3	—	IEC200L4	—	—	—	79700	99300	30700	350
10.0	26159	1.0	147	40.0	—	311 R3	IEC200L4	—	—	—	79700	99300	30600	376
10.2	25505	1.7	143	18.0	313 L3	—	IEC200L4	—	—	—	97700	115700	37400	362
10.6	24674	2.6	138	25.0	314 L3	—	IEC200L4	—	—	—	103300	121300	41600	374
10.8	24103	2.5	135	55.0	—	314 R3 (C)	IEC200L4	—	—	—	102600	120400	41300	376
10.8	24052	1.8	135	18.0	313 L3	—	IEC200L4	—	—	—	96000	113600	36700	362
11.0	23750	1.3	133	18.0	311 L3	—	IEC200L4	—	—	—	77400	96400	29700	350

The technical information shall be considered as indicative, the configurations should be matching the data provided by motors manufacturers on rated powers greater than 22 kW.

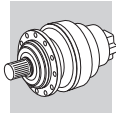


P₁ = 30 kW






n ₂ min ⁻¹	M ₂ Nm	S	i	Pt kW					Rn ₂ [N]					
									MC/PC	MZ/PZ	HC	HZ	FZ	
11.5	22671	1.8	127	40.0	—	313 R3	IEC200L4	—	—	—	94300	111600	36000	364
11.6	22387	1.3	126	18.0	311 L3	—	IEC200L4	—	—	—	76100	94700	29100	350
11.8	22041	1.4	124	40.0	—	311 R3	IEC200L4	—	—	—	75700	94300	28900	376
12.1	21490	2.0	120	18.0	313 L3	—	IEC200L4	—	—	—	92800	109900	35300	362
12.3	21225	0.9	119	18.0	310 L3	—	IEC200L4	—	—	—	63300	79600	28600	338
12.7	20430	1.4	115	18.0	311 L3	—	IEC200L4	—	—	—	74000	92200	28200	350
12.8	20309	2.5	114	55.0	—	314 R3 (C)	IEC200L4	—	—	—	97400	114400	39000	376
12.9	20240	2.4	113	55.0	—	314 R3 (B)	IEC200L4	—	—	—	97300	114300	38900	376
12.9	20240	3.0	113	75.0	—	315 R3 (B)	IEC200L4	—	—	—	97300	114300	38900	388
13.2	19701	1.0	110	18.0	310 L3	—	IEC200L4	—	—	—	60700	76300	27200	338
13.3	19567	2.1	110	18.0	313 L3	—	IEC200L4	—	—	—	90300	106800	34200	362
13.5	19226	3.0	108	25.0	314 L3	—	IEC200L4	—	—	—	95900	112500	38300	374
13.6	19207	2.6	108	55.0	—	314 R3 (C)	IEC200L4	—	—	—	95800	112500	38300	376
13.6	19102	2.0	107	40.0	—	313 R3	IEC200L4	—	—	—	89600	106000	34000	364
14.0	18572	1.5	104	40.0	—	311 R3	IEC200L4	—	—	—	71900	89600	27300	376
14.1	18507	1.5	104	18.0	311 L3	—	IEC200L4	—	—	—	71800	89500	27300	350
14.5	17979	1.0	101	18.0	310 L3	—	IEC200L4	—	—	—	60300	75800	27000	338
15.0	17393	2.1	97.5	40.0	—	313 R3	IEC200L4	—	—	—	87100	103100	32900	364
15.2	17175	1.6	96.3	40.0	—	311 R3	IEC200L4	—	—	—	70200	87500	26600	376
15.8	16487	2.4	92.4	18.0	313 L3	—	IEC200L4	—	—	—	85700	101500	32300	362
16.0	16286	1.1	91.3	18.0	310 L3	—	IEC200L4	—	—	—	58500	73600	26200	338
16.1	16184	2.9	90.7	55.0	—	314 R3 (C)	IEC200L4	—	—	—	91000	106900	36200	376
16.4	15920	1.7	89.3	18.0	311 L3	—	IEC200L4	—	—	—	68100	84900	25700	350
17.8	14655	2.1	82.2	40.0	—	313 R3	IEC200L4	—	—	—	82800	97900	31100	364
18.0	14471	1.8	81.1	40.0	—	311 R3	IEC200L4	—	—	—	66700	83100	25200	376
18.2	14327	1.2	80.3	18.0	310 L3	—	IEC200L4	—	—	—	56300	70800	25100	338
18.6	13966	2.7	78.3	18.0	313 L3	—	IEC200L4	—	—	—	81600	96500	30600	362
18.9	13790	1.8	77.3	18.0	311 L3	—	IEC200L4	—	—	—	65800	81900	24800	350
19.8	13179	1.3	73.9	18.0	310 L3	—	IEC200L4	—	—	—	54900	69000	24400	338
20.3	12847	2.8	72.0	18.0	313 L3	—	IEC200L4	—	—	—	79600	94100	29800	362
20.5	12686	2.0	71.1	18.0	311 L3	—	IEC200L4	—	—	—	64100	79900	24100	350
20.9	12475	2.1	69.9	40.0	—	313 R3	IEC200L4	—	—	—	78900	93300	29500	364
21.5	12128	2.0	68.0	40.0	—	311 R3	IEC200L4	—	—	—	63300	78800	23700	376
22.8	11420	2.1	64.0	40.0	—	313 R3	IEC200L4	—	—	—	76800	90900	28600	364
23.1	11276	2.1	63.2	40.0	—	311 R3	IEC200L4	—	—	—	61900	77100	23100	376
23.3	11164	1.5	62.6	18.0	310 L3	—	IEC200L4	—	—	—	52200	65700	23100	338
24.2	10746	2.2	60.2	18.0	311 L3	—	IEC200L4	—	—	—	61000	76000	22800	350
27.2	9571	2.1	53.7	40.0	—	313 R3	IEC200L4	—	—	—	72800	86200	27000	364
27.5	9456	1.7	53.0	18.0	310 L3	—	IEC200L4	—	—	—	49700	62500	21800	338
27.6	9451	2.1	53.0	40.0	—	311 R3	IEC200L4	—	—	—	58700	73100	21800	376
28.9	9006	2.5	50.5	18.0	311 L3	—	IEC200L4	—	—	—	57900	72100	21500	350
31	8610	1.0	46.7	18.0	307 L2	—	IEC200L4	—	16700	20900	39700	52100	14500	314
31	8610	1.5	46.7	18.0	309 L2	—	IEC200L4	—	—	—	40400	52100	11600	326
31	8610	1.6	46.7	22.0	310 L2	—	IEC200L4	—	—	—	47800	60200	20900	338
38	7153	2.8	38.8	26.0	311 L2	—	IEC200L4	—	—	—	53500	66600	19700	350
38	7117	1.2	38.6	18.0	307 L2	—	IEC200L4	—	15600	19600	37500	49200	13600	314
38	7117	1.8	38.6	18.0	309 L2	—	IEC200L4	—	—	—	38100	49200	10900	326
38	7117	1.9	38.6	22.0	310 L2	—	IEC200L4	—	—	—	45200	56800	19600	338
38	7082	0.9	38.4	13.0	306 L2	—	IEC200L4	—	13700	15600	34100	39700	10300	302
44	6092	1.1	33.1	13.0	306 L2	—	IEC200L4	—	13400	15100	33300	38800	10000	302
45	5997	1.6	32.6	18.0	307 L2	—	IEC200L4	—	14800	18500	35700	46700	12800	314
45	5997	2.2	32.6	18.0	309 L2	—	IEC200L4	—	—	—	36200	46700	10300	326
45	5997	2.2	32.6	22.0	310 L2	—	IEC200L4	—	—	—	42900	54000	18600	338
48	5653	2.4	30.7	22.0	310 L2	—	IEC200L4	—	—	—	42200	53000	18200	338
48	5653	1.7	30.7	18.0	307 L2	—	IEC200L4	—	14500	18200	35000	45900	12600	314
51	5241	1.3	28.4	13.0	306 L2	—	IEC200L4	—	12700	14400	31800	37100	9550	302
52	5159	1.8	28.0	18.0	307 L2	—	IEC200L4	—	14100	17600	34100	44700	12200	314
52	5159	2.4	28.0	18.0	309 L2	—	IEC200L4	—	—	—	34600	44700	9770	326
52	5159	2.5	28.0	22.0	310 L2	—	IEC200L4	—	—	—	41000	51600	17600	338
55	4855	1.3	26.4	13.0	306 L2	—	IEC200L4	—	12400	14000	31100	36200	9310	302
58	4673	2.7	25.4	22.0	310 L2	—	IEC200L4	—	—	—	39800	50100	17100	338
58	4673	1.9	25.4	18.0	307 L2	—	IEC200L4	—	13600	17100	33100	43400	11800	314
58	4673	2.2	25.4	18.0	309 L2	—	IEC200L4	—	—	—	33600	43400	9460	326
58	4668	2.6	25.3	55.0	—	310 R2 (C)	IEC200L4	—	—	—	39800	50100	17100	340
62	4337	2.1	23.5	35.0	—	309 R2	IEC200L4	—	—	—	32900	42400	9220	328
62	4337	1.8	23.5	35.0	—	307 R2	IEC200L4	—	13300	16600	32400	42400	11500	316
64	4176	1.5	22.7	13.0	306 L2	—	IEC200L4	—	11800	13400	29700	34600	8850	302
67	4020	2.2	21.8	18.0	307 L2	—	IEC200L4	—	12900	16200	31600	41400	11200	314
67	4020	2.5	21.8	18.0	309 L2	—	IEC200L4	—	—	—	32100	41400	8990	326
68	3934	3.0	21.3	55.0	—	310 R2 (C)	IEC200L4	—	—	—	37800	47600	16100	340
74	3654	2.1	19.8	35.0	—	309 R2	IEC200L4	—	—	—	31200	40300	8710	328
74	3654	2.1	19.8	35.0	—	307 R2	IEC200L4	—	12500	15700	30700	40300	10900	316
81	3328	1.8	18.1	13.0	306 L2	—	IEC200L4	—	10900	12400	27800	32300	8210	302
84	3203	2.5	17.4	18.0	307 L2	—	IEC200L4	—	12000	15000	29500	38700	10400	314
94	2847	2.1	15.5	35.0	—	309 R2	IEC200L4	—	—	—	29000	37400	8020	328
94	2847	2.1	15.5	35.0	—	307 R2	IEC200L4	—	11500	14500	28500	37400	10000	316
95	2819	1.8	15.3	13.0	306 L2	—	IEC200L4	—	10300	11700	26400	30800	7770	302
99	2713	2.8	14.7	18.0	307 L2	—	IEC200L4	—	11300	14200	28100	36800	9860	314
113	2388	2.0	13.0	13.0	306 L2	—	IEC200L4	—	9780	11100	25100	29300	7350	302
113	2386	2.1	13.0	35.0	—	309 R2	IEC200L4	—	—	—	27500	35400	7560	328
113	2386	2.1	13.0	35.0	—	307 R2	IEC200L4	—	10900	13600	27000	35400	9450	316

A






The technical information shall be considered as indicative, the configurations should be matching the data provided by motors manufacturers on rated powers greater than 22 kW.



P₁ = 30 kW

n ₂ min ⁻¹	M ₂ Nm	S	i	Pt kW					Rn ₂ [N]					
									MC/PC	MZ/PZ	HC	HZ	FZ	
195	1426	1.6	7.50	13.0	305 L1	—	IEC200L4	—	6550	7560	13000	15700	4200	290
195	1426	2.9	7.50	18.0	306 L1	—	IEC200L4	—	8150	9240	21300	24800	6120	302
222	1249	1.5	6.57	12.0	304 L1	—	IEC200L4	—	6260	7230	12500	15100	4020	290
235	1179	1.2	6.20	11.0	303 L1	—	IEC200L4	—	6140	7090	12300	14800	3940	266
235	1179	2.2	6.20	13.0	305 L1	—	IEC200L4	—	6140	7090	12300	14800	3940	290
274	1014	1.5	5.33	11.0	303 L1	—	IEC200L4	—	5840	6750	11800	14200	3750	266
274	1014	2.0	5.33	12.0	304 L1	—	IEC200L4	—	5840	6750	11800	14200	3750	290
274	1014	2.5	5.33	13.0	305 L1	—	IEC200L4	—	5840	6750	11800	14200	3750	290
344	808	1.8	4.25	11.0	303 L1	—	IEC200L4	—	5420	6250	11000	13200	3480	266
344	808	2.4	4.25	12.0	304 L1	—	IEC200L4	—	5420	6250	11000	13200	3480	290
406	684	2.0	3.60	13.0	303 L1	—	IEC200L4	—	5420	6250	11000	13200	3480	266
406	684	2.7	3.60	18.0	304 L1	—	IEC200L4	—	6750	7640	18000	21000	5070	290






P₁ = 37 kW

n ₂ min ⁻¹	M ₂ Nm	S	i	Pt kW					Rn ₂ [N]					
									MC/PC	MZ/PZ	HC	HZ	FZ	
1.1	292061	1.2	1389	30.0	319 L4	—	IEC225S4	—	—	—	636100	700800	199500	428
1.2	251235	1.4	1195	30.0	319 L4	—	IEC225S4	—	—	—	608000	669900	189700	428
1.3	235882	2.2	1122	35.0	321 L4	—	IEC225S4	—	—	—	731900	867900	1114500	438
1.4	222745	1.2	1059	22.0	318 L4	—	IEC225S4	—	—	—	503000	520700	182200	418
1.5	211689	1.6	1007	30.0	319 L4	—	IEC225S4	—	—	—	577600	636300	179200	428
1.6	198752	2.9	945	35.0	321 L4	—	IEC225S4	—	—	—	695300	824500	1052600	438
1.6	191757	1.8	912	30.0	319 L4	—	IEC225S4	—	—	—	560700	617700	173400	428
1.6	191609	1.4	911	22.0	318 L4	—	IEC225S4	—	—	—	487700	497700	173300	418
1.6	190621	1.8	906	115.0	—	319 R4 (C)	IEC225S4	—	—	—	559700	616600	173000	430
1.7	178877	2.0	850	30.0	319 L4	—	IEC225S4	—	—	—	549100	605000	169400	428
1.9	163975	2.0	780	115.0	—	319 R4 (C)	IEC225S4	—	—	—	535000	589400	164500	430
1.9	161448	1.7	768	22.0	318 L4	—	IEC225S4	—	—	—	463300	472800	163700	418
2.0	152688	1.7	726	22.0	318 L4	—	IEC225S4	—	—	—	455600	464900	160700	418
2.1	150721	2.4	717	30.0	319 L4	—	IEC225S4	—	—	—	521600	574700	160000	428
2.1	145380	1.8	691	110.0	—	318 R4 (C)	IEC225S4	—	—	—	448900	458100	158100	420
2.2	142543	2.5	678	30.0	319 L4	—	IEC225S4	—	—	—	513000	565100	157000	428
2.3	138164	2.3	657	115.0	—	319 R4 (C)	IEC225S4	—	—	—	508200	559900	155400	430
2.3	137692	2.3	655	95.0	—	319 R4 (B)	IEC225S4	—	—	—	507700	559300	155200	430
2.3	136035	1.9	647	22.0	318 L4	—	IEC225S4	—	—	—	440100	449100	154600	418
2.4	128654	2.0	612	22.0	318 L4	—	IEC225S4	—	—	—	432800	441700	151800	418
2.5	125058	2.1	595	110.0	—	318 R4 (C)	IEC225S4	—	—	—	429100	437900	150300	420
2.6	120105	2.9	571	30.0	319 L4	—	IEC225S4	—	—	—	487300	536800	148300	428
2.6	118445	2.6	563	95.0	—	319 R4 (B)	IEC225S4	—	—	—	485200	534600	147600	430
2.7	116749	2.6	555	115.0	—	319 R4 (C)	IEC225S4	—	—	—	483100	532300	146900	430
2.8	110414	2.7	525	115.0	—	319 R4 (C)	IEC225S4	—	—	—	475100	523500	144200	430
2.9	108403	2.3	515	22.0	318 L4	—	IEC225S4	—	—	—	411100	419500	143300	418
3.0	105373	2.4	501	110.0	—	318 R4 (C)	IEC225S4	—	—	—	407600	416000	142000	420
3.0	105013	2.4	499	90.0	—	318 R4 (B)	IEC225S4	—	—	—	407200	415600	141800	420
3.1	100250	2.5	477	22.0	318 L4	—	IEC225S4	—	—	—	401600	409800	139700	418
3.1	99656	2.5	474	110.0	—	318 R4 (C)	IEC225S4	—	—	—	400900	409100	139400	420
3.4	90334	2.7	430	90.0	—	318 R4 (B)	IEC225S4	—	—	—	389200	397200	134900	420
3.5	88839	2.7	422	22.0	318 L4	—	IEC225S4	—	—	—	387300	395200	134100	418
3.7	84470	2.8	402	22.0	318 L4	—	IEC225S4	—	—	—	381500	389300	131900	418
3.7	83969	2.8	399	110.0	—	318 R4 (C)	IEC225S4	—	—	—	380800	388600	131600	420
5.9	54883	2.2	252	35.0	317 L3	—	IEC225S4	—	—	—	264500	281600	84700	408
6.1	52350	1.2	241	30.0	315 L3	—	IEC225S4	—	—	—	122000	143200	50000	386
6.2	52091	1.0	240	25.0	314 L3	—	IEC225S4	—	—	—	121800	143000	50000	374
7.1	45032	1.8	207	30.0	315 L3	—	IEC225S4	—	—	—	116600	136900	47600	386
7.2	44810	1.4	206	25.0	314 L3	—	IEC225S4	—	—	—	116400	136700	47500	374
8.5	37944	2.1	174	30.0	315 L3	—	IEC225S4	—	—	—	110700	130000	45000	386
8.5	37756	1.7	174	25.0	314 L3	—	IEC225S4	—	—	—	110600	129800	44900	374
9.0	35885	2.2	165	30.0	315 L3	—	IEC225S4	—	—	—	108900	127900	44100	386
9.0	35885	2.3	165	35.0	316 L3	—	IEC225S4	—	—	—	181100	201400	73500	398
9.0	35708	1.8	164	25.0	314 L3	—	IEC225S4	—	—	—	108700	127700	44100	374
9.4	34167	1.5	157	55.0	—	314 R3 (C)	IEC225S4	—	—	—	107300	126000	43400	376
9.4	34167	1.9	157	90.0	—	315 R3 (C)	IEC225S4	—	—	—	107300	126000	43400	388
10.6	30236	2.7	139	30.0	315 L3	—	IEC225S4	—	—	—	103500	121500	41700	386
10.6	30236	2.7	139	35.0	316 L3	—	IEC225S4	—	—	—	172000	191300	69500	398
10.7	30087	2.2	138	25.0	314 L3	—	IEC225S4	—	—	—	103300	121300	41600	374
11.0	29391	2.1	135	55.0	—	314 R3 (C)	IEC225S4	—	—	—	102600	120400	41300	376
11.0	29391	2.6	135	90.0	—	315 R3 (C)	IEC225S4	—	—	—	102600	120400	41300	388
13.0	24765	2.1	114	55.0	—	314 R3 (C)	IEC225S4	—	—	—	97400	114400	39000	376
13.0	24765	2.6	114	90.0	—	315 R3 (C)	IEC225S4	—	—	—	97400	114400	39000	388
13.0	24680	1.9	113	55.0	—	314 R3 (B)	IEC225S4	—	—	—	97300	114300	38900	376
13.0	24680	2.4	113	75.0	—	315 R3 (B)	IEC225S4	—	—	—	97300	114300	38900	388
13.7	23444	2.4	108	25.0	314 L3	—	IEC225S4	—	—	—	95900	112500	38300	374

The technical information shall be considered as indicative, the configurations should be matching the data provided by motors manufacturers on rated powers greater than 22 kW.








P₁ = 37 kW

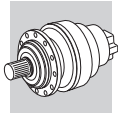
n ₂ min ⁻¹	M ₂ Nm	S	i	Pt kW					Rn ₂ [N]					
									MC/PC	MZ/PZ	HC	HZ	FZ	
13.7	23421	2.1	108	55.0	—	314 R3 (C)	IEC225S4	—	—	—	95800	112500	38300	376
13.7	23421	2.7	108	90.0	—	315 R3 (C)	IEC225S4	—	—	—	95800	112500	38300	388
15.2	21230	2.6	97.6	55.0	—	314 R3 (B)	IEC225S4	—	—	—	93000	109200	37000	376
16.0	20167	2.7	92.7	25.0	314 L3	—	IEC225S4	—	—	—	91600	107600	36400	374
16.3	19734	2.4	90.7	55.0	—	314 R3 (C)	IEC225S4	—	—	—	91000	106900	36200	376
16.3	19734	3.0	90.7	90.0	—	315 R3 (C)	IEC225S4	—	—	—	91000	106900	36200	388
18.0	17889	2.9	82.3	55.0	—	314 R3 (B)	IEC225S4	—	—	—	88400	103800	35000	376
20.9	15378	2.9	70.7	55.0	—	314 R3 (C)	IEC225S4	—	—	—	84500	99200	33300	376
32	10499	1.4	46.7	22.0	310 L2	—	IEC225S4	—	—	—	47800	60200	20900	338
38	8722	2.3	38.8	26.0	311 L2	—	IEC225S4	—	—	—	53500	66600	19700	350
38	8679	1.6	38.6	22.0	310 L2	—	IEC225S4	—	—	—	45200	56800	19600	338
45	7349	2.7	32.7	26.0	311 L2	—	IEC225S4	—	—	—	50800	63300	18600	350
45	7313	1.8	32.6	22.0	310 L2	—	IEC225S4	—	—	—	42900	54000	18600	338
48	6893	1.9	30.7	22.0	310 L2	—	IEC225S4	—	—	—	42200	53000	18200	338
53	6290	2.0	28.0	22.0	310 L2	—	IEC225S4	—	—	—	41000	51600	17600	338
58	5698	2.2	25.4	22.0	310 L2	—	IEC225S4	—	—	—	39800	50100	17100	338
58	5693	2.1	25.3	55.0	—	310 R2 (C)	IEC225S4	—	—	—	39800	50100	17100	340
68	4902	2.5	21.8	22.0	310 L2	—	IEC225S4	—	—	—	38100	47900	16200	338
69	4796	2.5	21.3	55.0	—	310 R2 (C)	IEC225S4	—	—	—	37800	47600	16100	340
81	4112	2.7	18.3	55.0	—	310 R2 (B)	IEC225S4	—	—	—	36100	45400	15300	340
85	3906	2.9	17.4	22.0	310 L2	—	IEC225S4	—	—	—	35600	44700	15100	338
89	3738	3.0	16.6	55.0	—	310 R2 (C)	IEC225S4	—	—	—	35100	44100	14800	340
197	1739	2.4	7.50	18.0	306 L1	—	IEC225S4	—	8150	9240	21300	24800	6120	302
239	1437	2.9	6.20	18.0	306 L1	—	IEC225S4	—	7650	8670	20200	23500	5750	302








P₁ = 45 kW

n ₂ min ⁻¹	M ₂ Nm	S	i	Pt kW					Rn ₂ [N]					
									MC/PC	MZ/PZ	HC	HZ	FZ	
1.1	355606	1.0	1389	30.0	319 L4	—	IEC225M4	—	—	—	636100	700800	199500	428
1.2	327642	2.7	1279	50.0	323 L4	—	IEC225M4	—	—	—	—	—	1043200	448
1.2	305897	1.2	1195	30.0	319 L4	—	IEC225M4	—	—	—	608000	669900	189700	428
1.3	287204	1.8	1122	35.0	321 L4	—	IEC225M4	—	—	—	731900	867900	1114500	438
1.4	271209	1.0	1059	22.0	318 L4	—	IEC225M4	—	—	—	499800	510000	178100	418
1.5	257747	1.3	1007	30.0	319 L4	—	IEC225M4	—	—	—	577600	636300	179200	428
1.6	241996	2.4	945	35.0	321 L4	—	IEC225M4	—	—	—	695300	824500	1052600	438
1.6	233478	1.4	912	30.0	319 L4	—	IEC225M4	—	—	—	560700	617700	173400	428
1.6	233298	1.2	911	22.0	318 L4	—	IEC225M4	—	—	—	487700	497700	173300	418
1.6	232095	1.4	906	115.0	—	319 R4 (C)	IEC225M4	—	—	—	559700	616600	173000	430
1.7	217796	1.7	850	30.0	319 L4	—	IEC225M4	—	—	—	549100	605000	169400	428
1.9	203904	2.7	796	35.0	321 L4	—	IEC225M4	—	—	—	660400	783200	994200	438
1.9	199651	1.7	780	115.0	—	319 R4 (C)	IEC225M4	—	—	—	535000	589400	164500	430
1.9	196575	1.4	768	22.0	318 L4	—	IEC225M4	—	—	—	463300	472800	163700	418
2.0	188568	2.9	736	35.0	321 L4	—	IEC225M4	—	—	—	645100	765000	968700	438
2.0	187451	2.8	732	125.0	—	321 R4 (C)	IEC225M4	—	—	—	644000	763700	966700	440
2.0	185909	1.4	726	22.0	318 L4	—	IEC225M4	—	—	—	455600	464900	160700	418
2.1	183513	1.9	717	30.0	319 L4	—	IEC225M4	—	—	—	521600	574700	160000	428
2.1	177011	1.5	691	110.0	—	318 R4 (C)	IEC225M4	—	—	—	448900	458100	158100	420
2.2	173556	2.0	678	30.0	319 L4	—	IEC225M4	—	—	—	513000	565100	157000	428
2.3	168225	1.9	657	115.0	—	319 R4 (C)	IEC225M4	—	—	—	508200	559900	155400	430
2.3	167650	1.9	655	95.0	—	319 R4 (B)	IEC225M4	—	—	—	507700	559300	155200	430
2.3	165633	1.6	647	22.0	318 L4	—	IEC225M4	—	—	—	440100	449100	154600	418
2.4	156646	1.7	612	22.0	318 L4	—	IEC225M4	—	—	—	432800	441700	151800	418
2.5	152268	1.7	595	110.0	—	318 R4 (C)	IEC225M4	—	—	—	429100	437900	150300	420
2.6	146237	2.4	571	30.0	319 L4	—	IEC225M4	—	—	—	487300	536800	148300	428
2.6	144215	2.2	563	95.0	—	319 R4 (B)	IEC225M4	—	—	—	485200	534600	147600	430
2.7	142150	2.2	555	115.0	—	319 R4 (C)	IEC225M4	—	—	—	483100	532300	146900	430
2.8	135239	2.5	528	30.0	319 L4	—	IEC225M4	—	—	—	476000	524400	144500	428
2.8	134437	2.2	525	115.0	—	319 R4 (C)	IEC225M4	—	—	—	475100	523500	144200	430
2.9	131988	1.9	515	22.0	318 L4	—	IEC225M4	—	—	—	411100	419500	143300	418
3.0	128299	2.0	501	110.0	—	318 R4 (C)	IEC225M4	—	—	—	407600	416000	142000	420
3.0	127861	2.0	499	90.0	—	318 R4 (B)	IEC225M4	—	—	—	407200	415600	141800	420
3.1	122062	2.0	477	22.0	318 L4	—	IEC225M4	—	—	—	401600	409800	139700	418
3.1	121515	2.5	475	95.0	—	319 R4 (B)	IEC225M4	—	—	—	460900	507800	139400	430
3.1	121338	2.0	474	110.0	—	318 R4 (C)	IEC225M4	—	—	—	400900	409100	139400	420
3.3	113951	2.8	445	30.0	319 L4	—	IEC225M4	—	—	—	452100	498100	136500	428
3.3	113276	2.5	442	115.0	—	319 R4 (C)	IEC225M4	—	—	—	451300	497200	136200	430
3.4	109988	2.2	430	90.0	—	318 R4 (B)	IEC225M4	—	—	—	389200	397200	134900	420
3.5	108168	2.2	422	22.0	318 L4	—	IEC225M4	—	—	—	387300	395200	134100	418
3.7	102848	2.3	402	22.0	318 L4	—	IEC225M4	—	—	—	381500	389300	131900	418
3.7	102239	2.3	399	110.0	—	318 R4 (C)	IEC225M4	—	—	—	380800	388600	131600	420
4.1	92675	2.5	362	90.0	—	318 R4 (B)	IEC225M4	—	—	—	369700	377300	127400	420
4.3	88267	2.9	345	115.0	—	319 R4 (C)	IEC225M4	—	—	—	418800	461400	125400	430
4.3	87647	2.6	342	90.0	—	318 R4 (B)	IEC225M4	—	—	—	363600	371000	125100	420
4.4	86197	2.6	337	22.0	318 L4	—	IEC225M4	—	—	—	361800	369200	124400	418

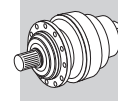
The technical information shall be considered as indicative, the configurations should be matching the data provided by motors manufacturers on rated powers greater than 22 kW.








P₁ = 45 kW

n ₂ min ⁻¹	M ₂ Nm	S	i	Pt kW					Rn ₂ [N]					
									MC/PC	MZ/PZ	HC	HZ	FZ	
4.7	80141	2.8	313	22.0	318 L4	—	IEC225M4	—	—	—	353900	361200	121400	418
4.8	79666	2.8	311	110.0	—	318 R4 (C)	IEC225M4	—	—	—	353300	360600	121100	420
5.1	73851	2.9	288	90.0	—	318 R4 (B)	IEC225M4	—	—	—	345400	352500	118100	420
5.9	66824	1.8	252	35.0	317 L3	—	IEC225M4	—	—	—	264500	281600	84700	408
6.1	63740	1.0	241	30.0	315 L3	—	IEC225M4	—	—	—	122000	143200	50000	386
7.0	56305	2.5	213	35.0	317 L3	—	IEC225M4	—	—	—	251200	267500	80000	408
7.1	54830	1.5	207	30.0	315 L3	—	IEC225M4	—	—	—	116600	136900	47600	386
7.2	54559	1.2	206	25.0	314 L3	—	IEC225M4	—	—	—	116400	136700	47500	374
8.3	47442	2.9	179	35.0	317 L3	—	IEC225M4	—	—	—	238700	254100	75600	408
8.5	46199	1.7	174	30.0	315 L3	—	IEC225M4	—	—	—	110700	130000	45000	386
8.5	45971	1.4	174	25.0	314 L3	—	IEC225M4	—	—	—	110600	129800	44900	374
8.9	43874	2.7	166	35.0	317 L3	—	IEC225M4	—	—	—	233100	248200	73600	408
9.0	43692	1.8	165	30.0	315 L3	—	IEC225M4	—	—	—	108900	127900	44100	386
9.0	43692	1.9	165	35.0	316 L3	—	IEC225M4	—	—	—	181100	201400	73500	398
9.0	43614	2.7	165	100.0	—	317 R3 (C)	IEC225M4	—	—	—	232700	247800	73500	408
9.0	43477	1.5	164	25.0	314 L3	—	IEC225M4	—	—	—	108700	127700	44100	374
9.4	41601	1.2	157	55.0	—	314 R3 (C)	IEC225M4	—	—	—	107300	126000	43400	376
9.4	41601	1.6	157	90.0	—	315 R3 (C)	IEC225M4	—	—	—	107300	126000	43400	388
10.6	36815	2.2	139	30.0	315 L3	—	IEC225M4	—	—	—	103500	121500	41700	386
10.6	36815	2.2	139	35.0	316 L3	—	IEC225M4	—	—	—	172000	191300	69500	398
10.7	36633	1.8	138	25.0	314 L3	—	IEC225M4	—	—	—	103300	121300	41600	374
11.0	35786	1.7	135	55.0	—	314 R3 (C)	IEC225M4	—	—	—	102600	120400	41300	376
11.0	35786	2.1	135	90.0	—	315 R3 (C)	IEC225M4	—	—	—	102600	120400	41300	388
12.6	31020	2.6	117	35.0	316 L3	—	IEC225M4	—	—	—	163400	181700	65600	398
13.0	30153	1.7	114	55.0	—	314 R3 (C)	IEC225M4	—	—	—	97400	114400	39000	376
13.0	30153	2.1	114	90.0	—	315 R3 (C)	IEC225M4	—	—	—	97400	114400	39000	388
13.0	30050	1.6	113	55.0	—	314 R3 (B)	IEC225M4	—	—	—	97300	114300	38900	376
13.0	30050	2.0	113	75.0	—	315 R3 (B)	IEC225M4	—	—	—	97300	114300	38900	388
13.7	28687	2.5	108	30.0	315 L3	—	IEC225M4	—	—	—	96000	112700	38400	386
13.7	28687	2.6	108	35.0	316 L3	—	IEC225M4	—	—	—	159600	177500	63900	398
13.7	28545	2.0	108	25.0	314 L3	—	IEC225M4	—	—	—	95900	112500	38300	374
13.7	28517	1.7	108	55.0	—	314 R3 (C)	IEC225M4	—	—	—	95800	112500	38300	376
13.7	28517	2.2	108	90.0	—	315 R3 (C)	IEC225M4	—	—	—	95800	112500	38300	388
13.7	28517	2.5	108	90.0	—	316 R3 (C)	IEC225M4	—	—	—	159300	177200	63800	388
15.2	25850	2.1	97.6	55.0	—	314 R3 (B)	IEC225M4	—	—	—	93000	109200	37000	376
15.2	25850	2.7	97.6	75.0	—	315 R3 (B)	IEC225M4	—	—	—	93000	109200	37000	388
16.0	24555	2.2	92.7	25.0	314 L3	—	IEC225M4	—	—	—	91600	107600	36400	374
16.2	24171	2.8	91.3	30.0	315 L3	—	IEC225M4	—	—	—	91200	107100	36200	386
16.2	24171	3.0	91.3	35.0	316 L3	—	IEC225M4	—	—	—	151600	168600	60400	398
16.3	24028	2.0	90.7	55.0	—	314 R3 (C)	IEC225M4	—	—	—	91000	106900	36200	376
16.3	24028	2.5	90.7	90.0	—	315 R3 (C)	IEC225M4	—	—	—	91000	106900	36200	388
16.3	24028	2.9	90.7	90.0	—	316 R3 (C)	IEC225M4	—	—	—	151300	168300	60300	388
18.0	21781	2.4	82.3	100.0	—	314 R3 (B)	IEC225M4	—	—	—	194000	206600	60100	376
19.0	20599	2.5	77.8	55.0	—	314 R3 (B)	IEC225M4	—	—	—	88400	103800	35000	376
20.0	19567	2.6	73.9	55.0	314 L3	—	IEC225M4	—	—	—	86900	102000	34300	374
20.9	18723	2.3	70.7	35.0	—	314 R3 (C)	IEC225M4	—	—	—	143800	159900	56900	376
20.9	18723	2.9	70.7	25.0	—	315 R3 (C)	IEC225M4	—	—	—	85600	100500	33800	388
22.6	17356	2.9	65.5	30.0	—	314 R3 (B)	IEC225M4	—	—	—	84600	99300	33300	376
23.6	16575	2.9	62.6	35.0	314 L3	—	IEC225M4	—	—	—	140700	156500	55600	374
29.0	13524	2.8	51.1	55.0	—	314 R3 (B)	IEC225M4	—	—	—	76600	89900	29800	376
32	12783	1.1	46.7	22.0	310 L2	—	IEC225M4	—	—	—	47800	60200	20900	338
37	11078	2.7	40.5	30.0	313 L2	—	IEC225M4	—	—	—	66900	79200	24600	362
38	10620	1.9	38.8	26.0	311 L2	—	IEC225M4	—	—	—	53500	66600	19700	350
38	10567	1.3	38.6	22.0	310 L2	—	IEC225M4	—	—	—	45200	56800	19600	338
45	8948	2.3	32.7	26.0	311 L2	—	IEC225M4	—	—	—	50800	63300	18600	350
45	8904	1.5	32.6	22.0	310 L2	—	IEC225M4	—	—	—	42900	54000	18600	338
48	8393	1.6	30.7	22.0	310 L2	—	IEC225M4	—	—	—	42200	53000	18200	338
53	7659	1.7	28.0	22.0	310 L2	—	IEC225M4	—	—	—	41000	51600	17600	338
54	7539	2.5	27.6	26.0	311 L2	—	IEC225M4	—	—	—	48300	60100	17600	350
58	6972	2.6	25.5	26.0	311 L2	—	IEC225M4	—	—	—	47100	58700	17100	350
58	6938	1.8	25.4	22.0	310 L2	—	IEC225M4	—	—	—	39800	50100	17100	338
58	6931	1.8	25.3	55.0	—	310 R2 (C)	IEC225M4	—	—	—	39800	50100	17100	340
58	6931	2.5	25.3	90.0	—	311 R2 (C)	IEC225M4	—	—	—	47100	58600	17100	376
68	5968	2.0	21.8	22.0	310 L2	—	IEC225M4	—	—	—	38100	47900	16200	338
69	5875	3.0	21.5	26.0	311 L2	—	IEC225M4	—	—	—	44800	55800	16200	350
69	5840	2.0	21.3	55.0	—	310 R2 (C)	IEC225M4	—	—	—	37800	47600	16100	340
69	5840	2.9	21.3	90.0	—	311 R2 (C)	IEC225M4	—	—	—	44700	55700	16100	376
81	5007	2.2	18.3	55.0	—	310 R2 (B)	IEC225M4	—	—	—	36100	45400	15300	340
85	4756	2.4	17.4	22.0	310 L2	—	IEC225M4	—	—	—	35600	44700	15100	338
89	4551	2.5	16.6	55.0	—	310 R2 (C)	IEC225M4	—	—	—	35100	44100	14800	340
96	4218	2.5	15.4	55.0	—	310 R2 (B)	IEC225M4	—	—	—	34300	43100	14500	340
100	4028	2.7	14.7	22.0	310 L2	—	IEC225M4	—	—	—	33800	42600	14200	338
197	2117	1.9	7.50	18.0	306 L1	—	IEC225M4	—	8150	9240	21300	24800	6120	302
239	1750	2.4	6.20	18.0	306 L1	—	IEC225M4	—	7650	8670	20200	23500	5750	302
278	1505	2.7	5.33	18.0	306 L1	—	IEC225M4	—	7280	8240	19300	22400	5470	302

The technical information shall be considered as indicative, the configurations should be matching the data provided by motors manufacturers on rated powers greater than 22 kW.








P₁ = 55 kW

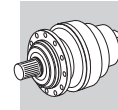
n ₂ min ⁻¹	M ₂ Nm	S	i	Pt kW					Rn ₂ [N]					
									MC/PC	MZ/PZ	HC	HZ	FZ	
1.2	399701	2.2	1279	50.0	323 L4	—	IEC250M4	—	—	—	—	—	1043200	448
1.2	373174	0.9	1195	30.0	319 L4	—	IEC250M4	—	—	—	595600	656200	185400	428
1.3	350369	1.5	1122	35.0	321 L4	—	IEC250M4	—	—	—	731900	867900	1114500	438
1.3	343828	2.5	1101	50.0	323 L4	—	IEC250M4	—	—	—	—	—	992100	448
1.4	320273	2.7	1025	50.0	323 L4	—	IEC250M4	—	—	—	—	—	968900	448
1.5	314433	1.1	1007	30.0	319 L4	—	IEC250M4	—	—	—	577600	636300	179200	428
1.6	295218	2.0	945	35.0	321 L4	—	IEC250M4	—	—	—	695300	824500	1052600	438
1.6	284828	1.2	912	30.0	319 L4	—	IEC250M4	—	—	—	560700	617700	173400	428
1.6	284607	1.0	911	22.0	318 L4	—	IEC250M4	—	—	—	477700	487500	169400	418
1.6	283140	1.2	906	115.0	—	319 R4 (C)	IEC250M4	—	—	—	559700	616600	173000	430
1.7	265696	1.4	850	30.0	319 L4	—	IEC250M4	—	—	—	549100	605000	169400	428
1.9	248748	2.2	796	35.0	321 L4	—	IEC250M4	—	—	—	660400	783200	994200	438
1.9	243561	1.4	780	115.0	—	319 R4 (C)	IEC250M4	—	—	—	535000	589400	164500	430
1.9	239808	1.1	768	22.0	318 L4	—	IEC250M4	—	—	—	463300	472800	163700	418
2.0	230040	2.4	736	35.0	321 L4	—	IEC250M4	—	—	—	645100	765000	968700	438
2.0	228677	2.3	732	125.0	—	321 R4 (C)	IEC250M4	—	—	—	644000	763700	966700	440
2.0	226796	1.2	726	22.0	318 L4	—	IEC250M4	—	—	—	455600	464900	160700	418
2.1	223874	1.6	717	30.0	319 L4	—	IEC250M4	—	—	—	521600	574700	160000	428
2.1	215941	1.2	691	110.0	—	318 R4 (C)	IEC250M4	—	—	—	448900	458100	158100	420
2.2	211727	1.7	678	30.0	319 L4	—	IEC250M4	—	—	—	513000	565100	157000	428
2.3	205223	1.6	657	115.0	—	319 R4 (C)	IEC250M4	—	—	—	508200	559900	155400	430
2.3	204522	1.6	655	95.0	—	319 R4 (B)	IEC250M4	—	—	—	507700	559300	155200	430
2.3	202060	1.3	647	22.0	318 L4	—	IEC250M4	—	—	—	440100	449100	154600	418
2.4	192681	2.6	617	125.0	—	321 R4 (C)	IEC250M4	—	—	—	611700	725400	913100	440
2.4	191110	2.7	612	35.0	321 L4	—	IEC250M4	—	—	—	610200	723600	910600	438
2.4	191097	1.4	612	22.0	318 L4	—	IEC250M4	—	—	—	432800	441700	151800	418
2.5	185756	1.4	595	110.0	—	318 R4 (C)	IEC250M4	—	—	—	429100	437900	150300	420
2.6	178399	1.9	571	30.0	319 L4	—	IEC250M4	—	—	—	487300	536800	148300	428
2.6	175933	1.8	563	95.0	—	319 R4 (B)	IEC250M4	—	—	—	485200	534600	147600	430
2.7	173413	1.8	555	115.0	—	319 R4 (C)	IEC250M4	—	—	—	483100	532300	146900	430
2.8	165181	2.9	529	105.0	—	321 R4 (B)	IEC250M4	—	—	—	584100	692700	867400	440
2.8	164982	2.0	528	30.0	319 L4	—	IEC250M4	—	—	—	476000	524400	144500	428
2.8	164004	1.8	525	115.0	—	319 R4 (C)	IEC250M4	—	—	—	475100	523500	144200	430
2.9	161017	1.6	515	22.0	318 L4	—	IEC250M4	—	—	—	411100	419500	143300	418
2.9	160074	2.6	512	125.0	—	321 R4 (C)	IEC250M4	—	—	—	578600	686200	858400	440
3.0	156517	1.6	501	110.0	—	318 R4 (C)	IEC250M4	—	—	—	407600	416000	142000	420
3.0	155982	1.6	499	90.0	—	318 R4 (B)	IEC250M4	—	—	—	407200	415600	141800	420
3.1	150141	2.6	481	125.0	—	321 R4 (C)	IEC250M4	—	—	—	567600	673100	840200	440
3.1	148907	1.7	477	22.0	318 L4	—	IEC250M4	—	—	—	401600	409800	139700	418
3.1	148240	2.0	475	95.0	—	319 R4 (B)	IEC250M4	—	—	—	460900	507800	139400	430
3.1	148024	1.7	474	110.0	—	318 R4 (C)	IEC250M4	—	—	—	400900	409100	139400	420
3.3	139181	2.9	446	105.0	—	321 R4 (B)	IEC250M4	—	—	—	554800	658000	819300	440
3.3	139012	2.3	445	30.0	319 L4	—	IEC250M4	—	—	—	452100	498100	136500	428
3.3	138189	2.0	442	115.0	—	319 R4 (C)	IEC250M4	—	—	—	451300	497200	136200	430
3.4	134178	1.8	430	90.0	—	318 R4 (B)	IEC250M4	—	—	—	389200	397200	134900	420
3.5	131958	1.8	422	22.0	318 L4	—	IEC250M4	—	—	—	387300	395200	134100	418
3.7	125468	1.9	402	22.0	318 L4	—	IEC250M4	—	—	—	381500	389300	131900	418
3.7	125263	2.5	401	95.0	—	319 R4 (B)	IEC250M4	—	—	—	438200	482800	131800	430
3.7	124733	2.6	399	125.0	—	321 R4 (C)	IEC250M4	—	—	—	536900	636700	789900	440
3.7	124724	1.9	399	110.0	—	318 R4 (C)	IEC250M4	—	—	—	380800	388600	131600	420
3.9	118466	2.6	379	95.0	—	319 R4 (B)	IEC250M4	—	—	—	430900	474800	129400	430
4.0	115627	3.0	370	105.0	—	321 R4 (B)	IEC250M4	—	—	—	524800	622400	770200	440
4.1	113058	2.0	362	90.0	—	318 R4 (B)	IEC250M4	—	—	—	369700	377300	127400	420
4.3	108452	3.0	347	105.0	—	321 R4 (B)	IEC250M4	—	—	—	514800	610500	753900	440
4.3	108321	2.8	347	30.0	319 L4	—	IEC250M4	—	—	—	419500	462200	125600	428
4.3	107679	2.4	345	115.0	—	319 R4 (C)	IEC250M4	—	—	—	418800	461400	125400	430
4.3	106923	2.1	342	90.0	—	318 R4 (B)	IEC250M4	—	—	—	363600	371000	125100	420
4.4	105154	2.1	337	22.0	318 L4	—	IEC250M4	—	—	—	361800	369200	124400	418
4.6	99819	2.9	320	95.0	—	319 R4 (B)	IEC250M4	—	—	—	409400	451000	122200	430
4.7	97767	2.3	313	22.0	318 L4	—	IEC250M4	—	—	—	353900	361200	121400	418
4.8	97188	2.3	311	110.0	—	318 R4 (C)	IEC250M4	—	—	—	353300	360600	121100	420
4.8	95694	2.6	306	125.0	—	321 R4 (C)	IEC250M4	—	—	—	495900	588000	723100	440
5.1	90099	2.9	288	105.0	—	321 R4 (B)	IEC250M4	—	—	—	487000	577500	708700	440
5.1	90093	2.4	288	90.0	—	318 R4 (B)	IEC250M4	—	—	—	345400	352500	118100	420
5.6	81938	2.6	262	22.0	318 L4	—	IEC250M4	—	—	—	335700	342600	114400	418
5.9	81520	1.5	252	35.0	317 L3	—	IEC250M4	—	—	—	471100	558700	683100	408
5.9	77781	2.9	249	95.0	—	319 R4 (B)	IEC250M4	—	—	—	379800	418500	112500	430
6.6	70202	2.9	225	90.0	—	318 R4 (B)	IEC250M4	—	—	—	320500	327000	108700	420
6.7	69124	3.0	221	105.0	—	321 R4 (B)	IEC250M4	—	—	—	449800	533400	648800	440
7.0	68689	2.1	213	35.0	317 L3	—	IEC250M4	—	—	—	251200	267500	80000	408
7.1	66889	1.2	207	30.0	315 L3	—	IEC250M4	—	—	—	116600	136900	47600	386
7.2	66558	1.0	206	25.0	314 L3	—	IEC250M4	—	—	—	116400	136700	47500	374
8.3	57876	2.4	179	35.0	317 L3	—	IEC250M4	—	—	—	238700	254100	75600	408
8.5	56360	1.4	174	30.0	315 L3	—	IEC250M4	—	—	—	110700	130000	45000	386
8.5	56081	1.1	174	25.0	314 L3	—	IEC250M4	—	—	—	110600	129800	44900	374
8.9	53524	2.3	166	35.0	317 L3	—	IEC250M4	—	—	—	233100	248200	73600	408
9.0	53302	1.5	165	30.0	315 L3	—	IEC250M4	—	—	—	108900	127900	44100	386
9.0	53302	1.5	165	35.0	316 L3	—	IEC250M4	—	—	—	181100	201400	73500	398
9.0	53206	2.2	165	100.0	—	317 R3 (C)	IEC250M4	—	—	—	232700	247800	73500	408
9.0	53039	1.2	164	25.0	314 L3	—	IEC250M4	—	—	—	108700	127700	44100	374
9.4	50751	1.0	157	55.0	—	314 R3 (C)	IEC250M4	—	—	—	107300	126000	43400	376
9.4	50751	1.3	157	90.0	—	315 R3 (C)	IEC250M4	—	—	—	107300	126000	43400	388
10.6	44912	1.8	139	30.0	315 L3	—	IEC250M4	—	—	—	103500	121500	41700	386
10.6	44912	1.8	139	35.0	316 L3	—	IEC250M4	—	—	—	172000	191300	69500	398
10.7	44831	2.6	139	100.0	—	317 R3 (C)	IEC250M4	—	—	—	221000	235400	69400	408
10.7	44690	1.4	138	25.0	314 L3	—	IEC250M4	—	—	—	103300	121300	41600	374
10.8	44466	2.6	138	35.0	317 L3	—	IEC250M4	—	—	—	220500	234800	69200	408



P₁ = 55 kW



n ₂ min ⁻¹	M ₂ Nm	S	i	Pt kW					Rn ₂ [N]					
									MC/PC	MZ/PZ	HC	HZ	FZ	
11.0	43656	1.4	135	55.0	—	314 R3 (C)	IEC250M4	—	—	—	102600	120400	41300	376
11.0	43656	1.7	135	90.0	—	315 R3 (C)	IEC250M4	—	—	—	102600	120400	41300	388
12.4	38433	2.9	119	90.0	—	317 R3 (B)	IEC250M4	—	—	—	211100	224700	65900	408
12.6	37842	2.1	117	35.0	316 L3	—	IEC250M4	—	—	—	163400	181700	65600	398
12.8	37466	2.9	116	35.0	317 L3	—	IEC250M4	—	—	—	209500	223000	65400	408
12.8	37244	2.6	115	100.0	—	317 R3 (C)	IEC250M4	—	—	—	209100	222600	65300	408
13.0	36785	1.4	114	55.0	—	314 R3 (C)	IEC250M4	—	—	—	97400	114400	39000	376
13.0	36785	1.8	114	90.0	—	315 R3 (C)	IEC250M4	—	—	—	97400	114400	39000	388
13.0	36659	1.3	113	40.0	—	314 R3 (B)	IEC250M4	—	—	—	95300	111900	38100	376
13.0	36659	1.6	113	75.0	—	315 R3 (B)	IEC250M4	—	—	—	97300	114300	38900	388
13.7	34996	2.0	108	30.0	315 L3	—	IEC250M4	—	—	—	96000	112700	38400	386
13.7	34996	2.2	108	35.0	316 L3	—	IEC250M4	—	—	—	159600	177500	63900	398
13.7	34933	2.6	108	100.0	—	317 R3 (C)	IEC250M4	—	—	—	205100	218400	63900	408
13.7	34823	1.6	108	25.0	314 L3	—	IEC250M4	—	—	—	95900	112500	38300	374
13.7	34789	1.4	108	55.0	—	314 R3 (C)	IEC250M4	—	—	—	95800	112500	38300	376
13.7	34789	1.8	108	90.0	—	315 R3 (C)	IEC250M4	—	—	—	95800	112500	38300	388
13.7	34789	2.1	108	90.0	—	316 R3 (C)	IEC250M4	—	—	—	159300	177200	63800	388
14.8	32383	3.0	100	90.0	—	317 R3 (B)	IEC250M4	—	—	—	200500	213500	62300	408
15.2	31535	1.7	97.6	40.0	—	314 R3 (B)	IEC250M4	—	—	—	91100	107000	36200	376
15.2	31535	2.2	97.6	75.0	—	315 R3 (B)	IEC250M4	—	—	—	93000	109200	37000	388
16.0	29956	1.8	92.7	25.0	314 L3	—	IEC250M4	—	—	—	91600	107600	36400	374
16.2	29487	2.3	91.3	30.0	315 L3	—	IEC250M4	—	—	—	91200	107100	36200	386
16.2	29487	2.4	91.3	35.0	316 L3	—	IEC250M4	—	—	—	151600	168600	60400	398
16.3	29313	1.6	90.7	55.0	—	314 R3 (C)	IEC250M4	—	—	—	91000	106900	36200	376
16.3	29313	2.0	90.7	90.0	—	315 R3 (C)	IEC250M4	—	—	—	91000	106900	36200	388
16.3	29313	2.4	90.7	90.0	—	316 R3 (C)	IEC250M4	—	—	—	151300	168300	60300	388
16.5	29022	2.6	89.8	100.0	—	317 R3 (C)	IEC250M4	—	—	—	194000	206600	60100	408
17.8	26903	3.0	83.3	90.0	—	317 R3 (B)	IEC250M4	—	—	—	189700	201900	58600	408
18.0	26571	2.0	82.3	40.0	—	314 R3 (B)	IEC250M4	—	—	—	86600	101600	34200	376
18.0	26571	2.5	82.3	75.0	—	315 R3 (B)	IEC250M4	—	—	—	88400	103800	35000	388
18.9	25234	3.0	78.1	90.0	—	317 R3 (B)	IEC250M4	—	—	—	186000	198100	57300	408
19.0	25129	2.0	77.8	40.0	—	314 R3 (B)	IEC250M4	—	—	—	85100	100000	33600	376
19.0	25129	2.6	77.8	75.0	—	315 R3 (B)	IEC250M4	—	—	—	86900	102000	34300	388
19.0	25129	2.6	77.8	75.0	—	316 R3 (B)	IEC250M4	—	—	—	144500	160700	57200	388
19.3	24713	2.8	76.5	35.0	316 L3	—	IEC250M4	—	—	—	143800	159900	56900	398
20.0	23871	2.1	73.9	25.0	314 L3	—	IEC250M4	—	—	—	85600	100500	33800	374
20.8	22977	2.7	71.1	30.0	315 L3	—	IEC250M4	—	—	—	84600	99300	33300	386
20.8	22977	2.9	71.1	35.0	316 L3	—	IEC250M4	—	—	—	140700	156500	55600	398
20.9	22841	1.9	70.7	55.0	—	314 R3 (C)	IEC250M4	—	—	—	84500	99200	33300	376
20.9	22841	2.4	70.7	90.0	—	315 R3 (C)	IEC250M4	—	—	—	84500	99200	33300	388
20.9	22841	2.6	70.7	90.0	—	316 R3 (C)	IEC250M4	—	—	—	140400	156200	55400	388
21.5	22265	2.6	68.9	100.0	—	317 R3 (C)	IEC250M4	—	—	—	179200	190800	55000	408
22.6	21174	2.3	65.5	40.0	—	314 R3 (B)	IEC250M4	—	—	—	80900	94900	31700	376
22.6	21174	2.9	65.5	75.0	—	315 R3 (B)	IEC250M4	—	—	—	82600	96900	32400	388
22.8	20963	2.9	64.9	90.0	—	317 R3 (B)	IEC250M4	—	—	—	176000	187400	53900	408
23.6	20220	2.4	62.6	25.0	314 L3	—	IEC250M4	—	—	—	81400	95600	31900	374
29.0	16499	2.3	51.1	40.0	—	314 R3 (B)	IEC250M4	—	—	—	75000	88100	29200	376
29.0	16499	2.9	51.1	75.0	—	315 R3 (B)	IEC250M4	—	—	—	76600	89900	29800	388
29.7	16083	2.9	49.8	90.0	—	317 R3 (B)	IEC250M4	—	—	—	162500	173000	49300	408
32	15594	0.9	46.7	22.0	310 L2	—	IEC250M4	—	—	—	47800	60200	20900	338
37	13515	2.2	40.5	30.0	313 L2	—	IEC250M4	—	—	—	66900	79200	24600	362
38	12955	1.5	38.8	26.0	311 L2	—	IEC250M4	—	—	—	53500	66600	19700	350
38	12891	1.1	38.6	22.0	310 L2	—	IEC250M4	—	—	—	45200	56800	19600	338
38	12891	2.7	38.6	40.0	314 L2	—	IEC250M4	—	—	—	69000	81000	26600	374
44	11228	2.6	33.6	30.0	313 L2	—	IEC250M4	—	—	—	63300	74900	23100	362
45	10916	1.9	32.7	26.0	311 L2	—	IEC250M4	—	—	—	50800	63300	18600	350
45	10862	1.2	32.6	22.0	310 L2	—	IEC250M4	—	—	—	42900	54000	18600	338
48	10239	1.3	30.7	22.0	310 L2	—	IEC250M4	—	—	—	42200	53000	18200	338
52	9460	2.9	28.4	30.0	313 L2	—	IEC250M4	—	—	—	60100	71200	21800	362
53	9344	1.4	28.0	22.0	310 L2	—	IEC250M4	—	—	—	41000	51600	17600	338
54	9198	2.1	27.6	26.0	311 L2	—	IEC250M4	—	—	—	48300	60100	17600	350
56	8821	2.6	26.4	90.0	—	313 R2 (C)	IEC250M4	—	—	—	58900	69700	21300	364
58	8506	2.2	25.5	26.0	311 L2	—	IEC250M4	—	—	—	47100	58700	17100	350
58	8464	1.5	25.4	22.0	310 L2	—	IEC250M4	—	—	—	39800	50100	17100	338
58	8455	2.1	25.3	55.0	—	311 R2 (C)	IEC250M4	—	—	—	39800	50100	17100	376
67	7328	2.6	22.0	90.0	—	313 R2 (C)	IEC250M4	—	—	—	47100	58600	17100	364
68	7281	1.7	21.8	22.0	310 L2	—	IEC250M4	—	—	—	38100	47900	16200	338
69	7167	2.4	21.5	26.0	311 L2	—	IEC250M4	—	—	—	44800	55800	16200	350
69	7124	2.4	21.3	90.0	—	311 R2 (C)	IEC250M4	—	—	—	44700	55700	16100	376
78	6372	3.0	19.1	75.0	—	313 R2 (B)	IEC250M4	—	—	—	53400	63200	19100	364
81	6108	2.6	18.3	75.0	—	311 R2 (B)	IEC250M4	—	—	—	42700	53200	15300	376
82	6007	2.8	18.0	26.0	311 L2	—	IEC250M4	—	—	—	42500	52900	15200	350
85	5802	1.9	17.4	22.0	310 L2	—	IEC250M4	—	—	—	35600	44700	15100	338
88	5622	2.6	16.8	90.0	—	313 R2 (C)	IEC250M4	—	—	—	51400	60900	18300	364
88	5585	2.9	16.7	26.0	311 L2	—	IEC250M4	—	—	—	41600	51800	14900	350
89	5552	2.6	16.6	90.0	—	311 R2 (C)	IEC250M4	—	—	—	41500	51700	14800	376
93	5293	3.0	15.9	75.0	—	313 R2 (B)	IEC250M4	—	—	—	50500	59800	18000	364
96	5146	3.0	15.4	75.0	—	311 R2 (B)	IEC250M4	—	—	—	40500	50500	14500	376
100	4914	2.2	14.7	22.0	310 L2	—	IEC250M4	—	—	—	33800	42600	14200	338
122	4061	3.0	12.2	75.0	—	313 R2 (B)	IEC250M4	—	—	—	46700	55200	16400	364
123	4010	3.0	12.0	75.0	—	311 R2 (B)	IEC250M4	—	—	—	37600	46900	13300	376
197	2583	1.6	7.50	18.0	306 L1	—	IEC250M4	—	8150	9240	21300	24800	6120	302
238	2146	2.7	6.23	22.0	307 L1	—	IEC250M4	—	8520	10700	21700	28500	7400	314
239	2135	2.0	6.20	18.0	306 L1	—	IEC250M4	—	7650	8670	20200	23500	5750	302
278	1837	2.2	5.33	18.0	306 L1	—	IEC250M4	—	7280	8240	19300	22400	5470	302
348	1463	2.7	4.25	18.0	306 L1	—	IEC250M4	—	6750	7640	18000	21000	5070	302

The technical information shall be considered as indicative, the configurations should be matching the data provided by motors manufacturers on rated powers greater than 22 kW.



25.3 RATING CHARTS FOR INLINE UNITS 300 L

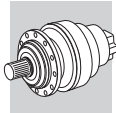
Reading the rating chart.

301 L							2460 Nm							
n_1 min ⁻¹		i	n_2 min ⁻¹	M_{n2} Nm	P_{n1} kW	P_t kW	P (IEC) - 	Rn_2 [N]					$M_{2\ max}$ Nm	
								MC	MZ	HC/PC	HZ/PZ	FZ		
1500	301 L1	3.48	431	840	30	7.5	71-80-90-100-112-132	1610	1610	4970	5710	1060	3400	
	301 L1	4.26	352	880	30	7.5	71-80-90-100-112-132	1720	1720	5280	6070	1130	3400	
	301 L1	5.77	260	930	26	7.5	71-80-90-100-112-132	1910	1910	5790	6650	1250	3400	
	301 L1	7.20	208	750	17.0	7.5	71-80-90-100-112-132	2050	2050	6180	7100	1350	3400	
	301 L1	9.00	167	630	11.3	7.5	71-80-90-100-112-132	2210	2210	6610	7600	1450	3400	
	301 L2	12.1	124	1220	16.8	7.5	71-80-90-100-112-132	2440	2440	7230	8300	1600	3400	
	301 L2	14.8	101	1280	14.4	7.5	71-80-90-100-112-132	2610	2610	7680	8820	1720	3400	
	301 L2	18.2	83	1360	12.5	7.5	71-80-90-100-112-132	2790	2790	8160	9380	1840	3400	

The rated torque of the gearbox, independent of installed mechanical power

1	Reference torque	8	Gearbox thermal capacity
2	Gearbox drive speed	9	Frame size of available IEC motor
3	Frame size of the in-line gear unit	10	Permitted overhung loading on output shaft, based on: - service factor $f_S=1$ - 10000 h theoretical lifetime - speed of output n_2
4	Gear ratio	11	For forces not applied at shaft midpoint, see diagrams provided in the specific gearbox overall dimensioning pages Maximum torque
5	Gearbox output speed	12	Dimensions page
6	Gearbox rated output torque based on: - service factor $f_S=1$ - 10000 h theoretical lifetime		
7	Gearbox rated input power, based on: - service factor $f_S=1$ - 10000 h theoretical lifetime		

B





300 L



246

1250 Nm



n ₁ min ⁻¹		i	n ₂ min ⁻¹	M _{n2} Nm	P _{n1} kW	P _t kW	P (IEC) 	Rn ₂ [N]					M _{2 max} Nm
								MC/PC	MZ/PZ	HC	HZ	FZ	
1500	300 L1	3.48	431	470	20	7.5	71-80-90-100-112-132	1610	1610	4970	5710	1060	2000
	300 L1	4.26	352	490	18.8	7.5	71-80-90-100-112-132	1720	1720	5280	6070	1130	2400
	300 L1	5.77	260	470	13.3	7.5	71-80-90-100-112-132	1910	1910	5790	6650	1250	2400
	300 L1	7.20	208	410	9.2	7.5	71-80-90-100-112-132	2050	2050	6180	7100	1350	2400
	300 L1	9.00	167	320	5.7	7.5	71-80-90-100-112-132	2210	2210	6610	7600	1450	2400
	300 L2	12.1	124	680	9.4	7.5	71-80-90-100-112-132	2440	2440	7230	8300	1600	2000
	300 L2	14.8	101	720	8.1	7.5	71-80-90-100-112-132	2610	2610	7680	8820	1720	2000
	300 L2	18.2	83	750	6.9	7.5	71-80-90-100-112-132	2790	2790	8160	9380	1840	2400
	300 L2	20.1	75	640	5.3	7.5	71-80-90-100-112-132	2890	2890	8410	9660	1900	2000
	300 L2	24.6	61	800	5.5	7.5	71-80-90-100-112-132	3090	3090	8940	10300	2030	2400
	300 L2	30.7	49	840	4.6	7.5	71-80-90-100-112-132	3330	3330	9550	11000	2190	2400
	300 L2	33.3	45	650	3.3	7.5	71-80-90-100-112-132	3420	3420	9790	11200	2250	2400
	300 L2	38.4	39	840	3.7	7.5	71-80-90-100-112-132	3590	3590	10200	11700	2360	2400
	300 L2	41.5	36	650	2.6	7.5	71-80-90-100-112-132	3680	3680	10500	12000	2420	2400
	300 L2	51.9	28.9	650	2.1	7.5	71-80-90-100-112-132	3970	3970	11200	12900	2610	2400
	300 L2	64.8	23.1	550	1.4	7.5	71-80-90-100-112-132	4270	4270	12000	13700	2810	2400
	300 L3	51.6	29.1	850	2.8	7.5	71-80-90-100-112-132	3960	3960	11200	12800	2600	2000
	300 L3	63.2	23.7	850	2.3	7.5	71-80-90-100-112-132	4240	4240	11900	13600	2780	2400
	300 L3	69.9	21.5	650	1.6	7.5	71-80-90-100-112-132	4380	4380	12200	14000	2880	2000
	300 L3	77.5	19.4	850	1.9	7.5	71-80-90-100-112-132	4530	4530	12600	14500	2980	2400
	300 L3	85.6	17.5	850	1.7	7.5	71-80-90-100-112-132	4680	4680	13000	14900	3080	2400
	300 L3	105	14.3	860	1.4	7.5	71-80-90-100-112-132	5010	5010	13800	15900	3300	2400
	300 L3	116	13.0	650	0.97	7.5	71-80-90-100-112-132	5180	5180	14200	16300	3410	2400
	300 L3	131	11.5	860	1.1	7.5	71-80-90-100-112-132	5400	5400	14800	17000	3550	2400
	300 L3	142	10.6	860	1.0	7.5	71-80-90-100-112-132	5540	5540	15100	17400	3650	2400
	300 L3	177	8.5	880	0.86	7.5	71-80-90-100-112-132	5970	5970	16200	18600	3920	2400
	300 L3	192	7.8	650	0.58	7.5	71-80-90-100-112-132	6130	6130	16600	19000	4030	2400
	300 L3	221	6.8	910	0.71	7.5	71-80-90-100-112-132	6430	6430	17300	19800	4230	2400
	300 L3	240	6.3	650	0.47	7.5	71-80-90-100-112-132	6600	6600	17700	20300	4340	2400
	300 L3	299	5.0	650	0.37	7.5	71-80-90-100-112-132	7110	7110	18900	21700	4670	2400
	300 L3	374	4.0	670	0.31	7.5	71-80-90-100-112-132	7660	7660	20200	23200	5030	2400
	300 L4	330	4.5	970	0.52	6.0	71-80-90-100-112-132	7350	7350	19500	22400	4830	2400
	300 L4	403	3.7	680	0.30	6.0	71-80-90-100-112-132	7850	7850	20700	23800	5160	2400
	300 L4	447	3.4	1020	0.40	6.0	71-80-90-100-112-132	8130	8130	21300	24500	5340	2400
	300 L4	494	3.0	1030	0.37	6.0	71-80-90-100-112-132	8400	8400	22000	25300	5520	2400
	300 L4	558	2.7	1060	0.34	6.0	71-80-90-100-112-132	8750	8750	22800	26200	5750	2400
	300 L4	616	2.4	1070	0.31	6.0	71-80-90-100-112-132	9050	9050	23500	27000	5950	2400
	300 L4	755	2.0	1110	0.26	6.0	71-80-90-100-112-132	9680	9680	25000	28700	6360	2400
	300 L4	819	1.8	1130	0.24	6.0	71-80-90-100-112-132	9940	9940	25600	29400	6540	2400
	300 L4	942	1.6	1160	0.22	6.0	71-80-90-100-112-132	10400	10400	26700	30700	6850	2400
	300 L4	1022	1.5	1170	0.20	6.0	71-80-90-100-112-132	10700	10700	27300	31400	7040	2400
	300 L4	1108	1.4	810	0.13	6.0	71-80-90-100-112-132	11000	11000	28000	32200	7230	2400
	300 L4	1275	1.2	1220	0.17	6.0	71-80-90-100-112-132	11500	11500	29200	33600	7580	2400
	300 L4	1383	1.1	850	0.11	6.0	71-80-90-100-112-132	11800	11800	29900	34000	7790	2400
	300 L4	1591	0.94	1250	0.14	6.0	71-80-90-100-112-132	12000	12400	31000	34000	8000	2400
300 L4	1725	0.87	860	0.09	6.0	71-80-90-100-112-132	12000	12500	31000	34000	8000	2400	
300 L4	2153	0.70	860	0.07	6.0	71-80-90-100-112-132	12000	12500	31000	34000	8000	2400	
300 L4	2692	0.56	1000	0.07	6.0	71-80-90-100-112-132	12000	12500	31000	34000	8000	2400	
1000	300 L1	3.48	287	530	16.5	9.0	71-80-90-100-112-132	1840	1840	5610	6450	1210	2000
	300 L1	4.26	235	560	14.1	9.0	71-80-90-100-112-132	1970	1970	5970	6860	1300	2400
	300 L1	5.77	173	530	10.0	9.0	71-80-90-100-112-132	2180	2180	6530	7510	1430	2400
	300 L1	7.20	139	460	6.9	9.0	71-80-90-100-112-132	2350	2350	6980	8020	1540	2400
	300 L1	9.00	111	360	4.3	9.0	71-80-90-100-112-132	2530	2530	7470	8580	1660	2400
	300 L2	12.1	83	730	6.7	9.0	71-80-90-100-112-132	2790	2790	8160	9380	1840	2000
	300 L2	14.8	67	790	5.9	9.0	71-80-90-100-112-132	2990	2990	8670	9970	1970	2000
	300 L2	18.2	55	820	5.0	9.0	71-80-90-100-112-132	3200	3200	9220	10600	2100	2400
	300 L2	20.1	50	650	3.6	9.0	71-80-90-100-112-132	3310	3310	9500	10900	2170	2000
	300 L2	24.6	41	840	3.8	9.0	71-80-90-100-112-132	3540	3540	10100	11600	2330	2400
	300 L2	30.7	33	850	3.1	9.0	71-80-90-100-112-132	3810	3810	10800	12400	2500	2400
	300 L2	33.3	30	650	2.2	9.0	71-80-90-100-112-132	3910	3910	11100	12700	2570	2400
	300 L2	38.4	26.1	850	2.5	9.0	71-80-90-100-112-132	4100	4100	11500	13300	2700	2400

B

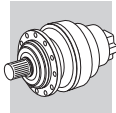


300 L  246

1250 Nm

n ₁ min ⁻¹		i	n ₂ min ⁻¹	M _{n2} Nm	P _{n1} kW	P _t kW	P (IEC) 	R _{n2} [N]					M _{2 max} Nm
								MC/PC	MZ/PZ	HC	HZ	FZ	
1000	300 L2	41.5	24.1	650	1.7	9.0	71-80-90-100-112-132	4210	4210	11800	13600	2770	2400
	300 L2	51.9	19.3	650	1.4	9.0	71-80-90-100-112-132	4540	4540	12600	14500	2980	2400
	300 L2	64.8	15.4	550	0.94	9.0	71-80-90-100-112-132	4890	4890	13500	15500	3210	2400
	300 L3	51.6	19.4	850	1.9	9.0	71-80-90-100-112-132	4530	4530	12600	14500	2980	2000
	300 L3	63.2	15.8	850	1.5	9.0	71-80-90-100-112-132	4850	4850	13400	15400	3190	2400
	300 L3	69.9	14.3	650	1.1	9.0	71-80-90-100-112-132	5010	5010	13800	15900	3290	2000
	300 L3	77.5	12.9	860	1.3	9.0	71-80-90-100-112-132	5190	5190	14200	16400	3410	2400
	300 L3	85.6	11.7	860	1.2	9.0	71-80-90-100-112-132	5360	5360	14700	16900	3530	2400
	300 L3	105	9.5	870	0.95	9.0	71-80-90-100-112-132	5740	5740	15600	17900	3770	2400
	300 L3	116	8.6	650	0.64	9.0	71-80-90-100-112-132	5930	5930	16100	18500	3900	2400
	300 L3	131	7.6	890	0.78	9.0	71-80-90-100-112-132	6180	6180	16700	19200	4060	2400
	300 L3	142	7.0	900	0.73	9.0	71-80-90-100-112-132	6350	6350	17100	19600	4170	2400
	300 L3	177	5.6	930	0.60	9.0	71-80-90-100-112-132	6830	6830	18300	21000	4490	2400
	300 L3	192	5.2	650	0.39	9.0	71-80-90-100-112-132	7020	7020	18700	21500	4620	2400
	300 L3	221	4.5	970	0.50	9.0	71-80-90-100-112-132	7360	7360	19500	22400	4840	2400
	300 L3	240	4.2	670	0.32	9.0	71-80-90-100-112-132	7560	7560	20000	23000	4970	2400
	300 L3	299	3.3	700	0.27	9.0	71-80-90-100-112-132	8140	8140	21400	24500	5350	2400
	300 L3	374	2.7	720	0.22	9.0	71-80-90-100-112-132	8770	8770	22800	26200	5760	2400
	300 L4	330	3.0	1040	0.37	7.2	71-80-90-100-112-132	8410	8410	22000	25300	5530	2400
	300 L4	403	2.5	730	0.21	7.2	71-80-90-100-112-132	8990	8990	23400	26800	5910	2400
	300 L4	447	2.2	1090	0.29	7.2	71-80-90-100-112-132	9300	9300	24100	27700	6120	2400
	300 L4	494	2.0	1110	0.27	7.2	71-80-90-100-112-132	9620	9620	24800	28500	6320	2400
	300 L4	558	1.8	1130	0.24	7.2	71-80-90-100-112-132	10000	10000	25800	29600	6590	2400
	300 L4	616	1.6	1150	0.22	7.2	71-80-90-100-112-132	10400	10400	26500	30500	6810	2400
	300 L4	755	1.3	1190	0.19	7.2	71-80-90-100-112-132	11100	11100	28200	32400	7280	2400
	300 L4	819	1.2	1210	0.17	7.2	71-80-90-100-112-132	11400	11400	28900	33200	7480	2400
	300 L4	942	1.1	1240	0.16	7.2	71-80-90-100-112-132	11900	11900	30100	34000	7840	2400
	300 L4	1022	0.98	1250	0.14	7.2	71-80-90-100-112-132	12000	12300	30900	34000	8000	2400
	300 L4	1108	0.90	860	0.09	7.2	71-80-90-100-112-132	12000	12500	31000	34000	8000	2400
	300 L4	1275	0.78	1250	0.12	7.2	71-80-90-100-112-132	12000	12500	31000	34000	8000	2400
	300 L4	1383	0.72	860	0.07	7.2	71-80-90-100-112-132	12000	12500	31000	34000	8000	2400
	300 L4	1591	0.63	1250	0.09	7.2	71-80-90-100-112-132	12000	12500	31000	34000	8000	2400
	300 L4	1725	0.58	860	0.06	7.2	71-80-90-100-112-132	12000	12500	31000	34000	8000	2400
	300 L4	2153	0.46	860	0.05	7.2	71-80-90-100-112-132	12000	12500	31000	34000	8000	2400
	300 L4	2692	0.37	1000	0.04	7.2	71-80-90-100-112-132	12000	12500	31000	34000	8000	2400
	500	300 L1	3.48	144	650	10.2	15.0	71-80-90-100-112-132	2320	2320	6910	7940	1530
300 L1		4.26	117	690	8.7	15.0	71-80-90-100-112-132	2490	2490	7350	8440	1630	2400
300 L1		5.77	87	630	5.9	15.0	71-80-90-100-112-132	2750	2750	8040	9240	1810	2400
300 L1		7.20	69	530	4.0	15.0	71-80-90-100-112-132	2960	2960	8600	9880	1950	2400
300 L1		9.00	56	370	2.2	15.0	71-80-90-100-112-132	3190	3190	9190	10600	2100	2400
300 L2		12.1	41	730	3.4	15.0	71-80-90-100-112-132	3520	3520	10000	11500	2310	2000
300 L2		14.8	34	840	3.2	15.0	71-80-90-100-112-132	3770	3770	10700	12300	2480	2000
300 L2		18.2	27.5	850	2.6	15.0	71-80-90-100-112-132	4030	4030	11300	13000	2650	2400
300 L2		20.1	24.9	650	1.8	15.0	71-80-90-100-112-132	4170	4170	11700	13400	2740	2000
300 L2		24.6	20.3	850	1.9	15.0	71-80-90-100-112-132	4460	4460	12400	14300	2930	2400
300 L2		30.7	16.3	850	1.5	15.0	71-80-90-100-112-132	4800	4800	13300	15300	3160	2400
300 L2		33.3	15.0	650	1.1	15.0	71-80-90-100-112-132	4930	4930	13600	15600	3240	2400
300 L2		38.4	13.0	860	1.2	15.0	71-80-90-100-112-132	5170	5170	14200	16300	3400	2400
300 L2		41.5	12.0	650	0.87	15.0	71-80-90-100-112-132	5310	5310	14500	16700	3490	2400
300 L2		51.9	9.6	650	0.70	15.0	71-80-90-100-112-132	5720	5720	15600	17900	3760	2400
300 L2		64.8	7.7	550	0.47	15.0	71-80-90-100-112-132	6160	6160	16600	19100	4050	2400
300 L3		51.6	9.7	860	0.96	15.0	71-80-90-100-112-132	5710	5710	15500	17800	3750	2000
300 L3		63.2	7.9	890	0.81	15.0	71-80-90-100-112-132	6110	6110	16500	19000	4020	2400
300 L3		69.9	7.2	650	0.53	15.0	71-80-90-100-112-132	6310	6310	17000	19500	4150	2000
300 L3		77.5	6.5	920	0.68	15.0	71-80-90-100-112-132	6540	6540	17500	20100	4300	2400
300 L3		85.6	5.8	930	0.62	15.0	71-80-90-100-112-132	6760	6760	18100	20800	4440	2400
300 L3		105	4.8	960	0.52	15.0	71-80-90-100-112-132	7230	7230	19200	22100	4750	2400
300 L3		116	4.3	670	0.33	15.0	71-80-90-100-112-132	7470	7470	19800	22700	4910	2400
300 L3		131	3.8	990	0.44	15.0	71-80-90-100-112-132	7780	7780	20500	23600	5120	2400
300 L3		142	3.5	1010	0.41	15.0	71-80-90-100-112-132	8000	8000	21000	24200	5260	2400

B





300 L



246

1250 Nm

n ₁ min ⁻¹		i	n ₂ min ⁻¹	M _{n2} Nm	P _{n1} kW	P _t kW	P (IEC) 	Rn ₂ [N]					M _{2 max} Nm
								MC/PC	MZ/PZ	HC	HZ	FZ	
500	300 L3	177	2.8	1050	0.34	15.0	71-80-90-100-112-132	8610	8610	22500	25800	5660	2400
	300 L3	192	2.6	730	0.22	15.0	71-80-90-100-112-132	8850	8850	23000	26500	5820	2400
	300 L3	221	2.3	1090	0.28	15.0	71-80-90-100-112-132	9270	9270	24000	27600	6090	2400
	300 L3	240	2.1	750	0.18	15.0	71-80-90-100-112-132	9520	9520	24600	28300	6260	2400
	300 L3	299	1.7	780	0.15	15.0	71-80-90-100-112-132	10300	10300	26300	30200	6740	2400
	300 L3	374	1.3	820	0.13	15.0	71-80-90-100-112-132	11000	11000	28100	32300	7260	2400
	300 L4	330	1.5	1170	0.21	12.0	71-80-90-100-112-132	10600	10600	27100	31100	6970	2400
	300 L4	403	1.2	830	0.12	12.0	71-80-90-100-112-132	11300	11300	28800	33000	7450	2400
	300 L4	447	1.1	1230	0.16	12.0	71-80-90-100-112-132	11700	11700	29700	34000	7710	2400
	300 L4	494	1.0	1250	0.15	12.0	71-80-90-100-112-132	12000	12100	30600	34000	7970	2400
	300 L4	558	0.90	1250	0.13	12.0	71-80-90-100-112-132	12000	12500	31000	34000	8000	2400
	300 L4	616	0.81	1250	0.12	12.0	71-80-90-100-112-132	12000	12500	31000	34000	8000	2400
	300 L4	755	0.66	1250	0.10	12.0	71-80-90-100-112-132	12000	12500	31000	34000	8000	2400
	300 L4	819	0.61	1250	0.09	12.0	71-80-90-100-112-132	12000	12500	31000	34000	8000	2400
	300 L4	942	0.53	1250	0.08	12.0	71-80-90-100-112-132	12000	12500	31000	34000	8000	2400
	300 L4	1022	0.49	1250	0.07	12.0	71-80-90-100-112-132	12000	12500	31000	34000	8000	2400
	300 L4	1108	0.45	860	0.05	12.0	71-80-90-100-112-132	12000	12500	31000	34000	8000	2400
	300 L4	1275	0.39	1250	0.06	12.0	71-80-90-100-112-132	12000	12500	31000	34000	8000	2400
	300 L4	1383	0.36	860	0.04	12.0	71-80-90-100-112-132	12000	12500	31000	34000	8000	2400
	300 L4	1591	0.31	1250	0.05	12.0	71-80-90-100-112-132	12000	12500	31000	34000	8000	2400
	300 L4	1725	0.29	860	0.03	12.0	71-80-90-100-112-132	12000	12500	31000	34000	8000	2400
	300 L4	2153	0.23	860	0.02	12.0	71-80-90-100-112-132	12000	12500	31000	34000	8000	2400
	300 L4	2692	0.19	1000	0.02	12.0	71-80-90-100-112-132	12000	12500	31000	34000	8000	2400



B

301 L



256

2460 Nm

n ₁ min ⁻¹		i	n ₂ min ⁻¹	M _{n2} Nm	P _{n1} kW	P _t kW	P (IEC) 	Rn ₂ [N]					M _{2 max} Nm
								MC	MZ	HC/PC	HZ/PZ	FZ	
1500	301 L1	3.48	431	840	30	7.5	71-80-90-100-112-132	1610	1610	4970	5710	1060	3400
	301 L1	4.26	352	880	30	7.5	71-80-90-100-112-132	1720	1720	5280	6070	1130	3400
	301 L1	5.77	260	930	26	7.5	71-80-90-100-112-132	1910	1910	5790	6650	1250	3400
	301 L1	7.20	208	750	17.0	7.5	71-80-90-100-112-132	2050	2050	6180	7100	1350	3400
	301 L1	9.00	167	630	11.3	7.5	71-80-90-100-112-132	2210	2210	6610	7600	1450	3400
	301 L2	12.1	124	1220	16.8	7.5	71-80-90-100-112-132	2440	2440	7230	8300	1600	3400
	301 L2	14.8	101	1280	14.4	7.5	71-80-90-100-112-132	2610	2610	7680	8820	1720	3400
	301 L2	18.2	83	1360	12.5	7.5	71-80-90-100-112-132	2790	2790	8160	9380	1840	3400
	301 L2	20.1	75	1260	10.5	7.5	71-80-90-100-112-132	2890	2890	8410	9660	1900	3400
	301 L2	24.6	61	1490	10.1	7.5	71-80-90-100-112-132	3090	3090	8940	10300	2030	3400
	301 L2	30.7	49	1580	8.6	7.5	71-80-90-100-112-132	3330	3330	9550	11000	2190	3400
	301 L2	33.3	45	1300	6.5	7.5	71-80-90-100-112-132	3420	3420	9790	11200	2250	3400
	301 L2	38.4	39	1540	6.7	7.5	71-80-90-100-112-132	3590	3590	10200	11700	2360	3400
	301 L2	41.5	36	1300	5.2	7.5	71-80-90-100-112-132	3680	3680	10500	12000	2420	3400
	301 L2	51.9	28.9	1300	4.2	7.5	71-80-90-100-112-132	3970	3970	11200	12900	2610	3400
	301 L2	64.8	23.1	1150	3.0	7.5	71-80-90-100-112-132	4270	4270	12000	13700	2810	3400
	301 L3	51.6	29.1	1630	5.4	7.5	71-80-90-100-112-132	3960	3960	11200	12800	2600	3400
	301 L3	63.2	23.7	1650	4.5	7.5	71-80-90-100-112-132	4240	4240	11900	13600	2780	3400
	301 L3	69.9	21.5	1300	3.2	7.5	71-80-90-100-112-132	4380	4380	12200	14000	2880	3400
	301 L3	77.5	19.4	1670	3.7	7.5	71-80-90-100-112-132	4530	4530	12600	14500	2980	3400
	301 L3	85.6	17.5	1680	3.4	7.5	71-80-90-100-112-132	4680	4680	13000	14900	3080	3400
	301 L3	105	14.3	1700	2.8	7.5	71-80-90-100-112-132	5010	5010	13800	15900	3300	3400
	301 L3	116	13.0	1300	1.9	7.5	71-80-90-100-112-132	5180	5180	14200	16300	3410	3400
	301 L3	131	11.5	1720	2.3	7.5	71-80-90-100-112-132	5400	5400	14800	17000	3550	3400
	301 L3	142	10.6	1720	2.1	7.5	71-80-90-100-112-132	5540	5540	15100	17400	3650	3400
	301 L3	177	8.5	1770	1.7	7.5	71-80-90-100-112-132	5970	5970	16200	18600	3920	3400
	301 L3	192	7.8	1300	1.2	7.5	71-80-90-100-112-132	6130	6130	16600	19000	4030	3400
	301 L3	221	6.8	1790	1.4	7.5	71-80-90-100-112-132	6430	6430	17300	19800	4230	3400
	301 L3	240	6.3	1300	0.93	7.5	71-80-90-100-112-132	6600	6600	17700	20300	4340	3400
	301 L3	299	5.0	1300	0.75	7.5	71-80-90-100-112-132	7110	7110	18900	21700	4670	3400
301 L3	374	4.0	1350	0.62	7.5	71-80-90-100-112-132	7660	7660	20200	23200	5030	3400	





301 L

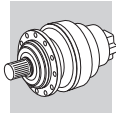


256

2460 Nm

n ₁ min ⁻¹		i	n ₂ min ⁻¹	M _{n2} Nm	P _{n1} kW	P _t kW	P (IEC) 	Rn ₂ [N]					M _{2 max} Nm
								MC	MZ	HC/PC	HZ/PZ	FZ	
1500	301 L4	330	4.5	1920	1.0	6.0	71-80-90-100-112-132	7350	7350	19500	22400	4830	3400
	301 L4	403	3.7	1370	0.60	6.0	71-80-90-100-112-132	7850	7850	20700	23800	5160	3400
	301 L4	447	3.4	2030	0.81	6.0	71-80-90-100-112-132	8130	8130	21300	24500	5340	3400
	301 L4	494	3.0	2070	0.74	6.0	71-80-90-100-112-132	8400	8400	22000	25300	5520	3400
	301 L4	558	2.7	2110	0.67	6.0	71-80-90-100-112-132	8750	8750	22800	26200	5750	3400
	301 L4	616	2.4	2150	0.62	6.0	71-80-90-100-112-132	9050	9050	23500	27000	5950	3400
	301 L4	755	2.0	2220	0.52	6.0	71-80-90-100-112-132	9680	9680	25000	28700	6360	3400
	301 L4	819	1.8	2240	0.49	6.0	71-80-90-100-112-132	9940	9940	25600	29400	6540	3400
	301 L4	942	1.6	2290	0.43	6.0	71-80-90-100-112-132	10400	10400	26700	30700	6850	3400
	301 L4	1022	1.5	2320	0.40	6.0	71-80-90-100-112-132	10700	10700	27300	31400	7040	3400
	301 L4	1108	1.4	1630	0.26	6.0	71-80-90-100-112-132	11000	11000	28000	32200	7230	3400
	301 L4	1275	1.2	2400	0.33	6.0	71-80-90-100-112-132	11500	11500	29200	33600	7580	3400
	301 L4	1383	1.1	1700	0.22	6.0	71-80-90-100-112-132	11800	11800	29900	34000	7790	3400
	301 L4	1591	0.94	2000	0.22	6.0	71-80-90-100-112-132	12000	12400	31000	34000	8000	3400
	301 L4	1725	0.87	1720	0.18	6.0	71-80-90-100-112-132	12000	12500	31000	34000	8000	3400
	301 L4	2153	0.70	1720	0.14	6.0	71-80-90-100-112-132	12000	12500	31000	34000	8000	3400
	301 L4	2692	0.56	1720	0.11	6.0	71-80-90-100-112-132	12000	12500	31000	34000	8000	3400
	1000	301 L1	3.48	287	950	29	9.0	71-80-90-100-112-132	1840	1840	5610	6450	1210
301 L1		4.26	235	990	25	9.0	71-80-90-100-112-132	1970	1970	5970	6860	1300	3400
301 L1		5.77	173	1050	19.7	9.0	71-80-90-100-112-132	2180	2180	6530	7510	1430	3400
301 L1		7.20	139	850	12.8	9.0	71-80-90-100-112-132	2350	2350	6980	8020	1540	3400
301 L1		9.00	111	710	8.5	9.0	71-80-90-100-112-132	2530	2530	7470	8580	1660	3400
301 L2		12.1	83	1330	12.3	9.0	71-80-90-100-112-132	2790	2790	8160	9380	1840	3400
301 L2		14.8	67	1440	10.8	9.0	71-80-90-100-112-132	2990	2990	8670	9970	1970	3400
301 L2		18.2	55	1530	9.4	9.0	71-80-90-100-112-132	3200	3200	9220	10600	2100	3400
301 L2		20.1	50	1300	7.2	9.0	71-80-90-100-112-132	3310	3310	9500	10900	2170	3400
301 L2		24.6	41	1600	7.2	9.0	71-80-90-100-112-132	3540	3540	10100	11600	2330	3400
301 L2		30.7	33	1620	5.9	9.0	71-80-90-100-112-132	3810	3810	10800	12400	2500	3400
301 L2		33.3	30	1300	4.3	9.0	71-80-90-100-112-132	3910	3910	11100	12700	2570	3400
301 L2		38.4	26.1	1550	4.5	9.0	71-80-90-100-112-132	4100	4100	11500	13300	2700	3400
301 L2		41.5	24.1	1300	3.5	9.0	71-80-90-100-112-132	4210	4210	11800	13600	2770	3400
301 L2		51.9	19.3	1300	2.8	9.0	71-80-90-100-112-132	4540	4540	12600	14500	2980	3400
301 L2		64.8	15.4	1150	2.0	9.0	71-80-90-100-112-132	4890	4890	13500	15500	3210	3400
301 L3		51.6	19.4	1670	3.7	9.0	71-80-90-100-112-132	4530	4530	12600	14500	2980	3400
301 L3		63.2	15.8	1690	3.1	9.0	71-80-90-100-112-132	4850	4850	13400	15400	3190	3400
301 L3		69.9	14.3	1300	2.1	9.0	71-80-90-100-112-132	5010	5010	13800	15900	3290	3400
301 L3		77.5	12.9	1710	2.5	9.0	71-80-90-100-112-132	5190	5190	14200	16400	3410	3400
301 L3		85.6	11.7	1710	2.3	9.0	71-80-90-100-112-132	5360	5360	14700	16900	3530	3400
301 L3		105	9.5	1740	1.9	9.0	71-80-90-100-112-132	5740	5740	15600	17900	3770	3400
301 L3		116	8.6	1300	1.3	9.0	71-80-90-100-112-132	5930	5930	16100	18500	3900	3400
301 L3		131	7.6	1790	1.6	9.0	71-80-90-100-112-132	6180	6180	16700	19200	4060	3400
301 L3		142	7.0	1810	1.5	9.0	71-80-90-100-112-132	6350	6350	17100	19600	4170	3400
301 L3		177	5.6	1860	1.2	9.0	71-80-90-100-112-132	6830	6830	18300	21000	4490	3400
301 L3		192	5.2	1300	0.78	9.0	71-80-90-100-112-132	7020	7020	18700	21500	4620	3400
301 L3		221	4.5	1850	0.96	9.0	71-80-90-100-112-132	7360	7360	19500	22400	4840	3400
301 L3		240	4.2	1340	0.64	9.0	71-80-90-100-112-132	7560	7560	20000	23000	4970	3400
301 L3		299	3.3	1390	0.53	9.0	71-80-90-100-112-132	8140	8140	21400	24500	5350	3400
301 L3		374	2.7	1440	0.44	9.0	71-80-90-100-112-132	8770	8770	22800	26200	5760	3400
301 L4		330	3.0	2070	0.74	7.2	71-80-90-100-112-132	8410	8410	22000	25300	5530	3400
301 L4		403	2.5	1460	0.43	7.2	71-80-90-100-112-132	8990	8990	23400	26800	5910	3400
301 L4		447	2.2	2180	0.58	7.2	71-80-90-100-112-132	9300	9300	24100	27700	6120	3400
301 L4		494	2.0	2210	0.53	7.2	71-80-90-100-112-132	9620	9620	24800	28500	6320	3400
301 L4		558	1.8	2250	0.48	7.2	71-80-90-100-112-132	10000	10000	25800	29600	6590	3400
301 L4		616	1.6	2290	0.44	7.2	71-80-90-100-112-132	10400	10400	26500	30500	6810	3400
301 L4		755	1.3	2360	0.37	7.2	71-80-90-100-112-132	11100	11100	28200	32400	7280	3400
301 L4		819	1.2	2390	0.34	7.2	71-80-90-100-112-132	11400	11400	28900	33200	7480	3400
301 L4		942	1.1	2440	0.31	7.2	71-80-90-100-112-132	11900	11900	30100	34000	7840	3400
301 L4		1022	0.98	2460	0.28	7.2	71-80-90-100-112-132	12000	12300	30900	34000	8000	3400
301 L4		1108	0.90	1720	0.18	7.2	71-80-90-100-112-132	12000	12500	31000	34000	8000	3400
301 L4		1275	0.78	2460	0.23	7.2	71-80-90-100-112-132	12000	12500	31000	34000	8000	3400
301 L4		1383	0.72	1720	0.15	7.2	71-80-90-100-112-132	12000	12500	31000	34000	8000	3400

B





301 L

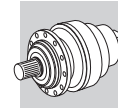




256

2460 Nm

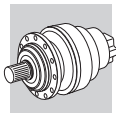
n ₁ min ⁻¹		i	n ₂ min ⁻¹	M _{n2} Nm	P _{n1} kW	P _t kW	P (IEC) 	R _{n2} [N]					M _{2 max} Nm
								MC	MZ	HC/PC	HZ/PZ	FZ	
1000	301 L4	1591	0.63	2000	0.15	7.2	71-80-90-100-112-132	12000	12500	31000	34000	8000	3400
	301 L4	1725	0.58	1720	0.12	7.2	71-80-90-100-112-132	12000	12500	31000	34000	8000	3400
	301 L4	2153	0.46	1720	0.09	7.2	71-80-90-100-112-132	12000	12500	31000	34000	8000	3400
	301 L4	2692	0.37	1720	0.08	7.2	71-80-90-100-112-132	12000	12500	31000	34000	8000	3400
500	301 L1	3.48	144	1170	18.1	15.0	71-80-90-100-112-132	2320	2320	6910	7940	1530	3400
	301 L1	4.26	117	1220	15.4	15.0	71-80-90-100-112-132	2490	2490	7350	8440	1630	3400
	301 L1	5.77	87	1250	11.7	15.0	71-80-90-100-112-132	2750	2750	8040	9240	1810	3400
	301 L1	7.20	69	1050	7.8	15.0	71-80-90-100-112-132	2960	2960	8600	9880	1950	3400
	301 L1	9.00	56	730	4.4	15.0	71-80-90-100-112-132	3190	3190	9190	10600	2100	3400
	301 L2	12.1	41	1430	6.6	15.0	71-80-90-100-112-132	3520	3520	10000	11500	2310	3400
	301 L2	14.8	34	1620	6.1	15.0	71-80-90-100-112-132	3770	3770	10700	12300	2480	3400
	301 L2	18.2	27.5	1630	5.0	15.0	71-80-90-100-112-132	4030	4030	11300	13000	2650	3400
	301 L2	20.1	24.9	1300	3.6	15.0	71-80-90-100-112-132	4170	4170	11700	13400	2740	3400
	301 L2	24.6	20.3	1660	3.8	15.0	71-80-90-100-112-132	4460	4460	12400	14300	2930	3400
	301 L2	30.7	16.3	1680	3.1	15.0	71-80-90-100-112-132	4800	4800	13300	15300	3160	3400
	301 L2	33.3	15.0	1300	2.2	15.0	71-80-90-100-112-132	4930	4930	13600	15600	3240	3400
	301 L2	38.4	13.0	1560	2.3	15.0	71-80-90-100-112-132	5170	5170	14200	16300	3400	3400
	301 L2	41.5	12.0	1300	1.7	15.0	71-80-90-100-112-132	5310	5310	14500	16700	3490	3400
	301 L2	51.9	9.6	1300	1.4	15.0	71-80-90-100-112-132	5720	5720	15600	17900	3760	3400
	301 L2	64.8	7.7	1150	0.99	15.0	71-80-90-100-112-132	6160	6160	16600	19100	4050	3400
	301 L3	51.6	9.7	1740	1.9	15.0	71-80-90-100-112-132	5710	5710	15500	17800	3750	3400
	301 L3	63.2	7.9	1780	1.6	15.0	71-80-90-100-112-132	6110	6110	16500	19000	4020	3400
	301 L3	69.9	7.2	1300	1.1	15.0	71-80-90-100-112-132	6310	6310	17000	19500	4150	3400
	301 L3	77.5	6.5	1830	1.4	15.0	71-80-90-100-112-132	6540	6540	17500	20100	4300	3400
	301 L3	85.6	5.8	1850	1.2	15.0	71-80-90-100-112-132	6760	6760	18100	20800	4440	3400
	301 L3	105	4.8	1910	1.0	15.0	71-80-90-100-112-132	7230	7230	19200	22100	4750	3400
	301 L3	116	4.3	1330	0.66	15.0	71-80-90-100-112-132	7470	7470	19800	22700	4910	3400
	301 L3	131	3.8	1980	0.87	15.0	71-80-90-100-112-132	7780	7780	20500	23600	5120	3400
	301 L3	142	3.5	2010	0.81	15.0	71-80-90-100-112-132	8000	8000	21000	24200	5260	3400
	301 L3	177	2.8	2090	0.68	15.0	71-80-90-100-112-132	8610	8610	22500	25800	5660	3400
	301 L3	192	2.6	1450	0.43	15.0	71-80-90-100-112-132	8850	8850	23000	26500	5820	3400
	301 L3	221	2.3	2000	0.52	15.0	71-80-90-100-112-132	9270	9270	24000	27600	6090	3400
	301 L3	240	2.1	1510	0.36	15.0	71-80-90-100-112-132	9520	9520	24600	28300	6260	3400
	301 L3	299	1.7	1570	0.30	15.0	71-80-90-100-112-132	10300	10300	26300	30200	6740	3400
	301 L3	374	1.3	1630	0.25	15.0	71-80-90-100-112-132	11000	11000	28100	32300	7260	3400
	301 L4	330	1.5	2310	0.41	12.0	71-80-90-100-112-132	10600	10600	27100	31100	6970	3400
	301 L4	403	1.2	1650	0.24	12.0	71-80-90-100-112-132	11300	11300	28800	33000	7450	3400
	301 L4	447	1.1	2420	0.32	12.0	71-80-90-100-112-132	11700	11700	29700	34000	7710	3400
	301 L4	494	1.0	2460	0.29	12.0	71-80-90-100-112-132	12000	12100	30600	34000	7970	3400
	301 L4	558	0.90	2460	0.26	12.0	71-80-90-100-112-132	12000	12500	31000	34000	8000	3400
	301 L4	616	0.81	2460	0.24	12.0	71-80-90-100-112-132	12000	12500	31000	34000	8000	3400
	301 L4	755	0.66	2460	0.19	12.0	71-80-90-100-112-132	12000	12500	31000	34000	8000	3400
	301 L4	819	0.61	2460	0.18	12.0	71-80-90-100-112-132	12000	12500	31000	34000	8000	3400
	301 L4	942	0.53	2460	0.15	12.0	71-80-90-100-112-132	12000	12500	31000	34000	8000	3400
	301 L4	1022	0.49	2460	0.14	12.0	71-80-90-100-112-132	12000	12500	31000	34000	8000	3400
	301 L4	1108	0.45	1720	0.09	12.0	71-80-90-100-112-132	12000	12500	31000	34000	8000	3400
	301 L4	1275	0.39	2460	0.11	12.0	71-80-90-100-112-132	12000	12500	31000	34000	8000	3400
	301 L4	1383	0.36	1720	0.07	12.0	71-80-90-100-112-132	12000	12500	31000	34000	8000	3400
	301 L4	1591	0.31	2000	0.07	12.0	71-80-90-100-112-132	12000	12500	31000	34000	8000	3400
	301 L4	1725	0.29	1720	0.06	12.0	71-80-90-100-112-132	12000	12500	31000	34000	8000	3400
	301 L4	2153	0.23	1720	0.05	12.0	71-80-90-100-112-132	12000	12500	31000	34000	8000	3400
	301 L4	2692	0.19	1720	0.04	12.0	71-80-90-100-112-132	12000	12500	31000	34000	8000	3400

B



303 L							266		2970 Nm						
n ₁ min ⁻¹		i	n ₂ min ⁻¹	M _{n2} Nm	P _{n1} kW	P _t kW	P (IEC) 	MC	MZ	Rn ₂ [N]			M _{2 max} Nm		
								HC/PC	HZ/PZ	FZ					
1500	303 L1	3.60	417	1380	40	11.0	132-160-180-200	5010	5780	10300	12300	3210	5200		
	303 L1	4.25	353	1430	40	11.0	132-160-180-200	5290	6110	10800	13000	3400	5200		
	303 L1	5.33	281	1490	40	11.0	132-160-180-200	5710	6590	11500	13900	3660	5200		
	303 L1	6.20	242	1400	36	11.0	132-160-180-200	6000	6930	12100	14500	3850	5200		
	303 L1	7.50	200	1220	26	11.0	132-160-180-200	6400	7390	12800	15400	4100	5200		
	303 L1	9.67	155	750	12.6	11.0	132-160-180-200	6960	8040	13800	16600	4470	5200		
	303 L2	12.5	120	1640	20.0	9.0	71-80-90-100-112-132-160	7590	8760	14900	17900	4870	5200		
	303 L2	15.3	98	1710	18.6	9.0	71-80-90-100-112-132-160	8120	9380	15800	19100	5210	5200		
	303 L2	18.1	83	2020	18.6	9.0	71-80-90-100-112-132-160	8580	9910	16600	20000	5510	5200		
	303 L2	20.8	72	1820	14.6	9.0	71-80-90-100-112-132-160	8980	10400	17300	20900	5760	5200		
	303 L2	22.7	66	2100	15.4	9.0	71-80-90-100-112-132-160	9260	10700	17800	21400	5940	5200		
	303 L2	24.5	61	2150	14.6	9.0	71-80-90-100-112-132-160	9490	11000	18200	21900	6090	5200		
	303 L2	26.4	57	1820	11.5	9.0	71-80-90-100-112-132-160	9740	11200	18600	22400	6250	5200		
	303 L2	30.8	49	2140	11.6	9.0	71-80-90-100-112-132-160	10200	11800	19500	23500	6570	5200		
	303 L2	35.8	42	1820	8.5	9.0	71-80-90-100-112-132-160	10800	12400	20400	24600	6910	5200		
	303 L2	38.4	39	2150	9.3	9.0	71-80-90-100-112-132-160	11000	12700	20900	25100	7070	5200		
	303 L2	44.6	34	1820	6.8	9.0	71-80-90-100-112-132-160	11600	13400	21800	26300	7440	5200		
	303 L2	55.8	26.9	1820	5.4	9.0	71-80-90-100-112-132-160	12500	14400	23300	28100	8010	5200		
	303 L3	53.4	28.1	2170	7.0	7.5	71-80-90-100-112-132-160	12300	14200	23000	27700	7900	5200		
	303 L3	63.1	23.8	2510	6.8	7.5	71-80-90-100-112-132-160	13000	15000	24200	29100	8340	5200		
	303 L3	72.3	20.8	2230	5.3	7.5	71-80-90-100-112-132-160	13600	15700	25200	30300	8730	5200		
	303 L3	77.2	19.4	2520	5.6	7.5	71-80-90-100-112-132-160	13900	16100	25700	30900	8930	5200		
	303 L3	90.2	16.6	2250	4.3	7.5	71-80-90-100-112-132-160	14700	16900	26900	32400	9400	5200		
	303 L3	105	14.4	2580	4.2	7.5	71-80-90-100-112-132-160	15400	17800	28200	33900	9880	5200		
	303 L3	113	13.3	1820	2.8	7.5	71-80-90-100-112-132-160	15800	18200	28800	34700	10100	5200		
	303 L3	124	12.1	1820	2.5	7.5	71-80-90-100-112-132-160	16300	18800	29700	35700	10500	5200		
	303 L3	141	10.6	2610	3.2	7.5	71-80-90-100-112-132-160	17000	19700	30800	37100	10900	5200		
	303 L3	152	9.8	1820	2.1	7.5	71-80-90-100-112-132-160	17500	20200	31500	37900	11200	5200		
	303 L3	164	9.2	2200	2.3	7.5	71-80-90-100-112-132-160	17900	20600	32200	38800	11500	5200		
	303 L3	178	8.5	2210	2.1	7.5	71-80-90-100-112-132-160	18400	21200	33000	39700	11800	5200		
	303 L3	190	7.9	1830	1.7	7.5	71-80-90-100-112-132-160	18800	21700	33700	40600	12100	5200		
	303 L3	220	6.8	2250	1.8	7.5	71-80-90-100-112-132-160	19700	22800	35200	42400	12700	5200		
	303 L3	258	5.8	1840	1.2	7.5	71-80-90-100-112-132-160	20800	24000	36900	44400	13300	5200		
	303 L3	276	5.4	2230	1.4	7.5	71-80-90-100-112-132-160	21300	24600	37700	45400	13700	5200		
	303 L3	321	4.7	1860	1.00	7.5	71-80-90-100-112-132-160	22400	25800	39400	47500	14400	5200		
	303 L3	389	3.9	1690	0.75	7.5	71-80-90-100-112-132-160	23900	27500	41800	50300	15300	5200		
	303 L3	402	3.7	1940	0.83	7.5	71-80-90-100-112-132-160	24100	27800	42200	50700	15500	5200		
	303 L4	413	3.6	2360	1.0	6.0	71-80-90-100-112-132-160	24300	28100	42500	51200	15600	5200		
	303 L4	446	3.4	2810	1.1	6.0	71-80-90-100-112-132-160	25000	28800	43500	52400	16000	5200		
	303 L4	492	3.0	2690	0.97	6.0	71-80-90-100-112-132-160	25800	29800	44800	53900	16600	5200		
	303 L4	556	2.7	2810	0.90	6.0	71-80-90-100-112-132-160	26900	31000	46500	55900	17200	5200		
	303 L4	649	2.3	2320	0.63	6.0	71-80-90-100-112-132-160	28300	32700	48700	58600	18200	5200		
	303 L4	718	2.1	2150	0.53	6.0	71-80-90-100-112-132-160	29300	33800	50200	60400	18800	5200		
	303 L4	816	1.8	2720	0.59	6.0	71-80-90-100-112-132-160	30500	35300	52200	62800	19600	5200		
	303 L4	896	1.7	2230	0.44	6.0	71-80-90-100-112-132-160	31500	36400	53700	64600	20200	5200		
303 L4	1018	1.5	2740	0.48	6.0	71-80-90-100-112-132-160	32900	38000	55800	67100	21100	5200			
303 L4	1098	1.4	2310	0.37	6.0	71-80-90-100-112-132-160	33700	38900	57000	68600	21600	5200			
303 L4	1278	1.2	2790	0.39	6.0	71-80-90-100-112-132-160	35500	40900	59700	71800	22800	5200			
303 L4	1370	1.1	2400	0.31	6.0	71-80-90-100-112-132-160	36000	41900	60900	73300	23300	5200			
303 L4	1586	0.95	2250	0.25	6.0	71-80-90-100-112-132-160	36000	42000	63700	74000	24000	5200			
303 L4	1854	0.81	2440	0.23	6.0	71-80-90-100-112-132-160	36000	42000	64000	74000	24000	5200			
303 L4	1991	0.75	2850	0.25	6.0	71-80-90-100-112-132-160	36000	42000	64000	74000	24000	5200			
303 L4	2243	0.67	2000	0.16	6.0	71-80-90-100-112-132-160	36000	42000	64000	74000	24000	5200			
303 L4	2799	0.54	2000	0.13	6.0	71-80-90-100-112-132-160	36000	42000	64000	74000	24000	5200			
1000	303 L1	3.60	278	1560	40	13.2	132-160-180-200	5730	6620	11600	13900	3680	5200		
	303 L1	4.25	235	1620	40	13.2	132-160-180-200	6060	7000	12200	14600	3890	5200		
	303 L1	5.33	188	1680	34	13.2	132-160-180-200	6540	7550	13000	15700	4190	5200		
	303 L1	6.20	161	1580	27	13.2	132-160-180-200	6870	7930	13600	16400	4410	5200		
	303 L1	7.50	133	1380	19.8	13.2	132-160-180-200	7320	8450	14400	17400	4700	5200		
	303 L1	9.67	103	850	9.5	13.2	132-160-180-200	7970	9200	15600	18700	5110	5200		

B





303 L



266

2970 Nm

n ₁ min ⁻¹		i	n ₂ min ⁻¹	M _{n2} Nm	P _{n1} kW	P _t kW	P (IEC) 	Rn ₂ [N]					M _{2 max} Nm
								MC	MZ	HC/PC	HZ/PZ	FZ	
1000	303 L2	12.5	80	1850	16.4	10.8	71-80-90-100-112-132-160	8690	10000	16800	20300	5570	5200
	303 L2	15.3	65	1940	14.0	10.8	71-80-90-100-112-132-160	9300	10700	17900	21500	5960	5200
	303 L2	18.1	55	2280	14.0	10.8	71-80-90-100-112-132-160	9830	11300	18800	22600	6300	5200
	303 L2	20.8	48	2030	10.9	10.8	71-80-90-100-112-132-160	10300	11900	19600	23600	6600	5200
	303 L2	22.7	44	2140	10.5	10.8	71-80-90-100-112-132-160	10600	12200	20100	24200	6800	5200
	303 L2	24.5	41	2320	10.5	10.8	71-80-90-100-112-132-160	10900	12500	20600	24800	6970	5200
	303 L2	26.4	38	1820	7.7	10.8	71-80-90-100-112-132-160	11100	12900	21100	25300	7150	5200
	303 L2	30.8	33	2160	7.8	10.8	71-80-90-100-112-132-160	11700	13500	22000	26500	7520	5200
	303 L2	35.8	28.0	1820	5.7	10.8	71-80-90-100-112-132-160	12300	14200	23100	27700	7910	5200
	303 L2	38.4	26.0	2160	6.3	10.8	71-80-90-100-112-132-160	12600	14600	23600	28300	8100	5200
	303 L2	44.6	22.4	1820	4.5	10.8	71-80-90-100-112-132-160	13300	15300	24600	29600	8510	5200
	303 L2	55.8	17.9	1820	3.6	10.8	71-80-90-100-112-132-160	14300	16500	26300	31700	9170	5200
	303 L3	53.4	18.7	2230	4.8	9.0	71-80-90-100-112-132-160	14100	16300	26000	31300	9040	5200
	303 L3	63.1	15.9	2570	4.7	9.0	71-80-90-100-112-132-160	14900	17200	27300	32900	9550	5200
	303 L3	72.3	13.8	2270	3.6	9.0	71-80-90-100-112-132-160	15600	18000	28500	34300	10000	5200
	303 L3	77.2	12.9	2600	3.9	9.0	71-80-90-100-112-132-160	15900	18400	29000	34900	10200	5200
	303 L3	90.2	11.1	2300	2.9	9.0	71-80-90-100-112-132-160	16800	19400	30400	36600	10800	5200
	303 L3	105	9.6	2660	2.9	9.0	71-80-90-100-112-132-160	17600	20300	31800	38300	11300	5200
	303 L3	113	8.9	1820	1.9	9.0	71-80-90-100-112-132-160	18100	20900	32500	39100	11600	5200
	303 L3	124	8.0	1830	1.7	9.0	71-80-90-100-112-132-160	18700	21600	33500	40300	12000	5200
	303 L3	141	7.1	2630	2.1	9.0	71-80-90-100-112-132-160	19500	22500	34800	41900	12500	5200
	303 L3	152	6.6	1830	1.4	9.0	71-80-90-100-112-132-160	20000	23100	35600	42900	12800	5200
	303 L3	164	6.1	2220	1.6	9.0	71-80-90-100-112-132-160	20500	23600	36400	43800	13100	5200
	303 L3	178	5.6	2220	1.4	9.0	71-80-90-100-112-132-160	21000	24300	37300	44900	13500	5200
	303 L3	190	5.3	1840	1.1	9.0	71-80-90-100-112-132-160	21500	24800	38100	45800	13800	5200
	303 L3	220	4.5	2240	1.2	9.0	71-80-90-100-112-132-160	22600	26100	39800	47900	14500	5200
	303 L3	258	3.9	1920	0.86	9.0	71-80-90-100-112-132-160	23800	27500	41700	50200	15300	5200
	303 L3	276	3.6	2330	0.97	9.0	71-80-90-100-112-132-160	24400	28100	42600	51200	15600	5200
	303 L3	321	3.1	2000	0.71	9.0	71-80-90-100-112-132-160	25600	29600	44600	53600	16400	5200
	303 L3	389	2.6	1750	0.52	9.0	71-80-90-100-112-132-160	27300	31500	47200	56800	17500	5200
	303 L3	402	2.5	2080	0.59	9.0	71-80-90-100-112-132-160	27600	31900	47600	57300	17700	5200
	303 L4	413	2.4	2530	0.72	7.2	71-80-90-100-112-132-160	27900	32200	48000	57800	17900	5200
	303 L4	446	2.2	2830	0.75	7.2	71-80-90-100-112-132-160	28600	33000	49100	59100	18300	5200
	303 L4	492	2.0	2720	0.65	7.2	71-80-90-100-112-132-160	29500	34100	50600	60900	19000	5200
	303 L4	556	1.8	2870	0.61	7.2	71-80-90-100-112-132-160	30800	35500	52500	63200	19700	5200
	303 L4	649	1.5	2360	0.43	7.2	71-80-90-100-112-132-160	32400	37400	55000	66200	20800	5200
	303 L4	718	1.4	2300	0.38	7.2	71-80-90-100-112-132-160	33500	38700	56700	68200	21500	5200
	303 L4	816	1.2	2750	0.40	7.2	71-80-90-100-112-132-160	35000	40400	58900	70900	22400	5200
	303 L4	896	1.1	2390	0.32	7.2	71-80-90-100-112-132-160	36000	41600	60600	72900	23100	5200
	303 L4	1018	0.98	2770	0.32	7.2	71-80-90-100-112-132-160	36000	42000	63000	74000	24000	5200
	303 L4	1098	0.91	2440	0.26	7.2	71-80-90-100-112-132-160	36000	42000	64000	74000	24000	5200
	303 L4	1278	0.78	2850	0.26	7.2	71-80-90-100-112-132-160	36000	42000	64000	74000	24000	5200
	303 L4	1370	0.73	2440	0.21	7.2	71-80-90-100-112-132-160	36000	42000	64000	74000	24000	5200
	303 L4	1586	0.63	2250	0.17	7.2	71-80-90-100-112-132-160	36000	42000	64000	74000	24000	5200
	303 L4	1854	0.54	2440	0.16	7.2	71-80-90-100-112-132-160	36000	42000	64000	74000	24000	5200
303 L4	1991	0.50	2850	0.17	7.2	71-80-90-100-112-132-160	36000	42000	64000	74000	24000	5200	
303 L4	2243	0.45	2000	0.11	7.2	71-80-90-100-112-132-160	36000	42000	64000	74000	24000	5200	
303 L4	2799	0.36	2000	0.08	7.2	71-80-90-100-112-132-160	36000	42000	64000	74000	24000	5200	
500	303 L1	3.60	139	1920	29	22	132-160-180-200	7220	8340	14300	17200	4630	5200
	303 L1	4.25	118	1990	25	22	132-160-180-200	7630	8810	15000	18000	4900	5200
	303 L1	5.33	94	2040	21	22	132-160-180-200	8240	9510	16000	19300	5280	5200
	303 L1	6.20	81	1820	15.8	22	132-160-180-200	8660	10000	16800	20200	5560	5200
	303 L1	7.50	67	1590	11.4	22	132-160-180-200	9230	10700	17800	21400	5920	5200
	303 L1	9.67	52	860	4.8	22	132-160-180-200	10000	11600	19200	23100	6440	5200
	303 L2	12.5	40	2150	9.6	18.0	71-80-90-100-112-132-160	10900	12600	20700	24900	7020	5200
	303 L2	15.3	33	2150	7.8	18.0	71-80-90-100-112-132-160	11700	13500	22000	26500	7510	5200
	303 L2	18.1	27.6	2460	7.5	18.0	71-80-90-100-112-132-160	12400	14300	23100	27800	7940	5200
	303 L2	20.8	24.1	2110	5.7	18.0	71-80-90-100-112-132-160	13000	15000	24100	29000	8310	5200
	303 L2	22.7	22.0	2170	5.3	18.0	71-80-90-100-112-132-160	13400	15400	24800	29800	8570	5200
	303 L2	24.5	20.4	2460	5.6	18.0	71-80-90-100-112-132-160	13700	15800	25300	30500	8780	5200
	303 L2	26.4	18.9	1820	3.8	18.0	71-80-90-100-112-132-160	14000	16200	25900	31200	9010	5200

B





303 L



266

2970 Nm

n ₁ min ⁻¹		i	n ₂ min ⁻¹	M _{n2} Nm	P _{n1} kW	P _t kW	P (IEC) 	R _{n2} [N]					M _{2 max} Nm
								MC	MZ	HC/PC	HZ/PZ	FZ	
500	303 L2	30.8	16.3	2180	3.9	18.0	71-80-90-100-112-132-160	14800	17100	27100	32600	9480	5200
	303 L2	35.8	14.0	1820	2.8	18.0	71-80-90-100-112-132-160	15500	17900	28400	34200	9960	5200
	303 L2	38.4	13.0	2190	3.2	18.0	71-80-90-100-112-132-160	15900	18400	29000	34900	10200	5200
	303 L2	44.6	11.2	1820	2.3	18.0	71-80-90-100-112-132-160	16700	19300	30300	36500	10700	5200
	303 L2	55.8	9.0	1820	1.8	18.0	71-80-90-100-112-132-160	18000	20800	32400	39000	11600	5200
	303 L3	53.4	9.4	2310	2.5	15.0	71-80-90-100-112-132-160	17800	20500	32000	38500	11400	5200
	303 L3	63.1	7.9	2700	2.5	15.0	71-80-90-100-112-132-160	18800	21700	33600	40500	12000	5200
	303 L3	72.3	6.9	2310	1.8	15.0	71-80-90-100-112-132-160	19600	22700	35100	42200	12600	5200
	303 L3	77.2	6.5	2750	2.0	15.0	71-80-90-100-112-132-160	20100	23200	35800	43000	12900	5200
	303 L3	90.2	5.5	2310	1.5	15.0	71-80-90-100-112-132-160	21100	24400	37500	45100	13600	5200
	303 L3	105	4.8	2810	1.5	15.0	71-80-90-100-112-132-160	22200	25600	39200	47100	14200	5200
	303 L3	113	4.4	1880	0.96	15.0	71-80-90-100-112-132-160	22800	26300	40100	48200	14600	5200
	303 L3	124	4.0	1910	0.88	15.0	71-80-90-100-112-132-160	23500	27200	41300	49600	15100	5200
	303 L3	141	3.5	2670	1.1	15.0	71-80-90-100-112-132-160	24600	28400	42900	51600	15800	5200
	303 L3	152	3.3	1980	0.75	15.0	71-80-90-100-112-132-160	25200	29100	43900	52800	16200	5200
	303 L3	164	3.1	2430	0.85	15.0	71-80-90-100-112-132-160	25800	29800	44800	53900	16500	5200
	303 L3	178	2.8	2470	0.80	15.0	71-80-90-100-112-132-160	26500	30600	45900	55200	17000	5200
	303 L3	190	2.6	2060	0.62	15.0	71-80-90-100-112-132-160	27100	31300	46900	56400	17400	5200
	303 L3	220	2.3	2210	0.57	15.0	71-80-90-100-112-132-160	28500	32900	49000	58900	18300	5200
	303 L3	258	1.9	2170	0.48	15.0	71-80-90-100-112-132-160	30000	34600	51300	61700	19200	5200
	303 L3	276	1.8	2580	0.54	15.0	71-80-90-100-112-132-160	30700	35400	52400	63100	19700	5200
	303 L3	321	1.6	2260	0.40	15.0	71-80-90-100-112-132-160	32300	37300	54900	66000	20700	5200
	303 L3	389	1.3	1930	0.28	15.0	71-80-90-100-112-132-160	34400	39700	58100	69900	22100	5200
	303 L3	402	1.2	2350	0.34	15.0	71-80-90-100-112-132-160	34800	40200	58600	70600	22300	5200
	303 L4	413	1.2	2780	0.40	12.0	71-80-90-100-112-132-160	35100	40500	59100	71200	22500	5200
	303 L4	446	1.1	2950	0.39	12.0	71-80-90-100-112-132-160	36000	41600	60500	72800	23100	5200
	303 L4	492	1.0	2770	0.33	12.0	71-80-90-100-112-132-160	36000	42000	62300	74000	23900	5200
	303 L4	556	0.90	2970	0.32	12.0	71-80-90-100-112-132-160	36000	42000	64000	74000	24000	5200
	303 L4	649	0.77	2410	0.22	12.0	71-80-90-100-112-132-160	36000	42000	64000	74000	24000	5200
	303 L4	718	0.70	2440	0.20	12.0	71-80-90-100-112-132-160	36000	42000	64000	74000	24000	5200
	303 L4	816	0.61	2770	0.20	12.0	71-80-90-100-112-132-160	36000	42000	64000	74000	24000	5200
	303 L4	896	0.56	2440	0.16	12.0	71-80-90-100-112-132-160	36000	42000	64000	74000	24000	5200
	303 L4	1018	0.49	2770	0.16	12.0	71-80-90-100-112-132-160	36000	42000	64000	74000	24000	5200
	303 L4	1098	0.46	2440	0.13	12.0	71-80-90-100-112-132-160	36000	42000	64000	74000	24000	5200
	303 L4	1278	0.39	2850	0.13	12.0	71-80-90-100-112-132-160	36000	42000	64000	74000	24000	5200
	303 L4	1370	0.36	2440	0.11	12.0	71-80-90-100-112-132-160	36000	42000	64000	74000	24000	5200
	303 L4	1586	0.32	2250	0.08	12.0	71-80-90-100-112-132-160	36000	42000	64000	74000	24000	5200
	303 L4	1854	0.27	2440	0.08	12.0	71-80-90-100-112-132-160	36000	42000	64000	74000	24000	5200
	303 L4	1991	0.25	2850	0.08	12.0	71-80-90-100-112-132-160	36000	42000	64000	74000	24000	5200
	303 L4	2243	0.22	2000	0.05	12.0	71-80-90-100-112-132-160	36000	42000	64000	74000	24000	5200
303 L4	2799	0.18	2000	0.04	12.0	71-80-90-100-112-132-160	36000	42000	64000	74000	24000	5200	



B

304 L



278

3960 Nm

n ₁ min ⁻¹		i	n ₂ min ⁻¹	M _{n2} Nm	P _{n1} kW	P _t kW	P (IEC) 	R _{n2} [N]					M _{2 max} Nm
								MC	MZ	HC/PC	HZ/PZ	FZ	
1500	304 L1	3.60	417	1840	50	12.0	132-160-180-200	5010	5780	10300	12300	3210	7300
	304 L1	4.25	353	1900	50	12.0	132-160-180-200	5290	6110	10800	13000	3400	7300
	304 L1	5.33	281	1990	50	12.0	132-160-180-200	5710	6590	11500	13900	3660	7300
	304 L1	6.57	228	1870	46	12.0	132-160-180-200	6120	7070	12300	14800	3930	7300
	304 L2	12.5	120	2680	30	9.0	71-80-90-100-112-132-160	7590	8760	14900	17900	4870	7300
	304 L2	15.3	98	2840	30	9.0	71-80-90-100-112-132-160	8120	9380	15800	19100	5210	7300
	304 L2	18.1	83	2940	27	9.0	71-80-90-100-112-132-160	8580	9910	16600	20000	5510	7300
	304 L2	20.8	72	2960	24	9.0	71-80-90-100-112-132-160	8980	10400	17300	20900	5760	7300
	304 L2	22.7	66	2790	21	9.0	71-80-90-100-112-132-160	9260	10700	17800	21400	5940	7300
	304 L2	24.5	61	3230	22	9.0	71-80-90-100-112-132-160	9490	11000	18200	21900	6090	7300
	304 L2	30.8	49	2850	15.5	9.0	71-80-90-100-112-132-160	10200	11800	19500	23500	6570	7300
	304 L2	38.4	39	2850	12.4	9.0	71-80-90-100-112-132-160	11000	12700	20900	25100	7070	7300
304 L2	47.3	32	2390	8.4	9.0	71-80-90-100-112-132-160	11800	13600	22200	26700	7580	7300	





304 L

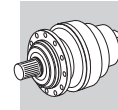




278

3960 Nm

n ₁ min ⁻¹		i	n ₂ min ⁻¹	M _{n2} Nm	P _{n1} kW	P _t kW	P (IEC) 	R _{n2} [N]					M _{2 max} Nm	
								MC	MZ	HC/PC	HZ/PZ	FZ		
1500	304 L2	59.1	25.4	2390	6.7	9.0	71-80-90-100-112-132-160	12700	14700	23700	28600	8170	7300	
	304 L3	43.6	34	3190	12.6	7.5	71-80-90-100-112-132-160	11500	13300	21700	26100	7380	7300	
	304 L3	53.4	28.1	3230	10.4	7.5	71-80-90-100-112-132-160	12300	14200	23000	27700	7900	7300	
	304 L3	63.1	23.8	3480	9.5	7.5	71-80-90-100-112-132-160	13000	15000	24200	29100	8340	7300	
	304 L3	72.3	20.8	3290	7.8	7.5	71-80-90-100-112-132-160	13600	15700	25200	30300	8730	7300	
	304 L3	77.2	19.4	3490	7.8	7.5	71-80-90-100-112-132-160	13900	16100	25700	30900	8930	7300	
	304 L3	90.2	16.6	3320	6.3	7.5	71-80-90-100-112-132-160	14700	16900	26900	32400	9400	7300	
	304 L3	105	14.4	3520	5.8	7.5	71-80-90-100-112-132-160	15400	17800	28200	33900	9880	7300	
	304 L3	111	13.6	3380	5.3	7.5	71-80-90-100-112-132-160	15700	18100	28600	34500	10100	7300	
	304 L3	130	11.5	3530	4.7	7.5	71-80-90-100-112-132-160	16600	19100	30100	36200	10600	7300	
	304 L3	141	10.6	3540	4.3	7.5	71-80-90-100-112-132-160	17000	19700	30800	37100	10900	7300	
	304 L3	150	10.0	3440	4.0	7.5	71-80-90-100-112-132-160	17300	20000	31400	37700	11100	7300	
	304 L3	165	9.1	2390	2.5	7.5	71-80-90-100-112-132-160	17900	20700	32300	38800	11500	7300	
	304 L3	178	8.5	2850	2.8	7.5	71-80-90-100-112-132-160	18400	21200	33000	39700	11800	7300	
	304 L3	202	7.4	2390	2.0	7.5	71-80-90-100-112-132-160	19200	22100	34300	41300	12300	7300	
	304 L3	220	6.8	3610	2.8	7.5	71-80-90-100-112-132-160	19700	22800	35200	42400	12700	7300	
	304 L3	273	5.5	2390	1.5	7.5	71-80-90-100-112-132-160	21200	24500	37600	45200	13600	7300	
	304 L3	341	4.4	2420	1.2	7.5	71-80-90-100-112-132-160	22800	26400	40200	48300	14700	7300	
	304 L3	426	3.5	2470	1.0	7.5	71-80-90-100-112-132-160	24600	28400	42900	51600	15800	7300	
	304 L4	413	3.6	3000	1.3	6.0	71-80-90-100-112-132-160	24300	28100	42500	51200	15600	7300	
	304 L4	446	3.4	3720	1.5	6.0	71-80-90-100-112-132-160	25000	28800	43500	52400	16000	7300	
	304 L4	492	3.0	3730	1.3	6.0	71-80-90-100-112-132-160	25800	29800	44800	53900	16600	7300	
	304 L4	556	2.7	3740	1.2	6.0	71-80-90-100-112-132-160	26900	31000	46500	55900	17200	7300	
	304 L4	649	2.3	3540	0.97	6.0	71-80-90-100-112-132-160	28300	32700	48700	58600	18200	7300	
	304 L4	702	2.1	2630	0.66	6.0	71-80-90-100-112-132-160	29000	33500	49900	60000	18600	7300	
	304 L4	816	1.8	3820	0.83	6.0	71-80-90-100-112-132-160	30500	35300	52200	62800	19600	7300	
	304 L4	1018	1.5	3870	0.67	6.0	71-80-90-100-112-132-160	32900	38000	55800	67100	21100	7300	
	304 L4	1164	1.3	2870	0.44	6.0	71-80-90-100-112-132-160	34400	39700	58000	69800	22100	7300	
	304 L4	1271	1.2	3920	0.55	6.0	71-80-90-100-112-132-160	35400	40900	59600	71700	22700	7300	
	304 L4	1344	1.1	3690	0.49	6.0	71-80-90-100-112-132-160	36000	41600	60600	72900	23100	7300	
	304 L4	1586	0.95	3960	0.44	6.0	71-80-90-100-112-132-160	36000	42000	63700	74000	24000	7300	
	304 L4	1815	0.83	3000	0.29	6.0	71-80-90-100-112-132-160	36000	42000	64000	74000	24000	7300	
	304 L4	1991	0.75	3740	0.33	6.0	71-80-90-100-112-132-160	36000	42000	64000	74000	24000	7300	
	304 L4	2269	0.66	3000	0.23	6.0	71-80-90-100-112-132-160	36000	42000	64000	74000	24000	7300	
	304 L4	2453	0.61	3000	0.22	6.0	71-80-90-100-112-132-160	36000	42000	64000	74000	24000	7300	
	1000	304 L1	3.60	278	2080	50	14.4	132-160-180-200	5730	6620	11600	13900	3680	7300
		304 L1	4.25	235	2150	50	14.4	132-160-180-200	6060	7000	12200	14600	3890	7300
		304 L1	5.33	188	2240	45	14.4	132-160-180-200	6540	7550	13000	15700	4190	7300
		304 L1	6.57	152	2110	35	14.4	132-160-180-200	7010	8090	13900	16700	4500	7300
		304 L2	12.5	80	2920	26	10.8	71-80-90-100-112-132-160	8690	10000	16800	20300	5570	7300
304 L2		15.3	65	3010	22	10.8	71-80-90-100-112-132-160	9300	10700	17900	21500	5960	7300	
304 L2		18.1	55	3330	20	10.8	71-80-90-100-112-132-160	9830	11300	18800	22600	6300	7300	
304 L2		20.8	48	3130	16.8	10.8	71-80-90-100-112-132-160	10300	11900	19600	23600	6600	7300	
304 L2		22.7	44	2850	13.9	10.8	71-80-90-100-112-132-160	10600	12200	20100	24200	6800	7300	
304 L2		24.5	41	3440	15.6	10.8	71-80-90-100-112-132-160	10900	12500	20600	24800	6970	7300	
304 L2		30.8	33	2850	10.3	10.8	71-80-90-100-112-132-160	11700	13500	22000	26500	7520	7300	
304 L2		38.4	26.0	2850	8.3	10.8	71-80-90-100-112-132-160	12600	14600	23600	28300	8100	7300	
304 L2		47.3	21.1	2390	5.6	10.8	71-80-90-100-112-132-160	13500	15600	25100	30200	8680	7300	
304 L2		59.1	16.9	2390	4.5	10.8	71-80-90-100-112-132-160	14600	16800	26800	32300	9350	7300	
304 L3		43.6	22.9	3270	8.6	9.0	71-80-90-100-112-132-160	13200	15200	24500	29400	8450	7300	
304 L3		53.4	18.7	3310	7.1	9.0	71-80-90-100-112-132-160	14100	16300	26000	31300	9040	7300	
304 L3		63.1	15.9	3510	6.4	9.0	71-80-90-100-112-132-160	14900	17200	27300	32900	9550	7300	
304 L3		72.3	13.8	3370	5.4	9.0	71-80-90-100-112-132-160	15600	18000	28500	34300	10000	7300	
304 L3		77.2	12.9	3520	5.2	9.0	71-80-90-100-112-132-160	15900	18400	29000	34900	10200	7300	
304 L3		90.2	11.1	3420	4.3	9.0	71-80-90-100-112-132-160	16800	19400	30400	36600	10800	7300	
304 L3		105	9.6	3550	3.9	9.0	71-80-90-100-112-132-160	17600	20300	31800	38300	11300	7300	
304 L3		111	9.0	3450	3.6	9.0	71-80-90-100-112-132-160	18000	20700	32300	38900	11500	7300	
304 L3		130	7.7	3600	3.2	9.0	71-80-90-100-112-132-160	19000	21900	34000	40900	12200	7300	
304 L3		141	7.1	3610	2.9	9.0	71-80-90-100-112-132-160	19500	22500	34800	41900	12500	7300	
304 L3		150	6.7	3470	2.7	9.0	71-80-90-100-112-132-160	19900	22900	35400	42600	12700	7300	

B



304 L							3960 Nm							
							278							
n ₁ min ⁻¹		i	n ₂ min ⁻¹	M _{n2} Nm	P _{n1} kW	P _t kW	P (IEC) 	Rn ₂ [N]					M _{2 max} Nm	
								MC	MZ	HC/PC	HZ/PZ	FZ		
1000	304 L3	165	6.1	2390	1.7	9.0	71-80-90-100-112-132-160	20500	23700	36500	43900	13200	7300	
	304 L3	178	5.6	2850	1.8	9.0	71-80-90-100-112-132-160	21000	24300	37300	44900	13500	7300	
	304 L3	202	5.0	2390	1.4	9.0	71-80-90-100-112-132-160	21900	25300	38700	46600	14100	7300	
	304 L3	220	4.5	3670	1.9	9.0	71-80-90-100-112-132-160	22600	26100	39800	47900	14500	7300	
	304 L3	273	3.7	2460	1.0	9.0	71-80-90-100-112-132-160	24300	28000	42400	51000	15600	7300	
	304 L3	341	2.9	2520	0.85	9.0	71-80-90-100-112-132-160	26100	30200	45400	54600	16800	7300	
	304 L3	426	2.3	2590	0.70	9.0	71-80-90-100-112-132-160	28100	32500	48500	58300	18100	7300	
	304 L4	413	2.4	3210	0.92	7.2	71-80-90-100-112-132-160	27900	32200	48000	57800	17900	7300	
	304 L4	446	2.2	3770	1.0	7.2	71-80-90-100-112-132-160	28600	33000	49100	59100	18300	7300	
	304 L4	492	2.0	3800	0.91	7.2	71-80-90-100-112-132-160	29500	34100	50600	60900	19000	7300	
	304 L4	556	1.8	3820	0.81	7.2	71-80-90-100-112-132-160	30800	35500	52500	63200	19700	7300	
	304 L4	649	1.5	3620	0.66	7.2	71-80-90-100-112-132-160	32400	37400	55000	66200	20800	7300	
	304 L4	702	1.4	2820	0.48	7.2	71-80-90-100-112-132-160	33200	38400	56300	67800	21300	7300	
	304 L4	816	1.2	3910	0.57	7.2	71-80-90-100-112-132-160	35000	40400	58900	70900	22400	7300	
	304 L4	1018	0.98	3960	0.46	7.2	71-80-90-100-112-132-160	36000	42000	63000	74000	24000	7300	
	304 L4	1164	0.86	3000	0.30	7.2	71-80-90-100-112-132-160	36000	42000	64000	74000	24000	7300	
	304 L4	1271	0.79	3960	0.37	7.2	71-80-90-100-112-132-160	36000	42000	64000	74000	24000	7300	
	304 L4	1344	0.74	3710	0.33	7.2	71-80-90-100-112-132-160	36000	42000	64000	74000	24000	7300	
	304 L4	1586	0.63	3960	0.30	7.2	71-80-90-100-112-132-160	36000	42000	64000	74000	24000	7300	
	304 L4	1815	0.55	3000	0.20	7.2	71-80-90-100-112-132-160	36000	42000	64000	74000	24000	7300	
	304 L4	1991	0.50	3740	0.22	7.2	71-80-90-100-112-132-160	36000	42000	64000	74000	24000	7300	
	304 L4	2269	0.44	3000	0.16	7.2	71-80-90-100-112-132-160	36000	42000	64000	74000	24000	7300	
	304 L4	2453	0.41	3000	0.14	7.2	71-80-90-100-112-132-160	36000	42000	64000	74000	24000	7300	
	500	304 L1	3.60	139	2560	38	24	132-160-180-200	7220	8340	14300	17200	4630	7300
		304 L1	4.25	118	2650	34	24	132-160-180-200	7630	8810	15000	18000	4900	7300
		304 L1	5.33	94	2720	28	24	132-160-180-200	8240	9510	16000	19300	5280	7300
		304 L1	6.57	76	2390	19.6	24	132-160-180-200	8830	10200	17100	20500	5660	7300
		304 L2	12.5	40	3160	14.0	18.0	71-80-90-100-112-132-160	10900	12600	20700	24900	7020	7300
		304 L2	15.3	33	3200	11.6	18.0	71-80-90-100-112-132-160	11700	13500	22000	26500	7510	7300
		304 L2	18.1	27.6	3470	10.7	18.0	71-80-90-100-112-132-160	12400	14300	23100	27800	7940	7300
		304 L2	20.8	24.1	3260	8.7	18.0	71-80-90-100-112-132-160	13000	15000	24100	29000	8310	7300
		304 L2	22.7	22.0	2850	7.0	18.0	71-80-90-100-112-132-160	13400	15400	24800	29800	8570	7300
304 L2		24.5	20.4	3490	7.9	18.0	71-80-90-100-112-132-160	13700	15800	25300	30500	8780	7300	
304 L2		30.8	16.3	2850	5.2	18.0	71-80-90-100-112-132-160	14800	17100	27100	32600	9480	7300	
304 L2		38.4	13.0	2850	4.1	18.0	71-80-90-100-112-132-160	15900	18400	29000	34900	10200	7300	
304 L2		47.3	10.6	2390	2.8	18.0	71-80-90-100-112-132-160	17000	19700	30900	37100	10900	7300	
304 L2		59.1	8.5	2390	2.2	18.0	71-80-90-100-112-132-160	18400	21200	33000	39700	11800	7300	
304 L3		43.6	11.5	3410	4.5	15.0	71-80-90-100-112-132-160	16600	19200	30100	36200	10600	7300	
304 L3		53.4	9.4	3450	3.7	15.0	71-80-90-100-112-132-160	17800	20500	32000	38500	11400	7300	
304 L3		63.1	7.9	3590	3.3	15.0	71-80-90-100-112-132-160	18800	21700	33600	40500	12000	7300	
304 L3		72.3	6.9	3470	2.8	15.0	71-80-90-100-112-132-160	19600	22700	35100	42200	12600	7300	
304 L3		77.2	6.5	3630	2.7	15.0	71-80-90-100-112-132-160	20100	23200	35800	43000	12900	7300	
304 L3		90.2	5.5	3490	2.2	15.0	71-80-90-100-112-132-160	21100	24400	37500	45100	13600	7300	
304 L3		105	4.8	3690	2.0	15.0	71-80-90-100-112-132-160	22200	25600	39200	47100	14200	7300	
304 L3		111	4.5	3500	1.8	15.0	71-80-90-100-112-132-160	22600	26100	39800	47900	14500	7300	
304 L3		130	3.8	3710	1.6	15.0	71-80-90-100-112-132-160	23900	27600	41900	50400	15300	7300	
304 L3		141	3.5	3720	1.5	15.0	71-80-90-100-112-132-160	24600	28400	42900	51600	15800	7300	
304 L3		150	3.3	3510	1.3	15.0	71-80-90-100-112-132-160	25000	28900	43600	52500	16000	7300	
304 L3		165	3.0	2510	0.87	15.0	71-80-90-100-112-132-160	25800	29800	44900	54000	16600	7300	
304 L3		178	2.8	3130	1.0	15.0	71-80-90-100-112-132-160	26500	30600	45900	55200	17000	7300	
304 L3		202	2.5	2560	0.73	15.0	71-80-90-100-112-132-160	27600	31900	47700	57400	17700	7300	
304 L3		220	2.3	3740	0.97	15.0	71-80-90-100-112-132-160	28500	32900	49000	58900	18300	7300	
304 L3		273	1.8	2700	0.57	15.0	71-80-90-100-112-132-160	30600	35300	52200	62800	19600	7300	
304 L3		341	1.5	2810	0.47	15.0	71-80-90-100-112-132-160	32900	38000	55800	67200	21100	7300	
304 L3		426	1.2	2920	0.39	15.0	71-80-90-100-112-132-160	35500	40900	59700	71800	22700	7300	
304 L4		413	1.2	3620	0.52	12.0	71-80-90-100-112-132-160	35100	40500	59100	71200	22500	7300	
304 L4		446	1.1	3930	0.52	12.0	71-80-90-100-112-132-160	36000	41600	60500	72800	23100	7300	
304 L4		492	1.0	3960	0.48	12.0	71-80-90-100-112-132-160	36000	42000	62300	74000	23900	7300	
304 L4		556	0.90	3960	0.42	12.0	71-80-90-100-112-132-160	36000	42000	64000	74000	24000	7300	
304 L4		649	0.77	3710	0.34	12.0	71-80-90-100-112-132-160	36000	42000	64000	74000	24000	7300	







304 L



278

3960 Nm



n ₁ min ⁻¹		i	n ₂ min ⁻¹	M _{n2} Nm	P _{n1} kW	P _t kW	P (IEC) 	Rn ₂ [N]					M _{2 max} Nm
								MC	MZ	HC/PC	HZ/PZ	FZ	
500	304 L4	702	0.71	3000	0.25	12.0	71-80-90-100-112-132-160	36000	42000	64000	74000	24000	7300
	304 L4	816	0.61	3960	0.29	12.0	71-80-90-100-112-132-160	36000	42000	64000	74000	24000	7300
	304 L4	1018	0.49	3960	0.23	12.0	71-80-90-100-112-132-160	36000	42000	64000	74000	24000	7300
	304 L4	1164	0.43	3000	0.15	12.0	71-80-90-100-112-132-160	36000	42000	64000	74000	24000	7300
	304 L4	1271	0.39	3960	0.18	12.0	71-80-90-100-112-132-160	36000	42000	64000	74000	24000	7300
	304 L4	1344	0.37	3710	0.16	12.0	71-80-90-100-112-132-160	36000	42000	64000	74000	24000	7300
	304 L4	1586	0.32	3960	0.15	12.0	71-80-90-100-112-132-160	36000	42000	64000	74000	24000	7300
	304 L4	1815	0.28	3000	0.10	12.0	71-80-90-100-112-132-160	36000	42000	64000	74000	24000	7300
	304 L4	1991	0.25	3740	0.11	12.0	71-80-90-100-112-132-160	36000	42000	64000	74000	24000	7300
	304 L4	2269	0.22	3000	0.08	12.0	71-80-90-100-112-132-160	36000	42000	64000	74000	24000	7300
304 L4	2453	0.20	3000	0.07	12.0	71-80-90-100-112-132-160	36000	42000	64000	74000	24000	7300	

305 L





290

5800 Nm

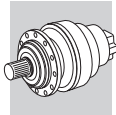
n ₁ min ⁻¹		i	n ₂ min ⁻¹	M _{n2} Nm	P _{n1} kW	P _t kW	P (IEC) 	Rn ₂ [N]					M _{2 max} Nm
								MC	MZ	HC/PC	HZ/PZ	FZ	
1500	305 L1	3.60	417	2370	60	13.0	132-160-180-200	5010	5780	10300	12300	3210	8800
	305 L1	4.25	353	2450	60	13.0	132-160-180-200	5290	6110	10800	13000	3400	8800
	305 L1	5.33	281	2560	60	13.0	132-160-180-200	5710	6590	11500	13900	3660	8800
	305 L1	6.20	242	2650	60	13.0	132-160-180-200	6000	6930	12100	14500	3850	8800
	305 L1	7.50	200	2270	49	13.0	132-160-180-200	6400	7390	12800	15400	4100	8800
305 L2	12.5	120	2930	30	9.0	71-80-90-100-112-132-160	7590	8760	14900	17900	4870	8800	
305 L2	15.3	98	3060	30	9.0	71-80-90-100-112-132-160	8120	9380	15800	19100	5210	8800	
305 L2	18.1	83	3620	30	9.0	71-80-90-100-112-132-160	8580	9910	16600	20000	5510	8800	
305 L2	20.8	72	3250	26	9.0	71-80-90-100-112-132-160	8980	10400	17300	20900	5760	8800	
305 L2	22.7	66	3940	29	9.0	71-80-90-100-112-132-160	9260	10700	17800	21400	5940	8800	
305 L2	24.5	61	3830	26	9.0	71-80-90-100-112-132-160	9490	11000	18200	21900	6090	8800	
305 L2	26.4	57	3530	22	9.0	71-80-90-100-112-132-160	9740	11200	18600	22400	6250	8800	
305 L2	30.8	49	4280	23	9.0	71-80-90-100-112-132-160	10200	11800	19500	23500	6570	8800	
305 L2	35.8	42	3560	16.6	9.0	71-80-90-100-112-132-160	10800	12400	20400	24600	6910	8800	
305 L2	38.4	39	4300	18.7	9.0	71-80-90-100-112-132-160	11000	12700	20900	25100	7070	8800	
305 L2	44.6	34	3560	13.3	9.0	71-80-90-100-112-132-160	11600	13400	21800	26300	7440	8800	
305 L2	55.8	26.9	3540	10.6	9.0	71-80-90-100-112-132-160	12500	14400	23300	28100	8010	8800	
305 L3	53.4	28.1	4000	12.9	7.5	71-80-90-100-112-132-160	12300	14200	23000	27700	7900	8800	
305 L3	63.1	23.8	4720	12.9	7.5	71-80-90-100-112-132-160	13000	15000	24200	29100	8340	8800	
305 L3	72.3	20.8	4160	9.9	7.5	71-80-90-100-112-132-160	13600	15700	25200	30300	8730	8800	
305 L3	77.2	19.4	4820	10.7	7.5	71-80-90-100-112-132-160	13900	16100	25700	30900	8930	8800	
305 L3	90.2	16.6	4260	8.1	7.5	71-80-90-100-112-132-160	14700	16900	26900	32400	9400	8800	
305 L3	105	14.4	5030	8.3	7.5	71-80-90-100-112-132-160	15400	17800	28200	33900	9880	8800	
305 L3	113	13.3	3590	5.5	7.5	71-80-90-100-112-132-160	15800	18200	28800	34700	10100	8800	
305 L3	124	12.1	3590	5.0	7.5	71-80-90-100-112-132-160	16300	18800	29700	35700	10500	8800	
305 L3	141	10.6	5180	6.3	7.5	71-80-90-100-112-132-160	17000	19700	30800	37100	10900	8800	
305 L3	152	9.8	3600	4.1	7.5	71-80-90-100-112-132-160	17500	20200	31500	37900	11200	8800	
305 L3	164	9.2	4410	4.6	7.5	71-80-90-100-112-132-160	17900	20600	32200	38800	11500	8800	
305 L3	178	8.5	4420	4.3	7.5	71-80-90-100-112-132-160	18400	21200	33000	39700	11800	8800	
305 L3	190	7.9	3600	3.3	7.5	71-80-90-100-112-132-160	18800	21700	33700	40600	12100	8800	
305 L3	220	6.8	4750	3.7	7.5	71-80-90-100-112-132-160	19700	22800	35200	42400	12700	8800	
305 L3	258	5.8	3600	2.4	7.5	71-80-90-100-112-132-160	20800	24000	36900	44400	13300	8800	
305 L3	276	5.4	4460	2.8	7.5	71-80-90-100-112-132-160	21300	24600	37700	45400	13700	8800	
305 L3	321	4.7	3640	1.9	7.5	71-80-90-100-112-132-160	22400	25800	39400	47500	14400	8800	
305 L3	389	3.9	3170	1.4	7.5	71-80-90-100-112-132-160	23900	27500	41800	50300	15300	8800	
305 L3	402	3.7	3760	1.6	7.5	71-80-90-100-112-132-160	24100	27800	42200	50700	15500	8800	
305 L4	413	3.6	4720	2.0	6.0	71-80-90-100-112-132-160	24300	28100	42500	51200	15600	8800	
305 L4	446	3.4	5490	2.2	6.0	71-80-90-100-112-132-160	25000	28800	43500	52400	16000	8800	
305 L4	492	3.0	5340	1.9	6.0	71-80-90-100-112-132-160	25800	29800	44800	53900	16600	8800	
305 L4	556	2.7	5500	1.8	6.0	71-80-90-100-112-132-160	26900	31000	46500	55900	17200	8800	
305 L4	649	2.3	4510	1.2	6.0	71-80-90-100-112-132-160	28300	32700	48700	58600	18200	8800	
305 L4	718	2.1	4130	1.0	6.0	71-80-90-100-112-132-160	29300	33800	50200	60400	18800	8800	
305 L4	816	1.8	5410	1.2	6.0	71-80-90-100-112-132-160	30500	35300	52200	62800	19600	8800	

B



305 L							5800 Nm							
n_1 min ⁻¹		i	n_2 min ⁻¹	M_{n2} Nm	P_{n1} kW	P_t kW	P (IEC) 	MC	MZ	R n_2 [N]		FZ		M $_2$ max Nm
										HC/PC	HZ/PZ			
1500	305 L4	896	1.7	4290	0.85	6.0	71-80-90-100-112-132-160	31500	36400	53700	64600	20200	8800	
	305 L4	1018	1.5	5450	0.95	6.0	71-80-90-100-112-132-160	32900	38000	55800	67100	21100	8800	
	305 L4	1098	1.4	4440	0.72	6.0	71-80-90-100-112-132-160	33700	38900	57000	68600	21600	8800	
	305 L4	1278	1.2	5500	0.76	6.0	71-80-90-100-112-132-160	35500	40900	59700	71800	22800	8800	
	305 L4	1370	1.1	4620	0.60	6.0	71-80-90-100-112-132-160	36000	41900	60900	73300	23300	8800	
	305 L4	1586	0.95	4750	0.53	6.0	71-80-90-100-112-132-160	36000	42000	63700	74000	24000	8800	
	305 L4	1854	0.81	4690	0.45	6.0	71-80-90-100-112-132-160	36000	42000	64000	74000	24000	8800	
	305 L4	1991	0.75	5600	0.50	6.0	71-80-90-100-112-132-160	36000	42000	64000	74000	24000	8800	
	305 L4	2243	0.67	3800	0.30	6.0	71-80-90-100-112-132-160	36000	42000	64000	74000	24000	8800	
	305 L4	2799	0.54	3800	0.24	6.0	71-80-90-100-112-132-160	36000	42000	64000	74000	24000	8800	
1000	305 L1	3.60	278	2680	60	15.6	132-160-180-200	5730	6620	11600	13900	3680	8800	
	305 L1	4.25	235	2770	60	15.6	132-160-180-200	6060	7000	12200	14600	3890	8800	
	305 L1	5.33	188	2890	58	15.6	132-160-180-200	6540	7550	13000	15700	4190	8800	
	305 L1	6.20	161	3000	52	15.6	132-160-180-200	6870	7930	13600	16400	4410	8800	
	305 L1	7.50	133	2560	37	15.6	132-160-180-200	7320	8450	14400	17400	4700	8800	
	305 L2	12.5	80	3300	29	10.8	71-80-90-100-112-132-160	8690	10000	16800	20300	5570	8800	
	305 L2	15.3	65	3460	25	10.8	71-80-90-100-112-132-160	9300	10700	17900	21500	5960	8800	
	305 L2	18.1	55	4090	25	10.8	71-80-90-100-112-132-160	9830	11300	18800	22600	6300	8800	
	305 L2	20.8	48	3650	19.5	10.8	71-80-90-100-112-132-160	10300	11900	19600	23600	6600	8800	
	305 L2	22.7	44	4290	21	10.8	71-80-90-100-112-132-160	10600	12200	20100	24200	6800	8800	
	305 L2	24.5	41	4200	19.1	10.8	71-80-90-100-112-132-160	10900	12500	20600	24800	6970	8800	
	305 L2	26.4	38	3560	15.0	10.8	71-80-90-100-112-132-160	11100	12900	21100	25300	7150	8800	
	305 L2	30.8	33	4310	15.6	10.8	71-80-90-100-112-132-160	11700	13500	22000	26500	7520	8800	
	305 L2	35.8	28.0	3570	11.1	10.8	71-80-90-100-112-132-160	12300	14200	23100	27700	7910	8800	
	305 L2	38.4	26.0	4330	12.5	10.8	71-80-90-100-112-132-160	12600	14600	23600	28300	8100	8800	
	305 L2	44.6	22.4	3570	8.9	10.8	71-80-90-100-112-132-160	13300	15300	24600	29600	8510	8800	
	305 L2	55.8	17.9	3560	7.1	10.8	71-80-90-100-112-132-160	14300	16500	26300	31700	9170	8800	
	305 L3	53.4	18.7	4190	9.0	9.0	71-80-90-100-112-132-160	14100	16300	26000	31300	9040	8800	
	305 L3	63.1	15.9	4980	9.1	9.0	71-80-90-100-112-132-160	14900	17200	27300	32900	9550	8800	
	305 L3	72.3	13.8	4340	6.9	9.0	71-80-90-100-112-132-160	15600	18000	28500	34300	10000	8800	
	305 L3	77.2	12.9	5110	7.6	9.0	71-80-90-100-112-132-160	15900	18400	29000	34900	10200	8800	
	305 L3	90.2	11.1	4440	5.7	9.0	71-80-90-100-112-132-160	16800	19400	30400	36600	10800	8800	
	305 L3	105	9.6	5310	5.8	9.0	71-80-90-100-112-132-160	17600	20300	31800	38300	11300	8800	
	305 L3	113	8.9	3600	3.7	9.0	71-80-90-100-112-132-160	18100	20900	32500	39100	11600	8800	
	305 L3	124	8.0	3600	3.3	9.0	71-80-90-100-112-132-160	18700	21600	33500	40300	12000	8800	
	305 L3	141	7.1	5260	4.3	9.0	71-80-90-100-112-132-160	19500	22500	34800	41900	12500	8800	
	305 L3	152	6.6	3600	2.7	9.0	71-80-90-100-112-132-160	20000	23100	35600	42900	12800	8800	
	305 L3	164	6.1	4450	3.1	9.0	71-80-90-100-112-132-160	20500	23600	36400	43800	13100	8800	
	305 L3	178	5.6	4460	2.9	9.0	71-80-90-100-112-132-160	21000	24300	37300	44900	13500	8800	
	305 L3	190	5.3	3600	2.2	9.0	71-80-90-100-112-132-160	21500	24800	38100	45800	13800	8800	
	305 L3	220	4.5	4750	2.5	9.0	71-80-90-100-112-132-160	22600	26100	39800	47900	14500	8800	
	305 L3	258	3.9	3740	1.7	9.0	71-80-90-100-112-132-160	23800	27500	41700	50200	15300	8800	
	305 L3	276	3.6	4670	1.9	9.0	71-80-90-100-112-132-160	24400	28100	42600	51200	15600	8800	
	305 L3	321	3.1	3870	1.4	9.0	71-80-90-100-112-132-160	25600	29600	44600	53600	16400	8800	
	305 L3	389	2.6	3290	0.97	9.0	71-80-90-100-112-132-160	27300	31500	47200	56800	17500	8800	
	305 L3	402	2.5	4000	1.1	9.0	71-80-90-100-112-132-160	27600	31900	47600	57300	17700	8800	
	305 L4	413	2.4	5060	1.4	7.2	71-80-90-100-112-132-160	27900	32200	48000	57800	17900	8800	
	305 L4	446	2.2	5530	1.5	7.2	71-80-90-100-112-132-160	28600	33000	49100	59100	18300	8800	
	305 L4	492	2.0	5390	1.3	7.2	71-80-90-100-112-132-160	29500	34100	50600	60900	19000	8800	
	305 L4	556	1.8	5610	1.2	7.2	71-80-90-100-112-132-160	30800	35500	52500	63200	19700	8800	
305 L4	649	1.5	4600	0.84	7.2	71-80-90-100-112-132-160	32400	37400	55000	66200	20800	8800		
305 L4	718	1.4	4430	0.73	7.2	71-80-90-100-112-132-160	33500	38700	56700	68200	21500	8800		
305 L4	816	1.2	5490	0.80	7.2	71-80-90-100-112-132-160	35000	40400	58900	70900	22400	8800		
305 L4	896	1.1	4600	0.61	7.2	71-80-90-100-112-132-160	36000	41600	60600	72900	23100	8800		
305 L4	1018	0.98	5530	0.64	7.2	71-80-90-100-112-132-160	36000	42000	63000	74000	24000	8800		
305 L4	1098	0.91	4690	0.51	7.2	71-80-90-100-112-132-160	36000	42000	64000	74000	24000	8800		
305 L4	1278	0.78	5600	0.52	7.2	71-80-90-100-112-132-160	36000	42000	64000	74000	24000	8800		
305 L4	1370	0.73	4690	0.40	7.2	71-80-90-100-112-132-160	36000	42000	64000	74000	24000	8800		
305 L4	1586	0.63	4750	0.35	7.2	71-80-90-100-112-132-160	36000	42000	64000	74000	24000	8800		
305 L4	1854	0.54	4690	0.30	7.2	71-80-90-100-112-132-160	36000	42000	64000	74000	24000	8800		
305 L4	1991	0.50	5600	0.33	7.2	71-80-90-100-112-132-160	36000	42000	64000	74000	24000	8800		

B



305 L

290

5800 Nm

n ₁ min ⁻¹		i	n ₂ min ⁻¹	M _{n2} Nm	P _{n1} kW	P _t kW	P (IEC)	R _{n2} [N]					M _{2 max} Nm
								MC	MZ	HC/PC	HZ/PZ	FZ	
1000	305 L4	2243	0.45	3800	0.20	7.2	71-80-90-100-112-132-160	36000	42000	64000	74000	24000	8800
	305 L4	2799	0.36	3800	0.16	7.2	71-80-90-100-112-132-160	36000	42000	64000	74000	24000	8800
500	305 L1	3.60	139	3300	49	26	132-160-180-200	7220	8340	14300	17200	4630	8800
	305 L1	4.25	118	3410	43	26	132-160-180-200	7630	8810	15000	18000	4900	8800
	305 L1	5.33	94	3560	36	26	132-160-180-200	8240	9510	16000	19300	5280	8800
	305 L1	6.20	81	3490	30	26	132-160-180-200	8660	10000	16800	20200	5560	8800
	305 L1	7.50	67	2910	21	26	132-160-180-200	9230	10700	17800	21400	5920	8800
	305 L2	12.5	40	3890	17.3	18.0	71-80-90-100-112-132-160	10900	12600	20700	24900	7020	8800
	305 L2	15.3	33	3930	14.3	18.0	71-80-90-100-112-132-160	11700	13500	22000	26500	7510	8800
	305 L2	18.1	27.6	4580	14.1	18.0	71-80-90-100-112-132-160	12400	14300	23100	27800	7940	8800
	305 L2	20.8	24.1	3970	10.6	18.0	71-80-90-100-112-132-160	13000	15000	24100	29000	8310	8800
	305 L2	22.7	22.0	4340	10.6	18.0	71-80-90-100-112-132-160	13400	15400	24800	29800	8570	8800
	305 L2	24.5	20.4	4680	10.6	18.0	71-80-90-100-112-132-160	13700	15800	25300	30500	8780	8800
	305 L2	26.4	18.9	3580	7.5	18.0	71-80-90-100-112-132-160	14000	16200	25900	31200	9010	8800
	305 L2	30.8	16.3	4360	7.9	18.0	71-80-90-100-112-132-160	14800	17100	27100	32600	9480	8800
	305 L2	35.8	14.0	3590	5.6	18.0	71-80-90-100-112-132-160	15500	17900	28400	34200	9960	8800
	305 L2	38.4	13.0	4380	6.3	18.0	71-80-90-100-112-132-160	15900	18400	29000	34900	10200	8800
	305 L2	44.6	11.2	3600	4.5	18.0	71-80-90-100-112-132-160	16700	19300	30300	36500	10700	8800
	305 L2	55.8	9.0	3600	3.6	18.0	71-80-90-100-112-132-160	18000	20800	32400	39000	11600	8800
	305 L3	53.4	9.4	4490	4.8	15.0	71-80-90-100-112-132-160	17800	20500	32000	38500	11400	8800
	305 L3	63.1	7.9	5360	4.9	15.0	71-80-90-100-112-132-160	18800	21700	33600	40500	12000	8800
	305 L3	72.3	6.9	4490	3.6	15.0	71-80-90-100-112-132-160	19600	22700	35100	42200	12600	8800
	305 L3	77.2	6.5	5410	4.0	15.0	71-80-90-100-112-132-160	20100	23200	35800	43000	12900	8800
	305 L3	90.2	5.5	4490	2.9	15.0	71-80-90-100-112-132-160	21100	24400	37500	45100	13600	8800
	305 L3	105	4.8	5480	3.0	15.0	71-80-90-100-112-132-160	22200	25600	39200	47100	14200	8800
	305 L3	113	4.4	3670	1.9	15.0	71-80-90-100-112-132-160	22800	26300	40100	48200	14600	8800
	305 L3	124	4.0	3720	1.7	15.0	71-80-90-100-112-132-160	23500	27200	41300	49600	15100	8800
	305 L3	141	3.5	5320	2.2	15.0	71-80-90-100-112-132-160	24600	28400	42900	51600	15800	8800
	305 L3	152	3.3	3840	1.4	15.0	71-80-90-100-112-132-160	25200	29100	43900	52800	16200	8800
	305 L3	164	3.1	4870	1.7	15.0	71-80-90-100-112-132-160	25800	29800	44800	53900	16500	8800
	305 L3	178	2.8	4940	1.6	15.0	71-80-90-100-112-132-160	26500	30600	45900	55200	17000	8800
	305 L3	190	2.6	3970	1.2	15.0	71-80-90-100-112-132-160	27100	31300	46900	56400	17400	8800
	305 L3	220	2.3	4750	1.2	15.0	71-80-90-100-112-132-160	28500	32900	49000	58900	18300	8800
	305 L3	258	1.9	4180	0.93	15.0	71-80-90-100-112-132-160	30000	34600	51300	61700	19200	8800
	305 L3	276	1.8	5140	1.1	15.0	71-80-90-100-112-132-160	30700	35400	52400	63100	19700	8800
	305 L3	321	1.6	4340	0.78	15.0	71-80-90-100-112-132-160	32300	37300	54900	66000	20700	8800
	305 L3	389	1.3	3660	0.54	15.0	71-80-90-100-112-132-160	34400	39700	58100	69900	22100	8800
	305 L3	402	1.2	4520	0.64	15.0	71-80-90-100-112-132-160	34800	40200	58600	70600	22300	8800
	305 L4	413	1.2	5480	0.78	12.0	71-80-90-100-112-132-160	35100	40500	59100	71200	22500	8800
	305 L4	446	1.1	5760	0.76	12.0	71-80-90-100-112-132-160	36000	41600	60500	72800	23100	8800
	305 L4	492	1.0	5530	0.66	12.0	71-80-90-100-112-132-160	36000	42000	62300	74000	23900	8800
	305 L4	556	0.90	5800	0.62	12.0	71-80-90-100-112-132-160	36000	42000	64000	74000	24000	8800
	305 L4	649	0.77	4700	0.43	12.0	71-80-90-100-112-132-160	36000	42000	64000	74000	24000	8800
	305 L4	718	0.70	4690	0.39	12.0	71-80-90-100-112-132-160	36000	42000	64000	74000	24000	8800
305 L4	816	0.61	5530	0.40	12.0	71-80-90-100-112-132-160	36000	42000	64000	74000	24000	8800	
305 L4	896	0.56	4690	0.31	12.0	71-80-90-100-112-132-160	36000	42000	64000	74000	24000	8800	
305 L4	1018	0.49	5530	0.32	12.0	71-80-90-100-112-132-160	36000	42000	64000	74000	24000	8800	
305 L4	1098	0.46	4690	0.25	12.0	71-80-90-100-112-132-160	36000	42000	64000	74000	24000	8800	
305 L4	1278	0.39	5600	0.26	12.0	71-80-90-100-112-132-160	36000	42000	64000	74000	24000	8800	
305 L4	1370	0.36	4690	0.20	12.0	71-80-90-100-112-132-160	36000	42000	64000	74000	24000	8800	
305 L4	1586	0.32	4750	0.18	12.0	71-80-90-100-112-132-160	36000	42000	64000	74000	24000	8800	
305 L4	1854	0.27	4690	0.15	12.0	71-80-90-100-112-132-160	36000	42000	64000	74000	24000	8800	
305 L4	1991	0.25	5600	0.17	12.0	71-80-90-100-112-132-160	36000	42000	64000	74000	24000	8800	
305 L4	2243	0.22	3800	0.10	12.0	71-80-90-100-112-132-160	36000	42000	64000	74000	24000	8800	
305 L4	2799	0.18	3800	0.08	12.0	71-80-90-100-112-132-160	36000	42000	64000	74000	24000	8800	

B





306 L

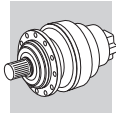


302

10840 Nm

n ₁ min ⁻¹		i	n ₂ min ⁻¹	M _{n2} Nm	P _{n1} kW	P _t kW	P (IEC) 	R _{n2} [N]					M _{2 max} Nm
								MC	MZ	HC/PC	HZ/PZ	FZ	
1500	306 L1	3.60	417	3760	75	18.0	160-180-200-225-250	6240	7070	16800	19500	4690	14900
	306 L1	4.25	353	3890	75	18.0	160-180-200-225-250	6590	7470	17600	20500	4950	14900
	306 L1	5.33	281	4060	75	18.0	160-180-200-225-250	7110	8060	18900	22000	5340	14900
	306 L1	6.20	242	4200	75	18.0	160-180-200-225-250	7480	8470	19700	23000	5620	14900
	306 L1	7.50	200	4090	75	18.0	160-180-200-225-250	7970	9030	20900	24300	5980	14900
	306 L2	13.0	116	4820	40	13.0	132-160-180-200	9560	10800	24600	28700	7180	14900
	306 L2	15.3	98	4990	40	13.0	132-160-180-200	10100	11400	25900	30100	7590	14900
	306 L2	18.1	83	5890	40	13.0	132-160-180-200	10700	12100	27200	31700	8020	14900
	306 L2	22.7	66	6140	40	13.0	132-160-180-200	11500	13000	29100	33900	8650	14900
	306 L2	26.4	57	6370	40	13.0	132-160-180-200	12100	13700	30500	35500	9100	14900
	306 L2	28.4	53	6700	39	13.0	132-160-180-200	12400	14100	31200	36300	9330	14900
	306 L2	33.1	45	6870	35	13.0	132-160-180-200	13100	14800	32600	38000	9810	14900
	306 L2	38.4	39	6470	28	13.0	132-160-180-200	13700	15600	34100	39700	10300	14900
	306 L2	46.5	32	6470	23	13.0	132-160-180-200	14600	16600	36100	42100	11000	14900
	306 L2	56.3	26.7	5210	15.5	13.0	132-160-180-200	15600	17700	38300	44500	11700	14900
	306 L2	72.5	20.7	5290	12.2	13.0	132-160-180-200	17000	19200	41300	48100	12700	14900
	306 L3	53.2	28.2	7100	20.0	7.5	71-80-90-100-112-132-160	15300	17300	37600	43800	11500	14900
	306 L3	65.2	23.0	7480	19.7	7.5	71-80-90-100-112-132-160	16400	18600	40000	46600	12300	14900
	306 L3	77.0	19.5	8350	18.7	7.5	71-80-90-100-112-132-160	17300	19600	42000	48900	13000	14900
	306 L3	81.9	18.3	6890	14.5	7.5	71-80-90-100-112-132-160	17700	20000	42800	49900	13300	14900
	306 L3	88.3	17.0	8550	16.7	7.5	71-80-90-100-112-132-160	18100	20500	43800	51000	13600	14900
	306 L3	104	14.4	8900	14.7	7.5	71-80-90-100-112-132-160	19200	21700	46000	53600	14400	14900
	306 L3	112	13.4	7410	11.3	7.5	71-80-90-100-112-132-160	19600	22200	47100	54800	14800	14900
	306 L3	121	12.4	7790	11.1	7.5	71-80-90-100-112-132-160	20100	22800	48200	56100	15100	14900
	306 L3	141	10.6	7900	9.6	7.5	71-80-90-100-112-132-160	21200	24000	50400	58700	15900	14900
	306 L3	152	9.9	7590	8.6	7.5	71-80-90-100-112-132-160	21700	24600	51600	60000	16300	14900
	306 L3	190	7.9	6510	5.9	7.5	71-80-90-100-112-132-160	23400	26500	55100	64200	17600	14900
	306 L3	205	7.3	8110	6.8	7.5	71-80-90-100-112-132-160	24000	27200	56400	65600	18000	14900
	306 L3	222	6.8	6520	5.1	7.5	71-80-90-100-112-132-160	24600	27900	57700	67200	18500	14900
	306 L3	238	6.3	8180	5.9	7.5	71-80-90-100-112-132-160	25200	28600	59000	68700	19000	14900
	306 L3	268	5.6	5500	3.5	7.5	71-80-90-100-112-132-160	26200	29700	61100	71200	19700	14900
	306 L3	288	5.2	5500	3.3	7.5	71-80-90-100-112-132-160	26900	30500	62400	72700	20200	14900
	306 L3	325	4.6	5540	2.9	7.5	71-80-90-100-112-132-160	28000	31700	64700	75400	21000	14900
	306 L3	405	3.7	5670	2.4	7.5	71-80-90-100-112-132-160	30100	34100	69200	80500	22600	14900
	306 L4	391	3.8	6840	3.1	6.0	71-80-90-100-112-132-160	29800	33700	68400	79700	22400	14900
	306 L4	444	3.4	9850	3.9	6.0	71-80-90-100-112-132-160	31100	35200	71100	82800	23300	14900
	306 L4	509	2.9	9450	3.3	6.0	71-80-90-100-112-132-160	32500	36800	74100	86300	24400	14900
	306 L4	589	2.5	9320	2.8	6.0	71-80-90-100-112-132-160	34100	38700	77400	90100	25600	14900
	306 L4	636	2.4	9450	2.6	6.0	71-80-90-100-112-132-160	35000	39600	79200	92200	26300	14900
	306 L4	700	2.1	9470	2.4	6.0	71-80-90-100-112-132-160	36100	40900	81500	94900	27100	14900
	306 L4	809	1.9	7690	1.7	6.0	71-80-90-100-112-132-160	37900	43000	85100	99100	28500	14900
	306 L4	877	1.7	7710	1.6	6.0	71-80-90-100-112-132-160	39000	44100	87200	101600	29300	14900
	306 L4	1015	1.5	9460	1.7	6.0	71-80-90-100-112-132-160	40900	46300	91100	106100	30700	14900
	306 L4	1095	1.4	7790	1.3	6.0	71-80-90-100-112-132-160	41900	47500	93200	108500	31500	14900
	306 L4	1279	1.2	8400	1.2	6.0	71-80-90-100-112-132-160	44200	50100	97700	113700	33200	14900
306 L4	1475	1.0	10100	1.2	6.0	71-80-90-100-112-132-160	45000	51000	101000	118700	34800	14900	
306 L4	1597	0.94	8630	0.96	6.0	71-80-90-100-112-132-160	45000	51000	101000	119000	35000	14900	
306 L4	1843	0.81	10100	0.97	6.0	71-80-90-100-112-132-160	45000	51000	101000	119000	35000	14900	
306 L4	2074	0.72	7000	0.60	6.0	71-80-90-100-112-132-160	45000	51000	101000	119000	35000	14900	
306 L4	2337	0.64	7000	0.53	6.0	71-80-90-100-112-132-160	45000	51000	101000	119000	35000	14900	
306 L4	2916	0.51	7000	0.43	6.0	71-80-90-100-112-132-160	45000	51000	101000	119000	35000	14900	
1000	306 L1	3.60	278	4250	75	22	160-180-200-225-250	7140	8090	18900	22100	5360	14900
	306 L1	4.25	235	4390	75	22	160-180-200-225-250	7550	8550	19900	23200	5670	14900
	306 L1	5.33	188	4580	75	22	160-180-200-225-250	8140	9220	21300	24800	6120	14900
	306 L1	6.20	161	4750	75	22	160-180-200-225-250	8560	9700	22300	26000	6430	14900
	306 L1	7.50	133	4620	67	22	160-180-200-225-250	9120	10300	23600	27500	6850	14900
	306 L2	13.0	77	5450	40	15.6	132-160-180-200	10900	12400	27800	32400	8220	14900
	306 L2	15.3	65	5640	40	15.6	132-160-180-200	11600	13100	29200	34000	8690	14900
	306 L2	18.1	55	6650	40	15.6	132-160-180-200	12200	13800	30700	35800	9180	14900
	306 L2	22.7	44	6840	34	15.6	132-160-180-200	13200	14900	32900	38300	9910	14900

B





306 L



302

10840 Nm

n ₁ min ⁻¹		i	n ₂ min ⁻¹	M _{n2} Nm	P _{n1} kW	P _t kW	P (IEC) 	R _{n2} [N]					M _{2 max} Nm	
								MC	MZ	HC/PC	HZ/PZ	FZ		
1000	306 L2	26.4	38	6780	29	15.6	132-160-180-200	13900	15700	34400	40100	10400	14900	
	306 L2	28.4	35	7040	28	15.6	132-160-180-200	14200	16100	35200	41000	10700	14900	
	306 L2	33.1	30	7150	24	15.6	132-160-180-200	15000	16900	36800	42900	11200	14900	
	306 L2	38.4	26	6480	18.7	15.6	132-160-180-200	15700	17800	38500	44900	11800	14900	
	306 L2	46.5	21.5	6480	15.5	15.6	132-160-180-200	16800	19000	40800	47500	12600	14900	
	306 L2	56.3	17.8	5330	10.5	15.6	132-160-180-200	17800	20200	43200	50300	13400	14900	
	306 L2	72.5	13.8	5400	8.3	15.6	132-160-180-200	19400	22000	46600	54300	14600	14900	
	306 L3	53.2	18.8	7890	17.0	9.0	71-80-90-100-112-132-160	17500	19900	42500	49500	13200	14900	
	306 L3	65.2	15.3	8320	14.6	9.0	71-80-90-100-112-132-160	18800	21200	45200	52600	14100	14900	
	306 L3	77.0	13.0	9090	13.5	9.0	71-80-90-100-112-132-160	19800	22500	47500	55300	14900	14900	
	306 L3	81.9	12.2	7310	10.2	9.0	71-80-90-100-112-132-160	20200	22900	48400	56300	15200	14900	
	306 L3	88.3	11.3	9230	12.0	9.0	71-80-90-100-112-132-160	20700	23500	49500	57600	15600	14900	
	306 L3	104	9.6	9610	10.6	9.0	71-80-90-100-112-132-160	21900	24800	52000	60500	16500	14900	
	306 L3	112	8.9	7590	7.8	9.0	71-80-90-100-112-132-160	22500	25500	53200	61900	16900	14900	
	306 L3	121	8.2	8050	7.6	9.0	71-80-90-100-112-132-160	23100	26100	54400	63300	17300	14900	
	306 L3	141	7.1	8120	6.6	9.0	71-80-90-100-112-132-160	24200	27500	56900	66300	18200	14900	
	306 L3	152	6.6	7590	5.7	9.0	71-80-90-100-112-132-160	24900	28200	58200	67800	18700	14900	
	306 L3	190	5.3	6530	3.9	9.0	71-80-90-100-112-132-160	26800	30300	62200	72500	20100	14900	
	306 L3	205	4.9	8330	4.7	9.0	71-80-90-100-112-132-160	27500	31100	63700	74100	20600	14900	
	306 L3	222	4.5	6650	3.4	9.0	71-80-90-100-112-132-160	28200	31900	65200	75900	21200	14900	
	306 L3	238	4.2	8550	4.1	9.0	71-80-90-100-112-132-160	28900	32700	66600	77600	21700	14900	
	306 L3	268	3.7	5670	2.4	9.0	71-80-90-100-112-132-160	30000	34000	69000	80400	22600	14900	
	306 L3	288	3.5	5710	2.3	9.0	71-80-90-100-112-132-160	30800	34900	70500	82100	23100	14900	
	306 L3	325	3.1	5780	2.0	9.0	71-80-90-100-112-132-160	32000	36300	73100	85100	24100	14900	
	306 L3	405	2.5	5910	1.7	9.0	71-80-90-100-112-132-160	34500	39100	78100	91000	25900	14900	
	306 L4	391	2.6	7340	2.2	7.2	71-80-90-100-112-132-160	34100	38600	77300	90000	25600	14900	
	306 L4	444	2.3	9910	2.6	7.2	71-80-90-100-112-132-160	35500	40300	80300	93500	26700	14900	
	306 L4	509	2.0	9450	2.2	7.2	71-80-90-100-112-132-160	37200	42200	83700	97400	27900	14900	
	306 L4	589	1.7	9650	1.9	7.2	71-80-90-100-112-132-160	39100	44300	87400	101800	29300	14900	
	306 L4	636	1.6	9450	1.8	7.2	71-80-90-100-112-132-160	40100	45400	89400	104100	30100	14900	
	306 L4	700	1.4	9790	1.7	7.2	71-80-90-100-112-132-160	41400	46900	92000	107200	31100	14900	
	306 L4	809	1.2	7820	1.1	7.2	71-80-90-100-112-132-160	43400	49200	96100	111900	32600	14900	
	306 L4	877	1.1	7850	1.1	7.2	71-80-90-100-112-132-160	44600	50500	98500	114700	33500	14900	
	306 L4	1015	0.99	9540	1.1	7.2	71-80-90-100-112-132-160	45000	51000	101000	119000	35000	14900	
	306 L4	1095	0.91	7890	0.85	7.2	71-80-90-100-112-132-160	45000	51000	101000	119000	35000	14900	
	306 L4	1279	0.78	8630	0.80	7.2	71-80-90-100-112-132-160	45000	51000	101000	119000	35000	14900	
	306 L4	1475	0.68	10100	0.81	7.2	71-80-90-100-112-132-160	45000	51000	101000	119000	35000	14900	
	306 L4	1597	0.63	8630	0.64	7.2	71-80-90-100-112-132-160	45000	51000	101000	119000	35000	14900	
	306 L4	1843	0.54	10100	0.65	7.2	71-80-90-100-112-132-160	45000	51000	101000	119000	35000	14900	
	306 L4	2074	0.48	7000	0.40	7.2	71-80-90-100-112-132-160	45000	51000	101000	119000	35000	14900	
	306 L4	2337	0.43	7000	0.35	7.2	71-80-90-100-112-132-160	45000	51000	101000	119000	35000	14900	
	306 L4	2916	0.34	7000	0.28	7.2	71-80-90-100-112-132-160	45000	51000	101000	119000	35000	14900	
	500	306 L1	3.60	139	5230	75	36	160-180-200-225-250	9000	10200	23300	27200	6760	14900
		306 L1	4.25	118	5410	69	36	160-180-200-225-250	9510	10800	24500	28500	7140	14900
		306 L1	5.33	94	5640	57	36	160-180-200-225-250	10300	11600	26200	30600	7700	14900
306 L1		6.20	81	5770	50	36	160-180-200-225-250	10800	12200	27400	32000	8100	14900	
306 L1		7.50	67	5040	36	36	160-180-200-225-250	11500	13000	29100	33800	8630	14900	
306 L2		13.0	39	6470	28	26	132-160-180-200	13800	15600	34200	39900	10400	14900	
306 L2		15.3	33	6830	25	26	132-160-180-200	14600	16500	36000	41900	10900	14900	
306 L2		18.1	27.7	7760	24	26	132-160-180-200	15400	17400	37800	44100	11600	14900	
306 L2		22.7	22.1	7820	19.2	26	132-160-180-200	16600	18800	40500	47200	12500	14900	
306 L2		26.4	19.0	7190	15.2	26	132-160-180-200	17500	19800	42400	49300	13100	14900	
306 L2		28.4	17.6	7530	14.7	26	132-160-180-200	17900	20300	43400	50500	13500	14900	
306 L2		33.1	15.1	7640	12.9	26	132-160-180-200	18800	21300	45400	52800	14200	14900	
306 L2		38.4	13.0	6490	9.4	26	132-160-180-200	19800	22400	47500	55300	14900	14900	
306 L2		46.5	10.8	6500	7.8	26	132-160-180-200	21100	23900	50200	58500	15900	14900	
306 L2		56.3	8.9	5500	5.4	26	132-160-180-200	22500	25500	53200	61900	16900	14900	
306 L2		72.5	6.9	5500	4.2	26	132-160-180-200	24500	27700	57400	66800	18400	14900	
306 L3		53.2	9.4	9300	10.0	15.0	71-80-90-100-112-132-160	22100	25000	52300	60900	16600	14900	
306 L3		65.2	7.7	9320	8.2	15.0	71-80-90-100-112-132-160	23600	26800	55600	64800	17800	14900	

B





306 L



302

10840 Nm

n ₁ min ⁻¹		i	n ₂ min ⁻¹	M _{n2} Nm	P _{n1} kW	P _t kW	P (IEC) 	R _{n2} [N]					M _{2 max} Nm
								MC	MZ	HC/PC	HZ/PZ	FZ	
500	306 L3	77.0	6.5	9750	7.3	15.0	71-80-90-100-112-132-160	25000	28300	58400	68100	18800	14900
	306 L3	81.9	6.1	7650	5.4	15.0	71-80-90-100-112-132-160	25500	28900	59500	69300	19100	14900
	306 L3	88.3	5.7	9450	6.1	15.0	71-80-90-100-112-132-160	26100	29600	60900	70900	19600	14900
	306 L3	104	4.8	9850	5.4	15.0	71-80-90-100-112-132-160	27600	31300	64000	74500	20800	14900
	306 L3	112	4.5	7590	3.9	15.0	71-80-90-100-112-132-160	28300	32100	65500	76200	21300	14900
	306 L3	121	4.1	8580	4.1	15.0	71-80-90-100-112-132-160	29100	32900	67000	78000	21800	14900
	306 L3	141	3.5	8800	3.6	15.0	71-80-90-100-112-132-160	30500	34600	70100	81600	23000	14900
	306 L3	152	3.3	7590	2.9	15.0	71-80-90-100-112-132-160	31300	35500	71700	83500	23500	14900
	306 L3	190	2.6	7300	2.2	15.0	71-80-90-100-112-132-160	33700	38200	76600	89200	25300	14900
	306 L3	205	2.4	9370	2.6	15.0	71-80-90-100-112-132-160	34600	39200	78400	91300	26000	14900
	306 L3	222	2.3	7500	1.9	15.0	71-80-90-100-112-132-160	35500	40300	80300	93500	26700	14900
	306 L3	238	2.1	9390	2.3	15.0	71-80-90-100-112-132-160	36400	41200	82000	95500	27300	14900
	306 L3	268	1.9	6230	1.3	15.0	71-80-90-100-112-132-160	37900	42900	85000	99000	28400	14900
	306 L3	288	1.7	6320	1.3	15.0	71-80-90-100-112-132-160	38800	43900	86800	101100	29100	14900
	306 L3	325	1.5	6460	1.1	15.0	71-80-90-100-112-132-160	40300	45700	90000	104800	30300	14900
	306 L3	405	1.2	6730	0.95	15.0	71-80-90-100-112-132-160	43400	49200	96200	112000	32600	14900
	306 L4	391	1.3	8270	1.3	12.0	71-80-90-100-112-132-160	42900	48600	95200	110800	32200	14900
	306 L4	444	1.1	10300	1.4	12.0	71-80-90-100-112-132-160	44800	50700	98900	115100	33600	14900
	306 L4	509	0.98	9450	1.1	12.0	71-80-90-100-112-132-160	45000	51000	101000	119000	35000	14900
	306 L4	589	0.85	10100	1.0	12.0	71-80-90-100-112-132-160	45000	51000	101000	119000	35000	14900
	306 L4	636	0.79	9450	0.88	12.0	71-80-90-100-112-132-160	45000	51000	101000	119000	35000	14900
	306 L4	700	0.71	10100	0.85	12.0	71-80-90-100-112-132-160	45000	51000	101000	119000	35000	14900
	306 L4	809	0.62	7890	0.58	12.0	71-80-90-100-112-132-160	45000	51000	101000	119000	35000	14900
	306 L4	877	0.57	7890	0.53	12.0	71-80-90-100-112-132-160	45000	51000	101000	119000	35000	14900
	306 L4	1015	0.49	9540	0.56	12.0	71-80-90-100-112-132-160	45000	51000	101000	119000	35000	14900
	306 L4	1095	0.46	7890	0.43	12.0	71-80-90-100-112-132-160	45000	51000	101000	119000	35000	14900
	306 L4	1279	0.39	8630	0.40	12.0	71-80-90-100-112-132-160	45000	51000	101000	119000	35000	14900
	306 L4	1475	0.34	10100	0.40	12.0	71-80-90-100-112-132-160	45000	51000	101000	119000	35000	14900
	306 L4	1597	0.31	8630	0.32	12.0	71-80-90-100-112-132-160	45000	51000	101000	119000	35000	14900
	306 L4	1843	0.27	10100	0.32	12.0	71-80-90-100-112-132-160	45000	51000	101000	119000	35000	14900
	306 L4	2074	0.24	7000	0.20	12.0	71-80-90-100-112-132-160	45000	51000	101000	119000	35000	14900
	306 L4	2337	0.21	7000	0.18	12.0	71-80-90-100-112-132-160	45000	51000	101000	119000	35000	14900
	306 L4	2916	0.17	7000	0.14	12.0	71-80-90-100-112-132-160	45000	51000	101000	119000	35000	14900



B

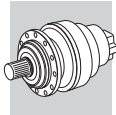
307 L



314

15680 Nm

n ₁ min ⁻¹		i	n ₂ min ⁻¹	M _{n2} Nm	P _{n1} kW	P _t kW	P (IEC) 	R _{n2} [N]					M _{2 max} Nm
								MC	MZ	HC/PC	HZ/PZ	FZ	
1500	307 L1	3.43	438	5110	115	22	180-200-225-250	6820	8560	17800	23300	5930	18600
	307 L1	4.09	367	5260	115	22	180-200-225-250	7230	9070	18700	24600	6290	21000
	307 L1	5.25	286	5540	115	22	180-200-225-250	7860	9860	20200	26500	6830	21000
	307 L1	6.23	241	5750	115	22	180-200-225-250	8320	10400	21300	27900	7230	21000
	307 L2	12.3	122	7510	60	18.0	132-160-180-200	10500	13100	26100	34200	9080	18600
	307 L2	14.7	102	7730	60	18.0	132-160-180-200	11100	13900	27500	36100	9640	21000
	307 L2	17.4	86	8120	60	18.0	132-160-180-200	11700	14700	28900	37900	10200	21000
	307 L2	21.8	69	8690	60	18.0	132-160-180-200	12600	15900	31000	40600	11000	21000
	307 L2	25.4	59	9090	60	18.0	132-160-180-200	13300	16700	32400	42500	11600	21000
	307 L2	28.0	54	9150	55	18.0	132-160-180-200	13700	17200	33400	43700	11900	21000
	307 L2	30.7	49	9590	52	18.0	132-160-180-200	14200	17800	34300	45000	12300	21000
	307 L2	32.6	46	9410	48	18.0	132-160-180-200	14400	18100	34900	45800	12600	21000
	307 L2	38.6	39	8310	36	18.0	132-160-180-200	15300	19200	36800	48200	13300	21000
	307 L2	46.7	32	8360	30	18.0	132-160-180-200	16300	20400	38900	51000	14200	21000
	307 L3	51.3	29.3	10700	30	11.0	71-80-90-100-112-132-160	16800	21100	40000	52400	14600	21000
	307 L3	60.5	24.8	11100	30	11.0	71-80-90-100-112-132-160	17800	22300	42100	55100	15400	21000
	307 L3	74.1	20.2	11600	27	11.0	71-80-90-100-112-132-160	19000	23800	44700	58600	16500	21000
	307 L3	80.6	18.6	10200	22	11.0	71-80-90-100-112-132-160	19500	24500	45800	60100	17000	21000
	307 L3	93.0	16.1	12200	23	11.0	71-80-90-100-112-132-160	20500	25700	47900	62700	17800	21000
	307 L3	100	15.0	12400	21	11.0	71-80-90-100-112-132-160	21000	26400	49000	64100	18300	21000
307 L3	113	13.2	10500	16.0	11.0	71-80-90-100-112-132-160	21900	27500	50800	66500	19000	21000	





307 L

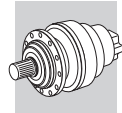


314

15680 Nm



n ₁ min ⁻¹		i	n ₂ min ⁻¹	M _{n2} Nm	P _{n1} kW	P _t kW	P (IEC) 	Rn ₂ [N]					M _{2 max} Nm	
								MC	MZ	HC/PC	HZ/PZ	FZ		
1500	307 L3	126	11.9	13000	17.8	11.0	71-80-90-100-112-132-160	22700	28400	52400	68700	19700	21000	
	307 L3	139	10.8	10700	13.3	11.0	71-80-90-100-112-132-160	23400	29400	54000	70700	20400	21000	
	307 L3	146	10.3	13400	15.8	11.0	71-80-90-100-112-132-160	23800	29900	54800	71800	20700	21000	
	307 L3	162	9.3	10800	11.6	11.0	71-80-90-100-112-132-160	24600	30900	56500	74000	21400	21000	
	307 L3	177	8.5	12300	12.0	11.0	71-80-90-100-112-132-160	25400	31900	58000	76100	22100	21000	
	307 L3	202	7.4	11000	9.4	11.0	71-80-90-100-112-132-160	26500	33300	60400	79100	23100	21000	
	307 L3	221	6.8	12700	9.9	11.0	71-80-90-100-112-132-160	27300	34300	62000	81300	23800	21000	
	307 L3	239	6.3	8700	6.3	11.0	71-80-90-100-112-132-160	28100	35200	63500	83300	24400	21000	
	307 L3	284	5.3	11300	6.8	11.0	71-80-90-100-112-132-160	29700	37300	66900	87600	25800	21000	
	307 L3	336	4.5	8840	4.5	11.0	71-80-90-100-112-132-160	31500	39500	70400	92200	27300	21000	
	307 L4	349	4.3	14900	7.6	7.5	71-80-90-100-112-132-160	31800	40000	71200	93300	27700	21000	
	307 L4	406	3.7	11900	5.2	7.5	71-80-90-100-112-132-160	33500	42000	74400	97500	29100	21000	
	307 L4	465	3.2	12200	4.6	7.5	71-80-90-100-112-132-160	35000	44000	77500	101600	30500	21000	
	307 L4	509	2.9	14000	4.9	7.5	71-80-90-100-112-132-160	36100	45300	79700	104400	31400	21000	
	307 L4	579	2.6	14900	4.6	7.5	71-80-90-100-112-132-160	37700	47300	82800	108500	32800	21000	
	307 L4	654	2.3	12900	3.5	7.5	71-80-90-100-112-132-160	39200	49200	85900	112600	34100	21000	
	307 L4	722	2.1	15000	3.7	7.5	71-80-90-100-112-132-160	40600	50900	88500	116000	35300	21000	
	307 L4	801	1.9	13300	3.0	7.5	71-80-90-100-112-132-160	42000	52700	91300	119600	36500	21000	
	307 L4	906	1.7	15200	3.0	7.5	71-80-90-100-112-132-160	43800	54900	94700	124200	38000	21000	
	307 L4	999	1.5	13800	2.5	7.5	71-80-90-100-112-132-160	45200	56700	97600	127800	39300	21000	
	307 L4	1157	1.3	14200	2.2	7.5	71-80-90-100-112-132-160	47500	59600	101900	133600	41300	21000	
	307 L4	1274	1.2	12300	1.7	7.5	71-80-90-100-112-132-160	49000	61500	104900	137500	42600	21000	
	307 L4	1408	1.1	15600	2.0	7.5	71-80-90-100-112-132-160	50700	63600	108100	141700	44100	21000	
	307 L4	1591	0.94	15000	1.7	7.5	71-80-90-100-112-132-160	52000	65000	109000	145000	45000	21000	
	307 L4	1767	0.85	15700	1.6	7.5	71-80-90-100-112-132-160	52000	65000	109000	145000	45000	21000	
	307 L4	2041	0.73	14300	1.2	7.5	71-80-90-100-112-132-160	52000	65000	109000	145000	45000	21000	
	307 L4	2423	0.62	11000	0.81	7.5	71-80-90-100-112-132-160	52000	65000	109000	145000	45000	21000	
	1000	307 L1	3.43	292	5770	115	26	180-200-225-250	7810	9790	20100	26300	6790	18600
		307 L1	4.09	244	5940	115	26	180-200-225-250	8280	10400	21200	27700	7200	21000
		307 L1	5.25	190	6260	115	26	180-200-225-250	9000	11300	22800	29900	7820	21000
		307 L1	6.23	160	6500	113	26	180-200-225-250	9530	12000	24000	31500	8280	21000
		307 L2	12.3	81	8060	60	22	132-160-180-200	12000	15000	29500	38600	10400	18600
		307 L2	14.7	68	8720	60	22	132-160-180-200	12700	15900	31100	40700	11000	21000
307 L2		17.4	58	9170	59	22	132-160-180-200	13400	16800	32700	42800	11700	21000	
307 L2		21.8	46	9740	50	22	132-160-180-200	14500	18100	35000	45800	12600	21000	
307 L2		25.4	39	10100	44	22	132-160-180-200	15200	19100	36600	48000	13200	21000	
307 L2		28.0	36	9630	38	22	132-160-180-200	15700	19700	37700	49400	13700	21000	
307 L2		30.7	33	10200	37	22	132-160-180-200	16200	20300	38800	50800	14100	21000	
307 L2		32.6	31	9760	33	22	132-160-180-200	16500	20700	39400	51700	14400	21000	
307 L2		38.6	25.9	8430	24	22	132-160-180-200	17500	22000	41500	54400	15200	21000	
307 L2		46.7	21.4	8480	20	22	132-160-180-200	18600	23400	44000	57600	16200	21000	
307 L3		51.3	19.5	11700	26	13.2	71-80-90-100-112-132-160	19200	24100	45200	59200	16700	21000	
307 L3		60.5	16.5	12100	23	13.2	71-80-90-100-112-132-160	20300	25500	47500	62300	17700	21000	
307 L3		74.1	13.5	12700	19.6	13.2	71-80-90-100-112-132-160	21700	27300	50500	66200	18900	21000	
307 L3		80.6	12.4	10600	15.1	13.2	71-80-90-100-112-132-160	22400	28100	51800	67800	19400	21000	
307 L3		93.0	10.8	13300	16.4	13.2	71-80-90-100-112-132-160	23500	29400	54000	70800	20400	21000	
307 L3		100	10.0	13500	15.5	13.2	71-80-90-100-112-132-160	24100	30200	55300	72400	20900	21000	
307 L3		113	8.8	10900	11.0	13.2	71-80-90-100-112-132-160	25000	31400	57300	75100	21800	21000	
307 L3		126	7.9	14000	12.7	13.2	71-80-90-100-112-132-160	25900	32600	59200	77600	22600	21000	
307 L3		139	7.2	11000	9.1	13.2	71-80-90-100-112-132-160	26800	33600	60900	79900	23300	21000	
307 L3		146	6.8	13800	10.8	13.2	71-80-90-100-112-132-160	27300	34200	61900	81100	23700	21000	
307 L3		162	6.2	11100	7.9	13.2	71-80-90-100-112-132-160	28200	35400	63800	83600	24500	21000	
307 L3		177	5.6	12300	8.0	13.2	71-80-90-100-112-132-160	29100	36500	65600	85900	25300	21000	
307 L3		202	5.0	11300	6.4	13.2	71-80-90-100-112-132-160	30400	38100	68200	89300	26400	21000	
307 L3		221	4.5	13000	6.8	13.2	71-80-90-100-112-132-160	31300	39300	70100	91800	27200	21000	
307 L3		239	4.2	8920	4.3	13.2	71-80-90-100-112-132-160	32100	40300	71800	94000	27900	21000	
307 L3		284	3.5	12000	4.8	13.2	71-80-90-100-112-132-160	34000	42700	75500	98900	29600	21000	
307 L3		336	3.0	9370	3.2	13.2	71-80-90-100-112-132-160	36000	45200	79500	104200	31300	21000	
307 L4		349	2.9	14900	5.0	9.0	71-80-90-100-112-132-160	36500	45700	80400	105300	31700	21000	
307 L4		406	2.5	12700	3.7	9.0	71-80-90-100-112-132-160	38300	48100	84100	110200	33300	21000	
307 L4	465	2.2	13000	3.3	9.0	71-80-90-100-112-132-160	40100	50300	87600	114800	34900	21000		

B



307 L  314

15680 Nm

n ₁ min ⁻¹		i	n ₂ min ⁻¹	M _{n2} Nm	P _{n1} kW	P _t kW	P (IEC) 	R _{n2} [N]					M _{2 max} Nm
								MC	MZ	HC/PC	HZ/PZ	FZ	
1000	307 L4	509	2.0	14300	3.3	9.0	71-80-90-100-112-132-160	41300	51900	90000	117900	35900	21000
	307 L4	579	1.7	15200	3.1	9.0	71-80-90-100-112-132-160	43100	54100	93500	122600	37500	21000
	307 L4	654	1.5	13800	2.5	9.0	71-80-90-100-112-132-160	44900	56400	97000	127100	39100	21000
	307 L4	722	1.4	15400	2.5	9.0	71-80-90-100-112-132-160	46400	58300	100000	131000	40400	21000
	307 L4	801	1.2	14300	2.1	9.0	71-80-90-100-112-132-160	48100	60300	103100	135100	41800	21000
	307 L4	906	1.1	15600	2.0	9.0	71-80-90-100-112-132-160	50100	62900	107000	140200	43500	21000
	307 L4	999	1.0	14800	1.8	9.0	71-80-90-100-112-132-160	51800	64900	109000	144400	45000	21000
	307 L4	1157	0.86	14800	1.5	9.0	71-80-90-100-112-132-160	52000	65000	109000	145000	45000	21000
	307 L4	1274	0.78	12300	1.1	9.0	71-80-90-100-112-132-160	52000	65000	109000	145000	45000	21000
	307 L4	1408	0.71	15700	1.3	9.0	71-80-90-100-112-132-160	52000	65000	109000	145000	45000	21000
	307 L4	1591	0.63	15000	1.1	9.0	71-80-90-100-112-132-160	52000	65000	109000	145000	45000	21000
	307 L4	1767	0.57	15700	1.0	9.0	71-80-90-100-112-132-160	52000	65000	109000	145000	45000	21000
	307 L4	2041	0.49	14300	0.83	9.0	71-80-90-100-112-132-160	52000	65000	109000	145000	45000	21000
	307 L4	2423	0.41	11000	0.54	9.0	71-80-90-100-112-132-160	52000	65000	109000	145000	45000	21000
500	307 L1	3.43	146	7110	112	44	180-200-225-250	9840	12300	24700	32400	8550	18600
	307 L1	4.09	122	7320	97	44	180-200-225-250	10400	13100	26100	34200	9070	21000
	307 L1	5.25	95	7700	79	44	180-200-225-250	11300	14200	28100	36800	9850	21000
	307 L1	6.23	80	7720	67	44	180-200-225-250	12000	15100	29600	38800	10400	21000
	307 L2	12.3	41	8390	38	36	132-160-180-200	15100	18900	36300	47600	13100	18600
	307 L2	14.7	34	10400	39	36	132-160-180-200	16000	20100	38300	50200	13900	21000
	307 L2	17.4	28.8	10800	34	36	132-160-180-200	16900	21200	40200	52700	14700	21000
	307 L2	21.8	22.9	11300	29	36	132-160-180-200	18200	22900	43100	56400	15800	21000
	307 L2	25.4	19.7	11700	26	36	132-160-180-200	19200	24000	45100	59000	16700	21000
	307 L2	28.0	17.9	10200	20	36	132-160-180-200	19800	24900	46400	60800	17200	21000
	307 L2	30.7	16.3	11400	21	36	132-160-180-200	20400	25600	47700	62500	17700	21000
	307 L2	32.6	15.4	10400	17.7	36	132-160-180-200	20800	26100	48600	63600	18100	21000
	307 L2	38.6	12.9	8620	12.4	36	132-160-180-200	22000	27700	51100	67000	19200	21000
	307 L2	46.7	10.7	8680	10.3	36	132-160-180-200	23500	29500	54100	70900	20400	21000
	307 L3	51.3	9.8	13600	15.2	22	71-80-90-100-112-132-160	24200	30400	55600	72900	21100	21000
	307 L3	60.5	8.3	13900	13.2	22	71-80-90-100-112-132-160	25600	32100	58500	76600	22300	21000
	307 L3	74.1	6.7	14300	11.0	22	71-80-90-100-112-132-160	27400	34400	62200	81500	23800	21000
	307 L3	80.6	6.2	11100	7.9	22	71-80-90-100-112-132-160	28200	35300	63700	83500	24500	21000
	307 L3	93.0	5.4	14700	9.1	22	71-80-90-100-112-132-160	29600	37100	66500	87200	25700	21000
	307 L3	100	5.0	14900	8.5	22	71-80-90-100-112-132-160	30300	38000	68100	89200	26300	21000
	307 L3	113	4.4	11500	5.8	22	71-80-90-100-112-132-160	31600	39600	70600	92500	27400	21000
	307 L3	126	4.0	14900	6.8	22	71-80-90-100-112-132-160	32700	41000	72900	95500	28400	21000
	307 L3	139	3.6	11900	4.9	22	71-80-90-100-112-132-160	33800	42400	75000	98300	29400	21000
	307 L3	146	3.4	14000	5.5	22	71-80-90-100-112-132-160	34400	43100	76200	99900	29900	21000
	307 L3	162	3.1	12300	4.4	22	71-80-90-100-112-132-160	35500	44600	78500	102900	30900	21000
	307 L3	177	2.8	12300	4.0	22	71-80-90-100-112-132-160	36600	45900	80700	105800	31800	21000
	307 L3	202	2.5	12700	3.6	22	71-80-90-100-112-132-160	38200	48000	83900	110000	33200	21000
	307 L3	221	2.3	13900	3.6	22	71-80-90-100-112-132-160	39400	49500	86300	113000	34300	21000
	307 L3	239	2.1	9860	2.4	22	71-80-90-100-112-132-160	40500	50800	88300	115800	35200	21000
	307 L3	284	1.8	13300	2.7	22	71-80-90-100-112-132-160	42800	53800	93000	121800	37200	21000
	307 L3	336	1.5	10400	1.8	22	71-80-90-100-112-132-160	45400	56900	97900	128200	39400	21000
	307 L4	349	1.4	15400	2.6	15.0	71-80-90-100-112-132-160	45900	57600	98900	129700	39900	21000
	307 L4	406	1.2	14300	2.1	15.0	71-80-90-100-112-132-160	48300	60600	103500	135600	42000	21000
	307 L4	465	1.1	14700	1.9	15.0	71-80-90-100-112-132-160	50500	63400	107800	141300	43900	21000
	307 L4	509	0.98	15000	1.7	15.0	71-80-90-100-112-132-160	52000	65000	109000	145000	45000	21000
	307 L4	579	0.86	15700	1.6	15.0	71-80-90-100-112-132-160	52000	65000	109000	145000	45000	21000
	307 L4	654	0.77	14800	1.3	15.0	71-80-90-100-112-132-160	52000	65000	109000	145000	45000	21000
	307 L4	722	0.69	15700	1.3	15.0	71-80-90-100-112-132-160	52000	65000	109000	145000	45000	21000
	307 L4	801	0.62	14800	1.1	15.0	71-80-90-100-112-132-160	52000	65000	109000	145000	45000	21000
	307 L4	906	0.55	15700	1.0	15.0	71-80-90-100-112-132-160	52000	65000	109000	145000	45000	21000
	307 L4	999	0.50	14800	0.88	15.0	71-80-90-100-112-132-160	52000	65000	109000	145000	45000	21000
	307 L4	1157	0.43	14800	0.76	15.0	71-80-90-100-112-132-160	52000	65000	109000	145000	45000	21000
	307 L4	1274	0.39	12300	0.57	15.0	71-80-90-100-112-132-160	52000	65000	109000	145000	45000	21000
	307 L4	1408	0.36	15700	0.66	15.0	71-80-90-100-112-132-160	52000	65000	109000	145000	45000	21000
	307 L4	1591	0.31	15000	0.56	15.0	71-80-90-100-112-132-160	52000	65000	109000	145000	45000	21000
	307 L4	1767	0.28	15700	0.52	15.0	71-80-90-100-112-132-160	52000	65000	109000	145000	45000	21000
	307 L4	2041	0.24	14300	0.42	15.0	71-80-90-100-112-132-160	52000	65000	109000	145000	45000	21000
	307 L4	2423	0.21	11000	0.27	15.0	71-80-90-100-112-132-160	52000	65000	109000	145000	45000	21000







309 L



326

23240 Nm

n ₁ min ⁻¹		i	n ₂ min ⁻¹	M _{n2} Nm	P _{n1} kW	P _t kW	P (IEC) 	Rn ₂ [N]					M _{2 max} Nm
								MC	MZ	HC/PC	HZ/PZ	FZ	
1500	309 L1	3.43	438	7010	150	25	180-200-225-250	—	—	18100	23300	4740	27900
	309 L1	4.09	367	7220	150	25	180-200-225-250	—	—	19000	24600	5030	29000
	309 L1	5.25	286	7600	150	25	180-200-225-250	—	—	20500	26500	5470	29000
	309 L1	6.23	241	7900	150	25	180-200-225-250	—	—	21600	27900	5790	29000
	309 L2	12.3	122	7890	60	18.0	132-160-180-200	—	—	26500	34200	7270	27900
	309 L2	14.7	102	9410	60	18.0	132-160-180-200	—	—	28000	36100	7710	29000
	309 L2	17.4	86	9730	60	18.0	132-160-180-200	—	—	29400	37900	8150	29000
	309 L2	21.8	69	10100	60	18.0	132-160-180-200	—	—	31500	40600	8790	29000
	309 L2	25.4	59	10500	60	18.0	132-160-180-200	—	—	32900	42500	9240	29000
	309 L2	28.0	54	12500	60	18.0	132-160-180-200	—	—	33900	43700	9550	29000
	309 L2	32.6	46	13000	60	18.0	132-160-180-200	—	—	35500	45800	10000	29000
	309 L2	38.6	39	12500	54	18.0	132-160-180-200	—	—	37400	48200	10600	29000
	309 L2	46.7	32	12500	45	18.0	132-160-180-200	—	—	39600	51000	11300	29000
	309 L3	51.3	29.3	13400	30	11.0	71-80-90-100-112-132-160	—	—	40700	52400	11700	29000
	309 L3	60.5	24.8	14100	30	11.0	71-80-90-100-112-132-160	—	—	42700	55100	12300	29000
	309 L3	74.1	20.2	15000	30	11.0	71-80-90-100-112-132-160	—	—	45400	58600	13200	29000
	309 L3	80.6	18.6	14800	30	11.0	71-80-90-100-112-132-160	—	—	46600	60100	13600	29000
	309 L3	93.0	16.1	15100	28	11.0	71-80-90-100-112-132-160	—	—	48600	62700	14200	29000
	309 L3	100	15	16500	28	11.0	71-80-90-100-112-132-160	—	—	49700	64100	14600	29000
	309 L3	113	13.2	15500	24	11.0	71-80-90-100-112-132-160	—	—	51600	66500	15200	29000
	309 L3	126	11.9	16400	22	11.0	71-80-90-100-112-132-160	—	—	53200	68700	15800	29000
	309 L3	139	10.8	16000	19.9	11.0	71-80-90-100-112-132-160	—	—	54800	70700	16300	29000
	309 L3	162	9.3	16300	17.3	11.0	71-80-90-100-112-132-160	—	—	57400	74000	17100	29000
	309 L3	183	8.2	14300	13.5	11.0	71-80-90-100-112-132-160	—	—	59500	76800	17800	29000
	309 L3	202	7.4	16500	14.1	11.0	71-80-90-100-112-132-160	—	—	61300	79100	18400	29000
	309 L3	223	6.7	13000	10.0	11.0	71-80-90-100-112-132-160	—	—	63200	81500	19100	29000
	309 L3	239	6.3	13000	9.4	11.0	71-80-90-100-112-132-160	—	—	64600	83300	19500	29000
	309 L3	284	5.3	15700	9.6	11.0	71-80-90-100-112-132-160	—	—	67900	87600	20700	29000
	309 L3	336	4.5	13200	6.8	11.0	71-80-90-100-112-132-160	—	—	71500	92200	21900	29000
	309 L4	349	4.3	21300	10.8	7.5	71-80-90-100-112-132-160	—	—	72300	93300	22100	29000
	309 L4	406	3.7	17800	7.8	7.5	71-80-90-100-112-132-160	—	—	75600	97500	23300	29000
	309 L4	465	3.2	18300	7.0	7.5	71-80-90-100-112-132-160	—	—	78800	101600	24400	29000
309 L4	509	2.9	14300	5.0	7.5	71-80-90-100-112-132-160	—	—	81000	104400	25100	29000	
309 L4	579	2.6	21300	6.5	7.5	71-80-90-100-112-132-160	—	—	84100	108500	26200	29000	
309 L4	654	2.3	18100	4.9	7.5	71-80-90-100-112-132-160	—	—	87300	112600	27300	29000	
309 L4	722	2.1	21300	5.2	7.5	71-80-90-100-112-132-160	—	—	89900	116000	28200	29000	
309 L4	801	1.9	18200	4.0	7.5	71-80-90-100-112-132-160	—	—	92800	119600	29200	29000	
309 L4	906	1.7	17900	3.5	7.5	71-80-90-100-112-132-160	—	—	96300	124200	30400	29000	
309 L4	999	1.5	18200	3.2	7.5	71-80-90-100-112-132-160	—	—	99100	127800	31400	29000	
309 L4	1149	1.3	16200	2.5	7.5	71-80-90-100-112-132-160	—	—	103400	133300	32900	29000	
309 L4	1286	1.2	16500	2.3	7.5	71-80-90-100-112-132-160	—	—	106900	137900	34200	29000	
309 L4	1380	1.1	16700	2.2	7.5	71-80-90-100-112-132-160	—	—	109200	140900	35000	29000	
309 L4	1605	0.93	17000	1.9	7.5	71-80-90-100-112-132-160	—	—	110000	145000	36000	29000	
309 L4	1723	0.87	17000	1.8	7.5	71-80-90-100-112-132-160	—	—	110000	145000	36000	29000	
309 L4	2003	0.75	17000	1.5	7.5	71-80-90-100-112-132-160	—	—	110000	145000	36000	29000	
309 L4	2423	0.62	17000	1.2	7.5	71-80-90-100-112-132-160	—	—	110000	145000	36000	29000	
1000	309 L1	3.43	292	7920	150	30	180-200-225-250	—	—	20400	26300	5430	27900
	309 L1	4.09	244	8150	150	30	180-200-225-250	—	—	21500	27700	5760	29000
	309 L1	5.25	190	8580	150	30	180-200-225-250	—	—	23200	29900	6260	29000
	309 L1	6.23	160	8920	150	30	180-200-225-250	—	—	24400	31500	6620	29000
	309 L2	12.3	81	8900	60	22	132-160-180-200	—	—	30000	38600	8320	27900
	309 L2	14.7	68	10600	60	22	132-160-180-200	—	—	31600	40700	8820	29000
	309 L2	17.4	58	11000	60	22	132-160-180-200	—	—	33200	42800	9330	29000
	309 L2	21.8	46	11400	58	22	132-160-180-200	—	—	35500	45800	10100	29000
	309 L2	25.4	39	11500	50	22	132-160-180-200	—	—	37200	48000	10600	29000
	309 L2	28.0	36	13500	53	22	132-160-180-200	—	—	38300	49400	10900	29000
	309 L2	32.6	31	13800	47	22	132-160-180-200	—	—	40100	51700	11500	29000
	309 L2	38.6	25.9	12600	36	22	132-160-180-200	—	—	42200	54400	12200	29000
	309 L2	46.7	21.4	12700	30	22	132-160-180-200	—	—	44700	57600	13000	29000

B





309 L

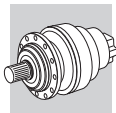


326

23240 Nm

n ₁ min ⁻¹		i	n ₂ min ⁻¹	M _{n2} Nm	P _{n1} kW	P _t kW	P (IEC) 	R _{n2} [N]					M _{2 max} Nm	
								MC	MZ	HC/PC	HZ/PZ	FZ		
1000	309 L3	51.3	19.5	14900	30	13.2	71-80-90-100-112-132-160	—	—	45900	59200	13400	29000	
	309 L3	60.5	16.5	16000	30	13.2	71-80-90-100-112-132-160	—	—	48300	62300	14100	29000	
	309 L3	74.1	13.5	17000	26	13.2	71-80-90-100-112-132-160	—	—	51300	66200	15100	29000	
	309 L3	80.6	12.4	15700	22	13.2	71-80-90-100-112-132-160	—	—	52600	67800	15500	29000	
	309 L3	93.0	10.8	16800	21	13.2	71-80-90-100-112-132-160	—	—	54900	70800	16300	29000	
	309 L3	100	10.0	18600	21	13.2	71-80-90-100-112-132-160	—	—	56200	72400	16700	29000	
	309 L3	113	8.8	16300	16.5	13.2	71-80-90-100-112-132-160	—	—	58300	75100	17400	29000	
	309 L3	126	7.9	17300	15.7	13.2	71-80-90-100-112-132-160	—	—	60100	77600	18000	29000	
	309 L3	139	7.2	16500	13.7	13.2	71-80-90-100-112-132-160	—	—	61900	79900	18600	29000	
	309 L3	162	6.2	16700	11.9	13.2	71-80-90-100-112-132-160	—	—	64800	83600	19600	29000	
	309 L3	183	5.5	14300	9.0	13.2	71-80-90-100-112-132-160	—	—	67200	86700	20400	29000	
	309 L3	202	5.0	17000	9.7	13.2	71-80-90-100-112-132-160	—	—	69300	89300	21100	29000	
	309 L3	223	4.5	13200	6.8	13.2	71-80-90-100-112-132-160	—	—	71400	92100	21800	29000	
	309 L3	239	4.2	13300	6.4	13.2	71-80-90-100-112-132-160	—	—	72900	94000	22300	29000	
	309 L3	284	3.5	15800	6.4	13.2	71-80-90-100-112-132-160	—	—	76700	98900	23600	29000	
	309 L3	336	3.0	14000	4.8	13.2	71-80-90-100-112-132-160	—	—	80800	104200	25000	29000	
	309 L4	349	2.9	21300	7.2	9.0	71-80-90-100-112-132-160	—	—	81700	105300	25300	29000	
	309 L4	406	2.5	19100	5.6	9.0	71-80-90-100-112-132-160	—	—	85400	110200	26600	29000	
	309 L4	465	2.2	19500	5.0	9.0	71-80-90-100-112-132-160	—	—	89000	114800	27900	29000	
	309 L4	509	2.0	14400	3.3	9.0	71-80-90-100-112-132-160	—	—	91500	117900	28700	29000	
	309 L4	579	1.7	21400	4.4	9.0	71-80-90-100-112-132-160	—	—	95000	122600	30000	29000	
	309 L4	654	1.5	18200	3.3	9.0	71-80-90-100-112-132-160	—	—	98600	127100	31200	29000	
	309 L4	722	1.4	21500	3.5	9.0	71-80-90-100-112-132-160	—	—	101600	131000	32300	29000	
	309 L4	801	1.2	18300	2.7	9.0	71-80-90-100-112-132-160	—	—	104700	135100	33400	29000	
	309 L4	906	1.1	18400	2.4	9.0	71-80-90-100-112-132-160	—	—	108700	140200	34800	29000	
	309 L4	999	1.0	18300	2.2	9.0	71-80-90-100-112-132-160	—	—	110000	144400	36000	29000	
	309 L4	1149	0.87	17000	1.7	9.0	71-80-90-100-112-132-160	—	—	110000	145000	36000	29000	
	309 L4	1286	0.78	17000	1.6	9.0	71-80-90-100-112-132-160	—	—	110000	145000	36000	29000	
	309 L4	1380	0.72	17000	1.5	9.0	71-80-90-100-112-132-160	—	—	110000	145000	36000	29000	
	309 L4	1605	0.62	17000	1.3	9.0	71-80-90-100-112-132-160	—	—	110000	145000	36000	29000	
	309 L4	1723	0.58	17000	1.2	9.0	71-80-90-100-112-132-160	—	—	110000	145000	36000	29000	
	309 L4	2003	0.50	17000	1.0	9.0	71-80-90-100-112-132-160	—	—	110000	145000	36000	29000	
	309 L4	2423	0.41	17000	0.83	9.0	71-80-90-100-112-132-160	—	—	110000	145000	36000	29000	
	500	309 L1	3.43	146	9750	150	50	180-200-225-250	—	—	25100	32400	6840	27900
		309 L1	4.09	122	10000	132	50	180-200-225-250	—	—	26500	34200	7250	29000
309 L1		5.25	95	10600	109	50	180-200-225-250	—	—	28500	36800	7880	29000	
309 L1		6.23	80	10900	94	50	180-200-225-250	—	—	30000	38800	8350	29000	
309 L2		12.3	41	10600	48	36	132-160-180-200	—	—	36900	47600	10500	27900	
309 L2		14.7	34	12900	49	36	132-160-180-200	—	—	38900	50200	11100	29000	
309 L2		17.4	28.8	13500	43	36	132-160-180-200	—	—	40900	52700	11800	29000	
309 L2		21.8	22.9	13700	35	36	132-160-180-200	—	—	43800	56400	12700	29000	
309 L2		25.4	19.7	12800	28	36	132-160-180-200	—	—	45800	59000	13300	29000	
309 L2		28.0	17.9	14900	30	36	132-160-180-200	—	—	47200	60800	13800	29000	
309 L2		32.6	15.4	15200	26	36	132-160-180-200	—	—	49300	63600	14500	29000	
309 L2		38.6	12.9	12900	18.6	36	132-160-180-200	—	—	51900	67000	15300	29000	
309 L2		46.7	10.7	13000	15.4	36	132-160-180-200	—	—	55000	70900	16300	29000	
309 L3		51.3	9.8	17700	19.8	22	71-80-90-100-112-132-160	—	—	56500	72900	16800	29000	
309 L3		60.5	8.3	19300	18.3	22	71-80-90-100-112-132-160	—	—	59400	76600	17800	29000	
309 L3		74.1	6.7	20100	15.5	22	71-80-90-100-112-132-160	—	—	63200	81500	19100	29000	
309 L3		80.6	6.2	16700	11.9	22	71-80-90-100-112-132-160	—	—	64800	83500	19600	29000	
309 L3		93.0	5.4	17500	10.8	22	71-80-90-100-112-132-160	—	—	67600	87200	20600	29000	
309 L3		100	5.0	21300	12.2	22	71-80-90-100-112-132-160	—	—	69200	89200	21100	29000	
309 L3		113	4.4	17100	8.7	22	71-80-90-100-112-132-160	—	—	71700	92500	21900	29000	
309 L3		126	4.0	17500	8.0	22	71-80-90-100-112-132-160	—	—	74000	95500	22700	29000	
309 L3		139	3.6	17500	7.2	22	71-80-90-100-112-132-160	—	—	76200	98300	23500	29000	
309 L3		162	3.1	18400	6.5	22	71-80-90-100-112-132-160	—	—	79800	102900	24700	29000	
309 L3		183	2.7	14300	4.5	22	71-80-90-100-112-132-160	—	—	82800	106800	25700	29000	
309 L3		202	2.5	19100	5.4	22	71-80-90-100-112-132-160	—	—	85300	110000	26600	29000	
309 L3		223	2.2	14700	3.8	22	71-80-90-100-112-132-160	—	—	87900	113300	27500	29000	
309 L3		239	2.1	14900	3.6	22	71-80-90-100-112-132-160	—	—	89800	115800	28200	29000	
309 L3		284	1.8	15800	3.2	22	71-80-90-100-112-132-160	—	—	94500	121800	29800	29000	

B





309 L



326

23240 Nm



n ₁ min ⁻¹		i	n ₂ min ⁻¹	M _{n2} Nm	P _{n1} kW	P _t kW	P (IEC) 	R _{n2} [N]					M _{2 max} Nm
								MC	MZ	HC/PC	HZ/PZ	FZ	
500	309 L3	336	1.5	15800	2.7	22	71-80-90-100-112-132-160	—	—	99400	128200	31500	29000
	309 L4	349	1.4	21500	3.6	15.0	71-80-90-100-112-132-160	—	—	100500	129700	31900	29000
	309 L4	406	1.2	21300	3.1	15.0	71-80-90-100-112-132-160	—	—	105200	135600	33600	29000
	309 L4	465	1.1	21700	2.8	15.0	71-80-90-100-112-132-160	—	—	109600	141300	35100	29000
	309 L4	509	0.98	14700	1.7	15.0	71-80-90-100-112-132-160	—	—	110000	145000	36000	29000
	309 L4	579	0.86	21600	2.2	15.0	71-80-90-100-112-132-160	—	—	110000	145000	36000	29000
	309 L4	654	0.77	18300	1.7	15.0	71-80-90-100-112-132-160	—	—	110000	145000	36000	29000
	309 L4	722	0.69	21600	1.8	15.0	71-80-90-100-112-132-160	—	—	110000	145000	36000	29000
	309 L4	801	0.62	18300	1.4	15.0	71-80-90-100-112-132-160	—	—	110000	145000	36000	29000
	309 L4	906	0.55	18500	1.2	15.0	71-80-90-100-112-132-160	—	—	110000	145000	36000	29000
	309 L4	999	0.50	18300	1.1	15.0	71-80-90-100-112-132-160	—	—	110000	145000	36000	29000
	309 L4	1149	0.44	17000	0.87	15.0	71-80-90-100-112-132-160	—	—	110000	145000	36000	29000
	309 L4	1286	0.39	17000	0.78	15.0	71-80-90-100-112-132-160	—	—	110000	145000	36000	29000
	309 L4	1380	0.36	17000	0.73	15.0	71-80-90-100-112-132-160	—	—	110000	145000	36000	29000
	309 L4	1605	0.31	17000	0.63	15.0	71-80-90-100-112-132-160	—	—	110000	145000	36000	29000
	309 L4	1723	0.29	17000	0.58	15.0	71-80-90-100-112-132-160	—	—	110000	145000	36000	29000
	309 L4	2003	0.25	17000	0.50	15.0	71-80-90-100-112-132-160	—	—	110000	145000	36000	29000
	309 L4	2423	0.21	17000	0.42	15.0	71-80-90-100-112-132-160	—	—	110000	145000	36000	29000

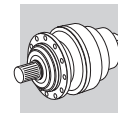
310 L





338

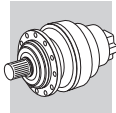
34120 Nm

n ₁ min ⁻¹		i	n ₂ min ⁻¹	M _{n2} Nm	P _{n1} kW	P _t kW	P (IEC) 	R _{n2} [N]					M _{2 max} Nm
								MC	MZ	HC/PC	HZ/PZ	FZ	
1500	310 L1	4.09	367	7330	175	35	200-225-250	—	—	22600	28400	9080	47600
	310 L1	5.25	286	7710	175	35	200-225-250	—	—	24300	30600	9870	47600
	310 L1	6.23	241	8020	175	35	200-225-250	—	—	25600	32200	10400	47600
	310 L2	14.7	102	10800	75	22	160-180-200-225-250	—	—	33100	41700	13900	47600
	310 L2	17.4	86	11300	75	22	160-180-200-225-250	—	—	34800	43800	14700	47600
	310 L2	21.8	69	12100	75	22	160-180-200-225-250	—	—	37300	46900	15900	47600
	310 L2	25.4	59	12700	75	22	160-180-200-225-250	—	—	39000	49100	16700	47600
	310 L2	28.0	54	12800	75	22	160-180-200-225-250	—	—	40200	50500	17200	47600
	310 L2	30.7	49	13400	73	22	160-180-200-225-250	—	—	41300	51900	17800	47600
	310 L2	32.6	46	13300	68	22	160-180-200-225-250	—	—	42000	52900	18100	47600
	310 L2	38.6	39	13600	59	22	160-180-200-225-250	—	—	44300	55700	19200	47600
	310 L2	46.7	32	14200	51	22	160-180-200-225-250	—	—	46900	58900	20500	47600
	310 L3	53.0	28.3	15800	40	18.0	132-160-180-200	—	—	48700	61200	21300	47600
	310 L3	62.6	24.0	16600	40	18.0	132-160-180-200	—	—	51200	64300	22500	47600
	310 L3	73.9	20.3	17500	40	18.0	132-160-180-200	—	—	53800	67600	23800	47600
	310 L3	80.3	18.7	17500	37	18.0	132-160-180-200	—	—	55100	69300	24500	47600
	310 L3	91.3	16.4	18600	35	18.0	132-160-180-200	—	—	57300	72100	25600	47600
	310 L3	101	14.9	18700	32	18.0	132-160-180-200	—	—	59000	74200	26400	47600
	310 L3	110	13.6	19700	31	18.0	132-160-180-200	—	—	60700	76300	27200	47600
	310 L3	119	12.6	19700	28	18.0	132-160-180-200	—	—	62000	78000	27900	47600
	310 L3	130	11.5	20700	27	18.0	132-160-180-200	—	—	63800	80200	28800	47600
	310 L3	142	10.6	20700	25	18.0	132-160-180-200	—	—	65400	82200	29600	47600
	310 L3	164	9.2	22200	23	18.0	132-160-180-200	—	—	68300	85800	31100	47600
	310 L3	177	8.5	18300	17.7	18.0	132-160-180-200	—	—	69900	87900	31900	47600
	310 L3	202	7.4	22000	18.8	18.0	132-160-180-200	—	—	72700	91400	33300	47600
	310 L3	230	6.5	21200	15.8	18.0	132-160-180-200	—	—	75600	95100	34800	47600
	310 L3	249	6.0	18400	12.7	18.0	132-160-180-200	—	—	77400	97400	35700	47600
	310 L3	295	5.1	23300	13.6	18.0	132-160-180-200	—	—	81500	102500	37800	47600
	310 L3	350	4.3	19000	9.3	18.0	132-160-180-200	—	—	85800	107900	40000	47600
	310 L4	392	3.8	19400	8.8	11.0	71-80-90-100-112-132-160	—	—	88700	111500	41500	47600
	310 L4	451	3.3	29800	11.7	11.0	71-80-90-100-112-132-160	—	—	92500	116300	43500	47600
	310 L4	507	3.0	25500	8.9	11.0	71-80-90-100-112-132-160	—	—	95800	120500	45300	47600
	310 L4	556	2.7	31600	10.1	11.0	71-80-90-100-112-132-160	—	—	98500	123900	46700	47600
	310 L4	637	2.4	26500	7.4	11.0	71-80-90-100-112-132-160	—	—	102600	129000	48800	47600
	310 L4	726	2.1	27100	6.6	11.0	71-80-90-100-112-132-160	—	—	106700	134200	51000	47600



310 L							34120 Nm							
							338							
n ₁ min ⁻¹		i	n ₂ min ⁻¹	M _{n2} Nm	P _{n1} kW	P _t kW	P (IEC) 	MC	MZ	Rn ₂ [N]			M _{2 max} Nm	
							HC/PC			HZ/PZ		FZ		
1500	310 L4	818	1.8	27600	6.0	11.0	71-80-90-100-112-132-160	—	—	110600	139100	53100	47600	
	310 L4	939	1.6	33200	6.3	11.0	71-80-90-100-112-132-160	—	—	115300	145000	55600	47600	
	310 L4	1021	1.5	28700	5.0	11.0	71-80-90-100-112-132-160	—	—	118200	148600	57200	47600	
	310 L4	1164	1.3	29300	4.5	11.0	71-80-90-100-112-132-160	—	—	123000	154600	59700	47600	
	310 L4	1259	1.2	27600	3.9	11.0	71-80-90-100-112-132-160	—	—	125900	158300	61300	47600	
	310 L4	1438	1.0	25800	3.2	11.0	71-80-90-100-112-132-160	—	—	131000	164700	64100	47600	
	310 L4	1672	0.90	26000	2.8	11.0	71-80-90-100-112-132-160	—	—	133000	166000	65000	47600	
	310 L4	1794	0.84	26000	2.6	11.0	71-80-90-100-112-132-160	—	—	133000	166000	65000	47600	
	310 L4	2022	0.74	26000	2.3	11.0	71-80-90-100-112-132-160	—	—	133000	166000	65000	47600	
	310 L4	2523	0.59	26000	1.8	11.0	71-80-90-100-112-132-160	—	—	133000	166000	65000	47600	
1000	310 L1	4.09	244	8280	175	42	200-225-250	—	—	25500	32100	10400	47600	
	310 L1	5.25	190	8710	175	42	200-225-250	—	—	27500	34500	11300	47600	
	310 L1	6.23	160	9060	157	42	200-225-250	—	—	28900	36400	12000	47600	
	310 L2	14.7	68	12200	75	26	160-180-200-225-250	—	—	37400	47100	15900	47600	
	310 L2	17.4	58	12800	75	26	160-180-200-225-250	—	—	39300	49500	16800	47600	
	310 L2	21.8	46	13700	70	26	160-180-200-225-250	—	—	42100	53000	18200	47600	
	310 L2	25.4	39	14300	63	26	160-180-200-225-250	—	—	44100	55400	19100	47600	
	310 L2	28.0	36	14400	57	26	160-180-200-225-250	—	—	45400	57100	19700	47600	
	310 L2	30.7	33	14900	54	26	160-180-200-225-250	—	—	46700	58700	20300	47600	
	310 L2	32.6	31	15100	52	26	160-180-200-225-250	—	—	47500	59700	20800	47600	
	310 L2	38.6	25.9	14800	43	26	160-180-200-225-250	—	—	50000	62900	22000	47600	
	310 L2	46.7	21.4	15500	37	26	160-180-200-225-250	—	—	52900	66600	23400	47600	
	310 L3	53.0	18.9	17800	39	22	132-160-180-200	—	—	55000	69100	24400	47600	
	310 L3	62.6	16.0	18800	34	22	132-160-180-200	—	—	57800	72700	25800	47600	
	310 L3	73.9	13.5	19700	31	22	132-160-180-200	—	—	60700	76400	27300	47600	
	310 L3	80.3	12.4	19800	28	22	132-160-180-200	—	—	62300	78300	28000	47600	
	310 L3	91.3	11.0	21000	26	22	132-160-180-200	—	—	64700	81400	29300	47600	
	310 L3	101	9.9	21100	24	22	132-160-180-200	—	—	66700	83800	30300	47600	
	310 L3	110	9.1	22200	23	22	132-160-180-200	—	—	68500	86200	31200	47600	
	310 L3	119	8.4	21600	21	22	132-160-180-200	—	—	70100	88100	32000	47600	
	310 L3	130	7.7	23400	21	22	132-160-180-200	—	—	72000	90600	33000	47600	
	310 L3	142	7.1	22200	18.0	22	132-160-180-200	—	—	73800	92800	33900	47600	
	310 L3	164	6.1	25000	17.5	22	132-160-180-200	—	—	77100	96900	35600	47600	
	310 L3	177	5.6	18400	11.9	22	132-160-180-200	—	—	79000	99300	36500	47600	
	310 L3	202	5.0	23400	13.3	22	132-160-180-200	—	—	82100	103200	38100	47600	
	310 L3	230	4.3	21800	10.9	22	132-160-180-200	—	—	85400	107400	39800	47600	
	310 L3	249	4.0	19300	8.9	22	132-160-180-200	—	—	87500	110000	40900	47600	
	310 L3	295	3.4	24700	9.6	22	132-160-180-200	—	—	92000	115700	43300	47600	
	310 L3	350	2.9	20600	6.8	22	132-160-180-200	—	—	96900	121800	45800	47600	
	310 L4	392	2.6	21100	6.4	13.2	71-80-90-100-112-132-160	—	—	100200	125900	47600	47600	
	310 L4	451	2.2	32600	8.5	13.2	71-80-90-100-112-132-160	—	—	104500	131400	49800	47600	
	310 L4	507	2.0	27300	6.4	13.2	71-80-90-100-112-132-160	—	—	108200	136100	51800	47600	
	310 L4	556	1.8	33000	7.0	13.2	71-80-90-100-112-132-160	—	—	111300	139900	53400	47600	
	310 L4	637	1.6	28400	5.3	13.2	71-80-90-100-112-132-160	—	—	115900	145700	55900	47600	
	310 L4	726	1.4	29000	4.7	13.2	71-80-90-100-112-132-160	—	—	120500	151500	58400	47600	
	310 L4	818	1.2	29600	4.3	13.2	71-80-90-100-112-132-160	—	—	124900	157100	60800	47600	
310 L4	939	1.1	34000	4.3	13.2	71-80-90-100-112-132-160	—	—	130200	163700	63600	47600		
310 L4	1021	0.98	30600	3.5	13.2	71-80-90-100-112-132-160	—	—	133000	166000	65000	47600		
310 L4	1164	0.86	30600	3.1	13.2	71-80-90-100-112-132-160	—	—	133000	166000	65000	47600		
310 L4	1259	0.79	28000	2.6	13.2	71-80-90-100-112-132-160	—	—	133000	166000	65000	47600		
310 L4	1438	0.70	26000	2.1	13.2	71-80-90-100-112-132-160	—	—	133000	166000	65000	47600		
310 L4	1672	0.60	26000	1.8	13.2	71-80-90-100-112-132-160	—	—	133000	166000	65000	47600		
310 L4	1794	0.56	26000	1.7	13.2	71-80-90-100-112-132-160	—	—	133000	166000	65000	47600		
310 L4	2022	0.49	26000	1.5	13.2	71-80-90-100-112-132-160	—	—	133000	166000	65000	47600		
310 L4	2523	0.40	26000	1.2	13.2	71-80-90-100-112-132-160	—	—	133000	166000	65000	47600		
500	310 L1	4.09	122	10200	134	70	200-225-250	—	—	31400	39500	13100	47600	
	310 L1	5.25	95	10700	110	70	200-225-250	—	—	33800	42500	14200	47600	
	310 L1	6.23	80	11200	97	70	200-225-250	—	—	35600	44800	15100	47600	
	310 L2	14.7	34	15000	57	44	160-180-200-225-250	—	—	46100	58000	20100	47600	







310 L



338

34120 Nm



n ₁ min ⁻¹		i	n ₂ min ⁻¹	M _{n2} Nm	P _{n1} kW	P _t kW	P (IEC) 	R _{n2} [N]					M _{2 max} Nm
								MC	MZ	HC/PC	HZ/PZ	FZ	
500	310 L2	17.4	28.8	15700	50	44	160-180-200-225-250	—	—	48400	60900	21200	47600
	310 L2	21.8	22.9	16800	43	44	160-180-200-225-250	—	—	51900	65200	22900	47600
	310 L2	25.4	19.7	17600	39	44	160-180-200-225-250	—	—	54200	68200	24100	47600
	310 L2	28.0	17.9	17700	35	44	160-180-200-225-250	—	—	55900	70300	24900	47600
	310 L2	30.7	16.3	17800	32	44	160-180-200-225-250	—	—	57400	72200	25600	47600
	310 L2	32.6	15.4	18600	32	44	160-180-200-225-250	—	—	58500	73500	26100	47600
	310 L2	38.6	12.9	17200	25	44	160-180-200-225-250	—	—	61500	77400	27700	47600
	310 L2	46.7	10.7	18000	21	44	160-180-200-225-250	—	—	65200	81900	29500	47600
	310 L3	53.0	9.4	22000	24	36	132-160-180-200	—	—	67700	85100	30800	47600
	310 L3	62.6	8.0	23100	21	36	132-160-180-200	—	—	71100	89400	32500	47600
	310 L3	73.9	6.8	24300	18.8	36	132-160-180-200	—	—	74800	94000	34400	47600
	310 L3	80.3	6.2	22600	16.2	36	132-160-180-200	—	—	76700	96400	35300	47600
	310 L3	91.3	5.5	25900	16.2	36	132-160-180-200	—	—	79700	100200	36900	47600
	310 L3	101	5.0	23400	13.3	36	132-160-180-200	—	—	82100	103200	38100	47600
	310 L3	110	4.5	27300	14.2	36	132-160-180-200	—	—	84400	106100	39300	47600
	310 L3	119	4.2	24000	11.6	36	132-160-180-200	—	—	86300	108500	40300	47600
	310 L3	130	3.8	28700	12.6	36	132-160-180-200	—	—	88700	111500	41500	47600
	310 L3	142	3.5	24800	10.0	36	132-160-180-200	—	—	90900	114300	42700	47600
	310 L3	164	3.1	30300	10.6	36	132-160-180-200	—	—	94900	119300	44800	47600
	310 L3	177	2.8	20700	6.7	36	132-160-180-200	—	—	97200	122200	46000	47600
	310 L3	202	2.5	26300	7.5	36	132-160-180-200	—	—	101100	127100	48000	47600
	310 L3	230	2.2	21800	5.4	36	132-160-180-200	—	—	105100	132200	50200	47600
	310 L3	249	2.0	22300	5.1	36	132-160-180-200	—	—	107700	135400	51500	47600
	310 L3	295	1.7	26800	5.2	36	132-160-180-200	—	—	113300	142500	54500	47600
	310 L3	350	1.4	24000	3.9	36	132-160-180-200	—	—	119300	150000	57700	47600
	310 L4	392	1.3	24600	3.7	22	71-80-90-100-112-132-160	—	—	123300	155100	59900	47600
	310 L4	451	1.1	33900	4.5	22	71-80-90-100-112-132-160	—	—	128600	161700	62800	47600
	310 L4	507	0.99	30600	3.6	22	71-80-90-100-112-132-160	—	—	133000	166000	65000	47600
	310 L4	556	0.90	34100	3.6	22	71-80-90-100-112-132-160	—	—	133000	166000	65000	47600
	310 L4	637	0.79	30600	2.8	22	71-80-90-100-112-132-160	—	—	133000	166000	65000	47600
	310 L4	726	0.69	30600	2.5	22	71-80-90-100-112-132-160	—	—	133000	166000	65000	47600
	310 L4	818	0.61	30600	2.2	22	71-80-90-100-112-132-160	—	—	133000	166000	65000	47600
	310 L4	939	0.53	34100	2.1	22	71-80-90-100-112-132-160	—	—	133000	166000	65000	47600
	310 L4	1021	0.49	30600	1.8	22	71-80-90-100-112-132-160	—	—	133000	166000	65000	47600
	310 L4	1164	0.43	30600	1.6	22	71-80-90-100-112-132-160	—	—	133000	166000	65000	47600
	310 L4	1259	0.40	28000	1.3	22	71-80-90-100-112-132-160	—	—	133000	166000	65000	47600
	310 L4	1438	0.35	26000	1.1	22	71-80-90-100-112-132-160	—	—	133000	166000	65000	47600
	310 L4	1672	0.30	26000	0.92	22	71-80-90-100-112-132-160	—	—	133000	166000	65000	47600
	310 L4	1794	0.28	26000	0.86	22	71-80-90-100-112-132-160	—	—	133000	166000	65000	47600
	310 L4	2022	0.25	26000	0.76	22	71-80-90-100-112-132-160	—	—	133000	166000	65000	47600
	310 L4	2523	0.20	26000	0.61	22	71-80-90-100-112-132-160	—	—	133000	166000	65000	47600

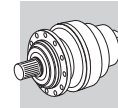
311 L



350

48330 Nm

n ₁ min ⁻¹		i	n ₂ min ⁻¹	M _{n2} Nm	P _{n1} kW	P _t kW	P (IEC) 	R _{n2} [N]					M _{2 max} Nm
								MC	MZ	HC/PC	HZ/PZ	FZ	
1500	311 L1	4.09	367	10600	200	35	—	—	—	26700	33200	9080	58300
	311 L1	5.25	286	11700	200	35	—	—	—	28700	35800	9870	58300
	311 L1	6.23	241	11600	200	35	—	—	—	30300	37700	10400	58300
	311 L2	14.0	107	15300	115	26	180-200-225-250	—	—	38600	48100	13700	58300
	311 L2	16.7	90	16100	115	26	180-200-225-250	—	—	40700	50700	14500	58300
	311 L2	18.0	83	16900	115	26	180-200-225-250	—	—	41600	51800	14900	58300
	311 L2	21.5	70	17400	115	26	180-200-225-250	—	—	43900	54600	15800	58300
	311 L2	25.5	59	18300	115	26	180-200-225-250	—	—	46200	57500	16700	58300
	311 L2	27.6	54	19200	115	26	180-200-225-250	—	—	47300	58900	17200	58300
	311 L2	32.7	46	20200	103	26	180-200-225-250	—	—	49800	62000	18200	58300
	311 L2	38.8	39	19700	85	26	180-200-225-250	—	—	52400	65300	19200	58300
	311 L3	50.5	29.7	22400	60	18.0	132-160-180-200	—	—	56700	70600	21000	58300





311 L

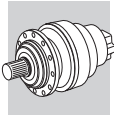


350

48330 Nm

n ₁ min ⁻¹		i	n ₂ min ⁻¹	M _{n2} Nm	P _{n1} kW	P _t kW	P (IEC) 	Rn ₂ [N]					M _{2 max} Nm
								MC	MZ	HC/PC	HZ/PZ	FZ	
1500	311 L3	60.2	24.9	23700	60	18.0	132-160-180-200	—	—	59800	74500	22300	58300
	311 L3	71.1	21.1	24900	60	18.0	132-160-180-200	—	—	62800	78300	23500	58300
	311 L3	77.3	19.4	25500	57	18.0	132-160-180-200	—	—	64400	80200	24200	58300
	311 L3	89.3	16.8	26600	51	18.0	132-160-180-200	—	—	67300	83800	25400	58300
	311 L3	104	14.5	27800	46	18.0	132-160-180-200	—	—	70400	87600	26700	58300
	311 L3	115	13.1	28700	43	18.0	132-160-180-200	—	—	72500	90300	27600	58300
	311 L3	126	12.0	29500	40	18.0	132-160-180-200	—	—	74500	92800	28400	58300
	311 L3	133	11.3	30000	39	18.0	132-160-180-200	—	—	75800	94500	29000	58300
	311 L3	147	10.2	31800	37	18.0	132-160-180-200	—	—	78100	97300	30000	58300
	311 L3	161	9.3	31800	34	18.0	132-160-180-200	—	—	80300	100000	30900	58300
	311 L3	171	8.8	32600	33	18.0	132-160-180-200	—	—	81700	101800	31500	58300
	311 L3	191	7.8	32200	29	18.0	132-160-180-200	—	—	84500	105300	32700	58300
	311 L3	203	7.4	33400	28	18.0	132-160-180-200	—	—	86000	107200	33400	58300
	311 L3	245	6.1	34300	24	18.0	132-160-180-200	—	—	91100	113500	35500	58300
	311 L3	291	5.2	27000	16.0	18.0	132-160-180-200	—	—	95900	119400	37600	58300
	311 L4	348	4.3	39800	20	11.0	71-80-90-100-112-132-160	—	—	101100	126000	39900	58300
	311 L4	410	3.7	41500	18.0	11.0	71-80-90-100-112-132-160	—	—	106300	132400	42200	58300
	311 L4	512	2.9	44000	15.2	11.0	71-80-90-100-112-132-160	—	—	113600	141500	45400	58300
	311 L4	568	2.6	43000	13.4	11.0	71-80-90-100-112-132-160	—	—	117200	145900	47000	58300
	311 L4	627	2.4	39800	11.3	11.0	71-80-90-100-112-132-160	—	—	120700	150300	48600	58300
	311 L4	724	2.1	46300	11.4	11.0	71-80-90-100-112-132-160	—	—	126000	157000	51000	58300
	311 L4	825	1.8	44600	9.6	11.0	71-80-90-100-112-132-160	—	—	131000	163200	53300	58300
	311 L4	904	1.7	46900	9.2	11.0	71-80-90-100-112-132-160	—	—	134700	167800	54900	58300
	311 L4	986	1.5	42500	7.7	11.0	71-80-90-100-112-132-160	—	—	138300	172200	56500	58300
	311 L4	1058	1.4	43000	7.2	11.0	71-80-90-100-112-132-160	—	—	141200	175900	57900	58300
	311 L4	1230	1.2	43900	6.3	11.0	71-80-90-100-112-132-160	—	—	147800	184000	60800	58300
	311 L4	1415	1.1	42800	5.4	11.0	71-80-90-100-112-132-160	—	—	154100	191900	63800	58300
	311 L4	1680	0.89	34000	3.6	11.0	71-80-90-100-112-132-160	—	—	157000	195000	65000	58300
	311 L4	1766	0.85	43000	4.3	11.0	71-80-90-100-112-132-160	—	—	157000	195000	65000	58300
	311 L4	2096	0.72	34000	2.9	11.0	71-80-90-100-112-132-160	—	—	157000	195000	65000	58300
1000	311 L1	4.09	244	11900	200	42	—	—	—	30100	37500	10400	58300
	311 L1	5.25	190	13200	200	42	—	—	—	32500	40400	11300	58300
	311 L1	6.23	160	13100	200	42	—	—	—	34200	42600	12000	58300
	311 L2	14.0	71	17300	115	31	180-200-225-250	—	—	43600	54300	15700	58300
	311 L2	16.7	60	18200	115	31	180-200-225-250	—	—	46000	57300	16600	58300
	311 L2	18.0	56	19100	115	31	180-200-225-250	—	—	47000	58500	17000	58300
	311 L2	21.5	47	19600	102	31	180-200-225-250	—	—	49500	61700	18100	58300
	311 L2	25.5	39	20600	90	31	180-200-225-250	—	—	52200	65000	19100	58300
	311 L2	27.6	36	21700	88	31	180-200-225-250	—	—	53400	66500	19600	58300
	311 L2	32.7	31	22800	78	31	180-200-225-250	—	—	56200	70000	20800	58300
	311 L2	38.8	25.8	21700	62	31	180-200-225-250	—	—	59200	73700	22000	58300
	311 L3	50.5	19.8	25300	58	22	132-160-180-200	—	—	64000	79700	24000	58300
	311 L3	60.2	16.6	26700	51	22	132-160-180-200	—	—	67500	84100	25500	58300
	311 L3	71.1	14.1	28100	45	22	132-160-180-200	—	—	71000	88400	26900	58300
	311 L3	77.3	12.9	28800	43	22	132-160-180-200	—	—	72800	90600	27700	58300
	311 L3	89.3	11.2	30100	39	22	132-160-180-200	—	—	76000	94600	29000	58300
	311 L3	104	9.6	31400	35	22	132-160-180-200	—	—	79500	99000	30500	58300
	311 L3	115	8.7	32400	32	22	132-160-180-200	—	—	81900	102000	31600	58300
	311 L3	126	8.0	33300	30	22	132-160-180-200	—	—	84100	104800	32500	58300
	311 L3	133	7.5	33900	29	22	132-160-180-200	—	—	85600	106700	33200	58300
	311 L3	147	6.8	33800	26	22	132-160-180-200	—	—	88200	109900	34300	58300
	311 L3	161	6.2	35900	26	22	132-160-180-200	—	—	90700	112900	35400	58300
	311 L3	171	5.9	34500	23	22	132-160-180-200	—	—	92300	115000	36100	58300
	311 L3	191	5.2	34300	21	22	132-160-180-200	—	—	95500	118900	37400	58300
	311 L3	203	4.9	35300	20.0	22	132-160-180-200	—	—	97200	121000	38200	58300
	311 L3	245	4.1	36400	17.0	22	132-160-180-200	—	—	102900	128100	40700	58300
	311 L3	291	3.4	28300	11.2	22	132-160-180-200	—	—	108300	134900	43100	58300
	311 L4	348	2.9	44200	15.0	13.2	71-80-90-100-112-132-160	—	—	114200	142300	45700	58300
	311 L4	410	2.4	45900	13.2	13.2	71-80-90-100-112-132-160	—	—	120000	149500	48300	58300
	311 L4	512	2.0	46500	10.7	13.2	71-80-90-100-112-132-160	—	—	128300	159800	52000	58300







311 L

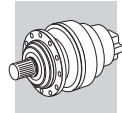


350

48330 Nm

n ₁ min ⁻¹		i	n ₂ min ⁻¹	M _{n2} Nm	P _{n1} kW	P _t kW	P (IEC) 	Rn ₂ [N]					M _{2 max} Nm
								MC	MZ	HC/PC	HZ/PZ	FZ	
1000	311 L4	568	1.8	44700	9.3	13.2	71-80-90-100-112-132-160	—	—	132300	164800	53800	58300
	311 L4	627	1.6	42200	8.0	13.2	71-80-90-100-112-132-160	—	—	136300	169800	55600	58300
	311 L4	724	1.4	47400	7.7	13.2	71-80-90-100-112-132-160	—	—	142300	177300	58400	58300
	311 L4	825	1.2	46200	6.6	13.2	71-80-90-100-112-132-160	—	—	148000	184300	61000	58300
	311 L4	904	1.1	48000	6.3	13.2	71-80-90-100-112-132-160	—	—	152100	189500	62800	58300
	311 L4	986	1.0	45100	5.4	13.2	71-80-90-100-112-132-160	—	—	156100	194500	64700	58300
	311 L4	1058	0.94	45200	5.1	13.2	71-80-90-100-112-132-160	—	—	157000	195000	65000	58300
	311 L4	1230	0.81	45200	4.3	13.2	71-80-90-100-112-132-160	—	—	157000	195000	65000	58300
	311 L4	1415	0.71	43000	3.6	13.2	71-80-90-100-112-132-160	—	—	157000	195000	65000	58300
	311 L4	1680	0.60	34000	2.4	13.2	71-80-90-100-112-132-160	—	—	157000	195000	65000	58300
	311 L4	1766	0.57	43000	2.9	13.2	71-80-90-100-112-132-160	—	—	157000	195000	65000	58300
	311 L4	2096	0.48	34000	1.9	13.2	71-80-90-100-112-132-160	—	—	157000	195000	65000	58300
500	311 L1	4.09	122	14700	194	70	—	—	—	37100	46200	13100	58300
	311 L1	5.25	95	16200	167	70	—	—	—	40000	49800	14200	58300
	311 L1	6.23	80	16100	140	70	—	—	—	42100	52400	15100	58300
	311 L2	14.0	36	21200	84	52	180-200-225-250	—	—	53700	66900	19800	58300
	311 L2	16.7	29.9	22400	74	52	180-200-225-250	—	—	56600	70500	20900	58300
	311 L2	18.0	27.8	23500	73	52	180-200-225-250	—	—	57800	72100	21500	58300
	311 L2	21.5	23.3	24100	63	52	180-200-225-250	—	—	61000	76000	22800	58300
	311 L2	25.5	19.6	25400	55	52	180-200-225-250	—	—	64200	80000	24100	58300
	311 L2	27.6	18.1	26700	54	52	180-200-225-250	—	—	65700	81900	24700	58300
	311 L2	32.7	15.3	28200	48	52	180-200-225-250	—	—	69200	86200	26200	58300
	311 L2	38.8	12.9	25500	36	52	180-200-225-250	—	—	72800	90700	27700	58300
	311 L3	50.5	9.9	31200	35	36	132-160-180-200	—	—	78800	98200	30300	58300
	311 L3	60.2	8.3	32900	31	36	132-160-180-200	—	—	83100	103500	32100	58300
	311 L3	71.1	7.0	34600	28	36	132-160-180-200	—	—	87400	108800	33900	58300
	311 L3	77.3	6.5	35400	26	36	132-160-180-200	—	—	89600	111600	34900	58300
	311 L3	89.3	5.6	37000	24	36	132-160-180-200	—	—	93500	116500	36600	58300
	311 L3	104	4.8	38700	21	36	132-160-180-200	—	—	97800	121900	38500	58300
	311 L3	115	4.4	39200	19.7	36	132-160-180-200	—	—	100800	125500	39800	58300
	311 L3	126	4.0	40600	18.6	36	132-160-180-200	—	—	103600	129000	41000	58300
	311 L3	133	3.8	40300	17.4	36	132-160-180-200	—	—	105400	131300	41800	58300
	311 L3	147	3.4	37600	14.7	36	132-160-180-200	—	—	108600	135300	43200	58300
	311 L3	161	3.1	41700	14.9	36	132-160-180-200	—	—	111600	139000	44600	58300
	311 L3	171	2.9	38500	12.9	36	132-160-180-200	—	—	113600	141500	45400	58300
	311 L3	191	2.6	34500	10.4	36	132-160-180-200	—	—	117500	146400	47200	58300
	311 L3	203	2.5	39600	11.2	36	132-160-180-200	—	—	119600	149000	48100	58300
	311 L3	245	2.0	40300	9.4	36	132-160-180-200	—	—	126600	157800	51300	58300
	311 L3	291	1.7	31300	6.2	36	132-160-180-200	—	—	133300	166100	54300	58300
	311 L4	348	1.4	47300	8.1	22	71-80-90-100-112-132-160	—	—	140600	175100	57600	58300
	311 L4	410	1.2	47800	6.9	22	71-80-90-100-112-132-160	—	—	147800	184100	60900	58300
	311 L4	512	0.98	48300	5.6	22	71-80-90-100-112-132-160	—	—	157000	195000	65000	58300
	311 L4	568	0.88	46900	4.9	22	71-80-90-100-112-132-160	—	—	157000	195000	65000	58300
	311 L4	627	0.80	45200	4.3	22	71-80-90-100-112-132-160	—	—	157000	195000	65000	58300
	311 L4	724	0.69	48300	3.9	22	71-80-90-100-112-132-160	—	—	157000	195000	65000	58300
	311 L4	825	0.61	46900	3.4	22	71-80-90-100-112-132-160	—	—	157000	195000	65000	58300
	311 L4	904	0.55	48300	3.2	22	71-80-90-100-112-132-160	—	—	157000	195000	65000	58300
	311 L4	986	0.51	45200	2.7	22	71-80-90-100-112-132-160	—	—	157000	195000	65000	58300
311 L4	1058	0.47	45200	2.5	22	71-80-90-100-112-132-160	—	—	157000	195000	65000	58300	
311 L4	1230	0.41	45200	2.2	22	71-80-90-100-112-132-160	—	—	157000	195000	65000	58300	
311 L4	1415	0.35	43000	1.8	22	71-80-90-100-112-132-160	—	—	157000	195000	65000	58300	
311 L4	1680	0.30	34000	1.2	22	71-80-90-100-112-132-160	—	—	157000	195000	65000	58300	
311 L4	1766	0.28	43000	1.4	22	71-80-90-100-112-132-160	—	—	157000	195000	65000	58300	
311 L4	2096	0.24	34000	0.96	22	71-80-90-100-112-132-160	—	—	157000	195000	65000	58300	

B





313 L



362

57970 Nm

n ₁ min ⁻¹		i	n ₂ min ⁻¹	M _{n2} Nm	P _{n1} kW	P _t kW	P (IEC) 	Rn ₂ [N]					M _{2 max} Nm
								MC	MZ	HC/PC	HZ/PZ	FZ	
1500	313 L2	14.2	106	22600	150	30	180-200-225-250	—	—	47900	56700	16900	105000
	313 L2	16.9	89	23500	150	30	180-200-225-250	—	—	50500	59700	18000	105000
	313 L2	18.5	81	24100	150	30	180-200-225-250	—	—	51800	61400	18500	105000
	313 L2	21.8	69	25500	150	30	180-200-225-250	—	—	54400	64400	19500	105000
	313 L2	25.8	58	26700	150	30	180-200-225-250	—	—	57300	67800	20700	105000
	313 L2	28.4	53	27300	150	30	180-200-225-250	—	—	58900	69700	21300	105000
	313 L2	33.6	45	28800	143	30	180-200-225-250	—	—	62000	73400	22600	105000
	313 L2	40.5	37	29500	122	30	180-200-225-250	—	—	65600	77600	24000	105000
	313 L3	51.1	29.3	32700	60	18.0	132-160-180-200	—	—	70300	83200	25900	105000
	313 L3	61.0	24.6	34500	60	18.0	132-160-180-200	—	—	74100	87700	27500	105000
	313 L3	72.0	20.8	36300	60	18.0	132-160-180-200	—	—	77900	92200	29100	105000
	313 L3	78.3	19.2	37300	60	18.0	132-160-180-200	—	—	79900	94600	29900	105000
	313 L3	92.4	16.2	39300	60	18.0	132-160-180-200	—	—	84000	99400	31600	105000
	313 L3	110	13.7	41200	60	18.0	132-160-180-200	—	—	88400	104600	33500	105000
	313 L3	120	12.4	42100	60	18.0	132-160-180-200	—	—	90900	107600	34500	105000
	313 L3	135	11.1	44000	56	18.0	132-160-180-200	—	—	94100	111300	35800	105000
	313 L3	143	10.5	44400	53	18.0	132-160-180-200	—	—	95700	113300	36500	105000
	313 L3	151	9.9	45000	51	18.0	132-160-180-200	—	—	97300	115200	37200	105000
	313 L3	163	9.2	46000	49	18.0	132-160-180-200	—	—	99600	117800	38200	105000
	313 L3	176	8.5	45000	44	18.0	132-160-180-200	—	—	101800	120500	39100	105000
	313 L3	182	8.2	39000	37	18.0	132-160-180-200	—	—	102900	121800	39600	105000
	313 L3	194	7.7	47600	42	18.0	132-160-180-200	—	—	104800	124100	40400	105000
	313 L3	209	7.2	45000	37	18.0	132-160-180-200	—	—	107200	126900	41400	105000
	313 L3	252	5.9	45000	31	18.0	132-160-180-200	—	—	113500	134300	44200	105000
	313 L3	304	4.9	39100	22	18.0	132-160-180-200	—	—	120000	142000	47000	105000
	313 L4	352	4.3	52500	26	11.0	71-80-90-100-112-132-160	—	—	125400	148400	49300	105000
	313 L4	394	3.8	55000	25	11.0	71-80-90-100-112-132-160	—	—	129700	153500	51200	105000
	313 L4	452	3.3	54000	21	11.0	71-80-90-100-112-132-160	—	—	135200	160000	53600	105000
	313 L4	514	2.9	48600	16.8	11.0	71-80-90-100-112-132-160	—	—	140500	166300	56000	105000
	313 L4	564	2.7	54800	17.2	11.0	71-80-90-100-112-132-160	—	—	144500	171000	57700	105000
	313 L4	633	2.4	52000	14.6	11.0	71-80-90-100-112-132-160	—	—	149600	177000	60000	105000
	313 L4	695	2.2	51000	13.0	11.0	71-80-90-100-112-132-160	—	—	153800	182100	61900	105000
	313 L4	790	1.9	52200	11.7	11.0	71-80-90-100-112-132-160	—	—	159800	189200	64600	105000
	313 L4	889	1.7	53100	10.6	11.0	71-80-90-100-112-132-160	—	—	165600	196000	67200	105000
	313 L4	1014	1.5	54300	9.5	11.0	71-80-90-100-112-132-160	—	—	172300	203900	70200	105000
	313 L4	1117	1.3	52500	8.3	11.0	71-80-90-100-112-132-160	—	—	177300	209900	72500	105000
	313 L4	1266	1.2	56300	7.9	11.0	71-80-90-100-112-132-160	—	—	184100	217900	75600	105000
	313 L4	1394	1.1	52700	6.7	11.0	71-80-90-100-112-132-160	—	—	189500	224300	78100	105000
	313 L4	1502	1.00	58000	6.8	11.0	71-80-90-100-112-132-160	—	—	192000	229400	80000	105000
	313 L4	1817	0.83	58000	5.7	11.0	71-80-90-100-112-132-160	—	—	192000	231000	80000	105000
313 L4	2187	0.69	49000	4.0	11.0	71-80-90-100-112-132-160	—	—	192000	231000	80000	105000	
1000	313 L2	14.2	70	25600	150	36	180-200-225-250	—	—	54100	64000	19400	105000
	313 L2	16.9	59	26500	150	36	180-200-225-250	—	—	57000	67500	20500	105000
	313 L2	18.5	54	27200	150	36	180-200-225-250	—	—	58500	69300	21200	105000
	313 L2	21.8	46	28700	147	36	180-200-225-250	—	—	61400	72700	22300	105000
	313 L2	25.8	39	30100	130	36	180-200-225-250	—	—	64700	76600	23600	105000
	313 L2	28.4	35	30900	121	36	180-200-225-250	—	—	66500	78700	24400	105000
	313 L2	33.6	29.7	32500	107	36	180-200-225-250	—	—	70000	82900	25800	105000
	313 L2	40.5	24.7	32200	88	36	180-200-225-250	—	—	74000	87600	27500	105000
	313 L3	51.1	19.6	37000	60	22	132-160-180-200	—	—	79400	94000	29700	105000
	313 L3	61.0	16.4	39000	60	22	132-160-180-200	—	—	83700	99100	31500	105000
	313 L3	72.0	13.9	41000	60	22	132-160-180-200	—	—	88000	104100	33300	105000
	313 L3	78.3	12.8	42200	60	22	132-160-180-200	—	—	90200	106800	34200	105000
	313 L3	92.4	10.8	44300	55	22	132-160-180-200	—	—	94800	112200	36200	105000
	313 L3	110	9.1	46100	48	22	132-160-180-200	—	—	99800	118200	38300	105000
	313 L3	120	8.3	45000	43	22	132-160-180-200	—	—	102700	121500	39500	105000
	313 L3	135	7.4	49300	42	22	132-160-180-200	—	—	106200	125700	41000	105000
	313 L3	143	7.0	45000	36	22	132-160-180-200	—	—	108100	127900	41800	105000
	313 L3	151	6.6	45000	34	22	132-160-180-200	—	—	109900	130100	42600	105000
	313 L3	163	6.1	50200	35	22	132-160-180-200	—	—	112500	133100	43700	105000
	313 L3	176	5.7	45000	29	22	132-160-180-200	—	—	115000	136100	44800	105000

B





313 L

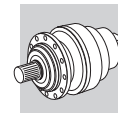


362

57970 Nm

n ₁ min ⁻¹		i	n ₂ min ⁻¹	M _{n2} Nm	P _{n1} kW	P _t kW	P (IEC) 	R _{n2} [N]					M _{2 max} Nm
								MC	MZ	HC/PC	HZ/PZ	FZ	
1000	313 L3	182	5.5	39000	25	22	132-160-180-200	—	—	116200	137500	45300	105000
	313 L3	194	5.2	51700	31	22	132-160-180-200	—	—	118400	140100	46300	105000
	313 L3	209	4.8	45300	25	22	132-160-180-200	—	—	121100	143300	47400	105000
	313 L3	252	4.0	46500	21	22	132-160-180-200	—	—	128200	151700	50600	105000
	313 L3	304	3.3	41000	15.5	22	132-160-180-200	—	—	135500	160400	53800	105000
	313 L4	352	2.8	52500	17.6	13.2	71-80-90-100-112-132-160	—	—	141600	167600	56500	105000
	313 L4	394	2.5	55000	16.5	13.2	71-80-90-100-112-132-160	—	—	146500	173400	58700	105000
	313 L4	452	2.2	55100	14.4	13.2	71-80-90-100-112-132-160	—	—	152700	180700	61400	105000
	313 L4	514	1.9	51900	11.9	13.2	71-80-90-100-112-132-160	—	—	158700	187800	64100	105000
	313 L4	564	1.8	55200	11.6	13.2	71-80-90-100-112-132-160	—	—	163100	193100	66100	105000
	313 L4	633	1.6	52400	9.8	13.2	71-80-90-100-112-132-160	—	—	168900	199900	68700	105000
	313 L4	695	1.4	54500	9.3	13.2	71-80-90-100-112-132-160	—	—	173700	205600	70900	105000
	313 L4	790	1.3	52600	7.9	13.2	71-80-90-100-112-132-160	—	—	180500	213600	74000	105000
	313 L4	889	1.1	56800	7.6	13.2	71-80-90-100-112-132-160	—	—	187100	221400	76900	105000
	313 L4	1014	0.99	58000	6.8	13.2	71-80-90-100-112-132-160	—	—	192000	230300	80000	105000
	313 L4	1117	0.90	52800	5.6	13.2	71-80-90-100-112-132-160	—	—	192000	231000	80000	105000
	313 L4	1266	0.79	58000	5.4	13.2	71-80-90-100-112-132-160	—	—	192000	231000	80000	105000
	313 L4	1394	0.72	52800	4.5	13.2	71-80-90-100-112-132-160	—	—	192000	231000	80000	105000
	313 L4	1502	0.67	58000	4.6	13.2	71-80-90-100-112-132-160	—	—	192000	231000	80000	105000
	313 L4	1817	0.55	58000	3.8	13.2	71-80-90-100-112-132-160	—	—	192000	231000	80000	105000
313 L4	2187	0.46	49000	2.7	13.2	71-80-90-100-112-132-160	—	—	192000	231000	80000	105000	
500	313 L1	4.14	121	21700	250	95	—	—	—	46000	54400	16200	105000
	313 L1	5.40	93	23100	231	95	—	—	—	49800	58900	17700	105000
	313 L1	6.50	77	24400	202	95	—	—	—	52700	62300	18800	105000
	313 L2	14.2	35	31500	124	60	180-200-225-250	—	—	66600	78800	24400	105000
	313 L2	16.9	29.5	32700	107	60	180-200-225-250	—	—	70200	83100	25900	105000
	313 L2	18.5	27.0	33400	100	60	180-200-225-250	—	—	72100	85300	26700	105000
	313 L2	21.8	23.0	35400	90	60	180-200-225-250	—	—	75600	89500	28100	105000
	313 L2	25.8	19.4	37100	80	60	180-200-225-250	—	—	79600	94200	29800	105000
	313 L2	28.4	17.6	38000	75	60	180-200-225-250	—	—	81900	96900	30700	105000
	313 L2	33.6	14.9	40000	66	60	180-200-225-250	—	—	86200	102000	32500	105000
	313 L2	40.5	12.3	37300	51	60	180-200-225-250	—	—	91200	107900	34600	105000
	313 L3	51.1	9.8	45300	51	36	132-160-180-200	—	—	97800	115700	37400	105000
	313 L3	61.0	8.2	47200	44	36	132-160-180-200	—	—	103100	122000	39700	105000
	313 L3	72.0	6.9	48900	39	36	132-160-180-200	—	—	108300	128200	41900	105000
	313 L3	78.3	6.4	51400	38	36	132-160-180-200	—	—	111100	131500	43100	105000
	313 L3	92.4	5.4	53800	33	36	132-160-180-200	—	—	116800	138200	45600	105000
	313 L3	110	4.6	52000	27	36	132-160-180-200	—	—	122900	145500	48300	105000
	313 L3	120	4.1	46200	22	36	132-160-180-200	—	—	126400	149600	49800	105000
	313 L3	135	3.7	55000	23	36	132-160-180-200	—	—	130800	154800	51700	105000
	313 L3	143	3.5	47400	19.0	36	132-160-180-200	—	—	133100	157500	52700	105000
	313 L3	151	3.3	47800	18.1	36	132-160-180-200	—	—	135300	160200	53700	105000
	313 L3	163	3.1	54300	19.1	36	132-160-180-200	—	—	138500	163900	55100	105000
	313 L3	176	2.8	48800	15.9	36	132-160-180-200	—	—	141600	167600	56500	105000
	313 L3	182	2.7	41900	13.2	36	132-160-180-200	—	—	143100	169300	57100	105000
	313 L3	194	2.6	52000	15.4	36	132-160-180-200	—	—	145800	172500	58300	105000
	313 L3	209	2.4	50100	13.8	36	132-160-180-200	—	—	149100	176400	59800	105000
	313 L3	252	2.0	51700	11.8	36	132-160-180-200	—	—	157800	186800	63700	105000
	313 L3	304	1.6	45300	8.6	36	132-160-180-200	—	—	166800	197500	67800	105000
	313 L4	352	1.4	54300	9.1	22	71-80-90-100-112-132-160	—	—	174400	206400	71200	105000
	313 L4	394	1.3	55300	8.3	22	71-80-90-100-112-132-160	—	—	180400	213500	73900	105000
	313 L4	452	1.1	55400	7.2	22	71-80-90-100-112-132-160	—	—	187900	222400	77300	105000
	313 L4	514	0.97	58000	6.7	22	71-80-90-100-112-132-160	—	—	192000	231000	80000	105000
	313 L4	564	0.89	55400	5.8	22	71-80-90-100-112-132-160	—	—	192000	231000	80000	105000
	313 L4	633	0.79	52800	4.9	22	71-80-90-100-112-132-160	—	—	192000	231000	80000	105000
	313 L4	695	0.72	58000	4.9	22	71-80-90-100-112-132-160	—	—	192000	231000	80000	105000
	313 L4	790	0.63	52800	4.0	22	71-80-90-100-112-132-160	—	—	192000	231000	80000	105000
	313 L4	889	0.56	58000	3.9	22	71-80-90-100-112-132-160	—	—	192000	231000	80000	105000
	313 L4	1014	0.49	58000	3.4	22	71-80-90-100-112-132-160	—	—	192000	231000	80000	105000
	313 L4	1117	0.45	52800	2.8	22	71-80-90-100-112-132-160	—	—	192000	231000	80000	105000

B





313 L



362

57970 Nm



n ₁ min ⁻¹		i	n ₂ min ⁻¹	M _{n2} Nm	P _{n1} kW	P _t kW	P (IEC) 	R _{n2} [N]					M _{2 max} Nm
								MC	MZ	HC/PC	HZ/PZ	FZ	
500	313 L4	1266	0.40	58000	2.7	22	71-80-90-100-112-132-160	—	—	192000	231000	80000	105000
	313 L4	1394	0.36	52800	2.2	22	71-80-90-100-112-132-160	—	—	192000	231000	80000	105000
	313 L4	1502	0.33	58000	2.3	22	71-80-90-100-112-132-160	—	—	192000	231000	80000	105000
	313 L4	1817	0.28	58000	1.9	22	71-80-90-100-112-132-160	—	—	192000	231000	80000	105000
	313 L4	2187	0.23	49000	1.3	22	71-80-90-100-112-132-160	—	—	192000	231000	80000	105000

314 L

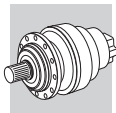


374

84000 Nm

n ₁ min ⁻¹		i	n ₂ min ⁻¹	M _{n2} Nm	P _{n1} kW	P _t kW	P (IEC) 	R _{n2} [N]					M _{2 max} Nm
								MC	MZ	HC/PC	HZ/PZ	FZ	
1500	314 L2	17.4	86	33100	175	40	200-225-250	—	—	54300	63800	20400	115000
	314 L2	22.3	67	37400	175	40	200-225-250	—	—	58500	68700	22100	115000
	314 L2	26.5	57	37300	175	40	200-225-250	—	—	61600	72300	23400	115000
	314 L2	28.0	54	38200	175	40	200-225-250	—	—	62700	73600	23900	115000
	314 L2	33.2	45	40200	175	40	200-225-250	—	—	66000	77400	25300	115000
	314 L2	38.6	39	35300	152	40	200-225-250	—	—	69000	81000	26600	115000
	314 L3	62.6	24.0	48600	75	25	160-180-200-225-250	—	—	79800	93600	31200	115000
	314 L3	73.9	20.3	51100	75	25	160-180-200-225-250	—	—	83800	98400	33000	115000
	314 L3	92.7	16.2	54700	75	25	160-180-200-225-250	—	—	89700	105400	35600	115000
	314 L3	108	13.9	57200	75	25	160-180-200-225-250	—	—	93900	110200	37400	115000
	314 L3	138	10.8	64800	75	25	160-180-200-225-250	—	—	101200	118800	40700	115000
	314 L3	164	9.1	64200	67	25	160-180-200-225-250	—	—	106500	125100	43100	115000
	314 L3	174	8.6	63000	62	25	160-180-200-225-250	—	—	108300	127200	43900	115000
	314 L3	206	7.3	63800	53	25	160-180-200-225-250	—	—	114000	133900	46400	115000
	314 L3	240	6.3	52000	37	25	160-180-200-225-250	—	—	119300	140100	48800	115000
	314 L4	314	4.8	77800	40	15.0	132-160-180-200	—	—	129400	151900	53400	115000
	314 L4	388	3.9	78500	36	15.0	132-160-180-200	—	—	137900	161900	57300	115000
	314 L4	458	3.3	79100	31	15.0	132-160-180-200	—	—	144900	170100	60600	115000
	314 L4	495	3.0	79300	28	15.0	132-160-180-200	—	—	148300	174100	62200	115000
	314 L4	554	2.7	79700	26	15.0	132-160-180-200	—	—	153400	180100	64600	115000
	314 L4	588	2.6	79900	24	15.0	132-160-180-200	—	—	156200	183400	65900	115000
	314 L4	668	2.2	80500	21	15.0	132-160-180-200	—	—	162300	190600	68700	115000
	314 L4	738	2.0	80900	19.5	15.0	132-160-180-200	—	—	167200	196300	71000	115000
	314 L4	858	1.7	81500	16.9	15.0	132-160-180-200	—	—	174900	205400	74700	115000
314 L4	926	1.6	74000	14.2	15.0	132-160-180-200	—	—	179000	210100	76600	115000	
314 L4	1038	1.4	82400	14.1	15.0	132-160-180-200	—	—	185200	217400	79600	115000	
314 L4	1099	1.4	75800	12.2	15.0	132-160-180-200	—	—	188400	221200	81100	115000	
314 L4	1277	1.2	77400	10.8	15.0	132-160-180-200	—	—	197100	231400	85300	115000	
314 L4	1485	1.0	66700	8.0	15.0	132-160-180-200	—	—	206000	242100	89700	115000	
314 L4	1796	0.84	66800	6.6	15.0	132-160-180-200	—	—	206000	243000	90000	115000	
1000	314 L2	17.4	58	37400	175	48	200-225-250	—	—	61300	72000	23300	115000
	314 L2	22.3	45	42200	175	48	200-225-250	—	—	66100	77600	25300	115000
	314 L2	26.5	38	42100	175	48	200-225-250	—	—	69600	81700	26800	115000
	314 L2	28.0	36	43100	171	48	200-225-250	—	—	70800	83100	27300	115000
	314 L2	33.2	30	45300	152	48	200-225-250	—	—	74500	87500	28900	115000
	314 L2	38.6	25.9	39600	114	48	200-225-250	—	—	77900	91500	30400	115000
	314 L3	62.6	16.0	54900	75	30	160-180-200-225-250	—	—	90100	105800	35700	115000
	314 L3	73.9	13.5	57700	75	30	160-180-200-225-250	—	—	94700	111200	37800	115000
	314 L3	92.7	10.8	61800	75	30	160-180-200-225-250	—	—	101400	119000	40700	115000
	314 L3	108	9.3	64600	69	30	160-180-200-225-250	—	—	106000	124500	42800	115000
	314 L3	138	7.2	71400	59	30	160-180-200-225-250	—	—	114300	134200	46500	115000
	314 L3	164	6.1	72900	51	30	160-180-200-225-250	—	—	120300	141200	49300	115000
	314 L3	174	5.8	64800	43	30	160-180-200-225-250	—	—	122300	143600	50200	115000
	314 L3	206	4.9	65600	37	30	160-180-200-225-250	—	—	128800	151200	53200	115000
	314 L3	240	4.2	53400	26	30	160-180-200-225-250	—	—	134700	158200	55900	115000







314 L

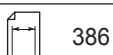


374

84000 Nm



n ₁ min ⁻¹		i	n ₂ min ⁻¹	M _{n2} Nm	P _{n1} kW	P _t kW	P (IEC) 	R _{n2} [N]					M _{2 max} Nm
								MC	MZ	HC/PC	HZ/PZ	FZ	
1000	314 L4	314	3.2	79200	30	18.0	132-160-180-200	—	—	146100	171600	61200	115000
	314 L4	388	2.6	79900	24	18.0	132-160-180-200	—	—	155700	182800	65600	115000
	314 L4	458	2.2	80600	21	18.0	132-160-180-200	—	—	163700	192200	69400	115000
	314 L4	495	2.0	80900	19.4	18.0	132-160-180-200	—	—	167500	196600	71200	115000
	314 L4	554	1.8	81400	17.4	18.0	132-160-180-200	—	—	173300	203500	73900	115000
	314 L4	588	1.7	81700	16.4	18.0	132-160-180-200	—	—	176400	207100	75400	115000
	314 L4	668	1.5	82200	14.6	18.0	132-160-180-200	—	—	183300	215200	78700	115000
	314 L4	738	1.4	82700	13.3	18.0	132-160-180-200	—	—	188800	221700	81300	115000
	314 L4	858	1.2	83300	11.5	18.0	132-160-180-200	—	—	197500	231900	85500	115000
	314 L4	926	1.1	78300	10.0	18.0	132-160-180-200	—	—	202100	237300	87700	115000
	314 L4	1038	0.96	84000	9.6	18.0	132-160-180-200	—	—	206000	243000	90000	115000
	314 L4	1099	0.91	79200	8.5	18.0	132-160-180-200	—	—	206000	243000	90000	115000
	314 L4	1277	0.78	79200	7.3	18.0	132-160-180-200	—	—	206000	243000	90000	115000
	314 L4	1485	0.67	66800	5.3	18.0	132-160-180-200	—	—	206000	243000	90000	115000
	314 L4	1796	0.56	66800	4.4	18.0	132-160-180-200	—	—	206000	243000	90000	115000
500	314 L2	17.4	28.8	46000	147	80	200-225-250	—	—	75500	88700	29400	115000
	314 L2	22.3	22.4	52000	130	80	200-225-250	—	—	81400	95600	31900	115000
	314 L2	26.5	18.9	51700	109	80	200-225-250	—	—	85700	100600	33800	115000
	314 L2	28.0	17.9	52700	105	80	200-225-250	—	—	87100	102300	34400	115000
	314 L2	33.2	15.0	55400	93	80	200-225-250	—	—	91700	107700	36500	115000
	314 L2	38.6	12.9	48300	70	80	200-225-250	—	—	96000	112700	38300	115000
	314 L3	62.6	8.0	67500	62	50	160-180-200-225-250	—	—	110900	130200	45000	115000
	314 L3	73.9	6.8	70900	55	50	160-180-200-225-250	—	—	116600	136900	47600	115000
	314 L3	92.7	5.4	75900	47	50	160-180-200-225-250	—	—	124800	146500	51300	115000
	314 L3	108	4.6	77900	41	50	160-180-200-225-250	—	—	130500	153300	54000	115000
	314 L3	138	3.6	78700	33	50	160-180-200-225-250	—	—	140700	165200	58600	115000
	314 L3	164	3.0	79300	28	50	160-180-200-225-250	—	—	148100	173900	62100	115000
	314 L3	174	2.9	68700	23	50	160-180-200-225-250	—	—	150600	176800	63300	115000
	314 L3	206	2.4	69900	19.5	50	160-180-200-225-250	—	—	158500	186100	67000	115000
	314 L3	240	2.1	59200	14.2	50	160-180-200-225-250	—	—	165900	194700	70400	115000
	314 L4	314	1.6	81900	15.4	30	132-160-180-200	—	—	179900	211200	77100	115000
	314 L4	388	1.3	82900	12.6	30	132-160-180-200	—	—	191700	225100	82700	115000
	314 L4	458	1.1	83600	10.8	30	132-160-180-200	—	—	201500	236600	87400	115000
	314 L4	495	1.0	84000	10.0	30	132-160-180-200	—	—	206000	242100	89700	115000
	314 L4	554	0.90	84000	9.0	30	132-160-180-200	—	—	206000	243000	90000	115000
	314 L4	588	0.85	84000	8.4	30	132-160-180-200	—	—	206000	243000	90000	115000
	314 L4	668	0.75	84000	7.4	30	132-160-180-200	—	—	206000	243000	90000	115000
	314 L4	738	0.68	84000	6.7	30	132-160-180-200	—	—	206000	243000	90000	115000
	314 L4	858	0.58	84000	5.8	30	132-160-180-200	—	—	206000	243000	90000	115000
	314 L4	926	0.54	79200	5.1	30	132-160-180-200	—	—	206000	243000	90000	115000
	314 L4	1038	0.48	84000	4.8	30	132-160-180-200	—	—	206000	243000	90000	115000
	314 L4	1099	0.46	79200	4.3	30	132-160-180-200	—	—	206000	243000	90000	115000
	314 L4	1277	0.39	79200	3.7	30	132-160-180-200	—	—	206000	243000	90000	115000
	314 L4	1485	0.34	66800	2.7	30	132-160-180-200	—	—	206000	243000	90000	115000
	314 L4	1796	0.28	66800	2.2	30	132-160-180-200	—	—	206000	243000	90000	115000

315 L



386

105000 Nm

n ₁ min ⁻¹		i	n ₂ min ⁻¹	M _{n2} Nm	P _{n1} kW	P _t kW	P (IEC) 	R _{n2} [N]					M _{2 max} Nm
								MC	MZ	HC/PC	HZ/PZ	FZ	
1500	315 L2	17.4	86	41400	200	42	—	—	—	54300	63800	20400	135000
	315 L2	22.3	67	46800	200	42	—	—	—	58500	68700	22100	135000
	315 L2	26.5	57	46600	200	42	—	—	—	61600	72300	23400	135000
	315 L2	28.0	54	47800	200	42	—	—	—	62700	73600	23900	135000
	315 L2	33.2	45	50300	200	42	—	—	—	66000	77400	25300	135000
	315 L2	38.6	39	44100	190	42	—	—	—	69000	81000	26600	135000





315 L

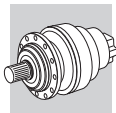


386

105000 Nm

n ₁ min ⁻¹		i	n ₂ min ⁻¹	M _{n2} Nm	P _{n1} kW	P _t kW	P (IEC) 	R _{n2} [N]					M _{2 max} Nm	
								MC	MZ	HC/PC	HZ/PZ	FZ		
1500	315 L3	59.6	25.2	59900	115	30	180-200-225-250	—	—	78600	92300	30700	135000	
	315 L3	71.1	21.1	63100	115	30	180-200-225-250	—	—	82900	97300	32600	135000	
	315 L3	91.3	16.4	68000	115	30	180-200-225-250	—	—	89300	104900	35400	135000	
	315 L3	108	13.8	71600	114	30	180-200-225-250	—	—	94000	110400	37500	135000	
	315 L3	139	10.8	81100	100	30	180-200-225-250	—	—	101300	119000	40700	135000	
	315 L3	165	9.1	80400	84	30	180-200-225-250	—	—	106700	125200	43100	135000	
	315 L3	174	8.6	78800	78	30	180-200-225-250	—	—	108500	127400	43900	135000	
	315 L3	207	7.2	79800	66	30	180-200-225-250	—	—	114200	134100	46500	135000	
	315 L3	241	6.2	65000	46	30	180-200-225-250	—	—	119500	140300	48900	135000	
	315 L4	302	5.0	97000	57	18.0	132-160-180-200	—	—	127900	150200	52800	135000	
	315 L4	370	4.1	97900	47	18.0	132-160-180-200	—	—	135900	159500	56400	135000	
	315 L4	441	3.4	98700	40	18.0	132-160-180-200	—	—	143300	168200	59800	135000	
	315 L4	487	3.1	99100	36	18.0	132-160-180-200	—	—	147600	173300	61800	135000	
	315 L4	533	2.8	99500	33	18.0	132-160-180-200	—	—	151700	178100	63800	135000	
	315 L4	591	2.5	99900	30	18.0	132-160-180-200	—	—	156400	183600	66000	135000	
	315 L4	672	2.2	100600	27	18.0	132-160-180-200	—	—	162500	190800	68900	135000	
	315 L4	741	2.0	101100	24	18.0	132-160-180-200	—	—	167400	196600	71200	135000	
	315 L4	862	1.7	101900	21	18.0	132-160-180-200	—	—	175200	205700	74800	135000	
	315 L4	930	1.6	92600	17.6	18.0	132-160-180-200	—	—	179200	210400	76800	135000	
	315 L4	1043	1.4	103000	17.5	18.0	132-160-180-200	—	—	185500	217800	79700	135000	
	315 L4	1104	1.4	94800	15.2	18.0	132-160-180-200	—	—	188700	221500	81300	135000	
	315 L4	1284	1.2	96900	13.4	18.0	132-160-180-200	—	—	197400	231800	85400	135000	
	315 L4	1492	1.0	83400	9.9	18.0	132-160-180-200	—	—	206000	242500	89800	135000	
	315 L4	1805	0.83	83500	8.2	18.0	132-160-180-200	—	—	206000	243000	90000	135000	
	1000	315 L2	17.4	58	46700	200	50	—	—	61300	72000	23300	135000	
		315 L2	22.3	45	52700	200	50	—	—	66100	77600	25300	135000	
		315 L2	26.5	38	52600	200	50	—	—	69600	81700	26800	135000	
		315 L2	28.0	36	53800	200	50	—	—	70800	83100	27300	135000	
		315 L2	33.2	30	56600	189	50	—	—	74500	87500	28900	135000	
		315 L2	38.6	25.9	49500	143	50	—	—	77900	91500	30400	135000	
		315 L3	59.6	16.8	67600	115	36	180-200-225-250	—	—	88800	104200	35200	135000
		315 L3	71.1	14.1	71300	115	36	180-200-225-250	—	—	93600	109900	37300	135000
315 L3		91.3	11.0	76900	97	36	180-200-225-250	—	—	100900	118400	40500	135000	
315 L3		108	9.2	80900	86	36	180-200-225-250	—	—	106200	124700	42900	135000	
315 L3		139	7.2	89400	74	36	180-200-225-250	—	—	114400	134400	46600	135000	
315 L3		165	6.1	91300	63	36	180-200-225-250	—	—	120500	141500	49400	135000	
315 L3		174	5.7	81100	53	36	180-200-225-250	—	—	122500	143800	50300	135000	
315 L3		207	4.8	82100	45	36	180-200-225-250	—	—	129000	151400	53200	135000	
315 L3		241	4.2	66700	32	36	180-200-225-250	—	—	134900	158400	56000	135000	
315 L4		302	3.3	98800	39	22	132-160-180-200	—	—	144500	169600	60400	135000	
315 L4		370	2.7	99700	32	22	132-160-180-200	—	—	153500	180200	64600	135000	
315 L4		441	2.3	100500	27	22	132-160-180-200	—	—	161800	190000	68500	135000	
315 L4		487	2.1	101100	25	22	132-160-180-200	—	—	166700	195700	70800	135000	
315 L4		533	1.9	101500	23	22	132-160-180-200	—	—	171300	201100	73000	135000	
315 L4		591	1.7	102100	20	22	132-160-180-200	—	—	176600	207400	75500	135000	
315 L4		672	1.5	102800	18.1	22	132-160-180-200	—	—	183600	215500	78800	135000	
315 L4		741	1.3	103300	16.5	22	132-160-180-200	—	—	189100	222000	81500	135000	
315 L4		862	1.2	104200	14.3	22	132-160-180-200	—	—	197800	232300	85700	135000	
315 L4		930	1.1	98000	12.5	22	132-160-180-200	—	—	202400	237700	87900	135000	
315 L4		1043	0.96	105000	11.9	22	132-160-180-200	—	—	206000	243000	90000	135000	
315 L4		1104	0.91	99000	10.6	22	132-160-180-200	—	—	206000	243000	90000	135000	
315 L4		1284	0.78	99000	9.1	22	132-160-180-200	—	—	206000	243000	90000	135000	
315 L4		1492	0.67	83500	6.6	22	132-160-180-200	—	—	206000	243000	90000	135000	
315 L4		1805	0.55	83500	5.5	22	132-160-180-200	—	—	206000	243000	90000	135000	
500		315 L1	4.25	118	40800	260	60	—	—	49500	58100	18400	135000	
		315 L1	5.33	94	40500	260	60	—	—	53000	62200	19800	135000	
	315 L1	6.20	81	35500	260	60	—	—	55400	65100	20800	135000		

B





315 L



386

105000 Nm

n ₁ min ⁻¹		i	n ₂ min ⁻¹	M _{n2} Nm	P _{n1} kW	P _t kW	P (IEC) 	Rn ₂ [N]					M _{2 max} Nm
								MC	MZ	HC/PC	HZ/PZ	FZ	
500	315 L2	17.4	28.8	57500	184	84	—	—	—	75500	88700	29400	135000
	315 L2	22.3	22.4	65000	162	84	—	—	—	81400	95600	31900	135000
	315 L2	26.5	18.9	64600	136	84	—	—	—	85700	100600	33800	135000
	315 L2	28.0	17.9	65900	131	84	—	—	—	87100	102300	34400	135000
	315 L2	33.2	15.0	69200	116	84	—	—	—	91700	107700	36500	135000
	315 L2	38.6	12.9	60400	87	84	—	—	—	96000	112700	38300	135000
	315 L3	59.6	8.4	83200	80	60	180-200-225-250	—	—	109300	128300	44300	135000
	315 L3	71.1	7.0	87700	71	60	180-200-225-250	—	—	115200	135300	47000	135000
	315 L3	91.3	5.5	94400	59	60	180-200-225-250	—	—	124200	145800	51100	135000
	315 L3	108	4.6	97300	52	60	180-200-225-250	—	—	130700	153500	54100	135000
	315 L3	139	3.6	98400	41	60	180-200-225-250	—	—	140900	165400	58700	135000
	315 L3	165	3.0	99200	34	60	180-200-225-250	—	—	148300	174100	62200	135000
	315 L3	174	2.9	86000	28	60	180-200-225-250	—	—	150800	177100	63400	135000
	315 L3	207	2.4	87400	24	60	180-200-225-250	—	—	158800	186400	67100	135000
	315 L3	241	2.1	74000	17.6	60	180-200-225-250	—	—	166100	195000	70500	135000
	315 L4	302	1.7	102200	20.0	36	132-160-180-200	—	—	177900	208800	76100	135000
	315 L4	370	1.4	103300	16.5	36	132-160-180-200	—	—	188900	221800	81400	135000
	315 L4	441	1.1	104300	14.0	36	132-160-180-200	—	—	199200	233900	86300	135000
	315 L4	487	1.0	104900	12.7	36	132-160-180-200	—	—	205200	240900	89200	135000
	315 L4	533	0.94	105000	11.6	36	132-160-180-200	—	—	206000	243000	90000	135000
	315 L4	591	0.85	105000	10.5	36	132-160-180-200	—	—	206000	243000	90000	135000
	315 L4	672	0.74	105000	9.2	36	132-160-180-200	—	—	206000	243000	90000	135000
	315 L4	741	0.67	105000	8.4	36	132-160-180-200	—	—	206000	243000	90000	135000
	315 L4	862	0.58	105000	7.2	36	132-160-180-200	—	—	206000	243000	90000	135000
	315 L4	930	0.54	99000	6.3	36	132-160-180-200	—	—	206000	243000	90000	135000
	315 L4	1043	0.48	105000	6.0	36	132-160-180-200	—	—	206000	243000	90000	135000
	315 L4	1104	0.45	99000	5.3	36	132-160-180-200	—	—	206000	243000	90000	135000
	315 L4	1284	0.39	99000	4.6	36	132-160-180-200	—	—	206000	243000	90000	135000
	315 L4	1492	0.34	83500	3.3	36	132-160-180-200	—	—	206000	243000	90000	135000
	315 L4	1805	0.28	83500	2.7	36	132-160-180-200	—	—	206000	243000	90000	135000



B

316 L



398

138820 Nm



n ₁ min ⁻¹		i	n ₂ min ⁻¹	M _{n2} Nm	P _{n1} kW	P _t kW	P (IEC) 	Rn ₂ [N]					M _{2 max} Nm
								MC	MZ	HC/PC	HZ/PZ	FZ	
1500	316 L2	17.4	86	43900	200	50	—	—	—	90300	100400	33900	192000
	316 L2	22.3	67	48500	200	50	—	—	—	97300	108200	36900	192000
	316 L2	26.5	57	47700	200	50	—	—	—	102500	113900	39100	192000
	316 L3	59.6	25.2	63400	115	35	180-200-225-250	—	—	130700	145300	51200	192000
	316 L3	71.1	21.1	66900	115	35	180-200-225-250	—	—	137800	153300	54300	192000
	316 L3	76.5	19.6	70100	115	35	180-200-225-250	—	—	140800	156600	55600	192000
	316 L3	91.3	16.4	72100	115	35	180-200-225-250	—	—	148500	165200	59000	192000
	316 L3	108	13.8	75900	115	35	180-200-225-250	—	—	156300	173900	62500	192000
	316 L3	117	12.8	79400	115	35	180-200-225-250	—	—	160000	178000	64100	192000
	316 L3	139	10.8	81800	101	35	180-200-225-250	—	—	168500	187400	67900	192000
	316 L3	165	9.1	82500	86	35	180-200-225-250	—	—	177400	197300	71900	192000
	316 L4	215	7.0	93200	60	18.0	132-160-180-200	—	—	191900	213500	78500	192000
	316 L4	256	5.9	98200	60	18.0	132-160-180-200	—	—	202400	225100	83200	192000
	316 L4	302	5.0	103200	60	18.0	132-160-180-200	—	—	212700	236600	87900	192000
	316 L4	329	4.6	105800	57	18.0	132-160-180-200	—	—	218100	242600	90400	192000
	316 L4	370	4.1	109400	53	18.0	132-160-180-200	—	—	225900	251300	94000	192000
	316 L4	441	3.4	115200	46	18.0	132-160-180-200	—	—	238200	264900	99700	192000
	316 L4	487	3.1	118600	43	18.0	132-160-180-200	—	—	245400	272900	103100	192000
	316 L4	533	2.8	121800	40	18.0	132-160-180-200	—	—	252200	280500	106300	192000
	316 L4	566	2.7	123900	39	18.0	132-160-180-200	—	—	256700	285500	108400	192000
	316 L4	591	2.5	122500	37	18.0	132-160-180-200	—	—	260100	289200	110000	192000



316 L



138820 Nm

n ₁ min ⁻¹		i	n ₂ min ⁻¹	M _{n2} Nm	P _{n1} kW	P _t kW	P (IEC) 	Rn ₂ [N]					M _{2 max} Nm	
								MC	MZ	HC/PC	HZ/PZ	FZ		
1500	316 L4	625	2.4	126500	36	18.0	132-160-180-200	—	—	264500	294100	112000	192000	
	316 L4	685	2.2	127800	33	18.0	132-160-180-200	—	—	271800	302300	115500	192000	
	316 L4	726	2.1	128600	31	18.0	132-160-180-200	—	—	276700	307700	117800	192000	
	316 L4	741	2.0	126500	30	18.0	132-160-180-200	—	—	278400	309600	118600	192000	
	316 L4	812	1.8	130000	28	18.0	132-160-180-200	—	—	286100	318200	122300	192000	
	316 L4	862	1.7	129000	27	18.0	132-160-180-200	—	—	291300	323900	124700	192000	
	316 L4	1043	1.4	132300	23	18.0	132-160-180-200	—	—	308400	343000	132900	192000	
	316 L4	1237	1.2	122100	17.5	18.0	132-160-180-200	—	—	324600	361100	140700	192000	
1000	316 L2	17.4	58	49500	200	60	—	—	—	102000	113400	38900	192000	
	316 L2	22.3	45	55000	200	60	—	—	—	109900	122200	42200	192000	
	316 L2	26.5	38	53800	200	60	—	—	—	115700	128700	44700	192000	
	316 L3	59.6	16.8	71600	115	42	180-200-225-250	—	—	147600	164100	58600	192000	
	316 L3	71.1	14.1	75600	115	42	180-200-225-250	—	—	155600	173100	62100	192000	
	316 L3	76.5	13.1	78900	115	42	180-200-225-250	—	—	159100	176900	63700	192000	
	316 L3	91.3	11.0	81400	102	42	180-200-225-250	—	—	167700	186500	67500	192000	
	316 L3	108	9.2	85700	91	42	180-200-225-250	—	—	176600	196400	71500	192000	
	316 L3	117	8.5	89800	88	42	180-200-225-250	—	—	180800	201000	73400	192000	
	316 L3	139	7.2	92400	76	42	180-200-225-250	—	—	190300	211600	77700	192000	
	316 L3	165	6.1	93100	65	42	180-200-225-250	—	—	200300	222800	82300	192000	
	316 L4	215	4.7	105100	58	22	132-160-180-200	—	—	216700	241100	89800	192000	
	316 L4	256	3.9	110700	51	22	132-160-180-200	—	—	228500	254200	95300	192000	
	316 L4	302	3.3	116100	45	22	132-160-180-200	—	—	240200	267200	100700	192000	
	316 L4	329	3.0	119000	43	22	132-160-180-200	—	—	246300	273900	103500	192000	
	316 L4	370	2.7	123100	39	22	132-160-180-200	—	—	255100	283800	107600	192000	
	316 L4	441	2.3	127300	34	22	132-160-180-200	—	—	269000	299200	114200	192000	
	316 L4	487	2.1	128600	31	22	132-160-180-200	—	—	277100	308200	118000	192000	
	316 L4	533	1.9	129900	29	22	132-160-180-200	—	—	284800	316800	121700	192000	
	316 L4	566	1.8	130700	27	22	132-160-180-200	—	—	289900	322500	124100	192000	
	316 L4	591	1.7	129500	26	22	132-160-180-200	—	—	293700	326600	125900	192000	
	316 L4	625	1.6	132100	25	22	132-160-180-200	—	—	298700	332200	128200	192000	
	316 L4	685	1.5	133400	23	22	132-160-180-200	—	—	307000	341400	132200	192000	
	316 L4	726	1.4	134200	22	22	132-160-180-200	—	—	312500	347500	134800	192000	
	316 L4	741	1.3	133400	21	22	132-160-180-200	—	—	314400	349700	135800	192000	
	316 L4	812	1.2	135800	19.8	22	132-160-180-200	—	—	323200	359400	140000	192000	
	316 L4	862	1.2	136100	18.7	22	132-160-180-200	—	—	328900	365800	142800	192000	
	316 L4	1043	0.96	138800	15.7	22	132-160-180-200	—	—	345000	385000	150000	192000	
	316 L4	1237	0.81	124000	11.9	22	132-160-180-200	—	—	345000	385000	150000	192000	
	500	316 L2	17.4	28.8	60900	195	100	—	—	—	125600	139600	49000	192000
		316 L2	22.3	22.4	67400	168	100	—	—	—	135300	150500	53200	192000
		316 L2	26.5	18.9	66200	139	100	—	—	—	142400	158400	56300	192000
316 L3		59.6	8.4	88200	85	70	180-200-225-250	—	—	181700	202100	73800	192000	
316 L3		71.1	7.0	93000	75	70	180-200-225-250	—	—	191600	213100	78300	192000	
316 L3		76.5	6.5	98000	74	70	180-200-225-250	—	—	195800	217800	80200	192000	
316 L3		91.3	5.5	100200	63	70	180-200-225-250	—	—	206500	229600	85100	192000	
316 L3		108	4.6	105400	56	70	180-200-225-250	—	—	217400	241800	90100	192000	
316 L3		117	4.3	111100	54	70	180-200-225-250	—	—	222500	247500	92500	192000	
316 L3		139	3.6	112100	46	70	180-200-225-250	—	—	234300	260500	97900	192000	
316 L3		165	3.0	110200	38	70	180-200-225-250	—	—	246600	274300	103700	192000	
316 L4		215	2.3	126900	35	36	132-160-180-200	—	—	266800	296800	113100	192000	
316 L4		256	2.0	129300	30	36	132-160-180-200	—	—	281400	312900	120000	192000	
316 L4		302	1.7	131600	26	36	132-160-180-200	—	—	295700	328900	126800	192000	
316 L4		329	1.5	132800	24	36	132-160-180-200	—	—	303200	337200	130400	192000	
316 L4		370	1.4	134500	22	36	132-160-180-200	—	—	314100	349300	135600	192000	
316 L4		441	1.1	137000	18.4	36	132-160-180-200	—	—	331200	368400	143800	192000	
316 L4		487	1.0	138400	16.8	36	132-160-180-200	—	—	341200	379500	148700	192000	
316 L4		533	0.94	138800	15.4	36	132-160-180-200	—	—	345000	385000	150000	192000	
316 L4		566	0.88	138800	14.5	36	132-160-180-200	—	—	345000	385000	150000	192000	

B



316 L

398

138820 Nm

n ₁ min ⁻¹		i	n ₂ min ⁻¹	M _{n2} Nm	P _{n1} kW	P _t kW	P (IEC)	R _{n2} [N]					M _{2 max} Nm
								MC	MZ	HC/PC	HZ/PZ	FZ	
500	316 L4	591	0.85	138800	13.9	36	132-160-180-200	—	—	345000	385000	150000	192000
	316 L4	625	0.80	138800	13.1	36	132-160-180-200	—	—	345000	385000	150000	192000
	316 L4	685	0.73	138800	12.0	36	132-160-180-200	—	—	345000	385000	150000	192000
	316 L4	726	0.69	138800	11.3	36	132-160-180-200	—	—	345000	385000	150000	192000
	316 L4	741	0.67	138800	11.1	36	132-160-180-200	—	—	345000	385000	150000	192000
	316 L4	812	0.62	138800	10.1	36	132-160-180-200	—	—	345000	385000	150000	192000
	316 L4	862	0.58	138800	9.5	36	132-160-180-200	—	—	345000	385000	150000	192000
	316 L4	1043	0.48	138800	7.9	36	132-160-180-200	—	—	345000	385000	150000	192000
	316 L4	1237	0.40	124000	5.9	36	132-160-180-200	—	—	345000	385000	150000	192000

317 L

408

208110 Nm

n ₁ min ⁻¹		i	n ₂ min ⁻¹	M _{n2} Nm	P _{n1} kW	P _t kW	P (IEC)	R _{n2} [N]					M _{2 max} Nm
								MC	MZ	HC/PC	HZ/PZ	FZ	
1500	317 L3	58.1	25.8	90300	150	35	180-200-225-250	—	—	166800	177500	50800	393000
	317 L3	69.3	21.6	93300	150	35	180-200-225-250	—	—	175800	187200	53800	393000
	317 L3	89.0	16.9	101000	150	35	180-200-225-250	—	—	189500	201800	58500	393000
	317 L3	106	14.2	105800	150	35	180-200-225-250	—	—	199500	212400	61900	393000
	317 L3	116	12.9	108300	150	35	180-200-225-250	—	—	205200	218400	63900	393000
	317 L3	138	10.9	114000	143	35	180-200-225-250	—	—	216000	230000	67700	393000
	317 L3	166	9.1	120500	125	35	180-200-225-250	—	—	228300	243100	72000	393000
	317 L3	179	8.4	136600	131	35	180-200-225-250	—	—	233800	248900	73900	393000
	317 L3	213	7.1	142200	115	35	180-200-225-250	—	—	246100	262000	78200	393000
	317 L3	252	5.9	119700	82	35	180-200-225-250	—	—	259100	275800	82800	393000
	317 L4	310	4.8	146200	60	18.0	132-160-180-200	—	—	275500	293400	88700	393000
	317 L4	360	4.2	152900	60	18.0	132-160-180-200	—	—	288300	306900	93200	393000
	317 L4	449	3.3	163300	60	18.0	132-160-180-200	—	—	307900	327800	100300	393000
	317 L4	493	3.0	166900	60	18.0	132-160-180-200	—	—	316700	337200	103500	393000
	317 L4	552	2.7	174500	56	18.0	132-160-180-200	—	—	327600	348800	107500	393000
	317 L4	619	2.4	177200	51	18.0	132-160-180-200	—	—	339000	361000	111600	393000
	317 L4	719	2.1	178400	44	18.0	132-160-180-200	—	—	354700	377600	117400	393000
	317 L4	792	1.9	186500	42	18.0	132-160-180-200	—	—	365100	388700	121200	393000
	317 L4	904	1.7	166600	33	18.0	132-160-180-200	—	—	379800	404400	126700	393000
	317 L4	1032	1.5	181300	31	18.0	132-160-180-200	—	—	395300	420900	132400	393000
317 L4	1134	1.3	168100	26	18.0	132-160-180-200	—	—	406600	432900	136600	393000	
317 L4	1318	1.1	169100	23	18.0	132-160-180-200	—	—	425400	452900	143700	393000	
317 L4	1595	0.94	170000	18.9	18.0	132-160-180-200	—	—	442000	470000	150000	393000	
317 L4	1893	0.79	156200	14.6	18.0	132-160-180-200	—	—	442000	470000	150000	393000	
1000	317 L3	58.1	17.2	101900	150	42	180-200-225-250	—	—	188300	200500	58100	393000
	317 L3	69.3	14.4	105300	150	42	180-200-225-250	—	—	198600	211400	61600	393000
	317 L3	89.0	11.2	114000	147	42	180-200-225-250	—	—	214000	227800	67000	393000
	317 L3	106	9.5	119500	130	42	180-200-225-250	—	—	225300	239900	70900	393000
	317 L3	116	8.6	122300	121	42	180-200-225-250	—	—	231700	246700	73200	393000
	317 L3	138	7.3	128800	107	42	180-200-225-250	—	—	243900	259700	77400	393000
	317 L3	166	6.0	136100	94	42	180-200-225-250	—	—	257900	274600	82400	393000
	317 L3	179	5.6	150100	96	42	180-200-225-250	—	—	264000	281100	84600	393000
	317 L3	213	4.7	154900	84	42	180-200-225-250	—	—	277900	295900	89500	393000
	317 L3	252	4.0	124600	57	42	180-200-225-250	—	—	292600	311500	94800	393000
	317 L4	310	3.2	165100	60	22	132-160-180-200	—	—	311200	331300	101500	393000
	317 L4	360	2.8	172700	57	22	132-160-180-200	—	—	325600	346600	106700	393000
	317 L4	449	2.2	181600	48	22	132-160-180-200	—	—	347700	370200	114800	393000
	317 L4	493	2.0	178600	43	22	132-160-180-200	—	—	357700	380800	118500	393000
	317 L4	552	1.8	188400	40	22	132-160-180-200	—	—	369900	393900	123000	393000
	317 L4	619	1.6	180400	35	22	132-160-180-200	—	—	382900	407600	127800	393000
	317 L4	719	1.4	181600	30	22	132-160-180-200	—	—	400600	426500	134400	393000
	317 L4	792	1.3	199300	30	22	132-160-180-200	—	—	412300	439000	138800	393000
	317 L4	904	1.1	169300	22	22	132-160-180-200	—	—	429000	456700	145000	393000
	317 L4	1032	0.97	184300	21	22	132-160-180-200	—	—	442000	470000	150000	393000





317 L



408

208110 Nm

n ₁ min ⁻¹		i	n ₂ min ⁻¹	M _{n2} Nm	P _{n1} kW	P _t kW	P (IEC) 	Rn ₂ [N]					M _{2 max} Nm
								MC	MZ	HC/PC	HZ/PZ	FZ	
1000	317 L4	1134	0.88	170000	17.7	22	132-160-180-200	—	—	442000	470000	150000	393000
	317 L4	1318	0.76	170000	15.3	22	132-160-180-200	—	—	442000	470000	150000	393000
	317 L4	1595	0.63	170000	12.6	22	132-160-180-200	—	—	442000	470000	150000	393000
	317 L4	1893	0.53	156200	9.8	22	132-160-180-200	—	—	442000	470000	150000	393000
500	317 L2	16.9	29.5	86700	250	116	—	—	—	160200	170600	48500	393000
	317 L2	22.1	22.6	91400	230	116	—	—	—	173500	184700	53000	393000
	317 L2	26.6	18.8	96700	202	116	—	—	—	183400	195300	56400	393000
	317 L2	28.4	17.6	110500	217	116	—	—	—	186900	199000	57600	393000
	317 L2	34.1	14.7	116800	191	116	—	—	—	197600	210400	61300	393000
	317 L2	40.5	12.3	112800	155	116	—	—	—	208100	221500	64900	393000
	317 L3	58.1	8.6	125400	124	70	180-200-225-250	—	—	231900	246900	73200	393000
	317 L3	69.3	7.2	129700	107	70	180-200-225-250	—	—	244500	260300	77600	393000
	317 L3	89.0	5.6	140100	90	70	180-200-225-250	—	—	263500	280500	84400	393000
	317 L3	106	4.7	147100	80	70	180-200-225-250	—	—	277400	295300	89300	393000
	317 L3	116	4.3	150500	74	70	180-200-225-250	—	—	285300	303700	92200	393000
	317 L3	138	3.6	158400	66	70	180-200-225-250	—	—	300300	319700	97600	393000
	317 L3	166	3.0	151900	53	70	180-200-225-250	—	—	317500	338000	103800	393000
	317 L3	179	2.8	162300	52	70	180-200-225-250	—	—	325000	346100	106500	393000
	317 L3	213	2.4	164400	44	70	180-200-225-250	—	—	342200	364300	112800	393000
	317 L3	252	2.0	139600	32	70	180-200-225-250	—	—	360200	383500	119400	393000
	317 L4	310	1.6	191500	37	36	132-160-180-200	—	—	383100	407900	127900	393000
	317 L4	360	1.4	196200	32	36	132-160-180-200	—	—	400800	426700	134500	393000
	317 L4	449	1.1	203400	27	36	132-160-180-200	—	—	428100	455800	144700	393000
	317 L4	493	1.0	184200	22	36	132-160-180-200	—	—	440300	468800	149300	393000
	317 L4	552	0.91	207100	22	36	132-160-180-200	—	—	442000	470000	150000	393000
	317 L4	619	0.81	184300	17.6	36	132-160-180-200	—	—	442000	470000	150000	393000
	317 L4	719	0.70	184300	15.2	36	132-160-180-200	—	—	442000	470000	150000	393000
	317 L4	792	0.63	207100	15.5	36	132-160-180-200	—	—	442000	470000	150000	393000
	317 L4	904	0.55	170000	11.1	36	132-160-180-200	—	—	442000	470000	150000	393000
	317 L4	1032	0.48	184300	10.6	36	132-160-180-200	—	—	442000	470000	150000	393000
	317 L4	1134	0.44	170000	8.9	36	132-160-180-200	—	—	442000	470000	150000	393000
	317 L4	1318	0.38	170000	7.6	36	132-160-180-200	—	—	442000	470000	150000	393000
	317 L4	1595	0.31	170000	6.3	36	132-160-180-200	—	—	442000	470000	150000	393000
	317 L4	1893	0.26	156200	4.9	36	132-160-180-200	—	—	442000	470000	150000	393000



B

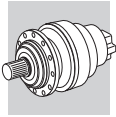
318 L



418

280580 Nm

n ₁ min ⁻¹		i	n ₂ min ⁻¹	M _{n2} Nm	P _{n1} kW	P _t kW	P (IEC) 	Rn ₂ [N]					M _{2 max} Nm
								MC	MZ	HC/PC	HZ/PZ	FZ	
1500	318 L3	76.5	19.6	144900	200	40	—	—	—	227200	231900	74200	500000
	318 L3	98.2	15.3	156100	200	40	—	—	—	244900	249900	80600	500000
	318 L3	117	12.9	164400	200	40	—	—	—	257800	263100	85300	500000
	318 L3	123	12.2	167200	200	40	—	—	—	262100	267500	86900	500000
	318 L3	146	10.3	176000	200	40	—	—	—	275900	281600	92000	500000
	318 L3	170	8.8	184100	186	40	—	—	—	288700	294600	96800	500000
318 L4	262	5.7	209700	115	22	180-200-225-250	—	—	328800	335600	111800	500000	
318 L4	313	4.8	220800	115	22	180-200-225-250	—	—	346700	353800	118600	500000	
318 L4	337	4.5	225200	115	22	180-200-225-250	—	—	354400	361600	121500	500000	
318 L4	402	3.7	236100	104	22	180-200-225-250	—	—	373600	381300	128900	500000	
318 L4	422	3.6	239300	101	22	180-200-225-250	—	—	379300	387100	131100	500000	
318 L4	477	3.1	247200	92	22	180-200-225-250	—	—	393300	401400	136500	500000	
318 L4	515	2.9	252500	87	22	180-200-225-250	—	—	402700	410900	140100	500000	
318 L4	612	2.5	263300	76	22	180-200-225-250	—	—	423900	432600	148300	500000	
318 L4	647	2.3	264400	73	22	180-200-225-250	—	—	431100	439900	151100	500000	
318 L4	726	2.1	266600	65	22	180-200-225-250	—	—	446300	455400	157000	500000	
318 L4	768	2.0	267600	62	22	180-200-225-250	—	—	453800	463100	160000	500000	
318 L4	911	1.6	270900	53	22	180-200-225-250	—	—	477700	487500	169400	500000	
318 L4	1059	1.4	273800	46	22	180-200-225-250	—	—	499800	510000	178100	500000	





318 L



418

280580 Nm



n ₁ min ⁻¹		i	n ₂ min ⁻¹	M _{n2} Nm	P _{n1} kW	P _t kW	P (IEC) 	R _{n2} [N]					M _{2 max} Nm
								MC	MZ	HC/PC	HZ/PZ	FZ	
1000	318 L3	76.5	13.1	163600	200	48	—	—	—	256600	261900	84900	500000
	318 L3	98.2	10.2	176300	200	48	—	—	—	276500	282200	92300	500000
	318 L3	117	8.6	185600	183	48	—	—	—	291100	297100	97700	500000
	318 L3	123	8.1	188800	176	48	—	—	—	296000	302100	99500	500000
	318 L3	146	6.8	198700	156	48	—	—	—	311600	318000	105400	500000
	318 L3	170	5.9	207900	140	48	—	—	—	326000	332700	110800	500000
	318 L4	262	3.8	234800	106	26	180-200-225-250	—	—	371300	379000	128000	500000
	318 L4	313	3.2	246200	93	26	180-200-225-250	—	—	391500	399600	135800	500000
	318 L4	337	3.0	251100	88	26	180-200-225-250	—	—	400200	408400	139100	500000
	318 L4	402	2.5	263100	77	26	180-200-225-250	—	—	422000	430600	147600	500000
	318 L4	422	2.4	264000	74	26	180-200-225-250	—	—	428400	437200	150100	500000
	318 L4	477	2.1	266300	66	26	180-200-225-250	—	—	444200	453300	156200	500000
	318 L4	515	1.9	267700	61	26	180-200-225-250	—	—	454800	464100	160400	500000
	318 L4	612	1.6	271000	52	26	180-200-225-250	—	—	478700	488600	169800	500000
	318 L4	647	1.5	272100	50	26	180-200-225-250	—	—	486800	496800	173000	500000
	318 L4	726	1.4	274300	45	26	180-200-225-250	—	—	503000	514300	179800	500000
	318 L4	768	1.3	275400	42	26	180-200-225-250	—	—	503000	523000	183100	500000
	318 L4	911	1.1	278700	36	26	180-200-225-250	—	—	503000	550600	193900	500000
	318 L4	1059	0.94	280600	31	26	180-200-225-250	—	—	503000	565000	200000	500000
	500	318 L2	18.7	26.7	132000	260	63	—	—	—	207000	211300	66900
318 L2		23.5	21.3	141300	260	63	—	—	—	221600	226200	72100	500000
318 L2		27.3	18.3	147800	260	63	—	—	—	231800	236600	75900	500000
318 L3		76.5	6.5	201500	151	80	—	—	—	315900	322400	107000	500000
318 L3		98.2	5.1	217100	127	80	—	—	—	340400	347400	116200	500000
318 L3		117	4.3	227500	112	80	—	—	—	358400	365700	123100	500000
318 L3		123	4.1	230900	108	80	—	—	—	364400	371900	125400	500000
318 L3		146	3.4	241800	95	80	—	—	—	383700	391500	132800	500000
318 L3		170	2.9	251700	85	80	—	—	—	401400	409600	139600	500000
318 L4		262	1.9	268100	60	44	180-200-225-250	—	—	457200	466600	161300	500000
318 L4		313	1.6	271400	51	44	180-200-225-250	—	—	482000	491900	171100	500000
318 L4		337	1.5	272800	48	44	180-200-225-250	—	—	492700	502800	175300	500000
318 L4		402	1.2	276300	41	44	180-200-225-250	—	—	503000	530200	185900	500000
318 L4		422	1.2	277300	39	44	180-200-225-250	—	—	503000	538200	189100	500000
318 L4		477	1.0	279600	35	44	180-200-225-250	—	—	503000	558100	196800	500000
318 L4		515	0.97	280600	32	44	180-200-225-250	—	—	503000	565000	200000	500000
318 L4		612	0.82	280600	27	44	180-200-225-250	—	—	503000	565000	200000	500000
318 L4		647	0.77	280600	26	44	180-200-225-250	—	—	503000	565000	200000	500000
318 L4		726	0.69	280600	23	44	180-200-225-250	—	—	503000	565000	200000	500000
318 L4		768	0.65	280600	22	44	180-200-225-250	—	—	503000	565000	200000	500000
318 L4	911	0.55	280600	18.2	44	180-200-225-250	—	—	503000	565000	200000	500000	
318 L4	1059	0.47	280600	15.7	44	180-200-225-250	—	—	503000	565000	200000	500000	

319 L



428

476410 Nm

n ₁ min ⁻¹		i	n ₂ min ⁻¹	M _{n2} Nm	P _{n1} kW	P _t kW	P (IEC) 	R _{n2} [N]					M _{2 max} Nm
								MC	MZ	HC/PC	HZ/PZ	FZ	
1500	319 L3	84.8	17.7	195400	200	50	—	—	—	269300	296700	76700	680000
	319 L3	109	13.8	222400	200	50	—	—	—	290200	319800	83400	680000
	319 L3	129	11.6	220800	200	50	—	—	—	305500	336600	88300	680000
	319 L3	137	11.0	226500	200	50	—	—	—	310700	342300	90000	680000
	319 L3	162	9.3	250300	200	50	—	—	—	326800	360000	95200	680000
	319 L3	188	8.0	209800	192	50	—	—	—	342200	377000	100100	680000
	319 L3	223	6.7	246100	190	50	—	—	—	359900	396500	105900	680000





319 L

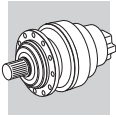


428

476410 Nm

n ₁ min ⁻¹		i	n ₂ min ⁻¹	M _{n2} Nm	P _{n1} kW	P _t kW	P (IEC) 	R _{n2} [N]					M _{2 max} Nm
								MC	MZ	HC/PC	HZ/PZ	FZ	
1500	319 L4	347	4.3	298000	115	30	180-200-225-250	—	—	410900	452700	122700	680000
	319 L4	445	3.4	319800	115	30	180-200-225-250	—	—	442900	487900	133400	680000
	319 L4	528	2.8	335700	113	30	180-200-225-250	—	—	466200	513700	141200	680000
	319 L4	571	2.6	344400	107	30	180-200-225-250	—	—	477300	525800	145000	680000
	319 L4	678	2.2	354900	93	30	180-200-225-250	—	—	502400	553600	153500	680000
	319 L4	717	2.1	355800	88	30	180-200-225-250	—	—	510900	562900	156300	680000
	319 L4	850	1.8	363400	76	30	180-200-225-250	—	—	537900	592600	165500	680000
	319 L4	912	1.6	336100	65	30	180-200-225-250	—	—	549200	605100	169400	680000
	319 L4	1007	1.5	344900	61	30	180-200-225-250	—	—	565700	623300	175100	680000
	319 L4	1195	1.3	354500	53	30	180-200-225-250	—	—	595600	656200	185400	680000
319 L4	1389	1.1	355900	45	30	180-200-225-250	—	—	623100	686500	194900	680000	
1000	319 L3	84.8	11.8	220700	200	60	—	—	—	304100	335100	87900	680000
	319 L3	109	9.2	251200	200	60	—	—	—	327800	361100	95500	680000
	319 L3	129	7.7	249300	200	60	—	—	—	345000	380100	101100	680000
	319 L3	137	7.3	255500	200	60	—	—	—	350900	386600	103000	680000
	319 L3	162	6.2	263500	187	60	—	—	—	369000	406600	108900	680000
	319 L3	188	5.3	236700	144	60	—	—	—	386400	425800	114600	680000
	319 L3	223	4.5	274900	141	60	—	—	—	406500	447800	121300	680000
	319 L4	347	2.9	334200	114	36	180-200-225-250	—	—	464100	511300	140500	680000
	319 L4	445	2.2	354100	94	36	180-200-225-250	—	—	500200	551000	152700	680000
	319 L4	528	1.9	364000	82	36	180-200-225-250	—	—	526500	580100	161700	680000
	319 L4	571	1.8	368700	76	36	180-200-225-250	—	—	539000	593900	165900	680000
	319 L4	678	1.5	379100	66	36	180-200-225-250	—	—	567400	625200	175700	680000
	319 L4	717	1.4	374100	62	36	180-200-225-250	—	—	577000	635700	179000	680000
	319 L4	850	1.2	382200	53	36	180-200-225-250	—	—	607400	669200	189500	680000
	319 L4	912	1.1	355200	46	36	180-200-225-250	—	—	620200	683400	193900	680000
	319 L4	1007	0.99	367600	43	36	180-200-225-250	—	—	638000	702000	200000	680000
	319 L4	1195	0.84	367600	36	36	180-200-225-250	—	—	638000	702000	200000	680000
	319 L4	1389	0.72	359700	31	36	180-200-225-250	—	—	638000	702000	200000	680000
	500	319 L2	20.7	24.1	191800	260	70	—	—	—	245400	270300	69200
319 L2		24.5	20.4	200300	260	70	—	—	—	258100	284300	73200	680000
319 L2		26.0	19.2	191600	260	70	—	—	—	262700	289400	74700	680000
319 L2		30.2	16.5	168600	260	70	—	—	—	274800	302800	78500	680000
319 L2		35.8	14.0	199000	260	70	—	—	—	289000	318500	83000	680000
319 L3		84.8	5.9	272100	184	100	—	—	—	374400	412500	110700	680000
319 L3		109	4.6	306300	162	100	—	—	—	403500	444600	120300	680000
319 L3		129	3.9	306100	136	100	—	—	—	424800	468000	127400	680000
319 L3		137	3.7	312300	131	100	—	—	—	432000	475900	129700	680000
319 L3		162	3.1	302300	107	100	—	—	—	454400	500600	137200	680000
319 L3		188	2.7	290800	89	100	—	—	—	475800	524200	144400	680000
319 L3		223	2.2	322300	83	100	—	—	—	500400	551300	152800	680000
319 L4		347	1.4	380500	65	60	180-200-225-250	—	—	571400	629500	177000	680000
319 L4		445	1.1	396200	53	60	180-200-225-250	—	—	615800	678400	192400	680000
319 L4		528	0.95	403700	45	60	180-200-225-250	—	—	638000	702000	200000	680000
319 L4		571	0.88	403700	42	60	180-200-225-250	—	—	638000	702000	200000	680000
319 L4		678	0.74	403700	35	60	180-200-225-250	—	—	638000	702000	200000	680000
319 L4		717	0.70	389900	32	60	180-200-225-250	—	—	638000	702000	200000	680000
319 L4		850	0.59	389900	27	60	180-200-225-250	—	—	638000	702000	200000	680000
319 L4	912	0.55	359700	23	60	180-200-225-250	—	—	638000	702000	200000	680000	
319 L4	1007	0.50	367600	22	60	180-200-225-250	—	—	638000	702000	200000	680000	
319 L4	1195	0.42	367600	18.2	60	180-200-225-250	—	—	638000	702000	200000	680000	
319 L4	1389	0.36	359700	15.3	60	180-200-225-250	—	—	638000	702000	200000	680000	

B



321 L



438

655740 Nm

n ₁ min ⁻¹		i	n ₂ min ⁻¹	M _{n2} Nm	P _{n1} kW	P _t kW	P (IEC)	Rn ₂ [N]					M _{2 max} Nm
								MC	MZ	HC/PC	HZ/PZ	FZ	
1500	321 L4	258	5.8	401700	150	35	180-200-225-250	—	—	461500	547200	667600	934000
	321 L4	308	4.9	423600	150	35	180-200-225-250	—	—	486600	577000	708100	934000
	321 L4	395	3.8	456500	150	35	180-200-225-250	—	—	524400	621900	769500	934000
	321 L4	469	3.2	480500	150	35	180-200-225-250	—	—	552000	654600	814700	934000
	321 L4	515	2.9	494200	150	35	180-200-225-250	—	—	567800	673300	840500	934000
	321 L4	612	2.5	519900	150	35	180-200-225-250	—	—	597700	708800	889900	934000
	321 L4	736	2.0	545400	131	35	180-200-225-250	—	—	631900	749400	946600	934000
	321 L4	796	1.9	556600	124	35	180-200-225-250	—	—	646900	767100	971600	934000
	321 L4	945	1.6	581800	109	35	180-200-225-250	—	—	681000	807600	1028700	934000
	321 L4	1122	1.3	530200	84	35	180-200-225-250	—	—	716900	850200	1089200	934000
1000	321 L3	75.3	13.3	313500	250	60	—	—	360100	427000	506800	934000	
	321 L3	98.2	10.2	339400	250	60	—	—	389900	462400	553600	934000	
	321 L3	118	8.5	358800	250	60	—	—	412200	488800	588900	934000	
	321 L3	126	7.9	365800	250	60	—	—	420200	498300	601600	934000	
	321 L3	152	6.6	386700	250	60	—	—	444200	526800	639900	934000	
	321 L3	180	5.6	407100	250	60	—	—	467700	554600	677500	934000	
	321 L4	258	3.9	453700	150	42	180-200-225-250	—	—	521200	618000	764200	934000
	321 L4	308	3.2	478300	150	42	180-200-225-250	—	—	549500	651700	810500	934000
	321 L4	395	2.5	515500	150	42	180-200-225-250	—	—	592200	702300	880800	934000
	321 L4	469	2.1	539100	136	42	180-200-225-250	—	—	623400	739300	932600	934000
	321 L4	515	1.9	552400	127	42	180-200-225-250	—	—	641200	760400	962200	934000
	321 L4	612	1.6	577400	112	42	180-200-225-250	—	—	675000	800500	1018700	934000
	321 L4	736	1.4	605800	97	42	180-200-225-250	—	—	713600	846300	1083600	934000
	321 L4	796	1.3	618200	92	42	180-200-225-250	—	—	730600	866400	1112200	934000
	321 L4	945	1.1	646200	81	42	180-200-225-250	—	—	769100	912000	1177600	934000
	321 L4	1122	0.89	536400	57	42	180-200-225-250	—	—	779000	923000	1200000	934000
	500	321 L3	75.3	6.6	385900	250	127	—	—	443300	525700	638500	934000
		321 L3	98.2	5.1	417900	244	127	—	—	480000	569300	697500	934000
		321 L3	118	4.2	441800	214	127	—	—	507500	601800	742000	934000
		321 L3	126	4.0	450300	205	127	—	—	517300	613500	758000	934000
321 L3		152	3.3	476100	180	127	—	—	546900	648600	806300	934000	
321 L3		180	2.8	501200	160	127	—	—	575800	682800	853700	934000	
321 L4		258	1.9	552700	127	70	180-200-225-250	—	—	641600	760900	962800	934000
321 L4		308	1.6	578500	111	70	180-200-225-250	—	—	676500	802300	1021200	934000
321 L4		395	1.3	617100	92	70	180-200-225-250	—	—	729100	864600	1109700	934000
321 L4		469	1.1	645100	81	70	180-200-225-250	—	—	767500	910200	1174900	934000
321 L4		515	0.97	655700	75	70	180-200-225-250	—	—	779000	923000	1200000	934000
321 L4		612	0.82	655700	63	70	180-200-225-250	—	—	779000	923000	1200000	934000
321 L4		736	0.68	655700	53	70	180-200-225-250	—	—	779000	923000	1200000	934000
321 L4		796	0.63	655700	49	70	180-200-225-250	—	—	779000	923000	1200000	934000
321 L4		945	0.53	655700	41	70	180-200-225-250	—	—	779000	923000	1200000	934000
321 L4		1122	0.45	536400	28	70	180-200-225-250	—	—	779000	923000	1200000	934000

323 L



448

890310 Nm



n ₁ min ⁻¹		i	n ₂ min ⁻¹	M _{n2} Nm	P _{n1} kW	P _t kW	P (IEC)	Rn ₂ [N]					M _{2 max} Nm
								MC	MZ	HC/PC	HZ/PZ	FZ	
1500	323 L4	341	4.4	757500	200	50	—	—	—	—	671300	1580000	
	323 L4	390	3.8	774100	200	50	—	—	—	—	702000	1580000	
	323 L4	438	3.4	788700	200	50	—	—	—	—	729500	1580000	
	323 L4	500	3.0	806000	200	50	—	—	—	—	762900	1580000	
	323 L4	569	2.6	822800	200	50	—	—	—	—	796200	1580000	
	323 L4	628	2.4	832800	200	50	—	—	—	—	822900	1580000	
	323 L4	703	2.1	840100	200	50	—	—	—	—	854300	1580000	
	323 L4	758	2.0	844900	198	50	—	—	—	—	876000	1580000	
	323 L4	882	1.7	854800	172	50	—	—	—	—	921500	1580000	
	323 L4	1025	1.5	864700	150	50	—	—	—	—	968900	1580000	
	323 L4	1101	1.4	869400	140	50	—	—	—	—	992100	1580000	



323 L



890310 Nm



n ₁ min ⁻¹		i	n ₂ min ⁻¹	M _{n2} Nm	P _{n1} kW	P _t kW	P (IEC) 	R _{n2} [N]					M _{2 max} Nm
								MC	MZ	HC/PC	HZ/PZ	FZ	
1000	323 L4	1279	1.2	879500	122	50	—	—	—	—	—	1043200	1580000
	323 L4	341	2.9	808800	200	60	—	—	—	—	—	768500	1580000
	323 L4	390	2.6	826500	200	60	—	—	—	—	—	803600	1580000
	323 L4	438	2.3	835700	200	60	—	—	—	—	—	835100	1580000
	323 L4	500	2.0	844300	200	60	—	—	—	—	—	873300	1580000
	323 L4	569	1.8	852600	177	60	—	—	—	—	—	911400	1580000
	323 L4	628	1.6	859100	162	60	—	—	—	—	—	941900	1580000
	323 L4	703	1.4	866600	146	60	—	—	—	—	—	978000	1580000
	323 L4	758	1.3	871600	136	60	—	—	—	—	—	1002800	1580000
	323 L4	882	1.1	881800	118	60	—	—	—	—	—	1054900	1580000
	323 L4	1025	0.98	890300	103	60	—	—	—	—	—	1100000	1580000
	323 L4	1101	0.91	890300	96	60	—	—	—	—	—	1100000	1580000
	323 L4	1279	0.78	890300	82	60	—	—	—	—	—	1100000	1580000
	500	323 L3	83.3	6.0	702600	260	90	—	—	—	—	—	605400
323 L3		105	4.8	747400	260	90	—	—	—	—	—	653000	1580000
323 L3		113	4.4	756600	260	90	—	—	—	—	—	669600	1580000
323 L3		120	4.2	763800	260	90	—	—	—	—	—	682800	1580000
323 L3		142	3.5	784900	260	90	—	—	—	—	—	722300	1580000
323 L3		165	3.0	804200	260	90	—	—	—	—	—	759400	1580000
323 L3		205	2.4	831600	232	90	—	—	—	—	—	817600	1580000
323 L4		390	1.3	873500	132	100	—	—	—	—	—	1012500	1580000
323 L4		341	1.5	864600	150	100	—	—	—	—	—	968200	1580000
323 L4		390	1.3	873500	132	100	—	—	—	—	—	1012500	1580000
323 L4		438	1.1	881300	119	100	—	—	—	—	—	1052200	1580000
323 L4		500	1.00	890300	105	100	—	—	—	—	—	1100000	1580000
323 L4		569	0.88	890300	93	100	—	—	—	—	—	1100000	1580000
323 L4		628	0.80	890300	84	100	—	—	—	—	—	1100000	1580000
323 L4		703	0.71	890300	75	100	—	—	—	—	—	1100000	1580000
323 L4		758	0.66	890300	70	100	—	—	—	—	—	1100000	1580000
323 L4		882	0.57	890300	60	100	—	—	—	—	—	1100000	1580000
323 L4		1025	0.49	890300	51	100	—	—	—	—	—	1100000	1580000
323 L4		1101	0.45	890300	48	100	—	—	—	—	—	1100000	1580000
323 L4		1279	0.39	890300	41	100	—	—	—	—	—	1100000	1580000

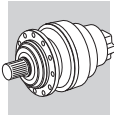
B

325 L



1286700 Nm

n ₁ min ⁻¹		i	n ₂ min ⁻¹	M _{n2} Nm	P _{n1} kW	P _t kW	P (IEC) 	R _{n2} [N]					M _{2 max} Nm	
								MC	MZ	HC/PC	HZ/PZ	FZ		
1500	325 L4	341	4.4	931900	200	65	—	—	—	—	—	854400	2000000	
	325 L4	390	3.8	952300	200	65	—	—	—	—	—	893500	2000000	
	325 L4	438	3.4	1004300	200	65	—	—	—	—	—	928500	2000000	
	325 L4	500	3.0	1026300	200	65	—	—	—	—	—	970900	2000000	
	325 L4	569	2.6	1066500	200	65	—	—	—	—	—	1013300	2000000	
	325 L4	628	2.4	1093000	200	65	—	—	—	—	—	1047300	2000000	
	325 L4	703	2.1	1101500	200	65	—	—	—	—	—	1087300	2000000	
	325 L4	758	2.0	1147900	200	65	—	—	—	—	—	1114900	2000000	
	325 L4	882	1.7	1154000	200	65	—	—	—	—	—	1172800	2000000	
	325 L4	1025	1.5	1190200	200	65	—	—	—	—	—	1233200	2000000	
	325 L4	1101	1.4	963200	155	65	—	—	—	—	—	1262700	2000000	
	325 L4	1279	1.2	963200	134	65	—	—	—	—	—	1327700	2000000	
	1000	325 L4	341	2.9	1052400	200	78	—	—	—	—	—	978000	2000000
		325 L4	390	2.6	1075400	200	78	—	—	—	—	—	1022800	2000000
325 L4		438	2.3	1120700	200	78	—	—	—	—	—	1062900	2000000	
325 L4		500	2.0	1130200	200	78	—	—	—	—	—	1111400	2000000	
325 L4		569	1.8	1157600	200	78	—	—	—	—	—	1160000	2000000	
325 L4		628	1.6	1179300	200	78	—	—	—	—	—	1198800	2000000	
325 L4		703	1.4	1197000	200	78	—	—	—	—	—	1244700	2000000	
325 L4		758	1.3	1228300	192	78	—	—	—	—	—	1276200	2000000	
325 L4		882	1.1	1254000	168	78	—	—	—	—	—	1342600	2000000	



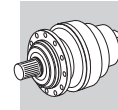
325 L

452

1286700 Nm



n ₁ min ⁻¹		i	n ₂ min ⁻¹	M _{n2} Nm	P _{n1} kW	P _t kW	P (IEC)	Rn ₂ [N]					M _{2 max} Nm
								MC	MZ	HC/PC	HZ/PZ	FZ	
1000	325 L4	1025	0.98	1286700	148	78	—	—	—	—	—	1400000	2000000
	325 L4	1101	0.91	963200	104	78	—	—	—	—	—	1400000	2000000
	325 L4	1279	0.78	963200	89	78	—	—	—	—	—	1400000	2000000
500	325 L3	83.3	6.0	849100	260	115	—	—	—	—	—	770500	2000000
	325 L3	105	4.8	908900	260	115	—	—	—	—	—	831100	2000000
	325 L3	113	4.4	898100	260	115	—	—	—	—	—	852200	2000000
	325 L3	120	4.2	928800	260	115	—	—	—	—	—	869100	2000000
	325 L3	142	3.5	961400	260	115	—	—	—	—	—	919200	2000000
	325 L3	165	3.0	1005800	260	115	—	—	—	—	—	966600	2000000
	325 L3	205	2.4	963200	260	115	—	—	—	—	—	1040600	2000000
	325 L4	390	1.3	1228100	186	130	—	—	—	—	—	1288600	2000000
	325 L4	341	1.5	1206900	200	130	—	—	—	—	—	1232300	2000000
	325 L4	390	1.3	1228100	186	130	—	—	—	—	—	1288600	2000000
	325 L4	438	1.1	1258300	170	130	—	—	—	—	—	1339100	2000000
	325 L4	500	1.00	1286700	152	130	—	—	—	—	—	1400000	2000000
	325 L4	569	0.88	1286700	134	130	—	—	—	—	—	1400000	2000000
	325 L4	628	0.80	1286700	121	130	—	—	—	—	—	1400000	2000000
	325 L4	703	0.71	1286700	108	130	—	—	—	—	—	1400000	2000000
	325 L4	758	0.66	1286600	100	130	—	—	—	—	—	1400000	2000000
	325 L4	882	0.57	1286700	86	130	—	—	—	—	—	1400000	2000000
	325 L4	1025	0.49	1286700	74	130	—	—	—	—	—	1400000	2000000
	325 L4	1101	0.45	963200	52	130	—	—	—	—	—	1400000	2000000
	325 L4	1279	0.39	963200	45	130	—	—	—	—	—	1400000	2000000

B



25.4 RATING CHARTS FOR RIGHT ANGLE UNITS 300 R

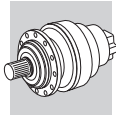
Reading the rating chart.

301 R							2060 Nm						
							258						
n_1 min ⁻¹		i	n_2 min ⁻¹	M_{n2} Nm	P_{n1} kW	P_t kW	P (IEC) 	MC	MZ	R n_2 [N] HC/PC	HZ/PZ	FZ	M $_2$ max Nm
1500	301 R2	7.13	210	1040	15.0	12.0	71-80-90-100-112-132	2050	2050	6170	7080	1350	3200
	301 R2	8.74	172	1090	15.0	12.0	71-80-90-100-112-132	2190	2190	6550	7530	1440	3200
	301 R2	11.8	127	1150	15.0	12.0	71-80-90-100-112-132	2420	2420	7180	8240	1590	3200
	301 R2	14.8	102	940	10.6	12.0	71-80-90-100-112-132	2610	2610	7670	8810	1710	3200
	301 R2	18.5	81	740	6.7	12.0	71-80-90-100-112-132	2810	2810	8200	9420	1850	3200

 The rated torque of the gearbox, independent of installed mechanical power

1	Reference torque	8	Gearbox thermal capacity
2	Gearbox drive speed	9	Frame size of available IEC motor
3	Frame size of the right-angle gear unit. NOTE: letters (B) (C) near size indication identify different angle reduction dimensions. See dimensions pages.	10	Permitted overhung loading on output shaft, based on: - service factor $f_s=1$ - 10000 h theoretical lifetime - speed of output n_2
4	Gear ratio		For forces not applied at shaft midpoint, see diagrams provided in the specific gearbox overall dimensioning pages
5	Gearbox output speed	11	Maximum torque
6	Gearbox rated output torque based on: - service factor $f_s=1$ - 10000 h theoretical lifetime	12	Dimensions page
7	Gearbox rated input power, based on: - service factor $f_s=1$ - 10000 h theoretical lifetime		

B





300 R



248

1250 Nm

n ₁ min ⁻¹		i	n ₂ min ⁻¹	M _{n2} Nm	P _{n1} kW	Pt kW	P (IEC) 	Rn ₂ [N]					M _{2 max} Nm	
								MC/PC	MZ/PZ	HC	HZ	FZ		
1500	300 R2	7.13	210	580	13.7	12.0	71-80-90-100-112-132	2050	2050	6170	7080	1350	2000	
	300 R2	8.74	172	610	11.7	12.0	71-80-90-100-112-132	2190	2190	6550	7530	1440	2400	
	300 R2	11.8	127	590	8.3	12.0	71-80-90-100-112-132	2420	2420	7180	8240	1590	2400	
	300 R2	14.8	102	510	5.7	12.0	71-80-90-100-112-132	2610	2610	7670	8810	1710	2400	
	300 R2	18.5	81	370	3.3	12.0	71-80-90-100-112-132	2810	2810	8200	9420	1850	2400	
	300 R3	24.8	60	730	5.1	12.0	71-80-90-100-112-132	3100	3100	8960	10300	2040	2000	
	300 R3	30.4	49	840	4.8	12.0	71-80-90-100-112-132	3320	3320	9530	10900	2180	2400	
	300 R3	37.3	40	840	3.9	12.0	71-80-90-100-112-132	3550	3550	10100	11600	2330	2400	
	300 R3	41.2	36	650	2.7	12.0	71-80-90-100-112-132	3670	3670	10400	12000	2410	2400	
	300 R3	50.4	29.8	850	2.9	12.0	71-80-90-100-112-132	3930	3930	11100	12700	2580	2400	
	300 R3	62.9	23.8	850	2.3	12.0	71-80-90-100-112-132	4230	4230	11800	13600	2780	2400	
	300 R3	68.2	22.0	650	1.6	12.0	71-80-90-100-112-132	4340	4340	12100	13900	2860	2400	
	300 R3	78.7	19.1	850	1.9	12.0	71-80-90-100-112-132	4550	4550	12700	14600	2990	2400	
	300 R3	85.2	17.6	650	1.3	12.0	71-80-90-100-112-132	4680	4680	13000	14900	3070	2400	
	300 R3	106	14.1	650	1.1	12.0	71-80-90-100-112-132	5040	5040	13900	15900	3310	2400	
	300 R3	133	11.3	550	0.71	12.0	71-80-90-100-112-132	5420	5420	14800	17000	3570	2400	
	300 R4	106	14.2	860	1.4	10.0	71-80-90-100-112-132	5030	5030	13800	15900	3310	2400	
	300 R4	130	11.6	860	1.2	10.0	71-80-90-100-112-132	5380	5380	14700	16900	3540	2400	
	300 R4	143	10.5	650	0.81	10.0	71-80-90-100-112-132	5560	5560	15200	17400	3660	2400	
	300 R4	159	9.4	870	0.97	10.0	71-80-90-100-112-132	5760	5760	15600	18000	3780	2400	
	300 R4	175	8.5	880	0.89	10.0	71-80-90-100-112-132	5950	5950	16100	18500	3910	2400	
	300 R4	215	7.0	910	0.75	10.0	71-80-90-100-112-132	6370	6370	17100	19700	4190	2400	
	300 R4	237	6.3	650	0.49	10.0	71-80-90-100-112-132	6580	6580	17600	20300	4330	2400	
	300 R4	268	5.6	930	0.62	10.0	71-80-90-100-112-132	6860	6860	18300	21000	4510	2400	
	300 R4	291	5.2	950	0.58	10.0	71-80-90-100-112-132	7040	7040	18800	21500	4630	2400	
	300 R4	363	4.1	980	0.48	10.0	71-80-90-100-112-132	7580	7580	20000	23000	4990	2400	
	300 R4	394	3.8	680	0.31	10.0	71-80-90-100-112-132	7790	7790	20500	23600	5120	2400	
	300 R4	453	3.3	1020	0.40	10.0	71-80-90-100-112-132	8160	8160	21400	24600	5370	2400	
	300 R4	491	3.1	710	0.25	10.0	71-80-90-100-112-132	8390	8390	21900	25200	5510	2400	
	300 R4	613	2.4	730	0.21	10.0	71-80-90-100-112-132	9030	9030	23500	27000	5940	2400	
	300 R4	766	2.0	760	0.18	10.0	71-80-90-100-112-132	9730	9730	25100	28800	6400	2400	
	1000	300 R2	7.13	140	660	10.3	14.4	71-80-90-100-112-132	2340	2340	6960	8000	1540	2000
		300 R2	8.74	114	690	8.8	14.4	71-80-90-100-112-132	2510	2510	7400	8500	1650	2400
		300 R2	11.8	85	630	6.0	14.4	71-80-90-100-112-132	2770	2770	8100	9310	1820	2400
		300 R2	14.8	68	530	4.0	14.4	71-80-90-100-112-132	2980	2980	8660	9950	1960	2400
300 R2		18.5	54	370	2.2	14.4	71-80-90-100-112-132	3220	3220	9260	10600	2110	2400	
300 R3		24.8	40	730	3.4	14.4	71-80-90-100-112-132	3550	3550	10100	11600	2330	2000	
300 R3		30.4	33	850	3.2	14.4	71-80-90-100-112-132	3800	3800	10800	12400	2500	2400	
300 R3		37.3	26.8	850	2.6	14.4	71-80-90-100-112-132	4060	4060	11400	13100	2670	2400	
300 R3		41.2	24.3	650	1.8	14.4	71-80-90-100-112-132	4200	4200	11800	13500	2760	2400	
300 R3		50.4	19.8	850	1.9	14.4	71-80-90-100-112-132	4500	4500	12500	14400	2960	2400	
300 R3		62.9	15.9	850	1.6	14.4	71-80-90-100-112-132	4840	4840	13400	15400	3180	2400	
300 R3		68.2	14.7	650	1.1	14.4	71-80-90-100-112-132	4970	4970	13700	15800	3270	2400	
300 R3		78.7	12.7	860	1.3	14.4	71-80-90-100-112-132	5210	5210	14300	16400	3430	2400	
300 R3		85.2	11.7	650	0.88	14.4	71-80-90-100-112-132	5350	5350	14700	16800	3520	2400	
300 R3		106	9.4	650	0.70	14.4	71-80-90-100-112-132	5770	5770	15700	18000	3790	2400	
300 R3		133	7.5	550	0.48	14.4	71-80-90-100-112-132	6210	6210	16700	19200	4080	2400	
300 R4		106	9.4	870	0.97	12.0	71-80-90-100-112-132	5760	5760	15600	18000	3780	2400	
300 R4		130	7.7	890	0.81	12.0	71-80-90-100-112-132	6160	6160	16600	19100	4050	2400	
300 R4		143	7.0	650	0.54	12.0	71-80-90-100-112-132	6370	6370	17100	19700	4190	2400	
300 R4		159	6.3	920	0.68	12.0	71-80-90-100-112-132	6590	6590	17700	20300	4330	2400	
300 R4		175	5.7	930	0.63	12.0	71-80-90-100-112-132	6810	6810	18200	20900	4480	2400	
300 R4		215	4.7	960	0.53	12.0	71-80-90-100-112-132	7290	7290	19300	22200	4790	2400	
300 R4		237	4.2	670	0.33	12.0	71-80-90-100-112-132	7540	7540	19900	22900	4950	2400	
300 R4		268	3.7	1000	0.44	12.0	71-80-90-100-112-132	7850	7850	20700	23800	5160	2400	
300 R4		291	3.4	1010	0.41	12.0	71-80-90-100-112-132	8060	8060	21200	24300	5300	2400	
300 R4		363	2.8	1050	0.34	12.0	71-80-90-100-112-132	8680	8680	22600	26000	5710	2400	
300 R4		394	2.5	730	0.22	12.0	71-80-90-100-112-132	8920	8920	23200	26600	5860	2400	
300 R4		453	2.2	1090	0.29	12.0	71-80-90-100-112-132	9350	9350	24200	27800	6140	2400	
300 R4		491	2.0	760	0.18	12.0	71-80-90-100-112-132	9600	9600	24800	28500	6310	2400	
300 R4		613	1.6	790	0.15	12.0	71-80-90-100-112-132	10300	10300	26500	30400	6800	2400	





300 R



248

1250 Nm

n ₁ min ⁻¹		i	n ₂ min ⁻¹	M _{n2} Nm	P _{n1} kW	Pt kW	P (IEC) 	Rn ₂ [N]					M _{2 max} Nm
								MC/PC	MZ/PZ	HC	HZ	FZ	
1000	300 R4	766	1.3	820	0.13	12.0	71-80-90-100-112-132	11100	11100	28300	32500	7320	2400
500	300 R2	7.13	70	730	5.7	24	71-80-90-100-112-132	2950	2950	8570	9850	1940	2000
	300 R2	8.74	57	820	5.2	24	71-80-90-100-112-132	3160	3160	9110	10500	2080	2400
	300 R2	11.8	42	650	3.1	24	71-80-90-100-112-132	3490	3490	9980	11500	2300	2400
	300 R2	14.8	34	550	2.1	24	71-80-90-100-112-132	3760	3760	10700	12300	2470	2400
	300 R2	18.5	27.1	370	1.1	24	71-80-90-100-112-132	4050	4050	11400	13100	2660	2400
	300 R3	24.8	20.1	730	1.7	24	71-80-90-100-112-132	4470	4470	12500	14300	2940	2000
	300 R3	30.4	16.4	850	1.6	24	71-80-90-100-112-132	4790	4790	13200	15200	3150	2400
	300 R3	37.3	13.4	860	1.3	24	71-80-90-100-112-132	5120	5120	14100	16200	3370	2400
	300 R3	41.2	12.1	650	0.91	24	71-80-90-100-112-132	5290	5290	14500	16700	3480	2400
	300 R3	50.4	9.9	860	0.98	24	71-80-90-100-112-132	5660	5660	15400	17700	3720	2400
	300 R3	62.9	7.9	890	0.81	24	71-80-90-100-112-132	6100	6100	16500	18900	4010	2400
	300 R3	68.2	7.3	650	0.55	24	71-80-90-100-112-132	6260	6260	16900	19400	4120	2400
	300 R3	78.7	6.4	920	0.67	24	71-80-90-100-112-132	6570	6570	17600	20200	4320	2400
	300 R3	85.2	5.9	650	0.44	24	71-80-90-100-112-132	6750	6750	18000	20700	4430	2400
	300 R3	106	4.7	660	0.35	24	71-80-90-100-112-132	7270	7270	19300	22200	4780	2400
	300 R3	133	3.8	570	0.25	24	71-80-90-100-112-132	7820	7820	20600	23700	5140	2400
	300 R4	106	4.7	960	0.54	20	71-80-90-100-112-132	7250	7250	19300	22100	4770	2400
	300 R4	130	3.9	990	0.45	20	71-80-90-100-112-132	7760	7760	20500	23500	5100	2400
	300 R4	143	3.5	690	0.29	20	71-80-90-100-112-132	8020	8020	21100	24200	5270	2400
	300 R4	159	3.1	1030	0.38	20	71-80-90-100-112-132	8300	8300	21700	25000	5460	2400
	300 R4	175	2.8	1050	0.35	20	71-80-90-100-112-132	8580	8580	22400	25700	5640	2400
	300 R4	215	2.3	1080	0.30	20	71-80-90-100-112-132	9180	9180	23800	27400	6040	2400
	300 R4	237	2.1	750	0.19	20	71-80-90-100-112-132	9490	9490	24500	28200	6240	2400
	300 R4	268	1.9	1120	0.25	20	71-80-90-100-112-132	9890	9890	25500	29200	6500	2400
	300 R4	291	1.7	1140	0.23	20	71-80-90-100-112-132	10200	10200	26100	30000	6680	2400
	300 R4	363	1.4	1180	0.19	20	71-80-90-100-112-132	10900	10900	27900	32000	7190	2400
	300 R4	394	1.3	820	0.12	20	71-80-90-100-112-132	11200	11200	28600	32800	7390	2400
	300 R4	453	1.1	1230	0.16	20	71-80-90-100-112-132	11800	11800	29800	34000	7740	2400
	300 R4	491	1.0	860	0.10	20	71-80-90-100-112-132	12000	12100	30500	34000	7950	2400
	300 R4	613	0.82	860	0.08	20	71-80-90-100-112-132	12000	12500	31000	34000	8000	2400
	300 R4	766	0.65	860	0.07	20	71-80-90-100-112-132	12000	12500	31000	34000	8000	2400



B

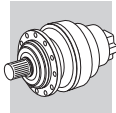
301 R



258

2060 Nm

n ₁ min ⁻¹		i	n ₂ min ⁻¹	M _{n2} Nm	P _{n1} kW	Pt kW	P (IEC) 	Rn ₂ [N]					M _{2 max} Nm
								MC	MZ	HC/PC	HZ/PZ	FZ	
1500	301 R2	7.13	210	1040	15.0	12.0	71-80-90-100-112-132	2050	2050	6170	7080	1350	3200
	301 R2	8.74	172	1090	15.0	12.0	71-80-90-100-112-132	2190	2190	6550	7530	1440	3200
	301 R2	11.8	127	1150	15.0	12.0	71-80-90-100-112-132	2420	2420	7180	8240	1590	3200
	301 R2	14.8	102	940	10.6	12.0	71-80-90-100-112-132	2610	2610	7670	8810	1710	3200
	301 R2	18.5	81	740	6.7	12.0	71-80-90-100-112-132	2810	2810	8200	9420	1850	3200
	301 R3	24.8	60	1390	9.7	12.0	71-80-90-100-112-132	3100	3100	8960	10300	2040	3400
	301 R3	30.4	49	1580	8.9	12.0	71-80-90-100-112-132	3320	3320	9530	10900	2180	3400
	301 R3	37.3	40	1600	7.4	12.0	71-80-90-100-112-132	3550	3550	10100	11600	2330	3400
	301 R3	41.2	36	1300	5.4	12.0	71-80-90-100-112-132	3670	3670	10400	12000	2410	3400
	301 R3	50.4	29.8	1630	5.6	12.0	71-80-90-100-112-132	3930	3930	11100	12700	2580	3400
	301 R3	62.9	23.8	1650	4.5	12.0	71-80-90-100-112-132	4230	4230	11800	13600	2780	3400
	301 R3	68.2	22.0	1300	3.3	12.0	71-80-90-100-112-132	4340	4340	12100	13900	2860	3400
	301 R3	78.7	19.1	1570	3.4	12.0	71-80-90-100-112-132	4550	4550	12700	14600	2990	3400
	301 R3	85.2	17.6	1300	2.6	12.0	71-80-90-100-112-132	4680	4680	13000	14900	3070	3400
	301 R3	106	14.1	1300	2.1	12.0	71-80-90-100-112-132	5040	5040	13900	15900	3310	3400
	301 R3	133	11.3	1150	1.5	12.0	71-80-90-100-112-132	5420	5420	14800	17000	3570	3400
	301 R4	106	14.2	1700	2.8	10.0	71-80-90-100-112-132	5030	5030	13800	15900	3310	3400
	301 R4	130	11.6	1720	2.3	10.0	71-80-90-100-112-132	5380	5380	14700	16900	3540	3400
301 R4	143	10.5	1300	1.6	10.0	71-80-90-100-112-132	5560	5560	15200	17400	3660	3400	
301 R4	159	9.4	1740	1.9	10.0	71-80-90-100-112-132	5760	5760	15600	18000	3780	3400	





301 R



258

2060 Nm



n ₁ min ⁻¹		i	n ₂ min ⁻¹	M _{n2} Nm	P _{n1} kW	Pt kW	P (IEC) 	Rn ₂ [N]					M _{2 max} Nm
								MC	MZ	HC/PC	HZ/PZ	FZ	
1500	301 R4	175	8.5	1770	1.8	10.0	71-80-90-100-112-132	5950	5950	16100	18500	3910	3400
	301 R4	215	7.0	1820	1.5	10.0	71-80-90-100-112-132	6370	6370	17100	19700	4190	3400
	301 R4	237	6.3	1300	0.97	10.0	71-80-90-100-112-132	6580	6580	17600	20300	4330	3400
	301 R4	268	5.6	1870	1.2	10.0	71-80-90-100-112-132	6860	6860	18300	21000	4510	3400
	301 R4	291	5.2	1890	1.2	10.0	71-80-90-100-112-132	7040	7040	18800	21500	4630	3400
	301 R4	363	4.1	1960	0.96	10.0	71-80-90-100-112-132	7580	7580	20000	23000	4990	3400
	301 R4	394	3.8	1360	0.61	10.0	71-80-90-100-112-132	7790	7790	20500	23600	5120	3400
	301 R4	453	3.3	1930	0.76	10.0	71-80-90-100-112-132	8160	8160	21400	24600	5370	3400
	301 R4	491	3.1	1410	0.51	10.0	71-80-90-100-112-132	8390	8390	21900	25200	5510	3400
	301 R4	613	2.4	1470	0.42	10.0	71-80-90-100-112-132	9030	9030	23500	27000	5940	3400
301 R4	766	2.0	1530	0.35	10.0	71-80-90-100-112-132	9730	9730	25100	28800	6400	3400	
1000	301 R2	7.13	140	1170	15.0	14.4	71-80-90-100-112-132	2340	2340	6960	8000	1540	3200
	301 R2	8.74	114	1230	15.0	14.4	71-80-90-100-112-132	2510	2510	7400	8500	1650	3200
	301 R2	11.8	85	1250	11.8	14.4	71-80-90-100-112-132	2770	2770	8100	9310	1820	3200
	301 R2	14.8	68	1050	7.9	14.4	71-80-90-100-112-132	2980	2980	8660	9950	1960	3200
	301 R2	18.5	54	740	4.5	14.4	71-80-90-100-112-132	3220	3220	9260	10600	2110	3200
	301 R3	24.8	40	1430	6.6	14.4	71-80-90-100-112-132	3550	3550	10100	11600	2330	3400
	301 R3	30.4	33	1620	6.1	14.4	71-80-90-100-112-132	3800	3800	10800	12400	2500	3400
	301 R3	37.3	26.8	1640	5.0	14.4	71-80-90-100-112-132	4060	4060	11400	13100	2670	3400
	301 R3	41.2	24.3	1300	3.6	14.4	71-80-90-100-112-132	4200	4200	11800	13500	2760	3400
	301 R3	50.4	19.8	1660	3.8	14.4	71-80-90-100-112-132	4500	4500	12500	14400	2960	3400
	301 R3	62.9	15.9	1690	3.1	14.4	71-80-90-100-112-132	4840	4840	13400	15400	3180	3400
	301 R3	68.2	14.7	1300	2.2	14.4	71-80-90-100-112-132	4970	4970	13700	15800	3270	3400
	301 R3	78.7	12.7	1590	2.3	14.4	71-80-90-100-112-132	5210	5210	14300	16400	3430	3400
	301 R3	85.2	11.7	1300	1.8	14.4	71-80-90-100-112-132	5350	5350	14700	16800	3520	3400
	301 R3	106	9.4	1300	1.4	14.4	71-80-90-100-112-132	5770	5770	15700	18000	3790	3400
	301 R3	133	7.5	1150	0.99	14.4	71-80-90-100-112-132	6210	6210	16700	19200	4080	3400
	301 R4	106	9.4	1740	1.9	12.0	71-80-90-100-112-132	5760	5760	15600	18000	3780	3400
	301 R4	130	7.7	1790	1.6	12.0	71-80-90-100-112-132	6160	6160	16600	19100	4050	3400
	301 R4	143	7.0	1300	1.1	12.0	71-80-90-100-112-132	6370	6370	17100	19700	4190	3400
	301 R4	159	6.3	1840	1.4	12.0	71-80-90-100-112-132	6590	6590	17700	20300	4330	3400
	301 R4	175	5.7	1870	1.3	12.0	71-80-90-100-112-132	6810	6810	18200	20900	4480	3400
	301 R4	215	4.7	1920	1.1	12.0	71-80-90-100-112-132	7290	7290	19300	22200	4790	3400
	301 R4	237	4.2	1340	0.67	12.0	71-80-90-100-112-132	7540	7540	19900	22900	4950	3400
	301 R4	268	3.7	2000	0.88	12.0	71-80-90-100-112-132	7850	7850	20700	23800	5160	3400
	301 R4	291	3.4	2030	0.82	12.0	71-80-90-100-112-132	8060	8060	21200	24300	5300	3400
	301 R4	363	2.8	2100	0.69	12.0	71-80-90-100-112-132	8680	8680	22600	26000	5710	3400
	301 R4	394	2.5	1460	0.44	12.0	71-80-90-100-112-132	8920	8920	23200	26600	5860	3400
	301 R4	453	2.2	2000	0.52	12.0	71-80-90-100-112-132	9350	9350	24200	27800	6140	3400
	301 R4	491	2.0	1510	0.36	12.0	71-80-90-100-112-132	9600	9600	24800	28500	6310	3400
	301 R4	613	1.6	1580	0.30	12.0	71-80-90-100-112-132	10300	10300	26500	30400	6800	3400
301 R4	766	1.3	1640	0.25	12.0	71-80-90-100-112-132	11100	11100	28300	32500	7320	3400	
500	301 R2	7.13	70	1370	10.6	24	71-80-90-100-112-132	2950	2950	8570	9850	1940	3200
	301 R2	8.74	57	1520	9.7	24	71-80-90-100-112-132	3160	3160	9110	10500	2080	3200
	301 R2	11.8	42	1300	6.1	24	71-80-90-100-112-132	3490	3490	9980	11500	2300	3200
	301 R2	14.8	34	1150	4.3	24	71-80-90-100-112-132	3760	3760	10700	12300	2470	3200
	301 R2	18.5	27.1	740	2.2	24	71-80-90-100-112-132	4050	4050	11400	13100	2660	3200
	301 R3	24.8	20.1	1430	3.3	24	71-80-90-100-112-132	4470	4470	12500	14300	2940	3400
	301 R3	30.4	16.4	1680	3.2	24	71-80-90-100-112-132	4790	4790	13200	15200	3150	3400
	301 R3	37.3	13.4	1700	2.6	24	71-80-90-100-112-132	5120	5120	14100	16200	3370	3400
	301 R3	41.2	12.1	1300	1.8	24	71-80-90-100-112-132	5290	5290	14500	16700	3480	3400
	301 R3	50.4	9.9	1730	2.0	24	71-80-90-100-112-132	5660	5660	15400	17700	3720	3400
	301 R3	62.9	7.9	1760	1.6	24	71-80-90-100-112-132	6100	6100	16500	18900	4010	3400
	301 R3	68.2	7.3	1300	1.1	24	71-80-90-100-112-132	6260	6260	16900	19400	4120	3400
	301 R3	78.7	6.4	1600	1.2	24	71-80-90-100-112-132	6570	6570	17600	20200	4320	3400
	301 R3	85.2	5.9	1300	0.88	24	71-80-90-100-112-132	6750	6750	18000	20700	4430	3400
	301 R3	106	4.7	1310	0.71	24	71-80-90-100-112-132	7270	7270	19300	22200	4780	3400
	301 R3	133	3.8	1150	0.50	24	71-80-90-100-112-132	7820	7820	20600	23700	5140	3400
	301 R4	106	4.7	1920	1.1	20	71-80-90-100-112-132	7250	7250	19300	22100	4770	3400

B





301 R 258

2060 Nm

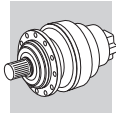
n ₁ min ⁻¹		i	n ₂ min ⁻¹	M _{n2} Nm	P _{n1} kW	Pt kW	P (IEC) 	R _{n2} [N]					M _{2 max} Nm
								MC	MZ	HC/PC	HZ/PZ	FZ	
500	301 R4	130	3.9	1990	0.91	20	71-80-90-100-112-132	7760	7760	20500	23500	5100	3400
	301 R4	143	3.5	1380	0.57	20	71-80-90-100-112-132	8020	8020	21100	24200	5270	3400
	301 R4	159	3.1	2060	0.77	20	71-80-90-100-112-132	8300	8300	21700	25000	5460	3400
	301 R4	175	2.8	2090	0.71	20	71-80-90-100-112-132	8580	8580	22400	25700	5640	3400
	301 R4	215	2.3	2160	0.60	20	71-80-90-100-112-132	9180	9180	23800	27400	6040	3400
	301 R4	237	2.1	1510	0.37	20	71-80-90-100-112-132	9490	9490	24500	28200	6240	3400
	301 R4	268	1.9	2240	0.49	20	71-80-90-100-112-132	9890	9890	25500	29200	6500	3400
	301 R4	291	1.7	2270	0.46	20	71-80-90-100-112-132	10200	10200	26100	30000	6680	3400
	301 R4	363	1.4	2340	0.38	20	71-80-90-100-112-132	10900	10900	27900	32000	7190	3400
	301 R4	394	1.3	1650	0.25	20	71-80-90-100-112-132	11200	11200	28600	32800	7390	3400
	301 R4	453	1.1	2000	0.26	20	71-80-90-100-112-132	11800	11800	29800	34000	7740	3400
	301 R4	491	1.0	1710	0.21	20	71-80-90-100-112-132	12000	12100	30500	34000	7950	3400
	301 R4	613	0.82	1720	0.17	20	71-80-90-100-112-132	12000	12500	31000	34000	8000	3400
	301 R4	766	0.65	1720	0.13	20	71-80-90-100-112-132	12000	12500	31000	34000	8000	3400

303 R 268

2970 Nm

n ₁ min ⁻¹		i	n ₂ min ⁻¹	M _{n2} Nm	P _{n1} kW	Pt kW	P (IEC) 	R _{n2} [N]					M _{2 max} Nm
								MC	MZ	HC/PC	HZ/PZ	FZ	
1500	303 R2	9.23	163	1680	30	18.0	71-80-90-100-112-132	6850	7910	13600	16400	4400	5200
	303 R2	10.9	138	1900	29	18.0	71-80-90-100-112-132	7240	8360	14300	17200	4650	5200
	303 R2	13.7	110	1970	24	18.0	71-80-90-100-112-132	7810	9020	15300	18400	5010	5200
	303 R2	15.9	94	1820	19.1	18.0	71-80-90-100-112-132	8220	9480	16000	19300	5270	5200
	303 R2	19.2	78	1550	13.5	18.0	71-80-90-100-112-132	8750	10100	16900	20400	5620	5200
	303 R2	24.8	61	860	5.8	18.0	71-80-90-100-112-132	9530	11000	18300	22000	6110	5200
	303 R3	25.7	58	2030	13.6	14.0	71-80-90-100-112-132	9640	11100	18500	22200	6190	5200
	303 R3	31.5	48	2110	11.5	14.0	71-80-90-100-112-132	10300	11900	19600	23600	6620	5200
	303 R3	37.1	40	2390	11.1	14.0	71-80-90-100-112-132	10900	12600	20600	24800	7000	5200
	303 R3	42.6	35	2070	8.4	14.0	71-80-90-100-112-132	11400	13200	21500	25900	7320	5200
	303 R3	46.6	32	2160	8.0	14.0	71-80-90-100-112-132	11800	13600	22100	26600	7550	5200
	303 R3	50.3	29.8	2380	8.2	14.0	71-80-90-100-112-132	12100	13900	22600	27200	7740	5200
	303 R3	54.2	27.7	1820	5.8	14.0	71-80-90-100-112-132	12400	14300	23100	27800	7930	5200
	303 R3	63.1	23.8	2170	5.9	14.0	71-80-90-100-112-132	13000	15000	24200	29100	8350	5200
	303 R3	73.3	20.5	1820	4.3	14.0	71-80-90-100-112-132	13700	15800	25300	30500	8780	5200
303 R3	78.7	19.1	2180	4.8	14.0	71-80-90-100-112-132	14000	16200	25900	31100	8990	5200	
303 R3	91.5	16.4	1820	3.4	14.0	71-80-90-100-112-132	14700	17000	27100	32600	9450	5200	
303 R3	114	13.1	1820	2.7	14.0	71-80-90-100-112-132	15900	18300	28900	34800	10200	5200	
303 R4	129	11.6	2620	3.6	12.0	71-80-90-100-112-132	16500	19100	30000	36100	10600	5200	
303 R4	148	10.1	2310	2.8	12.0	71-80-90-100-112-132	17300	20000	31300	37600	11100	5200	
303 R4	158	9.5	2660	3.0	12.0	71-80-90-100-112-132	17700	20400	31900	38400	11300	5200	
303 R4	185	8.1	2310	2.2	12.0	71-80-90-100-112-132	18600	21500	33400	40200	11900	5200	
303 R4	214	7.0	2730	2.3	12.0	71-80-90-100-112-132	19600	22600	34900	42000	12500	5200	
303 R4	231	6.5	1830	1.4	12.0	71-80-90-100-112-132	20100	23100	35700	43000	12900	5200	
303 R4	255	5.9	1840	1.3	12.0	71-80-90-100-112-132	20700	23900	36800	44300	13300	5200	
303 R4	290	5.2	2650	1.6	12.0	71-80-90-100-112-132	21600	25000	38300	46000	13900	5200	
303 R4	313	4.8	1850	1.1	12.0	71-80-90-100-112-132	22200	25600	39100	47100	14200	5200	
303 R4	336	4.5	2270	1.2	12.0	71-80-90-100-112-132	22700	26200	40000	48100	14600	5200	
303 R4	364	4.1	2310	1.1	12.0	71-80-90-100-112-132	23300	26900	40900	49300	15000	5200	
303 R4	390	3.8	1930	0.88	12.0	71-80-90-100-112-132	23900	27600	41800	50300	15300	5200	
303 R4	452	3.3	2250	0.88	12.0	71-80-90-100-112-132	25100	28900	43700	52600	16100	5200	
303 R4	528	2.8	2030	0.68	12.0	71-80-90-100-112-132	26400	30500	45800	55100	16900	5200	
303 R4	567	2.6	2430	0.76	12.0	71-80-90-100-112-132	27000	31200	46800	56300	17400	5200	
303 R4	659	2.3	2110	0.57	12.0	71-80-90-100-112-132	28400	32800	48900	58900	18200	5200	
303 R4	797	1.9	1820	0.41	12.0	71-80-90-100-112-132	30300	35000	51800	62300	19400	5200	
303 R4	824	1.8	2200	0.47	12.0	71-80-90-100-112-132	30600	35400	52300	62900	19700	5200	
1000	303 R2	9.23	108	1890	23	22	71-80-90-100-112-132	7850	9060	15400	18500	5030	5200
	303 R2	10.9	92	2140	22	22	71-80-90-100-112-132	8290	9570	16100	19400	5320	5200
	303 R2	13.7	73	2080	16.9	22	71-80-90-100-112-132	8940	10300	17300	20800	5740	5200
	303 R2	15.9	63	1820	12.7	22	71-80-90-100-112-132	9400	10900	18100	21700	6030	5200







303 R

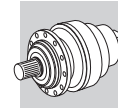


268

2970 Nm

n ₁ min ⁻¹		i	n ₂ min ⁻¹	M _{n2} Nm	P _{n1} kW	Pt kW	P (IEC) 	R _{n2} [N]					M _{2 max} Nm
								MC	MZ	HC/PC	HZ/PZ	FZ	
1000	303 R2	19.2	52	1640	9.5	22	71-80-90-100-112-132	10000	11600	19100	23000	6430	5200
	303 R2	24.8	40	860	3.9	22	71-80-90-100-112-132	10900	12600	20700	24800	7000	5200
	303 R3	25.7	39	2160	9.6	16.8	71-80-90-100-112-132	11000	12700	20900	25100	7080	5200
	303 R3	31.5	32	2160	7.9	16.8	71-80-90-100-112-132	11800	13600	22200	26700	7580	5200
	303 R3	37.1	26.9	2460	7.6	16.8	71-80-90-100-112-132	12500	14400	23300	28100	8010	5200
	303 R3	42.6	23.5	2110	5.7	16.8	71-80-90-100-112-132	13100	15100	24300	29200	8380	5200
	303 R3	46.6	21.5	2170	5.3	16.8	71-80-90-100-112-132	13500	15500	25000	30000	8640	5200
	303 R3	50.3	19.9	2470	5.6	16.8	71-80-90-100-112-132	13800	15900	25500	30700	8860	5200
	303 R3	54.2	18.5	1820	3.9	16.8	71-80-90-100-112-132	14200	16300	26100	31400	9080	5200
	303 R3	63.1	15.9	2180	4.0	16.8	71-80-90-100-112-132	14900	17200	27300	32900	9550	5200
	303 R3	73.3	13.6	1820	2.8	16.8	71-80-90-100-112-132	15700	18100	28600	34400	10000	5200
	303 R3	78.7	12.7	2190	3.2	16.8	71-80-90-100-112-132	16000	18500	29200	35100	10300	5200
	303 R3	91.5	10.9	1820	2.3	16.8	71-80-90-100-112-132	16900	19500	30600	36800	10800	5200
	303 R3	114	8.7	1820	1.8	16.8	71-80-90-100-112-132	18200	21000	32700	39300	11700	5200
	303 R4	129	7.7	2710	2.5	14.4	71-80-90-100-112-132	18900	21800	33900	40800	12100	5200
	303 R4	148	6.7	2310	1.8	14.4	71-80-90-100-112-132	19800	22900	35300	42500	12700	5200
	303 R4	158	6.3	2760	2.1	14.4	71-80-90-100-112-132	20200	23400	36000	43300	13000	5200
	303 R4	185	5.4	2310	1.5	14.4	71-80-90-100-112-132	21300	24600	37700	45400	13700	5200
	303 R4	214	4.7	2810	1.6	14.4	71-80-90-100-112-132	22400	25800	39500	47500	14400	5200
	303 R4	231	4.3	1890	0.97	14.4	71-80-90-100-112-132	23000	26500	40300	48500	14700	5200
	303 R4	255	3.9	1920	0.89	14.4	71-80-90-100-112-132	23700	27400	41600	50000	15200	5200
	303 R4	290	3.4	2680	1.1	14.4	71-80-90-100-112-132	24800	28600	43200	52000	15900	5200
	303 R4	313	3.2	1990	0.75	14.4	71-80-90-100-112-132	25400	29300	44200	53200	16300	5200
	303 R4	336	3.0	2440	0.86	14.4	71-80-90-100-112-132	26000	30000	45100	54300	16700	5200
	303 R4	364	2.7	2480	0.81	14.4	71-80-90-100-112-132	26700	30800	46200	55600	17100	5200
	303 R4	390	2.6	2070	0.63	14.4	71-80-90-100-112-132	27300	31600	47200	56800	17500	5200
	303 R4	452	2.2	2250	0.59	14.4	71-80-90-100-112-132	28700	33100	49300	59400	18400	5200
	303 R4	528	1.9	2180	0.49	14.4	71-80-90-100-112-132	30200	34900	51700	62200	19400	5200
	303 R4	567	1.8	2600	0.54	14.4	71-80-90-100-112-132	31000	35700	52800	63500	19900	5200
	303 R4	659	1.5	2270	0.41	14.4	71-80-90-100-112-132	32600	37600	55300	66500	20900	5200
	303 R4	797	1.3	1930	0.29	14.4	71-80-90-100-112-132	34700	40000	58500	70400	22300	5200
	303 R4	824	1.2	2360	0.34	14.4	71-80-90-100-112-132	35100	40500	59100	71100	22500	5200
	500	303 R2	9.23	54	2260	13.7	36	71-80-90-100-112-132	9890	11400	18900	22700	6340
303 R2		10.9	46	2570	13.2	36	71-80-90-100-112-132	10400	12100	19900	23900	6700	5200
303 R2		13.7	37	2150	8.8	36	71-80-90-100-112-132	11300	13000	21300	25600	7230	5200
303 R2		15.9	31	1820	6.4	36	71-80-90-100-112-132	11800	13700	22300	26800	7600	5200
303 R2		19.2	26.0	1650	4.8	36	71-80-90-100-112-132	12600	14600	23600	28300	8100	5200
303 R2		24.8	20.2	860	1.9	36	71-80-90-100-112-132	13700	15900	25400	30600	8810	5200
303 R3		25.7	19.5	2230	5.0	28	71-80-90-100-112-132	13900	16100	25700	30900	8920	5200
303 R3		31.5	15.9	2250	4.1	28	71-80-90-100-112-132	14900	17200	27300	32900	9550	5200
303 R3		37.1	13.5	2590	4.0	28	71-80-90-100-112-132	15700	18200	28700	34500	10100	5200
303 R3		42.6	11.7	2190	3.0	28	71-80-90-100-112-132	16500	19000	29900	36000	10600	5200
303 R3		46.6	10.7	2200	2.7	28	71-80-90-100-112-132	17000	19600	30700	37000	10900	5200
303 R3		50.3	9.9	2620	3.0	28	71-80-90-100-112-132	17400	20100	31400	37800	11200	5200
303 R3		54.2	9.2	1820	1.9	28	71-80-90-100-112-132	17800	20600	32200	38700	11400	5200
303 R3		63.1	7.9	2210	2.0	28	71-80-90-100-112-132	18800	21700	33700	40500	12000	5200
303 R3		73.3	6.8	1830	1.4	28	71-80-90-100-112-132	19700	22800	35200	42400	12700	5200
303 R3		78.7	6.4	2220	1.6	28	71-80-90-100-112-132	20200	23300	36000	43300	13000	5200
303 R3		91.5	5.5	1840	1.2	28	71-80-90-100-112-132	21200	24500	37600	45300	13600	5200
303 R3		114	4.4	1880	0.94	28	71-80-90-100-112-132	22900	26400	40200	48400	14700	5200
303 R4		129	3.9	2810	1.3	24	71-80-90-100-112-132	23800	27500	41700	50200	15300	5200
303 R4		148	3.4	2310	0.92	24	71-80-90-100-112-132	24900	28800	43500	52300	16000	5200
303 R4		158	3.2	2810	1.0	24	71-80-90-100-112-132	25500	29400	44400	53400	16400	5200
303 R4		185	2.7	2310	0.74	24	71-80-90-100-112-132	26900	31000	46500	55900	17200	5200
303 R4		214	2.3	2820	0.78	24	71-80-90-100-112-132	28200	32600	48600	58400	18100	5200
303 R4		231	2.2	2130	0.55	24	71-80-90-100-112-132	28900	33400	49700	59800	18600	5200
303 R4		255	2.0	2170	0.50	24	71-80-90-100-112-132	29900	34500	51200	61600	19200	5200
303 R4		290	1.7	2730	0.56	24	71-80-90-100-112-132	31200	36000	53200	64000	20000	5200
303 R4		313	1.6	2250	0.43	24	71-80-90-100-112-132	32000	36900	54400	65400	20500	5200
303 R4		336	1.5	2700	0.48	24	71-80-90-100-112-132	32800	37800	55600	66900	21000	5200

B





303 R



268

2970 Nm



n ₁ min ⁻¹		i	n ₂ min ⁻¹	M _{n2} Nm	P _{n1} kW	Pt kW	P (IEC) 	Rn ₂ [N]					M _{2 max} Nm
								MC	MZ	HC/PC	HZ/PZ	FZ	
500	303 R4	364	1.4	2730	0.44	24	71-80-90-100-112-132	33700	38800	56900	68500	21600	5200
	303 R4	390	1.3	2340	0.35	24	71-80-90-100-112-132	34400	39800	58100	69900	22100	5200
	303 R4	452	1.1	2250	0.29	24	71-80-90-100-112-132	36000	41700	60700	73100	23200	5200
	303 R4	528	0.95	2440	0.27	24	71-80-90-100-112-132	36000	42000	63700	74000	24000	5200
	303 R4	567	0.88	2850	0.30	24	71-80-90-100-112-132	36000	42000	64000	74000	24000	5200
	303 R4	659	0.76	2440	0.22	24	71-80-90-100-112-132	36000	42000	64000	74000	24000	5200
	303 R4	797	0.63	2000	0.15	24	71-80-90-100-112-132	36000	42000	64000	74000	24000	5200
	303 R4	824	0.61	2440	0.18	24	71-80-90-100-112-132	36000	42000	64000	74000	24000	5200

304 R

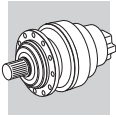


280

3960 Nm

n ₁ min ⁻¹		i	n ₂ min ⁻¹	M _{n2} Nm	P _{n1} kW	Pt kW	P (IEC) 	Rn ₂ [N]					M _{2 max} Nm
								MC	MZ	HC/PC	HZ/PZ	FZ	
1500	304 R2	9.23	163	1680	30	18.0	71-80-90-100-112-132	6850	7910	13600	16400	4400	6600
	304 R2	10.9	138	1980	30	18.0	71-80-90-100-112-132	7240	8360	14300	17200	4650	6600
	304 R2	13.7	110	2490	30	18.0	71-80-90-100-112-132	7810	9020	15300	18400	5010	6600
	304 R2	16.8	89	2390	24	18.0	71-80-90-100-112-132	8380	9670	16300	19600	5370	6600
	304 R3	25.7	58	3020	15.0	14.0	71-80-90-100-112-132	9640	11100	18500	22200	6190	7300
	304 R3	31.5	48	3090	15.0	14.0	71-80-90-100-112-132	10300	11900	19600	23600	6620	7300
	304 R3	37.1	40	3440	15.0	14.0	71-80-90-100-112-132	10900	12600	20600	24800	7000	7300
	304 R3	42.6	35	3190	12.9	14.0	71-80-90-100-112-132	11400	13200	21500	25900	7320	7300
	304 R3	46.6	32	2850	10.5	14.0	71-80-90-100-112-132	11800	13600	22100	26600	7550	7300
	304 R3	50.3	29.8	3460	11.9	14.0	71-80-90-100-112-132	12100	13900	22600	27200	7740	7300
	304 R3	63.1	23.8	2850	7.8	14.0	71-80-90-100-112-132	13000	15000	24200	29100	8350	7300
	304 R3	78.7	19.1	2850	6.2	14.0	71-80-90-100-112-132	14000	16200	25900	31100	8990	7300
	304 R3	97.0	15.5	2390	4.2	14.0	71-80-90-100-112-132	15000	17300	27500	33100	9630	7300
	304 R3	121	12.4	2390	3.4	14.0	71-80-90-100-112-132	16200	18700	29400	35400	10400	7300
	304 R4	89.4	16.8	3330	6.6	12.0	71-80-90-100-112-132	14600	16900	26900	32300	9370	7300
	304 R4	109	13.7	3370	5.5	12.0	71-80-90-100-112-132	15600	18000	28600	34400	10000	7300
	304 R4	129	11.6	3530	4.8	12.0	71-80-90-100-112-132	16500	19100	30000	36100	10600	7300
	304 R4	148	10.1	3440	4.1	12.0	71-80-90-100-112-132	17300	20000	31300	37600	11100	7300
	304 R4	158	9.5	3550	4.0	12.0	71-80-90-100-112-132	17700	20400	31900	38400	11300	7300
	304 R4	185	8.1	3460	3.3	12.0	71-80-90-100-112-132	18600	21500	33400	40200	11900	7300
304 R4	214	7.0	3620	3.0	12.0	71-80-90-100-112-132	19600	22600	34900	42000	12500	7300	
304 R4	227	6.6	3480	2.7	12.0	71-80-90-100-112-132	19900	23000	35500	42700	12800	7300	
304 R4	267	5.6	3660	2.4	12.0	71-80-90-100-112-132	21100	24300	37300	44900	13500	7300	
304 R4	290	5.2	3680	2.3	12.0	71-80-90-100-112-132	21600	25000	38300	46000	13900	7300	
304 R4	307	4.9	3500	2.0	12.0	71-80-90-100-112-132	22000	25400	38900	46800	14100	7300	
304 R4	338	4.4	2420	1.3	12.0	71-80-90-100-112-132	22800	26300	40000	48200	14600	7300	
304 R4	364	4.1	2940	1.4	12.0	71-80-90-100-112-132	23300	26900	40900	49300	15000	7300	
304 R4	414	3.6	2470	1.1	12.0	71-80-90-100-112-132	24300	28100	42500	51200	15600	7300	
304 R4	452	3.3	3690	1.4	12.0	71-80-90-100-112-132	25100	28900	43700	52600	16100	7300	
304 R4	560	2.7	2540	0.81	12.0	71-80-90-100-112-132	26900	31100	46600	56100	17300	7300	
304 R4	699	2.1	2630	0.67	12.0	71-80-90-100-112-132	29000	33500	49800	59900	18600	7300	
1000	304 R2	9.23	108	1890	23	21.6	71-80-90-100-112-132	7850	9060	15400	18500	5030	6600
	304 R2	10.9	92	2240	23	21.6	71-80-90-100-112-132	8290	9570	16100	19400	5320	6600
	304 R2	13.7	73	2690	22	21.6	71-80-90-100-112-132	8940	10300	17300	20800	5740	6600
	304 R2	16.8	59	2390	15.8	21.6	71-80-90-100-112-132	9590	11100	18400	22100	6150	6600
	304 R3	25.7	39	3130	14.0	16.8	71-80-90-100-112-132	11000	12700	20900	25100	7080	7300
	304 R3	31.5	32	3180	11.6	16.8	71-80-90-100-112-132	11800	13600	22200	26700	7580	7300
	304 R3	37.1	26.9	3470	10.7	16.8	71-80-90-100-112-132	12500	14400	23300	28100	8010	7300
	304 R3	42.6	23.5	3270	8.8	16.8	71-80-90-100-112-132	13100	15100	24300	29200	8380	7300
	304 R3	46.6	21.5	2850	7.0	16.8	71-80-90-100-112-132	13500	15500	25000	30000	8640	7300
	304 R3	50.3	19.9	3490	8.0	16.8	71-80-90-100-112-132	13800	15900	25500	30700	8860	7300
	304 R3	63.1	15.9	2850	5.2	16.8	71-80-90-100-112-132	14900	17200	27300	32900	9550	7300
	304 R3	78.7	12.7	2850	4.2	16.8	71-80-90-100-112-132	16000	18500	29200	35100	10300	7300
	304 R3	97.0	10.3	2390	2.8	16.8	71-80-90-100-112-132	17200	19800	31100	37400	11000	7300
	304 R3	121	8.2	2390	2.3	16.8	71-80-90-100-112-132	18500	21400	33300	40000	11900	7300

B





304 R



280

3960 Nm



n ₁ min ⁻¹		i	n ₂ min ⁻¹	M _{n2} Nm	P _{n1} kW	Pt kW	P (IEC) 	Rn ₂ [N]					M _{2 max} Nm
								MC	MZ	HC/PC	HZ/PZ	FZ	
1000	304 R4	89.4	11.2	3420	4.5	14.4	71-80-90-100-112-132	16700	19300	30300	36500	10700	7300
	304 R4	109	9.1	3450	3.7	14.4	71-80-90-100-112-132	17900	20700	32300	38800	11500	7300
	304 R4	129	7.7	3590	3.3	14.4	71-80-90-100-112-132	18900	21800	33900	40800	12100	7300
	304 R4	148	6.7	3470	2.8	14.4	71-80-90-100-112-132	19800	22900	35300	42500	12700	7300
	304 R4	158	6.3	3640	2.7	14.4	71-80-90-100-112-132	20200	23400	36000	43300	13000	7300
	304 R4	185	5.4	3490	2.2	14.4	71-80-90-100-112-132	21300	24600	37700	45400	13700	7300
	304 R4	214	4.7	3700	2.0	14.4	71-80-90-100-112-132	22400	25800	39500	47500	14400	7300
	304 R4	227	4.4	3500	1.8	14.4	71-80-90-100-112-132	22800	26300	40100	48300	14600	7300
	304 R4	267	3.7	3720	1.6	14.4	71-80-90-100-112-132	24100	27800	42200	50700	15500	7300
	304 R4	290	3.4	3720	1.5	14.4	71-80-90-100-112-132	24800	28600	43200	52000	15900	7300
	304 R4	307	3.3	3510	1.4	14.4	71-80-90-100-112-132	25200	29100	43900	52800	16200	7300
	304 R4	338	3.0	2520	0.88	14.4	71-80-90-100-112-132	26000	30100	45200	54400	16700	7300
	304 R4	364	2.7	3140	1.0	14.4	71-80-90-100-112-132	26700	30800	46200	55600	17100	7300
	304 R4	414	2.4	2580	0.74	14.4	71-80-90-100-112-132	27900	32200	48100	57800	17900	7300
	304 R4	452	2.2	3740	0.98	14.4	71-80-90-100-112-132	28700	33100	49300	59400	18400	7300
	304 R4	560	1.8	2720	0.57	14.4	71-80-90-100-112-132	30800	35600	52600	63300	19800	7300
	304 R4	699	1.4	2830	0.48	14.4	71-80-90-100-112-132	33200	38300	56300	67700	21300	7300
500	304 R2	9.23	54	2330	14.1	36	71-80-90-100-112-132	9890	11400	18900	22700	6340	6600
	304 R2	10.9	46	2720	13.9	36	71-80-90-100-112-132	10400	12100	19900	23900	6700	6600
	304 R2	13.7	37	2850	11.6	36	71-80-90-100-112-132	11300	13000	21300	25600	7230	6600
	304 R2	16.8	29.7	2390	7.9	36	71-80-90-100-112-132	12100	13900	22600	27200	7750	6600
	304 R3	25.7	19.5	3290	7.3	28	71-80-90-100-112-132	13900	16100	25700	30900	8920	7300
	304 R3	31.5	15.9	3330	6.1	28	71-80-90-100-112-132	14900	17200	27300	32900	9550	7300
	304 R3	37.1	13.5	3520	5.4	28	71-80-90-100-112-132	15700	18200	28700	34500	10100	7300
	304 R3	42.6	11.7	3410	4.6	28	71-80-90-100-112-132	16500	19000	29900	36000	10600	7300
	304 R3	46.6	10.7	2850	3.5	28	71-80-90-100-112-132	17000	19600	30700	37000	10900	7300
	304 R3	50.3	9.9	3540	4.0	28	71-80-90-100-112-132	17400	20100	31400	37800	11200	7300
	304 R3	63.1	7.9	2850	2.6	28	71-80-90-100-112-132	18800	21700	33700	40500	12000	7300
	304 R3	78.7	6.4	2850	2.1	28	71-80-90-100-112-132	20200	23300	36000	43300	13000	7300
	304 R3	97.0	5.2	2390	1.4	28	71-80-90-100-112-132	21700	25000	38300	46100	13900	7300
	304 R3	121	4.1	2440	1.2	28	71-80-90-100-112-132	23300	26900	40900	49300	15000	7300
	304 R4	89.4	5.6	3490	2.3	24	71-80-90-100-112-132	21100	24300	37400	45000	13500	7300
	304 R4	109	4.6	3500	1.9	24	71-80-90-100-112-132	22500	26000	39700	47800	14500	7300
	304 R4	129	3.9	3710	1.7	24	71-80-90-100-112-132	23800	27500	41700	50200	15300	7300
	304 R4	148	3.4	3510	1.4	24	71-80-90-100-112-132	24900	28800	43500	52300	16000	7300
	304 R4	158	3.2	3730	1.4	24	71-80-90-100-112-132	25500	29400	44400	53400	16400	7300
	304 R4	185	2.7	3520	1.1	24	71-80-90-100-112-132	26900	31000	46500	55900	17200	7300
	304 R4	214	2.3	3770	1.0	24	71-80-90-100-112-132	28200	32600	48600	58400	18100	7300
	304 R4	227	2.2	3550	0.93	24	71-80-90-100-112-132	28700	33200	49400	59400	18400	7300
	304 R4	267	1.9	3820	0.84	24	71-80-90-100-112-132	30400	35100	51900	62500	19500	7300
	304 R4	290	1.7	3830	0.78	24	71-80-90-100-112-132	31200	36000	53200	64000	20000	7300
	304 R4	307	1.6	3610	0.70	24	71-80-90-100-112-132	31800	36700	54100	65100	20400	7300
	304 R4	338	1.5	2810	0.49	24	71-80-90-100-112-132	32800	37900	55700	67000	21100	7300
	304 R4	364	1.4	3540	0.58	24	71-80-90-100-112-132	33700	38800	56900	68500	21600	7300
	304 R4	414	1.2	2910	0.42	24	71-80-90-100-112-132	35100	40500	59200	71200	22500	7300
	304 R4	452	1.1	3930	0.51	24	71-80-90-100-112-132	36000	41700	60700	73100	23200	7300
	304 R4	560	0.89	3010	0.32	24	71-80-90-100-112-132	36000	42000	64000	74000	24000	7300
	304 R4	699	0.71	3010	0.25	24	71-80-90-100-112-132	36000	42000	64000	74000	24000	7300

305 R



292

5600 Nm

n ₁ min ⁻¹		i	n ₂ min ⁻¹	M _{n2} Nm	P _{n1} kW	Pt kW	P (IEC) 	Rn ₂ [N]					M _{2 max} Nm
								MC	MZ	HC/PC	HZ/PZ	FZ	
1500	305 R2	9.23	163	1680	30	18.0	71-80-90-100-112-132	6850	7910	13600	16400	4400	7700
	305 R2	10.9	138	1980	30	18.0	71-80-90-100-112-132	7240	8360	14300	17200	4650	7700
	305 R2	13.7	110	2490	30	18.0	71-80-90-100-112-132	7810	9020	15300	18400	5010	7700
	305 R2	15.9	94	2890	30	18.0	71-80-90-100-112-132	8220	9480	16000	19300	5270	7700
	305 R2	19.2	78	2860	25	18.0	71-80-90-100-112-132	8750	10100	16900	20400	5620	7700



305 R

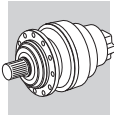


292

5600 Nm

n ₁ min ⁻¹		i	n ₂ min ⁻¹	M _{n2} Nm	P _{n1} kW	Pt kW	P (IEC)	Rn ₂ [N]					M _{2 max} Nm	
								MC	MZ	HC/PC	HZ/PZ	FZ		
1500	305 R3	25.7	58	3630	15.0	14.0	71-80-90-100-112-132	9640	11100	18500	22200	6190	8800	
	305 R3	31.5	48	3770	15.0	14.0	71-80-90-100-112-132	10300	11900	19600	23600	6620	8800	
	305 R3	37.1	40	4340	15.0	14.0	71-80-90-100-112-132	10900	12600	20600	24800	7000	8800	
	305 R3	42.6	35	3790	15.0	14.0	71-80-90-100-112-132	11400	13200	21500	25900	7320	8800	
	305 R3	46.6	32	4310	15.0	14.0	71-80-90-100-112-132	11800	13600	22100	26600	7550	8800	
	305 R3	50.3	29.8	4410	15.0	14.0	71-80-90-100-112-132	12100	13900	22600	27200	7740	8800	
	305 R3	54.2	27.7	3570	11.3	14.0	71-80-90-100-112-132	12400	14300	23100	27800	7930	8800	
	305 R3	63.1	23.8	4330	11.8	14.0	71-80-90-100-112-132	13000	15000	24200	29100	8350	8800	
	305 R3	73.3	20.5	3580	8.4	14.0	71-80-90-100-112-132	13700	15800	25300	30500	8780	8800	
	305 R3	78.7	19.1	4350	9.5	14.0	71-80-90-100-112-132	14000	16200	25900	31100	8990	8800	
	305 R3	91.5	16.4	3580	6.7	14.0	71-80-90-100-112-132	14700	17000	27100	32600	9450	8800	
	305 R3	114	13.1	3580	5.4	14.0	71-80-90-100-112-132	15900	18300	28900	34800	10200	8800	
	305 R4	129	11.6	5200	7.1	12.0	71-80-90-100-112-132	16500	19100	30000	36100	10600	8800	
	305 R4	148	10.1	4480	5.4	12.0	71-80-90-100-112-132	17300	20000	31300	37600	11100	8800	
	305 R4	158	9.5	5310	6.0	12.0	71-80-90-100-112-132	17700	20400	31900	38400	11300	8800	
	305 R4	185	8.1	4490	4.3	12.0	71-80-90-100-112-132	18600	21500	33400	40200	11900	8800	
	305 R4	214	7.0	5390	4.5	12.0	71-80-90-100-112-132	19600	22600	34900	42000	12500	8800	
	305 R4	231	6.5	3600	2.8	12.0	71-80-90-100-112-132	20100	23100	35700	43000	12900	8800	
	305 R4	255	5.9	3600	2.5	12.0	71-80-90-100-112-132	20700	23900	36800	44300	13300	8800	
	305 R4	290	5.2	5300	3.2	12.0	71-80-90-100-112-132	21600	25000	38300	46000	13900	8800	
	305 R4	313	4.8	3620	2.1	12.0	71-80-90-100-112-132	22200	25600	39100	47100	14200	8800	
	305 R4	336	4.5	4560	2.4	12.0	71-80-90-100-112-132	22700	26200	40000	48100	14600	8800	
	305 R4	364	4.1	4620	2.3	12.0	71-80-90-100-112-132	23300	26900	40900	49300	15000	8800	
	305 R4	390	3.8	3750	1.7	12.0	71-80-90-100-112-132	23900	27600	41800	50300	15300	8800	
	305 R4	452	3.3	4750	1.9	12.0	71-80-90-100-112-132	25100	28900	43700	52600	16100	8800	
	305 R4	528	2.8	3920	1.3	12.0	71-80-90-100-112-132	26400	30500	45800	55100	16900	8800	
	305 R4	567	2.6	4860	1.5	12.0	71-80-90-100-112-132	27000	31200	46800	56300	17400	8800	
	305 R4	659	2.3	4070	1.1	12.0	71-80-90-100-112-132	28400	32800	48900	58900	18200	8800	
	305 R4	797	1.9	3450	0.77	12.0	71-80-90-100-112-132	30300	35000	51800	62300	19400	8800	
	305 R4	824	1.8	4230	0.91	12.0	71-80-90-100-112-132	30600	35400	52300	62900	19700	8800	
	1000	305 R2	9.23	108	1890	23	22	71-80-90-100-112-132	7850	9060	15400	18500	5030	7700
		305 R2	10.9	92	2240	23	22	71-80-90-100-112-132	8290	9570	16100	19400	5320	7700
305 R2		13.7	73	2810	23	22	71-80-90-100-112-132	8940	10300	17300	20800	5740	7700	
305 R2		15.9	63	3270	23	22	71-80-90-100-112-132	9400	10900	18100	21700	6030	7700	
305 R2		19.2	52	2990	17.3	22	71-80-90-100-112-132	10000	11600	19100	23000	6430	7700	
305 R3		25.7	39	3900	15.0	16.8	71-80-90-100-112-132	11000	12700	20900	25100	7080	8800	
305 R3		31.5	32	3950	14.4	16.8	71-80-90-100-112-132	11800	13600	22200	26700	7580	8800	
305 R3		37.1	26.9	4600	14.2	16.8	71-80-90-100-112-132	12500	14400	23300	28100	8010	8800	
305 R3		42.6	23.5	3990	10.7	16.8	71-80-90-100-112-132	13100	15100	24300	29200	8380	8800	
305 R3		46.6	21.5	4340	10.7	16.8	71-80-90-100-112-132	13500	15500	25000	30000	8640	8800	
305 R3		50.3	19.9	4700	10.7	16.8	71-80-90-100-112-132	13800	15900	25500	30700	8860	8800	
305 R3		54.2	18.5	3580	7.6	16.8	71-80-90-100-112-132	14200	16300	26100	31400	9080	8800	
305 R3		63.1	15.9	4370	7.9	16.8	71-80-90-100-112-132	14900	17200	27300	32900	9550	8800	
305 R3		73.3	13.6	3590	5.6	16.8	71-80-90-100-112-132	15700	18100	28600	34400	10000	8800	
305 R3		78.7	12.7	4380	6.4	16.8	71-80-90-100-112-132	16000	18500	29200	35100	10300	8800	
305 R3		91.5	10.9	3600	4.5	16.8	71-80-90-100-112-132	16900	19500	30600	36800	10800	8800	
305 R3		114	8.7	3600	3.6	16.8	71-80-90-100-112-132	18200	21000	32700	39300	11700	8800	
305 R4		129	7.7	5370	4.9	14.4	71-80-90-100-112-132	18900	21800	33900	40800	12100	8800	
305 R4		148	6.7	4490	3.6	14.4	71-80-90-100-112-132	19800	22900	35300	42500	12700	8800	
305 R4		158	6.3	5420	4.0	14.4	71-80-90-100-112-132	20200	23400	36000	43300	13000	8800	
305 R4		185	5.4	4490	2.9	14.4	71-80-90-100-112-132	21300	24600	37700	45400	13700	8800	
305 R4		214	4.7	5480	3.0	14.4	71-80-90-100-112-132	22400	25800	39500	47500	14400	8800	
305 R4		231	4.3	3680	1.9	14.4	71-80-90-100-112-132	23000	26500	40300	48500	14700	8800	
305 R4		255	3.9	3740	1.7	14.4	71-80-90-100-112-132	23700	27400	41600	50000	15200	8800	
305 R4		290	3.4	5350	2.2	14.4	71-80-90-100-112-132	24800	28600	43200	52000	15900	8800	
305 R4		313	3.2	3850	1.5	14.4	71-80-90-100-112-132	25400	29300	44200	53200	16300	8800	
305 R4		336	3.0	4890	1.7	14.4	71-80-90-100-112-132	26000	30000	45100	54300	16700	8800	
305 R4		364	2.7	4960	1.6	14.4	71-80-90-100-112-132	26700	30800	46200	55600	17100	8800	
305 R4		390	2.6	3980	1.2	14.4	71-80-90-100-112-132	27300	31600	47200	56800	17500	8800	
305 R4		452	2.2	4750	1.2	14.4	71-80-90-100-112-132	28700	33100	49300	59400	18400	8800	
305 R4		528	1.9	4200	0.94	14.4	71-80-90-100-112-132	30200	34900	51700	62200	19400	8800	

B





305 R



292

5600 Nm



n ₁ min ⁻¹		i	n ₂ min ⁻¹	M _{n2} Nm	P _{n1} kW	Pt kW	P (IEC) 	R _{n2} [N]					M _{2 max} Nm
								MC	MZ	HC/PC	HZ/PZ	FZ	
1000	305 R4	567	1.8	5160	1.1	14.4	71-80-90-100-112-132	31000	35700	52800	63500	19900	8800
	305 R4	659	1.5	4360	0.78	14.4	71-80-90-100-112-132	32600	37600	55300	66500	20900	8800
	305 R4	797	1.3	3670	0.54	14.4	71-80-90-100-112-132	34700	40000	58500	70400	22300	8800
	305 R4	824	1.2	4530	0.65	14.4	71-80-90-100-112-132	35100	40500	59100	71100	22500	8800
500	305 R2	9.23	54	2330	14.1	36	71-80-90-100-112-132	9890	11400	18900	22700	6340	7700
	305 R2	10.9	46	2750	14.0	36	71-80-90-100-112-132	10400	12100	19900	23900	6700	7700
	305 R2	13.7	37	3340	13.6	36	71-80-90-100-112-132	11300	13000	21300	25600	7230	7700
	305 R2	15.9	31	3530	12.4	36	71-80-90-100-112-132	11800	13700	22300	26800	7600	7700
	305 R2	19.2	26.0	3040	8.8	36	71-80-90-100-112-132	12600	14600	23600	28300	8100	7700
	305 R3	25.7	19.5	4190	9.4	28	71-80-90-100-112-132	13900	16100	25700	30900	8920	8800
	305 R3	31.5	15.9	4260	7.8	28	71-80-90-100-112-132	14900	17200	27300	32900	9550	8800
	305 R3	37.1	13.5	5080	7.8	28	71-80-90-100-112-132	15700	18200	28700	34500	10100	8800
	305 R3	42.6	11.7	4340	5.9	28	71-80-90-100-112-132	16500	19000	29900	36000	10600	8800
	305 R3	46.6	10.7	4390	5.4	28	71-80-90-100-112-132	17000	19600	30700	37000	10900	8800
	305 R3	50.3	9.9	5230	6.0	28	71-80-90-100-112-132	17400	20100	31400	37800	11200	8800
	305 R3	54.2	9.2	3600	3.8	28	71-80-90-100-112-132	17800	20600	32200	38700	11400	8800
	305 R3	63.1	7.9	4420	4.0	28	71-80-90-100-112-132	18800	21700	33700	40500	12000	8800
	305 R3	73.3	6.8	3600	2.8	28	71-80-90-100-112-132	19700	22800	35200	42400	12700	8800
	305 R3	78.7	6.4	4450	3.2	28	71-80-90-100-112-132	20200	23300	36000	43300	13000	8800
	305 R3	91.5	5.5	3600	2.3	28	71-80-90-100-112-132	21200	24500	37600	45300	13600	8800
	305 R3	114	4.4	3670	1.8	28	71-80-90-100-112-132	22900	26400	40200	48400	14700	8800
	305 R4	129	3.9	5480	2.5	24	71-80-90-100-112-132	23800	27500	41700	50200	15300	8800
	305 R4	148	3.4	4490	1.8	24	71-80-90-100-112-132	24900	28800	43500	52300	16000	8800
	305 R4	158	3.2	5490	2.1	24	71-80-90-100-112-132	25500	29400	44400	53400	16400	8800
	305 R4	185	2.7	4490	1.4	24	71-80-90-100-112-132	26900	31000	46500	55900	17200	8800
	305 R4	214	2.3	5520	1.5	24	71-80-90-100-112-132	28200	32600	48600	58400	18100	8800
	305 R4	231	2.2	4100	1.1	24	71-80-90-100-112-132	28900	33400	49700	59800	18600	8800
	305 R4	255	2.0	4170	0.97	24	71-80-90-100-112-132	29900	34500	51200	61600	19200	8800
	305 R4	290	1.7	5450	1.1	24	71-80-90-100-112-132	31200	36000	53200	64000	20000	8800
	305 R4	313	1.6	4320	0.82	24	71-80-90-100-112-132	32000	36900	54400	65400	20500	8800
	305 R4	336	1.5	5350	0.94	24	71-80-90-100-112-132	32800	37800	55600	66900	21000	8800
	305 R4	364	1.4	5400	0.88	24	71-80-90-100-112-132	33700	38800	56900	68500	21600	8800
	305 R4	390	1.3	4490	0.68	24	71-80-90-100-112-132	34400	39800	58100	69900	22100	8800
	305 R4	452	1.1	4750	0.62	24	71-80-90-100-112-132	36000	41700	60700	73100	23200	8800
	305 R4	528	0.95	4690	0.53	24	71-80-90-100-112-132	36000	42000	63700	74000	24000	8800
	305 R4	567	0.88	5600	0.58	24	71-80-90-100-112-132	36000	42000	64000	74000	24000	8800
305 R4	659	0.76	4690	0.42	24	71-80-90-100-112-132	36000	42000	64000	74000	24000	8800	
305 R4	797	0.63	3800	0.28	24	71-80-90-100-112-132	36000	42000	64000	74000	24000	8800	
305 R4	824	0.61	4690	0.34	24	71-80-90-100-112-132	36000	42000	64000	74000	24000	8800	

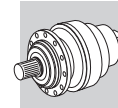
306 R





304

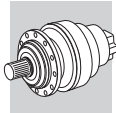
7300 Nm

n ₁ min ⁻¹		i	n ₂ min ⁻¹	M _{n2} Nm	P _{n1} kW	Pt kW	P (IEC) 	R _{n2} [N]					M _{2 max} Nm
								MC	MZ	HC/PC	HZ/PZ	FZ	
1500	306 R2	9.23	163	1680	30	18.0	71-80-90-100-112-132-160	8540	9670	22200	25900	6410	12000
	306 R2	10.9	138	1980	30	18.0	71-80-90-100-112-132-160	9020	10200	23400	27200	6780	12000
	306 R2	13.7	110	2490	30	18.0	71-80-90-100-112-132-160	9730	11000	25000	29100	7310	12000
	306 R2	15.9	94	2890	30	18.0	71-80-90-100-112-132-160	10200	11600	26200	30500	7690	12000
306 R2	19.2	78	3490	30	18.0	71-80-90-100-112-132-160	10900	12400	27700	32300	8190	12000	
306 R3	33.2	45	5810	30	14.0	71-80-90-100-112-132-160	13100	14800	32700	38000	9830	14900	
306 R3	39.2	38	6550	29	14.0	71-80-90-100-112-132-160	13800	15700	34300	40000	10400	14900	
306 R3	46.3	32	7510	28	14.0	71-80-90-100-112-132-160	14600	16600	36100	42000	11000	14900	
306 R3	58.1	25.8	7580	22	14.0	71-80-90-100-112-132-160	15800	17900	38600	45000	11800	14900	
306 R3	67.5	22.2	7090	18.1	14.0	71-80-90-100-112-132-160	16600	18800	40400	47100	12500	14900	
306 R3	72.9	20.6	7420	17.5	14.0	71-80-90-100-112-132-160	17000	19300	41300	48100	12800	14900	
306 R3	84.7	17.7	7530	15.3	14.0	71-80-90-100-112-132-160	17900	20300	43300	50400	13400	14900	
306 R3	98.5	15.2	6490	11.3	14.0	71-80-90-100-112-132-160	18800	21300	45300	52700	14100	14900	
306 R3	119	12.6	6490	9.4	14.0	71-80-90-100-112-132-160	20000	22700	47900	55800	15000	14900	

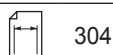


306 R							7300 Nm						
n_1 min ⁻¹		i	n_2 min ⁻¹	M_{n2} Nm	P_{n1} kW	Pt kW	P (IEC) 	MC	MZ	R _{n2} [N]		FZ	M _{2 max} Nm
								HC/PC	HZ/PZ				
1500	306 R3	144	10.4	5490	6.6	14.0	71-80-90-100-112-132-160	21300	24200	50700	59100	16000	14900
	306 R4	158	9.5	9620	10.8	12.0	71-80-90-100-112-132-160	22000	24900	52100	60700	16500	14900
	306 R4	168	8.9	7560	8.0	12.0	71-80-90-100-112-132-160	22400	25400	53100	61800	16900	14900
	306 R4	181	8.3	9450	9.3	12.0	71-80-90-100-112-132-160	23000	26100	54300	63200	17300	14900
	306 R4	214	7.0	9730	8.1	12.0	71-80-90-100-112-132-160	24300	27600	57100	66500	18300	14900
	306 R4	230	6.5	7590	5.8	12.0	71-80-90-100-112-132-160	24900	28300	58400	68000	18700	14900
	306 R4	249	6.0	8200	5.9	12.0	71-80-90-100-112-132-160	25600	29000	59700	69600	19200	14900
	306 R4	289	5.2	8280	5.1	12.0	71-80-90-100-112-132-160	26900	30500	62500	72800	20200	14900
	306 R4	312	4.8	7590	4.3	12.0	71-80-90-100-112-132-160	27600	31300	63900	74500	20700	14900
	306 R4	389	3.9	7590	3.5	12.0	71-80-90-100-112-132-160	29700	33700	68300	79600	22300	14900
	306 R4	420	3.6	8790	3.7	12.0	71-80-90-100-112-132-160	30500	34500	69900	81400	22900	14900
	306 R4	455	3.3	7020	2.7	12.0	71-80-90-100-112-132-160	31300	35500	71600	83400	23500	14900
	306 R4	488	3.1	9020	3.3	12.0	71-80-90-100-112-132-160	32000	36300	73200	85200	24100	14900
	306 R4	550	2.7	7260	2.3	12.0	71-80-90-100-112-132-160	33300	37800	75800	88300	25100	14900
	306 R4	590	2.5	8480	2.5	12.0	71-80-90-100-112-132-160	34100	38700	77400	90200	25600	14900
	306 R4	665	2.3	6010	1.6	12.0	71-80-90-100-112-132-160	35500	40300	80300	93500	26700	14900
306 R4	830	1.8	6270	1.3	12.0	71-80-90-100-112-132-160	38300	43300	85800	99900	28700	14900	
1000	306 R2	9.23	108	1890	23	22	71-80-90-100-112-132-160	9770	11100	25100	29200	7340	12000
	306 R2	10.9	92	2240	23	22	71-80-90-100-112-132-160	10300	11700	26400	30700	7760	12000
	306 R2	13.7	73	2810	23	22	71-80-90-100-112-132-160	11100	12600	28300	32900	8370	12000
	306 R2	15.9	63	3270	23	22	71-80-90-100-112-132-160	11700	13300	29600	34400	8800	12000
	306 R2	19.2	52	3940	23	22	71-80-90-100-112-132-160	12500	14100	31300	36500	9380	12000
	306 R3	33.2	30	6330	22	16.8	71-80-90-100-112-132-160	15000	17000	36900	43000	11300	14900
	306 R3	39.2	25.5	7280	21	16.8	71-80-90-100-112-132-160	15800	17900	38800	45100	11900	14900
	306 R3	46.3	21.6	8170	20	16.8	71-80-90-100-112-132-160	16700	19000	40800	47500	12600	14900
	306 R3	58.1	17.2	8200	16.2	16.8	71-80-90-100-112-132-160	18000	20400	43600	50800	13600	14900
	306 R3	67.5	14.8	7340	12.5	16.8	71-80-90-100-112-132-160	19000	21500	45600	53100	14300	14900
	306 R3	72.9	13.7	7710	12.1	16.8	71-80-90-100-112-132-160	19500	22000	46700	54400	14600	14900
	306 R3	84.7	11.8	7820	10.6	16.8	71-80-90-100-112-132-160	20500	23200	48900	56900	15400	14900
	306 R3	98.5	10.2	6500	7.6	16.8	71-80-90-100-112-132-160	21500	24400	51100	59500	16200	14900
	306 R3	119	8.4	6510	6.3	16.8	71-80-90-100-112-132-160	22900	26000	54100	63000	17200	14900
	306 R3	144	6.9	5500	4.4	16.8	71-80-90-100-112-132-160	24400	27700	57300	66700	18400	14900
	306 R4	158	6.3	9760	7.3	14.4	71-80-90-100-112-132-160	25200	28500	58900	68600	18900	14900
	306 R4	168	6.0	7660	5.4	14.4	71-80-90-100-112-132-160	25700	29100	60000	69800	19300	14900
	306 R4	181	5.5	9450	6.2	14.4	71-80-90-100-112-132-160	26400	29900	61300	71400	19800	14900
	306 R4	214	4.7	9850	5.5	14.4	71-80-90-100-112-132-160	27800	31600	64500	75100	20900	14900
	306 R4	230	4.3	7590	3.9	14.4	71-80-90-100-112-132-160	28600	32400	65900	76800	21500	14900
	306 R4	249	4.0	8620	4.1	14.4	71-80-90-100-112-132-160	29300	33200	67500	78600	22000	14900
	306 R4	289	3.5	8840	3.6	14.4	71-80-90-100-112-132-160	30800	34900	70600	82200	23100	14900
	306 R4	312	3.2	7590	2.9	14.4	71-80-90-100-112-132-160	31600	35800	72200	84100	23700	14900
	306 R4	389	2.6	7590	2.3	14.4	71-80-90-100-112-132-160	34000	38500	77200	89900	25500	14900
	306 R4	420	2.4	9390	2.6	14.4	71-80-90-100-112-132-160	34900	39500	79000	91900	26200	14900
	306 R4	455	2.2	7530	2.0	14.4	71-80-90-100-112-132-160	35800	40600	80900	94200	26900	14900
	306 R4	488	2.0	9390	2.3	14.4	71-80-90-100-112-132-160	36700	41600	82600	96200	27600	14900
	306 R4	550	1.8	7740	1.7	14.4	71-80-90-100-112-132-160	38200	43200	85600	99700	28700	14900
	306 R4	590	1.7	8910	1.8	14.4	71-80-90-100-112-132-160	39100	44300	87500	101800	29400	14900
	306 R4	665	1.5	6490	1.2	14.4	71-80-90-100-112-132-160	40700	46100	90700	105600	30600	14900
	306 R4	830	1.2	6760	0.96	14.4	71-80-90-100-112-132-160	43800	49600	96900	112800	32900	14900
	500	306 R2	9.23	54	2330	14.1	36	71-80-90-100-112-132-160	12300	13900	30900	36000	9250
306 R2		10.9	46	2750	14.0	36	71-80-90-100-112-132-160	13000	14700	32500	37800	9770	12000
306 R2		13.7	37	3460	14.1	36	71-80-90-100-112-132-160	14000	15900	34800	40500	10500	12000
306 R2		15.9	31	4020	14.1	36	71-80-90-100-112-132-160	14800	16700	36400	42400	11100	12000
306 R2		19.2	26.0	4510	13.1	36	71-80-90-100-112-132-160	15700	17800	38500	44900	11800	12000
306 R3		33.2	15.1	7350	12.7	28	71-80-90-100-112-132-160	18900	21400	45400	52900	14200	14900
306 R3		39.2	12.8	8730	12.8	28	71-80-90-100-112-132-160	19900	22600	47700	55600	15000	14900
306 R3		46.3	10.8	9450	11.7	28	71-80-90-100-112-132-160	21100	23900	50200	58400	15800	14900
306 R3		58.1	8.6	9100	9.0	28	71-80-90-100-112-132-160	22700	25800	53700	62500	17100	14900
306 R3		67.5	7.4	7590	6.4	28	71-80-90-100-112-132-160	23900	27100	56200	65400	18000	14900
306 R3		72.9	6.9	8140	6.4	28	71-80-90-100-112-132-160	24500	27800	57500	66900	18400	14900
306 R3		84.7	5.9	8210	5.6	28	71-80-90-100-112-132-160	25800	29200	60100	70000	19400	14900





306 R



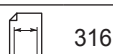
304

7300 Nm

n ₁ min ⁻¹		i	n ₂ min ⁻¹	M _{n2} Nm	P _{n1} kW	Pt kW	P (IEC)	Rn ₂ [N]					M _{2 max} Nm
								MC	MZ	HC/PC	HZ/PZ	FZ	
500	306 R3	98.5	5.1	6530	3.8	28	71-80-90-100-112-132-160	27100	30700	62900	73300	20400	14900
	306 R3	119	4.2	6730	3.2	28	71-80-90-100-112-132-160	28900	32700	66600	77600	21700	14900
	306 R3	144	3.5	5710	2.3	28	71-80-90-100-112-132-160	30800	34900	70500	82100	23100	14900
	306 R4	158	3.2	9850	3.7	24	71-80-90-100-112-132-160	31700	35900	72500	84400	23800	14900
	306 R4	168	3.0	7700	2.7	24	71-80-90-100-112-132-160	32400	36700	73800	86000	24300	14900
	306 R4	181	2.8	9450	3.1	24	71-80-90-100-112-132-160	33200	37600	75500	87900	24900	14900
	306 R4	214	2.3	9890	2.7	24	71-80-90-100-112-132-160	35100	39800	79400	92400	26400	14900
	306 R4	230	2.2	7640	2.0	24	71-80-90-100-112-132-160	36000	40800	81200	94500	27000	14900
	306 R4	249	2.0	9520	2.3	24	71-80-90-100-112-132-160	36900	41800	83100	96700	27700	14900
	306 R4	289	1.7	9430	1.9	24	71-80-90-100-112-132-160	38800	44000	86900	101200	29200	14900
	306 R4	312	1.6	7730	1.5	24	71-80-90-100-112-132-160	39800	45100	88900	103500	29900	14900
	306 R4	389	1.3	8240	1.3	24	71-80-90-100-112-132-160	42800	48500	95000	110600	32200	14900
	306 R4	420	1.2	9940	1.4	24	71-80-90-100-112-132-160	44000	49800	97200	113200	33000	14900
	306 R4	455	1.1	8490	1.1	24	71-80-90-100-112-132-160	45000	51000	99600	115900	33900	14900
	306 R4	488	1.0	9530	1.2	24	71-80-90-100-112-132-160	45000	51000	101000	118400	34700	14900
	306 R4	550	0.91	8500	0.91	24	71-80-90-100-112-132-160	45000	51000	101000	119000	35000	14900
	306 R4	590	0.85	9500	0.95	24	71-80-90-100-112-132-160	45000	51000	101000	119000	35000	14900
	306 R4	665	0.75	7000	0.62	24	71-80-90-100-112-132-160	45000	51000	101000	119000	35000	14900
	306 R4	830	0.60	7000	0.50	24	71-80-90-100-112-132-160	45000	51000	101000	119000	35000	14900

B

307 R



316

14000 Nm

n ₁ min ⁻¹		i	n ₂ min ⁻¹	M _{n2} Nm	P _{n1} kW	Pt kW	P (IEC)	Rn ₂ [N]					M _{2 max} Nm
								MC	MZ	HC/PC	HZ/PZ	FZ	
1500	307 R2	13.0	116	5110	66	35	132-160-180-200	10600	13300	26500	34700	9230	18600
	307 R2	15.5	97	6090	66	35	132-160-180-200	11300	14100	27900	36600	9790	21000
	307 R2	19.8	76	7820	66	35	132-160-180-200	12200	15400	30100	39400	10600	21000
	307 R2	23.5	64	7970	57	35	132-160-180-200	13000	16300	31700	41500	11300	21000
	307 R3	31.6	47	5570	30	22	71-80-90-100-112-132-160	14300	17900	34600	45400	12400	18600
	307 R3	37.7	40	6650	30	22	71-80-90-100-112-132-160	15200	19000	36500	47800	13200	21000
	307 R3	44.6	34	7860	30	22	71-80-90-100-112-132-160	16000	20100	38400	50300	13900	21000
	307 R3	55.9	26.8	9860	30	22	71-80-90-100-112-132-160	17300	21700	41100	53800	15000	21000
	307 R3	65.0	23.1	11000	29	22	71-80-90-100-112-132-160	18200	22800	43000	56300	15800	21000
	307 R3	71.8	20.9	10100	24	22	71-80-90-100-112-132-160	18800	23600	44300	58000	16300	21000
	307 R3	78.6	19.1	11100	24	22	71-80-90-100-112-132-160	19400	24300	45500	59600	16800	21000
	307 R3	83.4	18.0	10200	21	22	71-80-90-100-112-132-160	19800	24800	46300	60700	17200	21000
	307 R3	99.0	15.2	8580	14.9	22	71-80-90-100-112-132-160	20900	26200	48800	63900	18200	21000
	307 R3	120	12.5	8630	12.4	22	71-80-90-100-112-132-160	22300	28000	51600	67600	19400	21000
	307 R4	152	9.9	13500	15.0	15.0	71-80-90-100-112-132-160	24100	30300	55400	72700	21000	21000
	307 R4	165	9.1	10900	11.7	15.0	71-80-90-100-112-132-160	24800	31100	56900	74500	21600	21000
	307 R4	191	7.9	14000	13.0	15.0	71-80-90-100-112-132-160	26000	32700	59400	77800	22600	21000
	307 R4	206	7.3	14100	12.2	15.0	71-80-90-100-112-132-160	26700	33500	60700	79600	23200	21000
	307 R4	232	6.5	11100	8.5	15.0	71-80-90-100-112-132-160	27800	34900	63000	82500	24200	21000
	307 R4	258	5.8	14600	10.0	15.0	71-80-90-100-112-132-160	28800	36100	65000	85200	25000	21000
307 R4	284	5.3	11300	7.0	15.0	71-80-90-100-112-132-160	29700	37300	66900	87700	25900	21000	
307 R4	300	5.0	14000	8.3	15.0	71-80-90-100-112-132-160	30300	38000	68000	89100	26300	21000	
307 R4	331	4.5	11500	6.2	15.0	71-80-90-100-112-132-160	31300	39300	70000	91800	27200	21000	
307 R4	363	4.1	12300	6.0	15.0	71-80-90-100-112-132-160	32300	40500	72000	94300	28000	21000	
307 R4	413	3.6	11900	5.1	15.0	71-80-90-100-112-132-160	33700	42300	74900	98100	29300	21000	
307 R4	453	3.3	13400	5.3	15.0	71-80-90-100-112-132-160	34700	43600	76900	100800	30200	21000	
307 R4	490	3.1	9330	3.4	15.0	71-80-90-100-112-132-160	35700	44700	78800	103300	31000	21000	
307 R4	581	2.6	12600	3.9	15.0	71-80-90-100-112-132-160	37700	47400	82900	108700	32800	21000	
307 R4	690	2.2	9800	2.5	15.0	71-80-90-100-112-132-160	40000	50100	87300	114400	34700	21000	
1000	307 R2	13.0	77	5770	50	42	132-160-180-200	12200	15300	29900	39200	10600	18600
	307 R2	15.5	65	6880	50	42	132-160-180-200	12900	16200	31500	41300	11200	21000
	307 R2	19.8	50	8830	50	42	132-160-180-200	14000	17600	34000	44500	12200	21000
	307 R2	23.5	42	8290	39	42	132-160-180-200	14800	18600	35800	46900	12900	21000





307 R

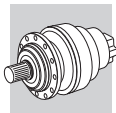


316

14000 Nm

n ₁ min ⁻¹		i	n ₂ min ⁻¹	M _{n2} Nm	P _{n1} kW	Pt kW	P (IEC) 	Rn ₂ [N]					M _{2 max} Nm
								MC	MZ	HC/PC	HZ/PZ	FZ	
1000	307 R3	31.6	32	6180	22	26	71-80-90-100-112-132-160	16400	20500	39100	51200	14200	18600
	307 R3	37.7	26.5	7510	23	26	71-80-90-100-112-132-160	17400	21800	41200	54000	15100	21000
	307 R3	44.6	22.4	8870	23	26	71-80-90-100-112-132-160	18400	23000	43300	56800	16000	21000
	307 R3	55.9	17.9	11100	23	26	71-80-90-100-112-132-160	19800	24800	46400	60800	17200	21000
	307 R3	65.0	15.4	12200	21	26	71-80-90-100-112-132-160	20800	26100	48500	63600	18100	21000
	307 R3	71.8	13.9	10500	16.7	26	71-80-90-100-112-132-160	21500	27000	50000	65500	18700	21000
	307 R3	78.6	12.7	11800	17.3	26	71-80-90-100-112-132-160	22200	27800	51400	67300	19300	21000
	307 R3	83.4	12.0	10600	14.6	26	71-80-90-100-112-132-160	22600	28400	52300	68500	19700	21000
	307 R3	99.0	10.1	8700	10.1	26	71-80-90-100-112-132-160	23900	30000	55100	72200	20800	21000
	307 R3	120	8.4	8700	8.3	26	71-80-90-100-112-132-160	25500	32000	58300	76400	22200	21000
	307 R4	152	6.6	14300	11.2	18.0	71-80-90-100-112-132-160	27600	34700	62600	82100	24000	21000
	307 R4	165	6.1	11200	8.0	18.0	71-80-90-100-112-132-160	28400	35600	64200	84100	24700	21000
	307 R4	191	5.2	14800	9.2	18.0	71-80-90-100-112-132-160	29800	37400	67000	87800	25900	21000
	307 R4	206	4.9	14900	8.6	18.0	71-80-90-100-112-132-160	30600	38300	68600	89900	26600	21000
	307 R4	232	4.3	11600	5.9	18.0	71-80-90-100-112-132-160	31800	39900	71100	93200	27700	21000
	307 R4	258	3.9	14900	6.8	18.0	71-80-90-100-112-132-160	33000	41400	73400	96200	28600	21000
	307 R4	284	3.5	12000	5.0	18.0	71-80-90-100-112-132-160	34000	42700	75600	99000	29600	21000
	307 R4	300	3.3	14000	5.5	18.0	71-80-90-100-112-132-160	34700	43500	76800	100600	30100	21000
	307 R4	331	3.0	12300	4.4	18.0	71-80-90-100-112-132-160	35800	44900	79100	103700	31100	21000
	307 R4	363	2.8	12300	4.0	18.0	71-80-90-100-112-132-160	36900	46300	81300	106500	32100	21000
307 R4	413	2.4	12800	3.7	18.0	71-80-90-100-112-132-160	38600	48400	84500	110800	33500	21000	
307 R4	453	2.2	14000	3.6	18.0	71-80-90-100-112-132-160	39800	49900	86900	113900	34600	21000	
307 R4	490	2.0	9900	2.4	18.0	71-80-90-100-112-132-160	40800	51200	89000	116600	35500	21000	
307 R4	581	1.7	13300	2.7	18.0	71-80-90-100-112-132-160	43200	54200	93600	122700	37600	21000	
307 R4	690	1.4	10400	1.8	18.0	71-80-90-100-112-132-160	45700	57400	98600	129200	39800	21000	
500	307 R2	13.0	39	6780	29	70	132-160-180-200	15300	19200	36800	48300	13300	18600
	307 R2	15.5	32	7950	29	70	132-160-180-200	16200	20400	38800	50900	14100	21000
	307 R2	19.8	25.2	9630	27	70	132-160-180-200	17700	22200	41900	54800	15300	21000
	307 R2	23.5	21.2	8480	20	70	132-160-180-200	18700	23500	44100	57700	16200	21000
	307 R3	31.6	15.8	7380	13.4	44	71-80-90-100-112-132-160	20600	25900	48100	63100	17900	18600
	307 R3	37.7	13.2	9250	14.1	44	71-80-90-100-112-132-160	21900	27400	50800	66500	19000	21000
	307 R3	44.6	11.2	10900	14.1	44	71-80-90-100-112-132-160	23100	29000	53400	69900	20100	21000
	307 R3	55.9	8.9	13500	13.9	44	71-80-90-100-112-132-160	24900	31300	57100	74800	21700	21000
	307 R3	65.0	7.7	13700	12.1	44	71-80-90-100-112-132-160	26200	32900	59800	78300	22800	21000
	307 R3	71.8	7.0	11100	8.8	44	71-80-90-100-112-132-160	27100	34000	61600	80700	23600	21000
	307 R3	78.6	6.4	12300	9.0	44	71-80-90-100-112-132-160	27900	35100	63300	82900	24300	21000
	307 R3	83.4	6.0	11200	7.7	44	71-80-90-100-112-132-160	28500	35800	64400	84400	24800	21000
	307 R3	99.0	5.1	8700	5.0	44	71-80-90-100-112-132-160	30200	37900	67800	88800	26200	21000
	307 R3	120	4.2	8930	4.3	44	71-80-90-100-112-132-160	32100	40300	71800	94100	27900	21000
	307 R4	152	3.3	14900	5.8	30	71-80-90-100-112-132-160	34800	43700	77100	101000	30300	21000
	307 R4	165	3.0	12300	4.4	30	71-80-90-100-112-132-160	35800	44900	79100	103600	31100	21000
	307 R4	191	2.6	14900	4.6	30	71-80-90-100-112-132-160	37500	47100	82500	108100	32600	21000
	307 R4	206	2.4	14900	4.3	30	71-80-90-100-112-132-160	38500	48300	84400	110600	33500	21000
	307 R4	232	2.2	13000	3.3	30	71-80-90-100-112-132-160	40100	50300	87600	114700	34800	21000
	307 R4	258	1.9	15100	3.5	30	71-80-90-100-112-132-160	41500	52100	90400	118400	36100	21000
307 R4	284	1.8	13500	2.8	30	71-80-90-100-112-132-160	42900	53800	93100	121900	37300	21000	
307 R4	300	1.7	14400	2.8	30	71-80-90-100-112-132-160	43700	54800	94500	123900	38000	21000	
307 R4	331	1.5	13800	2.5	30	71-80-90-100-112-132-160	45100	56600	97400	127600	39200	21000	
307 R4	363	1.4	12300	2.0	30	71-80-90-100-112-132-160	46500	58400	100100	131200	40400	21000	
307 R4	413	1.2	14400	2.1	30	71-80-90-100-112-132-160	48600	61000	104100	136400	42200	21000	
307 R4	453	1.1	14900	1.9	30	71-80-90-100-112-132-160	50100	62800	107000	140200	43500	21000	
307 R4	490	1.0	11000	1.3	30	71-80-90-100-112-132-160	51400	64500	109000	143600	44700	21000	
307 R4	581	0.86	14300	1.5	30	71-80-90-100-112-132-160	52000	65000	109000	145000	45000	21000	
307 R4	690	0.72	11000	0.94	30	71-80-90-100-112-132-160	52000	65000	109000	145000	45000	21000	

B





309 R



328

16460 Nm

n ₁ min ⁻¹		i	n ₂ min ⁻¹	M _{n2} Nm	P _{n1} kW	Pt kW	P (IEC) 	Rn ₂ [N]					M _{2 max} Nm
								MC	MZ	HC/PC	HZ/PZ	FZ	
1500	309 R2	13.0	116	5110	66	35	132-160-180-200	—	—	26900	34700	7390	27400
	309 R2	15.5	97	6090	66	35	132-160-180-200	—	—	28400	36600	7830	27400
	309 R2	19.8	76	7820	66	35	132-160-180-200	—	—	30600	39400	8510	27400
	309 R2	23.5	64	9280	66	35	132-160-180-200	—	—	32200	41500	9010	27400
	309 R3	31.6	47	5580	30	22	71-80-90-100-112-132-160	—	—	35200	45400	9950	27900
	309 R3	37.7	40	6650	30	22	71-80-90-100-112-132-160	—	—	37100	47800	10500	29000
	309 R3	44.6	34	7860	30	22	71-80-90-100-112-132-160	—	—	39000	50300	11100	29000
	309 R3	55.9	26.8	9860	30	22	71-80-90-100-112-132-160	—	—	41700	53800	12000	29000
	309 R3	65.0	23.1	11200	30	22	71-80-90-100-112-132-160	—	—	43700	56300	12600	29000
	309 R3	71.8	20.9	12700	30	22	71-80-90-100-112-132-160	—	—	45000	58000	13100	29000
	309 R3	83.4	18.0	14000	29	22	71-80-90-100-112-132-160	—	—	47100	60700	13700	29000
	309 R3	99.0	15.2	12800	22	22	71-80-90-100-112-132-160	—	—	49500	63900	14500	29000
	309 R3	120	12.5	12900	18.6	22	71-80-90-100-112-132-160	—	—	52500	67600	15500	29000
	309 R4	152	9.9	18600	15.0	15.0	71-80-90-100-112-132-160	—	—	56300	72700	16800	29000
	309 R4	165	9.1	16300	15.0	15.0	71-80-90-100-112-132-160	—	—	57800	74500	17300	29000
	309 R4	191	7.9	17300	15.0	15.0	71-80-90-100-112-132-160	—	—	60300	77800	18100	29000
	309 R4	206	7.3	19800	15.0	15.0	71-80-90-100-112-132-160	—	—	61700	79600	18600	29000
	309 R4	232	6.5	16700	12.7	15.0	71-80-90-100-112-132-160	—	—	64000	82500	19300	29000
	309 R4	258	5.8	17400	12.0	15.0	71-80-90-100-112-132-160	—	—	66000	85200	20000	29000
	309 R4	284	5.3	16900	10.5	15.0	71-80-90-100-112-132-160	—	—	68000	87700	20700	29000
309 R4	331	4.5	17200	9.2	15.0	71-80-90-100-112-132-160	—	—	71200	91800	21800	29000	
309 R4	374	4.0	14300	6.8	15.0	71-80-90-100-112-132-160	—	—	73800	95200	22700	29000	
309 R4	413	3.6	17900	7.7	15.0	71-80-90-100-112-132-160	—	—	76100	98100	23400	29000	
309 R4	457	3.3	13800	5.4	15.0	71-80-90-100-112-132-160	—	—	78400	101100	24200	29000	
309 R4	490	3.1	14000	5.1	15.0	71-80-90-100-112-132-160	—	—	80100	103300	24800	29000	
309 R4	581	2.6	15800	4.8	15.0	71-80-90-100-112-132-160	—	—	84300	108700	26200	29000	
309 R4	690	2.2	14800	3.8	15.0	71-80-90-100-112-132-160	—	—	88700	114400	27800	29000	
1000	309 R2	13.0	77	5770	50	42	132-160-180-200	—	—	30400	39200	8450	27400
	309 R2	15.5	65	6880	50	42	132-160-180-200	—	—	32100	41300	8970	27400
	309 R2	19.8	50	8830	50	42	132-160-180-200	—	—	34500	44500	9740	27400
	309 R2	23.5	42	10200	48	42	132-160-180-200	—	—	36400	46900	10300	27400
	309 R3	31.6	32	6300	23	26	71-80-90-100-112-132-160	—	—	39700	51200	11400	27900
	309 R3	37.7	26.5	7510	23	26	71-80-90-100-112-132-160	—	—	41900	54000	12100	29000
	309 R3	44.6	22.4	8870	23	26	71-80-90-100-112-132-160	—	—	44000	56800	12800	29000
	309 R3	55.9	17.9	11100	23	26	71-80-90-100-112-132-160	—	—	47100	60800	13800	29000
	309 R3	65.0	15.4	12500	22	26	71-80-90-100-112-132-160	—	—	49300	63600	14500	29000
	309 R3	71.8	13.9	14300	23	26	71-80-90-100-112-132-160	—	—	50800	65500	15000	29000
	309 R3	83.4	12.0	15500	21	26	71-80-90-100-112-132-160	—	—	53100	68500	15700	29000
	309 R3	99.0	10.1	13000	15.1	26	71-80-90-100-112-132-160	—	—	56000	72200	16700	29000
	309 R3	120	8.4	13000	12.5	26	71-80-90-100-112-132-160	—	—	59200	76400	17700	29000
	309 R4	152	6.6	20200	15.0	18.0	71-80-90-100-112-132-160	—	—	63600	82100	19200	29000
	309 R4	165	6.1	16700	12.0	18.0	71-80-90-100-112-132-160	—	—	65200	84100	19800	29000
	309 R4	191	5.2	17500	10.8	18.0	71-80-90-100-112-132-160	—	—	68100	87800	20700	29000
	309 R4	206	4.9	21300	12.2	18.0	71-80-90-100-112-132-160	—	—	69700	89900	21200	29000
	309 R4	232	4.3	17200	8.8	18.0	71-80-90-100-112-132-160	—	—	72300	93200	22100	29000
	309 R4	258	3.9	17500	8.0	18.0	71-80-90-100-112-132-160	—	—	74600	96200	22900	29000
	309 R4	284	3.5	17500	7.3	18.0	71-80-90-100-112-132-160	—	—	76800	99000	23700	29000
309 R4	331	3.0	18500	6.6	18.0	71-80-90-100-112-132-160	—	—	80400	103700	24900	29000	
309 R4	374	2.7	14300	4.5	18.0	71-80-90-100-112-132-160	—	—	83400	107500	25900	29000	
309 R4	413	2.4	19200	5.5	18.0	71-80-90-100-112-132-160	—	—	85900	110800	26800	29000	
309 R4	457	2.2	14800	3.8	18.0	71-80-90-100-112-132-160	—	—	88500	114200	27700	29000	
309 R4	490	2.0	14900	3.6	18.0	71-80-90-100-112-132-160	—	—	90400	116600	28400	29000	
309 R4	581	1.7	15800	3.2	18.0	71-80-90-100-112-132-160	—	—	95200	122700	30000	29000	
309 R4	690	1.4	15900	2.7	18.0	71-80-90-100-112-132-160	—	—	100200	129200	31800	29000	
500	309 R2	13.0	39	6780	29	70	132-160-180-200	—	—	37400	48300	10700	27400
	309 R2	15.5	32	7950	29	70	132-160-180-200	—	—	39500	50900	11300	27400
	309 R2	19.8	25.2	10200	29	70	132-160-180-200	—	—	42500	54800	12300	27400
	309 R2	23.5	21.2	11200	26	70	132-160-180-200	—	—	44800	57700	13000	27400

B





309 R



328

16460 Nm



n ₁ min ⁻¹		i	n ₂ min ⁻¹	M _{n2} Nm	P _{n1} kW	Pt kW	P (IEC) 	Rn ₂ [N]					M _{2 max} Nm
								MC	MZ	HC/PC	HZ/PZ	FZ	
500	309 R3	31.6	15.8	7760	14.1	44	71-80-90-100-112-132-160	—	—	48900	63100	14300	27900
	309 R3	37.7	13.2	9250	14.1	44	71-80-90-100-112-132-160	—	—	51600	66500	15200	29000
	309 R3	44.6	11.2	10900	14.1	44	71-80-90-100-112-132-160	—	—	54200	69900	16100	29000
	309 R3	55.9	8.9	13700	14.1	44	71-80-90-100-112-132-160	—	—	58000	74800	17300	29000
	309 R3	65.0	7.7	14100	12.5	44	71-80-90-100-112-132-160	—	—	60700	78300	18200	29000
	309 R3	71.8	7.0	16400	13.1	44	71-80-90-100-112-132-160	—	—	62500	80700	18800	29000
	309 R3	83.4	6.0	16700	11.5	44	71-80-90-100-112-132-160	—	—	65400	84400	19800	29000
	309 R3	99.0	5.1	13000	7.5	44	71-80-90-100-112-132-160	—	—	68900	88800	21000	29000
	309 R3	120	4.2	13400	6.4	44	71-80-90-100-112-132-160	—	—	72900	94100	22400	29000
	309 R4	152	3.3	21300	8.3	30	71-80-90-100-112-132-160	—	—	78300	101000	24200	29000
	309 R4	165	3.0	18400	6.6	30	71-80-90-100-112-132-160	—	—	80300	103600	24900	29000
	309 R4	191	2.6	17500	5.4	30	71-80-90-100-112-132-160	—	—	83900	108100	26100	29000
	309 R4	206	2.4	21300	6.1	30	71-80-90-100-112-132-160	—	—	85800	110600	26800	29000
	309 R4	232	2.2	18100	4.6	30	71-80-90-100-112-132-160	—	—	89000	114700	27900	29000
	309 R4	258	1.9	17800	4.1	30	71-80-90-100-112-132-160	—	—	91800	118400	28900	29000
	309 R4	284	1.8	18200	3.8	30	71-80-90-100-112-132-160	—	—	94500	121900	29800	29000
	309 R4	331	1.5	20600	3.7	30	71-80-90-100-112-132-160	—	—	99000	127600	31400	29000
	309 R4	374	1.3	14600	2.3	30	71-80-90-100-112-132-160	—	—	102700	132400	32700	29000
	309 R4	413	1.2	21300	3.1	30	71-80-90-100-112-132-160	—	—	105800	136400	33800	29000
	309 R4	457	1.1	16700	2.2	30	71-80-90-100-112-132-160	—	—	109000	140600	34900	29000
	309 R4	490	1.0	16900	2.0	30	71-80-90-100-112-132-160	—	—	110000	143600	35800	29000
	309 R4	581	0.86	15800	1.6	30	71-80-90-100-112-132-160	—	—	110000	145000	36000	29000
	309 R4	690	0.72	17000	1.5	30	71-80-90-100-112-132-160	—	—	110000	145000	36000	29000

310 R

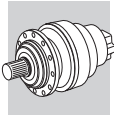


340

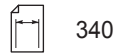
34120 Nm

n ₁ min ⁻¹		i	n ₂ min ⁻¹	M _{n2} Nm	P _{n1} kW	Pt kW	P (IEC) 	Rn ₂ [N]					M _{2 max} Nm
								MC	MZ	HC/PC	HZ/PZ	FZ	
1500	310 R2 (B)	12.0	125	10100	130	55	160-180-200-225	—	—	31200	39200	13000	47600
	310 R2 (B)	15.4	97	10700	115	55	160-180-200-225	—	—	33600	42300	14100	47600
	310 R2 (B)	18.3	82	11100	101	55	160-180-200-225	—	—	35400	44500	15000	47600
	310 R2 (C)	16.6	90	11200	112	55	160-180-200-225-250	—	—	34400	43200	14500	47600
	310 R2 (C)	21.3	70	11800	92	55	160-180-200-225-250	—	—	37100	46600	15800	47600
	310 R2 (C)	25.3	59	12200	81	55	160-180-200-225-250	—	—	39000	49000	16700	47600
	310 R3	37.7	40	6650	30	22	71-80-90-100-112-132-160	—	—	44000	55300	19000	47600
	310 R3	44.6	34	7860	30	22	71-80-90-100-112-132-160	—	—	46200	58100	20100	47600
	310 R3	55.9	26.8	9860	30	22	71-80-90-100-112-132-160	—	—	49500	62200	21700	47600
	310 R3	65.0	23.1	11500	30	22	71-80-90-100-112-132-160	—	—	51700	65100	22800	47600
	310 R3	71.8	20.9	12700	30	22	71-80-90-100-112-132-160	—	—	53300	67000	23600	47600
	310 R3	78.6	19.1	13900	30	22	71-80-90-100-112-132-160	—	—	54800	68900	24300	47600
	310 R3	83.4	18.0	14700	30	22	71-80-90-100-112-132-160	—	—	55800	70100	24800	47600
	310 R3	99.0	15.2	16400	29	22	71-80-90-100-112-132-160	—	—	58700	73800	26300	47600
	310 R3	120	12.5	17400	25	22	71-80-90-100-112-132-160	—	—	62200	78200	28000	47600
	310 R4	136	11.0	21000	27	15.0	71-80-90-100-112-132-160	—	—	64600	81200	29200	47600
	310 R4	160	9.4	22000	24	15.0	71-80-90-100-112-132-160	—	—	67800	85300	30900	47600
	310 R4	189	7.9	23200	22	15.0	71-80-90-100-112-132-160	—	—	71300	89700	32600	47600
	310 R4	206	7.3	22100	19.0	15.0	71-80-90-100-112-132-160	—	—	73100	91900	33500	47600
	310 R4	234	6.4	24700	18.7	15.0	71-80-90-100-112-132-160	—	—	76000	95600	35000	47600
310 R4	258	5.8	22800	15.7	15.0	71-80-90-100-112-132-160	—	—	78300	98400	36200	47600	
310 R4	283	5.3	26100	16.4	15.0	71-80-90-100-112-132-160	—	—	80500	101200	37300	47600	
310 R4	305	4.9	23400	13.6	15.0	71-80-90-100-112-132-160	—	—	82300	103500	38200	47600	
310 R4	334	4.5	27400	14.6	15.0	71-80-90-100-112-132-160	—	—	84600	106300	39400	47600	
310 R4	363	4.1	24100	11.8	15.0	71-80-90-100-112-132-160	—	—	86700	109000	40500	47600	
310 R4	419	3.6	29000	12.3	15.0	71-80-90-100-112-132-160	—	—	90500	113800	42500	47600	
310 R4	454	3.3	20000	7.8	15.0	71-80-90-100-112-132-160	—	—	92700	116600	43600	47600	
310 R4	517	2.9	25600	8.8	15.0	71-80-90-100-112-132-160	—	—	96400	121200	45600	47600	
310 R4	590	2.5	21800	6.6	15.0	71-80-90-100-112-132-160	—	—	100300	126100	47600	47600	
310 R4	639	2.3	21500	6.0	15.0	71-80-90-100-112-132-160	—	—	102700	129100	48900	47600	
310 R4	757	2.0	26400	6.2	15.0	71-80-90-100-112-132-160	—	—	108100	135900	51700	47600	







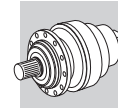
310 R



34120 Nm

n ₁ min ⁻¹		i	n ₂ min ⁻¹	M _{n2} Nm	P _{n1} kW	Pt kW	P (IEC) 	Rn ₂ [N]					M _{2 max} Nm
								MC	MZ	HC/PC	HZ/PZ	FZ	
	310 R4	898	1.7	23200	4.6	15.0	71-80-90-100-112-132-160	—	—	113800	143100	54800	47600
1000	310 R2 (B)	12.0	83	11400	106	66	160-180-200-225	—	—	35200	44300	14900	47600
	310 R2 (B)	15.4	65	12000	87	66	160-180-200-225	—	—	38000	47700	16200	47600
	310 R2 (B)	18.3	55	12500	76	66	160-180-200-225	—	—	40000	50200	17100	47600
	310 R2 (C)	16.6	60	12600	84	66	160-180-200-225-250	—	—	38800	48800	16600	47600
	310 R2 (C)	21.3	47	13300	69	66	160-180-200-225-250	—	—	41800	52600	18000	47600
	310 R2 (C)	25.3	39	13500	59	66	160-180-200-225-250	—	—	44100	55400	19100	47600
	310 R3	37.7	26.5	7510	23	26	71-80-90-100-112-132-160	—	—	49600	62400	21800	47600
	310 R3	44.6	22.4	8870	23	26	71-80-90-100-112-132-160	—	—	52200	65600	23000	47600
	310 R3	55.9	17.9	11100	23	26	71-80-90-100-112-132-160	—	—	55900	70200	24900	47600
	310 R3	65.0	15.4	12900	23	26	71-80-90-100-112-132-160	—	—	58400	73500	26100	47600
	310 R3	71.8	13.9	14300	23	26	71-80-90-100-112-132-160	—	—	60200	75700	27000	47600
	310 R3	78.6	12.7	15700	23	26	71-80-90-100-112-132-160	—	—	61900	77800	27800	47600
	310 R3	83.4	12.0	16600	23	26	71-80-90-100-112-132-160	—	—	63000	79200	28400	47600
	310 R3	99.0	10.1	18200	21	26	71-80-90-100-112-132-160	—	—	66300	83400	30100	47600
	310 R3	120	8.4	18300	17.5	26	71-80-90-100-112-132-160	—	—	70200	88300	32000	47600
	310 R4	136	7.4	23700	21	18.0	71-80-90-100-112-132-160	—	—	72900	91700	33400	47600
	310 R4	160	6.2	24900	18.3	18.0	71-80-90-100-112-132-160	—	—	76600	96400	35300	47600
	310 R4	189	5.3	26100	16.3	18.0	71-80-90-100-112-132-160	—	—	80500	101300	37300	47600
	310 R4	206	4.9	23500	13.5	18.0	71-80-90-100-112-132-160	—	—	82600	103800	38400	47600
	310 R4	234	4.3	27800	14.0	18.0	71-80-90-100-112-132-160	—	—	85800	107900	40100	47600
	310 R4	258	3.9	24400	11.2	18.0	71-80-90-100-112-132-160	—	—	88400	111200	41400	47600
	310 R4	283	3.5	29300	12.3	18.0	71-80-90-100-112-132-160	—	—	90900	114300	42700	47600
	310 R4	305	3.3	25100	9.7	18.0	71-80-90-100-112-132-160	—	—	92900	116800	43800	47600
	310 R4	334	3.0	30700	10.9	18.0	71-80-90-100-112-132-160	—	—	95500	120100	45100	47600
	310 R4	363	2.8	25800	8.4	18.0	71-80-90-100-112-132-160	—	—	97900	123100	46400	47600
	310 R4	419	2.4	32000	9.0	18.0	71-80-90-100-112-132-160	—	—	102200	128600	48700	47600
	310 R4	454	2.2	21800	5.7	18.0	71-80-90-100-112-132-160	—	—	104700	131700	50000	47600
	310 R4	517	1.9	27400	6.3	18.0	71-80-90-100-112-132-160	—	—	108900	136900	52200	47600
	310 R4	590	1.7	21800	4.4	18.0	71-80-90-100-112-132-160	—	—	113200	142400	54500	47600
	310 R4	639	1.6	23500	4.4	18.0	71-80-90-100-112-132-160	—	—	116000	145800	56000	47600
	310 R4	757	1.3	27300	4.3	18.0	71-80-90-100-112-132-160	—	—	122000	153500	59200	47600
	310 R4	898	1.1	25400	3.3	18.0	71-80-90-100-112-132-160	—	—	128500	161600	62700	47600
500	310 R2 (B)	12.0	42	14100	65	110	160-180-200-225	—	—	43400	54500	18800	47600
	310 R2 (B)	15.4	32	14800	53	110	160-180-200-225	—	—	46700	58800	20400	47600
	310 R2 (B)	18.3	27.3	14700	45	110	160-180-200-225	—	—	49200	61900	21600	47600
	310 R2 (C)	16.6	30	15500	52	110	160-180-200-225-250	—	—	47800	60100	20900	47600
	310 R2 (C)	21.3	23.4	16300	43	110	160-180-200-225-250	—	—	51500	64800	22700	47600
	310 R2 (C)	25.3	19.7	15700	35	110	160-180-200-225-250	—	—	54200	68200	24100	47600
	310 R3	37.7	13.2	9250	14.1	44	71-80-90-100-112-132-160	—	—	61100	76900	27500	47600
	310 R3	44.6	11.2	10900	14.1	44	71-80-90-100-112-132-160	—	—	64200	80800	29000	47600
	310 R3	55.9	8.9	13700	14.1	44	71-80-90-100-112-132-160	—	—	68800	86500	31300	47600
	310 R3	65.0	7.7	15900	14.1	44	71-80-90-100-112-132-160	—	—	71900	90500	32900	47600
	310 R3	71.8	7.0	17600	14.1	44	71-80-90-100-112-132-160	—	—	74100	93200	34000	47600
	310 R3	78.6	6.4	18900	13.8	44	71-80-90-100-112-132-160	—	—	76200	95800	35100	47600
	310 R3	83.4	6.0	20500	14.1	44	71-80-90-100-112-132-160	—	—	77500	97500	35800	47600
	310 R3	99.0	5.1	18400	10.7	44	71-80-90-100-112-132-160	—	—	81600	102600	37900	47600
	310 R3	120	4.2	19100	9.2	44	71-80-90-100-112-132-160	—	—	86400	108700	40400	47600
	310 R4	136	3.7	29000	12.6	30	71-80-90-100-112-132-160	—	—	89800	112900	42100	47600
	310 R4	160	3.1	30400	11.2	30	71-80-90-100-112-132-160	—	—	94300	118600	44500	47600
	310 R4	189	2.6	31800	9.9	30	71-80-90-100-112-132-160	—	—	99200	124700	47000	47600
	310 R4	206	2.4	26400	7.6	30	71-80-90-100-112-132-160	—	—	101700	127800	48400	47600
	310 R4	234	2.1	32600	8.2	30	71-80-90-100-112-132-160	—	—	105700	132900	50500	47600
	310 R4	258	1.9	27400	6.3	30	71-80-90-100-112-132-160	—	—	108800	136900	52200	47600
	310 R4	283	1.8	33000	6.9	30	71-80-90-100-112-132-160	—	—	111900	140700	53800	47600
	310 R4	305	1.6	28200	5.5	30	71-80-90-100-112-132-160	—	—	114400	143800	55100	47600
	310 R4	334	1.5	33300	5.9	30	71-80-90-100-112-132-160	—	—	117600	147800	56800	47600
	310 R4	363	1.4	29000	4.7	30	71-80-90-100-112-132-160	—	—	120600	151600	58400	47600
	310 R4	419	1.2	33700	4.8	30	71-80-90-100-112-132-160	—	—	125900	158300	61300	47600

B





310 R



340

34120 Nm



n ₁ min ⁻¹		i	n ₂ min ⁻¹	M _{n2} Nm	P _{n1} kW	Pt kW	P (IEC) 	R _{n2} [N]					M _{2 max} Nm
								MC	MZ	HC/PC	HZ/PZ	FZ	
500	310 R4	454	1.1	25400	3.3	30	71-80-90-100-112-132-160	—	—	128900	162100	62900	47600
	310 R4	517	0.97	30600	3.5	30	71-80-90-100-112-132-160	—	—	133000	166000	65000	47600
	310 R4	590	0.85	21800	2.2	30	71-80-90-100-112-132-160	—	—	133000	166000	65000	47600
	310 R4	639	0.78	26000	2.4	30	71-80-90-100-112-132-160	—	—	133000	166000	65000	47600
	310 R4	757	0.66	28000	2.2	30	71-80-90-100-112-132-160	—	—	133000	166000	65000	47600
	310 R4	898	0.56	26000	1.7	30	71-80-90-100-112-132-160	—	—	133000	166000	65000	47600

311 R

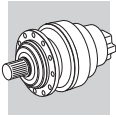


352

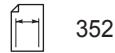
48330 Nm

n ₁ min ⁻¹		i	n ₂ min ⁻¹	M _{n2} Nm	P _{n1} kW	Pt kW	P (IEC) 	R _{n2} [N]					M _{2 max} Nm
								MC	MZ	HC/PC	HZ/PZ	FZ	
1500	311 R2 (B)	12.0	125	11900	150	75	180-200-225-250	—	—	36900	45900	13000	58300
	311 R2 (B)	15.4	97	15400	150	75	180-200-225-250	—	—	39700	49500	14100	58300
	311 R2 (B)	18.3	82	16000	146	75	180-200-225-250	—	—	41800	52100	15000	58300
	311 R2 (C)	16.6	90	14400	144	90	180-200-225-250	—	—	40600	50600	14500	58300
	311 R2 (C)	21.3	70	16900	132	90	180-200-225-250	—	—	43800	54500	15800	58300
	311 R2 (C)	25.3	59	17600	116	90	180-200-225-250	—	—	46100	57400	16700	58300
	311 R3	53.0	28.3	20300	66	40	132-160-180-200	—	—	57500	71600	21300	58300
	311 R3	63.2	23.7	24000	65	40	132-160-180-200	—	—	60600	75500	22600	58300
	311 R3	68.0	22.1	24000	61	40	132-160-180-200	—	—	62000	77200	23200	58300
	311 R3	81.1	18.5	25900	55	40	132-160-180-200	—	—	65400	81400	24600	58300
	311 R3	96.3	15.6	27200	49	40	132-160-180-200	—	—	68800	85700	26000	58300
	311 R3	104	14.4	28700	47	40	132-160-180-200	—	—	70400	87700	26700	58300
	311 R3	124	12.1	30200	42	40	132-160-180-200	—	—	74100	92400	28300	58300
	311 R3	147	10.2	26900	32	40	132-160-180-200	—	—	78100	97200	29900	58300
	311 R4	154	9.7	26400	30	22	71-80-90-100-112-132-160	—	—	79300	98700	30500	58300
	311 R4	182	8.2	31200	30	22	71-80-90-100-112-132-160	—	—	83300	103800	32200	58300
	311 R4	198	7.6	33800	30	22	71-80-90-100-112-132-160	—	—	85400	106400	33100	58300
	311 R4	229	6.6	35300	27	22	71-80-90-100-112-132-160	—	—	89200	111100	34700	58300
	311 R4	266	5.6	36900	25	22	71-80-90-100-112-132-160	—	—	93300	116200	36500	58300
	311 R4	294	5.1	38000	23	22	71-80-90-100-112-132-160	—	—	96100	119700	37700	58300
311 R4	322	4.7	39000	22	22	71-80-90-100-112-132-160	—	—	98800	123100	38900	58300	
311 R4	341	4.4	39200	20	22	71-80-90-100-112-132-160	—	—	100600	125300	39700	58300	
311 R4	413	3.6	40600	17.4	22	71-80-90-100-112-132-160	—	—	106500	132600	42300	58300	
311 R4	438	3.4	37500	15.2	22	71-80-90-100-112-132-160	—	—	108400	135000	43100	58300	
311 R4	490	3.1	34500	12.5	22	71-80-90-100-112-132-160	—	—	112100	139600	44800	58300	
311 R4	520	2.9	38600	13.2	22	71-80-90-100-112-132-160	—	—	114100	142100	45700	58300	
311 R4	629	2.4	39700	11.2	22	71-80-90-100-112-132-160	—	—	120800	150500	48600	58300	
311 R4	746	2.0	30500	7.3	22	71-80-90-100-112-132-160	—	—	127200	158400	51500	58300	
1000	311 R2 (B)	12.0	83	13500	125	90	180-200-225-250	—	—	41600	51800	14900	58300
	311 R2 (B)	15.4	65	17400	126	90	180-200-225-250	—	—	44900	55900	16200	58300
	311 R2 (B)	18.3	55	18100	110	90	180-200-225-250	—	—	47200	58800	17100	58300
	311 R2 (C)	16.6	60	16200	109	108	180-200-225-250	—	—	45900	57200	16600	58300
	311 R2 (C)	21.3	47	19100	100	108	180-200-225-250	—	—	49500	61600	18000	58300
	311 R2 (C)	25.3	39	19500	85	108	180-200-225-250	—	—	52100	64800	19100	58300
	311 R3	53.0	18.9	22900	50	48	132-160-180-200	—	—	65000	80900	24400	58300
	311 R3	63.2	15.8	27100	49	48	132-160-180-200	—	—	68500	85300	25900	58300
	311 R3	68.0	14.7	27100	46	48	132-160-180-200	—	—	70000	87200	26500	58300
	311 R3	81.1	12.3	29200	41	48	132-160-180-200	—	—	73800	91900	28100	58300
	311 R3	96.3	10.4	30700	37	48	132-160-180-200	—	—	77700	96800	29800	58300
	311 R3	104	9.6	32200	35	48	132-160-180-200	—	—	79500	99100	30600	58300
	311 R3	124	8.1	33000	31	48	132-160-180-200	—	—	83700	104300	32400	58300
	311 R3	147	6.8	27000	21	48	132-160-180-200	—	—	88200	109800	34300	58300
	311 R4	154	6.5	29800	23	26	71-80-90-100-112-132-160	—	—	89500	111500	34900	58300
	311 R4	182	5.5	35200	23	26	71-80-90-100-112-132-160	—	—	94100	117200	36900	58300
	311 R4	198	5.0	38200	23	26	71-80-90-100-112-132-160	—	—	96500	120200	37900	58300
	311 R4	229	4.4	39600	21	26	71-80-90-100-112-132-160	—	—	100700	125500	39800	58300







311 R

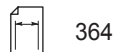


352

48330 Nm



n ₁ min ⁻¹		i	n ₂ min ⁻¹	M _{n2} Nm	P _{n1} kW	Pt kW	P (IEC) 	Rn ₂ [N]					M _{2 max} Nm
								MC	MZ	HC/PC	HZ/PZ	FZ	
1000	311 R4	266	3.8	41200	18.3	26	71-80-90-100-112-132-160	—	—	105400	131300	41800	58300
	311 R4	294	3.4	41000	16.5	26	71-80-90-100-112-132-160	—	—	108600	135200	43200	58300
	311 R4	322	3.1	43300	15.9	26	71-80-90-100-112-132-160	—	—	111600	139000	44500	58300
	311 R4	341	2.9	42200	14.6	26	71-80-90-100-112-132-160	—	—	113600	141500	45400	58300
	311 R4	413	2.4	43500	12.5	26	71-80-90-100-112-132-160	—	—	120200	149800	48400	58300
	311 R4	438	2.3	40100	10.8	26	71-80-90-100-112-132-160	—	—	122400	152500	49400	58300
	311 R4	490	2.0	34700	8.4	26	71-80-90-100-112-132-160	—	—	126600	157700	51200	58300
	311 R4	520	1.9	40500	9.2	26	71-80-90-100-112-132-160	—	—	128800	160500	52300	58300
	311 R4	629	1.6	41200	7.8	26	71-80-90-100-112-132-160	—	—	136400	169900	55700	58300
	311 R4	746	1.3	32500	5.2	26	71-80-90-100-112-132-160	—	—	143600	178900	59000	58300
500	311 R2 (B)	12.0	42	16700	77	150	180-200-225-250	—	—	51200	63800	18800	58300
	311 R2 (B)	15.4	32	21400	77	150	180-200-225-250	—	—	55200	68800	20400	58300
	311 R2 (B)	18.3	27.3	21400	65	150	180-200-225-250	—	—	58100	72400	21600	58300
	311 R2 (C)	16.6	30	20000	67	180	180-200-225-250	—	—	56500	70400	20900	58300
	311 R2 (C)	21.3	23.4	23500	61	180	180-200-225-250	—	—	60900	75800	22700	58300
	311 R2 (C)	25.3	19.7	22500	49	180	180-200-225-250	—	—	64100	79800	24100	58300
	311 R3	53.0	9.4	28100	30	80	132-160-180-200	—	—	80000	99600	30800	58300
	311 R3	63.2	7.9	33400	30	80	132-160-180-200	—	—	84300	105000	32600	58300
	311 R3	68.0	7.4	32400	27	80	132-160-180-200	—	—	86200	107400	33400	58300
	311 R3	81.1	6.2	36000	25	80	132-160-180-200	—	—	90900	113200	35500	58300
	311 R3	96.3	5.2	34300	20	80	132-160-180-200	—	—	95700	119200	37500	58300
	311 R3	104	4.8	35500	19.5	80	132-160-180-200	—	—	97900	122000	38500	58300
	311 R3	124	4.0	36500	16.9	80	132-160-180-200	—	—	103100	128400	40800	58300
	311 R3	147	3.4	28400	11.1	80	132-160-180-200	—	—	108500	135200	43200	58300
	311 R4	154	3.2	36700	14.1	44	71-80-90-100-112-132-160	—	—	110200	137300	43900	58300
	311 R4	182	2.7	43400	14.1	44	71-80-90-100-112-132-160	—	—	115800	144300	46400	58300
	311 R4	198	2.5	43300	12.9	44	71-80-90-100-112-132-160	—	—	118800	148000	47700	58300
	311 R4	229	2.2	46200	11.9	44	71-80-90-100-112-132-160	—	—	124000	154500	50100	58300
	311 R4	266	1.9	46600	10.4	44	71-80-90-100-112-132-160	—	—	129700	161600	52700	58300
	311 R4	294	1.7	44800	9.0	44	71-80-90-100-112-132-160	—	—	133600	166500	54400	58300
	311 R4	322	1.6	47100	8.7	44	71-80-90-100-112-132-160	—	—	137400	171100	56100	58300
	311 R4	341	1.5	45400	7.9	44	71-80-90-100-112-132-160	—	—	139800	174200	57200	58300
	311 R4	413	1.2	46200	6.6	44	71-80-90-100-112-132-160	—	—	148000	184400	61000	58300
	311 R4	438	1.1	44300	6.0	44	71-80-90-100-112-132-160	—	—	150700	187700	62200	58300
	311 R4	490	1.0	35200	4.2	44	71-80-90-100-112-132-160	—	—	155800	194100	64600	58300
	311 R4	520	0.96	43000	4.9	44	71-80-90-100-112-132-160	—	—	157000	195000	65000	58300
	311 R4	629	0.80	43000	4.0	44	71-80-90-100-112-132-160	—	—	157000	195000	65000	58300
	311 R4	746	0.67	34000	2.7	44	71-80-90-100-112-132-160	—	—	157000	195000	65000	58300

313 R



364

57970 Nm

n ₁ min ⁻¹		i	n ₂ min ⁻¹	M _{n2} Nm	P _{n1} kW	Pt kW	P (IEC) 	Rn ₂ [N]					M _{2 max} Nm
								MC	MZ	HC/PC	HZ/PZ	FZ	
1500	313 R2 (B)	12.2	123	12100	150	75	180-200-225-250	—	—	45700	54100	16100	86300
	313 R2 (B)	15.9	95	15700	150	75	180-200-225-250	—	—	49500	58600	17600	86300
	313 R2 (B)	19.1	79	19100	150	75	180-200-225-250	—	—	52300	61900	18700	86300
	313 R2 (C)	16.8	89	14600	144	90	180-200-225-250	—	—	50400	59600	17900	105000
	313 R2 (C)	22.0	68	19000	144	90	180-200-225-250	—	—	54600	64600	19600	105000
	313 R2 (C)	26.4	57	22800	144	90	180-200-225-250	—	—	57700	68300	20800	105000
313 R3	53.7	28.0	20500	66	40	132-160-180-200	—	—	71300	84400	26400	105000	
313 R3	64.0	23.4	24500	66	40	132-160-180-200	—	—	75200	89000	28000	105000	
313 R3	69.9	21.4	26700	66	40	132-160-180-200	—	—	77200	91400	28800	105000	
313 R3	82.2	18.3	31400	66	40	132-160-180-200	—	—	81100	95900	30400	105000	
313 R3	97.5	15.4	37300	66	40	132-160-180-200	—	—	85300	101000	32200	105000	
313 R3	107	14.0	38800	62	40	132-160-180-200	—	—	87800	103900	33200	105000	
313 R3	127	11.8	40700	55	40	132-160-180-200	—	—	92400	109400	35100	105000	
313 R3	153	9.8	39000	44	40	132-160-180-200	—	—	97700	115600	37400	105000	





313 R

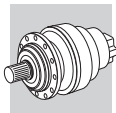


364

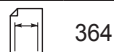
57970 Nm

n ₁ min ⁻¹		i	n ₂ min ⁻¹	M _{n2} Nm	P _{n1} kW	Pt kW	P (IEC) 	Rn ₂ [N]					M _{2 max} Nm
								MC	MZ	HC/PC	HZ/PZ	FZ	
1500	313 R4	185	8.1	31600	30	22	71-80-90-100-112-132-160	—	—	103300	122300	39800	105000
	313 R4	201	7.5	34300	30	22	71-80-90-100-112-132-160	—	—	106000	125400	40900	105000
	313 R4	237	6.3	40500	30	22	71-80-90-100-112-132-160	—	—	111400	131800	43200	105000
	313 R4	281	5.3	48100	30	22	71-80-90-100-112-132-160	—	—	117200	138800	45800	105000
	313 R4	309	4.9	44500	26	22	71-80-90-100-112-132-160	—	—	120600	142700	47200	105000
	313 R4	346	4.3	53000	27	22	71-80-90-100-112-132-160	—	—	124700	147600	49000	105000
	313 R4	387	3.9	46700	21	22	71-80-90-100-112-132-160	—	—	129100	152800	50900	105000
	313 R4	450	3.3	47700	18.8	22	71-80-90-100-112-132-160	—	—	135100	159800	53600	105000
	313 R4	496	3.0	52100	18.6	22	71-80-90-100-112-132-160	—	—	139000	164500	55300	105000
	313 R4	535	2.8	48900	16.2	22	71-80-90-100-112-132-160	—	—	142200	168300	56700	105000
	313 R4	647	2.3	50400	13.8	22	71-80-90-100-112-132-160	—	—	150500	178100	60400	105000
	313 R4	778	1.9	44200	10.1	22	71-80-90-100-112-132-160	—	—	159100	188300	64300	105000
	1000	313 R2 (B)	12.2	82	13700	126	90	180-200-225-250	—	—	51600	61100	18400
313 R2 (B)		15.9	63	17700	124	90	180-200-225-250	—	—	55900	66100	20100	86300
313 R2 (B)		19.1	52	21800	127	90	180-200-225-250	—	—	59100	69900	21400	86300
313 R2 (C)		16.8	59	16400	109	108	180-200-225-250	—	—	56900	67400	20500	105000
313 R2 (C)		22.0	46	21400	109	108	180-200-225-250	—	—	61600	72900	22400	105000
313 R2 (C)		26.4	38	25000	105	108	180-200-225-250	—	—	65100	77100	23800	105000
313 R3		53.7	18.6	23200	50	48	132-160-180-200	—	—	80600	95300	30200	105000
313 R3		64.0	15.6	27700	50	48	132-160-180-200	—	—	84900	100500	32000	105000
313 R3		69.9	14.3	30200	50	48	132-160-180-200	—	—	87200	103200	33000	105000
313 R3		82.2	12.2	35500	50	48	132-160-180-200	—	—	91500	108300	34800	105000
313 R3		97.5	10.3	42100	50	48	132-160-180-200	—	—	96400	114100	36800	105000
313 R3		107	9.3	42800	46	48	132-160-180-200	—	—	99100	117300	38000	105000
313 R3		127	7.9	43400	39	48	132-160-180-200	—	—	104400	123500	40200	105000
313 R3		153	6.5	39000	29	48	132-160-180-200	—	—	110300	130600	42800	105000
313 R4		185	5.4	35700	23	26	71-80-90-100-112-132-160	—	—	116700	138100	45500	105000
313 R4		201	5.0	38800	23	26	71-80-90-100-112-132-160	—	—	119700	141600	46800	105000
313 R4		237	4.2	45600	23	26	71-80-90-100-112-132-160	—	—	125800	148900	49500	105000
313 R4		281	3.6	49700	21	26	71-80-90-100-112-132-160	—	—	132400	156700	52400	105000
313 R4		309	3.2	47600	18.2	26	71-80-90-100-112-132-160	—	—	136200	161200	54100	105000
313 R4		346	2.9	54500	18.6	26	71-80-90-100-112-132-160	—	—	140900	166700	56100	105000
313 R4		387	2.6	49500	15.1	26	71-80-90-100-112-132-160	—	—	145800	172500	58300	105000
313 R4		450	2.2	50700	13.3	26	71-80-90-100-112-132-160	—	—	152500	180500	61300	105000
313 R4		496	2.0	52200	12.5	26	71-80-90-100-112-132-160	—	—	157000	185800	63300	105000
313 R4		535	1.9	52200	11.6	26	71-80-90-100-112-132-160	—	—	160600	190000	64900	105000
313 R4		647	1.5	53900	9.9	26	71-80-90-100-112-132-160	—	—	170000	201200	69200	105000
313 R4		778	1.3	47100	7.2	26	71-80-90-100-112-132-160	—	—	179700	212700	73600	105000
500		313 R2 (B)	12.2	41	17000	78	150	180-200-225-250	—	—	63600	75200	23200
	313 R2 (B)	15.9	32	21900	77	150	180-200-225-250	—	—	68800	81400	25300	86300
	313 R2 (B)	19.1	26.2	26900	78	150	180-200-225-250	—	—	72700	86100	26900	86300
	313 R2 (C)	16.8	29.7	20200	67	180	180-200-225-250	—	—	70100	82900	25800	105000
	313 R2 (C)	22.0	22.8	26400	67	180	180-200-225-250	—	—	75900	89800	28200	105000
	313 R2 (C)	26.4	18.9	28300	60	180	180-200-225-250	—	—	80200	94900	30000	105000
	313 R3	53.7	9.3	28400	30	80	132-160-180-200	—	—	99200	117400	38000	105000
	313 R3	64.0	7.8	34100	31	80	132-160-180-200	—	—	104600	123800	40300	105000
	313 R3	69.9	7.1	37200	31	80	132-160-180-200	—	—	107400	127100	41500	105000
	313 R3	82.2	6.1	43700	31	80	132-160-180-200	—	—	112700	133400	43800	105000
	313 R3	97.5	5.1	50000	29	80	132-160-180-200	—	—	118700	140400	46400	105000
	313 R3	107	4.7	45100	24	80	132-160-180-200	—	—	122000	144400	47900	105000
	313 R3	127	3.9	46600	21	80	132-160-180-200	—	—	128500	152000	50700	105000
	313 R3	153	3.3	41100	15.4	80	132-160-180-200	—	—	135800	160700	53900	105000
	313 R4	185	2.7	43900	14.1	44	71-80-90-100-112-132-160	—	—	143700	170000	57400	105000
	313 R4	201	2.5	47700	14.1	44	71-80-90-100-112-132-160	—	—	147300	174400	59000	105000
	313 R4	237	2.1	53000	13.2	44	71-80-90-100-112-132-160	—	—	154900	183300	62400	105000
	313 R4	281	1.8	51300	10.8	44	71-80-90-100-112-132-160	—	—	163000	192900	66000	105000
	313 R4	309	1.6	53500	10.2	44	71-80-90-100-112-132-160	—	—	167700	198400	68100	105000
	313 R4	346	1.4	55200	9.5	44	71-80-90-100-112-132-160	—	—	173400	205200	70700	105000
	313 R4	387	1.3	55500	8.5	44	71-80-90-100-112-132-160	—	—	179500	212400	73500	105000

B



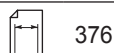
313 R



57970 Nm

n ₁ min ⁻¹		i	n ₂ min ⁻¹	M _{n2} Nm	P _{n1} kW	Pt kW	P (IEC)	Rn ₂ [N]					M _{2 max} Nm
								MC	MZ	HC/PC	HZ/PZ	FZ	
500	313 R4	450	1.1	57000	7.5	44	71-80-90-100-112-132-160	—	—	187800	222200	77300	105000
	313 R4	496	1.0	53000	6.3	44	71-80-90-100-112-132-160	—	—	192000	228800	79800	105000
	313 R4	535	0.94	58000	6.4	44	71-80-90-100-112-132-160	—	—	192000	231000	80000	105000
	313 R4	647	0.77	58000	5.3	44	71-80-90-100-112-132-160	—	—	192000	231000	80000	105000
	313 R4	778	0.64	49000	3.7	44	71-80-90-100-112-132-160	—	—	192000	231000	80000	105000

314 R



84000 Nm

n ₁ min ⁻¹		i	n ₂ min ⁻¹	M _{n2} Nm	P _{n1} kW	Pt kW	P (IEC)	Rn ₂ [N]					M _{2 max} Nm	
								MC	MZ	HC/PC	HZ/PZ	FZ		
1500	314 R3 (B)	51.1	29.4	38500	130	55	180-200-225	—	—	75000	88100	29200	115000	
	314 R3 (B)	65.5	22.9	49700	130	55	180-200-225	—	—	80900	94900	31700	115000	
	314 R3 (B)	77.8	19.3	51500	114	55	180-200-225	—	—	85100	100000	33600	115000	
	314 R3 (B)	82.3	18.2	52400	110	55	180-200-225	—	—	86600	101600	34200	115000	
	314 R3 (B)	97.6	15.4	55100	97	55	180-200-225	—	—	91100	107000	36200	115000	
	314 R3 (B)	113	13.2	48000	73	55	180-200-225	—	—	95300	111900	38100	115000	
	314 R3 (C)	70.7	21.2	43900	107	55	180-200-225-250	—	—	82700	97100	32500	115000	
	314 R3 (C)	90.7	16.5	47300	90	55	180-200-225-250	—	—	89200	104700	35300	115000	
	314 R3 (C)	108	13.9	49800	80	55	180-200-225-250	—	—	93900	110200	37400	115000	
	314 R3 (C)	114	13.2	51700	78	55	180-200-225-250	—	—	95400	112100	38100	115000	
	314 R3 (C)	135	11.1	60500	77	55	180-200-225-250	—	—	100500	118000	40300	115000	
	314 R3 (C)	157	9.5	52000	57	55	180-200-225-250	—	—	105100	123400	42400	115000	
	314 R4	160	9.4	56200	35	22	71-80-90-100-112-132-160	—	—	105800	124200	42700	115000	
	314 R4	189	7.9	59000	35	22	71-80-90-100-112-132-160	—	—	111200	130500	45100	115000	
	314 R4	238	6.3	71100	35	22	71-80-90-100-112-132-160	—	—	119000	139700	48700	115000	
	314 R4	276	5.4	75700	35	22	71-80-90-100-112-132-160	—	—	124500	146200	51200	115000	
	314 R4	354	4.2	78200	35	22	71-80-90-100-112-132-160	—	—	134200	157500	55600	115000	
	314 R4	421	3.6	78800	33	22	71-80-90-100-112-132-160	—	—	141300	165900	58900	115000	
	314 R4	445	3.4	67800	27	22	71-80-90-100-112-132-160	—	—	143600	168700	60000	115000	
	314 R4	528	2.8	68800	23	22	71-80-90-100-112-132-160	—	—	151200	177500	63500	115000	
	314 R4	614	2.4	57600	16.7	22	71-80-90-100-112-132-160	—	—	158200	185800	66800	115000	
	1000	314 R3 (B)	51.1	19.6	43500	98	66	180-200-225	—	—	84700	99500	33400	115000
		314 R3 (B)	65.5	15.3	56500	99	66	180-200-225	—	—	91300	107200	36300	115000
		314 R3 (B)	77.8	12.9	58000	86	66	180-200-225	—	—	96100	112900	38400	115000
		314 R3 (B)	82.3	12.2	58900	82	66	180-200-225	—	—	97800	114800	39100	115000
		314 R3 (B)	97.6	10.2	62000	73	66	180-200-225	—	—	102900	120800	41400	115000
		314 R3 (B)	113	8.8	52000	53	66	180-200-225	—	—	107700	126400	43600	115000
314 R3 (C)		70.7	14.1	49600	81	66	180-200-225-250	—	—	93400	109700	37200	115000	
314 R3 (C)		90.7	11.0	53500	68	66	180-200-225-250	—	—	100700	118200	40400	115000	
314 R3 (C)		108	9.3	56300	60	66	180-200-225-250	—	—	106000	124500	42800	115000	
314 R3 (C)		114	8.8	57700	58	66	180-200-225-250	—	—	107800	126600	43600	115000	
314 R3 (C)		135	7.4	63700	54	66	180-200-225-250	—	—	113500	133200	46200	115000	
314 R3 (C)		157	6.4	52000	38	66	180-200-225-250	—	—	118700	139400	48600	115000	
314 R4		160	6.2	63400	35	26	71-80-90-100-112-132-160	—	—	119500	140300	48900	115000	
314 R4		189	5.3	66700	35	26	71-80-90-100-112-132-160	—	—	125600	147400	51700	115000	
314 R4		238	4.2	77000	35	26	71-80-90-100-112-132-160	—	—	134400	157800	55700	115000	
314 R4		276	3.6	78700	34	26	71-80-90-100-112-132-160	—	—	140600	165100	58600	115000	
314 R4		354	2.8	79600	27	26	71-80-90-100-112-132-160	—	—	151500	177900	63700	115000	
314 R4		421	2.4	80200	23	26	71-80-90-100-112-132-160	—	—	159500	187300	67400	115000	
314 R4		445	2.2	70700	18.8	26	71-80-90-100-112-132-160	—	—	162200	190500	68700	115000	
314 R4		528	1.9	72400	16.2	26	71-80-90-100-112-132-160	—	—	170800	200500	72700	115000	
314 R4		614	1.6	61600	11.9	26	71-80-90-100-112-132-160	—	—	178700	209800	76500	115000	
500		314 R3 (B)	51.1	9.8	53600	60	110	180-200-225	—	—	104300	122500	42100	115000
		314 R3 (B)	65.5	7.6	69400	61	110	180-200-225	—	—	112400	132000	45700	115000
		314 R3 (B)	77.8	6.4	71700	53	110	180-200-225	—	—	118400	139000	48400	115000
		314 R3 (B)	82.3	6.1	64600	45	110	180-200-225	—	—	120400	141300	49300	115000
		314 R3 (B)	97.6	5.1	65400	38	110	180-200-225	—	—	126700	148800	52200	115000
		314 R3 (B)	113	4.4	52900	27	110	180-200-225	—	—	132600	155600	54900	115000

B



314 R



376

84000 Nm

n ₁ min ⁻¹		i	n ₂ min ⁻¹	M _{n2} Nm	P _{n1} kW	Pt kW	P (IEC)	R _{n2} [N]					M _{2 max} Nm
								MC	MZ	HC/PC	HZ/PZ	FZ	
500	314 R3 (C)	70.7	7.1	61100	50	110	180-200-225-250	—	—	115000	135100	46900	115000
	314 R3 (C)	90.7	5.5	65800	42	110	180-200-225-250	—	—	124000	145500	51000	115000
	314 R3 (C)	108	4.6	69000	37	110	180-200-225-250	—	—	130500	153200	53900	115000
	314 R3 (C)	114	4.4	66200	33	110	180-200-225-250	—	—	132700	155800	55000	115000
	314 R3 (C)	135	3.7	67200	29	110	180-200-225-250	—	—	139700	164000	58200	115000
	314 R3 (C)	157	3.2	55500	20	110	180-200-225-250	—	—	146200	171600	61200	115000
	314 R4	160	3.1	74700	28	44	71-80-90-100-112-132-160	—	—	147100	172700	61600	115000
	314 R4	189	2.6	78200	24	44	71-80-90-100-112-132-160	—	—	154600	181500	65100	115000
	314 R4	238	2.1	80700	20	44	71-80-90-100-112-132-160	—	—	165500	194300	70200	115000
	314 R4	276	1.8	81400	17.4	44	71-80-90-100-112-132-160	—	—	173100	203300	73800	115000
	314 R4	354	1.4	82500	13.8	44	71-80-90-100-112-132-160	—	—	186600	219100	80300	115000
	314 R4	421	1.2	83200	11.7	44	71-80-90-100-112-132-160	—	—	196400	230600	85000	115000
	314 R4	445	1.1	77900	10.4	44	71-80-90-100-112-132-160	—	—	199700	234500	86600	115000
	314 R4	528	0.95	79200	8.9	44	71-80-90-100-112-132-160	—	—	206000	243000	90000	115000
	314 R4	614	0.81	66800	6.4	44	71-80-90-100-112-132-160	—	—	206000	243000	90000	115000

315 R

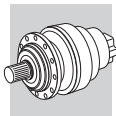


388

105000 Nm

n ₁ min ⁻¹		i	n ₂ min ⁻¹	M _{n2} Nm	P _{n1} kW	Pt kW	P (IEC)	R _{n2} [N]					M _{2 max} Nm	
								MC	MZ	HC/PC	HZ/PZ	FZ		
1500	315 R3 (B)	51.1	29.4	48100	150	75	180-200-225-250	—	—	75000	88100	29200	135000	
	315 R3 (B)	65.5	22.9	62100	150	75	180-200-225-250	—	—	80900	94900	31700	135000	
	315 R3 (B)	77.8	19.3	64400	143	75	180-200-225-250	—	—	85100	100000	33600	135000	
	315 R3 (B)	82.3	18.2	65500	137	75	180-200-225-250	—	—	86600	101600	34200	135000	
	315 R3 (B)	97.6	15.4	68800	121	75	180-200-225-250	—	—	91100	107000	36200	135000	
	315 R3 (B)	113	13.2	60000	91	75	180-200-225-250	—	—	95300	111900	38100	135000	
	315 R3 (C)	70.7	21.2	54900	134	90	180-200-225-250	—	—	82700	97100	32500	135000	
	315 R3 (C)	90.7	16.5	59200	112	90	180-200-225-250	—	—	89200	104700	35300	135000	
	315 R3 (C)	108	13.9	62300	100	90	180-200-225-250	—	—	93900	110200	37400	135000	
	315 R3 (C)	114	13.2	64700	98	90	180-200-225-250	—	—	95400	112100	38100	135000	
	315 R3 (C)	135	11.1	75700	96	90	180-200-225-250	—	—	100500	118000	40300	135000	
	315 R3 (C)	157	9.5	65000	71	90	180-200-225-250	—	—	105100	123400	42400	135000	
	315 R4	225	6.7	77700	61	40	132-160-180-200	—	—	117100	137500	47800	135000	
	315 R4	269	5.6	82000	54	40	132-160-180-200	—	—	123500	145000	50700	135000	
	315 R4	345	4.3	96000	49	40	132-160-180-200	—	—	133100	156200	55100	135000	
	315 R4	409	3.7	98300	43	40	132-160-180-200	—	—	140100	164500	58400	135000	
	315 R4	525	2.9	99400	34	40	132-160-180-200	—	—	151000	177300	63400	135000	
	315 R4	623	2.4	100200	29	40	132-160-180-200	—	—	158900	186600	67200	135000	
	315 R4	659	2.3	88200	24	40	132-160-180-200	—	—	161600	189800	68400	135000	
	315 R4	782	1.9	90300	20	40	132-160-180-200	—	—	170200	199800	72400	135000	
	315 R4	909	1.6	76900	15.0	40	132-160-180-200	—	—	178000	209000	76200	135000	
	1000	315 R3 (B)	51.1	19.6	54400	122	90	180-200-225-250	—	—	84700	99500	33400	135000
		315 R3 (B)	65.5	15.3	70700	124	90	180-200-225-250	—	—	91300	107200	36300	135000
		315 R3 (B)	77.8	12.9	72500	107	90	180-200-225-250	—	—	96100	112900	38400	135000
315 R3 (B)		82.3	12.2	73700	103	90	180-200-225-250	—	—	97800	114800	39100	135000	
315 R3 (B)		97.6	10.2	77500	91	90	180-200-225-250	—	—	102900	120800	41400	135000	
315 R3 (B)		113	8.8	65000	66	90	180-200-225-250	—	—	107700	126400	43600	135000	
315 R3 (C)		70.7	14.1	62000	101	108	180-200-225-250	—	—	93400	109700	37200	135000	
315 R3 (C)		90.7	11.0	66800	85	108	180-200-225-250	—	—	100700	118200	40400	135000	
315 R3 (C)		108	9.3	70400	75	108	180-200-225-250	—	—	106000	124500	42800	135000	
315 R3 (C)		114	8.8	72100	73	108	180-200-225-250	—	—	107800	126600	43600	135000	
315 R3 (C)		135	7.4	79600	68	108	180-200-225-250	—	—	113500	133200	46200	135000	
315 R3 (C)		157	6.4	65000	47	108	180-200-225-250	—	—	118700	139400	48600	135000	
315 R4		225	4.4	86800	46	48	132-160-180-200	—	—	132300	155300	54800	135000	
315 R4		269	3.7	90500	40	48	132-160-180-200	—	—	139500	163700	58100	135000	
315 R4		345	2.9	98900	34	48	132-160-180-200	—	—	150300	176500	63100	135000	
315 R4		409	2.4	100100	29	48	132-160-180-200	—	—	158200	185800	66800	135000	
315 R4		525	1.9	101500	23	48	132-160-180-200	—	—	170500	200200	72600	135000	

B



315 R

388

105000 Nm

n ₁ min ⁻¹		i	n ₂ min ⁻¹	M _{n2} Nm	P _{n1} kW	Pt kW	P (IEC)	Rn ₂ [N]					M _{2 max} Nm
								MC	MZ	HC/PC	HZ/PZ	FZ	
1000	315 R4	623	1.6	102400	19.4	48	132-160-180-200	—	—	179500	210800	76900	135000
	315 R4	659	1.5	93300	16.8	48	132-160-180-200	—	—	182500	214300	78300	135000
	315 R4	782	1.3	95600	14.5	48	132-160-180-200	—	—	192200	225600	82900	135000
	315 R4	909	1.1	82200	10.7	48	132-160-180-200	—	—	201000	236000	87200	135000
500	315 R3 (B)	51.1	9.8	67000	75	150	180-200-225-250	—	—	104300	122500	42100	135000
	315 R3 (B)	65.5	7.6	86800	76	150	180-200-225-250	—	—	112400	132000	45700	135000
	315 R3 (B)	77.8	6.4	89600	66	150	180-200-225-250	—	—	118400	139000	48400	135000
	315 R3 (B)	82.3	6.1	80700	56	150	180-200-225-250	—	—	120400	141300	49300	135000
	315 R3 (B)	97.6	5.1	81700	48	150	180-200-225-250	—	—	126700	148800	52200	135000
	315 R3 (B)	113	4.4	66200	33	150	180-200-225-250	—	—	132600	155600	54900	135000
	315 R3 (C)	70.7	7.1	76400	62	180	180-200-225-250	—	—	115000	135100	46900	135000
	315 R3 (C)	90.7	5.5	82300	52	180	180-200-225-250	—	—	124000	145500	51000	135000
	315 R3 (C)	108	4.6	86200	46	180	180-200-225-250	—	—	130500	153200	53900	135000
	315 R3 (C)	114	4.4	82800	42	180	180-200-225-250	—	—	132700	155800	55000	135000
	315 R3 (C)	135	3.7	84000	36	180	180-200-225-250	—	—	139700	164000	58200	135000
	315 R3 (C)	157	3.2	69300	25	180	180-200-225-250	—	—	146200	171600	61200	135000
	315 R4	225	2.2	98500	26	80	132-160-180-200	—	—	162800	191200	69000	135000
	315 R4	269	1.9	100900	22	80	132-160-180-200	—	—	171700	201600	73200	135000
	315 R4	345	1.4	102900	17.7	80	132-160-180-200	—	—	185000	217200	79500	135000
	315 R4	409	1.2	103900	15.0	80	132-160-180-200	—	—	194800	228700	84200	135000
	315 R4	525	0.95	105000	11.8	80	132-160-180-200	—	—	206000	243000	90000	135000
	315 R4	623	0.80	105000	10.0	80	132-160-180-200	—	—	206000	243000	90000	135000
	315 R4	659	0.76	99000	8.9	80	132-160-180-200	—	—	206000	243000	90000	135000
	315 R4	782	0.64	99000	7.5	80	132-160-180-200	—	—	206000	243000	90000	135000
	315 R4	909	0.55	83500	5.4	80	132-160-180-200	—	—	206000	243000	90000	135000

316 R

400

138820 Nm

n ₁ min ⁻¹		i	n ₂ min ⁻¹	M _{n2} Nm	P _{n1} kW	Pt kW	P (IEC)	Rn ₂ [N]					M _{2 max} Nm	
								MC	MZ	HC/PC	HZ/PZ	FZ		
1500	316 R3 (B)	51.1	29.4	50000	150	75	180-200-225-250	—	—	124800	138800	48600	192000	
	316 R3 (B)	65.5	22.9	63800	150	75	180-200-225-250	—	—	134500	149500	52800	192000	
	316 R3 (B)	77.8	19.3	65800	146	75	180-200-225-250	—	—	141600	157400	55900	192000	
	316 R3 (C)	70.7	21.2	59300	144	90	180-200-225-250	—	—	137600	153000	54200	192000	
	316 R3 (C)	90.7	16.5	69800	132	90	180-200-225-250	—	—	148200	164900	58900	192000	
	316 R3 (C)	108	13.9	72500	116	90	180-200-225-250	—	—	156100	173600	62300	192000	
	316 R4	225	6.7	94500	74	45	132-160-180-200	—	—	194700	216600	79700	192000	
	316 R4	269	5.6	99700	66	45	132-160-180-200	—	—	205300	228300	84600	192000	
	316 R4	289	5.2	105700	65	45	132-160-180-200	—	—	209900	233400	86600	192000	
	316 R4	345	4.3	107300	55	45	132-160-180-200	—	—	221300	246100	91900	192000	
	316 R4	409	3.7	112700	49	45	132-160-180-200	—	—	232900	259100	97300	192000	
	316 R4	443	3.4	117300	47	45	132-160-180-200	—	—	238500	265200	99900	192000	
	316 R4	525	2.9	118900	40	45	132-160-180-200	—	—	251000	279200	105700	192000	
	316 R4	623	2.4	115400	33	45	132-160-180-200	—	—	264300	293900	111900	192000	
	1000	316 R3 (B)	51.1	19.6	56900	128	90	180-200-225-250	—	—	140900	156700	55700	192000
		316 R3 (B)	65.5	15.3	72400	127	90	180-200-225-250	—	—	151900	168900	60500	192000
316 R3 (B)		77.8	12.9	74300	110	90	180-200-225-250	—	—	159900	177800	64000	192000	
316 R3 (C)		70.7	14.1	66900	109	108	180-200-225-250	—	—	155300	172800	62000	192000	
316 R3 (C)		90.7	11.0	78800	100	108	180-200-225-250	—	—	167400	186200	67400	192000	
316 R3 (C)		108	9.3	81900	87	108	180-200-225-250	—	—	176200	196000	71400	192000	
316 R4		225	4.4	106600	56	54	132-160-180-200	—	—	219900	244600	91300	192000	
316 R4		269	3.7	112200	49	54	132-160-180-200	—	—	231900	257900	96800	192000	
316 R4		289	3.5	116700	48	54	132-160-180-200	—	—	237000	263600	99200	192000	
316 R4		345	2.9	120700	41	54	132-160-180-200	—	—	249900	277900	105200	192000	
316 R4		409	2.4	126200	36	54	132-160-180-200	—	—	263100	292600	111400	192000	
316 R4		443	2.3	127400	34	54	132-160-180-200	—	—	269300	299500	114300	192000	
316 R4		525	1.9	127500	29	54	132-160-180-200	—	—	283500	315300	121000	192000	
316 R4		623	1.6	119300	23	54	132-160-180-200	—	—	298500	331900	128100	192000	





316 R



400

138820 Nm



n ₁ min ⁻¹		i	n ₂ min ⁻¹	M _{n2} Nm	P _{n1} kW	Pt kW	P (IEC) 	Rn ₂ [N]					M _{2 max} Nm
								MC	MZ	HC/PC	HZ/PZ	FZ	
500	316 R3 (B)	51.1	9.8	70800	79	150	180-200-225-250	—	—	173500	192900	70100	192000
	316 R3 (B)	65.5	7.6	90400	79	150	180-200-225-250	—	—	187000	207900	76200	192000
	316 R3 (B)	77.8	6.4	91500	67	150	180-200-225-250	—	—	196800	218900	80700	192000
	316 R3 (C)	70.7	7.1	82400	67	180	180-200-225-250	—	—	191300	212700	78100	192000
	316 R3 (C)	90.7	5.5	97000	61	180	180-200-225-250	—	—	206100	229200	84900	192000
	316 R3 (C)	108	4.6	99600	53	180	180-200-225-250	—	—	217000	241300	89900	192000
	316 R4	225	2.2	127600	34	90	132-160-180-200	—	—	270700	301100	115000	192000
	316 R4	269	1.9	130000	29	90	132-160-180-200	—	—	285500	317500	122000	192000
	316 R4	289	1.7	131000	27	90	132-160-180-200	—	—	291800	324500	124900	192000
	316 R4	345	1.4	133500	23	90	132-160-180-200	—	—	307700	342200	132500	192000
	316 R4	409	1.2	135900	19.6	90	132-160-180-200	—	—	323900	360200	140300	192000
	316 R4	443	1.1	137000	18.3	90	132-160-180-200	—	—	331600	368700	144000	192000
	316 R4	525	0.95	138800	15.6	90	132-160-180-200	—	—	345000	385000	150000	192000
	316 R4	623	0.80	124000	11.8	90	132-160-180-200	—	—	345000	385000	150000	192000

317 R

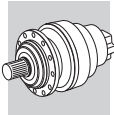


410

187860 Nm

n ₁ min ⁻¹		i	n ₂ min ⁻¹	M _{n2} Nm	P _{n1} kW	Pt kW	P (IEC) 	Rn ₂ [N]					M _{2 max} Nm
								MC	MZ	HC/PC	HZ/PZ	FZ	
1500	317 R3 (B)	49.8	30	46900	150	90	180-200-225-250	—	—	159200	169500	48200	393000
	317 R3 (B)	64.9	23.1	61200	150	90	180-200-225-250	—	—	172400	183500	52700	393000
	317 R3 (B)	78.1	19.2	75100	150	90	180-200-225-250	—	—	182200	194000	56000	393000
	317 R3 (B)	83.3	18.0	80200	150	90	180-200-225-250	—	—	185800	197800	57200	393000
	317 R3 (B)	100	15.0	96200	150	90	180-200-225-250	—	—	196400	209100	60900	393000
	317 R3 (B)	119	12.6	111000	150	90	180-200-225-250	—	—	206700	220100	64400	393000
	317 R3 (C)	68.9	21.8	57800	144	100	180-200-225-250	—	—	175500	186900	53700	393000
	317 R3 (C)	89.8	16.7	75300	144	100	180-200-225-250	—	—	190000	202300	58700	393000
	317 R3 (C)	108	13.9	90600	144	100	180-200-225-250	—	—	200900	213900	62400	393000
	317 R3 (C)	115	13.0	96600	144	100	180-200-225-250	—	—	204800	218100	63800	393000
	317 R3 (C)	139	10.8	116300	144	100	180-200-225-250	—	—	216500	230500	67800	393000
	317 R3 (C)	165	9.1	118900	124	100	180-200-225-250	—	—	227900	242700	71800	393000
	317 R4	220	6.8	81400	66	50	132-160-180-200	—	—	248500	264500	79000	393000
	317 R4	262	5.7	97200	66	50	132-160-180-200	—	—	262000	278900	83800	393000
	317 R4	336	4.5	124700	66	50	132-160-180-200	—	—	282300	300600	91100	393000
	317 R4	399	3.8	148000	66	50	132-160-180-200	—	—	297200	316500	96500	393000
	317 R4	438	3.4	157000	64	50	132-160-180-200	—	—	305700	325500	99500	393000
	317 R4	520	2.9	164800	56	50	132-160-180-200	—	—	321800	342600	105400	393000
	317 R4	626	2.4	155000	44	50	132-160-180-200	—	—	340200	362200	112100	393000
	317 R4	677	2.2	164700	43	50	132-160-180-200	—	—	348300	370800	115000	393000
317 R4	803	1.9	165900	37	50	132-160-180-200	—	—	366700	390400	121800	393000	
317 R4	953	1.6	145000	27	50	132-160-180-200	—	—	386000	411000	129000	393000	
1000	317 R3 (B)	49.8	20.1	53000	122	108	180-200-225-250	—	—	179800	191400	55200	393000
	317 R3 (B)	64.9	15.4	69100	122	108	180-200-225-250	—	—	194700	207300	60300	393000
	317 R3 (B)	78.1	12.8	85500	126	108	180-200-225-250	—	—	205800	219100	64100	393000
	317 R3 (B)	83.3	12.0	90800	125	108	180-200-225-250	—	—	209800	223400	65500	393000
	317 R3 (B)	100	10.0	109300	125	108	180-200-225-250	—	—	221800	236100	69700	393000
	317 R3 (B)	119	8.4	119100	115	108	180-200-225-250	—	—	233500	248600	73800	393000
	317 R3 (C)	68.9	14.5	65200	109	120	180-200-225-250	—	—	198200	211000	61500	393000
	317 R3 (C)	89.8	11.1	85000	109	120	180-200-225-250	—	—	214600	228500	67200	393000
	317 R3 (C)	108	9.2	102400	109	120	180-200-225-250	—	—	226900	241600	71500	393000
	317 R3 (C)	115	8.7	109100	109	120	180-200-225-250	—	—	231300	246300	73000	393000
	317 R3 (C)	139	7.2	131400	109	120	180-200-225-250	—	—	244500	260300	77700	393000
	317 R3 (C)	165	6.1	119600	83	120	180-200-225-250	—	—	257400	274100	82200	393000
	317 R4	220	4.6	92000	50	60	132-160-180-200	—	—	280600	298700	90500	393000
	317 R4	262	3.8	109700	50	60	132-160-180-200	—	—	295900	315000	96000	393000
	317 R4	336	3.0	140800	50	60	132-160-180-200	—	—	318900	339500	104300	393000
	317 R4	399	2.5	167100	50	60	132-160-180-200	—	—	335700	357400	110400	393000
317 R4	438	2.3	172800	47	60	132-160-180-200	—	—	345200	367600	113900	393000	





317 R



410

187860 Nm

n ₁ min ⁻¹		i	n ₂ min ⁻¹	M _{n2} Nm	P _{n1} kW	Pt kW	P (IEC)	Rn ₂ [N]					M _{2 max} Nm
								MC	MZ	HC/PC	HZ/PZ	FZ	
1000	317 R4	520	1.9	175200	40	60	132-160-180-200	—	—	363400	387000	120600	393000
	317 R4	626	1.6	155000	29	60	132-160-180-200	—	—	384200	409100	128300	393000
	317 R4	677	1.5	167400	29	60	132-160-180-200	—	—	393300	418800	131700	393000
	317 R4	803	1.2	168500	25	60	132-160-180-200	—	—	414100	440900	139400	393000
	317 R4	953	1.0	154900	19.2	60	132-160-180-200	—	—	435900	464100	147600	393000
500	317 R3 (B)	49.8	10.0	65200	75	180	180-200-225-250	—	—	221300	235700	69500	393000
	317 R3 (B)	64.9	7.7	85000	75	180	180-200-225-250	—	—	239700	255200	75900	393000
	317 R3 (B)	78.1	6.4	106500	78	180	180-200-225-250	—	—	253400	269800	80800	393000
	317 R3 (B)	83.3	6.0	113100	78	180	180-200-225-250	—	—	258300	275000	82500	393000
	317 R3 (B)	100	5.0	134900	77	180	180-200-225-250	—	—	273100	290700	87800	393000
	317 R3 (B)	119	4.2	123400	60	180	180-200-225-250	—	—	287500	306100	92900	393000
	317 R3 (C)	68.9	7.3	80300	67	200	180-200-225-250	—	—	244000	259800	77500	393000
	317 R3 (C)	89.8	5.6	104700	67	200	180-200-225-250	—	—	264200	281300	84600	393000
	317 R3 (C)	108	4.6	123600	66	200	180-200-225-250	—	—	279300	297400	90000	393000
	317 R3 (C)	115	4.3	134400	67	200	180-200-225-250	—	—	284800	303200	92000	393000
	317 R3 (C)	139	3.6	154600	64	200	180-200-225-250	—	—	301000	320500	97800	393000
	317 R3 (C)	165	3.0	130200	45	200	180-200-225-250	—	—	316900	337400	103600	393000
	317 R4	220	2.3	112500	30	100	132-160-180-200	—	—	345400	367800	114000	393000
	317 R4	262	1.9	134900	30	100	132-160-180-200	—	—	364200	387800	120900	393000
	317 R4	336	1.5	173400	31	100	132-160-180-200	—	—	392600	418000	131400	393000
	317 R4	399	1.3	196500	29	100	132-160-180-200	—	—	413200	440000	139100	393000
	317 R4	438	1.1	182400	25	100	132-160-180-200	—	—	425000	452500	143500	393000
	317 R4	520	0.96	184300	21	100	132-160-180-200	—	—	442000	470000	150000	393000
	317 R4	626	0.80	155000	14.6	100	132-160-180-200	—	—	442000	470000	150000	393000
	317 R4	677	0.74	170000	14.9	100	132-160-180-200	—	—	442000	470000	150000	393000
	317 R4	803	0.62	170000	12.5	100	132-160-180-200	—	—	442000	470000	150000	393000
	317 R4	953	0.52	156200	9.7	100	132-160-180-200	—	—	442000	470000	150000	393000

318 R



420

280580 Nm

n ₁ min ⁻¹		i	n ₂ min ⁻¹	M _{n2} Nm	P _{n1} kW	Pt kW	P (IEC)	Rn ₂ [N]					M _{2 max} Nm	
								MC	MZ	HC/PC	HZ/PZ	FZ		
1500	318 R4 (B)	225	6.7	200200	150	90	180-200-225-250	—	—	313900	320300	106200	500000	
	318 R4 (B)	288	5.2	215700	133	90	180-200-225-250	—	—	338300	345200	115400	500000	
	318 R4 (B)	342	4.4	226200	117	90	180-200-225-250	—	—	356100	363400	122200	500000	
	318 R4 (B)	362	4.1	229600	113	90	180-200-225-250	—	—	362100	369600	124500	500000	
	318 R4 (B)	430	3.5	240400	99	90	180-200-225-250	—	—	381200	389100	131800	500000	
	318 R4 (B)	499	3.0	250300	89	90	180-200-225-250	—	—	398900	407000	138600	500000	
	318 R4 (C)	311	4.8	220500	126	110	180-200-225-250	—	—	346100	353200	118400	500000	
	318 R4 (C)	399	3.8	235700	105	110	180-200-225-250	—	—	373000	380600	128700	500000	
	318 R4 (C)	474	3.2	246800	92	110	180-200-225-250	—	—	392600	400700	136200	500000	
	318 R4 (C)	501	3.0	250600	89	110	180-200-225-250	—	—	399300	407500	138800	500000	
	318 R4 (C)	595	2.5	262400	78	110	180-200-225-250	—	—	420300	428900	146900	500000	
	318 R4 (C)	691	2.2	265600	68	110	180-200-225-250	—	—	439700	448800	154500	500000	
	1000	318 R4 (B)	225	4.5	225300	119	108	180-200-225-250	—	—	354500	361800	121600	500000
		318 R4 (B)	288	3.5	240900	99	108	180-200-225-250	—	—	382100	389900	132100	500000
318 R4 (B)		342	2.9	252200	87	108	180-200-225-250	—	—	402200	410500	139900	500000	
318 R4 (B)		362	2.8	256000	84	108	180-200-225-250	—	—	409000	417400	142500	500000	
318 R4 (B)		430	2.3	264300	73	108	180-200-225-250	—	—	430600	439400	150900	500000	
318 R4 (B)		499	2.0	267100	63	108	180-200-225-250	—	—	450400	459700	158700	500000	
318 R4 (C)		311	3.2	245800	93	132	180-200-225-250	—	—	390800	398900	135500	500000	
318 R4 (C)		399	2.5	262900	78	132	180-200-225-250	—	—	421200	429900	147300	500000	
318 R4 (C)		474	2.1	266200	66	132	180-200-225-250	—	—	443400	452500	155900	500000	
318 R4 (C)		501	2.0	267200	63	132	180-200-225-250	—	—	450900	460200	158800	500000	
318 R4 (C)		595	1.7	270500	54	132	180-200-225-250	—	—	474700	484400	168200	500000	
318 R4 (C)		691	1.4	273400	47	132	180-200-225-250	—	—	496600	506800	176800	500000	
500		318 R4 (B)	225	2.2	265200	70	180	180-200-225-250	—	—	436500	445400	153200	500000
		318 R4 (B)	288	1.7	269900	55	180	180-200-225-250	—	—	470400	480000	166500	500000



318 R



420

280580 Nm

n ₁ min ⁻¹		i	n ₂ min ⁻¹	M _{n2} Nm	P _{n1} kW	Pt kW	P (IEC)	Rn ₂ [N]					M _{2 max} Nm
								MC	MZ	HC/PC	HZ/PZ	FZ	
500	318 R4 (B)	342	1.5	273200	47	180	180-200-225-250	—	—	495200	505300	176300	500000
	318 R4 (B)	362	1.4	274200	45	180	180-200-225-250	—	—	503000	513900	179600	500000
	318 R4 (B)	430	1.2	277600	38	180	180-200-225-250	—	—	503000	541000	190100	500000
	318 R4 (B)	499	1.0	280600	33	180	180-200-225-250	—	—	503000	565000	199900	500000
	318 R4 (C)	311	1.6	271300	52	220	180-200-225-250	—	—	481200	491100	170700	500000
	318 R4 (C)	399	1.3	276200	41	220	180-200-225-250	—	—	503000	529200	185500	500000
	318 R4 (C)	474	1.1	279500	35	220	180-200-225-250	—	—	503000	557100	196400	500000
	318 R4 (C)	501	1.00	280600	33	220	180-200-225-250	—	—	503000	565000	200000	500000
	318 R4 (C)	595	0.84	280600	28	220	180-200-225-250	—	—	503000	565000	200000	500000
	318 R4 (C)	691	0.72	280600	24	220	180-200-225-250	—	—	503000	565000	200000	500000

319 R

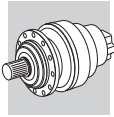


430

403720 Nm

n ₁ min ⁻¹		i	n ₂ min ⁻¹	M _{n2} Nm	P _{n1} kW	Pt kW	P (IEC)	Rn ₂ [N]					M _{2 max} Nm
								MC	MZ	HC/PC	HZ/PZ	FZ	
1500	319 R4 (B)	249	6.0	227700	150	95	180-200-225-250	—	—	372100	409900	109900	680000
	319 R4 (B)	320	4.7	289000	150	95	180-200-225-250	—	—	401000	441800	119400	680000
	319 R4 (B)	379	4.0	304200	142	95	180-200-225-250	—	—	422100	465100	126500	680000
	319 R4 (B)	401	3.7	310500	137	95	180-200-225-250	—	—	429200	472900	128800	680000
	319 R4 (B)	475	3.2	300900	112	95	180-200-225-250	—	—	451500	497400	136300	680000
	319 R4 (B)	563	2.7	313000	99	95	180-200-225-250	—	—	475300	523700	144300	680000
	319 R4 (B)	655	2.3	321300	87	95	180-200-225-250	—	—	497300	547900	151700	680000
	319 R4 (C)	345	4.4	259700	134	115	180-200-225-250	—	—	410200	451900	122500	680000
	319 R4 (C)	442	3.4	279900	112	115	180-200-225-250	—	—	442100	487100	133100	680000
	319 R4 (C)	525	2.9	294600	100	115	180-200-225-250	—	—	465400	512700	140900	680000
	319 R4 (C)	555	2.7	306300	98	115	180-200-225-250	—	—	473200	521400	143600	680000
	319 R4 (C)	657	2.3	322200	87	115	180-200-225-250	—	—	497800	548400	151900	680000
	319 R4 (C)	780	1.9	331100	75	115	180-200-225-250	—	—	524000	577300	160800	680000
	319 R4 (C)	906	1.7	335900	66	115	180-200-225-250	—	—	548200	604000	169100	680000
	1000	319 R4 (B)	249	4.0	257100	122	114	180-200-225-250	—	—	420200	462900	125800
319 R4 (B)		320	3.1	323900	120	114	180-200-225-250	—	—	452800	498900	136700	680000
319 R4 (B)		379	2.6	342600	107	114	180-200-225-250	—	—	476700	525200	144800	680000
319 R4 (B)		401	2.5	348100	103	114	180-200-225-250	—	—	484800	534100	147500	680000
319 R4 (B)		475	2.1	326400	81	114	180-200-225-250	—	—	509900	561800	156000	680000
319 R4 (B)		563	1.8	335400	70	114	180-200-225-250	—	—	536800	591400	165200	680000
319 R4 (B)		655	1.5	339600	61	114	180-200-225-250	—	—	561600	618700	173700	680000
319 R4 (C)		345	2.9	293300	101	138	180-200-225-250	—	—	463300	510400	140200	680000
319 R4 (C)		442	2.3	316100	85	138	180-200-225-250	—	—	499300	550100	152400	680000
319 R4 (C)		525	1.9	332800	75	138	180-200-225-250	—	—	525600	579100	161300	680000
319 R4 (C)		555	1.8	338600	72	138	180-200-225-250	—	—	534500	588800	164400	680000
319 R4 (C)		657	1.5	343700	62	138	180-200-225-250	—	—	562200	619400	173900	680000
319 R4 (C)		780	1.3	353300	54	138	180-200-225-250	—	—	591800	652000	184100	680000
319 R4 (C)		906	1.1	354900	46	138	180-200-225-250	—	—	619100	682100	193600	680000
500		319 R4 (B)	249	2.0	316600	75	190	180-200-225-250	—	—	517300	570000	158500
	319 R4 (B)	320	1.6	373900	69	190	180-200-225-250	—	—	557500	614200	172300	680000
	319 R4 (B)	379	1.3	386000	60	190	180-200-225-250	—	—	586900	646600	182400	680000
	319 R4 (B)	401	1.2	379400	56	190	180-200-225-250	—	—	596800	657500	185800	680000
	319 R4 (B)	475	1.1	364500	45	190	180-200-225-250	—	—	627700	691600	196500	680000
	319 R4 (B)	563	0.89	367600	39	190	180-200-225-250	—	—	638000	702000	200000	680000
	319 R4 (B)	655	0.76	359700	32	190	180-200-225-250	—	—	638000	702000	200000	680000
	319 R4 (C)	345	1.5	361100	62	230	180-200-225-250	—	—	570300	628400	176700	680000
	319 R4 (C)	442	1.1	389200	52	230	180-200-225-250	—	—	614700	677200	192000	680000
	319 R4 (C)	525	0.95	403700	45	230	180-200-225-250	—	—	638000	702000	200000	680000
	319 R4 (C)	555	0.90	389900	42	230	180-200-225-250	—	—	638000	702000	200000	680000
	319 R4 (C)	657	0.76	367600	33	230	180-200-225-250	—	—	638000	702000	200000	680000
	319 R4 (C)	780	0.64	367600	28	230	180-200-225-250	—	—	638000	702000	200000	680000
	319 R4 (C)	906	0.55	359700	23	230	180-200-225-250	—	—	638000	702000	200000	680000

B





321 R



440

655200 Nm




n ₁ min ⁻¹		i	n ₂ min ⁻¹	M _{n2} Nm	P _{n1} kW	P _t kW	P (IEC) 	Rn ₂ [N]					M _{2 max} Nm
								MC	MZ	HC/PC	HZ/PZ	FZ	
1500	321 R4 (B)	221	6.8	205600	150	105	180-200-225-250	—	—	440600	522400	634000	934000
	321 R4 (B)	288	5.2	265300	150	105	180-200-225-250	—	—	477000	565700	692600	934000
	321 R4 (B)	347	4.3	320600	150	105	180-200-225-250	—	—	504300	598000	736800	934000
	321 R4 (B)	370	4.1	341300	150	105	180-200-225-250	—	—	514100	609600	752700	934000
	321 R4 (B)	446	3.4	409600	150	105	180-200-225-250	—	—	543500	644500	800600	934000
	321 R4 (B)	529	2.8	484700	150	105	180-200-225-250	—	—	572100	678500	847700	934000
	321 R4 (C)	306	4.9	249000	144	125	180-200-225-250	—	—	485700	576000	706700	934000
	321 R4 (C)	399	3.8	324600	144	125	180-200-225-250	—	—	525900	623700	771900	934000
	321 R4 (C)	481	3.1	390700	144	125	180-200-225-250	—	—	556000	659300	821100	934000
	321 R4 (C)	512	2.9	416600	144	125	180-200-225-250	—	—	566800	672100	838900	934000
	321 R4 (C)	617	2.4	501400	144	125	180-200-225-250	—	—	599200	710600	892300	934000
	321 R4 (C)	732	2.0	521400	126	125	180-200-225-250	—	—	630800	748000	944800	934000
1000	321 R4 (B)	221	4.5	233700	125	126	180-200-225-250	—	—	497500	590000	725800	934000
	321 R4 (B)	288	3.5	304200	125	126	180-200-225-250	—	—	538700	638800	792800	934000
	321 R4 (B)	347	2.9	361600	123	126	180-200-225-250	—	—	569500	675400	843400	934000
	321 R4 (B)	370	2.7	391600	125	126	180-200-225-250	—	—	580600	688500	861600	934000
	321 R4 (B)	446	2.2	460100	122	126	180-200-225-250	—	—	613800	727900	916500	934000
	321 R4 (B)	529	1.9	513000	115	126	180-200-225-250	—	—	646100	766200	970400	934000
	321 R4 (C)	306	3.3	281200	109	150	180-200-225-250	—	—	548500	650500	808900	934000
	321 R4 (C)	399	2.5	366600	109	150	180-200-225-250	—	—	593900	704300	883600	934000
	321 R4 (C)	481	2.1	441300	109	150	180-200-225-250	—	—	627900	744600	940000	934000
	321 R4 (C)	512	2.0	470500	109	150	180-200-225-250	—	—	640100	759100	960200	934000
	321 R4 (C)	617	1.6	566500	109	150	180-200-225-250	—	—	676700	802500	1021500	934000
	321 R4 (C)	732	1.4	529800	86	150	180-200-225-250	—	—	712400	844800	1081500	934000
500	321 R4 (B)	221	2.3	290300	78	210	180-200-225-250	—	—	612500	726400	914500	934000
	321 R4 (B)	288	1.7	379500	78	210	180-200-225-250	—	—	663200	786500	998900	934000
	321 R4 (B)	347	1.4	450300	77	210	180-200-225-250	—	—	701200	831500	1062600	934000
	321 R4 (B)	370	1.4	483100	77	210	180-200-225-250	—	—	714800	847600	1085500	934000
	321 R4 (B)	446	1.1	567200	75	210	180-200-225-250	—	—	755600	896100	1154700	934000
	321 R4 (B)	529	0.95	536400	60	210	180-200-225-250	—	—	779000	923000	1200000	934000
	321 R4 (C)	306	1.6	346300	67	250	180-200-225-250	—	—	675300	800800	1019200	934000
	321 R4 (C)	399	1.3	451600	67	250	180-200-225-250	—	—	731200	867100	1113300	934000
	321 R4 (C)	481	1.0	543700	67	250	180-200-225-250	—	—	773000	916700	1184300	934000
	321 R4 (C)	512	0.98	575400	66	250	180-200-225-250	—	—	779000	923000	1200000	934000
	321 R4 (C)	617	0.81	655200	63	250	180-200-225-250	—	—	779000	923000	1200000	934000
	321 R4 (C)	732	0.68	536400	43	250	180-200-225-250	—	—	779000	923000	1200000	934000

B



25.5 3/V - PLANETARYWORM RATING CHARTS

Reading the rating chart.

3/V 00 L3								1250 Nm							
n_1 min ⁻¹		i	n_2 min ⁻¹	M_{n2} Nm	P_{n1} kW	P_t kW	P (IEC) - 	MC/PC	MZ/PZ	Rn ₂ [N]					
											HC	HZ	FZ		
1500	3/V 00L3	415	3.6	1000	0.57	—	B5 / B14		7930	7930	20900	24000	5210	250	
	3/V 00L3	436	3.4	730	0.42	—	63	71	80	8060	8060	21200	24300	5300	250
	3/V 00L3	509	2.9	1040	0.48	—	63	71	80	8490	8490	22200	25500	5580	250
	3/V 00L3	562	2.7	720	0.30	—	63	71	80	8770	8770	22900	26300	5770	250
	3/V 00L3	654	2.3	1090	0.41	—	63	71	—	9230	9230	23900	27500	6070	250

2

3

4

5

6

7

8

9

10

11

1 Reference torque

2 Gearbox drive speed

3 Frame size of combined worm + planetary gearbox

4 Gear ratio

5 Gearbox output speed

Gearbox rated output torque based on:

6 - service factor $f_S=1$
- 10000 h theoretical lifetime

Gearbox rated input power, based on:

7 - service factor $f_S=1$
- 10000 h theoretical lifetime

8 Gearbox thermal capacity

9 Frame size of compatible IEC electric motor
- IEC inputs marked with * feature a lowered key.

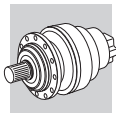
Permitted overhung loading on output shaft, based on:

10 - service factor $f_S=1$
- 10000 h theoretical lifetime
- speed of output n_2

For forces not applied at shaft midpoint, see diagrams provided in the specific gearbox overall dimensioning pages



11 Dimensions page

B





3/V 00 L3

1250 Nm

n ₁ min ⁻¹		i	n ₂ min ⁻¹	M _{n2} Nm	P _{n1} kW	Pt kW	P (IEC) 	Rn ₂ [N]					
								MC/PC	MZ/PZ	HC	HZ	FZ	
B5 / B14													
1500	3/V 00L3	415	3.6	1000	0.57	—	63 71 80	7930	7930	20900	24000	5210	250
	3/V 00L3	436	3.4	730	0.42	—	63 71 —	8060	8060	21200	24300	5300	250
	3/V 00L3	509	2.9	1040	0.48	—	63 71 80	8490	8490	22200	25500	5580	250
	3/V 00L3	562	2.7	720	0.30	—	63 71 80	8770	8770	22900	26300	5770	250
	3/V 00L3	654	2.3	1090	0.41	—	63 71 —	9230	9230	23900	27500	6070	250
	3/V 00L3	689	2.2	1100	0.37	—	63 71 80	9390	9390	24300	27900	6170	250
	3/V 00L3	818	1.8	1110	0.36	—	63 71 —	9940	9940	25600	29400	6540	250
	3/V 00L3	903	1.7	790	0.23	—	63 71 —	10300	10300	26400	30300	6760	250
	3/V 00L3	997	1.5	800	0.18	—	63 71 80	10600	10600	27100	31200	6980	250
	3/V 00L3	1107	1.4	1190	0.28	—	63 71 —	11000	11000	28000	32200	7230	250
	3/V 00L3	1198	1.3	830	0.17	—	63 71 —	11300	11300	28700	33000	7420	250
	3/V 00L3	1381	1.1	1230	0.24	—	63 71 —	11800	11800	29900	34000	7780	250
	3/V 00L3	1495	1.0	860	0.14	—	63 71 —	12000	12200	30700	34000	7990	250
	3/V 00L3	1869	0.80	860	0.12	—	63 71 —	12000	12500	31000	34000	8000	250
	3/V 00L3	2337	0.64	860	0.10	—	63 71 —	12000	12500	31000	34000	8000	250



3/V 01 L3

2460 Nm

n ₁ min ⁻¹		i	n ₂ min ⁻¹	M _{n2} Nm	P _{n1} kW	Pt kW	P (IEC) 	Rn ₂ [N]					
								MC/PC	MZ/PZ	HC	HZ	FZ	
B5 / B14													
1500	3/V 01L3	430	3.5	1880	0.90	—	63 71 80	8020	8020	21100	24200	5270	260
	3/V 01L3	443	3.4	1370	0.66	—	63 71 80	8100	8100	21300	24400	5330	260
	3/V 01L3	509	2.9	1270	0.58	—	63 71 80	8490	8490	22200	25500	5580	260
	3/V 01L3	562	2.7	1400	0.58	—	63 71 80	8770	8770	22900	26300	5770	260
	3/V 01L3	654	2.3	1180	0.45	—	63 71 —	9230	9230	23900	27500	6070	260
	3/V 01L3	689	2.2	1710	0.58	—	63 71 80	9390	9390	24300	27900	6170	260
	3/V 01L3	799	1.9	1540	0.43	—	63 71 80	9860	9860	25400	29200	6480	260
	3/V 01L3	903	1.7	1230	0.36	—	63 71 —	10300	10300	26400	30300	6760	260
	3/V 01L3	997	1.5	1600	0.36	—	63 71 80	10600	10600	27100	31200	6980	260
	3/V 01L3	1105	1.4	1990	0.45	—	63 71 —	11000	11000	28000	32200	7230	260
	3/V 01L3	1198	1.3	1650	0.34	—	63 71 —	11300	11300	28700	33000	7420	260
	3/V 01L3	1381	1.1	1880	0.36	—	63 71 —	11800	11800	29900	34000	7780	260
	3/V 01L3	1495	1.0	1720	0.29	—	63 71 —	12000	12200	30700	34000	7990	260
	3/V 01L3	1869	0.80	1720	0.24	—	63 71 —	12000	12500	31000	34000	8000	260
	3/V 01L3	2337	0.64	1720	0.20	—	63 71 —	12000	12500	31000	34000	8000	260

3/V 03 L3




2970 Nm

n ₁ min ⁻¹		i	n ₂ min ⁻¹	M _{n2} Nm	P _{n1} kW	Pt kW	P (IEC) 	Rn ₂ [N]					
								MC/PC	MZ/PZ	HC	HZ	FZ	
B5 / B14													
1500	3/V 03L3	395	3.8	2210	1.2	—	71 80 90	24000	27700	42000	50500	15400	270
	3/V 03L3	460	3.3	2310	1.1	—	71 80 90	25200	29100	43900	52900	16200	270
	3/V 03L3	502	3.0	2020	0.83	—	71 80 90	26000	30000	45100	54300	16700	270
	3/V 03L3	544	2.8	2730	1.1	—	71 80 90	26700	30800	46200	55600	17100	270
	3/V 03L3	623	2.4	2220	0.80	—	71 80 90	27900	32200	48100	57900	17900	270
	3/V 03L3	736	2.0	2720	0.83	—	71 80 90	29500	34100	50600	60800	18900	270
	3/V 03L3	793	1.9	2180	0.62	—	71 80 90	30200	34900	51700	62200	19400	270
	3/V 03L3	923	1.6	2670	0.65	—	71 80 90	31800	36700	54100	65100	20400	270
	3/V 03L3	1023	1.5	2710	0.66	—	71 80 —	32900	38000	55800	67200	21100	270
	3/V 03L3	1189	1.3	2340	0.49	—	71 80 —	34600	40000	58400	70300	22200	270
	3/V 03L3	1385	1.1	2820	0.51	—	71 80 —	36000	42000	61100	73600	23400	270
	3/V 03L3	1610	0.93	2440	0.38	—	71 80 —	36000	42000	64000	74000	24000	270
	3/V 03L3	1728	0.87	2850	0.41	—	71 80 —	36000	42000	64000	74000	24000	270
	3/V 03L3	2009	0.75	2440	0.30	—	71 80 —	36000	42000	64000	74000	24000	270
	3/V 03L3	2511	0.60	2300	0.23	—	71 80 —	36000	42000	64000	74000	24000	270






3/V 04 L3

3960 Nm

n ₁ min ⁻¹		i	n ₂ min ⁻¹	M _{n2} Nm	P _{n1} kW	Pt kW	P (IEC) 					Rn ₂ [N]					
							MC/PC	MZ/PZ	HC	HZ	FZ	MC/PC	MZ/PZ	HC	HZ	FZ	
1500	3/V 04L3	384	3.9	3510	1.9	—	B5	B5 / B14				23700	27400	41600	50100	15200	282
	3/V 04L3	453	3.3	3730	1.7	—	71	80	90	100	112	25100	29000	43700	52600	16100	282
	3/V 04L3	501	3.0	3010	1.4	—	71	80	90	100	112	26000	30000	45100	54200	16700	282
	3/V 04L3	568	2.6	3160	1.2	—	71	80	90	100	112	27100	31300	46800	56300	17400	282
	3/V 04L3	623	2.4	3530	1.2	—	71	80	90	100	112	27900	32200	48100	57900	17900	282
	3/V 04L3	710	2.1	2640	0.73	—	71	80	90	100	112	29200	33700	50000	60200	18700	282
	3/V 04L3	769	1.9	3330	0.90	—	71	80	90	100	112	29900	34600	51300	61700	19200	282
	3/V 04L3	887	1.7	2740	0.61	—	71	80	90	100	112	31400	36300	53500	64400	20100	282
	3/V 04L3	981	1.5	3860	0.91	—	71	80	90	100	112	32500	37500	55100	66300	20800	282
	3/V 04L3	1152	1.3	3570	0.67	—	71	80	90	100	112	34300	39600	57900	69600	22000	282
	3/V 04L3	1231	1.2	3610	0.68	—	71	80	90	100	112	35000	40400	59000	71000	22500	282
	3/V 04L3	1419	1.1	2970	0.45	—	71	80	90	100	112	36000	42000	61600	74000	23600	282
	3/V 04L3	1536	0.98	3740	0.56	—	71	80	90	100	112	36000	42000	63100	74000	24000	282
	3/V 04L3	1774	0.85	3000	0.37	—	71	80	90	100	112	36000	42000	64000	74000	24000	282
	3/V 04L3	1893	0.79	3000	0.37	—	71	80	90	100	112	36000	42000	64000	74000	24000	282
	3/V 04L3	2366	0.63	3000	0.29	—	71	80	90	100	112	36000	42000	64000	74000	24000	282




3/V 05 L3

5800 Nm

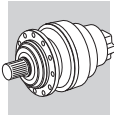
n ₁ min ⁻¹		i	n ₂ min ⁻¹	M _{n2} Nm	P _{n1} kW	Pt kW	P (IEC) 					Rn ₂ [N]					
							MC/PC	MZ/PZ	HC	HZ	FZ	MC/PC	MZ/PZ	HC	HZ	FZ	
1500	3/V 05L3	396	3.8	3760	1.9	—	B5	B5 / B14				24000	27700	42000	50500	15400	294
	3/V 05L3	462	3.3	4820	2.0	—	71	80	90	100	112	25300	29200	44000	52900	16200	294
	3/V 05L3	529	2.8	3920	1.5	—	71	80	90	100	112	26400	30500	45800	55100	17000	294
	3/V 05L3	576	2.6	4870	1.7	—	71	80	90	100	112	27200	31400	47000	56500	17400	294
	3/V 05L3	623	2.4	4460	1.6	—	71	80	90	100	112	27900	32200	48100	57900	17900	294
	3/V 05L3	715	2.1	4120	1.2	—	71	80	90	100	112	29200	33700	50200	60300	18800	294
	3/V 05L3	793	1.9	4200	1.1	—	71	80	90	100	112	30200	34900	51700	62200	19400	294
	3/V 05L3	894	1.7	4290	1.0	—	71	80	90	100	112	31500	36300	53600	64500	20200	294
	3/V 05L3	1057	1.4	4410	0.97	—	71	80	90	100	112	33300	38400	56400	67800	21400	294
	3/V 05L3	1116	1.3	4460	0.83	—	71	80	90	100	112	33900	39100	57300	69000	21700	294
	3/V 05L3	1231	1.2	5470	1.0	—	71	80	90	100	112	35000	40400	59000	71000	22500	294
	3/V 05L3	1431	1.0	4650	0.75	—	71	80	90	100	112	36000	42000	61700	74000	23600	294
	3/V 05L3	1674	0.90	4430	0.57	—	71	80	90	100	112	36000	42000	64000	74000	24000	294
	3/V 05L3	1786	0.84	4690	0.61	—	71	80	90	100	112	36000	42000	64000	74000	24000	294
	3/V 05L3	2232	0.67	4430	0.46	—	71	80	90	100	112	36000	42000	64000	74000	24000	294

3/V 06 L3

10840 Nm




n ₁ min ⁻¹		i	n ₂ min ⁻¹	M _{n2} Nm	P _{n1} kW	Pt kW	P (IEC) 					Rn ₂ [N]					
							MC/PC	MZ/PZ	HC	HZ	FZ	MC/PC	MZ/PZ	HC	HZ	FZ	
1500	3/V 06L3	395	3.8	7590	3.8	—	B5	B5 / B14				29900	33800	68700	80000	22400	306
	3/V 06L3	427	3.5	8820	4.1	—	71	80	90	100	112	30600	34700	70300	81800	23000	306
	3/V 06L3	527	2.8	7590	2.9	—	71	80	90	100	112	32900	37200	74900	87200	24700	306
	3/V 06L3	569	2.6	8560	3.0	—	71	80	90	100	112	33700	38200	76600	89200	25300	306
	3/V 06L3	661	2.3	9370	2.8	—	71	80	90	100	112	35500	40200	80100	93300	26600	306
	3/V 06L3	698	2.2	7540	2.1	—	71	80	90	100	112	36100	40900	81400	94800	27100	306
	3/V 06L3	791	1.9	7680	2.1	—	71	80	90	100	112	37600	42600	84500	98400	28300	306
	3/V 06L3	930	1.6	7890	1.7	—	71	80	90	100	112	39700	45000	88800	103400	29800	306
	3/V 06L3	992	1.5	9450	2.1	—	71	80	90	100	112	40600	46000	90500	105400	30500	306
	3/V 06L3	1153	1.3	8250	1.6	—	71	80	90	100	112	42700	48400	94700	110200	32100	306
	3/V 06L3	1212	1.2	7820	1.5	—	71	80	90	100	112	43400	49200	96100	111900	32600	306
	3/V 06L3	1395	1.1	8400	1.3	—	71	80	90	100	112	45000	51000	100200	116700	34200	306
	3/V 06L3	1768	0.85	8630	1.1	—	71	80	90	100	112	45000	51000	101000	119000	35000	306
	3/V 06L3	2139	0.70	8500	0.91	—	71	80	90	100	112	45000	51000	101000	119000	35000	306
	3/V 06L3	2588	0.58	7000	0.62	—	71	80	90	100	112	45000	51000	101000	119000	35000	306

B



3/V 07 L3




15680 Nm

n ₁ min ⁻¹		i	n ₂ min ⁻¹	M _{n2} Nm	P _{n1} kW	Pt kW	P (IEC) 					Rn ₂ [N]					
							MC/PC	MZ/PZ	HC	HZ	FZ	MC/PC	MZ/PZ	HC	HZ	FZ	
1500	3/V 07L3	386	3.9	9020	4.5	—	B5 / B14					32900	41300	73400	96100	28600	318
	3/V 07L3	460	3.3	12300	5.3	—	80	90	100	112	132	34900	43800	77300	101300	30400	318
	3/V 07L3	507	3.0	13600	5.3	—	80	90	100	112	132	36100	45300	79600	104300	31400	318
	3/V 07L3	655	2.3	14400	4.8	—	80	90	100	112	132	39300	49300	85900	112600	34100	318
	3/V 07L3	761	2.0	14200	4.0	—	80	90	100	112	132	41300	51800	89900	117800	35900	318
	3/V 07L3	773	1.9	9970	2.6	—	80	90	100	112	132	41500	52100	90300	118400	36100	318
	3/V 07L3	920	1.6	12300	2.9	—	80	90	100	112	132	44000	55200	95200	124700	38200	318
	3/V 07L3	1015	1.5	14400	3.1	—	80	90	100	112	132	45400	57000	98000	128400	39500	318
	3/V 07L3	1159	1.3	10600	2.0	—	80	90	100	112	132	47500	59600	102000	133700	41300	318
	3/V 07L3	1288	1.2	14500	2.5	—	80	90	100	112	132	49200	61700	105300	138000	42800	318
	3/V 07L3	1411	1.1	12300	2.0	—	80	90	100	112	132	50700	63600	108200	141800	44100	318
	3/V 07L3	1545	0.97	11000	1.6	—	80	90	100	112	132	52000	65000	109000	145000	45000	318
	3/V 07L3	1964	0.76	12300	1.5	—	80	90	100	112	132	52000	65000	109000	145000	45000	318
	3/V 07L3	2150	0.70	11000	1.2	—	80	90	100	112	132	52000	65000	109000	145000	45000	318
	3/V 07L3	2472	0.61	11000	1.1	—	80	90	100	112	132	52000	65000	109000	145000	45000	318

B




3/V 09 L3

23240 Nm

n ₁ min ⁻¹		i	n ₂ min ⁻¹	M _{n2} Nm	P _{n1} kW	Pt kW	P (IEC) 					Rn ₂ [N]					
							MC/PC	MZ/PZ	HC	HZ	FZ	MC/PC	MZ/PZ	HC	HZ	FZ	
1500	3/V 09L3	370	4.1	13000	7.3	—	B5					—	—	73600	94900	22600	330
	3/V 09L3	442	3.4	17700	8.4	—	100	112	132	—	—	—	—	77600	100100	24000	330
	3/V 09L3	507	3.0	14300	5.6	—	—	—	132	160	—	—	—	80900	104300	25100	330
	3/V 09L3	655	2.3	17600	5.6	—	100	112	132	—	—	—	—	87300	112600	27300	330
	3/V 09L3	761	2.0	14400	3.9	—	100	112	132	—	—	—	—	91300	117800	28700	330
	3/V 09L3	800	1.9	21400	5.8	—	100	112	132	—	—	—	—	92700	119600	29200	330
	3/V 09L3	840	1.8	20100	5.0	—	100	112	132	—	—	—	—	94100	121400	29700	330
	3/V 09L3	1004	1.5	18100	3.9	—	100	112	132	—	—	—	—	99300	128000	31500	330
	3/V 09L3	1159	1.3	16200	2.9	—	100	112	132	—	—	—	—	103600	133700	33000	330
	3/V 09L3	1288	1.2	21500	3.6	—	100	112	132	—	—	—	—	107000	138000	34200	330
	3/V 09L3	1497	1.0	18300	2.6	—	100	112	132	—	—	—	—	110000	144300	36000	330
	3/V 09L3	1623	0.92	14700	2.1	—	100	112	—	—	—	—	—	110000	145000	36000	330
	3/V 09L3	1792	0.84	22000	2.8	—	100	112	—	—	—	—	—	110000	145000	36000	330
	3/V 09L3	2150	0.70	17000	1.7	—	100	112	132	—	—	—	—	110000	145000	36000	330
	3/V 09L3	2472	0.61	17000	1.6	—	100	112	—	—	—	—	—	110000	145000	36000	330

3/V 10 L3




34120 Nm

n ₁ min ⁻¹		i	n ₂ min ⁻¹	M _{n2} Nm	P _{n1} kW	Pt kW	P (IEC) 					Rn ₂ [N]					
							MC/PC	MZ/PZ	HC	HZ	FZ	MC/PC	MZ/PZ	HC	HZ	FZ	
1500	3/V 10L3	436	3.4	26700	12.2	—	B5					—	—	91600	115200	43100	342
	3/V 10L3	507	3.0	25900	10.2	—	—	—	132	160 (*)	—	—	—	95800	120500	45300	342
	3/V 10L3	560	2.7	25900	9.2	—	—	—	132	160 (*)	—	—	—	98700	124100	46800	342
	3/V 10L3	614	2.4	21800	7.1	—	—	—	132	160 (*)	—	—	—	101500	127600	48300	342
	3/V 10L3	701	2.1	21900	6.0	—	—	—	132	160 (*)	—	—	—	105600	132800	50400	342
	3/V 10L3	773	1.9	22400	5.8	—	—	—	132	160 (*)	—	—	—	108700	136700	52100	342
	3/V 10L3	920	1.6	21800	4.9	—	100	112	132	—	—	—	—	114600	144100	55200	342
	3/V 10L3	1004	1.5	31800	6.9	—	100	112	132	—	—	—	—	117600	147900	56900	342
	3/V 10L3	1120	1.3	29100	5.6	—	100	112	132	—	—	—	—	121600	152800	59000	342
	3/V 10L3	1227	1.2	21800	3.9	—	100	112	132	—	—	—	—	124900	157100	60800	342
	3/V 10L3	1411	1.1	21800	3.3	—	100	112	132	—	—	—	—	130300	163800	63700	342






3/V 10 L4

34120 Nm

n ₁ min ⁻¹		i	n ₂ min ⁻¹	M _{n2} Nm	P _{n1} kW	Pt kW	P (IEC) 					MC/PC	MZ/PZ	Rn ₂ [N]			
							B5	B5 / B14						HC	HZ	FZ	
1500	3/V 10L4	1657	0.91	33300	4.1	—	71	80	90	100	112	—	—	133000	166000	65000	343
	3/V 10L4	1826	0.82	26700	3.0	—	71	80	90	100	112	—	—	133000	166000	65000	343
	3/V 10L4	2016	0.74	29400	3.0	—	71	80	90	100	112	—	—	133000	166000	65000	343
	3/V 10L4	2209	0.68	32300	3.0	—	71	80	90	100	112	—	—	133000	166000	65000	343
	3/V 10L4	2455	0.61	34100	2.8	—	71	80	90	100	112	—	—	133000	166000	65000	343
	3/V 10L4	2835	0.53	30600	2.2	—	71	80	90	100	112	—	—	133000	166000	65000	343
	3/V 10L4	3273	0.46	34100	2.1	—	71	80	90	100	112	—	—	133000	166000	65000	343
	3/V 10L4	3570	0.42	30600	1.9	—	71	80	90	100	112	—	—	133000	166000	65000	343
	3/V 10L4	4036	0.37	30600	1.6	—	71	80	90	100	112	—	—	133000	166000	65000	343
	3/V 10L4	4637	0.32	30600	1.6	—	71	80	90	100	112	—	—	133000	166000	65000	343
3/V 10L4	5081	0.30	34100	1.6	—	71	80	90	100	112	—	—	133000	166000	65000	343	




3/V 11 L3

48330 Nm

n ₁ min ⁻¹		i	n ₂ min ⁻¹	M _{n2} Nm	P _{n1} kW	Pt kW	P (IEC) 					MC/PC	MZ/PZ	Rn ₂ [N]			
							B5							HC	HZ	FZ	
1500	3/V 11L3	430	3.5	40900	18.7	—	—	—	—	160	180 (*)	—	—	107800	134200	42800	354
	3/V 11L3	510	2.9	34500	13.3	—	—	—	—	160	180 (*)	—	—	113400	141300	45400	354
	3/V 11L3	551	2.7	39000	13.9	—	—	—	—	160	180 (*)	—	—	116100	144600	46600	354
	3/V 11L3	644	2.3	40000	12.5	—	—	—	132	160	—	—	—	121700	151600	49000	354
	3/V 11L3	720	2.1	40200	12.0	—	—	—	132	160	—	—	—	125800	156700	50900	354
	3/V 11L3	827	1.8	41400	10.1	—	—	—	132	160	—	—	—	131100	163400	53300	354
	3/V 11L3	900	1.7	41000	10.0	—	100	112	132	—	—	—	—	134500	167600	54800	354
	3/V 11L3	1004	1.5	35700	8.0	—	100	112	132	—	—	—	—	139000	173200	56900	354
	3/V 11L3	1103	1.4	43200	8.4	—	—	—	132	160	—	—	—	143000	178100	58700	354
	3/V 11L3	1274	1.2	35100	6.0	—	100	112	132	—	—	—	—	149300	186000	61600	354
	3/V 11L3	1378	1.1	44700	7.1	—	100	112	132	—	—	—	—	152900	190400	63200	354
	3/V 11L3	1636	0.92	43000	5.8	—	100	112	132	—	—	—	—	157000	195000	65000	354
	3/V 11L3	1963	0.76	43000	4.9	—	100	112	132	—	—	—	—	157000	195000	65000	354
	3/V 11L3	2329	0.64	34000	3.3	—	100	112	132	—	—	—	—	157000	195000	65000	354

3/V 11 L4

48330 Nm



n ₁ min ⁻¹		i	n ₂ min ⁻¹	M _{n2} Nm	P _{n1} kW	Pt kW	P (IEC) 					MC/PC	MZ/PZ	Rn ₂ [N]			
							B5 / B14				B5			HC	HZ	FZ	
1500	3/V 11L4	2510	0.60	48300	3.9	—	80	90	100	112	132	—	—	157000	195000	65000	355
	3/V 11L4	2887	0.52	48300	3.5	—	80	90	100	112	132	—	—	157000	195000	65000	355
	3/V 11L4	3222	0.47	46900	3.0	—	80	90	100	112	132	—	—	157000	195000	65000	355
	3/V 11L4	3557	0.42	42300	2.8	—	80	90	100	112	132	—	—	157000	195000	65000	355
	3/V 11L4	4106	0.37	48300	2.7	—	80	90	100	112	132	—	—	157000	195000	65000	355
	3/V 11L4	4410	0.34	45200	2.3	—	80	90	100	112	132	—	—	157000	195000	65000	355
	3/V 11L4	5021	0.30	48300	2.2	—	80	90	100	112	132	—	—	157000	195000	65000	355

B



3/V 13 L3



57970 Nm

n ₁ min ⁻¹		i	n ₂ min ⁻¹	M _{n2} Nm	P _{n1} kW	Pt kW	P (IEC) 					Rn ₂ [N]					
							MC/PC	MZ/PZ	HC	HZ	FZ	MC/PC	MZ/PZ	HC	HZ	FZ	
B5																	
1500	3/V 13L3	370	4.1	39500	21	—	—	—	—	160	180 (*)	—	—	127300	150700	50200	366
	3/V 13L3	425	3.5	47300	21	—	—	—	—	160	180 (*)	—	—	132700	157100	52600	366
	3/V 13L3	516	2.9	52000	19.8	—	—	—	—	160	180 (*)	—	—	140700	166500	56100	366
	3/V 13L3	567	2.6	49300	17.1	—	—	—	—	160	180 (*)	—	—	144700	171300	57800	366
	3/V 13L3	673	2.2	50700	14.8	—	—	—	—	160	180 (*)	—	—	152300	180300	61200	366
	3/V 13L3	741	2.0	45800	13.2	—	—	—	132	160	—	—	—	156800	185500	63200	366
	3/V 13L3	810	1.9	44500	10.8	—	—	—	—	160	180 (*)	—	—	161100	190600	65100	366
	3/V 13L3	870	1.7	53800	13.2	—	—	—	132	160	—	—	—	164500	194700	66700	366
	3/V 13L3	1009	1.5	54300	10.8	—	—	—	—	132	160	—	—	172000	203600	70100	366
	3/V 13L3	1088	1.4	51200	10.3	—	100	112	132	—	—	—	—	175900	208200	71900	366
	3/V 13L3	1291	1.2	52800	9.0	—	100	112	132	—	—	—	—	185200	219200	76100	366
	3/V 13L3	1418	1.1	57400	8.9	—	100	112	132	—	—	—	—	190500	225400	78500	366
	3/V 13L3	1620	0.93	49000	6.5	—	—	—	132	160	—	—	—	192000	231000	80000	366
	3/V 13L3	1682	0.89	57970	7.6	—	100	112	132	—	—	—	—	192000	231000	80000	366
	3/V 13L3	2019	0.74	57970	6.5	—	100	112	132	—	—	—	—	192000	231000	80000	366
	3/V 13L3	2430	0.62	49000	4.5	—	100	112	132	—	—	—	—	192000	231000	80000	366

B



3/V 13 L4

57970 Nm

n ₁ min ⁻¹		i	n ₂ min ⁻¹	M _{n2} Nm	P _{n1} kW	Pt kW	P (IEC) 					Rn ₂ [N]					
							MC/PC	MZ/PZ	HC	HZ	FZ	MC/PC	MZ/PZ	HC	HZ	FZ	
B5 / B14																	
1500	3/V 13L4	2773	0.46	55400	4.5	—	80	90	100	112	132	—	—	192000	231000	80000	367
	3/V 13L4	3263	0.46	55400	3.5	—	80	90	100	112	132	—	—	192000	231000	80000	367
	3/V 13L4	3515	0.43	57970	3.4	—	80	90	100	112	132	—	—	192000	231000	80000	367
	3/V 13L4	4046	0.37	55400	3.1	—	80	90	100	112	132	—	—	192000	231000	80000	367
	3/V 13L4	4536	0.33	57970	2.9	—	80	90	100	112	132	—	—	192000	231000	80000	367
	3/V 13L4	5046	0.30	53000	2.4	—	80	90	100	112	132	—	—	192000	231000	80000	367

3/V 14 L3




84000 Nm

n ₁ min ⁻¹		i	n ₂ min ⁻¹	M _{n2} Nm	P _{n1} kW	Pt kW	P (IEC) 					Rn ₂ [N]					
							MC/PC	MZ/PZ	HC	HZ	FZ	MC/PC	MZ/PZ	HC	HZ	FZ	
B5																	
1500	3/V 14L3	397	3.8	46100	22	—	—	—	—	160	180 (*)	—	—	138800	163000	57800	378
	3/V 14L3	446	3.4	47700	21	—	—	—	—	160	180 (*)	—	—	143800	168800	60100	378
	3/V 14L3	498	3.0	57800	22	—	—	—	—	160	180 (*)	—	—	148600	174500	62300	378
	3/V 14L3	579	2.6	57100	18.7	—	—	—	—	160	180 (*)	—	—	155500	182600	65500	378
	3/V 14L3	665	2.3	70200	21	—	—	—	—	160	180 (*)	—	—	162000	190200	68600	378
	3/V 14L3	695	2.2	43000	13.2	—	—	—	132	160	—	—	—	164300	192800	69700	378
	3/V 14L3	794	1.9	49300	12.5	—	—	—	132	160	—	—	—	170900	200700	72800	378
	3/V 14L3	893	1.7	55200	13.2	—	—	—	132	160	—	—	—	177000	207800	75700	378
	3/V 14L3	997	1.5	61900	12.5	—	—	—	132	160	—	—	—	183000	214800	78500	378
	3/V 14L3	1116	1.3	52500	10.3	—	100	112	132	—	—	—	—	189300	222200	81500	378
	3/V 14L3	1324	1.1	62300	10.3	—	100	112	132	—	—	—	—	199300	233900	86300	378
	3/V 14L3	1339	1.1	47700	8.0	—	100	112	132	—	—	—	—	199900	234700	86700	378
	3/V 14L3	1589	0.94	56600	8.0	—	100	112	132	—	—	—	—	206000	243000	90000	378
	3/V 14L3	1662	0.90	75500	10.0	—	100	112	132	—	—	—	—	206000	243000	90000	378
	3/V 14L3	1994	0.75	71000	8.0	—	100	112	132	—	—	—	—	206000	243000	90000	378
	3/V 14L3	2318	0.65	66800	6.5	—	100	112	132	—	—	—	—	206000	243000	90000	378






3/V 14 L4

84000 Nm

n ₁ min ⁻¹		i	n ₂ min ⁻¹	M _{n2} Nm	P _{n1} kW	Pt kW	P (IEC) 				MC/PC	MZ/PZ	Rn ₂ [N]			
							B5	—	—	—			HC	HZ	FZ	
1500	3/V 14L4	2504	0.60	83200	7.4	—	100	112	132	—	—	—	206000	243000	90000	379
	3/V 14L4	2782	0.54	83200	6.4	—	100	112	132	—	—	—	206000	243000	90000	379
	3/V 14L4	3182	0.47	80100	5.2	—	100	112	132	—	—	—	206000	243000	90000	379
	3/V 14L4	3472	0.43	75500	4.5	—	—	—	132	160	—	—	206000	243000	90000	379
	3/V 14L4	3993	0.38	75500	3.9	—	100	112	132	—	—	—	206000	243000	90000	379
	3/V 14L4	4312	0.35	83200	4.3	—	100	112	132	—	—	—	206000	243000	90000	379
	3/V 14L4	4959	0.30	83200	3.7	—	100	112	132	—	—	—	206000	243000	90000	379




3/V 15 L3

105000 Nm

n ₁ min ⁻¹		i	n ₂ min ⁻¹	M _{n2} Nm	P _{n1} kW	Pt kW	P (IEC) 				MC/PC	MZ/PZ	Rn ₂ [N]				
							B5	—	—	—			HC	HZ	FZ		
1500	3/V 15L3	386	3.9	67400	33	—	132	160	180	200	225	—	—	137700	161700	57300	390
	3/V 15L3	446	3.4	65100	29	—	132	160	180	200	225	—	—	143800	168800	60100	390
	3/V 15L3	498	3.0	85600	33	—	132	160	180	200	225	—	—	148600	174500	62300	390
	3/V 15L3	560	2.7	81700	29	—	132	160	180	200	225	—	—	153900	180700	64800	390
	3/V 15L3	665	2.3	88300	26	—	132	160	180	200	225	—	—	162000	190200	68600	390
	3/V 15L3	840	1.8	80400	19.2	—	132	160	180	200	225	—	—	173800	204100	74200	390
	3/V 15L3	997	1.5	93500	18.9	—	132	160	180	200	225	—	—	183000	214800	78500	390
	3/V 15L3	1120	1.3	92200	17.6	—	132	160	180	200	225	—	—	189500	222500	81600	390
	3/V 15L3	1329	1.1	97300	15.7	—	132	160	180	200	225	—	—	199500	234200	86400	390
	3/V 15L3	1400	1.1	86900	13.6	—	132	160	180	200	225	—	—	202600	237900	88000	390
	3/V 15L3	1662	0.90	99000	13.1	—	132	160	180	200	225	—	—	206000	243000	90000	390
	3/V 15L3	1994	0.75	94300	10.8	—	132	160	180	200	225	—	—	206000	243000	90000	390
	3/V 15L3	2318	0.65	83500	8.2	—	132	160	180	200	225	—	—	206000	243000	90000	390

3/V 15 L4

105000 Nm




n ₁ min ⁻¹		i	n ₂ min ⁻¹	M _{n2} Nm	P _{n1} kW	Pt kW	P (IEC) 				MC/PC	MZ/PZ	Rn ₂ [N]			
							B5	—	—	—			HC	HZ	FZ	
1500	3/V 15L4	2780	0.54	105000	7.7	—	—	—	132	160 (*)	—	—	206000	243000	90000	391
	3/V 15L4	3300	0.45	105000	6.5	—	—	—	132	160 (*)	—	—	206000	243000	90000	391
	3/V 15L4	3489	0.43	99000	5.8	—	—	—	132	160 (*)	—	—	206000	243000	90000	391
	3/V 15L4	4171	0.36	105000	5.4	—	100	112	132	—	—	—	206000	243000	90000	391
	3/V 15L4	4950	0.30	105000	4.6	—	100	112	132	—	—	—	206000	243000	90000	391
	3/V 15L4	5234	0.29	99000	4.1	—	100	112	132	—	—	—	206000	243000	90000	391

B



3/V 16 L3




138820 Nm

n ₁ min ⁻¹		i	n ₂ min ⁻¹	M _{n2} Nm	P _{n1} kW	Pt kW	P (IEC) 					Rn ₂ [N]					
							MC/PC	MZ/PZ	HC	HZ	FZ	MC/PC	MZ/PZ	HC	HZ	FZ	
B5																	
1500	3/V 16L3	397	3.8	99700	48	—	132	160	180	200	225	—	—	230900	256800	96300	402
	3/V 16L3	446	3.4	93400	41	—	132	160	180	200	225	—	—	239100	265900	100100	402
	3/V 16L3	530	2.8	110900	41	—	132	160	180	200	225	—	—	251700	279900	106000	402
	3/V 16L3	669	2.2	84000	25	—	132	160	180	200	225	—	—	270000	300300	114600	402
	3/V 16L3	794	1.9	99700	25	—	132	160	180	200	225	—	—	284200	316100	121400	402
	3/V 16L3	893	1.7	100800	24	—	132	160	180	200	225	—	—	294300	327300	126200	402
	3/V 16L3	1059	1.4	119600	24	—	132	160	180	200	225	—	—	309800	344600	133600	402
	3/V 16L3	1324	1.1	112100	18.6	—	132	160	180	200	225	—	—	331300	368500	143900	402
	3/V 16L3	1589	0.94	112100	15.5	—	132	160	180	200	225	—	—	345000	385000	150000	402

B




3/V 16 L4

138820 Nm

n ₁ min ⁻¹		i	n ₂ min ⁻¹	M _{n2} Nm	P _{n1} kW	Pt kW	P (IEC) 					Rn ₂ [N]					
							MC/PC	MZ/PZ	HC	HZ	FZ	MC/PC	MZ/PZ	HC	HZ	FZ	
B5																	
1500	3/V 16L4	1826	0.82	108300	12.2	—	—	—	132	160 (*)	—	—	—	345000	385000	150000	403
	3/V 16L4	2167	0.69	128500	12.2	—	—	—	132	160 (*)	—	—	—	345000	385000	150000	403
	3/V 16L4	2343	0.64	138800	12.1	—	—	—	132	160 (*)	—	—	—	345000	385000	150000	403
	3/V 16L4	2738	0.55	114100	9.0	—	100	112	132	—	—	—	—	345000	385000	150000	403
	3/V 16L4	3250	0.46	135500	9.0	—	100	112	132	—	—	—	—	345000	385000	150000	403
	3/V 16L4	3514	0.43	138800	8.5	—	100	112	132	—	—	—	—	345000	385000	150000	403
	3/V 16L4	4171	0.36	138800	7.2	—	100	112	132	—	—	—	—	345000	385000	150000	403
	3/V 16L4	4950	0.30	124000	5.4	—	100	112	132	—	—	—	—	345000	385000	150000	403

3/V 17 L3




208110 Nm

n ₁ min ⁻¹		i	n ₂ min ⁻¹	M _{n2} Nm	P _{n1} kW	Pt kW	P (IEC) 					Rn ₂ [N]					
							MC/PC	MZ/PZ	HC	HZ	FZ	MC/PC	MZ/PZ	HC	HZ	FZ	
B5																	
1500	3/V 17L3	405	3.7	126000	58	—	132	160	180	200	225	—	—	298600	317900	96900	412
	3/V 17L3	425	3.5	106700	48	—	132	160	180	200	225	—	—	303000	322600	98500	412
	3/V 17L3	512	2.9	128400	48	—	132	160	180	200	225	—	—	320300	341000	104800	412
	3/V 17L3	567	2.6	118700	41	—	132	160	180	200	225	—	—	330300	351700	108500	412
	3/V 17L3	608	2.5	134700	42	—	132	160	180	200	225	—	—	337200	359000	111000	412
	3/V 17L3	683	2.2	142900	41	—	132	160	180	200	225	—	—	349200	371800	115400	412
	3/V 17L3	810	1.9	141200	34	—	132	160	180	200	225	—	—	367600	391400	122100	412
	3/V 17L3	851	1.8	106700	25	—	132	160	180	200	225	—	—	373000	397100	124200	412
	3/V 17L3	1024	1.5	128400	25	—	132	160	180	200	225	—	—	394300	419900	132100	412
	3/V 17L3	1134	1.3	128000	24	—	132	160	180	200	225	—	—	406600	432900	136600	412
	3/V 17L3	1215	1.2	150900	25	—	132	160	180	200	225	—	—	415100	442000	139800	412
	3/V 17L3	1365	1.1	154100	24	—	132	160	180	200	225	—	—	429900	457700	145400	412






3/V 17 L4

208110 Nm

n ₁ min ⁻¹		i	n ₂ min ⁻¹	M _{n2} Nm	P _{n1} kW	Pt kW	P (IEC) 					Rn ₂ [N]					
							MC/PC	MZ/PZ	HC	HZ	FZ	MC/PC	MZ/PZ	HC	HZ	FZ	
B5																	
1500	3/V 17L4	1780	0.84	184300	21	—	—	—	—	160	180 (*)	—	—	442000	470000	150000	413
	3/V 17L4	2065	0.73	184300	17.5	—	—	—	—	160	180 (*)	—	—	442000	470000	150000	413
	3/V 17L4	2485	0.60	155000	12.2	—	—	—	—	160	180 (*)	—	—	442000	470000	150000	413
	3/V 17L4	2773	0.54	166400	13.2	—	—	—	132	160	—	—	—	442000	470000	150000	413
	3/V 17L4	3168	0.47	190800	12.5	—	—	—	132	160	—	—	—	442000	470000	150000	413
	3/V 17L4	3583	0.42	170000	9.6	—	—	—	—	160	180 (*)	—	—	442000	470000	150000	413
	3/V 17L4	4129	0.36	184300	9.3	—	—	—	132	160	—	—	—	442000	470000	150000	413
	3/V 17L4	4449	0.34	203000	10.3	—	100	112	132	—	—	—	—	442000	470000	150000	413
	3/V 17L4	4970	0.30	155000	6.5	—	—	—	132	160	—	—	—	442000	470000	150000	413




3/V 18 L4

280580 Nm

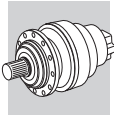
n ₁ min ⁻¹		i	n ₂ min ⁻¹	M _{n2} Nm	P _{n1} kW	Pt kW	P (IEC) 					Rn ₂ [N]					
							MC/PC	MZ/PZ	HC	HZ	FZ	MC/PC	MZ/PZ	HC	HZ	FZ	
B5																	
1500	3/V 18L4	765	2.0	185000	47	—	132	160	180	200	225	—	—	453300	462600	159800	422
	3/V 18L4	982	1.5	237400	47	—	132	160	180	200	225	—	—	488500	498600	173600	422
	3/V 18L4	1165	1.3	275600	46	—	132	160	180	200	225	—	—	503000	524900	183800	422
	3/V 18L4	1232	1.2	276700	43	—	132	160	180	200	225	—	—	503000	533700	187300	422
	3/V 18L4	1473	1.0	255400	34	—	132	160	180	200	225	—	—	503000	563100	198800	422
	3/V 18L4	1748	0.86	280580	31	—	132	160	180	200	225	—	—	503000	565000	200000	422
	3/V 18L4	1848	0.81	280580	30	—	132	160	180	200	225	—	—	503000	565000	200000	422
	3/V 18L4	2295	0.65	212900	19.2	—	132	160	180	200	225	—	—	503000	565000	200000	422
	3/V 18L4	2464	0.61	280580	23	—	132	160	180	200	225	—	—	503000	565000	200000	422
	3/V 18L4	2945	0.51	273300	19.2	—	132	160	180	200	225	—	—	503000	565000	200000	422
	3/V 18L4	3495	0.43	280580	16.6	—	132	160	180	200	225	—	—	503000	565000	200000	422
	3/V 18L4	3696	0.41	280580	15.7	—	132	160	180	200	225	—	—	503000	565000	200000	422
	3/V 18L4	4386	0.34	280580	13.3	—	132	160	180	200	225	—	—	503000	565000	200000	422
	3/V 18L4	5099	0.29	280580	11.4	—	132	160	180	200	225	—	—	503000	565000	200000	422

3/V 19 L4

476410 Nm




n ₁ min ⁻¹		i	n ₂ min ⁻¹	M _{n2} Nm	P _{n1} kW	Pt kW	P (IEC) 					Rn ₂ [N]					
							MC/PC	MZ/PZ	HC	HZ	FZ	MC/PC	MZ/PZ	HC	HZ	FZ	
B5																	
1500	3/V 19L4	2582	0.58	365200	29	—	132	160	180	200	225	—	—	638000	702000	200000	432
	3/V 19L4	3231	0.46	367600	23	—	132	160	180	200	225	—	—	638000	702000	200000	432
	3/V 19L4	4095	0.37	380000	19.2	—	132	160	180	200	225	—	—	638000	702000	200000	432
	3/V 19L4	4457	0.34	359700	16.3	—	132	160	180	200	225	—	—	638000	702000	200000	432
	3/V 19L4	5164	0.29	403700	17.3	—	132	160	180	200	225	—	—	638000	702000	200000	432

B

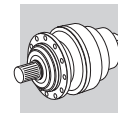


3/V 21 L4

655740 Nm




n ₁ min ⁻¹		i	n ₂ min ⁻¹	M _{n2} Nm	P _{n1} kW	Pt kW	P (IEC) 					Rn ₂ [N]					
							MC/PC	MZ/PZ	HC	HZ	FZ	MC/PC	MZ/PZ	HC	HZ	FZ	
1500	3/V 21L4	1062	1.4	443000	79	—	B5					V					
	3/V 21L4	1260	1.2	425500	65	—	132	160	180	200	225	—	—	705200	836300	1069400	442
	3/V 21L4	1517	0.99	512200	65	—	132	160	180	200	225	—	—	742400	880400	1132200	442
	3/V 21L4	1800	0.83	536400	57	—	132	160	180	200	225	—	—	779000	923000	1200000	442
	3/V 21L4	1890	0.79	460000	48	—	132	160	180	200	225	—	—	779000	923000	1200000	442
	3/V 21L4	2275	0.66	553700	48	—	132	160	180	200	225	—	—	779000	923000	1200000	442
	3/V 21L4	2520	0.60	511700	41	—	132	160	180	200	225	—	—	779000	923000	1200000	442
	3/V 21L4	2700	0.56	536400	39	—	132	160	180	200	225	—	—	779000	923000	1200000	442
	3/V 21L4	3600	0.42	536400	30	—	132	160	180	200	225	—	—	779000	923000	1200000	442
	3/V 21L4	3780	0.40	460000	25	—	132	160	180	200	225	—	—	779000	923000	1200000	442
	3/V 21L4	4550	0.33	553700	25	—	132	160	180	200	225	—	—	779000	923000	1200000	442
	3/V 21L4	5040	0.30	552000	24	—	132	160	180	200	225	—	—	779000	923000	1200000	442

B



25.6 3/A - COMBINED UNITS RATING CHARTS

Reading the rating chart.

3/A 00 L2							1250 Nm															
n_1 min ⁻¹		i	n_2 min ⁻¹	M_{n2} Nm	P_{n1} kW	P_t kW	P (IEC) 										R_{n2} [N]					
							MC/PC	MZ/PZ	HC	HZ	FZ											
1500	3/A 00 L2	19.1	78	470	4.3	—	63	71	80	90	100	112	—	—	—	2840	2840	8290	9530	1870	251	
	3/A 00 L2	23.4	64	580	4.3	—	63	71	80	90	100	112	—	—	—	3040	3040	8810	10100	2000	251	
	3/A 00 L2	31.7	47	650	3.5	—	63	71	80	90	100	112	—	—	—	3370	3370	9650	11100	2210	251	
	3/A 00 L2	39.6	38	550	2.4	—	63	71	80	90	100	112	—	—	—	3620	3620	10300	11800	2380	251	
	3/A 00 L2	41.5	36	650	2.7	—	63	71	80	90	100	112	—	—	—	3680	3680	10500	12000	2420	251	

- 1 Reference torque

- 2 Gearbox drive speed

- 3 Frame size of combined planetary + bevel helical unit

- 4 Gear ratio

- 5 Gearbox output speed

Gearbox rated output torque based on:

- 6 - service factor $f_S=1$
- 10000 h theoretical lifetime

Gearbox rated input power, based on:

- 7 - service factor $f_S=1$
- 10000 h theoretical lifetime

- 8 Gearbox thermal capacity

- 9 Frame size of available IEC motor

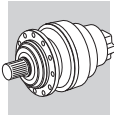
Permitted overhung loading on output shaft, based on:

- 10 - service factor $f_S=1$
- 10000 h theoretical lifetime
- speed of output n_2

For forces not applied at shaft midpoint, see diagrams provided in the specific gearbox overall dimensioning pages




- 11 Dimensions page





3/A 00 L2




1250 Nm

n ₁ min ⁻¹		i	n ₂ min ⁻¹	M _{n2} Nm	P _{n1} kW	Pt kW	P (IEC) 										Rn ₂ [N]					
							MC/PC	MZ/PZ	HC	HZ	FZ	MC/PC	MZ/PZ	HC	HZ	FZ						
1500	3/A 00 L2	19.1	78	470	4.3	—	63	71	80	90	100	112	—	—	—	2840	2840	8290	9530	1870	251	
	3/A 00 L2	23.4	64	580	4.3	—	63	71	80	90	100	112	—	—	—	3040	3040	8810	10100	2000	251	
	3/A 00 L2	31.7	47	650	3.5	—	63	71	80	90	100	112	—	—	—	3370	3370	9650	11100	2210	251	
	3/A 00 L2	39.6	38	550	2.4	—	63	71	80	90	100	112	—	—	—	3620	3620	10300	11800	2380	251	
	3/A 00 L2	41.5	36	650	2.7	—	63	71	80	90	100	112	—	—	—	3680	3680	10500	12000	2420	251	
	3/A 00 L2	51.8	28.9	550	1.8	—	63	71	80	90	100	112	—	—	—	3960	3960	11200	12800	2610	251	
	3/A 00 L2	61.2	24.5	650	1.8	—	63	71	80	90	100	112	—	—	—	4190	4190	11700	13500	2750	251	
	3/A 00 L2	71.0	21.1	650	1.6	—	63	71	80	90	100	112	—	—	—	4400	4400	12300	14100	2890	251	
	3/A 00 L2	80.2	18.7	650	1.4	—	63	71	80	90	100	112	—	—	—	4580	4580	12700	14600	3010	251	
	3/A 00 L2	88.6	16.9	550	1.1	—	63	71	80	90	100	112	—	—	—	4740	4740	13100	15100	3120	251	
	3/A 00 L2	100	15.0	550	0.95	—	63	71	80	90	100	112	—	—	—	4940	4940	13600	15600	3240	251	
	3/A 00 L2	107	14.0	650	1.0	—	63	71	80	90	100	112	—	—	—	5050	5050	13900	16000	3320	251	
	3/A 00 L2	134	11.2	550	0.71	—	63	71	80	90	100	112	—	—	—	5440	5440	14900	17100	3580	251	
	3/A 00 L2	171	8.8	550	0.55	—	63	71	80	90	100	112	—	—	—	5900	5900	16000	18400	3880	251	
	3/A 00 L2	203	7.4	650	0.55	—	63	71	80	90	100	112	—	—	—	6240	6240	16800	19300	4100	251	
	3/A 00 L2	219	6.9	620	0.49	—	63	71	80	90	100	112	—	—	—	6400	6400	17200	19800	4210	251	
	3/A 00 L2	253	5.9	550	0.37	—	63	71	80	90	100	112	—	—	—	6720	6720	18000	20700	4420	251	
	3/A 00 L2	296	5.1	650	0.38	—	63	71	80	90	100	112	—	—	—	7080	7080	18900	21700	4660	251	
	3/A 00 L2	319	4.7	440	0.24	—	63	71	—	—	—	—	—	—	7260	7260	19300	22100	4770	251		
	3/A 00 L2	369	4.1	560	0.26	—	63	71	80	90	100	112	—	—	—	7630	7630	20100	23100	5010	251	
	3/A 00 L2	391	3.8	540	0.24	—	63	71	—	—	—	—	—	—	7770	7770	20500	23500	5110	251		
	3/A 00 L2	441	3.4	690	0.27	—	63	71	—	—	—	—	—	—	8090	8090	21200	24400	5320	251		
	3/A 00 L2	550	2.7	590	0.19	—	63	71	—	—	—	—	—	—	8710	8710	22700	26100	5730	251		
	3/A 00 L2	660	2.3	610	0.16	—	63	71	—	—	—	—	—	—	9250	9250	24000	27500	6080	251		

B

3/A 01 L2




2460 Nm

n ₁ min ⁻¹		i	n ₂ min ⁻¹	M _{n2} Nm	P _{n1} kW	Pt kW	P (IEC) 										Rn ₂ [N]					
							MC/PC	MZ/PZ	HC	HZ	FZ	MC/PC	MZ/PZ	HC	HZ	FZ						
1500	3/A 01 L2	18.8	80	710	6.5	—	—	—	80	90	100	112	—	—	—	2830	2830	8250	9470	1860	261	
	3/A 01 L2	23.0	65	870	6.5	—	—	—	80	90	100	112	—	—	—	3020	3020	8760	10100	1990	261	
	3/A 01 L2	31.2	48	1180	6.5	—	—	—	80	90	100	112	—	—	—	3340	3340	9600	11000	2200	261	
	3/A 01 L2	35.8	42	760	3.7	—	—	—	80	90	100	112	—	—	—	3500	3500	10000	11500	2300	261	
	3/A 01 L2	40.1	37	870	3.7	—	63	71	80	90	100	112	—	—	—	3640	3640	10300	11900	2390	261	
	3/A 01 L2	43.9	34	930	3.7	—	—	—	80	90	100	112	—	—	—	3750	3750	10600	12200	2470	261	
	3/A 01 L2	49.1	31	830	2.9	—	63	71	80	90	100	112	—	—	—	3890	3890	11000	12600	2560	261	
	3/A 01 L2	54.2	27.7	1180	3.7	—	63	71	80	90	100	112	—	—	—	4020	4020	11300	13000	2650	261	
	3/A 01 L2	59.4	25.2	1260	3.7	—	—	—	80	90	100	112	—	—	—	4150	4150	11600	13400	2730	261	
	3/A 01 L2	74.2	20.2	1150	2.7	—	—	—	80	90	100	112	—	—	—	4470	4470	12400	14300	2940	261	
	3/A 01 L2	81.3	18.4	1300	2.8	—	63	71	80	90	100	112	—	—	—	4610	4610	12800	14700	3030	261	
	3/A 01 L2	102	14.8	1150	2.0	—	63	71	80	90	100	112	—	—	—	4960	4960	13700	15700	3260	261	
	3/A 01 L2	133	11.3	1300	1.7	—	63	71	80	90	100	112	—	—	—	5430	5430	14800	17100	3570	261	
	3/A 01 L2	166	9.0	1150	1.2	—	63	71	80	90	100	112	—	—	—	5850	5850	15900	18200	3840	261	
	3/A 01 L2	184	8.1	1030	0.97	—	63	71	80	90	100	112	—	—	—	6050	6050	16400	18800	3980	261	
	3/A 01 L2	204	7.3	1300	1.1	—	63	71	80	90	100	112	—	—	—	6260	6260	16900	19400	4120	261	
	3/A 01 L2	220	6.8	830	0.65	—	63	71	80	90	100	112	—	—	—	6410	6410	17200	19800	4220	261	
	3/A 01 L2	255	5.9	1150	0.78	—	63	71	80	90	100	112	—	—	—	6740	6740	18000	20700	4430	261	
	3/A 01 L2	269	5.6	1010	0.65	—	63	71	80	90	100	112	—	—	—	6860	6860	18300	21000	4510	261	
	3/A 01 L2	311	4.8	1150	0.64	—	63	71	80	90	100	112	—	—	—	7200	7200	19100	22000	4740	261	
	3/A 01 L2	364	4.1	1340	0.64	—	63	71	80	90	100	112	—	—	—	7590	7590	20100	23000	4990	261	
	3/A 01 L2	393	3.8	830	0.36	—	63	71	—	—	—	—	—	—	7790	7790	20500	23600	5120	261		
	3/A 01 L2	454	3.3	1150	0.44	—	63	71	80	90	100	112	—	—	—	8170	8170	21400	24600	5370	261	
	3/A 01 L2	533	2.8	1120	0.36	—	63	71	—	—	—	—	—	—	8620	8620	22500	25800	5660	261		
	3/A 01 L2	665	2.3	1150	0.30	—	63	71	—	—	—	—	—	—	9280	9280	24000	27600	6100	261		



3/A 03 L2




2970 Nm

n ₁ min ⁻¹		i	n ₂ min ⁻¹	M _{n2} Nm	P _{n1} kW	Pt kW	P (IEC) 												Rn ₂ [N]					
							MC/PC	MZ/PZ	HC	HZ	FZ	MC/PC	MZ/PZ	HC	HZ	FZ								
1500	3/A 03 L2	19.4	77	1050	9.3	—	—	—	80	90	100	112	—	—	—	8790	10100	17000	20500	5640	271			
	3/A 03 L2	23.0	65	1240	9.3	—	—	—	80	90	100	112	—	—	—	9290	10700	17900	21500	5960	271			
	3/A 03 L2	28.8	52	1550	9.3	—	—	—	80	90	100	112	—	—	—	10000	11600	19100	23000	6430	271			
	3/A 03 L2	33.5	45	1800	9.3	—	—	—	80	90	100	112	—	—	—	10500	12200	20000	24100	6760	271			
	3/A 03 L2	40.5	37	1650	7.0	—	—	—	80	90	100	112	—	—	—	11200	13000	21200	25500	7200	271			
	3/A 03 L2	43.4	35	1800	7.2	—	—	—	80	90	100	112	—	—	—	11500	13300	21600	26000	7370	271			
	3/A 03 L2	52.5	28.6	1650	5.4	—	—	—	80	90	100	112	—	—	—	12200	14100	22900	27600	7850	271			
	3/A 03 L2	52.5	28.6	1650	5.4	—	—	—	80	90	100	112	—	—	—	12200	14100	22900	27600	7850	271			
	3/A 03 L2	62.9	23.8	1550	4.2	—	63	71	80	90	100	112	—	—	—	13000	15000	24200	29100	8340	271			
	3/A 03 L2	73.2	20.5	1800	4.2	—	63	71	80	90	100	112	—	—	—	13700	15800	25300	30400	8770	271			
	3/A 03 L2	88.5	16.9	1650	3.2	—	63	71	80	90	100	112	—	—	—	14600	16800	26800	32200	9340	271			
	3/A 03 L2	96.9	15.5	1690	3.0	—	63	71	80	90	100	112	—	—	—	15000	17300	27500	33100	9630	271			
	3/A 03 L2	182	8.3	1830	1.7	—	63	71	80	90	100	112	—	—	—	18500	21400	33200	40000	11900	271			
	3/A 03 L2	220	6.8	1650	1.3	—	63	71	80	90	100	112	—	—	—	19700	22800	35200	42300	12700	271			
	3/A 03 L2	269	5.6	1840	1.2	—	63	71	80	90	100	112	—	—	—	21100	24400	37400	45000	13500	271			
	3/A 03 L2	269	5.6	1840	1.2	—	63	71	80	90	100	112	—	—	—	21100	24400	37400	45000	13500	271			
	3/A 03 L2	326	4.6	1660	0.88	—	63	71	80	90	100	112	—	—	—	22500	26000	39600	47600	14400	271			
	3/A 03 L2	352	4.3	2020	0.99	—	63	71	80	90	100	112	—	—	—	23100	26600	40500	48800	14800	271			
	3/A 03 L2	409	3.7	1940	0.82	—	63	71	80	90	100	112	—	—	—	24300	28000	42400	51000	15600	271			
	3/A 03 L2	495	3.0	1720	0.60	—	63	71	80	90	100	112	—	—	—	25900	29800	44900	54000	16600	271			
	3/A 03 L2	574	2.6	1740	0.52	—	63	71	80	90	100	112	—	—	—	27200	31400	46900	56500	17400	271			
	3/A 03 L2	605	2.5	1800	0.51	—	63	71	80	90	100	112	—	—	—	27600	31900	47700	57400	17700	271			
	3/A 03 L2	731	2.1	1800	0.42	—	63	71	80	90	100	112	—	—	—	29400	34000	50500	60700	18900	271			

B

3/A 04 L2




3960 Nm

n ₁ min ⁻¹		i	n ₂ min ⁻¹	M _{n2} Nm	P _{n1} kW	Pt kW	P (IEC) 															Rn ₂ [N]					
							MC/PC	MZ/PZ	HC	HZ	FZ	MC/PC	MZ/PZ	HC	HZ	FZ											
1500	3/A 04 L2	18.7	80	1920	17.7	—	—	—	80	90	100	112	132	—	—	8680	10000	16800	20200	5570	283						
	3/A 04 L2	22.1	68	2270	17.7	—	—	—	80	90	100	112	132	—	—	9170	10600	17700	21300	5880	283						
	3/A 04 L2	25.6	59	1920	12.9	—	—	—	80	90	100	112	132	—	—	9630	11100	18500	22200	6180	283						
	3/A 04 L2	27.7	54	2830	17.6	—	—	—	80	90	100	112	132	—	—	9890	11400	18900	22800	6350	283						
	3/A 04 L2	30.2	50	2270	12.9	—	—	—	80	90	100	112	132	—	—	10200	11700	19400	23300	6530	283						
	3/A 04 L2	35.3	43	2270	11.1	—	—	—	80	90	100	112	132	—	—	10700	12400	20300	24500	6880	283						
	3/A 04 L2	39.1	38	2270	10.0	—	—	—	80	90	100	112	132	—	—	11100	12800	21000	25200	7120	283						
	3/A 04 L2	44.3	34	2850	11.1	—	—	—	80	90	100	112	132	—	—	11600	13300	21800	26200	7420	283						
	3/A 04 L2	49.7	30	2270	7.9	—	63	71	80	90	100	112	132	—	—	12000	13900	22500	27100	7710	283						
	3/A 04 L2	54.5	27.5	2390	7.5	—	—	—	80	90	100	112	132	—	—	12400	14300	23200	27900	7950	283						
	3/A 04 L2	62.4	24.0	2850	7.9	—	63	71	80	90	100	112	132	—	—	13000	15000	24100	29000	8320	283						
	3/A 04 L2	68.4	21.9	2510	6.3	—	—	—	80	90	100	112	132	—	—	13400	15400	24800	29800	8580	283						
	3/A 04 L2	81.7	18.4	2370	5.0	—	63	71	80	90	100	112	132	—	—	14200	16400	26200	31500	9100	283						
	3/A 04 L2	90.7	16.5	2390	4.5	—	—	—	80	90	100	112	132	—	—	14700	17000	27000	32500	9420	283						
	3/A 04 L2	102	14.7	2550	4.3	—	63	71	80	90	100	112	132	—	—	15300	17600	27900	33600	9790	283						
	3/A 04 L2	117	12.8	2390	3.5	—	—	—	80	90	100	112	132	—	—	16000	18500	29100	35000	10300	283						
	3/A 04 L2	129	11.6	2720	3.6	—	63	71	80	90	100	112	132	—	—	16500	19100	30000	36100	10600	283						
	3/A 04 L2	149	10.1	2390	2.8	—	63	71	80	90	100	112	132	—	—	17300	20000	31300	37700	11100	283						
	3/A 04 L2	162	9.2	2900	3.1	—	63	71	80	90	100	112	132	—	—	17800	20600	32100	38700	11400	283						
	3/A 04 L2	174	8.6	2970	2.9	—	63	71	80	90	100	112	—	—	—	18200	21100	32800	39500	11700	283						
	3/A 04 L2	205	7.3	3500	2.9	—	63	71	80	90	100	112	—	—	—	19300	22300	34500	41500	12400	283						
	3/A 04 L2	226	6.6	3500	2.7	—	63	71	80	90	100	112	—	—	—	19900	23000	35500	42700	12800	283						
	3/A 04 L2	250	6.0	3500	2.4	—	63	71	80	90	100	112	—	—	—	20600	23800	36600	44000	13200	283						
	3/A 04 L2	283	5.3	2850	1.7	—	63	71	80	90	100	112	—	—	—	21500	24800	38000	45700	13800	283						
	3/A 04 L2	317	4.7	2400	1.3	—	63	71	80	90	100	112	—	—	—	22300	25700	39300	47300	14300	283						
	3/A 04 L2	349	4.3	2430	1.2	—	63	71	80	90	100	112	—	—	—	23000	26600	40400	48600	14800	283						
	3/A 04 L2	386	3.9	2450	1.1	—	63	71	80	90	100	112	—	—	—	23800	27500	41700	50200	15300	283						
	3/A 04 L2	469	3.2	2500	0.92	—	63	71	80	90	100	112	—	—	—	25400	29300	44200	53100	16300	283						
	3/A 04 L2	520	2.9	2520	0.84	—	63	71	80	90	100	112	—	—	—	26300	30300	45600	54800	16900	283						



3/A 05 L2



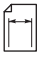
5800 Nm

n ₁ min ⁻¹		i	n ₂ min ⁻¹	M _{n2} Nm	P _{n1} kW	Pt kW	P (IEC) 										Rn ₂ [N]					
							MC/PC	MZ/PZ	HC	HZ	FZ	MC/PC	MZ/PZ	HC	HZ	FZ						
1500	3/A 05L2	18.7	80	1920	17.7	—	—	—	80	90	100	112	132	—	—	8680	10000	16800	20200	5570	295	
	3/A 05L2	22.1	68	2270	17.7	—	—	—	80	90	100	112	132	—	—	9170	10600	17700	21300	5880	295	
	3/A 05L2	27.7	54	2850	17.7	—	—	—	80	90	100	112	132	—	—	9890	11400	18900	22800	6350	295	
	3/A 05L2	32.2	47	3310	17.7	—	—	—	80	90	100	112	132	—	—	10400	12000	19800	23800	6670	295	
	3/A 05L2	39.0	38	3020	13.3	—	—	—	80	90	100	112	132	—	—	11100	12800	21000	25200	7110	295	
	3/A 05L2	44.0	34	3310	12.9	—	—	—	80	90	100	112	132	—	—	11500	13300	21700	26100	7400	295	
	3/A 05L2	53.3	28.2	3040	9.8	—	—	—	80	90	100	112	132	—	—	12300	14200	23000	27700	7890	295	
	3/A 05L2	57.0	26.3	3310	10.0	—	—	—	80	90	100	112	132	—	—	12600	14500	23500	28300	8070	295	
	3/A 05L2	62.6	24.0	3220	8.9	—	—	—	80	90	100	112	132	—	—	13000	15000	24200	29100	8330	295	
	3/A 05L2	72.5	20.7	3310	7.9	—	63	71	80	90	100	112	132	—	—	13600	15700	25200	30400	8740	295	
	3/A 05L2	75.8	19.8	3060	7.0	—	—	—	80	90	100	112	132	—	—	13800	16000	25600	30800	8870	295	
	3/A 05L2	85.6	17.5	3520	7.1	—	—	—	80	90	100	112	132	—	—	14400	16600	26500	31900	9240	295	
	3/A 05L2	104	14.5	3080	5.1	—	—	—	80	90	100	112	132	—	—	15300	17700	28100	33800	9840	295	
	3/A 05L2	121	12.4	3520	5.0	—	63	71	80	90	100	112	132	—	—	16200	18700	29400	35400	10400	295	
	3/A 05L2	141	10.7	3600	4.4	—	63	71	80	90	100	112	132	—	—	17000	19600	30800	37000	10900	295	
	3/A 05L2	162	9.2	2900	3.1	—	63	71	80	90	100	112	132	—	—	17800	20600	32100	38700	11400	295	
	3/A 05L2	175	8.5	3600	3.5	—	63	71	80	90	100	112	—	—	—	18300	21100	32900	39600	11700	295	
	3/A 05L2	212	7.1	3100	2.5	—	63	71	80	90	100	112	—	—	—	19500	22500	34800	41900	12500	295	
	3/A 05L2	212	7.1	3100	2.5	—	63	71	80	90	100	112	—	—	—	19500	22500	34800	41900	12500	295	
	3/A 05L2	241	6.2	4290	3.1	—	63	71	80	90	100	112	—	—	—	20300	23500	36200	43500	13000	295	
	3/A 05L2	280	5.4	3600	2.2	—	63	71	80	90	100	112	—	—	—	21400	24700	37800	45500	13700	295	
	3/A 05L2	329	4.6	3650	1.9	—	63	71	80	90	100	112	—	—	—	22600	26100	39700	47800	14500	295	
	3/A 05L2	398	3.8	3180	1.4	—	63	71	80	90	100	112	—	—	—	24000	27800	42100	50600	15400	295	
	3/A 05L2	422	3.6	4400	1.8	—	63	71	80	90	100	112	—	—	—	24500	28300	42800	51500	15700	295	
	3/A 05L2	491	3.1	3880	1.4	—	63	71	80	90	100	112	—	—	—	25800	29800	44800	53900	16500	295	
	3/A 05L2	594	2.5	3300	0.96	—	63	71	80	90	100	112	—	—	—	27500	31700	47400	57100	17600	295	

B

3/A 06 L2




10840 Nm

n ₁ min ⁻¹		i	n ₂ min ⁻¹	M _{n2} Nm	P _{n1} kW	Pt kW	P (IEC) 										Rn ₂ [N]					
							MC/PC	MZ/PZ	HC	HZ	FZ	MC/PC	MZ/PZ	HC	HZ	FZ						
1500	3/A 06L2	27.7	54	3320	21	—	—	—	80	90	100	112	132	160	180	12300	14000	30900	36000	9250	307	
	3/A 06L2	32.7	46	3920	21	—	—	—	80	90	100	112	132	160	180	13000	14700	32500	37900	9780	307	
	3/A 06L2	34.9	43	3490	17.2	—	—	—	80	90	100	112	132	160	180	13300	15100	33200	38600	9990	307	
	3/A 06L2	41.1	37	4910	21	—	—	—	80	90	100	112	132	160	180	14000	15900	34800	40500	10500	307	
	3/A 06L2	47.2	32	3840	14.0	—	—	—	80	90	100	112	132	160	180	14700	16700	36300	42300	11000	307	
	3/A 06L2	51.7	29.0	5170	17.2	—	—	—	80	90	100	112	132	160	180	15200	17200	37300	43400	11400	307	
	3/A 06L2	55.7	26.9	4530	14.0	—	—	—	80	90	100	112	132	160	180	15500	17600	38100	44400	11700	307	
	3/A 06L2	60.1	24.9	6010	17.2	—	—	—	80	90	100	112	132	160	180	15900	18100	39000	45500	12000	307	
	3/A 06L2	69.9	21.5	5690	14.0	—	—	—	80	90	100	112	132	160	180	16800	19000	40800	47500	12600	307	
	3/A 06L2	81.2	18.5	6480	13.8	—	—	—	80	90	100	112	132	160	180	17600	20000	42700	49700	13200	307	
	3/A 06L2	88.5	16.9	6210	12.1	—	—	—	80	90	100	112	132	160	180	18100	20600	43800	51000	13600	307	
	3/A 06L2	98.3	15.3	5380	9.4	—	—	—	80	90	100	112	132	160	180	18800	21300	45200	52700	14100	307	
	3/A 06L2	112	13.4	6180	9.8	—	—	—	80	90	100	112	132	160	180	19600	22200	47100	54800	14700	307	
	3/A 06L2	125	12.0	5440	7.5	—	—	—	80	90	100	112	132	160	180	20300	23000	48600	56500	15300	307	
	3/A 06L2	141	10.7	7760	9.8	—	—	—	80	90	100	112	132	160	180	21200	24000	50400	58700	15900	307	
	3/A 06L2	164	9.2	6500	7.1	—	—	—	80	90	100	112	132	160	180	22300	25200	52700	61400	16700	307	
	3/A 06L2	190	7.9	7760	7.3	—	—	—	80	90	100	112	132	160	180	23400	26500	55100	64200	17600	307	
	3/A 06L2	198	7.6	5500	4.9	—	—	—	80	90	100	112	132	160	180	23700	26900	55800	65000	17800	307	
	3/A 06L2	221	6.8	6520	5.3	—	—	—	80	90	100	112	132	160	180	24600	27900	57700	67100	18500	307	
	3/A 06L2	267	5.6	5500	3.7	—	—	—	80	90	100	112	132	160	180	26200	29700	61000	71100	19700	307	
	3/A 06L2	276	5.4	7760	5.0	—	63	71	80	90	100	112	132	160	180	26500	30000	61600	71800	19900	307	
	3/A 06L2	321	4.7	6610	3.7	—	63	71	80	90	100	112	132	160	180	27900	31600	64500	75100	20900	307	
	3/A 06L2	388	3.9	5640	2.6	—	63	71	80	90	100	112	132	160	180	29700	33600	68300	79500	22300	307	
	3/A 06L2	380	3.9	6180	2.9	—	63	71	80	90	100	112	132	160	180	29500	33400	67900	79000	22200	307	
	3/A 06L2	435	3.5	7760	3.2	—	63	71	80	90	100	112	132	160	180	30800	34900	70600	82300	23200	307	
	3/A 06L2	505	3.0	7150	2.5	—	63	71	80	90	100	112	132	160	180	32400	36700	73900	86100	24400	307	
	3/A 06L2	555	2.7	7270	2.3	—	63	71	80	90	100	112	132	160	180	33400	37900	76000	88500	25100	307	
	3/A 06L2	611	2.5	5920	1.7	—	63	71	80	90	100	112	132	160	180	34500	39100	78300	91100	25900	307	
	3/A 06L2	671	2.2	6020	1.6	—	63	71	80	90	100	112	132	160	180	35600	40400	80500	93700	26800	307	

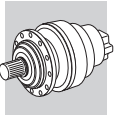


3/A 07 L2

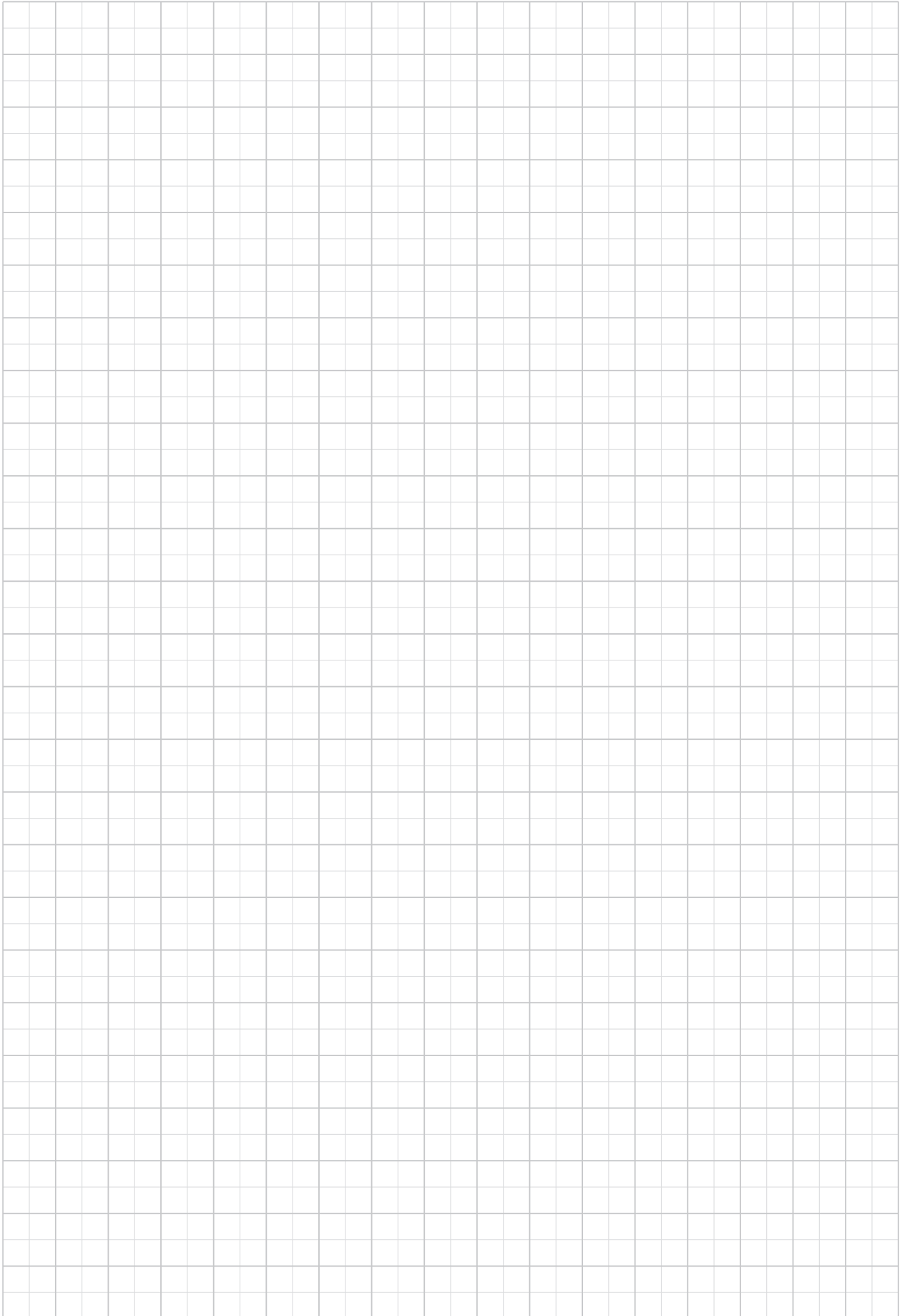
15680 Nm

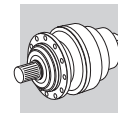
n ₁ min ⁻¹		i	n ₂ min ⁻¹	M _{n2} Nm	P _{n1} kW	Pt kW	P (IEC) - 													Rn ₂ [N]					
							MC/PC	MZ/PZ	HC	HZ	FZ	MC/PC	MZ/PZ	HC	HZ	FZ									
1500	3/A 07L2	27.1	55	6650	42	—	—	—	—	—	—	—	—	132	160	180	13600	17000	33100	43300	11800	319			
	3/A 07L2	32.3	46	7940	42	—	—	—	—	—	—	—	—	132	160	180	14400	18100	34900	45700	12500	319			
	3/A 07L2	41.5	36	9620	40	—	—	—	—	—	—	—	—	132	160	180	15700	19600	37600	49200	13600	319			
	3/A 07L2	49.2	30	8380	29	—	—	—	—	—	—	—	—	132	160	180	16600	20800	39500	51800	14400	319			
	3/A 07L2	57.3	26.2	6650	20	—	—	—	80	90	100	112	132	160	180	17400	21900	41400	54200	15200	319				
	3/A 07L2	68.3	22.0	7940	20	—	—	—	80	90	100	112	132	160	180	18500	23200	43600	57200	16100	319				
	3/A 07L2	87.7	17.1	10200	20	—	—	—	80	90	100	112	132	160	180	20100	25200	47000	61600	17500	319				
	3/A 07L2	109	13.8	8860	14.5	—	—	—	80	90	100	112	132	160	180	21600	27100	50100	65700	18800	319				
	3/A 07L2	130	11.6	11100	15.2	—	—	—	80	90	100	112	132	160	180	22900	28700	52900	69300	19900	319				
	3/A 07L2	140	10.7	11100	14.1	—	—	—	80	90	100	112	132	160	180	23500	29500	54100	70900	20400	319				
	3/A 07L2	155	9.7	9000	10.3	—	—	—	80	90	100	112	132	160	180	24300	30500	55800	73100	21100	319				
	3/A 07L2	180	8.3	10900	10.8	—	—	—	80	90	100	112	132	160	180	25500	32000	58300	76500	22200	319				
	3/A 07L2	198	7.6	8700	7.8	—	—	—	80	90	100	112	132	160	180	26300	33000	60000	78600	22900	319				
	3/A 07L2	223	6.7	9000	7.2	—	63	71	80	90	100	112	132	160	180	27400	34400	62200	81500	23800	319				
	3/A 07L2	241	6.2	9000	6.6	—	63	71	80	90	100	112	132	160	180	28200	35300	63700	83500	24500	319				
	3/A 07L2	282	5.3	8700	5.5	—	—	—	80	90	100	112	132	160	180	29600	37200	66700	87400	25800	319				
3/A 07L2	341	4.4	11500	6.0	—	63	71	80	90	100	112	132	160	180	31600	39700	70700	92600	27500	319					
3/A 07L2	405	3.7	9080	4.0	—	63	71	80	90	100	112	132	160	180	33500	42000	74400	97500	29100	319					
3/A 07L2	439	3.4	9180	3.7	—	63	71	80	90	100	112	132	160	180	34400	43100	76200	99900	29900	319					

B






B





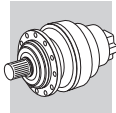
25.7 RATING CHARTS FOR INLINE UNITS 300 L

Reading the rating chart.

		300 L						1250 Nm						
		 246												
	i	M _{n2} [Nm]						P ₁ [kW]	P _t [kW]	n ₁ [min ⁻¹]	n _{1max} [min ⁻¹]	M _b [Nm]		M _{2max} [Nm]
		n ₂ ·h 10000	n ₂ ·h 25000	n ₂ ·h 50000	n ₂ ·h 100000	n ₂ ·h 500000	n ₂ ·h 1000000							
L1	3.48	760	730	730	730	730	730	20	7.5	2000	4000	260	4F	2000
	4.26	1250	1070	950	860	840	720	20	7.5	2000	4000	330	4H	2400
	5.77	860	730	650	650	650	630	20	7.5	2000	4000	260	4F	2400
	7.20	700	600	550	550	550	510	16.5	7.5	2000	4000	160	4D	2400

1	Reference torque	7	Input angular velocity
2	Number of reduction stages (in-line gear unit)	8	Maximum input angular velocity
3	Gear ratio	9	Rated brake torque (Hydraulic brake)
4	Gearbox rated output torque based on: - service factor $f_S=1$ - $n_2 \cdot h$ indicated	10	Negative multidisc hydraulic brake
5	Maximum power transmitted to input shaft	11	Maximum output torque at gearbox
6	Gearbox thermal capacity	12	Page where dimensions can be sorted from







300 L



246

1250 Nm



	i	M _{n2} [Nm]						P ₁	P _t	n ₁	n _{1max}	M _b		M _{2max}	
		n ₂ ·h	n ₂ ·h	n ₂ ·h	n ₂ ·h	n ₂ ·h	n ₂ ·h								[kW]
	1:	10000	25000	50000	100000	500000	1000000								
L1	3.48	760	730	730	730	730	730	20	7.5	2000	4000	260	4F	2000	
	4.26	1250	1070	950	860	840	720	20	7.5	2000	4000	330	4H	2400	
	5.77	860	730	650	650	650	630	20	7.5	2000	4000	260	4F	2400	
	7.20	700	600	550	550	550	510	16.5	7.5	2000	4000	160	4D	2400	
	9.00	460	390	370	370	370	370	8.9	7.5	2000	4000	160	4D	2400	
L2	12.1	760	730	730	730	730	730	11.9	7.5	2000	4000	100	4B	2000	
	14.8	1250	1070	950	860	840	720	12.6	7.5	2000	4000	100	4B	2000	
	18.2	1250	1070	950	860	840	720	10.4	7.5	2000	4000	100	4B	2400	
	20.1	860	730	650	650	650	630	7.2	7.5	2000	4000	100	4B	2000	
	24.6	1250	1070	950	860	840	720	7.8	7.5	2000	4000	100	4B	2400	
	30.7	1250	1070	950	860	840	720	6.4	7.5	2000	4000	50	4A	2400	
	33.3	860	730	650	650	650	630	4.3	7.5	2000	4000	50	4A	2400	
	38.4	1250	1070	950	860	840	720	5.2	7.5	2000	4000	50	4A	2400	
	41.5	860	730	650	650	650	630	3.5	7.5	2000	4000	50	4A	2400	
	51.9	860	730	650	650	650	630	2.9	7.5	2000	4000	50	4A	2400	
	64.8	700	600	550	550	550	510	2.0	7.5	2000	4000	50	4A	2400	
	L3	51.6	1250	1070	950	860	840	720	4.2	7.5	2000	4000	50	4A	2000
		63.2	1250	1070	950	860	840	720	3.5	7.5	2000	4000	50	4A	2400
69.9		860	730	650	650	650	630	2.4	7.5	2000	4000	50	4A	2000	
77.5		1250	1070	950	860	840	720	3.0	7.5	2000	4000	50	4A	2400	
85.6		1250	1070	950	860	840	720	2.7	7.5	2000	4000	50	4A	2400	
105		1250	1070	950	860	840	720	2.2	7.5	2000	4000	50	4A	2400	
116		860	730	650	650	650	630	1.6	7.5	2000	4000	50	4A	2400	
131		1250	1070	950	860	840	720	1.8	7.5	2000	4000	50	4A	2400	
142		1250	1070	950	860	840	720	1.6	7.5	2000	4000	50	4A	2400	
177		1250	1070	950	860	840	720	1.3	7.5	2000	4000	50	4A	2400	
192		860	730	650	650	650	630	1.0	7.5	2000	4000	50	4A	2400	
221		1250	1070	950	860	840	720	1.0	7.5	2000	4000	50	4A	2400	
240		860	730	650	650	650	630	0.82	7.5	2000	4000	50	4A	2400	
299		860	730	650	650	650	630	0.66	7.5	2000	4000	50	4A	2400	
374		860	730	650	650	650	630	0.53	7.5	2000	4000	50	4A	2400	
L4	330	1250	1070	950	860	840	720	0.72	6	2000	4000	50	4A	2400	
	403	860	730	650	650	650	630	0.50	6	2000	4000	50	4A	2400	
	447	1250	1070	950	860	840	720	0.53	6	2000	4000	50	4A	2400	
	494	1250	1070	950	860	840	720	0.48	6	2000	4000	50	4A	2400	
	558	1250	1070	950	860	840	720	0.42	6	2000	4000	50	4A	2400	
	616	1250	1070	950	860	840	720	0.38	6	2000	4000	50	4A	2400	
	755	1250	1070	950	860	840	720	0.31	6	2000	4000	50	4A	2400	
	819	1250	1070	950	860	840	720	0.29	6	2000	4000	50	4A	2400	
	942	1250	1070	950	860	840	720	0.25	6	2000	4000	50	4A	2400	
	1022	1250	1070	950	860	840	720	0.23	6	2000	4000	50	4A	2400	
	1108	860	730	650	650	650	630	0.18	6	2000	4000	50	4A	2400	
	1275	1250	1070	950	860	840	720	0.19	6	2000	4000	50	4A	2400	
	1383	860	730	650	650	650	630	0.15	6	2000	4000	50	4A	2400	
	1591	1250	1070	950	860	840	720	0.15	6	2000	4000	50	4A	2400	
	1725	860	730	650	650	650	630	0.12	6	2000	4000	50	4A	2400	
2153	860	730	650	650	650	630	0.09	6	2000	4000	50	4A	2400		
2692	1000	1000	890	850	760	630	0.09	6	2000	4000	50	4A	2400		

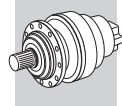
301 L



256



2460 Nm

	i	M _{n2} [Nm]						P ₁	P _t	n ₁	n _{1max}	M _b		M _{2max}
		n ₂ ·h	n ₂ ·h	n ₂ ·h	n ₂ ·h	n ₂ ·h	n ₂ ·h							
	1:	10000	25000	50000	100000	500000	1000000							
L1	3.48	1490	1430	1430	1430	1430	1300	30	7.5	2000	4000	440	4L	3400
	4.26	2460	2140	1890	1730	1580	1280	30	7.5	2000	4000	440	4L	3400
	5.77	1720	1460	1300	1300	1300	1240	30	7.5	2000	4000	400	4K	3400
	7.20	1150	1150	1150	1150	1150	940	30	7.5	2000	4000	260	4F	3400





301 L  256

2460 Nm

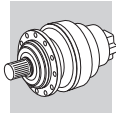
	i	M _{n2} [Nm]						P ₁	P _t	n ₁	n _{1max}	M _b		M _{2max}	
		n ₂ ·h	n ₂ ·h	n ₂ ·h	n ₂ ·h	n ₂ ·h	n ₂ ·h								[kW]
	1:	10000	25000	50000	100000	500000	1000000								
L1	9.00	920	780	730	730	730	730	15.8	7.5	2000	4000	260	4F	3400	
	L2	12.1	1490	1430	1430	1430	1430	1300	23.9	7.5	2000	4000	160	4D	3400
	14.8	2460	2140	1890	1730	1580	1280	25.0	7.5	2000	4000	160	4D	3400	
	18.2	2460	2140	1890	1730	1580	1280	20.7	7.5	2000	4000	160	4D	3400	
	20.1	1720	1460	1300	1300	1300	1240	14.4	7.5	2000	4000	160	4D	3400	
	24.6	2460	2140	1890	1730	1580	1280	15.6	7.5	2000	4000	160	4D	3400	
	30.7	2000	2000	1830	1730	1580	1280	12.6	7.5	2000	4000	100	4B	3400	
	33.3	1720	1460	1300	1300	1300	1240	8.7	7.5	2000	4000	100	4B	3400	
	38.4	1600	1570	1570	1570	1530	1280	10.1	7.5	2000	4000	100	4B	3400	
	41.5	1720	1460	1300	1300	1300	1240	7.0	7.5	2000	4000	100	4B	3400	
	51.9	1720	1460	1300	1300	1300	1240	5.9	7.5	2000	4000	50	4A	3400	
	64.8	1150	1150	1150	1150	1150	940	4.0	7.5	2000	4000	50	4A	3400	
L3	51.6	2460	2140	1890	1730	1580	1280	8.3	7.5	2000	4000	50	4A	3400	
	63.2	2460	2140	1890	1730	1580	1280	7.0	7.5	2000	4000	50	4A	3400	
	69.9	1720	1460	1300	1300	1300	1240	4.7	7.5	2000	4000	50	4A	3400	
	77.5	2460	2140	1890	1730	1580	1280	5.9	7.5	2000	4000	50	4A	3400	
	85.6	2460	2140	1890	1730	1580	1280	5.4	7.5	2000	4000	50	4A	3400	
	105	2460	2140	1890	1730	1580	1280	4.4	7.5	2000	4000	50	4A	3400	
	116	1720	1460	1300	1300	1300	1240	3.1	7.5	2000	4000	50	4A	3400	
	131	2460	2140	1890	1730	1580	1280	3.5	7.5	2000	4000	50	4A	3400	
	142	2460	2140	1890	1730	1580	1280	3.2	7.5	2000	4000	50	4A	3400	
	177	2460	2140	1890	1730	1580	1280	2.6	7.5	2000	4000	50	4A	3400	
	192	1720	1460	1300	1300	1300	1240	2.0	7.5	2000	4000	50	4A	3400	
	221	2000	2000	1830	1730	1580	1280	2.1	7.5	2000	4000	50	4A	3400	
	240	1720	1460	1300	1300	1300	1240	1.6	7.5	2000	4000	50	4A	3400	
	299	1720	1460	1300	1300	1300	1240	1.3	7.5	2000	4000	50	4A	3400	
	374	1720	1460	1300	1300	1300	1240	1.0	7.5	2000	4000	50	4A	3400	
	L4	330	2460	2140	1890	1730	1580	1280	1.4	6	2000	4000	50	4A	3400
		403	1720	1460	1300	1300	1300	1240	1.00	6	2000	4000	50	4A	3400
447		2460	2140	1890	1730	1580	1280	1.06	6	2000	4000	50	4A	3400	
494		2460	2140	1890	1730	1580	1280	0.96	6	2000	4000	50	4A	3400	
558		2460	2140	1890	1730	1580	1280	0.85	6	2000	4000	50	4A	3400	
616		2460	2140	1890	1730	1580	1280	0.77	6	2000	4000	50	4A	3400	
755		2460	2140	1890	1730	1580	1280	0.63	6	2000	4000	50	4A	3400	
819		2460	2140	1890	1730	1580	1280	0.58	6	2000	4000	50	4A	3400	
942		2460	2140	1890	1730	1580	1280	0.50	6	2000	4000	50	4A	3400	
1022		2460	2140	1890	1730	1580	1280	0.46	6	2000	4000	50	4A	3400	
1108		1720	1460	1300	1300	1300	1240	0.36	6	2000	4000	50	4A	3400	
1275		2460	2140	1890	1730	1580	1280	0.37	6	2000	4000	50	4A	3400	
1383		1720	1460	1300	1300	1300	1240	0.29	6	2000	4000	50	4A	3400	
1591		2000	2000	1830	1730	1580	1280	0.30	6	2000	4000	50	4A	3400	
1725		1720	1460	1300	1300	1300	1240	0.23	6	2000	4000	50	4A	3400	
2153	1720	1460	1300	1300	1300	1240	0.19	6	2000	4000	50	4A	3400		
2692	1720	1460	1300	1300	1300	1240	0.15	6	2000	4000	50	4A	3400		

303 L  266

2970 Nm

	i	M _{n2} [Nm]						P ₁	P _t	n ₁	n _{1max}	M _b		M _{2max}
		n ₂ ·h	n ₂ ·h	n ₂ ·h	n ₂ ·h	n ₂ ·h	n ₂ ·h							
	1:	10000	25000	50000	100000	500000	1000000							
L1	3.60	2410	2310	2310	2310	2310	2120	40	11	1800	3800	800	5G	5200
	4.25	2970	2810	2810	2650	2570	2090	40	11	1800	3800	800	5G	5200
	5.33	2850	2520	2230	2200	2140	2030	40	11	1800	3800	630	5E	5200
	6.20	2440	2080	1840	1820	1820	1820	40	11	1800	3800	500	5C	5200
	7.50	2000	1750	1650	1650	1650	1500	40	11	1800	3800	400	5B	5200
	9.67	1050	900	860	860	860	860	17.3	11	1800	3800	400	5B	5200
L2	12.5	2410	2310	2310	2310	2130	1730	20	9	2000	4000	260	4F	5200







303 L



266

2970 Nm



	i	M _{n2} [Nm]						P ₁	P _t	n ₁	n _{1max}	M _b		M _{2max}	
		n ₂ ·h	n ₂ ·h	n ₂ ·h	n ₂ ·h	n ₂ ·h	n ₂ ·h								[kW]
L2	15.3	2410	2310	2310	2310	2100	1700	20	9	2000	4000	260	4F	5200	
	18.1	2970	2810	2810	2650	2350	1910	20	9	2000	4000	260	4F	5200	
	20.8	2410	2210	2210	2210	2030	1650	20	9	2000	4000	160	4D	5200	
	22.7	2850	2520	2230	2200	2140	2030	20	9	2000	4000	160	4D	5200	
	24.5	2770	2700	2650	2620	2280	1850	20	9	2000	4000	160	4D	5200	
	26.4	2440	2080	1840	1820	1820	1820	15.2	9	2000	4000	160	4D	5200	
	30.8	2850	2520	2230	2200	2140	2030	15.9	9	2000	4000	160	4D	5200	
	35.8	2440	2080	1840	1820	1820	1820	11.2	9	2000	4000	100	4B	5200	
	38.4	2850	2450	2230	2200	2140	2030	12.8	9	2000	4000	100	4B	5200	
	44.6	2440	2080	1840	1820	1820	1820	9.2	9	2000	4000	100	4B	5200	
	55.8	2300	2080	1840	1820	1820	1820	7.6	9	2000	4000	100	4B	5200	
	L3	53.4	2410	2310	2310	2310	2100	1700	9.3	7.5	2000	4000	100	4B	5200
		63.1	2970	2810	2810	2650	2390	1940	9.8	7.5	2000	4000	100	4B	5200
		72.3	2410	2310	2310	2310	2130	1730	7.0	7.5	2000	4000	50	4A	5200
77.2		2970	2810	2810	2650	2350	1910	8.2	7.5	2000	4000	50	4A	5200	
90.2		2410	2310	2310	2310	2130	1730	5.6	7.5	2000	4000	50	4A	5200	
105		2970	2810	2810	2650	2350	1910	6.2	7.5	2000	4000	50	4A	5200	
113		2440	2080	1840	1820	1820	1820	4.4	7.5	2000	4000	50	4A	5200	
124		2440	2080	1840	1820	1820	1820	4.0	7.5	2000	4000	50	4A	5200	
141		2770	2700	2650	2620	2280	1850	4.4	7.5	2000	4000	50	4A	5200	
152		2440	2080	1840	1820	1820	1820	3.4	7.5	2000	4000	50	4A	5200	
164		2850	2520	2230	2200	2140	2030	3.9	7.5	2000	4000	50	4A	5200	
178		2850	2520	2230	2200	2140	2030	3.6	7.5	2000	4000	50	4A	5200	
190		2440	2080	1840	1820	1820	1820	2.8	7.5	2000	4000	50	4A	5200	
220		2250	2200	2250	2250	1830	1800	2.3	7.5	2000	4000	50	4A	5200	
258		2440	2080	1840	1820	1820	1820	2.0	7.5	2000	4000	50	4A	5200	
276		2850	2450	2230	2200	2140	2030	2.4	7.5	2000	4000	50	4A	5200	
321		2440	2080	1840	1820	1820	1820	1.6	7.5	2000	4000	50	4A	5200	
389		2000	1750	1650	1650	1650	1500	1.2	7.5	2000	4000	50	4A	5200	
402	2440	2080	1840	1820	1820	1820	1.3	7.5	2000	4000	50	4A	5200		
L4	413	2850	2520	2230	2200	2140	2030	1.6	6	2000	4000	50	4A	5200	
	446	2970	2810	2810	2650	2350	1910	1.5	6	2000	4000	50	4A	5200	
	492	2770	2700	2650	2620	2280	1850	1.3	6	2000	4000	50	4A	5200	
	556	2970	2810	2810	2650	2350	1910	1.2	6	2000	4000	50	4A	5200	
	649	2410	2310	2310	2310	2130	1730	0.84	6	2000	4000	50	4A	5200	
	718	2440	2080	1840	1820	1820	1820	0.76	6	2000	4000	50	4A	5200	
	816	2770	2700	2650	2620	2280	1850	0.80	6	2000	4000	50	4A	5200	
	896	2440	2080	1840	1820	1820	1820	0.61	6	2000	4000	50	4A	5200	
	1018	2770	2700	2650	2620	2280	1850	0.64	6	2000	4000	50	4A	5200	
	1098	2440	2080	1840	1820	1820	1820	0.50	6	2000	4000	50	4A	5200	
	1278	2850	2520	2230	2200	2140	2030	0.53	6	2000	4000	50	4A	5200	
	1370	2440	2080	1840	1820	1820	1820	0.40	6	2000	4000	50	4A	5200	
	1586	2250	2250	2250	2250	1830	1800	0.34	6	2000	4000	50	4A	5200	
	1854	2440	2080	1840	1820	1820	1820	0.29	6	2000	4000	50	4A	5200	
	1991	2850	2450	2230	2200	2140	2030	0.34	6	2000	4000	50	4A	5200	
2243	2000	1750	1650	1650	1650	1500	0.21	6	2000	4000	50	4A	5200		
2799	2000	1750	1650	1650	1650	1500	0.17	6	2000	4000	50	4A	5200		

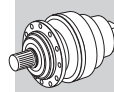
304 L



278



3960 Nm

	i	M _{n2} [Nm]						P ₁	P _t	n ₁	n _{1max}	M _b		M _{2max}
		n ₂ ·h	n ₂ ·h	n ₂ ·h	n ₂ ·h	n ₂ ·h	n ₂ ·h							
L1	3.60	3710	3520	3500	3440	3120	2830	50	12	1800	3800	800	5G	7300
	4.25	3960	3750	3690	3540	3430	2780	50	12	1800	3800	800	5G	7300
	5.33	3740	3190	2850	2850	2850	2710	50	12	1800	3800	630	5E	7300
	6.57	3000	2560	2390	2390	2390	2390	50	12	1800	3800	500	5C	7300
L2	12.5	3710	3520	3500	3440	3120	2830	30	9	2000	4000	260	4F	7300





304 L  278

3960 Nm

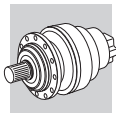
	i	M _{n2} [Nm]						P ₁	P _t	n ₁	n _{1max}	M _b		M _{2max}
		n ₂ ·h	n ₂ ·h	n ₂ ·h	n ₂ ·h	n ₂ ·h	n ₂ ·h							
	1:	10000	25000	50000	100000	500000	1000000							
L2	15.3	3710	3520	3500	3440	3120	2830	30	9	2000	4000	260	4F	7300
	18.1	3960	3750	3690	3540	3430	2780	30	9	2000	4000	260	4F	7300
	20.8	3710	3520	3500	3440	3120	2830	30	9	2000	4000	160	4D	7300
	22.7	3740	3190	2850	2850	2850	2710	28	9	2000	4000	160	4D	7300
	24.5	3960	3750	3690	3540	3430	2780	30	9	2000	4000	160	4D	7300
	30.8	3740	3190	2850	2850	2850	2710	20	9	2000	4000	160	4D	7300
	38.4	3740	3190	2850	2850	2850	2710	16.2	9	2000	4000	160	4D	7300
	47.3	3000	2560	2390	2390	2390	2390	10.9	9	2000	4000	100	4B	7300
	59.1	3000	2560	2390	2390	2390	2390	8.9	9	2000	4000	100	4B	7300
L3	43.6	3710	3520	3500	3440	3120	2830	18.4	7.5	2000	4000	50	4A	7300
	53.4	3710	3520	3500	3440	3120	2830	15.1	7.5	2000	4000	50	4A	7300
	63.1	3960	3750	3690	3540	3430	2780	13.4	7.5	2000	4000	50	4A	7300
	72.3	3710	3520	3500	3440	3120	2830	11.2	7.5	2000	4000	50	4A	7300
	77.2	3960	3750	3690	3540	3430	2780	11.0	7.5	2000	4000	50	4A	7300
	90.2	3710	3520	3500	3440	3080	2830	9.0	7.5	2000	4000	50	4A	7300
	105	3960	3750	3690	3540	3430	2780	8.4	7.5	2000	4000	50	4A	7300
	111	3710	3520	3500	3440	3120	2830	7.5	7.5	2000	4000	50	4A	7300
	130	3960	3750	3690	3540	3430	2780	6.8	7.5	2000	4000	50	4A	7300
	141	3960	3750	3690	3540	3430	2780	6.3	7.5	2000	4000	50	4A	7300
	150	3710	3520	3500	3440	3120	2830	5.6	7.5	2000	4000	50	4A	7300
	165	3000	2560	2390	2390	2390	2390	3.8	7.5	2000	4000	50	4A	7300
	178	3740	3190	2850	2850	2850	2710	4.5	7.5	2000	4000	50	4A	7300
	202	3000	2560	2390	2390	2390	2390	3.1	7.5	2000	4000	50	4A	7300
	220	3960	3710	3660	3540	3430	2780	4.1	7.5	2000	4000	50	4A	7300
	273	3000	2560	2390	2390	2390	2390	2.3	7.5	2000	4000	50	4A	7300
	341	3000	2560	2390	2390	2390	2390	1.8	7.5	2000	4000	50	4A	7300
	426	3000	2560	2390	2390	2390	2390	1.5	7.5	2000	4000	50	4A	7300
	L4	413	3740	3190	2850	2850	2850	2710	2.0	6	2000	4000	50	4A
446		3960	3750	3690	3540	3430	2780	2.1	6	2000	4000	50	4A	7300
492		3960	3750	3690	3540	3430	2780	1.9	6	2000	4000	50	4A	7300
556		3960	3750	3690	3540	3430	2780	1.7	6	2000	4000	50	4A	7300
649		3710	3520	3500	3440	3120	2830	1.4	6	2000	4000	50	4A	7300
702		3000	2560	2390	2390	2390	2390	0.93	6	2000	4000	50	4A	7300
816		3960	3750	3690	3540	3430	2780	1.1	6	2000	4000	50	4A	7300
1018		3960	3750	3690	3540	3430	2780	0.92	6	2000	4000	50	4A	7300
1164		3000	2560	2390	2390	2390	2390	0.56	6	2000	4000	50	4A	7300
1271		3960	3750	3690	3540	3430	2780	0.74	6	2000	4000	50	4A	7300
1344		3710	3520	3500	3440	3080	2830	0.65	6	2000	4000	50	4A	7300
1586		3960	3710	3660	3540	3430	2780	0.59	6	2000	4000	50	4A	7300
1815		3000	2560	2390	2390	2390	2390	0.36	6	2000	4000	50	4A	7300
1991		3740	3190	2850	2850	2850	2710	0.42	6	2000	4000	50	4A	7300
2269		3000	2560	2390	2390	2390	2390	0.29	6	2000	4000	50	4A	7300
2453	3000	2560	2390	2390	2390	2390	0.27	6	2000	4000	50	4A	7300	

305 L  290

5800 Nm

	i	M _{n2} [Nm]						P ₁	P _t	n ₁	n _{1max}	M _b		M _{2max}
		n ₂ ·h	n ₂ ·h	n ₂ ·h	n ₂ ·h	n ₂ ·h	n ₂ ·h							
	1:	10000	25000	50000	100000	500000	1000000							
L1	3.60	4700	4490	4490	4490	4480	3640	60	13	1800	3800	1000	5K	8800
	4.25	5800	5500	5480	5300	4410	3580	60	13	1800	3800	1000	5K	8800
	5.33	5600	5040	4470	4400	4280	3490	60	13	1800	3800	1000	5K	8800
	6.20	4690	4000	3600	3600	3550	3460	60	13	1800	3800	800	5G	8800
	7.50	3800	3300	3100	3100	3000	2790	60	13	1800	3800	630	5E	8800
L2	12.5	4700	4490	4490	4490	3800	3090	30	9	2000	4000	400	4K	8800
	15.3	4700	4490	4490	4490	3750	3040	30	9	2000	4000	330	4H	8800
	18.1	5800	5500	5480	5300	4210	3420	30	9	2000	4000	400	4K	8800
	20.8	4700	4450	4430	4430	3630	2950	30	9	2000	4000	260	4F	8800





305 L

290

5800 Nm

	i	M _{n2} [Nm]						P ₁	P _t	n ₁	n _{1max}	M _b		M _{2max}
		n ₂ ·h	n ₂ ·h	n ₂ ·h	n ₂ ·h	n ₂ ·h	n ₂ ·h							
	1:	10000	25000	50000	100000	500000	1000000							
L2	22.7	5600	5040	4470	4400	4280	3490	30	9	2000	4000	330	4H	8800
	24.5	5530	5400	5300	5230	4070	3310	30	9	2000	4000	330	4H	8800
	26.4	4690	4000	3600	3600	3550	3460	30	9	2000	4000	260	4F	8800
	30.8	5600	5040	4470	4400	4280	3490	30	9	2000	4000	260	4F	8800
	35.8	4690	4000	3600	3600	3550	3460	22.4	9	2000	4000	160	4D	8800
	38.4	5600	4900	4470	4400	4280	3490	25.5	9	2000	4000	160	4D	8800
	44.6	4690	4000	3600	3600	3550	3460	18.3	9	2000	4000	160	4D	8800
	55.8	4430	4000	3600	3600	3500	3460	15.2	9	2000	4000	160	4D	8800
L3	53.4	4700	4490	4490	4490	3750	3040	18.8	7.5	2000	4000	100	4B	8800
	63.1	5800	5480	5480	5300	4270	3470	19.4	7.5	2000	4000	160	4D	8800
	72.3	4700	4490	4490	4490	3800	3090	14.1	7.5	2000	4000	100	4B	8800
	77.2	5800	5500	5480	5300	4210	3420	16.3	7.5	2000	4000	100	4B	8800
	90.2	4700	4490	4490	4490	3800	3090	11.4	7.5	2000	4000	100	4B	8800
	105	5800	5500	5480	5300	4210	3420	12.3	7.5	2000	4000	100	4B	8800
	113	4690	4000	3600	3600	3550	3460	8.7	7.5	2000	4000	100	4B	8800
	124	4690	4000	3600	3600	3550	3460	8.0	7.5	2000	4000	50	4A	8800
	141	5530	5350	5300	5230	4070	3310	8.9	7.5	2000	4000	100	4B	8800
	152	4690	4000	3600	3600	3550	3460	6.7	7.5	2000	4000	50	4A	8800
	164	5600	5040	4470	4400	4280	3490	7.7	7.5	2000	4000	50	4A	8800
	178	5600	5040	4470	4400	4280	3490	7.2	7.5	2000	4000	50	4A	8800
	190	4690	4000	3600	3600	3550	3460	5.5	7.5	2000	4000	50	4A	8800
	220	4750	4750	4750	4750	3660	3210	4.9	7.5	2000	4000	50	4A	8800
	258	4690	4000	3600	3600	3550	3460	4.1	7.5	2000	4000	50	4A	8800
	276	5600	4900	4470	4400	4280	3490	4.6	7.5	2000	4000	50	4A	8800
	321	4690	4000	3600	3600	3550	3460	3.3	7.5	2000	4000	50	4A	8800
	389	3800	3300	3100	3100	3000	2790	2.2	7.5	2000	4000	50	4A	8800
402	4690	4000	3600	3600	3550	3460	2.6	6	2000	4000	50	4A	8800	
L4	413	5600	5040	4470	4400	4280	3490	3.2	6	2000	4000	50	4A	8800
	446	5800	5500	5480	5300	4210	3420	3.1	6	2000	4000	50	4A	8800
	492	5530	5350	5300	5230	4070	3310	2.6	6	2000	4000	50	4A	8800
	556	5800	5500	5480	5300	4210	3420	2.5	6	2000	4000	50	4A	8800
	649	4700	4490	4490	4490	3800	3090	1.7	6	2000	4000	50	4A	8800
	718	4690	4000	3600	3600	3550	3460	1.5	6	2000	4000	50	4A	8800
	816	5530	5350	5300	5230	4070	3310	1.6	6	2000	4000	50	4A	8800
	896	4690	4000	3600	3600	3550	3460	1.2	6	2000	4000	50	4A	8800
	1018	5530	5350	5300	5230	4070	3310	1.3	6	2000	4000	50	4A	8800
	1098	4690	4000	3600	3600	3550	3460	0.99	6	2000	4000	50	4A	8800
	1278	5600	5040	4470	4400	4280	3490	1.0	6	2000	4000	50	4A	8800
	1370	4690	4000	3600	3600	3550	3460	0.79	6	2000	4000	50	4A	8800
	1586	4750	4750	4750	4750	3660	3210	0.71	6	2000	4000	50	4A	8800
	1854	4690	4000	3600	3600	3550	3460	0.59	6	2000	4000	50	4A	8800
	1991	5600	4900	4470	4400	4280	3490	0.67	6	2000	4000	50	4A	8800
2243	3800	3300	3100	3100	3000	2790	0.40	6	2000	4000	50	4A	8800	
2799	3800	3300	3100	3100	3000	2790	0.32	6	2000	4000	50	4A	8800	

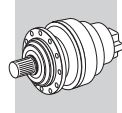
C

306 L

302



10840 Nm

	i	M _{n2} [Nm]						P ₁	P _t	n ₁	n _{1max}	M _b		M _{2max}
		n ₂ ·h	n ₂ ·h	n ₂ ·h	n ₂ ·h	n ₂ ·h	n ₂ ·h							
	1:	10000	25000	50000	100000	500000	1000000							
L1	3.60	10840	10380	10380	10380	7100	5770	75	18	1600	3000	2600	6K	14900
	4.25	10420	9850	9850	9600	6990	5680	75	18	1600	3000	2600	6K	14900
	5.33	10080	9350	8300	7950	6810	5530	75	18	1600	3000	2100	6G	14900
	6.20	8630	7370	6530	6500	6460	5480	75	18	1600	3000	1500	6E	14900
	7.50	7000	5900	5500	5500	5040	5040	75	18	1600	3000	1100	6C	14900
L2	13.0	8020	8020	8020	8020	6210	5040	40	13	1800	3800	800	5G	14900
	15.3	9770	9340	9340	9300	6110	4960	40	13	1800	3800	800	5G	14900
	18.1	10420	9850	9850	9600	6860	5570	40	13	1800	3800	630	5E	14900





306 L  302

10840 Nm

	i	M _{n2} [Nm]						P ₁	P _t	n ₁	n _{1max}	M _b		M _{2max}
		n ₂ ·h	n ₂ ·h	n ₂ ·h	n ₂ ·h	n ₂ ·h	n ₂ ·h							
	1:	10000	25000	50000	100000	500000	1000000							
L2	22.7	9560	9100	9100	9100	6680	5430	40	13	1800	3800	500	5C	14900
	26.4	7890	7590	7590	7590	6620	5380	40	13	1800	3800	400	5B	14900
	28.4	10080	9350	8300	7950	6810	5530	40	13	1800	3800	400	5B	14900
	33.1	9540	9350	8300	7950	6810	5530	40	13	1800	3800	400	5B	14900
	38.4	8630	7370	6530	6500	6460	5480	34	13	1800	3800	400	5B	14900
	46.5	8500	7370	6530	6500	6460	5480	29	13	1800	3800	400	5B	14900
	56.3	7000	5900	5500	5500	5040	5040	21	13	1800	3800	400	5B	14900
	72.5	6400	5900	5500	5500	5040	5040	16.3	13	1800	3800	400	5B	14900
L3	53.2	9770	9340	9340	9300	6110	4960	20	7.5	2000	4000	260	4F	14900
	65.2	9770	9340	9340	9300	6110	4960	20	7.5	2000	4000	160	4D	14900
	77.0	10420	9850	9850	9600	6860	5570	20	7.5	2000	4000	160	4D	14900
	81.9	8320	7700	7700	7530	5950	4830	20	7.5	2000	4000	160	4D	14900
	88.3	9450	9450	9450	9450	6970	5660	20	7.5	2000	4000	160	4D	14900
	104	10420	9850	9850	9600	6860	5570	20	7.5	2000	4000	160	4D	14900
	112	7890	7590	7590	7590	6620	5380	15.2	7.5	2000	4000	160	4D	14900
	121	10080	9350	8300	7950	6810	5530	17.2	7.5	2000	4000	100	4B	14900
	141	9540	9350	8300	7950	6810	5530	14.8	7.5	2000	4000	100	4B	14900
	152	7890	7590	7590	7590	6620	5380	11.3	7.5	2000	4000	100	4B	14900
	190	8630	7370	6530	6500	6460	5480	10.2	7.5	2000	4000	100	4B	14900
	205	10080	9350	8300	7950	6810	5530	10.6	7.5	2000	4000	100	4B	14900
	222	8630	7370	6530	6500	6460	5480	8.8	7.5	2000	4000	50	4A	14900
	238	9540	9350	8300	7950	6810	5530	9.0	7.5	2000	4000	50	4A	14900
	268	7000	5900	5500	5500	5040	5040	6.0	7.5	2000	4000	50	4A	14900
	288	7000	5900	5500	5500	5040	5040	5.6	7.5	2000	4000	50	4A	14900
	325	7000	5900	5500	5500	5040	5040	4.9	7.5	2000	4000	50	4A	14900
405	7000	5900	5500	5500	5040	5040	4.0	7.5	2000	4000	50	4A	14900	
L4	391	8630	7370	6530	6500	6460	5480	5.1	6	2000	4000	50	4A	14900
	444	10420	9850	9850	9600	6860	5570	5.3	6	2000	4000	50	4A	14900
	509	9450	9450	9450	9450	6970	5660	4.1	6	2000	4000	50	4A	14900
	589	10080	9350	8300	7950	6810	5530	3.8	6	2000	4000	50	4A	14900
	636	9450	9450	9450	9450	6970	5660	3.3	6	2000	4000	50	4A	14900
	700	10080	9350	8300	7950	6810	5530	3.2	6	2000	4000	50	4A	14900
	809	7890	7590	7590	7590	6620	5380	2.2	6	2000	4000	50	4A	14900
	877	7890	7590	7590	7590	6620	5380	2.0	6	2000	4000	50	4A	14900
	1015	9540	9350	8300	7950	6810	5530	2.2	6	2000	4000	50	4A	14900
	1095	7890	7590	7590	7590	6620	5380	1.6	6	2000	4000	50	4A	14900
	1279	8630	7370	6530	6500	6460	5480	1.6	6	2000	4000	50	4A	14900
	1475	10080	9350	8300	7950	6810	5530	1.5	6	2000	4000	50	4A	14900
	1597	8630	7370	6530	6500	6460	5480	1.3	6	2000	4000	50	4A	14900
	1843	10080	9350	8300	7950	6810	5530	1.2	6	2000	4000	50	4A	14900
	2074	7000	5900	5500	5500	5040	5040	0.80	6	2000	4000	50	4A	14900
2337	7000	5900	5500	5500	5040	5040	0.71	6	2000	4000	50	4A	14900	
2916	7000	5900	5500	5500	5040	5040	0.57	6	2000	4000	50	4A	14900	

307 L  314

15680 Nm

	i	M _{n2} [Nm]						P ₁	P _t	n ₁	n _{1max}	M _b		M _{2max}
		n ₂ ·h	n ₂ ·h	n ₂ ·h	n ₂ ·h	n ₂ ·h	n ₂ ·h							
	1:	10000	25000	50000	100000	500000	1000000							
L1	3.43	9000	9000	9000	9000	8300	7960	115	22	1500	2500	3200	6L	18600
	4.09	15680	14890	14890	13510	9560	7770	115	22	1500	2500	3200	6L	21000
	5.25	14840	12700	11300	10790	9340	7590	115	22	1500	2500	3200	6L	21000
	6.23	11000	9600	8700	8700	8240	7490	115	22	1500	2500	2100	6G	21000
L2	12.3	9000	9000	9000	9000	8300	7960	60	18	1800	3800	1000	5K	18600
	14.7	15680	14890	14890	13510	9560	7770	60	18	1800	3800	800	5G	21000
	17.4	15680	14890	14890	13510	9560	7770	60	18	1800	3800	1000	5K	21000
	21.8	15680	14890	14890	13510	9560	7770	60	18	1800	3800	800	5G	21000
	25.4	14670	14010	14010	13510	9560	7770	60	18	1800	3800	630	5E	21000







307 L



314

15680 Nm



	i	M _{n2} [Nm]						P ₁	P _t	n ₁	n _{1max}	M _b		M _{2max}
		n ₂ ·h	n ₂ ·h	n ₂ ·h	n ₂ ·h	n ₂ ·h	n ₂ ·h							
	1:	10000	25000	50000	100000	500000	1000000							
L2	28.0	14840	12700	11300	10790	9340	7590	60	18	1800	3800	500	5C	21000
	30.7	12300	12300	12300	12300	9560	7770	60	18	1800	3800	500	5C	21000
	32.6	14840	12700	11300	10790	9340	7590	60	18	1800	3800	500	5C	21000
	38.6	11000	9600	8700	8700	8240	7490	46	18	1800	3800	400	5B	21000
	46.7	11000	9600	8700	8700	8240	7490	39	18	1800	3800	400	5B	21000
L3	51.3	15680	14890	14890	13510	9560	7770	30	11	2000	4000	330	4H	21000
	60.5	15680	14890	14890	13510	9560	7770	30	11	2000	4000	330	4H	21000
	74.1	15680	14890	14890	13510	9560	7770	30	11	2000	4000	260	4F	21000
	80.6	14840	12700	11300	10790	9340	7590	30	11	2000	4000	260	4F	21000
	93.0	15680	14890	14890	13510	9560	7770	30	11	2000	4000	260	4F	21000
	100	15680	14890	14890	13510	9560	7770	30	11	2000	4000	260	4F	21000
	113	14840	12700	11300	10790	9340	7590	26	11	2000	4000	160	4D	21000
	126	15680	14890	14890	13510	9560	7770	26	11	2000	4000	160	4D	21000
	139	14840	12700	11300	10790	9340	7590	22	11	2000	4000	160	4D	21000
	146	15000	14010	14010	13510	9560	7770	23	11	2000	4000	160	4D	21000
	162	14840	12700	11300	10790	9340	7590	19.4	11	2000	4000	100	4B	21000
	177	12300	12300	12300	12300	9560	7770	15.9	11	2000	4000	100	4B	21000
	202	14840	12700	11300	10790	9340	7590	15.9	11	2000	4000	100	4B	21000
	221	15000	13800	12900	12500	9560	7770	15.6	11	2000	4000	100	4B	21000
	239	11000	9600	8700	8700	8240	7490	10.5	11	2000	4000	50	4A	21000
	284	14330	12700	11300	10790	9340	7590	11.3	11	2000	4000	50	4A	21000
	336	11000	9600	8700	8700	8240	7490	7.5	11	2000	4000	50	4A	21000
L4	349	15680	14890	14890	13510	9560	7770	10.2	7.5	2000	4000	50	4A	21000
	406	14840	12700	11300	10790	9340	7590	8.2	7.5	2000	4000	50	4A	21000
	465	14840	12700	11300	10790	9340	7590	7.1	7.5	2000	4000	50	4A	21000
	509	15000	14010	14010	13510	9560	7770	7.0	7.5	2000	4000	50	4A	21000
	579	15680	14890	14890	13510	9560	7770	6.1	7.5	2000	4000	50	4A	21000
	654	14840	12700	11300	10790	9340	7590	5.1	7.5	2000	4000	50	4A	21000
	722	15680	14890	14890	13510	9560	7770	4.9	7.5	2000	4000	50	4A	21000
	801	14840	12700	11300	10790	9340	7590	4.1	7.5	2000	4000	50	4A	21000
	906	15680	14890	14890	13510	9560	7770	3.9	7.5	2000	4000	50	4A	21000
	999	14840	12700	11300	10790	9340	7590	3.3	7.5	2000	4000	50	4A	21000
	1157	14840	12700	11300	10790	9340	7590	2.9	7.5	2000	4000	50	4A	21000
	1274	12300	12300	12300	12300	9560	7770	2.3	7.5	2000	4000	50	4A	21000
	1408	15680	14890	14890	13510	9560	7770	2.5	7.5	2000	4000	50	4A	21000
	1591	15000	13800	12900	12500	9560	7770	2.2	7.5	2000	4000	50	4A	21000
	1767	15680	14890	14890	13510	9560	7770	2.0	7.5	2000	4000	50	4A	21000
	2041	14330	12700	11300	10790	9340	7590	1.6	7.5	2000	4000	50	4A	21000
	2423	11000	9600	8700	8700	8240	7490	1.1	7.5	2000	4000	50	4A	21000

309 L



326



23240 Nm

	i	M _{n2} [Nm]						P ₁	P _t	n ₁	n _{1max}	M _b		M _{2max}
		n ₂ ·h	n ₂ ·h	n ₂ ·h	n ₂ ·h	n ₂ ·h	n ₂ ·h							
	1:	10000	25000	50000	100000	500000	1000000							
L1	3.43	13000	13000	13000	13000	12310	10920	150	25	1500	2000	3200	6L	27900
	4.09	23240	22070	22070	20260	13120	10660	150	25	1500	2000	3200	6L	29000
	5.25	21980	19060	16940	16190	12810	10410	150	25	1500	2000	3200	6L	29000
	6.23	17000	14400	13000	13000	12370	10280	150	25	1500	2000	3200	6L	29000
L2	12.3	13000	13000	13000	13000	10290	8360	60	18	1800	3800	1000	5K	27900
	14.7	17730	17730	17730	17730	11650	9460	60	18	1800	3800	1000	5K	29000
	17.4	21620	21260	21260	18580	11460	9310	60	18	1800	3800	1000	5K	29000
	21.8	18510	17500	17500	17140	11160	9070	60	18	1800	3800	1000	5K	29000
	25.4	14670	14300	14300	14300	11060	8990	60	18	1800	3800	800	5G	29000
	28.0	21980	19060	16940	16190	12810	10410	60	18	1800	3800	800	5G	29000
	32.6	18300	18100	16940	16190	12810	10410	60	18	1800	3800	630	5E	29000
	38.6	17000	14400	13000	13000	12370	10280	60	18	1800	3800	500	5C	29000
	46.7	17000	14400	13000	13000	12370	10280	58	18	1800	3800	400	5B	29000





309 L  326

23240 Nm

	i	M _{n2} [Nm]						P ₁	P _t	n ₁	n _{1max}	M _b		M _{2max}
		n ₂ ·h	n ₂ ·h	n ₂ ·h	n ₂ ·h	n ₂ ·h	n ₂ ·h							
	1:	10000	25000	50000	100000	500000	1000000							
L3	51.3	17730	17730	17730	17730	11650	9460	30	11	2000	4000	400	4K	29000
	60.5	21620	21260	21260	18580	11460	9310	30	11	2000	4000	400	4K	29000
	74.1	21620	21260	21260	18580	11460	9310	30	11	2000	4000	260	4F	29000
	80.6	21980	19060	16940	16190	12810	10410	30	11	2000	4000	260	4F	29000
	93.0	18510	17500	17500	17140	11160	9070	30	11	2000	4000	260	4F	29000
	100	21620	21260	21260	18580	11460	9310	30	11	2000	4000	260	4F	29000
	113	18300	18100	16940	16190	12810	10410	30	11	2000	4000	260	4F	29000
	126	18510	17500	17500	17140	11160	9070	30	11	2000	4000	260	4F	29000
	139	18300	18100	16940	16190	12810	10410	30	11	2000	4000	160	4D	29000
	162	21980	19060	16940	16190	12810	10410	29	11	2000	4000	160	4D	29000
	183	14670	14300	14300	14300	11060	8990	18.2	11	2000	4000	100	4B	29000
	202	21980	19060	16940	16190	12810	10410	23.9	11	2000	4000	100	4B	29000
	223	17000	14400	13000	13000	12370	10280	17.5	11	2000	4000	100	4B	29000
	239	17000	14400	13000	13000	12370	10280	16.3	11	2000	4000	100	4B	29000
	284	15800	15800	15800	15000	12810	10410	12.8	11	2000	4000	100	4B	29000
	336	17000	14400	13000	13000	12370	10280	11.6	11	2000	4000	100	4B	29000
	L4	349	21620	21260	21260	18580	11460	9310	14.4	7.5	2000	4000	100	4B
406		21980	19060	16940	16190	12810	10410	12.3	7.5	2000	4000	50	4A	29000
465		21980	19060	16940	16190	12810	10410	10.7	7.5	2000	4000	50	4A	29000
509		14670	14300	14300	14300	11060	8990	6.7	7.5	2000	4000	50	4A	29000
579		21620	21260	21260	18580	11460	9310	8.7	7.5	2000	4000	50	4A	29000
654		18300	18100	16940	16190	12810	10410	6.6	7.5	2000	4000	50	4A	29000
722		21620	21260	21260	18580	11460	9310	7.0	7.5	2000	4000	50	4A	29000
801		18300	18100	16940	16190	12810	10410	5.4	7.5	2000	4000	50	4A	29000
906		18510	17500	17500	17140	11160	9070	4.7	7.5	2000	4000	50	4A	29000
999		18300	18100	16940	16190	12810	10410	4.3	7.5	2000	4000	50	4A	29000
1149		17000	14400	13000	13000	12370	10280	3.5	7.5	2000	4000	50	4A	29000
1286		17000	14400	13000	13000	12370	10280	3.1	7.5	2000	4000	50	4A	29000
1380		17000	14400	13000	13000	12370	10280	2.9	7.5	2000	4000	50	4A	29000
1605		17000	14400	13000	13000	12370	10280	2.5	7.5	2000	4000	50	4A	29000
1723		17000	14400	13000	13000	12370	10280	2.3	7.5	2000	4000	50	4A	29000
2003		17000	14400	13000	13000	12370	10280	1.9	7.5	2000	4000	50	4A	29000
2423		17000	14400	13000	13000	12370	10280	1.7	7.5	2000	4000	50	4A	29000

310 L  338

34120 Nm

	i	M _{n2} [Nm]						P ₁	P _t	n ₁	n _{1max}	M _b		M _{2max}
		n ₂ ·h	n ₂ ·h	n ₂ ·h	n ₂ ·h	n ₂ ·h	n ₂ ·h							
	1:	10000	25000	50000	100000	500000	1000000							
L1	4.09	34120	32340	26580	21590	13320	10820	175	35	1500	1800	—	—	47600
	5.25	30600	26240	23350	21100	13020	10570	175	35	1500	1800	—	—	47600
	6.23	26000	21200	18420	18230	12860	10440	175	35	1500	1800	—	—	47600
L2	14.7	34120	32340	26580	21590	13320	10820	75	22	1600	3000	2100	6G	47600
	17.4	34120	32340	26580	21590	13320	10820	75	22	1600	3000	2100	6G	47600
	21.8	34120	31930	26580	21590	13320	10820	75	22	1600	3000	1500	6E	47600
	25.4	27110	25910	25910	21590	13320	10820	75	22	1600	3000	1500	6E	47600
	28.0	30600	26240	23350	21100	13020	10570	75	22	1600	3000	1500	6E	47600
	30.7	21800	21800	21800	20150	13320	10820	75	22	1600	3000	1050	6C	47600
	32.6	30600	26240	23350	21100	13020	10570	75	22	1600	3000	1050	6C	47600
	38.6	26000	21200	18420	18230	12860	10440	75	22	1600	3000	850	6B	47600
46.7	26000	21200	18420	18230	12860	10440	75	22	1600	3000	850	6B	47600	
L3	53.0	34120	32340	26580	21590	13320	10820	40	18	1800	3800	630	5E	47600
	62.6	34120	32340	26580	21590	13320	10820	40	18	1800	3800	630	5E	47600
	73.9	34120	32340	26580	21590	13320	10820	40	18	1800	3800	500	5C	47600
	80.3	30600	26240	23350	21100	13020	10570	40	18	1800	3800	400	5B	47600
	91.3	34120	32340	26580	21590	13320	10820	40	18	1800	3800	400	5B	47600
	101	30600	26240	23350	21100	13020	10570	40	18	1800	3800	400	5B	47600
	110	34120	32340	26580	21590	13320	10820	40	18	1800	3800	400	5B	47600







310 L



338

34120 Nm

	i	M _{n2} [Nm]						P ₁	P _t	n ₁	n _{1max}	M _b		M _{2max}
		n ₂ ·h	n ₂ ·h	n ₂ ·h	n ₂ ·h	n ₂ ·h	n ₂ ·h							
L3	119	30600	26240	23350	21100	13020	10570	40	18	1800	3800	400	5B	47600
	130	34120	32340	26580	21590	13320	10820	40	18	1800	3800	400	5B	47600
	142	30600	26240	23350	21100	13020	10570	40	18	1800	3800	400	5B	47600
	164	34120	31930	26580	21590	13320	10820	38	18	1800	3800	400	5B	47600
	177	26000	21200	18420	18230	12860	10440	30	18	1800	3800	400	5B	47600
	202	30600	26240	23350	21100	13020	10570	30	18	1800	3800	400	5B	47600
	230	21800	21800	21800	20150	13320	10820	19.6	18	1800	3800	400	5B	47600
	249	26000	21200	18420	18230	12860	10440	22	18	1800	3800	400	5B	47600
	295	28000	25880	23350	21100	13020	10570	19.6	18	1800	3800	400	5B	47600
	350	26000	21200	18420	18230	12860	10440	15.3	18	1800	3800	400	5B	47600
	L4	392	26000	21200	18420	18230	12860	10440	15.7	11	2000	4000	100	4B
451		34120	32340	26580	21590	13320	10820	15.7	11	2000	4000	100	4B	47600
507		30600	26240	23350	21100	13020	10570	13.8	11	2000	4000	100	4B	47600
556		34120	32340	26580	21590	13320	10820	11.5	11	2000	4000	50	4A	47600
637		30600	26240	23350	21100	13020	10570	11.0	11	2000	4000	50	4A	47600
726		30600	26240	23350	21100	13020	10570	9.6	11	2000	4000	50	4A	47600
818		30600	26240	23350	21100	13020	10570	8.5	11	2000	4000	50	4A	47600
939		34120	32340	26580	21590	13320	10820	6.8	11	2000	4000	50	4A	47600
1021		30600	26240	23350	21100	13020	10570	6.8	11	2000	4000	50	4A	47600
1164		30600	26240	23350	21100	13020	10570	6.0	11	2000	4000	50	4A	47600
1259		28000	25880	23350	21100	13020	10570	5.3	11	2000	4000	50	4A	47600
1438		26000	21200	18420	18230	12860	10440	4.3	11	2000	4000	50	4A	47600
1672		26000	21200	18420	18230	12860	10440	3.7	11	2000	4000	50	4A	47600
1794		26000	21200	18420	18230	12860	10440	3.4	11	2000	4000	50	4A	47600
2022		26000	21200	18420	18230	12860	10440	3.0	11	2000	4000	50	4A	47600
2523		26000	21200	18420	18230	12860	10440	2.4	11	2000	4000	50	4A	47600



C

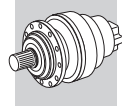
311 L



350



48330 Nm

	i	M _{n2} [Nm]						P ₁	P _t	n ₁	n _{1max}	M _b		M _{2max}
		n ₂ ·h	n ₂ ·h	n ₂ ·h	n ₂ ·h	n ₂ ·h	n ₂ ·h							
L1	4.09	48330	45840	38290	31100	19190	15590	200	35	1500	1800	—	—	58300
	5.25	45210	39550	35220	32000	19700	16000	200	35	1500	1800	—	—	58300
	6.23	34000	29500	27000	27000	18600	15100	200	35	1500	1800	—	—	58300
L2	14.0	35700	35700	35700	31100	19190	15590	115	26	1500	2500	3200	6L	58300
	16.7	48330	45840	38290	31100	19190	15590	115	26	1500	2500	3200	6L	58300
	18.0	43000	39550	35220	32000	19700	16000	115	26	1500	2500	2600	6K	58300
	21.5	46920	43390	38290	31100	19190	15590	115	26	1500	2500	2100	6G	58300
	25.5	35200	34500	34500	31100	19190	15590	115	26	1500	2500	1500	6E	58300
	27.6	45210	39550	35220	32000	19700	16000	115	26	1500	2500	2100	6G	58300
	32.7	43000	39550	35220	32000	19700	16000	115	26	1500	2500	1500	6E	58300
	38.8	34000	29500	27000	27000	18600	15100	115	26	1500	2500	850	6B	58300
L3	50.5	35700	35700	35700	31100	19190	15590	60	18	1800	3800	800	5G	58300
	60.2	48330	45840	38290	31100	19190	15590	60	18	1800	3800	800	5G	58300
	71.1	48330	45840	38290	31100	19190	15590	60	18	1800	3800	800	5G	58300
	77.3	46920	43390	38290	31100	19190	15590	60	18	1800	3800	800	5G	58300
	89.3	48330	45840	38290	31100	19190	15590	60	18	1800	3800	500	5C	58300
	104	48330	45840	38290	31100	19190	15590	60	18	1800	3800	500	5C	58300
	115	46920	43390	38290	31100	19190	15590	60	18	1800	3800	400	5B	58300
	126	48330	45840	38290	31100	19190	15590	60	18	1800	3800	400	5B	58300
	133	46920	43390	38290	31100	19190	15590	60	18	1800	3800	400	5B	58300
	147	45210	39550	35220	32000	19700	16000	59	18	1800	3800	400	5B	58300
	161	46920	43390	38290	31100	19190	15590	56	18	1800	3800	400	5B	58300
	171	45210	39550	35220	32000	19700	16000	52	18	1800	3800	400	5B	58300
	191	35200	34500	34500	31100	19190	15590	38	18	1800	3800	400	5B	58300
	203	43000	39550	35220	32000	19700	16000	44	18	1800	3800	400	5B	58300
245	43000	39550	35220	32000	19700	16000	36	18	1800	3800	400	5B	58300	





311 L  350

48330 Nm

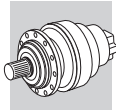
	i	M _{n2} [Nm]						P ₁	P _t	n ₁	n _{1max}	M _b		M _{2max}
		n ₂ ·h	n ₂ ·h	n ₂ ·h	n ₂ ·h	n ₂ ·h	n ₂ ·h							
	1:	10000	25000	50000	100000	500000	1000000							
L3	291	34000	29500	27000	27000	18600	15100	24	18	1800	3800	400	5B	58300
L4	348	48330	45840	38290	31100	19190	15590	30	11	2000	4000	160	4D	58300
	410	48330	45840	38290	31100	19190	15590	26	11	2000	4000	160	4D	58300
	512	48330	45840	38290	31100	19190	15590	21	11	2000	4000	100	4B	58300
	568	46920	43390	38290	31100	19190	15590	18.4	11	2000	4000	100	4B	58300
	627	45210	39550	35220	32000	19700	16000	16.2	11	2000	4000	100	4B	58300
	724	48330	45840	38290	31100	19190	15590	14.7	11	2000	4000	100	4B	58300
	825	46920	43390	38290	31100	19190	15590	12.6	11	2000	4000	100	4B	58300
	904	48330	45840	38290	31100	19190	15590	11.8	11	2000	4000	50	4A	58300
	986	45210	39550	35220	32000	19700	16000	10.3	11	2000	4000	50	4A	58300
	1058	45210	39550	35220	32000	19700	16000	9.6	11	2000	4000	50	4A	58300
	1230	45210	39550	35220	32000	19700	16000	8.3	11	2000	4000	50	4A	58300
	1415	43000	39550	35220	32000	19700	16000	7.2	11	2000	4000	50	4A	58300
	1680	34000	29500	27000	27000	18600	15100	4.8	11	2000	4000	50	4A	58300
	1766	43000	39550	35220	32000	19700	16000	5.8	11	2000	4000	50	4A	58300
2096	34000	29500	27000	27000	18600	15100	3.8	11	2000	4000	50	4A	58300	

313 L  362

57970 Nm

	i	M _{n2} [Nm]						P ₁	P _t	n ₁	n _{1max}	M _b		M _{2max}
		n ₂ ·h	n ₂ ·h	n ₂ ·h	n ₂ ·h	n ₂ ·h	n ₂ ·h							
	1:	10000	25000	50000	100000	500000	1000000							
L1	4.14	55410	55000	55000	46000	28400	23000	250	45	900	1200	—	—	105000
	5.40	57970	49730	45000	45000	27800	22600	250	45	900	1200	—	—	105000
	6.50	49000	42400	39000	39000	27800	22500	250	45	900	1200	—	—	105000
L2	14.2	52000	52000	52000	46000	28400	23000	150	30	1500	2000	3200	6L	105000
	16.9	55410	55000	54000	45210	27900	22660	150	30	1500	2000	3200	6L	105000
	18.5	57970	49730	45000	45000	27800	22600	150	30	1500	2000	3200	6L	105000
	21.8	55410	55000	55000	45400	28000	22800	150	30	1500	2000	2600	6K	105000
	25.8	53000	52000	52000	45210	27900	22660	150	30	1500	2000	2100	6G	105000
	28.4	57970	49730	45000	45000	27800	22600	150	30	1500	2000	2100	6G	105000
	33.6	57970	49730	45000	45000	27800	22600	150	30	1500	2000	2100	6G	105000
	40.5	49000	42400	39000	39000	27700	22500	150	30	1500	2000	1500	6E	105000
L3	51.1	52000	52000	49140	45210	27900	22660	60	18	1800	3800	1000	5K	105000
	61.0	55410	55000	52510	45210	27900	22660	60	18	1800	3800	1000	5K	105000
	72.0	55410	55000	52510	45210	27900	22660	60	18	1800	3800	1000	5K	105000
	78.3	55410	55000	55000	45400	28000	22800	60	18	1800	3800	1000	5K	105000
	92.4	55410	55000	55000	45400	28000	22800	60	18	1800	3800	800	5G	105000
	110	53000	52000	52000	45210	27900	22660	60	18	1800	3800	500	5C	105000
	120	57970	49730	45000	45000	27800	22600	60	18	1800	3800	500	5C	105000
	135	55410	55000	55000	45400	28000	22800	60	18	1800	3800	500	5C	105000
	143	57970	49730	45000	45000	27800	22600	60	18	1800	3800	400	5B	105000
	151	57970	49730	45000	45000	27800	22600	60	18	1800	3800	400	5B	105000
	163	55410	55000	52510	45210	27900	22660	60	18	1800	3800	400	5B	105000
	176	57970	49730	45000	45000	27800	22600	60	18	1800	3800	400	5B	105000
	182	49000	42400	39000	39000	27700	22500	56	18	1800	3800	400	5B	105000
	194	53000	52000	52000	45210	27900	22660	57	18	1800	3800	400	5B	105000
209	57970	49730	45000	45000	27800	22600	54	18	1800	3800	400	5B	105000	
252	57970	49730	45000	45000	27800	22600	45	18	1800	3800	400	5B	105000	
304	49000	42400	39000	39000	27700	22500	33	18	1800	3800	400	5B	105000	
L4	352	55410	52510	52510	45210	27900	22660	30	11	2000	4000	160	4D	105000
	394	55410	55000	55000	45400	28000	22800	30	11	2000	4000	160	4D	105000
	452	55410	55000	52510	45210	27900	22660	29	11	2000	4000	160	4D	105000
	514	57970	49730	45000	45000	27800	22600	25	11	2000	4000	160	4D	105000
	564	55410	55000	52510	45210	27900	22660	23	11	2000	4000	160	4D	105000
	633	52800	52000	52000	45210	27900	22660	19.7	11	2000	4000	100	4B	105000
	695	57970	49730	45000	45000	27800	22600	18.7	11	2000	4000	100	4B	105000





313 L



362

57970 Nm

i	M _{n2} [Nm]						P ₁ [kW]	P _t [kW]	n ₁ [min ⁻¹]	n _{1max} [min ⁻¹]	M _b [Nm]	M _{2max} [Nm]		
	n ₂ :h 10000	n ₂ :h 25000	n ₂ :h 50000	n ₂ :h 100000	n ₂ :h 500000	n ₂ :h 1000000								
L4	790	52800	52000	52000	45210	27900	22660	15.8	11	2000	4000	100	4B	105000
	889	57970	49730	45000	45000	27800	22600	14.6	11	2000	4000	100	4B	105000
	1014	57970	49730	45000	45000	27800	22600	12.8	11	2000	4000	100	4B	105000
	1117	52800	52000	52000	45210	27900	22660	11.2	11	2000	4000	50	4A	105000
	1266	57970	49730	45000	45000	27800	22600	10.3	11	2000	4000	50	4A	105000
	1394	52800	52000	52000	45210	27900	22660	9.0	11	2000	4000	50	4A	105000
	1502	57970	49730	45000	45000	27800	22600	8.7	11	2000	4000	50	4A	105000
	1817	57970	49730	45000	45000	27800	22600	7.2	11	2000	4000	50	4A	105000
	2187	49000	42400	39000	39000	27700	22500	5.3	11	2000	4000	50	4A	105000

314 L



374

84000 Nm



i	M _{n2} [Nm]						P ₁ [kW]	P _t [kW]	n ₁ [min ⁻¹]	n _{1max} [min ⁻¹]	M _b [Nm]	M _{2max} [Nm]		
	n ₂ :h 10000	n ₂ :h 25000	n ₂ :h 50000	n ₂ :h 100000	n ₂ :h 500000	n ₂ :h 1000000								
L1	4.25	84000	80000	77600	68000	42400	34240	260	55	450	800	—	—	115000
	5.33	79200	69600	65464	62400	39200	31760	260	55	450	800	—	—	115000
	6.20	66792	57416	52000	52000	32800	26640	260	55	450	800	—	—	115000
L2	17.4	84000	80000	77600	63200	38960	31680	175	40	1500	1800	—	—	115000
	22.3	84000	80000	77600	66400	40800	33360	175	40	1500	1800	—	—	115000
	26.5	84000	80000	77600	62400	38720	31520	175	40	1500	1800	—	—	115000
	28.0	79200	69600	65464	62400	39040	31760	175	40	1500	1800	—	—	115000
	33.2	79200	69600	65464	62400	39040	31760	175	40	1500	1800	—	—	115000
	38.6	66792	57416	52000	52000	32800	26640	175	40	1500	1800	—	—	115000
L3	62.6	84000	80000	77600	63200	38960	31680	75	25	1600	3000	2100	6G	115000
	73.9	84000	80000	77600	63200	38960	31680	75	25	1600	3000	2100	6G	115000
	92.7	84000	80000	77600	63200	38960	31680	75	25	1600	3000	1500	6E	115000
	108	84000	80000	77600	63200	38960	31680	75	25	1600	3000	1500	6E	115000
	138	84000	80000	77600	66400	40800	33360	75	25	1600	3000	1500	6E	115000
	164	84000	80000	77600	62400	38720	31520	75	25	1600	3000	1050	6C	115000
	174	79200	69600	65464	62400	39040	31760	75	25	1600	3000	1050	6C	115000
	206	79200	69600	65464	62400	39040	31760	71	25	1600	3000	850	6B	115000
	240	66792	57416	52000	52000	32800	26640	49	25	1600	3000	850	6B	115000
	L4	314	84000	80000	77600	63200	38960	31680	40	15	1800	3800	630	5E
388		84000	80000	77600	63200	38960	31680	40	15	1800	3800	630	5E	115000
458		84000	80000	77600	63200	38960	31680	39	15	1800	3800	500	5C	115000
495		84000	80000	77600	63200	38960	31680	36	15	1800	3800	400	5B	115000
554		84000	80000	77600	63200	38960	31680	32	15	1800	3800	400	5B	115000
588		84000	80000	77600	66400	40800	33360	30	15	1800	3800	400	5B	115000
668		84000	80000	77600	63200	38960	31680	27	15	1800	3800	400	5B	115000
738		84000	80000	77600	66400	40800	33360	24	15	1800	3800	400	5B	115000
858		84000	80000	77600	66400	40800	33360	21	15	1800	3800	400	5B	115000
926		79200	69600	65464	62400	39040	31760	18.2	15	1800	3800	400	5B	115000
1038		84000	80000	77600	66400	40800	33360	17.2	15	1800	3800	400	5B	115000
1099		79200	69600	65464	62400	39040	31760	15.3	15	1800	3800	400	5B	115000
1277		79200	69600	65464	62400	39040	31760	13.2	15	1800	3800	400	5B	115000
1485		66792	57416	52000	52000	32800	26640	9.2	15	1800	3800	400	5B	115000
1796	66792	57416	52000	52000	32800	26640	7.6	15	1800	3800	400	5B	115000	

C





315 L  386

105000 Nm

	i	M _{n2} [Nm]						P ₁	P _t	n ₁	n _{1max}	M _b		M _{2max}
		n ₂ -h	n ₂ -h	n ₂ -h	n ₂ -h	n ₂ -h	n ₂ -h							
L1	4.25	105000	100000	97000	85000	53000	42800	260	60	500	800	—	—	135000
	5.33	99000	87000	81830	78000	49000	39700	260	60	500	800	—	—	135000
	6.20	83490	71770	65000	65000	41000	33300	260	60	500	800	—	—	135000
L2	17.4	105000	100000	97000	79000	48700	39600	200	45	1500	1800	—	—	135000
	22.3	105000	100000	97000	83000	51000	41700	200	45	1500	1800	—	—	135000
	26.5	105000	100000	97000	78000	48400	39400	200	45	1500	1800	—	—	135000
	28.0	99000	87000	81830	78000	48800	39700	200	45	1500	1800	—	—	135000
	33.2	99000	87000	81830	78000	48800	39700	200	45	1500	1800	—	—	135000
	38.6	83490	71770	65000	65000	41000	33300	200	45	1500	1800	—	—	135000
L3	59.6	105000	100000	97000	79000	48700	39600	115	30	1500	2500	2600	6K	135000
	71.1	105000	100000	97000	79000	48700	39600	115	30	1500	2500	2100	6G	135000
	91.3	105000	100000	97000	79000	48700	39600	115	30	1500	2500	1500	6E	135000
	108	105000	100000	97000	79000	48700	39600	115	30	1500	2500	1100	6C	135000
	139	105000	100000	97000	83000	51000	41700	115	30	1500	2500	850	6B	135000
	165	105000	100000	97000	78000	48400	39400	110	30	1500	2500	850	6B	135000
	174	99000	87000	81830	78000	48800	39700	98	30	1500	2500	850	6B	135000
	207	99000	87000	81830	78000	48800	39700	82	30	1500	2500	850	6B	135000
	241	83490	71770	65000	65000	41000	33300	57	30	1500	2500	850	6B	135000
	L4	302	105000	100000	97000	79000	48700	39600	60	18	1800	3800	400	5B
370		105000	100000	97000	79000	48700	39600	60	18	1800	3800	400	5B	135000
441		105000	100000	97000	79000	48700	39600	51	18	1800	3800	400	5B	135000
487		105000	100000	97000	79000	48700	39600	46	18	1800	3800	400	5B	135000
533		105000	100000	97000	79000	48700	39600	42	18	1800	3800	400	5B	135000
591		105000	100000	97000	83000	51000	41700	38	18	1800	3800	400	5B	135000
672		105000	100000	97000	79000	48700	39600	33	18	1800	3800	400	5B	135000
741		105000	100000	97000	83000	51000	41700	30	18	1800	3800	400	5B	135000
862		105000	100000	97000	83000	51000	41700	26	18	1800	3800	400	5B	135000
930		99000	87000	81830	78000	48800	39700	23	18	1800	3800	400	5B	135000
1043		105000	100000	97000	83000	51000	41700	21	18	1800	3800	400	5B	135000
1104		99000	87000	81830	78000	48800	39700	19.1	18	1800	3800	400	5B	135000
1284		99000	87000	81830	78000	48800	39700	16.4	18	1800	3800	400	5B	135000
1492		83490	71770	65000	65000	41000	33300	11.4	18	1800	3800	400	5B	135000
1805		83490	71770	65000	65000	41000	33300	9.4	18	1800	3800	400	5B	135000

316 L  398

138820 Nm

	i	M _{n2} [Nm]						P ₁	P _t	n ₁	n _{1max}	M _b		M _{2max}
		n ₂ -h	n ₂ -h	n ₂ -h	n ₂ -h	n ₂ -h	n ₂ -h							
L1	4.25	138820	130420	113000	100000	66000	54000	280	68	350	500	—	—	192000
L2	17.4	138820	126000	103000	83700	51600	42000	200	50	1500	1800	—	—	192000
	22.3	138820	126000	107000	85300	53300	42700	200	50	1500	1800	—	—	192000
	26.5	124000	115000	98650	80130	49440	40500	200	50	1500	1800	—	—	192000
L3	59.6	138820	126000	103000	83700	51600	42000	115	35	1500	2500	3200	6L	192000
	71.1	138820	126000	103000	83700	51600	42000	115	35	1500	2500	2600	6K	192000
	76.5	138820	126000	107000	85300	53300	42700	115	35	1500	2500	2600	6K	192000
	91.3	138820	126000	103000	83700	51600	42000	115	35	1500	2500	2100	6G	192000
	108	138820	125920	103000	83700	51600	42000	115	35	1500	2500	2100	6G	192000
	117	138820	126000	107000	85300	53300	42700	115	35	1500	2500	1500	6E	192000
	139	138820	122980	103000	83700	51600	42000	115	35	1500	2500	1500	6E	192000
	165	124000	115000	98650	80130	49440	40500	115	35	1500	2500	1100	6C	192000
L4	215	138820	126000	103000	83700	51600	42000	60	18	1800	3800	800	5G	192000
	256	138820	126000	103000	83700	51600	42000	60	18	1800	3800	800	5G	192000
	302	138820	126000	103000	83700	51600	42000	60	18	1800	3800	630	5E	192000
	329	138820	126000	103000	83700	51600	42000	60	18	1800	3800	630	5E	192000





316 L



398

138820 Nm

	i	M _{n2} [Nm]						P ₁	P _t	n ₁	n _{1max}	M _b		M _{2max}
		n ₂ ·h	n ₂ ·h	n ₂ ·h	n ₂ ·h	n ₂ ·h	n ₂ ·h							
L4	370	138820	126000	103000	83700	51600	42000	60	18	1800	3800	500	5C	192000
	441	138820	126000	103000	83700	51600	42000	60	18	1800	3800	400	5B	192000
	487	138820	126000	103000	83700	51600	42000	59	18	1800	3800	400	5B	192000
	533	138820	126000	103000	83700	51600	42000	54	18	1800	3800	400	5B	192000
	566	138820	126000	103000	83700	51600	42000	51	18	1800	3800	400	5B	192000
	591	138820	122980	103000	83700	51600	42000	48	18	1800	3800	400	5B	192000
	625	138820	126000	107000	85300	53300	42700	46	18	1800	3800	400	5B	192000
	685	138820	126000	103000	83700	51600	42000	42	18	1800	3800	400	5B	192000
	726	138820	126000	107000	85300	53300	42700	40	18	1800	3800	400	5B	192000
	741	138820	122980	103000	83700	51600	42000	38	18	1800	3800	400	5B	192000
	812	138820	125920	103000	83700	51600	42000	35	18	1800	3800	400	5B	192000
	862	138820	122980	103000	83700	51600	42000	33	18	1800	3800	400	5B	192000
	1043	138820	122980	103000	83700	51600	42000	27	18	1800	3800	400	5B	192000
	1237	124000	115000	98650	80130	49440	40500	21	18	1800	3800	400	5B	192000

317 L



408



208110 Nm

	i	M _{n2} [Nm]						P ₁	P _t	n ₁	n _{1max}	M _b		M _{2max}
		n ₂ ·h	n ₂ ·h	n ₂ ·h	n ₂ ·h	n ₂ ·h	n ₂ ·h							
L1	4.09	208110	196530	166000	135000	83000	67240	300	85	200	300	—	—	393000
	5.25	187860	172400	154050	131030	80850	65670	300	85	200	300	—	—	393000
	6.23	156150	134380	119950	118770	79850	64860	300	85	200	300	—	—	393000
L2	16.9	207080	180000	147000	120000	74000	60000	250	55	900	1200	—	—	393000
	22.1	184310	177000	144000	117000	72000	59000	250	55	900	1200	—	—	393000
	26.6	155000	155000	144000	117000	72000	59000	250	55	900	1200	—	—	393000
	28.4	187860	172400	154050	131030	80850	65670	250	55	900	1200	—	—	393000
	34.1	170000	163960	154050	131030	80850	65670	250	55	900	1200	—	—	393000
	40.5	156150	134380	119950	118770	79850	64860	250	55	900	1200	—	—	393000
L3	58.1	207080	180000	147000	120000	74000	60000	150	35	1500	2000	3200	6L	393000
	69.3	207080	178190	144740	117560	72540	58920	150	35	1500	2000	3200	6L	393000
	89.0	207080	179000	145000	118000	73000	59000	150	35	1500	2000	2600	6K	393000
	106	207080	178190	144740	117560	72540	58920	150	35	1500	2000	2100	6G	393000
	116	184310	177000	144000	117000	72000	59000	150	35	1500	2000	1500	6E	393000
	138	184310	177000	144000	117000	72000	59000	150	35	1500	2000	1500	6E	393000
	166	155000	155000	144000	117000	72000	59000	150	35	1500	2000	1100	6C	393000
	179	170000	163960	154050	131030	80850	65670	150	35	1500	2000	1100	6C	393000
	213	170000	163960	154050	131030	80850	65670	138	35	1500	2000	850	6B	393000
	252	156150	134380	119950	118770	79850	64860	99	35	1500	2000	850	6B	393000
L4	310	207080	178190	144740	117560	72540	58920	60	18	1800	3800	630	5E	393000
	360	207080	178190	144740	117560	72540	58920	60	18	1800	3800	500	5C	393000
	449	207080	178190	144740	117560	72540	58920	60	18	1800	3800	500	5C	393000
	493	184310	177000	144000	117000	72000	59000	60	18	1800	3800	400	5B	393000
	552	207080	179000	145000	118000	73000	59000	60	18	1800	3800	400	5B	393000
	619	184310	177000	144000	117000	72000	59000	60	18	1800	3800	400	5B	393000
	719	184310	177000	144000	117000	72000	59000	53	18	1800	3800	400	5B	393000
	792	207080	178190	144740	117560	72540	58920	48	18	1800	3800	400	5B	393000
	904	170000	163960	154050	131030	80850	65670	40	18	1800	3800	400	5B	393000
	1032	184310	177000	144000	117000	72000	59000	37	18	1800	3800	400	5B	393000
	1134	170000	163960	154050	131030	80850	65670	32	18	1800	3800	400	5B	393000
	1318	170000	163960	154050	131030	80850	65670	27	18	1800	3800	400	5B	393000
	1595	170000	163960	154050	131030	80850	65670	23	18	1800	3800	400	5B	393000
	1893	156150	134380	119950	118770	79850	64860	16.3	18	1800	3800	400	5B	393000





318 L  418

280580 Nm

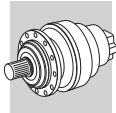
	i	M _{n2} [Nm]						P ₁	P _t	n ₁	n _{1max}	M _b		M _{2max}	
		n ₂ ·h	n ₂ ·h	n ₂ ·h	n ₂ ·h	n ₂ ·h	n ₂ ·h								[kW]
L1	4.40	280580	262990	218310	177320	109410	88870	340	95	200	300	—	—	500000	
	L2	18.7	280580	262990	218310	177320	109410	88870	260	63	500	800	—	—	500000
		23.5	280580	262990	218310	177320	109410	88870	260	63	500	800	—	—	500000
L3	27.3	280580	262990	218310	177320	109410	88870	260	63	500	800	—	—	500000	
	76.5	280580	262990	218310	177320	109410	88870	200	40	1500	1800	—	—	500000	
	98.2	280580	262990	218310	177320	109410	88870	200	40	1500	1800	3200	6L	500000	
	117	280580	262990	218310	177320	109410	88870	200	40	1500	1800	3200	6L	500000	
	123	280580	262990	218310	177320	109410	88870	200	40	1500	1800	2600	6K	500000	
	146	280580	262990	218310	177320	109410	88870	200	40	1500	1800	2100	6G	500000	
L4	170	280580	262990	218310	177320	109410	88870	200	40	1500	1800	2100	6G	500000	
	262	280580	262990	218310	177320	109410	88870	115	22	1500	2500	1500	6E	500000	
	313	280580	262990	218310	177320	109410	88870	115	22	1500	2500	1100	6C	500000	
	337	280580	262990	218310	177320	109410	88870	115	22	1500	2500	1100	6C	500000	
	402	280580	262990	218310	177320	109410	88870	110	22	1500	2500	850	6B	500000	
	422	280580	262990	218310	177320	109410	88870	105	22	1500	2500	850	6B	500000	
	477	280580	262990	218310	177320	109410	88870	93	22	1500	2500	850	6B	500000	
	515	280580	262990	218310	177320	109410	88870	86	22	1500	2500	850	6B	500000	
	612	280580	262990	218310	177320	109410	88870	73	22	1500	2500	850	6B	500000	
	647	280580	262990	218310	177320	109410	88870	69	22	1500	2500	850	6B	500000	
	726	280580	262990	218310	177320	109410	88870	61	22	1500	2500	850	6B	500000	
	768	280580	262990	218310	177320	109410	88870	58	22	1500	2500	850	6B	500000	
	911	280580	262990	218310	177320	109410	88870	49	22	1500	2500	850	6B	500000	
	1059	280580	262990	218310	177320	109410	88870	41	22	1500	2500	850	6B	500000	

319 L  428

476410 Nm

	i	M _{n2} [Nm]						P ₁	P _t	n ₁	n _{1max}	M _b		M _{2max}
		n ₂ ·h	n ₂ ·h	n ₂ ·h	n ₂ ·h	n ₂ ·h	n ₂ ·h							
L1	4.88	476410	383900	311830	253280	156280	126940	380	115	200	300	—	—	680000
	5.77	367580	317550	284270	249240	153790	124910	380	115	200	300	—	—	680000
L2	20.7	403720	348000	308000	250000	154000	125000	260	70	500	800	—	—	680000
	24.5	367580	317550	280280	248000	153000	124000	260	70	500	800	—	—	680000
	26.0	389910	348000	286000	233000	144000	117000	260	70	500	800	—	—	680000
	30.2	308140	296000	241000	196000	121000	98000	260	70	500	800	—	—	680000
	35.8	359680	317550	267610	220000	136000	110000	260	70	500	800	—	—	680000
L3	84.8	403720	348000	286000	232000	143000	116000	200	50	1500	1800	—	—	680000
	109	403720	348000	301000	245000	151000	123000	200	50	1500	1800	—	—	680000
	129	403720	348000	284000	231000	142000	116000	200	50	1500	1800	3200	6L	680000
	137	389910	348000	286000	233000	144000	117000	200	50	1500	1800	2600	6K	680000
	162	367580	317550	270690	248000	153000	124000	200	50	1500	1800	2600	6K	680000
	188	308140	296000	241000	196000	121000	98000	200	50	1500	1800	2100	6G	680000
	223	359680	317550	267610	220000	136000	110000	200	50	1500	1800	2100	6G	680000
	L4	347	403720	348000	286000	232000	143000	116000	115	30	1500	2500	1100	6C
445		403720	348000	286000	232000	143000	116000	115	30	1500	2500	850	6B	680000
528		403720	348000	286000	232000	143000	116000	115	30	1500	2500	850	6B	680000
571		403720	348000	301000	245000	151000	123000	109	30	1500	2500	850	6B	680000
678		403720	348000	301000	245000	151000	123000	92	30	1500	2500	850	6B	680000
717		389910	348000	286000	233000	144000	117000	87	30	1500	2500	850	6B	680000
850		389910	348000	286000	233000	144000	117000	73	30	1500	2500	850	6B	680000
912		359680	317550	267610	220000	136000	110000	66	30	1500	2500	850	6B	680000
1007		367580	317550	270690	248000	153000	124000	60	30	1500	2500	850	6B	680000
1195		367580	317550	270690	248000	153000	124000	50	30	1500	2500	850	6B	680000
1389		359680	317550	267610	220000	136000	110000	43	30	1500	2500	850	6B	680000







321 L



438

655740 Nm

	i	M _{n2} [Nm]						P ₁	P _t	n ₁	n _{1max}	M _b		M _{2max}	
		n ₂ ·h	n ₂ ·h	n ₂ ·h	n ₂ ·h	n ₂ ·h	n ₂ ·h								[kW]
1:	10000	25000	50000	100000	500000	1000000									
L1	4.44	655740	517290	420170	341290	210580	171050	540	115	200	300	—	—	934000	
	L2	18.2	655740	517290	420170	341290	210580	171050	300	95	200	300	—	—	934000
		23.3	655740	517290	420170	341290	210580	172000	300	95	200	300	—	—	934000
		27.7	536350	517290	420170	341290	210580	171050	300	95	200	300	—	—	934000
L3	75.3	655740	517290	420170	341290	210580	171050	250	60	1000	1200	—	—	934000	
	98.2	655740	517290	420170	341290	210580	171050	250	60	1000	1200	—	—	934000	
	118	655740	517290	420170	341290	210580	171050	250	60	1000	1200	—	—	934000	
	126	655740	517290	420170	341290	210580	172000	250	60	1000	1200	—	—	934000	
	152	655740	517290	420170	341290	210580	172000	250	60	1000	1200	—	—	934000	
	180	536350	517290	420170	341290	210580	171050	250	60	1000	1200	—	—	934000	
	L4	258	655740	517290	420170	341290	210580	171050	150	35	1500	2000	2100	6G	934000
308		655740	517290	420170	341290	210580	171050	150	35	1500	2000	2100	6G	934000	
395		655740	517290	420170	341290	210580	171050	150	35	1500	2000	2100	6G	934000	
469		655740	517290	420170	341290	210580	171050	150	35	1500	2000	1500	6E	934000	
515		655740	517290	420170	341290	210580	171050	150	35	1500	2000	1500	6E	934000	
612		655740	517290	420170	341290	210580	171050	150	35	1500	2000	1100	6C	934000	
736		655740	517290	420170	341290	210580	171050	130	35	1500	2000	850	6B	934000	
796		655740	517290	420170	341290	210580	172000	120	35	1500	2000	850	6B	934000	
945		655740	517290	420170	341290	210580	172000	101	35	1500	2000	850	6B	934000	
1122		536350	517290	420170	341290	210580	171050	79	35	1500	2000	850	6B	934000	



C

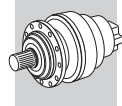
323 L



448

890310 Nm

	i	M _{n2} [Nm]						P ₁	P _t	n ₁	n _{1max}	M _b		M _{2max}	
		n ₂ ·h	n ₂ ·h	n ₂ ·h	n ₂ ·h	n ₂ ·h	n ₂ ·h								[kW]
1:	10000	25000	50000	100000	500000	1000000									
L1	4.60	890310	829940	742050	602740	371910	302080	850	150	150	250	—	—	1580000	
	L2	19.6	890310	829940	742050	602740	371910	302080	380	130	200	300	—	—	1580000
		22.4	890310	829940	742050	602740	371910	302080	380	130	200	300	—	—	1580000
		26.5	890310	829940	742050	602740	371910	302080	380	130	200	300	—	—	1580000
		33.1	890310	829940	742050	602740	371910	302080	380	130	200	300	—	—	1580000
L3	83.3	890310	829940	742050	602740	371910	302080	260	90	500	800	—	—	1580000	
	104.6	890310	829940	742050	602740	371910	302080	260	90	500	800	—	—	1580000	
	112.8	890310	829940	742050	602740	371910	302080	260	90	500	800	—	—	1580000	
	119.6	890310	829940	742050	602740	371910	302080	260	90	500	800	—	—	1580000	
	141.5	890310	829940	742050	602740	371910	302080	260	90	500	800	—	—	1580000	
	164.5	890310	829940	742050	602740	371910	302080	260	90	500	800	—	—	1580000	
	205.3	890310	829940	742050	602740	371910	302080	210	90	500	800	—	—	1580000	
L4	341.0	890310	829940	742050	602740	371910	302080	200	50	1500	1800	3200	6L	1580000	
	389.9	890310	829940	742050	602740	371910	302080	200	50	1500	1800	3200	6L	1580000	
	437.6	890310	829940	742050	602740	371910	302080	200	50	1500	1800	3200	6L	1580000	
	500.4	890310	829940	742050	602740	371910	302080	200	50	1500	1800	3200	6L	1580000	
	568.8	890310	829940	742050	602740	371910	302080	200	50	1500	1800	2600	6K	1580000	
	627.9	890310	829940	742050	602740	371910	302080	200	50	1500	1800	2600	6K	1580000	
	702.8	890310	829940	742050	602740	371910	302080	197	50	1500	1800	2600	6K	1580000	
	757.6	890310	829940	742050	602740	371910	302080	182	50	1500	1800	2600	6K	1580000	
	881.9	890310	829940	742050	602740	371910	302080	157	50	1500	1800	2600	6K	1580000	
	1025.2	890310	829940	742050	602740	371910	302080	135	50	1500	1800	2600	6K	1580000	
	1100.6	890310	829940	742050	602740	371910	302080	126	50	1500	1800	2600	6K	1580000	
	1279.5	890310	829940	742050	602740	371910	302080	108	50	1500	1800	2600	6K	1580000	





325 L

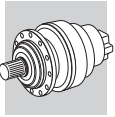


452

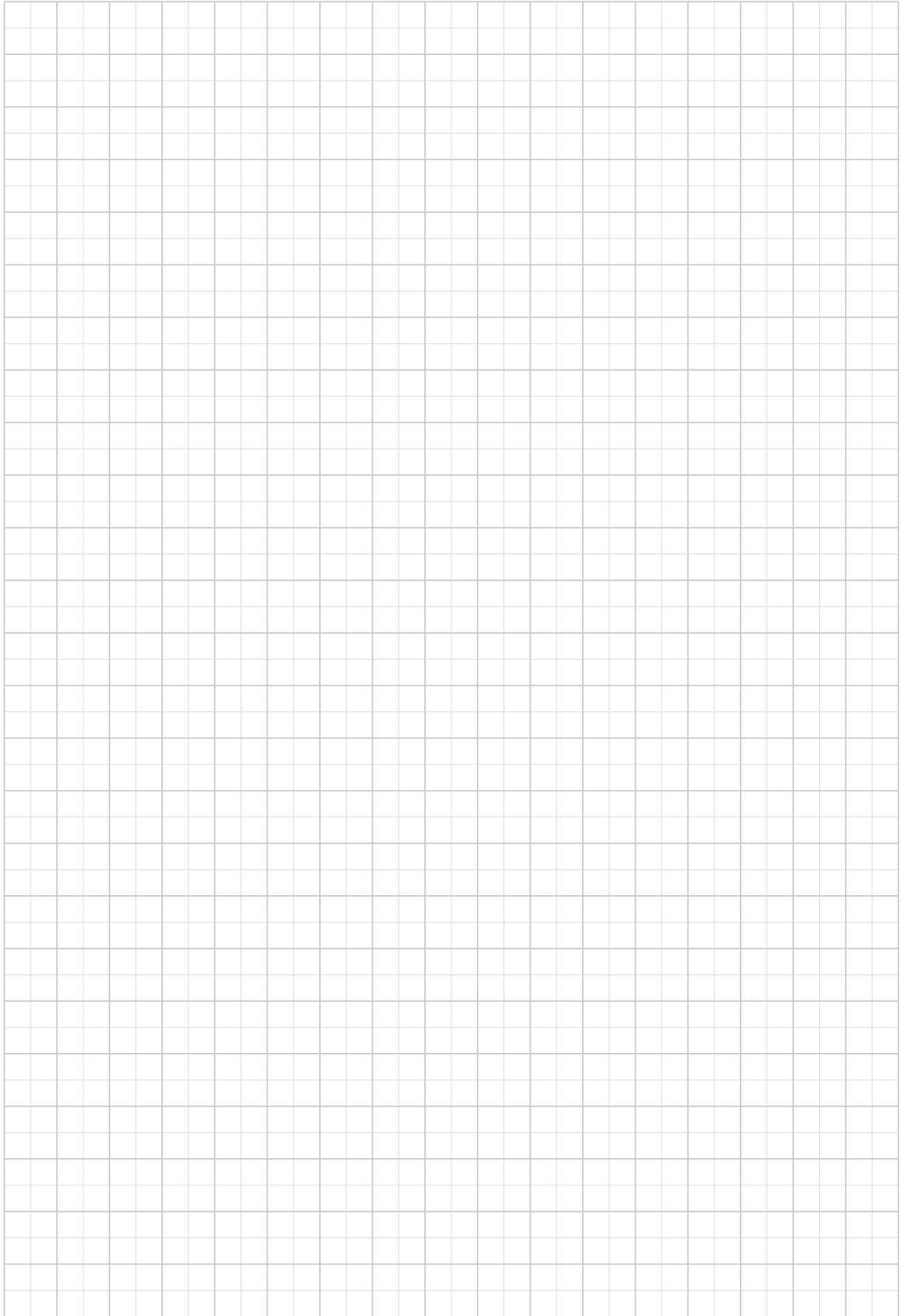
1286700 Nm

	i	M_{n2} [Nm]						P_1	P_t	n_1	n_{1max}	M_b		M_{2max}
		$n_2 \cdot h$	$n_2 \cdot h$	$n_2 \cdot h$	$n_2 \cdot h$	$n_2 \cdot h$	$n_2 \cdot h$							
	1:	10000	25000	50000	100000	500000	1000000							
L1	4.60	1286700	1166950	947860	769900	475050	385860	1050	190	120	250	—	—	2000000
L2	19.6	1286600	1104050	896760	729000	449450	365060	380	160	200	300	—	—	2000000
	22.4	1286700	1083740	880270	715000	441180	358350	380	160	200	300	—	—	2000000
	26.5	1286700	1066430	866210	703580	434130	352630	380	160	200	300	—	—	2000000
	33.1	963170	963170	845000	686160	423380	343890	380	160	200	300	—	—	2000000
L3	83.3	1286600	1104050	896760	728400	449450	365060	260	115	500	800	—	—	2000000
	104.6	1286600	1104050	896760	728400	449450	365060	260	115	500	800	—	—	2000000
	112.8	1286700	1066430	866210	703580	434130	352630	260	115	500	800	—	—	2000000
	119.6	1286700	1083740	880270	715000	441180	358350	260	115	500	800	—	—	2000000
	141.5	1286700	1066430	866210	703580	434130	352630	260	115	500	800	—	—	2000000
	164.5	1286700	1066430	866210	703580	434130	352630	260	115	500	800	—	—	2000000
	205.3	963170	963170	845000	686160	423380	343890	226	115	500	800	—	—	2000000
L4	341.0	1286600	1104050	896760	728400	449450	365060	200	65	1500	1800	3200	6L	2000000
	389.9	1286700	1083740	880270	715000	441180	358350	200	65	1500	1800	3200	6L	2000000
	437.6	1286600	1104050	896760	728400	449450	365060	200	65	1500	1800	3200	6L	2000000
	500.4	1286700	1083740	880270	715000	441180	358350	200	65	1500	1800	3200	6L	2000000
	568.8	1286700	1083740	880270	715000	441180	358350	200	65	1500	1800	3200	6L	2000000
	627.9	1286700	1083740	880270	715000	441180	358350	200	65	1500	1800	3200	6L	2000000
	702.8	1286700	1066430	866210	703580	434130	352630	200	65	1500	1800	3200	6L	2000000
	757.6	1286600	1104050	896760	728400	449450	365060	200	65	1500	1800	2600	6K	2000000
	881.9	1286700	1066430	866210	703580	434130	352630	200	65	1500	1800	2600	6K	2000000
	1025.2	1286700	1066430	866210	703580	434130	352630	193	65	1500	1800	2600	6K	2000000
	1100.6	963170	963170	845120	686350	423550	343890	135	65	1500	1800	2600	6K	2000000
1279.5	963170	963170	845120	686350	423550	343890	116	65	1500	1800	2600	6K	2000000	





C



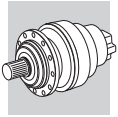


25.8 RATING CHARTS FOR RIGHT ANGLE UNITS 300 R

Reading the rating chart.

		300 R								1250 Nm					
		248													
	i	M_{n2} [Nm]						P_1	P_t	n_1	n_{1max}	M_b		M_{2max}	
		$n_2 \cdot h$	$n_2 \cdot h$	$n_2 \cdot h$	$n_2 \cdot h$	$n_2 \cdot h$	$n_2 \cdot h$								[kW]
R2	7.13	760	730	730	730	730	730	15.0	12	2000	4000	160	4D	2000	
	8.74	1250	1070	950	860	840	720	15.0	12	2000	4000	160	4D	2400	
	11.8	860	730	650	650	650	630	12.2	12	2000	4000	100	4B	2400	
	14.8	700	600	550	550	550	510	8.3	12	2000	4000	100	4B	2400	
	18.5	460	390	370	370	370	370	4.5	12	2000	4000	100	4B	2400	

1	Reference torque	7	Input angular velocity
2	Number of reduction stages (right-angled gear unit)	8	Maximum input angular velocity
3	Gear ratio	9	Rated brake torque (Hydraulic brake)
4	Gearbox rated output torque based on: - service factor $f_S=1$ - $n_2 \cdot h$ indicated	10	Negative multidisc hydraulic brake
5	Maximum power transmitted to the input shaft	11	Maximum output torque at gearbox
6	Gearbox thermal capacity	12	Page where dimensions can be sorted from





300 R



246

1250 Nm



	i	M _{n2} [Nm]						P ₁	Pt	n ₁	n _{1max}	M _b		M _{2max}	
		n ₂ ·h	n ₂ ·h	n ₂ ·h	n ₂ ·h	n ₂ ·h	n ₂ ·h								[kW]
	1:	10000	25000	50000	100000	500000	1000000								
R2	7.13	760	730	730	730	730	730	15.0	12	2000	4000	160	4D	2000	
	8.74	1250	1070	950	860	840	720	15.0	12	2000	4000	160	4D	2400	
	11.8	860	730	650	650	650	630	12.2	12	2000	4000	100	4B	2400	
	14.8	700	600	550	550	550	510	8.3	12	2000	4000	100	4B	2400	
	18.5	460	390	370	370	370	370	4.5	12	2000	4000	100	4B	2400	
R3	24.8	760	730	730	730	730	730	6.2	12	2000	4000	50	4A	2000	
	30.4	1250	1070	950	860	840	720	6.6	12	2000	4000	50	4A	2400	
	37.3	1250	1070	950	860	840	720	5.5	12	2000	4000	50	4A	2400	
	41.2	860	730	650	650	650	630	3.6	12	2000	4000	50	4A	2400	
	50.4	1250	1070	950	860	840	720	4.3	12	2000	4000	50	4A	2400	
	62.9	1250	1070	950	860	840	720	3.5	12	2000	4000	50	4A	2400	
	68.2	860	730	650	650	650	630	2.4	12	2000	4000	50	4A	2400	
	78.7	1250	1070	950	860	840	720	2.9	12	2000	4000	50	4A	2400	
	85.2	860	730	650	650	650	630	2.0	12	2000	4000	50	4A	2400	
	106	860	730	650	650	650	630	1.7	12	2000	4000	50	4A	2400	
	133	700	600	550	550	550	510	1.2	12	2000	4000	50	4A	2400	
	R4	106	1250	1070	950	860	840	720	2.2	10	2000	4000	50	4A	2400
		130	1250	1070	950	860	840	720	1.8	10	2000	4000	50	4A	2400
143		860	730	650	650	650	630	1.4	10	2000	4000	50	4A	2400	
159		1250	1070	950	860	840	720	1.5	10	2000	4000	50	4A	2400	
175		1250	1070	950	860	840	720	1.3	10	2000	4000	50	4A	2400	
215		1250	1070	950	860	840	720	1.1	10	2000	4000	50	4A	2400	
237		860	730	650	650	650	630	0.86	10	2000	4000	50	4A	2400	
268		1250	1070	950	860	840	720	0.88	10	2000	4000	50	4A	2400	
291		1250	1070	950	860	840	720	0.81	10	2000	4000	50	4A	2400	
363		1250	1070	950	860	840	720	0.65	10	2000	4000	50	4A	2400	
394		860	730	650	650	650	630	0.52	10	2000	4000	50	4A	2400	
453		1250	1070	950	860	840	720	0.52	10	2000	4000	50	4A	2400	
491		860	730	650	650	650	630	0.41	10	2000	4000	50	4A	2400	
613		860	730	650	650	650	630	0.33	10	2000	4000	50	4A	2400	
766		860	730	650	650	650	630	0.27	10	2000	4000	50	4A	2400	

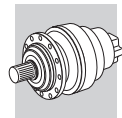
301 R



256



2060 Nm

	i	M _{n2} [Nm]						P ₁	Pt	n ₁	n _{1max}	M _b		M _{2max}
		n ₂ ·h	n ₂ ·h	n ₂ ·h	n ₂ ·h	n ₂ ·h	n ₂ ·h							
	1:	10000	25000	50000	100000	500000	1000000							
R2	7.13	1490	1430	1430	1430	1430	1300	15.0	12	2000	4000	260	4F	3200
	8.74	2060	2060	1890	1730	1580	1280	15.0	12	2000	4000	330	4H	3200
	11.8	1720	1460	1300	1300	1300	1240	15.0	12	2000	4000	260	4F	3200
	14.8	1150	1150	1150	1150	1150	940	15.0	12	2000	4000	160	4D	3200
	18.5	920	780	740	740	740	740	8.0	12	2000	4000	160	4D	3200
R3	24.8	1490	1430	1430	1430	1430	1300	12.4	12	2000	4000	100	4B	3400
	30.4	2460	2140	1900	1730	1580	1280	13.1	12	2000	4000	100	4B	3400
	37.3	2460	2140	1900	1730	1580	1280	10.8	12	2000	4000	100	4B	3400
	41.2	1720	1460	1300	1300	1300	1240	7.3	12	2000	4000	100	4B	3400
	50.4	2460	2140	1900	1730	1580	1280	8.4	12	2000	4000	100	4B	3400
	62.9	2000	2000	1830	1730	1580	1280	7.0	12	2000	4000	50	4A	3400
	68.2	1720	1460	1300	1300	1300	1240	4.8	12	2000	4000	50	4A	3400
	78.7	1600	1600	1600	1600	1530	1280	5.8	12	2000	4000	50	4A	3400
	85.2	1720	1460	1300	1300	1300	1240	4.0	12	2000	4000	50	4A	3400
	106	1720	1460	1300	1300	1300	1240	3.3	12	2000	4000	50	4A	3400
	133	1150	1150	1150	1150	1150	940	2.0	12	2000	4000	50	4A	3400
R4	106	2460	2140	1900	1730	1580	1280	4.5	10	2000	4000	50	4A	3400
	130	2460	2140	1900	1730	1580	1280	3.6	10	2000	4000	50	4A	3400
	143	1720	1460	1300	1300	1300	1240	2.7	10	2000	4000	50	4A	3400
	159	2460	2140	1900	1730	1580	1280	3.0	10	2000	4000	50	4A	3400





301 R  256

2060 Nm

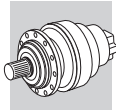
	i	M _{n2} [Nm]						P ₁	Pt	n ₁	n _{1max}	M _b		M _{2max}
		n ₂ ·h	n ₂ ·h	n ₂ ·h	n ₂ ·h	n ₂ ·h	n ₂ ·h							
R4	175	2460	2140	1900	1730	1580	1280	2.7	10	2000	4000	50	4A	3400
	215	2460	2140	1900	1730	1580	1280	2.2	10	2000	4000	50	4A	3400
	237	1720	1460	1300	1300	1300	1240	1.7	10	2000	4000	50	4A	3400
	268	2460	2140	1900	1730	1580	1280	1.8	10	2000	4000	50	4A	3400
	291	2460	2140	1900	1730	1580	1280	1.6	10	2000	4000	50	4A	3400
	363	2460	2140	1900	1730	1580	1280	1.3	10	2000	4000	50	4A	3400
	394	1720	1460	1300	1300	1300	1240	1.0	10	2000	4000	50	4A	3400
	453	2000	2000	1830	1730	1580	1280	1.0	10	2000	4000	50	4A	3400
	491	1720	1460	1300	1300	1300	1240	0.82	10	2000	4000	50	4A	3400
	613	1720	1460	1300	1300	1300	1240	0.66	10	2000	4000	50	4A	3400
	766	1720	1460	1300	1300	1300	1240	0.52	10	2000	4000	50	4A	3400

303 R  266

2970 Nm

	i	M _{n2} [Nm]						P ₁	Pt	n ₁	n _{1max}	M _b		M _{2max}
		n ₂ ·h	n ₂ ·h	n ₂ ·h	n ₂ ·h	n ₂ ·h	n ₂ ·h							
R2	9.23	2410	2310	2310	2310	2310	1940	35	18	1800	3800	330	4H	5200
	10.9	2970	2810	2810	2650	2570	2090	35	18	1800	3800	330	4H	5200
	13.7	2850	2520	2230	2200	2140	2030	32	18	1800	3800	260	4F	5200
	15.9	2440	2080	1840	1820	1820	1820	23	18	1800	3800	260	4F	5200
	19.2	2000	1750	1650	1650	1650	1500	17.2	18	1800	3800	160	4D	5200
	24.8	1050	900	860	860	860	860	7.0	18	1800	3800	160	4D	5200
R3	25.7	2410	2310	2310	2310	2130	1730	15.0	14	2.000	4.000	160	4D	5200
	31.5	2410	2310	2310	2310	2100	1700	15.0	14	2.000	4.000	100	4B	5200
	37.1	2970	2810	2810	2650	2350	1910	15.0	14	2.000	4.000	100	4B	5200
	42.6	2410	2210	2210	2210	2030	1650	11.6	14	2.000	4.000	100	4B	5200
	46.6	2850	2520	2230	2200	2140	2030	11.2	14	2.000	4.000	100	4B	5200
	50.3	2770	2700	2650	2620	2280	1850	12.2	14	2.000	4.000	100	4B	5200
	54.2	2440	2080	1840	1820	1820	1820	8.1	14	2.000	4.000	100	4B	5200
	63.1	2850	2520	2230	2200	2140	2030	8.7	14	2.000	4.000	100	4B	5200
	73.3	2440	2080	1840	1820	1820	1820	6.2	14	2.000	4.000	50	4A	5200
	78.7	2850	2450	2230	2200	2140	2030	7.1	14	2.000	4.000	50	4A	5200
	91.5	2440	2080	1840	1820	1820	1820	5.2	14	2.000	4.000	50	4A	5200
	114	2300	2080	1840	1820	1820	1820	4.3	14	2.000	4.000	50	4A	5200
R4	129	2970	2810	2810	2650	2390	1940	5.1	12	2.000	4.000	50	4A	5200
	148	2410	2310	2310	2310	2130	1730	3.6	12	2.000	4.000	50	4A	5200
	158	2970	2810	2810	2650	2350	1910	4.3	12	2.000	4.000	50	4A	5200
	185	2410	2310	2310	2310	2130	1730	2.9	12	2.000	4.000	50	4A	5200
	214	2970	2810	2810	2650	2350	1910	3.2	12	2.000	4.000	50	4A	5200
	231	2440	2080	1840	1820	1820	1820	2.4	12	2.000	4.000	50	4A	5200
	255	2440	2080	1840	1820	1820	1820	2.1	12	2.000	4.000	50	4A	5200
	290	2770	2700	2650	2620	2280	1850	2.2	12	2.000	4.000	50	4A	5200
	313	2440	2080	1840	1820	1820	1820	1.7	12	2.000	4.000	50	4A	5200
	336	2850	2520	2230	2200	2140	2030	2.0	12	2.000	4.000	50	4A	5200
	364	2850	2520	2230	2200	2140	2030	1.9	12	2.000	4.000	50	4A	5200
	390	2440	2080	1840	1820	1820	1820	1.4	12	2.000	4.000	50	4A	5200
	452	2250	2250	2250	2250	1830	1800	1.2	12	2.000	4.000	50	4A	5200
	528	2440	2080	1840	1820	1820	1820	1.0	12	2.000	4.000	50	4A	5200
	567	2850	2450	2230	2200	2140	2030	1.2	12	2.000	4.000	50	4A	5200
	659	2440	2080	1840	1820	1820	1820	0.83	12	2.000	4.000	50	4A	5200
	797	2000	1750	1650	1650	1650	1500	0.59	12	2.000	4.000	50	4A	5200
	824	2440	2080	1840	1820	1820	1820	0.66	12	2.000	4.000	50	4A	5200







304 R



278

3960 Nm



	i	M _{n2} [Nm]						P ₁	Pt	n ₁	n _{1max}	M _b		M _{2max}
		n ₂ -h	n ₂ -h	n ₂ -h	n ₂ -h	n ₂ -h	n ₂ -h							
	1:	10000	25000	50000	100000	500000	1000000							
R2	9.23	3710	3520	3500	3220	2390	1940	35	18	1800	3800	330	4H	6600
	10.9	3960	3750	3690	3540	2680	2180	35	18	1800	3800	330	4H	6600
	13.7	3740	3190	2850	2850	2850	2560	35	18	1800	3800	260	4F	6600
	16.8	3000	2560	2390	2390	2390	2390	28	18	1800	3800	260	4F	6600
R3	25.7	3710	3520	3500	3440	3080	2830	15.0	14	2.000	4.000	160	4D	7300
	31.5	3710	3520	3500	3440	3080	2830	15.0	14	2.000	4.000	100	4B	7300
	37.1	3960	3750	3690	3540	3430	2780	15.0	14	2.000	4.000	100	4B	7300
	42.6	3710	3520	3500	3440	3120	2830	15.0	14	2.000	4.000	100	4B	7300
	46.6	3740	3190	2850	2850	2850	2710	14.2	14	2.000	4.000	100	4B	7300
	50.3	3960	3750	3690	3540	3430	2780	15.0	14	2.000	4.000	100	4B	7300
	63.1	3740	3190	2850	2850	2850	2710	10.9	14	2.000	4.000	100	4B	7300
	78.7	3740	3190	2850	2850	2850	2710	9.0	14	2.000	4.000	100	4B	7300
	97.0	3010	2560	2390	2390	2390	2390	5.9	14	2.000	4.000	50	4A	7300
	121	3010	2560	2390	2390	2390	2390	4.9	14	2.000	4.000	50	4A	7300
R4	89.4	3710	3520	3500	3440	3120	2830	9.4	12	2.000	4.000	50	4A	7300
	109	3710	3520	3500	3440	3120	2830	7.8	12	2.000	4.000	50	4A	7300
	129	3960	3750	3690	3540	3430	2780	7.1	12	2.000	4.000	50	4A	7300
	148	3710	3520	3500	3440	3120	2830	5.9	12	2.000	4.000	50	4A	7300
	158	3960	3750	3690	3540	3430	2780	5.9	12	2.000	4.000	50	4A	7300
	185	3710	3520	3500	3440	3080	2830	4.7	12	2.000	4.000	50	4A	7300
	214	3960	3750	3690	3540	3430	2780	4.4	12	2.000	4.000	50	4A	7300
	227	3710	3520	3500	3440	3120	2830	3.9	12	2.000	4.000	50	4A	7300
	267	3960	3750	3690	3540	3430	2780	3.5	12	2.000	4.000	50	4A	7300
	290	3960	3750	3690	3540	3430	2780	3.2	12	2.000	4.000	50	4A	7300
	307	3710	3520	3500	3440	3120	2830	2.9	12	2.000	4.000	50	4A	7300
	338	3010	2560	2390	2390	2390	2390	1.9	12	2.000	4.000	50	4A	7300
	364	3740	3190	2850	2850	2850	2710	2.3	12	2.000	4.000	50	4A	7300
	414	3010	2560	2390	2390	2390	2390	1.6	12	2.000	4.000	50	4A	7300
	452	3960	3710	3660	3540	3430	2780	2.1	12	2.000	4.000	50	4A	7300
	560	3010	2560	2390	2390	2390	2390	1.2	12	2.000	4.000	50	4A	7300
	699	3010	2560	2390	2390	2390	2390	0.93	12	2.000	4.000	50	4A	7300

305 R



290



5600 Nm

	i	M _{n2} [Nm]						P ₁	Pt	n ₁	n _{1max}	M _b		M _{2max}
		n ₂ -h	n ₂ -h	n ₂ -h	n ₂ -h	n ₂ -h	n ₂ -h							
	1:	10000	25000	50000	100000	500000	1000000							
R2	9.23	4650	4050	4000	3870	2390	1940	35	18	1800	3800	440	4L	7700
	10.9	5300	4720	4720	4350	2680	2180	35	18	1800	3800	440	4L	7700
	13.7	5600	5040	4470	4280	3150	2560	35	18	1800	3800	440	4L	7700
	15.9	4690	4000	3600	3600	3500	2840	35	18	1800	3800	330	4H	7700
	19.2	3800	3300	3100	3100	3000	2790	32	18	1800	3800	260	4F	7700
R3	25.7	4680	4490	4490	4490	3800	3090	15.0	14	2000	4000	260	4F	8800
	31.5	4700	4490	4490	4490	3750	3040	15.0	14	2000	4000	260	4F	8800
	37.1	5800	5500	5480	5300	4210	3420	15.0	14	2000	4000	260	4F	8800
	42.6	4700	4450	4430	4430	3630	2950	15.0	14	2000	4000	160	4D	8800
	46.6	5600	5040	4470	4400	4280	3490	15.0	14	2000	4000	160	4D	8800
	50.3	5530	5350	5300	5230	4070	3310	15.0	14	2000	4000	160	4D	8800
	54.2	4690	4000	3600	3600	3550	3460	15.0	14	2000	4000	100	4B	8800
	63.1	5600	5040	4470	4400	4280	3490	15.0	14	2000	4000	100	4B	8800
	73.3	4690	4000	3600	3600	3550	3460	12.3	14	2000	4000	100	4B	8800
	78.7	5600	4900	4470	4400	4280	3490	14.3	14	2000	4000	100	4B	8800
	91.5	4690	4000	3600	3600	3550	3460	10.2	14	2000	4000	100	4B	8800
	114	4430	4000	3600	3600	3500	3460	8.6	14	2000	4000	50	4A	8800
R4	129	5800	5480	5480	5300	4270	3470	10.3	12	2000	4000	50	4A	8800
	148	4700	4490	4490	4490	3800	3090	7.4	12	2000	4000	50	4A	8800
	158	5800	5500	5480	5300	4210	3420	8.6	12	2000	4000	50	4A	8800





305 R  290

5600 Nm

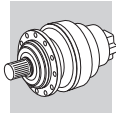
	i	M _{n2} [Nm]						P ₁	Pt	n ₁	n _{1max}	M _b		M _{2max}
		n ₂ ·h	n ₂ ·h	n ₂ ·h	n ₂ ·h	n ₂ ·h	n ₂ ·h							
R4	185	4700	4490	4490	4490	3800	3090	6.0	12	2000	4000	50	4A	8800
	214	5800	5500	5480	5300	4210	3420	6.4	12	2000	4000	50	4A	8800
	231	4690	4000	3600	3600	3550	3460	4.7	12	2000	4000	50	4A	8800
	255	4690	4000	3600	3600	3550	3460	4.3	12	2000	4000	50	4A	8800
	290	5530	5400	5300	5230	4070	3310	4.5	12	2000	4000	50	4A	8800
	313	4690	4000	3600	3600	3550	3460	3.5	12	2000	4000	50	4A	8800
	336	5600	5040	4470	4400	4280	3490	3.9	12	2000	4000	50	4A	8800
	364	5600	5040	4470	4400	4280	3490	3.6	12	2000	4000	50	4A	8800
	390	4690	4000	3600	3600	3550	3460	2.8	12	2000	4000	50	4A	8800
	452	4750	4750	4750	4750	3660	3210	2.5	12	2000	4000	50	4A	8800
	528	4690	4000	3600	3600	3550	3460	2.1	12	2000	4000	50	4A	8800
	567	5600	4900	4470	4400	4280	3490	2.3	12	2000	4000	50	4A	8800
	659	4690	4000	3600	3600	3550	3460	1.7	12	2000	4000	50	4A	8800
	797	3800	3300	3100	3100	3000	2790	1.1	12	2000	4000	50	4A	8800
	824	4690	4000	3600	3600	3550	3460	1.3	12	2000	4000	50	4A	8800

306 R  302

7300 Nm

	i	M _{n2} [Nm]						P ₁	Pt	n ₁	n _{1max}	M _b		M _{2max}
		n ₂ ·h	n ₂ ·h	n ₂ ·h	n ₂ ·h	n ₂ ·h	n ₂ ·h							
R2	9.23	4650	4050	4000	3870	2390	1940	35	18	1800	3800	440	4L	12000
	10.9	5300	4720	4720	4350	2680	2180	35	18	1800	3800	440	4L	12000
	13.7	6500	5920	5920	5100	3150	2560	35	18	1800	3800	440	4L	12000
	15.9	7300	6890	6530	5670	3500	2840	35	18	1800	3800	440	4L	12000
	19.2	7000	5900	5500	5400	3990	3240	35	18	1800	3800	400	4K	12000
R3	33.2	8020	8020	8020	8020	5680	4620	35	14	2000	4000	260	4F	14900
	39.2	9770	9340	9340	9300	6110	4960	35	14	2000	4000	260	4F	14900
	46.3	10420	9850	9850	9600	6860	5570	35	14	2000	4000	260	4F	14900
	58.1	9560	9100	9100	9100	6680	5430	35	14	2000	4000	260	4F	14900
	67.5	7890	7590	7590	7590	6620	5380	25	14	2000	4000	260	4F	14900
	72.9	10080	9350	8300	7950	6810	5530	27	14	2000	4000	160	4D	14900
	84.7	9540	9350	8300	7950	6810	5530	23	14	2000	4000	160	4D	14900
	98.5	8630	7370	6530	6500	6460	5480	17.7	14	2000	4000	100	4B	14900
	119	8500	7370	6530	6500	6460	5480	15.2	14	2000	4000	100	4B	14900
	144	7000	5900	5500	5500	5040	5040	10.7	14	2000	4000	100	4B	14900
R4	158	10420	9850	9850	9600	6860	5570	14.9	12	2000	4000	100	4B	14900
	168	8320	7700	7700	7530	5950	4830	11.3	12	2000	4000	100	4B	14900
	181	9450	9450	9450	9450	6970	5660	11.6	12	2000	4000	100	4B	14900
	214	10420	9850	9850	9600	6860	5570	11.1	12	2000	4000	50	4A	14900
	230	7890	7590	7590	7590	6620	5380	7.7	12	2000	4000	50	4A	14900
	249	10080	9350	8300	7950	6810	5530	9.0	12	2000	4000	50	4A	14900
	289	9540	9350	8300	7950	6810	5530	7.6	12	2000	4000	50	4A	14900
	312	7890	7590	7590	7590	6620	5380	5.7	12	2000	4000	50	4A	14900
	389	8500	7590	7590	7590	6620	5380	5.2	12	2000	4000	50	4A	14900
	420	10080	9350	8300	7950	6810	5530	5.4	12	2000	4000	50	4A	14900
	455	8630	7370	6530	6500	6460	5480	4.4	12	2000	4000	50	4A	14900
	488	9540	9350	8300	7950	6810	5530	4.5	12	2000	4000	50	4A	14900
	550	8500	7370	6530	6500	6460	5480	3.7	12	2000	4000	50	4A	14900
	590	9500	8500	7800	7800	6810	5530	3.8	12	2000	4000	50	4A	14900
	665	7000	5900	5500	5500	5040	5040	2.5	12	2000	4000	50	4A	14900
830	7000	5900	5500	5500	5040	5040	2.0	12	2000	4000	50	4A	14900	







307 R



314

14000 Nm



	i	M _{n2} [Nm]						P ₁	Pt	n ₁	n _{1max}	M _b		M _{2max}
		n ₂ ·h	n ₂ ·h	n ₂ ·h	n ₂ ·h	n ₂ ·h	n ₂ ·h							
	1:	10000	25000	50000	100000	500000	1000000							
R2	13.0	9000	8500	8270	7960	6570	5340	85	35	1800	3800	1000	5K	18600
	15.5	11400	10690	9630	9520	7440	6040	85	35	1800	3800	1000	5K	21000
	19.8	14000	12700	11300	10790	8850	7190	85	35	1800	3800	800	5G	21000
	23.5	11000	9600	8700	8700	8240	7490	74	35	1800	3800	500	5C	21000
R3	31.6	9000	9000	9000	8300	5490	4460	35	22	2000	4000	400	4K	18600
	37.7	15680	14890	12400	10070	6210	5050	35	22	2000	4000	440	4L	21000
	44.6	15680	14890	13930	11310	6980	5670	35	22	2000	4000	400	4K	21000
	55.9	15680	14890	14890	13260	8180	6650	35	22	2000	4000	330	4H	21000
	65.0	14670	14010	14010	13510	9090	7380	35	22	2000	4000	260	4F	21000
	71.8	14840	12700	11300	10790	9340	7590	35	22	2000	4000	260	4F	21000
	78.6	12300	12300	12300	12300	9560	7770	35	22	2000	4000	260	4F	21000
	83.4	14840	12700	11300	10790	9340	7590	33	22	2000	4000	260	4F	21000
	99.0	11000	9600	8700	8700	8240	7490	23	22	2000	4000	160	4D	21000
	120	11000	9600	8700	8700	8240	7490	19.9	22	2000	4000	160	4D	21000
	R4	152	15680	14890	14890	13510	9560	7770	15.0	15	2000	4000	100	4B
165		14840	12700	11300	10790	9340	7590	15.0	15	2000	4000	100	4B	21000
191		15680	14890	14890	13510	9560	7770	15.0	15	2000	4000	100	4B	21000
206		15680	14890	14890	13510	9560	7770	15.0	15	2000	4000	100	4B	21000
232		14840	12700	11300	10790	9340	7590	14.3	15	2000	4000	100	4B	21000
258		15680	14890	14890	13510	9560	7770	13.8	15	2000	4000	100	4B	21000
284		14840	12700	11300	10790	9340	7590	11.6	15	2000	4000	100	4B	21000
300		15000	14010	14010	13510	9560	7770	11.8	15	2000	4000	100	4B	21000
331		14840	12700	11300	10790	9340	7590	10.0	15	2000	4000	50	4A	21000
363		12300	12300	12300	12300	9560	7770	8.0	15	2000	4000	50	4A	21000
413		14840	12700	11300	10790	9340	7590	8.0	15	2000	4000	50	4A	21000
453		15000	13800	12900	12500	9560	7770	7.8	15	2000	4000	50	4A	21000
490		11000	9600	8700	8700	8240	7490	5.3	15	2000	4000	50	4A	21000
581		14330	12710	11300	10790	9340	7590	5.7	15	2000	4000	50	4A	21000
690		11000	9600	8700	8700	8240	7490	3.8	15	2000	4000	50	4A	21000

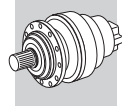
309 R



326



16460 Nm

	i	M _{n2} [Nm]						P ₁	Pt	n ₁	n _{1max}	M _b		M _{2max}
		n ₂ ·h	n ₂ ·h	n ₂ ·h	n ₂ ·h	n ₂ ·h	n ₂ ·h							
	1:	10000	25000	50000	100000	500000	1000000							
R2	13.0	9800	9120	8270	7960	6570	5340	85	35	1800	3800	1000	5K	27400
	15.5	11400	10690	9630	9520	7440	6040	85	35	1800	3800	1000	5K	27400
	19.8	14000	13270	12270	12270	8850	7190	85	35	1800	3800	1000	5K	27400
	23.5	16460	14070	12500	12370	9980	8110	85	35	1800	3800	800	5G	27400
R3	31.6	12800	12310	10960	8900	5490	4460	35	22	2000	4000	440	4L	27900
	37.7	15830	15260	12400	10070	6210	5050	35	22	2000	4000	440	4L	29000
	44.6	18670	17150	13930	11310	6980	5670	35	22	2000	4000	400	4K	29000
	55.9	18510	17140	16330	13260	8180	6650	35	22	2000	4000	400	4K	29000
	65.0	14670	14300	14300	14010	9090	7380	35	22	2000	4000	260	4F	29000
	71.8	21980	19060	16940	15790	9740	7910	35	22	2000	4000	330	4H	29000
	83.4	18300	18100	16940	16190	10830	8790	35	22	2000	4000	260	4F	29000
	99.0	17000	14400	13000	13000	12210	9910	35	22	2000	4000	260	4F	29000
	120	17000	14400	13000	13000	12370	10280	30	22	2000	4000	160	4D	29000
	R4	152	21620	21260	21260	18580	11460	9310	15.0	15	2000	4000	160	4D
165		21980	19060	16940	16190	12810	10410	15.0	15	2000	4000	160	4D	29000
191		18510	17500	17500	17140	11160	9070	15.0	15	2000	4000	160	4D	29000
206		21620	21260	21260	18580	11460	9310	15.0	15	2000	4000	160	4D	29000
232		18300	18100	16940	16190	12810	10410	15.0	15	2000	4000	100	4B	29000
258		18510	17500	17500	17140	11160	9070	15.0	15	2000	4000	100	4B	29000
284		18300	18100	16940	16190	12810	10410	15.0	15	2000	4000	100	4B	29000
331		21980	19060	16940	16190	12810	10410	15.0	15	2000	4000	100	4B	29000
374		14670	14300	14300	14010	11060	8990	9.2	15	2000	4000	100	4B	29000





309 R  326

16460 Nm

	i	M _{n2} [Nm]						P ₁	Pt	n ₁	n _{1max}	M _b		M _{2max}
		n ₂ ·h	n ₂ ·h	n ₂ ·h	n ₂ ·h	n ₂ ·h	n ₂ ·h							
R4	413	21980	19060	16940	16190	12810	10410	12.0	15	2000	4000	100	4B	29000
	457	17000	14400	13000	13000	12370	10280	8.8	15	2000	4000	50	4A	29000
	490	17000	14400	13000	13000	12370	10280	8.2	15	2000	4000	50	4A	29000
	581	15800	15800	15800	15000	12810	10410	6.4	15	2000	4000	50	4A	29000
	690	17000	14400	13000	13000	12370	10280	5.8	15	2000	4000	50	4A	29000



310 R  338

34120 Nm

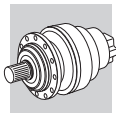
	i	M _{n2} [Nm]						P ₁	Pt	n ₁	n _{1max}	M _b		M _{2max}
		n ₂ ·h	n ₂ ·h	n ₂ ·h	n ₂ ·h	n ₂ ·h	n ₂ ·h							
R2	12.0	28200	27800	25000	21590	13320	10820	130	55	1500	2500	3200	6L	47600
	15.4	30600	26240	23350	21100	13020	10570	130	55	1500	2500	2600	6K	47600
	18.3	26000	21200	18420	18230	12860	10440	130	55	1500	2500	2100	6G	47600
	16.6	34120	32340	26580	21590	13320	10820	130	55	1500	2500	2600	6K	47600
	21.3	30600	26240	23350	21100	13020	10570	130	55	1500	2500	2600	6K	47600
	25.3	26000	21200	18420	18230	12860	10440	119	55	1500	2500	2100	6G	47600
R3	37.7	15830	15260	12400	10070	6210	5050	35	22	1800	3800	440	4L	47600
	44.6	18670	17150	13930	11310	6980	5670	35	22	1800	3800	440	4L	47600
	55.9	23410	20100	16320	13260	8180	6650	35	22	1800	3800	400	4K	47600
	65.0	27110	22330	18140	14730	9090	7380	35	22	1800	3800	400	4K	47600
	71.8	29990	23930	19440	15790	9740	7910	35	22	1800	3800	400	4K	47600
	78.6	21800	21100	20150	16840	10390	8440	35	22	1800	3800	330	4H	47600
	83.4	30600	26240	21600	17550	10830	8790	35	22	1800	3800	400	4K	47600
	99.0	26000	21200	18420	18230	12210	9910	35	22	1800	3800	330	4H	47600
	120	26000	21200	18420	18230	12860	10440	35	22	1800	3800	260	4F	47600
	R4	136	34120	32340	26580	21590	13320	10820	35	15	2000	4000	260	4F
160		34120	32340	26580	21590	13320	10820	35	15	2000	4000	260	4F	47600
189		34120	32340	26580	21590	13320	10820	35	15	2000	4000	260	4F	47600
206		30600	26240	23350	21100	13020	10570	34	15	2000	4000	160	4D	47600
234		34120	32340	26580	21590	13320	10820	25	15	2000	4000	160	4D	47600
258		30600	26240	23350	21100	13020	10570	27	15	2000	4000	160	4D	47600
283		34120	32340	26580	21590	13320	10820	19.1	15	2000	4000	100	4B	47600
305		30600	26240	23350	21100	13020	10570	23	15	2000	4000	100	4B	47600
334		34120	32340	26580	21590	13320	10820	19.1	15	2000	4000	100	4B	47600
363		30600	26240	23350	21100	13020	10570	19.1	15	2000	4000	100	4B	47600
419		34120	31930	26580	21590	13320	10820	16.9	15	2000	4000	100	4B	47600
454		26000	21200	18420	18230	12860	10440	13.5	15	2000	4000	100	4B	47600
517		30600	26240	23350	21100	13020	10570	13.5	15	2000	4000	100	4B	47600
590		21800	21800	21800	20150	13320	10820	8.7	15	2000	4000	50	4A	47600
639		26000	21200	18420	18230	12860	10440	9.6	15	2000	4000	50	4A	47600
757		28000	25880	23350	21100	13020	10570	8.8	15	2000	4000	50	4A	47600
898		26000	21200	18420	18230	12860	10440	6.8	15	2000	4000	50	4A	47600

311 R  350

48330 Nm

	i	M _{n2} [Nm]						P ₁	Pt	n ₁	n _{1max}	M _b		M _{2max}
		n ₂ ·h	n ₂ ·h	n ₂ ·h	n ₂ ·h	n ₂ ·h	n ₂ ·h							
R2	12.0	28200	27800	25000	24910	15900	12700	150	75	1500	2500	3200	6L	58300
	15.4	35600	33600	31960	30600	18800	15300	150	75	1500	2500	3200	6L	58300
	18.3	34000	29500	27000	27000	18600	15100	150	75	1500	2500	2600	6K	58300
	16.6	48330	42150	34220	27800	17150	13940	150	90	1500	2500	3200	6L	58300
	21.3	45210	39560	35220	30380	18740	15230	150	90	1500	2500	2600	6K	58300
	25.3	34000	29500	27000	26000	18510	15040	150	90	1500	2500	2100	6G	58300





311 R

350

48330 Nm

	i	M _{n2} [Nm]						P ₁	Pt	n ₁	n _{1max}	M _b		M _{2max}
		n ₂ ·h	n ₂ ·h	n ₂ ·h	n ₂ ·h	n ₂ ·h	n ₂ ·h							
R3	53.0	32500	32430	32440	27690	17090	13880	85	40	2000	4000	800	5G	58300
	63.2	40540	38880	38290	31100	19190	15590	85	40	2000	4000	800	5G	58300
	68.0	41900	39560	35220	30380	18740	15230	85	40	2000	4000	630	5E	58300
	81.1	46930	43390	38290	31100	19190	15590	85	40	2000	4000	630	5E	58300
	96.3	35200	34500	34500	31100	19190	15590	83	40	2000	4000	500	5C	58300
	104	45210	39560	35220	32000	19700	16000	85	40	2000	4000	500	5C	58300
	124	43000	39560	35220	32000	19700	16000	75	40	2000	4000	400	5B	58300
	147	34000	29500	27000	27000	18600	15100	51	40	2000	4000	400	5B	58300
R4	154	48330	39700	32240	26190	16160	13130	35	22	2000	4000	330	4H	58300
	182	48330	44590	36210	29420	18150	14740	35	22	2000	4000	330	4H	58300
	198	46930	43390	38290	31100	19190	15590	35	22	2000	4000	260	4F	58300
	229	48330	45840	38290	31100	19190	15590	35	22	2000	4000	260	4F	58300
	266	48330	45840	38290	31100	19190	15590	35	22	2000	4000	260	4F	58300
	294	46930	43390	38290	31100	19190	15590	35	22	2000	4000	160	4D	58300
	322	48330	45840	38290	31100	19190	15590	33	22	2000	4000	160	4D	58300
	341	46930	43390	38290	31100	19190	15590	31	22	2000	4000	160	4D	58300
	413	46930	43390	38290	31100	19190	15590	25	22	2000	4000	160	4D	58300
	438	45210	39560	35220	32000	19700	16000	23	22	2000	4000	100	4D	58300
	490	35200	34500	34500	31100	19190	15590	17.0	22	2000	4000	100	4B	58300
	520	43000	39560	35220	32000	19700	16000	19.6	22	2000	4000	100	4B	58300
	629	43000	39560	35220	32000	19700	16000	16.2	22	2000	4000	100	4B	58300
	746	34000	29500	27000	27000	18600	15100	10.8	22	2000	4000	100	4B	58300

313 R

362



57970 Nm

	i	M _{n2} [Nm]						P ₁	Pt	n ₁	n _{1max}	M _b		M _{2max}
		n ₂ ·h	n ₂ ·h	n ₂ ·h	n ₂ ·h	n ₂ ·h	n ₂ ·h							
R2	12.2	28500	28100	25300	25130	16100	12900	150	75	1500	2500	3200	6L	86300
	15.9	36700	35600	32870	31400	18900	15500	150	75	1500	2500	3200	6L	86300
	19.1	44100	41000	37800	36000	22100	17700	150	75	1500	2500	3200	6L	86300
	16.8	53340	42520	34530	28050	17310	14060	150	90	1500	2500	3200	6L	105000
	22.0	57970	49730	41580	33760	20830	16920	150	90	1500	2500	2600	6K	105000
	26.4	49000	41000	33100	31730	23730	19270	150	90	1500	2500	2600	6K	105000
R3	53.7	35120	32860	32860	27940	17240	14000	85	40	1800	3800	800	5G	105000
	64.0	40990	39380	38920	31620	19510	15850	85	40	1800	3800	800	5G	105000
	69.9	44280	43120	41410	33630	20750	16860	85	40	1800	3800	800	5G	105000
	82.2	51000	50890	46350	37650	23230	18870	85	40	1800	3800	630	5E	105000
	97.5	52430	50280	50280	42440	26190	21270	85	40	1800	3800	630	5E	105000
	107	57970	49730	44600	42590	27200	22090	85	40	1800	3800	630	5E	105000
	127	57970	49730	45000	42590	27200	22090	85	40	1800	3800	500	5C	105000
	153	49000	42400	39000	39000	27700	22500	65	40	1800	3800	400	5B	105000
R4	185	55410	44980	36540	29680	18310	14870	35	22	2000	4000	330	4H	105000
	201	55410	47690	38730	31460	19410	15770	35	22	2000	4000	330	4H	105000
	237	55410	52510	43510	35340	21810	17710	35	22	2000	4000	260	4F	105000
	281	53000	50280	49050	39840	24580	19970	35	22	2000	4000	260	4F	105000
	309	57970	49730	44290	42550	26250	21320	35	22	2000	4000	260	4F	105000
	346	55410	55000	52510	45210	27900	22660	35	22	2000	4000	260	4F	105000
	387	57970	49730	45000	42590	27200	22090	34	22	2000	4000	160	4D	105000
	450	57970	49730	45000	45000	27800	22600	29	22	2000	4000	160	4D	105000
	496	53000	52000	52200	45210	27900	22660	25	22	2000	4000	160	4D	105000
	535	57970	49730	45000	45000	27800	22600	24	22	2000	4000	160	4D	105000
	647	57970	49730	45000	45000	27800	22600	20	22	2000	4000	100	4B	105000
	778	49000	42400	39000	39000	27700	22500	14.9	22	2000	4000	100	4B	105000





314 R  374

84000 Nm

	i	M _{n2} [Nm]						P ₁	Pt	n ₁	n _{1max}	M _b		M _{2max}	
		n ₂ ·h	n ₂ ·h	n ₂ ·h	n ₂ ·h	n ₂ ·h	n ₂ ·h								[kW]
R3	51.1	81840	78152	66080	53208	32832	26680	130	55	1500	2500	3200	6L	115000	
	65.5	84000	80000	77600	64640	38800	30720	130	55	1500	2500	3200	6L	115000	
	77.8	84000	80000	77600	62400	39040	31520	130	55	1500	2500	2600	6K	115000	
	82.3	79200	69600	65464	62400	39040	31760	130	55	1500	2500	2600	6K	115000	
	97.6	79200	69600	65464	62400	39040	31760	130	55	1500	2500	2100	6G	115000	
	113	66792	57416	52000	52000	32800	26640	94	55	1500	2500	2100	6G	115000	
	70.7	83176	78144	67784	55056	33968	27592	130	55	1500	2500	3200	6L	115000	
	90.7	84000	78144	67784	55056	33968	27592	130	55	1500	2500	3200	6L	115000	
	108	84000	80000	67784	55056	33968	27592	100	55	1500	2500	2600	6K	115000	
	114	79200	69600	65464	56000	35280	29040	117	55	1500	2500	2600	6K	115000	
	135	79200	69600	65464	62400	39040	31760	98	55	1500	2500	2100	6G	115000	
	157	66792	57416	52000	52000	32800	26640	70	55	1500	2500	2100	6G	115000	
	R4	160	83176	78144	67784	55056	33968	27592	35	22	1800	3800	440	4L	115000
		189	84000	79200	67784	55056	33968	27592	35	22	1800	3800	440	4L	115000
238		84000	80000	76000	62400	38320	31120	35	22	1800	3800	400	4K	115000	
276		84000	80000	77600	63200	38960	31680	35	22	1800	3800	400	4K	115000	
354		84000	80000	77600	66400	40800	33360	35	22	1800	3800	400	4K	115000	
421		84000	80000	77600	62400	38720	31440	35	22	1800	3800	330	4H	115000	
445		79200	69600	65464	62400	39040	31760	35	22	1800	3800	400	4K	115000	
528		79200	69600	65464	62400	39040	31760	32	22	1800	3800	330	4H	115000	
614		66792	57416	52000	52000	32800	26640	22	22	1800	3800	260	4F	115000	

315 R  386

105000 Nm

	i	M _{n2} [Nm]						P ₁	Pt	n ₁	n _{1max}	M _b		M _{2max}	
		n ₂ ·h	n ₂ ·h	n ₂ ·h	n ₂ ·h	n ₂ ·h	n ₂ ·h								[kW]
R3	51.1	102300	97690	82600	66510	41040	33350	150	75	1500	2500	2600	6K	135000	
	65.5	105000	100000	97000	80800	48500	38400	150	75	1500	2500	2100	6G	135000	
	77.8	105000	100000	97000	78000	48800	39400	150	75	1500	2500	2100	6G	135000	
	82.3	99000	87000	81830	78000	48800	39700	150	75	1500	2500	1500	6E	135000	
	97.6	99000	87000	81830	78000	48800	39700	150	75	1500	2500	1500	6E	135000	
	113	83490	71770	65000	65000	41000	33300	118	75	1500	2500	850	6B	135000	
	70.7	103970	97680	84730	68820	42460	34490	150	90	1500	2500	2100	6G	135000	
	90.7	105000	97680	84730	68820	42460	34490	150	90	1500	2500	1500	6E	135000	
	108	105000	100000	84730	68820	42460	34490	150	90	1500	2500	1500	6E	135000	
	114	99000	87000	81830	70000	44100	36300	146	90	1500	2500	1100	6C	135000	
	135	99000	87000	81830	78000	48800	39700	125	90	1500	2500	1100	6C	135000	
	157	83490	71770	65000	65000	41000	33300	88	90	1500	2500	850	6B	135000	
	R4	225	103970	97680	84730	68820	42460	34490	90	40	1800	3800	500	5C	135000
		269	105000	99000	84730	68820	42460	34490	83	40	1800	3800	500	5C	135000
345		105000	100000	95000	78000	47900	38900	65	40	1800	3800	400	5B	135000	
409		105000	100000	97000	79000	48700	39600	55	40	1800	3800	400	5B	135000	
525		105000	100000	97000	83000	51000	41700	43	40	1800	3800	400	5B	135000	
623		105000	100000	97000	78000	48400	39300	36	40	1800	3800	400	5B	135000	
659		99000	87000	81830	78000	48800	39700	32	40	1800	3800	400	5B	135000	
782		99000	87000	81830	78000	48800	39700	27	40	1800	3800	400	5B	135000	
909		83490	71770	65000	65000	41000	33300	18.7	40	1800	3800	400	5B	135000	







316 R



398

138820 Nm



	i	M _{n2} [Nm]						P ₁	Pt	n ₁	n _{1max}	M _b		M _{2max}	
		n ₂ ·h	n ₂ ·h	n ₂ ·h	n ₂ ·h	n ₂ ·h	n ₂ ·h								[kW]
R3	51.1	108000	101000	87200	70300	42300	33900	150	75	1500	2500	2600	6K	192000	
	65.5	134000	126000	104000	82600	50000	40200	150	75	1500	2500	2600	6K	192000	
	77.8	124000	115000	98650	80130	49440	40500	150	75	1500	2500	2100	6G	192000	
	70.7	138810	112590	91410	74250	45820	37220	150	90	1500	2500	2100	6G	192000	
	90.7	138820	122980	99890	81130	50060	40660	150	90	1500	2500	2100	6G	192000	
	108	124000	108000	98650	80130	49440	40160	150	90	1500	2500	1500	6E	192000	
R4	225	138810	126000	103000	83700	51600	42000	85	45	1800	3800	800	5G	192000	
	269	138820	126000	103000	83700	51600	42000	85	45	1800	3800	630	5E	192000	
	289	138820	126000	107000	85300	53300	42700	85	45	1800	3800	630	5E	192000	
	345	138820	126000	103000	83700	51600	42000	83	45	1800	3800	500	5C	192000	
	409	138820	125920	103000	83700	51600	42000	69	45	1800	3800	400	5B	192000	
	443	138820	126000	107000	85300	53300	42700	65	45	1800	3800	400	5B	192000	
	525	138820	122980	103000	83700	51600	42000	54	45	1800	3800	400	5B	192000	
	623	124000	115000	98650	80130	49440	40500	42	45	1800	3800	400	5B	192000	

317 R



408

187860 Nm



	i	M _{n2} [Nm]						P ₁	Pt	n ₁	n _{1max}	M _b		M _{2max}	
		n ₂ ·h	n ₂ ·h	n ₂ ·h	n ₂ ·h	n ₂ ·h	n ₂ ·h								[kW]
R3	49.8	108300	99090	80420	65330	40310	32760	150	90	1500	2500	2600	6K	393000	
	64.9	134800	119290	96820	78650	48530	39440	150	90	1500	2500	2600	6K	393000	
	78.1	151300	138800	115100	92600	55260	45000	150	90	1500	2500	2600	6K	393000	
	83.3	165870	148000	120000	96000	58700	46960	150	90	1500	2500	2600	6K	393000	
	100	170000	161770	134800	109200	65810	53480	150	90	1500	2500	2100	6G	393000	
	119	156150	134380	119950	118760	74300	60290	150	90	1500	2500	1500	6E	393000	
	68.9	145590	110540	89790	72940	45010	36570	150	100	1500	2500	2600	6K	393000	
	89.8	175270	133080	108100	87810	54180	44020	150	100	1500	2500	2600	6K	393000	
	108	137600	127510	123140	99980	61690	50120	150	100	1500	2500	2100	6G	393000	
	115	187860	158560	128730	104560	64520	52420	150	100	1500	2500	2100	6G	393000	
	139	167000	163960	146640	119060	73470	59690	150	100	1500	2500	1500	6E	393000	
	165	156150	134380	119950	118760	79850	64860	141	100	1500	2500	1100	6C	393000	
	R4	220	136030	110120	89450	72650	44830	36410	90	50	1800	3800	500	5C	393000
		262	163270	124610	101220	82210	50730	41200	90	50	1800	3800	500	5C	393000
		336	195330	148390	120530	97900	60410	49060	90	50	1800	3800	500	5C	393000
399		207070	167280	135880	110370	68100	55310	90	50	1800	3800	500	5C	393000	
438		184310	171620	141110	114620	70720	57440	87	50	1800	3800	500	5C	393000	
520		184310	171620	141110	114620	70720	57440	73	50	1800	3800	400	5B	393000	
626		155000	155000	144000	117000	72000	59000	53	50	1800	3800	400	5B	393000	
677		170000	163960	154050	131030	80850	65670	53	50	1800	3800	400	5B	393000	
803		170000	163960	154050	131030	80850	65670	45	50	1800	3800	400	5B	393000	
953		156150	134380	119950	118760	79850	64860	32	50	1800	3800	400	5B	393000	

318 R



418



280580 Nm

	i	M _{n2} [Nm]						P ₁	Pt	n ₁	n _{1max}	M _b		M _{2max}
		n ₂ ·h	n ₂ ·h	n ₂ ·h	n ₂ ·h	n ₂ ·h	n ₂ ·h							
R4	225	280580	262990	218310	177320	109410	88870	150	90	1500	2500	1500	6E	500000
	288	280580	262990	218310	177320	109410	88870	150	90	1500	2500	1500	6E	500000
	342	280580	262990	218310	177320	109410	88870	130	90	1500	2500	1100	6C	500000
	362	280580	262990	218310	177320	109410	88870	123	90	1500	2500	1100	6C	500000
	430	280580	262990	218310	177320	109410	88870	103	90	1500	2500	850	6B	500000
	499	280580	262990	218310	177320	109410	88870	87	90	1500	2500	850	6B	500000
	311	280580	262990	218310	177320	109410	88870	143	110	1500	2500	1100	6C	500000





318 R  418

280580 Nm

	i	M _{n2} [Nm]						P ₁	Pt	n ₁	n _{1max}	M _b		M _{2max}
		n ₂ ·h	n ₂ ·h	n ₂ ·h	n ₂ ·h	n ₂ ·h	n ₂ ·h							
R4	399	280580	262990	218310	177320	109410	88870	111	110	1500	2500	850	6B	500000
	474	280580	262990	218310	177320	109410	88870	94	110	1500	2500	850	6B	500000
	501	280580	262990	218310	177320	109410	88870	89	110	1500	2500	850	6B	500000
	595	280580	262990	218310	177320	109410	88870	75	110	1500	2500	850	6B	500000
	691	280580	262990	218310	177320	109410	88870	63	110	1500	2500	850	6B	500000



319 R  428

403720 Nm

	i	M _{n2} [Nm]						P ₁	Pt	n ₁	n _{1max}	M _b		M _{2max}
		n ₂ ·h	n ₂ ·h	n ₂ ·h	n ₂ ·h	n ₂ ·h	n ₂ ·h							
R4	249	390680	296370	240760	195590	120710	98100	150	95	1500	2500	2100	6G	680000
	320	403720	345000	283900	226500	136700	112800	150	95	1500	2500	1500	6E	680000
	379	403720	348000	284000	231000	142000	116000	150	95	1500	2500	1500	6E	680000
	401	389910	348000	286000	233000	144000	117000	150	95	1500	2500	1500	6E	680000
	475	367580	317580	270690	248000	153000	124000	127	95	1500	2500	1100	6C	680000
	563	367580	317580	270690	248000	153000	124000	107	95	1500	2500	850	6B	680000
	655	359690	317560	267610	220000	136000	110000	92	95	1500	2500	850	6B	680000
	345	403720	306690	249110	202340	124850	101410	150	115	1500	2500	1100	6C	680000
	442	403720	306690	249110	202340	124850	101410	140	115	1500	2500	1100	6C	680000
	525	403720	306690	249110	202340	124850	101410	118	115	1500	2500	1100	6C	680000
	555	389910	313000	257800	208700	128900	105600	112	115	1500	2500	850	6B	680000
	657	367580	317580	270690	232200	145100	119000	92	115	1500	2500	850	6B	680000
	780	367580	317580	270690	248000	153000	124000	77	115	1500	2500	850	6B	680000
	906	359690	317560	267610	220000	136000	110000	67	115	1500	2500	850	6B	680000

321 R  438

655200 Nm

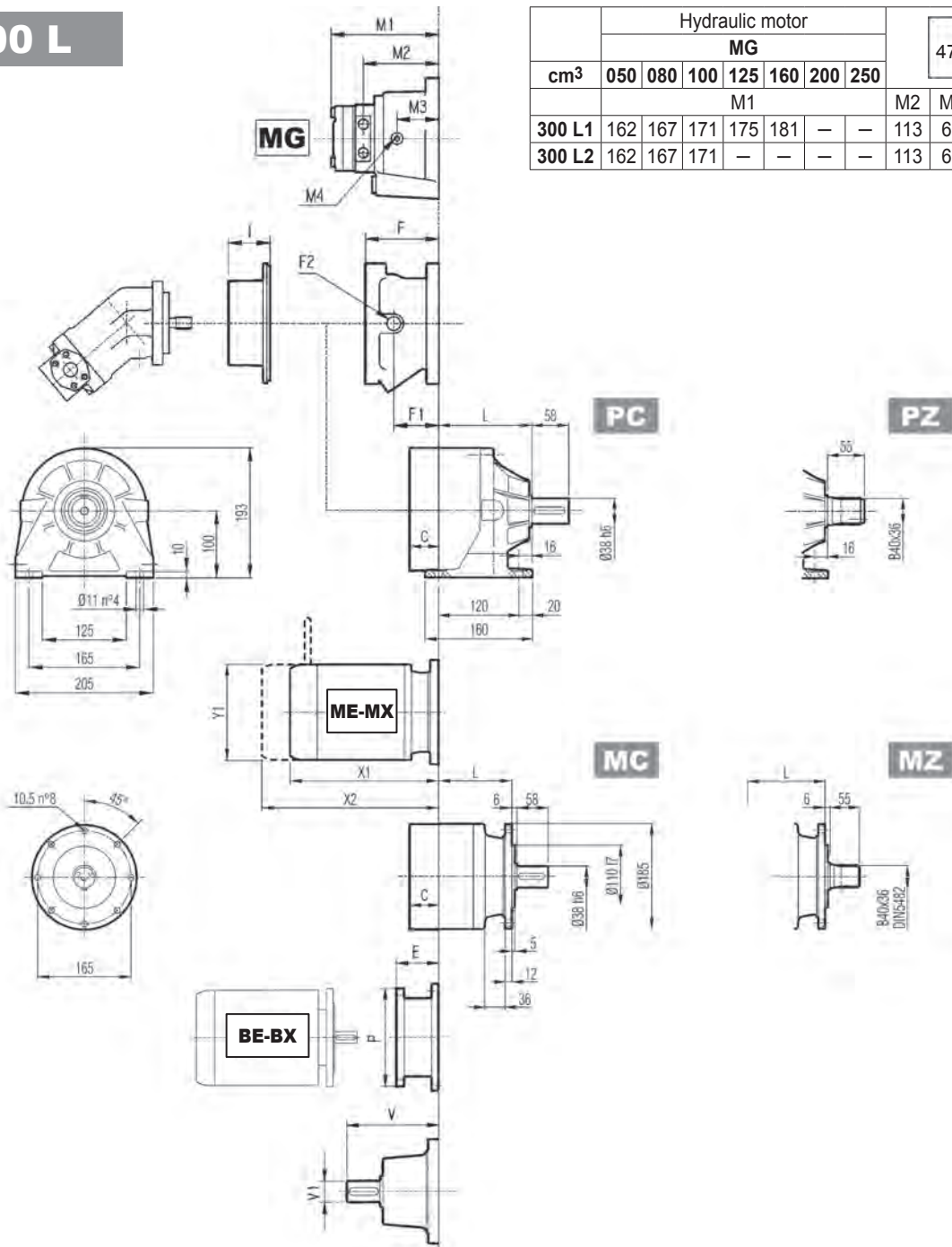
	i	M _{n2} [Nm]						P ₁	Pt	n ₁	n _{1max}	M _b		M _{2max}
		n ₂ ·h	n ₂ ·h	n ₂ ·h	n ₂ ·h	n ₂ ·h	n ₂ ·h							
R4	221	374000	281300	226400	181800	111130	90320	150	105	1500	2500	2600	6K	934000
	288	447500	340100	268500	216800	133790	108740	150	105	1500	2500	2100	6G	934000
	347	506300	377100	307000	247800	152340	123900	150	105	1500	2500	2100	6G	934000
	370	528500	402100	317800	264200	159330	129500	150	105	1500	2500	2100	6G	934000
	446	587310	445420	366500	293970	181430	147460	150	105	1500	2500	2100	6G	934000
	529	536350	503040	410200	331430	204550	166260	150	105	1500	2500	1500	6E	934000
	306	401340	304660	247480	201030	124050	100790	150	125	1500	2500	2100	6G	934000
	399	483180	366770	297930	242020	149350	121350	150	125	1500	2500	2100	6G	934000
	481	550170	417600	339230	275560	170050	138170	132	125	1500	2500	1100	6C	934000
	512	575410	436760	354790	288200	177850	144510	125	125	1500	2500	1100	6C	934000
	617	655200	497290	403960	328150	202500	164540	120	125	1500	2500	1100	6C	934000
	732	536360	517290	420170	341290	210580	171050	113	125	1500	2500	850	6B	934000





26 DIMENSIONS

300 L



		Hydraulic motor									Kg		
		MG						471					
cm ³	050	080	100	125	160	200	250	M1			M2	M3	M4
300 L1	162	167	171	175	181	—	—	113	60	1/4G	14		
300 L2	162	167	171	—	—	—	—	113	60	1/4G	14		

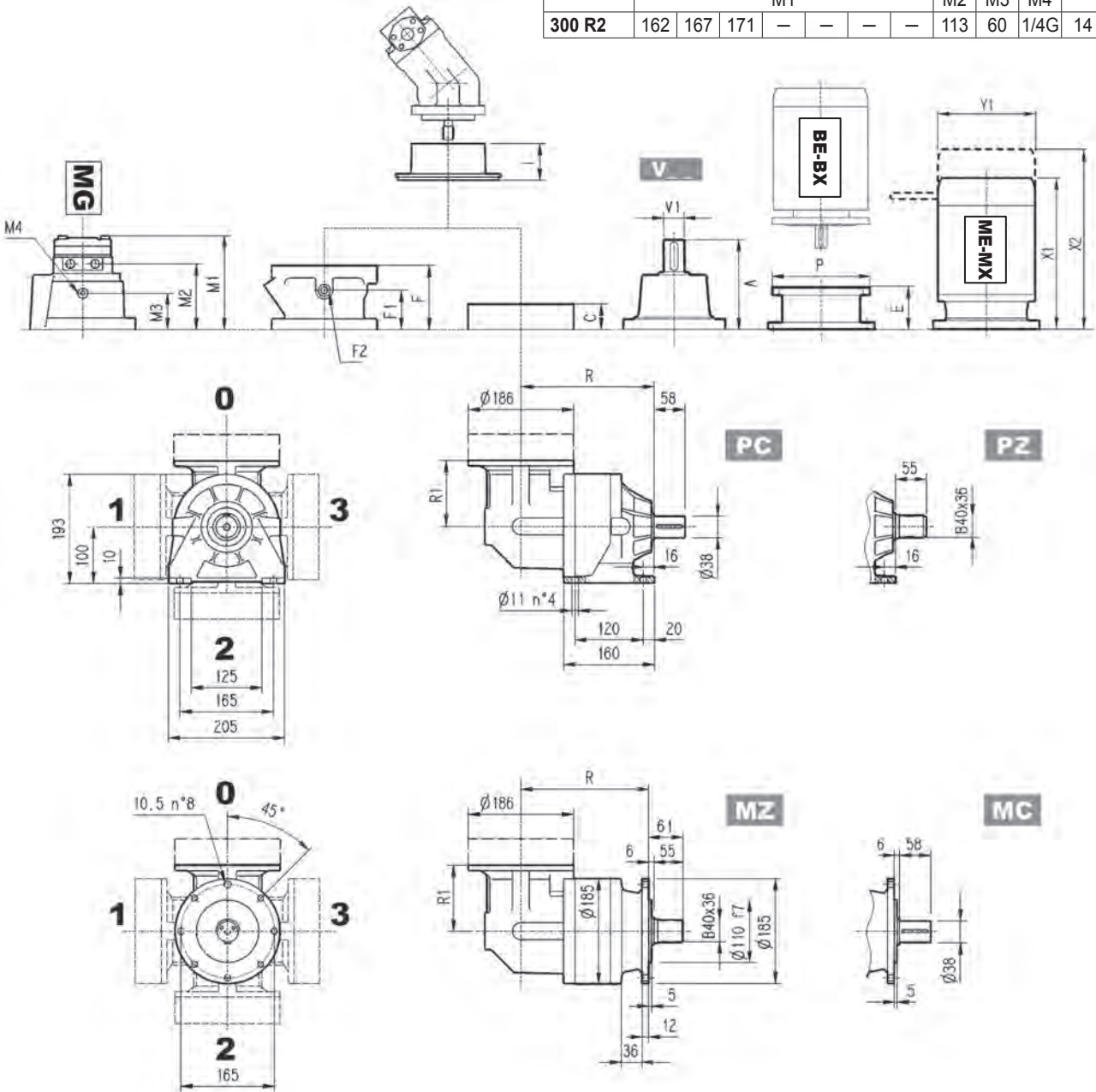
	L				Kg			
	MC - MZ	PC - PZ	HC - HZ	FP - FZ - FDK	MC - MZ	PC - PZ	HC - HZ	FP - FZ - FDK
300 L1	80	86	115	80	18	23	20	16
300 L2	133	139	168	133	22	27	24	20
300 L3	186	192	221	186	26	31	28	24
300 L4	239	245	274	239	30	35	32	28

	V	V1	Kg			C	Input	I	Kg			Type	Input	Kg	
			V	V1	Kg				F	F1	F2				
300 L1	137.5	24	6	158	38	7	37	A		105	65	1/4 G	4	A	10
300 L2	137.5	24	6	158	38	7	37	A		105	65	1/4 G	4	A	10
300 L3	137.5	24	6	158	38	7	37	A		105	65	1/4 G	4	A	10
300 L4	137.5	24	6	158	38	7	37	A	461	105	65	1/4 G	4	A	10



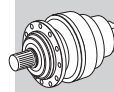
300 R

	Hydraulic motor							471			Kg
	MG										
cm ³	050	080	100	125	160	200	250				
	M1							M2	M3	M4	
300 R2	162	167	171	—	—	—	—	113	60	1/4G	14

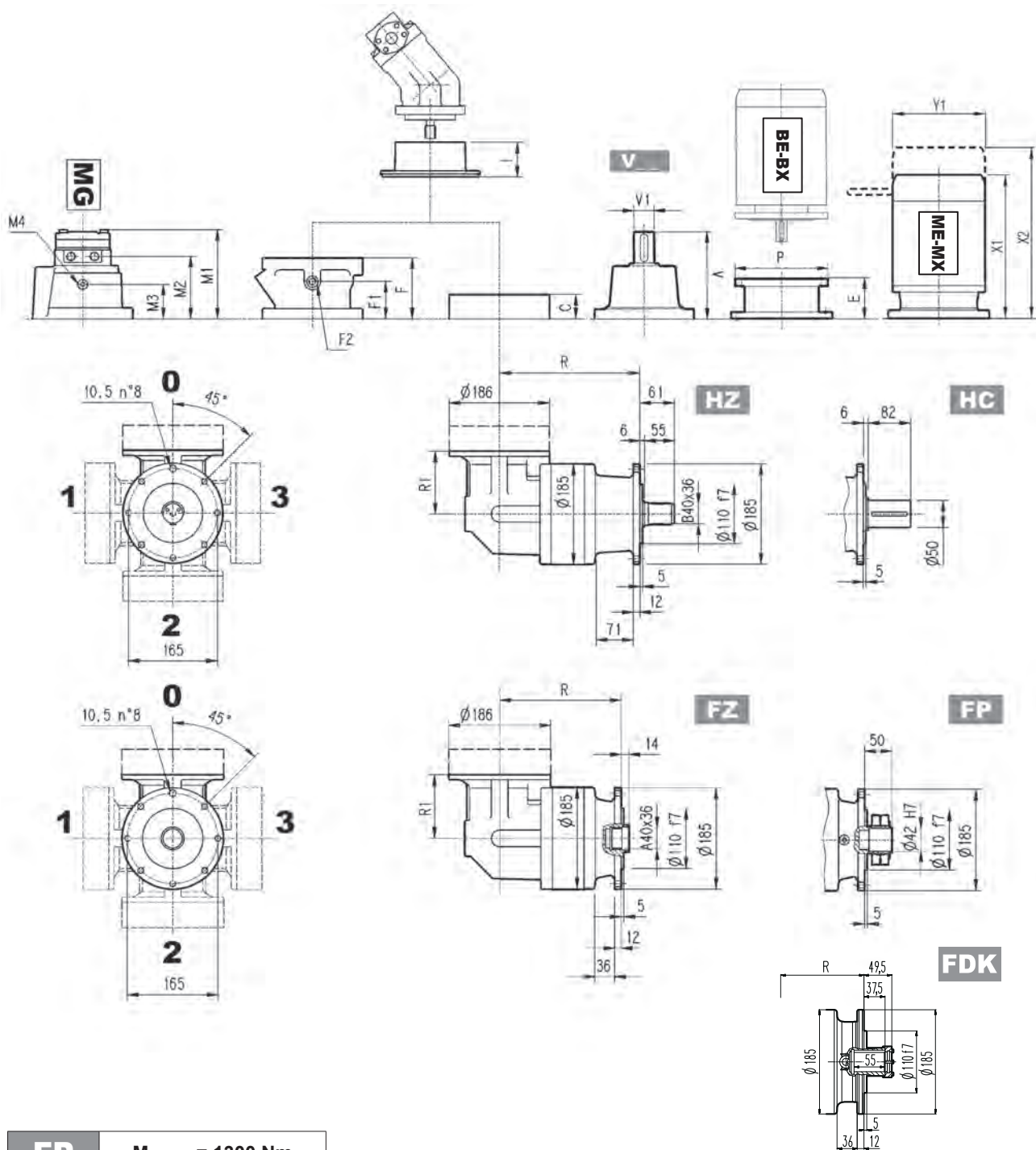


	R				R1	Kg			
	MC - MZ	PC - PZ	HC - HZ	FP - FZ - FDK		MC - MZ	PC - PZ	HC - HZ	FP - FZ - FDK
300 R2	172	178	207	172	122	32	37	34	30
300 R3	225	231	260	225	122	36	41	38	34
300 R4	278	284	313	278	122	40	45	42	38

	Kg						C	Input	I	Kg					
	V	V1	Kg	V	V1	Kg				F	F1	F2	Type	Input	Kg
300 R2	137.5	24	6	158	38	7	37	A	461	105	65	1/4 G	4	A	10
300 R3	137.5	24	6	158	38	7	37	A	461	105	65	1/4 G	4	A	10
300 R4	137.5	24	6	158	38	7	37	A	461	105	65	1/4 G	4	A	10



300 R



FP

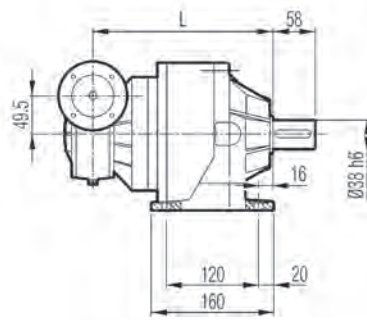
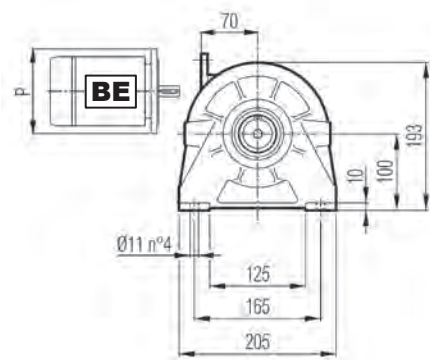
$M_{2max} = 1300 \text{ Nm}$

	P71		P80		P90		P100		P112		P132	
	E	P	E	P	E	P	E	P	E	P	E	P
300 R2	65	160	84	200	84	200	94	250	94	250	114	300
300 R3	65	160	84	200	84	200	94	250	94	250	114	300
300 R4	65	160	84	200	84	200	94	250	94	250	114	300

	S1 + M1			S2 + ME2S/MX2S			S3 + ME3S/MX3S			S3 + ME3L/MX3L			S4 + ME4/MX4		
	X1	X2	Y1	X1	X2	Y1	X1	X2	Y1	X1	X2	Y1	X1	X2	Y1
300 R2	253	314	138	372	—	156	405	—	195	437	—	195	508	—	258
300 R3	253	314	138	372	—	156	405	—	195	437	—	195	—	—	—
300 R4	253	314	138	372	—	156	405	—	195	—	—	—	—	—	—

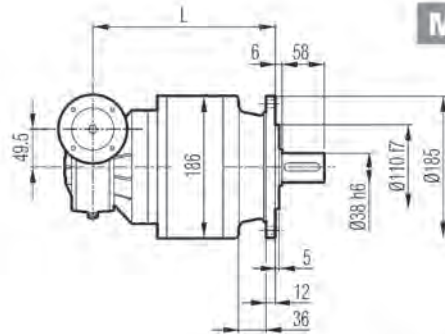
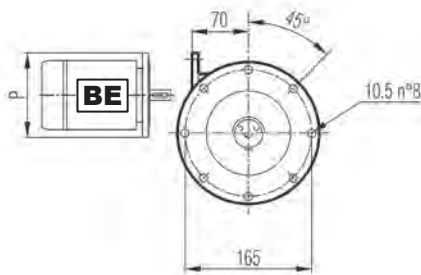
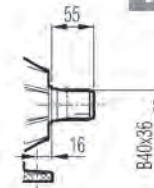


3/V 00 L3



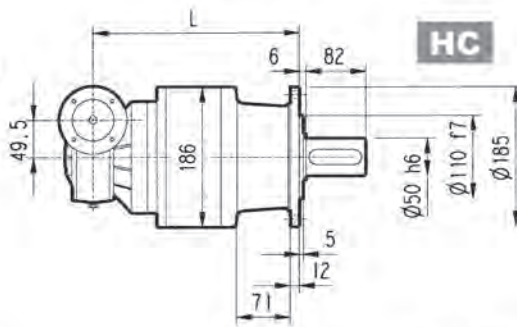
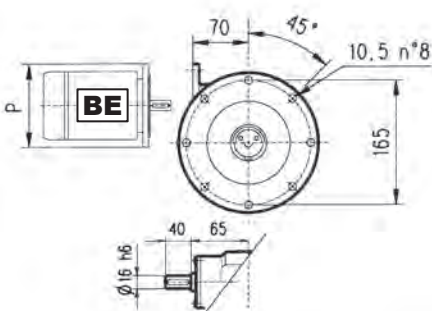
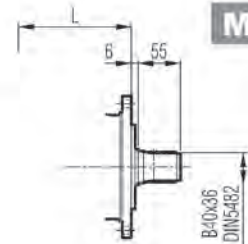
PC

PZ



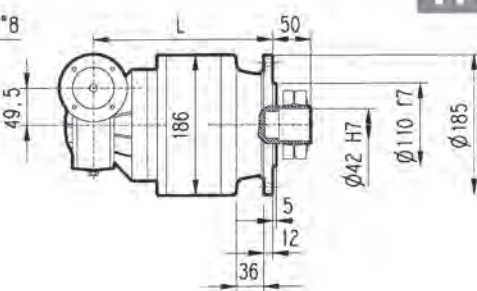
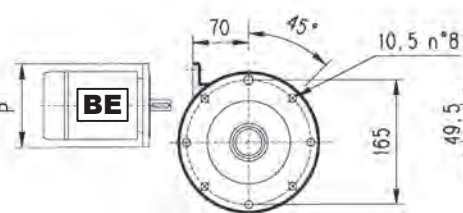
MC

MZ



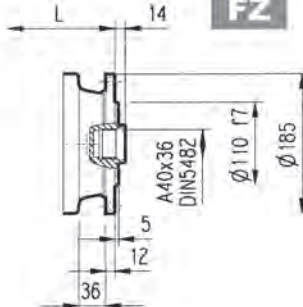
HC

HZ

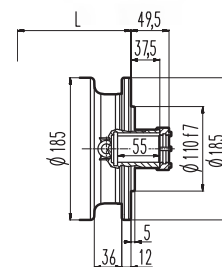


FP

FZ

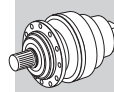


FDK

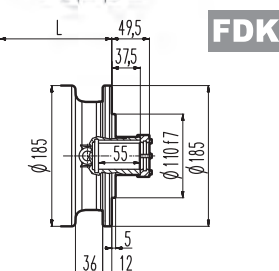
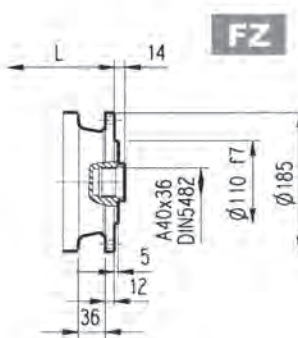
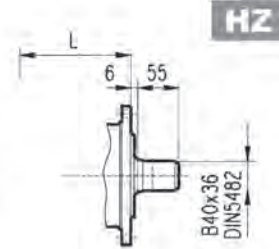
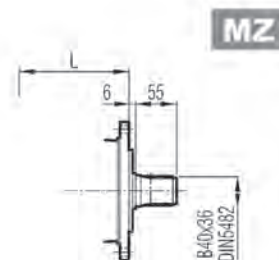
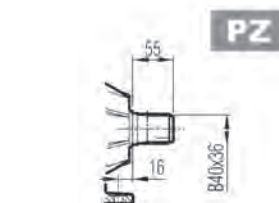
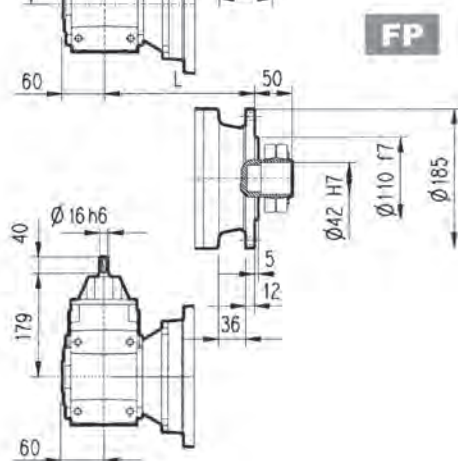
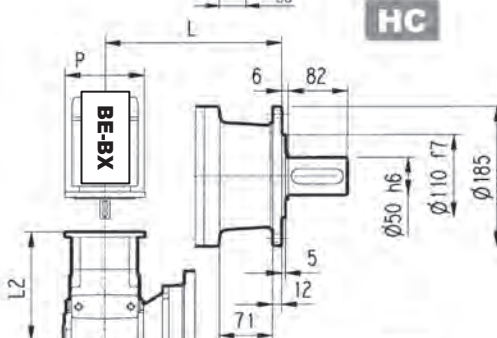
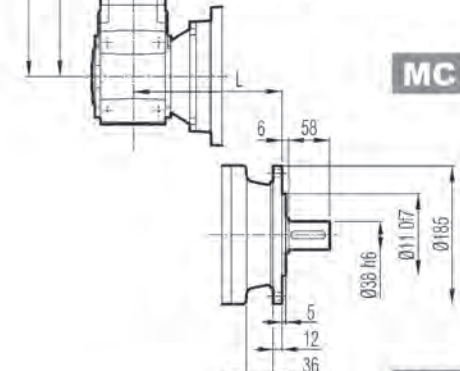
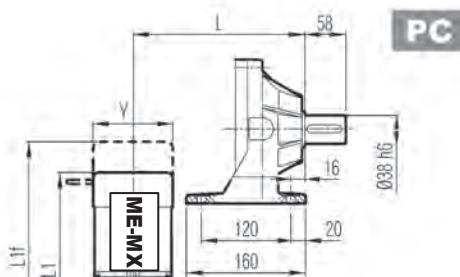
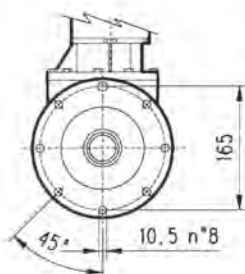
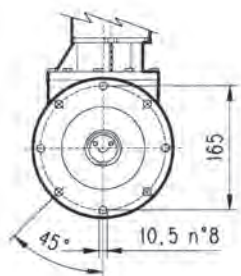
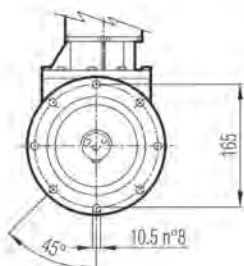
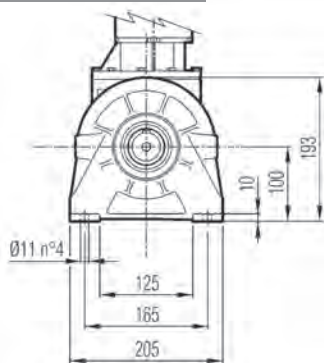


FP $M_{2max} = 1300 \text{ Nm}$

3/V 00 L3	L			255	Kg				P63	P71	P80
	MC - MZ	PC - PZ	HC - HZ		MC - MZ	PC - PZ	HC - HZ	FP - FZ - FDK	P	P	P
	255	261	290	25	30	27	23	140	160	200	



3/A 00 L2



FP $M_{2max} = 1300 \text{ Nm}$

3/A 00 L2	L						Kg															
	MC - MZ		PC - PZ		HC - HZ		FP - FZ - FDK		MC - MZ		PC - PZ		HC - HZ		FP - FZ - FDK							
	193		199		228		193		38		43		40		36							
	P63		P71		P80		P90		P100		S1 + M1		S2 + ME2S/MX2S		S3 + ME3S/MX3S		S3 + ME3L/MX3L					
	L2	P	L2	P	L2	P	L2	P	L2	P	L1	L1f	Y	L1	L1f	Y	L1	L1f	Y			
3/A 00 L2	212.5	140	212.5	160	232	200	232	200	242	250	368	428	138	438	—	156	471	—	195	514	—	195

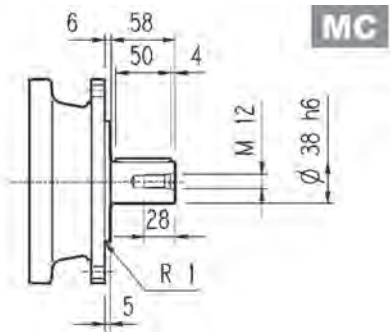


300 L

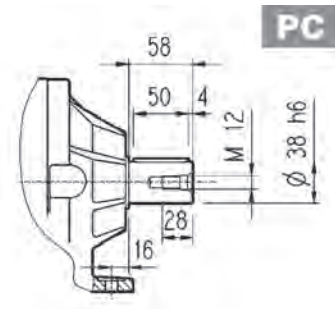
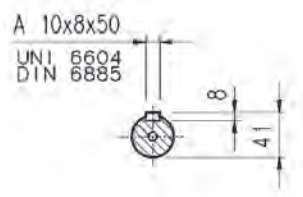
300 R

3/V 00 L3

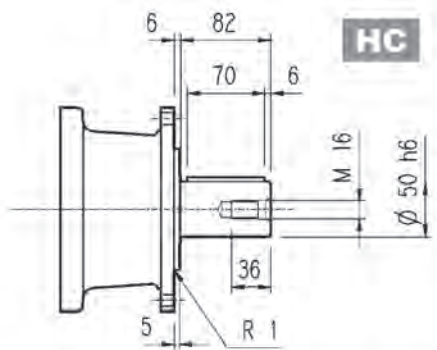
3/A 00 L2



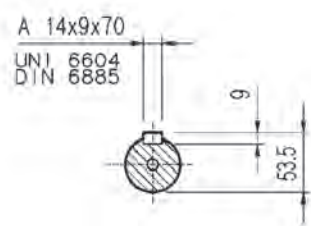
MC



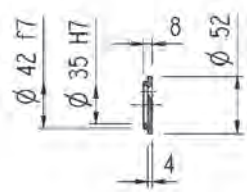
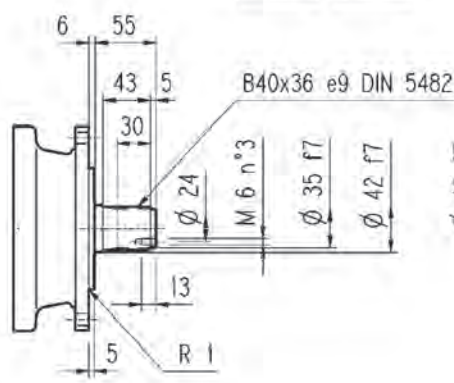
PC



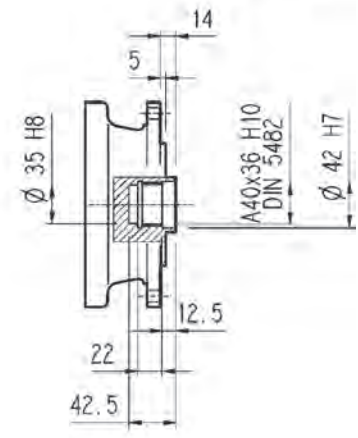
HC



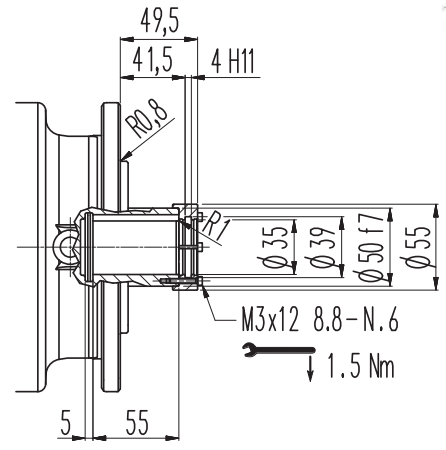
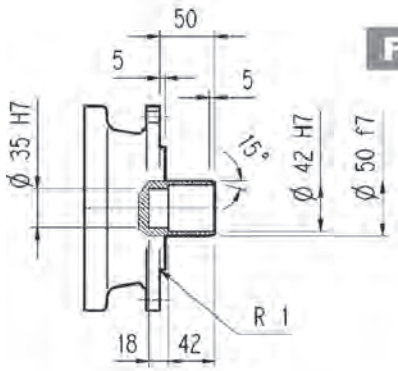
MZ HZ



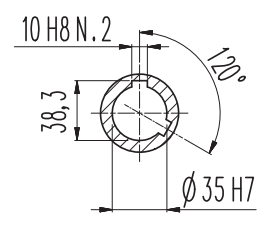
FZ



FP



FDK



FP $M_{2max} = 1300 \text{ Nm}$



300 L

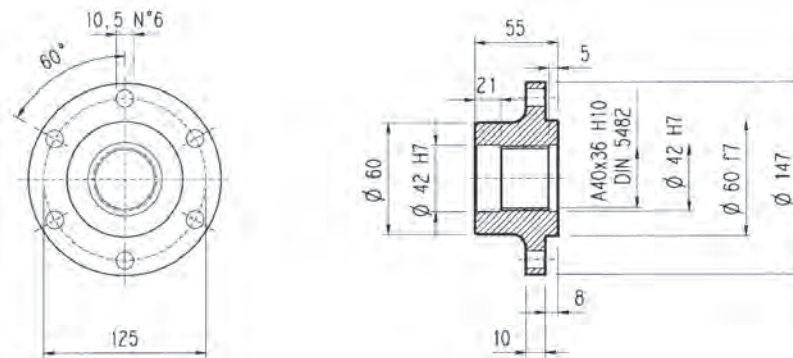
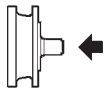
300 R

3/V 00 L3

3/A 00 L2

Flange

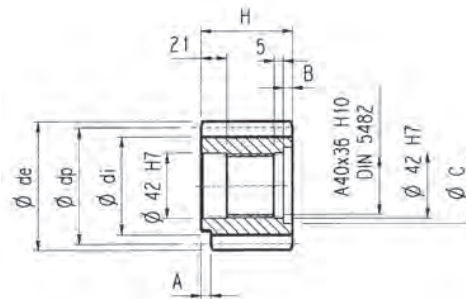
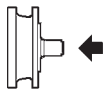
W0A



Material: Steel C40

Pinions

P...

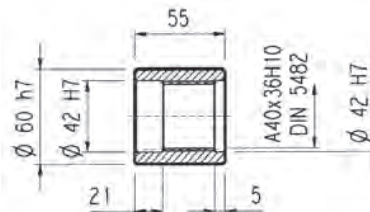
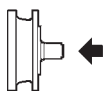


$\alpha = 20^\circ$

	m	z	x	dp	di	de	H	A	B	C	Material
PBE	4.5	14	0.507	63	56	75.5	55	—	—	—	Steel 39NiCrMo3 hardened and tempered
PCE	5	14	0.500	70	62.5	84.8	65	—	10	53	
PDC	6	12	0.250	72	61	84.8	59	14	4	54	
PDE	6	14	0.500	84	73	99.6	65	—	10	54	

Sleeve coupling

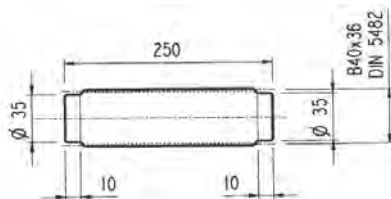
M0A



Material: Steel 16CrNi4

Splined bars

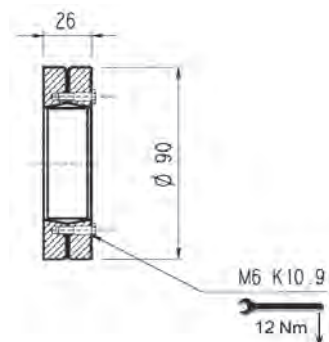
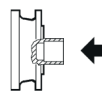
B0A

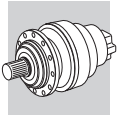


Material: Case hardening steel 18NiCrMo5 UNI 5331 must be case hardened 50-55 HRC

Shrink disc

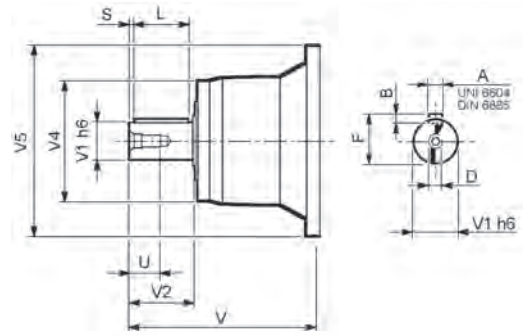
G0A





300 L

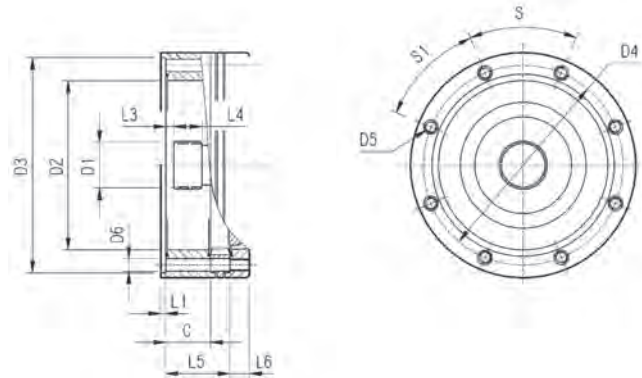
300 R



		V	V1	V2	V4	V5	A	B	F	L	S	D	U
300 L1	V01A	137.5	24	36	120	186	8	7	27	30	3	M8	19
	V01B	158	38	58	120	186	10	8	41	50	4	M12	28
300 L2	V01A	137.5	24	36	120	186	8	7	27	30	3	M8	19
	V01B	158	38	58	120	186	10	8	41	50	4	M12	28
300 L3	V01A	137.5	24	36	120	186	8	7	27	30	3	M8	19
	V01B	158	38	58	120	186	10	8	41	50	4	M12	28
300 L4	V01A	137.5	24	36	120	186	8	7	27	30	3	M8	19
	V01B	158	38	58	120	186	10	8	41	50	4	M12	28
300 R2-R3-R4	V01A	137.5	24	36	120	186	8	7	27	30	3	M8	19
	V01B	158	38	58	120	186	10	8	41	50	4	M12	28

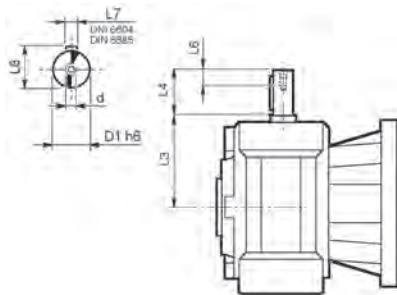
300 L

300 R



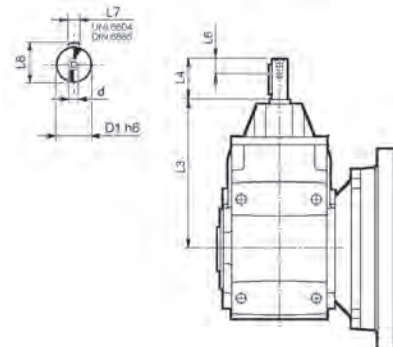
		C	D1	D2	D3	D4	D5	D6	L1	L2	L3	L4	L5	L6	S	S1	Input
300 L1	V9AA	37	40x36 DIN5482	140	178 H7	165	M10 n°8	11	4	—	9	18	53	18	45°	45°	A
300 L2	V9AA	37	40x36 DIN5482	140	178 H7	165	M10 n°8	11	4	—	9	18	106	18	45°	45°	A
300 L3	V9AA	37	40x36 DIN5482	140	178 H7	165	M10 n°8	11	4	—	9	18	159	18	45°	45°	A
300 L4	V9AA	37	40x36 DIN5482	140	178 H7	165	M10 n°8	11	4	—	9	18	212	18	45°	45°	A
300 R2-R3-R4	V9AA	37	40x36 DIN5482	140	178 H7	165	M10 n°8	11	4	—	9	18	37	18	45°	45°	A

3/V 00 L3

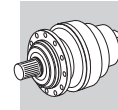


	D1 h6	L3	L4	L6	L7	L8	d
3/V 00 L3_HS	16	65	40	16	5	18	M6

3/A 00 L2



	D1 h6	L3	L4	L6	L7	L8	d
3/A 00 L2_HS	16	179	40	16	5	18	M6



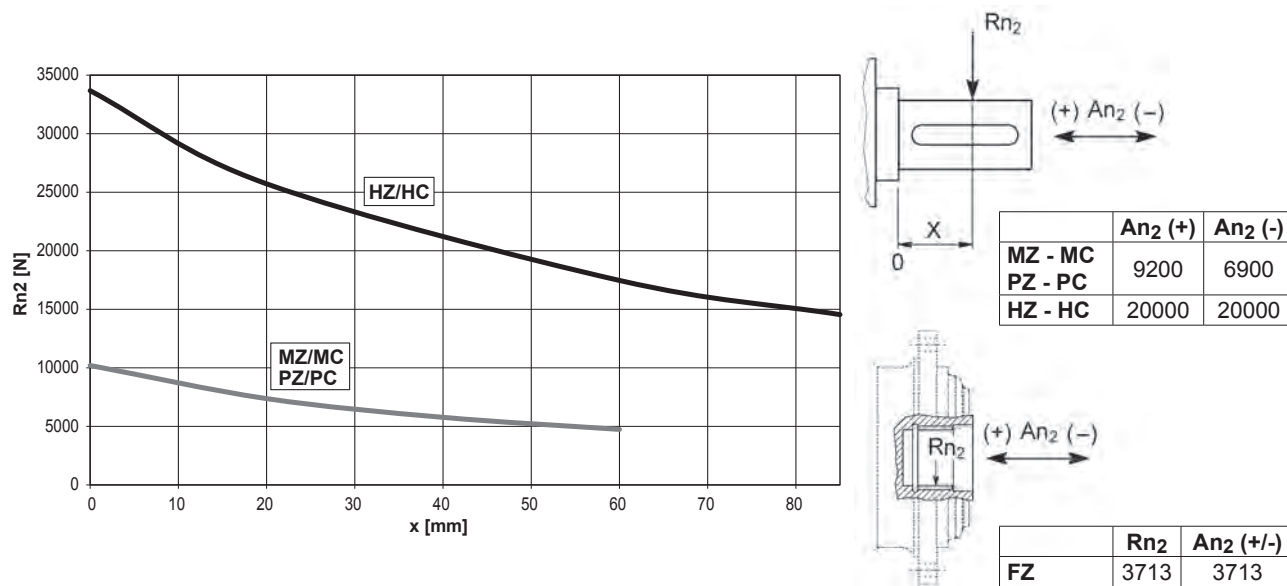
300 L

300 R

3/V 00 L3

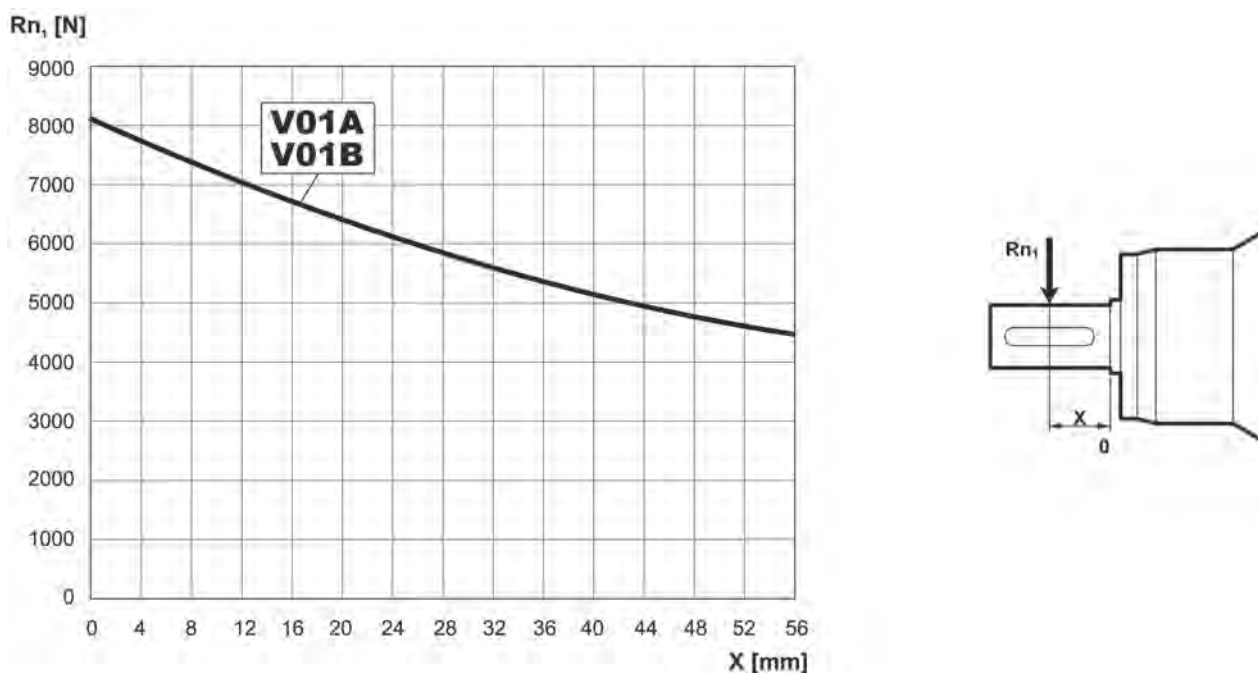
3/A 00 L2

Permissible radial and axial loads on output shaft with $F_{h2} : n_2 \cdot h = 100000$



Load corrective factor fh_2 on shafts	$F_{h2} = n_2 \cdot h$		10000	25000	50000	100000	500000	1000000	
	fh_2	FZ		2.15	1.59	1.26	1.00	0.58	0.46
		MZ - MC - PZ - PC		2.15	1.59	1.26	1.00	0.58	0.46
HZ - HC			1.27	1.27	1.26	1.00	0.62	0.50	

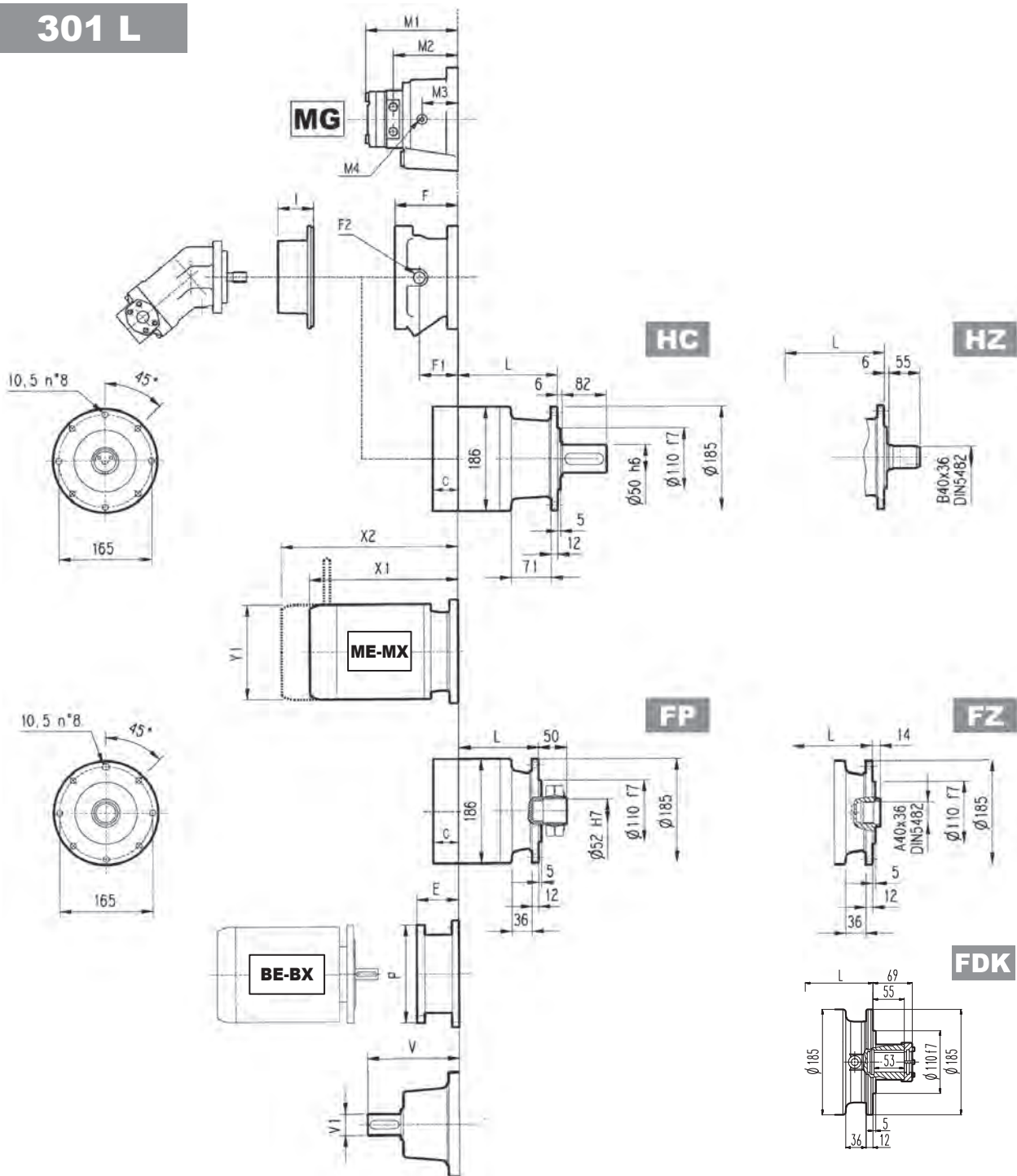
Permissible radial loads on input shaft with $F_{h1} : n_1 \cdot h = 250000$



Load corrective factor fh_1 on shafts	$F_{h1} = n_1 \cdot h$		250000	500000	1000000	2000000	5000000	10000000
	fh_1			1	0.79	0.63	0.50	0.37



301 L



FP

$M_{2max} = 2400 \text{ Nm}$

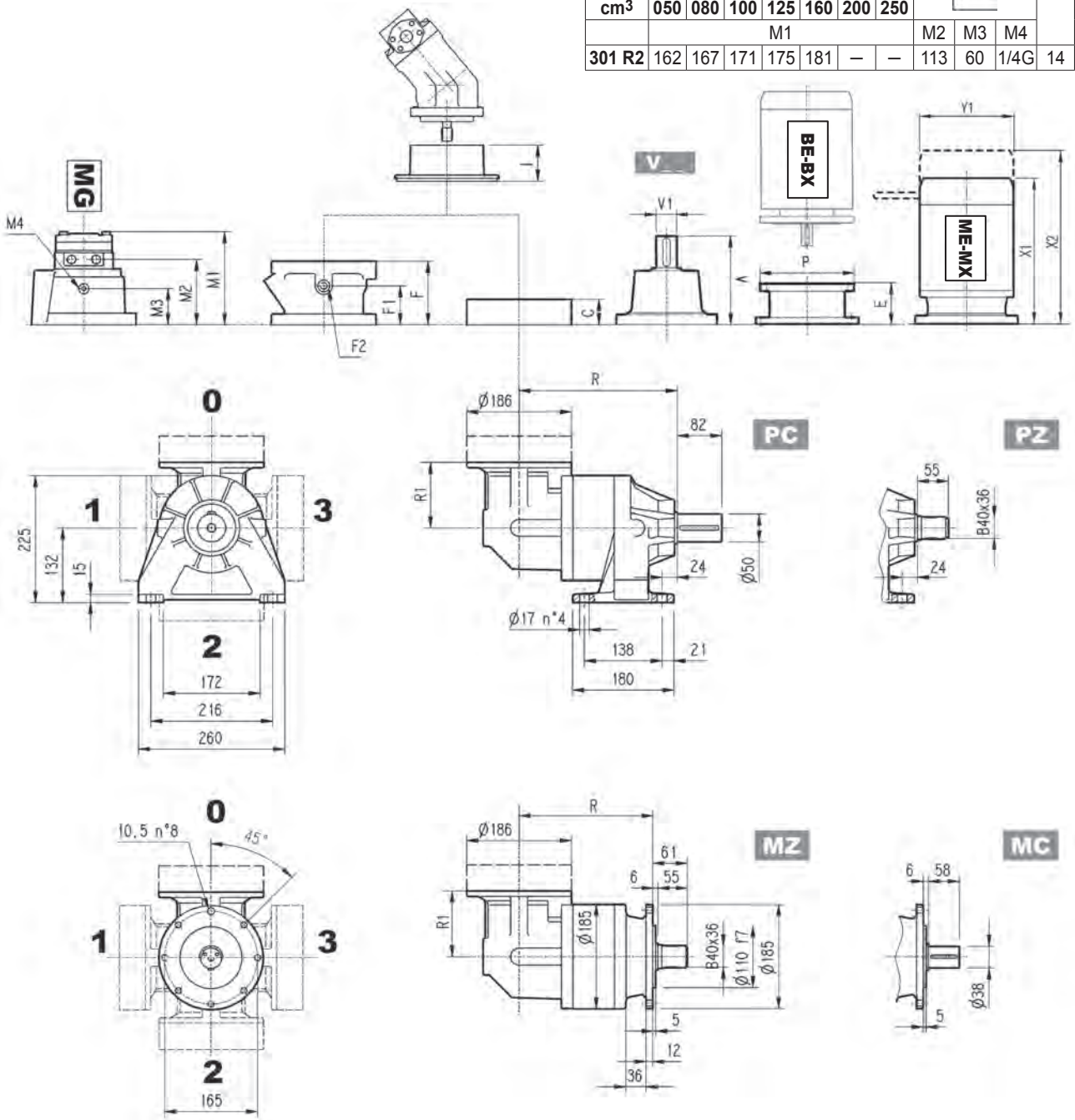
	P71		P80		P90		P100		P112		P132	
	E	P	E	P	E	P	E	P	E	P	E	P
301 L1	65	160	84	200	84	200	94	250	94	250	114	300
301 L2	65	160	84	200	84	200	94	250	94	250	114	300
301 L3	65	160	84	200	84	200	94	250	94	250	114	300
301 L4	65	160	84	200	84	200	94	250	94	250	114	300

	S1 + M1			S2 + ME2S/MX2S			S3 + ME3S/MX3S			S3 + ME3L/MX3L			S4 + ME4/MX4		
	X1	X2	Y1	X1	X2	Y1	X1	X2	Y1	X1	X2	Y1	X1	X2	Y1
301 L1	253	314	138	324	—	156	357	—	195	401	—	195	460	—	258
301 L2	253	314	138	324	—	156	357	—	195	401	—	195	460	—	258
301 L3	253	314	138	324	—	156	357	—	195	401	—	195	460	—	258
301 L4	253	314	138	324	—	156	357	—	195	401	—	195	460	—	258



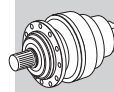
301 R

		Hydraulic motor									
		MG						471			Kg
cm ³	050	080	100	125	160	200	250	M1			
	M2	M3	M4								
301 R2	162	167	171	175	181	—	—	113	60	1/4G	14

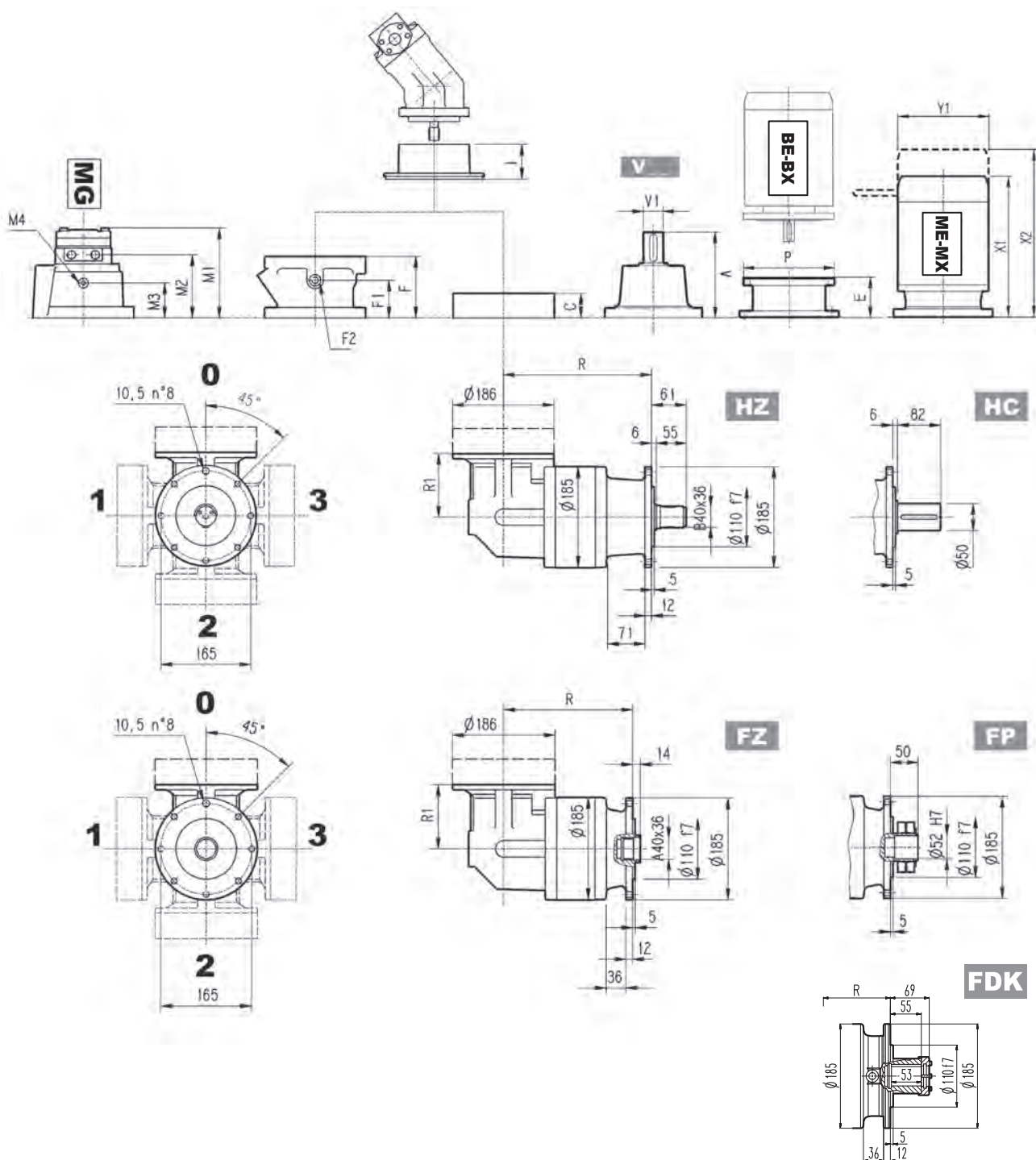


	R				R1	Kg			
	MC - MZ	PC - PZ	HC - HZ	FP - FZ - FDK		MC - MZ	PC - PZ	HC - HZ	FP - FZ - FDK
301 R2	184	225	219	184	122	35	42	37	33
301 R3	237	278	272	237	122	39	46	41	37
301 R4	290	331	325	290	122	43	50	45	41

	Kg						C	Input	I	Kg					
	V	V1	Kg	V	V1	Kg				F	F1	F2	Type	Input	Kg
301 R2	137.5	24	6	158	38	7	37	A	461	105	65	1/4 G	4	A	10
301 R3	137.5	24	6	158	38	7	37	A	461	105	65	1/4 G	4	A	10
301 R4	137.5	24	6	158	38	7	37	A	461	105	65	1/4 G	4	A	10



301 R



FP

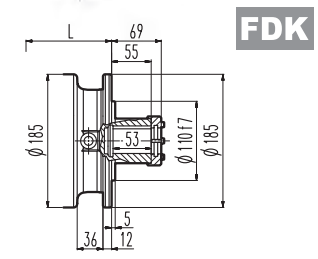
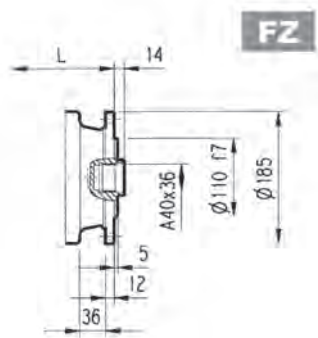
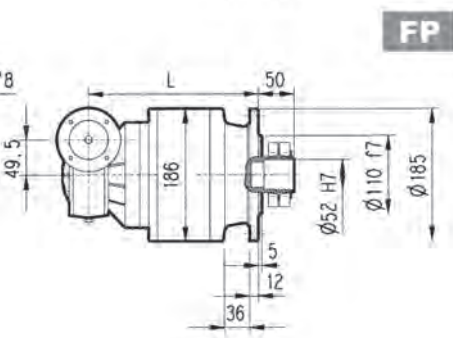
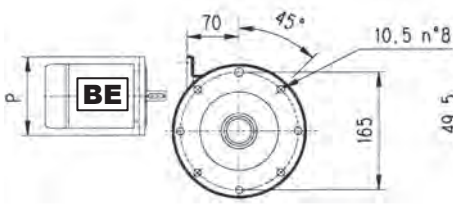
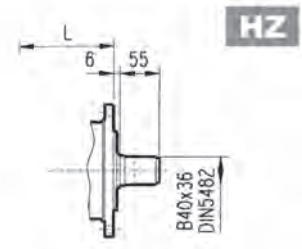
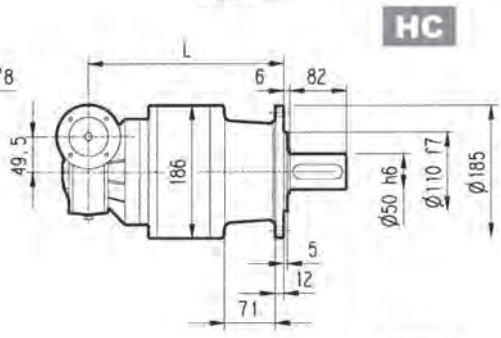
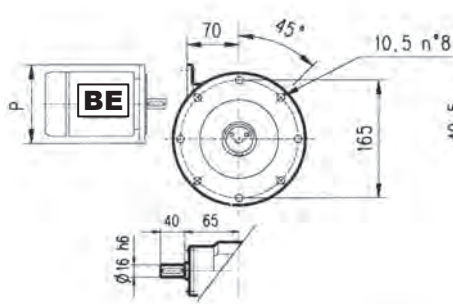
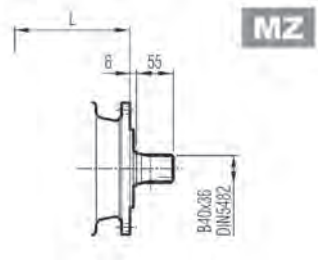
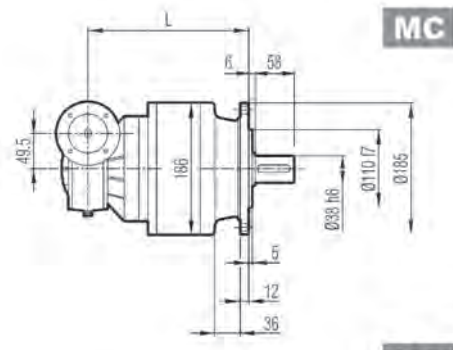
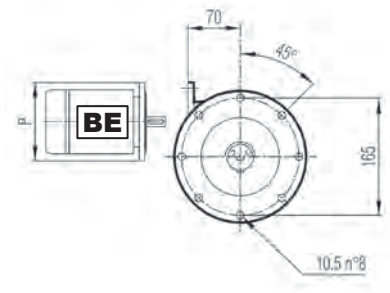
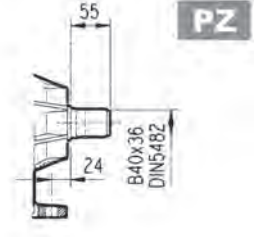
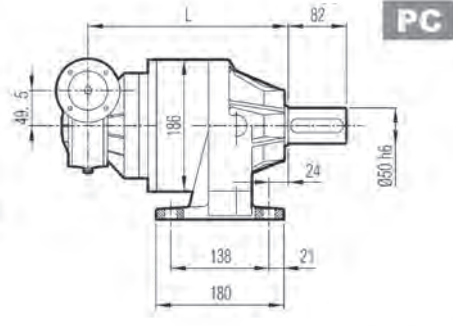
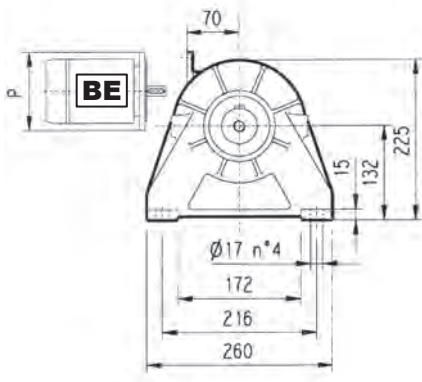
$M_{2max} = 2400 \text{ Nm}$

	P71		P80		P90		P100		P112		P132	
	E	P	E	P	E	P	E	P	E	P	E	P
301 R2	65	160	84	200	84	200	94	250	94	250	114	300
301 R3	65	160	84	200	84	200	94	250	94	250	114	300
301 R4	65	160	84	200	84	200	94	250	94	250	114	300

	S1 + M1			S2 + ME2S/MX2S			S3 + ME3S/MX3S			S3 + ME3L/MX3L			S4 + ME4/MX4		
	X1	X2	Y1	X1	X2	Y1	X1	X2	Y1	X1	X2	Y1	X1	X2	Y1
301 R2	253	314	138	372	—	156	405	—	195	449	—	195	508	—	258
301 R3	253	314	138	372	—	156	405	—	195	449	—	195	—	—	—
301 R4	253	314	138	372	—	156	405	—	195	—	—	—	—	—	—

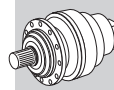


3/V 01 L3

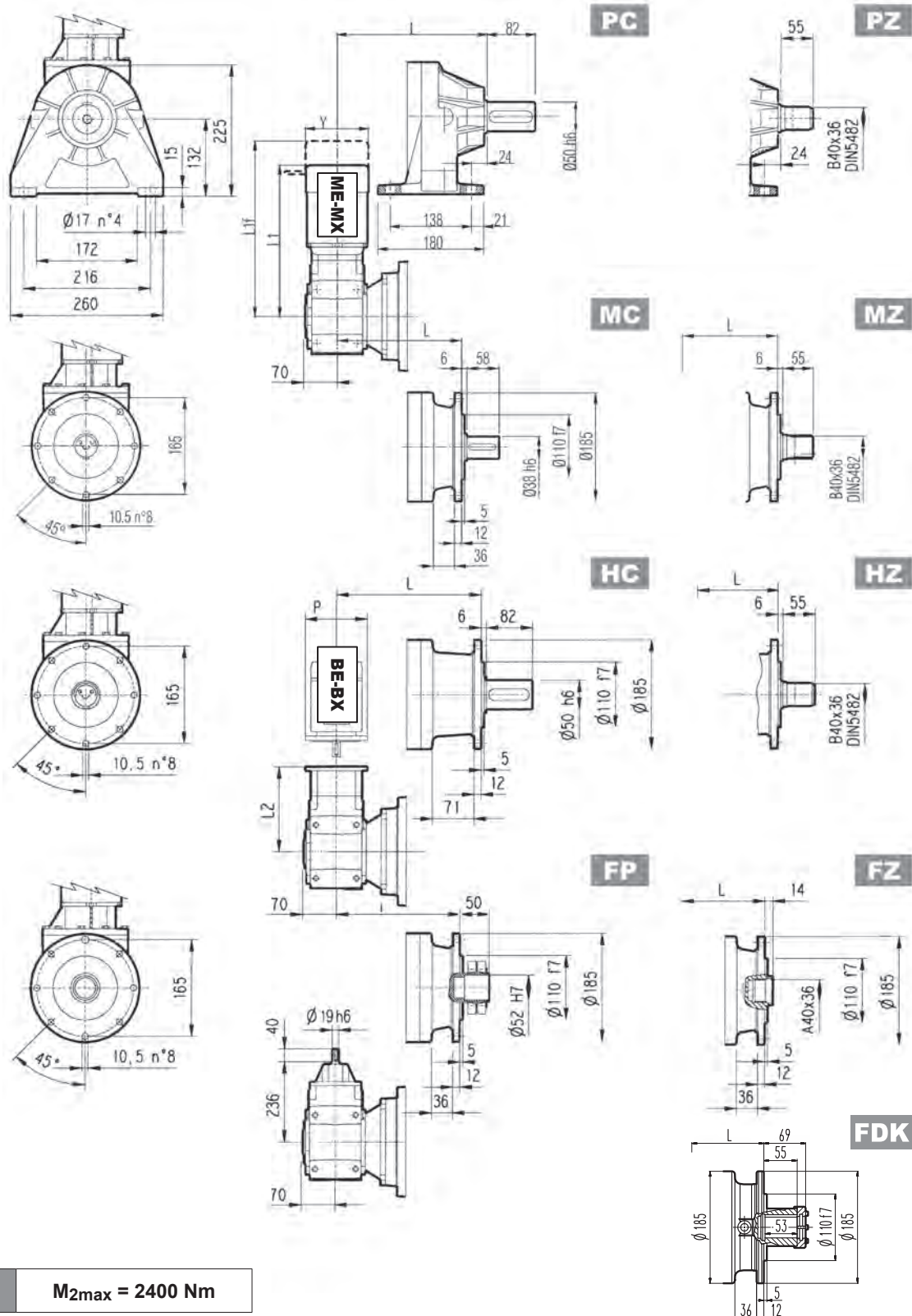


FP $M_{2max} = 2400 \text{ Nm}$

	L				Kg				P63	P71	P80
	MC - MZ	PC - PZ	HC - HZ		FP - FZ - FDK	MC - MZ	PC - PZ	HC - HZ	FP - FZ - FDK	P	P
3/V 01 L3	267	308	302	267	28	35	30	26	140	160	200



3/A 01 L2



FP $M_{2max} = 2400 \text{ Nm}$

	L																					
	MC - MZ		PC - PZ		HC - HZ		FP - FZ - FDK		MC - MZ		PC - PZ		HC - HZ		FP - FZ - FDK							
3/A 01 L2	202		208		237		202		40		46		43		40							
	P63		P71		P80		P90		P100		S1 + M1		S2 + ME2S/MX2S		S3 + ME3S/MX3S		S3 + ME3L/MX3L					
	L2	P	L2	P	L2	P	L2	P	L2	P	L1	L1f	Y	L1	L1f	Y	L1	L1f	Y			
3/A 01 L2	226	140	226	160	245.5	200	245.5	200	255.5	250	382	442	138	452	—	156	485	—	195	528	—	195

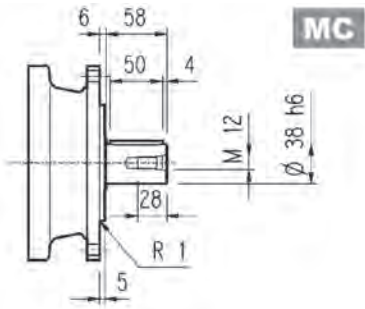


301 L

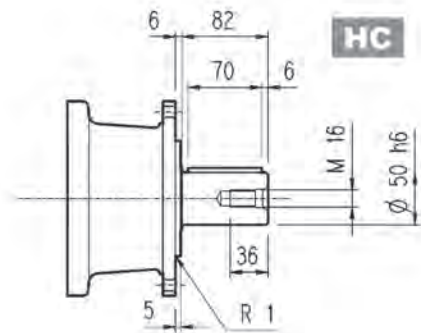
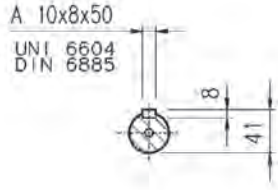
301 R

3/V 01 L3

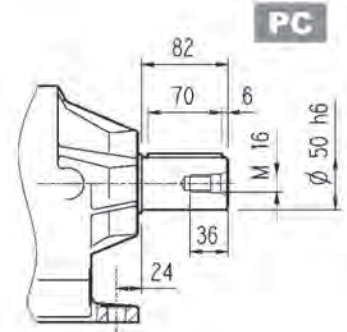
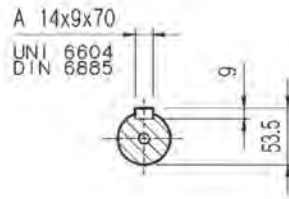
3/A 01 L2



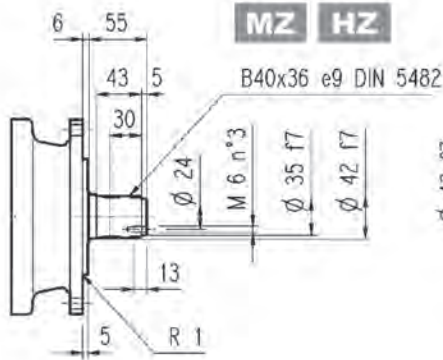
MC



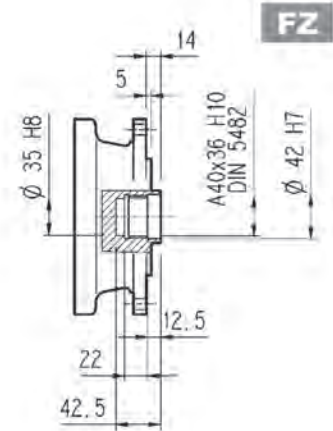
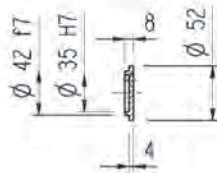
HC



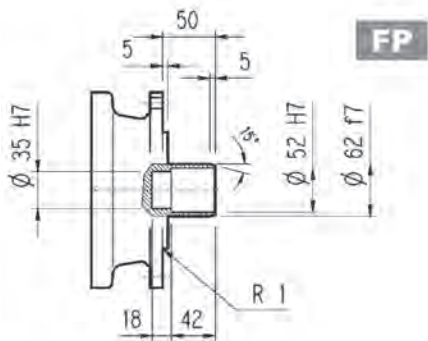
PC



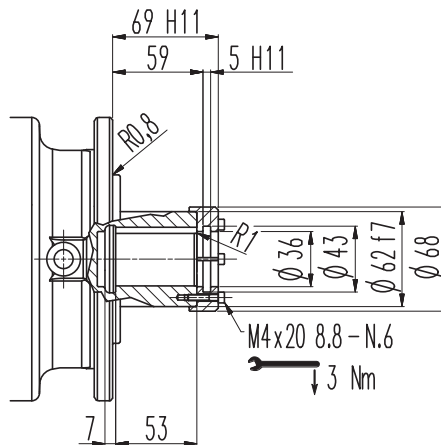
MZ HZ



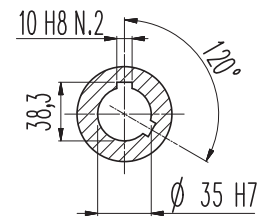
FZ



FP



FDK



FP

M_{2max} = 2400 Nm



301 L

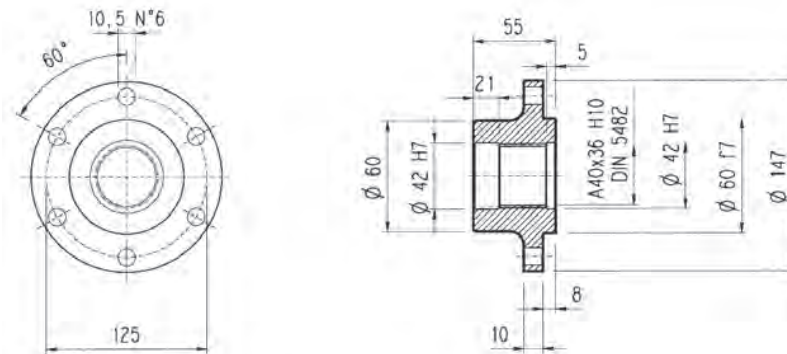
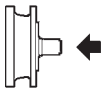
301 R

3/V 01 L3

3/A 01 L2

Flange

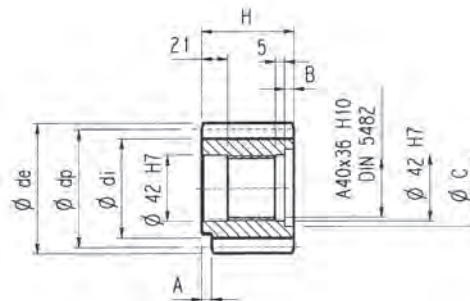
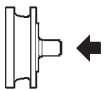
W0A



Material: Steel C40

Pinions

P...

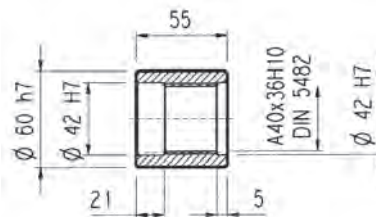
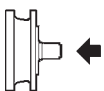


$\alpha = 20^\circ$

	m	z	x	dp	di	de	H	A	B	C	Material
PBE	4.5	14	0.507	63	56	75.5	55	—	—	—	Steel 39NiCrMo3 hardened and tempered
PCE	5	14	0.500	70	62.5	84.8	65	—	10	53	
PDC	6	12	0.250	72	61	84.8	59	14	4	54	
PDE	6	14	0.500	84	73	99.6	65	—	10	54	

Sleeve coupling

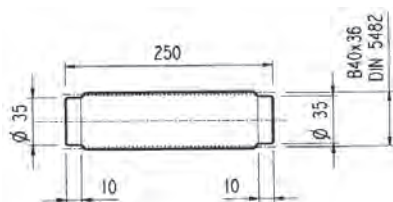
M0A



Material: Steel 16CrNi4

Splined bars

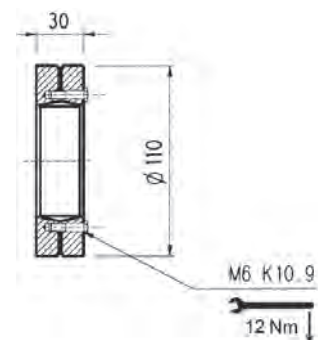
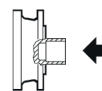
B0A



Material: Case hardening steel 18NiCrMo5 UNI 5331 must be case hardened 50-55 HRC

Shrink disc

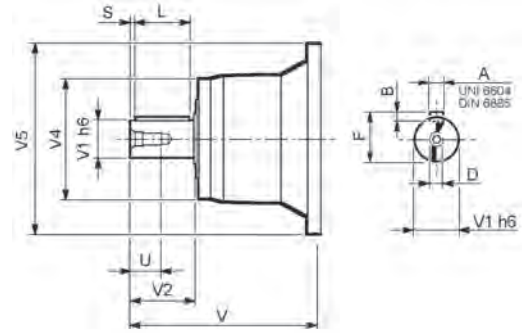
G0A





301 L

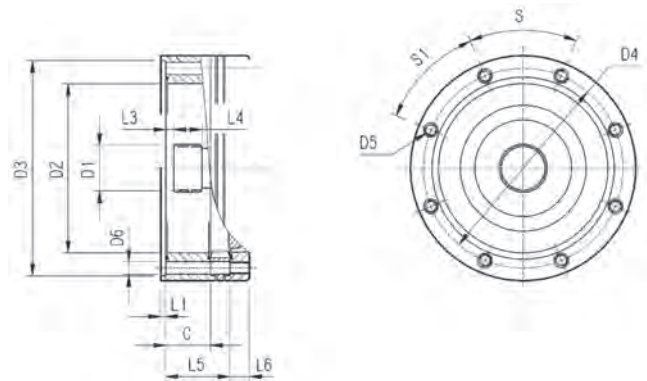
301 R



		V	V1	V2	V4	V5	A	B	F	L	S	D	U
301 L1	V01A	137.5	24	36	120	186	8	7	27	30	3	M8	19
	V01B	158	38	58	120	186	10	8	41	50	4	M12	28
301 L2	V01A	137.5	24	36	120	186	8	7	27	30	3	M8	19
	V01B	158	38	58	120	186	10	8	41	50	4	M12	28
301 L3	V01A	137.5	24	36	120	186	8	7	27	30	3	M8	19
	V01B	158	38	58	120	186	10	8	41	50	4	M12	28
301 L4	V01A	137.5	24	36	120	186	8	7	27	30	3	M8	19
	V01B	158	38	58	120	186	10	8	41	50	4	M12	28
301 R2-R3-R4	V01A	137.5	24	36	120	186	8	7	27	30	3	M8	19
	V01B	158	38	58	120	186	10	8	41	50	4	M12	28

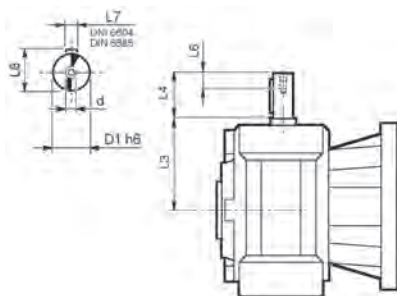
301 L

301 R



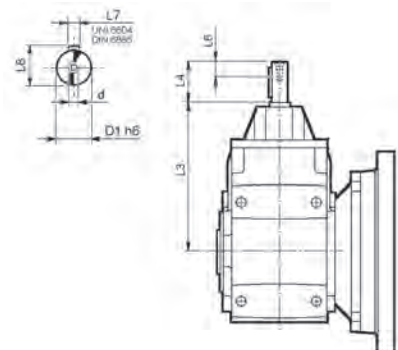
		C	D1	D2	D3	D4	D5	D6	L1	L2	L3	L4	L5	L6	S	S1	Input
301 L1	V9AA	37	40x36 DIN5482	140	178 H7	165	M10 n°8	11	4	—	9	18	65	18	45°	45°	A
301 L2	V9AA	37	40x36 DIN5482	140	178 H7	165	M10 n°8	11	4	—	9	18	118	18	45°	45°	A
301 L3	V9AA	37	40x36 DIN5482	140	178 H7	165	M10 n°8	11	4	—	9	18	171	18	45°	45°	A
301 L4	V9AA	37	40x36 DIN5482	140	178 H7	165	M10 n°8	11	4	—	9	18	224	18	45°	45°	A
301 R2-R3-R4	V9AA	37	40x36 DIN5482	140	178 H7	165	M10 n°8	11	4	—	9	18	37	18	45°	45°	A

3/V 01 L3



	D1 h6	L3	L4	L6	L7	L8	d
3/V 01 L3_HS	16	65	40	16	5	18	M6

3/A 01 L2



	D1 h6	L3	L4	L6	L7	L8	d
3/A 01 L2_HS	19	235.5	40	16	6	21.5	M6



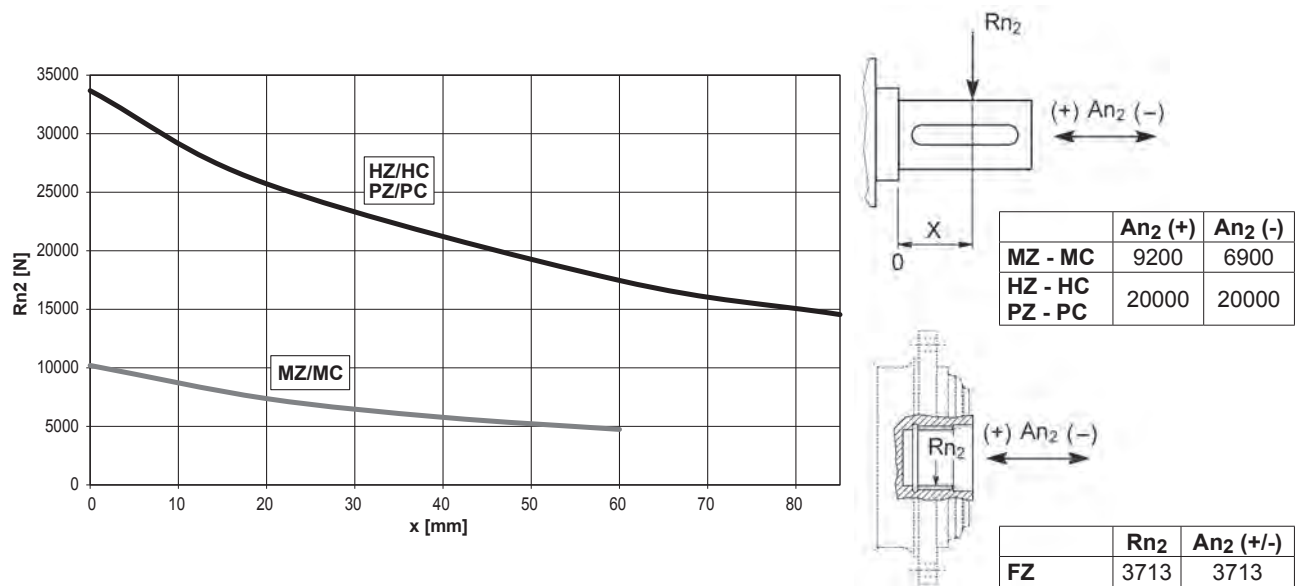
301 L

301 R

3/V 01 L3

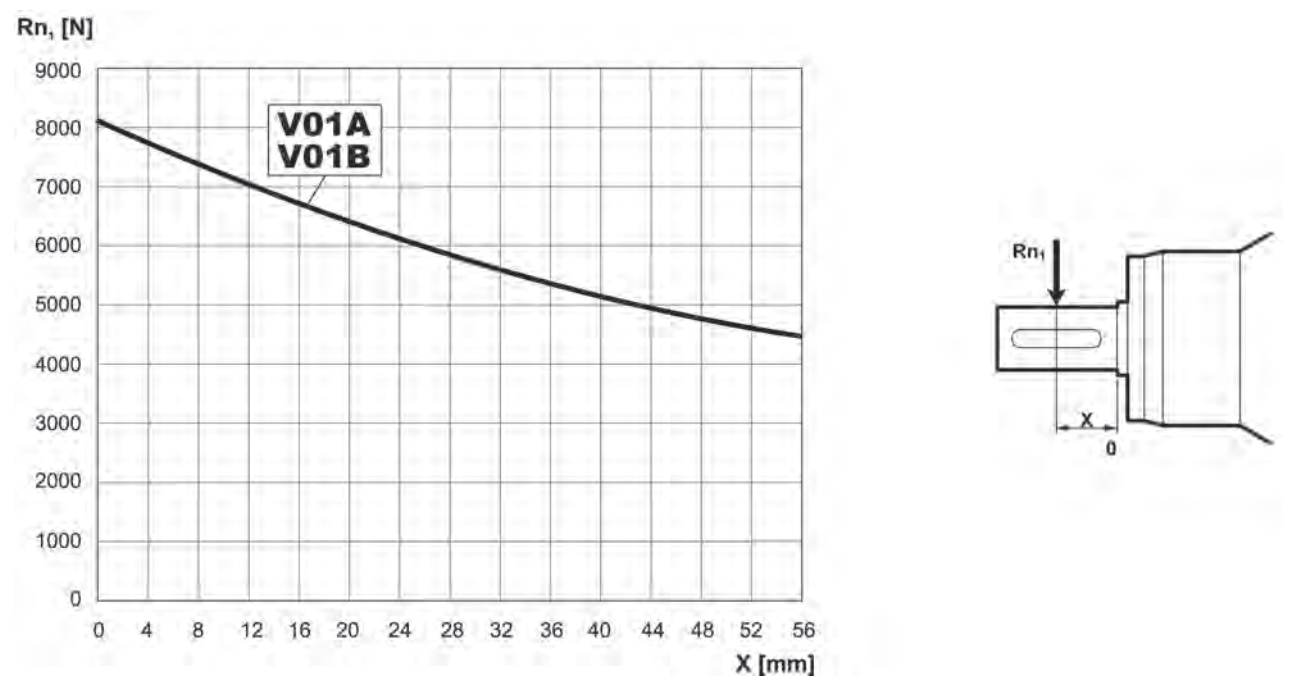
3/A 01 L2

Permissible radial and axial loads on output shaft with $Fh_2 : n_2 \cdot h = 100000$



Load corrective factor fh_2 on shafts	$Fh_2 = n_2 \cdot h$		10000	25000	50000	100000	500000	1000000	
	fh_2	FZ		2.15	1.59	1.26	1.00	0.58	0.46
		MZ - MC		2.15	1.59	1.26	1.00	0.58	0.46
HZ - HC - PZ - PC			1.27	1.27	1.26	1.00	0.62	0.50	

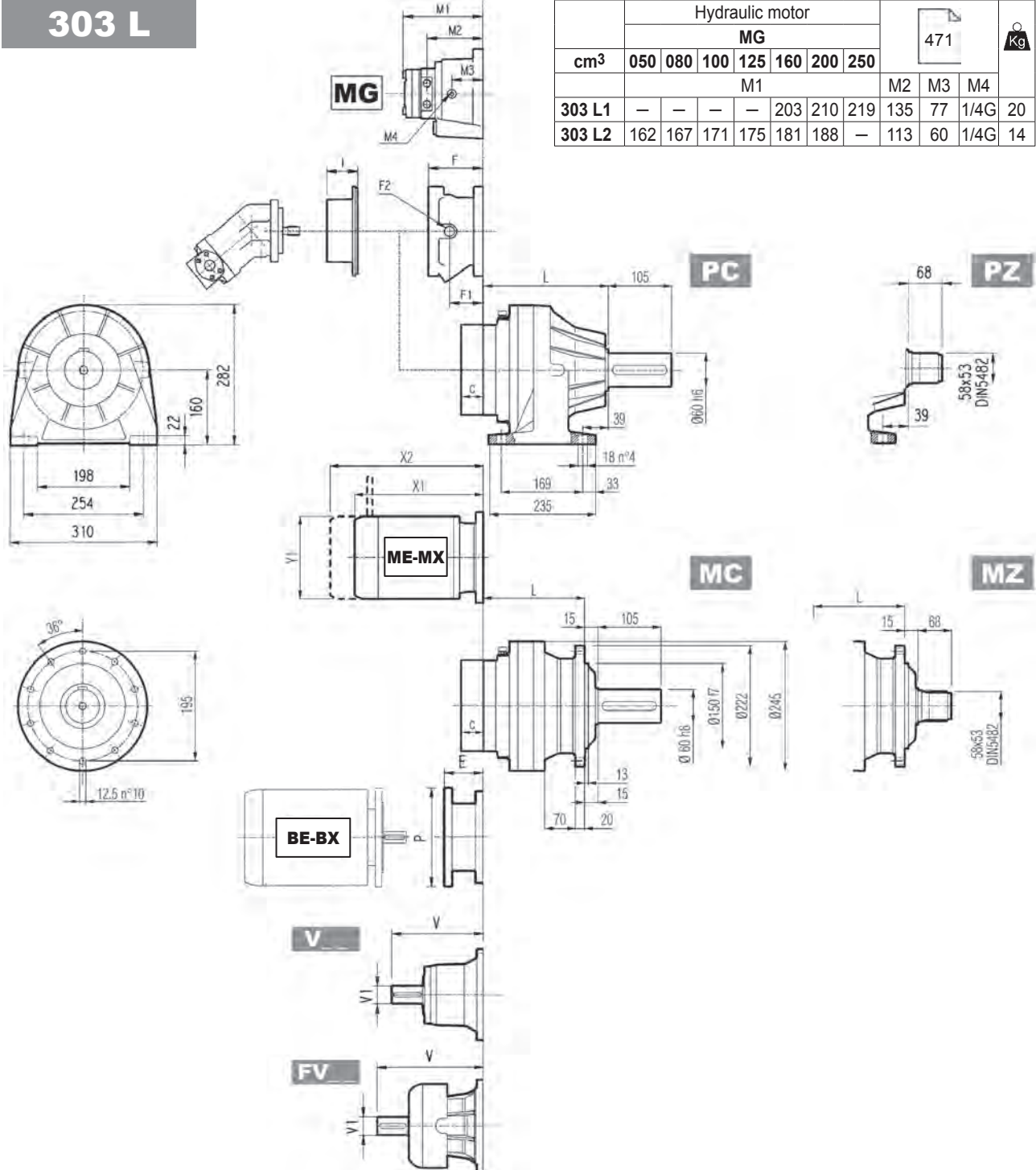
Permissible radial loads on input shaft with $Fh_1 : n_1 \cdot h = 250000$



Load corrective factor fh_1 on shafts	$Fh_1 = n_1 \cdot h$		250000	500000	1000000	2000000	5000000	10000000
	fh_1			1	0.79	0.63	0.50	0.37



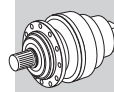
303 L



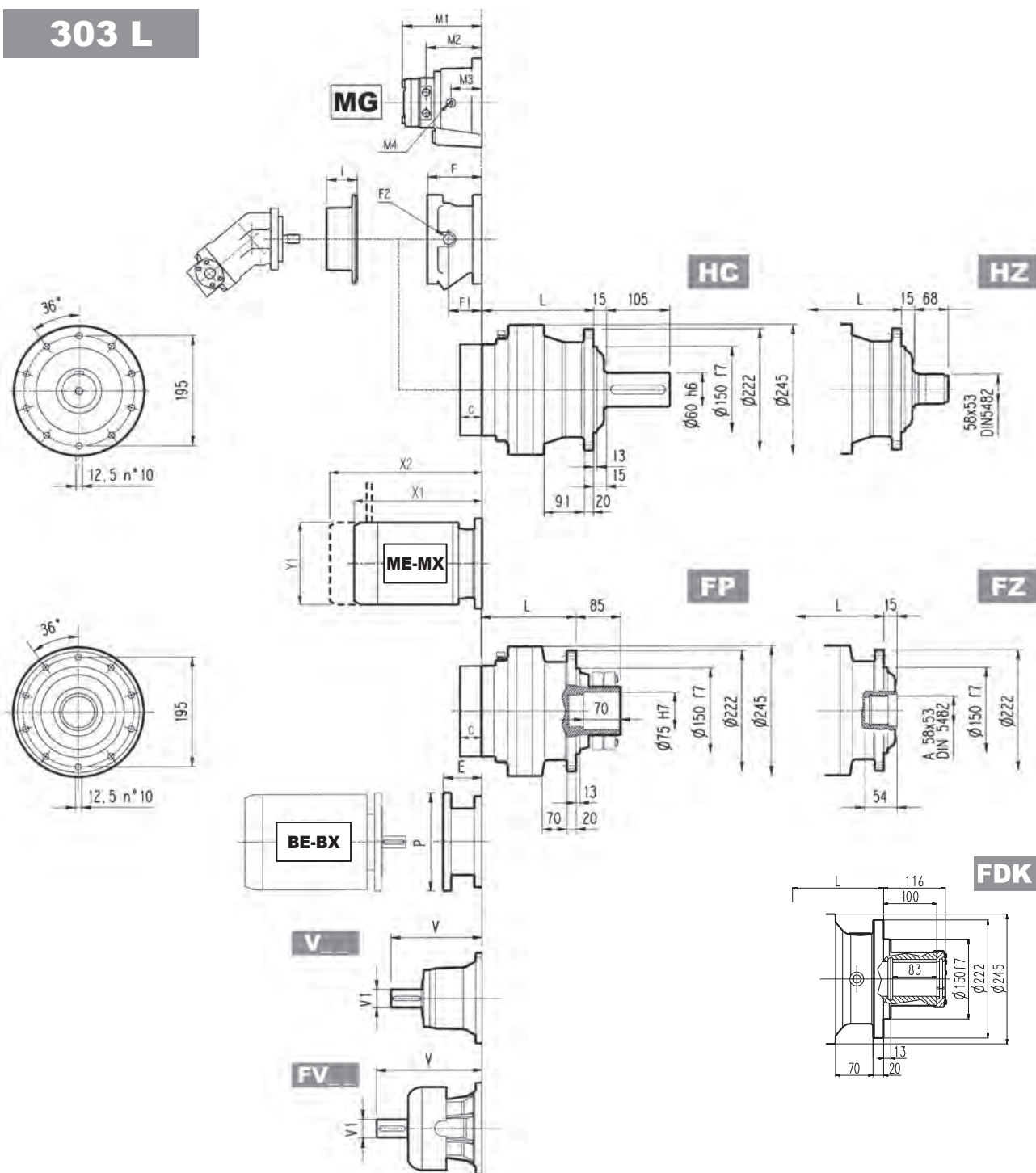
		Hydraulic motor							471			Kg		
		MG												
cm ³		050	080	100	125	160	200	250						
									M1			M2	M3	M4
303 L1		—	—	—	—	203	210	219	135	77	1/4G	20		
303 L2		162	167	171	175	181	188	—	113	60	1/4G	14		

	L				Kg			
	MC - MZ	PC - PZ	HC - HZ	FP - FZ - FDK	MC - MZ	PC - PZ	HC - HZ	FP - FZ - FDK
303 L1	125	165	150	125	31	40	35	31
303 L2	178	218	203	178	35	44	39	35
303 L3	231	271	256	231	39	48	43	39
303 L4	284	324	309	284	43	52	47	43

	V			V1			V			V1			C	Input	I	F			Type	Input	Kg
	V	V1	Kg	V	V1	Kg	V	V1	Kg	V	V1	Kg				F	F1	F2			
303 L1	239	48	15	—	—	—	276	48	17	—	—	—	37	A	—	145	95	1/4 G	5	A	16
303 L2	137.5	24	6	158	38	7	—	—	—	—	—	—	37	A	—	105	65	1/4 G	4	A	10
303 L3	137.5	24	6	158	38	7	—	—	—	—	—	—	37	A	—	105	65	1/4 G	4	A	10
303 L4	137.5	24	6	158	38	7	—	—	—	—	—	—	37	A	461	105	65	1/4 G	4	A	10



303 L



FP

$M_{2max} = 5200 \text{ Nm}$

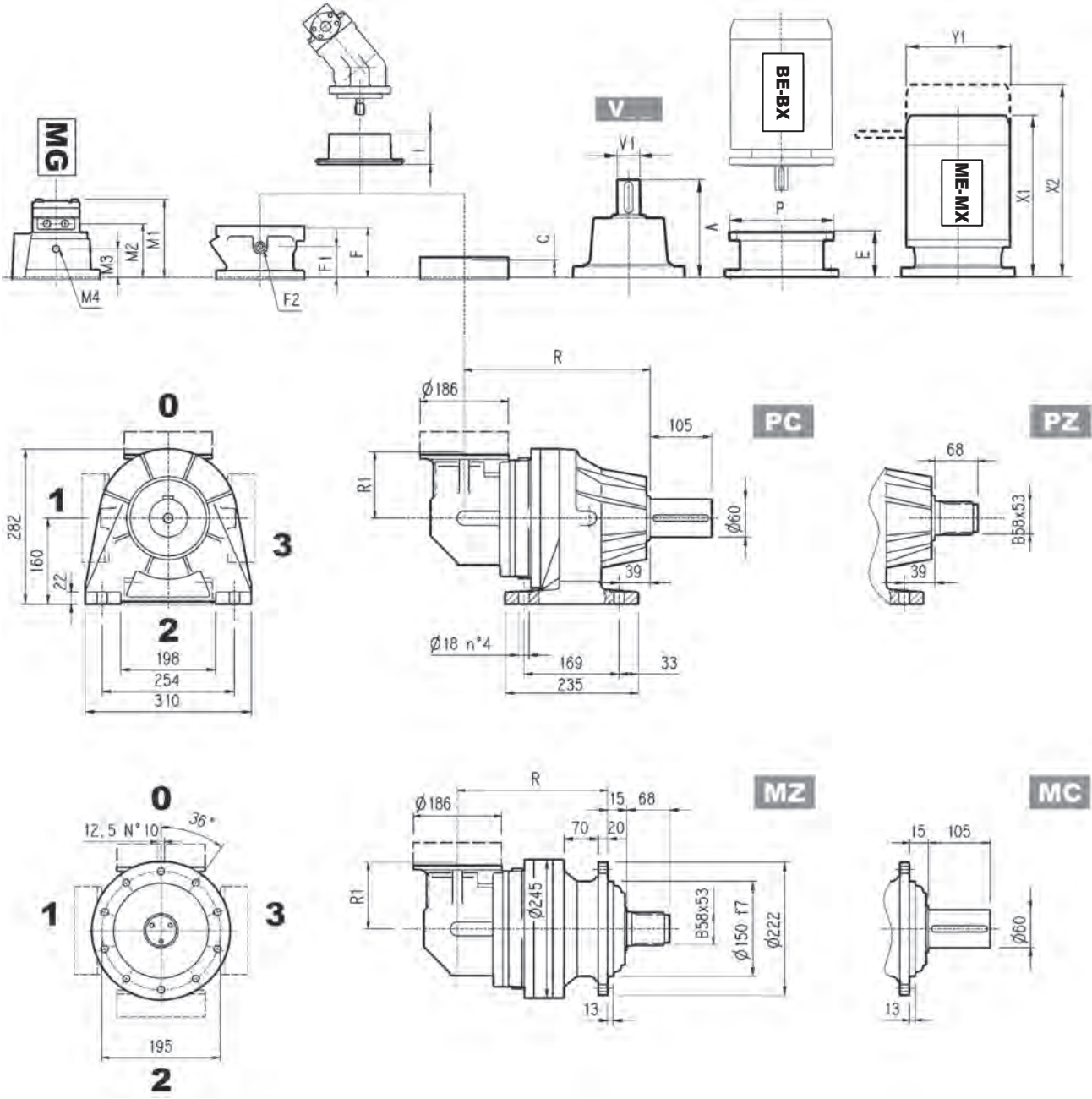
	P71		P80		P90		P100		P112		P132		P160		P180		P200	
	E	P	E	P	E	P	E	P	E	P	E	P	E	P	E	P	E	P
303 L1	—	—	—	—	—	—	—	—	—	—	114	300	144	350	144	350	174	400
303 L2	65	160	84	200	84	200	94	250	94	250	114	300	144	350	—	—	—	—
303 L3	65	160	84	200	84	200	94	250	94	250	114	300	144	350	—	—	—	—
303 L4	65	160	84	200	84	200	94	250	94	250	114	300	144	350	—	—	—	—

	S1 + M1			S2 + ME2S/MX2S			S3 + ME3S/MX3S			S3 + ME3L/MX3L			S4 + ME4/MX4			S5 + ME5S/MX5S			S5 + ME5L/MX5L		
	X1	X2	Y1	X1	X2	Y1	X1	X2	Y1	X1	X2	Y1	X1	X2	Y1	X1	X2	Y1	X1	X2	Y1
303 L1	—	—	—	—	—	—	—	—	—	—	—	—	460	—	258	552	—	310	596	—	310
303 L2	253	314	138	324	—	156	357	—	195	401	—	195	460	—	258	—	—	—	—	—	—
303 L3	253	314	138	324	—	156	357	—	195	401	—	195	460	—	258	—	—	—	—	—	—
303 L4	253	314	138	324	—	156	357	—	195	401	—	195	460	—	258	—	—	—	—	—	—



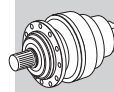
303 R

	Hydraulic motor							471			Kg
	MG										
cm ³	050	080	100	125	160	200	250	M2	M3	M4	
303 R2	162	167	171	175	181	188	—	113	60	1/4G	14

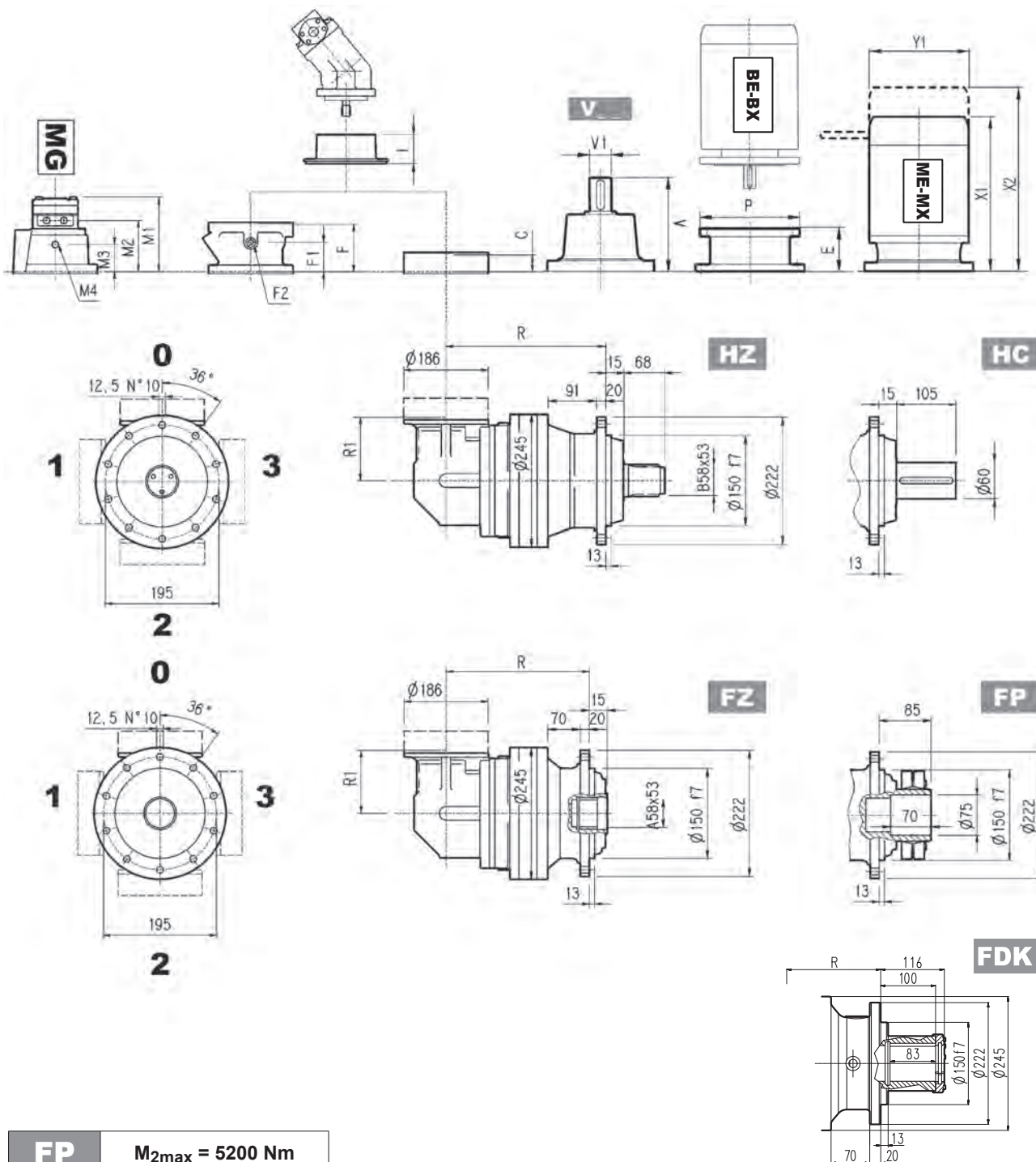


	R				R1	Kg			
	MC - MZ	PC - PZ	HC - HZ	FP - FZ - FDK		MC - MZ	PC - PZ	HC - HZ	FP - FZ - FDK
303 R2	217	257	242	217	140	51	60	55	51
303 R3	270	310	295	270	122	49	58	53	49
303 R4	323	363	348	323	122	53	62	57	53

	V						C	Input	I	F					
	V	V1	Kg	V	V1	Kg				F	F1	F2	Type	Input	Kg
303 R2	137.5	24	6	158	38	7	37	A	461	105	65	1/4 G	4	A	10
303 R3	137.5	24	6	158	38	7	37	A		105	65	1/4 G	4	A	10
303 R4	137.5	24	6	158	38	7	37	A		105	65	1/4 G	4	A	10



303 R



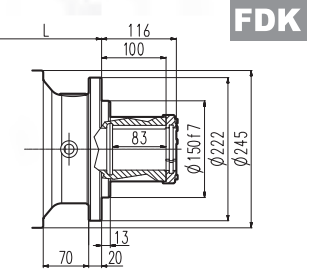
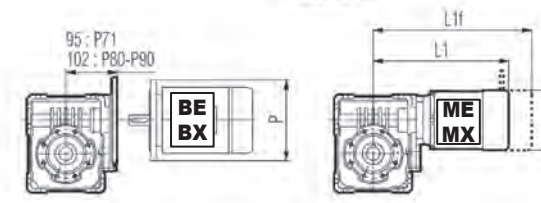
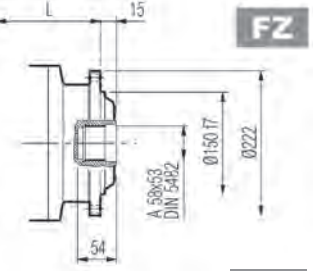
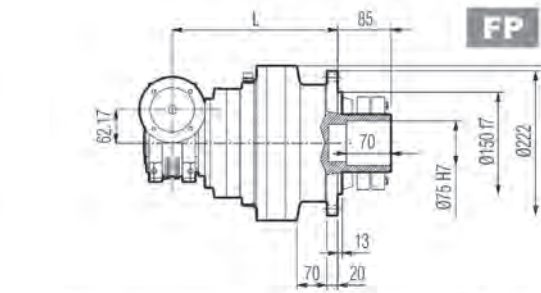
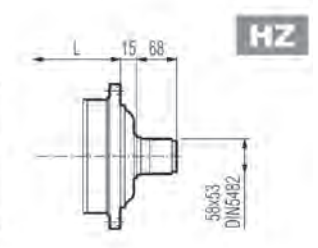
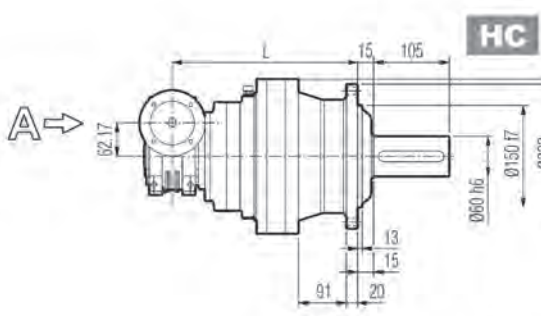
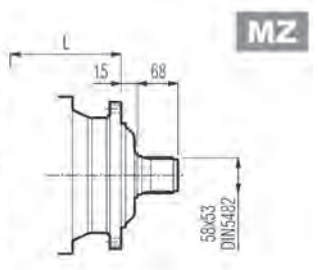
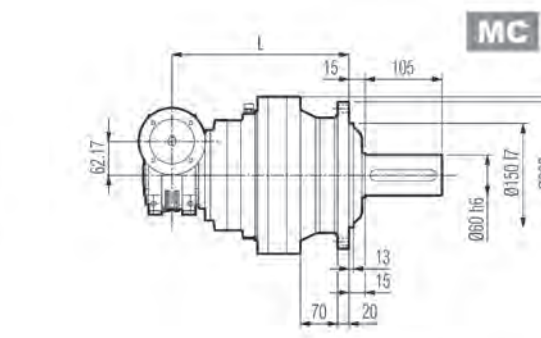
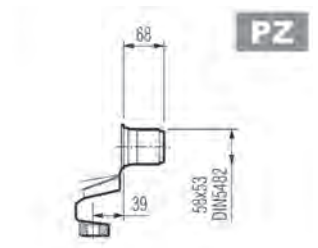
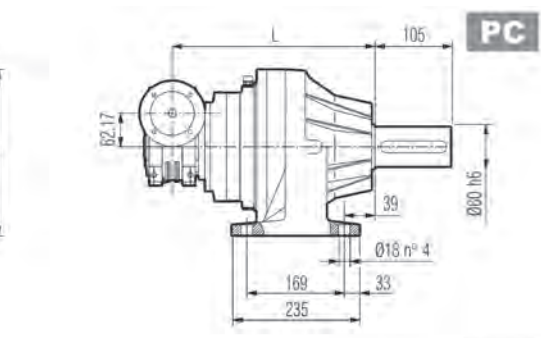
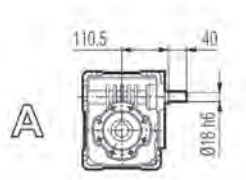
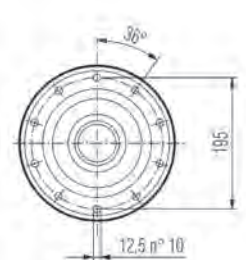
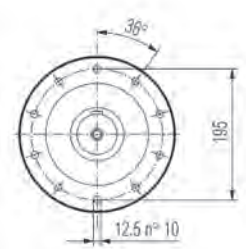
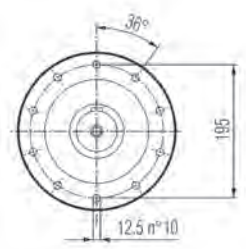
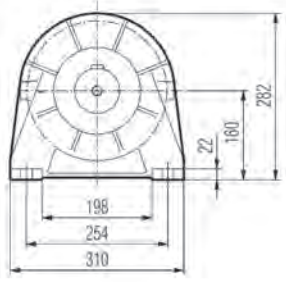
FP $M_{2max} = 5200 \text{ Nm}$

	P71		P80		P90		P100		P112		P132	
	E	P	E	P	E	P	E	P	E	P	E	P
303 R2	65	160	84	200	84	200	94	250	94	250	114	300
303 R3	65	160	84	200	84	200	94	250	94	250	114	300
303 R4	65	160	84	200	84	200	94	250	94	250	114	300

	S1 + M1			S2 + ME2S/MX2S			S3 + ME3S/MX3S			S3 + ME3L/MX3L			S4 + ME4/MX4		
	X1	X2	Y1	X1	X2	Y1	X1	X2	Y1	X1	X2	Y1	X1	X2	Y1
303 R2	—	—	—	372	—	156	405	—	195	449	—	195	508	—	258
303 R3	253	314	138	372	—	156	405	—	195	449	—	195	—	—	—
303 R4	253	314	138	372	—	156	405	—	195	449	—	195	—	—	—



3/V 03 L3



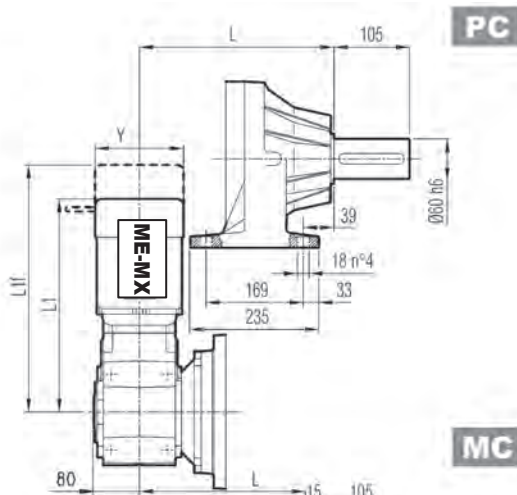
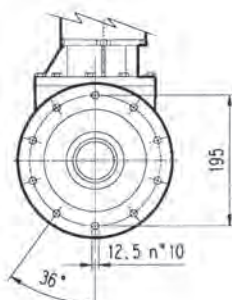
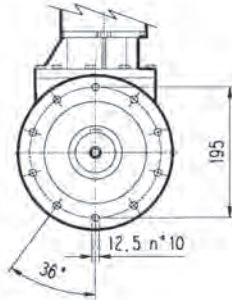
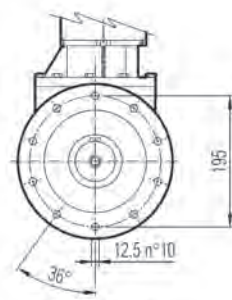
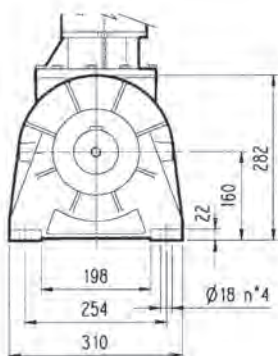
FP $M_{2max} = 5200 \text{ Nm}$

3/V 03 L3	L				Kg			
	MC - MZ	PC - PZ	HC - HZ	FP - FZ - FDK	MC - MZ	PC - PZ	HC - HZ	FP - FZ - FDK
	270	330	315	270	43	51	45	41

3/V 03 L3	P71	P80	P90	S1 + M1			S2 + ME2S/MX2S		
	P	P	P	L1	L1f	Y	L1	L1f	Y
	160	200	200	289	350	138	351	—	156



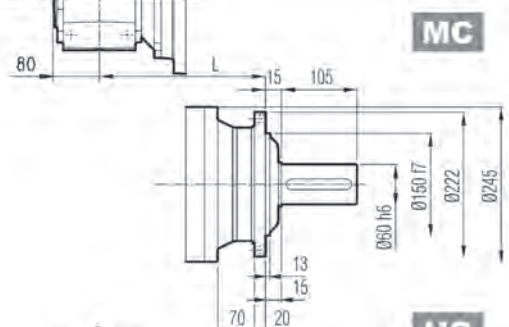
3/A 03 L2



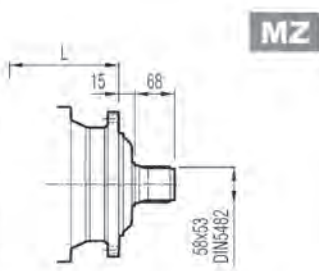
PC



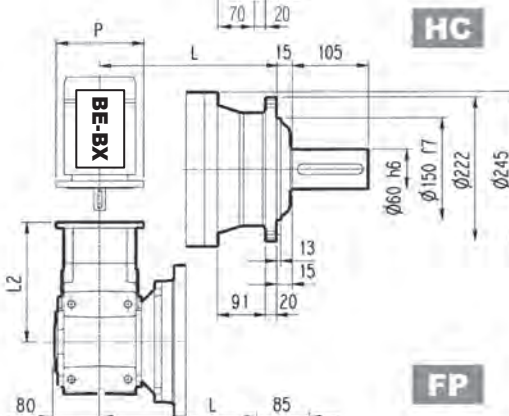
PZ



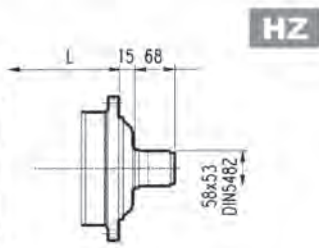
MC



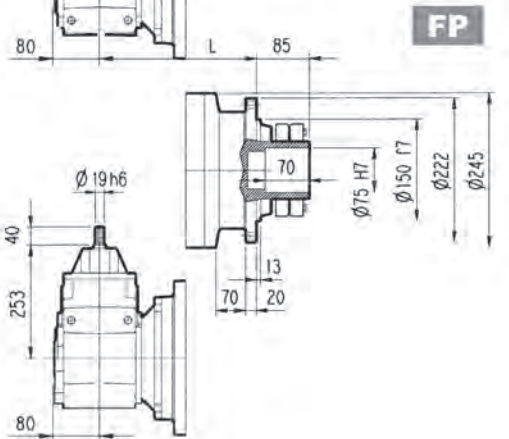
MZ



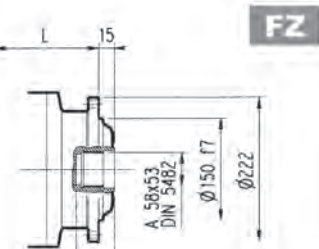
HC



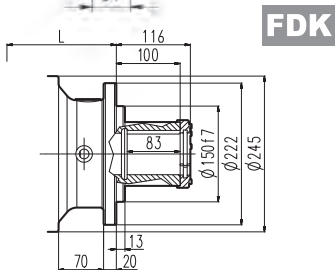
HZ



FP



FZ



FDK

FP $M_{2max} = 5200 \text{ Nm}$

	L								Kg							
	MC - MZ		PC - PZ		HC - HZ		FP - FZ - FDK		MC - MZ		PC - PZ		HC - HZ		FP - FZ - FDK	
3/A 03 L2	225	285	270	225	63	71	65	60								

	P63		P71		P80		P90		P100		P112		S1 + M1		S2 + ME2S/MX2S		S3 + ME3S/MX3S		S3 + ME3L/MX3L					
	L2	P	L2	P	L2	P	L2	P	L2	P	L2	P	L1	L1f	Y	L1	L1f	Y	L1	L1f	Y			
3/A 03 L2	243	140	243	160	262	200	262	200	272	250	272	250	399	416	138	469	—	156	502	—	195	545	—	195

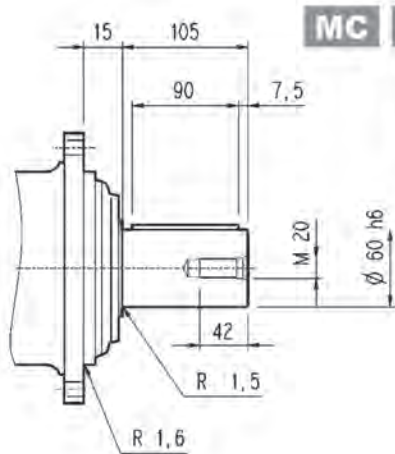


303 L

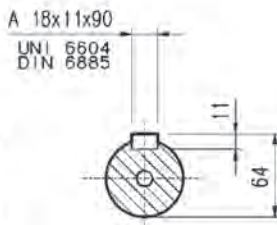
303 R

3/V 03 L3

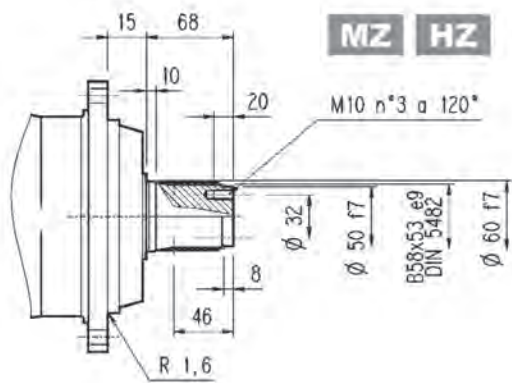
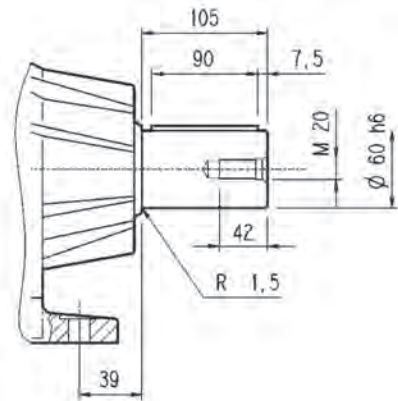
3/A 03 L2



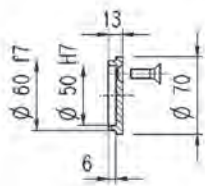
MC HC



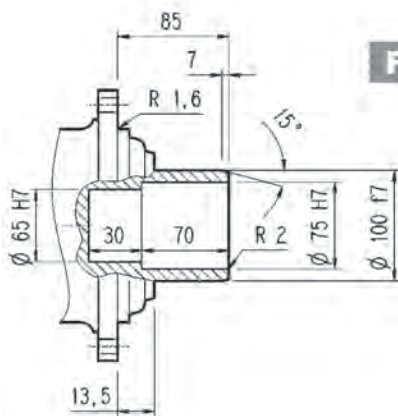
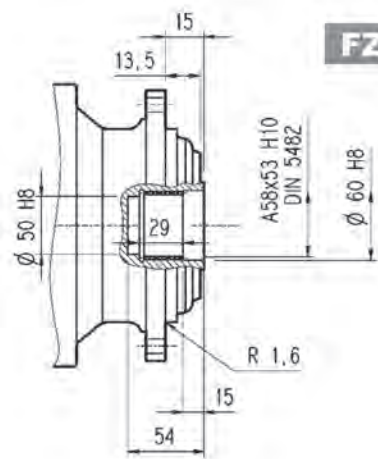
PC



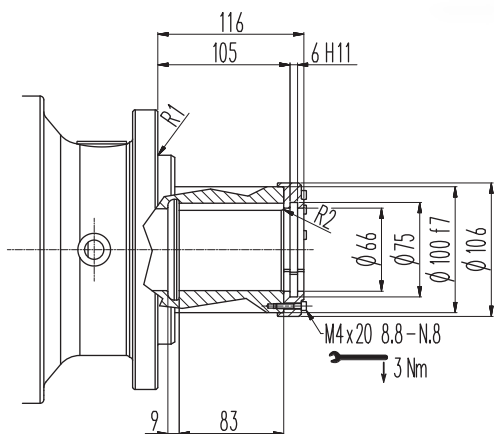
MZ HZ



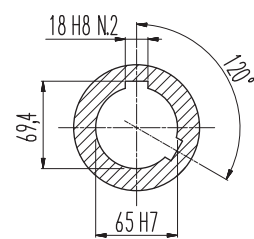
FZ



FP



FDK



FP $M_{2max} = 5200 \text{ Nm}$



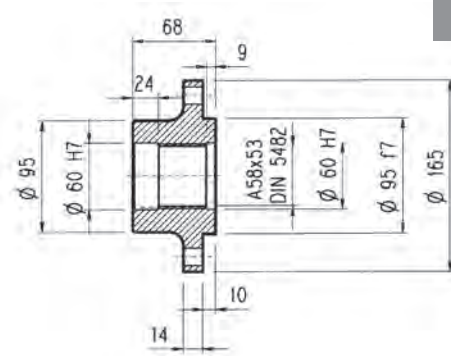
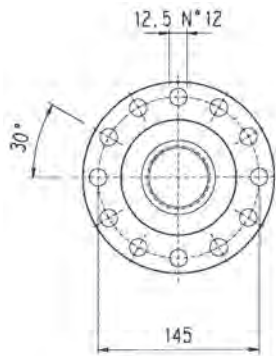
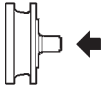
303 L

303 R

3/V 03 L3

3/A 03 L2

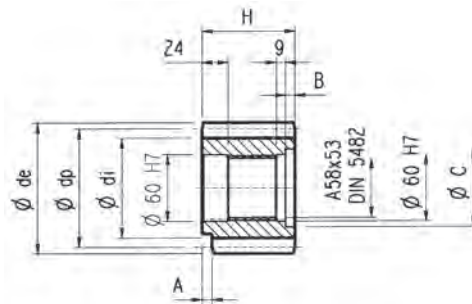
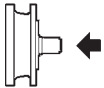
Flange



W0A

Material: Steel C40

Pinions

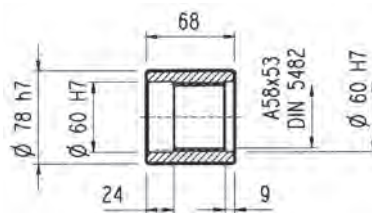
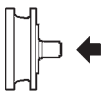


P...

$\alpha = 20^\circ$

	m	z	x	dp	di	de	H	A	B	C	Material
PCL1	5	19	—	95	82	104	77	12	9	72	Steel 39NiCrMo3 hardened and tempered
PCL2	5	19	—	95	82	104	68	—	—	—	Steel 39NiCrMo3 hardened and tempered
PCM	5	20	—	100	87.5	110	68	18	—	—	Steel 18NiCrMo5 case hardened
PCP	5	22	—	110	97.5	120	68	18	—	—	Steel 18NiCrMo5 case hardened
PDE	6	14	0.500	84	75	99.6	68	—	—	—	Steel 39NiCrMo3 hardened and tempered
PDI	6	18	0.500	108	99	123.6	68	—	—	—	Steel 39NiCrMo3 hardened and tempered
PDM	6	20	0.833	120	115	140	68	—	—	—	Steel 39NiCrMo3 hardened and tempered
PFD	8	13	0.675	104	95	127.6	68	—	—	—	Steel 18NiCrMo5 case hardened
PFE1	8	14	—	112	92	126	68	—	—	—	Steel 18NiCrMo5 case hardened
PFE2	8	14	—	112	92	126	80	—	12	72	Steel 18NiCrMo5 case hardened
PFF	8	15	—	120	100	136	68	—	—	—	Steel 39NiCrMo3 hardened and tempered
PFP	8	22	—	176	156	190	77	12	10	71	Steel 39NiCrMo3 hardened and tempered
PHG	10	16	0.500	160	145	188	75	—	7	72	Steel 39NiCrMo3 hardened and tempered

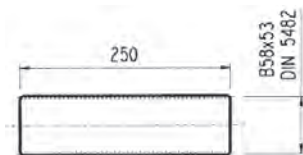
Sleeve coupling



M0A

Material: Steel 16CrNi4

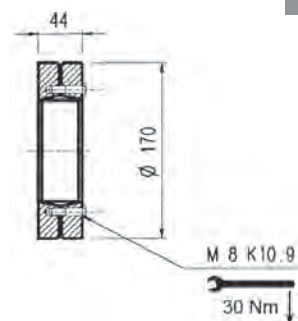
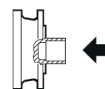
Splined bars



B0A

Material: Case hardening steel 18NiCrMo5 UNI 5331 must be case hardened 50-55 HRC

Shrink disc

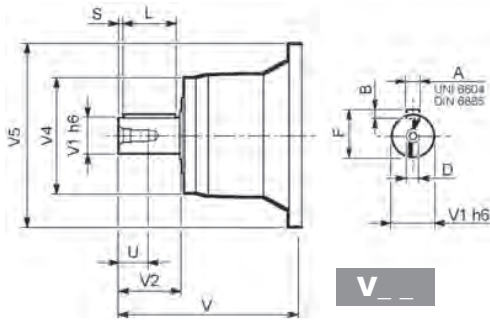


G0A

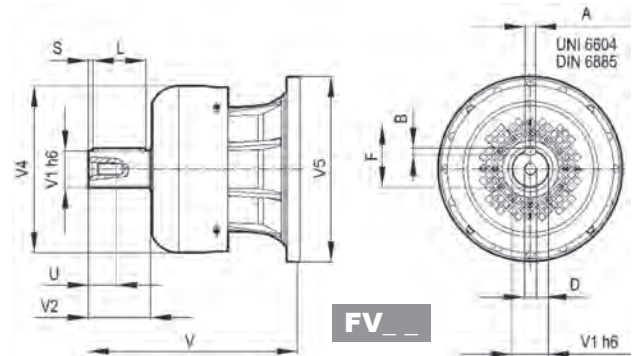


303 L

303 R



V _ _

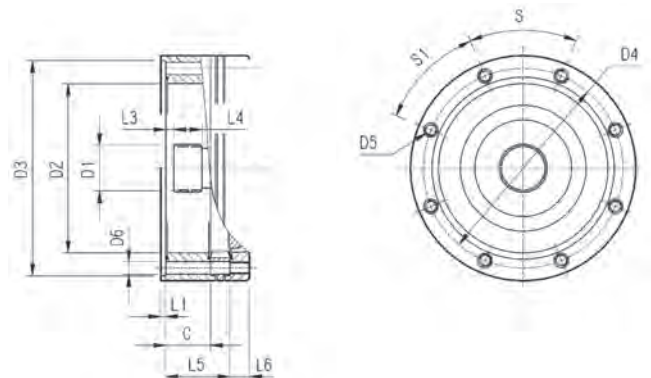


FV _ _

		V	V1	V2	V4	V5	A	B	F	L	S	D	U
303 L1	V05B	239	48	82	155	245	14	9	51.5	70	6	M16	36
	FV05B	276	48	82	219.5	244	14	9	51.5	70	6	M16	36
303 L2	V01A	137.5	24	36	120	186	8	7	27	30	3	M8	19
	V01B	158	38	58	120	186	10	8	41	50	4	M12	28
303 L3	V01A	137.5	24	36	120	186	8	7	27	30	3	M8	19
	V01B	158	38	58	120	186	10	8	41	50	4	M12	28
303 L4	V01A	137.5	24	36	120	186	8	7	27	30	3	M8	19
	V01B	158	38	58	120	186	10	8	41	50	4	M12	28
303 R2-R3-R4	V01A	137.5	24	36	120	186	8	7	27	30	3	M8	19
	V01B	158	38	58	120	186	10	8	41	50	4	M12	28

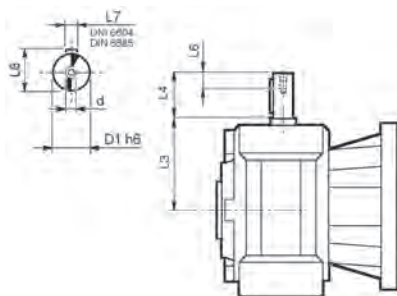
303 L

303 R



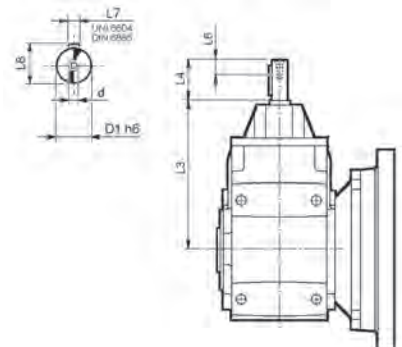
		C	D1	D2	D3	D4	D5	D6	L1	L2	L3	L4	L5	L6	S	S1	Input
303 L1	V9AA	37	40x36 DIN5482	140	178 H7	165	M10 n°8	11	4	—	9	18	—	18	45°	45°	A
303 L2	V9AA	37	40x36 DIN5482	140	178 H7	165	M10 n°8	11	4	—	9	18	53	18	45°	45°	A
303 L3	V9AA	37	40x36 DIN5482	140	178 H7	165	M10 n°8	11	4	—	9	18	106	18	45°	45°	A
303 L4	V9AA	37	40x36 DIN5482	140	178 H7	165	M10 n°8	11	4	—	9	18	159	18	45°	45°	A
303 R2-R3-R4	V9AA	37	40x36 DIN5482	140	178 H7	165	M10 n°8	11	4	—	9	18	37	18	45°	45°	A

3/V 03 L3

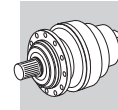


	D1 h6	L3	L4	L6	L7	L8	d
3/V 03 L3_HS	18	110.5	40	16	6	20.5	M6

3/A 03 L2



	D1 h6	L3	L4	L6	L7	L8	d
3/A 03 L2_HS	19	252.5	40	16	6	21.5	M6



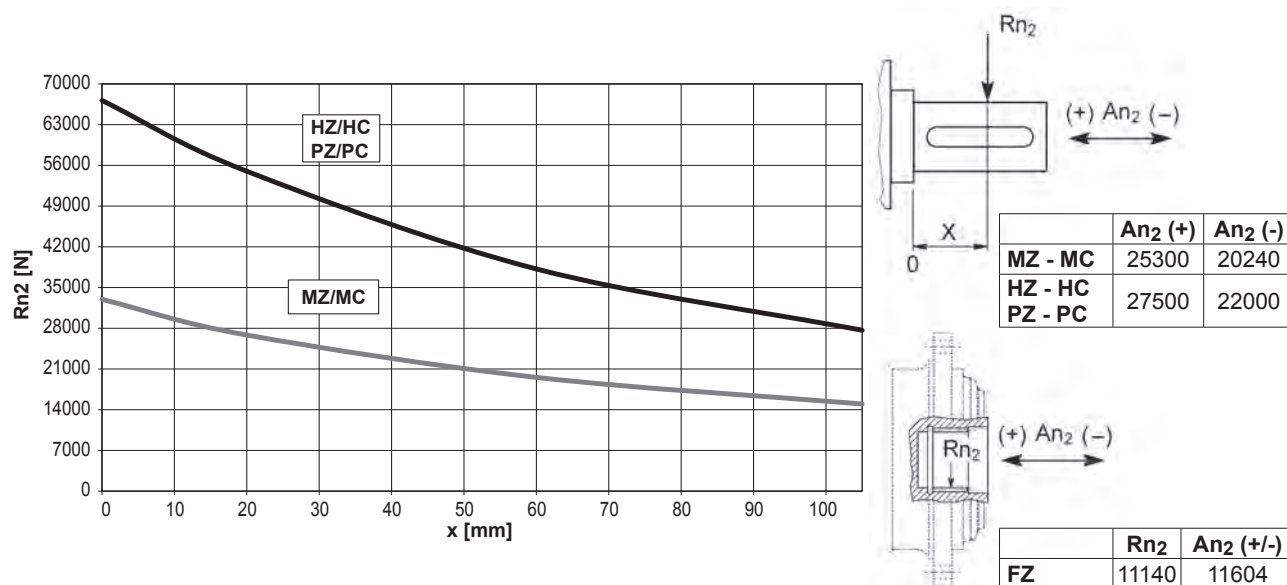
303 L

303 R

3/V 03 L3

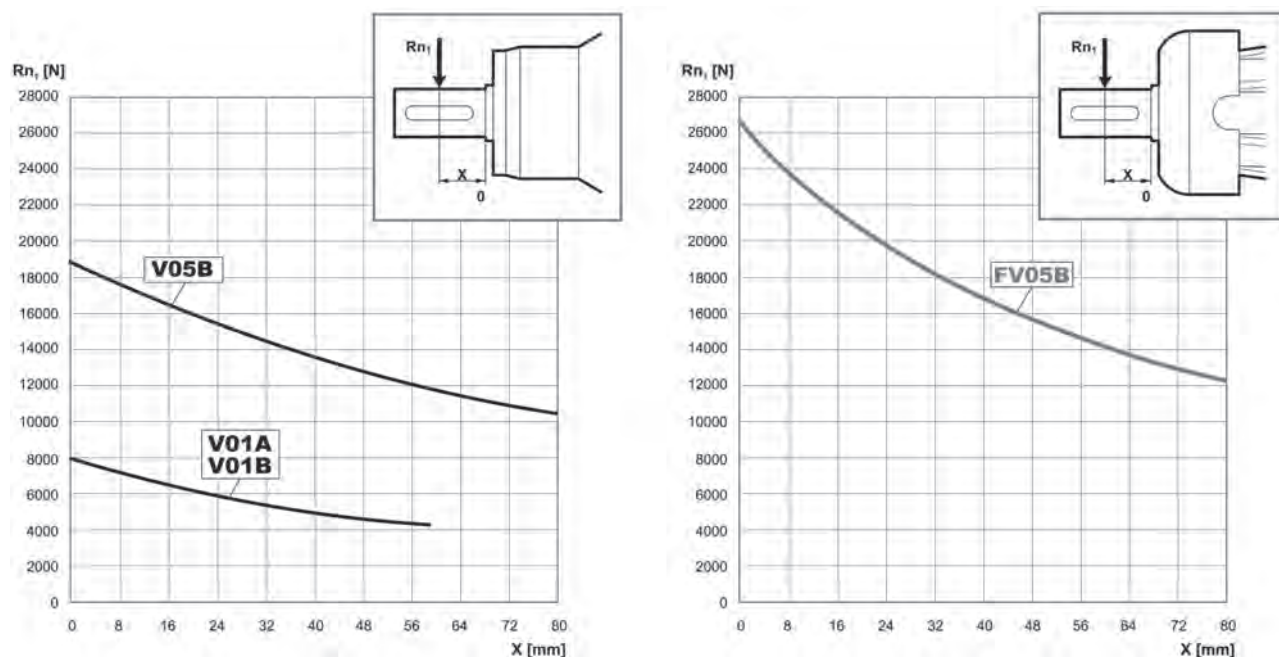
3/A 03 L2

Permissible radial and axial loads on output shaft with $Fh_2 : n_2 \cdot h = 100000$



Load corrective factor fh_2 on shafts	$Fh_2 = n_2 \cdot h$						
		10000	25000	50000	100000	500000	1000000
	fh_2	FZ	2.15	1.59	1.26	1.00	0.58
	MZ - MC	2.15	1.59	1.26	1.00	0.58	0.46
	HZ - HC - PZ - PC	1.48	1.48	1.23	1.00	0.62	0.50

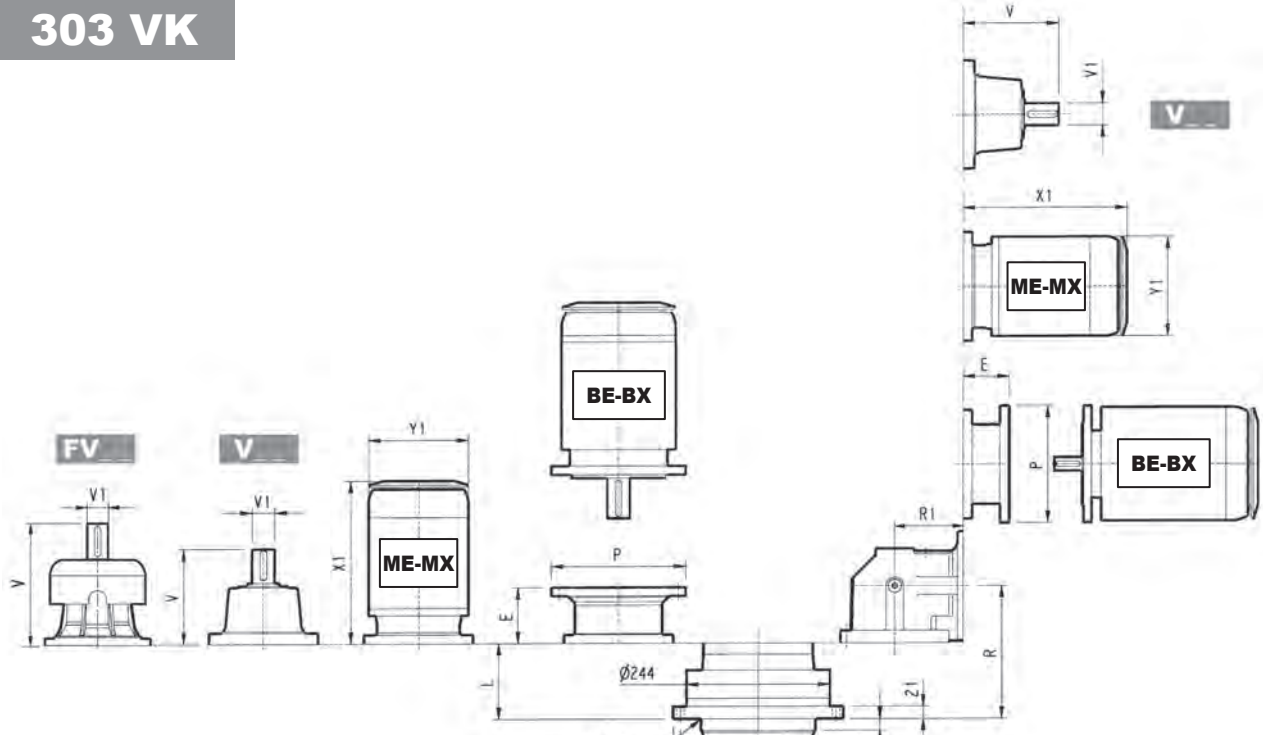
Permissible radial loads on input shaft with $Fh_1 : n_1 \cdot h = 250000$



Load corrective factor fh_1 on shafts	$Fh_1 = n_1 \cdot h$						
		250000	500000	1000000	2000000	5000000	10000000
fh_1		1	0.79	0.63	0.50	0.37	0.29



303 VK



303 L_VK

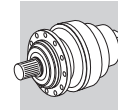
303 R_VK

	L	Speaker						Mounting Bracket						P71		P80		P90		P100		P112		P132		P160		P180		P200	
		kg	V	V1	kg	V	V1	kg	V	V1	kg	V	V1	kg	E	P	E	P	E	P	E	P	E	P	E	P	E	P	E	P	
303 L1	51	65	239	48	15	—	—	276	48	17	—	—	—	65	160	84	200	84	200	94	250	94	250	114	300	144	350	144	350	174	400
303 L2	104	70	137.5	24	6	158	38	7	—	—	—	—	65	160	84	200	84	200	94	250	94	250	114	300	144	350	—	—	—	—	
303 L3	157	73	137.5	24	6	158	38	7	—	—	—	—	65	160	84	200	84	200	94	250	94	250	114	300	144	350	—	—	—	—	
303 L4	210	77	137.5	24	6	158	38	7	—	—	—	—	65	160	84	200	84	200	94	250	94	250	114	300	144	350	—	—	—	—	

	S1 + M1			S2 + ME2S			S3 + ME3S			S3 + ME3L			S4 + ME4/MX4			S5 + ME5S/MX5S			S5 + ME5L/MX5L		
	X1	X2	Y1	X1	X2	Y1	X1	X2	Y1	X1	X2	Y1	X1	X2	Y1	X1	X2	Y1	X1	X2	Y1
303 L1	—	—	—	—	—	—	—	—	—	—	—	—	460	—	258	552	—	310	596	—	310
303 L2	253	314	138	280	—	156	325	—	195	357	—	195	460	—	258	—	—	—	—	—	—
303 L3	253	314	138	280	—	156	325	—	195	357	—	195	460	—	258	—	—	—	—	—	—
303 L4	253	314	138	280	—	156	325	—	195	357	—	195	460	—	258	—	—	—	—	—	—

	R	R1	kg	Speaker						P71		P80		P90		P100		P112		P132	
				V	V1	kg	V	V1	kg	E	P	E	P	E	P	E	P	E	P	E	P
303 R2	143	140	85	137.5	24	6	158	38	7	65	160	84	200	84	200	94	250	94	250	114	300
303 R3	196	122	83	137.5	24	6	158	38	7	65	160	84	200	84	200	94	250	94	250	114	300
303 R4	249	122	87	137.5	24	6	158	38	7	65	160	84	200	84	200	94	250	94	250	114	300

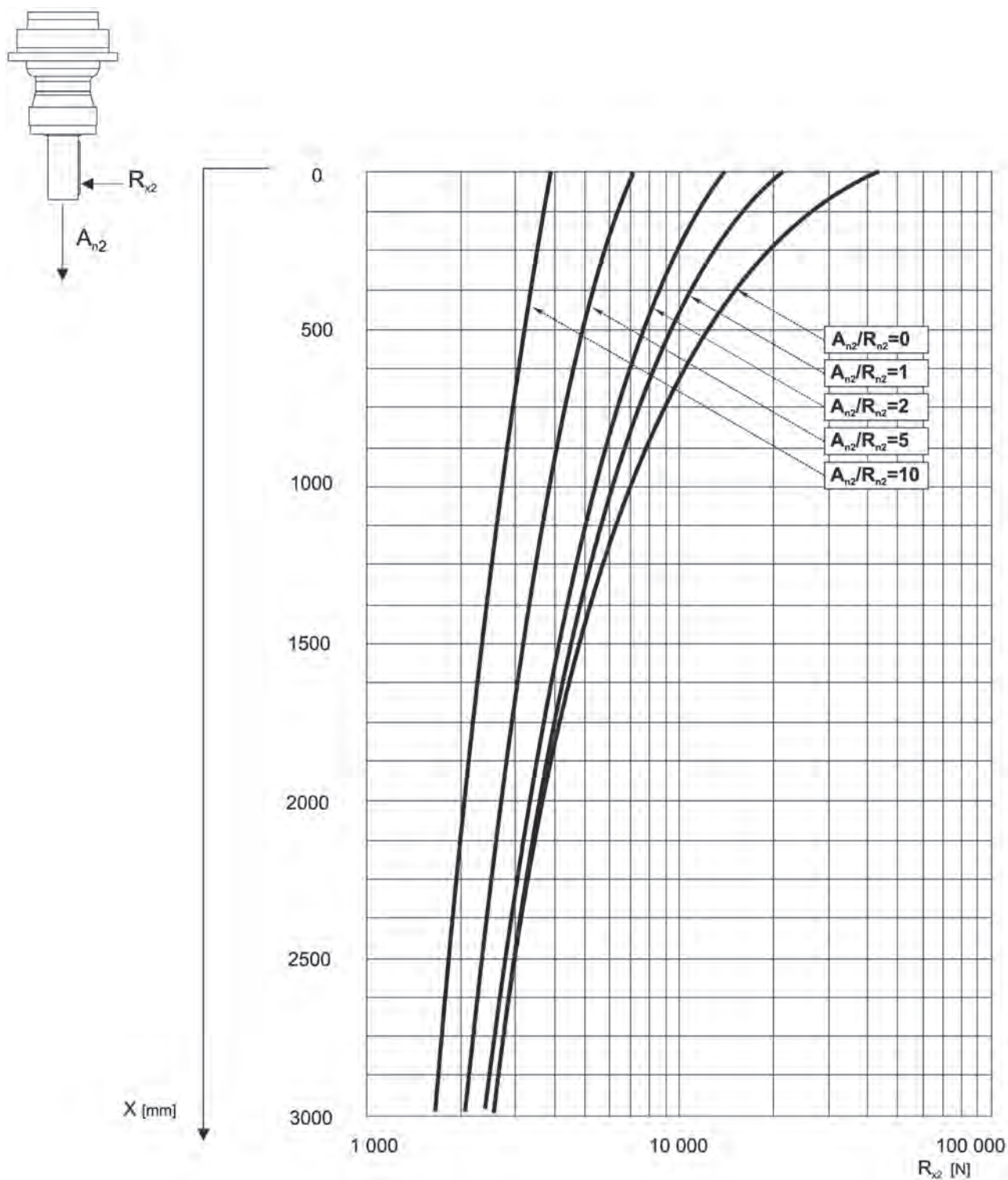
	S1 + M1			S2 + ME2S/MX2S			S3 + ME3S/MX3S			S3 + ME3L/MX3L			S4 + ME4/MX4		
	X1	X2	Y1	X1	X2	Y1	X1	X2	Y1	X1	X2	Y1	X1	X2	Y1
303 R2	—	—	—	372	—	156	405	—	195	449	—	195	508	—	258
303 R3	253	314	138	372	—	156	405	—	195	449	—	195	—	—	—
303 R4	253	314	138	372	—	156	405	—	195	449	—	195	—	—	—



303 VK

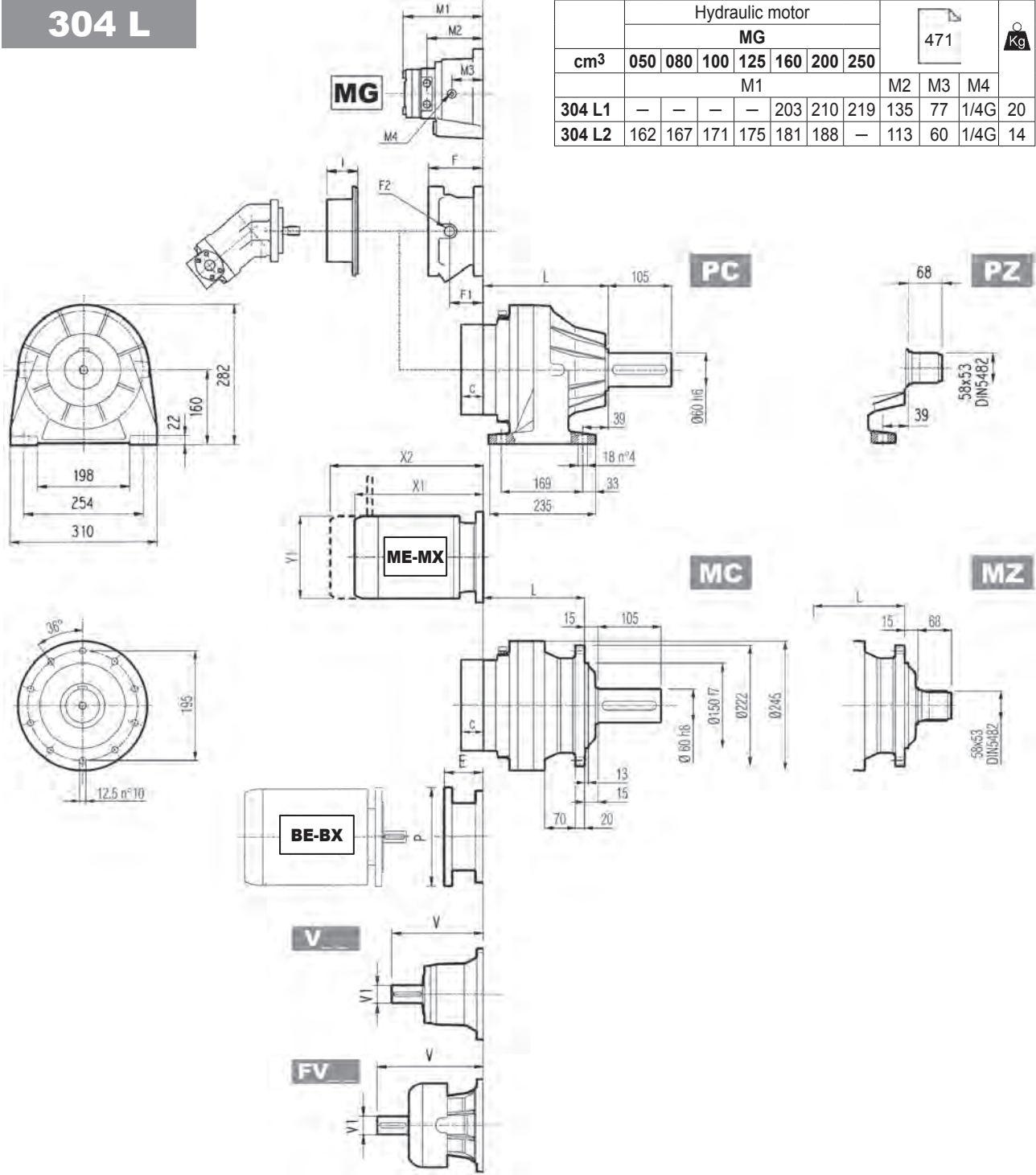
The diagram below allows the calculation of permitted overhung load R_{x2} on the output shaft of gearbox, with radial force applying at a distance x from shaft shoulder.

The curves are relevant to value resulting from the relationship of trust load A_{n2} to radial load R_{n2} , based on $n_2 = 10 \text{ min}^{-1}$ and 10000 hrs theoretical lifetime.





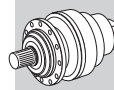
304 L



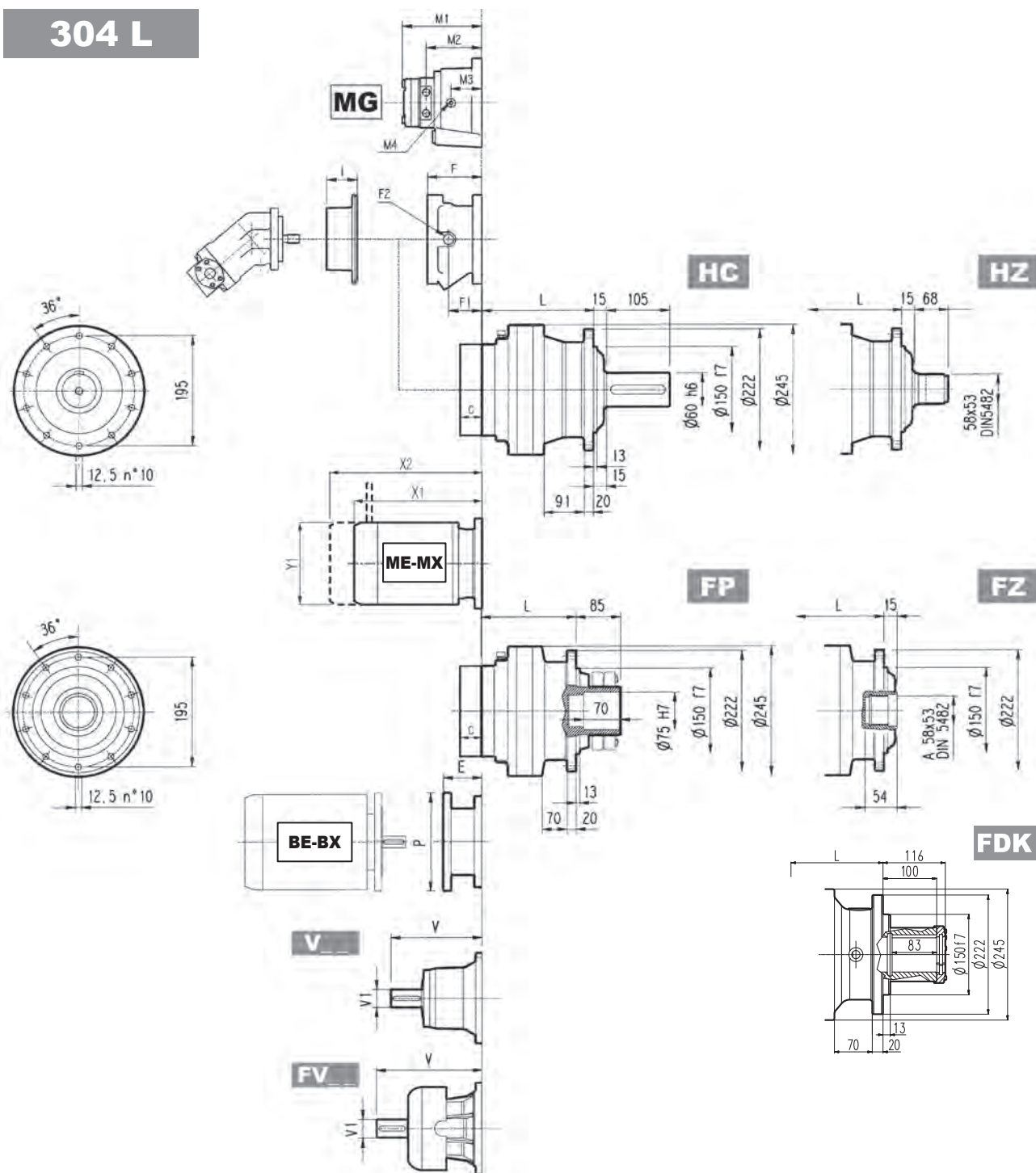
		Hydraulic motor							471			Kg		
		MG												
cm ³		050	080	100	125	160	200	250	M1			M2	M3	M4
304 L1		—	—	—	—	203	210	219	135	77	1/4G	20		
304 L2		162	167	171	175	181	188	—	113	60	1/4G	14		

	L				Kg			
	MC - MZ	PC - PZ	HC - HZ	FP - FZ - FDK	MC - MZ	PC - PZ	HC - HZ	FP - FZ - FDK
304 L1	125	165	150	125	31	40	35	31
304 L2	190	230	215	190	38	47	42	38
304 L3	243	283	268	243	42	51	46	42
304 L4	296	336	321	296	46	55	50	46

	V			V			V			V			C	Input	I	F			Type	Input	Kg
	V	V1	Kg	V	V1	Kg	V	V1	Kg	V	V1	Kg				F	F1	F2			
304 L1	239	48	15	—	—	—	276	48	17	—	—	—	37	A	—	145	95	1/4 G	5	A	16
304 L2	137.5	24	6	158	38	7	—	—	—	—	—	—	37	A	—	105	65	1/4 G	4	A	10
304 L3	137.5	24	6	158	38	7	—	—	—	—	—	—	37	A	—	105	65	1/4 G	4	A	10
304 L4	137.5	24	6	158	38	7	—	—	—	—	—	—	37	A	461	105	65	1/4 G	4	A	10



304 L



FP $M_{2max} = 7300 \text{ Nm}$

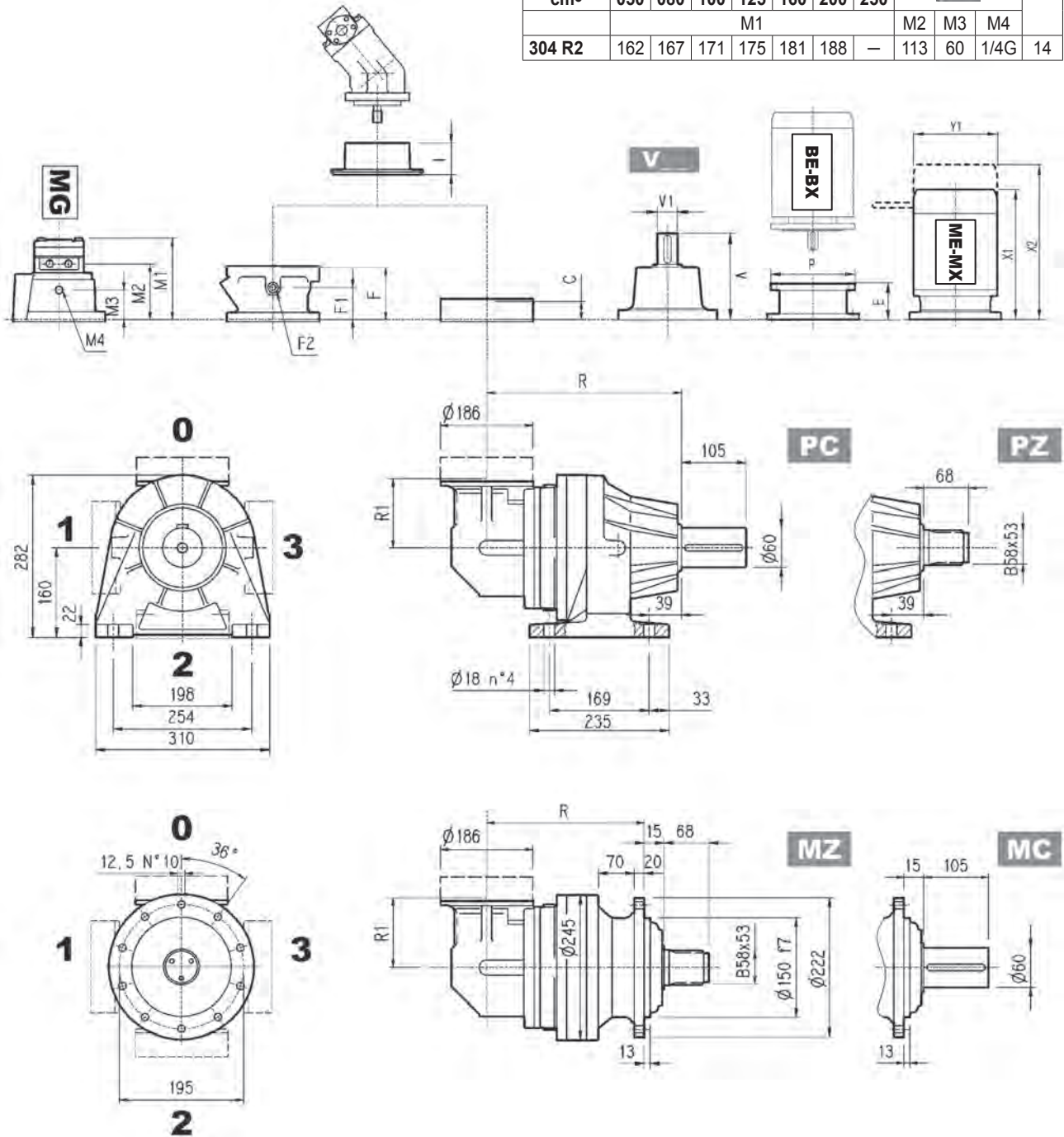
	P71		P80		P90		P100		P112		P132		P160		P180		P200	
	E	P	E	P	E	P	E	P	E	P	E	P	E	P	E	P	E	P
304 L1	—	—	—	—	—	—	—	—	—	—	114	300	144	350	144	350	174	400
304 L2	65	160	84	200	84	200	94	250	94	250	114	300	144	350	—	—	—	—
304 L3	65	160	84	200	84	200	94	250	94	250	114	300	144	350	—	—	—	—
304 L4	65	160	84	200	84	200	94	250	94	250	114	300	144	350	—	—	—	—

	S1 + M1			S2 + ME2S/MX2S			S3 + ME3S/MX3S			S3 + ME3L/MX3L			S4 + ME4/MX4			S5 + ME5S/MX5S			S5 + ME5L/MX5L		
	X1	X2	Y1	X1	X2	Y1	X1	X2	Y1	X1	X2	Y1	X1	X2	Y1	X1	X2	Y1	X1	X2	Y1
304 L1	—	—	—	—	—	—	—	—	—	—	—	—	460	—	258	552	—	310	596	—	310
304 L2	253	314	138	324	—	156	357	—	195	461	—	195	460	—	258	—	—	—	—	—	—
304 L3	253	314	138	324	—	156	357	—	195	461	—	195	460	—	258	—	—	—	—	—	—
304 L4	253	314	138	324	—	156	357	—	195	461	—	195	460	—	258	—	—	—	—	—	—



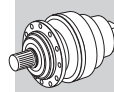
304 R

cm ³	Hydraulic motor							471			Kg
	MG							M2	M3	M4	
	050	080	100	125	160	200	250				
	M1										
304 R2	162	167	171	175	181	188	—	113	60	1/4G	14

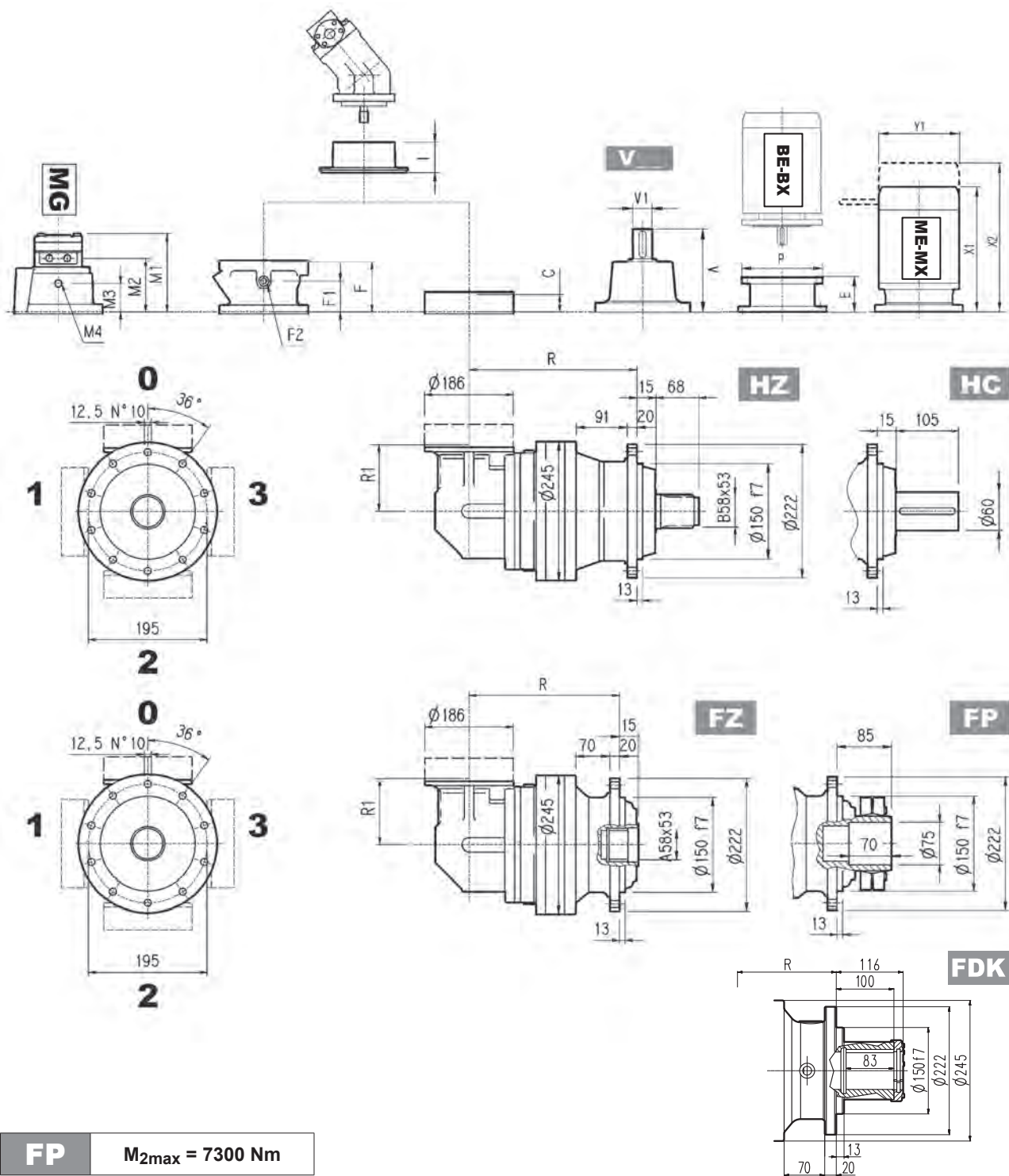


	R				R1	Kg			
	MC - MZ	PC - PZ	HC - HZ	FP - FZ - FDK		MC - MZ	PC - PZ	HC - HZ	FP - FZ - FDK
304 R2	217	257	242	217	140	51	60	55	51
304 R3	282	322	307	282	122	52	61	56	52
304 R4	335	375	360	335	122	56	65	60	56

	Kg						C	Input	I	Kg					
	V	V1	Kg	V	V1	Kg				F	F1	F2	Type	Input	Kg
304 R2	137.5	24	6	158	38	7	37	A	461	105	65	1/4 G	4	A	10
304 R3	137.5	24	6	158	38	7	37	A	461	105	65	1/4 G	4	A	10
304 R4	137.5	24	6	158	38	7	37	A	461	105	65	1/4 G	4	A	10



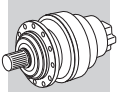
304 R



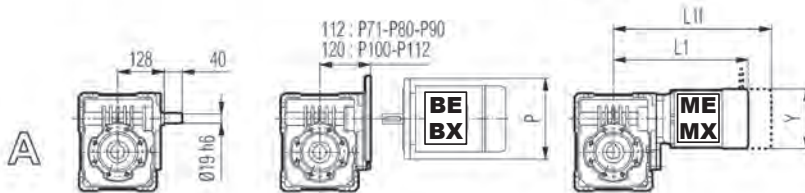
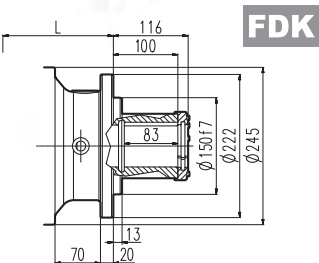
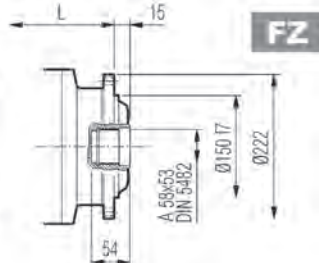
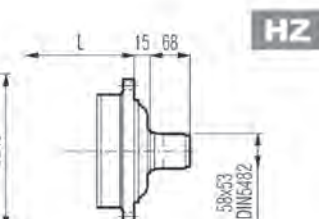
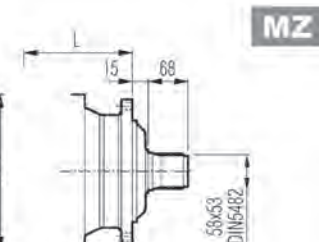
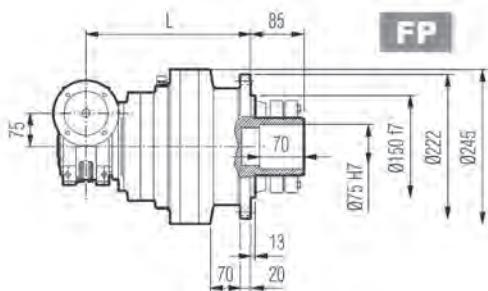
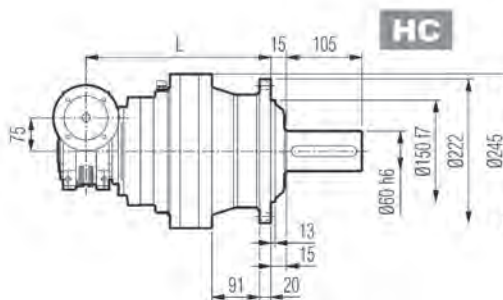
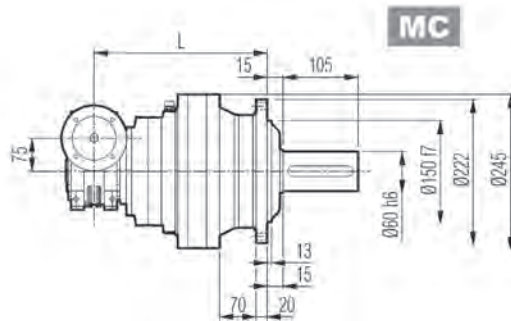
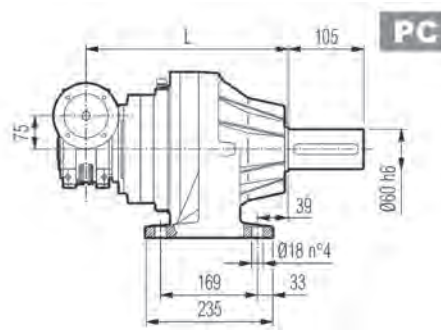
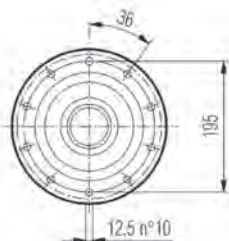
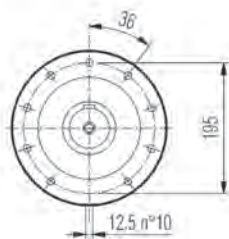
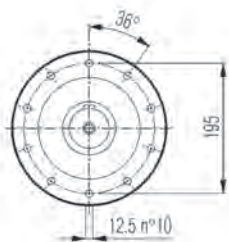
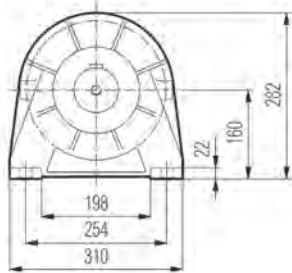
FP $M_{2max} = 7300 \text{ Nm}$

	P71		P80		P90		P100		P112		P132	
	E	P	E	P	E	P	E	P	E	P	E	P
304 R2	65	160	84	200	84	200	94	250	94	250	114	300
304 R3	65	160	84	200	84	200	94	250	94	250	114	300
304 R4	65	160	84	200	84	200	94	250	94	250	114	300

	S1 + M1			S2 + ME2S/MX2S			S3 + ME3S/MX3S			S3 + ME3L/MX3L			S4 + ME4/MX4		
	X1	X2	Y1	X1	X2	Y1	X1	X2	Y1	X1	X2	Y1	X1	X2	Y1
304 R2	-	-	-	372	—	156	373	—	195	405	—	195	508	—	258
304 R3	253	314	138	372	—	156	373	—	195	405	—	195	—	—	—
304 R4	253	314	138	372	—	156	373	—	195	405	—	195	—	—	—



3/V 04 L3



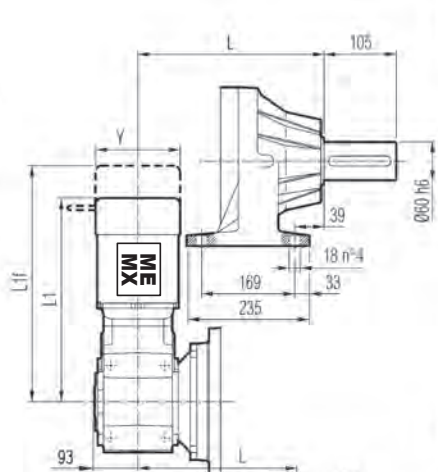
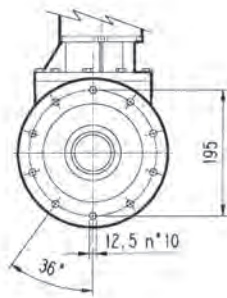
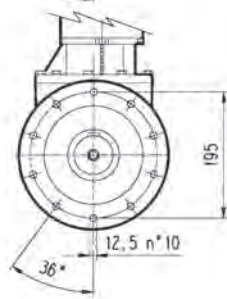
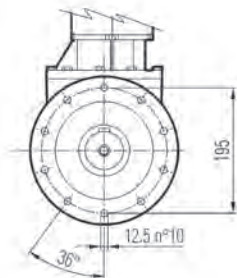
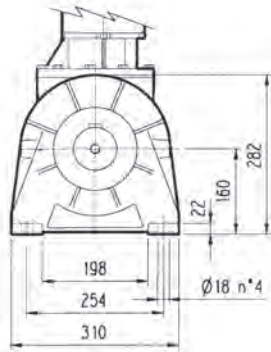
FP $M_{2max} = 7300 \text{ Nm}$

	L				Kg				P71	P80	P90	P100
	MC - MZ	PC - PZ	HC - HZ	FP - FZ - FDK	MC - MZ	PC - PZ	HC - HZ	FP - FZ - FDK	P	P	P	P
3/V 04 L3	305	345	330	305	47	56	51	47	160	200	200	250

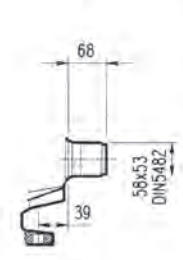
	S1 + M1			S2 + ME2S/MX2S			S3 + ME3S/MX3S			S3 + ME3L/MX3L		
	L1	L1f	Y	L1	L1f	Y	L1	L1f	Y	L1	L1f	Y
3/V 04 L3	308	369	138	377	—	156	408	—	193	452	—	193



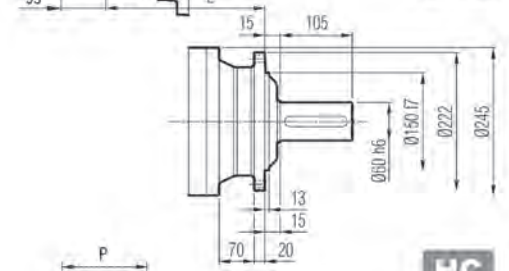
3/A 04 L2



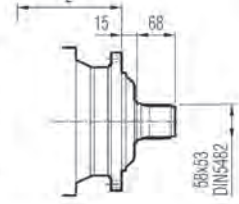
PC



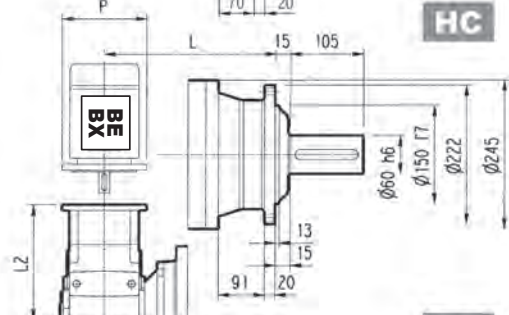
PZ



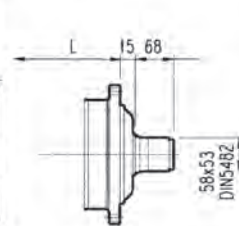
MC



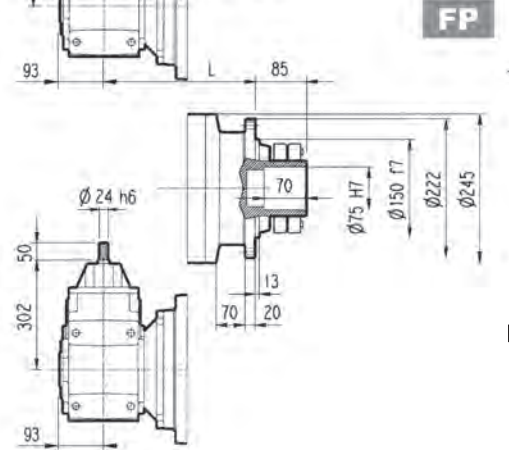
MZ



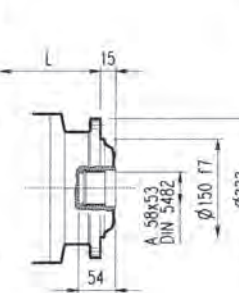
HC



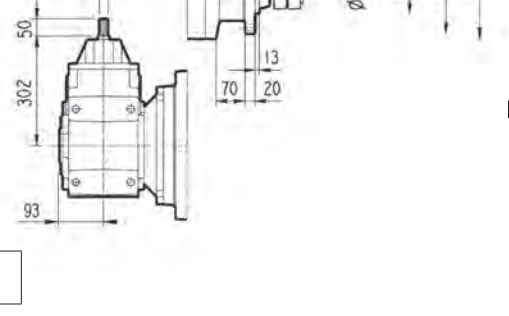
HZ



FP



FZ



FDK

FP $M_{2max} = 7300 \text{ Nm}$

3/A 04 L2	L						$\overset{\circ}{\text{Kg}}$									
	MC - MZ		PC - PZ		HC - HZ		FP - FZ - FDK		MC - MZ		PC - PZ		HC - HZ		FP - FZ - FDK	
	258		298		283		258		80		95		90		80	
3/A 04 L2	P63		P71		P80		P90		P100		P112		P132			
	L2	P	L2	P	L2	P	L2	P	L2	P	L2	P	L2	P		
	263	140	263	160	282.5	200	282.5	200	292.5	250	292.5	250	329	457		
3/A 04 L2	S1 + M1			S2 + ME2S/MX2S			S3 + ME3S/MX3S			S3 + ME3L/MX3L			S4 + ME4/MX4			
	L1	L1f	Y	L1	L1f	Y	L1	L1f	Y	L1	L1f	Y	L1	L1f	Y	
	418	439	138	491	—	156	522	—	195	566	—	195	630	—	258	



304 L

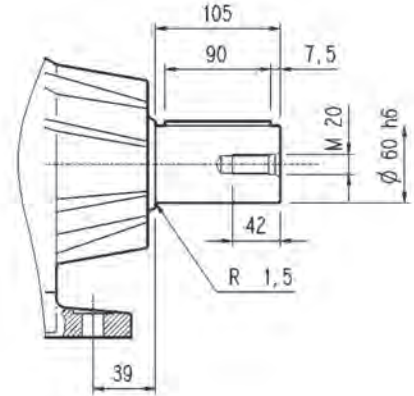
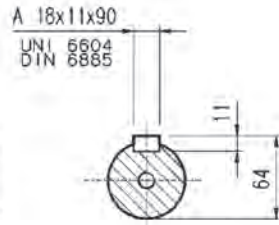
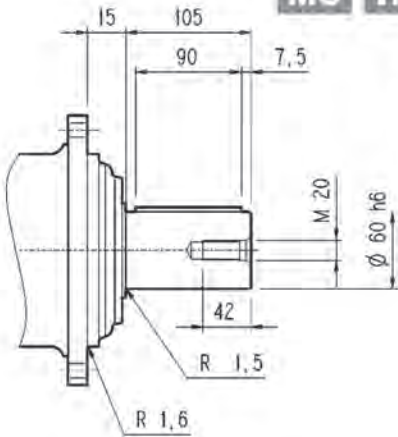
304 R

3/V 04 L3

3/A 04 L2

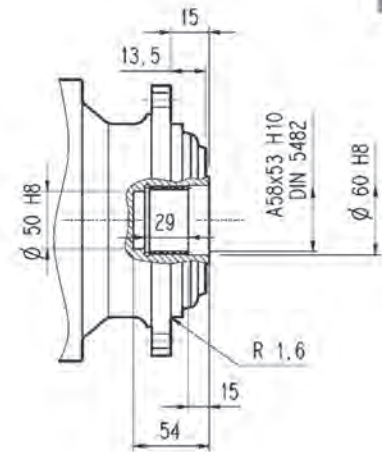
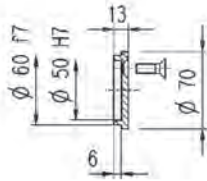
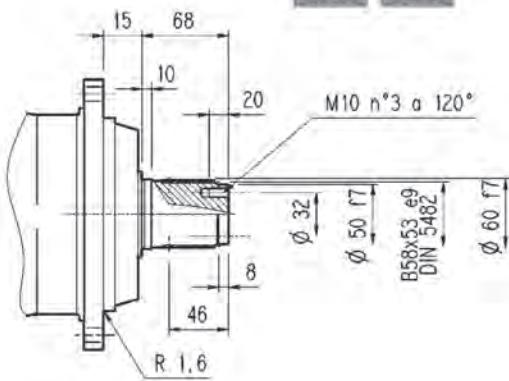
MC HC

PC



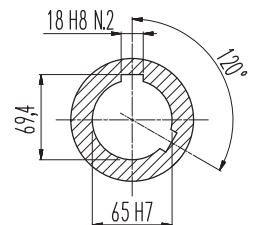
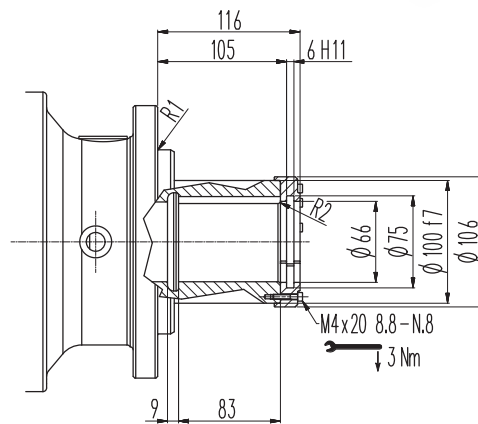
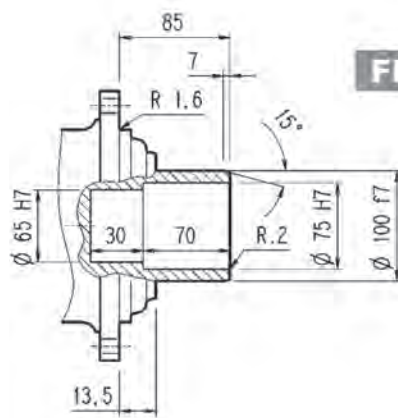
MZ HZ

FZ



FP

FDK



FP

$M_{2max} = 7300 \text{ Nm}$



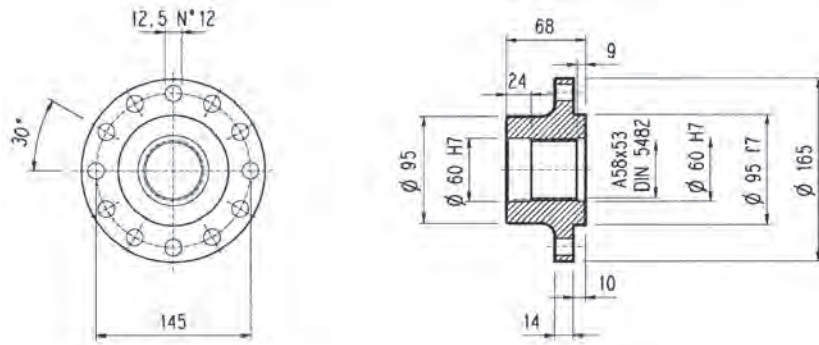
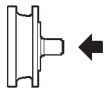
304 L

304 R

3/V 04 L3

3/A 04 L2

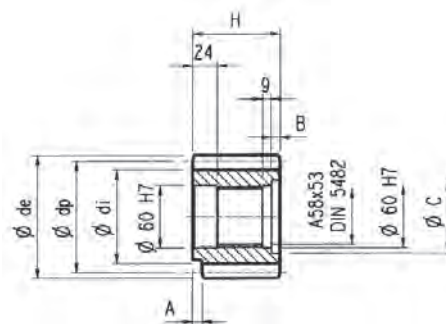
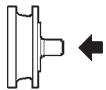
Flange



W0A

Material: Steel C40

Pinions

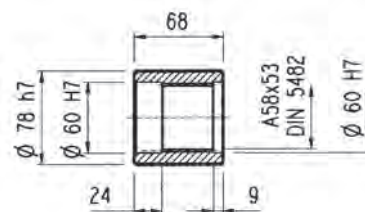
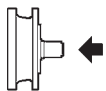


P...

$\alpha = 20^\circ$

	m	z	x	dp	di	de	H	A	B	C	Material
PCL1	5	19	—	95	82	104	77	12	9	72	Steel 39NiCrMo3 hardened and tempered
PCL2	5	19	—	95	82	104	68	—	—	—	
PCM	5	20	—	100	87.5	110	68	18	—	—	
PCP	5	22	—	110	97.5	120	68	18	—	—	Steel 18NiCrMo5 case hardened
PDE	6	14	0.500	84	75	99.6	68	—	—	—	Steel 39NiCrMo3 hardened and tempered
PDI	6	18	0.500	108	99	123.6	68	—	—	—	
PDM	6	20	0.833	120	115	140	68	—	—	—	
PFD	8	13	0.675	104	95	127.6	68	—	—	—	Steel 18NiCrMo5 case hardened
PFE1	8	14	—	112	92	126	68	—	—	—	
PFE2	8	14	—	112	92	126	80	—	12	72	
PFF	8	15	—	120	100	136	68	—	—	—	Steel 39NiCrMo3 hardened and tempered
PFP	8	22	—	176	156	190	77	12	10	71	
PHG	10	16	0.500	160	145	188	75	—	7	72	

Sleeve coupling



MOA

Material: Steel 16CrNi4

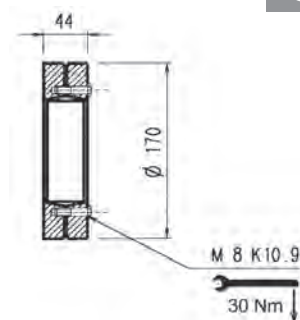
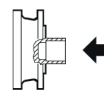
Splined bars



B0A

Material: Case hardening steel 18NiCrMo5 UNI 5331 must be case hardened 50-55 HRC

Shrink disc

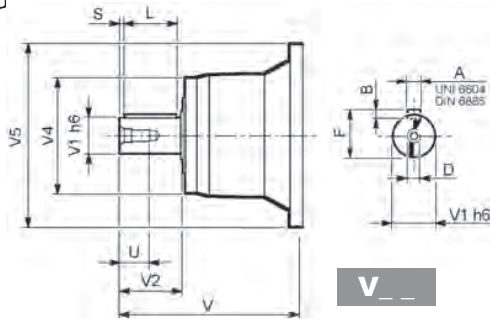


G0A

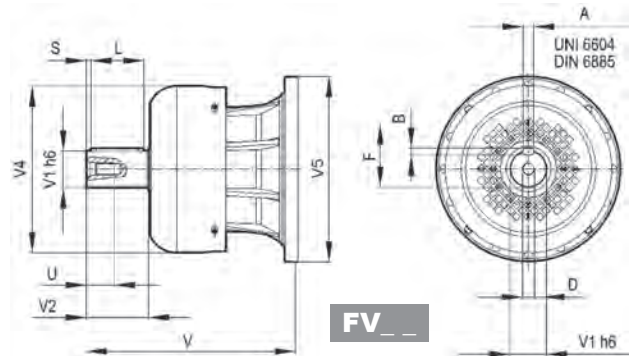


304 L

304 R



V__

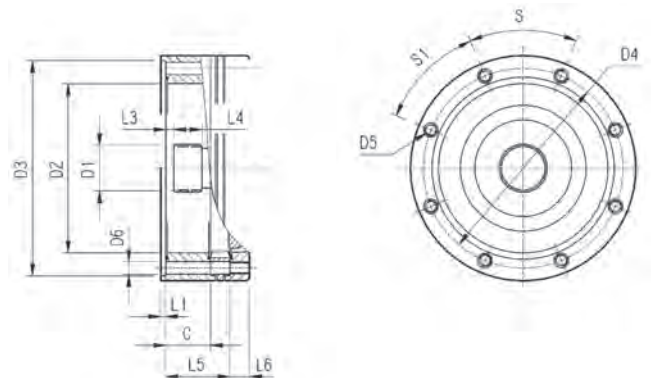


FV__

		V	V1	V2	V4	V5	A	B	F	L	S	D	U
304 L1	V05B	239	48	82	155	245	14	9	51.5	70	6	M16	36
	FV05B	276	48	82	219.5	244	14	9	51.5	70	6	M16	36
304 L2	V01A	137.5	24	36	120	186	8	7	27	30	3	M8	19
	V01B	158	38	58	120	186	10	8	41	50	4	M12	28
304 L3	V01A	137.5	24	36	120	186	8	7	27	30	3	M8	19
	V01B	158	38	58	120	186	10	8	41	50	4	M12	28
304 L4	V01A	137.5	24	36	120	186	8	7	27	30	3	M8	19
	V01B	158	38	58	120	186	10	8	41	50	4	M12	28
304 R2-R3-R4	V01A	137.5	24	36	120	186	8	7	27	30	3	M8	19
	V01B	158	38	58	120	186	10	8	41	50	4	M12	28

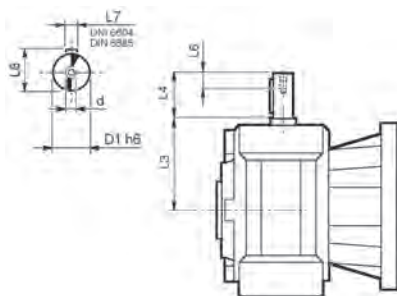
304 L

304 R



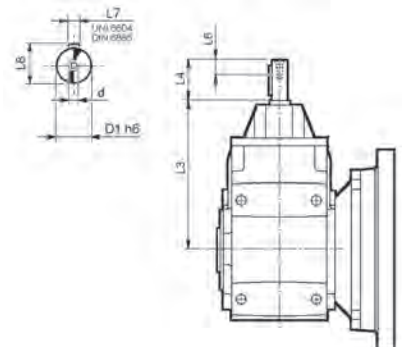
		C	D1	D2	D3	D4	D5	D6	L1	L2	L3	L4	L5	L6	S	S1	Input
304 L1	V9AA	37	40x36 DIN5482	140	178 H7	165	M10 n°8	11	4	—	9	18	—	18	45°	45°	A
304 L2	V9AA	37	40x36 DIN5482	140	178 H7	165	M10 n°8	11	4	—	9	18	65	18	45°	45°	A
304 L3	V9AA	37	40x36 DIN5482	140	178 H7	165	M10 n°8	11	4	—	9	18	118	18	45°	45°	A
304 L4	V9AA	37	40x36 DIN5482	140	178 H7	165	M10 n°8	11	4	—	9	18	171	18	45°	45°	A
304 R2-R3-R4	V9AA	37	40x36 DIN5482	140	178 H7	165	M10 n°8	11	4	—	9	18	37	18	45°	45°	A

3/V 04 L3



	D1 h6	L3	L4	L6	L7	L8	d
3/V 04 L3_HS	19	128	40	16	6	21.5	M6

3/A 04 L2



	D1 h6	L3	L4	L6	L7	L8	d
3/A 04 L2_HS	24	302	50	19	8	27	M8



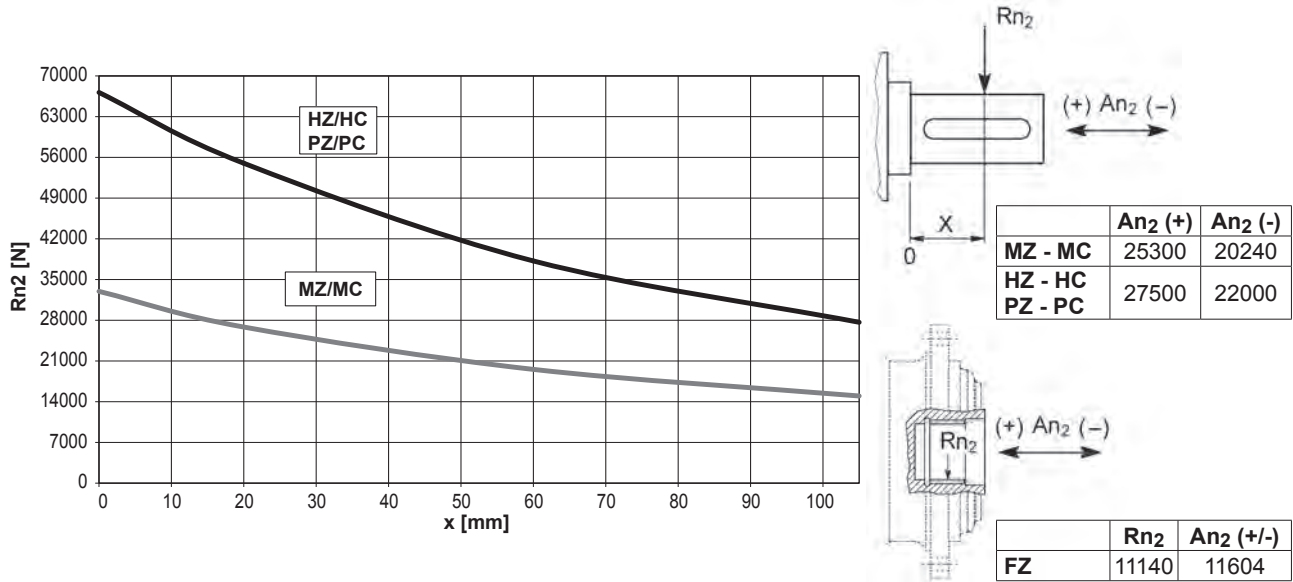
304 L

304 R

3/V 04 L3

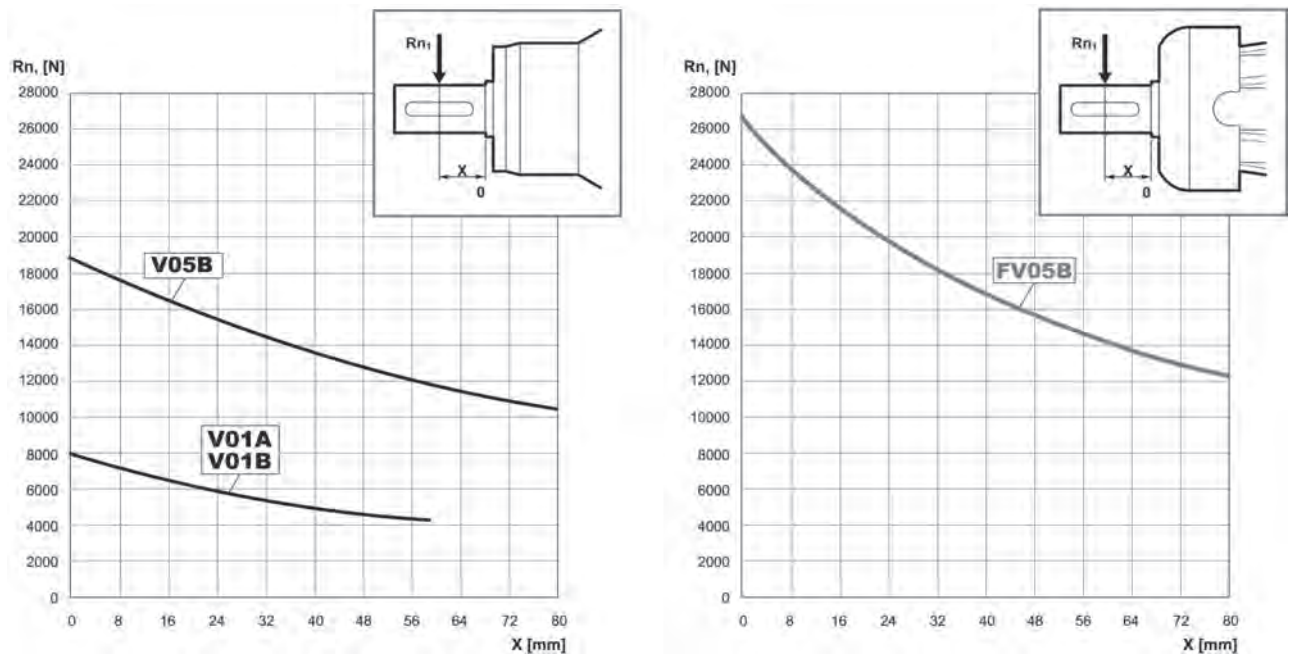
3/A 04 L2

Permissible radial and axial loads on output shaft with $F_{h2} : n_2 \cdot h = 100000$



Load corrective factor fh_2 on shafts	$F_{h2} = n_2 \cdot h$		10000	25000	50000	100000	500000	1000000	
	fh_2	FZ		2.15	1.59	1.26	1.00	0.58	0.46
		MZ - MC		2.15	1.59	1.26	1.00	0.58	0.46
HZ - HC - PZ - PC			1.48	1.48	1.23	1.00	0.62	0.50	

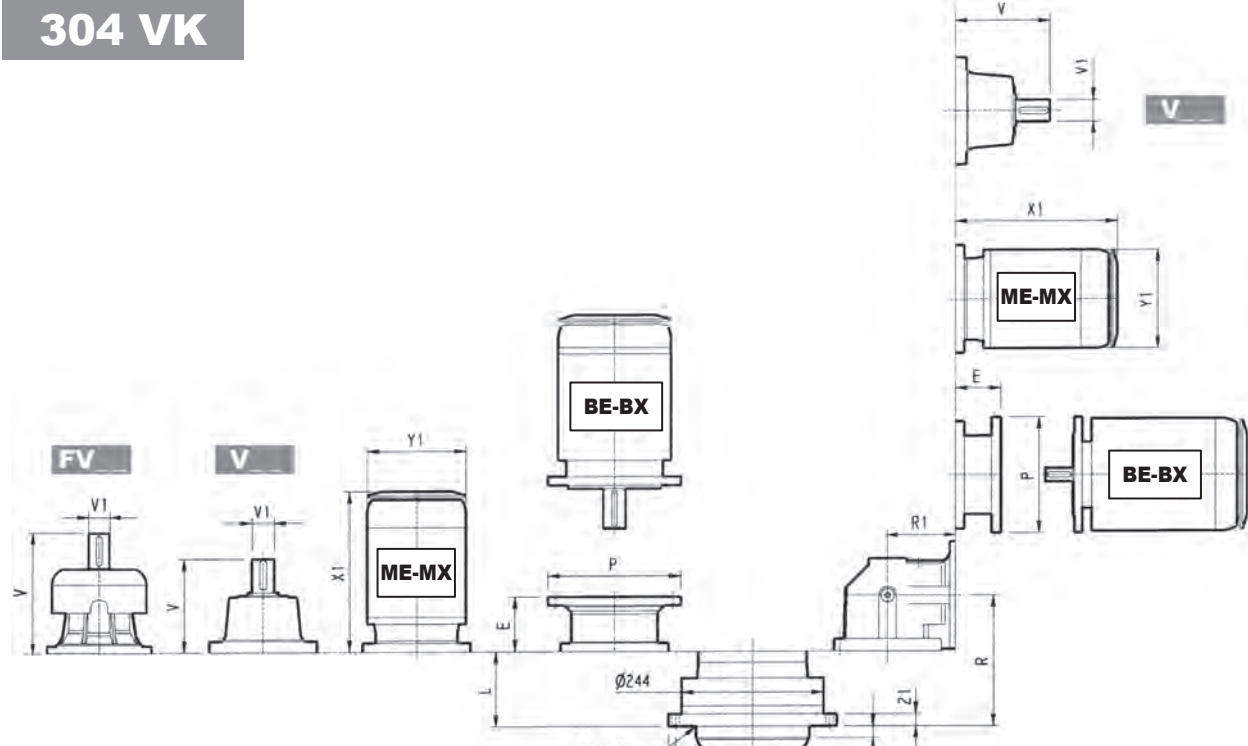
Permissible radial loads on input shaft with $F_{h1} : n_1 \cdot h = 250000$



Load corrective factor fh_1 on shafts	$F_{h1} = n_1 \cdot h$		250000	500000	1000000	2000000	5000000	10000000
	fh_1		1	0.79	0.63	0.50	0.37	0.29



304 VK



304 L_VK

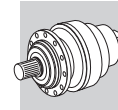
304 R_VK

	L	Kg	V			V			V			P71		P80		P90		P100		P112		P132		P160		P180		P200		
			V	V1	Kg	V	V1	Kg	V	V1	Kg	E	P	E	P	E	P	E	P	E	P	E	P	E	P	E	P	E	P	
304 L1	51	65	239	48	15	—	—	—	276	48	17	—	—	—	—	—	—	—	—	—	—	—	114	300	144	350	144	350	174	400
304 L2	116	73	137.5	24	6	158	38	7	—	—	—	—	—	65	160	84	200	84	200	94	250	94	250	114	300	144	350	—	—	—
304 L3	169	76	137.5	24	6	158	38	7	—	—	—	—	—	65	160	84	200	84	200	94	250	94	250	114	300	144	350	—	—	—
304 L4	222	80	137.5	24	6	158	38	7	—	—	—	—	—	65	160	84	200	84	200	94	250	94	250	114	300	144	350	—	—	—

	S1 + M1			S2 + ME2S/MX2S			S3 + ME3S/MX3S			S3 + ME3L/MX3L			S4 + ME4/MX4			S5 + ME5S/MX5S			S5 + ME5L/MX5L					
	X1	X2	Y1	X1	X2	Y1	X1	X2	Y1	X1	X2	Y1	X1	X2	Y1	X1	X2	Y1	X1	X2	Y1			
304 L1	—	—	—	—	—	—	—	—	—	—	—	—	—	—	—	460	—	258	552	—	310	596	—	310
304 L2	253	314	138	324	—	156	357	—	195	401	—	195	460	—	258	—	—	—	—	—	—	—	—	—
304 L3	253	314	138	324	—	156	357	—	195	401	—	195	460	—	258	—	—	—	—	—	—	—	—	—
304 L4	253	314	138	324	—	156	357	—	195	401	—	195	460	—	258	—	—	—	—	—	—	—	—	—

	R	R1	Kg	V			V			P71		P80		P90		P100		P112		P132	
				V	V1	Kg	V	V1	Kg	E	P	E	P	E	P	E	P	E	P	E	P
304 R2	143	140	85	137.5	24	6	158	38	7	65	160	84	200	84	200	94	250	94	250	114	300
304 R3	208	122	86	137.5	24	6	158	38	7	65	160	84	200	84	200	94	250	94	250	114	300
304 R4	261	122	90	137.5	24	6	158	38	7	65	160	84	200	84	200	94	250	94	250	114	300

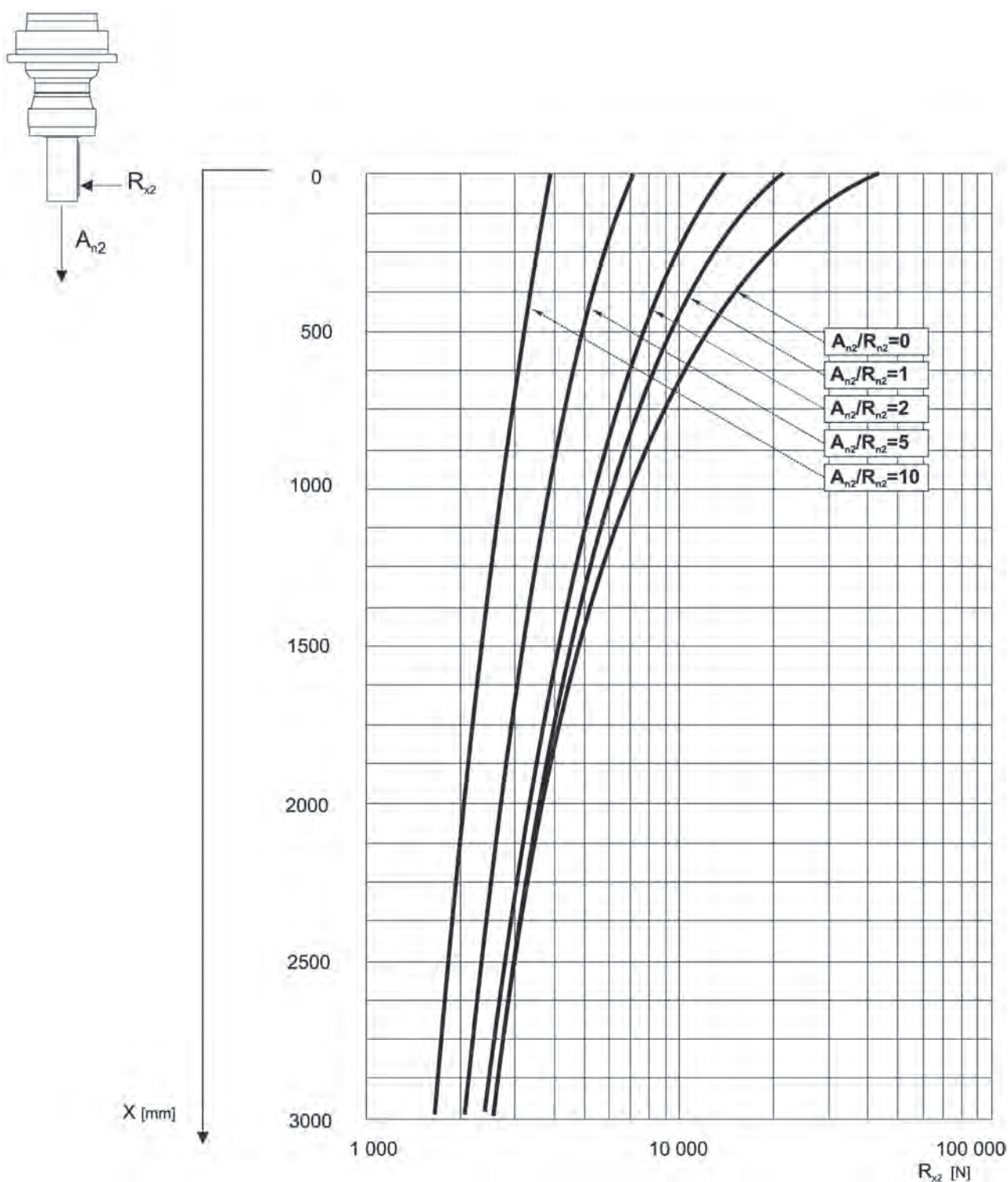
	S1 + ME1			S2 + ME2S/MX2S			S3 + ME3S/MX3S			S3 + ME3L/MX3L			S4 + ME4/MX4		
	X1	X2	Y1	X1	X2	Y1	X1	X2	Y1	X1	X2	Y1	X1	X2	Y1
304 R2	—	—	—	372	—	156	405	—	195	449	—	195	508	—	258
304 R3	253	314	138	372	—	156	405	—	195	449	—	195	—	—	—
304 R4	253	314	138	372	—	156	405	—	195	449	—	195	—	—	—



304 VK

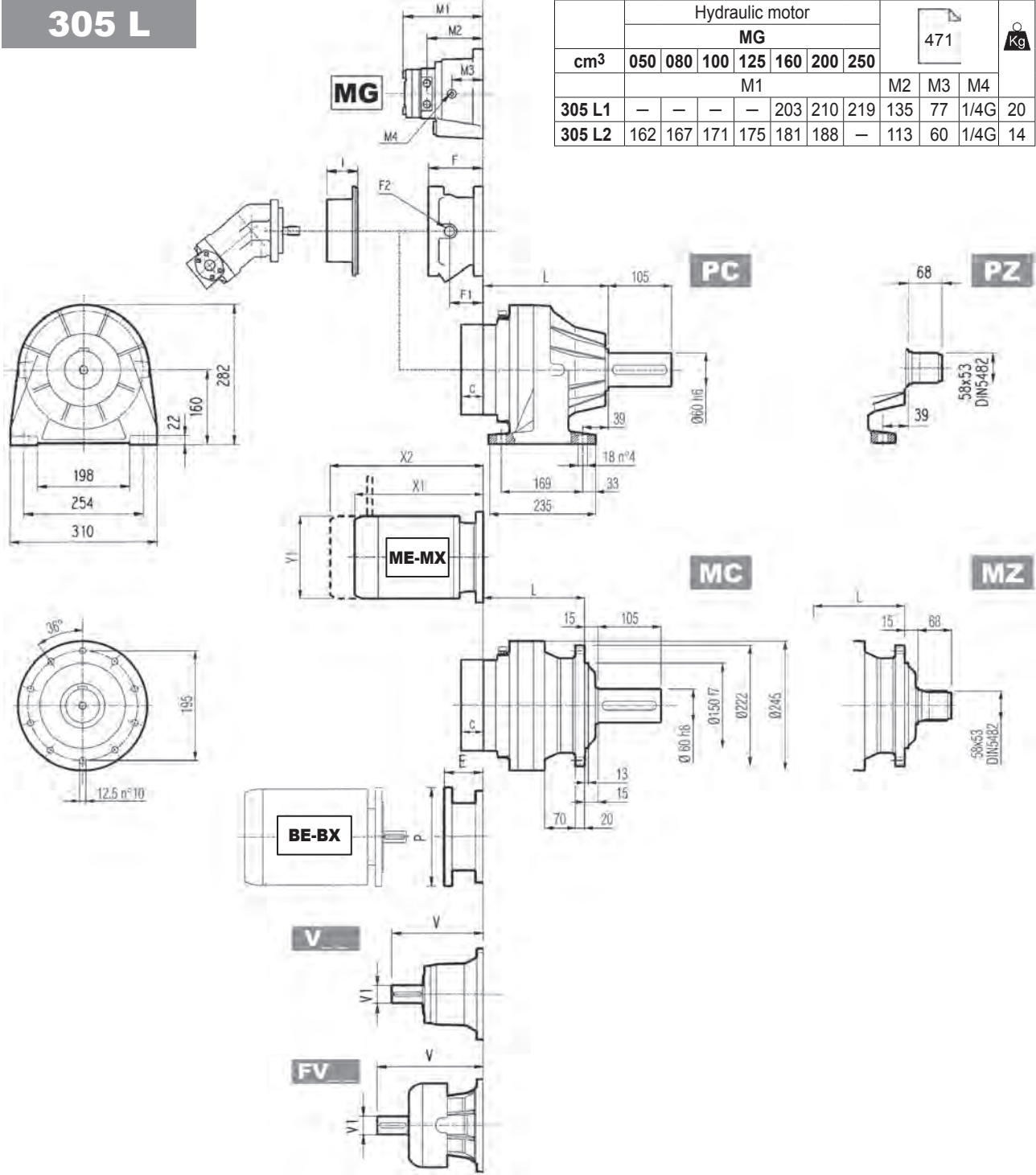
The diagram below allows the calculation of permitted overhung load R_{x2} on the output shaft of gearbox, with radial force applying at a distance x from shaft shoulder.

The curves are relevant to value resulting from the relationship of trust load A_{n2} to radial load R_{n2} , based on $n_2 = 10 \text{ min}^{-1}$ and 10000 hrs theoretical lifetime.





305 L



		Hydraulic motor							471			Kg		
		MG												
cm ³		050	080	100	125	160	200	250						
									M1			M2	M3	M4
305 L1		—	—	—	—	203	210	219	135	77	1/4G	20		
305 L2		162	167	171	175	181	188	—	113	60	1/4G	14		

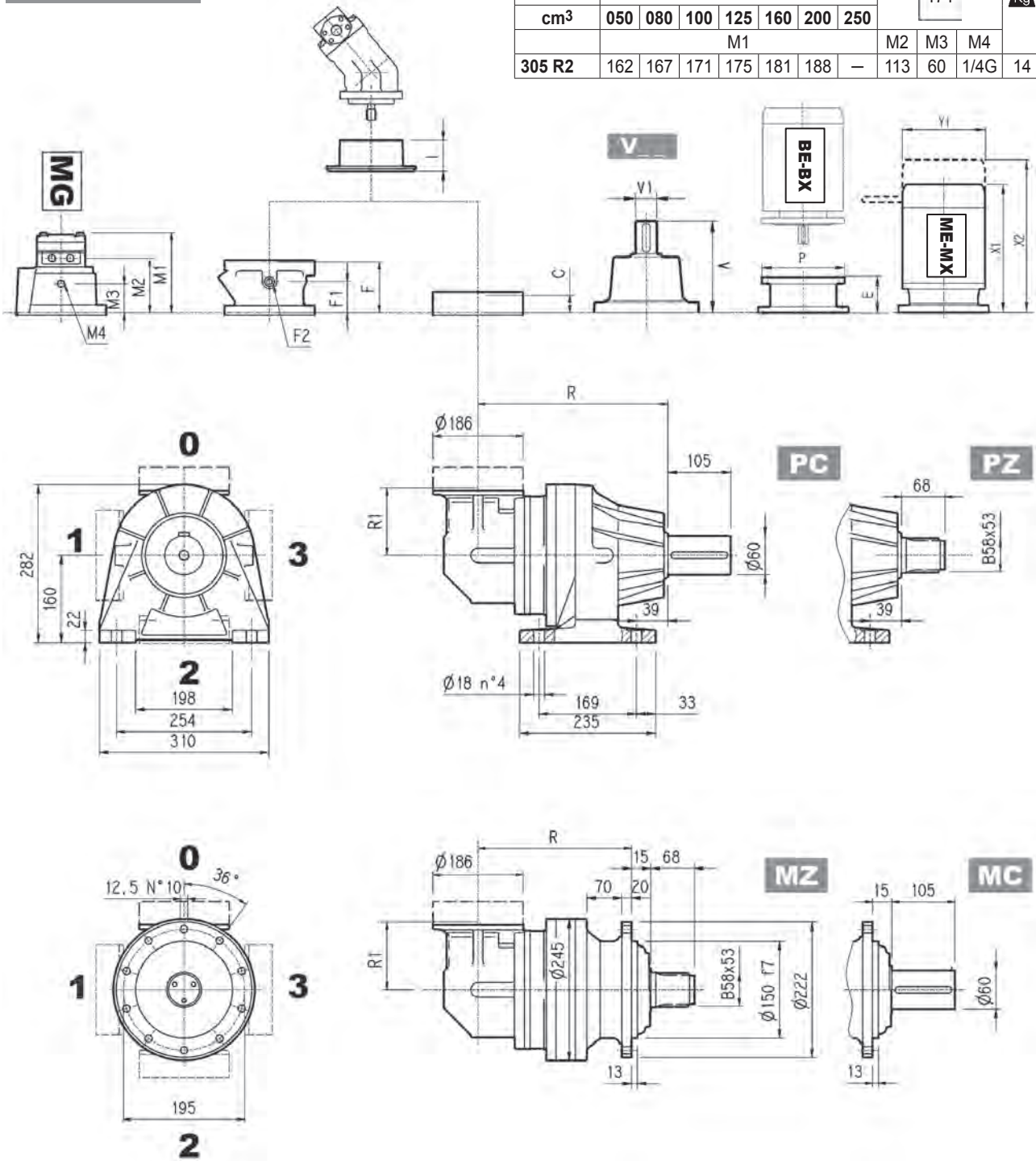
	L				Kg			
	MC - MZ	PC - PZ	HC - HZ	FP - FZ - FDK	MC - MZ	PC - PZ	HC - HZ	FP - FZ - FDK
305 L1	143	183	168	143	36	45	40	36
305 L2	208	248	233	208	43	52	47	43
305 L3	261	301	286	261	47	56	51	47
305 L4	314	354	339	314	51	60	55	51

	V			V1			V			V1			C	Input	I	F			Type	Input	Kg
	V	V1	Kg	V	V1	Kg	V	V1	Kg	V	V1	Kg				F	F1	F2			
305 L1	239	48	15	—	—	—	276	48	17	—	—	—	37	A	—	145	95	1/4 G	5	A	16
305 L2	137.5	24	6	158	38	7	—	—	—	—	—	—	37	A	—	105	65	1/4 G	4	A	10
305 L3	137.5	24	6	158	38	7	—	—	—	—	—	—	37	A	—	105	65	1/4 G	4	A	10
305 L4	137.5	24	6	158	38	7	—	—	—	—	—	—	37	A	461	105	65	1/4 G	4	A	10



305 R

cm ³	Hydraulic motor							471	Kg		
	MG										
	050	080	100	125	160	200	250				
	M1							M2	M3	M4	
305 R2	162	167	171	175	181	188	—	113	60	1/4G	14

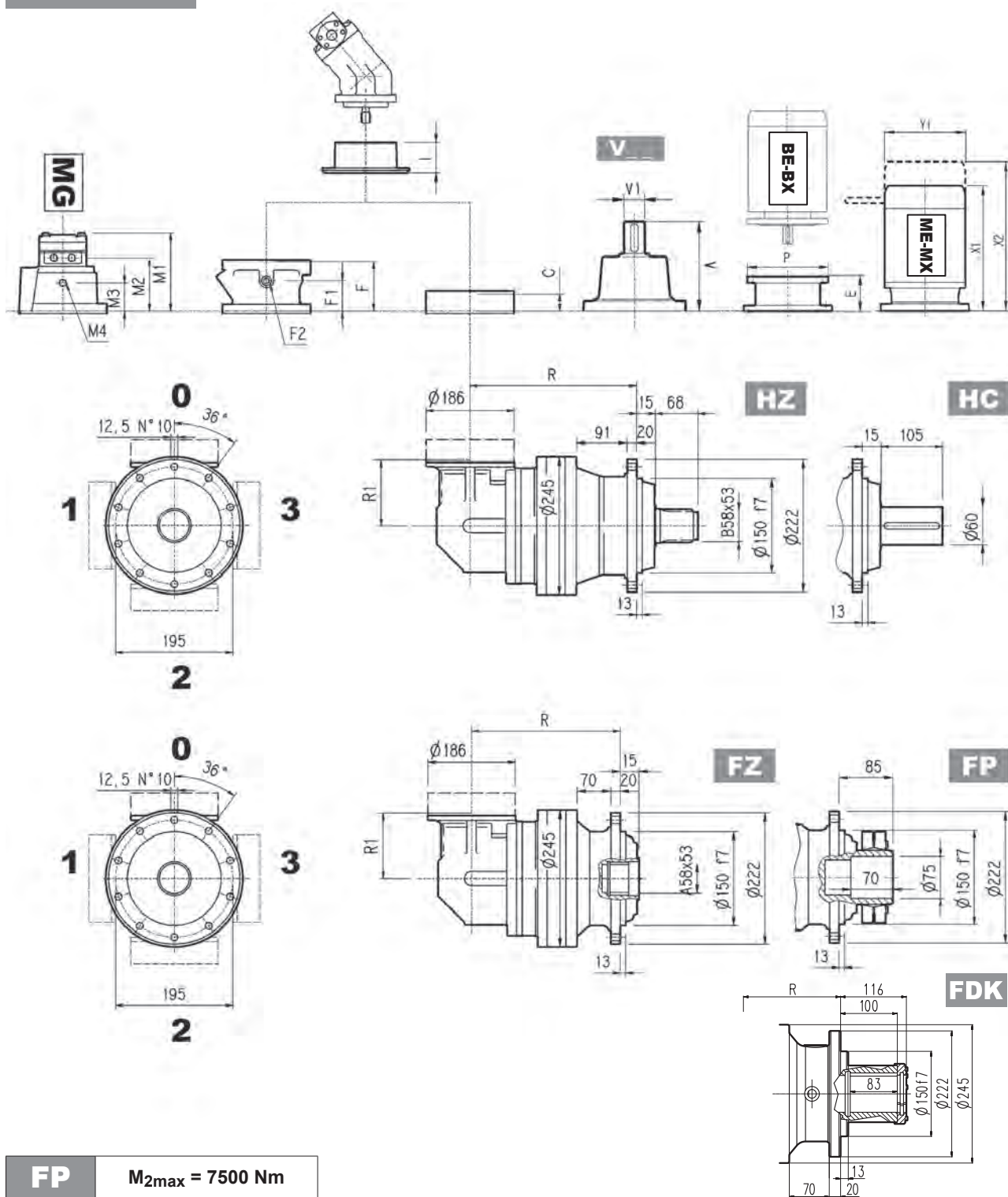


	R				R1	Kg			
	MC - MZ	PC - PZ	HC - HZ	FP - FZ - FDK		MC - MZ	PC - PZ	HC - HZ	FP - FZ - FDK
305 R2	235	375	260	235	140	56	65	60	56
305 R3	300	340	325	300	122	57	66	61	57
305 R4	353	393	378	353	122	61	70	65	61

	Kg						C	Input	I	Kg					
	V	V1	Kg	V	V1	Kg				F	F1	F2	Type	Input	Kg
305 R2	137.5	24	6	158	38	7	37	A	461	105	65	1/4 G	4	A	10
305 R3	137.5	24	6	158	38	7	37	A	461	105	65	1/4 G	4	A	10
305 R4	137.5	24	6	158	38	7	37	A	461	105	65	1/4 G	4	A	10



305 R

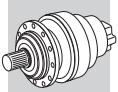


FP

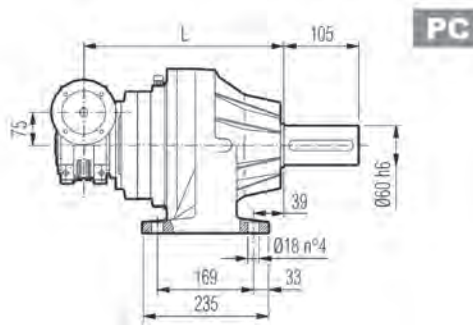
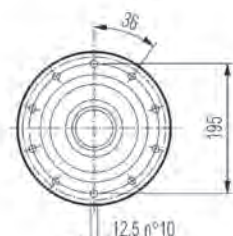
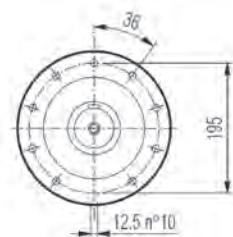
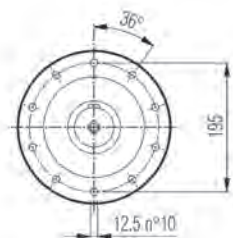
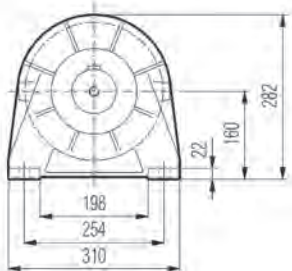
$M_{2max} = 7500 \text{ Nm}$

	P71		P80		P90		P100		P112		P132	
	E	P	E	P	E	P	E	P	E	P	E	P
305 R2	65	160	84	200	84	200	94	250	94	250	114	300
305 R3	65	160	84	200	84	200	94	250	94	250	114	300
305 R4	65	160	84	200	84	200	94	250	94	250	114	300

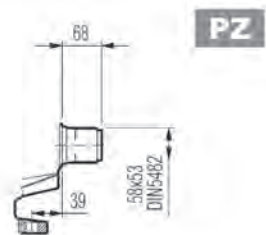
	S1 + M1			S2 + ME2S/MX2S			S3 + ME3S/MX3S			S3 + ME3L/MX3L			S4 + ME4/MX4		
	X1	X2	Y1	X1	X2	Y1	X1	X2	Y1	X1	X2	Y1	X1	X2	Y1
305 R2	—	—	—	372	—	156	405	—	195	449	—	195	508	—	258
305 R3	253	314	138	372	—	156	405	—	195	449	—	195	508	—	258
305 R4	253	314	138	372	—	156	405	—	195	449	—	195	508	—	258



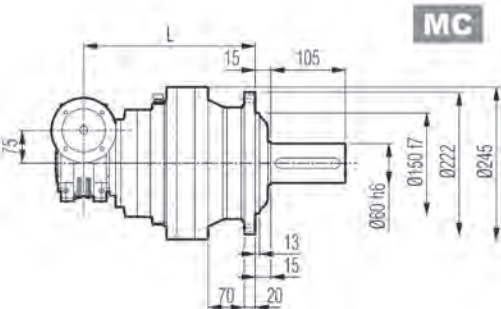
3/V 05 L3



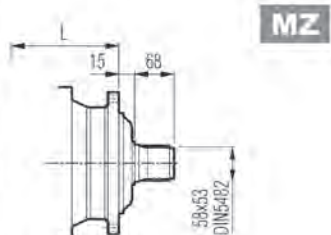
PC



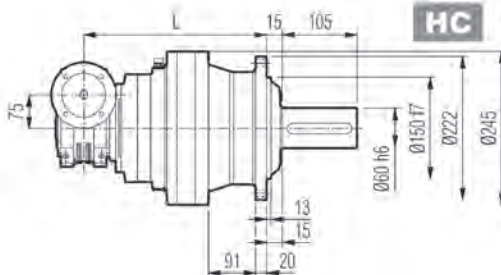
PZ



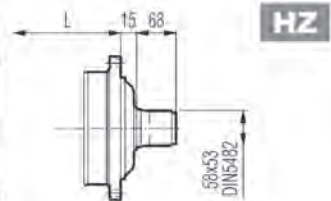
MC



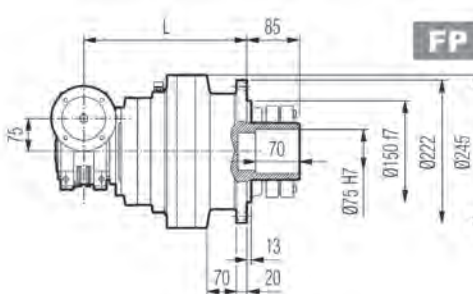
MZ



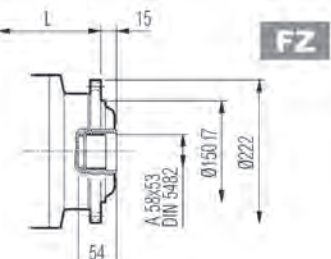
HC



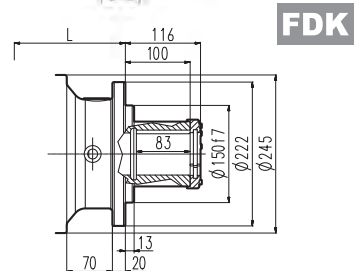
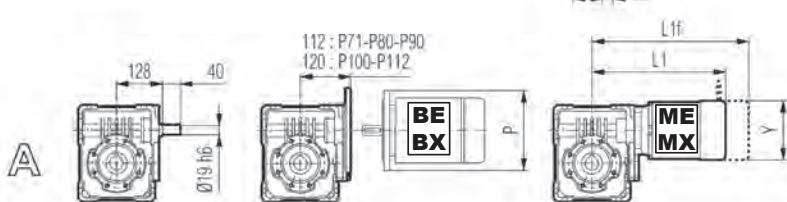
HZ



FP



FZ



FDK

FP $M_{2max} = 7500 \text{ Nm}$

	L				Kg				P71	P80	P90	P100
	MC - MZ	PC - PZ	HC - HZ	FP - FZ - FDK	MC - MZ	PC - PZ	HC - HZ	FP - FZ - FDK	P	P	P	P
3/V 05 L3	323	363	348	323	51	60	55	51	160	200	200	250

	S1 + M1			S2 + ME2S/MX2S			S3 + ME3S/MX3S			S3 + ME3L/MX3L		
	L1	L1f	Y	L1	L1f	Y	L1	L1f	Y	L1	L1f	Y
3/V 05 L3	308	369	138	376	—	156	408	—	193	452	—	193



305 L

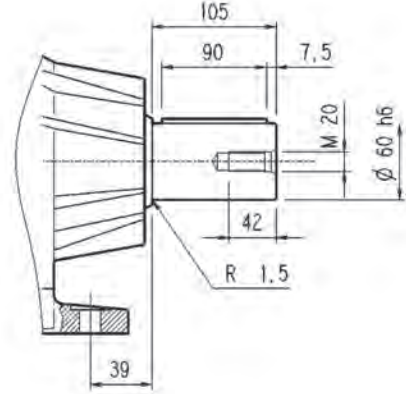
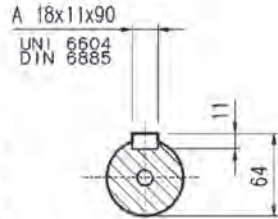
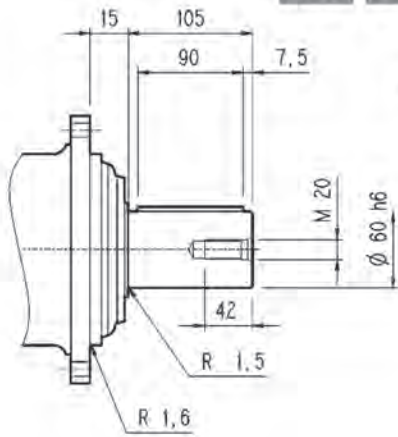
305 R

3/V 05 L3

3/A 05 L2

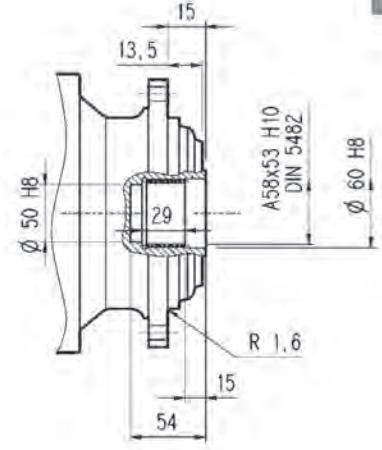
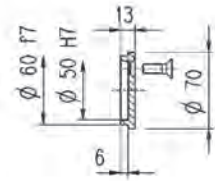
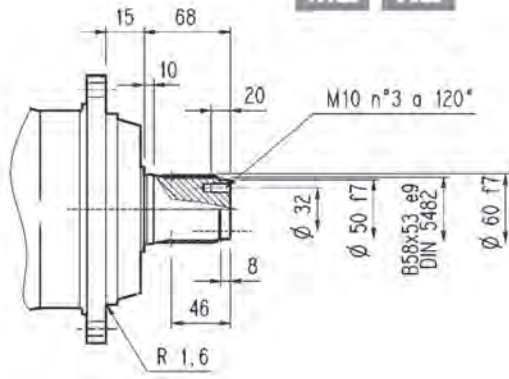
MC HC

PC



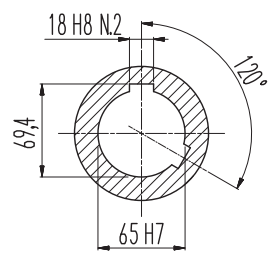
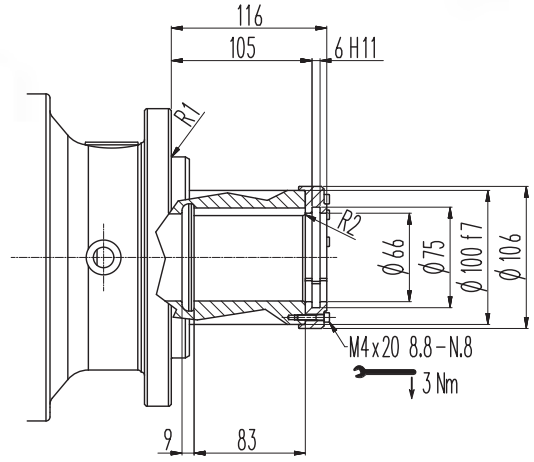
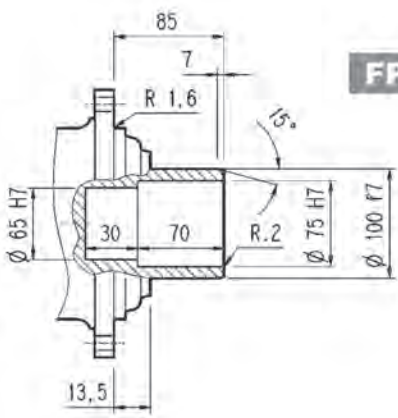
MZ HZ

FZ



FP

FDK



FP

$M_{2max} = 7500 \text{ Nm}$



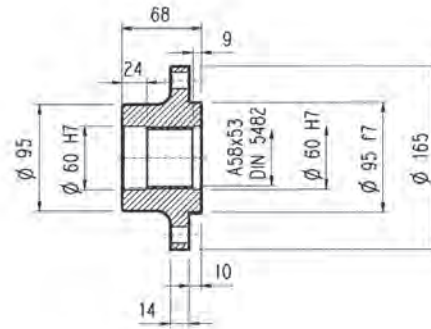
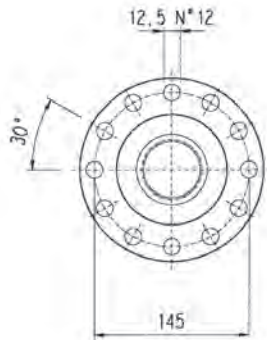
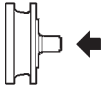
305 L

305 R

3/V 05 L3

3/A 05 L2

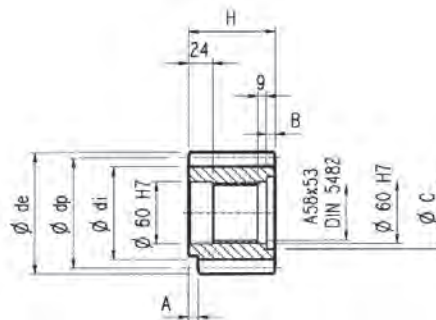
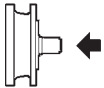
Flange



W0A

Material: Steel C40

Pinions

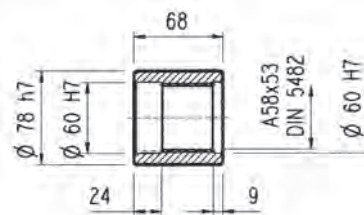
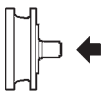


P...

α = 20°

	m	z	x	dp	di	de	H	A	B	C	Material
PCL1	5	19	—	95	82	104	77	12	9	72	Steel 39NiCrMo3 hardened and tempered
PCL2	5	19	—	95	82	104	68	—	—	—	
PCM	5	20	—	100	87.5	110	68	18	—	—	
PCP	5	22	—	110	97.5	120	68	18	—	—	Steel 18NiCrMo5 case hardened
PDE	6	14	0.500	84	75	99.6	68	—	—	—	Steel 39NiCrMo3 hardened and tempered
PDI	6	18	0.500	108	99	123.6	68	—	—	—	
PDM	6	20	0.833	120	115	140	68	—	—	—	
PFD	8	13	0.675	104	95	127.6	68	—	—	—	Steel 18NiCrMo5 case hardened
PFE1	8	14	—	112	92	126	68	—	—	—	
PFE2	8	14	—	112	92	126	80	—	12	72	
PFF	8	15	—	120	100	136	68	—	—	—	Steel 39NiCrMo3 hardened and tempered
PFP	8	22	—	176	156	190	77	12	10	71	
PHG	10	16	0.500	160	145	188	75	—	7	72	

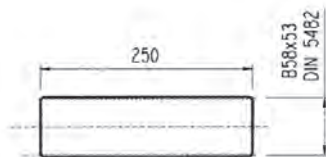
Sleeve coupling



M0A

Material: Steel 16CrNi4

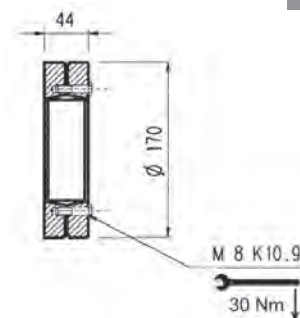
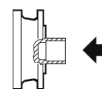
Splined bars



B0A

Material: Case hardening steel 18NiCrMo5 UNI 5331 must be case hardened 50-55 HRC

Shrink disc

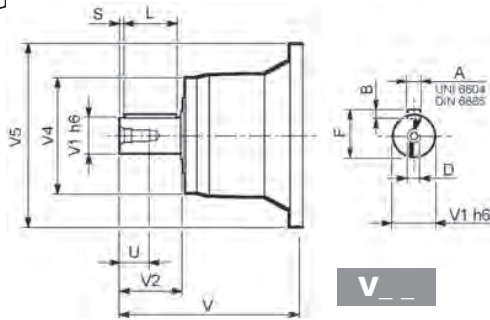


G0A

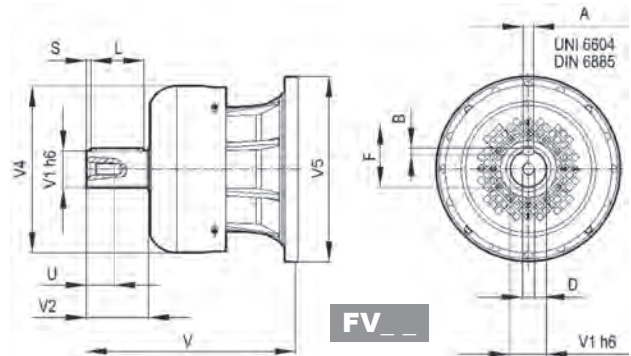


305 L

305 R



V__

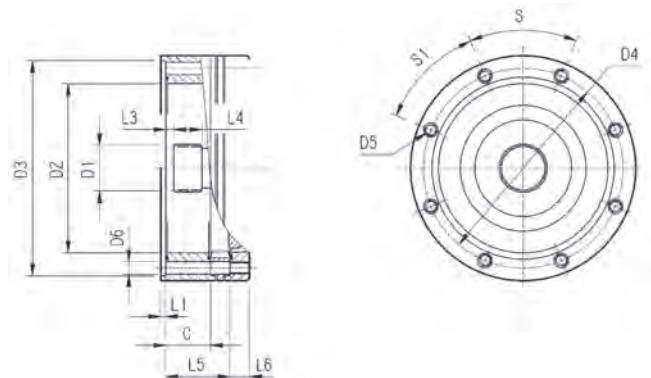


FV__

		V	V1	V2	V4	V5	A	B	F	L	S	D	U
305 L1	V05B	239	48	82	155	245	14	9	51.5	70	6	M16	36
	FV05B	276	48	82	219.5	244	14	9	51.5	70	6	M16	36
305 L2	V01A	137.5	24	36	120	186	8	7	27	30	3	M8	19
	V01B	158	38	58	120	186	10	8	41	50	4	M12	28
305 L3	V01A	137.5	24	36	120	186	8	7	27	30	3	M8	19
	V01B	158	38	58	120	186	10	8	41	50	4	M12	28
305 L4	V01A	137.5	24	36	120	186	8	7	27	30	3	M8	19
	V01B	158	38	58	120	186	10	8	41	50	4	M12	28
305 R2-R3-R4	V01A	137.5	24	36	120	186	8	7	27	30	3	M8	19
	V01B	158	38	58	120	186	10	8	41	50	4	M12	28

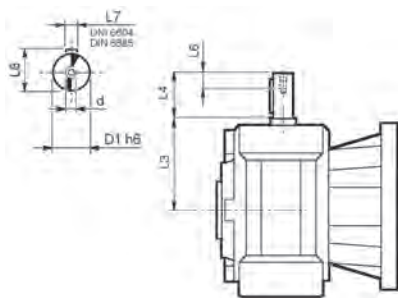
305 L

305 R



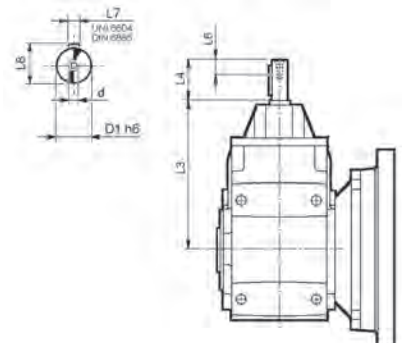
		C	D1	D2	D3	D4	D5	D6	L1	L2	L3	L4	L5	L6	S	S1	Input
305 L1	V9AA	37	40x36 DIN5482	140	178 H7	165	M10 n°8	11	4	—	9	18	—	18	45°	45°	A
305 L2	V9AA	37	40x36 DIN5482	140	178 H7	165	M10 n°8	11	4	—	9	18	65	18	45°	45°	A
305 L3	V9AA	37	40x36 DIN5482	140	178 H7	165	M10 n°8	11	4	—	9	18	118	18	45°	45°	A
305 L4	V9AA	37	40x36 DIN5482	140	178 H7	165	M10 n°8	11	4	—	9	18	171	18	45°	45°	A
305 R2-R3-R4	V9AA	37	40x36 DIN5482	140	178 H7	165	M10 n°8	11	4	—	9	18	37	18	45°	45°	A

3/V 05 L3



	D1 h6	L3	L4	L6	L7	L8	d
3/V 05 L3_HS	19	128	40	16	6	21.5	M6

3/A 05 L2



	D1 h6	L3	L4	L6	L7	L8	d
3/A 05 L2_HS	24	302	50	19	8	27	M8



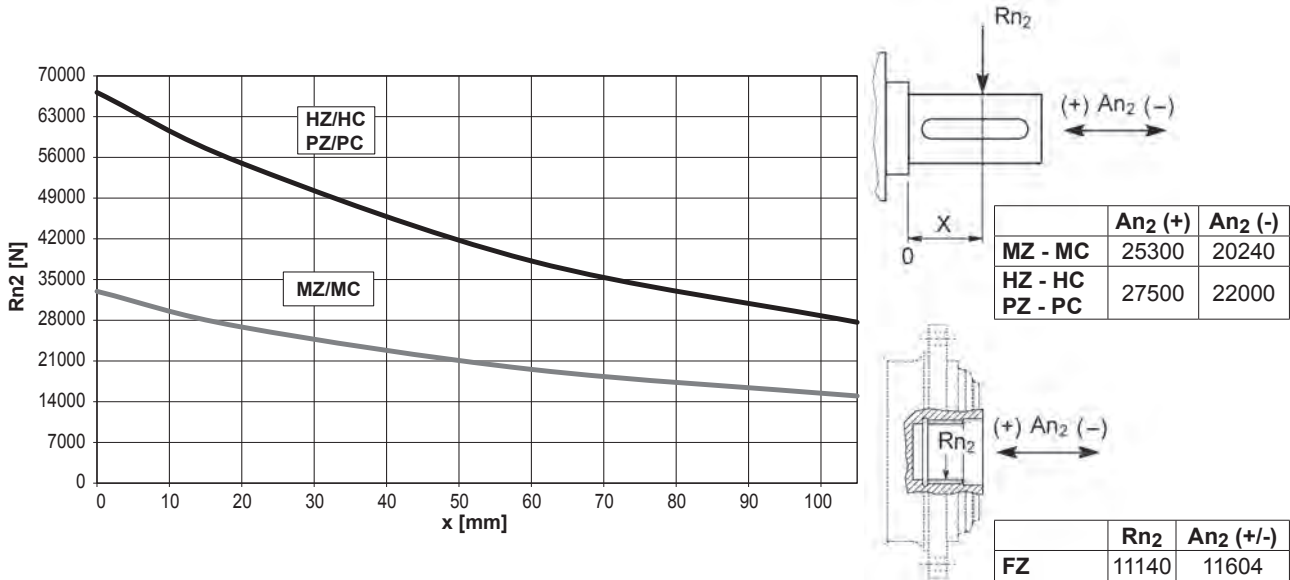
305 L

305 R

3/V 05 L3

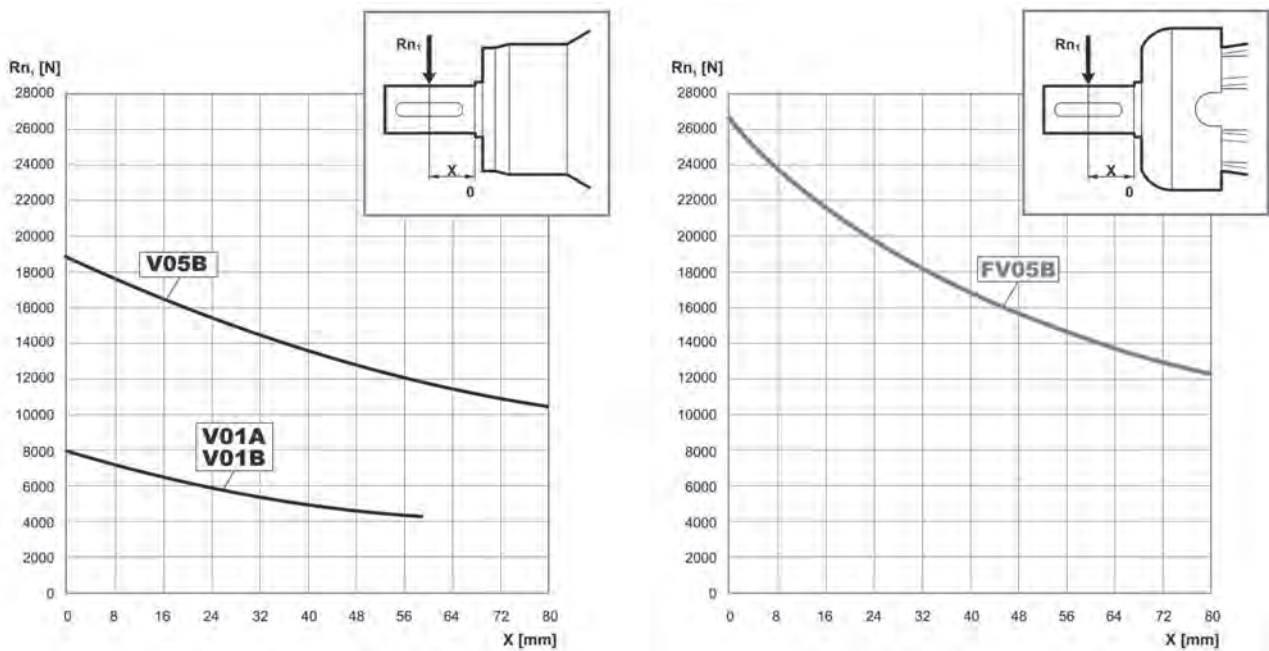
3/A 05 L2

Permissible radial and axial loads on output shaft with $F_{h2} : n_2 \cdot h = 100000$



Load corrective factor f_{h2} on shafts	$F_{h2} = n_2 \cdot h$		10000	25000	50000	100000	500000	1000000	
	f_{h2}	FZ		2.15	1.59	1.26	1.00	0.58	0.46
		MZ - MC		2.15	1.59	1.26	1.00	0.58	0.46
HZ - HC - PZ - PC			1.48	1.48	1.23	1.00	0.62	0.50	

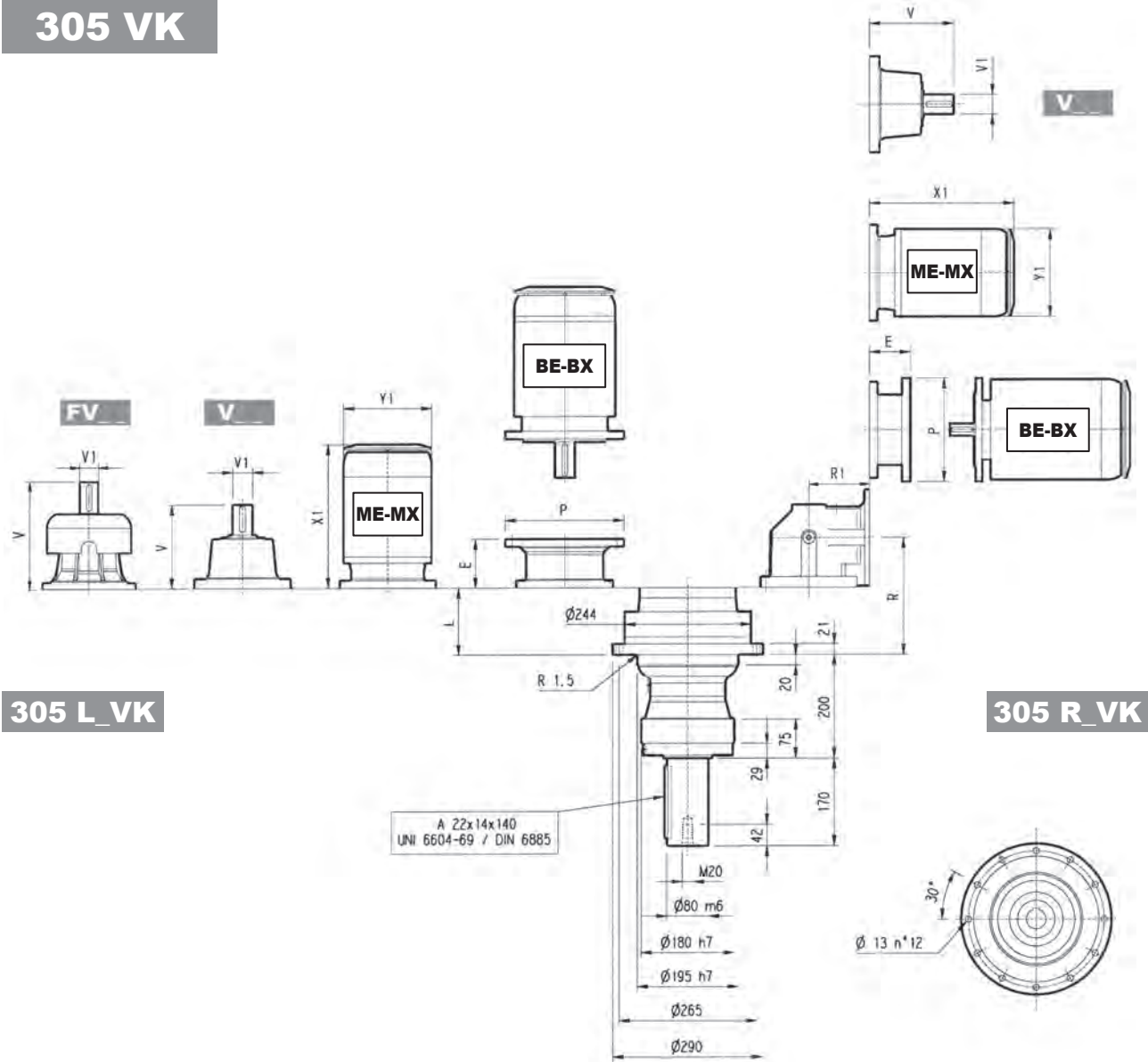
Permissible radial loads on input shaft with $F_{h1} : n_1 \cdot h = 250000$



Load corrective factor f_{h1} on shafts	$F_{h1} = n_1 \cdot h$		250000	500000	1000000	2000000	5000000	10000000
	f_{h1}		1	0.79	0.63	0.50	0.37	0.29



305 VK



305 L_VK

305 R_VK

	L	Kg	V			V			V			P71		P80		P90		P100		P112		P132		P160		P180		P200		
			V	V1	Kg	V	V1	Kg	V	V1	Kg	E	P	E	P	E	P	E	P	E	P	E	P	E	P	E	P	E	P	
305 L1	69	70	239	48	15	—	—	—	276	48	17	—	—	—	—	—	—	—	—	—	—	—	114	300	144	350	144	350	174	400
305 L2	134	77	137.5	24	6	158	38	7	—	—	—	—	—	65	160	84	200	84	200	94	250	94	250	114	300	144	350	—	—	—
305 L3	187	81	137.5	24	6	158	38	7	—	—	—	—	—	65	160	84	200	84	200	94	250	94	250	114	300	144	350	—	—	—
305 L4	240	85	137.5	24	6	158	38	7	—	—	—	—	—	65	160	84	200	84	200	94	250	94	250	114	300	144	350	—	—	—

	S1 + M1			S2 + ME2S/MX2S			S3 + ME3S/MX3S			S3 + ME3L/MX3L			S4 + ME4/MX4			S5 + ME5S/MX5S			S5 + ME5L/MX5L				
	X1	X2	Y1	X1	X2	Y1	X1	X2	Y1	X1	X2	Y1	X1	X2	Y1	X1	X2	Y1	X1	X2	Y1		
305 L1	—	—	—	—	—	—	—	—	—	—	—	—	—	—	460	—	258	552	—	310	596	—	310
305 L2	—	—	—	324	—	156	357	—	195	401	—	195	460	—	258	—	—	—	—	—	—	—	—
305 L3	253	314	138	324	—	156	357	—	195	401	—	195	460	—	258	—	—	—	—	—	—	—	—
305 L4	253	314	138	324	—	156	357	—	195	401	—	195	460	—	258	—	—	—	—	—	—	—	—

	R	R1	Kg	V			V			P71		P80		P90		P100		P112		P132	
				V	V1	Kg	V	V1	Kg	E	P	E	P	E	P	E	P	E	P	E	P
305 R2	161	140	90	137.5	24	6	158	38	7	65	160	84	200	84	200	94	250	94	250	114	300
305 R3	226	122	92	137.5	24	6	158	38	7	65	160	84	200	84	200	94	250	94	250	114	300
305 R4	279	122	95	137.5	24	6	158	38	7	65	160	84	200	84	200	94	250	94	250	114	300

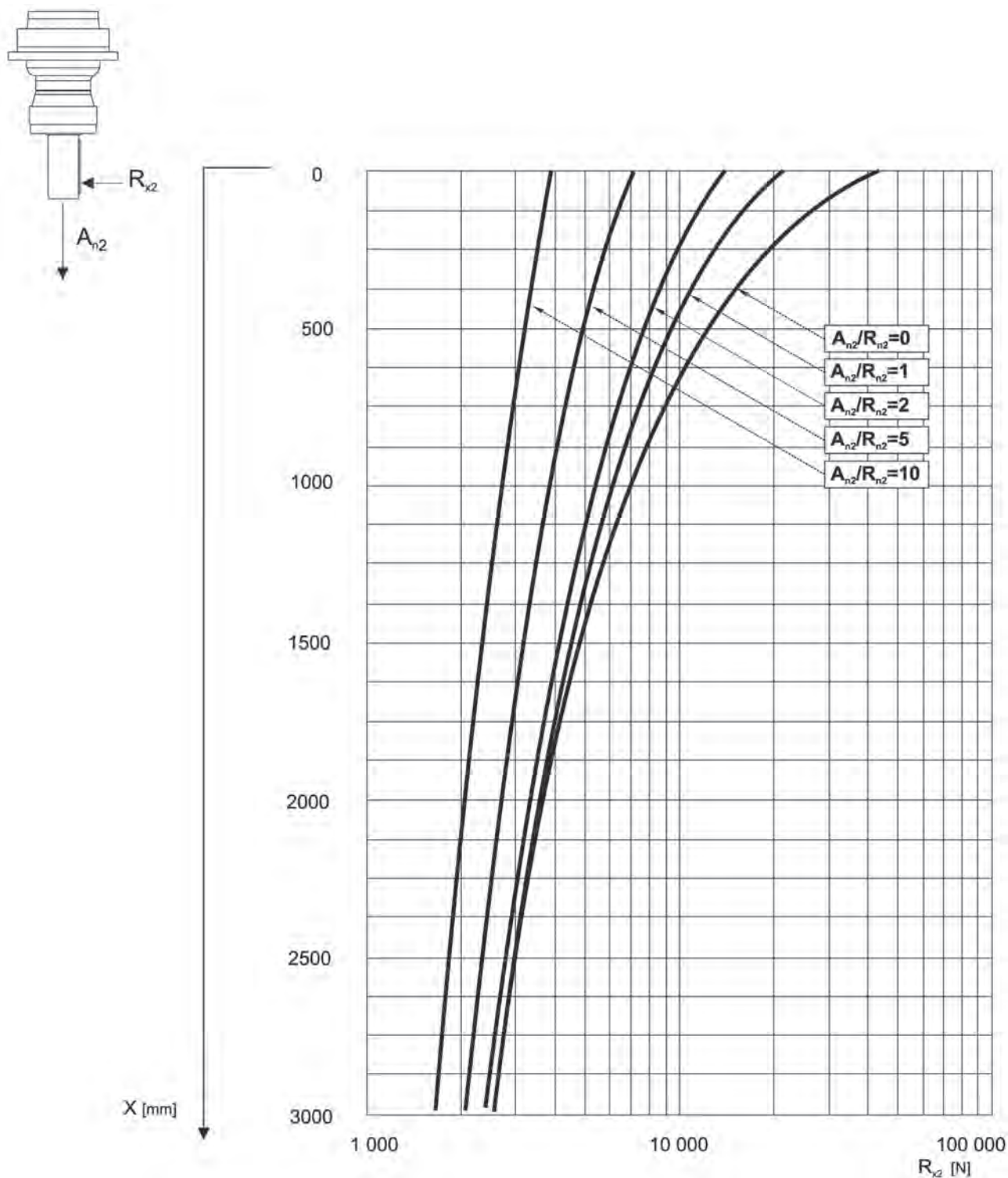
	S1 + M1			S2 + ME2S/MX2S			S3 + ME3S/MX3S			S3 + ME3L/MX3L			S4 + ME4/MX4		
	X1	X2	Y1	X1	X2	Y1	X1	X2	Y1	X1	X2	Y1	X1	X2	Y1
305 R2	—	—	—	372	—	156	405	—	195	449	—	195	508	—	258
305 R3	253	314	138	372	—	156	405	—	195	449	—	195	508	—	258
305 R4	253	314	138	372	—	156	405	—	195	449	—	195	508	—	258



305 VK

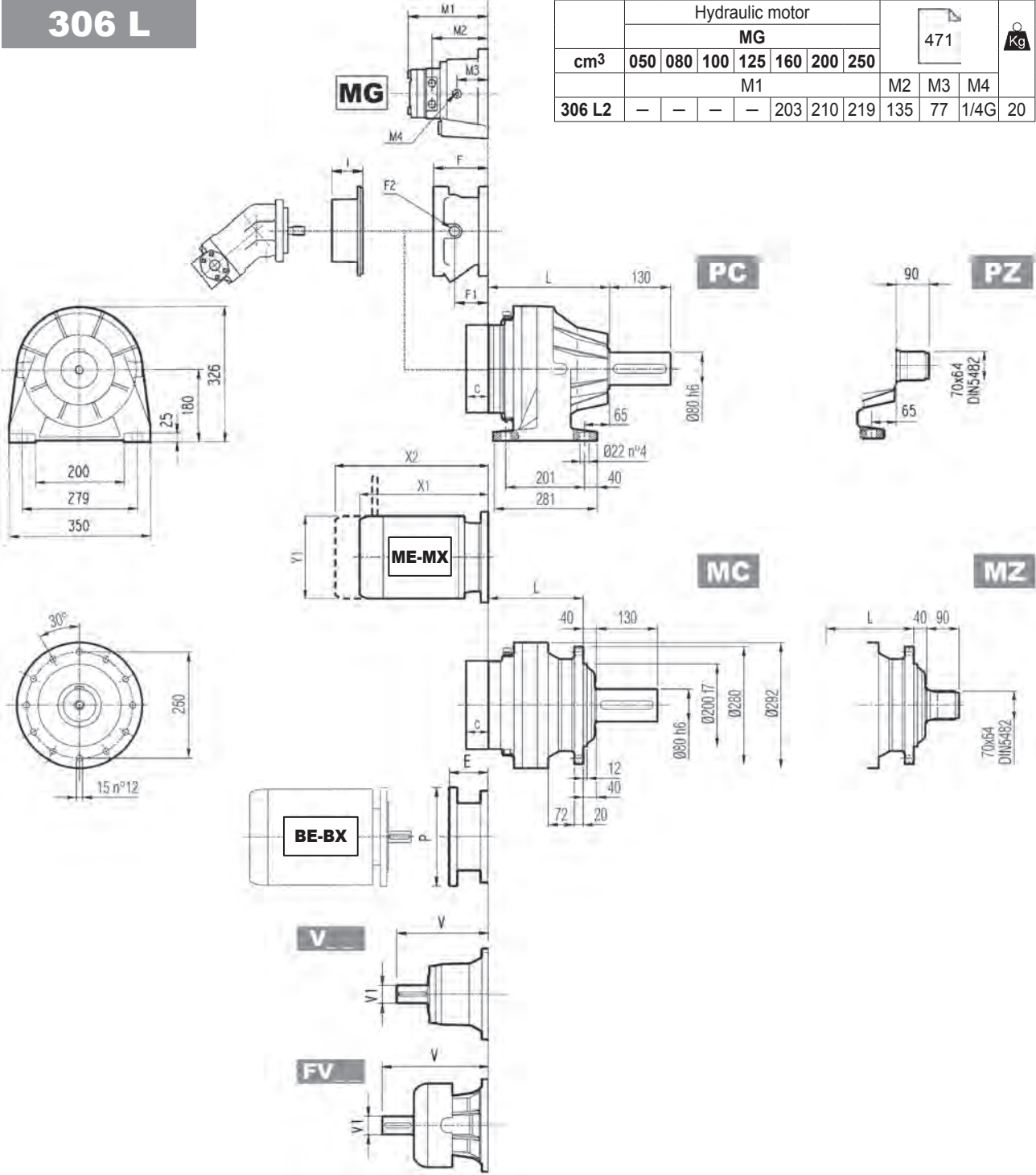
The diagram below allows the calculation of permitted overhung load R_{x2} on the output shaft of gearbox, with radial force applying at a distance x from shaft shoulder.

The curves are relevant to value resulting from the relationship of trust load A_{n2} to radial load R_{n2} , based on $n_2 = 10 \text{ min}^{-1}$ and 10000 hrs theoretical lifetime.





306 L

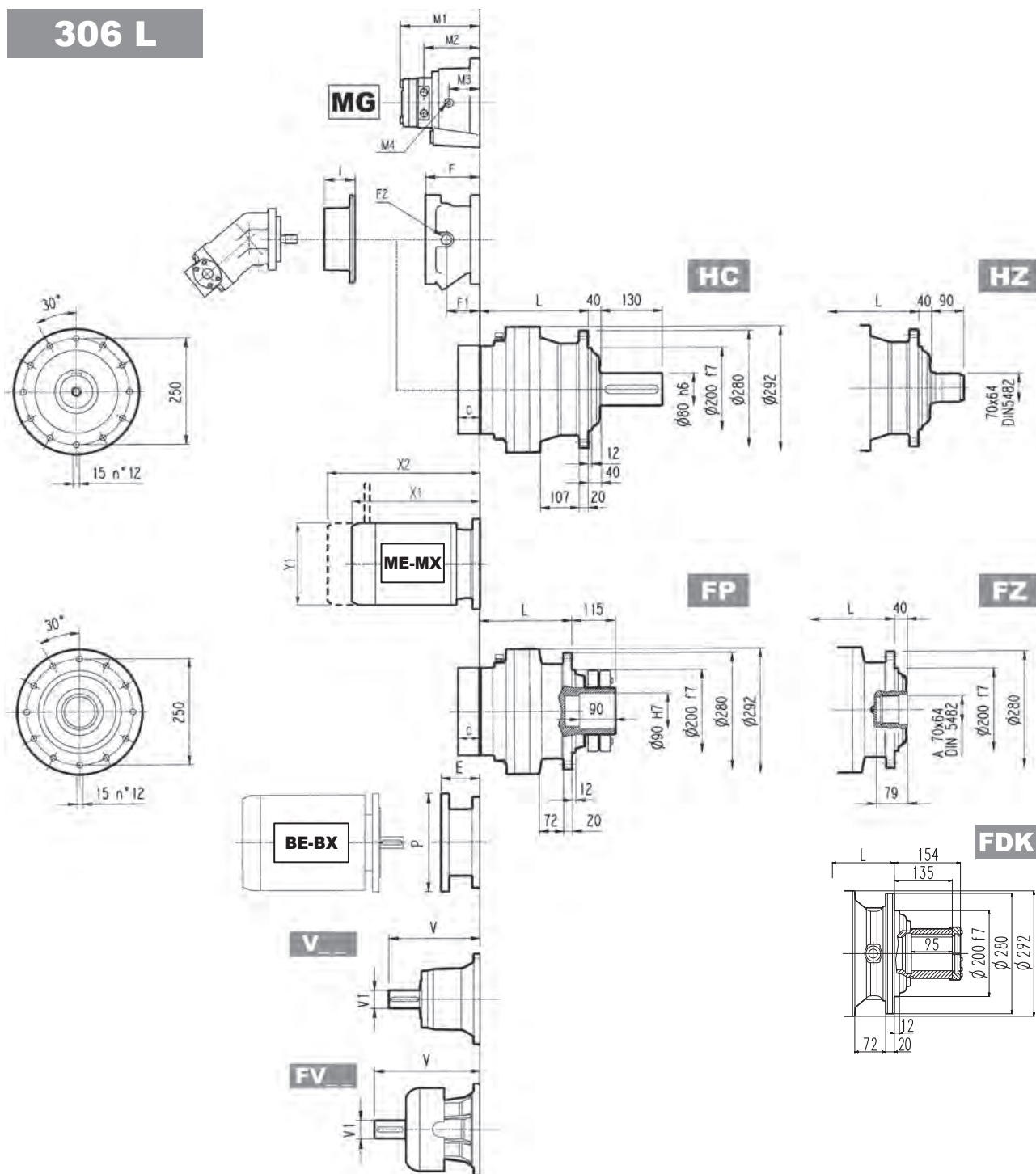


	L				Kg			
	MC - MZ	PC - PZ	HC - HZ	FP - FZ - FDK	MC - MZ	PC - PZ	HC - HZ	FP - FZ - FDK
306 L1	160	235	195	160	65	85	70	65
306 L2	225	300	260	225	74	95	79	74
306 L3	278	353	313	278	78	98	83	78
306 L4	331	406	366	331	82	103	87	82

	V			Kg			V			Kg			C	Input	I	F			Type	Input	Kg
	V	V1	Kg	V	V1	Kg	V	V1	Kg	V	V1	Kg				F	F1	F2			
306 L1	307	60	23	-	-	-	357	60	28	-	-	-	45	B		195	147	1/4 G	6	B	28
306 L2	239	48	15	-	-	-	276	48	17	-	-	-	37	A		145	95	1/4 G	5	A	16
306 L3	137.5	24	6	158	38	7	-	-	-	-	-	-	37	A	461	105	65	1/4 G	4	A	10
306 L4	137.5	24	6	158	38	7	-	-	-	-	-	-	37	A		105	65	1/4 G	4	A	10



306 L



FP

$M_{2max} = 12000 \text{ Nm}$

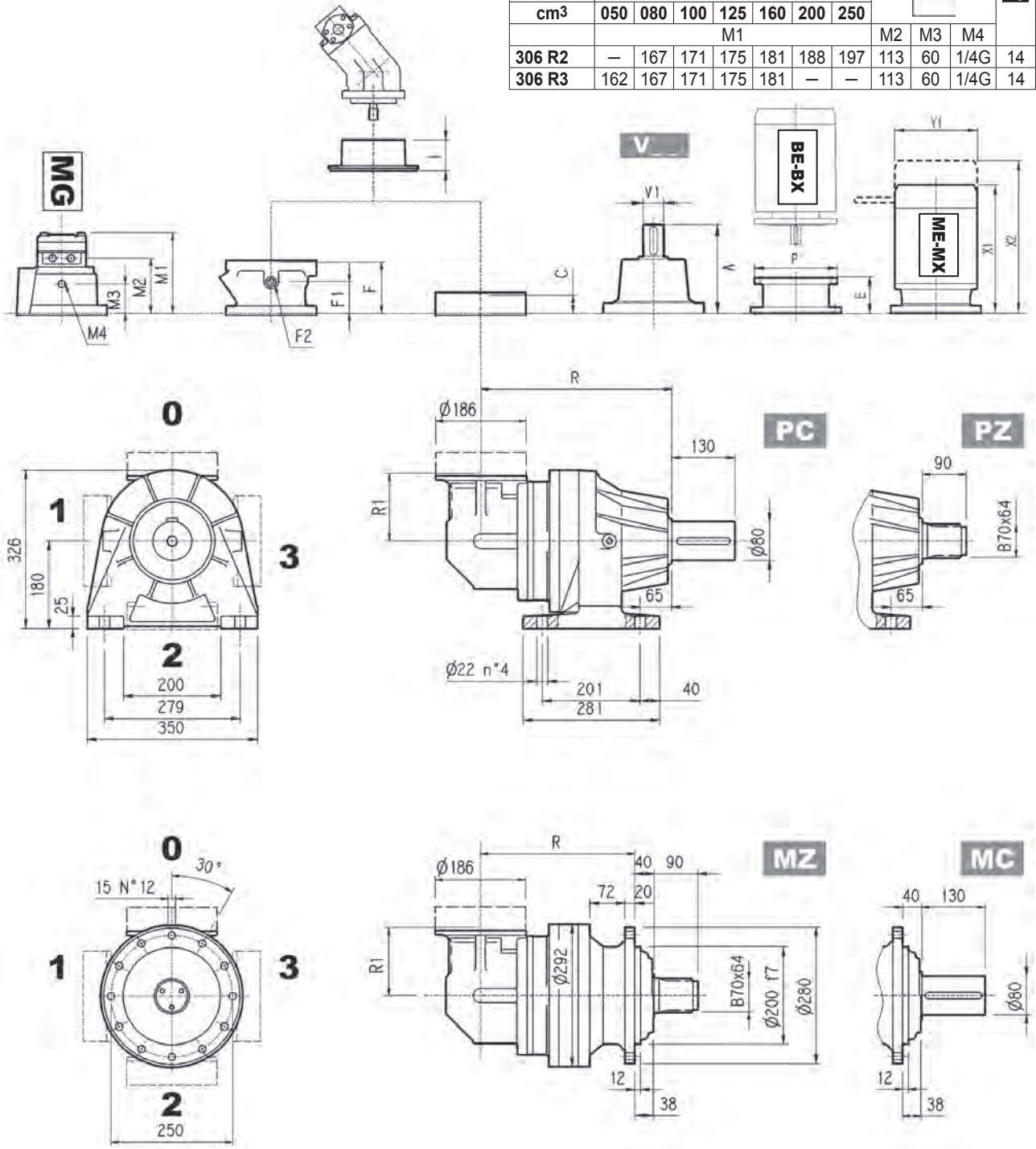
	P71		P80		P90		P100		P112		P132		P160		P180		P200		P225		P250	
	E	P	E	P	E	P	E	P	E	P	E	P	E	P	E	P	E	P	E	P	E	P
306 L1	—	—	—	—	—	—	—	—	—	—	—	—	144	350	153	350	183	400	212	450	193	550
306 L2	—	—	—	—	—	—	—	—	—	—	114	300	144	350	144	350	174	400	—	—	—	—
306 L3	65	160	84	200	84	200	94	250	94	250	114	300	144	350	—	—	—	—	—	—	—	—
306 L4	65	160	84	200	84	200	94	250	94	250	114	300	144	350	—	—	—	—	—	—	—	—

	S1 + M1			S2 + ME2S/MX5S			S3 + ME3S/MX5S			S3 + ME3L/MX5S			S4 + ME4/MX4			S5 + ME5S/MX5S			S5 + ME5L/MX5L					
	X1	X2	Y1	X1	X2	Y1	X1	X2	Y1	X1	X2	Y1	X1	X2	Y1	X1	X2	Y1	X1	X2	Y1			
306 L1	—	—	—	—	—	—	—	—	—	—	—	—	—	—	—	—	—	—	—	—	—			
306 L2	—	—	—	—	—	—	—	—	—	—	—	—	—	—	—	460	—	258	552	—	310	596	—	310
306 L3	253	314	138	324	—	156	357	—	195	401	—	195	460	—	258	—	—	—	—	—	—	—	—	
306 L4	253	314	138	324	—	156	357	—	195	401	—	195	460	—	258	—	—	—	—	—	—	—	—	



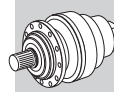
306 R

cm ³	Hydraulic motor							471			Kg
	MG										
	050	080	100	125	160	200	250	M2	M3	M4	
	M1							M2	M3	M4	
306 R2	—	167	171	175	181	188	197	113	60	1/4G	14
306 R3	162	167	171	175	181	—	—	113	60	1/4G	14

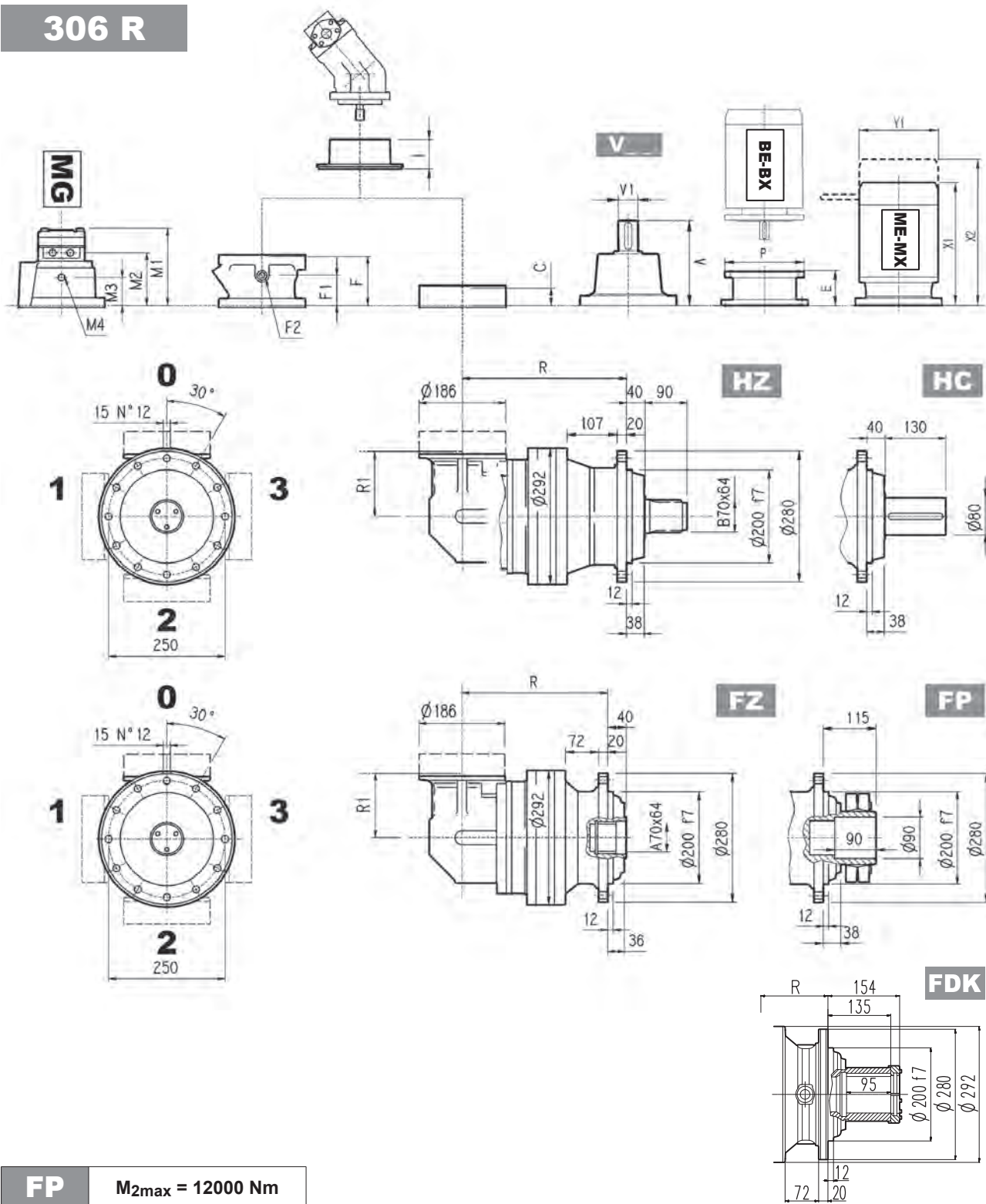


	R				R1	Kg			
	MC - MZ	PC - PZ	HC - HZ	FP - FZ - FDK		MC - MZ	PC - PZ	HC - HZ	FP - FZ - FDK
306 R2	297	372	332	297	140	89	105	94	89
306 R3	317	392	352	317	140	85	100	90	85
306 R4	370	445	405	370	122	79	95	84	79

	Kg						C	Input	I	Kg					
	V	V1	Kg	V	V1	Kg				F	F1	F2	Type	Input	Kg
306 R2	137.5	24	6	158	38	7	37	A		105	65	1/4 G	4	A	10
306 R3	137.5	24	6	158	38	7	37	A		105	65	1/4 G	4	A	10
306 R4	137.5	24	6	158	38	7	37	A	461	105	65	1/4 G	4	A	10



306 R



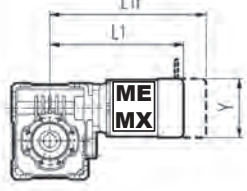
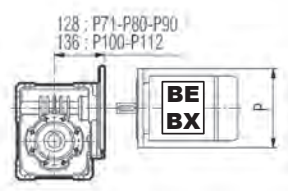
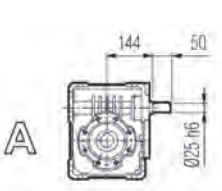
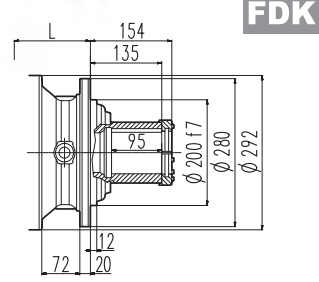
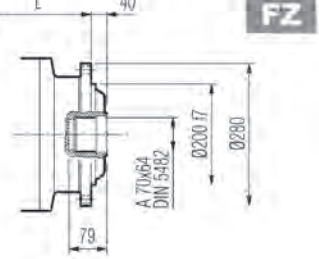
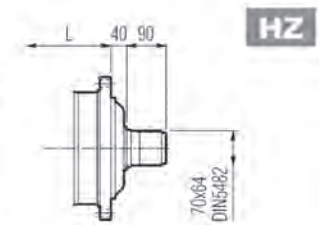
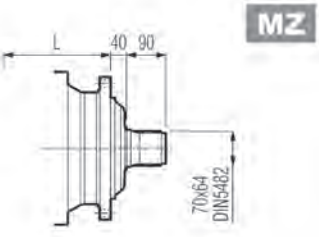
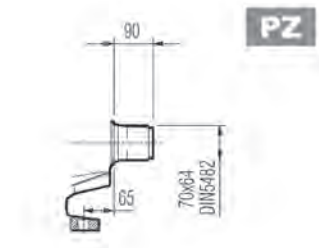
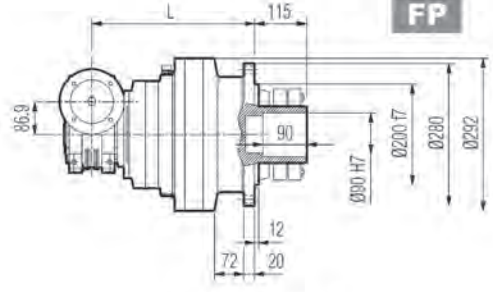
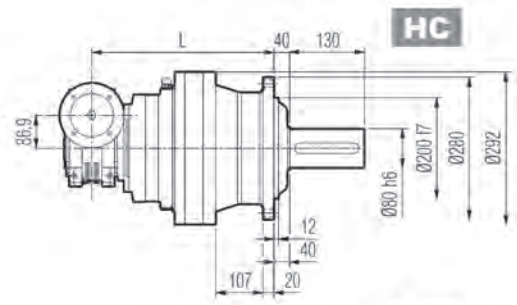
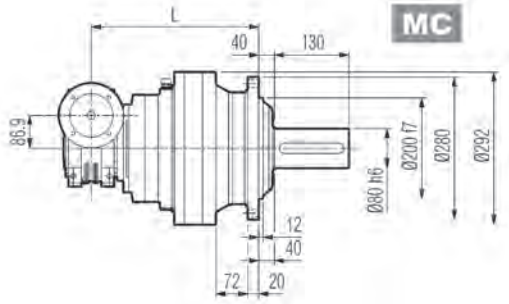
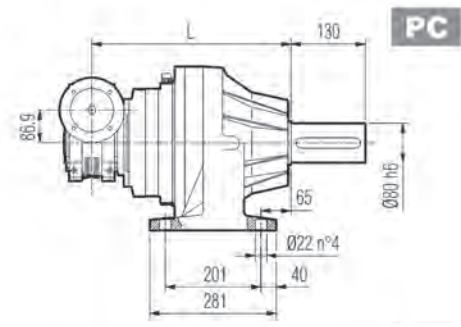
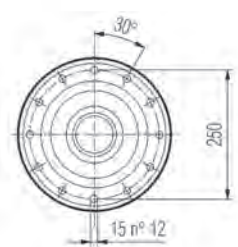
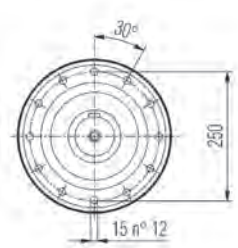
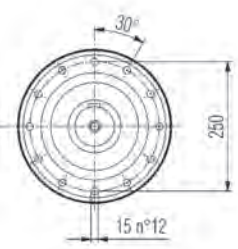
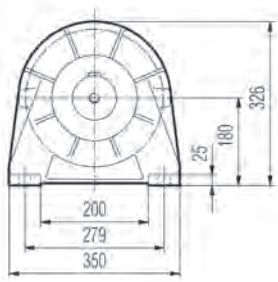
FP $M_{2max} = 12000 \text{ Nm}$

	P71		P80		P90		P100		P112		P132		P160	
	E	P	E	P	E	P	E	P	E	P	E	P	E	P
306 R2	65	160	84	200	84	200	94	250	94	250	114	300	144	350
306 R3	65	160	84	200	84	200	94	250	94	250	114	300	144	350
306 R4	65	160	84	200	84	200	94	250	94	250	114	300	144	350

	S1 + M1			S2 + ME2S/MX2S			S3 + ME3S/MX3S			S3 + ME3L/MX3L			S4 + ME4/MX4		
	X1	X2	Y1	X1	X2	Y1	X1	X2	Y1	X1	X2	Y1	X1	X2	Y1
306 R2	—	—	—	372	—	156	405	—	195	449	—	195	508	—	258
306 R3	253	314	138	372	—	156	405	—	195	449	—	195	508	—	258
306 R4	253	314	138	372	—	156	405	—	195	449	—	195	508	—	258



3/V 06 L3



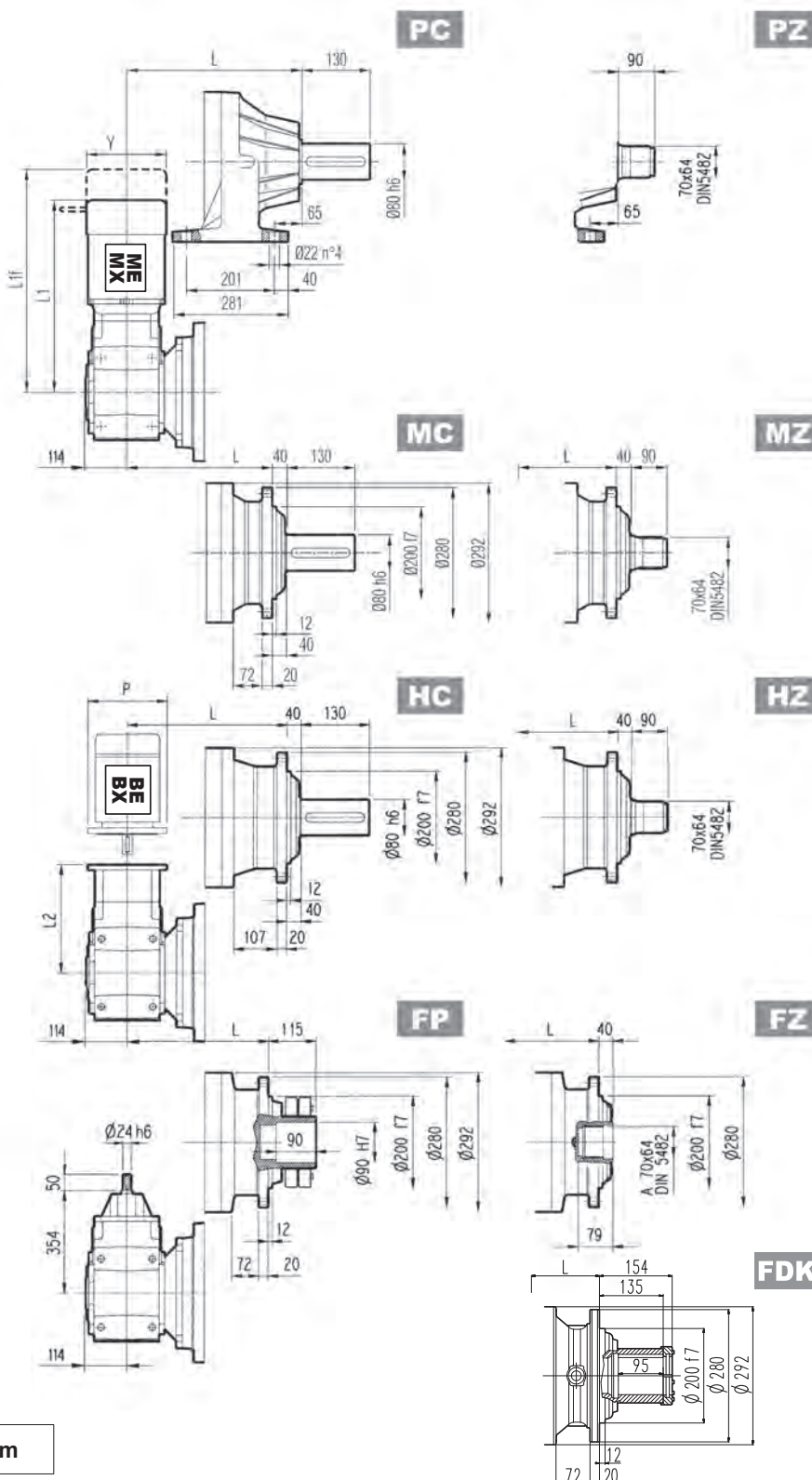
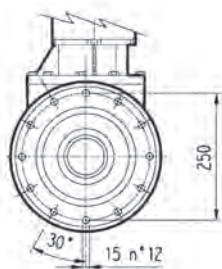
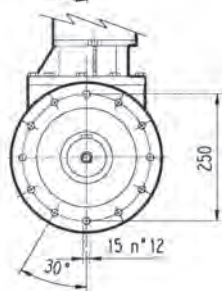
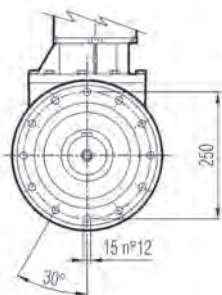
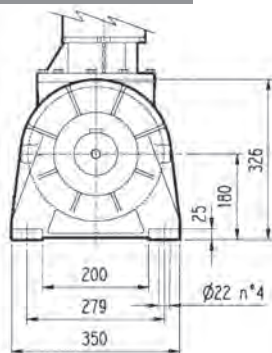
FP M_{2max} = 12000 Nm

	L				Kg				P71	P80	P90	P100	P112
	MC - MZ	PC - PZ	HC - HZ	FP - FZ - FDK	MC - MZ	PC - PZ	HC - HZ	FP - FZ - FDK	P	P	P	P	P
3/V 06 L3	370	445	405	370	80	111	95	80	160	200	200	250	250

	S1 + M1			S2 + ME2S/MX2S			S3 + ME3S/MX3S			S3 + ME3L/MX3L		
	L1	L1f	Y	L1	L1f	Y	L1	L1f	Y	L1	L1f	Y
3/V 06 L3	324	385	138	393	—	156	424	—	193	468	—	193



3/A 06 L2



FP M_{2max} = 12000 Nm

3/A 06 L2	L												Kg					
	MC - MZ		PC - PZ		HC - HZ		FP - FZ - FDK		MC - MZ		PC - PZ			HC - HZ		FP - FZ - FDK		
	340		415		375		340		140		170		150		140			
	P63		P71		P80		P90		P100		P112		P132		P160		P180	
3/A 06 L2	L2	P	L2	P	L2	P	L2	P	L2	P	L2	P	L2	P	L2	P	L2	P
	314.5	140	314.5	160	334	200	334	200	344	250	344	250	380.5	300	431	350	431	350
	S1 + M1			S2 + ME2S/MX2S			S3 + ME3S/MX3S			S3 + ME3L/MX3L			S4 + ME4/MX4					
3/A 06 L2	L1	L1f	Y	L1	L1f	Y	L1	L1f	Y	L1	L1f	Y	L1	L1f	Y			
	445	508	138	612	—	156	573	—	195	616	—	195	678	—	258			

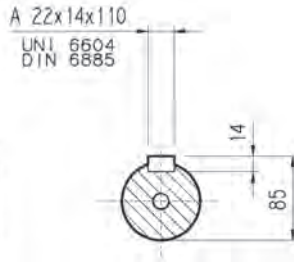
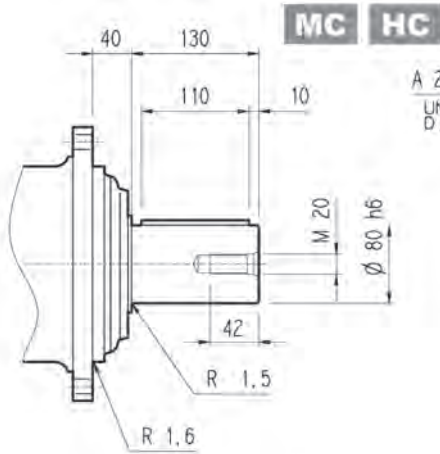


306 L

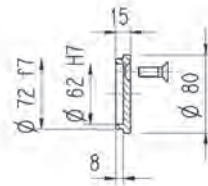
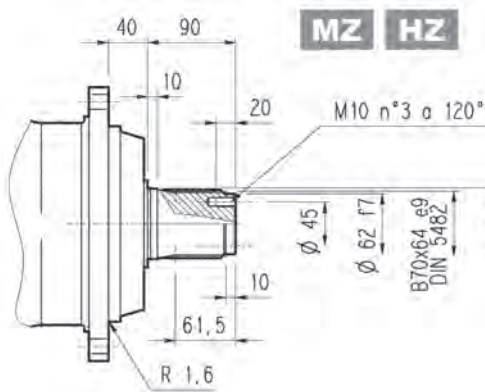
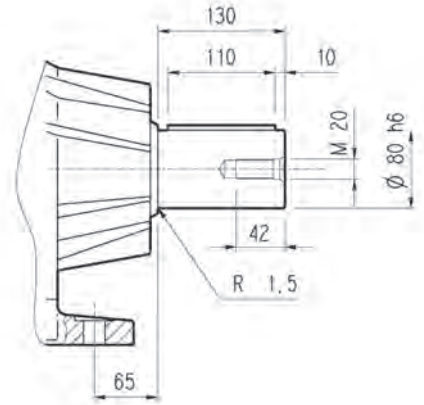
306 R

3/V 06 L3

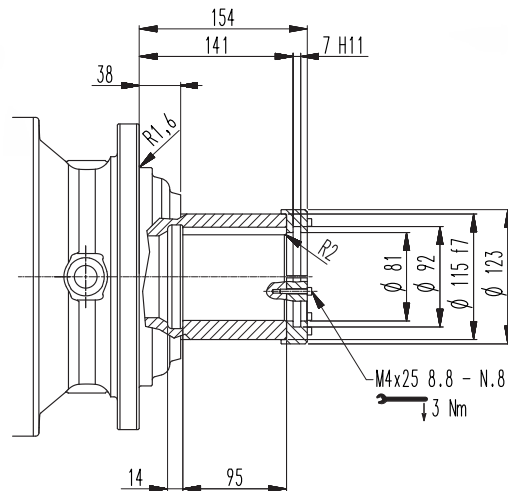
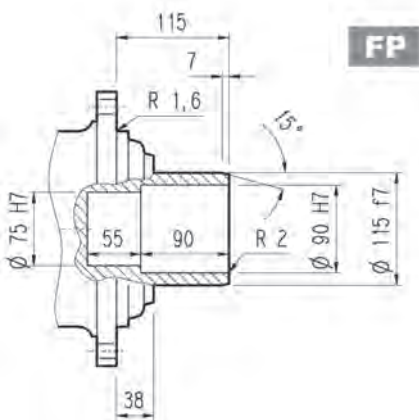
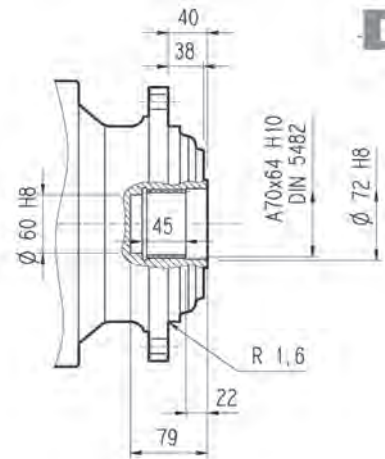
3/A 06 L2



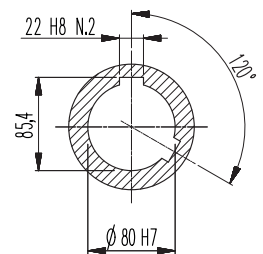
PC



FZ



FDK



FP

$M_{2max} = 12000 \text{ Nm}$



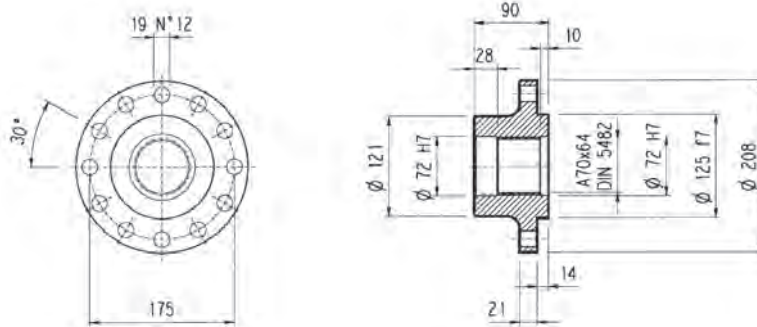
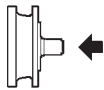
306 L

306 R

3/V 06 L3

3/A 06 L2

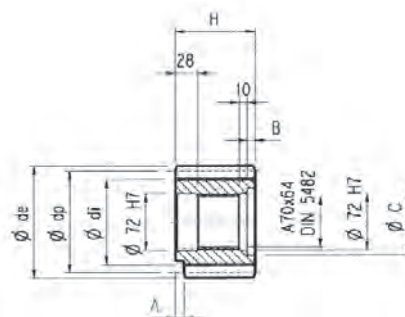
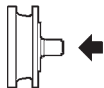
Flange



W0A

Material: Steel C40

Pinions

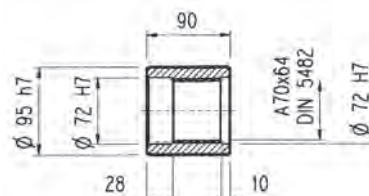
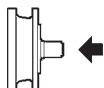


P...

α = 20°

	m	z	x	dp	di	de	H	A	B	C	Material
PFF1	8	15	—	120	100	134	90	—	—	—	Steel 39NiCrMo3 hardened and tempered
PFF2	8	15	0.500	120	108	141	90	—	—	—	
PHB	10	11	0.500	110	95	136	90	10	—	—	
PHC1	10	12	0.450	120	104	145	90	—	—	—	
PHC2	10	12	0.320	120	100	144.2	90	—	—	—	
PHD1	10	13	0.950	130	124	165	90	—	—	—	
PHD2	10	13	0.500	130	115	159	90	—	—	—	
PHE1	10	14	—	140	115	160	90	—	—	—	
PHE2	10	14	0.500	140	125	166	90	—	—	—	
PHF	10	15	—	150	127	167	90	24	—	—	
PHH	10	17	0.480	170	154	197.5	90	10	—	—	Steel 39NiCrMo3 hardened and tempered
PHM	10	20	—	200	175	220	90	10	—	—	Steel 18NiCrMo5 case hardened

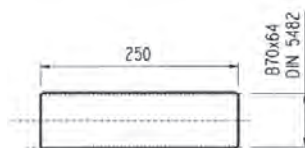
Sleeve coupling



M0A

Material: Steel 16CrNi4

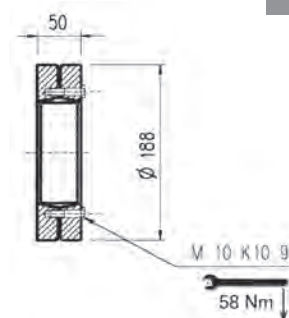
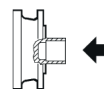
Splined bars



B0A

Material: Case hardening steel 18NiCrMo5 UNI 5331 must be case hardened 50-55 HRC

Shrink disc

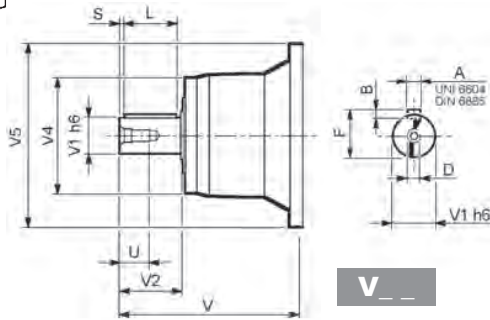


G0A

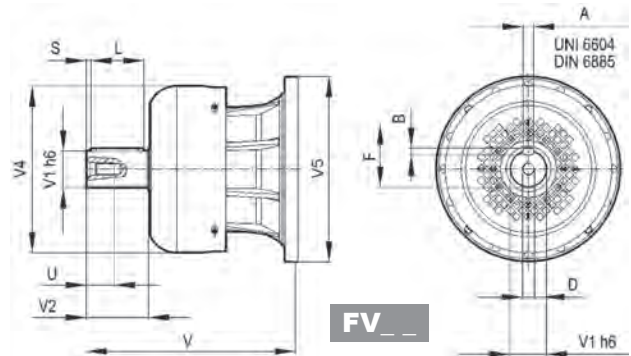


306 L

306 R



V__

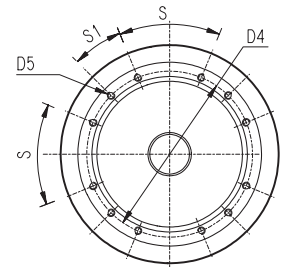
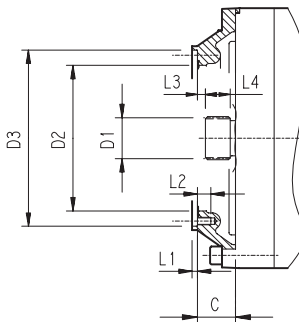
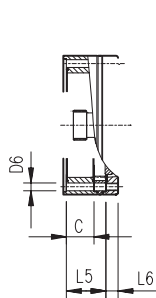


FV__

		V	V1	V2	V4	V5	A	B	F	L	S	D	U
306 L1	V06B	307	60	105	155	292	18	11	64	90	7.5	M16	36
	FV06B	357	60	105	309	292	18	11	64	90	7.5	M16	36
306 L2	V05B	239	48	82	155	245	14	9	51.5	70	6	M16	36
	FV05B	276	48	82	219.5	244	14	9	51.5	70	6	M16	36
306 L3	V01A	137.5	24	36	120	186	8	7	27	30	3	M8	19
	V01B	158	38	58	120	186	10	8	41	50	4	M12	28
306 L4	V01A	137.5	24	36	120	186	8	7	27	30	3	M8	19
	V01B	158	38	58	120	186	10	8	41	50	4	M12	28
306 R2-R3-R4	V01A	137.5	24	36	120	186	8	7	27	30	3	M8	19
	V01B	158	38	58	120	186	10	8	41	50	4	M12	28

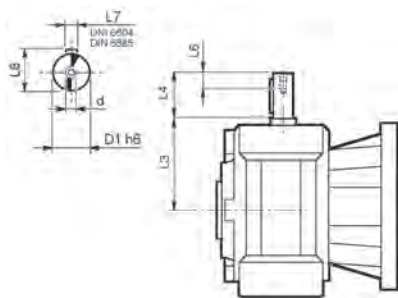
306 L

306 R

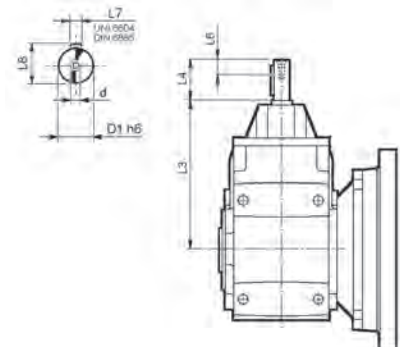


		C	D1	D2	D3	D4	D5	D6	L1	L2	L3	L4	L5	L6	S	S1	Input
306 L1	V9AB	45	58x53 DIN5482	195	236 H7	222	M10 n°12	—	4	18	11	22	—	—	45°	22.5°	B
306 L2	V9AA	37	40x36 DIN5482	140	178 H7	165	M10 n°8	—	4	18	9	18	—	—	45°	45°	A
306 L3	V9AA	37	40x36 DIN5482	140	178 H7	165	M10 n°8	11	4	—	9	18	53	18	45°	45°	A
306 L4	V9AA	37	40x36 DIN5482	140	178 H7	165	M10 n°8	11	4	—	9	18	106	18	45°	45°	A
306 R2-R3-R4	V9AA	37	40x36 DIN5482	140	178 H7	165	M10 n°8	11	4	—	9	18	37	18	45°	45°	A

3/V 06 L3



3/A 06 L2



	D1 h6	L3	L4	L6	L7	L8	d
3/V 06 L3_HS	25	144	50	19	8	28	M8

	D1 h6	L3	L4	L6	L7	L8	d
3/A 06 L2_HS	24	354	50	19	8	27	M8



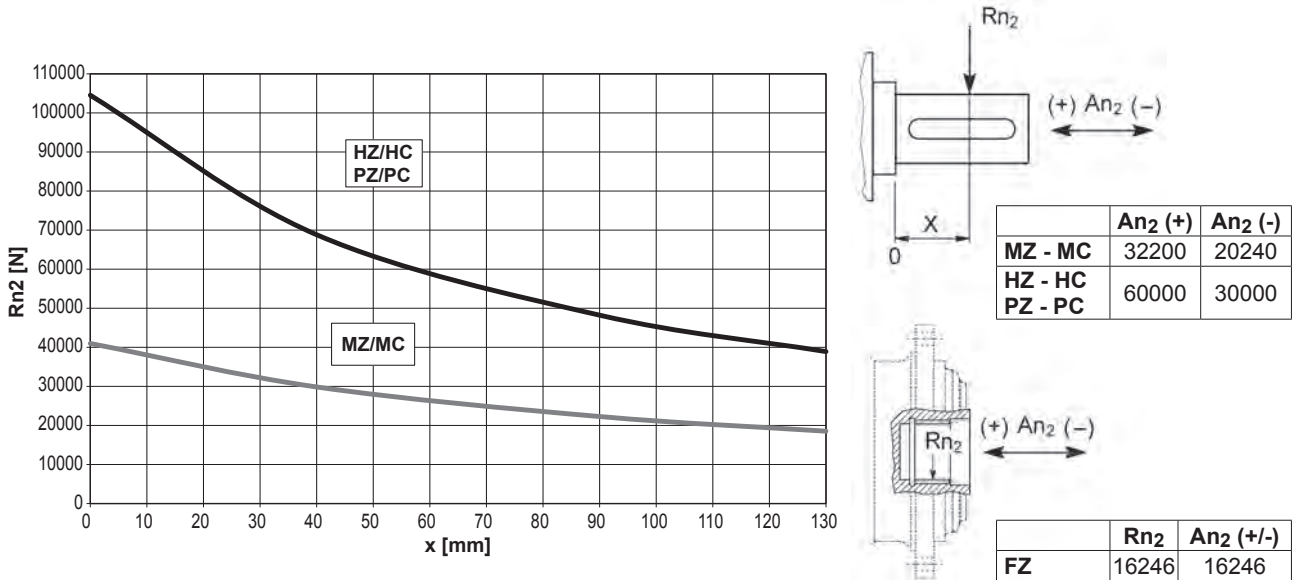
306 L

306 R

3/V 06 L3

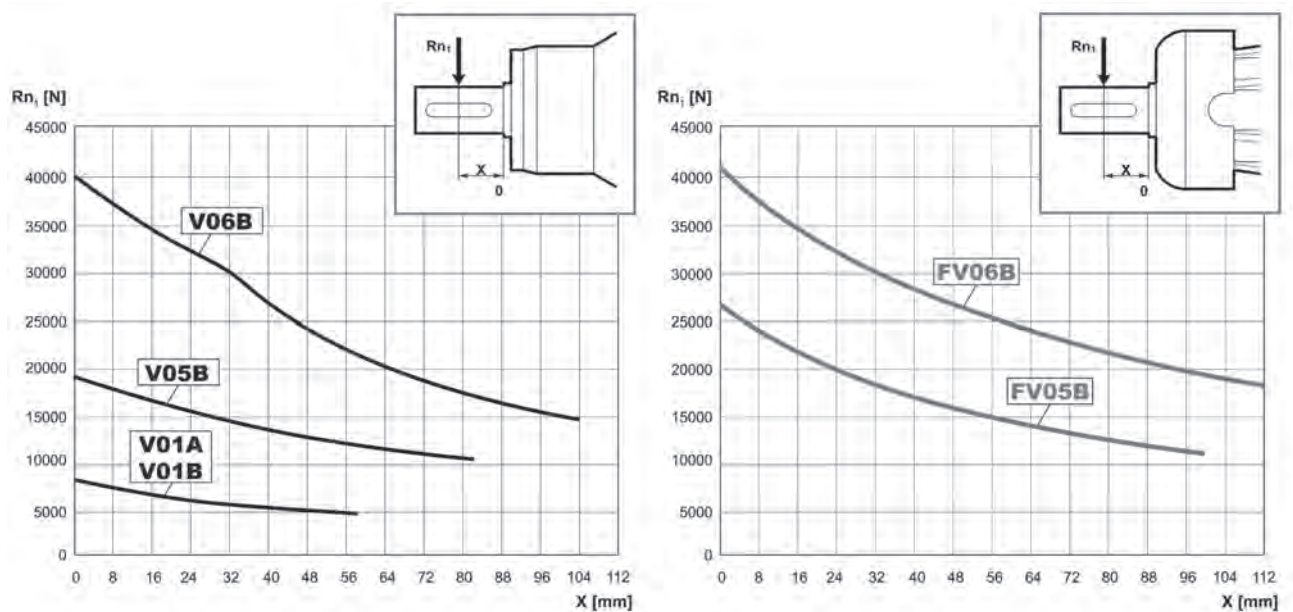
3/A 06 L2

Permissible radial and axial loads on output shaft with $F_{h2} : n_2 \cdot h = 100000$



Load corrective factor fh_2 on shafts	$F_{h2} = n_2 \cdot h$						
		10000	25000	50000	100000	500000	1000000
	fh_2	FZ	2.15	1.59	1.26	1.00	0.58
	MZ - MC	2.15	1.59	1.26	1.00	0.58	0.46
	HZ - HC - PZ - PC	1.34	1.34	1.23	1.00	0.62	0.50

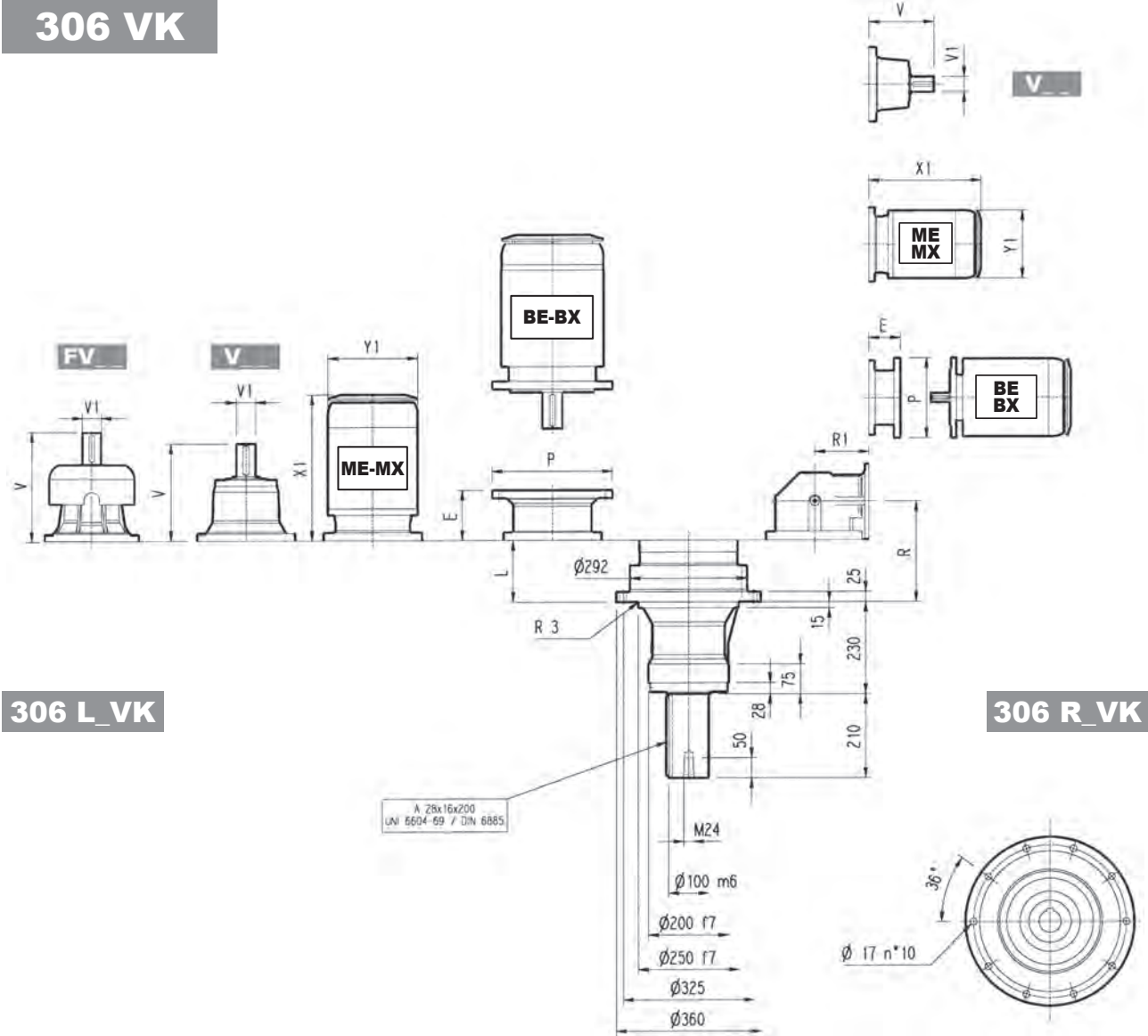
Permissible radial loads on input shaft with $F_{h1} : n_1 \cdot h = 250000$



Load corrective factor fh_1 on shafts	$F_{h1} = n_1 \cdot h$						
		250000	500000	1000000	2000000	5000000	10000000
fh_1		1	0.79	0.63	0.50	0.37	0.29



306 VK



306 L_VK

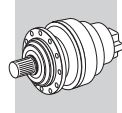
306 R_VK

	L		V		V1		Kg		V		V1		Kg		V		V1		Kg		E		P		E		P		E		P		E		P	
	kg	kg	kg	kg	kg	kg	kg	kg	kg	kg	kg	kg	kg	kg	kg	kg	kg	kg	kg	kg	kg	kg	kg	kg	kg	kg	kg	kg	kg	kg	kg	kg	kg	kg		
306 L1	75	110	307	60	23	—	—	—	357	60	28	—	—	—	—	—	—	—	—	—	—	—	—	—	—	—	—	—	—	—	—	—	—	—	—	
306 L2	140	120	239	48	15	—	—	—	276	48	17	—	—	—	—	—	—	—	—	—	—	—	—	—	—	—	—	—	—	—	—	—	—	—	—	
306 L3	193	125	137.5	24	6	158	38	7	—	—	—	—	—	—	—	—	—	—	—	—	—	—	—	—	—	—	—	—	—	—	—	—	—	—	—	
306 L4	246	130	137.5	24	6	158	38	7	—	—	—	—	—	—	—	—	—	—	—	—	—	—	—	—	—	—	—	—	—	—	—	—	—	—	—	

	S1 + M1			S2 + ME2S/MX2S			S3 + ME3S/MX3S			S3 + ME3L/MX3L			S4 + ME4/MX4			S5 + ME5S/MX5S			S5 + ME5L/MX5L		
	X1	X2	Y1	X1	X2	Y1	X1	X2	Y1	X1	X2	Y1	X1	X2	Y1	X1	X2	Y1	X1	X2	Y1
306 L1	—	—	—	—	—	—	—	—	—	—	—	—	—	—	—	—	—	—	—	—	—
306 L2	—	—	—	—	—	—	—	—	—	—	—	—	—	—	—	—	—	—	—	—	—
306 L3	253	314	138	324	—	156	357	—	195	401	—	195	460	—	258	552	—	310	596	—	310
306 L4	253	314	138	324	—	156	357	—	195	401	—	195	460	—	258	—	—	—	—	—	—

	R		R1		Kg		V		V1		Kg		V		V1		Kg		E		P		E		P		E		P	
	kg	kg	kg	kg	kg	kg	kg	kg	kg	kg	kg	kg	kg	kg	kg	kg	kg	kg	kg	kg	kg	kg	kg	kg	kg	kg	kg	kg	kg	
306 R2	212	140	90	137.5	24	6	158	38	7	65	160	84	200	84	200	94	250	94	250	114	300	144	350	144	350	144	350	144	350	
306 R3	232	140	92	137.5	24	6	158	38	7	65	160	84	200	84	200	94	250	94	250	114	300	144	350	144	350	144	350	144	350	
306 R4	285	122	95	137.5	24	6	158	38	7	65	160	84	200	84	200	94	250	94	250	114	300	144	350	144	350	144	350	144	350	

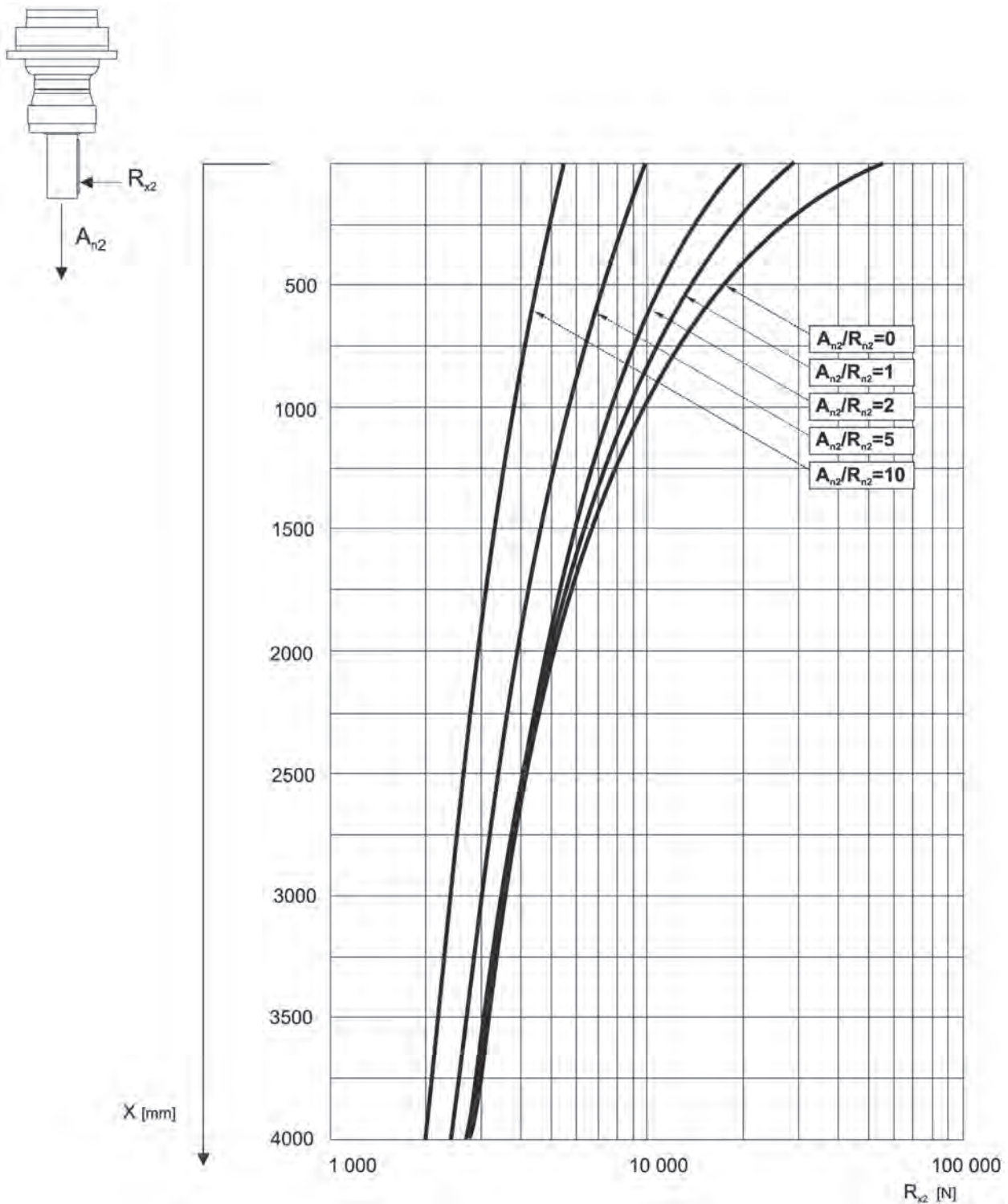
	S1 + M1			S2 + ME2S/MX2S			S3 + ME3S/MX3S			S3 + ME3L/MX3L			S4 + ME4/MX4		
	X1	X2	Y1	X1	X2	Y1	X1	X2	Y1	X1	X2	Y1	X1	X2	Y1
306 R2	—	—	—	372	—	156	405	—	195	449	—	195	508	—	258
306 R3	253	314	138	372	—	156	405	—	195	449	—	195	508	—	258
306 R4	253	314	138	372	—	156	405	—	195	449	—	195	508	—	258



306 VK

The diagram below allows the calculation of permitted overhung load R_{x2} on the output shaft of gearbox, with radial force applying at a distance x from shaft shoulder.

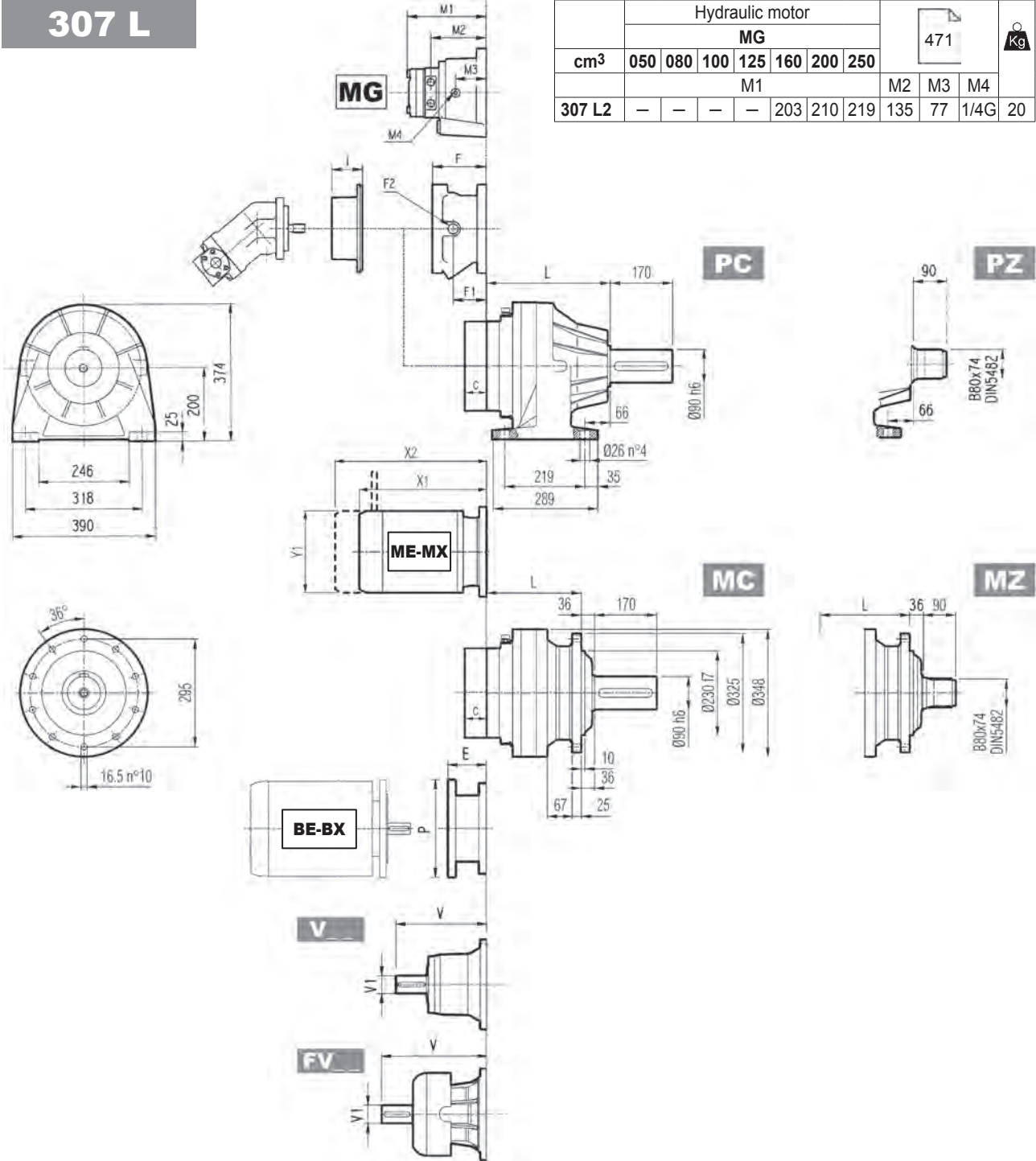
The curves are relevant to value resulting from the relationship of trust load A_{n2} to radial load R_{n2} , based on $n_2 = 10 \text{ min}^{-1}$ and 10000 hrs theoretical lifetime.





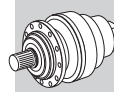
307 L

Hydraulic motor								471			Kg
MG											
cm ³	050	080	100	125	160	200	250				
M1								M2	M3	M4	
307 L2	-	-	-	-	203	210	219	135	77	1/4 G	20

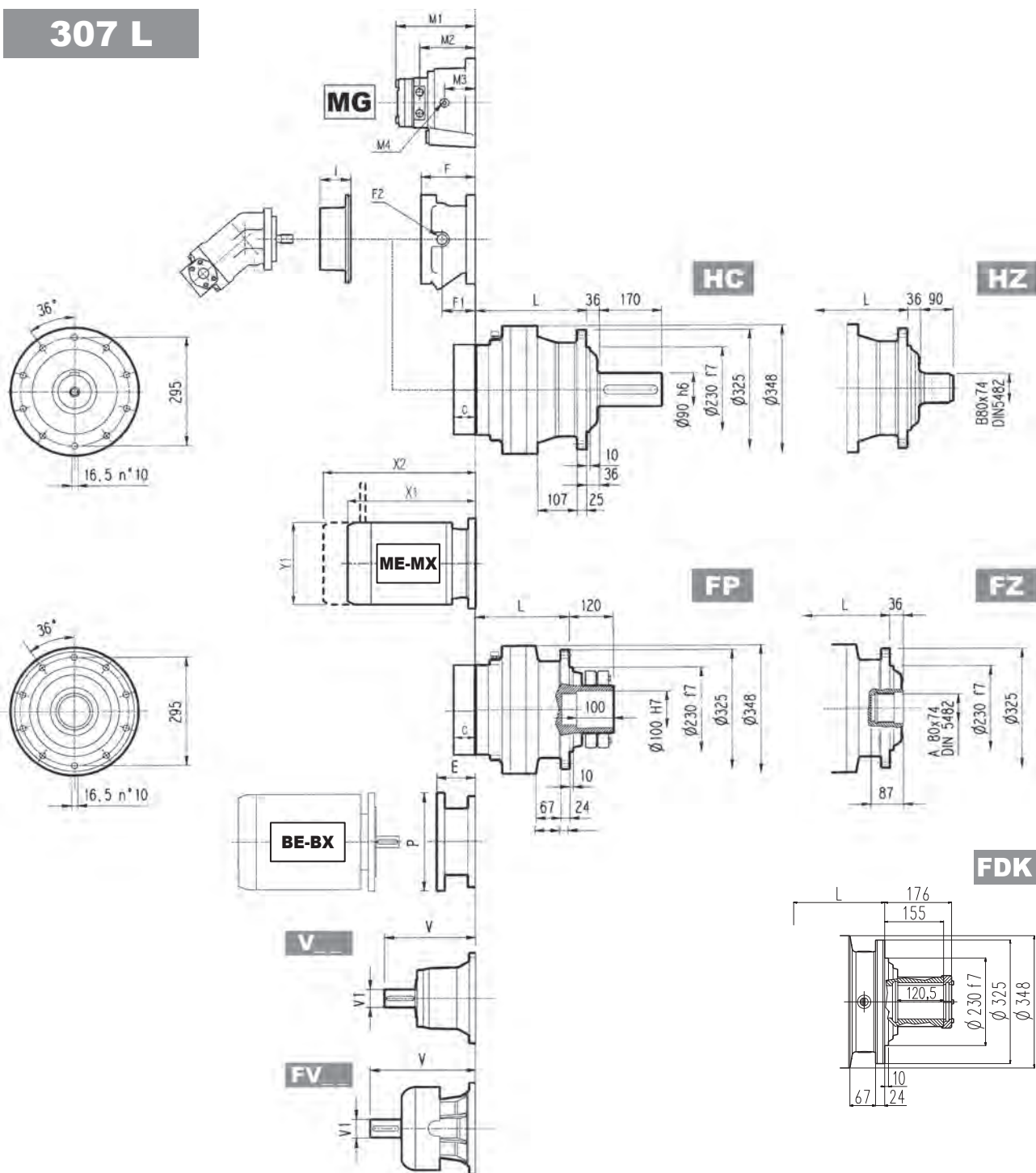


	L				Kg			
	MC - MZ	PC - PZ	HC - HZ	FP - FZ - FDK	MC - MZ	PC - PZ	HC - HZ	FP - FZ - FDK
307 L1	165	246	210	165	85	120	105	85
307 L2	254	335	299	254	97	132	117	97
307 L3	319	400	364	319	104	139	124	104
307 L4	372	453	417	372	108	143	128	108

	V			Kg			V			Kg			C	Input	I	F	F1	F2	Type	Input	Kg
	V	V1	Kg	V	V1	Kg	V	V1	Kg	V	V1	Kg									
307 L1	315	80	35	313	60	28	375	80	48	363	60	34	51	B	461	201	153	1/4 G	6	B	28
307 L2	239	48	15	—	—	—	276	48	17	—	—	—	37	A		145	95	1/4 G	5	A	16
307 L3	137.5	24	6	158	38	7	—	—	—	—	—	—	37	A		105	65	1/4 G	4	A	10
307 L4	137.5	24	6	158	38	7	—	—	—	—	—	—	37	A		105	65	1/4 G	4	A	10



307 L



FP

$M_{2max} = 18200 \text{ Nm}$

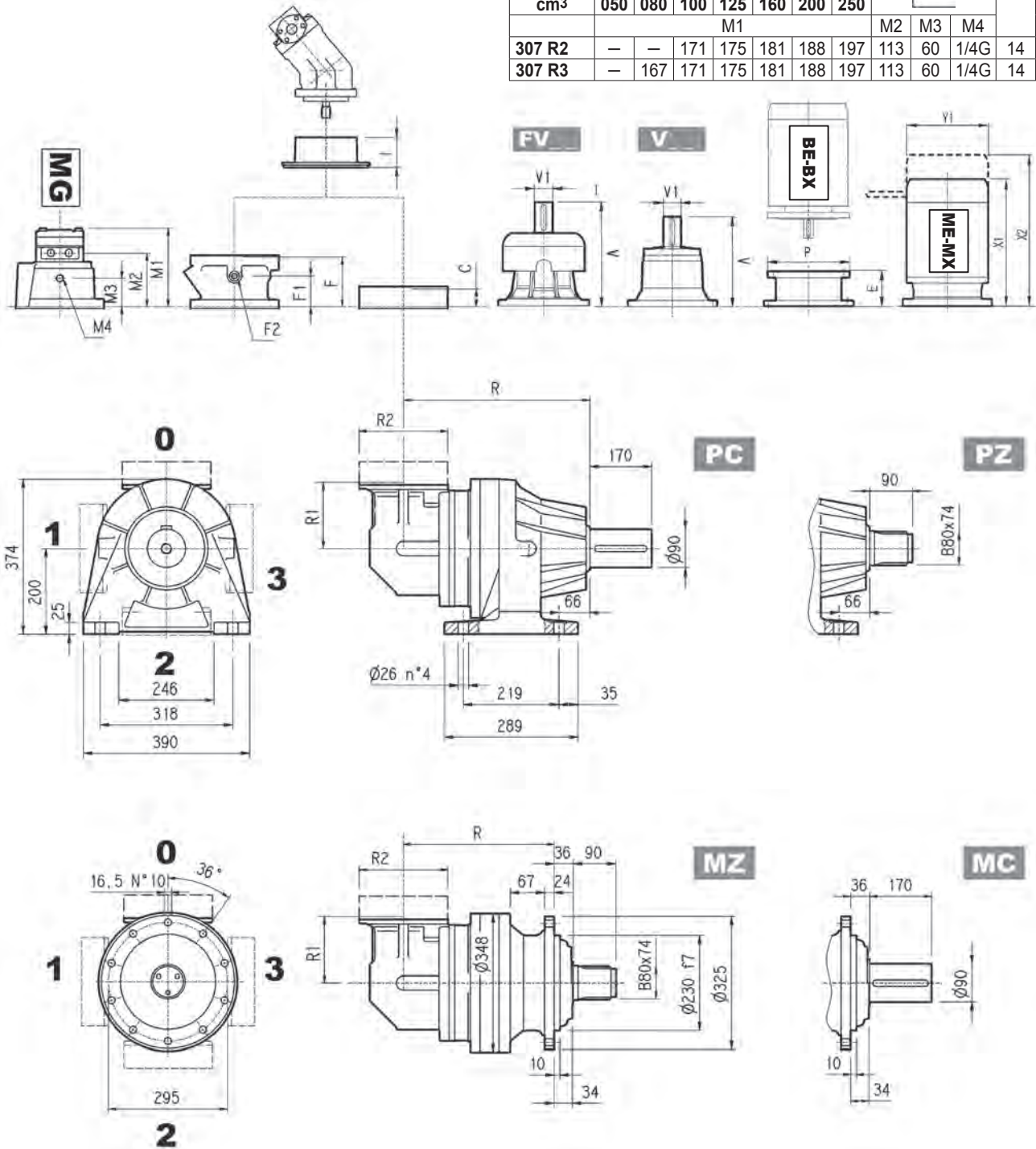
	P71		P80		P90		P100		P112		P132		P160		P180		P200		P225		P250		
	E	P	E	P	E	P	E	P	E	P	E	P	E	P	E	P	E	P	E	P	E	P	
307 L1	—	—	—	—	—	—	—	—	—	—	—	—	—	195	350	186	400	216	450	215	550	—	—
307 L2	—	—	—	—	—	—	—	—	—	—	114	300	144	350	144	350	174	400	—	—	—	—	—
307 L3	65	160	84	200	84	200	94	250	94	250	114	300	144	350	—	—	—	—	—	—	—	—	—
307 L4	65	160	84	200	84	200	94	250	94	250	114	300	144	350	—	—	—	—	—	—	—	—	—

	S1 + M1			S2 + ME2S/MX2S			S3 + ME3S/MX3S			S3 + ME3L/MX3L			S4 + ME4/MX4			S5 + ME5S/MX5S			S5 + ME5L/MX5L			
	X1	X2	Y1	X1	X2	Y1	X1	X2	Y1	X1	X2	Y1	X1	X2	Y1	X1	X2	Y1	X1	X2	Y1	
307 L1	—	—	—	—	—	—	—	—	—	—	—	—	—	—	—	—	—	—	—	—	—	—
307 L2	—	—	—	—	—	—	—	—	—	—	—	—	—	460	—	258	552	—	310	596	—	310
307 L3	—	—	—	324	—	156	357	—	195	401	—	195	460	—	258	—	—	—	—	—	—	—
307 L4	253	314	138	324	—	156	357	—	195	401	—	195	460	—	258	—	—	—	—	—	—	—



307 R

	Hydraulic motor							471			Kg
	MG										
cm ³	050	080	100	125	160	200	250				
	M1							M2	M3	M4	
307 R2	—	—	171	175	181	188	197	113	60	1/4G	14
307 R3	—	167	171	175	181	188	197	113	60	1/4G	14

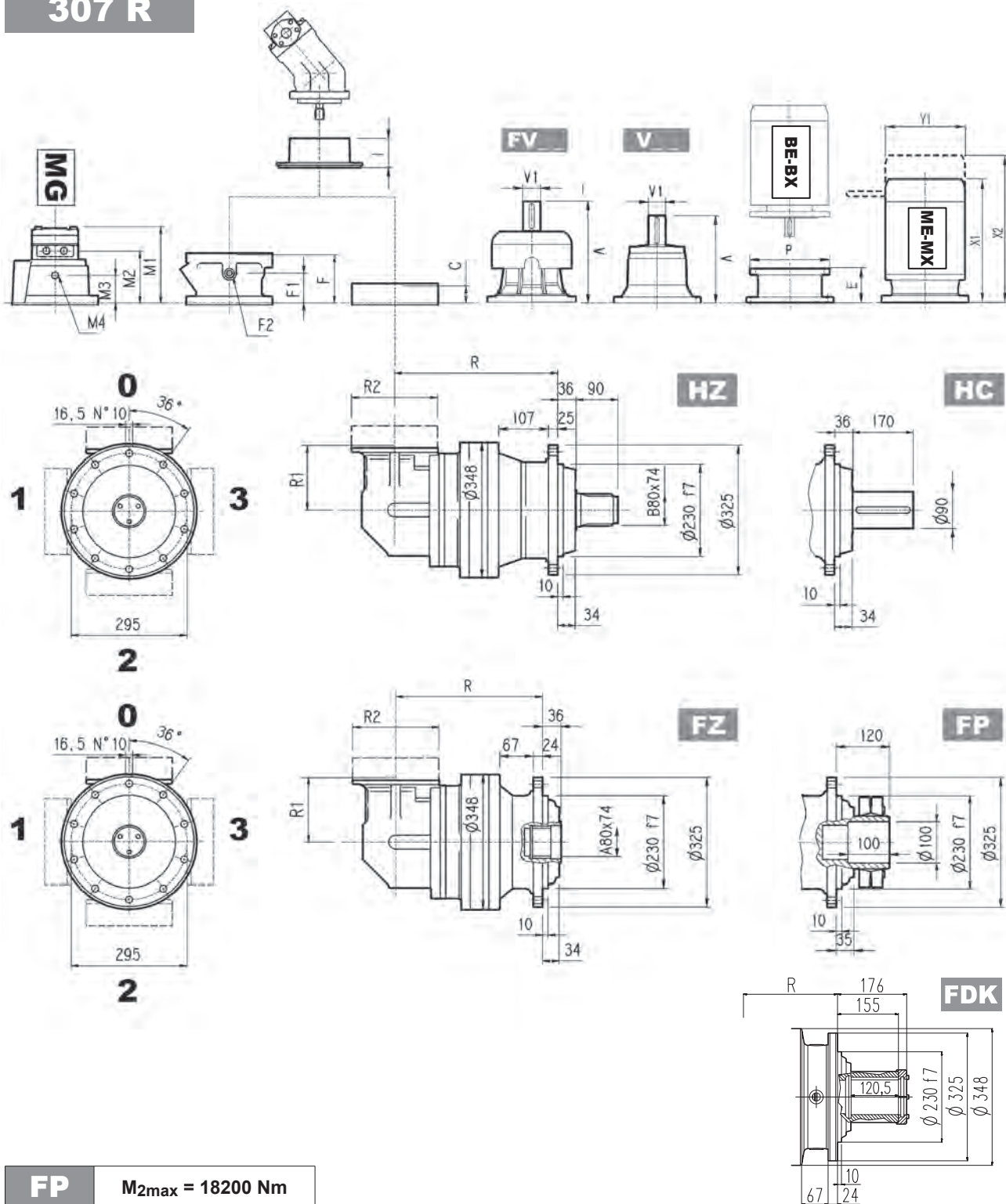


	R				R1	R2	Kg			
	MC - MZ	PC - PZ	HC - HZ	FP - FZ - FDK			MC - MZ	PC - PZ	HC - HZ	FP - FZ - FDK
307 R2	284	365	329	284	225	245	135	170	155	135
307 R3	346	427	391	346	140	186	117	152	137	117
307 R4	411	492	456	411	122	186	118	153	138	118

	V	V1	Kg	V	V1	Kg	V	V1	Kg	V	V1	Kg	C	Input	I	F	F1	F2	Type	Input	Kg
307 R2	239	48	15	—	—	—	276	48	17	—	—	—	37	A		145	95	1/4 G	5	A	16
307 R3	137.5	24	6	158	38	7	—	—	—	—	—	—	37	A		105	65	1/4 G	4	A	10
307 R4	137.5	24	6	158	38	7	—	—	—	—	—	—	37	A	461	105	65	1/4 G	4	A	10



307 R



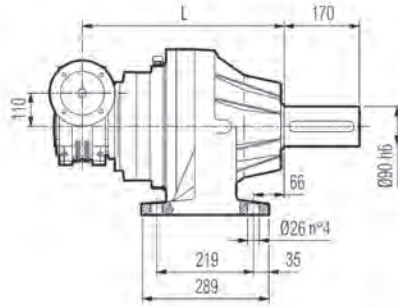
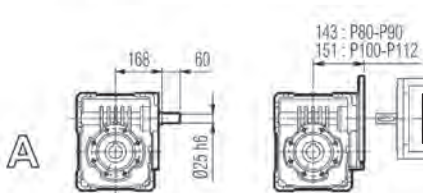
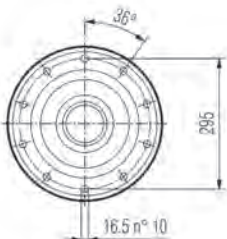
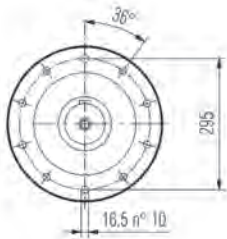
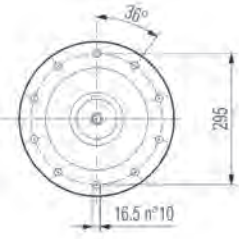
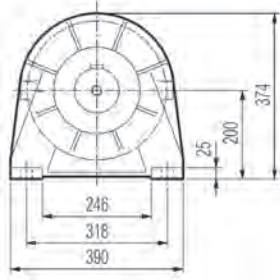
FP $M_{2max} = 18200 \text{ Nm}$

	P71		P80		P90		P100		P112		P132		P160		P180		P200	
	E	P	E	P	E	P	E	P	E	P	E	P	E	P	E	P	E	P
307 R2	—	—	—	—	—	—	—	—	—	—	114	300	144	350	144	350	174	400
307 R3	65	160	84	200	84	200	94	250	94	250	114	300	144	350	—	—	—	—
307 R4	65	160	84	200	84	200	94	250	94	250	114	300	144	350	—	—	—	—

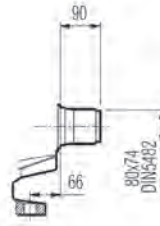
	S1 + M1			S2 + ME2S/MX2S			S3 + ME3S/MX3S			S3 + ME3L/MX3L			S4 + ME4/MX4			S5 + ME5S/MX5S			S5 + ME5L/MX5L		
	X1	X2	Y1	X1	X2	Y1	X1	X2	Y1	X1	X2	Y1	X1	X2	Y1	X1	X2	Y1	X1	X2	Y1
307 R2	—	—	—	—	—	—	—	—	—	—	—	—	508	—	258	552	—	310	596	—	310
307 R3	253	314	138	372	—	156	405	—	195	449	—	195	508	—	258	—	—	—	—	—	—
307 R4	253	314	138	372	—	156	405	—	195	449	—	195	508	—	258	—	—	—	—	—	—



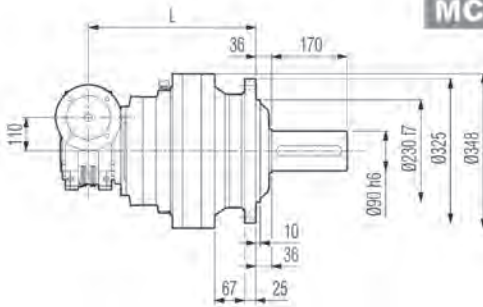
3/V 07 L3



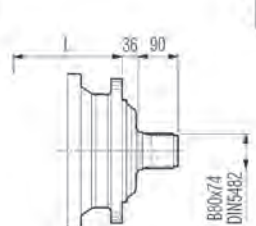
PC



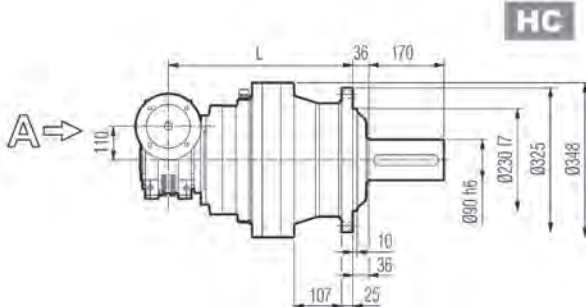
PZ



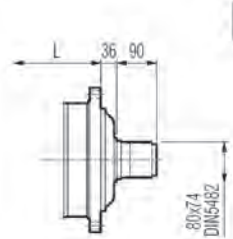
MC



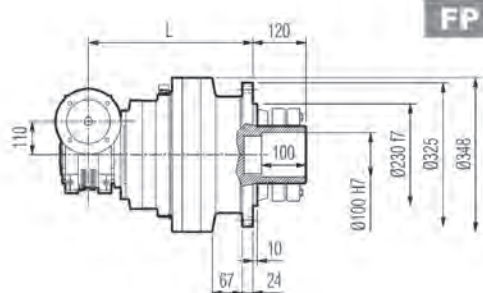
MZ



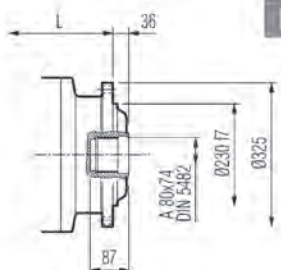
HC



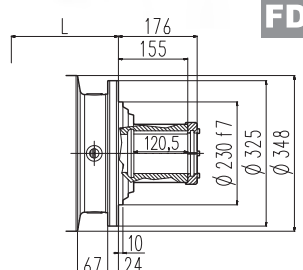
HZ



FP



FZ

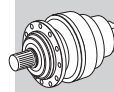


FDK

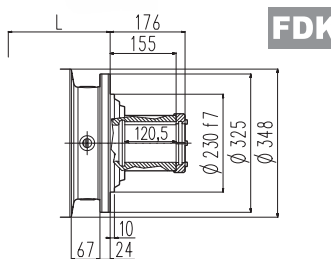
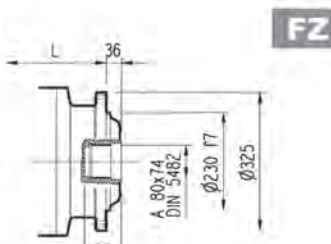
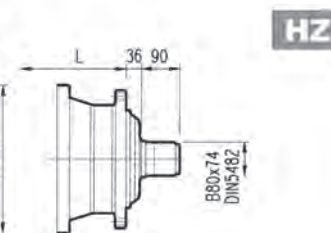
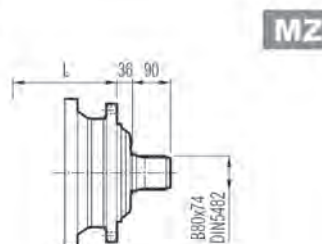
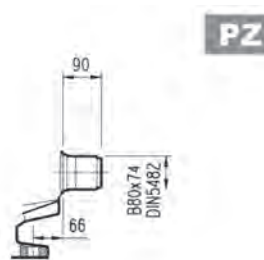
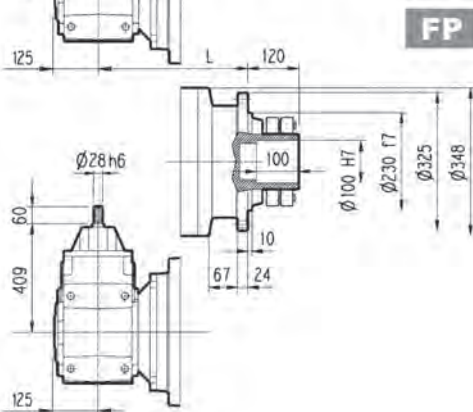
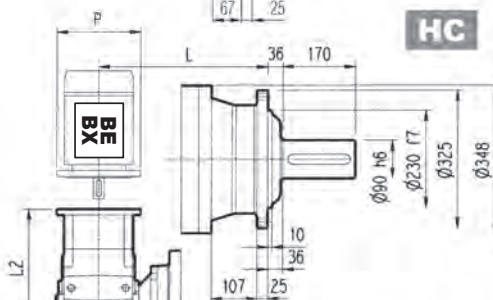
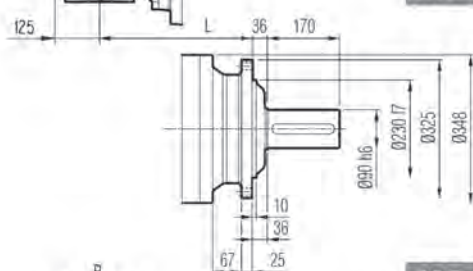
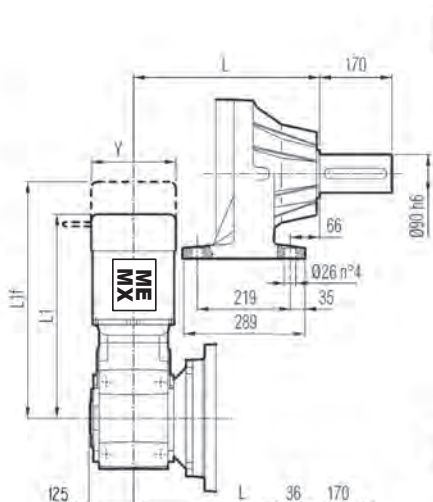
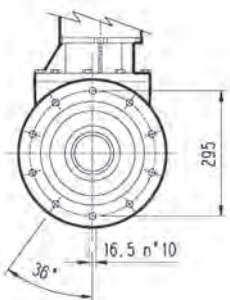
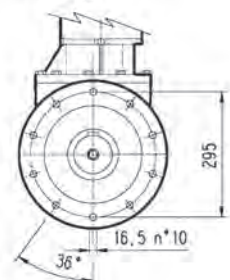
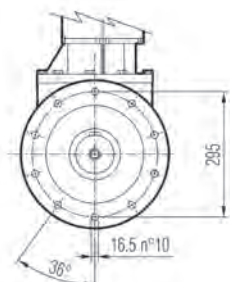
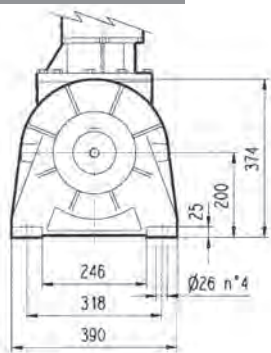
FP $M_{2max} = 18200 \text{ Nm}$

	L				Kg	P80	P90	P100	P112			
	MC - MZ	PC - PZ	HC - HZ	FP - FZ - FDK								
3/V 07 L3	414	495	459	414	130	165	150	130	200	200	250	250

	S2 + ME2S/MX2S			S3 + ME3S/MX3S			S3 + ME3L/MX3L		
	L1	L1f	Y	L1	L1f	Y	L1	L1f	Y
3/V 07 L3	408	—	156	439	—	195	483	—	195



3/A 07 L2



FP M_{2max} = 18200 Nm

3/A 07 L2	L				Kg			
	MC - MZ	PC - PZ	HC - HZ	FP - FZ - FDK	MC - MZ	PC - PZ	HC - HZ	FP - FZ - FDK
	336	417	381	336	200	230	210	200

3/A 07 L2	P80		P90		P100		P112		P132		P160		P180	
	L2	P	L2	P	L2	P	L2	P	L2	P	L2	P	L2	P
	371	200	371	200	381	250	381	250	416.5	300	468	350	468	350

3/A 07 L2	S2 + ME2S/MX2S			S3 + ME3S/MX3S			S3 + ME3L/MX3L			S4 + ME4/MX4			S5 + ME5S/MX5S			S5 + ME5L/MX5L		
	L1	L1f	Y	L1	L1f	Y	L1	L1f	Y	L1	L1f	Y	L1	L1f	Y	L1	L1f	Y
	579	—	156	610.5	—	195	654.5	—	195	718.5	—	258	970	—	—	1014	—	—

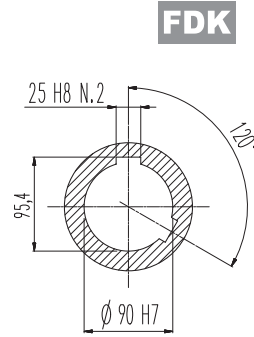
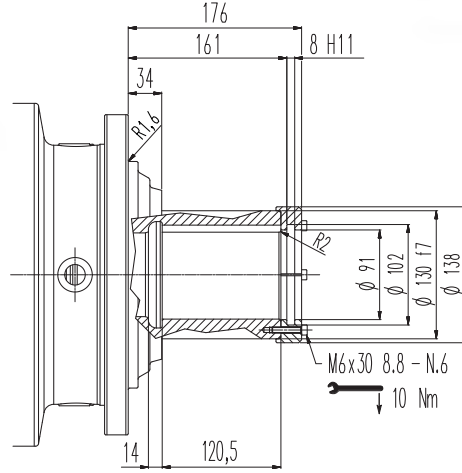
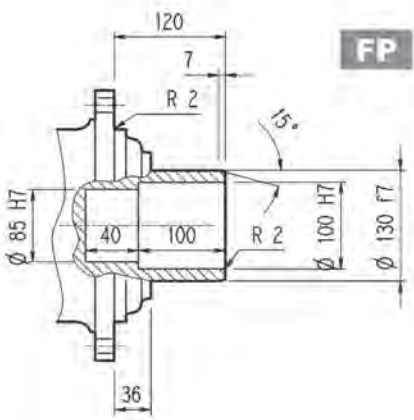
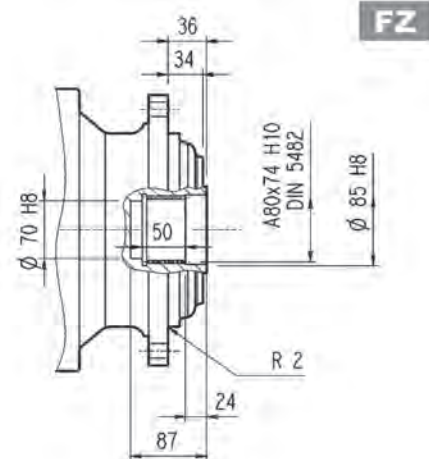
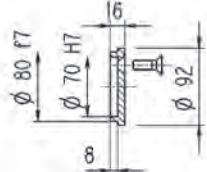
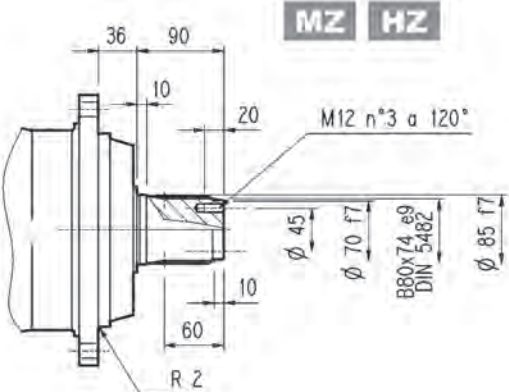
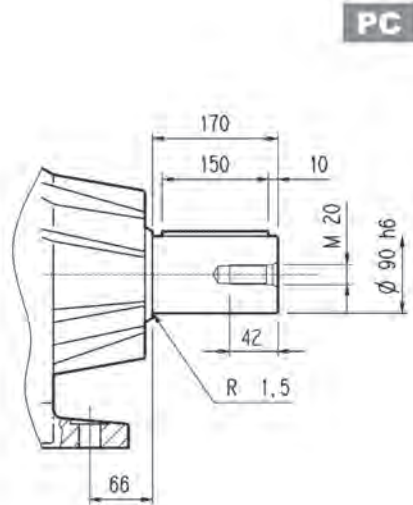
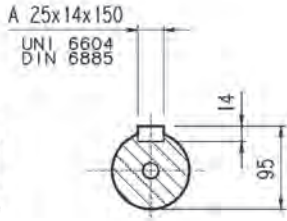
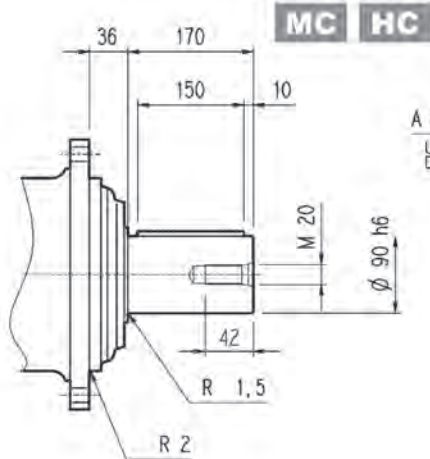


307 L

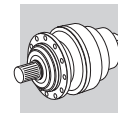
307 R

3/V 07 L3

3/A 07 L2



FP $M_{2max} = 18200 \text{ Nm}$



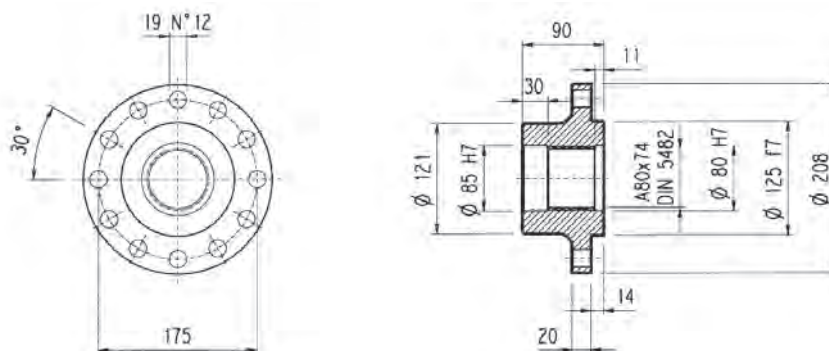
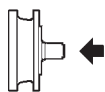
307 L

307 R

3/V 07 L3

3/A 07 L2

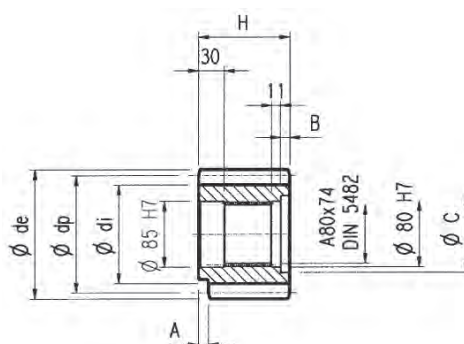
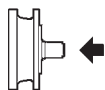
Flange



W0A

Material: Steel C40

Pinions

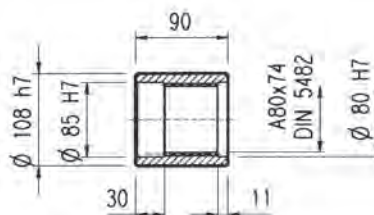
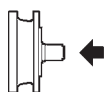


P...

$\alpha = 20^\circ$

	m	z	x	dp	di	de	H	A	B	C	Material
PFG	8	16	0.500	128	117	149.5	90	—	—	—	Steel 39NiCrMo3 hardened and tempered
PHC	10	12	0.450	120	104	145	90	—	—	—	
PHE	10	14	0.320	140	121	165	116	13	26	95	
PHF	10	15	0.150	150	130	171.5	107	20	17	100	Steel 18NiCrMo5 case hardened
PHG	10	16	0.500	160	145	186	90	—	—	—	
PHH1	10	17	—	170	145	189	90	—	—	—	
PHH2	10	17	0.500	170	154	198	90	—	—	—	Steel 39NiCrMo3 hardened and tempered
PLD	12	13	0.500	156	138	192	102	—	12	95	
PLE	12	14	0.500	168	150	199.2	90	—	—	—	
PLI	12	18	0.500	216	198	249.6	107	7	17	95	Steel 18NiCrMo5 case hardened
PLT	12	26	—	312	282	336	90	10	—	—	

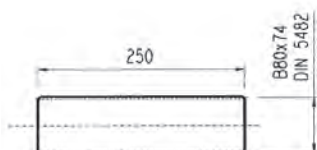
Sleeve coupling



M0A

Material: Steel 16CrNi4

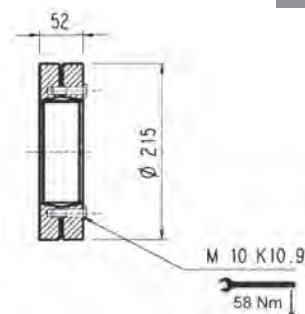
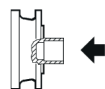
Splined bars



B0A

Material: Case hardening steel 18NiCrMo5 UNI 5331 must be case hardened 50-55 HRC

Shrink disc

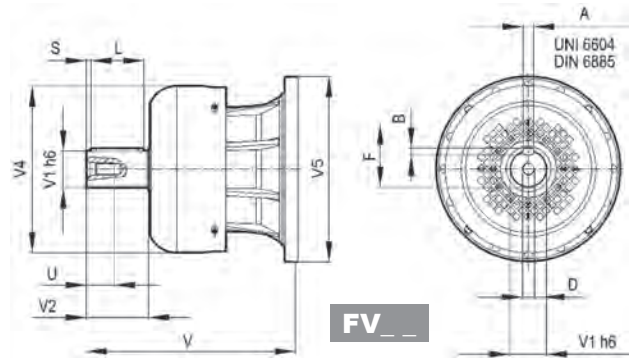
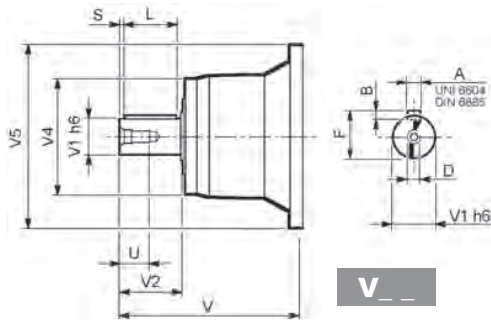


G0A



307 L

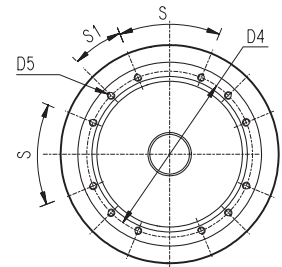
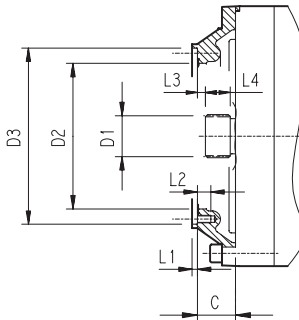
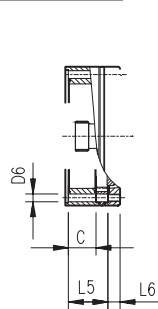
307 R



		V	V1	V2	V4	V5	A	B	F	L	S	D	U
307 L1	V07B	315	80	130	200	345	22	14	85	110	10	M16	36
	FV07B	375	80	130	347.5	348	22	14	85	110	10	M16	36
	V07A	313	60	105	155	345	18	11	64	90	7.5	M16	36
	FV07A	363	60	105	309	348	18	11	64	90	7.5	M16	36
307 L2	V05B	239	48	82	155	245	14	9	51.5	70	6	M16	36
	FV05B	276	48	82	219.5	244	14	9	51.5	70	6	M16	36
307 L3	V01A	137.5	24	36	120	186	8	7	27	30	3	M8	19
	V01B	158	38	58	120	186	10	8	41	50	4	M12	28
307 L4	V01A	137.5	24	36	120	186	8	7	27	30	3	M8	19
	V01B	158	38	58	120	186	10	8	41	50	4	M12	28
307 R2	V05B	239	48	82	155	245	14	9	51.5	70	6	M16	36
	FV05B	276	48	82	219.5	244	14	9	51.5	70	6	M16	36
307 R3-R4	V01A	137.5	24	36	120	186	8	7	27	30	3	M8	19
	V01B	158	38	58	120	186	10	8	41	50	4	M12	28

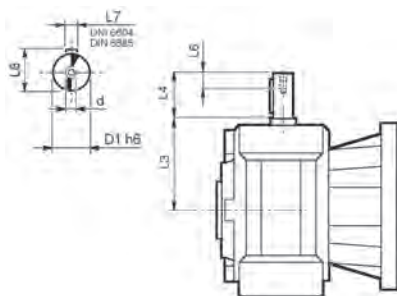
307 L

307 R

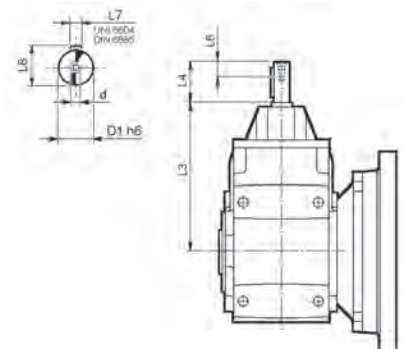


		C	D1	D2	D3	D4	D5	D6	L1	L2	L3	L4	L5	L6	S	S1	Input
307 L1	V9AB	51	58x53 DIN 5482	195	236 H7	222	M10 n°12	—	4	18	11	22	—	—	45°	22.5°	B
307 L2	V9AA	37	40x36 DIN 5482	140	178 H7	165	M10 n°8	—	4	18	9	18	—	—	45°	45°	A
307 L3	V9AA	37	40x36 DIN 5482	140	178 H7	165	M10 n°8	11	4	—	9	18	65	18	45°	45°	A
307 L4	V9AA	37	40x36 DIN 5482	140	178 H7	165	M10 n°8	11	4	—	9	18	118	18	45°	45°	A
307 R2	V9AA	37	40x36 DIN 5482	140	178 H7	165	M10 n°8	11	4	18	9	18	—	—	45°	45°	A
307 R3-R4	V9AA	37	40x36 DIN 5482	140	178 H7	165	M10 n°8	11	4	—	9	18	37	18	45°	45°	A

3/V 07 L3



3/A 07 L2



	D1 h6	L3	L4	L6	L7	L8	d
3/V 07 L3_HS	25	168	60	19	8	28	M8

	D1 h6	L3	L4	L6	L7	L8	d
3/A 07 L2_HS	28	409	60	22	8	31	M10



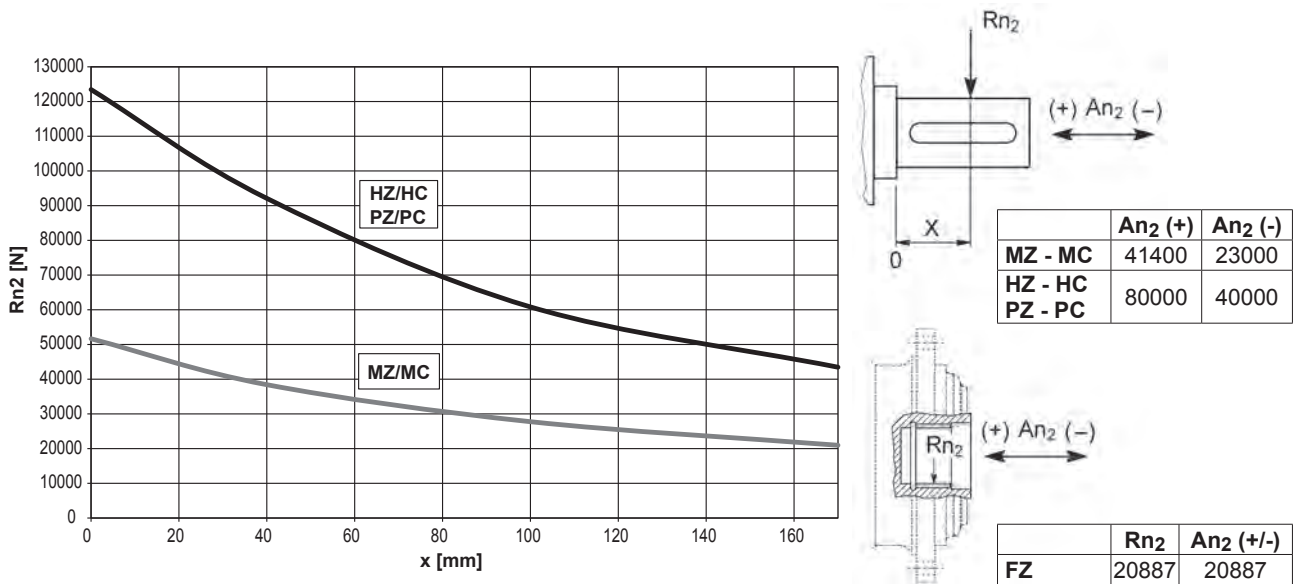
307 L

307 R

3/V 07 L3

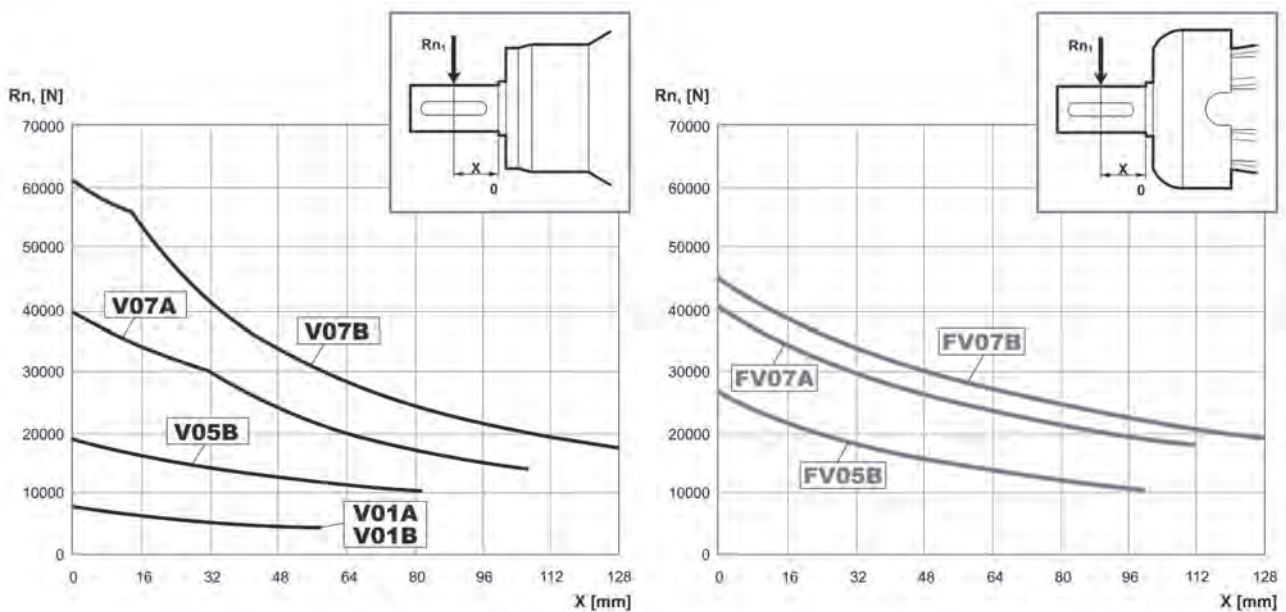
3/A 07 L2

Permissible radial and axial loads on output shaft with $F_{h2} : n_2 \cdot h = 100000$



Load corrective factor f_{h2} on shafts	$F_{h2} = n_2 \cdot h$		10000	25000	50000	100000	500000	1000000	
	f_{h2}	FZ		2.15	1.59	1.26	1.00	0.58	0.46
		MZ - MC		2.15	1.59	1.26	1.00	0.58	0.46
HZ - HC - PZ - PC			1.49	1.49	1.23	1.00	0.62	0.50	

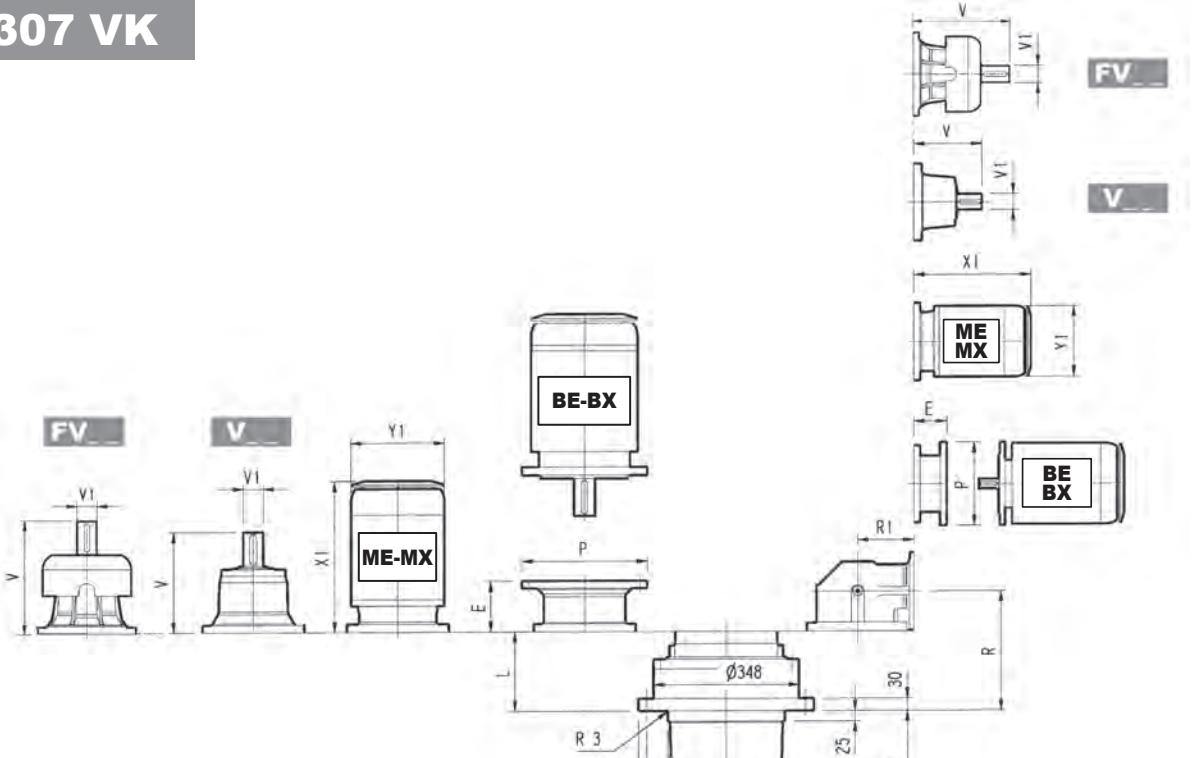
Permissible radial loads on input shaft with $F_{h1} : n_1 \cdot h = 250000$



Load corrective factor f_{h1} on shafts	$F_{h1} = n_1 \cdot h$		250000	500000	1000000	2000000	5000000	10000000
	f_{h1}		1	0.79	0.63	0.50	0.37	0.29



307 VK



307 L_VK

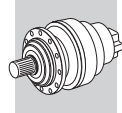
307 R_VK

	L														P71	P80	P90	P100	P112	P132	P160	P180	P200	P225	P250		
	kg	kg	V	V1	kg	V	V1	kg	V	V1	kg	V	V1	kg	E	P	E	P	E	P	E	P	E	P	E	P	
307 L1	80	145	315	80	35	313	60	28	375	80	48	363	60	34	—	—	—	—	—	—	—	—	—	—	—	—	
307 L2	169	160	239	48	15	—	—	—	276	48	17	—	—	—	—	—	—	—	—	—	—	—	—	—	—	—	
307 L3	234	170	137.5	24	6	158	38	7	—	—	—	—	—	65	160	84	200	84	200	94	250	94	250	114	300	144	350
307 L4	287	175	137.5	24	6	158	38	7	—	—	—	—	—	65	160	84	200	84	200	94	250	94	250	114	300	144	350

	S1 + M1			S2 + ME2S/MX2S			S3 + ME3S/MX3S			S3 + ME3L/MX3L			S4 + ME4/MX4			S5 + ME5S/MX5S			S5 + ME5L/MX5L					
	X1	X2	Y1	X1	X2	Y1	X1	X2	Y1	X1	X2	Y1	X1	X2	Y1	X1	X2	Y1	X1	X2	Y1			
307 L1	—	—	—	—	—	—	—	—	—	—	—	—	—	—	—	—	—	—	—	—	—			
307 L2	—	—	—	—	—	—	—	—	—	—	—	—	—	—	—	460	—	258	552	—	310	596	—	310
307 L3	—	—	—	324	—	156	357	—	195	401	—	195	460	—	258	—	—	—	—	—	—	—	—	—
307 L4	253	314	138	324	—	156	357	—	195	401	—	195	460	—	258	—	—	—	—	—	—	—	—	—

	R														P71	P80	P90	P100	P112	P132	P160	P180	P200				
	kg	kg	V	V1	kg	V	V1	kg	V	V1	kg	V	V1	kg	E	P	E	P	E	P	E	P	E	P	E	P	
307 R2	199	225	180	239	48	15	—	—	276	48	17	—	—	—	—	—	—	—	—	—	—	—	—	—	—	—	
307 R3	261	140	170	137.5	24	6	158	38	7	—	—	—	—	65	160	84	200	84	200	94	250	94	250	114	300	144	350
307 R4	326	122	175	137.5	24	6	158	38	7	—	—	—	—	65	160	84	200	84	200	94	250	94	250	114	300	144	350

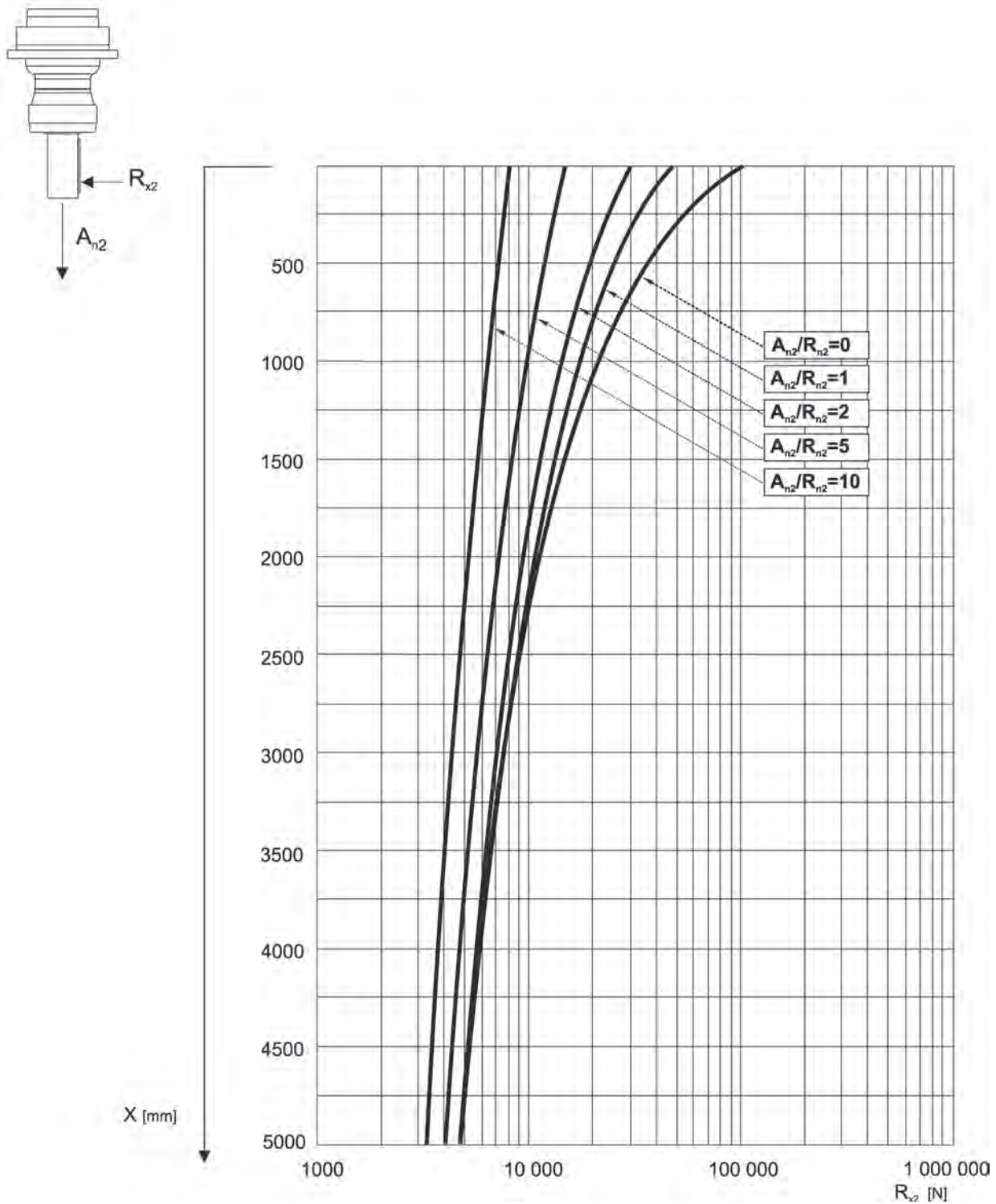
	S1 + M1			S2 + ME2S/MX2S			S3 + ME3S/MX3S			S3 + ME3L/MX3L			S4 + ME4/MX4			S5 + ME5S/MX5S			S5 + ME5L/MX5L					
	X1	X2	Y1	X1	X2	Y1	X1	X2	Y1	X1	X2	Y1	X1	X2	Y1	X1	X2	Y1	X1	X2	Y1			
307 R2	—	—	—	—	—	—	—	—	—	—	—	—	—	—	—	508	—	258	552	—	310	596	—	310
307 R3	253	314	138	372	—	156	405	—	195	449	—	195	508	—	258	—	—	—	—	—	—	—	—	—
307 R4	253	314	138	372	—	156	405	—	195	449	—	195	508	—	258	—	—	—	—	—	—	—	—	—



307 VK

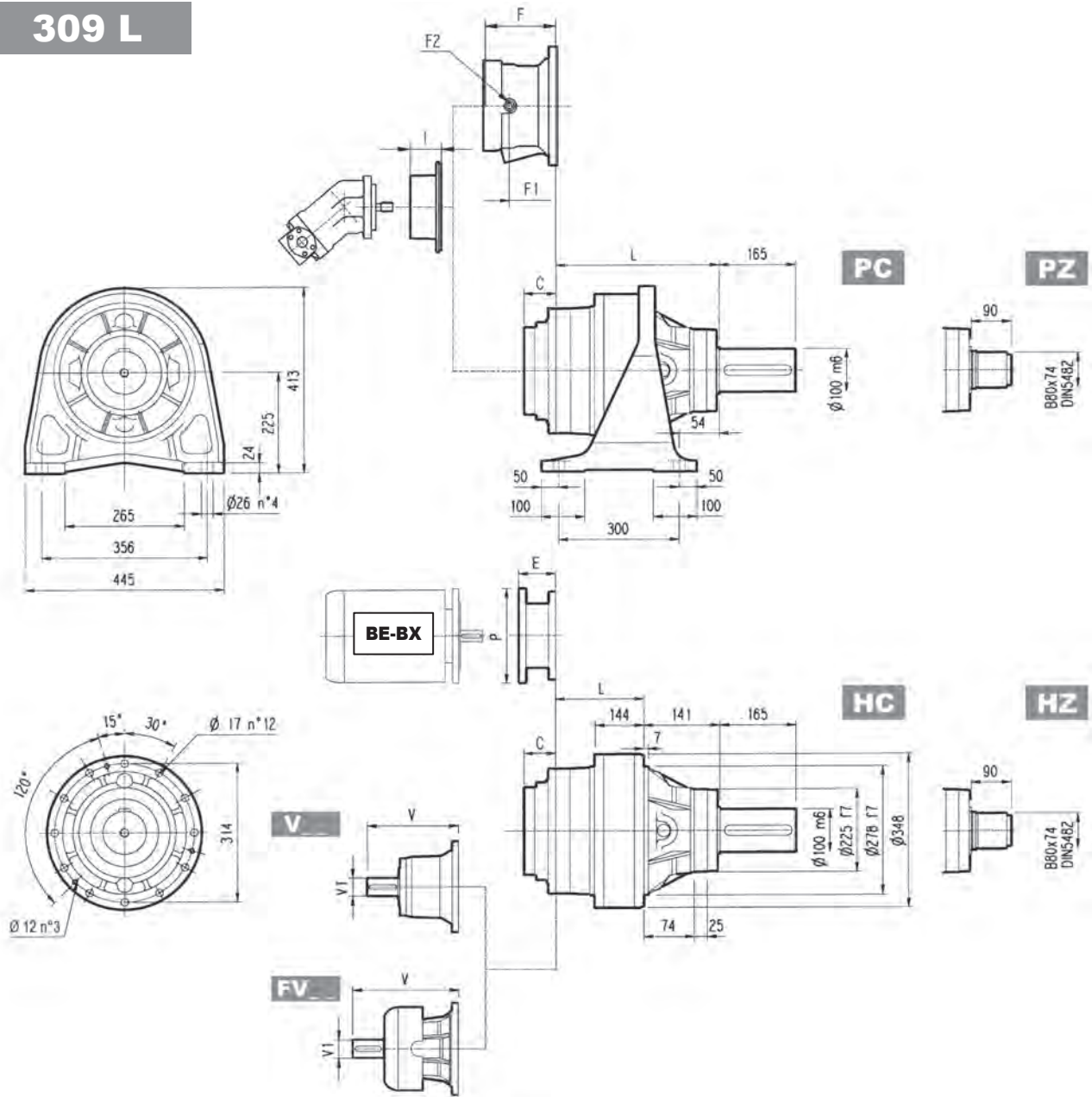
The diagram below allows the calculation of permitted overhung load R_{x2} on the output shaft of gearbox, with radial force applying at a distance x from shaft shoulder.

The curves are relevant to value resulting from the relationship of trust load A_{n2} to radial load R_{n2} , based on $n_2 = 10 \text{ min}^{-1}$ and 10000 hrs theoretical lifetime.





309 L

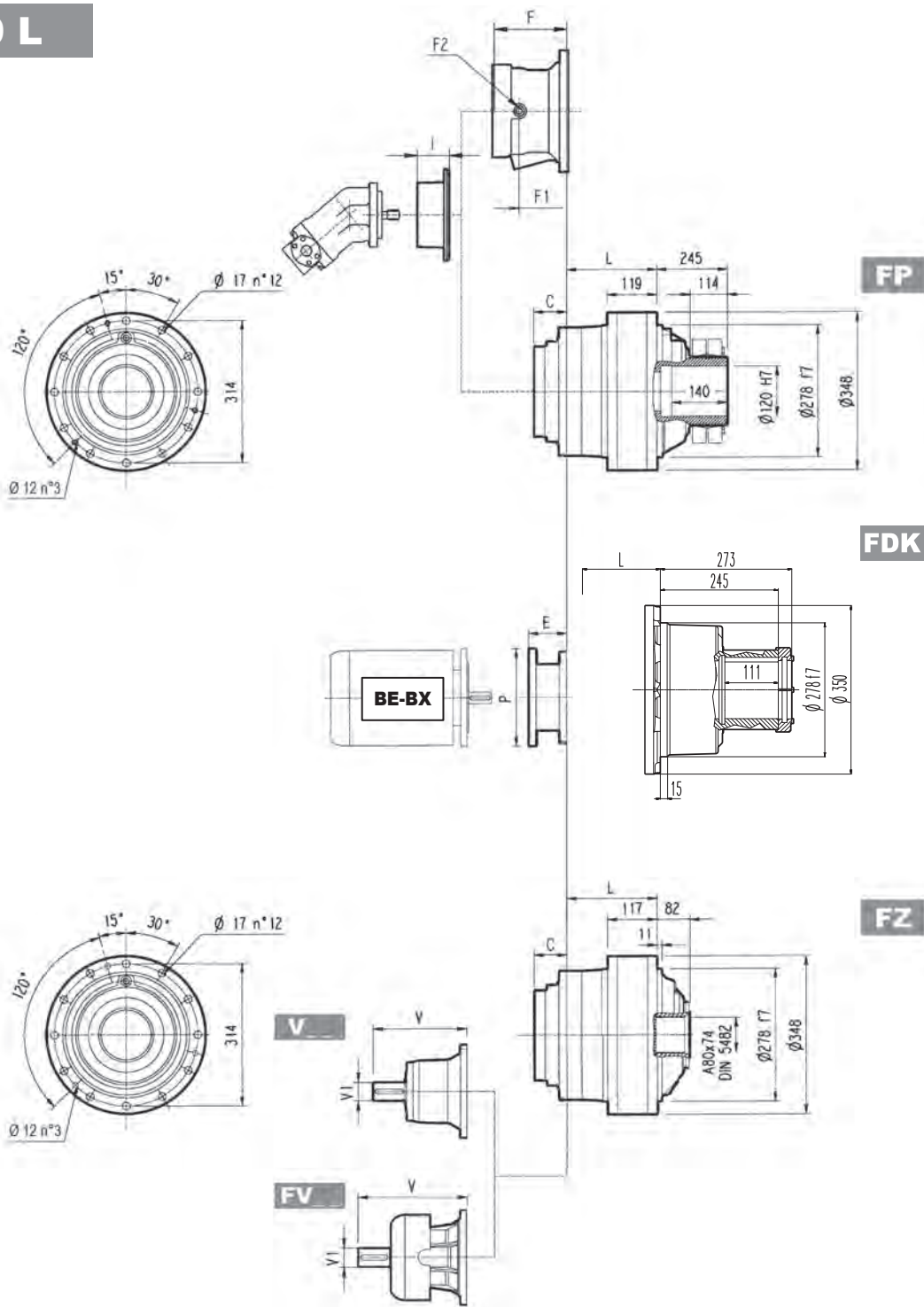


	L				Kg			
	PC - PZ	HC - HZ	FZ	FP - FDK	PC - PZ	HC - HZ	FZ	FP - FDK
309 L1	267	126	99	101	130	115	95	100
309 L2	356	215	188	190	142	127	107	112
309 L3	421	280	253	255	149	134	114	119
309 L4	474	333	306	308	153	138	118	123

	V			V1			V			V1			C	Input	I	F			Type	Input	Kg
	V	V1	Kg	V	V1	Kg	V	V1	Kg	V	V1	Kg				F	F1	F2			
309 L1	315	80	35	313	60	28	375	80	48	363	60	34	51	B	461	201	153	1/4 G	6	B	28
309 L2	239	48	15	—	—	—	276	48	17	—	—	—	37	A	—	145	95	1/4 G	5	A	16
309 L3	137.5	24	6	158	38	7	—	—	—	—	—	—	37	A	—	105	65	1/4 G	4	A	10
309 L4	137.5	24	6	158	38	7	—	—	—	—	—	—	37	A	—	105	65	1/4 G	4	A	10



309 L

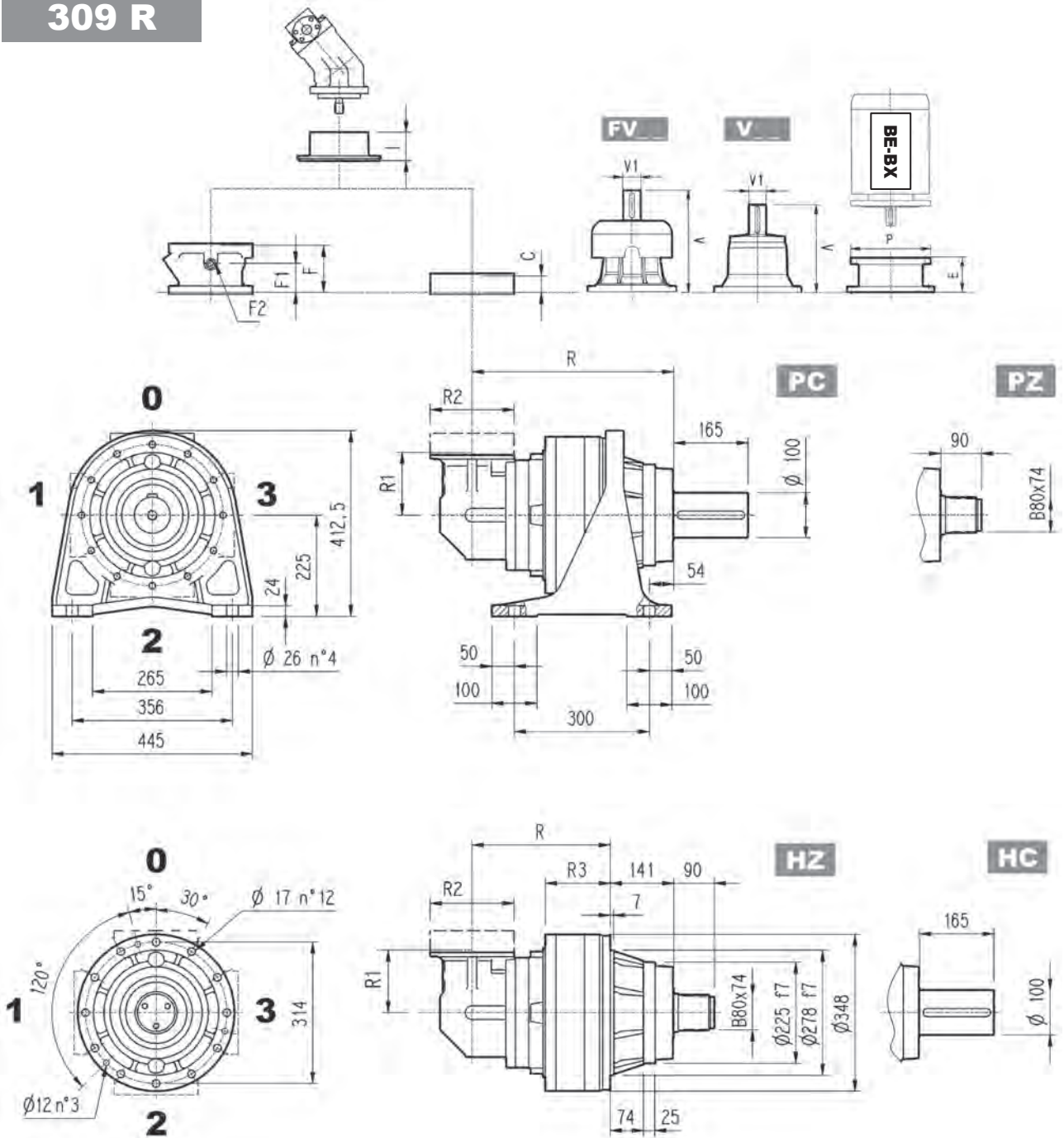


FP $M_{2max} = 29000 \text{ Nm}$

	P71		P80		P90		P100		P112		P132		P160		P180		P200		P225		P250	
	E	P	E	P	E	P	E	P	E	P	E	P	E	P	E	P	E	P	E	P	E	P
309 L1	—	—	—	—	—	—	—	—	—	—	—	—	—	—	195	350	186	400	216	450	216	550
309 L2	—	—	—	—	—	—	—	—	—	—	114	300	144	350	144	350	174	400	—	—	—	—
309 L3	65	160	84	200	84	200	94	250	94	250	114	300	144	350	—	—	—	—	—	—	—	—
309 L4	65	160	84	200	84	200	94	250	94	250	114	300	144	350	—	—	—	—	—	—	—	—

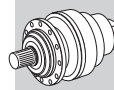


309 R

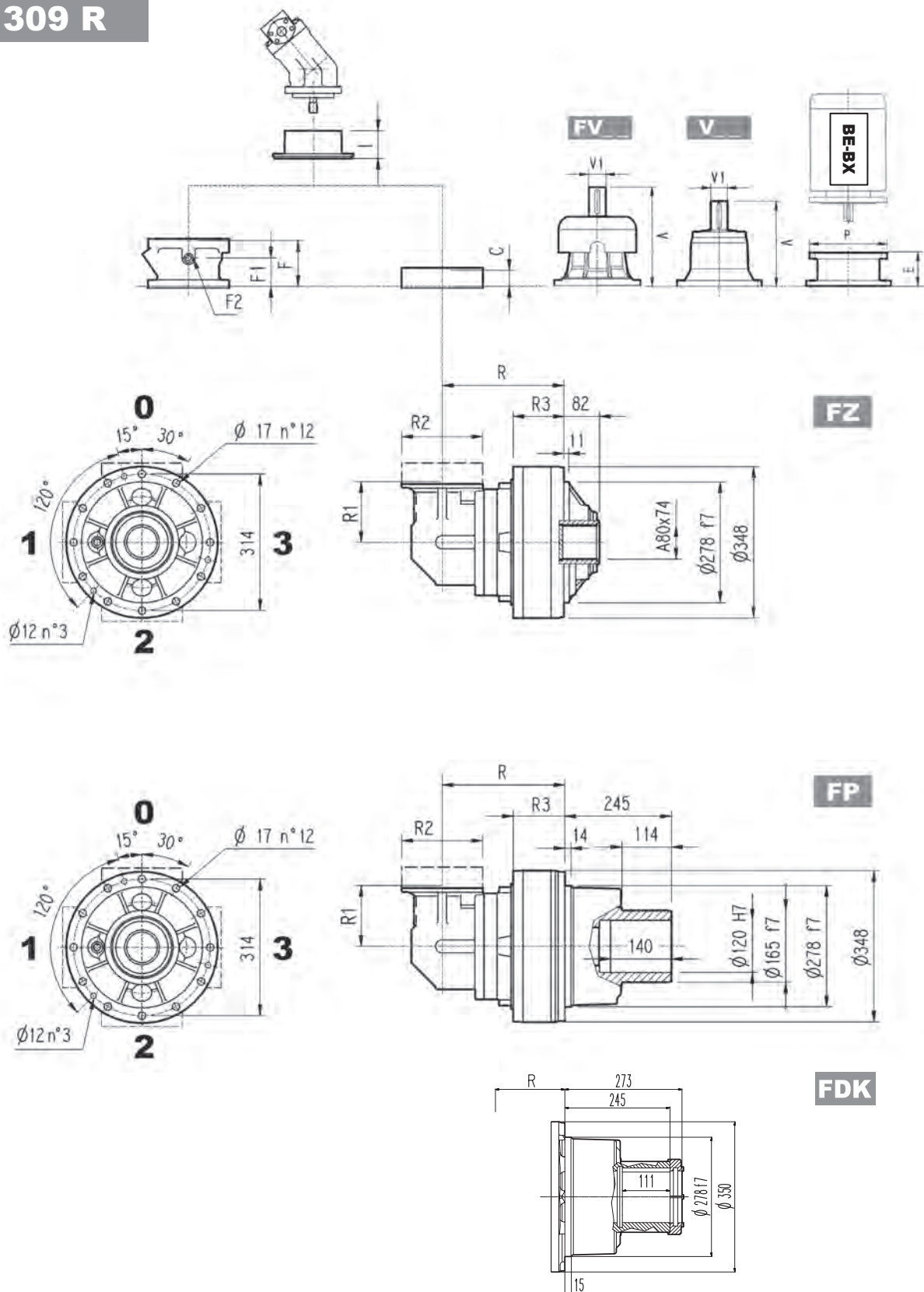


	R				R1	R2	R3			Kg			
	PC-PZ	HC-HZ	FZ	FP - FDK			HC-HZ	FZ	FP	PC-PZ	HC-HZ	FZ	FP - FDK
309 R2	386	245	218	220	225	245	168	141	143	180	165	145	150
309 R3	448	307	280	282	140	186	144	117	119	162	147	127	132
309 R4	513	372	345	347	122	186	144	117	119	163	148	128	133

	V	V1	Kg	V	V1	Kg	V	V1	Kg	V	V1	Kg	C	Input	I	F	F1	F2	Type	Input	Kg
309 R2	239	48	15	—	—	—	276	48	17	—	—	—	37	A		145	95	1/4 G	5	A	16
309 R3	137.5	24	6	158	38	7	—	—	—	—	—	—	37	A		105	65	1/4 G	4	A	10
309 R4	137.5	24	6	158	38	7	—	—	—	—	—	—	37	A	461	105	65	1/4 G	4	A	10



309 R

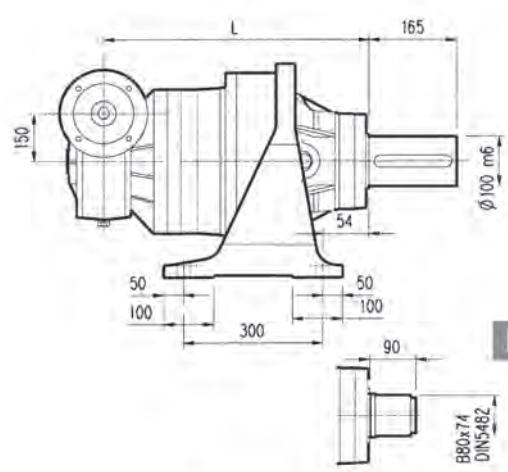
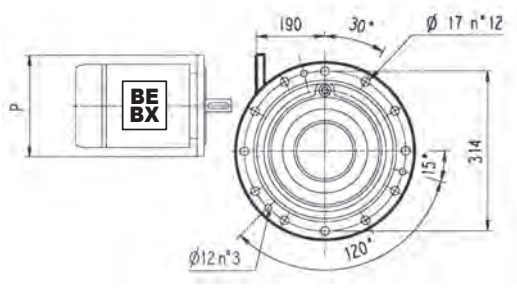
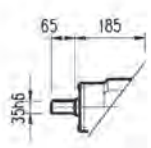
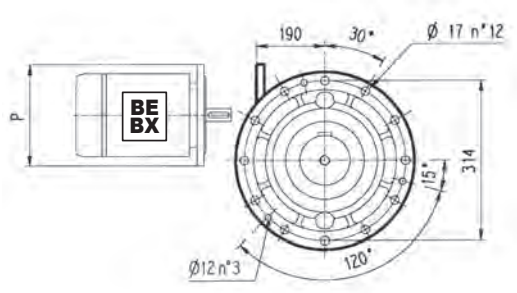
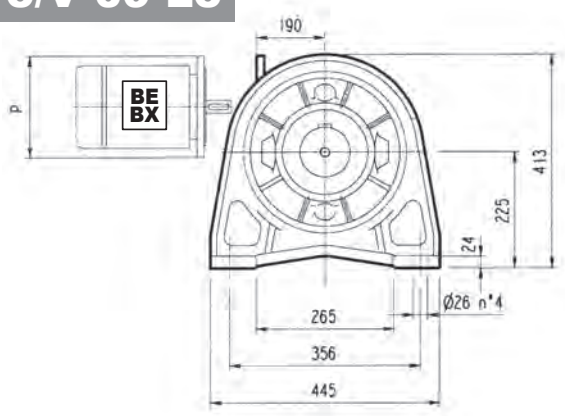


FP $M_{2max} = 29000 \text{ Nm}$

	P71		P80		P90		P100		P112		P132		P160		P180		P200	
	E	P	E	P	E	P	E	P	E	P	E	P	E	P	E	P	E	P
309 R2	—	—	—	—	—	—	—	—	—	—	114	300	144	350	144	350	174	400
309 R3	65	160	84	200	84	200	94	250	94	250	114	300	144	350	—	—	—	—
309 R4	65	160	84	200	84	200	94	250	94	250	114	300	144	350	—	—	—	—

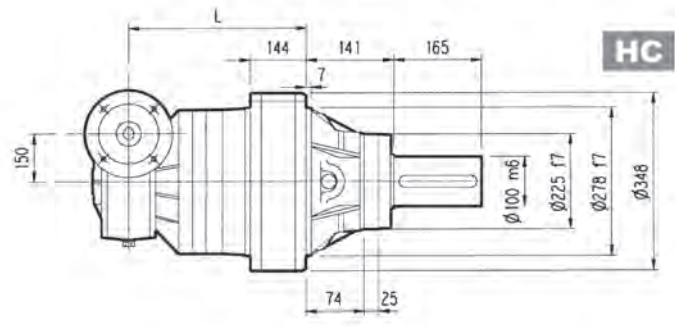
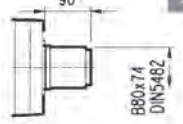


3/V 09 L3

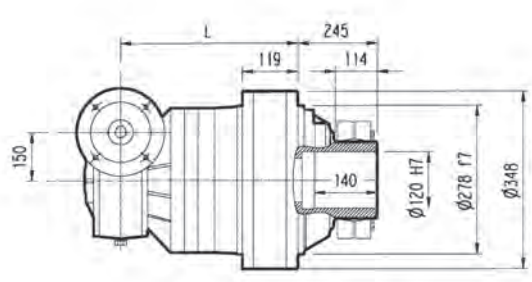


PC

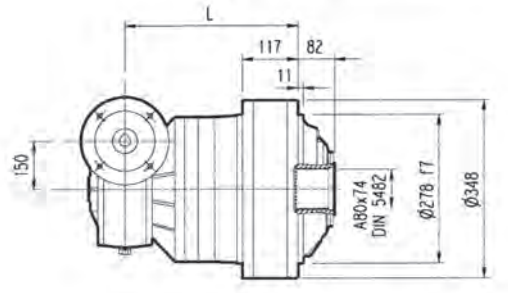
HZ PZ



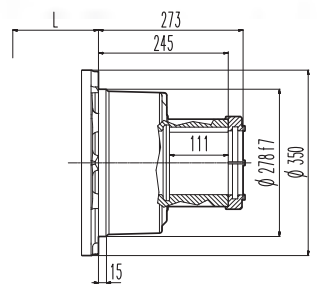
HC



FP



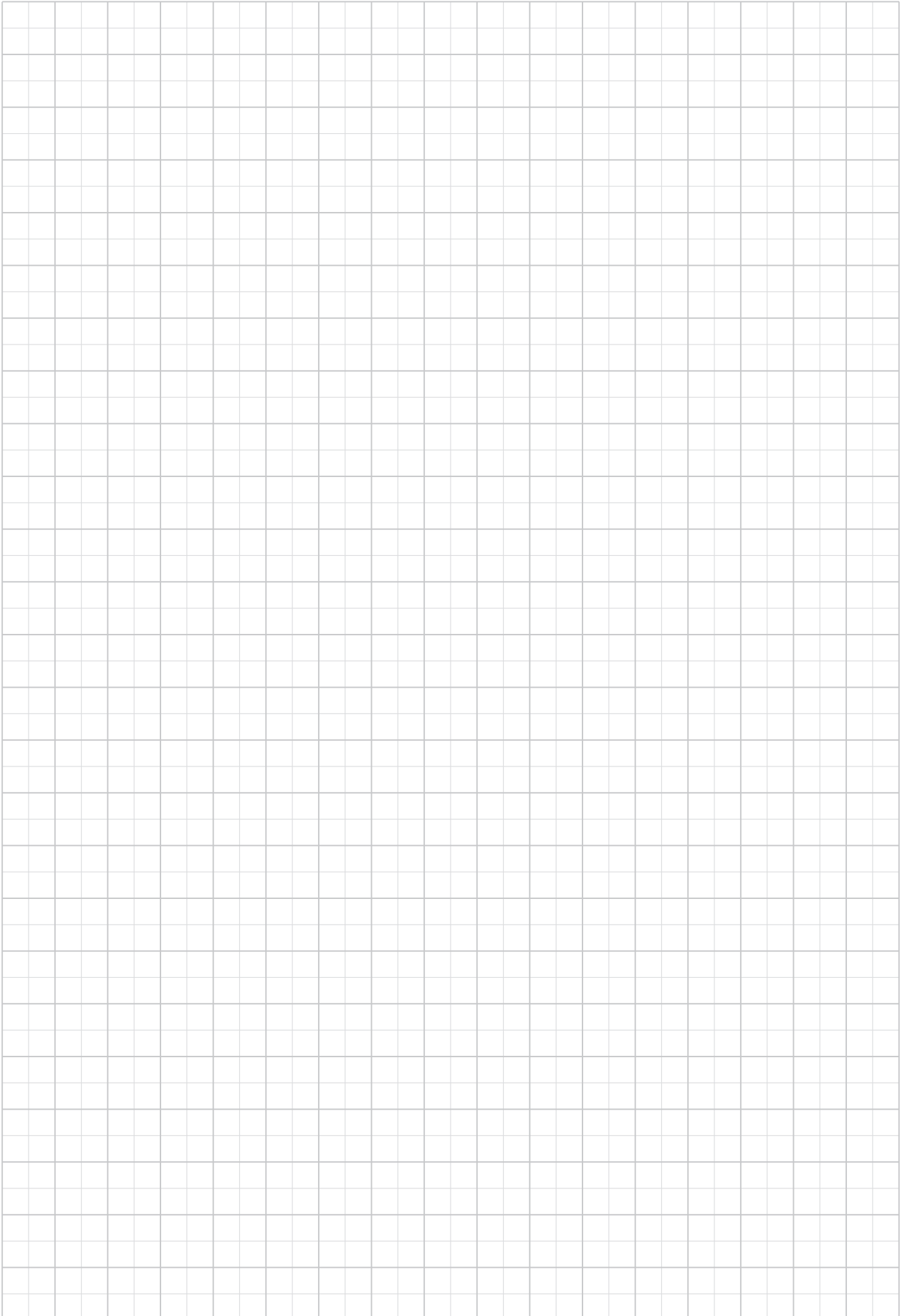
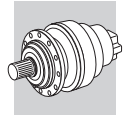
FZ



FDK

FP $M_{2max} = 29000 \text{ Nm}$

	L				Kg				P100	P112	P132	P160
	PC - PZ	HC - HZ	FZ	FP - FDK	PC - PZ	HC - HZ	FZ	FP - FDK	P	P	P	P
3/V 09 L3	530	389	362	364	202	187	167	172	250	250	300	350

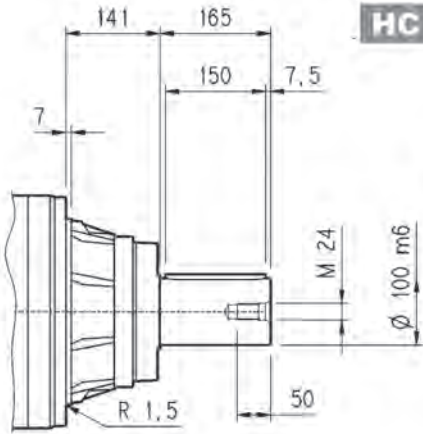




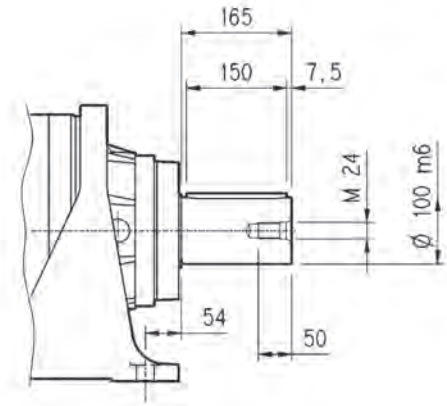
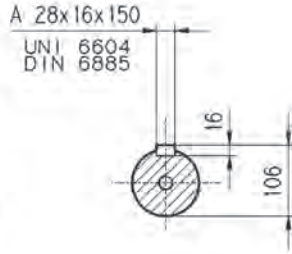
309 L

309 R

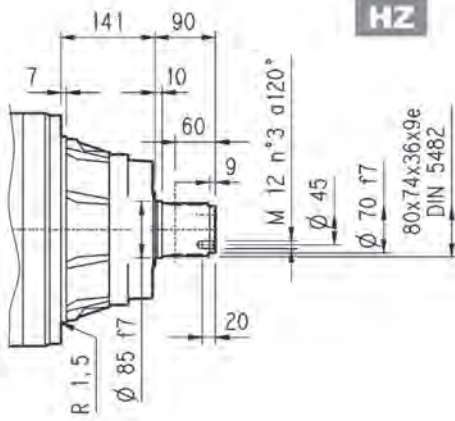
3/V 09 L3



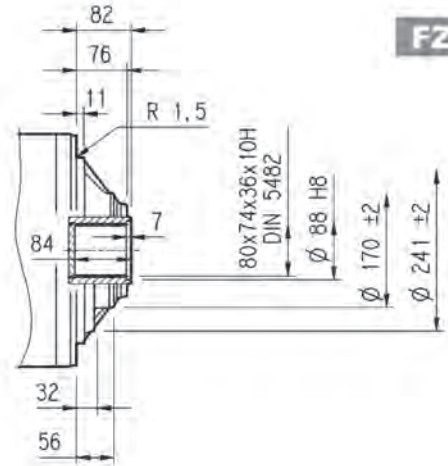
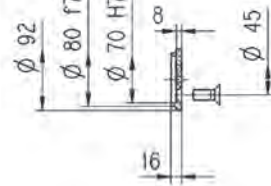
HC



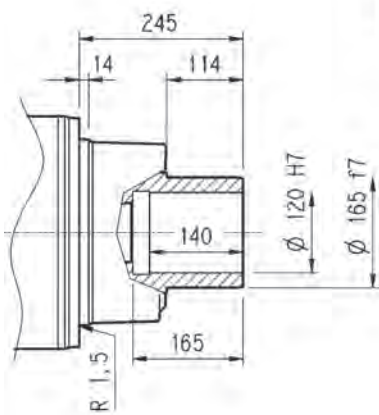
PC



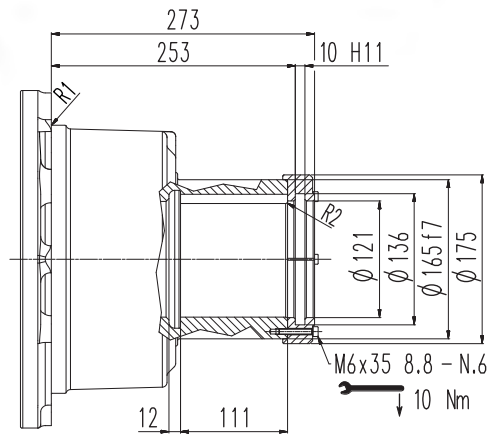
HZ



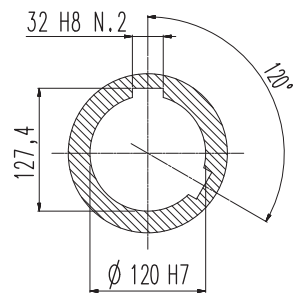
FZ



FP



FDK



FP

$M_{2max} = 29000 \text{ Nm}$

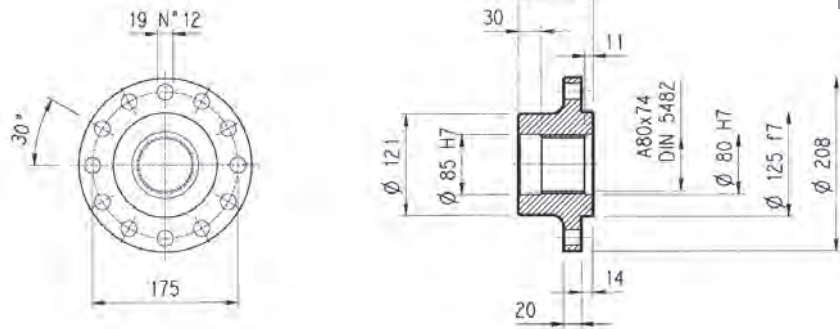
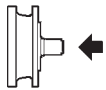


309 L

309 R

3/V 09 L3

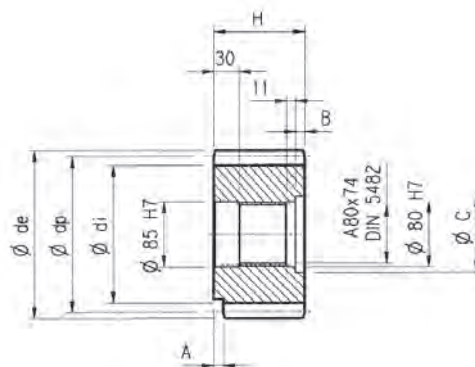
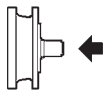
Flange



W0A

Material: Steel C40

Pinions

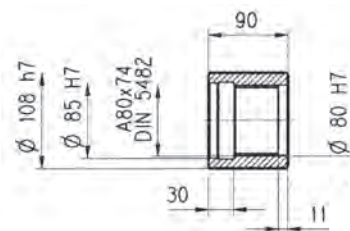
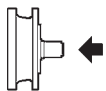


P...

$\alpha = 20^\circ$

	m	z	x	dp	di	de	H	A	B	C	Material
PFG	8	16	0.500	128	117	149.5	90	—	—	—	Steel 39NiCrMo3 hardened and tempered
PHC	10	12	0.450	120	104	145	90	—	—	—	
PHE	10	14	0.320	140	121	165	116	13	26	95	
PHF	10	15	0.150	150	130	171.5	107	20	17	100	
PHG	10	16	0.500	160	145	186	90	—	—	—	Steel 18NiCrMo5 case hardened
PHH1	10	17	—	170	145	189	90	—	—	—	
PHH2	10	17	0.500	170	154	198	90	—	—	—	Steel 39NiCrMo3 hardened and tempered
PLD	12	13	0.500	156	138	192	102	—	12	95	
PLE	12	14	0.500	168	150	199.2	90	—	—	—	
PLI	12	18	0.500	216	198	249.6	107	7	17	95	Steel 18NiCrMo5 case hardened
PLT	12	26	—	312	282	336	90	10	—	—	

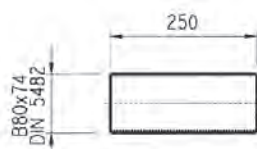
Sleeve coupling



M0A

Material: Steel 16CrNi4

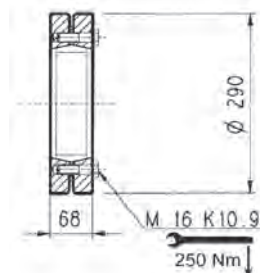
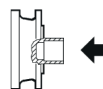
Splined bars



B0A

Material: Case hardening steel 18NiCrMo5 UNI 5331 must be case hardened 50-55 HRC

Shrink disc

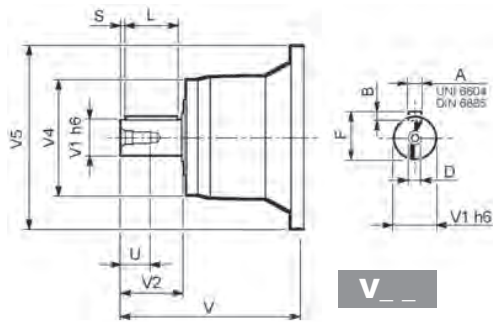


G0A

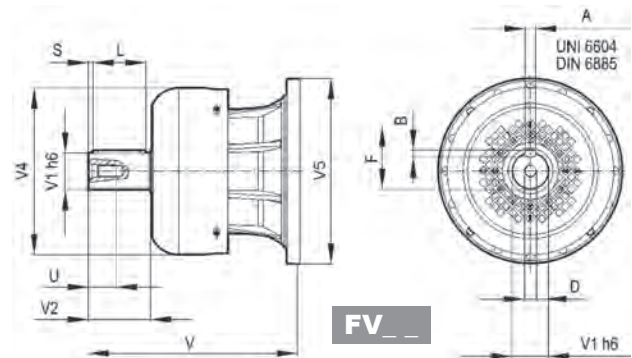


309 L

309 R



V _ _

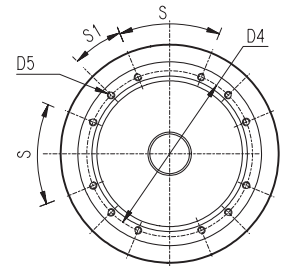
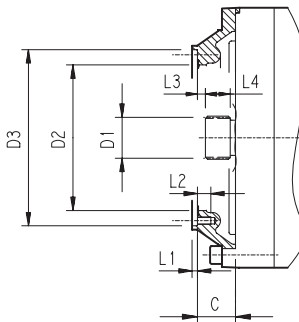
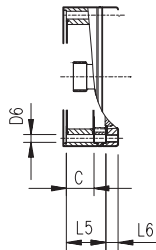


FV _ _

		V	V1	V2	V4	V5	A	B	F	L	S	D	U
309 L1	V07B	315	80	130	200	345	22	14	85	110	10	M16	36
	FV07B	375	80	130	347.5	348	22	14	85	110	10	M16	36
	V07A	313	60	105	155	345	18	11	64	90	7.5	M16	36
	FV07A	363	60	105	309	348	18	11	64	90	7.5	M16	36
309 L2	V05B	239	48	82	155	245	14	9	51.5	70	6	M16	36
	FV05B	276	48	82	219.5	244	14	9	51.5	70	6	M16	36
309 L3	V01A	137.5	24	36	120	186	8	7	27	30	3	M8	19
	V01B	158	38	58	120	186	10	8	41	50	4	M12	28
309 L4	V01A	137.5	24	36	120	186	8	7	27	30	3	M8	19
	V01B	158	38	58	120	186	10	8	41	50	4	M12	28
309 R2	V05B	239	48	82	155	245	14	9	51.5	70	6	M16	36
	FV05B	276	48	82	219.5	244	14	9	51.5	70	6	M16	36
309 R3-R4	V01A	137.5	24	36	120	186	8	7	27	30	3	M8	19
	V01B	158	38	58	120	186	10	8	41	50	4	M12	28

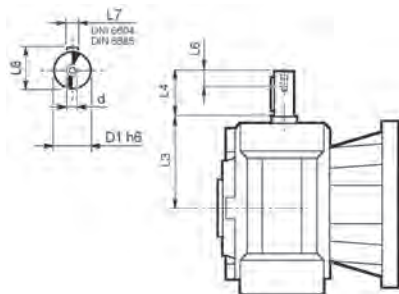
309 L

309 R



		C	D1	D2	D3	D4	D5	D6	L1	L2	L3	L4	L5	L6	S	S1	Input
309 L1	V9AB	51	58x53 DIN 5482	195	236 H7	222	M10 n°12	—	4	18	11	22	—	—	45°	22.5°	B
309 L2	V9AA	37	40x36 DIN 5482	140	178 H7	165	M10 n°8	—	4	18	9	18	—	—	45°	45°	A
309 L3	V9AA	37	40x36 DIN 5482	140	178 H7	165	M10 n°8	11	4	—	9	18	65	18	45°	45°	A
309 L4	V9AA	37	40x36 DIN 5482	140	178 H7	165	M10 n°8	11	4	—	9	18	118	18	45°	45°	A
309 R2	V9AA	37	40x36 DIN 5482	140	178 H7	165	M10 n°8	11	4	18	9	18	—	—	45°	45°	A
309 R3-R4	V9AA	37	40x36 DIN 5482	140	178 H7	165	M10 n°8	11	4	—	9	18	37	18	45°	45°	A

3/V 09 L3



	D1 h6	L3	L4	L6	L7	L8	d
3/V 09 L3_HS	35	185	65	20	10	38	M8

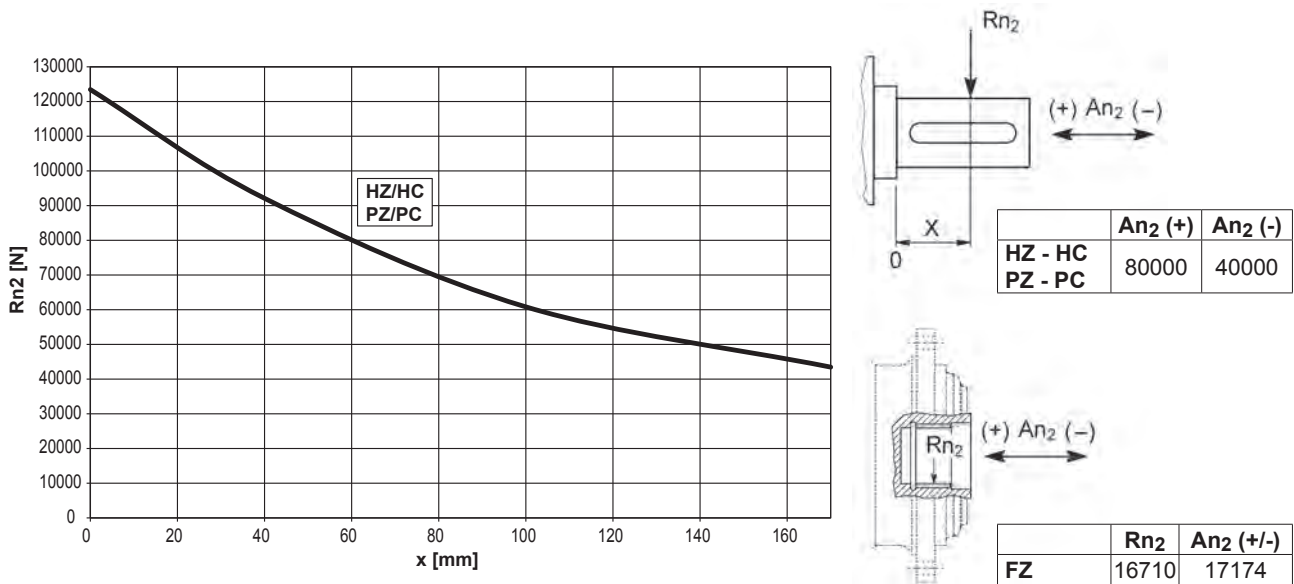


309 L

309 R

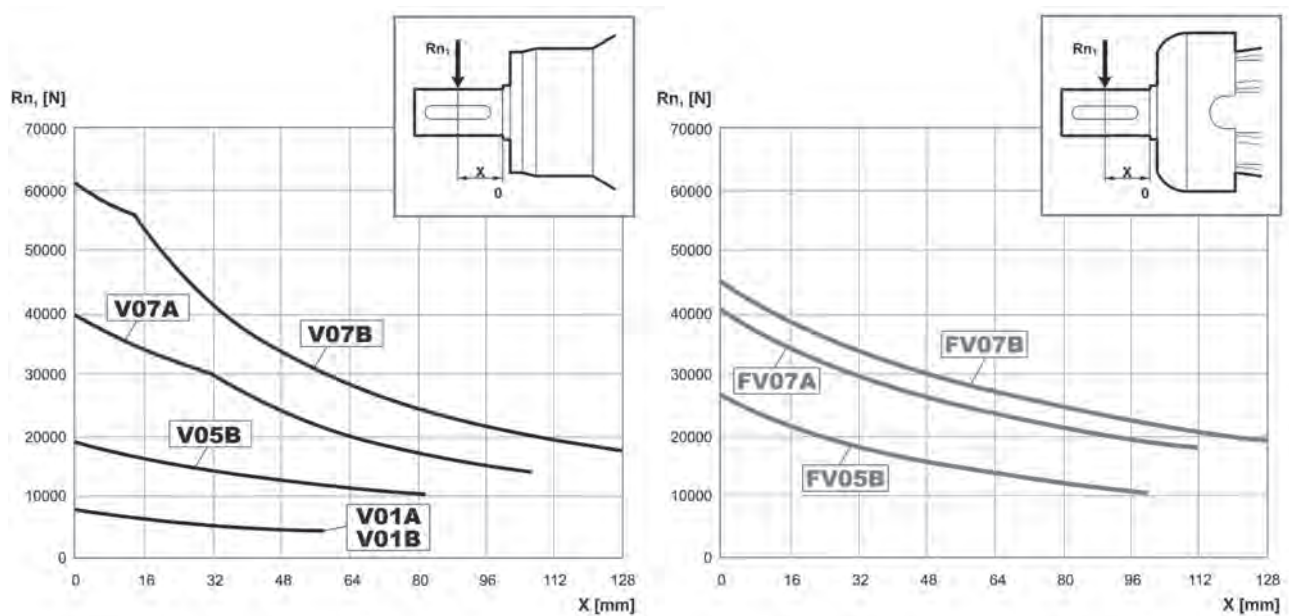
3/V 09 L3

Permissible radial and axial loads on output shaft with $Fh_2 : n_2 \cdot h = 100000$



Load corrective factor fh_2 on shafts	$Fh_2 = n_2 \cdot h$						
		10000	25000	50000	100000	500000	1000000
	fh_2	FZ	2.15	1.59	1.26	1.00	0.58
	HZ - HC - PZ - PC	1.49	1.49	1.23	1.00	0.62	0.50

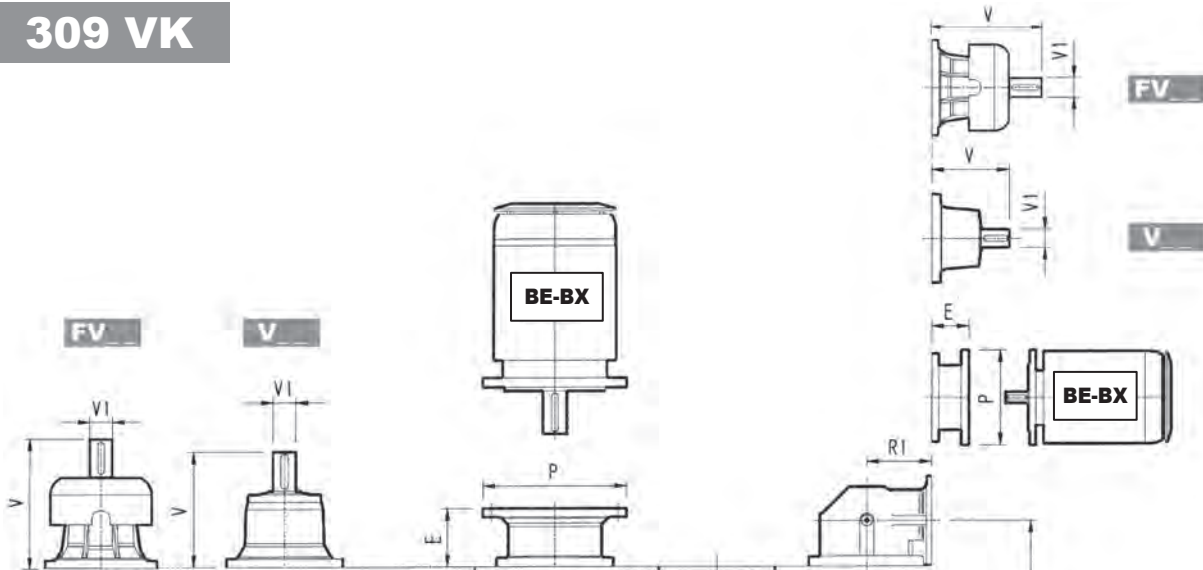
Permissible radial loads on input shaft with $Fh_1 : n_1 \cdot h = 250000$



Load corrective factor fh_1 on shafts	$Fh_1 = n_1 \cdot h$						
		250000	500000	1000000	2000000	5000000	10000000
fh_1		1	0.79	0.63	0.50	0.37	0.29



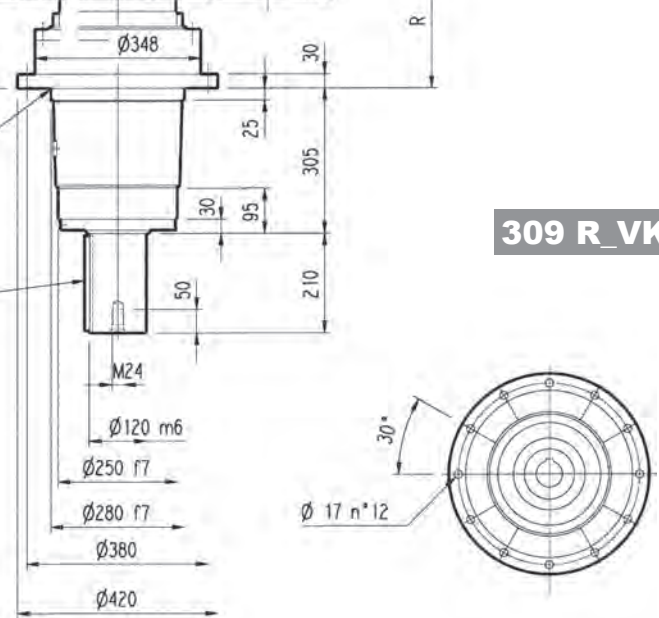
309 VK



309 L_VK

A 32x18x200
UNI 6604-69 / DIN 6885

309 R_VK

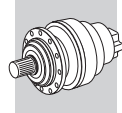


	L	Kg												
			V	V1	Kg	V	V1	Kg	V	V1	Kg	V	V1	Kg
309 L1	102	165	315	80	35	313	60	28	375	80	48	363	60	34
309 L2	191	180	239	48	15	—	—	—	276	48	17	—	—	—
309 L3	256	190	137.5	24	6	158	38	7	—	—	—	—	—	—
309 L4	309	195	137.5	24	6	158	38	7	—	—	—	—	—	—

	P71		P80		P90		P100		P112		P132		P160		P180		P200		P225		P250	
	E	P	E	P	E	P	E	P	E	P	E	P	E	P	E	P	E	P	E	P	E	P
309 L1	—	—	—	—	—	—	—	—	—	—	—	—	—	—	195	350	186	400	216	450	216	450
309 L2	—	—	—	—	—	—	—	—	—	—	114	300	144	350	144	350	174	400	—	—	—	—
309 L3	65	160	84	200	84	200	94	250	94	250	114	300	144	350	—	—	—	—	—	—	—	—
309 L4	65	160	84	200	84	200	94	250	94	250	114	300	144	350	—	—	—	—	—	—	—	—

	R	R1	Kg																			
				V	V1	Kg	V	V1	Kg	V	V1	Kg	V	V1	Kg							
309 R2	221	225	200	239	48	15	—	—	—	276	48	17	—	—	—	—	—	—	—	—	—	—
309 R3	283	140	190	137.5	24	6	158	38	7	—	—	—	—	—	—	—	—	—	—	—	—	—
309 R4	348	122	195	137.5	24	6	158	38	7	—	—	—	—	—	—	—	—	—	—	—	—	—

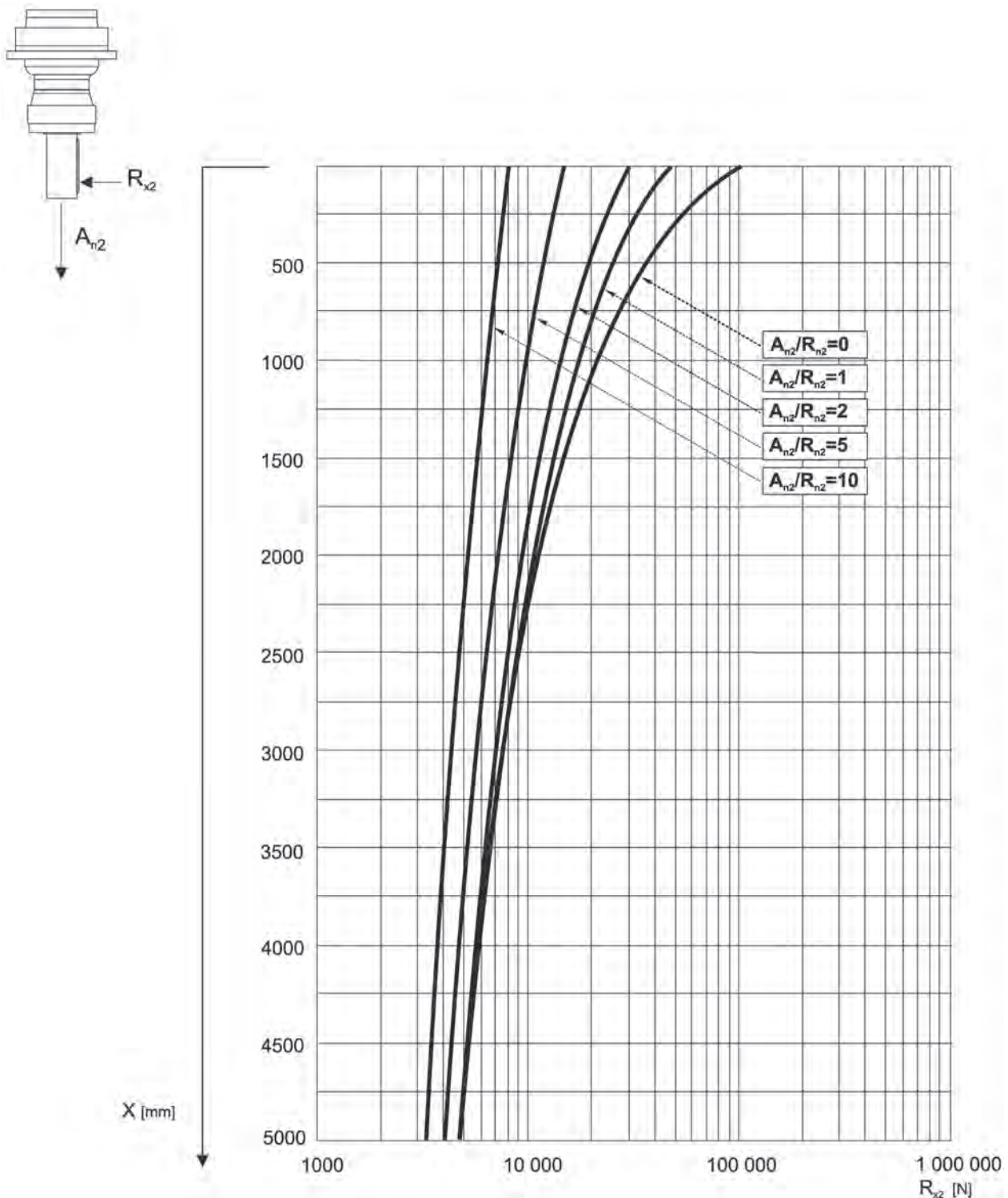
	P71		P80		P90		P100		P112		P132		P160		P180		P200	
	E	P	E	P	E	P	E	P	E	P	E	P	E	P	E	P	E	P
309 R2	—	—	—	—	—	—	—	—	—	—	114	300	144	350	144	350	174	400
309 R3	65	160	84	200	84	200	94	250	94	250	114	300	144	350	—	—	—	—
309 R4	65	160	84	200	84	200	94	250	94	250	114	300	144	350	—	—	—	—



309 VK

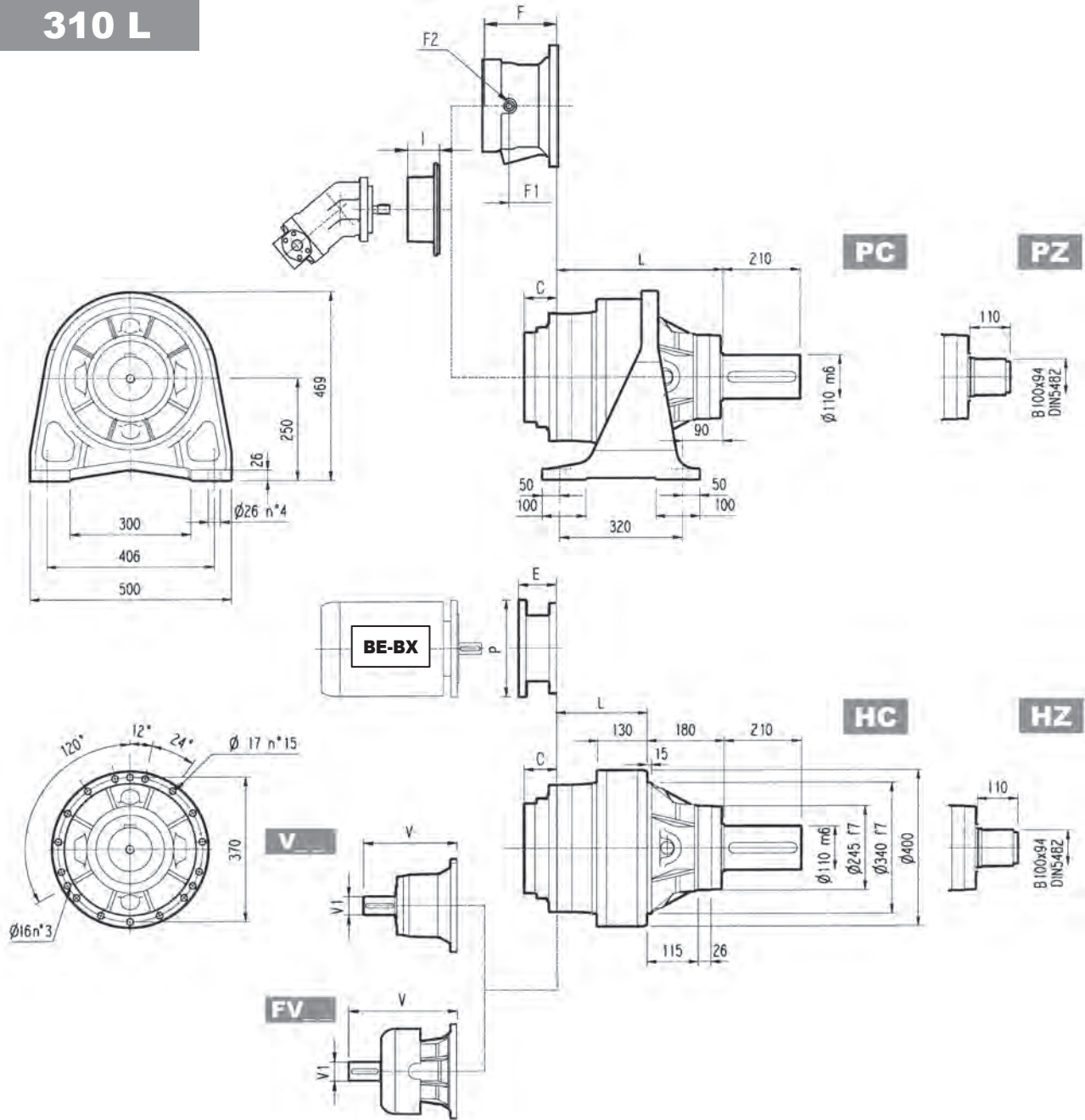
The diagram below allows the calculation of permitted overhung load R_{x2} on the output shaft of gearbox, with radial force applying at a distance x from shaft shoulder.

The curves are relevant to value resulting from the relationship of trust load A_{n2} to radial load R_{n2} , based on $n_2 = 10 \text{ min}^{-1}$ and 10000 hrs theoretical lifetime.





310 L

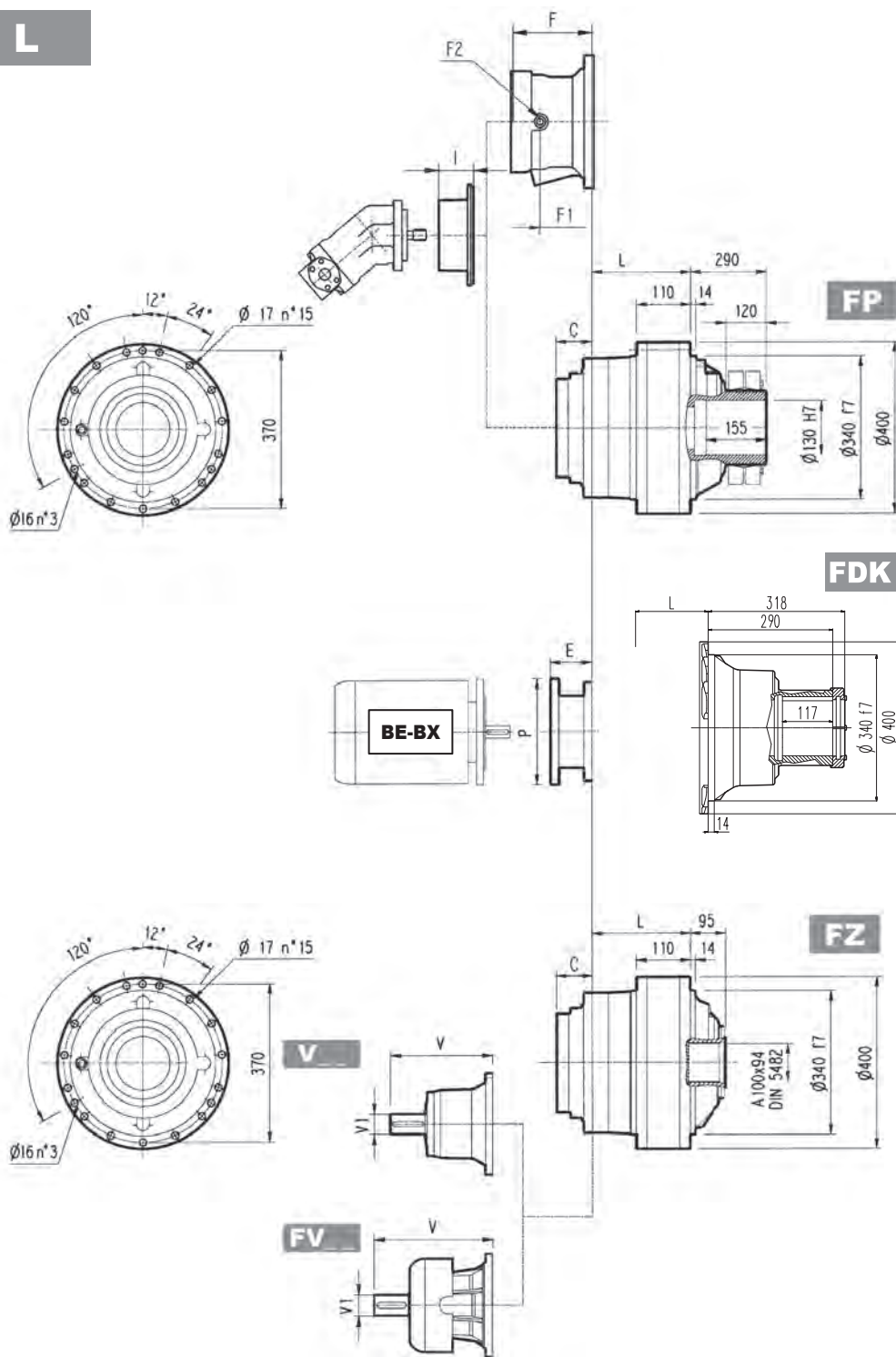


	L				Kg			
	PC - PZ	HC - HZ	FZ	FP - FDK	PC - PZ	HC - HZ	FZ	FP - FDK
310 L1	288	108	88	88	155	135	110	115
310 L2	424	244	224	224	185	165	140	145
310 L3	489	309	289	289	194	174	149	154
310 L4	542	362	342	342	198	178	153	158

	V			V1			V			V1			C	Input	I	F			Type			Input	Kg
	V	V1	Kg	V	V1	Kg	V	V1	Kg	V	V1	Kg				F	F1	F2	Type	Input	Kg		
310 L1	377	80	50	—	—	—	457	80	63	—	—	—	88	C	—	—	—	—	—	—	—	—	—
310 L2	307	60	23	—	—	—	357	60	28	—	—	—	45	B	195	147	1/4 G	6	B	28	—	—	
310 L3	239	48	15	—	—	—	276	48	17	—	—	—	37	A	145	95	1/4 G	5	A	16	—	—	
310 L4	137.5	24	6	158	38	7	—	—	—	—	—	—	37	A	461	105	65	1/4 G	4	A	10	—	

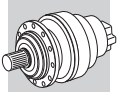


310 L

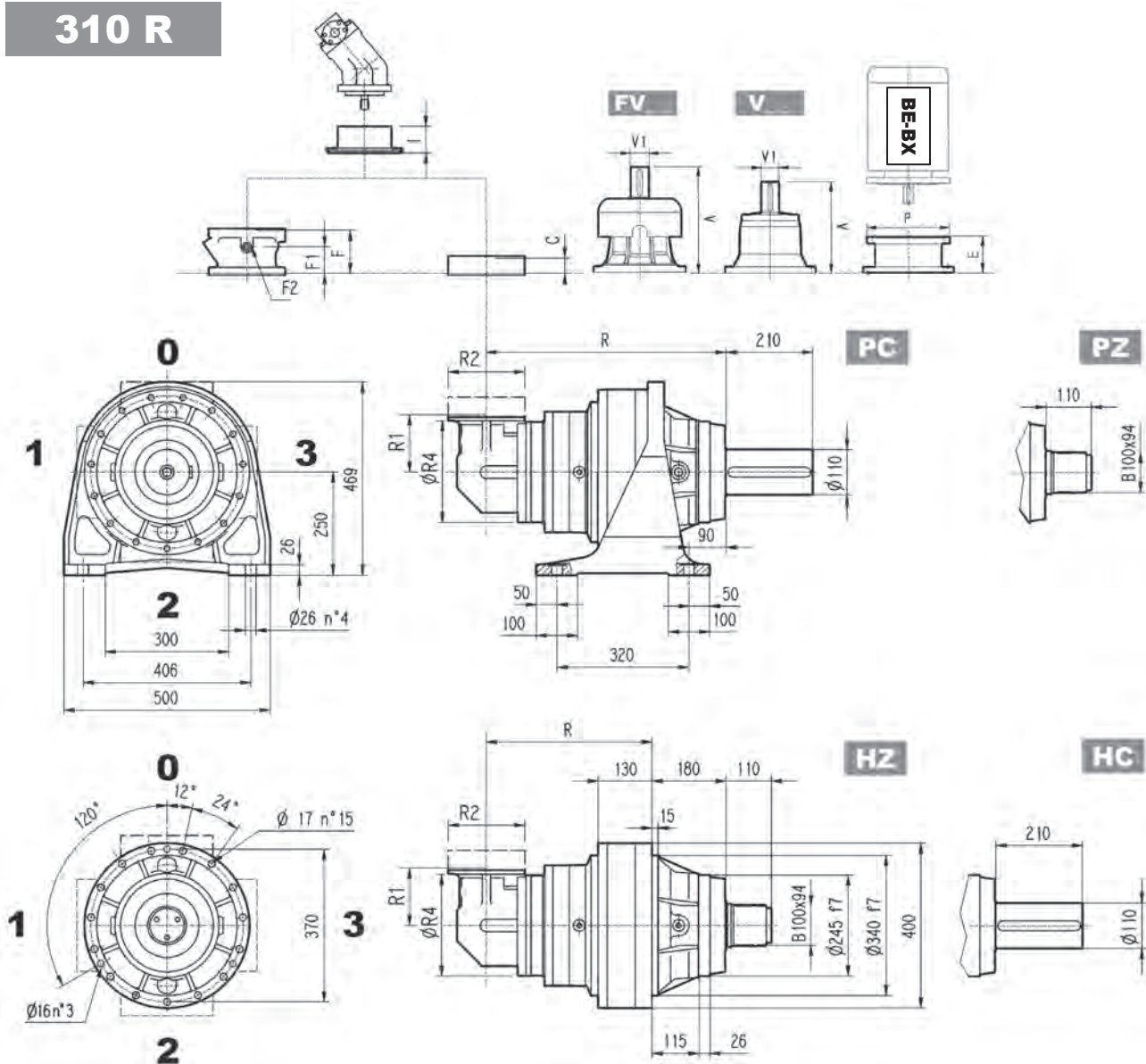


FP $M_{2max} = 44000 \text{ Nm}$

	P71		P80		P90		P100		P112		P132		P160		P180		P200		P225		P250	
	E	P	E	P	E	P	E	P	E	P	E	P	E	P	E	P	E	P	E	P	E	P
310 L1	—	—	—	—	—	—	—	—	—	—	—	—	—	—	—	—	271	400	301	450	281	550
310 L2	—	—	—	—	—	—	—	—	—	—	—	—	152	350	153	350	183	400	212	450	193	550
310 L3	—	—	—	—	—	—	—	—	—	—	114	300	144	350	144	350	174	400	—	—	—	—
310 L4	65	160	84	200	84	200	94	250	94	250	114	300	144	350	—	—	—	—	—	—	—	—

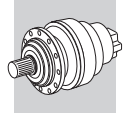


310 R

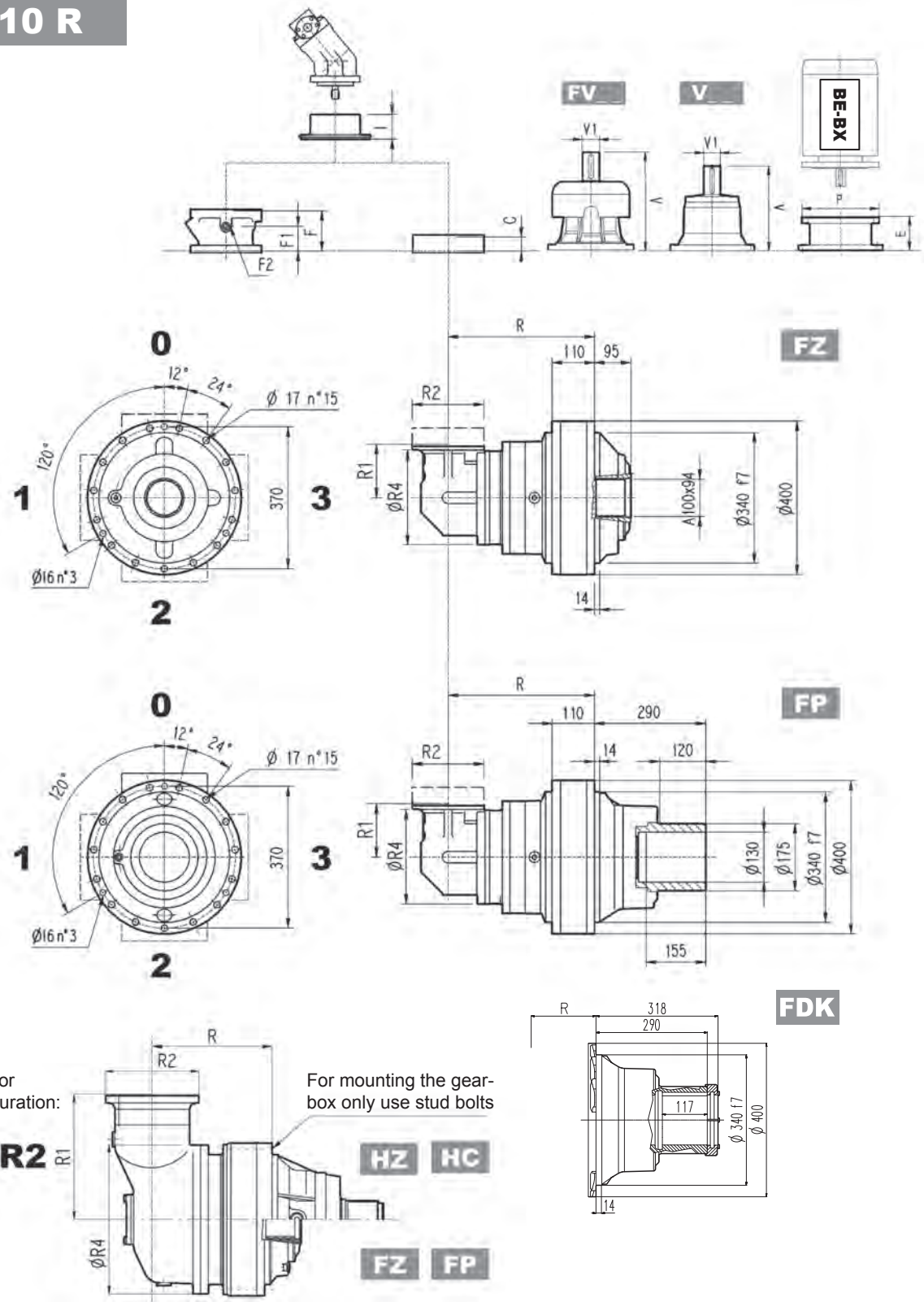


	R				R1	R2	R4	Kg			
	PC-PZ	HC-HZ	FZ	FP - FDK				PC-PZ	HC-HZ	FZ	FP - FDK
310 R2 (B)	495	315	295	295	345	292	400	280	260	240	250
310 R2 (C)	513	333	313	313	390	292	480	300	280	260	270
310 R3	561	381	361	361	140	186	244	209	189	164	169
310 R4	581	401	381	381	140	186	244	214	194	169	174

	V			Kg			V			Kg			C	Input	I	Type				Input	Kg
	V	V1	Kg	V	V1	Kg	V	V1	Kg	V	V1	Kg				F	F1	F2	Type		
310 R2 (B)	307	60	23	—	—	—	357	60	28	—	—	—	45	B	—	195	147	1/4 G	6	B	28
310 R2 (C)	307	60	23	—	—	—	357	60	28	—	—	—	45	B	—	195	147	1/4 G	6	B	28
310 R3	137.5	24	6	158	38	7	—	—	—	—	—	—	37	A	—	145	95	1/4 G	5	A	16
310 R4	137.5	24	6	158	38	7	—	—	—	—	—	—	37	A	461	105	65	1/4 G	4	A	10



310 R

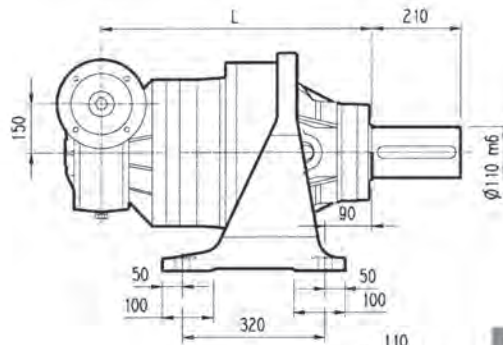
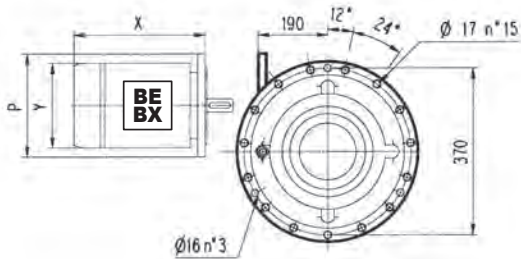
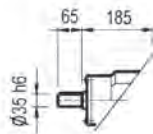
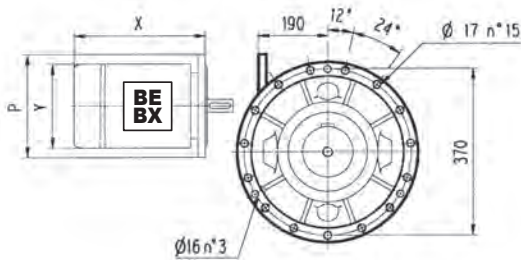
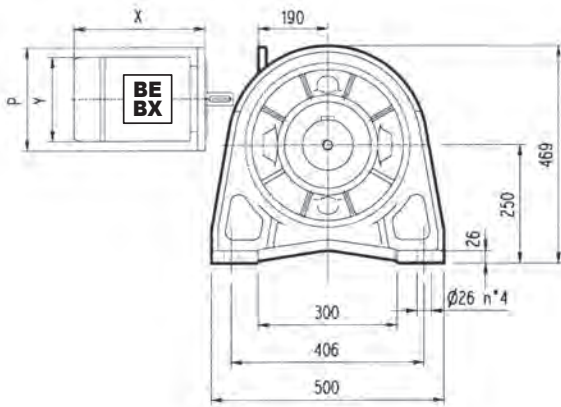


FP $M_{2max} = 44000 \text{ Nm}$

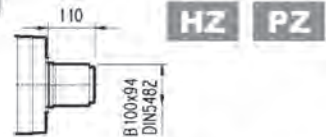
	P71		P80		P90		P100		P112		P132		P160		P180		P200		P225	
	E	P	E	P	E	P	E	P	E	P	E	P	E	P	E	P	E	P	E	P
310 R2 (B)	—	—	—	—	—	—	—	—	—	—	—	—	152	350	152	350	182	400	212	450
310 R2 (C)	—	—	—	—	—	—	—	—	—	—	—	—	152	350	152	350	182	400	212	450
310 R3	65	160	84	200	84	200	94	250	94	250	114	300	144	350	—	—	—	—	—	—
310 R4	65	160	84	200	84	200	94	250	94	250	114	300	144	350	—	—	—	—	—	—



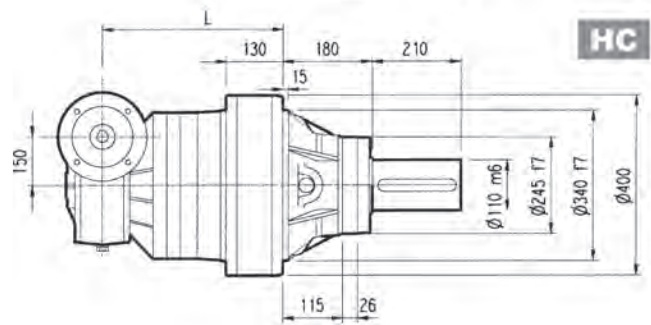
3/V 10 L3



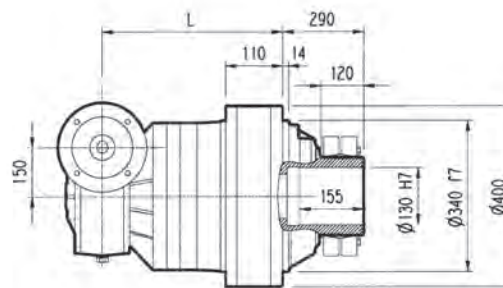
PC



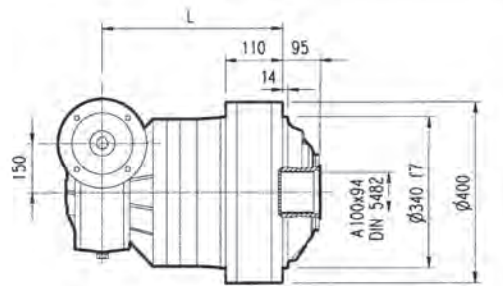
HZ PZ



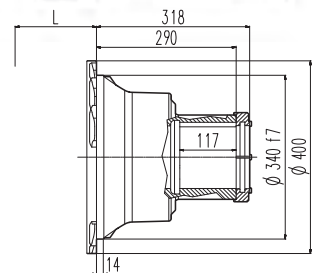
HC



FP



FZ



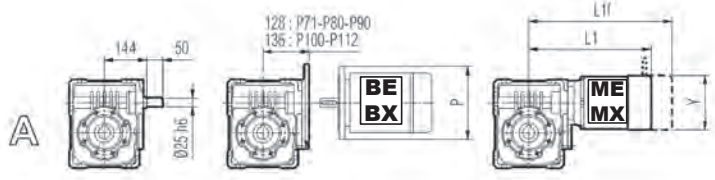
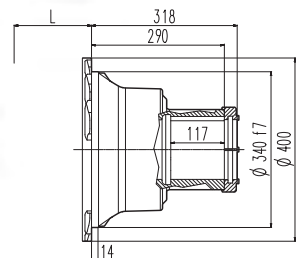
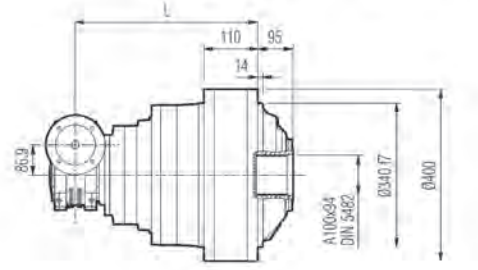
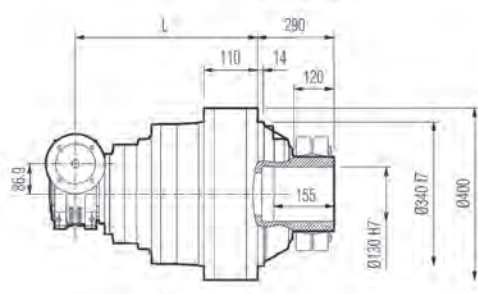
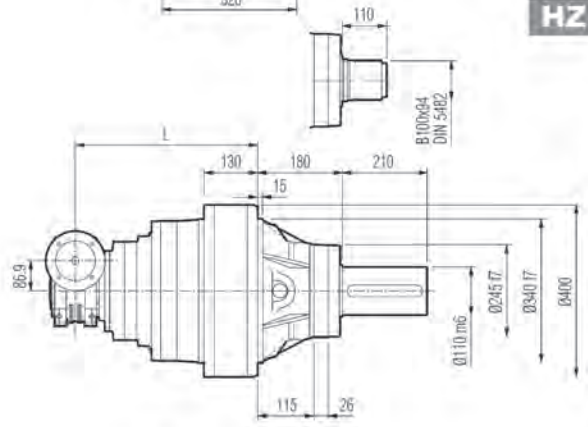
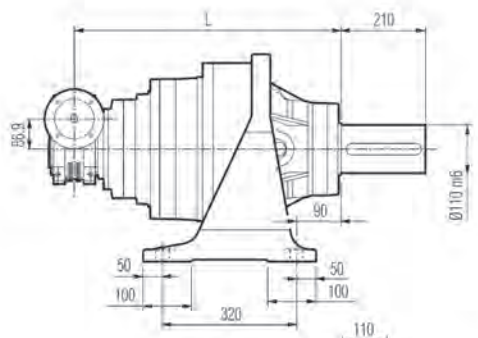
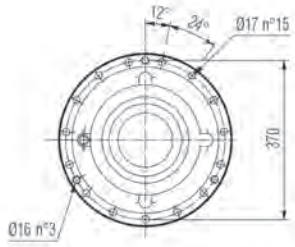
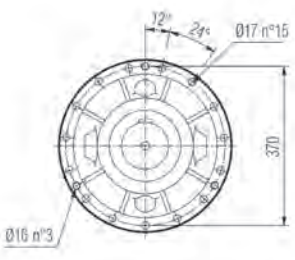
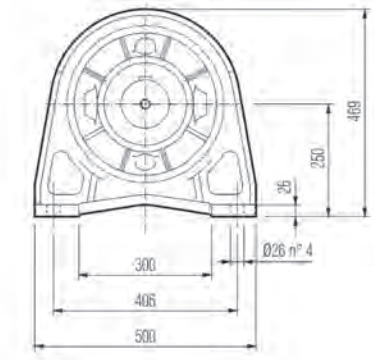
FDK

FP $M_{2max} = 44000 \text{ Nm}$

	L				Kg				P71	P80	P90	P100	P112	P132	P160
	PC - PZ	HC - HZ	FZ	FP - FDK	PC - PZ	HC - HZ	FZ	FP - FDK	P	P	P	P	P	P	P
3/V 10 L3	608	428	408	408	245	225	200	205	—	—	—	250	250	300	300



3/V 10 L4



PC

HZ PZ

HC

FP

FZ

FDK

FP M_{2max} = 44000 Nm

	L				Kg			
	PC - PZ	HC - HZ	FZ	FP	PC - PZ	HC - HZ	FZ	FP - FDK
3/V 10 L4	634	454	434	434	210	190	165	170

	P71	P80	P90	P100	P112	S1 + M1			S2 + ME2S/MX2S			S3 + ME3S/MX3S			S3 + ME3L/MX3L		
	P	P	P	P	P	L1	L1f	Y	L1	L1f	Y	L1	L1f	Y	L1	L1f	Y
3/V 10 L4	160	200	200	250	250	324	385	138	393	—	156	424	—	193	468	—	193

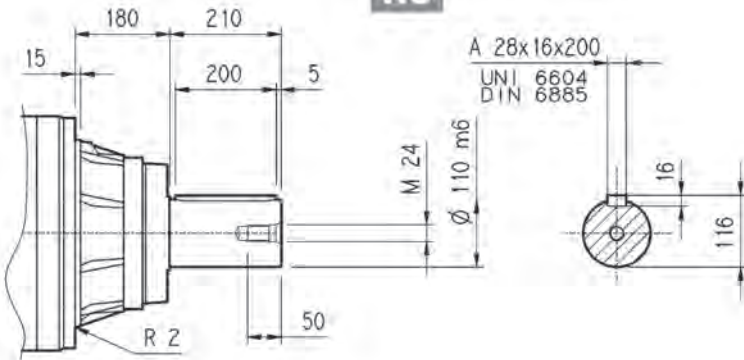


310 L

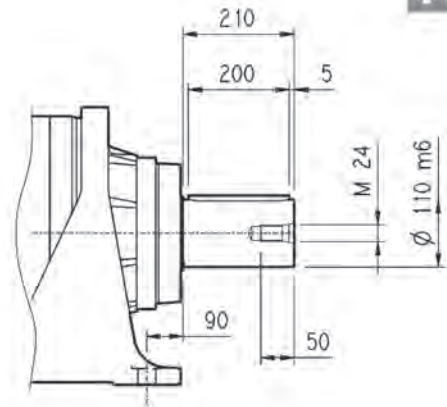
310 R

3/V 10 L

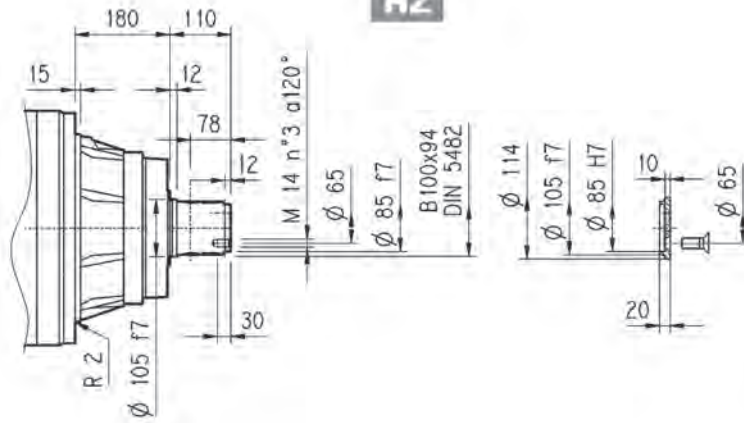
HC



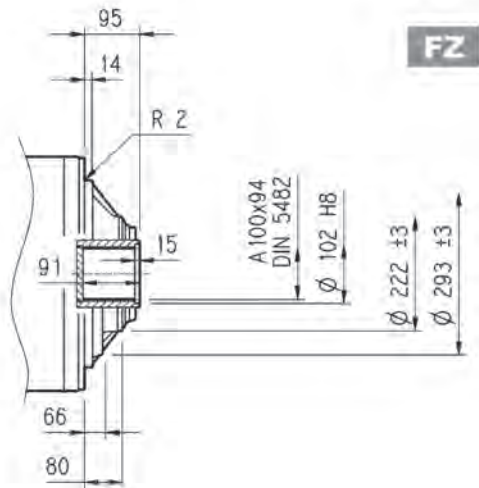
PC



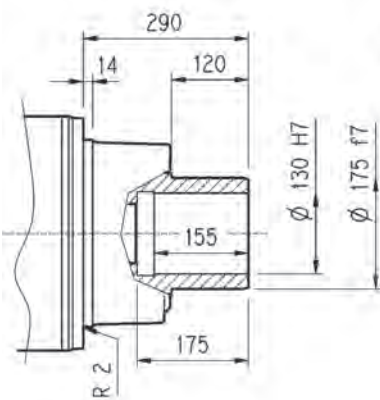
HZ



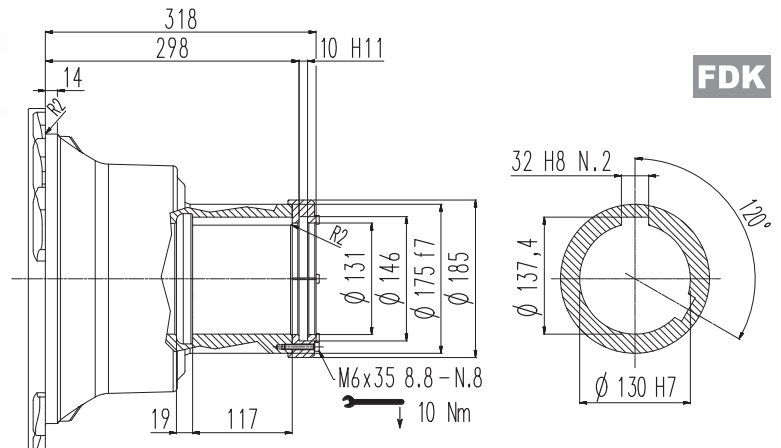
FZ



FP



FDK



FP

$M_{2max} = 44000 \text{ Nm}$



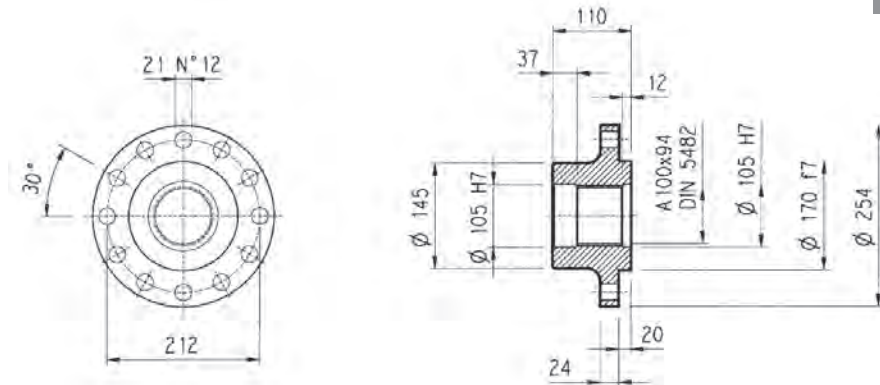
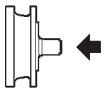
310 L

310 R

3/V 10 L

Flange

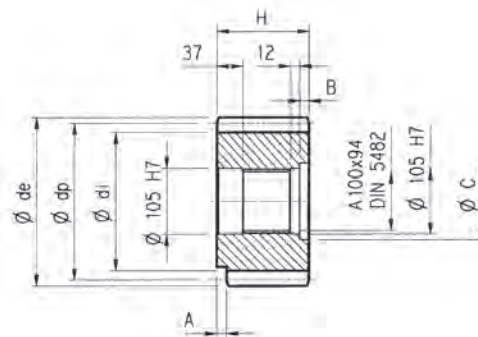
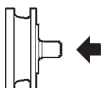
W0A



Material: Steel C40

Pinions

P...

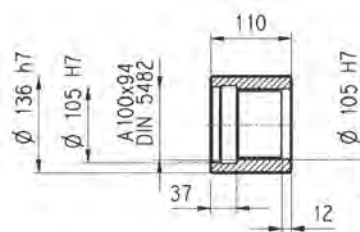
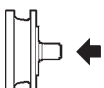


$\alpha = 20^\circ$

	m	z	x	dp	di	de	H	A	B	C	Material
PLQ	12	23	—	276	246	300	110	—	—	—	Steel 18NiCrMo5 case hardened
PPD	16	13	0.500	208	184	252.5	145	—	35	116	Steel 39NiCrMo3 hardened and tempered
PPF	16	15	0.450	240	215	280	125	—	15	120	

Sleeve coupling

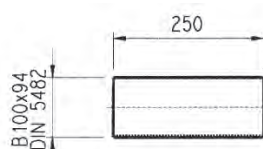
M0A



Material: Steel 16CrNi4

Splined bars

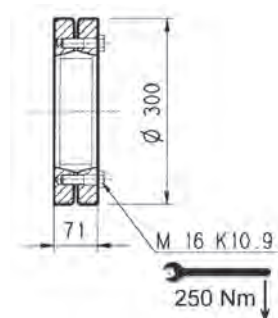
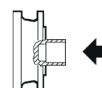
B0A



Material: Case hardening steel 18NiCrMo5 UNI 5331 must be case hardened 50-55 HRC

Shrink disc

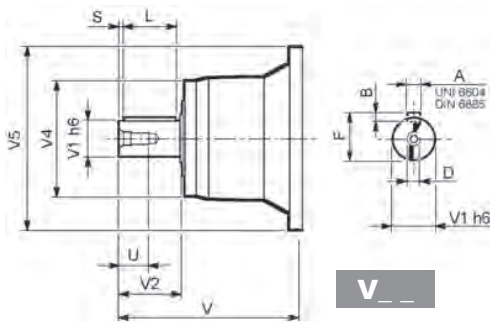
G0A



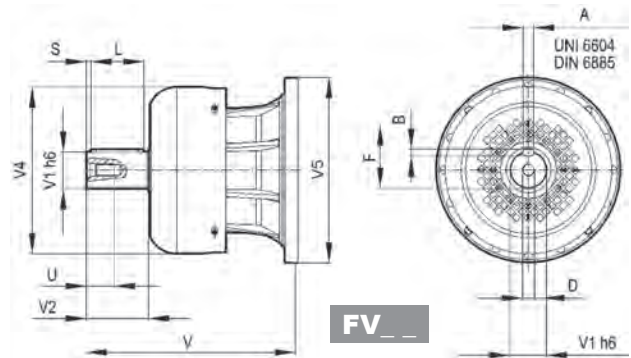


310 L

310 R



V __

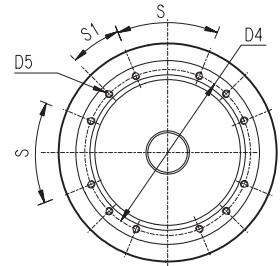
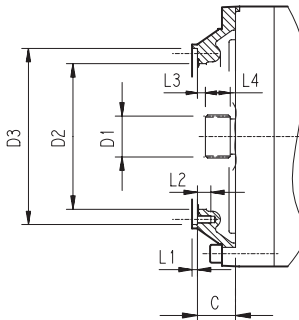
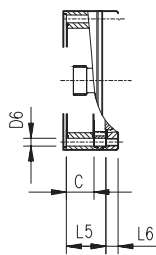


FV __

		V	V1	V2	V4	V5	A	B	F	L	S	D	U
310 L1	V10B	377	80	130	200	400	22	14	85	110	10	M16	36
	FV10B	457	80	130	347.5	400	22	14	85	110	10	M16	36
310 L2	V06B	307	60	105	155	292	18	11	64	90	7.5	M16	36
	FV06B	357	60	105	309	292	18	11	64	90	7.5	M16	36
310 L3	V05B	239	48	82	155	245	14	9	51.5	70	6	M16	36
	FV05B	276	48	82	219.5	244	14	9	51.5	70	6	M16	36
310 L4	V01A	137.5	24	36	120	186	8	7	27	30	3	M8	19
	V01B	158	38	58	120	186	10	8	41	50	4	M12	28
310 R2 (B) (C)	V06B	307	60	105	155	292	18	11	64	90	7.5	M16	36
	FV06B	357	60	105	309	292	18	11	64	90	7.5	M16	36
310 R3-R4	V01A	137.5	24	36	120	186	8	7	27	30	3	M8	19
	V01B	158	38	58	120	186	10	8	41	50	4	M12	28

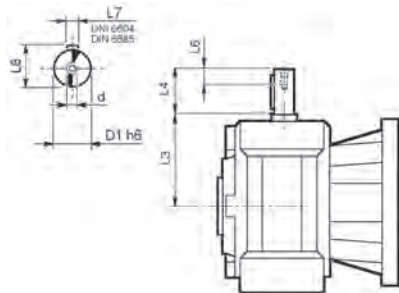
310 L

310 R



		C	D1	D2	D3	D4	D5	D6	L1	L2	L3	L4	L5	L6	S	S1	Input
310 L1	V9AC	88	70x64 DIN 5482	200	282 H7	266	M12 n°12	—	4	22	11	32	—	—	45°	45°	C
310 L2	V9AB	45	58x53 DIN 5482	195	236 H7	222	M10 n°12	—	4	18	11	22	—	—	45°	22.5°	B
310 L3	V9AA	37	40x36 DIN 5482	140	178 H7	165	M10 n°8	—	4	18	9	18	—	—	45°	45°	A
310 L4	V9AA	37	40x36 DIN 5482	140	178 H7	165	M10 n°8	11	4	—	9	18	53	18	45°	45°	A
310 R2 (B) (C)	V9AA	45	58x53 DIN 5482	195	236 H7	222	M10 n°12	—	4	18	11	22	—	—	45°	22.5°	B
310 R3-R4	V9AA	37	40x36 DIN 5482	140	178 H7	165	M10 n°8	11	4	—	9	18	37	18	45°	45°	A

3/V 10 L



	D1 h6	L3	L4	L6	L7	L8	d
3/V 10 L3_HS	35	185	65	20	10	38	M8
3/V 10 L4_HS	25	144	50	19	8	28	M8

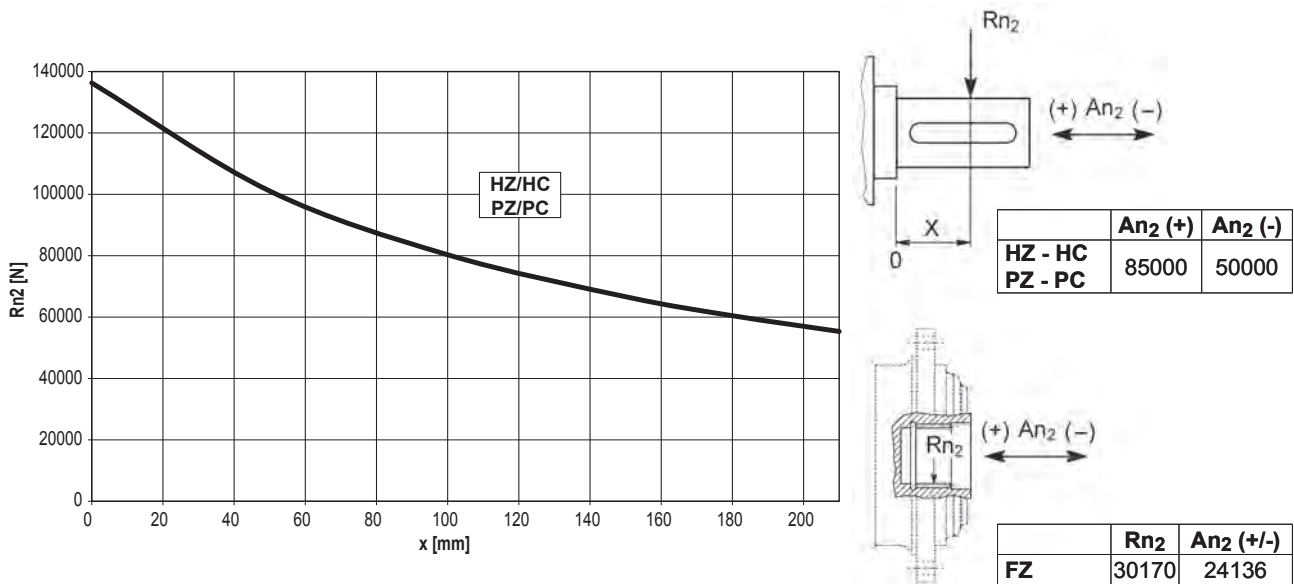


310 L

310 R

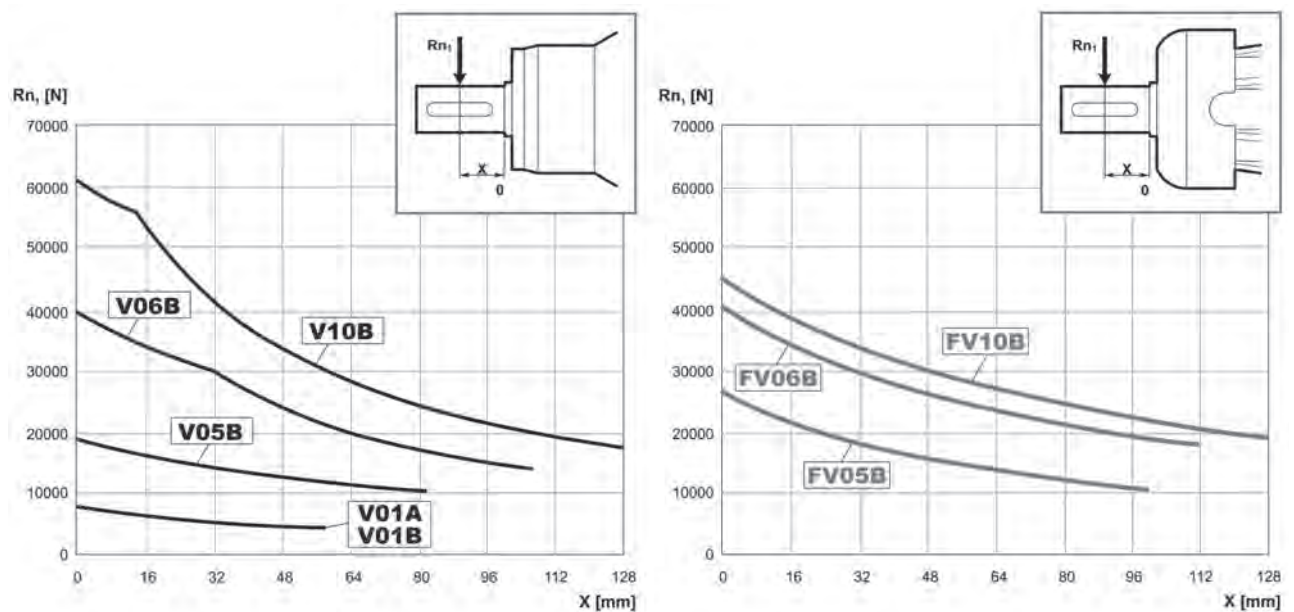
3/V 10 L

Permissible radial and axial loads on output shaft with $Fh_2 : n_2 \cdot h = 100000$

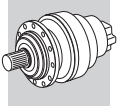


Load corrective factor fh ₂ on shafts	Fh ₂ = n ₂ · h						
		10000	25000	50000	100000	500000	1000000
	fh ₂	FZ	2.15	1.59	1.26	1.00	0.58
	HZ - HC - PZ - PC	1.27	1.27	1.23	1.00	0.62	0.50

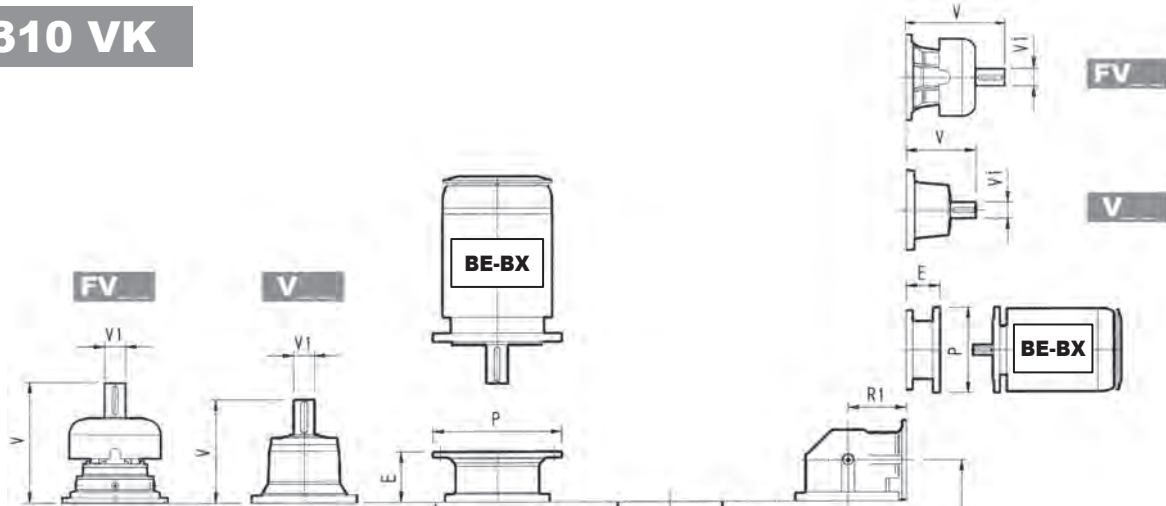
Permissible radial loads on input shaft with $Fh_1 : n_1 \cdot h = 250000$



Load corrective factor fh ₁ on shafts	Fh ₁ = n ₁ · h						
		250000	500000	1000000	2000000	5000000	10000000
fh ₁		1	0.79	0.63	0.50	0.37	0.29



310 VK



310 L_VK

310 R_VK

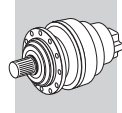
A 32x18x240
UNI 6604-ES / DIN 6885

	L			FV						V					
	E	P	Kg	V	V1	Kg	V	V1	Kg	V	V1	Kg	V	V1	Kg
310 L1	107	200	200	377	80	50	—	—	—	457	80	63	—	—	—
310 L2	243	230	307	60	23	—	—	—	357	60	28	—	—	—	—
310 L3	308	240	239	48	15	—	—	—	276	48	17	—	—	—	—
310 L4	361	245	137.5	24	6	158	38	7	—	—	—	—	—	—	—

	P71		P80		P90		P100		P112		P132		P160		P180		P200		P225		P250	
	E	P	E	P	E	P	E	P	E	P	E	P	E	P	E	P	E	P	E	P	E	P
310 L1	—	—	—	—	—	—	—	—	—	—	—	—	—	—	271	400	301	450	281	550	—	—
310 L2	—	—	—	—	—	—	—	—	—	—	—	—	152	350	153	350	183	400	212	450	193	550
310 L3	—	—	—	—	—	—	—	—	—	—	114	300	144	350	144	350	174	400	—	—	—	—
310 L4	65	160	84	200	84	200	94	250	94	250	114	300	144	350	—	—	—	—	—	—	—	—

	R		R1	Kg	FV						V					
	E	P			V	V1	Kg	V	V1	Kg	V	V1	Kg	V	V1	Kg
310 R2 (B)	315	345	320	307	60	23	—	—	—	357	60	28	—	—	—	
310 R2 (C)	333	390	340	307	60	23	—	—	—	357	60	28	—	—	—	
310 R3	380	140	250	137.5	24	6	158	38	7	—	—	—	—	—	—	
310 R4	400	140	260	137.5	24	6	158	38	7	—	—	—	—	—	—	

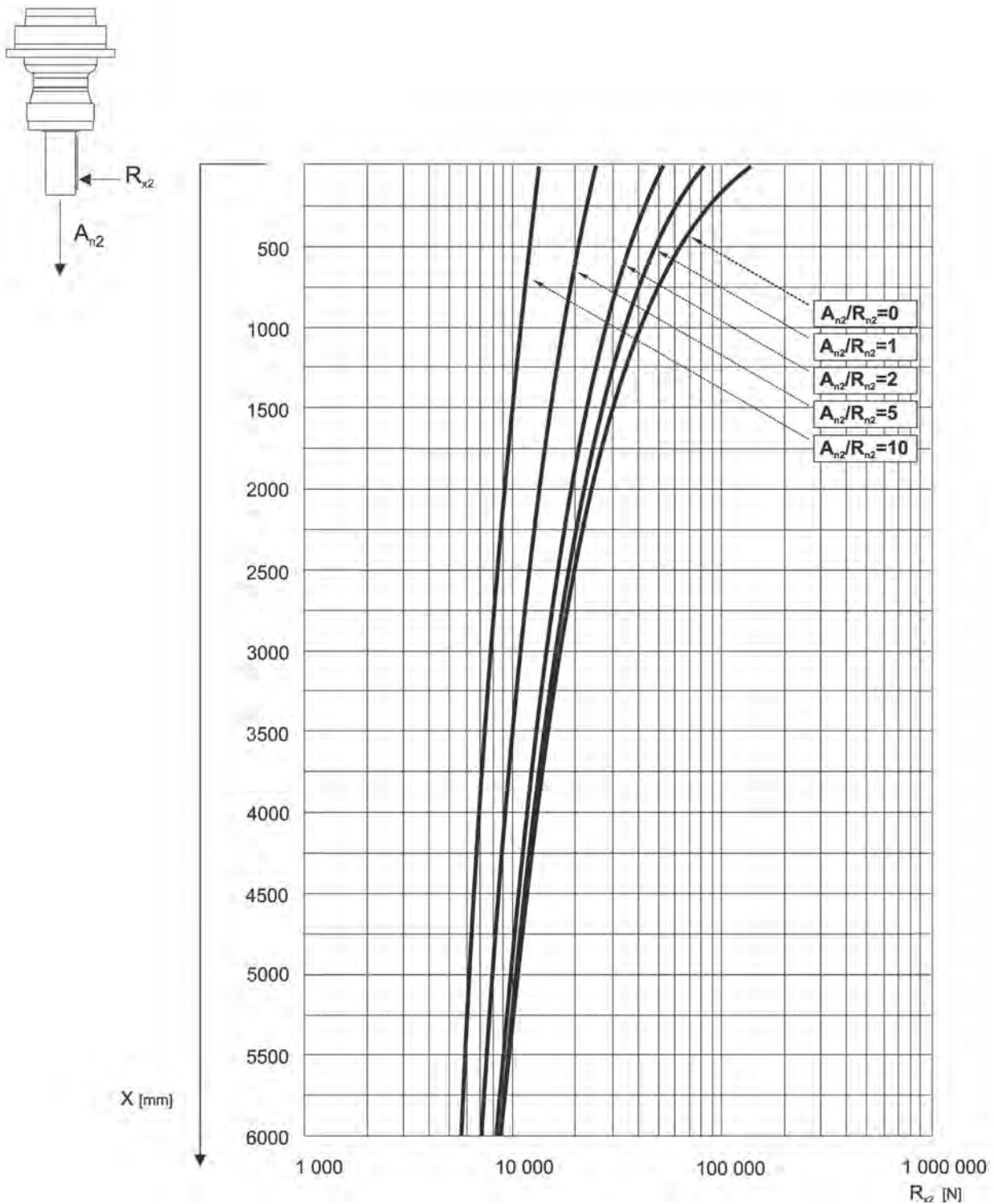
	P71		P80		P90		P100		P112		P132		P160		P180		P200		P225	
	E	P	E	P	E	P	E	P	E	P	E	P	E	P	E	P	E	P	E	P
310 R2 (B)	—	—	—	—	—	—	—	—	—	—	—	—	—	—	152	350	182	400	212	450
310 R2 (C)	—	—	—	—	—	—	—	—	—	—	114	300	152	350	152	350	182	400	212	450
310 R3	65	160	84	200	84	200	94	250	94	250	114	300	144	350	—	—	—	—	—	—
310 R4	65	160	84	200	84	200	94	250	94	250	114	300	144	350	—	—	—	—	—	—

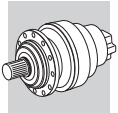


310 VK

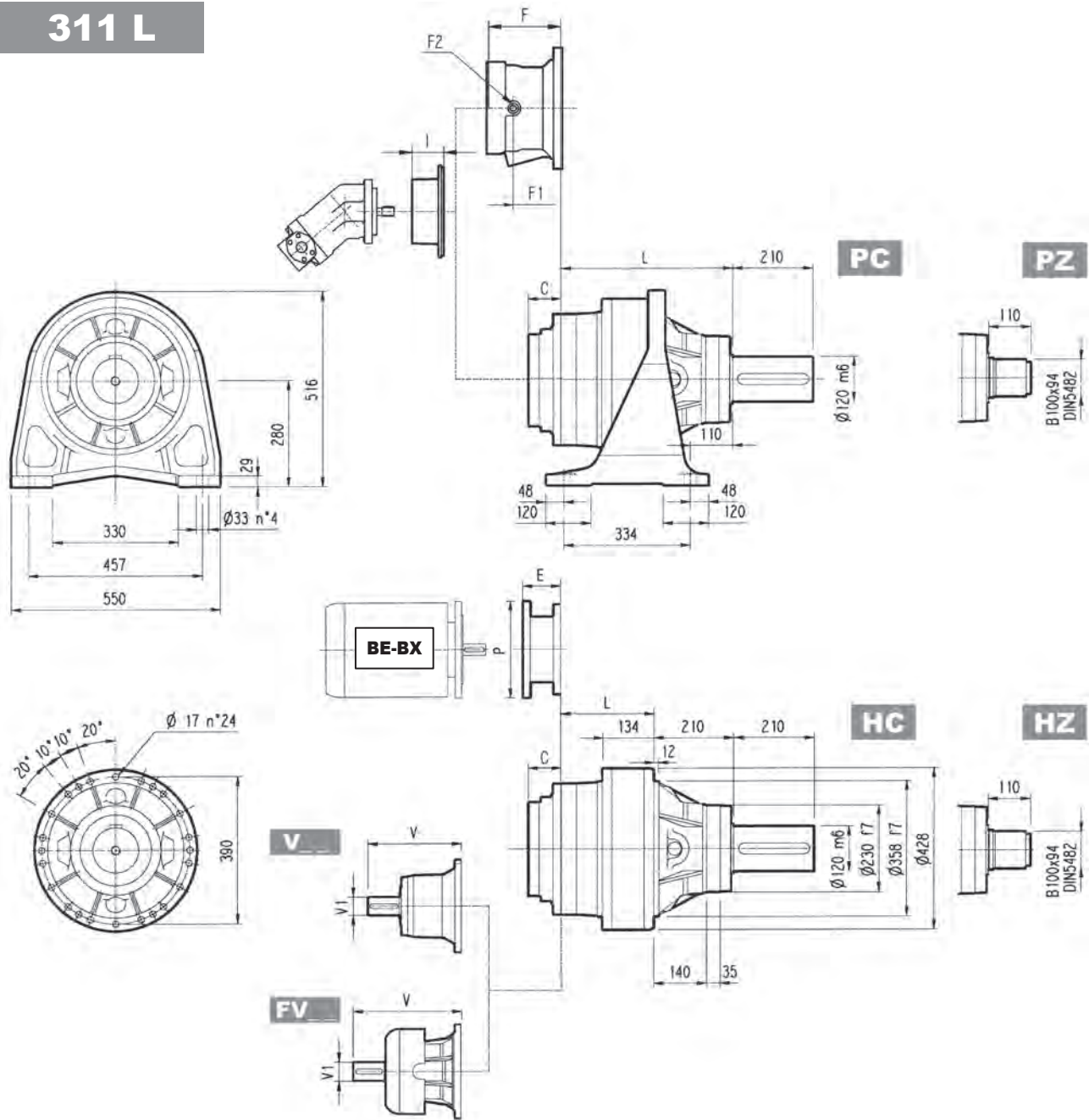
The diagram below allows the calculation of permitted overhung load R_{x2} on the output shaft of gearbox, with radial force applying at a distance x from shaft shoulder.

The curves are relevant to value resulting from the relationship of trust load A_{n2} to radial load R_{n2} , based on $n_2 = 10 \text{ min}^{-1}$ and 10000 hrs theoretical lifetime.





311 L

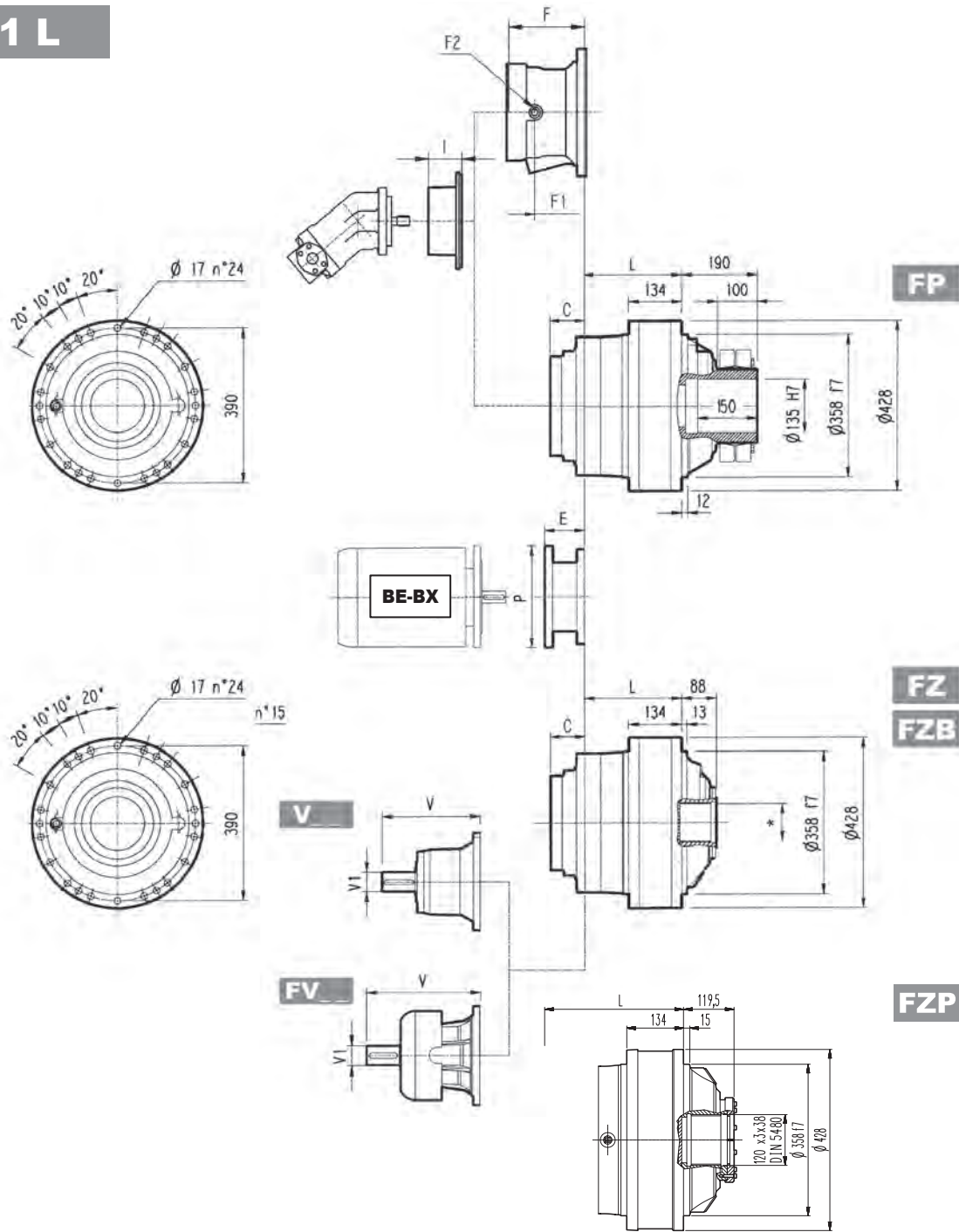


	L				Kg			
	PC - PZ	HC - HZ	FZ - FZP	FP	PC - PZ	HC - HZ	FZ - FZP	FP
311 L1	325	115	115	115	250	180	160	170
311 L2	458	248	248	248	295	225	205	215
311 L3	547	337	337	337	307	237	217	227
311 L4	612	402	402	402	314	244	224	234

	V			Kg			V			Kg			C	Input	I	Type			Input	Kg	
	V	V1	Kg	V	V1	Kg	V	V1	Kg	V	V1	Kg				F	F1	F2			
311 L1	348	80	55	—	—	—	456	80	85	—	—	—	81	D	461	—	—	—	—	—	—
311 L2	315	80	35	313	60	28	375	80	48	363	60	34	51	B		201	153	1/4 G	6	B	28
311 L3	239	48	15	—	—	—	276	48	17	—	—	—	37	A		145	95	1/4 G	5	A	16
311 L4	137.5	24	6	158	38	7	—	—	—	—	—	—	37	A		105	65	1/4 G	4	A	10



311 L



FZB $M_{2max} = 66900 \text{ Nm}$

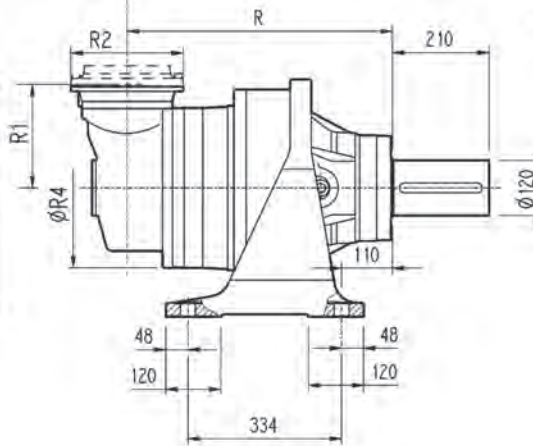
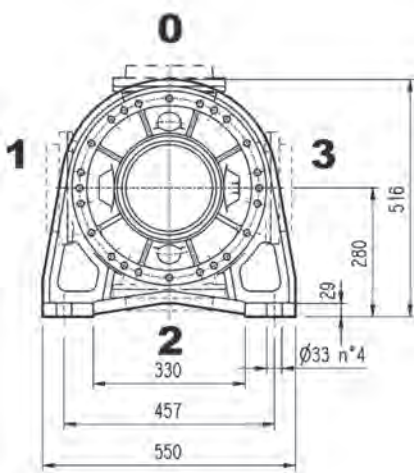
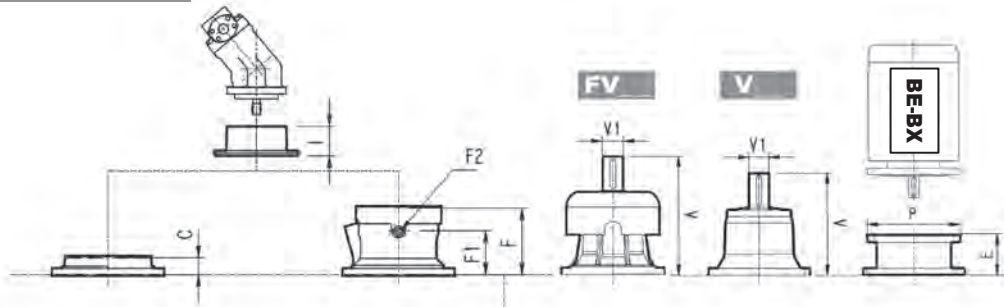
FP $M_{2max} = 55000 \text{ Nm}$

* For dimensions refer to page 356

	P71		P80		P90		P100		P112		P132		P160		P180		P200		P225		P250	
	E	P	E	P	E	P	E	P	E	P	E	P	E	P	E	P	E	P	E	P	E	P
311 L1	—	—	—	—	—	—	—	—	—	—	—	—	—	—	—	—	267	400	297	450	297	550
311 L2	—	—	—	—	—	—	—	—	—	—	—	—	—	—	195	350	186	400	216	450	216	550
311 L3	—	—	—	—	—	—	—	—	—	—	114	300	144	350	144	350	174	400	—	—	—	—
311 L4	65	160	84	200	84	200	94	250	94	250	114	300	144	350	—	—	—	—	—	—	—	—

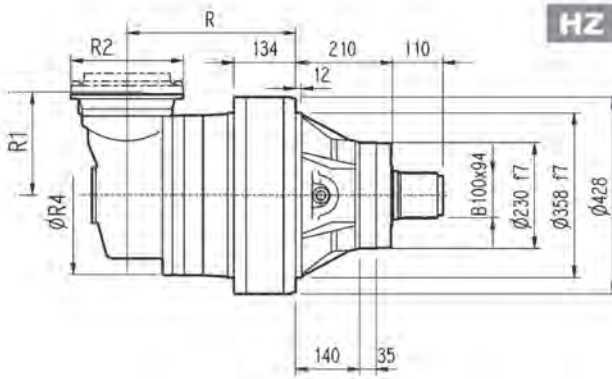
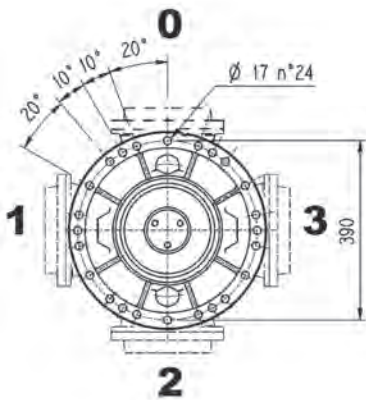
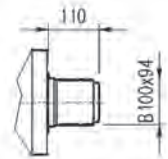


311 R



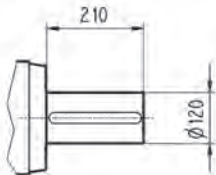
PC

PZ



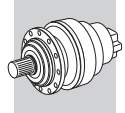
HZ

HC

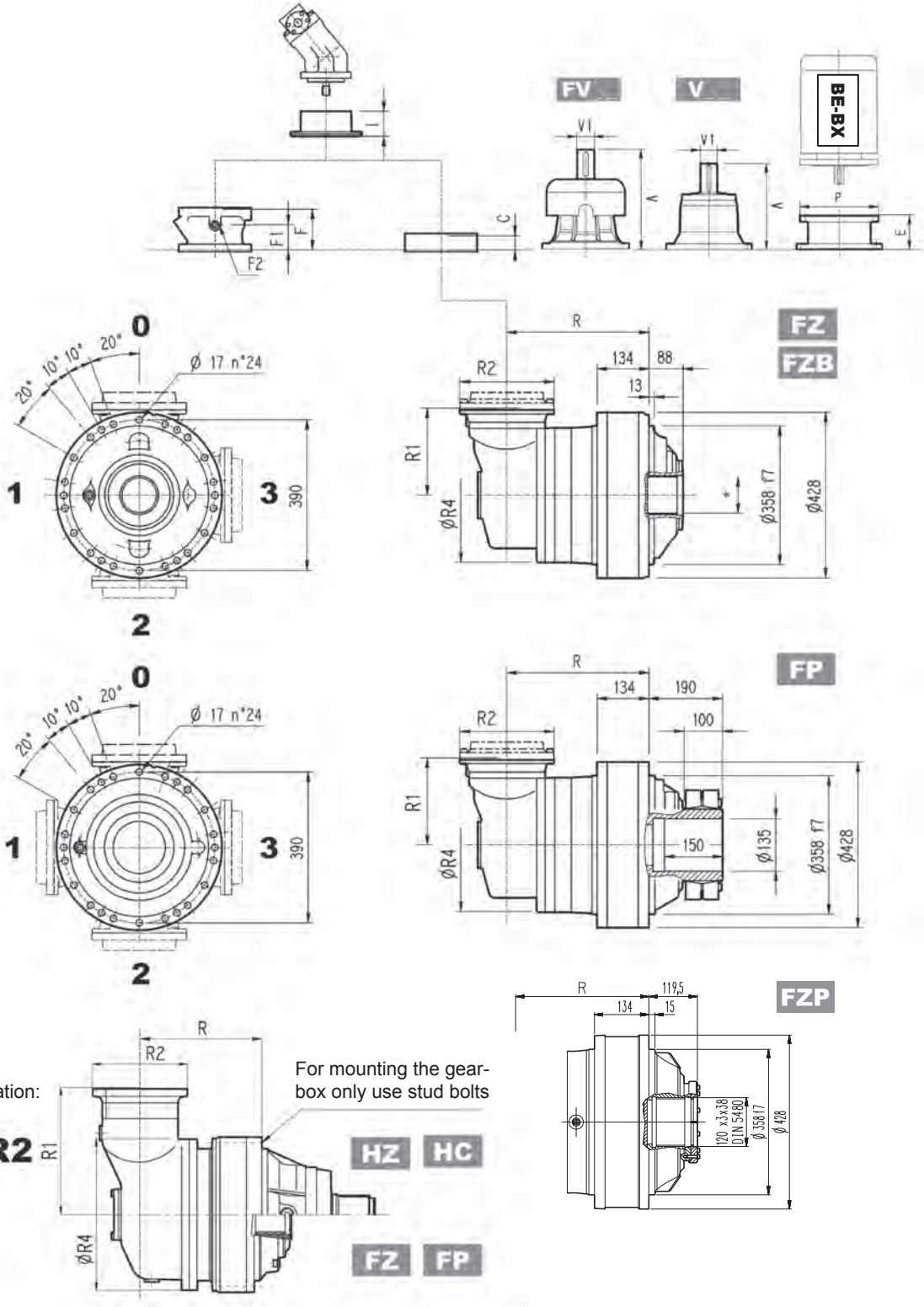


	R				R1	R2	R4	Kg			
	PC-PZ	HC-HZ	FZ - FZP	FP				PC-PZ	HC-HZ	FZ - FZP	FP
311 R2 (B)	550	340	340	340	345	292	400	380	310	290	300
311 R2 (C)	550	340	340	340	390	292	480	390	320	300	310
311 R3	577	367	367	367	225	245	375	345	275	255	265
311 R4	639	429	429	429	140	186	244	327	257	237	247

	V	V1		V	V1		V	V1		V	V1		C	Input	I	F	F1	F2	Type	Input	
311 R2 (B)	307	60	23	—	—	—	357	60	28	—	—	—	45	B	—	195	147	1/4 G	6	B	28
311 R2 (C)	307	60	23	—	—	—	357	60	28	—	—	—	45	B		195	147	1/4 G	6	B	28
311 R3	239	48	15	—	—	—	276	48	17	—	—	—	37	A	—	145	95	1/4 G	5	A	16
311 R4	137.5	24	6	158	38	7	—	—	—	—	—	—	37	A	461	105	65	1/4 G	4	A	10



311 R



FZB $M_{2max} = 66900 \text{ Nm}$

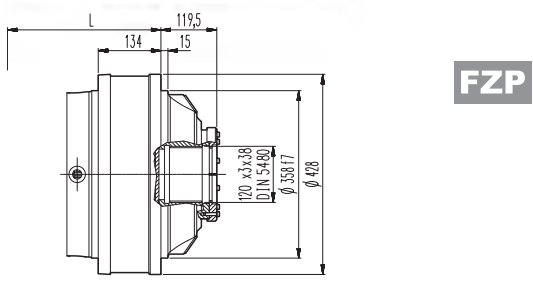
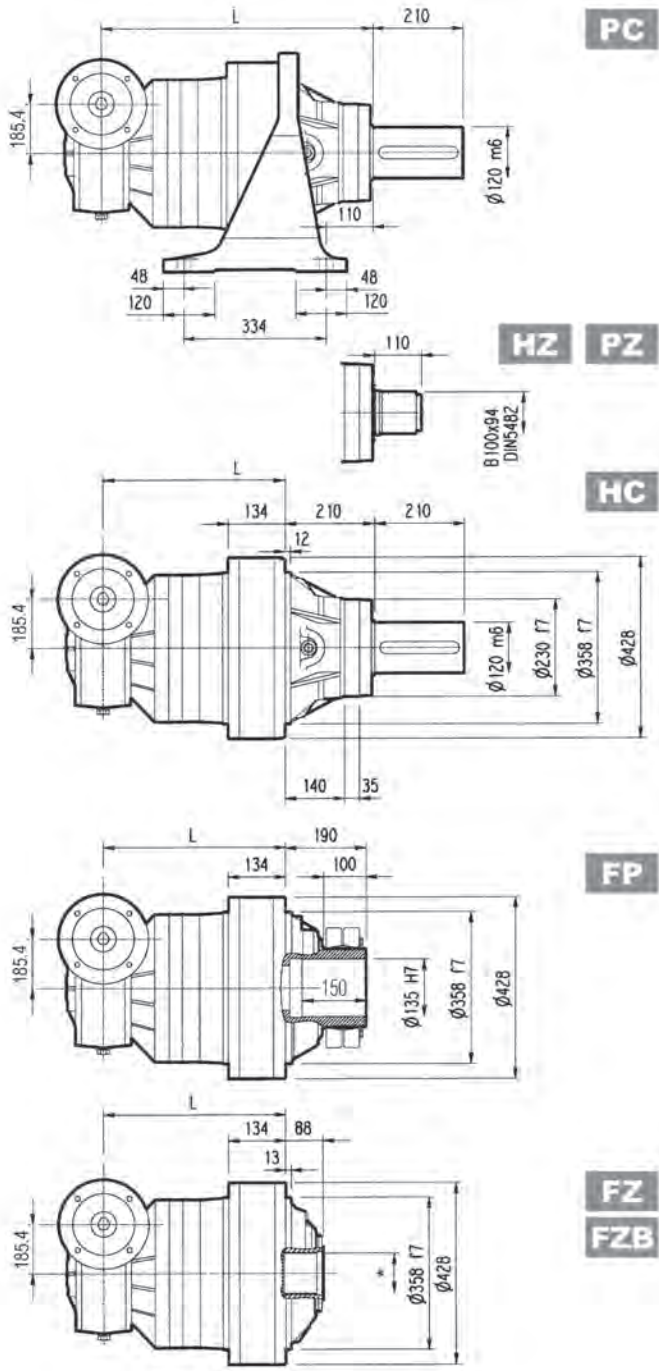
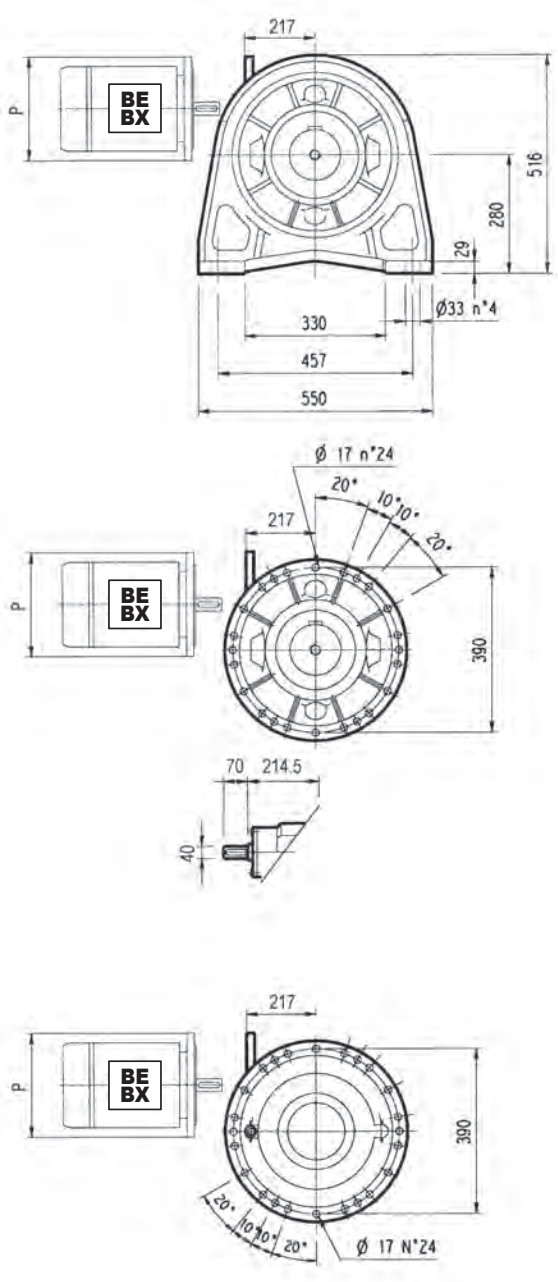
FP $M_{2max} = 55000 \text{ Nm}$

* For dimensions refer to page 356

	P71		P80		P90		P100		P112		P132		P160		P180		P200		P225		P250		
	E	P	E	P	E	P	E	P	E	P	E	P	E	P	E	P	E	P	E	P	E	P	
311 R2 (B)	—	—	—	—	—	—	—	—	—	—	—	—	—	152	350	182	400	212	450	193	550	—	—
311 R2 (C)	—	—	—	—	—	—	—	—	—	—	—	—	—	152	350	182	400	212	450	193	550	—	—
311 R3	—	—	—	—	—	—	—	—	—	114	300	144	350	144	350	174	400	—	—	—	—	—	—
311 R4	65	160	84	200	84	200	94	250	94	250	114	300	144	350	—	—	—	—	—	—	—	—	—



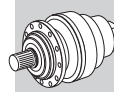
3/V 11 L3



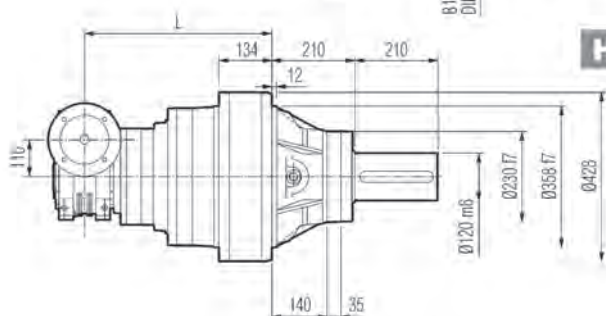
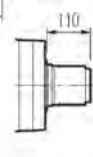
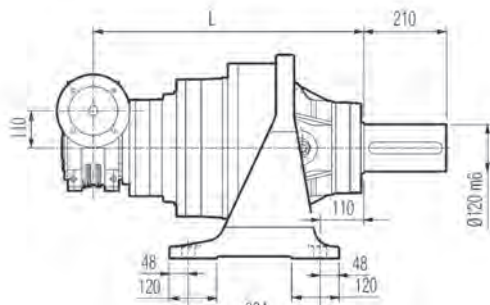
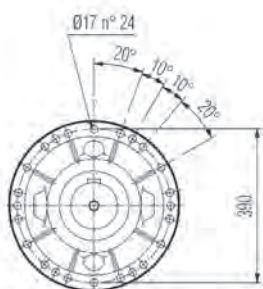
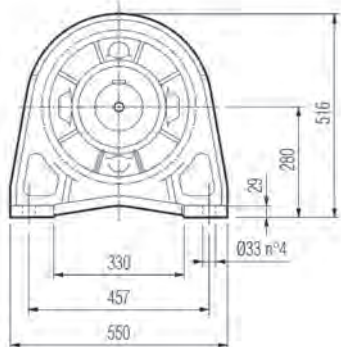
* For dimensions refer to page 356

FZB	M_{2max} = 66900 Nm
FP	M_{2max} = 55000 Nm

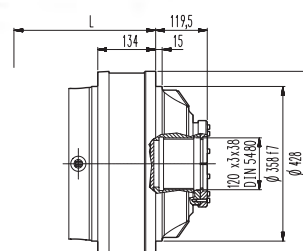
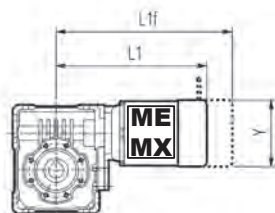
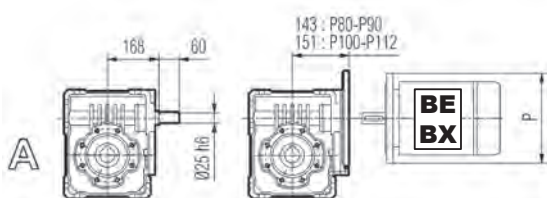
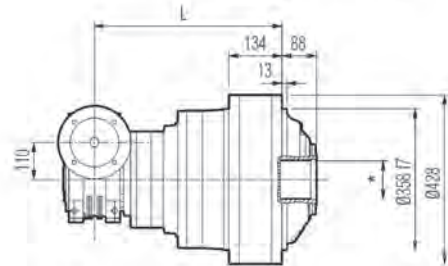
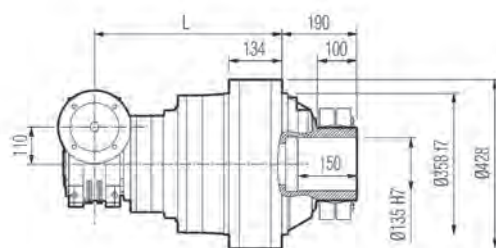
	L				Kg				P80	P90	P100	P112	P132	P160	P180
	PC - PZ	HC - HZ	FZ - FZP	FP	PC - PZ	HC - HZ	FZ - FZP	FP	P	P	P	P	P	P	P
3/V 11 L3	659	449	449	449	390	320	300	310	—	—	250	250	300	350	350



3/V 11 L4



A →



FZB M_{2max} = 66900 Nm

FP M_{2max} = 55000 Nm

* For dimensions refer to page 356

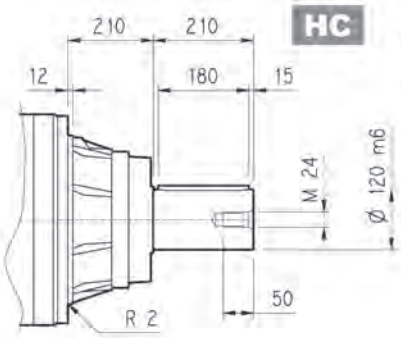
	L				Kg								
	PC - PZ	HC - HZ	FZ - FZP	FP	PC - PZ	HC - HZ	FZ - FZP	FP					
3/V 11 L4	707	497	497	497	340	270	250	260					
	P80	P90	P100	P112	S2 + ME2S/MX2S			S3 + ME3S/MX3S			S3 + ME3L/MX3L		
	P	P	P	P	L1	L1f	Y	L1	L1f	Y	L1	L1f	Y
3/V 11 L4	200	200	250	250	408	—	156	439	—	193	483	—	193



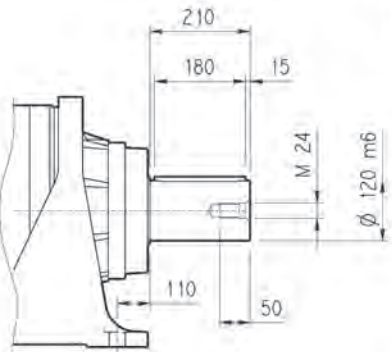
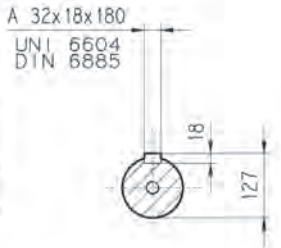
311 L

311 R

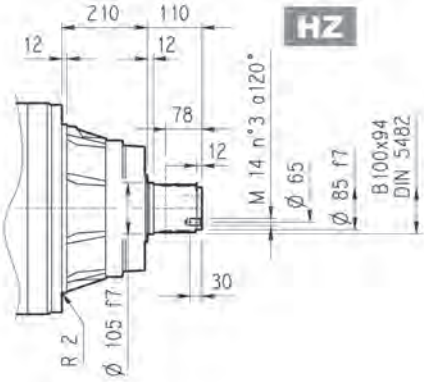
3/V 11 L



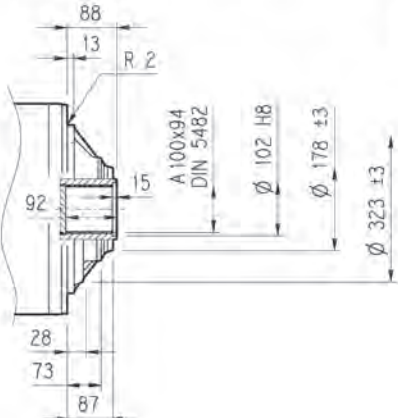
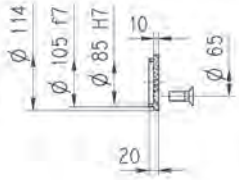
HC



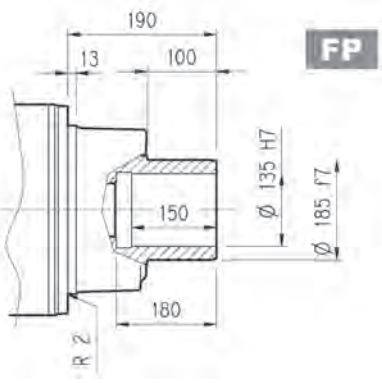
PC



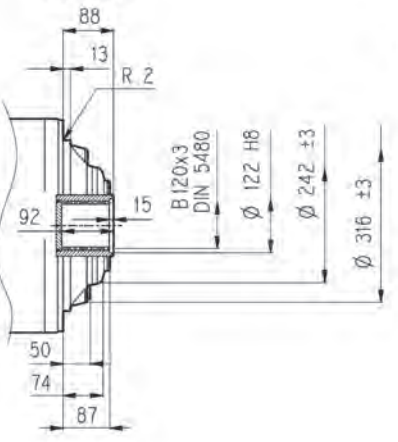
HZ



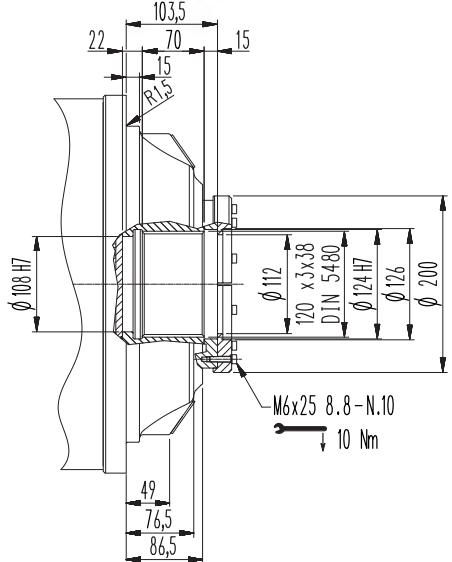
FZ



FP



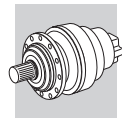
FZB



FZP

FZB	M_{2max} = 66900 Nm
------------	------------------------------------

FP	M_{2max} = 55000 Nm
-----------	------------------------------------



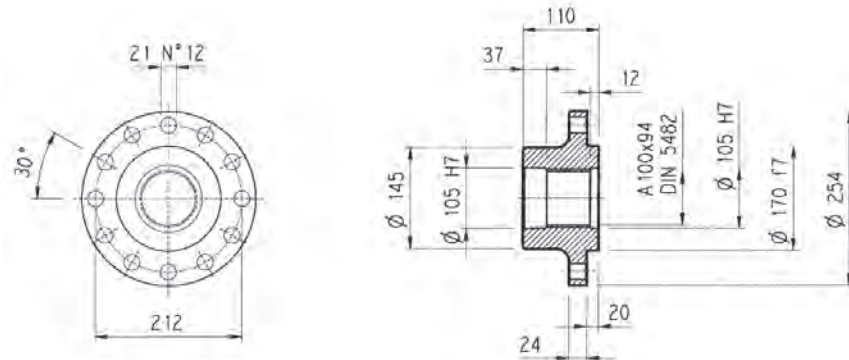
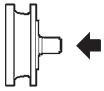
311 L

311 R

3/V 11 L

Flange

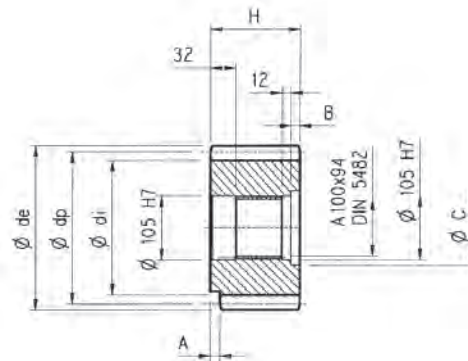
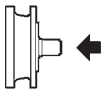
W0A



Material: Steel C40

Pinions

P...

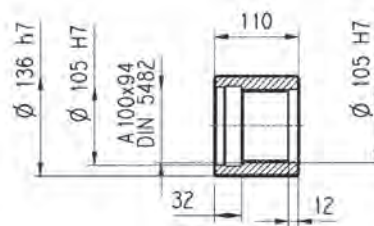
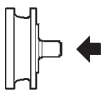


$\alpha = 20^\circ$

	m	z	x	dp	di	de	H	A	B	C	Material
PLQ	12	23	—	276	246	300	110	—	—	—	Steel 18NiCrMo5 case hardened
PPD	16	13	0.500	208	184	252.5	145	—	35	116	Steel 39NiCrMo3 hardened and tempered
PPF	16	15	0.450	240	215	280	125	—	15	120	

Sleeve coupling

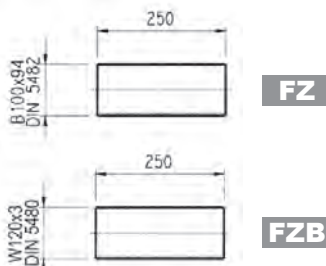
M0A



Material: Steel 16CrNi4

Spined bars

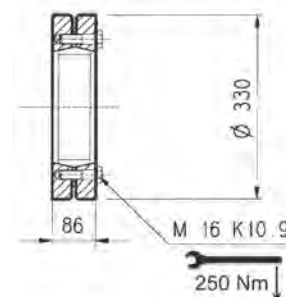
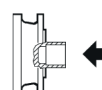
B0A



Material: Case hardening steel 18NiCrMo5 UNI 5331 must be case hardened 50-55 HRC

Shrink disc

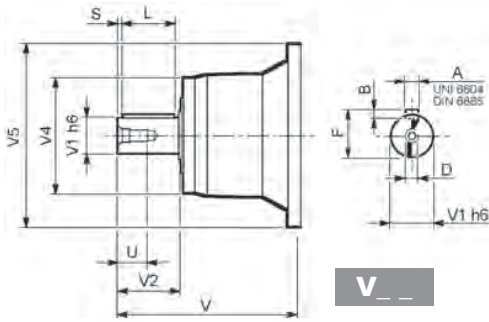
G0A



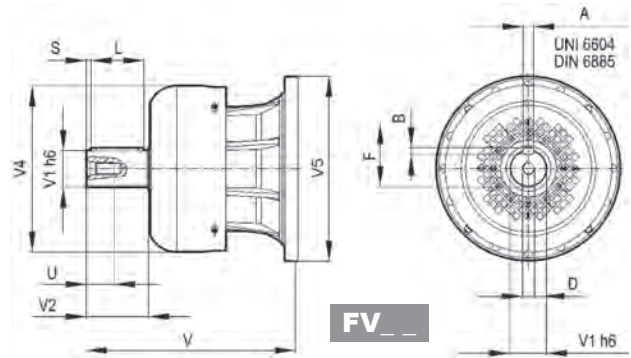


311 L

311 R



V _ _

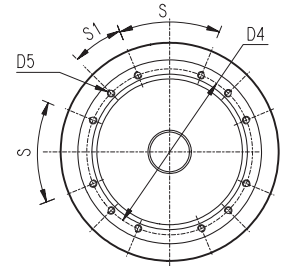
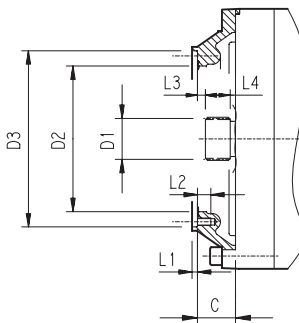
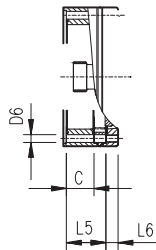


FV _ _

		V	V1	V2	V4	V5	A	B	F	L	S	D	U
311 L1	V11B	348	80	130	200	428	22	14	85	110	10	M16	36
	FV11B	456	80	130	347.5	428	22	14	85	110	10	M16	36
311 L2	V07B	315	80	130	200	345	22	14	85	110	10	M16	36
	FV07B	375	80	130	347.5	348	22	14	85	110	10	M16	36
311 L3	V07A	313	60	105	155	345	18	11	64	90	7.5	M16	36
	FV07A	363	60	105	309	348	18	11	64	90	7.5	M16	36
311 L3	V05B	239	48	82	155	245	14	9	51.5	70	6	M16	36
	FV05B	276	48	82	219.5	244	14	9	51.5	70	6	M16	36
311 L4	V01A	137.5	24	36	120	186	8	7	27	30	3	M8	19
	V01B	158	38	58	120	186	10	8	41	50	4	M12	28
311 R2 (B)(C)	V06B	307	60	105	155	292	18	11	64	90	7.5	M16	36
	FV06B	357	60	105	309	292	18	11	64	90	7.5	M16	36
311 R3	V05B	239	48	82	155	245	14	9	51.5	70	6	M16	36
	FV05B	276	48	82	219.5	244	14	9	51.5	70	6	M16	36
311 R4	V01A	137.5	24	36	120	186	8	7	27	30	3	M8	19
	V01B	158	38	58	120	186	10	8	41	50	4	M12	28

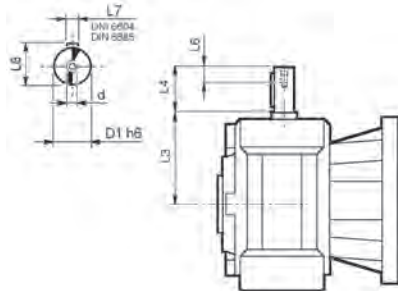
311 L

311 R



		C	D1	D2	D3	D4	D5	D6	L1	L2	L3	L4	L5	L6	S	S1	Input
311 L1	V9AD	81	80x74 DIN 5482	270	335 H7	314	M16 n°8	—	5	30	8.5	40	—	—	60°	30°	D
311 L2	V9AB	51	58x53 DIN 5482	195	236 H7	222	M10 n°12	—	4	18	11	22	—	—	45°	22.5°	B
311 L3	V9AA	37	40x36 DIN 5482	140	178 H7	165	M10 n°8	—	4	18	9	18	—	—	45°	45°	A
311 L4	V9AA	37	40x36 DIN 5482	140	178 H7	165	M10 n°8	11	4	—	9	18	65	18	45°	45°	A
311 R3	V9AA	37	40x36 DIN 5482	140	178 H7	165	M10 n°8	11	4	18	9	18	—	—	45°	45°	A
311 R2 (B)(C)	V9AB	45	58x53 DIN 5482	195	236 H7	222	M10 n°12	—	4	18	11	22	—	—	45°	22.5°	B
311 R4	V9AA	37	40x36 DIN 5482	140	178 H7	165	M10 n°8	11	4	—	9	18	37	18	45°	45°	A

3/V 11 L



	D1 h6	L3	L4	L6	L7	L8	d
3/V 11 L3_HS	40	214.5	70	20	12	43	M8
3/V 11 L4_HS	25	168	60	19	8	28	M8

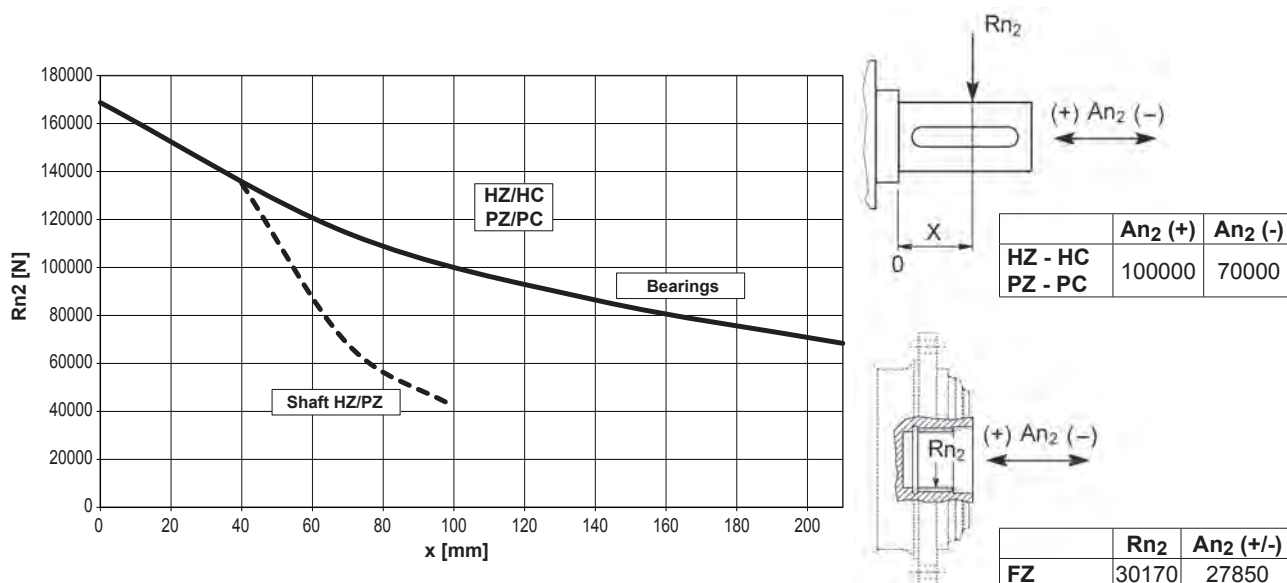


311 L

311 R

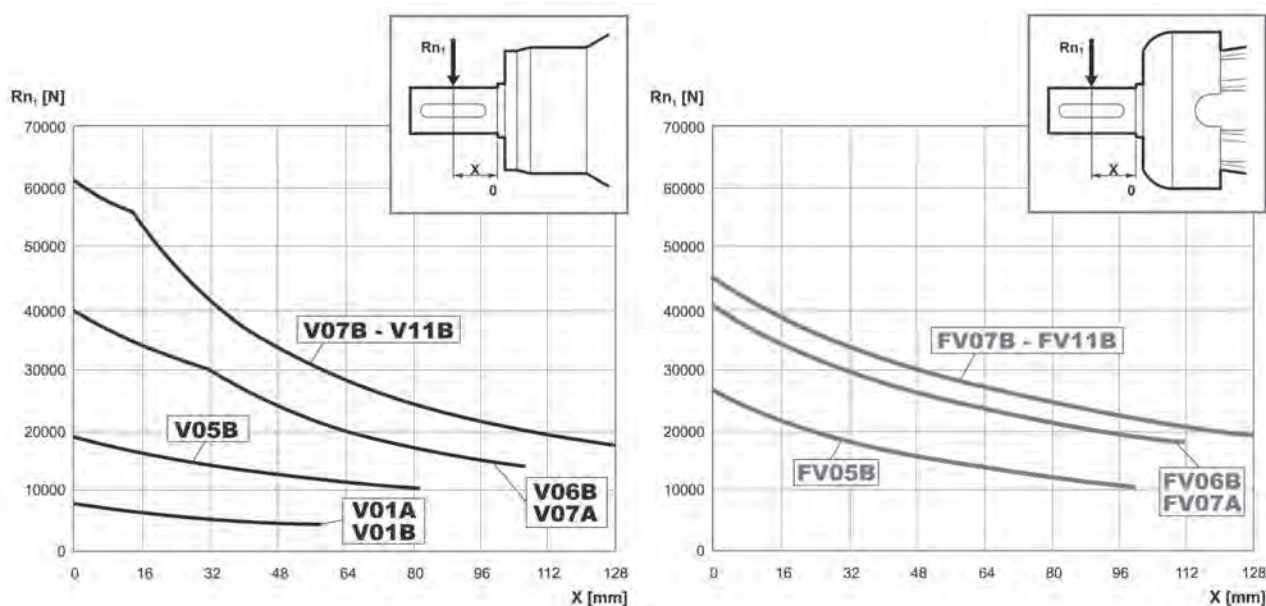
3/V 11 L

Permissible radial and axial loads on output shaft with $Fh_2 : n_2 \cdot h = 100000$

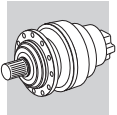


Load corrective factor fh_2 on shafts	$Fh_2 = n_2 \cdot h$						
		10000	25000	50000	100000	500000	1000000
	fh_2	FZ	2.15	1.59	1.26	1.00	0.58
	HC - PC	1.93	1.52	1.23	1.00	0.62	0.50
	HZ - PZ	1.24	1.00	1.00	1.00	0.62	0.50

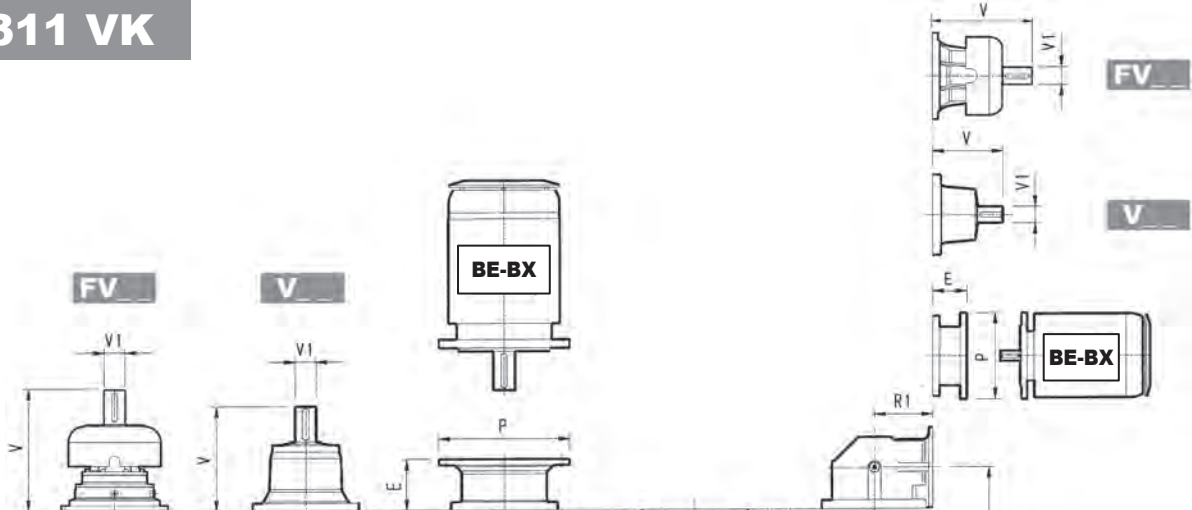
Permissible radial loads on input shaft with $Fh_1 : n_1 \cdot h = 250000$



Load corrective factor fh_1 on shafts	$Fh_1 = n_1 \cdot h$						
		250000	500000	1000000	2000000	5000000	10000000
fh_1		1	0.79	0.63	0.50	0.37	0.29

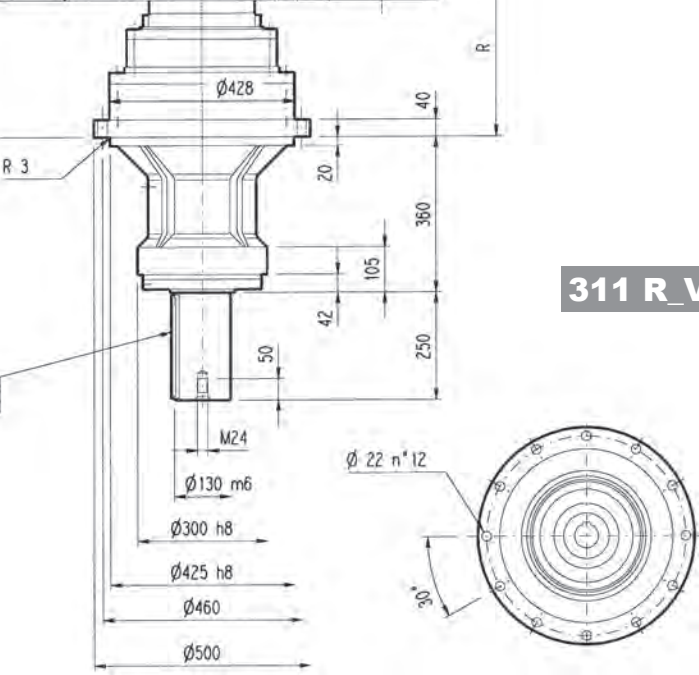


311 VK



311 L_VK

A 32x18x240
UNI 6504-69 / DIN 6855



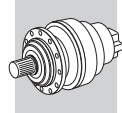
311 R_VK

	L			V						V1					
	E	P	Kg	V	V1	Kg	V	V1	Kg	V	V1	Kg	V	V1	Kg
311 L1	129	295		348	80	55	—	—	—	456	80	85	—	—	—
311 L2	262	340		315	80	35	313	60	28	375	80	48	363	60	34
311 L3	351	350		239	48	15	—	—	—	276	48	17	—	—	—
311 L4	416	360		137.5	24	6	158	38	7	—	—	—	—	—	—

	P71		P80		P90		P100		P112		P132		P160		P180		P200		P225		P250	
	E	P	E	P	E	P	E	P	E	P	E	P	E	P	E	P	E	P	E	P	E	P
311 L2	—	—	—	—	—	—	—	—	—	—	—	—	—	—	195	350	186	400	216	450	216	550
311 L3	—	—	—	—	—	—	—	—	—	—	114	300	144	350	144	350	174	400	—	—	—	—
311 L4	65	160	84	200	84	200	94	250	94	250	114	300	144	350	—	—	—	—	—	—	—	—

	R		V			V1			V						
	R	R1	V	V1	Kg	V	V1	Kg	V	V1	Kg	V	V1	Kg	
311 R2 (B)	354	345	420	307	60	23	—	—	—	357	60	28	—	—	—
311 R2 (C)	354	390	430	307	60	23	—	—	—	357	60	28	—	—	—
311 R3	381	225	385	239	48	15	—	—	—	276	48	17	—	—	—
311 R4	443	140	360	137.5	24	6	158	38	7	—	—	—	—	—	—

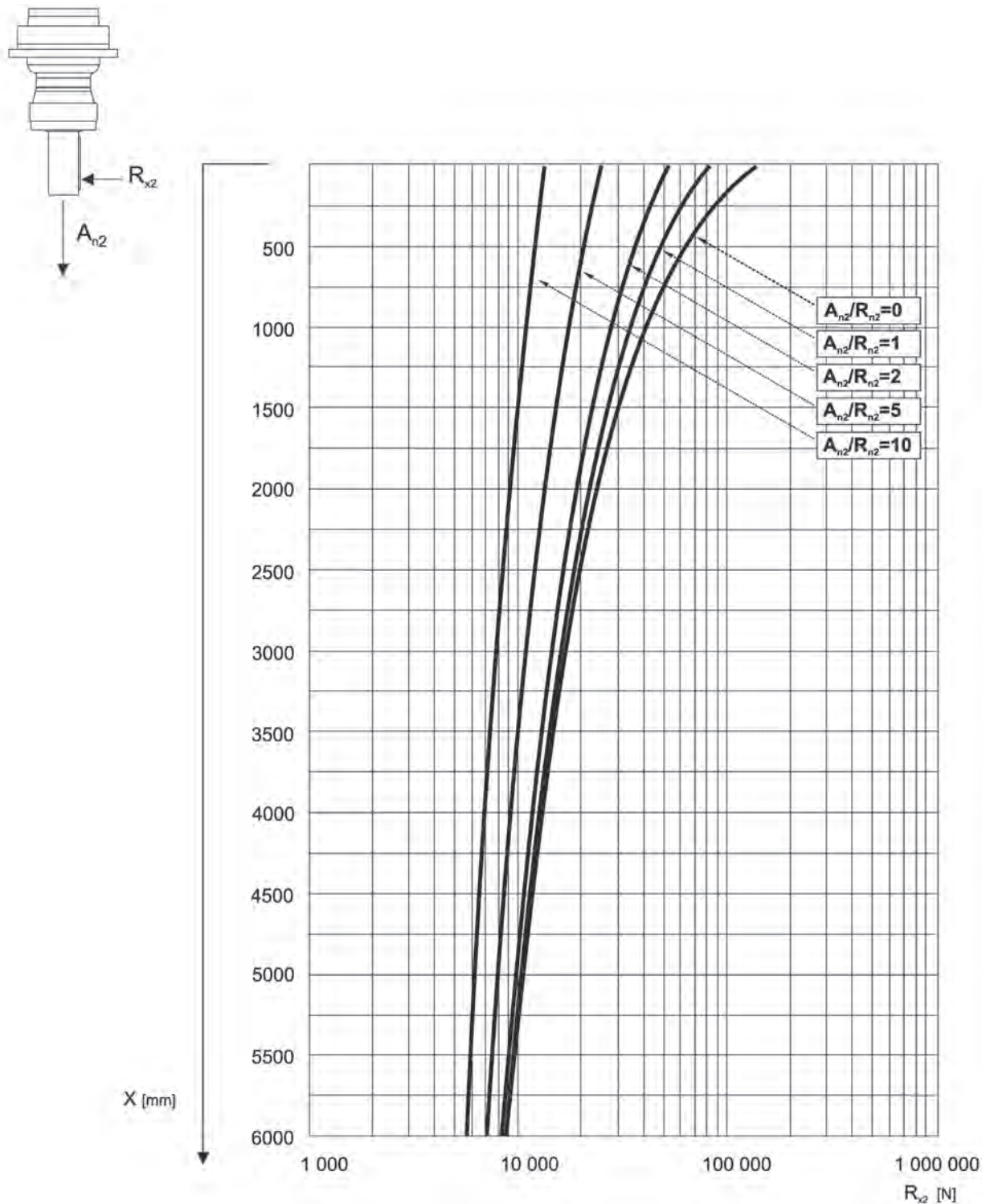
	P71		P80		P90		P100		P112		P132		P160		P180		P200		P225		P250	
	E	P	E	P	E	P	E	P	E	P	E	P	E	P	E	P	E	P	E	P	E	P
311 R2 (B)	—	—	—	—	—	—	—	—	—	—	—	—	—	—	152	350	182	400	212	450	193	550
311 R2 (C)	—	—	—	—	—	—	—	—	—	—	—	—	—	—	152	350	182	400	212	450	193	550
311 R3	—	—	—	—	—	—	—	—	—	—	114	300	144	350	144	350	174	400	—	—	—	—
311 R4	65	160	84	200	84	200	94	250	94	250	114	300	144	350	—	—	—	—	—	—	—	—



311 VK

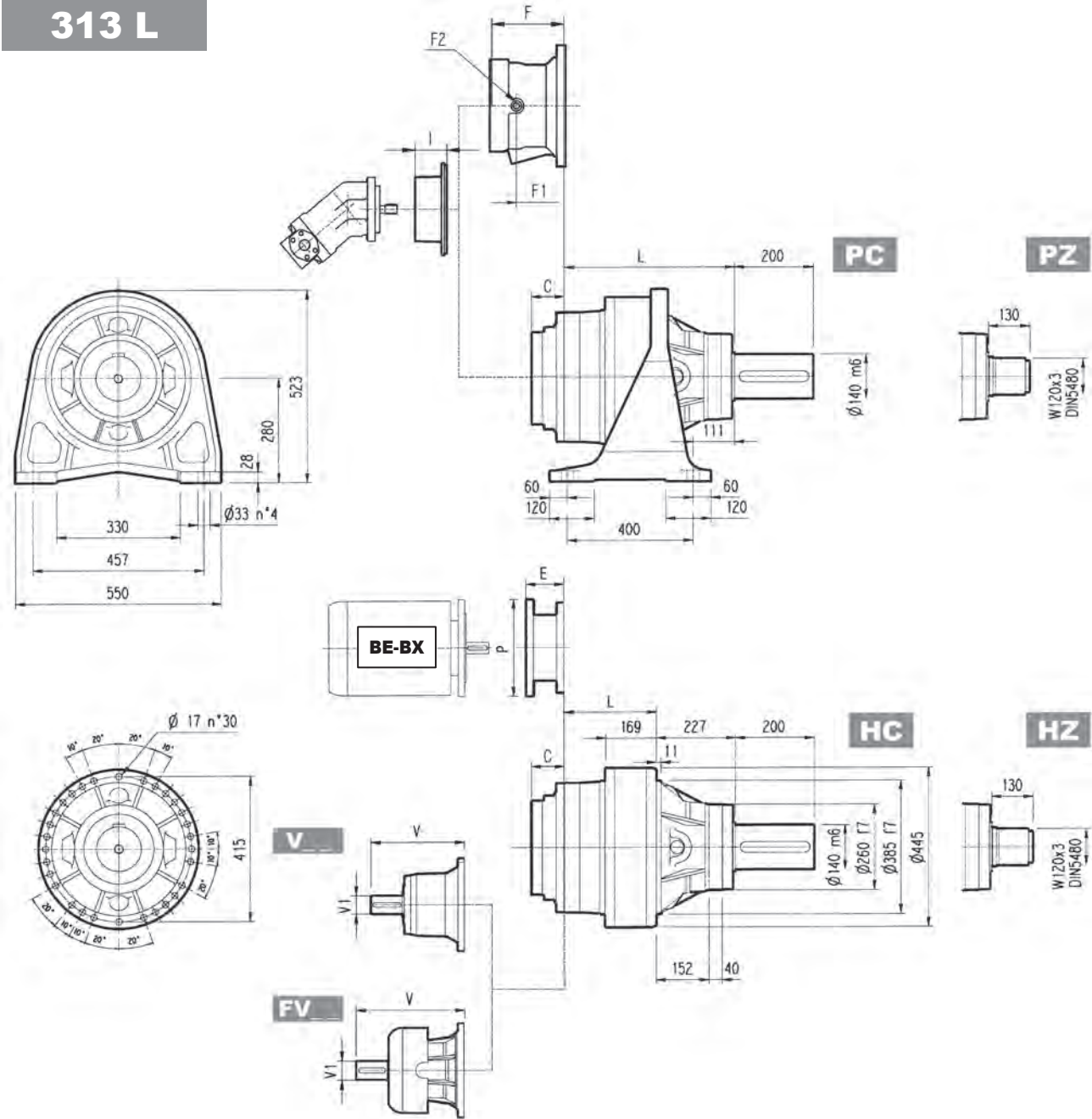
The diagram below allows the calculation of permitted overhung load R_{x2} on the output shaft of gearbox, with radial force applying at a distance x from shaft shoulder.

The curves are relevant to value resulting from the relationship of trust load A_{n2} to radial load R_{n2} , based on $n_2 = 10 \text{ min}^{-1}$ and 10000 hrs theoretical lifetime.





313 L

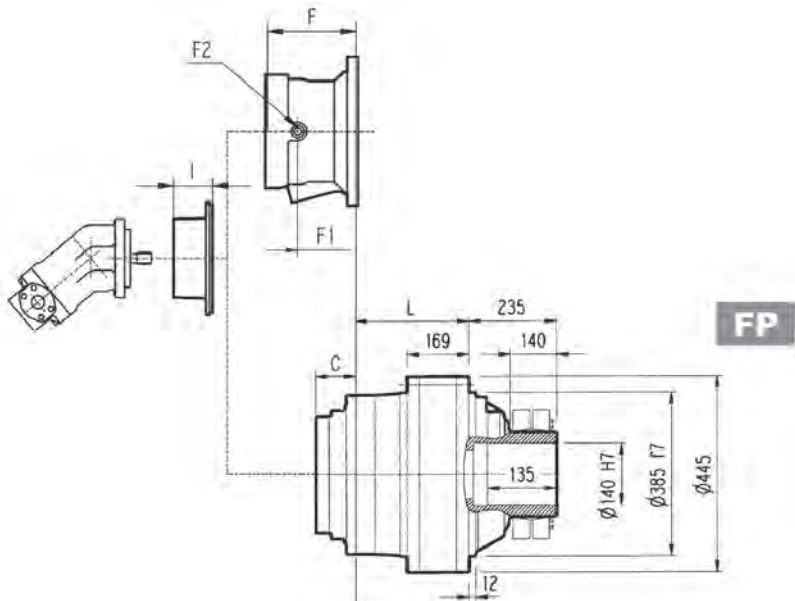
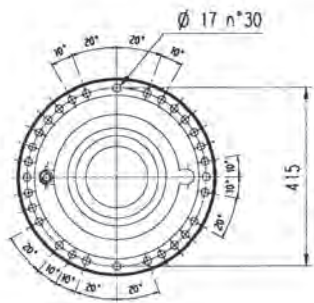
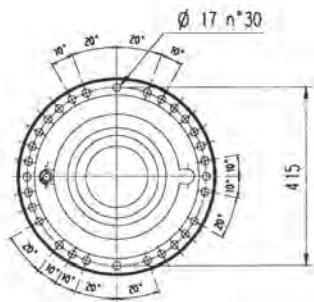


	L				Kg			
	PC - PZ	HC - HZ	FZ - FZP	FP	PC - PZ	HC - HZ	FZ - FZP	FP
313 L1	381	154	154	154	320	230	200	200
313 L2	531	304	304	304	380	290	260	280
313 L3	620	393	393	393	392	302	272	292
313 L4	685	458	458	458	399	309	279	299

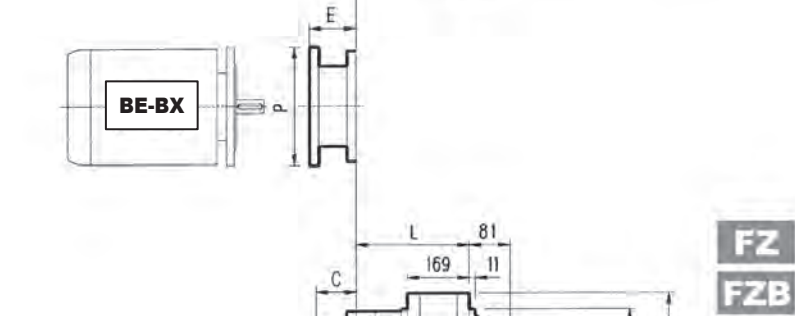
	V			V1			V			V1			C	Input	I	F			Type	Input	Kg
	V	V1	Kg	V	V1	Kg	V	V1	Kg	V	V1	Kg				F	F1	F2			
313 L1	343	80	55	—	—	—	451	80	71	—	—	—	76	D	—	—	—	—	—	—	—
313 L2	315	80	35	313	60	28	375	80	48	363	60	34	51	B	201	153	1/4 G	6	B	28	
313 L3	239	48	15	—	—	—	276	48	17	—	—	—	37	A	145	95	1/4 G	5	A	16	
313 L4	137.5	24	6	158	38	7	—	—	—	—	—	—	37	A	105	65	1/4 G	4	A	10	



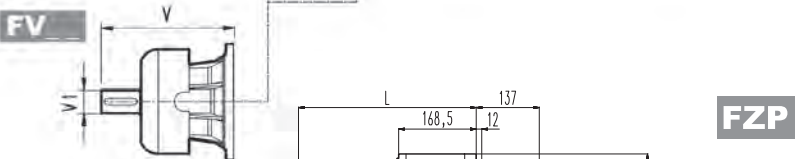
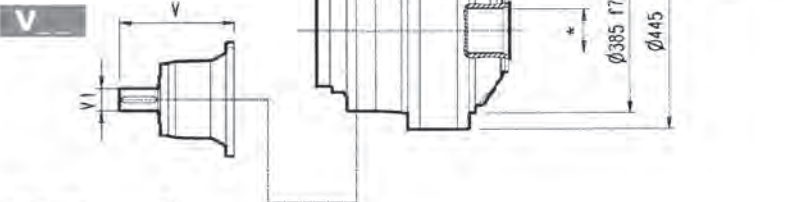
313 L



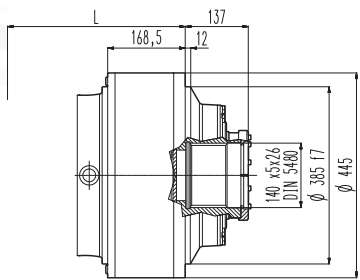
FP



FZ
FZB



FZP



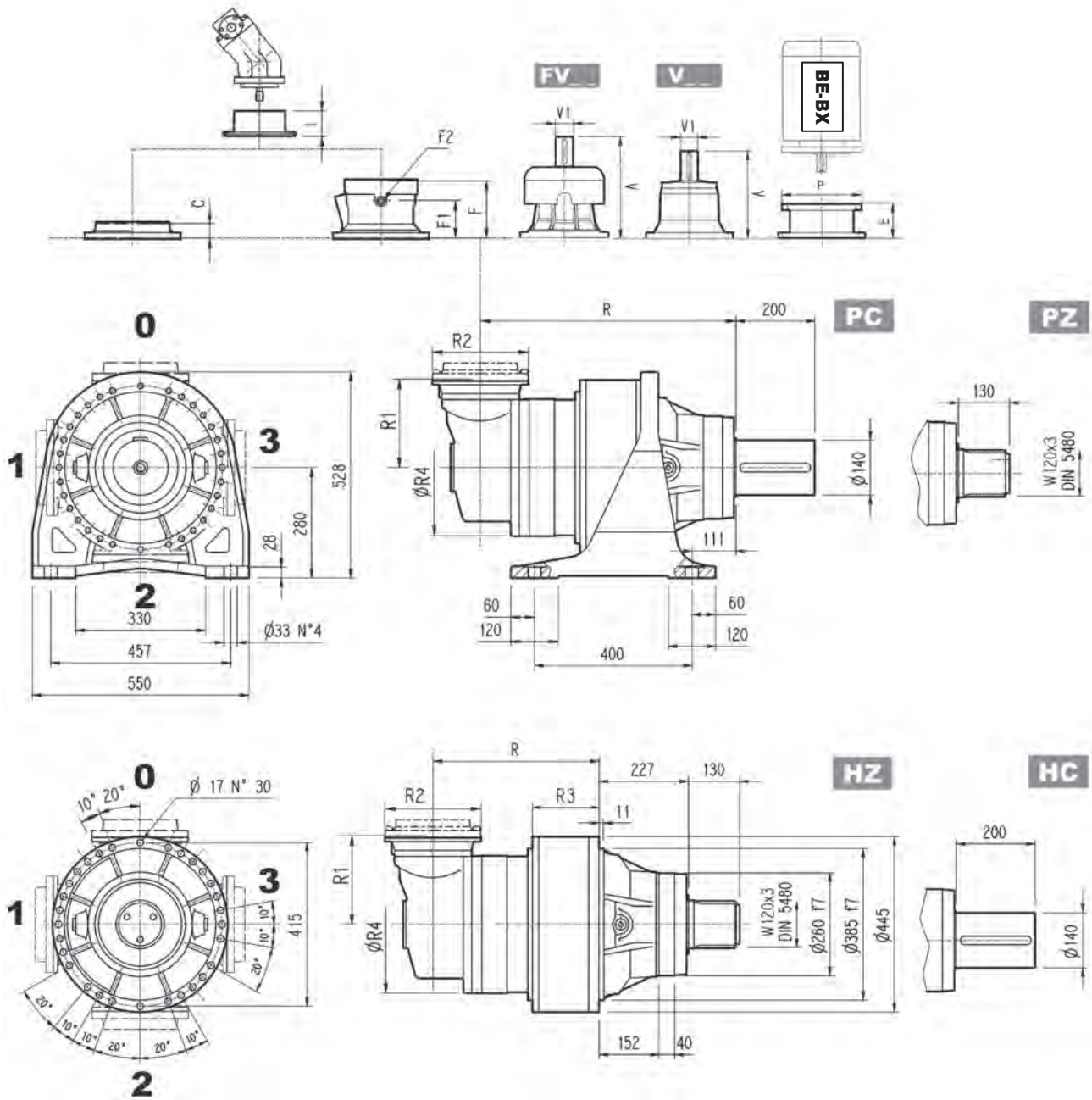
FP $M_{2max} = 79000 \text{ Nm}$

* For dimensions refer to page 368

	P71		P80		P90		P100		P112		P132		P160		P180		P200		P225		P250	
	E	P	E	P	E	P	E	P	E	P	E	P	E	P	E	P	E	P	E	P	E	P
313 L2	—	—	—	—	—	—	—	—	—	—	—	—	—	—	195	350	186	400	216	450	216	550
313 L3	—	—	—	—	—	—	—	—	—	—	114	300	144	350	144	350	174	400	—	—	—	—
313 L4	65	160	84	200	84	200	94	250	94	250	114	300	144	350	—	—	—	—	—	—	—	—

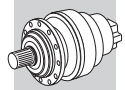


313 R

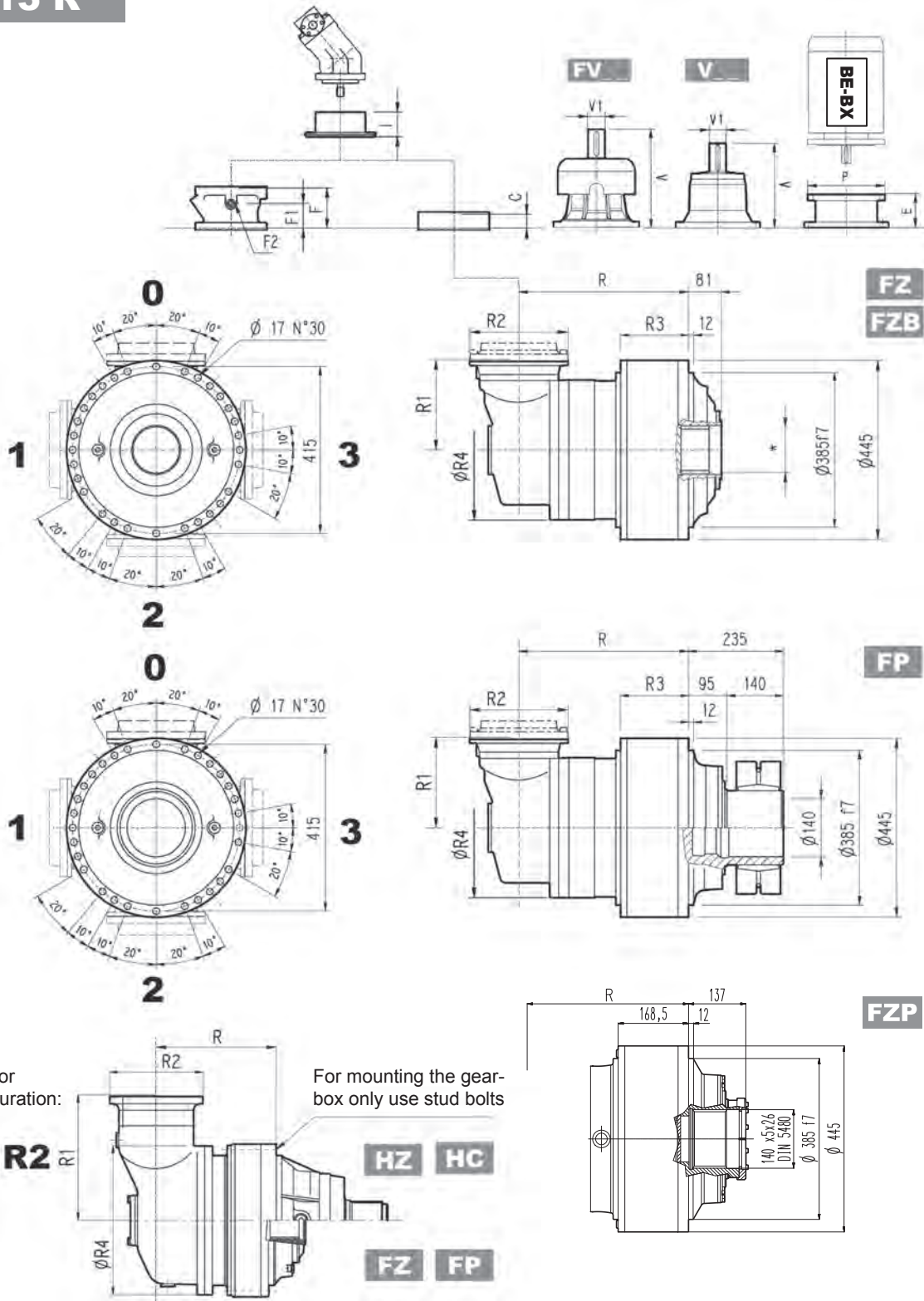


	R				R1	R2	R3			R4	Kg			
	PC-PZ	HC-HZ	FZ - FZP	FP			HC-HZ	FZ	FP		PC-PZ	HC-HZ	FZ - FZP	FP
313 R2 (B)	611	384	384	384	345	292	199	199	199	400	450	360	330	350
313 R2 (C)	611	384	384	384	390	292	168	168	168	480	460	370	340	360
313 R3	650	423	423	423	225	245	169	169	169	345	430	340	310	330
313 R4	712	485	485	485	140	186	169	169	169	244	412	322	292	312

	V						V1						C	Input	I	Type Input					
	V	V1	Kg	V	V1	Kg	V	V1	Kg	V	V1	Kg				F	F1	F2	Type	Input	Kg
313 R2 (B)	307	60	23	—	—	—	357	60	28	—	—	—	45	B	—	195	147	1/4 G	6	B	28
313 R2 (C)	307	60	23	—	—	—	357	60	28	—	—	—	45	B	—	195	147	1/4 G	6	B	28
313 R3	239	48	15	—	—	—	276	48	17	—	—	—	37	A	—	145	95	1/4 G	5	A	16
313 R4	137.5	24	6	158	38	7	—	—	—	—	—	—	37	A	461	105	65	1/4 G	4	A	10



313 R



FP

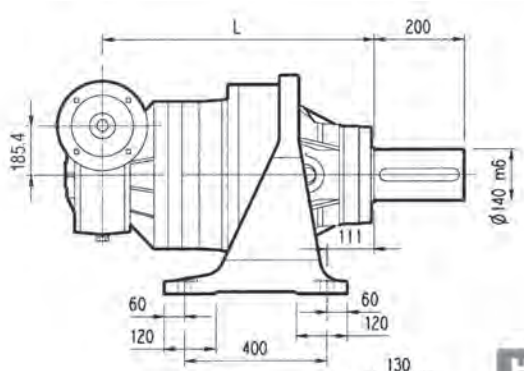
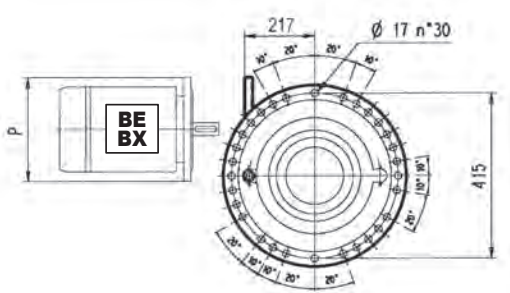
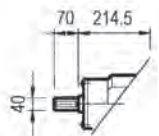
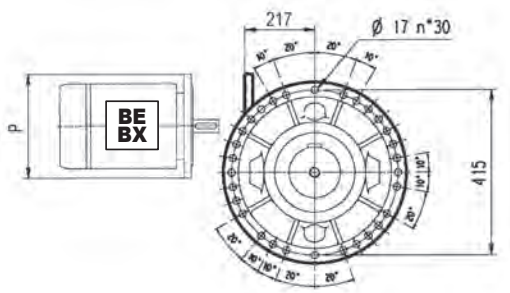
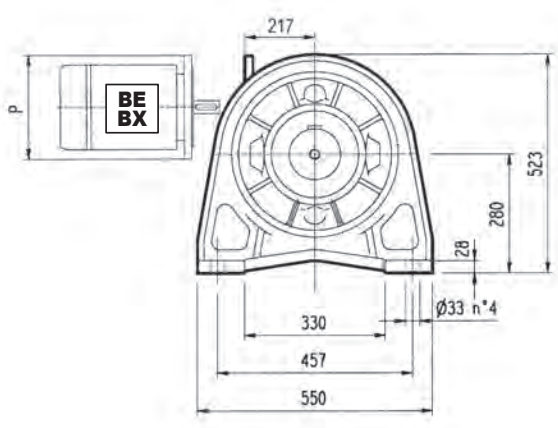
M_{2max} = 79000 Nm

* For dimensions refer to page 368

	P71		P80		P90		P100		P112		P132		P160		P180		P200		P225		P250	
	E	P	E	P	E	P	E	P	E	P	E	P	E	P	E	P	E	P	E	P	E	P
313 R2 (B)	—	—	—	—	—	—	—	—	—	—	—	—	—	—	152	350	182	400	212	450	193	550
313 R2 (C)	—	—	—	—	—	—	—	—	—	—	—	—	—	—	152	350	182	400	212	450	193	550
313 R3	—	—	—	—	—	—	—	—	—	—	114	300	144	350	144	350	174	400	—	—	—	—
313 R4	65	160	84	200	84	200	94	250	94	250	114	300	144	350	—	—	—	—	—	—	—	—



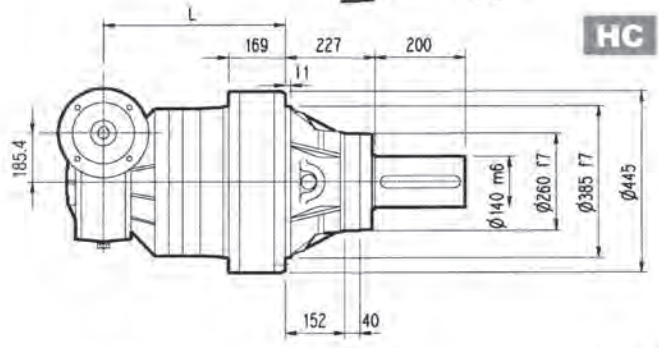
3/V 13 L3



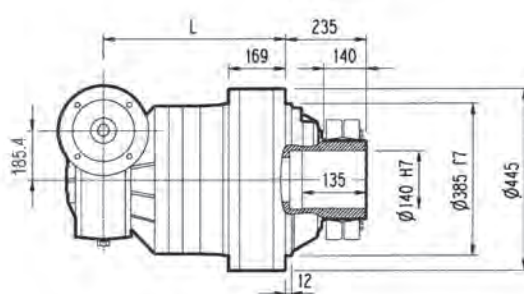
PC



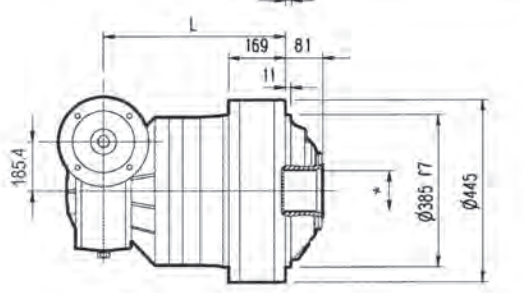
HZ PZ



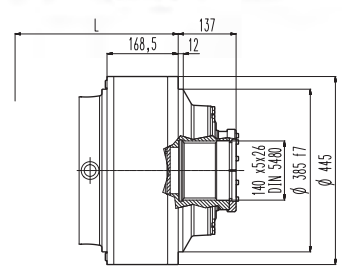
HC



FP



FZ FZB

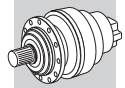


FZP

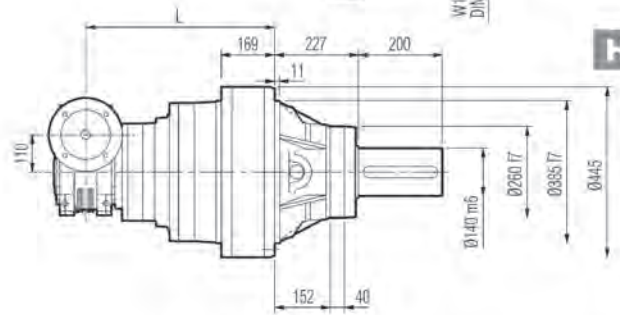
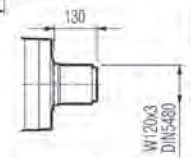
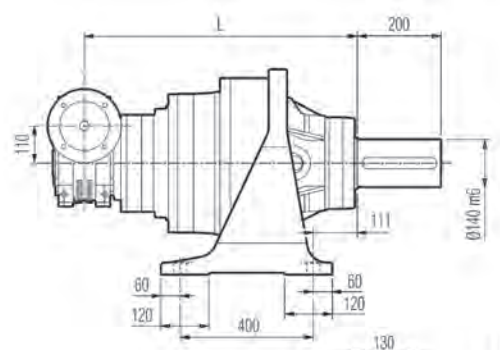
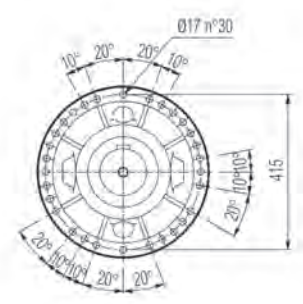
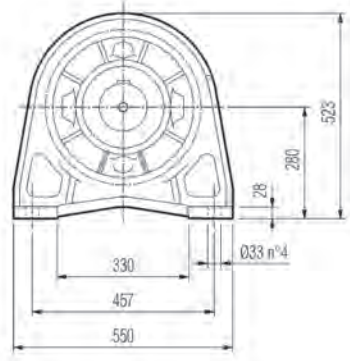
* For dimensions refer to page 368

FP $M_{2max} = 79000 \text{ Nm}$

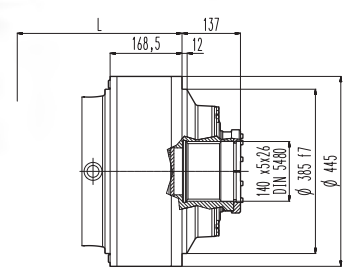
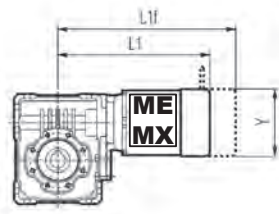
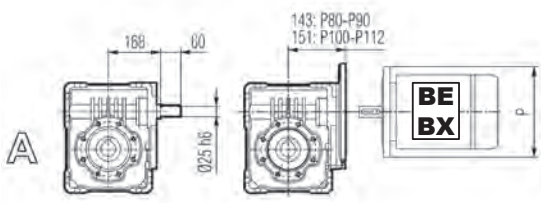
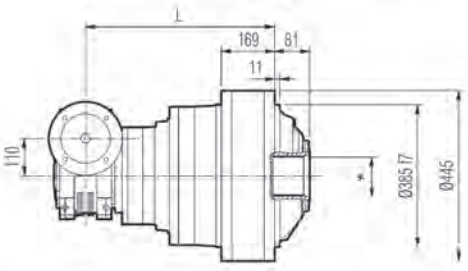
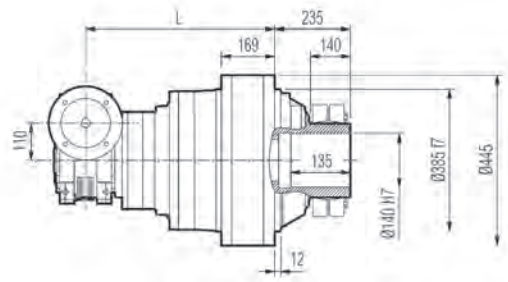
	L				Kg				P80	P90	P100	P112	P132	P160	P180
	PC - PZ	HC - HZ	FZ - FZP	FP	PC - PZ	HC - HZ	FZ - FZP	FP	P	P	P	P	P	P	P
3/V 13 L3	732	505	505	505	475	385	355	375	—	—	250	250	300	350	350



3/V 13 L4



A →



PC

HZ PZ

HC

FP

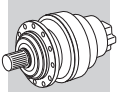
FZ
FZB

FZP

FP M_{2max} = 79000 Nm

* For dimensions refer to page 368

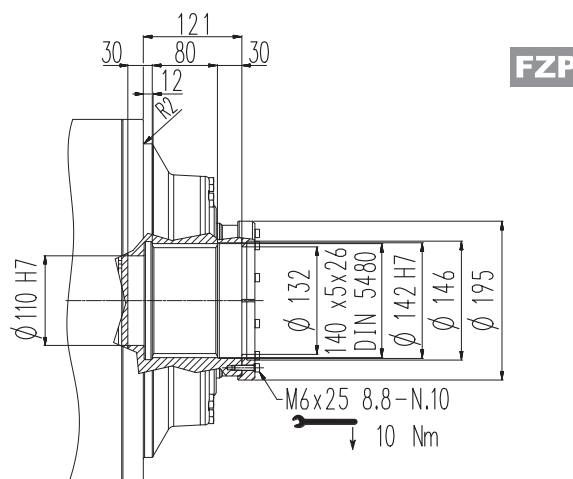
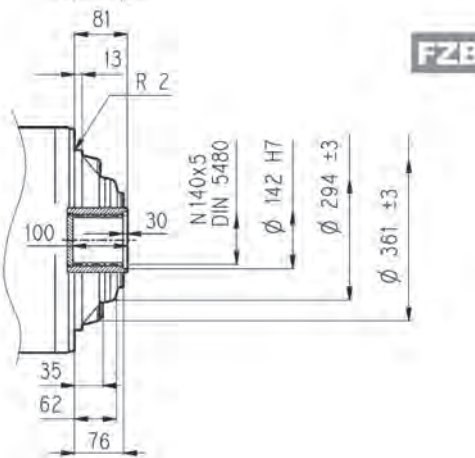
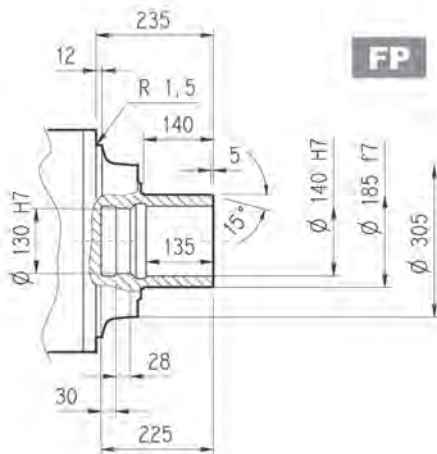
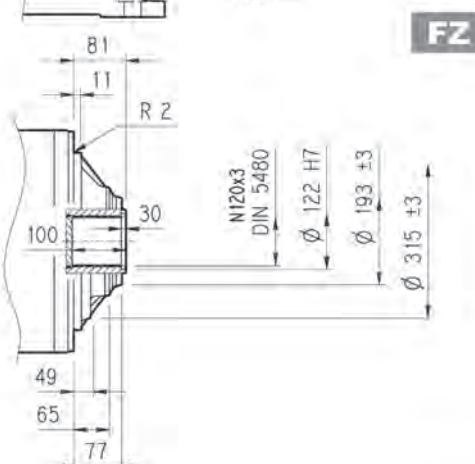
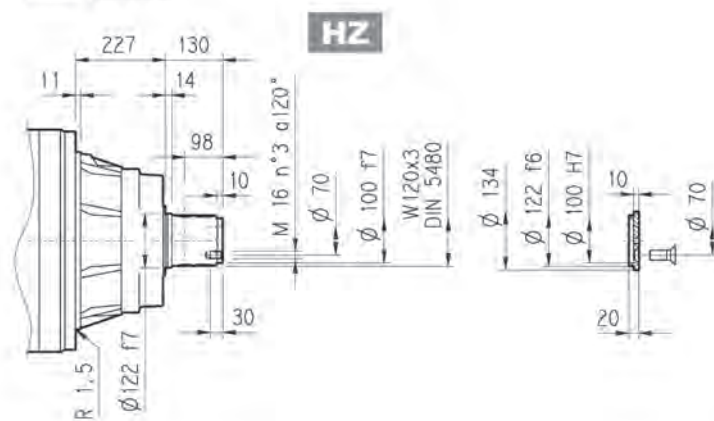
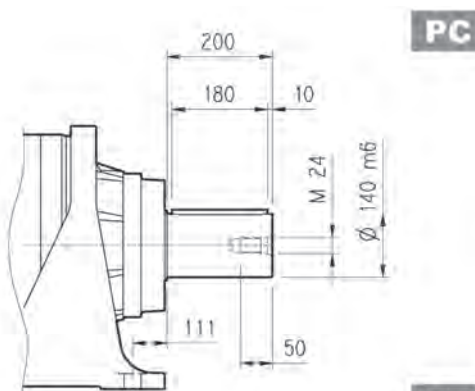
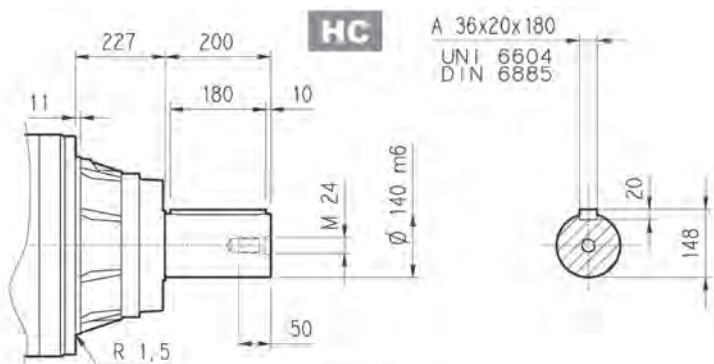
	L				Kg								
	PC - PZ	HC - HZ	FZ - FZP	FP	PC - PZ	HC - HZ	FZ - FZP	FP					
3/V 13 L4	780	553	553	553	425	335	305	325					
	P80	P90	P100	P112	S2 + ME2S/MX2S			S3 + ME3S/MX3S			S3 + ME3L/MX3L		
	P	P	P	P	L1	L1f	Y	L1	L1f	Y	L1	L1f	Y
3/V 13 L4	200	200	250	250	408	—	156	439	—	193	483	—	193



313 L

313 R

3/V 13 L



FP

$M_{2max} = 79000 \text{ Nm}$



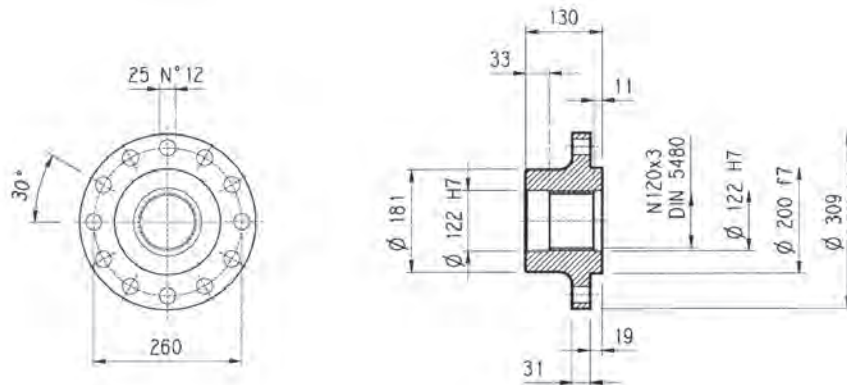
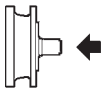
313 L

313 R

3/V 13 L

Flange

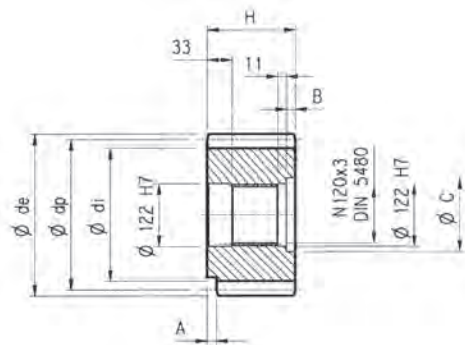
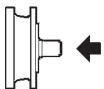
W0A



Material: Steel C40

Pinions

P...

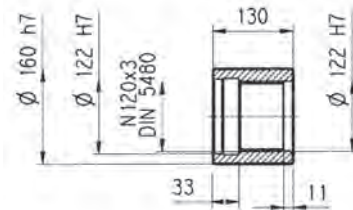
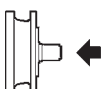


$\alpha = 20^\circ$

	m	z	x	dp	di	de	H	A	B	C	Material
PPH	16	17	0.500	272	247	315	135	—	5	136	Steel 39NiCrMo3 hardened and tempered
PRI	18	18	0.333	324	294	365	140	—	10	140	

Sleeve coupling

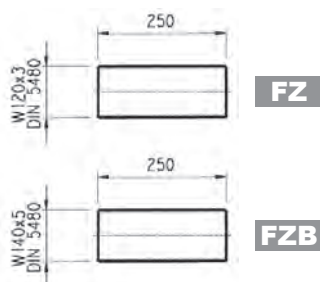
M0A



Material: Steel 16CrNi4

Spined bars

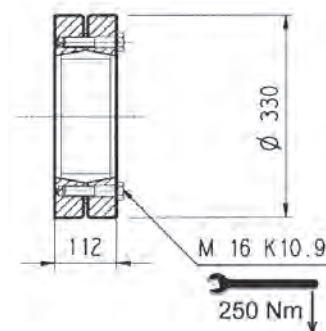
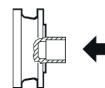
B0A



Material: Case hardening steel 18NiCrMo5 UNI 5331 must be case hardened 50-55 HRC

Shrink disc

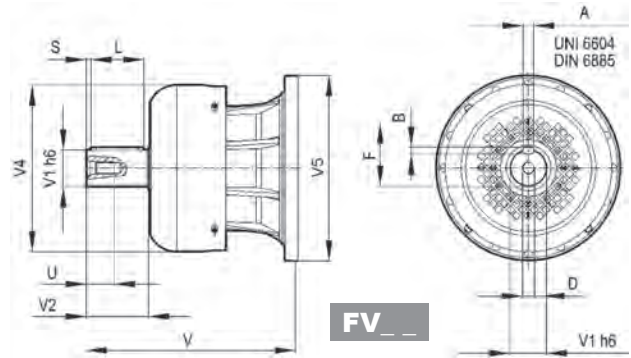
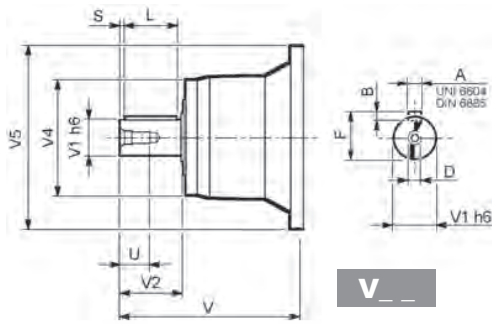
G0A





313 L

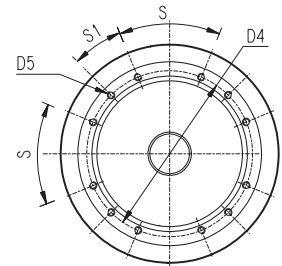
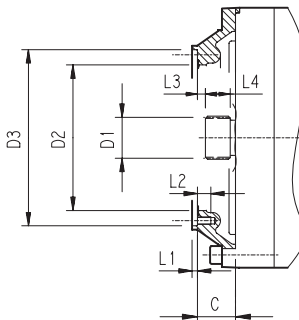
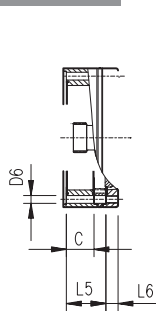
313 R



		V	V1	V2	V4	V5	A	B	F	L	S	D	U
313 L1	V11B	343	80	130	200	445	22	14	85	110	10	M16	36
	FV11B	451	80	130	347.5	445	22	14	85	110	10	M16	36
313 L2	V07B	315	80	130	200	345	22	14	85	110	10	M16	36
	FV07B	375	80	130	347.5	348	22	14	85	110	10	M16	36
313 L3	V07A	313	60	105	155	345	18	11	64	90	7.5	M16	36
	FV07A	363	60	105	309	348	18	11	64	90	7.5	M16	36
313 L4	V05B	239	48	82	155	245	14	9	51.5	70	6	M16	36
	FV05B	276	48	82	219.5	244	14	9	51.5	70	6	M16	36
313 L4	V01A	137.5	24	36	120	186	8	7	27	30	3	M8	19
	V01B	158	38	58	120	186	10	8	41	50	4	M12	28
313 R2 (B) (C)	V06B	307	60	105	155	292	18	11	64	90	7.5	M16	36
	FV06B	357	60	105	309	292	18	11	64	90	7.5	M16	36
313 R3	V05B	239	48	82	155	245	14	9	51.5	70	6	M16	36
	FV05B	276	48	82	219.5	244	14	9	51.5	70	6	M16	36
313 R4	V01A	137.5	24	36	120	186	8	7	27	30	3	M8	19
	V01B	158	38	58	120	186	10	8	41	50	4	M12	28

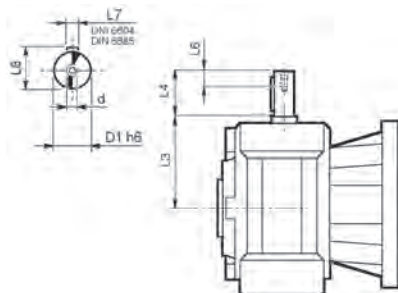
313 L

313 R



		C	D1	D2	D3	D4	D5	D6	L1	L2	L3	L4	L5	L6	S	S1	Input
313 L1	V9AD	75	80x74 DIN 5482	270	335 H7	314	M16 n°8	—	5	30	9.5	40	—	—	60°	30°	D
313 L2	V9AB	51	58x53 DIN 5482	195	236 H7	222	M10 n°12	—	4	18	11	22	—	—	45°	22.5°	B
313 L3	V9AA	37	40x36 DIN 5482	140	178 H7	165	M10 n°8	—	4	18	9	18	—	—	45°	45°	A
313 L4	V9AA	37	40x36 DIN 5482	140	178 H7	165	M10 n°8	11	4	—	9	18	65	18	45°	45°	A
313 R3	V9AA	37	40x36 DIN 5482	140	178 H7	165	M10 n°8	11	4	18	9	18	—	—	45°	45°	A
313 R2 (B) (C)	V9AB	45	58x53 DIN 5482	195	236 H7	222	M10 n°12	—	4	18	11	22	—	—	45°	22.5°	B
313 R4	V9AA	37	40x36 DIN 5482	140	178 H7	165	M10 n°8	11	4	—	9	18	37	18	45°	45°	A

3/V 13 L



	D1 h6	L3	L4	L6	L7	L8	d
3/V 13 L3_HS	40	214.5	70	20	12	43	M8
3/V 13 L4_HS	25	168	60	19	8	28	M8

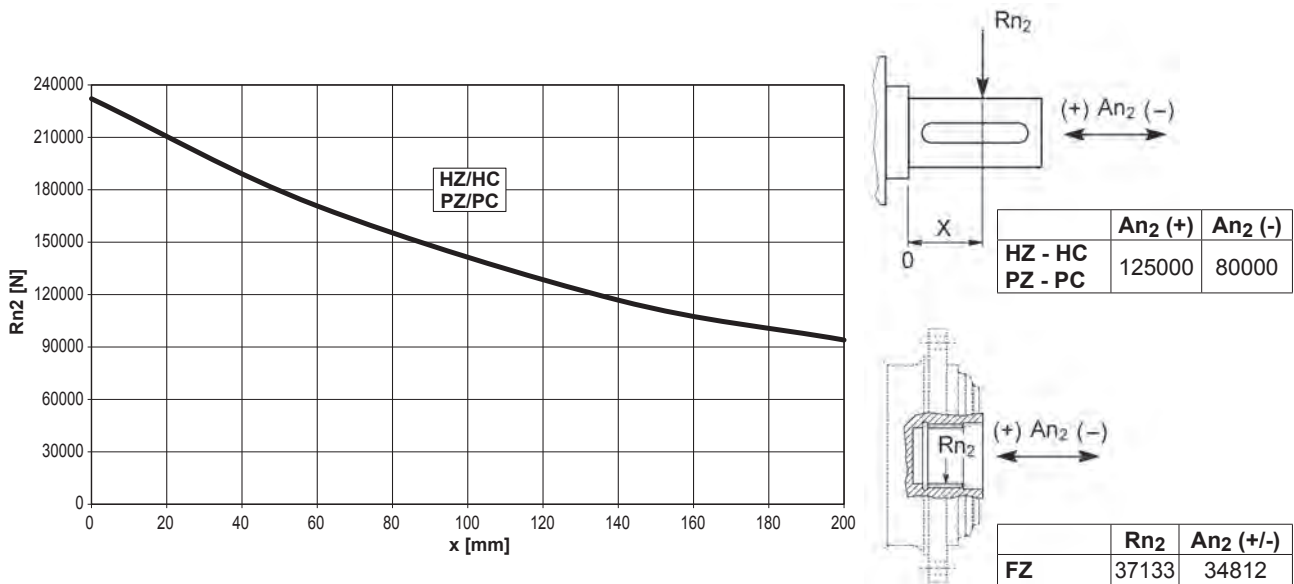


313 L

313 R

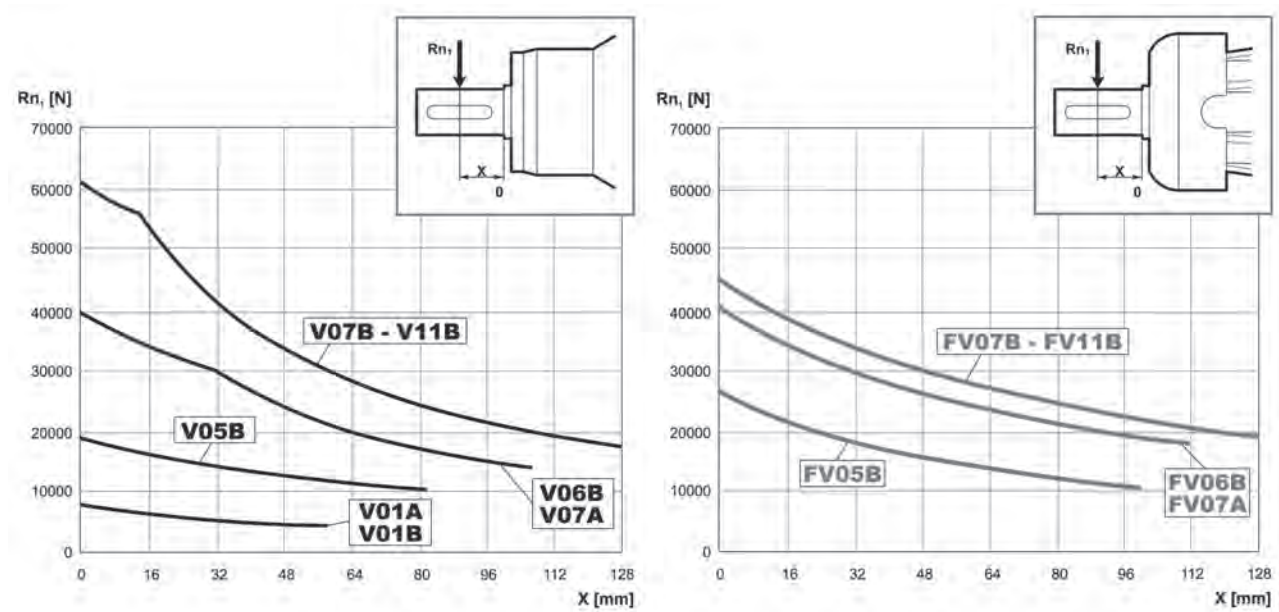
3/V 13 L

Permissible radial and axial loads on output shaft with $F_{h2} : n_2 \cdot h = 100000$



Load corrective factor f_{h2} on shafts	$F_{h2} = n_2 \cdot h$		10000	25000	50000	100000	500000	1000000	
	f_{h2}	FZ		2.15	1.59	1.26	1.00	0.58	0.46
		HZ - HC - PZ - PC		1.32	1.20	1.20	1.00	0.62	0.50

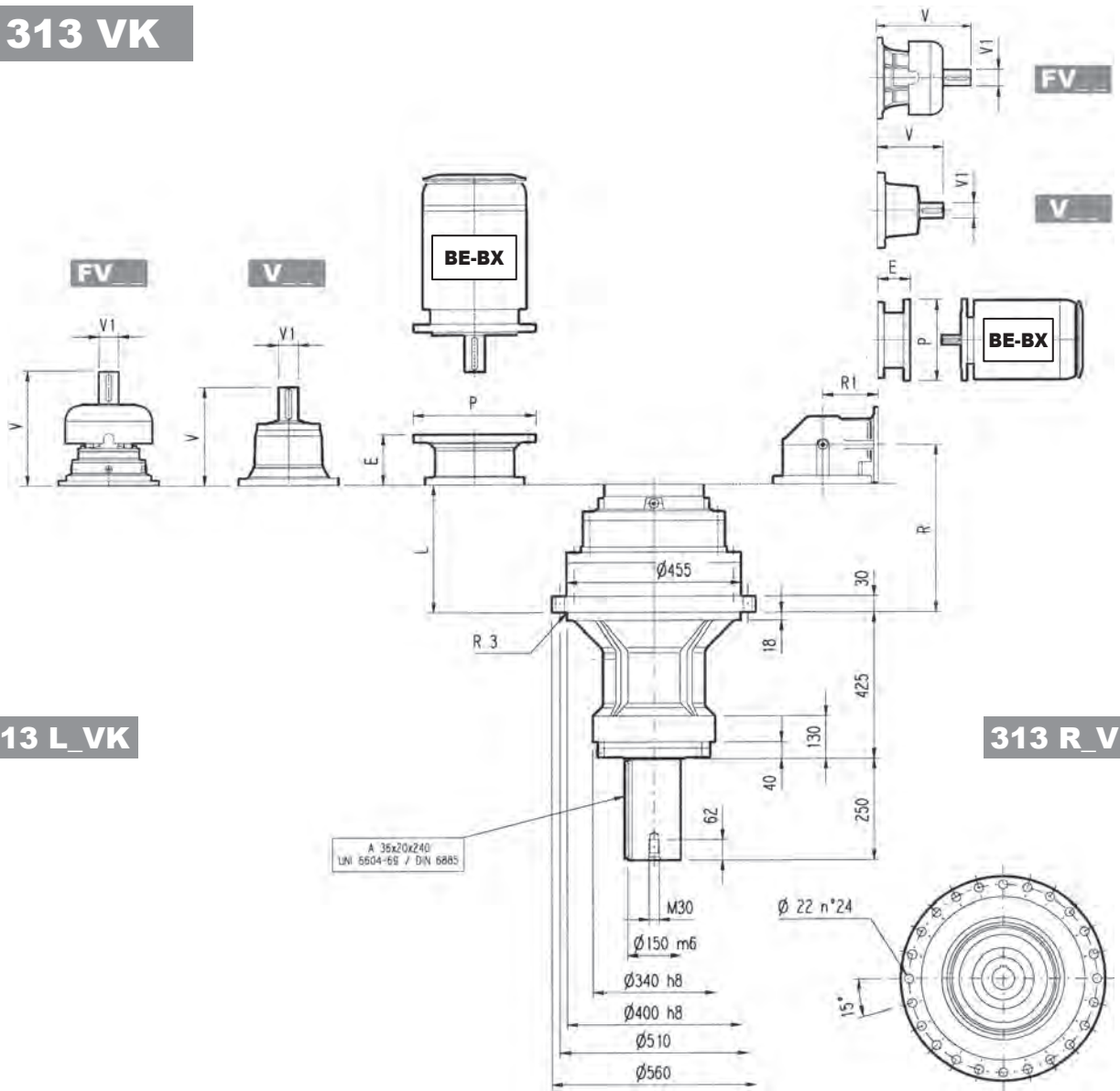
Permissible radial loads on input shaft with $F_{h1} : n_1 \cdot h = 250000$



Load corrective factor f_{h1} on shafts	$F_{h1} = n_1 \cdot h$		250000	500000	1000000	2000000	5000000	10000000
	f_{h1}			1	0.79	0.63	0.50	0.37



313 VK



313 L_VK

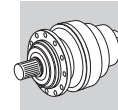
313 R_VK

	L			V						V1					
	L	kg		V	V1	kg	V	V1	kg	V	V1	kg	V	V1	kg
313 L1	158	380		343	80	55	—	—	—	451	80	71	—	—	—
313 L2	308	440		315	80	35	313	60	28	375	80	48	363	60	34
313 L3	397	450		239	48	15	—	—	—	276	48	17	—	—	—
313 L4	462	460		137.5	24	6	158	38	7	—	—	—	—	—	—

	P71		P80		P90		P100		P112		P132		P160		P180		P200		P225		P250	
	E	P	E	P	E	P	E	P	E	P	E	P	E	P	E	P	E	P	E	P	E	P
313 L2	—	—	—	—	—	—	—	—	—	—	—	—	—	—	195	350	186	400	216	450	216	550
313 L3	—	—	—	—	—	—	—	—	—	—	114	300	144	350	144	350	174	400	—	—	—	—
313 L4	65	160	84	200	84	200	94	250	94	250	114	300	144	350	—	—	—	—	—	—	—	—

	R		V			V1			V			V1			
	R	R1	kg	V	V1	kg	V	V1	kg	V	V1	kg	V	V1	kg
313 R2 (B)	388	345	510	307	60	23	—	—	—	357	60	28	—	—	—
313 R2 (C)	388	390	520	307	60	23	—	—	—	357	60	28	—	—	—
313 R3	427	225	490	239	48	15	—	—	—	—	—	—	—	—	—
313 R4	489	140	470	137.5	24	6	158	38	7	—	—	—	—	—	—

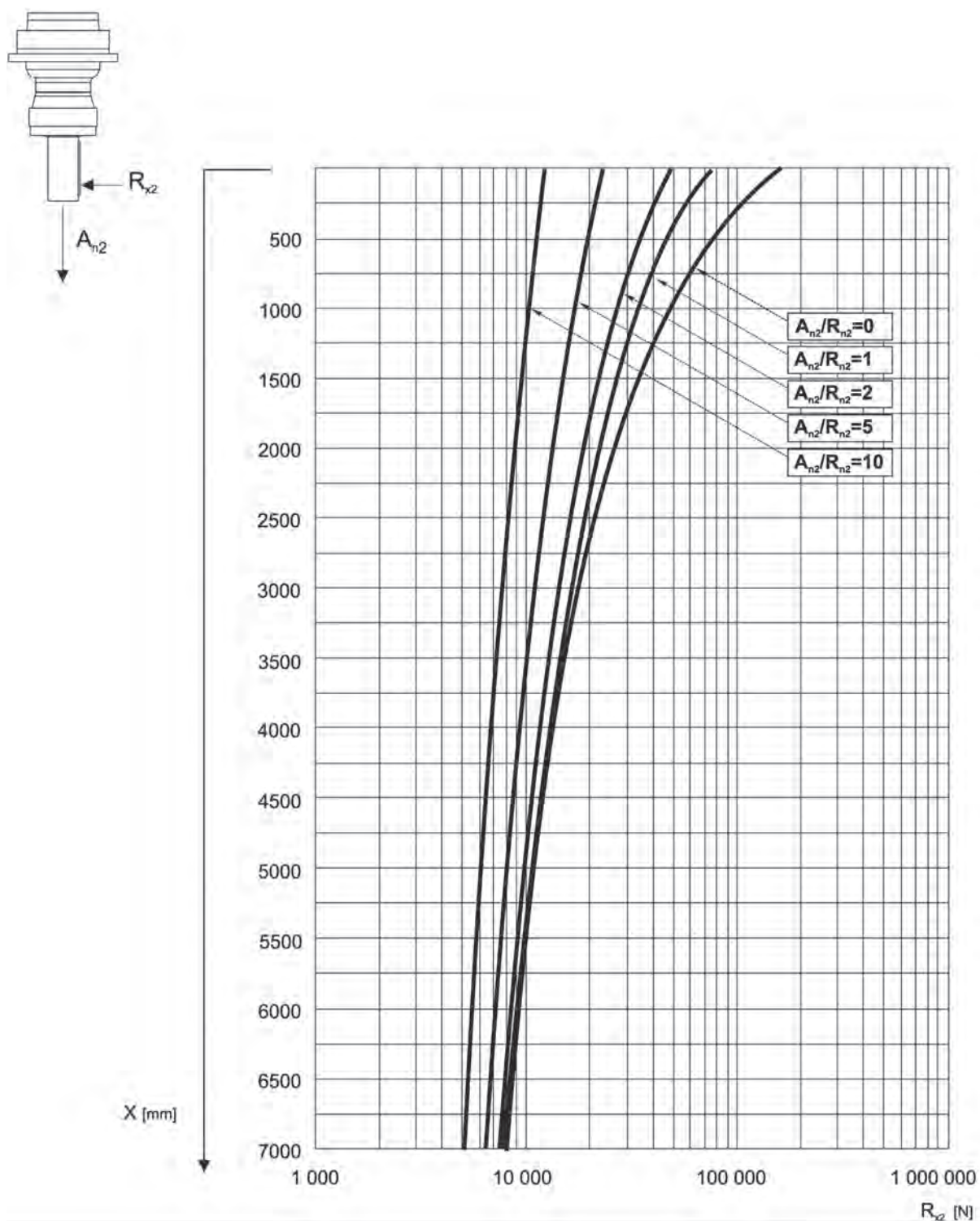
	P71		P80		P90		P100		P112		P132		P160		P180		P200		P225		P250	
	E	P	E	P	E	P	E	P	E	P	E	P	E	P	E	P	E	P	E	P	E	P
313 R2 (B)	—	—	—	—	—	—	—	—	—	—	—	—	—	—	152	350	182	400	212	450	193	550
313 R2 (C)	—	—	—	—	—	—	—	—	—	—	—	—	—	—	152	350	182	400	212	450	193	550
313 R3	—	—	—	—	—	—	—	—	—	—	114	300	144	350	144	350	174	400	—	—	—	—
313 R4	65	160	84	200	84	200	94	250	94	250	114	300	144	350	—	—	—	—	—	—	—	—



313 VK

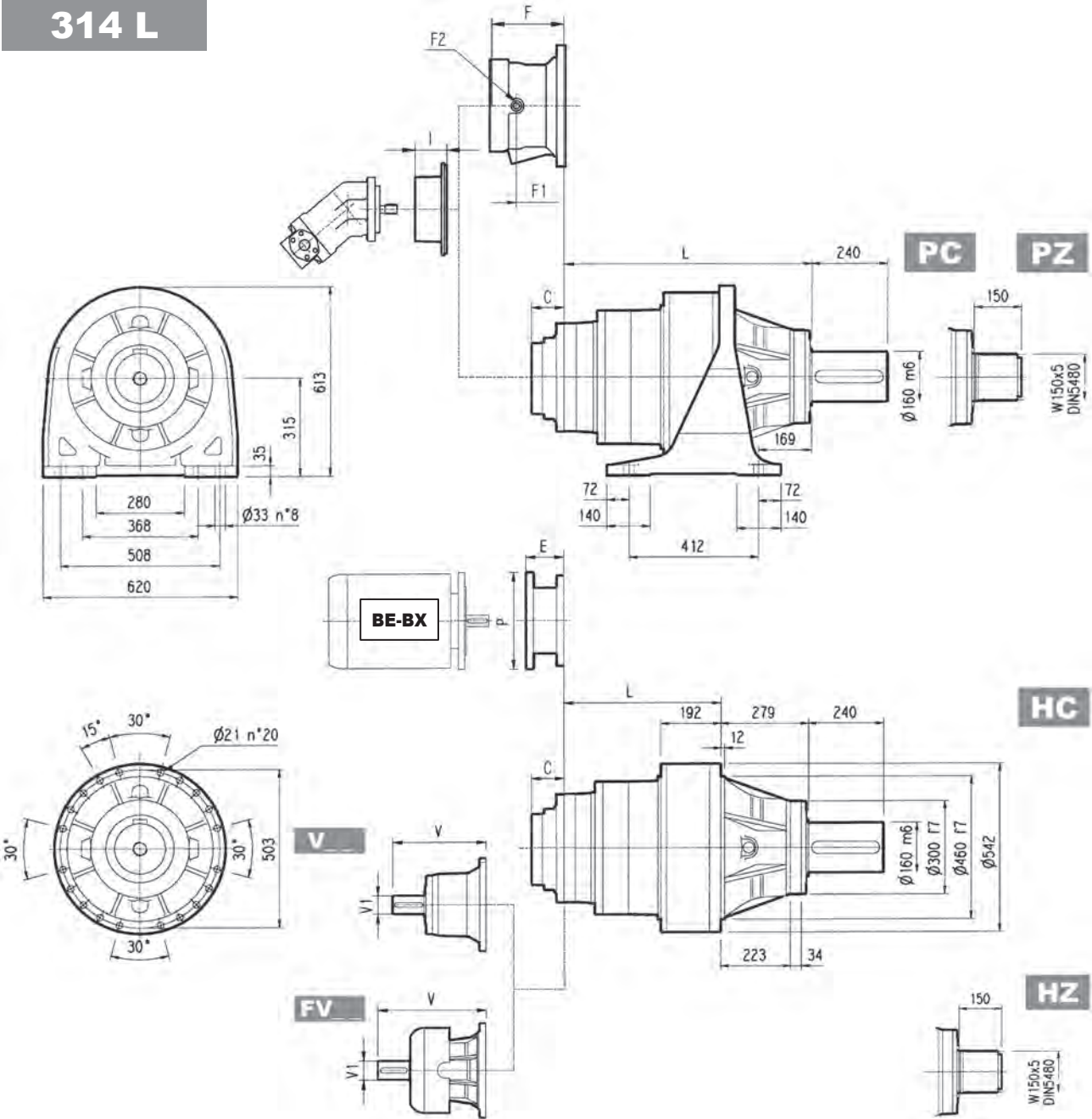
The diagram below allows the calculation of permitted overhung load R_{x2} on the output shaft of gearbox, with radial force applying at a distance x from shaft shoulder.

The curves are relevant to value resulting from the relationship of trust load A_{n2} to radial load R_{n2} , based on $n_2 = 10 \text{ min}^{-1}$ and 10000 hrs theoretical lifetime.





314 L

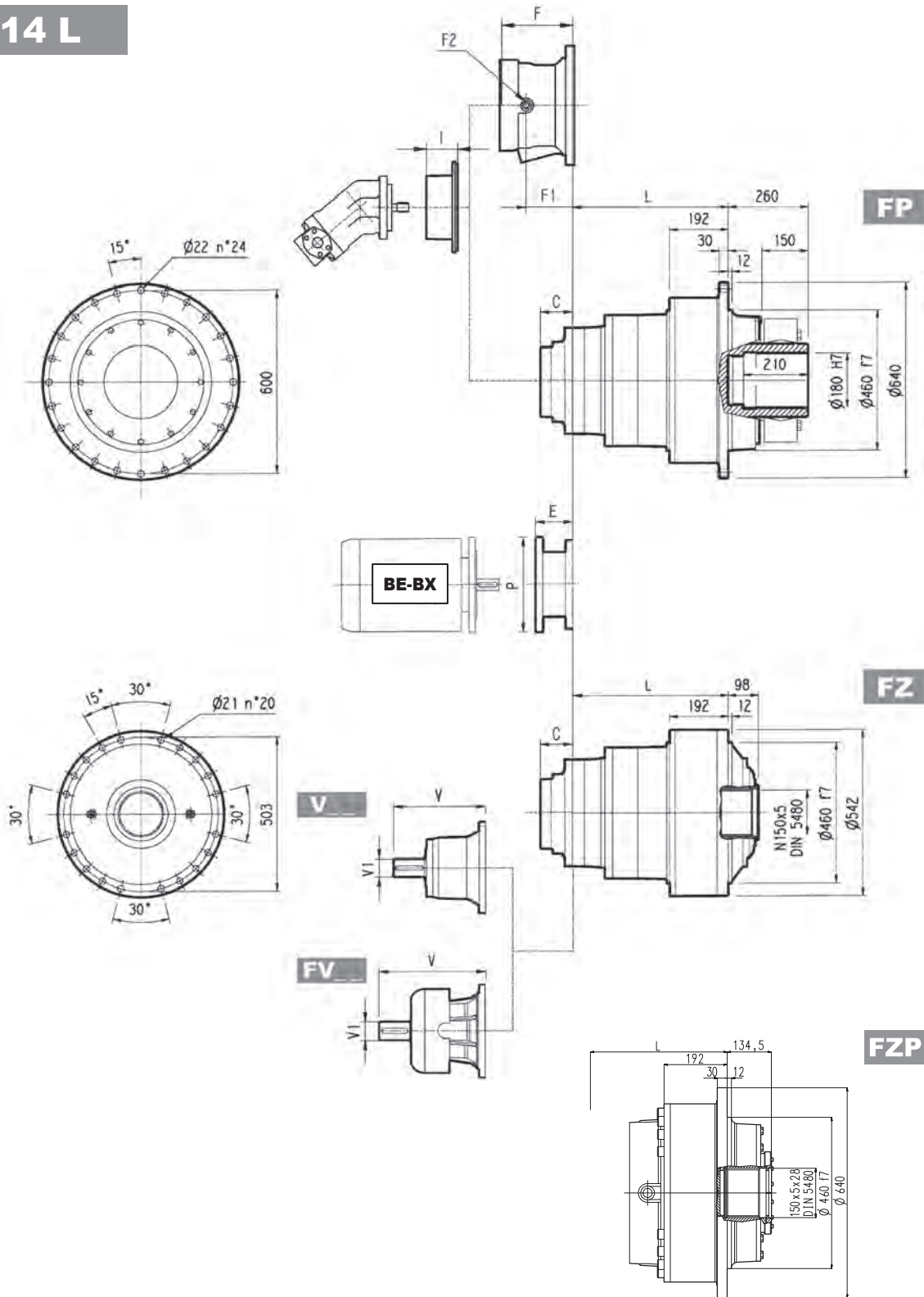


	L				Kg			
	PC - PZ	HC - HZ	FZ - FZP	FP	PC - PZ	HC - HZ	FZ - FZP	FP
314 L1	453	174	174	174	500	370	280	330
314 L2	641	362	362	362	545	415	325	375
314 L3	777	498	498	498	590	460	370	420
314 L4	842	563	563	563	600	470	380	430

	V			Kg			V			Kg			C	Input	I	F	F1	F2	Type	Input	Kg
	V	V1	Kg	V	V1	Kg	V	V1	Kg	V	V1	Kg									
314 L1	—	—	—	—	—	—	—	—	—	—	—	120	L	—	—	—	—	—	—	—	—
314 L2	377	80	50	—	—	—	457	80	63	—	—	88	C	195	147	1/4 G	6	B	28	—	
314 L3	307	60	23	—	—	—	357	60	28	—	—	45	B	145	95	1/4 G	5	B	16	—	
314 L4	239	48	15	—	—	—	276	48	17	—	—	37	A	105	65	1/4 G	5	A	10	—	



314 L

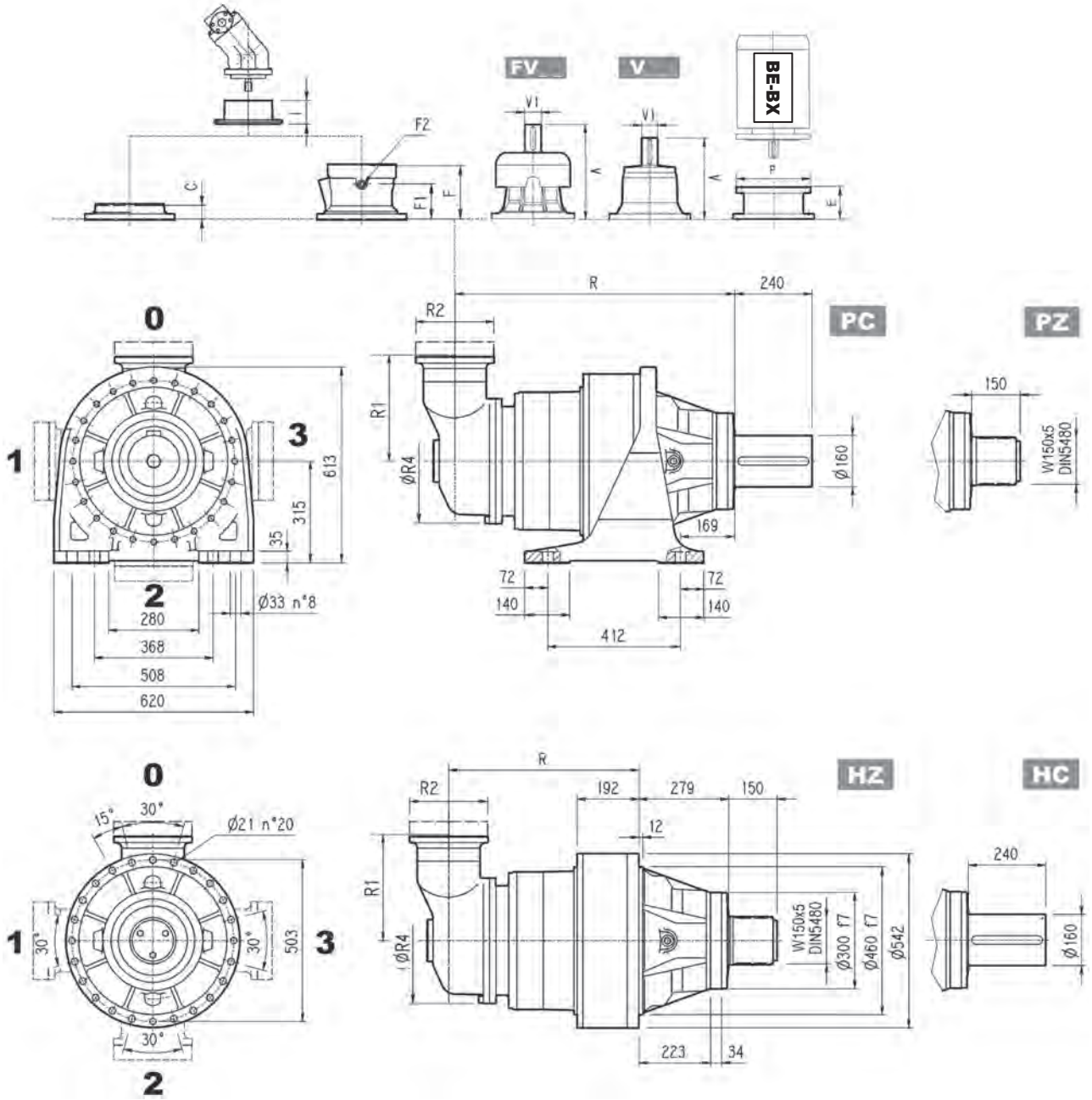


FP $M_{2max} = 115000 \text{ Nm}$

	P132		P160		P180		P200		P225		P250	
	E	P	E	P	E	P	E	P	E	P	E	P
314 L2	—	—	—	—	—	—	271	400	301	450	281	550
314 L3	—	—	153	350	153	350	183	400	213	450	193	550
314 L4	114	300	144	350	144	350	174	400	—	—	—	—



314 R

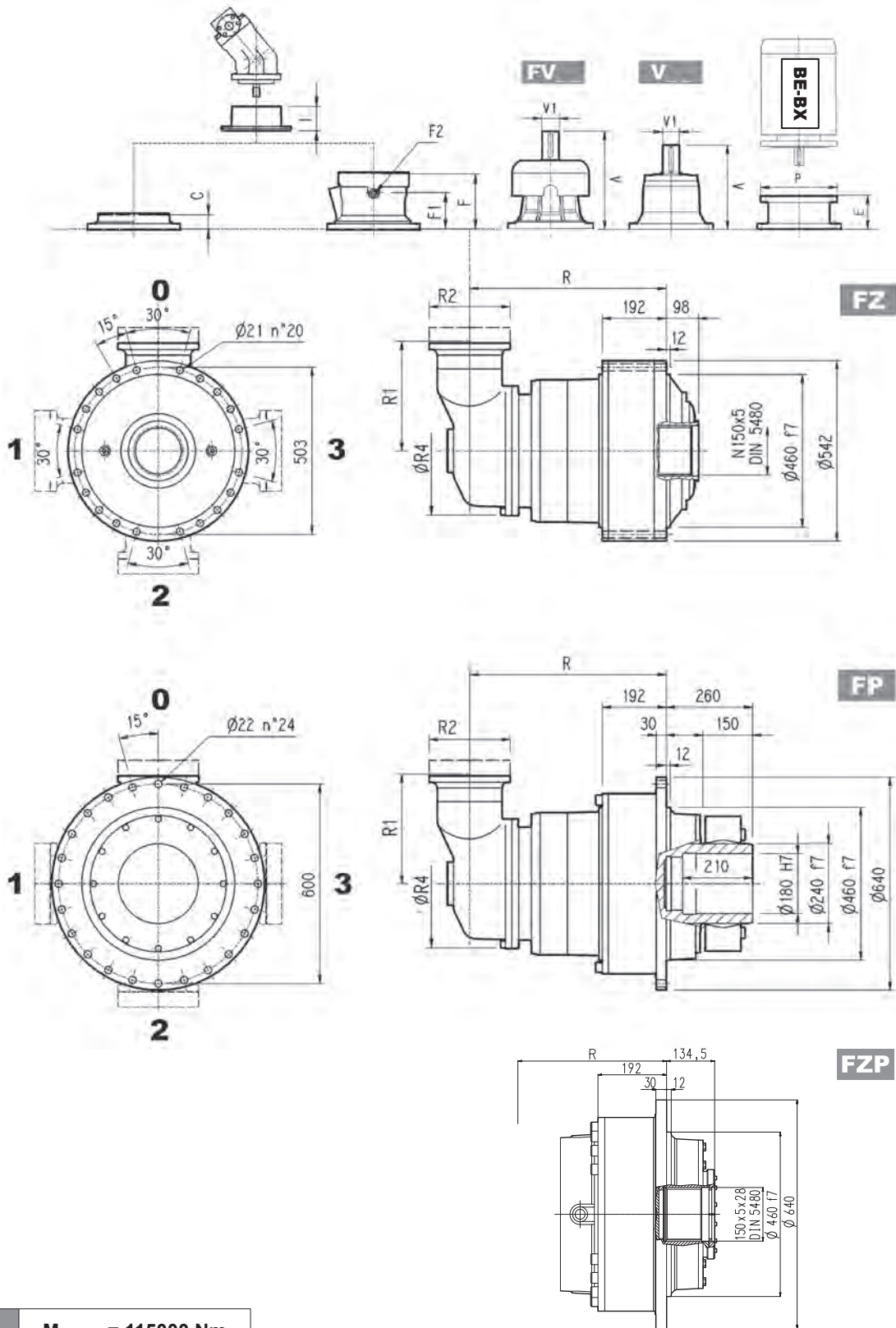


	R				R1	R2	R4	Kg			
	PC-PZ	HC-HZ	FZ - FZP	FP				PC-PZ	HC-HZ	FZ - FZP	FP
314 R3 (B)	848	569	569	569	345	292	400	720	590	500	550
314 R3 (C)	856	587	587	587	390	292	480	730	600	510	560
314 R4	914	635	635	635	140	186	244	680	550	460	510

	V			V1			V			V1			C	Input	I	F	F1	F2	Type	Input	Kg
	V	V1	Kg	V	V1	Kg	V	V1	Kg	V	V1	Kg									
314 R3 (B)	307	60	23	—	—	—	357	60	28	—	—	—	45	B	—	195	147	1/4 G	6	B	28
314 R3 (C)	307	60	23	—	—	—	357	60	28	—	—	—	45	B	—	195	147	1/4 G	6	B	28
314 R4	137.5	24	6	158	38	7	—	—	—	—	—	—	37	A	461	105	65	1/4 G	4	A	10



314 R



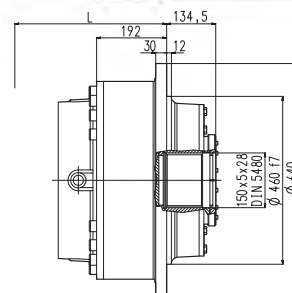
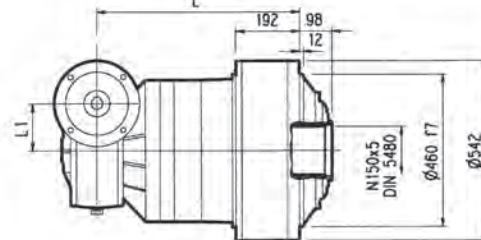
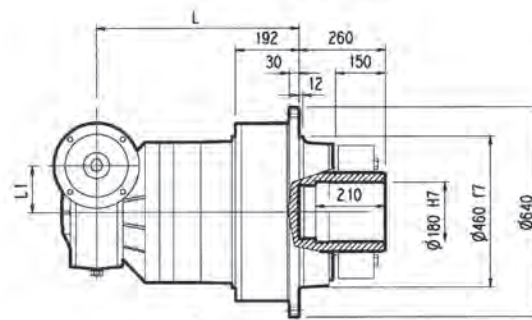
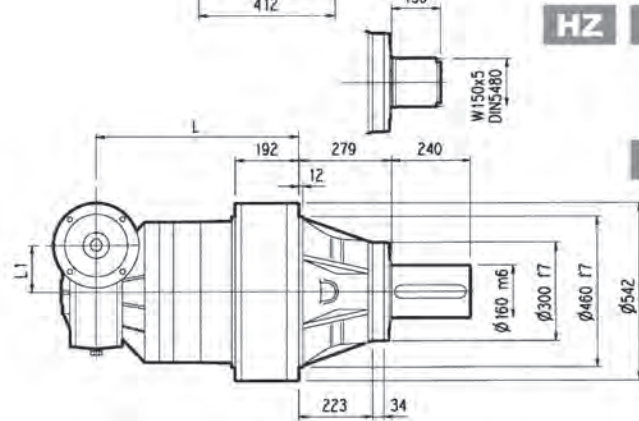
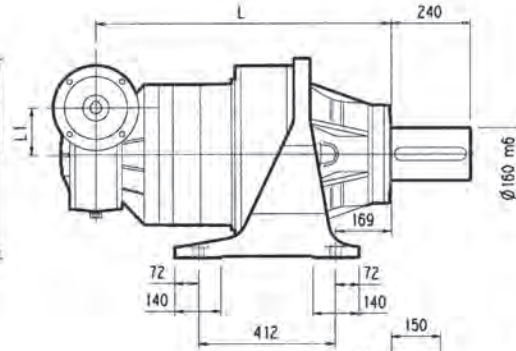
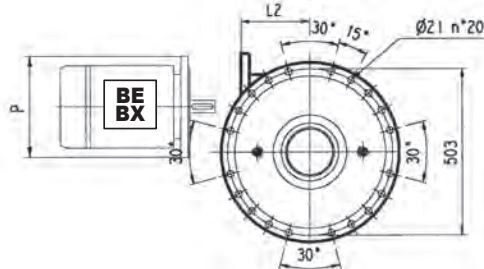
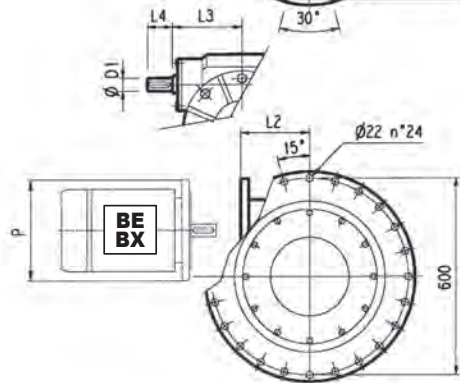
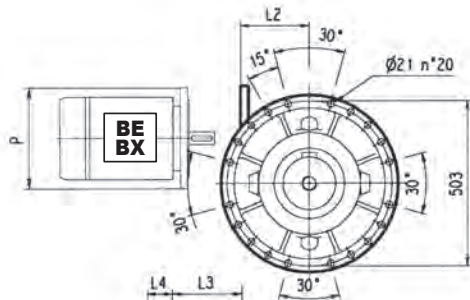
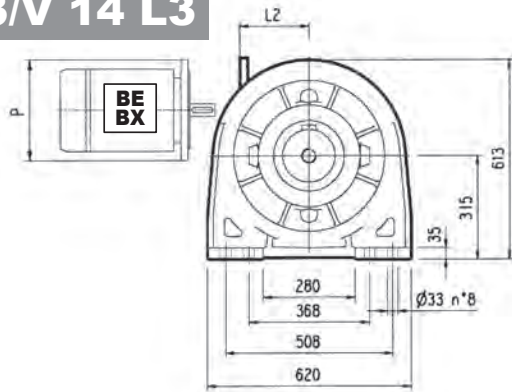
FP

$M_{2max} = 115000 \text{ Nm}$

	P71		P80		P90		P100		P112		P132		P160		P180		P200		P225		P250	
	E	P	E	P	E	P	E	P	E	P	E	P	E	P	E	P	E	P	E	P	E	P
314 R3 (B)	—	—	—	—	—	—	—	—	—	—	—	—	—	—	152	350	182	400	212	450	193	550
314 R3 (C)	—	—	—	—	—	—	—	—	—	—	—	—	—	—	152	350	182	400	212	450	193	550
314 R4	65	160	84	200	84	200	94	250	94	250	114	300	144	350	—	—	—	—	—	—	—	—



3/V 14 L3



PC

HZ PZ

HC

FP

FZ

FZP

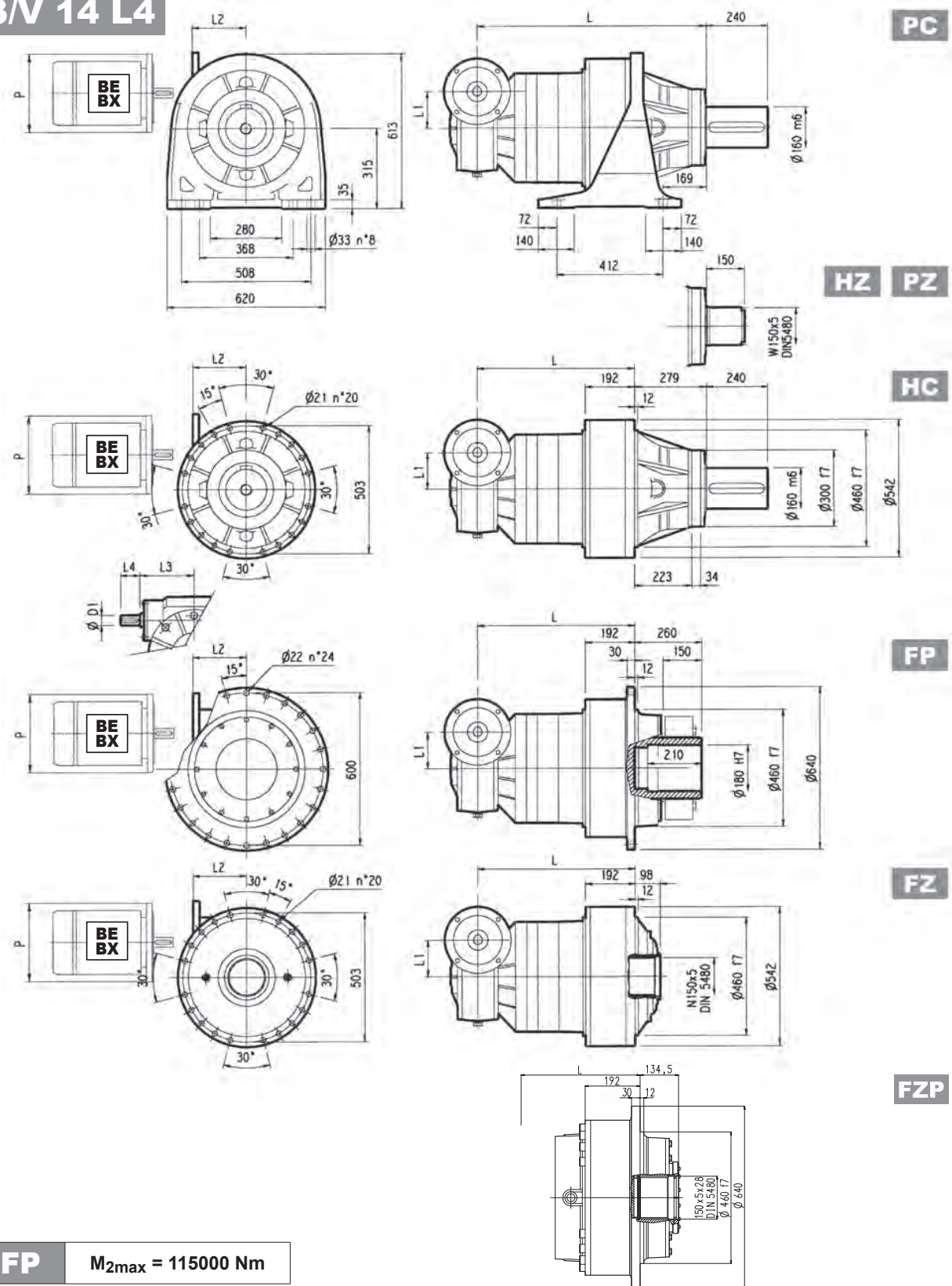
FP M_{2max} = 115000 Nm

	L				L1	L2	D1	L3	L4	Kg				
	PC - PZ	HC - HZ	FZ - FZP	FP							PC - PZ	HC - HZ	FZ - FZP	FP
3/V 14 L3	920	641	641	641	185	217	40	214.5	70		665	535	445	495

	P100		P112		P132		P160		P180	
	P	L2	P	L2	P	L2	P	L2	P	
3/V 14 L3	250	—	250	—	300	—	350	—	350	



3/V 14 L4



FP $M_{2max} = 115000 \text{ Nm}$

	L				L1	L2	D1	L3	L4	Kg			
	PC - PZ	HC - HZ	FZ - FZP	FP						PC - PZ	HC - HZ	FZ - FZP	FP
3/V 14 L4	961	682	682	682	150	190	35	185	65	690	560	470	520

	P100		P112		P132		P160		P180	
	P	L2	P	L2	P	L2	P	L2	P	L2
3/V 14 L4	250	—	250	—	300	—	350	—	—	—

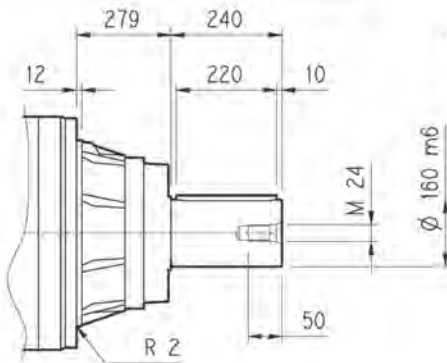


314 L

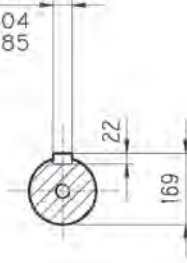
314 R

3/V 14 L

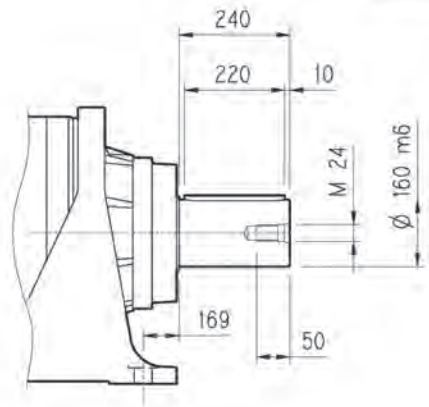
HC



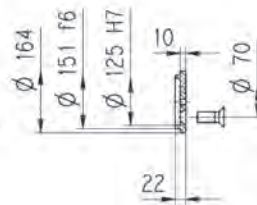
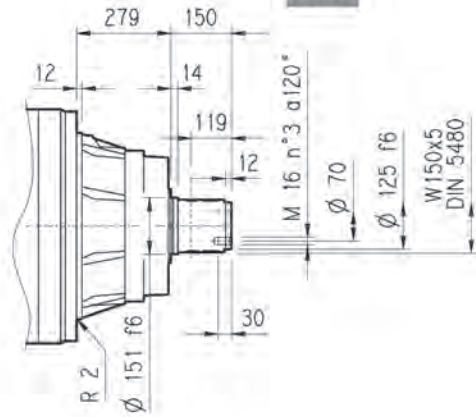
A 40x22x220
UNI 6604
DIN 6885



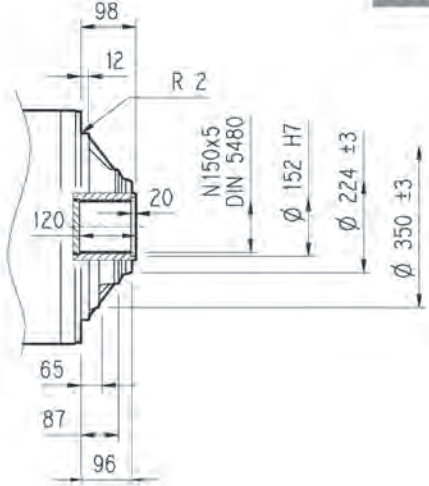
PC



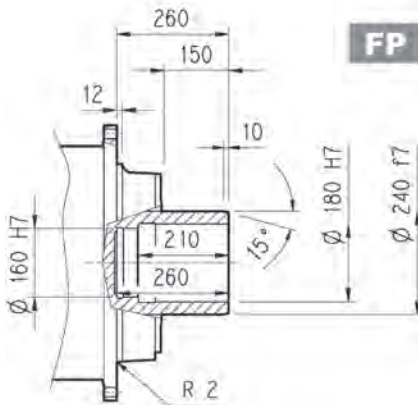
HZ



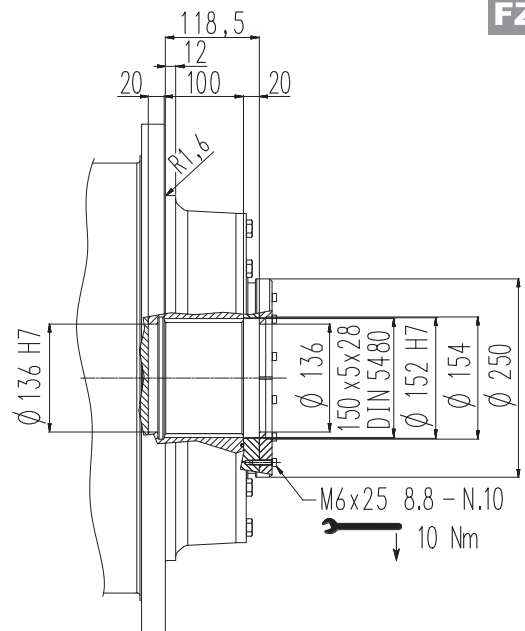
FZ



FP



FZP



FP

$M_{2max} = 115000\ Nm$



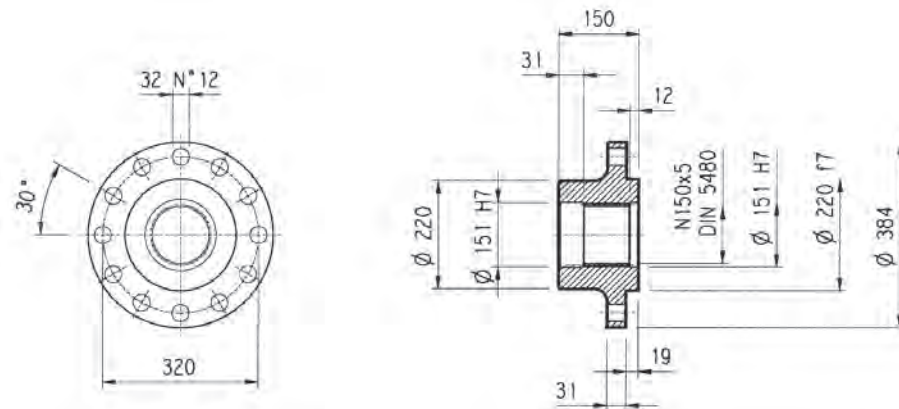
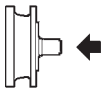
314 L

314 R

3/V 14 L

Flange

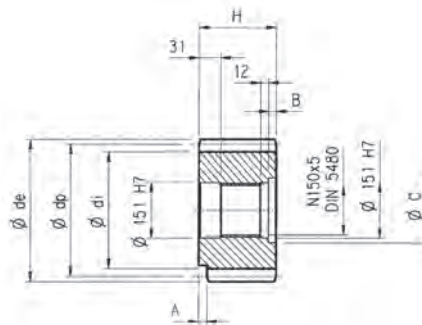
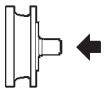
W0A



Material: Steel C40

Pinions

P...

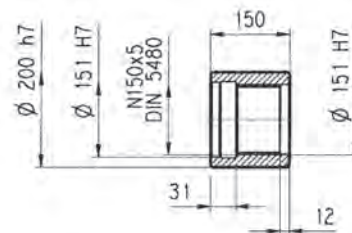
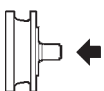


$\alpha = 20^\circ$

	m	z	x	dp	di	de	H	A	B	C	Material
PRG1	18	16	0.500	288	261	342	160	—	10	166	Steel 18NiCrMo5 case hardened
PRG2	18	16	0.617	288	271	339	150	30	—	—	Steel 39NiCrMo3 hardened and tempered

Sleeve coupling

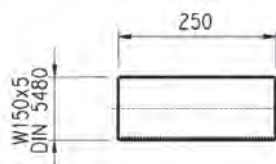
M0A



Material: Steel 16CrNi4

Splined bars

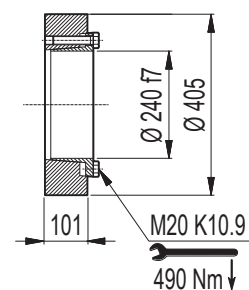
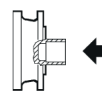
B0A



Material: Case hardening steel 18NiCrMo5 UNI 5331 must be case hardened 50-55 HRC

Shrink disc

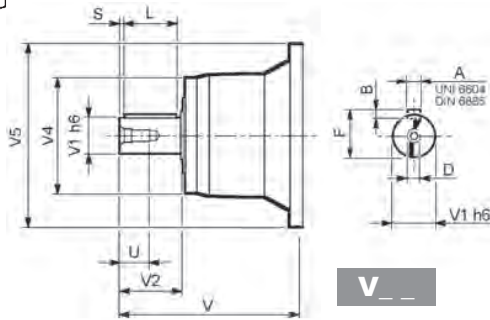
G0A



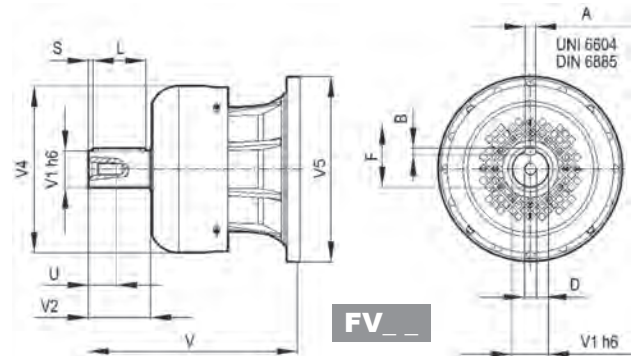


314 L

314 R



V__

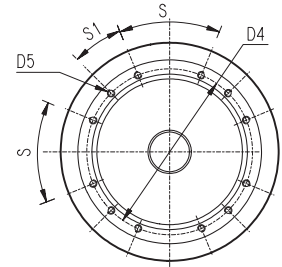
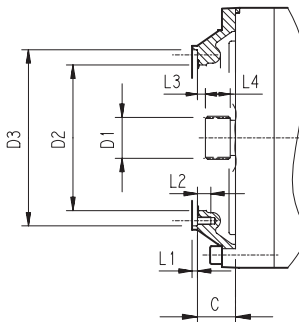
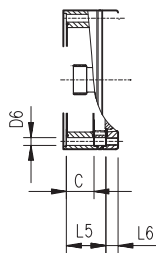


FV__

		V	V1	V2	V4	V5	A	B	F	L	S	D	U
314 L2	V10B	377	80	130	200	400	22	14	85	110	10	M16	36
	FV10B	457	80	130	347.5	400	22	14	85	110	10	M16	36
314 L3	V06B	307	60	105	155	292	18	11	64	90	7.5	M16	36
	FV06B	357	60	105	309	292	18	11	64	90	7.5	M16	36
314 L4	V05B	239	48	82	155	245	14	9	51.5	70	6	M16	36
	FV05B	276	48	82	219.5	244	14	9	51.5	70	6	M16	36
314 R3 (B) (C)	V06B	307	60	105	155	292	18	11	64	90	7.5	M16	36
	FV06B	357	60	105	309	292	18	11	64	90	7.5	M16	36
314 R4	V01A	137.5	24	36	120	186	8	7	27	30	3	M8	19
	V01B	158	38	58	120	186	10	8	41	50	4	M12	28

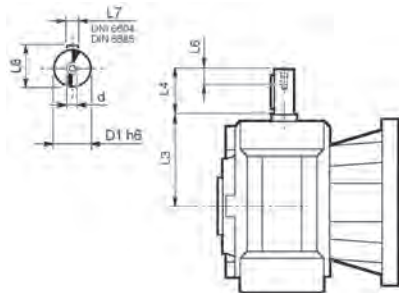
314 L

314 R



		C	D1	D2	D3	D4	D5	D6	L1	L2	L3	L4	L5	L6	S	S1	Input
314 L1	V9AL	120	100x94 DIN 5482	295	336 H7	370	M16 n°15	—	8	21	13	55	—	—	24°	24°	L
314 L2	V9AC	88	70x64 DIN 5482	200	282 H7	266	M12 n°12	—	4	22	11	32	—	—	45°	45°	C
314 L3	V9AB	45	58x53 DIN 5482	195	236 H7	222	M10 n°12	—	4	18	11	22	—	—	45°	22.5°	B
314 L4	V9AA	37	40x36 DIN 5482	140	178 H7	165	M10 n°8	—	4	18	9	18	—	—	45°	45°	A
314 R3 (B) (C)	V9AB	45	58x53 DIN 5482	195	236 H7	222	M10 n°12	—	4	18	11	22	—	—	45°	22.5°	B
314 R4	V9AA	37	40x36 DIN 5482	140	178 H7	165	M10 n°8	11	4	—	9	18	37	18	45°	45°	A

3/V 14 L



	D1 h6	L3	L4	L6	L7	L8	d
3/V 14 L3_HS	40	214.5	70	20	12	43	M8
3/V 14 L4_HS	35	185	65	20	10	38	M8

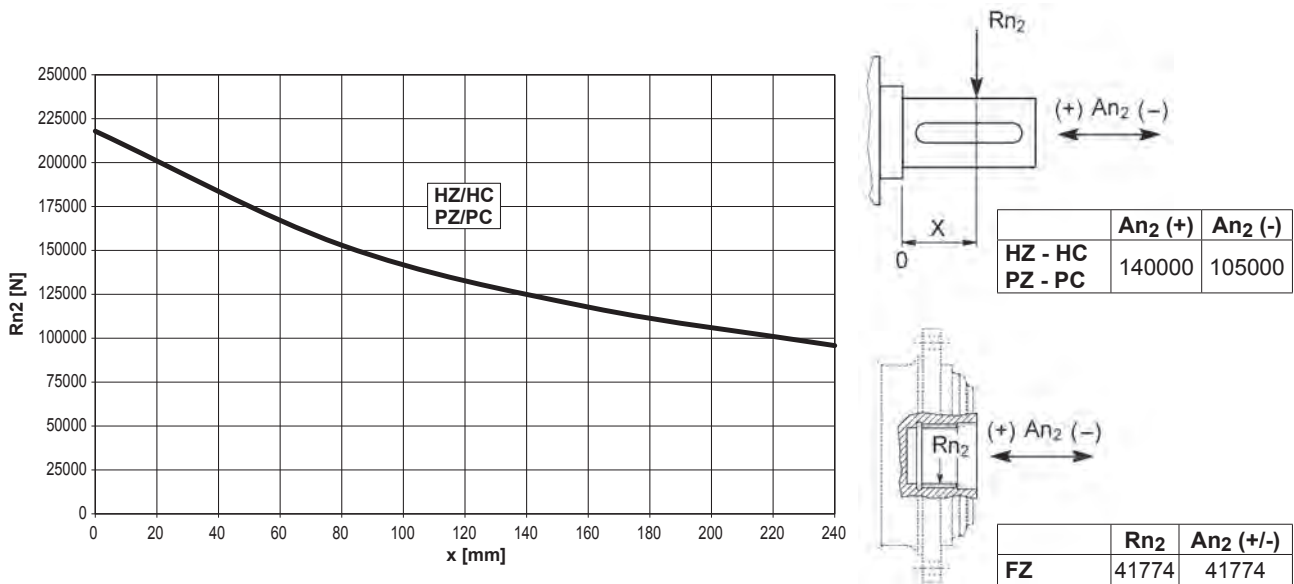


314 L

314 R

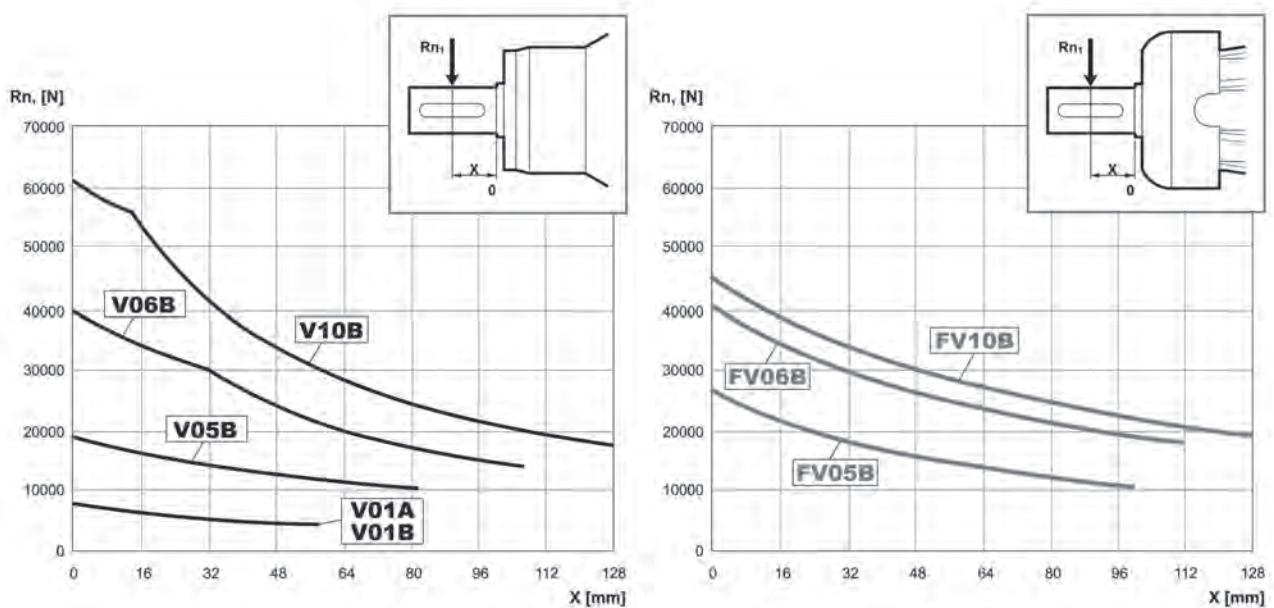
3/V 14 L

Permissible radial and axial loads on output shaft with $Fh_2 : n_2 \cdot h = 100000$



Load corrective factor fh_2 on shafts	$Fh_2 = n_2 \cdot h$		10000	25000	50000	100000	500000	1000000	
	fh_2	FZ		2.15	1.59	1.26	1.00	0.58	0.46
		HZ - HC - PZ - PC		2.00	1.52	1.23	1.00	0.62	0.50

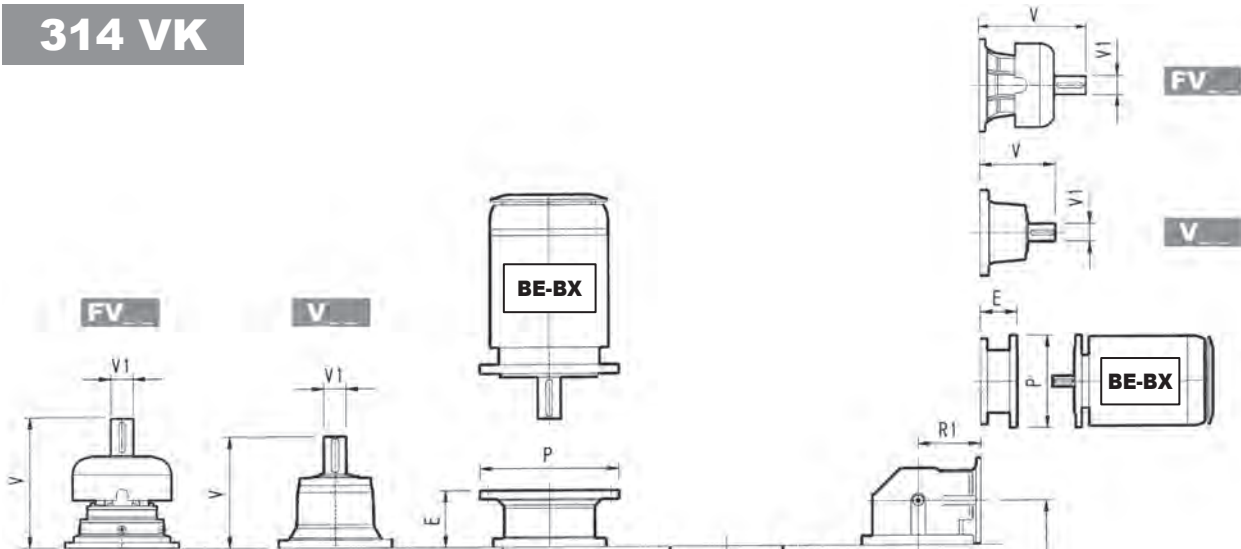
Permissible radial loads on input shaft with $Fh_1 : n_1 \cdot h = 250000$



Load corrective factor fh_1 on shafts	$Fh_1 = n_1 \cdot h$		250000	500000	1000000	2000000	5000000	10000000
	fh_1			1	0.79	0.63	0.50	0.37

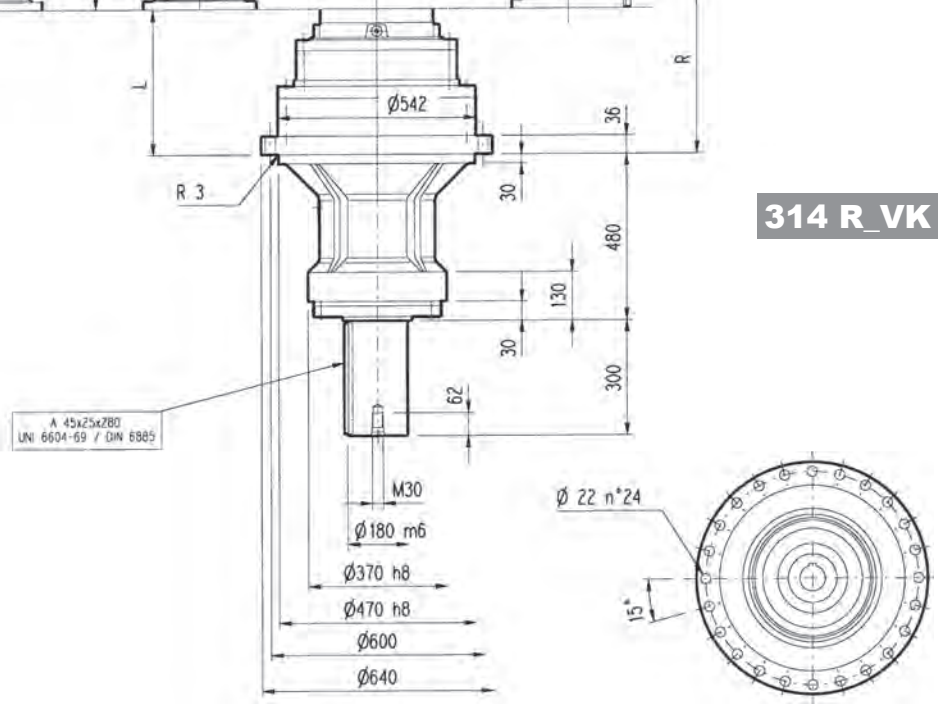


314 VK



314 L_VK

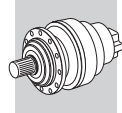
314 R_VK



	L	Kg	Input						Output						P132		P160		P180		P200		P225		P250	
			V	V1	Kg	V	V1	Kg	V	V1	Kg	V	V1	Kg	E	P	E	P	E	P	E	P	E	P	E	P
314 L2	386	650	348	80	55	—	—	—	457	80	63	—	—	—	—	—	—	—	—	271	400	301	450	281	550	
314 L3	519	700	315	80	35	313	60	28	357	60	28	—	—	—	153	350	153	350	183	400	213	450	193	550		
314 L4	608	710	239	48	15	—	—	—	276	48	17	—	—	—	114	300	144	350	144	350	174	400	—	—		

	R	R1	Kg	Input						Output					
				V	V1	Kg	V	V1	Kg	V	V1	Kg	V	V1	Kg
314 R3 (B)	611	345	720	307	60	23	—	—	—	357	60	28	—	—	—
314 R3 (C)	611	390	730	307	60	23	—	—	—	357	60	28	—	—	—
314 R4	638	225	690	137.5	24	6	158	38	7	—	—	—	—	—	

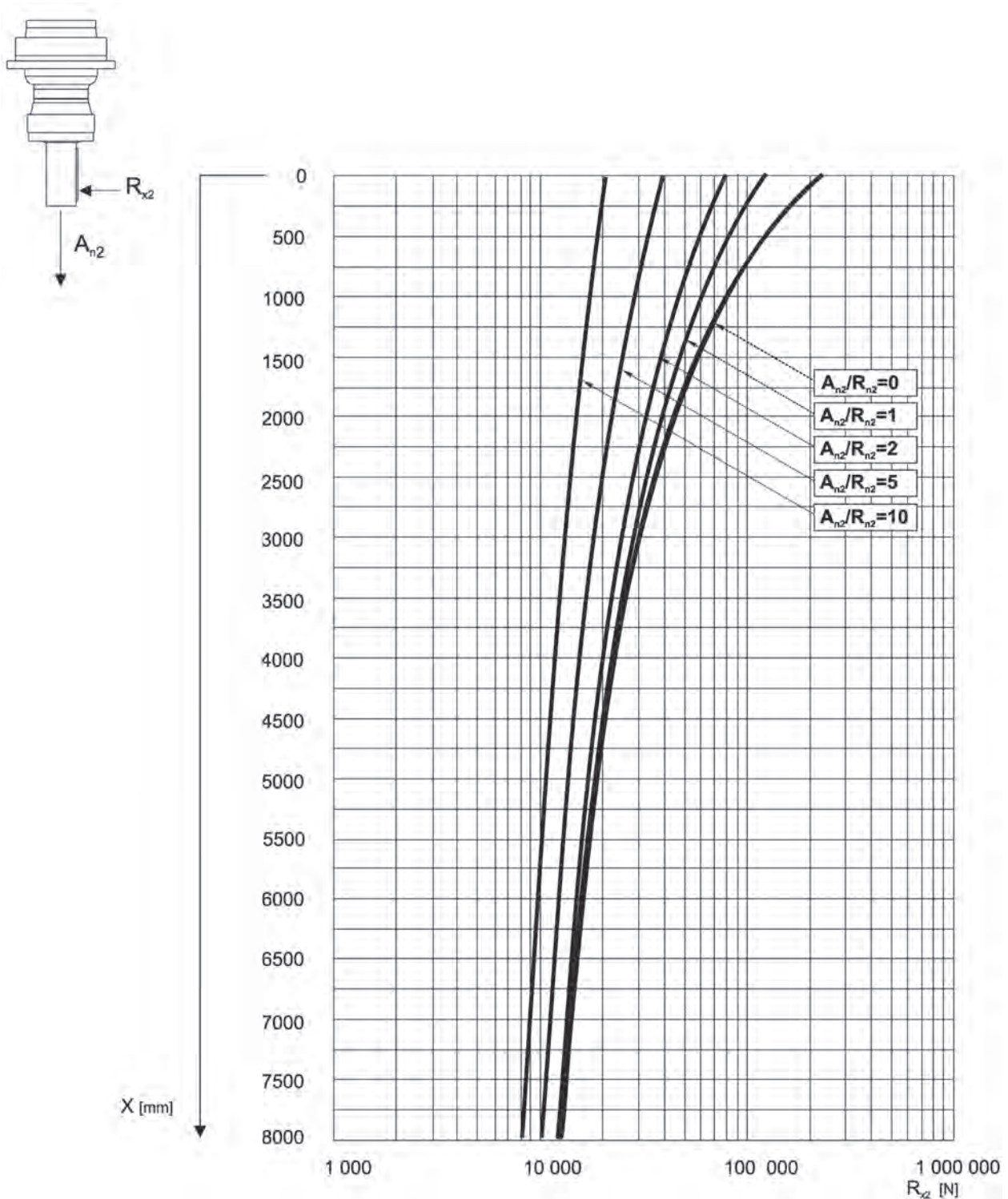
	P71		P80		P90		P100		P112		P132		P160		P180		P200		P225		P250	
	E	P	E	P	E	P	E	P	E	P	E	P	E	P	E	P	E	P	E	P	E	P
314 R3 (B)	—	—	—	—	—	—	—	—	—	—	—	—	—	—	152	350	182	400	212	450	193	550
314 R3 (C)	—	—	—	—	—	—	—	—	—	—	—	—	—	—	152	350	182	400	212	450	193	550
314 R4	65	160	84	200	84	200	94	250	94	250	114	300	144	350	—	—	—	—	—	—	—	—



314 VK

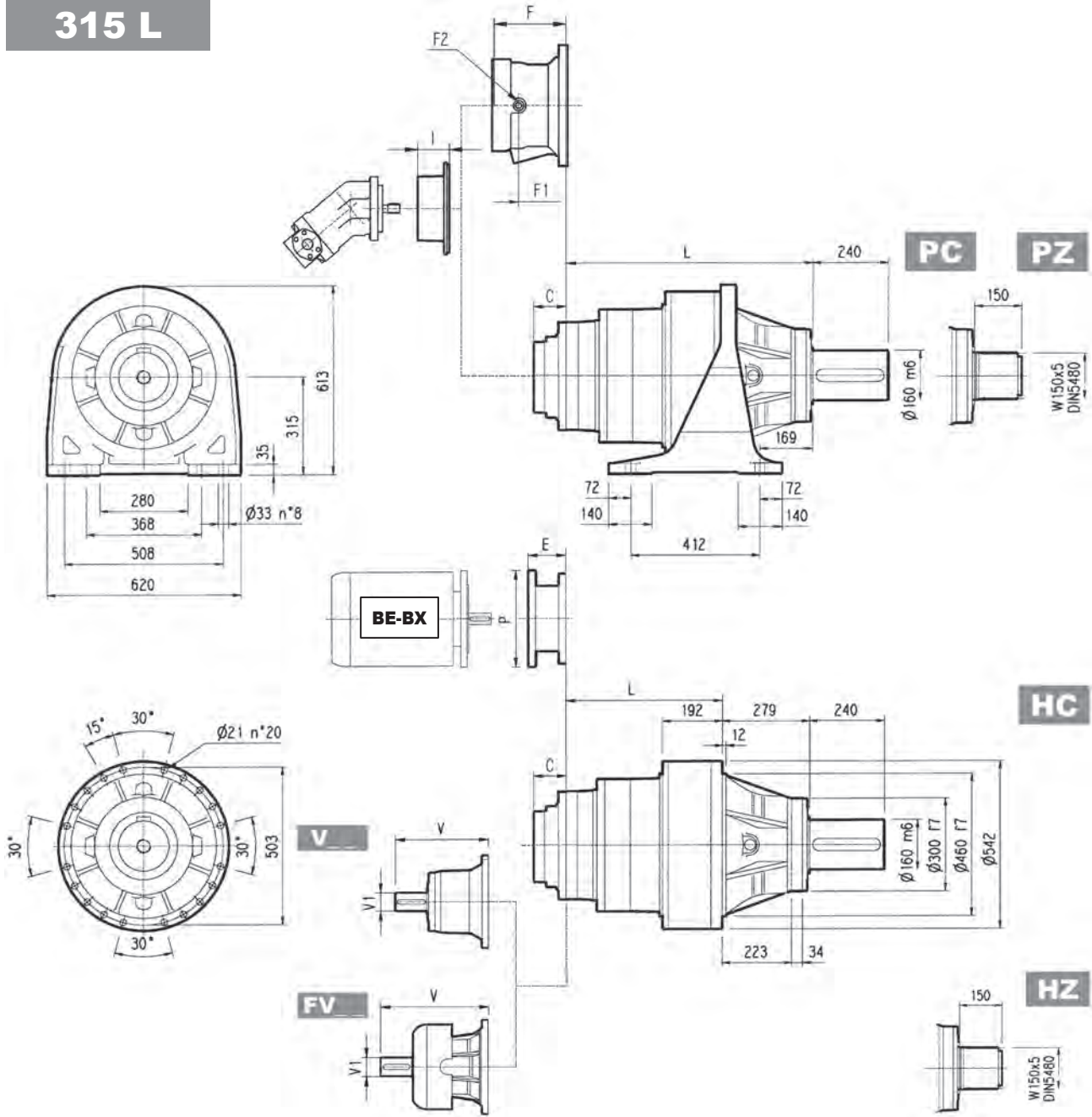
The diagram below allows the calculation of permitted overhung load R_{x2} on the output shaft of gearbox, with radial force applying at a distance x from shaft shoulder.

The curves are relevant to value resulting from the relationship of trust load A_{n2} to radial load R_{n2} , based on $n_2 = 10 \text{ min}^{-1}$ and 10000 hrs theoretical lifetime.



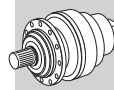


315 L

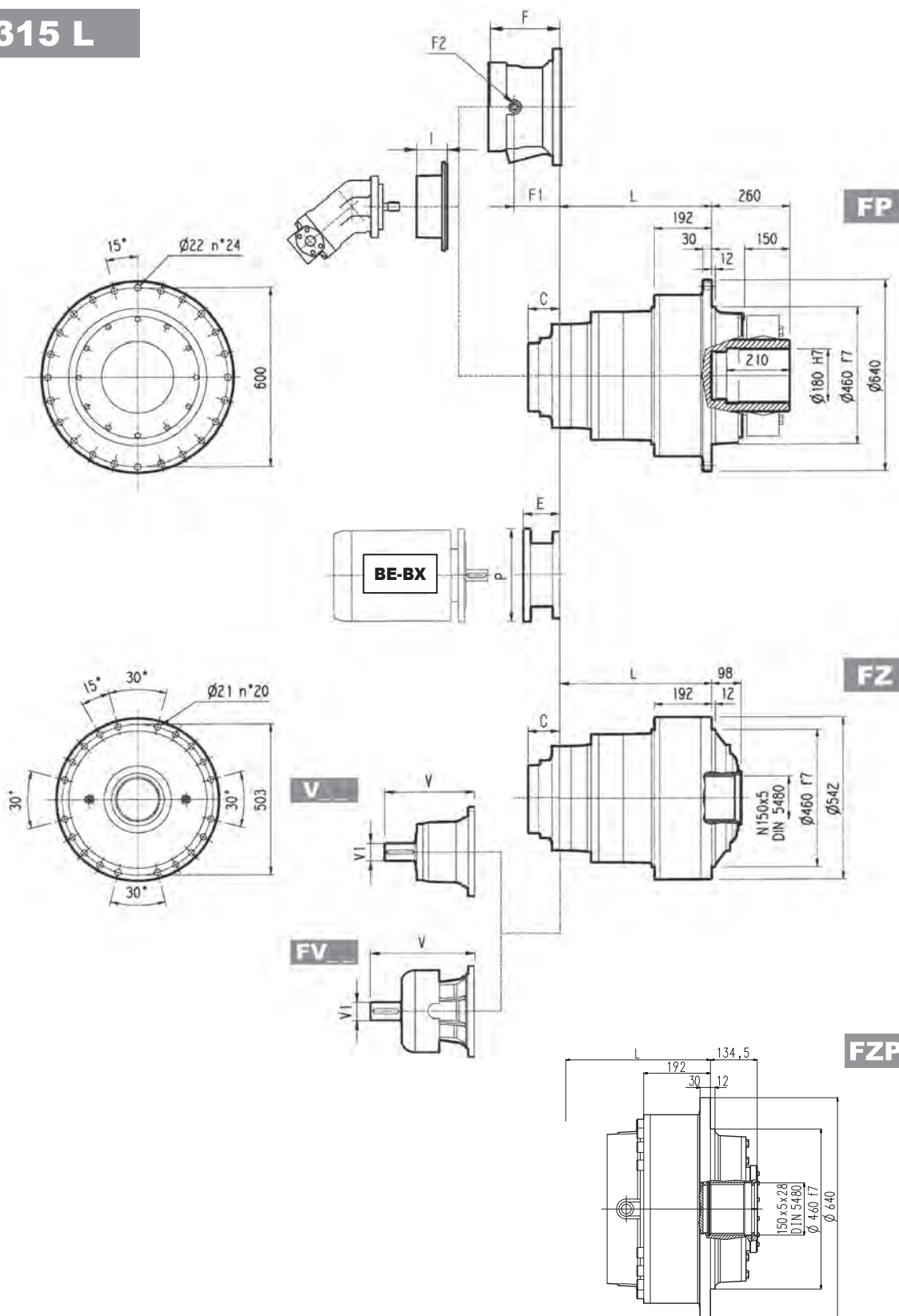


	L				Kg			
	PC - PZ	HC - HZ	FZ - FZP	FP	PC - PZ	HC - HZ	FZ - FZP	FP
315 L1	453	174	174	174	500	370	280	330
315 L2	665	386	386	386	585	455	365	415
315 L3	798	519	519	519	630	500	410	460
315 L4	887	608	608	608	642	512	422	472

	V			Kg			V			Kg			C	Input	I	F	F1	F2	Type	Input	Kg
	V	V1	Kg	V	V1	Kg	V	V1	Kg	V	V1	Kg									
315 L1	556	120	125	—	—	—	—	—	—	—	—	116	E	—	—	—	—	—	—	—	—
315 L2	348	80	55	—	—	—	456	80	85	—	—	81	D	461	232	185	1/4 G	6	B	35	
315 L3	315	80	35	313	60	28	375	80	48	363	60	51	B	—	201	153	1/4 G	6	B	28	
315 L4	239	48	15	—	—	—	276	48	17	—	—	37	A	—	145	95	1/4 G	5	A	16	



315 L

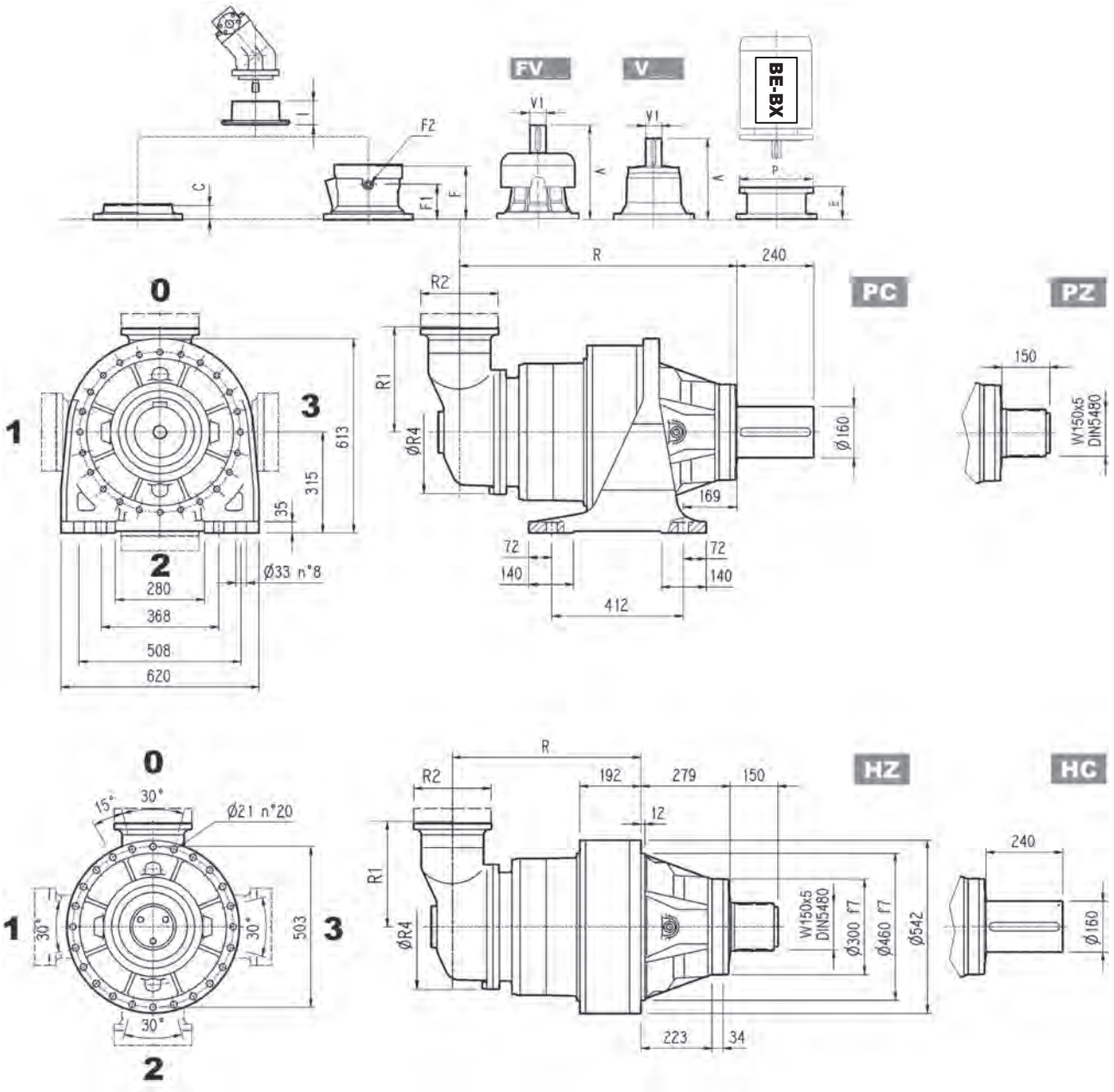


FP $M_{2max} = 135000 \text{ Nm}$

	P132		P160		P180		P200		P225		P250	
	E	P	E	P	E	P	E	P	E	P	E	P
315 L2	—	—	—	—	—	—	267	400	297	450	297	550
315 L3	—	—	—	—	195	350	186	400	216	450	215	550
315 L4	114	300	144	350	144	350	174	400	—	—	—	—



315 R

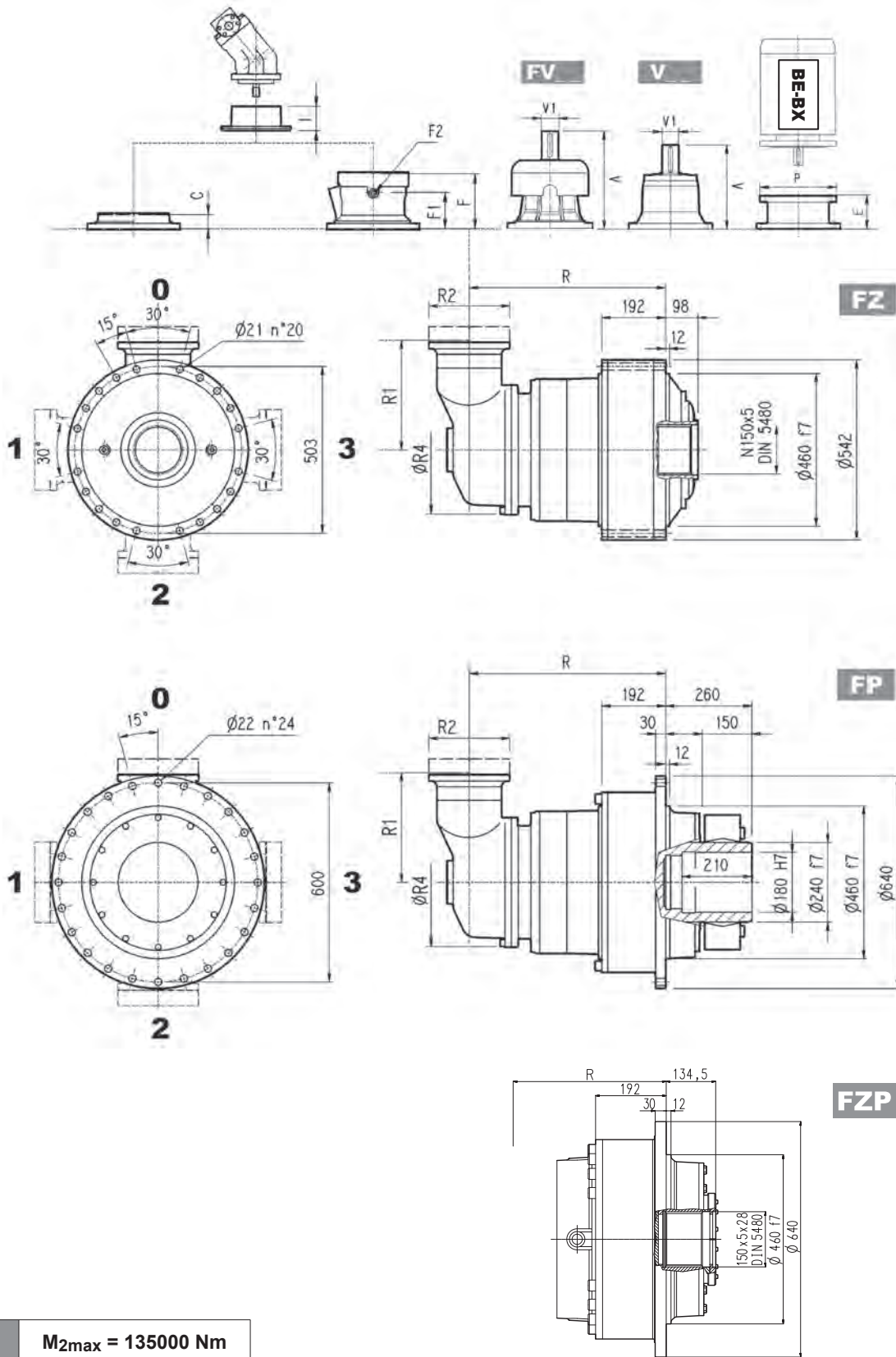


	R				R1	R2	R4	Kg			
	PC-PZ	HC-HZ	FZ - FZP	FP				PC-PZ	HC-HZ	FZ - FZP	FP
315 R3 (B)	890	611	611	611	345	292	400	720	590	500	550
315 R3 (C)	890	611	611	611	390	292	480	730	600	510	560
315 R4	917	638	638	638	225	245	345	680	550	460	510

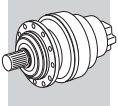
	V			V1			V			V1			C	Input	I	F	F1	F2	Type	Input	Kg
	V	V1	Kg	V	V1	Kg	V	V1	Kg	V	V1	Kg									
315 R3 (B)	307	60	23	—	—	—	357	60	28	—	—	—	45	B	—	195	147	1/4 G	6	B	28
315 R3 (C)	307	60	23	—	—	—	357	60	28	—	—	—	45	B	—	195	147	1/4 G	6	B	28
315 R4	239	48	15	—	—	—	276	48	17	—	—	—	37	A	461	145	95	1/4 G	5	A	16



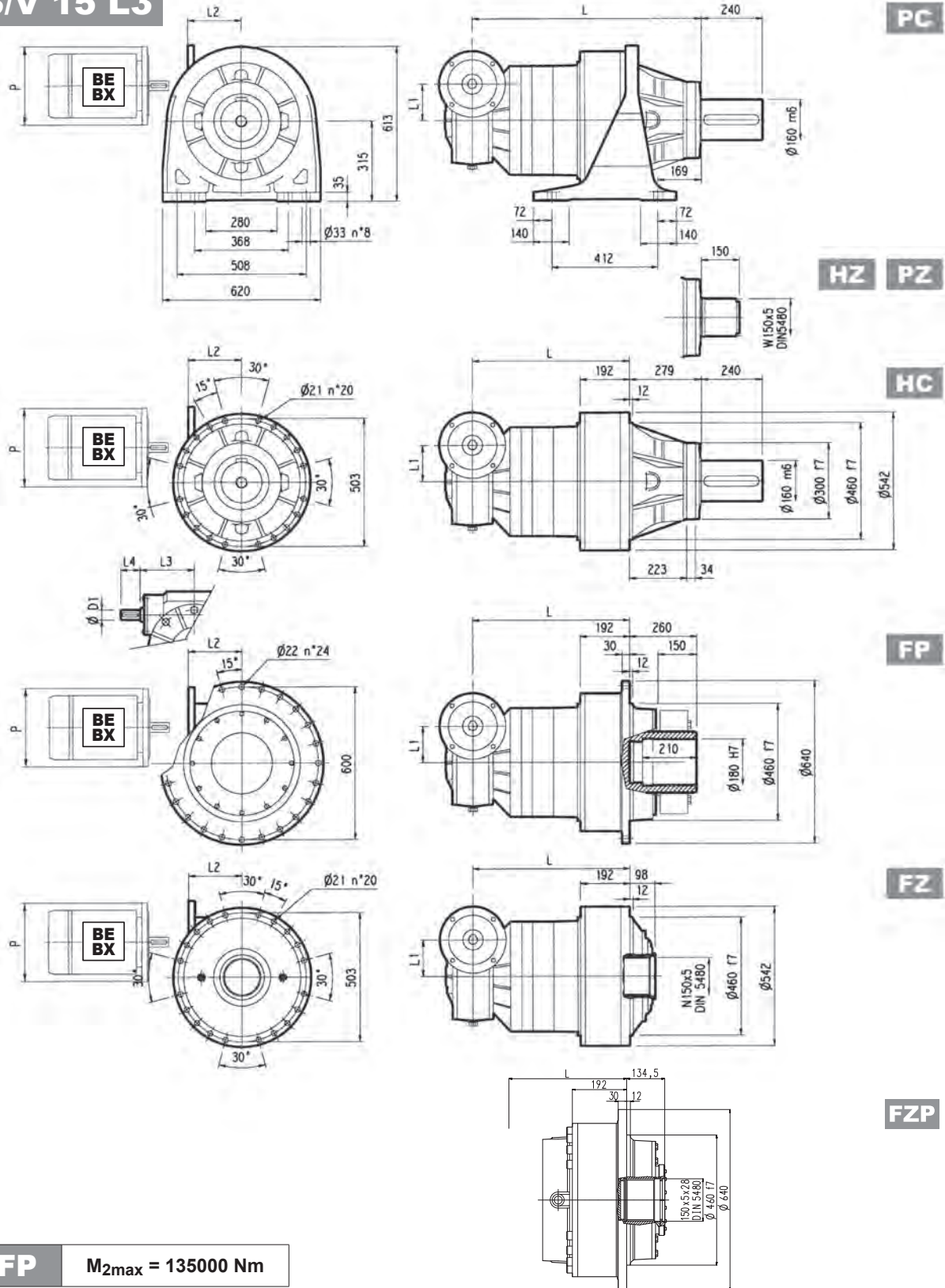
315 R



	P132		P160		P180		P200		P225		P250	
	E	P	E	P	E	P	E	P	E	P	E	P
315 R3 (B)	—	—	—	—	152	350	182	400	212	450	193	550
315 R3 (C)	—	—	—	—	152	350	182	400	212	450	193	550
315 R4	114	300	144	350	144	350	174	400	—	—	—	—



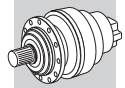
3/V 15 L3



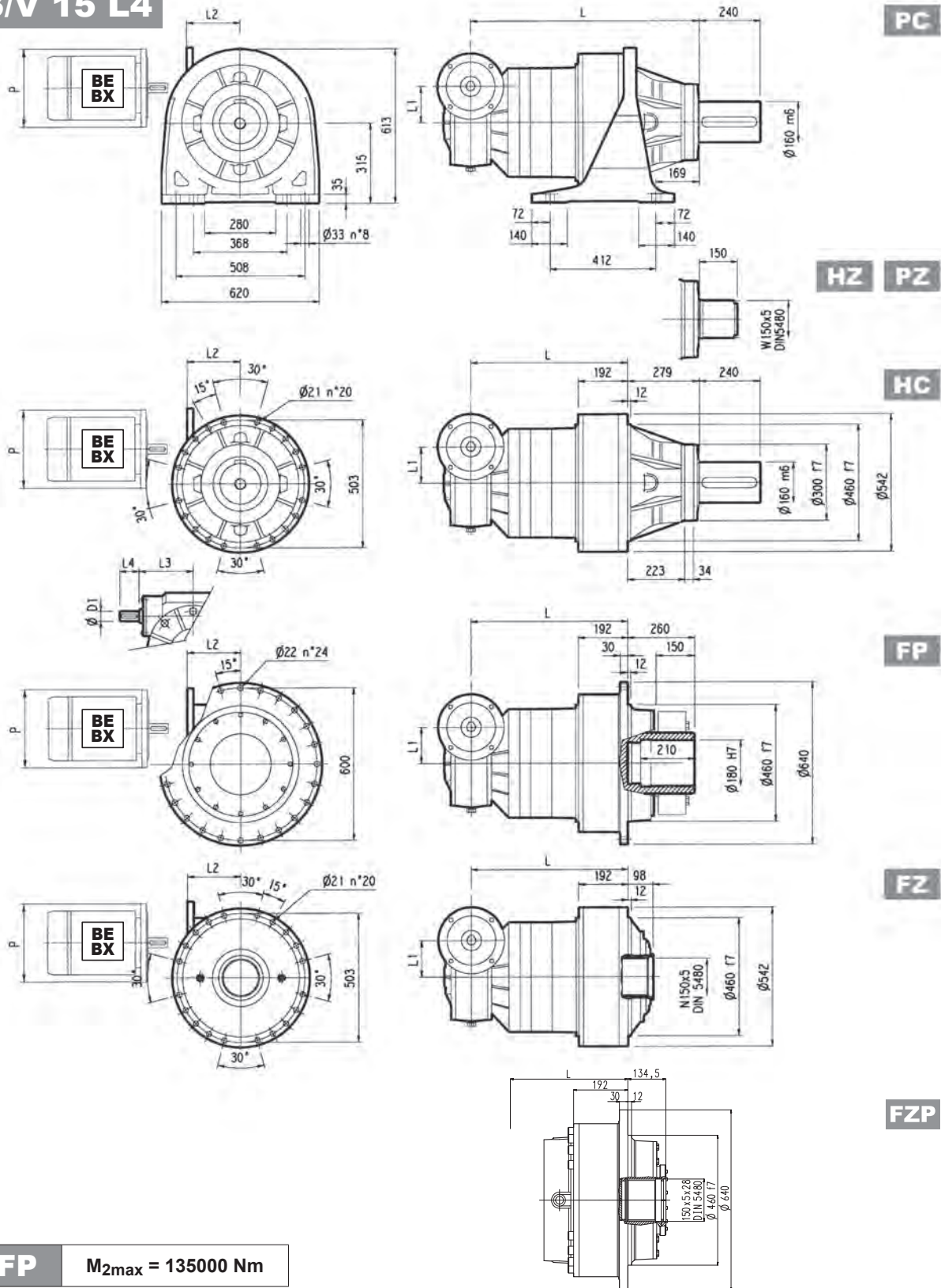
FP $M_{2max} = 135000$ Nm

	L				L1	L2	D1	L3	L4	Kg			
	PC - PZ	HC - HZ	FZ - FZP	FP						PC - PZ	HC - HZ	FZ - FZP	FP
3/V 15 L3	885	606	606	606	210	—	48	230	110	800	670	575	625

	P100	P112	P132		P160		P180		P200		P225	
	P	P	L2	P	L2	P	L2	P	L2	P	L2	P
3/V 15 L3	—	—	485	300	460	350	460	350	485	400	490	450



3/V 15 L4



FP $M_{2max} = 135000 \text{ Nm}$

	L				L1	L2	D1	L3	L4	Kg			
	PC - PZ	HC - HZ	FZ - FZP	FP						PC - PZ	HC - HZ	FZ - FZP	FP
3/V 15 L4	989	710	710	710	150	190	35	185	65	690	560	470	520

	P100		P112		P132		P160		P180		P200		P225	
	P	L2	P	L2	P	L2	P	L2	P	L2	P	L2	P	
3/V 15 L4	250	—	250	—	300	—	350	—	—	—	—	—	—	

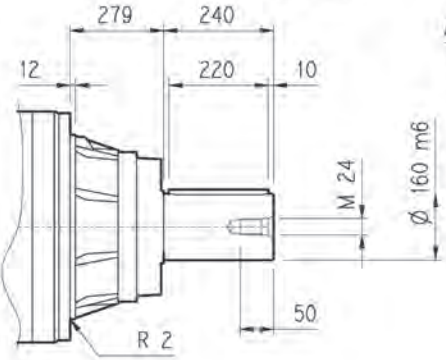


315 L

315 R

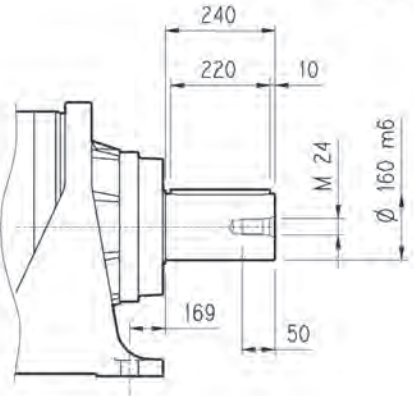
3/V 15 L

HC

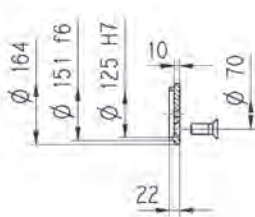
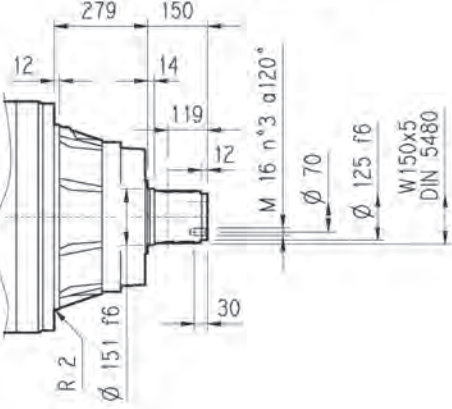


A 40x22x220
UNI 6604
DIN 6885

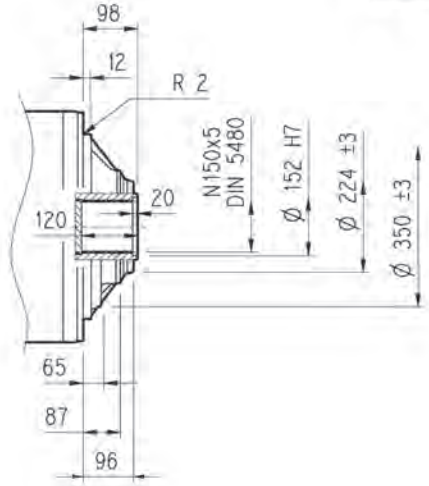
PC



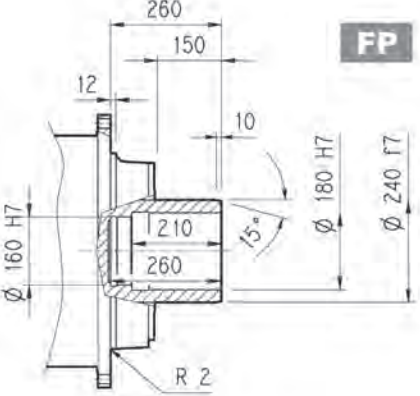
HZ



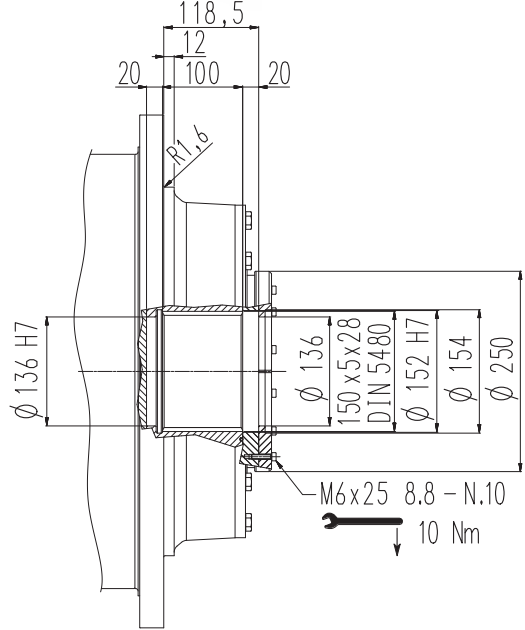
FZ



FP



FZP



FP $M_{2max} = 135000 \text{ Nm}$



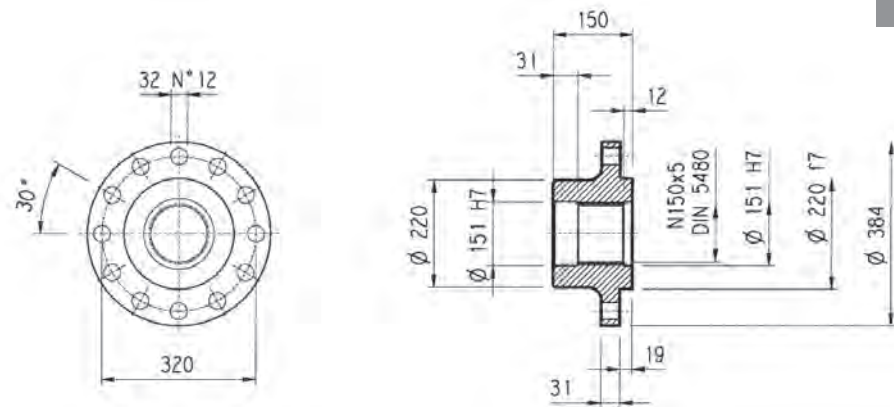
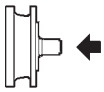
315 L

315 R

3/V 15 L

Flange

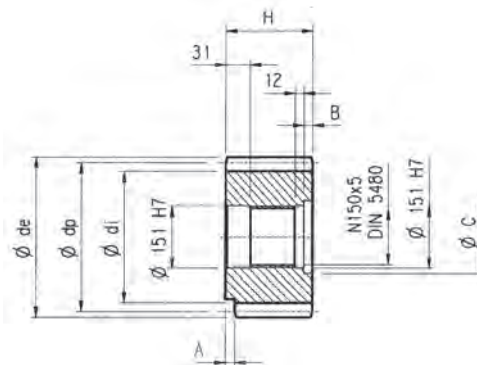
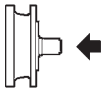
W0A



Material: Steel C40

Pinions

P...

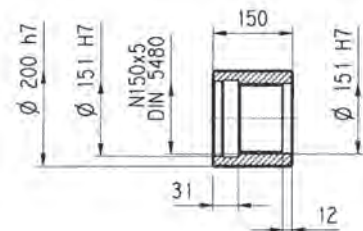
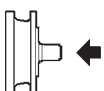


$\alpha = 20^\circ$

	m	z	x	dp	di	de	H	A	B	C	Material
PRG1	18	16	0.500	288	261	342	160	—	10	166	Steel 18NiCrMo5 case hardened
PRG2	18	16	0.617	288	271	339	150	30	—	—	Steel 39NiCrMo3 hardened and tempered

Sleeve coupling

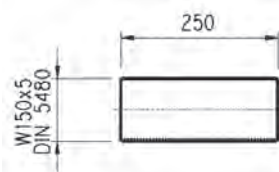
M0A



Material: Steel 16CrNi4

Splined bars

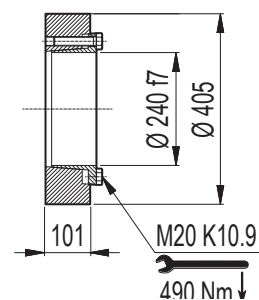
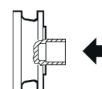
B0A



Material: Case hardening steel 18NiCrMo5 UNI 5331 must be case hardened 50-55 HRC

Shrink disc

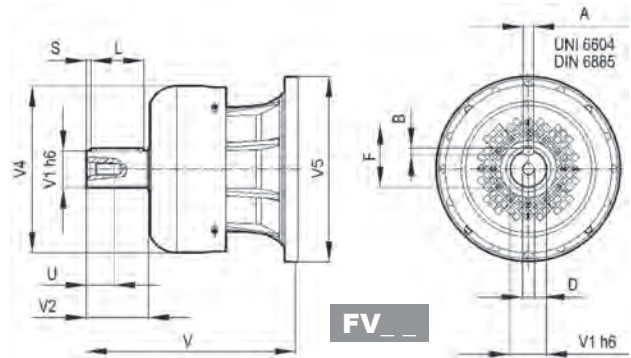
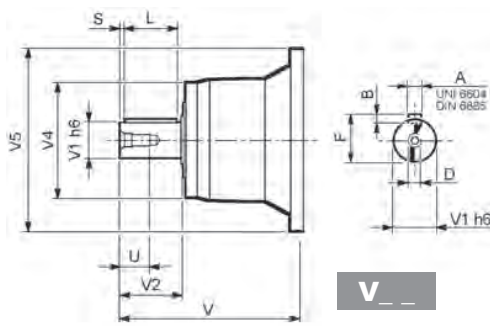
G0A





315 L

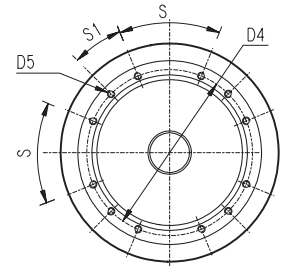
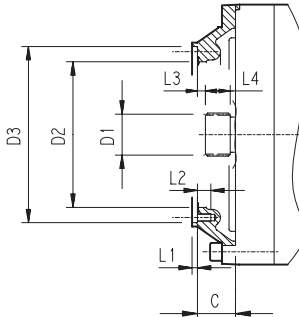
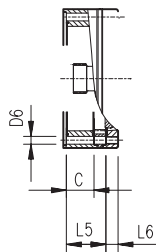
315 R



		V	V1	V2	V4	V5	A	B	F	L	S	D	U
315 L1	V15B	556	120	210	230	542	32	18	127	180	15	M24	50
315 L2	V11B	348	80	130	200	418	22	14	85	110	10	M16	36
	FV11B	456	80	130	347.5	428	22	14	85	110	10	M16	36
315 L3	V07B	315	80	130	200	345	22	14	85	110	10	M16	36
	FV07B	375	80	130	347.5	348	22	14	85	110	10	M16	36
	V07A	313	60	105	155	345	18	11	64	90	7.5	M16	36
	FV07A	363	60	105	309	348	18	11	64	90	7.5	M16	36
315 L4	V05B	239	48	82	155	245	14	9	51.5	70	6	M16	36
	FV05B	276	48	82	219.5	244	14	9	51.5	70	6	M16	36
315 R3 (B) (C)	V06B	307	60	105	155	292	18	11	64	90	7.5	M16	36
	FV06B	357	60	105	309	292	18	11	64	90	7.5	M16	36
315 R4	V05B	239	48	82	155	245	14	9	51.5	70	6	M16	36
	FV05B	276	48	82	219.5	244	14	9	51.5	70	6	M16	36

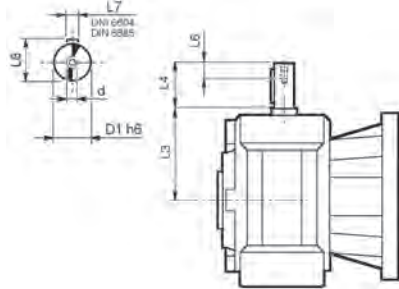
315 L

315 R



		C	D1	D2	D3	D4	D5	D6	L1	L2	L3	L4	L5	L6	S	S1	Input
315 L1	V9AE	116	100x94 DIN 5482	340	412 H7	390	M16 n°18	—	7	30	8	55	—	—	20°	20°	E
315 L2	V9AD	81	80x74 DIN 5482	270	335 H7	314	M16 n°8	—	5	30	8.5	40	—	—	60°	30°	D
315 L3	V9AB	51	58x53 DIN 5482	195	236 H7	222	M10 n°12	—	4	18	11	22	—	—	45°	22.5°	B
315 L4	V9AA	37	40x36 DIN 5482	140	178 H7	165	M10 n°8	—	4	18	9	18	—	—	45°	45°	A
315 R4	V9AA	37	40x36 DIN 5482	140	178 H7	165	M10 n°8	11	4	18	9	18	—	—	45°	45°	A
315 R3 (B) (C)	V9AB	45	58x53 DIN 5482	195	236 H7	222	M10 n°12	—	4	18	11	22	—	—	45°	22.5°	B

3/V 15 L



	D1 h6	L3	L4	L6	L7	L8	d
3/V 15 L3_HS	48	230	110	40	14	51.5	M16
3/V 15 L4_HS	35	185	65	20	10	38	M8

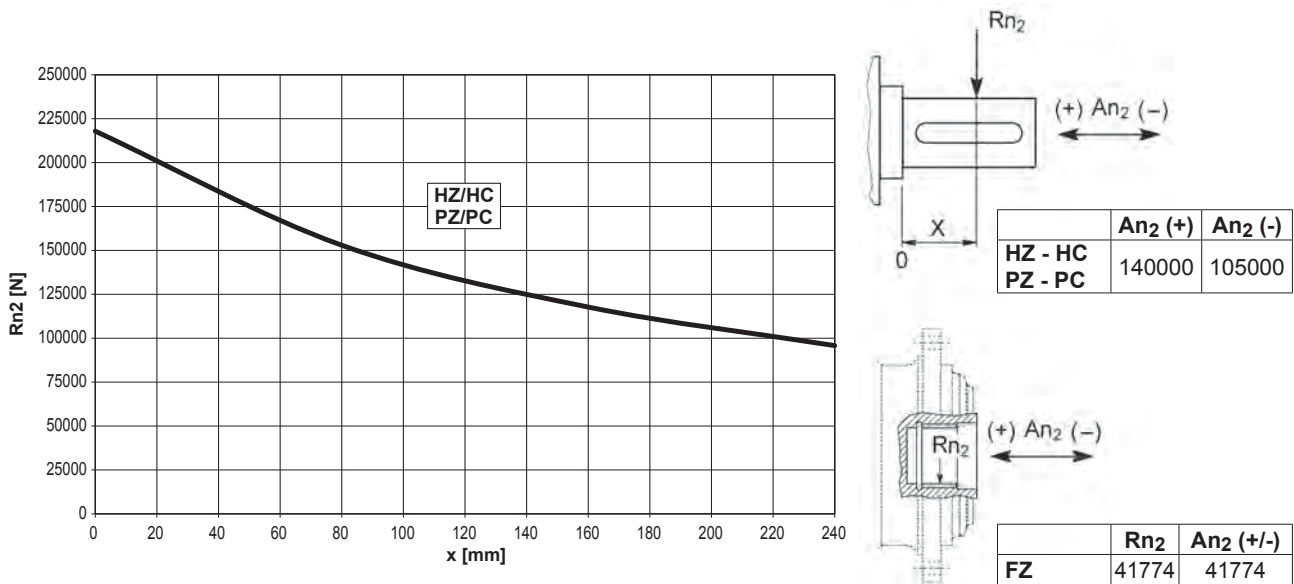


315 L

315 R

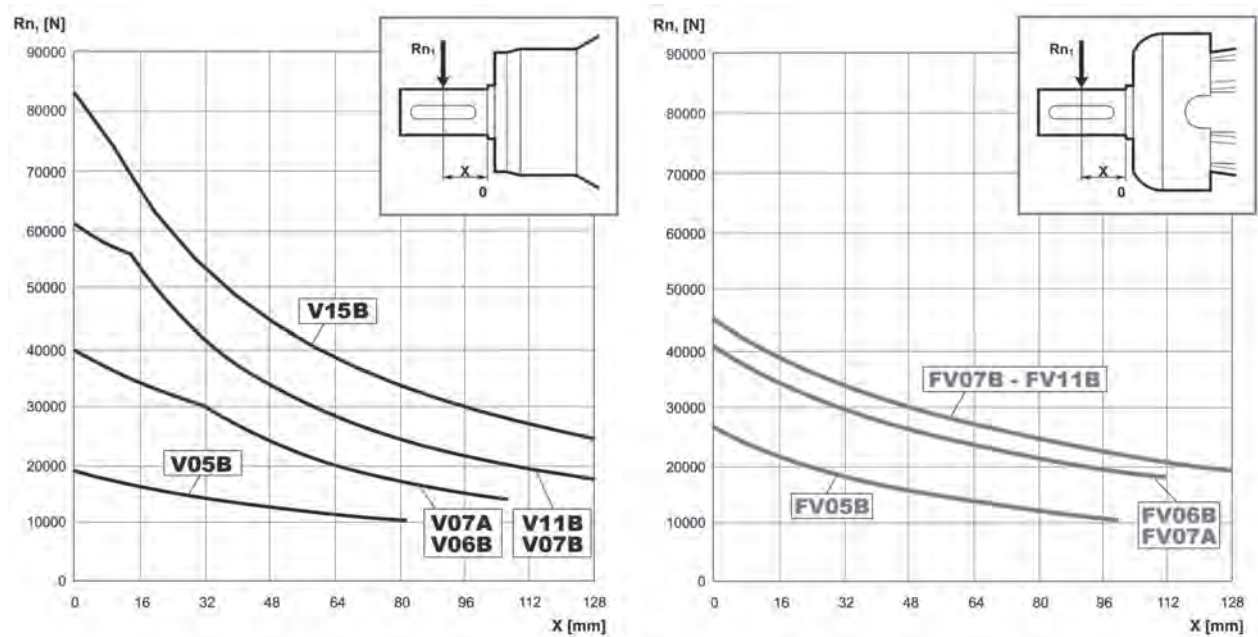
3/V 15 L

Permissible radial and axial loads on output shaft with $Fh_2 : n_2 \cdot h = 100000$



Load corrective factor fh_2 on shafts	$Fh_2 = n_2 \cdot h$		10000	25000	50000	100000	500000	1000000	
	fh_2	FZ		2.15	1.59	1.26	1.00	0.58	0.46
		HZ - HC - PZ - PC		2.00	1.52	1.23	1.00	0.62	0.50

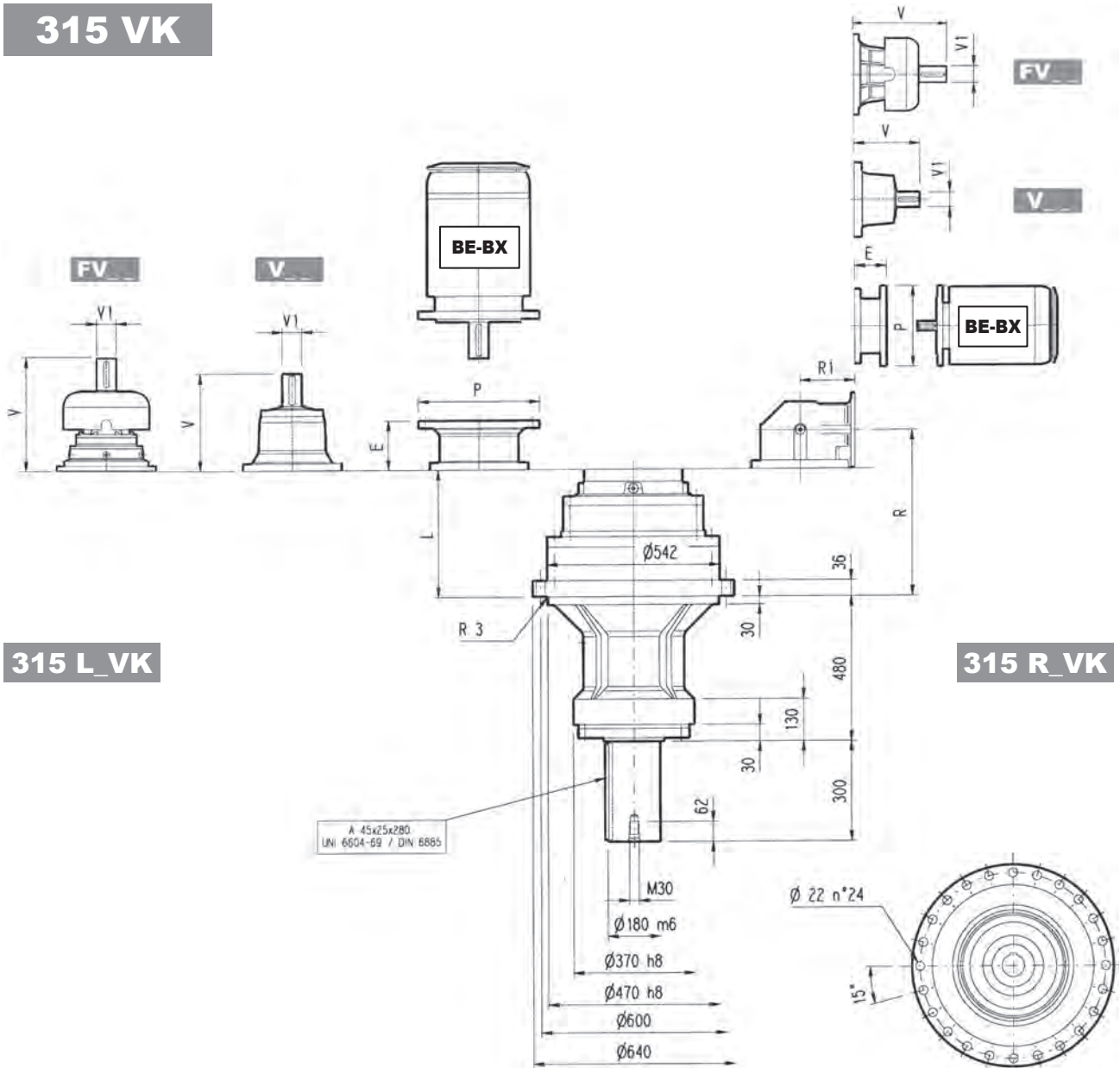
Permissible radial loads on input shaft with $Fh_1 : n_1 \cdot h = 250000$



Load corrective factor fh_1 on shafts	$Fh_1 = n_1 \cdot h$		250000	500000	1000000	2000000	5000000	10000000
	fh_1	1		0.79	0.63	0.50	0.37	0.29







315 VK

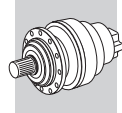


315 L_VK

315 R_VK

	L	Kg													P132		P160		P180		P200		P225		P250	
			V	V1	Kg	V	V1	Kg	V	V1	Kg	V	V1	Kg	E	P	E	P	E	P	E	P	E	P	E	P
315 L2	386	650	348	80	55	—	—	—	456	80	85	—	—	—	—	—	—	—	—	—	—	—	—	—	—	
315 L3	519	700	315	80	35	313	60	28	375	80	48	363	60	34	—	—	—	195	350	186	400	216	450	215	550	
315 L4	608	710	239	48	15	—	—	—	276	48	17	—	—	—	114	300	144	350	144	350	174	400	—	—	—	—

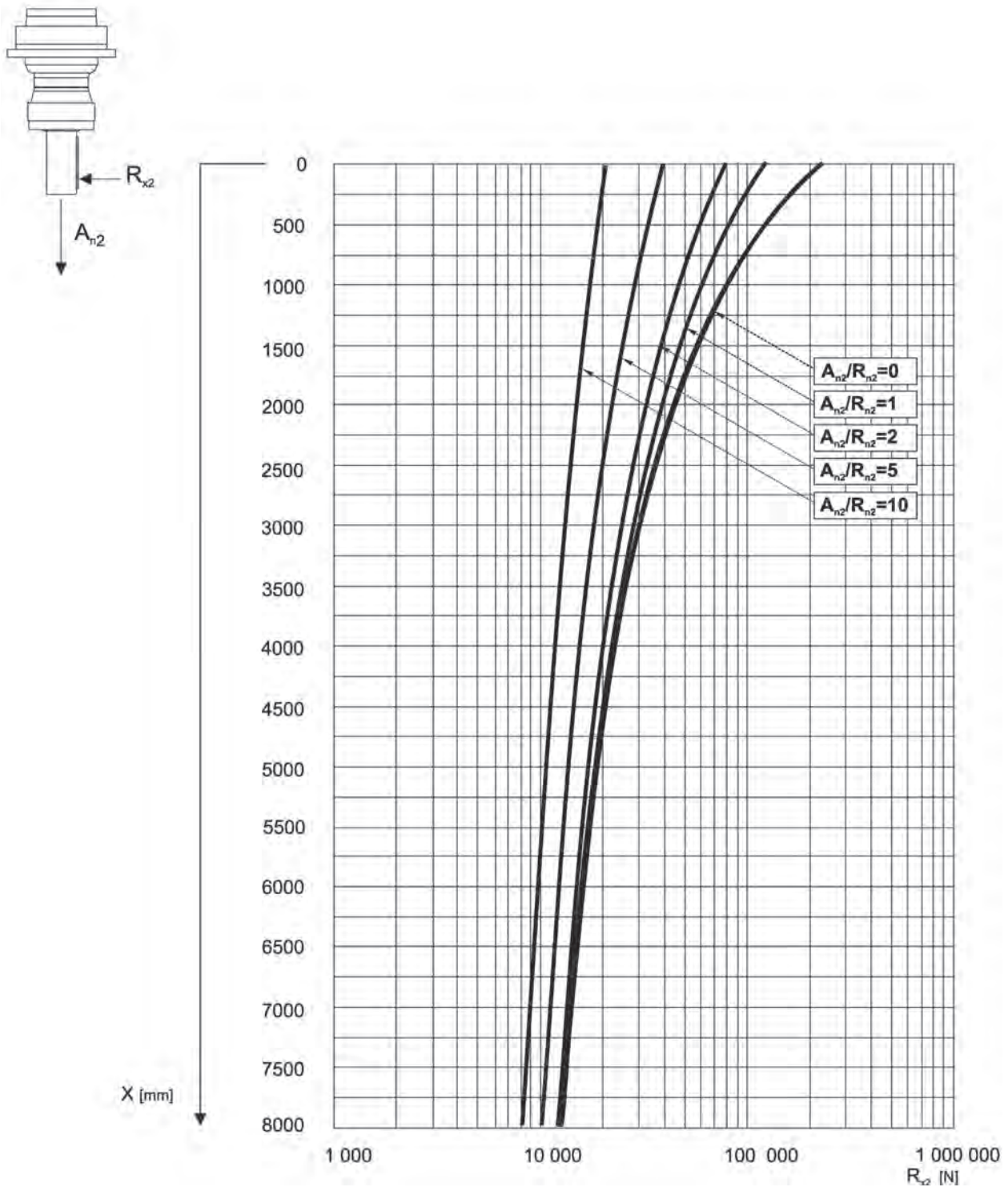
	R	R1	Kg													P132		P160		P180		P200		P225		P250			
				V	V1	Kg	V	V1	Kg	V	V1	Kg	V	V1	Kg	E	P	E	P	E	P	E	P	E	P	E	P		
315 R3 (B)	611	345	720	307	60	23	—	—	—	357	60	28	—	—	—	—	—	152	350	182	400	212	450	193	550				
315 R3 (C)	611	390	730	307	60	23	—	—	—	357	60	28	—	—	—	—	—	152	350	182	400	212	450	193	550				
315 R4	638	225	690	239	48	15	—	—	—	276	48	17	—	—	—	—	—	114	300	144	350	144	350	174	400	—	—	—	—



315 VK

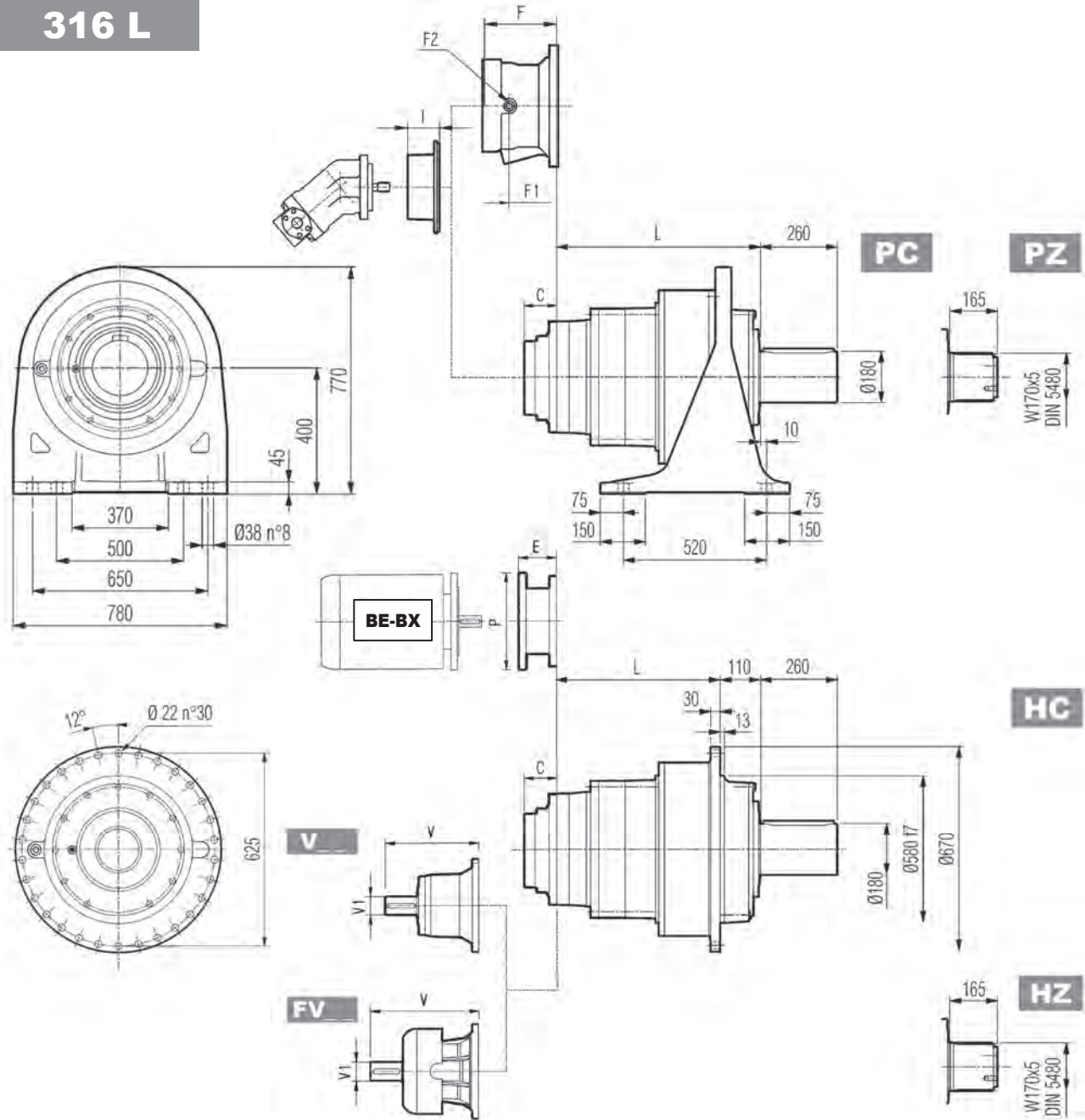
The diagram below allows the calculation of permitted overhung load R_{x2} on the output shaft of gearbox, with radial force applying at a distance x from shaft shoulder.

The curves are relevant to value resulting from the relationship of trust load A_{n2} to radial load R_{n2} , based on $n_2 = 10 \text{ min}^{-1}$ and 10000 hrs theoretical lifetime.





316 L

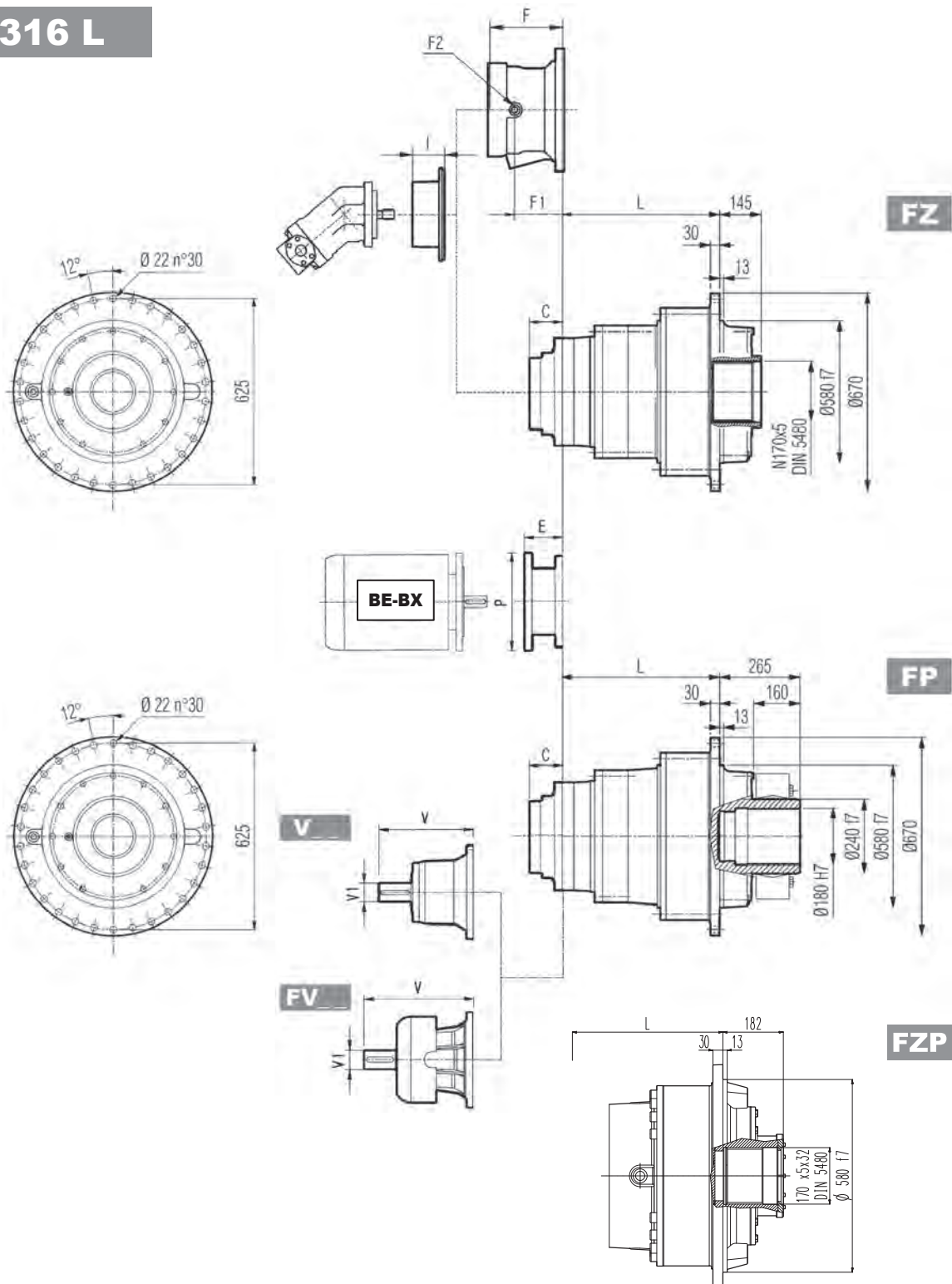


	L				Kg			
	PC - PZ	HC - HZ	FZ - FZP	FP	PC - PZ	HC - HZ	FZ - FZP	FP
316 L1	289	179	179	179	700	500	430	450
316 L2	541	431	431	431	790	590	520	540
316 L3	674	564	564	564	840	640	570	590
316 L4	763	653	653	653	860	660	590	610

	V			V1			V			V1			C	Input	I	F			Type	Input	Kg
	V	V1	Kg	V	V1	Kg	V	V1	Kg	V	V1	Kg				F	F1	F2			
316 L1	—	—	—	—	—	—	—	—	—	—	—	—	156	E	—	—	—	—	—	—	—
316 L2	348	80	55	—	—	—	456	80	85	—	—	—	81	D	—	—	—	—	—	—	—
316 L3	315	80	35	313	60	28	375	80	48	363	60	34	51	B	461	201	153	1/4 G	6	B	28
316 L4	239	48	15	—	—	—	276	48	17	—	—	—	37	A		145	95	1/4 G	5	A	16



316 L



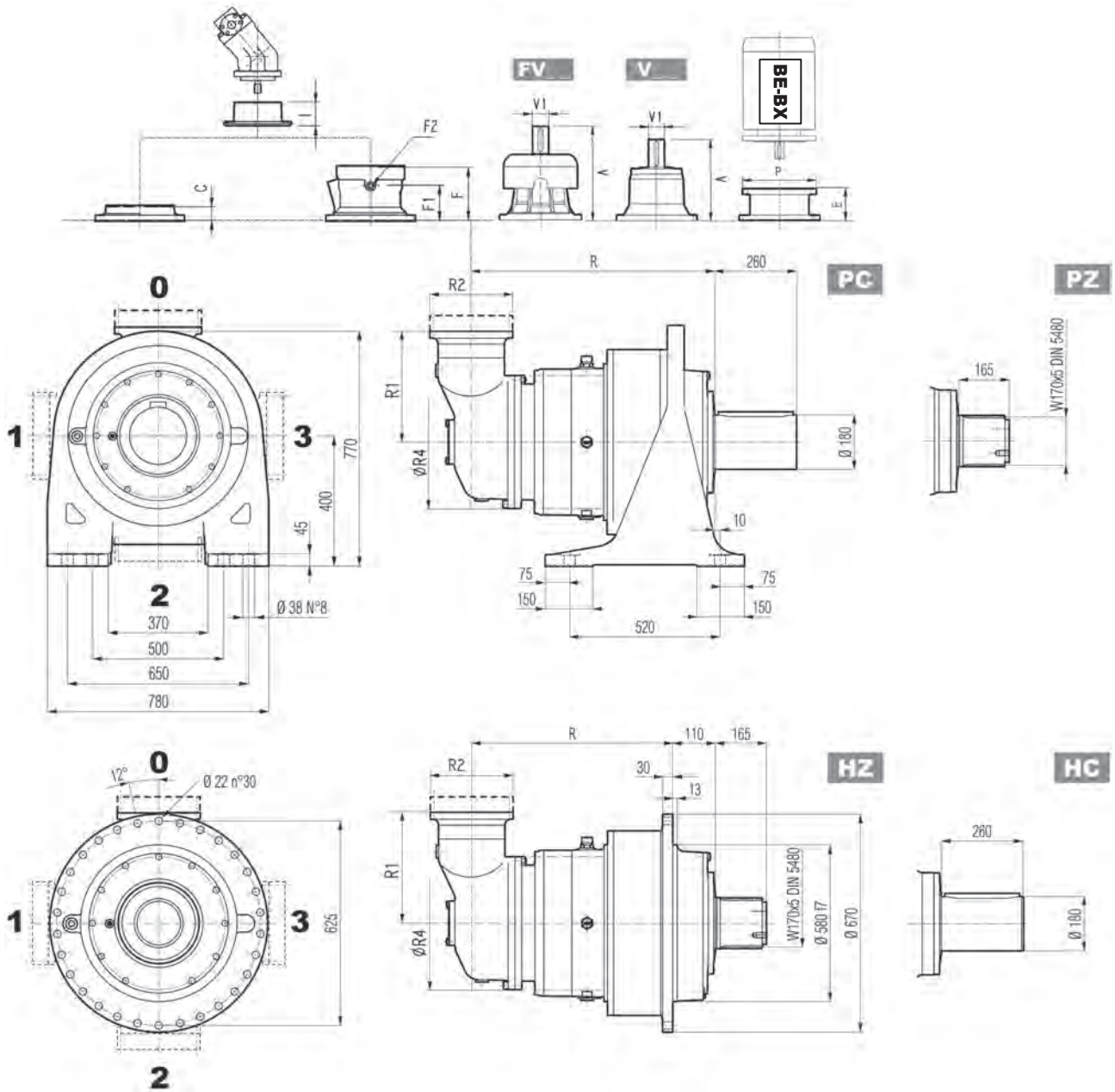
FP

$M_{2max} = 178000 \text{ Nm}$

	P132		P160		P180		P200		P225		P250	
	E	P	E	P	E	P	E	P	E	P	E	P
316 L2	—	—	—	—	—	—	267	400	297	450	297	550
316 L3	—	—	—	—	195	350	186	400	216	450	215	550
316 L4	114	300	144	350	144	350	174	400	—	—	—	—



316 R

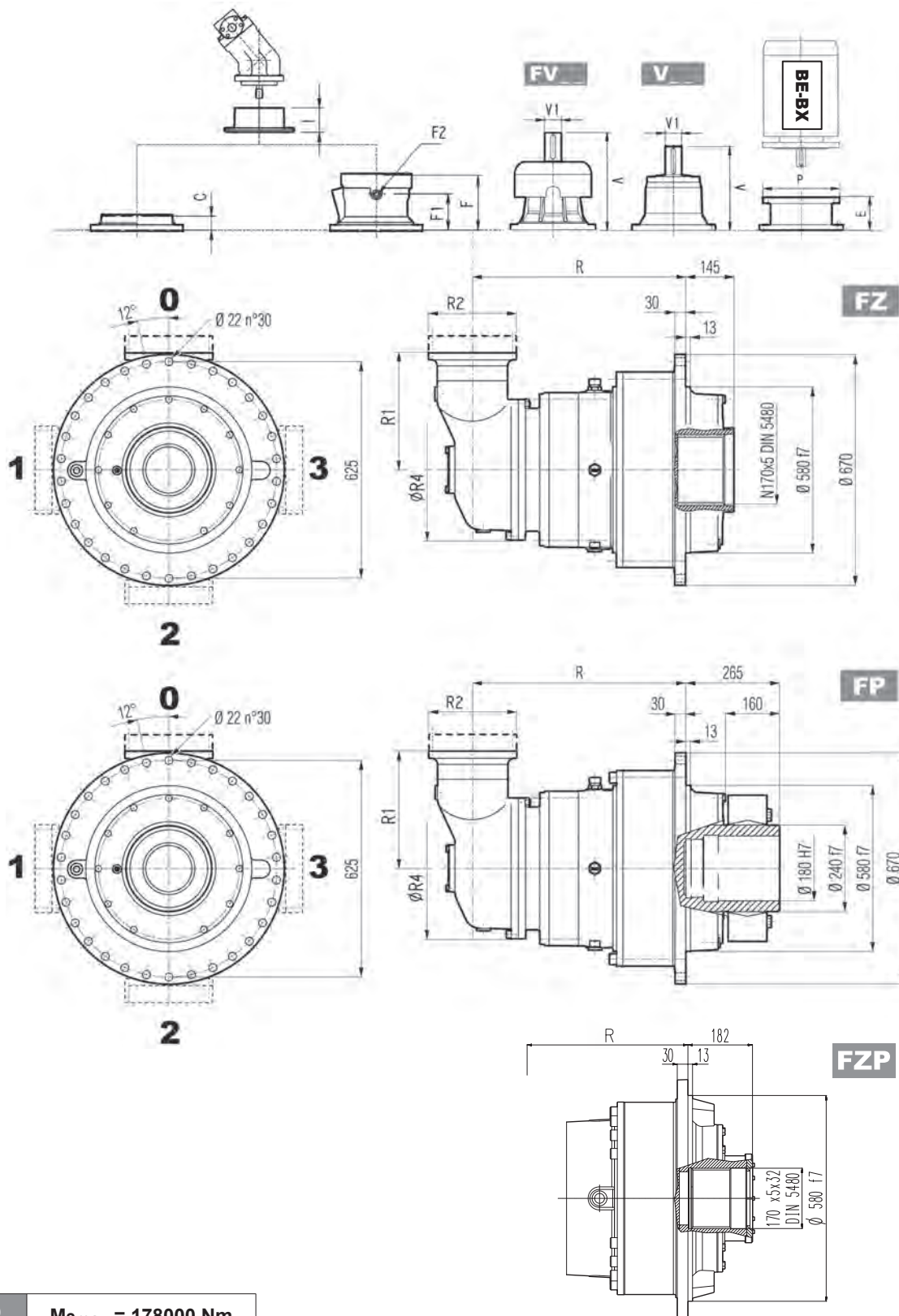


	R				R1	R2	R4	Kg			
	PC-PZ	HC-HZ	FZ - FZP	FP				PC-PZ	HC-HZ	FZ - FZP	FP
316 R3 (B)	766	656	656	656	345	292	400	910	710	640	660
316 R3 (C)	766	656	656	656	390	292	480	920	720	650	670
316 R4	793	683	683	683	225	245	345	890	690	620	640

	V			V1			V			V1			C	Input	I	F	F1	F2	Type	Input	Kg
	Kg	Kg	Kg	Kg	Kg	Kg	Kg	Kg													
316 R3 (B)	307	60	23	—	—	—	357	60	28	—	—	—	45	B	195	147	1/4 G	6	B	28	
316 R3 (C)	307	60	23	—	—	—	357	60	28	—	—	—	45	B	195	147	1/4 G	6	B	28	
316 R4	239	48	15	—	—	—	276	48	17	—	—	—	37	A	461	145	95	1/4 G	5	A	16



316 R



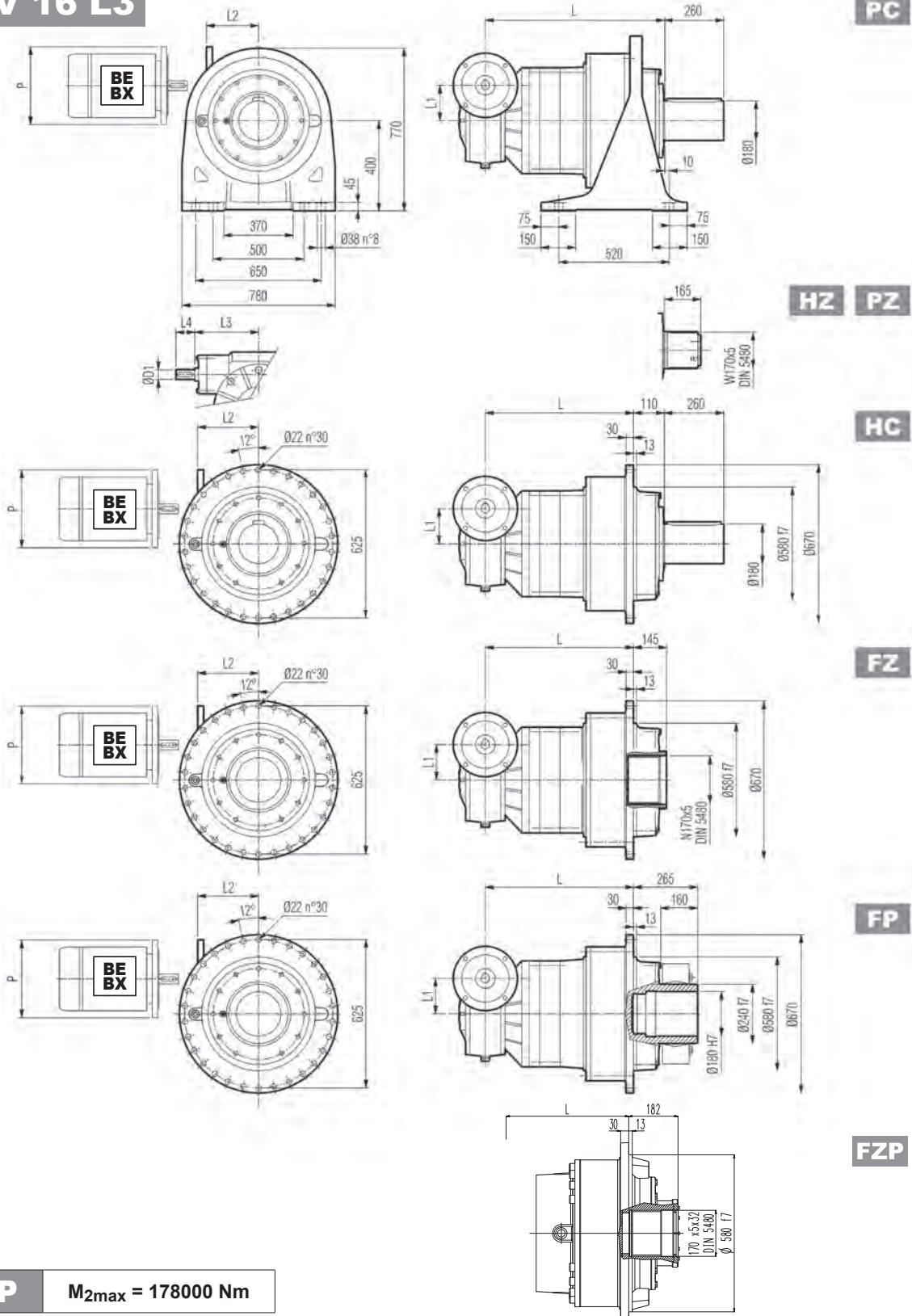
FP

$M_{2max} = 178000 \text{ Nm}$

	P132		P160		P180		P200		P225		P250	
	E	P	E	P	E	P	E	P	E	P	E	P
316 R3 (B)	—	—	—	—	152	350	182	400	212	450	193	550
316 R3 (C)	—	—	—	—	152	350	182	400	212	450	193	550
316 R4	114	300	144	350	144	350	174	400	—	—	—	—



3/V 16 L3



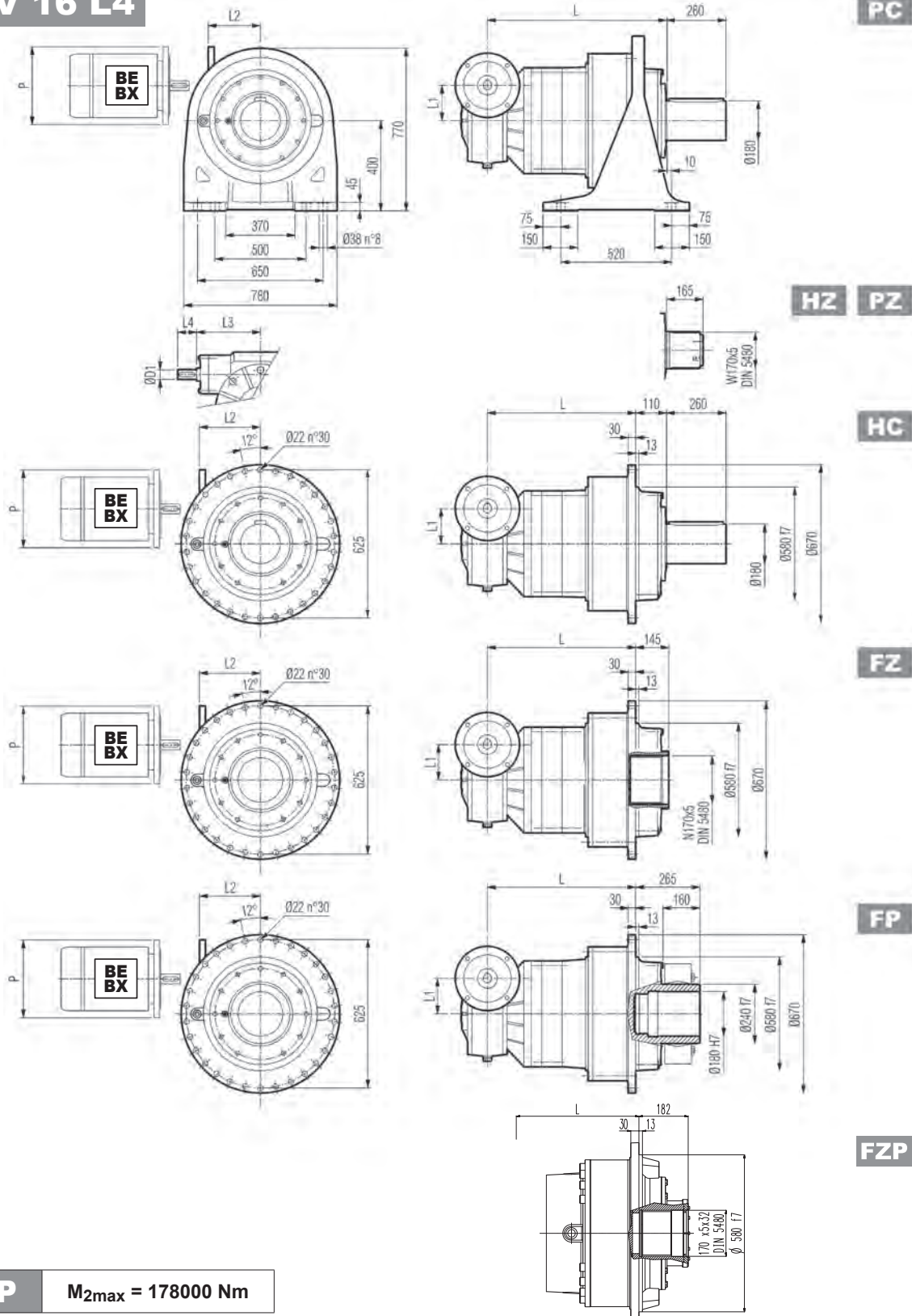
FP $M_{2max} = 178000 \text{ Nm}$

	L				L1	D1	L3	L4	Kg	PC - PZ	HZ - HZ	FZ - FZP	FP
	PC - PZ	HC - HZ	FZ - FZP	FP									
3/V 16 L3	812	702	702	702	250	55	274	110		1100	900	830	850

	P132		P160		P180		P200		P225	
	L2	P	L2	P	L2	P	L2	P	L2	P
3/V 16 L3	531	300	506	350	506	350	531	400	536	450



3/V 16 L4



FP $M_{2max} = 178000 \text{ Nm}$

	L				L1	D1	L3	L4	Kg				
	PC - PZ	HC - HZ	FZ - FZP	FP						PC - PZ	HC - HZ	FZ - FZP	FP
3/V 16 L4	865	755	755	755	150	35	185	65		900	700	630	650

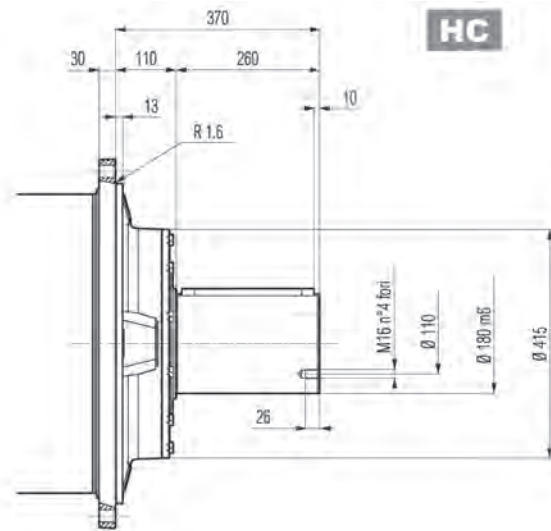
	P100		P112		P132		P160	
	L2	P	L2	P	L2	P	L2	P
3/V 16 L4	190	250	190	250	190	300	190	350



316 L

316 R

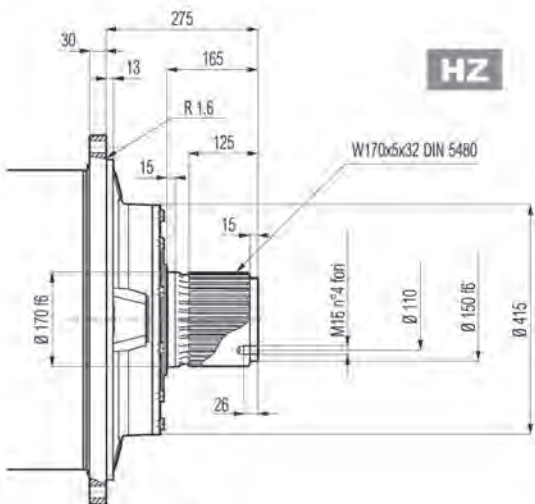
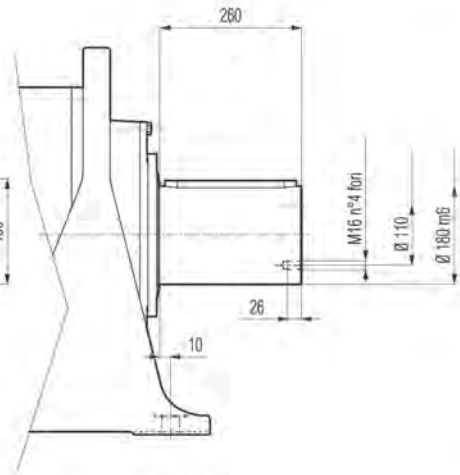
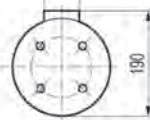
3/V 16 L



HC

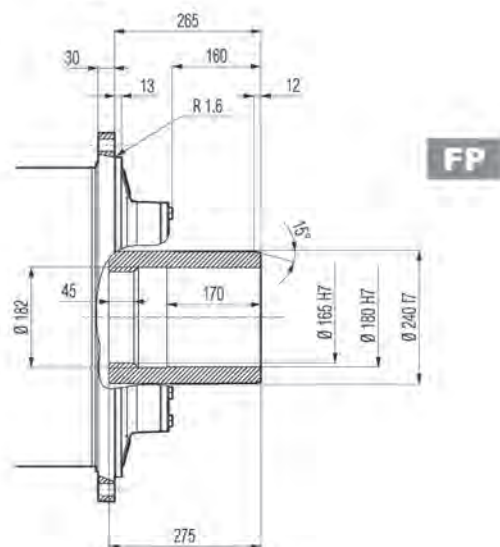
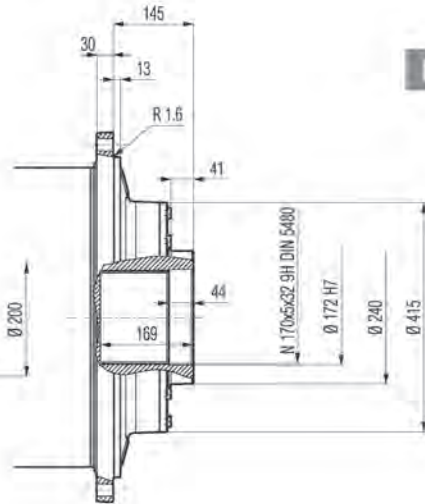
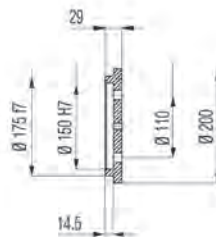
PC

A45x25x240
UNI 6604
DIN 6885



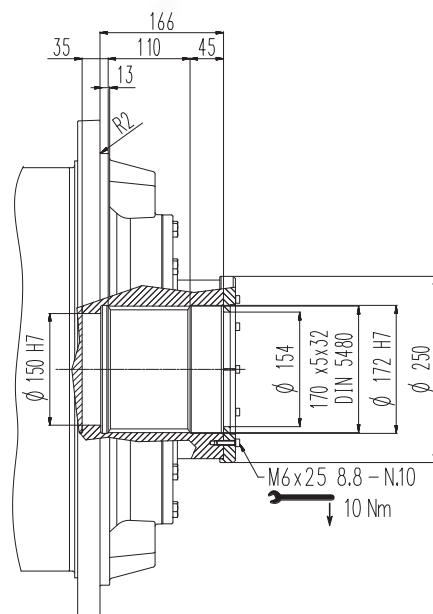
HZ

FZ



FP

FZP



FP

$M_{2max} = 178000 \text{ Nm}$



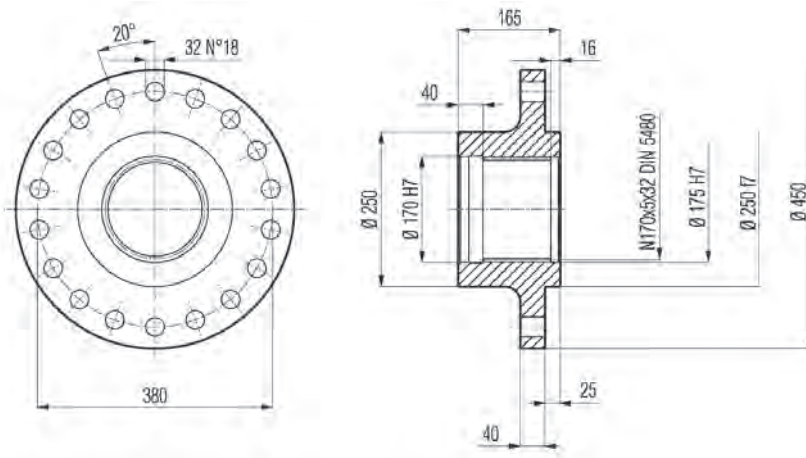
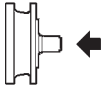
316 L

316 R

3/V 16 L

Flange

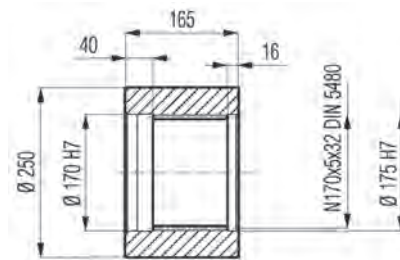
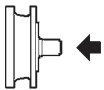
W0A



Material: Steel C40

Sleeve coupling

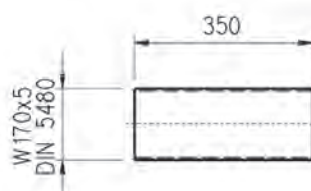
M0A



Material: Steel C40

Splined bars

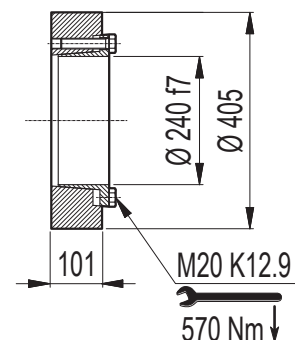
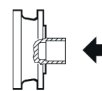
B0A



Material: Case hardening steel 18NiCrMo5 UNI 5331
must be case hardened 50-55 HRC

Shrink disc

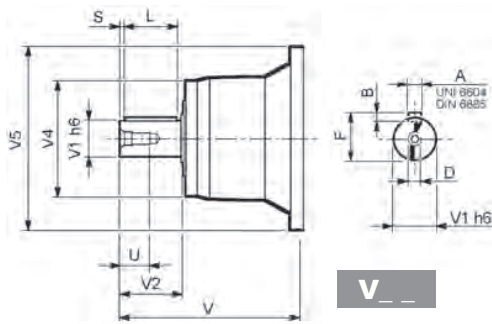
G0A



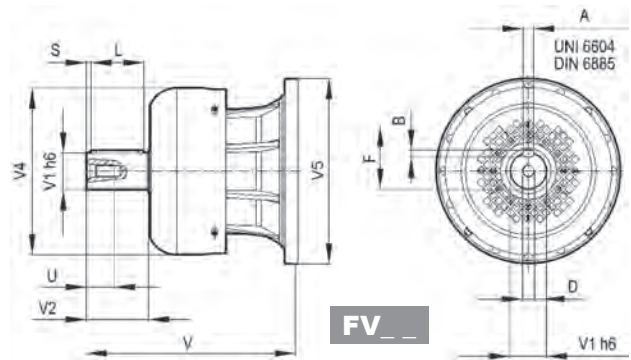


316 L

316 R



V _ _

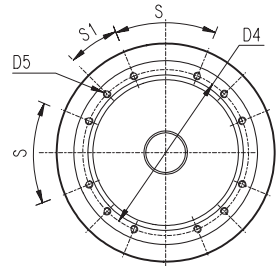
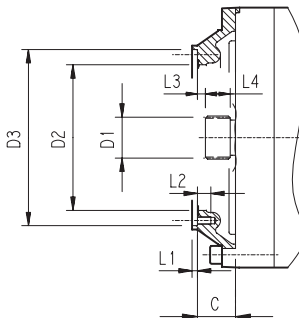
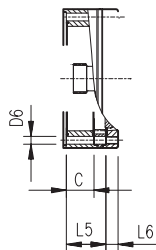


FV _ _

		V	V1	V2	V4	V5	A	B	F	L	S	D	U
316 L2	V11B	348	80	130	200	418	22	14	85	110	10	M16	36
	FV11B	456	80	130	347.5	428	22	14	85	110	10	M16	36
316 L3	V07B	315	80	130	200	345	22	14	85	110	10	M16	36
	FV07B	375	80	130	347.5	348	22	14	85	110	10	M16	36
	V07A	313	60	105	155	345	18	11	64	90	7.5	M16	36
316 L4	FV07A	363	60	105	309	348	18	11	64	90	7.5	M16	36
	V05B	239	48	82	155	245	14	9	51.5	70	6	M16	36
316 R3 (B) (C)	FV05B	276	48	82	219.5	244	14	9	51.5	70	6	M16	36
	V06B	307	60	105	155	292	18	11	64	90	7.5	M16	36
316 R4	FV06B	357	60	105	309	292	18	11	64	90	7.5	M16	36
	V05B	239	48	82	155	245	14	9	51.5	70	6	M16	36
	FV05B	276	48	82	219.5	244	14	9	51.5	70	6	M16	36

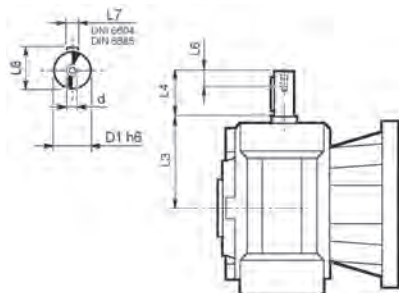
316 L

316 R



		C	D1	D2	D3	D4	D5	D6	L1	L2	L3	L4	L5	L6	S	S1	Input
316 L1	V9AE	116	100x94 DIN 5482	340	412 H7	390	M16 n° 18	—	7	30	8	55	—	—	20°	20°	E
316 L2	V9AD	81	80x74 DIN 5482	270	335 H7	314	M16 n° 8	—	5	30	8.5	40	—	—	60°	30°	D
316 L3	V9AB	51	58x53 DIN 5482	195	236 H7	222	M10 n° 12	—	4	18	11	22	—	—	45°	22.5°	B
316 L4	V9AA	37	40x36 DIN 5482	140	178 H7	165	M10 n° 8	—	4	18	9	18	—	—	45°	45°	A
316 R3 (B) (C)	V9AB	45	58x53 DIN 5482	195	236 H7	222	M10° 12	—	4	18	11	22	—	—	45°	22.5°	B
316 R4	V9AA	37	40x36 DIN 5482	140	178 H7	165	M10 n° 8	11	4	18	9	18	—	—	45°	45°	A

3/V 16 L



	D1 h6	L3	L4	L6	L7	L8	d
3/V 16 L3_HS	55	274	110	40	16	59	M16
3/V 16 L4_HS	35	185	65	20	10	38	M8

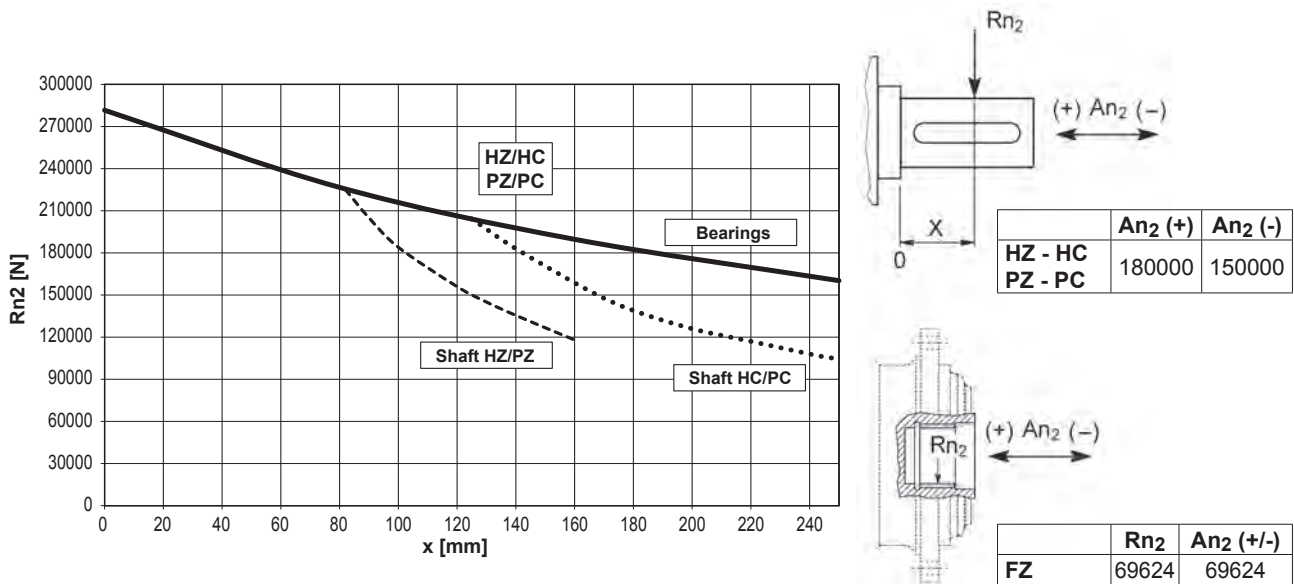


316 L

316 R

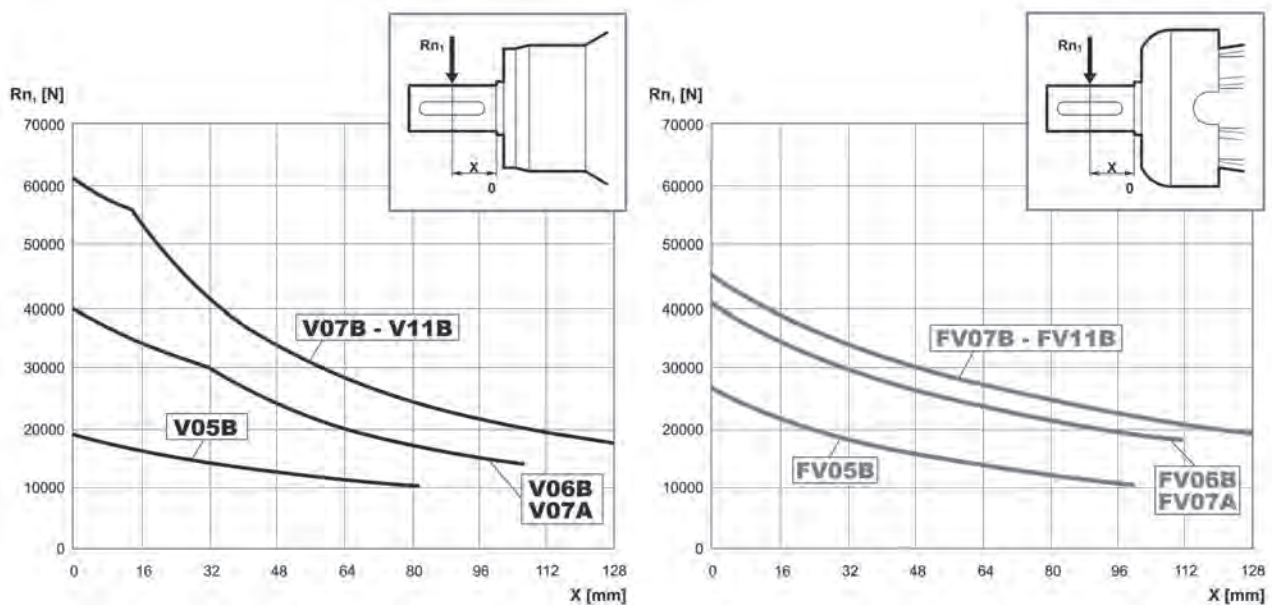
3/V 16 L

Permissible radial and axial loads on output shaft with $Fh_2 : n_2 \cdot h = 100000$



Load corrective factor fh_2 on shafts	$Fh_2 = n_2 \cdot h$							
		10000	25000	50000	100000	500000	1000000	
	fh_2	FZ	2.15	1.59	1.26	1.00	0.58	0.46
		HC - PC	1.16	1.00	1.00	1.00	0.62	0.50
		HZ - PZ	1.19	1.02	1.02	1.00	0.62	0.50

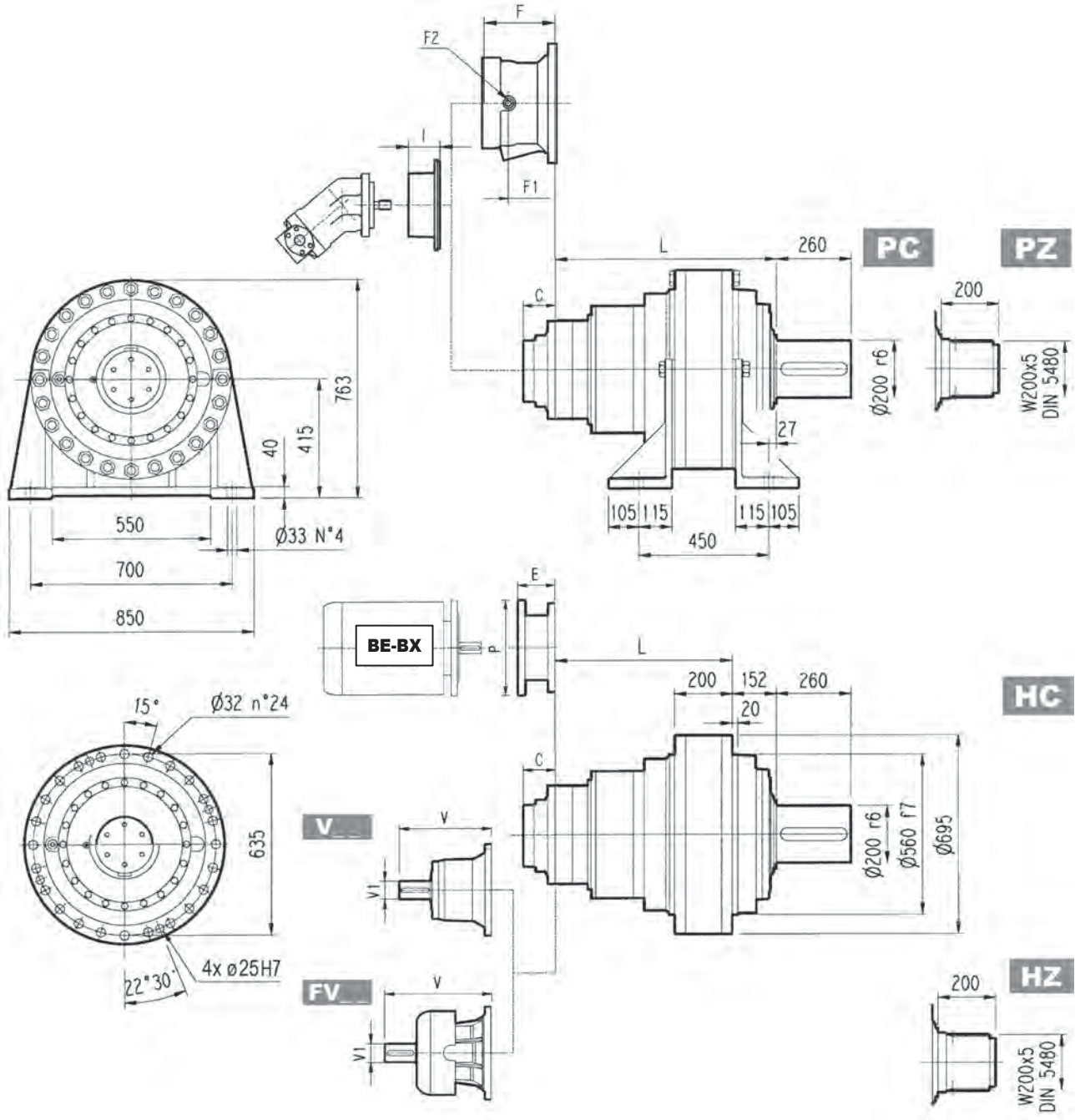
Permissible radial loads on input shaft with $Fh_1 : n_1 \cdot h = 250000$



Load corrective factor fh_1 on shafts	$Fh_1 = n_1 \cdot h$						
		250000	500000	1000000	2000000	5000000	10000000
fh_1		1	0.79	0.63	0.50	0.37	0.29



317 L

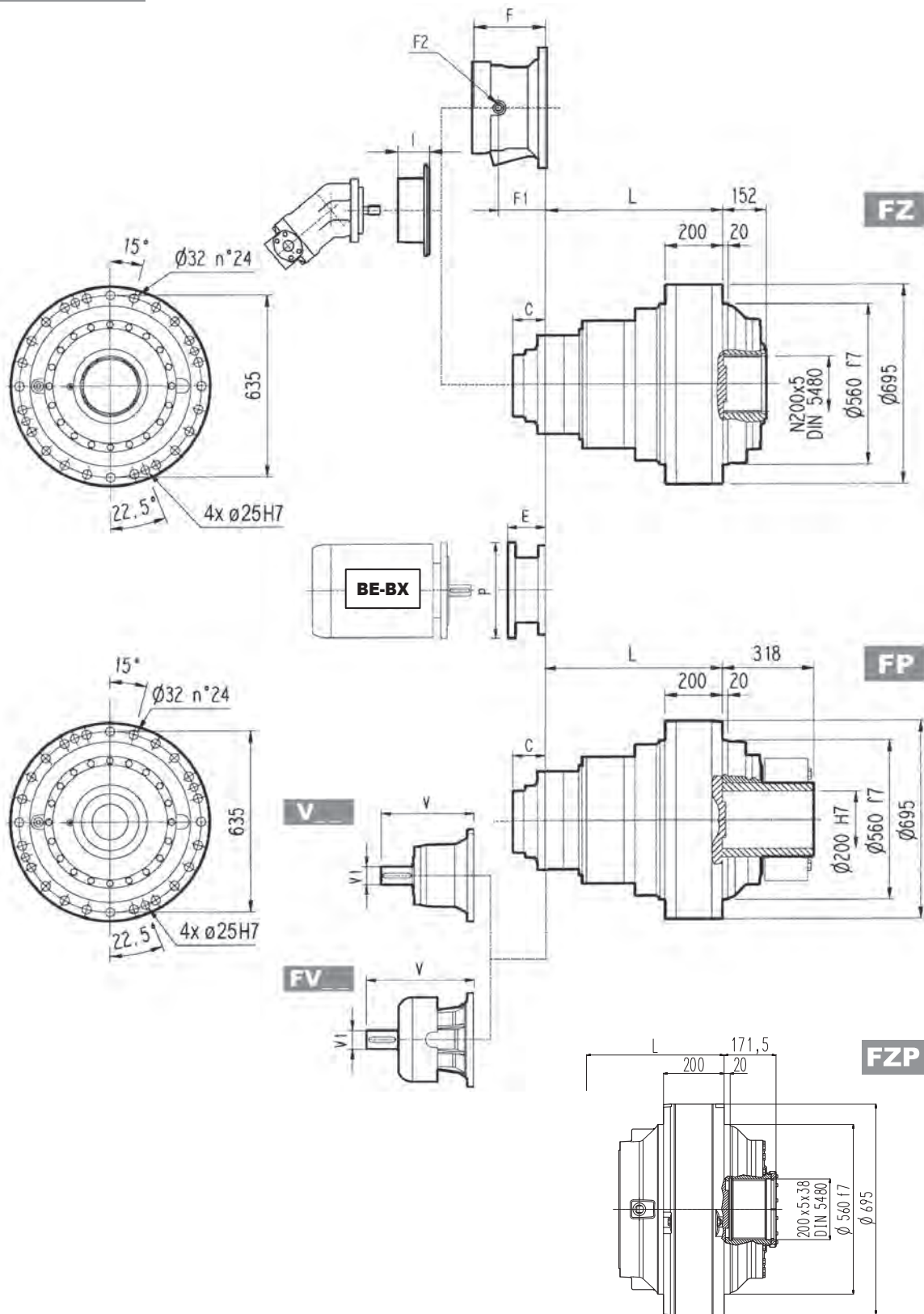


	L				Kg			
	PC - PZ	HC - HZ	FZ - FZP	FP	PC - PZ	HC - HZ	FZ - FZP	FP
317 L1	315	163	163	163	950	800	750	800
317 L2	624	472	472	472	1080	930	880	930
317 L3	774	622	622	622	1140	990	940	990
317 L4	862	710	710	710	1152	1000	952	1000

	V			V1			V			V1			C	Input	I	F			Type	Input	Kg
	V	V1	Kg	V	V1	Kg	V	V1	Kg	V	V1	Kg				F	F1	F2			
317 L1	—	—	—	—	—	—	—	—	—	—	—	—	181	F	—	—	—	—	—	—	—
317 L2	343	80	55	—	—	—	451	80	71	—	—	—	75	D	—	—	—	—	—	—	
317 L3	315	80	35	313	60	28	375	80	48	363	60	34	51	B	461	201	153	1/4 G	6	B	28
317 L4	239	48	15	—	—	—	276	48	17	—	—	—	37	A	461	145	95	1/4 G	5	A	16



317 L

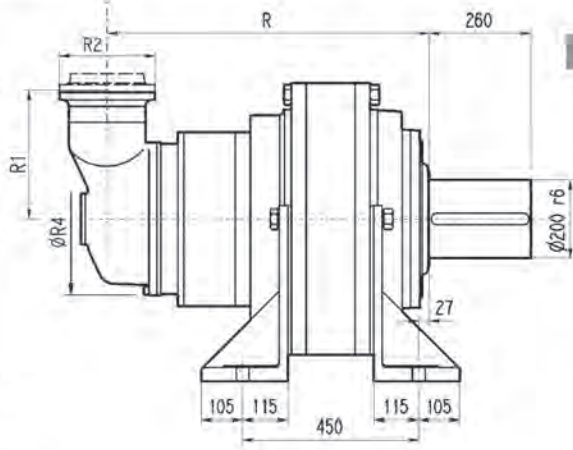
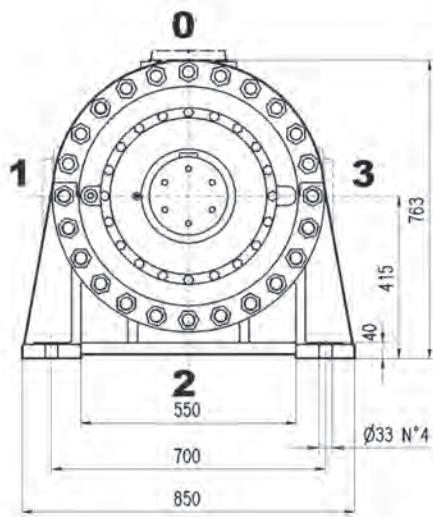
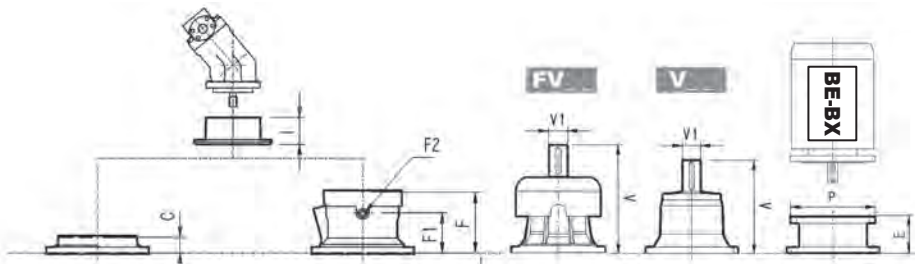


FP $M_{2max} = 242000 \text{ Nm}$

	P132		P160		P180		P200		P225		P250	
	E	P	E	P	E	P	E	P	E	P	E	P
317 L3	—	—	—	—	196	350	186	400	216	450	216	550
317 L4	114	300	144	350	144	350	174	400	—	—	—	—

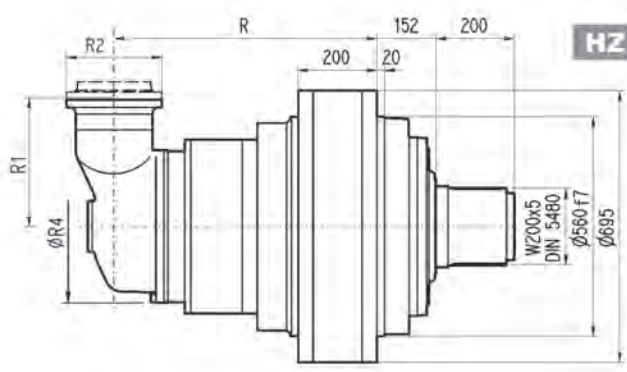
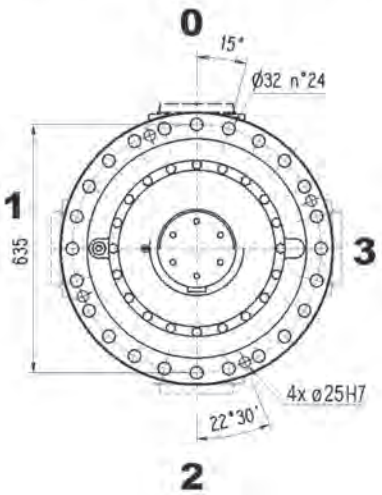
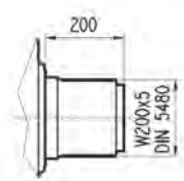


317 R



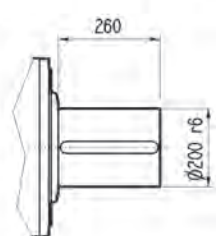
PC

PZ



HZ

HC

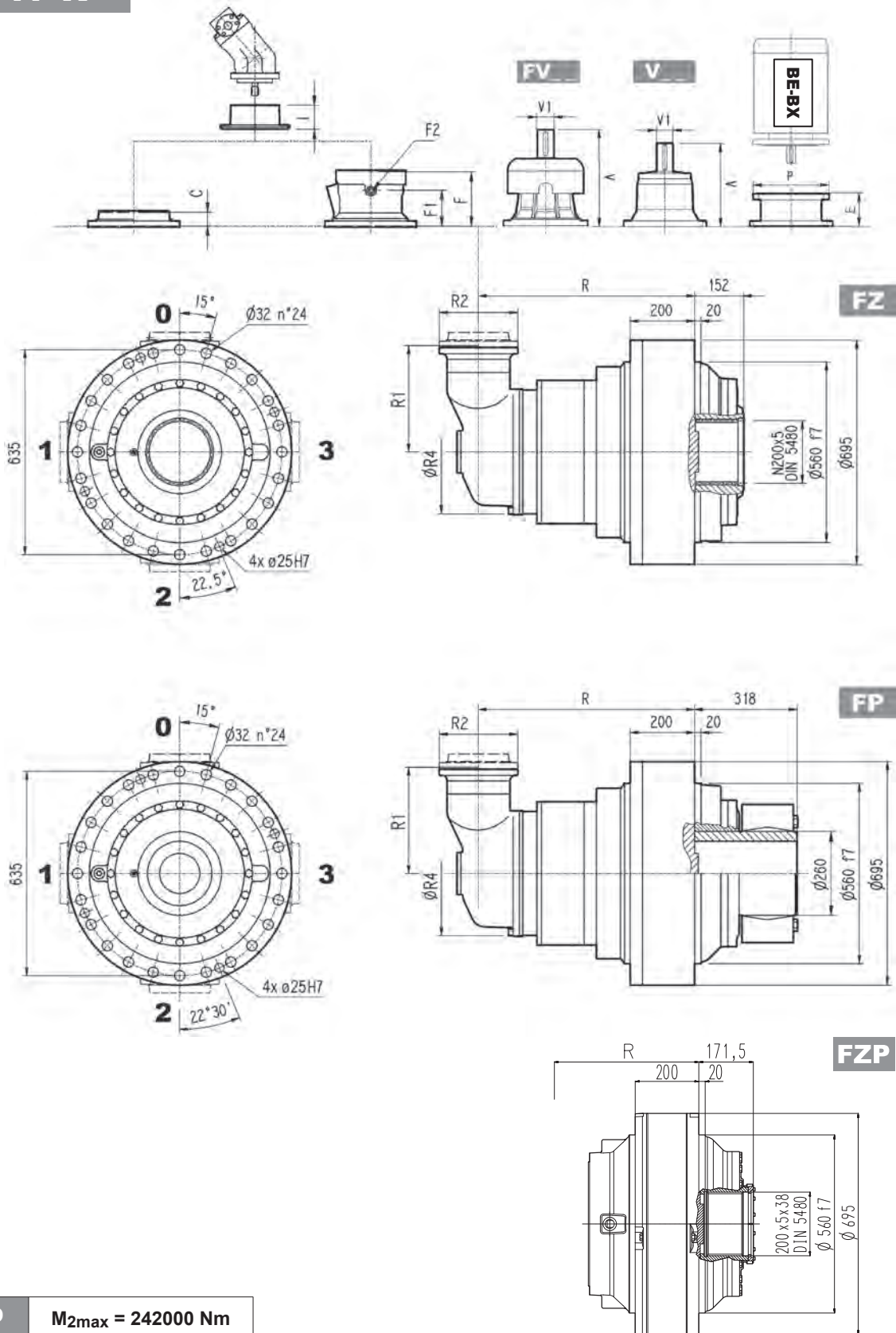


	R				R1	R2	R4	Kg			
	PC-PZ	HC-HZ	FZ - FZP	FP				PC-PZ	HC-HZ	FZ - FZP	FP
317 R3 (B)	853	701	701	701	345	292	400	1210	1060	1010	1060
317 R3 (C)	853	701	701	701	390	292	480	1220	1070	1020	1070
317 R4	892	740	740	740	225	245	345	1190	1040	990	1040

	V						V						C	Input	I	F	F1	F2	Type	Input	Kg
	V	V1	Kg	V	V1	Kg	V	V1	Kg	V	V1	Kg									
317 R3 (B)	307	60	23	—	—	—	357	60	28	—	—	—	45	B	—	195	147	1/4 G	6	B	28
317 R3 (C)	307	60	23	—	—	—	357	60	28	—	—	—	45	B	—	195	147	1/4 G	6	B	28
317 R4	239	48	15	—	—	—	276	48	17	—	—	—	37	A	461	105	65	1/4 G	4	A	10



317 R

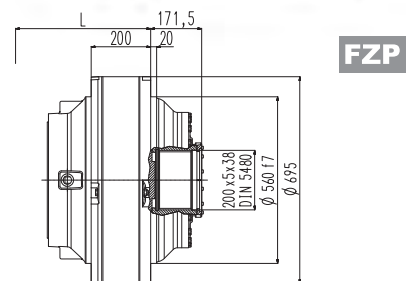
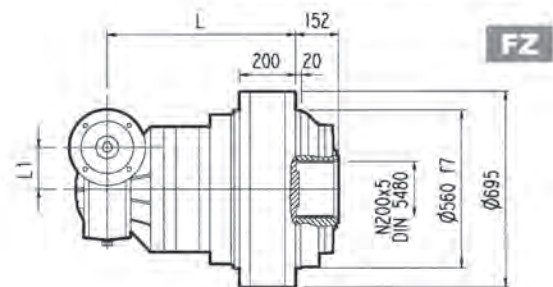
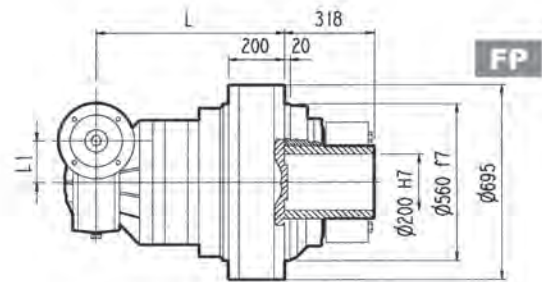
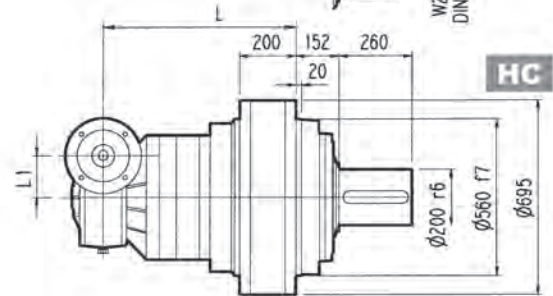
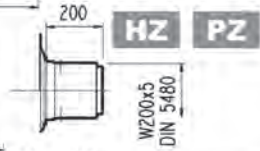
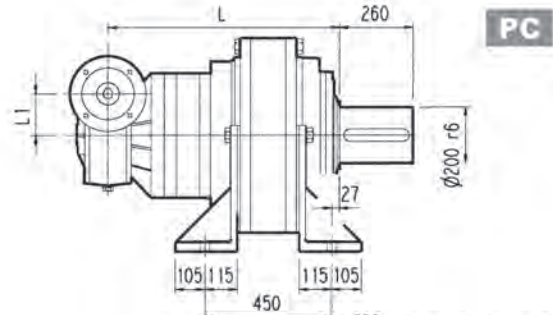
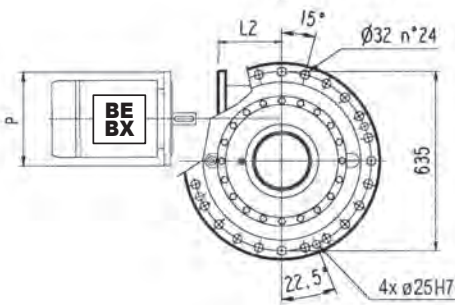
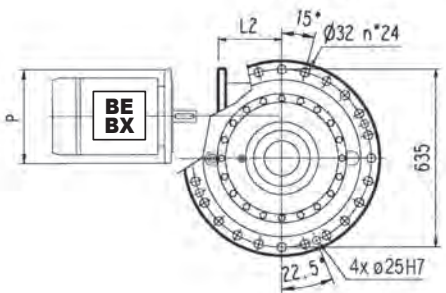
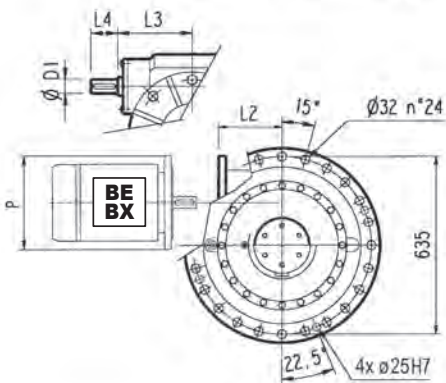
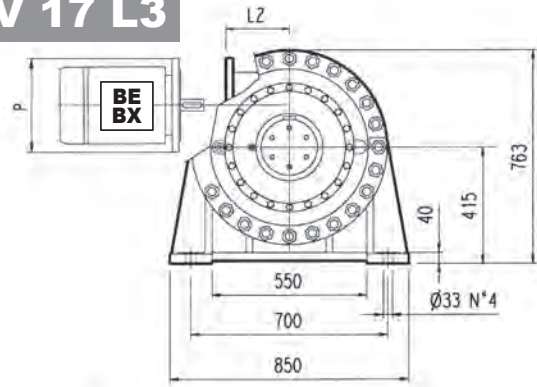


FP $M_{2max} = 242000 \text{ Nm}$

	P132		P160		P180		P200		P225		P250	
	E	P	E	P	E	P	E	P	E	P	E	P
317 R3 (B)	—	—	—	—	152	350	182	400	212	450	193	550
317 R3 (C)	—	—	—	—	152	350	182	400	212	450	193	550
317 R4	114	300	144	350	144	350	174	400	—	—	—	—



3/V 17 L3



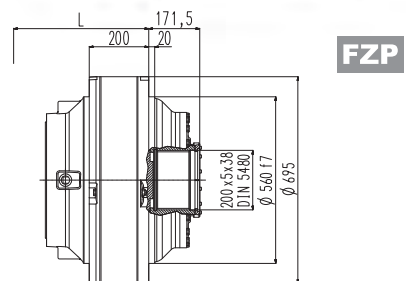
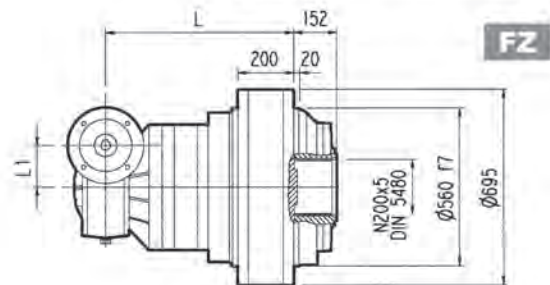
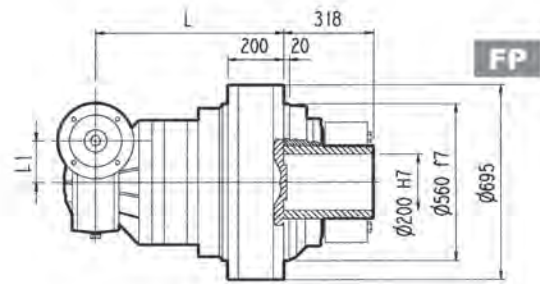
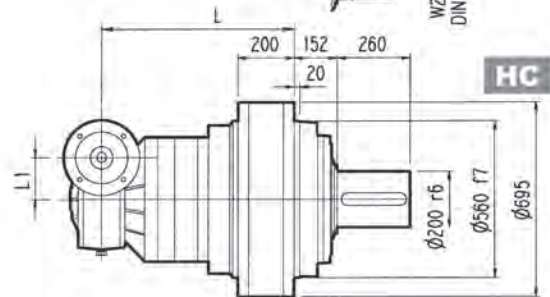
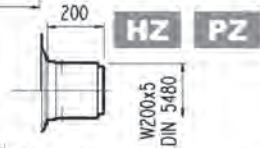
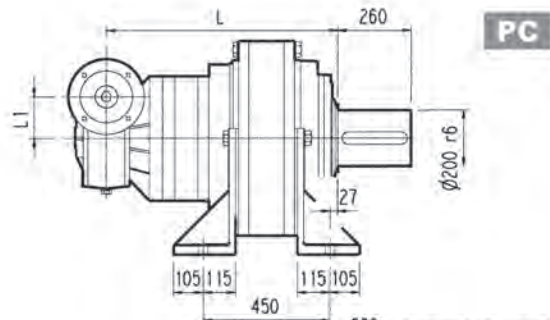
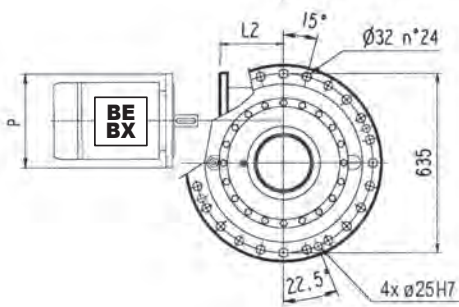
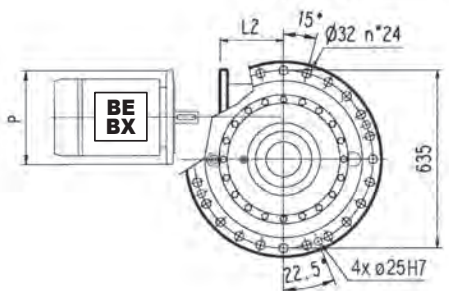
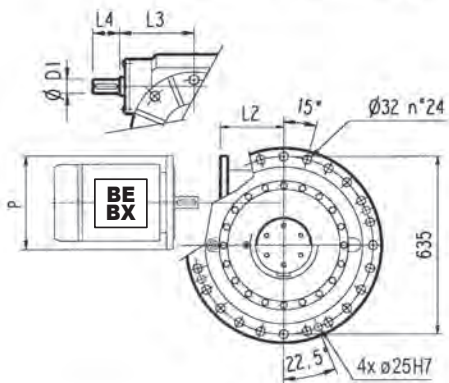
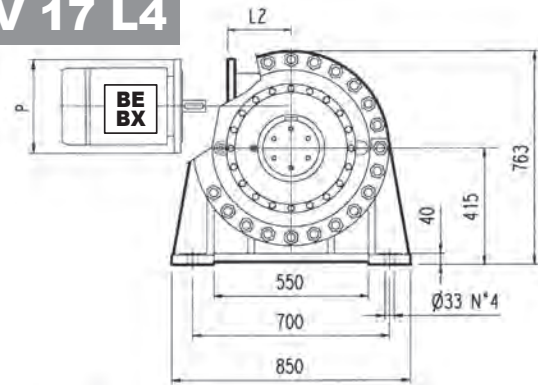
FP M_{2max} = 242000 Nm

	L				L1	D1	L3	L4	Kg				
	PC - PZ	HC - HZ	FZ - FZP	FP						PC - PZ	HC - HZ	FZ - FZP	FP
3/V 17 L3	894	745	745	745	250	55	276	110		1400	1250	1200	1250

	P132		P160		P180		P200		P225	
	L2	P	L2	P	L2	P	L2	P	L2	P
3/V 17 L3	531	300	506	350	506	350	531	400	536	450



3/V 17 L4



FP M_{2max} = 242000 Nm

	L				L1	D1	L3	L4	Kg				
	PC - PZ	HC - HZ	FZ - FZP	FP						PC - PZ	HC - HZ	FZ - FZP	FP
3/V 17 L4	975	823	823	823	185.4	40	214.5	70		1250	1090	1040	1090

	P100	P112	P132		P160		P180	
	P	P	L2	P	L2	P	L2	P
3/V 17 L4	250	250	217	300	217	350	217	350



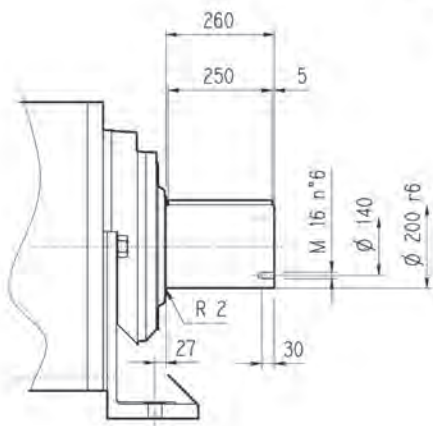
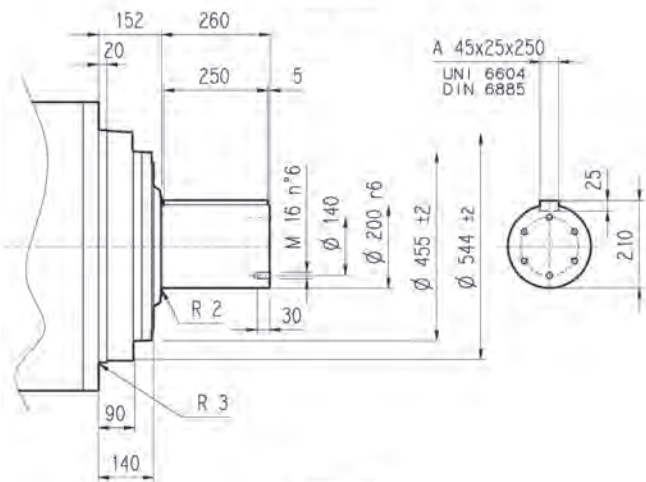
317 L

317 R

3/V 17 L

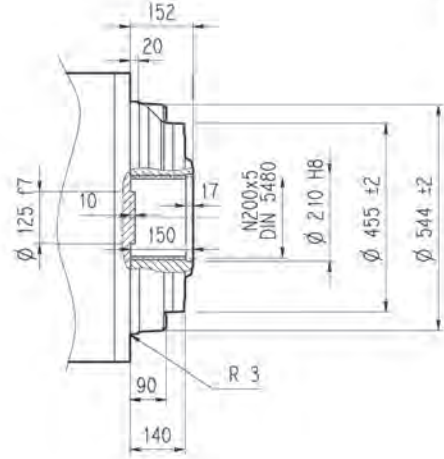
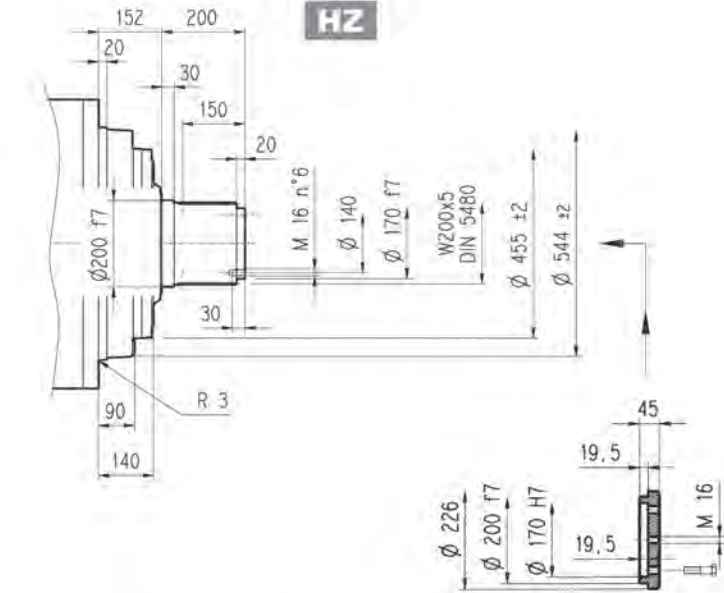
HC

PC



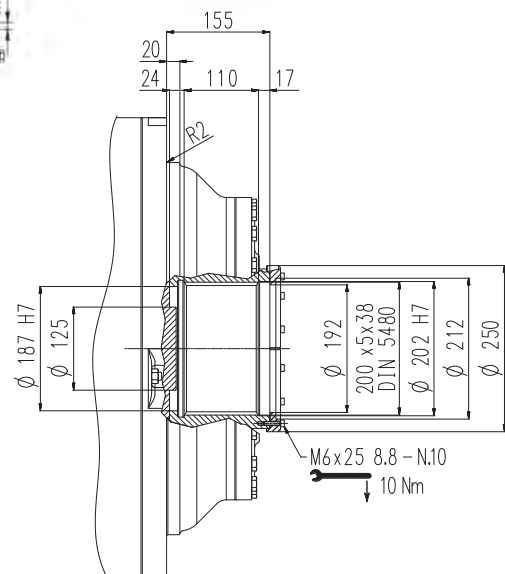
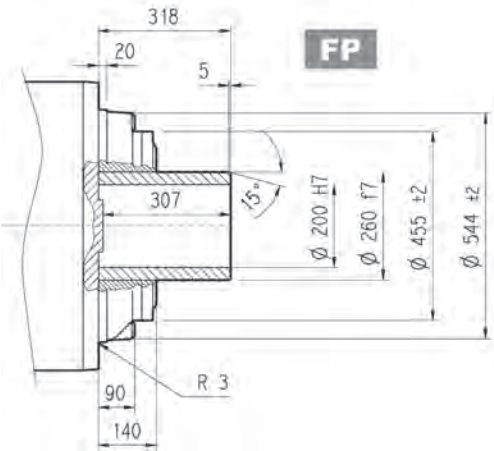
HZ

FZ



FP

FZP



FP

$M_{2max} = 242000 \text{ Nm}$



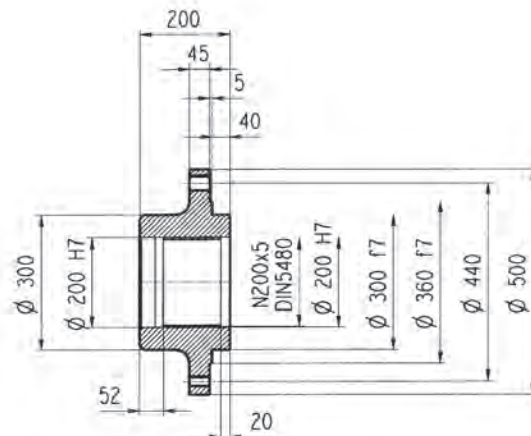
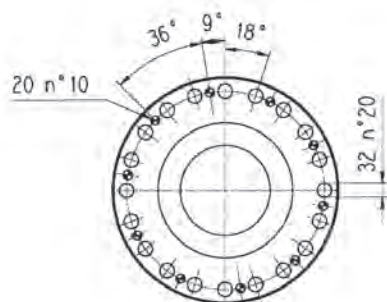
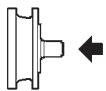
317 L

317 R

3/V 17 L

Flange

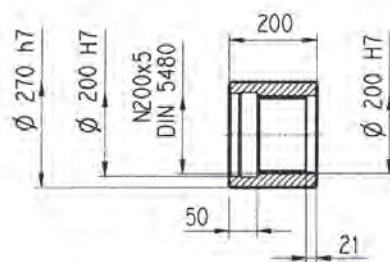
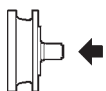
W0A



Material: Steel C40

Sleeve coupling

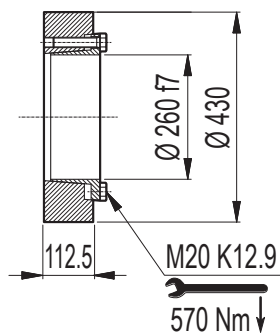
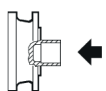
M0A



Material: Steel 16CrNi4

Shrink disc

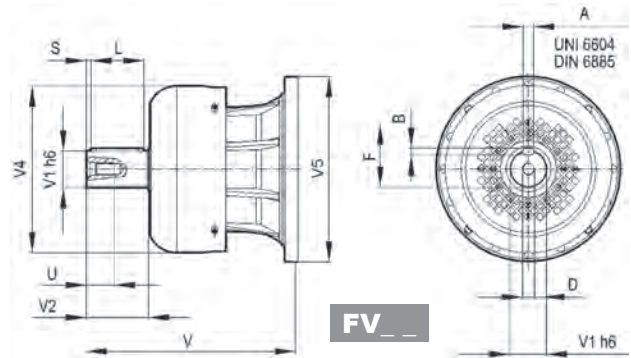
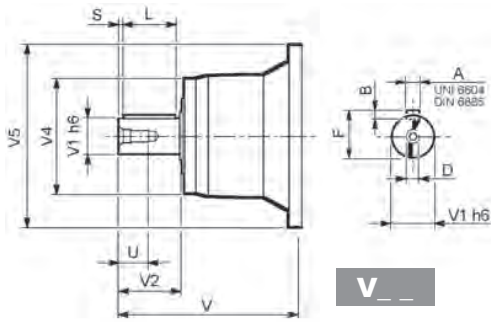
G0A





317 L

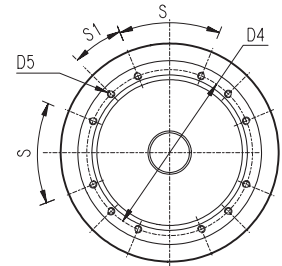
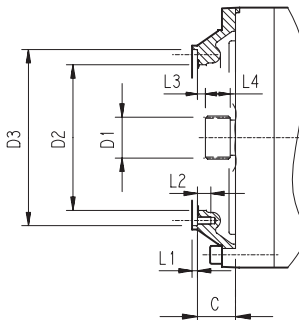
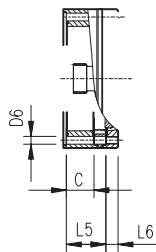
317 R



		V	V1	V2	V4	V5	A	B	F	L	S	D	U
317 L2	V11B	343	80	130	200	445	22	14	85	110	10	M16	36
	FV11B	451	80	130	347.5	445	22	14	85	110	10	M16	36
317 L3	V07B	315	80	130	200	345	22	14	85	110	10	M16	36
	FV07B	375	80	130	347.5	348	22	14	85	110	10	M16	36
	V07A	313	60	105	155	345	18	11	64	90	7.5	M16	36
	FV07A	363	60	105	309	348	18	11	64	90	7.5	M16	36
317 L4	V05B	239	48	82	155	245	14	9	51.5	70	6	M16	36
	FV05B	276	48	82	219.5	244	14	9	51.5	70	6	M16	36
317 R3 (B) (C)	V06B	307	60	105	155	292	18	11	64	90	7.5	M16	40
	FV06B	357	60	105	309	292	18	11	64	90	7.5	M16	36
317 R4	V05B	239	48	82	155	245	14	9	51.5	70	6	M16	36
	FV05B	276	48	82	219.5	244	14	9	51.5	70	6	M16	36

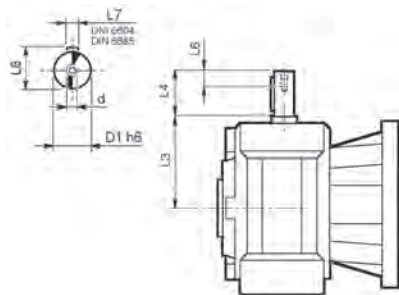
317 L

317 R



		C	D1	D2	D3	D4	D5	D6	L1	L2	L3	L4	L5	L6	S	S1	Input
317 L1	V9AF	181	120x3 DIN 5480	365	390 g7	415	M16 n°18	—	4	30	3	65	—	—	20°	20°	F
317 L2	V9AD	75	80x74 DIN 5482	270	335 H7	314	M16 n°8	—	5	30	9.5	40	—	—	60°	30°	D
317 L3	V9AB	51	58x53 DIN 5482	195	236 H7	222	M10 n°12	—	4	18	11	22	—	—	45°	22.5°	B
317 L4	V9AA	37	40x36 DIN 5482	140	178 H7	165	M10 n°8	—	4	18	9	18	—	—	45°	45°	A
317 R4	V9AA	37	40x36 DIN 5482	140	178 H7	165	M10 n°8	11	4	18	9	18	—	—	45°	45°	A
317 R3 (B) (C)	V9AB	45	58x53 DIN 5482	195	236 H7	222	M10 n°12	—	4	18	11	22	—	—	45°	22.5°	B

3/V 17 L



	D1 h6	L3	L4	L6	L7	L8	d
3/V 17 L3_HS	55	276	110	40	16	59	M16
3/V 17 L4_HS	40	214.5	70	20	12	43	M8

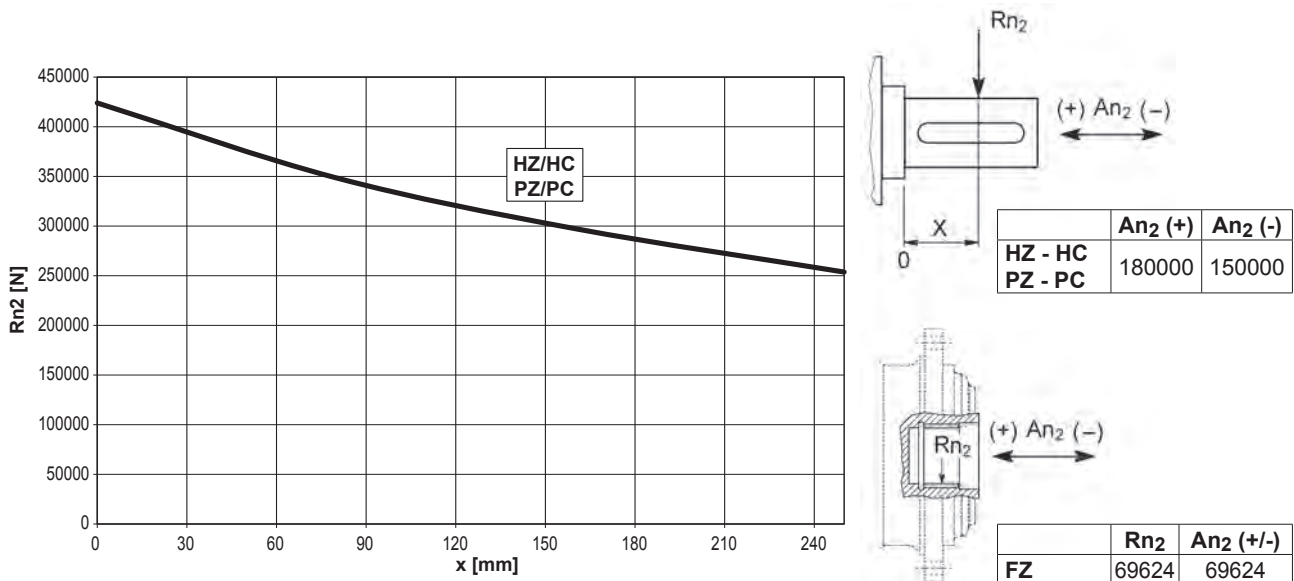


317 L

317 R

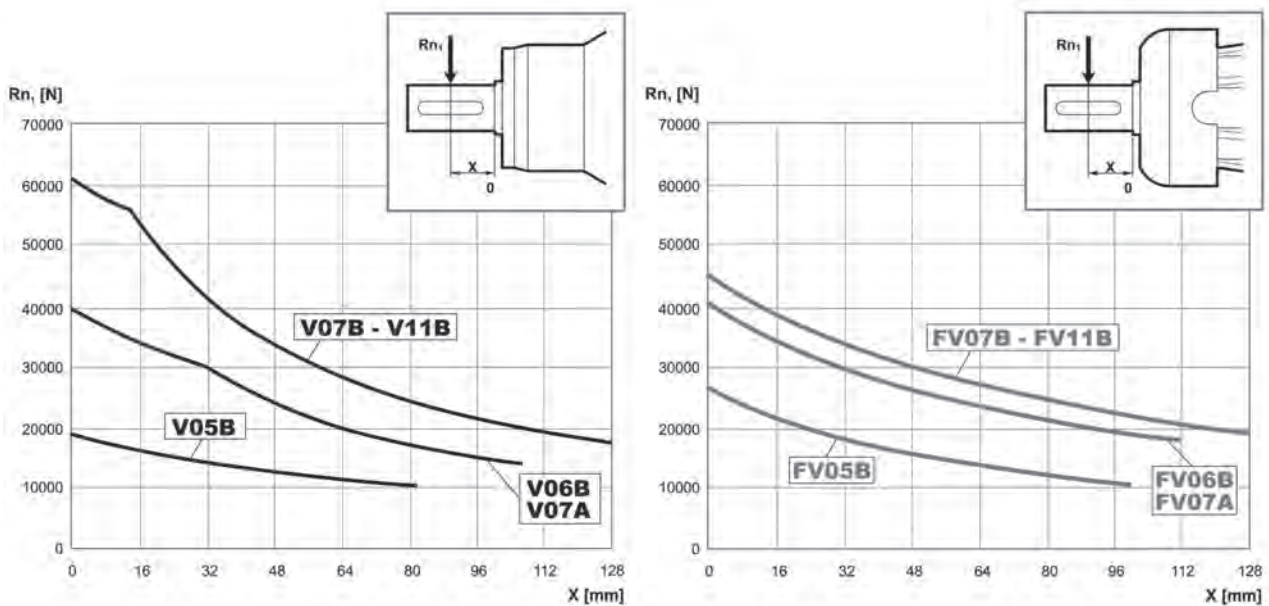
3/V 17 L

Permissible radial and axial loads on output shaft with $F_{h2} : n_2 \cdot h = 100000$

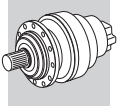


Load corrective factor f_{h2} on shafts	$F_{h2} = n_2 \cdot h$		10000	25000	50000	100000	500000	1000000	
	f_{h2}	FZ		2.15	1.59	1.26	1.00	0.58	0.46
		HZ - HC - PZ - PC		1.50	1.50	1.23	1.00	0.62	0.50

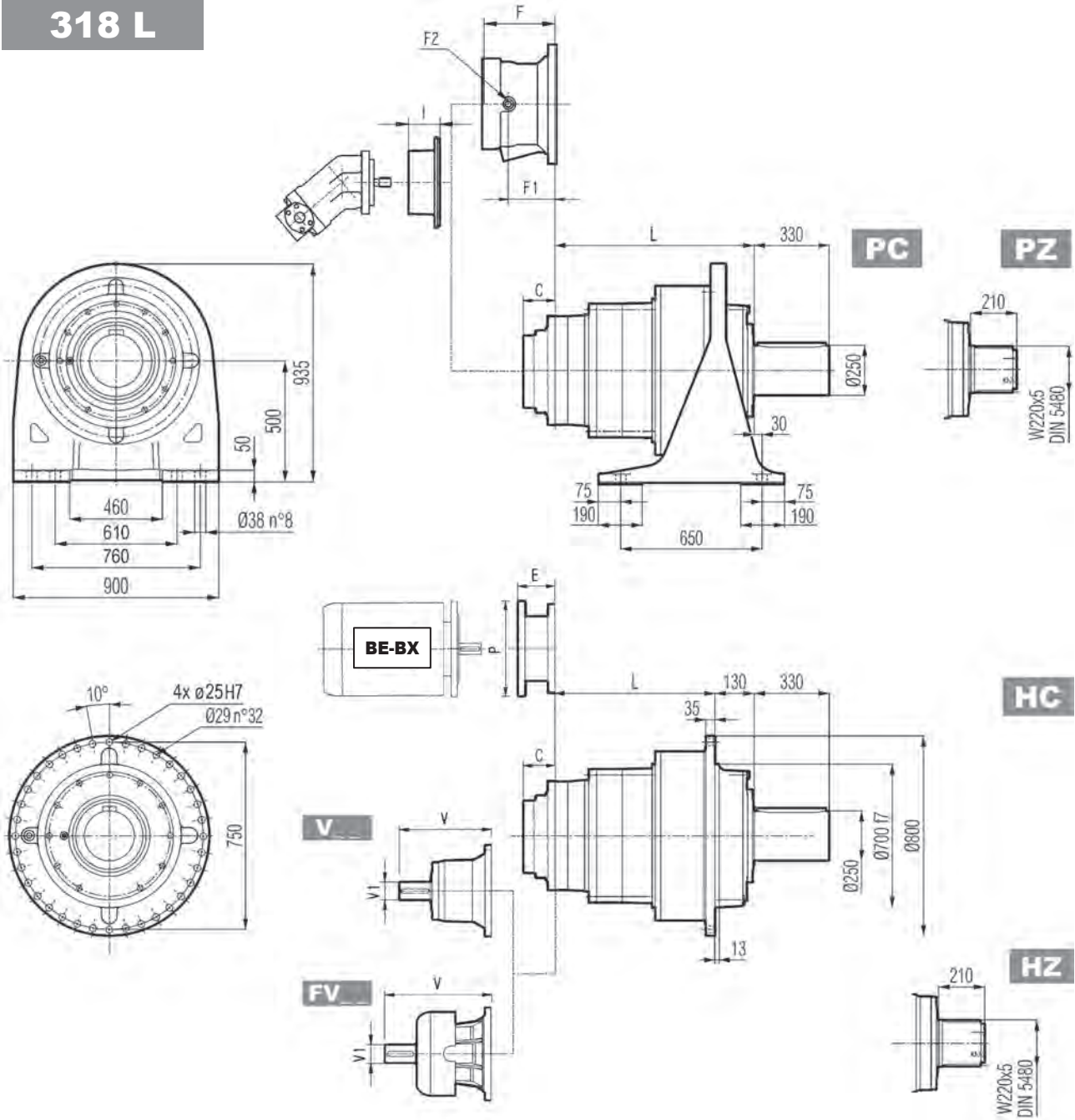
Permissible radial loads on input shaft with $F_{h1} : n_1 \cdot h = 250000$



Load corrective factor f_{h1} on shafts	$F_{h1} = n_1 \cdot h$		250000	500000	1000000	2000000	5000000	10000000
	f_{h1}	1		0.79	0.63	0.50	0.37	0.29



318 L

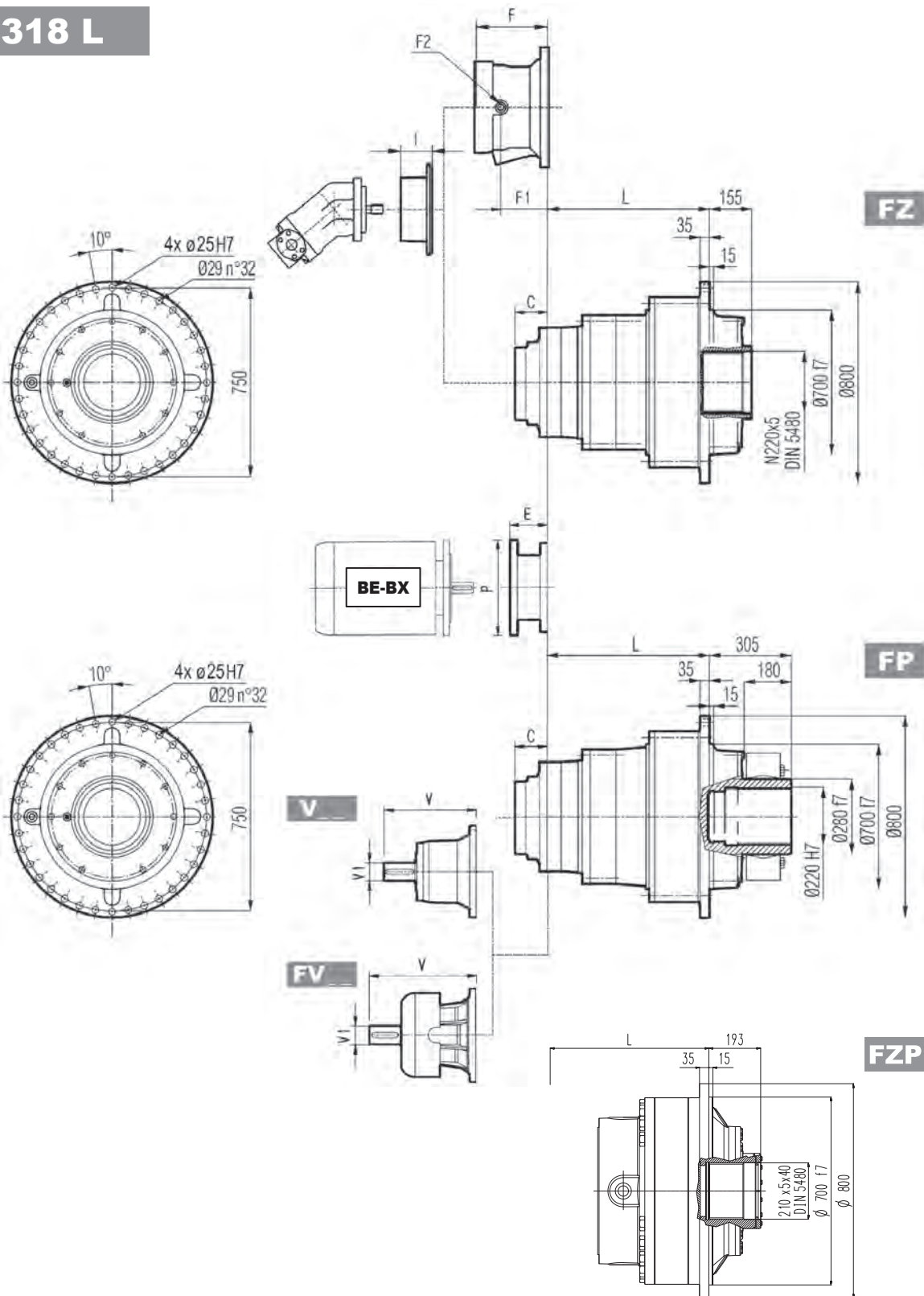


	L				Kg			
	PC - PZ	HC - HZ	FZ - FZP	FP	PC - PZ	HC - HZ	FZ - FZP	FP
318 L1	332	202	202	202	1250	950	800	830
318 L2	677	547	547	547	1500	1200	1050	1080
318 L3	889	759	759	759	1600	1300	1150	1180
318 L4	1022	892	892	892	1650	1350	1200	1230

	V						V1						C	Input	I	F					
	V	V1	Kg	V	V1	Kg	V	V1	Kg	V	V1	Kg				F	F1	F2	Type	Input	Kg
318 L1	—	—	—	—	—	—	—	—	—	—	—	—	208	G	—	—	—	—	—	—	—
318 L2	556	120	125	—	—	—	—	—	—	—	—	—	116	E	—	—	—	—	—	—	—
318 L3	348	80	55	—	—	—	456	80	85	—	—	—	81	D	461	232	185	1/4 G	6	B	28
318 L4	315	80	35	313	60	28	375	80	48	363	60	34	51	B	461	201	153	1/4 G	6	B	28



318 L

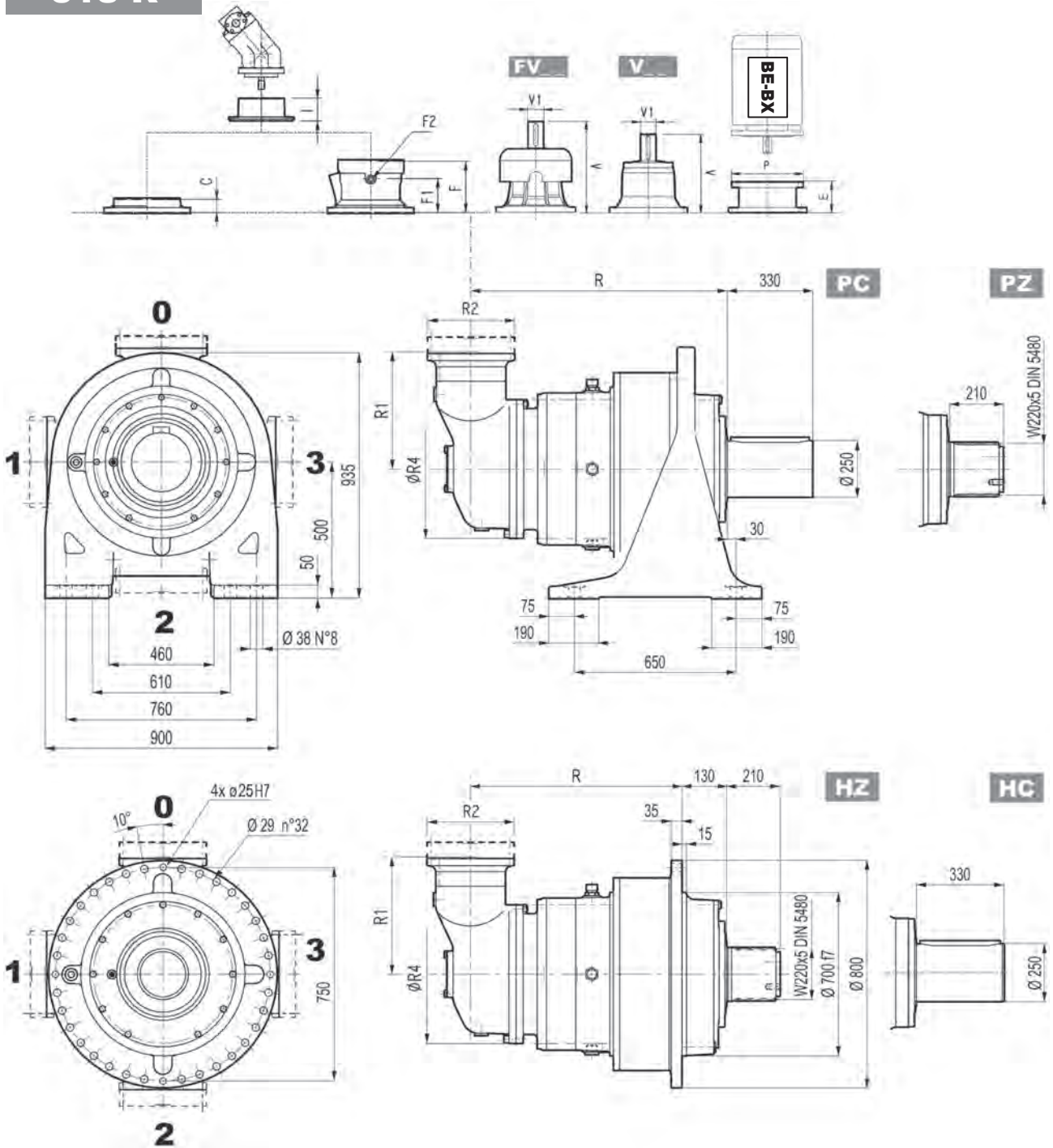


FP $M_{2max} = 322000 \text{ Nm}$

	P180		P200		P225		P250	
	E	P	E	P	E	P	E	P
318 L3	—	—	267	400	297	450	297	550
318 L4	195	350	186	400	216	450	215	550

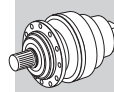


318 R

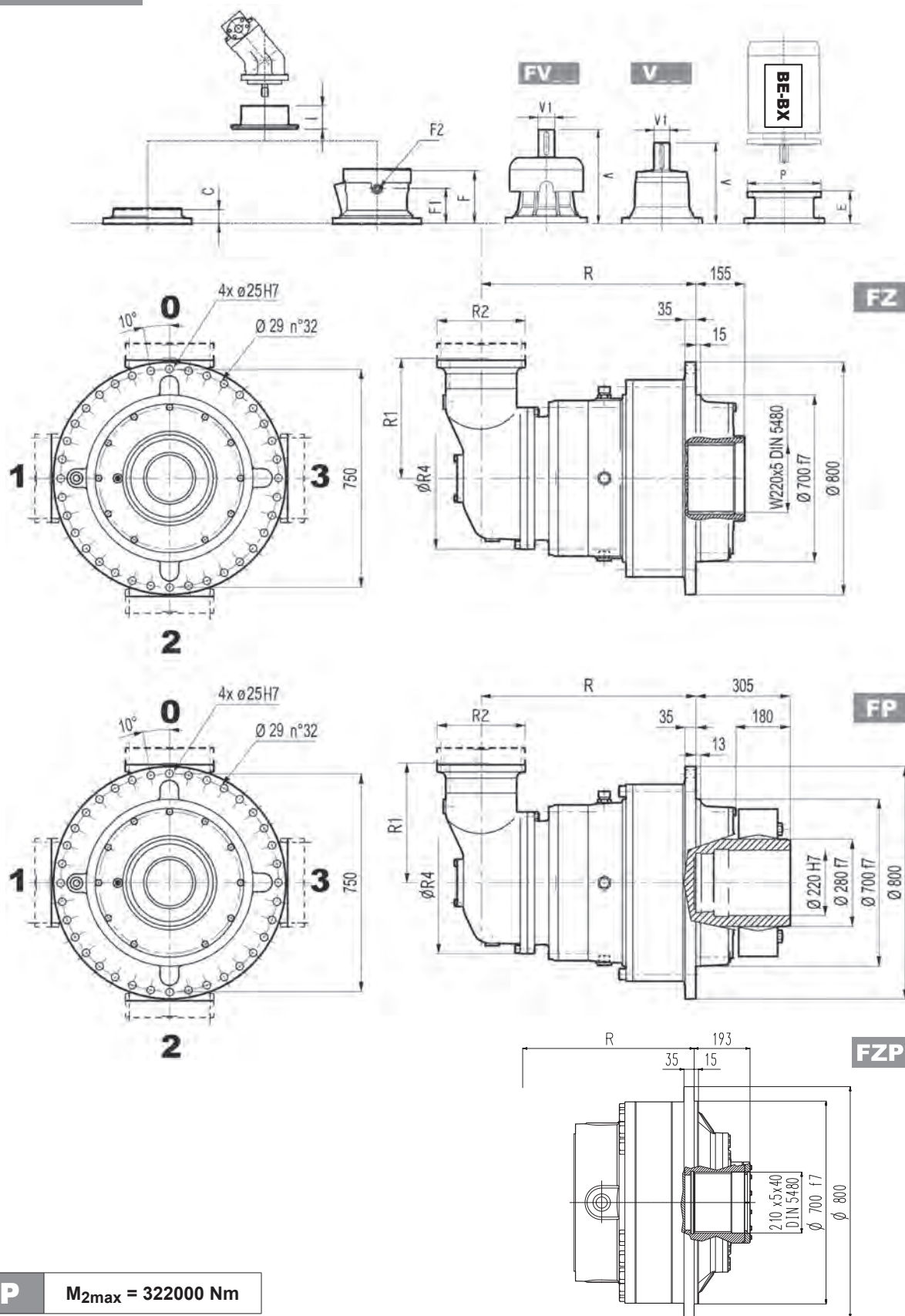


	R				R1	R2	R4	Kg			
	PC-PZ	HC-HZ	FZ - FZP	FP				PC-PZ	HC-HZ	FZ - FZP	FP
318 R4 (B)	1115	985	985	985	345	292	400	1720	1420	1270	1300
318 R4 (C)	1115	985	985	985	390	292	480	1730	1430	1280	1310

	V			V			V			C	Input	I	F	F1	F2	Type	Input	Kg			
	V	V1	Kg	V	V1	Kg	V	V1	Kg												
318 R4 (B)	307	60	23	—	—	—	357	60	28	—	—	—	45	B	195	147	1/4 G	6	B	28	
318 R4 (C)	307	60	23	—	—	—	357	60	28	—	—	—	45	B	461	195	147	1/4 G	6	B	28



318 R

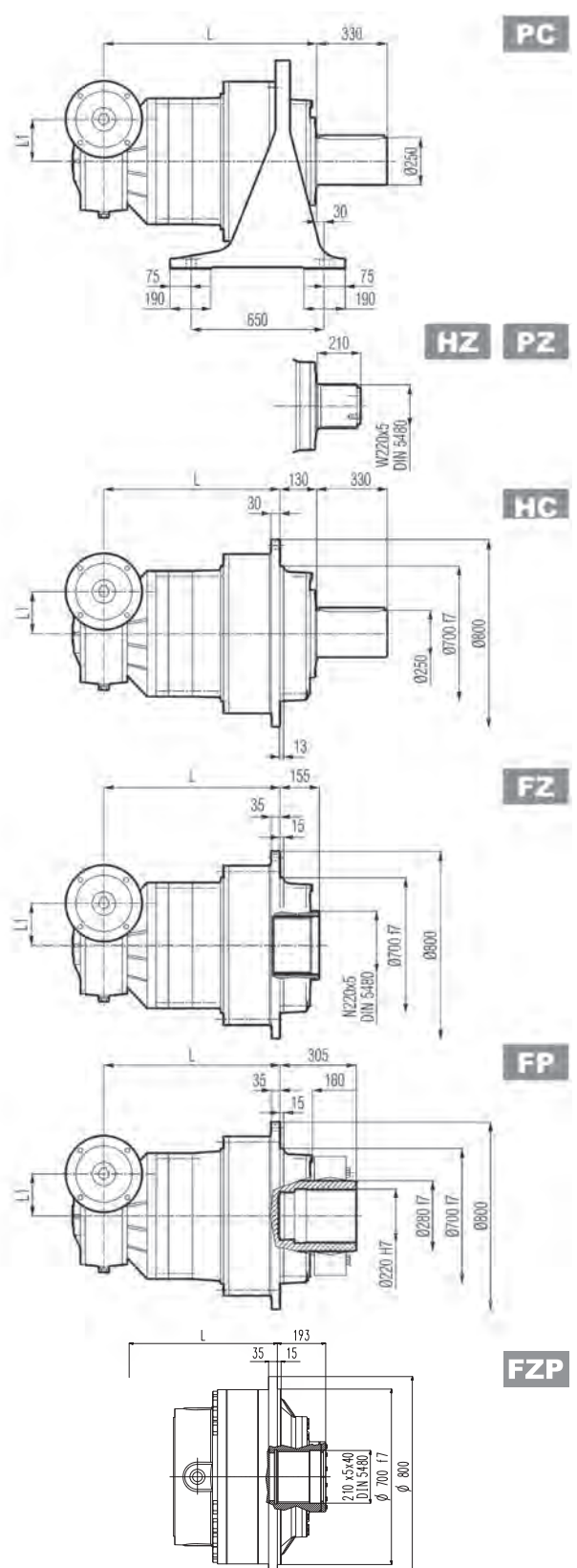
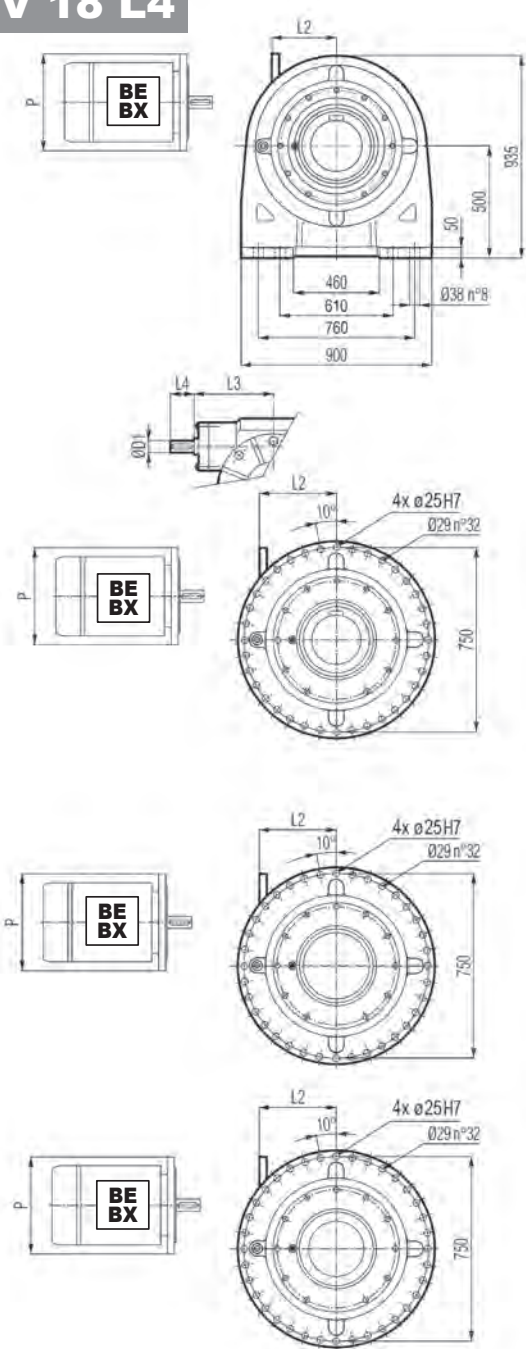


FP $M_{2max} = 322000 \text{ Nm}$

	P132		P160		P180		P200		P225		P250	
	E	P	E	P	E	P	E	P	E	P	E	P
318 R4 (B)	—	—	—	—	152	350	182	400	212	450	193	550
318 R4 (C)	—	—	—	—	152	350	182	400	212	450	193	550



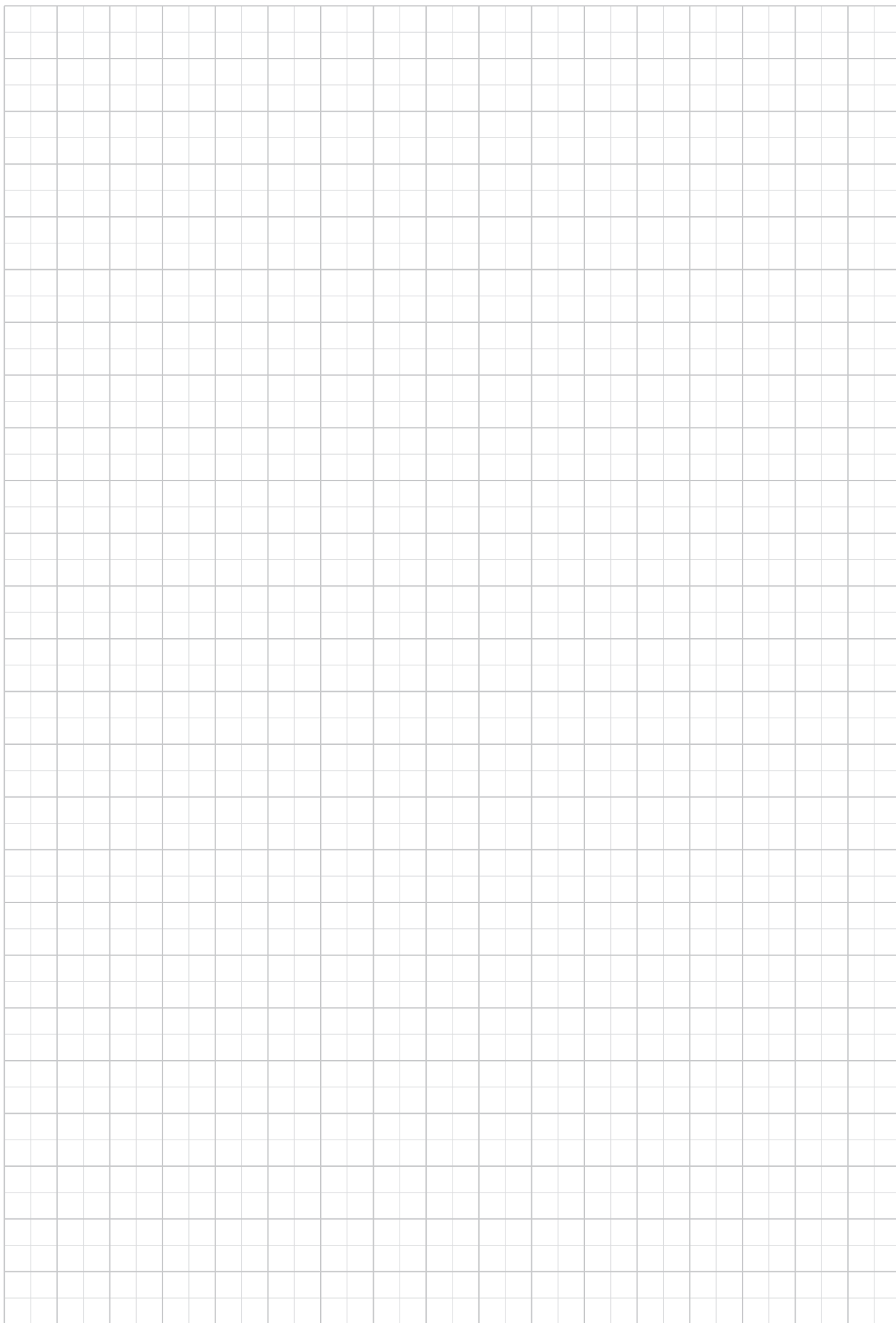
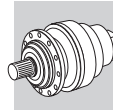
3/V 18 L4



FP M_{2max} = 322000 Nm

	L				L1	D1	L3	L4	Kg				
	PC - PZ	HC - HZ	FZ - FZP	FP						PC - PZ	HC - HZ	FZ - FZP	FP
3/V 18 L4	1114	984	984	984	210	48	230	110		1810	1510	1360	1390

	P132		P160		P180		P200		P225	
	L2	P	L2	P	L2	P	L2	P	L2	P
3/V 18 L4	485	300	460	350	460	350	485	400	490	450

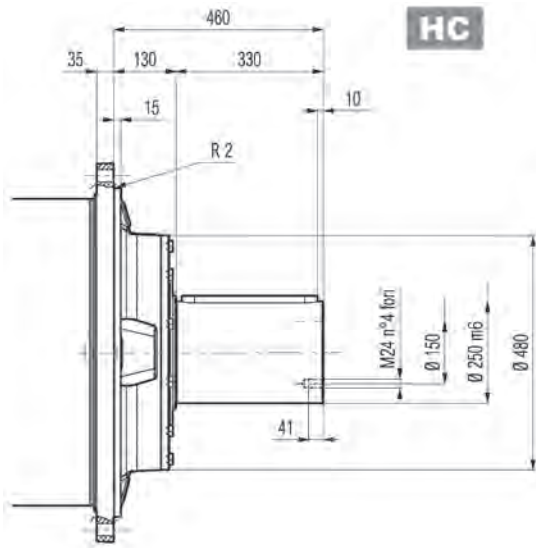




318 L

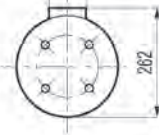
318 R

3/V 18 L4

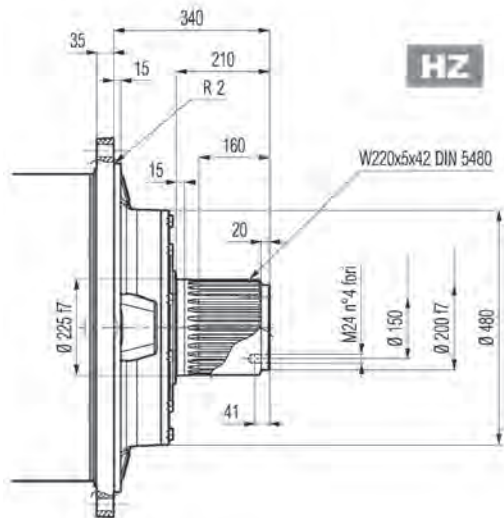
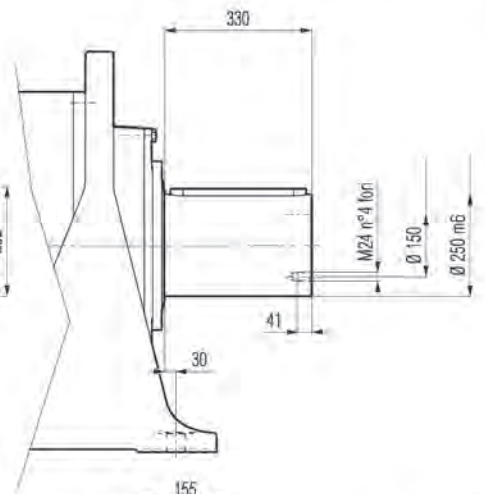


HC

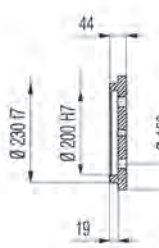
A56x32x310
UNI 6604
DIN 6885



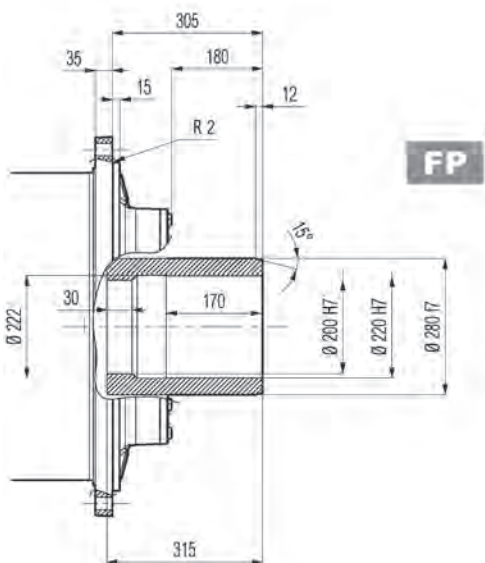
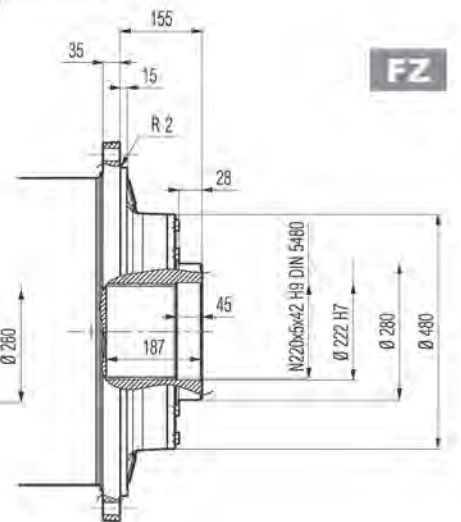
PC



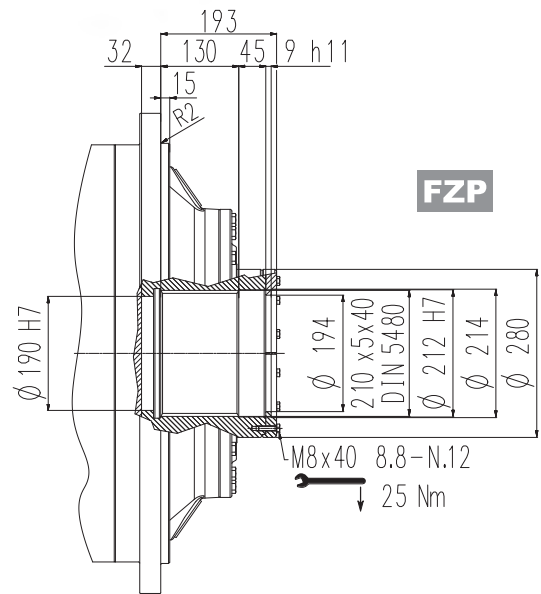
HZ



FZ



FP



FZP

FP $M_{2max} = 322000 \text{ Nm}$



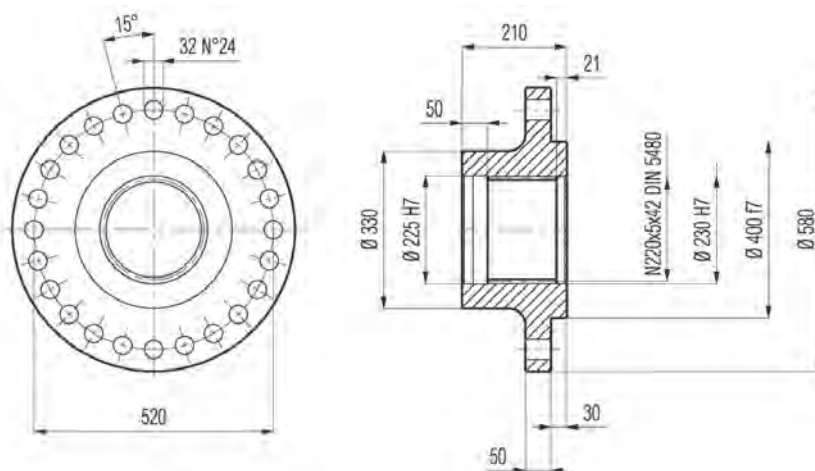
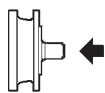
318 L

318 R

3/V 18 L4

Flange

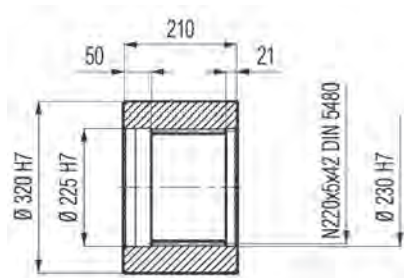
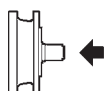
W0A



Material: Steel C40

Sleeve coupling

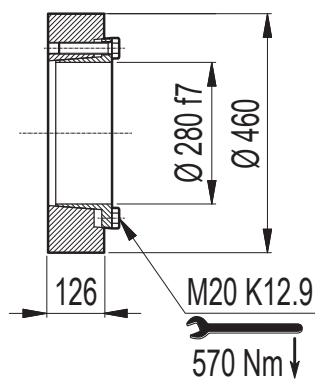
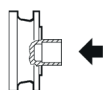
M0A



Material: Steel C40

Shrink disc

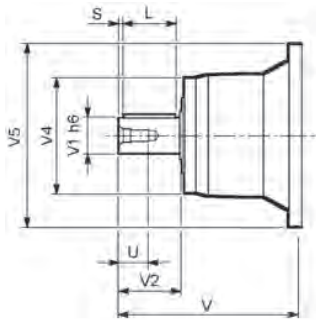
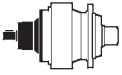
G0A



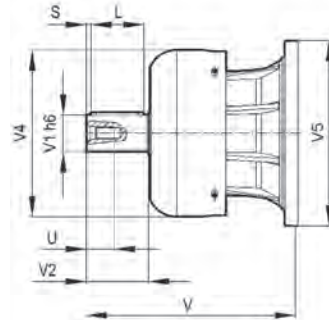


318 L

318 R



V__



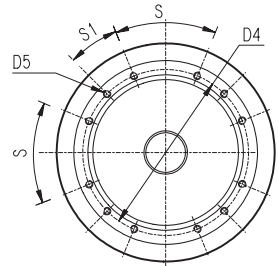
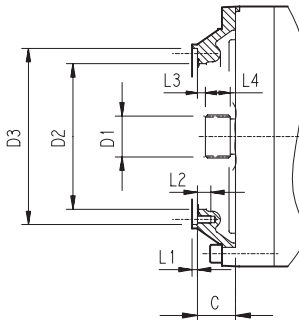
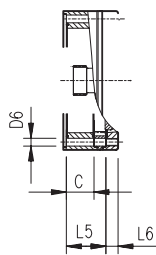
FV__



		V	V1	V2	V4	V5	A	B	F	L	S	D	U
318 L2	V15B	556	120	210	230	542	32	18	127	180	15	M24	50
318 L3	V11B	348	80	130	200	428	22	14	85	110	10	M16	36
	FV11B	456	80	130	347.5	428	22	14	85	110	10	M16	36
318 L4	V07B	315	80	130	200	345	22	14	85	110	10	M16	36
	FV07B	375	80	130	347.5	348	22	14	85	110	10	M16	36
	V07A	313	60	105	155	345	18	11	64	90	7.5	M16	36
	FV07A	363	60	105	309	348	18	11	64	90	7.5	M16	36
318 R4 (B) (C)	V06B	307	60	105	155	292	18	11	64	90	7.5	M16	36
	FV06B	357	60	105	309	292	18	11	64	90	7.5	M16	36

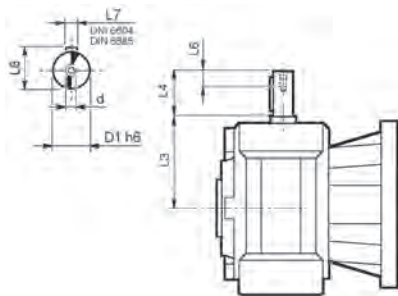
318 L

318 R



		C	D1	D2	D3	D4	D5	D6	L1	L2	L3	L4	L5	L6	S	S1	Input
318 L1																	
318 L2	V9AE	116	100x94 DIN 5482	340	412 H7	390	M16 n° 18	—	7	30	8	55	—	—	20°	20°	E
318 L3	V9AD	81	80x74 DIN 5482	270	335 H7	314	M16 n° 8	—	5	30	8.5	40	—	—	60°	30°	D
318 L4	V9AB	51	58x53 DIN 5482	195	236 H7	222	M16 n° 12	—	4	18	11	22	—	—	45°	22.5°	B
318 R4 (B) (C)	V9AB	45	58x53 DIN 5482	195	236 H7	222	M10 n° 10	—	4	18	11	22	—	—	45°	22.5°	B

3/V 18 L4



	D1 h6	L3	L4	L6	L7	L8	d
3/V 18 L4_HS	48	230	110	40	14	51.5	M16

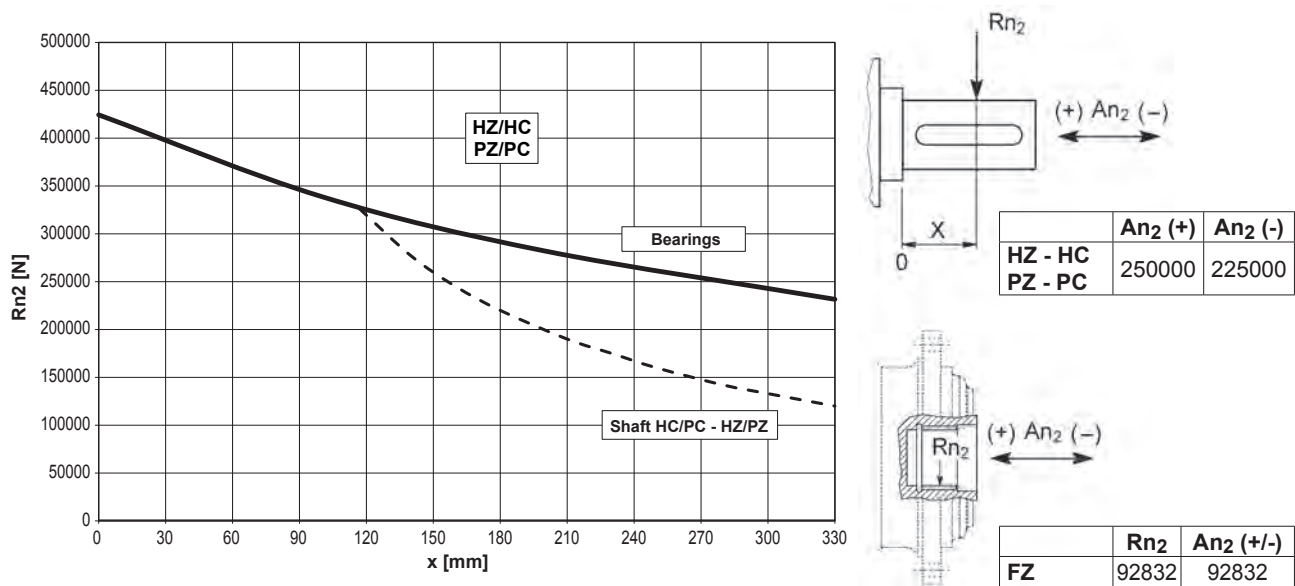


318 L

318 R

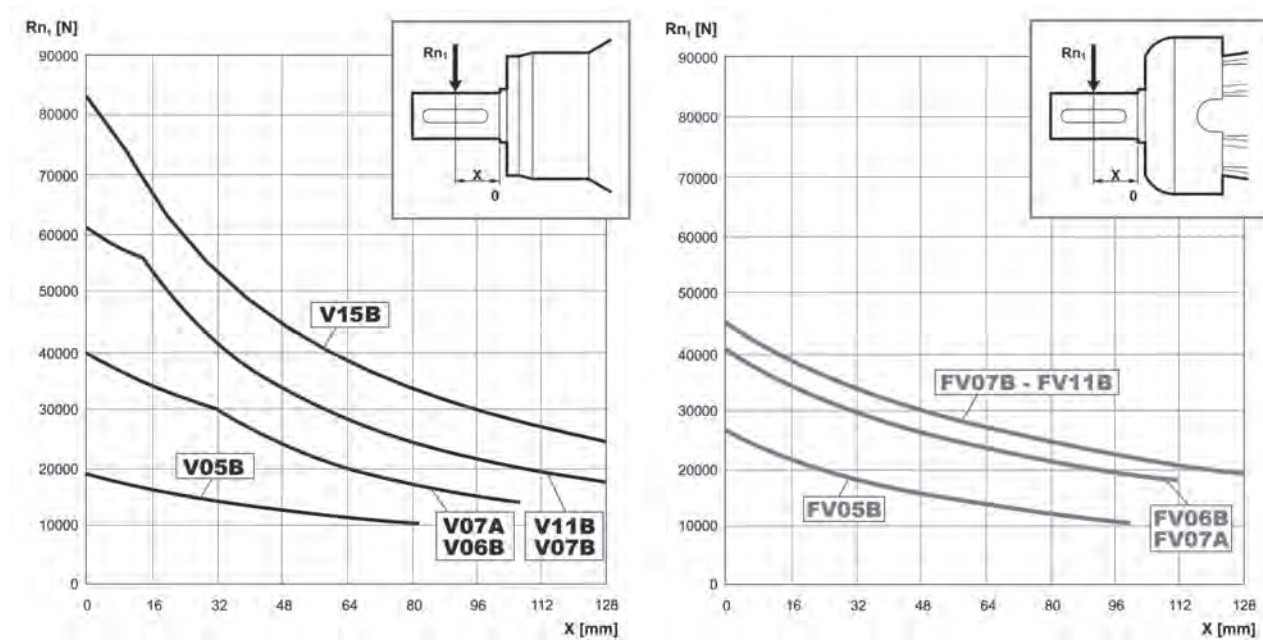
3/V 18 L4

Permissible radial and axial loads on output shaft with $F_{h2} : n_2 \cdot h = 100000$



Load corrective factor f_{h2} on shafts	$F_{h2} = n_2 \cdot h$							
		10000	25000	50000	100000	500000	1000000	
	f_{h2}	FZ	2.15	1.59	1.26	1.00	0.58	0.46
		HC - PC	1.96	1.52	1.23	1.00	0.62	0.50
		HZ - PZ	1.15	1.00	1.00	1.00	0.62	0.50

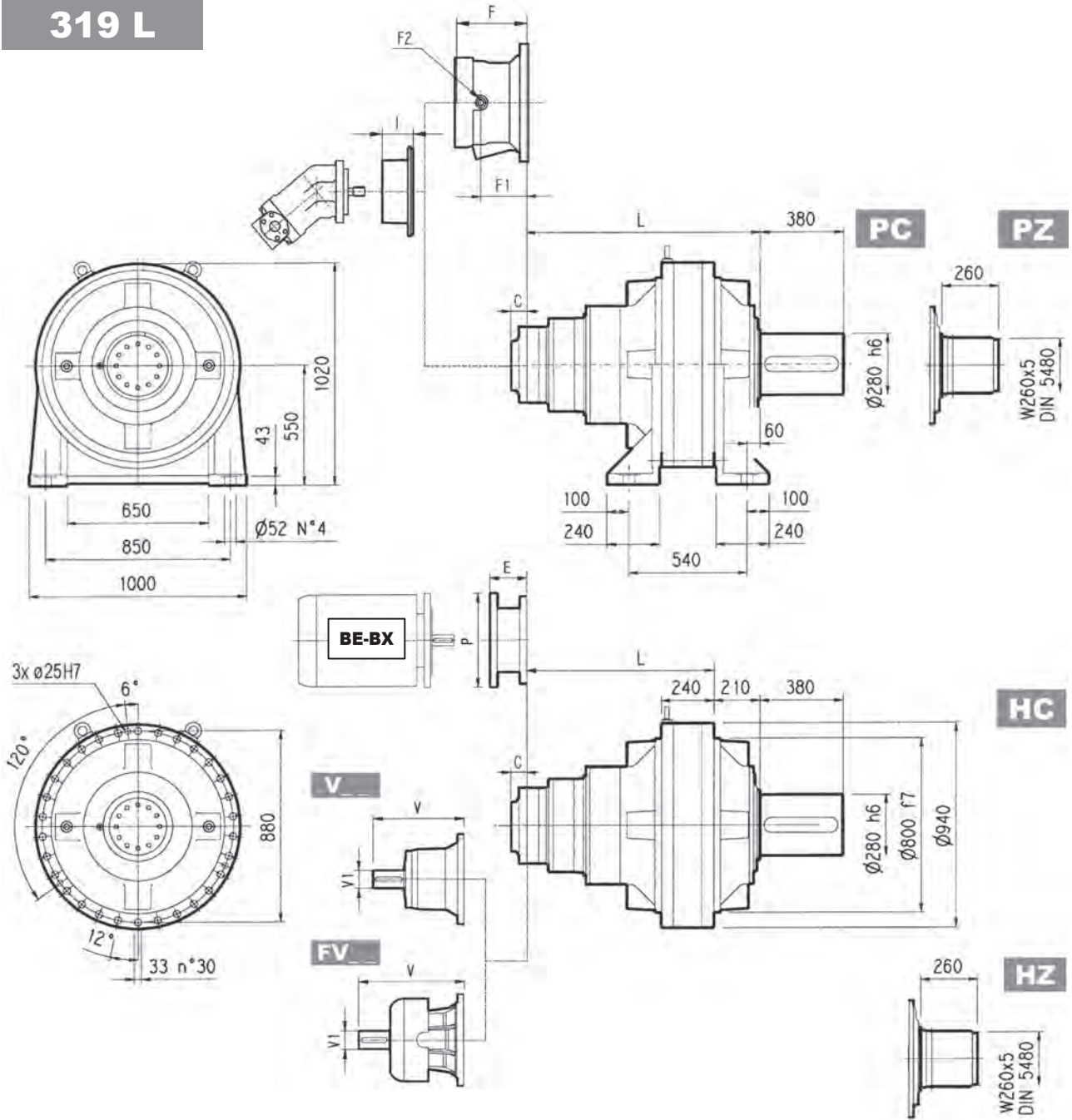
Permissible radial loads on input shaft with $F_{h1} : n_1 \cdot h = 250000$



Load corrective factor f_{h1} on shafts	$F_{h1} = n_1 \cdot h$						
		250000	500000	1000000	2000000	5000000	10000000
f_{h1}		1	0.79	0.63	0.50	0.37	0.29

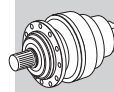


319 L

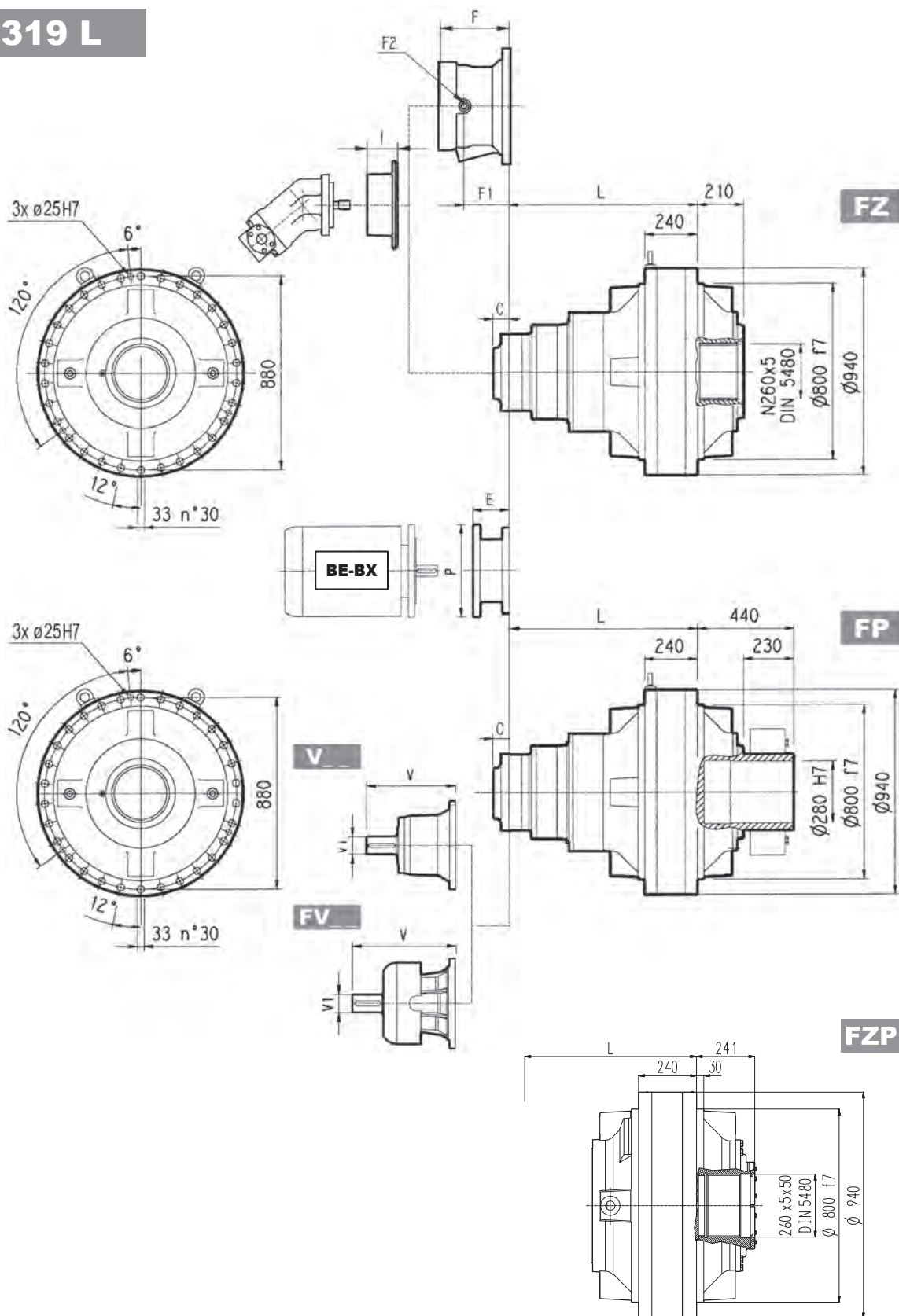


	L				Kg			
	PC - PZ	HC - HZ	FZ - FZP	FP	PC - PZ	HC - HZ	FZ - FZP	FP
319 L1	395	185	185	185	2100	1800	1700	1700
319 L2	778	568	568	568	2350	2050	1950	1950
319 L3	990	780	780	780	2435	2135	2035	2035
319 L4	1123	913	913	913	2480	2180	2080	2080

	V			V1			V			V1			C	Input	I	F	F1	F2	Type	Input	Kg
	V	V1	Kg	V	V1	Kg	V	V1	Kg	V	V1	Kg									
319 L1	—	—	—	—	—	—	—	—	—	—	—	—	245	G	—	—	—	—	—	—	—
319 L2	556	120	125	—	—	—	—	—	—	—	—	—	116	E	—	—	—	—	—	—	—
319 L3	348	80	55	—	—	—	456	80	85	—	—	—	81	D	461	232	185	1/4 G	6	B	28
319 L4	315	80	35	313	60	28	375	80	48	363	60	34	51	B	461	201	153	1/4 G	6	B	28



319 L



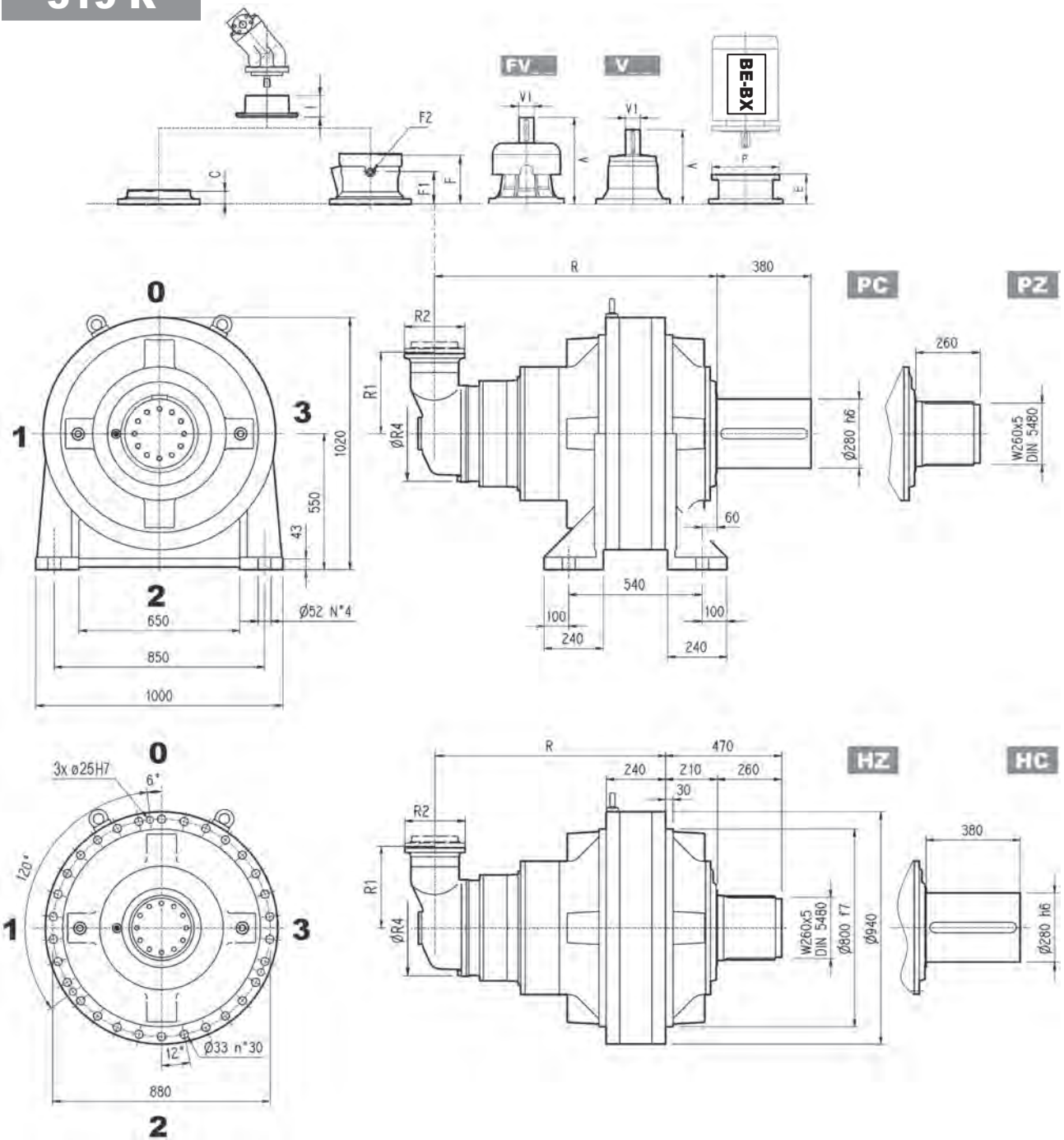
FP

$M_{2max} = 480000 \text{ Nm}$

	P180		P200		P225		P250	
	E	P	E	P	E	P	E	P
319 L3	—	—	267	400	297	450	297	550
319 L4	195	350	186	400	216	450	216	550

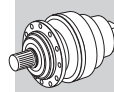


319 R

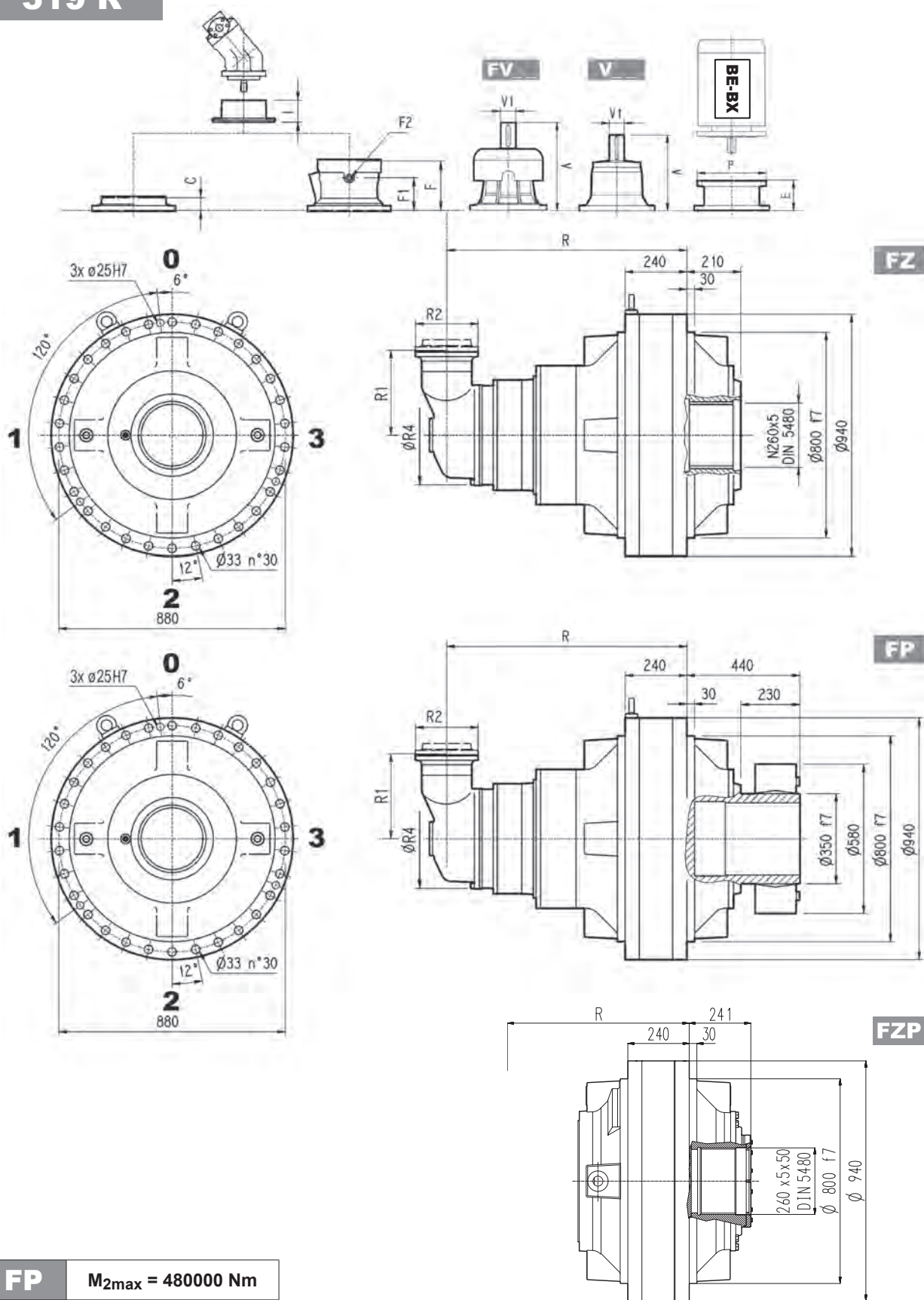


	R				R1	R2	R4	Kg			
	PC-PZ	HC-HZ	FZ - FZP	FP				PC-PZ	HC-HZ	FZ - FZP	FP
319 R4 (B)	1215	1005	1005	1005	345	292	400	2560	2260	2160	2160
319 R4 (C)	1215	1005	1005	1005	390	292	480	2580	2280	2180	2180

	V			Kg			V			Kg			C	Input	I	F	F1	F2	Type	Input	Kg
	V	V1	Kg	V	V1	Kg	V	V1	Kg	V	V1	Kg									
319 R4 (B)	307	60	23	—	—	—	357	60	28	—	—	—	45	B	461	195	147	1/4 G	6	B	28
319 R4 (C)	307	60	23	—	—	—	357	60	28	—	—	—	45	B	461	195	147	1/4 G	6	B	28



319 R

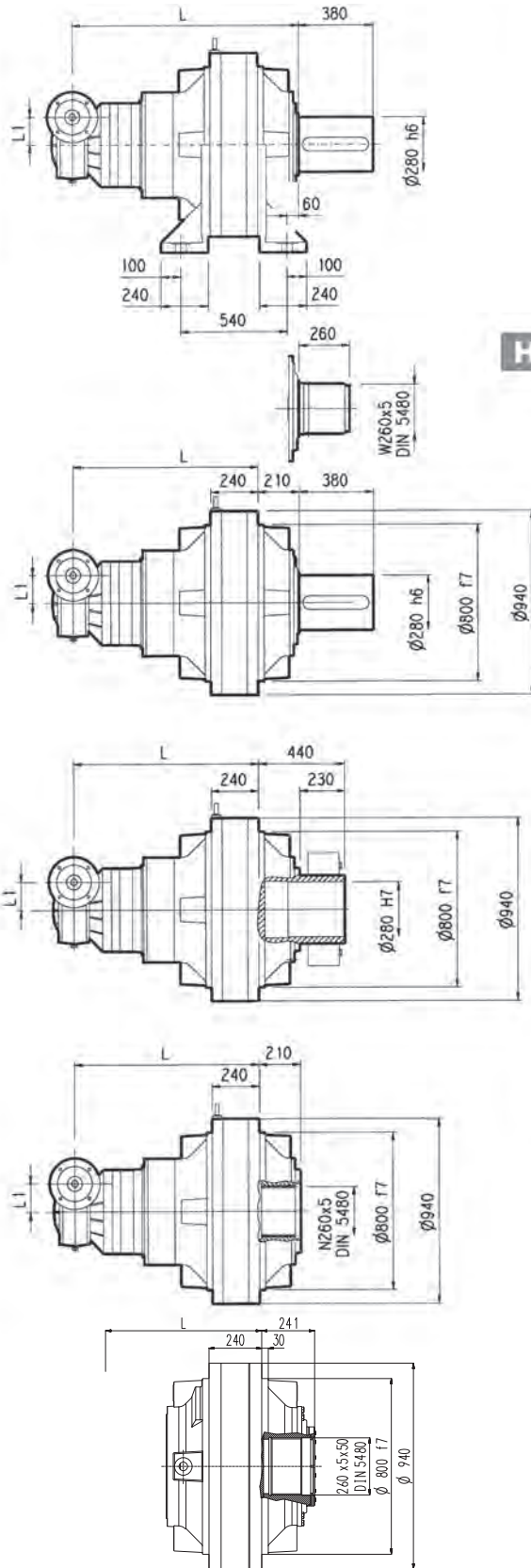
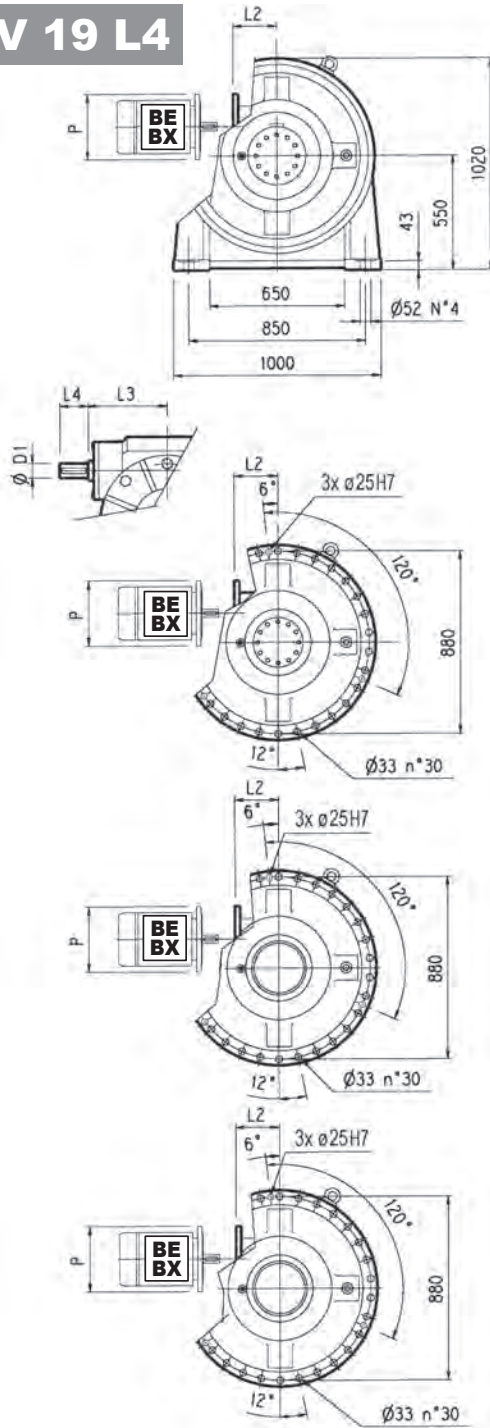


FP $M_{2max} = 480000 \text{ Nm}$

	P132		P160		P180		P200		P225		P250	
	E	P	E	P	E	P	E	P	E	P	E	P
319 R4 (B)	—	—	—	—	152	350	182	400	212	450	193	550
319 R4 (C)	—	—	—	—	152	350	182	400	212	450	193	550



3/V 19 L4



PC

HZ PZ

HC

FP

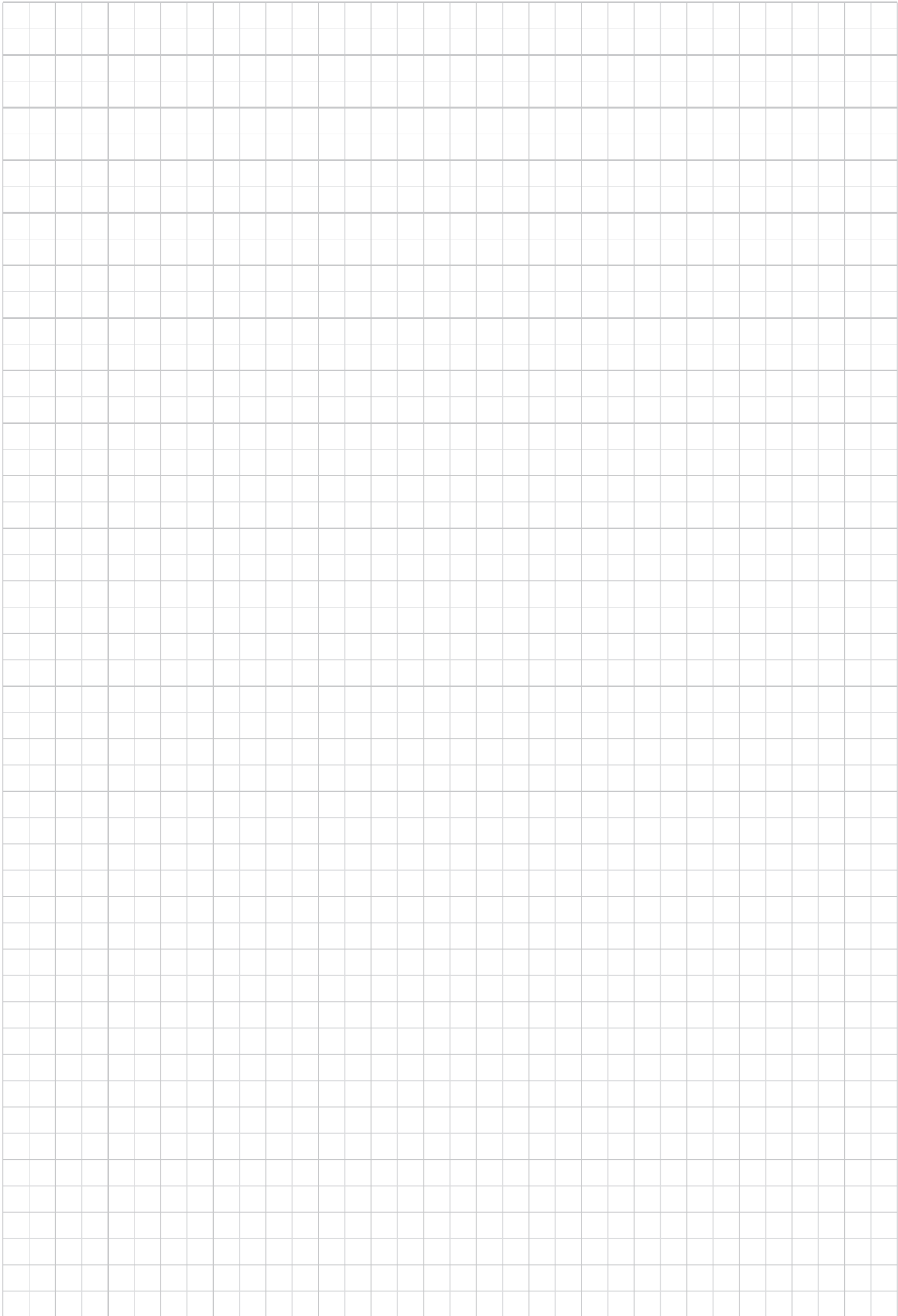
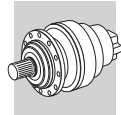
FZ

FZP

FP M_{2max} = 480000 Nm

	L				L1	D1	L3	L4	Kg				
	PC - PZ	HC - HZ	FZ - FZP	FP						PC - PZ	HC - HZ	FZ - FZP	FP
3/V 19 L4	1210	1000	1000	1000	210	48	230	110		2650	2350	2250	2250

	P132		P160		P180		P200		P225	
	L2	P	L2	P	L2	P	L2	P	L2	P
3/V 19 L4	485	300	460	350	460	350	485	400	490	450



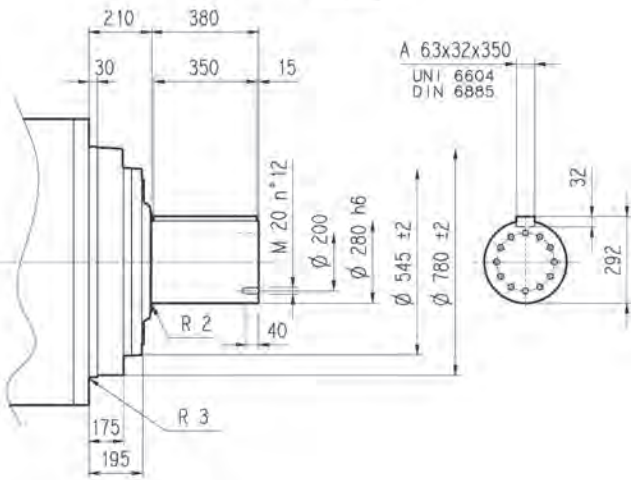


319 L

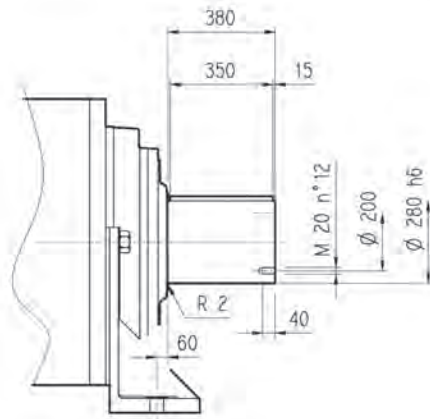
319 R

3/V 19 L4

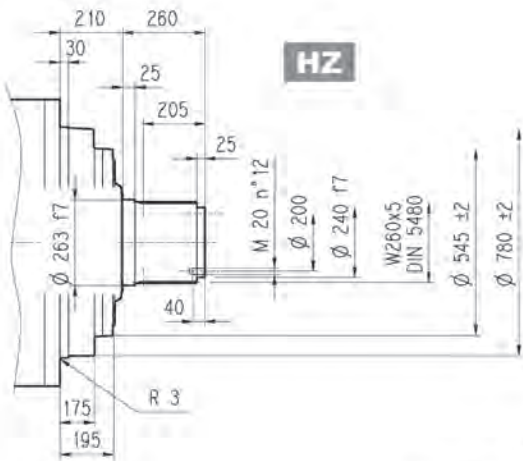
HC



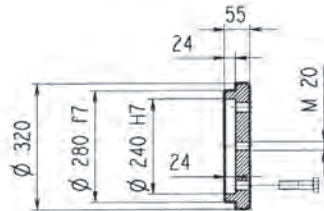
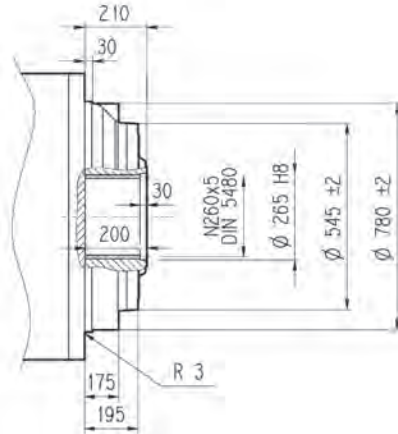
PC



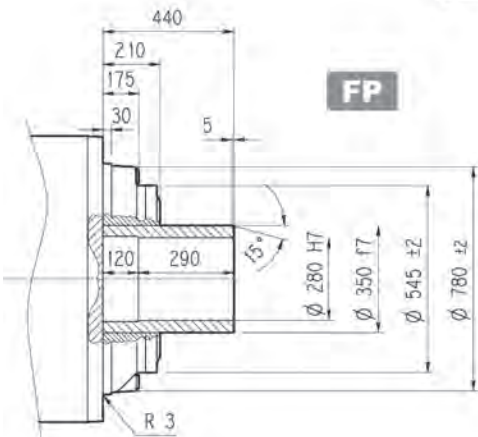
HZ



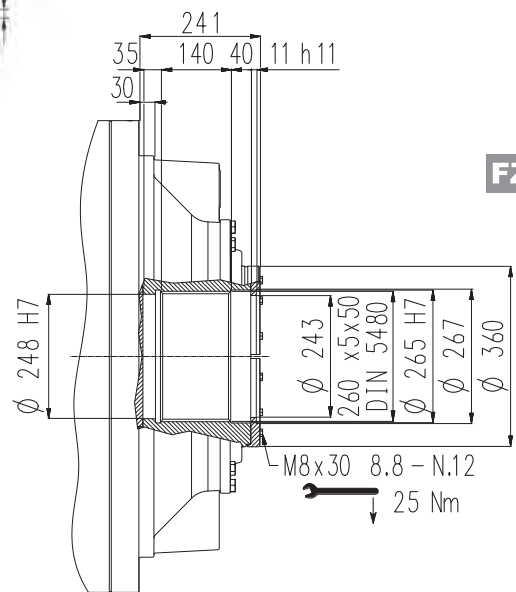
FZ



FP



FZP



FP

M_{2max} = 480000 Nm



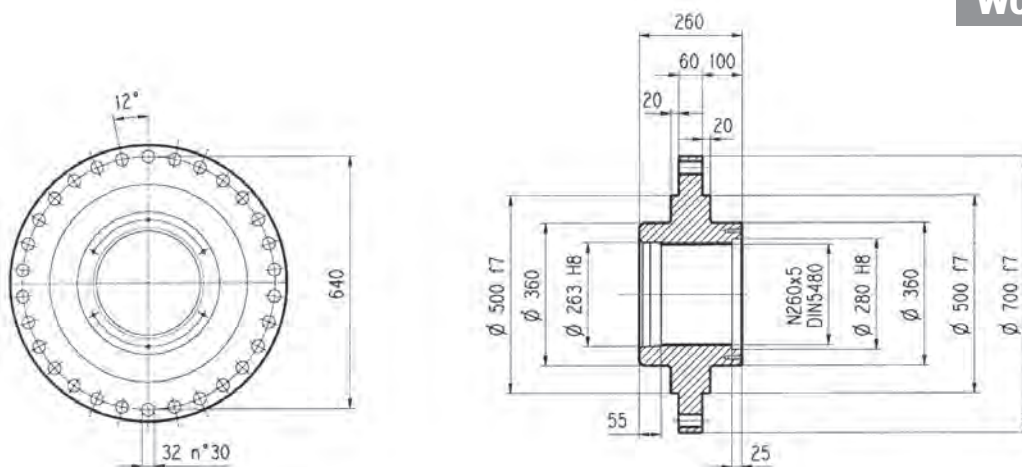
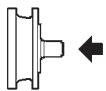
319 L

319 R

3/V 19 L4

Flange

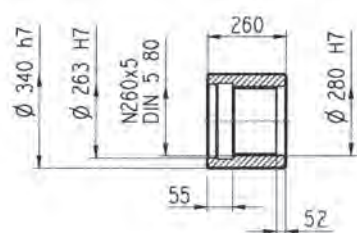
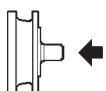
W0A



Material: Steel C40

Sleeve coupling

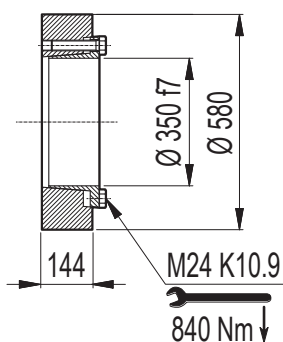
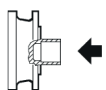
M0A



Material: Steel 16CrNi4

Shrink disc

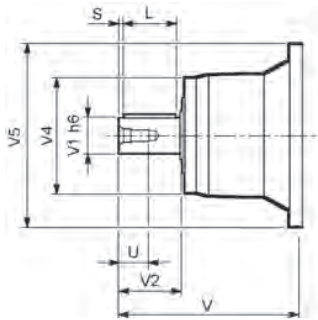
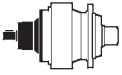
G0A



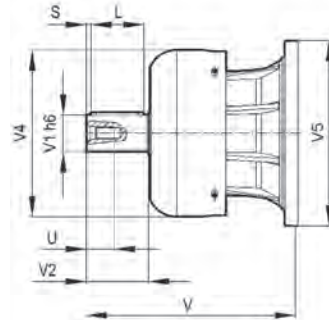


319 L

319 R



V__



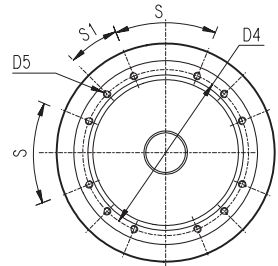
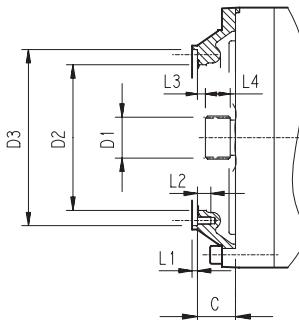
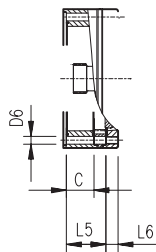
FV__



		V	V1	V2	V4	V5	A	B	F	L	S	D	U
319 L2	V15B	556	120	210	230	542	32	18	127	180	15	M24	50
319 L3	V11B	348	80	130	200	428	22	14	85	110	10	M16	36
	FV11B	456	80	130	347.5	428	22	14	85	110	10	M16	36
319 L4	V07B	315	80	130	200	345	22	14	85	110	10	M16	36
	FV07B	375	80	130	347.5	348	22	14	85	110	10	M16	36
	V07A	313	60	105	155	345	18	11	64	90	7.5	M16	36
319 R4 (B) (C)	FV07A	363	60	105	309	348	18	11	64	90	7.5	M16	36
	V06B	307	60	105	155	292	18	11	64	90	7.5	M16	36
	FV06B	357	60	105	309	292	18	11	64	90	7.5	M16	36

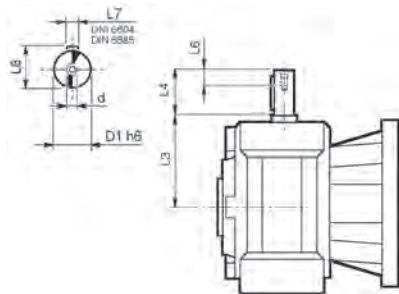
319 L

319 R



		C	D1	D2	D3	D4	D5	D6	L1	L2	L3	L4	L5	L6	S	S1	Input
319 L1	V9AG	245	150x5x28 DIN 5480	444	474 g7	503	M20 n°20	20	5	40	20	82	—	—	30°	15°	G
319 L2	V9AE	116	100x94 DIN 5482	340	412 H7	390	M16 n°18	—	7	30	8	55	—	—	20°	20°	E
319 L3	V9AD	81	80x74 DIN 5482	270	335 H7	314	M16 n°8	—	5	30	8.5	40	—	—	60°	30°	D
319 L4	V9AB	51	58x53 DIN 5482	195	236 H7	222	M10 n°12	—	4	18	11	22	—	—	45°	22.5°	B
319 R4	V9AA	37	40x36 DIN 5482	140	178 H7	165	M12 n°8	11	4	18	9	18	—	—	45°	45°	A
319 R4 (B) (C)	V9AB	45	58x53 DIN 5482	195	236 H7	222	M10 n°12	—	4	18	11	22	—	—	45°	22.5°	B

3/V 19 L4



	D1 h6	L3	L4	L6	L7	L8	d
3/V 19 L4_HS	48	230	110	40	14	51.5	M16

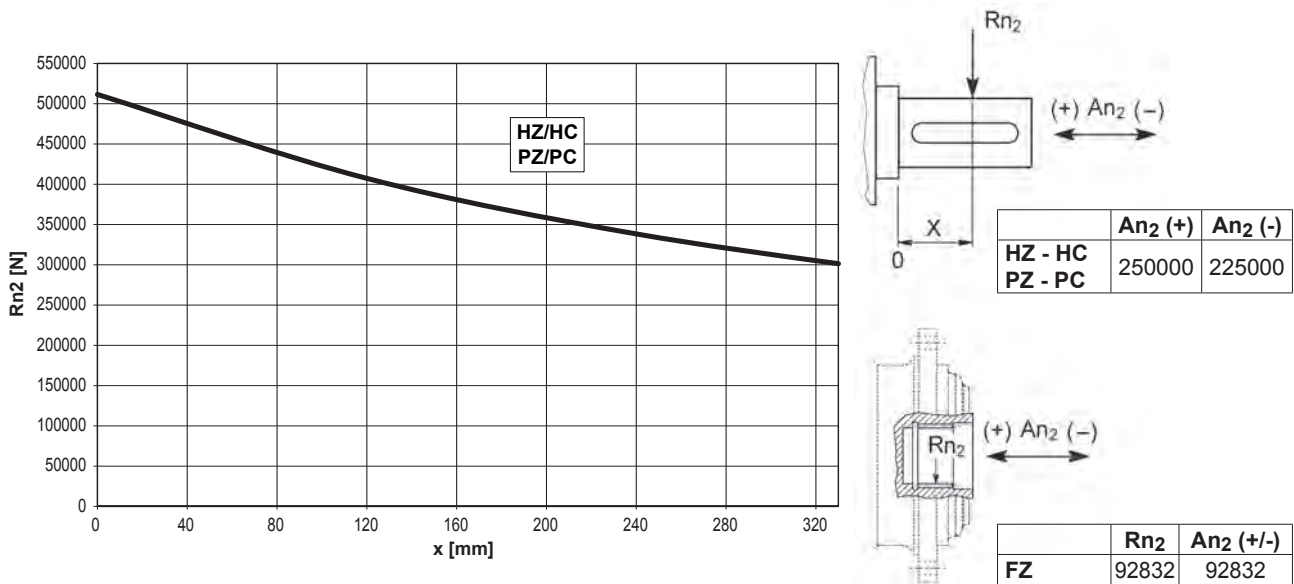


319 L

319 R

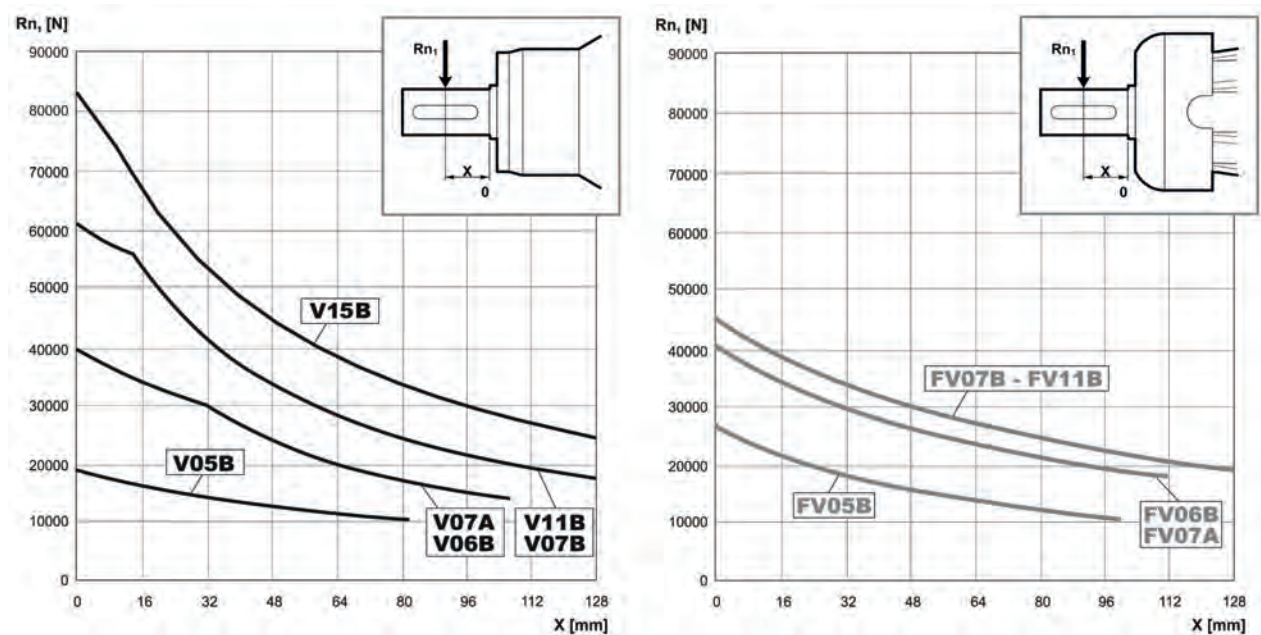
3/V 19 L4

Permissible radial and axial loads on output shaft with $Fh_2 : n_2 \cdot h = 100000$

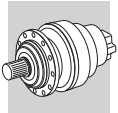


Load corrective factor fh_2 on shafts	$Fh_2 = n_2 \cdot h$		10000	25000	50000	100000	500000	1000000
	fh_2	FZ	2.15	1.59	1.26	1.00	0.58	0.46
		HZ - HC - PZ - PC	1.75	1.52	1.23	1.00	0.62	0.50

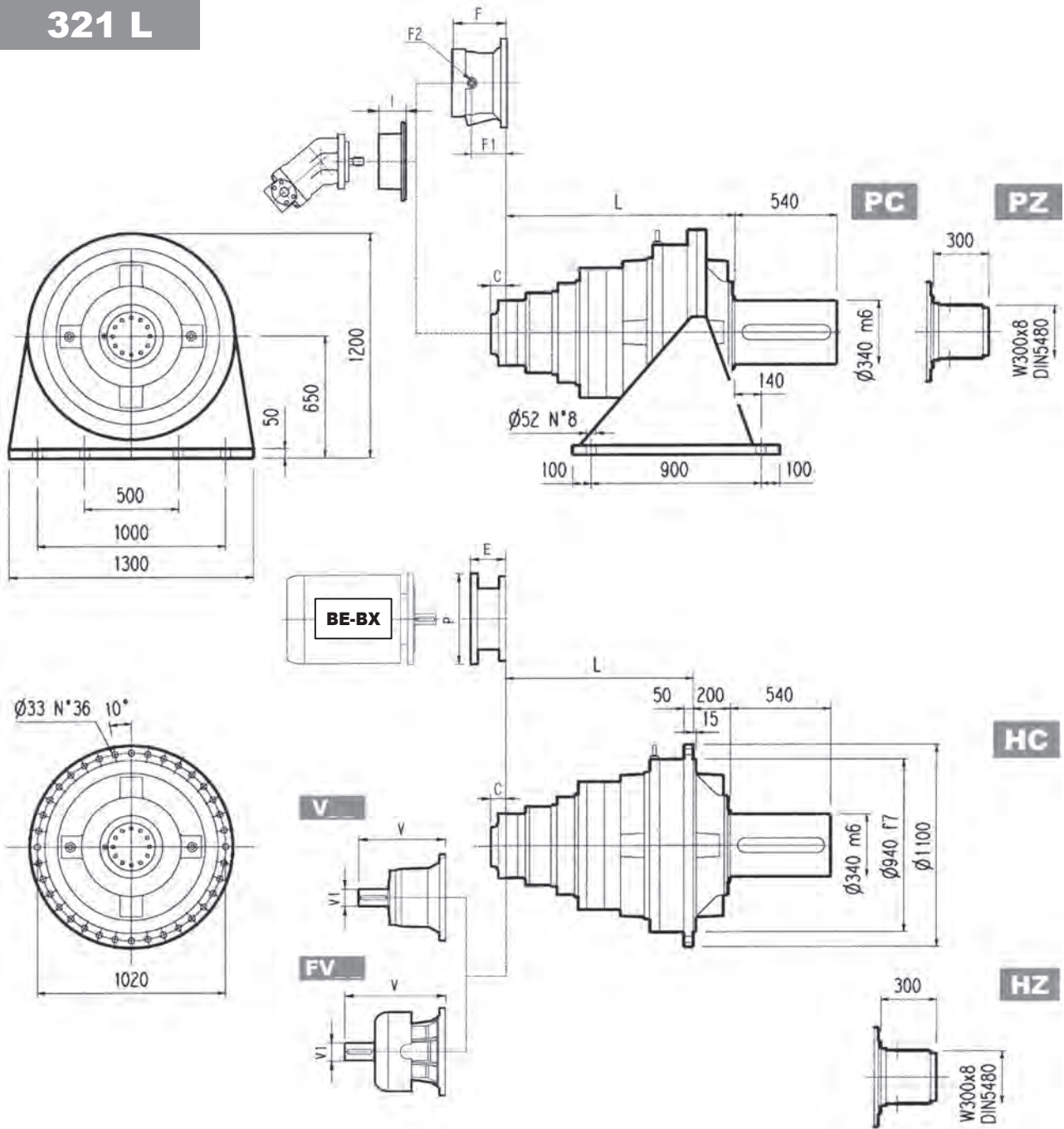
Permissible radial loads on input shaft with $Fh_1 : n_1 \cdot h = 250000$



Load corrective factor fh_1 on shafts	$Fh_1 = n_1 \cdot h$		250000	500000	1000000	2000000	5000000	10000000
	fh_1	1	0.79	0.63	0.50	0.37	0.29	



321 L

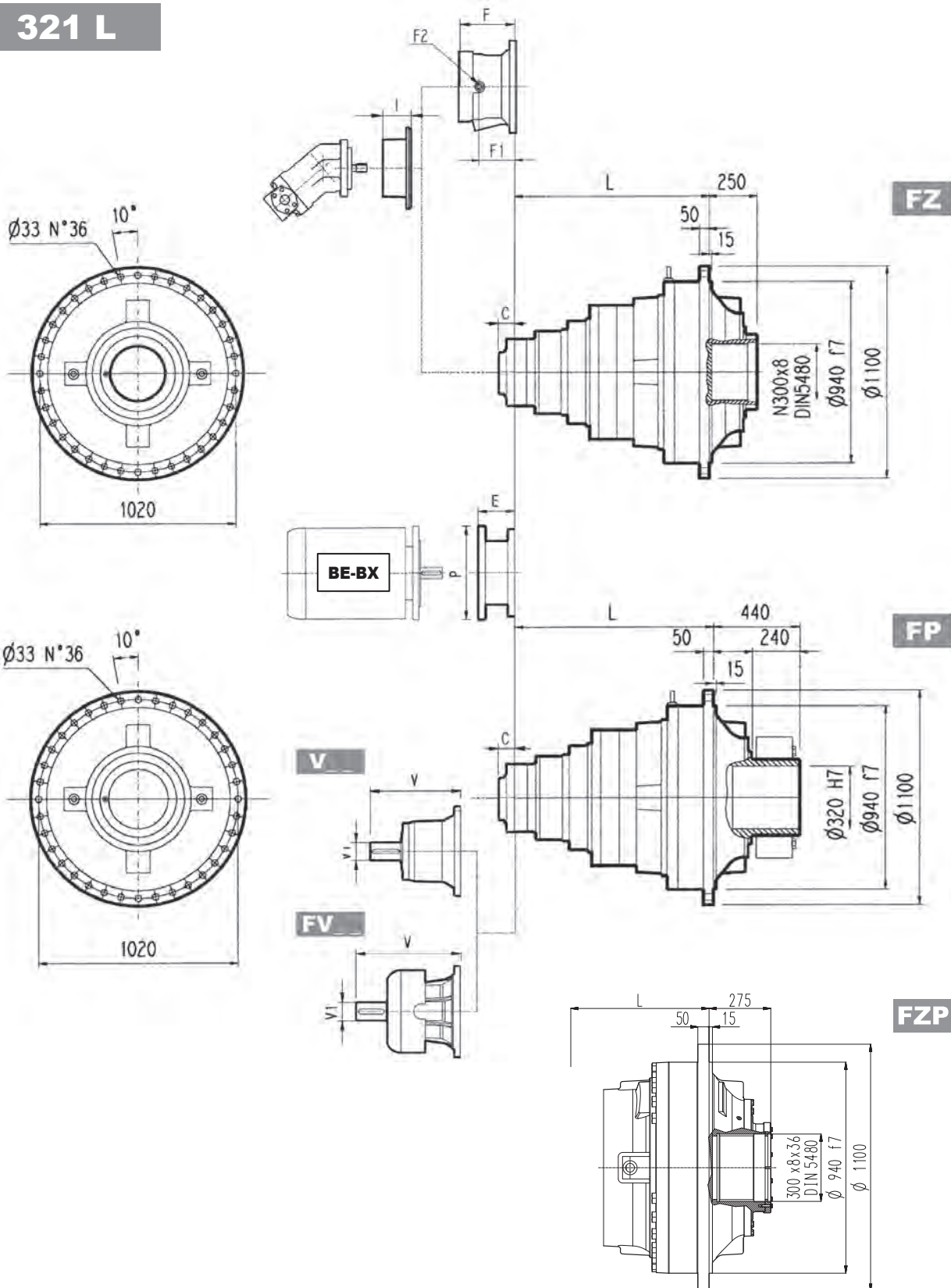


	L				Kg			
	PC - PZ	HC - HZ	FZ - FZP	FP	PC - PZ	HC - HZ	FZ - FZP	FP
321 L2	795	595	595	595	3000	2700	2600	2600
321 L3	1104	904	904	904	3120	2820	2720	2720
321 L4	1253	1053	1053	1053	3180	2880	2780	2780

	V			Kg			V			Kg			C	Input	I	F	F1	F2	Type	Input	Kg
	V	V1	Kg	V	V1	Kg	V	V1	Kg	V	V1	Kg									
321 L2	—	—	—	—	—	—	—	—	—	—	—	—	181	F	—	—	—	—	—	—	—
321 L3	343	80	55	—	—	—	451	80	71	—	—	—	75	D	—	—	—	—	—	—	
321 L4	315	80	35	313	60	28	375	80	48	363	60	34	51	B	461	201	153	1/4 G	6	B	28



321 L

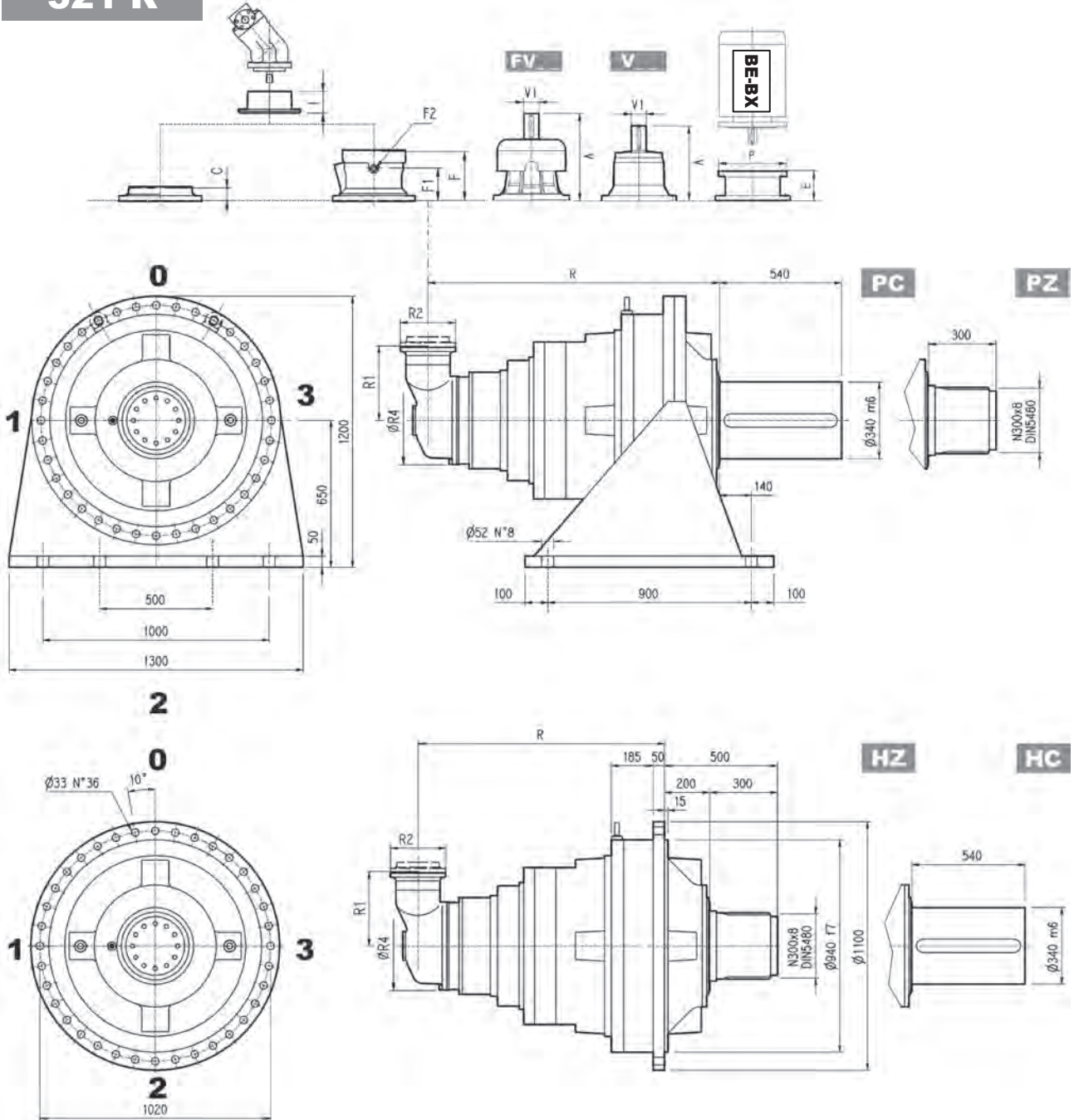


FP $M_{2max} = 720000 \text{ Nm}$

	P180		P200		P225		P250	
	E	P	E	P	E	P	E	P
321 L4	195	350	186	400	216	450	216	550

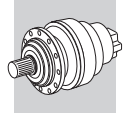


321 R

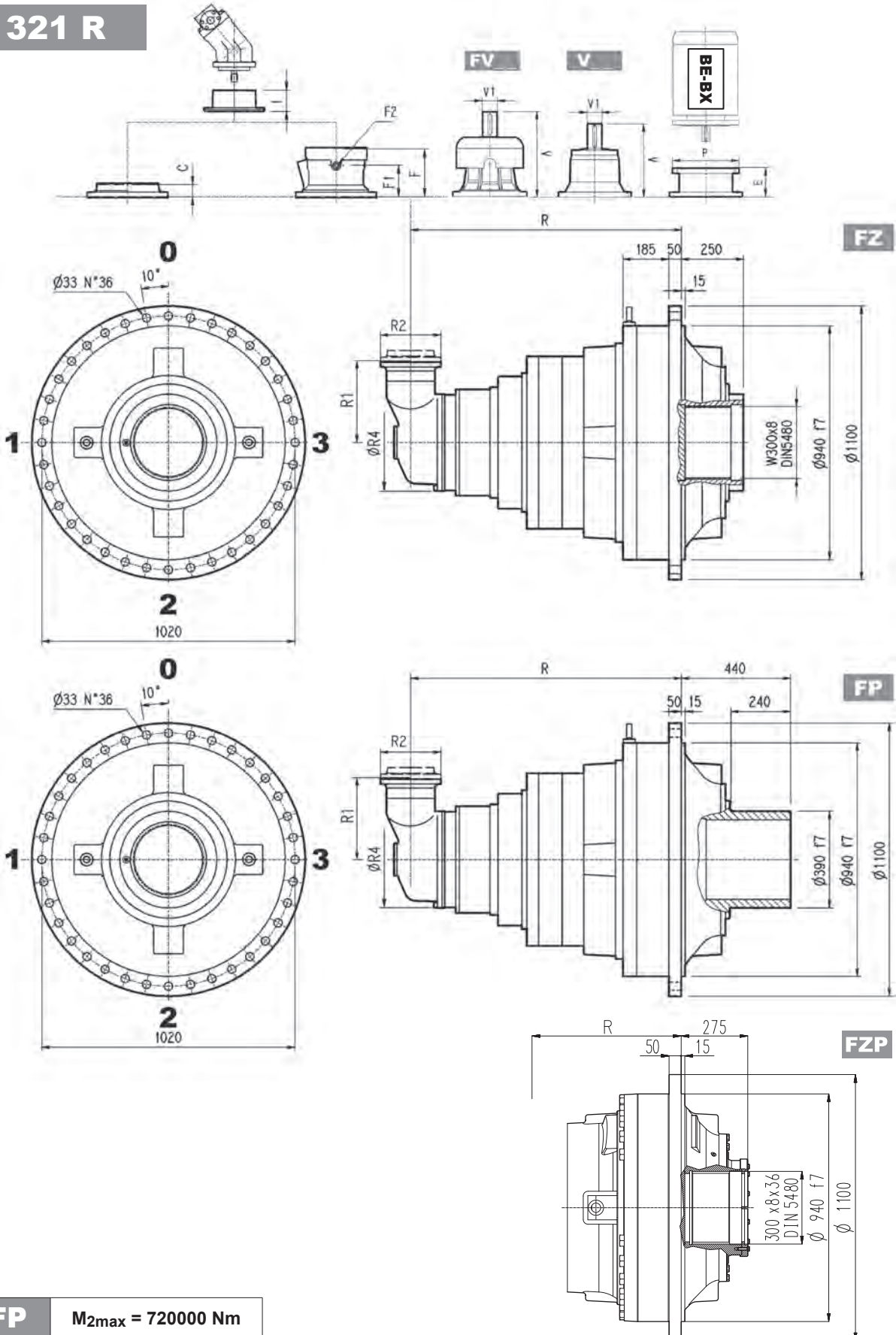


	R				R1	R2	R4	Kg			
	PC-PZ	HC-HZ	FZ - FZP	FP				PC-PZ	HC-HZ	FZ - FZP	FP
321 R4 (B)	1334	1134	1134	1134	345	292	400	3250	2950	2850	2850
321 R4 (C)	1334	1134	1134	1134	390	292	480	3260	2960	2860	2860

	V			V			V			C	Input	I	Type				Kg				
	V	V1	Kg	V	V1	Kg	V	V1	Kg				F	F1	F2	Type		Input			
321 R4 (B)	307	60	23	—	—	—	357	60	28	—	—	—	45	B	461	195	147	1/4 G	6	B	28
321 R4 (C)	307	60	23	—	—	—	357	60	28	—	—	—	45	B	461	195	147	1/4 G	6	B	28



321 R

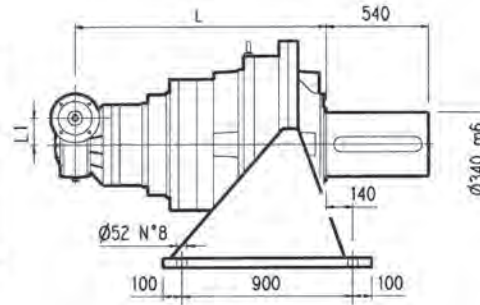
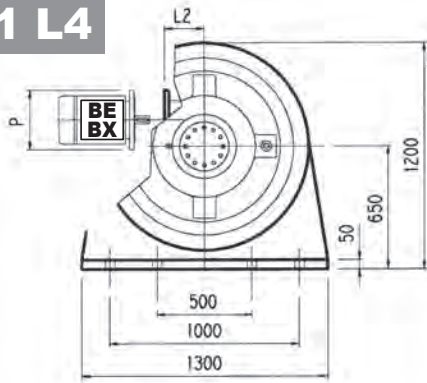


FP $M_{2max} = 720000 \text{ Nm}$

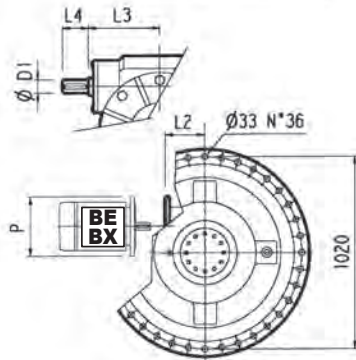
	P132		P160		P180		P200		P225		P250	
	E	P	E	P	E	P	E	P	E	P	E	P
321 R4 (B)	—	—	—	—	152	350	182	400	212	450	193	550
321 R4 (C)	—	—	—	—	152	350	182	400	212	450	193	550



3/V 21 L4

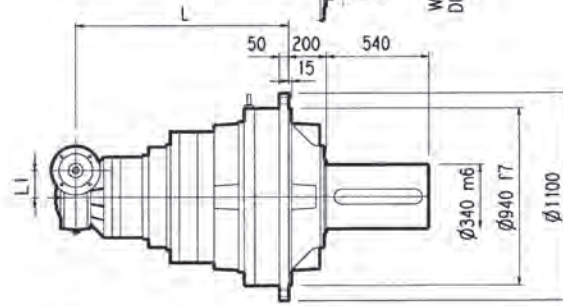


PC

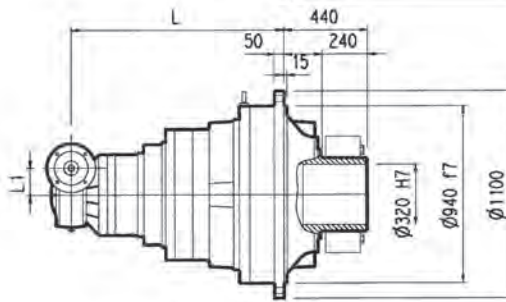
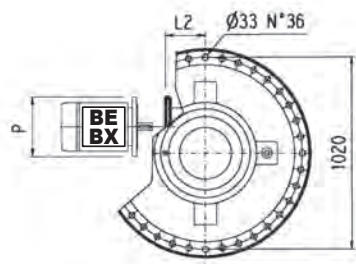


HZ

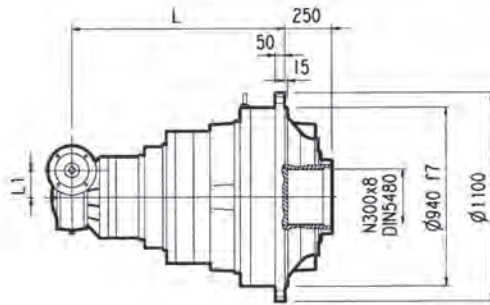
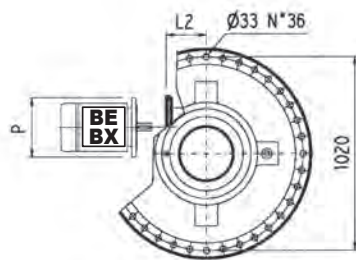
PZ



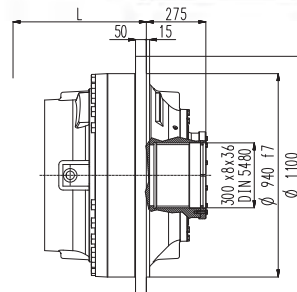
HC



FP



FZ

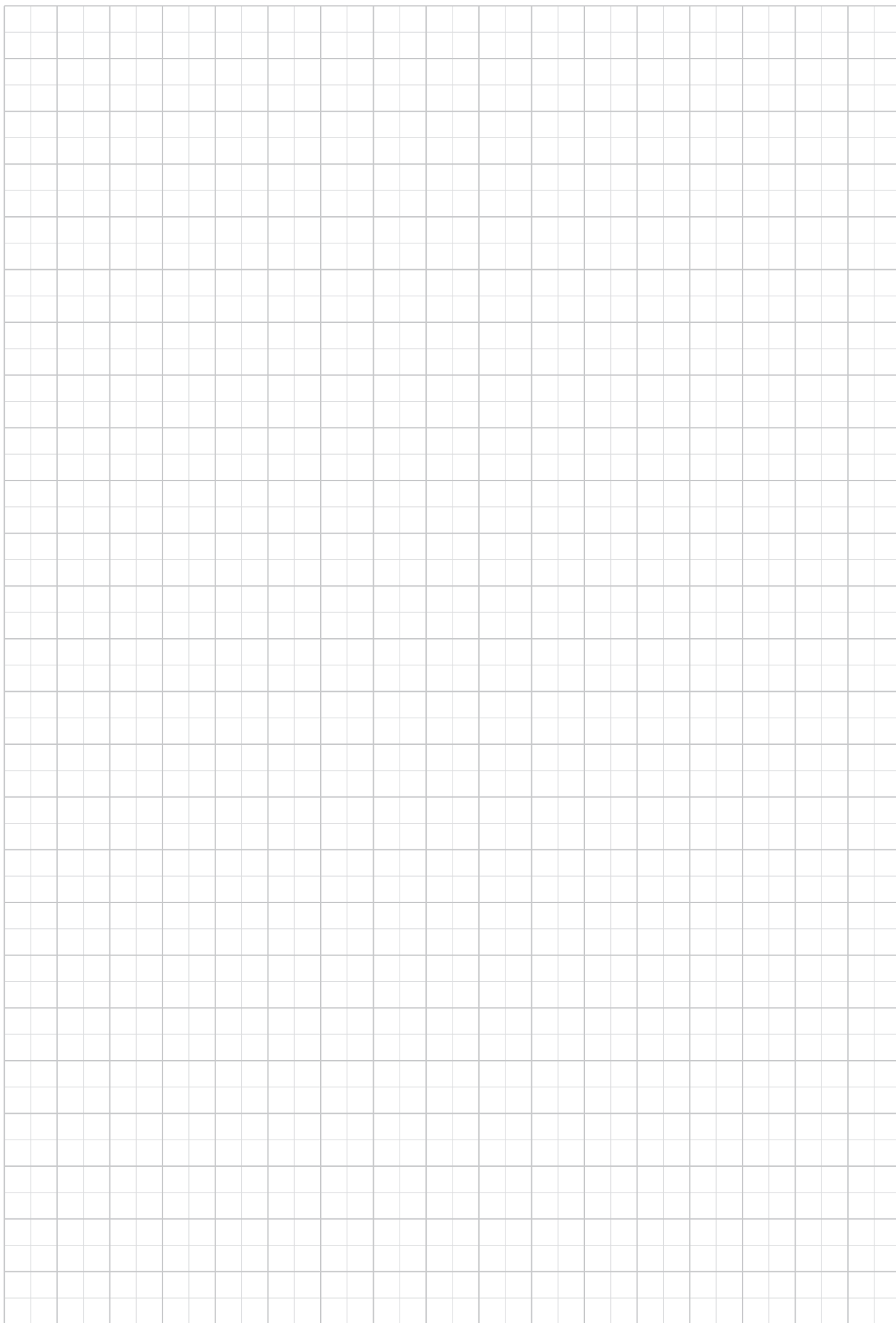
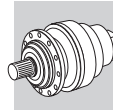


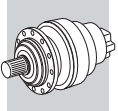
FZP

FP M_{2max} = 720000 Nm

	L				L1	L2	D1	L3	L4	Kg			
	PC - PZ	HC - HZ	FZ - FZP	FP						PC - PZ	HC - HZ	FZ - FZP	FP
3/V 21 L4	1374	1174	1174	1174	250	—	55	276	110	3430	3130	3030	3030

	P132		P160		P180		P200		P225	
	L2	P	L2	P	L2	P	L2	P	L2	P
3/V 21 L4	531	300	506	350	506	350	531	400	536	450





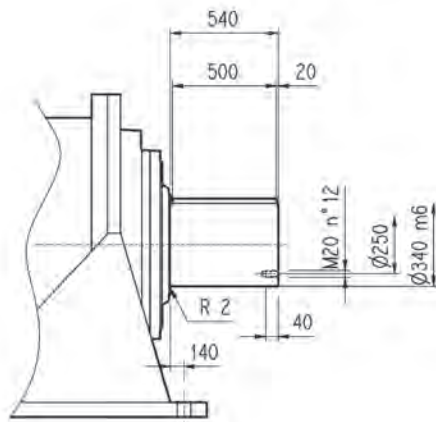
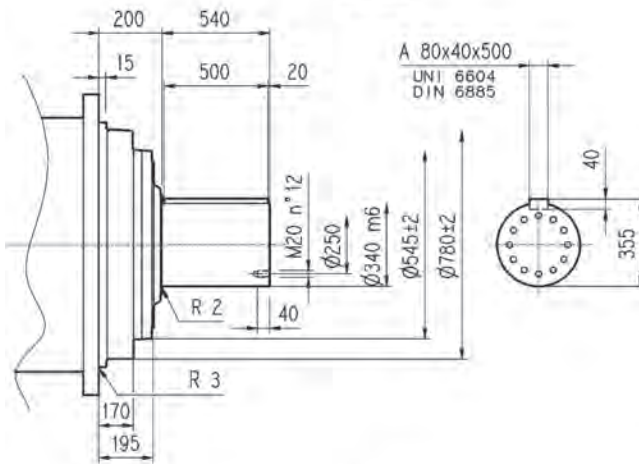
321 L

321 R

3/V 21 L4

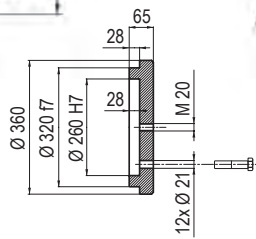
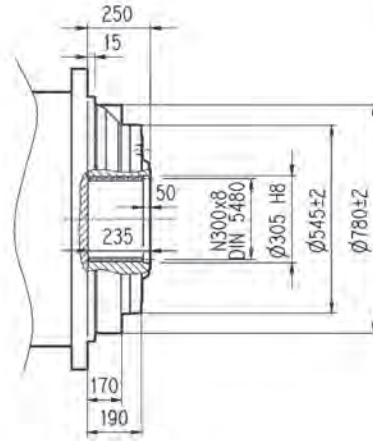
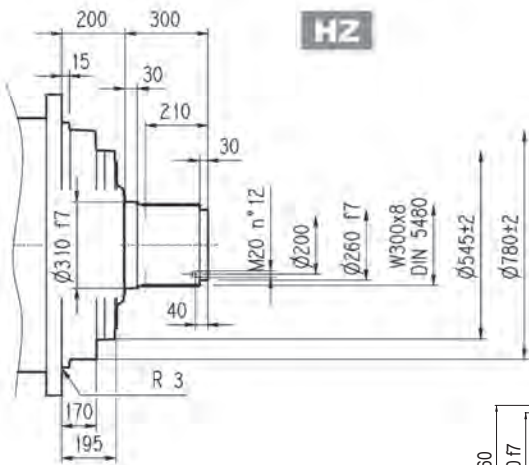
HC

PC



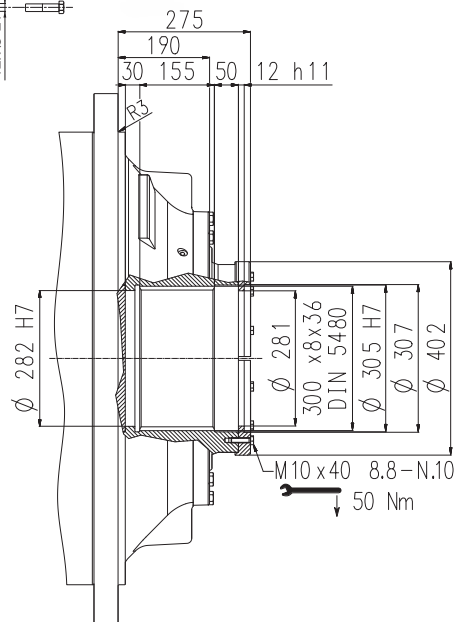
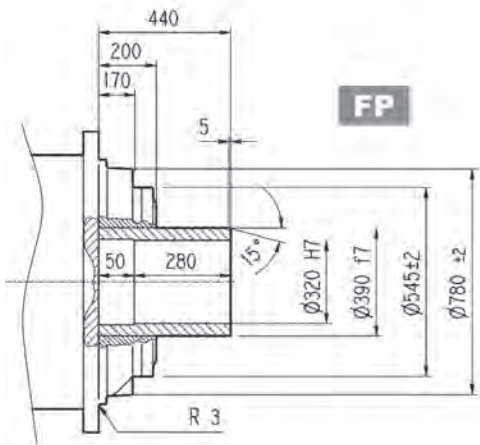
HZ

FZ



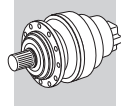
FP

FZP



FP

M_{2max} = 720000 Nm



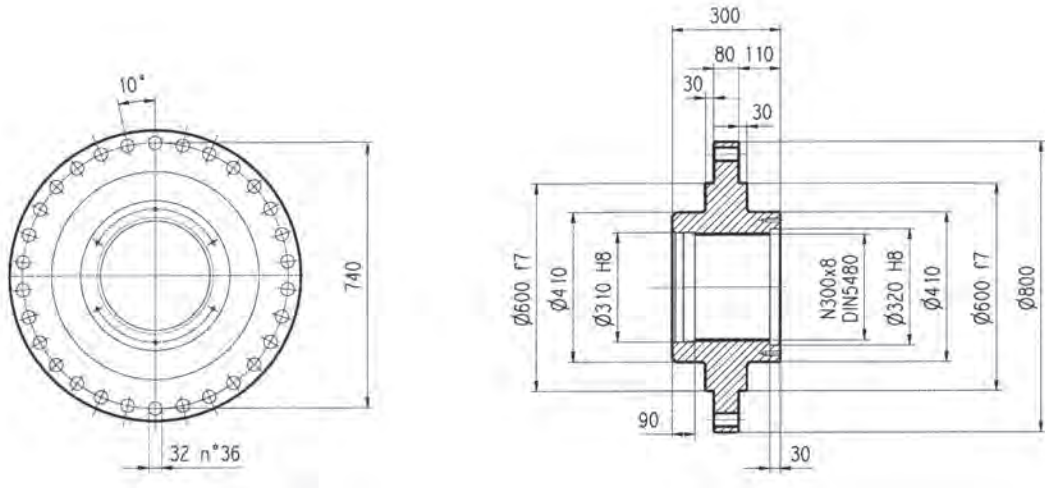
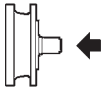
321 L

321 R

3/V 21 L4

Flange

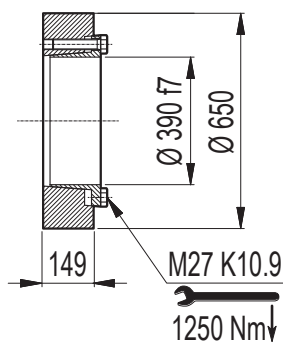
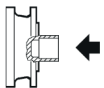
W0A



Material: Steel C40

Shrink disc

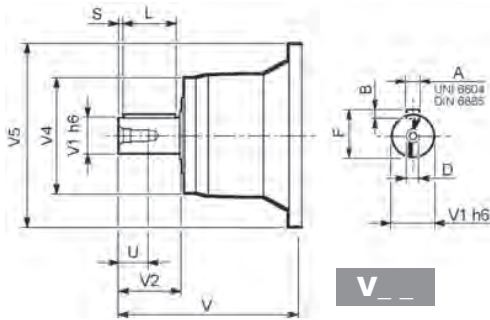
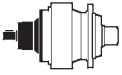
G0A



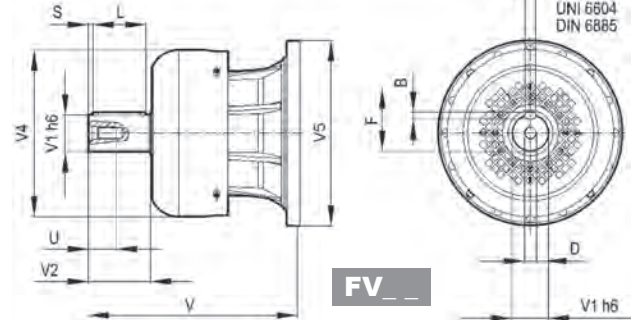


321 L

321 R



V _ _

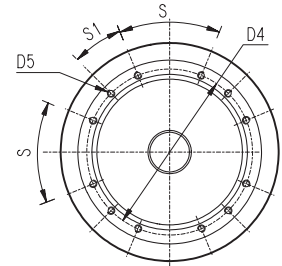
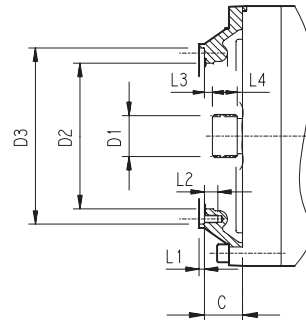
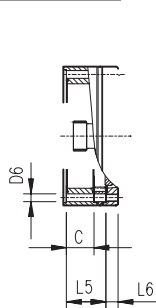


FV _ _

		V	V1	V2	V4	V5	A	B	F	L	S	D	U
321 L3	V11B	343	80	130	200	445	22	14	85	110	10	M16	36
	FV11B	451	80	130	347.5	445	22	14	85	110	10	M16	36
321 L4	V07B	315	80	130	200	345	22	14	85	110	10	M16	36
	FV07B	375	80	130	347.5	348	22	14	85	110	10	M16	36
	V07A	313	60	105	155	345	18	11	64	90	7.5	M16	36
	FV07A	363	60	105	309	348	18	11	64	90	7.5	M16	36
321 R4 (B) (C)	V06B	307	60	105	155	292	18	11	64	90	7.5	M16	36
	FV06B	357	60	105	309	292	18	11	64	90	7.5	M16	36

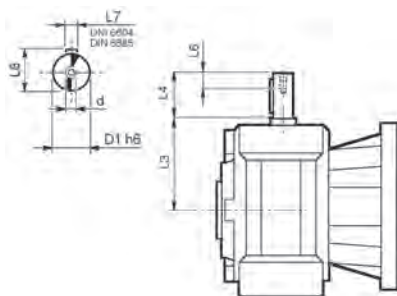
321 L

321 R



		C	D1	D2	D3	D4	D5	D6	L1	L2	L3	L4	L5	L6	S	S1	Input
321 L1			Please consult Bonfiglioli Technical Service														
321 L2	V9AF	181	120x3 DIN 5480	365	390 f7	415	M16 n°18	—	4	30	3	65	—	—	20°	20°	F
321 L3	V9AD	75	80x74 DIN 5482	270	335 H7	314	M16 n°8	—	5	30	9.5	40	—	—	60°	30°	D
321 L4	V9AB	51	58x53 DIN 5482	195	236 H7	222	M10 n°12	—	4	18	11	22	—	—	45°	22.5°	B
321 R4 (B) (C)	V9AB	45	58x53 DIN 5482	195	236 H7	222	M10 n°12	—	4	18	11	22	—	—	45°	22.5°	B

3/V 21 L4



	D1 h6	L3	L4	L6	L7	L8	d
3/V 21 L4_HS	55	276	110	40	16	59	M16

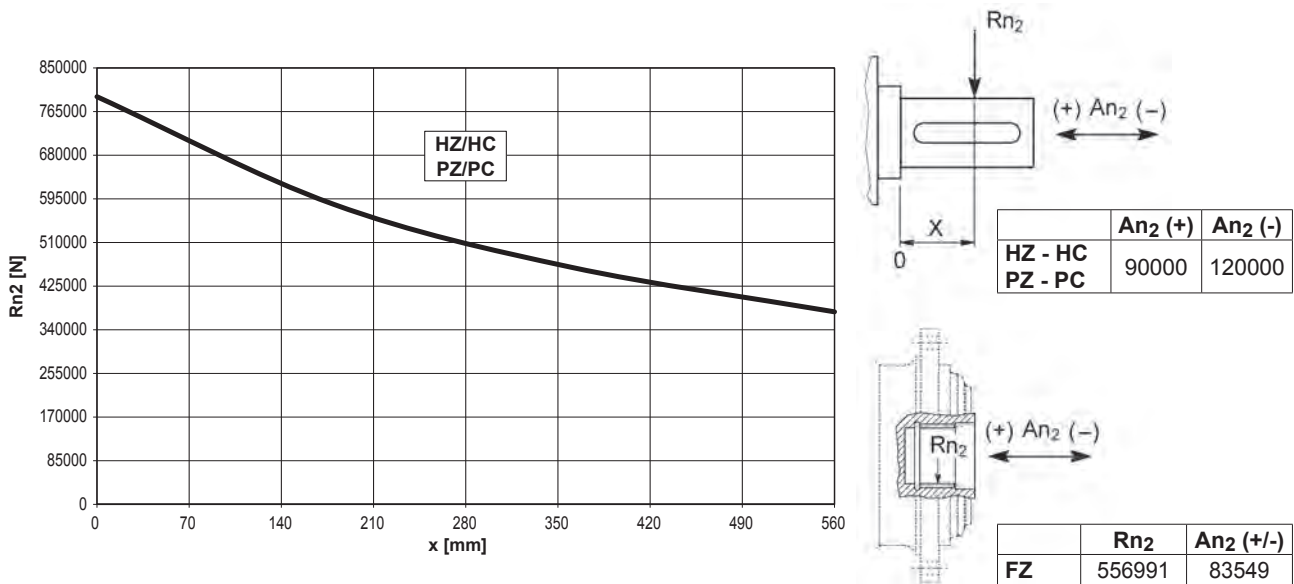


321 L

321 R

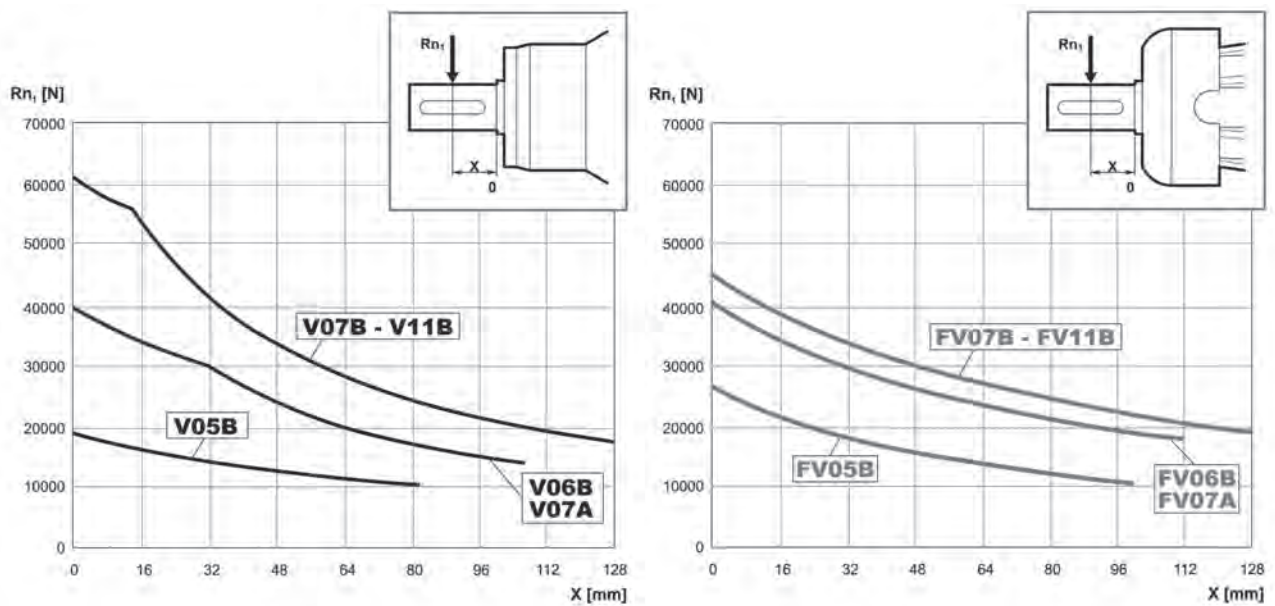
3/V 21 L4

Permissible radial and axial loads on output shaft with $F_{h2} : n_2 \cdot h = 100000$



Load corrective factor f_{h2} on shafts	$F_{h2} = n_2 \cdot h$						
		10000	25000	50000	100000	500000	1000000
	f_{h2}	FZ	2.15	1.59	1.26	1.00	0.58
	HZ - HC - PZ - PC	1.54	1.35	1.23	1.00	0.62	0.50

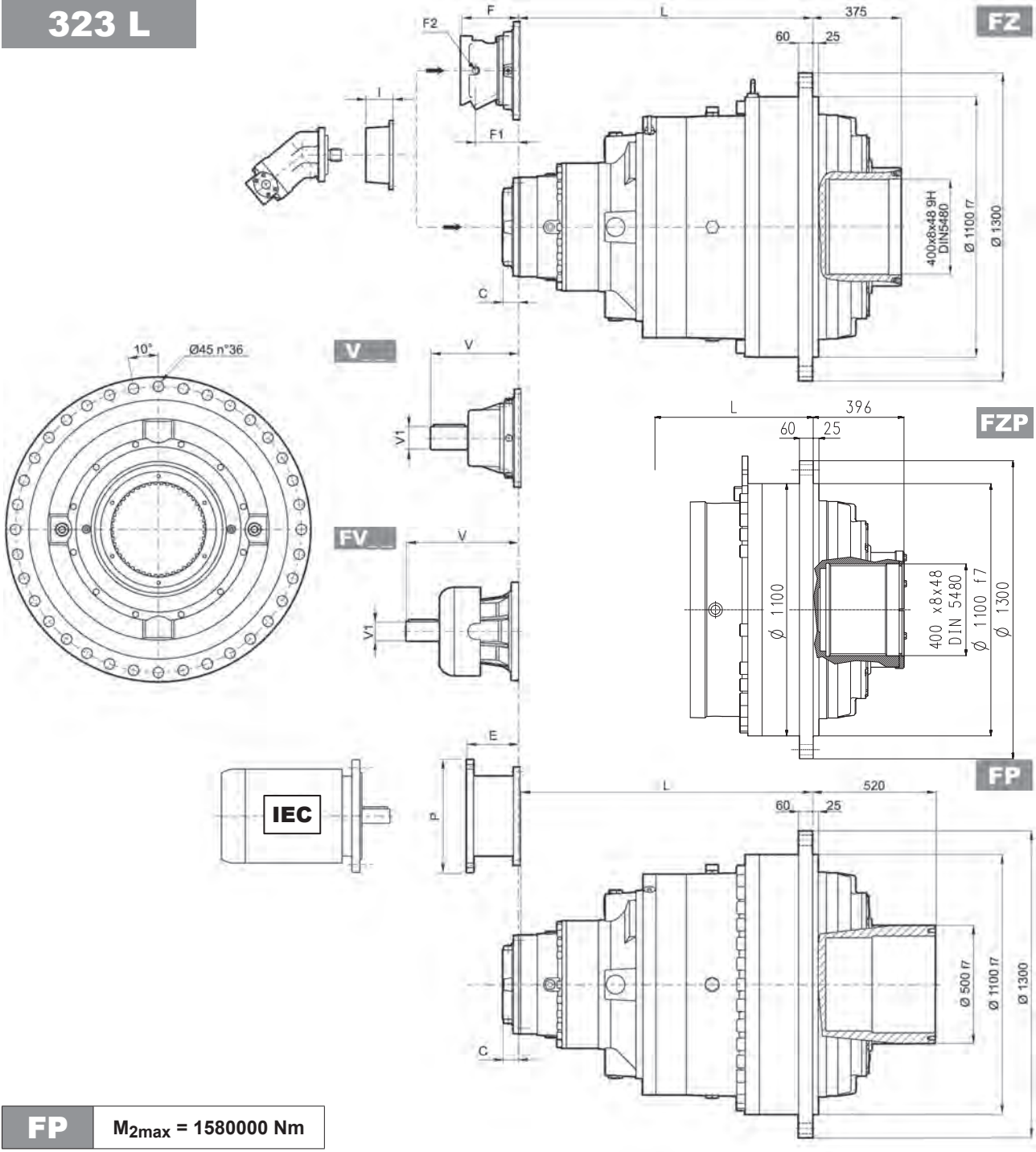
Permissible radial loads on input shaft with $F_{h1} : n_1 \cdot h = 250000$



Load corrective factor f_{h1} on shafts	$F_{h1} = n_1 \cdot h$						
		250000	500000	1000000	2000000	5000000	10000000
f_{h1}		1	0.79	0.63	0.50	0.37	0.29



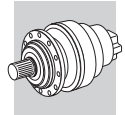
323 L



FP $M_{2max} = 1580000 \text{ Nm}$

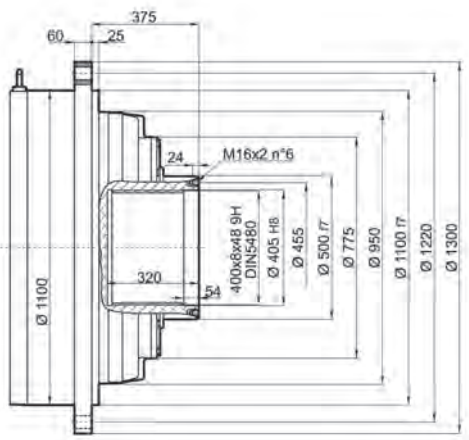
	L										
	FZ - FZP	FP	FZ - FZP	FP	V	V1	V	V1			
323 L1	Please consult Bonfiglioli Technical Service										
323 L2	666	666	4450	4550	—	—	—	—	—	—	—
323 L3	1049	1049	4750	4850	556	120	125	—	—	—	—
323 L4	1261	1261	4900	5000	315	80	35	456	80	85	—

								P200		P225		P250		
	C	Input		F	F1	F2	Type	Input		E	P	E	P	
323 L1	—	—	461	—	—	—	—	—	—	—	—	—	—	
323 L2	245	G		—	—	—	—	—	—	—	—	—	—	
323 L3	116	E		—	—	—	—	—	—	—	—	—	—	
323 L4	81	D		201	48	1/4 G	6	B	22	267	400	297	450	297

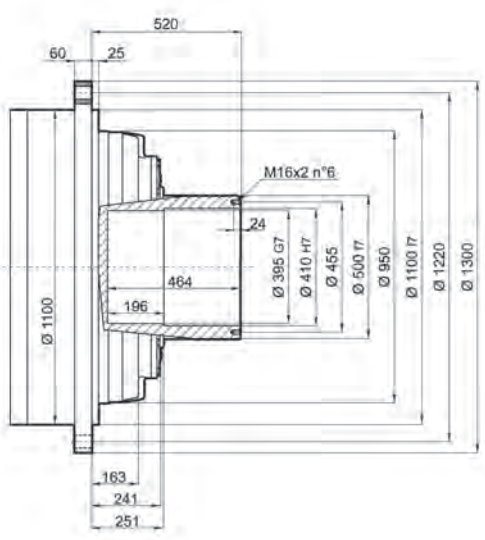


323 L

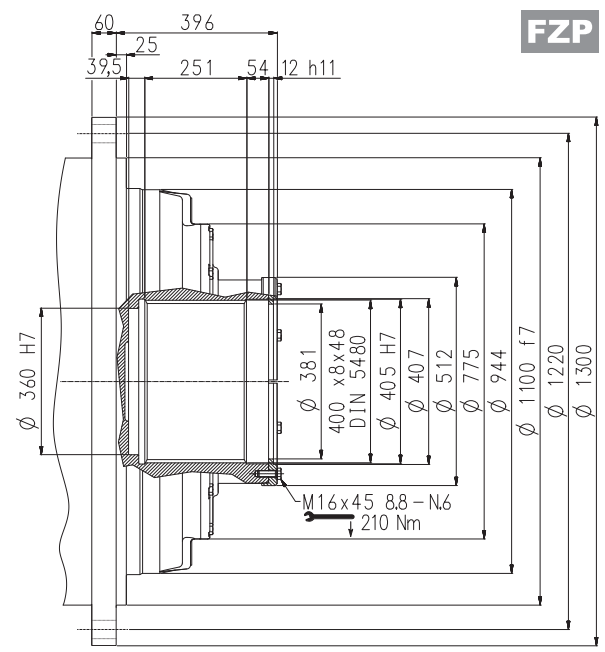
FZ



FP

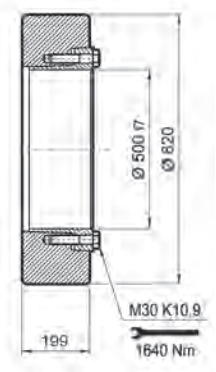
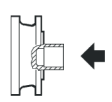


FZP



Shrink disc

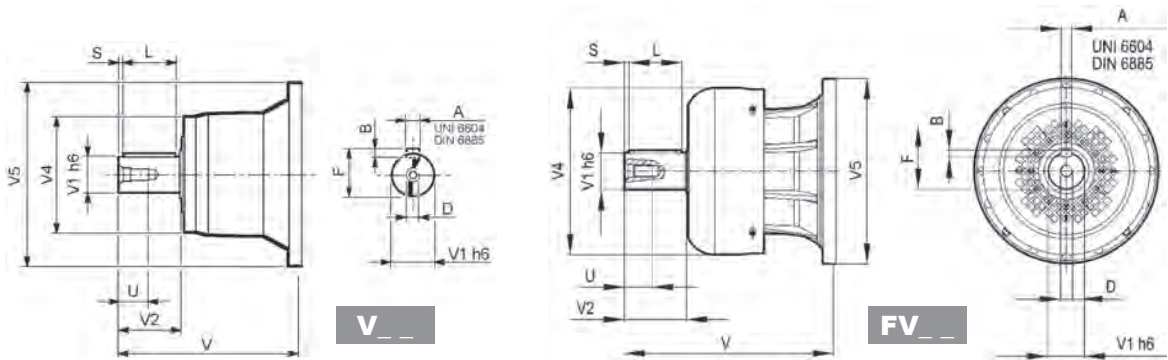
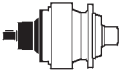
G0A



FP $M_{2max} = 1580000 \text{ Nm}$

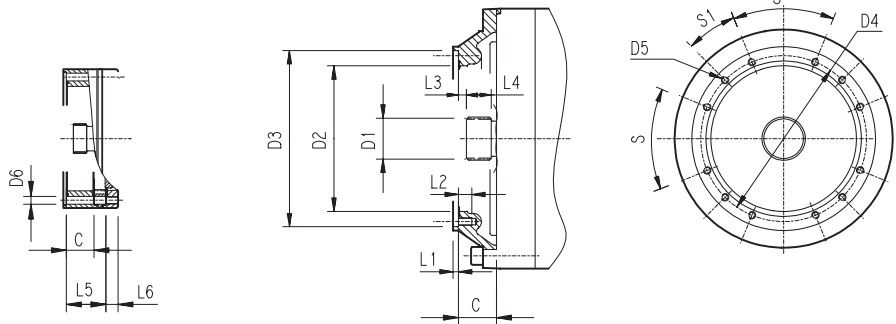


323 L



		V	V1	V2	V4	V5	A	B	F	L	S	D	U
323 L3	V15B	556	120	210	230	542	32	18	127	180	15	M24	50
323 L4	V11B	343	80	130	200	445	22	14	85	110	10	M16	36
	FV11B	451	80	130	347.5	445	22	14	85	110	10	M16	36

323 L

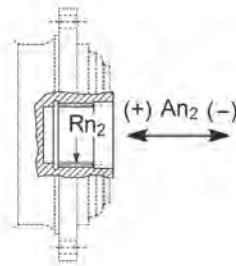


		C	D1	D2	D3	D4	D5	D6	L1	L2	L3	L4	L5	L6	S	S1	Input
323 L1																	
Please consult Bonfiglioli Technical Service																	
323 L2	V9AG	245	150x5x28 DIN 5480	444	474 g7	503	M20 n°20	20	5	40	20	82	—	—	30°	15°	G
323 L3	V9AE	116	100x94 DIN 5482	340	412 H7	390	M16 n°18	—	7	30	8	55	—	—	20°	20°	E
323 L4	V9AD	81	80x74 DIN 5482	270	335 H7	314	M16 n°8	—	5	30	8.5	40	—	—	60°	30°	D



323 L

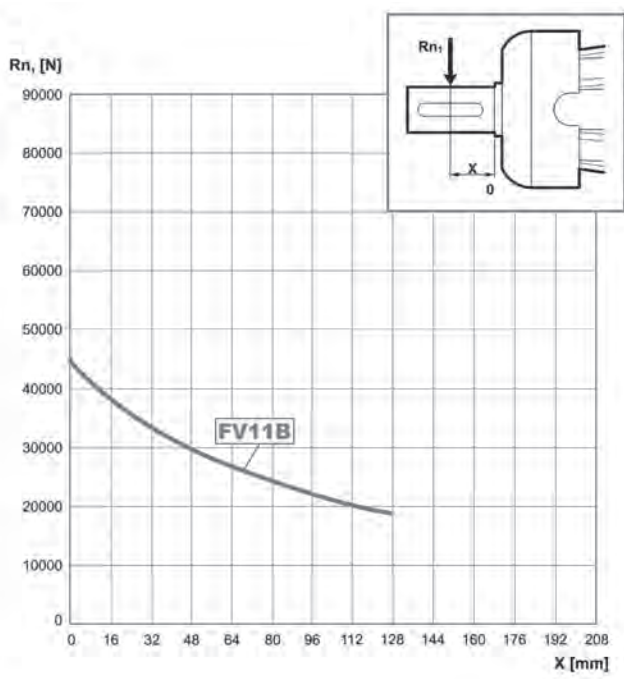
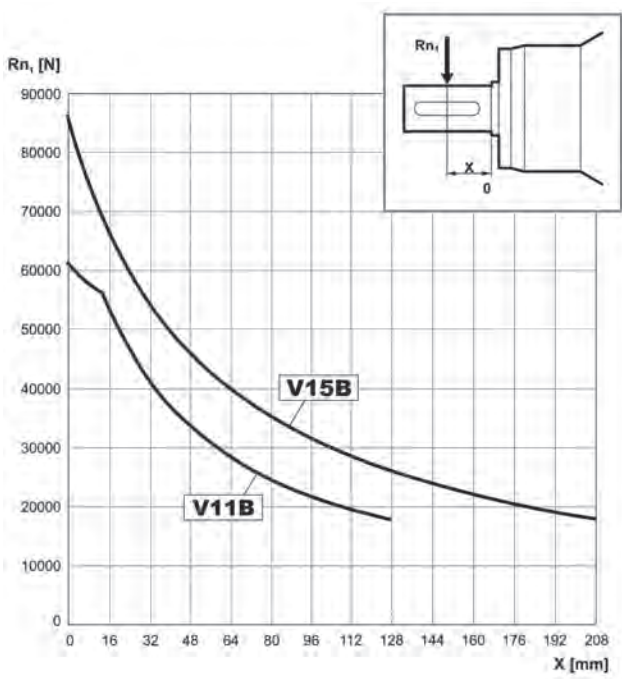
Permissible radial and axial loads on output shaft with $Fh_2 : n_2 \cdot h = 100000$



	Rn_2	$An_2 (+)$	$An_2 (-)$
FZ	510575	174060	69624

Load corrective factor fh_2 on shafts	$Fh_2 = n_2 \cdot h$							
	fh_2	FZ	10000	25000	50000	100000	500000	1000000
		FZ	2.15	1.59	1.26	1.00	0.58	0.46

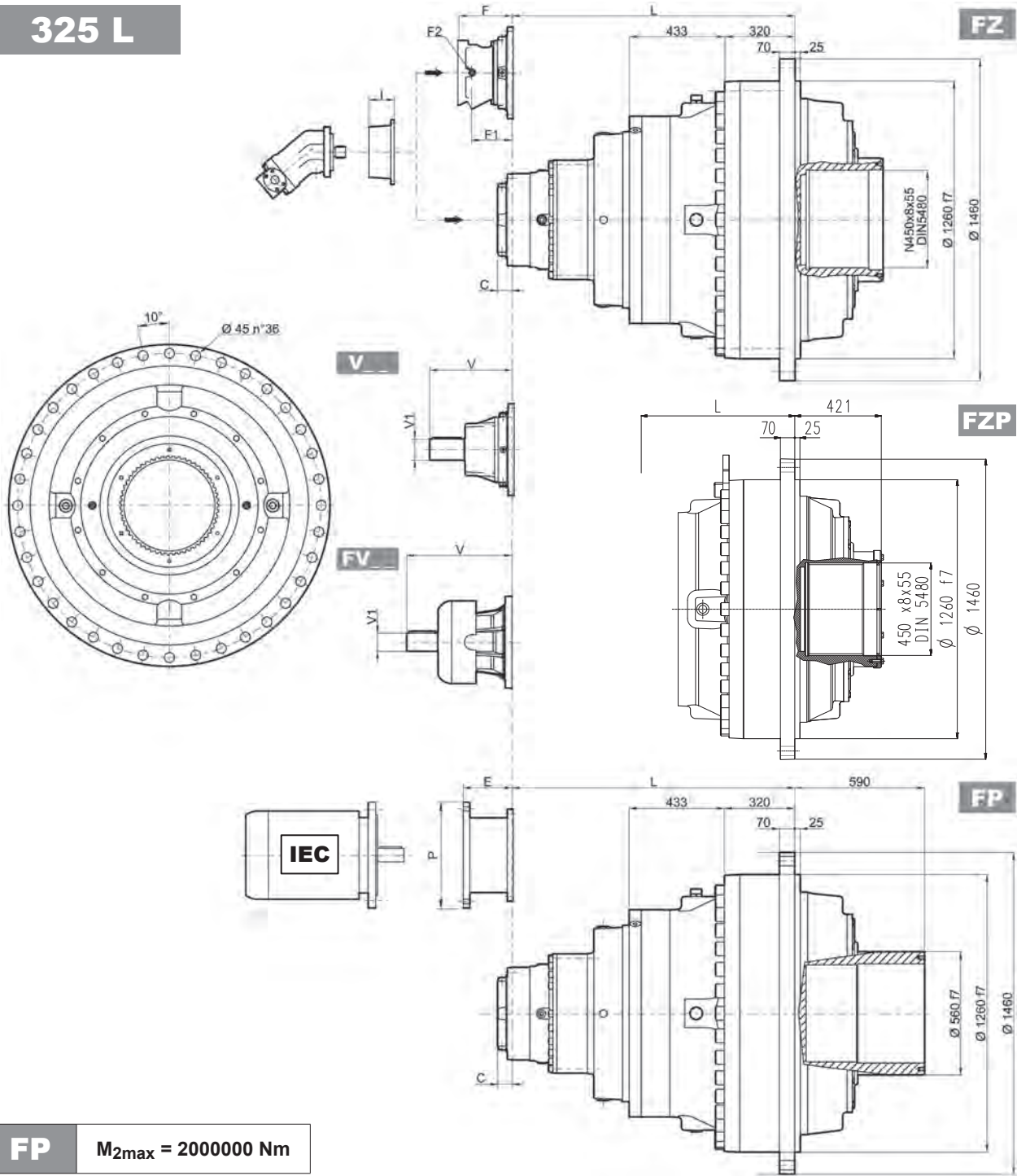
Permissible radial loads on input shaft with $Fh_1 : n_1 \cdot h = 250000$



Load corrective factor fh_1 on shafts	$Fh_1 = n_1 \cdot h$						
	fh_1	250000	500000	1000000	2000000	5000000	10000000
		1	0.79	0.63	0.50	0.37	0.29



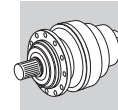
325 L



FP $M_{2max} = 200000 \text{ Nm}$

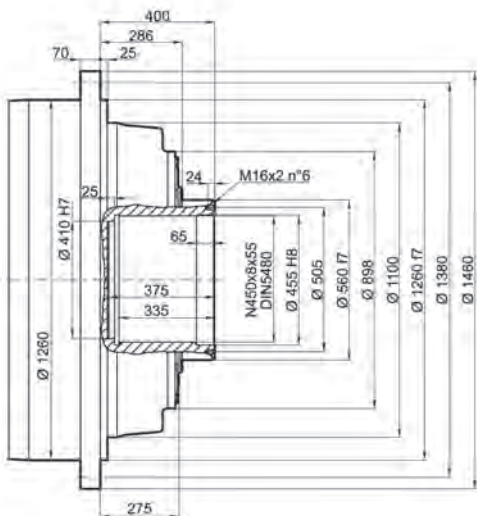
	L		Kg		Kg		Kg		Kg	
	FZ - FZP	FP	FZ - FZP	FP	V	V1	V	V1	V	V1
325 L1	Please consult Bonfiglioli Technical Service									
325 L2	698	698	5700	5900	—	—	—	—	—	—
325 L3	1081	1081	6000	6200	556	120	125	—	—	—
325 L4	1293	1293	6150	6350	315	80	35	456	80	85

	C		I	Type						P200		P225		P250	
	Input	Output		F	F1	F2	Type	Input	Kg	E	P	E	P	E	P
325 L1	—	—	461	—	—	—	—	—	—	—	—	—	—	—	—
325 L2	245	G		—	—	—	—	—	—	—	—	—	—	—	—
325 L3	116	E		—	—	—	—	—	—	—	—	—	—	—	—
325 L4	81	D		201	48	1/4 G	6	B	22	267	400	297	450	297	550

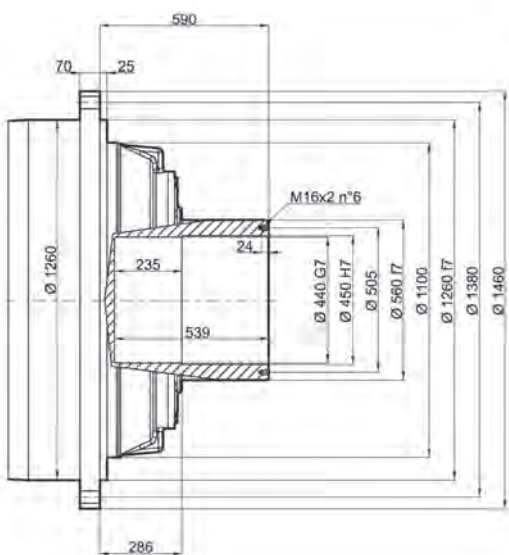


325 L

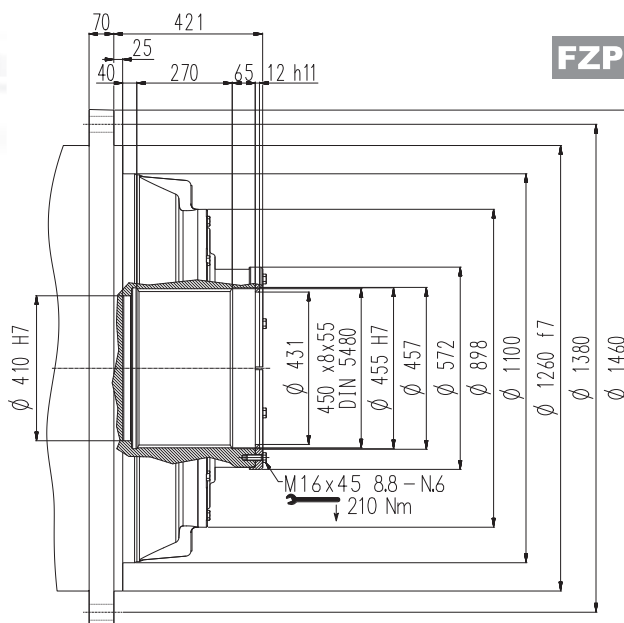
FZ



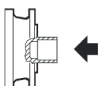
FP



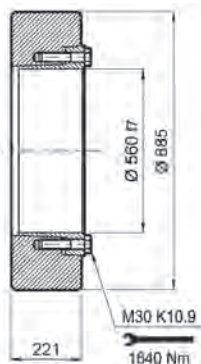
FZP



Shrink disc



G0A

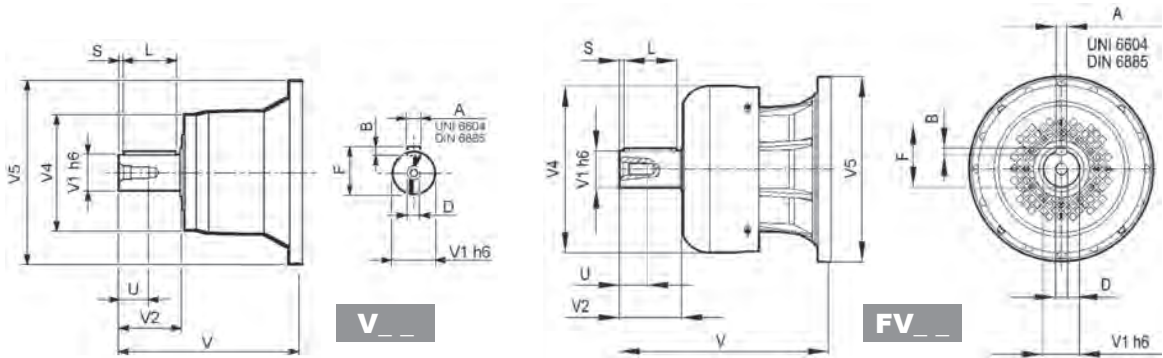


FP

M_{2max} = 2000000 Nm

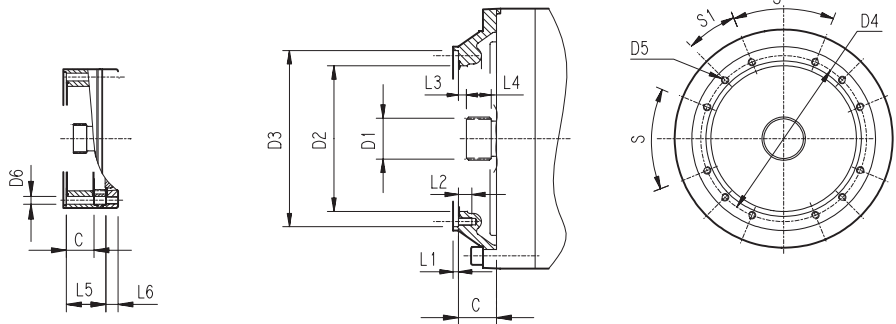


325 L



		V	V1	V2	V4	V5	A	B	F	L	S	D	U
325 L3	V15B	556	120	210	230	542	32	18	127	180	15	M24	50
325 L4	V11B	343	80	130	200	445	22	14	85	110	10	M16	36
	FV11B	451	80	130	347.5	445	22	14	85	110	10	M16	36

325 L

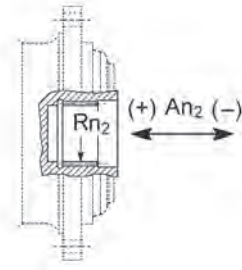


		C	D1	D2	D3	D4	D5	D6	L1	L2	L3	L4	L5	L6	S	S1	Input
325 L1																	Please consult Bonfiglioli Technical Service
325 L2	V9AG	245	150x5x28 DIN 5480	444	474 g7	503	M20 n°20	20	5	40	20	82	—	—	30°	15°	G
325 L3	V9AE	116	100x94 DIN 5482	340	412 H7	390	M16 n°18	—	7	30	8	55	—	—	20°	20°	E
325 L4	V9AD	81	80x74 DIN 5482	270	335 H7	314	M16 n°8	—	5	30	8.5	40	—	—	60°	30°	D



325 L

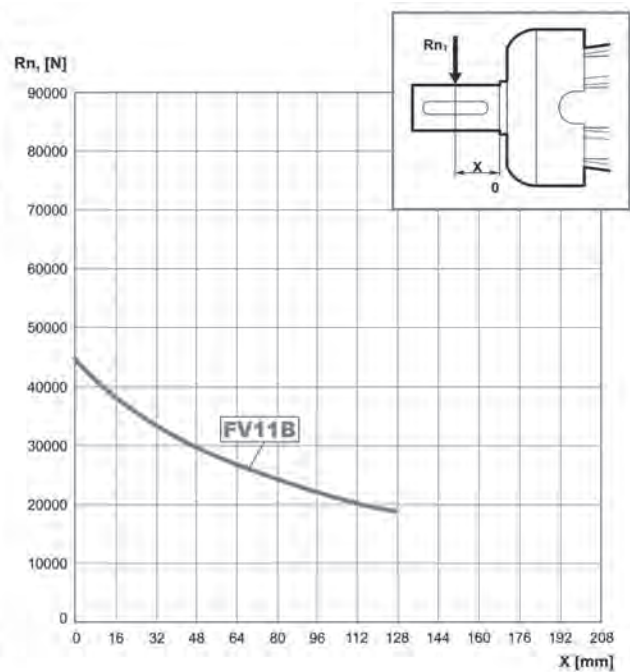
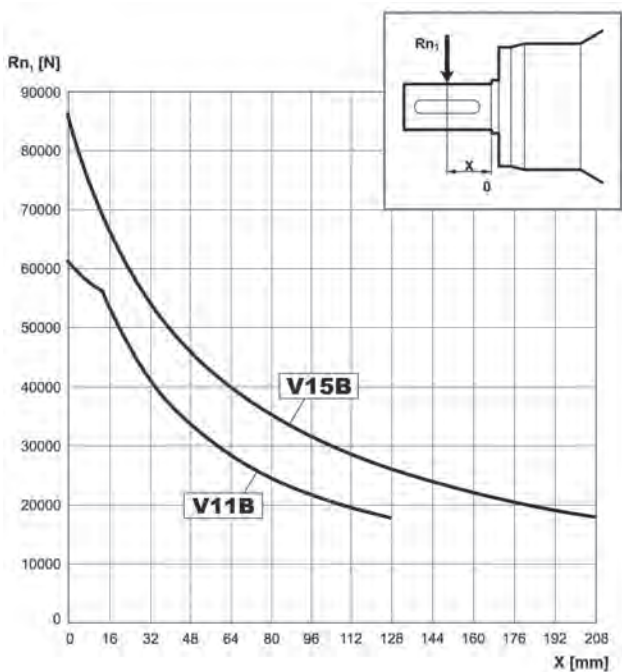
Permissible radial and axial loads on output shaft with $Fh_2 : n_2 \cdot h = 100000$



	Rn_2	$An_2 (+)$	$An_2 (-)$
FZ	510575	174060	69624

Load corrective factor fh_2 on shafts	$Fh_2 = n_2 \cdot h$		10000	25000	50000	100000	500000	1000000
	fh_2	FZ	2.15	1.59	1.26	1.00	0.58	0.46

Permissible radial loads on input shaft with $Fh_1 : n_1 \cdot h = 250000$

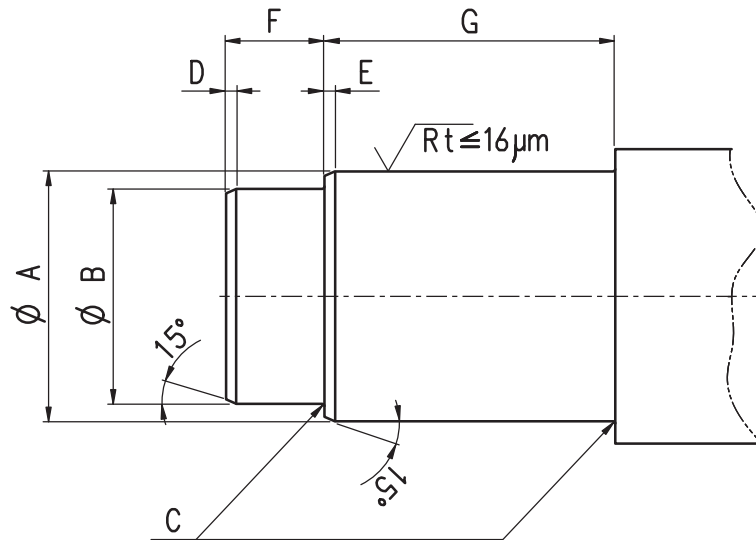


Load corrective factor fh_1 on shafts	$Fh_1 = n_1 \cdot h$		250000	500000	1000000	2000000	5000000	10000000
	fh_1		1	0.79	0.63	0.50	0.37	0.29



CUSTOMER'S SHAFT

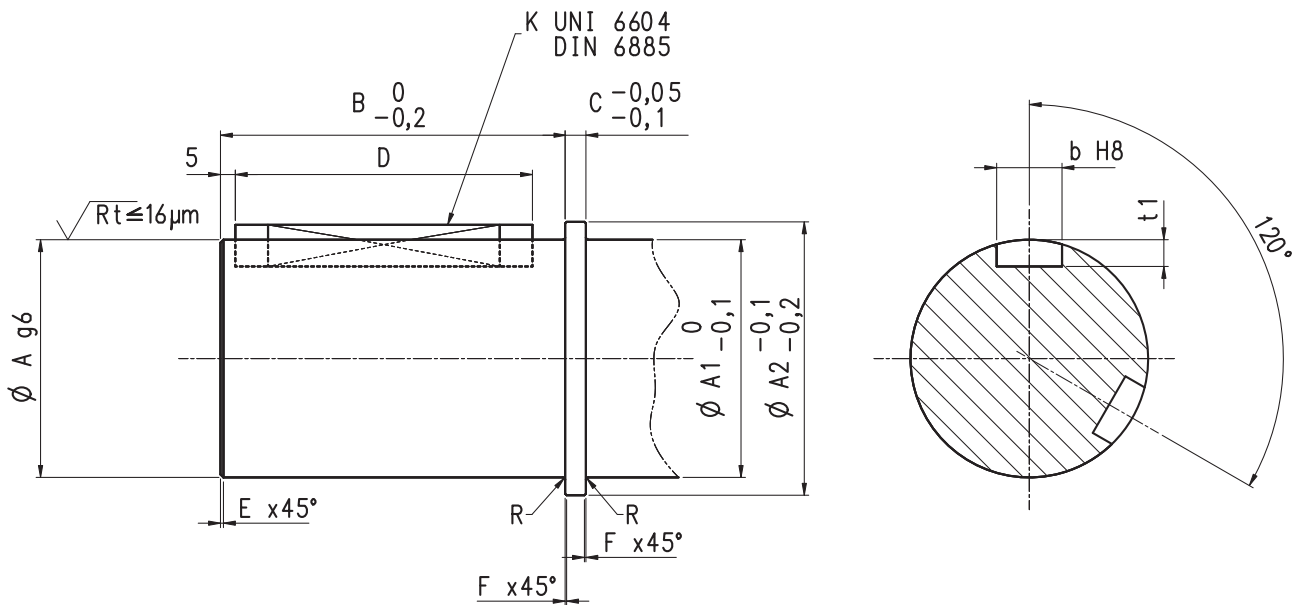
FP



	A \varnothing H7 - g6 [mm]	B \varnothing H7 - g6 [mm]	C [mm]	D [mm]	E [mm]	F [mm]	G [mm]	Shaft material
300	42	35	1.6	2	2	18	38	Suggested material: Steel with tensile strength $\sigma_R \geq 700MPa$
301	52	35	1.6	2	2	18	38	
303 - 304 - 305	75	65	1.6	2	2	30	65	
306	90	75	1.6	3	3	55	85	
307	100	85	1.6	3	3	40	95	
309	120	—	1.6	—	3	—	140	
310	130	—	1.6	—	3	—	155	
311	135	—	1.6	—	3	—	150	
313	140	130	2	3	3	45	150	
314	180	160	1.6	3	3	50	200	
315	180	160	1.6	3	3	50	200	
316	180	165	1.6	3	3	90	180	
317	200	—	1.6	—	3	—	250	
318	220	200	2	3	3	130	180	
319	280	—	2	—	3	—	300	
321	320	—	2	—	3	—	300	
323	410	—	2	—	3	—	250	
325	450	—	2	—	3	—	300	



FDK

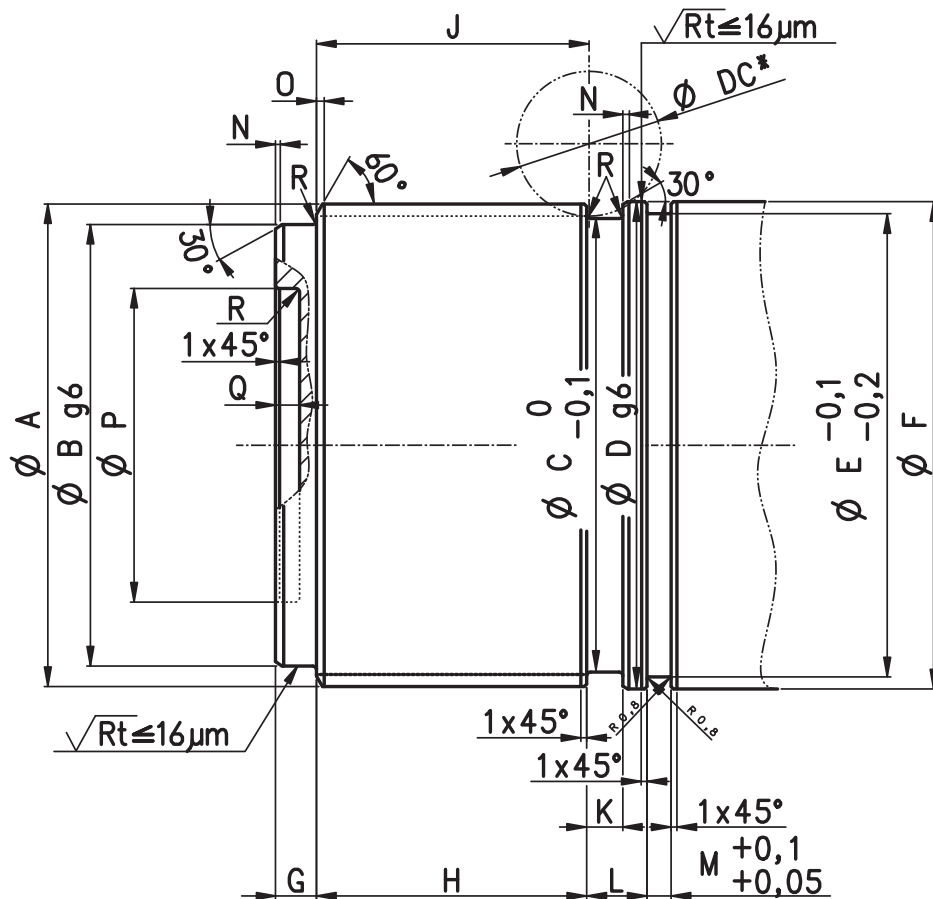


	A	B	A1	A2	C	Shaft material Suggested material: Steel with tensile strength σ _R ≥ 900MPa	Keyways dimensions		b	t ₁	E	F	R
	∅ shaft	Length					Keyways UNI 6604 / DIN 6885				Chamfer dimensions		Fillet
	[mm]	[mm]	[mm]	[mm]	[mm]		—	[mm]	[mm]	[mm]	[mm]	[mm]	[mm]
300	35 g6	64	35	39	4	Suggested material: Steel with tensile strength σ _R ≥ 900MPa	N°2 x 120°	10x8x50	10 H8	Dimension according to UNI6604 / DIN 6885 standard.	1 x 45°	0.5 x 45°	(*)
301	35 g6	64	35	43	5		N°2 x 120°	10x8x50	10 H8		1 x 45°	0.5 x 45°	0.5
303 - 304 - 305	65 g6	95	65	75	6		N°2 x 120°	18x11x80	18 H8		1 x 45°	0.5 x 45°	0.8
306	80 g6	116	80	92	7		N°2 x 120°	22x14x100	22 H8		1 x 45°	0.5 x 45°	0.8
307	90 g6	141	90	102	8		N°2 x 120°	25x14x125	25 H8		2 x 45°	1 x 45°	0.8
309	120 g6	128	120	136	10		N°2 x 120°	32x18x110	32 H8		2 x 45°	1 x 45°	1.6
310	130 g6	138	130	146	10		N°2 x 120°	32x18x120	32 H8		2 x 45°	1 x 45°	1.6

(*) Relief groove (UNI 4386 - 75 E0.6x0.3)



FZP



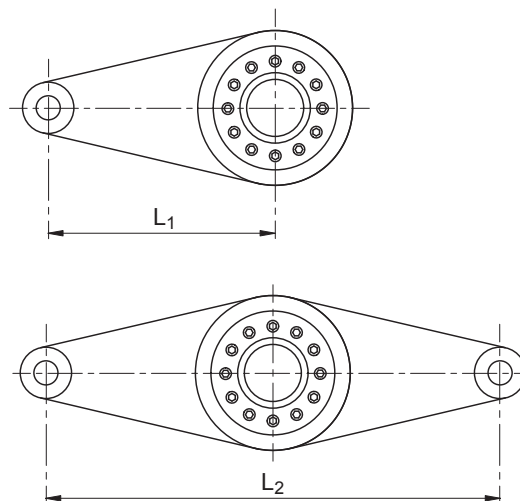
	A	B	C	Shaft material	D	E	F	G	H	K	J	L	M	N	O	P	Q	R	DC*
	Splined shaft DIN 5480 [mm]	Ø H7 - g6 [mm]	Relief groove diameter [mm]		[mm]	[mm]	[mm]	[mm]	[mm]	[mm]	[mm]	[mm]	[mm]	[mm]	[mm]	[mm]	[mm]	[mm]	[mm]
311	120x3x38	108	112	Suggested material: Steel with tensile strength $\sigma_R \geq 900\text{MPa}$	124	112	124	19	69	9	70	18,5	6	1	1.6	—	—	1.6	60
313	140x5x26	110	132		142	132	142	26	83	18	84	30	6	1	2	—	—	3	60
314	150x5x28	136	136		152	136	152	16	103	8	104	20	8	1	2	—	—	1.6	60
315	150x5x28	136	136		152	136	152	16	103	8	104	20	8	1	2	—	—	1.6	60
316	170x5x32	150	154		172	154	172	30	113	20	114	45	9	1	3	—	—	3	60
317	200x5x38	187	192		202	192	202	16	112	7	113	21	9	1	3.5	130	10	1.6	60
318	210x5x40	190	194		212	194	212	27	133	20	134	45	9	2	3	—	—	3	60
319	260x5x50	248	243		265	243	265	29	144	20	145	40	11	2	3	—	—	3	60
321	300x8x36	282	281		305	281	305	25	158	25	159	50	12	2	3	—	—	3	70
323	400x8x48	360	381		405	381	405	35	254	26	256	53,5	12	2	4	—	—	5	70
325	450x8x55	410	431		455	431	455	34	272	24	274	66	12	2	4	—	—	5	70

* Max cutter diameter



TORQUE ARM

	L1 [mm]	L2 [mm]
300	300	450
301	580	
303	350	500
304		
305	370	600
306	410	
307	490	700
309	600	900
310	1030	1000
311	800	1100
313	900	1200
314	1100	1400
315		
316	1280	1500
317	1300	1600
318	1900	1800
319	1500	2000
321	1500	
323	1750	3000
325	2050	3200



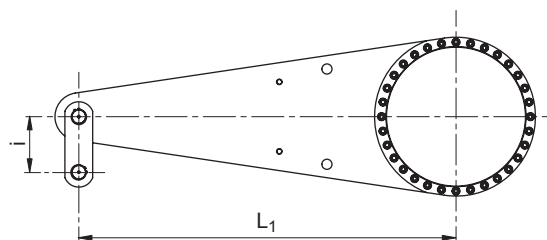
NOTE: Drawings for illustration purpose only

Suggested material: S275JR - UNI EN 10025 or S355JR - UNI EN 10025.

TORQUE ARM KIT FOR FP VERSIONS

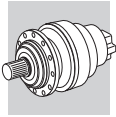
If requested, it's possible to install a specific "Torque arm" Kit on 300 series geraboxes. For detailed information please contact our Technical Service .

	L1 [mm]	i [mm]
300	300	55
301	580	
303	350	80
304		
305	370	115
306	410	
307	490	135
309	600	
310	1030	155
311	800	160
313	900	200
314	1100	210
315		
316	1280	240
317	1300	280
318	1900	320
319	1500	360
321	1500	400
323	1750	440
325	2050	



NOTE: Draw for illustration purpose only

Suggested material: S275JR - UNI EN 10025 or S355JR - UNI EN 10025.



NEGATIVE MULTIDISC BRAKE AND HYDRAULIC MOTORS

H1 SYMBOLS AND UNITS OF MEASURE

Symbols	Units of Measure	Description	Symbols	Units of Measure	Description
V	[cm ³]	Rot. displacement	η_v		Volumetric efficiency
p	[bar]	Pressure	n	[min ⁻¹]	Angular speed
pA. pB	[bar]	Pressure in A and B connections	M	[Nm]	Actual torque onto the motor shaft
Q	[l/min]	Flow rate	cont		General value, for continuous duty
η_t		Efficiency	int		General value, intermittent duty
η_{mh}		Hydraulic-mechanical efficiency			

H2 NEGATIVE MULTIDISC BRAKE

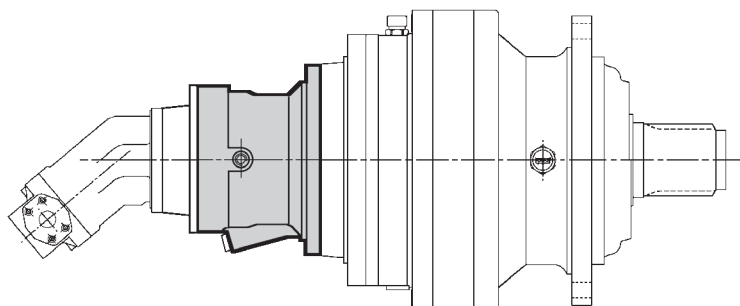
DESCRIPTION

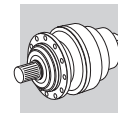
TRASMITAL's fail-safe parking brake is an oil immersed multidisc unit on the input side of the gearbox. The brake is operated when there is no hydraulic pressure and is released when the minimum release pressure is applied.

Use of parking brake is necessary whenever the driven system must be kept at standstill even under external forces and/or torques.

Applications:


- winches
- slewing drives
- parking brake on mobile equipment
- general industrial applications





H2.1 Brake technical data

(A 22)

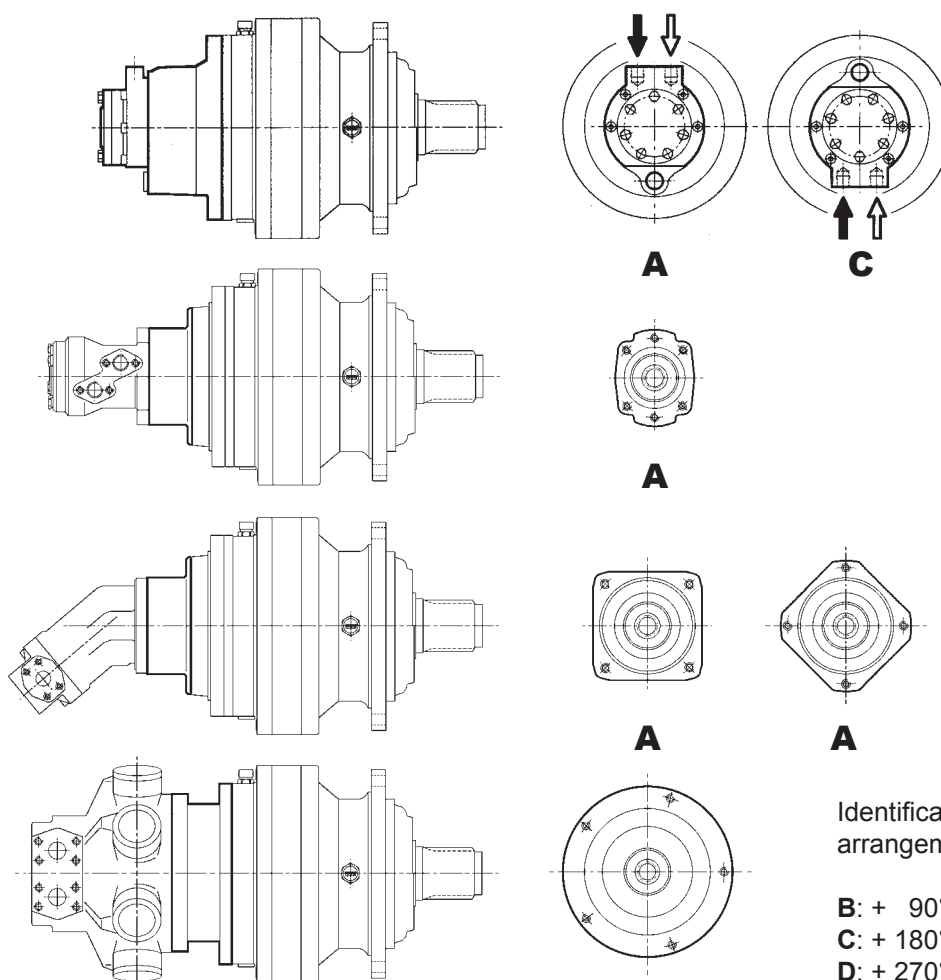
		Type																	
		4.							5.						6.				
		A	B	D	F	H	K	L	B	C	E	G	K	B	C	E	G	K	L
Static braking torque Mb	Nm ±10%	50	100	160	260	330	400	440	400	500	630	800	1000	850	1100	1500	2100	2600	3200
Min. opening pressure	bar	10	20	30	20	25	30	34	20	27	20	26	32	14	19	25	19	24	29
Max. operating pressure	bar	320																	
Oil volume for brake release	cm ³	6.65	6.65	6.65	6.65	6.65	6.65	6.65	13.96	13.96	13.96	13.96	13.96	37.2	37.2	37.2	37.2	37.2	37.2

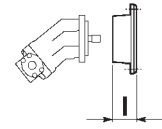
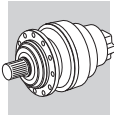
H3 INPUTS FOR HYDRAULIC MOTORS

All sizes can be supplied with hydraulic motor input flanges.

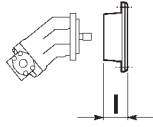
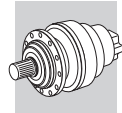
The available motor adaptors are shown in the following pages.

The standard orientations (A) of the motor flanges are shown in the following scheme, taking into consideration the input side of the gearbox.

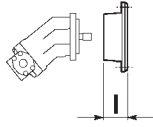




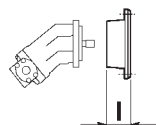
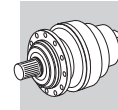
		SAE Standard J744c											
		SAE A 16/32 z9	SAE A ø15,8/75	SAE B 16/32 z13	SAE B ø22,2	SAE BB 16/32 z15	SAE BB ø25,4	SAE C 12/24 z14	SAE C ø31,7	SAE CC 12/24 z17	SAE C ø38,1	SAE D 8/16 z13	SAE E 8/16 z13
CODE		S5AM	S5AN	S5BA	S5BB	S5BM	S5BN	S5CA	S5CB	S5CP	S5CQ	S5DA	S5EA
		I											
300	L1-L2-L3-L4 R2-R3-R4	42	42	52	52	52	52	64	64	80	80	81	
301	L1-L2-L3-L4 R2-R3-R4	42	42	52	52	52	52	64	64	80	80	81	
303	L1 L2-L3-L4 R2-R3-R4	42	42	52	52	52	52	64	64	80	80	81	
304	L1 L2-L3-L4 R2-R3-R4	42	42	52	52	52	52	64	64	80	80	81	
305	L1 L2-L3-L4 R2-R3-R4	42	42	52	52	52	52	64	64	80	80	81	
306	L1 L2 L3-L4 R2-R3-R4	42	42	52	52	52	52	64	64	80	80	81	113
307	L1 L2 L3-L4 R2 R3-R4	42	42	52	52	52	52	64	64	80	80	81	113
309	L1 L2 L3-L4 R2 R3-R4	42	42	52	52	52	52	64	64	80	80	81	113
310	L1 L2 L3 L4 R2(B)-R2(C) R3-R4	42	42	52	52	52	52	64	64	80	80	81	113
311	L1 L2 L3 L4 R2(B)-R2(C) R3-R4	42	42	52	52	52	52	64	64	80	80	81	113
313	L1 L2 L3 L4 R2(B)-R2(C) R3-R4	42	42	52	52	52	52	64	64	80	80	81	113
314	L1 L2 L3 L4 R3(B)-R3(C) R4	42	42	52	52	52	52	64	64	80	80	81	113
315	L1 L2 L3 L4 R3(B)-R3(C) R4	42	42	52	52	52	52	64	64	80	80	81	113
316	L1 L2 L3 L4 R3(B)-R3(C) R4	42	42	52	52	52	52	64	64	80	80	81	113
317	L1 L2 L3 L4 R3(B)-R3(C) R4	42	42	52	52	52	52	64	64	80	80	81	113
318	L1 L2 L3 L4 R4(B)-R4(C)											101	113
319	L1 L2 L3 L4 R4(B)-R4(C)											101	113
321	L1 L2 L3 L4 R4(B)-R4(C)											101	113



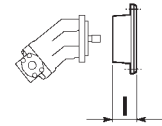
		CALZONI								CHAR-LYNN (EATON)									
		CALZONI MR190 N z8	CALZONI MR300 N z8	CALZONI MRP300 N z8	CALZONI MR460 N z8	CALZONI MR700 N z8	CALZONI MR1100 N z8	CALZONI MR1800 N z10	CALZONI MR2800 N z10	SERIE 2000 SAE A 1" 6B	SERIE 2000 SAE A 025,4	SERIE 2000 SAE A 032	SERIE 2000 SAE A 12/24 z14	SERIE 2000 BEARINGLESS 12/24 z12	SERIE 4000 SAE B ø31,75	SERIE 4000 SAE C 12/24 z17	SERIE 6000 SAE C ø38,1	SERIE 6000 SAE C 12/24 z17	
CODE		C0AA	C0AD	C0BL	C0AG	C0AL	C0AP	C0AS	C0AV	S5AQ	S5AS	D0AG	D0AH	E2AA	S5BP	S5CP	S5CQ	S5CP	
		I																	
300	L1-L2-L3-L4 R2-R3-R4	64	78	78						42	42	64	64	52	68	80	80	80	
301	L1-L2-L3-L4 R2-R3-R4	64	78	78						42	42	64	64	52	68	80	80	80	
303	L1 L2-L3-L4 R2-R3-R4	64	78	78						42	42	64	64	52	68	80	80	80	
304	L1 L2-L3-L4 R2-R3-R4	64	78	78						42	42	64	64	52	68	80	80	80	
305	L1 L2-L3-L4 R2-R3-R4	64	78	78						42	42	64	64	52	68	80	80	80	
306	L1 L2 L3-L4 R2-R3-R4	64	78	78	98	102	133			42	42	64	64	52	68	80	80	80	
307	L1 L2 L3-L4 R2 R3-R4	64	78	78	98	102	133			42	42	64	64	52	68	80	80	80	
309	L1 L2 L3-L4 R2 R3-R4	64	78	78	98	102	133			42	42	64	64	52	68	80	80	80	
310	L1 L2 L3 L4 R2(B)-R2(C) R3-R4	64	78	78	143 98	147 102	178 133			42	42	64	64	52	68	80	80	80	
311	L1 L2 L3 L4 R2(B)-R2(C) R3-R4	64	78	78	98	102	133	165	200	42	42	64	64	52	68	80	80	80	
313	L1 L2 L3 L4 R2(B)-R2(C) R3-R4	64	78	78	98	102	133	130	130	42	42	64	64	52	68	80	80	80	
314	L1 L2 L3 L4 R3(B)-R3(C) R4	64	78	78	98	102	133			42	42	64	64	52	68	80	80	80	
315	L1 L2 L3 L4 R3(B)-R3(C) R4	64	78	78	98	102	133	130	130	42	42	64	64	52	68	80	80	80	
316	L1 L2 L3 L4 R3(B)-R3(C) R4	64	78	78	98	102	133	130	130	42	42	64	64	52	68	80	80	80	
317	L1 L2 L3 L4 R3(B)-R3(C) R4	64	78	78	98	102	133	130	130	42	42	64	64	52	68	80	80	80	
318	L1 L2 L3 L4 R4(B)-R4(C)				98	102	133	130	130										
319	L1 L2 L3 L4 R4(B)-R4(C)				98	102	133	130	130										
321	L1 L2 L3 L4 R4(B)-R4(C)				98	102	133	130	130										



CODE		SAUER DANFOSS (orbit)								DENISON Hydraulics								
		OMP-OMR 50/315 ø25	OMP-OMR 50/315 SAE 1" 6B	OMS 80/315 ø32	OMS 80/315 12/24 z14	OMSS 80/315 12/24 z12	OMT 160/400 ø40	OMT 160/400 12/24 z17	OMTS 160/400 12/24 z16	OMVS 315/800 10/20 z16	M6-M7-M8 3** 12/24 z14	M11-M14 3** 8/16 z13	M3 B 16/32 z9	M4C-M4SC 16/32 z13	M4D-M4SD 12/24 z14	M4DC-M4S DC 12/24 z14	M4E-M4SE 12/24 z14	M6B5 16/32 z13
		S5AP	S5AQ	D0AG	D0AH	D0AL	D0AM	D0AN	D0AQ	D0AU	S5CA	S5EA	S5AM	S5BA	S5CA	S5CA	S5CA	S5CA
		I																
300	L1-L2-L3-L4 R2-R3-R4	42	42	64	64	37	112	112	57	64		42	52	64	64	64	64	52
301	L1-L2-L3-L4 R2-R3-R4	42	42	64	64	37	112	112	57	64		42	52	64	64	64	64	52
303	L1 L2-L3-L4 R2-R3-R4	42	42	64	64	37	112	112	57	64		42	52	64	64	64	64	52
304	L1 L2-L3-L4 R2-R3-R4	42	42	64	64	37	112	112	57	64		42	52	64	64	64	64	52
305	L1 L2-L3-L4 R2-R3-R4	42	42	64	64	37	112	112	57	64		42	52	64	64	64	64	52
306	L1 L2 L3-L4 R2-R3-R4	42	42	64	64	37	112	112	57	70	113	42	52	64	64	64	64	52
307	L1 L2 L3-L4 R2 R3-R4	42	42	64	64	37	112	112	57	70	113	42	52	64	64	64	64	52
309	L1 L2 L3-L4 R2 R3-R4	42	42	64	64	37	112	112	57	70	113	42	52	64	64	64	64	52
310	L1 L2 L3 L4 R2(B)-R2(C) R3-R4	42	42	64	64	37	112	112	57	115 70	158 113	42	52	64	64	64	64	52
311	L1 L2 L3 L4 R2(B)-R2(C) R3-R4	42	42	64	64	37	112	112	57	70	113	42	52	64	64	64	64	52
313	L1 L2 L3 L4 R2(B)-R2(C) R3-R4	42	42	64	64	37	112	112	57	70	113	42	52	64	64	64	64	52
314	L1 L2 L3 L4 R3(B)-R3(C) R4	42	42	64	64	37	112	112	57	70	113	42	52	64	64	64	64	52
315	L1 L2 L3 L4 R3(B)-R3(C) R4	42	42	64	64	37	112	112	57	70	113	42	52	64	64	64	64	52
316	L1 L2 L3 L4 R3(B)-R3(C) R4	42	42	64	64	37	112	112	57	70	113	42	52	64	64	64	64	52
317	L1 L2 L3 L4 R3(B)-R3(C) R4	42	42	64	64	37	112	112	57	70	113	42	52	64	64	64	64	52
318	L1 L2 L3 L4 R4(B)-R4(C)									70	113							
319	L1 L2 L3 L4 R4(B)-R4(C)									70	113							
321	L1 L2 L3 L4 R4(B)-R4(C)									70	113							

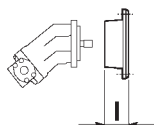
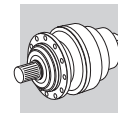


		LINDE								
		MMF 43 16/32 z15	MMF 63 12/24 z14	HMF 28-35-02 16/32 z15	HMF 50-02 16/32 z21	HMF-HMV 75-02 16/32 z21	HMF-HMV 105-02 16/32 z23	HMF-HMV 135-02 16/32 z27	BMF-BMV 186 50x2 z24	
CODE		S5BM	S5CA	S5BM	S5CE	S5CE	S5CD	S5DC	I5AF	
		I								
300	L1-L2-L3-L4 R2-R3-R4	52 52	64 64	52 52	64 64	64 64	64 64	81 81		
301	L1-L2-L3-L4 R2-R3-R4	52 52	64 64	52 52	64 64	64 64	64 64	81 81		
303	L1 L2-L3-L4 R2-R3-R4	52 52 52	64 64 64	52 52 52	64 64 64	64 64 64	64 64 64	81 81 81		
304	L1 L2-L3-L4 R2-R3-R4	52 52 52	64 64 64	52 52 52	64 64 64	64 64 64	64 64 64	81 81 81		
305	L1 L2-L3-L4 R2-R3-R4	52 52 52	64 64 64	52 52 52	64 64 64	64 64 64	64 64 64	81 81 81		
306	L1 L2 L3-L4 R2-R3-R4	52 52 52 52	64 64 64 64	52 52 52 52	64 64 64 64	64 64 64 64	64 64 64 64	101 81 81 81		121
307	L1 L2 L3-L4 R2 R3-R4	52 52 52 52 52	64 64 64 64 64	52 52 52 52 52	64 64 64 64 64	64 64 64 64 64	64 64 64 64 64	101 81 81 81 81		121
309	L1 L2 L3-L4 R2 R3-R4	52 52 52 52 52	64 64 64 64 64	52 52 52 52 52	64 64 64 64 64	64 64 64 64 64	64 64 64 64 64	101 81 81 81 81		121
310	L1 L2 L3 L4 R2(B)-R2(C) R3-R4	52 52 52 52 52 52	64 64 64 64 64 64	52 52 52 52 52 52	64 64 64 64 64 64	64 64 64 64 64 64	64 64 64 64 64 64	146 101 81 81 101 81		166 121 121
311	L1 L2 L3 L4 R2(B)-R2(C) R3-R4	52 52 52 52 52 52	64 64 64 64 64 64	52 52 52 52 52 52	64 64 64 64 64 64	64 64 64 64 64 64	64 64 64 64 64 64	101 81 81 81 101 81		121 121
313	L1 L2 L3 L4 R2(B)-R2(C) R3-R4	52 52 52 52 52 52	64 64 64 64 64 64	52 52 52 52 52 52	64 64 64 64 64 64	64 64 64 64 64 64	64 64 64 64 64 64	101 81 81 101 81		121 121
314	L1 L2 L3 L4 R3(B)-R3(C) R4	52 52 52 52 52 52	64 64 64 64 64 64	52 52 52 52 52 52	64 64 64 64 64 64	64 64 64 64 64 64	64 64 64 64 64 64	101 81 81 101 81		121 121
315	L1 L2 L3 L4 R3(B)-R3(C) R4	52 52 52 52 52 52	64 64 64 64 64 64	52 52 52 52 52 52	64 64 64 64 64 64	64 64 64 64 64 64	64 64 64 64 64 64	101 81 101 81		121 121
316	L1 L2 L3 L4 R3(B)-R3(C) R4	52 52 52 52 52 52	64 64 64 64 64 64	52 52 52 52 52 52	64 64 64 64 64 64	64 64 64 64 64 64	64 64 64 64 64 64	101 81 101 81		121 121
317	L1 L2 L3 L4 R3(B)-R3(C) R4	52 52 52 52 52 52	64 64 64 64 64 64	52 52 52 52 52 52	64 64 64 64 64 64	64 64 64 64 64 64	64 64 64 64 64 64	101 81 101 81		121 121
318	L1 L2 L3 L4 R4(B)-R4(C)							101 101		121 121
319	L1 L2 L3 L4 R4(B)-R4(C)							101 101		121 121
321	L1 L2 L3 L4 R4(B)-R4(C)							101 101		121 121

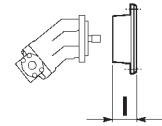
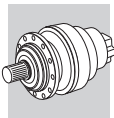


BRUENINGHAUS HYDROMATIK (BOSCH REXROTH)

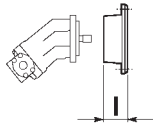
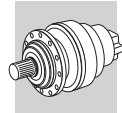
		A2FM10-12-16 25x1,25 z16	A2FM23-28-32 A6VM 28 30x2 z14	A2FM23-28 ø25	A2FM45 32x2 z14	A2FM45-56 30x2 z14	A2FM56-63 A6VM55 38x2 z16	A2FM80-90 A6VM80 40x2 z18	A2FM80 35x2 z16	A2FM107-125 A6VM107 45x2 z21	A2FM107 A6VM107 40x2 z18	A2FM160-180 A6VM160 50x2 z24	A2FM160 A6VM160 45x2 z21	A2FM200 A6VM200 50x2 z24	A6VM250 50x2 z24	A2FM250 50x2 z24	A10FM45.30W A10VM63 16/32 z15
CODE		H0AA	H0AE	H0AH	H0AI	H0BA	H0BC	H0BG	H0BI	H0CA	H0CC	H0CE	H0CG	H0CI	H0DA	H0DE	S5BM
		I															
300	L1-L2-L3-L4	42	52	52	64	64	64	75	75	101	101						52
	R2-R3-R4	42	52	52	64	64	64	75	75	101	101						52
301	L1-L2-L3-L4	42	52	52	64	64	64	75	75	101	101						52
	R2-R3-R4	42	52	52	64	64	64	75	75	101	101						52
303	L1	42	52	52	64	64	64	75	75	101	101						52
	L2-L3-L4	42	52	52	64	64	64	75	75	101	101						52
	R2-R3-R4	42	52	52	64	64	64	75	75	101	101						52
304	L1	42	52	52	64	64	64	75	75	101	101						52
	L2-L3-L4	42	52	52	64	64	64	75	75	101	101						52
	R2-R3-R4	42	52	52	64	64	64	75	75	101	101						52
305	L1	42	52	52	64	64	64	75	75	101	101						52
	L2-L3-L4	42	52	52	64	64	64	75	75	101	101						52
	R2-R3-R4	42	52	52	64	64	64	75	75	101	101						52
306	L1											101	101	101	113	113	52
	L2	42	52	52	64	64	64	75	75	101	101						52
	L3-L4	42	52	52	64	64	64	75	75	101	101						52
307	R2-R3-R4	42	52	52	64	64	64	75	75	101	101						52
	L1											101	101	101	113	113	52
	L2	42	52	52	64	64	64	75	75	101	101						52
309	L3-L4	42	52	52	64	64	64	75	75	101	101						52
	R2	42	52	52	64	64	64	75	75	101	101						52
	R3-R4	42	52	52	64	64	64	75	75	101	101						52
310	L1											146	146	146	158	158	52
	L2	42	52	52	64	64	64	75	75	101	101						52
	L3	42	52	52	64	64	64	75	75	101	101						52
311	L4	42	52	52	64	64	64	75	75	101	101						52
	R2(B)-R2(C)											101	101	101	113	113	52
	R3-R4	42	52	52	64	64	64	75	75	101	101						52
313	L1											101	101	101	113	113	52
	L2	42	52	52	64	64	64	75	75	101	101						52
	L3	42	52	52	64	64	64	75	75	101	101						52
314	L4	42	52	52	64	64	64	75	75	101	101						52
	R2(B)-R2(C)											101	101	101	113	113	52
	R3-R4	42	52	52	64	64	64	75	75	101	101						52
315	L1											101	101	101	113	113	52
	L2	42	52	52	64	64	64	75	75	101	101						52
	L3	42	52	52	64	64	64	75	75	101	101						52
316	L4	42	52	52	64	64	64	75	75	101	101						52
	R3(B)-R3(C)											101	101	101	113	113	52
	R4	42	52	52	64	64	64	75	75	101	101						52
317	L1											101	101	101	113	113	52
	L2	42	52	52	64	64	64	75	75	101	101						52
	L3	42	52	52	64	64	64	75	75	101	101						52
318	L4	42	52	52	64	64	64	75	75	101	101						52
	R3(B)-R3(C)											101	101	101	113	113	52
	R4	42	52	52	64	64	64	75	75	101	101						52
319	L1											101	101	101	113	113	52
	L2											101	101	101	113	113	52
	L3											101	101	101	113	113	52
321	L4											101	101	101	113	113	52
	R4(B)-R4(C)											101	101	101	113	113	52
	R4											101	101	101	113	113	52



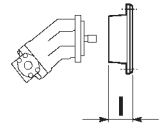
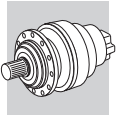
		SAI						KAWASAKI STAFFA			
		GM05 UNI 8953	GM1 UNI 8953	GM1/P1/S1 35x2 z16	GM2 UNI 8953	GM3 UNI 8953	GM4/GM5 UNI 8953	SAI L7 (9) N80x3 z25	B030 z17	B045 z17	HM (HD)B150 HM (HD)B200 5/10 z16
		S2BA	S2AB	S2CE	S2AF	S2DN	S2BF	S2BH	S1AB	S1AC	S1AL
CODE		I									
300	L1-L2-L3-L4	73	37	57							
	R2-R3-R4	73	37	57							
301	L1-L2-L3-L4	73	37	57							
	R2-R3-R4	73	37	57							
303	L1	73	37	57							
	L2-L3-L4	73	37	57							
	R2-R3-R4	73	37	57							
304	L1	73	37	57							
	L2-L3-L4	73	37	57							
	R2-R3-R4	73	37	57							
305	L1	73	37	57							
	L2-L3-L4	73	37	57							
	R2-R3-R4	73	37	57							
306	L1		74		98	98	105		135	140	
	L2	73	37	57							
	L3-L4	73	37	57							
	R2-R3-R4	73	37	57							
307	L1		74		98	98	105		135	140	
	L2	73	37	57							
	L3-L4	73	37	57							
	R2 R3-R4	73 73	37 37	57 57							
309	L1		74		98	98	105		135	140	
	L2	73	37	57							
	L3-L4	73	37	57							
	R2 R3-R4	73 73	37 37	57 57							
310	L1		119		143	143	150		180	185	
	L2		74		98	98	105		135	140	
	L3	73	37	57							
	L4 R2(B)-R2(C) R3-R4	73 73 73	37 37 37	57 57 57	98	98	105		135	140	
311	L1		74		135	98	150	90			187
	L2		74		98	98	105		135	140	
	L3	73	37	57							
	L4 R2(B)-R2(C) R3-R4	73 73 73	37 37 37	57 57 57	98	98	105		135	140	
313	L1		74		135	98	150	90			187
	L2		74		98	98	105		135	140	
	L3	73	37	57							
	L4 R2(B)-R2(C) R3-R4	73 73 73	37 37 37	57 57 57	98	98	105		135	140	
314	L1		74		98	98	105		135	140	
	L2		74		98	98	105		135	140	
	L3	73	37	57							
	L4 R3(B)-R3(C) R4	73 73 73	37 37 37	57 57 57	98	98	105		135	140	
315	L1		74		135	98	150	90			187
	L2		74		98	98	105		135	140	
	L3		74		98	98	105		135	140	
	L4 R3(B)-R3(C) R4	73 73 73	37 37 37	57 57 57	98	98	105		135	140	
316	L1		74		135	98	150	90			187
	L2		74		98	98	105		135	140	
	L3		74		98	98	105		135	140	
	L4 R3(B)-R3(C) R4	73 73 73	37 37 37	57 57 57	98	98	105		135	140	
317	L1		74		135	98	150	90			187
	L2		74		98	98	105		135	140	
	L3		74		98	98	105		135	140	
	L4 R3(B)-R3(C) R4	73 73 73	37 37 37	57 57 57	98	98	105		135	140	
318	L1		74		135	98	150	90			187
	L2		74		98	98	105		135	140	
	L3		74		98	98	105		135	140	
	L4 R4(B)-R4(C)		74		98	98	105		135	140	
319	L1		74		135	98	150	90			187
	L2		74		98	98	105		135	140	
	L3		74		98	98	105		135	140	
	L4 R4(B)-R4(C)		74		98	98	105		135	140	
321	L1		74		135	98	150	90			187
	L2		74		98	98	105		135	140	
	L3		74		98	98	105		135	140	
	L4 R4(B)-R4(C)		74		98	98	105		135	140	



		SAUER DANFOSS (piston)														
		OMF-SMF- OMV -SMV 1-038 16/32 z13	SMF 2033-02/070 16/32 z21	SMF 2/089 16/32 z23	SMF 2/119 16/32 z27	SMF 2/166-227 16/32 z27	SMF 4/023 90M042 16/32 z13	SMF 4/046 90M042 16/32 z15	90 M055 16/32 z21	90 M075-M100 16/32 z23	90 M130 16/32 z27	51 V 060 12/24 z14	51 V 080 12/24 z14	51 V 110 8/16 z13	51 V 160 8/16 z13	51 V 250 8/16 z15
CODE		S5BA	S5CE	S5CD	S5DC	S5EC	S5BA	S5BM	S5CE	S5CD	S5DC	S5CA	S5CA	S5DA	S5DA	S5ED
		I														
300	L1-L2-L3-L4 R2-R3-R4	52	64	64	81		52	52	64	64	81	64	64	81	81	
301	L1-L2-L3-L4 R2-R3-R4	52	64	64	81		52	52	64	64	81	64	64	81	81	
303	L1 L2-L3-L4 R2-R3-R4	52	64	64	81		52	52	64	64	81	64	64	81	81	
304	L1 L2-L3-L4 R2-R3-R4	52	64	64	81		52	52	64	64	81	64	64	81	81	
305	L1 L2-L3-L4 R2-R3-R4	52	64	64	81		52	52	64	64	81	64	64	81	81	
306	L1 L2 L3-L4 R2-R3-R4	52	64	64	81	113	52	52	64	64	101	81	64	64	101	101
307	L1 L2 L3-L4 R2 R3-R4	52	64	64	81	113	52	52	64	64	101	81	64	64	101	101
309	L1 L2 L3-L4 R2 R3-R4	52	64	64	81	113	52	52	64	64	101	81	64	64	101	101
310	L1 L2 L3 L4 R2(B)-R2(C) R3-R4	52	64	64	81	146	52	52	64	64	146	81	64	64	146	146
311	L1 L2 L3 L4 R2(B)-R2(C) R3-R4	52	64	64	81	101	52	52	64	64	101	81	64	64	101	101
313	L1 L2 L3 L4 R2(B)-R2(C) R3-R4	52	64	64	81	101	52	52	64	64	101	81	64	64	101	101
314	L1 L2 L3 L4 R3(B)-R3(C) R4	52	64	64	81	101	52	52	64	64	101	81	64	64	101	101
315	L1 L2 L3 L4 R3(B)-R3(C) R4	52	64	64	81	101	52	52	64	64	101	81	64	64	101	101
316	L1 L2 L3 L4 R3(B)-R3(C) R4	52	64	64	81	101	52	52	64	64	101	81	64	64	101	101
317	L1 L2 L3 L4 R3(B)-R3(C) R4	52	64	64	81	101	52	52	64	64	101	81	64	64	101	101
318	L1 L2 L3 L4 R4(B)-R4(C)				101	113					101			101	101	113
319	L1 L2 L3 L4 R4(B)-R4(C)				101	113					101			101	101	113
321	L1 L2 L3 L4 R4(B)-R4(C)				101	113					101			101	101	113



CODE		TRW-TORQMOTOR (PARKER)					VICKERS (EATON)				WHITE				
		MAG 04-32 SAE 1" 6B	MAF 06-40 SAE 1" 6B	MAB 06-32 SAE 1" 6B	MAB 06-32 SAE A ø25	MAE 10-68 SAE 1" 6B	MFE 19 16/32 z15	25M ⁺ A11 16/32 z13	35-45 M ⁺ A11 12/24 z14	50 M ⁺ A11 8/16 z13	HS 02-15 SAE A ø25	HS 02-15 SAE A 1" 6B	RS 08-24 SAE A ø25	RS 08-24 SAE A 1" 6B	REO 06-45 SAE A 1" 6B
CODE		S5AQ	S5AQ	S5AQ	S5AP	S5AQ	S5BM	S5BA	S5CA	S5DA	S5AP	S5AQ	S5AP	S5AQ	S5AP
		I													
300	L1-L2-L3-L4 R2-R3-R4	42	42	42	42	42	52	52	64	81	42	42	42	42	42
301	L1-L2-L3-L4 R2-R3-R4	42	42	42	42	42	52	52	64	81	42	42	42	42	42
303	L1 L2-L3-L4 R2-R3-R4	42	42	42	42	42	52	52	64	81	42	42	42	42	42
304	L1 L2-L3-L4 R2-R3-R4	42	42	42	42	42	52	52	64	81	42	42	42	42	42
305	L1 L2-L3-L4 R2-R3-R4	42	42	42	42	42	52	52	64	81	42	42	42	42	42
306	L1 L2 L3-L4 R2-R3-R4	42	42	42	42	42	52	52	64	81	101	42	42	42	42
307	L1 L2 L3-L4 R2 R3-R4	42	42	42	42	42	52	52	64	81	101	42	42	42	42
309	L1 L2 L3-L4 R2 R3-R4	42	42	42	42	42	52	52	64	81	101	42	42	42	42
310	L1 L2 L3 L4 R2(B)-R2(C) R3-R4	42	42	42	42	42	52	52	64	81	146	42	42	42	42
311	L1 L2 L3 L4 R2(B)-R2(C) R3-R4	42	42	42	42	42	52	52	64	81	101	42	42	42	42
313	L1 L2 L3 L4 R2(B)-R2(C) R3-R4	42	42	42	42	42	52	52	64	81	101	42	42	42	42
314	L1 L2 L3 L4 R3(B)-R3(C) R4	42	42	42	42	42	52	52	64	81	101	42	42	42	42
315	L1 L2 L3 L4 R3(B)-R3(C) R4	42	42	42	42	42	52	52	64	81	101	42	42	42	42
316	L1 L2 L3 L4 R3(B)-R3(C) R4	42	42	42	42	42	52	52	64	81	101	42	42	42	42
317	L1 L2 L3 L4 R3(B)-R3(C) R4	42	42	42	42	42	52	52	64	81	101	42	42	42	42
318	L1 L2 L3 L4 R4(B)-R4(C)										101				
319	L1 L2 L3 L4 R4(B)-R4(C)										101				
321	L1 L2 L3 L4 R4(B)-R4(C)										101				



		VOAC (PARKER)																								
CODE		F11-5 CK ø18	F11-10 CK ø20	F11-19 CK ø25	F11-19 CD 25x1,25 z18	F12-30 MF1'D	30x2 z14	F12-40 MF1'D	32x2 z14	F12-60 MF1'D	35x2 z16	F12-80 MF1'D	40x2 z18	F12-110 MF1'D	45x2 z21	F11-150/250 S-S 8/16 z13	V12 060 I'D	35x2 z16 V12 060 S-S	12/24 z14 V12 080 I'D	40x2 z18 V12 080 S-S	12/24 z14 V12 110 I'D	45x2 z21 V12 110 S-S 8/16 z13	V12 160 S-S	8/16 z13 V12 160 N-C	45x2 z21	
CODE		V0AA	V0AC	V0AE	V0AG	H0AE	H0AI	H0BC	H0BG	H0CA	S5DA	H0BC	S5CA	H0BG	S5CA	H0CA	S5DA	S5DA	H0CG	I						
300	L1-L2-L3-L4	64	52	53	53	52	64	64	75	101	81	64	64	75	64	101	81	81	101	64	64	101	81	81	101	
	R2-R3-R4	64	52	53	53	52	64	64	75	101	81	64	64	75	64	101	81	81	101	64	64	101	81	81	101	
301	L1-L2-L3-L4	64	52	53	53	52	64	64	75	101	81	64	64	75	64	101	81	81	101	64	64	101	81	81	101	
	R2-R3-R4	64	52	53	53	52	64	64	75	101	81	64	64	75	64	101	81	81	101	64	64	101	81	81	101	
303	L1	64	52	53	53	52	64	64	75	101	81	64	64	75	64	101	81	81	101	64	64	101	81	81	101	
	R2-R3-R4	64	52	53	53	52	64	64	75	101	81	64	64	75	64	101	81	81	101	64	64	101	81	81	101	
304	L1	64	52	53	53	52	64	64	75	101	81	64	64	75	64	101	81	81	101	64	64	101	81	81	101	
	R2-R3-R4	64	52	53	53	52	64	64	75	101	81	64	64	75	64	101	81	81	101	64	64	101	81	81	101	
305	L1	64	52	53	53	52	64	64	75	101	81	64	64	75	64	101	81	81	101	64	64	101	81	81	101	
	R2-R3-R4	64	52	53	53	52	64	64	75	101	81	64	64	75	64	101	81	81	101	64	64	101	81	81	101	
306	L1	64	52	53	53	52	64	64	75	101	81	64	64	75	64	101	81	81	101	64	64	101	81	81	101	
	R2-R3-R4	64	52	53	53	52	64	64	75	101	81	64	64	75	64	101	81	81	101	64	64	101	81	81	101	
307	L1	64	52	53	53	52	64	64	75	101	81	64	64	75	64	101	81	81	101	64	64	101	81	81	101	
	R2-R3-R4	64	52	53	53	52	64	64	75	101	81	64	64	75	64	101	81	81	101	64	64	101	81	81	101	
309	L1	64	52	53	53	52	64	64	75	101	81	64	64	75	64	101	81	81	101	64	64	101	81	81	101	
	R2-R3-R4	64	52	53	53	52	64	64	75	101	81	64	64	75	64	101	81	81	101	64	64	101	81	81	101	
310	L1	64	52	53	53	52	64	64	75	101	81	64	64	75	64	101	81	81	101	64	64	101	81	81	101	
	R2(B)-R2(C) R3-R4	64	52	53	53	52	64	64	75	101	81	64	64	75	64	101	81	81	101	64	64	101	81	81	101	
311	L1	64	52	53	53	52	64	64	75	101	81	64	64	75	64	101	81	81	101	64	64	101	81	81	101	
	R2(B)-R2(C) R3-R4	64	52	53	53	52	64	64	75	101	81	64	64	75	64	101	81	81	101	64	64	101	81	81	101	
313	L1	64	52	53	53	52	64	64	75	101	81	64	64	75	64	101	81	81	101	64	64	101	81	81	101	
	R2(B)-R2(C) R3-R4	64	52	53	53	52	64	64	75	101	81	64	64	75	64	101	81	81	101	64	64	101	81	81	101	
314	L1	64	52	53	53	52	64	64	75	101	81	64	64	75	64	101	81	81	101	64	64	101	81	81	101	
	R3(B)-R3(C) R4	64	52	53	53	52	64	64	75	101	81	64	64	75	64	101	81	81	101	64	64	101	81	81	101	
315	L1	64	52	53	53	52	64	64	75	101	81	64	64	75	64	101	81	81	101	64	64	101	81	81	101	
	R3(B)-R3(C) R4	64	52	53	53	52	64	64	75	101	81	64	64	75	64	101	81	81	101	64	64	101	81	81	101	
316	L1	64	52	53	53	52	64	64	75	101	81	64	64	75	64	101	81	81	101	64	64	101	81	81	101	
	R3(B)-R3(C) R4	64	52	53	53	52	64	64	75	101	81	64	64	75	64	101	81	81	101	64	64	101	81	81	101	
317	L1	64	52	53	53	52	64	64	75	101	81	64	64	75	64	101	81	81	101	64	64	101	81	81	101	
	R3(B)-R3(C) R4	64	52	53	53	52	64	64	75	101	81	64	64	75	64	101	81	81	101	64	64	101	81	81	101	
318	L1										101											101	101			
	R4(B)-R4(C)										101											101	101			
319	L1										101											101	101			
	R4(B)-R4(C)										101											101	101			
321	L1										101											101	101			
	R4(B)-R4(C)										101											101	101			

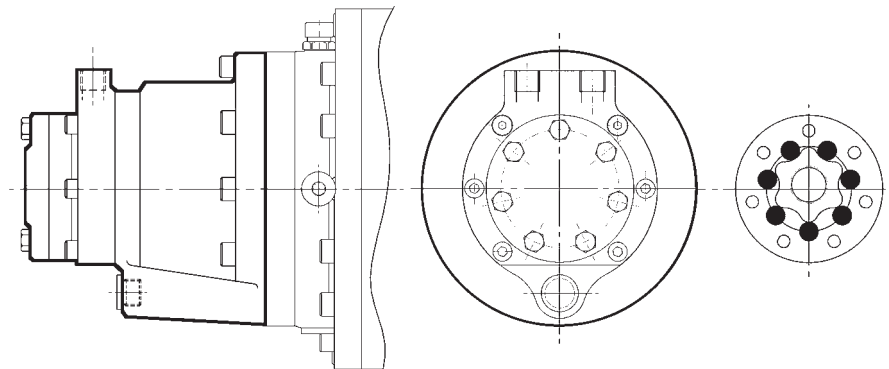


H4 HYDRAULIC MOTORS

GENERAL FEATURES

Gearboxes belonging to the series 300 can be supplied complete with MG hydraulic motors manufactured by BONFIGLIOLI TRASMITAL. These motors were designed to provide compact and energy efficient gearmotors.

Before ordering, you should consult with the Technical Service Bonfiglioli.



H4.1 MG hydraulic motors

Design characteristics:

- Orbit system with GEROLER® rollers between rotor and stator
- Distributor on output shaft
- Displacements from 50 to 250 cm³
- Max. pressure 175 bar
- Max. flow rate 48 lt/min
- High efficiency
- Hydraulic brake can be included in the motor overall dimensions
- Inner brake directly controlled by the motor with no valves or outer circuits required.

H5 TECHNICAL FEATURES

H5.1 Displacement V [cm³]

Geometrical volume produced as a result of each motor rotation corresponding to the theoretical volume of hydraulic oil necessary for a rotation of the driving shaft

H5.2 Pressure p [bar]

Hydraulic pressure applied to the motor when running.

H5.3 Flow rate Q [l / min]

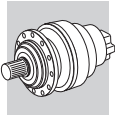
Hydraulic oil flow through the motor when running.

H5.4 Efficiency η_t

Total efficiency of the hydraulic motor given by:

$$\eta_t = \eta_{mh} \times \eta_v$$

(38)



H5.5 Mechanical-hydraulic efficiency η_{mh}

This is the ratio of actual torque to theoretical torque at the driving shaft. Value depending on inner losses due to mechanical friction as well as hydraulic fluid pressure losses, calculated as follows:

$$\eta_{mh} = \frac{2 \pi \times 10 \times M}{(p_A - p_B) \times V} \quad (39)$$

H5.6 Hydraulic efficiency η_v

This is the ratio of motor actual speed to motor theoretical speed. Value depending on the motor inner blow-by between high and low pressure volumes. This value is given by the following formula:

$$\eta_v = \frac{n \times V}{Q \times 1000} \quad (40)$$

H5.7 Angular speed n [min⁻¹]

Hydraulic motor rotation speed. Value resulting from the following formula:

$$n = \frac{Q \times 1000}{V} \times \eta_v \quad (41)$$

H5.8 Torque M [Nm]

Actual torque transmitted by the hydraulic motor. Value given by the following formula:

$$M = \frac{(p_A - p_B) \times V}{2 \pi \times 10} \times \eta_{mh} \quad (42)$$

H6 DESIGNATION

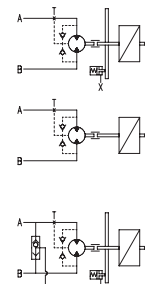
MG 050 SD_R P010

PORTS

P010 = oil ports on motor housing direct with brake

without brake

B02P = oil ports with valve brake pilot with brake



CONSTRUCTIVE SERIES

DISPLACEMENT

050	51.60	cm ³	160	159.60	cm ³
080	80.30	cm ³	200	199.80	cm ³
100	99.80	cm ³	250	249.30	cm ³
125	125.70	cm ³			

ORBIT MOTOR TYPE MG



H7 DISPLACEMENT SELECTION

Displacement V of the hydraulic motor should be selected together with the gearbox.

Once the output torque and speed n_2 for the gearbox M_{r2} is known, proceed as follows:

Define the control pressure value $p_A - p_B \leq 175$ bar for the motor.

Calculate the gearbox displacement value called V_{eq} with the following formula:

$$V_{eq} = \frac{2 \pi \times 10 \times M_{r2}}{(p_A - p_B) \times \eta_{mh} \times \eta_d} \quad [\text{cm}^3] \quad (43)$$

where η_{mh} , for example, is equal to 0.85;

η_d : gearbox dynamic efficiency, consider 0.94.

Calculate the value for flow rate Q , necessary for feeding the hydraulic motor, with the following formula:

$$Q = \frac{n_2 \times V_{eq}}{1000 \times \eta_v} \quad [l/\text{min}] \quad (44)$$

where η_v , for example, is equal to 0.90.

- Select the gearbox size with M_{r2} and n_2 .
- Look up the diagram (A23) for the gearmotor with equivalent displacement value V_{eq} and select:
 - a motor that fulfils the p int. and Q requirements and at the same time.
 - the indicative value of reduction ratio i . Please consider that ratio should be obtained with as few reduction stages as possible, to save on gearmotor costs and contain dimensions.

Once you have determined the value of M_2 and the indicative value of i , select the gearbox and check your selection as indicated in chapt. 14.5.

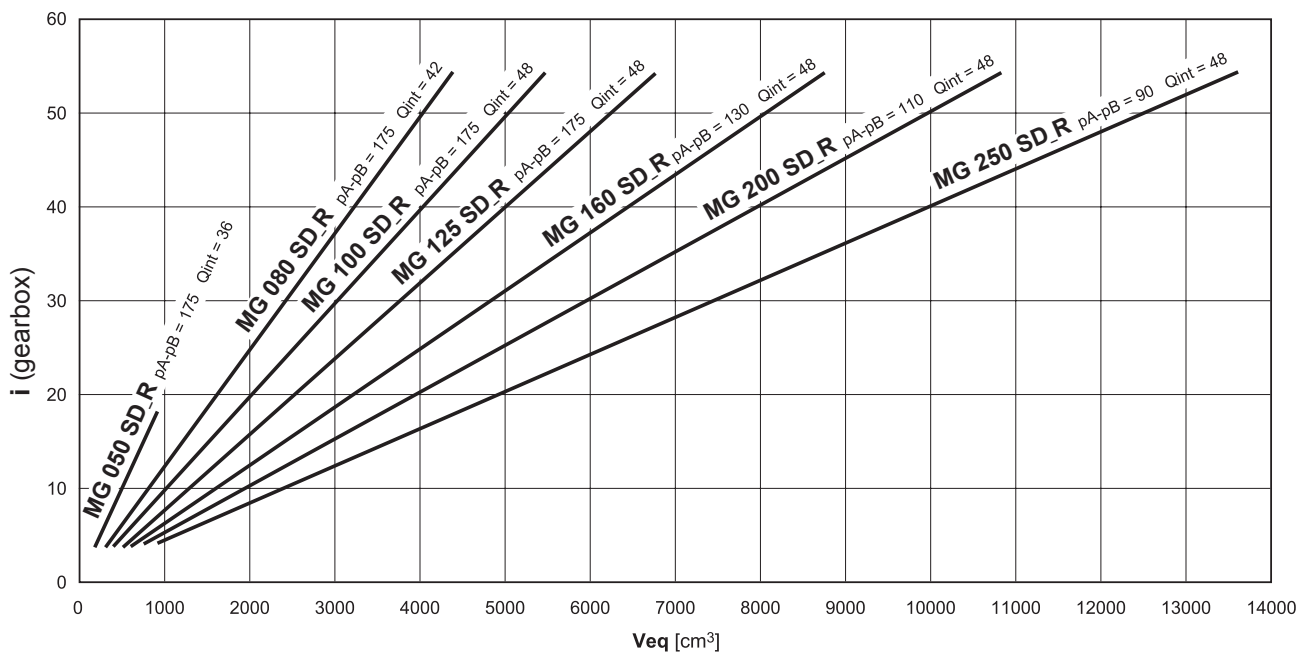
H8 CHECKING

Check that pressure, efficiency and flow rate values correspond with values indicated in Table (A24 and A25) on motor technical features.

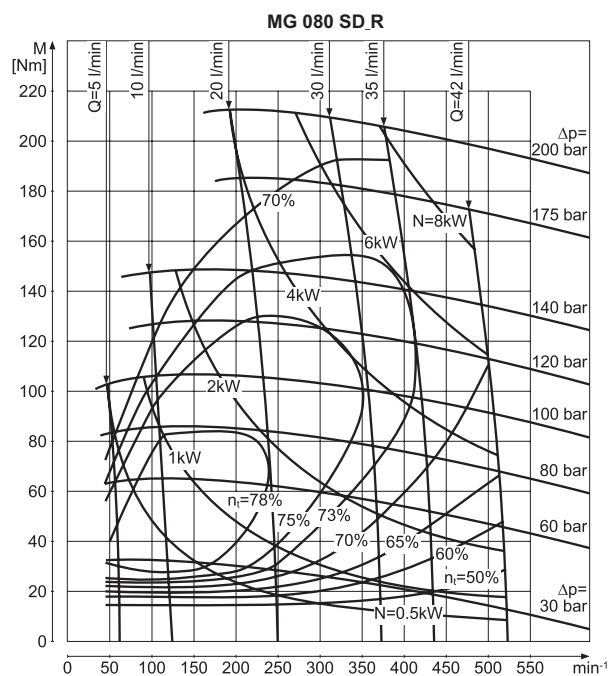
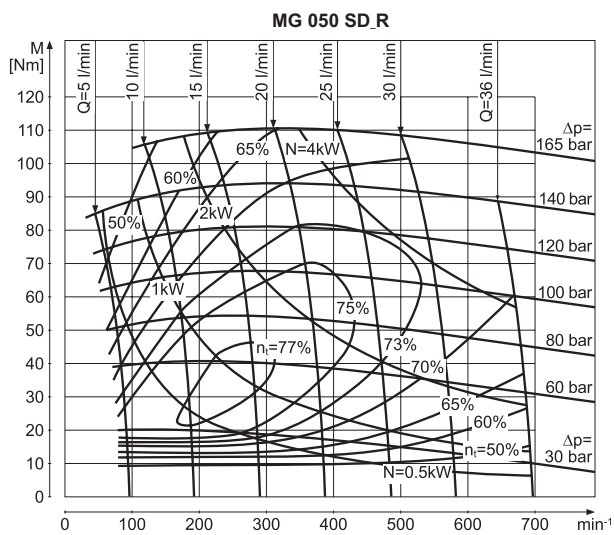


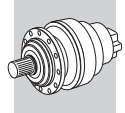
H9 TECHNICAL DATA MG MOTORS

(A 23)

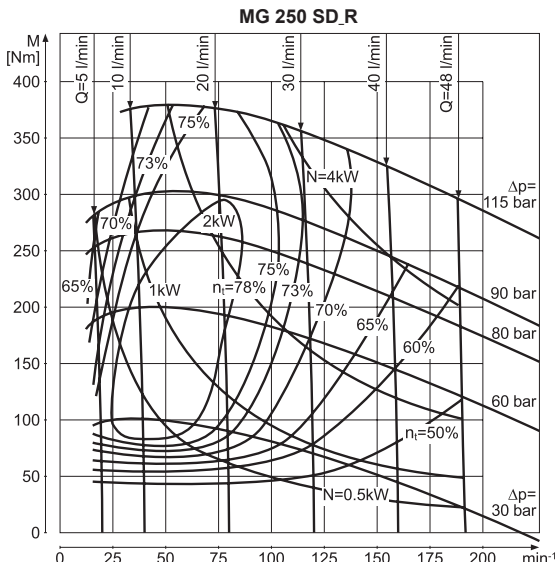
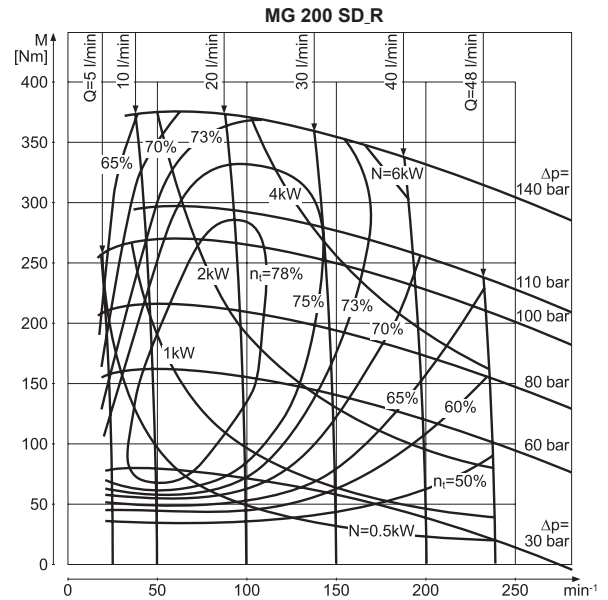
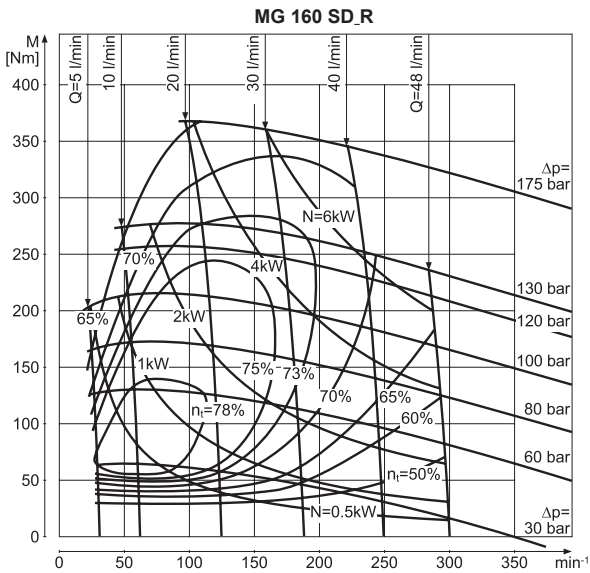
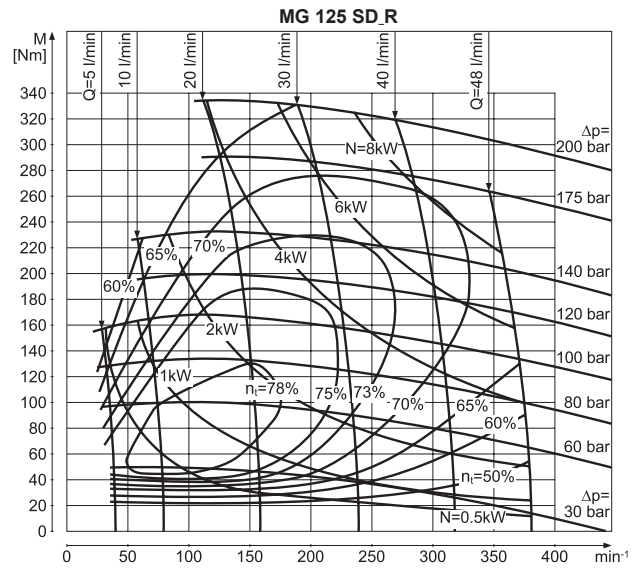
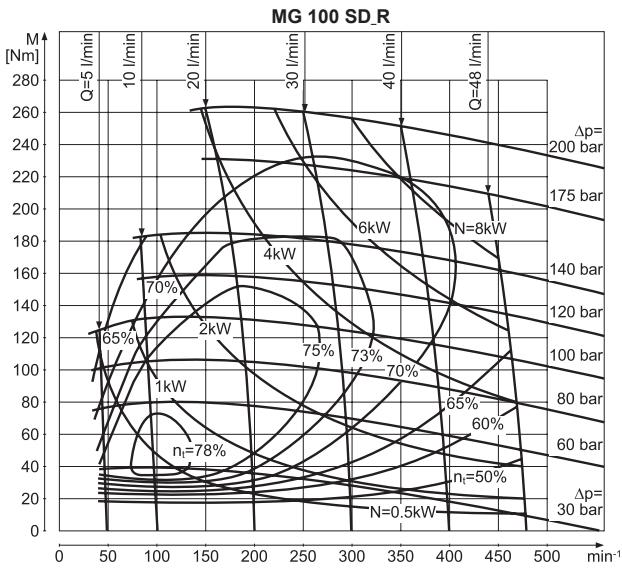


(A 24)





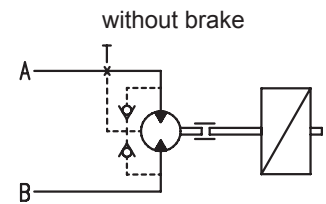
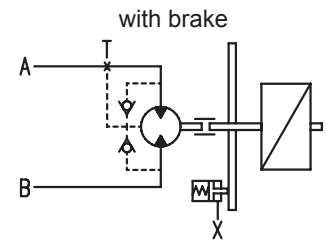
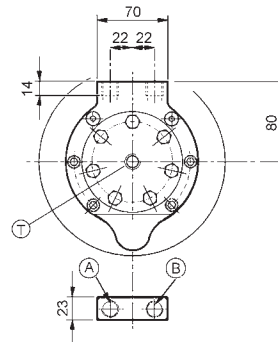
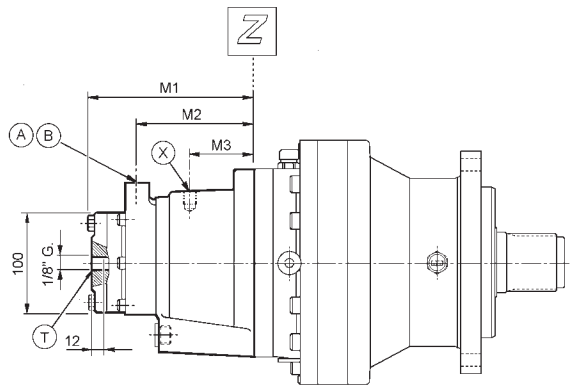
(A 25)





H10 DIMENSIONS MG MOTORS

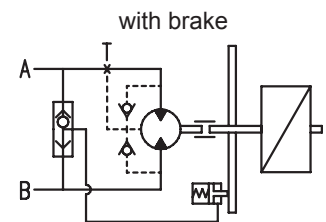
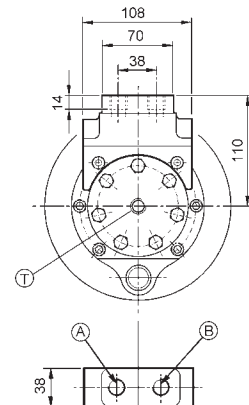
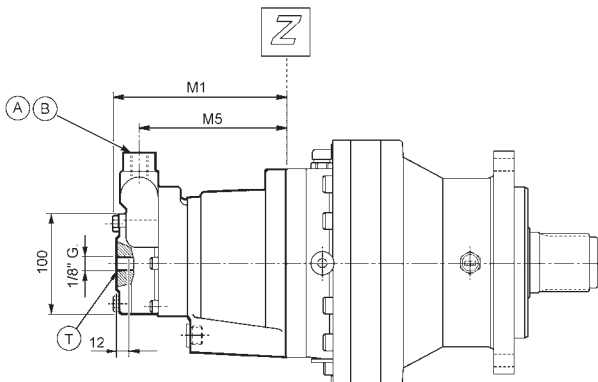
MG-**P010



PORTS

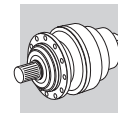
A - B = 3/8" G 19TPI
 T = 1/8" G 28TPI
 X = 1/4 G 19TPI

MG-**B02P





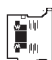






(A 26)

Suitable gearbox	Motor							Execution		
	MG 050	MG 080	MG 100	MG 125	MG 160	MG 200	MG 250	P010	B02P	
	M1							M2	M3	M5
300 L1 - L2 - R2	162	167	171	175	181			113	60	143
301 L1 - L2 - R2	162	167	171	175	181	188	197	113	60	143
303 L1					203	210	219	135	77	165
303 L2 - R2	162	167	171	175	181	188	197	113	60	143
304 L1				197	203	210	219	135	77	165
304 L2 - R2	162	167	171	175	181	188	197	113	60	143
305 L1					203	210	219	135	77	165
305 L2 - R2	162	167	171	175	181	188	197	113	60	143
306 L2					203	210	219	135	77	165
306 R2 - R3	162	167	171	175	181	188	197	113	60	143
307 L2					203	210	219	135	77	165
307 R2 - R3	162	167	171	175	181	188	197	113	60	143



H11 TECHNICAL DATA BRAKES FOR MG MOTORS

(A 27)		Brake TYPE 3 				Brake TYPE 4 			
		3E	3I	3L	3N	4K	4N	4R	4U
	Brake torque Mf [Nm]	120	200	280	350	260	320	430	620
	Min. opening pressure [bar]	16	28	28	35	25	30	24	34
	Max. operating pressure [bar]	200							
	Oil volume for brake release [cc]	6.43	6.43	6.43	6.43	6.65	6.65	6.65	6.65

(A 28)	Suitable gearbox	Motor													
		MG 050		MG 080		MG 100		MG 125		MG 160		MG 200		MG 250	
		Mf [Nm]		Mf [Nm]		Mf [Nm]		Mf [Nm]		Mf [Nm]		Mf [Nm]		Mf [Nm]	
	300 L1 - L2	120	3E	200	3I	280	3L	350	3N	350	3N				
	300 R2	120	3E	200	3I	280	3L								
	301 L1 - L2			200	3I	280	3L	350	3N	350	3N	350	3N	350	3N
	301 R2	120	3E	200	3I	280	3L	350	3N	350	3N				
	303 L1									430	4R	430	4R	430	4R
	303 L2	120	3E	200	3I	280	3L	350	3N	350	3N	350	3N		
	303 R2	120	3E	200	3I	280	3L	350	3N	350	3N	350	3N		
	304 L1							350	3N	430	4R	430	4R	430	4R
	304 L2	120	3E	200	3I	280	3L	350	3N	350	3N	350	3N		
	304 R2	120	3E	200	3I	280	3L	350	3N	350	3N	350	3N		
	305 L1									430	4R	430	4R	430	4R
	305 L2	120	3E	200	3I	280	3L	350	3N	350	3N	350	3N		
	305 R2	120	3E	200	3I	280	3L	350	3N	350	3N	350	3N		
	306 L2			260	4K	260	4K	430	4R	430	4R	430	4R	430	4R
	306 R2 - R3			200	3I	280	3L	350	3N	350	3N	350	3N		
	307 L2					260	4K	430	4R	430	4R	430	4R	430	4R
	307 R2 - R3			200	3I	280	3L	350	3N	350	3N	350	3N	350	3N

H12 INSTALLATION

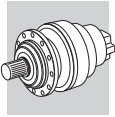
Further to standards on gearbox installation, refer to chapter 15, comply with the following hydraulic motor installation instructions.

a) Connection to the hydraulic circuit

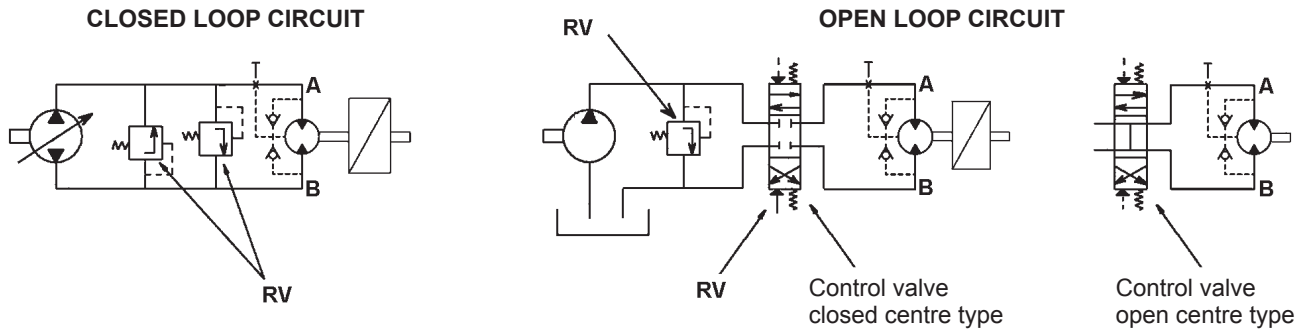
Motors can be connected either to closed or open circuits.

In case of an open circuit, solenoid valve or control distributor can be of the closed or open center type.

The hydraulic motor delivery side should always have a max. pressure valve set to a value not exceeding the p_{int} value allowed for the hydraulic motor. See hydraulic diagrams (A29).



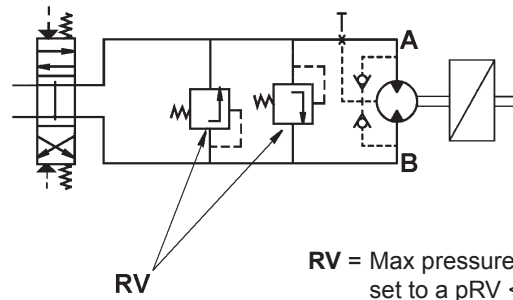
(A 29)



RV = Max pressure valve set to a $p_{RV} < p_{max}$

If not possible, because the circuits control other devices needing a higher pressure and/or a closed center control valve is fitted and the motor controls parts with a high moment of inertia, max. pressure secondary valves should be as close as possible to the motor. See diagram (A30).

(A 30)



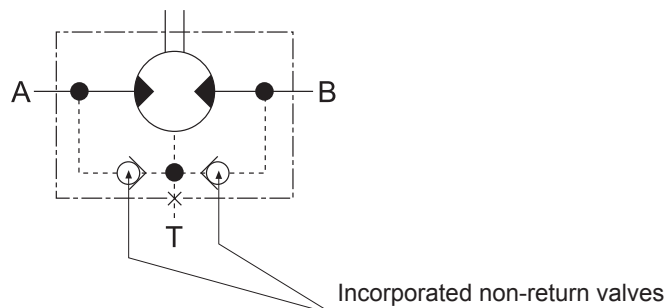
RV = Max pressure secondary valve set to a $p_{RV} < p_{max}$

b) Connecting drain port T

These motors have a 1/8" G drain hole in the centre of the cover. The motor is supplied with the port closed by a metal plug (see figure below).

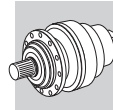
Two non-return valves are incorporated in the motor casing to maintain internal pressure at the same level as the low pressure line A or B if the drain port is not connected to the tank.

(A 31)

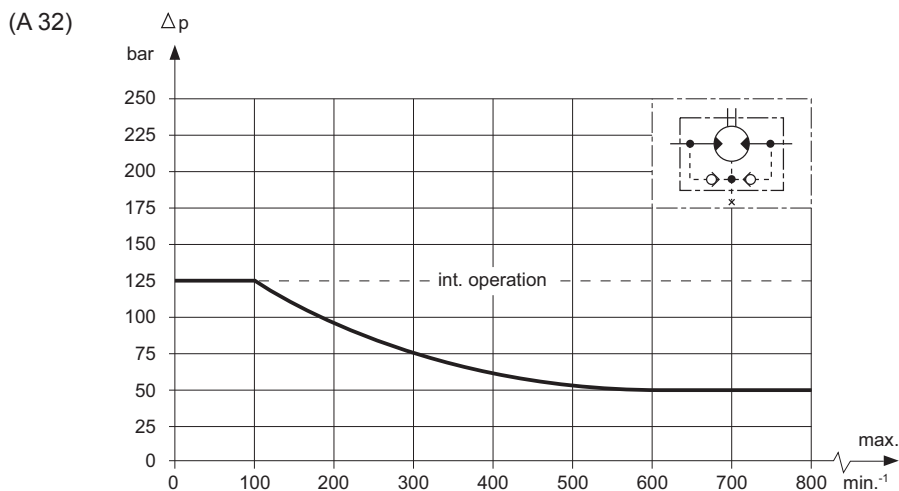


1) If the drain port is connected up, pressure at the shaft seal is always equal to the pressure in the drain line.

2) If the drain port is closed off, pressure at the shaft seal never exceeds pressure in the return line.



The maximum values for pressure in the drain line (case 1) or return line (case 2) are given in the following figure (for continuous and intermittent operating conditions).



The drain port must always be connected up when more motors are operated in series.

c) Brake control

For gearmotors equipped with brakes, there are two motor versions available, i.e. the B02P or P010 executions.

In the B02P version, the motor has an in-built, direct brake control system. In the P010 version, an auxiliary branching is required to control the brake. See the following diagram.

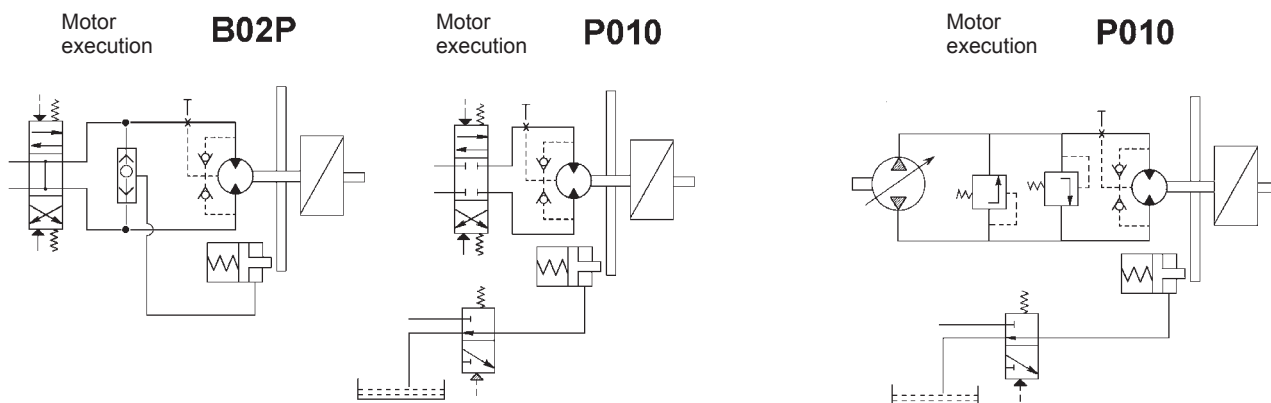
(A 33)

OPEN LOOP CIRCUIT

CLOSED LOOP CIRCUIT

Control valve open centre type

Control valve closed centre type



d) Hydraulic oil

Use hydraulic mineral oil with viscosity ISO VG 46 (46 Cst at $t = 40^{\circ}\text{C}$).

It is recommended the oil temperature should be between $+30^{\circ}\text{C}$ and $+70^{\circ}\text{C}$.

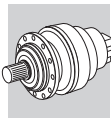
e) Oil filtering

For reliable motor operation and long life, it is important that the hydraulic circuit has a filter for a proper oil filtering according to the following degree:

degree 9 NAS 1638

degree 6 SAE

degree 18/15 SO DIS 4406



PLANETARY GEARBOX SERIES 300 ATEX CONFIGURATION

A1 SCOPE OF DOCUMENT

This Technical Bulletin serves as an aid for the selection of 300 series planetary gear units intended for installation in explosion risk areas, classified according to Directive 1999/92/EC.

This Technical Bulletin is an integral part of the 300 series, and subsequent revisions, and has the following scope:

- describes the **constructional characteristics** of the reducers comply with the directive 2014/34/EU, where these differ from those of standard construction gear units - See section A4.2.
- specifies the **selection criteria** approved by the manufacturer that said gear units operate keeping the minimum security requirements required by the Directive 2014/34/EU - See section A4.4.

A2 INTRODUCTION TO THE ATEX DIRECTIVES

Under the provisions of Directive 2014/34/EU, an explosive atmosphere is defined as a mixture:

- of **flammable substances**, whether gas, vapour, mist or dust;
- with **air**;
- in certain **atmospheric conditions**;
- in which, following ignition, combustion spreads to the entire unburned mixture (note that in the case of dust, the entire quantity of dust is not always completely burnt after combustion).

An atmosphere which may potentially be transformed into an explosive atmosphere due to operating and/or ambient conditions is defined as a **potentially explosive atmosphere**. The products governed by Directive 2014/34/EU are intended for use only in a potentially explosive atmosphere defined in this way.

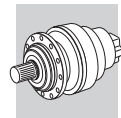
European harmonised ATEX standards

The European Union has issued two harmonisation guidelines in the area of health and safety. Directive 2014/34/EU stipulates the minimum safety requirements for products intended for use in explosion risk areas within the member countries of the European Union. The directive also assigns such equipment to **categories**, which are defined by the directive itself.

Directive 1999/92/EC defines the minimum health and safety requirements for the workplace, for working conditions and for the handling of products and materials in explosion risk areas. The directive also divides the workplace into zones and defines the criteria for the application of product **categories** in said **zones**.

The following table describes the **zones** into which the user of a plant, in which an explosive atmosphere may occur, is required to divide the equipment application areas.

Zones		Formation frequency of a potentially explosive atmosphere	Type of danger
Gaseous atmosphere	Dusty atmosphere		
G	D		
0	20	Present continuously or for long periods	Permanent
1	21	Likely to occur in normal operation occasionally	Potential
2	22	Not likely to occur in normal operation but if it does occur will persist for short period only	Minimal



BONFIGLIOLI RIDOTTORI gear units selected in this catalogue are suitable for installation in zones 1, 21, as highlighted in light gray in the above table, 2 and 22 only on request by contacting our Technical Department, highlighted in dark gray in the diagram above.

Starting from July 1, 2003, the Atex Directives apply throughout the European Union, and replace the divergent laws currently in force at national and European level in the field of explosive atmospheres.

The directives apply to mechanical, hydraulic and pneumatic equipment.

Levels of protection for the various categories of equipment

The various categories of equipment must be able to operate in conformity with the Manufacturers operational specifications, at certain defined levels of protection.

Protection level	Category		Type of protection	Operating conditions
	Group I	Group II		
Very high	M1		Two independent means of protection or safety capable of operating even when two independent faults occur	The equipment remains powered and operational even in the presence of an explosive atmosphere
Very high		1	Two independent means of protection or safety capable of operating even when two independent faults occur	The equipment remains powered and operational in zones 0, 1, 2 (G) and/or zones 20, 21, 22 (D)
High	M2		Protection suitable for normal operation and heavy duty conditions	Power to the equipment is shut off in the presence of a potentially explosive atmosphere
High		2	Protection suitable for normal operation and frequent faults or equipment in which malfunction is normal.	The equipment remains powered and operational in zones 1, 2 (G) and/or zones 21, 22 (D)
Normal		3	Protection suitable for normal operation	The equipment remains powered and operational in zones 2 (G) and/or 22 (D)

BONFIGLIOLI TECHNICAL SERVICE

Definition of groups (EN 1127-1)

Group I Applies to equipment intended for use underground in parts of mines and those parts of surface installations of such mines, liable to be endangered by firedamp and/or combustible dust.

Group II Applies to equipment intended for use in other places liable to be endangered by explosive atmospheres.

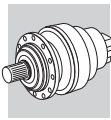
The areas highlighted in grey indicate the only categories in which BONFIGLIOLI RIDOTTORI products may be used. BONFIGLIOLI RIDOTTORI products may not therefore be installed in mines, classified in **Group I**. To summarise, the classification of equipment into groups, categories and zones is illustrated in the table below, where the availability of BONFIGLIOLI RIDOTTORI products is highlighted in grey.

Group	I mines, firedamp		II other potentially explosive areas (gas, dust)					
	M1	M2	1		2		3	
Category								
Atmosphere ⁽¹⁾			G	D	G	D	G	D
Zone			0	20	1	21	2	22
Type of protection gear unit ⁽²⁾					c, k	c, k	c, k	c, k

BONFIGLIOLI TECHNICAL SERVICE

(1) G = gas D = DUST

(2) as per EN13463



A3 USE, INSTALLATION AND MAINTENANCE



The instructions for safe storage, handling and use of the product are given in the unit's User, Installation and Service Manual.

This document must be kept in a suitable place, in the vicinity of the installed gear unit, as a reference for all persons authorised to work with or on the product throughout its service life.

The Manufacturer reserves the right to modify, supplement or improve the Manual, in the interests of the User.

A4 PECULIARITIES OF 300 SERIES GEAR UNITS COMPLIANT WITH DIRECTIVE ATEX

A4.1 PRODUCT AVAILABILITY



Frame sizes : 300 to 321.

	3...L		3...R		3/V
Configurations 	300...321	L 1	-	- -	- -
	300...321	L 2	300...306	R 2	- -
	300...321	L 3	300...317	R 3	300...307 L 3
	300...321	L 4	300...321	R 4	- -

Versions 	Foot mount		Flange mount			Shaft mount	Agitator (vertical)
	PC	PZ	MC/HC	MZ/HZ	FZ	FP	VK

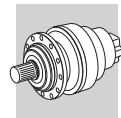
Inputs 				Hydraulic motor connecting
	P(IEC)	V_		Standard negative multidisco brake 6 = Type: 4, 5, 6 A = Braking torque: A, B, C, ...

NOTE:

- With the negative multi disc brake, you must always ensure a minimum pressure for opening the discs. This must be 20% higher than that of the table of the brakes.

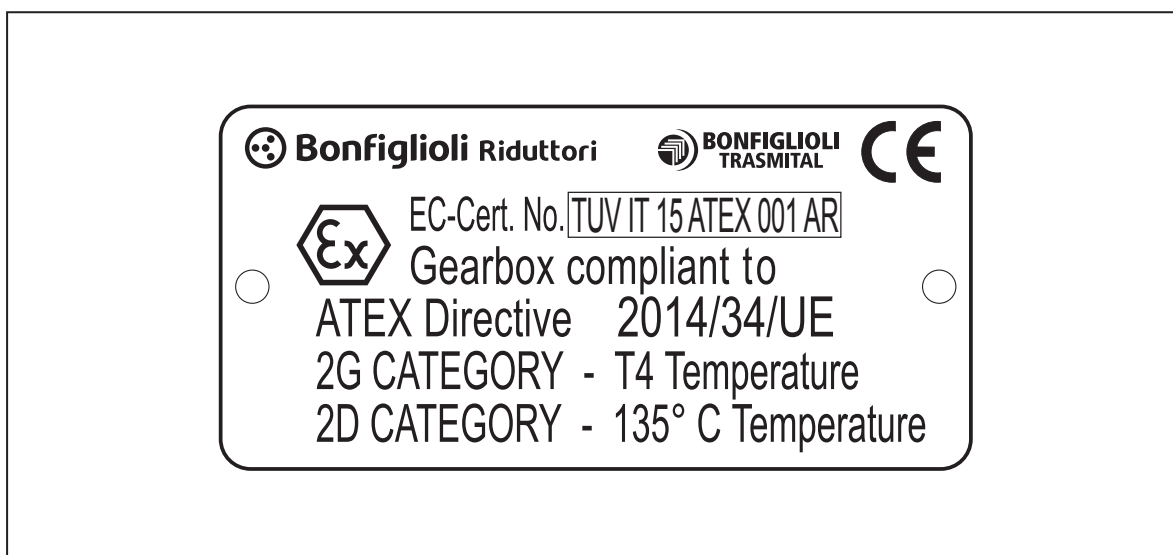
- The pressure max. of brake control must not exceed 50 bar.

Accessories 					
	P ...	B0A	M0A	G0A	W0A



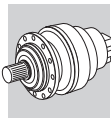
A4.2 CONSTRUCTIONAL CHARACTERISTICS

- Only synthetic lubricants are used.
- Only VITON® gaskets are used.
- Oil seals are equipped with dust lips.
- Vent plugs are equipped with valves with anti-intrusion springs, to prevent contamination of the lubricant by solid particles.
- Oil filler, drain and level plugs are made from steel and equipped with aluminium lock washers.
- No external metal moving parts in contact with other parts.
- No plastic parts prone to accumulating static charges; if present, such parts are shielded.
- Each gear unit is supplied with an installation drawing indicating the following information:
 - main technical characteristics
 - installation specifications
 - location of oil plugs for the specified mounting position
 - lubrication instructions
- The units are fitted with an additional nameplate specifying the product category. For example:



A4.3 OPERATIONAL CHARACTERISTICS

For installation in zones 21 and 22, the Customer must set out and implement a specific cleaning schedule for the unit's surfaces and recesses to prevent build ups of dust exceeding 5 mm in depth.



A4.4 SELECTING THE PRODUCT

The gear unit and gearmotor selection procedure is identical to that given in the 300 Series, and any future revisions thereof.

The following chapters contain variations to the procedure given in the catalogue, and subsequent revisions thereof as regards the selection of products compliant with 2014/34/EU, which supersede the procedure specified in the catalogue for units intended for installation in areas without risk of explosion.

These variations primarily affect the following:

- Application of an adjusting factor to the thermal capacity.
- Application of a service factor « f_s » with a greater safety margin.

- Thermal capacity « P_t » [kW]

This parameter is linked to the gearbox thermal limit. Values for the thermal capacity are listed within the rating charts of gearboxes and gearmotors and represent the mechanical power that can be transmitted continuously at an input speed n_1 and at an ambient temperature of 20°C, without the temperatures t_o and t_s exceeding the values indicated in the chapter "Allowed temperature limits".

When the duty cycle is formed by short operating periods and rest time is long enough for the unit to cool down, the thermal capacity is hardly significant and it may be omitted from calculation.

For ambient temperatures other than 20°C, intermittent duty and drive speed n_1 other than the reference speed listed in the rating charts, P_t is to be adjusted through thermal factor f_t and/or speed factor f_v as listed in the following tables. Finally, make sure that the following condition is always satisfied:

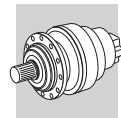
$$P_{r1} \leq P_t \times f_t \times f_v \times f_{EX}$$

		f_t			
t_a (°C)	Continuous duty	Intermittent duty			
		Intermittence ratio « I »			
		80%	60%	40%	20%
10	1.2	1.3	1.6	1.8	2.0
20	1.0	1.1	1.3	1.5	1.7
30	0.9	1.0	1.2	1.3	1.5
40	0.7	0.8	0.9	1.0	1.2
50	0.5	0.6	0.7	0.8	0.9

n_1 (min ⁻¹)	f_v
500	1.35
900	1.2
1500	1.0
1800	0.85

$$I = \frac{t_f}{t_f + t_r} \times 100 \quad \begin{array}{l} t_f = \text{operating time under load;} \\ t_r = \text{rest time.} \end{array}$$

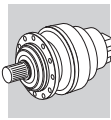
Frame size	Configuration		reductions	f_{EX}
	in line	right angle		
300...321	L	-	1	0.8
300...321	L	-	2	0.9
300...321	L	-	3 - 4	1.0
300...306	-	R	2	0.8
300...321	-	R	3 - 4	0.9



- Service factor in ATEX gearboxes with Negative multidisc brake

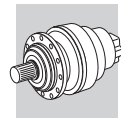
		POS A, E, F, G Input speed [rpm]																	
		100	200	300	400	500	600	700	800	900	1000	1100	1200	1300	1400	1500	1600	1700	1800
300	L1	Unusable speed																	
	L2	85%																	
	L3	85%																	
	L4	85%																	
301	L1	Unusable speed																	
	L2	85%																	
	L3	85%																	
	L4	85%																	
303	L1	85%					Unusable speed												
	L2	85%																	
	L3	85%																	
	L4	85%																	
305	L1	85%					Unusable speed												
	L2	85%																	
	L3	85%																	
	L4	85%																	
306	L1	85%					Unusable speed										75%		
	L2	85%										Unusable speed							
	L3	85%																	
	L4	85%																	
307	L1	85%					Unusable speed												
	L2	85%										Unusable speed							
	L3	85%																	
	L4	85%																	
309	L1	85%					Unusable speed												
	L2	85%										Unusable speed							
	L3	85%																	
	L4	85%																	
310	L1	no brake																	
	L2	85%										Unusable speed							
	L3	85%										Unusable speed							
	L4	85%																	
311	L1	no brake																	
	L2	85%										Unusable speed							
	L3	85%										Unusable speed							
	L4	85%																	
313	L1	no brake																	
	L2	85%										Unusable speed							
	L3	85%										Unusable speed							
	L4	85%																	
315	L1	no brake																	
	L2	Unusable speed																	
	L3	85%										80%							
	L4	85%										75%							
316	L1	no brake																	
	L2	no brake																	
	L3	85%										80%							
	L4	85%										75%							
317	L1	no brake																	
	L2	no brake																	
	L3	85%										Unusable speed							
	L4	85%										75%							
318	L1	no brake																	
	L2	no brake																	
	L3	85%										80%							
	L4	85%										75%							
319	L1	no brake																	
	L2	no brake																	
	L3	85%										Unusable speed							
	L4	85%										80%							
321	L1	no brake																	
	L2	no brake																	
	L3	no brake																	
	L4	85%										80%							

Unusable speed



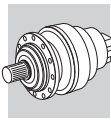
		POS O, Q, T, V Input speed [rpm]																			
		100	200	300	400	500	600	700	800	900	1000	1100	1200	1300	1400	1500	1600	1700	1800		
300	L1	85%																			
	L2	85%												70%							
	L3	85%												70%							
	L4	85%												70%							
301	L1	85%																			
	L2	85%												70%							
	L3	85%												70%							
	L4	85%												70%							
303	L1	60%																			
	L2	85%												70%							
	L3	85%												70%							
	L4	85%												70%							
305	L1	60%																			
	L2	85%												70%							
	L3	85%												70%							
	L4	85%												70%							
306	L1	50%																			
	L2							60%												40%	
	L3	85%												70%							
	L4	85%												70%							
307	L1	50%																			
	L2							60%												40%	
	L3	85%												70%							
	L4	85%												70%							
309	L1	50%																			
	L2							60%												40%	
	L3	85%												70%							
	L4	85%												70%							
310	L1	no brake																			
	L2	50%						15%						10%							
	L3							60%												40%	
	L4	85%												70%							
311	L1	no brake																			
	L2	50%						15%						10%							
	L3							60%												40%	
	L4	85%												70%							
313	L1	no brake																			
	L2	50%						15%						10%							
	L3							60%												40%	
	L4	85%												70%							
315	L1	no brake																			
	L2	50%						15%						10%							
	L3							60%												40%	
	L4	85%												70%							
316	L1	no brake																			
	L2	50%						15%						10%							
	L3							60%												40%	
	L4	85%												70%							
317	L1	no brake																			
	L2	50%						15%						10%							
	L3							60%												40%	
	L4	85%												70%							
318	L1	no brake																			
	L2	50%						15%						10%							
	L3							60%												40%	
	L4	85%												70%							
319	L1	no brake																			
	L2	no brake																			
	L3	50%						15%						10%							
	L4	50%						15%						10%							
321	L1	no brake																			
	L2	no brake																			
	L3	50%						15%						10%							
	L4	50%						15%						10%							

Unusable speed



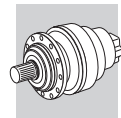
		POS B0, B2, I0, I2, J0, J2, M1, M3, P, R, U, W Input speed [rpm]																	
		100	200	300	400	500	600	700	800	900	1000	1100	1200	1300	1400	1500	1600	1700	1800
300	R2	85%									70%								
	R3	85%									70%								
	R4	85%									70%								
301	R2	85%									70%								
	R3	85%									70%								
	R4	85%									70%								
303	R2	85%									70%								
	R3	85%									70%								
	R4	85%									70%								
305	R2	85%									70%								
	R3	85%									70%								
	R4	85%									70%								
306	R2	85%									70%								
	R3	85%									70%								
	R4	85%									70%								
307	R2	60%												40%					
	R3	85%									70%								
	R4	85%									70%								
309	R2	60%												40%					
	R3	85%									70%								
	R4	85%									70%								
310	R2 (A)	60%												40%					
	R2 (B)	50%						15%			10%			Unusable speed					
	R3	85%									70%								
	R4	85%									70%								
311	R2 (A)	60%												40%					
	R2 (B)	50%						15%			10%			Unusable speed					
	R2 (C)	50%						15%			10%			Unusable speed					
	R3	60%									40%								
313	R4	85%									70%								
	R2 (A)	60%												Unusable speed					
	R2 (B)	50%						15%			10%			Unusable speed					
	R2 (C)	50%						15%			10%			Unusable speed					
	R3	60%									40%								
315	R4	85%									70%								
	R3 (A)	60%												Unusable speed					
	R3 (B)	50%						15%			10%			Unusable speed					
	R3 (C)	50%						15%			10%			Unusable speed					
316	R4	60%									40%								
	R3 (B)	50%						15%			10%			Unusable speed					
	R3 (C)	50%						15%			10%			Unusable speed					
	R4	60%									40%								
317	R3 (A)	60%												Unusable speed					
	R3 (B)	50%						15%			10%			Unusable speed					
	R3 (C)	50%						15%			10%			Unusable speed					
	R4	60%									40%								
318	R4 (B)	50%						15%			10%			Unusable speed					
	R4 (C)	50%						15%			10%			Unusable speed					
	R4	60%									40%								
319	R4 (B)	50%						15%			10%			Unusable speed					
	R4 (C)	50%						15%			10%			Unusable speed					
	R4	60%									40%								
321	R4 (B)	60%												Unusable speed					
	R4 (C)	50%						15%			10%			Unusable speed					
	R4	50%									10%								

Unusable speed



		POS B1, B3, I1, I3, J1, J3, M0, M2 Input speed [rpm]																			
		100	200	300	400	500	600	700	800	900	1000	1100	1200	1300	1400	1500	1600	1700	1800		
300	R2																	85%			
	R3																	85%			
	R4																	85%			
301	R2																	85%			
	R3																	85%			
	R4																	85%			
303	R2																	85%			
	R3																	85%			
	R4																	85%			
305	R2																	85%			
	R3																	85%			
	R4																	85%			
306	R2																	85%			
	R3																	85%			
	R4																	85%			
307	R2													85%						75%	
	R3																	85%			
	R4																	85%			
309	R2													85%						75%	
	R3																	85%			
	R4																	85%			
310	R2 (A)													85%						75%	
	R2 (B)																	85%			
	R3																	85%			
	R4																	85%			
311	R2 (A)													85%						75%	
	R2 (B)																	85%			
	R2 (C)																	85%			
	R3																	85%			
	R4																	85%			
313	R2 (A)													60%							
	R2 (B)																	85%			
	R2 (C)																	85%			
	R3																	85%			
	R4																	85%			
315	R3 (A)													60%							
	R3 (B)																	85%			
	R3 (C)																	85%			
	R4																	85%			
	R4																	85%			
316	R3 (B)																	85%			
	R3 (C)																	85%			
	R4																	85%			
	R4																	85%			
317	R3 (A)													85%							
	R3 (B)																	85%			
	R3 (C)																	85%			
	R4																	85%			
318	R4 (B)																	85%			
	R4 (C)																	85%			
	R4 (C)																	85%			
319	R4 (B)													60%							
	R4 (C)																	85%			
	R4 (C)																	85%			
	R4 (C)																	85%			
321	R4 (B)													85%							
	R4 (C)																	85%			
	R4 (C)																	85%			

Unusable speed

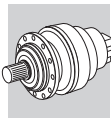


- Service factor « f_s »

Service factor « f_s »						
Duty	Starts / hour	Accumulated operating hours (h)				
		≤ 5000	10000	15000	25000	50000
	z	Daily operating hours (h)				
h < 4		4 < h < 8	8 < h < 12	12 < h < 16	16 < h < 24	
Uniform load	Z < 10	1.10	1.10	1.15	1.30	1.60
	10 < Z < 30	1.10	1.15	1.30	1.50	1.80
	30 < Z < 100	1.10	1.25	1.45	1.60	2.00
Moderate shock load	Z < 10	1.10	1.25	1.45	1.60	2.00
	10 < Z < 30	1.10	1.40	1.60	1.80	2.20
	30 < Z < 100	1.20	1.50	1.70	2.00	2.40
Heavy shock load	Z < 10	1.20	1.50	1.70	2.00	2.40
	10 < Z < 30	1.30	1.60	1.80	2.10	2.60
	30 < Z < 100	1.40	1.75	2.00	2.30	2.80

- Limitation of input speed for single-stage (L1) gearboxes

Frame size	reductions	n_1 (min ⁻¹) MAX
300 - 301	L1	1000
303 - 305	L1	700
306 - 309	L1	500
310 - 313	L1	400
315 - 316	L1	300
317 - 321	L1	200

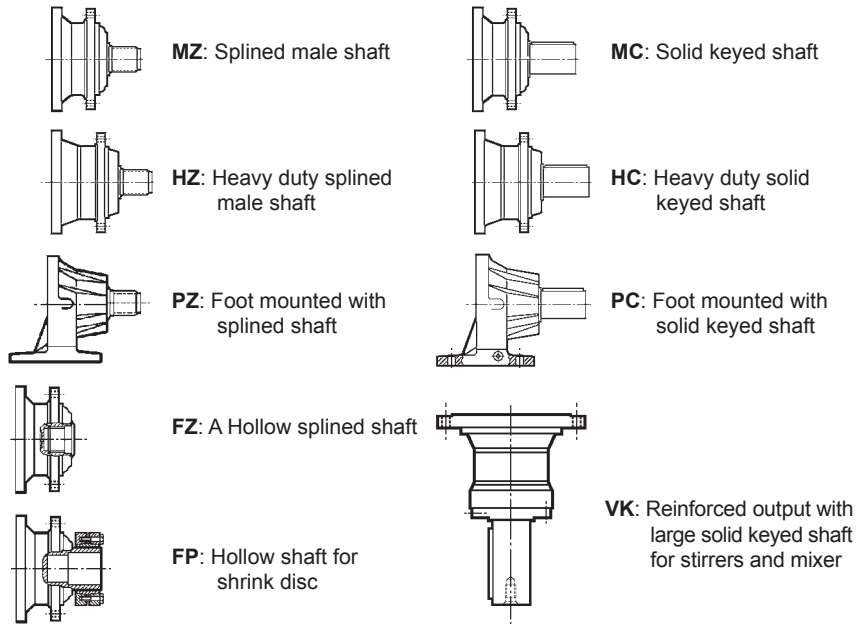


A5 ORDERING NUMBERS

A5.1 DESIGNATION OF IN-LINE (300 L) AND RIGHT ANGLE (300 R) GEAR UNITS

3 11 L 2 16.7 HZ

OUTPUT VERSION



GEAR RATIO

Fill in the value of the gear ratio (including point and decimals) as listed in the selection charts

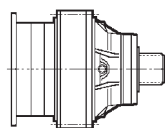
Ex.: $1/44.6 = 44.6$ $1/131 = 131$

REDUCTIONS

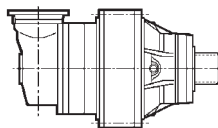
1 - 2 - 3 - 4

DESIGN

L = In line



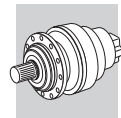
R = Right angle



GEARBOX FRAME SIZE

00 = 300	06 = 306	11 = 311	17 = 317
01 = 301	07 = 307	13 = 313	18 = 318
03 = 303	09 = 309	15 = 315	19 = 319
05 = 305	10 = 310	16 = 316	21 = 321

SERIES

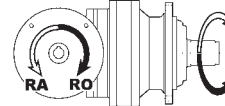


- V11B A A W0A EX ...

OPTIONS

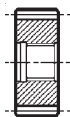
INPUT SHAFT PREFERENTIAL DIRECTION OF ROTATION
(applicable to angle gear units only)

RA = counterclockwise
RO = clockwise



CONFIGURATION COMPLIANT WITH THE OLD DIRECTIVE 94/9/EC AND AT THE NEW DIRECTIVE 2014/34/EU.

OUTPUT FITTINGS



P... = Pinions



B0A = Splined bar



M0A = Sleeve coupling



G0A = Shrink disc



W0A = Flange

MOTOR FLANGE ORIENTATION

MOUNTING POSITION



In mounting positions featuring a vertical output shaft, the gearbox will be equipped with an expansion tank. Please request the installation drawing to Bonfiglioli's Technical Service.



INPUT



Input keyed shaft

	V01A	V01B	V05B	V06B	V07A	V07B	V10B	V11B	V15B
diam.	Ø24	Ø38	Ø48	Ø60	Ø60	Ø80	Ø80	Ø80	Ø120



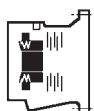
Electric motor connection **P** + motor size (80,90,100,132,160, ...)



Hydraulic Motor connection



ONLY WITH HYDRAULIC MOTOR ADAPTOR



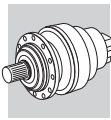
Standard negative multidisc brake

6 = Type: **4, 5, 6**

A = Braking torque: **A, B, C, ...**

Negative multidisc brake for MG hydraulic motor

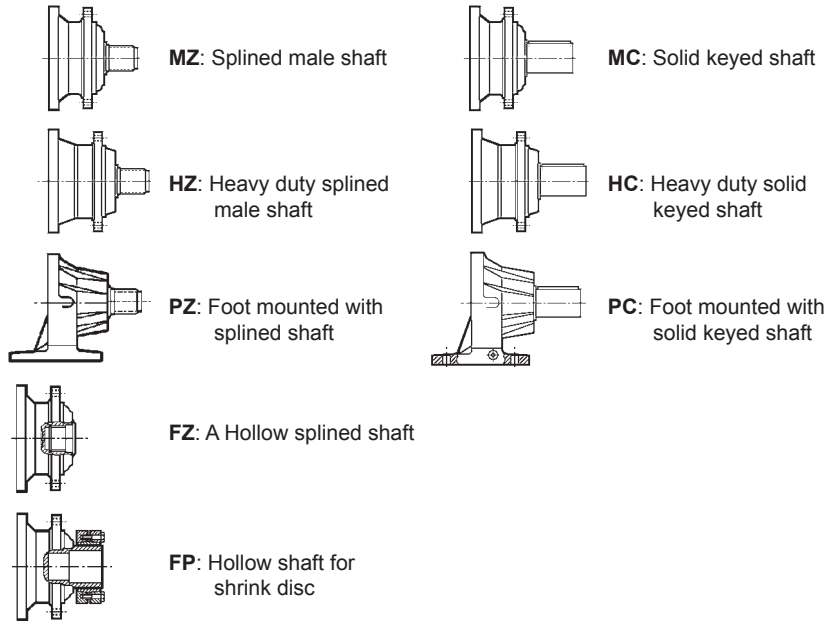
SF = Without brake



A5.2 DESIGNATION OF COMBINED WORM+PLANETARY (3/V) GEAR UNITS

3/V 05 L 3 623 PC

OUTPUT VERSION



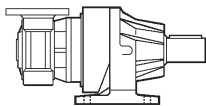
GEAR RATIO

Fill in the value of the gear ratio (including point and decimals) as listed in the selection charts
Ex.: 1/773 = 773

REDUCTIONS
3

DESIGN

L = Combined 300 unit, 2 planetary stages + worm gear units

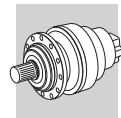


GEARBOX FRAME SIZE

00 = 3/V 00 **06** = 3/V 06
01 = 3/V 01 **07** = 3/V 07
03 = 3/V 03
05 = 3/V 05

SERIES

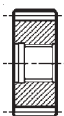
Combined 300 gearboxes / Worm gear units



P80 **B5** **AF** **W0A** **EX**

CONFIGURATION COMPLIANT WITH THE DIRECTIVE 2014/34/EU.

OUTPUT FITTINGS



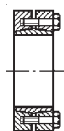
P... = Pinions



B0A = Splined bar



M0A = Sleeve coupling



G0A = Shrink disc



W0A = Flange

MOUNTING POSITION

MOTOR EXECUTION
B5, B14

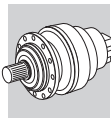
INPUT



Electric motor connection
P + motor size (80,90,100,132,160, ...)



Input keyed shaft
HS



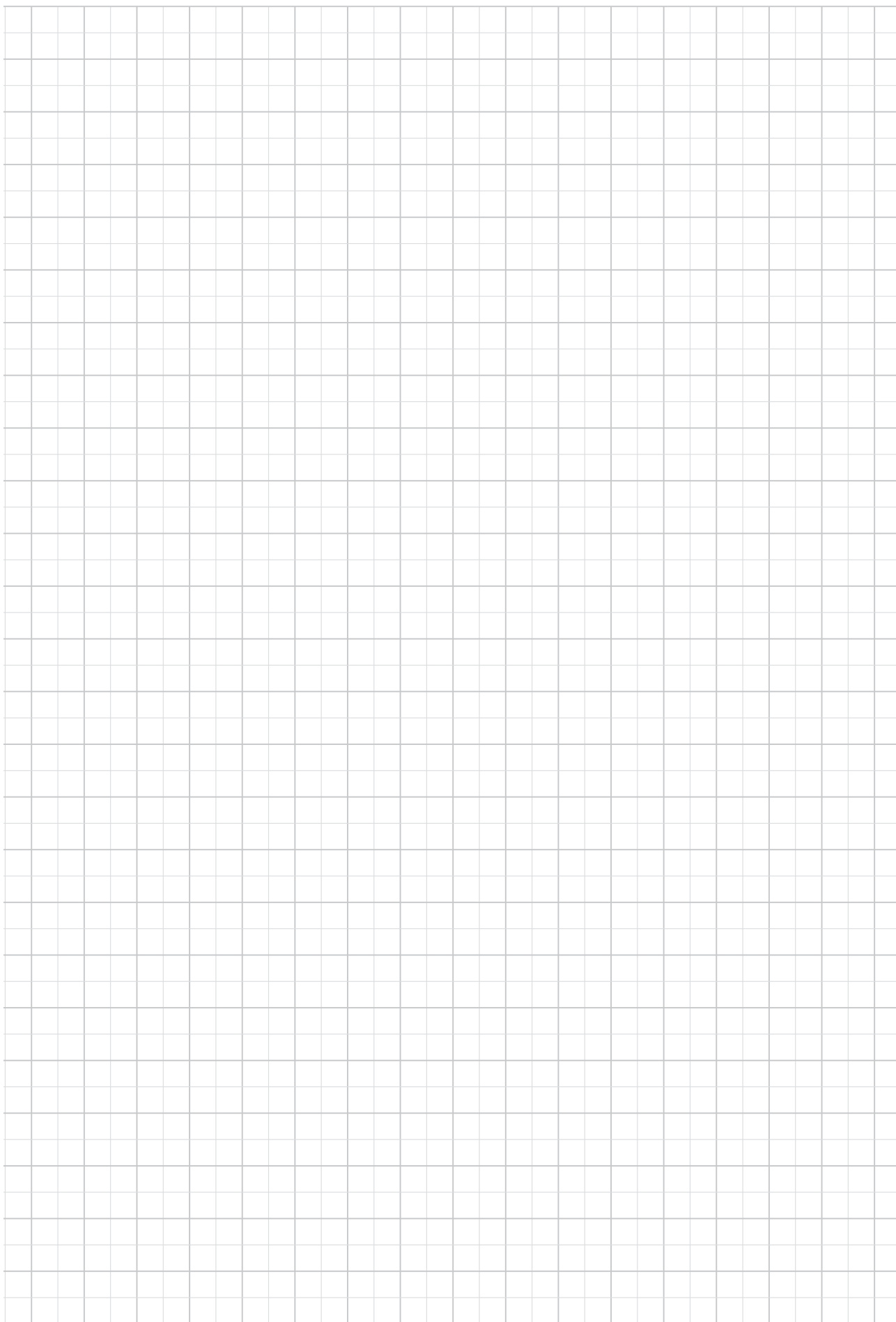
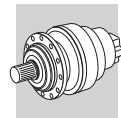
A6 DECLARATION OF CONFORMITY

The Declaration of Conformity, is the document which attests to the conformity of the product to Directive 2014/34/EU.

The validity of the Declaration is bound to observance of the instructions given in the User, Installation and Service Manual for safe use of the product throughout its service life.

This can be downloaded from www.bonfiglioli.com where the manual is available in PDF format in a number of languages.

The instructions regarding ambient conditions are of particular importance inasmuch as failure to observe them during operation of the product renders the certificate null and void. In case of doubt regarding the validity of the certificate of conformity, contact the BONFIGLIOLI RIDUTTORI technical department.

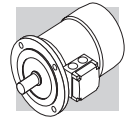




ELECTRIC MOTORS

M1 SYMBOLS AND UNITS OF MEASUREMENT

Symbols	Units of Measure	Description	Symbols	Units of Measure	Description
$\cos\varphi$	–	Power factor	n	[min ⁻¹]	Rated speed
η	–	Efficiency	P_B	[W]	Power drawn by the brake at 20°C
f_m	–	Power adjusting factor	P_n	[kW]	Motor rated power
l	–	Cyclic duration factor	P_r	[kW]	Required power
I_N	[A]	Rated current	t_1	[ms]	Brake response time with one-way rectifier
I_s	[A]	Locked rotor current	t_{1s}	[ms]	Brake response time with electronic-controlled rectifier
J_C	[Kgm ²]	Load moment of inertia	t_2	[ms]	Brake reaction time with a.c. disconnect
J_M	[Kgm ²]	Moment of inertia	t_{2c}	[ms]	Brake reaction time with a.c. and d.c. disconnect
K_c	–	Torque factor	t_a	[°C]	Ambient temperature
K_d	–	Load factor	t_f	[min]	Work time at constant load
K_J	–	Inertia factor	t_r	[min]	Rest time
M_A	[Nm]	Mean breakaway torque	W	[J]	Braking work between service interval
M_B	[Nm]	Brake torque	W_{max}	[J]	Maximum brake work for each braking
M_N	[Nm]	Rated torque	Z	[1/h]	Permissible starting frequency, loaded
M_L	[Nm]	Counter-torque during acceleration	Z_0	[1/h]	Max. permissible unloaded starting frequency (I = 50%)
M_S	[Nm]	Starting torque			



M2 INTRODUCTION

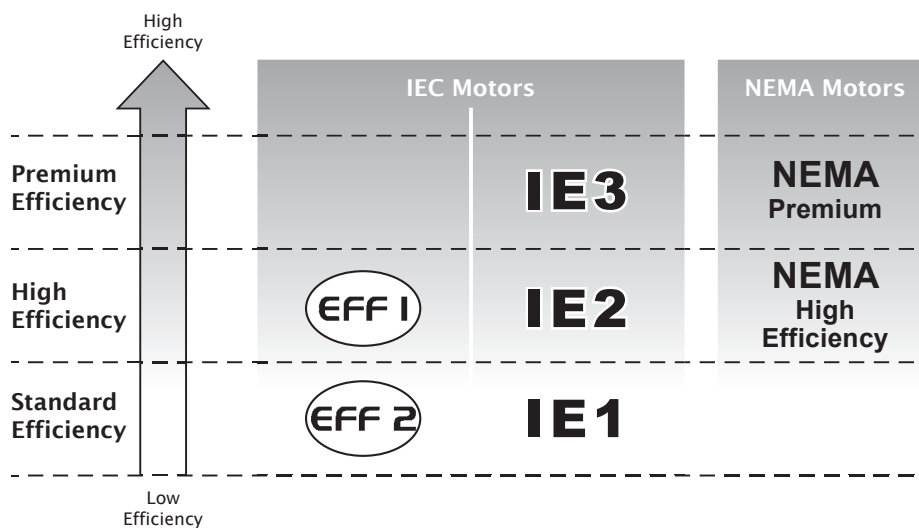
Efficiency classes and test methods

Efficiency classes characterise the efficiency with which an electric motor converts electrical energy into mechanical energy. In Europe, the energy efficiency of low voltage electric motors used to be classified using the voluntary Eff1/Eff2/Eff3 system. Outside Europe, other countries used to apply their own national systems, often very different to the European system. This uncertainty in standards led manufacturers to develop a harmonised international standard, and push for the issue of IEC (International Electrotechnical Commission) standard IEC 60034-30-1, "Efficiency classes of single-speed, three-phase, cage-induction motors (IE code)".

This new standard:

- defines new classes of efficiency
- **IE1** (standard efficiency)
- **IE2** (high efficiency)
- **IE3** (premium efficiency)
- provides a common, international reference system for the classification of electric motors
- and for national legislation
- introduces a new efficiency measurement method in conformity with standard IEC 60034-1-2:2007

The following table shows the correspondence among the main classes.





European Commission regulation 640/2009

IEC standard 60034-30-1 establishes technical guidelines for efficiency classification but does not impose any legal requirements for the adoption of any particular efficiency class. These are laid down by European Directives and national laws.

The EC Regulation applying Directive 2005/32/EC was adopted on the 22nd July 2009. This establishes the legal requirements and eco-compatible design criteria for electric motors, and imposes minimum efficiency limits according to the following schedule:

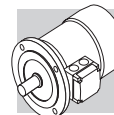
- **16/06/2011:** Electric motors must have a minimum efficiency level equivalent to class **IE2**
- **01/01/2015:** Electric motors with a rated power output between 7.5 kW and 375 kW must have a minimum efficiency level corresponding to **IE3**, or to **IE2** if controlled by an inverter.
- **01/01/2017:** Electric motors with a rated power output between 0.75 kW and 375 kW must have a minimum efficiency level corresponding to **IE3**, or to **IE2** if controlled by an inverter.

Scope and exclusions

EC Regulation 640/2009 applies to 2, 4, and 6 pole, single-speed, three-phase, 50 Hz or 60 Hz, cage-induction motors with rated outputs of 0.75 kW to 375 kW, and rated voltage up to 1000 V, designed for continuous duty (S1).

The regulation does not apply to:

- brakemotors
- motors designed to function immersed in liquid
- motors that are fully integrated in a product (like a gearbox, pump, fan), so that it is not possible to test the performance of the motor independently of that of the product.
- motors expressly designed to function:
 - at altitudes above 4000 metres a.s.l.;
 - in ambient temperatures above 60 °C;
 - at maximum operating temperatures above 400 °C;
 - in ambient temperatures below -30 °C (all motors) or below 0 °C (water-cooled motors);
 - with incoming liquid coolants at temperatures below 0 °C or above 32 °C;
 - in potentially explosive atmospheres as defined by Directive 2014/34/EU.



M3 GENERAL CHARACTERISTICS

M3.1 Production range

The asynchronous three-phase electric motors BX, BE, BN, MX, ME and M of BONFIGLIOLI RIDUTTORI's production, are available in basic design IMB5 and derived versions, with the following polarities: 2, 4, 6, 2/4, 2/6, 2/8, 2/12.

Motors are the enclosed type with outer fan and cage-type rotor for use in industrial environments. Standard versions of BX-BE/MX-ME motors are 230/400V Δ/Y (400/690V Δ/Y in sizes BX-BE 160 and BX- BE 180), 50 Hz motors, with a tolerance of $\pm 10\%$. Standard BN/M motors are designed to operate from a rated voltage 230/400V Δ/Y (400/690V Δ/Y for frame sizes BN 160 through BN 200) 50 Hz, with $\pm 10\%$ tolerance.

M3.2 Standards

The motors described in this catalogue are manufactured to the applicable standards shown in the following table.

(F01)

Title	CEI	IEC
General requirements for rotating electrical machines	CEI EN 60034-1	IEC 60034-1
Terminal markings and direction of rotation of rotating machines	CEI 2-8	IEC 60034-8
Methods of cooling for electrical machines	CEI EN 60034-6	IEC 60034-6
Dimensions and output ratings for rotating electrical machines	EN 50347	IEC 60072
Classification of degree of protection provided by enclosures for rotating machines	CEI EN 60034-5	IEC 60034-5
Noise limits	CEI EN 60034-9	IEC 60034-9
Classification of type of construction and mounting arrangements	CEI EN 60034-7	IEC 60034-7
Rated voltage for low voltage mains power	CEI 8-6	IEC 60038
Vibration level of electric machines	CEI EN 60034-14	IEC 60034-14
Efficiency classes of single-speed, three-phase, cage-induction motors (IE code)	CEI EN 60034-30-1	IEC 60034-30-1
Standard method for determining losses and efficiency from tests	CEI EN 60034-2-1	IEC 60034-2-1

The motors also comply with foreign standards adapted to IEC 60034-1 as shown here below.

(F02)

DIN VDE 0530	Germany
BS5000 / BS4999	Great Britain
AS 1359	Australia
NBNC 51 - 101	Belgium
NEK - IEC 34	Norway
NF C 51	France
OEVE M 10	Austria
SEV 3009	Switzerland
NEN 3173	Netherlands
SS 426 01 01	Sweden



M3.3 Directives 2006/95/EC (LVD) and 2004/108/EC (EMC)

BX, BE, BN, MX, ME and M motors meet the requirements of Directives 2006/95/EC (Low Voltage Directive) and 2004/108/EC (Electromagnetic Compatibility Directive) and their name plates bear the CE mark.

As for the EMC Directive, construction is in accordance with standards CEI EN 60034-1, EN 61000-6-2, EN 61000-6-4.

Motors with FD brakes, when fitted with the suitable capacitive filter at rectifier input (option **CF**), meet the emission limits required by Standard EN 61000-6-3:2007 "Electromagnetic compatibility - Generic Emission Standard - Part 6-3 Residential, commercial and light industrial environment".

Motors also meet the requirements of standard CEI EN 60204-1 "Electrical equipment of machines". The responsibility for final product safety and compliance with applicable directives rests with the manufacturer or the assembler who incorporate the motors as component parts.

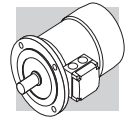
M3.4 Tolerances

As per the Norms CEI EN 60034-1, applicable the tolerances here below apply to the following quantities.

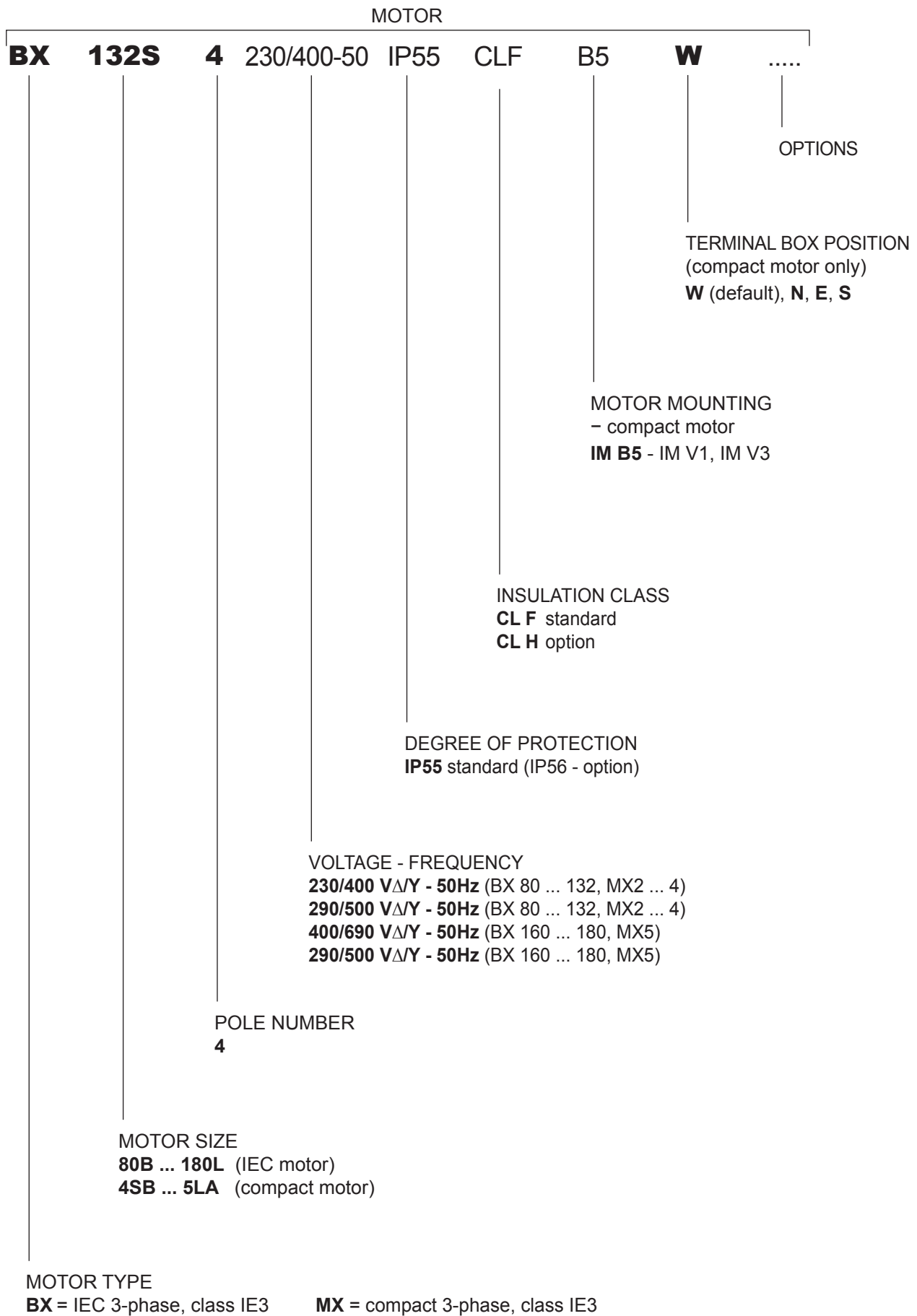
(F03)

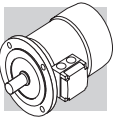
$-0.15 (1 - \eta) \quad P \leq 50\text{kW}$	Efficiency
$-(1 - \cos\phi)/6 \quad \text{min } 0.02 \quad \text{max } 0.07$	Power factor
$\pm 20\% *$	Slip
+20%	Locked rotor current
-15% +25%	Locked rotor torque
-10%	Max. torque

(*) $\pm 30\%$ for motors with $P_n < 1 \text{ kW}$

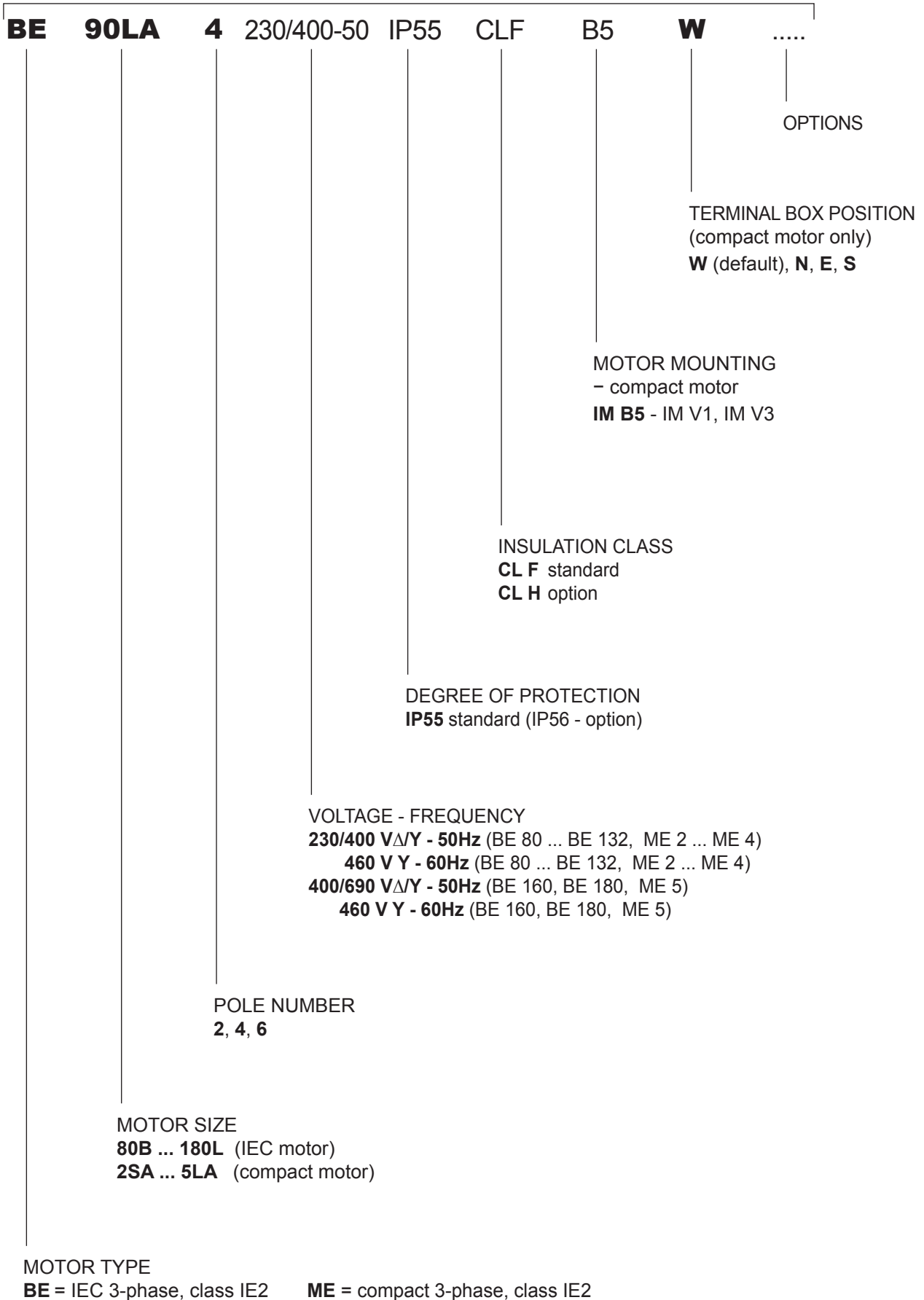


M4 MOTOR DESIGNATION





MOTOR





MOTOR

BRAKE

BN 90LA 4 230/400-50 IP55 CLF B5 W FD 7.5 R SB 220SA

OPTIONS

BRAKE SUPPLY

RECTIFIER TYPE
AC/DC
NB, SB, NBR, SBR

BRAKE HAND RELEASE
R, RM

BRAKE TORQUE

BRAKE TYPE
FD (d.c. brake)
FA (a.c. brake)

TERMINAL BOX POSITION
(compact motor only)
W (default), **N, E, S**

MOTOR MOUNTING
- motore integrato
IM B5 IEC motor

INSULATION CLASS
CL F standard
CL H option

DEGREE OF PROTECTION
IP55 standard (IP56 - option)
IP54, IP55 brake motor

VOLTAGE - FREQUENCY

POLE NUMBER
2, 4, 6, 2/4, 2/6, 2/8, 2/12, 4/6, 4/8

MOTOR SIZE
56A ... 200LA (IEC motor)
0B ... 5SB (compact motor)

MOTOR TYPE
BN = IEC 3-phase **M** = IEC compact 3-phase



M5 VARIANTS AND OPTIONS

M5.1 Variants

(F04)	Description	Default	Option	Page
	Voltage	230/400/50		510
	Protection class	BX - BE - BN - MX - ME - M IP 55	IP 56	507
		BN_FD - BN_FA M_FD - M_FA IP 54	IP 55	
	Insulation class	CLF	CLH	513 514
	Design version	BX - BE - BN B5 B5 R		506

Default values.

M5.2 Options

(F05)	Description	Catalogue numbers						Availability	Page
	Thermal protective devices	D3	K1	E3				BX - BE - BN MX - ME - M	528 529
	50 Hz normalized power	PN						BN M	512
	Feedback devices	EN1	EN2	EN3	EN4	EN5	EN6	BX - BE - BN MX - ME - M	537
	Anti-condensate heaters	H1	NH1					BX - BE - BN MX - ME - M	532
	Tropicalized windings	TP						BX - BE - BN MX - ME - M	528
	Double-extended shaft	PS						BX - BE - BN MX - ME - M	533
	Rotor balancing grade B	RV						BX - BE - BN MX - ME - M	534
	External mechanical protections	RC	TC					BX - BE - BN MX - ME - M	536 537
	Forced ventilation	U1	U2*					BX - BE - BN MX - ME - M	535 536
	Certification	CUS						BE - BN ME - M	512
	China Compulsory Certification	CCC						BE - BN ME - M	513
	Plug connector	CON						BX - BE - BN MX - ME - M	529
	Surface protection	C_						BX - BE - BN MX - ME - M	539
	Painting	RAL						BX - BE - BN MX - ME - M	539
	Certificates	ACM						BX - BE - BN MX - ME - M	540
	Inspection certificate	CC						BX - BE - BN MX - ME - M	540
	Backstop device	AL	AR					MX - ME - M	533
	Type of duty	S2	S3	S9				BN M	514

* Only for motors BN and M



M5.3 Brake-related options

(F06)	Description	Catalogue numbers				Availability	Page
	Brake torque	Refer to the specific brake type					521 524
	Manual release lever	R	RM			BN M	526
	Release lever orientation	AB	AA	AC	AD	BN M	527
	DC brake rectifier	NB	NBR	SB	SBR	BN M	520
	Soft-start flywheel	F1				BN M	528
	Capacitive filter	CF				BN M	528
	Brake separate power supply (*)	...SA	...SD			BN M	520 524
	Brake functionality check	MSW				BN M	532
	Additional cable entry for brake motors	IC				BN M	532

(*) Specify voltage.

 Default values.

M5.4 Example of identification nameplate

1	IEC EN 60034	Bonfiglioli Riduttori	CE	4
	3~Mot BE 90LA 4		Cod. 8U09030001	
2	No 1003001 - 6954785	S 1	IM B 5 15,1 kg	5
	kW 1,5	CL F IP 55 Amb 40 °C		
	Hz	V ± 10%	A min ⁻¹ cos φ	
3	50 ○	230/400 Δ/Y	6,1/3,5 1430 ○ 0,74	
	60	265/460 Δ/Y	5,4/3,1 1730 0,73	
	50Hz-IE2	83,5(100%) - 83,0(75%) - 80,0(50%)		6
	60Hz-IE2	84,5(100%) - 83,9(75%) - 80,7(50%)		

- ① BONFIGLIOLI
Motor type
- ② Serial number
- ③ Rated voltage

- ④ Motor code
- ⑤ Type of duty: S1
Continuous duty
- ⑥ IE Class, Efficiency at:
4/4 - 3/4 - 2/4 load



M6 MECHANICAL FEATURES

M6.1 Versions

EC-normalised BX, BE and BN motors are available in the design versions as indicated in the table below here after as per Standards EN 60034-7 (BX/BE), CEI EN 60034-14 (BN).

Mounting versions are:

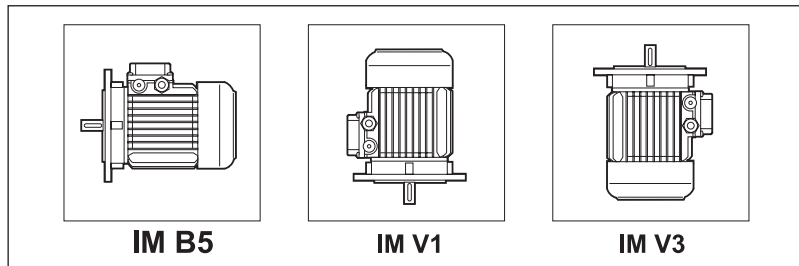
IM B5 (basic)

IM V1, IM V3 (derived)

IM B5 design motors can be installed in positions IM V1 and IM V3; in such cases, the basic design IM B5 is indicated on the motor name plate.

In design versions with a vertically located motor and shaft downwards, it is recommended to request the drip cover (always necessary for brake motors). This facility, included in the option list should be specified when ordering as it does not come as a standard device

(F07)



Flange output motors are also available with reduced coupling dimensions, as indicated in the table below - executions **B5R**. Their use in combination with gearboxes must be however coherent with the maximum installable power on gearboxes themselves (see chapters "Motors availability"). In case this condition is not met need to contact the Technical Service for the checking of the combination.

(F08)

	BN 71	BX/BE/BN 80	BX/BE/BN 90	BX/BE/BN 100	BX/BE/BN 112	BX/BE/BN 132
	DxE - Ø					
B5R⁽¹⁾	11x23 - 140	14x30 - 160	19x40 - 200	24x50 - 200	24x50 - 200	28x60 - 250

(1) flange with through holes



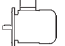
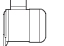




M6.2 Degree of protection















IP..

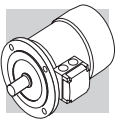
The following chart provides an overview of the degrees of protection available.

In addition to the degree of protection specified when ordering, motors to be installed outdoors require protection against direct sunlight and also – when they are to be installed vertically down – a drip cover to prevent the ingress of water and solid particles (option **RC**).

(F09)

		IP 54	IP 55	IP 56
BX - BE - BN	MX - ME - M		standard	
BN_FD BN_FA	M_FD M_FA	standard		

IP			5			5		
0		Not protected	0		Not protected			
1		Protected against extraneous solid bodies having $\varnothing \geq 50$ mm	1		Protected against vertical water drips			
2		Protected against extraneous solid bodies having $\varnothing \geq 12.5$ mm	2		Protected against vertical water drips inclined up to 15°			
3		Protected against extraneous solid bodies having $\varnothing \geq 2.5$ mm	3		Protected against rain			
4		Protected against extraneous solid bodies having $\varnothing \geq 1.0$ mm	4		Protected against water splashes			
5		Protected against dust	5		Protected against jets of water			
6		No dust ingress	6		Protected against powerful jets of water			
			7		Protected against the effects of temporary immersion			
			8		Protected against the effects of continuous immersion			



M6.3 Cooling

The motors are externally ventilated (IC 411 to CEI EN 60034-6) and are equipped with a plastic fan working in both directions. The motors must be installed allowing sufficient space between fan cowl and the nearest wall to ensure free air intake and allow access for maintenance purposes on motor and brake, if supplied. Independent, forced air ventilation (IC 416) can be supplied on request (option **U1**). This solution enables to increase the motor duty factor when driven by an inverter and operating at reduced speed.

M6.4 Direction of rotation

Rotation is possible in both directions. If terminals U1, V1 and W1 are connected to line phases L1, L2 and L3, clockwise rotation (looking from drive end) is obtained. For counterclockwise rotation, switch two phases.

M6.5 Noise

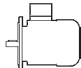

Noise levels, measured using the method prescribed by ISO 1680 Standards, are within the maximum levels specified by Standards CEI EN 60034-9.

M6.6 Vibrations and balancing

Rotor shafts are balanced with half key fitted and fall within the vibration class N, as per Standard CEI EN 60034-14.

M6.7 Terminal box

Terminal board features 6 studs for eyelet terminal connection (9 studs execution for US voltage "Dual Voltage"). A ground terminal is also supplied for earthing of the equipment. Terminals number and type are shown in the following table. For brake power supply, please read par. 8 (brake FD), 9 (brake FA). In motor design IM B3, the terminal box is at the top (side opposite to feet). Brakemotors house the a.c./d.c. rectifier (factory pre-wired) inside the terminal box. Wiring instructions are provided either in the box or in the user manual.

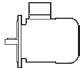

(F10)			No. of terminals	Terminal threads	Wiremax cross section area sq mm ²
	BX 80, BX 90 BE 80, BE 90 BN 56 ... BN 90	MX2, MX3 ME2 M05 ... M2	6	M4	2.5
	BX 100 ... BX 132 BE 100 ... BE 132 BN 100 ... BN 160MR	MX3, MX4 ME3, ME4 M3 ... M4	6	M5	6
	BX 160 - BE 160 ... BE 180M BN 160M ... BN 180M	ME5 MX5 - M5	6	M6	16
	BX 180 - BE 180L BN 180L ... BN 200L	– –	6	M8	25
	BX 80 ... BX 132 BE 80 ... BE 132 BN 63 ... BN 160MR	MX2 ... MX4 ME2 ... ME4 M05 ... M4	9	M4	6
	BX 160 ... BX 180 BE 160 ... BE 180 BN 160M ... BN 200L	MX5 ME5 M5	9	M6	16



M6.8 Cable entry

The holes used to bring cables to terminal boxes use metric threads in accordance with standard EN 50262 as indicated in the table here after.

(F11)

		Cable gland and dimensions		Maximum cable diameter allowed [mm]
BN 63	M05	2 x M20 x 1.5	1 Hole on each side	13
BN 71	M1	2 x M25 x 1.5		17
BX 80, BX 90 - BE 80, BE 90 BN 80, BN 90	MX2, MX3 - ME2 M2	2 x M25 x 1.5		17
BX 100, BX 112 - BE 100, BE 112 BN 100	MX3, MX4 - ME3 M3	2 x M32 x 1.5	2 Holes on each side	21
		2 x M25 x 1.5		17
BN 112	-	2 x M32 x 1.5		21
		2 x M25 x 1.5		17
BX 132 - BE 132 BN 132...BN 160MR	MX4 - ME4 M4	4 x M32 x 1.5		21
BX 160 - BE 160, BX 180 - BE 180 BN 160M...BN 200L	MX5 - ME5 M5	2 x M40 x 1.5	Pivoting, 4 x 90°	28

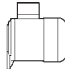
M6.9 Bearings

Life lubricated preloaded radial ball bearings are used, types are shown in the chart here under. Calculated endurance lifetime L_{10h} , as per ISO 281, in unloaded condition, exceeds 40000 hrs.

DE = drive end

NDE = non drive end

(F12)

	DE		NDE	
	M, M_FD, M_FA		M	M_FD, M_FA
M05	6004 2Z C3		6201 2Z C3	6201 2RS C3
M1	6004 2Z C3		6202 2Z C3	6202 2RS C3
MX2 - ME2 - M2	6007 2Z C3		6204 2Z C3	6204 2RS C3
MX3 - ME3 - M3	6207 2Z C3		6206 2Z C3	6206 2RS C3
MX4 - ME4 - M4	6309 2Z C3		6308 2Z C3	6308 2RS C3
MX5 - ME5 - M5	6309 2Z C3		6309 2Z C3	6309 2RS C3

	DE		NDE	
	BX, BE, BN, BN_FD, BN_FA		BX, BE, BN	BN_FD, BN_FA
BN 56	6201 2Z C3		6201 2Z C3	-
BN 63	6201 2Z C3		6201 2Z C3	6201 2RS C3
BN 71	6202 2Z C3		6202 2Z C3	6202 2RS C3
BX 80 - BE 80 BN 80	6204 2Z C3		6204 2Z C3	6204 2RS C3
BX 90 - BE 90 BN 90	6205 2Z C3		6205 2Z C3	6305 2RS C3
BX 100 - BE 100 BN 100	6206 2Z C3		6206 2Z C3	6206 2RS C3
BX 112 - BE 112 BN 112	6306 2Z C3		6306 2Z C3	6306 2RS C3
BX 132 - BE 132 BN 132	6308 2Z C3		6308 2Z C3	6308 2RS C3
BN 160MR	6309 2Z C3		6308 2Z C3	6308 2RS C3
BX 160M/L BE 160M/L BN 160M/L	6309 2Z C3		6309 2Z C3	6309 2RS C3
BN 180M	6310 2Z C3		6309 2Z C3	6309 2RS C3
BX 180M/L BE 180M/L BN 180L	6310 2Z C3		6310 2Z C3	6310 2RS C3
BN 200L	6312 2Z C3		6310 2Z C3	6310 2RS C3



M7 ELECTRICAL CHARACTERISTICS

M7.1 Voltage

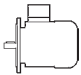
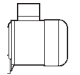
Single speed motors are provided in standard execution either for nominal voltage 230 / 400 V Δ/Y , 50 Hz, or 400 / 690 V Δ/Y , 50 Hz, with a voltage tolerance of $\pm 10\%$, according to what is specified on the below table.

On all the motors BN and M, for which the voltage / frequency configuration is not included on the below table, the voltage tolerance is reduced down to $\pm 5\%$.

For the operation out of the tolerance boundaries, the temperature may exceed by 10 K the limit provided by the adopted insulation class.

The motors are suitable for operation on distribution European grid with voltage complying with the publication IEC 60038.

(F13)

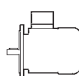
Efficiency class			V_{mot} $\pm 10\%$ 3~	Configuration
IE3	BX 80 ... BX 132	MX2 ... MX4	230 / 400 V - Δ/Y - 50 Hz	standard
	BX 160, BX 180	MX 5	400 / 690 V - Δ/Y - 50 Hz	standard
IE2	BE 80 ... 132	ME2 ... ME4	230 / 400 V - Δ/Y - 50 Hz	standard
			460 V Y - 60 Hz ¹	standard
	BE 160, BE 180	ME5	400 / 690 V - Δ/Y - 50 Hz	At request, carries no extra charge
			460 V Δ - 60 Hz ¹	standard
IE1	BN 56 ... BN 132	M0 ... M4	230 / 400 V - Δ/Y - 50 Hz	standard
			400 / 690 V - Δ/Y - 50 Hz	At request, carries no extra charge
	BN 160 ... BN 200	M5	460 V Y - 60 Hz	standard
			400 / 690 V - Δ/Y - 50 Hz	standard
			460 V Δ - 60 Hz	standard

¹ 4 pole motor only

The only rated voltage for motors type et 50 Hz and all double speed motors is 400 V. Applicable tolerances as per CEI EN 60034-1.

The table below shows the wiring options available.

(F14)

Number of poles		Winding connection
2	BE 80 ... BE 160, BN 63 ... BN 200	Δ / Y ⁽²⁾
4	BX 80 ... BX 180 BE 80 ... BE 180, BN 56 ... BN 200	
6	BE 90 ... BE 160, BN 63 ... BN 200	
8	BN 71 ... BN 132	
2/4	BN 63 ... BN 132	Δ / YY (Dahlander)
2/6	BN 71 ... BN 132	Y / Y (Two windings)
2/8	BN 71 ... BN 132	
2/12	BN 80 ... BN 132	
4/6	BN 71 ... BN 132	
4/8	BN 80 ... BN 132	Δ / YY (Dahlander)

⁽²⁾ Motors with voltage in ratio 2 (ex. 230/460 - 60) will be equipped with a 9 pin terminal box with winding connection either $\Delta \Delta / \Delta$ or YY / Y (except 6 pole BN 63 Δ / Y)



M7.2 Frequency

Rated output power BN / M for 60 Hz operation is shown in the following diagram.

(F15)

		P _n [kW]						P _n [kW]			
		2P	4P	6P	8P (*)			2P	4P	6P	8P (*)
BN 56A	–	–	0.07	–	–	BN 100L	M3LA	3.5	–	–	–
BN 56B	M0B	–	0.10	–	–	BN 100LA	M3LA	–	2.5	1.8	0.85
BN 63A	M05A	0.21	0.14	0.10	–	BN 100LB	M3LB	4.7	3.5	2.2	1.3
BN 63B	M05B	0.30	0.21	0.14	–	BN 112M	M3LB	4.7	4.7	2.5	1.8
BN 63C	M05C	0.45	0.30	–	–	–	M3LC	–	4.7	2.5	–
BN 71A	M05C	0.45	0.30	0.21	0.10	BN 132S	M4SA	–	6.5	3.5	2.5
BN 71B	M05SD	0.65	0.45	0.30	0.14	BN 132SA	M4SA	6.5	–	–	–
BN 71C	M1LA	0.90	0.65	0.45	–	BN 132SB	M4SB	8.7	–	–	–
BN 80A	M2SA	0.90	0.65	0.45	0.21	BN 132M	M4LA	11	–	–	3.5
BN 80B	M2SA	1.30	0.90	0.65	0.30	BN 132MA	M4LA	–	8.7	4.6	–
BN 80C	M2SB	1.80	1.3	0.90	–	BN 132MB	M4LB	–	11	6.5	–
BN 90S	M2SB	–	1.3	0.90	0.45	BN 160MR	M4LC	12.5	12.5	–	–
BN 90SA	–	1.8	–	–	–	BN 160MB	M5SB	17.5	–	–	–
BN 90SB	–	2.2	–	–	–	BN 160M	M5SA	–	–	8.6	–
BN 90L	M3SA	2.5	–	1.3	0.65	BN 160L	M5S	21.5	17.5	12.6	–
BN 90LA	–	–	1.8	–	–	BN 180M	M5LA	24.5	21.5	–	–
BN 90LB	–	–	2.2	–	–	BN 180L	–	–	25.3	17.5	–
						BN 200L	–	–	34	–	–
						BN 200LA	–	34	–	22	–

(*) Excluded M_– motors

BX / BE / MX / ME motors are available at 60 Hz on a 4 pole configuration only, and their power rating is the same as their 50 Hz counterpart.

Double speed BN / M motors supplied at 60 Hz will have an increase of nominal power, referred to 50 Hz, equal to 15%, whereas double speed BX / BE / MX / ME motors are not available.

If a nominal power rating, equal to the normalised nominal power rating at 50 Hz, was requested to be on a nameplate of a motor meant to be voltage supplied at 60 Hz, the PN option shall be specified on the motor designation. Motors normally designed for a 50 Hz frequency may be used on a 60 Hz operating grid, but the related data shall be updated according to the following table. Motors designated for 50 Hz operation show on the nameplate also the values for 60 Hz operation (excluding motors in CUS execution and brake motors). See the following table.

(F16)

	50 Hz	60 Hz			
	V - 50 Hz	V - 60 Hz	P _n - 60 Hz	M _n , M _a /M _n - 60 Hz	n [min ⁻¹] - 60 Hz
BX/MX BE/ME	230/400 Δ/Y 400/690 Δ/Y	265 - 460 Δ Y 460 Δ	1	0.83	1.2
BN/M	230/400 Δ/Y 400/690 Δ/Y	220 - 240 Δ 380 - 415 Y 380 - 415 Δ			
BN/M	230/400 Δ/Y 400/690 Δ/Y	265 - 280 Δ 440 - 480 Y 440 - 480 Δ			



M7.3 Ambient temperature

Catalogue rating values are calculated for 50 Hz operation and for standard ambient conditions (temperature 40 °C; elevation ≤ 1000 m a.s.l.) as per the CEI EN 60034-1 Standards.

The motors can be used within the 40 - 60 °C temperature range with rated power output adjusted by factors given in the table below.

(F17)

Ambient temperature (°C)	40°	45°	50°	55°	60°
Permitted power as a % of rated power	100%	95%	90%	85%	80%

Should a derating factor higher than 15% apply please consult factory.

M7.4 50 HZ normalized power

PN

With this option, motor name plate includes 50 Hz normalized power information even when motor is designated for operation with 60 Hz power mains. For 60 Hz supplies along with voltages 230/460V and 575V the PN option is applied by default.

M7.5 Motors for USA and Canada

CUS

Motors are available in NEMA Design C configuration (concerning electrical characteristics), in compliance with CSA (Canadian standard) C22.2 No. 100 and UL (Underwriters Laboratory) UL 1004-1. By specifying the option CUS the name plate is marked with both symbols shown here below.



CUS option is not currently available for IE3 motors.

The CUS option does not apply to servo-ventilated motors.

US power mains voltages and the corresponding rated voltages to be specified for the motor are indicated in the following table:

(F18)

Frequency	Mains voltage	V _{mot}
60 Hz	208 V	200 V
	240 V	230 V
	480 V	460 V
	600 V	575 V

CUS option is applicable onto 50 Hz operating motors as well.



Motors with voltage in ratio 2 (e.g. 230/460-60; 220/440-60) feature, as standard, a 9-stud terminal board. For some executions, as well as for 575V-60Hz supply, the nominal rating is coincident with the correspondent 50Hz rating.

For DC brake motors type BN_FD, the rectifier is connected to a single-phase 230 VAC supply voltage in the motor terminal box.

Brake power supply for brake motors is as follows:

(F19)

BN_FD M_FD	BN_FA M_FA	Power supply
Connected to terminal box 1~230V c.a.	Separate power supply	230V Δ 230SA
	Separate power supply	460V Y 460SA

M7.6 China Compulsory Certification

CCC

Electric motors destined for sale in the People's Republic of China have to be certified under the CCC (China Compulsory Certification) system. BN motors of up to 7 Nm in rated torque are available with CCC certification and a special nameplate bearing the mark shown below:



CCC option is not currently available for IE3 motors.

CCC option is not currently available for servo - ventilated motors.

M7.7 Insulation class

CL F

Bonfiglioli motors use class **F** insulating materials (enamelled wire, insulators, impregnation resins) as compare to the standard motor.

In standard motors, stator windings over temperature normally stays below the 80 K limit corresponding to class B over temperature.

A careful selection of insulating components makes the motors compatible with tropical climates and normal vibration.

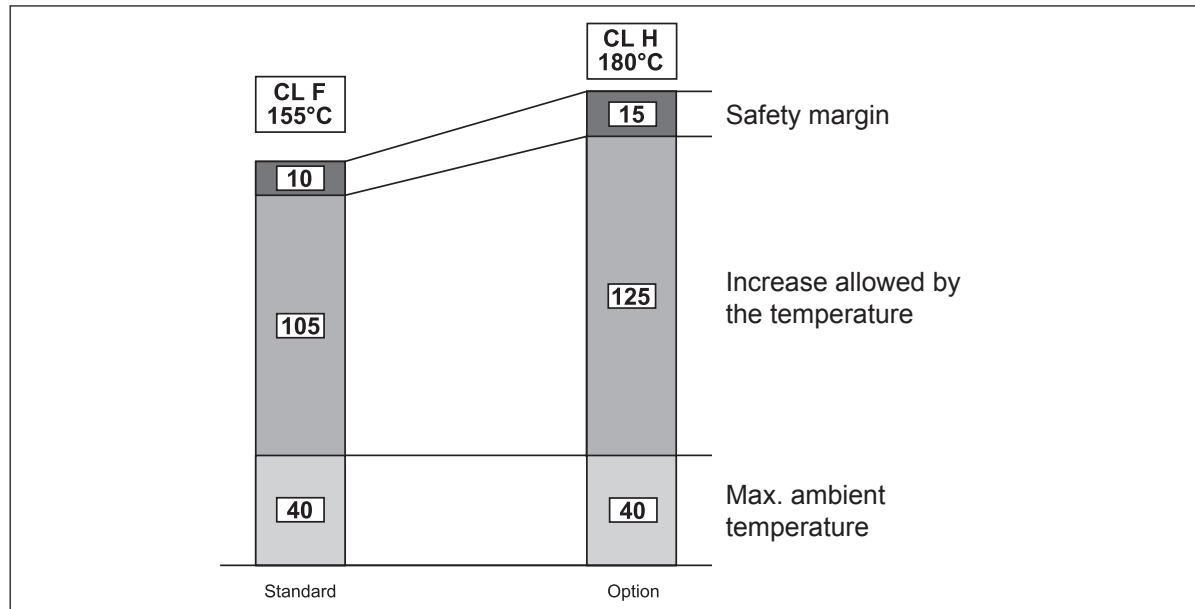
For applications involving the presence of aggressive chemicals or high humidity, contact Bonfiglioli Engineering for assistance with product selection.



CL H

Motors manufactured in insulation class **H** are available at request.
 Not available for motors in compliance with CSA e UL standards (CUS option).

(F20)



M7.8 Type of duty

Unless otherwise specified, catalogue motor power refers to continuous duty S1.
 Any operating conditions other than S1 duty must be identified in accordance with duty cycle definitions laid down in standards CEI EN 60034-1.

For duty cycles S2 and S3, the power increase co-efficient reported in the following table may be used. Please note that the table provided below applies to single-speed motors.

As an alternative to S1 continuous duty, one of the following values can be specified at the product configuration stage: S2, S3 or S9. The motor nameplate will be marked with an increased power rating to suit the type of duty, and with specific electrical data and a duty type of S2-30 min, S3-70% or S9 respectively.

For further details, contact Bonfiglioli's Technical Service.

Please contact Bonfiglioli Engineering for the power increase coefficients applicable to switch-pole motors.

(F21)

	Type of duty						
	S2			S3 *			S4 - S9
	Duration (min)			Intermittence (I)			Contact us
	10	30 (*)	60	25%	40%	70% (*)	
f_m	1.35	1.15	1.05	1.25	1.15	1.1	

* Cycle duration must, in any event, be equal to or less than 10 minutes; if this time is exceeded, please contact our Technical Service.

(*) Default values from options (tab. F05).



M7.8.1 Cyclic duration factor:

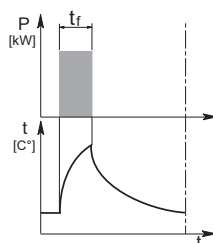
$$I = \frac{t_f}{t_f + t_r} \cdot 100 \quad (01)$$

t_f = work time under constant load

t_r = rest time

M7.8.2 Limited duration duty S2

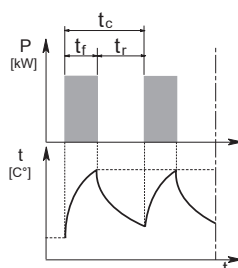
This type of duty is characterized by operation at constant load for a limited time, which is shorter than the time required to reach thermal equilibrium, followed by a rest period of sufficient duration to restore ambient temperature in the motor.



M7.8.3 Periodical intermittent duty S3:

This type of duty is characterized by a sequence of identical operation cycles, each including a constant load operation period and a rest period.

For this type of duty, the starting current does not significantly influence overtemperature.



M7.9 Inverter-controlled motors

The electric motors Bonfiglioli may be used in combination with PWM inverters with rated voltage at transformer input up to 500 V. Standard motors use a phase insulating system with separators, class 2 enamelled wire and class H impregnation resins (1600V peak-to-peak voltage pulse capacity and rise edge $t_s > 0.1\mu s$ at motor terminals). Typical torque/speed curves referred to S1 duty for motors with base frequency $f_b = 50$ Hz is reported in the table below.

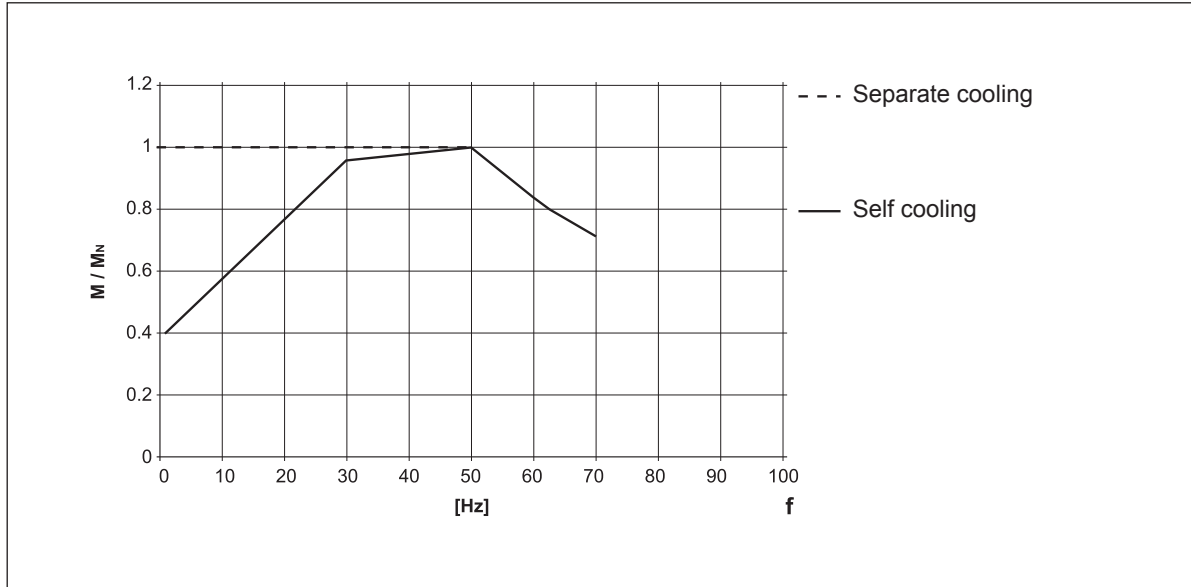
Because ventilation is somewhat impaired in operation at lower frequencies (about 30 Hz), standard motors with incorporated fan (IC411) require adequate torque derating or - alternately - the addition of a separate supply fan cooling.

Above base frequency, upon reaching the maximum output voltage of the inverter, the motor enters a steady-power field of operation, and shaft torque drops with ratio (f/f_b) .

As motor maximum torque decreases with $(f/f_b)^2$, the allowed overloading must be reduced progressively.

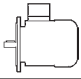
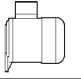


(F22)



The following table reports the mechanical speed limit for motors operating above rated frequency:

(F23)

		n [min ⁻¹]		
		2p	4p	6p
≤ BE 112 - BN 112	ME2, ME3 M05 ... M3	5200	4000	3000
≥ BE 132 - BN 132	ME4, ME5 M4, M5	4500	4000	3000
BX 80 ... BX 180	MX2 ... MX5		4000	

Above rated speed, motors generate increased mechanical vibration and fan noise. Class B rotor balancing is highly recommended in these applications. Installing a separate supply fan cooling may also be advisable.

Remote-controlled fan and brake (if fitted) must always be connected direct to mains power supply.

M7.10 Permissible starts per hour, Z

The rating charts of brakemotors lend the permitted number of starts Z_0 , based on 50% intermittence and for unloaded operation.

The catalogue value represents the maximum number of starts per hour for the motor without exceeding the rated temperature for the insulation class F.

To give a practical example for an application characterized by inertia J_c , drawing power P_r and requiring mean torque at start-up M_L the actual number of starts per hour for the motor can be calculated approximately through the following equation:



$$Z = \frac{Z_0 \cdot K_c \cdot K_d}{K_J}$$

(02)

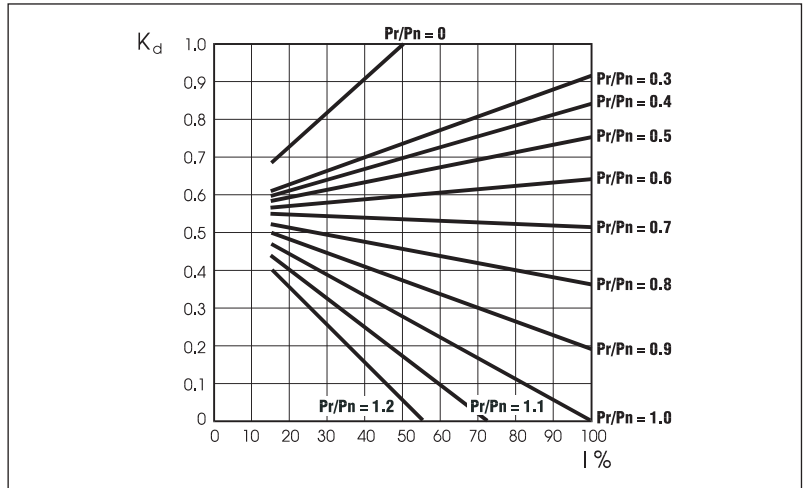
where:

$$K_J = \frac{J_m + J_c}{J_m} \quad \text{inertia factor}$$

$$K_c = \frac{M_a - M_L}{M_a} \quad \text{torque factor}$$

$K_d =$ load factor, see the following table

(F24)



If actual starts per hour is within permitted value (Z) it may be worth checking that braking work is compatible with brake (thermal) capacity W_{max} also given in tables (F31), (F39) and dependent on the number of switches (c/h).

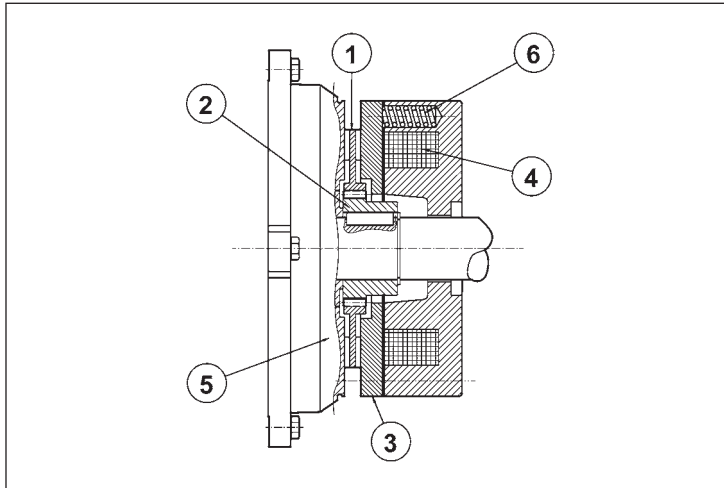


M8 ASYNCHRONOUS BRAKE MOTORS

M8.1 Operation

Versions with incorporated brake use spring-applied DC (FD option) or AC (FA options) brakes. All brakes are designed to provide fail-safe operation, meaning that they are applied by spring-action in the event of power failure.

(F25)



Key:

- ① brake disc
- ② disc carrier
- ③ pressure plate
- ④ brake coil
- ⑤ motor rear shield
- ⑥ brake springs

When voltage is interrupted, pressure springs push the armature plate against the brake disc. The disc becomes trapped between the armature plate and motor shield and stops the shaft from rotation.

When the coil is energized, a magnetic field strong enough to overcome spring action attracts the armature plate, so that the brake disc – which is integral with the motor shaft – is released.

M8.2 Most significant features

- High braking torques (normally $M_b \approx 2 M_n$), braking torque adjustment.
- Steel brake disc with double friction lining (low-wear, asbestos-free lining).
- Hexagonal seat on motor shaft fan end (N.D.E.) for manual rotation (not compatible with options PS, RC, TC, U1, U2, EN1, EN2, EN3, EN4, EN5, EN6).
- Manual release lever (options R and RM for BN/M_FD; option R for BN/M_FA).
- Corrosion-proof treatment on all brake surfaces.
- Insulation class F.

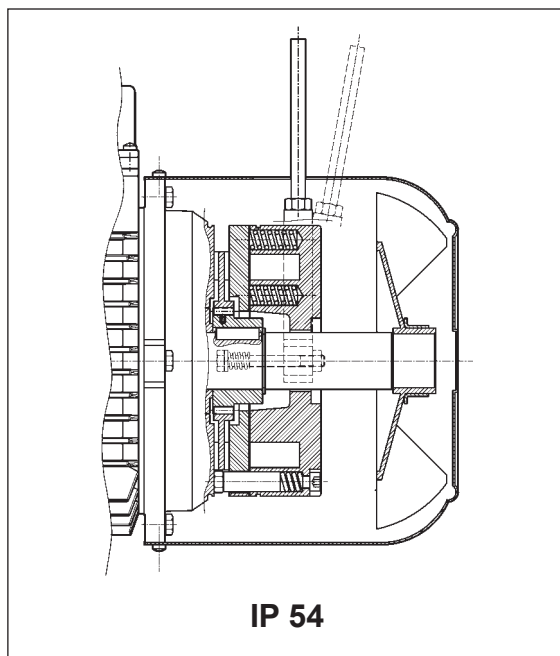


M9 DC BRAKE MOTORS TYPE BN_FD and M_FD

Frame sizes: BN 63 ... BN 200L / M05 ... M5

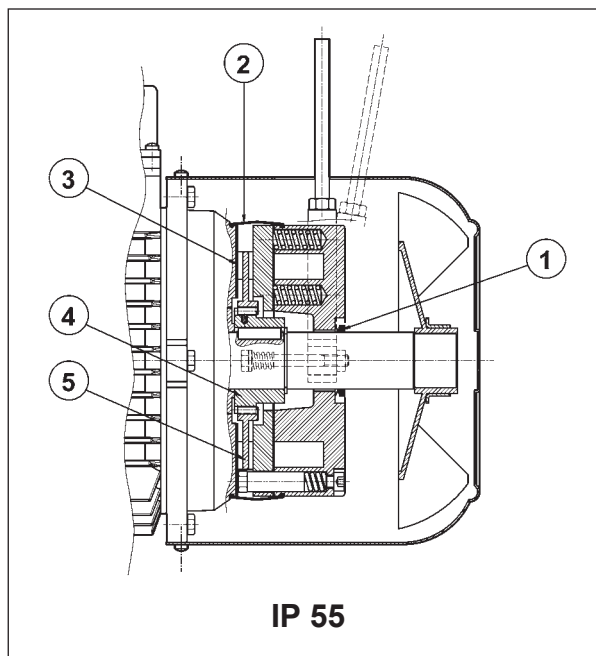
BE/ME motors may be available equipped with the FD brake, for further information please contact our Technical Department.

(F26)



IP 54

(F27)



IP 55

Direct current toroidal-coil electromagnetic brake bolted onto motor shield. Preloading springs provide axial positioning of magnet body.

Brake disc slides axially on steel hub shrunk onto motor shaft with anti-vibration device.

Brake torque factory setting is indicated in the corresponding motor rating charts. Braking torque may be modified by changing the type and/or number of springs.

At request, motors may be equipped with manual release lever with automatic return (**R**) or system for holding brake in the released position (**RM**).

See variant at paragraph "BRAKE RELEASE SYSTEMS" for available release lever locations.

FD brakes ensure excellent dynamic performance with low noise. DC brake operating characteristics may be optimized to meet application requirements by choosing from the various rectifier/power supply and wiring connection options available.

For applications involving lifting and/or high hourly energy dissipation, contact Bonfiglioli's Technical Service.

M9.1 Degree of protection

Standard protection class is IP54.

Brake motor FD is also available in protection class **IP55**, which mandates the following variants:

- ① V-ring at N.D.E. of motor shaft
- ② dust and water-proof rubber boot
- ③ stainless steel ring placed between motor shield and brake disc
- ④ stainless steel hub
- ⑤ stainless steel brake disc



M9.2 FD brake power supply

A rectifier accommodated inside the terminal box feeds the DC brake coil. Wiring connection across rectifier and brake coil is performed at the factory. On all single-pole motors, rectifier is connected to the motor terminal board. Rectifier standard power supply voltage V_B is as indicated in the following table, regardless of mains frequency:

(F28)

2, 4, 6 P				1 speed	
		BN_FD / M_FD		brake connected to terminal board power supply	separate power supply
		$V_{mot} \pm 10\%$ 3 ~	$V_B \pm 10\%$ 1 ~		
BN 63...BN 132	M05...M4LB	230/400 V – 50 Hz	230 V	standard	specify V_B SA o V_B SD
BN 160...BN 200	M4LC...M5	400/690 V – 50 Hz	400 V	standard	specify V_B SA o V_B SD

Switch-pole motors feature a separate power supply line for the brake with rectifier input voltage V_B as indicated in the table below:

(F29)

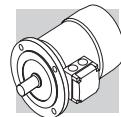
2/4, 2/6, 2/8, 2/12, 4/6, 4/8 P				2 speed	
		BN_FD / M_FD		brake connected to terminal board power supply	separate power supply
		$V_{mot} \pm 10\%$ 3 ~	$V_B \pm 10\%$ 1 ~		
BN 63...BN 132	M05...M4LB	400 V – 50 Hz	230 V		specify V_B SA o V_B SD

The diode half-wave rectifier ($V_{DC} \approx 0,45 \times V_{AC}$) is available in versions **NB**, **SB**, **NBR** e **SBR**, as detailed in the table below:

(F30)

		brake	standard	at request
BN 63	M05	FD 02		
BN 71	M1	FD 03 FD 53		
BN 80	M2	FD 04		
BN 90S	—	FD 14		
BN 90L	—	FD 05		
BN 100	M3	FD 15		
—		FD 55		
BN 112	—	FD 06S		
BN 132 - BN 160MR	M4	FD 56 FD 06 FD 07		
BN 160L - BN 180M	M5	FD 08		
BN 180L - BN 200M	—	FD 09		

(*) $t_{2c} < t_{2r} < t_2$



Rectifier **SB** with electronic energizing control over-energizes the electromagnet upon power-up to cut brake release response time and then switches to normal half-wave operation once the brake has been released.

Use of the **SB** rectifier is mandatory in the event of:

- high number of operations per hour
- reduced brake release response time
- brake is exposed to extreme thermal stress

Rectifiers **NBR** or **SBR** are available for applications requiring quick brake intervention (braking condition reinstatement) response.

These rectifiers complement the **NB** and **SB** types as their electronic circuit incorporates a static switch that de-energizes the brake quickly in the event voltage is missing.

This arrangement ensures short brake release response time with no need for additional external wiring and contacts.

Optimum performance of rectifiers **NBR** and **SBR** is achieved with separate brake power supply.

Versions available: 230Vac ±10%, 400Vac ± 10%, 50/60 Hz (with power supply); 100Vdc ±10%, 180Vdc ± 10% (with SD option).

M9.3 FD brake technical specifications

The table below reports the technical specifications of DC brakes FD.

(F31)

Brake	Brake torque M_b [Nm]			Release		Braking		W_{max} per brake operation			W	P
	springs			t_1	t_{1s}	t_2	t_{2c}	[J]				
	6	4	2	[ms]	[ms]	[ms]	[ms]	10 s/h	100 s/h	1000 s/h		
FD02	–	3.5	1.75	30	15	80	9	4500	1400	180	15	17
FD03	5	3.5	1.75	50	20	100	12					
FD53	7.5	5	2.5	60	30	100	12					
FD04	15	10	5	80	35	140	15	10000	3100	350	30	33
FD14												
FD05	40	26	13	130	65	170	20	18000	4500	500	50	45
FD15	40	26	13	130	65	170	20					
FD55	55	37	18	–	65	170	20					
FD06S	60	40	20	–	80	220	25	20000	4800	550	70	55
FD56	–	75	37	–	90	250	20					
FD06		100	50		100	250	20	29000	7400	800	80	65
FD07	150	100	50	–	120	200	25					
FD08*	250	200	170	–	140	350	30	60000	14000	1500	230	100
FD09**	400	300	200	–	200	450	40					

* brake torque values obtained with 9, 7 and 6 springs, respectively

** brake torque values obtained with 12, 9 and 6 springs, respectively

t_1 = brake release time with half-wave rectifier

t_{1s} = brake release time with over-energizing rectifier

t_2 = brake engagement time with AC line interruption and separate power supply

t_{2c} = brake engagement time with AC and DC line interruption – Values for t_1 , t_{1s} , t_2 , t_{2c} indicated in the tab. (F30) are referred to brake set at maximum torque, medium air gap and rated voltage

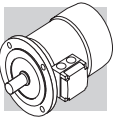
W_{max} = max energy per brake operation

W = braking energy between two successive air gap adjustments

P_b = brake power absorption at 20 °C

M_b = static braking torque (±15%)

s/h = starts per hour



The brake pad wear depends on the operating/ambient conditions (temperature, humidity, angular speed, specific pressure); Therefore the declared wear rate must be considered as indicative.

M9.4 FD brake connections

On standard single-pole motors, the rectifier is connected to the motor terminal board at the factory. For switch-pole motors and where a separate brake power supply is required, connection to rectifier must comply with brake voltage VB stated in motor name plate.

Because the load is of the inductive type, brake control and DC line interruption must use contacts from the usage class AC-3 to IEC 60947-4-1.

Table (F32) – Brake power supply from motor terminals and AC line interruption
Delayed stop time t_2 and function of motor time constants.

Mandatory when soft-start/stops are required.

Table (F33) – Brake coil with separate power supply and AC line interruption

Normal stop time independent of motor.

Achieved stop times t_2 are indicated in the table (F31).

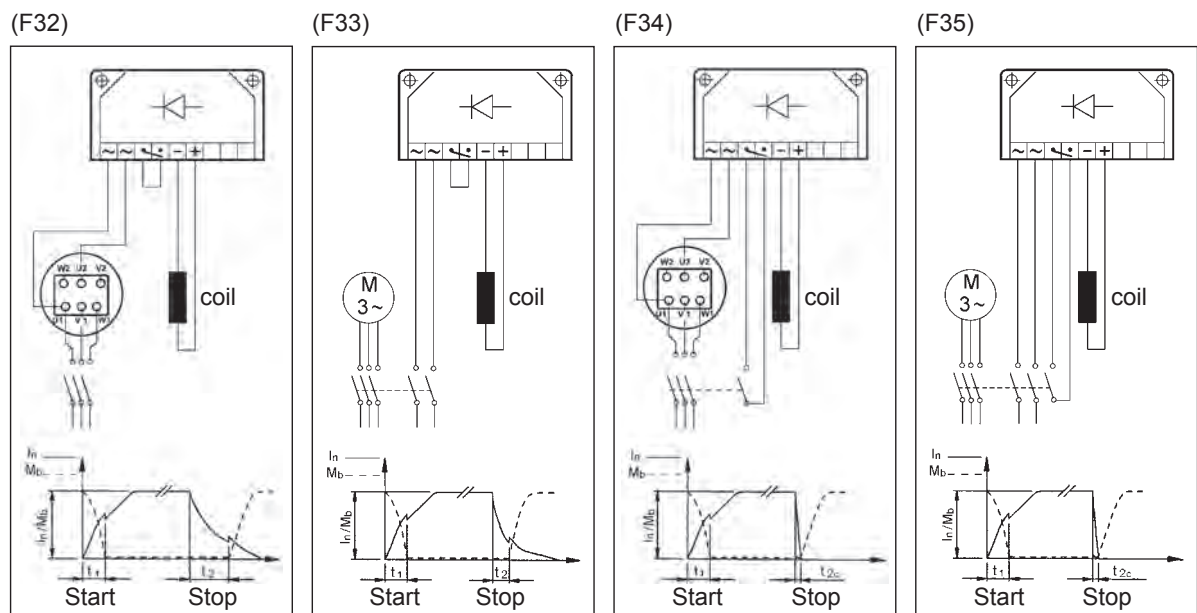
Table (F34) – Brake coil power supply from motor terminals and AC/DC line interruption.

Quick stop with operation times t_{2c} as per table (F31).

Table (F35) – Brake coil with separate power supply and AC/DC line interruption.

Stop time decreases by values t_{2c} indicated in the table (F31).

The brake may be voltage supplied directly from the motor terminal box (from tab. F32 to tab. F35) only if the nominal voltage of the brake is the same as the smaller voltage of the motor.

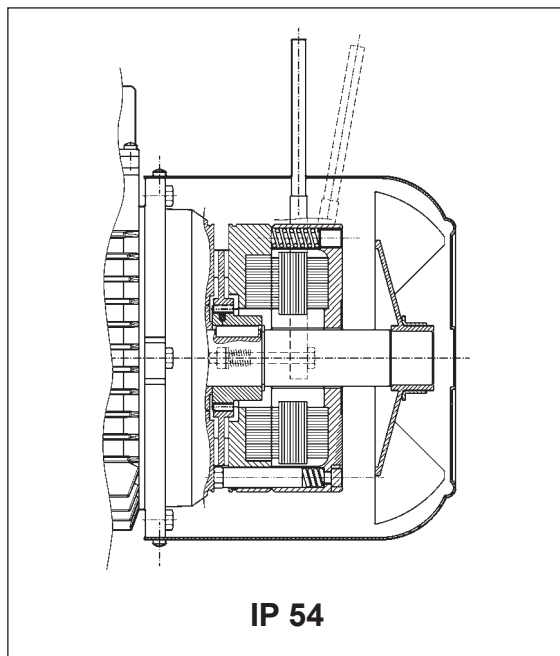




M10 AC BRAKE MOTORS TYPE BN_FA and M_FA

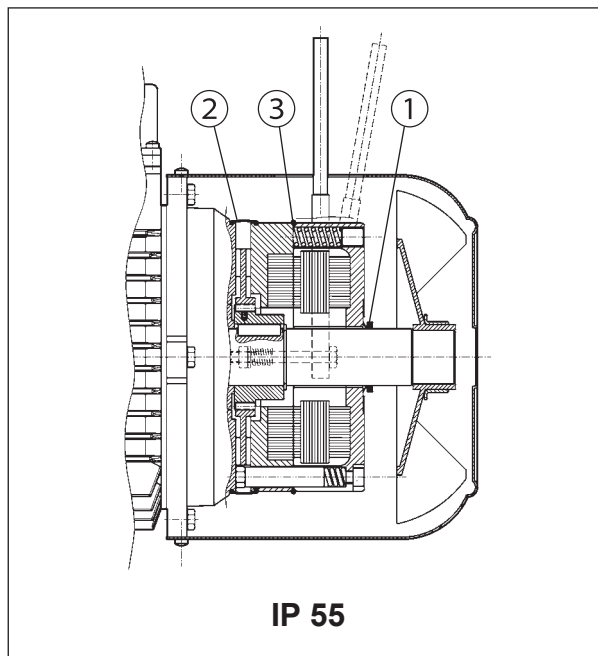
Frame sizes: BN 63 ... BN 180M / M05 ... M5

(F36)



IP 54

(F37)



IP 55

Electromagnetic brake operates from three-phase alternated current power supply and is bolted onto conveyor shield. Preloading springs provide axial positioning of magnet body. Steel brake disc slides axially on steel hub shrunk onto motor shaft with anti-vibration device. Brake torque factory setting is indicated in the corresponding motor rating charts. Spring preloading screws provide stepless braking torque adjustment. Torque adjustment range is $30\% M_{bMAX} < M_b < M_{bMAX}$ (where M_{bMAX} is maximum braking torque as shown in tab. (F39).

Thanks to their high dynamic characteristics, FA brakes are ideal for heavy-duty applications as well as applications requiring frequent stop/starts and very fast response time.

Motors may be equipped with manual release lever with automatic return (R) at request. See variant at paragraph "BRAKE RELEASE SYSTEMS" for available release lever locations.

For applications involving lifting and/or high hourly energy dissipation, contact Bonfiglioli's Technical Service.

M10.1 Degree of protection

Standard protection class is IP54.

Brake motor FA is also available in protection class **IP55**, which mandates the following variants:

- ① V-ring at N.D.E. of motor shaft
- ② dust and water-proof rubber boot
- ③ O-ring



M10.2 FA brake power supply

In single speed motors, power supply is brought to the brake coil direct from the motor terminal box. As a result, brake voltage and motor voltage are the same. In this case, brake voltage indication may be omitted in the designation.

Switch-pole motors and motors with separate brake power supply feature an auxiliary terminal board with 6 terminals for connection to brake line. In both cases, brake voltage indication in the designation is mandatory.

The following table reports standard AC brake power supply ratings for single- and switch-pole motors:

(F38)

single-pole motor	BN 63...BN 132	BN 160...BN 180
	230Δ / 400Y V ±10% – 50 Hz	400Δ/ 690Y V ±10% – 50 Hz
	265Δ / 460Y ±10% - 60 Hz	460Y – 60 Hz

switch-pole motors (separate power supply line)	BN 63...BN 132
	230Δ / 400Y V ±10% – 50 Hz
	460Y - 60 Hz

Unless otherwise specified, standard brake power supply is 230Δ /400Y V - 50 Hz.

Special voltages in the 24...690 V, 50-60 Hz range are available at request.

M10.3 Technical specifications of FA brakes

(F39)

Brake	Brake torque M_b [Nm]	Release t_1 [ms]	Braking t_2 [ms]	W_{max} [J]			W [MJ]	P [VA]
				10 s/h	100 s/h	1000 s/h		
FA 02	3.5	4	20	4500	1400	180	15	60
FA 03	7.5	4	40	7000	1900	230	25	80
FA 04	15	6	60	10000	3100	350	30	110
FA 14								
FA 05	40	8	90	18000	4500	500	50	250
FA 15								
FA 06S	60	16	120	20000	4800	550	70	470
FA 06	75	16	140	29000	7400	800	80	550
FA 07	150	16	180	40000	9300	1000	130	600
FA 08	250	20	200	60000	14000	1500	230	1200

- M_b = max static braking torque (±15%)
 t_1 = brake release time
 t_2 = brake engagement time
 W_{max} = max energy per brake operation (brake thermal capacity)
W = braking energy between two successive air gap adjustments
 P_b = power drawn by brake at 20° (50 Hz)
s/h = starts per hour

NOTE

Values t_1 and t_2 in the table refer to a brake set at rated torque, medium air gap and rated voltage.

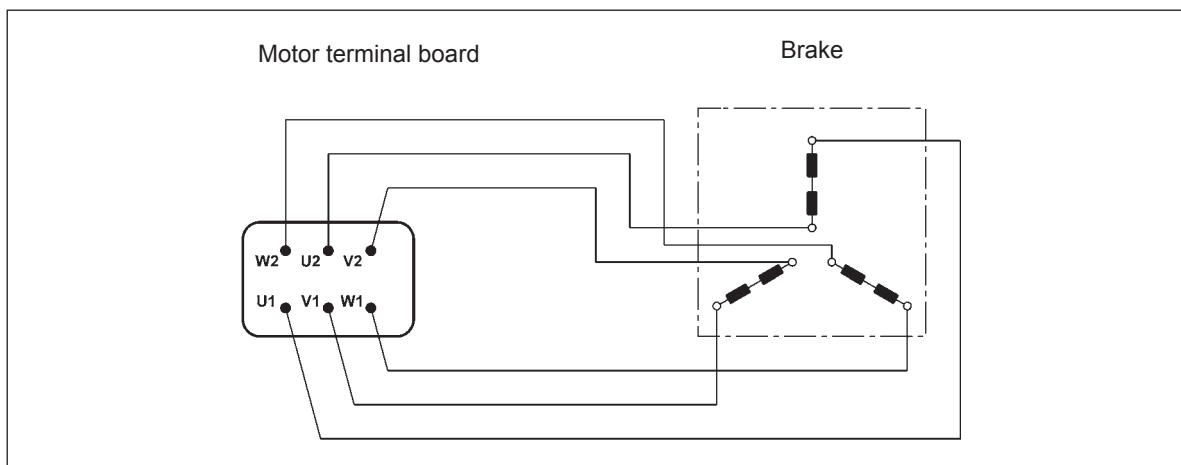


The brake pad wear depends on the operating/ambient conditions (temperature, humidity, angular speed, specific pressure); Therefore the declared wear rate must be considered as indicative.

M10.4 FA brake connections

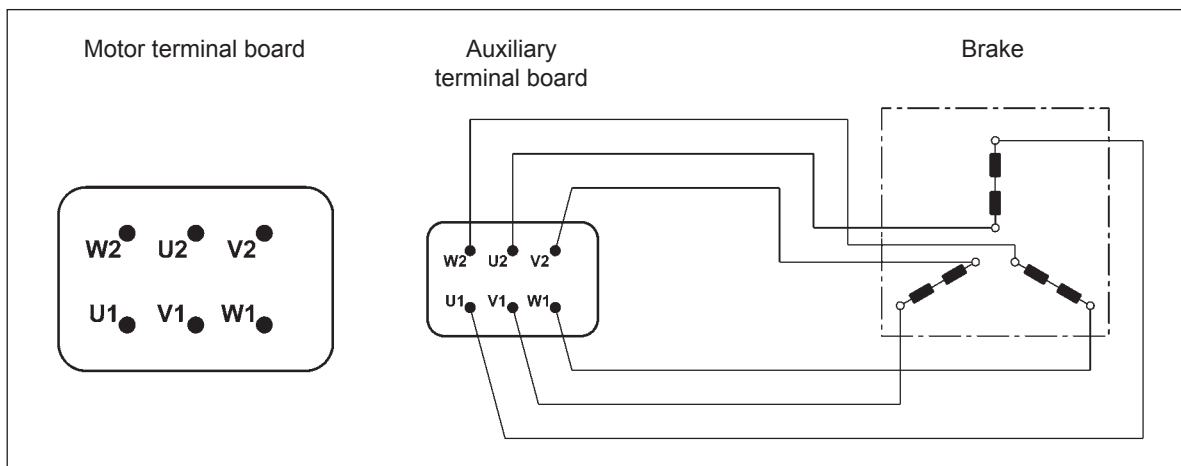
The diagram below shows the wiring when brake is connected directly to same power supply of the motor:

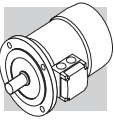
(F40)



Switch-pole motors and, at request, single-pole motors with separate power supply are equipped with an auxiliary terminal board with 6 terminals for brake connection. In this version, motors feature a larger terminal box. See diagram below:

(F41)



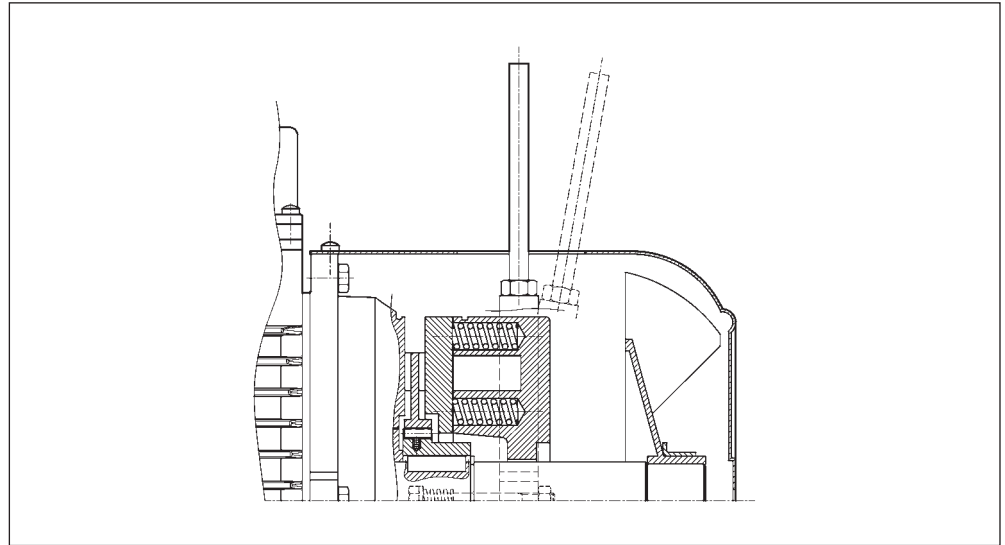


M11 BRAKE RELEASE SYSTEMS

Spring-applied brakes type FD and FA may be equipped with optional manual release devices. These are typically used for manually releasing the brake before servicing any machine or plant parts operated by the motor.

R

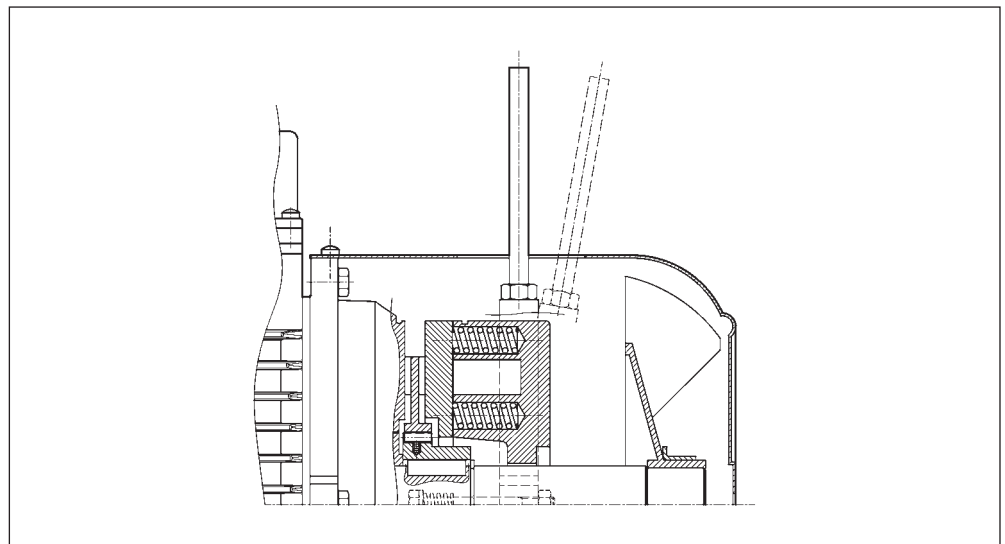
(F42)



A return spring brings the release lever back in the original position.

RM

(F43)



On motors type BN_FD, if the option RM is specified, the release device may be locked in the "release" position by tightening the lever until its end becomes engaged with a brake housing projection.

The availability for the various disengagement devices is charted here below:



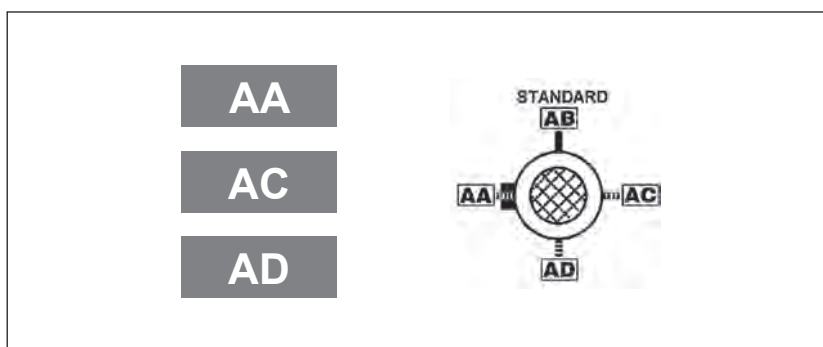
(F44)

	R	RM
BN_FD	BN 63...BN 200	BN 63 ... BN 132 ● FD07
BN_FA	BN 63...BN 180M	●

M11.1 Release lever orientation

Unless otherwise specified, the release lever is located 90° away from the terminal box – identified by letters [AB] in the diagram below – in a clockwise direction on both options **R** and **RM**. Alternative lever positions [AA], [AC] and [AD] are also possible when the corresponding option is specified:

(F45)





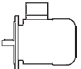
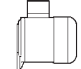
M12 OPTIONS

M12.1 Soft-start / stop

F1

An optional flywheel - option F1 - is available for applications requiring soft starting or stopping. The flywheel's added inertia uses up kinetic energy during starting and returns it back during braking, thus catering for more progressive and gradual shock loads. The optional flywheel is available for brake motors type BN_FD with specific characteristics as detailed in the table below:

(F46)

Main data for flywheel of motore type: BN_FD, M_FD			
		Fly-wheel weight [Kg]	Fly-wheel inertia [Kgm ²]
BN 63	M05	0.69	0.00063
BN 71	M1	1.13	0.00135
BN 80	M2	1.67	0.00270
BN 90 S - BN 90 L	–	2.51	0.00530
BN 100	M3	3.48	0.00840
BN 112	–	4.82	0.01483
BN 132 S - BN 132 M	M4	6.19	0.02580

M12.2 Capacitive filter

CF

An optional capacitive filter is available for DC brake motors type BN_FD only. When the suitable capacitive filter is installed upstream of the rectifier (option CF), motors comply with the emission limits required by standard EN61000-6-3:2007“ Electromagnetic Compatibility – Generic Emission Standard – Part 6-3: Residential, commercial and light industrial environment”.

M12.3 Thermal protective devices

In addition to the standard protection provided by the magneto-thermal device, motors can be supplied with built-in thermal probes to protect the winding against overheating caused, by insufficient ventilation or by an intermittent duty.

This additional protection should always be specified for servoventilated motors (IC416).

M12.4 Thermistors

E3

These are semi-conductors having rapid resistance variation when they are close to the rated switch off temperature (150 °C). Variations of the $R = f(T)$ characteristic are specified under DIN 44081, IEC 34-11 Standards. Positive temperature coefficient thermistors are normally used (also known as PTC “cold conductor resistors”). Thermistors cannot control relays directly and must be connected to a suitable disconnect device. Thus protected, three PTCs connected in series are installed in the winding, the terminals of which are located on the auxiliary terminal-board.



K1

The design characteristics of this sub-group of PTC thermistors allow them to be used as positive temperature coefficient sensors with variable resistance.

Functioning temperature range: 0°C ... +260°C.

Thermistors cannot control relays directly and must be connected to a suitable disconnect device.

Terminals (polarised) for 1 x KTY 84-130 are provided on an auxiliary terminal strip.

M12.5 Bimetallic thermostates

D3

These types of protective devices house a bimetal disk. When the rated switch off temperature (150 °C) is reached, the disk switches the contacts from their initial rest position.

As temperature falls, the disk and the contacts automatically return to rest position.

Three bimetallic thermostates connected in series are usually employed, with normally closed contacts. The terminals are located on an auxiliary terminal-board.

M12.6 Plug connector

CON

Three types of connectors (CON 1, CON 2, CON 3) are provided; they can be mounted in two different positions: right side of terminal box cover (C1D, C2D, C3D); left side of terminal box cover (C1S, C2S, C3S).

The option CON is applicable to single speed BN and M motors (2, 4, 6, 8 poles), and BX / BE and MX / ME motors on the sizes specified on the following table. All double speed motors are excluded.

The connectors CON 1 / CON 2 are available for BX-BE/MX-ME and BN/M motors without brake and for BN brakemotors equipped with DC brake type FD, for the motor sizes listed below.

The male connector (with pins) is mounted on the motor, the female connector is not provided.

With CON option, the winding connection is always Y.

With option U1 "forced ventilation", the fan unit supply is available inside the separate terminal box fixed to fan cover.

With options EN1...EN6, the encoder connection is made by a cable not connected to the motor plug connector.

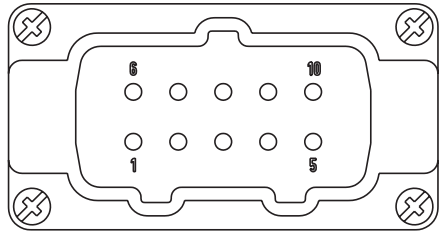
The CON option is not applicable to brakemotors equipped with AC brake type FA.

The CON option is not available when at least one of the next options are selected: the U2, CUS, IC.

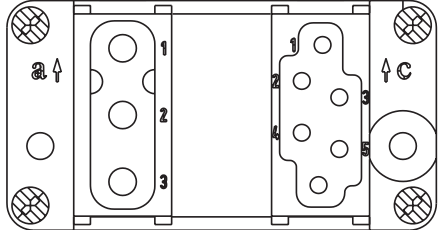


Specifications

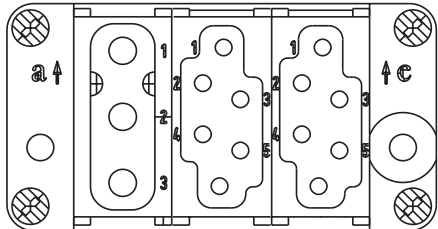
(F47)

Option	CON 1
Motor size	BX 80 ... BX 112 / MX2, MX3 / BE 80 ... BE 112 / ME2, ME3 BN 63 ... BN 112 / M05 ... M3
Connector view	
Type of connector	Harting Han 10ES
Housing	Han EMC 10B with 2 levers
Numbers of pins - nominal current	10 x 16A
Voltage	500 Vac
Contact connection	Screw terminals

(F48)

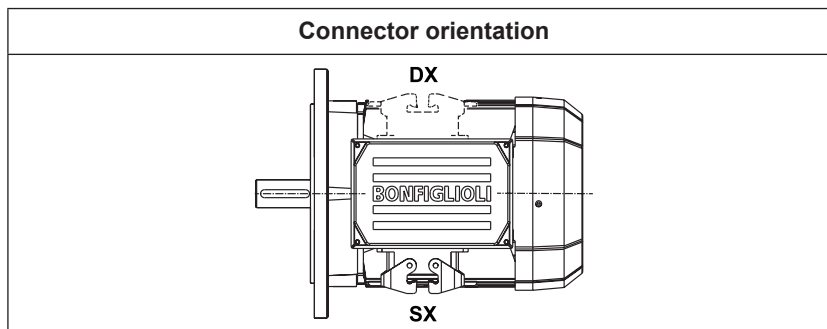
Option	CON 2
Motor size	BX 80 ... BX 132 / MX2, MX3 / BE 80 ... BE 132 / ME2 ... ME4 BN 63 ... BN 132 / M05 ... M4
Connector view	
Type of connector	Harting Han Modular
Housing	Han EMC 10B with 2 levers
Module type	Module C + Module E + Module E
Numbers of pins - nominal current	3 x 36A / 6 x 16A
Voltage	500 Vac
Contact connection	Crimping contacts

(F49)

Option	CON 3
Motor size	BN 63 ... BN 132M / M05 ... M4
Connector view	
Type of connector	Harting Han Modular
Housing	Han EMC 10B with 2 levers
Module type	Module C + Module E + Module E
Numbers of pins - nominal current	3 x 36A / 6 + 6 x 16A
Voltage	500 Vac
Contact connection	Crimping contacts

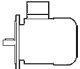
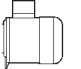


(F50)



(F51)



Motors without brake dimensions

		AD (mm)	AF (mm)	AH (mm)	LL (mm)	V ^(*) (mm)
BN 63	M05	136	110	45	165	4.5
BN 71	M1	149	110	45	165	15.5
BX 80 - BE 80 - BN 80	MX2 - ME2 - M2	160	110	45	165	16.5
BX 90 - BE 90 - BN 90	MX3	162	110	45	165	31.5
BX 100 - BE 100 - BN 100	MX3 - ME3 - M3	171	110	45	165	37.5
BX 112 - BE 112 - BN 112	MX4	186	110	45	165	39
BX 132 - BE 132 - BN 132	MX4 - ME4 - M4	210	140	45	188	45.5
BN 160MR	—	210	140	45	188	161

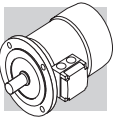
(*) Dimension valid only for motors BX, BE and BN.

(F52)

Motors with FD brake dimensions

		AD (mm)	AF (mm)	AH (mm)	LL (mm)	V ^(*) (mm)
BN63	M05	136	110	45	165	4.5
BN71	M1	149	110	45	165	1.5
BN80	M2	160	110	45	165	18.5
BN90	—	162	110	45	165	39.5
BN100	M3	171	110	45	165	63.5
BN112	—	186	110	45	165	75
BN132	M4	210	140	45	188	122
BN160MR	—	210	140	45	188	161

(*) Dimension valid only for motors BN.



M12.7 Control of brake operation

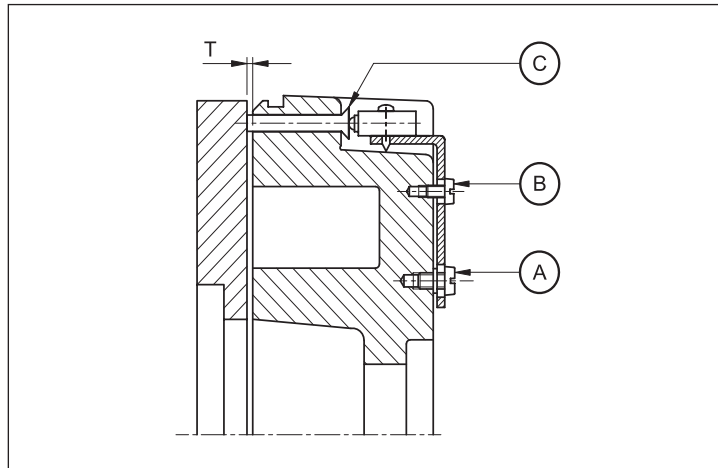
MSW

The microswitch can be set in order to obtain from it a signal related to the attraction/release of anchor plate, or it can be set in order to give feedback when the air gap reaches the maximum value.

MSW option is available for brakes FD03...FD09.

The microswitch is provided with three lead wires (NC, NO, COM). The next figure shown the main components of the brake equipped with microswitch.

(F53)



- A: Plate fixing screws
- B: Setting screws
- C: Actuator control pin

M12.8 Additional cable entry for brakemotors

IC

The terminal box cover of brakemotors BN63...BN160MR / M05...M4 is provided with two additional cable entry M16 x 1.5 (one cable entry per side).

The terminal box cover of brakemotors BN160...BN200 / M5 is provided with an additional cable entry M16 x 1.5 next to the cable entry used for the brake.

M12.9 Anti-condensation heaters

H1

NH1

Where an application involves high humidity or extreme temperature fluctuation, motors may be equipped with an anti-condensate heater.

A single-phase power supply is available in the auxiliary terminal board inside the main terminal box. Values for the absorbed power are listed here below:



(F54)

	H1	NH1
	1~ 230V ± 10% P [W]	1~ 115V ± 10% P [W]
BX 80 BE 80 BN 56 ... BN 80	10	10
BX 90 ... BX 132 BE 90 ... BE 132MB BN 90 ... BN 160MR	25	25
BX 160, BX 180 BE 160, BE 180 BN 160, BN 200	50	50

Warning!

Always remove power supply to the anti-condensante heater before operating the motor.

M12.10 Tropicalization

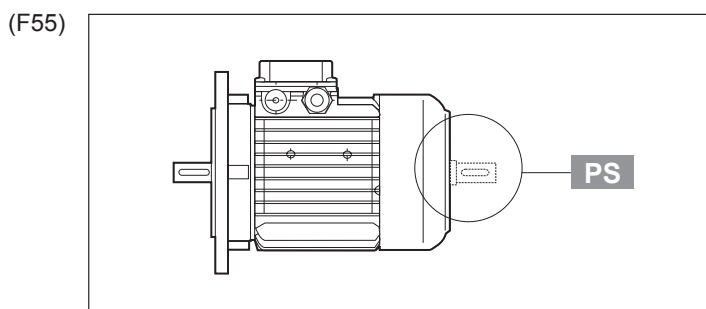
TP

When option **TP** is specified, motor windings receive additional protection for operation in high humidity and temperature conditions.

M12.11 Second shaft extension

PS

This option is not compatible with variants RC, TC, U1, U2, EN1, EN2, EN3, EN4, EN5, EN6. For shaft dimensions please see motor dimensions tables.



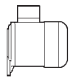
M12.12 Backstop device

AL **AR**

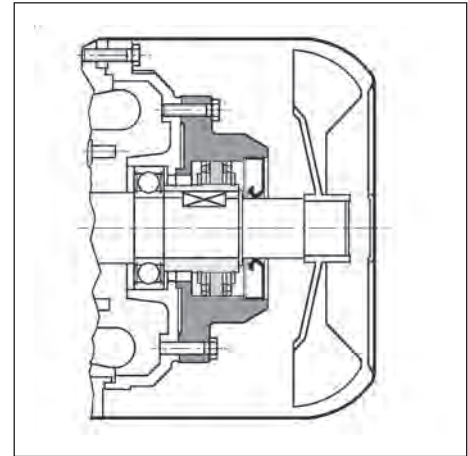
For applications where backdriving must be avoided, motors equipped with an anti run-back device can be used (available for the MX/ME and M series only). While allowing rotation in the direction required, this device operates instantaneously in case of a power failure, preventing the shaft from running back. The anti run-back device is life lubricated with special grease for this specific application. When ordering, customers should indicate the required rotation direction, AL or AR. Never use the anti run-back device to prevent reverse rotation caused by faulty electrical connection. Table (F56) shows rated and maximum locking torques for the anti run-back devices. A diagram of the device can be seen in Table (F57). Overall dimensis are same as the corresponding brake motor. The direction of free rotation is described in the “MOTOR OPTIONS” section of specifically dedicated sections to gear units.



(F56)

	Rated locking torque [Nm]	Max. locking torque [Nm]	Release speed [min ⁻¹]
M1	6	10	750
ME2 M2	16	27	650
ME3 M3	54	92	520
MX4 - ME4 M4	110	205	430

(F57)



M12.13 Rotor balancing

RV

Where low noise is a priority requirement, the option RV ensures reduced vibration in accordance with vibration class B.

The table below reports effective velocity of vibration for normal (A) and B grade balancing.

(F58)

Vibration level	Angular velocity n [min ⁻¹]	Limits of the vibration velocity (mm/s) BX 80 ≤ H ≤ BX 180L BE 80 ≤ H ≤ BE 180L BN 56 ≤ H ≤ BN 200
A	600 < n < 3600	1.6
B	600 < n < 3600	0.70

Values are obtained from measurements on freely suspended motor during no-load operation; tolerance ±10%.

M12.14 Ventilation

Motors are cooled through outer air blow (IC 411 according to CEI EN 60034-6) and are equipped with a plastic radial fan, which operates in both directions.

Ensure that fan cover is installed at a suitable distance from the closest wall so to allow air circulation and servicing of motor and brake, if fitted.

On request, motors can be supplied with independently power-supplied forced ventilation system starting from BN 71, M1, BE 80, ME2, BX 80 and MX2 size.

Motor is cooled by an axial fan with independent power supply and fitted on the fan cover (IC 416 cooling system).

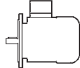

This version is used in case of motor driven by inverter so that steady torque operation is possible even at low speed or when high starting frequencies are needed.

Brake motors of motors with rear shaft projection (PS option) are excluded.



This variant has two different models, called **U1** and **U2**, having the same longitudinal size. Longer side of fan cover (**DL**) is specified for both models in the table below. Overall dimension can be reckoned from motor size table.

(F59)

Extra length for servoventilated motors			
		ΔL_1	ΔL_2
BN 71	M1	93	32
BX 80 - BE 80 - BN 80	MX2 - ME2 - M2	127	55
BX 90 - BE 90 - BN 90	MX3	131	48
BX 100 - BE 100 - BN 100	MX3 - ME3 - M3	119	28
BX 112 - BE 112 - BN 112	MX4	130	31
BX 132 - BE 132 - BN 132	MX4 - ME4 - M4	161	51
BX 160 - BE 160, BX 180 - BE 180	MX5 - ME5	184	–

ΔL_1 = extra length to LB value of corresponding standard motor.

ΔL_2 = extra length to LB value of corresponding brake motor.
Only for BN motors.

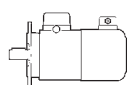
U1

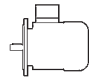
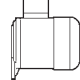
Fan wiring terminals are housed in a separate terminal box.

In brake motors of size BX 132 ... BX 160, BE 80 ... BE 160, MX 4 ... MX 5, ME 2 ... ME 5 - BN 71 ... BN 160MR, M1 ... M4L, with **U1** model, the release lever cannot be positioned to AA.

The option is not applicable to motors compliant with the CSA and UL norms (option CUS).

(F60)



		V a.c. $\pm 10\%$	Hz	P [W]	I [A]
BN 71	M1	1 ~ 230	50 / 60	22	0.12
BX 80 - BE 80 BN 80	MX2 - ME2 M2			22	0.12
BX 90 - BE 90 BN 90	MX3			40	0.30
BX 100 - BE 100 BN 100	MX3 - ME3 M3			50	0.25
BX 112 - BE 112 BN 112	MX4			50	0.26 / 0.15
BX 132 - BE 132 BN 132 ... BN 160MR	MX4 - ME4 M4L	3 ~ 230 Δ / 400Y	50	110	0.38 / 0.22
BX 160 - BE 160 BN 160M ... BN 180M	MX5 - ME5 M5			180	1.25 / 0.72
BX 180 - BE 180 BN 180L ... BN 200L	–			250	1.51 / 0.87

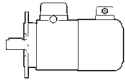


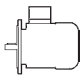
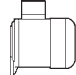
U2

Fan terminals are wired in the motor terminal box.

The **U2** option does not apply to motors BX, BE, MX, ME and to motors with option CUS (compliant to norms CSA and UL).

(F61)



		V a.c. ±10%	Hz	P [W]	I [A]
BN 71	M1	1 ~ 230	50 / 60	22	0.12
BN 80	M2			22	0.12
BN 90	—			40	0.30
BN 100	M3	3 ~ 230Δ / 400Y		40	0.26 / 0.09
BN 112	—			50	0.26 / 0.15
BN 132 ... BN 160MR	M4L			110	0.38 / 0.22

M12.15 Rain canopy

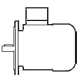
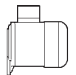
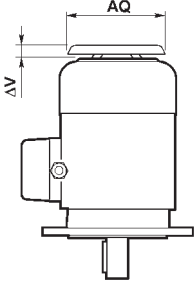
RC

The rain canopy protects the motor from dripping and avoids the ingress of solid bodies. It is recommended when motor is installed in a vertical position with the shaft downwards.

Relevant dimensions are indicated in the table below.

The drip cover is not compatible with variants PS, EN1, EN2, EN3, EN4, EN5, EN6.

(F62)

		AQ	ΔV	
BN 63	M05	118	24	
BN 71	M1	134	27	
BX 80 - BE 80 BN 80	MX2 - ME2 M2	152	25	
BX 90 - BE 90 BN 90	MX3	168	30	
BX 100 - BE 100 BN 100	MX3 - ME3 M3	190	28	
BX 112 - BE 112 BN 112	MX4	211	32	
BX 132 - BE 132 BN 132...BN 160MR	MX4 - ME4 M4	254	32	
BX 160 - BE 160 BN 160M...BN 180M	MX5 - ME5 M5	302	36	
BX 180 - BE 180 BN 180L...BN 200L	—	340	36	



M12.16 Textile canopy

TC

Option TC is a cover variant for textile industry environments, where lint may obstruct the fan grid and prevent a regular flow of cooling air.

This option is not compatible with variants EN1, EN2, EN3, EN4, EN5, EN6, PS, U1, U2.

Overall dimensions are the same as drip cover type RC.

M12.17 Feedback units

Motors may be combined with six different types of encoders to achieve feedback circuits.

Configurations with double-extended shaft (PS) and rain canopy (RC, TC) are not compatible with encoder installation.

EN1

Incremental encoder, $V_{IN} = 5$ V, line-driver output RS 422.

EN2

Incremental encoder, $V_{IN} = 10-30$ V, line-driver output RS 422.

EN3

Incremental encoder, $V_{IN} = 12-30$ V, push-pull output 12-30 V

EN4

Encoder sin/cos, $V_{IN} = 4.5-5.5$ V, output Sinus $0.5V_{PP}$.

EN5

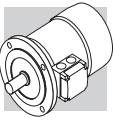
Absolute encoder singleturn, HIPERFACE® interface, $V_{IN} = 7-12$ V.

EN6

Absolute encoder multiturn, HIPERFACE® interface, $V_{IN} = 7-12$ V.

(F63)

	EN1	EN2	EN3	EN4	EN5	EN6
Interface	TTL/RS 422	TTL/RS 422	HTL/push-pull	Sinus 0.5 V _{PP}	HIPERFACE®	HIPERFACE®
Power supply voltage [V]	4...6	10...30	12...30	4.4...5.5	7...12	7...12
Output voltage [V]	5	5	12...30	—	—	—
No-load operating current [mA]	120	100	100	40	80	80
No. of pulses per revolution	1024					
Steps per revolution	—	—	—	—	15 bit	15 bit
Revolutions	—	—	—	—	—	12 bit
No. of signals	6 (A, B, Z + inverted signals)			6 (cos-, cos+, sin-, sin+, Z, \bar{Z})	—	—
Max. output frequency [kHz]	600			200		
Max. speed [min ⁻¹]	6000 (9000 min ⁻¹ for 10 s)					
Temperature range [°C]	-30 ... +100					
Protection class	IP 65					



(F64)

EN1, EN2, EN3, EN4, EN5, EN6	
BX 80 ... BX 180L	MX2 ... MX5L
BE 80 ... BE 180L	ME2S ... ME5L
BN 63 ... BN 200L	M05 ... M5
BN 63_FD ... BN 200L_FD	M05_FD ... M5_FD
BN 63_FA ... BN 200L_FA	M05_FA ... M5_FA

(F65)

EN_ + U1		
		L3
BX 160 - BE 160 - BN 160M...BN 180M	MX5 - ME5 - M5	72
BX 180 - BE 180 - BN 180L...BN 200L	–	82
BN 160M_FD...BN 180M_FD	M5_FD	35
BN 180L_FD...BN 200L_FD	–	41

If the encoder device (option EN_) is specified on motors BX 80 ... BX 132 - MX2 ... MX4 - BE 80 ... BE 132 - ME2 ... ME4 - BN 71 ... BN 160MR - M1 ... M4, along with the independent fan cooling (options U1, U2), the extra length of motor is coincident with that of the correspondent U1 and U2 execution.



M12.18 Surface protection

C
_

When no specific protection class is requested, the painted (ferrous) surfaces of motors are protected to at least corrosivity class C2 (UNI EN ISO 12944-2). For improved resistance to atmospheric corrosion, motors can be delivered with C3 and C4 surface protection.

(F66)

SURFACE PROTECTION	Typical environments	Maximum surface temperature	Corrosivity class according to UNI EN ISO 12944-2
C3	Urban and industrial environments with up to 100% relative humidity (medium air pollution)	120°C	C3
C4	Industrial areas, coastal areas, chemical plant, with up to 100% relative humidity (high air pollution)	120°C	C4

Motors with optional protection to class C3 or C4 are available in a choice of colours. If no specific colour is requested (see the “PAINTING” option) motors are finished in RAL 7042.

Motors can also be supplied with surface protection for corrosivity class C5 according to UNI EN ISO 12944-2. Contact our Technical Service for further details.

M12.19 Painting

RAL

Gearboxes with optional protection to class C3 or C4 are available in the colours listed in the following table.

(F67)

PAINTING	Colour	RAL number
RAL7042*	Traffic Grey A	7042
RAL5010	Gentian Blue	5010
RAL9005	Jet Black	9005
RAL9006	White Aluminium	9006
RAL9010	Pure White	9010

* Gearboxes are supplied in this standard colour if no other colour is specified.

NOTE – “PAINTING” options can only be specified in conjunction with “SURFACE PROTECTION” options.



M12.20 Certificates

ACM

Certificate of compliance of motors

The document certifies the compliance of the product with the purchase order and the construction in conformity with the applicable procedures of the Bonfiglioli Quality System.

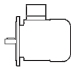
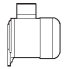
CC

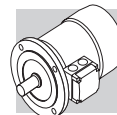
Inspection certificate

The document entails checking on order compliance, the visual inspection of external conditions and instrumental testing of the electrical characteristics in unloaded conditions. Units inspected are sampled within the shipping batch and marked individually.

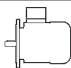
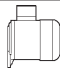
M13 TABLES OF MOTORS CORRELATION

(F68)

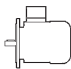
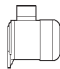
2 pole							
	Efficiency class	IE1	IE2	IE3	IE1	IE2	IE3
P _n [kW]	0.06						
	0.09						
	0.12						
	0.18	BN 63A 2			M 05A 2		
	0.25	BN 63B 2			M 05B 2		
	0.37	BN 71A 2			M 05C 2		
	0.55	BN 71B 2			M 1SD 2		
	0.75	BN 71C 2	BE 80A 2		M 1LA 2	ME 2SA 2	
		BN 80A 2					
	1.1	BN 80B 2	BE 80B 2		M 2SA 2	ME 2SB 2	
	1.5	BN 90SA 2	BE 90SA 2		M 2SB 2		
	1.85	BN 90SB 2					
	2.2	BN 90L 2	BE 90L 2		M 3SA 2		
	3	BN 100L 2	BE 100L 2		M 3LA 2	ME 3LB 2	
	4	BN 112M 2	BE 112M 2		M 3LB 2		
	5.5	BN 132SA 2	BE 132SA 2		M 4SA 2	ME 4SA 2	
	7.5	BN 132SB 2	BE 132SB 2		M 4SB 2	ME 4LA 2	
	9.2	BN 132M 2	BE 132MB 2		M 4LA 2	ME 4LB 2	
	11	BN 160MR 2	BE 160MA 2		M 4LC 2	ME 5SA 2	
		BN 160M 2					
15	BN 160MB 2	BE 160MB 2		M 5SB 2	ME 5SB 2		
18.5	BN 160L 2	BE 160L 2		M 5SC 2	ME 5LA 2		
22	BN 180M 2			M 5LA 2			
30	BN 200LA 2						

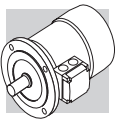


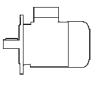

(F69)

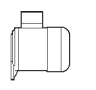

4 pole							
Efficiency class	IE1	IE2	IE3	IE1	IE2	IE3	
Pn [kW]	0.06	BN 56A 4					
	0.09	BN 56B 4			M 0B 4		
	0.12	BN 63A 4			M 05A 4		
	0.18	BN 63B 4			M 05B 4		
	0.25	BN 63C 4			M 05C 4		
		BN 71A 4					
	0.37	BN 71B 4			M 1SD 4		
	0.55	BN 71C 4			M 1LA 4		
		BN 80A 4					
	0.75	BN 80B 4	BE 80B 4	BX 80B 4	M 2SA 4	ME 2SB 4	MX 2SB 4
	1.1	BN 80C 4	BE 90S 4	BX 90S 4	M 2SB 4	ME 3SA 4	MX 3SA 4
		BN 90S 4					
	1.5	BN 90LA 4	BE 90LA 4	BX 90LA 4	M 3SA 4	ME 3SB 4	MX 3SB 4
	1.85	BN 90LB 4					
	2.2	BN 100LA 4	BE 100LA 4	BX 100LA 4	M 3LA 4	ME 3LA 4	MX 3LA 4
	3	BN 100LB 4	BE 100LB 4	BX 100LB 4	M 3LB 4	ME 3LB 4	MX 3LB 4
	4	BN 112M 4	BE 112M 4	BX 112M 4	M 3LC 4	ME 4SA 4	MX 4SA 4
	5.5	BN 132S 4	BE 132S 4	BX 132SB 4	M 4SA 4	ME 4SB 4	MX 4SB 4
	7.5	BN 132MA 4	BE 132MA 4	BX 132MA 4	M 4LA 4	ME 4LA 4	MX 4LA 4
	9.2	BN 132MB 4	BE 132MB 4	BX 160MA 4	M 4LB 4	ME 4LB 4	MX 5SA 4
11	BN 160MR 4	BE 160M 4	BX 160MB 4	M 4LC 4	ME 5SA 4	MX 5SB 4	
	BN 160M 4						
15	BN 160L 4	BE 160L 4	BX 160L 4	M 5SB 4	ME 5LA 4	MX 5LA 4	
18.5	BN 180M 4	BE 180M 4	BX 180M 4	M 5LA 4			
22	BN 180L 4	BE 180L 4	BX 180L 4				
30	BN 200L 4						

(F70)

6 pole							
Efficiency class	IE1	IE2	IE3	IE1	IE2	IE3	
Pn [kW]	0.06						
	0.09	BN 63A 6			M 05A 6		
	0.12	BN 63B 6			M 05B 6		
	0.18	BN 71A 6			M 1SC 6		
	0.25	BN 71B 6			M 1SD 6		
		BN 71C 6					
	0.37	BN 80A 6			M 1LA 6		
	0.55	BN 80B 6			M 2SA 6		
	0.75	BN 80C 6	BE 90S 6		M 2SB 6		
		BN 90S 6					
	1.1	BN 90L 6			M 3SA 6		
	1.5	BN 100LA 6	BE 100LA 6		M 3LA 6	ME 3LB 6	
	1.85	BN 100LB 6			M 3LB 6		
	2.2	BN 112M 6	BE 112M 6		M 3LC 6		
	3	BN 132S 6	BE 132S 6		M 4SA 6	ME 4SB 6	
	4	BN 132MA 6	BE 132MA 6		M 4LA 6	ME 4LA 6	
	5.5	BN 132MB 6	BE 160MA 6		M 4LB 6	ME 5SA 6	
	7.5	BN 160M 6	BE 160MB 6		M 5SA 6	ME 5SB 6	
	9.2						
	11	BN 160L 6			M 5SB 6		
15	BN 180L 6						
18.5	BN 200LA 6						
22							
30							


M14 MOTOR RATING CHARTS BX-MX
BX-MX

4 P		1500 min⁻¹ - S1											50 Hz - IE3		
P_n kW		n min ⁻¹	M_n Nm	I_n 400V A	η%			cos φ	$\frac{I_s}{I_n}$	$\frac{M_s}{M_n}$	$\frac{M_a}{M_n}$	KVA code	J_m x 10 ⁻⁴ kgm ²	IM B5 	
					100%	75%	50%								
0.75	BX 80B	4	1425	5.0	1.61	82.5	83.9	83.2	0.81	6.5	2.0	1.8	J	35	16
1.1	BX 90S	4	1425	7.4	2.44	84.1	84.1	82.0	0.77	6.9	3.4	2.2	J	27	16
1.5	BX 90LA	4	1420	10.1	3.3	85.3	86.2	84.9	0.78	6.3	3.1	1.9	J	31	17
2.2	BX 100LA	4	1445	14.5	5.1	86.7	86.2	84.0	0.72	7.2	3.6	2.4	K	58	24
3	BX 100LB	4	1445	19.8	6.7	87.7	87.7	86.0	0.74	7.6	3.9	2.6	K	73	29
4	BX 112M	4	1445	26	8.1	88.6	88.9	87.6	0.8	8.1	3.8	2.5	J	130	38
5.5	BX 132SB	4	1460	36	10.6	89.6	89.2	88.8	0.83	8.2	3.6	2.3	J	310	57
7.5	BX 132MA	4	1460	49	15.0	90.4	90.9	90.2	0.80	8.4	3.8	2.5	K	360	67
9.2	BX 160MA	4	1465	60	17.8	91.0	92.1	91.7	0.82	7.9	3.6	2.1	J	650	95
11	BX 160MB	4	1465	72	20.5	91.4	92.9	92.5	0.84	7.8	3.4	1.9	J	780	110
15	BX 160L	4	1465	98	28.1	92.1	93.2	92.6	0.82	9.0	4.1	2.3	K	890	121
18.5	BX 180M	4	1480	119	32.9	92.6	94.1	93.1	0.85	11.3	2.6	2.3	M	1560	155
22	BX 180L	4	1475	142	38.2	93.0	93.6	92.8	0.88	10.2	2.5	2.0	L	1660	163

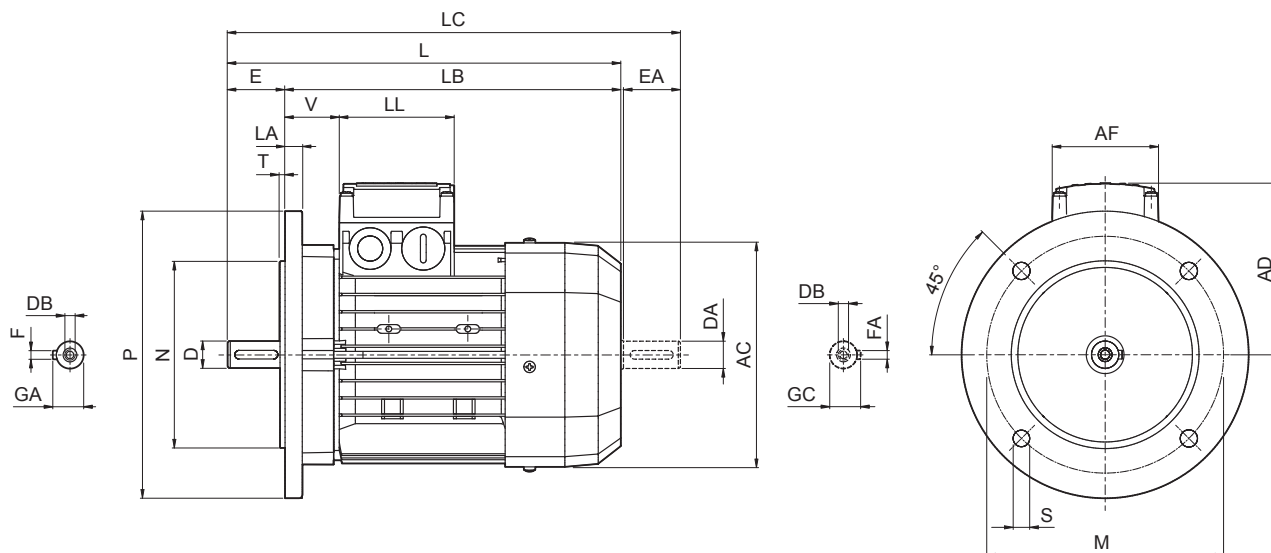
4 P		1500 min⁻¹ - S1											50 Hz - IE3		
P_n kW		n min ⁻¹	M_n Nm	I_n 400V A	η%			cos φ	$\frac{I_s}{I_n}$	$\frac{M_s}{M_n}$	$\frac{M_a}{M_n}$	KVA code	J_m x 10 ⁻⁴ kgm ²	IM B5 	
					100%	75%	50%								
0.75	MX 2SB	4	1425	5.0	1.61	82.5	83.9	83.2	0.81	6.5	2.0	1.8	J	35	16
1.1	MX 3SA	4	1445	7.3	2.46	84.1	85.2	83.5	0.75	6.7	3.0	2.0	J	35	17
1.5	MX 3SB	4	1445	9.9	3.3	85.3	86.8	85.4	0.75	6.7	3.1	2.0	J	43	20
2.2	MX 3LA	4	1445	14.5	5.1	86.7	86.2	84.0	0.72	7.2	3.6	2.4	K	58	24
3	MX 3LB	4	1445	19.8	6.7	87.7	87.7	86.0	0.74	7.6	3.9	2.6	K	73	29
4	MX 4SA	4	1460	26	7.8	88.6	89.9	88.7	0.82	8.1	3.7	2.5	J	225	45
5.5	MX 4SB	4	1460	36	10.6	89.6	89.9	88.8	0.83	8.2	3.6	2.3	J	310	57
7.5	MX 4LA	4	1460	49	15.0	90.4	90.9	90.2	0.80	8.4	3.8	2.5	K	360	67
9.2	MX 5SA	4	1465	60	17.8	91.0	92.1	91.7	0.82	7.9	3.6	2.1	J	650	95
11	MX 5SB	4	1465	72	20.5	91.4	92.9	92.5	0.84	7.8	3.4	1.9	J	780	110
15	MX 5LA	4	1465	98	28.1	92.1	93.2	92.6	0.82	9.0	4.1	2.3	K	890	121



M15 MOTORS DIMENSIONS BX-MX

BX - IM B5

BX-MX



	Shaft					Flange						Motor							
	D DA	E EA	DB	GA GC	F FA	M	N	P	S	T	LA	AC	L	LB	LC	AD	AF	LL	V
BX 80	19 14 ⁽¹⁾	40 30 ⁽¹⁾	M6 M5 ⁽¹⁾	21,5 16 ⁽¹⁾	6 5 ⁽¹⁾	165	130	200	11.5	3.5	11.5	156	320	280	351	119	74	80	38
BX 90	24 19 ⁽¹⁾	50 40 ⁽¹⁾	M8 M6 ⁽¹⁾	27 21,5 ⁽¹⁾	8 6 ⁽¹⁾							176	326	276	368	133			
BX 100	28 24 ⁽¹⁾	60 50 ⁽¹⁾	M10 M8 ⁽¹⁾	31 27 ⁽¹⁾	8 8 ⁽¹⁾	215	180	250	14	4	14	195	410	350	462	142	98	98	50
BX 112											15	219	430	370	482	157			52
BX 132 SB	38 28 ⁽¹⁾	80 60 ⁽¹⁾	M12 M10 ⁽¹⁾	41 31 ⁽¹⁾	10 8 ⁽¹⁾	265	230	300	14	4	20	258	493	413	556	193	118	118	58
BX 132 MA												528	448	591					
BX 160 MA	42 38 ⁽¹⁾	110 80 ⁽¹⁾	M16 M12 ⁽¹⁾	45 41 ⁽¹⁾	12 10 ⁽¹⁾	300	250	350	18.5	5	15	310	596	486	680	245			51
BX 160 MB												640	530	724					
BX 160 L																			
BX 180 M	48 42 ⁽¹⁾	110 110 ⁽¹⁾	M16 M16 ⁽¹⁾	51.5 45 ⁽¹⁾	14 12 ⁽¹⁾						18	348	708	598	823	261			52
BX 180 L																			

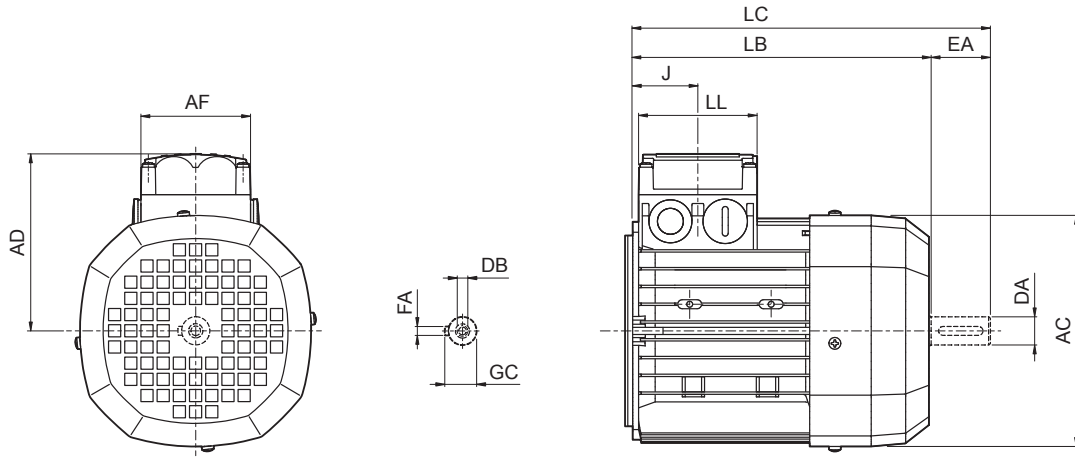
N.B.:

1) These values refer to the rear shaft end.

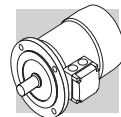


MX

BX-MX

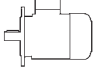



	Read shaft end					Motor						
	DA	EA	DB	FA	GC	AC	LB	LC	AF	LL	J	AD
MX 2S	14	30	M5	16	5	156	246	278	74	80	44	119
MX 3S	24	50	M8	27	8	195	262	314	98	98	53.5	142
MX 3L							306	358				
MX 4SB	28	60	M10	8	31	258	361	424	118	118	64.5	193
MX 4LA							396	459				
MX 5SA	38	80	M12	10	41	310	418	502	187	187	77	245
MX 5SB							462	546				
MX 5LA												

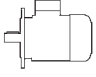



M16 MOTOR RATING CHARTS BE-ME

2 P	3000 min⁻¹ - S1	50 Hz - IE2
------------	-----------------------------------	--------------------

P _n kW		n min ⁻¹	M _n Nm	I _n 400V A	η%			cos φ	$\frac{I_s}{I_n}$	$\frac{M_s}{M_n}$	$\frac{M_a}{M_n}$	J _m x 10 ⁻⁴ kgm ²	IM B5 	
					100%	75%	50%							
0.75	BE 80A	2	2860	2.5	1.65	80.0	79.6	76.4	0.83	6.8	3.8	3.5	9.0	9.5
1.1	BE 80B	2	2845	3.7	2.35	81.5	82.2	79.9	0.83	6.9	3.8	3.1	11.4	11.3
1.5	BE 90SA	2	2865	5.0	3.2	81.3	80.7	78.1	0.82	6.8	3.6	2.8	12.5	12.3
2.2	BE 90L	2	2870	7.3	4.7	83.2	83.1	80.8	0.82	6.9	3.1	2.9	16.7	14
3	BE 100L	2	2880	9.9	6.2	84.6	84.6	83.7	0.83	7.3	3.5	3.1	39	23
4	BE 112M	2	2920	13.1	8.2	85.8	85.5	84.3	0.82	7.9	3.5	3.1	57	28
5.5	BE 132SA	2	2925	18.0	10.6	87.0	85.0	81.7	0.86	8.5	3.6	3.3	145	42
7.5	BE 132SB	2	2935	24	14.3	88.1	87.4	84.7	0.86	8.8	3.9	3.6	178	53
9.2	BE 132MB	2	2920	30	16.4	88.8	86.5	84.2	0.91	8.4	3.7	3.3	210	65
11	BE 160MA	2	2940	36	20.0	89.4	89.5	88.0	0.89	8.1	3.0	2.9	340	84
15	BE 160MB	2	2950	49	27.2	90.5	90.5	89.5	0.88	8.5	3.0	2.8	420	97
18.5	BE 160L	2	2945	60	32	90.9	90.5	89.8	0.91	7.7	2.9	2.7	490	109

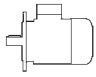

4 P	1500 min⁻¹ - S1	50 Hz - IE2
------------	-----------------------------------	--------------------

P _n kW		n min ⁻¹	M _n Nm	I _n 400V A	η%			cos φ	$\frac{I_s}{I_n}$	$\frac{M_s}{M_n}$	$\frac{M_a}{M_n}$	J _m x 10 ⁻⁴ kgm ²	IM B5 	
					100%	75%	50%							
0.75	BE 80B	4	1430	5.0	1.65	81.0	80.5	78.0	0.81	6.1	3.2	3.0	28	12.2
1.1	BE 90S	4	1430	7.4	2.53	82.5	82.0	79.5	0.76	6.3	2.9	2.8	28	13.6
1.5	BE 90LA	4	1430	10.0	3.5	83.5	83.0	80.0	0.74	5.9	3.1	3.0	34	15.1
2.2	BE 100LA	4	1430	14.7	4.9	85.4	85.0	84.0	0.76	5.8	3.0	2.8	54	22
3	BE 100LB	4	1420	20	6.6	85.5	86.0	85.5	0.77	5.9	2.8	2.6	61	24
4	BE 112M	4	1440	27	8.3	87.0	87.0	86.0	0.80	6.5	2.8	2.8	105	32
5.5	BE 132S	4	1460	36	11.1	88.5	88.5	87.5	0.81	7.3	2.9	2.9	270	53
7.5	BE 132MA	4	1460	49	14.8	89.0	89.0	88.5	0.82	6.9	2.9	2.8	319	59
9.2	BE 132MB	4	1460	60	18.1	89.5	89.5	88.5	0.82	6.9	2.9	3.0	360	70
11	BE 160M	4	1465	72	21.5	91.0	91.3	90.5	0.81	6.5	2.8	2.6	650	99
15	BE 160L	4	1465	98	28.7	90.8	91.0	90.5	0.83	6.5	2.6	2.3	790	115
18.5	BE 180M	4	1465	121	35	91.6	92.0	91.3	0.83	6.5	2.6	2.5	1250	135
22	BE 180L	4	1465	143	41	91.6	91.8	91.4	0.84	6.8	2.7	2.6	1650	157



BE-ME



6 P	1000 min⁻¹ - S1	50 Hz - IE2
------------	-----------------------------------	--------------------

P _n kW		n min ⁻¹	M _n Nm	I _n 400V A	η%			cos φ	$\frac{I_s}{I_n}$	$\frac{M_s}{M_n}$	$\frac{M_a}{M_n}$	J _m x 10 ⁻⁴ kgm ²	IM B5  Kg
					100%	75%	50%						
0.75	BE 90S 6	935	7.7	2.06	75.9	75.9	73.0	0.69	5.1	3.1	2.9	33	15
1.1	BE 100M 6 (*)	945	11.1	2.75	78.1	76.2	73.0	0.74	4.9	2.2	1.9	82	22
1.5	BE 100LA 6	945	15.2	3.9	79.8	77.5	74.0	0.72	5.6	2.5	2.3	95	24
2.2	BE 112M 6	950	22	5.2	81.8	81.8	79.3	0.74	5.2	2.6	2.3	168	32
3	BE 132S 6	955	30	6.6	83.3	83.3	82.4	0.79	6.1	2.1	1.9	295	44
4	BE 132MA 6	965	40	8.7	84.6	85.0	83.1	0.79	6.9	2.2	2.0	383	56
5.5	BE 160MA 6 (*)	965	54	11.6	87.0	87.0	86.4	0.79	6.6	2.5	2.3	740	83
7.5	BE 160MB 6 (*)	965	74	15.0	88.0	88.0	87.2	0.82	6.6	2.3	2.1	970	103



(*) Power /size relation not standardized



2 P	3000 min⁻¹ - S1	50 Hz - IE2
------------	-----------------------------------	--------------------

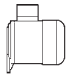

P _n kW		n min ⁻¹	M _n Nm	I _n 400V A	η%			cos φ	$\frac{I_s}{I_n}$	$\frac{M_s}{M_n}$	$\frac{M_a}{M_n}$	J _m x 10 ⁻⁴ kgm ²	IM B9 	
					100%	75%	50%							
0.75	ME 2SA	2	2860	2.5	1.63	80.0	79.6	76.4	0.83	6.8	3.8	3.5	9.0	8.8
1.1	ME 2SB	2	2845	3.7	2.35	81.5	82.2	79.9	0.83	6.9	3.8	3.1	11.4	10.6
1.5	ME 3SA	2	2845	5.0	3.2	81.3	79.0	76.0	0.84	6.1	2.9	2.7	24	15.5
2.2	ME 3LA	2	2895	7.3	4.8	83.2	83.2	81.5	0.80	6.3	2.7	2.5	31	18.7
3	ME 3LB	2	2880	9.9	6.2	84.6	84.6	83.7	0.83	7.3	3.5	3.1	39	22
4	ME 4SA	2	2900	13.2	7.8	85.8	84.5	82.2	0.87	7.0	2.9	2.8	101	33
5.5	ME 4SB	2	2925	18.0	10.6	87.0	85.0	81.7	0.86	8.5	3.6	3.3	145	40
7.5	ME 4LA	2	2935	24	14.3	88.1	87.4	84.7	0.86	8.8	3.9	3.6	178	51
9.2	ME 4LB	2	2920	30	16.4	88.8	86.5	84.2	0.91	8.4	3.7	3.3	210	60
11	ME 5SA	2	2940	36	20.0	89.4	89.5	88.0	0.89	8.1	3.0	2.9	340	70
15	ME 5SB	2	2950	49	27.2	90.5	90.5	89.5	0.88	8.5	3	2.8	420	83
18.5	ME 5LA	2	2945	60	32	90.9	90.5	89.8	0.91	7.7	2.9	2.7	490	95

4 P	1500 min⁻¹ - S1	50 Hz - IE2
------------	-----------------------------------	--------------------

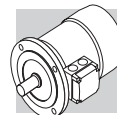
P _n kW		n min ⁻¹	M _n Nm	I _n 400V A	η%			cos φ	$\frac{I_s}{I_n}$	$\frac{M_s}{M_n}$	$\frac{M_a}{M_n}$	J _m x 10 ⁻⁴ kgm ²	IM B9 	
					100%	75%	50%							
0.75	ME 2SB	4	1430	5.0	1.65	81.0	80.5	78.0	0.81	6.1	3.2	3	28	10.9
1.1	ME 3SA	4	1430	7.4	2.60	82.5	82.0	79.0	0.74	5.5	2.5	2.8	34	15.5
1.5	ME 3SB	4	1420	10.1	3.48	84.0	84.0	83.0	0.74	6.2	2.9	2.9	40	17
2.2	ME 3LA	4	1430	14.7	4.89	85.4	85.0	84.0	0.76	5.8	3	2.8	54	21
3	ME 3LB	4	1420	20	6.58	85.5	86.0	85.5	0.77	5.9	2.8	2.6	61	23
4	ME 4SA	4	1440	27	8.25	87.5	86.8	84.0	0.80	7.1	3.0	3.1	213	42
5.5	ME 4SB	4	1460	36	11.07	88.5	88.5	87.5	0.81	7.3	2.9	2.9	270	51
7.5	ME 4LA	4	1460	49	14.83	89.0	89.0	88.5	0.82	6.9	2.9	2.8	319	57
9.2	ME 4LB	4	1460	60	18.09	89.5	89.5	88.5	0.82	6.9	2.9	3	360	65
11	ME 5SA	4	1465	72	21.54	91.0	91.3	90.5	0.81	6.5	2.8	2.6	650	85
15	ME 5LA	4	1465	98	28.73	90.8	91.0	90.5	0.83	6.5	2.6	2.3	790	101



6 P	1000 min⁻¹ - S1	50 Hz - IE2
------------	-----------------------------------	--------------------

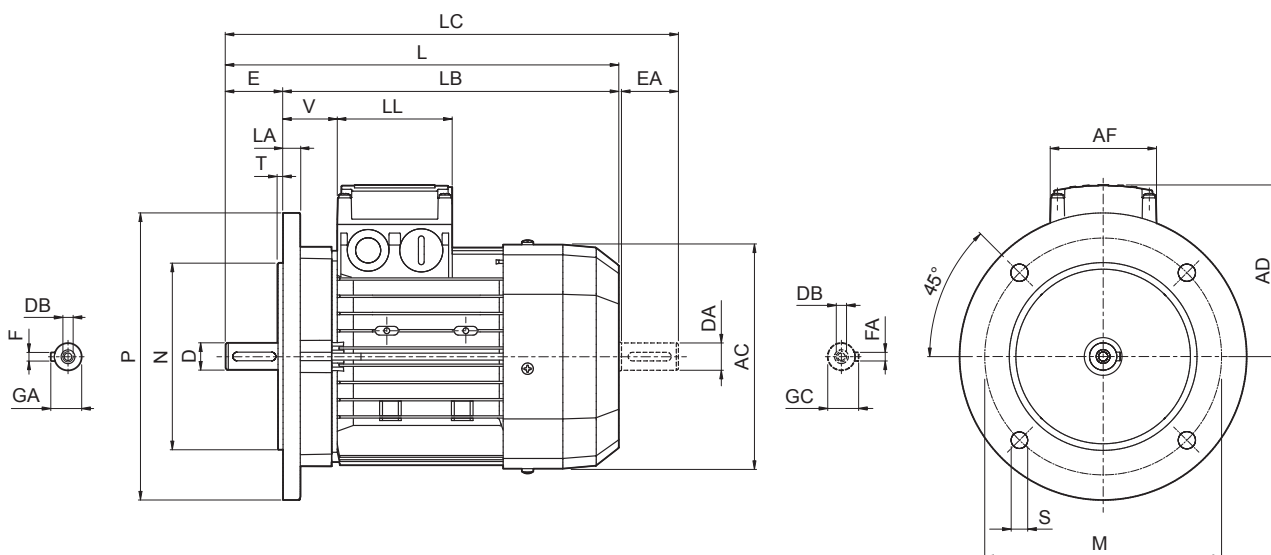
P _n kW		n min ⁻¹	M _n Nm	I _n 400V A	η%			cos φ	$\frac{I_s}{I_n}$	$\frac{M_s}{M_n}$	$\frac{M_a}{M_n}$	J _m x 10 ⁻⁴ kgm ²	IM B9 	
					100%	75%	50%							
0.75	ME 3SA	6	940	7.6	1.98	75.9	75.0	70.7	0.72	4.7	2.2	2.0	33	17
1.1	ME 3LA	6^(*)	945	11.1	2.75	78.1	76.2	73.0	0.74	4.9	2.2	1.9	82	21
1.5	ME 3LB	6	945	15.2	3.8	79.8	77.5	74.0	0.72	5.6	2.5	2.3	95	23
2.2	ME 4SA	6	955	22	4.9	81.8	81.8	80.0	0.80	5.7	1.9	1.7	216	34
3	ME 4SB	6	955	30	6.6	83.3	83.3	82.4	0.79	6.1	2.1	1.9	295	43
4	ME 4LA	6	965	40	8.6	84.6	85	83.1	0.79	6.9	2.2	2	383	54
5.5	ME 5SA	6^(*)	965	54	11.6	87.0	87.0	86.4	0.79	6.6	2.5	2.3	740	69
7.5	ME 5SB	6^(*)	965	74	15.0	88.0	88.0	87.2	0.82	6.6	2.3	2.1	970	89

(*) Power /size relation not standardized



M17 MOTORS DIMENSIONS BE-ME

BE - IM B5



BE-ME

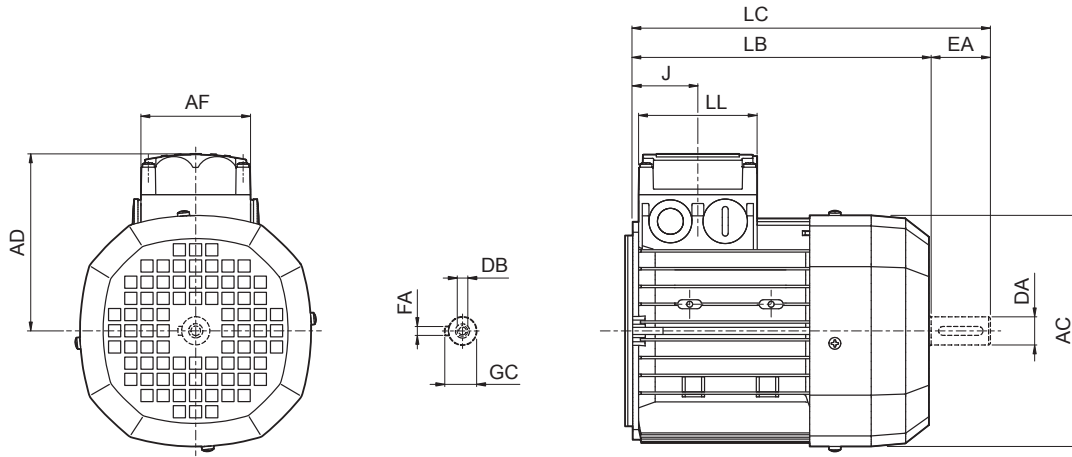
	Shaft					Flange					Motor									
	D DA	E EA	DB	GA GC	F FA	M	N	P	S	T	LA	AC	L	LB	LC	AD	AF	LL	V	
BE 80	19	40	M6	21.5	6							156	274	234	315	119	74	80	38	
BE 90 S	24	50	M8	27	8	165	130	200	11.5	3.5	11.5	176	326	276	378	133	98	98	44	
BE 90 L																				
BE 100	28	60	M10	31		215	180	250			14	195	367	307	429	142			50	
BE 112																				15
BE 132 S	38	80	M12	41	10	265	230	300	14	4	20	258	493	413	576	193	118	118	58	
BE 132 MA																				
BE 132 MB													528	448	611					
BE 160 M	42 38 ⁽¹⁾	110 80 ⁽¹⁾	M16 M12 ⁽¹⁾	45 41 ⁽¹⁾	12 10 ⁽¹⁾						15	310	596	486	680	245			51	
BE 160 L													640	530	724					
BE 180 M	48 42 ⁽¹⁾	110 110 ⁽¹⁾	M16 M16 ⁽¹⁾	51.5 45 ⁽¹⁾	14 12 ⁽¹⁾	300	250	350	18.5	5		18	348	708	598	823	261	187	187	52
BE 180 L																				

N.B.:
1) These values refer to the rear shaft end.

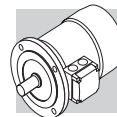


ME

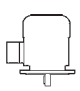


BE-ME



	Rear shaft end					Motor						
	DA	EA	DB	FA	GC	AC	LB	LC	AF	LL	J	AD
ME 2S	19	40	M6	6	21.5	156	202	245	74	80	44	119
ME 3S	28	60	M10	8	31	195	230	293	98	98	53.5	142
ME 3L							262	325				
ME 4S	38	80	M12	10	41	258	361	444	118	118	64.5	193
ME 4L							396	479				
ME 4LB												
ME 5S	310	418	502	187	187	77	245					
ME 5L								462	546			

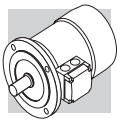


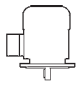


M18 MOTOR RATING CHARTS BN-M

2P		3000 min ⁻¹ - S1														50 Hz											
		d.c. brake														a.c. brake											
		P _n kW		n min ⁻¹	M _n Nm	IE1	η (100%) %	η (75%) %	η (50%) %	cosφ	I _n 400V A	I _s I _n	M _s M _n	M _a M _n	J _m x 10 ⁻⁴ kgm ²	IM B5 	Mod	Mb Nm	Z ₀ 1/h	NB	SB	J _m x 10 ⁻⁴ kgm ²	IM B5 	IMod	Mb Nm	Z ₀ 1/h	J _m x 10 ⁻⁴ kgm ²
FD	FA																										
0.18	BN 63A	2	2730	0.63	59.9	56.9	51.9	0.77	0.56	3.0	2.1	2.0	2.0	3.5	FD 02	1.75	3900	4800	—	—	2.6	5.2	FA 02	1.75	4800	2.6	5.0
0.25	BN 63B	2	2740	0.87	66.0	64.8	64.8	0.76	0.72	3.3	2.3	2.3	2.3	3.9	FD 02	1.75	3900	4800	—	—	3.0	5.6	FA 02	1.75	4800	3.0	5.4
0.37	BN 63C	2	2800	1.26	69.1	66.8	66.8	0.78	0.99	3.9	2.6	2.6	3.3	5.1	FD 02	3.5	3600	4500	—	—	3.9	6.8	FA 02	3.5	4500	3.9	6.6
0.37	BN 71A	2	2820	1.25	73.8	73.0	70.6	0.76	0.95	4.8	2.8	2.6	3.5	5.4	FD 03	3.5	3000	4100	—	—	4.6	8.1	FA 03	3.5	4200	4.6	7.8
0.55	BN 71B	2	2820	1.86	76.0	75.8	74.8	0.76	1.37	5.0	2.9	2.8	4.1	6.2	FD 03	5	2900	4200	—	—	5.3	8.9	FA 03	5	4200	5.3	8.6
0.75	BN 71C	2	2810	2.6	76.6	76.2	76.2	0.76	1.86	5.1	3.1	2.8	5.0	7.3	FD 03	5	1900	3300	—	—	6.1	10.0	FA 03	5	3600	6.1	9.7
0.75	BN 80A	2	2810	2.6	76.2	75.5	68.3	0.81	1.75	4.8	2.6	2.2	7.8	8.6	FD 04	5	1700	3200	—	—	9.4	12.5	FA 04	5	3200	9.4	12.4
1.1	BN 80B	2	2800	3.8	76.4	76.2	75.0	0.81	2.57	4.8	2.8	2.4	9.0	9.5	FD 04	10	1500	3000	—	—	10.6	13.4	FA 04	10	3000	10.6	13.3
1.5	BN 80C	2	2800	5.1	79.1	79.5	77.2	0.81	3.4	4.9	2.7	2.4	11.4	11.3	FD 04	15	1300	2600	—	—	13.0	15.2	FA 04	15	2600	13.0	15.1
1.5	BN 90SA	2	2870	5.0	82.0	81.5	78.1	0.80	3.4	5.9	2.7	2.6	12.5	12.3	FD 14	15	900	2200	—	—	14.1	16.5	FA 14	15	2200	14.1	16.4
1.85	BN 90SB	2	2880	6.1	82.5	82.0	75.4	0.80	4.0	6.2	2.9	2.6	16.7	14	FD 14	15	900	2200	—	—	18.3	18.2	FA 14	15	2200	18.3	18.1
2.2	BN 90L	2	2880	7.3	82.7	82.1	80.8	0.80	4.8	6.3	2.9	2.7	16.7	14	FD 05	26	900	2200	—	—	21	20	FA 05	26	2200	21	20.7
3	BN 100L	2	2860	10.0	81.5	81.3	77.4	0.79	6.7	5.6	2.6	2.2	31	20	FD 15	26	700	1600	—	—	35	26	FA 15	26	1600	35	27
4	BN 100LB	2	2870	13.3	83.1	83.0	77.8	0.80	8.7	5.8	2.7	2.5	39	23	FD 15	40	450	900	—	—	43	29	FA 15	40	1000	43	30
4	BN 112M	2	2900	13.2	85.5	84.5	83.0	0.82	8.2	6.9	3.0	2.9	57	28	FD 06S	40	—	950	—	—	66	39	FA 06S	40	950	66	40
5.5	BN 132SA	2	2890	18.2	84.7	84.5	81.2	0.84	11.2	5.9	2.6	2.2	101	35	FD 06	50	—	600	—	—	112	48	FA 06	50	600	112	49
7.5	BN 132SB	2	2900	25	86.5	86.3	84.4	0.85	14.7	6.4	2.6	2.2	145	42	FD 06	50	—	550	—	—	154	55	FA 06	50	550	154	56
9.2	BN 132M	2	2930	30	87.0	86.5	83.6	0.86	17.7	6.7	2.8	2.3	178	53	FD 06	75	—	430	—	—	189	66	FA 06	75	430	189	67
11	BN 160MR	2	2920	36	87.6	87.0	86.0	0.88	20.6	6.9	2.9	2.5	210	65	FD 06	50	—	600	—	—	112	48	FA 06	50	600	112	49
15	BN 160MB	2	2930	49	89.6	89.4	88.0	0.86	28.1	7.1	2.6	2.3	340	84	FD 06	50	—	550	—	—	154	55	FA 06	50	550	154	56
18.5	BN 160L	2	2930	60	90.4	90.1	89.0	0.86	34	7.6	2.7	2.3	420	97	FD 06	75	—	430	—	—	189	66	FA 06	75	430	189	67
22	BN 180M	2	2930	72	89.9	89.7	89.5	0.88	40	7.8	2.6	2.4	490	109	FD 06	75	—	430	—	—	189	66	FA 06	75	430	189	67
30	BN 200LA	2	2930	98	90.7	90.1	87.6	0.89	54	7.8	2.7	2.9	770	140	FD 06	75	—	430	—	—	770	140	FA 06	75	430	770	140

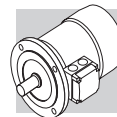
○ = n.a. ● = IE1

BN-M

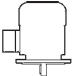




4P		1500 min ⁻¹ - S1														50 Hz										
		d.c. brake														a.c. brake										
		P _n kW		n min ⁻¹	M _n Nm	IE1	η (100%) %	η (75%) %	η (50%) %	cosφ	In 400V A	Is In	Ms Mn	Ma Mn	J _m x 10 ⁻⁴ kgm ²	IM B5 	Mod	Mb Nm	Z ₀ 1/h	SB	J _m x 10 ⁻⁴ kgm ²	IM B5 	Mod	Mb Nm	Z ₀ 1/h	J _m x 10 ⁻⁴ kgm ²
FA	FA																									
0.06	BN 56A	4	1340	0.43	○	46.8	44.2	41.3	0.65	0.28	2.6	2.3	2.0	1.5	3.1	FD 02	1.75	10000	13000	2.6	5.2	FA 02	1.75	13000	2.6	5.0
0.09	BN 56B	4	1350	0.64	○	51.7	47.6	42.9	0.60	0.42	2.6	2.5	2.4	1.5	3.1	FD 02	3.5	10000	13000	3.0	5.6	FA 02	3.5	13000	3.0	5.4
0.12	BN 63A	4	1350	0.85	○	59.8	56.2	47.0	0.62	0.47	2.6	1.9	1.8	2.0	3.5	FD 02	3.5	7800	10000	3.9	6.8	FA 02	3.5	10000	3.9	6.6
0.18	BN 63B	4	1320	1.30	○	54.8	52.9	52.5	0.67	0.71	2.6	2.2	2.0	2.3	3.9	FD 03	5	6000	9400	8.0	8.6	FA 03	5	9400	8.0	8.3
0.25	BN 63C	4	1340	1.78	○	65.3	65.0	57.9	0.69	0.80	2.7	2.1	1.9	3.3	5.1	FD 53	7.5	4300	8700	10.2	10.0	FA 03	7.5	8700	10.2	9.7
0.25	BN 71A	4	1380	1.73	○	63.7	62.2	59.1	0.73	0.78	3.3	1.9	1.7	5.8	5.1	FD 03	3.5	7700	11000	6.9	7.8	FA 03	3.5	11000	6.9	7.5
0.37	BN 71B	4	1370	2.6	○	66.8	66.7	63.0	0.76	1.05	3.7	2.0	1.9	6.9	5.9	FD 03	5	6000	9400	8.0	8.6	FA 03	5	9400	8.0	8.3
0.55	BN 71C	4	1380	3.8	○	69.0	68.9	68.8	0.74	1.55	4.1	2.3	2.3	9.1	7.3	FD 53	7.5	4300	8700	10.2	10.0	FA 03	7.5	8700	10.2	9.7
0.55	BN 80A	4	1390	3.8	○	72.0	71.3	69.7	0.77	1.43	4.1	2.3	2.0	15	8.2	FD 04	10	4100	8000	16.6	12.1	FA 04	10	8000	16.6	12.0
0.75	BN 80B	4	1400	5.1	●	75.0	74.5	69.3	0.78	1.85	4.9	2.7	2.5	20	9.9	FD 04	15	4100	7800	22	13.8	FA 04	15	7800	22	13.7
1.1	BN 80C	4	1400	7.5	●	75.5	76.2	70.4	0.78	2.7	5.1	2.8	2.5	25	11.3	FD 04	15	2600	5300	27	15.2	FA 04	15	5300	27	15.1
1.1	BN 90S	4	1390	7.6	●	76.5	76.2	72.2	0.77	2.70	4.6	2.6	2.2	21	12.2	FD 14	15	4800	8000	23	16.4	FA 14	15	8000	23	16.3
1.5	BN 90LA	4	1410	10.2	●	78.7	78.5	74.9	0.77	3.6	5.3	2.8	2.4	28	13.6	FD 05	26	3400	6000	32	19.6	FA 05	26	6000	32	20.3
1.85	BN 90LB	4	1390	12.7	●	78.6	78.9	77.2	0.79	4.3	5.1	2.8	2.6	30	15.1	FD 05	26	3200	5900	34	21.1	FA 05	26	5900	34	21.8
2.2	BN 100LA	4	1410	14.9	●	81.1	81.4	79.9	0.75	5.2	4.5	2.2	2.0	40	18	FD 15	40	2600	4700	44	25	FA 15	40	4700	44	25
3	BN 100LB	4	1410	20	●	82.6	83.8	83.7	0.77	6.8	5.0	2.3	2.2	54	22	FD 15	40	2400	4400	58	28	FA 15	40	4400	58	29
4	BN 112M	4	1430	27	●	84.4	84.2	81.6	0.81	8.4	5.6	2.7	2.5	98	30	FD 06S	60	—	1400	107	40	FA 06S	60	2100	107	42
5.5	BN 132S	4	1440	36	●	84.7	84.8	82.5	0.81	11.6	5.5	2.3	2.2	213	44	FD 56	75	—	1050	223	57	FA 06	75	1200	223	58
7.5	BN 132MA	4	1440	50	●	86.0	86.3	85.3	0.81	15.5	5.7	2.5	2.4	270	53	FD 06	100	—	950	280	66	FA 07	100	1000	280	71
9.2	BN 132MB	4	1440	61	●	88.4	88.6	87.5	0.81	18.8	5.9	2.7	2.5	319	59	FD 07	150	—	900	342	75	FA 07	150	900	342	77
11	BN 160MR	4	1440	73	●	87.6	87.8	86.0	0.81	22.4	6.0	2.7	2.5	360	70	FD 07	150	—	850	382	86	FA 07	150	850	382	88
15	BN 160L	4	1460	98	●	88.7	88.5	88.4	0.81	30	6.0	2.3	2.1	650	99	FD 08	200	—	750	725	129	FA 08	200	750	710	128
18.5	BN 180M	4	1460	121	●	89.3	89.5	89.2	0.81	37	6.2	2.6	2.5	790	115	FD 08	250	—	700	865	145	FA 08	250	700	850	144
22	BN 180L	4	1460	144	●	89.9	90.0	90.0	0.80	44	6.4	2.5	2.5	1250	135	FD 09	300	—	400	1450	175	FA 08	250	700	850	144
30	BN 200L	4	1460	196	●	91.4	91.7	91.0	0.80	59	7.1	2.7	2.8	1650	157	FD 09	400	—	300	1850	197	FA 08	250	700	850	144

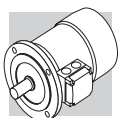
○ = n.a. ● = IE1

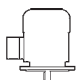




6P **1000 min⁻¹ - S1** **50 Hz**

P _n kW		n min ⁻¹	M _n Nm	IE1	η (100%) %	η (75%) %	η (50%) %	cosφ	In 400V A	Is In %	Ms Mn %	Ma Mn %	J _m x 10 ⁻⁴ kgm ²	IM B5  Kg	d.c. brake						a.c. brake						
															FD			FA			FD			FA			
															Mod	Mb Nm	Z ₀ 1/h	NB	SB	Mod	Mb Nm	Z ₀ 1/h	IM B5  Kg	J _m x 10 ⁻⁴ kgm ²	Mod	Mb Nm	Z ₀ 1/h
0.09	BN 63A	6	0.98	○	41.0	41.0	32.9	0.53	0.60	2.1	2.1	1.8	3.4	4.6	FD 02	3.5	9000	14000	9000	14000	FA 02	3.5	14000	6.3	4.0	6.3	4.0
0.12	BN 63B	6	1.32	○	45.0	44.0	41.8	0.60	0.64	2.1	1.9	1.7	3.7	4.9	FD 02	3.5	9000	14000	9000	14000	FA 02	3.5	14000	6.6	4.3	6.6	4.3
0.18	BN 71A	6	1.91	○	55.0	55.5	51.0	0.69	0.68	2.6	1.9	1.7	8.4	5.5	FD 03	5	8100	13500	8100	13500	FA 03	5	13500	8.2	9.5	8.2	9.5
0.25	BN 71B	6	2.70	○	62.0	58.5	51.4	0.71	0.82	2.6	1.9	1.7	10.9	6.7	FD 03	5	7800	13000	7800	13000	FA 03	5	13000	9.4	12	9.4	12
0.37	BN 71C	6	3.9	○	66.0	60.0	53.3	0.69	1.17	3.0	2.4	2.0	12.9	7.7	FD 53	7.5	5100	9500	5100	9500	FA 03	7.5	9500	10.4	14	10.4	14
0.37	BN 80A	6	3.9	○	68.0	67.4	63.3	0.68	1.15	3.2	2.2	2.0	21	9.9	FD 04	10	5200	8500	5200	8500	FA 04	10	8500	13.8	23	13.8	23
0.55	BN 80B	6	5.7	○	70.0	69.8	64.3	0.68	1.67	3.9	2.6	2.2	25	11.3	FD 04	15	4800	7200	4800	7200	FA 04	15	7200	15.2	27	15.2	27
0.75	BN 80C	6	7.8	●	70.0	70.0	64.4	0.65	2.38	3.8	2.5	2.2	28	12.2	FD 04	15	3400	6400	3400	6400	FA 04	15	6400	16.1	30	16.1	30
0.75	BN 90S	6	7.8	●	70.0	69.0	64.2	0.68	2.27	3.8	2.4	2.2	26	12.6	FD 14	15	3400	6500	3400	6500	FA 14	15	6500	16.8	28	16.8	28
1.1	BN 90L	6	11.4	●	72.9	72.6	69.1	0.69	3.2	3.9	2.3	2.0	33	15	FD 05	26	2700	5000	2700	5000	FA 05	26	5000	21	37	21	37
1.5	BN 100LA	6	15.2	●	75.2	74.2	70.3	0.72	4.0	4.1	2.1	2.0	82	22	FD 15	40	1900	4100	1900	4100	FA 15	40	4100	28	86	28	86
1.85	BN 100LB	6	19.0	●	76.6	72.8	62.6	0.73	4.8	4.6	2.1	2.0	95	24	FD 15	40	1700	3600	1700	3600	FA 15	40	3600	30	99	30	99
2.2	BN 112M	6	22	●	78.5	79.0	76.5	0.73	5.5	4.8	2.2	2.0	168	32	FD 06S	60	—	2100	—	2100	FA 06S	60	2100	42	177	42	177
3	BN 132S	6	30	●	79.7	77.0	75.1	0.76	7.1	5.1	1.9	1.8	216	36	FD 56	75	—	1400	—	1400	FA 06	75	1400	49	226	49	226
4	BN 132MA	6	40	●	81.4	81.5	79.5	0.77	9.2	5.5	2.0	1.8	295	45	FD 06	100	—	1200	—	1200	FA 07	100	1200	58	305	58	305
5.5	BN 132MB	6	56	●	83.1	80.9	79.1	0.78	12.2	6.1	2.1	1.9	383	56	FD 07	150	—	1050	—	1050	FA 07	150	1050	72	406	72	406
7.5	BN 160M	6	75	●	85.0	85.0	84.8	0.81	15.7	5.9	2.2	2.0	740	83	FD 08	170	—	900	—	900	FA 08	170	900	112	815	112	815
11	BN 160L	6	109	●	86.4	86.5	85.9	0.81	22.7	6.6	2.5	2.3	970	103	FD 08	200	—	800	—	800	FA 08	200	800	133	1045	133	1045
15	BN 180L	6	148	●	87.7	88.0	87.3	0.82	30	6.2	2.0	2.4	1550	130	FD 09	300	—	600	—	600	FA 08	300	600	170	1750	170	1750
18.5	BN 200LA	6	184	●	88.6	88.0	87.3	0.81	37	5.9	2.0	2.3	1700	145	FD 09	400	—	450	—	450	FA 08	400	450	185	1900	185	1900

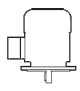



○ = n.a. ● = IE1

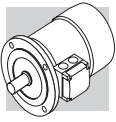



8P		750 min ⁻¹ - S1														50 Hz							
		d.c. brake														a.c. brake							
		P _n kW		n min ⁻¹	M _n Nm	η %	cosφ	I _n 400V A	$\frac{I_s}{I_n}$	$\frac{M_s}{M_n}$	$\frac{M_a}{M_n}$	$\frac{J_m}{kgm^2}$	IM B5 	Mod	Mb Nm	Z _o 1/h	NB	SB	$\frac{J_m}{kgm^2}$	IM B5 	Mod	Mb Nm	Z _o 1/h
FD 03	FD 03																						
0.09	BN 71A	8	1.26	47	0.59	0.47	2.3	2.4	2.3	10.9	6.7	FD 03	3.5	9000	16000	12.0	9.4	FA 03	3.5	16000	12.0	9.1	
0.12	BN 71B	8	1.69	51	0.59	0.58	2.1	2.3	2.2	12.9	7.7	FD 03	5.0	9000	16000	14.0	10.4	FA 03	5.0	16000	14.0	10.1	
0.18	BN 80A	8	2.49	51	0.60	0.85	2.4	2.2	2.2	15	8.2	FD 04	5.0	6500	11000	16.6	12.1	FA 04	5.0	11000	16.6	12.0	
0.25	BN 80B	8	3.51	54	0.63	1.06	2.4	2.0	1.9	20	9.9	FD 04	10.0	6000	10000	22	13.8	FA 04	10.0	10000	23	13.7	
0.37	BN 90S	8	5.2	58	0.60	1.53	2.6	2.3	2.1	26	12.6	FD 14	15.0	4800	7500	28	16.8	FA 14	15.0	7500	28	16.7	
0.55	BN 90L	8	7.8	62	0.60	2.13	2.6	2.2	2.0	33	15	FD 05	26	4000	6400	37	21	FA 05	26	6400	37	22	
0.75	BN 100LA	8	10.2	68	0.63	2.53	3.4	1.9	1.7	82	22	FD 15	26	2800	4800	86	28	FA 15	26	4800	86	29	
1.1	BN 100LB	8	15.0	68	0.64	3.65	3.2	1.7	1.7	95	24	FD 15	40	2500	4000	99	30	FA 15	40	4000	99	31	
1.5	BN 112M	8	20.2	71	0.66	4.6	3.7	1.8	1.9	168	32	FD 06S	60	—	3000	177	42	FA 06S	60	3000	177	44	
2.2	BN 132S	8	29.6	75	0.66	6.4	3.8	1.8	2.0	295	45	FD 56	75	—	2300	305	58	FA 06	75	2300	305	56	
3	BN 132MA	8	40.4	76	0.69	8.3	3.9	1.6	1.8	370	53	FD 06	100	—	1900	394	69	FA 07	100	1900	406	74	



2/4P **3000/1500 min⁻¹ - S1** **50 HZ**

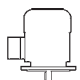


P _n kW		n min ⁻¹	M _n Nm	η %	cos φ	I _n 400V A	I _s I _n	M _s M _n	M _a M _n	J _m x 10 ⁻⁴ kgm ²	IM B5 	d.c. brake						a.c. brake					
												FD			FA			FD			FA		
												Mod	Mb Nm	Z ₀ 1/h	NB	SB	J _m x 10 ⁻⁴ kgm ²	IM B5 	Mod	Mb Nm	Z ₀ 1/h	J _m x 10 ⁻⁴ kgm ²	IM B5 
0.20	BN 63B	2	2700	0.71	0.82	0.64	3.5	2.1	1.9	2.9	4.4	FD 02	3.5	2200	2600	5100	3.5	2600	5100	3.5	2600	5100	5.9
0.15		4	1350	1.06	0.67	0.66	2.6	1.8	1.7					4000									
0.28	BN 71A	2	2700	0.99	0.82	0.88	2.9	1.9	1.7	4.7	4.4	FD 03	3.5	2100	2400	4800	5.8	2400	4800	3.5	2400	4800	6.8
0.20		4	1370	1.39	0.72	0.68	3.1	1.8	1.7					3800									
0.37	BN 71B	2	2740	1.29	0.82	1.16	3.5	1.8	1.8	5.8	5.1	FD 03	5.0	1400	2100	4200	6.9	2100	4200	5.0	2100	4200	7.5
0.25		4	1390	1.72	0.73	0.82	3.3	2.0	1.9					2900									
0.45	BN 71C	2	2780	1.55	0.85	1.21	3.8	1.8	1.8	6.9	5.9	FD 03	5.0	1400	2100	4200	8.0	2100	4200	5.0	2100	4200	8.3
0.30		4	1400	2.0	0.73	0.94	3.6	2.0	1.9					2800									
0.55	BN 80A	2	2800	1.9	0.85	1.48	3.9	1.7	1.7	15	8.2	FD 04	5.0	1600	2300	4000	17	2300	4000	5.0	2300	4000	12.0
0.37		4	1400	2.5	0.79	1.01	4.1	1.8	1.9					3000									
0.75	BN 80B	2	2780	2.6	0.85	1.96	3.8	1.9	1.8	20	9.9	FD 04	10	1400	1600	3600	22	1600	3600	10	1600	3600	13.7
0.55		4	1400	3.8	0.81	1.44	3.9	1.7	1.7					2700									
1.1	BN 90S	2	2790	3.8	0.82	2.73	4.7	2.3	2.0	21	12.2	FD 14	10	1500	1600	2800	23	1600	2800	10	1600	2800	16.3
0.75		4	1390	5.2	0.79	2.08	4.6	2.4	2.2					2300									
1.5	BN 90L	2	2780	5.2	0.85	3.64	4.5	2.4	2.1	28	14.0	FD 05	26	1050	1200	2000	32	1200	2000	26	1200	2000	21
1.1		4	1390	7.6	0.81	2.69	4.7	2.5	2.2					1600									
2.2	BN 100LA	2	2800	7.5	0.85	5.2	4.5	2.0	1.9	40	18.3	FD 15	26	600	900	2300	44	900	2300	26	900	2300	25
1.5		4	1410	10.2	0.79	3.8	4.7	2.0	2.0					1300									
3.5	BN 100LB	2	2850	11.7	0.84	7.5	5.4	2.2	2.1	61	25	FD 15	40	500	900	2100	65	900	2100	40	900	2100	32
2.5		4	1420	16.8	0.80	5.5	5.2	2.2	2.2					1000									
4	BN 112M	2	2880	13.3	0.83	8.8	6.1	2.4	2.0	98	30	FD 06S	60	—	700	107	40	700	107	60	700	107	42
3.3		4	1420	22.2	0.80	7.4	5.1	2.1	2.0					—	1200								
5.5	BN 132S	2	2890	18.2	0.87	11.4	5.9	2.4	2.0	213	44	FD 56	75	—	350	223	57	350	223	75	350	223	58
4.4		4	1440	29	0.84	9.2	5.3	2.2	2.0					—	900								
7.5	BN 132MA	2	2900	25	0.87	15.2	6.5	2.4	2.0	270	53	FD 06	100	—	350	280	66	350	280	100	350	280	71
6		4	1430	40	0.85	12.1	5.8	2.3	2.1					—	900								
9.2	BN 132MB	2	2920	30	0.86	18.6	6.0	2.6	2.2	319	59	FD 07	150	—	300	342	75	300	342	150	300	342	77
7.3		4	1440	48	0.85	14.6	5.5	2.3	2.1					—	800								

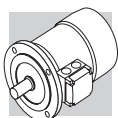


2/6P		3000/1000 min ⁻¹ - S3 60/40%														50 HZ			
		d.c. brake														a.c. brake			
		FD							FA							IM B5		IM B5	
P _n		n	M _n	η	cosφ	I _n	I _s	M _s	M _a	J _m	IM B5	M _{ob}	Z _o	J _m	IM B5	M _{ob}	Z _o	J _m	IM B5
kW		min ⁻¹	Nm	%		A	$\frac{I_s}{I_n}$	$\frac{M_s}{M_n}$	$\frac{M_a}{M_n}$	x 10 ⁻⁴ kgm ²	kg	Nm	1/h	x 10 ⁻⁴ kgm ²	kg	Nm	1/h	x 10 ⁻⁴ kgm ²	kg
0.25	BN 71A	2	0.84	60	0.82	0.73	4.3	1.9	1.8	6.9	5.9	1.75	1500	8.0	8.6	2.5	1700	8.0	8.3
0.08		6	0.84	43	0.70	0.38	2.1	1.4	1.5				10000				13000		
0.37	BN 71B	2	1.23	62	0.80	1.08	4.4	1.9	1.8	9.1	7.3	3.5	1000	10.2	10.0	3.5	1300	10.2	9.7
0.12		6	1.27	44	0.73	0.54	2.4	1.4	1.5				9000				11000		
0.55	BN 80A	2	1.88	63	0.86	1.47	4.5	1.9	1.7	20	9.9	5.0	1500	22	13.8	5.0	1800	22	13.7
0.18		6	1.85	52	0.65	0.77	3.3	2.0	1.9				4100				6300		
0.75	BN 80B	2	2.6	66	0.87	1.89	4.3	1.8	1.6	25	11.3	5.0	1700	27	15.2	5.0	1900	27	15.1
0.25		6	2.6	54	0.67	1.00	3.2	1.7	1.8				3800				6000		
1.10	BN 90L	2	3.7	67	0.84	2.82	4.7	2.1	1.9	28	14.0	13	1400	32	20	13	1600	32	21
0.37		6	3.8	59	0.71	1.27	3.3	1.6	1.6				3400				5200		
1.5	BN 100LA	2	5	73	0.84	3.53	5.1	1.9	2.0	40	18.3	13	1000	44	24	13	1200	44	25
0.55		6	5.6	64	0.67	1.85	3.5	1.7	1.8				2900				4000		
2.2	BN 100LB	2	7.2	77	0.85	4.9	5.9	2.0	2.0	61	25	26	700	65	31	26	900	65	32
0.75		6	7.5	67	0.64	2.5	3.3	1.9	1.8				2100				3000		
3	BN 112M	2	9.9	78	0.87	6.4	6.3	2.0	2.1	98	30	40	—	107	40	40	1000	107	32
1.1		6	11.1	72	0.64	3.4	3.9	1.8	1.8				—				2600		
4.5	BN 132S	2	14.8	78	0.84	9.9	5.8	1.9	1.8	213	44	37	—	223	57	37	500	223	58
1.5		6	14.9	74	0.67	4.4	4.2	1.9	2.0				—				2100		
5.5	BN 132M	2	18.0	78	0.87	11.7	6.2	2.1	1.9	270	53	50	—	280	66	50	400	280	67
2.2		6	22	77	0.71	5.8	4.3	2.1	2.0				—				1900		

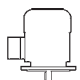





2/8P **3000/750 min-1 - S3 60/40%** **50 HZ**

P _n kW			n min ⁻¹	M _n Nm	η	cos φ	I _n 400V A	I _s I _n	M _s M _n	M _a M _n	J _m x 10 ⁻⁴ kgm ²	IM B5 	d.c. brake						a.c. brake						
													FD			FA			FD			FA			
													Mod	Mb	Z ₀ 1/h	NB	SB	Mod	Mb	Z ₀ 1/h	J _m x 10 ⁻⁴ kgm ²	IM B5 	Mod	Mb	Z ₀ 1/h
0.25	0.06	2	2790	0.86	61	0.87	0.68	3.9	1.8	1.9	10.9	6.7	FD 03	1.75	1300	1400	1400	12	9.4	FA 03	2.5	1400	1400	12	9.1
		8	680	0.84	31	0.61	0.46	2.0	1.8	1.9					10000	13000	13000						13000		
0.37	0.09	2	2800	1.26	63	0.86	0.99	3.9	1.8	1.9	12.9	7.7	FD 03	3.5	1200	1300	1300	14	10.4	FA 03	3.5	1300	1300	14	10.1
		8	670	1.28	34	0.75	0.51	1.8	1.4	1.5					9500	13000	13000						13000		
0.55	0.13	2	2830	1.86	66	0.86	1.40	4.4	2.1	2.0	20	9.9	FD 04	5.0	1500	1800	1800	22	13.8	FA 04	5.0	1800	1800	22	13.7
		8	690	1.80	41	0.64	0.72	2.3	1.6	1.7					5600	8000	8000						8000		
0.75	0.18	2	2800	2.6	68	0.88	1.81	4.6	2.1	2.0	25	11.3	FD 04	10	1700	1900	1900	27	15.2	FA 04	10	1900	1900	27	15.1
		8	690	2.5	43	0.66	0.92	2.3	1.6	1.7					4800	7300	7300						7300		
1.10	0.28	2	2830	3.7	63	0.84	3.00	4.5	2.1	1.9	28	14.0	FD 05	13	1400	1600	1600	32	20	FA 05	13	1600	1600	32	21
		8	690	3.9	48	0.63	1.34	2.4	1.8	1.9					3400	5100	5100						5100		
1.5	0.37	2	2880	5.0	69	0.85	3.69	4.7	1.9	1.8	40	18.3	FD 15	13	1000	1200	1200	44	25	FA 15	13	1200	1200	44	25
		8	690	5.1	46	0.63	1.84	2.1	1.6	1.6					3300	5000	5000						5000		
2.4	0.55	2	2900	7.9	75	0.82	5.6	5.4	2.1	2.0	61	25	FD 15	26	550	700	700	65	31	FA 15	26	700	700	65	32
		8	700	7.5	54	0.58	2.5	2.6	1.8	1.8					2000	3500	3500						3500		
3	0.75	2	2900	9.9	76	0.87	6.5	6.3	2.1	1.9	98	30	FD 06S	40	—	900	900	107	40	FA 06S	40	900	900	107	42
		8	690	10.4	60	0.65	2.8	2.5	1.6	1.6					—	2900	2900						2900		
4	1	2	2870	13.3	73	0.84	9.4	5.6	2.3	2.4	213	44	FD 66	37	—	500	500	223	57	FA 06	37	500	500	223	58
		8	690	13.8	66	0.62	3.5	2.9	1.9	1.8					—	3500	3500						3500		
5.5	1.5	2	2870	18.3	75	0.84	12.6	6.1	2.4	2.5	270	53	FD 06	50	—	400	400	280	66	FA 06	50	400	400	280	67
		8	690	21	68	0.63	5.1	2.9	1.9	1.9					—	2400	2400						2400		

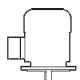





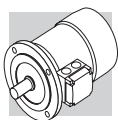
2/12P **3000/500 min-1 - S3 60/40%** **50 Hz**

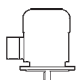



														d.c. brake					a.c. brake				
														FD					FA				
P _n kW		n min ⁻¹	M _n Nm	η %	cos φ	I _n 400V A	I _s I _n	M _s M _n	M _a M _n	J _m x 10 ⁻⁴ kgm ²	IM B5 	Mod	Mb Nm	Z ₀ 1/h	J _m x 10 ⁻⁴ kgm ²	IM B5 	Mod	Mb Nm	Z ₀ 1/h	J _m x 10 ⁻⁴ kgm ²	IM B5 		
																						NB	SB
0.55 0.09	BN 80B	2 12	1.86 2.0	64 30	0.89 0.63	1.39 0.69	4.2 1.8	1.6 1.9	1.7 1.8	25	11.3	FD 04	5.0	1000 8000	1300 12000	27	15.2	FA 04	5.0	1300 12000	27	15.1	
0.75 0.12	BN 90L	2 12	2.6 2.7	56 26	0.89 0.63	2.17 1.06	4.2 1.7	1.8 1.4	1.7 1.6	26	12.6	FD 05	13	1000 4600	1150 6300	30	18.6	FA 05	13	1150 6300	30	19.3	
1.10 0.18	BN 100LA	2 12	3.7 4.0	65 26	0.85 0.54	2.87 1.85	4.5 1.5	1.6 1.3	1.8 1.5	40	18.3	FD 15	13	700 4000	900 6000	44	25	FA 15	13	900 6000	44	25	
1.5 0.25	BN 100LB	2 12	4.9 5.4	67 36	0.86 0.46	3.76 2.18	5.6 1.8	1.9 1.7	1.9 1.8	54	22	FD 15	13	700 3800	900 5000	58	28	FA 15	13	900 5000	58	29	
2 0.3	BN 112M	2 12	6.6 6.2	74 46	0.88 0.43	4.43 2.19	6.5 2.0	2.1 2.1	2.0 2.0	98	30	FD 06S	20	— —	800 3400	107	40	FA 06S	20	800 3400	107	42	
3 0.5	BN 132S	2 12	9.8 10.2	74 51	0.87 0.43	6.7 3.3	6.8 2.0	2.3 1.7	1.9 1.6	213	44	FD 56	37	— —	450 3000	223	57	FA 06	37	450 3000	223	58	
4 0.7	BN 132M	2 12	13.1 14.5	75 53	0.89 0.44	8.6 4.3	5.9 1.9	2.4 1.7	2.3 1.6	270	53	FD 56	37	— —	400 2800	280	66	FA 06	37	400 2800	280	67	

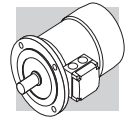






4/6P **1500/1000 min⁻¹ - S1** **50 HZ**

P _n kW		n min ⁻¹	M _n Nm	η %	cosφ	I _n 400V A	I _s I _n	M _s M _n	M _a M _n	J _m x 10 ⁻⁴ kgm ²	IM B5 	d.c. brake						a.c. brake					
												FD			FA			FD			FA		
												Mod	Mb Nm	Z ₀ 1/h	NB	SB	J _m x 10 ⁻⁴ kgm ²	IM B5 	Mod	Mb Nm	Z ₀ 1/h	J _m x 10 ⁻⁴ kgm ²	IM B5 
0.22 0.13	BN 71B	4 6	1.5 1.4	64 43	0.74 0.67	0.67 0.65	3.9 2.3	1.8 1.6	1.9 1.7	9.1	7.3	FD 03	3.5	2500 5000	3500 9000	10.2	10.0	FA 03	3.5	3500 9000	10.2	9.7	
0.30 0.20	BN 80A	4 6	2.0 2.1	61 54	0.82 0.66	0.87 0.81	3.5 3.2	1.3 1.9	1.5 2.0	15	8.2	FD 04	5.0	2500 4000	3100 6000	16.6	12.1	FA 04	5.0	3100 6000	16.6	12.0	
0.40 0.26	BN 80B	4 6	2.7 2.7	63 55	0.75 0.70	1.22 0.97	3.9 2.7	1.8 1.5	1.8 1.6	20	9.9	FD 04	10	1800 3600	2300 5500	22	13.8	FA 04	10	2300 5500	22	13.7	
0.55 0.33	BN 90S	4 6	3.7 3.4	70 62	0.78 0.70	1.45 1.10	4.5 3.7	2.0 2.3	1.9 2.0	21	12.2	FD 14	10	1500 2500	2100 4100	23	16.1	FA 14	10	2100 4100	23	16.3	
0.75 0.45	BN 90L	4 6	5.0 4.7	74 66	0.78 0.71	1.88 1.39	4.3 3.3	1.9 2.0	1.8 1.9	28	14	FD 05	13	1400 2300	2000 3600	32	20	FA 05	13	2000 3600	32	21	
1.1 0.8	BN 100LA	4 6	7.2 8.0	74 65	0.79 0.69	2.72 2.57	5.0 4.1	1.7 1.9	1.9 2.1	82	22	FD 15	26	1400 2100	2000 3300	86	28	FA 15	26	2000 3300	86	29	
1.5 1.1	BN 100LB	4 6	9.9 11.1	75 72	0.79 0.68	3.65 3.24	5.1 4.3	1.7 2.0	1.9 2.1	95	25	FD 15	26	1300 2000	1800 3000	99	31	FA 15	26	1800 3000	99	32	
2.3 1.5	BN 112M	4 6	15.2 14.9	75 73	0.78 0.72	5.7 4.1	5.2 4.9	1.8 2.0	1.9 2.0	168	32	FD 06S	40	— —	1600 2400	177	42	FA 06S	40	1600 2400	177	44	
3.1 2	BN 132S	4 6	20 20	83 77	0.83 0.75	6.5 4.9	5.9 4.5	2.1 2.1	2.0 2.1	213	44	FD 66	37	— —	1200 1900	223	57	FA 06	37	1200 1900	223	58	
4.2 2.6	BN 132MA	4 6	27 26	84 79	0.82 0.72	8.8 6.6	5.9 4.3	2.1 2.0	2.2 2.0	270	53	FD 06	50	— —	900 1500	280	66	FA 06	50	900 1500	280	67	

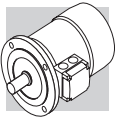


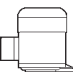


4/8P		1500/750 min ⁻¹ - S1														50 HZ					
		d.c. brake														a.c. brake					
		FD							FA							FA					
P _n		n	M _n	η	cos φ	I _n	I _s	M _s	M _a	J _m	IM B5	Mod	Mb	Z ₀	J _m	IM B5	Mod	Mb	Z ₀	J _m	IM B5
kW		min ⁻¹	Nm	%		A	$\frac{I_s}{I_n}$	$\frac{M_s}{M_n}$	$\frac{M_a}{M_n}$	x 10 ⁻⁴ kgm ²			Nm	1/h	x 10 ⁻⁴ kgm ²			Nm	1/h	x 10 ⁻⁴ kgm ²	
0.37	BN 80A	4	2.5	63	0.82	1.03	3.3	1.4	1.4	15	8.2	FD 04	10	2300	16.6	12.1	FA 04	10	3500	16.6	12.0
0.18		8	2.5	44	0.60	0.98	2.2	1.5	1.6					4500	7000				7000		
0.55	BN 80B	4	3.8	65	0.86	1.42	3.8	1.7	1.6	20	9.9	FD 04	10	2200	22	13.8	FA 04	10	2900	22	13.7
0.30		8	4.3	49	0.65	1.36	2.3	1.7	1.8					4200	6500				6500		
0.65	BN 90S	4	4.5	73	0.85	1.51	4.0	1.9	1.9	28	13.6	FD 14	15	2300	30	17.8	FA 14	15	2800	30	17.7
0.35		8	4.8	49	0.57	1.81	2.5	2.1	2.2					3500	6000				6000		
0.9	BN 90L	4	6.3	73	0.87	2.05	3.8	1.8	1.8	30	15.1	FD 05	26	1700	34	21	FA 05	26	2100	34	22
0.5		8	7.1	57	0.62	2.04	2.4	2.1	2.0					2500	4200				4200		
1.30	BN 100LA	4	8.7	72	0.83	3.14	4.3	1.7	1.8	82	22	FD 15	40	1300	86	28	FA 15	40	1700	86	29
0.70		8	9.6	58	0.64	2.72	2.8	1.8	1.8					2000	3400				3400		
1.8	BN 100LB	4	12.1	69	0.87	4.3	4.2	1.6	1.7	95	25	FD 15	40	1200	99	31	FA 15	40	1700	99	32
0.9		8	12.3	62	0.63	3.3	3.2	1.7	1.8					1600	2600				2600		
2.2	BN 112M	4	14.6	77	0.85	4.9	5.3	1.8	1.8	168	32	FD 06S	60	—	177	42	FA 06S	60	1200	177	43
1.2		8	16.1	70	0.63	3.9	3.3	1.9	1.8					—	2000				2000		
3.6	BN 132S	4	24	80	0.82	7.9	6.5	2.1	1.9	295	45	FD 56	75	—	305	58	FA 06	75	1000	305	59
1.8		8	24	72	0.55	6.6	4.6	1.9	2.0					—	1400				1400		
4.6	BN 132M	4	30	81	0.83	9.9	6.5	2.2	1.9	383	56	FD 06	100	—	393	69	FA 07	100	1000	393	74
2.3		8	31	73	0.54	8.4	4.4	2.3	2.0					—	1300				1300		



2P		3000 min ⁻¹ - S1													50 Hz															
P _n kW		n min ⁻¹	M _n Nm	IE1	η (100%) %	η (75%) %	η (50%) %	cosφ	I _n 400V A	I _s I _n	M _s M _n	M _a M _n	J _m x 10 ⁻⁴ kgm ²	IM B5 	d.c. brake							a.c. brake								
															FD				FA			IM B5 	J _m x 10 ⁻⁴ kgm ²	Z ₀ 1/h	M _b Nm	I _{Mod}	M _b Nm	Z ₀ 1/h	J _m x 10 ⁻⁴ kgm ²	IM B5 
															Mod	M _b Nm	Z ₀ 1/h	NB	SB	Mod	M _b Nm									
0.18	M 05A	2	2730	0.63	○	59.9	56.9	51.9	0.77	0.56	3.0	2.1	2.0	3.2	FD 02	1.75	3900	4800	2.6	4.9	FA 02	1.75	4800	2.6	4.7					
0.25	M 05B	2	2740	0.87	○	66.0	64.8	64.8	0.76	0.72	3.3	2.3	2.3	3.6	FD 02	1.75	3900	4800	3.0	5.3	FA 02	1.75	4800	3.0	5.1					
0.37	M 05C	2	2800	1.26	○	69.1	66.8	66.8	0.78	0.99	3.9	2.6	2.6	4.8	FD 02	3.5	3600	4500	3.9	6.5	FA 02	3.5	4500	3.9	6.3					
0.55	M 15D	2	2820	1.86	○	76.0	75.8	74.8	0.76	1.37	5.0	2.9	2.8	5.8	FD 03	5	2900	4200	5.3	8.5	FA 03	5	4200	5.3	8.2					
0.75	M 15A	2	2810	2.6	○	76.6	76.2	76.2	0.76	1.86	5.1	3.1	2.8	6.9	FD 03	5	1900	3300	6.1	9.6	FA 03	5	3300	6.1	9.3					
1.1	M 25A	2	2800	3.8	●	76.4	76.2	75.0	0.81	2.57	4.8	2.8	2.4	8.8	FD 04	10	1500	3000	10.6	11.9	FA 04	10	3000	10.6	12.6					
1.5	M 25B	2	2800	5.1	●	79.1	79.5	77.2	0.81	3.4	4.9	2.7	2.4	10.6	FD 04	15	1300	2600	13.0	9.9	FA 04	15	2600	13.0	14.4					
2.2	M 35A	2	2880	7.3	●	82.7	82.1	81.0	0.80	4.8	6.3	2.9	2.7	15.5	FD 15	26	1100	2400	28	22	FA 15	26	2400	28	23					
3	M 35LA	2	2860	10.0	●	81.5	81.3	77.4	0.79	6.7	5.6	2.6	2.2	18.7	FD 15	26	700	1600	35	25	FA 15	26	1600	35	26					
4	M 35LB	2	2870	13.3	●	83.1	83.0	77.8	0.80	8.7	5.8	2.7	2.5	22	FD 15	40	450	900	43	28	FA 15	40	900	43	29					
5.5	M 45A	2	2890	18.2	●	84.7	84.5	81.2	0.84	11.2	5.9	2.6	2.2	33	FD 06	50	—	600	112	46	FA 06	50	600	112	47					
7.5	M 45B	2	2900	25	●	86.5	86.3	84.4	0.85	14.7	6.4	2.6	2.2	40	FD 06	50	—	550	154	53	FA 06	50	550	154	54					
9.2	M 45LA	2	2930	30	●	87.0	86.5	83.6	0.86	17.7	6.7	2.8	2.3	51	FD 06	75	—	430	189	64	FA 06	75	430	189	65					
11	M 45LC	2	2920	36	●	87.6	87.0	86.0	0.88	20.6	6.9	2.9	2.5	60	FD 06	75	—	—	—	—	—	—	—	—	—	—				
15	M 55B	2	2930	49	●	89.6	89.4	88.0	0.86	28.1	7.1	2.6	2.3	70	FD 06	75	—	—	—	—	—	—	—	—	—	—				
18.5	M 55C	2	2930	60	●	90.4	90.1	89.0	0.86	34	7.6	2.7	2.3	83	FD 06	75	—	—	—	—	—	—	—	—	—	—				
22	M 55LA	2	2930	72	●	89.9	89.7	89.5	0.88	40	7.8	2.6	2.4	95	FD 06	75	—	—	—	—	—	—	—	—	—	—				

○ = n.a. ● = IE1








4P		1500 min ⁻¹ - S1															50 Hz								
P _n kW		n min ⁻¹	M _n Nm	IE1	η (100%) %	η (75%) %	η (50%) %	cosφ	In 400V A	Is In %	Ms Mn %	Ma Mn %	J _m x 10 ⁻⁴ kgm ²	IM B5 	d.c. brake					a.c. brake					
															FD					FA					
															Mod	Mb Nm	Z ₀ 1/h	NB	SB	J _m x 10 ⁻⁴ kgm ²	IM B5 	Mb Nm	I _{Mod}	Z ₀ 1/h	Mb Nm
0.09	M 0B	4	1350	0.64	51.7	47.6	42.9	0.60	0.42	2.6	2.5	2.4	1.5	2.9	FD 02	1.75	10000	10000	13000	13000	1.75	13000	FA 02	2.6	4.9
0.12	M 05A	4	1350	0.85	59.8	56.2	47.0	0.62	0.47	2.6	1.9	1.8	2.0	3.2	FD 02	3.5	10000	10000	13000	13000	3.5	13000	FA 02	3.0	5.3
0.18	M 05B	4	1320	1.30	54.8	52.9	52.5	0.67	0.71	2.6	2.2	2.0	2.3	3.6	FD 02	3.5	7800	10000	10000	10000	3.5	10000	FA 02	3.9	6.5
0.25	M 05C	4	1340	1.78	65.3	65.0	57.9	0.69	0.80	2.7	2.1	1.9	3.3	4.8	FD 02	5	6000	9400	9400	9400	5	9400	FA 03	8.0	8.2
0.37	M 15D	4	1370	2.6	66.8	66.7	63.0	0.76	1.05	3.7	2.0	1.9	6.9	5.5	FD 03	7.5	4300	8700	8700	8700	7.5	8700	FA 03	10.2	9.6
0.55	M 1LA	4	1380	3.8	69.0	68.9	68.8	0.74	1.55	4.1	2.3	2.3	9.1	6.9	FD 53	15	4100	7800	7800	7800	15	7800	FA 04	22	13.1
0.75	M 25A	4	1400	5.1	75.0	74.5	69.3	0.78	1.85	4.9	2.7	2.5	20	9.2	FD 04	15	2600	5300	5300	5300	15	5300	FA 04	27	14.5
1.1	M 25B	4	1400	7.5	76.4	76.2	70.4	0.78	2.66	5.1	2.8	2.5	25	10.6	FD 04	26	2800	4900	4900	4900	26	4900	FA 15	38	22
1.5	M 35A	4	1410	10.2	79.6	80.5	79.3	0.77	3.5	4.6	2.1	2.1	34	15.5	FD 15	40	2600	4700	4700	4700	40	4700	FA 15	44	24
2.2	M 3LA	4	1410	14.9	81.1	81.4	79.9	0.75	5.2	4.5	2.2	2.0	40	17	FD 15	40	2400	4400	4400	4400	40	4400	FA 15	58	27
3	M 3LB	4	1410	20	82.6	83.8	83.7	0.77	6.8	5.0	2.3	2.2	54	21	FD 15	55	—	1300	1300	1300	40	1300	FA 15	65	29
4	M 3LC	4	1400	27	82.7	83.1	80.5	0.78	9.0	4.7	2.3	2.2	61	23	FD 55	75	—	1050	1050	1050	75	1050	FA 06	223	55
5.5	M 45A	4	1440	36	84.7	84.8	82.5	0.81	11.6	5.5	2.3	2.2	213	42	FD 56	100	—	950	950	950	100	950	FA 07	280	64
7.5	M 4LA	4	1440	50	86.0	86.3	85.3	0.81	15.5	5.7	2.5	2.4	270	51	FD 06	150	—	900	900	900	150	900	FA 07	342	73
9.2	M 4LB	4	1440	61	88.4	88.6	87.5	0.81	18.8	5.9	2.7	2.5	319	57	FD 07	150	—	850	850	850	150	850	FA 07	382	81
11	M 4LC	4	1440	73	87.6	87.8	86.0	0.81	22.4	6.0	2.7	2.5	360	65	FD 07	200	—	750	750	750	200	750	FA 08	710	115
15	M 55B	4	1460	98	88.7	88.5	88.4	0.81	30.1	6.0	2.3	2.1	650	85	FD 08	250	—	700	700	700	250	700	FA 08	850	131
18.5	M 5LA	4	1460	121	89.3	89.5	89.2	0.81	37	6.2	2.6	2.5	790	101	FD 08										

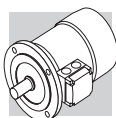
○ = n.a. ● = IE1



6P **1000 min⁻¹ - S1** **50 Hz**

P _n kW		n min ⁻¹	M _n Nm	IE1	η (100%) %	η (75%) %	η (50%) %	cosφ	I _n 400V A	I _s I _n	M _s M _n	M _a M _n	J _m x 10 ⁻⁴ kgm ²	IM B5 	d.c. brake								a.c. brake							
															FD				FA				FD				FA			
															Mod	M _b Nm	Z ₀ 1/h	NB	SB	J _m x 10 ⁻⁴ kgm ²	IM B5 	Mod	M _b Nm	Z ₀ 1/h	IM B5 	Mod	M _b Nm	Z ₀ 1/h	J _m x 10 ⁻⁴ kgm ²	IM B5 
0.09	M 05A	6	0.98	○	41.0	41.0	32.9	0.53	0.60	2.1	2.1	1.8	3.4	4.3	FD 02	3.5	9000	14000	4.0	6.0	FA 02	3.5	14000	4.0	5.8					
0.12	M 05B	6	1.32	○	45.0	44.0	41.8	0.60	0.64	2.1	1.9	1.7	3.7	4.6	FD 02	3.5	9000	14000	4.3	6.3	FA 02	3.5	14000	4.3	6.1					
0.18	M 15C	6	1.91	○	55.0	55.5	51.0	0.69	0.68	2.6	1.9	1.7	8.4	5.1	FD 03	5	8100	13500	9.5	7.8	FA 03	5	13500	9.5	7.5					
0.25	M 15D	6	2.7	○	62.0	58.5	51.4	0.71	0.82	2.6	1.9	1.7	10.9	6.3	FD 03	5	7800	13000	12	9.0	FA 03	5	13000	12	8.7					
0.37	M 1LA	6	3.9	○	66.0	60.0	53.3	0.69	1.17	3.0	2.4	2.0	12.9	7.3	FD 53	7.5	5100	9500	14	10.0	FA 03	7.5	9500	14	9.7					
0.55	M 25A	6	5.7	○	70.0	69.8	64.3	0.68	1.67	3.9	2.6	2.2	25	10.6	FD 04	15	4800	7200	27	14.5	FA 04	15	7200	27	14.4					
0.75	M 25B	6	7.8	●	70.0	70.0	64.4	0.65	2.38	3.8	2.5	2.2	28	11.5	FD 04	15	3400	6400	30	15.4	FA 04	15	6400	30	15.3					
1.1	M 35A	6	11.4	●	75.0	74.0	72.0	0.72	2.9	4.3	2.0	1.8	33	17	FD 15	26	2700	5000	37	23	FA 15	26	5000	37	24					
1.5	M 3LA	6	15.2	●	75.2	74.2	70.3	0.72	4.0	4.1	2.1	2.0	82	21	FD 15	40	1900	4100	86	27	FA 15	40	4100	86	28					
1.85	M 3LB	6	19.0	●	76.6	72.8	62.6	0.73	4.8	4.6	2.1	2.0	95	23	FD 15	40	1700	3600	99	29	FA 15	40	3600	99	30					
2.2	M 3LC	6	23	●	77.7	76.8	72.4	0.71	5.8	4.7	2.3	2.1	95	23	FD 55	55	—	1900	99	29	FA 15	55	1900	99	30					
3	M 45A	6	30	●	79.7	77.0	75.1	0.76	7.1	5.1	1.9	1.8	216	34	FD 56	75	—	1400	226	47	FA 06	75	1400	226	48					
4	M 4LA	6	40	●	81.4	81.5	79.5	0.77	9.2	5.5	2.0	1.8	295	43	FD 06	100	—	1200	305	56	FA 07	100	1200	305	57					
5.5	M 4LB	6	56	●	83.1	80.9	79.1	0.78	12.2	6.1	2.1	1.9	383	54	FD 07	150	—	1050	406	70	FA 07	150	1050	406	72					
7.5	M 55A	6	75	●	85.0	85.0	84.8	0.81	15.7	5.9	2.2	2.0	740	69	FD 08	170	—	900	815	98	FA 08	170	900	800	98					
11	M 55B	6	109	●	86.4	86.5	85.9	0.81	22.7	6.6	2.5	2.3	970	89	FD 08	200	—	800	1045	119	FA 08	200	800	1030	118					

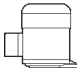


○ = n.a. ● = IE1

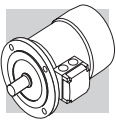


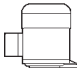



2/4P		3000/1500 min ⁻¹ - S1														50 Hz							
		d.c. brake														a.c. brake							
		P _n kW	IM B5	n min ⁻¹	M _n Nm	η %	cos φ	I _n 400V A	I _s I _n	M _s M _n	M _a M _n	J _m x 10 ⁻⁴ kgm ²	IM B5 Kg	Mod	Mb Nm	FD		FA					
Z ₀ 1/h	NB															SB	J _m x 10 ⁻⁴ kgm ²	IM B5 Kg	Mod	Mb Nm	Z ₀ 1/h	J _m x 10 ⁻⁴ kgm ²	IM B5 Kg
0.20	M 05A	2	2700	0.71	55	0.82	0.64	3.5	2.1	1.9	2.9	4.1	FD 02	3.5	2200	2600	5100	FA 02	3.5	2600	5100	3.5	5.6
0.15		4	1350	1.06	49	0.67	0.66	2.6	1.8	1.7													
0.28	M 1SB	2	2700	0.99	56	0.82	0.88	2.9	1.9	1.7	4.7	4.0	FD 03	3.5	2100	2400	4800	FA 03	3.5	2400	4800	5.8	6.4
0.20		4	1370	1.39	59	0.68	1.02	3.1	1.8	1.7													
0.37	M 1SC	2	2740	1.29	56	0.82	1.16	3.5	1.8	1.8	5.8	4.7	FD 03	5	1400	2100	4200	FA 03	5	2100	4200	6.9	7.1
0.25		4	1390	1.72	60	0.73	0.82	3.3	2.0	1.9													
0.45	M 1SD	2	2780	1.55	63	0.85	1.21	3.8	1.8	1.8	6.9	5.5	FD 03	5	1400	2100	4200	FA 03	5	2100	4200	8.0	7.9
0.30		4	1400	2.0	63	0.74	0.93	3.8	2.1	1.9													
0.55	M 1LA	2	2800	1.9	73	0.79	1.38	4.2	2.0	1.8	9.1	6.9	FD 03	5	1600	2200	4600	FA 03	5	2200	4600	10.2	9.3
0.37		4	1400	2.5	68	0.72	1.09	3.9	2.2	2.0													
0.75	M 2SA	2	2780	2.6	65	0.85	1.96	3.8	1.9	1.8	20	9.2	FD 04	10	1400	1600	3600	FA 04	10	1600	3600	22	13.0
0.55		4	1400	3.8	68	0.81	1.44	3.9	1.7	1.7													
1.1	M 2SB	2	2730	3.9	65	0.86	2.84	3.9	2.0	1.9	25	10.7	FD 04	10	1200	1500	3100	FA 04	10	1500	3100	27	14.5
0.75		4	1410	5.1	75	0.81	1.78	4.5	2.1	2.0													
1.5	M 3SA	2	2830	5.1	74	0.83	3.5	4.7	2.1	2.0	34	15.5	FD 15	26	700	1000	2600	FA 15	26	1000	2600	38	23
1.1		4	1420	7.4	77	0.78	2.6	4.3	2.1	2.0													
2.2	M 3LA	2	2800	7.5	72	0.85	5.2	4.5	2.0	1.9	40	17	FD 15	26	600	900	2300	FA 15	26	900	2300	44	24
1.5		4	1410	10.2	73	0.79	3.8	4.7	2.0	2.0													
3.5	M 3LB	2	2850	11.7	80	0.84	7.5	5.4	2.2	2.1	61	23	FD 15	40	500	900	2100	FA 15	40	900	2100	65	30
2.5		4	1420	16.8	82	0.80	5.5	5.2	2.2	2.2													
4.8	M 4 SA	2	2900	15.8	81	0.88	9.7	6.0	2.0	1.9	213	42	FD 06	50	—	400	—	FA 06	50	400	—	233	56
3.8		4	1430	25.4	81	0.84	8.1	5.2	2.1	2.1													
5.5	M 4SB	2	2890	18.2	80	0.87	11.4	5.9	2.4	2.0	213	42	FD 56	75	—	350	—	FA 06	75	350	—	223	56
4.4		4	1440	29	82	0.84	9.2	5.3	2.2	2.0													
7.5	M 4LA	2	2900	25	82	0.87	15.2	6.5	2.4	2.0	270	51	FD 06	100	—	350	—	FA 07	100	350	—	280	65
6		4	1430	40	84	0.85	12.1	5.8	2.3	2.1													
9.2	M 4LB	2	2920	30	83	0.86	18.6	6.0	2.6	2.2	319	57	FD 07	150	—	300	—	FA 07	150	300	—	342	75
7.3		4	1440	48	85	0.85	14.6	5.5	2.3	2.1													



2/6P **3000/1000 min⁻¹ - S3 60/40%** **50 Hz**

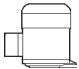


P _n kW			n min ⁻¹	M _n Nm	η %	cosφ	I _n 400V A	I _s I _n	M _s M _n	M _a M _n	J _m x 10 ⁻⁴ kgm ²	IM B5 	d.c. brake						a.c. brake					
													FD			FA			FD			FA		
													Mod	Mb Nm	Z ₀ 1/h	NB	SB	IM B5 	J _m x 10 ⁻⁴ kgm ²	Z ₀ 1/h	Mb Nm	Mod	Mb Nm	Z ₀ 1/h
0.25		M 1SA	2	2850	0.84	60	0.82	4.3	1.9	1.8	6.9	5.5	FD 03	1.75	1500	1700	8.0	8.2	FA 03	1.75	1700	1700	8.0	7.9
0.08		6	910	0.84	43	0.70	0.38	2.1	1.4	1.5		10000			10000	13000					13000			
0.37		M 1LA	2	2880	1.23	62	0.80	4.4	1.9	1.8	9.1	6.9	FD 03	3.5	1000	1300	10.2	9.6	FA 03	3.5	1300	1300	10.2	9.3
0.12		6	900	1.27	44	0.73	0.54	2.4	1.4	1.5		9000			9000	11000					11000			
0.55		M 2SA	2	2800	1.88	63	0.86	4.5	1.9	1.7	20	9.2	FD 04	5	1500	1800	22	13.1	FA 04	5	1800	1800	22	13.0
0.18		6	930	1.85	52	0.65	0.77	3.3	2.0	1.9		4100			4100	6300					6300			
0.75		M 2SB	2	2800	2.6	66	0.87	4.3	1.8	1.6	25	10.6	FD 04	5	1700	1900	27	14.5	FA 04	5	1900	1900	27	14.4
0.25		6	930	2.6	54	0.67	1.00	3.2	1.7	1.8		3800			3800	6000					6000			
1.1		M 3SA	2	2870	3.7	71	0.82	4.9	1.8	1.9	34	15.5	FD 15	13	1000	1300	38	22	FA 15	13	1300	1300	38	23
0.37		6	930	3.8	63	0.70	1.21	3.1	1.5	1.8		3500			3500	5000					5000			
1.5		M 3LA	2	2880	5.0	73	0.84	5.1	1.9	2.0	40	17	FD 15	13	1000	1200	44	24	FA 15	13	1200	1200	44	24
0.55		6	940	5.6	64	0.67	1.85	3.5	1.7	1.8		2900			2900	4000					4000			
2.2		M 3LB	2	2900	7.2	77	0.85	4.9	2.0	2.0	61	23	FD 15	26	700	900	65	29	FA 15	26	900	900	65	30
0.75		6	950	7.5	67	0.64	2.5	3.3	1.9	1.8		2100			2100	3000					3000			
3		M 4SA	2	2910	9.9	74	0.88	5.6	2.0	2.1	170	36	FD 56	37	—	600	182	48	FA 06	37	600	600	182	50
1.1		6	960	10.9	73	0.68	3.2	4.5	2.2	2.0		—			—	2200					2200			
4.5		M 4SB	2	2910	14.8	78	0.84	5.8	1.9	1.8	213	42	FD 56	37	—	500	223	55	FA 06	37	500	500	223	56
1.5		6	960	14.9	74	0.67	4.4	4.2	1.9	2.0		—			—	2100					2100			
5.5		M 4LA	2	2920	18.0	78	0.87	11.7	2.1	1.9	270	51	FD 06	50	—	400	280	64	FA 06	50	400	400	280	65
2.2		6	960	22	77	0.71	5.8	4.3	2.1	2.0		—			—	1900					1900			



2/8P		3000/750 min ⁻¹ - S3 60/40%														50 Hz								
		d.c. brake														a.c. brake								
		FD							FA							FA		FA						
P _n kW		n min ⁻¹	M _n Nm	η %	cos φ	I _n 400V A	$\frac{I_s}{I_n}$	$\frac{M_s}{M_n}$	$\frac{M_a}{M_n}$	J _m x 10 ⁻⁴ kgm ²	IM B5 	Mod	Mb Nm	Z ₀ 1/h	NB	SB	J _m x 10 ⁻⁴ kgm ²	IM B5 	Mod	Mb Nm	Z ₀ 1/h	J _m x 10 ⁻⁴ kgm ²	IM B5 	
0.37	M 1LA	2	1.26	63	0.86	0.99	3.9	1.8	1.9	12.9	7.3	FD 03	3.5	1200	1300	13000	14	10.0	FA 03	3.5	1300	13000	14	9.7
0.09		8	1.28	34	0.75	0.51	1.8	1.4	1.5															
0.55	M 2SA	2	1.86	66	0.86	1.40	4.4	2.1	2.0	20	9.2	FD 04	5	1500	1800	8000	22	13.1	FA 04	5	1800	8000	22	13.0
0.13		8	1.80	41	0.64	0.72	2.3	1.6	1.7															
0.75	M 2SB	2	2.6	68	0.88	1.81	4.6	2.1	2.0	25	10.6	FD 04	10	1700	1900	7300	27	14.5	FA 04	10	1900	7300	27	14.4
0.18		8	2.5	43	0.66	0.92	2.3	1.6	1.7															
1.1	M 3SA	2	3.7	69	0.84	2.74	4.6	1.8	1.7	34	15.5	FD 15	13	1000	1300	5000	38	22	FA 15	13	1300	5000	38	23
0.28		8	3.9	44	0.56	1.64	2.3	1.4	1.7															
1.5	M 3LA	2	5.0	69	0.85	3.69	4.7	1.9	1.8	40	17	FD 15	13	1000	1200	5000	44	24	FA 15	13	1200	5000	44	24
0.37		8	5.1	46	0.63	1.84	2.1	1.6	1.6															
2.4	M 3LB	2	7.9	75	0.82	5.6	5.4	2.1	2.0	61	23	FD 15	26	550	700	3500	65	29	FA 15	26	700	3500	65	30
0.55		8	7.5	54	0.58	2.5	2.6	1.8	1.8															
3	M 4SA	2	9.8	72	0.85	7.1	5.6	2.0	1.8	162	36	FD 56	37	—	600	—	182	48	FA 06	37	600	—	182	50
0.75		8	10.1	61	0.64	2.8	3.0	1.7	1.8															
4	M 4SB	2	13.3	73	0.84	9.4	5.6	2.3	2.4	213	42	FD 56	37	—	500	—	223	55	FA 06	37	500	—	223	56
1		8	13.8	66	0.62	3.5	2.9	1.9	1.8															
5.5	M 4LA	2	18.3	75	0.84	12.6	6.1	2.4	2.5	270	51	FD 06	50	—	400	—	280	64	FA 06	50	400	—	280	65
1.5		8	21	68	0.63	5.1	2.9	1.9	1.9															



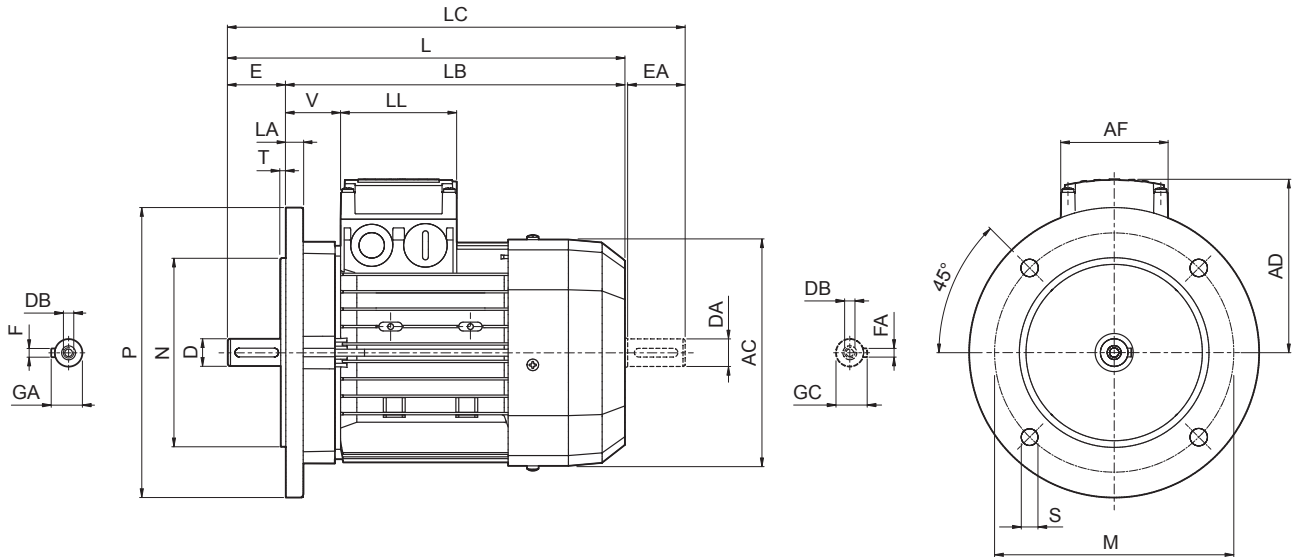
2/12P **3000/500 min⁻¹ - S3 60/40%** **50 Hz**

P _n kW		n min ⁻¹	M _n Nm	η %	cos φ	I _n 400V A	I _s I _n	M _s M _n	M _a M _n	J _m x 10 ⁻⁴ kgm ²	IM B5  Kg	d.c. brake						a.c. brake					
												FD			FA			FD			FA		
												Mod	Mb Nm	Z ₀ 1/h	NB	SB	Mod	Mb Nm	Z ₀ 1/h	J _m x 10 ⁻⁴ kgm ²	IM B5  Kg	Mod	Mb Nm
0.55	M 2SA	2820	1.86	64	0.89	1.39	4.2	1.6	1.7	25	10.6	FD 04	5	1000	1300	27	14.5	FA 04	5	1300	27	14.4	
0.09	12	430	2.0	30	0.63	0.69	1.8	1.9	1.8					8000	12000								
0.75	M 3SA	2900	2.5	65	0.81	2.06	5.2	1.9	2.1	34	15.5	FD 15	13	700	900	38	22	FA 15	13	900	38	23	
0.12	12	460	2.5	33	0.43	1.22	1.9	1.3	1.6					5000	7000								
1.1	M 3LA	2850	3.7	65	0.85	2.87	4.5	1.6	1.8	40	17	FD 15	13	700	900	44	24	FA 15	13	900	44	24	
0.18	12	430	4.0	26	0.54	1.85	1.5	1.3	1.5					4000	6000								
1.5	M 3LB	2900	4.9	67	0.86	3.76	5.6	1.9	1.9	54	21	FD 15	13	700	900	58	27	FA 15	13	900	58	28	
0.25	12	440	5.4	36	0.46	2.18	1.8	1.7	1.8					3800	5000								
2	M 3LC	2850	6.7	70	0.84	4.9	4.9	1.8	1.7	61	23	FD 55	18	—	700	65	29	FA 15	18	700	65	30	
0.3	12	450	6.4	38	0.47	2.4	1.7	1.6	1.7					—	3500								
3	M 4SA	2920	9.8	74	0.87	6.7	6.8	2.3	1.9	213	42	FD 56	37	—	450	223	55	FA 06	37	450	223	56	
0.5	12	470	10.2	51	0.43	3.3	2.0	1.7	1.6					—	3000								
4	M 4LA	2920	13.1	75	0.89	8.6	5.9	2.4	2.3	270	51	FD 56	37	—	400	280	64	FA 06	37	400	280	65	
0.7	12	460	14.5	53	0.44	4.3	1.9	1.7	1.6					—	2800								



M19 MOTORS DIMENSIONS BN-M

BN - IM B5

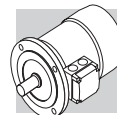


BN-M

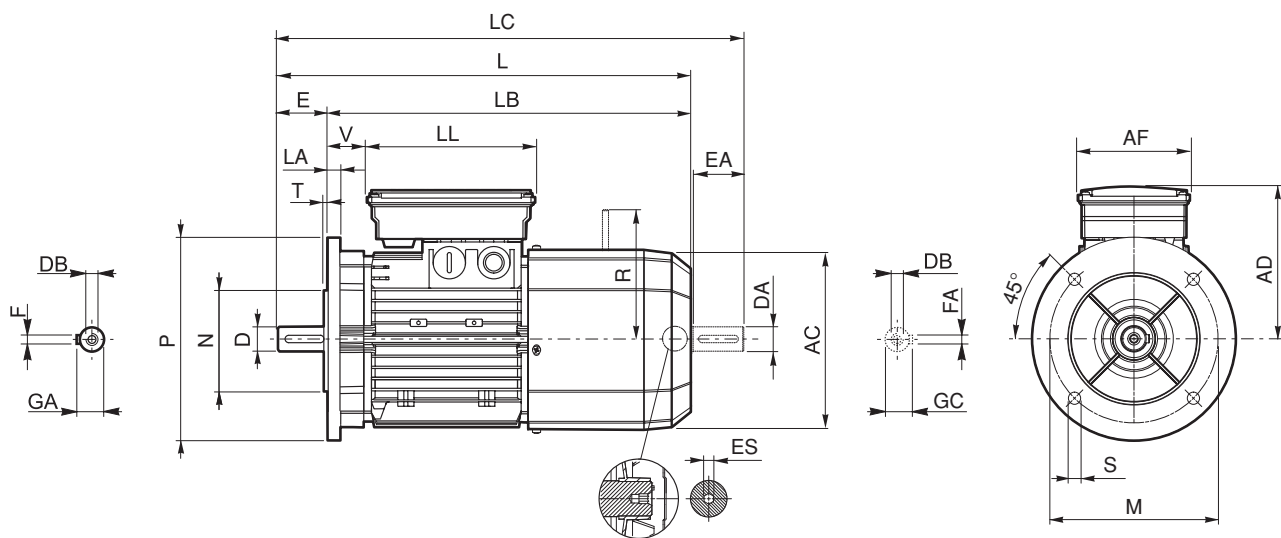
	Shaft					Flange					Motor								
	D DA	E EA	DB	GA GC	F FA	M	N	P	S	T	LA	AC	L	LB	LC	AD	AF	LL	V
BN 56	9	20	M3	10.2	3	100	80	120	7	3	8	110	185	165	207	91	74	80	34
BN 63	11	23	M4	12.5	4	115	95	140	9.5		10	121	207	184	232	95			26
BN 71	14	30	M5	16	5	130	110	160			10	138	249	219	281	108			37
BN 80	19	40	M6	21.5	6	165	130	200	11.5	3.5	11.5	156	274	234	315	119	98	98	38
BN 90	24	50	M8	27	8							176	326	276	378	133			44
BN 100	28	60	M10	31	8	215	180	250	14	4	14	195	367	307	429	142	118	118	50
BN 112											15	219	385	325	448	157			52
BN 132											20	258	493	413	576	193			58
BN 160 MR	42 38 (1)	110 80 (1)	M16 M12 (1)	45 41 (1)	12 10 (1)	300	250	350	18.5	5	15	310	596	486	680	245	187	187	218
BN 160 M												310	640	530	724	261			51
BN 160 L												310	708	598	823	261			51
BN 180 M	48 38 (1)	110 110 (1)	M16 M12 (1)	51.5 41 (1)	14 10 (1)	350	300	400	18.5	5	18	348	722	612	837	261	187	187	52
BN 180 L	48 42 (1)		M16 M16 (1)	51.5 45 (1)	14 12 (1)							52							
BN 200 L	55 42 (1)		M20 M16 (1)	59 45 (1)	16 12 (1)							66							

NOTE:

1) These values refer to the rear shaft end.



BN_FD ; IM B5



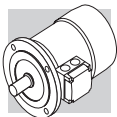
BN-M

	Shaft					Flange					Motor										
	D DA	E EA	DB	GA GC	F FA	M	N	P	S	T	LA	AC	L	LB	LC	AD	AF	LL	V	R	ES
BN 63	11	23	M4	12.5	4	115	95	140	9.5	3	10	121	272	249	297	122	98	133	14	96	5
BN 71	14	30	M5	16	5	130	110	160	9.5	3.5		138	310	280	342	135			110	165	
BN 80	19	40	M6	21.5	6	165	130	200	11.5		11.5	156	346	306	388	146	110	165			41
BN 90 S	24	50	M8	27	8					14		4	176	409	359	461			149	110	165
BN 90 L						146															
BN 100	28	60	M10	31	8	215	180	250	14	4	14	195	458	398	521	158	110	165	62	160	6
BN 112											15	219	484	424	547	173			165	73	
BN 132	38	80	M12	41	10	265	230	300	14	4	20	258	603	523	686	210	140	188	46	204 (2)	6
BN 160 MR	42	110	M16	45	12	300	250	350			18.5		5	15	310				736	626	
BN 160 M	38 (1)	80 (1)	M12 (1)	41 (1)	10 (1)																
BN 160 L	42	110	M16	45	12	300	250	350	18.5	5	15	310	780	670	864	245	187	187	51	266	—
BN 180 M	48			80 (1)	M12 (1)														51.5	14	
BN 180 L	48	110	M16	51.5	14	350	300	400	18.5	5	18	348	866	756	981	261	187	187	52	305	
BN 200 L	42 (1)			110 (1)	M20														59	16	45 (1)
	55	110 (1)	M20	59	16	350	300	400	18.5	5	18	348	878	768	993	261	187	187	64	305	
	42 (1)			45 (1)	12 (1)																

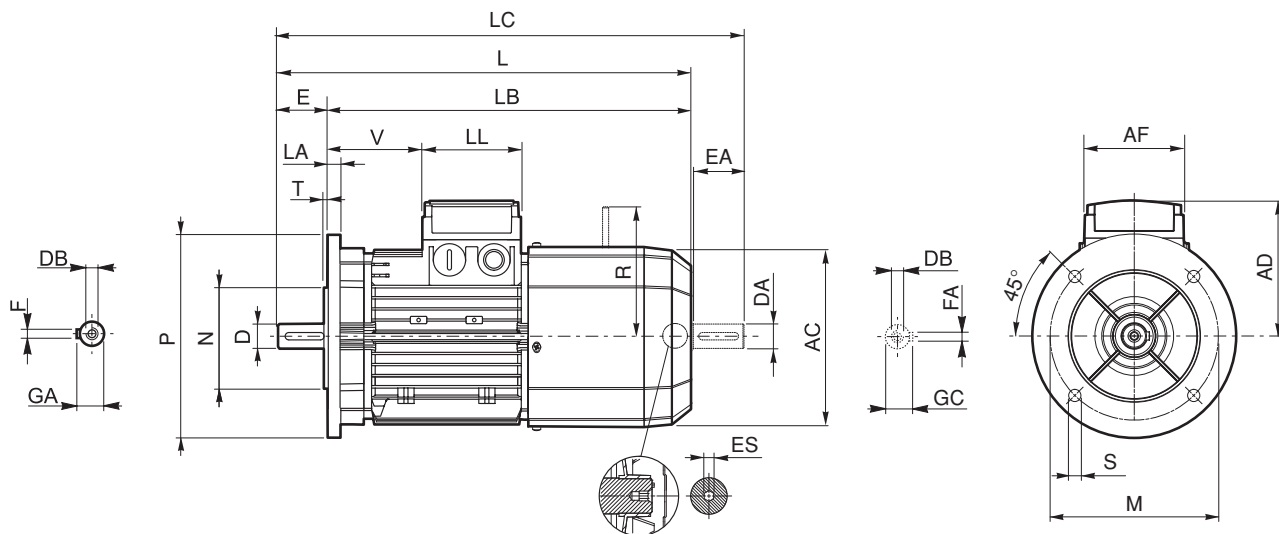
NOTE:

- 1) These values refer to the rear shaft end.
- 2) For FD07 brake value R=226.

ES hexagon is not supplied with PS option.



BN_FA - IM B5



BN-M

	Shaft					Flange					Motor															
	D DA	E EA	DB	GA GC	F FA	M	N	P	S	T	LA	AC	L	LB	LC	AD	AF	LL	V	R	ES					
BN 63	11	23	M4	12.5	4	115	95	140	9.5	3	10	121	272	249	297	95	74	80	26	116	5					
BN 71	14	30	M5	16	5	130	110	160				138	310	280	342	108			68	124						
BN 80	19	40	M6	21.5	6	165	130	200				11.5	3.5	11.5	156	346			306	388		119	83	134		
BN 90	24	50	M8	27	8	215	180	250	14	4	14	176	409	359	461	133	98	98	95	160	6					
BN 100	28	60	M10	31								200	250	14	4	15			219	484		424	547	157	128	198
BN 112												20	603	523	686	210			140	188		46	200 (2)			
BN 132	38	80	M12	41	10	265	230	300	18.5	5	15	258	672	562	755	193	118	118	218	217						
BN 160 MR	42	110	M16	45	12	300	250	350				18.5	5	15	310	736	626	820	245	187	187	51	247			
BN 160 M				41 (1)	10 (1)											780	670	864								
BN 160 L				38 (1)	80 (1)				M12 (1)	51.5	14					41 (1)	10 (1)									
BN 180 M				41 (1)	10 (1)																					

NOTE:

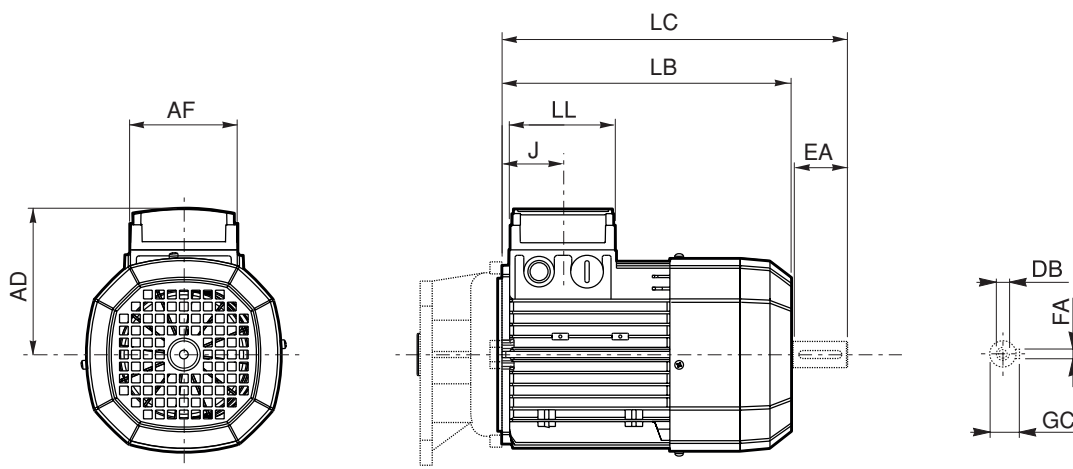
- 1) These values refer to the rear shaft end.
- 2) For FA07 brake value R=217.

Dimensions AD, AF, LL and V, relevant to terminal box of motors BN...FA featuring the separate brake supply (option SA), are coincident with corresponding dimensions of same-size BN...FD motors

ES hexagon is not supplied with PS option.

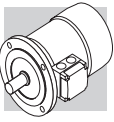


M



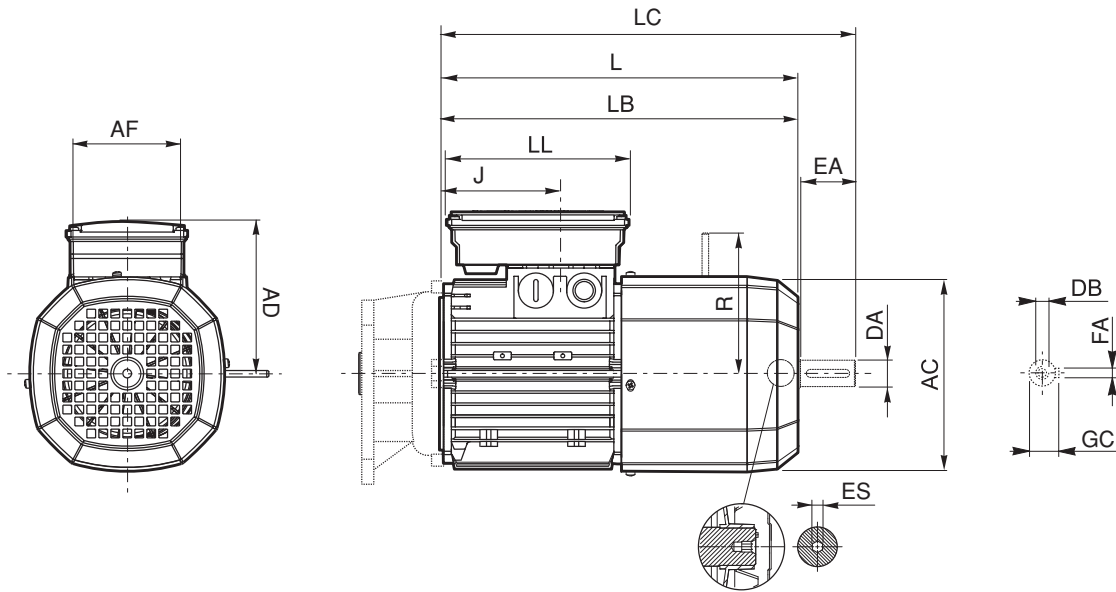
BN-M

	Rear shaft end					Motor						
	DA	EA	DB	FA	GC	AC	LB	LC	AF	LL	J	AD
M 0	9	20	M3	3	10.2	110	133	155	74	80	42	91
M 05	11	23	M4	4	12.5	121	165	191			48	95
M 1	14	30	M5	5	16	138	187	219			45	108
M 2 S	19	40	M6	6	21.5	156	202	245			44	119
M 3 S	28	60	M10	8	31	195	230	293	98	98	53.5	142
M 3 L							262	325				
M 4	38	80	M12	10	41	258	361	444	118	118	64.5	193
M 4 LC							396	479				
M 5 S						310	418	502	187	187	77	245
M 5 L							462	546				



M_FD

BN-M



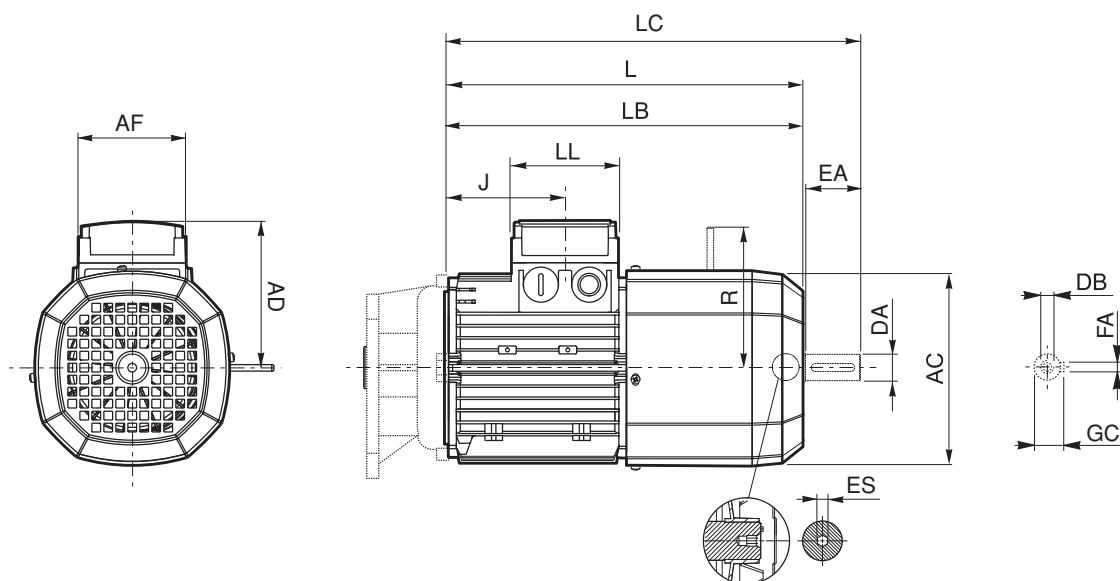
	Rear shaft end					Motor								
	DA	EA	DB	FA	GC	AC	LB	LC	AF	LL	J	AD	R	ES
M 05	11	23	M4	4	12.5	121	231	256	98	133	48	122	96	5
M 1	14	30	M5	5	16	138	248	280			73	135	103	
M 2 S	19	40	M6	6	21.5	156	272	314			88	146	129	
M 3 S	28	60	M10	8	31	195	326	389	110	165	124.5	158	160	6
M 3 L							353	416						
M 4	38	80	M12	10	41	258	470	553	140	188	185.5	210	204 (1)	
M 4 LC							495	578			64.5		226	
M 5 S						310	558	642	187	187	77	245	266	
M 5 L	602	686												

NOTE:
1) For FD07 brake value R=226.

ES hexagon is not supplied with PS option.



M_FA



BN-M

	Rear shaft end					Motor									
	DA	EA	DB	FA	GC	AC	LB	LC	AF	LL	J	AD	R	ES	
M 05	11	23	M4	4	12.5	121	231	256	74	80	48	95	116	5	
M 1	14	30	M5	5	16	138	248	280			73	108	124		
M 2 S	19	40	M6	6	21.5	156	272	314			88	119	134		
M 3 S	28	60	M10	8	31	195	326	389	98	98	124.5	142	160	6	
M 3 L							353	416							
M 4	38	80	M14	10	41	258	470	553	140	188	185.5	210	200 (1)		
M 4 LC							495	578			64.5		217		
M 5 S			M12			310	558	642	187	187	77	245	247		—
M 5 L															

NOTE:


1) For FA07 brake value R=217.

Dimensions AD, AF, LL and V, relevant to terminal box of motors M...FA featuring the separate brake supply (option SA), are coincident with corresponding dimensions of same-size M...FD motors

ES hexagon is not supplied with PS option.



INDEX OF REVISIONS

BR_CAT_300IND_IE2-IE3_ENG_R04_0	
	Description
4, 26	Added "Allowed temperature limits" and "Lubrication" chapters.
496 ... 573	Updated section "Electric Motors".

2016 09 30

This publication supersedes and replaces any previous edition and revision. We reserve the right to implement modifications without notice.

This catalogue cannot be reproduced, even partially, without prior consent.



Bonfiglioli has been designing and developing innovative and reliable power transmission and control solutions for industry, mobile machinery and renewable energy applications since 1956.

HEADQUARTERS

Bonfiglioli Riduttori S.p.A.
Via Giovanni XXIII, 7/A
40012 Lippo di Calderara di Reno
Bologna (Italy)

tel: +39 051 647 3111
fax: +39 051 647 3126
bonfiglioli@bonfiglioli.com
www.bonfiglioli.com

BR_CAT_300IND_IE2-IE3_ENG_R04_0

