

## HYGIENIC Series

Delivery: **Easy** **Standard**



### Cuscinetti - Bianchi/blu

- Sede in Poliammide.
- I cuscinetti sono realizzati in Acciaio Inox, è possibile regolarli di 2.5° all'interno della flangia.
- L'ingrassatore viene realizzato in Acciaio Inox.
- Distanziali realizzati in Acciaio Inox.
- Rondella per ingrassatore realizzata in Polietilene.

### Bearing units - White/blue

- Housing in reinforced Polyamide.
- Ball bearings are made in stainless steel, they allow a misalignment between shaft and housing of max. 2.5°.
- Grease nipple made in stainless steel.
- Spacers in stainless steel to reinforce fixing holes.
- Washer for grease nipple in PE.

### Flanschlager - Weiss/blauen

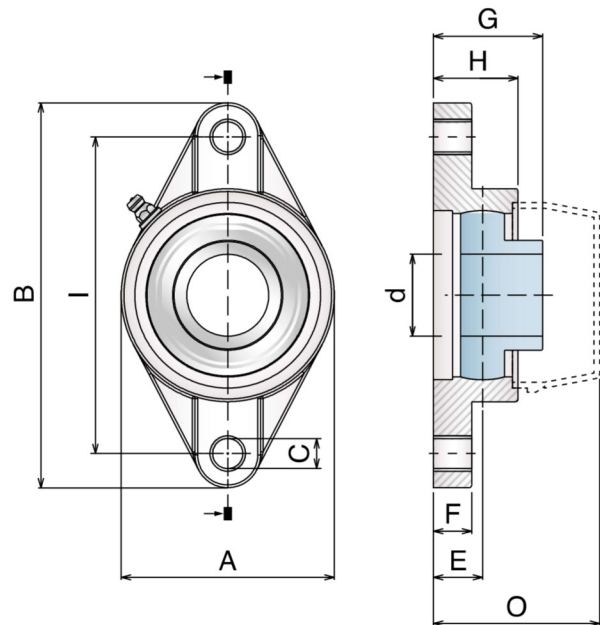
- Lagergehäuse gefertigt aus verstärktem Polyamid.
- Lagereinsatz aus Edelstahl, alle Lager gleichen einen Fluchtungsfehler von bis zu 2,5° selbständig aus.
- Schmiernippel aus Edelstahl.
- Distanzstücke aus Edelstahl und verstärken die Befestigungsbohrungen.
- Unterlegscheibe für Schmiernippel aus Edelstahl.

## NEW FL HYGIENIC



#### Main features:

- Housing in reinforced Polyamide.
- Ball bearings in stainless steel, they allow a misalignment between shaft and housing of max 2.5°.
- Stainless steel mounting hole spacers to reinforce fixing holes.
- Stainless steel grease nipple.



### FL Bearing support - Stainless steel insert

| Color and Article-Nr. |          | Series      | d  | I    | A   | B     | C  | E    | F    | G    | H    | O    |
|-----------------------|----------|-------------|----|------|-----|-------|----|------|------|------|------|------|
| ○ 81300               | ● 81300B | FL 204      | 20 | 90   | 64  | 113   | 11 | 15,4 | 11,4 | 33,7 | 23,5 | 46,5 |
| ○ 81301               | ● 81301B | FL 205      | 25 | 99   | 70  | 131   | 11 | 17   | 13,5 | 36,7 | 29,5 | 51   |
| ○ 81305               | ● 81305B | FL 206/90,5 | 30 | 90,5 | 84  | 112,5 | 11 | 11,5 | 20,5 | 33,5 | 23,3 | 50   |
| ○ 81302               | ● 81302B | FL 206      | 30 | 117  | 80  | 148   | 11 | 19   | 13,3 | 41,2 | 30,9 | 58   |
| ○ 81303               | ● 81303B | FL 207      | 35 | 130  | 90  | 164   | 13 | 18   | 16,1 | 43,7 | 33   | 61   |
| ○ 81306               | ● 81306B | FL 208/119  | 40 | 119  | 99  | 150   | 14 | 13,5 | 24   | 38,5 | 26,8 | 60,5 |
| ○ 81304               | ● 81304B | FL 208      | 40 | 144  | 100 | 176   | 14 | 21,5 | 20   | 51,7 | 37,5 | 71   |

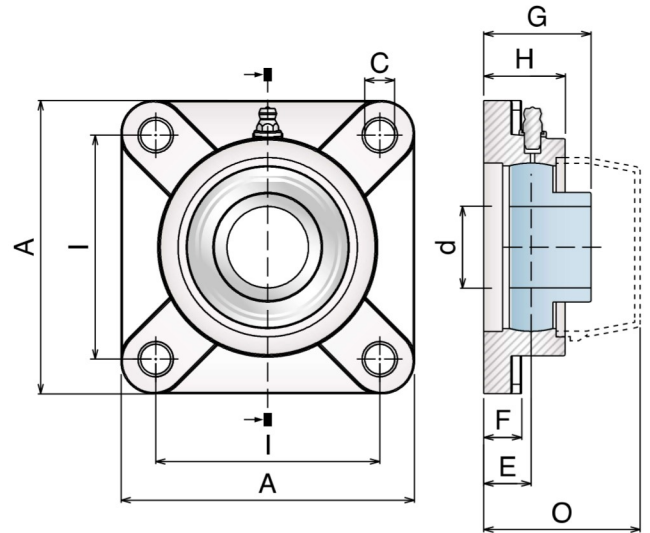
Cap needs to be order separately | More accessories available at Pag 556

## NEW F HYGIENIC



### Main features:

- Housing in reinforced Polyamide.
- Stainless steel ball bearings to allow a misalignment between shaft and housing of max 2.5°.
- Stainless steel mounting hole spacers to reinforce fixing holes.
- Stainless steel grease nipple.



### F Bearing support - Stainless steel insert

| Color and Article-Nr. | Series | d  | I    | A   | C  | E    | F    | G    | H    | O    |
|-----------------------|--------|----|------|-----|----|------|------|------|------|------|
| ○ 81400 ● 81400B      | F 204  | 20 | 63,5 | 86  | 11 | 18   | 13,4 | 34,8 | 25,3 | 48,5 |
| ○ 81401 ● 81401B      | F 205  | 25 | 70   | 95  | 11 | 17   | 14   | 35,8 | 28,5 | 51   |
| ○ 81402 ● 81402B      | F 206  | 30 | 83   | 107 | 11 | 19,2 | 14,3 | 40,8 | 31,5 | 59   |
| ○ 81403 ● 81403B      | F 207  | 35 | 92   | 118 | 13 | 21,5 | 15,5 | 42,8 | 34,4 | 62,5 |
| ○ 81404 ● 81404B      | F 208  | 40 | 102  | 130 | 14 | 23   | 17   | 46,2 | 33,4 | 71   |

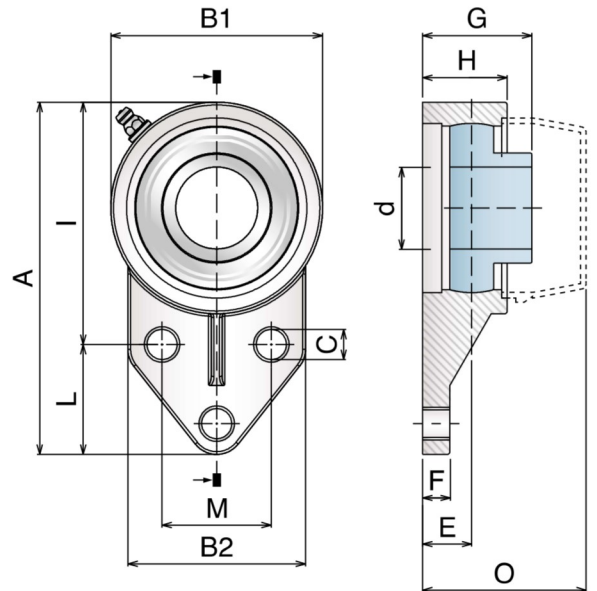
Cap needs to be order separately | More accessories available at Pag 556

## NEW FB HYGIENIC



### Main features:

- Housing in reinforced Polyamide.
- Ball bearings in stainless steel, they allow a misalignment between shaft and housing of max 2.5°.
- Stainless steel mounting hole spacers to reinforce fixing holes.
- Stainless steel grease nipple.



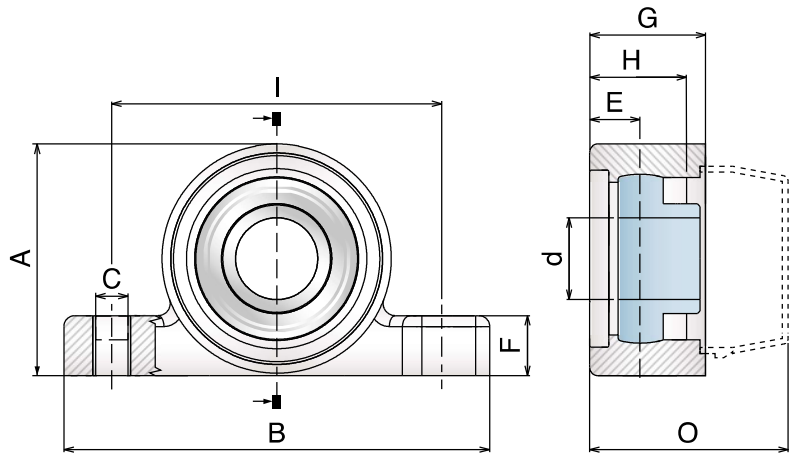
### FB Bearing support - Stainless steel insert

| Color and Article-Nr. | Series | d  | A     | I    | L    | M    | B1  | B2 | E    | F  | G    | H    | O    |
|-----------------------|--------|----|-------|------|------|------|-----|----|------|----|------|------|------|
| ○ 81500 ● 81500B      | FB 204 | 20 | 108,5 | 42,9 | 22,2 | 38,1 | 62  | 62 | 15,4 | 12 | 33,2 | 23,4 | 46,5 |
| ○ 81501 ● 81501B      | FB 205 | 25 | 120,6 | 46   | 28,6 | 41,3 | 68  | 64 | 21   | 12 | 41   | 34,3 | 55   |
| ○ 81502 ● 81502B      | FB 206 | 30 | 140   | 52,4 | 31,8 | 47,6 | 83  | 75 | 19   | 14 | 41   | 32   | 59   |
| ○ 81503 ● 81503B      | FB 207 | 35 | 157   | 60,3 | 31,8 | 50,8 | 95  | 89 | 21,4 | 16 | 43,9 | 37   | 63,5 |
| ○ 81504 ● 81504B      | FB 208 | 40 | 164   | 60,3 | 41,3 | 50   | 100 | 78 | 22   | 18 | 44,5 | 32   | 68,5 |

Cap needs to be order separately | More accessories available at Pag 556

Delivery: **Easy** Standard

## NEW UCP HYGIENIC



### Main features:

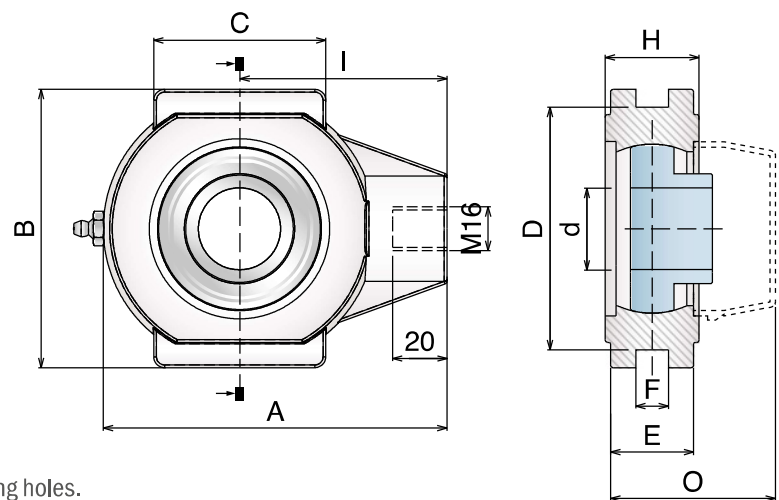
- Housing in reinforced Polyamide.
- Stainless steel ball bearings to allow a misalignment between shaft and housing of max 2.5°.
- Stainless steel mounting hole spacers to reinforce fixing holes.
- Stainless steel grease nipple.

### UCP Bearing support - Stainless steel insert

| Color and Article-Nr.          | Series  | d  | I   | A    | B   | C       | E    | F  | G  | H    | O    |
|--------------------------------|---------|----|-----|------|-----|---------|------|----|----|------|------|
| ○ <b>81800</b> ● <b>81800B</b> | UCP 204 | 20 | 95  | 65,5 | 127 | 14 (11) | 15   | 16 | 38 | 23   | 50   |
| ○ <b>81801</b> ● <b>81801B</b> | UCP 205 | 25 | 105 | 71,5 | 140 | 14 (11) | 16   | 15 | 38 | 29   | 54,5 |
| ○ <b>81802</b> ● <b>81802B</b> | UCP 206 | 30 | 119 | 83,5 | 163 | 18 (14) | 17,5 | 18 | 46 | 30,5 | 65   |
| ○ <b>81803</b> ● <b>81803B</b> | UCP 207 | 35 | 127 | 94,5 | 168 | 18 (14) | 17,5 | 18 | 48 | 31,5 | 67   |
| ○ <b>81804</b> ● <b>81804B</b> | UCP 208 | 40 | 137 | 99   | 184 | 18 (14) | 15,5 | 20 | 54 | 30   | 76   |

Cap needs to be order separately | More accessories available at Pag 556

## NEW UCT HYGIENIC



### Main features:

- Housing in reinforced Polyamide.
- Ball bearings in stainless steel, they allow a misalignment between shaft and housing of max 2.5°.
- Stainless steel mounting hole spacers to reinforce fixing holes.
- Stainless steel grease nipple.

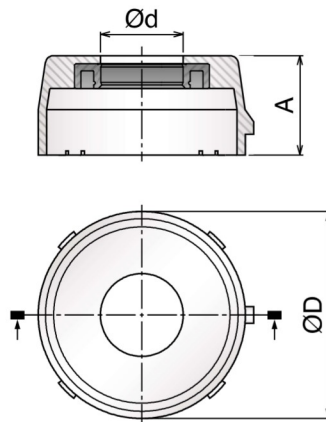
### UCT Bearing support - Stainless steel insert

| Color and Article-Nr.          | Series  | d  | I  | A   | B   | C  | D   | E    | F  | H    | O    |
|--------------------------------|---------|----|----|-----|-----|----|-----|------|----|------|------|
| ○ <b>86000</b> ● <b>86000B</b> | UCT 204 | 20 | 64 | 99  | 88  | 47 | 76  | 23,5 | 12 | 27,5 | 46,5 |
| ○ <b>86001</b> ● <b>86001B</b> | UCT 205 | 25 | 64 | 99  | 88  | 47 | 76  | 23,5 | 12 | 27,5 | 46,5 |
| ○ <b>86002</b> ● <b>86002B</b> | UCT 206 | 30 | 76 | 125 | 102 | 63 | 90  | 30,5 | 12 | 34,5 | 60   |
| ○ <b>86003</b> ● <b>86003B</b> | UCT 207 | 35 | 76 | 125 | 102 | 63 | 90  | 30,5 | 12 | 34,5 | 62   |
| ○ <b>86004</b> ● <b>86004B</b> | UCT 208 | 40 | 85 | 140 | 114 | 80 | 102 | 33,5 | 16 | 38,5 | 70   |

Cap needs to be order separately | More accessories available at Pag 556

## NEW 898 Coperchio di sicurezza aperto Open clip-on safety cap / Offene Schutzkappe

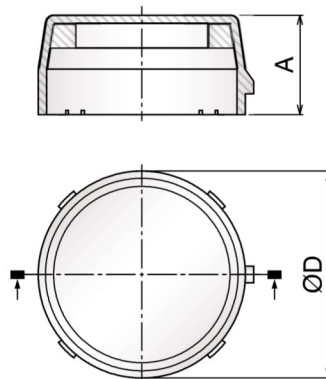
Delivery: **Easy** **Standard**



| Color/Article-Nr. | ØD | Ød | A  |
|-------------------|----|----|----|
| ○ 89851           | 50 | 20 | 23 |
| ● 89851B          | 50 | 20 | 23 |
| ○ 89852           | 55 | 25 | 25 |
| ● 89852B          | 55 | 25 | 25 |
| ○ 89853           | 64 | 30 | 30 |
| ● 89853B          | 64 | 30 | 30 |
| ○ 89854           | 73 | 35 | 32 |
| ● 89854B          | 73 | 35 | 32 |
| ○ 89855           | 84 | 40 | 38 |
| ● 89855B          | 84 | 40 | 38 |

## NEW 898 Coperchio di sicurezza chiuso Closed clip-on safety cap / Geschlossene Schutzkappe

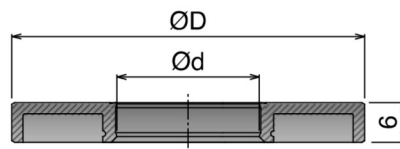
Delivery: **Easy** **Standard**



| Color/Article-Nr. | ØD | A  |
|-------------------|----|----|
| ○ 89801           | 50 | 23 |
| ● 89801B          | 50 | 23 |
| ○ 89802           | 55 | 25 |
| ● 89802B          | 55 | 25 |
| ○ 89803           | 64 | 30 |
| ● 89803B          | 64 | 30 |
| ○ 89804           | 73 | 32 |
| ● 89804B          | 73 | 32 |
| ○ 89805           | 84 | 38 |
| ● 89805B          | 84 | 38 |

## NEW 897 Anello di tenuta Sealing ring / Dichtringe

Delivery: **Easy** **Standard**



| Color/Article-Nr. | ØD | Ød |
|-------------------|----|----|
| ○ 89701           | 52 | 20 |
| ● 89701B          | 52 | 20 |
| ○ 89702           | 62 | 25 |
| ● 89702B          | 62 | 25 |
| ○ 89703           | 72 | 30 |
| ● 89703B          | 72 | 30 |
| ○ 89704           | 82 | 35 |
| ● 89704B          | 82 | 35 |
| ○ 89705           | 88 | 40 |
| ● 89705B          | 88 | 40 |