

K8G□BRH(Hollow Shaft type)

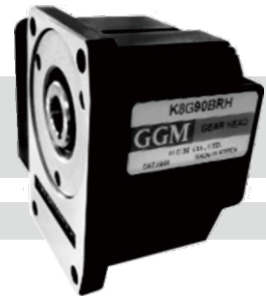
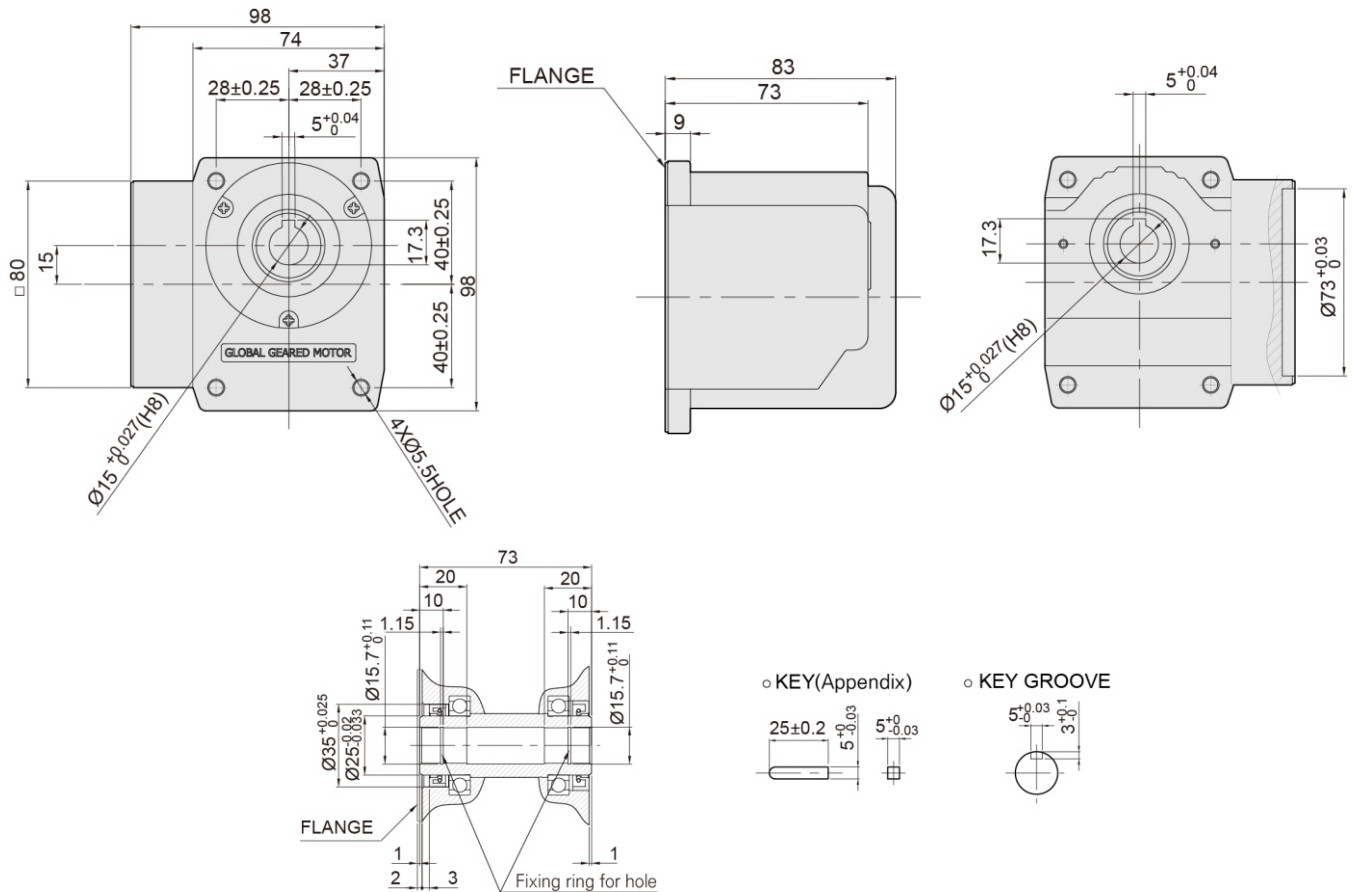


Diagram and general contents

Outline Drawing



RATED TORQUE OF GEARHEAD

● INDUCTION MOTOR / 50Hz

Unit = above : N · m / below : kgfcm

Model	Speed(rpm)	500	416	300	250	200	166	120	100	83	60	50	42	30	25	20	17	15	12.5	10	8.3
Motor/Gearhead	Ratio	3	3.6	5	6	7.5	9	12.5	15	18	25	30	36	50	60	75	90	100	120	150	180
K8I□25N□(-T,-T5) / K8G□BRH		0.22	0.27	0.37	0.44	0.69	0.83	1.39	1.67	2.00	2.78	3.33	4.00	5.55	6.66	8	8	8	8	8	8
		2.2	2.7	3.7	4.4	6.9	8.3	13.9	16.7	20	27.8	33.3	40	55.5	66.6	80	80	80	80	80	80

● INDUCTION MOTOR / 60Hz

Unit = above : N · m / below : kgfcm

Model	Speed(rpm)	600	500	360	300	240	200	144	120	100	72	60	50	36	30	24	20	18	15.0	12	10.0
Motor/Gearhead	Ratio	3	3.6	5	6	7.5	9	12.5	15	18	25	30	36	50	60	75	90	100	120	150	180
K8I□25N□(-T,-T5) / K8G□BRH		0.19	0.22	0.31	0.37	0.58	0.70	1.16	1.40	1.67	2.33	2.79	3.35	4.65	5.58	8	8	8	8	8	8
		1.9	2.2	3.1	3.7	5.8	7.0	11.6	14.0	17	23.3	27.9	33	46.5	55.8	80	80	80	80	80	80

- * The code in □ of gearhead model is for gear ratio.
- * Output shaft of the geared motor rotates in the opposite direction of the motor. Others indicate rotation in the opposite direction.
- * RPM is based on motor's synchronous rpm (50HZ:1500rpm, 60HZ:1800rpm) and calculated by dividing gear ratio. Actual rpm is 2~20% less than indicating rpm according to load size.
- * Output torque become smaller during starting than rated because of low transferring efficiency.

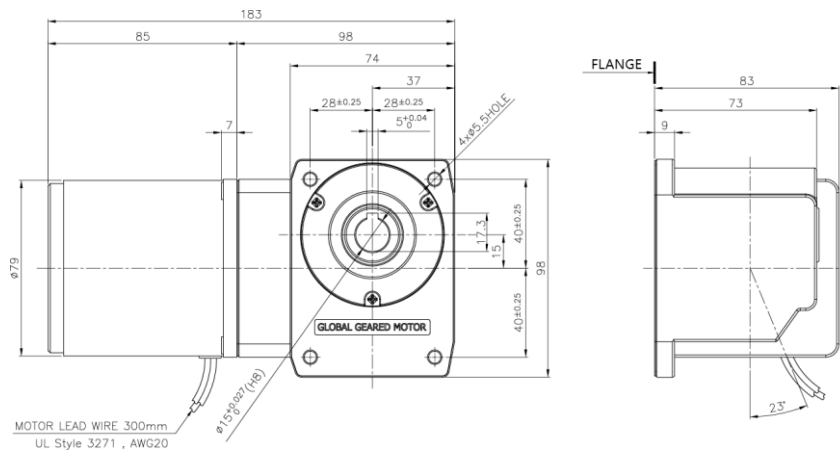
K8G□BRH(Hollow Shaft type)

DIMENSIONS

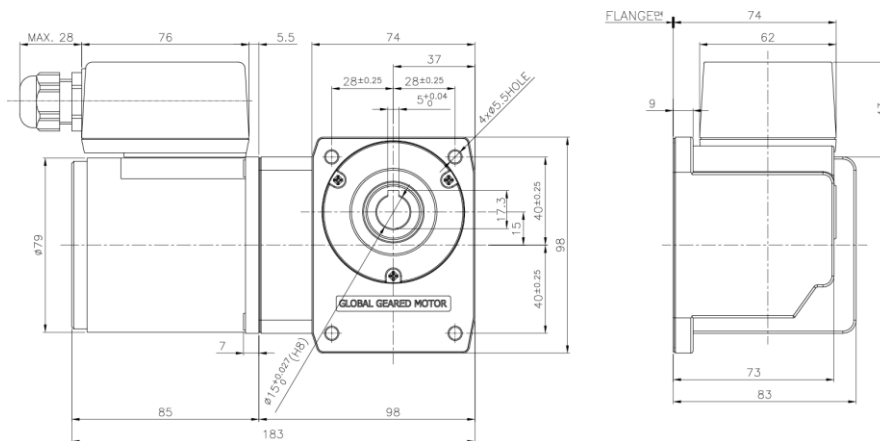
RATED TORQUE A WEIGHT

PART		WEIGHT(kg)	MOUNTING BOLT
GEAR HEAD		1.60	M5 P0.8 X 15
MOTOR	K8IG25N□	1.58	/
	K8IG25N□-T	1.76	
	K8IG25N□-T5	1.76	

K8□G25N□+K8G□BRH



K8□G25N□-T+K8G□BRH



K8□G25N□-T5+K8G□BRH

