

Rotary Dampers

high-torque range (360°)

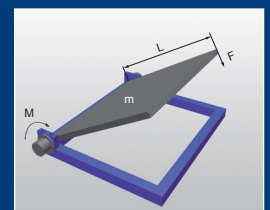
WRD-HK 3515

WRD-HK 5550

WRD-HK 10060



ONLINE
Calculation and
2D / 3D CAD Download



Benefits

Material:

- Aluminium and steel

Applications:

- Mechanical and plant engineering
- Vendingmachines, Counters
- Car industry and sanitary industry

RoHS-conform:

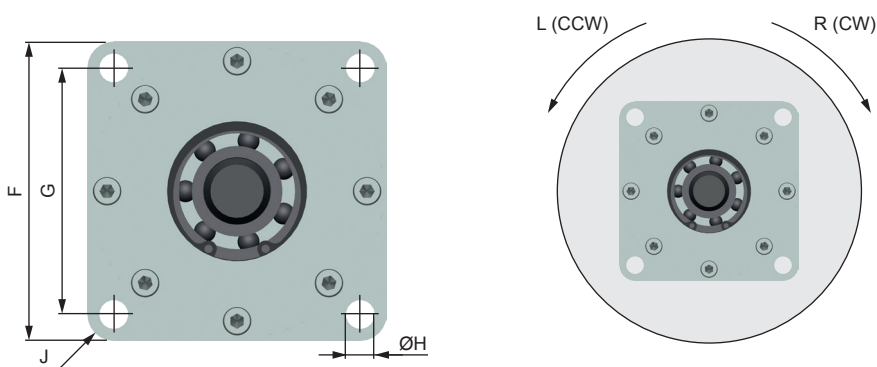
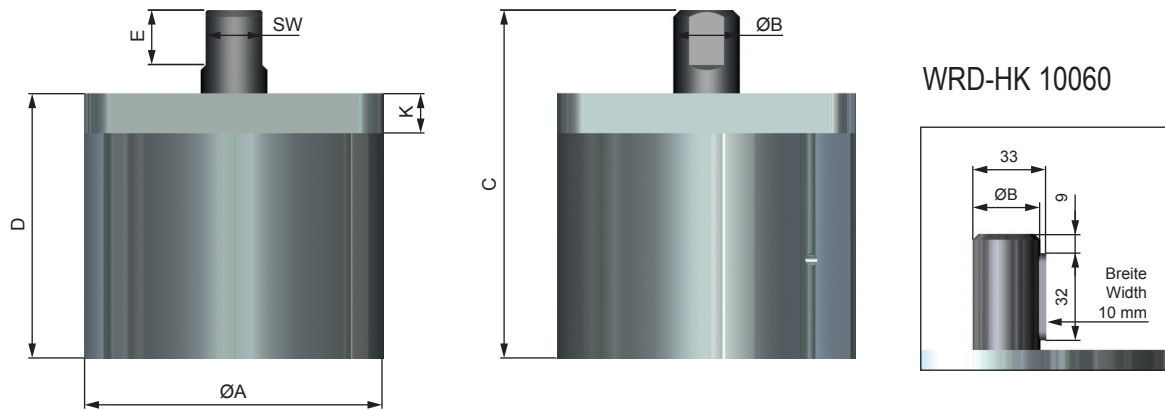
- Directive 2002/95/EC

Temperature:

- Standard: -10°C - +60°C

Deceleration:

- Controlled damping with rotary movements
- Torques up to 110 Nm
- clockwise or counter-clockwise
- Adjustable



R (CW)*	L (CCW)*	M* max. (Nm)	M* min. (Nm)	M* Reverse Running L/R	Rotational speed	Material	Weight
WRD-HK 3515-R	WRD-HK 3515-L	8	1	0,5 - 1,0	30 U/min (rpm) max.	Aluminium / Stahl	270 g
WRD-HK 5550-R	WRD-HK 5550-L	40	5	1,0 - 3,0			1950 g
WRD-HK 10060-R	WRD-HK 10060-L	110	10	5,0 - 7,0			7400 g

	ØA	ØB	C	D	E	F	G	ØH	J	K	SW
WRD-HK 3515	45	10 f7	60	45	10	47	38	5,5	2,5	10	8
WRD-HK 5550	90	20 f7	105	80	16,5	90	74	8,5	8,0	12	17
WRD-HK 10060	150	30 f7	160	110	-	150	126	13	10	20	-

* R (CW): Clockwise
 L (CCW): Counter-clockwise
 C: Clockwise and counter-clockwise
 M: Torque

Important Information

Rotary dampers can not be used as end stop; external stop must be provided before the end of the stroke.

Temperature

WRD-HK: -10 °C - +60 °C

Reference temperature for all technical information: 20°C

At a higher temperatures the energy absorption or torque is reduced.

Fix the rotary damper at the intended bores and flats. It is not allowed to loaded rotary dampers in a static way or to fix them by welding.

Rotary damper can not be used with aggressive fluids. Exception

Adjustment

The series WRD-HK is adjustable. If the damping is too weak during the test run, turn the adjusting screw clockwise (+). If the damping is too hard, turn counter-clockwise (-).

If the adjustment is not sufficient in an end position contact Weforma.

Fundamentals

Rotary dampers may under no circumstances be:

-painted



-welded



-held with clamps



The products must be protected against contamination, fluids and air pressure. We offer special solutions for these applications. When rotary dampers are used parallel the size of the model and the used degree of hardness / used adjustment has to be the same. The load has to be distributed equally. When a shock absorber is used for an emergency case, an external end stop must be provided. If the absorption should be insufficient, please contact Weforma or the respective representation. You will find further technical informations to the series in our catalogue.