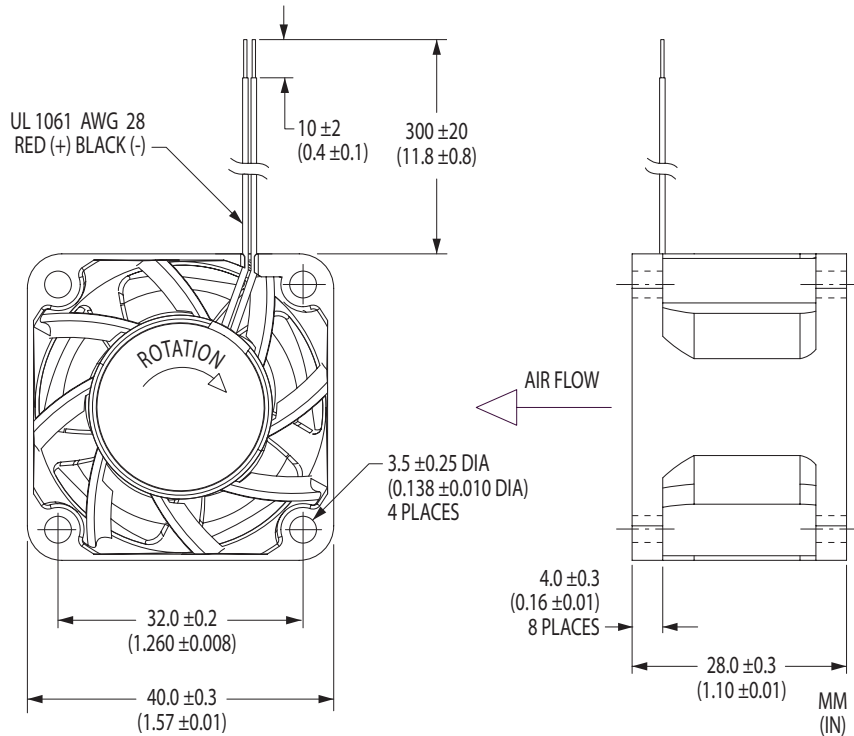


40x28mm



V40S Series

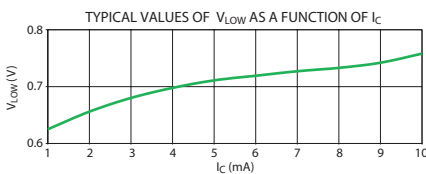
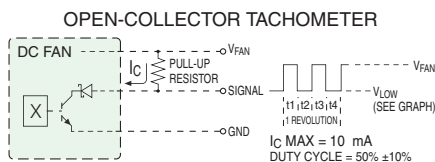
- ✓ Free-Running and Feedback-Governed, Speed-Stable Models
- ✓ Air Delivery to 24 CFM, 1.6 inwg
- ✓ Wide Variety of Monitor and Control Options
- ✓ Open-Flange Housing
- ✓ Permanently Lubricated Dual Ball Bearings



Vane Axial Cooling Fans

Model	Max. Static Air Flow (CFM)	Static Pressure (inwg)	Operating Voltage		Operating Current (A)	Input Power (W)	Fan Speed (rpm)	Sound Pressure (dBA)	Operating Temp.		L10 Life† (hours)
			Nominal (V)	Range (V)					Min. (°C)	Max. (°C)	
Speed-Stable											
V40S12BUA5-01	24	1.61	12	7.0-13.8	0.55	6.6	16000	52.1	-10	+70	50,000
V40S12BGA5-01	21	1.23	12	7.0-13.8	0.40	4.8	14500	51.0	-10	+70	—
Free-Running											
V40S12BUA5-51	24	1.47	12	7.0-13.8	0.55	6.6	16000	52.1	-10	+70	50,000
V40S12BGA5-51	21	1.23	12	7.0-13.8	0.40	4.8	14500	51.0	-10	+70	—
V40S12BHA5-51	15	0.58	12	7.0-13.8	0.17	2.0	10000	40.0	-10	+70	—
V40S12BMA5-51	11	0.41	12	7.0-13.8	0.14	1.7	8500	34.5	-10	+70	—

Air flow, current, speed and sound pressure ratings are at nominal operating voltage and zero static pressure. Current and power ratings are average expected values under those conditions. † L10 bearing life expectancy at $T_A = +40^\circ\text{C}$. © UltraFlo is a registered trademark of Nidec Corporation.



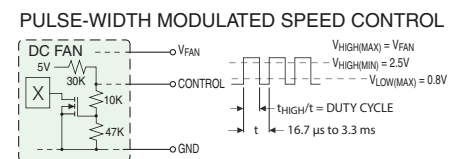
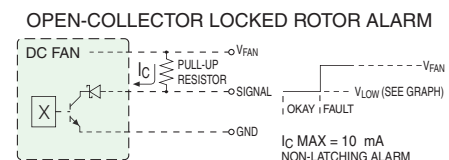
To specify an open-collector tachometer circuit (two square wave pulses per revolution, 50 percent duty cycle) terminated in a third lead wire, change the model name suffix from "01" to "02" or from "51" to "52."

For an open-collector, low-pass/high-fail locked rotor alarm circuit terminated in a third lead wire, change numerals in the model name suffix to "03" or "53."

Pulse-width modulated speed control for speed-stable models is designated by the suffix "06." For PWM-controlled, free-running fans, use the suffix "56."

Pulse-width modulated speed control and an open-collector tach are specified by the model name suffix "07" (speed-stable fans) or "57" (free-running fans).

PWM speed control and an open-collector, low-pass/high-fail locked rotor alarm are specified by changing the model name suffix from "01" to "08" or from "51" to "58."



All for dreams



V40S Series

