

# DC PARKY III

## 6.78dia.X2 (172dia.X51)

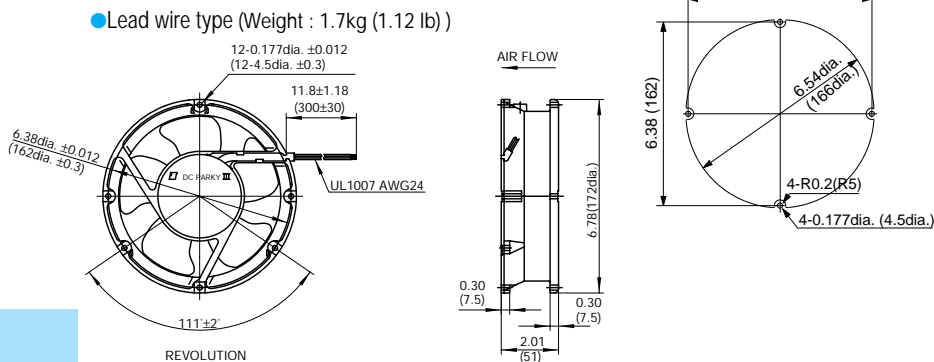


PADC series



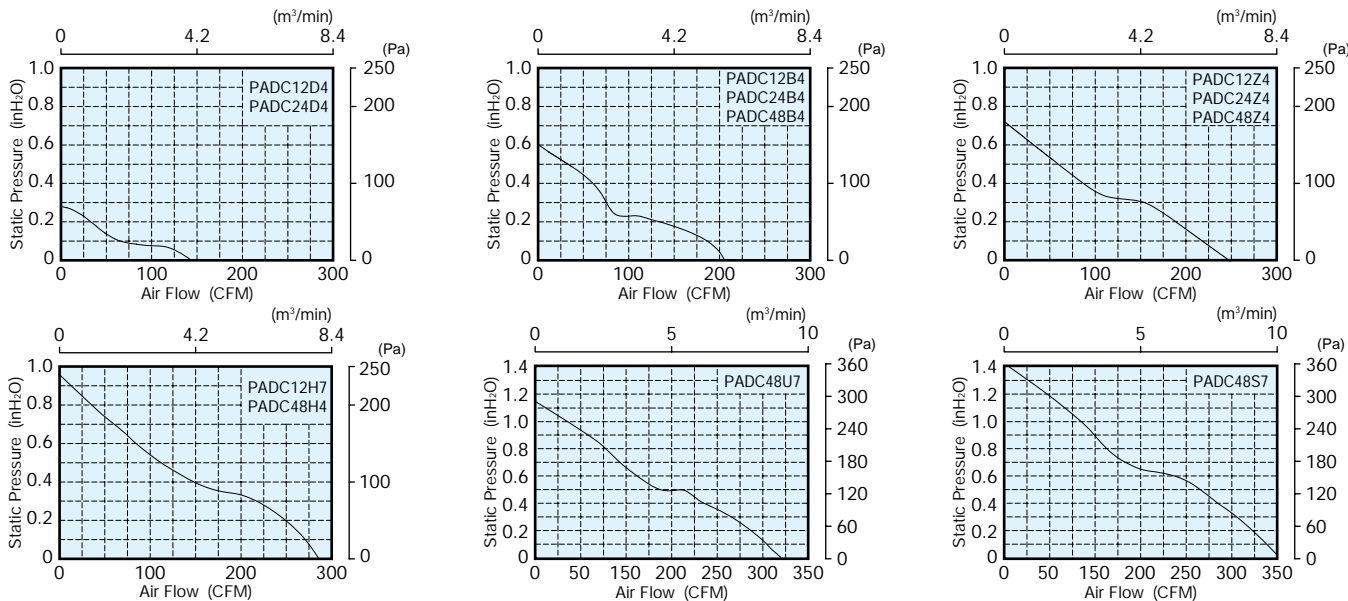
Leads Specification : UL 1007 AWG24

### DIMENSIONS : inch (mm)



● Hole cutting size. (For reference)  
 (Both of inlet and outlet)

### AIR PERFORMANCE



Standard Fan

### SPECIFICATION

Max. air flow		Max. static pressure			Noise	Speed	Input	Voltage		Current	Model code	Operating temperature	
m <sup>3</sup> /min	CFM	Pa	mmH <sub>2</sub> O	inH <sub>2</sub> O				dB(A)	r/min			W	V
10.2	360	360	36.7	1.44	62	4800	49	48	40.8 - 55.2	990	PADC48S7	-20 ~ +60	-4 ~ +158
9	318	290	29.6	1.16	59	4200	33.6	48	40.8 - 55.2	700	PADC48U7		
8	282	235	24	0.94	55	3800	30	12	8.4 - 13.8	2500	PADC12H7		
							25.2	24	12 - 27.6	1050	PADC24H7		
							28.8	48	40.8 - 55.2	600	PADC48H4		
6.8	240	176	18	0.71	50	3200	19	12	8.4 - 13.8	1500	PADC12Z4		
							24	12 - 27.6	790	PADC24Z4			
							48	28.8 - 55.2	400	PADC48Z4			
5.8	205	152	15.5	0.61	46	2800	13	12	8.4 - 13.8	1080	PADC12B4		
							24	12 - 27.6	540	PADC24B4			
							48	28.8 - 55.2	270	PADC48B4			
4.2	148	69	7	0.28	39	2000	5	12	8.4 - 13.8	420	PADC12D4		
							24	12 - 27.6	210	PADC24D4			