

DC Axial Fan  
Fixed Blade Type  
**G1238B**



□ 119 × 38 (□ 4.69" × 1.5")  
Max. airflow : 7.4 m<sup>3</sup>/min  
Max. static pressure : 520 Pa  
Mass : 480 g

**Fan model code**

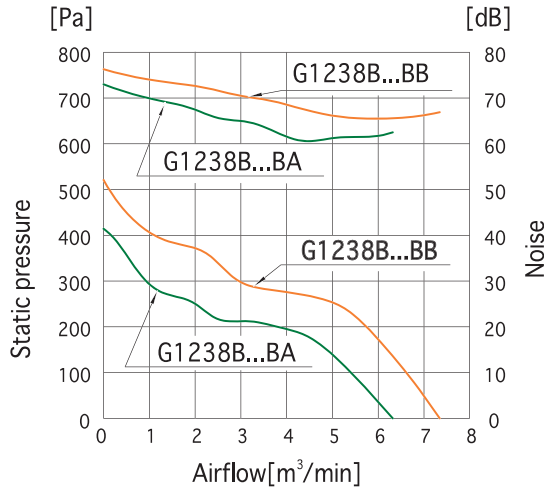
- G1238B12BBZP-00
- G1238B24BBZP-00
- G1238B48BBZP-00
- G1238B12BAZP-00
- G1238B24BAZP-00
- G1238B48BAZP-00

## Standard specification

Max. airflow		Max. static pressure		Noise dB	Speed min <sup>-1</sup>		Input W	Voltage spec. V		Current mA		Model code	Operating temp. range °C
m <sup>3</sup> /min	CFM	Pa	inH <sub>2</sub> O		Max.	Min.		Rating	Operating Range	Rating	Starting		
7.4	261	520	2.09	67	6300	1000	53.4	12	9.6-13.8	4450	6100	G1238B12BBZP-00	-20 ~ +60
							52.8	24	16.8-27.6	2200	3100	G1238B24BBZP-00	
							52.8	48	36-55.2	1100	1600	G1238B48BBZP-00	
6.3	223	415	1.67	64	5300	1000	33.6	12	9.6-13.8	2800	3900	G1238B12BAZP-00	-20 ~ +70
							31.2	24	16.8-27.6	1300	2000	G1238B24BAZP-00	
							31.7	48	36-55.2	660	970	G1238B48BAZP-00	

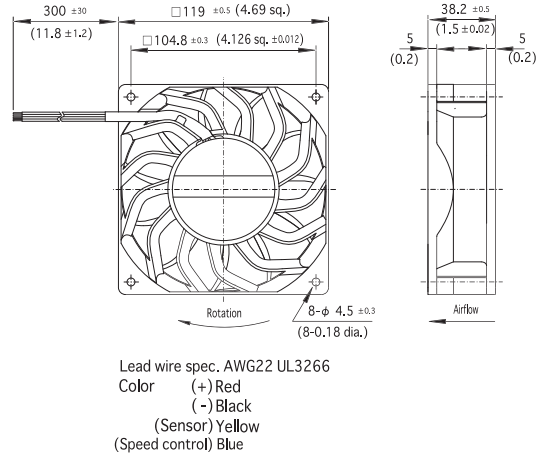
● Figures in the table are average measured values. Please request the product delivery specification when preparing a purchase specification.  
● The characteristics are the values at rated voltage (12 V, 24 V, 48 V), and normal temperature and humidity.

## Standard airflow and static pressure characteristics (At rated voltage)

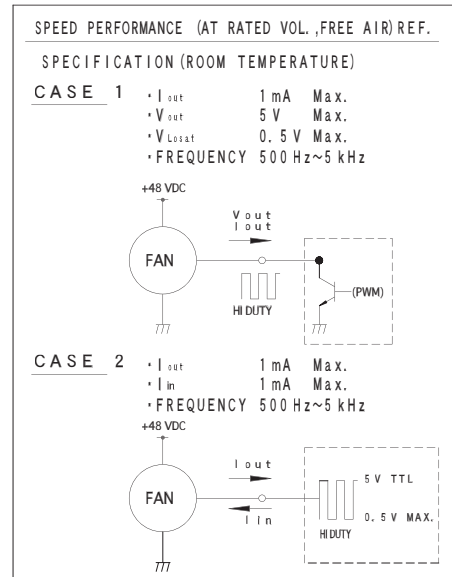
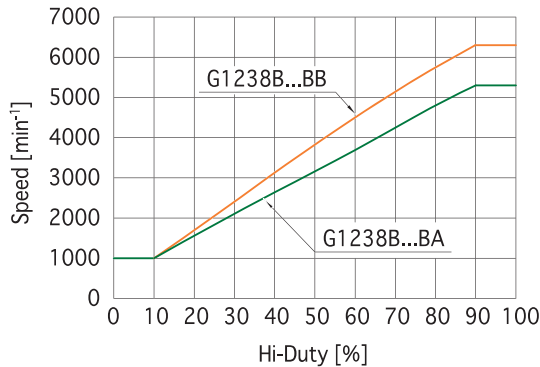


## External dimensions in mm (inches)

### Lead wire type



## PWM speed control specification

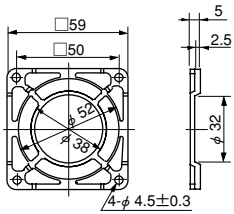


For cooling and/or ventilating in electronic cabinets which have high resistance to air flow (system impedance). The G1238 is designed using a digital analysis system to maximize cooling efficiency and minimize noise during operation. Uniquely formed fixed blades designed by digital engineering:

- Controls spread of air stream.
- When two G1238 fans are stacked, the static pressure is almost doubled.
- It is suitable for use in highly reliable/redundant designs; the trend of cooling systems.

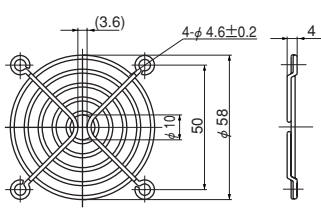
● To ensure correct installation and smooth operation please obtain a drawing for approval or reference drawing from Japan Servo Co.

F60P Guard (Mass 4 g)



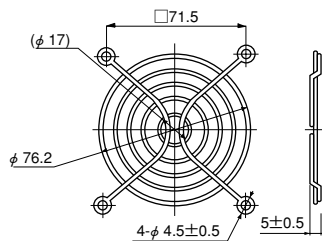
Material: Polycarbonate (black)  
UL94V-2

F60UL Guard (Mass 12 g)



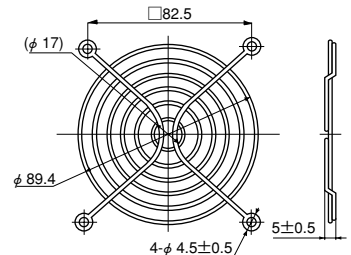
Material: Mild steel wire 1.6 dia.  
Surface treatment:  
Nickel chromium plating

F80UL Guard (Mass 14 g)



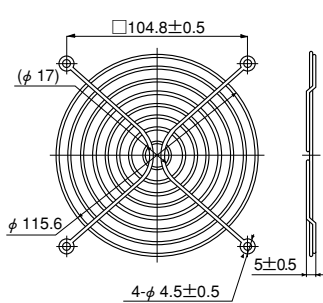
Material: Mild steel wire 1.6 dia.  
Surface treatment:  
Nickel chromium plating

F92UL Guard (Mass 16 g)



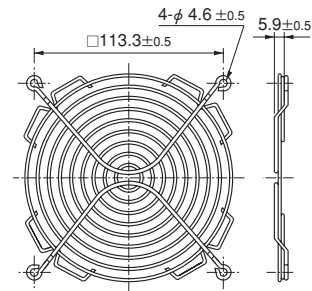
Material: Mild steel wire 1.6 dia.  
Surface treatment:  
Nickel chromium plating

F120UL Guard (Mass 29 g)



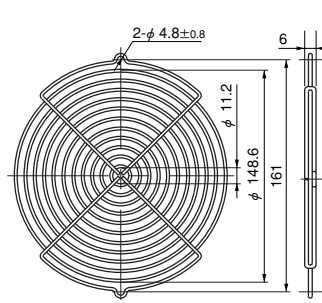
Material: Mild steel wire 1.6 dia.  
Surface treatment:  
Nickel chromium plating

F127UL Guard



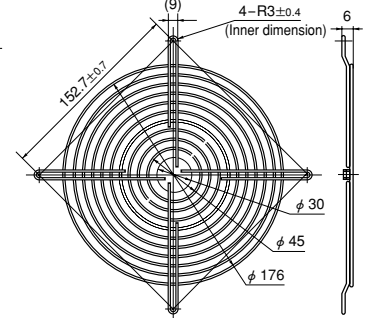
Material: Mild steel wire 1.6 dia.  
Surface treatment:  
Nickel chromium plating

GUARD 172



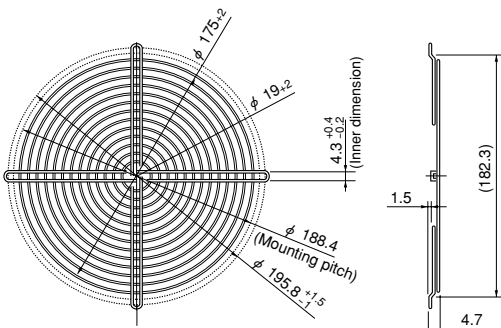
Material: Mild steel wire 2 dia.  
Surface treatment:  
Nickel chromium plating

F180UL Guard



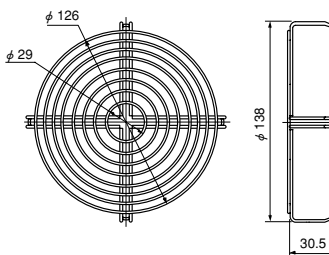
Material: Mild steel wire 1.6 dia.  
Surface treatment:  
Nickel chromium plating

F200UL Guard (Mass 82 g)



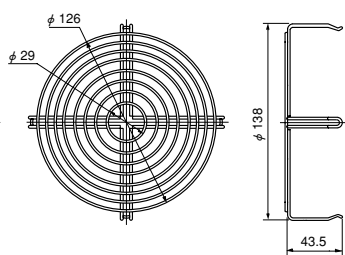
Material: Mild steel wire 1.6 dia.  
Surface treatment:  
Nickel chromium plating

SCU Guard (Mass 50 g)



Material: Mild steel wire 1.6 dia.  
Surface treatment:  
Nickel chromium plating

SCN Guard (Mass 55 g)



Material: Mild steel wire 1.6 dia.  
Surface treatment:  
Nickel chromium plating

• Guard special for intake side of SCUD (metal venturi) fans.

• Guard special for intake side of SCND (metal venturi) fans.

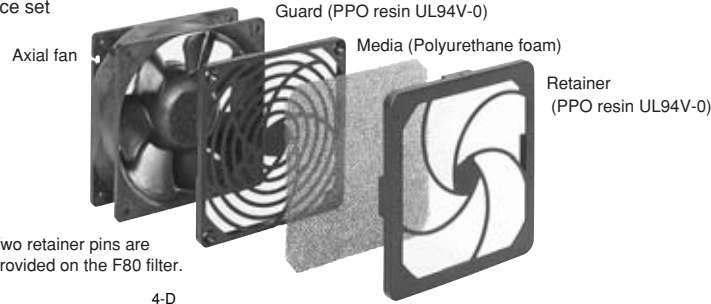
List of mating fan series

Guard	F60P	F60UL	F80UL	F92UL	F120UL	F127UL	GUARD 172	F180UL	F200UL	SCN	SCU
SCU					○*1						○*2
SCN					○*1					○*2	
VE			○								
WE				○							
KA				○							
CU					○						
CN					○						
MA							○				
PA							○				
PL								○			
SKUD				○							
SKLD				○							
SCUD					○*1						○*2
SCND					○*1					○*2	
SCUDM					○						
SCNDM					○						
TUDC	○	○									
PUDC			○								
KUDC				○							
KLDC				○							
CUDC					○						
CNDC					○						
D1238					○						
D1338						○					
MADC							○				
PADC							○				
G1751							○				
SADC								○			

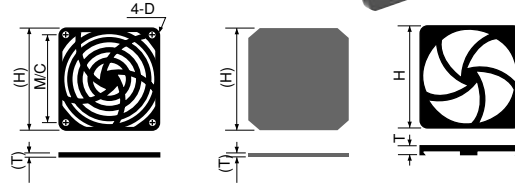
\*1: Can be installed only on outlet side. \*2: Can be installed only on intake side.  
All guards conform to the UL standard when combined with Japan Servo fans.  
The installation of a filter, guard and other accessories will constitute a ventilating load, reducing the airflow. Select a suitable guard, taking into consideration the increase in air resistance. (See Figs. 12 and 13 on page G-7.)

**Filter**

3-piece set



Note: Two retainer pins are provided on the F80 filter.



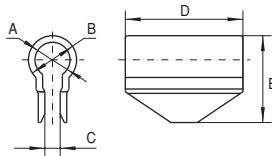
List of mating fan series

Filter	F80	F92	F120
DC Axial Fans	SKUD	○	
	SKLD	○	
	SCUDM		○
	SCNDM		○
	KUDC	○	
	PUDC	○	
	KLDC	○	
	CUDC		○
	CNDH		○
	D1238		○

Filter	F80	F92	F120	
AC Axial Fans	VE	○		
	WE		○	
	KA		○	
	CU			○
	CN			○

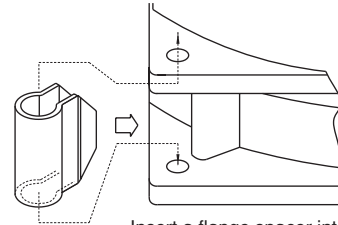
Component (Model Code)	H	T	M/C	D
F80 Filter	83.6	10	71.5	φ 3.8
F92 Filter	96.5	10	82.5	φ 3.8
F120 Filter	123.7	10.7	104.8	φ 4.6

**Flange spacer**



Component (Model Code)	A mm	B mm	C mm	D mm	E mm	Mating Model Code
Flange Spacer PUDC (※)	5	8	2	17	14.5	KUDC,PUDC
Flange Spacer CUDC (※)	8	11	3.5	15	19.8	CUDC
Flange Spacer CNDC	8	11	3.5	28	19.8	CNDC

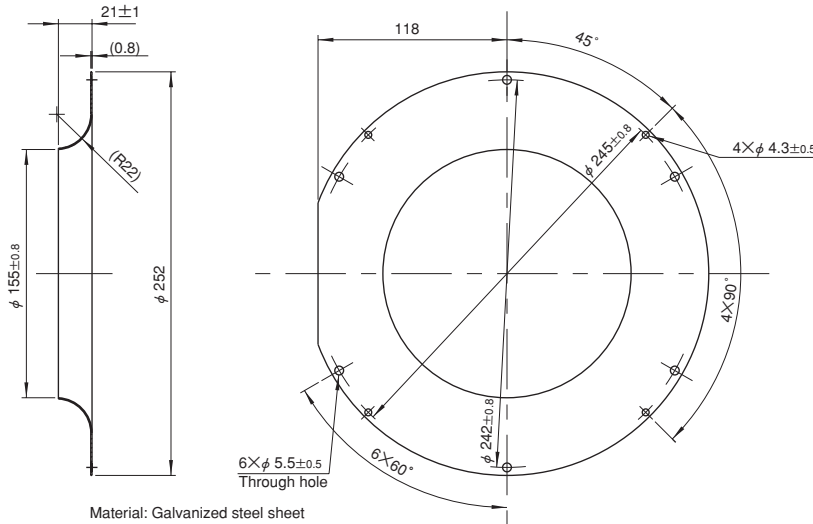
※Ribbed venturis (PUDC-R, CUDC-R) are available for PUDC and CUDC.



Insert a flange spacer into the ribs of a venturi.

(Installing a flange spacer)

**Inlet ring**



Material: Galvanized steel sheet

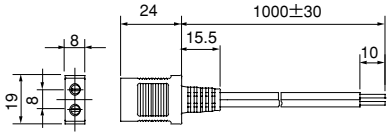
Component (Model Code)	Mating Model Code
E2271 Inlet ring	E2271Z

## Plug cords for AC fans

(Common specification: Rated 3 A, voltage 250 V, dielectric strength 1 minute at 1500 V 50 Hz)

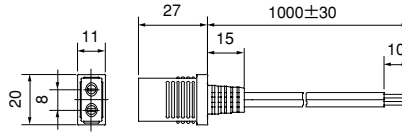
### D2P1 cord (Mass 35 g)

Certified under the Electrical Appliance and Material Safety Law (Japan) (<PS>E mark approved)  
Cord 0.18 dia. 30 conductors Black, heat resistant vinyl



### UL2P1 cord (Mass 41 g)

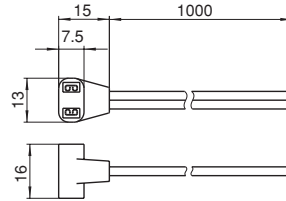
UL standard product (UL file No. E78112)  
Cord 0.16 dia. 41 conductors Black, heat resistant vinyl



\* UL2P2 cord with 2m length also available.

### T2P1 cord

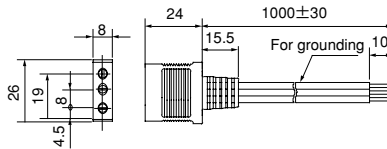
For wiring inside equipment  
Cord 0.18 dia. 30 conductors Black, heat resistant vinyl



### D3P1 cord (Mass 59 g)

Certified under the Electrical Appliance and Material Safety Law (Japan) (<PS>E mark approved)  
Cord:

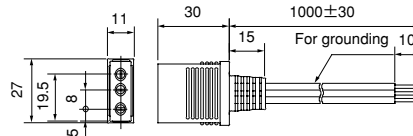
For power feeding 0.18 dia. 30 conductors Black, heat resistant vinyl  
For grounding 0.18 dia. 50 conductors Black, heat resistant vinyl



### UL3P1 cord (Mass 60 g)

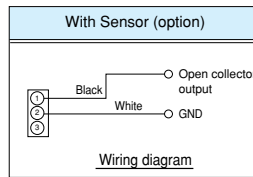
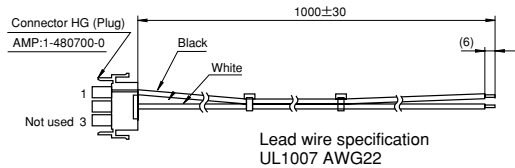
UL standard product (UL file No. E78112)  
Cord:

For power feeding 0.16 dia. 41 conductors Black, heat resistant vinyl  
For grounding AWG18 green/yellow spiral, heat resistant vinyl

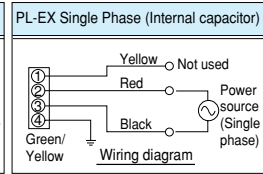
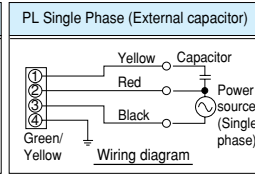
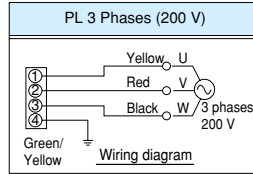
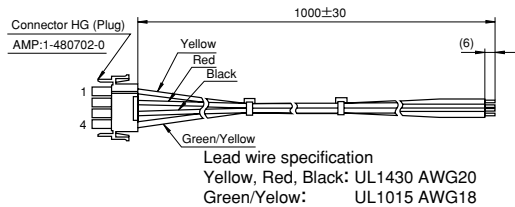


\* UL3P2 cord with 2 m length also available.

### PL sensor 1 cord



### PL4P1 cord



## List of mating fan series

Cord	T2P1	D2P1	D3P1	UL2P1	UL3P1	PL4P1	PL sensor
WE	○	○		○			
KA	○	○		○			
CU	○	○		○			
CN (2 terminals)	○	○		○			
CN (3 terminals)					○		
MA	○	○		○			
PA	○	○		○			
PL						○	○

## Plug cords for DC fans

### DCLD030ST-ZZ01 (S sensor output cord)



### DCLD030PT-ZZ01 (P sensor output cord)



• Lead wire ends are sheathed to protect conductors. (Sheath peeling dimension 10±5)

Component (Model Code)	Mating Model Code
DCLD030ST-ZZ01	E1033H□□B□AM-04
DCLD030PT-ZZ01	

DC axial fans & blowers with sensors

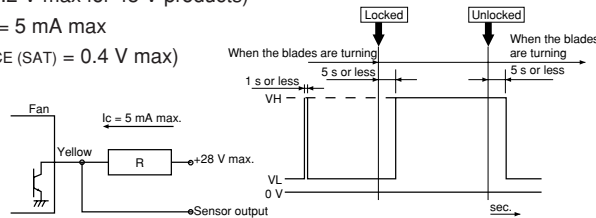
The DC fans and blowers of Japan Servo have a function to send an alarm signal when the fan motor revolutions slow down. Several systems are used to cut off the system power supply by this alarm signal, with three types of sensors available. Select the right type of sensor in accordance with the purpose of use. The lead wire for the sensor is yellow. The output type is an open collector output for all three types.

■ Sensor type

1. Lock detection type (Product code: S)

The output signal indicates an [L] state (transistor is ON) while the propeller is rotating, changing to an [H] state (transistor is OFF) less than five seconds after the propeller stops rotating. The propeller automatically restarts operation within five seconds when the lock is unlocked. ([H] → [L] 5 s). If the pull-up voltage is live, the [H] state (transistor is OFF) will engage in less than five seconds, even when the power is turned off.

- Specification:  $V_{CE} = 28\text{ V max}$  (55.2 V max for 48 V products)  
 $I_C = 5\text{ mA max}$   
( $V_{CE(SAT)} = 0.4\text{ V max}$ )
- Output waveform

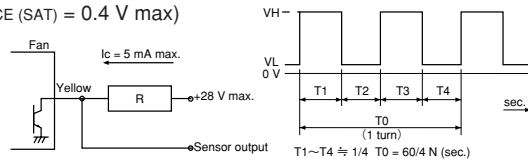


※When the power is turned on, the state sometimes becomes high [H] for several hundred ms.

2. Pulse output type (Product code: P)

A rectangular wave of two pulses will be output for each turn of the propeller while the propeller is rotating, outputting two types of signal depending on the propeller position when the propeller is locked. (See the note below ※)

- Specification:  $V_{CE} = 28\text{ V max}$  (55.2 V max for 48 V products)  
 $I_C = 5\text{ mA max}$   
( $V_{CE(SAT)} = 0.4\text{ V max}$ )
- Output waveform



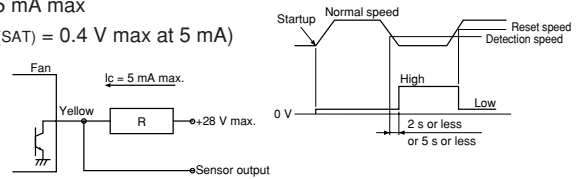
※Output signal waveform when the fan is stopped: The following two types of waveform are output, depending on the blade position when the propeller is stopped:  
Pulse outputs of High - constant or restart timing (0.05 Hz to 2 Hz).

3. Speed detection type (Product code: Q)

The output signal indicates the [H] state when the propeller revolutions are slower than the preset speed, changing to the [L] state when the propeller revolutions exceed the reset speed.

[Products with a reversed output waveform are also available, suitable for a wired OR connection when several fans are installed. Contact Japan Servo for further information. {Former code: SQ, new code (15 - digit code products): R}]

- Specification:  $V_{CE} = 28\text{ V max}$  (55.2 V max for 48 V products)  
 $I_C = 5\text{ mA max}$   
( $V_{CE(SAT)} = 0.4\text{ V max at } 5\text{ mA}$ )
- Output waveform



Note: The output waveform for type SQ (R) will be reversed. The speed setting for the alarm output is about half the rated speed. For more detailed information, please request a product delivery specification from Japan Servo.

AC fans with sensors

By equipping the motor with a rotation detection function, the AC fans of Japan Servo have a system to send an alarm signal when the fan motor revolutions slow down and to cut off the system power supply. In 1980, Japan Servo developed a system to output an alarm signal by detecting the lowering of generated voltage by installing a tachometer generator with the cooling fan and this system has since been incorporated in Japan Servo products. The output type of the alarm signal is an open collector output.

■ Sensor specification

Type	Tachometer generator type			
Sensor output operation	Open collector transistor, permissible sync Current: 50 mA max. Permissible imposed voltage: DC 40 V max. Permissible power consumption: 1.5 W max. (at 25 °C)			
Sensor output operation	AC power supply	Speed	Output transistor operation	Output state
	OFF		OPEN	HIGH (Abnormal)
	ON	Below detection speed	OPEN	HIGH (Abnormal)
	ON	Above detection speed	CLOSE	LOW (Normal)
Detection speed RD	1500 ~ 2200 rpm			
Detection delay time TD	2 s or less 17 Type			
Type	Standard speed			
Insulation resistance	10 M Ω or higher by a DC 500 V: Between the sensor lead and venturi			
Dielectric strength	Between the sensor lead and venturi		No anomaly allowed after applying AC 500 V 50 Hz for 1 minute	

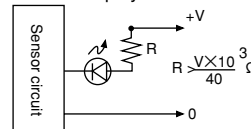
■ Operational and handling precautions

Operate fans and blowers at an ambient temperature of between -10 °C and 60 °C and relative humidity of less than 90 %. Latch output is not used so malfunction by electrical noise can be ruled out. However, note that the semiconductor devices in the internal circuitry may be damaged by electrical noise and high voltage. No delay circuit is provided so a trouble signal is output on startup. As when operating and handling the fan, exercise caution to avoid dropping and exposing the blower to shock and vibration.

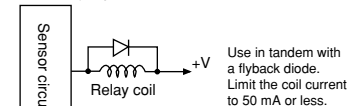
■ Sensor connection



1. LED Display



2. Relay operation



※ A sensor is available with the AS ad PL series only.