

DC TUBEAXIAL FAN

6.8"dia.X1" (172diaX25)

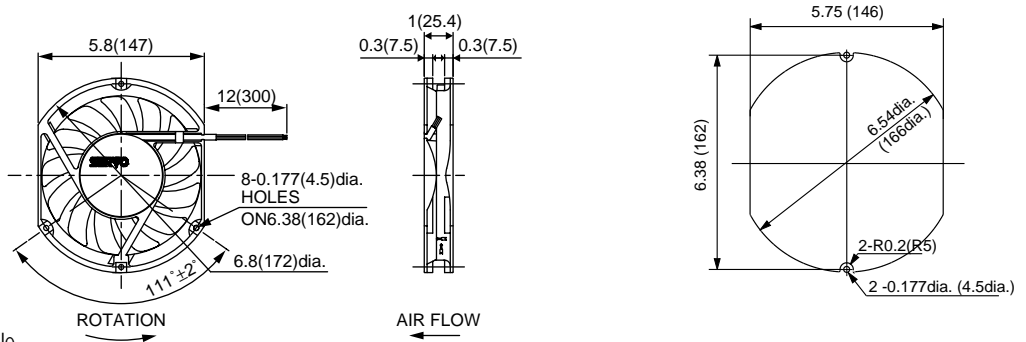


D1725M series



Leads specification : UL 1007 AWG24

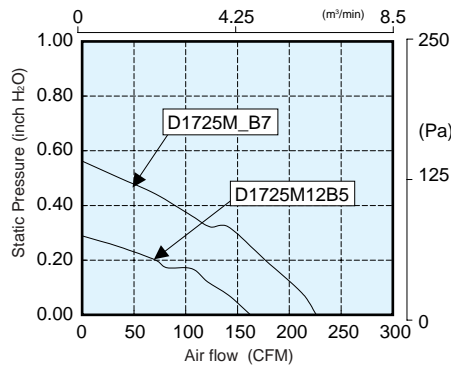
DIMENSIONS : inch (mm)



● Hole cutting size. (For reference)
(Both of inlet and outlet)

● Rotation monitor options
type 'P' :pulse output is available

AIR PERFORMANCE



SPECIFICATION

Max. air flow		Max. static pressure			Noise	Speed	Voltage		Current	Model code	Operating temperature	
m ³ /min	CFM	Pa	mmH ₂ O	inH ₂ O			dB(A)	r/min			V	range
5.2	184	86	8.8	0.35	51	2700	12	10.2 - 13.8	1.5	D1725M12B5AZ-00	-10~+60	14~ 140
6.4	226	130	13.3	0.52	57	3300	24	20.4 - 27.4	1.2	D1725M24B7AZ-00		
							48	40.8 - 55.2	0.62	D1725M48B7AZ-00		

Standard Fan