

# DC TUBEAXIAL FAN

5sq.X1.5 (127sq.X38)



D1338B series

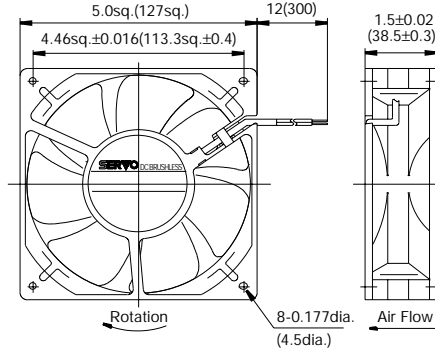


Finish of venturi  
 D1338Bxxx : not painted  
 D1338Exxx : painted black  
 Leads specification : UL 1007 AWG24

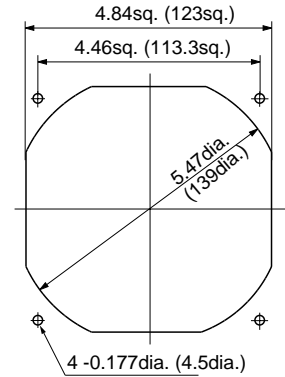
- High air flow, low power consumption
- Diecasted aluminum alloy venturi
- 60,000 hours at 60 deg. C life (L<sub>10</sub>) expectancy (100,000 hours at 40 deg. C)

## DIMENSIONS : inch (mm)

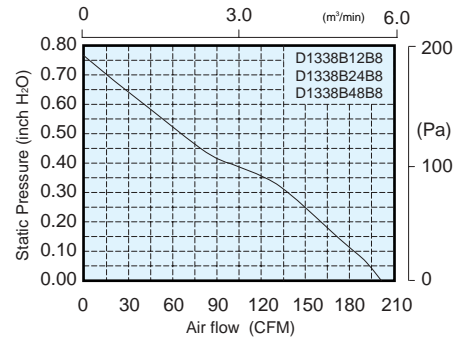
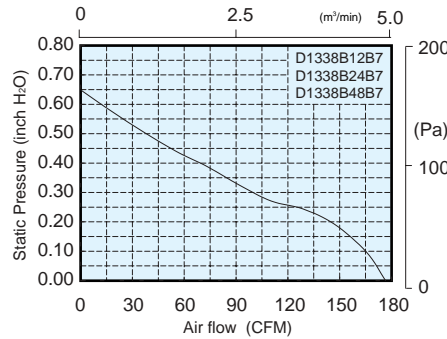
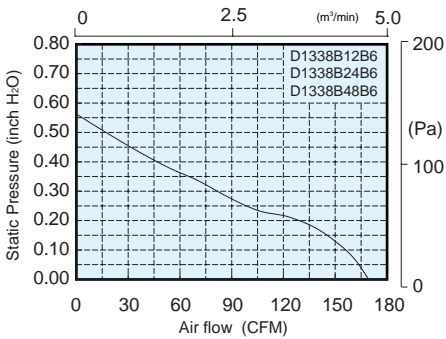
- Lead wire type (Weight : 410g (1.0 lb))



- Hole cutting size. (For reference)  
(Both of inlet and outlet)



## AIR PERFORMANCE



## SPECIFICATION

Max. air flow		Max. static pressure			Noise dB(A)	Speed r/min	Voltage		Current mA	Model code	Operating temperature			
m <sup>3</sup> /min	CFM	Pa	mmH <sub>2</sub> O	inH <sub>2</sub> O			V	range			deg. C	deg. F		
5.8	205	185	18.9	0.74	58	4500	12	8.4 - 13.8	1650	D1338B12B8AZ-00	-20~+70	-4~ +158		
							24	16.8 - 27.5					820	D1338B24B8AZ-00
							48	36 - 55.2						
5	176	150	15.3	0.6	54	3900	12	8.4 - 13.8	1350	D1338B12B7AZ-00	-20~+70	-4~ +158		
							24	16.8 - 27.6					650	D1338B24B7AZ-00
							48	36 - 55.2						
4.6	162	130	13.3	0.52	51	3400	12	8.4 - 13.8	1000	D1338B12B6AZ-00	-20~+70	-4~ +158		
							24	16.8 - 27.6					500	D1338B24B6AZ-00
							48	36 - 55.2						