

DC TUBEAXIAL FAN

4.7sq.X1.5 (120sq.X38)



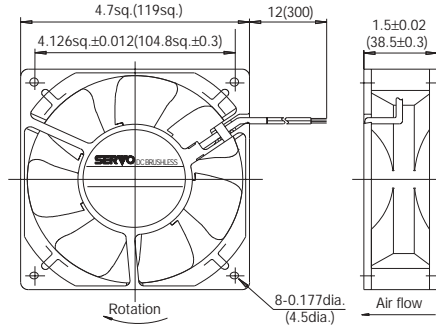
D1238B series



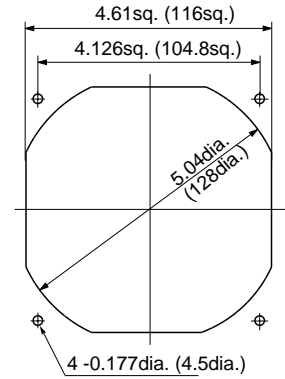
Finish of venturi
 D1238Bxxx : not painted
 D1238Exxx : painted black
 Leads specification : UL 1007 AWG24

DIMENSIONS : inch (mm)

● Lead wire type (Weight : 430g (0.95 lb))

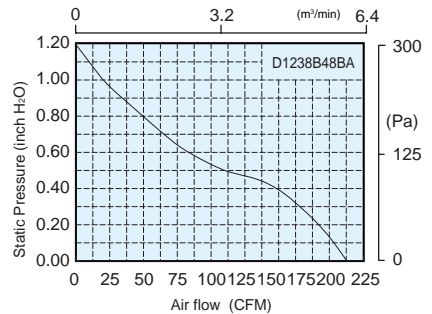
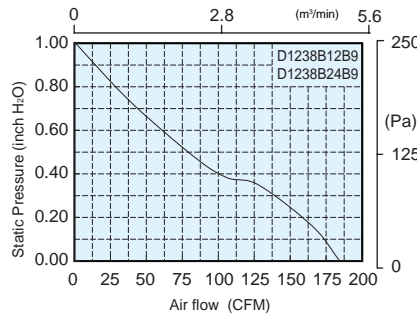
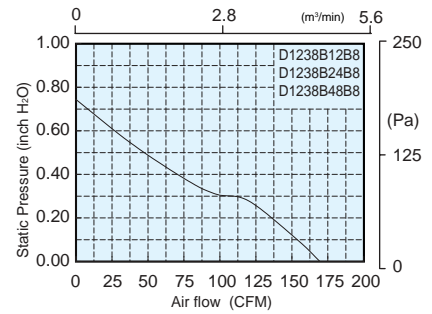
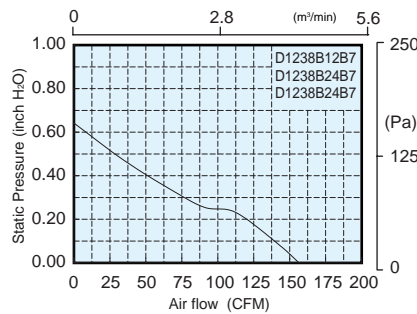


● Hole cutting size. (For reference)
 (Both of inlet and outlet)



- High air flow, low power consumption
- Diecasted aluminum alloy venturi
- 60,000 hours at 60 deg. C life (L₁₀) expectancy (100,000 hours at 40 deg. C)

AIR PERFORMANCE



SPECIFICATION

Max. air flow		Max. static pressure			Noise dB(A)	Speed r/min	Voltage		Current mA	Model code	Operating temperature	
m ³ /min	CFM	Pa	mmH ₂ O	inH ₂ O			V	range			deg. C	deg. F
6.2	219	300	30.6	1.20	62	5500	48	36 - 55.2	560	D1238B48BAAZ-00	-20~+70	-4~ +158
5.25	185	250	25.5	1	59	4900	12	8.4 - 13.8	1650	D1238B12B9AZ-00		
							24	16.8 - 27.6	820	D1238B24B9AZ-00		
							48	36 - 55.2	400	D1238B48B9AZ-00		
4.8	169	185	18.9	0.74	56	4400	12	8.4 - 13.8	1200	D1238B12B8AZ-00		
							24	16.8 - 27.6	580	D1238B24B8AZ-00		
							48	36 - 55.2	320	D1238B48B8AZ-00		
4.4	155	160	16.3	0.65	54	4000	12	8.4 - 13.8	1200	D1238B12B7AZ-00		
							24	16.8 - 27.6	600	D1238B24B7AZ-00		
							48	36 - 55.2	250	D1238B48B7AZ-00		