

# 3.62sq. x 1.5th'k (92 x 38) High pressure axial fan fixed blade type **D0938** series

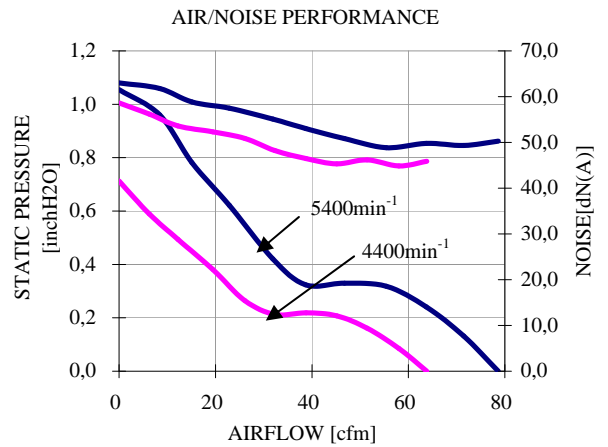
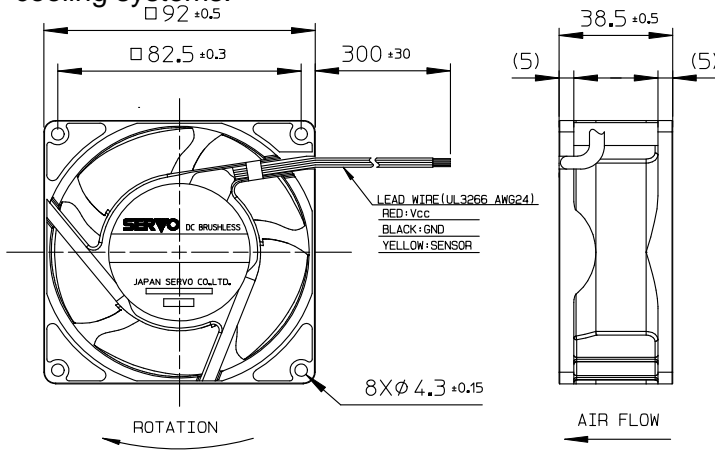


For cooling and/or ventilating in electronic cabinets which have high resistance to air flow (system impedance).

The **D0938** is designed using a digital analysis system to maximize cooling efficiency and minimize noise during operation.

Uniquely formed fixed blades designed by digital engineering:

- Controls spread of air stream.
  - When two D0938 fans are stacked, the static pressure is almost doubled.
- It is suitable for use in highly reliable/redundant designs; the trend of cooling systems.



## Specifications

Model code	Max. airflow		Max. static pressure		Noise (dBA)	Voltage (V)	Current (A)	Speed (min <sup>-1</sup> )
	CFM	(m <sup>3</sup> /min)	inchesH <sub>2</sub> O	(Pa)				
D0938C48B(5400min <sup>-1</sup> )	77,7	2,2	1,08	270	51	48	0,14	5400
D0938C48B(4400min <sup>-1</sup> )	63,5	1,8	0,72	180	47	48	0,10	4400

