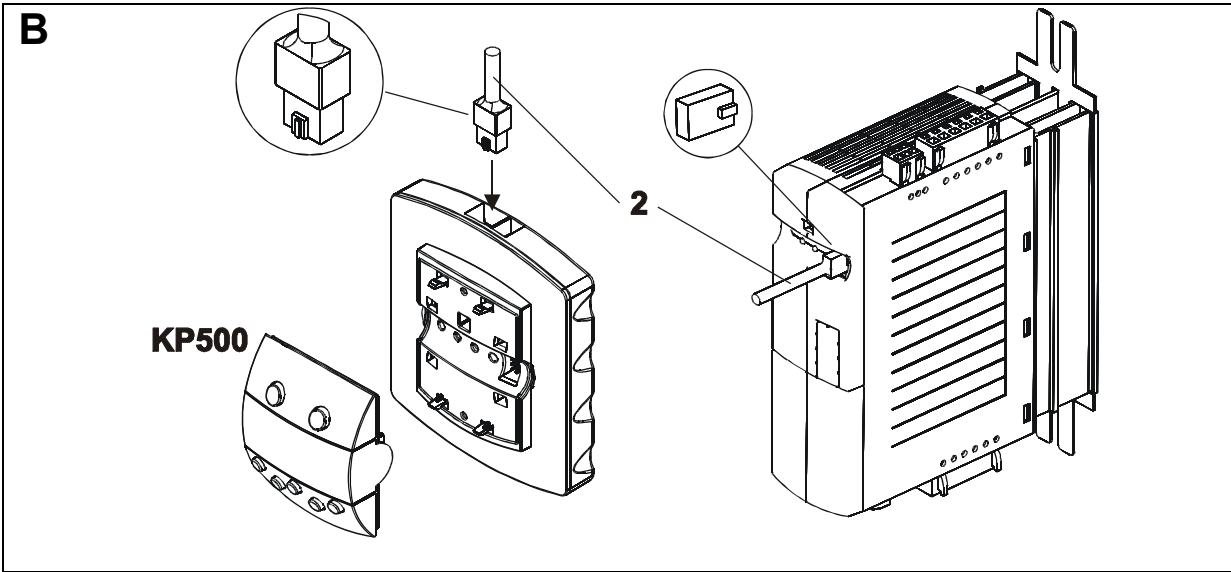
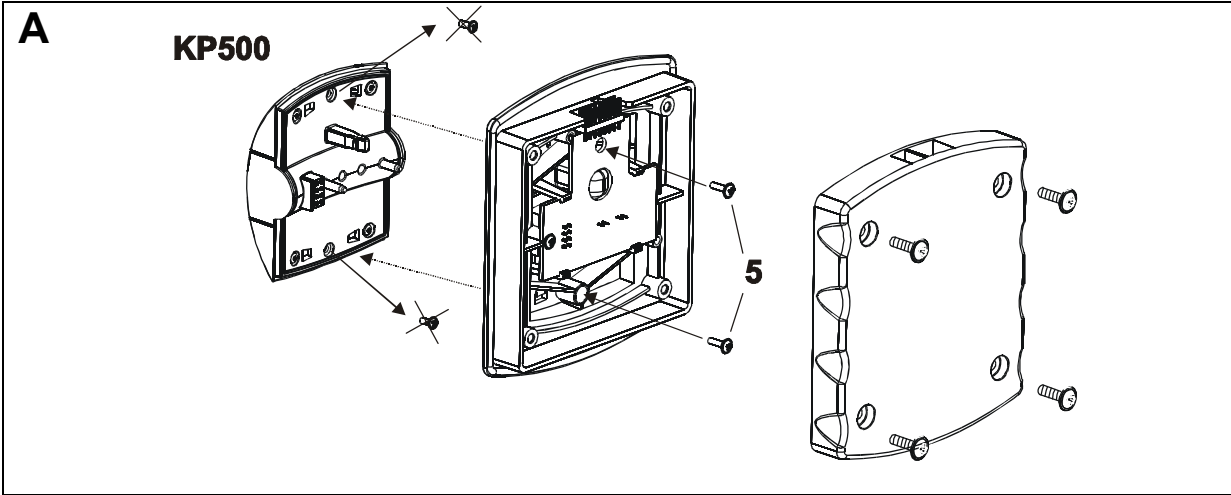
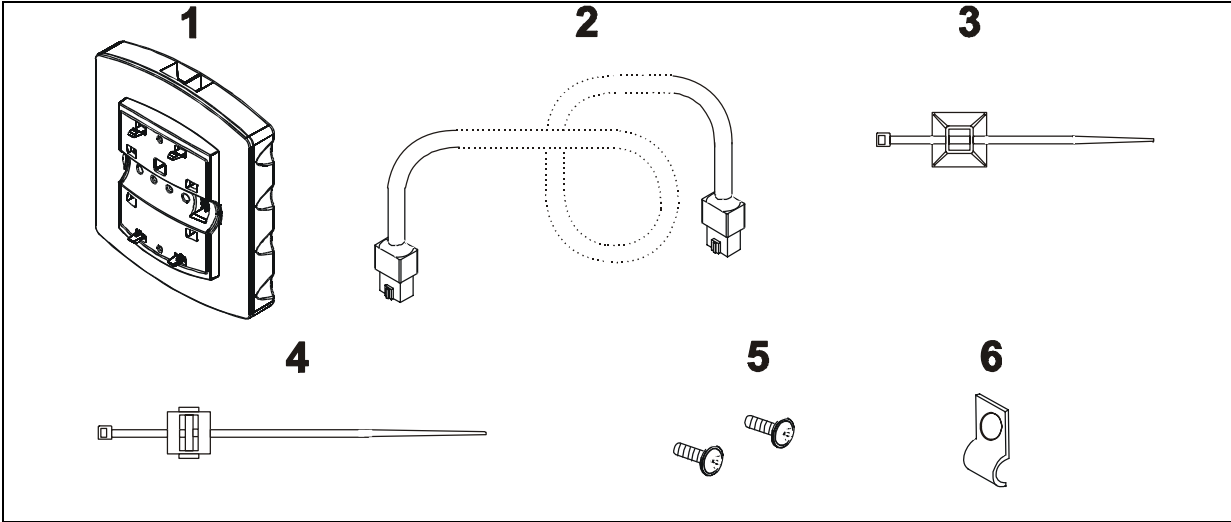


KP-CMK - Cabinet-Mounting-Kit

Code / Part No. : 179 675 599



KP-CMK - Cabinet-Mounting-Kit

Code / Part No. : 179 675 599

