



NEW SIZES & PRODUCTS 2023
(actuators)



DSC 011

Main parameters

Reduction ratio	i	50 / 100
Continuous torque rating	Tr [Nm]	3,4 / 4,4
Start/Stop torque rating	Tmax [Nm]	7,8 / 10,6
Rated output speed	nr [rpm]	40 / 20
Hysteresis	H [mRad]	0,58
Transmission error	θTE [mRad]	0,57 / 0,44
Max. backlash	Bmax [mRad]	0,14 / 0,073
Torsional stiffness	K [Nm/mRad]	3,2 / 4,4
Max. out. bearing moment load	Mcmax [Nm]	13
Output bearing moment rigidity	Mt[Nm/mRad]	26



Electrical parameters

DC BUS voltage	24 V	48 V
Brake	NO	

Feedback interface

	BiSS-C
Singleturn / Multiturn	

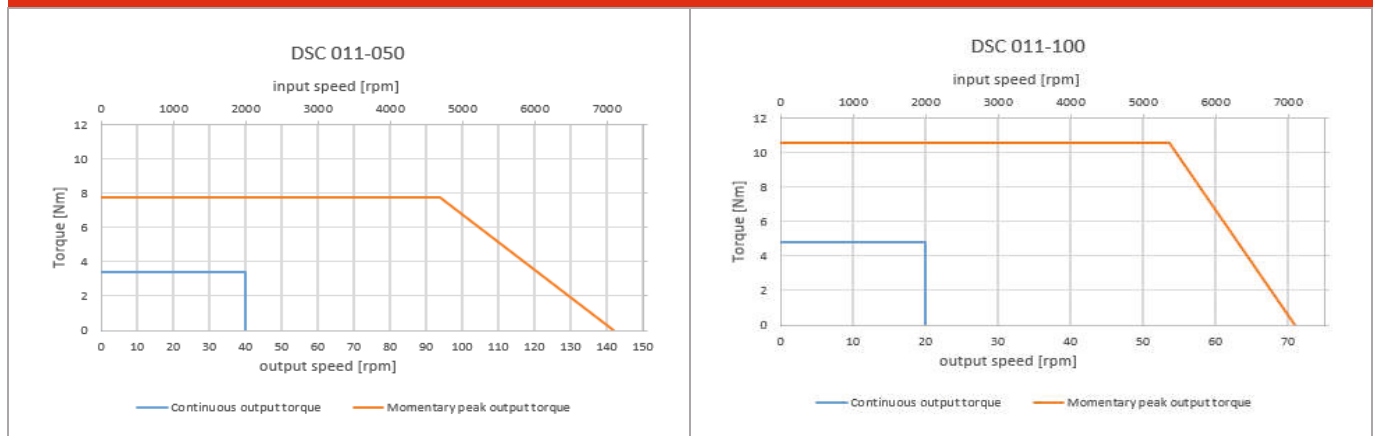
General parameters

Protection class	IP64
Temp. sensor	PT1000 / PTC111-K13
Standard paint	RAL 9005

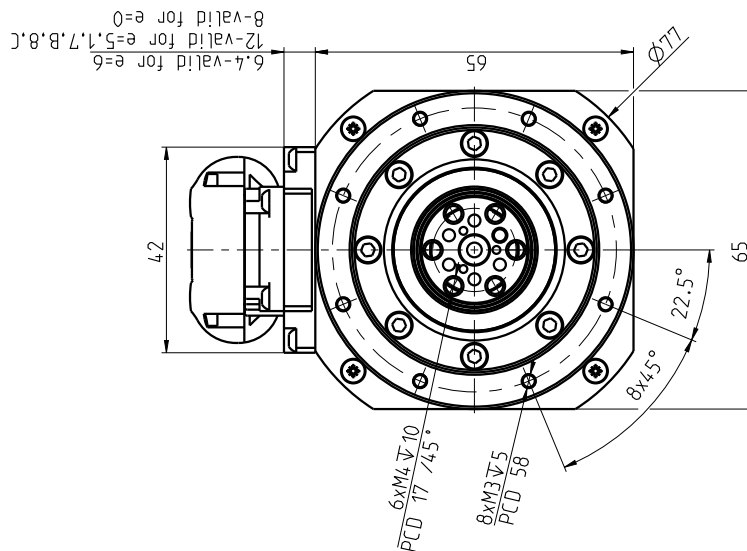
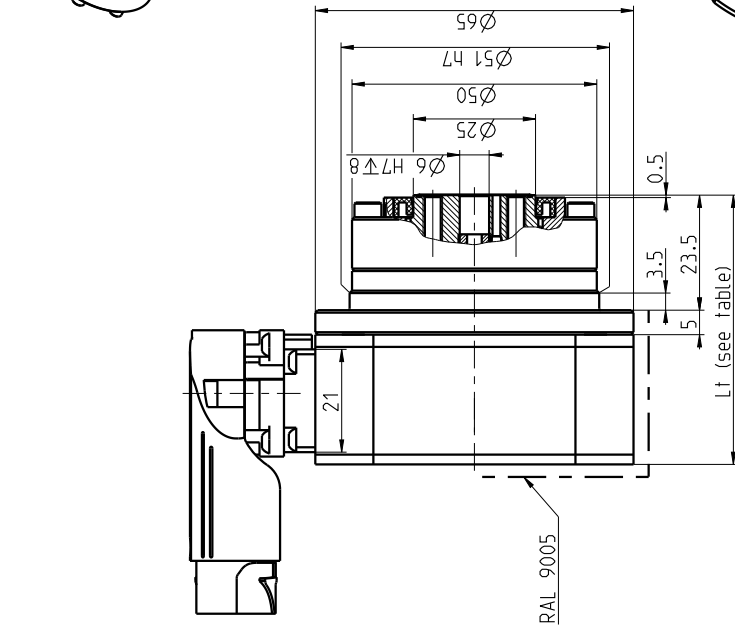
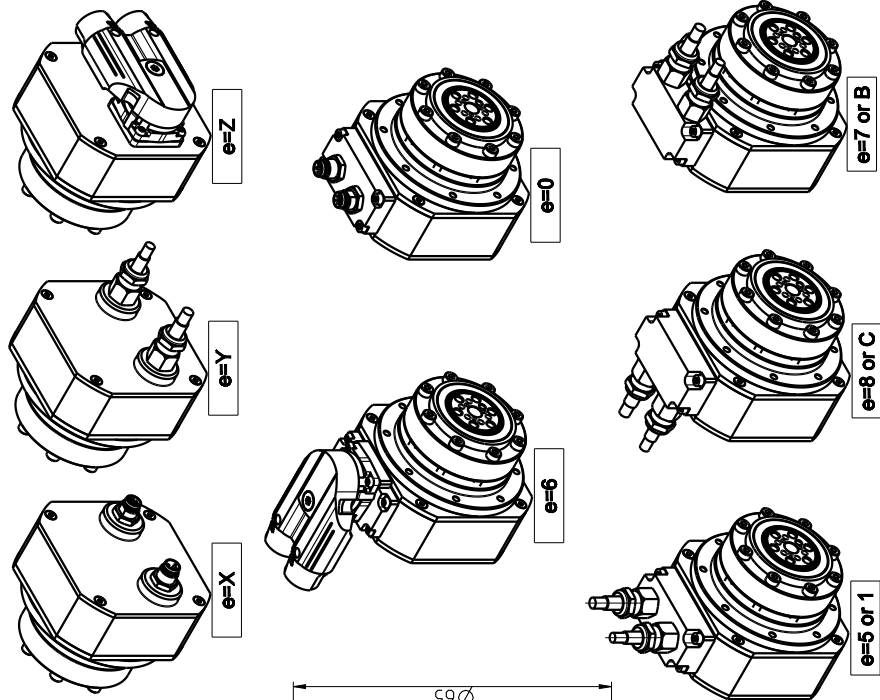
Electrical connection

Terminal cable	Straight	Y-tec		
				

Performance characteristics



DSC 011



6.4-valid for e=6
12-valid for e=5,1,7,8,0,
8-valid for e=0

	Motor Feedback Systems	Lt
0N	Abs.multiplex encoder BISS-C	61
0U	Abs.multiplex encoder SSI	
0D	Abs.singleturn encoder EnDat 2.2	
0E	Abs.multiplex encoder EnDat 2.2	81
0J	Incremental encoder	
0A	Resolver	

DSC 011

DSH 075

Main parameters

Hollowshaft diameter	[mm]	16
Reduction ratio	i	41 / 75
Rated output torque	Tr [Nm]	19 / 29
Acceleration output torque	Tacc [Nm]	58
Rated output speed	nr [rpm]	48 / 26
Tilting stiffness	Mt [Nm/arcmin]	45
Torsional stiffness	kt [Nm/arcmin]	7
Lost motion	LM [arcmin]	< 1
Rated radial force	FrR [kN]	1,8
Maximum axial force	Fa max [kN]	5,7



Electrical parameters

DC BUS voltage	24 V	320 V	560 V
Brake	optional, 24 V		

Feedback interface

Singleturn / Multiturn	EnDat 2.2
	HIPERFACE
	BiSS-C

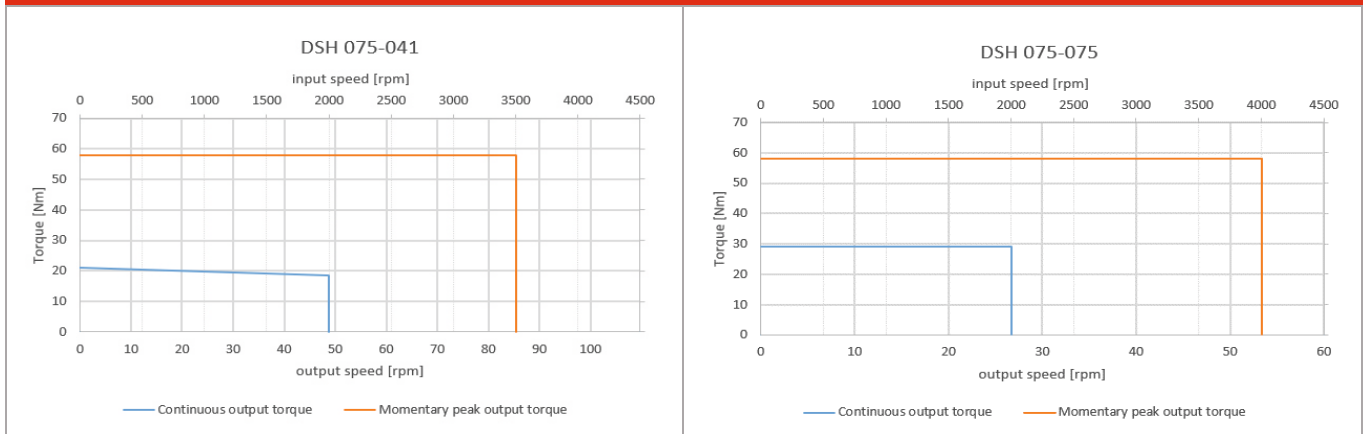
General parameters

Protection class	IP64
Temp. Sensor	PT1000 / PTC111-K13
Standard paint	RAL 9005

Electrical connection

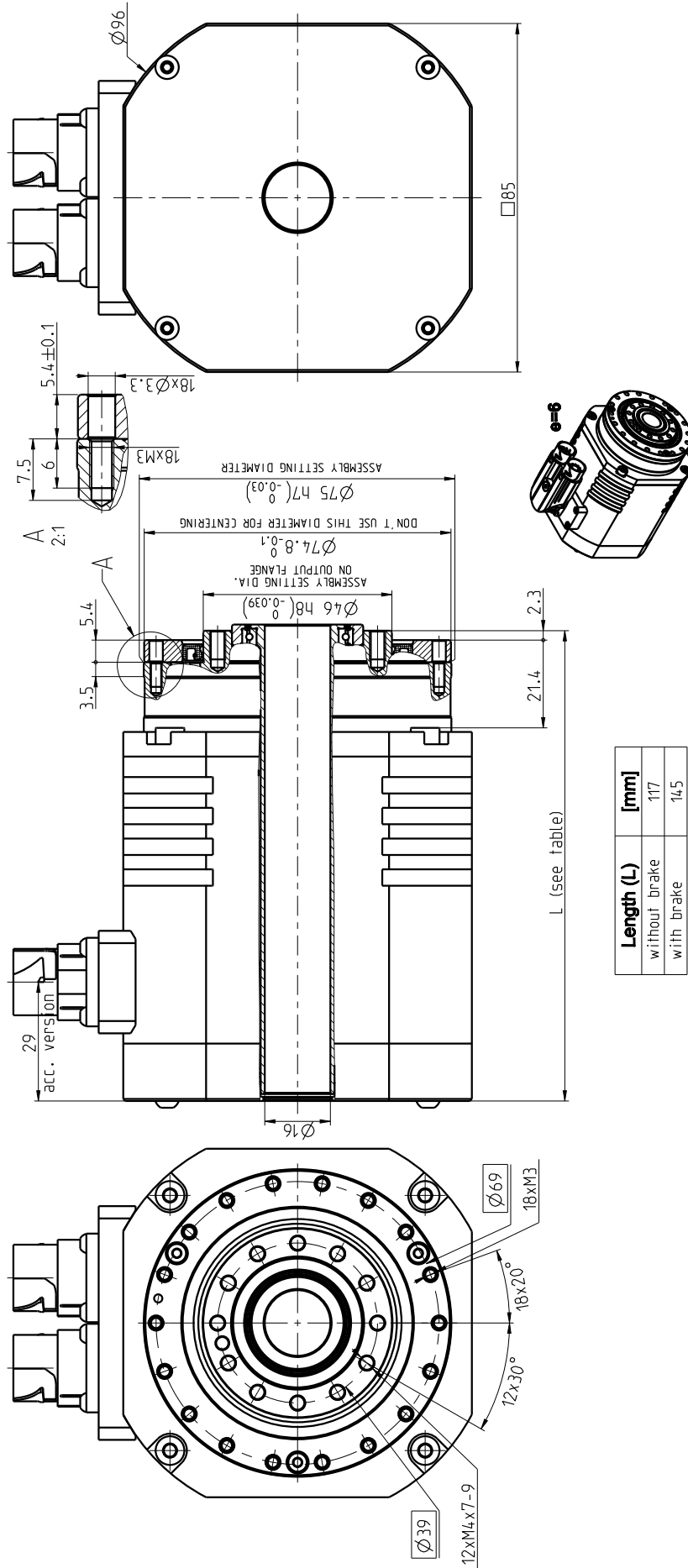
Terminal cable	Connector on cable	Straight	Y-tec

Performance characteristics



DSH 075

DSH 075



DSH 095

Main parameters

Hollowshaft diameter	[mm]	21
Reduction ratio	i	43 / 95
Rated output torque	Tr [Nm]	30 / 67
Acceleration output torque	Tacc [Nm]	108 / 144
Rated output speed	nr [rpm]	46 / 21
Tilting stiffness	Mt [Nm/arcmin]	110
Torsional stiffness	kt [Nm/arcmin]	13,5 / 14,5
Lost motion	LM [arcmin]	<1
Rated radial force	FrR [kN]	3,5
Maximum axial force	Fa max [kN]	11



Electrical parameters

DC BUS voltage	24 V	320 V	560 V
Brake	optional 24 V		

Feedback interface

Singleturn / Multiturn	EnDat
	HIPERFACE
	BiSS-C

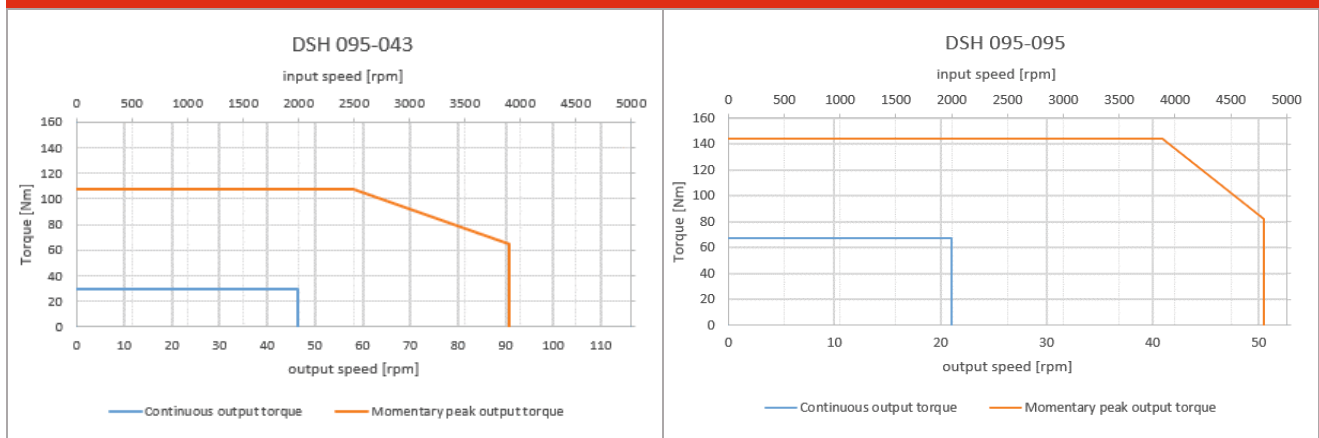
General parameters

Protection class	IP64
Temp. sensor	PT1000 / PTC111-K13
Standard paint	RAL 9005

Electrical connection

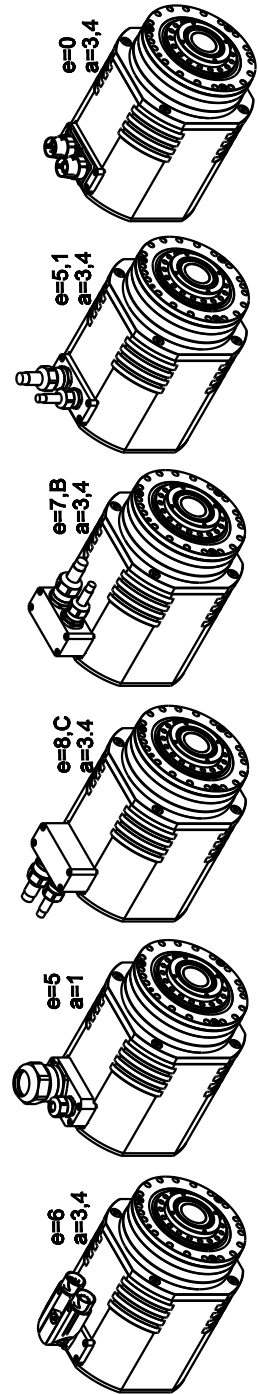
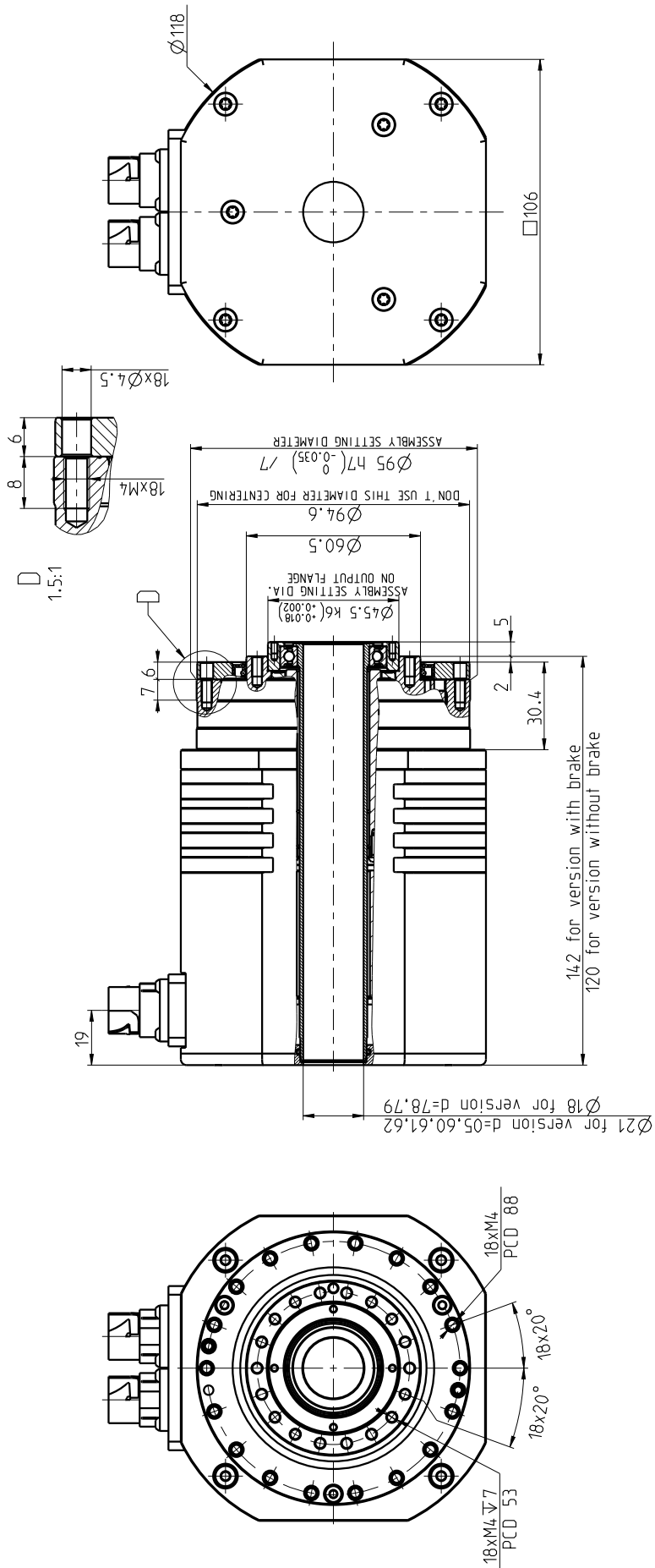
Terminal cable	Connector on cable	Straight	Y-tec	

Performance characteristics



DSH 095

DSH 095



DSH 115

Main parameters

Hollowshaft diameter	[mm]	32
Reduction ratio	i	55 / 103
Rated output torque	Tr [Nm]	83 / 130
Acceleration output torque	Tacc [Nm]	234 / 260
Rated output speed	nr [rpm]	36 / 19
Tilting stiffness	Mt [Nm/arcmin]	220
Torsional stiffness	kt [Nm/arcmin]	23
Rated radial force	FrR [kN]	4
Maximum axial force	Fa max [kN]	12,5
Output accuracy up to*	[°]	±0,004

* depends on the output position encoder type



Electrical parameters

DC BUS voltage	24 V	320 V	560 V
Brake	optional 24 V		

Feedback interface - input	
Singleturn	EnDat
	HIPERFACE
	BiSS-C

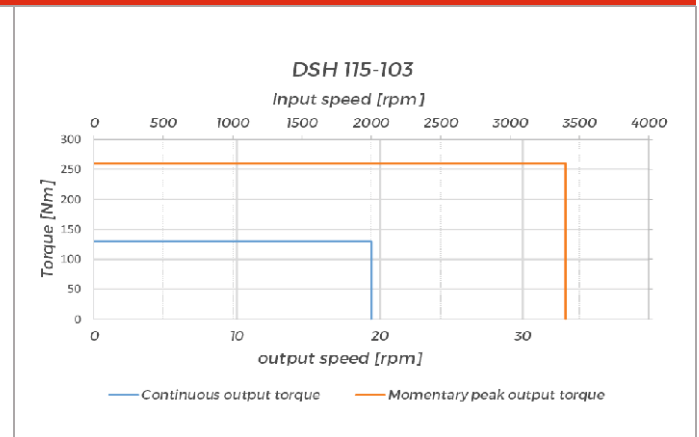
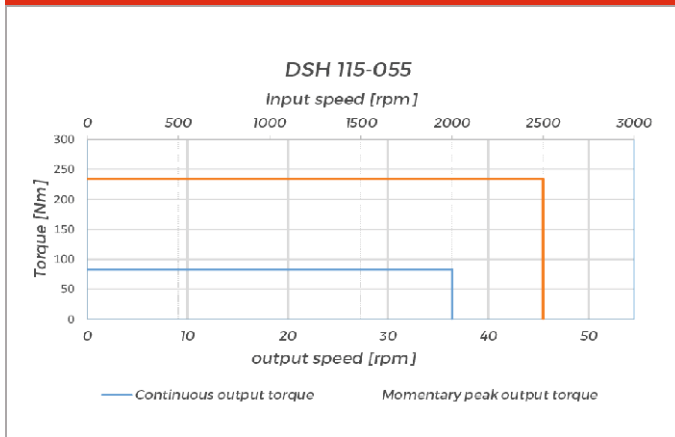
Feedback interface - output	
Singleturn	EnDat
	BiSS-C

Electrical connection



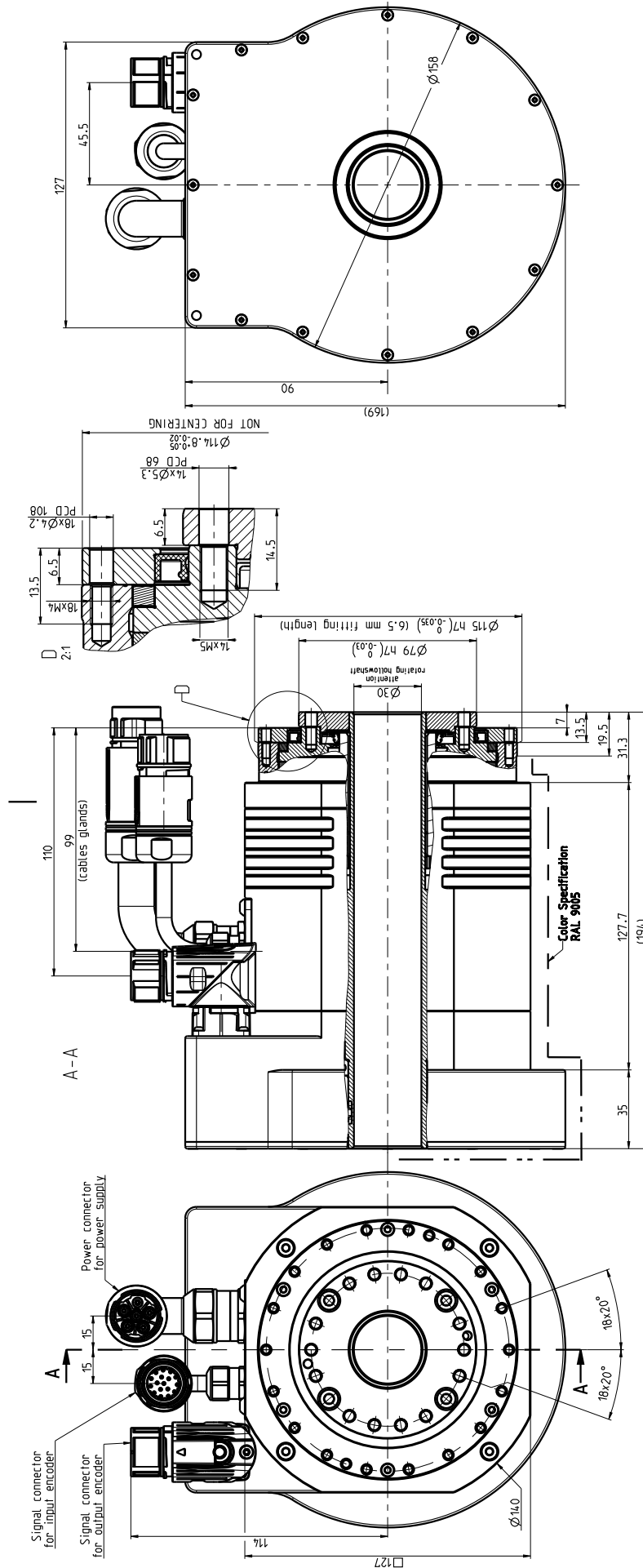
General parameters	
Protection class	IP64
Temp. sensor	PT1000 / PTC111-K13
Standard paint	RAL 9005

Performance characteristics



DSH 115

DSH 115



DSI 085

Main parameters

Hollowshaft diameter	[mm]	20
Reduction ratio	i	85
Rated output torque	Tr [Nm]	41
Acceleration torque	Tacc [Nm]	82
Rated output speed	nr [rpm]	23.5
Tilting stiffness	Mt [Nm/arcmin]	85
Torsional stiffness	kt [Nm/arcmin]	10
Lost motion	LM [arcmin]	<1.5
Rated radial force	FrR [kN]	1.44
Maximum axial force	Fa max [kN]	1.9



Electrical parameters

DC supply voltage	24 V	48 V
Brake	optional	
Rated current	12.3 A	
Communication	EtherCAT	
Additional interfaces	Analog, Digital I/O	

Feedback options

Singleturn / Multiturn
Integrated / External encoder
Output flange position

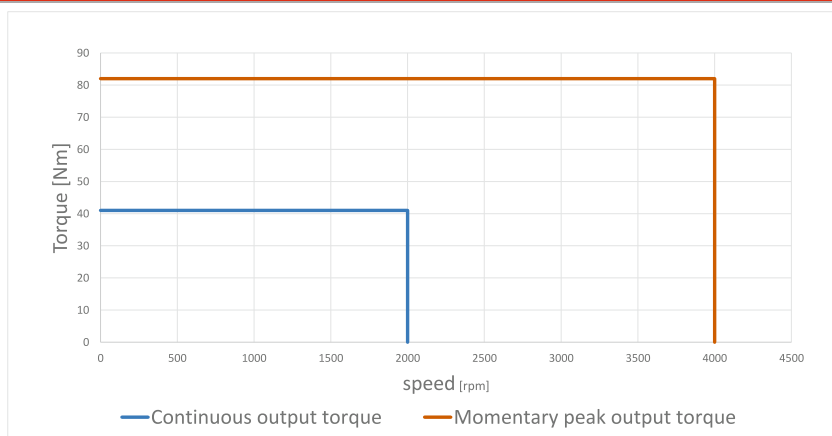
General parameters

Weight	3.2 kg
Safety function	optional
Paint	Standard RAL 9005

Electrical connection

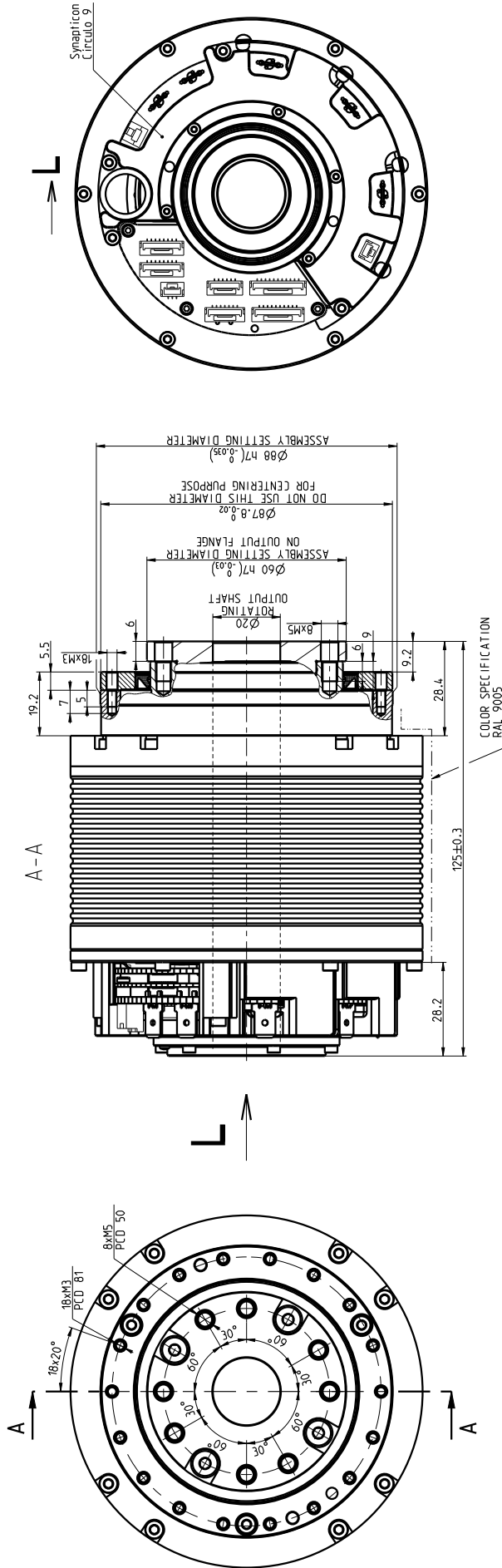
No sealing	Sealing with D-sub hybrid connector	Sealing with separate connectors
Original servodrive connection	2 x connector	6 x connector

Performance characteristics



DSI 085

DSI085



DSP 090

Main parameters

Reduction ratio	i	16 / 20 / 35
Nominal output torque	T2N [Nm]	15 / 19 / 33
Max. output torque	T2max [Nm]	72 / 90 / 128
Nominal output speed	n1N 100% [rpm]	280 / 225 / 128
Radial force for out. bearing	Fr 20 000h [N]	3950
Axial force for out. Bearing	Fa 20 000h [N]	8200
Torsional backlash	jt [arcmin]	< 1
Torsional stiffness	Cg [Nm/arcmin]	30,5
Max. operating temperature	Tmin/Tmax [°C]	-25 to 90



Electrical parameters

DC BUS voltage	*on request 24 V	320 V	560 V
Brake	* on request, 24 V		

Feedback interface

Singleturn / Multiturn	EnDat 2.2 / 2.1
	Resolver
	BiSS-C
	Drive-CliQ
	Hiperface
	Hiperface DSL

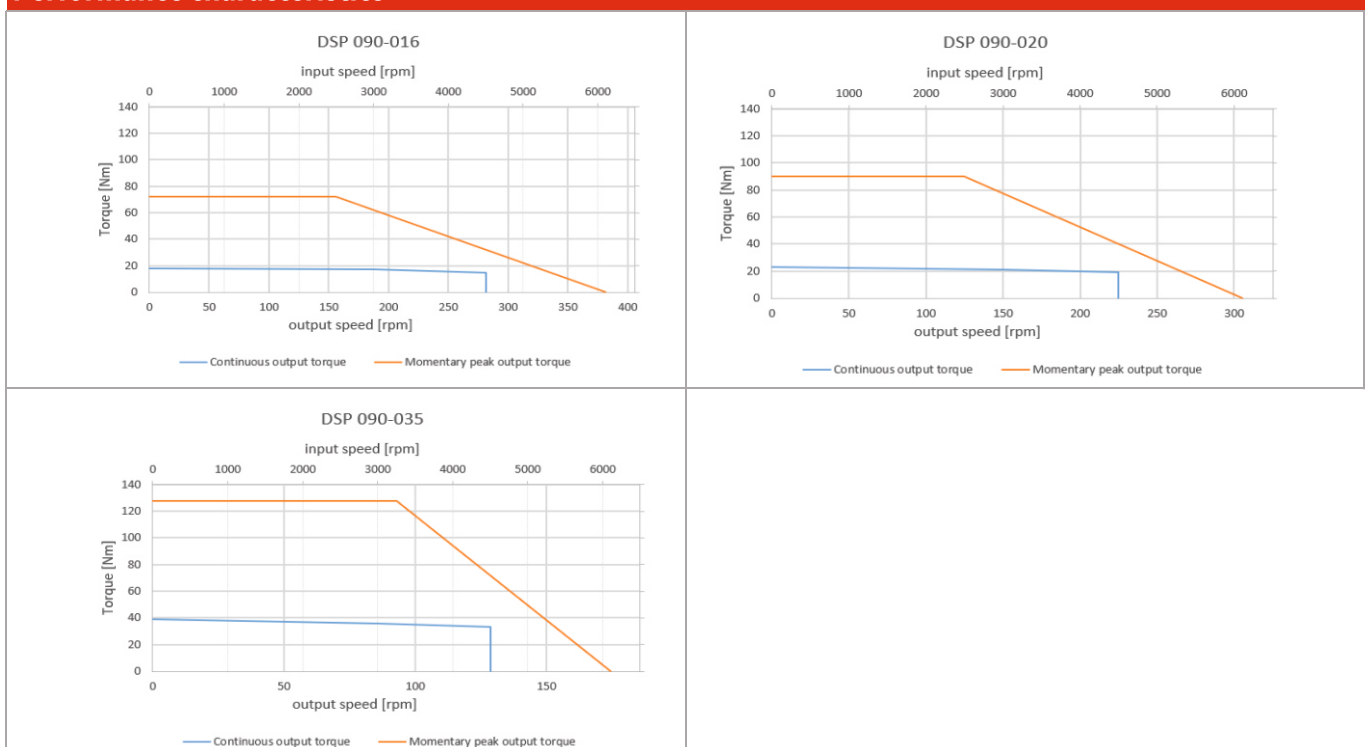
General parameters

Protection class	IP64
Temp. Sensor	PT1000 / PTC111-K13
Standard paint	RAL 9005

Electrical connection

Terminal cable	Connector on cable	Straight	Y-tec

Performance characteristics



DSP 090

DSP 090

