

Compact
permanent magnet generators

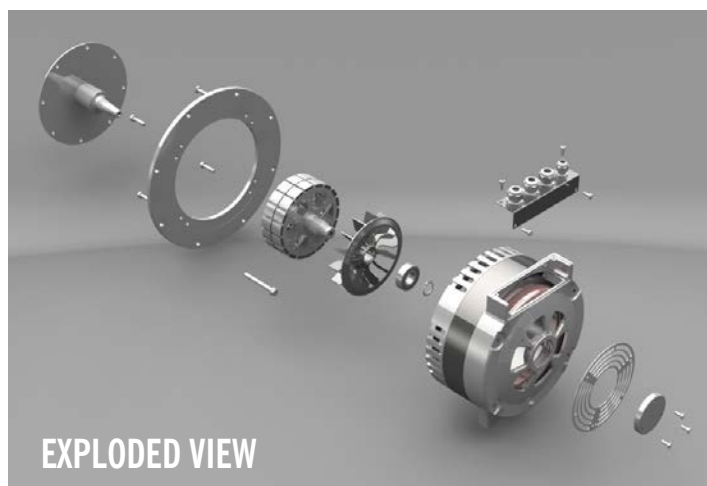
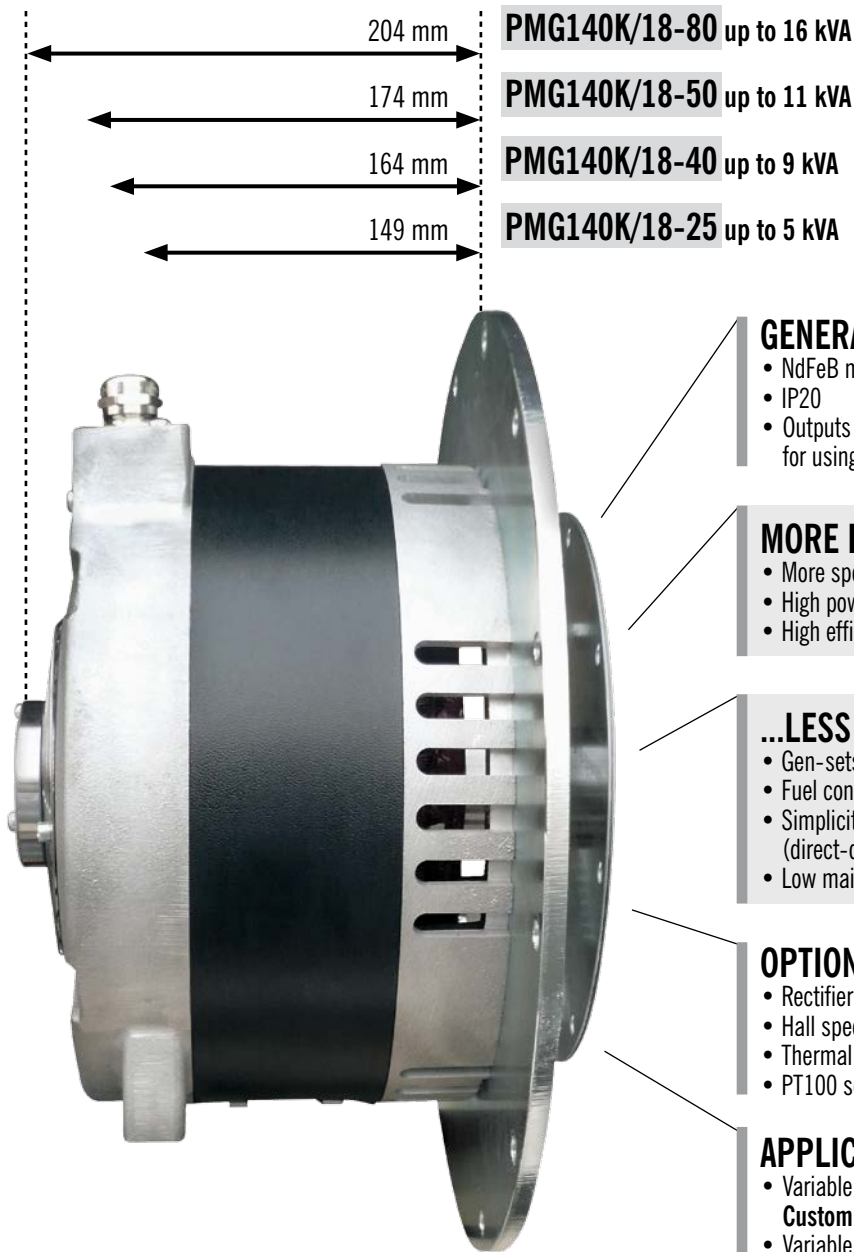


PMg

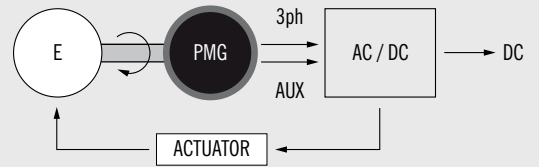
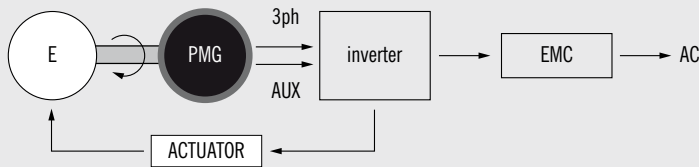
 **sincro**[®]

PMG140K

COMPACT PERMANENT MAGNET GENERATORS FOR VARIABLE SPEED



TYPICAL APPLICATIONS BLOCK DIAGRAMS



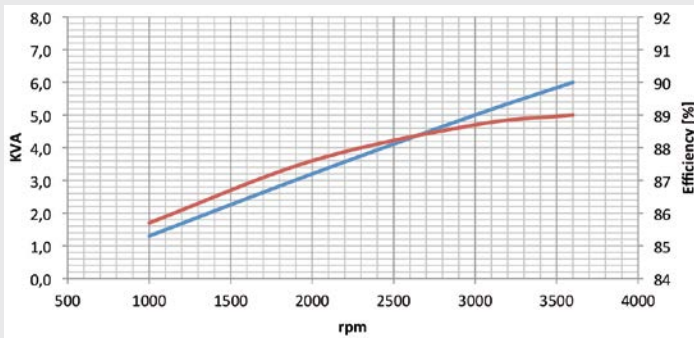
 Supplied by SOGA

For DC outputs: power derating of approx. 15%

POWER & EFFICIENCY CURVES 3ph load, power factor 1, voltage drop no load - full load = 20%

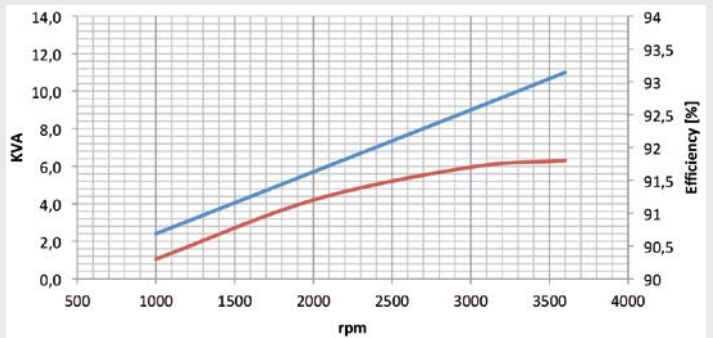
— Power AC KVA — Efficiency %

PMG140K/18-25



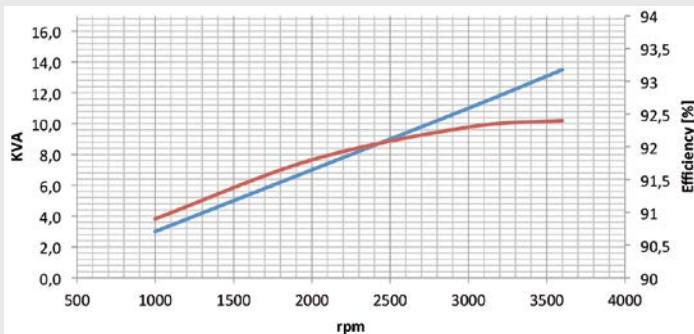
RPM	power AC	efficiency
	KVA	%
1000	1,3	85,7
2000	3,2	87,6
3000	5	88,7
3600	6	89

PMG140K/18-40



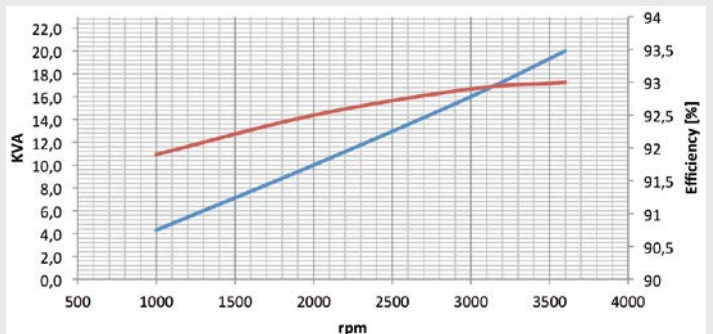
RPM	power AC	efficiency
	KVA	%
1000	2,4	90,3
2000	5,7	91,2
3000	9	91,7
3600	11	91,8

PMG140K/18-50



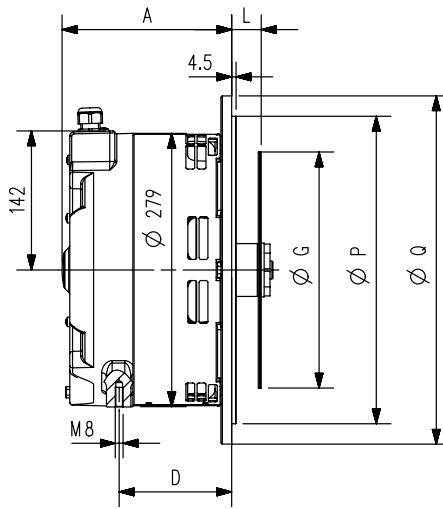
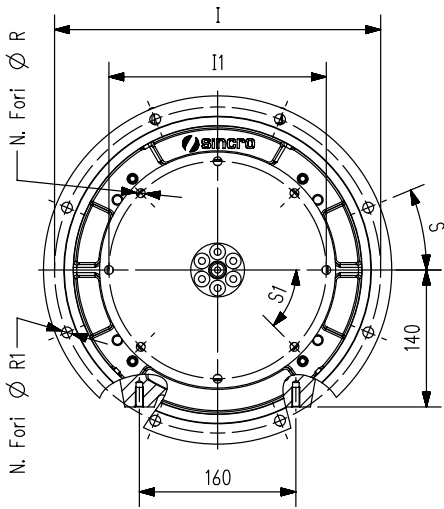
RPM	power AC	efficiency
	KVA	%
1000	3	90,9
2000	7	91,8
3000	11	92,3
3600	13,5	92,4

PMG140K/18-80



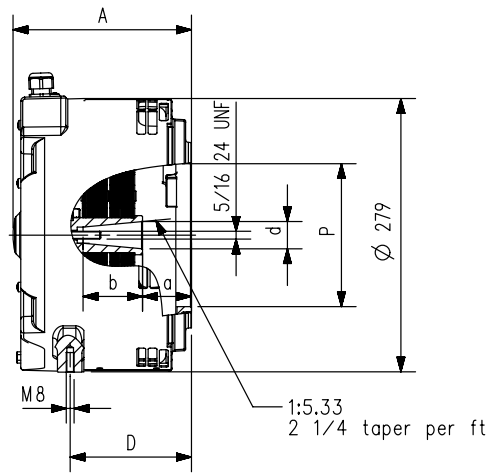
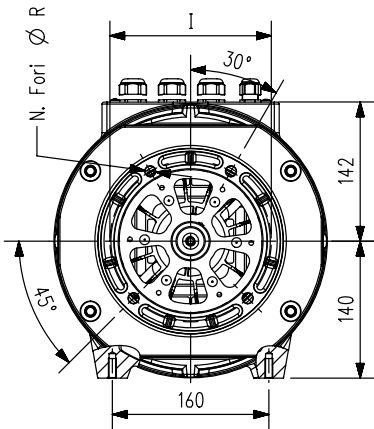
RPM	power AC	efficiency
	KVA	%
1000	4,3	91,9
2000	10	92,5
3000	16	92,9
3600	20	93

OVERALL DIMENSIONS



SAE

DISK JOINT	FLANGE		G	I1	L	R	HOLES	S1	model	A [mm]	D [mm]	weight [kg]
	5	4										
6,5	•	•	215,9	200	30,2	9	6	60°	PMG140K/18-25	149	90	18,4
7,5	•	•	241,3	222,2	30,2	9	8	45°	PMG140K/18-40	164	105	21
8	•	•	263,5	244,5	62	11	6	60°	PMG140K/18-50	174	115	23,8
10	•	•	314,3	295,3	53,8	11	8	45°	PMG140K/18-80	204	145	32,1
P	314,3	362										
Q	358	405										
I	333,4	381										
S	22°30'	15°										
R1	11	11										
holes	8	12										



J609b

shaft				flange				model	A [mm]	D [mm]	weight [kg]
cone	d	a	b	l	p	holes	R				
25,4	25,4	63,5	48	165	146,1	4	11	PMG140K/18-25	158	99	15,5
35	27,9	50	60,8	197	163,6	4	11	PMG140K/18-40	173	114	18,4
				197	177,8	4	11	PMG140K/18-50	183	124	20,9
								PMG140K/18-80	213	154	29,2



Soga S.p.A.
Via Della Tecnica, 15 • 36075 Montecchio Maggiore (VI) • ITALY
Phone +39 0444 747700 • Fax +39 0444 499269
sales.soga@sogaenergyteam.com

sogaenergyteam.com/sincro



Data subject to change without prior notice. SINCRO® name and logo is a registered trademark and property of Soga SpA, for improper use severe protection actions will be applied.

PMG140K 02.2017 REV 01.2019