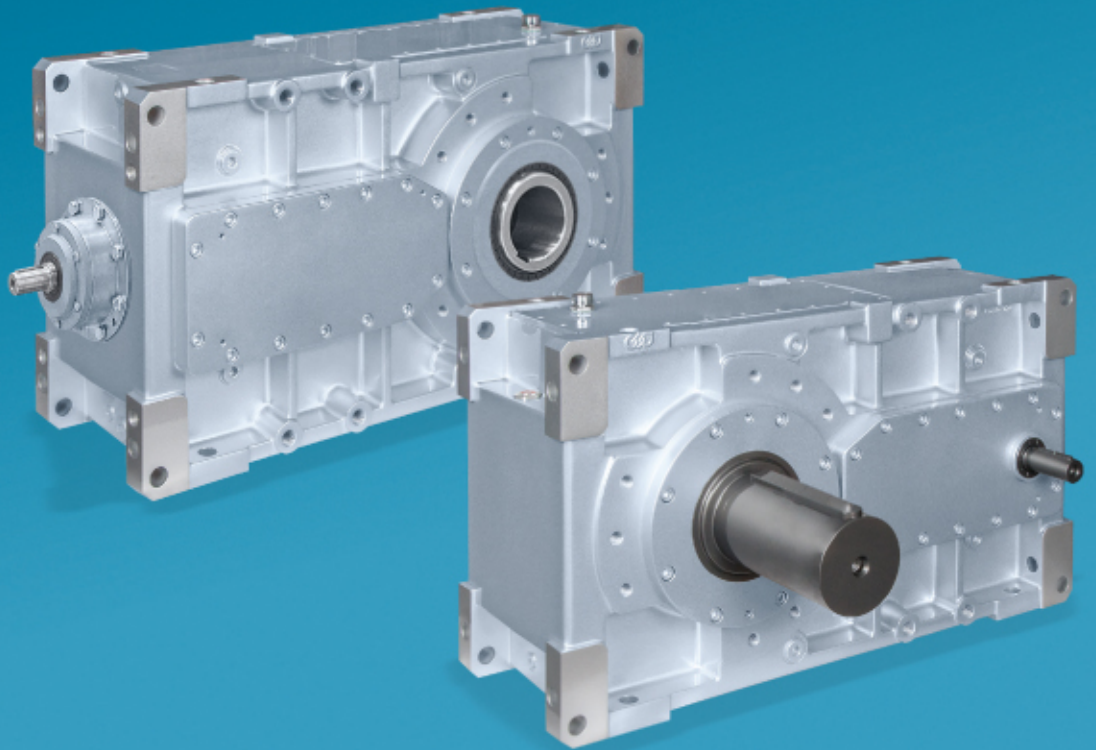


HDP-HDO series

Parallel shaft gear units HDP series

Bevel helical gear units HDO series





| Chapter | Description | Page | Chapter | Description | Page |
|---|--|------|--|--|------|
| GENERAL INFORMATION | | | BEVEL HELICAL GEAR UNITS SERIES HDO | | |
| 2 | | | 168 | | |
| 1 | Symbols and units of measure | 2 | 20 | Product features | 168 |
| 2 | General design features | 3 | 21 | Lubrication | 169 |
| 3 | Installation | 3 | 22 | Product configurations | 170 |
| 4 | Maintenance | 3 | 22.1 | Base variants | 170 |
| 5 | Storage | 4 | 22.2 | Optional variants | 171 |
| 6 | Conditions of supply | 4 | 22.3 | Mounting position | 172 |
| 7 | Paint coating | 4 | 22.4 | Input and output configuration | 172 |
| 8 | Service factor | 5 | 22.5 | Execution | 177 |
| | | | 22.6 | Motor availability | 178 |
| | | | 22.7 | Optional variants | 180 |
| SELECTING THE GEAR UNIT | | | 23 | Maximum transmissible torque | 198 |
| 8 | | | 24 | Thermal capacity and rating charts | 198 |
| 9 | Engineering selection | 8 | 25 | Mass moment of inertia | 265 |
| 10 | Verifications | 9 | 26 | Exact ratios | 266 |
| 11 | Sample application | 18 | 27 | Dimensions and weight | 268 |
| | | | 27.1 | Motor mounting with bell housing and flexible coupling | 289 |
| PARALLEL SHAFT GEAR UNITS SERIES HDP | | | 27.2 | Mounting flange | 291 |
| 20 | | | 27.3 | Manifold flange | 291 |
| 12 | Product features | 20 | 27.4 | Customer's shaft | 292 |
| 13 | Lubrication | 21 | | | |
| 14 | Product configurations | 22 | | | |
| 14.1 | Base variants | 22 | | | |
| 14.2 | Optional variants | 23 | | | |
| 14.3 | Mounting position | 24 | | | |
| 14.4 | Input and output configuration | 24 | | | |
| 14.5 | Motor availability | 27 | | | |
| 14.6 | Optional variants | 29 | | | |
| 14.7 | Execution for extruder | 46 | | | |
| 15 | Reference torque | 47 | | | |
| 16 | Thermal capacity and rating charts | 48 | | | |
| 17 | Mass moment of inertia | 130 | | | |
| 18 | Exact ratios | 131 | | | |
| 19 | Dimensions and weight | 132 | | | |
| 19.1 | Motor mounting with bell housing and flexible coupling | 161 | | | |
| 19.2 | Mounting flange | 164 | | | |
| 19.3 | Manifold flange | 164 | | | |
| 19.4 | Customer's shaft | 165 | | | |

Revisions

Refer to page 294 for the catalogue revision index. Visit www.bonfiglioli.com to search for catalogues with up-to-date revisions.



GENERAL INFORMATION

1 SYMBOLS AND UNITS OF MEASUREMENT

| Symbols | Units of Measure | Description | Symbols | Units of Measure | Description |
|--------------------------|----------------------|--------------------------|-----------------------------|------------------|--|
| An _{1,2} | [kN] | Permissible axial force | P_{TFAN...} | [kW] | Thermal capacity with the contribution of forced ventilation |
| f_s | – | Service factor | P_{TSR} | [kW] | Thermal capacity inclusive of contribution from cooling coil |
| i | – | Gear ratio | P_{TMCRA...} | [kW] | Thermal capacity inclusive of contribution from air/oil exchanger cooling unit |
| l | – | Cyclic duration factor | P_{TMCRW...} | [kW] | Thermal capacity inclusive of contribution from water/oil exchanger cooling unit |
| J | [Kgm ²] | Mass moment of inertia | Rc _{1,2} | [kN] | Calculated radial force |
| M _{1,2} | [Nm] | Torque | Rn _{1,2} | [kN] | Permissible overhung load |
| Mc _{1,2} | [Nm] | Calculated torque | Tamb | [°C] | Ambient temperature |
| Mn _{1,2} | [Nm] | Rated torque | – | – | Efficiency |
| Mr _{1,2} | [Nm] | Torque demand | | | |
| n _{1,2} | [min ⁻¹] | Speed | | | |
| P _{1,2} | [kW] | Power | | | |
| Pn _{1,2} | [kW] | Rated power | | | |
| Pr _{1,2} | [kW] | Power demand | | | |
| P_T | [kW] | Overall thermal capacity | | | |

₁ value applies to input shaft

₂ value applies to output shaft



2 GENERAL DESIGN FEATURES

Gear units of the HDP and HDO series make optimum use of advanced design features, to offer:

- Top torque density
- Superior performance
- Silent and vibration-free operation
- Total ruggedness and reliability
- Lifetime calculation in accordance with the applicable ISO and AGMA standards
- Extensive customisation through a wide range of options offered in the catalogue

3 INSTALLATION

The following installation instructions must be observed:

- Make sure that the gearbox is correctly secured to avoid vibrations.
If shocks or overloads are expected, install hydraulic couplings, clutches, torque limiters, etc.
- Before the eventual painting, the machined surfaces and the outer face of the oilseals must be protected to prevent paint drying out the rubber and jeopardising the oil-seal function.
- Components to be keyed on to the gearbox output shafts should be machined to ISO H7 tolerances to prevent mating surfaces jamming and causing irreparable damage to the gearbox during installation. Suitable pullers and extractors should also be used to fit and remove such components. These should be properly secured to the threaded hole at the end of the shafts.
The customer is required to verify the mating on the output shaft defining appropriate tolerances according to the torque to be transmitted.
- Mating surfaces must be cleaned and treated with suitable protective products before mounting to avoid oxidation and, as a result, seizure of parts.
- Prior to putting the gear unit into operation make sure that the equipment that incorporates the same complies with the current revision of the Machines Directive 2006/42/CE.
- Before starting up the machine, make sure that oil level conforms to the mounting position specified for the gear unit and viscosity is suitable for the specific application.
- For outdoor installation provide adequate guards in order to protect the drive from rainfalls as well as direct sun radiation.

4 MAINTENANCE

It is advisable to change the lubricant after the initial 300 hours of operation and thoroughly clean the interior of the unit with a suitable detergent.

Do not mix different types and/or brands of oil.

Periodically check the oil level, and replace at the intervals given in the chart.



| Oil temperature [°C] | Oil change interval [h] | |
|-------------------------|----------------------------|---------------|
| | mineral oil | synthetic oil |
| $t < 65$ | 8000 | 25000 |
| $65 < t < 80$ | 4000 | 15000 |
| $80 < t < 95$ | 2000 | 12500 |

5 STORAGE

Observe the following instructions to ensure correct storage of the products:

- Do not store outdoors, in areas exposed to weather or with excessive humidity.
- Always place boards, wood or other material between the products and the floor. The gearboxes should not have direct contact with the floor.
- In case of long-term storage all machined surfaces such as flanges, shafts and couplings must be coated with a suitable rust inhibiting product (Tectile 506 EH or equivalent). Furthermore gear units must be placed with the fill plug in the highest position and filled up with oil. Before putting the units into operation the appropriate quantity, and type, of oil must be restored.

6 CONDITIONS OF SUPPLY

Gear units are supplied as follows:

- configured for installation in the mounting position specified when ordering;
- tested to manufacturer specifications;
- mating machined surfaces come unpainted;
- nuts and bolts for mounting motors are provided if a flanged motor input is specified.

7 PAINT COATING

HDP gearboxes in sizes 60 to 90 are externally and internally painted in oven hardened epoxy resin and polyester powder paint. The painted (ferrous) surfaces of these gearboxes are protected to at least corrosivity class C2 (UNI EN ISO 12944-2). The colour is RAL 7042 grey. A synthetic top coat may be applied later.

HDP and HDO gearbox sizes 100 to 180 are internally and externally spray painted with an epoxy primer, and then externally painted on completion of assembly. These gearboxes are protected to at least corrosivity class C3 (UNI EN ISO 12944-2). The colour is RAL 7042 grey.



8 SERVICE FACTOR

Service factors listed here under are empirical values based on AGMA and ISO specifications as well as our experience for use in common applications. They apply for state of the art-designed driven machines and normal operating conditions.

| Application | ≤ 10 hours/day | > 10 hours/day |
|------------------------------------|-------------------|-------------------|
| AGITATORS, MIXERS | | |
| Pure liquids | 1.25 | 1.50 |
| Liquids and solids | 1.25 | 1.50 |
| Liquids - variable density | 1.50 | 1.75 |
| BLOWERS | | |
| Centrifugal | 1.00 | 1.25 |
| Lobe | 1.25 | 1.50 |
| Vane | 1.25 | 1.50 |
| CLARIFIERS | 1.00 | 1.25 |
| CLAY WORKING MACHINERY | | |
| Brick press | 1.75 | 2.00 |
| Briquette machine | 1.75 | 2.00 |
| Pug mill | 1.25 | 1.50 |
| COMPACTORS | 2.00 | 2.00 |
| COMPRESSORS | | |
| Centrifugal | 1.25 | 1.50 |
| Lobe | 1.25 | 1.50 |
| Reciprocating, multi-cylinder | 1.50 | 1.75 |
| Reciprocating, single-cylinder | 1.75 | 2.00 |
| CONVEYORS - GENERAL PURPOSE | | |
| Uniformly loaded or fed | 1.15 | 1.25 |
| - Heavy duty | | |
| Not uniformly fed | 1.25 | 1.50 |
| - Reciprocating or shaker | 1.75 | 2.00 |
| CRANES (*) | | |
| Dry dock | | |
| Main hoist | 2.50 | 2.50 |
| Auxiliary hoist | 2.50 | 3.00 |
| Boom hoist | 2.50 | 3.00 |
| Slewing Drive | 2.50 | 3.00 |
| Traction Drive | 3.00 | 3.00 |

| Application | ≤ 10 hours/day | > 10 hours/day |
|------------------------------|-------------------|-------------------|
| Trolley Drive | | |
| Gantry Drive | 3.00 | 3.00 |
| Traction Drive | 2.00 | 2.00 |
| Industrial duty | | |
| Main hoist | 2.50 | 3.00 |
| Auxiliary hoist | 2.50 | 3.00 |
| Bridge and | 3.00 | 3.00 |
| Trolley travel | 3.00 | 3.00 |
| CRUSHER | | |
| Stone or ore | 2.00 | 2.00 |
| DREDGES | | |
| Conveyors | 1.25 | 1.50 |
| Cutter head drives | 2.00 | 2.00 |
| Screen drives | 1.75 | 2.00 |
| Stackers | 1.25 | 1.50 |
| Winches | 1.25 | 1.50 |
| ELEVATORS | | |
| Bucket | 1.25 | 1.50 |
| Centrifugal discharge | 1.15 | 1.25 |
| Escalators | 1.15 | 1.25 |
| Freight | 1.25 | 1.50 |
| Gravity discharge | 1.15 | 1.25 |
| EXTRUDERS | | |
| General | 1.50 | 1.50 |
| Plastics | | |
| Variable speed drive | 1.50 | 1.50 |
| Fixed speed drive | 1.75 | 1.75 |
| Rubber | | |
| Continuous screw operation | 1.75 | 1.75 |
| Intermittent screw operation | 1.75 | 1.75 |
| FANS | | |
| Centrifugal | 1.00 | 1.25 |
| Cooling towers | 2.00 | 2.00 |

(*) - Indication of service factor based on FEM 1.001 classification available upon request. Consult factory.

- Hoists for passengers lift: charted **values not applicable**. Consult factory.



| Application | ≤ 10 hours/day | > 10 hours/day |
|--------------------------------|-------------------|-------------------|
| Forced draft | 1.25 | 1.25 |
| Induced draft | 1.50 | 1.50 |
| Industrial and mine | 1.50 | 1.50 |
| FEEDERS | | |
| Apron | 1.25 | 1.50 |
| Belt | 1.15 | 1.50 |
| Disc | 1.00 | 1.25 |
| Reciprocating | 1.75 | 2.00 |
| Screw | 1.25 | 1.50 |
| FOOD INDUSTRY | | |
| Dough mixer | 1.25 | 1.50 |
| Meat grinders | 1.25 | 1.50 |
| Slicers | 1.25 | 1.50 |
| GENERATORS AND EXCITERS | | |
| | 1.00 | 1.25 |
| HAMMER MILLS | | |
| | 1.75 | 2.00 |
| HOISTS (*) | | |
| Heavy duty | 1.75 | 2.00 |
| Medium duty | 1.25 | 1.50 |
| Skip hoist | 1.25 | 1.50 |
| LUMBER INDUSTRY | | |
| Barkers - spindle feed | 1.25 | 1.50 |
| Main drive | 1.75 | 1.75 |
| Conveyors - burner | 1.25 | 1.50 |
| Main or heavy duty | 1.50 | 1.50 |
| Main log | 1.75 | 2.00 |
| Re-saw, merry-go-round | 1.25 | 1.50 |
| Conveyors | | |
| Slab | 1.75 | 2.00 |
| Transfer | 1.25 | 1.50 |
| Chains | | |
| Floor | 1.50 | 1.50 |
| Green | 1.50 | 1.75 |
| Cut-off saws | | |
| Chain | 1.50 | 1.75 |
| Drag | 1.50 | 1.75 |
| Debarking drums | 1.75 | 2.00 |
| Feeds | | |
| Edger | 1.25 | 1.50 |
| Gang | 1.75 | 1.75 |
| Trimmer | 1.25 | 1.50 |
| Log deck | 1.75 | 1.75 |

| Application | ≤ 10 hours/day | > 10 hours/day |
|---------------------------------------|-------------------|-------------------|
| Log hauls - incline - weel type | 1.75 | 1.75 |
| Log turning devices | 1.75 | 1.75 |
| Planer feed | 1.25 | 1.50 |
| Planer tilting hoists | 1.50 | 1.50 |
| Rolls - live-off brg. - roll cases | 1.75 | 1.75 |
| Sorting table | 1.25 | 1.50 |
| Tipple hoist | 1.25 | 1.50 |
| Transfers | | |
| Chain | 1.50 | 1.75 |
| Craneways | 1.50 | 1.75 |
| Tray drives | 1.25 | 1.50 |
| Veneer lathe drives | 1.25 | 1.50 |
| METAL MILLS | | |
| Slab pushers | 1.50 | 1.50 |
| Shears | 2.00 | 2.00 |
| Wire drawing | 1.25 | 1.50 |
| Wire winding machine | 1.50 | 1.50 |
| MILLS, ROTARY TYPE | | |
| Ball and rod | 2.00 | 2.00 |
| Spur ring gear | 2.00 | 2.00 |
| Helical ring gear | 1.50 | 1.50 |
| Direct connected | 2.00 | 2.00 |
| Cement kilns | 1.50 | 1.50 |
| Dryers and coolers | 1.50 | 1.50 |
| MIXERS | | |
| Concrete | 1.50 | 1.75 |
| PAPER MILLS | | |
| Agitator (mixer) | 1.50 | 1.50 |
| Agitator for pure liquors | 1.25 | 1.25 |
| Barking drums | 2.00 | 2.00 |
| Barkers - mechanical | 2.00 | 2.00 |
| Beater | 1.50 | 1.50 |
| Breaker stack | 1.25 | 1.25 |
| Calendar | 1.25 | 1.25 |
| Chipper | 2.00 | 2.00 |
| Chip feeder | 1.50 | 1.50 |
| Coating rolls | 1.25 | 1.25 |
| Conveyors | | |
| Chip, bark, chemical | 1.25 | 1.25 |
| Log (including slab) | 2.00 | 2.00 |

(*) - Indication of service factor based on FEM 1.001 classification available upon request. Consult factory.

- Hoists for passengers lift: charted **values not applicable**. Consult factory.



| Application | ≤ 10 hours/day | > 10 hours/day |
|-----------------------------|-------------------|-------------------|
| Couch rolls | 1.25 | 1.25 |
| Cutter | 2.00 | 2.00 |
| Cylinder molds | 1.25 | 1.25 |
| Dryers | | |
| Paper machine | 1.25 | 1.25 |
| Conveyors type | 1.25 | 1.25 |
| Embosser | 1.25 | 1.25 |
| Extruder | 1.50 | 1.50 |
| Jordan | 1.50 | 1.50 |
| Kiln drive | 1.50 | 1.50 |
| Paper rolls | 1.25 | 1.25 |
| Platter | 1.50 | 1.50 |
| Presses - felt and suction | 1.25 | 1.25 |
| Pulper | 2.00 | 2.00 |
| Pumps - vacuum | 1.50 | 1.50 |
| Reel (surface type) | 1.25 | 1.25 |
| Screens | | |
| Chip | 1.50 | 1.50 |
| Rotary | 1.50 | 1.50 |
| Vibrating | 2.00 | 2.00 |
| Size press | 1.25 | 1.25 |
| Super calendar | 1.25 | 1.25 |
| Thickener (AC motor) | 1.50 | 1.50 |
| Thickener (DC motor) | 1.25 | 1.25 |
| Washer (AC motor) | 1.50 | 1.50 |
| Washer (DC motor) | 1.25 | 1.25 |
| Wind and unwind stand | 1.25 | 1.50 |
| Winders (surface type) | 1.25 | 1.25 |
| Yankee dryers | 1.25 | 1.25 |
| PLASTICS INDUSTRY | | |
| Batch mixers | 1.75 | 1.75 |
| Continuous mixers | 1.50 | 1.50 |
| Compounding mill | 1.25 | 1.25 |
| Calendars | 1.50 | 1.50 |
| Secondary processing | | |
| Blow molders | 1.50 | 1.50 |
| Coating | 1.25 | 1.25 |
| Film | 1.25 | 1.25 |
| Pre-plasticizers | 1.50 | 1.50 |
| Rods | 1.25 | 1.25 |

| Application | ≤ 10 hours/day | > 10 hours/day |
|---|-------------------|-------------------|
| Sheet | 1.25 | 1.25 |
| Tubing | 1.25 | 1.50 |
| PUMPS | | |
| Centrifugal | 1.15 | 1.25 |
| Reciprocating | | |
| Single acting, three or more cylinders | 1.25 | 1.50 |
| Double acting, two or more cylinders | 1.25 | 1.50 |
| Rotary | | |
| Gear type | 1.15 | 1.25 |
| Lobe | 1.15 | 1.25 |
| Vane | 1.15 | 1.25 |
| RUBBER INDUSTRY | | |
| Intensive internal mixer | | |
| Batch mixers | 1.75 | 1.75 |
| Continuous mixers | 1.50 | 1.50 |
| Refiner - two rolls | 1.50 | 1.50 |
| Calendars | 1.50 | 1.50 |
| SAND MULLER | 1.25 | 1.50 |
| SEWAGE DISPOSAL EQUIPMENT | | |
| Aerators | 2.00 | 2.00 |
| Chemical feeders | 1.25 | 1.25 |
| Dewatering screens | 1.50 | 1.50 |
| Scum breakers | 1.50 | 1.50 |
| Slow or rapid mixers | 1.50 | 1.50 |
| Sludge collectors | 1.25 | 1.25 |
| Thickeners | 1.50 | 1.50 |
| Vacuum filters | 1.50 | 1.50 |
| SCREENS | | |
| Air washing | 1.00 | 1.25 |
| Rotary - stone or gravel | 1.25 | 1.50 |
| Travelling water intake | 1.00 | 1.25 |
| SUGAR INDUSTRY | | |
| Beet slicer | 2.00 | 2.00 |
| Cane knives | 1.50 | 1.50 |
| Crushers | 1.50 | 1.50 |
| Mills (low speed end) | 1.75 | 1.75 |
| TEXTILE MACHINERY | 1.25 | 1.50 |



SELECTING THE GEAR UNIT

The selection of the drive unit can only be optimized upon knowing both the engineering and the environmental conditions the gearbox will operate into.

For a safe selection it is strongly recommended to rely on the long time experience of the Bonfiglioli Technical Service Dept.




9 ENGINEERING SELECTION

1. First determine the gear ratio:

$$i = \frac{n_1}{n_2}$$

2. Calculate the power P_{r1} required at the input shaft:

$$P_{r1} = \frac{M_{r2} \times n_2}{9550 \times \eta}$$

| 2x  | 0.96 |
|--|------|
| 3x  | 0.94 |
| 4x  | 0.92 |

3. Determine the applicable service factor f_s and the adjusting factor f_m depending on prime mover:

| | f_m |
|--|-------|
| Electric motor Hydraulic motor Turbine | 1.00 |
| Multi-cylinder internal combustion engine | 1.25 |
| Single cylinder internal combustion engine | 1.50 |

4. Use the rating charts to select the gear unit with the gear ratio nearest to that calculated, and with a rated power P_{n1} , so that:

$$P_{n1} \geq P_{r1} \times f_s \times f_m$$



10 VERIFICATIONS

10.1 SHOCK LOADING

For intermittent duty, impact/shock loading applications or start-ups under full load or with high inertial loads, make sure the following condition is satisfied for momentary peak torque M_p generated during the operating cycle:

$$M_p \leq M_{n2} \times f_p$$

| Peaks/hour | | f_p | | | | |
|------------|--------------------|-------|----------|-----------|------------|-------|
| | | 1 | 2 ... 10 | 11 ... 50 | 51 ... 100 | > 100 |
| Drive | Constant direction | 2.0 | 1.6 | 1.3 | 1.1 | 1.0 |
| | Reversals | 1.4 | 1.1 | 0.9 | 0.8 | 0.7 |

For configuration S (output shaft with shrink disc), use the following values to verify applicability.

| Peaks/hour | | f_p | | |
|------------|--------------------|--------------|------------|-------|
| | | 1 ... 50 | 51 ... 100 | > 100 |
| Drive | Constant direction | 1.3 | 1.1 | 1.0 |
| | | 1.1 (HDP 80) | | |
| | Reversals | 0.9 | 0.8 | 0.7 |
| | | 0.8 (HDP 80) | | |

If the above condition is not satisfied, consider installing a torque limiter or selecting a gear unit of the next size up.

10.2 MOTOR MOUNTING

Verify that the appropriate motor adapter is available for the selected gear unit. See sections [14.5](#) and [22.6](#).

Because of standardisation, the rated power of the electric motor selected might be greater than power P_{r1} actually requested by the application. Make sure that the electric motor will never develop the extra power at any stage of the operating cycle. If you have any doubts about the validity of the application data, or uncertainty concerning the actual load pattern, install a torque limiting device or proportionally revise the applicable service factor.



10.3 BACKSTOP DEVICE

If the gear unit is specified with a backstop, verify the load capacity of the device at sections [14.6.3](#) and [22.7.3](#) of this catalogue and make sure the torque M_{1MAX} is never exceeded in operation.

10.4 CALCULATING THE RESULTING OVERHUNG LOAD

External transmissions keyed onto input and/or output shaft generate loads that act radially onto same shaft.




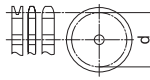
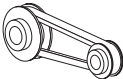
Resulting shaft loading must be compatible with both the bearing and the shaft capacity.

Namely shaft loading (R_{c1} for input shaft, R_{c2} for output shaft), must be equal or lower than admissible overhung load capacity for shaft under study (R_{x1} for input shaft, R_{x2} for output shaft). OHL capability listed in the rating chart section.

The procedure described above applies to both the input shaft and the output shaft, but care must be taken to apply factor K_1 or factor K_2 to suit the particular shaft.

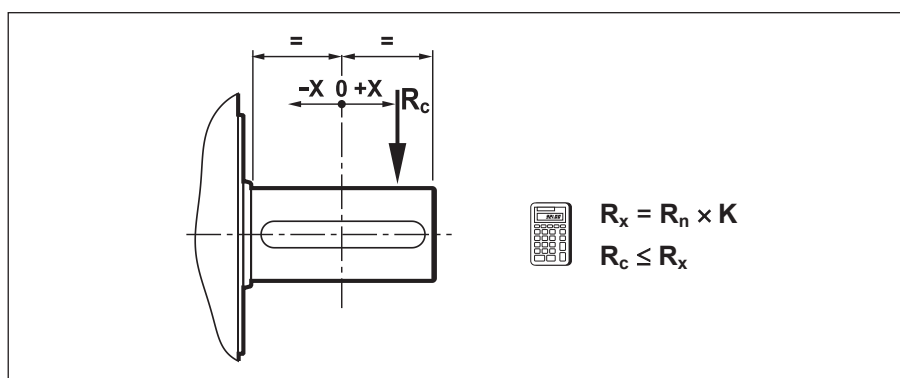
The load generated by an external transmission can be calculated, to a good approximation, by the following equation:

$$R_c = \frac{2000 \times M \times K_r}{d}$$

| | | | |
|-------------------|---|----------|---|
| $K_r = 1$ |  | M [Nm] |  |
| $K_r = 1.25$ |  | d [mm] |  |
| $K_r = 1.5 - 2.0$ |  | | |

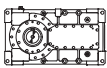


10.5 OVERHUNG LOADING VERIFICATION

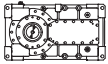



The $R_{n1 \max}$ values listed in the table are the maximum permissible overhung loads; these loads may have to be reduced in certain applications.

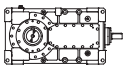

For an exact value, please contact Bonfiglioli's Technical Service.

|  | i = | R _{n1 max} [kN] | K ₁ | | | | | | | | | | | | | |
|--|-----------------|-----------------------------|----------------|-----|------|------|------|------|------|------|------|------|------|-----|-----|--|
| | | | x [mm] = | | | | | | | | | | | | | |
| | | | -100 | -75 | -50 | -25 | 0 | 25 | 50 | 75 | 100 | 150 | 200 | 250 | 300 | |
| HDP 60 2 | 7.1 ... 15.2 | 4.5 | — | — | — | 1.29 | 1.00 | 0.82 | 0.69 | 0.60 | 0.53 | — | — | — | — | |
| | 17.3 ... 19.4 | 3.0 | — | — | — | 1.28 | 1.00 | 0.82 | 0.70 | 0.60 | 0.53 | — | — | — | — | |
| HDP 60 3 | 22.7 ... 49.1 | 3.1 | — | — | — | 1.29 | 1.00 | 0.82 | 0.69 | 0.60 | 0.53 | — | — | — | — | |
| | 56.6 ... 98.4 | 2.1 | — | — | — | 1.33 | 1.00 | 0.80 | 0.67 | 0.57 | 0.50 | — | — | — | — | |
| HDP 70 2 | 8.0 ... 17.7 | 4.5 | — | — | — | 1.29 | 1.00 | 0.82 | 0.69 | 0.60 | 0.53 | — | — | — | — | |
| | 19.4 ... 22.6 | 3.0 | — | — | — | 1.28 | 1.00 | 0.82 | 0.70 | 0.60 | 0.53 | — | — | — | — | |
| HDP 70 3 | 25.5 ... 57.0 | 3.1 | — | — | — | 1.29 | 1.00 | 0.82 | 0.69 | 0.60 | 0.53 | — | — | — | — | |
| | 63.7 ... 114.4 | 2.1 | — | — | — | 1.33 | 1.00 | 0.80 | 0.67 | 0.57 | 0.50 | — | — | — | — | |
| HDP 80 2 | 8.1 ... 14.6 | 5.0 | — | — | 1.53 | 1.21 | 1.00 | 0.85 | 0.74 | 0.66 | 0.59 | 0.49 | — | — | — | |
| | 15.5 ... 22.6 | 5.5 | — | — | — | 1.24 | 1.00 | 0.84 | 0.72 | 0.63 | 0.56 | 0.41 | — | — | — | |
| HDP 80 3 | 25.8 ... 75.2 | 5.8 | — | — | — | 1.26 | 1.00 | 0.83 | 0.71 | 0.62 | 0.53 | 0.39 | — | — | — | |
| | 76.4 ... 111.4 | 3.0 | — | — | — | 1.29 | 1.00 | 0.82 | 0.69 | 0.54 | 0.44 | 0.32 | — | — | — | |
| HDP 90 2 | 7.9 ... 13.6 | 6.3 | — | — | 1.48 | 1.19 | 1.00 | 0.86 | 0.76 | 0.67 | 0.61 | 0.51 | — | — | — | |
| | 15.8 ... 22.4 | 6.3 | — | — | 1.48 | 1.19 | 1.00 | 0.86 | 0.76 | 0.67 | 0.61 | 0.51 | — | — | — | |
| HDP 90 3 | 25.4 ... 73.3 | 6.1 | — | — | 1.45 | 1.18 | 1.00 | 0.87 | 0.76 | 0.68 | 0.62 | 0.52 | — | — | — | |
| | 77.8 ... 110.1 | 3.7 | — | — | — | 1.22 | 1.00 | 0.85 | 0.73 | 0.61 | 0.50 | 0.37 | — | — | — | |
| HDP 100 2 | 7.4 ... 21.8 | 11.1 | — | — | 1.35 | 1.15 | 1.00 | 0.89 | 0.80 | 0.72 | 0.66 | 0.56 | 0.49 | — | — | |
| HDP 100 3 | 22.8 ... 50 | 6.3 | — | — | 1.48 | 1.19 | 1.00 | 0.86 | 0.76 | 0.67 | 0.61 | 0.51 | — | — | — | |
| | 55.5 ... 107.8 | 6.9 | — | — | 1.54 | 1.21 | 1.00 | 0.85 | 0.74 | 0.65 | 0.59 | 0.49 | — | — | — | |
| HDP 100 4 | 110.6 ... 246.9 | 2.1 | — | — | — | 1.18 | 1.00 | 0.87 | 0.76 | 0.68 | 0.62 | — | — | — | — | |
| | 286.4 ... 507.9 | 2.7 | — | — | — | 1.25 | 1.00 | 0.83 | 0.71 | 0.63 | 0.56 | — | — | — | — | |
| HDP 110 2 | 8.1 ... 25.0 | 11.1 | — | — | 1.35 | 1.15 | 1.00 | 0.89 | 0.80 | 0.72 | 0.66 | 0.56 | 0.49 | — | — | |
| HDP 110 3 | 24.9 ... 54.5 | 6.3 | — | — | 1.48 | 1.19 | 1.00 | 0.86 | 0.76 | 0.67 | 0.61 | 0.51 | — | — | — | |
| | 60.7 ... 123.5 | 6.9 | — | — | 1.54 | 1.21 | 1.00 | 0.85 | 0.74 | 0.65 | 0.59 | 0.49 | — | — | — | |
| HDP 110 4 | 120. ... 214.2 | 2.1 | — | — | — | 1.18 | 1.00 | 0.87 | 0.76 | 0.68 | 0.62 | — | — | — | — | |
| | 248.6 ... 499.4 | 2.7 | — | — | — | 1.25 | 1.00 | 0.83 | 0.71 | 0.63 | 0.56 | — | — | — | — | |



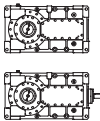
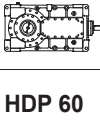
|  | i = | Rn1 max [kN] | K ₁ | | | | | | | | | | | | |
|---|--|-----------------|----------------|------|------|------|------|------|------|------|------|------|------|------|------|
| | | | x [mm] = | | | | | | | | | | | | |
| | -100 | -75 | -50 | -25 | 0 | 25 | 50 | 75 | 100 | 150 | 200 | 250 | 300 | | |
| HDP 120 2 | 7.9 ... 25.4 | 17.8 | — | — | 1.37 | 1.16 | 1.00 | 0.88 | 0.79 | 0.71 | 0.65 | 0.55 | 0.48 | — | — |
| | 25.8 ... 56.1 | 6.3 | — | — | 1.48 | 1.19 | 1.00 | 0.86 | 0.76 | 0.67 | 0.61 | 0.51 | — | — | — |
| HDP 120 3 | 64.3 ... 125.2 | 6.9 | — | — | 1.54 | 1.21 | 1.00 | 0.85 | 0.74 | 0.65 | 0.59 | 0.49 | — | — | — |
| | 128 ... 277.2 | 2.1 | — | — | — | 1.18 | 1.00 | 0.87 | 0.76 | 0.68 | 0.62 | — | — | — | — |
| HDP 120 4 | 323.2 ... 523.7 | 2.7 | — | — | — | 1.25 | 1.00 | 0.83 | 0.71 | 0.63 | 0.56 | — | — | — | — |
| | 8.9 ... 25.0 | 17.8 | — | — | 1.37 | 1.16 | 1.00 | 0.88 | 0.79 | 0.71 | 0.65 | 0.55 | 0.48 | — | — |
| HDP 125 2 | 29.1 ... 62.6 | 6.3 | — | — | 1.48 | 1.19 | 1.00 | 0.86 | 0.76 | 0.67 | 0.61 | 0.51 | — | — | — |
| | 72.5 ... 123.6 | 6.9 | — | — | 1.54 | 1.21 | 1.00 | 0.85 | 0.74 | 0.65 | 0.59 | 0.49 | — | — | — |
| HDP 125 3 | 144.4 ... 506.5 | 2.1 | — | — | — | 1.18 | 1.00 | 0.87 | 0.76 | 0.68 | 0.62 | — | — | — | — |
| HDP 125 4 | 7.3 ... 12.3 | 28.0 | — | 1.47 | 1.27 | 1.12 | 1.00 | 0.90 | 0.82 | 0.76 | 0.69 | 0.54 | 0.45 | 0.38 | — |
| | 14.1 ... 21.7 | 22.1 | — | — | 1.30 | 1.13 | 1.00 | 0.90 | 0.81 | 0.74 | 0.69 | 0.55 | 0.45 | — | — |
| HDP 130 2 | 21.8 ... 48.1 | 11.9 | — | — | 1.28 | 1.12 | 1.00 | 0.90 | 0.82 | 0.75 | 0.69 | 0.60 | 0.53 | — | — |
| | 56.5 ... 108.3 | 8.1 | — | — | 1.31 | 1.13 | 1.00 | 0.89 | 0.81 | 0.74 | 0.68 | 0.58 | — | — | — |
| HDP 130 3 | 111.2 ... 237.9 | 4.8 | — | — | 1.33 | 1.14 | 1.00 | 0.89 | 0.80 | 0.73 | 0.67 | 0.57 | — | — | — |
| | 274.5 ... 534.5 | 1.8 | — | — | — | 1.15 | 1.00 | 0.88 | 0.79 | 0.72 | 0.65 | — | — | — | — |
| HDP 130 4 | 8.4 ... 14.4 | 28.0 | — | 1.47 | 1.27 | 1.12 | 1.00 | 0.90 | 0.82 | 0.76 | 0.69 | 0.54 | 0.45 | 0.38 | — |
| | 16.3 ... 24.9 | 22.1 | — | — | 1.30 | 1.13 | 1.00 | 0.90 | 0.81 | 0.74 | 0.69 | 0.55 | 0.45 | — | — |
| HDP 140 2 | 25.1 ... 56.2 | 11.9 | — | — | 1.28 | 1.12 | 1.00 | 0.90 | 0.82 | 0.75 | 0.69 | 0.60 | 0.53 | — | — |
| | 65.1 ... 124.7 | 8.1 | — | — | 1.31 | 1.13 | 1.00 | 0.89 | 0.81 | 0.74 | 0.68 | 0.58 | — | — | — |
| HDP 140 3 | 141.6 ... 277.5 | 4.8 | — | — | 1.33 | 1.14 | 1.00 | 0.89 | 0.80 | 0.73 | 0.67 | 0.57 | — | — | — |
| | 315.9 ... 495.3 | 1.8 | — | — | — | 1.15 | 1.00 | 0.88 | 0.79 | 0.72 | 0.65 | — | — | — | — |
| HDP 140 4 | 7.9 ... 14.1 | 31.7 | 1.60 | 1.39 | 1.23 | 1.10 | 1.00 | 0.91 | 0.84 | 0.78 | 0.73 | 0.61 | 0.51 | 0.44 | 0.38 |
| | 15.4 ... 19.6 | 26.4 | — | 1.43 | 1.25 | 1.11 | 1.00 | 0.91 | 0.83 | 0.77 | 0.71 | 0.58 | 0.48 | 0.40 | — |
| HDP 150 2 | 21.5 ... 38.1 | 26.6 | — | 1.44 | 1.26 | 1.11 | 1.00 | 0.91 | 0.83 | 0.77 | 0.71 | 0.57 | 0.47 | 0.40 | — |
| | 43.5 ... 77.0 | 17.4 | — | — | 1.28 | 1.12 | 1.00 | 0.90 | 0.82 | 0.75 | 0.70 | 0.61 | 0.54 | — | — |
| HDP 150 3 | 89.0 ... 157.8 | 10.8 | — | — | 1.47 | 1.19 | 1.00 | 0.86 | 0.76 | 0.68 | 0.61 | 0.51 | — | — | — |
| | 170.9 ... 303.1 | 6.1 | — | — | 1.45 | 1.18 | 1.00 | 0.87 | 0.76 | 0.68 | 0.62 | 0.52 | — | — | — |
| HDP 150 4 | 9.0 ... 15.9 | 31.7 | 1.60 | 1.39 | 1.23 | 1.10 | 1.00 | 0.91 | 0.84 | 0.78 | 0.73 | 0.61 | 0.51 | 0.44 | 0.38 |
| | 17.5 ... 22.1 | 26.4 | — | 1.43 | 1.25 | 1.11 | 1.00 | 0.91 | 0.83 | 0.77 | 0.71 | 0.58 | 0.48 | 0.40 | — |
| HDP 160 2 | 24.4 ... 43.1 | 26.6 | — | 1.44 | 1.26 | 1.11 | 1.00 | 0.91 | 0.83 | 0.77 | 0.71 | 0.57 | 0.47 | 0.40 | — |
| | 49.4 ... 87.0 | 17.4 | — | — | 1.28 | 1.12 | 1.00 | 0.90 | 0.82 | 0.75 | 0.70 | 0.61 | 0.54 | — | — |
| HDP 160 3 | 101.1 ... 178.1 | 10.8 | — | — | 1.47 | 1.19 | 1.00 | 0.86 | 0.76 | 0.68 | 0.61 | 0.51 | — | — | — |
| | 194.1 ... 342.2 | 6.1 | — | — | 1.45 | 1.18 | 1.00 | 0.87 | 0.76 | 0.68 | 0.62 | 0.52 | — | — | — |
| HDP 160 4 |  BONFIGLIOLI TECHNICAL SERVICE | | | | | | | | | | | | | | |
| HDP 170 | | | | | | | | | | | | | | | |
| HDP 180 | | | | | | | | | | | | | | | |



|  | i = | Rn1 max [kN] | K ₁ | | | | | | | | | | | | |
|---|--|-----------------|----------------|------|------|------|------|------|------|------|------|------|------|------|------|
| | | | x [mm] = | | | | | | | | | | | | |
| | | | -100 | -75 | -50 | -25 | 0 | 25 | 50 | 75 | 100 | 150 | 200 | 250 | 300 |
| HDO 100 2 | 5.8 ... 13.5 | 19.4 | — | — | 1.88 | 1.30 | 1.00 | 0.81 | 0.68 | 0.59 | 0.51 | 0.40 | 0.32 | — | — |
| HDO 100 3 | 14 ... 17.3 | 18.7 | — | — | 2.23 | 1.38 | 1.00 | 0.78 | 0.64 | 0.54 | 0.45 | 0.34 | — | — | — |
| | 20.2 ... 67.5 | 10.8 | — | — | 2.23 | 1.38 | 1.00 | 0.78 | 0.63 | 0.51 | 0.43 | 0.32 | — | — | — |
| HDO 100 4 | 70.8 ... 139.8 | 7.2 | — | — | — | 1.56 | 1.00 | 0.72 | 0.52 | 0.40 | 0.33 | — | — | — | — |
| | 160 ... 344.2 | 4.8 | — | — | — | 1.56 | 1.00 | 0.74 | 0.58 | 0.46 | 0.38 | — | — | — | — |
| HDO 110 2 | 6.4 ... 15.5 | 19.4 | — | — | 1.88 | 1.30 | 1.00 | 0.81 | 0.68 | 0.59 | 0.51 | 0.40 | 0.32 | — | — |
| HDO 110 3 | 18.9 ... 20.9 | 18.7 | — | — | 2.23 | 1.38 | 1.00 | 0.78 | 0.64 | 0.54 | 0.45 | 0.34 | — | — | — |
| | 22 ... 77.5 | 10.8 | — | — | 2.23 | 1.38 | 1.00 | 0.78 | 0.63 | 0.51 | 0.43 | 0.32 | — | — | — |
| HDO 110 4 | 77.4 ... 121.7 | 7.2 | — | — | — | 1.56 | 1.00 | 0.72 | 0.52 | 0.40 | 0.33 | — | — | — | — |
| | 137.1 ... 395 | 4.8 | — | — | — | 1.56 | 1.00 | 0.74 | 0.58 | 0.46 | 0.38 | — | — | — | — |
| HDO 120 2 | 6.6 ... 15.5 | 22.6 | — | — | 1.82 | 1.29 | 1.00 | 0.78 | 0.62 | 0.51 | 0.44 | 0.34 | 0.28 | — | — |
| HDO 120 3 | 17.3 ... 24.6 | 18.7 | — | — | 2.23 | 1.38 | 1.00 | 0.78 | 0.64 | 0.54 | 0.45 | 0.34 | — | — | — |
| | 28.3 ... 78.6 | 10.8 | — | — | 2.23 | 1.38 | 1.00 | 0.78 | 0.63 | 0.51 | 0.43 | 0.32 | — | — | — |
| HDO 120 4 | 87 ... 162.2 | 7.2 | — | — | — | 1.56 | 1.00 | 0.72 | 0.52 | 0.40 | 0.33 | — | — | — | — |
| | 179.7 ... 400.6 | 4.8 | — | — | — | 1.56 | 1.00 | 0.74 | 0.58 | 0.46 | 0.38 | — | — | — | — |
| HDO 125 2 | 7.4 ... 16.9 | 22.6 | — | — | 1.82 | 1.29 | 1.00 | 0.78 | 0.62 | 0.51 | 0.44 | 0.34 | 0.28 | — | — |
| HDO 125 3 | 19.2 ... 35.8 | 18.7 | — | — | 2.23 | 1.38 | 1.00 | 0.78 | 0.64 | 0.54 | 0.45 | 0.34 | — | — | — |
| | 38.8 ... 85.9 | 10.8 | — | — | 2.23 | 1.38 | 1.00 | 0.78 | 0.63 | 0.51 | 0.43 | 0.32 | — | — | — |
| HDO 125 4 | 97.0 ... 178.0 | 7.2 | — | — | — | 1.56 | 1.00 | 0.72 | 0.52 | 0.40 | 0.33 | — | — | — | — |
| | 200.3 ... 438.0 | 4.8 | — | — | — | 1.56 | 1.00 | 0.74 | 0.58 | 0.46 | 0.38 | — | — | — | — |
| HDO 130 2 | 5.7 ... 13.6 | 35.8 | — | 2.21 | 1.57 | 1.22 | 1.00 | 0.85 | 0.73 | 0.62 | 0.54 | 0.42 | 0.35 | 0.30 | — |
| HDO 130 3 | 15.2 ... 67.1 | 22.6 | — | — | 1.82 | 1.29 | 1.00 | 0.78 | 0.62 | 0.51 | 0.44 | 0.34 | 0.28 | — | — |
| HDO 130 4 | 71.5 ... 335.6 | 10.9 | — | — | 2.25 | 1.38 | 1.00 | 0.78 | 0.63 | 0.50 | 0.42 | 0.32 | — | — | — |
| HDO 140 2 | 6.6 ... 15.7 | 35.8 | — | 2.21 | 1.57 | 1.22 | 1.00 | 0.85 | 0.73 | 0.62 | 0.54 | 0.42 | 0.35 | 0.30 | — |
| HDO 140 3 | 17.7 ... 77.3 | 22.6 | — | — | 1.82 | 1.29 | 1.00 | 0.78 | 0.62 | 0.51 | 0.44 | 0.34 | 0.28 | — | — |
| HDO 140 4 | 82.3 ... 386.6 | 10.9 | — | — | 2.25 | 1.38 | 1.00 | 0.78 | 0.63 | 0.50 | 0.42 | 0.32 | — | — | — |
| HDO 150 2 | 5.5 ... 7.0 | 54.0 | 2.75 | 1.91 | 1.47 | 1.19 | 1.00 | 0.86 | 0.76 | 0.67 | 0.59 | 0.47 | 0.40 | 0.34 | 0.30 |
| | 8.1 ... 13.7 | 41.6 | 2.75 | 1.91 | 1.47 | 1.19 | 1.00 | 0.86 | 0.76 | 0.66 | 0.58 | 0.46 | 0.39 | 0.33 | 0.29 |
| HDO 150 3 | 15.6 ... 60.8 | 35.8 | — | 2.21 | 1.57 | 1.22 | 1.00 | 0.85 | 0.73 | 0.62 | 0.54 | 0.42 | 0.35 | 0.30 | — |
| HDO 150 4 | 66.9 ... 92.9 | 18.7 | — | — | 2.23 | 1.38 | 1.00 | 0.78 | 0.64 | 0.54 | 0.45 | 0.34 | — | — | — |
| | 101.8 ... 238.8 | 10.9 | — | — | 2.25 | 1.38 | 1.00 | 0.78 | 0.63 | 0.50 | 0.42 | 0.32 | — | — | — |
| HDO 160 2 | 7.3 ... 7.9 | 54.0 | 2.75 | 1.91 | 1.47 | 1.19 | 1.00 | 0.86 | 0.76 | 0.67 | 0.59 | 0.47 | 0.40 | 0.34 | 0.30 |
| | 8.9 ... 15.4 | 41.6 | 2.75 | 1.91 | 1.47 | 1.19 | 1.00 | 0.86 | 0.76 | 0.66 | 0.58 | 0.46 | 0.39 | 0.33 | 0.29 |
| HDO 160 3 | 17.7 ... 68.6 | 35.8 | — | 2.21 | 1.57 | 1.22 | 1.00 | 0.85 | 0.73 | 0.62 | 0.54 | 0.42 | 0.35 | 0.30 | — |
| HDO 160 4 | 75.9 ... 96.3 | 18.7 | — | — | 2.23 | 1.38 | 1.00 | 0.78 | 0.64 | 0.54 | 0.45 | 0.34 | — | — | — |
| | 115.2 ... 269.7 | 10.9 | — | — | 2.25 | 1.38 | 1.00 | 0.78 | 0.63 | 0.50 | 0.42 | 0.32 | — | — | — |
| HDO 170 |  BONFIGLIOLI TECHNICAL SERVICE | | | | | | | | | | | | | | |
| HDO 180 | | | | | | | | | | | | | | | |



The values for overhung and thrust loads are the maximum permissible values.

|  Rn₂ max [kN] | K₂ | | | | | | | | | | | | | | | | | An₂ max [kN] | |
|--|--|------|------|------|------|------|------|------|------|------|------|------|------|------|------|------|------|-----------------------------------|-------|
| | x [mm] = | | | | | | | | | | | | | | | | | | |
| | -100 | -75 | -50 | -25 | 0 | 25 | 50 | 75 | 100 | 150 | 200 | 250 | 300 | 350 | 400 | 450 | 500 | | |
| HDP 60 | 35.0 | — | — | 1.20 | 1.09 | 1.00 | 0.74 | 0.58 | 0.48 | 0.41 | 0.32 | — | — | — | — | — | — | 17.5 | |
| HDP 70 | 40.0 | — | 1.34 | 1.20 | 1.09 | 1.00 | 0.77 | 0.63 | 0.53 | 0.46 | 0.36 | 0.30 | — | — | — | — | — | 25.0 | |
| HDP 80 | 46.0 | 1.38 | 1.26 | 1.16 | 1.07 | 1.00 | 0.82 | 0.69 | 0.59 | 0.52 | 0.42 | 0.35 | 0.30 | — | — | — | — | 32.5 | |
| HDP 90 | 62.0 | 1.33 | 1.23 | 1.14 | 1.07 | 1.00 | 0.81 | 0.68 | 0.58 | 0.51 | 0.41 | 0.34 | 0.30 | — | — | — | — | 37.5 | |
| HDP 100 HDO 100 | 80.0 | 1.28 | 1.20 | 1.12 | 1.06 | 1.00 | 0.81 | 0.68 | 0.58 | 0.51 | 0.41 | 0.34 | 0.30 | 0.26 | — | — | — | 40.0 | |
| HDP 110 HDO 110 | 86.0 | 1.27 | 1.19 | 1.12 | 1.06 | 1.00 | 0.83 | 0.71 | 0.63 | 0.56 | 0.45 | 0.38 | 0.33 | 0.29 | 0.26 | 0.24 | — | 43.0 | |
| HDP 120 HDO 120 | 107.0 | 1.25 | 1.18 | 1.11 | 1.05 | 1.00 | 0.83 | 0.71 | 0.63 | 0.56 | 0.45 | 0.38 | 0.33 | 0.29 | 0.26 | 0.24 | — | 53.5 | |
| HDP 125 HDO 125 | 130.0 | 1.20 | 1.14 | 1.09 | 1.04 | 1.00 | 0.86 | 0.75 | 0.67 | 0.60 | 0.50 | 0.43 | 0.38 | 0.33 | 0.30 | 0.27 | 0.25 | 65.0 | |
| HDP 130 HDO 130 | 160.0 | 1.20 | 1.14 | 1.09 | 1.04 | 1.00 | 0.86 | 0.75 | 0.67 | 0.60 | 0.50 | 0.43 | 0.38 | 0.33 | 0.30 | 0.27 | 0.25 | 80.0 | |
| HDP 140 HDO 140 | 190.0 | 1.20 | 1.14 | 1.09 | 1.04 | 1.00 | 0.86 | 0.75 | 0.67 | 0.60 | 0.50 | 0.43 | 0.38 | 0.33 | 0.30 | 0.27 | 0.25 | 95.0 | |
| HDP 150 HDO 150 | 200.0 | 1.15 | 1.11 | 1.07 | 1.03 | 1.00 | 0.92 | 0.85 | 0.80 | 0.75 | 0.66 | 0.60 | 0.54 | 0.49 | 0.45 | 0.41 | 0.38 | 0.35 | 100.0 |
| HDP 160 HDO 160 | 220.0 | 1.15 | 1.11 | 1.07 | 1.03 | 1.00 | 0.92 | 0.85 | 0.80 | 0.75 | 0.66 | 0.60 | 0.54 | 0.49 | 0.45 | 0.41 | 0.38 | 0.35 | 110.0 |
| HDP 170 HDO 170 |  BONFIGLIOLI TECHNICAL SERVICE | | | | | | | | | | | | | | | | | | |
| HDP 180 HDO 180 | | | | | | | | | | | | | | | | | | | |



10.6 SHAFT LOADING

10.6.1 Overhung load on the output shaft

Make sure that the overhung load on the output shaft does not exceed the maximum permitted value for the gearbox in question. The HDB option can be specified only for HDP gearbox sizes 60 through 90 to provide higher capacity bearings to cater for particularly large overhung loads. If external loads exceed the load capacity of even the heavy duty bearings, consider the options of providing external support for the shafts, reducing external load in some other way, or, if necessary, selecting a gearbox of the next size up.

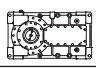
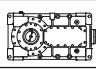



To check overhung load capacity, refer to the figure in section 10.5 and compare the actual overhung load R_c on the shaft with the maximum permissible overhung load R_x for the distance from the centre of the shaft at which the load is applied. Maximum permissible overhung load R_{x2} for the output shaft is obtained by multiplying the nominal overhung load R_{n2} , as listed in the technical data section, by the load location factor K_2 .

Rated overhung loads R_n are conservative values, as they are calculated for the most unfavourable conditions in terms of direction of rotation and angle of application of the force on the shaft.

The following table shows the rated overhung loads that can be applied to solid (LP) output shafts under the following conditions:

- force applied to the centre of the end of the shaft
- no thrust loads
- gearbox service factor ≥ 1.25

Contact Bonfiglioli Riduttori's Technical Service if an exact calculation is required.

| | R_{n2} [kN] | | | | | |
|---|--|-------|--------------------------------|-------|--|-------|
| | HDP/HDO ... 2 | | HDP/HDO ... 3 | | HDP/HDO ... 4 | |
| n_2 | ≤ 150 [min ⁻¹] | | ≤ 75 [min ⁻¹] | | ≤ 25 [min ⁻¹] | |
| | Shaft arrangement | | | | | |
|  | LR/RL | LL/RR | LR/RL | LL/RR | LL/RR | LR/RL |
|  | L1/R2 | L2/R1 | L1/R2 | L2/R1 | L1/R2 | L2/R1 |
| HDP 60 | 22 | 14 | 31 | 22 |  BONFIGLIOLI TECHNICAL SERVICE | |
| HDP 70 | 18 | 9 | 25 | 16 | | |
| HDP 80 | 15 | 8 | 28 | 15 | | |
| HDP 90 | 20 | 10 | 36 | 20 | | |
| HDP 100 - HDO 100 | 28 | 13 | 52 | 26 | 80 | 55 |
| HDP 110 - HDO 110 | 46 | 33 | 61 | 37 | 86 | 72 |
| HDP 120 - HDO 120 | 62 | 34 | 83 | 54 | 107 | 101 |
| HDP 125 - HDO 125 | 75 | 48 | 98 | 69 | 130 | 122 |
| HDP 130 - HDO 130 | 90 | 46 | 119 | 73 | 160 | 137 |
| HDP 140 - HDO 140 | 85 | 43 | 116 | 73 | 183 | 138 |
| HDP 150 - HDO 150 |  BONFIGLIOLI TECHNICAL SERVICE | | 109 | 52 | 183 | 132 |
| HDP 160 - HDO 160 | | | 88 | 36 | 172 | 110 |
| HDP 170 - HDO 170 |  BONFIGLIOLI TECHNICAL SERVICE | | | | | |
| HDP 180 - HDO 180 | | | | | | |



For other load conditions, such as:

- high overhung loads
- thrust loads
- combined overhung and thrust loads
- different output shaft configurations

consult Bonfiglioli Riduttori's Technical Service.

10.6.2 Overhung and thrust loads on input shaft

When checking the overhung load capacity refer to scheme shown at paragraph 10.5. Calculate the admissible overhung load **R_x** that is relevant to the distance the force applies from shaft midpoint and compare this with the force **R_c** that acts onto the shaft. Multiply the nominal radial load **R_{n1}**, as listed in the technical data section, for the load location factor **K₁** to get the permissible overhung load **R_{x1}** for the output shaft.

Rated overhung loads **R_n** are calculated for the most unfavourable condition as far as direction of rotation and the angle the force applies onto the shaft. Catalogue values are therefore conservative, for an in-depth calculation, or in case of HDP with 4 reductions and through-shafts (LD, RD and DD), contact the Technical Service of Bonfiglioli Riduttori.

When a radial force applies a thrust load **A_{n1} ≤ 0.2 x R_{n1}** is also permitted.

In the case of HDP gearboxes with through-shafts the maximum permitted overhung load refers to the shaft end highlighted in black below:

| HDP | | | 2x | 3x | 4x |
|------------|-----------|-----------|----|----|----|
| LL | LR | LD | | | |
| RL | RR | RD | | | |
| DL | DR | DD | | | |

If an overhung load is applied to both shaft ends, contact Bonfiglioli Riduttori's Technical Service for advise.



10.7 THERMAL CAPACITY

Thermal power P_T is the maximum power that the gearbox can transmit mechanically, under continuous operation, without the internal temperature rising to a value that could damage the gearbox components.

Under the following operating conditions:

- mounting position B3
- continuous functioning
- installation in large areas (air speed > 1.4 m/s)
- max. installation altitude 1000 m

total thermal capacity values and thermal capacity values inclusive of contributions from auxiliary cooling units are listed in sections [16](#) and [23](#).

For other conditions contact Bonfiglioli's Technical Service.

The figure determined must be greater than the Pr_1 power value for the gearbox input shaft. It is therefore important to verify the following formula:

$$P_{T...} \geq Pr_1$$



11 SAMPLE APPLICATIONS

| | Application data | |
|--|-------------------------------|--------------------------|
| | $n_1 = 1500 \text{ min}^{-1}$ | $f_s = 1.5$ |
| | $n_2 = 83 \text{ min}^{-1}$ | $Mr_2 = 7850 \text{ Nm}$ |
| | Mounting position: B3 | |
| | Environmental conditions | |
| Ambient temperature = 40°C | | |
| Installation in large areas | | |

Product selection:

$$\text{a) } i = \frac{n_1}{n_2} = \frac{1500}{83} \approx 18.1$$

$$\text{b) } Pr_1 = \frac{Mr_2 \times n_2}{9550 \times \eta} = \frac{7850 \times 83}{9550 \times 0.96} \approx 71.1 \text{ kW}$$

$$\text{c) } Pn_1 \geq Pr_1 \cdot f_s \approx 106.6 \text{ kW}$$



HDP 80 2 18.0 LP LR VP B3

[$Pn_1 = 108.7 \text{ kW @ } n_1 = 1500 \text{ min}^{-1}$]

Thermal capacity check:

$$P_T = 55 \text{ kW} < Pr_1 = 71.1 \text{ kW}$$



Option 1

- Fan cooling

$$P_{TFANL/R} = 76 \text{ kW @ } n_1 = 1500 \text{ min}^{-1}$$

$$P_{TFANL/R} > Pr_1$$

✓ OK

Option 2

- Cooling coil

$$P_{TSR} = 96 \text{ kW @ } n_1 = 1500 \text{ min}^{-1}$$

$$P_{TSR} > Pr_1$$

✓ OK



| | Application data | |
|-----------------------------|-------------------------------|---------------------------|
| | $n_1 = 1500 \text{ min}^{-1}$ | $f_s = 1.5$ |
| | $n_2 = 120 \text{ min}^{-1}$ | $Mr_2 = 13500 \text{ Nm}$ |
| | Mounting position: B3 | |
| | Environmental conditions | |
| | Ambient temperature | = 40°C |
| Installation in large areas | | |

Product selection:

a) $i = \frac{n_1}{n_2} = \frac{1500}{120} = 12.5$ b) $Pr_1 = \frac{Mr_2 \times n_2}{9550 \times \eta} = \frac{13500 \times 120}{9550 \times 0.96} \approx 176.7 \text{ kW}$ c) $Pn_1 \geq Pr_1 \cdot f_s \approx 265.1 \text{ kW}$



HDO 110 2 12.5 LP L 1 VP B3

[$Pn_1 = 329.4 \text{ kW @ } n_1 = 1500 \text{ min}^{-1}$]

Thermal capacity check:

$P_T = 52 \text{ kW} < Pr_1 = 176.7 \text{ kW}$



Option 1

- Cooling units with air/oil heat exchanger

$P_{TMCR A9} = 184 \text{ kW @ } n_1 = 1500 \text{ min}^{-1}$

$P_{TMCR A9} > Pr_1$

✓ OK

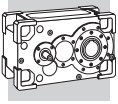
Option 2

- Cooling units with water/oil heat exchanger

$P_{TMCR W5} = 250 \text{ kW @ } n_1 = 1500 \text{ min}^{-1}$

$P_{TMCR W5} > Pr_1$

✓ OK

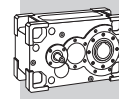


PARALLEL SHAFT GEAR UNIT SERIES HDP

12 DESIGN FEATURES

The main construction features of the HDP parallel shaft gear unit range are:

- sizes from HDP 60 to HDP 90 with double and triple reduction.
- sizes from HDP 100 to HDP 180 with double, triple and quadruple reduction.
- Favourable distribution of rated torque values across the entire ratio range.
- Gear ratios in a 12% progression between consecutive values.
- HDP 60 ... HDP 125: Monobloc housing in rigid, spheroidal cast iron, paint coated both internally and externally. Universal mounting thanks to the many machined surfaces. Profiles and dimensions optimised by FEM analysis for superior structural rigidity and low acoustic emissions.
- HDP 130 ... HDP 180: housing in spheroidal cast iron or electrically-welded steel, horizontally split. This design makes maintenance quick and economical. Profiles and dimensions optimised by FEM analysis for superior structural rigidity and low acoustic emissions.
- Casehardened and hardened alloy steel helical gears ground finished and with profile corrected for:
 - more silent operation and smoother transmission of high speed input gears
 - maximum transmissible torque of the lower speed output gear reductions
- Input shafts generally casehardened and ground finished on outer diameter. Output shafts from hardened and tempered alloy steel.
- Input shaft configurations:
 - HDP 60 ... HDP 180: solid, single or double-sided shaft with dimensions to UNI/ISO 775-88
 - HDP 60 ... HDP 90: direct motor mounting or lantern housing and flexible coupling provision.
 - HDP 100 ... HDP 180: motor mounting with bell and housing and flexible coupling.
- Output shaft configurations:
 - solid, single or double-sided shaft with dimensions to UNI/ISO 775-88
 - hollow shaft with keyway
 - hollow shaft with shrink disc
- Heavy duty taper roller bearings or extra large self-aligning roller bearings from the most reputed brands for unparalleled overhung load capacity.
- A wide range of customisation options are available upon request, including:
 - auxiliary cooling/heating devices
 - forced lubrication systems
 - backstop device
 - mounting or manifold flanges
 - bearings for increased overhung load capacity (only for HDP 60 ... HDP 90)
 - seals and gaskets in various types and materials
 - sensors
 - dry-well device for vertical shaft installations
 - fixing elements

**13 LUBRICATION**

The internal parts of HDP gearboxes are lubricated with a mixed immersion and splash system. Should the drive speed be lower than 500 min⁻¹ or greater than 1500 min⁻¹, please contact Bonfiglioli Technical Service for advise.

In mounting position V5, the top bearings in gearbox sizes HDP 60 to HDP 90 are pre-lubricated with grease and fitted with Nilos seals, unless the order specifies a forced lubrication system with mechanical pump (optional variants OP1, OP2) or electric pump (option MOP).

If HDP 100 to 180 gearboxes have to be installed in mounting position V5, with the output shaft vertical, one of the above mentioned forced lubrication systems must be specified. The actual system should be selected on the basis of speed and/or operating conditions.

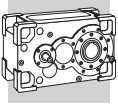
These gearboxes are supplied without lubricant. It is the customer's responsibility to fill them with the appropriate amount of oil before start-up.



Lubricant must be pre-heated through the appropriate electric resistance (HE option) in the following cases:

- operation at ambient temperatures lower than 0°C
- operation of gear units lubricated by oil immersion and splashing when the minimum ambient temperature exceeds the pour point of lubricant by less than 10°C
- Upon starting up gear units with forced lubrication systems if the oil viscosity exceeds 1800 cST. Depending of the type of lubricant used, this value may be produced with ambient temperatures between 10°C and 20°C approx.

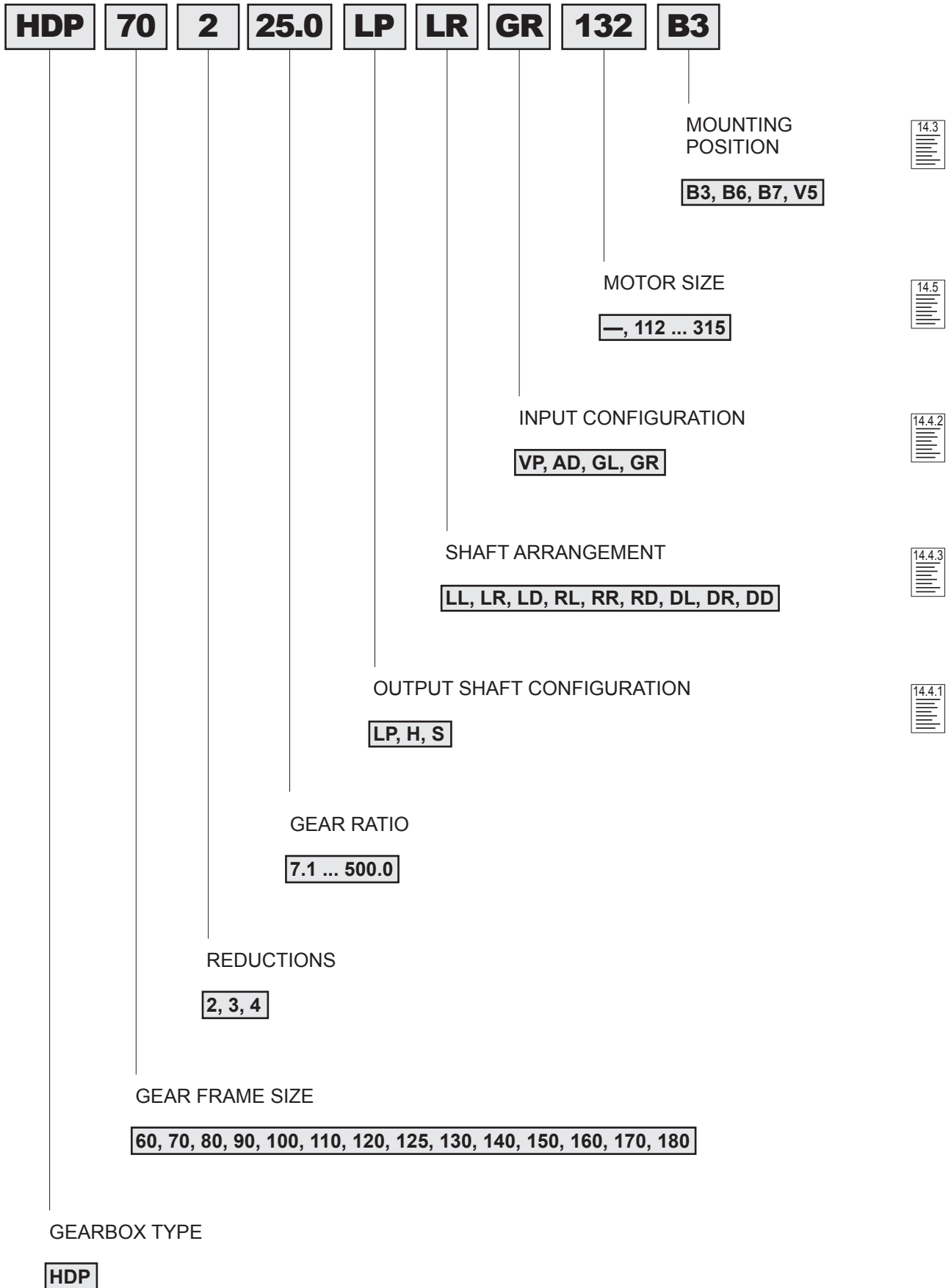
| Lubricant | | Kinematic viscosity at 40°C | | |
|----------------------------|------|-----------------------------|---------------|---------------|
| | | [cSt] | | |
| | | ISO VG 220 | ISO VG 320 | ISO VG 460 |
| Mineral Oil (EP additives) | Tamb | 0°C ... 20°C | 10°C ... 40°C | 20°C ... 50°C |
| Synthetic oil | Tamb | 0°C ... 30°C | 10°C ... 50°C | — |

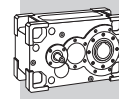


14 PRODUCT CONFIGURATIONS

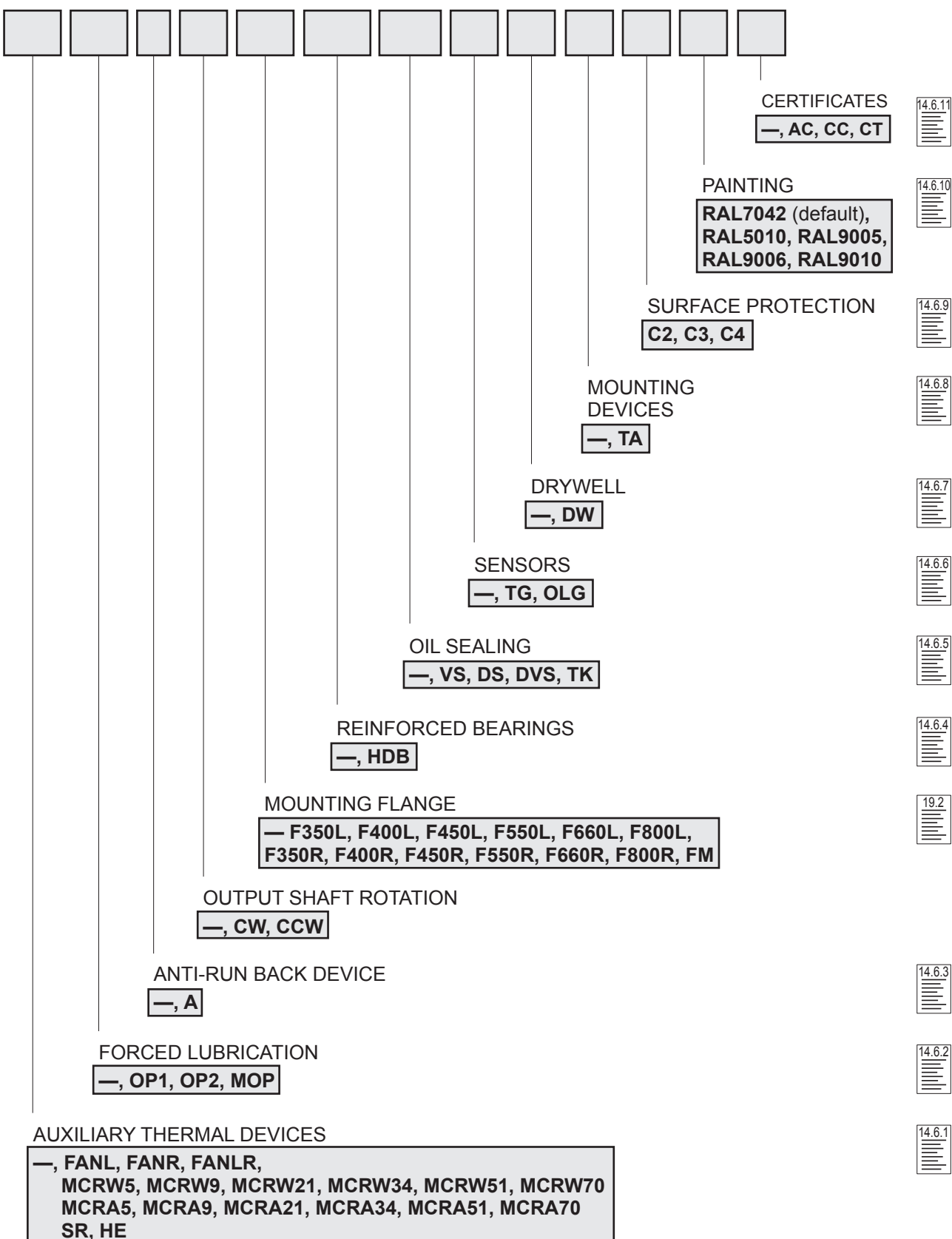
14.1 BASE VARIANTS

HDP





14.2 OPTIONAL VARIANTS

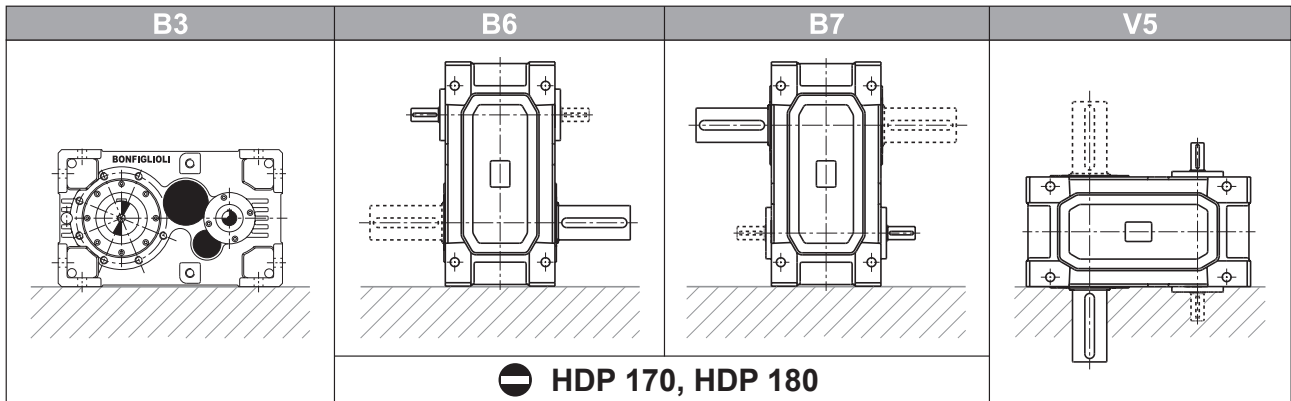


REMARK: The multiple selection of some of the variants may be subject to technical or dimensional constraints. Consult with the factory to have your selection approved.



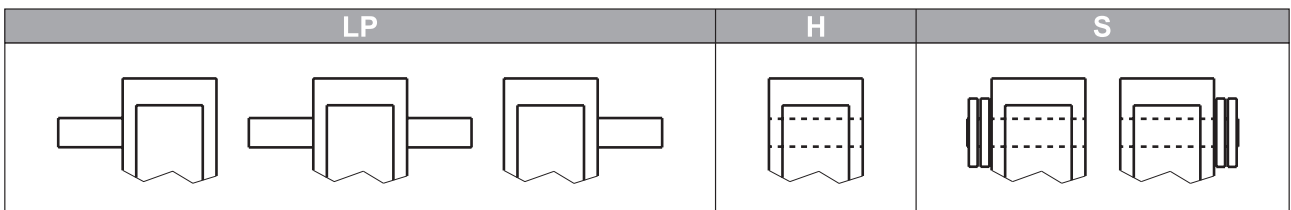
14.3 MOUNTING POSITION

HDP



14.4 INPUT AND OUTPUT CONFIGURATION

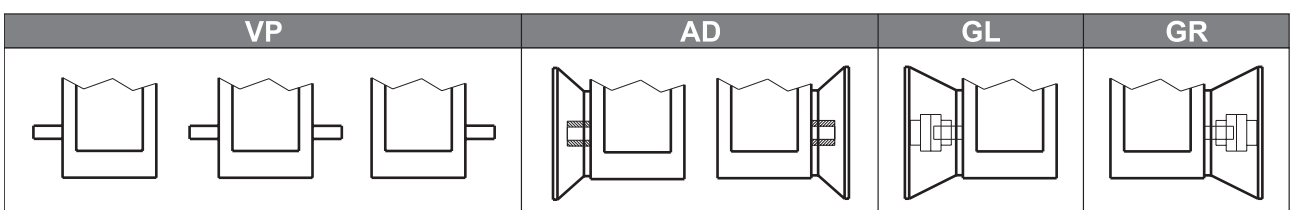
14.4.1 OUTPUT SHAFT CONFIGURATION



14.4.2 INPUT CONFIGURATION

On the input side the gear unit can be arranged in either one of the configurations described here after:

- **Solid input shaft**, single- or double-sided – Specify **VP**
- **Motor flange mounting** for an IEC-standard electric motor with IM B5 flange. The option is only applicable to units HDP 60... HDP 90 in the triple reduction configuration – Specify **AD**.
- **Motor mounting through bell housing and flexible coupling**. The option is designated **GL** or **GR** depending on what side of the gear unit the coupling is mounted. The flexible coupling is within the scope for supply.

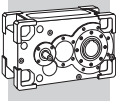




14.4.3 SHAFT ARRANGEMENT

| | | VP - GL - AD | | VP - GR - AD | | VP - GL - GR | | |
|-----------|-----------|--------------|--|--------------|--|--------------|--|--|
| B3 | LP | | | | | | | |
| | | | | | | | | |
| | | | | | | | | |
| | H | | | | | | | |
| | | | | | | | | |
| | | | | | | | | |

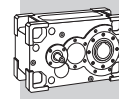
| | | VP - GL - AD | | VP - GR - AD | | VP - GL - GR | | |
|-----------|-----------|--------------|--|--------------|--|--------------|--|--|
| B6 | LP | | | | | | | |
| | | | | | | | | |
| | | | | | | | | |
| | H | | | | | | | |
| | | | | | | | | |
| | | | | | | | | |



HDP

| | | VP - GL - AD | VP - GR - AD | VP - GL - GR |
|-----------|-----------|--------------|--------------|--------------|
| B7 | LP | LL | LR | LD |
| | | RL | RR | RD |
| | | DL | DR | DD |
| | H | LL | LR | LD |
| | S | LL | LR | LD |
| | | RL | RR | RD |

| | | VP - GL - AD | VP - GR - AD | VP - GL - GR |
|-----------|-----------|--------------|--------------|--------------|
| V5 | LP | LL | LR | LD |
| | | RL | RR | RD |
| | | DL | DR | DD |
| | H | LL | LR | LD |
| | S | LL | LR | LD |
| | | RL | RR | RD |



14.5 MOTOR AVAILABILITY

The following charts list the motor/gearbox combinations that are geometrically feasible. Variants are only applicable if either an AD (direct motor mounting) or a GL / GR input configuration (coupling through bell housing and flexible coupling) were previously specified within the ordering code.




Because of standardisation, the rated power of the electric motor selected might be greater than nominal power P_{n1} of chosen gearbox. Make sure that the electric motor will never develop the extra power at any stage of the operating cycle. If you have any doubts about the validity of the application data, or uncertainty concerning the actual load pattern, install a torque limiting device or proportionally revise the applicable service factor.

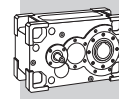
| | Input configuration | | | | |
|----------|---------------------|-----|-----|-----|-----|
| | AD | | | | |
| | 112 | 132 | 160 | 180 | 200 |
| HDP 60 3 | X | X | X | X | |
| HDP 70 3 | X | X | X | X | X |
| HDP 80 3 | — | X | X | X | X |
| HDP 90 3 | — | — | X | X | X |

| | | Input configuration | | | | | | |
|----------|-----|---------------------|------------|------------|------------|-----------|-----------|-----------|
| | | GL - GR | | | | | | |
| | | 132 | 160 | 180 | 200 | 225 | 250 | 280 |
| HDP 60 2 | i = | 17.3_19.4 | 7.1_19.4 | 7.1_19.4 | 7.1_19.4 | 7.1_19.4 | — | — |
| HDP 60 3 | | 22.7_98.4 | 22.7_98.4 | 22.7_49.1 | 22.7_49.1 | 22.7_49.1 | — | — |
| HDP 70 2 | | 19.4_22.6 | 8.0_22.6 | 8.0_22.6 | 8.0_22.6 | 8.0_22.6 | — | — |
| HDP 70 3 | | 25.5_114.4 | 25.5_114.4 | 25.5_57.0 | 25.5_57.0 | 25.5_57.0 | — | — |
| HDP 80 2 | | — | 15.5_22.6 | 15.5_22.6 | 15.5_22.6 | 8.1_22.6 | 8.1_22.6 | 8.1_22.6 |
| HDP 80 3 | | — | 25.8_111.4 | 25.8_111.4 | 25.8_75.2 | 25.8_75.2 | 25.8_75.2 | 25.8_75.2 |
| HDP 90 2 | | — | 15.8_22.4 | 15.8_22.4 | 15.8_22.4 | 15.8_22.4 | 7.9_22.4 | 7.9_22.4 |
| HDP 90 3 | | — | 25.4_110.1 | 25.4_110.1 | 25.4_110.1 | 25.4_73.3 | 25.4_73.3 | 25.4_73.3 |



| Input configuration | | | | | | | | | |
|---------------------|--|-------------|-------------|-------------|-------------|-------------|-------------|-------------|-------------|
| GL - GR | | | | | | | | | |
| | 112 | 132 | 160 | 180 | 200 | 225 | 250 | 280 | 315(*) |
| HDP 100 2 | — | — | — | — | — | — | 7.4_21.8 | 7.4_21.8 | 7.4_21.8 |
| HDP 100 3 | — | — | 55.5_107.6 | 55.5_107.6 | 22.8_107.6 | 22.8_107.6 | 22.8_107.6 | 22.8_50.0 | 22.8_50.0 |
| HDP 100 4 | 110.6_507.9 | 110.6_507.9 | 110.6_507.9 | 110.6_507.9 | 110.6_507.9 | — | — | — | — |
| HDP 110 2 | — | — | — | — | — | — | 8.1_25.0 | 8.1_25.0 | 8.1_25.0 |
| HDP 110 3 | — | — | 60.7_123.4 | 60.7_123.4 | 24.9_123.4 | 24.9_123.4 | 24.9_123.4 | 24.9_54.5 | 24.9_54.5 |
| HDP 110 4 | 120.9_499.4 | 120.9_499.4 | 120.9_499.4 | 120.9_499.4 | 120.9_499.4 | — | — | — | — |
| HDP 120 2 | — | — | — | — | — | — | — | 7.9_25.4 | 7.9_25.4 |
| HDP 120 3 | — | — | — | 64.3_125.2 | 64.3_125.2 | 25.8_125.2 | 25.8_125.2 | 25.8_56.1 | 25.8_56.1 |
| HDP 120 4 | — | 128.0_523.7 | 128.0_523.7 | 128.0_523.7 | 128.0_523.7 | 128.0_523.7 | — | — | — |
| HDP 125 2 | — | — | — | — | — | — | — | 8.9_25.0 | 8.9_25.0 |
| HDP 125 3 | — | — | — | 72.5_123.7 | 72.5_123.7 | 29.1_123.7 | 29.1_123.7 | 29.1_62.6 | 29.1_62.6 |
| HDP 125 4 | — | 144.4_506.5 | 144.4_506.5 | 144.4_506.5 | 144.4_506.5 | 144.4_506.5 | — | — | — |
| HDP 130 2 | — | — | — | — | — | — | — | — | 7.3_21.7 |
| HDP 130 3 | — | — | — | — | — | 56.5_108.3 | 56.5_108.3 | 21.8_108.3 | 21.8_108.3 |
| HDP 130 4 | — | — | 111.2_534.5 | 111.2_534.5 | 111.2_534.5 | 111.2_217.9 | 111.2_217.9 | — | — |
| HDP 140 2 | — | — | — | — | — | — | — | — | 8.4_24.9 |
| HDP 140 3 | — | — | — | — | — | 65.1_124.7 | 65.1_124.7 | 25.1_124.7 | 25.1_124.7 |
| HDP 140 4 | — | — | 141.6_495.3 | 141.6_495.3 | 141.6_495.3 | 141.6_277.5 | 141.6_277.5 | — | — |
| HDP 150 2 | — | — | — | — | — | — | — | — | — |
| HDP 150 3 | — | — | — | — | — | — | — | 43.5_77.0 | 21.5_77.0 |
| HDP 150 4 | — | — | 170.9_303.1 | 170.9_303.1 | 89.0_303.1 | 89.0_303.1 | 89.0_303.1 | 89.0_303.1 | 89.0_157.8 |
| HDP 160 2 | — | — | — | — | — | — | — | — | — |
| HDP 160 3 | — | — | — | — | — | — | — | 49.4_87.0 | 24.4_87.0 |
| HDP 160 4 | — | — | 194.1_342.2 | 194.1_342.2 | 101.1_342.2 | 101.1_342.2 | 101.1_342.2 | 101.1_342.2 | 101.1_178.1 |
| HDP 170 |  BONFIGLIOLI TECHNICAL SERVICE | | | | | | | | |
| HDP 180 | | | | | | | | | |

(*) Motors can be coupled in V5 or B3/B6/B7 mounting positions with external motor support brackets. For flange mountings with no additional support, contact Bonfiglioli's Technical Service first.



14.6 OPTIONAL VARIANTS

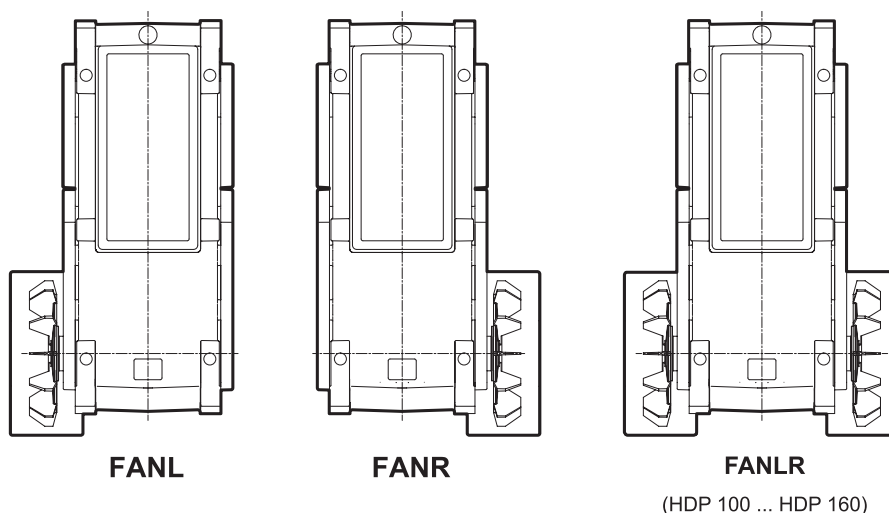
14.6.1 AUXILIARY COOLING DEVICES

14.6.1.1 FAN COOLING

Greater heat dissipation capacity can be achieved by installing cooling fans, which are keyed on to the gearbox input shaft. Gear units HDP 60 ... HDP 90 featuring a solid input shaft (VP) and HDP 100 ... HDP 160 with lantern type motor adapter (GL/GR) may have an auxiliary fan fitted to the side opposite the drive end. Specify code **FANL** or **FANR**. On units ranging from HDP 100 to HDP 160 in the solid input shaft configuration (VP), the fan can be mounted on the right or left side irrespective of whether a drive shaft is present or not.

It is also possible to maximise the cooling capacity on HDP 100 to HDP 160 gearboxes by fitting two fans, specifying code FANLR in the order.

On the gearboxes HDP 170 and HDP 180, are used axial fans with fixed airfoil profile as standard. Along with the specification of the option FANL or FANR, the direction of rotation for the output shaft (CW or CCW) must also be specified in the order, according to the conventions given in paragraph [14.6.3](#).

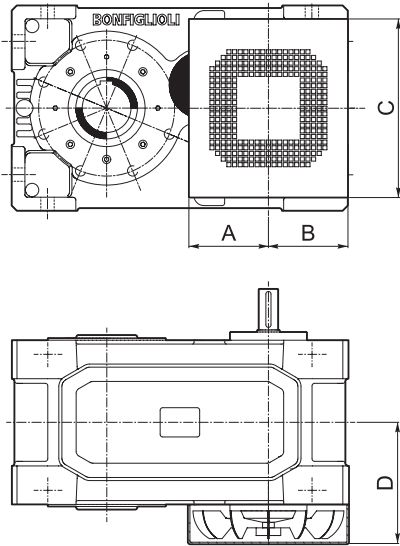


This option is not available in conjunction with configurations that use the same shaft end or with MOP variant (forced lubrication with electric pump).

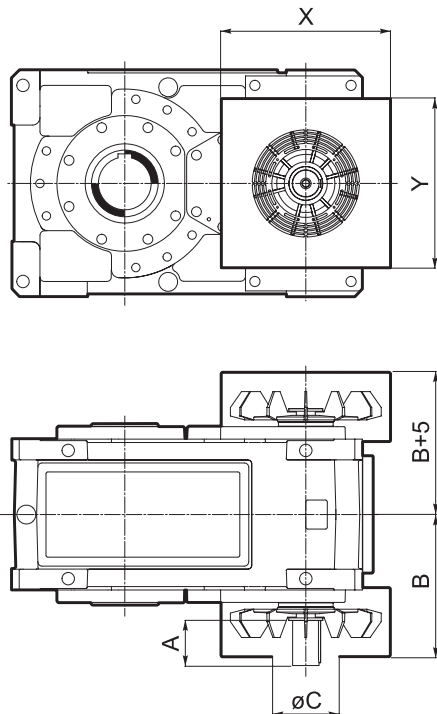
The increased cooling effect is shown by the thermal capacity value P_{TFAN} . See chapter [16](#). The efficiency of forced ventilation falls drastically below the drive speed of $n_1 = 900 \text{ min}^{-1}$. In this case, it is advisable to adopt other auxiliary cooling devices to increase the thermal capacity of the gearbox.




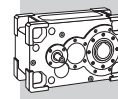
HDP



| | A | B | C | D |
|--------------------|-----|-----|-----|-----|
| HDP 60 FAN_ | 125 | 130 | 255 | 200 |
| HDP 70 FAN_ | 125 | 130 | 255 | 200 |
| HDP 80 FAN_ | 155 | 155 | 348 | 235 |
| HDP 90 FAN_ | 178 | 178 | 360 | 260 |



| | i | A | B | C | X | Y |
|---------------------|---|-----|-----|-----|-----|-----|
| HDP 100 FAN_ | $7.4 \leq i \leq 21.8$ | 105 | 330 | 180 | 424 | 420 |
| | $22.8 \leq i \leq 107.6$ | 82 | 330 | 180 | 424 | 420 |
| | $110.6 \leq i \leq 507.9$ | 58 | 330 | 180 | 424 | 420 |
| HDP 110 FAN_ | $8.1 \leq i \leq 25.0$ | 105 | 330 | 180 | 424 | 420 |
| | $24.9 \leq i \leq 123.4$ | 82 | 330 | 180 | 424 | 420 |
| | $120.9 \leq i \leq 499.4$ | 58 | 330 | 180 | 424 | 420 |
| HDP 120 FAN_ | $7.9 \leq i \leq 25.4$ | 105 | 345 | 180 | 450 | 450 |
| | $25.8 \leq i \leq 125.2$ | 85 | 345 | 180 | 450 | 450 |
| | $128.0 \leq i \leq 523.7$ | 58 | 345 | 180 | 450 | 450 |
| HDP 125 FAN_ | $8.9 \leq i \leq 25.0$ | 105 | 345 | 180 | 450 | 450 |
| | $29.1 \leq i \leq 123.6$ | 85 | 345 | 180 | 450 | 450 |
| | $144.4 \leq i \leq 506.5$ | 58 | 345 | 180 | 450 | 450 |
| HDP 130 FAN_ | $7.3 \leq i \leq 12.3$ | 130 | 422 | 230 | 540 | 590 |
| | $14.1 \leq i \leq 48.1$ | 105 | 422 | 230 | 540 | 590 |
| | $56.5 \leq i \leq 237.9$ | 82 | 422 | 230 | 540 | 590 |
| | $274.5 \leq i \leq 534.5$ | 58 | 422 | 230 | 540 | 590 |
| HDP 140 FAN_ | $8.4 \leq i \leq 14.4$ | 130 | 422 | 230 | 540 | 590 |
| | $16.3 \leq i \leq 56.2$ | 105 | 422 | 230 | 540 | 590 |
| | $65.1 \leq i \leq 277.5$ | 82 | 422 | 230 | 540 | 590 |
| | $315.9 \leq i \leq 495.3$ | 58 | 422 | 230 | 540 | 590 |
| HDP 150 FAN_ | $7.9 \leq i \leq 14.1$ | 165 | 472 | 230 | 540 | 665 |
| | $15.4 \leq i \leq 38.1$ | 130 | 472 | 230 | 540 | 665 |
| | $43.5 \leq i \leq 77.0$ | 105 | 472 | 230 | 540 | 665 |
| | $89.0 \leq i \leq 303.1$ | 82 | 472 | 230 | 540 | 665 |
| HDP 160 FAN_ | $9.0 \leq i \leq 15.9$ | 165 | 472 | 230 | 540 | 665 |
| | $17.5 \leq i \leq 43.1$ | 130 | 472 | 230 | 540 | 665 |
| | $49.4 \leq i \leq 87.0$ | 105 | 472 | 230 | 540 | 665 |
| | $101.1 \leq i \leq 342.2$ | 82 | 472 | 230 | 540 | 665 |
| HDP 170 FAN_ |  BONFIGLIOLI TECHNICAL SERVICE | | | | | |
| HDP 180 FAN_ | | | | | | |



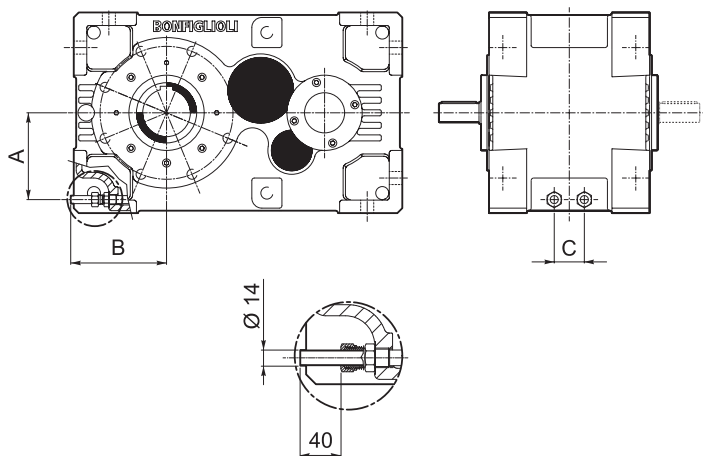
14.6.1.2 HEAT DISSIPATION THROUGH COOLING COIL

The cooling coil option **SR** is designed for integration in a cooling circuit to be provided by the installer.

For optimal efficiency the cooling circuit supply must comply with the following specifications:

- max. pressure 8 bar
- min flow rate 5 l/min for HDP 60 ... HDP 90
- min flow rate 10 l/min for HDP 100 ... HDP 140
- max. water temperature 20°C

The increased cooling effect obtained in these conditions is shown by the thermal capacity value P_{TSR} . See the section 16



| | A | B | C |
|------------|-----|-----|-----|
| HDP 60_SR | 147 | 170 | 60 |
| HDP 70_SR | 147 | 170 | 60 |
| HDP 80_SR | 173 | 190 | 60 |
| HDP 90_SR | 190 | 210 | 60 |
| HDP 100_SR | 232 | 285 | 100 |
| HDP 110_SR | 232 | 270 | 100 |
| HDP 120_SR | 258 | 305 | 100 |
| HDP 125_SR | 288 | 345 | 100 |
| HDP 130_SR | 325 | 340 | 100 |
| HDP 140_SR | 325 | 365 | 100 |
| HDP 150 | | | |
| HDP 160 | | | |
| HDP 170 | | | |
| HDP 180 | | | |

14.6.1.3 AUXILIARY COOLING WITH AUTONOMOUS COOLING UNIT

Two types of cooling units are available, each in a range of sizes providing different cooling capacities. The two types use different cooling media for the oil: MCRW... – water/oil heat exchanger and MCRA... – air/oil heat exchanger.

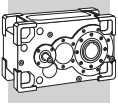
If an independent cooling unit is installed on the advice of the Bonfiglioli Technical Service, no additional forced lubrication devices are required. See section 14.6.2. The following chart shows device availability according to gearbox size.

Your selection must take into account the deficit in thermal capacity that must be made up by contribution P_{TMCRW} or P_{TMCRA} as shown in the chart in section 16.

| | MCRW5 MCRA5 | MCRW9 MCRA9 | MCRW21 MCRA21 | MCRW34 MCRA34 | MCRW51 MCRA51 | MCRW70 MCRA70 |
|---------|----------------|----------------|------------------|------------------|------------------|------------------|
| HDP 100 | X | X | | | | |
| HDP 110 | X | X | | | | |
| HDP 120 | X | X | X (*) | | | |
| HDP 125 | X | X | X (**) | | | |
| HDP 130 | X | X | X | X (**) | | |
| HDP 140 | X | X | X | X (**) | | |
| HDP 150 | X | X | X | X | X (**) | |
| HDP 160 | X | X | X | X | X (**) | |
| HDP 170 | | | | | | |
| HDP 180 | | | | | | |

(*) not available for mounting position B3.

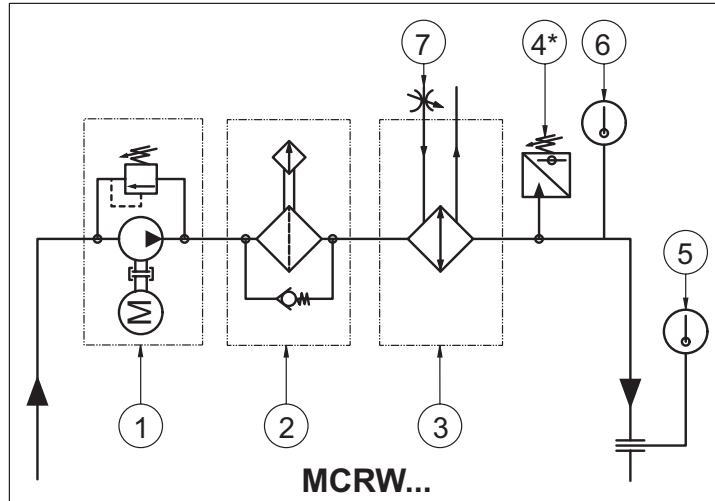
(**) not available for double reduction units in the mounting position B3.taggio B3.



The main components of the cooling units are as follows:

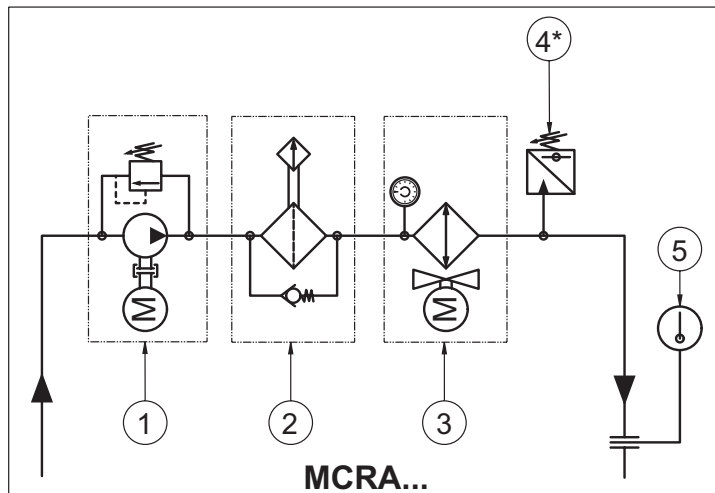
MCRW...

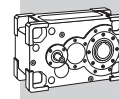
- 1) motorpump complete with by-pass circuit
- 2) filter with clogging visual indicator
- 3) water/oil heat exchanger
- 4) minimum pressure switch (only available in combination with forced lubrication)
- 5) maximum temperature thermostat
- 6) minimum temperature switch
- 7) electro-valve



MCRA...

- 1) motorpump complete with by-pass circuit
- 2) filter with clogging visual indicator
- 3) air/oil heat exchanger with thermostat
- 4) minimum pressure switch (only available in combination with forced lubrication)
- 5) maximum temperature thermostat





General warnings:

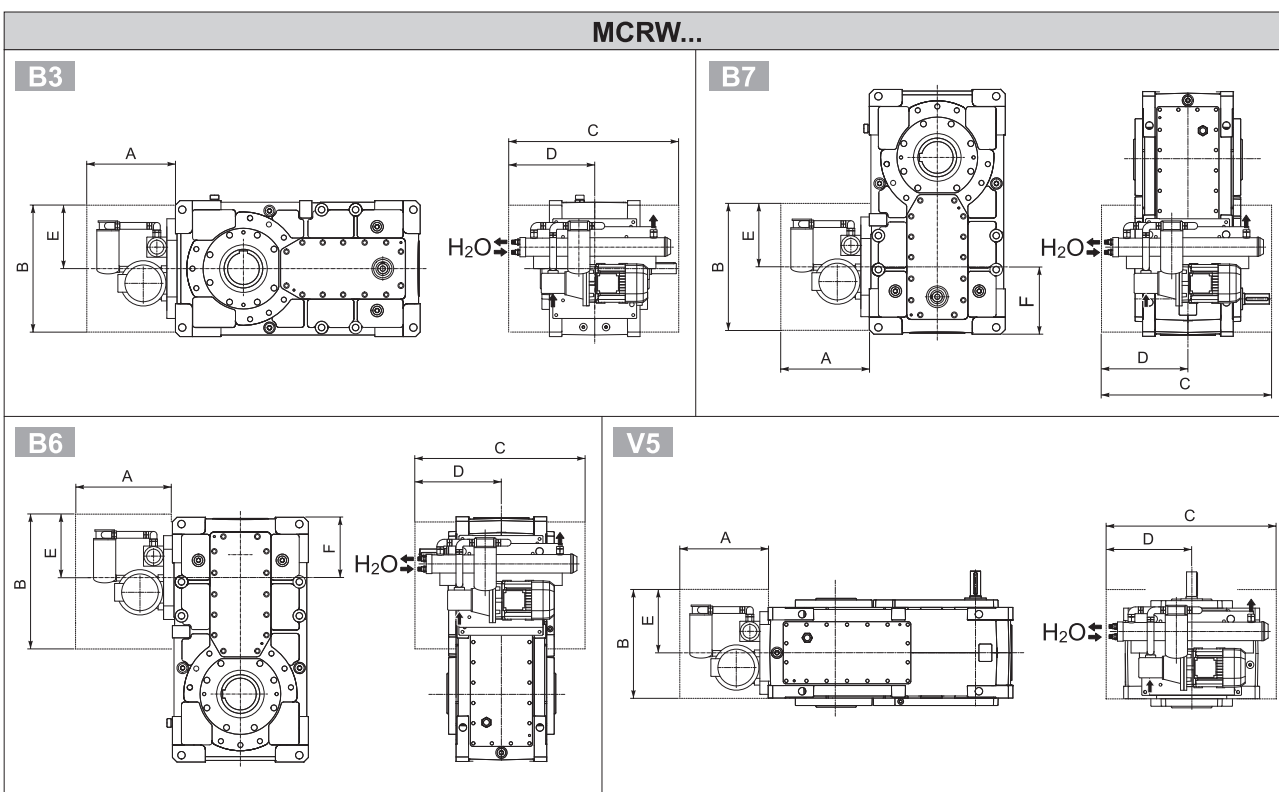
MCRW... : provide a water supply system that corresponds to the following specifications:

- max. pressure 10 bar
- maximum delivery temperature 20°C
- minimum flow rate Q_{H_2O} as per the chart:

| | MCRW5 | MCRW9 | MCRW21 | MCRW34 | MCRW51 | MCRW70 |
|--------------------|-------|-------|--------|--------|--------|-------------------------------|
| Q_{H_2O} [l/min] | 10 | 18 | 31 | 56 | 81 | BONFIGLIOLI TECHNICAL SERVICE |

MCRA... : leave sufficient space around the heat exchanger to ensure an unrestricted air flow.

The cooling units are mounted as shown in the figure below.

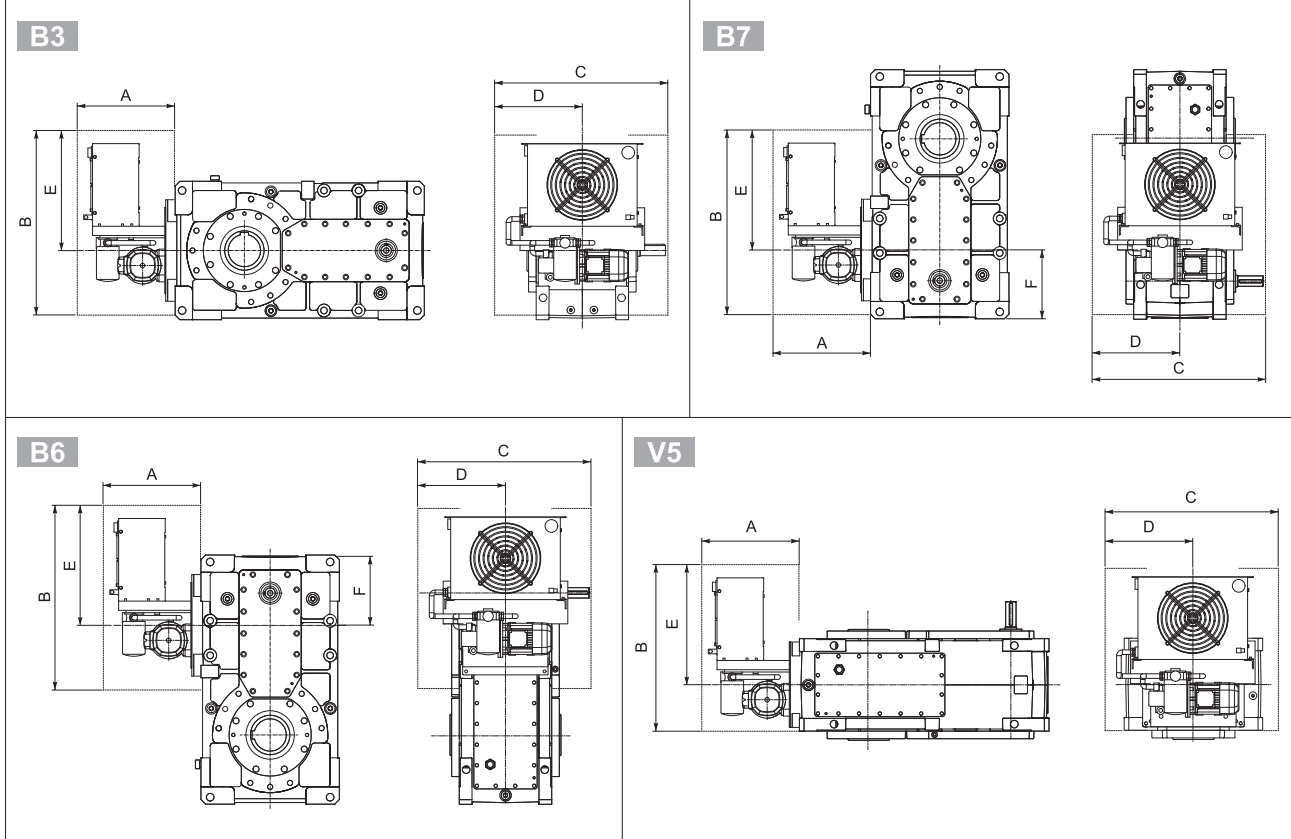


| | A | B | C | D | E | F | | | | | | | | | | | | | | |
|--------|-------------------------------|-----|------|-----|-----|-------------------|-------|---------|-------|-------------------------------|-------|-------------------|-------|-------------------|-------|--|--|--|--|--|
| | | | | | | HDP 100 - HDP 110 | | HDP 120 | | HDP 125 | | HDP 130 - HDP 140 | | HDP 150 - HDP 160 | | | | | | |
| | | | | | | 2x | 3x/4x | 2x | 3x/4x | 2x | 3x/4x | 2x | 3x/4x | 2x | 3x/4x | | | | | |
| MCRW5 | 360 | 415 | 730 | 365 | 230 | | | | | | | | | | | | | | | |
| MCRW9 | 360 | 380 | 870 | 435 | 195 | | | | | | | | | | | | | | | |
| MCRW21 | 400 | 425 | 780 | 390 | 240 | 325 | 270 | 350 | 300 | BONFIGLIOLI TECHNICAL SERVICE | 420 | 380 | 475 | 395 | | | | | | |
| MCRW34 | 430 | 650 | 1000 | 500 | 465 | | | | | | | | | | | | | | | |
| MCRW51 | 520 | 650 | 1250 | 625 | 465 | | | | | | | | | | | | | | | |
| MCRW70 | BONFIGLIOLI TECHNICAL SERVICE | | | | | | | | | | | | | | | | | | | |

Overall dimensions A, B, C, D and E are indicative only



MCRA...

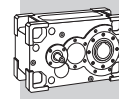


| | A | B | C | D | E | F | | | | | | | | | | | | | | |
|--------|-------------------------------|------|------|-----|-----|-------------------|-------|---------|-------|----------------------------------|-------|-------------------|-------|-------------------|-------|--|--|--|--|--|
| | | | | | | HDP 100 - HDP 110 | | HDP 120 | | HDP 125 | | HDP 130 - HDP 140 | | HDP 150 - HDP 160 | | | | | | |
| | | | | | | 2x | 3x/4x | 2x | 3x/4x | 2x | 3x/4x | 2x | 3x/4x | 2x | 3x/4x | | | | | |
| MCRA5 | 400 | 560 | 500 | 250 | 375 | | | | | | | | | | | | | | | |
| MCRA9 | 435 | 650 | 640 | 320 | 465 | | | | | | | | | | | | | | | |
| MCRA21 | 440 | 815 | 700 | 350 | 630 | 325 | 270 | 350 | 300 | BONFIGLIOLI TECHNICAL SERVICE | 420 | 380 | 475 | 395 | | | | | | |
| MCRA34 | 500 | 920 | 840 | 420 | 735 | | | | | | | | | | | | | | | |
| MCRA51 | 560 | 1075 | 1000 | 500 | 890 | | | | | | | | | | | | | | | |
| MCRA70 | BONFIGLIOLI TECHNICAL SERVICE | | | | | | | | | | | | | | | | | | | |

Overall dimensions A, B, C, D and E are indicative only

14.6.1.4 HEATERS

In very low ambient temperatures it may prove necessary to pre-heat the lubricant in the sump before start-up and/or during operation. The **HE** option envisages the installation of an electrical heating element, supplied with a thermostat to detect when the minimum temperature needed for correct operation has been reached. The wiring necessary for the thermostat must be provided by the installer.



14.6.2 FORCED LUBRICATION

Pattern for MANDATORY specification of forced lubrication devices.

| | | | | |
|----------------------------|-----------|-----------|-----------|--------------|
| | | | | |
| | B3 | B6 | B7 | V5 |
| HDP 60 ... HDP 90 | ● | ● | ● | (*) |
| HDP 100 ... HDP 180 | ● | ● | ● | OP... MOP |

Remark: Forced lubrication devices may be replaced, upon approval from Bonfiglioli Technical Service, by independent cooling systems, type MCR...

(*) Forced lubrication in this case is only optionally requested, NOT MANDATORY.

14.6.2.1 MECHANICAL PUMP

In continuous duty applications and V5 mounting position installations, an optional forced lubrication circuit is available on request, complete with a pump keyed to the shaft end opposite the drive side. This system ensures adequate lubrication of the top bearings.

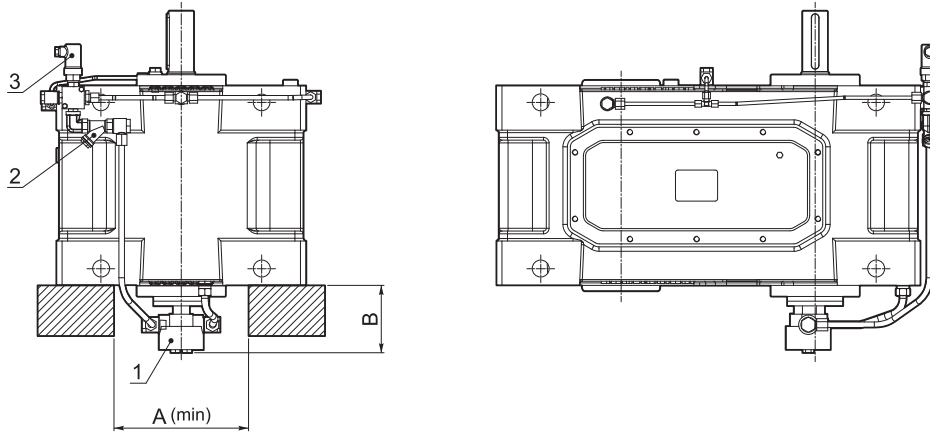
When ordering, specify the pump type - **OP1** or **OP2** to suit drive speed n_1 . See the table below.

| | $n_1 = 1000 \text{ min}^{-1}$ | $n_1 = 1200 \text{ min}^{-1}$ | $n_1 = 1500 \text{ min}^{-1}$ |
|---------------------------|--------------------------------------|-------------------------------|-------------------------------|
| HDP 60 ... HDP 140 | OP2 | OP2 | OP1 |
| HDP 150, HDP 160 | OP2 | OP2 | OP2 |
| HDP 170, HDP 180 | BONFIGLIOLI TECHNICAL SERVICE | | |

This option is not available with other configurations that use the same shaft end.



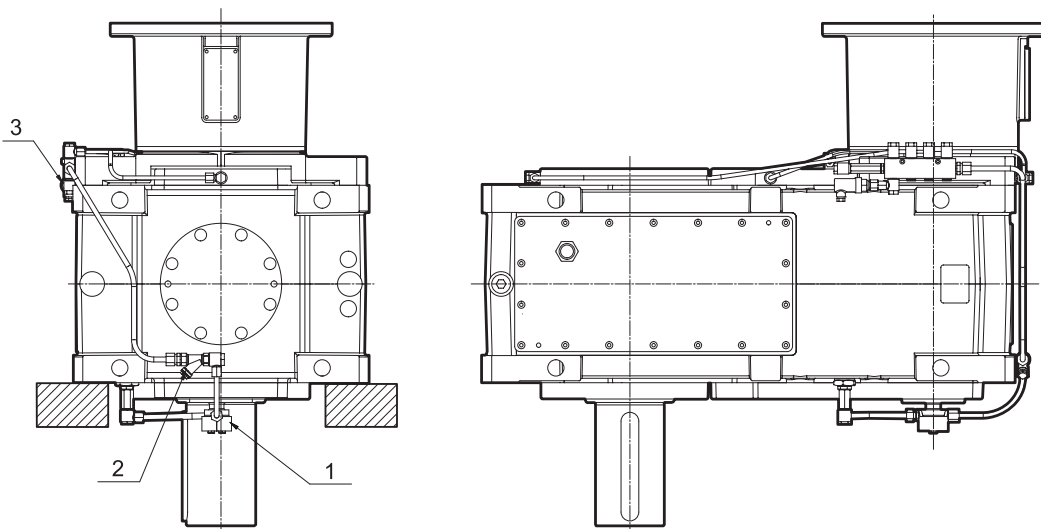
HDP 60 ... HDP 90



- 1 - Pump
- 2 - Filter
- 3 - Minimum pressure switch

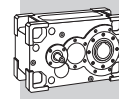
| | A (min) | B |
|-------------------|----------------|----------|
| HDP 60_OP1 | 190 | 105 |
| HDP 60_OP2 | 190 | 105 |
| HDP 70_OP1 | 215 | 105 |
| HDP 70_OP2 | 215 | 105 |
| HDP 80_OP1 | 240 | 105 |
| HDP 80_OP2 | 240 | 130 |
| HDP 90_OP1 | 240 | 130 |
| HDP 90_OP2 | 240 | 130 |

HDP 100 ... HDP 160



- 1 - Pump
- 2 - Filter
- 3 - Minimum pressure switch

Contact the Bonfiglioli Technical Service for overall dimensions.



The chart shows the applicability for the pump depending on the input and output configuration.

| | | | LL RL DL | LR RR DR | LD RD DD |
|--------------------|--|----|----------------|----------------|----------------|
| HDP 60 ... HDP 180 | | LP | ⊖ | VP GR AD | ⊖ |
| | | H | ⊖ | VP GR AD | ⊖ |
| | | S | ⊖ | VP GR AD | ⊖ |

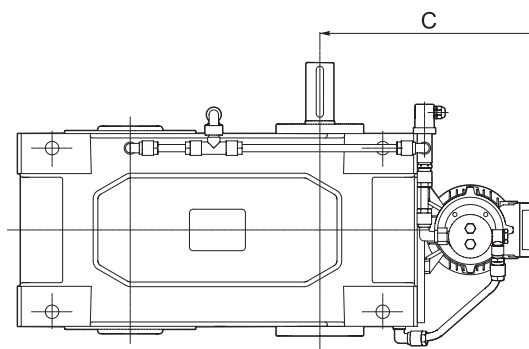
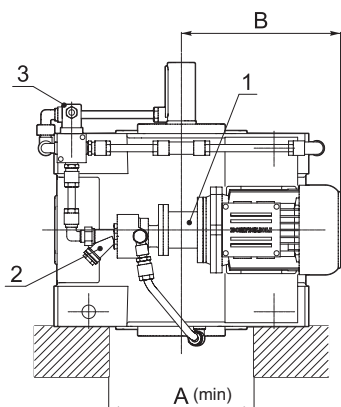
HDP

14.6.2.2 MOTOR PUMP

For intermittent duty applications and V5 mounting position installations, a forced lubrication circuit is available on request, complete with an independently powered motor pump. This system ensures a constant oil flow to the top bearings. Specify the **MOP** option.

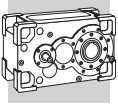
Option MOP is not available if fan cooling - option FAN_ - is also specified.

HDP 60 ... HDP 90



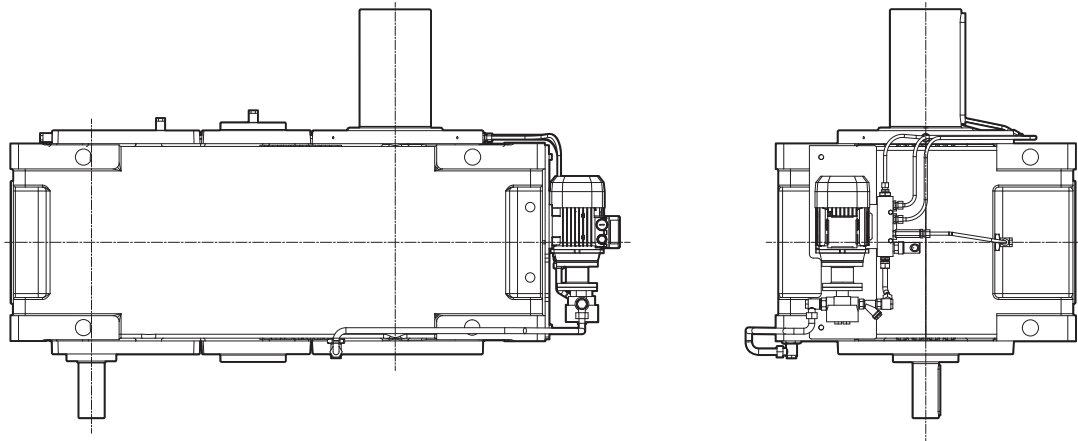
- 1 - Motorpump
- 2 - Filter
- 3 - Minimum pressure switch

| | A (min) | B | C |
|-------------|---------|-----|-----|
| HDP 60_ MOP | 190 | 260 | 310 |
| HDP 70_ MOP | 215 | 260 | 330 |
| HDP 80_ MOP | 240 | 270 | 355 |
| HDP 90_ MOP | 240 | 285 | 390 |



HDP 100 ... HDP 160

HDP

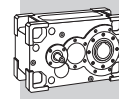


- 1 - Motorpump
- 2 - Filter
- 3 - Minimum pressure switch

Contact the Bonfiglioli Technical Service for overall dimensions.

The chart shows the applicability for the motorpump depending on the input and output configuration.

| | | | LL RD DL | LR RR DR | LD RD DD |
|---------------------------|--|-----------|----------------|----------------|----------------|
| HDP 60 ... HDP 180 | | LP | VP | VP GR AD | VP GR |
| | | H | VP | VP GR AD | VP GR |
| | | S | VP | VP GR AD | VP GR |



14.6.3 BACKSTOP DEVICE

The backstop device ensures that only one direction of rotation is allowed, and prevents the gearbox to be backdriven by the load connected to the output shaft.

In addition to verifying the shock loads shown in section 10.1, also make sure that the torque transmitted to the backstop $M_1 = M_2 / (i \times \eta)$ is less than the admissible torque M_{1max} listed in the chart below.

The backstop is keyed to the input shaft opposite the drive end and it is accessible for inspection. Along with the specification of the backstop device, option **A**, the direction of free rotation for the output shaft (**CW** or **CCW**) must also be specified in the order. This option is not available with other configurations that use the same shaft end.

If special operating conditions require it, the user can reverse the direction of rotation of the backstop device by opening the backstop compartment and reversing the direction of the freewheel. If you need to perform this operation, contact Bonfiglioli's Technical Service for the necessary instructions.

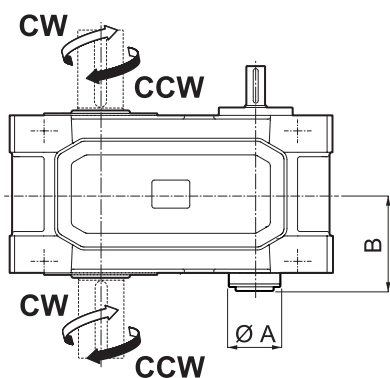
The type of backstop device used, based on centrifugally released shoes, does not require any regular maintenance.

This option is not available with other configurations that use the same shaft end.



Under continuous operating conditions, it is advisable to maintain a neutral rotation speed n_{1min} greater than that specified in the chart in order to ensure the effective centrifugal release of all the shoes and avoid unnecessary wear.

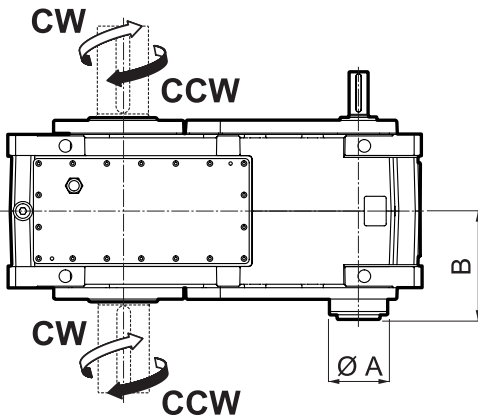
For further details, contact the Bonfiglioli Technical Service.




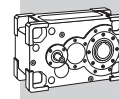
| | <i>i</i> | A | B | M_{1max} [Nm] | n_{1min} [min ⁻¹] |
|-------------------|--------------------------|----------|----------|--------------------|------------------------------------|
| HDP 60 2_A | $7.1 \leq i \leq 15.2$ | 125 | 202.5 | 800 | 720 |
| | $i = 17.3; 19.4$ | 100 | 197.5 | 375 | 780 |
| HDP 60 3_A | $22.7 \leq i \leq 98.4$ | 100 | 197.5 | 375 | 780 |
| HDP 70 2_A | $8.0 \leq i \leq 17.7$ | 125 | 202.5 | 800 | 720 |
| | $i = 19.4; 22.6$ | 100 | 197.5 | 375 | 780 |
| HDP 70 3_A | $25.5 \leq i \leq 114.4$ | 100 | 197.5 | 375 | 780 |
| HDP 80 2_A | $8.1 \leq i \leq 22.6$ | 130 | 233 | 912 | 665 |
| HDP 80 3_A | $25.8 \leq i \leq 111.4$ | 110 | 228 | 550 | 740 |
| HDP 90 2_A | $7.9 \leq i \leq 22.4$ | 150 | 261 | 1400 | 610 |
| HDP 90 3_A | $25.4 \leq i \leq 110.1$ | 125 | 256 | 800 | 720 |



HDP



| | i | A | B | M_{1max} [Nm] | n_{1min} [min ⁻¹] |
|-------------|--|-----|-------|--------------------|------------------------------------|
| HDP 100 2_A | $7.4 \leq i \leq 21.8$ | 175 | 285 | 2350 | 490 |
| HDP 100 3_A | $22.8 \leq i \leq 50.0$ | 150 | 298 | 1400 | 610 |
| | $55.5 \leq i \leq 107.6$ | 125 | 293 | 800 | 720 |
| HDP 100 4_A | $110.6 \leq i \leq 507.9$ | 95 | 262 | 310 | 825 |
| HDP 110 2_A | $8.1 \leq i \leq 25.0$ | 175 | 285 | 2350 | 490 |
| HDP 110 3_A | $24.9 \leq i \leq 54.5$ | 150 | 298 | 1400 | 610 |
| | $60.7 \leq i \leq 123.4$ | 125 | 293 | 800 | 720 |
| HDP 110 4_A | $120.9 \leq i \leq 499.4$ | 95 | 262 | 310 | 825 |
| HDP 120 2_A | $7.9 \leq i \leq 25.4$ | 190 | 315 | 3050 | 480 |
| HDP 120 3_A | $25.8 \leq i \leq 56.1$ | 150 | 285 | 1400 | 610 |
| | $64.3 \leq i \leq 125.2$ | 125 | 279 | 800 | 720 |
| HDP 120 4_A | $128.0 \leq i \leq 523.7$ | 95 | 277 | 310 | 825 |
| HDP 125 2_A | $8.9 \leq i \leq 25.0$ | 190 | 315 | 3050 | 480 |
| HDP 125 3_A | $29.1 \leq i \leq 62.6$ | 150 | 285 | 1400 | 610 |
| | $72.5 \leq i \leq 123.6$ | 125 | 279 | 800 | 720 |
| HDP 125 4_A | $144.4 \leq i \leq 506.5$ | 95 | 277 | 310 | 825 |
| HDP 130 2_A | $7.3 \leq i \leq 12.3$ | 230 | 425 | 5600 | 420 |
| | $14.1 \leq i \leq 21.7$ | 210 | 395 | 4500 | 450 |
| HDP 130 3_A | $21.8 \leq i \leq 48.1$ | 190 | 366 | 3050 | 480 |
| | $56.5 \leq i \leq 108.3$ | 175 | 366 | 2350 | 490 |
| HDP 130 4_A | $i = 111.2; 121.4$ | 110 | 332 | 550 | 740 |
| HDP 140 2_A | $8.4 \leq i \leq 14.4$ | 230 | 425 | 5600 | 420 |
| | $16.3 \leq i \leq 24.9$ | 210 | 395 | 4500 | 450 |
| HDP 140 3_A | $25.1 \leq i \leq 56.2$ | 190 | 366 | 3050 | 480 |
| | $65.1 \leq i \leq 124.7$ | 175 | 342 | 2350 | 490 |
| HDP 140 4_A | $141.6 \leq i \leq 495.3$ | 110 | 332 | 550 | 740 |
| HDP 150 2_A | $7.9 \leq i \leq 14.1$ | 290 | 487.5 | 10500 | 455 |
| | $15.4 \leq i \leq 19.6$ | 230 | 447.5 | 5600 | 420 |
| HDP 150 3_A | $21.5 \leq i \leq 38.1$ | 230 | 445.5 | 5600 | 420 |
| | $43.5 \leq i \leq 77.0$ | 190 | 417 | 3050 | 480 |
| HDP 150 4_A | $89.0 \leq i \leq 303.1$ | 150 | 385 | 1400 | 610 |
| HDP 160 2_A | $9.0 \leq i \leq 15.9$ | 290 | 487.5 | 10500 | 455 |
| | $17.5 \leq i \leq 22.1$ | 230 | 447.5 | 5600 | 420 |
| HDP 160 3_A | $24.4 \leq i \leq 43.1$ | 230 | 445.5 | 5600 | 420 |
| | $49.4 \leq i \leq 87.0$ | 190 | 417 | 3050 | 480 |
| HDP 160 4_A | $101.1 \leq i \leq 342.2$ | 150 | 385 | 1400 | 610 |
| HDP 170 |  BONFIGLIOLI TECHNICAL SERVICE | | | | |
| HDP 180 | | | | | |



14.6.4 REINFORCED BEARINGS

Optional heavy-duty bearings are also available, with increased overhung load capacity. The HDB option can only be applied to HDP 60 ... HDP 90 units with the LP shaft arrangement (solid shaft). Option cannot be specified along with variant DW -drywell-.

14.6.5 SEALS AND GASKETS

On request, gearboxes can be equipped with different oil sealing systems. These are:

TK - Taconite seals are recommended for environments characterised by the presence of abrasive dust or powders. Taconite seals incorporate a combination of sealing rings, labyrinths and a grease chamber. This option is not available for HDP 60 ... HDP 90.

Greasing must be ensured as part of the scheduled maintenance programme.

VS – Fluoro elastomer compound seal rings.

DS – Dual set of seal rings at each shaft end.

DVS – Dual set of Fluoro elastomer compound seal rings at each shaft end.

14.6.6 SENSORS

Bimetal thermostat – If the **TG** option is specified, a bimetallic thermostat detects when the oil temperature exceeds $90^{\circ}\text{C} \pm 5^{\circ}\text{C}$.

The device is supplied with the gear unit, but installation and wiring are the responsibility of the installer.

Oil level indicator – If the **OLG** option is specified in the order, the gearbox is supplied with a device to permit remote control of the oil level. The device best operates when the gearbox is idle and should be bypassed when the gearbox is operating. Wiring is the responsibility of the installer.

The device may not be available in combination with other accessories and/or particular product configurations. Please contact Bonfiglioli Technical Service for advise.

14.6.7 DRYWELL

The Drywell device, option **DW**, guarantees proper sealing for the output shaft. It can only be applied to gearboxes in vertical mounting position V5.

When specified, it necessarily requires the installation of a forced lubrication system, selected from those available for the gearbox, as illustrated in the relevant section of this catalogue.

At scheduled intervals, check and refill the grease in the vane underneath the output shaft's bottom bearing.

The chart shows the applicability for the drywell depending on the input and output configurations.



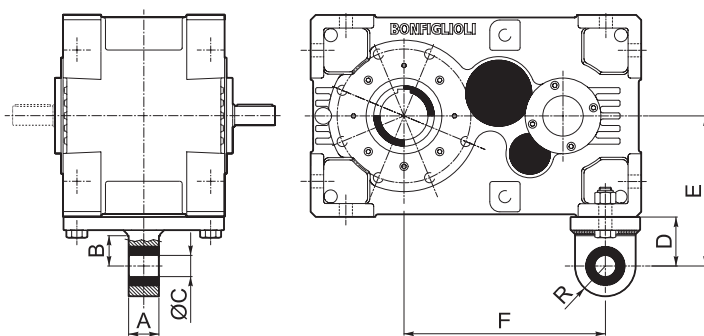
| | | | LR | DR | LD | DD | LL | DL |
|--------------------|--|----|----------|----------|----------------|----------------|----|----|
| HDP 60 ... HDP 180 | | LP | VP GR | VP GR | VP GR GL | VP GR GL | AD | AD |
| | | H | VP GR | ⊖ | VP GR GL | ⊖ | AD | ⊖ |
| | | S | VP GR | ⊖ | VP GR GL | ⊖ | AD | ⊖ |

The drywell is **NOT available** for the gear ratios listed here under:

| ⊖ DW | HDP 60 | HDP 70 | HDP 80 | HDP 90 | HDP 100 | HDP 110 | HDP 120 | HDP 125 | HDP 130 | HDP 140 | HDP 150 | HDP 160 | HDP 170 | HDP 180 |
|---------|-----------|-----------|-----------|-----------|-------------------------------|------------|------------|------------|------------|------------|------------|------------|------------|------------|
| i = | 17.3 | 19.4 | — | 20.1 | BONFIGLIOLI TECHNICAL SERVICE | | | | | | | | | |
| | 19.4 | 22.6 | | 22.4 | | | | | | | | | | |
| | 43.7 | 49.1 | | 65.8 | | | | | | | | | | |
| | 49.1 | 57.0 | | 73.3 | | | | | | | | | | |
| | 87.6 | 98.5 | | 98.9 | | | | | | | | | | |
| | 98.4 | 114.4 | | 110.1 | | | | | | | | | | |

14.6.8 FIXING ELEMENTS

For shaft-mounted installations, HDP 60 ... HDP 90 gearboxes can be fitted with an electro-welded steel torque arm, complete with anti-vibration bushing.



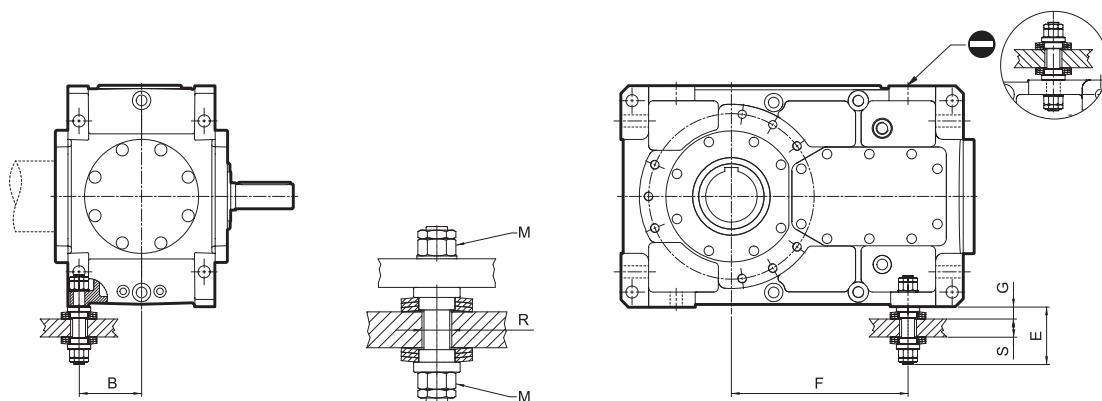
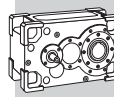
| | A | B | C | D | E | F | R |
|-----------|----|----|----|-----|-----|-----|----|
| HDP 60_TA | 40 | 47 | 32 | 76 | 251 | 340 | 47 |
| HDP 70_TA | 40 | 47 | 32 | 76 | 251 | 375 | 47 |
| HDP 80_TA | 60 | 60 | 42 | 97 | 297 | 400 | 60 |
| HDP 90_TA | 60 | 68 | 42 | 113 | 338 | 460 | 68 |

To perform the same function, gearboxes HDP 100 and larger can be supplied with a hardened steel bolt to secure the units to the machine framework.


Vibration damping cup springs are also supplied within the kit. The customer must adjust the preload of these springs during installation, respecting the value G given in the chart below.

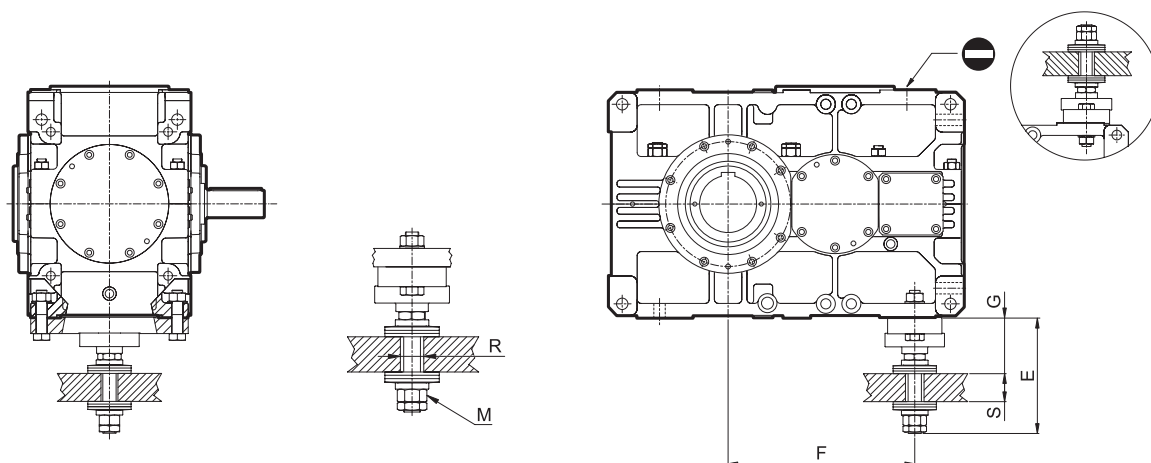
The reaction bolt must be fitted on the side of the gearbox next to the driven machine and in the farthest hole from output shaft centre (see dimension F in the following figure).



Fitting the bolt on same side as the inspection cover is not possible. In this case please contact Bonfiglioli Technical Service for advise.

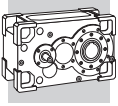


HDP

| | F | B | E | G Rated value | M | R | S |  DIN2093 |
|--------------|-----|-----|-----|------------------|-----|----|---------|--|
| HDP 100 2_TA | 420 | 160 | 153 | 33.4 | M27 | 35 | 30 - 40 | A100 |
| HDP 100 3_TA | 540 | | | | | | | |
| HDP 100 4_TA | | | | | | | | |
| HDP 110 2_TA | 435 | 160 | 153 | 33.4 | M27 | 35 | 30 - 40 | A100 |
| HDP 110 3_TA | 555 | | | | | | | |
| HDP 110 4_TA | | | | | | | | |
| HDP 120 2_TA | 480 | 170 | 166 | 33.4 | M30 | 40 | 40 - 50 | A100 |
| HDP 120 3_TA | 630 | | | | | | | |
| HDP 120 4_TA | | | | | | | | |
| HDP 125 2_TA | 530 | 170 | 166 | 33.4 | M30 | 40 | 40 - 50 | A100 |
| HDP 125 3_TA | 680 | | | | | | | |
| HDP 125 4_TA | | | | | | | | |
| HDP 130 2_TA | 585 | 216 | 205 | 42.7 | M36 | 45 | 50 - 60 | A125 |
| HDP 130 3_TA | 780 | | | | | | | |
| HDP 130 4_TA | | | | | | | | |
| HDP 140 2_TA | 625 | 216 | 205 | 42.7 | M36 | 45 | 50 - 60 | A125 |
| HDP 140 3_TA | 790 | | | | | | | |
| HDP 140 4_TA | | | | | | | | |



| | F | E | G Rated value | M | R | S |  DIN2093 |
|--------------|--|-----|------------------|-------|----|---------|--|
| HDP 150 2_TA | 687.5 | 405 | 204.3 | M48x2 | 52 | 70 - 80 | A160 |
| HDP 150 3_TA | 877.5 | | | | | | |
| HDP 150 4_TA | | | | | | | |
| HDP 160 2_TA | 727.5 | 405 | 204.3 | M48x2 | 52 | 70 - 80 | A160 |
| HDP 160 3_TA | 927.5 | | | | | | |
| HDP 160 4_TA | | | | | | | |
| HDP 170 |  BONFIGLIOLI TECHNICAL SERVICE | | | | | | |
| HDP 180 | | | | | | | |

**14.6.9 SURFACE PROTECTION****HDP 60 ... 90**

When no specific protection class is requested, the painted (ferrous) surfaces of gearboxes are protected to at least corrosivity class C2 (UNI EN ISO 12944-2). For improved resistance to atmospheric corrosion, gearboxes can be delivered with C3 and C4 surface protection, obtained by painting the complete gearbox.

HDP 100 ... 180

When no specific protection class is requested, the painted surfaces of gearboxes are protected to at least corrosivity class C3 (UNI EN ISO 12944-2). For improved resistance to atmospheric corrosion, gearboxes can be delivered with C4 surface protection, obtained by painting the complete gearbox.

| SURFACE PROTECTION | Typical environments | Maximum surface temperature | Corrosivity class according to UNI EN ISO 12944-2 |
|---------------------------|---|-----------------------------|---|
| C3 | Urban and industrial environments with up to 100% relative humidity (medium air pollution) | 120°C | C3 |
| C4 | Industrial areas, coastal areas, chemical plant, with up to 100% relative humidity (high air pollution) | 120°C | C4 |

Gearboxes with optional protection to class C3 or C4 are available in a choice of colours. If no specific colour is requested (see the “PAINTING” option) gearboxes are finished in RAL 7042. Gearboxes can also be supplied with surface protection for corrosivity class C5 according to UNI EN ISO 12944-2. Contact our Technical Service for further details.

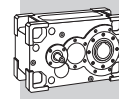
14.6.10 PAINTING

Gearboxes with optional protection to class C3 or C4 are available in the colours listed in the following table.

| PAINTING | Colour | RAL number |
|-----------------|-----------------|------------|
| RAL7042* | Traffic Grey A | 7042 |
| RAL5010 | Gentian Blue | 5010 |
| RAL9005 | Jet Black | 9005 |
| RAL9006 | White Aluminium | 9006 |
| RAL9010 | Pure White | 9010 |

* Gearboxes are supplied in this standard colour if no other colour is specified.

NOTE - “PAINTING” options can only be specified in conjunction with “SURFACE PROTECTION” options.



14.6.11 CERTIFICATES

AC - Certificate of compliance

The document certifies the compliance of the product with the purchase order and the construction in conformity with the applicable procedures of the Bonfiglioli Quality System.

CC - Inspection certificate

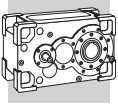
The document entails checking on order compliance, the visual inspection of external conditions and of mating dimensions. Checking on main functional parameters in unloaded conditions is also performed along with oil seal proofing, both in static and in running conditions. Units inspected are sampled within the shipping batch and marked individually.

CT - Type certificate

Further to the activities relevant to the Inspection certificate the following checks are also conducted:

- noise
- surface temperature
- tightness of external hardware
- functionality of ancillary devices, if fitted

All checks are conducted with the gear unit running unloaded. Units inspected are sampled within the shipping batch and marked individually.



14.7 EXECUTION FOR EXTRUDER

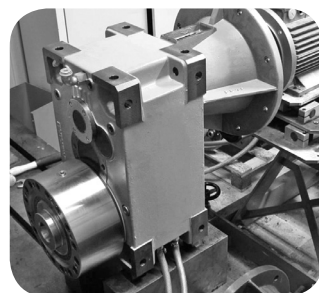
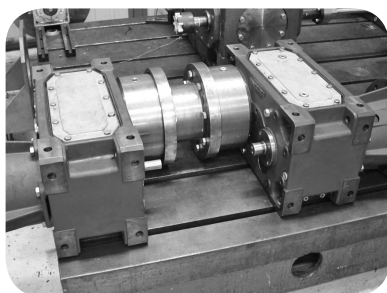
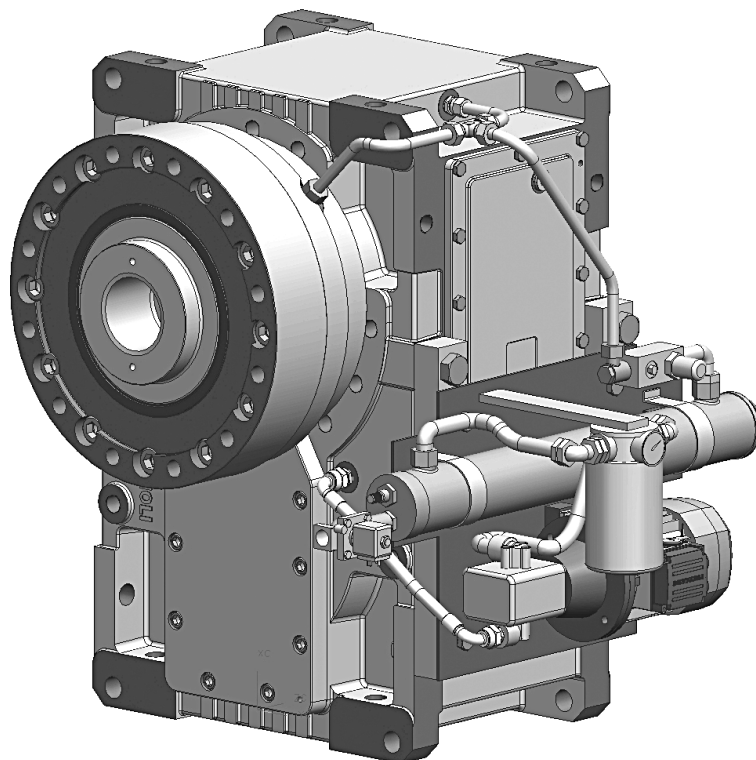
The HDPE series is the configuration specifically developed for **single-screw extruder drive** generated from the renown heavy duty series HDP, with which it shares most of the component parts and gearing.

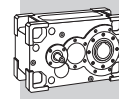
Mounted forward to the sturdy nodular cast iron case, and housed into a robust extruder support, HDPE units feature a heavy duty spherical roller thrust bearing of series 294...E, exclusively sourced from primary brands.

Design features

- Spheroidal graphite cast iron casing with universal mounting options
- Thrust bearing optimised for each application
- Radial roller bearings on the output shaft
- Customisable extruder screw/cylinder interface dimensions
- External cooling and forced lubrication units
- Lubrication shared between gearbox casing and screw box
- Fluoro elastomer compound seal rings

For more information see HDPE catalog.

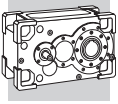




15 REFERENCE TORQUE

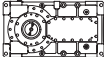
The torque values given in the table are influenced by the following elements: gear teeth, shafts and couplings. Performance may therefore vary with application conditions (see the “Thermal Capacity and Rating Charts”).

| HDP | | | | | | | | | | | | | | | |
|----------------|-------|-------------------------|--------|--------|--------|---------|---------|---------|---------|---------|---------|---------|---------|---------|---------|
| | | Mn _{2REF} [Nm] | | | | | | | | | | | | | |
| i _N | | HDP 60 | HDP 70 | HDP 80 | HDP 90 | HDP 100 | HDP 110 | HDP 120 | HDP 125 | HDP 130 | HDP 140 | HDP 150 | HDP 160 | HDP 170 | HDP 180 |
| 2x | 7.1 | 5.190 | — | — | — | 24.400 | — | — | — | 68.800 | — | — | — | — | — |
| | 8.0 | 4.720 | 6.200 | 10.350 | 14.000 | 24.710 | 26.080 | 36.820 | — | 65.830 | 86.990 | 113.880 | — | 150.450 | — |
| | 9.0 | 5.190 | 7.080 | 12.050 | 15.600 | 24.840 | 27.420 | 38.290 | 42.100 | 68.360 | 86.040 | 116.900 | 129.320 | 174.600 | 167.150 |
| | 10.0 | 4.720 | 6.750 | 11.350 | 17.700 | 24.740 | 26.540 | 37.550 | 43.940 | 65.410 | 86.990 | 112.740 | 150.940 | 189.150 | 193.450 |
| | 11.2 | 5.190 | 7.080 | 12.350 | 17.120 | 25.230 | 27.880 | 39.010 | 42.910 | 67.690 | 85.490 | 123.320 | 144.620 | 188.900 | 207.610 |
| | 12.5 | 4.720 | 6.750 | 11.500 | 17.700 | 24.740 | 26.940 | 38.140 | 44.300 | 64.770 | 86.990 | 115.490 | 142.390 | 197.670 | 209.900 |
| | 14.0 | 5.190 | 7.080 | 12.500 | 17.120 | 25.620 | 28.270 | 39.590 | 43.590 | 67.180 | 84.660 | 111.370 | 151.130 | 188.150 | 215.480 |
| | 16.0 | 4.720 | 6.750 | 11.750 | 17.000 | 24.570 | 27.330 | 38.580 | 44.980 | 64.290 | 86.990 | 123.610 | 142.840 | 188.900 | 204.880 |
| | 18.0 | 5.190 | 7.080 | 11.950 | 17.120 | 25.890 | 28.660 | 40.030 | 44.090 | 66.730 | 84.030 | 114.210 | 142.390 | 195.560 | 209.900 |
| | 20.0 | 4.720 | 6.750 | 11.900 | 17.700 | 24.410 | 27.660 | 39.000 | 45.480 | 63.860 | 86.990 | 110.150 | 149.410 | 186.170 | 213.180 |
| | 22.4 | — | 7.080 | 12.600 | 17.120 | 22.790 | 28.990 | 39.780 | 44.580 | 64.070 | 83.480 | — | 141.240 | — | 202.720 |
| 25.0 | — | — | — | — | — | 26.960 | 36.630 | 45.950 | — | 82.230 | — | — | — | — | |
| 3x | 22.4 | 5.190 | — | — | — | 26.130 | — | — | — | 66.280 | — | 113.760 | — | 183.920 | — |
| | 25.0 | 4.720 | 6.750 | 9.900 | 17.900 | 24.260 | 30.360 | 40.090 | — | 63.450 | 77.440 | 113.030 | 129.180 | 190.190 | 204.380 |
| | 28.0 | 5.190 | 7.080 | 11.500 | 17.120 | 25.990 | 29.680 | 39.550 | 45.940 | 65.790 | 82.930 | 109.030 | 146.300 | 182.320 | 202.450 |
| | 31.5 | 4.720 | 6.750 | 11.650 | 17.900 | 24.140 | 30.740 | 40.810 | 47.450 | 62.990 | 84.810 | 117.200 | 139.790 | 188.900 | 200.130 |
| | 35.5 | 5.190 | 7.080 | 12.600 | 17.120 | 25.860 | 29.540 | 39.330 | 46.680 | 65.430 | 82.330 | 112.010 | 143.440 | 190.190 | 209.900 |
| | 40.0 | 4.720 | 6.750 | 12.600 | 17.900 | 24.030 | 31.130 | 40.620 | 48.180 | 62.650 | 84.810 | 108.070 | 146.300 | 182.210 | 202.450 |
| | 45.0 | 5.190 | 7.080 | 12.600 | 17.120 | 25.740 | 29.400 | 39.150 | 47.230 | 65.120 | 81.890 | 117.200 | 138.540 | 183.920 | 198.410 |
| | 50.0 | 4.720 | 6.750 | 11.950 | 17.900 | 23.920 | 31.100 | 40.410 | 48.720 | 62.360 | 82.170 | 111.000 | 138.770 | 189.610 | 204.380 |
| | 56.0 | 5.190 | 7.080 | 12.600 | 17.120 | 25.650 | 29.270 | 38.960 | 47.750 | 64.780 | 81.510 | 107.110 | 145.150 | 180.610 | 202.450 |
| | 63.0 | 4.720 | 6.750 | 12.600 | 17.900 | 23.830 | 30.740 | 40.250 | 49.240 | 62.050 | 84.810 | 117.200 | 137.300 | 188.900 | 196.680 |
| | 71.0 | 5.190 | 7.080 | 12.600 | 17.120 | 25.880 | 29.160 | 38.800 | 46.680 | 65.650 | 81.100 | 110.230 | 143.440 | 188.320 | 209.900 |
| | 80.0 | 4.720 | 6.750 | 12.000 | 17.900 | 24.050 | 31.130 | 40.600 | 48.180 | 62.890 | 84.810 | 106.390 | 144.140 | 179.410 | 202.450 |
| | 90.0 | 5.190 | 7.080 | 12.600 | 17.120 | 26.850 | 29.430 | 39.160 | 47.230 | 67.750 | 82.200 | — | 136.370 | — | 195.370 |
| | 100.0 | 4.720 | 6.750 | 12.600 | 17.900 | 24.880 | 31.350 | 41.250 | 48.720 | 64.910 | 82.170 | — | — | — | — |
| 112.0 | — | 7.080 | 12.600 | 17.120 | 23.340 | 30.550 | 40.740 | 47.750 | 63.140 | 84.850 | — | — | — | — | |
| 125.0 | — | — | — | — | — | 27.630 | 37.570 | 49.240 | — | 78.870 | — | — | — | — | |
| 4x | 90.0 | — | — | — | — | — | — | — | — | — | — | 116.800 | — | 183.920 | — |
| | 100.0 | — | — | — | — | — | — | — | — | — | — | 116.060 | 132.640 | 190.190 | 204.380 |
| | 112.0 | — | — | — | — | 27.790 | — | — | — | 69.570 | — | 112.070 | 146.300 | 182.320 | 202.450 |
| | 125.0 | — | — | — | — | 24.880 | 31.350 | 41.250 | — | 66.770 | — | 117.200 | 143.630 | 188.900 | 205.480 |
| | 140.0 | — | — | — | — | 28.210 | 31.630 | 40.920 | 46.680 | 69.570 | 87.060 | 117.090 | 142.380 | 190.190 | 209.900 |
| | 160.0 | — | — | — | — | 24.880 | 31.790 | 41.250 | 48.180 | 66.770 | 84.860 | 114.780 | 146.300 | 182.320 | 202.450 |
| | 180.0 | — | — | — | — | 28.210 | 31.570 | 40.920 | 46.680 | 69.570 | 87.060 | 116.800 | 147.070 | 183.920 | 207.020 |
| | 200.0 | — | — | — | — | 24.880 | 31.570 | 41.250 | 48.180 | 66.770 | 81.580 | 117.090 | 132.640 | 190.190 | 204.380 |
| | 224.0 | — | — | — | — | 28.210 | 31.790 | 40.920 | 47.230 | 69.570 | 87.060 | 114.780 | 146.300 | 182.320 | 202.450 |
| | 250.0 | — | — | — | — | 24.880 | 31.350 | 41.250 | 49.240 | 66.770 | 81.230 | 117.200 | 147.070 | 188.900 | 205.480 |
| | 280.0 | — | — | — | — | 28.210 | 31.790 | 40.920 | 47.750 | 69.570 | 87.060 | 117.090 | 140.530 | 190.190 | 209.900 |
| | 315.0 | — | — | — | — | 25.110 | 31.570 | 41.250 | 48.180 | 66.770 | 84.860 | 114.780 | 146.300 | 182.320 | 202.450 |
| | 355.0 | — | — | — | — | 28.210 | 31.790 | 40.920 | 47.230 | 69.570 | 87.060 | — | 147.070 | — | 207.020 |
| | 400.0 | — | — | — | — | 25.410 | 31.570 | 41.250 | 48.180 | 66.770 | 84.860 | — | — | — | — |
| | 450.0 | — | — | — | — | 28.210 | 31.790 | 40.920 | 47.230 | 66.770 | 87.060 | — | — | — | — |
| 500.0 | — | — | — | — | 25.410 | 31.570 | 41.250 | 49.240 | 63.140 | 82.170 | — | — | — | — | |



16 THERMAL CAPACITY AND RATING CHARTS

HDP

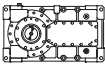
| HDP 60 | | | | | $n_1 = 1800 \text{ min}^{-1}$ | | | | | |
|---|------|--------------------------------|----------------|----------------|-------------------------------|-----------------------|-------------------|---------------|-----------------------|-------------------|
|  | i | n_2 [min^{-1}] | Mn_2 [Nm] | Pn_1 [kW] | Tamb = 20°C | | | Tamb = 40°C | | |
| | | | | | P_T [kW] | $P_{TFANL/R}$ [kW] | P_{TSR} [kW] | P_T [kW] | $P_{TFANL/R}$ [kW] | P_{TSR} [kW] |
| HDP 60 2 | 7.1 | 252 | 4300 | 118 | * | * | 75 | * | * | * |
| HDP 60 2 | 8.0 | 224 | 4410 | 108 | * | * | 75 | * | * | * |
| HDP 60 2 | 9.0 | 201 | 4630 | 101 | * | * | 75 | * | * | * |
| HDP 60 2 | 10.1 | 179 | 4690 | 91 | * | 68 | 75 | * | * | 62 |
| HDP 60 2 | 11.2 | 161 | 4960 | 87 | * | 68 | 75 | * | * | 62 |
| HDP 60 2 | 12.5 | 144 | 4720 | 74 | 52 | 68 | — | 34 | 48 | 62 |
| HDP 60 2 | 13.5 | 133 | 5190 | 75 | 52 | — | — | 34 | 48 | 62 |
| HDP 60 2 | 15.2 | 118 | 4720 | 61 | 52 | — | — | 34 | 48 | — |
| HDP 60 2 | 17.3 | 104 | 5190 | 59 | 52 | — | — | 34 | 48 | — |
| HDP 60 2 | 19.4 | 93 | 4720 | 48 | — | — | — | 34 | — | — |
| HDP 60 3 | 22.7 | 79 | 4460 | 39 | 33 | — | — | 21 | 31 | — |
| HDP 60 3 | 25.5 | 71 | 4630 | 36 | — | — | — | 21 | 31 | — |
| HDP 60 3 | 28.2 | 64 | 4960 | 35 | — | — | — | 21 | 31 | — |
| HDP 60 3 | 31.7 | 57 | 4720 | 30 | — | — | — | 21 | — | — |
| HDP 60 3 | 34.2 | 53 | 5180 | 30 | — | — | — | 21 | — | — |
| HDP 60 3 | 38.5 | 47 | 4720 | 25 | — | — | — | 21 | — | — |
| HDP 60 3 | 43.7 | 41 | 5190 | 24 | — | — | — | 21 | — | — |
| HDP 60 3 | 49.1 | 37 | 4720 | 19.3 | — | — | — | — | — | — |
| HDP 60 3 | 56.6 | 32 | 5190 | 18.4 | — | — | — | — | — | — |
| HDP 60 3 | 63.6 | 28.3 | 4720 | 14.9 | — | — | — | — | — | — |
| HDP 60 3 | 68.6 | 26.2 | 5190 | 15.1 | — | — | — | — | — | — |
| HDP 60 3 | 77.1 | 23.3 | 4720 | 12.3 | — | — | — | — | — | — |
| HDP 60 3 | 87.6 | 20.6 | 5190 | 11.9 | — | — | — | — | — | — |
| HDP 60 3 | 98.4 | 18.3 | 4720 | 9.6 | — | — | — | — | — | — |

*  BONFIGLIOLI TECHNICAL SERVICE

— Thermal verification not necessary



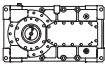
HDP

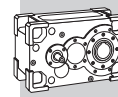
| HDP 60 | | | | | $n_1 = 1500 \text{ min}^{-1}$ | | | | | |
|---|------|--------------------------------|----------------|----------------|-------------------------------|-----------------------|-------------------|---------------|-----------------------|-------------------|
|  | i | n_2 [min^{-1}] | Mn_2 [Nm] | Pn_1 [kW] | Tamb = 20°C | | | Tamb = 40°C | | |
| | | | | | P_T [kW] | $P_{TFANL/R}$ [kW] | P_{TSR} [kW] | P_T [kW] | $P_{TFANL/R}$ [kW] | P_{TSR} [kW] |
| HDP 60 2 | 7.1 | 210 | 4570 | 105 | 48 | 65 | 80 | * | 44 | 63 |
| HDP 60 2 | 8.0 | 187 | 4630 | 94 | 48 | 65 | 80 | * | 44 | 63 |
| HDP 60 2 | 9.0 | 167 | 4900 | 89 | 48 | 65 | 80 | * | 44 | 63 |
| HDP 60 2 | 10.1 | 149 | 4720 | 77 | 48 | — | — | 34 | 44 | 63 |
| HDP 60 2 | 11.2 | 134 | 5190 | 76 | 48 | — | — | 34 | 44 | 63 |
| HDP 60 2 | 12.5 | 120 | 4720 | 62 | 48 | — | — | 34 | 44 | — |
| HDP 60 2 | 13.5 | 111 | 5190 | 63 | 48 | — | — | 34 | 44 | — |
| HDP 60 2 | 15.2 | 99 | 4720 | 51 | — | — | — | 34 | — | — |
| HDP 60 2 | 17.3 | 87 | 5190 | 49 | — | — | — | 34 | — | — |
| HDP 60 2 | 19.4 | 77 | 4720 | 40 | — | — | — | — | — | — |
| HDP 60 3 | 22.7 | 66 | 4740 | 35 | — | — | — | 23 | — | — |
| HDP 60 3 | 25.5 | 59 | 4720 | 31 | — | — | — | 23 | — | — |
| HDP 60 3 | 28.2 | 53 | 5190 | 31 | — | — | — | 23 | — | — |
| HDP 60 3 | 31.7 | 47 | 4720 | 25 | — | — | — | — | — | — |
| HDP 60 3 | 34.2 | 44 | 5190 | 25 | — | — | — | — | — | — |
| HDP 60 3 | 38.5 | 39 | 4720 | 20 | — | — | — | — | — | — |
| HDP 60 3 | 43.7 | 34 | 5190 | 19.8 | — | — | — | — | — | — |
| HDP 60 3 | 49.1 | 31 | 4720 | 16.0 | — | — | — | — | — | — |
| HDP 60 3 | 56.6 | 26.5 | 5190 | 15.3 | — | — | — | — | — | — |
| HDP 60 3 | 63.6 | 23.6 | 4720 | 12.4 | — | — | — | — | — | — |
| HDP 60 3 | 68.6 | 21.9 | 5190 | 12.6 | — | — | — | — | — | — |
| HDP 60 3 | 77.1 | 19.4 | 4720 | 10.2 | — | — | — | — | — | — |
| HDP 60 3 | 87.6 | 17.1 | 5190 | 9.9 | — | — | — | — | — | — |
| HDP 60 3 | 98.4 | 15.2 | 4720 | 8.0 | — | — | — | — | — | — |

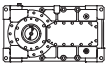
*  BONFIGLIOLI TECHNICAL SERVICE

— Thermal verification not necessary

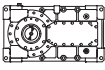


| HDP 60 | | | | | $n_1 = 1200 \text{ min}^{-1}$ | | | | | |
|---|------|--------------------------------|----------------|----------------|-------------------------------|-----------------------|-------------------|------------------------------|-----------------------|-------------------|
|  | i | n_2 [min^{-1}] | Mn_2 [Nm] | Pn_1 [kW] | $T_{amb} = 20^\circ\text{C}$ | | | $T_{amb} = 40^\circ\text{C}$ | | |
| | | | | | P_T [kW] | $P_{TFANL/R}$ [kW] | P_{TSR} [kW] | P_T [kW] | $P_{TFANL/R}$ [kW] | P_{TSR} [kW] |
| HDP 60 2 | 7.1 | 168 | 4870 | 89 | 51 | 66 | — | 34 | 45 | 66 |
| HDP 60 2 | 8.0 | 149 | 4720 | 77 | 51 | 66 | — | 34 | 45 | 66 |
| HDP 60 2 | 9.0 | 134 | 5190 | 76 | 51 | — | — | 34 | 45 | — |
| HDP 60 2 | 10.1 | 119 | 4720 | 61 | 51 | — | — | 34 | 45 | — |
| HDP 60 2 | 11.2 | 108 | 5190 | 61 | 51 | — | — | 34 | 45 | — |
| HDP 60 2 | 12.5 | 96 | 4720 | 49 | — | — | — | 34 | — | — |
| HDP 60 2 | 13.5 | 89 | 5190 | 50 | — | — | — | 34 | — | — |
| HDP 60 2 | 15.2 | 79 | 4720 | 41 | — | — | — | 34 | — | — |
| HDP 60 2 | 17.3 | 69 | 5190 | 39 | — | — | — | 34 | — | — |
| HDP 60 2 | 19.4 | 62 | 4720 | 32 | — | — | — | — | — | — |
| HDP 60 3 | 22.7 | 53 | 5040 | 30 | — | — | — | — | — | — |
| HDP 60 3 | 25.5 | 47 | 4720 | 25 | — | — | — | — | — | — |
| HDP 60 3 | 28.2 | 43 | 5190 | 25 | — | — | — | — | — | — |
| HDP 60 3 | 31.7 | 38 | 4720 | 19.9 | — | — | — | — | — | — |
| HDP 60 3 | 34.2 | 35 | 5190 | 20 | — | — | — | — | — | — |
| HDP 60 3 | 38.5 | 31 | 4720 | 16.4 | — | — | — | — | — | — |
| HDP 60 3 | 43.7 | 27.5 | 5190 | 15.9 | — | — | — | — | — | — |
| HDP 60 3 | 49.1 | 24.4 | 4720 | 12.8 | — | — | — | — | — | — |
| HDP 60 3 | 56.6 | 21.2 | 5190 | 12.2 | — | — | — | — | — | — |
| HDP 60 3 | 63.6 | 18.9 | 4720 | 9.9 | — | — | — | — | — | — |
| HDP 60 3 | 68.6 | 17.5 | 5190 | 10.1 | — | — | — | — | — | — |
| HDP 60 3 | 77.1 | 15.6 | 4720 | 8.2 | — | — | — | — | — | — |
| HDP 60 3 | 87.6 | 13.7 | 5190 | 7.9 | — | — | — | — | — | — |
| HDP 60 3 | 98.4 | 12.2 | 4720 | 6.4 | — | — | — | — | — | — |



| HDP 60 | | | | | $n_1 = 1000 \text{ min}^{-1}$ | | | | | |
|---|------|--------------------------------|----------------|----------------|-------------------------------|-----------------------|-------------------|------------------------------|-----------------------|-------------------|
|  | i | n_2 [min^{-1}] | Mn_2 [Nm] | Pn_1 [kW] | $T_{amb} = 20^\circ\text{C}$ | | | $T_{amb} = 40^\circ\text{C}$ | | |
| | | | | | P_T [kW] | $P_{TFANL/R}$ [kW] | P_{TSR} [kW] | P_T [kW] | $P_{TFANL/R}$ [kW] | P_{TSR} [kW] |
| HDP 60 2 | 7.1 | 140 | 5120 | 78 | 54 | — | — | 36 | 45 | 68 |
| HDP 60 2 | 8.0 | 125 | 4720 | 64 | 54 | — | — | 36 | 45 | — |
| HDP 60 2 | 9.0 | 111 | 5190 | 63 | 54 | — | — | 36 | 45 | — |
| HDP 60 2 | 10.1 | 99 | 4720 | 51 | — | — | — | 36 | — | — |
| HDP 60 2 | 11.2 | 90 | 5190 | 51 | — | — | — | 36 | — | — |
| HDP 60 2 | 12.5 | 80 | 4720 | 41 | — | — | — | — | — | — |
| HDP 60 2 | 13.5 | 74 | 5190 | 42 | — | — | — | — | — | — |
| HDP 60 2 | 15.2 | 66 | 4720 | 34 | — | — | — | — | — | — |
| HDP 60 2 | 17.3 | 58 | 5190 | 33 | — | — | — | — | — | — |
| HDP 60 2 | 19.4 | 52 | 4720 | 27 | — | — | — | — | — | — |
| HDP 60 3 | 22.7 | 44 | 5190 | 25 | — | — | — | — | — | — |
| HDP 60 3 | 25.5 | 39 | 4720 | 21 | — | — | — | — | — | — |
| HDP 60 3 | 28.2 | 35 | 5190 | 20 | — | — | — | — | — | — |
| HDP 60 3 | 31.7 | 32 | 4720 | 16.6 | — | — | — | — | — | — |
| HDP 60 3 | 34.2 | 29.2 | 5190 | 16.9 | — | — | — | — | — | — |
| HDP 60 3 | 38.5 | 26.0 | 4720 | 13.7 | — | — | — | — | — | — |
| HDP 60 3 | 43.7 | 22.9 | 5190 | 13.2 | — | — | — | — | — | — |
| HDP 60 3 | 49.1 | 20.4 | 4720 | 10.7 | — | — | — | — | — | — |
| HDP 60 3 | 56.6 | 17.7 | 5190 | 10.2 | — | — | — | — | — | — |
| HDP 60 3 | 63.6 | 15.7 | 4720 | 8.3 | — | — | — | — | — | — |
| HDP 60 3 | 68.6 | 14.6 | 5190 | 8.4 | — | — | — | — | — | — |
| HDP 60 3 | 77.1 | 13.0 | 4720 | 6.8 | — | — | — | — | — | — |
| HDP 60 3 | 87.6 | 11.4 | 5190 | 6.6 | — | — | — | — | — | — |
| HDP 60 3 | 98.4 | 10.2 | 4720 | 5.3 | — | — | — | — | — | — |

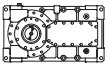


| HDP 70 | | | | | $n_1 = 1800 \text{ min}^{-1}$ | | | | | |
|---|-------|--------------------------------|----------------|----------------|-------------------------------|-----------------------|-------------------|---------------|-----------------------|-------------------|
|  | i | n_2 [min^{-1}] | Mn_2 [Nm] | Pn_1 [kW] | Tamb = 20°C | | | Tamb = 40°C | | |
| | | | | | P_T [kW] | $P_{TFANL/R}$ [kW] | P_{TSR} [kW] | P_T [kW] | $P_{TFANL/R}$ [kW] | P_{TSR} [kW] |
| HDP 70 2 | 8.0 | 224 | 5620 | 137 | * | * | * | * | * | * |
| HDP 70 2 | 9.3 | 193 | 5840 | 123 | * | * | * | * | * | * |
| HDP 70 2 | 10.1 | 178 | 6010 | 117 | * | 69 | 81 | * | * | * |
| HDP 70 2 | 11.7 | 154 | 6230 | 104 | * | 69 | 81 | * | * | * |
| HDP 70 2 | 12.6 | 143 | 6510 | 102 | 54 | 69 | 81 | 36 | 50 | 68 |
| HDP 70 2 | 14.6 | 124 | 6730 | 91 | 54 | 69 | — | 36 | 50 | 68 |
| HDP 70 2 | 15.2 | 118 | 6750 | 87 | 54 | 69 | — | 36 | 50 | 68 |
| HDP 70 2 | 17.7 | 102 | 7080 | 79 | 54 | 69 | — | 36 | 50 | 68 |
| HDP 70 2 | 19.4 | 93 | 6750 | 68 | 54 | — | — | 36 | 50 | — |
| HDP 70 2 | 22.6 | 80 | 7080 | 62 | 54 | — | — | 36 | 50 | — |
| HDP 70 3 | 25.5 | 71 | 6750 | 53 | 33 | 47 | — | * | 30 | — |
| HDP 70 3 | 29.6 | 61 | 7080 | 48 | 33 | — | — | * | 30 | — |
| HDP 70 3 | 31.7 | 57 | 6620 | 42 | 33 | — | — | * | 30 | — |
| HDP 70 3 | 36.9 | 49 | 6840 | 37 | — | — | — | * | 30 | — |
| HDP 70 3 | 38.5 | 47 | 6750 | 35 | — | — | — | 23 | 30 | — |
| HDP 70 3 | 44.7 | 40 | 7080 | 32 | — | — | — | 23 | — | — |
| HDP 70 3 | 49.1 | 37 | 6750 | 28 | — | — | — | 23 | — | — |
| HDP 70 3 | 57.0 | 32 | 7080 | 25 | — | — | — | 23 | — | — |
| HDP 70 3 | 63.7 | 28.3 | 6670 | 21 | — | — | — | — | — | — |
| HDP 70 3 | 73.9 | 24.4 | 7080 | 19.2 | — | — | — | — | — | — |
| HDP 70 3 | 77.2 | 23.3 | 6750 | 17.5 | — | — | — | — | — | — |
| HDP 70 3 | 89.6 | 20.1 | 7080 | 15.8 | — | — | — | — | — | — |
| HDP 70 3 | 98.5 | 18.3 | 6750 | 13.7 | — | — | — | — | — | — |
| HDP 70 3 | 114.4 | 15.7 | 7080 | 12.4 | — | — | — | — | — | — |

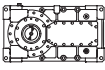
*  BONFIGLIOLI TECHNICAL SERVICE

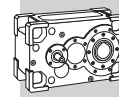
— Thermal verification not necessary

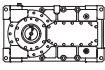


| HDP 70 | | | | | $n_1 = 1500 \text{ min}^{-1}$ | | | | | |
|---|-------|--------------------------------|----------------|----------------|-------------------------------|-----------------------|-------------------|---------------|-----------------------|-------------------|
|  | i | n_2 [min^{-1}] | Mn_2 [Nm] | Pn_1 [kW] | Tamb = 20°C | | | Tamb = 40°C | | |
| | | | | | P_T [kW] | $P_{TFANL/R}$ [kW] | P_{TSR} [kW] | P_T [kW] | $P_{TFANL/R}$ [kW] | P_{TSR} [kW] |
| HDP 70 2 | 8.0 | 187 | 5940 | 121 | 48 | 65 | 82 | * | 44 | 63 |
| HDP 70 2 | 9.3 | 161 | 6150 | 108 | 48 | 65 | 82 | * | 44 | 63 |
| HDP 70 2 | 10.1 | 149 | 6370 | 103 | 48 | 65 | 82 | * | 44 | 63 |
| HDP 70 2 | 11.7 | 128 | 6590 | 92 | 48 | — | — | 34 | 44 | 63 |
| HDP 70 2 | 12.6 | 120 | 6750 | 88 | 48 | — | — | 34 | 44 | 63 |
| HDP 70 2 | 14.6 | 103 | 7080 | 79 | 48 | — | — | 34 | 44 | — |
| HDP 70 2 | 15.2 | 99 | 6750 | 73 | 48 | — | — | 34 | 44 | — |
| HDP 70 2 | 17.7 | 85 | 7080 | 66 | — | — | — | 34 | — | — |
| HDP 70 2 | 19.4 | 77 | 6750 | 57 | — | — | — | 34 | — | — |
| HDP 70 2 | 22.6 | 67 | 7080 | 51 | — | — | — | — | — | — |
| HDP 70 3 | 25.5 | 59 | 6750 | 44 | — | — | — | 23 | — | — |
| HDP 70 3 | 29.6 | 51 | 7080 | 40 | — | — | — | 23 | — | — |
| HDP 70 3 | 31.7 | 47 | 6750 | 35 | — | — | — | 23 | — | — |
| HDP 70 3 | 36.9 | 41 | 7080 | 32 | — | — | — | — | — | — |
| HDP 70 3 | 38.5 | 39 | 6750 | 29 | — | — | — | — | — | — |
| HDP 70 3 | 44.7 | 34 | 7080 | 26 | — | — | — | — | — | — |
| HDP 70 3 | 49.1 | 31 | 6750 | 23 | — | — | — | — | — | — |
| HDP 70 3 | 57.0 | 26.3 | 7080 | 21 | — | — | — | — | — | — |
| HDP 70 3 | 63.7 | 23.6 | 6750 | 17.7 | — | — | — | — | — | — |
| HDP 70 3 | 73.9 | 20.3 | 7080 | 16.0 | — | — | — | — | — | — |
| HDP 70 3 | 77.2 | 19.4 | 6750 | 14.6 | — | — | — | — | — | — |
| HDP 70 3 | 89.6 | 16.7 | 7080 | 13.2 | — | — | — | — | — | — |
| HDP 70 3 | 98.5 | 15.2 | 6750 | 11.4 | — | — | — | — | — | — |
| HDP 70 3 | 114.4 | 13.1 | 7080 | 10.3 | — | — | — | — | — | — |

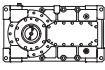


| HDP 70 | | | | | $n_1 = 1200 \text{ min}^{-1}$ | | | | | |
|---|-------|--------------------------------|----------------|----------------|-------------------------------|-----------------------|-------------------|------------------------------|-----------------------|-------------------|
|  | i | n_2 [min^{-1}] | Mn_2 [Nm] | Pn_1 [kW] | $T_{amb} = 20^\circ\text{C}$ | | | $T_{amb} = 40^\circ\text{C}$ | | |
| | | | | | P_T [kW] | $P_{TFANL/R}$ [kW] | P_{TSR} [kW] | P_T [kW] | $P_{TFANL/R}$ [kW] | P_{TSR} [kW] |
| HDP 70 2 | 8.0 | 149 | 6200 | 101 | 54 | 69 | 86 | 35 | 46 | 67 |
| HDP 70 2 | 9.3 | 129 | 6550 | 92 | 54 | 69 | — | 35 | 46 | 67 |
| HDP 70 2 | 10.1 | 119 | 6750 | 88 | 54 | 69 | — | 35 | 46 | 67 |
| HDP 70 2 | 11.7 | 102 | 7040 | 79 | 54 | — | — | 35 | 46 | — |
| HDP 70 2 | 12.6 | 96 | 6750 | 70 | 54 | — | — | 35 | 46 | — |
| HDP 70 2 | 14.6 | 82 | 7080 | 64 | 54 | — | — | 35 | 46 | — |
| HDP 70 2 | 15.2 | 79 | 6750 | 58 | — | — | — | 35 | 46 | — |
| HDP 70 2 | 17.7 | 68 | 7080 | 52 | — | — | — | 35 | 46 | — |
| HDP 70 2 | 19.4 | 62 | 6750 | 45 | — | — | — | 35 | — | — |
| HDP 70 2 | 22.6 | 53 | 7080 | 41 | — | — | — | 35 | — | — |
| HDP 70 3 | 25.5 | 47 | 6750 | 35 | — | — | — | 25 | — | — |
| HDP 70 3 | 29.6 | 40 | 7080 | 32 | — | — | — | 25 | — | — |
| HDP 70 3 | 31.7 | 38 | 6750 | 28 | — | — | — | 25 | — | — |
| HDP 70 3 | 36.9 | 33 | 7080 | 26 | — | — | — | — | — | — |
| HDP 70 3 | 38.5 | 31 | 6750 | 23 | — | — | — | — | — | — |
| HDP 70 3 | 44.7 | 26.8 | 7080 | 21 | — | — | — | — | — | — |
| HDP 70 3 | 49.1 | 24.4 | 6750 | 18.3 | — | — | — | — | — | — |
| HDP 70 3 | 57.0 | 21.0 | 7080 | 16.6 | — | — | — | — | — | — |
| HDP 70 3 | 63.7 | 18.9 | 6750 | 14.2 | — | — | — | — | — | — |
| HDP 70 3 | 73.9 | 16.2 | 7080 | 12.8 | — | — | — | — | — | — |
| HDP 70 3 | 77.2 | 15.5 | 6750 | 11.7 | — | — | — | — | — | — |
| HDP 70 3 | 89.6 | 13.4 | 7080 | 10.5 | — | — | — | — | — | — |
| HDP 70 3 | 98.5 | 12.2 | 6750 | 9.1 | — | — | — | — | — | — |
| HDP 70 3 | 114.4 | 10.5 | 7080 | 8.3 | — | — | — | — | — | — |



| HDP 70 | | | | | $n_1 = 1000 \text{ min}^{-1}$ | | | | | |
|---|-------|--------------------------------|----------------|----------------|-------------------------------|-----------------------|-------------------|------------------------------|-----------------------|-------------------|
|  | i | n_2 [min^{-1}] | Mn_2 [Nm] | Pn_1 [kW] | $T_{amb} = 20^\circ\text{C}$ | | | $T_{amb} = 40^\circ\text{C}$ | | |
| | | | | | P_T [kW] | $P_{TFANL/R}$ [kW] | P_{TSR} [kW] | P_T [kW] | $P_{TFANL/R}$ [kW] | P_{TSR} [kW] |
| HDP 70 2 | 8.0 | 124 | 6200 | 84 | 56 | 68 | — | 38 | 47 | 70 |
| HDP 70 2 | 9.3 | 107 | 6950 | 81 | 56 | — | — | 38 | 47 | — |
| HDP 70 2 | 10.1 | 99 | 6750 | 73 | 56 | — | — | 38 | 47 | — |
| HDP 70 2 | 11.7 | 85 | 7080 | 66 | 56 | — | — | 38 | 47 | — |
| HDP 70 2 | 12.6 | 80 | 6750 | 59 | — | — | — | 38 | 47 | — |
| HDP 70 2 | 14.6 | 69 | 7080 | 53 | — | — | — | 38 | — | — |
| HDP 70 2 | 15.2 | 66 | 6750 | 48 | — | — | — | 38 | — | — |
| HDP 70 2 | 17.7 | 57 | 7080 | 44 | — | — | — | — | — | — |
| HDP 70 2 | 19.4 | 51 | 6750 | 38 | — | — | — | — | — | — |
| HDP 70 2 | 22.6 | 44 | 7080 | 34 | — | — | — | — | — | — |
| HDP 70 3 | 25.5 | 39 | 6750 | 29 | — | — | — | — | — | — |
| HDP 70 3 | 29.6 | 34 | 7080 | 27 | — | — | — | — | — | — |
| HDP 70 3 | 31.7 | 31 | 6750 | 24 | — | — | — | — | — | — |
| HDP 70 3 | 36.9 | 27.1 | 7080 | 21 | — | — | — | — | — | — |
| HDP 70 3 | 38.5 | 26.0 | 6750 | 19.5 | — | — | — | — | — | — |
| HDP 70 3 | 44.7 | 22.4 | 7080 | 17.6 | — | — | — | — | — | — |
| HDP 70 3 | 49.1 | 20.4 | 6750 | 15.3 | — | — | — | — | — | — |
| HDP 70 3 | 57.0 | 17.5 | 7080 | 13.8 | — | — | — | — | — | — |
| HDP 70 3 | 63.7 | 15.7 | 6750 | 11.8 | — | — | — | — | — | — |
| HDP 70 3 | 73.9 | 13.5 | 7080 | 10.7 | — | — | — | — | — | — |
| HDP 70 3 | 77.2 | 13.0 | 6750 | 9.7 | — | — | — | — | — | — |
| HDP 70 3 | 89.6 | 11.2 | 7080 | 8.8 | — | — | — | — | — | — |
| HDP 70 3 | 98.5 | 10.2 | 6750 | 7.6 | — | — | — | — | — | — |
| HDP 70 3 | 114.4 | 8.7 | 7080 | 6.9 | — | — | — | — | — | — |

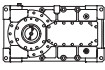


| HDP 80 | | | | | $n_1 = 1800 \text{ min}^{-1}$ | | | | | |
|---|-------|--------------------------------|----------------|----------------|-------------------------------|-----------------------|-------------------|---------------|-----------------------|-------------------|
|  | i | n_2 [min^{-1}] | Mn_2 [Nm] | Pn_1 [kW] | Tamb = 20°C | | | Tamb = 40°C | | |
| | | | | | P_T [kW] | $P_{TFANL/R}$ [kW] | P_{TSR} [kW] | P_T [kW] | $P_{TFANL/R}$ [kW] | P_{TSR} [kW] |
| HDP 80 2 | 8.1 | 223 | 9820 | 239 | * | 108 | * | * | * | * |
| HDP 80 2 | 9.4 | 192 | 10150 | 213 | * | 108 | * | * | * | * |
| HDP 80 2 | 9.8 | 183 | 10480 | 209 | * | 108 | * | * | 78 | * |
| HDP 80 2 | 11.4 | 158 | 10870 | 187 | * | 108 | * | * | 78 | * |
| HDP 80 2 | 12.6 | 143 | 11420 | 178 | 81 | 108 | 122 | * | 78 | 98 |
| HDP 80 2 | 14.6 | 123 | 11750 | 158 | 81 | 108 | 122 | * | 78 | 98 |
| HDP 80 2 | 15.5 | 116 | 11750 | 149 | 81 | 108 | 122 | 59 | 78 | 98 |
| HDP 80 2 | 18.0 | 100 | 11950 | 130 | 81 | 108 | — | 59 | 78 | 98 |
| HDP 80 2 | 19.4 | 93 | 11900 | 120 | 81 | 108 | — | 59 | 78 | 98 |
| HDP 80 2 | 22.6 | 80 | 12600 | 110 | 81 | — | — | 59 | 78 | — |
| HDP 80 3 | 25.8 | 70 | 9900 | 77 | 47 | 69 | — | 30 | 46 | — |
| HDP 80 3 | 30.0 | 60 | 11500 | 77 | 47 | 69 | — | 30 | 46 | — |
| HDP 80 3 | 31.7 | 57 | 11310 | 71 | 47 | — | — | 30 | 46 | — |
| HDP 80 3 | 36.8 | 49 | 12600 | 69 | 47 | — | — | 30 | 46 | — |
| HDP 80 3 | 39.8 | 45 | 12020 | 60 | 47 | — | — | 30 | 46 | — |
| HDP 80 3 | 46.2 | 39 | 12600 | 55 | 47 | — | — | 30 | 46 | — |
| HDP 80 3 | 51.6 | 35 | 11950 | 46 | — | — | — | 30 | — | — |
| HDP 80 3 | 59.9 | 30 | 12600 | 42 | — | — | — | 30 | — | — |
| HDP 80 3 | 64.8 | 27.8 | 12600 | 39 | — | — | — | 30 | — | — |
| HDP 80 3 | 75.2 | 23.9 | 12600 | 34 | — | — | — | 30 | — | — |
| HDP 80 3 | 76.4 | 23.6 | 11200 | 29 | — | — | — | — | — | — |
| HDP 80 3 | 88.7 | 20.3 | 12600 | 28 | — | — | — | — | — | — |
| HDP 80 3 | 95.9 | 18.8 | 12600 | 26 | — | — | — | — | — | — |
| HDP 80 3 | 111.4 | 16.2 | 12600 | 23 | — | — | — | — | — | — |

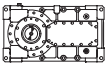
*  BONFIGLIOLI TECHNICAL SERVICE

— Thermal verification not necessary



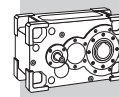
| HDP 80 | | | | | $n_1 = 1500 \text{ min}^{-1}$ | | | | | |
|---|-------|--------------------------------|----------------|----------------|-------------------------------|-----------------------|-------------------|------------------------------|-----------------------|-------------------|
|  | i | n_2 [min^{-1}] | Mn_2 [Nm] | Pn_1 [kW] | $T_{amb} = 20^\circ\text{C}$ | | | $T_{amb} = 40^\circ\text{C}$ | | |
| | | | | | P_T [kW] | $P_{TFANL/R}$ [kW] | P_{TSR} [kW] | P_T [kW] | $P_{TFANL/R}$ [kW] | P_{TSR} [kW] |
| HDP 80 2 | 8.1 | 186 | 10350 | 210 | 78 | 106 | 119 | 55 | 76 | 96 |
| HDP 80 2 | 9.4 | 160 | 10730 | 187 | 78 | 106 | 119 | 55 | 76 | 96 |
| HDP 80 2 | 9.8 | 152 | 11060 | 184 | 78 | 106 | 119 | 55 | 76 | 96 |
| HDP 80 2 | 11.4 | 131 | 11500 | 165 | 78 | 106 | 119 | 55 | 76 | 96 |
| HDP 80 2 | 12.6 | 119 | 11500 | 149 | 78 | 106 | 119 | 55 | 76 | 96 |
| HDP 80 2 | 14.6 | 103 | 12420 | 139 | 78 | 106 | 119 | 55 | 76 | 96 |
| HDP 80 2 | 15.5 | 97 | 11750 | 124 | 78 | 106 | — | 55 | 76 | 96 |
| HDP 80 2 | 18.0 | 83 | 11950 | 109 | 78 | — | — | 55 | 76 | 96 |
| HDP 80 2 | 19.4 | 77 | 11900 | 100 | 78 | — | — | 55 | 76 | — |
| HDP 80 2 | 22.6 | 66 | 12600 | 91 | — | — | — | 55 | 76 | — |
| HDP 80 3 | 25.8 | 58 | 9900 | 64 | 50 | — | — | 34 | 48 | — |
| HDP 80 3 | 30.0 | 50 | 11500 | 64 | 50 | — | — | 34 | 48 | — |
| HDP 80 3 | 31.7 | 47 | 11650 | 61 | 50 | — | — | 34 | 48 | — |
| HDP 80 3 | 36.8 | 41 | 12600 | 57 | — | — | — | 34 | 48 | — |
| HDP 80 3 | 39.8 | 38 | 12600 | 53 | — | — | — | 34 | — | — |
| HDP 80 3 | 46.2 | 32 | 12600 | 45 | — | — | — | 34 | — | — |
| HDP 80 3 | 51.6 | 29.1 | 11950 | 39 | — | — | — | 34 | — | — |
| HDP 80 3 | 59.9 | 25.0 | 12600 | 35 | — | — | — | — | — | — |
| HDP 80 3 | 64.8 | 23.1 | 12600 | 32 | — | — | — | — | — | — |
| HDP 80 3 | 75.2 | 19.9 | 12600 | 28 | — | — | — | — | — | — |
| HDP 80 3 | 76.4 | 19.6 | 12000 | 26 | — | — | — | — | — | — |
| HDP 80 3 | 88.7 | 16.9 | 12600 | 24 | — | — | — | — | — | — |
| HDP 80 3 | 95.9 | 15.6 | 12600 | 22 | — | — | — | — | — | — |
| HDP 80 3 | 111.4 | 13.5 | 12600 | 18.9 | — | — | — | — | — | — |

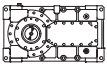


| HDP 80 | | | | | $n_1 = 1200 \text{ min}^{-1}$ | | | | | |
|---|-------|--------------------------------|----------------|----------------|-------------------------------|-----------------------|-------------------|---------------|-----------------------|-------------------|
|  | i | n_2 [min^{-1}] | Mn_2 [Nm] | Pn_1 [kW] | Tamb = 20°C | | | Tamb = 40°C | | |
| | | | | | P_T [kW] | $P_{TFANL/R}$ [kW] | P_{TSR} [kW] | P_T [kW] | $P_{TFANL/R}$ [kW] | P_{TSR} [kW] |
| HDP 80 2 | 8.1 | 149 | 10350 | 168 | 81 | 107 | 122 | * | 76 | 98 |
| HDP 80 2 | 9.4 | 128 | 11430 | 160 | 81 | 107 | 122 | * | 76 | 98 |
| HDP 80 2 | 9.8 | 122 | 11350 | 151 | 81 | 107 | 122 | 58 | 76 | 98 |
| HDP 80 2 | 11.4 | 105 | 12300 | 141 | 81 | 107 | — | 58 | 76 | 98 |
| HDP 80 2 | 12.6 | 95 | 11500 | 119 | 81 | 107 | — | 58 | 76 | 98 |
| HDP 80 2 | 14.6 | 82 | 12500 | 112 | 81 | — | — | 58 | 76 | 98 |
| HDP 80 2 | 15.5 | 77 | 11750 | 99 | 81 | — | — | 58 | 76 | — |
| HDP 80 2 | 18.0 | 67 | 11950 | 87 | — | — | — | 58 | 76 | — |
| HDP 80 2 | 19.4 | 62 | 11900 | 80 | — | — | — | 58 | — | — |
| HDP 80 2 | 22.6 | 53 | 12600 | 73 | — | — | — | 58 | — | — |
| HDP 80 3 | 25.8 | 47 | 9900 | 51 | — | — | — | 36 | — | — |
| HDP 80 3 | 30.0 | 40 | 11500 | 51 | — | — | — | 36 | — | — |
| HDP 80 3 | 31.7 | 38 | 11650 | 49 | — | — | — | 36 | — | — |
| HDP 80 3 | 36.8 | 33 | 12600 | 46 | — | — | — | 36 | — | — |
| HDP 80 3 | 39.8 | 30 | 12600 | 42 | — | — | — | 36 | — | — |
| HDP 80 3 | 46.2 | 26.0 | 12600 | 36 | — | — | — | — | — | — |
| HDP 80 3 | 51.6 | 23.2 | 11950 | 31 | — | — | — | — | — | — |
| HDP 80 3 | 59.9 | 20.0 | 12600 | 28 | — | — | — | — | — | — |
| HDP 80 3 | 64.8 | 18.5 | 12600 | 26 | — | — | — | — | — | — |
| HDP 80 3 | 75.2 | 15.9 | 12600 | 22 | — | — | — | — | — | — |
| HDP 80 3 | 76.4 | 15.7 | 12000 | 21 | — | — | — | — | — | — |
| HDP 80 3 | 88.7 | 13.5 | 12600 | 19.0 | — | — | — | — | — | — |
| HDP 80 3 | 95.9 | 12.5 | 12600 | 17.5 | — | — | — | — | — | — |
| HDP 80 3 | 111.4 | 10.8 | 12600 | 15.1 | — | — | — | — | — | — |

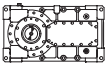
*  BONFIGLIOLI TECHNICAL SERVICE

— Thermal verification not necessary



| HDP 80 | | | | | $n_1 = 1000 \text{ min}^{-1}$ | | | | | |
|---|-------|--------------------------------|----------------|----------------|-------------------------------|-----------------------|-------------------|------------------------------|-----------------------|-------------------|
|  | i | n_2 [min^{-1}] | Mn_2 [Nm] | Pn_1 [kW] | $T_{amb} = 20^\circ\text{C}$ | | | $T_{amb} = 40^\circ\text{C}$ | | |
| | | | | | P_T [kW] | $P_{TFANL/R}$ [kW] | P_{TSR} [kW] | P_T [kW] | $P_{TFANL/R}$ [kW] | P_{TSR} [kW] |
| HDP 80 2 | 8.1 | 124 | 10350 | 140 | 82 | 102 | 123 | 58 | 73 | 99 |
| HDP 80 2 | 9.4 | 107 | 12050 | 140 | 82 | 102 | — | 58 | 73 | 99 |
| HDP 80 2 | 9.8 | 102 | 11350 | 126 | 82 | 102 | — | 58 | 73 | 99 |
| HDP 80 2 | 11.4 | 88 | 12350 | 118 | 82 | 102 | — | 58 | 73 | 99 |
| HDP 80 2 | 12.6 | 79 | 11500 | 100 | 82 | — | — | 58 | 73 | — |
| HDP 80 2 | 14.6 | 68 | 12500 | 93 | 82 | — | — | 58 | 73 | — |
| HDP 80 2 | 15.5 | 65 | 11750 | 83 | — | — | — | 58 | 73 | — |
| HDP 80 2 | 18.0 | 56 | 11950 | 72 | — | — | — | 58 | — | — |
| HDP 80 2 | 19.4 | 51 | 11900 | 67 | — | — | — | 58 | — | — |
| HDP 80 2 | 22.6 | 44 | 12600 | 61 | — | — | — | — | — | — |
| HDP 80 3 | 25.8 | 39 | 9900 | 43 | — | — | — | 38 | — | — |
| HDP 80 3 | 30.0 | 33 | 11500 | 43 | — | — | — | 38 | — | — |
| HDP 80 3 | 31.7 | 32 | 11650 | 41 | — | — | — | — | — | — |
| HDP 80 3 | 36.8 | 27.2 | 12600 | 38 | — | — | — | — | — | — |
| HDP 80 3 | 39.8 | 25.1 | 12600 | 35 | — | — | — | — | — | — |
| HDP 80 3 | 46.2 | 21.6 | 12600 | 30 | — | — | — | — | — | — |
| HDP 80 3 | 51.6 | 19.4 | 11950 | 26 | — | — | — | — | — | — |
| HDP 80 3 | 59.9 | 16.7 | 12600 | 23 | — | — | — | — | — | — |
| HDP 80 3 | 64.8 | 15.4 | 12600 | 22 | — | — | — | — | — | — |
| HDP 80 3 | 75.2 | 13.3 | 12600 | 18.6 | — | — | — | — | — | — |
| HDP 80 3 | 76.4 | 13.1 | 12000 | 17.5 | — | — | — | — | — | — |
| HDP 80 3 | 88.7 | 11.3 | 12600 | 15.8 | — | — | — | — | — | — |
| HDP 80 3 | 95.9 | 10.4 | 12600 | 14.6 | — | — | — | — | — | — |
| HDP 80 3 | 111.4 | 9.0 | 12600 | 12.6 | — | — | — | — | — | — |

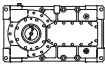


| HDP 90 | | | | | $n_1 = 1800 \text{ min}^{-1}$ | | | | | |
|---|-------|--------------------------------|----------------|----------------|-------------------------------|-----------------------|-------------------|---------------|-----------------------|-------------------|
|  | i | n_2 [min^{-1}] | Mn_2 [Nm] | Pn_1 [kW] | Tamb = 20°C | | | Tamb = 40°C | | |
| | | | | | P_T [kW] | $P_{TFANL/R}$ [kW] | P_{TSR} [kW] | P_T [kW] | $P_{TFANL/R}$ [kW] | P_{TSR} [kW] |
| HDP 90 2 | 7.9 | 227 | 12910 | 320 | * | * | * | * | * | * |
| HDP 90 2 | 8.8 | 204 | 13510 | 300 | * | * | * | * | * | * |
| HDP 90 2 | 10.1 | 179 | 14010 | 273 | * | 141 | * | * | 98 | * |
| HDP 90 2 | 11.2 | 161 | 14620 | 256 | * | 141 | * | * | 98 | * |
| HDP 90 2 | 12.2 | 147 | 14840 | 238 | 105 | 141 | 153 | * | 98 | 122 |
| HDP 90 2 | 13.6 | 132 | 15560 | 225 | 105 | 141 | 153 | * | 98 | 122 |
| HDP 90 2 | 15.8 | 114 | 15830 | 197 | 105 | 141 | 153 | 76 | 98 | 122 |
| HDP 90 2 | 17.6 | 102 | 16930 | 189 | 105 | 141 | 153 | 76 | 98 | 122 |
| HDP 90 2 | 20.1 | 90 | 16990 | 166 | 105 | 141 | — | 76 | 98 | 122 |
| HDP 90 2 | 22.4 | 80 | 17120 | 150 | 105 | 141 | — | 76 | 98 | 122 |
| HDP 90 3 | 25.4 | 71 | 16110 | 127 | 60 | 87 | 82 | * | 58 | 60 |
| HDP 90 3 | 28.3 | 64 | 16710 | 118 | 60 | 87 | 82 | * | 58 | 60 |
| HDP 90 3 | 32.9 | 55 | 17210 | 105 | 60 | 87 | 82 | 41 | 58 | 60 |
| HDP 90 3 | 36.6 | 49 | 17120 | 94 | 60 | 87 | 82 | 41 | 58 | 60 |
| HDP 90 3 | 40.0 | 45 | 16660 | 83 | 60 | — | — | 41 | 58 | 60 |
| HDP 90 3 | 44.6 | 40 | 17120 | 77 | 60 | — | — | 41 | 58 | 60 |
| HDP 90 3 | 51.8 | 35 | 17900 | 69 | 60 | — | — | 41 | 58 | 60 |
| HDP 90 3 | 57.7 | 31 | 17120 | 59 | — | — | — | 41 | — | — |
| HDP 90 3 | 65.8 | 27.3 | 17900 | 54 | — | — | — | 41 | — | — |
| HDP 90 3 | 73.3 | 24.6 | 17120 | 47 | — | — | — | 41 | — | — |
| HDP 90 3 | 77.8 | 23.1 | 17820 | 46 | — | — | — | — | — | — |
| HDP 90 3 | 86.6 | 20.8 | 17120 | 40 | — | — | — | — | — | — |
| HDP 90 3 | 98.9 | 18.2 | 17900 | 36 | — | — | — | — | — | — |
| HDP 90 3 | 110.1 | 16.3 | 17120 | 31 | — | — | — | — | — | — |

*  BONFIGLIOLI TECHNICAL SERVICE

— Thermal verification not necessary

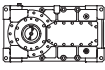


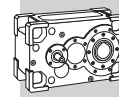
| HDP 90 | | | | | $n_1 = 1500 \text{ min}^{-1}$ | | | | | |
|---|-------|--------------------------------|----------------|----------------|-------------------------------|-----------------------|-------------------|---------------|-----------------------|-------------------|
|  | i | n_2 [min^{-1}] | Mn_2 [Nm] | Pn_1 [kW] | Tamb = 20°C | | | Tamb = 40°C | | |
| | | | | | P_T [kW] | $P_{TFANL/R}$ [kW] | P_{TSR} [kW] | P_T [kW] | $P_{TFANL/R}$ [kW] | P_{TSR} [kW] |
| HDP 90 2 | 7.9 | 189 | 13620 | 281 | 102 | 136 | 150 | * | 95 | 118 |
| HDP 90 2 | 8.8 | 170 | 14280 | 265 | 102 | 136 | 150 | * | 95 | 118 |
| HDP 90 2 | 10.1 | 149 | 14770 | 240 | 102 | 136 | 150 | 74 | 95 | 118 |
| HDP 90 2 | 11.2 | 134 | 15470 | 226 | 102 | 136 | 150 | 74 | 95 | 118 |
| HDP 90 2 | 12.2 | 123 | 15640 | 209 | 102 | 136 | 150 | 74 | 95 | 118 |
| HDP 90 2 | 13.6 | 110 | 16460 | 198 | 102 | 136 | 150 | 74 | 95 | 118 |
| HDP 90 2 | 15.8 | 95 | 16730 | 173 | 102 | 136 | — | 74 | 95 | 118 |
| HDP 90 2 | 17.6 | 85 | 17120 | 159 | 102 | — | — | 74 | 95 | 118 |
| HDP 90 2 | 20.1 | 75 | 17700 | 144 | 102 | — | — | 74 | 95 | 118 |
| HDP 90 2 | 22.4 | 67 | 17120 | 125 | 102 | — | — | 74 | 95 | — |
| HDP 90 3 | 25.4 | 59 | 17000 | 112 | 64 | 87 | 86 | 43 | 60 | 65 |
| HDP 90 3 | 28.3 | 53 | 17120 | 101 | 64 | — | 86 | 43 | 60 | 65 |
| HDP 90 3 | 32.9 | 46 | 17900 | 91 | 64 | — | — | 43 | 60 | 65 |
| HDP 90 3 | 36.6 | 41 | 17120 | 78 | 64 | — | — | 43 | 60 | 65 |
| HDP 90 3 | 40.0 | 37 | 17600 | 73 | — | — | — | 43 | 60 | — |
| HDP 90 3 | 44.6 | 34 | 17120 | 64 | — | — | — | 43 | — | — |
| HDP 90 3 | 51.8 | 29.0 | 17900 | 58 | — | — | — | 43 | — | — |
| HDP 90 3 | 57.7 | 26.0 | 17120 | 50 | — | — | — | — | — | — |
| HDP 90 3 | 65.8 | 22.8 | 17900 | 45 | — | — | — | — | — | — |
| HDP 90 3 | 73.3 | 20.5 | 17120 | 39 | — | — | — | — | — | — |
| HDP 90 3 | 77.8 | 19.3 | 17900 | 38 | — | — | — | — | — | — |
| HDP 90 3 | 86.6 | 17.3 | 17120 | 33 | — | — | — | — | — | — |
| HDP 90 3 | 98.9 | 15.2 | 17900 | 30 | — | — | — | — | — | — |
| HDP 90 3 | 110.1 | 13.6 | 17120 | 26 | — | — | — | — | — | — |

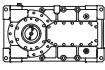
*  BONFIGLIOLI TECHNICAL SERVICE

— Thermal verification not necessary



| HDP 90 | | | | | $n_1 = 1200 \text{ min}^{-1}$ | | | | | |
|---|-------|--------------------------------|----------------|----------------|-------------------------------|-----------------------|-------------------|---------------|-----------------------|-------------------|
|  | i | n_2 [min^{-1}] | Mn_2 [Nm] | Pn_1 [kW] | Tamb = 20°C | | | Tamb = 40°C | | |
| | | | | | P_T [kW] | $P_{TFANL/R}$ [kW] | P_{TSR} [kW] | P_T [kW] | $P_{TFANL/R}$ [kW] | P_{TSR} [kW] |
| HDP 90 2 | 7.9 | 151 | 14000 | 231 | 105 | 135 | 153 | 74 | 96 | 122 |
| HDP 90 2 | 8.8 | 136 | 15230 | 226 | 105 | 135 | 153 | 74 | 96 | 122 |
| HDP 90 2 | 10.1 | 119 | 15830 | 206 | 105 | 135 | 153 | 74 | 96 | 122 |
| HDP 90 2 | 11.2 | 107 | 16530 | 193 | 105 | 135 | 153 | 74 | 96 | 122 |
| HDP 90 2 | 12.2 | 98 | 16750 | 179 | 105 | 135 | — | 74 | 96 | 122 |
| HDP 90 2 | 13.6 | 88 | 17120 | 165 | 105 | 135 | — | 74 | 96 | 122 |
| HDP 90 2 | 15.8 | 76 | 17000 | 141 | 105 | — | — | 74 | 96 | 122 |
| HDP 90 2 | 17.6 | 68 | 17120 | 127 | 105 | — | — | 74 | 96 | — |
| HDP 90 2 | 20.1 | 60 | 17700 | 115 | 105 | — | — | 74 | 96 | — |
| HDP 90 2 | 22.4 | 54 | 17120 | 100 | — | — | — | 74 | — | — |
| HDP 90 3 | 25.4 | 47 | 17900 | 94 | 68 | — | — | 46 | 61 | 68 |
| HDP 90 3 | 28.3 | 42 | 17120 | 81 | 68 | — | — | 46 | 61 | 68 |
| HDP 90 3 | 32.9 | 36 | 17900 | 73 | — | — | — | 46 | 61 | — |
| HDP 90 3 | 36.6 | 33 | 17120 | 62 | — | — | — | 46 | — | — |
| HDP 90 3 | 40.0 | 30 | 17900 | 60 | — | — | — | 46 | — | — |
| HDP 90 3 | 44.6 | 26.9 | 17120 | 51 | — | — | — | — | — | — |
| HDP 90 3 | 51.8 | 23.2 | 17900 | 46 | — | — | — | — | — | — |
| HDP 90 3 | 57.7 | 20.8 | 17120 | 40 | — | — | — | — | — | — |
| HDP 90 3 | 65.8 | 18.2 | 17900 | 36 | — | — | — | — | — | — |
| HDP 90 3 | 73.3 | 16.4 | 17120 | 31 | — | — | — | — | — | — |
| HDP 90 3 | 77.8 | 15.4 | 17900 | 31 | — | — | — | — | — | — |
| HDP 90 3 | 86.6 | 13.8 | 17120 | 26 | — | — | — | — | — | — |
| HDP 90 3 | 98.9 | 12.1 | 17900 | 24 | — | — | — | — | — | — |
| HDP 90 3 | 110.1 | 10.9 | 17120 | 21 | — | — | — | — | — | — |



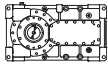
| HDP 90 | | | | | $n_1 = 1000 \text{ min}^{-1}$ | | | | | |
|---|-------|--------------------------------|----------------|----------------|-------------------------------|-----------------------|-------------------|---------------|-----------------------|-------------------|
|  | i | n_2 [min^{-1}] | Mn_2 [Nm] | Pn_1 [kW] | Tamb = 20°C | | | Tamb = 40°C | | |
| | | | | | P_T [kW] | $P_{TFANL/R}$ [kW] | P_{TSR} [kW] | P_T [kW] | $P_{TFANL/R}$ [kW] | P_{TSR} [kW] |
| HDP 90 2 | 7.9 | 126 | 14000 | 193 | 107 | 131 | 155 | 76 | 93 | 124 |
| HDP 90 2 | 8.8 | 113 | 15600 | 193 | 107 | 131 | 155 | 76 | 93 | 124 |
| HDP 90 2 | 10.1 | 99 | 16710 | 181 | 107 | 131 | — | 76 | 93 | 124 |
| HDP 90 2 | 11.2 | 89 | 17120 | 167 | 107 | 131 | — | 76 | 93 | 124 |
| HDP 90 2 | 12.2 | 82 | 17680 | 158 | 107 | 131 | — | 76 | 93 | 124 |
| HDP 90 2 | 13.6 | 74 | 17120 | 137 | 107 | — | — | 76 | 93 | — |
| HDP 90 2 | 15.8 | 63 | 17000 | 117 | — | — | — | 76 | 93 | — |
| HDP 90 2 | 17.6 | 57 | 17120 | 106 | — | — | — | 76 | 93 | — |
| HDP 90 2 | 20.1 | 50 | 17700 | 96 | — | — | — | 76 | — | — |
| HDP 90 2 | 22.4 | 45 | 17120 | 83 | — | — | — | — | — | — |
| HDP 90 3 | 25.4 | 39 | 17900 | 78 | — | — | — | 48 | 60 | — |
| HDP 90 3 | 28.3 | 35 | 17120 | 67 | — | — | — | 48 | — | — |
| HDP 90 3 | 32.9 | 30 | 17900 | 61 | — | — | — | 48 | — | — |
| HDP 90 3 | 36.6 | 27.3 | 17120 | 52 | — | — | — | — | — | — |
| HDP 90 3 | 40.0 | 25.0 | 17900 | 50 | — | — | — | — | — | — |
| HDP 90 3 | 44.6 | 22.4 | 17120 | 43 | — | — | — | — | — | — |
| HDP 90 3 | 51.8 | 19.3 | 17900 | 38 | — | — | — | — | — | — |
| HDP 90 3 | 57.7 | 17.3 | 17120 | 33 | — | — | — | — | — | — |
| HDP 90 3 | 65.8 | 15.2 | 17900 | 30 | — | — | — | — | — | — |
| HDP 90 3 | 73.3 | 13.6 | 17120 | 26 | — | — | — | — | — | — |
| HDP 90 3 | 77.8 | 12.9 | 17900 | 26 | — | — | — | — | — | — |
| HDP 90 3 | 86.6 | 11.5 | 17120 | 22 | — | — | — | — | — | — |
| HDP 90 3 | 98.9 | 10.1 | 17900 | 20 | — | — | — | — | — | — |
| HDP 90 3 | 110.1 | 9.1 | 17120 | 17.3 | — | — | — | — | — | — |



HDP

HDP 100

$n_1 = 1800 \text{ min}^{-1}$

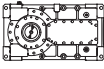
|  | i | n ₂ [min ⁻¹] | Mn ₂ [Nm] | Pn ₁ [kW] | Tamb = 20°C | | | | | | | | |
|---|-------|--|-------------------------|-------------------------|------------------------|------------------------------|-----------------------------|-----------------------------|-----------------------------|--------------------------|-----------------------------|-----------------------------|-----|
| | | | | | P _T [kW] | P _{TFANL/R} [kW] | P _{TFANLR} [kW] | P _{TMCRA5} [kW] | P _{TMCRA9} [kW] | P _{TJR} [kW] | P _{TMCRW5} [kW] | P _{TMCRW9} [kW] | |
| HDP 100 2 | 7.4 | 243 | 20310 | 539 | * | * | * | * | * | * | * | * | * |
| HDP 100 2 | 8.2 | 219 | 22760 | 543 | * | * | * | * | * | * | * | * | * |
| HDP 100 2 | 9.1 | 198 | 21360 | 460 | * | * | 224 | * | * | * | * | * | 295 |
| HDP 100 2 | 10.1 | 178 | 23950 | 465 | * | 180 | 224 | * | 340 | 175 | * | * | 295 |
| HDP 100 2 | 11.3 | 160 | 22520 | 393 | * | 180 | 224 | 272 | 340 | 175 | 213 | * | 295 |
| HDP 100 2 | 12.5 | 144 | 24750 | 389 | * | 180 | 224 | 272 | — | 175 | 213 | * | 295 |
| HDP 100 2 | 14.2 | 127 | 23550 | 326 | 108 | 180 | 224 | 272 | — | 175 | 213 | — | — |
| HDP 100 2 | 15.7 | 114 | 24700 | 308 | 108 | 180 | 224 | — | — | 175 | 213 | — | — |
| HDP 100 2 | 18.0 | 100 | 24740 | 270 | 108 | 180 | 224 | — | — | 175 | 213 | — | — |
| HDP 100 2 | 20.0 | 90 | 24530 | 241 | 108 | 180 | — | — | — | 175 | — | — | — |
| HDP 100 2 | 21.8 | 83 | 22900 | 206 | 108 | — | — | — | — | 175 | — | — | — |
| HDP 100 3 | 22.8 | 79 | 22050 | 194 | 82 | 145 | — | — | — | 145 | 166 | — | — |
| HDP 100 3 | 25.3 | 71 | 23480 | 186 | 82 | 145 | — | — | — | 145 | — | — | — |
| HDP 100 3 | 28.1 | 64 | 23210 | 165 | 82 | 145 | — | — | — | 145 | — | — | — |
| HDP 100 3 | 31.3 | 58 | 23480 | 150 | 82 | — | — | — | — | — | — | — | — |
| HDP 100 3 | 35.4 | 51 | 24250 | 137 | 82 | — | — | — | — | — | — | — | — |
| HDP 100 3 | 39.3 | 46 | 23480 | 120 | 82 | — | — | — | — | — | — | — | — |
| HDP 100 3 | 45.0 | 40 | 25410 | 113 | 82 | — | — | — | — | — | — | — | — |
| HDP 100 3 | 50.0 | 36 | 23480 | 94 | 82 | — | — | — | — | — | — | — | — |
| HDP 100 3 | 55.5 | 32 | 25730 | 93 | 82 | — | — | — | — | — | — | — | — |
| HDP 100 3 | 61.7 | 29.2 | 23480 | 76 | — | — | — | — | — | — | — | — | — |
| HDP 100 3 | 69.9 | 25.7 | 25620 | 73 | — | — | — | — | — | — | — | — | — |
| HDP 100 3 | 77.7 | 23.2 | 23480 | 61 | — | — | — | — | — | — | — | — | — |
| HDP 100 3 | 88.9 | 20.3 | 26110 | 59 | — | — | — | — | — | — | — | — | — |
| HDP 100 3 | 98.8 | 18.2 | 23480 | 48 | — | — | — | — | — | — | — | — | — |
| HDP 100 3 | 107.6 | 16.7 | 22050 | 41 | — | — | — | — | — | — | — | — | — |
| HDP 100 4 | 110.6 | 16.3 | 24800 | 46 | — | — | — | — | — | — | — | — | — |
| HDP 100 4 | 122.9 | 14.6 | 23480 | 39 | — | — | — | — | — | — | — | — | — |
| HDP 100 4 | 139.2 | 12.9 | 25960 | 38 | — | — | — | — | — | — | — | — | — |
| HDP 100 4 | 154.7 | 11.6 | 23480 | 31 | — | — | — | — | — | — | — | — | — |
| HDP 100 4 | 177.0 | 10.2 | 26450 | 31 | — | — | — | — | — | — | — | — | — |
| HDP 100 4 | 196.7 | 9.2 | 23480 | 24 | — | — | — | — | — | — | — | — | — |
| HDP 100 4 | 222.2 | 8.1 | 26450 | 24 | — | — | — | — | — | — | — | — | — |
| HDP 100 4 | 246.9 | 7.3 | 24880 | 21 | — | — | — | — | — | — | — | — | — |
| HDP 100 4 | 286.4 | 6.3 | 26450 | 18.9 | — | — | — | — | — | — | — | — | — |
| HDP 100 4 | 318.3 | 5.7 | 24890 | 16.0 | — | — | — | — | — | — | — | — | — |
| HDP 100 4 | 359.6 | 5.0 | 26450 | 15.0 | — | — | — | — | — | — | — | — | — |
| HDP 100 4 | 399.5 | 4.5 | 25280 | 12.9 | — | — | — | — | — | — | — | — | — |
| HDP 100 4 | 457.1 | 3.9 | 28210 | 12.6 | — | — | — | — | — | — | — | — | — |
| HDP 100 4 | 507.9 | 3.5 | 25410 | 10.2 | — | — | — | — | — | — | — | — | — |

*  BONFIGLIOLI TECHNICAL SERVICE

— Thermal verification not necessary



HDP

| HDP 100 | | | | | $n_1 = 1800 \text{ min}^{-1}$ | | | | | | | | |
|---|-------|--------------------------------|----------------|----------------|-------------------------------|-----------------------|----------------------|----------------------|----------------------|-------------------|----------------------|----------------------|-----|
|  | i | n_2 [min^{-1}] | Mn_2 [Nm] | Pn_1 [kW] | Tamb = 40°C | | | | | | | | |
| | | | | | P_T [kW] | $P_{TFANL/R}$ [kW] | P_{TFANLR} [kW] | P_{TMCR45} [kW] | P_{TMCR49} [kW] | P_{TSR} [kW] | P_{TMCRW5} [kW] | P_{TMCRW9} [kW] | |
| HDP 100 2 | 7.4 | 243 | 20310 | 539 | * | * | * | * | * | * | * | * | * |
| HDP 100 2 | 8.2 | 219 | 22760 | 543 | * | * | * | * | * | * | * | * | * |
| HDP 100 2 | 9.1 | 198 | 21360 | 460 | * | * | * | * | * | * | * | * | * |
| HDP 100 2 | 10.1 | 178 | 23950 | 465 | * | * | 151 | * | * | * | * | * | * |
| HDP 100 2 | 11.3 | 160 | 22520 | 393 | * | 127 | 151 | 156 | 200 | * | * | 269 | 269 |
| HDP 100 2 | 12.5 | 144 | 24750 | 389 | * | 127 | 151 | 156 | 200 | * | * | 269 | 269 |
| HDP 100 2 | 14.2 | 127 | 23550 | 326 | * | 127 | 151 | 156 | 200 | * | 185 | 269 | 269 |
| HDP 100 2 | 15.7 | 114 | 24700 | 308 | * | 127 | 151 | 156 | 200 | 158 | 185 | — | — |
| HDP 100 2 | 18.0 | 100 | 24740 | 270 | 77 | 127 | 151 | 156 | 200 | 158 | 185 | — | — |
| HDP 100 2 | 20.0 | 90 | 24530 | 241 | 77 | 127 | 151 | 156 | 200 | 158 | 185 | — | — |
| HDP 100 2 | 21.8 | 83 | 22900 | 206 | 77 | 127 | 151 | 156 | — | 158 | — | — | — |
| HDP 100 3 | 22.8 | 79 | 22050 | 194 | * | 99 | 121 | 124 | 155 | 116 | 137 | — | — |
| HDP 100 3 | 25.3 | 71 | 23480 | 186 | * | 99 | 121 | 124 | 155 | 116 | 137 | — | — |
| HDP 100 3 | 28.1 | 64 | 23210 | 165 | 56 | 99 | 121 | 124 | — | 116 | 137 | — | — |
| HDP 100 3 | 31.3 | 58 | 23480 | 150 | 56 | 99 | 121 | 124 | — | 116 | — | — | — |
| HDP 100 3 | 35.4 | 51 | 24250 | 137 | 56 | 99 | 121 | — | — | 116 | — | — | — |
| HDP 100 3 | 39.3 | 46 | 23480 | 120 | 56 | 99 | — | — | — | — | — | — | — |
| HDP 100 3 | 45.0 | 40 | 25410 | 113 | 56 | 99 | — | — | — | — | — | — | — |
| HDP 100 3 | 50.0 | 36 | 23480 | 94 | 56 | — | — | — | — | — | — | — | — |
| HDP 100 3 | 55.5 | 32 | 25730 | 93 | 56 | — | — | — | — | — | — | — | — |
| HDP 100 3 | 61.7 | 29.2 | 23480 | 76 | 56 | — | — | — | — | — | — | — | — |
| HDP 100 3 | 69.9 | 25.7 | 25620 | 73 | 56 | — | — | — | — | — | — | — | — |
| HDP 100 3 | 77.7 | 23.2 | 23480 | 61 | — | — | — | — | — | — | — | — | — |
| HDP 100 3 | 88.9 | 20.3 | 26110 | 59 | — | — | — | — | — | — | — | — | — |
| HDP 100 3 | 98.8 | 18.2 | 23480 | 48 | — | — | — | — | — | — | — | — | — |
| HDP 100 3 | 107.6 | 16.7 | 22050 | 41 | — | — | — | — | — | — | — | — | — |
| HDP 100 4 | 110.6 | 16.3 | 24800 | 46 | — | — | — | — | — | — | — | — | — |
| HDP 100 4 | 122.9 | 14.6 | 23480 | 39 | — | — | — | — | — | — | — | — | — |
| HDP 100 4 | 139.2 | 12.9 | 25960 | 38 | — | — | — | — | — | — | — | — | — |
| HDP 100 4 | 154.7 | 11.6 | 23480 | 31 | — | — | — | — | — | — | — | — | — |
| HDP 100 4 | 177.0 | 10.2 | 26450 | 31 | — | — | — | — | — | — | — | — | — |
| HDP 100 4 | 196.7 | 9.2 | 23480 | 24 | — | — | — | — | — | — | — | — | — |
| HDP 100 4 | 222.2 | 8.1 | 26450 | 24 | — | — | — | — | — | — | — | — | — |
| HDP 100 4 | 246.9 | 7.3 | 24880 | 21 | — | — | — | — | — | — | — | — | — |
| HDP 100 4 | 286.4 | 6.3 | 26450 | 18.9 | — | — | — | — | — | — | — | — | — |
| HDP 100 4 | 318.3 | 5.7 | 24890 | 16.0 | — | — | — | — | — | — | — | — | — |
| HDP 100 4 | 359.6 | 5.0 | 26450 | 15.0 | — | — | — | — | — | — | — | — | — |
| HDP 100 4 | 399.5 | 4.5 | 25280 | 12.9 | — | — | — | — | — | — | — | — | — |
| HDP 100 4 | 457.1 | 3.9 | 28210 | 12.6 | — | — | — | — | — | — | — | — | — |
| HDP 100 4 | 507.9 | 3.5 | 25410 | 10.2 | — | — | — | — | — | — | — | — | — |

* 

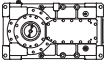
— Thermal verification not necessary



HDP

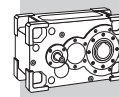
HDP 100

$n_1 = 1500 \text{ min}^{-1}$

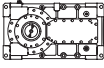
|  | i | n_2 [min^{-1}] | Mn_2 [Nm] | Pn_1 [kW] | Tamb = 20°C | | | | | | | |
|---|-------|--------------------------------|----------------|----------------|---------------|-----------------------|----------------------|----------------------|----------------------|-------------------|----------------------|----------------------|
| | | | | | P_T [kW] | $P_{TFANL/R}$ [kW] | P_{TFANLR} [kW] | P_{TMCRA5} [kW] | P_{TMCRA9} [kW] | P_{TSR} [kW] | P_{TMCRW5} [kW] | P_{TMCRW9} [kW] |
| HDP 100 2 | 7.4 | 203 | 21450 | 474 | * | * | * | 262 | 340 | 175 | 203 | 297 |
| HDP 100 2 | 8.2 | 182 | 24040 | 478 | * | 170 | 210 | 262 | 340 | 175 | 203 | 297 |
| HDP 100 2 | 9.1 | 165 | 22560 | 405 | 99 | 170 | 210 | 262 | 340 | 175 | 203 | 297 |
| HDP 100 2 | 10.1 | 148 | 24740 | 400 | 99 | 170 | 210 | 262 | — | 175 | 203 | 297 |
| HDP 100 2 | 11.3 | 133 | 23790 | 346 | 99 | 170 | 210 | 262 | — | 175 | 203 | — |
| HDP 100 2 | 12.5 | 120 | 24740 | 324 | 99 | 170 | 210 | — | — | 175 | 203 | — |
| HDP 100 2 | 14.2 | 106 | 24880 | 287 | 99 | 170 | 210 | — | — | 175 | 203 | — |
| HDP 100 2 | 15.7 | 95 | 24570 | 255 | 99 | 170 | — | — | — | 175 | 203 | — |
| HDP 100 2 | 18.0 | 83 | 25890 | 235 | 99 | 170 | — | — | — | 175 | 203 | — |
| HDP 100 2 | 20.0 | 75 | 24410 | 200 | 99 | — | — | — | — | — | — | — |
| HDP 100 2 | 21.8 | 69 | 22790 | 171 | 99 | — | — | — | — | — | — | — |
| HDP 100 3 | 22.8 | 66 | 23410 | 172 | 88 | 142 | — | — | — | — | — | — |
| HDP 100 3 | 25.3 | 59 | 24260 | 160 | 88 | — | — | — | — | — | — | — |
| HDP 100 3 | 28.1 | 53 | 24640 | 146 | 88 | — | — | — | — | — | — | — |
| HDP 100 3 | 31.3 | 48 | 24140 | 129 | 88 | — | — | — | — | — | — | — |
| HDP 100 3 | 35.4 | 42 | 25740 | 121 | 88 | — | — | — | — | — | — | — |
| HDP 100 3 | 39.3 | 38 | 24030 | 102 | — | — | — | — | — | — | — | — |
| HDP 100 3 | 45.0 | 33 | 25740 | 95 | — | — | — | — | — | — | — | — |
| HDP 100 3 | 50.0 | 30 | 23920 | 80 | — | — | — | — | — | — | — | — |
| HDP 100 3 | 55.5 | 27.0 | 25650 | 77 | — | — | — | — | — | — | — | — |
| HDP 100 3 | 61.7 | 24.3 | 23830 | 64 | — | — | — | — | — | — | — | — |
| HDP 100 3 | 69.9 | 21.5 | 25880 | 62 | — | — | — | — | — | — | — | — |
| HDP 100 3 | 77.7 | 19.3 | 24050 | 52 | — | — | — | — | — | — | — | — |
| HDP 100 3 | 88.9 | 16.9 | 26850 | 50 | — | — | — | — | — | — | — | — |
| HDP 100 3 | 98.8 | 15.2 | 24880 | 42 | — | — | — | — | — | — | — | — |
| HDP 100 3 | 107.6 | 13.9 | 23340 | 36 | — | — | — | — | — | — | — | — |
| HDP 100 4 | 110.6 | 13.6 | 26300 | 40 | — | — | — | — | — | — | — | — |
| HDP 100 4 | 122.9 | 12.2 | 24880 | 34 | — | — | — | — | — | — | — | — |
| HDP 100 4 | 139.2 | 10.8 | 27540 | 34 | — | — | — | — | — | — | — | — |
| HDP 100 4 | 154.7 | 9.7 | 24880 | 27 | — | — | — | — | — | — | — | — |
| HDP 100 4 | 177.0 | 8.5 | 28210 | 27 | — | — | — | — | — | — | — | — |
| HDP 100 4 | 196.7 | 7.6 | 24880 | 22 | — | — | — | — | — | — | — | — |
| HDP 100 4 | 222.2 | 6.8 | 28210 | 22 | — | — | — | — | — | — | — | — |
| HDP 100 4 | 246.9 | 6.1 | 24880 | 17.2 | — | — | — | — | — | — | — | — |
| HDP 100 4 | 286.4 | 5.2 | 28210 | 16.8 | — | — | — | — | — | — | — | — |
| HDP 100 4 | 318.3 | 4.7 | 25110 | 13.4 | — | — | — | — | — | — | — | — |
| HDP 100 4 | 359.6 | 4.2 | 28210 | 13.4 | — | — | — | — | — | — | — | — |
| HDP 100 4 | 399.5 | 3.8 | 25410 | 10.8 | — | — | — | — | — | — | — | — |
| HDP 100 4 | 457.1 | 3.3 | 28210 | 10.5 | — | — | — | — | — | — | — | — |
| HDP 100 4 | 507.9 | 3.0 | 25410 | 8.5 | — | — | — | — | — | — | — | — |

*  BONFIGLIOLI TECHNICAL SERVICE

— Thermal verification not necessary



HDP 100 $n_1 = 1500 \text{ min}^{-1}$

|  | i | n ₂ [min ⁻¹] | Mn ₂ [Nm] | Pn ₁ [kW] | Tamb = 40°C | | | | | | | |
|---|-------|--|-------------------------|-------------------------|------------------------|------------------------------|-----------------------------|-----------------------------|-----------------------------|--------------------------|-----------------------------|-----------------------------|
| | | | | | P _T [kW] | P _{TFANL/R} [kW] | P _{TFANLR} [kW] | P _{TMCRA5} [kW] | P _{TMCRA9} [kW] | P _{TSR} [kW] | P _{TMCRW5} [kW] | P _{TMCRW9} [kW] |
| HDP 100 2 | 7.4 | 203 | 21450 | 474 | * | * | * | * | 192 | * | * | 259 |
| HDP 100 2 | 8.2 | 182 | 24040 | 478 | * | 110 | 140 | 148 | 192 | * | 176 | 259 |
| HDP 100 2 | 9.1 | 165 | 22560 | 405 | * | 110 | 140 | 148 | 192 | * | 176 | 259 |
| HDP 100 2 | 10.1 | 148 | 24740 | 400 | * | 110 | 140 | 148 | 192 | * | 176 | 259 |
| HDP 100 2 | 11.3 | 133 | 23790 | 346 | * | 110 | 140 | 148 | 192 | 157 | 176 | 259 |
| HDP 100 2 | 12.5 | 120 | 24740 | 324 | 71 | 110 | 140 | 148 | 192 | 157 | 176 | — |
| HDP 100 2 | 14.2 | 106 | 24880 | 287 | 71 | 110 | 140 | 148 | 192 | 157 | 176 | — |
| HDP 100 2 | 15.7 | 95 | 24570 | 255 | 71 | 110 | 140 | 148 | 192 | 157 | 176 | — |
| HDP 100 2 | 18.0 | 83 | 25890 | 235 | 71 | 110 | 140 | 148 | 192 | 157 | 176 | — |
| HDP 100 2 | 20.0 | 75 | 24410 | 200 | 71 | 110 | 140 | 148 | — | — | — | — |
| HDP 100 2 | 21.8 | 69 | 22790 | 171 | 71 | 110 | 140 | — | — | — | — | — |
| HDP 100 3 | 22.8 | 66 | 23410 | 172 | 59 | 99 | 118 | — | — | — | — | — |
| HDP 100 3 | 25.3 | 59 | 24260 | 160 | 59 | 99 | 118 | — | — | — | — | — |
| HDP 100 3 | 28.1 | 53 | 24640 | 146 | 59 | 99 | 118 | — | — | — | — | — |
| HDP 100 3 | 31.3 | 48 | 24140 | 129 | 59 | 99 | — | — | — | — | — | — |
| HDP 100 3 | 35.4 | 42 | 25740 | 121 | 59 | 99 | — | — | — | — | — | — |
| HDP 100 3 | 39.3 | 38 | 24030 | 102 | 59 | — | — | — | — | — | — | — |
| HDP 100 3 | 45.0 | 33 | 25740 | 95 | 59 | — | — | — | — | — | — | — |
| HDP 100 3 | 50.0 | 30 | 23920 | 80 | 59 | — | — | — | — | — | — | — |
| HDP 100 3 | 55.5 | 27.0 | 25650 | 77 | 59 | — | — | — | — | — | — | — |
| HDP 100 3 | 61.7 | 24.3 | 23830 | 64 | — | — | — | — | — | — | — | — |
| HDP 100 3 | 69.9 | 21.5 | 25880 | 62 | — | — | — | — | — | — | — | — |
| HDP 100 3 | 77.7 | 19.3 | 24050 | 52 | — | — | — | — | — | — | — | — |
| HDP 100 3 | 88.9 | 16.9 | 26850 | 50 | — | — | — | — | — | — | — | — |
| HDP 100 3 | 98.8 | 15.2 | 24880 | 42 | — | — | — | — | — | — | — | — |
| HDP 100 3 | 107.6 | 13.9 | 23340 | 36 | — | — | — | — | — | — | — | — |
| HDP 100 4 | 110.6 | 13.6 | 26300 | 40 | — | — | — | — | — | — | — | — |
| HDP 100 4 | 122.9 | 12.2 | 24880 | 34 | — | — | — | — | — | — | — | — |
| HDP 100 4 | 139.2 | 10.8 | 27540 | 34 | — | — | — | — | — | — | — | — |
| HDP 100 4 | 154.7 | 9.7 | 24880 | 27 | — | — | — | — | — | — | — | — |
| HDP 100 4 | 177.0 | 8.5 | 28210 | 27 | — | — | — | — | — | — | — | — |
| HDP 100 4 | 196.7 | 7.6 | 24880 | 22 | — | — | — | — | — | — | — | — |
| HDP 100 4 | 222.2 | 6.8 | 28210 | 22 | — | — | — | — | — | — | — | — |
| HDP 100 4 | 246.9 | 6.1 | 24880 | 17.2 | — | — | — | — | — | — | — | — |
| HDP 100 4 | 286.4 | 5.2 | 28210 | 16.8 | — | — | — | — | — | — | — | — |
| HDP 100 4 | 318.3 | 4.7 | 25110 | 13.4 | — | — | — | — | — | — | — | — |
| HDP 100 4 | 359.6 | 4.2 | 28210 | 13.4 | — | — | — | — | — | — | — | — |
| HDP 100 4 | 399.5 | 3.8 | 25410 | 10.8 | — | — | — | — | — | — | — | — |
| HDP 100 4 | 457.1 | 3.3 | 28210 | 10.5 | — | — | — | — | — | — | — | — |
| HDP 100 4 | 507.9 | 3.0 | 25410 | 8.5 | — | — | — | — | — | — | — | — |

* 

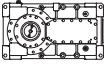
— Thermal verification not necessary



HDP

HDP 100

$n_1 = 1200 \text{ min}^{-1}$

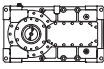
|  | i | n_2 [min^{-1}] | Mn_2 [Nm] | Pn_1 [kW] | Tamb = 20°C | | | | | | | |
|---|-------|--------------------------------|----------------|----------------|---------------|-----------------------|----------------------|----------------------|----------------------|-------------------|----------------------|----------------------|
| | | | | | P_T [kW] | $P_{TFANL/R}$ [kW] | P_{TFANLR} [kW] | P_{TMCRA5} [kW] | P_{TMCRA9} [kW] | P_{TSR} [kW] | P_{TMCRW5} [kW] | P_{TMCRW9} [kW] |
| HDP 100 2 | 7.4 | 162 | 22930 | 405 | * | 173 | 209 | 275 | — | 188 | 216 | 310 |
| HDP 100 2 | 8.2 | 146 | 24750 | 394 | * | 173 | 209 | 275 | — | 188 | 216 | 310 |
| HDP 100 2 | 9.1 | 132 | 24120 | 347 | 109 | 173 | 209 | 275 | — | 188 | 216 | — |
| HDP 100 2 | 10.1 | 119 | 24730 | 320 | 109 | 173 | 209 | — | — | 188 | 216 | — |
| HDP 100 2 | 11.3 | 107 | 25230 | 293 | 109 | 173 | 209 | — | — | 188 | 216 | — |
| HDP 100 2 | 12.5 | 96 | 24580 | 257 | 109 | 173 | 209 | — | — | 188 | 216 | — |
| HDP 100 2 | 14.2 | 85 | 25620 | 237 | 109 | 173 | — | — | — | 188 | — | — |
| HDP 100 2 | 15.7 | 76 | 24420 | 203 | 109 | — | — | — | — | — | — | — |
| HDP 100 2 | 18.0 | 67 | 25890 | 188 | 109 | — | — | — | — | — | — | — |
| HDP 100 2 | 20.0 | 60 | 24270 | 159 | 109 | — | — | — | — | — | — | — |
| HDP 100 2 | 21.8 | 55 | 22660 | 136 | 109 | — | — | — | — | — | — | — |
| HDP 100 3 | 22.8 | 53 | 25030 | 147 | 93 | 142 | — | — | — | — | — | — |
| HDP 100 3 | 25.3 | 47 | 24140 | 127 | 93 | — | — | — | — | — | — | — |
| HDP 100 3 | 28.1 | 43 | 25870 | 123 | 93 | — | — | — | — | — | — | — |
| HDP 100 3 | 31.3 | 38 | 24030 | 103 | — | — | — | — | — | — | — | — |
| HDP 100 3 | 35.4 | 34 | 25750 | 97 | — | — | — | — | — | — | — | — |
| HDP 100 3 | 39.3 | 31 | 23920 | 81 | — | — | — | — | — | — | — | — |
| HDP 100 3 | 45.0 | 26.7 | 25640 | 76 | — | — | — | — | — | — | — | — |
| HDP 100 3 | 50.0 | 24.0 | 23820 | 64 | — | — | — | — | — | — | — | — |
| HDP 100 3 | 55.5 | 21.6 | 25850 | 62 | — | — | — | — | — | — | — | — |
| HDP 100 3 | 61.7 | 19.4 | 24030 | 52 | — | — | — | — | — | — | — | — |
| HDP 100 3 | 69.9 | 17.2 | 26780 | 51 | — | — | — | — | — | — | — | — |
| HDP 100 3 | 77.7 | 15.4 | 24880 | 43 | — | — | — | — | — | — | — | — |
| HDP 100 3 | 88.9 | 13.5 | 27810 | 42 | — | — | — | — | — | — | — | — |
| HDP 100 3 | 98.8 | 12.2 | 24880 | 34 | — | — | — | — | — | — | — | — |
| HDP 100 3 | 107.6 | 11.2 | 23870 | 30 | — | — | — | — | — | — | — | — |
| HDP 100 4 | 110.6 | 10.8 | 26510 | 33 | — | — | — | — | — | — | — | — |
| HDP 100 4 | 122.9 | 9.8 | 24880 | 28 | — | — | — | — | — | — | — | — |
| HDP 100 4 | 139.2 | 8.6 | 27770 | 27 | — | — | — | — | — | — | — | — |
| HDP 100 4 | 154.7 | 7.8 | 24880 | 22 | — | — | — | — | — | — | — | — |
| HDP 100 4 | 177.0 | 6.8 | 28210 | 22 | — | — | — | — | — | — | — | — |
| HDP 100 4 | 196.7 | 6.1 | 24880 | 17.2 | — | — | — | — | — | — | — | — |
| HDP 100 4 | 222.2 | 5.4 | 28210 | 17.3 | — | — | — | — | — | — | — | — |
| HDP 100 4 | 246.9 | 4.9 | 24990 | 13.8 | — | — | — | — | — | — | — | — |
| HDP 100 4 | 286.4 | 4.2 | 28210 | 13.4 | — | — | — | — | — | — | — | — |
| HDP 100 4 | 318.3 | 3.8 | 25410 | 10.9 | — | — | — | — | — | — | — | — |
| HDP 100 4 | 359.6 | 3.3 | 28210 | 10.7 | — | — | — | — | — | — | — | — |
| HDP 100 4 | 399.5 | 3.0 | 25410 | 8.7 | — | — | — | — | — | — | — | — |
| HDP 100 4 | 457.1 | 2.6 | 28210 | 8.4 | — | — | — | — | — | — | — | — |
| HDP 100 4 | 507.9 | 2.4 | 25410 | 6.8 | — | — | — | — | — | — | — | — |

*  BONFIGLIOLI TECHNICAL SERVICE

— Thermal verification not necessary



HDP

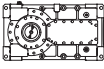
| HDP 100 | | | | | $n_1 = 1200 \text{ min}^{-1}$ | | | | | | | | |
|---|-------|--------------------------------|----------------|----------------|-------------------------------|-----------------------|----------------------|----------------------|----------------------|-------------------|----------------------|----------------------|--|
|  | i | n_2 [min^{-1}] | Mn_2 [Nm] | Pn_1 [kW] | Tamb = 40°C | | | | | | | | |
| | | | | | P_T [kW] | $P_{TFANL/R}$ [kW] | P_{TFANLR} [kW] | P_{TMCRA5} [kW] | P_{TMCRA9} [kW] | P_{TSR} [kW] | P_{TMCRW5} [kW] | P_{TMCRW9} [kW] | |
| HDP 100 2 | 7.4 | 162 | 22930 | 405 | * | 114 | 141 | 158 | 202 | 149 | 177 | 271 | |
| HDP 100 2 | 8.2 | 146 | 24750 | 394 | * | 114 | 141 | 158 | 202 | 149 | 177 | 271 | |
| HDP 100 2 | 9.1 | 132 | 24120 | 347 | * | 114 | 141 | 158 | 202 | 149 | 177 | 271 | |
| HDP 100 2 | 10.1 | 119 | 24730 | 320 | * | 114 | 141 | 158 | 202 | 149 | 177 | 271 | |
| HDP 100 2 | 11.3 | 107 | 25230 | 293 | 77 | 114 | 141 | 158 | 202 | 149 | 177 | — | |
| HDP 100 2 | 12.5 | 96 | 24580 | 257 | 77 | 114 | 141 | 158 | 202 | 149 | 177 | — | |
| HDP 100 2 | 14.2 | 85 | 25620 | 237 | 77 | 114 | 141 | 158 | — | 149 | 177 | — | |
| HDP 100 2 | 15.7 | 76 | 24420 | 203 | 77 | 114 | 141 | 158 | — | 149 | — | — | |
| HDP 100 2 | 18.0 | 67 | 25890 | 188 | 77 | 114 | 141 | 158 | — | 149 | — | — | |
| HDP 100 2 | 20.0 | 60 | 24270 | 159 | 77 | 114 | — | — | — | — | — | — | |
| HDP 100 2 | 21.8 | 55 | 22660 | 136 | 77 | 114 | — | — | — | — | — | — | |
| HDP 100 3 | 22.8 | 53 | 25030 | 147 | 64 | 100 | 117 | — | — | — | — | — | |
| HDP 100 3 | 25.3 | 47 | 24140 | 127 | 64 | 100 | — | — | — | — | — | — | |
| HDP 100 3 | 28.1 | 43 | 25870 | 123 | 64 | 100 | — | — | — | — | — | — | |
| HDP 100 3 | 31.3 | 38 | 24030 | 103 | 64 | — | — | — | — | — | — | — | |
| HDP 100 3 | 35.4 | 34 | 25750 | 97 | 64 | — | — | — | — | — | — | — | |
| HDP 100 3 | 39.3 | 31 | 23920 | 81 | 64 | — | — | — | — | — | — | — | |
| HDP 100 3 | 45.0 | 26.7 | 25640 | 76 | 64 | — | — | — | — | — | — | — | |
| HDP 100 3 | 50.0 | 24.0 | 23820 | 64 | — | — | — | — | — | — | — | — | |
| HDP 100 3 | 55.5 | 21.6 | 25850 | 62 | — | — | — | — | — | — | — | — | |
| HDP 100 3 | 61.7 | 19.4 | 24030 | 52 | — | — | — | — | — | — | — | — | |
| HDP 100 3 | 69.9 | 17.2 | 26780 | 51 | — | — | — | — | — | — | — | — | |
| HDP 100 3 | 77.7 | 15.4 | 24880 | 43 | — | — | — | — | — | — | — | — | |
| HDP 100 3 | 88.9 | 13.5 | 27810 | 42 | — | — | — | — | — | — | — | — | |
| HDP 100 3 | 98.8 | 12.2 | 24880 | 34 | — | — | — | — | — | — | — | — | |
| HDP 100 3 | 107.6 | 11.2 | 23870 | 30 | — | — | — | — | — | — | — | — | |
| HDP 100 4 | 110.6 | 10.8 | 26510 | 33 | — | — | — | — | — | — | — | — | |
| HDP 100 4 | 122.9 | 9.8 | 24880 | 28 | — | — | — | — | — | — | — | — | |
| HDP 100 4 | 139.2 | 8.6 | 27770 | 27 | — | — | — | — | — | — | — | — | |
| HDP 100 4 | 154.7 | 7.8 | 24880 | 22 | — | — | — | — | — | — | — | — | |
| HDP 100 4 | 177.0 | 6.8 | 28210 | 22 | — | — | — | — | — | — | — | — | |
| HDP 100 4 | 196.7 | 6.1 | 24880 | 17.2 | — | — | — | — | — | — | — | — | |
| HDP 100 4 | 222.2 | 5.4 | 28210 | 17.3 | — | — | — | — | — | — | — | — | |
| HDP 100 4 | 246.9 | 4.9 | 24990 | 13.8 | — | — | — | — | — | — | — | — | |
| HDP 100 4 | 286.4 | 4.2 | 28210 | 13.4 | — | — | — | — | — | — | — | — | |
| HDP 100 4 | 318.3 | 3.8 | 25410 | 10.9 | — | — | — | — | — | — | — | — | |
| HDP 100 4 | 359.6 | 3.3 | 28210 | 10.7 | — | — | — | — | — | — | — | — | |
| HDP 100 4 | 399.5 | 3.0 | 25410 | 8.7 | — | — | — | — | — | — | — | — | |
| HDP 100 4 | 457.1 | 2.6 | 28210 | 8.4 | — | — | — | — | — | — | — | — | |
| HDP 100 4 | 507.9 | 2.4 | 25410 | 6.8 | — | — | — | — | — | — | — | — | |

* 

— Thermal verification not necessary

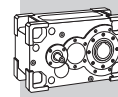


HDP

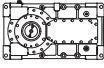
| HDP 100 | | | | | $n_1 = 1000 \text{ min}^{-1}$ | | | | | | | | |
|---|-------|--------------------------------|----------------|----------------|-------------------------------|-----------------------|----------------------|----------------------|----------------------|-------------------|----------------------|----------------------|--|
|  | i | n_2 [min^{-1}] | Mn_2 [Nm] | Pn_1 [kW] | Tamb = 20°C | | | | | | | | |
| | | | | | P_T [kW] | $P_{TFANL/R}$ [kW] | P_{TFANLR} [kW] | P_{TMCRA5} [kW] | P_{TMCRA9} [kW] | P_{TSR} [kW] | P_{TMCRW5} [kW] | P_{TMCRW9} [kW] | |
| HDP 100 2 | 7.4 | 135 | 24220 | 357 | 108 | 165 | 193 | 283 | — | 196 | 224 | — | |
| HDP 100 2 | 8.2 | 122 | 24750 | 328 | 108 | 165 | 193 | — | — | 196 | 224 | — | |
| HDP 100 2 | 9.1 | 110 | 24840 | 297 | 108 | 165 | 193 | — | — | 196 | 224 | — | |
| HDP 100 2 | 10.1 | 99 | 24600 | 265 | 108 | 165 | 193 | — | — | 196 | — | — | |
| HDP 100 2 | 11.3 | 89 | 25490 | 247 | 108 | 165 | 193 | — | — | 196 | — | — | |
| HDP 100 2 | 12.5 | 80 | 24450 | 213 | 108 | 165 | — | — | — | — | — | — | |
| HDP 100 2 | 14.2 | 71 | 25620 | 197 | 108 | — | — | — | — | — | — | — | |
| HDP 100 2 | 15.7 | 64 | 24300 | 168 | 108 | — | — | — | — | — | — | — | |
| HDP 100 2 | 18.0 | 56 | 25890 | 157 | 108 | — | — | — | — | — | — | — | |
| HDP 100 2 | 20.0 | 50 | 24170 | 132 | — | — | — | — | — | — | — | — | |
| HDP 100 2 | 21.8 | 46 | 22570 | 113 | — | — | — | — | — | — | — | — | |
| HDP 100 3 | 22.8 | 44 | 25880 | 126 | 96 | — | — | — | — | — | — | — | |
| HDP 100 3 | 25.3 | 40 | 24040 | 106 | — | — | — | — | — | — | — | — | |
| HDP 100 3 | 28.1 | 36 | 25880 | 102 | — | — | — | — | — | — | — | — | |
| HDP 100 3 | 31.3 | 32 | 23950 | 85 | — | — | — | — | — | — | — | — | |
| HDP 100 3 | 35.4 | 28.2 | 25670 | 81 | — | — | — | — | — | — | — | — | |
| HDP 100 3 | 39.3 | 25.4 | 23850 | 67 | — | — | — | — | — | — | — | — | |
| HDP 100 3 | 45.0 | 22.2 | 25740 | 64 | — | — | — | — | — | — | — | — | |
| HDP 100 3 | 50.0 | 20.0 | 23920 | 53 | — | — | — | — | — | — | — | — | |
| HDP 100 3 | 55.5 | 18.0 | 26590 | 53 | — | — | — | — | — | — | — | — | |
| HDP 100 3 | 61.7 | 16.2 | 24720 | 45 | — | — | — | — | — | — | — | — | |
| HDP 100 3 | 69.9 | 14.3 | 27560 | 44 | — | — | — | — | — | — | — | — | |
| HDP 100 3 | 77.7 | 12.9 | 24880 | 36 | — | — | — | — | — | — | — | — | |
| HDP 100 3 | 88.9 | 11.3 | 28210 | 35 | — | — | — | — | — | — | — | — | |
| HDP 100 3 | 98.8 | 10.1 | 24880 | 28 | — | — | — | — | — | — | — | — | |
| HDP 100 3 | 107.6 | 9.3 | 23870 | 25 | — | — | — | — | — | — | — | — | |
| HDP 100 4 | 110.6 | 9.0 | 28210 | 29 | — | — | — | — | — | — | — | — | |
| HDP 100 4 | 122.9 | 8.1 | 24880 | 23 | — | — | — | — | — | — | — | — | |
| HDP 100 4 | 139.2 | 7.2 | 28210 | 23 | — | — | — | — | — | — | — | — | |
| HDP 100 4 | 154.7 | 6.5 | 24880 | 18.3 | — | — | — | — | — | — | — | — | |
| HDP 100 4 | 177.0 | 5.6 | 28210 | 18.1 | — | — | — | — | — | — | — | — | |
| HDP 100 4 | 196.7 | 5.1 | 24890 | 14.4 | — | — | — | — | — | — | — | — | |
| HDP 100 4 | 222.2 | 4.5 | 28210 | 14.4 | — | — | — | — | — | — | — | — | |
| HDP 100 4 | 246.9 | 4.1 | 25410 | 11.7 | — | — | — | — | — | — | — | — | |
| HDP 100 4 | 286.4 | 3.5 | 28210 | 11.2 | — | — | — | — | — | — | — | — | |
| HDP 100 4 | 318.3 | 3.1 | 25410 | 9.1 | — | — | — | — | — | — | — | — | |
| HDP 100 4 | 359.6 | 2.8 | 28210 | 8.9 | — | — | — | — | — | — | — | — | |
| HDP 100 4 | 399.5 | 2.5 | 25410 | 7.2 | — | — | — | — | — | — | — | — | |
| HDP 100 4 | 457.1 | 2.2 | 28210 | 7.0 | — | — | — | — | — | — | — | — | |
| HDP 100 4 | 507.9 | 2.0 | 25410 | 5.7 | — | — | — | — | — | — | — | — | |

*  BONFIGLIOLI
TECHNICAL SERVICE

— Thermal verification not necessary



HDP 100 n₁ = 1000 min⁻¹

|  | i | n ₂ [min ⁻¹] | Mn ₂ [Nm] | Pn ₁ [kW] | Tamb = 40°C | | | | | | | | |
|---|-------|--|-------------------------|-------------------------|------------------------|------------------------------|-----------------------------|-----------------------------|-----------------------------|--------------------------|-----------------------------|-----------------------------|--|
| | | | | | P _T [kW] | P _{TFANL/R} [kW] | P _{TFANLR} [kW] | P _{TMCRA5} [kW] | P _{TMCRA9} [kW] | P _{TSR} [kW] | P _{TMCRW5} [kW] | P _{TMCRW9} [kW] | |
| HDP 100 2 | 7.4 | 135 | 24220 | 357 | * | 111 | 131 | 166 | 210 | 157 | 185 | 279 | |
| HDP 100 2 | 8.2 | 122 | 24750 | 328 | * | 111 | 131 | 166 | 210 | 157 | 185 | — | |
| HDP 100 2 | 9.1 | 110 | 24840 | 297 | * | 111 | 131 | 166 | 210 | 157 | 185 | — | |
| HDP 100 2 | 10.1 | 99 | 24600 | 265 | 78 | 111 | 131 | 166 | 210 | 157 | 185 | — | |
| HDP 100 2 | 11.3 | 89 | 25490 | 247 | 78 | 111 | 131 | 166 | — | 157 | 185 | — | |
| HDP 100 2 | 12.5 | 80 | 24450 | 213 | 78 | 111 | 131 | 166 | — | 157 | — | — | |
| HDP 100 2 | 14.2 | 71 | 25620 | 197 | 78 | 111 | 131 | — | — | 157 | — | — | |
| HDP 100 2 | 15.7 | 64 | 24300 | 168 | 78 | 111 | 131 | — | — | — | — | — | |
| HDP 100 2 | 18.0 | 56 | 25890 | 157 | 78 | 111 | — | — | — | — | — | — | |
| HDP 100 2 | 20.0 | 50 | 24170 | 132 | 78 | — | — | — | — | — | — | — | |
| HDP 100 2 | 21.8 | 46 | 22570 | 113 | 78 | — | — | — | — | — | — | — | |
| HDP 100 3 | 22.8 | 44 | 25880 | 126 | 67 | 95 | 108 | — | — | — | — | — | |
| HDP 100 3 | 25.3 | 40 | 24040 | 106 | 67 | — | — | — | — | — | — | — | |
| HDP 100 3 | 28.1 | 36 | 25880 | 102 | 67 | — | — | — | — | — | — | — | |
| HDP 100 3 | 31.3 | 32 | 23950 | 85 | 67 | — | — | — | — | — | — | — | |
| HDP 100 3 | 35.4 | 28.2 | 25670 | 81 | 67 | — | — | — | — | — | — | — | |
| HDP 100 3 | 39.3 | 25.4 | 23850 | 67 | — | — | — | — | — | — | — | — | |
| HDP 100 3 | 45.0 | 22.2 | 25740 | 64 | — | — | — | — | — | — | — | — | |
| HDP 100 3 | 50.0 | 20.0 | 23920 | 53 | — | — | — | — | — | — | — | — | |
| HDP 100 3 | 55.5 | 18.0 | 26590 | 53 | — | — | — | — | — | — | — | — | |
| HDP 100 3 | 61.7 | 16.2 | 24720 | 45 | — | — | — | — | — | — | — | — | |
| HDP 100 3 | 69.9 | 14.3 | 27560 | 44 | — | — | — | — | — | — | — | — | |
| HDP 100 3 | 77.7 | 12.9 | 24880 | 36 | — | — | — | — | — | — | — | — | |
| HDP 100 3 | 88.9 | 11.3 | 28210 | 35 | — | — | — | — | — | — | — | — | |
| HDP 100 3 | 98.8 | 10.1 | 24880 | 28 | — | — | — | — | — | — | — | — | |
| HDP 100 3 | 107.6 | 9.3 | 23870 | 25 | — | — | — | — | — | — | — | — | |
| HDP 100 4 | 110.6 | 9.0 | 28210 | 29 | — | — | — | — | — | — | — | — | |
| HDP 100 4 | 122.9 | 8.1 | 24880 | 23 | — | — | — | — | — | — | — | — | |
| HDP 100 4 | 139.2 | 7.2 | 28210 | 23 | — | — | — | — | — | — | — | — | |
| HDP 100 4 | 154.7 | 6.5 | 24880 | 18.3 | — | — | — | — | — | — | — | — | |
| HDP 100 4 | 177.0 | 5.6 | 28210 | 18.1 | — | — | — | — | — | — | — | — | |
| HDP 100 4 | 196.7 | 5.1 | 24890 | 14.4 | — | — | — | — | — | — | — | — | |
| HDP 100 4 | 222.2 | 4.5 | 28210 | 14.4 | — | — | — | — | — | — | — | — | |
| HDP 100 4 | 246.9 | 4.1 | 25410 | 11.7 | — | — | — | — | — | — | — | — | |
| HDP 100 4 | 286.4 | 3.5 | 28210 | 11.2 | — | — | — | — | — | — | — | — | |
| HDP 100 4 | 318.3 | 3.1 | 25410 | 9.1 | — | — | — | — | — | — | — | — | |
| HDP 100 4 | 359.6 | 2.8 | 28210 | 8.9 | — | — | — | — | — | — | — | — | |
| HDP 100 4 | 399.5 | 2.5 | 25410 | 7.2 | — | — | — | — | — | — | — | — | |
| HDP 100 4 | 457.1 | 2.2 | 28210 | 7.0 | — | — | — | — | — | — | — | — | |
| HDP 100 4 | 507.9 | 2.0 | 25410 | 5.7 | — | — | — | — | — | — | — | — | |

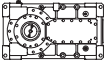
*  BONFIGLIOLI TECHNICAL SERVICE

— Thermal verification not necessary



HDP 110

$n_1 = 1800 \text{ min}^{-1}$

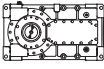
|  | i | n ₂ [min ⁻¹] | Mn ₂ [Nm] | Pn ₁ [kW] | Tamb = 20°C | | | | | | | | |
|---|-------|--|-------------------------|-------------------------|------------------------|------------------------------|-----------------------------|-----------------------------|-----------------------------|--------------------------|-----------------------------|-----------------------------|-----|
| | | | | | P _T [kW] | P _{TFANL/R} [kW] | P _{TFANLR} [kW] | P _{TMCRA5} [kW] | P _{TMCRA9} [kW] | P _{TSR} [kW] | P _{TMCRW5} [kW] | P _{TMCRW9} [kW] | |
| HDP 110 2 | 8.1 | 223 | 23430 | 569 | * | * | * | * | * | * | * | * | * |
| HDP 110 2 | 9.0 | 201 | 24780 | 543 | * | * | * | * | * | * | * | * | * |
| HDP 110 2 | 9.9 | 181 | 24630 | 486 | * | * | * | * | * | * | * | * | * |
| HDP 110 2 | 11.0 | 163 | 26540 | 473 | * | * | 223 | * | * | * | * | * | 294 |
| HDP 110 2 | 12.3 | 146 | 25950 | 414 | * | 188 | 223 | 270 | 348 | * | 211 | 294 | |
| HDP 110 2 | 13.6 | 132 | 27970 | 403 | * | 188 | 223 | 270 | 348 | * | 211 | 294 | |
| HDP 110 2 | 15.5 | 116 | 27100 | 344 | * | 188 | 223 | 270 | — | 193 | 211 | 294 | |
| HDP 110 2 | 17.1 | 105 | 28660 | 328 | * | 188 | 223 | 270 | — | 193 | 211 | — | |
| HDP 110 2 | 19.7 | 92 | 27660 | 276 | 114 | 188 | 223 | — | — | 193 | 211 | — | |
| HDP 110 2 | 21.8 | 83 | 28990 | 261 | 114 | 188 | 223 | — | — | 193 | 211 | — | |
| HDP 110 2 | 25.0 | 72 | 27090 | 213 | 114 | — | — | — | — | — | — | — | |
| HDP 110 3 | 24.9 | 72 | 25300 | 204 | 81 | 144 | 174 | — | — | 144 | 165 | — | |
| HDP 110 3 | 27.6 | 65 | 26400 | 192 | 81 | 144 | — | — | — | 144 | 165 | — | |
| HDP 110 3 | 30.7 | 59 | 27110 | 177 | 81 | 144 | — | — | — | 144 | — | — | |
| HDP 110 3 | 34.0 | 53 | 28320 | 167 | 81 | 144 | — | — | — | 144 | — | — | |
| HDP 110 3 | 38.7 | 47 | 28270 | 146 | 81 | — | — | — | — | — | — | — | |
| HDP 110 3 | 42.8 | 42 | 29040 | 136 | 81 | — | — | — | — | — | — | — | |
| HDP 110 3 | 49.2 | 37 | 29090 | 118 | 81 | — | — | — | — | — | — | — | |
| HDP 110 3 | 54.5 | 33 | 29040 | 107 | 81 | — | — | — | — | — | — | — | |
| HDP 110 3 | 60.7 | 29.7 | 30740 | 101 | 81 | — | — | — | — | — | — | — | |
| HDP 110 3 | 67.2 | 26.8 | 29040 | 87 | — | — | — | — | — | — | — | — | |
| HDP 110 3 | 76.4 | 23.6 | 30960 | 81 | — | — | — | — | — | — | — | — | |
| HDP 110 3 | 84.6 | 21.3 | 29040 | 69 | — | — | — | — | — | — | — | — | |
| HDP 110 3 | 97.1 | 18.5 | 29090 | 60 | — | — | — | — | — | — | — | — | |
| HDP 110 3 | 107.6 | 16.7 | 29040 | 54 | — | — | — | — | — | — | — | — | |
| HDP 110 3 | 123.4 | 14.6 | 26010 | 42 | — | — | — | — | — | — | — | — | |
| HDP 110 4 | 120.9 | 14.9 | 28540 | 48 | — | — | — | — | — | — | — | — | |
| HDP 110 4 | 133.9 | 13.4 | 29040 | 44 | — | — | — | — | — | — | — | — | |
| HDP 110 4 | 168.5 | 10.7 | 29040 | 35 | — | — | — | — | — | — | — | — | |
| HDP 110 4 | 191.0 | 9.4 | 31570 | 34 | — | — | — | — | — | — | — | — | |
| HDP 110 4 | 193.4 | 9.3 | 29090 | 31 | — | — | — | — | — | — | — | — | |
| HDP 110 4 | 214.2 | 8.4 | 29040 | 28 | — | — | — | — | — | — | — | — | |
| HDP 110 4 | 248.6 | 7.2 | 31350 | 26 | — | — | — | — | — | — | — | — | |
| HDP 110 4 | 275.4 | 6.5 | 29040 | 22 | — | — | — | — | — | — | — | — | |
| HDP 110 4 | 313.0 | 5.8 | 31570 | 21 | — | — | — | — | — | — | — | — | |
| HDP 110 4 | 346.7 | 5.2 | 29040 | 17.1 | — | — | — | — | — | — | — | — | |
| HDP 110 4 | 392.9 | 4.6 | 31570 | 16.4 | — | — | — | — | — | — | — | — | |
| HDP 110 4 | 440.7 | 4.1 | 29040 | 13.5 | — | — | — | — | — | — | — | — | |
| HDP 110 4 | 499.4 | 3.6 | 29090 | 11.9 | — | — | — | — | — | — | — | — | |

*  BONFIGLIOLI TECHNICAL SERVICE

— Thermal verification not necessary



HDP

| HDP 110 | | | | | $n_1 = 1800 \text{ min}^{-1}$ | | | | | | | | |
|---|-------|-------------------------------|----------------|----------------|-------------------------------|-----------------------|----------------------|----------------------|----------------------|-------------------|----------------------|----------------------|-----|
|  | i | n_2 [min ⁻¹] | Mn_2 [Nm] | Pn_1 [kW] | Tamb = 40°C | | | | | | | | |
| | | | | | P_T [kW] | $P_{TFANL/R}$ [kW] | P_{TFANLR} [kW] | P_{TMCRA5} [kW] | P_{TMCRA9} [kW] | P_{TSR} [kW] | P_{TMCRW5} [kW] | P_{TMCRW9} [kW] | |
| HDP 110 2 | 8.1 | 223 | 23430 | 569 | * | * | * | * | * | * | * | * | * |
| HDP 110 2 | 9.0 | 201 | 24780 | 543 | * | * | * | * | * | * | * | * | * |
| HDP 110 2 | 9.9 | 181 | 24630 | 486 | * | * | * | * | * | * | * | * | * |
| HDP 110 2 | 11.0 | 163 | 26540 | 473 | * | * | * | * | * | * | * | * | * |
| HDP 110 2 | 12.3 | 146 | 25950 | 414 | * | 124 | 158 | * | * | * | * | * | 266 |
| HDP 110 2 | 13.6 | 132 | 27970 | 403 | * | 124 | 158 | * | * | * | * | * | 266 |
| HDP 110 2 | 15.5 | 116 | 27100 | 344 | * | 124 | 158 | 164 | 208 | * | 183 | 266 | |
| HDP 110 2 | 17.1 | 105 | 28660 | 328 | * | 124 | 158 | 164 | 208 | 156 | 183 | 266 | |
| HDP 110 2 | 19.7 | 92 | 27660 | 276 | * | 124 | 158 | 164 | 208 | 156 | 183 | — | |
| HDP 110 2 | 21.8 | 83 | 28990 | 261 | 77 | 124 | 158 | 164 | 208 | 156 | 183 | — | |
| HDP 110 2 | 25.0 | 72 | 27090 | 213 | 77 | 124 | 158 | 164 | — | 156 | — | — | |
| HDP 110 3 | 24.9 | 72 | 25300 | 204 | * | * | 120 | 123 | 154 | 115 | 136 | — | |
| HDP 110 3 | 27.6 | 65 | 26400 | 192 | * | * | 120 | 123 | 154 | 115 | 136 | — | |
| HDP 110 3 | 30.7 | 59 | 27110 | 177 | * | 101 | 120 | 123 | 154 | 115 | 136 | — | |
| HDP 110 3 | 34.0 | 53 | 28320 | 167 | * | 101 | 120 | 123 | — | 115 | 136 | — | |
| HDP 110 3 | 38.7 | 47 | 28270 | 146 | 58 | 101 | 120 | 123 | — | 115 | — | — | |
| HDP 110 3 | 42.8 | 42 | 29040 | 136 | 58 | 101 | — | — | — | 115 | — | — | |
| HDP 110 3 | 49.2 | 37 | 29090 | 118 | 58 | 101 | — | — | — | — | — | — | |
| HDP 110 3 | 54.5 | 33 | 29040 | 107 | 58 | — | — | — | — | — | — | — | |
| HDP 110 3 | 60.7 | 29.7 | 30740 | 101 | 58 | — | — | — | — | — | — | — | |
| HDP 110 3 | 67.2 | 26.8 | 29040 | 87 | 58 | — | — | — | — | — | — | — | |
| HDP 110 3 | 76.4 | 23.6 | 30960 | 81 | 58 | — | — | — | — | — | — | — | |
| HDP 110 3 | 84.6 | 21.3 | 29040 | 69 | 58 | — | — | — | — | — | — | — | |
| HDP 110 3 | 97.1 | 18.5 | 29090 | 60 | — | — | — | — | — | — | — | — | |
| HDP 110 3 | 107.6 | 16.7 | 29040 | 54 | — | — | — | — | — | — | — | — | |
| HDP 110 3 | 123.4 | 14.6 | 26010 | 42 | — | — | — | — | — | — | — | — | |
| HDP 110 4 | 120.9 | 14.9 | 28540 | 48 | — | — | — | — | — | — | — | — | |
| HDP 110 4 | 133.9 | 13.4 | 29040 | 44 | — | — | — | — | — | — | — | — | |
| HDP 110 4 | 168.5 | 10.7 | 29040 | 35 | — | — | — | — | — | — | — | — | |
| HDP 110 4 | 191.0 | 9.4 | 31570 | 34 | — | — | — | — | — | — | — | — | |
| HDP 110 4 | 193.4 | 9.3 | 29090 | 31 | — | — | — | — | — | — | — | — | |
| HDP 110 4 | 214.2 | 8.4 | 29040 | 28 | — | — | — | — | — | — | — | — | |
| HDP 110 4 | 248.6 | 7.2 | 31350 | 26 | — | — | — | — | — | — | — | — | |
| HDP 110 4 | 275.4 | 6.5 | 29040 | 22 | — | — | — | — | — | — | — | — | |
| HDP 110 4 | 313.0 | 5.8 | 31570 | 21 | — | — | — | — | — | — | — | — | |
| HDP 110 4 | 346.7 | 5.2 | 29040 | 17.1 | — | — | — | — | — | — | — | — | |
| HDP 110 4 | 392.9 | 4.6 | 31570 | 16.4 | — | — | — | — | — | — | — | — | |
| HDP 110 4 | 440.7 | 4.1 | 29040 | 13.5 | — | — | — | — | — | — | — | — | |
| HDP 110 4 | 499.4 | 3.6 | 29090 | 11.9 | — | — | — | — | — | — | — | — | |

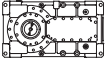
* 

— Thermal verification not necessary



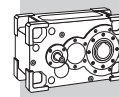
HDP 110

$n_1 = 1500 \text{ min}^{-1}$

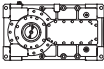
|  | i | n ₂ [min ⁻¹] | Mn ₂ [Nm] | Pn ₁ [kW] | Tamb = 20°C | | | | | | | |
|---|-------|--|-------------------------|-------------------------|------------------------|------------------------------|-----------------------------|-----------------------------|-----------------------------|--------------------------|-----------------------------|-----------------------------|
| | | | | | P _T [kW] | P _{TFANL/R} [kW] | P _{TFANLR} [kW] | P _{TMCRA5} [kW] | P _{TMCRA9} [kW] | P _{TSR} [kW] | P _{TMCRW5} [kW] | P _{TMCRW9} [kW] |
| HDP 110 2 | 8.1 | 186 | 24740 | 500 | * | * | * | 259 | 337 | * | 200 | 294 |
| HDP 110 2 | 9.0 | 167 | 26170 | 478 | * | * | * | 259 | 337 | 184 | 200 | 294 |
| HDP 110 2 | 9.9 | 151 | 26010 | 428 | * | 177 | 217 | 259 | 337 | 184 | 200 | 294 |
| HDP 110 2 | 11.0 | 136 | 27880 | 414 | * | 177 | 217 | 259 | 337 | 184 | 200 | 294 |
| HDP 110 2 | 12.3 | 122 | 26940 | 358 | 106 | 177 | 217 | 259 | — | 184 | 200 | 294 |
| HDP 110 2 | 13.6 | 110 | 28270 | 340 | 106 | 177 | 217 | 259 | — | 184 | 200 | — |
| HDP 110 2 | 15.5 | 97 | 27330 | 289 | 106 | 177 | 217 | — | — | 184 | 200 | — |
| HDP 110 2 | 17.1 | 88 | 28660 | 273 | 106 | 177 | 217 | — | — | 184 | 200 | — |
| HDP 110 2 | 19.7 | 76 | 27660 | 230 | 106 | 177 | — | — | — | — | — | — |
| HDP 110 2 | 21.8 | 69 | 28990 | 218 | 106 | 177 | — | — | — | — | — | — |
| HDP 110 2 | 25.0 | 60 | 26960 | 176 | 106 | — | — | — | — | — | — | — |
| HDP 110 3 | 24.9 | 60 | 26870 | 180 | 88 | 142 | — | — | — | 151 | — | — |
| HDP 110 3 | 27.6 | 54 | 28010 | 170 | 88 | 142 | — | — | — | — | — | — |
| HDP 110 3 | 30.7 | 49 | 28750 | 156 | 88 | — | — | — | — | — | — | — |
| HDP 110 3 | 34.0 | 44 | 29540 | 145 | 88 | — | — | — | — | — | — | — |
| HDP 110 3 | 38.7 | 39 | 30000 | 129 | 88 | — | — | — | — | — | — | — |
| HDP 110 3 | 42.8 | 35 | 29400 | 115 | 88 | — | — | — | — | — | — | — |
| HDP 110 3 | 49.2 | 31 | 31100 | 106 | — | — | — | — | — | — | — | — |
| HDP 110 3 | 54.5 | 27.5 | 29270 | 90 | — | — | — | — | — | — | — | — |
| HDP 110 3 | 60.7 | 24.7 | 30740 | 85 | — | — | — | — | — | — | — | — |
| HDP 110 3 | 67.2 | 22.3 | 29160 | 72 | — | — | — | — | — | — | — | — |
| HDP 110 3 | 76.4 | 19.6 | 31130 | 68 | — | — | — | — | — | — | — | — |
| HDP 110 3 | 84.6 | 17.7 | 29430 | 58 | — | — | — | — | — | — | — | — |
| HDP 110 3 | 97.1 | 15.4 | 31120 | 53 | — | — | — | — | — | — | — | — |
| HDP 110 3 | 107.6 | 13.9 | 30550 | 47 | — | — | — | — | — | — | — | — |
| HDP 110 3 | 123.4 | 12.2 | 27630 | 37 | — | — | — | — | — | — | — | — |
| HDP 110 4 | 120.9 | 12.4 | 30410 | 43 | — | — | — | — | — | — | — | — |
| HDP 110 4 | 133.9 | 11.2 | 31630 | 40 | — | — | — | — | — | — | — | — |
| HDP 110 4 | 168.5 | 8.9 | 31790 | 32 | — | — | — | — | — | — | — | — |
| HDP 110 4 | 191.0 | 7.9 | 31570 | 28 | — | — | — | — | — | — | — | — |
| HDP 110 4 | 193.4 | 7.8 | 31570 | 28 | — | — | — | — | — | — | — | — |
| HDP 110 4 | 214.2 | 7.0 | 31790 | 25 | — | — | — | — | — | — | — | — |
| HDP 110 4 | 248.6 | 6.0 | 31350 | 21 | — | — | — | — | — | — | — | — |
| HDP 110 4 | 275.4 | 5.4 | 31790 | 19.7 | — | — | — | — | — | — | — | — |
| HDP 110 4 | 313.0 | 4.8 | 31570 | 17.2 | — | — | — | — | — | — | — | — |
| HDP 110 4 | 346.7 | 4.3 | 31790 | 15.6 | — | — | — | — | — | — | — | — |
| HDP 110 4 | 392.9 | 3.8 | 31570 | 13.7 | — | — | — | — | — | — | — | — |
| HDP 110 4 | 440.7 | 3.4 | 31790 | 12.3 | — | — | — | — | — | — | — | — |
| HDP 110 4 | 499.4 | 3.0 | 31570 | 10.8 | — | — | — | — | — | — | — | — |

*  BONFIGLIOLI TECHNICAL SERVICE

— Thermal verification not necessary



HDP

| HDP 110 | | | | | $n_1 = 1500 \text{ min}^{-1}$ | | | | | | | | |
|---|-------|-------------------------------|----------------|----------------|-------------------------------|-----------------------|----------------------|----------------------|----------------------|-------------------|----------------------|----------------------|-----|
|  | i | n_2 [min ⁻¹] | Mn_2 [Nm] | Pn_1 [kW] | Tamb = 40°C | | | | | | | | |
| | | | | | P_T [kW] | $P_{TFANL/R}$ [kW] | P_{TFANLR} [kW] | P_{TMCRA5} [kW] | P_{TMCRA9} [kW] | P_{TSR} [kW] | P_{TMCRW5} [kW] | P_{TMCRW9} [kW] | |
| HDP 110 2 | 8.1 | 186 | 24740 | 500 | * | * | * | * | * | * | * | * | * |
| HDP 110 2 | 9.0 | 167 | 26170 | 478 | * | * | * | * | * | * | * | * | 258 |
| HDP 110 2 | 9.9 | 151 | 26010 | 428 | * | 116 | 146 | 154 | 198 | * | * | * | 258 |
| HDP 110 2 | 11.0 | 136 | 27880 | 414 | * | 116 | 146 | 154 | 198 | 155 | 173 | * | 258 |
| HDP 110 2 | 12.3 | 122 | 26940 | 358 | * | 116 | 146 | 154 | 198 | 155 | 173 | * | 258 |
| HDP 110 2 | 13.6 | 110 | 28270 | 340 | * | 116 | 146 | 154 | 198 | 155 | 173 | * | 258 |
| HDP 110 2 | 15.5 | 97 | 27330 | 289 | 76 | 116 | 146 | 154 | 198 | 155 | 173 | * | 258 |
| HDP 110 2 | 17.1 | 88 | 28660 | 273 | 76 | 116 | 146 | 154 | 198 | 155 | 173 | * | — |
| HDP 110 2 | 19.7 | 76 | 27660 | 230 | 76 | 116 | 146 | 154 | 198 | 155 | 173 | * | — |
| HDP 110 2 | 21.8 | 69 | 28990 | 218 | 76 | 116 | 146 | 154 | — | 155 | 173 | * | — |
| HDP 110 2 | 25.0 | 60 | 26960 | 176 | 76 | 116 | — | — | — | — | — | * | — |
| HDP 110 3 | 24.9 | 60 | 26870 | 180 | 59 | 99 | 118 | 129 | — | 121 | 142 | * | — |
| HDP 110 3 | 27.6 | 54 | 28010 | 170 | 59 | 99 | 118 | 129 | — | 121 | 142 | * | — |
| HDP 110 3 | 30.7 | 49 | 28750 | 156 | 59 | 99 | 118 | 129 | — | 121 | — | * | — |
| HDP 110 3 | 34.0 | 44 | 29540 | 145 | 59 | 99 | 118 | — | — | 121 | — | * | — |
| HDP 110 3 | 38.7 | 39 | 30000 | 129 | 59 | 99 | — | — | — | — | — | * | — |
| HDP 110 3 | 42.8 | 35 | 29400 | 115 | 59 | — | — | — | — | — | — | * | — |
| HDP 110 3 | 49.2 | 31 | 31100 | 106 | 59 | — | — | — | — | — | — | * | — |
| HDP 110 3 | 54.5 | 27.5 | 29270 | 90 | 59 | — | — | — | — | — | — | * | — |
| HDP 110 3 | 60.7 | 24.7 | 30740 | 85 | 59 | — | — | — | — | — | — | * | — |
| HDP 110 3 | 67.2 | 22.3 | 29160 | 72 | 59 | — | — | — | — | — | — | * | — |
| HDP 110 3 | 76.4 | 19.6 | 31130 | 68 | — | — | — | — | — | — | — | * | — |
| HDP 110 3 | 84.6 | 17.7 | 29430 | 58 | — | — | — | — | — | — | — | * | — |
| HDP 110 3 | 97.1 | 15.4 | 31120 | 53 | — | — | — | — | — | — | — | * | — |
| HDP 110 3 | 107.6 | 13.9 | 30550 | 47 | — | — | — | — | — | — | — | * | — |
| HDP 110 3 | 123.4 | 12.2 | 27630 | 37 | — | — | — | — | — | — | — | * | — |
| HDP 110 4 | 120.9 | 12.4 | 30410 | 43 | — | — | — | — | — | — | — | * | — |
| HDP 110 4 | 133.9 | 11.2 | 31630 | 40 | — | — | — | — | — | — | — | * | — |
| HDP 110 4 | 168.5 | 8.9 | 31790 | 32 | — | — | — | — | — | — | — | * | — |
| HDP 110 4 | 191.0 | 7.9 | 31570 | 28 | — | — | — | — | — | — | — | * | — |
| HDP 110 4 | 193.4 | 7.8 | 31570 | 28 | — | — | — | — | — | — | — | * | — |
| HDP 110 4 | 214.2 | 7.0 | 31790 | 25 | — | — | — | — | — | — | — | * | — |
| HDP 110 4 | 248.6 | 6.0 | 31350 | 21 | — | — | — | — | — | — | — | * | — |
| HDP 110 4 | 275.4 | 5.4 | 31790 | 19.7 | — | — | — | — | — | — | — | * | — |
| HDP 110 4 | 313.0 | 4.8 | 31570 | 17.2 | — | — | — | — | — | — | — | * | — |
| HDP 110 4 | 346.7 | 4.3 | 31790 | 15.6 | — | — | — | — | — | — | — | * | — |
| HDP 110 4 | 392.9 | 3.8 | 31570 | 13.7 | — | — | — | — | — | — | — | * | — |
| HDP 110 4 | 440.7 | 3.4 | 31790 | 12.3 | — | — | — | — | — | — | — | * | — |
| HDP 110 4 | 499.4 | 3.0 | 31570 | 10.8 | — | — | — | — | — | — | — | * | — |

* 

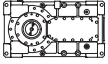
— Thermal verification not necessary



HDP

HDP 110

$n_1 = 1200 \text{ min}^{-1}$

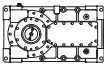
|  | i | n_2 [min^{-1}] | Mn_2 [Nm] | Pn_1 [kW] | Tamb = 20°C | | | | | | | |
|---|-------|--------------------------------|----------------|----------------|---------------|-----------------------|----------------------|----------------------|----------------------|-------------------|----------------------|----------------------|
| | | | | | P_T [kW] | $P_{TFANL/R}$ [kW] | P_{TFANLR} [kW] | P_{TMCRA5} [kW] | P_{TMCRA9} [kW] | P_{TSR} [kW] | P_{TMCRW5} [kW] | P_{TMCRW9} [kW] |
| HDP 110 2 | 8.1 | 148 | 26080 | 422 | * | 170 | 206 | 272 | 350 | 185 | 213 | 307 |
| HDP 110 2 | 9.0 | 134 | 27420 | 401 | * | 170 | 206 | 272 | — | 185 | 213 | 307 |
| HDP 110 2 | 9.9 | 121 | 26540 | 349 | * | 170 | 206 | 272 | — | 185 | 213 | — |
| HDP 110 2 | 11.0 | 109 | 27880 | 331 | 106 | 170 | 206 | 272 | — | 185 | 213 | — |
| HDP 110 2 | 12.3 | 98 | 26940 | 287 | 106 | 170 | 206 | — | — | 185 | 213 | — |
| HDP 110 2 | 13.6 | 88 | 28270 | 272 | 106 | 170 | 206 | — | — | 185 | 213 | — |
| HDP 110 2 | 15.5 | 78 | 27330 | 231 | 106 | 170 | — | — | — | 185 | — | — |
| HDP 110 2 | 17.1 | 70 | 28660 | 219 | 106 | 170 | — | — | — | 185 | — | — |
| HDP 110 2 | 19.7 | 61 | 27660 | 184 | 106 | — | — | — | — | — | — | — |
| HDP 110 2 | 21.8 | 55 | 28990 | 174 | 106 | — | — | — | — | — | — | — |
| HDP 110 2 | 25.0 | 48 | 26810 | 140 | 106 | — | — | — | — | — | — | — |
| HDP 110 3 | 24.9 | 48 | 28730 | 154 | 92 | — | — | — | — | — | — | — |
| HDP 110 3 | 27.6 | 44 | 29530 | 143 | 92 | — | — | — | — | — | — | — |
| HDP 110 3 | 30.7 | 39 | 30740 | 134 | 92 | — | — | — | — | — | — | — |
| HDP 110 3 | 34.0 | 35 | 29400 | 115 | 92 | — | — | — | — | — | — | — |
| HDP 110 3 | 38.7 | 31 | 31110 | 107 | — | — | — | — | — | — | — | — |
| HDP 110 3 | 42.8 | 28.0 | 29270 | 91 | — | — | — | — | — | — | — | — |
| HDP 110 3 | 49.2 | 24.4 | 30980 | 84 | — | — | — | — | — | — | — | — |
| HDP 110 3 | 54.5 | 22.0 | 29150 | 71 | — | — | — | — | — | — | — | — |
| HDP 110 3 | 60.7 | 19.8 | 30740 | 68 | — | — | — | — | — | — | — | — |
| HDP 110 3 | 67.2 | 17.8 | 29400 | 58 | — | — | — | — | — | — | — | — |
| HDP 110 3 | 76.4 | 15.7 | 31130 | 54 | — | — | — | — | — | — | — | — |
| HDP 110 3 | 84.6 | 14.2 | 30470 | 48 | — | — | — | — | — | — | — | — |
| HDP 110 3 | 97.1 | 12.4 | 31350 | 43 | — | — | — | — | — | — | — | — |
| HDP 110 3 | 107.6 | 11.2 | 31650 | 39 | — | — | — | — | — | — | — | — |
| HDP 110 3 | 123.4 | 9.7 | 28180 | 30 | — | — | — | — | — | — | — | — |
| HDP 110 4 | 120.9 | 9.9 | 31350 | 35 | — | — | — | — | — | — | — | — |
| HDP 110 4 | 133.9 | 9.0 | 31790 | 32 | — | — | — | — | — | — | — | — |
| HDP 110 4 | 168.5 | 7.1 | 31790 | 26 | — | — | — | — | — | — | — | — |
| HDP 110 4 | 191.0 | 6.3 | 31570 | 23 | — | — | — | — | — | — | — | — |
| HDP 110 4 | 193.4 | 6.2 | 31570 | 22 | — | — | — | — | — | — | — | — |
| HDP 110 4 | 214.2 | 5.6 | 31790 | 20 | — | — | — | — | — | — | — | — |
| HDP 110 4 | 248.6 | 4.8 | 31350 | 17.2 | — | — | — | — | — | — | — | — |
| HDP 110 4 | 275.4 | 4.4 | 31790 | 15.7 | — | — | — | — | — | — | — | — |
| HDP 110 4 | 313.0 | 3.8 | 31570 | 13.7 | — | — | — | — | — | — | — | — |
| HDP 110 4 | 346.7 | 3.5 | 31790 | 12.5 | — | — | — | — | — | — | — | — |
| HDP 110 4 | 392.9 | 3.1 | 31570 | 10.9 | — | — | — | — | — | — | — | — |
| HDP 110 4 | 440.7 | 2.7 | 31790 | 9.8 | — | — | — | — | — | — | — | — |
| HDP 110 4 | 499.4 | 2.4 | 31570 | 8.6 | — | — | — | — | — | — | — | — |

*  BONFIGLIOLI TECHNICAL SERVICE

— Thermal verification not necessary



HDP

| HDP 110 | | | | | $n_1 = 1200 \text{ min}^{-1}$ | | | | | | | | |
|---|-------|--------------------------------|----------------|----------------|-------------------------------|-----------------------|----------------------|----------------------|----------------------|-------------------|----------------------|----------------------|--|
|  | i | n_2 [min^{-1}] | Mn_2 [Nm] | Pn_1 [kW] | Tamb = 40°C | | | | | | | | |
| | | | | | P_T [kW] | $P_{TFANL/R}$ [kW] | P_{TFANLR} [kW] | P_{TMCR45} [kW] | P_{TMCR49} [kW] | P_{TSR} [kW] | P_{TMCRW5} [kW] | P_{TMCRW9} [kW] | |
| HDP 110 2 | 8.1 | 148 | 26080 | 422 | * | * | 138 | 155 | 199 | 146 | 174 | 268 | |
| HDP 110 2 | 9.0 | 134 | 27420 | 401 | * | 113 | 138 | 155 | 199 | 146 | 174 | 268 | |
| HDP 110 2 | 9.9 | 121 | 26540 | 349 | * | 113 | 138 | 155 | 199 | 146 | 174 | 268 | |
| HDP 110 2 | 11.0 | 109 | 27880 | 331 | * | 113 | 138 | 155 | 199 | 146 | 174 | 268 | |
| HDP 110 2 | 12.3 | 98 | 26940 | 287 | 75 | 113 | 138 | 155 | 199 | 146 | 174 | — | |
| HDP 110 2 | 13.6 | 88 | 28270 | 272 | 75 | 113 | 138 | 155 | 199 | 146 | 174 | — | |
| HDP 110 2 | 15.5 | 78 | 27330 | 231 | 75 | 113 | 138 | 155 | — | 146 | 174 | — | |
| HDP 110 2 | 17.1 | 70 | 28660 | 219 | 75 | 113 | 138 | 155 | — | 146 | 174 | — | |
| HDP 110 2 | 19.7 | 61 | 27660 | 184 | 75 | 113 | 138 | — | — | 146 | — | — | |
| HDP 110 2 | 21.8 | 55 | 28990 | 174 | 75 | 113 | 138 | — | — | 146 | — | — | |
| HDP 110 2 | 25.0 | 48 | 26810 | 140 | 75 | 113 | — | — | — | — | — | — | |
| HDP 110 3 | 24.9 | 48 | 28730 | 154 | 63 | 99 | 116 | — | — | 126 | 147 | — | |
| HDP 110 3 | 27.6 | 44 | 29530 | 143 | 63 | 99 | 116 | — | — | — | — | — | |
| HDP 110 3 | 30.7 | 39 | 30740 | 134 | 63 | 99 | — | — | — | — | — | — | |
| HDP 110 3 | 34.0 | 35 | 29400 | 115 | 63 | 99 | — | — | — | — | — | — | |
| HDP 110 3 | 38.7 | 31 | 31110 | 107 | 63 | — | — | — | — | — | — | — | |
| HDP 110 3 | 42.8 | 28.0 | 29270 | 91 | 63 | — | — | — | — | — | — | — | |
| HDP 110 3 | 49.2 | 24.4 | 30980 | 84 | 63 | — | — | — | — | — | — | — | |
| HDP 110 3 | 54.5 | 22.0 | 29150 | 71 | 63 | — | — | — | — | — | — | — | |
| HDP 110 3 | 60.7 | 19.8 | 30740 | 68 | — | — | — | — | — | — | — | — | |
| HDP 110 3 | 67.2 | 17.8 | 29400 | 58 | — | — | — | — | — | — | — | — | |
| HDP 110 3 | 76.4 | 15.7 | 31130 | 54 | — | — | — | — | — | — | — | — | |
| HDP 110 3 | 84.6 | 14.2 | 30470 | 48 | — | — | — | — | — | — | — | — | |
| HDP 110 3 | 97.1 | 12.4 | 31350 | 43 | — | — | — | — | — | — | — | — | |
| HDP 110 3 | 107.6 | 11.2 | 31650 | 39 | — | — | — | — | — | — | — | — | |
| HDP 110 3 | 123.4 | 9.7 | 28180 | 30 | — | — | — | — | — | — | — | — | |
| HDP 110 4 | 120.9 | 9.9 | 31350 | 35 | — | — | — | — | — | — | — | — | |
| HDP 110 4 | 133.9 | 9.0 | 31790 | 32 | — | — | — | — | — | — | — | — | |
| HDP 110 4 | 168.5 | 7.1 | 31790 | 26 | — | — | — | — | — | — | — | — | |
| HDP 110 4 | 191.0 | 6.3 | 31570 | 23 | — | — | — | — | — | — | — | — | |
| HDP 110 4 | 193.4 | 6.2 | 31570 | 22 | — | — | — | — | — | — | — | — | |
| HDP 110 4 | 214.2 | 5.6 | 31790 | 20 | — | — | — | — | — | — | — | — | |
| HDP 110 4 | 248.6 | 4.8 | 31350 | 17.2 | — | — | — | — | — | — | — | — | |
| HDP 110 4 | 275.4 | 4.4 | 31790 | 15.7 | — | — | — | — | — | — | — | — | |
| HDP 110 4 | 313.0 | 3.8 | 31570 | 13.7 | — | — | — | — | — | — | — | — | |
| HDP 110 4 | 346.7 | 3.5 | 31790 | 12.5 | — | — | — | — | — | — | — | — | |
| HDP 110 4 | 392.9 | 3.1 | 31570 | 10.9 | — | — | — | — | — | — | — | — | |
| HDP 110 4 | 440.7 | 2.7 | 31790 | 9.8 | — | — | — | — | — | — | — | — | |
| HDP 110 4 | 499.4 | 2.4 | 31570 | 8.6 | — | — | — | — | — | — | — | — | |

*  BONFIGLIOLI TECHNICAL SERVICE

— Thermal verification not necessary



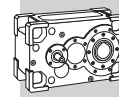
HDP 110

$n_1 = 1000 \text{ min}^{-1}$

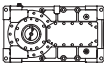
| | i | n_2 [min^{-1}] | Mn_2 [Nm] | Pn_1 [kW] | Tamb = 20°C | | | | | | | |
|-----------|-------|--------------------------------|----------------|----------------|---------------|-----------------------|----------------------|----------------------|----------------------|-------------------|----------------------|----------------------|
| | | | | | P_T [kW] | $P_{TFANL/R}$ [kW] | P_{TFANLR} [kW] | P_{TMCRA5} [kW] | P_{TMCRA9} [kW] | P_{TSR} [kW] | P_{TMCRW5} [kW] | P_{TMCRW9} [kW] |
| HDP 110 2 | 8.1 | 124 | 26080 | 352 | 106 | 163 | 191 | 281 | — | 194 | 222 | — |
| HDP 110 2 | 9.0 | 112 | 27420 | 334 | 106 | 163 | 191 | — | — | 194 | 222 | — |
| HDP 110 2 | 9.9 | 101 | 26540 | 291 | 106 | 163 | 191 | — | — | 194 | 222 | — |
| HDP 110 2 | 11.0 | 91 | 27880 | 276 | 106 | 163 | 191 | — | — | 194 | 222 | — |
| HDP 110 2 | 12.3 | 81 | 26940 | 239 | 106 | 163 | 191 | — | — | 194 | — | — |
| HDP 110 2 | 13.6 | 73 | 28270 | 226 | 106 | 163 | — | — | — | — | — | — |
| HDP 110 2 | 15.5 | 65 | 27330 | 193 | 106 | — | — | — | — | — | — | — |
| HDP 110 2 | 17.1 | 58 | 28660 | 182 | 106 | — | — | — | — | — | — | — |
| HDP 110 2 | 19.7 | 51 | 27660 | 153 | 106 | — | — | — | — | — | — | — |
| HDP 110 2 | 21.8 | 46 | 28990 | 145 | 106 | — | — | — | — | — | — | — |
| HDP 110 2 | 25.0 | 40 | 26700 | 116 | — | — | — | — | — | — | — | — |
| HDP 110 3 | 24.9 | 40 | 30340 | 136 | 96 | — | — | — | — | — | — | — |
| HDP 110 3 | 27.6 | 36 | 29420 | 119 | 96 | — | — | — | — | — | — | — |
| HDP 110 3 | 30.7 | 33 | 30740 | 111 | — | — | — | — | — | — | — | — |
| HDP 110 3 | 34.0 | 29.4 | 29300 | 96 | — | — | — | — | — | — | — | — |
| HDP 110 3 | 38.7 | 25.9 | 31010 | 89 | — | — | — | — | — | — | — | — |
| HDP 110 3 | 42.8 | 23.3 | 29180 | 76 | — | — | — | — | — | — | — | — |
| HDP 110 3 | 49.2 | 20.3 | 31100 | 70 | — | — | — | — | — | — | — | — |
| HDP 110 3 | 54.5 | 18.4 | 29270 | 60 | — | — | — | — | — | — | — | — |
| HDP 110 3 | 60.7 | 16.5 | 30740 | 56 | — | — | — | — | — | — | — | — |
| HDP 110 3 | 67.2 | 14.9 | 30240 | 50 | — | — | — | — | — | — | — | — |
| HDP 110 3 | 76.4 | 13.1 | 31130 | 45 | — | — | — | — | — | — | — | — |
| HDP 110 3 | 84.6 | 11.8 | 31360 | 41 | — | — | — | — | — | — | — | — |
| HDP 110 3 | 97.1 | 10.3 | 31350 | 36 | — | — | — | — | — | — | — | — |
| HDP 110 3 | 107.6 | 9.3 | 31790 | 33 | — | — | — | — | — | — | — | — |
| HDP 110 3 | 123.4 | 8.1 | 28180 | 25 | — | — | — | — | — | — | — | — |
| HDP 110 4 | 120.9 | 8.3 | 31350 | 29 | — | — | — | — | — | — | — | — |
| HDP 110 4 | 133.9 | 7.5 | 31790 | 27 | — | — | — | — | — | — | — | — |
| HDP 110 4 | 168.5 | 5.9 | 31790 | 21 | — | — | — | — | — | — | — | — |
| HDP 110 4 | 191.0 | 5.2 | 31570 | 18.8 | — | — | — | — | — | — | — | — |
| HDP 110 4 | 193.4 | 5.2 | 31570 | 18.5 | — | — | — | — | — | — | — | — |
| HDP 110 4 | 214.2 | 4.7 | 31790 | 16.8 | — | — | — | — | — | — | — | — |
| HDP 110 4 | 248.6 | 4.0 | 31350 | 14.3 | — | — | — | — | — | — | — | — |
| HDP 110 4 | 275.4 | 3.6 | 31790 | 13.1 | — | — | — | — | — | — | — | — |
| HDP 110 4 | 313.0 | 3.2 | 31570 | 11.5 | — | — | — | — | — | — | — | — |
| HDP 110 4 | 346.7 | 2.9 | 31790 | 10.4 | — | — | — | — | — | — | — | — |
| HDP 110 4 | 392.9 | 2.5 | 31570 | 9.1 | — | — | — | — | — | — | — | — |
| HDP 110 4 | 440.7 | 2.3 | 31790 | 8.2 | — | — | — | — | — | — | — | — |
| HDP 110 4 | 499.4 | 2.0 | 31570 | 7.2 | — | — | — | — | — | — | — | — |

* BONFIGLIOLI TECHNICAL SERVICE

— Thermal verification not necessary



HDP

| HDP 110 | | | | | $n_1 = 1000 \text{ min}^{-1}$ | | | | | | | | |
|---|-------|--------------------------------|----------------|----------------|-------------------------------|-----------------------|----------------------|----------------------|----------------------|-------------------|----------------------|----------------------|--|
|  | i | n_2 [min^{-1}] | Mn_2 [Nm] | Pn_1 [kW] | Tamb = 40°C | | | | | | | | |
| | | | | | P_T [kW] | $P_{TFANL/R}$ [kW] | P_{TFANLR} [kW] | P_{TMCRA5} [kW] | P_{TMCRA9} [kW] | P_{TSR} [kW] | P_{TMCRW5} [kW] | P_{TMCRW9} [kW] | |
| HDP 110 2 | 8.1 | 124 | 26080 | 352 | 67 | 109 | 129 | 164 | 208 | 155 | 183 | 277 | |
| HDP 110 2 | 9.0 | 112 | 27420 | 334 | 67 | 109 | 129 | 164 | 208 | 155 | 183 | 277 | |
| HDP 110 2 | 9.9 | 101 | 26540 | 291 | 67 | 109 | 129 | 164 | 208 | 155 | 183 | — | |
| HDP 110 2 | 11.0 | 91 | 27880 | 276 | 67 | 109 | 129 | 164 | 208 | 155 | 183 | — | |
| HDP 110 2 | 12.3 | 81 | 26940 | 239 | 67 | 109 | 129 | 164 | — | 155 | 183 | — | |
| HDP 110 2 | 13.6 | 73 | 28270 | 226 | 67 | 109 | 129 | 164 | — | 155 | 183 | — | |
| HDP 110 2 | 15.5 | 65 | 27330 | 193 | 67 | 109 | 129 | — | — | 155 | — | — | |
| HDP 110 2 | 17.1 | 58 | 28660 | 182 | 67 | 109 | 129 | — | — | — | — | — | |
| HDP 110 2 | 19.7 | 51 | 27660 | 153 | 67 | 109 | — | — | — | — | — | — | |
| HDP 110 2 | 21.8 | 46 | 28990 | 145 | 67 | 109 | — | — | — | — | — | — | |
| HDP 110 2 | 25.0 | 40 | 26700 | 116 | 67 | — | — | — | — | — | — | — | |
| HDP 110 3 | 24.9 | 40 | 30340 | 136 | 66 | 94 | 107 | — | — | — | — | — | |
| HDP 110 3 | 27.6 | 36 | 29420 | 119 | 66 | 94 | — | — | — | — | — | — | |
| HDP 110 3 | 30.7 | 33 | 30740 | 111 | 66 | — | — | — | — | — | — | — | |
| HDP 110 3 | 34.0 | 29.4 | 29300 | 96 | 66 | — | — | — | — | — | — | — | |
| HDP 110 3 | 38.7 | 25.9 | 31010 | 89 | 66 | — | — | — | — | — | — | — | |
| HDP 110 3 | 42.8 | 23.3 | 29180 | 76 | 66 | — | — | — | — | — | — | — | |
| HDP 110 3 | 49.2 | 20.3 | 31100 | 70 | — | — | — | — | — | — | — | — | |
| HDP 110 3 | 54.5 | 18.4 | 29270 | 60 | — | — | — | — | — | — | — | — | |
| HDP 110 3 | 60.7 | 16.5 | 30740 | 56 | — | — | — | — | — | — | — | — | |
| HDP 110 3 | 67.2 | 14.9 | 30240 | 50 | — | — | — | — | — | — | — | — | |
| HDP 110 3 | 76.4 | 13.1 | 31130 | 45 | — | — | — | — | — | — | — | — | |
| HDP 110 3 | 84.6 | 11.8 | 31360 | 41 | — | — | — | — | — | — | — | — | |
| HDP 110 3 | 97.1 | 10.3 | 31350 | 36 | — | — | — | — | — | — | — | — | |
| HDP 110 3 | 107.6 | 9.3 | 31790 | 33 | — | — | — | — | — | — | — | — | |
| HDP 110 3 | 123.4 | 8.1 | 28180 | 25 | — | — | — | — | — | — | — | — | |
| HDP 110 4 | 120.9 | 8.3 | 31350 | 29 | — | — | — | — | — | — | — | — | |
| HDP 110 4 | 133.9 | 7.5 | 31790 | 27 | — | — | — | — | — | — | — | — | |
| HDP 110 4 | 168.5 | 5.9 | 31790 | 21 | — | — | — | — | — | — | — | — | |
| HDP 110 4 | 191.0 | 5.2 | 31570 | 18.8 | — | — | — | — | — | — | — | — | |
| HDP 110 4 | 193.4 | 5.2 | 31570 | 18.5 | — | — | — | — | — | — | — | — | |
| HDP 110 4 | 214.2 | 4.7 | 31790 | 16.8 | — | — | — | — | — | — | — | — | |
| HDP 110 4 | 248.6 | 4.0 | 31350 | 14.3 | — | — | — | — | — | — | — | — | |
| HDP 110 4 | 275.4 | 3.6 | 31790 | 13.1 | — | — | — | — | — | — | — | — | |
| HDP 110 4 | 313.0 | 3.2 | 31570 | 11.5 | — | — | — | — | — | — | — | — | |
| HDP 110 4 | 346.7 | 2.9 | 31790 | 10.4 | — | — | — | — | — | — | — | — | |
| HDP 110 4 | 392.9 | 2.5 | 31570 | 9.1 | — | — | — | — | — | — | — | — | |
| HDP 110 4 | 440.7 | 2.3 | 31790 | 8.2 | — | — | — | — | — | — | — | — | |
| HDP 110 4 | 499.4 | 2.0 | 31570 | 7.2 | — | — | — | — | — | — | — | — | |

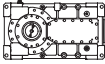
*  BONFIGLIOLI TECHNICAL SERVICE

— Thermal verification not necessary



HDP 120

$n_1 = 1800 \text{ min}^{-1}$

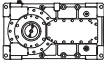
|  | i | n_2 [min ⁻¹] | Mn_2 [Nm] | Pn_1 [kW] | T _{amb} = 20°C | | | | | | | |
|---|-------|-------------------------------|----------------|----------------|-------------------------|-----------------------|----------------------|----------------------|----------------------|-------------------|----------------------|----------------------|
| | | | | | P_T [kW] | $P_{TFANL/R}$ [kW] | P_{TFANLR} [kW] | P_{TMCRA5} [kW] | P_{TMCRA9} [kW] | P_{TSR} [kW] | P_{TMCRW5} [kW] | P_{TMCRW9} [kW] |
| HDP 120 2 | 7.9 | 228 | 31180 | 774 | * | * | * | * | * | * | * | * |
| HDP 120 2 | 8.6 | 209 | 31770 | 724 | * | * | * | * | * | * | * | * |
| HDP 120 2 | 10.3 | 175 | 33810 | 644 | * | * | * | * | * | * | * | * |
| HDP 120 2 | 11.2 | 160 | 34440 | 602 | * | * | 253 | 271 | 349 | * | * | * |
| HDP 120 2 | 13.0 | 138 | 35100 | 529 | * | 218 | 253 | 271 | 349 | * | * | 322 |
| HDP 120 2 | 14.2 | 127 | 35830 | 496 | * | 218 | 253 | 271 | 349 | * | 230 | 322 |
| HDP 120 2 | 16.0 | 113 | 36900 | 453 | * | 218 | 253 | 271 | 349 | 213 | 230 | 322 |
| HDP 120 2 | 17.4 | 103 | 37690 | 425 | * | 218 | 253 | 271 | 349 | 213 | 230 | 322 |
| HDP 120 2 | 20.6 | 87 | 39000 | 371 | 138 | 218 | 253 | 271 | — | 213 | 230 | 322 |
| HDP 120 2 | 22.5 | 80 | 39990 | 349 | 138 | 218 | 253 | 271 | — | 213 | 230 | — |
| HDP 120 2 | 25.4 | 71 | 36810 | 285 | 138 | 218 | — | — | — | 213 | 230 | — |
| HDP 120 3 | 25.8 | 70 | 34260 | 266 | 103 | 177 | 213 | 230 | — | 166 | 187 | — |
| HDP 120 3 | 28.0 | 64 | 34980 | 250 | 103 | 177 | 213 | — | — | 166 | 187 | — |
| HDP 120 3 | 32.5 | 55 | 35860 | 221 | 103 | 177 | — | — | — | 166 | 187 | — |
| HDP 120 3 | 35.4 | 51 | 36410 | 206 | 103 | 177 | — | — | — | 166 | — | — |
| HDP 120 3 | 39.9 | 45 | 37670 | 189 | 103 | — | — | — | — | 166 | — | — |
| HDP 120 3 | 43.5 | 41 | 38220 | 176 | 103 | — | — | — | — | — | — | — |
| HDP 120 3 | 51.6 | 35 | 38880 | 151 | 103 | — | — | — | — | — | — | — |
| HDP 120 3 | 56.1 | 32 | 38500 | 137 | 103 | — | — | — | — | — | — | — |
| HDP 120 3 | 64.3 | 28.0 | 38880 | 121 | 103 | — | — | — | — | — | — | — |
| HDP 120 3 | 70.0 | 25.7 | 38500 | 110 | — | — | — | — | — | — | — | — |
| HDP 120 3 | 78.9 | 22.8 | 38880 | 99 | — | — | — | — | — | — | — | — |
| HDP 120 3 | 85.9 | 21.0 | 38500 | 90 | — | — | — | — | — | — | — | — |
| HDP 120 3 | 101.8 | 17.7 | 38880 | 76 | — | — | — | — | — | — | — | — |
| HDP 120 3 | 110.9 | 16.2 | 38500 | 70 | — | — | — | — | — | — | — | — |
| HDP 120 3 | 125.2 | 14.4 | 34920 | 56 | — | — | — | — | — | — | — | — |
| HDP 120 4 | 128.0 | 14.1 | 35910 | 57 | — | — | — | — | — | — | — | — |
| HDP 120 4 | 139.4 | 12.9 | 39160 | 57 | — | — | — | — | — | — | — | — |
| HDP 120 4 | 157.1 | 11.5 | 37010 | 48 | — | — | — | — | — | — | — | — |
| HDP 120 4 | 171.1 | 10.5 | 38500 | 46 | — | — | — | — | — | — | — | — |
| HDP 120 4 | 202.8 | 8.9 | 38880 | 39 | — | — | — | — | — | — | — | — |
| HDP 120 4 | 220.8 | 8.2 | 38500 | 36 | — | — | — | — | — | — | — | — |
| HDP 120 4 | 254.6 | 7.1 | 38880 | 31 | — | — | — | — | — | — | — | — |
| HDP 120 4 | 277.2 | 6.5 | 38500 | 28 | — | — | — | — | — | — | — | — |
| HDP 120 4 | 323.2 | 5.6 | 38880 | 25 | — | — | — | — | — | — | — | — |
| HDP 120 4 | 351.9 | 5.1 | 38500 | 22 | — | — | — | — | — | — | — | — |
| HDP 120 4 | 405.7 | 4.4 | 38880 | 19.6 | — | — | — | — | — | — | — | — |
| HDP 120 4 | 454.3 | 4.0 | 40920 | 18.4 | — | — | — | — | — | — | — | — |
| HDP 120 4 | 523.7 | 3.4 | 41250 | 16.1 | — | — | — | — | — | — | — | — |

*  BONFIGLIOLI TECHNICAL SERVICE

— Thermal verification not necessary



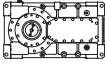
HDP 120 $n_1 = 1800 \text{ min}^{-1}$

|  | i | n_2 [min ⁻¹] | Mn_2 [Nm] | Pn_1 [kW] | Tamb = 40°C | | | | | | | | |
|---|-------|-------------------------------|----------------|----------------|---------------|-----------------------|----------------------|----------------------|----------------------|-------------------|----------------------|----------------------|-----|
| | | | | | P_T [kW] | $P_{TFANL/R}$ [kW] | P_{TFANLR} [kW] | P_{TMCR45} [kW] | P_{TMCR49} [kW] | P_{TSR} [kW] | P_{TMCRW5} [kW] | P_{TMCRW9} [kW] | |
| HDP 120 2 | 7.9 | 228 | 31180 | 774 | * | * | * | * | * | * | * | * | * |
| HDP 120 2 | 8.6 | 209 | 31770 | 724 | * | * | * | * | * | * | * | * | * |
| HDP 120 2 | 10.3 | 175 | 33810 | 644 | * | * | * | * | * | * | * | * | * |
| HDP 120 2 | 11.2 | 160 | 34440 | 602 | * | * | * | * | * | * | * | * | * |
| HDP 120 2 | 13.0 | 138 | 35100 | 529 | * | * | * | * | * | * | * | * | * |
| HDP 120 2 | 14.2 | 127 | 35830 | 496 | * | * | * | * | * | * | * | * | 277 |
| HDP 120 2 | 16.0 | 113 | 36900 | 453 | * | 156 | 193 | * | 219 | * | 194 | 277 | |
| HDP 120 2 | 17.4 | 103 | 37690 | 425 | * | 156 | 193 | 176 | 219 | * | 194 | 277 | |
| HDP 120 2 | 20.6 | 87 | 39000 | 371 | * | 156 | 193 | 176 | 219 | 178 | 194 | 277 | |
| HDP 120 2 | 22.5 | 80 | 39990 | 349 | * | 156 | 193 | 176 | 219 | 178 | 194 | 277 | |
| HDP 120 2 | 25.4 | 71 | 36810 | 285 | * | 156 | 193 | 176 | 219 | 178 | 194 | — | |
| HDP 120 3 | 25.8 | 70 | 34260 | 266 | * | 120 | 147 | 137 | 168 | 129 | 150 | 218 | |
| HDP 120 3 | 28.0 | 64 | 34980 | 250 | * | 120 | 147 | 137 | 168 | 129 | 150 | 218 | |
| HDP 120 3 | 32.5 | 55 | 35860 | 221 | * | 120 | 147 | 137 | 168 | 129 | 150 | — | |
| HDP 120 3 | 35.4 | 51 | 36410 | 206 | * | 120 | 147 | 137 | 168 | 129 | 150 | — | |
| HDP 120 3 | 39.9 | 45 | 37670 | 189 | 74 | 120 | 147 | 137 | — | 129 | 150 | — | |
| HDP 120 3 | 43.5 | 41 | 38220 | 176 | 74 | 120 | 147 | 137 | — | 129 | 150 | — | |
| HDP 120 3 | 51.6 | 35 | 38880 | 151 | 74 | 120 | — | — | — | 129 | — | — | |
| HDP 120 3 | 56.1 | 32 | 38500 | 137 | 74 | 120 | — | — | — | — | — | — | |
| HDP 120 3 | 64.3 | 28.0 | 38880 | 121 | 74 | — | — | — | — | — | — | — | |
| HDP 120 3 | 70.0 | 25.7 | 38500 | 110 | 74 | — | — | — | — | — | — | — | |
| HDP 120 3 | 78.9 | 22.8 | 38880 | 99 | 74 | — | — | — | — | — | — | — | |
| HDP 120 3 | 85.9 | 21.0 | 38500 | 90 | 74 | — | — | — | — | — | — | — | |
| HDP 120 3 | 101.8 | 17.7 | 38880 | 76 | — | — | — | — | — | — | — | — | |
| HDP 120 3 | 110.9 | 16.2 | 38500 | 70 | — | — | — | — | — | — | — | — | |
| HDP 120 3 | 125.2 | 14.4 | 34920 | 56 | — | — | — | — | — | — | — | — | |
| HDP 120 4 | 128.0 | 14.1 | 35910 | 57 | — | — | — | — | — | — | — | — | |
| HDP 120 4 | 139.4 | 12.9 | 39160 | 57 | — | — | — | — | — | — | — | — | |
| HDP 120 4 | 157.1 | 11.5 | 37010 | 48 | — | — | — | — | — | — | — | — | |
| HDP 120 4 | 171.1 | 10.5 | 38500 | 46 | — | — | — | — | — | — | — | — | |
| HDP 120 4 | 202.8 | 8.9 | 38880 | 39 | — | — | — | — | — | — | — | — | |
| HDP 120 4 | 220.8 | 8.2 | 38500 | 36 | — | — | — | — | — | — | — | — | |
| HDP 120 4 | 254.6 | 7.1 | 38880 | 31 | — | — | — | — | — | — | — | — | |
| HDP 120 4 | 277.2 | 6.5 | 38500 | 28 | — | — | — | — | — | — | — | — | |
| HDP 120 4 | 323.2 | 5.6 | 38880 | 25 | — | — | — | — | — | — | — | — | |
| HDP 120 4 | 351.9 | 5.1 | 38500 | 22 | — | — | — | — | — | — | — | — | |
| HDP 120 4 | 405.7 | 4.4 | 38880 | 19.6 | — | — | — | — | — | — | — | — | |
| HDP 120 4 | 454.3 | 4.0 | 40920 | 18.4 | — | — | — | — | — | — | — | — | |
| HDP 120 4 | 523.7 | 3.4 | 41250 | 16.1 | — | — | — | — | — | — | — | — | |

*  BONFIGLIOLI TECHNICAL SERVICE

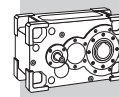
— Thermal verification not necessary

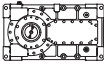


| HDP 120 | | | | | $n_1 = 1500 \text{ min}^{-1}$ | | | | | | | |
|---|-------|--------------------------------|----------------|----------------|-------------------------------|-----------------------|----------------------|----------------------|----------------------|-------------------|----------------------|----------------------|
|  | i | n_2 [min^{-1}] | Mn_2 [Nm] | Pn_1 [kW] | Tamb = 20°C | | | | | | | |
| | | | | | P_T [kW] | $P_{TFANL/R}$ [kW] | P_{TFANLR} [kW] | P_{TMCRA5} [kW] | P_{TMCRA9} [kW] | P_{TSR} [kW] | P_{TMCRW5} [kW] | P_{TMCRW9} [kW] |
| HDP 120 2 | 7.9 | 190 | 32940 | 681 | * | * | * | * | 343 | * | * | * |
| HDP 120 2 | 8.6 | 174 | 33560 | 637 | * | * | * | 268 | 343 | * | * | 303 |
| HDP 120 2 | 10.3 | 146 | 35710 | 567 | * | 204 | 248 | 268 | 343 | * | 228 | 303 |
| HDP 120 2 | 11.2 | 134 | 36370 | 530 | * | 204 | 248 | 268 | 343 | 215 | 228 | 303 |
| HDP 120 2 | 13.0 | 115 | 37080 | 466 | 127 | 204 | 248 | 268 | 343 | 215 | 228 | 303 |
| HDP 120 2 | 14.2 | 106 | 37840 | 437 | 127 | 204 | 248 | 268 | 343 | 215 | 228 | 303 |
| HDP 120 2 | 16.0 | 94 | 38580 | 395 | 127 | 204 | 248 | 268 | — | 215 | 228 | 303 |
| HDP 120 2 | 17.4 | 86 | 39810 | 374 | 127 | 204 | 248 | 268 | — | 215 | 228 | 303 |
| HDP 120 2 | 20.6 | 73 | 39000 | 309 | 127 | 204 | 248 | — | — | 215 | 228 | — |
| HDP 120 2 | 22.5 | 67 | 39780 | 290 | 127 | 204 | — | — | — | 215 | 228 | — |
| HDP 120 2 | 25.4 | 59 | 36630 | 236 | 127 | — | — | — | — | — | — | — |
| HDP 120 3 | 25.8 | 58 | 36330 | 235 | 110 | 174 | — | — | — | 173 | 194 | — |
| HDP 120 3 | 28.0 | 53 | 37110 | 221 | 110 | 174 | — | — | — | 173 | 194 | — |
| HDP 120 3 | 32.5 | 46 | 38040 | 195 | 110 | — | — | — | — | — | — | — |
| HDP 120 3 | 35.4 | 42 | 38620 | 182 | 110 | — | — | — | — | — | — | — |
| HDP 120 3 | 39.9 | 38 | 39930 | 167 | 110 | — | — | — | — | — | — | — |
| HDP 120 3 | 43.5 | 34 | 39150 | 150 | 110 | — | — | — | — | — | — | — |
| HDP 120 3 | 51.6 | 29.1 | 40410 | 131 | — | — | — | — | — | — | — | — |
| HDP 120 3 | 56.1 | 26.7 | 38960 | 116 | — | — | — | — | — | — | — | — |
| HDP 120 3 | 64.3 | 23.3 | 40250 | 105 | — | — | — | — | — | — | — | — |
| HDP 120 3 | 70.0 | 21.4 | 38800 | 93 | — | — | — | — | — | — | — | — |
| HDP 120 3 | 78.9 | 19.0 | 40600 | 86 | — | — | — | — | — | — | — | — |
| HDP 120 3 | 85.9 | 17.5 | 39160 | 76 | — | — | — | — | — | — | — | — |
| HDP 120 3 | 101.8 | 14.7 | 41250 | 68 | — | — | — | — | — | — | — | — |
| HDP 120 3 | 110.9 | 13.5 | 40740 | 61 | — | — | — | — | — | — | — | — |
| HDP 120 3 | 125.2 | 12.0 | 37570 | 50 | — | — | — | — | — | — | — | — |
| HDP 120 4 | 128.0 | 11.7 | 38110 | 51 | — | — | — | — | — | — | — | — |
| HDP 120 4 | 139.4 | 10.8 | 40920 | 50 | — | — | — | — | — | — | — | — |
| HDP 120 4 | 157.1 | 9.5 | 39600 | 43 | — | — | — | — | — | — | — | — |
| HDP 120 4 | 171.1 | 8.8 | 40920 | 41 | — | — | — | — | — | — | — | — |
| HDP 120 4 | 202.8 | 7.4 | 41250 | 35 | — | — | — | — | — | — | — | — |
| HDP 120 4 | 220.8 | 6.8 | 40920 | 32 | — | — | — | — | — | — | — | — |
| HDP 120 4 | 254.6 | 5.9 | 41250 | 28 | — | — | — | — | — | — | — | — |
| HDP 120 4 | 277.2 | 5.4 | 40920 | 25 | — | — | — | — | — | — | — | — |
| HDP 120 4 | 323.2 | 4.6 | 41250 | 22 | — | — | — | — | — | — | — | — |
| HDP 120 4 | 351.9 | 4.3 | 40920 | 19.8 | — | — | — | — | — | — | — | — |
| HDP 120 4 | 405.7 | 3.7 | 41250 | 17.3 | — | — | — | — | — | — | — | — |
| HDP 120 4 | 454.3 | 3.3 | 40920 | 15.3 | — | — | — | — | — | — | — | — |
| HDP 120 4 | 523.7 | 2.9 | 41250 | 13.4 | — | — | — | — | — | — | — | — |

*  BONFIGLIOLI TECHNICAL SERVICE

— Thermal verification not necessary



| HDP 120 | | | | | $n_1 = 1500 \text{ min}^{-1}$ | | | | | | | | |
|---|-------|--------------------------------|----------------|----------------|-------------------------------|-----------------------|----------------------|----------------------|----------------------|-------------------|----------------------|----------------------|-----|
|  | i | n_2 [min^{-1}] | Mn_2 [Nm] | Pn_1 [kW] | Tamb = 40°C | | | | | | | | |
| | | | | | P_T [kW] | $P_{TFANL/R}$ [kW] | P_{TFANLR} [kW] | P_{TMCRA5} [kW] | P_{TMCRA9} [kW] | P_{TSR} [kW] | P_{TMCRW5} [kW] | P_{TMCRW9} [kW] | |
| HDP 120 2 | 7.9 | 190 | 32940 | 681 | * | * | * | * | * | * | * | * | * |
| HDP 120 2 | 8.6 | 174 | 33560 | 637 | * | * | * | * | * | * | * | * | * |
| HDP 120 2 | 10.3 | 146 | 35710 | 567 | * | * | * | * | * | * | * | * | 275 |
| HDP 120 2 | 11.2 | 134 | 36370 | 530 | * | * | * | * | 208 | * | 183 | 275 | |
| HDP 120 2 | 13.0 | 115 | 37080 | 466 | * | 147 | 180 | 177 | 208 | * | 183 | 275 | |
| HDP 120 2 | 14.2 | 106 | 37840 | 437 | * | 147 | 180 | 177 | 208 | 178 | 183 | 275 | |
| HDP 120 2 | 16.0 | 94 | 38580 | 395 | 90 | 147 | 180 | 177 | 208 | 178 | 183 | 275 | |
| HDP 120 2 | 17.4 | 86 | 39810 | 374 | 90 | 147 | 180 | 177 | 208 | 178 | 183 | 275 | |
| HDP 120 2 | 20.6 | 73 | 39000 | 309 | 90 | 147 | 180 | 177 | 208 | 178 | 183 | 275 | |
| HDP 120 2 | 22.5 | 67 | 39780 | 290 | 90 | 147 | 180 | 177 | 208 | 178 | 183 | — | |
| HDP 120 2 | 25.4 | 59 | 36630 | 236 | 90 | 147 | 180 | 177 | — | 178 | 183 | — | |
| HDP 120 3 | 25.8 | 58 | 36330 | 235 | 74 | 121 | 144 | 145 | 176 | 137 | 158 | — | |
| HDP 120 3 | 28.0 | 53 | 37110 | 221 | 74 | 121 | 144 | 145 | 176 | 137 | 158 | — | |
| HDP 120 3 | 32.5 | 46 | 38040 | 195 | 74 | 121 | 144 | 145 | — | 137 | 158 | — | |
| HDP 120 3 | 35.4 | 42 | 38620 | 182 | 74 | 121 | 144 | 145 | — | 137 | 158 | — | |
| HDP 120 3 | 39.9 | 38 | 39930 | 167 | 74 | 121 | — | — | — | 137 | — | — | |
| HDP 120 3 | 43.5 | 34 | 39150 | 150 | 74 | 121 | — | — | — | — | — | — | |
| HDP 120 3 | 51.6 | 29.1 | 40410 | 131 | 74 | — | — | — | — | — | — | — | |
| HDP 120 3 | 56.1 | 26.7 | 38960 | 116 | 74 | — | — | — | — | — | — | — | |
| HDP 120 3 | 64.3 | 23.3 | 40250 | 105 | 74 | — | — | — | — | — | — | — | |
| HDP 120 3 | 70.0 | 21.4 | 38800 | 93 | 74 | — | — | — | — | — | — | — | |
| HDP 120 3 | 78.9 | 19.0 | 40600 | 86 | — | — | — | — | — | — | — | — | |
| HDP 120 3 | 85.9 | 17.5 | 39160 | 76 | — | — | — | — | — | — | — | — | |
| HDP 120 3 | 101.8 | 14.7 | 41250 | 68 | — | — | — | — | — | — | — | — | |
| HDP 120 3 | 110.9 | 13.5 | 40740 | 61 | — | — | — | — | — | — | — | — | |
| HDP 120 3 | 125.2 | 12.0 | 37570 | 50 | — | — | — | — | — | — | — | — | |
| HDP 120 4 | 128.0 | 11.7 | 38110 | 51 | — | — | — | — | — | — | — | — | |
| HDP 120 4 | 139.4 | 10.8 | 40920 | 50 | — | — | — | — | — | — | — | — | |
| HDP 120 4 | 157.1 | 9.5 | 39600 | 43 | — | — | — | — | — | — | — | — | |
| HDP 120 4 | 171.1 | 8.8 | 40920 | 41 | — | — | — | — | — | — | — | — | |
| HDP 120 4 | 202.8 | 7.4 | 41250 | 35 | — | — | — | — | — | — | — | — | |
| HDP 120 4 | 220.8 | 6.8 | 40920 | 32 | — | — | — | — | — | — | — | — | |
| HDP 120 4 | 254.6 | 5.9 | 41250 | 28 | — | — | — | — | — | — | — | — | |
| HDP 120 4 | 277.2 | 5.4 | 40920 | 25 | — | — | — | — | — | — | — | — | |
| HDP 120 4 | 323.2 | 4.6 | 41250 | 22 | — | — | — | — | — | — | — | — | |
| HDP 120 4 | 351.9 | 4.3 | 40920 | 19.8 | — | — | — | — | — | — | — | — | |
| HDP 120 4 | 405.7 | 3.7 | 41250 | 17.3 | — | — | — | — | — | — | — | — | |
| HDP 120 4 | 454.3 | 3.3 | 40920 | 15.3 | — | — | — | — | — | — | — | — | |
| HDP 120 4 | 523.7 | 2.9 | 41250 | 13.4 | — | — | — | — | — | — | — | — | |

* 

— Thermal verification not necessary



HDP

HDP 120

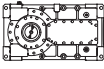
$n_1 = 1200 \text{ min}^{-1}$

| | i | n ₂ [min ⁻¹] | Mn ₂ [Nm] | Pn ₁ [kW] | Tamb = 20°C | | | | | | | |
|-----------|-------|--|-------------------------|-------------------------|------------------------|------------------------------|-----------------------------|-----------------------------|-----------------------------|--------------------------|-----------------------------|-----------------------------|
| | | | | | P _T [kW] | P _{TFANL/R} [kW] | P _{TFANLR} [kW] | P _{TMCRA5} [kW] | P _{TMCRA9} [kW] | P _{TSR} [kW] | P _{TMCRW5} [kW] | P _{TMCRW9} [kW] |
| HDP 120 2 | 7.9 | 152 | 35220 | 583 | * | * | 232 | 284 | 362 | * | 225 | 319 |
| HDP 120 2 | 8.6 | 139 | 35880 | 545 | * | 194 | 232 | 284 | 362 | * | 225 | 319 |
| HDP 120 2 | 10.3 | 116 | 37550 | 477 | 126 | 194 | 232 | 284 | 362 | 214 | 225 | 319 |
| HDP 120 2 | 11.2 | 107 | 38890 | 454 | 126 | 194 | 232 | 284 | 362 | 214 | 225 | 319 |
| HDP 120 2 | 13.0 | 92 | 38140 | 383 | 126 | 194 | 232 | 284 | — | 214 | 225 | 319 |
| HDP 120 2 | 14.2 | 85 | 39590 | 366 | 126 | 194 | 232 | 284 | — | 214 | 225 | — |
| HDP 120 2 | 16.0 | 75 | 38580 | 316 | 126 | 194 | 232 | — | — | 214 | 225 | — |
| HDP 120 2 | 17.4 | 69 | 39820 | 299 | 126 | 194 | 232 | — | — | 214 | 225 | — |
| HDP 120 2 | 20.6 | 58 | 39000 | 247 | 126 | 194 | — | — | — | — | — | — |
| HDP 120 2 | 22.5 | 53 | 39550 | 230 | 126 | 194 | — | — | — | — | — | — |
| HDP 120 2 | 25.4 | 47 | 36420 | 188 | 126 | — | — | — | — | — | — | — |
| HDP 120 3 | 25.8 | 47 | 38840 | 201 | 116 | 174 | — | — | — | 179 | — | — |
| HDP 120 3 | 28.0 | 43 | 39340 | 187 | 116 | — | — | — | — | — | — | — |
| HDP 120 3 | 32.5 | 37 | 40610 | 167 | 116 | — | — | — | — | — | — | — |
| HDP 120 3 | 35.4 | 34 | 39140 | 147 | 116 | — | — | — | — | — | — | — |
| HDP 120 3 | 39.9 | 30 | 40430 | 135 | — | — | — | — | — | — | — | — |
| HDP 120 3 | 43.5 | 27.6 | 38980 | 120 | — | — | — | — | — | — | — | — |
| HDP 120 3 | 51.6 | 23.3 | 40240 | 104 | — | — | — | — | — | — | — | — |
| HDP 120 3 | 56.1 | 21.4 | 38800 | 92 | — | — | — | — | — | — | — | — |
| HDP 120 3 | 64.3 | 18.7 | 40710 | 85 | — | — | — | — | — | — | — | — |
| HDP 120 3 | 70.0 | 17.1 | 39270 | 75 | — | — | — | — | — | — | — | — |
| HDP 120 3 | 78.9 | 15.2 | 41250 | 70 | — | — | — | — | — | — | — | — |
| HDP 120 3 | 85.9 | 14.0 | 40540 | 63 | — | — | — | — | — | — | — | — |
| HDP 120 3 | 101.8 | 11.8 | 41250 | 54 | — | — | — | — | — | — | — | — |
| HDP 120 3 | 110.9 | 10.8 | 40920 | 49 | — | — | — | — | — | — | — | — |
| HDP 120 3 | 125.2 | 9.6 | 37730 | 40 | — | — | — | — | — | — | — | — |
| HDP 120 4 | 128.0 | 9.4 | 40750 | 43 | — | — | — | — | — | — | — | — |
| HDP 120 4 | 139.4 | 8.6 | 40920 | 40 | — | — | — | — | — | — | — | — |
| HDP 120 4 | 157.1 | 7.6 | 41250 | 36 | — | — | — | — | — | — | — | — |
| HDP 120 4 | 171.1 | 7.0 | 40920 | 33 | — | — | — | — | — | — | — | — |
| HDP 120 4 | 202.8 | 5.9 | 41250 | 28 | — | — | — | — | — | — | — | — |
| HDP 120 4 | 220.8 | 5.4 | 40920 | 25 | — | — | — | — | — | — | — | — |
| HDP 120 4 | 254.6 | 4.7 | 41250 | 22 | — | — | — | — | — | — | — | — |
| HDP 120 4 | 277.2 | 4.3 | 40920 | 20 | — | — | — | — | — | — | — | — |
| HDP 120 4 | 323.2 | 3.7 | 41250 | 17.4 | — | — | — | — | — | — | — | — |
| HDP 120 4 | 351.9 | 3.4 | 40920 | 15.8 | — | — | — | — | — | — | — | — |
| HDP 120 4 | 405.7 | 3.0 | 41250 | 13.9 | — | — | — | — | — | — | — | — |
| HDP 120 4 | 454.3 | 2.6 | 40920 | 12.3 | — | — | — | — | — | — | — | — |
| HDP 120 4 | 523.7 | 2.3 | 41250 | 10.7 | — | — | — | — | — | — | — | — |

* BONFIGLIOLI TECHNICAL SERVICE

— Thermal verification not necessary



| HDP 120 | | | | | $n_1 = 1200 \text{ min}^{-1}$ | | | | | | | | |
|---|-------|--------------------------------|----------------|----------------|-------------------------------|-----------------------|----------------------|----------------------|----------------------|-------------------|----------------------|----------------------|--|
|  | i | n_2 [min^{-1}] | Mn_2 [Nm] | Pn_1 [kW] | Tamb = 40°C | | | | | | | | |
| | | | | | P_T [kW] | $P_{TFANL/R}$ [kW] | P_{TFANLR} [kW] | P_{TMCRA5} [kW] | P_{TMCRA9} [kW] | P_{TSR} [kW] | P_{TMCRW5} [kW] | P_{TMCRW9} [kW] | |
| HDP 120 2 | 7.9 | 152 | 35220 | 583 | * | * | * | * | 203 | * | * | 272 | |
| HDP 120 2 | 8.6 | 139 | 35880 | 545 | * | * | 154 | 161 | 203 | * | 180 | 272 | |
| HDP 120 2 | 10.3 | 116 | 37550 | 477 | * | 140 | 154 | 161 | 203 | * | 180 | 272 | |
| HDP 120 2 | 11.2 | 107 | 38890 | 454 | * | 140 | 154 | 161 | 203 | 168 | 180 | 272 | |
| HDP 120 2 | 13.0 | 92 | 38140 | 383 | * | 140 | 154 | 161 | 203 | 168 | 180 | 272 | |
| HDP 120 2 | 14.2 | 85 | 39590 | 366 | * | 140 | 154 | 161 | 203 | 168 | 180 | 272 | |
| HDP 120 2 | 16.0 | 75 | 38580 | 316 | * | 140 | 154 | 161 | 203 | 168 | 180 | 272 | |
| HDP 120 2 | 17.4 | 69 | 39820 | 299 | * | 140 | 154 | 161 | 203 | 168 | 180 | — | |
| HDP 120 2 | 20.6 | 58 | 39000 | 247 | 106 | 140 | 154 | 161 | 203 | 168 | 180 | — | |
| HDP 120 2 | 22.5 | 53 | 39550 | 230 | 106 | 140 | 154 | 161 | — | 168 | 180 | — | |
| HDP 120 2 | 25.4 | 47 | 36420 | 188 | 106 | 140 | 154 | 161 | — | — | — | — | |
| HDP 120 3 | 25.8 | 47 | 38840 | 201 | 79 | 121 | 142 | 150 | — | 142 | 163 | — | |
| HDP 120 3 | 28.0 | 43 | 39340 | 187 | 79 | 121 | 142 | 150 | — | 142 | — | — | |
| HDP 120 3 | 32.5 | 37 | 40610 | 167 | 79 | 121 | — | — | — | — | — | — | |
| HDP 120 3 | 35.4 | 34 | 39140 | 147 | 79 | 121 | — | — | — | — | — | — | |
| HDP 120 3 | 39.9 | 30 | 40430 | 135 | 79 | — | — | — | — | — | — | — | |
| HDP 120 3 | 43.5 | 27.6 | 38980 | 120 | 79 | — | — | — | — | — | — | — | |
| HDP 120 3 | 51.6 | 23.3 | 40240 | 104 | 79 | — | — | — | — | — | — | — | |
| HDP 120 3 | 56.1 | 21.4 | 38800 | 92 | 79 | — | — | — | — | — | — | — | |
| HDP 120 3 | 64.3 | 18.7 | 40710 | 85 | — | — | — | — | — | — | — | — | |
| HDP 120 3 | 70.0 | 17.1 | 39270 | 75 | — | — | — | — | — | — | — | — | |
| HDP 120 3 | 78.9 | 15.2 | 41250 | 70 | — | — | — | — | — | — | — | — | |
| HDP 120 3 | 85.9 | 14.0 | 40540 | 63 | — | — | — | — | — | — | — | — | |
| HDP 120 3 | 101.8 | 11.8 | 41250 | 54 | — | — | — | — | — | — | — | — | |
| HDP 120 3 | 110.9 | 10.8 | 40920 | 49 | — | — | — | — | — | — | — | — | |
| HDP 120 3 | 125.2 | 9.6 | 37730 | 40 | — | — | — | — | — | — | — | — | |
| HDP 120 4 | 128.0 | 9.4 | 40750 | 43 | — | — | — | — | — | — | — | — | |
| HDP 120 4 | 139.4 | 8.6 | 40920 | 40 | — | — | — | — | — | — | — | — | |
| HDP 120 4 | 157.1 | 7.6 | 41250 | 36 | — | — | — | — | — | — | — | — | |
| HDP 120 4 | 171.1 | 7.0 | 40920 | 33 | — | — | — | — | — | — | — | — | |
| HDP 120 4 | 202.8 | 5.9 | 41250 | 28 | — | — | — | — | — | — | — | — | |
| HDP 120 4 | 220.8 | 5.4 | 40920 | 25 | — | — | — | — | — | — | — | — | |
| HDP 120 4 | 254.6 | 4.7 | 41250 | 22 | — | — | — | — | — | — | — | — | |
| HDP 120 4 | 277.2 | 4.3 | 40920 | 20 | — | — | — | — | — | — | — | — | |
| HDP 120 4 | 323.2 | 3.7 | 41250 | 17.4 | — | — | — | — | — | — | — | — | |
| HDP 120 4 | 351.9 | 3.4 | 40920 | 15.8 | — | — | — | — | — | — | — | — | |
| HDP 120 4 | 405.7 | 3.0 | 41250 | 13.9 | — | — | — | — | — | — | — | — | |
| HDP 120 4 | 454.3 | 2.6 | 40920 | 12.3 | — | — | — | — | — | — | — | — | |
| HDP 120 4 | 523.7 | 2.3 | 41250 | 10.7 | — | — | — | — | — | — | — | — | |

* 

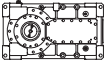
— Thermal verification not necessary



HDP

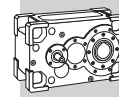
HDP 120

$n_1 = 1000 \text{ min}^{-1}$

|  | i | n_2 [min^{-1}] | Mn_2 [Nm] | Pn_1 [kW] | Tamb = 20°C | | | | | | | |
|---|-------|--------------------------------|----------------|----------------|---------------|-----------------------|----------------------|----------------------|----------------------|-------------------|----------------------|----------------------|
| | | | | | P_T [kW] | $P_{TFANL/R}$ [kW] | P_{TFANLR} [kW] | P_{TMCRA5} [kW] | P_{TMCRA9} [kW] | P_{TSR} [kW] | P_{TMCRW5} [kW] | P_{TMCRW9} [kW] |
| HDP 120 2 | 7.9 | 126 | 36820 | 508 | * | 186 | 218 | 297 | 375 | 210 | 238 | 332 |
| HDP 120 2 | 8.6 | 116 | 37900 | 480 | 124 | 186 | 218 | 297 | 375 | 210 | 238 | 332 |
| HDP 120 2 | 10.3 | 97 | 37550 | 397 | 124 | 186 | 218 | 297 | — | 210 | 238 | 332 |
| HDP 120 2 | 11.2 | 89 | 39010 | 379 | 124 | 186 | 218 | 297 | — | 210 | 238 | — |
| HDP 120 2 | 13.0 | 77 | 38520 | 323 | 124 | 186 | 218 | — | — | 210 | 238 | — |
| HDP 120 2 | 14.2 | 71 | 39590 | 305 | 124 | 186 | 218 | — | — | 210 | 238 | — |
| HDP 120 2 | 16.0 | 63 | 38920 | 266 | 124 | 186 | 218 | — | — | 210 | — | — |
| HDP 120 2 | 17.4 | 57 | 39630 | 248 | 124 | 186 | — | — | — | — | — | — |
| HDP 120 2 | 20.6 | 48 | 39000 | 206 | 124 | — | — | — | — | — | — | — |
| HDP 120 2 | 22.5 | 45 | 39380 | 191 | 124 | — | — | — | — | — | — | — |
| HDP 120 2 | 25.4 | 39 | 36270 | 156 | 124 | — | — | — | — | — | — | — |
| HDP 120 3 | 25.8 | 39 | 40090 | 173 | 120 | — | — | — | — | — | — | — |
| HDP 120 3 | 28.0 | 36 | 39180 | 155 | 120 | — | — | — | — | — | — | — |
| HDP 120 3 | 32.5 | 31 | 40450 | 138 | — | — | — | — | — | — | — | — |
| HDP 120 3 | 35.4 | 28.2 | 39000 | 122 | — | — | — | — | — | — | — | — |
| HDP 120 3 | 39.9 | 25.0 | 40300 | 112 | — | — | — | — | — | — | — | — |
| HDP 120 3 | 43.5 | 23.0 | 38850 | 99 | — | — | — | — | — | — | — | — |
| HDP 120 3 | 51.6 | 19.4 | 40480 | 87 | — | — | — | — | — | — | — | — |
| HDP 120 3 | 56.1 | 17.8 | 39040 | 77 | — | — | — | — | — | — | — | — |
| HDP 120 3 | 64.3 | 15.6 | 40860 | 71 | — | — | — | — | — | — | — | — |
| HDP 120 3 | 70.0 | 14.3 | 40390 | 64 | — | — | — | — | — | — | — | — |
| HDP 120 3 | 78.9 | 12.7 | 41250 | 58 | — | — | — | — | — | — | — | — |
| HDP 120 3 | 85.9 | 11.6 | 40920 | 53 | — | — | — | — | — | — | — | — |
| HDP 120 3 | 101.8 | 9.8 | 41250 | 45 | — | — | — | — | — | — | — | — |
| HDP 120 3 | 110.9 | 9.0 | 40920 | 41 | — | — | — | — | — | — | — | — |
| HDP 120 3 | 125.2 | 8.0 | 37730 | 34 | — | — | — | — | — | — | — | — |
| HDP 120 4 | 128.0 | 7.8 | 41250 | 37 | — | — | — | — | — | — | — | — |
| HDP 120 4 | 139.4 | 7.2 | 40920 | 33 | — | — | — | — | — | — | — | — |
| HDP 120 4 | 157.1 | 6.4 | 41250 | 30 | — | — | — | — | — | — | — | — |
| HDP 120 4 | 171.1 | 5.8 | 40920 | 27 | — | — | — | — | — | — | — | — |
| HDP 120 4 | 202.8 | 4.9 | 41250 | 23 | — | — | — | — | — | — | — | — |
| HDP 120 4 | 220.8 | 4.5 | 40920 | 21 | — | — | — | — | — | — | — | — |
| HDP 120 4 | 254.6 | 3.9 | 41250 | 18.4 | — | — | — | — | — | — | — | — |
| HDP 120 4 | 277.2 | 3.6 | 40920 | 16.8 | — | — | — | — | — | — | — | — |
| HDP 120 4 | 323.2 | 3.1 | 41250 | 14.5 | — | — | — | — | — | — | — | — |
| HDP 120 4 | 351.9 | 2.8 | 40920 | 13.2 | — | — | — | — | — | — | — | — |
| HDP 120 4 | 405.7 | 2.5 | 41250 | 11.5 | — | — | — | — | — | — | — | — |
| HDP 120 4 | 454.3 | 2.2 | 40920 | 10.2 | — | — | — | — | — | — | — | — |
| HDP 120 4 | 523.7 | 1.9 | 41250 | 8.9 | — | — | — | — | — | — | — | — |

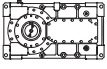
*  BONFIGLIOLI TECHNICAL SERVICE

— Thermal verification not necessary



HDP

HDP 120 $n_1 = 1000 \text{ min}^{-1}$

|  | i | n_2 [min ⁻¹] | Mn_2 [Nm] | Pn_1 [kW] | Tamb = 40°C | | | | | | | | |
|---|-------|-------------------------------|----------------|----------------|---------------|-----------------------|----------------------|----------------------|-----------------------|-------------------|----------------------|----------------------|--|
| | | | | | P_T [kW] | $P_{TFANL/R}$ [kW] | P_{TFANLR} [kW] | P_{TMCRAS} [kW] | $P_{TMCRAS9}$ [kW] | P_{TSR} [kW] | P_{TMCRW5} [kW] | P_{TMCRW9} [kW] | |
| HDP 120 2 | 7.9 | 126 | 36820 | 508 | * | * | 145 | 172 | 216 | 163 | 191 | 285 | |
| HDP 120 2 | 8.6 | 116 | 37900 | 480 | * | * | 145 | 172 | 216 | 163 | 191 | 285 | |
| HDP 120 2 | 10.3 | 97 | 37550 | 397 | * | 136 | 145 | 172 | 216 | 163 | 191 | 285 | |
| HDP 120 2 | 11.2 | 89 | 39010 | 379 | * | 136 | 145 | 172 | 216 | 163 | 191 | 285 | |
| HDP 120 2 | 13.0 | 77 | 38520 | 323 | * | 136 | 145 | 172 | 216 | 163 | 191 | — | |
| HDP 120 2 | 14.2 | 71 | 39590 | 305 | * | 136 | 145 | 172 | 216 | 163 | 191 | — | |
| HDP 120 2 | 16.0 | 63 | 38920 | 266 | 104 | 136 | 145 | 172 | 216 | 163 | 191 | — | |
| HDP 120 2 | 17.4 | 57 | 39630 | 248 | 104 | 136 | 145 | 172 | — | 163 | 191 | — | |
| HDP 120 2 | 20.6 | 48 | 39000 | 206 | 104 | 136 | 145 | 172 | — | 163 | — | — | |
| HDP 120 2 | 22.5 | 45 | 39380 | 191 | 104 | 136 | 145 | — | — | — | — | — | |
| HDP 120 2 | 25.4 | 39 | 36270 | 156 | 104 | — | — | — | — | — | — | — | |
| HDP 120 3 | 25.8 | 39 | 40090 | 173 | 83 | 116 | 132 | — | — | — | — | — | |
| HDP 120 3 | 28.0 | 36 | 39180 | 155 | 83 | 116 | 132 | — | — | — | — | — | |
| HDP 120 3 | 32.5 | 31 | 40450 | 138 | 83 | — | — | — | — | — | — | — | |
| HDP 120 3 | 35.4 | 28.2 | 39000 | 122 | 83 | — | — | — | — | — | — | — | |
| HDP 120 3 | 39.9 | 25.0 | 40300 | 112 | 83 | — | — | — | — | — | — | — | |
| HDP 120 3 | 43.5 | 23.0 | 38850 | 99 | 83 | — | — | — | — | — | — | — | |
| HDP 120 3 | 51.6 | 19.4 | 40480 | 87 | — | — | — | — | — | — | — | — | |
| HDP 120 3 | 56.1 | 17.8 | 39040 | 77 | — | — | — | — | — | — | — | — | |
| HDP 120 3 | 64.3 | 15.6 | 40860 | 71 | — | — | — | — | — | — | — | — | |
| HDP 120 3 | 70.0 | 14.3 | 40390 | 64 | — | — | — | — | — | — | — | — | |
| HDP 120 3 | 78.9 | 12.7 | 41250 | 58 | — | — | — | — | — | — | — | — | |
| HDP 120 3 | 85.9 | 11.6 | 40920 | 53 | — | — | — | — | — | — | — | — | |
| HDP 120 3 | 101.8 | 9.8 | 41250 | 45 | — | — | — | — | — | — | — | — | |
| HDP 120 3 | 110.9 | 9.0 | 40920 | 41 | — | — | — | — | — | — | — | — | |
| HDP 120 3 | 125.2 | 8.0 | 37730 | 34 | — | — | — | — | — | — | — | — | |
| HDP 120 4 | 128.0 | 7.8 | 41250 | 37 | — | — | — | — | — | — | — | — | |
| HDP 120 4 | 139.4 | 7.2 | 40920 | 33 | — | — | — | — | — | — | — | — | |
| HDP 120 4 | 157.1 | 6.4 | 41250 | 30 | — | — | — | — | — | — | — | — | |
| HDP 120 4 | 171.1 | 5.8 | 40920 | 27 | — | — | — | — | — | — | — | — | |
| HDP 120 4 | 202.8 | 4.9 | 41250 | 23 | — | — | — | — | — | — | — | — | |
| HDP 120 4 | 220.8 | 4.5 | 40920 | 21 | — | — | — | — | — | — | — | — | |
| HDP 120 4 | 254.6 | 3.9 | 41250 | 18.4 | — | — | — | — | — | — | — | — | |
| HDP 120 4 | 277.2 | 3.6 | 40920 | 16.8 | — | — | — | — | — | — | — | — | |
| HDP 120 4 | 323.2 | 3.1 | 41250 | 14.5 | — | — | — | — | — | — | — | — | |
| HDP 120 4 | 351.9 | 2.8 | 40920 | 13.2 | — | — | — | — | — | — | — | — | |
| HDP 120 4 | 405.7 | 2.5 | 41250 | 11.5 | — | — | — | — | — | — | — | — | |
| HDP 120 4 | 454.3 | 2.2 | 40920 | 10.2 | — | — | — | — | — | — | — | — | |
| HDP 120 4 | 523.7 | 1.9 | 41250 | 8.9 | — | — | — | — | — | — | — | — | |

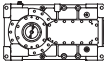
* 

— Thermal verification not necessary



HDP 125

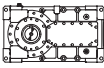
$n_1 = 1800 \text{ min}^{-1}$

|  | i | n ₂ [min ⁻¹] | Mn ₂ [Nm] | Pn ₁ [kW] | Tamb = 20°C | | | | | | | | |
|---|-------|--|-------------------------|-------------------------|------------------------|------------------------------|-----------------------------|-----------------------------|-----------------------------|--------------------------|-----------------------------|-----------------------------|--|
| | | | | | P _T [kW] | P _{TFANL/R} [kW] | P _{TFANLR} [kW] | P _{TMCRA5} [kW] | P _{TMCRA9} [kW] | P _{TSR} [kW] | P _{TMCRW5} [kW] | P _{TMCRW9} [kW] | |
| HDP 125 2 | 8.9 | 202 | 38070 | 837 | * | * | * | * | * | * | * | * | |
| HDP 125 2 | 9.6 | 187 | 38660 | 790 | * | * | * | * | * | * | * | * | |
| HDP 125 2 | 11.6 | 155 | 41280 | 697 | * | * | * | * | * | * | * | * | |
| HDP 125 2 | 12.5 | 144 | 41890 | 657 | * | * | 275 | 293 | 371 | * | * | * | |
| HDP 125 2 | 14.7 | 123 | 42740 | 571 | * | 240 | 275 | 293 | 371 | * | * | 344 | |
| HDP 125 2 | 15.8 | 114 | 43450 | 540 | * | 240 | 275 | 293 | 371 | * | 252 | 344 | |
| HDP 125 2 | 18.0 | 100 | 44090 | 480 | * | 240 | 275 | 293 | 371 | 235 | 252 | 344 | |
| HDP 125 2 | 19.4 | 93 | 45480 | 460 | 160 | 240 | 275 | 293 | 371 | 235 | 252 | 344 | |
| HDP 125 2 | 23.3 | 77 | 44580 | 376 | 160 | 240 | 275 | 293 | 371 | 235 | 252 | 344 | |
| HDP 125 2 | 25.0 | 72 | 45950 | 360 | 160 | 240 | 275 | 293 | | 235 | 252 | 344 | |
| | | | | | | | | | | | | | |
| HDP 125 3 | 29.1 | 62 | 38810 | 267 | 128 | 202 | 238 | 255 | — | 191 | 212 | — | |
| HDP 125 3 | 31.3 | 58 | 41360 | 265 | 128 | 202 | 238 | 255 | — | 191 | 212 | — | |
| HDP 125 3 | 36.7 | 49 | 43580 | 238 | 128 | 202 | 238 | — | — | 191 | 212 | — | |
| HDP 125 3 | 39.5 | 46 | 44100 | 224 | 128 | 202 | 238 | — | — | 191 | 212 | — | |
| HDP 125 3 | 45.1 | 40 | 45710 | 203 | 128 | 202 | — | — | — | 191 | — | — | |
| HDP 125 3 | 48.5 | 37 | 46240 | 191 | 128 | — | — | — | — | 191 | — | — | |
| HDP 125 3 | 58.2 | 31 | 47750 | 164 | 128 | — | — | — | — | — | — | — | |
| HDP 125 3 | 62.6 | 28.8 | 49240 | 158 | 128 | — | — | — | — | — | — | — | |
| HDP 125 3 | 72.5 | 24.8 | 46430 | 128 | 128 | — | — | — | — | — | — | — | |
| HDP 125 3 | 78.0 | 23.1 | 48180 | 124 | — | — | — | — | — | — | — | — | |
| HDP 125 3 | 89.0 | 20.2 | 47230 | 106 | — | — | — | — | — | — | — | — | |
| HDP 125 3 | 95.8 | 18.8 | 48720 | 102 | — | — | — | — | — | — | — | — | |
| HDP 125 3 | 114.9 | 15.7 | 47750 | 83 | — | — | — | — | — | — | — | — | |
| HDP 125 3 | 123.6 | 14.6 | 49240 | 80 | — | — | — | — | — | — | — | — | |
| | | | | | | | | | | | | | |
| HDP 125 4 | 144.4 | 12.5 | 40710 | 58 | — | — | — | — | — | — | — | — | |
| HDP 125 4 | 155.4 | 11.6 | 43810 | 58 | — | — | — | — | — | — | — | — | |
| HDP 125 4 | 181.2 | 9.9 | 46060 | 52 | — | — | — | — | — | — | — | — | |
| HDP 125 4 | 195.0 | 9.2 | 48180 | 50 | — | — | — | — | — | — | — | — | |
| HDP 125 4 | 222.5 | 8.1 | 47230 | 43 | — | — | — | — | — | — | — | — | |
| HDP 125 4 | 246.2 | 7.3 | 49240 | 41 | — | — | — | — | — | — | — | — | |
| HDP 125 4 | 287.2 | 6.3 | 47750 | 34 | — | — | — | — | — | — | — | — | |
| HDP 125 4 | 319.6 | 5.6 | 48180 | 31 | — | — | — | — | — | — | — | — | |
| HDP 125 4 | 364.6 | 4.9 | 47230 | 26 | — | — | — | — | — | — | — | — | |
| HDP 125 4 | 401.2 | 4.5 | 48180 | 25 | — | — | — | — | — | — | — | — | |
| HDP 125 4 | 457.7 | 3.9 | 47230 | 21 | — | — | — | — | — | — | — | — | |
| HDP 125 4 | 506.5 | 3.6 | 49240 | 19.9 | — | — | | | — | — | — | — | |

*  BONFIGLIOLI TECHNICAL SERVICE

— Thermal verification not necessary



| HDP 125 | | | | | $n_1 = 1800 \text{ min}^{-1}$ | | | | | | | | |
|---|-------|--------------------------------|----------------|----------------|-------------------------------|-----------------------|----------------------|----------------------|----------------------|-------------------|----------------------|----------------------|-----|
|  | i | n_2 [min^{-1}] | Mn_2 [Nm] | Pn_1 [kW] | Tamb = 40°C | | | | | | | | |
| | | | | | P_T [kW] | $P_{TFANL/R}$ [kW] | P_{TFANLR} [kW] | P_{TMCR45} [kW] | P_{TMCR49} [kW] | P_{TSR} [kW] | P_{TMCRW5} [kW] | P_{TMCRW9} [kW] | |
| HDP 125 2 | 8.9 | 202 | 38070 | 837 | * | * | * | * | * | * | * | * | * |
| HDP 125 2 | 9.6 | 187 | 38660 | 790 | * | * | * | * | * | * | * | * | * |
| HDP 125 2 | 11.6 | 155 | 41280 | 697 | * | * | * | * | * | * | * | * | * |
| HDP 125 2 | 12.5 | 144 | 41890 | 657 | * | * | * | * | * | * | * | * | * |
| HDP 125 2 | 14.7 | 123 | 42740 | 571 | * | * | * | * | * | * | * | * | * |
| HDP 125 2 | 15.8 | 114 | 43450 | 540 | * | * | * | * | * | * | * | * | 293 |
| HDP 125 2 | 18.0 | 100 | 44090 | 480 | * | 172 | 209 | * | 235 | * | 210 | 293 | |
| HDP 125 2 | 19.4 | 93 | 45480 | 460 | * | 172 | 209 | 192 | 235 | * | 210 | 293 | |
| HDP 125 2 | 23.3 | 77 | 44580 | 376 | * | 172 | 209 | 192 | 235 | 194 | 210 | 293 | |
| HDP 125 2 | 25.0 | 72 | 45950 | 360 | * | 172 | 209 | 192 | 235 | 194 | 210 | 293 | |
| | | | | | | | | | | | | | |
| HDP 125 3 | 29.1 | 62 | 38810 | 267 | * | 131 | 158 | 148 | 179 | 140 | 161 | 229 | |
| HDP 125 3 | 31.3 | 58 | 41360 | 265 | * | 131 | 158 | 148 | 179 | 140 | 161 | 229 | |
| HDP 125 3 | 36.7 | 49 | 43580 | 238 | * | 131 | 158 | 148 | 179 | 140 | 161 | 229 | |
| HDP 125 3 | 39.5 | 46 | 44100 | 224 | 85 | 131 | 158 | 148 | 179 | 140 | 161 | — | |
| HDP 125 3 | 45.1 | 40 | 45710 | 203 | 85 | 131 | 158 | 148 | 179 | 140 | 161 | — | |
| HDP 125 3 | 48.5 | 37 | 46240 | 191 | 85 | 131 | 158 | 148 | 179 | 140 | 161 | — | |
| HDP 125 3 | 58.2 | 31 | 47750 | 164 | 85 | 131 | 158 | 148 | — | 140 | 161 | — | |
| HDP 125 3 | 62.6 | 28.8 | 49240 | 158 | 85 | 131 | — | 148 | — | 140 | — | — | |
| HDP 125 3 | 72.5 | 24.8 | 46430 | 128 | 85 | — | — | — | — | — | — | — | |
| HDP 125 3 | 78.0 | 23.1 | 48180 | 124 | 85 | — | — | — | — | — | — | — | |
| HDP 125 3 | 89.0 | 20.2 | 47230 | 106 | 85 | — | — | — | — | — | — | — | |
| HDP 125 3 | 95.8 | 18.8 | 48720 | 102 | 85 | — | — | — | — | — | — | — | |
| HDP 125 3 | 114.9 | 15.7 | 47750 | 83 | — | — | — | — | — | — | — | — | |
| HDP 125 3 | 123.6 | 14.6 | 49240 | 80 | — | — | — | — | — | — | — | — | |
| | | | | | | | | | | | | | |
| HDP 125 4 | 144.4 | 12.5 | 40710 | 58 | — | — | — | — | — | — | — | — | |
| HDP 125 4 | 155.4 | 11.6 | 43810 | 58 | — | — | — | — | — | — | — | — | |
| HDP 125 4 | 181.2 | 9.9 | 46060 | 52 | — | — | — | — | — | — | — | — | |
| HDP 125 4 | 195.0 | 9.2 | 48180 | 50 | — | — | — | — | — | — | — | — | |
| HDP 125 4 | 222.5 | 8.1 | 47230 | 43 | — | — | — | — | — | — | — | — | |
| HDP 125 4 | 246.2 | 7.3 | 49240 | 41 | — | — | — | — | — | — | — | — | |
| HDP 125 4 | 287.2 | 6.3 | 47750 | 34 | — | — | — | — | — | — | — | — | |
| HDP 125 4 | 319.6 | 5.6 | 48180 | 31 | — | — | — | — | — | — | — | — | |
| HDP 125 4 | 364.6 | 4.9 | 47230 | 26 | — | — | — | — | — | — | — | — | |
| HDP 125 4 | 401.2 | 4.5 | 48180 | 25 | — | — | — | — | — | — | — | — | |
| HDP 125 4 | 457.7 | 3.9 | 47230 | 21 | — | — | — | — | — | — | — | — | |
| HDP 125 4 | 506.5 | 3.6 | 49240 | 19.9 | — | — | — | — | — | — | — | — | |

*  BONFIGLIOLI TECHNICAL SERVICE

— Thermal verification not necessary



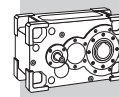
HDP 125

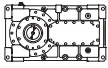
$n_1 = 1500 \text{ min}^{-1}$

| | i | n ₂ [min ⁻¹] | Mn ₂ [Nm] | Pn ₁ [kW] | Tamb = 20°C | | | | | | | |
|-----------|-------|--|-------------------------|-------------------------|------------------------|------------------------------|-----------------------------|-----------------------------|------------------------------|--------------------------|-----------------------------|-----------------------------|
| | | | | | P _T [kW] | P _{TFANL/R} [kW] | P _{TFANLR} [kW] | P _{TMCRAS} [kW] | P _{TMCRAS9} [kW] | P _{TSR} [kW] | P _{TMCRW5} [kW] | P _{TMCRW9} [kW] |
| HDP 125 2 | 8.9 | 168 | 40210 | 737 | * | * | * | * | 368 | * | * | * |
| HDP 125 2 | 9.6 | 156 | 40830 | 696 | * | * | * | 293 | 368 | * | * | 328 |
| HDP 125 2 | 11.6 | 129 | 42910 | 604 | * | 229 | 273 | 293 | 368 | * | 253 | 328 |
| HDP 125 2 | 12.5 | 120 | 44240 | 578 | * | 229 | 273 | 293 | 368 | 240 | 253 | 328 |
| HDP 125 2 | 14.7 | 102 | 43590 | 486 | 152 | 229 | 273 | 293 | 368 | 240 | 253 | 328 |
| HDP 125 2 | 15.8 | 95 | 44980 | 466 | 152 | 229 | 273 | 293 | 368 | 240 | 253 | 328 |
| HDP 125 2 | 18.0 | 83 | 44090 | 400 | 152 | 229 | 273 | 293 | 368 | 240 | 253 | 328 |
| HDP 125 2 | 19.4 | 77 | 45480 | 383 | 152 | 229 | 273 | 293 | 368 | 240 | 253 | 328 |
| HDP 125 2 | 23.3 | 64 | 44580 | 313 | 152 | 229 | 273 | 293 | — | 240 | 253 | — |
| HDP 125 2 | 25.0 | 60 | 45950 | 300 | 152 | 229 | 273 | 293 | — | 240 | 253 | — |
| HDP 125 3 | 29.1 | 52 | 40990 | 235 | 135 | 199 | — | — | — | 198 | 219 | — |
| HDP 125 3 | 31.3 | 48 | 43680 | 233 | 135 | 199 | — | — | — | 198 | 219 | — |
| HDP 125 3 | 36.7 | 41 | 46030 | 209 | 135 | 199 | — | — | — | 198 | — | — |
| HDP 125 3 | 39.5 | 38 | 46580 | 197 | 135 | — | — | — | — | 198 | — | — |
| HDP 125 3 | 45.1 | 33 | 47230 | 175 | 135 | — | — | — | — | — | — | — |
| HDP 125 3 | 48.5 | 31 | 48720 | 168 | 135 | — | — | — | — | — | — | — |
| HDP 125 3 | 58.2 | 25.8 | 47750 | 137 | 135 | — | — | — | — | — | — | — |
| HDP 125 3 | 62.6 | 24.0 | 49240 | 131 | — | — | — | — | — | — | — | — |
| HDP 125 3 | 72.5 | 20.7 | 46680 | 107 | — | — | — | — | — | — | — | — |
| HDP 125 3 | 78.0 | 19.2 | 48180 | 103 | — | — | — | — | — | — | — | — |
| HDP 125 3 | 89.0 | 16.9 | 47230 | 89 | — | — | — | — | — | — | — | — |
| HDP 125 3 | 95.8 | 15.7 | 48720 | 85 | — | — | — | — | — | — | — | — |
| HDP 125 3 | 114.9 | 13.1 | 48230 | 70 | — | — | — | — | — | — | — | — |
| HDP 125 3 | 123.6 | 12.1 | 49240 | 66 | — | — | — | — | — | — | — | — |
| HDP 125 4 | 144.4 | 10.4 | 43000 | 51 | — | — | — | — | — | — | — | — |
| HDP 125 4 | 155.4 | 9.7 | 46280 | 51 | — | — | — | — | — | — | — | — |
| HDP 125 4 | 181.2 | 8.3 | 46680 | 44 | — | — | — | — | — | — | — | — |
| HDP 125 4 | 195.0 | 7.7 | 48180 | 42 | — | — | — | — | — | — | — | — |
| HDP 125 4 | 222.5 | 6.7 | 47230 | 36 | — | — | — | — | — | — | — | — |
| HDP 125 4 | 246.2 | 6.1 | 49240 | 34 | — | — | — | — | — | — | — | — |
| HDP 125 4 | 287.2 | 5.2 | 47750 | 28 | — | — | — | — | — | — | — | — |
| HDP 125 4 | 319.6 | 4.7 | 48180 | 26 | — | — | — | — | — | — | — | — |
| HDP 125 4 | 364.6 | 4.1 | 47230 | 22 | * | — | — | — | — | — | — | — |
| HDP 125 4 | 401.2 | 3.7 | 48180 | 20 | * | — | — | — | — | — | — | — |
| HDP 125 4 | 457.7 | 3.3 | 47230 | 17.6 | * | — | — | — | — | — | — | — |
| HDP 125 4 | 506.5 | 3.0 | 49240 | 16.6 | * | — | — | — | — | — | — | — |

* BONFIGLIOLI TECHNICAL SERVICE

— Thermal verification not necessary



| HDP 125 | | | | | $n_1 = 1500 \text{ min}^{-1}$ | | | | | | | | |
|---|-------|--------------------------------|----------------|----------------|-------------------------------|-----------------------|----------------------|----------------------|----------------------|-------------------|----------------------|----------------------|-----|
|  | i | n_2 [min^{-1}] | Mn_2 [Nm] | Pn_1 [kW] | Tamb = 40°C | | | | | | | | |
| | | | | | P_T [kW] | $P_{TFANL/R}$ [kW] | P_{TFANLR} [kW] | P_{TMCR45} [kW] | P_{TMCR49} [kW] | P_{TSR} [kW] | P_{TMCRW5} [kW] | P_{TMCRW9} [kW] | |
| HDP 125 2 | 8.9 | 168 | 40210 | 737 | * | * | * | * | * | * | * | * | * |
| HDP 125 2 | 9.6 | 156 | 40830 | 696 | * | * | * | * | * | * | * | * | * |
| HDP 125 2 | 11.6 | 129 | 42910 | 604 | * | * | * | * | * | * | * | * | 291 |
| HDP 125 2 | 12.5 | 120 | 44240 | 578 | * | * | * | * | 224 | * | 199 | * | 291 |
| HDP 125 2 | 14.7 | 102 | 43590 | 486 | * | 163 | 196 | 193 | 224 | * | 199 | * | 291 |
| HDP 125 2 | 15.8 | 95 | 44980 | 466 | * | 163 | 196 | 193 | 224 | 194 | 199 | * | 291 |
| HDP 125 2 | 18.0 | 83 | 44090 | 400 | 106 | 163 | 196 | 193 | 224 | 194 | 199 | * | 291 |
| HDP 125 2 | 19.4 | 77 | 45480 | 383 | 106 | 163 | 196 | 193 | 224 | 194 | 199 | * | 291 |
| HDP 125 2 | 23.3 | 64 | 44580 | 313 | 106 | 163 | 196 | 193 | 224 | 194 | 199 | * | 291 |
| HDP 125 2 | 25.0 | 60 | 45950 | 300 | 106 | 163 | 196 | 193 | 224 | 194 | 199 | * | 291 |
| HDP 125 3 | 29.1 | 52 | 40990 | 235 | 92 | 139 | 162 | 163 | 194 | 155 | 176 | — | — |
| HDP 125 3 | 31.3 | 48 | 43680 | 233 | 92 | 139 | 162 | 163 | 194 | 155 | 176 | — | — |
| HDP 125 3 | 36.7 | 41 | 46030 | 209 | 92 | 139 | 162 | 163 | 194 | 155 | 176 | — | — |
| HDP 125 3 | 39.5 | 38 | 46580 | 197 | 92 | 139 | 162 | 163 | 194 | 155 | 176 | — | — |
| HDP 125 3 | 45.1 | 33 | 47230 | 175 | 92 | 139 | 162 | 163 | — | 155 | — | — | — |
| HDP 125 3 | 48.5 | 31 | 48720 | 168 | 92 | 139 | — | 163 | — | 155 | — | — | — |
| HDP 125 3 | 58.2 | 25.8 | 47750 | 137 | 92 | — | — | — | — | — | — | — | — |
| HDP 125 3 | 62.6 | 24.0 | 49240 | 131 | 92 | — | — | — | — | — | — | — | — |
| HDP 125 3 | 72.5 | 20.7 | 46680 | 107 | 92 | — | — | — | — | — | — | — | — |
| HDP 125 3 | 78.0 | 19.2 | 48180 | 103 | 92 | — | — | — | — | — | — | — | — |
| HDP 125 3 | 89.0 | 16.9 | 47230 | 89 | — | — | — | — | — | — | — | — | — |
| HDP 125 3 | 95.8 | 15.7 | 48720 | 85 | — | — | — | — | — | — | — | — | — |
| HDP 125 3 | 114.9 | 13.1 | 48230 | 70 | — | — | — | — | — | — | — | — | — |
| HDP 125 3 | 123.6 | 12.1 | 49240 | 66 | — | — | — | — | — | — | — | — | — |
| HDP 125 4 | 144.4 | 10.4 | 43000 | 51 | — | — | — | — | — | — | — | — | — |
| HDP 125 4 | 155.4 | 9.7 | 46280 | 51 | — | — | — | — | — | — | — | — | — |
| HDP 125 4 | 181.2 | 8.3 | 46680 | 44 | — | — | — | — | — | — | — | — | — |
| HDP 125 4 | 195.0 | 7.7 | 48180 | 42 | — | — | — | — | — | — | — | — | — |
| HDP 125 4 | 222.5 | 6.7 | 47230 | 36 | — | — | — | — | — | — | — | — | — |
| HDP 125 4 | 246.2 | 6.1 | 49240 | 34 | — | — | — | — | — | — | — | — | — |
| HDP 125 4 | 287.2 | 5.2 | 47750 | 28 | — | — | — | — | — | — | — | — | — |
| HDP 125 4 | 319.6 | 4.7 | 48180 | 26 | — | — | — | — | — | — | — | — | — |
| HDP 125 4 | 364.6 | 4.1 | 47230 | 22 | * | — | — | — | — | — | — | — | — |
| HDP 125 4 | 401.2 | 3.7 | 48180 | 20 | * | — | — | — | — | — | — | — | — |
| HDP 125 4 | 457.7 | 3.3 | 47230 | 17.6 | * | — | — | — | — | — | — | — | — |
| HDP 125 4 | 506.5 | 3.0 | 49240 | 16.6 | * | — | — | — | — | — | — | — | — |

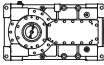
* 

— Thermal verification not necessary



HDP 125

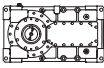
$n_1 = 1200 \text{ min}^{-1}$

|  | i | n ₂ [min ⁻¹] | Mn ₂ [Nm] | Pn ₁ [kW] | T _{amb} = 20°C | | | | | | | |
|---|-------|--|-------------------------|-------------------------|-------------------------|------------------------------|-----------------------------|-----------------------------|-----------------------------|--------------------------|-----------------------------|-----------------------------|
| | | | | | P _T [kW] | P _{TFANL/R} [kW] | P _{TFANLR} [kW] | P _{TMCRA5} [kW] | P _{TMCRA9} [kW] | P _{TSR} [kW] | P _{TMCRW5} [kW] | P _{TMCRW9} [kW] |
| HDP 125 2 | 8.9 | 135 | 42100 | 617 | * | * | 257 | 309 | 387 | * | 250 | 344 |
| HDP 125 2 | 9.6 | 125 | 43500 | 593 | * | 219 | 257 | 309 | 387 | * | 250 | 344 |
| HDP 125 2 | 11.6 | 103 | 42910 | 483 | 151 | 219 | 257 | 309 | 387 | 239 | 250 | 344 |
| HDP 125 2 | 12.5 | 96 | 44300 | 463 | 151 | 219 | 257 | 309 | 387 | 239 | 250 | 344 |
| HDP 125 2 | 14.7 | 82 | 43590 | 388 | 151 | 219 | 257 | 309 | — | 239 | 250 | 344 |
| HDP 125 2 | 15.8 | 76 | 44980 | 372 | 151 | 219 | 257 | 309 | — | 239 | 250 | — |
| HDP 125 2 | 18.0 | 67 | 44090 | 320 | 151 | 219 | 257 | — | — | 239 | 250 | — |
| HDP 125 2 | 19.4 | 62 | 45480 | 307 | 151 | 219 | 257 | — | — | 239 | 250 | — |
| HDP 125 2 | 23.3 | 52 | 44580 | 251 | 151 | 219 | — | — | — | — | — | — |
| HDP 125 2 | 25.0 | 48 | 45950 | 240 | 151 | 219 | — | — | — | — | — | — |
| HDP 125 3 | 29.1 | 41 | 43830 | 201 | 140 | 198 | — | — | — | — | — | — |
| HDP 125 3 | 31.3 | 38 | 46710 | 199 | 140 | — | — | — | — | — | — | — |
| HDP 125 3 | 36.7 | 33 | 46680 | 170 | 140 | — | — | — | — | — | — | — |
| HDP 125 3 | 39.5 | 30 | 48180 | 163 | 140 | — | — | — | — | — | — | — |
| HDP 125 3 | 45.1 | 26.6 | 47230 | 140 | — | — | — | — | — | — | — | — |
| HDP 125 3 | 48.5 | 24.7 | 48720 | 134 | — | — | — | — | — | — | — | — |
| HDP 125 3 | 58.2 | 20.6 | 47750 | 110 | — | — | — | — | — | — | — | — |
| HDP 125 3 | 62.6 | 19.2 | 49240 | 105 | — | — | — | — | — | — | — | — |
| HDP 125 3 | 72.5 | 16.6 | 46680 | 86 | — | — | — | — | — | — | — | — |
| HDP 125 3 | 78.0 | 15.4 | 48180 | 82 | — | — | — | — | — | — | — | — |
| HDP 125 3 | 89.0 | 13.5 | 47230 | 71 | — | — | — | — | — | — | — | — |
| HDP 125 3 | 95.8 | 12.5 | 48720 | 68 | — | — | — | — | — | — | — | — |
| HDP 125 3 | 114.9 | 10.4 | 48230 | 56 | — | — | — | — | — | — | — | — |
| HDP 125 3 | 123.6 | 9.7 | 49240 | 53 | — | — | — | — | — | — | — | — |
| HDP 125 4 | 144.4 | 8.3 | 45980 | 43 | — | — | — | — | — | — | — | — |
| HDP 125 4 | 155.4 | 7.7 | 48180 | 42 | — | — | — | — | — | — | — | — |
| HDP 125 4 | 181.2 | 6.6 | 46680 | 35 | — | — | — | — | — | — | — | — |
| HDP 125 4 | 195.0 | 6.2 | 48180 | 34 | — | — | — | — | — | — | — | — |
| HDP 125 4 | 222.5 | 5.4 | 47230 | 29 | — | — | — | — | — | — | — | — |
| HDP 125 4 | 246.2 | 4.9 | 49240 | 27 | — | — | — | — | — | — | — | — |
| HDP 125 4 | 287.2 | 4.2 | 47750 | 23 | — | — | — | — | — | — | — | — |
| HDP 125 4 | 319.6 | 3.8 | 48180 | 21 | — | — | — | — | — | — | — | — |
| HDP 125 4 | 364.6 | 3.3 | 47230 | 17.6 | — | — | — | — | — | — | — | — |
| HDP 125 4 | 401.2 | 3.0 | 48180 | 16.4 | — | — | — | — | — | — | — | — |
| HDP 125 4 | 457.7 | 2.6 | 47230 | 14.1 | — | — | — | — | — | — | — | — |
| HDP 125 4 | 506.5 | 2.4 | 49240 | 13.2 | — | — | — | — | — | — | — | — |

*  BONFIGLIOLI TECHNICAL SERVICE

— Thermal verification not necessary



| HDP 125 | | | | | $n_1 = 1200 \text{ min}^{-1}$ | | | | | | | | |
|---|-------|--------------------------------|----------------|----------------|-------------------------------|-----------------------|----------------------|----------------------|----------------------|-------------------|----------------------|----------------------|--|
|  | i | n_2 [min^{-1}] | Mn_2 [Nm] | Pn_1 [kW] | Tamb = 40°C | | | | | | | | |
| | | | | | P_T [kW] | $P_{TFANL/R}$ [kW] | P_{TFANLR} [kW] | P_{TMCR45} [kW] | P_{TMCR49} [kW] | P_{TSR} [kW] | P_{TMCRW5} [kW] | P_{TMCRW9} [kW] | |
| HDP 125 2 | 8.9 | 135 | 42100 | 617 | * | * | * | * | 214 | * | * | 283 | |
| HDP 125 2 | 9.6 | 125 | 43500 | 593 | * | * | 165 | 172 | 214 | * | 191 | 283 | |
| HDP 125 2 | 11.6 | 103 | 42910 | 483 | * | 151 | 165 | 172 | 214 | * | 191 | 283 | |
| HDP 125 2 | 12.5 | 96 | 44300 | 463 | * | 151 | 165 | 172 | 214 | 179 | 191 | 283 | |
| HDP 125 2 | 14.7 | 82 | 43590 | 388 | * | 151 | 165 | 172 | 214 | 179 | 191 | 283 | |
| HDP 125 2 | 15.8 | 76 | 44980 | 372 | * | 151 | 165 | 172 | 214 | 179 | 191 | 283 | |
| HDP 125 2 | 18.0 | 67 | 44090 | 320 | * | 151 | 165 | 172 | 214 | 179 | 191 | 283 | |
| HDP 125 2 | 19.4 | 62 | 45480 | 307 | 117 | 151 | 165 | 172 | 214 | 179 | 191 | 283 | |
| HDP 125 2 | 23.3 | 52 | 44580 | 251 | 117 | 151 | 165 | 172 | 214 | 179 | 191 | — | |
| HDP 125 2 | 25.0 | 48 | 45950 | 240 | 117 | 151 | 165 | 172 | 214 | 179 | 191 | — | |
| HDP 125 3 | 29.1 | 41 | 43830 | 201 | 97 | 139 | 160 | 168 | — | 160 | 181 | — | |
| HDP 125 3 | 31.3 | 38 | 46710 | 199 | 97 | 139 | 160 | 168 | — | 160 | — | — | |
| HDP 125 3 | 36.7 | 33 | 46680 | 170 | 97 | 139 | 160 | 168 | — | 160 | — | — | |
| HDP 125 3 | 39.5 | 30 | 48180 | 163 | 97 | 139 | 160 | — | — | 160 | — | — | |
| HDP 125 3 | 45.1 | 26.6 | 47230 | 140 | 97 | 139 | — | — | — | — | — | — | |
| HDP 125 3 | 48.5 | 24.7 | 48720 | 134 | 97 | — | — | — | — | — | — | — | |
| HDP 125 3 | 58.2 | 20.6 | 47750 | 110 | 97 | — | — | — | — | — | — | — | |
| HDP 125 3 | 62.6 | 19.2 | 49240 | 105 | 97 | — | — | — | — | — | — | — | |
| HDP 125 3 | 72.5 | 16.6 | 46680 | 86 | — | — | — | — | — | — | — | — | |
| HDP 125 3 | 78.0 | 15.4 | 48180 | 82 | — | — | — | — | — | — | — | — | |
| HDP 125 3 | 89.0 | 13.5 | 47230 | 71 | — | — | — | — | — | — | — | — | |
| HDP 125 3 | 95.8 | 12.5 | 48720 | 68 | — | — | — | — | — | — | — | — | |
| HDP 125 3 | 114.9 | 10.4 | 48230 | 56 | — | — | — | — | — | — | — | — | |
| HDP 125 3 | 123.6 | 9.7 | 49240 | 53 | — | — | — | — | — | — | — | — | |
| HDP 125 4 | 144.4 | 8.3 | 45980 | 43 | — | — | — | — | — | — | — | — | |
| HDP 125 4 | 155.4 | 7.7 | 48180 | 42 | — | — | — | — | — | — | — | — | |
| HDP 125 4 | 181.2 | 6.6 | 46680 | 35 | — | — | — | — | — | — | — | — | |
| HDP 125 4 | 195.0 | 6.2 | 48180 | 34 | — | — | — | — | — | — | — | — | |
| HDP 125 4 | 222.5 | 5.4 | 47230 | 29 | — | — | — | — | — | — | — | — | |
| HDP 125 4 | 246.2 | 4.9 | 49240 | 27 | — | — | — | — | — | — | — | — | |
| HDP 125 4 | 287.2 | 4.2 | 47750 | 23 | — | — | — | — | — | — | — | — | |
| HDP 125 4 | 319.6 | 3.8 | 48180 | 21 | — | — | — | — | — | — | — | — | |
| HDP 125 4 | 364.6 | 3.3 | 47230 | 17.6 | — | — | — | — | — | — | — | — | |
| HDP 125 4 | 401.2 | 3.0 | 48180 | 16.4 | — | — | — | — | — | — | — | — | |
| HDP 125 4 | 457.7 | 2.6 | 47230 | 14.1 | — | — | — | — | — | — | — | — | |
| HDP 125 4 | 506.5 | 2.4 | 49240 | 13.2 | — | — | — | — | — | — | — | — | |

*  BONFIGLIOLI TECHNICAL SERVICE

— Thermal verification not necessary



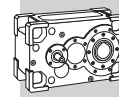
HDP 125

$n_1 = 1000 \text{ min}^{-1}$

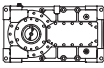
| | i | n_2 [min ⁻¹] | Mn_2 [Nm] | Pn_1 [kW] | Tamb = 20°C | | | | | | | |
|-----------|-------|-------------------------------|----------------|----------------|---------------|-----------------------|----------------------|----------------------|-----------------------|-------------------|----------------------|-----------------------|
| | | | | | P_T [kW] | $P_{TFANL/R}$ [kW] | P_{TFANLR} [kW] | P_{TMCRAS} [kW] | $P_{TMCRAS9}$ [kW] | P_{TSR} [kW] | P_{TMCRWS} [kW] | $P_{TMCRWS9}$ [kW] |
| HDP 125 2 | 8.9 | 112 | 42100 | 514 | * | 211 | 243 | 322 | 400 | 235 | 263 | 357 |
| HDP 125 2 | 9.6 | 104 | 43500 | 494 | 149 | 211 | 243 | 322 | 400 | 235 | 263 | 357 |
| HDP 125 2 | 11.6 | 86 | 42910 | 402 | 149 | 211 | 243 | 322 | 400 | 235 | 263 | 357 |
| HDP 125 2 | 12.5 | 80 | 44300 | 386 | 149 | 211 | 243 | 322 | — | 235 | 263 | 357 |
| HDP 125 2 | 14.7 | 68 | 43590 | 324 | 149 | 211 | 243 | 322 | — | 235 | 263 | — |
| HDP 125 2 | 15.8 | 63 | 44980 | 310 | 149 | 211 | 243 | — | — | 235 | 263 | — |
| HDP 125 2 | 18.0 | 55 | 44530 | 269 | 149 | 211 | 243 | — | — | 235 | 263 | — |
| HDP 125 2 | 19.4 | 52 | 45480 | 256 | 149 | 211 | 243 | — | — | 235 | — | — |
| HDP 125 2 | 23.3 | 43 | 44580 | 209 | 149 | — | — | — | — | — | — | — |
| HDP 125 2 | 25.0 | 40 | 45950 | 200 | 149 | — | — | — | — | — | — | — |
| HDP 125 3 | 29.1 | 34 | 45940 | 176 | 144 | — | — | — | — | — | — | — |
| HDP 125 3 | 31.3 | 32 | 47450 | 169 | 144 | — | — | — | — | — | — | — |
| HDP 125 3 | 36.7 | 27.2 | 47150 | 143 | — | — | — | — | — | — | — | — |
| HDP 125 3 | 39.5 | 25.3 | 48180 | 136 | — | — | — | — | — | — | — | — |
| HDP 125 3 | 45.1 | 22.2 | 47230 | 117 | — | — | — | — | — | — | — | — |
| HDP 125 3 | 48.5 | 20.6 | 48720 | 112 | — | — | — | — | — | — | — | — |
| HDP 125 3 | 58.2 | 17.2 | 48230 | 92 | — | — | — | — | — | — | — | — |
| HDP 125 3 | 62.6 | 16.0 | 49240 | 88 | — | — | — | — | — | — | — | — |
| HDP 125 3 | 72.5 | 13.8 | 47150 | 72 | — | — | — | — | — | — | — | — |
| HDP 125 3 | 78.0 | 12.8 | 48180 | 69 | — | — | — | — | — | — | — | — |
| HDP 125 3 | 89.0 | 11.2 | 47230 | 59 | — | — | — | — | — | — | — | — |
| HDP 125 3 | 95.8 | 10.4 | 48720 | 57 | — | — | — | — | — | — | — | — |
| HDP 125 3 | 114.9 | 8.7 | 48230 | 47 | — | — | — | — | — | — | — | — |
| HDP 125 3 | 123.6 | 8.1 | 49240 | 44 | — | — | — | — | — | — | — | — |
| HDP 125 4 | 144.4 | 6.9 | 46680 | 37 | — | — | — | — | — | — | — | — |
| HDP 125 4 | 155.4 | 6.4 | 48180 | 35 | — | — | — | — | — | — | — | — |
| HDP 125 4 | 181.2 | 5.5 | 46680 | 29 | — | — | — | — | — | — | — | — |
| HDP 125 4 | 195.0 | 5.1 | 48180 | 28 | — | — | — | — | — | — | — | — |
| HDP 125 4 | 222.5 | 4.5 | 47230 | 24 | — | — | — | — | — | — | — | — |
| HDP 125 4 | 246.2 | 4.1 | 49240 | 23 | — | — | — | — | — | — | — | — |
| HDP 125 4 | 287.2 | 3.5 | 47750 | 18.9 | — | — | — | — | — | — | — | — |
| HDP 125 4 | 319.6 | 3.1 | 48180 | 17.1 | — | — | — | — | — | — | — | — |
| HDP 125 4 | 364.6 | 2.7 | 47230 | 14.7 | — | — | — | — | — | — | — | — |
| HDP 125 4 | 401.2 | 2.5 | 48180 | 13.6 | — | — | — | — | — | — | — | — |
| HDP 125 4 | 457.7 | 2.2 | 47230 | 11.7 | — | — | — | — | — | — | — | — |
| HDP 125 4 | 506.5 | 2.0 | 49240 | 11.0 | — | — | — | — | — | — | — | — |

* BONFIGLIOLI TECHNICAL SERVICE

— Thermal verification not necessary



HDP

| HDP 125 | | | | | $n_1 = 1000 \text{ min}^{-1}$ | | | | | | | | |
|---|-------|--------------------------------|----------------|----------------|-------------------------------|-----------------------|----------------------|----------------------|----------------------|-------------------|----------------------|----------------------|--|
|  | i | n_2 [min^{-1}] | Mn_2 [Nm] | Pn_1 [kW] | Tamb = 40°C | | | | | | | | |
| | | | | | P_T [kW] | $P_{TFANL/R}$ [kW] | P_{TFANLR} [kW] | P_{TMCR45} [kW] | P_{TMCR49} [kW] | P_{TSR} [kW] | P_{TMCRW5} [kW] | P_{TMCRW9} [kW] | |
| HDP 125 2 | 8.9 | 112 | 42100 | 514 | * | * | 156 | 183 | 227 | 174 | 202 | 296 | |
| HDP 125 2 | 9.6 | 104 | 43500 | 494 | * | * | 156 | 183 | 227 | 174 | 202 | 296 | |
| HDP 125 2 | 11.6 | 86 | 42910 | 402 | * | 147 | 156 | 183 | 227 | 174 | 202 | 296 | |
| HDP 125 2 | 12.5 | 80 | 44300 | 386 | * | 147 | 156 | 183 | 227 | 174 | 202 | 296 | |
| HDP 125 2 | 14.7 | 68 | 43590 | 324 | * | 147 | 156 | 183 | 227 | 174 | 202 | 296 | |
| HDP 125 2 | 15.8 | 63 | 44980 | 310 | 115 | 147 | 156 | 183 | 227 | 174 | 202 | 296 | |
| HDP 125 2 | 18.0 | 55 | 44530 | 269 | 115 | 147 | 156 | 183 | 227 | 174 | 202 | — | |
| HDP 125 2 | 19.4 | 52 | 45480 | 256 | 115 | 147 | 156 | 183 | 227 | 174 | 202 | — | |
| HDP 125 2 | 23.3 | 43 | 44580 | 209 | 115 | 147 | 156 | 183 | — | 174 | 202 | — | |
| HDP 125 2 | 25.0 | 40 | 45950 | 200 | 115 | 147 | 156 | 183 | — | 174 | — | — | |
| HDP 125 3 | 29.1 | 34 | 45940 | 176 | 101 | 134 | 150 | — | — | — | — | — | |
| HDP 125 3 | 31.3 | 32 | 47450 | 169 | 101 | 134 | 150 | — | — | — | — | — | |
| HDP 125 3 | 36.7 | 27.2 | 47150 | 143 | 101 | 134 | — | — | — | — | — | — | |
| HDP 125 3 | 39.5 | 25.3 | 48180 | 136 | 101 | 134 | — | — | — | — | — | — | |
| HDP 125 3 | 45.1 | 22.2 | 47230 | 117 | 101 | — | — | — | — | — | — | — | |
| HDP 125 3 | 48.5 | 20.6 | 48720 | 112 | 101 | — | — | — | — | — | — | — | |
| HDP 125 3 | 58.2 | 17.2 | 48230 | 92 | — | — | — | — | — | — | — | — | |
| HDP 125 3 | 62.6 | 16.0 | 49240 | 88 | — | — | — | — | — | — | — | — | |
| HDP 125 3 | 72.5 | 13.8 | 47150 | 72 | — | — | — | — | — | — | — | — | |
| HDP 125 3 | 78.0 | 12.8 | 48180 | 69 | — | — | — | — | — | — | — | — | |
| HDP 125 3 | 89.0 | 11.2 | 47230 | 59 | — | — | — | — | — | — | — | — | |
| HDP 125 3 | 95.8 | 10.4 | 48720 | 57 | — | — | — | — | — | — | — | — | |
| HDP 125 3 | 114.9 | 8.7 | 48230 | 47 | — | — | — | — | — | — | — | — | |
| HDP 125 3 | 123.6 | 8.1 | 49240 | 44 | — | — | — | — | — | — | — | — | |
| HDP 125 4 | 144.4 | 6.9 | 46680 | 37 | — | — | — | — | — | — | — | — | |
| HDP 125 4 | 155.4 | 6.4 | 48180 | 35 | — | — | — | — | — | — | — | — | |
| HDP 125 4 | 181.2 | 5.5 | 46680 | 29 | — | — | — | — | — | — | — | — | |
| HDP 125 4 | 195.0 | 5.1 | 48180 | 28 | — | — | — | — | — | — | — | — | |
| HDP 125 4 | 222.5 | 4.5 | 47230 | 24 | — | — | — | — | — | — | — | — | |
| HDP 125 4 | 246.2 | 4.1 | 49240 | 23 | — | — | — | — | — | — | — | — | |
| HDP 125 4 | 287.2 | 3.5 | 47750 | 18.9 | — | — | — | — | — | — | — | — | |
| HDP 125 4 | 319.6 | 3.1 | 48180 | 17.1 | — | — | — | — | — | — | — | — | |
| HDP 125 4 | 364.6 | 2.7 | 47230 | 14.7 | — | — | — | — | — | — | — | — | |
| HDP 125 4 | 401.2 | 2.5 | 48180 | 13.6 | — | — | — | — | — | — | — | — | |
| HDP 125 4 | 457.7 | 2.2 | 47230 | 11.7 | — | — | — | — | — | — | — | — | |
| HDP 125 4 | 506.5 | 2.0 | 49240 | 11.0 | — | — | — | — | — | — | — | — | |

* 

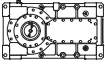
— Thermal verification not necessary



HDP

HDP 130

$n_1 = 1800 \text{ min}^{-1}$

|  | i | n ₂ [min ⁻¹] | Mn ₂ [Nm] | Pn ₁ [kW] | Tamb = 20°C | | | | | | | | | | | | |
|---|-------|--|-------------------------|-------------------------|------------------------|------------------------------|-----------------------------|-----------------------------|-----------------------------|------------------------------|------------------------------|--------------------------|-----------------------------|-----------------------------|------------------------------|------------------------------|---|
| | | | | | P _T [kW] | P _{TFANL/R} [kW] | P _{TFANLR} [kW] | P _{TMCRA5} [kW] | P _{TMCRA9} [kW] | P _{TMCRA21} [kW] | P _{TMCRA34} [kW] | P _{TSR} [kW] | P _{TMCRW5} [kW] | P _{TMCRW9} [kW] | P _{TMCRW21} [kW] | P _{TMCRW34} [kW] | |
| HDP 130 2 | 7.3 | 248 | 45820 | 1238 | * | * | * | * | * | * | | | * | * | * | * | |
| HDP 130 2 | 7.9 | 227 | 48550 | 1202 | * | * | * | * | * | * | | | * | * | * | * | |
| HDP 130 2 | 8.6 | 209 | 48410 | 1103 | * | * | * | * | * | * | | | * | * | * | * | |
| HDP 130 2 | 9.4 | 191 | 51170 | 1068 | * | * | * | * | * | 620 | | | * | * | * | * | |
| HDP 130 2 | 11.3 | 159 | 53590 | 930 | * | * | 411 | 334 | 412 | 620 | | | * | * | * | 529 | |
| HDP 130 2 | 12.3 | 146 | 54820 | 872 | * | * | 411 | 334 | 412 | 620 | ⊖ | | * | * | * | 529 | ⊖ |
| HDP 130 2 | 14.1 | 127 | 54730 | 760 | * | 354 | 411 | 334 | 412 | 620 | | | * | * | 393 | 529 | |
| HDP 130 2 | 15.4 | 117 | 56150 | 714 | * | 354 | 411 | 334 | 412 | 620 | | | * | 302 | 393 | 529 | |
| HDP 130 2 | 17.4 | 103 | 58690 | 661 | * | 354 | 411 | 334 | 412 | — | | | * | 302 | 393 | 529 | |
| HDP 130 2 | 19.0 | 95 | 62410 | 644 | * | 354 | 411 | 334 | 412 | — | | | 310 | 302 | 393 | 529 | |
| HDP 130 2 | 21.7 | 83 | 64410 | 584 | 206 | 354 | 411 | 334 | 412 | — | | | 310 | 302 | 393 | — | |
| HDP 130 3 | 21.8 | 83 | 62200 | 572 | * | 266 | 324 | 273 | 330 | 506 | — | | * | 230 | 298 | 414 | — |
| HDP 130 3 | 23.8 | 76 | 62590 | 527 | * | 266 | 324 | 273 | 330 | — | — | | * | 230 | 298 | 414 | — |
| HDP 130 3 | 28.6 | 63 | 65230 | 457 | 155 | 266 | 324 | 273 | 330 | — | — | | 257 | 230 | 298 | — | — |
| HDP 130 3 | 31.2 | 58 | 62590 | 401 | 155 | 266 | 324 | 273 | 330 | — | — | | 257 | 230 | 298 | — | — |
| HDP 130 3 | 35.7 | 50 | 62040 | 348 | 155 | 266 | — | 273 | — | — | — | | 257 | 230 | 298 | — | — |
| HDP 130 3 | 39.0 | 46 | 62590 | 321 | 155 | 266 | — | 273 | — | — | — | | 257 | 230 | — | — | — |
| HDP 130 3 | 44.1 | 41 | 64510 | 293 | 155 | — | — | — | — | — | — | | 257 | 230 | — | — | — |
| HDP 130 3 | 48.1 | 37 | 62590 | 260 | 155 | — | — | — | — | — | — | | — | 230 | — | — | — |
| HDP 130 3 | 56.5 | 32 | 65020 | 230 | 155 | — | — | — | — | — | — | | — | — | — | — | — |
| HDP 130 3 | 61.7 | 29.2 | 62270 | 202 | 155 | — | — | — | — | — | — | | — | — | — | — | — |
| HDP 130 3 | 70.7 | 25.5 | 64730 | 183 | 155 | — | — | — | — | — | — | | — | — | — | — | — |
| HDP 130 3 | 77.1 | 23.3 | 62000 | 161 | — | — | — | — | — | — | — | | — | — | — | — | — |
| HDP 130 3 | 87.2 | 20.7 | 64510 | 148 | — | — | — | — | — | — | — | | — | — | — | — | — |
| HDP 130 3 | 95.1 | 18.9 | 62590 | 132 | — | — | — | — | — | — | — | | — | — | — | — | — |
| HDP 130 3 | 108.3 | 16.6 | 58960 | 109 | — | — | — | — | — | — | — | | — | — | — | — | — |
| HDP 130 4 | 111.2 | 16.2 | 57640 | 106 | — | — | — | — | — | — | — | | — | — | — | — | — |
| HDP 130 4 | 121.4 | 14.8 | 62590 | 105 | — | — | — | — | — | — | — | | — | — | — | — | — |
| HDP 130 4 | 139.0 | 13.0 | 65230 | 96 | — | — | — | — | — | — | — | | — | — | — | — | — |
| HDP 130 4 | 151.7 | 11.9 | 62590 | 84 | — | — | — | — | — | — | — | | — | — | — | — | — |
| HDP 130 4 | 176.7 | 10.2 | 64840 | 75 | — | — | — | — | — | — | — | | — | — | — | — | — |
| HDP 130 4 | 192.9 | 9.3 | 62590 | 66 | — | — | — | — | — | — | — | | — | — | — | — | — |
| HDP 130 4 | 217.9 | 8.3 | 64510 | 61 | — | — | — | — | — | — | — | | — | — | — | — | — |
| HDP 130 4 | 237.9 | 7.6 | 62590 | 54 | — | — | — | — | — | — | — | | — | — | — | — | — |
| HDP 130 4 | 274.5 | 6.6 | 65230 | 49 | — | — | — | — | — | — | — | | — | — | — | — | — |
| HDP 130 4 | 299.6 | 6.0 | 62590 | 43 | — | — | — | — | — | — | — | | — | — | — | — | — |
| HDP 130 4 | 348.9 | 5.2 | 65230 | 38 | — | — | — | — | — | — | — | | — | — | — | — | — |
| HDP 130 4 | 380.9 | 4.7 | 62590 | 34 | — | — | — | — | — | — | — | | — | — | — | — | — |
| HDP 130 4 | 469.8 | 3.8 | 62590 | 27 | — | — | — | — | — | — | — | | — | — | — | — | — |
| HDP 130 4 | 534.5 | 3.4 | 58960 | 23 | — | — | — | — | — | — | — | | — | — | — | — | — |

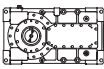
*  BONFIGLIOLI TECHNICAL SERVICE

— Thermal verification not necessary



HDP

HDP 130 $n_1 = 1800 \text{ min}^{-1}$

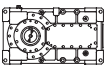
|  | i | n ₂ [min ⁻¹] | Mn ₂ [Nm] | Pn ₁ [kW] | Tamb = 40°C | | | | | | | | | | | |
|---|-------|--|-------------------------|-------------------------|------------------------|------------------------------|-----------------------------|-----------------------------|-----------------------------|------------------------------|------------------------------|--------------------------|-----------------------------|-----------------------------|------------------------------|------------------------------|
| | | | | | P _T [kW] | P _{TFANL/R} [kW] | P _{TFANLR} [kW] | P _{TMCRA5} [kW] | P _{TMCRA9} [kW] | P _{TMCRA21} [kW] | P _{TMCRA34} [kW] | P _{TSR} [kW] | P _{TMCRW5} [kW] | P _{TMCRW9} [kW] | P _{TMCRW21} [kW] | P _{TMCRW34} [kW] |
| HDP 130 2 | 7.3 | 248 | 45820 | 1238 | * | * | * | * | * | * | | * | * | * | * | |
| HDP 130 2 | 7.9 | 227 | 48550 | 1202 | * | * | * | * | * | * | | * | * | * | * | |
| HDP 130 2 | 8.6 | 209 | 48410 | 1103 | * | * | * | * | * | * | | * | * | * | * | |
| HDP 130 2 | 9.4 | 191 | 51170 | 1068 | * | * | * | * | * | * | | * | * | * | * | |
| HDP 130 2 | 11.3 | 159 | 53590 | 930 | * | * | * | * | * | * | | * | * | * | * | |
| HDP 130 2 | 12.3 | 146 | 54820 | 872 | * | * | * | * | * | * | ⊖ | * | * | * | * | ⊖ |
| HDP 130 2 | 14.1 | 127 | 54730 | 760 | * | 237 | 297 | * | * | * | | * | * | * | * | |
| HDP 130 2 | 15.4 | 117 | 56150 | 714 | * | 237 | 297 | * | * | 390 | | * | * | * | 484 | |
| HDP 130 2 | 17.4 | 103 | 58690 | 661 | * | 237 | 297 | 226 | 270 | 390 | | * | * | 339 | 484 | |
| HDP 130 2 | 19.0 | 95 | 62410 | 644 | * | 237 | 297 | 226 | 270 | 390 | | * | * | 339 | 484 | |
| HDP 130 2 | 21.7 | 83 | 64410 | 584 | * | 237 | 297 | 226 | 270 | 390 | | 241 | 250 | 339 | 484 | |
| HDP 130 3 | 21.8 | 83 | 62200 | 572 | * | * | 220 | * | * | * | 360 | * | * | * | * | — |
| HDP 130 3 | 23.8 | 76 | 62590 | 527 | * | * | 220 | * | * | * | 360 | * | * | * | 360 | — |
| HDP 130 3 | 28.6 | 63 | 65230 | 457 | * | 187 | 220 | * | * | 299 | 360 | * | * | * | 360 | — |
| HDP 130 3 | 31.2 | 58 | 62590 | 401 | * | 187 | 220 | * | 202 | 299 | — | * | * | 252 | — | — |
| HDP 130 3 | 35.7 | 50 | 62040 | 348 | * | 187 | 220 | 175 | 202 | 299 | — | * | 188 | 252 | — | — |
| HDP 130 3 | 39.0 | 46 | 62590 | 321 | 105 | 187 | 220 | 175 | 202 | — | — | 207 | 188 | 252 | — | — |
| HDP 130 3 | 44.1 | 41 | 64510 | 293 | 105 | 187 | 220 | 175 | 202 | — | — | 207 | 188 | 252 | — | — |
| HDP 130 3 | 48.1 | 37 | 62590 | 260 | 105 | 187 | 220 | 175 | 202 | — | — | 207 | 188 | — | — | — |
| HDP 130 3 | 56.5 | 32 | 65020 | 230 | 105 | 187 | — | 175 | 202 | — | — | — | 188 | — | — | — |
| HDP 130 3 | 61.7 | 29.2 | 62270 | 202 | 105 | — | — | 175 | — | — | — | — | — | — | — | — |
| HDP 130 3 | 70.7 | 25.5 | 64730 | 183 | 105 | — | — | — | — | — | — | — | — | — | — | — |
| HDP 130 3 | 77.1 | 23.3 | 62000 | 161 | 105 | — | — | — | — | — | — | — | — | — | — | — |
| HDP 130 3 | 87.2 | 20.7 | 64510 | 148 | 105 | — | — | — | — | — | — | — | — | — | — | — |
| HDP 130 3 | 95.1 | 18.9 | 62590 | 132 | 105 | — | — | — | — | — | — | — | — | — | — | — |
| HDP 130 3 | 108.3 | 16.6 | 58960 | 109 | — | — | — | — | — | — | — | — | — | — | — | — |
| HDP 130 4 | 111.2 | 16.2 | 57640 | 106 | 75 | — | — | — | — | — | — | — | — | — | — | — |
| HDP 130 4 | 121.4 | 14.8 | 62590 | 105 | 75 | — | — | — | — | — | — | — | — | — | — | — |
| HDP 130 4 | 139.0 | 13.0 | 65230 | 96 | 75 | — | — | — | — | — | — | — | — | — | — | — |
| HDP 130 4 | 151.7 | 11.9 | 62590 | 84 | — | — | — | — | — | — | — | — | — | — | — | — |
| HDP 130 4 | 176.7 | 10.2 | 64840 | 75 | — | — | — | — | — | — | — | — | — | — | — | — |
| HDP 130 4 | 192.9 | 9.3 | 62590 | 66 | — | — | — | — | — | — | — | — | — | — | — | — |
| HDP 130 4 | 217.9 | 8.3 | 64510 | 61 | — | — | — | — | — | — | — | — | — | — | — | — |
| HDP 130 4 | 237.9 | 7.6 | 62590 | 54 | — | — | — | — | — | — | — | — | — | — | — | — |
| HDP 130 4 | 274.5 | 6.6 | 65230 | 49 | — | — | — | — | — | — | — | — | — | — | — | — |
| HDP 130 4 | 299.6 | 6.0 | 62590 | 43 | — | — | — | — | — | — | — | — | — | — | — | — |
| HDP 130 4 | 348.9 | 5.2 | 65230 | 38 | — | — | — | — | — | — | — | — | — | — | — | — |
| HDP 130 4 | 380.9 | 4.7 | 62590 | 34 | — | — | — | — | — | — | — | — | — | — | — | — |
| HDP 130 4 | 469.8 | 3.8 | 62590 | 27 | — | — | — | — | — | — | — | — | — | — | — | — |
| HDP 130 4 | 534.5 | 3.4 | 58960 | 23 | — | — | — | — | — | — | — | — | — | — | — | — |

*  BONFIGLIOLI TECHNICAL SERVICE

— Thermal verification not necessary

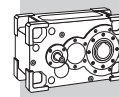


HDP

| HDP 130 | | | | | $n_1 = 1500 \text{ min}^{-1}$ | | | | | | | | | | | | |
|---|-------|-------------------------------|----------------|----------------|-------------------------------|-----------------------|----------------------|----------------------|----------------------|-----------------------|-----------------------|-------------------|----------------------|----------------------|-----------------------|-----------------------|---|
|  | i | n_2 [min ⁻¹] | Mn_2 [Nm] | Pn_1 [kW] | Tamb = 20°C | | | | | | | | | | | | |
| | | | | | P_T [kW] | $P_{TFANL/R}$ [kW] | P_{TFANLR} [kW] | P_{TMCRA5} [kW] | P_{TMCRA9} [kW] | $P_{TMCRA21}$ [kW] | $P_{TMCRA34}$ [kW] | P_{TSR} [kW] | P_{TMCRW5} [kW] | P_{TMCRW9} [kW] | $P_{TMCRW21}$ [kW] | $P_{TMCRW34}$ [kW] | |
| HDP 130 2 | 7.3 | 207 | 48400 | 1090 | * | * | * | * | * | * | | | * | * | * | * | |
| HDP 130 2 | 7.9 | 189 | 51280 | 1058 | * | * | * | * | * | 629 | | | * | * | * | 503 | |
| HDP 130 2 | 8.6 | 174 | 51140 | 971 | * | * | * | * | 406 | 629 | | | * | * | 363 | 503 | |
| HDP 130 2 | 9.4 | 160 | 54050 | 940 | * | * | * | 332 | 406 | 629 | | | * | * | 363 | 503 | |
| HDP 130 2 | 11.3 | 133 | 56600 | 819 | * | 333 | 403 | 332 | 406 | 629 | | | * | 300 | 363 | 503 | |
| HDP 130 2 | 12.3 | 122 | 57900 | 767 | * | 333 | 403 | 332 | 406 | 629 | ⊖ | | * | 300 | 363 | 503 | ⊖ |
| HDP 130 2 | 14.1 | 106 | 57810 | 669 | 202 | 333 | 403 | 332 | 406 | — | | | 309 | 300 | 363 | 503 | |
| HDP 130 2 | 15.4 | 97 | 59300 | 629 | 202 | 333 | 403 | 332 | 406 | — | | | 309 | 300 | 363 | 503 | |
| HDP 130 2 | 17.4 | 86 | 61990 | 582 | 202 | 333 | 403 | 332 | 406 | — | | | 309 | 300 | 363 | 503 | |
| HDP 130 2 | 19.0 | 79 | 63860 | 549 | 202 | 333 | 403 | 332 | 406 | — | | | 309 | 300 | 363 | — | |
| HDP 130 2 | 21.7 | 69 | 64070 | 484 | 202 | 333 | — | 332 | — | — | | | 309 | 300 | 363 | — | |
| HDP 130 3 | 21.8 | 69 | 65950 | 505 | 160 | 264 | 315 | 287 | 344 | — | — | — | 262 | 244 | 312 | 428 | — |
| HDP 130 3 | 23.8 | 63 | 63450 | 445 | 160 | 264 | 315 | 287 | 344 | — | — | — | 262 | 244 | 312 | — | — |
| HDP 130 3 | 28.6 | 52 | 65790 | 384 | 160 | 264 | 315 | 287 | — | — | — | — | 262 | 244 | 312 | — | — |
| HDP 130 3 | 31.2 | 48 | 62990 | 337 | 160 | 264 | — | 287 | — | — | — | — | 262 | 244 | — | — | — |
| HDP 130 3 | 35.7 | 42 | 65430 | 305 | 160 | — | — | — | — | — | — | — | — | 244 | — | — | — |
| HDP 130 3 | 39.0 | 38 | 62650 | 268 | 160 | — | — | — | — | — | — | — | — | — | — | — | — |
| HDP 130 3 | 44.1 | 34 | 65120 | 246 | 160 | — | — | — | — | — | — | — | — | — | — | — | — |
| HDP 130 3 | 48.1 | 31 | 62360 | 216 | 160 | — | — | — | — | — | — | — | — | — | — | — | — |
| HDP 130 3 | 56.5 | 26.5 | 64780 | 191 | 160 | — | — | — | — | — | — | — | — | — | — | — | — |
| HDP 130 3 | 61.7 | 24.3 | 62050 | 168 | — | — | — | — | — | — | — | — | — | — | — | — | — |
| HDP 130 3 | 70.7 | 21.2 | 65650 | 155 | — | — | — | — | — | — | — | — | — | — | — | — | — |
| HDP 130 3 | 77.1 | 19.4 | 62890 | 136 | — | — | — | — | — | — | — | — | — | — | — | — | — |
| HDP 130 3 | 87.2 | 17.2 | 67750 | 130 | — | — | — | — | — | — | — | — | — | — | — | — | — |
| HDP 130 3 | 95.1 | 15.8 | 64910 | 114 | — | — | — | — | — | — | — | — | — | — | — | — | — |
| HDP 130 3 | 108.3 | 13.9 | 63140 | 97 | — | — | — | — | — | — | — | — | — | — | — | — | — |
| HDP 130 4 | 111.2 | 13.5 | 61600 | 94 | — | — | — | — | — | — | — | — | — | — | — | — | — |
| HDP 130 4 | 121.4 | 12.4 | 66770 | 94 | — | — | — | — | — | — | — | — | — | — | — | — | — |
| HDP 130 4 | 139.0 | 10.8 | 69570 | 85 | — | — | — | — | — | — | — | — | — | — | — | — | — |
| HDP 130 4 | 151.7 | 9.9 | 66770 | 75 | — | — | — | — | — | — | — | — | — | — | — | — | — |
| HDP 130 4 | 176.7 | 8.5 | 69350 | 67 | — | — | — | — | — | — | — | — | — | — | — | — | — |
| HDP 130 4 | 192.9 | 7.8 | 66770 | 59 | — | — | — | — | — | — | — | — | — | — | — | — | — |
| HDP 130 4 | 217.9 | 6.9 | 69570 | 54 | — | — | — | — | — | — | — | — | — | — | — | — | — |
| HDP 130 4 | 237.9 | 6.3 | 66770 | 48 | — | — | — | — | — | — | — | — | — | — | — | — | — |
| HDP 130 4 | 274.5 | 5.5 | 69570 | 43 | — | — | — | — | — | — | — | — | — | — | — | — | — |
| HDP 130 4 | 299.6 | 5.0 | 66770 | 38 | — | — | — | — | — | — | — | — | — | — | — | — | — |
| HDP 130 4 | 348.9 | 4.3 | 69570 | 34 | — | — | — | — | — | — | — | — | — | — | — | — | — |
| HDP 130 4 | 380.9 | 3.9 | 66770 | 30 | — | — | — | — | — | — | — | — | — | — | — | — | — |
| HDP 130 4 | 469.8 | 3.2 | 66770 | 24 | — | — | — | — | — | — | — | — | — | — | — | — | — |
| HDP 130 4 | 534.5 | 2.8 | 63140 | 20 | — | — | — | — | — | — | — | — | — | — | — | — | — |

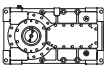
*  BONFIGLIOLI TECHNICAL SERVICE

— Thermal verification not necessary



HDP

HDP 130 $n_1 = 1500 \text{ min}^{-1}$

|  | i | n ₂ [min ⁻¹] | Mn ₂ [Nm] | Pn ₁ [kW] | T _{amb} = 40°C | | | | | | | | | | | |
|---|-------|--|-------------------------|-------------------------|-------------------------|------------------------------|-----------------------------|-----------------------------|-----------------------------|------------------------------|------------------------------|--------------------------|-----------------------------|-----------------------------|------------------------------|------------------------------|
| | | | | | P _T [kW] | P _{TFANL/R} [kW] | P _{TFANLR} [kW] | P _{TMCRA5} [kW] | P _{TMCRA9} [kW] | P _{TMCRA21} [kW] | P _{TMCRA34} [kW] | P _{TSR} [kW] | P _{TMCRW5} [kW] | P _{TMCRW9} [kW] | P _{TMCRW21} [kW] | P _{TMCRW34} [kW] |
| HDP 130 2 | 7.3 | 207 | 48400 | 1090 | * | * | * | * | * | * | | * | * | * | * | |
| HDP 130 2 | 7.9 | 189 | 51280 | 1058 | * | * | * | * | * | * | | * | * | * | * | |
| HDP 130 2 | 8.6 | 174 | 51140 | 971 | * | * | * | * | * | * | | * | * | * | * | |
| HDP 130 2 | 9.4 | 160 | 54050 | 940 | * | * | * | * | * | 361 | | * | * | * | * | |
| HDP 130 2 | 11.3 | 133 | 56600 | 819 | * | 221 | 273 | * | 253 | 361 | | * | * | * | 482 | |
| HDP 130 2 | 12.3 | 122 | 57900 | 767 | * | 221 | 273 | * | 253 | 361 | ⊖ | * | * | 325 | 482 | |
| HDP 130 2 | 14.1 | 106 | 57810 | 669 | 131 | 221 | 273 | 228 | 253 | 361 | | 238 | 247 | 325 | 482 | |
| HDP 130 2 | 15.4 | 97 | 59300 | 629 | 131 | 221 | 273 | 228 | 253 | 361 | | 238 | 247 | 325 | 482 | |
| HDP 130 2 | 17.4 | 86 | 61990 | 582 | 131 | 221 | 273 | 228 | 253 | 361 | | 238 | 247 | 325 | 482 | |
| HDP 130 2 | 19.0 | 79 | 63860 | 549 | 131 | 221 | 273 | 228 | 253 | 361 | | 238 | 247 | 325 | — | |
| HDP 130 2 | 21.7 | 69 | 64070 | 484 | 131 | 221 | 273 | 228 | 253 | — | | 238 | 247 | 325 | — | |
| HDP 130 3 | 21.8 | 69 | 65950 | 505 | 104 | 180 | 217 | * | 206 | 304 | 374 | 206 | * | 256 | 372 | — |
| HDP 130 3 | 23.8 | 63 | 63450 | 445 | 104 | 180 | 217 | 176 | 206 | 304 | 374 | 206 | 189 | 256 | 372 | — |
| HDP 130 3 | 28.6 | 52 | 65790 | 384 | 104 | 180 | 217 | 176 | 206 | 304 | — | 206 | 189 | 256 | — | — |
| HDP 130 3 | 31.2 | 48 | 62990 | 337 | 104 | 180 | 217 | 176 | 206 | — | — | 206 | 189 | 256 | — | — |
| HDP 130 3 | 35.7 | 42 | 65430 | 305 | 104 | 180 | 217 | 176 | 206 | — | — | 206 | 189 | 256 | — | — |
| HDP 130 3 | 39.0 | 38 | 62650 | 268 | 104 | 180 | 217 | 176 | 206 | — | — | 206 | 189 | — | — | — |
| HDP 130 3 | 44.1 | 34 | 65120 | 246 | 104 | 180 | — | 176 | — | — | — | — | 189 | — | — | — |
| HDP 130 3 | 48.1 | 31 | 62360 | 216 | 104 | 180 | — | 176 | — | — | — | — | — | — | — | — |
| HDP 130 3 | 56.5 | 26.5 | 64780 | 191 | 104 | — | — | — | — | — | — | — | — | — | — | — |
| HDP 130 3 | 61.7 | 24.3 | 62050 | 168 | 104 | — | — | — | — | — | — | — | — | — | — | — |
| HDP 130 3 | 70.7 | 21.2 | 65650 | 155 | 104 | — | — | — | — | — | — | — | — | — | — | — |
| HDP 130 3 | 77.1 | 19.4 | 62890 | 136 | 104 | — | — | — | — | — | — | — | — | — | — | — |
| HDP 130 3 | 87.2 | 17.2 | 67750 | 130 | 104 | — | — | — | — | — | — | — | — | — | — | — |
| HDP 130 3 | 95.1 | 15.8 | 64910 | 114 | — | — | — | — | — | — | — | — | — | — | — | — |
| HDP 130 3 | 108.3 | 13.9 | 63140 | 97 | — | — | — | — | — | — | — | — | — | — | — | — |
| HDP 130 4 | 111.2 | 13.5 | 61600 | 94 | — | — | — | — | — | — | — | — | — | — | — | — |
| HDP 130 4 | 121.4 | 12.4 | 66770 | 94 | — | — | — | — | — | — | — | — | — | — | — | — |
| HDP 130 4 | 139.0 | 10.8 | 69570 | 85 | — | — | — | — | — | — | — | — | — | — | — | — |
| HDP 130 4 | 151.7 | 9.9 | 66770 | 75 | — | — | — | — | — | — | — | — | — | — | — | — |
| HDP 130 4 | 176.7 | 8.5 | 69350 | 67 | — | — | — | — | — | — | — | — | — | — | — | — |
| HDP 130 4 | 192.9 | 7.8 | 66770 | 59 | — | — | — | — | — | — | — | — | — | — | — | — |
| HDP 130 4 | 217.9 | 6.9 | 69570 | 54 | — | — | — | — | — | — | — | — | — | — | — | — |
| HDP 130 4 | 237.9 | 6.3 | 66770 | 48 | — | — | — | — | — | — | — | — | — | — | — | — |
| HDP 130 4 | 274.5 | 5.5 | 69570 | 43 | — | — | — | — | — | — | — | — | — | — | — | — |
| HDP 130 4 | 299.6 | 5.0 | 66770 | 38 | — | — | — | — | — | — | — | — | — | — | — | — |
| HDP 130 4 | 348.9 | 4.3 | 69570 | 34 | — | — | — | — | — | — | — | — | — | — | — | — |
| HDP 130 4 | 380.9 | 3.9 | 66770 | 30 | — | — | — | — | — | — | — | — | — | — | — | — |
| HDP 130 4 | 469.8 | 3.2 | 66770 | 24 | — | — | — | — | — | — | — | — | — | — | — | — |
| HDP 130 4 | 534.5 | 2.8 | 63140 | 20 | — | — | — | — | — | — | — | — | — | — | — | — |

*  BONFIGLIOLI TECHNICAL SERVICE

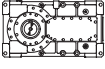
— Thermal verification not necessary



HDP

HDP 130

$n_1 = 1200 \text{ min}^{-1}$

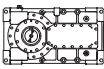
|  | i | n_2 [min ⁻¹] | Mn_2 [Nm] | Pn_1 [kW] | Tamb = 20°C | | | | | | | | | | | |
|---|-------|-------------------------------|----------------|----------------|---------------|-----------------------|----------------------|----------------------|----------------------|-----------------------|-----------------------|-------------------|----------------------|----------------------|-----------------------|-----------------------|
| | | | | | P_T [kW] | $P_{TFANL/R}$ [kW] | P_{TFANLR} [kW] | P_{TMCRA5} [kW] | P_{TMCRA9} [kW] | $P_{TMCRA21}$ [kW] | $P_{TMCRA34}$ [kW] | P_{TSR} [kW] | P_{TMCRW5} [kW] | P_{TMCRW9} [kW] | $P_{TMCRW21}$ [kW] | $P_{TMCRW34}$ [kW] |
| HDP 130 2 | 7.3 | 165 | 51750 | 932 | * | * | * | 333 | 411 | 654 | | * | * | 368 | 528 | |
| HDP 130 2 | 7.9 | 151 | 54830 | 905 | * | * | * | 333 | 411 | 654 | | * | * | 368 | 528 | |
| HDP 130 2 | 8.6 | 139 | 54680 | 831 | * | * | 375 | 333 | 411 | 654 | | 285 | 294 | 368 | 528 | |
| HDP 130 2 | 9.4 | 128 | 57790 | 804 | * | 315 | 375 | 333 | 411 | 654 | | 285 | 294 | 368 | 528 | |
| HDP 130 2 | 11.3 | 106 | 60520 | 700 | * | 315 | 375 | 333 | 411 | — | | 285 | 294 | 368 | 528 | |
| HDP 130 2 | 12.3 | 97 | 61910 | 656 | 204 | 315 | 375 | 333 | 411 | — | ⊖ | 285 | 294 | 368 | 528 | ⊖ |
| HDP 130 2 | 14.1 | 85 | 61810 | 572 | 204 | 315 | 375 | 333 | 411 | — | | 285 | 294 | 368 | — | |
| HDP 130 2 | 15.4 | 78 | 63410 | 538 | 204 | 315 | 375 | 333 | 411 | — | | 285 | 294 | 368 | — | |
| HDP 130 2 | 17.4 | 69 | 66280 | 497 | 204 | 315 | 375 | 333 | 411 | — | | 285 | 294 | 368 | — | |
| HDP 130 2 | 19.0 | 63 | 63450 | 436 | 204 | 315 | 375 | 333 | — | — | | 285 | 294 | 368 | — | |
| HDP 130 2 | 21.7 | 55 | 63690 | 385 | 204 | 315 | — | — | — | — | | 285 | 294 | — | — | |
| HDP 130 3 | 21.8 | 55 | 65880 | 404 | 170 | 264 | 309 | 297 | — | — | — | 272 | 254 | 322 | — | — |
| HDP 130 3 | 23.8 | 50 | 63070 | 354 | 170 | 264 | 309 | 297 | — | — | — | 272 | 254 | — | — | — |
| HDP 130 3 | 28.6 | 42 | 65430 | 305 | 170 | 264 | — | — | — | — | — | — | 254 | — | — | — |
| HDP 130 3 | 31.2 | 38 | 62650 | 268 | 170 | — | — | — | — | — | — | — | — | — | — | — |
| HDP 130 3 | 35.7 | 34 | 65100 | 243 | 170 | — | — | — | — | — | — | — | — | — | — | — |
| HDP 130 3 | 39.0 | 31 | 62340 | 213 | 170 | — | — | — | — | — | — | — | — | — | — | — |
| HDP 130 3 | 44.1 | 27.2 | 64820 | 196 | 170 | — | — | — | — | — | — | — | — | — | — | — |
| HDP 130 3 | 48.1 | 24.9 | 62080 | 172 | — | — | — | — | — | — | — | — | — | — | — | — |
| HDP 130 3 | 56.5 | 21.2 | 65650 | 155 | — | — | — | — | — | — | — | — | — | — | — | — |
| HDP 130 3 | 61.7 | 19.4 | 62890 | 136 | — | — | — | — | — | — | — | — | — | — | — | — |
| HDP 130 3 | 70.7 | 17.0 | 67880 | 128 | — | — | — | — | — | — | — | — | — | — | — | — |
| HDP 130 3 | 77.1 | 15.6 | 65050 | 113 | — | — | — | — | — | — | — | — | — | — | — | — |
| HDP 130 3 | 87.2 | 13.8 | 69570 | 107 | — | — | — | — | — | — | — | — | — | — | — | — |
| HDP 130 3 | 95.1 | 12.6 | 66770 | 94 | — | — | — | — | — | — | — | — | — | — | — | — |
| HDP 130 3 | 108.3 | 11.1 | 63140 | 78 | — | — | — | — | — | — | — | — | — | — | — | — |
| HDP 130 4 | 111.2 | 10.8 | 66220 | 81 | — | — | — | — | — | — | — | — | — | — | — | — |
| HDP 130 4 | 121.4 | 9.9 | 66770 | 75 | — | — | — | — | — | — | — | — | — | — | — | — |
| HDP 130 4 | 139.0 | 8.6 | 69570 | 68 | — | — | — | — | — | — | — | — | — | — | — | — |
| HDP 130 4 | 151.7 | 7.9 | 66770 | 60 | — | — | — | — | — | — | — | — | — | — | — | — |
| HDP 130 4 | 176.7 | 6.8 | 69570 | 54 | — | — | — | — | — | — | — | — | — | — | — | — |
| HDP 130 4 | 192.9 | 6.2 | 66770 | 47 | — | — | — | — | — | — | — | — | — | — | — | — |
| HDP 130 4 | 217.9 | 5.5 | 69570 | 43 | — | — | — | — | — | — | — | — | — | — | — | — |
| HDP 130 4 | 237.9 | 5.0 | 66770 | 38 | — | — | — | — | — | — | — | — | — | — | — | — |
| HDP 130 4 | 274.5 | 4.4 | 69570 | 35 | — | — | — | — | — | — | — | — | — | — | — | — |
| HDP 130 4 | 299.6 | 4.0 | 66770 | 30 | — | — | — | — | — | — | — | — | — | — | — | — |
| HDP 130 4 | 348.9 | 3.4 | 69570 | 27 | — | — | — | — | — | — | — | — | — | — | — | — |
| HDP 130 4 | 380.9 | 3.2 | 66770 | 24 | — | — | — | — | — | — | — | — | — | — | — | — |
| HDP 130 4 | 469.8 | 2.6 | 66770 | 19.4 | — | — | — | — | — | — | — | — | — | — | — | — |
| HDP 130 4 | 534.5 | 2.2 | 63140 | 16.1 | — | — | — | — | — | — | — | — | — | — | — | — |

*  BONFIGLIOLI TECHNICAL SERVICE

— Thermal verification not necessary



HDP

| HDP 130 | | | | | $n_1 = 1200 \text{ min}^{-1}$ | | | | | | | | | | | |
|---|-------|-------------------------------|----------------|----------------|-------------------------------|-----------------------|----------------------|-----------------------|-----------------------|------------------------|------------------------|-------------------|-----------------------|-----------------------|------------------------|------------------------|
|  | i | n_2 [min ⁻¹] | Mn_2 [Nm] | Pn_1 [kW] | Tamb = 40°C | | | | | | | | | | | |
| | | | | | P_T [kW] | $P_{TFANL/R}$ [kW] | P_{TFANLR} [kW] | $P_{TMCR A5}$ [kW] | $P_{TMCR A9}$ [kW] | $P_{TMCR A21}$ [kW] | $P_{TMCR A34}$ [kW] | P_{TSR} [kW] | $P_{TMCR W5}$ [kW] | $P_{TMCR W9}$ [kW] | $P_{TMCR W21}$ [kW] | $P_{TMCR W34}$ [kW] |
| HDP 130 2 | 7.3 | 165 | 51750 | 932 | * | * | * | * | * | * | | * | * | * | * | |
| HDP 130 2 | 7.9 | 151 | 54830 | 905 | * | * | * | * | * | * | | * | * | * | * | |
| HDP 130 2 | 8.6 | 139 | 54680 | 831 | * | * | * | * | * | 382 | | * | * | * | * | |
| HDP 130 2 | 9.4 | 128 | 57790 | 804 | * | 207 | 254 | * | 250 | 382 | | * | * | * | 479 | |
| HDP 130 2 | 11.3 | 106 | 60520 | 700 | * | 207 | 254 | 227 | 250 | 382 | | 237 | 246 | 340 | 479 | |
| HDP 130 2 | 12.3 | 97 | 61910 | 656 | 132 | 207 | 254 | 227 | 250 | 382 | ⊖ | 237 | 246 | 340 | 479 | ⊖ |
| HDP 130 2 | 14.1 | 85 | 61810 | 572 | 132 | 207 | 254 | 227 | 250 | 382 | | 237 | 246 | 340 | 479 | |
| HDP 130 2 | 15.4 | 78 | 63410 | 538 | 132 | 207 | 254 | 227 | 250 | 382 | | 237 | 246 | 340 | — | |
| HDP 130 2 | 17.4 | 69 | 66280 | 497 | 132 | 207 | 254 | 227 | 250 | 382 | | 237 | 246 | 340 | — | |
| HDP 130 2 | 19.0 | 63 | 63450 | 436 | 132 | 207 | 254 | 227 | 250 | 382 | | 237 | 246 | 340 | — | |
| HDP 130 2 | 21.7 | 55 | 63690 | 385 | 132 | 207 | 254 | 227 | 250 | — | | 237 | 246 | — | — | |
| HDP 130 3 | 21.8 | 55 | 65880 | 404 | 114 | 183 | 216 | 185 | 216 | 314 | — | 216 | 198 | 266 | — | — |
| HDP 130 3 | 23.8 | 50 | 63070 | 354 | 114 | 183 | 216 | 185 | 216 | — | — | 216 | 198 | 266 | — | — |
| HDP 130 3 | 28.6 | 42 | 65430 | 305 | 114 | 183 | 216 | 185 | 216 | — | — | 216 | 198 | 266 | — | — |
| HDP 130 3 | 31.2 | 38 | 62650 | 268 | 114 | 183 | 216 | 185 | 216 | — | — | 216 | 198 | — | — | — |
| HDP 130 3 | 35.7 | 34 | 65100 | 243 | 114 | 183 | 216 | 185 | 216 | — | — | 216 | 198 | — | — | — |
| HDP 130 3 | 39.0 | 31 | 62340 | 213 | 114 | 183 | — | 185 | — | — | — | — | — | — | — | — |
| HDP 130 3 | 44.1 | 27.2 | 64820 | 196 | 114 | — | — | — | — | — | — | — | — | — | — | — |
| HDP 130 3 | 48.1 | 24.9 | 62080 | 172 | 114 | — | — | — | — | — | — | — | — | — | — | — |
| HDP 130 3 | 56.5 | 21.2 | 65650 | 155 | 114 | — | — | — | — | — | — | — | — | — | — | — |
| HDP 130 3 | 61.7 | 19.4 | 62890 | 136 | 114 | — | — | — | — | — | — | — | — | — | — | — |
| HDP 130 3 | 70.7 | 17.0 | 67880 | 128 | — | — | — | — | — | — | — | — | — | — | — | — |
| HDP 130 3 | 77.1 | 15.6 | 65050 | 113 | — | — | — | — | — | — | — | — | — | — | — | — |
| HDP 130 3 | 87.2 | 13.8 | 69570 | 107 | — | — | — | — | — | — | — | — | — | — | — | — |
| HDP 130 3 | 95.1 | 12.6 | 66770 | 94 | — | — | — | — | — | — | — | — | — | — | — | — |
| HDP 130 3 | 108.3 | 11.1 | 63140 | 78 | — | — | — | — | — | — | — | — | — | — | — | — |
| HDP 130 4 | 111.2 | 10.8 | 66220 | 81 | — | — | — | — | — | — | — | — | — | — | — | — |
| HDP 130 4 | 121.4 | 9.9 | 66770 | 75 | — | — | — | — | — | — | — | — | — | — | — | — |
| HDP 130 4 | 139.0 | 8.6 | 69570 | 68 | — | — | — | — | — | — | — | — | — | — | — | — |
| HDP 130 4 | 151.7 | 7.9 | 66770 | 60 | — | — | — | — | — | — | — | — | — | — | — | — |
| HDP 130 4 | 176.7 | 6.8 | 69570 | 54 | — | — | — | — | — | — | — | — | — | — | — | — |
| HDP 130 4 | 192.9 | 6.2 | 66770 | 47 | — | — | — | — | — | — | — | — | — | — | — | — |
| HDP 130 4 | 217.9 | 5.5 | 69570 | 43 | — | — | — | — | — | — | — | — | — | — | — | — |
| HDP 130 4 | 237.9 | 5.0 | 66770 | 38 | — | — | — | — | — | — | — | — | — | — | — | — |
| HDP 130 4 | 274.5 | 4.4 | 69570 | 35 | — | — | — | — | — | — | — | — | — | — | — | — |
| HDP 130 4 | 299.6 | 4.0 | 66770 | 30 | — | — | — | — | — | — | — | — | — | — | — | — |
| HDP 130 4 | 348.9 | 3.4 | 69570 | 27 | — | — | — | — | — | — | — | — | — | — | — | — |
| HDP 130 4 | 380.9 | 3.2 | 66770 | 24 | — | — | — | — | — | — | — | — | — | — | — | — |
| HDP 130 4 | 469.8 | 2.6 | 66770 | 19.4 | — | — | — | — | — | — | — | — | — | — | — | — |
| HDP 130 4 | 534.5 | 2.2 | 63140 | 16.1 | — | — | — | — | — | — | — | — | — | — | — | — |

*  BONFIGLIOLI TECHNICAL SERVICE

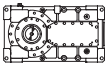
— Thermal verification not necessary



HDP

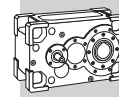
HDP 130

$n_1 = 1000 \text{ min}^{-1}$

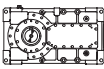
|  | i | n_2 [min^{-1}] | Mn_2 [Nm] | Pn_1 [kW] | Tamb = 20°C | | | | | | | | | | | | |
|---|-------|--------------------------------|----------------|----------------|---------------|-----------------------|----------------------|----------------------|----------------------|-----------------------|-----------------------|-------------------|----------------------|----------------------|-----------------------|-----------------------|---|
| | | | | | P_T [kW] | $P_{TFANL/R}$ [kW] | P_{TFANLR} [kW] | P_{TMCRA5} [kW] | P_{TMCRA9} [kW] | $P_{TMCRA21}$ [kW] | $P_{TMCRA34}$ [kW] | P_{TSR} [kW] | P_{TMCRW5} [kW] | P_{TMCRW9} [kW] | $P_{TMCRW21}$ [kW] | $P_{TMCRW34}$ [kW] | |
| HDP 130 2 | 7.3 | 138 | 54660 | 821 | * | * | * | 354 | 432 | 675 | | | 286 | 295 | 389 | 549 | |
| HDP 130 2 | 7.9 | 126 | 57910 | 796 | * | * | * | 354 | 432 | — | | | 286 | 295 | 389 | 549 | |
| HDP 130 2 | 8.6 | 116 | 57750 | 731 | * | * | 349 | 354 | 432 | — | | | 286 | 295 | 389 | 549 | |
| HDP 130 2 | 9.4 | 106 | 61040 | 708 | * | 301 | 349 | 354 | 432 | — | | | 286 | 295 | 389 | 549 | |
| HDP 130 2 | 11.3 | 88 | 63920 | 616 | 214 | 301 | 349 | 354 | 432 | — | | | 286 | 295 | 389 | — | |
| HDP 130 2 | 12.3 | 81 | 63920 | 565 | 214 | 301 | 349 | 354 | 432 | — | ⊖ | | 286 | 295 | 389 | — | ⊖ |
| HDP 130 2 | 14.1 | 71 | 65290 | 504 | 214 | 301 | 349 | 354 | — | — | | | 286 | 295 | 389 | — | |
| HDP 130 2 | 15.4 | 65 | 63500 | 449 | 214 | 301 | 349 | 354 | — | — | | | 286 | 295 | — | — | |
| HDP 130 2 | 17.4 | 57 | 65950 | 413 | 214 | 301 | 349 | 354 | — | — | | | 286 | 295 | — | — | |
| HDP 130 2 | 19.0 | 53 | 63140 | 362 | 214 | 301 | — | — | — | — | | | 286 | 295 | — | — | |
| HDP 130 2 | 21.7 | 46 | 63390 | 319 | 214 | — | — | — | — | — | | | — | — | — | — | |
| HDP 130 3 | 21.8 | 46 | 65570 | 335 | 177 | 250 | — | — | — | — | — | — | — | 261 | — | — | — |
| HDP 130 3 | 23.8 | 42 | 62780 | 294 | 177 | 250 | — | — | — | — | — | — | — | — | — | — | — |
| HDP 130 3 | 28.6 | 35 | 65160 | 253 | 177 | — | — | — | — | — | — | — | — | — | — | — | — |
| HDP 130 3 | 31.2 | 32 | 62400 | 222 | 177 | — | — | — | — | — | — | — | — | — | — | — | — |
| HDP 130 3 | 35.7 | 28.0 | 64850 | 202 | — | — | — | — | — | — | — | — | — | — | — | — | — |
| HDP 130 3 | 39.0 | 25.6 | 62110 | 177 | — | — | — | — | — | — | — | — | — | — | — | — | — |
| HDP 130 3 | 44.1 | 22.7 | 65010 | 164 | — | — | — | — | — | — | — | — | — | — | — | — | — |
| HDP 130 3 | 48.1 | 20.8 | 62270 | 144 | — | — | — | — | — | — | — | — | — | — | — | — | — |
| HDP 130 3 | 56.5 | 17.7 | 67470 | 133 | — | — | — | — | — | — | — | — | — | — | — | — | — |
| HDP 130 3 | 61.7 | 16.2 | 64640 | 117 | — | — | — | — | — | — | — | — | — | — | — | — | — |
| HDP 130 3 | 70.7 | 14.2 | 69570 | 110 | — | — | — | — | — | — | — | — | — | — | — | — | — |
| HDP 130 3 | 77.1 | 13.0 | 66770 | 96 | — | — | — | — | — | — | — | — | — | — | — | — | — |
| HDP 130 3 | 87.2 | 11.5 | 69570 | 89 | — | — | — | — | — | — | — | — | — | — | — | — | — |
| HDP 130 3 | 95.1 | 10.5 | 66770 | 78 | — | — | — | — | — | — | — | — | — | — | — | — | — |
| HDP 130 3 | 108.3 | 9.2 | 63140 | 65 | — | — | — | — | — | — | — | — | — | — | — | — | — |
| HDP 130 4 | 111.2 | 9.0 | 69570 | 71 | — | — | — | — | — | — | — | — | — | — | — | — | — |
| HDP 130 4 | 121.4 | 8.2 | 66770 | 62 | — | — | — | — | — | — | — | — | — | — | — | — | — |
| HDP 130 4 | 139.0 | 7.2 | 69570 | 57 | — | — | — | — | — | — | — | — | — | — | — | — | — |
| HDP 130 4 | 151.7 | 6.6 | 66770 | 50 | — | — | — | — | — | — | — | — | — | — | — | — | — |
| HDP 130 4 | 176.7 | 5.7 | 69570 | 45 | — | — | — | — | — | — | — | — | — | — | — | — | — |
| HDP 130 4 | 192.9 | 5.2 | 66770 | 39 | — | — | — | — | — | — | — | — | — | — | — | — | — |
| HDP 130 4 | 217.9 | 4.6 | 69570 | 36 | — | — | — | — | — | — | — | — | — | — | — | — | — |
| HDP 130 4 | 237.9 | 4.2 | 66770 | 32 | — | — | — | — | — | — | — | — | — | — | — | — | — |
| HDP 130 4 | 274.5 | 3.6 | 69570 | 29 | — | — | — | — | — | — | — | — | — | — | — | — | — |
| HDP 130 4 | 299.6 | 3.3 | 66770 | 25 | — | — | — | — | — | — | — | — | — | — | — | — | — |
| HDP 130 4 | 348.9 | 2.9 | 69570 | 23 | — | — | — | — | — | — | — | — | — | — | — | — | — |
| HDP 130 4 | 380.9 | 2.6 | 66770 | 19.9 | — | — | — | — | — | — | — | — | — | — | — | — | — |
| HDP 130 4 | 469.8 | 2.1 | 66770 | 16.1 | — | — | — | — | — | — | — | — | — | — | — | — | — |
| HDP 130 4 | 534.5 | 1.9 | 63140 | 13.4 | — | — | — | — | — | — | — | — | — | — | — | — | — |

*  BONFIGLIOLI TECHNICAL SERVICE

— Thermal verification not necessary



HDP

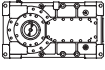
| HDP 130 | | | | | $n_1 = 1000 \text{ min}^{-1}$ | | | | | | | | | | | |
|---|-------|-------------------------------|----------------|----------------|-------------------------------|-----------------------|----------------------|----------------------|----------------------|-----------------------|-----------------------|-------------------|----------------------|----------------------|-----------------------|-----------------------|
|  | i | n_2 [min ⁻¹] | Mn_2 [Nm] | Pn_1 [kW] | Tamb = 40°C | | | | | | | | | | | |
| | | | | | P_T [kW] | $P_{TFANL/R}$ [kW] | P_{TFANLR} [kW] | P_{TMCRA5} [kW] | P_{TMCRA9} [kW] | $P_{TMCRA21}$ [kW] | $P_{TMCRA34}$ [kW] | P_{TSR} [kW] | P_{TMCRW5} [kW] | P_{TMCRW9} [kW] | $P_{TMCRW21}$ [kW] | $P_{TMCRW34}$ [kW] |
| HDP 130 2 | 7.3 | 138 | 54660 | 821 | * | * | * | * | * | 384 | | * | * | * | 478 | |
| HDP 130 2 | 7.9 | 126 | 57910 | 796 | * | * | * | * | * | 384 | | * | * | * | 478 | |
| HDP 130 2 | 8.6 | 116 | 57750 | 731 | * | * | 236 | * | 264 | 384 | | * | * | 333 | 478 | |
| HDP 130 2 | 9.4 | 106 | 61040 | 708 | 126 | 202 | 236 | 223 | 264 | 384 | | 233 | 206 | 333 | 478 | |
| HDP 130 2 | 11.3 | 88 | 63920 | 616 | 126 | 202 | 236 | 223 | 264 | 384 | | 233 | 206 | 333 | 478 | |
| HDP 130 2 | 12.3 | 81 | 63920 | 565 | 126 | 202 | 236 | 223 | 264 | 384 | ⊖ | 233 | 206 | 333 | 478 | ⊖ |
| HDP 130 2 | 14.1 | 71 | 65290 | 504 | 126 | 202 | 236 | 223 | 264 | 384 | | 233 | 206 | 333 | — | |
| HDP 130 2 | 15.4 | 65 | 63500 | 449 | 126 | 202 | 236 | 223 | 264 | 384 | | 233 | 206 | 333 | — | |
| HDP 130 2 | 17.4 | 57 | 65950 | 413 | 126 | 202 | 236 | 223 | 264 | — | | 233 | 206 | 333 | — | |
| HDP 130 2 | 19.0 | 53 | 63140 | 362 | 126 | 202 | 236 | 223 | 264 | — | | 233 | 206 | — | — | |
| HDP 130 2 | 21.7 | 46 | 63390 | 319 | 126 | 202 | 236 | 223 | — | — | | 233 | 206 | — | — | |
| HDP 130 3 | 21.8 | 46 | 65570 | 335 | 122 | 175 | 201 | 193 | 224 | — | — | 224 | 206 | — | — | — |
| HDP 130 3 | 23.8 | 42 | 62780 | 294 | 122 | 175 | 201 | 193 | 224 | — | — | 224 | 206 | — | — | — |
| HDP 130 3 | 28.6 | 35 | 65160 | 253 | 122 | 175 | 201 | 193 | — | — | — | — | 206 | — | — | — |
| HDP 130 3 | 31.2 | 32 | 62400 | 222 | 122 | 175 | — | 193 | — | — | — | — | — | — | — | — |
| HDP 130 3 | 35.7 | 28.0 | 64850 | 202 | 122 | 175 | — | — | — | — | — | — | — | — | — | — |
| HDP 130 3 | 39.0 | 25.6 | 62110 | 177 | 122 | — | — | — | — | — | — | — | — | — | — | — |
| HDP 130 3 | 44.1 | 22.7 | 65010 | 164 | 122 | — | — | — | — | — | — | — | — | — | — | — |
| HDP 130 3 | 48.1 | 20.8 | 62270 | 144 | 122 | — | — | — | — | — | — | — | — | — | — | — |
| HDP 130 3 | 56.5 | 17.7 | 67470 | 133 | — | — | — | — | — | — | — | — | — | — | — | — |
| HDP 130 3 | 61.7 | 16.2 | 64640 | 117 | — | — | — | — | — | — | — | — | — | — | — | — |
| HDP 130 3 | 70.7 | 14.2 | 69570 | 110 | — | — | — | — | — | — | — | — | — | — | — | — |
| HDP 130 3 | 77.1 | 13.0 | 66770 | 96 | — | — | — | — | — | — | — | — | — | — | — | — |
| HDP 130 3 | 87.2 | 11.5 | 69570 | 89 | — | — | — | — | — | — | — | — | — | — | — | — |
| HDP 130 3 | 95.1 | 10.5 | 66770 | 78 | — | — | — | — | — | — | — | — | — | — | — | — |
| HDP 130 3 | 108.3 | 9.2 | 63140 | 65 | — | — | — | — | — | — | — | — | — | — | — | — |
| HDP 130 4 | 111.2 | 9.0 | 69570 | 71 | — | — | — | — | — | — | — | — | — | — | — | — |
| HDP 130 4 | 121.4 | 8.2 | 66770 | 62 | — | — | — | — | — | — | — | — | — | — | — | — |
| HDP 130 4 | 139.0 | 7.2 | 69570 | 57 | — | — | — | — | — | — | — | — | — | — | — | — |
| HDP 130 4 | 151.7 | 6.6 | 66770 | 50 | — | — | — | — | — | — | — | — | — | — | — | — |
| HDP 130 4 | 176.7 | 5.7 | 69570 | 45 | — | — | — | — | — | — | — | — | — | — | — | — |
| HDP 130 4 | 192.9 | 5.2 | 66770 | 39 | — | — | — | — | — | — | — | — | — | — | — | — |
| HDP 130 4 | 217.9 | 4.6 | 69570 | 36 | — | — | — | — | — | — | — | — | — | — | — | — |
| HDP 130 4 | 237.9 | 4.2 | 66770 | 32 | — | — | — | — | — | — | — | — | — | — | — | — |
| HDP 130 4 | 274.5 | 3.6 | 69570 | 29 | — | — | — | — | — | — | — | — | — | — | — | — |
| HDP 130 4 | 299.6 | 3.3 | 66770 | 25 | — | — | — | — | — | — | — | — | — | — | — | — |
| HDP 130 4 | 348.9 | 2.9 | 69570 | 23 | — | — | — | — | — | — | — | — | — | — | — | — |
| HDP 130 4 | 380.9 | 2.6 | 66770 | 19.9 | — | — | — | — | — | — | — | — | — | — | — | — |
| HDP 130 4 | 469.8 | 2.1 | 66770 | 16.1 | — | — | — | — | — | — | — | — | — | — | — | — |
| HDP 130 4 | 534.5 | 1.9 | 63140 | 13.4 | — | — | — | — | — | — | — | — | — | — | — | — |

*  BONFIGLIOLI TECHNICAL SERVICE

— Thermal verification not necessary



HDP

| HDP 140 | | | | | $n_1 = 1800 \text{ min}^{-1}$ | | | | | | | | | | | |
|---|-------|-------------------------------|----------------|----------------|-------------------------------|-----------------------|----------------------|----------------------|----------------------|-----------------------|-----------------------|-------------------|----------------------|----------------------|-----------------------|-----------------------|
|  | i | n_2 [min ⁻¹] | Mn_2 [Nm] | Pn_1 [kW] | Tamb = 20°C | | | | | | | | | | | |
| | | | | | P_T [kW] | $P_{TFANL/R}$ [kW] | P_{TFANLR} [kW] | P_{TMCRA5} [kW] | P_{TMCRA9} [kW] | $P_{TMCRA21}$ [kW] | $P_{TMCRA34}$ [kW] | P_{TSR} [kW] | P_{TMCRW5} [kW] | P_{TMCRW9} [kW] | $P_{TMCRW21}$ [kW] | $P_{TMCRW34}$ [kW] |
| HDP 140 2 | 8.4 | 215 | 52740 | 1238 | * | * | * | * | * | * | | * | * | * | * | |
| HDP 140 2 | 9.3 | 195 | 58360 | 1238 | * | * | * | * | * | * | | * | * | * | * | |
| HDP 140 2 | 9.9 | 182 | 55720 | 1103 | * | * | * | * | * | * | | * | * | * | * | |
| HDP 140 2 | 11.0 | 164 | 61660 | 1103 | * | * | * | * | * | * | | * | * | * | * | |
| HDP 140 2 | 13.0 | 138 | 63200 | 953 | * | * | * | * | * | * | | * | * | * | * | |
| HDP 140 2 | 14.4 | 125 | 69940 | 953 | * | * | 421 | * | * | 665 | ● | * | * | * | * | ● |
| HDP 140 2 | 16.3 | 111 | 71870 | 867 | * | 361 | 421 | * | 443 | 665 | | * | * | * | 560 | |
| HDP 140 2 | 18.0 | 100 | 77420 | 844 | * | 361 | 421 | 369 | 443 | 665 | | * | * | 404 | 560 | |
| HDP 140 2 | 20.1 | 90 | 67550 | 661 | * | 361 | 421 | 369 | 443 | — | | * | 325 | 404 | 560 | |
| HDP 140 2 | 22.2 | 81 | 74750 | 661 | * | 361 | 421 | 369 | 443 | — | | 318 | 325 | 404 | 560 | |
| HDP 140 2 | 24.9 | 72 | 82150 | 646 | 214 | 361 | 421 | 369 | 443 | — | | 318 | 325 | 404 | — | |
| HDP 140 3 | 25.1 | 72 | 71610 | 572 | * | * | 330 | 279 | 336 | — | — | * | * | 304 | 420 | — |
| HDP 140 3 | 27.7 | 65 | 79250 | 572 | * | * | 330 | 279 | 336 | — | — | * | * | 304 | 420 | — |
| HDP 140 3 | 32.9 | 55 | 80680 | 491 | 161 | 281 | 330 | 279 | 336 | — | — | * | 245 | 304 | 420 | — |
| HDP 140 3 | 36.4 | 49 | 80850 | 445 | 161 | 281 | 330 | 279 | 336 | — | — | 264 | 245 | 304 | — | — |
| HDP 140 3 | 41.1 | 44 | 80350 | 391 | 161 | 281 | 330 | 279 | 336 | — | — | 264 | 245 | 304 | — | — |
| HDP 140 3 | 45.5 | 40 | 80850 | 356 | 161 | 281 | — | 279 | — | — | — | 264 | 245 | 304 | — | — |
| HDP 140 3 | 50.7 | 35 | 74300 | 293 | 161 | — | — | — | — | — | — | — | 245 | — | — | — |
| HDP 140 3 | 56.2 | 32 | 80850 | 288 | 161 | — | — | — | — | — | — | — | 245 | — | — | — |
| HDP 140 3 | 65.1 | 27.7 | 82330 | 253 | 161 | — | — | — | — | — | — | — | — | — | — | — |
| HDP 140 3 | 72.0 | 25.0 | 80850 | 225 | 161 | — | — | — | — | — | — | — | — | — | — | — |
| HDP 140 3 | 81.3 | 22.1 | 81510 | 201 | 161 | — | — | — | — | — | — | — | — | — | — | — |
| HDP 140 3 | 90.0 | 20.0 | 80850 | 180 | — | — | — | — | — | — | — | — | — | — | — | — |
| HDP 140 3 | 100.3 | 17.9 | 74300 | 148 | — | — | — | — | — | — | — | — | — | — | — | — |
| HDP 140 3 | 111.0 | 16.2 | 80850 | 146 | — | — | — | — | — | — | — | — | — | — | — | — |
| HDP 140 3 | 124.7 | 14.4 | 73920 | 119 | — | — | — | — | — | — | — | — | — | — | — | — |
| HDP 140 4 | 141.6 | 12.7 | 73370 | 106 | — | — | — | — | — | — | — | — | — | — | — | — |
| HDP 140 4 | 160.0 | 11.3 | 81510 | 104 | — | — | — | — | — | — | — | — | — | — | — | — |
| HDP 140 4 | 177.0 | 10.2 | 80850 | 93 | — | — | — | — | — | — | — | — | — | — | — | — |
| HDP 140 4 | 197.3 | 9.1 | 74300 | 77 | — | — | — | — | — | — | — | — | — | — | — | — |
| HDP 140 4 | 225.0 | 8.0 | 80850 | 73 | — | — | — | — | — | — | — | — | — | — | — | — |
| HDP 140 4 | 250.8 | 7.2 | 74300 | 61 | — | — | — | — | — | — | — | — | — | — | — | — |
| HDP 140 4 | 277.5 | 6.5 | 80850 | 60 | — | — | — | — | — | — | — | — | — | — | — | — |
| HDP 140 4 | 315.9 | 5.7 | 81510 | 53 | — | — | — | — | — | — | — | — | — | — | — | — |
| HDP 140 4 | 349.6 | 5.1 | 80850 | 47 | — | — | — | — | — | — | — | — | — | — | — | — |
| HDP 140 4 | 401.6 | 4.5 | 81510 | 41 | — | — | — | — | — | — | — | — | — | — | — | — |
| HDP 140 4 | 444.4 | 4.1 | 80850 | 37 | — | — | — | — | — | — | — | — | — | — | — | — |
| HDP 140 4 | 495.3 | 3.6 | 74300 | 31 | — | — | — | — | — | — | — | — | — | — | — | — |

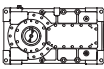
* 

— Thermal verification not necessary



HDP

HDP 140 $n_1 = 1800 \text{ min}^{-1}$

|  | i | n ₂ [min ⁻¹] | Mn ₂ [Nm] | Pn ₁ [kW] | Tamb = 40°C | | | | | | | | | | | |
|---|-------|--|-------------------------|-------------------------|------------------------|------------------------------|-----------------------------|-----------------------------|-----------------------------|------------------------------|------------------------------|--------------------------|-----------------------------|-----------------------------|------------------------------|------------------------------|
| | | | | | P _T [kW] | P _{TFANL/R} [kW] | P _{TFANLR} [kW] | P _{TMCRA5} [kW] | P _{TMCRA9} [kW] | P _{TMCRA21} [kW] | P _{TMCRA34} [kW] | P _{TSR} [kW] | P _{TMCRW5} [kW] | P _{TMCRW9} [kW] | P _{TMCRW21} [kW] | P _{TMCRW34} [kW] |
| HDP 140 2 | 8.4 | 215 | 52740 | 1238 | * | * | * | * | * | * | | * | * | * | * | |
| HDP 140 2 | 9.3 | 195 | 58360 | 1238 | * | * | * | * | * | * | | * | * | * | * | |
| HDP 140 2 | 9.9 | 182 | 55720 | 1103 | * | * | * | * | * | * | | * | * | * | * | |
| HDP 140 2 | 11.0 | 164 | 61660 | 1103 | * | * | * | * | * | * | | * | * | * | * | |
| HDP 140 2 | 13.0 | 138 | 63200 | 953 | * | * | * | * | * | * | | * | * | * | * | |
| HDP 140 2 | 14.4 | 125 | 69940 | 953 | * | * | * | * | * | * | ⊖ | * | * | * | * | ⊖ |
| HDP 140 2 | 16.3 | 111 | 71870 | 867 | * | * | * | * | * | * | | * | * | * | * | |
| HDP 140 2 | 18.0 | 100 | 77420 | 844 | * | * | * | * | * | * | | * | * | * | 489 | |
| HDP 140 2 | 20.1 | 90 | 67550 | 661 | * | 259 | 319 | 231 | * | 410 | | * | * | 344 | 489 | |
| HDP 140 2 | 22.2 | 81 | 74750 | 661 | * | 259 | 319 | 231 | 278 | 410 | | * | 253 | 344 | 489 | |
| HDP 140 2 | 24.9 | 72 | 82150 | 646 | * | 259 | 319 | 231 | 278 | 410 | | 247 | 253 | 344 | 489 | |
| HDP 140 3 | 25.1 | 72 | 71610 | 572 | * | * | 224 | * | * | * | 364 | * | * | * | * | — |
| HDP 140 3 | 27.7 | 65 | 79250 | 572 | * | * | 224 | * | * | * | 364 | * | * | * | * | — |
| HDP 140 3 | 32.9 | 55 | 80680 | 491 | * | 191 | 224 | * | * | 303 | 364 | * | * | * | 371 | — |
| HDP 140 3 | 36.4 | 49 | 80850 | 445 | * | 191 | 224 | * | 206 | 303 | 364 | * | * | 256 | 371 | — |
| HDP 140 3 | 41.1 | 44 | 80350 | 391 | * | 191 | 224 | 180 | 206 | 303 | — | * | * | 256 | — | — |
| HDP 140 3 | 45.5 | 40 | 80850 | 356 | * | 191 | 224 | 180 | 206 | 303 | — | 212 | 194 | 256 | — | — |
| HDP 140 3 | 50.7 | 35 | 74300 | 293 | 113 | 191 | 224 | 180 | 206 | — | — | 212 | 194 | 256 | — | — |
| HDP 140 3 | 56.2 | 32 | 80850 | 288 | 113 | 191 | 224 | 180 | 206 | — | — | 212 | 194 | — | — | — |
| HDP 140 3 | 65.1 | 27.7 | 82330 | 253 | 113 | 191 | — | 180 | 206 | — | — | 212 | 194 | — | — | — |
| HDP 140 3 | 72.0 | 25.0 | 80850 | 225 | 113 | 191 | — | 180 | — | — | — | — | 194 | — | — | — |
| HDP 140 3 | 81.3 | 22.1 | 81510 | 201 | 113 | — | — | — | — | — | — | — | — | — | — | — |
| HDP 140 3 | 90.0 | 20.0 | 80850 | 180 | 113 | — | — | — | — | — | — | — | — | — | — | — |
| HDP 140 3 | 100.3 | 17.9 | 74300 | 148 | 113 | — | — | — | — | — | — | — | — | — | — | — |
| HDP 140 3 | 111.0 | 16.2 | 80850 | 146 | 113 | — | — | — | — | — | — | — | — | — | — | — |
| HDP 140 3 | 124.7 | 14.4 | 73920 | 119 | — | — | — | — | — | — | — | — | — | — | — | — |
| HDP 140 4 | 141.6 | 12.7 | 73370 | 106 | 78 | — | — | — | — | — | — | — | — | — | — | — |
| HDP 140 4 | 160.0 | 11.3 | 81510 | 104 | 78 | — | — | — | — | — | — | — | — | — | — | — |
| HDP 140 4 | 177.0 | 10.2 | 80850 | 93 | 78 | — | — | — | — | — | — | — | — | — | — | — |
| HDP 140 4 | 197.3 | 9.1 | 74300 | 77 | — | — | — | — | — | — | — | — | — | — | — | — |
| HDP 140 4 | 225.0 | 8.0 | 80850 | 73 | — | — | — | — | — | — | — | — | — | — | — | — |
| HDP 140 4 | 250.8 | 7.2 | 74300 | 61 | — | — | — | — | — | — | — | — | — | — | — | — |
| HDP 140 4 | 277.5 | 6.5 | 80850 | 60 | — | — | — | — | — | — | — | — | — | — | — | — |
| HDP 140 4 | 315.9 | 5.7 | 81510 | 53 | — | — | — | — | — | — | — | — | — | — | — | — |
| HDP 140 4 | 349.6 | 5.1 | 80850 | 47 | — | — | — | — | — | — | — | — | — | — | — | — |
| HDP 140 4 | 401.6 | 4.5 | 81510 | 41 | — | — | — | — | — | — | — | — | — | — | — | — |
| HDP 140 4 | 444.4 | 4.1 | 80850 | 37 | — | — | — | — | — | — | — | — | — | — | — | — |
| HDP 140 4 | 495.3 | 3.6 | 74300 | 31 | — | — | — | — | — | — | — | — | — | — | — | — |

*  BONFIGLIOLI TECHNICAL SERVICE

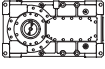
— Thermal verification not necessary



HDP

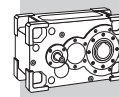
HDP 140

$n_1 = 1500 \text{ min}^{-1}$

|  | i | n_2 [min ⁻¹] | Mn_2 [Nm] | Pn_1 [kW] | Tamb = 20°C | | | | | | | | | | | | |
|---|-------|-------------------------------|----------------|----------------|---------------|-----------------------|----------------------|----------------------|----------------------|-----------------------|-----------------------|-------------------|----------------------|----------------------|-----------------------|-----------------------|---|
| | | | | | P_T [kW] | $P_{TFANL/R}$ [kW] | P_{TFANLR} [kW] | P_{TMCRA5} [kW] | P_{TMCRA9} [kW] | $P_{TMCRA21}$ [kW] | $P_{TMCRA34}$ [kW] | P_{TSR} [kW] | P_{TMCRW5} [kW] | P_{TMCRW9} [kW] | $P_{TMCRW21}$ [kW] | $P_{TMCRW34}$ [kW] | |
| HDP 140 2 | 8.4 | 179 | 55710 | 1090 | * | * | * | * | * | * | | | * | * | * | * | |
| HDP 140 2 | 9.3 | 162 | 61640 | 1090 | * | * | * | * | * | 633 | | | * | * | * | * | |
| HDP 140 2 | 9.9 | 151 | 58850 | 971 | * | * | * | * | 411 | 633 | | | * | * | * | 528 | |
| HDP 140 2 | 11.0 | 137 | 65130 | 971 | * | * | * | 365 | 411 | 633 | | | * | * | 373 | 528 | |
| HDP 140 2 | 13.0 | 115 | 66760 | 839 | * | 339 | 409 | 365 | 411 | 633 | | | * | * | 373 | 528 | |
| HDP 140 2 | 14.4 | 104 | 73870 | 839 | * | 339 | 409 | 365 | 411 | 633 | ● | | * | 310 | 373 | 528 | ● |
| HDP 140 2 | 16.3 | 92 | 75910 | 763 | 210 | 339 | 409 | 365 | 411 | 633 | | | 317 | 310 | 373 | 528 | |
| HDP 140 2 | 18.0 | 83 | 81780 | 743 | 210 | 339 | 409 | 365 | 411 | — | | | 317 | 310 | 373 | 528 | |
| HDP 140 2 | 20.1 | 75 | 71350 | 582 | 210 | 339 | 409 | 365 | 411 | — | | | 317 | 310 | 373 | — | |
| HDP 140 2 | 22.2 | 68 | 78950 | 582 | 210 | 339 | 409 | 365 | 411 | — | | | 317 | 310 | 373 | — | |
| HDP 140 2 | 24.9 | 60 | 82230 | 539 | 210 | 339 | 409 | 365 | 411 | — | | | 317 | 310 | * | — | |
| HDP 140 3 | 25.1 | 60 | 75910 | 505 | 166 | 270 | 321 | 293 | 350 | — | — | — | 268 | 250 | 318 | — | — |
| HDP 140 3 | 27.7 | 54 | 82930 | 499 | 166 | 270 | 321 | 293 | 350 | — | — | — | 268 | 250 | 318 | — | — |
| HDP 140 3 | 32.9 | 46 | 84810 | 430 | 166 | 270 | 321 | 293 | 350 | — | — | — | 268 | 250 | 318 | — | — |
| HDP 140 3 | 36.4 | 41 | 82330 | 377 | 166 | 270 | — | 293 | — | — | — | — | 268 | 250 | 318 | — | — |
| HDP 140 3 | 41.1 | 36 | 84810 | 344 | 166 | 270 | — | — | — | — | — | — | 268 | 250 | — | — | — |
| HDP 140 3 | 45.5 | 33 | 81890 | 300 | 166 | — | — | — | — | — | — | — | 250 | — | — | — | — |
| HDP 140 3 | 50.7 | 29.6 | 82170 | 270 | 166 | — | — | — | — | — | — | — | — | — | — | — | — |
| HDP 140 3 | 56.2 | 26.7 | 81510 | 242 | 166 | — | — | — | — | — | — | — | — | — | — | — | — |
| HDP 140 3 | 65.1 | 23.1 | 84810 | 218 | 166 | — | — | — | — | — | — | — | — | — | — | — | — |
| HDP 140 3 | 72.0 | 20.8 | 81100 | 188 | — | — | — | — | — | — | — | — | — | — | — | — | — |
| HDP 140 3 | 81.3 | 18.4 | 84810 | 174 | — | — | — | — | — | — | — | — | — | — | — | — | — |
| HDP 140 3 | 90.0 | 16.7 | 82200 | 152 | — | — | — | — | — | — | — | — | — | — | — | — | — |
| HDP 140 3 | 100.3 | 15.0 | 82170 | 137 | — | — | — | — | — | — | — | — | — | — | — | — | — |
| HDP 140 3 | 111.0 | 13.5 | 84850 | 128 | — | — | — | — | — | — | — | — | — | — | — | — | — |
| HDP 140 3 | 124.7 | 12.0 | 78870 | 106 | — | — | — | — | — | — | — | — | — | — | — | — | — |
| HDP 140 4 | 141.6 | 10.6 | 78480 | 94 | — | — | — | — | — | — | — | — | — | — | — | — | — |
| HDP 140 4 | 160.0 | 9.4 | 84820 | 90 | — | — | — | — | — | — | — | — | — | — | — | — | — |
| HDP 140 4 | 177.0 | 8.5 | 87060 | 84 | — | — | — | — | — | — | — | — | — | — | — | — | — |
| HDP 140 4 | 197.3 | 7.6 | 81580 | 70 | — | — | — | — | — | — | — | — | — | — | — | — | — |
| HDP 140 4 | 225.0 | 6.7 | 87060 | 66 | — | — | — | — | — | — | — | — | — | — | — | — | — |
| HDP 140 4 | 250.8 | 6.0 | 81230 | 55 | — | — | — | — | — | — | — | — | — | — | — | — | — |
| HDP 140 4 | 277.5 | 5.4 | 87060 | 53 | — | — | — | — | — | — | — | — | — | — | — | — | — |
| HDP 140 4 | 315.9 | 4.7 | 84820 | 46 | — | — | — | — | — | — | — | — | — | — | — | — | — |
| HDP 140 4 | 349.6 | 4.3 | 87060 | 42 | — | — | — | — | — | — | — | — | — | — | — | — | — |
| HDP 140 4 | 401.6 | 3.7 | 84820 | 36 | — | — | — | — | — | — | — | — | — | — | — | — | — |
| HDP 140 4 | 444.4 | 3.4 | 87060 | 33 | — | — | — | — | — | — | — | — | — | — | — | — | — |
| HDP 140 4 | 495.3 | 3.0 | 82170 | 28 | — | — | — | — | — | — | — | — | — | — | — | — | — |

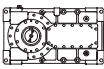
* 

— Thermal verification not necessary



HDP

HDP 140 **n₁ = 1500 min⁻¹**

|  | i | n ₂ [min ⁻¹] | Mn ₂ [Nm] | Pn ₁ [kW] | Tamb = 40°C | | | | | | | | | | | |
|---|-------|--|-------------------------|-------------------------|------------------------|------------------------------|-----------------------------|-----------------------------|-----------------------------|------------------------------|------------------------------|--------------------------|-----------------------------|-----------------------------|------------------------------|------------------------------|
| | | | | | P _T [kW] | P _{TFANL/R} [kW] | P _{TFANLR} [kW] | P _{TMCRA5} [kW] | P _{TMCRA9} [kW] | P _{TMCRA21} [kW] | P _{TMCRA34} [kW] | P _{TSR} [kW] | P _{TMCRW5} [kW] | P _{TMCRW9} [kW] | P _{TMCRW21} [kW] | P _{TMCRW34} [kW] |
| HDP 140 2 | 8.4 | 179 | 55710 | 1090 | * | * | * | * | * | * | | * | * | * | * | |
| HDP 140 2 | 9.3 | 162 | 61640 | 1090 | * | * | * | * | * | * | | * | * | * | * | |
| HDP 140 2 | 9.9 | 151 | 58850 | 971 | * | * | * | * | * | * | | * | * | * | * | |
| HDP 140 2 | 11.0 | 137 | 65130 | 971 | * | * | * | * | * | * | | * | * | * | * | |
| HDP 140 2 | 13.0 | 115 | 66760 | 839 | * | * | * | * | * | * | | * | * | * | 486 | |
| HDP 140 2 | 14.4 | 104 | 73870 | 839 | * | * | * | * | * | 395 | ⊖ | * | * | 329 | 486 | ⊖ |
| HDP 140 2 | 16.3 | 92 | 75910 | 763 | 135 | 244 | 296 | * | 276 | 395 | | * | 251 | 329 | 486 | |
| HDP 140 2 | 18.0 | 83 | 81780 | 743 | 135 | 244 | 296 | 235 | 276 | 395 | | 245 | 251 | 329 | 486 | |
| HDP 140 2 | 20.1 | 75 | 71350 | 582 | 135 | 244 | 296 | 235 | 276 | 395 | | 245 | 251 | 329 | 486 | |
| HDP 140 2 | 22.2 | 68 | 78950 | 582 | 135 | 244 | 296 | 235 | 276 | 395 | | 245 | 251 | 329 | 486 | |
| HDP 140 2 | 24.9 | 60 | 82230 | 539 | 135 | 244 | 296 | 235 | 276 | 395 | | 245 | 251 | 329 | — | |
| HDP 140 3 | 25.1 | 60 | 75910 | 505 | 109 | 185 | 222 | * | 211 | 309 | 379 | 211 | 193 | 261 | 377 | — |
| HDP 140 3 | 27.7 | 54 | 82930 | 499 | 109 | 185 | 222 | * | 211 | 309 | 379 | 211 | 193 | 261 | 377 | — |
| HDP 140 3 | 32.9 | 46 | 84810 | 430 | 109 | 185 | 222 | 187 | 211 | 309 | — | 211 | 193 | 261 | — | — |
| HDP 140 3 | 36.4 | 41 | 82330 | 377 | 109 | 185 | 222 | 187 | 211 | 309 | — | 211 | 193 | 261 | — | — |
| HDP 140 3 | 41.1 | 36 | 84810 | 344 | 109 | 185 | 222 | 187 | 211 | — | — | 211 | 193 | 261 | — | — |
| HDP 140 3 | 45.5 | 33 | 81890 | 300 | 109 | 185 | 222 | 187 | 211 | — | — | 211 | 193 | — | — | — |
| HDP 140 3 | 50.7 | 29.6 | 82170 | 270 | 109 | 185 | — | 187 | — | — | — | — | 193 | — | — | — |
| HDP 140 3 | 56.2 | 26.7 | 81510 | 242 | 109 | 185 | — | 187 | — | — | — | — | 193 | — | — | — |
| HDP 140 3 | 65.1 | 23.1 | 84810 | 218 | 109 | — | — | — | — | — | — | — | — | — | — | — |
| HDP 140 3 | 72.0 | 20.8 | 81100 | 188 | 109 | — | — | — | — | — | — | — | — | — | — | — |
| HDP 140 3 | 81.3 | 18.4 | 84810 | 174 | 109 | — | — | — | — | — | — | — | — | — | — | — |
| HDP 140 3 | 90.0 | 16.7 | 82200 | 152 | 109 | — | — | — | — | — | — | — | — | — | — | — |
| HDP 140 3 | 100.3 | 15.0 | 82170 | 137 | — | — | — | — | — | — | — | — | — | — | — | — |
| HDP 140 3 | 111.0 | 13.5 | 84850 | 128 | — | — | — | — | — | — | — | — | — | — | — | — |
| HDP 140 3 | 124.7 | 12.0 | 78870 | 106 | — | — | — | — | — | — | — | — | — | — | — | — |
| HDP 140 4 | 141.6 | 10.6 | 78480 | 94 | — | — | — | — | — | — | — | — | — | — | — | — |
| HDP 140 4 | 160.0 | 9.4 | 84820 | 90 | — | — | — | — | — | — | — | — | — | — | — | — |
| HDP 140 4 | 177.0 | 8.5 | 87060 | 84 | — | — | — | — | — | — | — | — | — | — | — | — |
| HDP 140 4 | 197.3 | 7.6 | 81580 | 70 | — | — | — | — | — | — | — | — | — | — | — | — |
| HDP 140 4 | 225.0 | 6.7 | 87060 | 66 | — | — | — | — | — | — | — | — | — | — | — | — |
| HDP 140 4 | 250.8 | 6.0 | 81230 | 55 | — | — | — | — | — | — | — | — | — | — | — | — |
| HDP 140 4 | 277.5 | 5.4 | 87060 | 53 | — | — | — | — | — | — | — | — | — | — | — | — |
| HDP 140 4 | 315.9 | 4.7 | 84820 | 46 | — | — | — | — | — | — | — | — | — | — | — | — |
| HDP 140 4 | 349.6 | 4.3 | 87060 | 42 | — | — | — | — | — | — | — | — | — | — | — | — |
| HDP 140 4 | 401.6 | 3.7 | 84820 | 36 | — | — | — | — | — | — | — | — | — | — | — | — |
| HDP 140 4 | 444.4 | 3.4 | 87060 | 33 | — | — | — | — | — | — | — | — | — | — | — | — |
| HDP 140 4 | 495.3 | 3.0 | 82170 | 28 | — | — | — | — | — | — | — | — | — | — | — | — |

*  BONFIGLIOLI TECHNICAL SERVICE

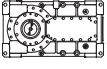
— Thermal verification not necessary



HDP

HDP 140

$n_1 = 1200 \text{ min}^{-1}$

|  | i | n_2 [min ⁻¹] | Mn_2 [Nm] | Pn_1 [kW] | Tamb = 20°C | | | | | | | | | | | |
|---|-------|-------------------------------|----------------|----------------|---------------|-----------------------|----------------------|----------------------|----------------------|-----------------------|-----------------------|-------------------|----------------------|----------------------|-----------------------|-----------------------|
| | | | | | P_T [kW] | $P_{TFANL/R}$ [kW] | P_{TFANLR} [kW] | P_{TMCRA5} [kW] | P_{TMCRA9} [kW] | $P_{TMCRA21}$ [kW] | $P_{TMCRA34}$ [kW] | P_{TSR} [kW] | P_{TMCRW5} [kW] | P_{TMCRW9} [kW] | $P_{TMCRW21}$ [kW] | $P_{TMCRW34}$ [kW] |
| HDP 140 2 | 8.4 | 144 | 59560 | 932 | * | * | * | * | * | 659 | | * | * | 373 | 533 | |
| HDP 140 2 | 9.3 | 130 | 65910 | 932 | * | * | * | * | 421 | 659 | | * | * | 373 | 533 | |
| HDP 140 2 | 9.9 | 121 | 62930 | 831 | * | * | 381 | 359 | 421 | 659 | | * | 300 | 373 | 533 | |
| HDP 140 2 | 11.0 | 109 | 69630 | 831 | * | 322 | 381 | 359 | 421 | 659 | | 295 | 300 | 373 | 533 | |
| HDP 140 2 | 13.0 | 92 | 71380 | 718 | 212 | 322 | 381 | 359 | 421 | — | | 295 | 300 | 373 | 533 | |
| HDP 140 2 | 14.4 | 83 | 78980 | 718 | 212 | 322 | 381 | 359 | 421 | — | ● | 295 | 300 | 373 | 533 | ● |
| HDP 140 2 | 16.3 | 74 | 81170 | 653 | 212 | 322 | 381 | 359 | 421 | — | | 295 | 300 | 373 | 533 | |
| HDP 140 2 | 18.0 | 67 | 83440 | 606 | 212 | 322 | 381 | 359 | 421 | — | | 295 | 300 | 373 | — | |
| HDP 140 2 | 20.1 | 60 | 76290 | 498 | 212 | 322 | 381 | 359 | — | — | | 295 | 300 | 373 | — | |
| HDP 140 2 | 22.2 | 54 | 82930 | 489 | 212 | 322 | 381 | 359 | — | — | | 295 | 300 | 373 | — | |
| HDP 140 2 | 24.9 | 48 | 82300 | 432 | 212 | 322 | — | — | — | — | | 295 | 300 | — | — | |
| HDP 140 3 | 25.1 | 48 | 77440 | 412 | 177 | 271 | 316 | 304 | — | — | — | 279 | 261 | 329 | — | — |
| HDP 140 3 | 27.7 | 43 | 82440 | 397 | 177 | 271 | 316 | 304 | — | — | — | 279 | 261 | 329 | — | — |
| HDP 140 3 | 32.9 | 36 | 84810 | 344 | 177 | 271 | — | — | — | — | — | 279 | 261 | — | — | — |
| HDP 140 3 | 36.4 | 33 | 81890 | 300 | 177 | — | — | — | — | — | — | — | 261 | — | — | — |
| HDP 140 3 | 41.1 | 29.2 | 84810 | 275 | 177 | — | — | — | — | — | — | — | — | — | — | — |
| HDP 140 3 | 45.5 | 26.4 | 81480 | 239 | 177 | — | — | — | — | — | — | — | — | — | — | — |
| HDP 140 3 | 50.7 | 23.6 | 82170 | 216 | 177 | — | — | — | — | — | — | — | — | — | — | — |
| HDP 140 3 | 56.2 | 21.4 | 81140 | 193 | — | — | — | — | — | — | — | — | — | — | — | — |
| HDP 140 3 | 65.1 | 18.4 | 84810 | 174 | — | — | — | — | — | — | — | — | — | — | — | — |
| HDP 140 3 | 72.0 | 16.7 | 82200 | 152 | — | — | — | — | — | — | — | — | — | — | — | — |
| HDP 140 3 | 81.3 | 14.8 | 84810 | 139 | — | — | — | — | — | — | — | — | — | — | — | — |
| HDP 140 3 | 90.0 | 13.3 | 85020 | 126 | — | — | — | — | — | — | — | — | — | — | — | — |
| HDP 140 3 | 100.3 | 12.0 | 82170 | 109 | — | — | — | — | — | — | — | — | — | — | — | — |
| HDP 140 3 | 111.0 | 10.8 | 87060 | 105 | — | — | — | — | — | — | — | — | — | — | — | — |
| HDP 140 3 | 124.7 | 9.6 | 78870 | 84 | — | — | — | — | — | — | — | — | — | — | — | — |
| HDP 140 4 | 141.6 | 8.5 | 84370 | 81 | — | — | — | — | — | — | — | — | — | — | — | — |
| HDP 140 4 | 160.0 | 7.5 | 84820 | 72 | — | — | — | — | — | — | — | — | — | — | — | — |
| HDP 140 4 | 177.0 | 6.8 | 87060 | 67 | — | — | — | — | — | — | — | — | — | — | — | — |
| HDP 140 4 | 197.3 | 6.1 | 81250 | 56 | — | — | — | — | — | — | — | — | — | — | — | — |
| HDP 140 4 | 225.0 | 5.3 | 87060 | 53 | — | — | — | — | — | — | — | — | — | — | — | — |
| HDP 140 4 | 250.8 | 4.8 | 80930 | 44 | — | — | — | — | — | — | — | — | — | — | — | — |
| HDP 140 4 | 277.5 | 4.3 | 87060 | 43 | — | — | — | — | — | — | — | — | — | — | — | — |
| HDP 140 4 | 315.9 | 3.8 | 84820 | 37 | — | — | — | — | — | — | — | — | — | — | — | — |
| HDP 140 4 | 349.6 | 3.4 | 87060 | 34 | — | — | — | — | — | — | — | — | — | — | — | — |
| HDP 140 4 | 401.6 | 3.0 | 84820 | 29 | — | — | — | — | — | — | — | — | — | — | — | — |
| HDP 140 4 | 444.4 | 2.7 | 87060 | 27 | — | — | — | — | — | — | — | — | — | — | — | — |
| HDP 140 4 | 495.3 | 2.4 | 82170 | 23 | — | — | — | — | — | — | — | — | — | — | — | — |

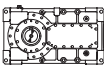
*  BONFIGLIOLI TECHNICAL SERVICE

— Thermal verification not necessary



HDP

HDP 140 $n_1 = 1200 \text{ min}^{-1}$

|  | i | n ₂ [min ⁻¹] | Mn ₂ [Nm] | Pn ₁ [kW] | Tamb = 40°C | | | | | | | | | | | |
|---|-------|--|-------------------------|-------------------------|------------------------|------------------------------|-----------------------------|-----------------------------|-----------------------------|------------------------------|------------------------------|--------------------------|-----------------------------|-----------------------------|------------------------------|------------------------------|
| | | | | | P _T [kW] | P _{TFANL/R} [kW] | P _{TFANLR} [kW] | P _{TMCRA5} [kW] | P _{TMCRA9} [kW] | P _{TMCRA21} [kW] | P _{TMCRA34} [kW] | P _{TSR} [kW] | P _{TMCRW5} [kW] | P _{TMCRW9} [kW] | P _{TMCRW21} [kW] | P _{TMCRW34} [kW] |
| HDP 140 2 | 8.4 | 144 | 59560 | 932 | * | * | * | * | * | * | | * | * | * | * | |
| HDP 140 2 | 9.3 | 130 | 65910 | 932 | * | * | * | * | * | * | | * | * | * | * | |
| HDP 140 2 | 9.9 | 121 | 62930 | 831 | * | * | * | * | * | * | | * | * | * | 479 | |
| HDP 140 2 | 11.0 | 109 | 69630 | 831 | * | * | * | * | * | 389 | | * | * | 323 | 479 | |
| HDP 140 2 | 13.0 | 92 | 71380 | 718 | * | * | * | 232 | 276 | 389 | | 242 | 251 | 323 | 479 | |
| HDP 140 2 | 14.4 | 83 | 78980 | 718 | * | * | 283 | 232 | 276 | 389 | ⊖ | 242 | 251 | 323 | 479 | ⊖ |
| HDP 140 2 | 16.3 | 74 | 81170 | 653 | 150 | 248 | 283 | 232 | 276 | 389 | | 242 | 251 | 323 | 479 | |
| HDP 140 2 | 18.0 | 67 | 83440 | 606 | 150 | 248 | 283 | 232 | 276 | 389 | | 242 | 251 | 323 | 479 | |
| HDP 140 2 | 20.1 | 60 | 76290 | 498 | 150 | 248 | 283 | 232 | 276 | 389 | | 242 | 251 | 323 | — | |
| HDP 140 2 | 22.2 | 54 | 82930 | 489 | 150 | 248 | 283 | 232 | 276 | 389 | | 242 | 251 | 323 | — | |
| HDP 140 2 | 24.9 | 48 | 82300 | 432 | 150 | 248 | 283 | 232 | 276 | — | | 242 | 251 | 323 | — | |
| HDP 140 3 | 25.1 | 48 | 77440 | 412 | 119 | 188 | 221 | 190 | 221 | 319 | — | 221 | 203 | 271 | — | — |
| HDP 140 3 | 27.7 | 43 | 82440 | 397 | 119 | 188 | 221 | 190 | 221 | 319 | — | 221 | 203 | 271 | — | — |
| HDP 140 3 | 32.9 | 36 | 84810 | 344 | 119 | 188 | 221 | 190 | 221 | — | — | 221 | 203 | 271 | — | — |
| HDP 140 3 | 36.4 | 33 | 81890 | 300 | 119 | 188 | 221 | 190 | 221 | — | — | 221 | 203 | — | — | — |
| HDP 140 3 | 41.1 | 29.2 | 84810 | 275 | 119 | 188 | 221 | 190 | 221 | — | — | 221 | 203 | — | — | — |
| HDP 140 3 | 45.5 | 26.4 | 81480 | 239 | 119 | 188 | — | 190 | — | — | — | — | 203 | — | — | — |
| HDP 140 3 | 50.7 | 23.6 | 82170 | 216 | 119 | — | — | — | — | — | — | — | — | — | — | — |
| HDP 140 3 | 56.2 | 21.4 | 81140 | 193 | 119 | — | — | — | — | — | — | — | — | — | — | — |
| HDP 140 3 | 65.1 | 18.4 | 84810 | 174 | 119 | — | — | — | — | — | — | — | — | — | — | — |
| HDP 140 3 | 72.0 | 16.7 | 82200 | 152 | 119 | — | — | — | — | — | — | — | — | — | — | — |
| HDP 140 3 | 81.3 | 14.8 | 84810 | 139 | — | — | — | — | — | — | — | — | — | — | — | — |
| HDP 140 3 | 90.0 | 13.3 | 85020 | 126 | — | — | — | — | — | — | — | — | — | — | — | — |
| HDP 140 3 | 100.3 | 12.0 | 82170 | 109 | — | — | — | — | — | — | — | — | — | — | — | — |
| HDP 140 3 | 111.0 | 10.8 | 87060 | 105 | — | — | — | — | — | — | — | — | — | — | — | — |
| HDP 140 3 | 124.7 | 9.6 | 78870 | 84 | — | — | — | — | — | — | — | — | — | — | — | — |
| HDP 140 4 | 141.6 | 8.5 | 84370 | 81 | — | — | — | — | — | — | — | — | — | — | — | — |
| HDP 140 4 | 160.0 | 7.5 | 84820 | 72 | — | — | — | — | — | — | — | — | — | — | — | — |
| HDP 140 4 | 177.0 | 6.8 | 87060 | 67 | — | — | — | — | — | — | — | — | — | — | — | — |
| HDP 140 4 | 197.3 | 6.1 | 81250 | 56 | — | — | — | — | — | — | — | — | — | — | — | — |
| HDP 140 4 | 225.0 | 5.3 | 87060 | 53 | — | — | — | — | — | — | — | — | — | — | — | — |
| HDP 140 4 | 250.8 | 4.8 | 80930 | 44 | — | — | — | — | — | — | — | — | — | — | — | — |
| HDP 140 4 | 277.5 | 4.3 | 87060 | 43 | — | — | — | — | — | — | — | — | — | — | — | — |
| HDP 140 4 | 315.9 | 3.8 | 84820 | 37 | — | — | — | — | — | — | — | — | — | — | — | — |
| HDP 140 4 | 349.6 | 3.4 | 87060 | 34 | — | — | — | — | — | — | — | — | — | — | — | — |
| HDP 140 4 | 401.6 | 3.0 | 84820 | 29 | — | — | — | — | — | — | — | — | — | — | — | — |
| HDP 140 4 | 444.4 | 2.7 | 87060 | 27 | — | — | — | — | — | — | — | — | — | — | — | — |
| HDP 140 4 | 495.3 | 2.4 | 82170 | 23 | — | — | — | — | — | — | — | — | — | — | — | — |

*  BONFIGLIOLI TECHNICAL SERVICE

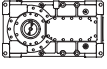
— Thermal verification not necessary



HDP

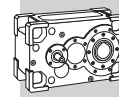
HDP 140

$n_1 = 1000 \text{ min}^{-1}$

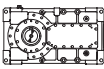
|  | i | n_2 [min ⁻¹] | Mn_2 [Nm] | Pn_1 [kW] | Tamb = 20°C | | | | | | | | | | | | |
|---|-------|-------------------------------|----------------|----------------|---------------|-----------------------|----------------------|----------------------|----------------------|-----------------------|-----------------------|-------------------|----------------------|----------------------|-----------------------|-----------------------|---|
| | | | | | P_T [kW] | $P_{TFANL/R}$ [kW] | P_{TFANLR} [kW] | P_{TMCRA5} [kW] | P_{TMCRA9} [kW] | $P_{TMCRA21}$ [kW] | $P_{TMCRA34}$ [kW] | P_{TSR} [kW] | P_{TMCRW5} [kW] | P_{TMCRW9} [kW] | $P_{TMCRW21}$ [kW] | $P_{TMCRW34}$ [kW] | |
| HDP 140 2 | 8.4 | 120 | 62910 | 821 | * | * | * | * | 438 | 681 | | | 292 | 301 | 395 | 555 | |
| HDP 140 2 | 9.3 | 108 | 69620 | 821 | * | * | * | 365 | 438 | 681 | | | 292 | 301 | 395 | 555 | |
| HDP 140 2 | 9.9 | 101 | 66470 | 731 | * | 306 | 356 | 365 | 438 | — | | | 292 | 301 | 395 | 555 | |
| HDP 140 2 | 11.0 | 91 | 73550 | 731 | 206 | 306 | 356 | 365 | 438 | — | | | 292 | 301 | 395 | 555 | |
| HDP 140 2 | 13.0 | 77 | 75390 | 632 | 206 | 306 | 356 | 365 | 438 | — | | | 292 | 301 | 395 | — | |
| HDP 140 2 | 14.4 | 69 | 83420 | 632 | 206 | 306 | 356 | 365 | 438 | — | ● | | 292 | 301 | 395 | — | ● |
| HDP 140 2 | 16.3 | 61 | 85730 | 575 | 206 | 306 | 356 | 365 | 438 | — | | | 292 | 301 | 395 | — | |
| HDP 140 2 | 18.0 | 56 | 83000 | 503 | 206 | 306 | 356 | 365 | — | — | | | 292 | 301 | 395 | — | |
| HDP 140 2 | 20.1 | 50 | 80570 | 438 | 206 | 306 | 356 | 365 | — | — | | | 292 | 301 | — | — | |
| HDP 140 2 | 22.2 | 45 | 82520 | 405 | 206 | 306 | — | — | — | — | | | 292 | 301 | — | — | |
| HDP 140 2 | 24.9 | 40 | 82350 | 360 | 206 | — | — | — | — | — | | | — | — | — | — | |
| HDP 140 3 | 25.1 | 40 | 77440 | 344 | 184 | 257 | — | — | — | — | — | — | — | 268 | — | — | — |
| HDP 140 3 | 27.7 | 36 | 82060 | 329 | 184 | 257 | — | — | — | — | — | — | — | 268 | — | — | — |
| HDP 140 3 | 32.9 | 30 | 84810 | 287 | 184 | — | — | — | — | — | — | — | — | — | — | — | — |
| HDP 140 3 | 36.4 | 27.5 | 81560 | 249 | 184 | — | — | — | — | — | — | — | — | — | — | — | — |
| HDP 140 3 | 41.1 | 24.3 | 84810 | 229 | 184 | — | — | — | — | — | — | — | — | — | — | — | — |
| HDP 140 3 | 45.5 | 22.0 | 81180 | 198 | — | — | — | — | — | — | — | — | — | — | — | — | — |
| HDP 140 3 | 50.7 | 19.7 | 82170 | 180 | — | — | — | — | — | — | — | — | — | — | — | — | — |
| HDP 140 3 | 56.2 | 17.8 | 81390 | 161 | — | — | — | — | — | — | — | — | — | — | — | — | — |
| HDP 140 3 | 65.1 | 15.4 | 84810 | 145 | — | — | — | — | — | — | — | — | — | — | — | — | — |
| HDP 140 3 | 72.0 | 13.9 | 84490 | 131 | — | — | — | — | — | — | — | — | — | — | — | — | — |
| HDP 140 3 | 81.3 | 12.3 | 84810 | 116 | — | — | — | — | — | — | — | — | — | — | — | — | — |
| HDP 140 3 | 90.0 | 11.1 | 87060 | 108 | — | — | — | — | — | — | — | — | — | — | — | — | — |
| HDP 140 3 | 100.3 | 10.0 | 82030 | 91 | — | — | — | — | — | — | — | — | — | — | — | — | — |
| HDP 140 3 | 111.0 | 9.0 | 87060 | 87 | — | — | — | — | — | — | — | — | — | — | — | — | — |
| HDP 140 3 | 124.7 | 8.0 | 78870 | 70 | — | — | — | — | — | — | — | — | — | — | — | — | — |
| HDP 140 4 | 141.6 | 7.1 | 87060 | 70 | — | — | — | — | — | — | — | — | — | — | — | — | — |
| HDP 140 4 | 160.0 | 6.3 | 84820 | 60 | — | — | — | — | — | — | — | — | — | — | — | — | — |
| HDP 140 4 | 177.0 | 5.6 | 87060 | 56 | — | — | — | — | — | — | — | — | — | — | — | — | — |
| HDP 140 4 | 197.3 | 5.1 | 81010 | 47 | — | — | — | — | — | — | — | — | — | — | — | — | — |
| HDP 140 4 | 225.0 | 4.4 | 87060 | 44 | — | — | — | — | — | — | — | — | — | — | — | — | — |
| HDP 140 4 | 250.8 | 4.0 | 81280 | 37 | — | — | — | — | — | — | — | — | — | — | — | — | — |
| HDP 140 4 | 277.5 | 3.6 | 87060 | 36 | — | — | — | — | — | — | — | — | — | — | — | — | — |
| HDP 140 4 | 315.9 | 3.2 | 84820 | 30 | — | — | — | — | — | — | — | — | — | — | — | — | — |
| HDP 140 4 | 349.6 | 2.9 | 87060 | 28 | — | — | — | — | — | — | — | — | — | — | — | — | — |
| HDP 140 4 | 401.6 | 2.5 | 84820 | 24 | — | — | — | — | — | — | — | — | — | — | — | — | — |
| HDP 140 4 | 444.4 | 2.3 | 87060 | 22 | — | — | — | — | — | — | — | — | — | — | — | — | — |
| HDP 140 4 | 495.3 | 2.0 | 82170 | 18.8 | — | — | — | — | — | — | — | — | — | — | — | — | — |

*  BONFIGLIOLI TECHNICAL SERVICE

— Thermal verification not necessary



HDP

| HDP 140 | | | | | $n_1 = 1000 \text{ min}^{-1}$ | | | | | | | | | | | |
|---|-------|-------------------------------|----------------|----------------|-------------------------------|-----------------------|----------------------|----------------------|----------------------|-----------------------|-----------------------|-------------------|----------------------|----------------------|-----------------------|-----------------------|
|  | i | n_2 [min ⁻¹] | Mn_2 [Nm] | Pn_1 [kW] | Tamb = 40°C | | | | | | | | | | | |
| | | | | | P_T [kW] | $P_{TFANL/R}$ [kW] | P_{TFANLR} [kW] | P_{TMCRA5} [kW] | P_{TMCRA9} [kW] | $P_{TMCRA21}$ [kW] | $P_{TMCRA34}$ [kW] | P_{TSR} [kW] | P_{TMCRW5} [kW] | P_{TMCRW9} [kW] | $P_{TMCRW21}$ [kW] | $P_{TMCRW34}$ [kW] |
| HDP 140 2 | 8.4 | 120 | 62910 | 821 | * | * | * | * | * | 387 | | * | * | * | 481 | |
| HDP 140 2 | 9.3 | 108 | 69620 | 821 | * | * | * | * | * | 387 | | * | * | 352 | 481 | |
| HDP 140 2 | 9.9 | 101 | 66470 | 731 | * | * | * | * | 266 | 387 | | * | 243 | 352 | 481 | |
| HDP 140 2 | 11.0 | 91 | 73550 | 731 | * | * | * | 228 | 266 | 387 | | 238 | 243 | 352 | 481 | |
| HDP 140 2 | 13.0 | 77 | 75390 | 632 | 148 | 224 | 261 | 228 | 266 | 387 | | 238 | 243 | 352 | 481 | |
| HDP 140 2 | 14.4 | 69 | 83420 | 632 | 148 | 224 | 261 | 228 | 266 | 387 | ● | 238 | 243 | 352 | 481 | ● |
| HDP 140 2 | 16.3 | 61 | 85730 | 575 | 148 | 224 | 261 | 228 | 266 | 387 | | 238 | 243 | 352 | — | |
| HDP 140 2 | 18.0 | 56 | 83000 | 503 | 148 | 224 | 261 | 228 | 266 | 387 | | 238 | 243 | 352 | — | |
| HDP 140 2 | 20.1 | 50 | 80570 | 438 | 148 | 224 | 261 | 228 | 266 | — | | 238 | 243 | 352 | — | |
| HDP 140 2 | 22.2 | 45 | 82520 | 405 | 148 | 224 | 261 | 228 | 266 | — | | 238 | 243 | — | — | |
| HDP 140 2 | 24.9 | 40 | 82350 | 360 | 148 | 224 | 261 | 228 | 266 | — | | 238 | 243 | — | — | |
| HDP 140 3 | 25.1 | 40 | 77440 | 344 | 126 | 179 | 205 | 197 | 228 | — | — | 228 | 210 | 278 | — | — |
| HDP 140 3 | 27.7 | 36 | 82060 | 329 | 126 | 179 | 205 | 197 | 228 | — | — | 228 | 210 | 278 | — | — |
| HDP 140 3 | 32.9 | 30 | 84810 | 287 | 126 | 179 | 205 | 197 | 228 | — | — | 228 | 210 | — | — | — |
| HDP 140 3 | 36.4 | 27.5 | 81560 | 249 | 126 | 179 | 205 | 197 | — | — | — | — | 210 | — | — | — |
| HDP 140 3 | 41.1 | 24.3 | 84810 | 229 | 126 | 179 | — | — | — | — | — | — | — | — | — | — |
| HDP 140 3 | 45.5 | 22.0 | 81180 | 198 | 126 | — | — | — | — | — | — | — | — | — | — | — |
| HDP 140 3 | 50.7 | 19.7 | 82170 | 180 | 126 | — | — | — | — | — | — | — | — | — | — | — |
| HDP 140 3 | 56.2 | 17.8 | 81390 | 161 | 126 | — | — | — | — | — | — | — | — | — | — | — |
| HDP 140 3 | 65.1 | 15.4 | 84810 | 145 | — | — | — | — | — | — | — | — | — | — | — | — |
| HDP 140 3 | 72.0 | 13.9 | 84490 | 131 | — | — | — | — | — | — | — | — | — | — | — | — |
| HDP 140 3 | 81.3 | 12.3 | 84810 | 116 | — | — | — | — | — | — | — | — | — | — | — | — |
| HDP 140 3 | 90.0 | 11.1 | 87060 | 108 | — | — | — | — | — | — | — | — | — | — | — | — |
| HDP 140 3 | 100.3 | 10.0 | 82030 | 91 | — | — | — | — | — | — | — | — | — | — | — | — |
| HDP 140 3 | 111.0 | 9.0 | 87060 | 87 | — | — | — | — | — | — | — | — | — | — | — | — |
| HDP 140 3 | 124.7 | 8.0 | 78870 | 70 | — | — | — | — | — | — | — | — | — | — | — | — |
| HDP 140 4 | 141.6 | 7.1 | 87060 | 70 | — | — | — | — | — | — | — | — | — | — | — | — |
| HDP 140 4 | 160.0 | 6.3 | 84820 | 60 | — | — | — | — | — | — | — | — | — | — | — | — |
| HDP 140 4 | 177.0 | 5.6 | 87060 | 56 | — | — | — | — | — | — | — | — | — | — | — | — |
| HDP 140 4 | 197.3 | 5.1 | 81010 | 47 | — | — | — | — | — | — | — | — | — | — | — | — |
| HDP 140 4 | 225.0 | 4.4 | 87060 | 44 | — | — | — | — | — | — | — | — | — | — | — | — |
| HDP 140 4 | 250.8 | 4.0 | 81280 | 37 | — | — | — | — | — | — | — | — | — | — | — | — |
| HDP 140 4 | 277.5 | 3.6 | 87060 | 36 | — | — | — | — | — | — | — | — | — | — | — | — |
| HDP 140 4 | 315.9 | 3.2 | 84820 | 30 | — | — | — | — | — | — | — | — | — | — | — | — |
| HDP 140 4 | 349.6 | 2.9 | 87060 | 28 | — | — | — | — | — | — | — | — | — | — | — | — |
| HDP 140 4 | 401.6 | 2.5 | 84820 | 24 | — | — | — | — | — | — | — | — | — | — | — | — |
| HDP 140 4 | 444.4 | 2.3 | 87060 | 22 | — | — | — | — | — | — | — | — | — | — | — | — |
| HDP 140 4 | 495.3 | 2.0 | 82170 | 18.8 | — | — | — | — | — | — | — | — | — | — | — | — |

*  BONFIGLIOLI TECHNICAL SERVICE

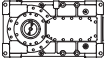
— Thermal verification not necessary



HDP

HDP 150

$n_1 = 1800 \text{ min}^{-1}$

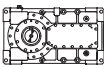
|  | i | n_2 [min ⁻¹] | Mn_2 [Nm] | Pn_1 [kW] | Tamb = 20°C | | | | | | | | | | | | |
|---|-------|-------------------------------|----------------|----------------|---------------|-----------------------|----------------------|----------------------|----------------------|-----------------------|-----------------------|-----------------------|----------------------|----------------------|-----------------------|-----------------------|-----------------------|
| | | | | | P_T [kW] | $P_{TFANL/R}$ [kW] | P_{TFANLR} [kW] | P_{TMCRA5} [kW] | P_{TMCRA9} [kW] | $P_{TMCRA21}$ [kW] | $P_{TMCRA34}$ [kW] | $P_{TMCRA51}$ [kW] | P_{TMCRW5} [kW] | P_{TMCRW9} [kW] | $P_{TMCRW21}$ [kW] | $P_{TMCRW34}$ [kW] | $P_{TMCRW51}$ [kW] |
| HDP 150 2 | 7.9 | 228 | 74450 | 1848 | * | * | * | * | * | * | * | | * | * | * | * | |
| HDP 150 2 | 9.3 | 194 | 87230 | 1848 | * | * | * | * | * | * | * | | * | * | * | * | |
| HDP 150 2 | 10.1 | 178 | 92670 | 1803 | * | * | * | * | * | * | * | | * | * | * | * | |
| HDP 150 2 | 11.1 | 163 | 91890 | 1630 | * | * | * | * | * | * | * | | * | * | * | * | |
| HDP 150 2 | 13.0 | 139 | 100380 | 1520 | * | * | * | * | * | * | * | ⊖ | * | * | * | * | ⊖ |
| HDP 150 2 | 14.1 | 128 | 102730 | 1428 | * | * | * | * | * | * | * | | * | * | * | 860 | |
| HDP 150 2 | 15.4 | 117 | 97390 | 1244 | * | 444 | 537 | * | 482 | 725 | 900 | | * | 439 | 599 | 860 | |
| HDP 150 2 | 18.0 | 100 | 111710 | 1217 | 236 | 444 | 537 | * | 482 | 725 | 900 | | * | 439 | 599 | 860 | |
| HDP 150 2 | 19.6 | 92 | 110820 | 1109 | 236 | 444 | 537 | * | 482 | 725 | 900 | | * | 439 | 599 | 860 | |
| HDP 150 3 | 21.5 | 84 | 87340 | 813 | * | * | * | * | * | * | * | — | * | * | * | 655 | — |
| HDP 150 3 | 25.2 | 71 | 102350 | 813 | * | * | 380 | * | * | * | * | — | * | * | * | 655 | — |
| HDP 150 3 | 27.4 | 66 | 109620 | 800 | 170 | 317 | 380 | * | * | * | 656 | — | * | * | * | 655 | — |
| HDP 150 3 | 29.9 | 60 | 117200 | 785 | 170 | 317 | 380 | * | 367 | 543 | 656 | — | 267 | 335 | 451 | 655 | — |
| HDP 150 3 | 35.0 | 51 | 112560 | 644 | 170 | 317 | 380 | * | 367 | 543 | — | — | 267 | 335 | 451 | — | — |
| HDP 150 3 | 38.1 | 47 | 108590 | 570 | 170 | 317 | 380 | 313 | 367 | — | — | — | 267 | 335 | 451 | — | — |
| HDP 150 3 | 43.5 | 41 | 117200 | 540 | 170 | 317 | 380 | 313 | 367 | — | — | — | 267 | 335 | 451 | — | — |
| HDP 150 3 | 50.9 | 35 | 111470 | 438 | 170 | 317 | 380 | 313 | 367 | — | — | — | 267 | 335 | — | — | — |
| HDP 150 3 | 55.5 | 32 | 107560 | 388 | 170 | 317 | — | 313 | — | — | — | — | 267 | 335 | — | — | — |
| HDP 150 3 | 60.4 | 29.8 | 117200 | 389 | 170 | 317 | — | 313 | — | — | — | — | 267 | 335 | — | — | — |
| HDP 150 3 | 70.8 | 25.4 | 110640 | 313 | 170 | — | — | — | — | — | — | — | 267 | — | — | — | — |
| HDP 150 3 | 77.0 | 23.4 | 106780 | 278 | 170 | — | — | — | — | — | — | — | — | — | — | — | — |
| HDP 150 4 | 89.0 | 20.2 | 110220 | 253 | 159 | — | — | — | — | — | — | — | — | — | — | — | — |
| HDP 150 4 | 104.3 | 17.3 | 111430 | 218 | 159 | — | — | — | — | — | — | — | — | — | — | — | — |
| HDP 150 4 | 113.6 | 15.9 | 109050 | 196 | 159 | — | — | — | — | — | — | — | — | — | — | — | — |
| HDP 150 4 | 123.6 | 14.6 | 117200 | 194 | 159 | — | — | — | — | — | — | — | — | — | — | — | — |
| HDP 150 4 | 144.9 | 12.4 | 117090 | 165 | — | — | — | — | — | — | — | — | — | — | — | — | — |
| HDP 150 4 | 157.8 | 11.4 | 114590 | 148 | — | — | — | — | — | — | — | — | — | — | — | — | — |
| HDP 150 4 | 170.9 | 10.5 | 114510 | 137 | — | — | — | — | — | — | — | — | — | — | — | — | — |
| HDP 150 4 | 200.3 | 9.0 | 117090 | 119 | — | — | — | — | — | — | — | — | — | — | — | — | — |
| HDP 150 4 | 218.1 | 8.3 | 114780 | 108 | — | — | — | — | — | — | — | — | — | — | — | — | — |
| HDP 150 4 | 237.5 | 7.6 | 117200 | 101 | — | — | — | — | — | — | — | — | — | — | — | — | — |
| HDP 150 4 | 278.3 | 6.5 | 117090 | 86 | — | — | — | — | — | — | — | — | — | — | — | — | — |
| HDP 150 4 | 303.1 | 5.9 | 114780 | 77 | — | — | — | — | — | — | — | — | — | — | — | — | — |

*  BONFIGLIOLI TECHNICAL SERVICE

— Thermal verification not necessary



HDP

| HDP 150 | | | | | $n_1 = 1800 \text{ min}^{-1}$ | | | | | | | | | | | | |
|---|-------|-------------------------------|----------------|----------------|-------------------------------|-----------------------|----------------------|----------------------|----------------------|-----------------------|-----------------------|-----------------------|----------------------|----------------------|-----------------------|-----------------------|-----------------------|
| | | | | | $T_{amb} = 40^\circ\text{C}$ | | | | | | | | | | | | |
|  | i | n_2 [min ⁻¹] | Mn_2 [Nm] | Pn_1 [kW] | P_T [kW] | $P_{TFANL/R}$ [kW] | P_{TFANLR} [kW] | P_{TMCRA5} [kW] | P_{TMCRA9} [kW] | $P_{TMCRA21}$ [kW] | $P_{TMCRA34}$ [kW] | $P_{TMCRA51}$ [kW] | P_{TMCRW5} [kW] | P_{TMCRW9} [kW] | $P_{TMCRW21}$ [kW] | $P_{TMCRW34}$ [kW] | $P_{TMCRW51}$ [kW] |
| HDP 150 2 | 7.9 | 228 | 74450 | 1848 | * | * | * | * | * | * | * | | * | * | * | * | |
| HDP 150 2 | 9.3 | 194 | 87230 | 1848 | * | * | * | * | * | * | * | | * | * | * | * | |
| HDP 150 2 | 10.1 | 178 | 92670 | 1803 | * | * | * | * | * | * | * | | * | * | * | * | |
| HDP 150 2 | 11.1 | 163 | 91890 | 1630 | * | * | * | * | * | * | * | | * | * | * | * | |
| HDP 150 2 | 13.0 | 139 | 100380 | 1520 | * | * | * | * | * | * | * | ● | * | * | * | * | ● |
| HDP 150 2 | 14.1 | 128 | 102730 | 1428 | * | * | * | * | * | * | * | | * | * | * | * | |
| HDP 150 2 | 15.4 | 117 | 97390 | 1244 | * | * | * | * | * | 408 | 505 | | * | * | 502 | 808 | |
| HDP 150 2 | 18.0 | 100 | 111710 | 1217 | * | * | * | * | * | 408 | 505 | | * | * | 502 | 808 | |
| HDP 150 2 | 19.6 | 92 | 110820 | 1109 | * | * | 370 | * | * | 408 | 505 | | * | * | 502 | 808 | |
| HDP 150 3 | 21.5 | 84 | 87340 | 813 | * | * | * | * | * | * | * | * | * | * | * | * | — |
| HDP 150 3 | 25.2 | 71 | 102350 | 813 | * | * | * | * | * | * | * | * | * | * | * | * | — |
| HDP 150 3 | 27.4 | 66 | 109620 | 800 | * | * | * | * | * | * | * | * | * | * | * | * | — |
| HDP 150 3 | 29.9 | 60 | 117200 | 785 | * | * | * | * | * | * | * | * | * | * | * | * | — |
| HDP 150 3 | 35.0 | 51 | 112560 | 644 | * | * | * | * | * | * | * | 411 | * | * | * | 601 | — |
| HDP 150 3 | 38.1 | 47 | 108590 | 570 | * | 221 | 268 | * | * | * | * | 411 | * | * | 381 | — | — |
| HDP 150 3 | 43.5 | 41 | 117200 | 540 | 150 | 221 | 268 | 221 | 252 | 350 | 420 | 411 | 234 | 302 | 381 | — | — |
| HDP 150 3 | 50.9 | 35 | 111470 | 438 | 150 | 221 | 268 | 221 | 252 | 350 | — | — | 234 | 302 | 381 | — | — |
| HDP 150 3 | 55.5 | 32 | 107560 | 388 | 150 | 221 | 268 | 221 | 252 | 350 | — | — | 234 | 302 | — | — | — |
| HDP 150 3 | 60.4 | 29.8 | 117200 | 389 | 150 | 221 | 268 | 221 | 252 | — | — | — | 234 | 302 | — | — | — |
| HDP 150 3 | 70.8 | 25.4 | 110640 | 313 | 150 | 221 | 268 | 221 | 252 | — | — | — | 234 | — | — | — | — |
| HDP 150 3 | 77.0 | 23.4 | 106780 | 278 | 150 | 221 | — | 221 | 252 | — | — | — | 234 | — | — | — | — |
| HDP 150 4 | 89.0 | 20.2 | 110220 | 253 | 103 | 185 | — | 158 | 183 | — | — | — | 169 | — | — | — | — |
| HDP 150 4 | 104.3 | 17.3 | 111430 | 218 | 103 | 185 | — | 158 | 183 | — | — | — | 169 | — | — | — | — |
| HDP 150 4 | 113.6 | 15.9 | 109050 | 196 | 103 | — | — | 158 | — | — | — | — | 169 | — | — | — | — |
| HDP 150 4 | 123.6 | 14.6 | 117200 | 194 | 103 | — | — | 158 | — | — | — | — | 169 | — | — | — | — |
| HDP 150 4 | 144.9 | 12.4 | 117090 | 165 | 103 | — | — | — | — | — | — | — | — | — | — | — | — |
| HDP 150 4 | 157.8 | 11.4 | 114590 | 148 | 103 | — | — | — | — | — | — | — | — | — | — | — | — |
| HDP 150 4 | 170.9 | 10.5 | 114510 | 137 | 103 | — | — | — | — | — | — | — | — | — | — | — | — |
| HDP 150 4 | 200.3 | 9.0 | 117090 | 119 | 103 | — | — | — | — | — | — | — | — | — | — | — | — |
| HDP 150 4 | 218.1 | 8.3 | 114780 | 108 | — | — | — | — | — | — | — | — | — | — | — | — | — |
| HDP 150 4 | 237.5 | 7.6 | 117200 | 101 | — | — | — | — | — | — | — | — | — | — | — | — | — |
| HDP 150 4 | 278.3 | 6.5 | 117090 | 86 | — | — | — | — | — | — | — | — | — | — | — | — | — |
| HDP 150 4 | 303.1 | 5.9 | 114780 | 77 | — | — | — | — | — | — | — | — | — | — | — | — | — |

*  BONFIGLIOLI TECHNICAL SERVICE

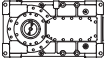
— Thermal verification not necessary



HDP

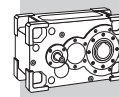
HDP 150

$n_1 = 1500 \text{ min}^{-1}$

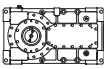
|  | i | n_2 [min ⁻¹] | Mn_2 [Nm] | Pn_1 [kW] | Tamb = 20°C | | | | | | | | | | | | |
|---|-------|-------------------------------|----------------|----------------|---------------|-----------------------|----------------------|----------------------|----------------------|-----------------------|-----------------------|-----------------------|----------------------|----------------------|-----------------------|-----------------------|-----------------------|
| | | | | | P_T [kW] | $P_{TFANL/R}$ [kW] | P_{TFANLR} [kW] | P_{TMCRA5} [kW] | P_{TMCRA9} [kW] | $P_{TMCRA21}$ [kW] | $P_{TMCRA34}$ [kW] | $P_{TMCRA51}$ [kW] | P_{TMCRW5} [kW] | P_{TMCRW9} [kW] | $P_{TMCRW21}$ [kW] | $P_{TMCRW34}$ [kW] | $P_{TMCRW51}$ [kW] |
| HDP 150 2 | 7.9 | 190 | 78630 | 1627 | * | * | * | * | * | * | * | * | * | * | * | * | * |
| HDP 150 2 | 9.3 | 162 | 92140 | 1627 | * | * | * | * | * | * | * | * | * | * | * | * | * |
| HDP 150 2 | 10.1 | 149 | 97880 | 1587 | * | * | * | * | * | * | * | * | * | * | * | 833 | * |
| HDP 150 2 | 11.1 | 136 | 97060 | 1435 | * | * | * | * | * | * | * | 882 | * | * | 581 | 833 | * |
| HDP 150 2 | 13.0 | 116 | 106020 | 1338 | 220 | 407 | 488 | * | * | 716 | 882 | ⊖ | * | * | 581 | 833 | ⊖ |
| HDP 150 2 | 14.1 | 106 | 108500 | 1257 | 220 | 407 | 488 | * | 477 | 716 | 882 | * | 434 | 581 | 833 | * | |
| HDP 150 2 | 15.4 | 98 | 102870 | 1095 | 220 | 407 | 488 | 433 | 477 | 716 | 882 | 374 | 434 | 581 | 833 | * | |
| HDP 150 2 | 18.0 | 83 | 114210 | 1037 | 220 | 407 | 488 | 433 | 477 | 716 | 882 | 374 | 434 | 581 | 833 | * | |
| HDP 150 2 | 19.6 | 76 | 110150 | 919 | 220 | 407 | 488 | 433 | 477 | 716 | — | 374 | 434 | 581 | — | * | |
| HDP 150 3 | 21.5 | 70 | 92560 | 718 | 190 | 318 | 374 | 317 | 374 | 550 | — | — | 274 | 342 | 458 | — | — |
| HDP 150 3 | 25.2 | 60 | 108460 | 718 | 190 | 318 | 374 | 317 | 374 | 550 | — | — | 274 | 342 | 458 | — | — |
| HDP 150 3 | 27.4 | 55 | 109030 | 663 | 190 | 318 | 374 | 317 | 374 | 550 | — | — | 274 | 342 | 458 | — | — |
| HDP 150 3 | 29.9 | 50 | 117200 | 654 | 190 | 318 | 374 | 317 | 374 | — | — | — | 274 | 342 | 458 | — | — |
| HDP 150 3 | 35.0 | 43 | 112010 | 534 | 190 | 318 | 374 | 317 | 374 | — | — | — | 274 | 342 | — | — | — |
| HDP 150 3 | 38.1 | 39 | 108070 | 473 | 190 | 318 | 374 | 317 | 374 | — | — | — | 274 | 342 | — | — | — |
| HDP 150 3 | 43.5 | 35 | 117200 | 450 | 190 | 318 | — | 317 | — | — | — | — | 274 | — | — | — | — |
| HDP 150 3 | 50.9 | 29.5 | 111000 | 364 | 190 | — | — | — | — | — | — | — | 274 | — | — | — | — |
| HDP 150 3 | 55.5 | 27.0 | 107110 | 322 | 190 | — | — | — | — | — | — | — | — | — | — | — | — |
| HDP 150 3 | 60.4 | 24.8 | 117200 | 324 | 190 | — | — | — | — | — | — | — | — | — | — | — | — |
| HDP 150 3 | 70.8 | 21.2 | 110230 | 260 | 190 | — | — | — | — | — | — | — | — | — | — | — | — |
| HDP 150 3 | 77.0 | 19.5 | 106390 | 230 | 190 | — | — | — | — | — | — | — | — | — | — | — | — |
| HDP 150 4 | 89.0 | 16.9 | 116800 | 224 | 180 | — | — | — | — | — | — | — | — | — | — | — | — |
| HDP 150 4 | 104.3 | 14.4 | 116060 | 190 | — | — | — | — | — | — | — | — | — | — | — | — | — |
| HDP 150 4 | 113.6 | 13.2 | 112070 | 168 | — | — | — | — | — | — | — | — | — | — | — | — | — |
| HDP 150 4 | 123.6 | 12.1 | 117200 | 161 | — | — | — | — | — | — | — | — | — | — | — | — | — |
| HDP 150 4 | 144.9 | 10.4 | 117090 | 138 | — | — | — | — | — | — | — | — | — | — | — | — | — |
| HDP 150 4 | 157.8 | 9.5 | 114780 | 124 | — | — | — | — | — | — | — | — | — | — | — | — | — |
| HDP 150 4 | 170.9 | 8.8 | 116800 | 116 | — | — | — | — | — | — | — | — | — | — | — | — | — |
| HDP 150 4 | 200.3 | 7.5 | 117090 | 100 | — | — | — | — | — | — | — | — | — | — | — | — | — |
| HDP 150 4 | 218.1 | 6.9 | 114780 | 90 | — | — | — | — | — | — | — | — | — | — | — | — | — |
| HDP 150 4 | 237.5 | 6.3 | 117200 | 84 | — | — | — | — | — | — | — | — | — | — | — | — | — |
| HDP 150 4 | 278.3 | 5.4 | 117090 | 72 | — | — | — | — | — | — | — | — | — | — | — | — | — |
| HDP 150 4 | 303.1 | 4.9 | 114780 | 64 | — | — | — | — | — | — | — | — | — | — | — | — | — |

*  BONFIGLIOLI TECHNICAL SERVICE

— Thermal verification not necessary



HDP

| HDP 150 | | | | | $n_1 = 1500 \text{ min}^{-1}$ | | | | | | | | | | | | | |
|---|-------|-------------------------------|----------------|----------------|-------------------------------|-----------------------|----------------------|----------------------|----------------------|-----------------------|-----------------------|-----------------------|----------------------|----------------------|-----------------------|-----------------------|-----------------------|--|
|  | i | n_2 [min ⁻¹] | Mn_2 [Nm] | Pn_1 [kW] | Tamb = 40°C | | | | | | | | | | | | | |
| | | | | | P_T [kW] | $P_{TFANL/R}$ [kW] | P_{TFANLR} [kW] | P_{TMCRA5} [kW] | P_{TMCRA9} [kW] | $P_{TMCRA21}$ [kW] | $P_{TMCRA34}$ [kW] | $P_{TMCRA51}$ [kW] | P_{TMCRW5} [kW] | P_{TMCRW9} [kW] | $P_{TMCRW21}$ [kW] | $P_{TMCRW34}$ [kW] | $P_{TMCRW51}$ [kW] | |
| HDP 150 2 | 7.9 | 190 | 78630 | 1627 | * | * | * | * | * | * | * | | * | * | * | * | | |
| HDP 150 2 | 9.3 | 162 | 92140 | 1627 | * | * | * | * | * | * | * | | * | * | * | * | | |
| HDP 150 2 | 10.1 | 149 | 97880 | 1587 | * | * | * | * | * | * | * | | * | * | * | * | | |
| HDP 150 2 | 11.1 | 136 | 97060 | 1435 | * | * | * | * | * | * | * | | * | * | * | * | | |
| HDP 150 2 | 13.0 | 116 | 106020 | 1338 | * | * | * | * | * | * | 496 | ⊖ | * | * | * | 800 | ⊖ | |
| HDP 150 2 | 14.1 | 106 | 108500 | 1257 | * | * | * | * | * | 404 | 496 | | * | * | 498 | 800 | | |
| HDP 150 2 | 15.4 | 98 | 102870 | 1095 | 162 | 299 | 359 | * | * | 404 | 496 | | * | 372 | 498 | 800 | | |
| HDP 150 2 | 18.0 | 83 | 114210 | 1037 | 162 | 299 | 359 | * | * | 404 | 496 | | * | 372 | 498 | 800 | | |
| HDP 150 2 | 19.6 | 76 | 110150 | 919 | 162 | 299 | 359 | * | * | 404 | 496 | | * | 372 | 498 | * | | |
| HDP 150 3 | 21.5 | 70 | 92560 | 718 | * | 210 | 251 | * | * | 316 | 386 | 416 | * | 268 | 384 | 606 | — | |
| HDP 150 3 | 25.2 | 60 | 108460 | 718 | * | 210 | 251 | * | * | 316 | 386 | 416 | * | 268 | 384 | 606 | — | |
| HDP 150 3 | 27.4 | 55 | 109030 | 663 | * | 210 | 251 | * | * | 316 | 386 | 416 | * | 268 | 384 | — | — | |
| HDP 150 3 | 29.9 | 50 | 117200 | 654 | 130 | 210 | 251 | * | 232 | 316 | 386 | 416 | 214 | 268 | 384 | — | — | |
| HDP 150 3 | 35.0 | 43 | 112010 | 534 | 130 | 210 | 251 | 203 | 232 | 316 | 386 | 416 | 214 | 268 | 384 | — | — | |
| HDP 150 3 | 38.1 | 39 | 108070 | 473 | 130 | 210 | 251 | 203 | 232 | 316 | 386 | — | 214 | 268 | 384 | — | — | |
| HDP 150 3 | 43.5 | 35 | 117200 | 450 | 130 | 210 | 251 | 203 | 232 | 316 | — | — | 214 | 268 | — | — | — | |
| HDP 150 3 | 50.9 | 29.5 | 111000 | 364 | 130 | 210 | 251 | 203 | 232 | — | — | — | 214 | 268 | — | — | — | |
| HDP 150 3 | 55.5 | 27.0 | 107110 | 322 | 130 | 210 | 251 | 203 | 232 | — | — | — | 214 | — | — | — | — | |
| HDP 150 3 | 60.4 | 24.8 | 117200 | 324 | 130 | 210 | 251 | 203 | 232 | — | — | — | 214 | — | — | — | — | |
| HDP 150 3 | 70.8 | 21.2 | 110230 | 260 | 130 | 210 | — | 203 | 232 | — | — | — | — | — | — | — | — | |
| HDP 150 3 | 77.0 | 19.5 | 106390 | 230 | 130 | — | — | 203 | — | — | — | — | — | — | — | — | — | |
| HDP 150 4 | 89.0 | 16.9 | 116800 | 224 | 114 | — | — | 169 | — | — | — | — | — | — | — | — | — | |
| HDP 150 4 | 104.3 | 14.4 | 116060 | 190 | 114 | — | — | — | — | — | — | — | — | — | — | — | — | |
| HDP 150 4 | 113.6 | 13.2 | 112070 | 168 | 114 | — | — | — | — | — | — | — | — | — | — | — | — | |
| HDP 150 4 | 123.6 | 12.1 | 117200 | 161 | 114 | — | — | — | — | — | — | — | — | — | — | — | — | |
| HDP 150 4 | 144.9 | 10.4 | 117090 | 138 | — | — | — | — | — | — | — | — | — | — | — | — | — | |
| HDP 150 4 | 157.8 | 9.5 | 114780 | 124 | — | — | — | — | — | — | — | — | — | — | — | — | — | |
| HDP 150 4 | 170.9 | 8.8 | 116800 | 116 | — | — | — | — | — | — | — | — | — | — | — | — | — | |
| HDP 150 4 | 200.3 | 7.5 | 117090 | 100 | — | — | — | — | — | — | — | — | — | — | — | — | — | |
| HDP 150 4 | 218.1 | 6.9 | 114780 | 90 | — | — | — | — | — | — | — | — | — | — | — | — | — | |
| HDP 150 4 | 237.5 | 6.3 | 117200 | 84 | — | — | — | — | — | — | — | — | — | — | — | — | — | |
| HDP 150 4 | 278.3 | 5.4 | 117090 | 72 | — | — | — | — | — | — | — | — | — | — | — | — | — | |
| HDP 150 4 | 303.1 | 4.9 | 114780 | 64 | — | — | — | — | — | — | — | — | — | — | — | — | — | |

*  BONFIGLIOLI TECHNICAL SERVICE

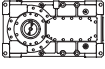
— Thermal verification not necessary



HDP

HDP 150

$n_1 = 1200 \text{ min}^{-1}$

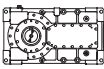
|  | i | n_2 [min ⁻¹] | Mn_2 [Nm] | Pn_1 [kW] | Tamb = 20°C | | | | | | | | | | | | | |
|---|-------|-------------------------------|----------------|----------------|---------------|-----------------------|----------------------|----------------------|----------------------|-----------------------|-----------------------|-----------------------|----------------------|----------------------|-----------------------|-----------------------|-----------------------|---|
| | | | | | P_T [kW] | $P_{TFANL/R}$ [kW] | P_{TFANLR} [kW] | P_{TMCRA5} [kW] | P_{TMCRA9} [kW] | $P_{TMCRA21}$ [kW] | $P_{TMCRA34}$ [kW] | $P_{TMCRA51}$ [kW] | P_{TMCRW5} [kW] | P_{TMCRW9} [kW] | $P_{TMCRW21}$ [kW] | $P_{TMCRW34}$ [kW] | $P_{TMCRW51}$ [kW] | |
| HDP 150 2 | 7.9 | 152 | 84080 | 1392 | * | * | * | * | * | * | * | * | * | * | * | * | * | * |
| HDP 150 2 | 9.3 | 130 | 98520 | 1392 | * | * | * | * | * | * | * | 868 | * | * | * | * | 862 | * |
| HDP 150 2 | 10.1 | 119 | 104660 | 1357 | * | * | * | * | * | * | 698 | 868 | * | * | * | 572 | 862 | * |
| HDP 150 2 | 11.1 | 108 | 103780 | 1227 | 243 | 411 | 484 | * | 496 | 698 | 868 | * | * | 453 | 572 | 862 | * | |
| HDP 150 2 | 13.0 | 93 | 113360 | 1144 | 243 | 411 | 484 | 425 | 496 | 698 | 868 | ● | 366 | 453 | 572 | 862 | ● | |
| HDP 150 2 | 14.1 | 85 | 110530 | 1024 | 243 | 411 | 484 | 425 | 496 | 698 | 868 | * | 366 | 453 | 572 | 862 | * | |
| HDP 150 2 | 15.4 | 78 | 109990 | 936 | 243 | 411 | 484 | 425 | 496 | 698 | — | * | 366 | 453 | 572 | — | * | |
| HDP 150 2 | 18.0 | 67 | 113410 | 824 | 243 | 411 | 484 | 425 | 496 | 698 | — | * | 366 | 453 | 572 | — | * | |
| HDP 150 2 | 19.6 | 61 | 109400 | 730 | 243 | 411 | 484 | 425 | 496 | — | — | * | 366 | 453 | 572 | — | * | |
| HDP 150 3 | 21.5 | 56 | 98970 | 614 | 208 | 323 | 374 | 335 | 392 | — | — | — | 292 | 360 | 476 | — | — | |
| HDP 150 3 | 25.2 | 48 | 112320 | 595 | 208 | 323 | 374 | 335 | 392 | — | — | — | 292 | 360 | 476 | — | — | |
| HDP 150 3 | 27.4 | 44 | 108370 | 527 | 208 | 323 | 374 | 335 | 392 | — | — | — | 292 | 360 | — | — | — | |
| HDP 150 3 | 29.9 | 40 | 117200 | 524 | 208 | 323 | 374 | 335 | 392 | — | — | — | 292 | 360 | — | — | — | |
| HDP 150 3 | 35.0 | 34 | 111390 | 425 | 208 | 323 | — | 335 | — | — | — | — | 292 | 360 | — | — | — | |
| HDP 150 3 | 38.1 | 31 | 107480 | 376 | 208 | 323 | — | — | — | — | — | — | 292 | — | — | — | — | |
| HDP 150 3 | 43.5 | 27.6 | 117200 | 360 | 208 | — | — | — | — | — | — | — | 292 | — | — | — | — | |
| HDP 150 3 | 50.9 | 23.6 | 110470 | 290 | 208 | — | — | — | — | — | — | — | — | — | — | — | — | |
| HDP 150 3 | 55.5 | 21.6 | 106610 | 257 | 208 | — | — | — | — | — | — | — | — | — | — | — | — | |
| HDP 150 3 | 60.4 | 19.9 | 117200 | 259 | 208 | — | — | — | — | — | — | — | — | — | — | — | — | |
| HDP 150 3 | 70.8 | 17.0 | 113250 | 214 | — | — | — | — | — | — | — | — | — | — | — | — | — | |
| HDP 150 3 | 77.0 | 15.6 | 109330 | 189 | — | — | — | — | — | — | — | — | — | — | — | — | — | |
| HDP 150 4 | 89.0 | 13.5 | 116800 | 179 | — | — | — | — | — | — | — | — | — | — | — | — | — | |
| HDP 150 4 | 104.3 | 11.5 | 117090 | 153 | — | — | — | — | — | — | — | — | — | — | — | — | — | |
| HDP 150 4 | 113.6 | 10.6 | 114780 | 138 | — | — | — | — | — | — | — | — | — | — | — | — | — | |
| HDP 150 4 | 123.6 | 9.7 | 117200 | 129 | — | — | — | — | — | — | — | — | — | — | — | — | — | |
| HDP 150 4 | 144.9 | 8.3 | 117090 | 110 | — | — | — | — | — | — | — | — | — | — | — | — | — | |
| HDP 150 4 | 157.8 | 7.6 | 114780 | 99 | — | — | — | — | — | — | — | — | — | — | — | — | — | |
| HDP 150 4 | 170.9 | 7.0 | 116800 | 93 | — | — | — | — | — | — | — | — | — | — | — | — | — | |
| HDP 150 4 | 200.3 | 6.0 | 117090 | 80 | — | — | — | — | — | — | — | — | — | — | — | — | — | |
| HDP 150 4 | 218.1 | 5.5 | 114780 | 72 | — | — | — | — | — | — | — | — | — | — | — | — | — | |
| HDP 150 4 | 237.5 | 5.1 | 117200 | 67 | — | — | — | — | — | — | — | — | — | — | — | — | — | |
| HDP 150 4 | 278.3 | 4.3 | 117090 | 57 | — | — | — | — | — | — | — | — | — | — | — | — | — | |
| HDP 150 4 | 303.1 | 4.0 | 114780 | 52 | — | — | — | — | — | — | — | — | — | — | — | — | — | |

*  BONFIGLIOLI TECHNICAL SERVICE

— Thermal verification not necessary



HDP

| HDP 150 | | | | | $n_1 = 1200 \text{ min}^{-1}$ | | | | | | | | | | | | |
|---|-------|-------------------------------|----------------|----------------|-------------------------------|-----------------------|----------------------|----------------------|----------------------|-----------------------|-----------------------|-----------------------|----------------------|----------------------|-----------------------|-----------------------|-----------------------|
|  | i | n_2 [min ⁻¹] | Mn_2 [Nm] | Pn_1 [kW] | Tamb = 40°C | | | | | | | | | | | | |
| | | | | | P_T [kW] | $P_{TFANL/R}$ [kW] | P_{TFANLR} [kW] | P_{TMCRA5} [kW] | P_{TMCRA9} [kW] | $P_{TMCRA21}$ [kW] | $P_{TMCRA34}$ [kW] | $P_{TMCRA51}$ [kW] | P_{TMCRW5} [kW] | P_{TMCRW9} [kW] | $P_{TMCRW21}$ [kW] | $P_{TMCRW34}$ [kW] | $P_{TMCRW51}$ [kW] |
| HDP 150 2 | 7.9 | 152 | 84080 | 1392 | * | * | * | * | * | * | * | | * | * | * | * | |
| HDP 150 2 | 9.3 | 130 | 98520 | 1392 | * | * | * | * | * | * | * | | * | * | * | * | |
| HDP 150 2 | 10.1 | 119 | 104660 | 1357 | * | * | * | * | * | * | * | | * | * | * | 781 | |
| HDP 150 2 | 11.1 | 108 | 103780 | 1227 | * | * | * | * | * | * | * | | * | * | 517 | 781 | |
| HDP 150 2 | 13.0 | 93 | 113360 | 1144 | * | * | 331 | * | * | * | 527 | ⊖ | * | * | 517 | 781 | ⊖ |
| HDP 150 2 | 14.1 | 85 | 110530 | 1024 | * | 280 | 331 | * | * | 433 | 527 | | * | 367 | 517 | 781 | |
| HDP 150 2 | 15.4 | 78 | 109990 | 936 | 184 | 280 | 331 | 281 | 325 | 433 | 527 | | 300 | 367 | 517 | 781 | |
| HDP 150 2 | 18.0 | 67 | 113410 | 824 | 184 | 280 | 331 | 281 | 325 | 433 | 527 | | 300 | 367 | 517 | — | |
| HDP 150 2 | 19.6 | 61 | 109400 | 730 | 184 | 280 | 331 | 281 | 325 | 433 | 527 | | 300 | 367 | 517 | — | |
| HDP 150 3 | 21.5 | 56 | 98970 | 614 | 135 | 220 | 256 | 206 | 237 | 335 | 405 | 435 | 219 | 287 | 403 | — | — |
| HDP 150 3 | 25.2 | 48 | 112320 | 595 | 135 | 220 | 256 | 206 | 237 | 335 | 405 | 435 | 219 | 287 | 403 | — | — |
| HDP 150 3 | 27.4 | 44 | 108370 | 527 | 135 | 220 | 256 | 206 | 237 | 335 | 405 | 435 | 219 | 287 | 403 | — | — |
| HDP 150 3 | 29.9 | 40 | 117200 | 524 | 135 | 220 | 256 | 206 | 237 | 335 | 405 | 435 | 219 | 287 | 403 | — | — |
| HDP 150 3 | 35.0 | 34 | 111390 | 425 | 135 | 220 | 256 | 206 | 237 | 335 | — | — | 219 | 287 | — | — | — |
| HDP 150 3 | 38.1 | 31 | 107480 | 376 | 135 | 220 | 256 | 206 | 237 | 335 | — | — | 219 | 287 | — | — | — |
| HDP 150 3 | 43.5 | 27.6 | 117200 | 360 | 135 | 220 | 256 | 206 | 237 | — | — | — | 219 | 287 | — | — | — |
| HDP 150 3 | 50.9 | 23.6 | 110470 | 290 | 135 | 220 | 256 | 206 | 237 | — | — | — | 219 | — | — | — | — |
| HDP 150 3 | 55.5 | 21.6 | 106610 | 257 | 135 | 220 | — | 206 | — | — | — | — | 219 | — | — | — | — |
| HDP 150 3 | 60.4 | 19.9 | 117200 | 259 | 135 | — | — | 206 | — | — | — | — | — | — | — | — | — |
| HDP 150 3 | 70.8 | 17.0 | 113250 | 214 | 135 | — | — | — | — | — | — | — | — | — | — | — | — |
| HDP 150 3 | 77.0 | 15.6 | 109330 | 189 | 135 | — | — | — | — | — | — | — | — | — | — | — | — |
| HDP 150 4 | 89.0 | 13.5 | 116800 | 179 | 123 | — | — | — | — | — | — | — | — | — | — | — | — |
| HDP 150 4 | 104.3 | 11.5 | 117090 | 153 | 123 | — | — | — | — | — | — | — | — | — | — | — | — |
| HDP 150 4 | 113.6 | 10.6 | 114780 | 138 | — | — | — | — | — | — | — | — | — | — | — | — | — |
| HDP 150 4 | 123.6 | 9.7 | 117200 | 129 | — | — | — | — | — | — | — | — | — | — | — | — | — |
| HDP 150 4 | 144.9 | 8.3 | 117090 | 110 | — | — | — | — | — | — | — | — | — | — | — | — | — |
| HDP 150 4 | 157.8 | 7.6 | 114780 | 99 | — | — | — | — | — | — | — | — | — | — | — | — | — |
| HDP 150 4 | 170.9 | 7.0 | 116800 | 93 | — | — | — | — | — | — | — | — | — | — | — | — | — |
| HDP 150 4 | 200.3 | 6.0 | 117090 | 80 | — | — | — | — | — | — | — | — | — | — | — | — | — |
| HDP 150 4 | 218.1 | 5.5 | 114780 | 72 | — | — | — | — | — | — | — | — | — | — | — | — | — |
| HDP 150 4 | 237.5 | 5.1 | 117200 | 67 | — | — | — | — | — | — | — | — | — | — | — | — | — |
| HDP 150 4 | 278.3 | 4.3 | 117090 | 57 | — | — | — | — | — | — | — | — | — | — | — | — | — |
| HDP 150 4 | 303.1 | 4.0 | 114780 | 52 | — | — | — | — | — | — | — | — | — | — | — | — | — |

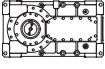
*  BONFIGLIOLI TECHNICAL SERVICE

— Thermal verification not necessary



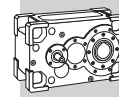
HDP 150

$n_1 = 1000 \text{ min}^{-1}$

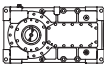
|  | i | n_2 [min ⁻¹] | Mn_2 [Nm] | Pn_1 [kW] | Tamb = 20°C | | | | | | | | | | | | |
|---|-------|-------------------------------|----------------|----------------|---------------|-----------------------|----------------------|----------------------|----------------------|-----------------------|-----------------------|-----------------------|----------------------|----------------------|-----------------------|-----------------------|-----------------------|
| | | | | | P_T [kW] | $P_{TFANL/R}$ [kW] | P_{TFANLR} [kW] | P_{TMCRA5} [kW] | P_{TMCRA9} [kW] | $P_{TMCRA21}$ [kW] | $P_{TMCRA34}$ [kW] | $P_{TMCRA51}$ [kW] | P_{TMCRW5} [kW] | P_{TMCRW9} [kW] | $P_{TMCRW21}$ [kW] | $P_{TMCRW34}$ [kW] | $P_{TMCRW51}$ [kW] |
| HDP 150 2 | 7.9 | 126 | 88800 | 1225 | * | * | * | * | * | 714 | 889 | | * | * | * | 894 | |
| HDP 150 2 | 9.3 | 108 | 104050 | 1225 | * | * | * | * | 480 | 714 | 889 | | * | * | 597 | 894 | |
| HDP 150 2 | 10.1 | 99 | 110540 | 1195 | 232 | * | * | 407 | 480 | 714 | 889 | | 348 | 442 | 597 | 894 | |
| HDP 150 2 | 11.1 | 90 | 109610 | 1080 | 232 | * | * | 407 | 480 | 714 | 889 | | 348 | 442 | 597 | 894 | |
| HDP 150 2 | 13.0 | 77 | 113930 | 958 | 232 | 402 | 459 | 407 | 480 | 714 | — | ● | 348 | 442 | 597 | — | ● |
| HDP 150 2 | 14.1 | 71 | 109890 | 849 | 232 | 402 | 459 | 407 | 480 | 714 | — | | 348 | 442 | 597 | — | |
| HDP 150 2 | 15.4 | 65 | 116170 | 824 | 232 | 402 | 459 | 407 | 480 | — | — | | 348 | 442 | 597 | — | |
| HDP 150 2 | 18.0 | 56 | 112810 | 683 | 232 | 402 | 459 | 407 | 480 | — | — | | 348 | 442 | — | — | |
| HDP 150 2 | 19.6 | 51 | 108820 | 605 | 232 | 402 | 459 | 407 | 480 | — | — | | 348 | 442 | — | — | |
| HDP 150 3 | 21.5 | 46 | 104540 | 541 | 221 | 311 | 350 | 348 | 405 | — | — | — | 305 | 373 | — | — | — |
| HDP 150 3 | 25.2 | 40 | 111790 | 493 | 221 | 311 | 350 | 348 | 405 | — | — | — | 305 | 373 | — | — | — |
| HDP 150 3 | 27.4 | 36 | 107860 | 437 | 221 | 311 | 350 | 348 | — | — | — | — | 305 | 373 | — | — | — |
| HDP 150 3 | 29.9 | 33 | 117200 | 436 | 221 | 311 | 350 | 348 | — | — | — | — | 305 | — | — | — | — |
| HDP 150 3 | 35.0 | 28.6 | 110920 | 352 | 221 | — | — | — | — | — | — | — | — | — | — | — | — |
| HDP 150 3 | 38.1 | 26.2 | 107040 | 312 | 221 | — | — | — | — | — | — | — | — | — | — | — | — |
| HDP 150 3 | 43.5 | 23.0 | 117200 | 300 | 221 | — | — | — | — | — | — | — | — | — | — | — | — |
| HDP 150 3 | 50.9 | 19.6 | 110840 | 242 | — | — | — | — | — | — | — | — | — | — | — | — | — |
| HDP 150 3 | 55.5 | 18.0 | 106990 | 215 | — | — | — | — | — | — | — | — | — | — | — | — | — |
| HDP 150 3 | 60.4 | 16.6 | 117200 | 216 | — | — | — | — | — | — | — | — | — | — | — | — | — |
| HDP 150 3 | 70.8 | 14.1 | 116370 | 183 | — | — | — | — | — | — | — | — | — | — | — | — | — |
| HDP 150 3 | 77.0 | 13.0 | 112360 | 162 | — | — | — | — | — | — | — | — | — | — | — | — | — |
| HDP 150 4 | 89.0 | 9.6 | 117090 | 127 | — | — | — | — | — | — | — | — | — | — | — | — | — |
| HDP 150 4 | 104.3 | 8.8 | 114780 | 115 | — | — | — | — | — | — | — | — | — | — | — | — | — |
| HDP 150 4 | 113.6 | 8.1 | 117200 | 108 | — | — | — | — | — | — | — | — | — | — | — | — | — |
| HDP 150 4 | 123.6 | 6.9 | 117090 | 92 | — | — | — | — | — | — | — | — | — | — | — | — | — |
| HDP 150 4 | 144.9 | 6.3 | 114780 | 83 | — | — | — | — | — | — | — | — | — | — | — | — | — |
| HDP 150 4 | 157.8 | 5.8 | 116800 | 78 | — | — | — | — | — | — | — | — | — | — | — | — | — |
| HDP 150 4 | 170.9 | 5.0 | 117090 | 66 | — | — | — | — | — | — | — | — | — | — | — | — | — |
| HDP 150 4 | 200.3 | 4.6 | 114780 | 60 | — | — | — | — | — | — | — | — | — | — | — | — | — |
| HDP 150 4 | 218.1 | 4.2 | 117200 | 56 | — | — | — | — | — | — | — | — | — | — | — | — | — |
| HDP 150 4 | 237.5 | 3.6 | 117090 | 48 | — | — | — | — | — | — | — | — | — | — | — | — | — |
| HDP 150 4 | 278.3 | 3.3 | 114780 | 43 | — | — | — | — | — | — | — | — | — | — | — | — | — |
| HDP 150 4 | 303.1 | 3.0 | 104350 | 35 | — | — | — | — | — | — | — | — | — | — | — | — | — |

*  BONFIGLIOLI TECHNICAL SERVICE

— Thermal verification not necessary



HDP

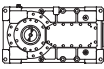
| HDP 150 | | | | | $n_1 = 1000 \text{ min}^{-1}$ | | | | | | | | | | | | |
|---|-------|--|-------------------------|-------------------------|-------------------------------|-------------------------------|-----------------------------|-----------------------------|-----------------------------|------------------------------|------------------------------|------------------------------|-----------------------------|-----------------------------|------------------------------|------------------------------|------------------------------|
| | | | | | Tamb = 40°C | | | | | | | | | | | | |
|  | i | n ₂ [min ⁻¹] | Mn ₂ [Nm] | Pn ₁ [kW] | P _T [kW] | P _{TFANL/IR} [kW] | P _{TFANLR} [kW] | P _{TMCRA5} [kW] | P _{TMCRA9} [kW] | P _{TMCRA21} [kW] | P _{TMCRA34} [kW] | P _{TMCRA51} [kW] | P _{TMCRW5} [kW] | P _{TMCRW9} [kW] | P _{TMCRW21} [kW] | P _{TMCRW34} [kW] | P _{TMCRW51} [kW] |
| HDP 150 2 | 7.9 | 126 | 88800 | 1225 | * | * | * | * | * | * | * | | * | * | * | * | |
| HDP 150 2 | 9.3 | 108 | 104050 | 1225 | * | * | * | * | * | * | 504 | | * | * | * | * | |
| HDP 150 2 | 10.1 | 99 | 110540 | 1195 | * | * | 273 | * | * | 411 | 504 | | * | * | * | 841 | |
| HDP 150 2 | 11.1 | 90 | 109610 | 1080 | * | 265 | 273 | * | 310 | 411 | 504 | | * | 349 | 539 | 841 | |
| HDP 150 2 | 13.0 | 77 | 113930 | 958 | 174 | 265 | 273 | 271 | 310 | 411 | 504 | ⊖ | * | 349 | 539 | — | ⊖ |
| HDP 150 2 | 14.1 | 71 | 109890 | 849 | 174 | 265 | 273 | 271 | 310 | 411 | 504 | | 293 | 349 | 539 | — | |
| HDP 150 2 | 15.4 | 65 | 116170 | 824 | 174 | 265 | 273 | 271 | 310 | 411 | 504 | | 293 | 349 | 539 | — | |
| HDP 150 2 | 18.0 | 56 | 112810 | 683 | 174 | 265 | 273 | 271 | 310 | 411 | 504 | | 293 | 349 | 539 | — | |
| HDP 150 2 | 19.6 | 51 | 108820 | 605 | 174 | 265 | 273 | 271 | 310 | 411 | 504 | | 293 | 349 | — | — | |
| HDP 150 3 | 21.5 | 46 | 104540 | 541 | 147 | 213 | 241 | 218 | 249 | 347 | 417 | 447 | 231 | 299 | 415 | — | — |
| HDP 150 3 | 25.2 | 40 | 111790 | 493 | 147 | 213 | 241 | 218 | 249 | 347 | 417 | — | 231 | 299 | 415 | — | — |
| HDP 150 3 | 27.4 | 36 | 107860 | 437 | 147 | 213 | 241 | 218 | 249 | 347 | — | — | 231 | 299 | — | — | — |
| HDP 150 3 | 29.9 | 33 | 117200 | 436 | 147 | 213 | 241 | 218 | 249 | 347 | — | — | 231 | 299 | — | — | — |
| HDP 150 3 | 35.0 | 28.6 | 110920 | 352 | 147 | 213 | 241 | 218 | 249 | — | — | — | 231 | 299 | — | — | — |
| HDP 150 3 | 38.1 | 26.2 | 107040 | 312 | 147 | 213 | 241 | 218 | 249 | — | — | — | 231 | — | — | — | — |
| HDP 150 3 | 43.5 | 23.0 | 117200 | 300 | 147 | 213 | 241 | 218 | — | — | — | — | 231 | — | — | — | — |
| HDP 150 3 | 50.9 | 19.6 | 110840 | 242 | 147 | — | — | — | — | — | — | — | — | — | — | — | — |
| HDP 150 3 | 55.5 | 18.0 | 106990 | 215 | 147 | — | — | — | — | — | — | — | — | — | — | — | — |
| HDP 150 3 | 60.4 | 16.6 | 117200 | 216 | 147 | — | — | — | — | — | — | — | — | — | — | — | — |
| HDP 150 3 | 70.8 | 14.1 | 116370 | 183 | 147 | — | — | — | — | — | — | — | — | — | — | — | — |
| HDP 150 3 | 77.0 | 13.0 | 112360 | 162 | — | — | — | — | — | — | — | — | — | — | — | — | — |
| HDP 150 4 | 89.0 | 9.6 | 117090 | 127 | — | — | — | — | — | — | — | — | — | — | — | — | — |
| HDP 150 4 | 104.3 | 8.8 | 114780 | 115 | — | — | — | — | — | — | — | — | — | — | — | — | — |
| HDP 150 4 | 113.6 | 8.1 | 117200 | 108 | — | — | — | — | — | — | — | — | — | — | — | — | — |
| HDP 150 4 | 123.6 | 6.9 | 117090 | 92 | — | — | — | — | — | — | — | — | — | — | — | — | — |
| HDP 150 4 | 144.9 | 6.3 | 114780 | 83 | — | — | — | — | — | — | — | — | — | — | — | — | — |
| HDP 150 4 | 157.8 | 5.8 | 116800 | 78 | — | — | — | — | — | — | — | — | — | — | — | — | — |
| HDP 150 4 | 170.9 | 5.0 | 117090 | 66 | — | — | — | — | — | — | — | — | — | — | — | — | — |
| HDP 150 4 | 200.3 | 4.6 | 114780 | 60 | — | — | — | — | — | — | — | — | — | — | — | — | — |
| HDP 150 4 | 218.1 | 4.2 | 117200 | 56 | — | — | — | — | — | — | — | — | — | — | — | — | — |
| HDP 150 4 | 237.5 | 3.6 | 117090 | 48 | — | — | — | — | — | — | — | — | — | — | — | — | — |
| HDP 150 4 | 278.3 | 3.3 | 114780 | 43 | — | — | — | — | — | — | — | — | — | — | — | — | — |
| HDP 150 4 | 303.1 | 3.0 | 104350 | 35 | — | — | — | — | — | — | — | — | — | — | — | — | — |

*  BONFIGLIOLI TECHNICAL SERVICE

— Thermal verification not necessary

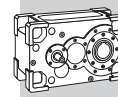


HDP

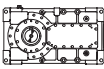
| HDP 160 | | | | | $n_1 = 1800 \text{ min}^{-1}$ | | | | | | | | | | | | |
|---|-------|-------------------------------|----------------|----------------|-------------------------------|---------------|--------------|--------------|--------------|---------------|---------------|---------------|--------------|--------------|---------------|---------------|---------------|
| | | | | | $T_{amb} = 20^\circ\text{C}$ | | | | | | | | | | | | |
|  | i | n_2 [min ⁻¹] | Mn_2 [Nm] | Pn_1 [kW] | P_T | $P_{TFANL/R}$ | P_{TFANLR} | P_{TMCRA5} | P_{TMCRA9} | $P_{TMCRA21}$ | $P_{TMCRA34}$ | $P_{TMCRA51}$ | P_{TMCRW5} | P_{TMCRW9} | $P_{TMCRW21}$ | $P_{TMCRW34}$ | $P_{TMCRW51}$ |
| | | | | | [kW] | [kW] | [kW] | [kW] | [kW] | [kW] | [kW] | [kW] | [kW] | [kW] | [kW] | [kW] | [kW] |
| HDP 160 2 | 9.0 | 201 | 84540 | 1848 | * | * | * | * | * | * | * | | * | * | * | * | |
| HDP 160 2 | 10.5 | 172 | 98670 | 1848 | * | * | * | * | * | * | * | | * | * | * | * | |
| HDP 160 2 | 11.4 | 158 | 104630 | 1803 | * | * | * | * | * | * | * | | * | * | * | * | |
| HDP 160 2 | 12.6 | 143 | 104350 | 1630 | * | * | * | * | * | * | * | | * | * | * | * | |
| HDP 160 2 | 14.7 | 123 | 113510 | 1519 | * | * | * | * | * | * | * | ⊖ | * | * | * | * | ⊖ |
| HDP 160 2 | 15.9 | 113 | 115960 | 1428 | * | * | * | * | * | 690 | 865 | | * | * | * | * | |
| HDP 160 2 | 17.5 | 103 | 110600 | 1244 | 240 | 455 | 548 | * | 493 | 690 | 865 | | * | * | 610 | 916 | |
| HDP 160 2 | 20.4 | 88 | 126330 | 1217 | 240 | 455 | 548 | 425 | 493 | 690 | 865 | | * | * | 610 | 916 | |
| HDP 160 2 | 22.1 | 81 | 128970 | 1143 | 240 | 455 | 548 | 425 | 493 | 690 | 865 | | * | * | 610 | 916 | |
| HDP 160 3 | 24.4 | 74 | 99160 | 813 | * | * | * | * | * | * | * | — | * | * | * | * | — |
| HDP 160 3 | 28.5 | 63 | 115770 | 813 | * | * | * | * | * | * | 662 | — | * | * | * | 671 | — |
| HDP 160 3 | 31.0 | 58 | 125840 | 813 | * | * | * | * | * | * | 662 | — | * | * | * | 671 | — |
| HDP 160 3 | 33.9 | 53 | 134250 | 792 | * | 342 | 407 | * | 379 | 555 | 662 | — | * | * | 463 | 671 | — |
| HDP 160 3 | 39.6 | 45 | 146300 | 740 | * | 342 | 407 | 325 | 379 | 555 | — | — | 282 | 350 | 463 | — | — |
| HDP 160 3 | 43.1 | 42 | 139210 | 647 | 200 | 342 | 407 | 325 | 379 | 555 | — | — | 282 | 350 | 463 | — | — |
| HDP 160 3 | 49.4 | 36 | 133700 | 543 | 200 | 342 | 407 | 325 | 379 | — | — | — | 282 | 350 | 463 | — | — |
| HDP 160 3 | 57.6 | 31 | 145030 | 504 | 200 | 342 | 407 | 325 | 379 | — | — | — | 282 | 350 | — | — | — |
| HDP 160 3 | 62.6 | 28.7 | 137880 | 441 | 200 | 342 | 407 | 325 | 379 | — | — | — | 282 | 350 | — | — | — |
| HDP 160 3 | 68.6 | 26.3 | 143440 | 419 | 200 | 342 | — | 325 | — | — | — | — | 282 | 350 | — | — | — |
| HDP 160 3 | 80.0 | 22.5 | 144680 | 362 | 200 | — | — | — | — | — | — | — | 282 | — | — | — | — |
| HDP 160 3 | 87.0 | 20.7 | 136870 | 315 | 200 | — | — | — | — | — | — | — | 282 | — | — | — | — |
| HDP 160 4 | 101.1 | 17.8 | 125180 | 253 | 171 | — | — | — | — | — | — | — | — | — | — | — | — |
| HDP 160 4 | 117.9 | 15.3 | 146130 | 253 | 171 | — | — | — | — | — | — | — | — | — | — | — | — |
| HDP 160 4 | 128.2 | 14.0 | 137000 | 218 | 171 | — | — | — | — | — | — | — | — | — | — | — | — |
| HDP 160 4 | 140.4 | 12.8 | 142990 | 208 | 171 | — | — | — | — | — | — | — | — | — | — | — | — |
| HDP 160 4 | 163.9 | 11.0 | 146300 | 182 | — | — | — | — | — | — | — | — | — | — | — | — | — |
| HDP 160 4 | 178.1 | 10.1 | 146860 | 168 | — | — | — | — | — | — | — | — | — | — | — | — | — |
| HDP 160 4 | 194.1 | 9.3 | 130070 | 137 | — | — | — | — | — | — | — | — | — | — | — | — | — |
| HDP 160 4 | 226.6 | 7.9 | 146300 | 132 | — | — | — | — | — | — | — | — | — | — | — | — | — |
| HDP 160 4 | 246.3 | 7.3 | 147070 | 122 | — | — | — | — | — | — | — | — | — | — | — | — | — |
| HDP 160 4 | 269.7 | 6.7 | 141000 | 107 | — | — | — | — | — | — | — | — | — | — | — | — | — |
| HDP 160 4 | 314.8 | 5.7 | 146300 | 95 | — | — | — | — | — | — | — | — | — | — | — | — | — |
| HDP 160 4 | 342.2 | 5.3 | 147070 | 88 | — | — | — | — | — | — | — | — | — | — | — | — | — |

*  BONFIGLIOLI TECHNICAL SERVICE

— Thermal verification not necessary



HDP

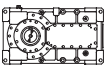
| HDP 160 | | | | | $n_1 = 1800 \text{ min}^{-1}$ | | | | | | | | | | | | |
|---|-------|-------------------------------|----------------|----------------|-------------------------------|-----------------------|----------------------|----------------------|----------------------|-----------------------|-----------------------|-----------------------|----------------------|----------------------|-----------------------|-----------------------|-----------------------|
| | | | | | $T_{amb} = 40^\circ\text{C}$ | | | | | | | | | | | | |
|  | i | n_2 [min ⁻¹] | Mn_2 [Nm] | Pn_1 [kW] | P_T [kW] | $P_{TFANL/R}$ [kW] | P_{TFANLR} [kW] | P_{TMCRA5} [kW] | P_{TMCRA9} [kW] | $P_{TMCRA21}$ [kW] | $P_{TMCRA34}$ [kW] | $P_{TMCRA51}$ [kW] | P_{TMCRW5} [kW] | P_{TMCRW9} [kW] | $P_{TMCRW21}$ [kW] | $P_{TMCRW34}$ [kW] | $P_{TMCRW51}$ [kW] |
| HDP 160 2 | 9.0 | 201 | 84540 | 1848 | * | * | * | * | * | * | * | | * | * | * | * | |
| HDP 160 2 | 10.5 | 172 | 98670 | 1848 | * | * | * | * | * | * | * | | * | * | * | * | |
| HDP 160 2 | 11.4 | 158 | 104630 | 1803 | * | * | * | * | * | * | * | | * | * | * | * | |
| HDP 160 2 | 12.6 | 143 | 104350 | 1630 | * | * | * | * | * | * | * | | * | * | * | * | |
| HDP 160 2 | 14.7 | 123 | 113510 | 1519 | * | * | * | * | * | * | * | ⊖ | * | * | * | * | ⊖ |
| HDP 160 2 | 15.9 | 113 | 115960 | 1428 | * | * | * | * | * | * | * | | * | * | * | * | |
| HDP 160 2 | 17.5 | 103 | 110600 | 1244 | * | * | * | * | * | * | 511 | | * | * | * | 814 | |
| HDP 160 2 | 20.4 | 88 | 126330 | 1217 | * | * | 373 | * | * | 423 | 511 | | * | * | 517 | 814 | |
| HDP 160 2 | 22.1 | 81 | 128970 | 1143 | * | 309 | 373 | * | * | 423 | 511 | | * | * | 517 | 814 | |
| HDP 160 3 | 24.4 | 74 | 99160 | 813 | * | * | * | * | * | * | * | * | * | * | * | * | * |
| HDP 160 3 | 28.5 | 63 | 115770 | 813 | * | * | * | * | * | * | * | * | * | * | * | * | * |
| HDP 160 3 | 31.0 | 58 | 125840 | 813 | * | * | * | * | * | * | * | * | * | * | * | * | * |
| HDP 160 3 | 33.9 | 53 | 134250 | 792 | * | * | * | * | * | * | * | 417 | * | * | * | 607 | * |
| HDP 160 3 | 39.6 | 45 | 146300 | 740 | * | 225 | 272 | * | * | * | * | 417 | * | * | * | 607 | * |
| HDP 160 3 | 43.1 | 42 | 139210 | 647 | * | 225 | 272 | * | * | * | 392 | 417 | * | * | 390 | * | * |
| HDP 160 3 | 49.4 | 36 | 133700 | 543 | 160 | 225 | 272 | 231 | 262 | 360 | 392 | 417 | 244 | 312 | 390 | * | * |
| HDP 160 3 | 57.6 | 31 | 145030 | 504 | 160 | 225 | 272 | 231 | 262 | 360 | 392 | 417 | 244 | 312 | 390 | * | * |
| HDP 160 3 | 62.6 | 28.7 | 137880 | 441 | 160 | 225 | 272 | 231 | 262 | 360 | 392 | — | 244 | 312 | 390 | * | * |
| HDP 160 3 | 68.6 | 26.3 | 143440 | 419 | 160 | 225 | 272 | 231 | 262 | 360 | — | — | 244 | 312 | — | * | * |
| HDP 160 3 | 80.0 | 22.5 | 144680 | 362 | 160 | 225 | 272 | 231 | 262 | — | — | — | 244 | 312 | — | * | * |
| HDP 160 3 | 87.0 | 20.7 | 136870 | 315 | 160 | 225 | 272 | 231 | 262 | — | — | — | 244 | — | — | * | * |
| HDP 160 4 | 101.1 | 17.8 | 125180 | 253 | 111 | 193 | — | 166 | 191 | — | — | — | 177 | — | — | — | — |
| HDP 160 4 | 117.9 | 15.3 | 146130 | 253 | 111 | 193 | — | 166 | 191 | — | — | — | 177 | — | — | — | — |
| HDP 160 4 | 128.2 | 14.0 | 137000 | 218 | 111 | 193 | — | 166 | 191 | — | — | — | 177 | — | — | — | — |
| HDP 160 4 | 140.4 | 12.8 | 142990 | 208 | 111 | — | — | 166 | — | — | — | — | 177 | — | — | — | — |
| HDP 160 4 | 163.9 | 11.0 | 146300 | 182 | 111 | — | — | — | — | — | — | — | — | — | — | — | — |
| HDP 160 4 | 178.1 | 10.1 | 146860 | 168 | 111 | — | — | — | — | — | — | — | — | — | — | — | — |
| HDP 160 4 | 194.1 | 9.3 | 130070 | 137 | 111 | — | — | — | — | — | — | — | — | — | — | — | — |
| HDP 160 4 | 226.6 | 7.9 | 146300 | 132 | 111 | — | — | — | — | — | — | — | — | — | — | — | — |
| HDP 160 4 | 246.3 | 7.3 | 147070 | 122 | — | — | — | — | — | — | — | — | — | — | — | — | — |
| HDP 160 4 | 269.7 | 6.7 | 141000 | 107 | — | — | — | — | — | — | — | — | — | — | — | — | — |
| HDP 160 4 | 314.8 | 5.7 | 146300 | 95 | — | — | — | — | — | — | — | — | — | — | — | — | — |
| HDP 160 4 | 342.2 | 5.3 | 147070 | 88 | — | — | — | — | — | — | — | — | — | — | — | — | — |

*  BONFIGLIOLI TECHNICAL SERVICE

— Thermal verification not necessary

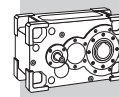


HDP

| HDP 160 | | | | | $n_1 = 1500 \text{ min}^{-1}$ | | | | | | | | | | | | |
|---|-------|--------------------------------|----------------|----------------|-------------------------------|-----------------------|----------------------|----------------------|----------------------|-----------------------|-----------------------|-----------------------|----------------------|----------------------|-----------------------|-----------------------|-----------------------|
| | | | | | $T_{amb} = 20^\circ\text{C}$ | | | | | | | | | | | | |
|  | i | n_2 [min^{-1}] | Mn_2 [Nm] | Pn_1 [kW] | P_T [kW] | $P_{TFANL/R}$ [kW] | P_{TFANLR} [kW] | P_{TMCRA5} [kW] | P_{TMCRA9} [kW] | $P_{TMCRA21}$ [kW] | $P_{TMCRA34}$ [kW] | $P_{TMCRA51}$ [kW] | P_{TMCRW5} [kW] | P_{TMCRW9} [kW] | $P_{TMCRW21}$ [kW] | $P_{TMCRW34}$ [kW] | $P_{TMCRW51}$ [kW] |
| HDP 160 2 | 9.0 | 167 | 89290 | 1627 | * | * | * | * | * | * | * | | * | * | * | * | |
| HDP 160 2 | 10.5 | 143 | 104220 | 1627 | * | * | * | * | * | * | * | | * | * | * | * | |
| HDP 160 2 | 11.4 | 132 | 110510 | 1587 | * | * | * | * | * | * | * | | * | * | * | * | |
| HDP 160 2 | 12.6 | 119 | 110220 | 1435 | * | * | * | * | * | 717 | 892 | | * | * | * | * | |
| HDP 160 2 | 14.7 | 102 | 119890 | 1337 | * | * | * | * | 485 | 717 | 892 | ⊖ | * | * | * | 908 | ⊖ |
| HDP 160 2 | 15.9 | 94 | 122470 | 1257 | 237 | 424 | 505 | 412 | 485 | 717 | 892 | | * | * | 607 | 908 | |
| HDP 160 2 | 17.5 | 86 | 116810 | 1095 | 237 | 424 | 505 | 412 | 485 | 717 | 892 | | 388 | 482 | 607 | 908 | |
| HDP 160 2 | 20.4 | 74 | 133430 | 1071 | 237 | 424 | 505 | 412 | 485 | 717 | 892 | | 388 | 482 | 607 | 908 | |
| HDP 160 2 | 22.1 | 68 | 136230 | 1006 | 237 | 424 | 505 | 412 | 485 | 717 | 892 | | 388 | 482 | 607 | 908 | |
| HDP 160 3 | 24.4 | 61 | 105110 | 718 | 202 | 330 | 386 | 329 | 386 | 562 | — | — | 286 | 354 | 470 | — | — |
| HDP 160 3 | 28.5 | 53 | 122690 | 718 | 202 | 330 | 386 | 329 | 386 | 562 | — | — | 286 | 354 | 470 | — | — |
| HDP 160 3 | 31.0 | 48 | 133350 | 718 | 202 | 330 | 386 | 329 | 386 | 562 | — | — | 286 | 354 | 470 | — | — |
| HDP 160 3 | 33.9 | 44 | 142310 | 700 | 202 | 330 | 386 | 329 | 386 | 562 | — | — | 286 | 354 | 470 | — | — |
| HDP 160 3 | 39.6 | 38 | 146300 | 616 | 202 | 330 | 386 | 329 | 386 | — | — | — | 286 | 354 | 470 | — | — |
| HDP 160 3 | 43.1 | 35 | 138540 | 537 | 202 | 330 | 386 | 329 | 386 | — | — | — | 286 | 354 | — | — | — |
| HDP 160 3 | 49.4 | 30 | 138770 | 469 | 202 | 330 | 386 | 329 | 386 | — | — | — | 286 | 354 | — | — | — |
| HDP 160 3 | 57.6 | 26.0 | 145150 | 421 | 202 | 330 | — | 329 | — | — | — | — | 286 | — | — | — | — |
| HDP 160 3 | 62.6 | 24.0 | 137300 | 366 | 202 | — | — | — | — | — | — | — | — | — | — | — | — |
| HDP 160 3 | 68.6 | 21.9 | 143440 | 349 | 202 | — | — | — | — | — | — | — | — | — | — | — | — |
| HDP 160 3 | 80.0 | 18.7 | 144140 | 301 | 202 | — | — | — | — | — | — | — | — | — | — | — | — |
| HDP 160 3 | 87.0 | 17.2 | 136370 | 262 | 202 | — | — | — | — | — | — | — | — | — | — | — | — |
| HDP 160 4 | 101.1 | 14.8 | 132640 | 224 | 182 | — | — | — | — | — | — | — | — | — | — | — | — |
| HDP 160 4 | 117.9 | 12.7 | 146300 | 211 | — | — | — | — | — | — | — | — | — | — | — | — | — |
| HDP 160 4 | 128.2 | 11.7 | 143630 | 191 | — | — | — | — | — | — | — | — | — | — | — | — | — |
| HDP 160 4 | 140.4 | 10.7 | 142380 | 173 | — | — | — | — | — | — | — | — | — | — | — | — | — |
| HDP 160 4 | 163.9 | 9.2 | 146300 | 152 | — | — | — | — | — | — | — | — | — | — | — | — | — |
| HDP 160 4 | 178.1 | 8.4 | 147070 | 141 | — | — | — | — | — | — | — | — | — | — | — | — | — |
| HDP 160 4 | 194.1 | 7.7 | 132640 | 116 | — | — | — | — | — | — | — | — | — | — | — | — | — |
| HDP 160 4 | 226.6 | 6.6 | 146300 | 110 | — | — | — | — | — | — | — | — | — | — | — | — | — |
| HDP 160 4 | 246.3 | 6.1 | 147070 | 102 | — | — | — | — | — | — | — | — | — | — | — | — | — |
| HDP 160 4 | 269.7 | 5.6 | 140530 | 89 | — | — | — | — | — | — | — | — | — | — | — | — | — |
| HDP 160 4 | 314.8 | 4.8 | 146300 | 79 | — | — | — | — | — | — | — | — | — | — | — | — | — |
| HDP 160 4 | 342.2 | 4.4 | 147070 | 73 | — | — | — | — | — | — | — | — | — | — | — | — | — |

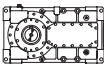
*  BONFIGLIOLI TECHNICAL SERVICE

— Thermal verification not necessary



HDP

HDP 160 **n₁ = 1500 min⁻¹**

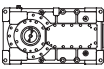
|  | i | n ₂ [min ⁻¹] | Mn ₂ [Nm] | Pn ₁ [kW] | Tamb = 40°C | | | | | | | | | | | | |
|---|-------|--|-------------------------|-------------------------|------------------------|------------------------------|-----------------------------|-----------------------------|-----------------------------|------------------------------|------------------------------|------------------------------|-----------------------------|-----------------------------|------------------------------|------------------------------|------------------------------|
| | | | | | P _T [kW] | P _{TFANL/R} [kW] | P _{TFANLR} [kW] | P _{TMCRA5} [kW] | P _{TMCRA9} [kW] | P _{TMCRA21} [kW] | P _{TMCRA34} [kW] | P _{TMCRA51} [kW] | P _{TMCRW5} [kW] | P _{TMCRW9} [kW] | P _{TMCRW21} [kW] | P _{TMCRW34} [kW] | P _{TMCRW51} [kW] |
| HDP 160 2 | 9.0 | 167 | 89290 | 1627 | * | * | * | * | * | * | * | | * | * | * | * | |
| HDP 160 2 | 10.5 | 143 | 104220 | 1627 | * | * | * | * | * | * | * | | * | * | * | * | |
| HDP 160 2 | 11.4 | 132 | 110510 | 1587 | * | * | * | * | * | * | * | | * | * | * | * | |
| HDP 160 2 | 12.6 | 119 | 110220 | 1435 | * | * | * | * | * | * | * | | * | * | * | * | |
| HDP 160 2 | 14.7 | 102 | 119890 | 1337 | * | * | * | * | * | * | * | ● | * | * | * | 805 | ● |
| HDP 160 2 | 15.9 | 94 | 122470 | 1257 | * | * | * | * | * | * | 507 | | * | * | * | 805 | |
| HDP 160 2 | 17.5 | 86 | 116810 | 1095 | 170 | 307 | 367 | * | * | 446 | 507 | | * | 380 | 540 | 805 | |
| HDP 160 2 | 20.4 | 74 | 133430 | 1071 | 170 | 307 | 367 | * | * | 446 | 507 | | * | 380 | 540 | 805 | |
| HDP 160 2 | 22.1 | 68 | 136230 | 1006 | 170 | 307 | 367 | * | * | 446 | 507 | | * | 380 | 540 | 805 | |
| HDP 160 3 | 24.4 | 61 | 105110 | 718 | * | 218 | 259 | * | * | * | 394 | 424 | * | * | 392 | 614 | — |
| HDP 160 3 | 28.5 | 53 | 122690 | 718 | * | 218 | 259 | * | * | * | 394 | 424 | * | 280 | 392 | 614 | — |
| HDP 160 3 | 31.0 | 48 | 133350 | 718 | * | 218 | 259 | * | * | 329 | 394 | 424 | * | 280 | 392 | 614 | — |
| HDP 160 3 | 33.9 | 44 | 142310 | 700 | 139 | 218 | 259 | 210 | 241 | 329 | 394 | 424 | 223 | 280 | 392 | — | — |
| HDP 160 3 | 39.6 | 38 | 146300 | 616 | 139 | 218 | 259 | 210 | 241 | 329 | 394 | 424 | 223 | 280 | 392 | — | — |
| HDP 160 3 | 43.1 | 35 | 138540 | 537 | 139 | 218 | 259 | 210 | 241 | 329 | 394 | 424 | 223 | 280 | 392 | — | — |
| HDP 160 3 | 49.4 | 30 | 138770 | 469 | 139 | 218 | 259 | 210 | 241 | 329 | — | — | 223 | 280 | — | — | — |
| HDP 160 3 | 57.6 | 26.0 | 145150 | 421 | 139 | 218 | 259 | 210 | 241 | 329 | — | — | 223 | 280 | — | — | — |
| HDP 160 3 | 62.6 | 24.0 | 137300 | 366 | 139 | 218 | 259 | 210 | 241 | — | — | — | 223 | 280 | — | — | — |
| HDP 160 3 | 68.6 | 21.9 | 143440 | 349 | 139 | 218 | 259 | 210 | 241 | — | — | — | 223 | 280 | — | — | — |
| HDP 160 3 | 80.0 | 18.7 | 144140 | 301 | 139 | 218 | — | 210 | — | — | — | — | 223 | — | — | — | — |
| HDP 160 3 | 87.0 | 17.2 | 136370 | 262 | 139 | 218 | — | — | — | — | — | — | — | — | — | — | — |
| HDP 160 4 | 101.1 | 14.8 | 132640 | 224 | 123 | — | — | 178 | — | — | — | — | — | — | — | — | — |
| HDP 160 4 | 117.9 | 12.7 | 146300 | 211 | 123 | — | — | — | — | — | — | — | — | — | — | — | — |
| HDP 160 4 | 128.2 | 11.7 | 143630 | 191 | 123 | — | — | — | — | — | — | — | — | — | — | — | — |
| HDP 160 4 | 140.4 | 10.7 | 142380 | 173 | 123 | — | — | — | — | — | — | — | — | — | — | — | — |
| HDP 160 4 | 163.9 | 9.2 | 146300 | 152 | — | — | — | — | — | — | — | — | — | — | — | — | — |
| HDP 160 4 | 178.1 | 8.4 | 147070 | 141 | — | — | — | — | — | — | — | — | — | — | — | — | — |
| HDP 160 4 | 194.1 | 7.7 | 132640 | 116 | — | — | — | — | — | — | — | — | — | — | — | — | — |
| HDP 160 4 | 226.6 | 6.6 | 146300 | 110 | — | — | — | — | — | — | — | — | — | — | — | — | — |
| HDP 160 4 | 246.3 | 6.1 | 147070 | 102 | — | — | — | — | — | — | — | — | — | — | — | — | — |
| HDP 160 4 | 269.7 | 5.6 | 140530 | 89 | — | — | — | — | — | — | — | — | — | — | — | — | — |
| HDP 160 4 | 314.8 | 4.8 | 146300 | 79 | — | — | — | — | — | — | — | — | — | — | — | — | — |
| HDP 160 4 | 342.2 | 4.4 | 147070 | 73 | — | — | — | — | — | — | — | — | — | — | — | — | — |

*  BONFIGLIOLI TECHNICAL SERVICE

— Thermal verification not necessary



HDP

| HDP 160 | | | | | $n_1 = 1200 \text{ min}^{-1}$ | | | | | | | | | | | | |
|---|-------|--------------------------------|----------------|----------------|-------------------------------|-----------------------|----------------------|----------------------|----------------------|-----------------------|-----------------------|-----------------------|----------------------|----------------------|-----------------------|-----------------------|-----------------------|
| | | | | | $T_{amb} = 20^\circ\text{C}$ | | | | | | | | | | | | |
|  | i | n_2 [min^{-1}] | Mn_2 [Nm] | Pn_1 [kW] | P_T [kW] | $P_{TFANL/R}$ [kW] | P_{TFANLR} [kW] | P_{TMCRA5} [kW] | P_{TMCRA9} [kW] | $P_{TMCRA21}$ [kW] | $P_{TMCRA34}$ [kW] | $P_{TMCRA51}$ [kW] | P_{TMCRW5} [kW] | P_{TMCRW9} [kW] | $P_{TMCRW21}$ [kW] | $P_{TMCRW34}$ [kW] | $P_{TMCRW51}$ [kW] |
| HDP 160 2 | 9.0 | 134 | 95480 | 1392 | * | * | * | * | * | * | * | | * | * | * | * | |
| HDP 160 2 | 10.5 | 115 | 111440 | 1392 | * | * | * | * | * | * | 877 | | * | * | * | * | |
| HDP 160 2 | 11.4 | 105 | 118160 | 1357 | * | * | * | * | * | 709 | 877 | | * | * | * | 889 | |
| HDP 160 2 | 12.6 | 96 | 117850 | 1227 | 256 | 424 | 497 | 431 | 466 | 709 | 877 | | * | * | 626 | 889 | |
| HDP 160 2 | 14.7 | 82 | 128200 | 1144 | 256 | 424 | 497 | 431 | 466 | 709 | 877 | ⊖ | * | * | 626 | 889 | ⊖ |
| HDP 160 2 | 15.9 | 75 | 130950 | 1075 | 256 | 424 | 497 | 431 | 466 | 709 | 877 | | 385 | 479 | 626 | — | |
| HDP 160 2 | 17.5 | 69 | 124900 | 936 | 256 | 424 | 497 | 431 | 466 | 709 | — | | 385 | 479 | 626 | — | |
| HDP 160 2 | 20.4 | 59 | 142670 | 916 | 256 | 424 | 497 | 431 | 466 | 709 | — | | 385 | 479 | 626 | — | |
| HDP 160 2 | 22.1 | 54 | 140260 | 829 | 256 | 424 | 497 | 431 | 466 | — | — | | 385 | 479 | 626 | — | |
| HDP 160 3 | 24.4 | 49 | 112390 | 614 | 222 | 337 | 388 | 349 | 406 | — | — | — | 306 | 374 | 490 | — | — |
| HDP 160 3 | 28.5 | 42 | 131180 | 614 | 222 | 337 | 388 | 349 | 406 | — | — | — | 306 | 374 | 490 | — | — |
| HDP 160 3 | 31.0 | 39 | 138920 | 598 | 222 | 337 | 388 | 349 | 406 | — | — | — | 306 | 374 | 490 | — | — |
| HDP 160 3 | 33.9 | 35 | 143440 | 564 | 222 | 337 | 388 | 349 | 406 | — | — | — | 306 | 374 | — | — | — |
| HDP 160 3 | 39.6 | 30 | 145660 | 491 | 222 | 337 | 388 | 349 | 406 | — | — | — | 306 | 374 | — | — | — |
| HDP 160 3 | 43.1 | 27.9 | 137780 | 427 | 222 | 337 | — | 349 | — | — | — | — | 306 | 374 | — | — | — |
| HDP 160 3 | 49.4 | 24.3 | 138770 | 375 | 222 | — | — | — | — | — | — | — | 306 | — | — | — | — |
| HDP 160 3 | 57.6 | 20.8 | 144450 | 335 | 222 | — | — | — | — | — | — | — | — | — | — | — | — |
| HDP 160 3 | 62.6 | 19.2 | 136660 | 291 | 222 | — | — | — | — | — | — | — | — | — | — | — | — |
| HDP 160 3 | 68.6 | 17.5 | 143440 | 279 | 222 | — | — | — | — | — | — | — | — | — | — | — | — |
| HDP 160 3 | 80.0 | 15.0 | 146300 | 244 | — | — | — | — | — | — | — | — | — | — | — | — | — |
| HDP 160 3 | 87.0 | 13.8 | 140140 | 215 | — | — | — | — | — | — | — | — | — | — | — | — | — |
| HDP 160 4 | 101.1 | 11.9 | 132640 | 179 | — | — | — | — | — | — | — | — | — | — | — | — | — |
| HDP 160 4 | 117.9 | 10.2 | 146300 | 169 | — | — | — | — | — | — | — | — | — | — | — | — | — |
| HDP 160 4 | 128.2 | 9.4 | 147070 | 156 | — | — | — | — | — | — | — | — | — | — | — | — | — |
| HDP 160 4 | 140.4 | 8.5 | 141690 | 137 | — | — | — | — | — | — | — | — | — | — | — | — | — |
| HDP 160 4 | 163.9 | 7.3 | 146300 | 122 | — | — | — | — | — | — | — | — | — | — | — | — | — |
| HDP 160 4 | 178.1 | 6.7 | 147070 | 112 | — | — | — | — | — | — | — | — | — | — | — | — | — |
| HDP 160 4 | 194.1 | 6.2 | 132640 | 93 | — | — | — | — | — | — | — | — | — | — | — | — | — |
| HDP 160 4 | 226.6 | 5.3 | 146300 | 88 | — | — | — | — | — | — | — | — | — | — | — | — | — |
| HDP 160 4 | 246.3 | 4.9 | 147070 | 81 | — | — | — | — | — | — | — | — | — | — | — | — | — |
| HDP 160 4 | 269.7 | 4.4 | 141690 | 72 | — | — | — | — | — | — | — | — | — | — | — | — | — |
| HDP 160 4 | 314.8 | 3.8 | 146300 | 63 | — | — | — | — | — | — | — | — | — | — | — | — | — |
| HDP 160 4 | 342.2 | 3.5 | 147070 | 59 | — | — | — | — | — | — | — | — | — | — | — | — | — |

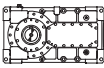
*  BONFIGLIOLI TECHNICAL SERVICE

— Thermal verification not necessary



HDP

HDP 160 $n_1 = 1200 \text{ min}^{-1}$

|  | i | n ₂ [min ⁻¹] | Mn ₂ [Nm] | Pn ₁ [kW] | Tamb = 40°C | | | | | | | | | | | | | |
|---|-------|--|-------------------------|-------------------------|------------------------|------------------------------|-----------------------------|-----------------------------|-----------------------------|------------------------------|------------------------------|------------------------------|-----------------------------|-----------------------------|------------------------------|------------------------------|------------------------------|---|
| | | | | | P _T [kW] | P _{TFANL/R} [kW] | P _{TFANLR} [kW] | P _{TMCRA5} [kW] | P _{TMCRA9} [kW] | P _{TMCRA21} [kW] | P _{TMCRA34} [kW] | P _{TMCRA51} [kW] | P _{TMCRW5} [kW] | P _{TMCRW9} [kW] | P _{TMCRW21} [kW] | P _{TMCRW34} [kW] | P _{TMCRW51} [kW] | |
| HDP 160 2 | 9.0 | 134 | 95480 | 1392 | * | * | * | * | * | * | * | * | * | * | * | * | * | * |
| HDP 160 2 | 10.5 | 115 | 111440 | 1392 | * | * | * | * | * | * | * | * | * | * | * | * | * | * |
| HDP 160 2 | 11.4 | 105 | 118160 | 1357 | * | * | * | * | * | * | * | * | * | * | * | * | * | * |
| HDP 160 2 | 12.6 | 96 | 117850 | 1227 | * | * | * | * | * | * | * | 527 | * | * | * | * | 830 | * |
| HDP 160 2 | 14.7 | 82 | 128200 | 1144 | 162 | * | * | * | * | * | 438 | 527 | ● | * | * | 532 | 830 | ● |
| HDP 160 2 | 15.9 | 75 | 130950 | 1075 | 162 | 289 | 343 | * | 307 | 438 | 527 | * | * | 376 | 532 | 830 | * | |
| HDP 160 2 | 17.5 | 69 | 124900 | 936 | 162 | 289 | 343 | 291 | 307 | 438 | 527 | 310 | 376 | 532 | — | — | * | |
| HDP 160 2 | 20.4 | 59 | 142670 | 916 | 162 | 289 | 343 | 291 | 307 | 438 | 527 | 310 | 376 | 532 | — | — | * | |
| HDP 160 2 | 22.1 | 54 | 140260 | 829 | 162 | 289 | 343 | 291 | 307 | 438 | 527 | 310 | 376 | 532 | — | — | * | |
| HDP 160 3 | 24.4 | 49 | 112390 | 614 | 144 | 229 | 265 | 215 | 246 | 344 | 414 | 444 | 228 | 296 | 412 | — | — | |
| HDP 160 3 | 28.5 | 42 | 131180 | 614 | 144 | 229 | 265 | 215 | 246 | 344 | 414 | 444 | 228 | 296 | 412 | — | — | |
| HDP 160 3 | 31.0 | 39 | 138920 | 598 | 144 | 229 | 265 | 215 | 246 | 344 | 414 | 444 | 228 | 296 | 412 | — | — | |
| HDP 160 3 | 33.9 | 35 | 143440 | 564 | 144 | 229 | 265 | 215 | 246 | 344 | 414 | 444 | 228 | 296 | 412 | — | — | |
| HDP 160 3 | 39.6 | 30 | 145660 | 491 | 144 | 229 | 265 | 215 | 246 | 344 | — | — | 228 | 296 | — | — | — | |
| HDP 160 3 | 43.1 | 27.9 | 137780 | 427 | 144 | 229 | 265 | 215 | 246 | 344 | — | — | 228 | 296 | — | — | — | |
| HDP 160 3 | 49.4 | 24.3 | 138770 | 375 | 144 | 229 | 265 | 215 | 246 | — | — | — | 228 | 296 | — | — | — | |
| HDP 160 3 | 57.6 | 20.8 | 144450 | 335 | 144 | 229 | 265 | 215 | 246 | — | — | — | 228 | — | — | — | — | |
| HDP 160 3 | 62.6 | 19.2 | 136660 | 291 | 144 | 229 | — | 215 | 246 | — | — | — | 228 | — | — | — | — | |
| HDP 160 3 | 68.6 | 17.5 | 143440 | 279 | 144 | 229 | — | 215 | — | — | — | — | 228 | — | — | — | — | |
| HDP 160 3 | 80.0 | 15.0 | 146300 | 244 | 144 | — | — | — | — | — | — | — | — | — | — | — | — | |
| HDP 160 3 | 87.0 | 13.8 | 140140 | 215 | 144 | — | — | — | — | — | — | — | — | — | — | — | — | |
| HDP 160 4 | 101.1 | 11.9 | 132640 | 179 | 131 | — | — | — | — | — | — | — | — | — | — | — | — | |
| HDP 160 4 | 117.9 | 10.2 | 146300 | 169 | 131 | — | — | — | — | — | — | — | — | — | — | — | — | |
| HDP 160 4 | 128.2 | 9.4 | 147070 | 156 | — | — | — | — | — | — | — | — | — | — | — | — | — | |
| HDP 160 4 | 140.4 | 8.5 | 141690 | 137 | — | — | — | — | — | — | — | — | — | — | — | — | — | |
| HDP 160 4 | 163.9 | 7.3 | 146300 | 122 | — | — | — | — | — | — | — | — | — | — | — | — | — | |
| HDP 160 4 | 178.1 | 6.7 | 147070 | 112 | — | — | — | — | — | — | — | — | — | — | — | — | — | |
| HDP 160 4 | 194.1 | 6.2 | 132640 | 93 | — | — | — | — | — | — | — | — | — | — | — | — | — | |
| HDP 160 4 | 226.6 | 5.3 | 146300 | 88 | — | — | — | — | — | — | — | — | — | — | — | — | — | |
| HDP 160 4 | 246.3 | 4.9 | 147070 | 81 | — | — | — | — | — | — | — | — | — | — | — | — | — | |
| HDP 160 4 | 269.7 | 4.4 | 141690 | 72 | — | — | — | — | — | — | — | — | — | — | — | — | — | |
| HDP 160 4 | 314.8 | 3.8 | 146300 | 63 | — | — | — | — | — | — | — | — | — | — | — | — | — | |
| HDP 160 4 | 342.2 | 3.5 | 147070 | 59 | — | — | — | — | — | — | — | — | — | — | — | — | — | |

*  BONFIGLIOLI TECHNICAL SERVICE

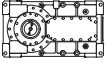
— Thermal verification not necessary



HDP

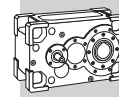
HDP 160

$n_1 = 1000 \text{ min}^{-1}$

|  | i | n_2 [min ⁻¹] | Mn ₂ [Nm] | Pn ₁ [kW] | Tamb = 20°C | | | | | | | | | | | | |
|---|-------|-------------------------------|-------------------------|-------------------------|------------------------|------------------------------|-----------------------------|-----------------------------|-----------------------------|------------------------------|------------------------------|------------------------------|-----------------------------|-----------------------------|------------------------------|------------------------------|------------------------------|
| | | | | | P _T [kW] | P _{TFANL/R} [kW] | P _{TFANLR} [kW] | P _{TMCRA5} [kW] | P _{TMCRA9} [kW] | P _{TMCRA21} [kW] | P _{TMCRA34} [kW] | P _{TMCRA51} [kW] | P _{TMCRW5} [kW] | P _{TMCRW9} [kW] | P _{TMCRW21} [kW] | P _{TMCRW34} [kW] | P _{TMCRW51} [kW] |
| HDP 160 2 | 9.0 | 111 | 100840 | 1225 | * | * | * | * | * | 724 | 899 | | * | * | * | 904 | |
| HDP 160 2 | 10.5 | 95 | 117700 | 1225 | * | * | * | * | 492 | 724 | 899 | | * | * | * | 904 | |
| HDP 160 2 | 11.4 | 88 | 124800 | 1195 | 245 | 376 | 433 | 420 | 492 | 724 | 899 | | * | * | 615 | 904 | |
| HDP 160 2 | 12.6 | 80 | 124480 | 1080 | 245 | 376 | 433 | 420 | 492 | 724 | — | | 396 | 490 | 615 | — | |
| HDP 160 2 | 14.7 | 68 | 135400 | 1007 | 245 | 376 | 433 | 420 | 492 | 724 | — | ● | 396 | 490 | 615 | — | ● |
| HDP 160 2 | 15.9 | 63 | 138320 | 946 | 245 | 376 | 433 | 420 | 492 | 724 | — | | 396 | 490 | 615 | — | |
| HDP 160 2 | 17.5 | 57 | 131920 | 824 | 245 | 376 | 433 | 420 | 492 | — | — | | 396 | 490 | 615 | — | |
| HDP 160 2 | 20.4 | 49 | 147540 | 790 | 245 | 376 | 433 | 420 | 492 | — | — | | 396 | 490 | 615 | — | |
| HDP 160 2 | 22.1 | 45 | 139510 | 687 | 245 | 376 | 433 | 420 | 492 | — | — | | 396 | 490 | — | — | |
| HDP 160 3 | 24.4 | 41 | 118710 | 541 | 235 | 325 | 364 | 362 | 419 | — | — | — | 319 | 387 | 503 | — | — |
| HDP 160 3 | 28.5 | 35 | 138550 | 541 | 235 | 325 | 364 | 362 | 419 | — | — | — | 319 | 387 | — | — | — |
| HDP 160 3 | 31.0 | 32 | 138270 | 496 | 235 | 325 | 364 | 362 | 419 | — | — | — | 319 | 387 | — | — | — |
| HDP 160 3 | 33.9 | 29.5 | 143440 | 470 | 235 | 325 | 364 | 362 | — | — | — | — | 319 | — | — | — | — |
| HDP 160 3 | 39.6 | 25.2 | 145050 | 407 | 235 | 325 | — | — | — | — | — | — | 319 | — | — | — | — |
| HDP 160 3 | 43.1 | 23.2 | 137210 | 355 | 235 | — | — | — | — | — | — | — | — | — | — | — | — |
| HDP 160 3 | 49.4 | 20.3 | 138770 | 313 | 235 | — | — | — | — | — | — | — | — | — | — | — | — |
| HDP 160 3 | 57.6 | 17.4 | 144930 | 280 | — | — | — | — | — | — | — | — | — | — | — | — | — |
| HDP 160 3 | 62.6 | 16.0 | 137140 | 244 | — | — | — | — | — | — | — | — | — | — | — | — | — |
| HDP 160 3 | 68.6 | 14.6 | 143440 | 233 | — | — | — | — | — | — | — | — | — | — | — | — | — |
| HDP 160 3 | 80.0 | 12.5 | 146300 | 203 | — | — | — | — | — | — | — | — | — | — | — | — | — |
| HDP 160 3 | 87.0 | 11.5 | 144010 | 184 | — | — | — | — | — | — | — | — | — | — | — | — | — |
| HDP 160 4 | 101.1 | 9.9 | 132640 | 149 | — | — | — | — | — | — | — | — | — | — | — | — | — |
| HDP 160 4 | 117.9 | 8.5 | 146300 | 141 | — | — | — | — | — | — | — | — | — | — | — | — | — |
| HDP 160 4 | 128.2 | 7.8 | 147070 | 130 | — | — | — | — | — | — | — | — | — | — | — | — | — |
| HDP 160 4 | 140.4 | 7.1 | 141170 | 114 | — | — | — | — | — | — | — | — | — | — | — | — | — |
| HDP 160 4 | 163.9 | 6.1 | 146300 | 101 | — | — | — | — | — | — | — | — | — | — | — | — | — |
| HDP 160 4 | 178.1 | 5.6 | 147070 | 94 | — | — | — | — | — | — | — | — | — | — | — | — | — |
| HDP 160 4 | 194.1 | 5.2 | 132640 | 78 | — | — | — | — | — | — | — | — | — | — | — | — | — |
| HDP 160 4 | 226.6 | 4.4 | 146300 | 73 | — | — | — | — | — | — | — | — | — | — | — | — | — |
| HDP 160 4 | 246.3 | 4.1 | 147070 | 68 | — | — | — | — | — | — | — | — | — | — | — | — | — |
| HDP 160 4 | 269.7 | 3.7 | 143440 | 60 | — | — | — | — | — | — | — | — | — | — | — | — | — |
| HDP 160 4 | 314.8 | 3.2 | 146300 | 53 | — | — | — | — | — | — | — | — | — | — | — | — | — |
| HDP 160 4 | 342.2 | 2.9 | 147070 | 49 | — | — | — | — | — | — | — | — | — | — | — | — | — |

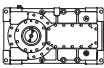
* 

— Thermal verification not necessary



HDP

HDP 160 $n_1 = 1000 \text{ min}^{-1}$

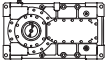
|  | i | n ₂ [min ⁻¹] | Mn ₂ [Nm] | Pn ₁ [kW] | Tamb = 40°C | | | | | | | | | | | | |
|---|-------|--|-------------------------|-------------------------|------------------------|------------------------------|-----------------------------|-----------------------------|-----------------------------|------------------------------|------------------------------|------------------------------|-----------------------------|-----------------------------|------------------------------|------------------------------|------------------------------|
| | | | | | P _T [kW] | P _{TFANL/R} [kW] | P _{TFANLR} [kW] | P _{TMCRA5} [kW] | P _{TMCRA9} [kW] | P _{TMCRA21} [kW] | P _{TMCRA34} [kW] | P _{TMCRA51} [kW] | P _{TMCRW5} [kW] | P _{TMCRW9} [kW] | P _{TMCRW21} [kW] | P _{TMCRW34} [kW] | P _{TMCRW51} [kW] |
| HDP 160 2 | 9.0 | 111 | 100840 | 1225 | * | * | * | * | * | * | * | * | * | * | * | * | * |
| HDP 160 2 | 10.5 | 95 | 117700 | 1225 | * | * | * | * | * | * | 510 | * | * | * | * | * | |
| HDP 160 2 | 11.4 | 88 | 124800 | 1195 | * | * | * | * | * | 418 | 510 | * | * | 512 | 818 | * | |
| HDP 160 2 | 12.6 | 80 | 124480 | 1080 | 177 | * | * | * | 318 | 418 | 510 | * | 387 | 512 | 818 | * | |
| HDP 160 2 | 14.7 | 68 | 135400 | 1007 | 177 | 280 | 322 | 281 | 318 | 418 | 510 | ● | 300 | 387 | 512 | 818 | ● |
| HDP 160 2 | 15.9 | 63 | 138320 | 946 | 177 | 280 | 322 | 281 | 318 | 418 | 510 | * | 300 | 387 | 512 | — | * |
| HDP 160 2 | 17.5 | 57 | 131920 | 824 | 177 | 280 | 322 | 281 | 318 | 418 | 510 | * | 300 | 387 | 512 | — | * |
| HDP 160 2 | 20.4 | 49 | 147540 | 790 | 177 | 280 | 322 | 281 | 318 | 418 | 510 | * | 300 | 387 | 512 | — | * |
| HDP 160 2 | 22.1 | 45 | 139510 | 687 | 177 | 280 | 322 | 281 | 318 | 418 | 510 | * | 300 | 387 | 512 | — | * |
| HDP 160 3 | 24.4 | 41 | 118710 | 541 | 157 | 223 | 251 | 228 | 259 | 357 | 427 | 457 | 241 | 309 | 425 | — | — |
| HDP 160 3 | 28.5 | 35 | 138550 | 541 | 157 | 223 | 251 | 228 | 259 | 357 | 427 | — | 241 | 309 | 425 | — | — |
| HDP 160 3 | 31.0 | 32 | 138270 | 496 | 157 | 223 | 251 | 228 | 259 | 357 | 427 | — | 241 | 309 | 425 | — | — |
| HDP 160 3 | 33.9 | 29.5 | 143440 | 470 | 157 | 223 | 251 | 228 | 259 | 357 | — | — | 241 | 309 | — | — | — |
| HDP 160 3 | 39.6 | 25.2 | 145050 | 407 | 157 | 223 | 251 | 228 | 259 | — | — | — | 241 | 309 | — | — | — |
| HDP 160 3 | 43.1 | 23.2 | 137210 | 355 | 157 | 223 | 251 | 228 | 259 | — | — | — | 241 | 309 | — | — | — |
| HDP 160 3 | 49.4 | 20.3 | 138770 | 313 | 157 | 223 | 251 | 228 | 259 | — | — | — | 241 | — | — | — | — |
| HDP 160 3 | 57.6 | 17.4 | 144930 | 280 | 157 | 223 | — | 228 | — | — | — | — | — | — | — | — | — |
| HDP 160 3 | 62.6 | 16.0 | 137140 | 244 | 157 | — | — | — | — | — | — | — | — | — | — | — | — |
| HDP 160 3 | 68.6 | 14.6 | 143440 | 233 | 157 | — | — | — | — | — | — | — | — | — | — | — | — |
| HDP 160 3 | 80.0 | 12.5 | 146300 | 203 | 157 | — | — | — | — | — | — | — | — | — | — | — | — |
| HDP 160 3 | 87.0 | 11.5 | 144010 | 184 | — | — | — | — | — | — | — | — | — | — | — | — | — |
| HDP 160 4 | 101.1 | 9.9 | 132640 | 149 | — | — | — | — | — | — | — | — | — | — | — | — | — |
| HDP 160 4 | 117.9 | 8.5 | 146300 | 141 | — | — | — | — | — | — | — | — | — | — | — | — | — |
| HDP 160 4 | 128.2 | 7.8 | 147070 | 130 | — | — | — | — | — | — | — | — | — | — | — | — | — |
| HDP 160 4 | 140.4 | 7.1 | 141170 | 114 | — | — | — | — | — | — | — | — | — | — | — | — | — |
| HDP 160 4 | 163.9 | 6.1 | 146300 | 101 | — | — | — | — | — | — | — | — | — | — | — | — | — |
| HDP 160 4 | 178.1 | 5.6 | 147070 | 94 | — | — | — | — | — | — | — | — | — | — | — | — | — |
| HDP 160 4 | 194.1 | 5.2 | 132640 | 78 | — | — | — | — | — | — | — | — | — | — | — | — | — |
| HDP 160 4 | 226.6 | 4.4 | 146300 | 73 | — | — | — | — | — | — | — | — | — | — | — | — | — |
| HDP 160 4 | 246.3 | 4.1 | 147070 | 68 | — | — | — | — | — | — | — | — | — | — | — | — | — |
| HDP 160 4 | 269.7 | 3.7 | 143440 | 60 | — | — | — | — | — | — | — | — | — | — | — | — | — |
| HDP 160 4 | 314.8 | 3.2 | 146300 | 53 | — | — | — | — | — | — | — | — | — | — | — | — | — |
| HDP 160 4 | 342.2 | 2.9 | 147070 | 49 | — | — | — | — | — | — | — | — | — | — | — | — | — |

*  BONFIGLIOLI TECHNICAL SERVICE

— Thermal verification not necessary

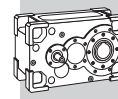


HDP

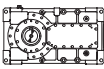
| HDP 170 | | | | | $n_1 = 1500 \text{ min}^{-1}$ | | | |
|---|-------|--------------------------------|----------------|----------------|-------------------------------|--------------------|---------------|--------------------|
|  | i | n_2 [min^{-1}] | Mn_2 [Nm] | Pn_1 [kW] | Tamb = 20°C | | Tamb = 40°C | |
| | | | | | P_T [kW] | P_{TFAN} [kW] | P_T [kW] | P_{TFAN} [kW] |
| HDP 170 2 | 7.8 | 191 | 133930 | 2796 | * | * | * | * |
| HDP 170 2 | 9.1 | 165 | 140750 | 2532 | * | * | * | * |
| HDP 170 2 | 9.8 | 152 | 143860 | 2389 | * | * | * | * |
| HDP 170 2 | 11.3 | 133 | 144760 | 2099 | * | * | * | * |
| HDP 170 2 | 13.1 | 115 | 159740 | 1996 | * | 544 | * | * |
| HDP 170 2 | 14.2 | 106 | 163600 | 1887 | * | 544 | * | * |
| HDP 170 2 | 15.4 | 98 | 157710 | 1679 | * | 544 | * | 400 |
| HDP 170 2 | 17.8 | 84 | 165580 | 1519 | * | 544 | * | 400 |
| HDP 170 2 | 19.3 | 78 | 169600 | 1436 | * | 544 | * | 400 |
| HDP 170 3 | 23.2 | 65 | 151770 | 1093 | * | 390 | * | * |
| HDP 170 3 | 26.9 | 56 | 176160 | 1093 | * | 390 | * | * |
| HDP 170 3 | 29.1 | 51 | 182320 | 1044 | 225 | 390 | * | * |
| HDP 170 3 | 31.6 | 48 | 177810 | 940 | 225 | 390 | * | * |
| HDP 170 3 | 36.7 | 41 | 190190 | 866 | 225 | 390 | * | * |
| HDP 170 3 | 39.7 | 38 | 182210 | 766 | 225 | 390 | * | * |
| HDP 170 3 | 45.1 | 33 | 183920 | 680 | 225 | 390 | 193 | 318 |
| HDP 170 3 | 52.4 | 28.6 | 189610 | 604 | 225 | 390 | 193 | 318 |
| HDP 170 3 | 56.7 | 26.4 | 180610 | 531 | 225 | 390 | 193 | 318 |
| HDP 170 3 | 61.4 | 24.4 | 188900 | 513 | 225 | 390 | 193 | 318 |
| HDP 170 3 | 71.3 | 21.0 | 188320 | 441 | 225 | — | 193 | 318 |
| HDP 170 3 | 77.2 | 19.4 | 179410 | 388 | 225 | — | 193 | 318 |
| HDP 170 4 | 92.7 | 13.9 | 190190 | 301 | 174 | — | 103 | 198 |
| HDP 170 4 | 107.6 | 12.9 | 182320 | 266 | 174 | — | 103 | 198 |
| HDP 170 4 | 116.6 | 11.9 | 188900 | 255 | 174 | — | 103 | 198 |
| HDP 170 4 | 126.3 | 10.2 | 190190 | 221 | 174 | — | 103 | 198 |
| HDP 170 4 | 146.6 | 9.4 | 182320 | 196 | 174 | — | 103 | — |
| HDP 170 4 | 158.8 | 8.5 | 183920 | 177 | — | — | 103 | — |
| HDP 170 4 | 177.4 | 7.3 | 190190 | 157 | — | — | 103 | — |
| HDP 170 4 | 206.0 | 6.7 | 182320 | 139 | — | — | 103 | — |
| HDP 170 4 | 223.1 | 6.2 | 188900 | 133 | — | — | 103 | — |
| HDP 170 4 | 241.7 | 5.3 | 190190 | 115 | — | — | 103 | — |
| HDP 170 4 | 280.5 | 4.9 | 182320 | 102 | — | — | — | — |
| HDP 170 4 | 303.8 | 4.6 | 165750 | 87 | — | — | — | — |

*  BONFIGLIOLI TECHNICAL SERVICE

— Thermal verification not necessary



HDP

| HDP 180 | | | | | $n_1 = 1500 \text{ min}^{-1}$ | | | |
|---|-------|--------------------------------|----------------|----------------|-------------------------------|--------------------|---------------|--------------------|
|  | i | n_2 [min^{-1}] | Mn_2 [Nm] | Pn_1 [kW] | Tamb = 20°C | | Tamb = 40°C | |
| | | | | | P_T [kW] | P_{TFAN} [kW] | P_T [kW] | P_{TFAN} [kW] |
| HDP 180 2 | 8.7 | 172 | 148810 | 2796 | * | * | * | * |
| HDP 180 2 | 10.1 | 149 | 155960 | 2533 | * | * | * | * |
| HDP 180 2 | 10.9 | 138 | 159170 | 2390 | * | * | * | * |
| HDP 180 2 | 12.5 | 120 | 160840 | 2099 | * | * | * | * |
| HDP 180 2 | 14.5 | 103 | 176950 | 1996 | * | 579 | * | * |
| HDP 180 2 | 15.7 | 96 | 180960 | 1887 | * | 579 | * | * |
| HDP 180 2 | 17.1 | 88 | 175290 | 1680 | * | 579 | * | * |
| HDP 180 2 | 19.8 | 76 | 183470 | 1519 | * | 579 | * | 434 |
| HDP 180 2 | 21.4 | 70 | 187640 | 1437 | * | 579 | * | 434 |
| HDP 180 3 | 25.8 | 58 | 168630 | 1093 | 242 | 413 | * | * |
| HDP 180 3 | 29.8 | 50 | 195130 | 1093 | 242 | 413 | * | * |
| HDP 180 3 | 32.2 | 47 | 200130 | 1036 | 242 | 413 | * | * |
| HDP 180 3 | 35.1 | 43 | 197560 | 940 | 242 | 413 | * | * |
| HDP 180 3 | 40.6 | 37 | 202450 | 832 | 242 | 413 | * | * |
| HDP 180 3 | 43.9 | 34 | 198410 | 754 | 242 | 413 | * | * |
| HDP 180 3 | 50.1 | 29.9 | 204380 | 680 | 242 | 413 | 209 | 334 |
| HDP 180 3 | 58.0 | 25.9 | 202450 | 583 | 242 | 413 | 209 | 334 |
| HDP 180 3 | 62.7 | 23.9 | 196680 | 523 | 242 | 413 | 209 | 334 |
| HDP 180 3 | 68.3 | 22.0 | 209900 | 513 | 242 | 413 | 209 | 334 |
| HDP 180 3 | 79.0 | 19.0 | 202450 | 428 | 242 | — | 209 | 334 |
| HDP 180 3 | 85.4 | 17.6 | 195370 | 382 | 242 | — | 209 | 334 |
| HDP 180 4 | 103.0 | 14.6 | 204380 | 338 | 190 | — | 115 | 210 |
| HDP 180 4 | 119.2 | 12.6 | 202450 | 289 | 190 | — | 115 | 210 |
| HDP 180 4 | 128.9 | 11.6 | 205480 | 271 | 190 | — | 115 | 210 |
| HDP 180 4 | 140.3 | 10.7 | 209900 | 255 | 190 | — | 115 | 210 |
| HDP 180 4 | 162.4 | 9.2 | 202450 | 212 | — | — | 115 | — |
| HDP 180 4 | 175.6 | 8.5 | 207020 | 201 | — | — | 115 | — |
| HDP 180 4 | 197.2 | 7.6 | 204380 | 177 | — | — | 115 | — |
| HDP 180 4 | 228.1 | 6.6 | 202450 | 151 | — | — | 115 | — |
| HDP 180 4 | 246.7 | 6.1 | 205480 | 142 | — | — | 115 | — |
| HDP 180 4 | 268.5 | 5.6 | 209900 | 133 | — | — | — | — |
| HDP 180 4 | 310.7 | 4.8 | 202450 | 111 | — | — | — | — |
| HDP 180 4 | 336.1 | 4.5 | 207020 | 105 | — | — | — | — |

*  BONFIGLIOLI TECHNICAL SERVICE




— Thermal verification not necessary



17 MASS MOMENT OF INERTIA

Moments of inertia listed refer to gearbox input shaft and apply exclusively for configurations with a single extension input and output shaft.

HDP

| | i_n | $J \cdot 10^{-4}$ [kg m ²] | | | | | | | | | | | | | |
|--|-------|--|--------|--------|--------|---------|---------|---------|---------|---------|---------|---------|---------|---------|---------|
| | | HDP 60 | HDP 70 | HDP 80 | HDP 90 | HDP 100 | HDP 110 | HDP 120 | HDP 125 | HDP 130 | HDP 140 | HDP 150 | HDP 160 | HDP 170 | HDP 180 |
| 2x  | 7.1 | 120 | — | — | — | 1220 | — | — | — | 5602 | — | — | — | | |
| | 8.0 | 116 | 143 | 335 | 600 | 1170 | 1288 | 2558 | — | 5402 | 6157 | 12297 | — | | |
| | 9.0 | 95 | 133 | 314 | 570 | 918 | 1232 | 2481 | 2729 | 4446 | 5858 | 11477 | 13554 | | |
| | 10.0 | 92 | 109 | 263 | 440 | 884 | 963 | 1804 | 2643 | 4303 | 4840 | 11094 | 12503 | | |
| | 11.2 | 68 | 103 | 248 | 421 | 682 | 926 | 1759 | 1905 | 3050 | 4627 | 7584 | 12014 | | |
| | 12.5 | 67 | 77 | 183 | 324 | 661 | 712 | 1285 | 1854 | 2967 | 3279 | 7165 | 8226 | | |
| | 14.0 | 54 | 74 | 175 | 311 | 508 | 688 | 1256 | 1348 | 1916 | 3155 | 6970 | 7689 | | |
| | 16.0 | 53 | 60 | 132 | 226 | 494 | 526 | 1038 | 1316 | 1863 | 2062 | 4651 | 7439 | | |
| | 18.0 | 33 | 58 | 127 | 219 | 388 | 511 | 1019 | 1080 | 1418 | 1983 | 4434 | 4983 | | |
| | 20.0 | 33 | 40 | 99 | 171 | 379 | 399 | 717 | 1059 | 1383 | 1514 | 4332 | 4705 | | |
| | 22.4 | — | 38 | 95 | 166 | 374 | 390 | 705 | 742 | 1621 | 1462 | — | 4576 | | |
| 25.0 | — | — | — | — | — | 378 | 689 | 729 | — | 1401 | — | — | | | |
| 3x  | 22.4 | 33 | — | — | — | 346 | — | — | — | 1365 | — | 4112 | — | | |
| | 25.0 | 33 | 36 | 85 | 177 | 341 | 354 | 468 | — | 1343 | 1427 | 4002 | 4282 | | |
| | 28.0 | 29 | 35 | 83 | 174 | 307 | 348 | 461 | 485 | 1147 | 1394 | 3950 | 4140 | | |
| | 31.5 | 29 | 30 | 68 | 156 | 304 | 312 | 382 | 476 | 1134 | 1183 | 3433 | 4074 | | |
| | 35.5 | 27 | 30 | 67 | 154 | 279 | 308 | 378 | 393 | 1031 | 1163 | 3375 | 3521 | | |
| | 40.0 | 27 | 28 | 67 | 91 | 277 | 282 | 341 | 387 | 1023 | 1054 | 3348 | 3447 | | |
| | 45.0 | 24 | 27 | 66 | 90 | 261 | 280 | 338 | 348 | 959 | 1041 | 1306 | 3413 | | |
| | 50.0 | 24 | 25 | 44 | 82 | 260 | 263 | 296 | 345 | 953 | 974 | 1278 | 1347 | | |
| | 56.0 | 11 | 25 | 44 | 82 | 110 | 262 | 294 | 300 | 414 | 966 | 1266 | 1312 | | |
| | 63.0 | 11 | 12 | 41 | 77 | 109 | 111 | 137 | 298 | 410 | 451 | 1139 | 1296 | | |
| | 71.0 | 11 | 12 | 41 | 77 | 102 | 110 | 136 | 140 | 384 | 446 | 1125 | 1161 | | |
| | 80.0 | 11 | 11 | 21 | 39 | 102 | 103 | 126 | 138 | 382 | 390 | 1118 | 1143 | | |
| | 90.0 | 10 | 11 | 21 | 38 | 97 | 103 | 126 | 128 | 365 | 387 | — | 1134 | | |
| | 100.0 | 10 | 10 | 20 | 36 | 97 | 98 | 112 | 127 | 364 | 369 | — | — | | |
| 112.0 | — | 10 | 20 | 36 | 97 | 97 | 111 | 116 | 374 | 367 | — | — | | | |
| 125.0 | — | — | — | — | — | 97 | 111 | 115 | — | 365 | — | — | | | |
| 4x  | 90.0 | — | — | — | — | — | — | — | — | — | — | 510 | — | | |
| | 100.0 | — | — | — | — | — | — | — | — | — | — | 503 | 519 | | |
| | 112.0 | — | — | — | — | 46 | — | — | — | 244 | — | 500 | 511 | | |
| | 125.0 | — | — | — | — | 46 | 47 | 51 | — | 243 | — | 470 | 507 | | |
| | 140.0 | — | — | — | — | 45 | 46 | 51 | 52 | 237 | 245 | 466 | 475 | | |
| | 160.0 | — | — | — | — | 44 | 45 | 49 | 52 | 239 | 238 | 465 | 471 | | |
| | 180.0 | — | — | — | — | 43 | 40 | 49 | 45 | 214 | 237 | 184 | 469 | | |
| | 200.0 | — | — | — | — | 43 | 44 | 46 | 45 | 214 | 233 | 182 | 187 | | |
| | 224.0 | — | — | — | — | 39 | 43 | 46 | 43 | 212 | 215 | 181 | 184 | | |
| | 250.0 | — | — | — | — | 39 | 16 | 41 | 43 | 211 | 212 | 173 | 183 | | |
| | 280.0 | — | — | — | — | 16 | 16 | 41 | 41 | 74 | 212 | 172 | 175 | | |
| | 315.0 | — | — | — | — | 16 | 16 | 17 | 18 | 73 | 74 | 172 | 173 | | |
| | 355.0 | — | — | — | — | 15 | 16 | 17 | 17 | 68 | 74 | — | 173 | | |
| | 400.0 | — | — | — | — | 15 | 15 | 15 | 16 | 68 | 68 | — | — | | |
| | 450.0 | — | — | — | — | 14 | 15 | 16 | 16 | 67 | 68 | — | — | | |
| 500.0 | — | — | — | — | 14 | 14 | 15 | 16 | 67 | 67 | — | — | | | |

BONFIGLIOLI TECHNICAL SERVICE

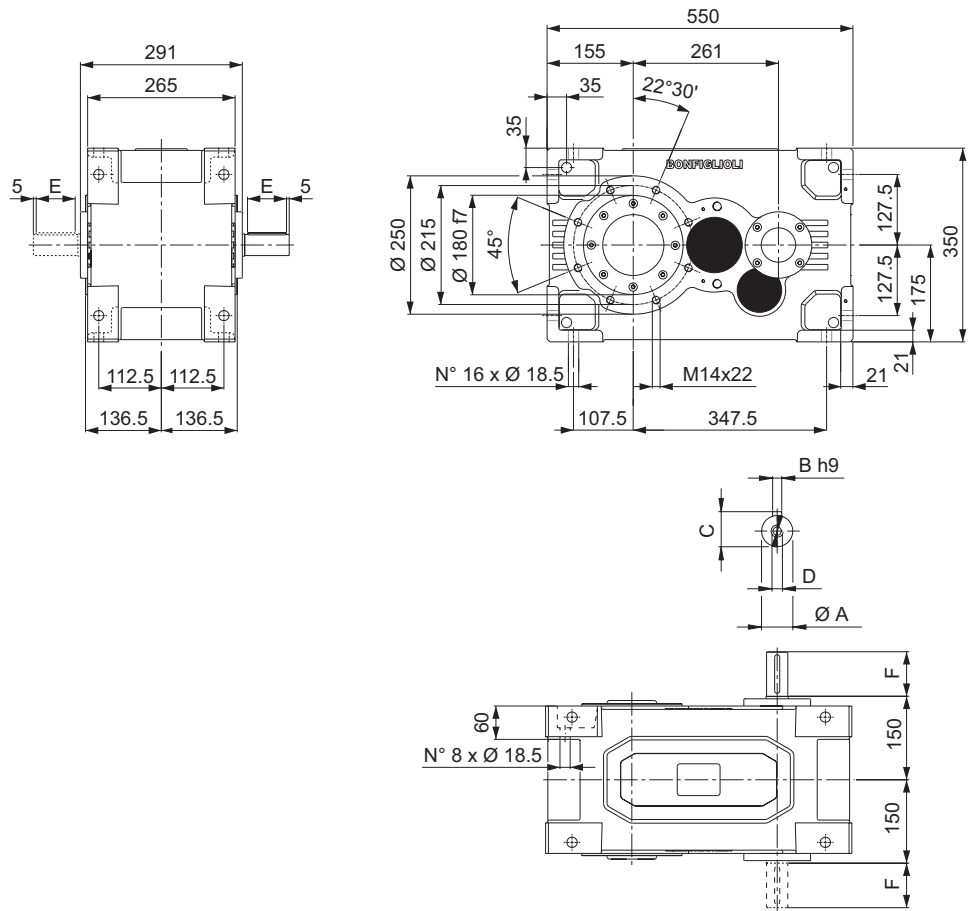




19 DIMENSIONS AND WEIGHT

HDP

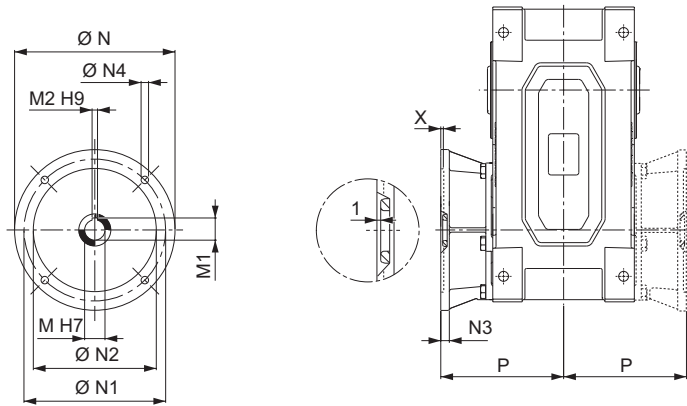
HDP 60



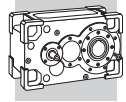
VP

| VP | i = | A | B | C | D | E | F | Kg LP |
|----------|---------------|-------|----|----|--------|----|----|-------|
| HDP 60 2 | 7.1 ... 15.2 | 38 k6 | 10 | 41 | M12x28 | 70 | 80 | 161 |
| HDP 60 2 | 17.3 ... 19.4 | 32 k6 | 10 | 35 | M12x28 | 70 | 80 | 161 |
| HDP 60 3 | 22.7 ... 49.1 | 32 k6 | 10 | 35 | M12x28 | 70 | 80 | 164 |
| HDP 60 3 | 56.6 ... 98.4 | 28 j6 | 8 | 31 | M10x22 | 50 | 60 | 164 |

AD

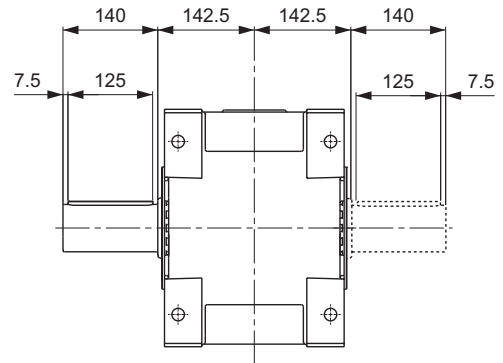
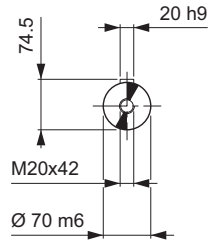


| AD | M | M1 | M2 | N | N1 | N2 | N3 | N4 | X | P |
|--------------|----|------|----|-----|-----|-----|----|----|---|-----|
| HDP 60 3_112 | 28 | 31.3 | 8 | 250 | 215 | 180 | 15 | 14 | 5 | 220 |
| HDP 60 3_132 | 38 | 41.3 | 10 | 300 | 265 | 230 | 16 | 14 | 5 | 230 |
| HDP 60 3_160 | 42 | 45.3 | 12 | 350 | 300 | 250 | 23 | 18 | 6 | 261 |
| HDP 60 3_180 | 48 | 51.8 | 14 | 350 | 300 | 250 | 23 | 18 | 6 | 261 |

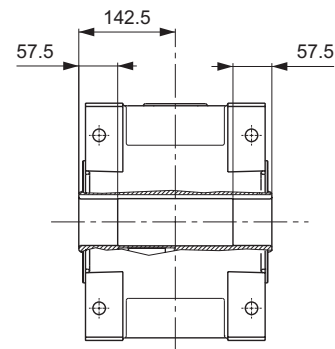
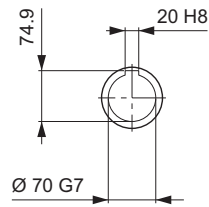


HDP 60

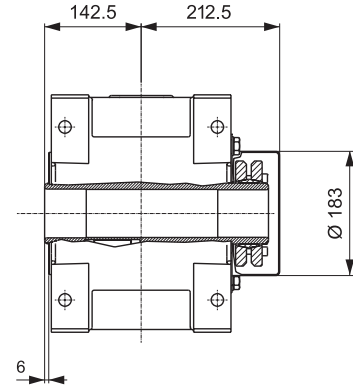
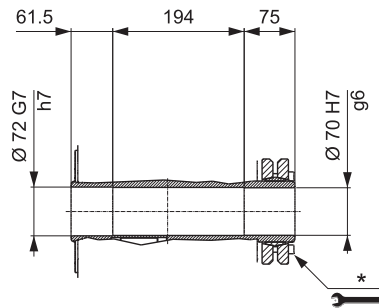
LP



H



S

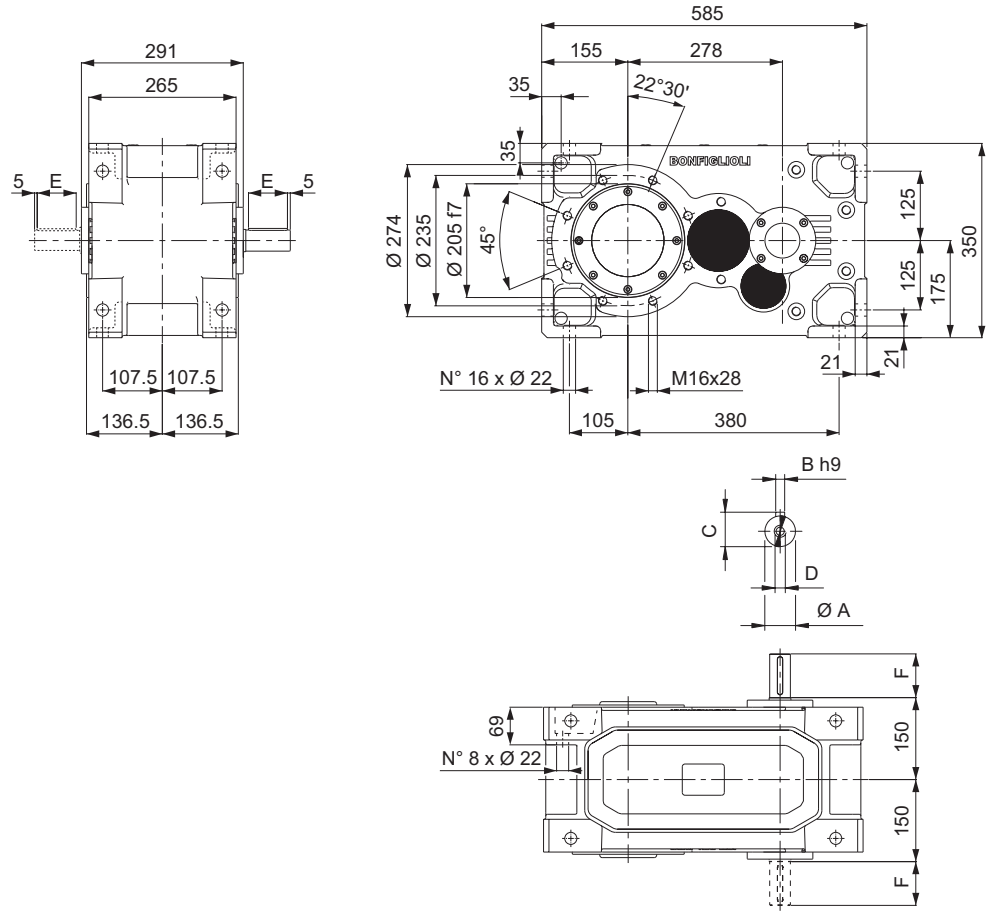


HDP

* For correct use, refer to the "OPERATION AND MAINTENANCE MANUAL".



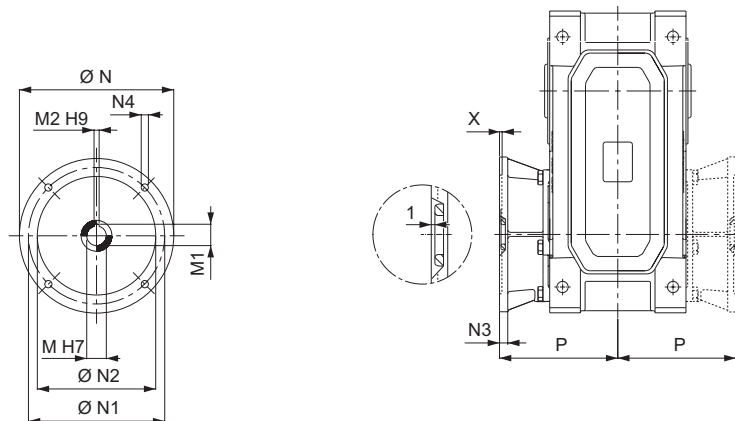
HDP 70



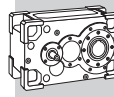
VP

| VP | i = | A | B | C | D | E | F | LP |
|----------|----------------|-------|----|----|--------|----|----|-----|
| HDP 70 2 | 8.0 ... 17.7 | 38 k6 | 10 | 41 | M12x28 | 70 | 80 | 189 |
| HDP 70 2 | 19.4 ... 22.6 | 32 k6 | 10 | 35 | M12x28 | 70 | 80 | 189 |
| HDP 70 3 | 25.5 ... 57.0 | 32 k6 | 10 | 35 | M12x28 | 70 | 80 | 192 |
| HDP 70 3 | 63.7 ... 114.4 | 28 j6 | 8 | 31 | M10x22 | 50 | 60 | 192 |

AD

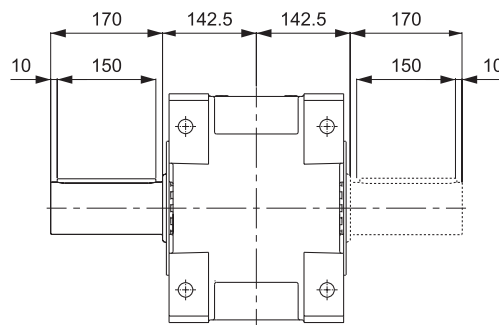
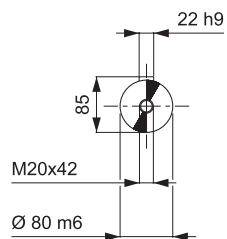


| AD | M | M1 | M2 | N | N1 | N2 | N3 | N4 | X | P |
|--------------|----|------|----|-----|-----|-----|----|--------|---|-----|
| HDP 70 3_112 | 28 | 31.3 | 8 | 250 | 215 | 180 | 15 | 14 | 5 | 220 |
| HDP 70 3_132 | 38 | 41.3 | 10 | 300 | 265 | 230 | 16 | 14 | 5 | 230 |
| HDP 70 3_160 | 42 | 45.3 | 12 | 350 | 300 | 250 | 23 | 18 | 6 | 261 |
| HDP 70 3_180 | 48 | 51.8 | 14 | 350 | 300 | 250 | 23 | 18 | 6 | 261 |
| HDP 70 3_200 | 55 | 59.3 | 16 | 400 | 350 | 300 | - | M16x23 | 7 | 286 |

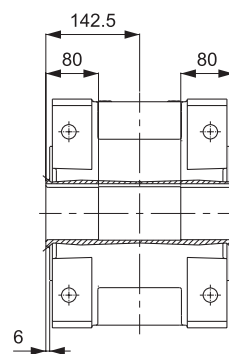
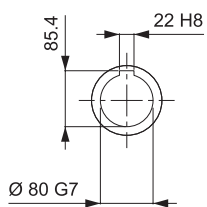


HDP 70

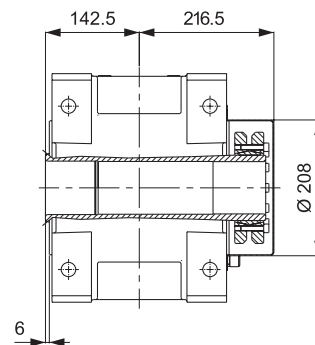
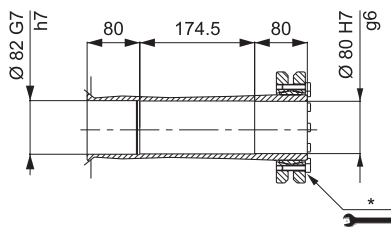
LP



H



S



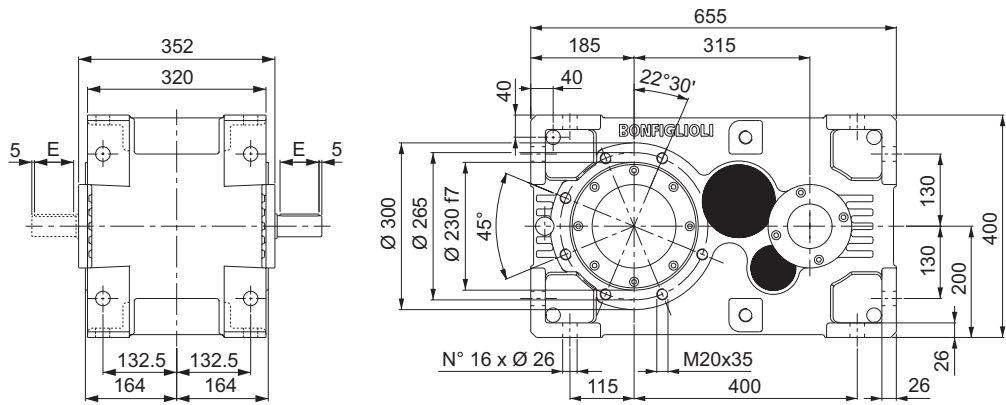
HDP

* For correct use, refer to the "OPERATION AND MAINTENANCE MANUAL".

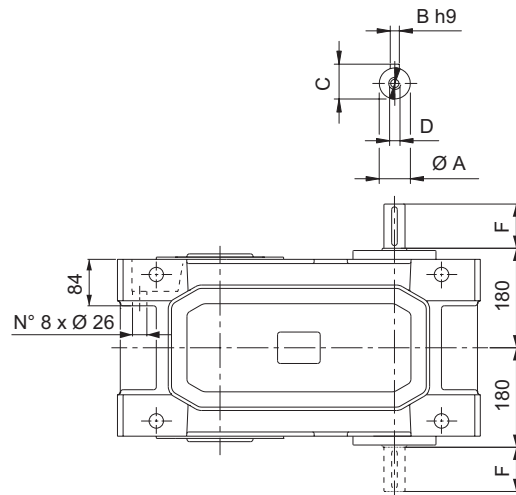


HDP 80

HDP

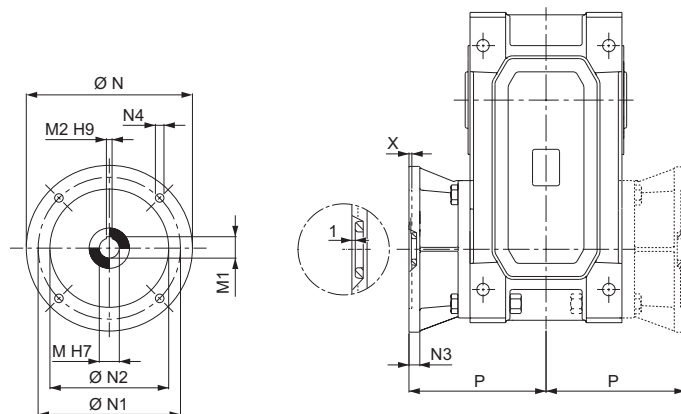


VP

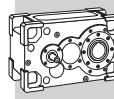


| VP | i = | A | B | C | D | E | F | LP |
|----------|----------------|-------|----|------|--------|-----|-----|-----|
| HDP 80 2 | 8.1 ... 14.6 | 45 k6 | 14 | 48.5 | M16x36 | 100 | 110 | 301 |
| HDP 80 2 | 15.5 ... 22.6 | 38 k6 | 10 | 41 | M12x28 | 70 | 80 | 301 |
| HDP 80 3 | 25.8 ... 75.2 | 38 k6 | 10 | 41 | M12x28 | 70 | 80 | 306 |
| HDP 80 3 | 76.4 ... 114.4 | 28 j6 | 8 | 31 | M10x22 | 50 | 60 | 306 |

AD

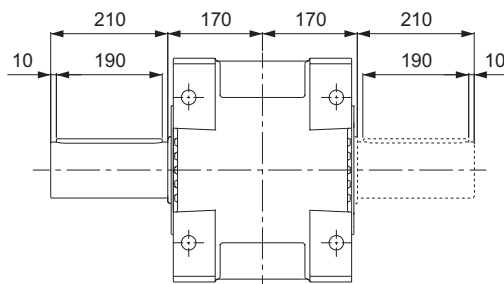
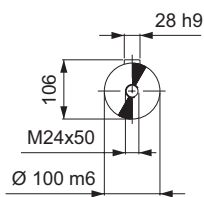


| AD | M | M1 | M2 | N | N1 | N2 | N3 | N4 | X | P |
|--------------|----|------|----|-----|-----|-----|----|--------|---|-------|
| HDP 80 3_132 | 38 | 41.3 | 10 | 300 | 265 | 230 | 16 | 14 | 5 | 257.5 |
| HDP 80 3_160 | 42 | 45.3 | 12 | 350 | 300 | 250 | 23 | 18 | 6 | 288.5 |
| HDP 80 3_180 | 48 | 51.8 | 14 | 350 | 300 | 250 | 23 | 18 | 6 | 288.5 |
| HDP 80 3_200 | 55 | 59.3 | 16 | 400 | 350 | 300 | - | M16x23 | 7 | 313.5 |

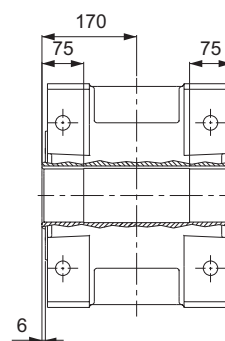
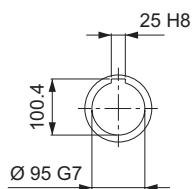


HDP 80

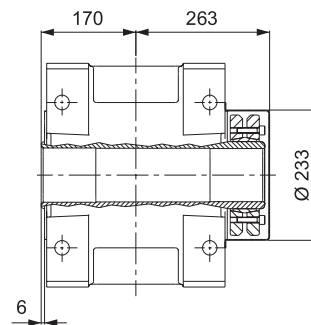
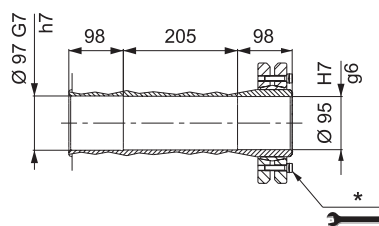
LP



H



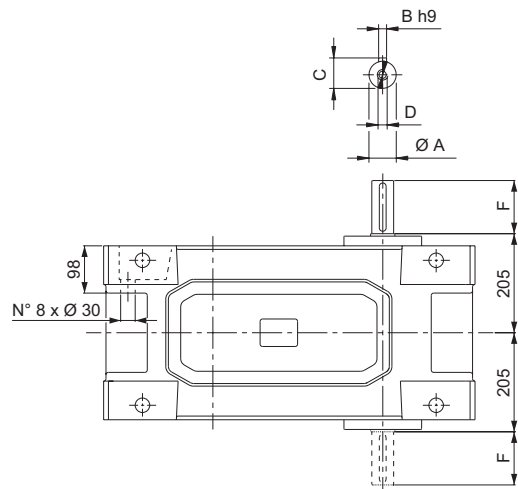
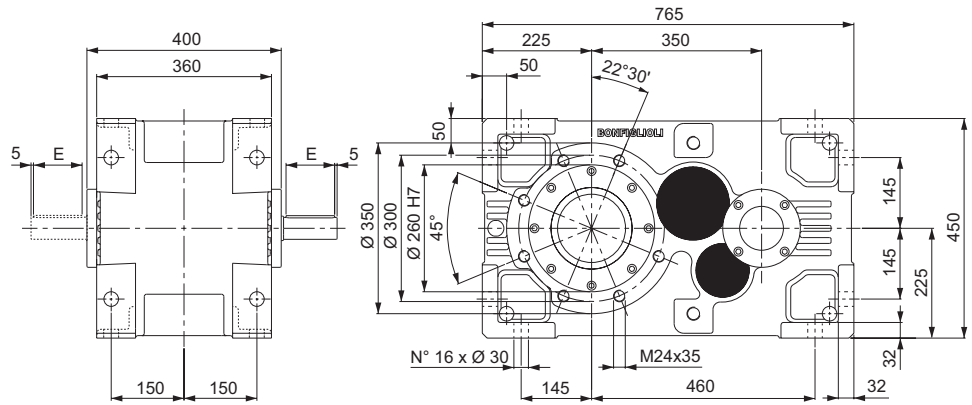
S



* For correct use, refer to the "OPERATION AND MAINTENANCE MANUAL".



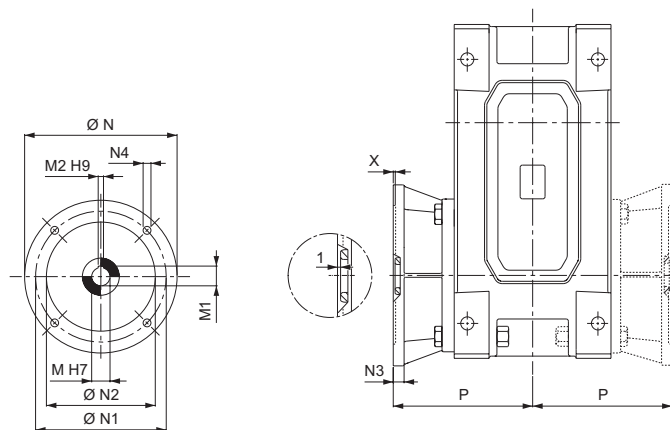
HDP 90



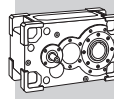
VP

| VP | i = | A | B | C | D | E | F | LP |
|----------|----------------|-------|----|------|--------|-----|-----|-----|
| HDP 90 2 | 7.9 ... 13.6 | 50 k6 | 14 | 53.5 | M16x36 | 100 | 110 | 429 |
| HDP 90 2 | 15.8 ... 22.4 | 45 k6 | 14 | 48.5 | M16x36 | 100 | 110 | 429 |
| HDP 90 3 | 25.4 ... 73.3 | 45 k6 | 14 | 48.5 | M16x36 | 100 | 110 | 440 |
| HDP 90 3 | 77.8 ... 110.1 | 32 k6 | 10 | 35 | M12x28 | 70 | 80 | 440 |

AD

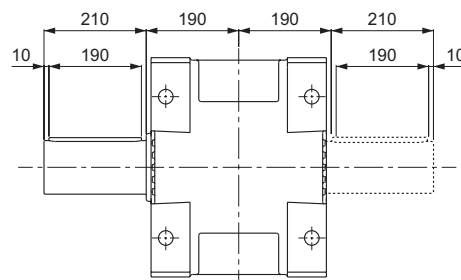
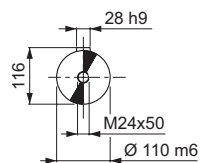


| AD | M | M1 | M2 | N | N1 | N2 | N3 | N4 | X | P |
|--------------|----|------|----|-----|-----|-----|----|--------|---|-------|
| HDP 90 3_160 | 42 | 45.3 | 12 | 350 | 300 | 250 | 23 | 18 | 6 | 308.5 |
| HDP 90 3_180 | 48 | 51.8 | 14 | 350 | 300 | 250 | 23 | 18 | 6 | 308.5 |
| HDP 90 3_200 | 55 | 59.3 | 16 | 400 | 350 | 300 | - | M16x23 | 7 | 333.5 |

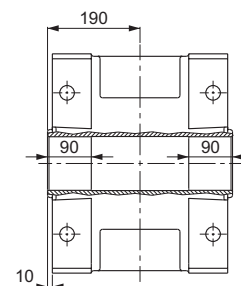
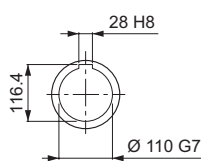


HDP 90

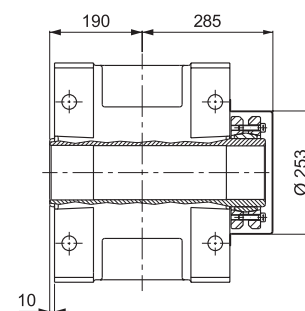
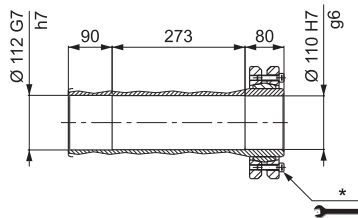
LP



H



S

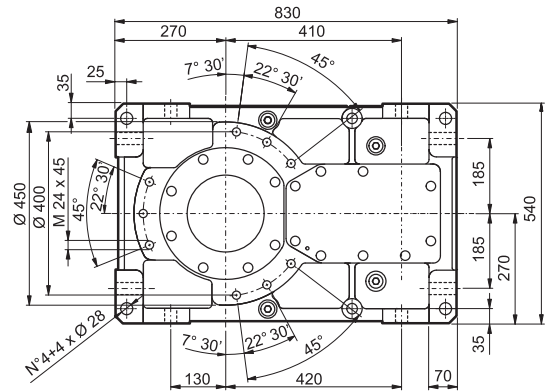
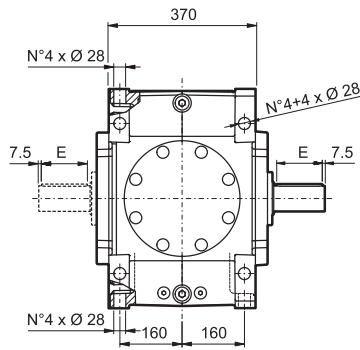


HDP

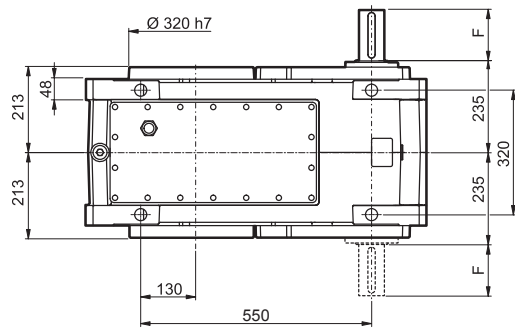
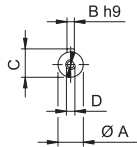
* For correct use, refer to the "OPERATION AND MAINTENANCE MANUAL".



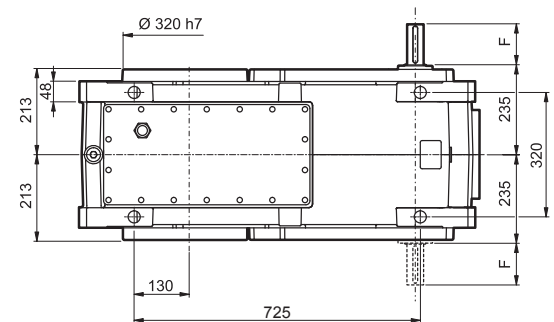
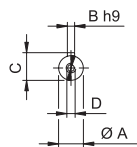
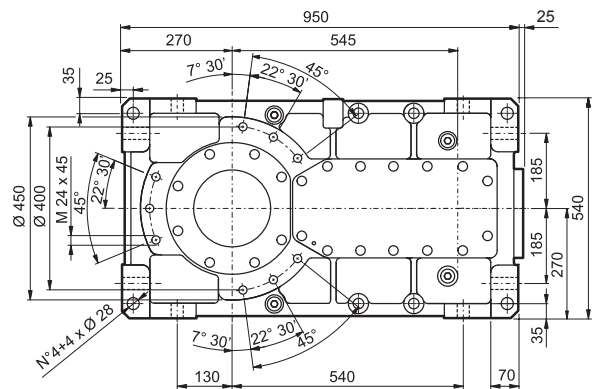
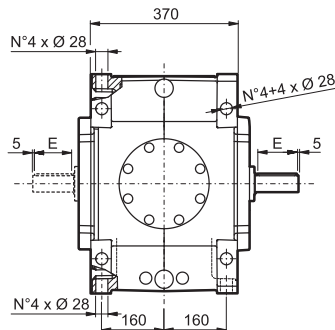
HDP 100



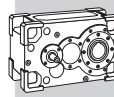
HDP 100 2



HDP 100 3 HDP 100 4

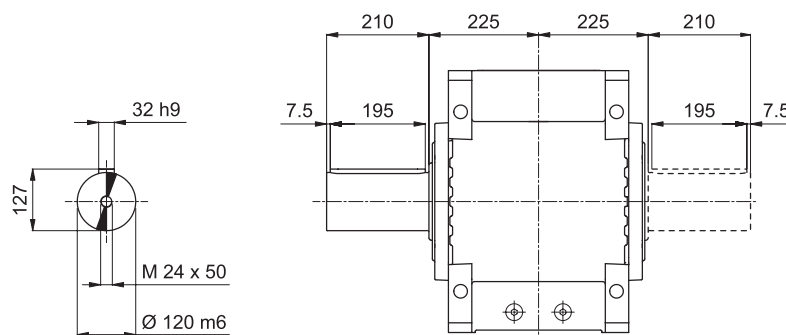


| VP | i = | A | B | C | D | E | F | LP |
|-----------|-----------------|-------|----|------|--------|-----|-----|-----|
| HDP 100 2 | 7.4 ... 21.8 | 60 m6 | 18 | 64 | M20x42 | 125 | 140 | 625 |
| HDP 100 3 | 22.8 ... 50 | 48 k6 | 14 | 51.5 | M16x36 | 100 | 110 | 700 |
| HDP 100 3 | 55.5 ... 107.8 | 45 k6 | 14 | 48.5 | M16x36 | 100 | 110 | 700 |
| HDP 100 4 | 110.6 ... 507.9 | 32 k6 | 10 | 35 | M12x28 | 70 | 80 | 715 |



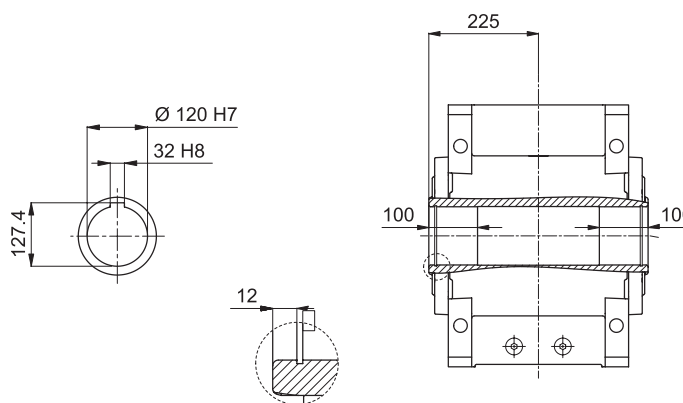
HDP 100

LP

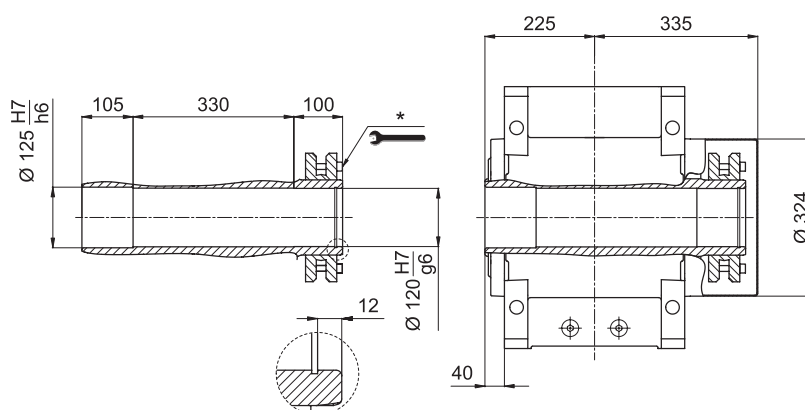


HDP

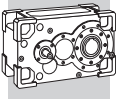
H



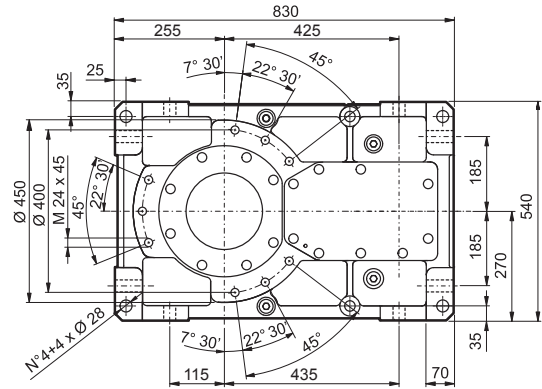
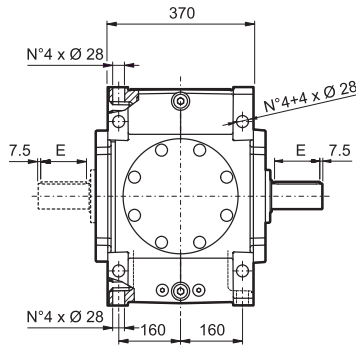
S



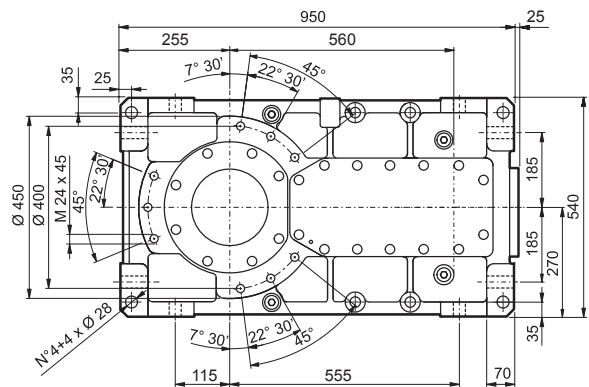
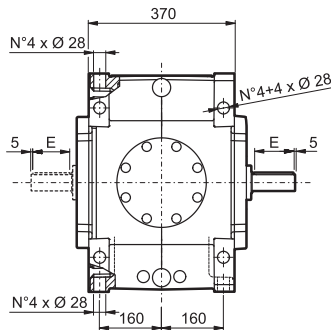
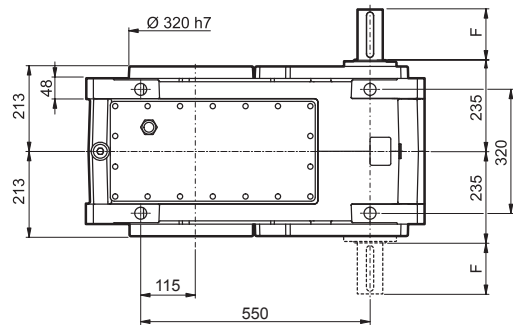
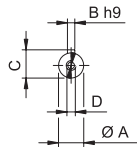
* For correct use, refer to the "OPERATION AND MAINTENANCE MANUAL".



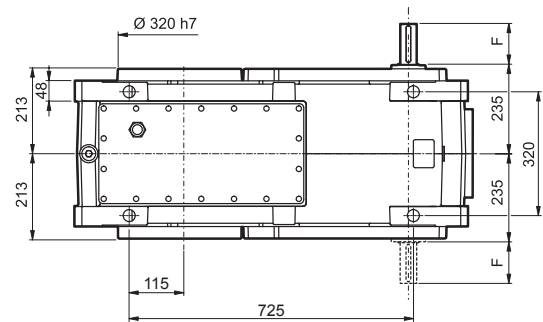
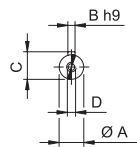
HDP 110



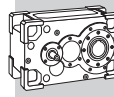
HDP 110 2



HDP 110 3 HDP 110 4

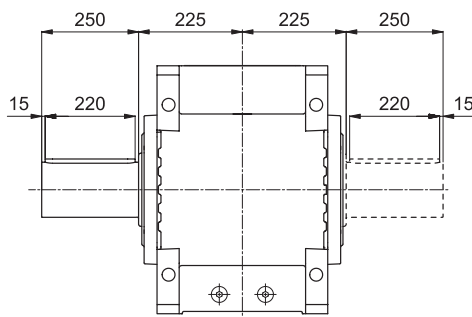
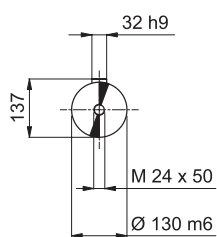


| VP | i = | A | B | C | D | E | F | LP |
|-----------|-----------------|-------|----|------|--------|-----|-----|-----|
| HDP 110 2 | 8.1 ... 25.0 | 60 m6 | 18 | 64 | M20x42 | 125 | 140 | 670 |
| HDP 110 3 | 24.9 ... 54.5 | 48 k6 | 14 | 51.5 | M16x36 | 100 | 110 | 740 |
| HDP 110 3 | 60.7 ... 123.5 | 45 k6 | 14 | 48.5 | M16x36 | 100 | 110 | 740 |
| HDP 110 4 | 120.9 ... 499.4 | 32 k6 | 10 | 35 | M12x28 | 70 | 80 | 730 |

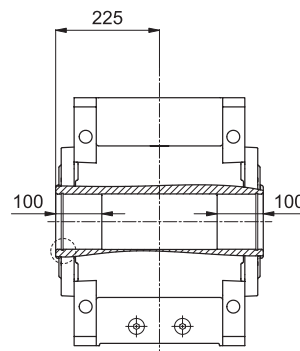
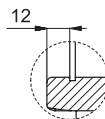
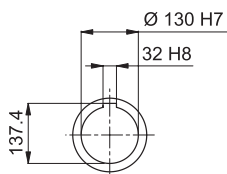


HDP 110

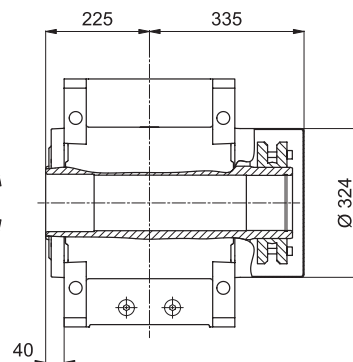
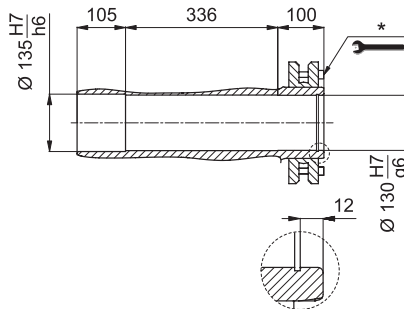
LP



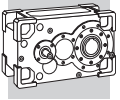
H



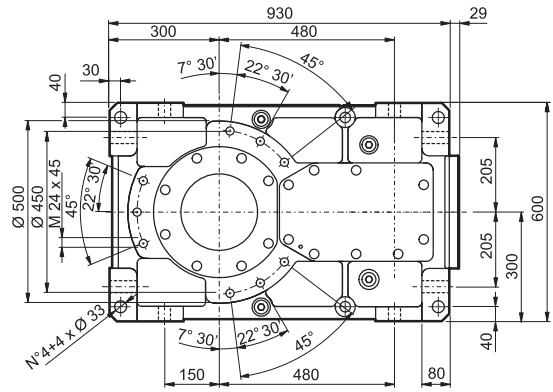
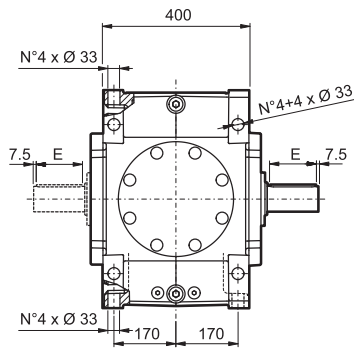
S



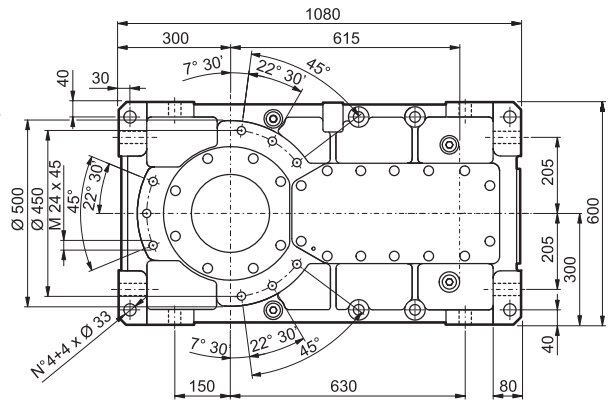
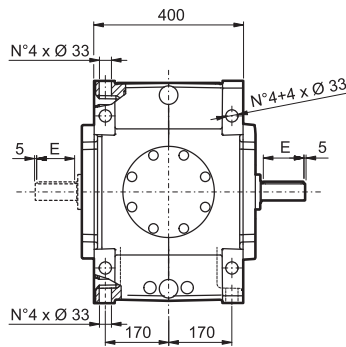
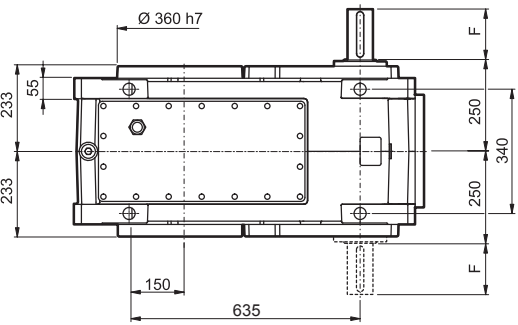
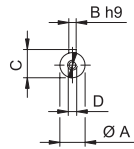
* For correct use, refer to the "OPERATION AND MAINTENANCE MANUAL".



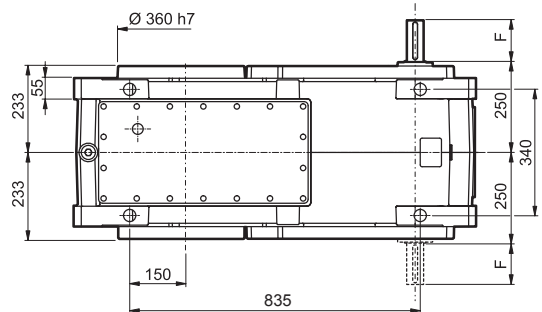
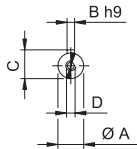
HDP 120



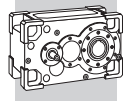
HDP 120 2



HDP 120 3 HDP 120 4

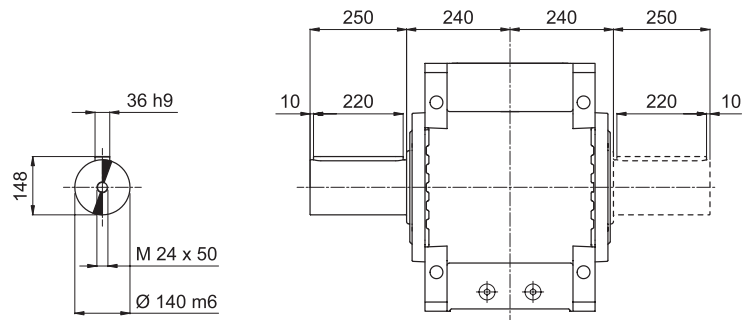


| VP | i = | A | B | C | D | E | F | LP |
|-----------|----------------|-------|----|------|--------|-----|-----|-----|
| HDP 120 2 | 7.9 ... 25.4 | 70 m6 | 20 | 74.5 | M20x42 | 125 | 140 | 890 |
| HDP 120 3 | 25.8 ... 56.1 | 48 k6 | 14 | 51.5 | M16x36 | 100 | 110 | 995 |
| HDP 120 3 | 64.3 ... 125.2 | 45 k6 | 14 | 48.5 | M16x36 | 100 | 110 | 995 |
| HDP 120 4 | 128 ... 523.7 | 32 k6 | 10 | 35 | M12x36 | 70 | 80 | 985 |



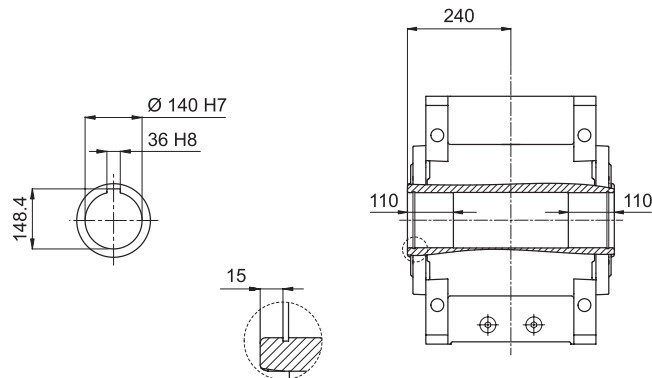
HDP 120

LP

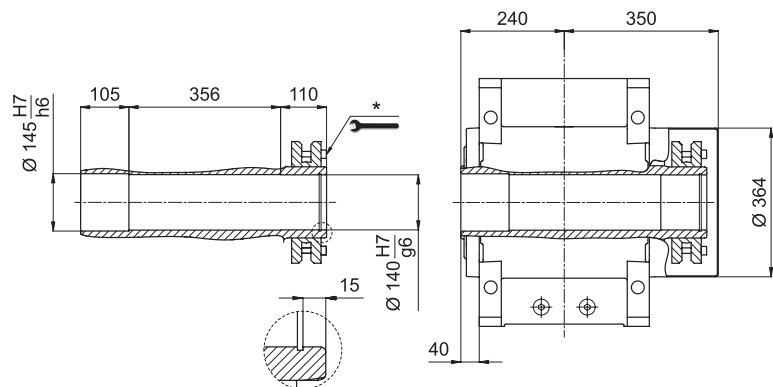


HDP

H



S

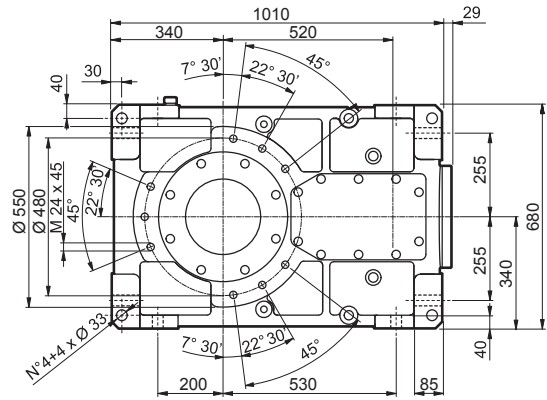
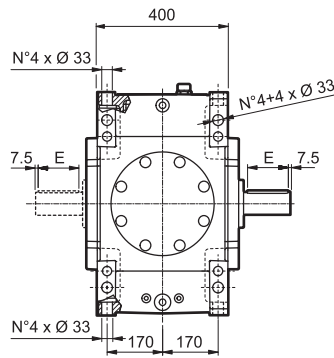


* For correct use, refer to the "OPERATION AND MAINTENANCE MANUAL".

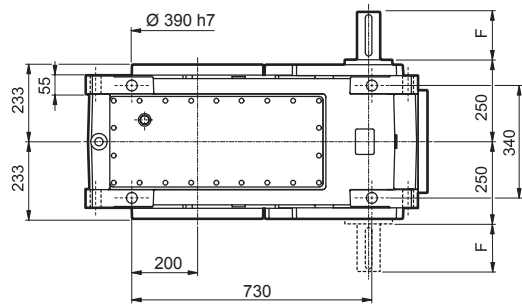
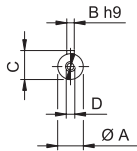


HDP 125

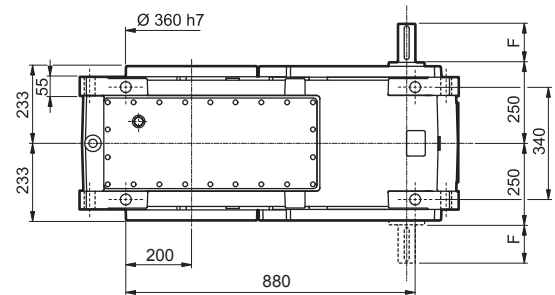
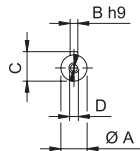
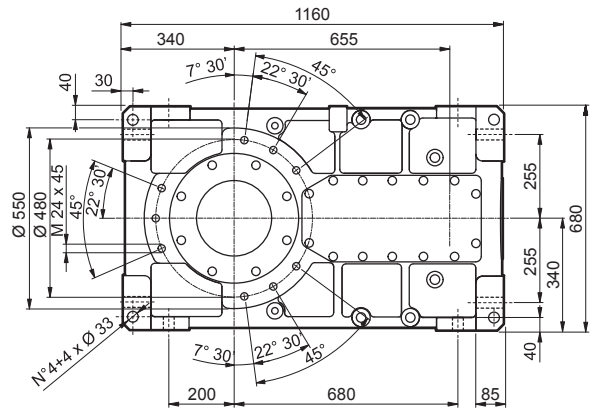
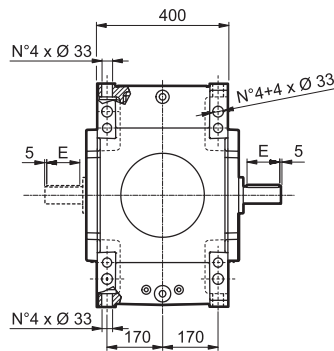
HDP



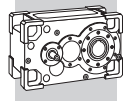
HDP 125 2



HDP 125 3 HDP 125 4

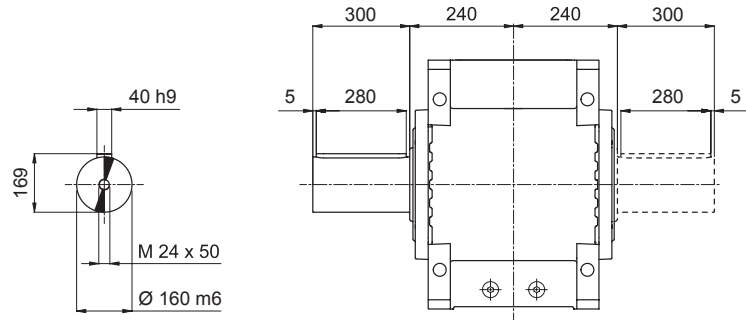


| VP | i = | A | B | C | D | E | F | LP |
|-----------|-----------------|-------|----|------|--------|-----|-----|------|
| HDP 125 2 | 8.9 ... 25.0 | 70 m6 | 20 | 74.5 | M20x42 | 125 | 140 | 1075 |
| HDP 125 3 | 29.1 ... 62.6 | 48 k6 | 14 | 51.5 | M16x36 | 100 | 110 | 1175 |
| HDP 125 3 | 72.5 ... 123.6 | 45 k6 | 14 | 48.5 | M16x36 | 100 | 110 | 1175 |
| HDP 125 4 | 144.4 ... 506.5 | 32 k6 | 10 | 35 | M12x28 | 70 | 80 | 1160 |

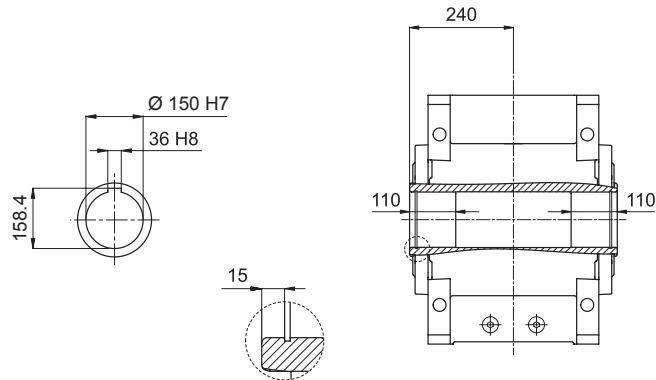


HDP 125

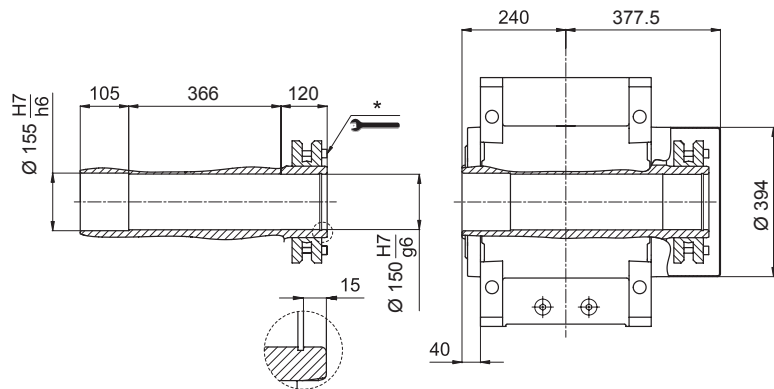
LP



H



S



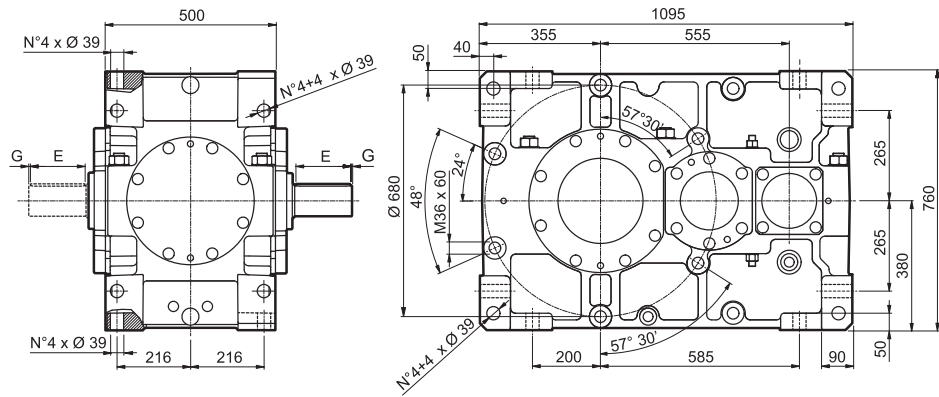
HDP

* For correct use, refer to the "OPERATION AND MAINTENANCE MANUAL".

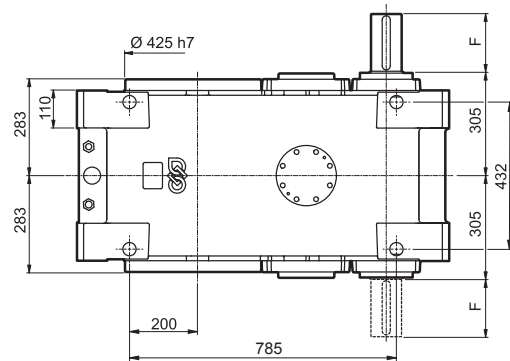
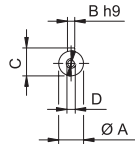


HDP

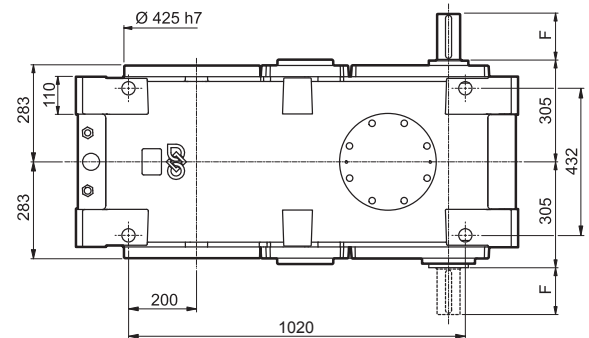
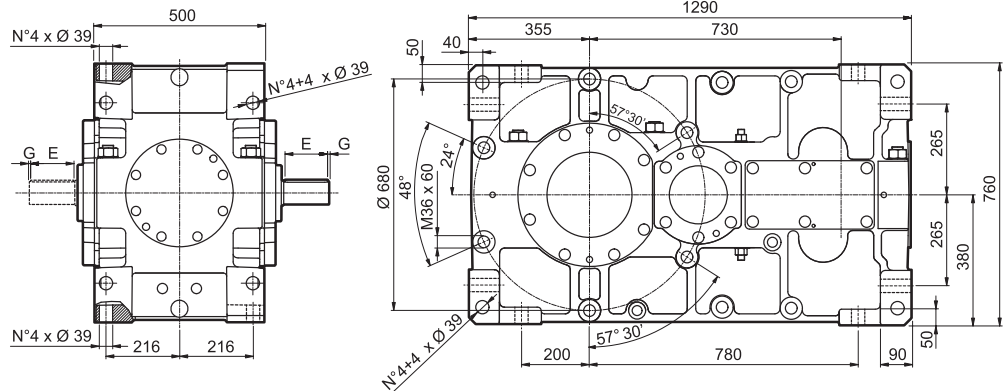
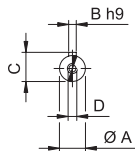
HDP 130



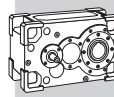
HDP 130 2



HDP 130 3 HDP 130 4

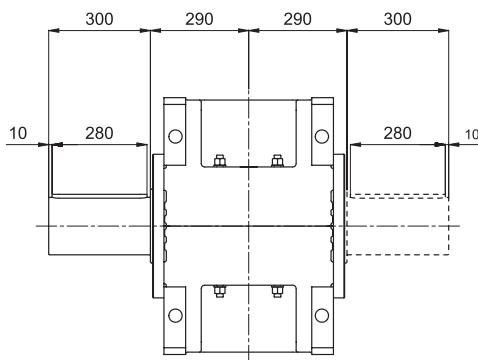
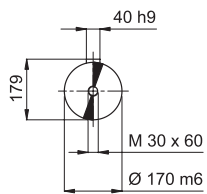


| VP | i= | A | B | C | D | E | F | G | Kg LP |
|-----------|-----------------|-------|----|------|--------|-----|-----|-----|-------|
| HDP 130 2 | 7.3 ... 12.3 | 90 m6 | 25 | 95 | M24x50 | 160 | 170 | 5 | 1500 |
| HDP 130 2 | 14.1 ... 21.7 | 70 m6 | 20 | 74.5 | M20x42 | 125 | 140 | 7.5 | 1500 |
| HDP 130 3 | 21.8 ... 48.1 | 65 m6 | 18 | 69 | M20x42 | 125 | 140 | 7.5 | 1705 |
| HDP 130 3 | 56.5 ... 108.3 | 50 k6 | 14 | 53.5 | M16x36 | 100 | 110 | 5 | 1705 |
| HDP 130 4 | 111.2 ... 237.9 | 42 k6 | 12 | 45 | M16x36 | 100 | 110 | 5 | 1740 |
| HDP 130 4 | 274.5 ... 534.5 | 32 k6 | 10 | 35 | M12x28 | 70 | 80 | 5 | 1740 |

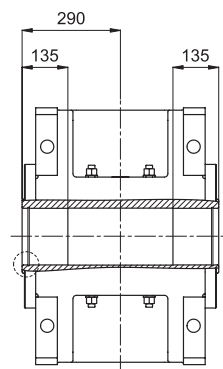
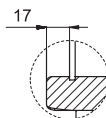
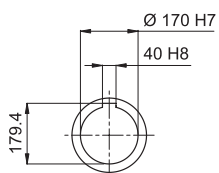


HDP 130

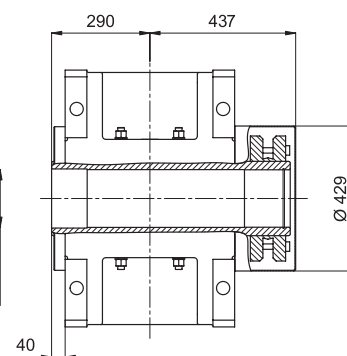
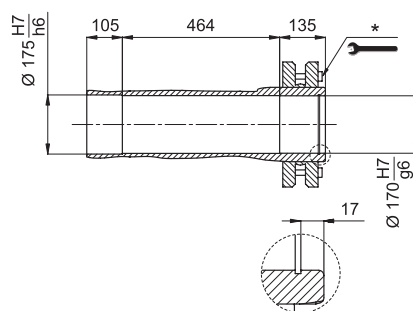
LP



H



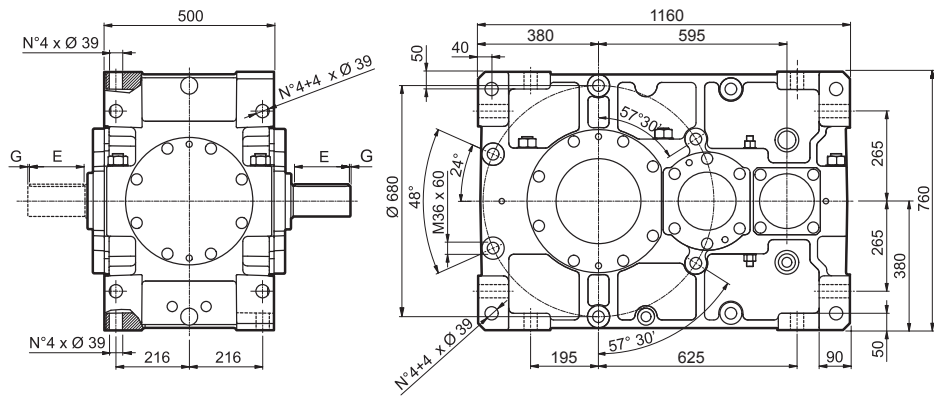
S



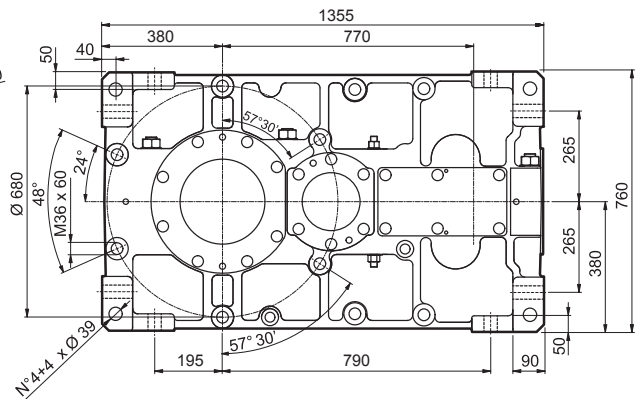
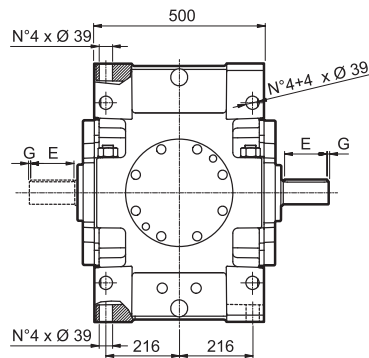
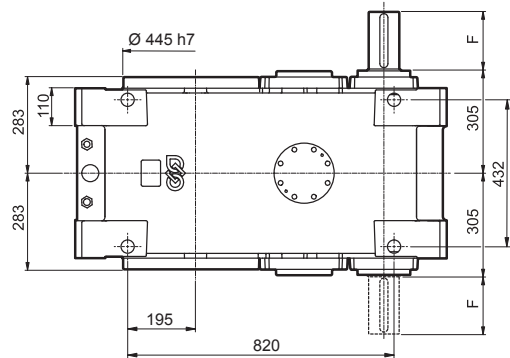
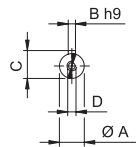
* For correct use, refer to the "OPERATION AND MAINTENANCE MANUAL".



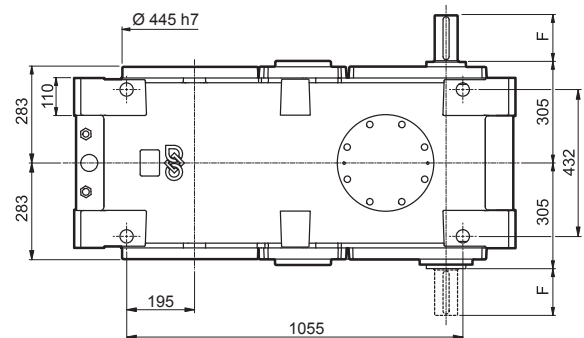
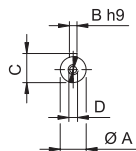
HDP 140



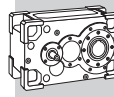
HDP 140 2



HDP 140 3 HDP 140 4

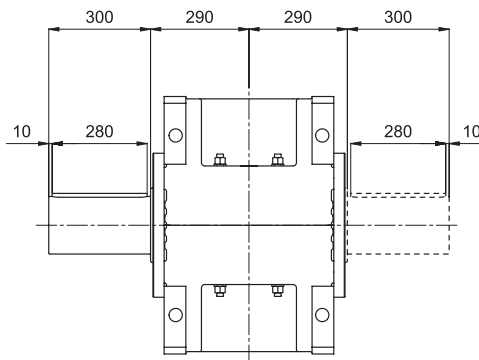
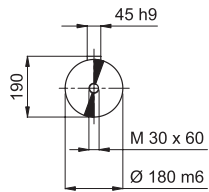


| VP | i = | A | B | C | D | E | F | G | LP |
|-----------|-----------------|-------|----|------|--------|-----|-----|-----|------|
| HDP 140 2 | 8.4 ... 14.4 | 90 m6 | 25 | 95 | M24x50 | 160 | 170 | 5 | 1640 |
| HDP 140 2 | 16.3 ... 24.9 | 70 m6 | 20 | 74.5 | M20x42 | 125 | 140 | 7.5 | 1640 |
| HDP 140 3 | 25.1 ... 56.2 | 65 m6 | 18 | 69 | M20x42 | 125 | 140 | 7.5 | 1915 |
| HDP 140 3 | 65.1 ... 124.7 | 50 k6 | 14 | 53.5 | M16x36 | 100 | 110 | 5 | 1915 |
| HDP 140 4 | 141.6 ... 277.5 | 42 k6 | 12 | 45 | M16x36 | 100 | 110 | 5 | 1935 |
| HDP 140 4 | 315.9 ... 495.3 | 32 k6 | 10 | 35 | M12x28 | 70 | 80 | 5 | 1935 |



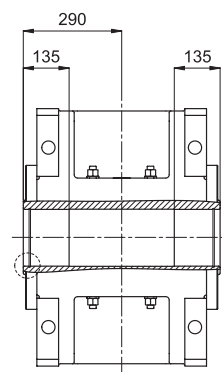
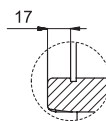
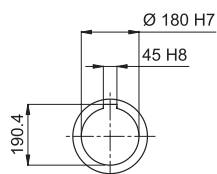
HDP 140

LP

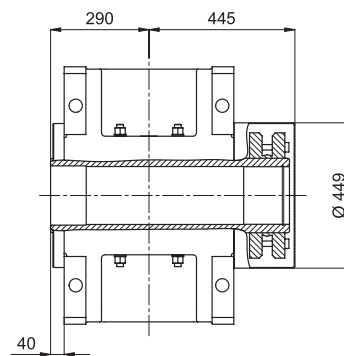
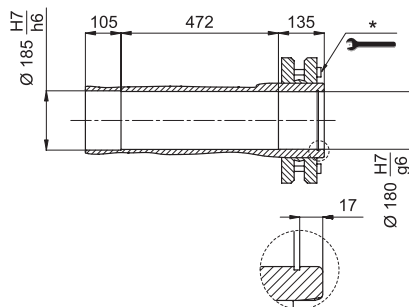


HDP

H



S



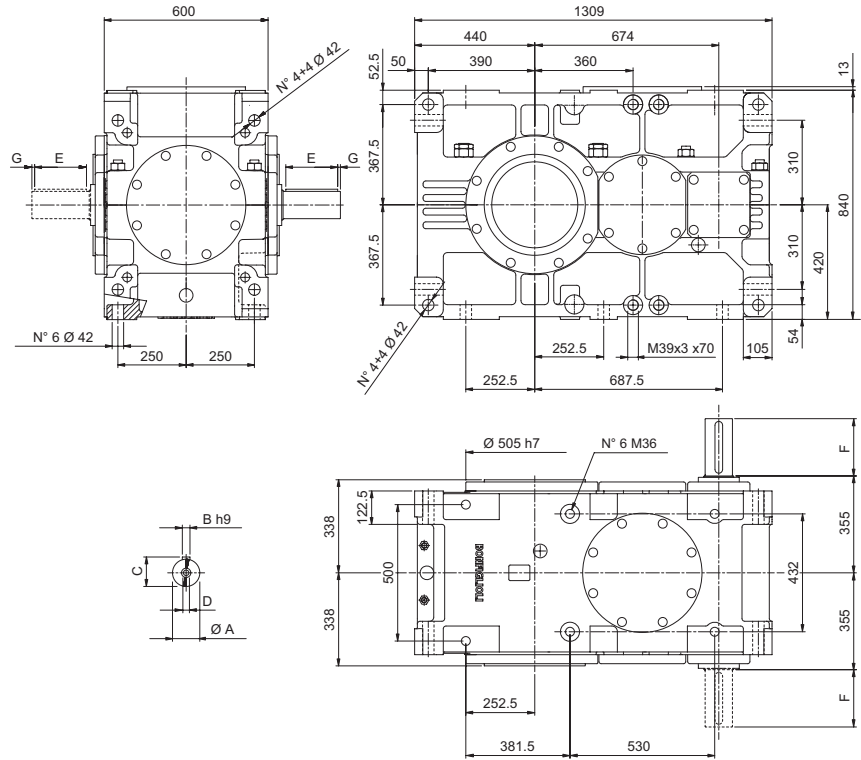
* For correct use, refer to the "OPERATION AND MAINTENANCE MANUAL".



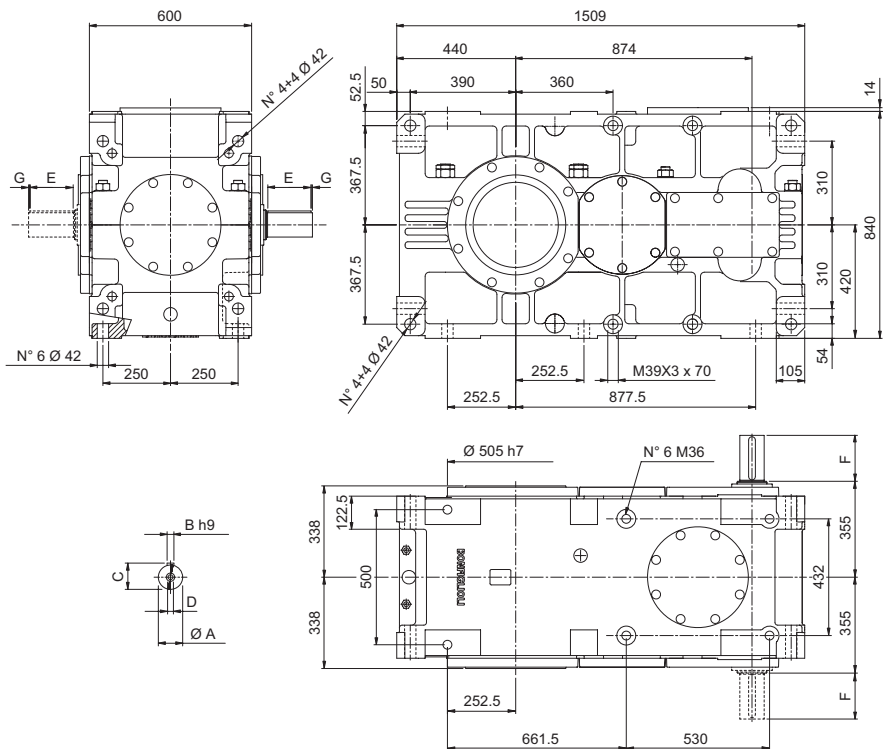
HDP

HDP 150

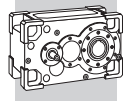
HDP 150 2



HDP 150 3 HDP 150 4

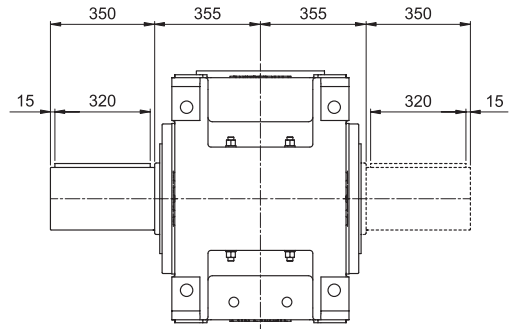
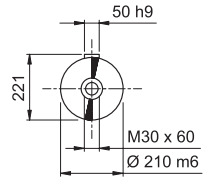


| VP | i = | A | B | C | D | E | F | G | LP |
|-----------|-----------------|--------|----|------|--------|-----|-----|-----|------|
| HDP 150 2 | 7.9 ... 14.1 | 100 m6 | 28 | 106 | M24x50 | 190 | 210 | 10 | 2585 |
| HDP 150 2 | 15.4 ... 19.6 | 90 m6 | 25 | 95 | M24x50 | 160 | 170 | 5 | 2585 |
| HDP 150 3 | 21.5 ... 38.1 | 90 m6 | 25 | 95 | M24x50 | 160 | 170 | 5 | 2835 |
| HDP 150 3 | 43.5 ... 77.0 | 70 m6 | 20 | 74.5 | M20x42 | 125 | 140 | 7.5 | 2835 |
| HDP 150 4 | 89.0 ... 157.8 | 55 m6 | 16 | 59 | M20x42 | 90 | 110 | 10 | 2870 |
| HDP 150 4 | 170.9 ... 303.1 | 45 k6 | 14 | 48.5 | M16x36 | 100 | 110 | 5 | 2870 |



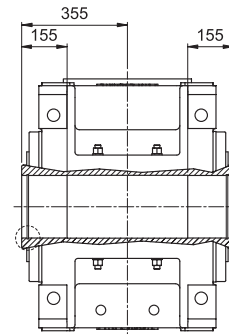
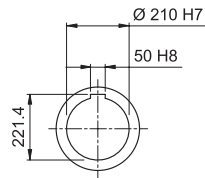
HDP 150

LP

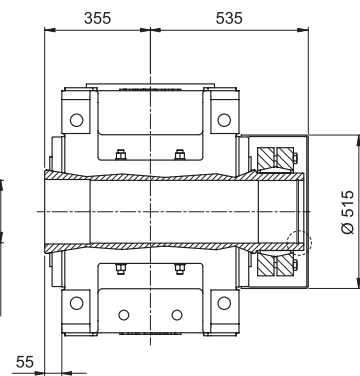
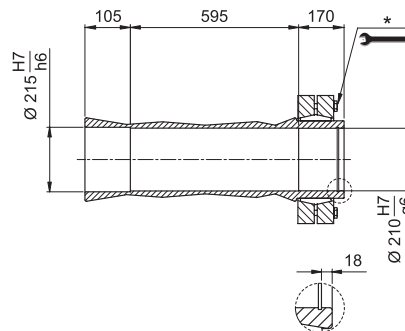


HDP

H



S



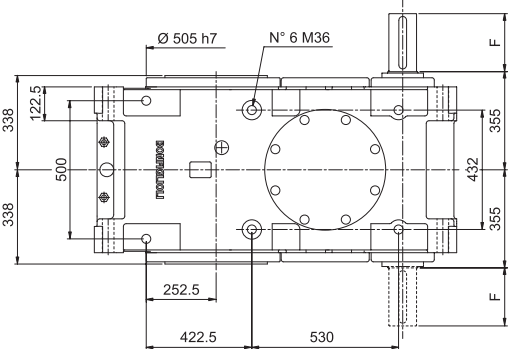
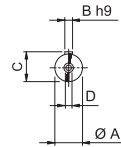
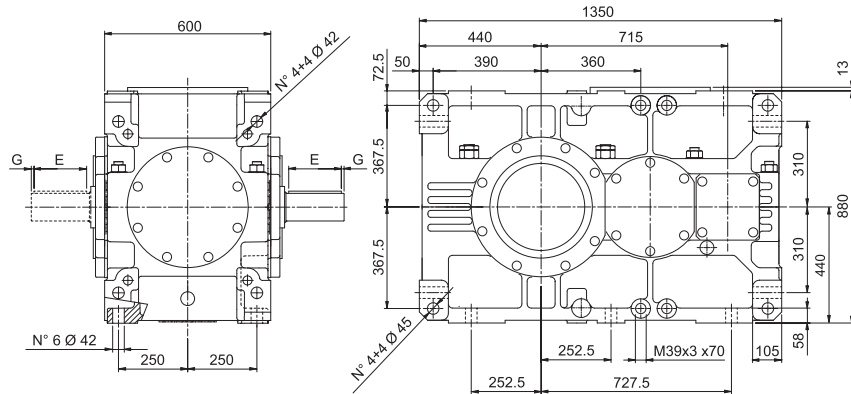
* For correct use, refer to the "OPERATION AND MAINTENANCE MANUAL".



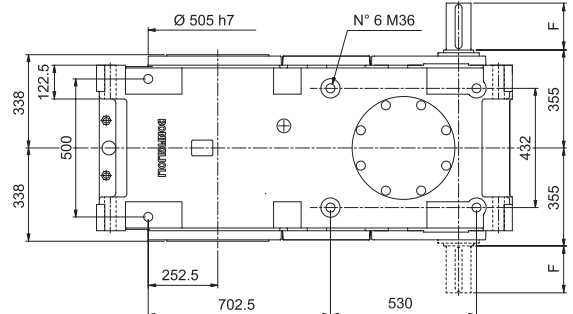
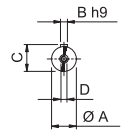
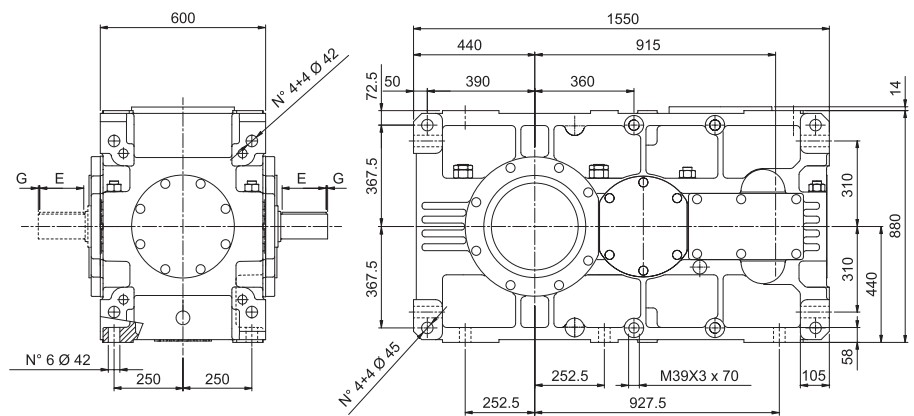
HDP 160

HDP

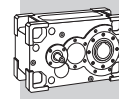
HDP 160 2



HDP 160 3 HDP 160 4

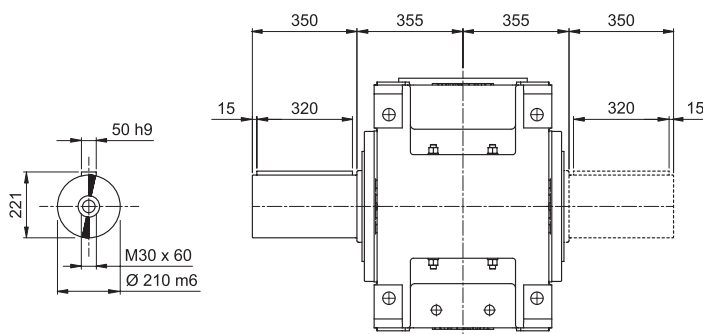


| VP | i = | A | B | C | D | E | F | G | LP |
|-----------|-----------------|--------|----|------|--------|-----|-----|-----|------|
| HDP 160 2 | 9.0 ... 15.9 | 100 m6 | 28 | 106 | M24x50 | 190 | 210 | 10 | 2860 |
| HDP 160 2 | 17.5 ... 22.1 | 90 m6 | 25 | 95 | M24x50 | 160 | 170 | 5 | 2860 |
| HDP 160 3 | 24.4 ... 43.1 | 90 m6 | 25 | 95 | M24x50 | 160 | 170 | 5 | 3120 |
| HDP 160 3 | 49.4 ... 87.0 | 70 m6 | 20 | 74.5 | M20x42 | 125 | 140 | 7.5 | 3120 |
| HDP 160 4 | 101.1 ... 178.1 | 55 m6 | 16 | 59 | M20x42 | 90 | 110 | 10 | 3145 |
| HDP 160 4 | 194.1 ... 342.2 | 45 k6 | 14 | 48.5 | M16x36 | 100 | 110 | 5 | 3145 |

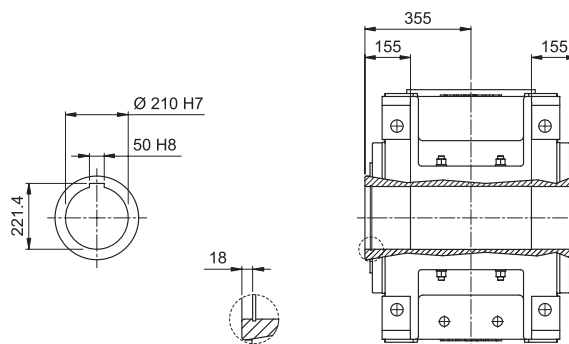


HDP 160

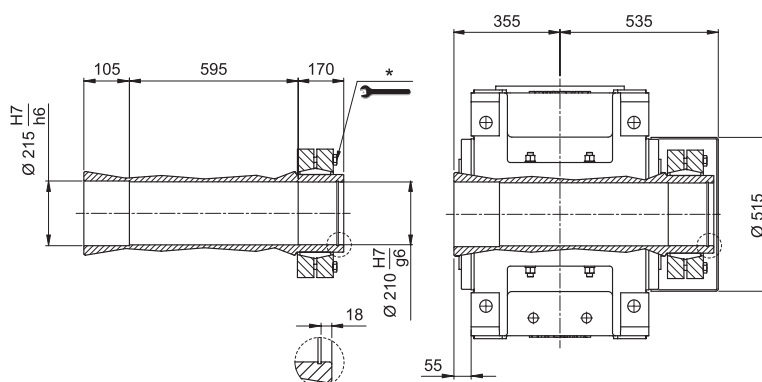
LP



H



S



HDP

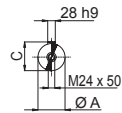
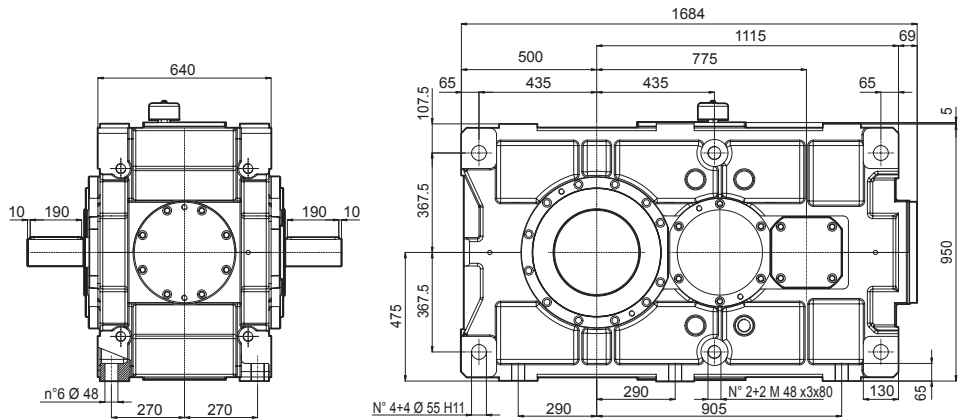
* For correct use, refer to the "OPERATION AND MAINTENANCE MANUAL".



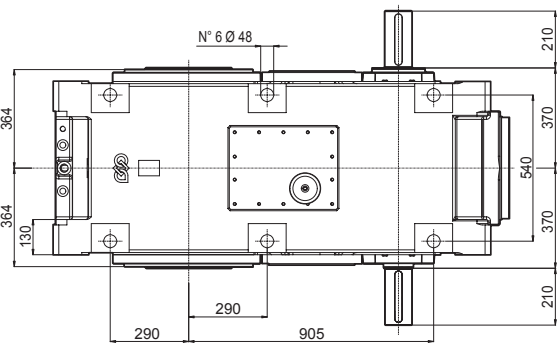
HDP 170

HDP

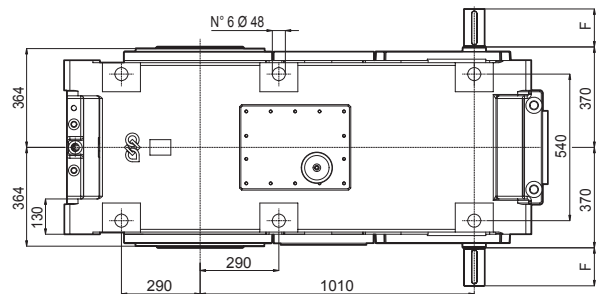
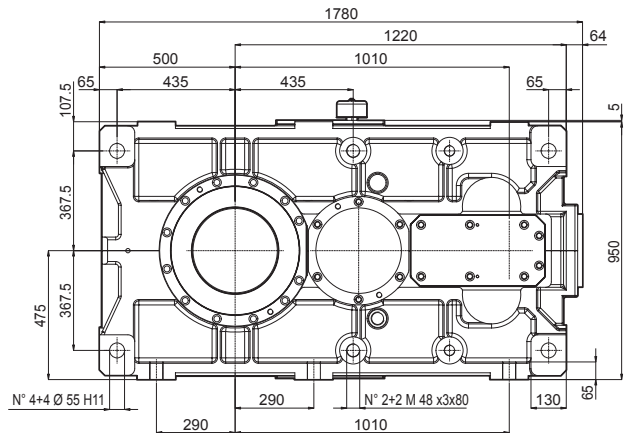
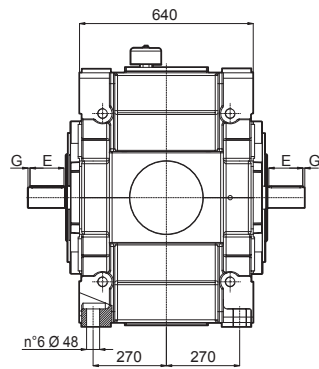
HDP 170 2



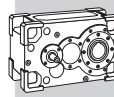
| VP | i = | A | C | LP |
|-----------|---------------|--------|-----|------|
| HDP 170 2 | 7.8 ... 14.2 | 110 m6 | 116 | 3495 |
| HDP 170 2 | 15.4 ... 19.3 | 100 m6 | 106 | 3495 |



HDP 170 3 HDP 170 4

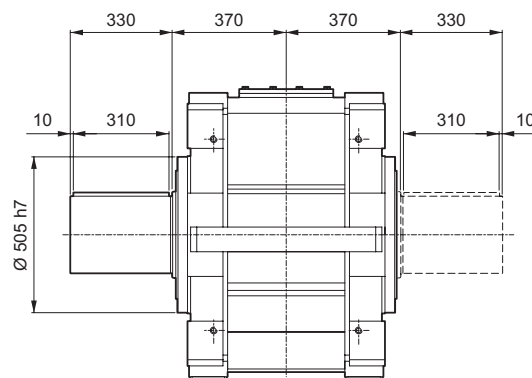
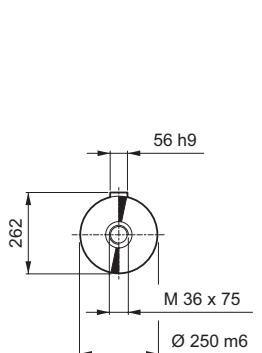


| VP | i = | A | B | C | D | E | F | G | LP |
|-----------|-----------------|-------|----|------|--------|-----|-----|-----|------|
| HDP 170 3 | 23.2 ... 39.7 | 90 m6 | 25 | 95 | M24x50 | 160 | 170 | 5 | 3765 |
| HDP 170 3 | 45.1 ... 77.2 | 75 m6 | 20 | 79.5 | M20x42 | 125 | 140 | 7.5 | 3765 |
| HDP 170 4 | 92.7 ... 158.8 | 55 m6 | 16 | 59 | M20x42 | 90 | 110 | 10 | 3795 |
| HDP 170 4 | 177.4 ... 303.8 | 50 k6 | 14 | 53.5 | M16x36 | 100 | 110 | 5 | 3795 |

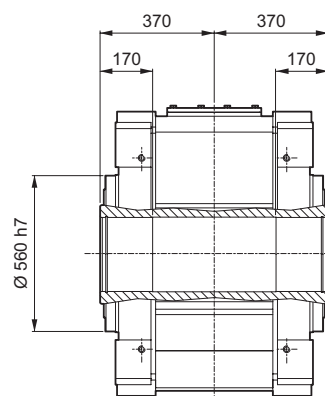
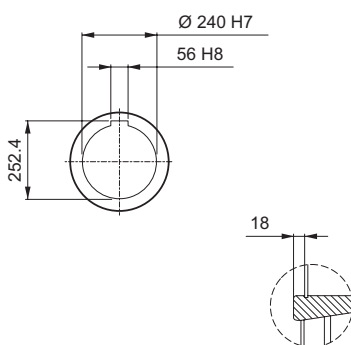


HDP 170

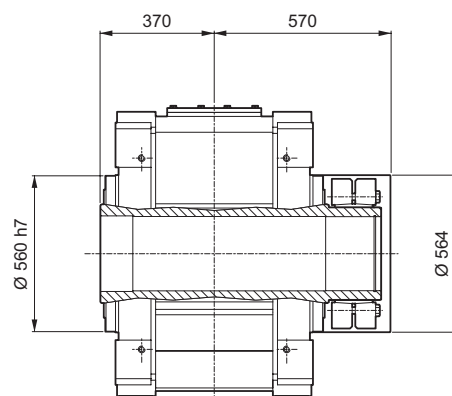
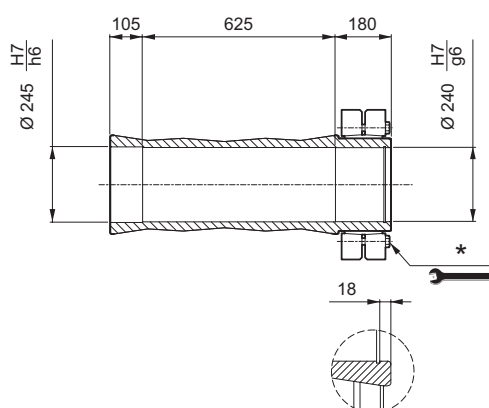
LP



H



S



HDP

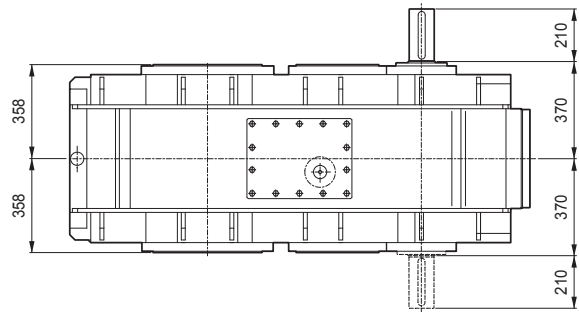
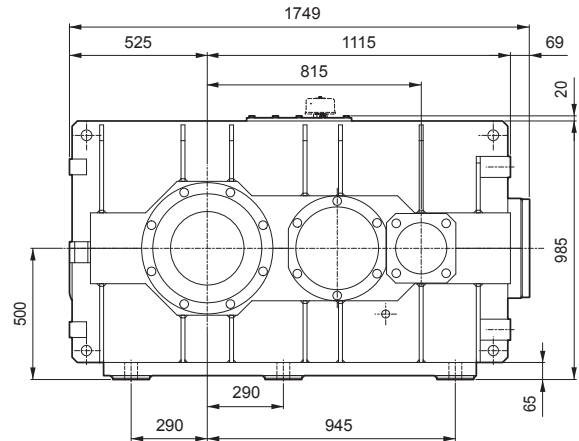
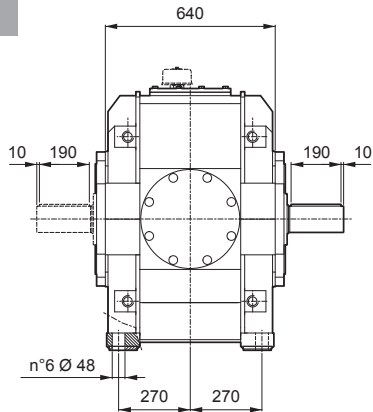
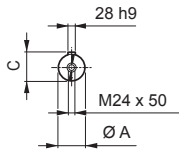
* For correct use, refer to the "OPERATION AND MAINTENANCE MANUAL".



HDP 180

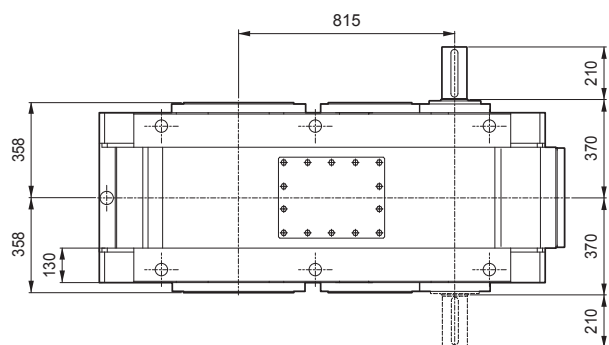
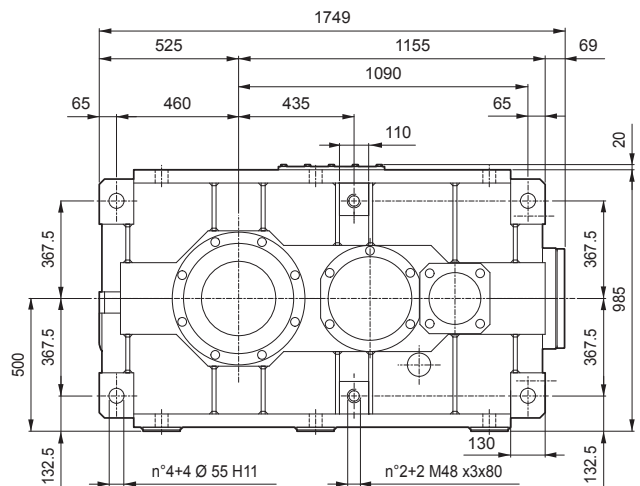
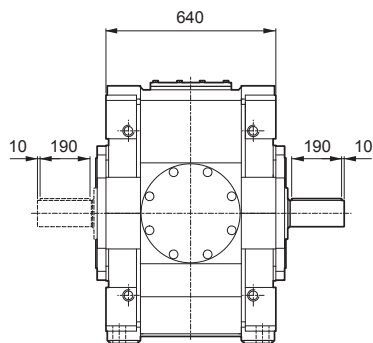
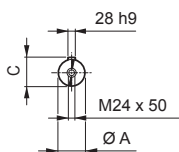
HDP 180 2


B3

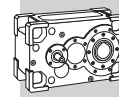


HDP 180 2

V5



| VP | i = | A | C |  Kg | LP |
|-----------|---------------|--------|-----|--|----|
| HDP 180 2 | 8.7 ... 15.7 | 110 m6 | 116 | 3640 | |
| HDP 180 2 | 17.1 ... 21.4 | 100 m6 | 106 | 3640 | |

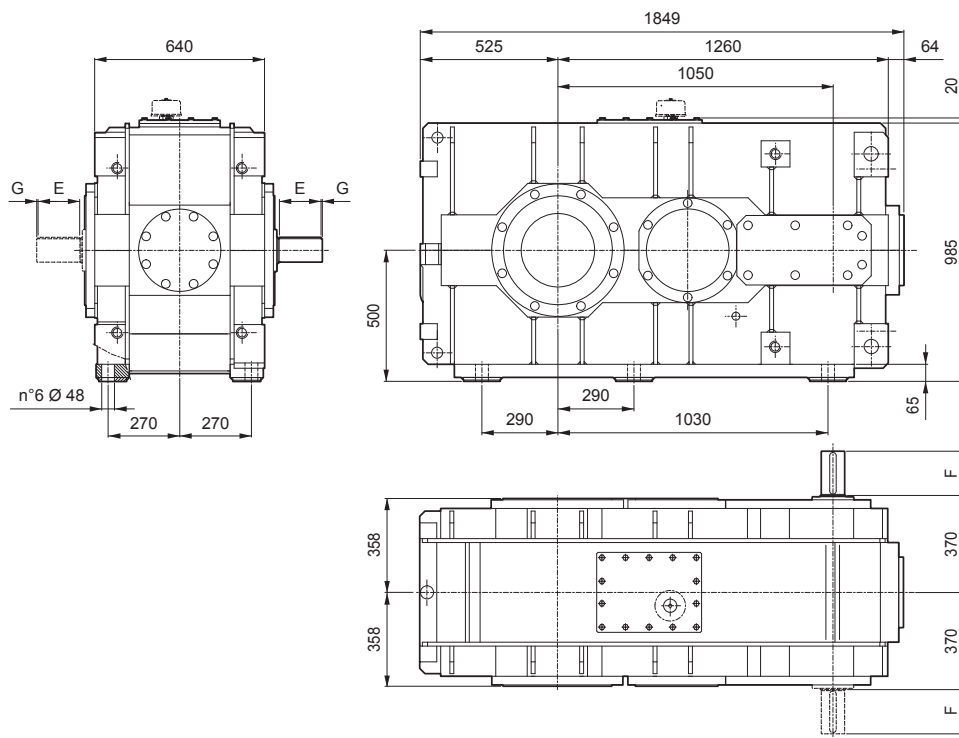
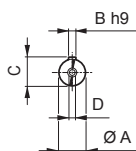


HDP 180

HDP

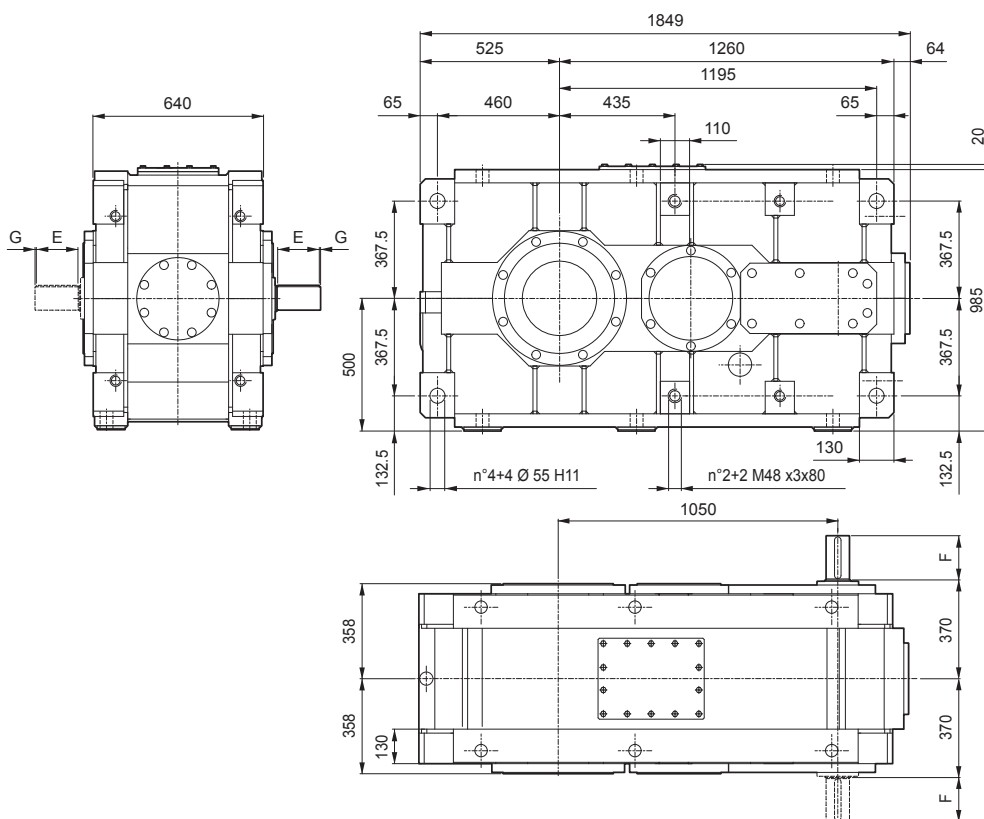
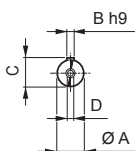
HDP 180 3/4

B3

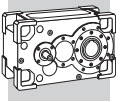


HDP 180 3/4

V5



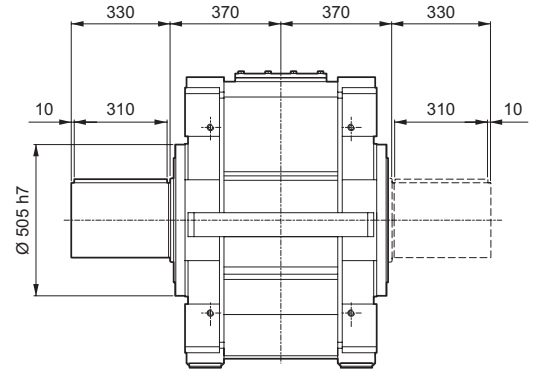
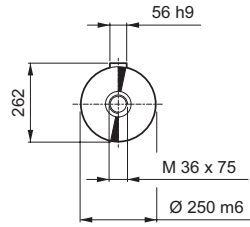
| VP | i = | A | B | C | D | E | F | G | LP |
|-----------|-----------------|-------|----|------|--------|-----|-----|-----|------|
| HDP 180 3 | 25.8 ... 43.9 | 90 m6 | 25 | 95 | M24x50 | 160 | 170 | 5 | 3860 |
| HDP 180 3 | 50.1 ... 85.4 | 75 m6 | 20 | 79.5 | M20x42 | 125 | 140 | 7.5 | 3860 |
| HDP 180 4 | 103.0 ... 175.6 | 55 m6 | 16 | 59 | M20x42 | 90 | 110 | 10 | 3890 |
| HDP 180 4 | 197.2 ... 336.1 | 50 k6 | 14 | 53.5 | M16x36 | 100 | 110 | 5 | 3890 |



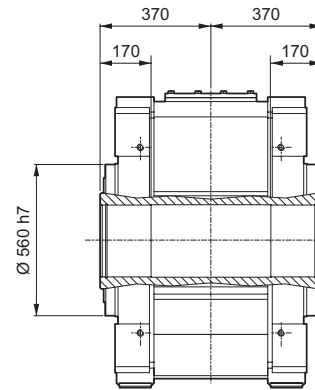
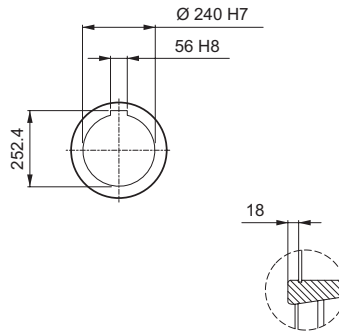
HDP 180

HDP

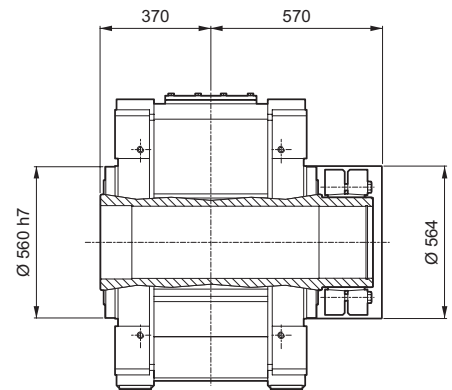
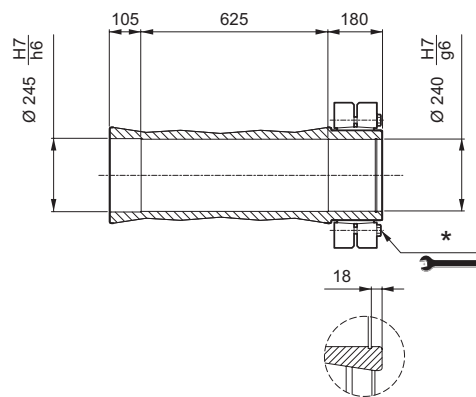
LP



H



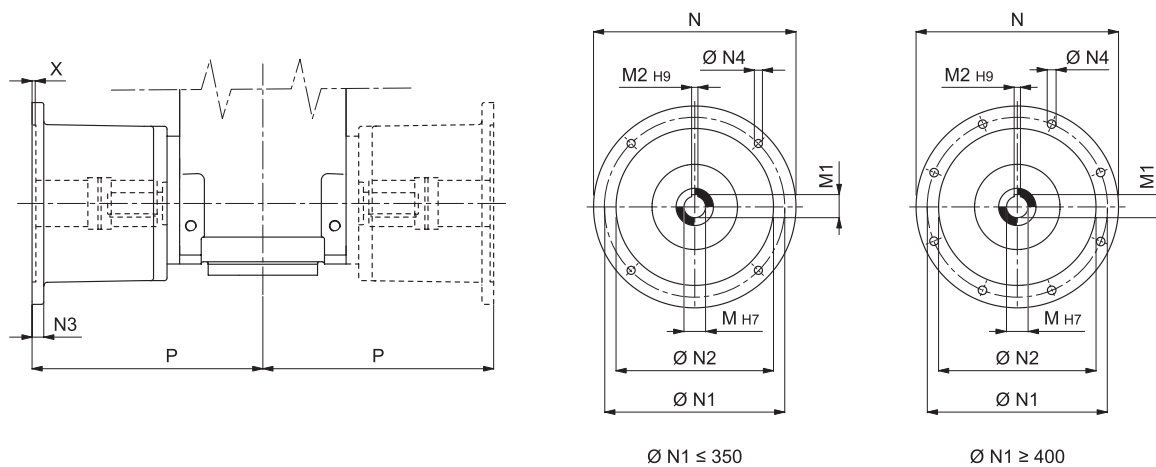
S

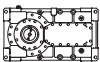



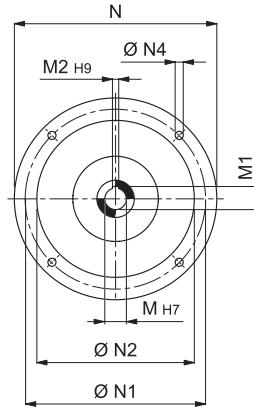
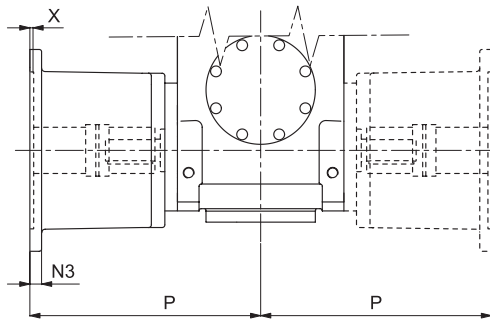
* For correct use, refer to the "OPERATION AND MAINTENANCE MANUAL".



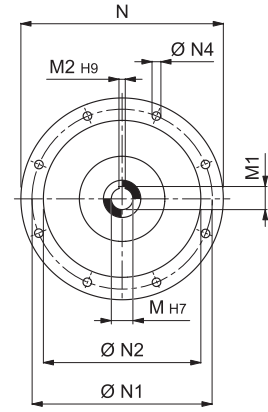
19.1 MOTOR MOUNTING WITH BELL HOUSING AND FLEXIBLE COUPLING



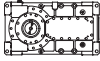

|  |  | M | M1 | M2 | N | N1 | N2 | N3 | N4 | X | P |
|---|---|----|------|----|-----|-----|-----|----|--------|---|-----|
| HDP 60_132 | | | 41.3 | 10 | 300 | 265 | 230 | 16 | 14 | 5 | 311 |
| HDP 60_160 | | 42 | 45.3 | 12 | 350 | 300 | 250 | 23 | 18 | 6 | 341 |
| HDP 60_180 | | 48 | 51.8 | 14 | 350 | 300 | 250 | 23 | 18 | 6 | 341 |
| HDP 60_200 | | 55 | 59.3 | 16 | 400 | 350 | 300 | — | M16x23 | 7 | 366 |
| HDP 60_225 | | 60 | 64.4 | 18 | 450 | 400 | 350 | 25 | 18 | 7 | 374 |
| HDP 70_132 | | 38 | 41.3 | 10 | 300 | 265 | 230 | 16 | 14 | 5 | 311 |
| HDP 70_160 | | 42 | 45.3 | 12 | 350 | 300 | 250 | 23 | 18 | 6 | 341 |
| HDP 70_180 | | 48 | 51.8 | 14 | 350 | 300 | 250 | 23 | 18 | 6 | 341 |
| HDP 70_200 | | 55 | 59.3 | 16 | 400 | 350 | 300 | — | M16x23 | 7 | 366 |
| HDP 70_225 | | 60 | 64.4 | 18 | 450 | 400 | 350 | 25 | 18 | 7 | 374 |
| HDP 80_160 | | 42 | 45.3 | 12 | 350 | 300 | 250 | 23 | 18 | 6 | 371 |
| HDP 80_180 | | 48 | 51.8 | 14 | 350 | 300 | 250 | 23 | 18 | 6 | 371 |
| HDP 80_200 | | 55 | 59.3 | 16 | 400 | 350 | 300 | — | M16x23 | 7 | 396 |
| HDP 80_225 | | 60 | 64.4 | 18 | 450 | 400 | 350 | 25 | 18 | 7 | 432 |
| HDP 80_250 | | 65 | 69.4 | 18 | 550 | 500 | 450 | 30 | 18 | 6 | 462 |
| HDP 80_280 | | 75 | 79.9 | 20 | 550 | 500 | 450 | 30 | 18 | 6 | 462 |
| HDP 90_160 | | 42 | 45.3 | 12 | 350 | 300 | 250 | 23 | 18 | 6 | 427 |
| HDP 90_180 | | 48 | 51.8 | 14 | 350 | 300 | 250 | 23 | 18 | 6 | 427 |
| HDP 90_200 | | 55 | 59.3 | 16 | 400 | 350 | 300 | — | M16x23 | 7 | 452 |
| HDP 90_225 | | 60 | 64.4 | 18 | 450 | 400 | 350 | 25 | 18 | 7 | 457 |
| HDP 90_250 | | 65 | 69.4 | 18 | 550 | 500 | 450 | 30 | 18 | 6 | 487 |
| HDP 90_280 | | 75 | 79.9 | 20 | 550 | 500 | 450 | 30 | 18 | 6 | 487 |

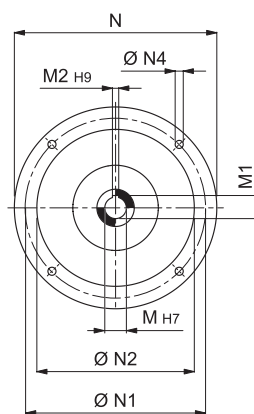
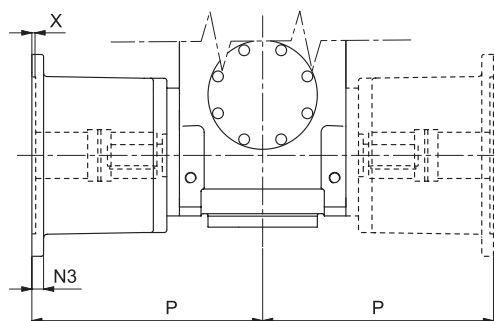
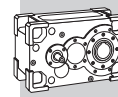


Ø N1 ≤ 350

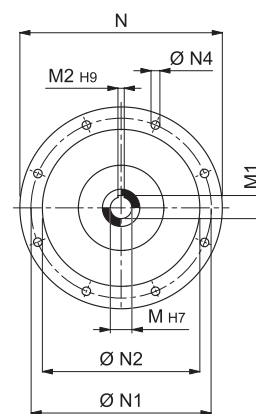


Ø N1 ≥ 400

|  |  | M | M1 | M2 | N | N1 | N2 | N3 | N4 | X | P |
|---|---|----|------|----|-----|-----|-----|----|--------|----|-------|
| HDP 100_112 | | 28 | 31.3 | 8 | 250 | 215 | 180 | 15 | 14 | 5 | 395 |
| HDP 100_132 | | 38 | 41.3 | 10 | 300 | 265 | 230 | — | M12x20 | 6 | 415 |
| HDP 100_160 | | 42 | 45.3 | 12 | 350 | 300 | 250 | 23 | 18 | 6 | 481 |
| HDP 100_180 | | 48 | 51.8 | 14 | 350 | 300 | 250 | 23 | 18 | 6 | 481 |
| HDP 100_200 | | 55 | 59.3 | 16 | 400 | 350 | 300 | — | M16x23 | 7 | 506 |
| HDP 100_225 | | 60 | 64.4 | 18 | 450 | 400 | 350 | 26 | 18 | 7 | 513 |
| HDP 100_250 | | 65 | 69.4 | 18 | 550 | 500 | 450 | 30 | 18 | 6 | 543 |
| HDP 100_280 | | 75 | 79.9 | 20 | 550 | 500 | 450 | 30 | 18 | 6 | 543 |
| HDP 100_315 | | 80 | 85.4 | 22 | 660 | 600 | 550 | 22 | 22 | 10 | 579.5 |
| HDP 110_112 | | 28 | 31.3 | 8 | 250 | 215 | 180 | 15 | 14 | 5 | 395 |
| HDP 110_132 | | 38 | 41.3 | 10 | 300 | 265 | 230 | — | M12x20 | 6 | 415 |
| HDP 110_160 | | 42 | 45.3 | 12 | 350 | 300 | 250 | 23 | 18 | 6 | 481 |
| HDP 110_180 | | 48 | 51.8 | 14 | 350 | 300 | 250 | 23 | 18 | 6 | 481 |
| HDP 110_200 | | 55 | 59.3 | 16 | 400 | 350 | 300 | — | M16x23 | 7 | 506 |
| HDP 110_225 | | 60 | 64.4 | 18 | 450 | 400 | 350 | 26 | 18 | 7 | 513 |
| HDP 110_250 | | 65 | 69.4 | 18 | 550 | 500 | 450 | 30 | 18 | 6 | 543 |
| HDP 110_280 | | 75 | 79.9 | 20 | 550 | 500 | 450 | 30 | 18 | 6 | 543 |
| HDP 110_315 | | 80 | 85.4 | 22 | 660 | 600 | 550 | 22 | 22 | 10 | 579.5 |
| HDP 120_132 | | 38 | 41.3 | 10 | 300 | 265 | 230 | — | M12x20 | 6 | 430 |
| HDP 120_160 | | 42 | 45.3 | 12 | 350 | 300 | 250 | 23 | 18 | 6 | 496 |
| HDP 120_180 | | 48 | 51.8 | 14 | 350 | 300 | 250 | 23 | 18 | 6 | 496 |
| HDP 120_200 | | 55 | 59.3 | 16 | 400 | 350 | 300 | — | M16x23 | 7 | 521 |
| HDP 120_225 | | 60 | 64.4 | 18 | 450 | 400 | 350 | 26 | 18 | 7 | 528 |
| HDP 120_250 | | 65 | 69.4 | 18 | 550 | 500 | 450 | 30 | 18 | 6 | 558 |
| HDP 120_280 | | 75 | 79.9 | 20 | 550 | 500 | 450 | 30 | 18 | 6 | 558 |
| HDP 120_315 | | 80 | 85.4 | 22 | 660 | 600 | 550 | 22 | 22 | 10 | 594.5 |
| HDP 125_132 | | 38 | 41.3 | 10 | 300 | 265 | 230 | — | M12x20 | 6 | 430 |
| HDP 125_160 | | 42 | 45.3 | 12 | 350 | 300 | 250 | 23 | 18 | 6 | 496 |
| HDP 125_180 | | 48 | 51.8 | 14 | 350 | 300 | 250 | 23 | 18 | 6 | 496 |
| HDP 125_200 | | 55 | 59.3 | 16 | 400 | 350 | 300 | — | M16x23 | 7 | 521 |
| HDP 125_225 | | 60 | 64.4 | 18 | 450 | 400 | 350 | 26 | 18 | 7 | 528 |
| HDP 125_250 | | 65 | 69.4 | 18 | 550 | 500 | 450 | 30 | 18 | 6 | 558 |
| HDP 125_280 | | 75 | 79.9 | 20 | 550 | 500 | 450 | 30 | 18 | 6 | 558 |
| HDP 125_315 | | 80 | 85.4 | 22 | 660 | 600 | 550 | 22 | 22 | 10 | 594.5 |

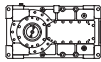




Ø N1 ≤ 350



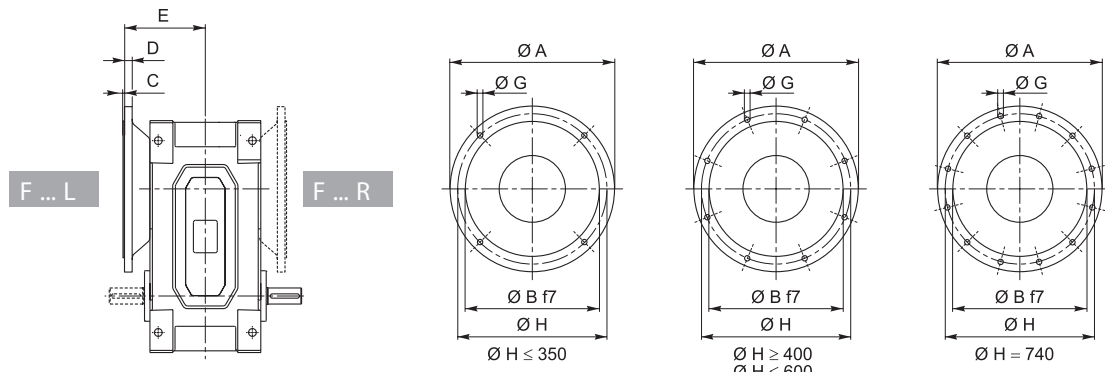
Ø N1 ≥ 400

HDP

|  |  | M | M1 | M2 | N | N1 | N2 | N3 | N4 | X | P |
|---|---|--|------|----|-----|-----|-----|----|--------|----|-------|
| HDP 130_160 | | 42 | 45.3 | 12 | 350 | 300 | 250 | 23 | 18 | 6 | 551 |
| HDP 130_180 | | 48 | 51.8 | 14 | 350 | 300 | 250 | 23 | 18 | 6 | 551 |
| HDP 130_200 | | 55 | 59.3 | 16 | 400 | 350 | 300 | — | M16x23 | 7 | 576 |
| HDP 130_225 | | 60 | 64.4 | 18 | 450 | 400 | 350 | 26 | 18 | 7 | 583 |
| HDP 130_250 | | 65 | 69.4 | 18 | 550 | 500 | 450 | 30 | 18 | 6 | 613 |
| HDP 130_280 | | 75 | 79.9 | 20 | 550 | 500 | 450 | 30 | 18 | 6 | 613 |
| HDP 130_315 | | 80 | 85.4 | 22 | 660 | 600 | 550 | 22 | 22 | 10 | 649.5 |
| HDP 140_160 | | 42 | 45.3 | 12 | 350 | 300 | 250 | 23 | 18 | 6 | 551 |
| HDP 140_180 | | 48 | 51.8 | 14 | 350 | 300 | 250 | 23 | 18 | 6 | 551 |
| HDP 140_200 | | 55 | 59.3 | 16 | 400 | 350 | 300 | — | M16x23 | 7 | 576 |
| HDP 140_225 | | 60 | 64.4 | 18 | 450 | 400 | 350 | 26 | 18 | 7 | 583 |
| HDP 140_250 | | 65 | 69.4 | 18 | 550 | 500 | 450 | 30 | 18 | 6 | 613 |
| HDP 140_280 | | 75 | 79.9 | 20 | 550 | 500 | 450 | 30 | 18 | 6 | 613 |
| HDP 140_315 | | 80 | 85.4 | 22 | 660 | 600 | 550 | 22 | 22 | 10 | 649.5 |
| HDP 150_160 | | 42 | 45.3 | 12 | 350 | 300 | 250 | 23 | 18 | 6 | 601 |
| HDP 150_180 | | 48 | 51.8 | 14 | 350 | 300 | 250 | 23 | 18 | 6 | 601 |
| HDP 150_200 | | 55 | 59.3 | 16 | 400 | 350 | 300 | — | M16x23 | 7 | 626 |
| HDP 150_225 | | 60 | 64.4 | 18 | 450 | 400 | 350 | 26 | 18 | 7 | 633 |
| HDP 150_250 | | 65 | 69.4 | 18 | 550 | 500 | 450 | 30 | 18 | 6 | 663 |
| HDP 150_280 | | 75 | 79.9 | 20 | 550 | 500 | 450 | 30 | 18 | 6 | 663 |
| HDP 150_315 | | 80 | 85.4 | 22 | 660 | 600 | 550 | 22 | 22 | 10 | 699.5 |
| HDP 160_160 | | 42 | 45.3 | 12 | 350 | 300 | 250 | 23 | 18 | 6 | 601 |
| HDP 160_180 | | 48 | 51.8 | 14 | 350 | 300 | 250 | 23 | 18 | 6 | 601 |
| HDP 160_200 | | 55 | 59.3 | 16 | 400 | 350 | 300 | — | M16x23 | 7 | 626 |
| HDP 160_225 | | 60 | 64.4 | 18 | 450 | 400 | 350 | 26 | 18 | 7 | 633 |
| HDP 160_250 | | 65 | 69.4 | 18 | 550 | 500 | 450 | 30 | 18 | 6 | 663 |
| HDP 160_280 | | 75 | 79.9 | 20 | 550 | 500 | 450 | 30 | 18 | 6 | 663 |
| HDP 160_315 | | 80 | 85.4 | 22 | 660 | 600 | 550 | 22 | 22 | 10 | 699.5 |
| HDP 170 | |  BONFIGLIOLI TECHNICAL SERVICE | | | | | | | | | |
| HDP 180 | | | | | | | | | | | |



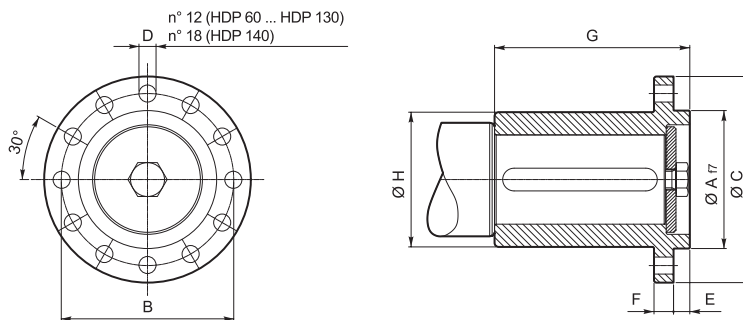
19.2 MOUNTING FLANGE



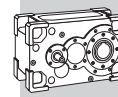
| | | A | B | C | D | E | G | H |
|---------|------|--------------------------------------|-----|---|----|-------|----|-----|
| HDP 60 | F350 | 350 | 250 | 5 | 18 | 187.5 | 18 | 300 |
| | F400 | 400 | 300 | 5 | 20 | 187.5 | 18 | 350 |
| HDP 70 | F450 | 450 | 350 | 5 | 22 | 210 | 18 | 400 |
| | F550 | 550 | 450 | 5 | 24 | 210 | 18 | 500 |
| HDP 80 | F450 | 450 | 350 | 5 | 22 | 240 | 18 | 400 |
| | F550 | 550 | 450 | 5 | 24 | 240 | 18 | 500 |
| HDP 90 | F550 | 550 | 450 | 5 | 24 | 260 | 18 | 500 |
| HDP 100 | F660 | 660 | 550 | 7 | 30 | 335 | 22 | 600 |
| HDP 110 | F660 | 660 | 550 | 7 | 30 | 335 | 22 | 600 |
| HDP 120 | F660 | 660 | 550 | 7 | 30 | 355 | 26 | 600 |
| HDP 125 | F730 | 730 | 580 | 7 | 35 | 360 | 26 | 660 |
| HDP 130 | F800 | 800 | 680 | 7 | 40 | 460 | 26 | 740 |
| HDP 140 | F800 | 800 | 680 | 7 | 40 | 460 | 26 | 740 |
| HDP 150 | | BONFIGLIOLI TECHNICAL SERVICE | | | | | | |
| HDP 160 | | | | | | | | |
| HDP 170 | | | | | | | | |
| HDP 180 | | | | | | | | |

19.3 MANIFOLD FLANGE

Available for shaft arrangement: LL, LR, LD, RL, RR and RD, all featuring a single output shaft extension.

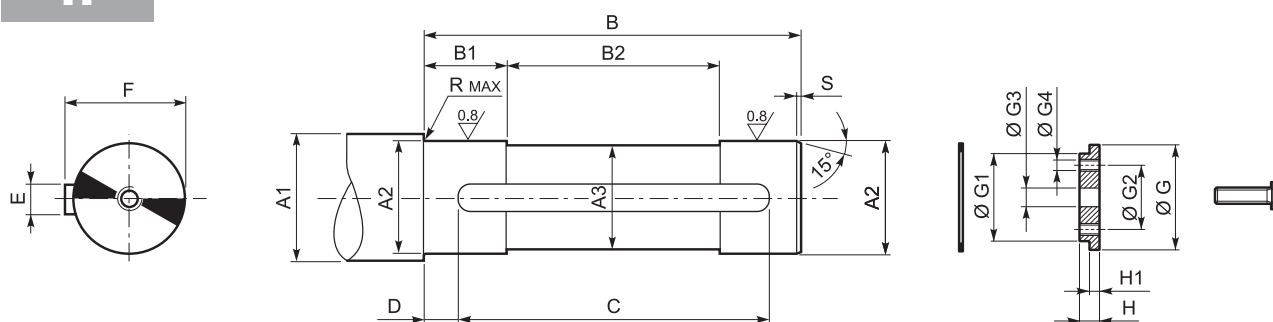





| | A | B | C | D | E | F | G | H |
|------------|-----|--------------------------------------|-----|----|----|----|-----|-----|
| HDP 60 FM | 125 | 175 | 208 | 19 | 14 | 21 | 165 | 135 |
| HDP 70 FM | 125 | 175 | 208 | 19 | 14 | 21 | 195 | 135 |
| HDP 80 FM | 170 | 212 | 254 | 21 | 20 | 24 | 240 | 166 |
| HDP 90 FM | 170 | 212 | 254 | 21 | 20 | 24 | 240 | 166 |
| HDP 100 FM | 200 | 260 | 309 | 25 | 19 | 31 | 244 | 200 |
| HDP 110 FM | 200 | 260 | 309 | 25 | 19 | 31 | 289 | 200 |
| HDP 120 FM | 200 | 260 | 309 | 25 | 19 | 31 | 289 | 200 |
| HDP 125 FM | 220 | 320 | 384 | 32 | 19 | 31 | 344 | 240 |
| HDP 130 FM | 220 | 320 | 384 | 32 | 19 | 31 | 344 | 250 |
| HDP 140 FM | 250 | 380 | 450 | 32 | 19 | 40 | 344 | 310 |
| HDP 150 | | BONFIGLIOLI TECHNICAL SERVICE | | | | | | |
| HDP 160 | | | | | | | | |
| HDP 170 | | | | | | | | |
| HDP 180 | | | | | | | | |








19.4 CUSTOMER'S SHAFT

H



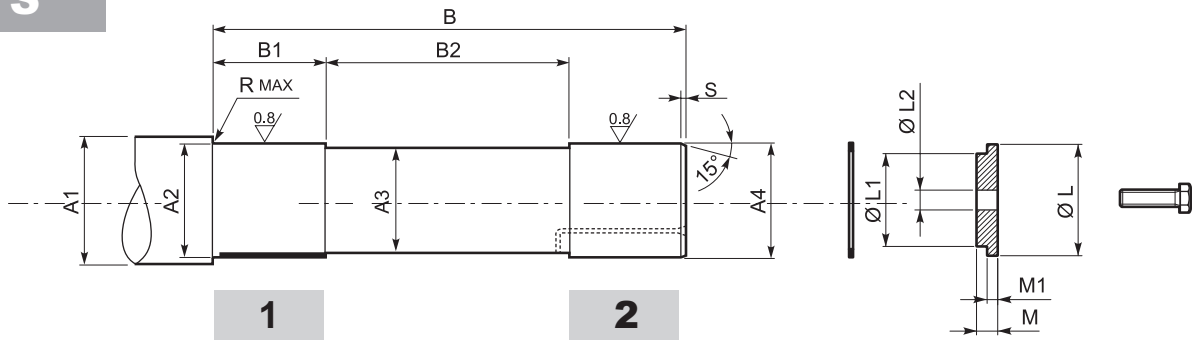
| | A1 | A2 | A3 | B | B1 | B2 | C | D | E | F | R | S |  UNI6604 |
|---------|---|--------|-------|-----|-----|-----|-----|-----|-------|------|-----|-----|--|
| HDP 60 | ≥ 78 | 70 h6 | 69 | 283 | 56 | 172 | 220 | 30 | 20 h9 | 74.5 | 2.5 | 2 | 20x12x220A |
| HDP 70 | ≥ 89 | 80 h6 | 79 | 283 | 78 | 127 | 220 | 30 | 22 h9 | 85 | 2.5 | 2.5 | 22x14x220A |
| HDP 80 | ≥ 104 | 95 h6 | 94 | 338 | 73 | 192 | 280 | 30 | 25 h9 | 100 | 2.5 | 2.5 | 25x14x280A |
| HDP 90 | ≥ 121 | 110 h6 | 109 | 378 | 88 | 202 | 320 | 30 | 28 h9 | 116 | 2.5 | 2.5 | 28x16x320A |
| HDP 100 | ≥ 133 | 120 h6 | 119.5 | 420 | 100 | 250 | 360 | 30 | 32 h9 | 127 | 3 | 2.5 | 32x18x360A |
| HDP 110 | ≥ 143 | 130 h6 | 129.5 | 420 | 100 | 250 | 360 | 30 | 32 h9 | 137 | 3 | 2.5 | 32x18x360A |
| HDP 120 | ≥ 153 | 140 h6 | 139.5 | 444 | 110 | 260 | 400 | 40 | 36 h9 | 148 | 3 | 2.5 | 36x20x400A |
| HDP 125 | ≥ 163 | 150 h6 | 149.5 | 444 | 110 | 260 | 400 | 40 | 40 h9 | 169 | 3 | 2.5 | 40x22x400A |
| HDP 130 | ≥ 183 | 170 h6 | 169.5 | 540 | 135 | 310 | 400 | 80 | 40 h9 | 179 | 3 | 2.5 | 40x22x400A |
| HDP 140 | ≥ 193 | 180 h6 | 179.5 | 540 | 135 | 310 | 400 | 80 | 45 h9 | 190 | 3 | 2.5 | 45x25x400A |
| HDP 150 | ≥ 223 | 210 h6 | 209.5 | 667 | 155 | 400 | 500 | 100 | 50 h9 | 221 | 3 | 3 | 50x28x450B |
| HDP 160 | ≥ 223 | 210 h6 | 209.5 | 667 | 155 | 400 | 500 | 100 | 50 h9 | 221 | 3 | 3 | 50x28x450B |
| HDP 170 |  BONFIGLIOLI TECHNICAL SERVICE | | | | | | | | | | | | |
| HDP 180 |  BONFIGLIOLI TECHNICAL SERVICE | | | | | | | | | | | | |

| Out of scope for supply | | | | | | | | | |
|-------------------------|---|--------|--------|-----|---|-----|----|------|--|
| |  UNI7437 | G | G1 | G2 |  G3 | G4 | H | H1 |  UNI5739 |
| HDP 60 | — | 90 | 70 d9 | — | 22 | — | 10 | 8.5 | M20x50 |
| HDP 70 | — | 100 | 80 d9 | — | 22 | — | 10 | 8.5 | M20x50 |
| HDP 80 | — | 115 | 95 d9 | — | 26 | — | 15 | 13.5 | M24x60 |
| HDP 90 | — | 130 | 110 d9 | — | 26 | — | 15 | 13.5 | M24x60 |
| HDP 100 | 120x4 | 120 d9 | 96 | 64 | 26 | M16 | 24 | 12 | M24x70 |
| HDP 110 | 130x4 | 130 d9 | 105 | 69 | 26 | M20 | 24 | 12 | M24x70 |
| HDP 120 | 140x4 | 140 d9 | 115 | 79 | 26 | M20 | 30 | 15 | M24x80 |
| HDP 125 | 150x4 | 150 d9 | 122 | 86 | 26 | M20 | 30 | 15 | M24x80 |
| HDP 130 | 170x4 | 170 d9 | 142 | 102 | 33 | M24 | 34 | 17 | M30x90 |
| HDP 140 | 180x4 | 180 d9 | 150 | 110 | 33 | M24 | 34 | 17 | M30x90 |
| HDP 150 | 210x5 | 210 d9 | 178 | 140 | 33 | M24 | 36 | 18 | M30x100 |
| HDP 160 | 210x5 | 210 d9 | 178 | 140 | 33 | M24 | 36 | 18 | M30x100 |
| HDP 170 |  BONFIGLIOLI TECHNICAL SERVICE | | | | | | | | |
| HDP 180 |  BONFIGLIOLI TECHNICAL SERVICE | | | | | | | | |



S

HDP

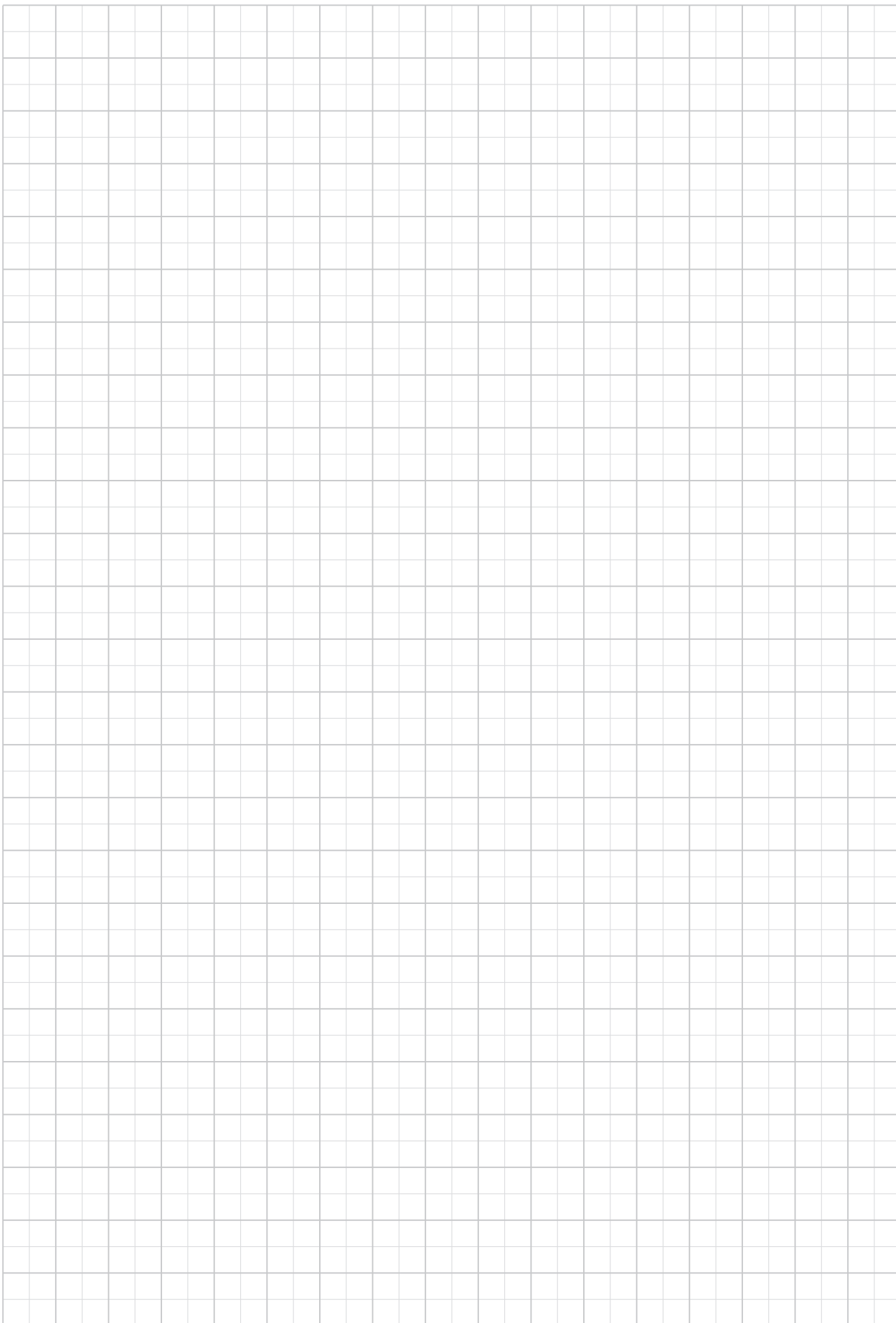
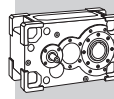


| | A1 | A2 | A3 | A4 | B | B1 | B2 | R | S |
|---------|-------------------------------|--------|-------|--------|-----|-----|-----|-----|-----|
| HDP 60 | ≥ 90 | 72 h7 | 69 | 70 g6 | 328 | 59 | 194 | 2.5 | 2.5 |
| HDP 70 | ≥ 104 | 82 h7 | 79 | 80 g6 | 332 | 77 | 174 | 2.5 | 2.5 |
| HDP 80 | ≥ 119 | 97 h7 | 94 | 95 g6 | 398 | 95 | 205 | 2.5 | 2.5 |
| HDP 90 | ≥ 136 | 112 h7 | 109 | 110 g6 | 440 | 87 | 273 | 2.5 | 2.5 |
| HDP 100 | ≥ 138 | 125 h6 | 119.5 | 120 g6 | 517 | 104 | 328 | 3 | 2.5 |
| HDP 110 | ≥ 148 | 135 h6 | 129.5 | 130 g6 | 523 | 104 | 334 | 3 | 2.5 |
| HDP 120 | ≥ 158 | 145 h6 | 139.5 | 140 g6 | 550 | 104 | 354 | 3 | 2.5 |
| HDP 125 | ≥ 168 | 155 h6 | 149.5 | 150 g6 | 570 | 104 | 363 | 3 | 2.5 |
| HDP 130 | ≥ 188 | 175 h6 | 169.5 | 170 g6 | 681 | 104 | 462 | 3 | 2.5 |
| HDP 140 | ≥ 198 | 185 h6 | 179.5 | 180 g6 | 689 | 104 | 470 | 3 | 2.5 |
| HDP 150 | ≥ 228 | 215 h6 | 209.5 | 210 g6 | 839 | 104 | 593 | 3 | 3 |
| HDP 160 | ≥ 228 | 215 h6 | 209.5 | 210 g6 | 839 | 104 | 593 | 3 | 3 |
| HDP 170 | BONFIGLIOLI TECHNICAL SERVICE | | | | | | | | |
| HDP 180 | BONFIGLIOLI TECHNICAL SERVICE | | | | | | | | |

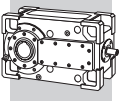
| Out of scope for supply | | | | | | | |
|-------------------------|-------------------------------|--------|--------|--------|----|------|-------------|
| | UNI7437 | L | L1 | L2 | M | M1 | UNI5739 |
| HDP 60 | — | 90 | 70 d9 | 22 | 10 | 8.5 | M20x50 |
| HDP 70 | — | 100 | 80 d9 | 22 | 10 | 8.5 | M20x50 |
| HDP 80 | — | 115 | 95 d9 | 26 | 15 | 13.5 | M24x60 |
| HDP 90 | — | 130 | 110 d9 | 26 | 15 | 13.5 | M24x60 |
| HDP 100 | 120x4 | 120 d9 | 96 | 26 | 16 | 12 | M24x65 |
| HDP 110 | 130x4 | 130 d9 | 105 | 26 | 16 | 12 | M24x65 |
| HDP 120 | 140x4 | 140 d9 | 115 | 26 | 19 | 15 | M24x70 |
| HDP 125 | 150x4 | 150 d9 | 122 | 26 | 19 | 15 | M24x70 |
| HDP 130 | 170x4 | 170 d9 | 142 | 33 | 21 | 17 | M30x80 |
| HDP 140 | 180x4 | 180 d9 | 150 | 33 | 21 | 17 | M30x80 |
| HDP 150 | 210x5 | 210 d9 | 178 | 33 | 29 | 18 | M30x90 |
| HDP 160 | 210x5 | 210 d9 | 178 | 33 | 29 | 18 | M30x90 |
| HDP 170 | BONFIGLIOLI TECHNICAL SERVICE | | | | | | |
| HDP 180 | BONFIGLIOLI TECHNICAL SERVICE | | | | | | |

To facilitate part removal in the area of the cylindrical guide opposite the shrink disc, install a machine pivot to which a self-lubricating cylindrical bushing (1) can be fitted and/or with a hole big enough to allow application of a rust treatment (2).

In the presence of external thrust loads, vibration, safety problems, requirements for enhanced reliability, or unfavourable mounting positions (e.g. V5 mounting positions, output shaft directed downwards), install suitable devices to secure the shaft in an axial direction and prevent accidental decoupling.



HDP



BEVEL HELICAL GEAR UNITS SERIES HDO

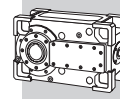
20 DESIGN FEATURES

The main design features of the HDO bevel helical range are:

- 8 frame sizes: HDO 100, 110, 120, 125, 130, 140, 150 and 160, with 2, 3, and 4 reduction stages.
- 2 frame sizes: HDO 170, 180, with 3, and 4 reduction stages.
- Excellent distribution of rated torque values across the entire ratio range.
- Gear ratios with constant 12% escalation.
- HDO 100, 110, 120 and 125: monobloc casing in rigid, strong and precision machined spheroidal graphite cast iron, with internal and external paint finish. Universal mounting thanks to large number of machined and drilled surfaces. Casing shapes and thicknesses optimised by FEM analysis for superior structural rigidity, low acoustic emissions and reduced weight.
- HDO 130 ... HDO 180: spheroidal graphite cast iron or electrically-welded steel body made up of two half-casings, split along the same plane as the shafts. This design makes maintenance operations quick and economical. Casing shapes and thicknesses optimised by FEM analysis for superior structural rigidity, low acoustic emissions and reduced weight.
- Case hardened, tempered and ground finished alloyed steel bevel and helical gears, with corrected profiles for:
 - more silent operation and smoother running of input gears
 - maximum transmissible torque from final reduction stages
- Casehardened and ground finished input shafts; output shafts in extremely rigid hardened and tempered steel.
- Input shaft configurations:

Solid input shaft on same plane as or orthogonal to gear shafts, even simultaneously. Shaft end according to UNI/ISO 775-88 standards.

Provision for motor mounting with coupling bell and flexible joint.
- Output shaft configurations:
 - solid, single or double-extension output shaft with ends conforming to UNI/ISO 775-88 standards
 - hollow shaft with keyway
 - hollow shaft with shrink disc
- Large, leading brand taper roller or self aligning roller bearings capable of withstanding high external loads.
- A wide range of gearbox customisation options available upon request, including:
 - auxiliary cooling/heating devices
 - forced lubrication systems
 - backstop device
 - mounting flanges or sleeves
 - seals and gaskets in various types and materials
 - sensors
 - dry-well device for vertical shaft installations
 - fixing elements



21 LUBRICATION

HDO gearboxes are internally lubricated by a mixed oil immersion and splash system. Should the drive speed be lower than 500 min⁻¹ or greater than 1500 min⁻¹, please contact Bonfiglioli Technical Service for advise.

Depending on the configuration and mounting position, HDO gearboxes may require one of a number of forced lubrication systems described later in this catalogue.

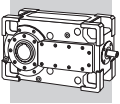
The gearboxes are supplied without lubricant. It is the customer's responsibility to fill them with the appropriate amount of oil before start-up.



Lubricant must be pre-heated through the appropriate electric resistance (HE option) in the following cases:

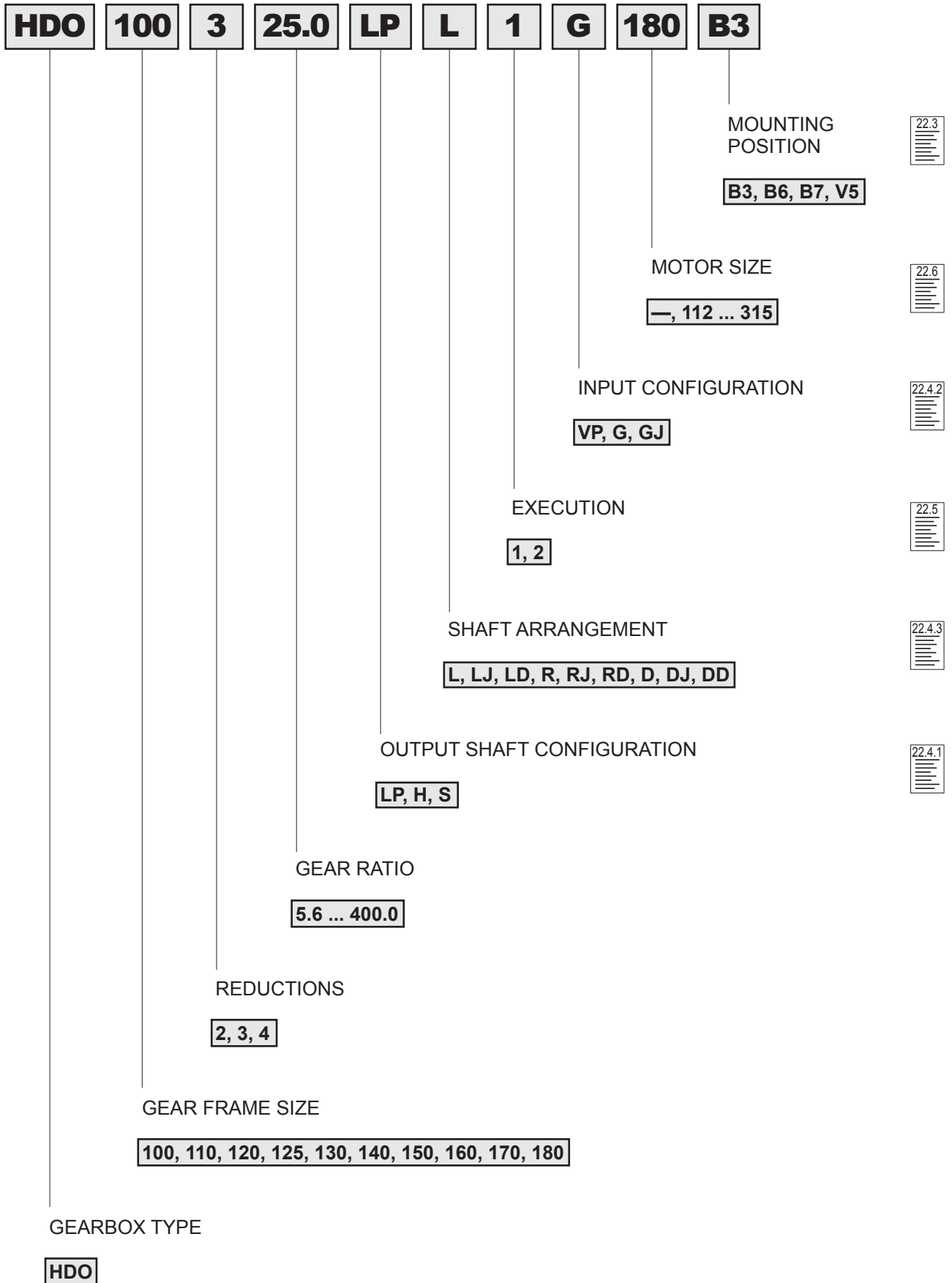
- operation at ambient temperatures lower than 0°C
- operation of gear units lubricated by oil immersion and splashing when the minimum ambient temperature exceeds the pour point of lubricant by less than 10°C
- upon starting up gear units with forced lubrication systems, if the oil viscosity exceeds 1800 cst. Depending of the type of lubricant used, this value may be produced with ambient temperatures between 10°C and 20°C approx.

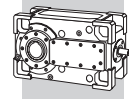
| Lubricant | | Kinematic viscosity at 40°C | | |
|----------------------------|------|-----------------------------|---------------|---------------|
| | | [cSt] | | |
| | | ISO VG 220 | ISO VG 320 | ISO VG 460 |
| Mineral Oil (EP additives) | Tamb | 0°C ... 20°C | 10°C ... 40°C | 20°C ... 50°C |
| Synthetic oil | Tamb | 0°C ... 30°C | 10°C ... 50°C | — |



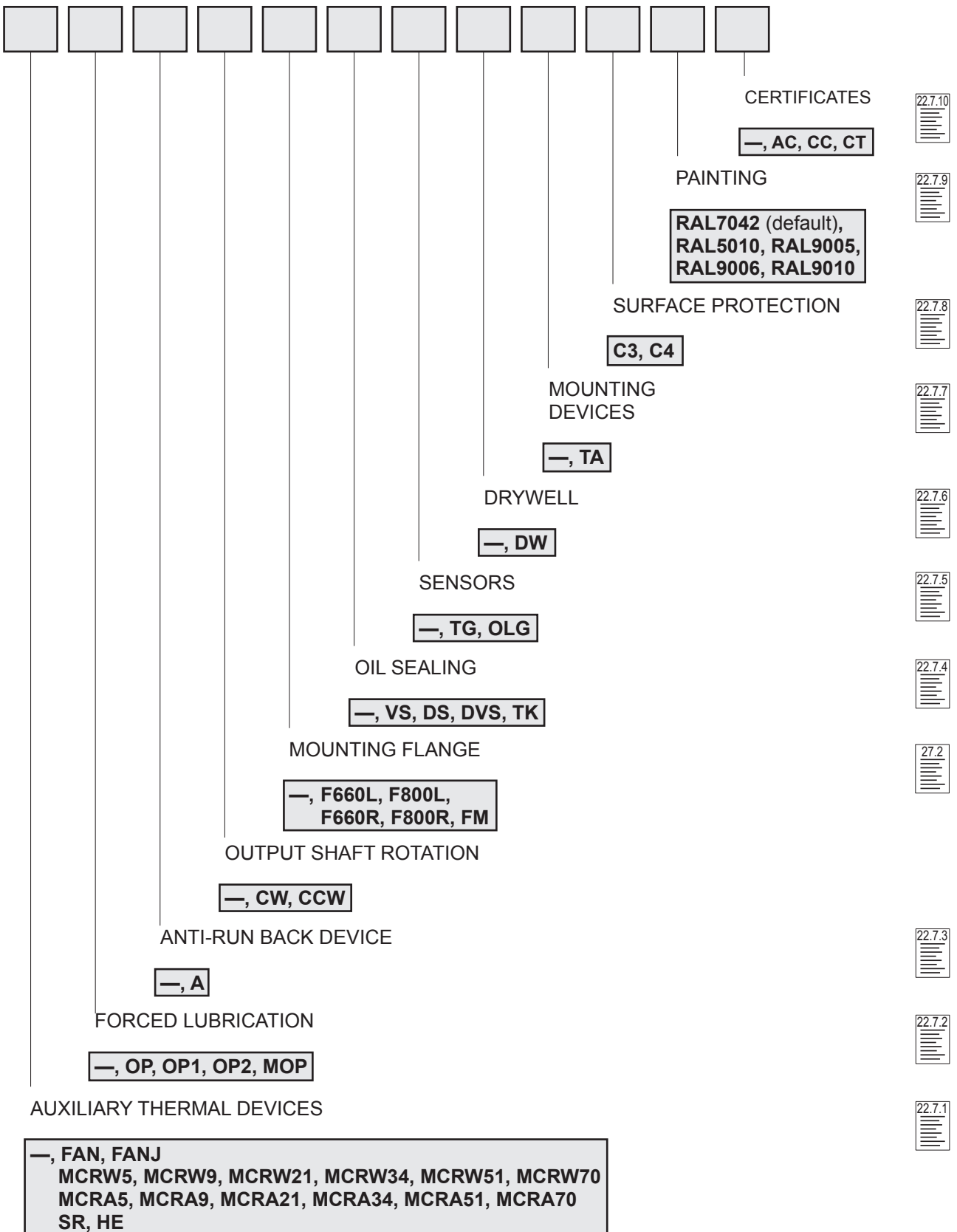
22 PRODUCT CONFIGURATIONS

22.1 BASE VARIANTS



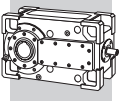


22.2 OPTIONAL VARIANTS

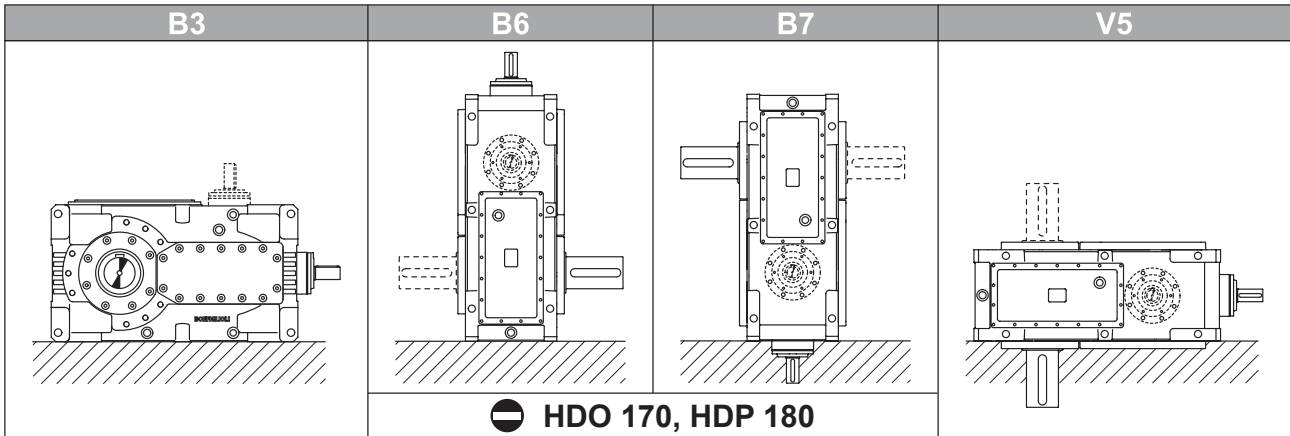


HDO

REMARK: The multiple selection of some of the variants may be subject to technical or dimensional constraints. Consult with the factory to have your selection approved.



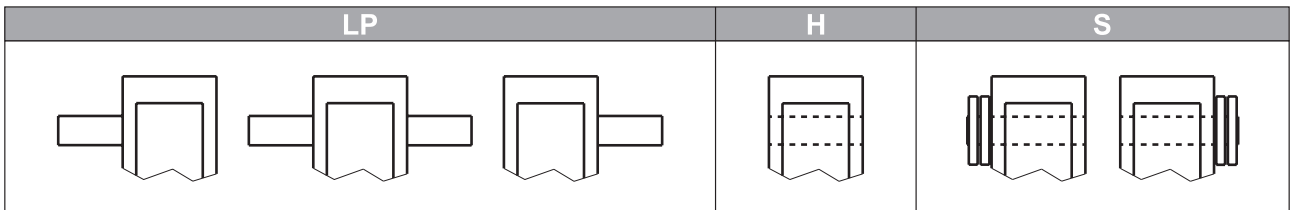
22.3 MOUNTING POSITION



HDO

22.4 INPUT AND OUTPUT CONFIGURATION

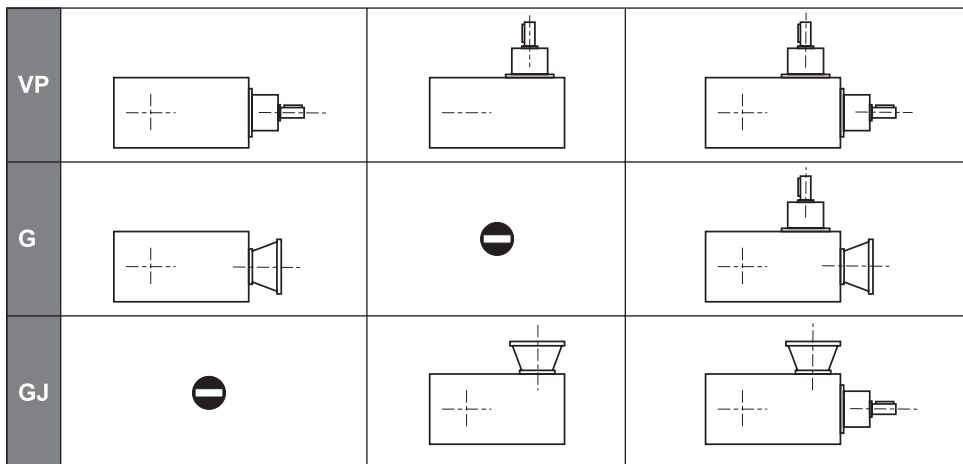
22.4.1 OUTPUT SHAFT CONFIGURATION

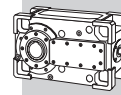


22.4.2 INPUT CONFIGURATION

On the input side the gear unit can be arranged in either one of the configurations described here after:

- **Solid input shaft**, single- or double-sided – Specify **VP**
- **Motor mounting through bell housing and flexible coupling**. The option is designated **G** or **GJ** depending on what side of the gear unit the coupling is mounted. The flexible coupling is within the scope for supply.



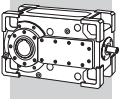


22.4.3 SHAFT ARRANGEMENT

| | | VP | | | | | | |
|----|----|----|---|--|--|--------|--|--------|
| B3 | LP | | L | | | LJ (*) | | LD (*) |
| | | | R | | | RJ (*) | | RD (*) |
| | | | D | | | DJ (*) | | DD (*) |
| | S | | L | | | LJ (*) | | LD (*) |
| | | | R | | | RJ (*) | | RD (*) |
| | | | L | | | LJ (*) | | LD (*) |

| | | G | | | GJ | | | | |
|----|----|---|---|--|--------|--|--------|--|--------|
| B3 | LP | | L | | LD (*) | | LJ (*) | | LD (*) |
| | | | R | | RD (*) | | RJ (*) | | RD (*) |
| | | | D | | DD (*) | | DJ (*) | | DD (*) |
| | S | | L | | LD (*) | | LJ (*) | | LD (*) |
| | | | R | | RD (*) | | RJ (*) | | RD (*) |
| | | | L | | LD (*) | | LJ (*) | | LD (*) |

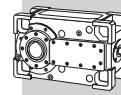
HDO



HDO

| | | VP | | | | | | |
|---------|----|----|---|---|--------|--------|--------|--------|
| B6 | LP | | L | | LJ (*) | | LD (*) | |
| | | | R | | RJ (*) | | RD (*) | |
| | | | D | | DJ (*) | | DD (*) | |
| | S | | L | | LJ (*) | | LD (*) | |
| | | | R | | RJ (*) | | RD (*) | |
| | | | D | | DJ (*) | | DD (*) | |
| (*) 191 | | H | | L | | LJ (*) | | LD (*) |

| | | G | | GJ | | | | | | |
|---------|----|---|---|----|--------|--------|--------|--------|--------|--------|
| B6 | LP | | L | | LD (*) | | LJ (*) | | LD (*) | |
| | | | R | | RD (*) | | RJ (*) | | RD (*) | |
| | | | D | | DD (*) | | DJ (*) | | DD (*) | |
| | S | | L | | LD (*) | | LJ (*) | | LD (*) | |
| | | | R | | RD (*) | | RJ (*) | | RD (*) | |
| | | | D | | DD (*) | | DJ (*) | | DD (*) | |
| (*) 191 | | H | | L | | LD (*) | | LJ (*) | | LD (*) |



| | | VP | | | | | |
|----|----|----|---|---|--------|--------|--------|
| B7 | LP | L | R | D | LJ (*) | RJ (*) | LD (*) |
| | | L | R | D | LJ (*) | RJ (*) | LD (*) |
| | | L | R | D | LJ (*) | RJ (*) | LD (*) |
| | H | L | R | D | LJ (*) | RJ (*) | LD (*) |
| | | L | R | D | LJ (*) | RJ (*) | LD (*) |
| | S | L | R | D | LJ (*) | RJ (*) | LD (*) |
| | | L | R | D | LJ (*) | RJ (*) | LD (*) |

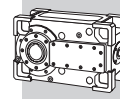
| | | G | | GJ | |
|----|----|---|--------|--------|--------|
| B7 | LP | L | LD (*) | LJ (*) | LD (*) |
| | | R | RD (*) | RJ (*) | RD (*) |
| | | D | DD (*) | DJ (*) | DD (*) |
| | H | L | LD (*) | LJ (*) | LD (*) |
| | | R | RD (*) | RJ (*) | RD (*) |
| | S | L | LD (*) | LJ (*) | LD (*) |
| | | R | RD (*) | RJ (*) | RD (*) |



HDO

| | | VP | | | | | |
|----|----|----|--|--------|--|--------|--|
| V5 | LP | L | | LJ (*) | | LD (*) | |
| | | R | | RJ (*) | | RD (*) | |
| | | D | | DJ (*) | | DD (*) | |
| | S | L | | LJ (*) | | LD (*) | |
| | | R | | RJ (*) | | RD (*) | |
| | H | L | | LJ (*) | | LD (*) | |

| | | G | | GJ | |
|----|----|---|--|--------|--|
| V5 | LP | L | | LJ (*) | |
| | | R | | RJ (*) | |
| | | D | | DJ (*) | |
| | S | L | | LJ (*) | |
| | | R | | RJ (*) | |
| | H | L | | LJ (*) | |

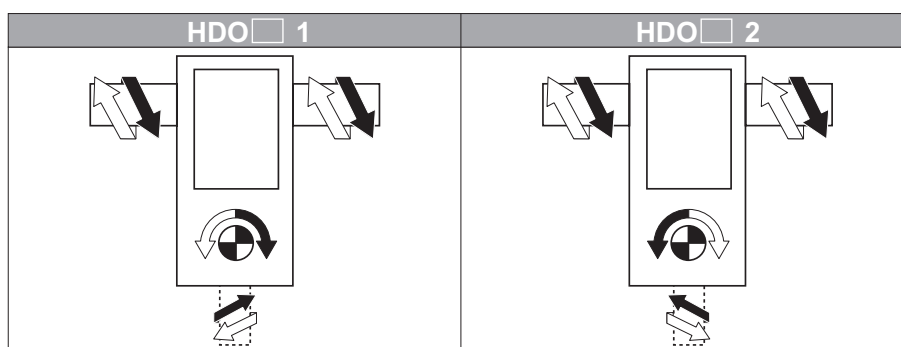


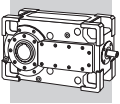
The gear ratios listed below are those that are not available for the configurations marked with (*) in the charts here before.

| (*) | Configurations not possible |
|-----------|-----------------------------|
| | i |
| HDO 100 2 | ⊖ |
| HDO 100 4 | ⊖ |
| HDO 110 2 | ⊖ |
| HDO 110 4 | ⊖ |
| HDO 120 2 | ⊖ |
| HDO 120 3 | $i = 24.6$ |
| HDO 120 4 | ⊖ |
| HDO 125 2 | ⊖ |
| HDO 125 3 | $27.7 \leq i \leq 35.8$ |
| HDO 125 4 | ⊖ |
| HDO 130 2 | ⊖ |
| HDO 130 4 | ⊖ |
| HDO 140 2 | ⊖ |
| HDO 140 4 | ⊖ |
| HDO 150 2 | ⊖ |
| HDO 150 3 | $15.6 \leq i \leq 25.4$ |
| HDO 150 4 | ⊖ |
| HDO 160 2 | ⊖ |
| HDO 160 3 | $17.7 \leq i \leq 31.3$ |
| HDO 160 4 | ⊖ |
| HDO 170 | ⊖ |
| HDO 180 | ⊖ |

HDO

22.5 EXECUTION





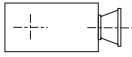

22.6 MOTOR AVAILABILITY

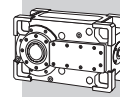
The following charts list the motor/gearbox combinations that are geometrically feasible.



Because of standardisation, the rated power of the electric motor selected might be greater than nominal power P_{n1} of chosen gearbox. Make sure that the electric motor will never develop the extra power at any stage of the operating cycle. If you have any doubts about the validity of the application data, or uncertainty concerning the actual load pattern, install a torque limiting device or proportionally revise the applicable service factor.

HDO

|  | Input configuration type G | | | | | | | | |
|---|--|-------------|------------|-------------|-------------|-------------|------------|------------|------------|
| | 112 | 132 | 160 | 180 | 200 | 225 | 250 | 280 | 315 (*) |
| HDO 100_2 | — | — | — | — | — | — | 5.8_13.5 | 5.8_13.5 | 5.8_13.5 |
| HDO 100_3 | — | — | 20.2_67.5 | 20.2_67.5 | 20.2_67.5 | 20.2_67.5 | 14.0_67.5 | 14.0_67.5 | 14.0_67.5 |
| HDO 100_4 | 160.0_344.2 | 70.8_344.2 | 70.8_344.2 | 70.8_344.2 | 70.8_139.8 | 70.8_139.8 | — | — | — |
| HDO 110_2 | — | — | — | — | — | — | — | 6.4_15.5 | 6.4_15.5 |
| HDO 110_3 | — | — | 22.0_77.5 | 22.0_77.5 | 22.0_77.5 | 22.0_77.5 | 22.0_77.5 | 18.9_77.5 | 18.9_77.5 |
| HDO 110_4 | 137.1_395.0 | 137.1_395.0 | 77.4_395.0 | 77.4_395.0 | 77.4_121.7 | 77.4_121.7 | — | — | — |
| HDO 120_2 | — | — | — | — | — | — | — | — | 6.6_15.5 |
| HDO 120_3 | — | — | — | — | 28.3_78.6 | 28.3_78.6 | 28.3_78.6 | 17.3_78.6 | 17.3_78.6 |
| HDO 120_4 | — | 79.7_400.6 | 87.0_400.6 | 87.0_400.6 | 87.0_162.2 | 87.0_162.2 | — | — | — |
| HDO 125_2 | — | — | — | — | — | — | — | — | 7.4_16.9 |
| HDO 125_3 | — | — | — | — | 38.8_85.9 | 38.8_85.9 | 38.8_85.9 | 19.2_85.9 | 19.2_85.9 |
| HDO 125_4 | — | 97.0_438.0 | 97.0_438.0 | 97.0_438.0 | 97.0_178.0 | 97.0_178.0 | — | — | — |
| HDO 130_2 | — | — | — | — | — | — | — | — | 5.7_13.6 |
| HDO 130_3 | — | — | — | — | — | — | 15.2_67.1 | 15.2_67.1 | 15.2_67.1 |
| HDO 130_4 | — | — | 71.5_335.6 | 71.5_335.6 | 71.5_335.6 | 71.5_335.6 | 71.5_335.6 | 71.5_335.6 | — |
| HDO 140_2 | — | — | — | — | — | — | — | — | 6.6_15.7 |
| HDO 140_3 | — | — | — | — | — | — | 17.7_77.3 | 17.7_77.3 | 17.7_77.3 |
| HDO 140_4 | — | — | 82.3_386.6 | 82.3_386.6 | 82.3_386.6 | 82.3_386.6 | 82.3_386.6 | 82.3_386.6 | — |
| HDO 150_2 | — | — | — | — | — | — | — | — | — |
| HDO 150_3 | — | — | — | — | — | — | — | 15.6_60.8 | 15.6_60.8 |
| HDO 150_4 | — | — | — | 101.8_238.8 | 101.8_238.8 | 101.8_238.8 | 66.9_238.8 | 66.9_238.8 | 66.9_238.8 |
| HDO 160_2 | — | — | — | — | — | — | — | — | — |
| HDO 160_3 | — | — | — | — | — | — | — | 17.7_68.6 | 17.7_68.6 |
| HDO 160_4 | — | — | — | 115.2_269.7 | 115.2_269.7 | 115.2_269.7 | 75.9_269.7 | 75.9_269.7 | 75.9_269.7 |
| HDO 170 |  BONFIGLIOLI TECHNICAL SERVICE | | | | | | | | |
| HDO 180 | | | | | | | | | |



| | Input configuration type GJ | | | | | | |
|-----------|-----------------------------|-----------|-----------|-----------|-----------|---------------------------------|---------------------------------|
| | 160 | 180 | 200 | 225 | 250 | 280 | 315 (*) |
| HDO 100_2 | ⊖ | | | | | | |
| HDO 100_3 | 20.2_67.5 | 20.2_67.5 | 20.2_67.5 | 20.2_67.5 | 14.0_67.5 | 14.0_67.5 | 14.0_67.5 |
| HDO 100_4 | ⊖ | | | | | | |
| HDO 110_2 | ⊖ | | | | | | |
| HDO 110_3 | 22.0_77.5 | 22.0_77.5 | 22.0_77.5 | 22.0_77.5 | 22.0_77.5 | 18.9_77.5 | 18.9_77.5 |
| HDO 110_4 | ⊖ | | | | | | |
| HDO 120_2 | — | — | — | — | — | — | 8.9_15.5 |
| HDO 120_3 | — | — | 28.3_78.6 | 28.3_78.6 | 28.3_78.6 | 17.3_78.6 ⊖ (24.6) | 17.3_78.6 ⊖ (24.6) |
| HDO 120_4 | ⊖ | | | | | | |
| HDO 125_2 | ⊖ | | | | | | |
| HDO 125_3 | — | — | 38.8_85.9 | 38.8_85.9 | 38.8_85.9 | 19.2_85.9 ⊖ (27.7 33.0 35.8) | 19.2_85.9 ⊖ (27.7 33.0 35.8) |
| HDO 125_4 | ⊖ | | | | | | |
| HDO 130_2 | — | — | — | — | — | — | 7.7_13.6 |
| HDO 130_3 | — | — | — | — | 15.2_67.1 | 15.2_67.1 | 15.2_67.1 |
| HDO 130_4 | ⊖ | | | | | | |
| HDO 140_2 | — | — | — | — | — | — | 9.0_15.7 |
| HDO 140_3 | — | — | — | — | 17.7_77.3 | 17.7_77.3 | 17.7_77.3 |
| HDO 140_4 | ⊖ | | | | | | |
| HDO 150_2 | — | — | — | — | — | — | — |
| HDO 150_3 | — | — | — | — | — | 28.2_60.8 | 28.2_60.8 |
| HDO 150_4 | ⊖ | | | | | | |
| HDO 160_2 | ⊖ | | | | | | |
| HDO 160_3 | — | — | — | — | — | 34.9_68.6 | 34.9_68.6 |
| HDO 160_4 | ⊖ | | | | | | |
| HDO 170 | ⊖ | | | | | | |
| HDO 180 | ⊖ | | | | | | |

HDO

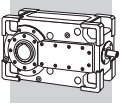
(*)

| | | B3 | B6 | B7 | V5 |
|----------------|--|----|----|----|----|
| HDO ... G 315 | | ⚠ | OK | OK | ⚠ |
| HDO ... GJ 315 | | OK | ⚠ | ⚠ | ⚠ |



Motor requires external support.

For end flange motor mountings with no external support, contact Bonfiglioli's Technical Service on beforehand.



22.7 OPTIONAL VARIANTS

22.7.1 AUXILIARY THERMAL DEVICES

22.7.1.1 FORCED VENTILATION

Improved heat dissipation can be achieved on HDO gearboxes by keying a cooling fan on to the gearbox input shaft.

Specify the **FAN** option to have the fan installed on the shaft in the same plane. The alternative option, **FANJ**, with an orthogonally mounted fan, is only available with two stage gearboxes.

In combination with some configuration or mounting position forced ventilation may not be available along with forced lubrication devices - option OP... or MOP.

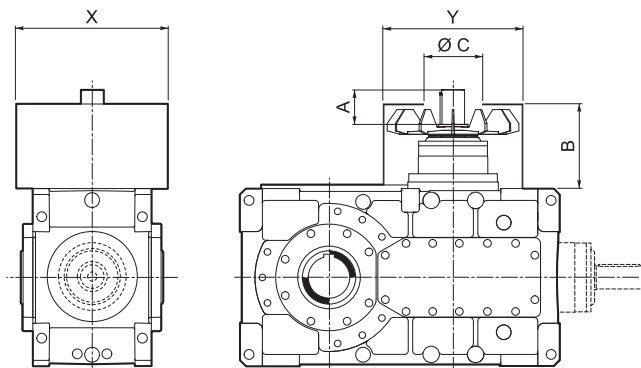
The increased cooling effect is shown by the thermal capacity value P_{TFAN} listed in section 24. This value is only significant with continuous duty applications.

The effectiveness of forced ventilation is drastically reduced in intermittent duty applications and also below drive speeds of $n_1 = 900 \text{ min}^{-1}$.

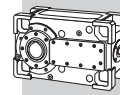
In such cases, other auxiliary cooling devices should be used to increase the thermal capacity of the gearbox.

HDO

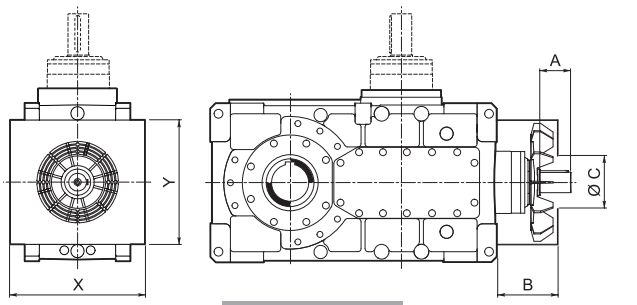
FANJ



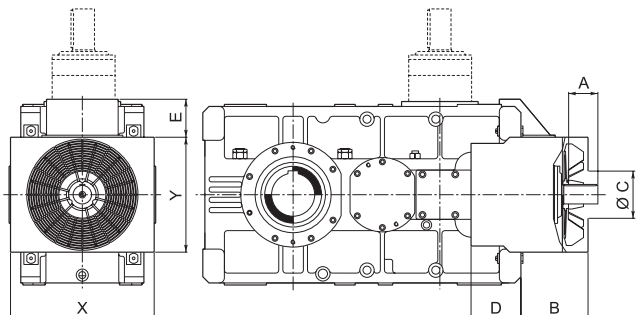
| | A | B | C | X | Y |
|-----------|-----|-----|-----|-----|-----|
| HDO 100 3 | 82 | 207 | 180 | 460 | 440 |
| HDO 110 3 | 82 | 207 | 180 | 460 | 440 |
| HDO 120 3 | 82 | 172 | 180 | 480 | 480 |
| HDO 125 3 | 82 | 172 | 180 | 480 | 480 |
| HDO 130 3 | 105 | 222 | 230 | 600 | 600 |
| HDO 140 3 | 105 | 222 | 230 | 600 | 600 |
| HDO 150 3 | ⊗ | | | | |
| HDO 160 3 | | | | | |
| HDO 170 | | | | | |
| HDO 180 | | | | | |



FAN



HDO 100 ... HDO 140



HDO 150 - HDO 160

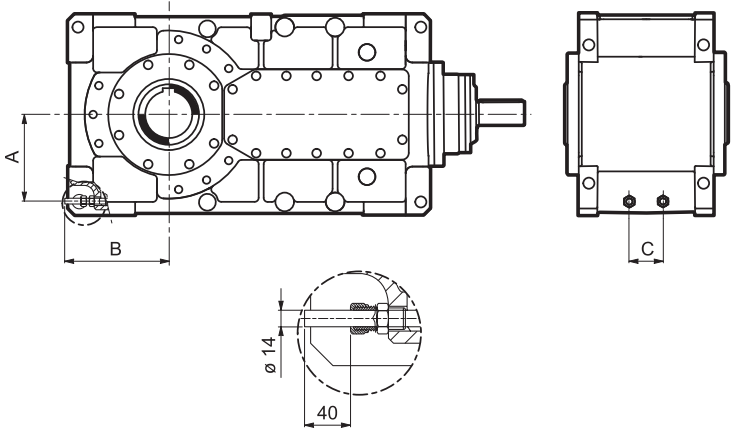
| | A | B | C | D | E | X | Y |
|-----------|--------------------------------------|-----|-----|-----|-----|-----|-----|
| HDO 100_2 | 105 | 207 | 180 | — | — | 460 | 424 |
| HDO 100_3 | 82 | 207 | 180 | — | — | 460 | 424 |
| HDO 100_4 | 58 | 207 | 180 | — | — | 460 | 424 |
| HDO 110_2 | 105 | 207 | 180 | — | — | 460 | 424 |
| HDO 110_3 | 82 | 207 | 180 | — | — | 460 | 424 |
| HDO 110_4 | 58 | 207 | 180 | — | — | 460 | 424 |
| HDO 120_2 | 105 | 232 | 180 | — | — | 480 | 460 |
| HDO 120_3 | 82 | 172 | 180 | — | — | 480 | 460 |
| HDO 120_4 | 58 | 172 | 180 | — | — | 480 | 460 |
| HDO 125_2 | 105 | 232 | 180 | — | — | 480 | 460 |
| HDO 125_3 | 82 | 172 | 180 | — | — | 480 | 460 |
| HDO 125_4 | 58 | 172 | 180 | — | — | 480 | 460 |
| HDO 130_2 | 140 | 327 | 230 | — | — | 600 | 600 |
| HDO 130_3 | 105 | 222 | 230 | — | — | 600 | 600 |
| HDO 130_4 | 82 | 287 | 230 | — | — | 600 | 600 |
| HDO 140_2 | 140 | 327 | 230 | — | — | 600 | 600 |
| HDO 140_3 | 105 | 222 | 230 | — | — | 600 | 600 |
| HDO 140_4 | 82 | 287 | 230 | — | — | 600 | 600 |
| HDO 150_2 | 165 | 387 | 230 | 243 | 185 | 700 | 560 |
| HDO 150_3 | 130 | 327 | 230 | 243 | 185 | 700 | 560 |
| HDO 150_4 | 82 | 297 | 230 | 243 | 185 | 700 | 560 |
| HDO 160_2 | 165 | 387 | 230 | 243 | 185 | 700 | 560 |
| HDO 160_3 | 130 | 327 | 230 | 243 | 185 | 700 | 560 |
| HDO 160_4 | 82 | 297 | 230 | 243 | 185 | 700 | 560 |
| HDO 170 | BONFIGLIOLI TECHNICAL SERVICE | | | | | | |
| HDO 180 | | | | | | | |

22.7.1.2 HEAT DISSIPATION THROUGH COOLING COIL

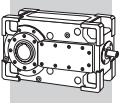
The cooling coil option **SR** is designed for integration in a cooling circuit to be provided by the installer.

The water supply circuit must correspond to the following specifications: maximum pressure 8 bar, flow rate 10 l/min, maximum delivery temperature 20°C.

The increased cooling effect obtained in these conditions is shown by the thermal capacity value P_{TSR} . See the section, 24.



| | A | B | C |
|------------|-----|-----|-----|
| HDO 100_SR | 232 | 285 | 100 |
| HDO 110_SR | 232 | 270 | 100 |
| HDO 120_SR | 258 | 305 | 100 |
| HDO 125_SR | 258 | 305 | 100 |
| HDO 130_SR | 325 | 340 | 100 |
| HDO 140_SR | 325 | 365 | 100 |
| HDO 150 | | | |
| HDO 160 | | | |
| HDO 170 | | | |
| HDO 180 | | | |





22.7.1.3 AUXILIARY COOLING WITH AUTONOMOUS COOLING UNIT

Two types of cooling unit are available, each in a range of sizes providing different cooling capacities. The two types use different cooling media for the oil: MCRW... – water/oil heat exchanger and MCRA... – air/oil heat exchanger.

If an autonomous cooling unit is installed on the advice of the Bonfiglioli Technical Service, no additional forced lubrication devices are required. See section 22.7.2. The following chart shows device availability according to gearbox size. Your selection must take into account the deficit in thermal power that must be made up by contribution P_{TMCRW} or P_{TMCRA} as shown in the chart in section 24.

HDO

| | MCRW5 MCRA5 | MCRW9 MCRA9 | MCRW21 MCRA21 | MCRW34 MCRA34 | MCRW51 MCRA51 | MCRW70 MCRA70 |
|---------|--|----------------|------------------|------------------|------------------|------------------|
| HDO 100 | X | X | | | | |
| HDO 110 | X | X | | | | |
| HDO 120 | X | X | X (*) | | | |
| HDO 125 | X | X | X (**) | | | |
| HDO 130 | X | X | X | X (**) | | |
| HDO 140 | X | X | X | X (**) | | |
| HDO 150 | X | X | X | X | X (**) | |
| HDO 160 | X | X | X | X | X (**) | |
| HDO 170 |  BONFIGLIOLI TECHNICAL SERVICE | | | | | |
| HDO 180 |  BONFIGLIOLI TECHNICAL SERVICE | | | | | |

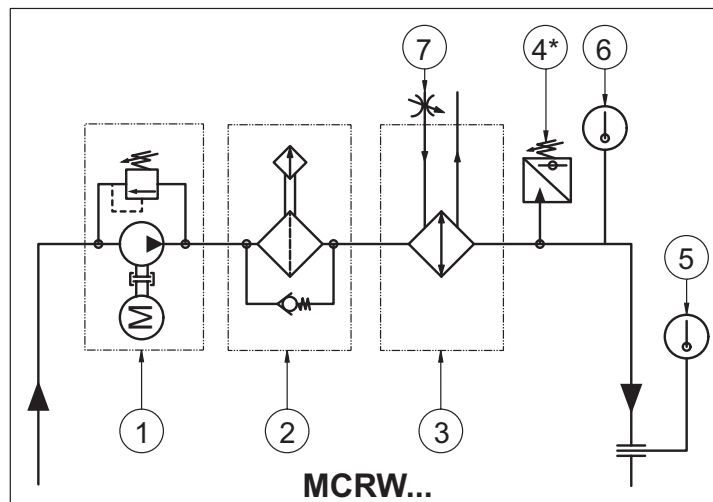
(*) not available for mounting position B3.

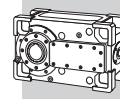
(**) not available for double reduction units in the mounting position B3.

The main components of the cooling units are as follows:

MCRW...

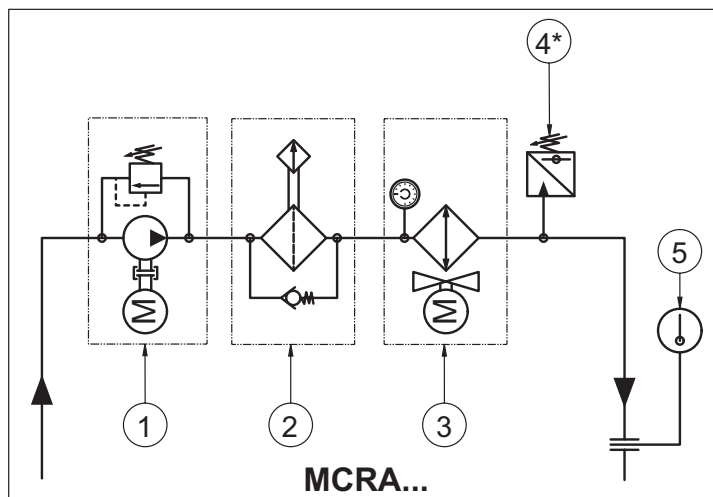
- 1) motorpump complete with by-pass circuit
- 2) filter with clogging visual indicator
- 3) water/oil heat exchanger
- 4) minimum pressure switch (only available in combination with forced lubrication)
- 5) maximum temperature thermostat
- 6) minimum temperature switch
- 7) electro-valve





MCRA...

- 1) motorpump complete with by-pass circuit
- 2) filter with clogging visual indicator
- 3) air/oil heat exchanger with thermostat
- 4) minimum pressure switch (only available in combination with forced lubrication)
- 5) maximum temperature thermostat



General warnings:

MCRW... : provide a water supply system that corresponds to the following specifications:

- max. pressure, 10 bar
- maximum delivery temperature, 20°C
- minimum flow rate Q_{H_2O} as per the chart:

| | MCRW5 | MCRW9 | MCRW21 | MCRW34 | MCRW51 | MCRW70 |
|--------------------|-------|-------|--------|--------|--------|---|
| Q_{H_2O} [l/min] | 10 | 18 | 31 | 56 | 81 | BONFIGLIOLI TECHNICAL SERVICE |

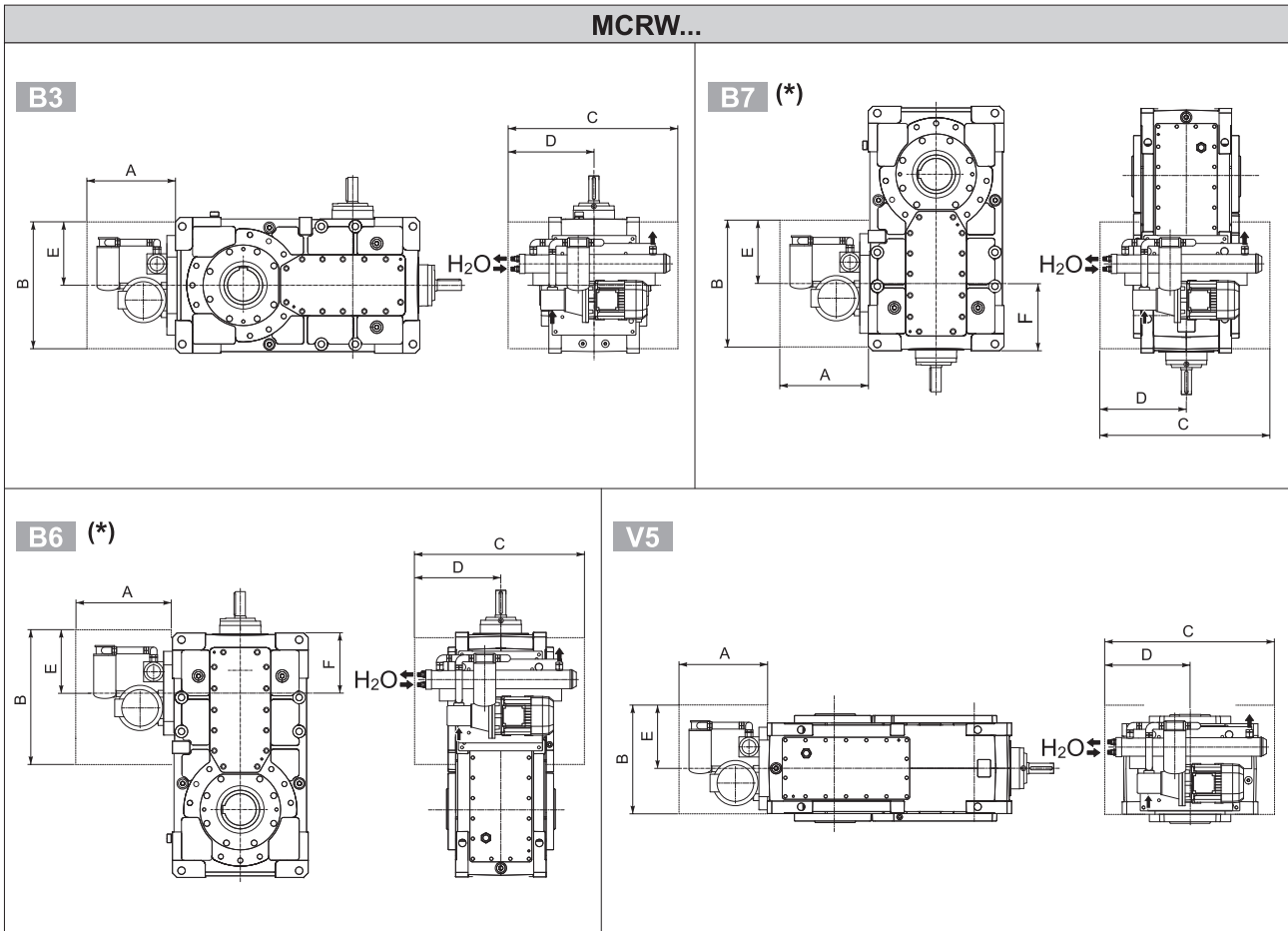
MCRA... : leave sufficient space around the heat exchanger to ensure an unrestricted air flow.

HDO



The cooling units are installed on the gearboxes as shown in the figure below.

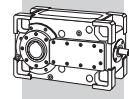
HDO



| | A | B | C | D | E | F | | | | | | | | | | | | | |
|--------|-------------------------------|-----|------|-----|-----|-------------------|-------|---------|-------|----------------------------------|-------|-------------------|-------|-------------------|-------|--|--|--|--|
| | | | | | | HDO 100 - HDO 110 | | HDO 120 | | HDO 125 | | HDO 130 - HDO 140 | | HDO 150 - HDO 160 | | | | | |
| | | | | | | 2x | 3x/4x | 2x | 3x/4x | 2x | 3x/4x | 2x | 3x/4x | 2x | 3x/4x | | | | |
| MCRW5 | 360 | 415 | 730 | 365 | 230 | | | | | | | | | | | | | | |
| MCRW9 | 360 | 380 | 870 | 435 | 195 | | | | | | | | | | | | | | |
| MCRW21 | 400 | 425 | 780 | 390 | 240 | 325 | 270 | 350 | 300 | BONFIGLIOLI TECHNICAL SERVICE | 420 | 380 | 475 | 395 | | | | | |
| MCRW34 | 430 | 650 | 1000 | 500 | 465 | | | | | | | | | | | | | | |
| MCRW51 | 520 | 650 | 1250 | 625 | 465 | | | | | | | | | | | | | | |
| MCRW70 | BONFIGLIOLI TECHNICAL SERVICE | | | | | | | | | | | | | | | | | | |

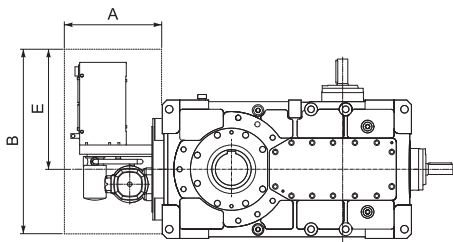
(*) Units featuring the "J" input configuration have the cooling unit fitted on opposite side as shown.

Overall dimensions A, B, C, D and E are indicative only

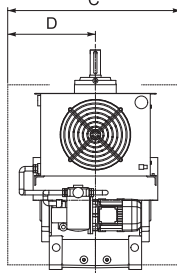


MCRA...

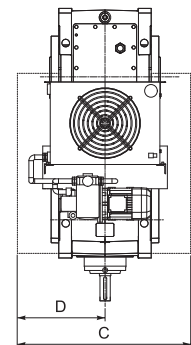
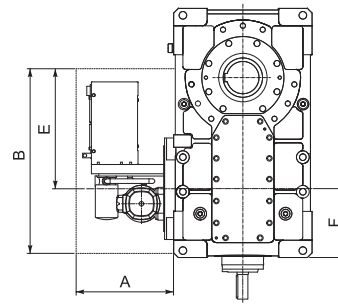
B3



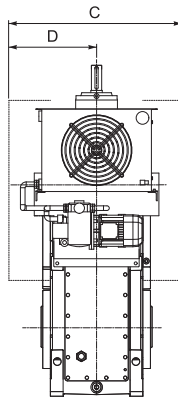
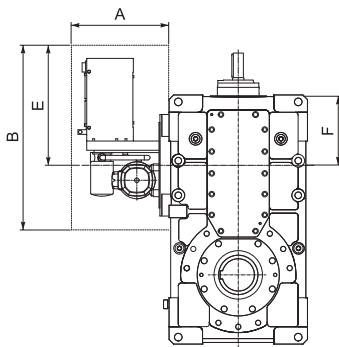
C



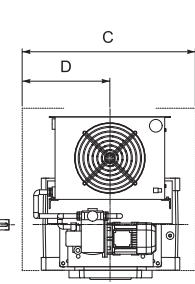
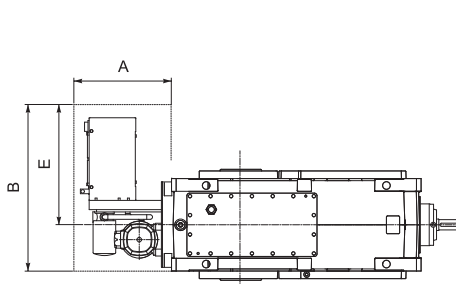
B7 (*)



B6 (*)



V5



| | A | B | C | D | E | F | | | | | | | | | | | | | |
|--------|-------------------------------|------|------|-----|-----|-------------------|-------|---------|-------|----------------------------------|-------|-------------------|-------|-------------------|-------|--|--|--|--|
| | | | | | | HDO 100 - HDO 110 | | HDO 120 | | HDO 125 | | HDO 130 - HDO 140 | | HDO 150 - HDO 160 | | | | | |
| | | | | | | 2x | 3x/4x | 2x | 3x/4x | 2x | 3x/4x | 2x | 3x/4x | 2x | 3x/4x | | | | |
| MCRA5 | 400 | 560 | 500 | 250 | 375 | | | | | | | | | | | | | | |
| MCRA9 | 435 | 650 | 640 | 320 | 465 | | | | | | | | | | | | | | |
| MCRA21 | 440 | 815 | 700 | 350 | 630 | 325 | 270 | 350 | 300 | BONFIGLIOLI TECHNICAL SERVICE | 420 | 380 | 475 | 395 | | | | | |
| MCRA34 | 500 | 920 | 840 | 420 | 735 | | | | | | | | | | | | | | |
| MCRA51 | 560 | 1075 | 1000 | 500 | 890 | | | | | | | | | | | | | | |
| MCRA70 | BONFIGLIOLI TECHNICAL SERVICE | | | | | | | | | | | | | | | | | | |

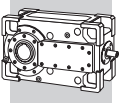
(*) Units featuring the "J" input configuration have the cooling unit fitted on opposite side as shown.



Overall dimensions A, B, C, D and E are indicative only



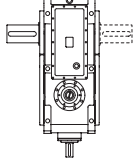
22.7.1.4 HEATERS

In very low ambient temperatures it may prove necessary to pre-heat the lubricant in the sump before start-up and/or during operation. The **HE** option envisages the installation of an electrical heating element, supplied with a thermostat to detect when the minimum temperature needed for correct operation has been reached. The wiring necessary for the thermostat must be provided by the installer.



22.7.2 FORCED LUBRICATION

Pattern for MANDATORY specification of forced lubrication devices.

| | | | | B3 | B6 | B7 | V5 |
|---|-----------------|--|-----------|-----------|-----------|-----------|--------------|
|  | L R D | | ⊖ | OP MOP | ⊖ | ⊖ | OP... MOP |
|  | LJ RJ DJ | | OP MOP | ⊖ | ⊖ | ⊖ | OP... MOP |
|  | LD RD DD | | OP MOP | OP MOP | ⊖ | ⊖ | OP... MOP |

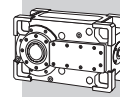
Remark: Forced lubrication devices may be replaced, upon approval from Bonfiglioli Technical Service, by independent cooling systems, type MCR...

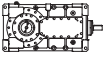
22.7.2.1 PUMP FOR MOUNTING POSITIONS B3 and B6

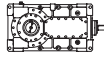
In continuous duty applications and, when required, for B3 or B6 mounting positions (see section [22.7.2](#)), an optional forced lubrication circuit is available with a mechanically driven pump keyed on to the intermediate shaft.

This circuit only guarantees lubrication of the top bearings that are not immersed in oil.

Before specifying the OP option in your order, check the chart to make sure that the device is fully compatible with the drive speed n_1 and reduction ratio. See the following diagram.



|  | i | n ₁ | | |
|---|----------------------|------------------------|------------------------|------------------------|
| | | 1000 min ⁻¹ | 1200 min ⁻¹ | 1500 min ⁻¹ |
| HDO 100 2 | 5.8 ≤ i ≤ 8.7 | OP | OP | OP |
| | i = 10.0; 10.9 | ⊖ | OP | OP |
| | i = 12.4; 13.5 | ⊖ | ⊖ | OP |
| HDO 100 3 | 14.0 ≤ i ≤ 40.0 | OP | OP | OP |
| | 43.9 ≤ i ≤ 67.5 | ⊖ | ⊖ | OP |
| HDO 100 4 | 70.8 ≤ i ≤ 139.8 | OP | OP | OP |
| | 160.0 ≤ i ≤ 344.2 | ⊖ | ⊖ | OP |
| HDO 110 2 | 6.4 ≤ i ≤ 10.0 | OP | OP | OP |
| | i = 10.9; 12.5 | ⊖ | OP | OP |
| | i = 13.5; 15.5 | ⊖ | ⊖ | OP |
| HDO 110 3 | 18.9 ≤ i ≤ 43.6 | OP | OP | OP |
| | 48.0 ≤ i ≤ 77.5 | ⊖ | ⊖ | OP |
| HDO 110 4 | 77.4 ≤ i ≤ 121.7 | OP | OP | OP |
| | 137.1 ≤ i ≤ 395.0 | ⊖ | ⊖ | OP |
| HDO 120 2 | 6.6 ≤ i ≤ 10.0 | OP | OP | OP |
| | i = 11.1; 12.5 | ⊖ | OP | OP |
| | i = 13.7; 15.5 | ⊖ | ⊖ | OP |
| HDO 120 3 | 17.3 ≤ i ≤ 44.9 | OP | OP | OP |
| | 49.5 ≤ i ≤ 78.6 | ⊖ | ⊖ | OP |
| HDO 120 4 | 87.0 ≤ i ≤ 162.2 | OP | OP | OP |
| | 179.7 ≤ i ≤ 400.6 | ⊖ | ⊖ | OP |
| HDO 125 2 | 7.4 ≤ i ≤ 9.9 | OP | OP | OP |
| | i = 11.5; 12.3 | ⊖ | OP | OP |
| | i = 14.2; 15.3; 16.9 | ⊖ | ⊖ | OP |
| HDO 125 3 | 19.2 ≤ i ≤ 55.5 | OP | OP | OP |
| | 60.1 ≤ i ≤ 85.9 | OP | ⊖ | ⊖ |
| HDO 125 4 | 90.1 ≤ i ≤ 178.0 | OP | OP | OP |
| | 200.3 ≤ i ≤ 438.0 | OP | ⊖ | ⊖ |
| HDO 130 2 | 5.7 ≤ i ≤ 7.1 | ⊖ | OP | OP |
| | i = 7.7; 8.8 | ⊖ | ⊖ | OP |
| | 9.6 ≤ i ≤ 13.6 | ⊖ | ⊖ | ⊖ |
| HDO 130 3 | 15.2 ≤ i ≤ 34.9 | OP | OP | OP |
| | 38.3 ≤ i ≤ 67.1 | ⊖ | ⊖ | OP |
| HDO 130 4 | 71.5 ≤ i ≤ 190.3 | OP | OP | OP |
| | 219.1 ≤ i ≤ 335.6 | ⊖ | ⊖ | OP |

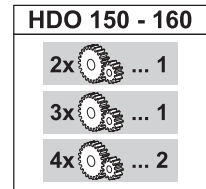
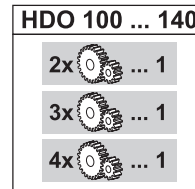
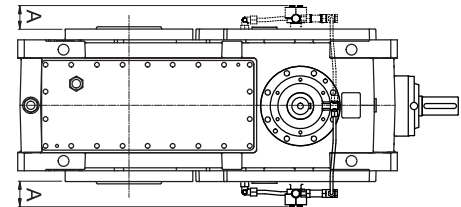
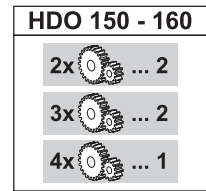
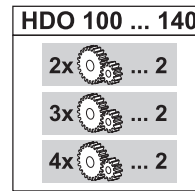
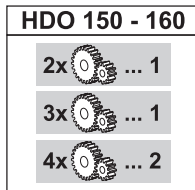
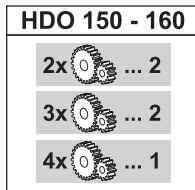
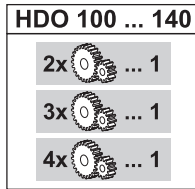
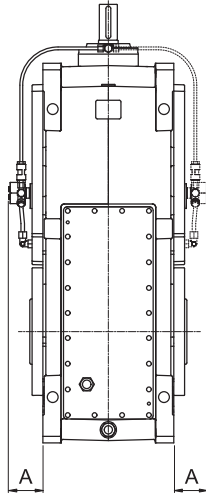
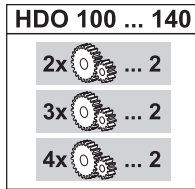
|  | i | n ₁ | | |
|---|-------------------|------------------------|------------------------|------------------------|
| | | 1000 min ⁻¹ | 1200 min ⁻¹ | 1500 min ⁻¹ |
| HDO 140 2 | 6.6 ≤ i ≤ 8.2 | ⊖ | OP | OP |
| | i = 9.0; 10.1 | ⊖ | ⊖ | OP |
| | 11.3 ≤ i ≤ 15.7 | ⊖ | ⊖ | ⊖ |
| HDO 140 3 | 17.7 ≤ i ≤ 44.4 | OP | OP | OP |
| | 50.4 ≤ i ≤ 77.3 | ⊖ | ⊖ | OP |
| HDO 140 4 | 82.3 ≤ i ≤ 180.0 | OP | OP | OP |
| | 198.3 ≤ i ≤ 386.6 | ⊖ | ⊖ | OP |
| HDO 150 2 | 5.5 ≤ i ≤ 7.0 | ⊖ | OP | OP |
| | i = 8.1; 8.9 | ⊖ | ⊖ | OP |
| | 10.0 ≤ i ≤ 13.7 | ⊖ | ⊖ | ⊖ |
| HDO 150 3 | 15.6 ≤ i ≤ 25.4 | ⊖ | OP | OP |
| | 28.2 ≤ i ≤ 36.0 | ⊖ | ⊖ | OP |
| | 40.2 ≤ i ≤ 60.8 | ⊖ | ⊖ | ⊖ |
| HDO 150 4 | 66.9 ≤ i ≤ 92.9 | OP | OP | OP |
| | 101.8 ≤ i ≤ 141.5 | ⊖ | OP | OP |
| | 157.9 ≤ i ≤ 238.8 | ⊖ | ⊖ | ⊖ |
| HDO 160 2 | i = 7.3; 7.9 | ⊖ | OP | OP |
| | 8.9 ≤ i ≤ 11.3 | ⊖ | ⊖ | OP |
| | 12.2 ≤ i ≤ 15.4 | ⊖ | ⊖ | ⊖ |
| HDO 160 3 | 17.7 ≤ i ≤ 31.3 | ⊖ | OP | OP |
| | 34.9 ≤ i ≤ 44.3 | ⊖ | ⊖ | OP |
| | 49.4 ≤ i ≤ 68.6 | ⊖ | ⊖ | ⊖ |
| HDO 160 4 | 75.9 ≤ i ≤ 96.3 | OP | OP | OP |
| | 115.2 ≤ i ≤ 174.0 | ⊖ | OP | OP |
| | 194.1 ≤ i ≤ 269.7 | ⊖ | ⊖ | ⊖ |
| HDO 170 | | ⊖ | | |
| HDO 180 | | ⊖ | | |

This option is not available with other configurations that use the same shaft end.

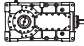


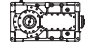
HDO ... G ... B6
HDO ... VP ... B6

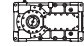
HDO ... GJ ... B3
HDO ... VP ... B3



HDO

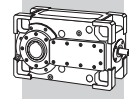
|  | A (min) [mm] |
|---|--------------|
| HDO 100 2_OP | 100 |
| HDO 100 3_OP | 95 |
| HDO 100 4_OP | 95 |
| HDO 110 2_OP | 130 |
| HDO 110 3_OP | 95 |
| HDO 110 4_OP | 95 |
| HDO 120 2_OP | 125 |
| HDO 120 3_OP | 105 |
| HDO 120 4_OP | 100 |

|  | A (min) [mm] |
|---|--------------|
| HDO 125 2_OP | 125 |
| HDO 125 3_OP | 105 |
| HDO 125 4_OP | 100 |
| HDO 130 2_OP | 120 |
| HDO 130 3_OP | 110 |
| HDO 130 4_OP | 110 |
| HDO 140 2_OP | 125 |
| HDO 140 3_OP | 110 |
| HDO 140 4_OP | 110 |

|  | A (min) [mm] |
|---|--------------|
| HDO 150 2_OP | 125 |
| HDO 150 3_OP | 110 |
| HDO 150 4_OP | 110 |
| HDO 160 2_OP | 125 |
| HDO 160 3_OP | 110 |
| HDO 160 4_OP | 110 |

The following chart specifies the availability of the pump on the basis of mounting position, shaft arrangement and input configuration.

| Mounting position | Shaft arrangement | Input configuration |
|-------------------|-----------------------------|---------------------|
| B3 | LJ - RJ - DJ - LD - RD - DD | VP - GJ |
| B6 | L - R - D - LD - RD - DD | VP - G |

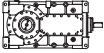


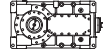

22.7.2.2 PUMP FOR MOUNTING POSITION V5

In continuous duty applications and with V5 mounting positions version 1 (version 2 for 4-stage HDO 150 ... HDO 180), an optional forced lubrication circuit is available with a mechanically driven pump keyed on to the intermediate shaft.

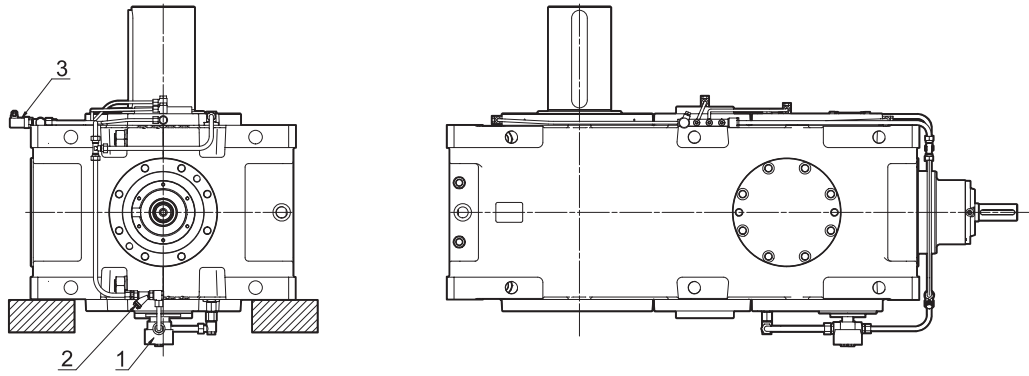
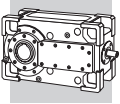
This circuit only guarantees lubrication of the top bearings that are not immersed in oil. If this device is required in conjunction with the Drywell device, consult the Bonfiglioli Technical Service.

When ordering, specify the OP1 or OP2 option in your order after first checking the chart to make sure that the device is fully compatible with drive speed n_1 and the reduction ratio. See the following diagram.

|  | i | n_1 | | |
|---|---------------------------|------------------------|------------------------|------------------------|
| | | 1000 min ⁻¹ | 1200 min ⁻¹ | 1500 min ⁻¹ |
| HDO 100 2 | $5.8 \leq i \leq 7.0$ | OP1 | OP1 | OP1 |
| | i = 8.0; 8.7 | ⊖ | OP1 | OP1 |
| | i = 10.0; 10.9 | ⊖ | ⊖ | OP1 |
| | i = 12.4; 13.5 | ⊖ | ⊖ | ⊖ |
| HDO 100 3 | $14.0 \leq i \leq 17.3$ | OP2 | OP1 | OP1 |
| | $20.2 \leq i \leq 40.0$ | ⊖ | OP2 | OP1 |
| | $43.9 \leq i \leq 67.5$ | ⊖ | ⊖ | ⊖ |
| HDO 100 4 | $70.8 \leq i \leq 139.8$ | ⊖ | OP2 | OP1 |
| | $160.0 \leq i \leq 344.2$ | ⊖ | ⊖ | ⊖ |
| HDO 110 2 | $6.4 \leq i \leq 8.1$ | OP2 | OP2 | OP1 |
| | i = 8.7; 10.0 | ⊖ | OP2 | OP2 |
| | i = 10.9; 12.5 | ⊖ | ⊖ | OP2 |
| | i = 13.5; 15.5 | ⊖ | ⊖ | ⊖ |
| HDO 110 3 | i = 18.9; 20.9 | OP2 | OP1 | OP1 |
| | $22.0 \leq i \leq 43.6$ | ⊖ | OP2 | OP1 |
| | $48.0 \leq i \leq 77.5$ | ⊖ | ⊖ | ⊖ |
| HDO 110 4 | $77.4 \leq i \leq 121.7$ | ⊖ | OP2 | OP2 |
| | $137.1 \leq i \leq 395.0$ | ⊖ | ⊖ | ⊖ |
| HDO 120 2 | $6.6 \leq i \leq 8.1$ | OP2 | OP2 | OP1 |
| | i = 8.9; 10.0 | ⊖ | OP2 | OP2 |
| | i = 11.1; 12.5 | ⊖ | ⊖ | OP2 |
| | i = 13.7; 15.5 | ⊖ | ⊖ | ⊖ |
| HDO 120 3 | $17.3 \leq i \leq 28.3$ | OP2 | OP2 | OP1 |
| | $32.0 \leq i \leq 44.9$ | ⊖ | OP2 | OP2 |
| | $49.5 \leq i \leq 78.6$ | ⊖ | ⊖ | ⊖ |
| HDO 120 4 | $87.0 \leq i \leq 162.2$ | ⊖ | OP2 | OP2 |
| | $179.0 \leq i \leq 400.6$ | ⊖ | ⊖ | ⊖ |
| HDO 125 2 | $7.4 \leq i \leq 8.8$ | OP2 | OP2 | OP1 |
| | i = 9.9 | ⊖ | OP2 | OP2 |
| | i = 11.5; 12.3 | ⊖ | ⊖ | OP2 |
| | $14.2 \leq i \leq 16.9$ | ⊖ | ⊖ | ⊖ |
| HDO 125 3 | $19.2 \leq i \leq 35.8$ | OP2 | OP2 | OP1 |
| | $38.8 \leq i \leq 55.4$ | OP2 | OP2 | ⊖ |
| | $60.1 \leq i \leq 85.9$ | ⊖ | ⊖ | ⊖ |
| HDO 125 4 | $97.0 \leq i \leq 178.0$ | OP2 | OP2 | ⊖ |
| | $200.3 \leq i \leq 438.0$ | ⊖ | ⊖ | ⊖ |
| HDO 130 2 | $5.7 \leq i \leq 7.1$ | OP2 | OP1 | OP1 |
| | i = 7.7; 8.8 | ⊖ | OP2 | OP1 |
| | i = 9.6; 11.0 | ⊖ | ⊖ | OP2 |
| | i = 12.0; 13.6 | ⊖ | ⊖ | ⊖ |
| HDO 130 3 | $15.2 \leq i \leq 19.9$ | OP2 | OP2 | OP1 |
| | $22.6 \leq i \leq 34.9$ | ⊖ | OP2 | OP2 |
| | $38.3 \leq i \leq 67.1$ | ⊖ | ⊖ | ⊖ |
| HDO 130 4 | $71.5 \leq i \leq 190.3$ | ⊖ | OP2 | OP1 |
| | $219.1 \leq i \leq 335.6$ | ⊖ | ⊖ | ⊖ |

|  | i | n_1 | | |
|---|---|------------------------|------------------------|------------------------|
| | | 1000 min ⁻¹ | 1200 min ⁻¹ | 1500 min ⁻¹ |
| HDO 140 2 | $6.6 \leq i \leq 8.2$ | OP2 | OP2 | OP1 |
| | i = 9.0; 10.1 | ⊖ | OP2 | OP2 |
| | i = 11.3; 12.6 | ⊖ | ⊖ | OP2 |
| | i = 14.0; 15.7 | ⊖ | ⊖ | ⊖ |
| HDO 140 3 | $17.7 \leq i \leq 23.3$ | OP2 | OP2 | OP1 |
| | $26.0 \leq i \leq 44.4$ | ⊖ | OP2 | OP2 |
| | $50.4 \leq i \leq 77.3$ | ⊖ | ⊖ | ⊖ |
| HDO 140 4 | $82.3 \leq i \leq 180.0$ | ⊖ | OP2 | OP1 |
| | $198.3 \leq i \leq 386.6$ | ⊖ | ⊖ | ⊖ |
| HDO 150 2 | $5.5 \leq i \leq 7.0$ | OP2 | OP2 | OP1 |
| | i = 8.1; 8.9 | ⊖ | OP2 | OP2 |
| | $10.0 \leq i \leq 10.9$ | ⊖ | ⊖ | OP2 |
| | $12.6 \leq i \leq 13.7$ | ⊖ | ⊖ | ⊖ |
| HDO 150 3 | $15.6 \leq i \leq 25.4$ | OP2 | OP2 | OP1 |
| | $28.2 \leq i \leq 36.0$ | ⊖ | OP2 | OP2 |
| | $40.2 \leq i \leq 60.8$ | ⊖ | ⊖ | ⊖ |
| HDO 150 4 | $66.9 \leq i \leq 92.9$ | OP2 | OP2 | OP1 |
| | $101.8 \leq i \leq 141.5$ | ⊖ | OP2 | OP2 |
| HDO 160 2 | $157.9 \leq i \leq 238.8$ | ⊖ | ⊖ | ⊖ |
| | i = 7.3; 7.9 | OP2 | OP2 | OP1 |
| | $8.9 \leq i \leq 11.3$ | ⊖ | ⊖ | OP2 |
| | $12.2 \leq i \leq 15.4$ | ⊖ | ⊖ | ⊖ |
| HDO 160 3 | $17.7 \leq i \leq 31.3$ | OP2 | OP2 | OP1 |
| | $34.9 \leq i \leq 44.3$ | ⊖ | OP2 | OP2 |
| | $49.4 \leq i \leq 68.6$ | ⊖ | ⊖ | ⊖ |
| HDO 160 4 | $75.9 \leq i \leq 96.3$ | OP2 | OP2 | OP1 |
| | $115.2 \leq i \leq 174.0$ | ⊖ | OP2 | OP2 |
| | $194.1 \leq i \leq 269.7$ | ⊖ | ⊖ | ⊖ |
| HDO 170 |  BONFIGLIOLI TECHNICAL SERVICE | | | |
| HDO 180 | | | | |

This option is not available with other configurations that use the same shaft end.

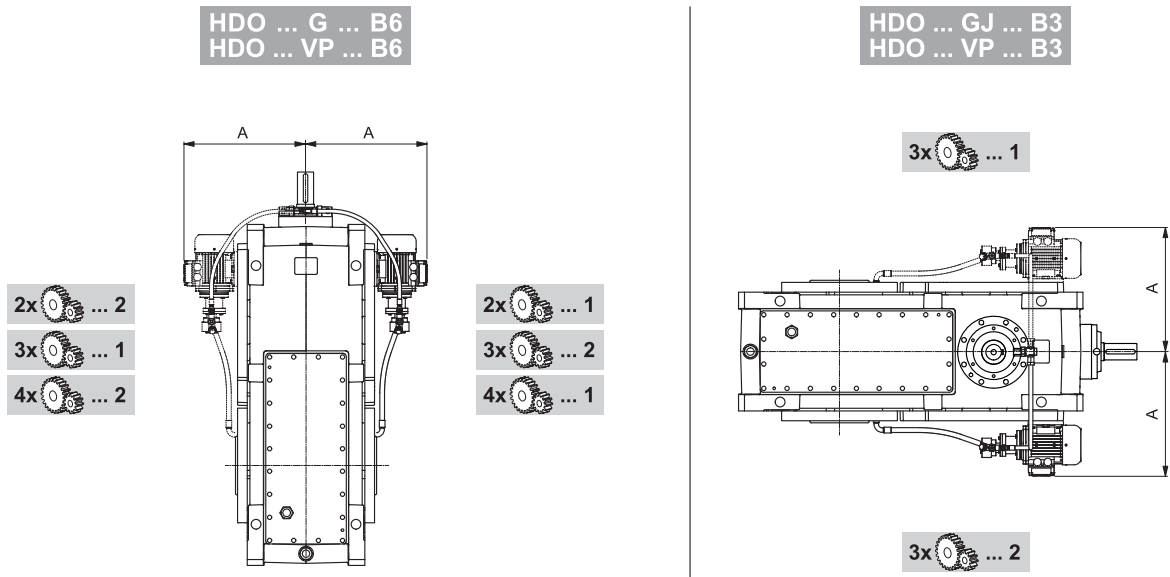


- 1 - Pump
- 2 - Filter
- 3 - Minimum pressure switch

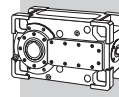
Contact the Bonfiglioli Technical Service for overall dimensions.

22.7.2.3 ELECTRIC PUMP FOR MOUNTING POSITIONS B3 and B6

In intermittent duty applications, if speeds are incompatible with the use of the OP pump option, and when required for B3 and B6 mounting positions (see section [22.7.2](#)), the MOP optional forced lubrication circuit is available with an independently powered electric pump. This system ensures a constant flow of oil to the top bearings.



| | A (min) [mm] |
|---------|---------------------------------|
| HDO 100 | 410 |
| HDO 110 | 410 |
| HDO 120 | 430 |
| HDO 125 | 430 |
| HDO 130 | 480 |
| HDO 140 | 480 |
| HDO 150 | ☎ BONFIGLIOLI TECHNICAL SERVICE |
| HDO 160 | |
| HDO 170 | ● |
| HDO 180 | |



The electric pump arrangements shown above are purely indicative. Pump positions may vary depending on the presence of other options

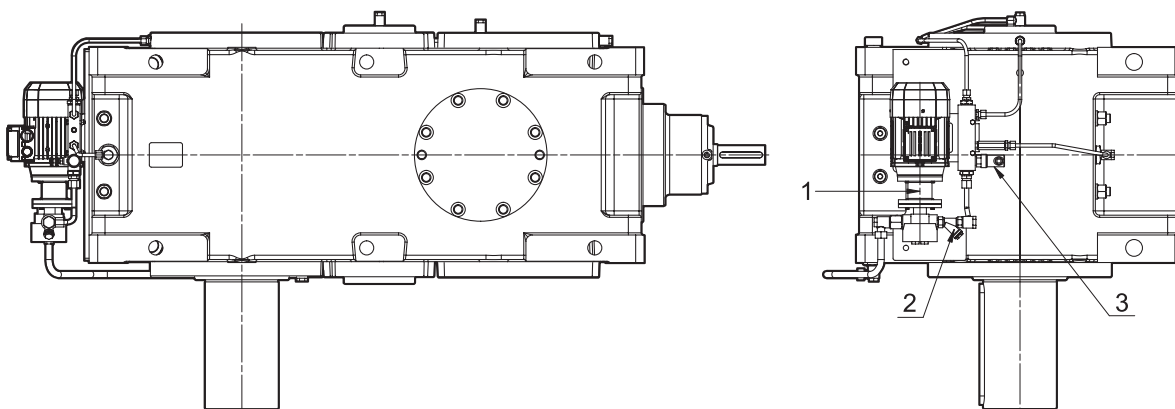
The chart specifies electric pump availability on the basis of mounting position and shaft arrangement.

| Mounting position | Shaft arrangement | Input configuration |
|-------------------|-----------------------------|---------------------|
| B3 | LJ - RJ - DJ - LD - RD - DD | VP - GJ |
| B6 | L - R - D - LD - RD - DD | VP - G |

22.7.2.4 ELECTRIC PUMP FOR MOUNTING POSITION V5

In intermittent duty applications or when speeds are incompatible with the use of the OP pump option, and when required for mounting position V5, the MOP optional forced lubrication circuit is available with an independently powered electric pump.

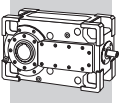
If this device is required in conjunction with the Drywell device, consult the Bonfiglioli Technical Service. This system ensures a constant flow of oil to the top bearings.



- 1 - Motorpump
- 2 - Filter
- 3 - Minimum pressure switch

The electric pump arrangements shown above are purely indicative. Pump positions may vary depending on the presence of other options at the same time.

Contact the Bonfiglioli Technical Service for overall dimensions.



22.7.3 BACKSTOP DEVICE

The backstop device ensures that only one direction of rotation is allowed, and prevents the gearbox to be backdriven by the load connected to the output shaft.

In addition to verifying the shock loads shown in section 10.1, also make sure that the torque transmitted to the backstop $M_1 = M_2 / (i \times h)$ is less than the admissible torque M_{1max} listed in the chart below.

Along with the specification of the backstop device, option **A**, the direction of free rotation for the output shaft (**CW** or **CCW**) must also be specified in the order.

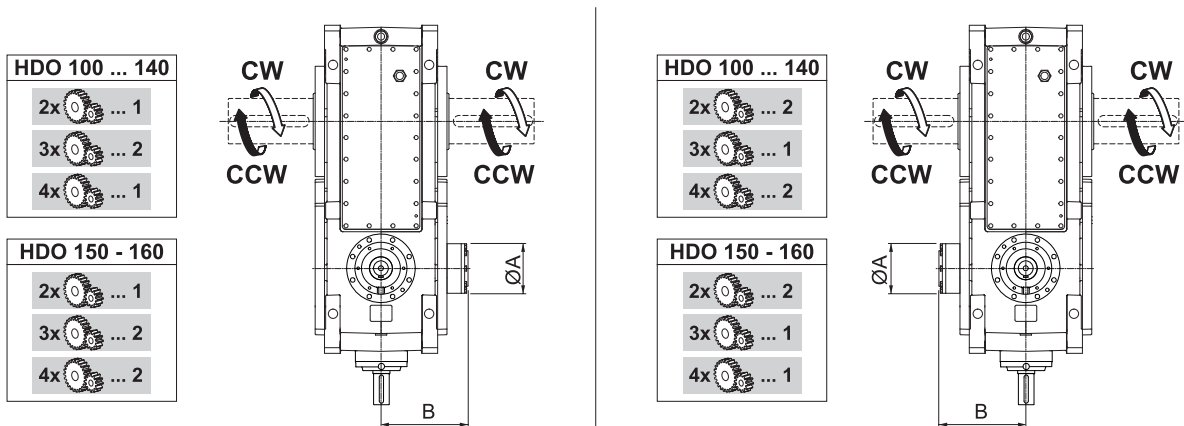
If special operating conditions require it, the user can reverse the direction of rotation of the backstop device by opening the backstop compartment and reversing the direction of the freewheel. If you need to perform this operation, contact Bonfiglioli's Technical Service for the necessary instructions.

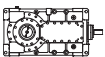
The type of backstop device used, based on centrifugally released shoes, does not require any regular maintenance.

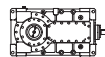
This option is not available with other configurations that use the same shaft end.



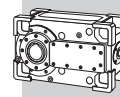
Under continuous operating conditions, it is advisable to maintain a neutral rotation speed n_{1min} greater than that specified in the chart in order to ensure the effective centrifugal release of all the shoes and avoid unnecessary wear. For further details, contact the Bonfiglioli Technical Service.

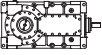


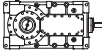

|  | i | A | B | M_{1max} [Nm] | n_{1min} [min ⁻¹] |
|---|---------------------------|-----|-----|--------------------|------------------------------------|
| HDO 100 2_A | $5.8 \leq i \leq 7.0$ | 210 | 335 | 2840 | 720 |
| | $i = 8.0; 8.7$ | | | 2290 | 900 |
| | $i = 10.0; 10.9$ | | | 1830 | 1120 |
| | $i = 12.4; 13.5$ | | | 1480 | 1390 |
| HDO 100 3_A | $14.0 \leq i \leq 17.3$ | 175 | 285 | 1550 | 750 |
| | $20.2 \leq i \leq 40.0$ | | | 1190 | 980 |
| | $43.9 \leq i \leq 67.5$ | | | 770 | 1400 |
| HDO 100 4_A | $70.8 \leq i \leq 139.8$ | 125 | 278 | 400 | 1400 |
| | $160.0 \leq i \leq 344.2$ | | | 250 | (*) |

|  | i | A | B | M_{1max} [Nm] | n_{1min} [min ⁻¹] |
|---|---------------------------|-----|-----|--------------------|------------------------------------|
| HDO 110 2_A | $6.4 \leq i \leq 8.1$ | 210 | 335 | 2840 | 720 |
| | $8.7 \leq i \leq 10.0$ | | | 2290 | 900 |
| | $10.9 \leq i \leq 12.5$ | | | 1830 | 1120 |
| | $13.5 \leq i \leq 15.5$ | | | 1480 | 1390 |
| | $18.9 \leq i \leq 20.9$ | | | 1550 | 750 |
| HDO 110 3_A | $22.0 \leq i \leq 43.6$ | 175 | 285 | 1190 | 980 |
| | $48.0 \leq i \leq 77.5$ | | | 770 | 1400 |
| | $77.4 \leq i \leq 121.7$ | | | 400 | 1400 |
| HDO 110 4_A | $137.1 \leq i \leq 395.0$ | 125 | 278 | 250 | (*) |

(*) Contact the Bonfiglioli Technical Service.

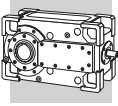


|  | i | A | B | M _{1max} [Nm] | n _{1min} [min ⁻¹] |
|---|-------------------|-----|-----|---------------------------|---|
| HDO 120 2_A | 6.6 ≤ i ≤ 8.1 | 230 | 336 | 3530 | 670 |
| | 8.9 ≤ i ≤ 10.0 | | | 2850 | 840 |
| | 11.1 ≤ i ≤ 12.5 | | | 2280 | 1050 |
| | 13.7 ≤ i ≤ 15.5 | | | 1840 | 1300 |
| HDO 120 3_A | 17.3 ≤ i ≤ 24.6 | 175 | 305 | 1550 | 750 |
| | 28.3 ≤ i ≤ 44.9 | | | 1190 | 980 |
| | 49.5 ≤ i ≤ 78.6 | | | 770 | 1400 |
| HDO 120 4_A | 87.0 ≤ i ≤ 162.2 | 125 | 279 | 400 | 1400 |
| | 179.7 ≤ i ≤ 400.6 | | | 250 | (*) |
| HDO 125 2_A | 7.4 ≤ i ≤ 8.8 | 230 | 336 | 3530 | 670 |
| | i = 9.9 | | | 2850 | 840 |
| | 11.5 ≤ i ≤ 12.3 | | | 2280 | 1050 |
| | 14.2 ≤ i ≤ 16.9 | | | 1840 | 1300 |
| HDO 125 3_A | 19.2 ≤ i ≤ 35.8 | 175 | 305 | 1550 | 750 |
| | 38.8 ≤ i ≤ 55.4 | | | 1190 | 980 |
| | 60.1 ≤ i ≤ 85.9 | | | 770 | 1400 |
| HDO 125 4_A | 97.0 ≤ i ≤ 178.0 | 125 | 279 | 400 | 1400 |
| | 200.3 ≤ i ≤ 438.0 | | | 250 | (*) |
| HDO 130 2_A | 5.7 ≤ i ≤ 7.1 | 290 | 437 | 6630 | 730 |
| | i = 7.7; 8.8 | | | 5350 | 910 |
| | i = 9.6; 11.0 | | | 4280 | 1130 |
| | i = 12.0; 13.6 | | | 3450 | 1400 |
| HDO 130 3_A | 15.2 ≤ i ≤ 19.9 | 210 | 402 | 2840 | 720 |
| | 22.6 ≤ i ≤ 34.9 | | | 2290 | 900 |
| | 38.3 ≤ i ≤ 67.1 | | | 1480 | 1390 |
| HDO 130 4_A | 71.5 ≤ i ≤ 190.3 | 175 | 366 | 1190 | 980 |
| | 219.1 ≤ i ≤ 335.6 | | | 770 | 1400 |
| HDO 140 2_A (**) | 6.6 ≤ i ≤ 8.2 | 290 | 437 | 6630 | 730 |
| | i = 9.0; 10.1 | | | 5350 | 910 |
| | i = 11.3; 12.6 | | | 4280 | 1130 |
| | i = 14.0; 15.7 | | | 3450 | 1400 |
| HDO 140 3_A | 17.7 ≤ i ≤ 23.3 | 210 | 402 | 2840 | 720 |
| | 26.0 ≤ i ≤ 44.4 | | | 2290 | 900 |
| | 50.4 ≤ i ≤ 77.3 | | | 1480 | 1390 |
| HDO 140 4_A | 82.3 ≤ i ≤ 180.0 | 175 | 366 | 1190 | 980 |
| | 198.3 ≤ i ≤ 386.6 | | | 770 | 1400 |

|  | i | A | B | M _{1max} [Nm] | n _{1min} [min ⁻¹] |
|---|--|-----|-------|---------------------------|---|
| HDO 150 2_A | 5.5 ≤ i ≤ 7.0 | 322 | 447 | 10110 | 650 |
| | i = 8.1; 8.9 | | | 8030 | 830 |
| | i = 10.0; 10.9 | | | 6520 | 1020 |
| | i = 12.6; 13.7 | | | 5180 | 1280 |
| HDO 150 3_A | 15.6 ≤ i ≤ 25.4 | 230 | 439,5 | 4040 | 590 |
| | 28.2 ≤ i ≤ 36.0 | | | 2850 | 840 |
| | 40.2 ≤ i ≤ 60.8 | | | 1840 | 1300 |
| HDO 150 4_A | 66.9 ≤ i ≤ 92.9 | — | 333 | 15550 | 750 |
| | 101.8 ≤ i ≤ 141.5 | | | 1190 | 980 |
| | 157.9 ≤ i ≤ 238.8 | | | 770 | 1400 |
| HDO 160 2_A | i = 7.3; 7.9 | 322 | 447 | 10100 | 650 |
| | 8.9 ≤ i ≤ 11.3 | | | 7070 | 940 |
| | 12.2 ≤ i ≤ 15.4 | | | 5210 | 1270 |
| HDO 160 3_A | 17.7 ≤ i ≤ 31.3 | 230 | 439,5 | 4040 | 590 |
| | 34.9 ≤ i ≤ 44.3 | | | 2850 | 840 |
| | 49.4 ≤ i ≤ 68.6 | | | 1840 | 1300 |
| HDO 160 4_A | 75.9 ≤ i ≤ 96.3 | — | 333 | 15550 | 750 |
| | 115.2 ≤ i ≤ 174.0 | | | 1190 | 980 |
| | 194.1 ≤ i ≤ 269.7 | | | 770 | 1400 |
| HDO 170 |  BONFIGLIOLI TECHNICAL SERVICE | | | | |
| HDO 180 | | | | | |

(*) Contact the Bonfiglioli Technical Service.

(**) Option not available in configuration
...S-L-1... e ...S-R-2...



22.7.4 SEALS AND GASKETS

On request, gearboxes can be equipped with different oil sealing systems. These are:

TK – Taconite seals are recommended for environments characterised by the presence of abrasive dust or powders. Taconite seals incorporate a combination of sealing rings, labyrinths and a grease chamber. Greasing must be ensured as part of the scheduled maintenance programme.

VS – Fluoro elastomer compound seal rings.

DS – Dual set of seal rings at each shaft end.

DVS – Dual set of Fluoro elastomer compound seal rings at each shaft end.

22.7.5 SENSORS

Bimetal thermostat – If the **TG** option is specified, a bimetallic thermostat detects when the oil temperature exceeds $90^{\circ}\text{C} \pm 5^{\circ}\text{C}$.

The device is supplied with the gear unit, but installation and wiring are the responsibility of the installer.

Oil level indicator – If the **OLG** option is specified in the order, the gearbox is supplied with a device permitting the remote checking of the oil level. The device best operates when the gearbox is idle and should be bypassed when the gearbox is operating. Wiring is the responsibility of the installer.

The device may not be available in combination with other accessories and/or particular product configurations. Please contact Bonfiglioli Technical Service for advise.

22.7.6 DRYWELL

The “drywell” - option **DW** - is a device providing output shaft sealing for units with output shaft laying vertically in the V5 position.

When specified, it necessarily requires the installation of a forced lubrication system, selected from those available for the gearbox, as illustrated in the relevant section of this catalogue.

At scheduled intervals, check and refill the grease in the vane underneath the output shaft's bottom bearing.

Availability of the Drywell may be subject to limitations, depending on the contemporary specification of other devices. Please consult with Bonfiglioli Technical Service.

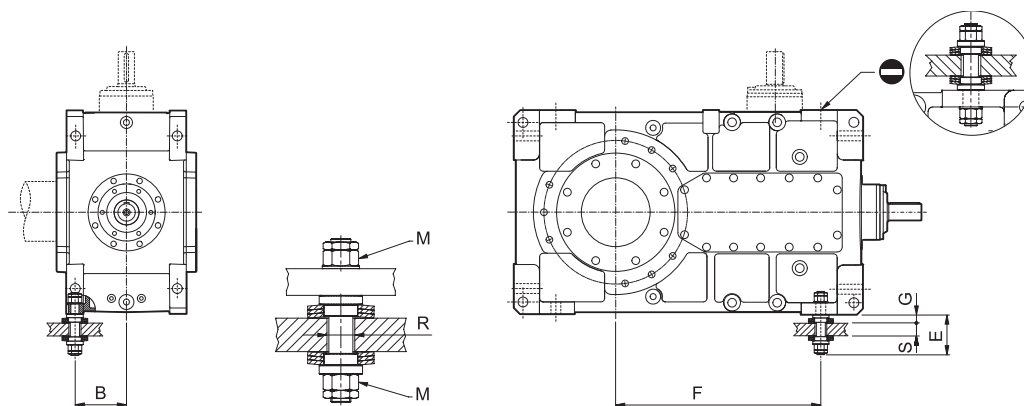
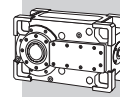
22.7.7 FIXING ELEMENTS


For shaft mounted HDO gearboxes, a specially shaped hardened steel bolt is available to secure the unit to the supporting structure.

Vibration damping cup springs are also supplied in the kit. The customer must adjust the preload of these springs during installation, respecting the value G given in the following chart.

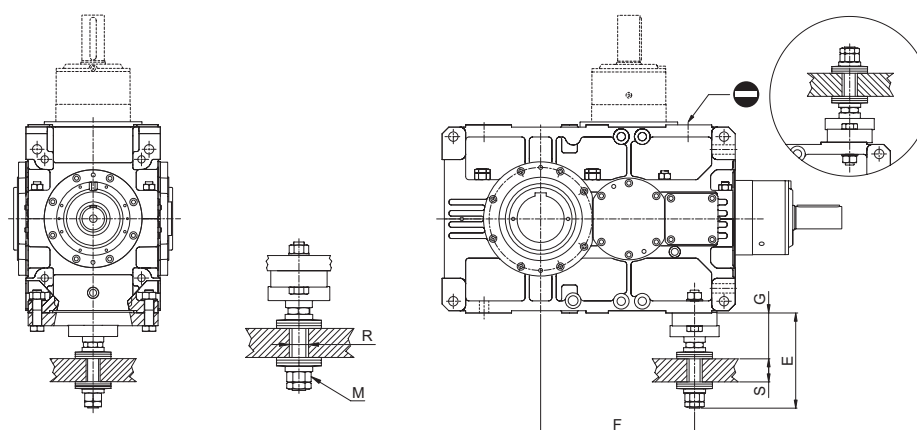
The reaction bolt must be fitted on the side of the gearbox next to the driven machine and in the farthest hole from output shaft centre (see dimension F in the following figure).



Fitting the bolt on same side as the inspection cover is not possible. In this case please contact Bonfiglioli Technical Service for advise.

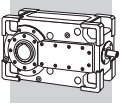


| | F | B | E | G | M | R | S |  DIN2093 |
|--------------|-----|-----|-----|------|-----|----|---------|--|
| HDO 100 2_TA | 420 | 160 | 153 | 33.4 | M27 | 35 | 30 - 40 | A100 |
| HDO 100 3_TA | 540 | | | | | | | |
| HDO 100 4_TA | | | | | | | | |
| HDO 110 2_TA | 435 | 160 | 153 | 33.4 | M27 | 35 | 30 - 40 | A100 |
| HDO 110 3_TA | 555 | | | | | | | |
| HDO 110 4_TA | | | | | | | | |
| HDO 120 2_TA | 480 | 170 | 166 | 33.4 | M30 | 40 | 40 - 50 | A125 |
| HDO 120 3_TA | 630 | | | | | | | |
| HDO 120 4_TA | | | | | | | | |
| HDO 125 2_TA | 530 | 170 | 166 | 33.4 | M30 | 40 | 40 - 50 | A125 |
| HDO 125 3_TA | 680 | | | | | | | |
| HDO 125 4_TA | | | | | | | | |
| HDO 130 2_TA | 585 | 216 | 205 | 42.7 | M36 | 45 | 50 - 60 | A125 |
| HDO 130 3_TA | 780 | | | | | | | |
| HDO 130 4_TA | | | | | | | | |
| HDO 140 2_TA | 625 | 216 | 205 | 42.7 | M36 | 45 | 50 - 60 | A125 |
| HDO 140 3_TA | 790 | | | | | | | |
| HDO 140 4_TA | | | | | | | | |

HDO



| | F | E | G | M | R | S |  DIN2093 |
|--------------|---|-----|-------|-------|----|---------|--|
| HDO 150 2_TA | 687.5 | 405 | 204.3 | M48x2 | 52 | 70 - 80 | A160 |
| HDO 150 3_TA | 877.5 | | | | | | |
| HDO 150 4_TA | | | | | | | |
| HDO 160 2_TA | 727.5 | 405 | 204.3 | M48x2 | 52 | 70 - 80 | A160 |
| HDO 160 3_TA | 927.5 | | | | | | |
| HDO 160 4_TA | | | | | | | |
| HDO 170 |  BONFIGLIOLI TECHNICAL SERVICE | | | | | | |
| HDO 180 | | | | | | | |



22.7.8 SURFACE PROTECTION

When no specific protection class is requested, the painted surfaces of gearboxes are protected to at least corrosivity class C3 (UNI EN ISO 12944-2). For improved resistance to atmospheric corrosion, gearboxes can be delivered with C4 surface protection, obtained by painting the complete gearbox.

| SURFACE PROTECTION | Typical environments | Maximum surface temperature | Corrosivity class according to UNI EN ISO 12944-2 |
|---------------------------|---|-----------------------------|---|
| C3 | Urban and industrial environments with up to 100% relative humidity (medium air pollution) | 120°C | C3 |
| C4 | Industrial areas, coastal areas, chemical plant, with up to 100% relative humidity (high air pollution) | 120°C | C4 |

Gearboxes with optional protection to class C3 or C4 are available in a choice of colours. If no specific colour is requested (see the “PAINTING” option) gearboxes are finished in RAL 7042. Gearboxes can also be supplied with surface protection for corrosivity class C5 according to UNI EN ISO 12944-2. Contact our Technical Service for further details.

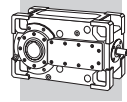
22.7.9 PAINTING

Gearboxes with optional protection to class C3 or C4 are available in the colours listed in the following table.

| PAINTING | Colour | RAL number |
|-----------------|-----------------|------------|
| RAL7042* | Traffic Grey A | 7042 |
| RAL5010 | Gentian Blue | 5010 |
| RAL9005 | Jet Black | 9005 |
| RAL9006 | White Aluminium | 9006 |
| RAL9010 | Pure White | 9010 |

* Gearboxes are supplied in this standard colour if no other colour is specified.

NOTE - “PAINTING” options can only be specified in conjunction with “SURFACE PROTECTION” options.



22.7.10 CERTIFICATES

AC - Certificate of compliance

The document certifies the compliance of the product with the purchase order and the construction in conformity with the applicable procedures of the Bonfiglioli Quality System.

CC - Inspection certificate

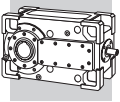
The document entails checking on order compliance, the visual inspection of external conditions and of mating dimensions. Checking on main functional parameters in unloaded conditions is also performed along with oil seal proofing, both in static and in running conditions. Units inspected are sampled within the shipping batch and marked individually.

CT - Type certificate

Further to the activities relevant to the Inspection certificate the following checks are also conducted:




- noise
- surface temperature
- tightness of external hardware
- functionality of ancillary devices, if fitted

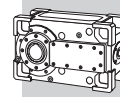
All checks are conducted with the gear unit running unloaded. Units inspected are sampled within the shipping batch and marked individually.



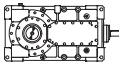
23 REFERENCE TORQUE

The torque values given in the table are influenced by the following elements: gear teeth, shafts and couplings. Performance may therefore vary with application conditions (see the “Thermal Capacity and Rating Charts”).

| HDO | | | | | | | | | | | |
|--|-------|------------------|---------|---------|---------|---------|---------|---------|---------|---------|---------|
| | i_N | Mn_{2max} [Nm] | | | | | | | | | |
| | | HDO 100 | HDO 110 | HDO 120 | HDO 125 | HDO 130 | HDO 140 | HDO 150 | HDO 160 | HDO 170 | HDO 180 |
| 2x  | 5.6 | 20910 | — | — | — | 60700 | — | 89750 | — | — | — |
| | 6.3 | 22620 | 22220 | 31520 | — | 66260 | 69850 | 105160 | — | — | — |
| | 7.1 | 23610 | 23580 | 32970 | 35500 | 65220 | 77290 | 114290 | 118960 | — | — |
| | 8.0 | 22820 | 25740 | 35120 | 36890 | 65900 | 81460 | 113280 | 129300 | — | — |
| | 9.0 | 23430 | 23790 | 34440 | 39420 | 65400 | 80240 | 113290 | 121910 | — | — |
| | 10.0 | 22070 | 25960 | 36600 | 38520 | 62660 | 81680 | 104620 | 131940 | — | — |
| | 11.2 | 23110 | 23040 | 33350 | 35910 | 65440 | 73090 | 112410 | 137750 | — | — |
| | 12.5 | 21490 | 25180 | 35500 | 37300 | 59310 | 80740 | 105820 | 116840 | — | — |
| | 14.0 | 22530 | 22480 | 32500 | 34960 | 64980 | 69190 | 111480 | 126850 | — | — |
| | 16.0 | — | 24600 | 34640 | 36350 | — | 77730 | — | 132600 | — | — |
| 18.0 | — | — | — | 38880 | — | — | — | — | — | — | |
| 3x  | 14.0 | 26470 | — | — | — | — | — | — | — | — | — |
| | 16.0 | 24580 | — | — | — | 58850 | — | 99460 | — | 179960 | — |
| | 18.0 | 26310 | 30740 | 32720 | — | 65750 | 68660 | 114150 | 111830 | 190190 | 199920 |
| | 20.0 | 24400 | 29890 | 35300 | 36480 | 63770 | 77140 | 110100 | 131830 | 182320 | 202450 |
| | 22.4 | 26130 | 29850 | 38530 | 39920 | 65610 | 82910 | 117200 | 141170 | 188900 | 202480 |
| | 25.0 | 24270 | 30740 | 40340 | 43390 | 63380 | 75510 | 113000 | 136270 | 190190 | 209900 |
| | 28.0 | 25990 | 29690 | 36250 | 45510 | 65810 | 82850 | 108950 | 146300 | 182320 | 202450 |
| | 31.5 | 24140 | 31130 | 38110 | 46950 | 63010 | 84810 | 116920 | 139750 | 188900 | 200290 |
| | 35.5 | 25860 | 29540 | 39350 | 47750 | 65470 | 82360 | 111930 | 132770 | 190190 | 209900 |
| | 40.0 | 24020 | 31240 | 40590 | 46730 | 62680 | 82170 | 107250 | 146300 | 190190 | 202450 |
| | 45.0 | 25750 | 29390 | 39130 | 46650 | 65130 | 81940 | 107700 | 138440 | 181730 | 198560 |
| | 50.0 | 23930 | 31120 | 37620 | 49240 | 62370 | 82500 | 114010 | 131890 | 188900 | 197890 |
| | 56.0 | 25640 | 29280 | 38990 | 46390 | 64840 | 81520 | 110770 | 129470 | 189370 | 209900 |
| | 63.0 | 23830 | 30990 | 40250 | 48720 | 62100 | 82170 | 106900 | 144850 | 180390 | 202450 |
| | 71.0 | 22260 | 29160 | 38800 | 47750 | 62420 | 81170 | — | 137030 | — | 196430 |
| 80.0 | — | 26350 | 35760 | 49240 | — | 78870 | — | — | — | — | |
| 90.0 | — | — | — | 46010 | — | — | — | — | — | — | |
| 4x  | 71.0 | 25930 | — | — | — | 65760 | — | 109890 | — | 180330 | — |
| | 80.0 | 24100 | 31130 | — | — | 63000 | 84810 | 111250 | 124790 | 190190 | 200360 |
| | 90.0 | 26910 | 29490 | 39240 | — | 67870 | 82350 | 117200 | 135850 | 182320 | 202450 |
| | 100.0 | 24880 | 30740 | 41250 | 48720 | 65030 | 82170 | 112750 | 137650 | 188900 | 199380 |
| | 112.0 | 27820 | 30610 | 40820 | 47750 | 69570 | 85000 | 111670 | 127540 | 190190 | 209900 |
| | 125.0 | 24880 | 31130 | 41250 | 49240 | 66770 | 84810 | 117200 | 137260 | 182320 | 202450 |
| | 140.0 | 28210 | 31750 | 40920 | 47230 | 69570 | 87060 | 117090 | 142460 | 183700 | 207020 |
| | 160.0 | 24880 | 31350 | 41250 | 48720 | 66770 | 84810 | 116600 | 146300 | 190190 | 204100 |
| | 180.0 | 28210 | 31790 | 40920 | 47700 | 69570 | 87060 | 114780 | 147070 | 182320 | 202450 |
| | 200.0 | 24880 | 31570 | 41250 | 49240 | 66770 | 84810 | 117200 | 143330 | 188900 | 205480 |
| | 224.0 | 28210 | 31790 | 40920 | 47700 | 69570 | 87060 | 117090 | 141140 | 190190 | 209900 |
| | 250.0 | 24880 | 31570 | 41250 | 48720 | 66770 | 84810 | 114780 | 146300 | 182320 | 202450 |
| | 280.0 | 28210 | 31790 | 40920 | 47230 | 69570 | 87060 | — | 147070 | — | — |
| | 315.0 | 25080 | 31570 | 41250 | 49240 | 66770 | 80940 | — | — | — | — |
| | 355.0 | 23870 | 31790 | 40920 | 47750 | 63140 | 87060 | — | — | — | — |
| | 400.0 | — | 28490 | 37730 | 49240 | — | 78870 | — | — | — | — |
| 450.0 | — | — | — | 49240 | — | — | — | — | — | — | |



24 THERMAL CAPACITY AND RATING CHARTS

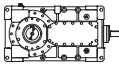
| HDO 100 | | | | | n ₁ = 1800 min ⁻¹ | | | | | | | |
|---|-------|--|-------------------------|-------------------------|---|---------------------------|-----------------------------|-----------------------------|--------------------------|-----------------------------|-----------------------------|-----|
|  | i | n ₂ [min ⁻¹] | Mn ₂ [Nm] | Pn ₁ [kW] | Tamb = 20°C | | | | | | | |
| | | | | | P _T [kW] | P _{TFAN} [kW] | P _{TMCRA5} [kW] | P _{TMCRA9} [kW] | P _{TSR} [kW] | P _{TMCRW5} [kW] | P _{TMCRW9} [kW] | |
| HDO 100 2 | 5.8 | 310 | 14190 | 479 | * | 228 | * | * | * | * | * | * |
| HDO 100 2 | 6.5 | 279 | 16170 | 491 | * | 228 | * | * | * | * | * | * |
| HDO 100 2 | 7.0 | 256 | 16790 | 468 | * | 228 | * | * | * | * | * | * |
| HDO 100 2 | 8.0 | 225 | 16440 | 403 | * | 228 | 284 | 353 | * | * | 310 | 310 |
| HDO 100 2 | 8.7 | 207 | 17000 | 383 | 100 | 228 | 284 | 353 | * | 225 | 310 | 310 |
| HDO 100 2 | 10.0 | 180 | 16640 | 327 | 100 | 228 | 284 | — | 197 | 225 | — | — |
| HDO 100 2 | 10.9 | 165 | 17250 | 311 | 100 | 228 | — | — | 197 | 225 | — | — |
| HDO 100 2 | 12.4 | 145 | 17020 | 269 | 100 | — | — | — | 197 | — | — | — |
| HDO 100 2 | 13.5 | 133 | 17680 | 257 | 100 | — | — | — | 197 | — | — | — |
| HDO 100 3 | 14.0 | 128 | 19080 | 273 | * | 170 | 200 | — | 135 | 156 | — | — |
| HDO 100 3 | 15.6 | 116 | 20950 | 270 | * | 170 | 200 | — | 135 | 156 | — | — |
| HDO 100 3 | 17.3 | 104 | 20070 | 232 | * | 170 | 200 | — | 135 | 156 | — | — |
| HDO 100 3 | 20.2 | 89 | 22110 | 219 | 84 | 170 | — | — | 135 | 156 | — | — |
| HDO 100 3 | 22.5 | 80 | 21720 | 193 | 84 | 170 | — | — | 135 | 156 | — | — |
| HDO 100 3 | 25.0 | 72 | 24090 | 193 | 84 | 170 | — | — | 135 | 156 | — | — |
| HDO 100 3 | 28.3 | 64 | 22710 | 161 | 84 | — | — | — | 135 | — | — | — |
| HDO 100 3 | 31.5 | 57 | 23480 | 149 | 84 | — | — | — | — | — | — | — |
| HDO 100 3 | 36.0 | 50 | 23760 | 132 | 84 | — | — | — | — | — | — | — |
| HDO 100 3 | 40.0 | 45 | 23480 | 118 | 84 | — | — | — | — | — | — | — |
| HDO 100 3 | 43.9 | 41 | 24090 | 110 | 84 | — | — | — | — | — | — | — |
| HDO 100 3 | 48.8 | 37 | 23480 | 96 | 84 | — | — | — | — | — | — | — |
| HDO 100 3 | 55.8 | 32 | 25730 | 92 | — | — | — | — | — | — | — | — |
| HDO 100 3 | 62.0 | 29.0 | 23480 | 76 | — | — | — | — | — | — | — | — |
| HDO 100 3 | 67.5 | 26.7 | 22050 | 65 | — | — | — | — | — | — | — | — |
| HDO 100 4 | 70.8 | 25.4 | 25620 | 74 | — | — | — | — | — | — | — | — |
| HDO 100 4 | 78.7 | 22.9 | 23480 | 61 | — | — | — | — | — | — | — | — |
| HDO 100 4 | 90.0 | 20.0 | 26160 | 59 | — | — | — | — | — | — | — | — |
| HDO 100 4 | 100.0 | 18.0 | 23480 | 48 | — | — | — | — | — | — | — | — |
| HDO 100 4 | 111.4 | 16.2 | 26450 | 49 | — | — | — | — | — | — | — | — |
| HDO 100 4 | 123.8 | 14.5 | 23480 | 39 | — | — | — | — | — | — | — | — |
| HDO 100 4 | 139.8 | 12.9 | 26450 | 39 | — | — | — | — | — | — | — | — |
| HDO 100 4 | 160.0 | 11.3 | 23480 | 30 | — | — | — | — | — | — | — | — |
| HDO 100 4 | 178.2 | 10.1 | 26450 | 30 | — | — | — | — | — | — | — | — |
| HDO 100 4 | 198.0 | 9.1 | 23480 | 24 | — | — | — | — | — | — | — | — |
| HDO 100 4 | 223.7 | 8.0 | 26450 | 24 | — | — | — | — | — | — | — | — |
| HDO 100 4 | 248.6 | 7.2 | 24880 | 20 | — | — | — | — | — | — | — | — |
| HDO 100 4 | 284.4 | 6.3 | 28210 | 20 | — | — | — | — | — | — | — | — |
| HDO 100 4 | 316.0 | 5.7 | 24880 | 16.1 | — | — | — | — | — | — | — | — |
| HDO 100 4 | 344.2 | 5.2 | 23870 | 14.2 | — | — | — | — | — | — | — | — |

HDO

*  BONFIGLIOLI TECHNICAL SERVICE

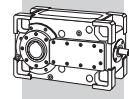
— Thermal verification not necessary



| HDO 100 | | | | | $n_1 = 1800 \text{ min}^{-1}$ | | | | | | |
|---|-------|-------------------------------|----------------|----------------|-------------------------------|--------------------|----------------------|----------------------|-------------------|----------------------|----------------------|
|  | i | n_2 [min ⁻¹] | Mn_2 [Nm] | Pn_1 [kW] | Tamb = 40°C | | | | | | |
| | | | | | P_T [kW] | P_{TFAN} [kW] | P_{TMCR45} [kW] | P_{TMCR49} [kW] | P_{TSR} [kW] | P_{TMCRW5} [kW] | P_{TMCRW9} [kW] |
| HDO 100 2 | 5.8 | 310 | 14190 | 479 | * | * | * | * | * | * | * |
| HDO 100 2 | 6.5 | 279 | 16170 | 491 | * | 156 | * | * | * | * | * |
| HDO 100 2 | 7.0 | 256 | 16790 | 468 | * | 156 | * | * | * | * | * |
| HDO 100 2 | 8.0 | 225 | 16440 | 403 | * | 156 | * | * | * | * | * |
| HDO 100 2 | 8.7 | 207 | 17000 | 383 | * | 156 | 159 | 203 | 150 | 178 | 272 |
| HDO 100 2 | 10.0 | 180 | 16640 | 327 | 71 | 156 | 159 | 203 | 150 | 178 | — |
| HDO 100 2 | 10.9 | 165 | 17250 | 311 | 71 | 156 | 159 | 203 | 150 | 178 | — |
| HDO 100 2 | 12.4 | 145 | 17020 | 269 | 71 | 156 | 159 | 203 | 150 | 178 | — |
| HDO 100 2 | 13.5 | 133 | 17680 | 257 | 71 | 156 | 159 | 203 | 150 | 178 | — |
| HDO 100 3 | 14.0 | 128 | 19080 | 273 | * | 115 | * | * | * | * | * |
| HDO 100 3 | 15.6 | 116 | 20950 | 270 | * | 115 | * | * | * | * | 200 |
| HDO 100 3 | 17.3 | 104 | 20070 | 232 | * | 115 | * | * | * | 139 | 200 |
| HDO 100 3 | 20.2 | 89 | 22110 | 219 | 55 | 115 | 126 | 157 | 118 | 139 | — |
| HDO 100 3 | 22.5 | 80 | 21720 | 193 | 55 | 115 | 126 | 157 | 118 | 139 | — |
| HDO 100 3 | 25.0 | 72 | 24090 | 193 | 55 | 115 | 126 | 157 | 118 | 139 | — |
| HDO 100 3 | 28.3 | 64 | 22710 | 161 | 55 | 115 | 126 | — | 118 | 139 | — |
| HDO 100 3 | 31.5 | 57 | 23480 | 149 | 55 | 115 | 126 | — | 118 | — | — |
| HDO 100 3 | 36.0 | 50 | 23760 | 132 | 55 | 115 | — | — | — | — | — |
| HDO 100 3 | 40.0 | 45 | 23480 | 118 | 55 | — | — | — | — | — | — |
| HDO 100 3 | 43.9 | 41 | 24090 | 110 | 55 | — | — | — | — | — | — |
| HDO 100 3 | 48.8 | 37 | 23480 | 96 | 55 | — | — | — | — | — | — |
| HDO 100 3 | 55.8 | 32 | 25730 | 92 | 55 | — | — | — | — | — | — |
| HDO 100 3 | 62.0 | 29.0 | 23480 | 76 | 55 | — | — | — | — | — | — |
| HDO 100 3 | 67.5 | 26.7 | 22050 | 65 | 55 | — | — | — | — | — | — |
| HDO 100 4 | 70.8 | 25.4 | 25620 | 74 | 51 | — | — | — | — | — | — |
| HDO 100 4 | 78.7 | 22.9 | 23480 | 61 | 51 | — | — | — | — | — | — |
| HDO 100 4 | 90.0 | 20.0 | 26160 | 59 | 51 | — | — | — | — | — | — |
| HDO 100 4 | 100.0 | 18.0 | 23480 | 48 | — | — | — | — | — | — | — |
| HDO 100 4 | 111.4 | 16.2 | 26450 | 49 | — | — | — | — | — | — | — |
| HDO 100 4 | 123.8 | 14.5 | 23480 | 39 | — | — | — | — | — | — | — |
| HDO 100 4 | 139.8 | 12.9 | 26450 | 39 | — | — | — | — | — | — | — |
| HDO 100 4 | 160.0 | 11.3 | 23480 | 30 | — | — | — | — | — | — | — |
| HDO 100 4 | 178.2 | 10.1 | 26450 | 30 | — | — | — | — | — | — | — |
| HDO 100 4 | 198.0 | 9.1 | 23480 | 24 | — | — | — | — | — | — | — |
| HDO 100 4 | 223.7 | 8.0 | 26450 | 24 | — | — | — | — | — | — | — |
| HDO 100 4 | 248.6 | 7.2 | 24880 | 20 | — | — | — | — | — | — | — |
| HDO 100 4 | 284.4 | 6.3 | 28210 | 20 | — | — | — | — | — | — | — |
| HDO 100 4 | 316.0 | 5.7 | 24880 | 16.1 | — | — | — | — | — | — | — |
| HDO 100 4 | 344.2 | 5.2 | 23870 | 14.2 | — | — | — | — | — | — | — |

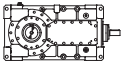
*  BONFIGLIOLI TECHNICAL SERVICE

— Thermal verification not necessary



HDO 100

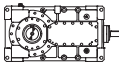
$n_1 = 1500 \text{ min}^{-1}$

|  | i | n ₂ [min ⁻¹] | Mn ₂ [Nm] | Pn ₁ [kW] | Tamb = 20°C | | | | | | |
|---|-------|--|-------------------------|-------------------------|------------------------|---------------------------|-----------------------------|-----------------------------|--------------------------|-----------------------------|-----------------------------|
| | | | | | P _T [kW] | P _{TFAN} [kW] | P _{TMCRA5} [kW] | P _{TMCRA9} [kW] | P _{TSR} [kW] | P _{TMCRW5} [kW] | P _{TMCRW9} [kW] |
| HDO 100 2 | 5.8 | 258 | 14990 | 422 | 99 | 223 | 274 | 352 | 187 | 215 | 309 |
| HDO 100 2 | 6.5 | 232 | 17080 | 432 | 99 | 223 | 274 | 352 | 187 | 215 | 309 |
| HDO 100 2 | 7.0 | 213 | 17740 | 412 | 99 | 223 | 274 | — | 187 | 215 | 309 |
| HDO 100 2 | 8.0 | 188 | 17370 | 355 | 99 | 223 | 274 | — | 187 | 215 | — |
| HDO 100 2 | 8.7 | 172 | 17950 | 337 | 99 | 223 | — | — | 187 | 215 | — |
| HDO 100 2 | 10.0 | 150 | 17580 | 288 | 99 | 223 | — | — | 187 | 215 | — |
| HDO 100 2 | 10.9 | 138 | 18220 | 274 | 99 | — | — | — | 187 | 215 | — |
| HDO 100 2 | 12.4 | 121 | 17980 | 237 | 99 | — | — | — | 187 | — | — |
| HDO 100 2 | 13.5 | 111 | 18670 | 226 | 99 | — | — | — | — | — | — |
| HDO 100 3 | 14.0 | 107 | 20240 | 241 | 81 | 166 | — | — | — | — | — |
| HDO 100 3 | 15.6 | 96 | 22210 | 238 | 81 | 166 | — | — | — | — | — |
| HDO 100 3 | 17.3 | 87 | 21300 | 205 | 81 | 166 | — | — | — | — | — |
| HDO 100 3 | 20.2 | 74 | 23650 | 195 | 81 | — | — | — | — | — | — |
| HDO 100 3 | 22.5 | 67 | 23040 | 171 | 81 | — | — | — | — | — | — |
| HDO 100 3 | 25.0 | 60 | 24270 | 162 | 81 | — | — | — | — | — | — |
| HDO 100 3 | 28.3 | 53 | 24080 | 142 | 81 | — | — | — | — | — | — |
| HDO 100 3 | 31.5 | 48 | 24140 | 128 | 81 | — | — | — | — | — | — |
| HDO 100 3 | 36.0 | 42 | 25230 | 117 | 81 | — | — | — | — | — | — |
| HDO 100 3 | 40.0 | 38 | 24020 | 100 | 81 | — | — | — | — | — | — |
| HDO 100 3 | 43.9 | 34 | 25580 | 97 | 81 | — | — | — | — | — | — |
| HDO 100 3 | 48.8 | 31 | 23930 | 82 | — | — | — | — | — | — | — |
| HDO 100 3 | 55.8 | 26.9 | 25640 | 77 | — | — | — | — | — | — | — |
| HDO 100 3 | 62.0 | 24.2 | 23830 | 64 | — | — | — | — | — | — | — |
| HDO 100 3 | 67.5 | 22.2 | 22260 | 55 | — | — | — | — | — | — | — |
| HDO 100 4 | 70.8 | 21.2 | 25930 | 62 | — | — | — | — | — | — | — |
| HDO 100 4 | 78.7 | 19.1 | 24100 | 52 | — | — | — | — | — | — | — |
| HDO 100 4 | 90.0 | 16.7 | 26910 | 51 | — | — | — | — | — | — | — |
| HDO 100 4 | 100.0 | 15.0 | 24880 | 42 | — | — | — | — | — | — | — |
| HDO 100 4 | 111.4 | 13.5 | 27820 | 43 | — | — | — | — | — | — | — |
| HDO 100 4 | 123.8 | 12.1 | 24880 | 34 | — | — | — | — | — | — | — |
| HDO 100 4 | 139.8 | 10.7 | 28210 | 34 | — | — | — | — | — | — | — |
| HDO 100 4 | 160.0 | 9.4 | 24880 | 26 | — | — | — | — | — | — | — |
| HDO 100 4 | 178.2 | 8.4 | 28210 | 27 | — | — | — | — | — | — | — |
| HDO 100 4 | 198.0 | 7.6 | 24880 | 21 | — | — | — | — | — | — | — |
| HDO 100 4 | 223.7 | 6.7 | 28210 | 21 | — | — | — | — | — | — | — |
| HDO 100 4 | 248.6 | 6.0 | 24880 | 17.0 | — | — | — | — | — | — | — |
| HDO 100 4 | 284.4 | 5.3 | 28210 | 16.9 | — | — | — | — | — | — | — |
| HDO 100 4 | 316.0 | 4.7 | 25080 | 13.5 | — | — | — | — | — | — | — |
| HDO 100 4 | 344.2 | 4.4 | 23870 | 11.8 | — | — | — | — | — | — | — |

*  BONFIGLIOLI
TECHNICAL SERVICE

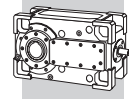
— Thermal verification not necessary



| HDO 100 | | | | | $n_1 = 1500 \text{ min}^{-1}$ | | | | | | |
|---|-------|-------------------------------|----------------|----------------|-------------------------------|--------------------|----------------------|----------------------|-------------------|----------------------|----------------------|
|  | i | n_2 [min ⁻¹] | Mn_2 [Nm] | Pn_1 [kW] | Tamb = 40°C | | | | | | |
| | | | | | P_T [kW] | P_{TFAN} [kW] | P_{TMCR45} [kW] | P_{TMCR49} [kW] | P_{TSR} [kW] | P_{TMCRW5} [kW] | P_{TMCRW9} [kW] |
| HDO 100 2 | 5.8 | 258 | 14990 | 422 | * | 152 | 158 | 202 | 149 | 177 | 271 |
| HDO 100 2 | 6.5 | 232 | 17080 | 432 | * | 152 | 158 | 202 | 149 | 177 | 271 |
| HDO 100 2 | 7.0 | 213 | 17740 | 412 | * | 152 | 158 | 202 | 149 | 177 | 271 |
| HDO 100 2 | 8.0 | 188 | 17370 | 355 | 70 | 152 | 158 | 202 | 149 | 177 | 271 |
| HDO 100 2 | 8.7 | 172 | 17950 | 337 | 70 | 152 | 158 | 202 | 149 | 177 | 271 |
| HDO 100 2 | 10.0 | 150 | 17580 | 288 | 70 | 152 | 158 | 202 | 149 | 177 | — |
| HDO 100 2 | 10.9 | 138 | 18220 | 274 | 70 | 152 | 158 | 202 | 149 | 177 | — |
| HDO 100 2 | 12.4 | 121 | 17980 | 237 | 70 | 152 | 158 | — | 149 | 177 | — |
| HDO 100 2 | 13.5 | 111 | 18670 | 226 | 70 | 152 | 158 | — | 149 | 177 | — |
| HDO 100 3 | 14.0 | 107 | 20240 | 241 | 52 | 114 | 123 | — | 115 | 136 | — |
| HDO 100 3 | 15.6 | 96 | 22210 | 238 | 52 | 114 | 123 | — | 115 | 136 | — |
| HDO 100 3 | 17.3 | 87 | 21300 | 205 | 52 | 114 | 123 | — | 115 | 136 | — |
| HDO 100 3 | 20.2 | 74 | 23650 | 195 | 52 | 114 | 123 | — | 115 | 136 | — |
| HDO 100 3 | 22.5 | 67 | 23040 | 171 | 52 | 114 | 123 | — | 115 | 136 | — |
| HDO 100 3 | 25.0 | 60 | 24270 | 162 | 52 | 114 | 123 | — | 115 | 136 | — |
| HDO 100 3 | 28.3 | 53 | 24080 | 142 | 52 | 114 | — | — | 115 | — | — |
| HDO 100 3 | 31.5 | 48 | 24140 | 128 | 52 | — | — | — | — | — | — |
| HDO 100 3 | 36.0 | 42 | 25230 | 117 | 52 | — | — | — | — | — | — |
| HDO 100 3 | 40.0 | 38 | 24020 | 100 | 52 | — | — | — | — | — | — |
| HDO 100 3 | 43.9 | 34 | 25580 | 97 | 52 | — | — | — | — | — | — |
| HDO 100 3 | 48.8 | 31 | 23930 | 82 | 52 | — | — | — | — | — | — |
| HDO 100 3 | 55.8 | 26.9 | 25640 | 77 | 52 | — | — | — | — | — | — |
| HDO 100 3 | 62.0 | 24.2 | 23830 | 64 | 52 | — | — | — | — | — | — |
| HDO 100 3 | 67.5 | 22.2 | 22260 | 55 | — | — | — | — | — | — | — |
| HDO 100 4 | 70.8 | 21.2 | 25930 | 62 | 53 | — | — | — | — | — | — |
| HDO 100 4 | 78.7 | 19.1 | 24100 | 52 | — | — | — | — | — | — | — |
| HDO 100 4 | 90.0 | 16.7 | 26910 | 51 | — | — | — | — | — | — | — |
| HDO 100 4 | 100.0 | 15.0 | 24880 | 42 | — | — | — | — | — | — | — |
| HDO 100 4 | 111.4 | 13.5 | 27820 | 43 | — | — | — | — | — | — | — |
| HDO 100 4 | 123.8 | 12.1 | 24880 | 34 | — | — | — | — | — | — | — |
| HDO 100 4 | 139.8 | 10.7 | 28210 | 34 | — | — | — | — | — | — | — |
| HDO 100 4 | 160.0 | 9.4 | 24880 | 26 | — | — | — | — | — | — | — |
| HDO 100 4 | 178.2 | 8.4 | 28210 | 27 | — | — | — | — | — | — | — |
| HDO 100 4 | 198.0 | 7.6 | 24880 | 21 | — | — | — | — | — | — | — |
| HDO 100 4 | 223.7 | 6.7 | 28210 | 21 | — | — | — | — | — | — | — |
| HDO 100 4 | 248.6 | 6.0 | 24880 | 17.0 | — | — | — | — | — | — | — |
| HDO 100 4 | 284.4 | 5.3 | 28210 | 16.9 | — | — | — | — | — | — | — |
| HDO 100 4 | 316.0 | 4.7 | 25080 | 13.5 | — | — | — | — | — | — | — |
| HDO 100 4 | 344.2 | 4.4 | 23870 | 11.8 | — | — | — | — | — | — | — |

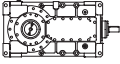
*  BONFIGLIOLI TECHNICAL SERVICE

— Thermal verification not necessary



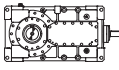
HDO 100

$n_1 = 1200 \text{ min}^{-1}$

|  | i | n_2 [min^{-1}] | Mn_2 [Nm] | Pn_1 [kW] | Tamb = 20°C | | | | | | |
|---|-------|--------------------------------|----------------|----------------|---------------|--------------------|----------------------|-----------------------|-------------------|----------------------|----------------------|
| | | | | | P_T [kW] | P_{TFAN} [kW] | P_{TMCRAS} [kW] | $P_{TMCRAS9}$ [kW] | P_{TSR} [kW] | P_{TMCRW5} [kW] | P_{TMCRW9} [kW] |
| HDO 100 2 | 5.8 | 206 | 16030 | 361 | 109 | 220 | 284 | — | 197 | 225 | — |
| HDO 100 2 | 6.5 | 186 | 18260 | 370 | 109 | 220 | 284 | — | 197 | 225 | — |
| HDO 100 2 | 7.0 | 170 | 18970 | 353 | 109 | 220 | 284 | — | 197 | 225 | — |
| HDO 100 2 | 8.0 | 150 | 18570 | 304 | 109 | 220 | — | — | 197 | 225 | — |
| HDO 100 2 | 8.7 | 138 | 19200 | 288 | 109 | 220 | — | — | 197 | 225 | — |
| HDO 100 2 | 10.0 | 120 | 18800 | 246 | 109 | — | — | — | — | — | — |
| HDO 100 2 | 10.9 | 110 | 19490 | 234 | 109 | — | — | — | — | — | — |
| HDO 100 2 | 12.4 | 97 | 19220 | 203 | 109 | — | — | — | — | — | — |
| HDO 100 2 | 13.5 | 89 | 19970 | 193 | 109 | — | — | — | — | — | — |
| HDO 100 3 | 14.0 | 86 | 21640 | 206 | 87 | 163 | — | — | 150 | 171 | — |
| HDO 100 3 | 15.6 | 77 | 23750 | 204 | 87 | 163 | — | — | 150 | 171 | — |
| HDO 100 3 | 17.3 | 69 | 22770 | 176 | 87 | — | — | — | — | — | — |
| HDO 100 3 | 20.2 | 59 | 23650 | 156 | 87 | — | — | — | — | — | — |
| HDO 100 3 | 22.5 | 53 | 24640 | 146 | 87 | — | — | — | — | — | — |
| HDO 100 3 | 25.0 | 48 | 24140 | 129 | 87 | — | — | — | — | — | — |
| HDO 100 3 | 28.3 | 42 | 25740 | 121 | 87 | — | — | — | — | — | — |
| HDO 100 3 | 31.5 | 38 | 24030 | 102 | 87 | — | — | — | — | — | — |
| HDO 100 3 | 36.0 | 33 | 25740 | 95 | — | — | — | — | — | — | — |
| HDO 100 3 | 40.0 | 30 | 23920 | 80 | — | — | — | — | — | — | — |
| HDO 100 3 | 43.9 | 27.3 | 25650 | 78 | — | — | — | — | — | — | — |
| HDO 100 3 | 48.8 | 24.6 | 23830 | 65 | — | — | — | — | — | — | — |
| HDO 100 3 | 55.8 | 21.5 | 25870 | 62 | — | — | — | — | — | — | — |
| HDO 100 3 | 62.0 | 19.4 | 24040 | 52 | — | — | — | — | — | — | — |
| HDO 100 3 | 67.5 | 17.8 | 22460 | 44 | — | — | — | — | — | — | — |
| HDO 100 4 | 70.8 | 16.9 | 26840 | 52 | — | — | — | — | — | — | — |
| HDO 100 4 | 78.7 | 15.3 | 24880 | 43 | — | — | — | — | — | — | — |
| HDO 100 4 | 90.0 | 13.3 | 27860 | 42 | — | — | — | — | — | — | — |
| HDO 100 4 | 100.0 | 12.0 | 24880 | 34 | — | — | — | — | — | — | — |
| HDO 100 4 | 111.4 | 10.8 | 28210 | 35 | — | — | — | — | — | — | — |
| HDO 100 4 | 123.8 | 9.7 | 24880 | 27 | — | — | — | — | — | — | — |
| HDO 100 4 | 139.8 | 8.6 | 28210 | 27 | — | — | — | — | — | — | — |
| HDO 100 4 | 160.0 | 7.5 | 24880 | 21 | — | — | — | — | — | — | — |
| HDO 100 4 | 178.2 | 6.7 | 28210 | 22 | — | — | — | — | — | — | — |
| HDO 100 4 | 198.0 | 6.1 | 24880 | 17.1 | — | — | — | — | — | — | — |
| HDO 100 4 | 223.7 | 5.4 | 28210 | 17.2 | — | — | — | — | — | — | — |
| HDO 100 4 | 248.6 | 4.8 | 25020 | 13.7 | — | — | — | — | — | — | — |
| HDO 100 4 | 284.4 | 4.2 | 28210 | 13.5 | — | — | — | — | — | — | — |
| HDO 100 4 | 316.0 | 3.8 | 25410 | 11.0 | — | — | — | — | — | — | — |
| HDO 100 4 | 344.2 | 3.5 | 23870 | 9.4 | — | — | — | — | — | — | — |

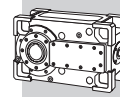
HDO



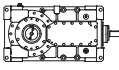
| HDO 100 | | | | | $n_1 = 1200 \text{ min}^{-1}$ | | | | | | | |
|---|-------|--------------------------------|----------------|----------------|-------------------------------|--------------------|----------------------|----------------------|-------------------|----------------------|----------------------|-----|
|  | i | n_2 [min^{-1}] | Mn_2 [Nm] | Pn_1 [kW] | Tamb = 40°C | | | | | | | |
| | | | | | P_T [kW] | P_{TFAN} [kW] | P_{TMCR45} [kW] | P_{TMCR49} [kW] | P_{TSR} [kW] | P_{TMCRW5} [kW] | P_{TMCRW9} [kW] | |
| HDO 100 2 | 5.8 | 206 | 16030 | 361 | * | * | * | * | * | * | * | 264 |
| HDO 100 2 | 6.5 | 186 | 18260 | 370 | * | * | * | * | * | * | * | 264 |
| HDO 100 2 | 7.0 | 170 | 18970 | 353 | 60 | 142 | 157 | 201 | 148 | 178 | 264 | |
| HDO 100 2 | 8.0 | 150 | 18570 | 304 | 60 | 142 | 157 | 201 | 148 | 178 | — | |
| HDO 100 2 | 8.7 | 138 | 19200 | 288 | 60 | 142 | 157 | 201 | 148 | 178 | — | |
| HDO 100 2 | 10.0 | 120 | 18800 | 246 | 60 | 142 | 157 | — | 148 | 178 | — | |
| HDO 100 2 | 10.9 | 110 | 19490 | 234 | 60 | 142 | 157 | — | 148 | 178 | — | |
| HDO 100 2 | 12.4 | 97 | 19220 | 203 | 60 | 142 | 157 | — | 148 | — | — | |
| HDO 100 2 | 13.5 | 89 | 19970 | 193 | 60 | 142 | — | — | 148 | — | — | |
| HDO 100 3 | 14.0 | 86 | 21640 | 206 | 59 | 116 | 131 | 162 | 123 | 144 | — | |
| HDO 100 3 | 15.6 | 77 | 23750 | 204 | 59 | 116 | 131 | 162 | 123 | 144 | — | |
| HDO 100 3 | 17.3 | 69 | 22770 | 176 | 59 | 116 | 131 | — | 123 | 144 | — | |
| HDO 100 3 | 20.2 | 59 | 23650 | 156 | 59 | 116 | — | — | 123 | — | — | |
| HDO 100 3 | 22.5 | 53 | 24640 | 146 | 59 | 116 | — | — | 123 | — | — | |
| HDO 100 3 | 25.0 | 48 | 24140 | 129 | 59 | — | — | — | — | — | — | |
| HDO 100 3 | 28.3 | 42 | 25740 | 121 | 59 | — | — | — | — | — | — | |
| HDO 100 3 | 31.5 | 38 | 24030 | 102 | 59 | — | — | — | — | — | — | |
| HDO 100 3 | 36.0 | 33 | 25740 | 95 | 59 | — | — | — | — | — | — | |
| HDO 100 3 | 40.0 | 30 | 23920 | 80 | 59 | — | — | — | — | — | — | |
| HDO 100 3 | 43.9 | 27.3 | 25650 | 78 | 59 | — | — | — | — | — | — | |
| HDO 100 3 | 48.8 | 24.6 | 23830 | 65 | — | — | — | — | — | — | — | |
| HDO 100 3 | 55.8 | 21.5 | 25870 | 62 | — | — | — | — | — | — | — | |
| HDO 100 3 | 62.0 | 19.4 | 24040 | 52 | — | — | — | — | — | — | — | |
| HDO 100 3 | 67.5 | 17.8 | 22460 | 44 | — | — | — | — | — | — | — | |
| HDO 100 4 | 70.8 | 16.9 | 26840 | 52 | — | — | — | — | — | — | — | |
| HDO 100 4 | 78.7 | 15.3 | 24880 | 43 | — | — | — | — | — | — | — | |
| HDO 100 4 | 90.0 | 13.3 | 27860 | 42 | — | — | — | — | — | — | — | |
| HDO 100 4 | 100.0 | 12.0 | 24880 | 34 | — | — | — | — | — | — | — | |
| HDO 100 4 | 111.4 | 10.8 | 28210 | 35 | — | — | — | — | — | — | — | |
| HDO 100 4 | 123.8 | 9.7 | 24880 | 27 | — | — | — | — | — | — | — | |
| HDO 100 4 | 139.8 | 8.6 | 28210 | 27 | — | — | — | — | — | — | — | |
| HDO 100 4 | 160.0 | 7.5 | 24880 | 21 | — | — | — | — | — | — | — | |
| HDO 100 4 | 178.2 | 6.7 | 28210 | 22 | — | — | — | — | — | — | — | |
| HDO 100 4 | 198.0 | 6.1 | 24880 | 17.1 | — | — | — | — | — | — | — | |
| HDO 100 4 | 223.7 | 5.4 | 28210 | 17.2 | — | — | — | — | — | — | — | |
| HDO 100 4 | 248.6 | 4.8 | 25020 | 13.7 | — | — | — | — | — | — | — | |
| HDO 100 4 | 284.4 | 4.2 | 28210 | 13.5 | — | — | — | — | — | — | — | |
| HDO 100 4 | 316.0 | 3.8 | 25410 | 11.0 | — | — | — | — | — | — | — | |
| HDO 100 4 | 344.2 | 3.5 | 23870 | 9.4 | — | — | — | — | — | — | — | |

*  BONFIGLIOLI TECHNICAL SERVICE

— Thermal verification not necessary

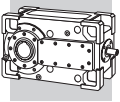


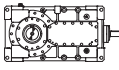
HDO

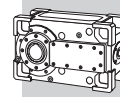
| HDO 100 | | | | | $n_1 = 1000 \text{ min}^{-1}$ | | | | | | |
|---|-------|--|-------------------------|-------------------------|-------------------------------|---------------------------|-----------------------------|-----------------------------|--------------------------|-----------------------------|-----------------------------|
|  | i | n ₂ [min ⁻¹] | Mn ₂ [Nm] | Pn ₁ [kW] | Tamb = 20°C | | | | | | |
| | | | | | P _T [kW] | P _{TFAN} [kW] | P _{TMCRA5} [kW] | P _{TMCRA9} [kW] | P _{TSR} [kW] | P _{TMCRW5} [kW] | P _{TMCRW9} [kW] |
| HDO 100 2 | 5.8 | 172 | 16930 | 317 | 116 | 203 | — | — | 204 | 232 | — |
| HDO 100 2 | 6.5 | 155 | 19290 | 325 | 116 | 203 | — | — | 204 | 232 | — |
| HDO 100 2 | 7.0 | 142 | 20030 | 310 | 116 | 203 | — | — | 204 | 232 | — |
| HDO 100 2 | 8.0 | 125 | 19610 | 267 | 116 | 203 | — | — | 204 | — | — |
| HDO 100 2 | 8.7 | 115 | 20280 | 254 | 116 | — | — | — | — | — | — |
| HDO 100 2 | 10.0 | 100 | 19850 | 216 | 116 | — | — | — | — | — | — |
| HDO 100 2 | 10.9 | 92 | 20580 | 206 | 116 | — | — | — | — | — | — |
| HDO 100 2 | 12.4 | 81 | 20300 | 178 | 116 | — | — | — | — | — | — |
| HDO 100 2 | 13.5 | 74 | 21090 | 170 | 116 | — | — | — | — | — | — |
| HDO 100 3 | 14.0 | 71 | 22860 | 182 | 91 | 150 | — | — | — | — | — |
| HDO 100 3 | 15.6 | 64 | 24310 | 174 | 91 | — | — | — | — | — | — |
| HDO 100 3 | 17.3 | 58 | 24060 | 155 | 91 | — | — | — | — | — | — |
| HDO 100 3 | 20.2 | 49 | 24160 | 133 | 91 | — | — | — | — | — | — |
| HDO 100 3 | 22.5 | 44 | 25890 | 128 | 91 | — | — | — | — | — | — |
| HDO 100 3 | 25.0 | 40 | 24050 | 107 | 91 | — | — | — | — | — | — |
| HDO 100 3 | 28.3 | 35 | 25770 | 101 | — | — | — | — | — | — | — |
| HDO 100 3 | 31.5 | 32 | 23940 | 85 | — | — | — | — | — | — | — |
| HDO 100 3 | 36.0 | 27.8 | 25660 | 79 | — | — | — | — | — | — | — |
| HDO 100 3 | 40.0 | 25.0 | 23840 | 66 | — | — | — | — | — | — | — |
| HDO 100 3 | 43.9 | 22.8 | 25640 | 65 | — | — | — | — | — | — | — |
| HDO 100 3 | 48.8 | 20.5 | 23830 | 54 | — | — | — | — | — | — | — |
| HDO 100 3 | 55.8 | 17.9 | 26600 | 53 | — | — | — | — | — | — | — |
| HDO 100 3 | 62.0 | 16.1 | 24740 | 44 | — | — | — | — | — | — | — |
| HDO 100 3 | 67.5 | 14.8 | 23120 | 38 | — | — | — | — | — | — | — |
| HDO 100 4 | 70.8 | 14.1 | 27610 | 44 | — | — | — | — | — | — | — |
| HDO 100 4 | 78.7 | 12.7 | 24880 | 36 | — | — | — | — | — | — | — |
| HDO 100 4 | 90.0 | 11.1 | 28210 | 36 | — | — | — | — | — | — | — |
| HDO 100 4 | 100.0 | 10.0 | 24880 | 28 | — | — | — | — | — | — | — |
| HDO 100 4 | 111.4 | 9.0 | 28210 | 29 | — | — | — | — | — | — | — |
| HDO 100 4 | 123.8 | 8.1 | 24880 | 23 | — | — | — | — | — | — | — |
| HDO 100 4 | 139.8 | 7.2 | 28210 | 23 | — | — | — | — | — | — | — |
| HDO 100 4 | 160.0 | 6.3 | 24880 | 17.7 | — | — | — | — | — | — | — |
| HDO 100 4 | 178.2 | 5.6 | 28210 | 18.0 | — | — | — | — | — | — | — |
| HDO 100 4 | 198.0 | 5.0 | 24880 | 14.3 | — | — | — | — | — | — | — |
| HDO 100 4 | 223.7 | 4.5 | 28210 | 14.3 | — | — | — | — | — | — | — |
| HDO 100 4 | 248.6 | 4.0 | 25410 | 11.6 | — | — | — | — | — | — | — |
| HDO 100 4 | 284.4 | 3.5 | 28210 | 11.3 | — | — | — | — | — | — | — |
| HDO 100 4 | 316.0 | 3.2 | 25410 | 9.1 | — | — | — | — | — | — | — |
| HDO 100 4 | 344.2 | 2.9 | 23870 | 7.9 | — | — | — | — | — | — | — |

*  BONFIGLIOLI TECHNICAL SERVICE

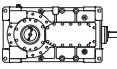
— Thermal verification not necessary



| HDO 100 | | | | | $n_1 = 1000 \text{ min}^{-1}$ | | | | | | | |
|---|-------|-------------------------------|----------------|----------------|-------------------------------|--------------------|----------------------|----------------------|-------------------|----------------------|----------------------|--|
|  | i | n_2 [min ⁻¹] | Mn_2 [Nm] | Pn_1 [kW] | Tamb = 40°C | | | | | | | |
| | | | | | P_T [kW] | P_{TFAN} [kW] | P_{TMCR45} [kW] | P_{TMCR49} [kW] | P_{TSR} [kW] | P_{TMCRW5} [kW] | P_{TMCRW9} [kW] | |
| HDO 100 2 | 5.8 | 172 | 16930 | 317 | 78 | 142 | 175 | 219 | 166 | 194 | — | |
| HDO 100 2 | 6.5 | 155 | 19290 | 325 | 78 | 142 | 175 | 219 | 166 | 194 | — | |
| HDO 100 2 | 7.0 | 142 | 20030 | 310 | 78 | 142 | 175 | 219 | 166 | 194 | — | |
| HDO 100 2 | 8.0 | 125 | 19610 | 267 | 78 | 142 | 175 | — | 166 | 194 | — | |
| HDO 100 2 | 8.7 | 115 | 20280 | 254 | 78 | 142 | 175 | — | 166 | 194 | — | |
| HDO 100 2 | 10.0 | 100 | 19850 | 216 | 78 | 142 | — | — | 166 | — | — | |
| HDO 100 2 | 10.9 | 92 | 20580 | 206 | 78 | 142 | — | — | — | — | — | |
| HDO 100 2 | 12.4 | 81 | 20300 | 178 | 78 | — | — | — | — | — | — | |
| HDO 100 2 | 13.5 | 74 | 21090 | 170 | 78 | — | — | — | — | — | — | |
| HDO 100 3 | 14.0 | 71 | 22860 | 182 | 62 | 106 | 133 | — | 125 | 146 | — | |
| HDO 100 3 | 15.6 | 64 | 24310 | 174 | 62 | 106 | 133 | — | 125 | 146 | — | |
| HDO 100 3 | 17.3 | 58 | 24060 | 155 | 62 | 106 | — | — | 125 | — | — | |
| HDO 100 3 | 20.2 | 49 | 24160 | 133 | 62 | 106 | — | — | — | — | — | |
| HDO 100 3 | 22.5 | 44 | 25890 | 128 | 62 | 106 | — | — | — | — | — | |
| HDO 100 3 | 25.0 | 40 | 24050 | 107 | 62 | — | — | — | — | — | — | |
| HDO 100 3 | 28.3 | 35 | 25770 | 101 | 62 | — | — | — | — | — | — | |
| HDO 100 3 | 31.5 | 32 | 23940 | 85 | 62 | — | — | — | — | — | — | |
| HDO 100 3 | 36.0 | 27.8 | 25660 | 79 | 62 | — | — | — | — | — | — | |
| HDO 100 3 | 40.0 | 25.0 | 23840 | 66 | — | — | — | — | — | — | — | |
| HDO 100 3 | 43.9 | 22.8 | 25640 | 65 | — | — | — | — | — | — | — | |
| HDO 100 3 | 48.8 | 20.5 | 23830 | 54 | — | — | — | — | — | — | — | |
| HDO 100 3 | 55.8 | 17.9 | 26600 | 53 | — | — | — | — | — | — | — | |
| HDO 100 3 | 62.0 | 16.1 | 24740 | 44 | — | — | — | — | — | — | — | |
| HDO 100 3 | 67.5 | 14.8 | 23120 | 38 | — | — | — | — | — | — | — | |
| HDO 100 4 | 70.8 | 14.1 | 27610 | 44 | — | — | — | — | — | — | — | |
| HDO 100 4 | 78.7 | 12.7 | 24880 | 36 | — | — | — | — | — | — | — | |
| HDO 100 4 | 90.0 | 11.1 | 28210 | 36 | — | — | — | — | — | — | — | |
| HDO 100 4 | 100.0 | 10.0 | 24880 | 28 | — | — | — | — | — | — | — | |
| HDO 100 4 | 111.4 | 9.0 | 28210 | 29 | — | — | — | — | — | — | — | |
| HDO 100 4 | 123.8 | 8.1 | 24880 | 23 | — | — | — | — | — | — | — | |
| HDO 100 4 | 139.8 | 7.2 | 28210 | 23 | — | — | — | — | — | — | — | |
| HDO 100 4 | 160.0 | 6.3 | 24880 | 17.7 | — | — | — | — | — | — | — | |
| HDO 100 4 | 178.2 | 5.6 | 28210 | 18.0 | — | — | — | — | — | — | — | |
| HDO 100 4 | 198.0 | 5.0 | 24880 | 14.3 | — | — | — | — | — | — | — | |
| HDO 100 4 | 223.7 | 4.5 | 28210 | 14.3 | — | — | — | — | — | — | — | |
| HDO 100 4 | 248.6 | 4.0 | 25410 | 11.6 | — | — | — | — | — | — | — | |
| HDO 100 4 | 284.4 | 3.5 | 28210 | 11.3 | — | — | — | — | — | — | — | |
| HDO 100 4 | 316.0 | 3.2 | 25410 | 9.1 | — | — | — | — | — | — | — | |
| HDO 100 4 | 344.2 | 2.9 | 23870 | 7.9 | — | — | — | — | — | — | — | |



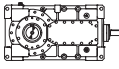
HDO

| HDO 110 | | | | | $n_1 = 1800 \text{ min}^{-1}$ | | | | | | | |
|---|-------|-------------------------------|----------------|----------------|-------------------------------|--------------------|----------------------|----------------------|-------------------|----------------------|----------------------|--|
|  | i | n_2 [min ⁻¹] | Mn_2 [Nm] | Pn_1 [kW] | Tamb = 20°C | | | | | | | |
| | | | | | P_T [kW] | P_{TFAN} [kW] | P_{TMCRA5} [kW] | P_{TMCRA9} [kW] | P_{TSR} [kW] | P_{TMCRW5} [kW] | P_{TMCRW9} [kW] | |
| HDO 110 2 | 6.4 | 283 | 19920 | 615 | * | * | * | * | * | * | * | |
| HDO 110 2 | 7.0 | 256 | 20970 | 585 | * | * | * | * | * | * | * | |
| HDO 110 2 | 8.1 | 223 | 22600 | 549 | * | * | * | * | * | * | * | |
| HDO 110 2 | 8.7 | 207 | 22470 | 506 | * | 213 | * | * | * | * | * | |
| HDO 110 2 | 10.0 | 180 | 24220 | 475 | * | 213 | * | * | * | * | 285 | |
| HDO 110 2 | 10.9 | 165 | 23040 | 415 | * | 213 | 262 | 340 | 175 | 203 | 285 | |
| HDO 110 2 | 12.5 | 144 | 25180 | 395 | * | 213 | 262 | 340 | 175 | 203 | 285 | |
| HDO 110 2 | 13.5 | 133 | 21820 | 317 | * | 213 | 262 | 340 | 175 | 203 | 285 | |
| HDO 110 2 | 15.5 | 116 | 23570 | 298 | * | 213 | 262 | 340 | 175 | 203 | 285 | |
| HDO 110 3 | 18.9 | 95 | 23370 | 247 | * | 174 | 203 | — | * | 160 | — | |
| HDO 110 3 | 20.9 | 86 | 24470 | 234 | * | 174 | 203 | — | 140 | 160 | — | |
| HDO 110 3 | 22.0 | 82 | 24090 | 219 | * | 174 | — | — | 140 | 160 | — | |
| HDO 110 3 | 24.6 | 73 | 24360 | 198 | 86 | 174 | — | — | 140 | 160 | — | |
| HDO 110 3 | 27.2 | 66 | 26510 | 195 | 86 | — | — | — | 140 | 160 | — | |
| HDO 110 3 | 30.9 | 58 | 26450 | 171 | 86 | — | — | — | 140 | — | — | |
| HDO 110 3 | 34.3 | 53 | 28210 | 165 | 86 | — | — | — | 140 | — | — | |
| HDO 110 3 | 39.3 | 46 | 27660 | 141 | 86 | — | — | — | — | — | — | |
| HDO 110 3 | 43.6 | 41 | 29500 | 136 | 86 | — | — | — | — | — | — | |
| HDO 110 3 | 48.0 | 38 | 30190 | 126 | 86 | — | — | — | — | — | — | |
| HDO 110 3 | 53.1 | 34 | 29040 | 109 | 86 | — | — | — | — | — | — | |
| HDO 110 3 | 61.0 | 30 | 29090 | 96 | 86 | — | — | — | — | — | — | |
| HDO 110 3 | 67.5 | 27 | 29040 | 86 | — | — | — | — | — | — | — | |
| HDO 110 3 | 77.5 | 23 | 26010 | 67 | — | — | — | — | — | — | — | |
| HDO 110 4 | 77.4 | 23 | 29530 | 78 | — | — | — | — | — | — | — | |
| HDO 110 4 | 85.7 | 21 | 29040 | 69 | — | — | — | — | — | — | — | |
| HDO 110 4 | 96.7 | 18.6 | 28930 | 61 | — | — | — | — | — | — | — | |
| HDO 110 4 | 108.9 | 16.5 | 29040 | 54 | — | — | — | — | — | — | — | |
| HDO 110 4 | 121.7 | 14.8 | 30300 | 51 | — | — | — | — | — | — | — | |
| HDO 110 4 | 137.1 | 13.1 | 28650 | 43 | — | — | — | — | — | — | — | |
| HDO 110 4 | 154.7 | 11.6 | 30850 | 41 | — | — | — | — | — | — | — | |
| HDO 110 4 | 174.3 | 10.3 | 29040 | 34 | — | — | — | — | — | — | — | |
| HDO 110 4 | 194.7 | 9.2 | 31570 | 33 | — | — | — | — | — | — | — | |
| HDO 110 4 | 215.7 | 8.3 | 29040 | 27.5 | — | — | — | — | — | — | — | |
| HDO 110 4 | 244.4 | 7.4 | 31570 | 26.4 | — | — | — | — | — | — | — | |
| HDO 110 4 | 274.2 | 6.6 | 29040 | 21.6 | — | — | — | — | — | — | — | |
| HDO 110 4 | 310.7 | 5.8 | 29090 | 19.1 | — | — | — | — | — | — | — | |
| HDO 110 4 | 344.2 | 5.2 | 31790 | 18.9 | — | — | — | — | — | — | — | |
| HDO 110 4 | 395.0 | 4.6 | 28490 | 14.7 | — | — | — | — | — | — | — | |

* 

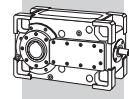
— Thermal verification not necessary



| HDO 110 | | | | | $n_1 = 1800 \text{ min}^{-1}$ | | | | | | | |
|---|-------|-------------------------------|----------------|----------------|-------------------------------|--------------------|----------------------|----------------------|-------------------|----------------------|----------------------|--|
|  | i | n_2 [min ⁻¹] | Mn_2 [Nm] | Pn_1 [kW] | Tamb = 40°C | | | | | | | |
| | | | | | P_T [kW] | P_{TFAN} [kW] | P_{TMCR45} [kW] | P_{TMCR49} [kW] | P_{TSR} [kW] | P_{TMCRW5} [kW] | P_{TMCRW9} [kW] | |
| HDO 110 2 | 6.4 | 283 | 19920 | 615 | * | * | * | * | * | * | * | |
| HDO 110 2 | 7.0 | 256 | 20970 | 585 | * | * | * | * | * | * | * | |
| HDO 110 2 | 8.1 | 223 | 22600 | 549 | * | * | * | * | * | * | * | |
| HDO 110 2 | 8.7 | 207 | 22470 | 506 | * | * | * | * | * | * | * | |
| HDO 110 2 | 10.0 | 180 | 24220 | 475 | * | 141 | * | * | * | * | * | |
| HDO 110 2 | 10.9 | 165 | 23040 | 415 | * | 141 | * | 190 | * | * | 259 | |
| HDO 110 2 | 12.5 | 144 | 25180 | 395 | * | 141 | * | 190 | * | 168 | 259 | |
| HDO 110 2 | 13.5 | 133 | 21820 | 317 | * | 141 | 158 | 190 | * | 168 | 259 | |
| HDO 110 2 | 15.5 | 116 | 23570 | 298 | * | 141 | 158 | 190 | * | 168 | 259 | |
| HDO 110 3 | 18.9 | 95 | 23370 | 247 | * | 119 | * | * | * | 131 | 199 | |
| HDO 110 3 | 20.9 | 86 | 24470 | 234 | * | 119 | * | * | * | 131 | 199 | |
| HDO 110 3 | 22.0 | 82 | 24090 | 219 | * | 119 | 125 | 159 | * | 131 | — | |
| HDO 110 3 | 24.6 | 73 | 24360 | 198 | 57 | 119 | 125 | 159 | 120 | 131 | — | |
| HDO 110 3 | 27.2 | 66 | 26510 | 195 | 57 | 119 | 125 | 159 | 120 | 131 | — | |
| HDO 110 3 | 30.9 | 58 | 26450 | 171 | 57 | 119 | 125 | — | 120 | 131 | — | |
| HDO 110 3 | 34.3 | 53 | 28210 | 165 | 57 | 119 | 125 | — | 120 | 131 | — | |
| HDO 110 3 | 39.3 | 46 | 27660 | 141 | 57 | 119 | — | — | 120 | — | — | |
| HDO 110 3 | 43.6 | 41 | 29500 | 136 | 57 | 119 | — | — | — | — | — | |
| HDO 110 3 | 48.0 | 38 | 30190 | 126 | 57 | — | — | — | — | — | — | |
| HDO 110 3 | 53.1 | 34 | 29040 | 109 | 57 | — | — | — | — | — | — | |
| HDO 110 3 | 61.0 | 30 | 29090 | 96 | 57 | — | — | — | — | — | — | |
| HDO 110 3 | 67.5 | 27 | 29040 | 86 | 57 | — | — | — | — | — | — | |
| HDO 110 3 | 77.5 | 23 | 26010 | 67 | 57 | — | — | — | — | — | — | |
| HDO 110 4 | 77.4 | 23 | 29530 | 78 | 50 | — | — | — | — | — | — | |
| HDO 110 4 | 85.7 | 21 | 29040 | 69 | 50 | — | — | — | — | — | — | |
| HDO 110 4 | 96.7 | 18.6 | 28930 | 61 | 50 | — | — | — | — | — | — | |
| HDO 110 4 | 108.9 | 16.5 | 29040 | 54 | — | — | — | — | — | — | — | |
| HDO 110 4 | 121.7 | 14.8 | 30300 | 51 | — | — | — | — | — | — | — | |
| HDO 110 4 | 137.1 | 13.1 | 28650 | 43 | — | — | — | — | — | — | — | |
| HDO 110 4 | 154.7 | 11.6 | 30850 | 41 | — | — | — | — | — | — | — | |
| HDO 110 4 | 174.3 | 10.3 | 29040 | 34 | — | — | — | — | — | — | — | |
| HDO 110 4 | 194.7 | 9.2 | 31570 | 33 | — | — | — | — | — | — | — | |
| HDO 110 4 | 215.7 | 8.3 | 29040 | 27.5 | — | — | — | — | — | — | — | |
| HDO 110 4 | 244.4 | 7.4 | 31570 | 26.4 | — | — | — | — | — | — | — | |
| HDO 110 4 | 274.2 | 6.6 | 29040 | 21.6 | — | — | — | — | — | — | — | |
| HDO 110 4 | 310.7 | 5.8 | 29090 | 19.1 | — | — | — | — | — | — | — | |
| HDO 110 4 | 344.2 | 5.2 | 31790 | 18.9 | — | — | — | — | — | — | — | |
| HDO 110 4 | 395.0 | 4.6 | 28490 | 14.7 | — | — | — | — | — | — | — | |

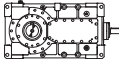
*  BONFIGLIOLI TECHNICAL SERVICE

— Thermal verification not necessary



HDO 110

$n_1 = 1500 \text{ min}^{-1}$

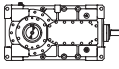
|  | i | n_2 [min ⁻¹] | Mn_2 [Nm] | Pn_1 [kW] | Tamb = 20°C | | | | | | |
|---|-------|-------------------------------|----------------|----------------|---------------|--------------------|----------------------|----------------------|-------------------|----------------------|----------------------|
| | | | | | P_T [kW] | P_{TFAN} [kW] | P_{TMCR45} [kW] | P_{TMCR49} [kW] | P_{TSR} [kW] | P_{TMCRW5} [kW] | P_{TMCRW9} [kW] |
| HDO 110 2 | 6.4 | 236 | 21050 | 542 | * | 209 | 253 | 331 | * | 194 | 288 |
| HDO 110 2 | 7.0 | 213 | 22150 | 515 | * | 209 | 253 | 331 | * | 194 | 288 |
| HDO 110 2 | 8.1 | 186 | 23880 | 484 | * | 209 | 253 | 331 | 173 | 194 | 288 |
| HDO 110 2 | 8.7 | 172 | 23730 | 445 | * | 209 | 253 | 331 | 173 | 194 | 288 |
| HDO 110 2 | 10.0 | 150 | 25580 | 418 | * | 209 | 253 | 331 | 173 | 194 | 288 |
| HDO 110 2 | 10.9 | 138 | 23040 | 346 | 100 | 209 | 253 | — | 173 | 194 | 288 |
| HDO 110 2 | 12.5 | 120 | 25180 | 329 | 100 | 209 | 253 | — | 173 | 194 | 288 |
| HDO 110 2 | 13.5 | 111 | 22480 | 272 | 100 | 209 | — | — | 173 | 194 | — |
| HDO 110 2 | 15.5 | 97 | 24600 | 260 | 100 | 209 | — | — | 173 | 194 | — |
| HDO 110 3 | 18.9 | 79 | 24850 | 219 | 84 | 169 | — | — | 147 | — | — |
| HDO 110 3 | 20.9 | 72 | 25980 | 207 | 84 | 169 | — | — | 147 | — | — |
| HDO 110 3 | 22.0 | 68 | 25740 | 195 | 84 | — | — | — | 147 | — | — |
| HDO 110 3 | 24.6 | 61 | 26070 | 177 | 84 | — | — | — | 147 | — | — |
| HDO 110 3 | 27.2 | 55 | 28100 | 172 | 84 | — | — | — | 147 | — | — |
| HDO 110 3 | 30.9 | 48 | 28060 | 151 | 84 | — | — | — | — | — | — |
| HDO 110 3 | 34.3 | 44 | 29540 | 144 | 84 | — | — | — | — | — | — |
| HDO 110 3 | 39.3 | 38 | 29350 | 125 | 84 | — | — | — | — | — | — |
| HDO 110 3 | 43.6 | 34 | 29390 | 113 | 84 | — | — | — | — | — | — |
| HDO 110 3 | 48.0 | 31 | 31120 | 108 | 84 | — | — | — | — | — | — |
| HDO 110 3 | 53.1 | 28.2 | 29280 | 92 | — | — | — | — | — | — | — |
| HDO 110 3 | 61.0 | 24.6 | 30990 | 85 | — | — | — | — | — | — | — |
| HDO 110 3 | 67.5 | 22.2 | 29160 | 72 | — | — | — | — | — | — | — |
| HDO 110 3 | 77.5 | 19.4 | 26350 | 57 | — | — | — | — | — | — | — |
| HDO 110 4 | 77.4 | 19.4 | 31130 | 69 | — | — | — | — | — | — | — |
| HDO 110 4 | 85.7 | 17.5 | 29490 | 59 | — | — | — | — | — | — | — |
| HDO 110 4 | 96.7 | 15.5 | 30690 | 54 | — | — | — | — | — | — | — |
| HDO 110 4 | 108.9 | 13.8 | 30610 | 48 | — | — | — | — | — | — | — |
| HDO 110 4 | 121.7 | 12.3 | 31130 | 44 | — | — | — | — | — | — | — |
| HDO 110 4 | 137.1 | 10.9 | 30410 | 38 | — | — | — | — | — | — | — |
| HDO 110 4 | 154.7 | 9.7 | 31350 | 35 | — | — | — | — | — | — | — |
| HDO 110 4 | 174.3 | 8.6 | 31790 | 31 | — | — | — | — | — | — | — |
| HDO 110 4 | 194.7 | 7.7 | 31570 | 28 | — | — | — | — | — | — | — |
| HDO 110 4 | 215.7 | 7.0 | 31790 | 25 | — | — | — | — | — | — | — |
| HDO 110 4 | 244.4 | 6.1 | 31570 | 22 | — | — | — | — | — | — | — |
| HDO 110 4 | 274.2 | 5.5 | 31790 | 19.7 | — | — | — | — | — | — | — |
| HDO 110 4 | 310.7 | 4.8 | 31570 | 17.3 | — | — | — | — | — | — | — |
| HDO 110 4 | 344.2 | 4.4 | 31790 | 15.7 | — | — | — | — | — | — | — |
| HDO 110 4 | 395.0 | 3.8 | 28490 | 12.3 | — | — | — | — | — | — | — |

HDO

*  BONFIGLIOLI TECHNICAL SERVICE

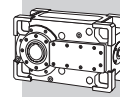
— Thermal verification not necessary



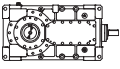
| HDO 110 | | | | | $n_1 = 1500 \text{ min}^{-1}$ | | | | | | | |
|---|-------|--------------------------------|----------------|----------------|-------------------------------|--------------------|----------------------|----------------------|-------------------|----------------------|----------------------|-----|
|  | i | n_2 [min^{-1}] | Mn_2 [Nm] | Pn_1 [kW] | Tamb = 40°C | | | | | | | |
| | | | | | P_T [kW] | P_{TFAN} [kW] | P_{TMCR45} [kW] | P_{TMCR49} [kW] | P_{TSR} [kW] | P_{TMCRW5} [kW] | P_{TMCRW9} [kW] | |
| HDO 110 2 | 6.4 | 236 | 21050 | 542 | * | * | * | * | * | * | * | 250 |
| HDO 110 2 | 7.0 | 213 | 22150 | 515 | * | * | * | 184 | * | * | * | 250 |
| HDO 110 2 | 8.1 | 186 | 23880 | 484 | * | 138 | * | 184 | * | * | * | 250 |
| HDO 110 2 | 8.7 | 172 | 23730 | 445 | * | 138 | * | 184 | * | * | 165 | 250 |
| HDO 110 2 | 10.0 | 150 | 25580 | 418 | * | 138 | 149 | 184 | * | * | 165 | 250 |
| HDO 110 2 | 10.9 | 138 | 23040 | 346 | * | 138 | 149 | 184 | 150 | * | 165 | 250 |
| HDO 110 2 | 12.5 | 120 | 25180 | 329 | 64 | 138 | 149 | 184 | 150 | * | 165 | 250 |
| HDO 110 2 | 13.5 | 111 | 22480 | 272 | 64 | 138 | 149 | 184 | 150 | * | 165 | — |
| HDO 110 2 | 15.5 | 97 | 24600 | 260 | 64 | 138 | 149 | 184 | 150 | * | 165 | — |
| HDO 110 3 | 18.9 | 79 | 24850 | 219 | 55 | 117 | 126 | 157 | 118 | * | 139 | — |
| HDO 110 3 | 20.9 | 72 | 25980 | 207 | 55 | 117 | 126 | 157 | 118 | * | 139 | — |
| HDO 110 3 | 22.0 | 68 | 25740 | 195 | 55 | 117 | 126 | 157 | 118 | * | 139 | — |
| HDO 110 3 | 24.6 | 61 | 26070 | 177 | 55 | 117 | 126 | — | 118 | * | 139 | — |
| HDO 110 3 | 27.2 | 55 | 28100 | 172 | 55 | 117 | 126 | — | 118 | * | 139 | — |
| HDO 110 3 | 30.9 | 48 | 28060 | 151 | 55 | 117 | 126 | — | 118 | * | — | — |
| HDO 110 3 | 34.3 | 44 | 29540 | 144 | 55 | 117 | — | — | 118 | * | — | — |
| HDO 110 3 | 39.3 | 38 | 29350 | 125 | 55 | — | — | — | — | * | — | — |
| HDO 110 3 | 43.6 | 34 | 29390 | 113 | 55 | — | — | — | — | * | — | — |
| HDO 110 3 | 48.0 | 31 | 31120 | 108 | 55 | — | — | — | — | * | — | — |
| HDO 110 3 | 53.1 | 28.2 | 29280 | 92 | 55 | — | — | — | — | * | — | — |
| HDO 110 3 | 61.0 | 24.6 | 30990 | 85 | 55 | — | — | — | — | * | — | — |
| HDO 110 3 | 67.5 | 22.2 | 29160 | 72 | 55 | — | — | — | — | * | — | — |
| HDO 110 3 | 77.5 | 19.4 | 26350 | 57 | — | — | — | — | — | * | — | — |
| HDO 110 4 | 77.4 | 19.4 | 31130 | 69 | 53 | — | — | — | — | * | — | — |
| HDO 110 4 | 85.7 | 17.5 | 29490 | 59 | — | — | — | — | — | * | — | — |
| HDO 110 4 | 96.7 | 15.5 | 30690 | 54 | — | — | — | — | — | * | — | — |
| HDO 110 4 | 108.9 | 13.8 | 30610 | 48 | — | — | — | — | — | * | — | — |
| HDO 110 4 | 121.7 | 12.3 | 31130 | 44 | — | — | — | — | — | * | — | — |
| HDO 110 4 | 137.1 | 10.9 | 30410 | 38 | — | — | — | — | — | * | — | — |
| HDO 110 4 | 154.7 | 9.7 | 31350 | 35 | — | — | — | — | — | * | — | — |
| HDO 110 4 | 174.3 | 8.6 | 31790 | 31 | — | — | — | — | — | * | — | — |
| HDO 110 4 | 194.7 | 7.7 | 31570 | 28 | — | — | — | — | — | * | — | — |
| HDO 110 4 | 215.7 | 7.0 | 31790 | 25 | — | — | — | — | — | * | — | — |
| HDO 110 4 | 244.4 | 6.1 | 31570 | 22 | — | — | — | — | — | * | — | — |
| HDO 110 4 | 274.2 | 5.5 | 31790 | 19.7 | — | — | — | — | — | * | — | — |
| HDO 110 4 | 310.7 | 4.8 | 31570 | 17.3 | — | — | — | — | — | * | — | — |
| HDO 110 4 | 344.2 | 4.4 | 31790 | 15.7 | — | — | — | — | — | * | — | — |
| HDO 110 4 | 395.0 | 3.8 | 28490 | 12.3 | — | — | — | — | — | * | — | — |

*  BONFIGLIOLI TECHNICAL SERVICE

— Thermal verification not necessary



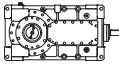
HDO

| HDO 110 | | | | | n ₁ = 1200 min ⁻¹ | | | | | | |
|---|-------|--|-------------------------|-------------------------|---|---------------------------|-----------------------------|-----------------------------|--------------------------|-----------------------------|-----------------------------|
|  | i | n ₂ [min ⁻¹] | Mn ₂ [Nm] | Pn ₁ [kW] | Tamb = 20°C | | | | | | |
| | | | | | P _T [kW] | P _{TFAN} [kW] | P _{TMCRA5} [kW] | P _{TMCRA9} [kW] | P _{TSR} [kW] | P _{TMCRW5} [kW] | P _{TMCRW9} [kW] |
| HDO 110 2 | 6.4 | 189 | 22220 | 458 | * | 203 | 267 | 345 | 180 | 208 | 302 |
| HDO 110 2 | 7.0 | 170 | 23580 | 438 | * | 203 | 267 | 345 | 180 | 208 | 302 |
| HDO 110 2 | 8.1 | 149 | 25530 | 414 | * | 203 | 267 | 345 | 180 | 208 | 302 |
| HDO 110 2 | 8.7 | 138 | 23790 | 357 | 100 | 203 | 267 | — | 180 | 208 | 302 |
| HDO 110 2 | 10.0 | 120 | 25960 | 340 | 100 | 203 | 267 | — | 180 | 208 | — |
| HDO 110 2 | 10.9 | 110 | 23040 | 277 | 100 | 203 | — | — | 180 | 208 | — |
| HDO 110 2 | 12.5 | 96 | 25180 | 264 | 100 | 203 | — | — | 180 | 208 | — |
| HDO 110 2 | 13.5 | 89 | 22480 | 218 | 100 | — | — | — | 180 | — | — |
| HDO 110 2 | 15.5 | 77 | 24600 | 208 | 100 | — | — | — | — | — | — |
| HDO 110 3 | 18.9 | 63 | 26570 | 188 | 89 | — | — | — | 152 | — | — |
| HDO 110 3 | 20.9 | 57 | 27780 | 177 | 89 | — | — | — | — | — | — |
| HDO 110 3 | 22.0 | 54 | 27660 | 168 | 89 | — | — | — | — | — | — |
| HDO 110 3 | 24.6 | 49 | 27990 | 152 | 89 | — | — | — | — | — | — |
| HDO 110 3 | 27.2 | 44 | 29540 | 145 | 89 | — | — | — | — | — | — |
| HDO 110 3 | 30.9 | 39 | 30000 | 129 | 89 | — | — | — | — | — | — |
| HDO 110 3 | 34.3 | 35 | 29400 | 115 | 89 | — | — | — | — | — | — |
| HDO 110 3 | 39.3 | 31 | 31100 | 106 | — | — | — | — | — | — | — |
| HDO 110 3 | 43.6 | 27.5 | 29270 | 90 | — | — | — | — | — | — | — |
| HDO 110 3 | 48.0 | 25.0 | 30990 | 86 | — | — | — | — | — | — | — |
| HDO 110 3 | 53.1 | 22.6 | 29160 | 73 | — | — | — | — | — | — | — |
| HDO 110 3 | 61.0 | 19.7 | 31260 | 68 | — | — | — | — | — | — | — |
| HDO 110 3 | 67.5 | 17.8 | 29420 | 58 | — | — | — | — | — | — | — |
| HDO 110 3 | 77.5 | 15.5 | 26590 | 46 | — | — | — | — | — | — | — |
| HDO 110 4 | 77.4 | 15.5 | 31130 | 55 | — | — | — | — | — | — | — |
| HDO 110 4 | 85.7 | 14.0 | 30530 | 49 | — | — | — | — | — | — | — |
| HDO 110 4 | 96.7 | 12.4 | 30740 | 43 | — | — | — | — | — | — | — |
| HDO 110 4 | 108.9 | 11.0 | 31710 | 40 | — | — | — | — | — | — | — |
| HDO 110 4 | 121.7 | 9.9 | 31130 | 35 | — | — | — | — | — | — | — |
| HDO 110 4 | 137.1 | 8.8 | 31790 | 32 | — | — | — | — | — | — | — |
| HDO 110 4 | 154.7 | 7.8 | 31350 | 28 | — | — | — | — | — | — | — |
| HDO 110 4 | 174.3 | 6.9 | 31790 | 25 | — | — | — | — | — | — | — |
| HDO 110 4 | 194.7 | 6.2 | 31570 | 22 | — | — | — | — | — | — | — |
| HDO 110 4 | 215.7 | 5.6 | 31790 | 20 | — | — | — | — | — | — | — |
| HDO 110 4 | 244.4 | 4.9 | 31570 | 17.6 | — | — | — | — | — | — | — |
| HDO 110 4 | 274.2 | 4.4 | 31790 | 15.8 | — | — | — | — | — | — | — |
| HDO 110 4 | 310.7 | 3.9 | 31570 | 13.8 | — | — | — | — | — | — | — |
| HDO 110 4 | 344.2 | 3.5 | 31790 | 12.6 | — | — | — | — | — | — | — |
| HDO 110 4 | 395.0 | 3.0 | 28490 | 9.8 | — | — | — | — | — | — | — |

*  BONFIGLIOLI TECHNICAL SERVICE

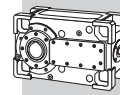
— Thermal verification not necessary



| HDO 110 | | | | | $n_1 = 1200 \text{ min}^{-1}$ | | | | | | | |
|---|-------|-------------------------------|----------------|----------------|-------------------------------|--------------------|----------------------|----------------------|-------------------|----------------------|----------------------|--|
|  | i | n_2 [min ⁻¹] | Mn_2 [Nm] | Pn_1 [kW] | Tamb = 40°C | | | | | | | |
| | | | | | P_T [kW] | P_{TFAN} [kW] | P_{TMCR45} [kW] | P_{TMCR49} [kW] | P_{TSR} [kW] | P_{TMCRW5} [kW] | P_{TMCRW9} [kW] | |
| HDO 110 2 | 6.4 | 189 | 22220 | 458 | * | 136 | 151 | 195 | * | 170 | 264 | |
| HDO 110 2 | 7.0 | 170 | 23580 | 438 | * | 136 | 151 | 195 | * | 170 | 264 | |
| HDO 110 2 | 8.1 | 149 | 25530 | 414 | * | 136 | 151 | 195 | 148 | 170 | 264 | |
| HDO 110 2 | 8.7 | 138 | 23790 | 357 | * | 136 | 151 | 195 | 148 | 170 | 264 | |
| HDO 110 2 | 10.0 | 120 | 25960 | 340 | * | 136 | 151 | 195 | 148 | 170 | 264 | |
| HDO 110 2 | 10.9 | 110 | 23040 | 277 | 72 | 136 | 151 | 195 | 148 | 170 | — | |
| HDO 110 2 | 12.5 | 96 | 25180 | 264 | 72 | 136 | 151 | 195 | 148 | 170 | — | |
| HDO 110 2 | 13.5 | 89 | 22480 | 218 | 72 | 136 | 151 | — | 148 | 170 | — | |
| HDO 110 2 | 15.5 | 77 | 24600 | 208 | 72 | 136 | 151 | — | 148 | 170 | — | |
| HDO 110 3 | 18.9 | 63 | 26570 | 188 | 60 | 116 | 131 | — | 123 | 144 | — | |
| HDO 110 3 | 20.9 | 57 | 27780 | 177 | 60 | 116 | 131 | — | 123 | 144 | — | |
| HDO 110 3 | 22.0 | 54 | 27660 | 168 | 60 | 116 | 131 | — | 123 | — | — | |
| HDO 110 3 | 24.6 | 49 | 27990 | 152 | 60 | 116 | — | — | 123 | — | — | |
| HDO 110 3 | 27.2 | 44 | 29540 | 145 | 60 | 116 | — | — | 123 | — | — | |
| HDO 110 3 | 30.9 | 39 | 30000 | 129 | 60 | — | — | — | — | — | — | |
| HDO 110 3 | 34.3 | 35 | 29400 | 115 | 60 | — | — | — | — | — | — | |
| HDO 110 3 | 39.3 | 31 | 31100 | 106 | 60 | — | — | — | — | — | — | |
| HDO 110 3 | 43.6 | 27.5 | 29270 | 90 | 60 | — | — | — | — | — | — | |
| HDO 110 3 | 48.0 | 25.0 | 30990 | 86 | 60 | — | — | — | — | — | — | |
| HDO 110 3 | 53.1 | 22.6 | 29160 | 73 | 60 | — | — | — | — | — | — | |
| HDO 110 3 | 61.0 | 19.7 | 31260 | 68 | — | — | — | — | — | — | — | |
| HDO 110 3 | 67.5 | 17.8 | 29420 | 58 | — | — | — | — | — | — | — | |
| HDO 110 3 | 77.5 | 15.5 | 26590 | 46 | — | — | — | — | — | — | — | |
| HDO 110 4 | 77.4 | 15.5 | 31130 | 55 | — | — | — | — | — | — | — | |
| HDO 110 4 | 85.7 | 14.0 | 30530 | 49 | — | — | — | — | — | — | — | |
| HDO 110 4 | 96.7 | 12.4 | 30740 | 43 | — | — | — | — | — | — | — | |
| HDO 110 4 | 108.9 | 11.0 | 31710 | 40 | — | — | — | — | — | — | — | |
| HDO 110 4 | 121.7 | 9.9 | 31130 | 35 | — | — | — | — | — | — | — | |
| HDO 110 4 | 137.1 | 8.8 | 31790 | 32 | — | — | — | — | — | — | — | |
| HDO 110 4 | 154.7 | 7.8 | 31350 | 28 | — | — | — | — | — | — | — | |
| HDO 110 4 | 174.3 | 6.9 | 31790 | 25 | — | — | — | — | — | — | — | |
| HDO 110 4 | 194.7 | 6.2 | 31570 | 22 | — | — | — | — | — | — | — | |
| HDO 110 4 | 215.7 | 5.6 | 31790 | 20 | — | — | — | — | — | — | — | |
| HDO 110 4 | 244.4 | 4.9 | 31570 | 17.6 | — | — | — | — | — | — | — | |
| HDO 110 4 | 274.2 | 4.4 | 31790 | 15.8 | — | — | — | — | — | — | — | |
| HDO 110 4 | 310.7 | 3.9 | 31570 | 13.8 | — | — | — | — | — | — | — | |
| HDO 110 4 | 344.2 | 3.5 | 31790 | 12.6 | — | — | — | — | — | — | — | |
| HDO 110 4 | 395.0 | 3.0 | 28490 | 9.8 | — | — | — | — | — | — | — | |

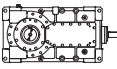
*  BONFIGLIOLI TECHNICAL SERVICE

— Thermal verification not necessary



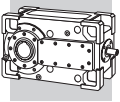
HDO

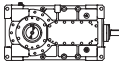
HDO 110 **n₁ = 1000 min⁻¹**

|  | i | n ₂ [min ⁻¹] | Mn ₂ [Nm] | Pn ₁ [kW] | Tamb = 20°C | | | | | | |
|---|-------|--|-------------------------|-------------------------|------------------------|---------------------------|-----------------------------|-----------------------------|--------------------------|-----------------------------|-----------------------------|
| | | | | | P _T [kW] | P _{TFAN} [kW] | P _{TMCRA5} [kW] | P _{TMCRA9} [kW] | P _{TSR} [kW] | P _{TMCRW5} [kW] | P _{TMCRW9} [kW] |
| HDO 110 2 | 6.4 | 157 | 22220 | 381 | * | 189 | 277 | — | 190 | 218 | — |
| HDO 110 2 | 7.0 | 142 | 23580 | 365 | 102 | 189 | 277 | — | 190 | 218 | — |
| HDO 110 2 | 8.1 | 124 | 25740 | 347 | 102 | 189 | 277 | — | 190 | 218 | — |
| HDO 110 2 | 8.7 | 115 | 23790 | 298 | 102 | 189 | — | — | 190 | 218 | — |
| HDO 110 2 | 10.0 | 100 | 25960 | 283 | 102 | 189 | — | — | 190 | 218 | — |
| HDO 110 2 | 10.9 | 92 | 23040 | 231 | 102 | 189 | — | — | 190 | — | — |
| HDO 110 2 | 12.5 | 80 | 25180 | 220 | 102 | — | — | — | — | — | — |
| HDO 110 2 | 13.5 | 74 | 22480 | 181 | 102 | — | — | — | — | — | — |
| HDO 110 2 | 15.5 | 65 | 24600 | 173 | 102 | — | — | — | — | — | — |
| HDO 110 3 | 18.9 | 53 | 28060 | 165 | 93 | — | — | — | — | — | — |
| HDO 110 3 | 20.9 | 48 | 29340 | 156 | 93 | — | — | — | — | — | — |
| HDO 110 3 | 22.0 | 45 | 29370 | 148 | 93 | — | — | — | — | — | — |
| HDO 110 3 | 24.6 | 41 | 29750 | 135 | 93 | — | — | — | — | — | — |
| HDO 110 3 | 27.2 | 37 | 29430 | 120 | 93 | — | — | — | — | — | — |
| HDO 110 3 | 30.9 | 32 | 31130 | 112 | — | — | — | — | — | — | — |
| HDO 110 3 | 34.3 | 29.2 | 29300 | 95 | — | — | — | — | — | — | — |
| HDO 110 3 | 39.3 | 25.4 | 31000 | 88 | — | — | — | — | — | — | — |
| HDO 110 3 | 43.6 | 23.0 | 29170 | 74 | — | — | — | — | — | — | — |
| HDO 110 3 | 48.0 | 20.9 | 30980 | 72 | — | — | — | — | — | — | — |
| HDO 110 3 | 53.1 | 18.8 | 29160 | 61 | — | — | — | — | — | — | — |
| HDO 110 3 | 61.0 | 16.4 | 31460 | 57 | — | — | — | — | — | — | — |
| HDO 110 3 | 67.5 | 14.8 | 30260 | 50 | — | — | — | — | — | — | — |
| HDO 110 3 | 77.5 | 12.9 | 27370 | 39 | — | — | — | — | — | — | — |
| HDO 110 4 | 77.4 | 12.9 | 31130 | 46 | — | — | — | — | — | — | — |
| HDO 110 4 | 85.7 | 11.7 | 31420 | 42 | — | — | — | — | — | — | — |
| HDO 110 4 | 96.7 | 10.3 | 30740 | 36 | — | — | — | — | — | — | — |
| HDO 110 4 | 108.9 | 9.2 | 31790 | 33 | — | — | — | — | — | — | — |
| HDO 110 4 | 121.7 | 8.2 | 31130 | 29 | — | — | — | — | — | — | — |
| HDO 110 4 | 137.1 | 7.3 | 31790 | 26 | — | — | — | — | — | — | — |
| HDO 110 4 | 154.7 | 6.5 | 31350 | 23 | — | — | — | — | — | — | — |
| HDO 110 4 | 174.3 | 5.7 | 31790 | 21 | — | — | — | — | — | — | — |
| HDO 110 4 | 194.7 | 5.1 | 31570 | 18.4 | — | — | — | — | — | — | — |
| HDO 110 4 | 215.7 | 4.6 | 31790 | 16.7 | — | — | — | — | — | — | — |
| HDO 110 4 | 244.4 | 4.1 | 31570 | 14.7 | — | — | — | — | — | — | — |
| HDO 110 4 | 274.2 | 3.6 | 31790 | 13.2 | — | — | — | — | — | — | — |
| HDO 110 4 | 310.7 | 3.2 | 31570 | 11.5 | — | — | — | — | — | — | — |
| HDO 110 4 | 344.2 | 2.9 | 31790 | 10.5 | — | — | — | — | — | — | — |
| HDO 110 4 | 395.0 | 2.5 | 28490 | 8.2 | — | — | — | — | — | — | — |

*  BONFIGLIOLI TECHNICAL SERVICE

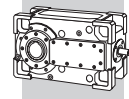
— Thermal verification not necessary



| HDO 110 | | | | | $n_1 = 1000 \text{ min}^{-1}$ | | | | | | |
|---|-------|-------------------------------|----------------|----------------|-------------------------------|--------------------|----------------------|----------------------|-------------------|----------------------|----------------------|
|  | i | n_2 [min ⁻¹] | Mn_2 [Nm] | Pn_1 [kW] | Tamb = 40°C | | | | | | |
| | | | | | P_T [kW] | P_{TFAN} [kW] | P_{TMCR45} [kW] | P_{TMCR49} [kW] | P_{TSR} [kW] | P_{TMCRW5} [kW] | P_{TMCRW9} [kW] |
| HDO 110 2 | 6.4 | 157 | 22220 | 381 | * | 128 | 161 | 205 | 152 | 180 | 274 |
| HDO 110 2 | 7.0 | 142 | 23580 | 365 | * | 128 | 161 | 205 | 152 | 180 | 274 |
| HDO 110 2 | 8.1 | 124 | 25740 | 347 | * | 128 | 161 | 205 | 152 | 180 | 274 |
| HDO 110 2 | 8.7 | 115 | 23790 | 298 | 70 | 128 | 161 | 205 | 152 | 180 | — |
| HDO 110 2 | 10.0 | 100 | 25960 | 283 | 70 | 128 | 161 | 205 | 152 | 180 | — |
| HDO 110 2 | 10.9 | 92 | 23040 | 231 | 70 | 128 | 161 | — | 152 | 180 | — |
| HDO 110 2 | 12.5 | 80 | 25180 | 220 | 70 | 128 | 161 | — | 152 | 180 | — |
| HDO 110 2 | 13.5 | 74 | 22480 | 181 | 70 | 128 | — | — | 152 | — | — |
| HDO 110 2 | 15.5 | 65 | 24600 | 173 | 70 | 128 | — | — | — | — | — |
| HDO 110 3 | 18.9 | 53 | 28060 | 165 | 64 | 108 | 135 | — | 127 | — | — |
| HDO 110 3 | 20.9 | 48 | 29340 | 156 | 64 | 108 | — | — | 127 | — | — |
| HDO 110 3 | 22.0 | 45 | 29370 | 148 | 64 | 108 | — | — | — | — | — |
| HDO 110 3 | 24.6 | 41 | 29750 | 135 | 64 | 108 | — | — | — | — | — |
| HDO 110 3 | 27.2 | 37 | 29430 | 120 | 64 | — | — | — | — | — | — |
| HDO 110 3 | 30.9 | 32 | 31130 | 112 | 64 | — | — | — | — | — | — |
| HDO 110 3 | 34.3 | 29.2 | 29300 | 95 | 64 | — | — | — | — | — | — |
| HDO 110 3 | 39.3 | 25.4 | 31000 | 88 | 64 | — | — | — | — | — | — |
| HDO 110 3 | 43.6 | 23.0 | 29170 | 74 | 64 | — | — | — | — | — | — |
| HDO 110 3 | 48.0 | 20.9 | 30980 | 72 | — | — | — | — | — | — | — |
| HDO 110 3 | 53.1 | 18.8 | 29160 | 61 | — | — | — | — | — | — | — |
| HDO 110 3 | 61.0 | 16.4 | 31460 | 57 | — | — | — | — | — | — | — |
| HDO 110 3 | 67.5 | 14.8 | 30260 | 50 | — | — | — | — | — | — | — |
| HDO 110 3 | 77.5 | 12.9 | 27370 | 39 | — | — | — | — | — | — | — |
| HDO 110 4 | 77.4 | 12.9 | 31130 | 46 | — | — | — | — | — | — | — |
| HDO 110 4 | 85.7 | 11.7 | 31420 | 42 | — | — | — | — | — | — | — |
| HDO 110 4 | 96.7 | 10.3 | 30740 | 36 | — | — | — | — | — | — | — |
| HDO 110 4 | 108.9 | 9.2 | 31790 | 33 | — | — | — | — | — | — | — |
| HDO 110 4 | 121.7 | 8.2 | 31130 | 29 | — | — | — | — | — | — | — |
| HDO 110 4 | 137.1 | 7.3 | 31790 | 26 | — | — | — | — | — | — | — |
| HDO 110 4 | 154.7 | 6.5 | 31350 | 23 | — | — | — | — | — | — | — |
| HDO 110 4 | 174.3 | 5.7 | 31790 | 21 | — | — | — | — | — | — | — |
| HDO 110 4 | 194.7 | 5.1 | 31570 | 18.4 | — | — | — | — | — | — | — |
| HDO 110 4 | 215.7 | 4.6 | 31790 | 16.7 | — | — | — | — | — | — | — |
| HDO 110 4 | 244.4 | 4.1 | 31570 | 14.7 | — | — | — | — | — | — | — |
| HDO 110 4 | 274.2 | 3.6 | 31790 | 13.2 | — | — | — | — | — | — | — |
| HDO 110 4 | 310.7 | 3.2 | 31570 | 11.5 | — | — | — | — | — | — | — |
| HDO 110 4 | 344.2 | 2.9 | 31790 | 10.5 | — | — | — | — | — | — | — |
| HDO 110 4 | 395.0 | 2.5 | 28490 | 8.2 | — | — | — | — | — | — | — |

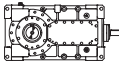
*  BONFIGLIOLI TECHNICAL SERVICE

— Thermal verification not necessary



HDO 120

$n_1 = 1800 \text{ min}^{-1}$

|  | i | n ₂ [min ⁻¹] | Mn ₂ [Nm] | Pn ₁ [kW] | Tamb = 20°C | | | | | | |
|---|-------|--|-------------------------|-------------------------|------------------------|---------------------------|-----------------------------|-----------------------------|--------------------------|-----------------------------|-----------------------------|
| | | | | | P _T [kW] | P _{TFAN} [kW] | P _{TMCRA5} [kW] | P _{TMCRA9} [kW] | P _{TSR} [kW] | P _{TMCRW5} [kW] | P _{TMCRW9} [kW] |
| HDO 120 2 | 6.6 | 274 | 26000 | 777 | * | * | * | * | * | * | * |
| HDO 120 2 | 7.2 | 252 | 28310 | 777 | * | * | * | * | * | * | * |
| HDO 120 2 | 8.1 | 223 | 31120 | 756 | * | * | * | * | * | * | * |
| HDO 120 2 | 8.9 | 203 | 32170 | 713 | * | * | * | * | * | * | * |
| HDO 120 2 | 10.0 | 180 | 33950 | 666 | * | * | * | * | * | * | * |
| HDO 120 2 | 11.1 | 163 | 33350 | 591 | * | 261 | * | 345 | * | * | * |
| HDO 120 2 | 12.5 | 144 | 35500 | 557 | * | 261 | 270 | 345 | * | 211 | 305 |
| HDO 120 2 | 13.7 | 131 | 32500 | 465 | * | 261 | 270 | 345 | * | 211 | 305 |
| HDO 120 2 | 15.5 | 116 | 34640 | 439 | * | 261 | 270 | 345 | * | 211 | 305 |
| HDO 120 3 | 17.3 | 104 | 29590 | 343 | * | 205 | 220 | 273 | * | * | 241 |
| HDO 120 3 | 19.5 | 92 | 32780 | 337 | * | 205 | 220 | 273 | * | * | 241 |
| HDO 120 3 | 21.8 | 83 | 31460 | 289 | * | 205 | 220 | — | * | * | 241 |
| HDO 120 3 | 24.6 | 73 | 32560 | 265 | 102 | 205 | 220 | — | 165 | 186 | 241 |
| HDO 120 3 | 28.3 | 64 | 31840 | 225 | 102 | — | — | — | 165 | 186 | — |
| HDO 120 3 | 32.0 | 56 | 35200 | 221 | 102 | — | — | — | 165 | 186 | — |
| HDO 120 3 | 34.8 | 52 | 35750 | 206 | 102 | — | — | — | 165 | — | — |
| HDO 120 3 | 41.2 | 44 | 37510 | 182 | 102 | — | — | — | — | — | — |
| HDO 120 3 | 44.9 | 40 | 38110 | 170 | 102 | — | — | — | — | — | — |
| HDO 120 3 | 49.5 | 36 | 34480 | 139 | 102 | — | — | — | — | — | — |
| HDO 120 3 | 53.9 | 33 | 37560 | 139 | 102 | — | — | — | — | — | — |
| HDO 120 3 | 63.9 | 28.2 | 38880 | 122 | 102 | — | — | — | — | — | — |
| HDO 120 3 | 69.6 | 25.9 | 38500 | 111 | — | — | — | — | — | — | — |
| HDO 120 3 | 78.6 | 22.9 | 34920 | 89 | — | — | — | — | — | — | — |
| HDO 120 4 | 87.0 | 20.7 | 33220 | 78 | — | — | — | — | — | — | — |
| HDO 120 4 | 103.1 | 17.5 | 35970 | 71 | — | — | — | — | — | — | — |
| HDO 120 4 | 112.3 | 16.0 | 38500 | 70 | — | — | — | — | — | — | — |
| HDO 120 4 | 125.7 | 14.3 | 36240 | 59 | — | — | — | — | — | — | — |
| HDO 120 4 | 136.9 | 13.2 | 38500 | 57 | — | — | — | — | — | — | — |
| HDO 120 4 | 162.2 | 11.1 | 38880 | 49 | — | — | — | — | — | — | — |
| HDO 120 4 | 179.7 | 10.0 | 37560 | 43 | — | — | — | — | — | — | — |
| HDO 120 4 | 201.1 | 9.0 | 38880 | 40 | — | — | — | — | — | — | — |
| HDO 120 4 | 219.0 | 8.2 | 38500 | 36 | — | — | — | — | — | — | — |
| HDO 120 4 | 252.4 | 7.1 | 38880 | 31 | — | — | — | — | — | — | — |
| HDO 120 4 | 282.7 | 6.4 | 38500 | 28 | — | — | — | — | — | — | — |
| HDO 120 4 | 325.9 | 5.5 | 38880 | 24 | — | — | — | — | — | — | — |
| HDO 120 4 | 354.9 | 5.1 | 40920 | 24 | — | — | — | — | — | — | — |
| HDO 120 4 | 400.6 | 4.5 | 37730 | 19.2 | — | — | — | — | — | — | — |

HDO

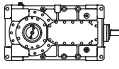
* 

— Thermal verification not necessary



HDO 120

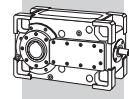
$n_1 = 1800 \text{ min}^{-1}$

|  | i | n ₂ [min ⁻¹] | Mn ₂ [Nm] | Pn ₁ [kW] | Tamb = 40°C | | | | | | |
|---|-------|--|-------------------------|-------------------------|------------------------|---------------------------|-----------------------------|-----------------------------|--------------------------|-----------------------------|-----------------------------|
| | | | | | P _T [kW] | P _{TFAN} [kW] | P _{TMCRA5} [kW] | P _{TMCRA9} [kW] | P _{TSR} [kW] | P _{TMCRW5} [kW] | P _{TMCRW9} [kW] |
| HDO 120 2 | 6.6 | 274 | 26000 | 777 | * | * | * | * | * | * | * |
| HDO 120 2 | 7.2 | 252 | 28310 | 777 | * | * | * | * | * | * | * |
| HDO 120 2 | 8.1 | 223 | 31120 | 756 | * | * | * | * | * | * | * |
| HDO 120 2 | 8.9 | 203 | 32170 | 713 | * | * | * | * | * | * | * |
| HDO 120 2 | 10.0 | 180 | 33950 | 666 | * | * | * | * | * | * | * |
| HDO 120 2 | 11.1 | 163 | 33350 | 591 | * | 168 | * | * | * | * | * |
| HDO 120 2 | 12.5 | 144 | 35500 | 557 | * | 168 | * | * | * | * | * |
| HDO 120 2 | 13.7 | 131 | 32500 | 465 | * | 168 | * | * | * | * | 272 |
| HDO 120 2 | 15.5 | 116 | 34640 | 439 | * | 168 | * | * | * | * | 272 |
| HDO 120 3 | 17.3 | 104 | 29590 | 343 | * | 138 | * | * | * | * | 205 |
| HDO 120 3 | 19.5 | 92 | 32780 | 337 | * | 138 | * | * | * | * | 205 |
| HDO 120 3 | 21.8 | 83 | 31460 | 289 | * | 138 | * | * | * | * | 205 |
| HDO 120 3 | 24.6 | 73 | 32560 | 265 | * | 138 | 136 | 167 | 128 | 149 | 205 |
| HDO 120 3 | 28.3 | 64 | 31840 | 225 | * | 138 | 136 | 167 | 128 | 149 | — |
| HDO 120 3 | 32.0 | 56 | 35200 | 221 | * | 138 | 136 | 167 | 128 | 149 | — |
| HDO 120 3 | 34.8 | 52 | 35750 | 206 | * | 138 | 136 | 167 | 128 | 149 | — |
| HDO 120 3 | 41.2 | 44 | 37510 | 182 | * | 138 | 136 | 167 | 128 | 149 | — |
| HDO 120 3 | 44.9 | 40 | 38110 | 170 | 80 | 138 | 136 | — | 128 | 149 | — |
| HDO 120 3 | 49.5 | 36 | 34480 | 139 | 80 | — | — | — | — | — | — |
| HDO 120 3 | 53.9 | 33 | 37560 | 139 | 80 | — | — | — | — | — | — |
| HDO 120 3 | 63.9 | 28.2 | 38880 | 122 | 80 | — | — | — | — | — | — |
| HDO 120 3 | 69.6 | 25.9 | 38500 | 111 | 80 | — | — | — | — | — | — |
| HDO 120 3 | 78.6 | 22.9 | 34920 | 89 | 80 | — | — | — | — | — | — |
| HDO 120 4 | 87.0 | 20.7 | 33220 | 78 | 64 | — | — | — | — | — | — |
| HDO 120 4 | 103.1 | 17.5 | 35970 | 71 | 64 | — | — | — | — | — | — |
| HDO 120 4 | 112.3 | 16.0 | 38500 | 70 | — | — | — | — | — | — | — |
| HDO 120 4 | 125.7 | 14.3 | 36240 | 59 | — | — | — | — | — | — | — |
| HDO 120 4 | 136.9 | 13.2 | 38500 | 57 | — | — | — | — | — | — | — |
| HDO 120 4 | 162.2 | 11.1 | 38880 | 49 | — | — | — | — | — | — | — |
| HDO 120 4 | 179.7 | 10.0 | 37560 | 43 | — | — | — | — | — | — | — |
| HDO 120 4 | 201.1 | 9.0 | 38880 | 40 | — | — | — | — | — | — | — |
| HDO 120 4 | 219.0 | 8.2 | 38500 | 36 | — | — | — | — | — | — | — |
| HDO 120 4 | 252.4 | 7.1 | 38880 | 31 | — | — | — | — | — | — | — |
| HDO 120 4 | 282.7 | 6.4 | 38500 | 28 | — | — | — | — | — | — | — |
| HDO 120 4 | 325.9 | 5.5 | 38880 | 24 | — | — | — | — | — | — | — |
| HDO 120 4 | 354.9 | 5.1 | 40920 | 24 | — | — | — | — | — | — | — |
| HDO 120 4 | 400.6 | 4.5 | 37730 | 19.2 | — | — | — | — | — | — | — |

HDO

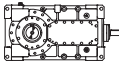
*  BONFIGLIOLI TECHNICAL SERVICE

— Thermal verification not necessary



HDO 120

$n_1 = 1500 \text{ min}^{-1}$

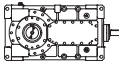
|  | i | n ₂ [min ⁻¹] | Mn ₂ [Nm] | Pn ₁ [kW] | Tamb = 20°C | | | | | | |
|---|-------|--|-------------------------|-------------------------|------------------------|---------------------------|-----------------------------|-----------------------------|--------------------------|-----------------------------|-----------------------------|
| | | | | | P _T [kW] | P _{TFAN} [kW] | P _{TMCRA5} [kW] | P _{TMCRA9} [kW] | P _{TSR} [kW] | P _{TMCRW5} [kW] | P _{TMCRW9} [kW] |
| HDO 120 2 | 6.6 | 228 | 27460 | 684 | * | 240 | 268 | 346 | * | * | 303 |
| HDO 120 2 | 7.2 | 210 | 29900 | 684 | * | 240 | 268 | 346 | * | * | 303 |
| HDO 120 2 | 8.1 | 186 | 32870 | 666 | * | 240 | 268 | 346 | * | * | 303 |
| HDO 120 2 | 8.9 | 169 | 33980 | 627 | * | 240 | 268 | 346 | * | * | 303 |
| HDO 120 2 | 10.0 | 150 | 35860 | 586 | * | 240 | 268 | 346 | * | 209 | 303 |
| HDO 120 2 | 11.1 | 135 | 33350 | 493 | 111 | 240 | 268 | 346 | 199 | 209 | 303 |
| HDO 120 2 | 12.5 | 120 | 35500 | 464 | 111 | 240 | 268 | 346 | 199 | 209 | 303 |
| HDO 120 2 | 13.7 | 109 | 32500 | 387 | 111 | 240 | 268 | 346 | 199 | 209 | 303 |
| HDO 120 2 | 15.5 | 97 | 34640 | 365 | 111 | 240 | 268 | — | 199 | 209 | 303 |
| HDO 120 3 | 17.3 | 87 | 31620 | 306 | 100 | 201 | 227 | — | 163 | 184 | — |
| HDO 120 3 | 19.5 | 77 | 34750 | 298 | 100 | 201 | 227 | — | 163 | 184 | — |
| HDO 120 3 | 21.8 | 69 | 33390 | 256 | 100 | 201 | — | — | 163 | 184 | — |
| HDO 120 3 | 24.6 | 61 | 34510 | 234 | 100 | — | — | — | 163 | 184 | — |
| HDO 120 3 | 28.3 | 53 | 33780 | 199 | 100 | — | — | — | 163 | — | — |
| HDO 120 3 | 32.0 | 47 | 37340 | 195 | 100 | — | — | — | 163 | — | — |
| HDO 120 3 | 34.8 | 43 | 37920 | 182 | 100 | — | — | — | — | — | — |
| HDO 120 3 | 41.2 | 36 | 39780 | 161 | 100 | — | — | — | — | — | — |
| HDO 120 3 | 44.9 | 33 | 39130 | 145 | 100 | — | — | — | — | — | — |
| HDO 120 3 | 49.5 | 30 | 36900 | 124 | 100 | — | — | — | — | — | — |
| HDO 120 3 | 53.9 | 27.8 | 38990 | 121 | 100 | — | — | — | — | — | — |
| HDO 120 3 | 63.9 | 23.5 | 40250 | 105 | — | — | — | — | — | — | — |
| HDO 120 3 | 69.6 | 21.5 | 38800 | 93 | — | — | — | — | — | — | — |
| HDO 120 3 | 78.6 | 19.1 | 35760 | 76 | — | — | — | — | — | — | — |
| HDO 120 4 | 87.0 | 17.2 | 35210 | 69 | — | — | — | — | — | — | — |
| HDO 120 4 | 103.1 | 14.5 | 38150 | 63 | — | — | — | — | — | — | — |
| HDO 120 4 | 112.3 | 13.4 | 40820 | 62 | — | — | — | — | — | — | — |
| HDO 120 4 | 125.7 | 11.9 | 38460 | 52 | — | — | — | — | — | — | — |
| HDO 120 4 | 136.9 | 11.0 | 40920 | 51 | — | — | — | — | — | — | — |
| HDO 120 4 | 162.2 | 9.2 | 41250 | 43 | — | — | — | — | — | — | — |
| HDO 120 4 | 179.7 | 8.3 | 39850 | 38 | — | — | — | — | — | — | — |
| HDO 120 4 | 201.1 | 7.5 | 41250 | 35 | — | — | — | — | — | — | — |
| HDO 120 4 | 219.0 | 6.8 | 40920 | 32 | — | — | — | — | — | — | — |
| HDO 120 4 | 252.4 | 5.9 | 41250 | 28 | — | — | — | — | — | — | — |
| HDO 120 4 | 282.7 | 5.3 | 40920 | 25 | — | — | — | — | — | — | — |
| HDO 120 4 | 325.9 | 4.6 | 41250 | 22 | — | — | — | — | — | — | — |
| HDO 120 4 | 354.9 | 4.2 | 40920 | 19.6 | — | — | — | — | — | — | — |
| HDO 120 4 | 400.6 | 3.7 | 37730 | 16.0 | — | — | — | — | — | — | — |

HDO

*  BONFIGLIOLI TECHNICAL SERVICE

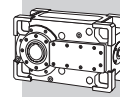
— Thermal verification not necessary



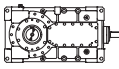
| HDO 120 | | | | | $n_1 = 1500 \text{ min}^{-1}$ | | | | | | |
|---|-------|-------------------------------|----------------|----------------|-------------------------------|--------------------|----------------------|----------------------|-------------------|----------------------|----------------------|
|  | i | n_2 [min ⁻¹] | Mn_2 [Nm] | Pn_1 [kW] | Tamb = 40°C | | | | | | |
| | | | | | P_T [kW] | P_{TFAN} [kW] | P_{TMCR45} [kW] | P_{TMCR49} [kW] | P_{TSR} [kW] | P_{TMCRW5} [kW] | P_{TMCRW9} [kW] |
| HDO 120 2 | 6.6 | 228 | 27460 | 684 | * | * | * | * | * | * | * |
| HDO 120 2 | 7.2 | 210 | 29900 | 684 | * | * | * | * | * | * | * |
| HDO 120 2 | 8.1 | 186 | 32870 | 666 | 54 | 162 | * | * | * | * | 264 |
| HDO 120 2 | 8.9 | 169 | 33980 | 627 | 54 | 162 | * | * | * | * | 264 |
| HDO 120 2 | 10.0 | 150 | 35860 | 586 | 54 | 162 | * | * | * | * | 264 |
| HDO 120 2 | 11.1 | 135 | 33350 | 493 | 54 | 162 | * | 205 | * | 180 | 264 |
| HDO 120 2 | 12.5 | 120 | 35500 | 464 | 54 | 162 | * | 205 | * | 180 | 264 |
| HDO 120 2 | 13.7 | 109 | 32500 | 387 | 54 | 162 | 174 | 205 | 165 | 180 | 264 |
| HDO 120 2 | 15.5 | 97 | 34640 | 365 | 54 | 162 | 174 | 205 | 165 | 180 | 264 |
| HDO 120 3 | 17.3 | 87 | 31620 | 306 | 64 | 138 | 135 | 166 | 127 | 148 | 216 |
| HDO 120 3 | 19.5 | 77 | 34750 | 298 | 64 | 138 | 135 | 166 | 127 | 148 | 216 |
| HDO 120 3 | 21.8 | 69 | 33390 | 256 | 64 | 138 | 135 | 166 | 127 | 148 | 216 |
| HDO 120 3 | 24.6 | 61 | 34510 | 234 | 64 | 138 | 135 | 166 | 127 | 148 | — |
| HDO 120 3 | 28.3 | 53 | 33780 | 199 | 64 | 138 | 135 | 166 | 127 | 148 | — |
| HDO 120 3 | 32.0 | 47 | 37340 | 195 | 64 | 138 | 135 | 166 | 127 | 148 | — |
| HDO 120 3 | 34.8 | 43 | 37920 | 182 | 64 | 138 | 135 | — | 127 | 148 | — |
| HDO 120 3 | 41.2 | 36 | 39780 | 161 | 64 | — | 135 | — | 127 | — | — |
| HDO 120 3 | 44.9 | 33 | 39130 | 145 | 64 | — | — | — | 127 | — | — |
| HDO 120 3 | 49.5 | 30 | 36900 | 124 | 64 | — | — | — | — | — | — |
| HDO 120 3 | 53.9 | 27.8 | 38990 | 121 | 64 | — | — | — | — | — | — |
| HDO 120 3 | 63.9 | 23.5 | 40250 | 105 | 64 | — | — | — | — | — | — |
| HDO 120 3 | 69.6 | 21.5 | 38800 | 93 | 64 | — | — | — | — | — | — |
| HDO 120 3 | 78.6 | 19.1 | 35760 | 76 | — | — | — | — | — | — | — |
| HDO 120 4 | 87.0 | 17.2 | 35210 | 69 | — | — | — | — | — | — | — |
| HDO 120 4 | 103.1 | 14.5 | 38150 | 63 | — | — | — | — | — | — | — |
| HDO 120 4 | 112.3 | 13.4 | 40820 | 62 | — | — | — | — | — | — | — |
| HDO 120 4 | 125.7 | 11.9 | 38460 | 52 | — | — | — | — | — | — | — |
| HDO 120 4 | 136.9 | 11.0 | 40920 | 51 | — | — | — | — | — | — | — |
| HDO 120 4 | 162.2 | 9.2 | 41250 | 43 | — | — | — | — | — | — | — |
| HDO 120 4 | 179.7 | 8.3 | 39850 | 38 | — | — | — | — | — | — | — |
| HDO 120 4 | 201.1 | 7.5 | 41250 | 35 | — | — | — | — | — | — | — |
| HDO 120 4 | 219.0 | 6.8 | 40920 | 32 | — | — | — | — | — | — | — |
| HDO 120 4 | 252.4 | 5.9 | 41250 | 28 | — | — | — | — | — | — | — |
| HDO 120 4 | 282.7 | 5.3 | 40920 | 25 | — | — | — | — | — | — | — |
| HDO 120 4 | 325.9 | 4.6 | 41250 | 22 | — | — | — | — | — | — | — |
| HDO 120 4 | 354.9 | 4.2 | 40920 | 19.6 | — | — | — | — | — | — | — |
| HDO 120 4 | 400.6 | 3.7 | 37730 | 16.0 | — | — | — | — | — | — | — |

* 

— Thermal verification not necessary



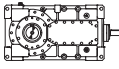
HDO

| HDO 120 | | | | | $n_1 = 1200 \text{ min}^{-1}$ | | | | | | | |
|---|-------|-------------------------------|----------------|----------------|-------------------------------|--------------------|----------------------|----------------------|-------------------|----------------------|----------------------|--|
|  | i | n_2 [min ⁻¹] | Mn_2 [Nm] | Pn_1 [kW] | Tamb = 20°C | | | | | | | |
| | | | | | P_T [kW] | P_{TFAN} [kW] | P_{TMCR45} [kW] | P_{TMCR49} [kW] | P_{TSR} [kW] | P_{TMCRW5} [kW] | P_{TMCRW9} [kW] | |
| HDO 120 2 | 6.6 | 183 | 29360 | 585 | * | 243 | 286 | 364 | 199 | 227 | 321 | |
| HDO 120 2 | 7.2 | 168 | 31970 | 585 | * | 243 | 286 | 364 | 199 | 227 | 321 | |
| HDO 120 2 | 8.1 | 149 | 35120 | 569 | * | 243 | 286 | 364 | 199 | 227 | 321 | |
| HDO 120 2 | 8.9 | 135 | 34440 | 509 | 109 | 243 | 286 | 364 | 199 | 227 | 321 | |
| HDO 120 2 | 10.0 | 120 | 36600 | 479 | 109 | 243 | 286 | 364 | 199 | 227 | 321 | |
| HDO 120 2 | 11.1 | 108 | 33350 | 394 | 109 | 243 | 286 | — | 199 | 227 | 321 | |
| HDO 120 2 | 12.5 | 96 | 35500 | 372 | 109 | 243 | 286 | — | 199 | 227 | 321 | |
| HDO 120 2 | 13.7 | 87 | 32500 | 310 | 109 | 243 | — | — | 199 | 227 | — | |
| HDO 120 2 | 15.5 | 77 | 34640 | 292 | 109 | 243 | — | — | 199 | 227 | — | |
| HDO 120 3 | 17.3 | 70 | 32720 | 253 | 108 | 199 | — | — | 171 | 192 | — | |
| HDO 120 3 | 19.5 | 62 | 35370 | 242 | 108 | 199 | — | — | 171 | 192 | — | |
| HDO 120 3 | 21.8 | 55 | 35700 | 219 | 108 | — | — | — | 171 | — | — | |
| HDO 120 3 | 24.6 | 49 | 36900 | 200 | 108 | — | — | — | — | — | — | |
| HDO 120 3 | 28.3 | 42 | 36120 | 170 | 108 | — | — | — | — | — | — | |
| HDO 120 3 | 32.0 | 38 | 38110 | 159 | 108 | — | — | — | — | — | — | |
| HDO 120 3 | 34.8 | 34 | 39150 | 150 | 108 | — | — | — | — | — | — | |
| HDO 120 3 | 41.2 | 29.1 | 40410 | 131 | 108 | — | — | — | — | — | — | |
| HDO 120 3 | 44.9 | 26.7 | 38960 | 116 | — | — | — | — | — | — | — | |
| HDO 120 3 | 49.5 | 24.2 | 37620 | 101 | — | — | — | — | — | — | — | |
| HDO 120 3 | 53.9 | 22.2 | 38830 | 96 | — | — | — | — | — | — | — | |
| HDO 120 3 | 63.9 | 18.8 | 40680 | 85 | — | — | — | — | — | — | — | |
| HDO 120 3 | 69.6 | 17.2 | 39240 | 75 | — | — | — | — | — | — | — | |
| HDO 120 3 | 78.6 | 15.3 | 36170 | 61 | — | — | — | — | — | — | — | |
| HDO 120 4 | 87.0 | 11.6 | 38940 | 51 | — | — | — | — | — | — | — | |
| HDO 120 4 | 103.1 | 10.7 | 38720 | 47 | — | — | — | — | — | — | — | |
| HDO 120 4 | 112.3 | 9.5 | 40970 | 44 | — | — | — | — | — | — | — | |
| HDO 120 4 | 125.7 | 8.8 | 40920 | 41 | — | — | — | — | — | — | — | |
| HDO 120 4 | 136.9 | 7.4 | 41250 | 35 | — | — | — | — | — | — | — | |
| HDO 120 4 | 162.2 | 6.7 | 40200 | 30 | — | — | — | — | — | — | — | |
| HDO 120 4 | 179.7 | 6.0 | 41250 | 28 | — | — | — | — | — | — | — | |
| HDO 120 4 | 201.1 | 5.5 | 40920 | 25 | — | — | — | — | — | — | — | |
| HDO 120 4 | 219.0 | 4.8 | 41250 | 22 | — | — | — | — | — | — | — | |
| HDO 120 4 | 252.4 | 4.2 | 40920 | 19.7 | — | — | — | — | — | — | — | |
| HDO 120 4 | 282.7 | 3.7 | 41250 | 17.2 | — | — | — | — | — | — | — | |
| HDO 120 4 | 325.9 | 3.4 | 40920 | 15.7 | — | — | — | — | — | — | — | |
| HDO 120 4 | 354.9 | 3.0 | 37730 | 12.8 | — | — | — | — | — | — | — | |
| HDO 120 4 | 400.6 | 2.7 | 34300 | 10.7 | — | — | — | — | — | — | — | |

* 

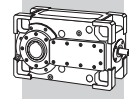
— Thermal verification not necessary



| HDO 120 | | | | | $n_1 = 1200 \text{ min}^{-1}$ | | | | | | | |
|---|-------|-------------------------------|----------------|----------------|-------------------------------|--------------------|----------------------|----------------------|-------------------|----------------------|----------------------|--|
|  | i | n_2 [min ⁻¹] | Mn_2 [Nm] | Pn_1 [kW] | Tamb = 40°C | | | | | | | |
| | | | | | P_T [kW] | P_{TFAN} [kW] | P_{TMCR45} [kW] | P_{TMCR49} [kW] | P_{TSR} [kW] | P_{TMCRW5} [kW] | P_{TMCRW9} [kW] | |
| HDO 120 2 | 6.6 | 183 | 29360 | 585 | 64 | 161 | 161 | 205 | * | 180 | 274 | |
| HDO 120 2 | 7.2 | 168 | 31970 | 585 | 64 | 161 | 161 | 205 | * | 180 | 274 | |
| HDO 120 2 | 8.1 | 149 | 35120 | 569 | 64 | 161 | 161 | 205 | * | 180 | 274 | |
| HDO 120 2 | 8.9 | 135 | 34440 | 509 | 64 | 161 | 161 | 205 | * | 180 | 274 | |
| HDO 120 2 | 10.0 | 120 | 36600 | 479 | 64 | 161 | 161 | 205 | 152 | 180 | 274 | |
| HDO 120 2 | 11.1 | 108 | 33350 | 394 | 64 | 161 | 161 | 205 | 152 | 180 | 274 | |
| HDO 120 2 | 12.5 | 96 | 35500 | 372 | 64 | 161 | 161 | 205 | 152 | 180 | 274 | |
| HDO 120 2 | 13.7 | 87 | 32500 | 310 | 64 | 161 | 161 | 205 | 152 | 180 | 274 | |
| HDO 120 2 | 15.5 | 77 | 34640 | 292 | 64 | 161 | 161 | 205 | 152 | 180 | — | |
| HDO 120 3 | 17.3 | 70 | 32720 | 253 | 72 | 139 | 143 | 174 | 135 | 156 | — | |
| HDO 120 3 | 19.5 | 62 | 35370 | 242 | 72 | 139 | 143 | 174 | 135 | 156 | — | |
| HDO 120 3 | 21.8 | 55 | 35700 | 219 | 72 | 139 | 143 | 174 | 135 | 156 | — | |
| HDO 120 3 | 24.6 | 49 | 36900 | 200 | 72 | 139 | 143 | — | 135 | 156 | — | |
| HDO 120 3 | 28.3 | 42 | 36120 | 170 | 72 | 139 | 143 | — | 135 | — | — | |
| HDO 120 3 | 32.0 | 38 | 38110 | 159 | 72 | 139 | — | — | 135 | — | — | |
| HDO 120 3 | 34.8 | 34 | 39150 | 150 | 72 | — | — | — | — | — | — | |
| HDO 120 3 | 41.2 | 29.1 | 40410 | 131 | 72 | — | — | — | — | — | — | |
| HDO 120 3 | 44.9 | 26.7 | 38960 | 116 | 72 | — | — | — | — | — | — | |
| HDO 120 3 | 49.5 | 24.2 | 37620 | 101 | 72 | — | — | — | — | — | — | |
| HDO 120 3 | 53.9 | 22.2 | 38830 | 96 | 72 | — | — | — | — | — | — | |
| HDO 120 3 | 63.9 | 18.8 | 40680 | 85 | — | — | — | — | — | — | — | |
| HDO 120 3 | 69.6 | 17.2 | 39240 | 75 | — | — | — | — | — | — | — | |
| HDO 120 3 | 78.6 | 15.3 | 36170 | 61 | — | — | — | — | — | — | — | |
| HDO 120 4 | 87.0 | 11.6 | 38940 | 51 | — | — | — | — | — | — | — | |
| HDO 120 4 | 103.1 | 10.7 | 38720 | 47 | — | — | — | — | — | — | — | |
| HDO 120 4 | 112.3 | 9.5 | 40970 | 44 | — | — | — | — | — | — | — | |
| HDO 120 4 | 125.7 | 8.8 | 40920 | 41 | — | — | — | — | — | — | — | |
| HDO 120 4 | 136.9 | 7.4 | 41250 | 35 | — | — | — | — | — | — | — | |
| HDO 120 4 | 162.2 | 6.7 | 40200 | 30 | — | — | — | — | — | — | — | |
| HDO 120 4 | 179.7 | 6.0 | 41250 | 28 | — | — | — | — | — | — | — | |
| HDO 120 4 | 201.1 | 5.5 | 40920 | 25 | — | — | — | — | — | — | — | |
| HDO 120 4 | 219.0 | 4.8 | 41250 | 22 | — | — | — | — | — | — | — | |
| HDO 120 4 | 252.4 | 4.2 | 40920 | 19.7 | — | — | — | — | — | — | — | |
| HDO 120 4 | 282.7 | 3.7 | 41250 | 17.2 | — | — | — | — | — | — | — | |
| HDO 120 4 | 325.9 | 3.4 | 40920 | 15.7 | — | — | — | — | — | — | — | |
| HDO 120 4 | 354.9 | 3.0 | 37730 | 12.8 | — | — | — | — | — | — | — | |
| HDO 120 4 | 400.6 | 2.7 | 34300 | 10.7 | — | — | — | — | — | — | — | |

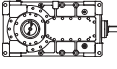
*  BONFIGLIOLI TECHNICAL SERVICE

— Thermal verification not necessary



HDO 120

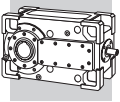
$n_1 = 1000 \text{ min}^{-1}$

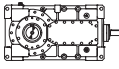
|  | i | n ₂ [min ⁻¹] | Mn ₂ [Nm] | Pn ₁ [kW] | Tamb = 20°C | | | | | | |
|---|-------|--|-------------------------|-------------------------|------------------------|---------------------------|-----------------------------|------------------------------|--------------------------|-----------------------------|-----------------------------|
| | | | | | P _T [kW] | P _{TFAN} [kW] | P _{TMCRAS} [kW] | P _{TMCRAS9} [kW] | P _{TSR} [kW] | P _{TMCRW5} [kW] | P _{TMCRW9} [kW] |
| HDO 120 2 | 6.6 | 152 | 31010 | 515 | 124 | 227 | 299 | 377 | 212 | 240 | 334 |
| HDO 120 2 | 7.2 | 140 | 32970 | 502 | 124 | 227 | 299 | 377 | 212 | 240 | 334 |
| HDO 120 2 | 8.1 | 124 | 35120 | 474 | 124 | 227 | 299 | 377 | 212 | 240 | 334 |
| HDO 120 2 | 8.9 | 113 | 34450 | 424 | 124 | 227 | 299 | — | 212 | 240 | 334 |
| HDO 120 2 | 10.0 | 100 | 36600 | 399 | 124 | 227 | 299 | — | 212 | 240 | 334 |
| HDO 120 2 | 11.1 | 90 | 33350 | 328 | 124 | 227 | — | — | 212 | 240 | — |
| HDO 120 2 | 12.5 | 80 | 35500 | 310 | 124 | 227 | — | — | 212 | 240 | — |
| HDO 120 2 | 13.7 | 73 | 32500 | 258 | 124 | — | — | — | 212 | — | — |
| HDO 120 2 | 15.5 | 65 | 34640 | 244 | 124 | — | — | — | 212 | — | — |
| HDO 120 3 | 17.3 | 58 | 32720 | 211 | 113 | — | — | — | 176 | — | — |
| HDO 120 3 | 19.5 | 51 | 35200 | 201 | 113 | — | — | — | — | — | — |
| HDO 120 3 | 21.8 | 46 | 37700 | 192 | 113 | — | — | — | — | — | — |
| HDO 120 3 | 24.6 | 41 | 38980 | 176 | 113 | — | — | — | — | — | — |
| HDO 120 3 | 28.3 | 35 | 36250 | 142 | 113 | — | — | — | — | — | — |
| HDO 120 3 | 32.0 | 31 | 38110 | 133 | 113 | — | — | — | — | — | — |
| HDO 120 3 | 34.8 | 28.7 | 39010 | 125 | — | — | — | — | — | — | — |
| HDO 120 3 | 41.2 | 24.2 | 40270 | 109 | — | — | — | — | — | — | — |
| HDO 120 3 | 44.9 | 22.3 | 38830 | 96 | — | — | — | — | — | — | — |
| HDO 120 3 | 49.5 | 20.2 | 37620 | 85 | — | — | — | — | — | — | — |
| HDO 120 3 | 53.9 | 18.5 | 38800 | 80 | — | — | — | — | — | — | — |
| HDO 120 3 | 63.9 | 15.6 | 41250 | 72 | — | — | — | — | — | — | — |
| HDO 120 3 | 69.6 | 14.4 | 40360 | 64 | — | — | — | — | — | — | — |
| HDO 120 3 | 78.6 | 12.7 | 37220 | 53 | — | — | — | — | — | — | — |
| HDO 120 4 | 87.0 | 11.5 | 39760 | 52 | — | — | — | — | — | — | — |
| HDO 120 4 | 103.1 | 9.7 | 41250 | 45 | — | — | — | — | — | — | — |
| HDO 120 4 | 112.3 | 8.9 | 40920 | 41 | — | — | — | — | — | — | — |
| HDO 120 4 | 125.7 | 8.0 | 41250 | 37 | — | — | — | — | — | — | — |
| HDO 120 4 | 136.9 | 7.3 | 40920 | 34 | — | — | — | — | — | — | — |
| HDO 120 4 | 162.2 | 6.2 | 41250 | 29 | — | — | — | — | — | — | — |
| HDO 120 4 | 179.7 | 5.6 | 40920 | 26 | — | — | — | — | — | — | — |
| HDO 120 4 | 201.1 | 5.0 | 41250 | 23 | — | — | — | — | — | — | — |
| HDO 120 4 | 219.0 | 4.6 | 40920 | 21 | — | — | — | — | — | — | — |
| HDO 120 4 | 252.4 | 4.0 | 41250 | 18.6 | — | — | — | — | — | — | — |
| HDO 120 4 | 282.7 | 3.5 | 40920 | 16.4 | — | — | — | — | — | — | — |
| HDO 120 4 | 325.9 | 3.1 | 41250 | 14.4 | — | — | — | — | — | — | — |
| HDO 120 4 | 354.9 | 2.8 | 40920 | 13.1 | — | — | — | — | — | — | — |
| HDO 120 4 | 400.6 | 2.5 | 37730 | 10.7 | — | — | — | — | — | — | — |

HDO

*  BONFIGLIOLI TECHNICAL SERVICE

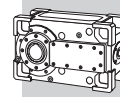
— Thermal verification not necessary



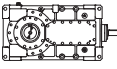
| HDO 120 | | | | | $n_1 = 1000 \text{ min}^{-1}$ | | | | | | | |
|---|-------|-------------------------------|----------------|----------------|-------------------------------|--------------------|----------------------|----------------------|-------------------|----------------------|----------------------|--|
|  | i | n_2 [min ⁻¹] | Mn_2 [Nm] | Pn_1 [kW] | Tamb = 40°C | | | | | | | |
| | | | | | P_T [kW] | P_{TFAN} [kW] | P_{TMCR45} [kW] | P_{TMCR49} [kW] | P_{TSR} [kW] | P_{TMCRW5} [kW] | P_{TMCRW9} [kW] | |
| HDO 120 2 | 6.6 | 152 | 31010 | 515 | 76 | 151 | 173 | 217 | * | 192 | 286 | |
| HDO 120 2 | 7.2 | 140 | 32970 | 502 | 76 | 151 | 173 | 217 | * | 192 | 286 | |
| HDO 120 2 | 8.1 | 124 | 35120 | 474 | 76 | 151 | 173 | 217 | * | 192 | 286 | |
| HDO 120 2 | 8.9 | 113 | 34450 | 424 | 76 | 151 | 173 | 217 | 162 | 192 | 286 | |
| HDO 120 2 | 10.0 | 100 | 36600 | 399 | 76 | 151 | 173 | 217 | 162 | 192 | 286 | |
| HDO 120 2 | 11.1 | 90 | 33350 | 328 | 76 | 151 | 173 | 217 | 162 | 192 | — | |
| HDO 120 2 | 12.5 | 80 | 35500 | 310 | 76 | 151 | 173 | 217 | 162 | 192 | — | |
| HDO 120 2 | 13.7 | 73 | 32500 | 258 | 76 | 151 | 173 | 217 | 162 | 192 | — | |
| HDO 120 2 | 15.5 | 65 | 34640 | 244 | 76 | 151 | 173 | — | 162 | 192 | — | |
| HDO 120 3 | 17.3 | 58 | 32720 | 211 | 77 | 129 | 148 | — | 140 | 161 | — | |
| HDO 120 3 | 19.5 | 51 | 35200 | 201 | 77 | 129 | 148 | — | 140 | 161 | — | |
| HDO 120 3 | 21.8 | 46 | 37700 | 192 | 77 | 129 | 148 | — | 140 | — | — | |
| HDO 120 3 | 24.6 | 41 | 38980 | 176 | 77 | 129 | — | — | 140 | — | — | |
| HDO 120 3 | 28.3 | 35 | 36250 | 142 | 77 | — | — | — | — | — | — | |
| HDO 120 3 | 32.0 | 31 | 38110 | 133 | 77 | — | — | — | — | — | — | |
| HDO 120 3 | 34.8 | 28.7 | 39010 | 125 | 77 | — | — | — | — | — | — | |
| HDO 120 3 | 41.2 | 24.2 | 40270 | 109 | 77 | — | — | — | — | — | — | |
| HDO 120 3 | 44.9 | 22.3 | 38830 | 96 | 77 | — | — | — | — | — | — | |
| HDO 120 3 | 49.5 | 20.2 | 37620 | 85 | — | — | — | — | — | — | — | |
| HDO 120 3 | 53.9 | 18.5 | 38800 | 80 | — | — | — | — | — | — | — | |
| HDO 120 3 | 63.9 | 15.6 | 41250 | 72 | — | — | — | — | — | — | — | |
| HDO 120 3 | 69.6 | 14.4 | 40360 | 64 | — | — | — | — | — | — | — | |
| HDO 120 3 | 78.6 | 12.7 | 37220 | 53 | — | — | — | — | — | — | — | |
| HDO 120 4 | 87.0 | 11.5 | 39760 | 52 | — | — | — | — | — | — | — | |
| HDO 120 4 | 103.1 | 9.7 | 41250 | 45 | — | — | — | — | — | — | — | |
| HDO 120 4 | 112.3 | 8.9 | 40920 | 41 | — | — | — | — | — | — | — | |
| HDO 120 4 | 125.7 | 8.0 | 41250 | 37 | — | — | — | — | — | — | — | |
| HDO 120 4 | 136.9 | 7.3 | 40920 | 34 | — | — | — | — | — | — | — | |
| HDO 120 4 | 162.2 | 6.2 | 41250 | 29 | — | — | — | — | — | — | — | |
| HDO 120 4 | 179.7 | 5.6 | 40920 | 26 | — | — | — | — | — | — | — | |
| HDO 120 4 | 201.1 | 5.0 | 41250 | 23 | — | — | — | — | — | — | — | |
| HDO 120 4 | 219.0 | 4.6 | 40920 | 21 | — | — | — | — | — | — | — | |
| HDO 120 4 | 252.4 | 4.0 | 41250 | 18.6 | — | — | — | — | — | — | — | |
| HDO 120 4 | 282.7 | 3.5 | 40920 | 16.4 | — | — | — | — | — | — | — | |
| HDO 120 4 | 325.9 | 3.1 | 41250 | 14.4 | — | — | — | — | — | — | — | |
| HDO 120 4 | 354.9 | 2.8 | 40920 | 13.1 | — | — | — | — | — | — | — | |
| HDO 120 4 | 400.6 | 2.5 | 37730 | 10.7 | — | — | — | — | — | — | — | |

*  BONFIGLIOLI TECHNICAL SERVICE

— Thermal verification not necessary



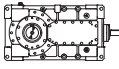
HDO

| HDO 125 | | | | | $n_1 = 1800 \text{ min}^{-1}$ | | | | | | | |
|---|-------|-------------------------------|----------------|----------------|-------------------------------|--------------------|----------------------|----------------------|-------------------|----------------------|----------------------|--|
|  | i | n_2 [min ⁻¹] | Mn_2 [Nm] | Pn_1 [kW] | Tamb = 20°C | | | | | | | |
| | | | | | P_T [kW] | P_{TFAN} [kW] | P_{TMCR45} [kW] | P_{TMCR49} [kW] | P_{TSR} [kW] | P_{TMCRW5} [kW] | P_{TMCRW9} [kW] | |
| HDO 125 2 | 7.4 | 243 | 29330 | 777 | * | * | * | * | * | * | * | |
| HDO 125 2 | 8.0 | 226 | 31560 | 777 | * | * | * | * | * | * | * | |
| HDO 125 2 | 8.8 | 204 | 34940 | 776 | * | * | * | * | * | * | * | |
| HDO 125 2 | 9.9 | 182 | 36250 | 720 | * | * | * | * | * | * | * | |
| HDO 125 2 | 11.5 | 157 | 35910 | 614 | * | * | * | * | * | * | * | |
| HDO 125 2 | 12.3 | 146 | 37300 | 593 | * | 316 | * | 400 | * | * | * | |
| HDO 125 2 | 14.2 | 127 | 34960 | 482 | * | 316 | 325 | 400 | * | 266 | 360 | |
| HDO 125 2 | 15.3 | 118 | 36350 | 466 | 152 | 316 | 325 | 400 | * | 266 | 360 | |
| HDO 125 2 | 16.9 | 106 | 38880 | 450 | 152 | 316 | 325 | 400 | * | 266 | 360 | |
| HDO 125 3 | 19.2 | 94 | 33640 | 350 | 114 | 217 | 232 | 285 | * | * | 253 | |
| HDO 125 3 | 22.6 | 80 | 35190 | 312 | 114 | 217 | 232 | 285 | * | * | 253 | |
| HDO 125 3 | 24.3 | 74 | 37860 | 312 | 114 | 217 | 232 | 285 | * | * | 253 | |
| HDO 125 3 | 27.7 | 65 | 38150 | 275 | 114 | 217 | 232 | — | 177 | 198 | 253 | |
| HDO 125 3 | 33.0 | 54 | 41240 | 250 | 114 | 217 | 232 | — | 177 | 198 | — | |
| HDO 125 3 | 35.8 | 50 | 41760 | 234 | 114 | 217 | 232 | — | 177 | 198 | — | |
| HDO 125 3 | 38.8 | 46 | 43250 | 223 | 114 | 217 | — | — | 177 | 198 | — | |
| HDO 125 3 | 43.0 | 42 | 44620 | 208 | 114 | — | — | — | 177 | 198 | — | |
| HDO 125 3 | 50.1 | 36 | 46050 | 184 | 114 | — | — | — | 177 | — | — | |
| HDO 125 3 | 55.4 | 32 | 46570 | 168 | 114 | — | — | — | — | — | — | |
| HDO 125 3 | 60.1 | 29.9 | 42420 | 141 | 114 | — | — | — | — | — | — | |
| HDO 125 3 | 72.1 | 25.0 | 47620 | 132 | 114 | — | — | — | — | — | — | |
| HDO 125 3 | 77.6 | 23.2 | 49240 | 127 | 114 | — | — | — | — | — | — | |
| HDO 125 3 | 85.9 | 20.9 | 46160 | 108 | — | — | — | — | — | — | — | |
| HDO 125 4 | 97.0 | 18.6 | 37170 | 78 | — | — | — | — | — | — | — | |
| HDO 125 4 | 116.3 | 15.5 | 44590 | 78 | — | — | — | — | — | — | — | |
| HDO 125 4 | 125.2 | 14.4 | 47980 | 78 | — | — | — | — | — | — | — | |
| HDO 125 4 | 141.8 | 12.7 | 42600 | 61 | — | — | — | — | — | — | — | |
| HDO 125 4 | 152.6 | 11.8 | 45850 | 61 | — | — | — | — | — | — | — | |
| HDO 125 4 | 178.0 | 10.1 | 46190 | 53 | — | — | — | — | — | — | — | |
| HDO 125 4 | 200.3 | 9.0 | 42070 | 43 | — | — | — | — | — | — | — | |
| HDO 125 4 | 226.9 | 7.9 | 47230 | 43 | — | — | — | — | — | — | — | |
| HDO 125 4 | 244.1 | 7.4 | 48720 | 41 | — | — | — | — | — | — | — | |
| HDO 125 4 | 284.8 | 6.3 | 47230 | 34 | — | — | — | — | — | — | — | |
| HDO 125 4 | 315.2 | 5.7 | 49240 | 32 | — | — | — | — | — | — | — | |
| HDO 125 4 | 367.6 | 4.9 | 47750 | 27 | — | — | — | — | — | — | — | |
| HDO 125 4 | 395.6 | 4.5 | 49240 | 25 | — | — | — | — | — | — | — | |
| HDO 125 4 | 438.0 | 4.1 | 49240 | 23 | — | — | — | — | — | — | — | |

* 

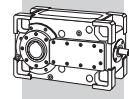
— Thermal verification not necessary



| HDO 125 | | | | | $n_1 = 1800 \text{ min}^{-1}$ | | | | | | | |
|---|-------|-------------------------------|----------------|----------------|-------------------------------|--------------------|----------------------|----------------------|-------------------|----------------------|----------------------|--|
|  | i | n_2 [min ⁻¹] | Mn_2 [Nm] | Pn_1 [kW] | Tamb = 40°C | | | | | | | |
| | | | | | P_T [kW] | P_{TFAN} [kW] | P_{TMCR45} [kW] | P_{TMCR49} [kW] | P_{TSR} [kW] | P_{TMCRW5} [kW] | P_{TMCRW9} [kW] | |
| HDO 125 2 | 7.4 | 243 | 29330 | 777 | * | * | * | * | * | * | * | |
| HDO 125 2 | 8.0 | 226 | 31560 | 777 | * | * | * | * | * | * | * | |
| HDO 125 2 | 8.8 | 204 | 34940 | 776 | * | * | * | * | * | * | * | |
| HDO 125 2 | 9.9 | 182 | 36250 | 720 | * | * | * | * | * | * | * | |
| HDO 125 2 | 11.5 | 157 | 35910 | 614 | * | * | * | * | * | * | * | |
| HDO 125 2 | 12.3 | 146 | 37300 | 593 | * | 214 | * | * | * | * | * | |
| HDO 125 2 | 14.2 | 127 | 34960 | 482 | * | 214 | * | * | * | * | * | |
| HDO 125 2 | 15.3 | 118 | 36350 | 466 | * | 214 | * | * | * | * | 318 | |
| HDO 125 2 | 16.9 | 106 | 38880 | 450 | * | 214 | * | * | * | * | 318 | |
| HDO 125 3 | 19.2 | 94 | 33640 | 350 | * | 143 | * | * | * | * | 210 | |
| HDO 125 3 | 22.6 | 80 | 35190 | 312 | * | 143 | * | * | * | * | 210 | |
| HDO 125 3 | 24.3 | 74 | 37860 | 312 | * | 143 | * | * | * | * | 210 | |
| HDO 125 3 | 27.7 | 65 | 38150 | 275 | 75 | 143 | 141 | 172 | 133 | 154 | 210 | |
| HDO 125 3 | 33.0 | 54 | 41240 | 250 | 75 | 143 | 141 | 172 | 133 | 154 | 210 | |
| HDO 125 3 | 35.8 | 50 | 41760 | 234 | 75 | 143 | 141 | 172 | 133 | 154 | 210 | |
| HDO 125 3 | 38.8 | 46 | 43250 | 223 | 75 | 143 | 141 | 172 | 133 | 154 | 210 | |
| HDO 125 3 | 43.0 | 42 | 44620 | 208 | 75 | 143 | 141 | 172 | 133 | 154 | — | |
| HDO 125 3 | 50.1 | 36 | 46050 | 184 | 75 | 143 | 141 | 172 | 133 | 154 | — | |
| HDO 125 3 | 55.4 | 32 | 46570 | 168 | 75 | 143 | 141 | — | 133 | 154 | — | |
| HDO 125 3 | 60.1 | 29.9 | 42420 | 141 | 75 | — | 141 | — | 133 | — | — | |
| HDO 125 3 | 72.1 | 25.0 | 47620 | 132 | 75 | — | — | — | — | — | — | |
| HDO 125 3 | 77.6 | 23.2 | 49240 | 127 | 75 | — | — | — | — | — | — | |
| HDO 125 3 | 85.9 | 20.9 | 46160 | 108 | 75 | — | — | — | — | — | — | |
| HDO 125 4 | 97.0 | 18.6 | 37170 | 78 | — | — | — | — | — | — | — | |
| HDO 125 4 | 116.3 | 15.5 | 44590 | 78 | — | — | — | — | — | — | — | |
| HDO 125 4 | 125.2 | 14.4 | 47980 | 78 | — | — | — | — | — | — | — | |
| HDO 125 4 | 141.8 | 12.7 | 42600 | 61 | — | — | — | — | — | — | — | |
| HDO 125 4 | 152.6 | 11.8 | 45850 | 61 | — | — | — | — | — | — | — | |
| HDO 125 4 | 178.0 | 10.1 | 46190 | 53 | — | — | — | — | — | — | — | |
| HDO 125 4 | 200.3 | 9.0 | 42070 | 43 | — | — | — | — | — | — | — | |
| HDO 125 4 | 226.9 | 7.9 | 47230 | 43 | — | — | — | — | — | — | — | |
| HDO 125 4 | 244.1 | 7.4 | 48720 | 41 | — | — | — | — | — | — | — | |
| HDO 125 4 | 284.8 | 6.3 | 47230 | 34 | — | — | — | — | — | — | — | |
| HDO 125 4 | 315.2 | 5.7 | 49240 | 32 | — | — | — | — | — | — | — | |
| HDO 125 4 | 367.6 | 4.9 | 47750 | 27 | — | — | — | — | — | — | — | |
| HDO 125 4 | 395.6 | 4.5 | 49240 | 25 | — | — | — | — | — | — | — | |
| HDO 125 4 | 438.0 | 4.1 | 49240 | 23 | — | — | — | — | — | — | — | |

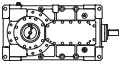
*  BONFIGLIOLI TECHNICAL SERVICE

— Thermal verification not necessary



HDO 125

$n_1 = 1500 \text{ min}^{-1}$

|  | i | n ₂ [min ⁻¹] | Mn ₂ [Nm] | Pn ₁ [kW] | Tamb = 20°C | | | | | | |
|---|-------|--|-------------------------|-------------------------|------------------------|---------------------------|-----------------------------|-----------------------------|--------------------------|-----------------------------|-----------------------------|
| | | | | | P _T [kW] | P _{TFAN} [kW] | P _{TMCRA5} [kW] | P _{TMCRA9} [kW] | P _{TSR} [kW] | P _{TMCRW5} [kW] | P _{TMCRW9} [kW] |
| HDO 125 2 | 7.4 | 202 | 30980 | 684 | * | 295 | 323 | 401 | * | * | 358 |
| HDO 125 2 | 8.0 | 188 | 33330 | 683 | * | 295 | 323 | 401 | * | * | 358 |
| HDO 125 2 | 8.8 | 170 | 36910 | 684 | * | 295 | 323 | 401 | * | * | 358 |
| HDO 125 2 | 9.9 | 152 | 38280 | 634 | * | 295 | 323 | 401 | * | * | 358 |
| HDO 125 2 | 11.5 | 131 | 35910 | 512 | * | 295 | 323 | 401 | * | 264 | 358 |
| HDO 125 2 | 12.3 | 122 | 37300 | 494 | 166 | 295 | 323 | 401 | 254 | 264 | 358 |
| HDO 125 2 | 14.2 | 105 | 34970 | 402 | 166 | 295 | 323 | 401 | 254 | 264 | 358 |
| HDO 125 2 | 15.3 | 98 | 36350 | 388 | 166 | 295 | 323 | — | 254 | 264 | 358 |
| HDO 125 2 | 16.9 | 89 | 38880 | 375 | 166 | 295 | 323 | — | 254 | 264 | 358 |
| HDO 125 3 | 19.2 | 78 | 35530 | 308 | 124 | 225 | 251 | — | 187 | 208 | — |
| HDO 125 3 | 22.6 | 66 | 37160 | 275 | 124 | 225 | 251 | — | 187 | 208 | — |
| HDO 125 3 | 24.3 | 62 | 39990 | 275 | 124 | 225 | 251 | — | 187 | 208 | — |
| HDO 125 3 | 27.7 | 54 | 40300 | 243 | 124 | 225 | — | — | 187 | 208 | — |
| HDO 125 3 | 33.0 | 45 | 43560 | 220 | 124 | — | — | — | 187 | 208 | — |
| HDO 125 3 | 35.8 | 42 | 44100 | 206 | 124 | — | — | — | 187 | — | — |
| HDO 125 3 | 38.8 | 39 | 45680 | 197 | 124 | — | — | — | 187 | — | — |
| HDO 125 3 | 43.0 | 35 | 46650 | 181 | 124 | — | — | — | — | — | — |
| HDO 125 3 | 50.1 | 30 | 48640 | 162 | 124 | — | — | — | — | — | — |
| HDO 125 3 | 55.4 | 27.1 | 46390 | 140 | 124 | — | — | — | — | — | — |
| HDO 125 3 | 60.1 | 24.9 | 44800 | 124 | 124 | — | — | — | — | — | — |
| HDO 125 3 | 72.1 | 20.8 | 47750 | 110 | — | — | — | — | — | — | — |
| HDO 125 3 | 77.6 | 19.3 | 49240 | 106 | — | — | — | — | — | — | — |
| HDO 125 3 | 85.9 | 17.5 | 46010 | 89 | — | — | — | — | — | — | — |
| HDO 125 4 | 97.0 | 15.5 | 39260 | 69 | — | — | — | — | — | — | — |
| HDO 125 4 | 116.3 | 12.9 | 47090 | 69 | — | — | — | — | — | — | — |
| HDO 125 4 | 125.2 | 12.0 | 49240 | 67 | — | — | — | — | — | — | — |
| HDO 125 4 | 141.8 | 10.6 | 45000 | 54 | — | — | — | — | — | — | — |
| HDO 125 4 | 152.6 | 9.8 | 48420 | 54 | — | — | — | — | — | — | — |
| HDO 125 4 | 178.0 | 8.4 | 47230 | 45 | — | — | — | — | — | — | — |
| HDO 125 4 | 200.3 | 7.5 | 44430 | 38 | — | — | — | — | — | — | — |
| HDO 125 4 | 226.9 | 6.6 | 47230 | 35 | — | — | — | — | — | — | — |
| HDO 125 4 | 244.1 | 6.1 | 48720 | 34 | — | — | — | — | — | — | — |
| HDO 125 4 | 284.8 | 5.3 | 47230 | 28 | — | — | — | — | — | — | — |
| HDO 125 4 | 315.2 | 4.8 | 49240 | 27 | — | — | — | — | — | — | — |
| HDO 125 4 | 367.6 | 4.1 | 47750 | 22 | — | — | — | — | — | — | — |
| HDO 125 4 | 395.6 | 3.8 | 49240 | 21 | — | — | — | — | — | — | — |
| HDO 125 4 | 438.0 | 3.4 | 49240 | 19.1 | — | — | — | — | — | — | — |

HDO

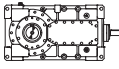
*  BONFIGLIOLI TECHNICAL SERVICE

— Thermal verification not necessary



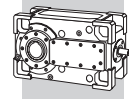
HDO 125

$n_1 = 1500 \text{ min}^{-1}$

|  | i | n_2 [min ⁻¹] | Mn_2 [Nm] | Pn_1 [kW] | Tamb = 40°C | | | | | | |
|---|-------|-------------------------------|----------------|----------------|---------------|--------------------|----------------------|----------------------|-------------------|----------------------|----------------------|
| | | | | | P_T [kW] | P_{TFAN} [kW] | P_{TMCR45} [kW] | P_{TMCR49} [kW] | P_{TSR} [kW] | P_{TMCRW5} [kW] | P_{TMCRW9} [kW] |
| HDO 125 2 | 7.4 | 202 | 30980 | 684 | * | * | * | * | * | * | * |
| HDO 125 2 | 8.0 | 188 | 33330 | 683 | * | * | * | * | * | * | * |
| HDO 125 2 | 8.8 | 170 | 36910 | 684 | * | 208 | * | * | * | * | 310 |
| HDO 125 2 | 9.9 | 152 | 38280 | 634 | * | 208 | * | * | * | * | 310 |
| HDO 125 2 | 11.5 | 131 | 35910 | 512 | * | 208 | * | * | * | * | 310 |
| HDO 125 2 | 12.3 | 122 | 37300 | 494 | * | 208 | * | 251 | * | 226 | 310 |
| HDO 125 2 | 14.2 | 105 | 34970 | 402 | 100 | 208 | * | 251 | * | 226 | 310 |
| HDO 125 2 | 15.3 | 98 | 36350 | 388 | 100 | 208 | 220 | 251 | 211 | 226 | 310 |
| HDO 125 2 | 16.9 | 89 | 38880 | 375 | 100 | 208 | 220 | 251 | 211 | 226 | 310 |
| HDO 125 3 | 19.2 | 78 | 35530 | 308 | * | 155 | 152 | 183 | 144 | 165 | 233 |
| HDO 125 3 | 22.6 | 66 | 37160 | 275 | 81 | 155 | 152 | 183 | 144 | 165 | 233 |
| HDO 125 3 | 24.3 | 62 | 39990 | 275 | 81 | 155 | 152 | 183 | 144 | 165 | 233 |
| HDO 125 3 | 27.7 | 54 | 40300 | 243 | 81 | 155 | 152 | 183 | 144 | 165 | 233 |
| HDO 125 3 | 33.0 | 45 | 43560 | 220 | 81 | 155 | 152 | 183 | 144 | 165 | — |
| HDO 125 3 | 35.8 | 42 | 44100 | 206 | 81 | 155 | 152 | 183 | 144 | 165 | — |
| HDO 125 3 | 38.8 | 39 | 45680 | 197 | 81 | 155 | 152 | 183 | 144 | 165 | — |
| HDO 125 3 | 43.0 | 35 | 46650 | 181 | 81 | 155 | 152 | — | 144 | 165 | — |
| HDO 125 3 | 50.1 | 30 | 48640 | 162 | 81 | 155 | 152 | — | 144 | — | — |
| HDO 125 3 | 55.4 | 27.1 | 46390 | 140 | 81 | — | — | — | — | — | — |
| HDO 125 3 | 60.1 | 24.9 | 44800 | 124 | 81 | — | — | — | — | — | — |
| HDO 125 3 | 72.1 | 20.8 | 47750 | 110 | 81 | — | — | — | — | — | — |
| HDO 125 3 | 77.6 | 19.3 | 49240 | 106 | 81 | — | — | — | — | — | — |
| HDO 125 3 | 85.9 | 17.5 | 46010 | 89 | 81 | — | — | — | — | — | — |
| HDO 125 4 | 97.0 | 15.5 | 39260 | 69 | — | — | — | — | — | — | — |
| HDO 125 4 | 116.3 | 12.9 | 47090 | 69 | — | — | — | — | — | — | — |
| HDO 125 4 | 125.2 | 12.0 | 49240 | 67 | — | — | — | — | — | — | — |
| HDO 125 4 | 141.8 | 10.6 | 45000 | 54 | — | — | — | — | — | — | — |
| HDO 125 4 | 152.6 | 9.8 | 48420 | 54 | — | — | — | — | — | — | — |
| HDO 125 4 | 178.0 | 8.4 | 47230 | 45 | — | — | — | — | — | — | — |
| HDO 125 4 | 200.3 | 7.5 | 44430 | 38 | — | — | — | — | — | — | — |
| HDO 125 4 | 226.9 | 6.6 | 47230 | 35 | — | — | — | — | — | — | — |
| HDO 125 4 | 244.1 | 6.1 | 48720 | 34 | — | — | — | — | — | — | — |
| HDO 125 4 | 284.8 | 5.3 | 47230 | 28 | — | — | — | — | — | — | — |
| HDO 125 4 | 315.2 | 4.8 | 49240 | 27 | — | — | — | — | — | — | — |
| HDO 125 4 | 367.6 | 4.1 | 47750 | 22 | — | — | — | — | — | — | — |
| HDO 125 4 | 395.6 | 3.8 | 49240 | 21 | — | — | — | — | — | — | — |
| HDO 125 4 | 438.0 | 3.4 | 49240 | 19.1 | — | — | — | — | — | — | — |

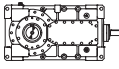
*  BONFIGLIOLI TECHNICAL SERVICE

— Thermal verification not necessary



HDO 125

$n_1 = 1200 \text{ min}^{-1}$

|  | i | n ₂ [min ⁻¹] | Mn ₂ [Nm] | Pn ₁ [kW] | Tamb = 20°C | | | | | | |
|---|-------|--|-------------------------|-------------------------|------------------------|---------------------------|-----------------------------|-----------------------------|--------------------------|-----------------------------|-----------------------------|
| | | | | | P _T [kW] | P _{TFAN} [kW] | P _{TMCRA5} [kW] | P _{TMCRA9} [kW] | P _{TSR} [kW] | P _{TMCRW5} [kW] | P _{TMCRW9} [kW] |
| HDO 125 2 | 7.4 | 162 | 33130 | 585 | * | 304 | 347 | 425 | 260 | 288 | 382 |
| HDO 125 2 | 8.0 | 150 | 35650 | 585 | * | 304 | 347 | 425 | 260 | 288 | 382 |
| HDO 125 2 | 8.8 | 136 | 39430 | 584 | * | 304 | 347 | 425 | 260 | 288 | 382 |
| HDO 125 2 | 9.9 | 122 | 38520 | 510 | 170 | 304 | 347 | 425 | 260 | 288 | 382 |
| HDO 125 2 | 11.5 | 105 | 35910 | 410 | 170 | 304 | 347 | — | 260 | 288 | 382 |
| HDO 125 2 | 12.3 | 97 | 37300 | 395 | 170 | 304 | 347 | — | 260 | 288 | 382 |
| HDO 125 2 | 14.2 | 84 | 34970 | 322 | 170 | 304 | — | — | 260 | 288 | — |
| HDO 125 2 | 15.3 | 78 | 36350 | 311 | 170 | 304 | — | — | 260 | 288 | — |
| HDO 125 2 | 16.9 | 71 | 38880 | 300 | 170 | — | — | — | 260 | 288 | — |
| HDO 125 3 | 19.2 | 62 | 36480 | 253 | 133 | 224 | — | — | 196 | 217 | — |
| HDO 125 3 | 22.6 | 53 | 39740 | 235 | 133 | 224 | — | — | 196 | 217 | — |
| HDO 125 3 | 24.3 | 49 | 42760 | 235 | 133 | 224 | — | — | 196 | 217 | — |
| HDO 125 3 | 27.7 | 43 | 43090 | 207 | 133 | — | — | — | 196 | — | — |
| HDO 125 3 | 33.0 | 36 | 46570 | 188 | 133 | — | — | — | — | — | — |
| HDO 125 3 | 35.8 | 34 | 47160 | 176 | 133 | — | — | — | — | — | — |
| HDO 125 3 | 38.8 | 31 | 46270 | 159 | 133 | — | — | — | — | — | — |
| HDO 125 3 | 43.0 | 27.9 | 46420 | 144 | 133 | — | — | — | — | — | — |
| HDO 125 3 | 50.1 | 24.0 | 49240 | 131 | 133 | — | — | — | — | — | — |
| HDO 125 3 | 55.4 | 21.6 | 46190 | 111 | — | — | — | — | — | — | — |
| HDO 125 3 | 60.1 | 20.0 | 47910 | 106 | — | — | — | — | — | — | — |
| HDO 125 3 | 72.1 | 16.6 | 47750 | 88 | — | — | — | — | — | — | — |
| HDO 125 3 | 77.6 | 15.5 | 49240 | 85 | — | — | — | — | — | — | — |
| HDO 125 3 | 85.9 | 14.0 | 46530 | 72 | — | — | — | — | — | — | — |
| HDO 125 4 | 97.0 | 12.4 | 41970 | 59 | — | — | — | — | — | — | — |
| HDO 125 4 | 116.3 | 10.3 | 47750 | 56 | — | — | — | — | — | — | — |
| HDO 125 4 | 125.2 | 9.6 | 49240 | 54 | — | — | — | — | — | — | — |
| HDO 125 4 | 141.8 | 8.5 | 47230 | 45 | — | — | — | — | — | — | — |
| HDO 125 4 | 152.6 | 7.9 | 48720 | 43 | — | — | — | — | — | — | — |
| HDO 125 4 | 178.0 | 6.7 | 47230 | 36 | — | — | — | — | — | — | — |
| HDO 125 4 | 200.3 | 6.0 | 47510 | 32 | — | — | — | — | — | — | — |
| HDO 125 4 | 226.9 | 5.3 | 47230 | 28 | — | — | — | — | — | — | — |
| HDO 125 4 | 244.1 | 4.9 | 48720 | 27 | — | — | — | — | — | — | — |
| HDO 125 4 | 284.8 | 4.2 | 47230 | 23 | — | — | — | — | — | — | — |
| HDO 125 4 | 315.2 | 3.8 | 49240 | 21 | — | — | — | — | — | — | — |
| HDO 125 4 | 367.6 | 3.3 | 47750 | 17.7 | — | — | — | — | — | — | — |
| HDO 125 4 | 395.6 | 3.0 | 49240 | 17.0 | — | — | — | — | — | — | — |
| HDO 125 4 | 438.0 | 2.7 | 49240 | 15.3 | — | — | — | — | — | — | — |

HDO

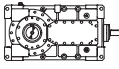
*  BONFIGLIOLI TECHNICAL SERVICE

— Thermal verification not necessary



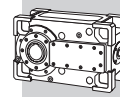
HDO 125

$n_1 = 1200 \text{ min}^{-1}$

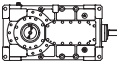
|  | i | n_2 [min ⁻¹] | Mn_2 [Nm] | Pn_1 [kW] | Tamb = 40°C | | | | | | | |
|---|-------|-------------------------------|----------------|----------------|---------------|--------------------|----------------------|----------------------|-------------------|----------------------|----------------------|--|
| | | | | | P_T [kW] | P_{TFAN} [kW] | P_{TMCR45} [kW] | P_{TMCR49} [kW] | P_{TSR} [kW] | P_{TMCRW5} [kW] | P_{TMCRW9} [kW] | |
| HDO 125 2 | 7.4 | 162 | 33130 | 585 | * | * | 207 | 251 | * | 226 | 320 | |
| HDO 125 2 | 8.0 | 150 | 35650 | 585 | * | 207 | 207 | 251 | * | 226 | 320 | |
| HDO 125 2 | 8.8 | 136 | 39430 | 584 | * | 207 | 207 | 251 | * | 226 | 320 | |
| HDO 125 2 | 9.9 | 122 | 38520 | 510 | * | 207 | 207 | 251 | * | 226 | 320 | |
| HDO 125 2 | 11.5 | 105 | 35910 | 410 | * | 207 | 207 | 251 | 198 | 226 | 320 | |
| HDO 125 2 | 12.3 | 97 | 37300 | 395 | 110 | 207 | 207 | 251 | 198 | 226 | 320 | |
| HDO 125 2 | 14.2 | 84 | 34970 | 322 | 110 | 207 | 207 | 251 | 198 | 226 | 320 | |
| HDO 125 2 | 15.3 | 78 | 36350 | 311 | 110 | 207 | 207 | 251 | 198 | 226 | — | |
| HDO 125 2 | 16.9 | 71 | 38880 | 300 | 110 | 207 | 207 | 251 | 198 | 226 | — | |
| | | | | | | | | | | | | |
| HDO 125 3 | 19.2 | 62 | 36480 | 253 | 90 | 157 | 161 | 192 | 153 | 174 | — | |
| HDO 125 3 | 22.6 | 53 | 39740 | 235 | 90 | 157 | 161 | 192 | 153 | 174 | — | |
| HDO 125 3 | 24.3 | 49 | 42760 | 235 | 90 | 157 | 161 | 192 | 153 | 174 | — | |
| HDO 125 3 | 27.7 | 43 | 43090 | 207 | 90 | 157 | 161 | 192 | 153 | 174 | — | |
| HDO 125 3 | 33.0 | 36 | 46570 | 188 | 90 | 157 | 161 | — | 153 | 174 | — | |
| HDO 125 3 | 35.8 | 34 | 47160 | 176 | 90 | 157 | 161 | — | 153 | 174 | — | |
| HDO 125 3 | 38.8 | 31 | 46270 | 159 | 90 | 157 | — | — | 153 | — | — | |
| HDO 125 3 | 43.0 | 27.9 | 46420 | 144 | 90 | — | — | — | — | — | — | |
| HDO 125 3 | 50.1 | 24.0 | 49240 | 131 | 90 | — | — | — | — | — | — | |
| HDO 125 3 | 55.4 | 21.6 | 46190 | 111 | 90 | — | — | — | — | — | — | |
| HDO 125 3 | 60.1 | 20.0 | 47910 | 106 | 90 | — | — | — | — | — | — | |
| HDO 125 3 | 72.1 | 16.6 | 47750 | 88 | — | — | — | — | — | — | — | |
| HDO 125 3 | 77.6 | 15.5 | 49240 | 85 | — | — | — | — | — | — | — | |
| HDO 125 3 | 85.9 | 14.0 | 46530 | 72 | — | — | — | — | — | — | — | |
| | | | | | | | | | | | | |
| HDO 125 4 | 97.0 | 12.4 | 41970 | 59 | — | — | — | — | — | — | — | |
| HDO 125 4 | 116.3 | 10.3 | 47750 | 56 | — | — | — | — | — | — | — | |
| HDO 125 4 | 125.2 | 9.6 | 49240 | 54 | — | — | — | — | — | — | — | |
| HDO 125 4 | 141.8 | 8.5 | 47230 | 45 | — | — | — | — | — | — | — | |
| HDO 125 4 | 152.6 | 7.9 | 48720 | 43 | — | — | — | — | — | — | — | |
| HDO 125 4 | 178.0 | 6.7 | 47230 | 36 | — | — | — | — | — | — | — | |
| HDO 125 4 | 200.3 | 6.0 | 47510 | 32 | — | — | — | — | — | — | — | |
| HDO 125 4 | 226.9 | 5.3 | 47230 | 28 | — | — | — | — | — | — | — | |
| HDO 125 4 | 244.1 | 4.9 | 48720 | 27 | — | — | — | — | — | — | — | |
| HDO 125 4 | 284.8 | 4.2 | 47230 | 23 | — | — | — | — | — | — | — | |
| HDO 125 4 | 315.2 | 3.8 | 49240 | 21 | — | — | — | — | — | — | — | |
| HDO 125 4 | 367.6 | 3.3 | 47750 | 17.7 | — | — | — | — | — | — | — | |
| HDO 125 4 | 395.6 | 3.0 | 49240 | 17.0 | — | — | — | — | — | — | — | |
| HDO 125 4 | 438.0 | 2.7 | 49240 | 15.3 | — | — | — | — | — | — | — | |

*  BONFIGLIOLI TECHNICAL SERVICE

— Thermal verification not necessary

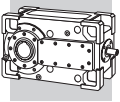


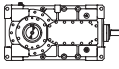
HDO

| HDO 125 | | | | | $n_1 = 1000 \text{ min}^{-1}$ | | | | | | |
|---|-------|--|-------------------------|-------------------------|-------------------------------|---------------------------|-----------------------------|-----------------------------|--------------------------|-----------------------------|-----------------------------|
|  | i | n ₂ [min ⁻¹] | Mn ₂ [Nm] | Pn ₁ [kW] | Tamb = 20°C | | | | | | |
| | | | | | P _T [kW] | P _{TFAN} [kW] | P _{TMCRA5} [kW] | P _{TMCRA9} [kW] | P _{TSR} [kW] | P _{TMCRW5} [kW] | P _{TMCRW9} [kW] |
| HDO 125 2 | 7.4 | 135 | 34990 | 515 | * | 273 | 345 | 423 | 258 | 286 | 380 |
| HDO 125 2 | 8.0 | 125 | 36890 | 504 | * | 273 | 345 | 423 | 258 | 286 | 380 |
| HDO 125 2 | 8.8 | 113 | 39430 | 487 | 170 | 273 | 345 | 423 | 258 | 286 | 380 |
| HDO 125 2 | 9.9 | 101 | 38520 | 425 | 170 | 273 | 345 | 423 | 258 | 286 | 380 |
| HDO 125 2 | 11.5 | 87 | 35910 | 341 | 170 | 273 | — | — | 258 | 286 | — |
| HDO 125 2 | 12.3 | 81 | 37300 | 329 | 170 | 273 | — | — | 258 | 286 | — |
| HDO 125 2 | 14.2 | 70 | 34970 | 268 | 170 | — | — | — | 258 | — | — |
| HDO 125 2 | 15.3 | 65 | 36350 | 259 | 170 | — | — | — | 258 | — | — |
| HDO 125 2 | 16.9 | 59 | 38880 | 250 | 170 | — | — | — | — | — | — |
| HDO 125 3 | 19.2 | 52 | 36480 | 211 | 138 | — | — | — | 201 | — | — |
| HDO 125 3 | 22.6 | 44 | 39920 | 197 | 138 | — | — | — | — | — | — |
| HDO 125 3 | 24.3 | 41 | 42960 | 197 | 138 | — | — | — | — | — | — |
| HDO 125 3 | 27.7 | 36 | 45510 | 183 | 138 | — | — | — | — | — | — |
| HDO 125 3 | 33.0 | 30 | 46500 | 157 | 138 | — | — | — | — | — | — |
| HDO 125 3 | 35.8 | 27.9 | 47750 | 148 | 138 | — | — | — | — | — | — |
| HDO 125 3 | 38.8 | 25.8 | 46270 | 133 | — | — | — | — | — | — | — |
| HDO 125 3 | 43.0 | 23.3 | 46250 | 120 | — | — | — | — | — | — | — |
| HDO 125 3 | 50.1 | 20.0 | 49240 | 109 | — | — | — | — | — | — | — |
| HDO 125 3 | 55.4 | 18.0 | 46040 | 92 | — | — | — | — | — | — | — |
| HDO 125 3 | 60.1 | 16.6 | 48720 | 90 | — | — | — | — | — | — | — |
| HDO 125 3 | 72.1 | 13.9 | 47750 | 74 | — | — | — | — | — | — | — |
| HDO 125 3 | 77.6 | 12.9 | 49240 | 71 | — | — | — | — | — | — | — |
| HDO 125 3 | 85.9 | 11.6 | 47860 | 62 | — | — | — | — | — | — | — |
| HDO 125 4 | 97.0 | 10.3 | 44330 | 52 | — | — | — | — | — | — | — |
| HDO 125 4 | 116.3 | 8.6 | 47750 | 47 | — | — | — | — | — | — | — |
| HDO 125 4 | 125.2 | 8.0 | 49240 | 45 | — | — | — | — | — | — | — |
| HDO 125 4 | 141.8 | 7.1 | 47230 | 38 | — | — | — | — | — | — | — |
| HDO 125 4 | 152.6 | 6.6 | 49210 | 37 | — | — | — | — | — | — | — |
| HDO 125 4 | 178.0 | 5.6 | 47230 | 30 | — | — | — | — | — | — | — |
| HDO 125 4 | 200.3 | 5.0 | 49240 | 28 | — | — | — | — | — | — | — |
| HDO 125 4 | 226.9 | 4.4 | 47230 | 24 | — | — | — | — | — | — | — |
| HDO 125 4 | 244.1 | 4.1 | 48720 | 23 | — | — | — | — | — | — | — |
| HDO 125 4 | 284.8 | 3.5 | 47230 | 18.8 | — | — | — | — | — | — | — |
| HDO 125 4 | 315.2 | 3.2 | 49240 | 17.7 | — | — | — | — | — | — | — |
| HDO 125 4 | 367.6 | 2.7 | 47750 | 14.7 | — | — | — | — | — | — | — |
| HDO 125 4 | 395.6 | 2.5 | 49730 | 14.3 | — | — | — | — | — | — | — |
| HDO 125 4 | 438.0 | 2.3 | 49240 | 12.8 | — | — | — | — | — | — | — |

*  BONFIGLIOLI TECHNICAL SERVICE

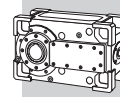
— Thermal verification not necessary



| HDO 125 | | | | | $n_1 = 1000 \text{ min}^{-1}$ | | | | | | |
|---|-------|-------------------------------|----------------|----------------|-------------------------------|--------------------|----------------------|----------------------|-------------------|----------------------|----------------------|
|  | i | n_2 [min ⁻¹] | Mn_2 [Nm] | Pn_1 [kW] | Tamb = 40°C | | | | | | |
| | | | | | P_T [kW] | P_{TFAN} [kW] | P_{TMCR45} [kW] | P_{TMCR49} [kW] | P_{TSR} [kW] | P_{TMCRW5} [kW] | P_{TMCRW9} [kW] |
| HDO 125 2 | 7.4 | 135 | 34990 | 515 | * | 189 | 211 | 255 | * | 230 | 324 |
| HDO 125 2 | 8.0 | 125 | 36890 | 504 | * | 189 | 211 | 255 | * | 230 | 324 |
| HDO 125 2 | 8.8 | 113 | 39430 | 487 | * | 189 | 211 | 255 | * | 230 | 324 |
| HDO 125 2 | 9.9 | 101 | 38520 | 425 | 114 | 189 | 211 | 255 | 200 | 230 | 324 |
| HDO 125 2 | 11.5 | 87 | 35910 | 341 | 114 | 189 | 211 | 255 | 200 | 230 | 324 |
| HDO 125 2 | 12.3 | 81 | 37300 | 329 | 114 | 189 | 211 | 255 | 200 | 230 | 324 |
| HDO 125 2 | 14.2 | 70 | 34970 | 268 | 114 | 189 | 211 | 255 | 200 | 230 | — |
| HDO 125 2 | 15.3 | 65 | 36350 | 259 | 114 | 189 | 211 | 255 | 200 | 230 | — |
| HDO 125 2 | 16.9 | 59 | 38880 | 250 | 114 | 189 | 211 | — | 200 | 230 | — |
| HDO 125 3 | 19.2 | 52 | 36480 | 211 | 95 | 147 | 166 | — | 158 | 179 | — |
| HDO 125 3 | 22.6 | 44 | 39920 | 197 | 95 | 147 | 166 | — | 158 | 179 | — |
| HDO 125 3 | 24.3 | 41 | 42960 | 197 | 95 | 147 | 166 | — | 158 | 179 | — |
| HDO 125 3 | 27.7 | 36 | 45510 | 183 | 95 | 147 | 166 | — | 158 | 179 | — |
| HDO 125 3 | 33.0 | 30 | 46500 | 157 | 95 | 147 | — | — | — | — | — |
| HDO 125 3 | 35.8 | 27.9 | 47750 | 148 | 95 | 147 | — | — | — | — | — |
| HDO 125 3 | 38.8 | 25.8 | 46270 | 133 | 95 | — | — | — | — | — | — |
| HDO 125 3 | 43.0 | 23.3 | 46250 | 120 | 95 | — | — | — | — | — | — |
| HDO 125 3 | 50.1 | 20.0 | 49240 | 109 | 95 | — | — | — | — | — | — |
| HDO 125 3 | 55.4 | 18.0 | 46040 | 92 | — | — | — | — | — | — | — |
| HDO 125 3 | 60.1 | 16.6 | 48720 | 90 | — | — | — | — | — | — | — |
| HDO 125 3 | 72.1 | 13.9 | 47750 | 74 | — | — | — | — | — | — | — |
| HDO 125 3 | 77.6 | 12.9 | 49240 | 71 | — | — | — | — | — | — | — |
| HDO 125 3 | 85.9 | 11.6 | 47860 | 62 | — | — | — | — | — | — | — |
| HDO 125 4 | 97.0 | 10.3 | 44330 | 52 | — | — | — | — | — | — | — |
| HDO 125 4 | 116.3 | 8.6 | 47750 | 47 | — | — | — | — | — | — | — |
| HDO 125 4 | 125.2 | 8.0 | 49240 | 45 | — | — | — | — | — | — | — |
| HDO 125 4 | 141.8 | 7.1 | 47230 | 38 | — | — | — | — | — | — | — |
| HDO 125 4 | 152.6 | 6.6 | 49210 | 37 | — | — | — | — | — | — | — |
| HDO 125 4 | 178.0 | 5.6 | 47230 | 30 | — | — | — | — | — | — | — |
| HDO 125 4 | 200.3 | 5.0 | 49240 | 28 | — | — | — | — | — | — | — |
| HDO 125 4 | 226.9 | 4.4 | 47230 | 24 | — | — | — | — | — | — | — |
| HDO 125 4 | 244.1 | 4.1 | 48720 | 23 | — | — | — | — | — | — | — |
| HDO 125 4 | 284.8 | 3.5 | 47230 | 18.8 | — | — | — | — | — | — | — |
| HDO 125 4 | 315.2 | 3.2 | 49240 | 17.7 | — | — | — | — | — | — | — |
| HDO 125 4 | 367.6 | 2.7 | 47750 | 14.7 | — | — | — | — | — | — | — |
| HDO 125 4 | 395.6 | 2.5 | 49730 | 14.3 | — | — | — | — | — | — | — |
| HDO 125 4 | 438.0 | 2.3 | 49240 | 12.8 | — | — | — | — | — | — | — |

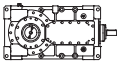
*  BONFIGLIOLI TECHNICAL SERVICE

— Thermal verification not necessary



HDO

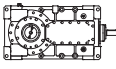
HDO 130 **n₁ = 1800 min⁻¹**

| | | | | | Tamb = 20°C | | | | | | | | | | |
|---|-------|--|-------------------------|-------------------------|----------------|-------------------|---------------------|---------------------|----------------------|----------------------|------------------|---------------------|---------------------|----------------------|----------------------|
|  | i | n ₂ [min ⁻¹] | Mn ₂ [Nm] | Pn ₁ [kW] | P _T | P _{TFAN} | P _{TMCRA5} | P _{TMCRA9} | P _{TMCRA21} | P _{TMCRA34} | P _{TSR} | P _{TMCRW5} | P _{TMCRW9} | P _{TMCRW21} | P _{TMCRW34} |
| | | | | | [kW] | [kW] | [kW] | [kW] | [kW] | [kW] | [kW] | [kW] | [kW] | [kW] | [kW] |
| HDO 130 2 | 5.7 | 315 | 41480 | 1426 | * | * | * | * | * | ● | * | * | * | * | ● |
| HDO 130 2 | 6.2 | 289 | 42950 | 1353 | * | * | * | * | * | | * | * | * | * | |
| HDO 130 2 | 7.1 | 254 | 44500 | 1232 | * | * | * | * | * | | * | * | * | * | |
| HDO 130 2 | 7.7 | 233 | 46060 | 1172 | * | * | * | * | * | | * | * | * | * | |
| HDO 130 2 | 8.8 | 205 | 47690 | 1066 | * | * | * | * | * | | * | * | * | * | |
| HDO 130 2 | 9.6 | 187 | 48330 | 984 | * | 408 | * | * | 625 | | * | * | * | * | |
| HDO 130 2 | 11.0 | 164 | 50120 | 896 | * | 408 | * | * | 625 | | * | * | * | 505 | |
| HDO 130 2 | 12.0 | 151 | 50800 | 834 | 161 | 408 | 336 | 414 | 625 | | * | * | 371 | 505 | |
| HDO 130 2 | 13.6 | 132 | 52750 | 761 | 161 | 408 | 336 | 414 | 625 | | * | * | 371 | 505 | |
| HDO 130 3 | 15.2 | 119 | 55160 | 727 | * | * | * | * | * | 505 | * | * | * | * | 509 |
| HDO 130 3 | 18.3 | 99 | 56980 | 625 | * | * | 215 | 272 | 448 | 505 | * | * | * | * | 509 |
| HDO 130 3 | 19.9 | 90 | 62200 | 625 | * | * | 215 | 272 | 448 | 505 | * | * | * | * | 509 |
| HDO 130 3 | 22.6 | 80 | 59950 | 531 | 117 | 308 | 215 | 272 | 448 | — | 219 | 201 | 269 | 385 | — |
| HDO 130 3 | 24.7 | 73 | 62590 | 508 | 117 | 308 | 215 | 272 | 448 | — | 219 | 201 | 269 | 385 | — |
| HDO 130 3 | 28.3 | 64 | 65230 | 462 | 117 | 308 | 215 | 272 | — | — | 219 | 201 | 269 | 385 | — |
| HDO 130 3 | 30.9 | 58 | 62590 | 406 | 117 | 308 | 215 | 272 | — | — | 219 | 201 | 269 | 385 | — |
| HDO 130 3 | 34.9 | 52 | 64510 | 371 | 117 | 308 | 215 | 272 | — | — | 219 | 201 | 269 | — | — |
| HDO 130 3 | 38.3 | 47 | 62590 | 328 | 117 | — | 215 | 272 | — | — | 219 | 201 | 269 | — | — |
| HDO 130 3 | 43.8 | 41 | 64790 | 296 | 117 | — | 215 | — | — | — | 219 | 201 | — | — | — |
| HDO 130 3 | 47.8 | 38 | 62590 | 262 | 117 | — | 215 | — | — | — | 219 | 201 | — | — | — |
| HDO 130 3 | 54.0 | 33 | 61210 | 227 | 117 | — | — | — | — | — | — | — | — | — | — |
| HDO 130 3 | 59.0 | 31 | 62330 | 212 | 117 | — | — | — | — | — | — | — | — | — | — |
| HDO 130 3 | 67.1 | 26.8 | 58960 | 176 | 117 | — | — | — | — | — | — | — | — | — | — |
| HDO 130 4 | 71.5 | 25.2 | 64720 | 185 | 135 | — | — | — | — | — | — | — | — | — | — |
| HDO 130 4 | 78.1 | 23.1 | 61990 | 162 | 135 | — | — | — | — | — | — | — | — | — | — |
| HDO 130 4 | 88.2 | 20.4 | 64510 | 149 | — | — | — | — | — | — | — | — | — | — | — |
| HDO 130 4 | 96.3 | 18.7 | 62590 | 133 | — | — | — | — | — | — | — | — | — | — | — |
| HDO 130 4 | 111.2 | 16.2 | 65230 | 120 | — | — | — | — | — | — | — | — | — | — | — |
| HDO 130 4 | 121.4 | 14.8 | 62590 | 105 | — | — | — | — | — | — | — | — | — | — | — |
| HDO 130 4 | 141.3 | 12.7 | 65230 | 94 | — | — | — | — | — | — | — | — | — | — | — |
| HDO 130 4 | 154.3 | 11.7 | 66770 | 88 | — | — | — | — | — | — | — | — | — | — | — |
| HDO 130 4 | 174.3 | 10.3 | 69570 | 82 | — | — | — | — | — | — | — | — | — | — | — |
| HDO 130 4 | 190.3 | 9.5 | 66770 | 72 | — | — | — | — | — | — | — | — | — | — | — |
| HDO 130 4 | 219.1 | 8.2 | 65230 | 61 | — | — | — | — | — | — | — | — | — | — | — |
| HDO 130 4 | 239.1 | 7.5 | 66770 | 57 | — | — | — | — | — | — | — | — | — | — | — |
| HDO 130 4 | 270.2 | 6.7 | 69570 | 53 | — | — | — | — | — | — | — | — | — | — | — |
| HDO 130 4 | 294.9 | 6.1 | 66770 | 46 | — | — | — | — | — | — | — | — | — | — | — |
| HDO 130 4 | 335.6 | 5.4 | 63140 | 38 | — | — | — | — | — | — | — | — | — | — | — |

*  BONFIGLIOLI TECHNICAL SERVICE

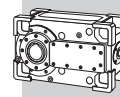
— Thermal verification not necessary



| HDO 130 | | | | | $n_1 = 1800 \text{ min}^{-1}$ | | | | | | | | | | |
|---|-------|--|-------------------------|-------------------------|-------------------------------|---------------------------|------------------------------|------------------------------|-------------------------------|-------------------------------|--------------------------|------------------------------|------------------------------|-------------------------------|-------------------------------|
| | | | | | Tamb = 40°C | | | | | | | | | | |
|  | i | n ₂ [min ⁻¹] | Mn ₂ [Nm] | Pn ₁ [kW] | P _T [kW] | P _{TFAN} [kW] | P _{TMCR A5} [kW] | P _{TMCR A9} [kW] | P _{TMCR A21} [kW] | P _{TMCR A34} [kW] | P _{TSR} [kW] | P _{TMCR W5} [kW] | P _{TMCR W9} [kW] | P _{TMCR W21} [kW] | P _{TMCR W34} [kW] |
| HDO 130 2 | 5.7 | 315 | 41480 | 1426 | * | * | * | * | * | ● | * | * | * | * | ● |
| HDO 130 2 | 6.2 | 289 | 42950 | 1353 | * | * | * | * | * | | * | * | * | * | |
| HDO 130 2 | 7.1 | 254 | 44500 | 1232 | * | * | * | * | * | | * | * | * | * | |
| HDO 130 2 | 7.7 | 233 | 46060 | 1172 | * | * | * | * | * | | * | * | * | * | |
| HDO 130 2 | 8.8 | 205 | 47690 | 1066 | * | * | * | * | * | | * | * | * | * | |
| HDO 130 2 | 9.6 | 187 | 48330 | 984 | * | * | * | * | * | | * | * | * | 428 | |
| HDO 130 2 | 11.0 | 164 | 50120 | 896 | * | * | * | * | 341 | | * | * | * | 428 | |
| HDO 130 2 | 12.0 | 151 | 50800 | 834 | * | 295 | * | * | 341 | | * | * | 300 | 428 | |
| HDO 130 2 | 13.6 | 132 | 52750 | 761 | * | 295 | * | * | 341 | | * | * | 300 | 428 | |
| HDO 130 3 | 15.2 | 119 | 55160 | 727 | * | * | * | * | * | * | * | * | * | * | * |
| HDO 130 3 | 18.3 | 99 | 56980 | 625 | * | * | * | * | * | * | * | * | * | * | 523 |
| HDO 130 3 | 19.9 | 90 | 62200 | 625 | * | * | * | * | * | * | * | * | * | * | 523 |
| HDO 130 3 | 22.6 | 80 | 59950 | 531 | * | 202 | * | * | 262 | 332 | * | * | * | 330 | — |
| HDO 130 3 | 24.7 | 73 | 62590 | 508 | * | 202 | * | * | 262 | 332 | * | * | * | 330 | — |
| HDO 130 3 | 28.3 | 64 | 65230 | 462 | * | 202 | * | * | 262 | 332 | * | * | * | 330 | — |
| HDO 130 3 | 30.9 | 58 | 62590 | 406 | * | 202 | * | * | 262 | 332 | * | * | * | 330 | — |
| HDO 130 3 | 34.9 | 52 | 64510 | 371 | * | 202 | * | 185 | 262 | — | 185 | * | 235 | 330 | — |
| HDO 130 3 | 38.3 | 47 | 62590 | 328 | 106 | 202 | 177 | 185 | 262 | — | 185 | 190 | 235 | — | — |
| HDO 130 3 | 43.8 | 41 | 64790 | 296 | 106 | 202 | 177 | 185 | 262 | — | 185 | 190 | 235 | — | — |
| HDO 130 3 | 47.8 | 38 | 62590 | 262 | 106 | 202 | 177 | 185 | — | — | 185 | 190 | — | — | — |
| HDO 130 3 | 54.0 | 33 | 61210 | 227 | 106 | — | 177 | 185 | — | — | 185 | — | — | — | — |
| HDO 130 3 | 59.0 | 31 | 62330 | 212 | 106 | — | 177 | — | — | — | 185 | — | — | — | — |
| HDO 130 3 | 67.1 | 26.8 | 58960 | 176 | 106 | — | — | — | — | — | — | — | — | — | — |
| HDO 130 4 | 71.5 | 25.2 | 64720 | 185 | 93 | — | 148 | — | — | — | — | 159 | — | — | — |
| HDO 130 4 | 78.1 | 23.1 | 61990 | 162 | 93 | — | 148 | — | — | — | — | — | — | — | — |
| HDO 130 4 | 88.2 | 20.4 | 64510 | 149 | 93 | — | — | — | — | — | — | — | — | — | — |
| HDO 130 4 | 96.3 | 18.7 | 62590 | 133 | 93 | — | — | — | — | — | — | — | — | — | — |
| HDO 130 4 | 111.2 | 16.2 | 65230 | 120 | 93 | — | — | — | — | — | — | — | — | — | — |
| HDO 130 4 | 121.4 | 14.8 | 62590 | 105 | 93 | — | — | — | — | — | — | — | — | — | — |
| HDO 130 4 | 141.3 | 12.7 | 65230 | 94 | — | — | — | — | — | — | — | — | — | — | — |
| HDO 130 4 | 154.3 | 11.7 | 66770 | 88 | — | — | — | — | — | — | — | — | — | — | — |
| HDO 130 4 | 174.3 | 10.3 | 69570 | 82 | — | — | — | — | — | — | — | — | — | — | — |
| HDO 130 4 | 190.3 | 9.5 | 66770 | 72 | — | — | — | — | — | — | — | — | — | — | — |
| HDO 130 4 | 219.1 | 8.2 | 65230 | 61 | — | — | — | — | — | — | — | — | — | — | — |
| HDO 130 4 | 239.1 | 7.5 | 66770 | 57 | — | — | — | — | — | — | — | — | — | — | — |
| HDO 130 4 | 270.2 | 6.7 | 69570 | 53 | — | — | — | — | — | — | — | — | — | — | — |
| HDO 130 4 | 294.9 | 6.1 | 66770 | 46 | — | — | — | — | — | — | — | — | — | — | — |
| HDO 130 4 | 335.6 | 5.4 | 63140 | 38 | — | — | — | — | — | — | — | — | — | — | — |

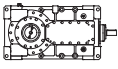
*  BONFIGLIOLI TECHNICAL SERVICE

— Thermal verification not necessary



HDO

HDO 130 **n₁ = 1500 min⁻¹**

| Tamb = 20°C | | | | | | | | | | | | | | | |
|---|-------|--|-------------------------|-------------------------|----------------|-------------------|---------------------|---------------------|----------------------|----------------------|------------------|---------------------|---------------------|----------------------|----------------------|
|  | i | n ₂ [min ⁻¹] | Mn ₂ [Nm] | Pn ₁ [kW] | P _T | P _{TFAN} | P _{TMCRA5} | P _{TMCRA9} | P _{TMCRA21} | P _{TMCRA34} | P _{TSR} | P _{TMCRW5} | P _{TMCRW9} | P _{TMCRW21} | P _{TMCRW34} |
| | | | | | [kW] | [kW] | [kW] | [kW] | [kW] | [kW] | [kW] | [kW] | [kW] | [kW] | [kW] |
| HDO 130 2 | 5.7 | 263 | 43810 | 1255 | * | 354 | * | * | * | ● | * | * | * | * | ● |
| HDO 130 2 | 6.2 | 241 | 45370 | 1191 | * | 354 | * | * | * | | * | * | * | * | |
| HDO 130 2 | 7.1 | 212 | 47000 | 1084 | * | 354 | * | * | * | | * | * | * | * | |
| HDO 130 2 | 7.7 | 194 | 48650 | 1031 | * | 354 | * | * | 620 | | * | * | * | * | |
| HDO 130 2 | 8.8 | 171 | 50380 | 939 | * | 354 | * | * | 620 | | * | * | * | 501 | |
| HDO 130 2 | 9.6 | 156 | 51050 | 866 | 160 | 354 | 335 | 413 | 620 | | * | * | 370 | 501 | |
| HDO 130 2 | 11.0 | 137 | 52950 | 789 | 160 | 354 | 335 | 413 | 620 | | * | 282 | 370 | 501 | |
| HDO 130 2 | 12.0 | 125 | 53660 | 734 | 160 | 354 | 335 | 413 | 620 | | 292 | 282 | 370 | 501 | |
| HDO 130 2 | 13.6 | 110 | 55730 | 670 | 160 | 354 | 335 | 413 | — | | 292 | 282 | 370 | 501 | |
| HDO 130 3 | 15.2 | 99 | 58470 | 642 | * | * | 189 | 246 | 422 | 548 | * | * | * | * | — |
| HDO 130 3 | 18.3 | 82 | 60430 | 552 | 115 | 281 | 189 | 246 | 422 | — | 217 | 199 | 267 | 383 | — |
| HDO 130 3 | 19.9 | 75 | 63770 | 534 | 115 | 281 | 189 | 246 | 422 | — | 217 | 199 | 267 | 383 | — |
| HDO 130 3 | 22.6 | 66 | 63570 | 469 | 115 | 281 | 189 | 246 | — | — | 217 | 199 | 267 | 383 | — |
| HDO 130 3 | 24.7 | 61 | 63380 | 428 | 115 | 281 | 189 | 246 | — | — | 217 | 199 | 267 | — | — |
| HDO 130 3 | 28.3 | 53 | 65810 | 389 | 115 | 281 | 189 | 246 | — | — | 217 | 199 | 267 | — | — |
| HDO 130 3 | 30.9 | 49 | 63010 | 341 | 115 | 281 | 189 | 246 | — | — | 217 | 199 | 267 | — | — |
| HDO 130 3 | 34.9 | 43 | 65470 | 313 | 115 | — | 189 | 246 | — | — | 217 | 199 | 267 | — | — |
| HDO 130 3 | 38.3 | 39 | 62680 | 273 | 115 | — | 189 | 246 | — | — | 217 | 199 | — | — | — |
| HDO 130 3 | 43.8 | 34 | 65130 | 248 | 115 | — | 189 | — | — | — | 217 | 199 | — | — | — |
| HDO 130 3 | 47.8 | 31 | 62370 | 218 | 115 | — | 189 | — | — | — | — | — | — | — | — |
| HDO 130 3 | 54.0 | 27.8 | 64840 | 200 | 115 | — | — | — | — | — | — | — | — | — | — |
| HDO 130 3 | 59.0 | 25.4 | 62100 | 176 | 115 | — | — | — | — | — | — | — | — | — | — |
| HDO 130 3 | 67.1 | 22.3 | 62420 | 155 | 115 | — | — | — | — | — | — | — | — | — | — |
| HDO 130 4 | 71.5 | 21.0 | 65760 | 157 | — | — | — | — | — | — | — | — | — | — | — |
| HDO 130 4 | 78.1 | 19.2 | 63000 | 137 | — | — | — | — | — | — | — | — | — | — | — |
| HDO 130 4 | 88.2 | 17.0 | 67870 | 131 | — | — | — | — | — | — | — | — | — | — | — |
| HDO 130 4 | 96.3 | 15.6 | 65030 | 115 | — | — | — | — | — | — | — | — | — | — | — |
| HDO 130 4 | 111.2 | 13.5 | 69570 | 107 | — | — | — | — | — | — | — | — | — | — | — |
| HDO 130 4 | 121.4 | 12.4 | 66770 | 94 | — | — | — | — | — | — | — | — | — | — | — |
| HDO 130 4 | 141.3 | 10.6 | 69570 | 84 | — | — | — | — | — | — | — | — | — | — | — |
| HDO 130 4 | 154.3 | 9.7 | 66770 | 74 | — | — | — | — | — | — | — | — | — | — | — |
| HDO 130 4 | 174.3 | 8.6 | 69570 | 68 | — | — | — | — | — | — | — | — | — | — | — |
| HDO 130 4 | 190.3 | 7.9 | 66770 | 60 | — | — | — | — | — | — | — | — | — | — | — |
| HDO 130 4 | 219.1 | 6.8 | 69570 | 54 | — | — | — | — | — | — | — | — | — | — | — |
| HDO 130 4 | 239.1 | 6.3 | 66770 | 48 | — | — | — | — | — | — | — | — | — | — | — |
| HDO 130 4 | 270.2 | 5.6 | 69570 | 44 | — | — | — | — | — | — | — | — | — | — | — |
| HDO 130 4 | 294.9 | 5.1 | 66770 | 39 | — | — | — | — | — | — | — | — | — | — | — |
| HDO 130 4 | 335.6 | 4.5 | 63140 | 32 | — | — | — | — | — | — | — | — | — | — | — |

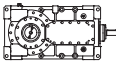
* 

— Thermal verification not necessary



HDO 130

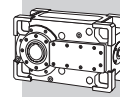
$n_1 = 1500 \text{ min}^{-1}$

| | | | | | Tamb = 40°C | | | | | | | | | | |
|---|-------|--|-------------------------|-------------------------|----------------|-------------------|----------------------|----------------------|-----------------------|-----------------------|------------------|----------------------|----------------------|-----------------------|-----------------------|
|  | i | n ₂ [min ⁻¹] | Mn ₂ [Nm] | Pn ₁ [kW] | P _T | P _{TFAN} | P _{TMCR A5} | P _{TMCR A9} | P _{TMCR A21} | P _{TMCR A34} | P _{TSR} | P _{TMCR W5} | P _{TMCR W9} | P _{TMCR W21} | P _{TMCR W34} |
| | | | | | [kW] | [kW] | [kW] | [kW] | [kW] | [kW] | [kW] | [kW] | [kW] | [kW] | [kW] |
| HDO 130 2 | 5.7 | 263 | 43810 | 1255 | * | * | * | * | * | ● | * | * | * | * | ● |
| HDO 130 2 | 6.2 | 241 | 45370 | 1191 | * | * | * | * | * | | * | * | * | * | |
| HDO 130 2 | 7.1 | 212 | 47000 | 1084 | * | 228 | * | * | * | | * | * | * | * | |
| HDO 130 2 | 7.7 | 194 | 48650 | 1031 | * | 228 | * | * | * | | * | * | * | * | |
| HDO 130 2 | 8.8 | 171 | 50380 | 939 | * | 228 | * | * | 336 | | * | * | * | * | |
| HDO 130 2 | 9.6 | 156 | 51050 | 866 | 90 | 228 | * | * | 336 | | * | * | * | 430 | |
| HDO 130 2 | 11.0 | 137 | 52950 | 789 | 90 | 228 | * | * | 336 | | * | * | 305 | 430 | |
| HDO 130 2 | 12.0 | 125 | 53660 | 734 | 90 | 228 | 211 | 255 | 336 | | * | 230 | 305 | 430 | |
| HDO 130 2 | 13.6 | 110 | 55730 | 670 | 90 | 228 | 211 | 255 | 336 | | 225 | 230 | 305 | 430 | |
| HDO 130 3 | 15.2 | 99 | 58470 | 642 | * | * | * | * | * | * | * | * | * | * | 497 |
| HDO 130 3 | 18.3 | 82 | 60430 | 552 | * | 182 | * | * | 260 | 330 | * | * | * | * | — |
| HDO 130 3 | 19.9 | 75 | 63770 | 534 | * | 182 | * | * | 260 | 330 | * | * | * | 329 | — |
| HDO 130 3 | 22.6 | 66 | 63570 | 469 | 82 | 182 | * | 184 | 260 | 330 | 184 | 166 | 234 | 329 | — |
| HDO 130 3 | 24.7 | 61 | 63380 | 428 | 82 | 182 | 154 | 184 | 260 | 330 | 184 | 166 | 234 | 329 | — |
| HDO 130 3 | 28.3 | 53 | 65810 | 389 | 82 | 182 | 154 | 184 | 260 | 330 | 184 | 166 | 234 | 329 | — |
| HDO 130 3 | 30.9 | 49 | 63010 | 341 | 82 | 182 | 154 | 184 | 260 | — | 184 | 166 | 234 | — | — |
| HDO 130 3 | 34.9 | 43 | 65470 | 313 | 82 | 182 | 154 | 184 | 260 | — | 184 | 166 | 234 | — | — |
| HDO 130 3 | 38.3 | 39 | 62680 | 273 | 82 | 182 | 154 | 184 | — | — | 184 | 166 | 234 | — | — |
| HDO 130 3 | 43.8 | 34 | 65130 | 248 | 82 | 182 | 154 | 184 | — | — | 184 | 166 | — | — | — |
| HDO 130 3 | 47.8 | 31 | 62370 | 218 | 82 | 182 | 154 | 184 | — | — | 184 | 166 | — | — | — |
| HDO 130 3 | 54.0 | 27.8 | 64840 | 200 | 82 | — | 154 | — | — | — | — | 166 | — | — | — |
| HDO 130 3 | 59.0 | 25.4 | 62100 | 176 | 82 | — | 154 | — | — | — | — | — | — | — | — |
| HDO 130 3 | 67.1 | 22.3 | 62420 | 155 | 82 | — | — | — | — | — | — | — | — | — | — |
| HDO 130 4 | 71.5 | 21.0 | 65760 | 157 | 98 | — | — | — | — | — | — | — | — | — | — |
| HDO 130 4 | 78.1 | 19.2 | 63000 | 137 | 98 | — | — | — | — | — | — | — | — | — | — |
| HDO 130 4 | 88.2 | 17.0 | 67870 | 131 | 98 | — | — | — | — | — | — | — | — | — | — |
| HDO 130 4 | 96.3 | 15.6 | 65030 | 115 | — | — | — | — | — | — | — | — | — | — | — |
| HDO 130 4 | 111.2 | 13.5 | 69570 | 107 | — | — | — | — | — | — | — | — | — | — | — |
| HDO 130 4 | 121.4 | 12.4 | 66770 | 94 | — | — | — | — | — | — | — | — | — | — | — |
| HDO 130 4 | 141.3 | 10.6 | 69570 | 84 | — | — | — | — | — | — | — | — | — | — | — |
| HDO 130 4 | 154.3 | 9.7 | 66770 | 74 | — | — | — | — | — | — | — | — | — | — | — |
| HDO 130 4 | 174.3 | 8.6 | 69570 | 68 | — | — | — | — | — | — | — | — | — | — | — |
| HDO 130 4 | 190.3 | 7.9 | 66770 | 60 | — | — | — | — | — | — | — | — | — | — | — |
| HDO 130 4 | 219.1 | 6.8 | 69570 | 54 | — | — | — | — | — | — | — | — | — | — | — |
| HDO 130 4 | 239.1 | 6.3 | 66770 | 48 | — | — | — | — | — | — | — | — | — | — | — |
| HDO 130 4 | 270.2 | 5.6 | 69570 | 44 | — | — | — | — | — | — | — | — | — | — | — |
| HDO 130 4 | 294.9 | 5.1 | 66770 | 39 | — | — | — | — | — | — | — | — | — | — | — |
| HDO 130 4 | 335.6 | 4.5 | 63140 | 32 | — | — | — | — | — | — | — | — | — | — | — |

HDO

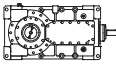
*  BONFIGLIOLI TECHNICAL SERVICE

— Thermal verification not necessary



HDO 130

$n_1 = 1200 \text{ min}^{-1}$

| | | | | | Tamb = 20°C | | | | | | | | | | |
|---|-------|--|-------------------------|-------------------------|----------------|-------------------|----------------------|----------------------|-----------------------|-----------------------|------------------|----------------------|----------------------|-----------------------|-----------------------|
|  | i | n ₂ [min ⁻¹] | Mn ₂ [Nm] | Pn ₁ [kW] | P _T | P _{TFAN} | P _{TMCR A5} | P _{TMCR A9} | P _{TMCR A21} | P _{TMCR A34} | P _{TSR} | P _{TMCR W5} | P _{TMCR W9} | P _{TMCR W21} | P _{TMCR W34} |
| | | | | | [kW] | [kW] | [kW] | [kW] | [kW] | [kW] | [kW] | [kW] | [kW] | [kW] | [kW] |
| HDO 130 2 | 5.7 | 210 | 46840 | 1074 | * | 359 | 316 | 394 | 637 | ● | * | * | * | 511 | ● |
| HDO 130 2 | 6.2 | 193 | 48520 | 1019 | * | 359 | 316 | 394 | 637 | | * | * | * | 511 | |
| HDO 130 2 | 7.1 | 169 | 50250 | 927 | * | 359 | 316 | 394 | 637 | | * | * | 363 | 511 | |
| HDO 130 2 | 7.7 | 156 | 52030 | 882 | 156 | 359 | 316 | 394 | 637 | | * | 272 | 363 | 511 | |
| HDO 130 2 | 8.8 | 137 | 53860 | 803 | 156 | 359 | 316 | 394 | 637 | | * | 272 | 363 | 511 | |
| HDO 130 2 | 9.6 | 124 | 54590 | 741 | 156 | 359 | 316 | 394 | — | | 291 | 272 | 363 | 511 | |
| HDO 130 2 | 11.0 | 109 | 56600 | 675 | 156 | 359 | 316 | 394 | — | | 291 | 272 | 363 | 511 | |
| HDO 130 2 | 12.0 | 100 | 57380 | 628 | 156 | 359 | 316 | 394 | — | | 291 | 272 | 363 | 511 | |
| HDO 130 2 | 13.6 | 88 | 59580 | 573 | 156 | 359 | 316 | 394 | — | | 291 | 272 | 363 | — | |
| HDO 130 3 | 15.2 | 79 | 58850 | 517 | * | 245 | 222 | 279 | — | — | * | * | * | — | — |
| HDO 130 3 | 18.3 | 66 | 64610 | 472 | 136 | 245 | 222 | 279 | — | — | 238 | 220 | 288 | — | — |
| HDO 130 3 | 19.9 | 60 | 63370 | 424 | 136 | 245 | 222 | 279 | — | — | 238 | 220 | 288 | — | — |
| HDO 130 3 | 22.6 | 53 | 65610 | 387 | 136 | 245 | 222 | 279 | — | — | 238 | 220 | 288 | — | — |
| HDO 130 3 | 24.7 | 49 | 63010 | 341 | 136 | 245 | 222 | 279 | — | — | 238 | 220 | 288 | — | — |
| HDO 130 3 | 28.3 | 42 | 65450 | 309 | 136 | 245 | 222 | — | — | — | 238 | 220 | — | — | — |
| HDO 130 3 | 30.9 | 39 | 62670 | 271 | 136 | — | 222 | — | — | — | 238 | 220 | — | — | — |
| HDO 130 3 | 34.9 | 34 | 65130 | 249 | 136 | — | 222 | — | — | — | — | 220 | — | — | — |
| HDO 130 3 | 38.3 | 31 | 62370 | 218 | 136 | — | — | — | — | — | — | — | — | — | — |
| HDO 130 3 | 43.8 | 27.4 | 64820 | 198 | 136 | — | — | — | — | — | — | — | — | — | — |
| HDO 130 3 | 47.8 | 25.1 | 62090 | 173 | 136 | — | — | — | — | — | — | — | — | — | — |
| HDO 130 3 | 54.0 | 22.2 | 65210 | 161 | 136 | — | — | — | — | — | — | — | — | — | — |
| HDO 130 3 | 59.0 | 20.3 | 62470 | 141 | — | — | — | — | — | — | — | — | — | — | — |
| HDO 130 3 | 67.1 | 17.9 | 62800 | 125 | — | — | — | — | — | — | — | — | — | — | — |
| HDO 130 4 | 71.5 | 16.8 | 68000 | 130 | — | — | — | — | — | — | — | — | — | — | — |
| HDO 130 4 | 78.1 | 15.4 | 65160 | 114 | — | — | — | — | — | — | — | — | — | — | — |
| HDO 130 4 | 88.2 | 13.6 | 69570 | 107 | — | — | — | — | — | — | — | — | — | — | — |
| HDO 130 4 | 96.3 | 12.5 | 66770 | 94 | — | — | — | — | — | — | — | — | — | — | — |
| HDO 130 4 | 111.2 | 10.8 | 69570 | 85 | — | — | — | — | — | — | — | — | — | — | — |
| HDO 130 4 | 121.4 | 9.9 | 66770 | 75 | — | — | — | — | — | — | — | — | — | — | — |
| HDO 130 4 | 141.3 | 8.5 | 69570 | 67 | — | — | — | — | — | — | — | — | — | — | — |
| HDO 130 4 | 154.3 | 7.8 | 66770 | 59 | — | — | — | — | — | — | — | — | — | — | — |
| HDO 130 4 | 174.3 | 6.9 | 69570 | 54 | — | — | — | — | — | — | — | — | — | — | — |
| HDO 130 4 | 190.3 | 6.3 | 66770 | 48 | — | — | — | — | — | — | — | — | — | — | — |
| HDO 130 4 | 219.1 | 5.5 | 69570 | 43 | — | — | — | — | — | — | — | — | — | — | — |
| HDO 130 4 | 239.1 | 5.0 | 66770 | 38 | — | — | — | — | — | — | — | — | — | — | — |
| HDO 130 4 | 270.2 | 4.4 | 69570 | 35 | — | — | — | — | — | — | — | — | — | — | — |
| HDO 130 4 | 294.9 | 4.1 | 66770 | 31 | — | — | — | — | — | — | — | — | — | — | — |
| HDO 130 4 | 335.6 | 3.6 | 63140 | 26 | — | — | — | — | — | — | — | — | — | — | — |

HDO

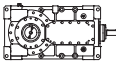
*  BONFIGLIOLI TECHNICAL SERVICE

— Thermal verification not necessary



HDO 130

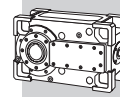
$n_1 = 1200 \text{ min}^{-1}$

| | | | | | Tamb = 40°C | | | | | | | | | | |
|---|-------|--|-------------------------|-------------------------|----------------|-------------------|----------------------|----------------------|-----------------------|-----------------------|------------------|----------------------|----------------------|-----------------------|-----------------------|
|  | i | n ₂ [min ⁻¹] | Mn ₂ [Nm] | Pn ₁ [kW] | P _T | P _{TFAN} | P _{TMCR A5} | P _{TMCR A9} | P _{TMCR A21} | P _{TMCR A34} | P _{TSR} | P _{TMCR W5} | P _{TMCR W9} | P _{TMCR W21} | P _{TMCR W34} |
| | | | | | [kW] | [kW] | [kW] | [kW] | [kW] | [kW] | [kW] | [kW] | [kW] | [kW] | [kW] |
| HDO 130 2 | 5.7 | 210 | 46840 | 1074 | * | 230 | * | * | * | ● | * | * | * | * | ● |
| HDO 130 2 | 6.2 | 193 | 48520 | 1019 | * | 230 | * | * | 351 | | * | * | * | * | |
| HDO 130 2 | 7.1 | 169 | 50250 | 927 | * | 230 | * | * | 351 | | * | * | 292 | 452 | |
| HDO 130 2 | 7.7 | 156 | 52030 | 882 | 85 | 230 | * | * | 351 | | * | 201 | 292 | 452 | |
| HDO 130 2 | 8.8 | 137 | 53860 | 803 | 85 | 230 | * | * | 351 | | * | 201 | 292 | 452 | |
| HDO 130 2 | 9.6 | 124 | 54590 | 741 | 85 | 230 | 210 | 254 | 351 | | 220 | 201 | 292 | 452 | |
| HDO 130 2 | 11.0 | 109 | 56600 | 675 | 85 | 230 | 210 | 254 | 351 | | 220 | 201 | 292 | 452 | |
| HDO 130 2 | 12.0 | 100 | 57380 | 628 | 85 | 230 | 210 | 254 | 351 | | 220 | 201 | 292 | 452 | |
| HDO 130 2 | 13.6 | 88 | 59580 | 573 | 85 | 230 | 210 | 254 | 351 | | 220 | 201 | 292 | 452 | |
| HDO 130 3 | 15.2 | 79 | 58850 | 517 | * | 150 | * | * | 240 | 443 | * | * | * | 308 | — |
| HDO 130 3 | 18.3 | 66 | 64610 | 472 | 81 | 150 | 152 | 183 | 240 | — | 183 | 165 | 253 | 308 | — |
| HDO 130 3 | 19.9 | 60 | 63370 | 424 | 81 | 150 | 152 | 183 | 240 | — | 183 | 165 | 253 | 308 | — |
| HDO 130 3 | 22.6 | 53 | 65610 | 387 | 81 | 150 | 152 | 183 | 240 | — | 183 | 165 | 253 | 308 | — |
| HDO 130 3 | 24.7 | 49 | 63010 | 341 | 81 | 150 | 152 | 183 | 240 | — | 183 | 165 | 253 | — | — |
| HDO 130 3 | 28.3 | 42 | 65450 | 309 | 81 | 150 | 152 | 183 | 240 | — | 183 | 165 | 253 | — | — |
| HDO 130 3 | 30.9 | 39 | 62670 | 271 | 81 | 150 | 152 | 183 | 240 | — | 183 | 165 | — | — | — |
| HDO 130 3 | 34.9 | 34 | 65130 | 249 | 81 | 150 | 152 | 183 | — | — | 183 | 165 | — | — | — |
| HDO 130 3 | 38.3 | 31 | 62370 | 218 | 81 | 150 | 152 | 183 | — | — | 183 | 165 | — | — | — |
| HDO 130 3 | 43.8 | 27.4 | 64820 | 198 | 81 | 150 | 152 | — | — | — | — | 165 | — | — | — |
| HDO 130 3 | 47.8 | 25.1 | 62090 | 173 | 81 | 150 | 152 | — | — | — | — | — | — | — | — |
| HDO 130 3 | 54.0 | 22.2 | 65210 | 161 | 81 | — | — | — | — | — | — | — | — | — | — |
| HDO 130 3 | 59.0 | 20.3 | 62470 | 141 | 81 | — | — | — | — | — | — | — | — | — | — |
| HDO 130 3 | 67.1 | 17.9 | 62800 | 125 | 81 | — | — | — | — | — | — | — | — | — | — |
| HDO 130 4 | 71.5 | 16.8 | 68000 | 130 | 102 | — | — | — | — | — | — | — | — | — | — |
| HDO 130 4 | 78.1 | 15.4 | 65160 | 114 | — | — | — | — | — | — | — | — | — | — | — |
| HDO 130 4 | 88.2 | 13.6 | 69570 | 107 | — | — | — | — | — | — | — | — | — | — | — |
| HDO 130 4 | 96.3 | 12.5 | 66770 | 94 | — | — | — | — | — | — | — | — | — | — | — |
| HDO 130 4 | 111.2 | 10.8 | 69570 | 85 | — | — | — | — | — | — | — | — | — | — | — |
| HDO 130 4 | 121.4 | 9.9 | 66770 | 75 | — | — | — | — | — | — | — | — | — | — | — |
| HDO 130 4 | 141.3 | 8.5 | 69570 | 67 | — | — | — | — | — | — | — | — | — | — | — |
| HDO 130 4 | 154.3 | 7.8 | 66770 | 59 | — | — | — | — | — | — | — | — | — | — | — |
| HDO 130 4 | 174.3 | 6.9 | 69570 | 54 | — | — | — | — | — | — | — | — | — | — | — |
| HDO 130 4 | 190.3 | 6.3 | 66770 | 48 | — | — | — | — | — | — | — | — | — | — | — |
| HDO 130 4 | 219.1 | 5.5 | 69570 | 43 | — | — | — | — | — | — | — | — | — | — | — |
| HDO 130 4 | 239.1 | 5.0 | 66770 | 38 | — | — | — | — | — | — | — | — | — | — | — |
| HDO 130 4 | 270.2 | 4.4 | 69570 | 35 | — | — | — | — | — | — | — | — | — | — | — |
| HDO 130 4 | 294.9 | 4.1 | 66770 | 31 | — | — | — | — | — | — | — | — | — | — | — |
| HDO 130 4 | 335.6 | 3.6 | 63140 | 26 | — | — | — | — | — | — | — | — | — | — | — |

HDO

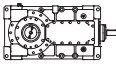
*  BONFIGLIOLI TECHNICAL SERVICE

— Thermal verification not necessary



HDO 130

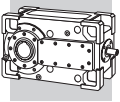
$n_1 = 1000 \text{ min}^{-1}$

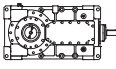
| Tamb = 20°C | | | | | | | | | | | | | | | |
|---|-------|--|-------------------------|-------------------------|----------------|-------------------|----------------------|----------------------|-----------------------|-----------------------|------------------|----------------------|----------------------|-----------------------|-----------------------|
|  | i | n ₂ [min ⁻¹] | Mn ₂ [Nm] | Pn ₁ [kW] | P _T | P _{TFAN} | P _{TMCR A5} | P _{TMCR A9} | P _{TMCR A21} | P _{TMCR A34} | P _{TSR} | P _{TMCR W5} | P _{TMCR W9} | P _{TMCR W21} | P _{TMCR W34} |
| | | | | | [kW] | [kW] | [kW] | [kW] | [kW] | [kW] | [kW] | [kW] | [kW] | [kW] | [kW] |
| HDO 130 2 | 5.7 | 175 | 49480 | 945 | 165 | 335 | 340 | 418 | 661 | ● | 272 | 281 | 375 | 535 | ● |
| HDO 130 2 | 6.2 | 160 | 51240 | 897 | 165 | 335 | 340 | 418 | 661 | | 272 | 281 | 375 | 535 | |
| HDO 130 2 | 7.1 | 141 | 53080 | 816 | 165 | 335 | 340 | 418 | 661 | | 272 | 281 | 375 | 535 | |
| HDO 130 2 | 7.7 | 130 | 54940 | 776 | 165 | 335 | 340 | 418 | — | | 272 | 281 | 375 | 535 | |
| HDO 130 2 | 8.8 | 114 | 56890 | 707 | 165 | 335 | 340 | 418 | — | | 272 | 281 | 375 | 535 | |
| HDO 130 2 | 9.6 | 104 | 57650 | 652 | 165 | 335 | 340 | 418 | — | | 272 | 281 | 375 | 535 | |
| HDO 130 2 | 11.0 | 91 | 59790 | 594 | 165 | 335 | 340 | 418 | — | | 272 | 281 | 375 | — | |
| HDO 130 2 | 12.0 | 84 | 59760 | 545 | 165 | 335 | 340 | 418 | — | | 272 | 281 | 375 | — | |
| HDO 130 2 | 13.6 | 73 | 62940 | 504 | 165 | 335 | 340 | — | — | | 272 | 281 | 375 | — | |
| HDO 130 3 | 15.2 | 66 | 58850 | 431 | * | 232 | 243 | 300 | — | — | 218 | 200 | 268 | — | — |
| HDO 130 3 | 18.3 | 55 | 65100 | 397 | 149 | 232 | 243 | 300 | — | — | 218 | 200 | 268 | — | — |
| HDO 130 3 | 19.9 | 50 | 63060 | 352 | 149 | 232 | 243 | 300 | — | — | 218 | 200 | 268 | — | — |
| HDO 130 3 | 22.6 | 44 | 65510 | 322 | 149 | 232 | 243 | — | — | — | 218 | 200 | — | — | — |
| HDO 130 3 | 24.7 | 41 | 62730 | 283 | 149 | 232 | 243 | — | — | — | 218 | 200 | — | — | — |
| HDO 130 3 | 28.3 | 35 | 65170 | 257 | 149 | — | — | — | — | — | 218 | 200 | — | — | — |
| HDO 130 3 | 30.9 | 32 | 62410 | 225 | 149 | — | — | — | — | — | — | — | — | — | — |
| HDO 130 3 | 34.9 | 28.7 | 64880 | 207 | 149 | — | — | — | — | — | — | — | — | — | — |
| HDO 130 3 | 38.3 | 26.1 | 62140 | 181 | 149 | — | — | — | — | — | — | — | — | — | — |
| HDO 130 3 | 43.8 | 22.8 | 64950 | 165 | — | — | — | — | — | — | — | — | — | — | — |
| HDO 130 3 | 47.8 | 20.9 | 62210 | 145 | — | — | — | — | — | — | — | — | — | — | — |
| HDO 130 3 | 54.0 | 18.5 | 67010 | 138 | — | — | — | — | — | — | — | — | — | — | — |
| HDO 130 3 | 59.0 | 17.0 | 64200 | 121 | — | — | — | — | — | — | — | — | — | — | — |
| HDO 130 3 | 67.1 | 14.9 | 63140 | 105 | — | — | — | — | — | — | — | — | — | — | — |
| HDO 130 4 | 71.5 | 14.0 | 69570 | 110 | — | — | — | — | — | — | — | — | — | — | — |
| HDO 130 4 | 78.1 | 12.8 | 66770 | 97 | — | — | — | — | — | — | — | — | — | — | — |
| HDO 130 4 | 88.2 | 11.3 | 69570 | 90 | — | — | — | — | — | — | — | — | — | — | — |
| HDO 130 4 | 96.3 | 10.4 | 66770 | 79 | — | — | — | — | — | — | — | — | — | — | — |
| HDO 130 4 | 111.2 | 9.0 | 69570 | 71 | — | — | — | — | — | — | — | — | — | — | — |
| HDO 130 4 | 121.4 | 8.2 | 66770 | 62 | — | — | — | — | — | — | — | — | — | — | — |
| HDO 130 4 | 141.3 | 7.1 | 69570 | 56 | — | — | — | — | — | — | — | — | — | — | — |
| HDO 130 4 | 154.3 | 6.5 | 66770 | 49 | — | — | — | — | — | — | — | — | — | — | — |
| HDO 130 4 | 174.3 | 5.7 | 69570 | 45 | — | — | — | — | — | — | — | — | — | — | — |
| HDO 130 4 | 190.3 | 5.3 | 66770 | 40 | — | — | — | — | — | — | — | — | — | — | — |
| HDO 130 4 | 219.1 | 4.6 | 69570 | 36 | — | — | — | — | — | — | — | — | — | — | — |
| HDO 130 4 | 239.1 | 4.2 | 66770 | 32 | — | — | — | — | — | — | — | — | — | — | — |
| HDO 130 4 | 270.2 | 3.7 | 69570 | 29 | — | — | — | — | — | — | — | — | — | — | — |
| HDO 130 4 | 294.9 | 3.4 | 66770 | 26 | — | — | — | — | — | — | — | — | — | — | — |
| HDO 130 4 | 335.6 | 3.0 | 63140 | 21 | — | — | — | — | — | — | — | — | — | — | — |

HDO

*  BONFIGLIOLI TECHNICAL SERVICE

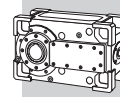
— Thermal verification not necessary



| HDO 130 | | | | | $n_1 = 1000 \text{ min}^{-1}$ | | | | | | | | | | |
|---|-------|--------------------------------|----------------|----------------|-------------------------------|--------------------|-----------------------|-----------------------|------------------------|------------------------|-------------------|-----------------------|-----------------------|------------------------|------------------------|
| | | | | | $T_{amb} = 40^\circ\text{C}$ | | | | | | | | | | |
|  | i | n_2 [min^{-1}] | Mn_2 [Nm] | Pn_1 [kW] | P_T [kW] | P_{TFAN} [kW] | $P_{TMCR A5}$ [kW] | $P_{TMCR A9}$ [kW] | $P_{TMCR A21}$ [kW] | $P_{TMCR A34}$ [kW] | P_{TSR} [kW] | $P_{TMCR W5}$ [kW] | $P_{TMCR W9}$ [kW] | $P_{TMCR W21}$ [kW] | $P_{TMCR W34}$ [kW] |
| HDO 130 2 | 5.7 | 175 | 49480 | 945 | 94 | 219 | * | * | 370 | ● | 201 | 210 | 304 | 464 | ● |
| HDO 130 2 | 6.2 | 160 | 51240 | 897 | 94 | 219 | * | * | 370 | | 201 | 210 | 304 | 464 | |
| HDO 130 2 | 7.1 | 141 | 53080 | 816 | 94 | 219 | 201 | 245 | 370 | | 201 | 210 | 304 | 464 | |
| HDO 130 2 | 7.7 | 130 | 54940 | 776 | 94 | 219 | 201 | 245 | 370 | | 201 | 210 | 304 | 464 | |
| HDO 130 2 | 8.8 | 114 | 56890 | 707 | 94 | 219 | 201 | 245 | 370 | | 201 | 210 | 304 | 464 | |
| HDO 130 2 | 9.6 | 104 | 57650 | 652 | 94 | 219 | 201 | 245 | 370 | | 201 | 210 | 304 | 464 | |
| HDO 130 2 | 11.0 | 91 | 59790 | 594 | 94 | 219 | 201 | 245 | 370 | | 201 | 210 | 304 | 464 | |
| HDO 130 2 | 12.0 | 84 | 59760 | 545 | 94 | 219 | 201 | 245 | 370 | | 201 | 210 | 304 | — | |
| HDO 130 2 | 13.6 | 73 | 62940 | 504 | 94 | 219 | 201 | 245 | 370 | | 201 | 210 | 304 | — | |
| HDO 130 3 | 15.2 | 66 | 58850 | 431 | * | 146 | 132 | 163 | — | — | 163 | 145 | 213 | — | — |
| HDO 130 3 | 18.3 | 55 | 65100 | 397 | 93 | 146 | 132 | 163 | — | — | 163 | 145 | 213 | — | — |
| HDO 130 3 | 19.9 | 50 | 63060 | 352 | 93 | 146 | 132 | 163 | — | — | 163 | 145 | 213 | — | — |
| HDO 130 3 | 22.6 | 44 | 65510 | 322 | 93 | 146 | 132 | 163 | — | — | 163 | 145 | 213 | — | — |
| HDO 130 3 | 24.7 | 41 | 62730 | 283 | 93 | 146 | 132 | 163 | — | — | 163 | 145 | 213 | — | — |
| HDO 130 3 | 28.3 | 35 | 65170 | 257 | 93 | 146 | 132 | 163 | — | — | 163 | 145 | 213 | — | — |
| HDO 130 3 | 30.9 | 32 | 62410 | 225 | 93 | 146 | 132 | 163 | — | — | 163 | 145 | — | — | — |
| HDO 130 3 | 34.9 | 28.7 | 64880 | 207 | 93 | 146 | 132 | 163 | — | — | 163 | 145 | — | — | — |
| HDO 130 3 | 38.3 | 26.1 | 62140 | 181 | 93 | 146 | 132 | — | — | — | — | 145 | — | — | — |
| HDO 130 3 | 43.8 | 22.8 | 64950 | 165 | 93 | — | 132 | — | — | — | — | — | — | — | — |
| HDO 130 3 | 47.8 | 20.9 | 62210 | 145 | 93 | — | — | — | — | — | — | — | — | — | — |
| HDO 130 3 | 54.0 | 18.5 | 67010 | 138 | 93 | — | — | — | — | — | — | — | — | — | — |
| HDO 130 3 | 59.0 | 17.0 | 64200 | 121 | 93 | — | — | — | — | — | — | — | — | — | — |
| HDO 130 3 | 67.1 | 14.9 | 63140 | 105 | — | — | — | — | — | — | — | — | — | — | — |
| HDO 130 4 | 71.5 | 14.0 | 69570 | 110 | — | — | — | — | — | — | — | — | — | — | — |
| HDO 130 4 | 78.1 | 12.8 | 66770 | 97 | — | — | — | — | — | — | — | — | — | — | — |
| HDO 130 4 | 88.2 | 11.3 | 69570 | 90 | — | — | — | — | — | — | — | — | — | — | — |
| HDO 130 4 | 96.3 | 10.4 | 66770 | 79 | — | — | — | — | — | — | — | — | — | — | — |
| HDO 130 4 | 111.2 | 9.0 | 69570 | 71 | — | — | — | — | — | — | — | — | — | — | — |
| HDO 130 4 | 121.4 | 8.2 | 66770 | 62 | — | — | — | — | — | — | — | — | — | — | — |
| HDO 130 4 | 141.3 | 7.1 | 69570 | 56 | — | — | — | — | — | — | — | — | — | — | — |
| HDO 130 4 | 154.3 | 6.5 | 66770 | 49 | — | — | — | — | — | — | — | — | — | — | — |
| HDO 130 4 | 174.3 | 5.7 | 69570 | 45 | — | — | — | — | — | — | — | — | — | — | — |
| HDO 130 4 | 190.3 | 5.3 | 66770 | 40 | — | — | — | — | — | — | — | — | — | — | — |
| HDO 130 4 | 219.1 | 4.6 | 69570 | 36 | — | — | — | — | — | — | — | — | — | — | — |
| HDO 130 4 | 239.1 | 4.2 | 66770 | 32 | — | — | — | — | — | — | — | — | — | — | — |
| HDO 130 4 | 270.2 | 3.7 | 69570 | 29 | — | — | — | — | — | — | — | — | — | — | — |
| HDO 130 4 | 294.9 | 3.4 | 66770 | 26 | — | — | — | — | — | — | — | — | — | — | — |
| HDO 130 4 | 335.6 | 3.0 | 63140 | 21 | — | — | — | — | — | — | — | — | — | — | — |

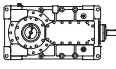
*  BONFIGLIOLI TECHNICAL SERVICE

— Thermal verification not necessary



HDO 140

$n_1 = 1800 \text{ min}^{-1}$

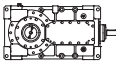
| | | | | | Tamb = 20°C | | | | | | | | | | |
|---|-------|--|-------------------------|-------------------------|----------------|-------------------|---------------------|---------------------|----------------------|----------------------|------------------|---------------------|---------------------|----------------------|----------------------|
|  | i | n ₂ [min ⁻¹] | Mn ₂ [Nm] | Pn ₁ [kW] | P _T | P _{TFAN} | P _{TMCRA5} | P _{TMCRA9} | P _{TMCRA21} | P _{TMCRA34} | P _{TSR} | P _{TMCRW5} | P _{TMCRW9} | P _{TMCRW21} | P _{TMCRW34} |
| | | | | | [kW] | [kW] | [kW] | [kW] | [kW] | [kW] | [kW] | [kW] | [kW] | [kW] | [kW] |
| HDO 140 2 | 6.6 | 274 | 49490 | 1478 | * | * | * | * | * | ● | * | * | * | * | ● |
| HDO 140 2 | 7.3 | 248 | 54750 | 1478 | * | * | * | * | * | | * | * | * | * | |
| HDO 140 2 | 8.2 | 220 | 61300 | 1473 | * | * | * | * | * | | * | * | * | * | |
| HDO 140 2 | 9.0 | 200 | 64270 | 1401 | * | * | * | * | * | | * | * | * | * | |
| HDO 140 2 | 10.1 | 178 | 65720 | 1276 | * | 372 | * | * | * | | * | * | * | * | |
| HDO 140 2 | 11.3 | 160 | 67420 | 1176 | * | 372 | * | * | 629 | | * | * | * | * | |
| HDO 140 2 | 12.6 | 142 | 69060 | 1072 | * | 372 | * | 393 | 629 | | * | * | * | 510 | |
| HDO 140 2 | 14.0 | 129 | 66760 | 939 | * | 372 | 342 | 393 | 629 | | * | * | * | 510 | |
| HDO 140 2 | 15.7 | 115 | 72680 | 910 | * | 372 | 342 | 393 | 629 | | * | * | * | 510 | |
| HDO 140 3 | 17.7 | 102 | 64350 | 727 | * | * | * | * | * | * | * | * | * | * | * |
| HDO 140 3 | 19.9 | 90 | 72270 | 727 | * | * | * | * | * | * | * | * | * | * | * |
| HDO 140 3 | 23.3 | 77 | 72600 | 625 | * | * | * | 270 | 446 | 572 | * | * | * | 354 | 576 |
| HDO 140 3 | 26.0 | 69 | 69020 | 531 | * | 305 | * | 270 | 446 | — | * | * | 266 | 354 | — |
| HDO 140 3 | 28.8 | 63 | 76390 | 531 | * | 305 | * | 270 | 446 | — | * | * | 266 | 354 | — |
| HDO 140 3 | 32.5 | 55 | 76280 | 470 | 129 | 305 | 256 | 270 | — | — | 231 | 213 | 266 | 354 | — |
| HDO 140 3 | 36.0 | 50 | 80850 | 450 | 129 | 305 | 256 | 270 | — | — | 231 | 213 | 266 | 354 | — |
| HDO 140 3 | 40.1 | 45 | 74300 | 371 | 129 | 305 | 256 | 270 | — | — | 231 | 213 | 266 | — | — |
| HDO 140 3 | 44.4 | 41 | 80850 | 365 | 129 | 305 | 256 | 270 | — | — | 231 | 213 | 266 | — | — |
| HDO 140 3 | 50.4 | 36 | 81510 | 324 | 129 | — | 256 | 270 | — | — | 231 | 213 | 266 | — | — |
| HDO 140 3 | 55.8 | 32 | 80850 | 290 | 129 | — | 256 | — | — | — | 231 | 213 | — | — | — |
| HDO 140 3 | 62.2 | 28.9 | 74300 | 239 | 129 | — | — | — | — | — | — | — | — | — | — |
| HDO 140 3 | 68.8 | 26.2 | 80850 | 235 | 129 | — | — | — | — | — | — | — | — | — | — |
| HDO 140 3 | 77.3 | 23.3 | 73920 | 191 | 129 | — | — | — | — | — | — | — | — | — | — |
| HDO 140 4 | 82.3 | 21.9 | 76010 | 189 | 141 | — | — | — | — | — | — | — | — | — | — |
| HDO 140 4 | 91.1 | 19.8 | 80850 | 181 | — | — | — | — | — | — | — | — | — | — | — |
| HDO 140 4 | 101.5 | 17.7 | 74300 | 150 | — | — | — | — | — | — | — | — | — | — | — |
| HDO 140 4 | 112.3 | 16.0 | 80850 | 147 | — | — | — | — | — | — | — | — | — | — | — |
| HDO 140 4 | 128.0 | 14.1 | 81510 | 130 | — | — | — | — | — | — | — | — | — | — | — |
| HDO 140 4 | 141.6 | 12.7 | 80850 | 117 | — | — | — | — | — | — | — | — | — | — | — |
| HDO 140 4 | 162.7 | 11.1 | 81510 | 102 | — | — | — | — | — | — | — | — | — | — | — |
| HDO 140 4 | 180.0 | 10.0 | 80850 | 92 | — | — | — | — | — | — | — | — | — | — | — |
| HDO 140 4 | 198.3 | 9.1 | 81510 | 84 | — | — | — | — | — | — | — | — | — | — | — |
| HDO 140 4 | 219.5 | 8.2 | 80850 | 75 | — | — | — | — | — | — | — | — | — | — | — |
| HDO 140 4 | 252.1 | 7.1 | 81510 | 66 | — | — | — | — | — | — | — | — | — | — | — |
| HDO 140 4 | 279.0 | 6.5 | 87060 | 64 | — | — | — | — | — | — | — | — | — | — | — |
| HDO 140 4 | 311.0 | 5.8 | 81180 | 53 | — | — | — | — | — | — | — | — | — | — | — |
| HDO 140 4 | 344.1 | 5.2 | 87060 | 52 | — | — | — | — | — | — | — | — | — | — | — |
| HDO 140 4 | 386.6 | 4.7 | 78870 | 42 | — | — | — | — | — | — | — | — | — | — | — |

HDO

*  BONFIGLIOLI TECHNICAL SERVICE

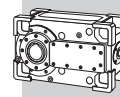
— Thermal verification not necessary



| HDO 140 | | | | | $n_1 = 1800 \text{ min}^{-1}$ | | | | | | | | | | | |
|---|-------|--------------------------------|----------------|----------------|-------------------------------|--------------------|-----------------------|-----------------------|------------------------|------------------------|-------------------|-----------------------|-----------------------|------------------------|------------------------|-----|
| | | | | | $T_{amb} = 40^\circ\text{C}$ | | | | | | | | | | | |
|  | i | n_2 [min^{-1}] | Mn_2 [Nm] | Pn_1 [kW] | P_T [kW] | P_{TFAN} [kW] | $P_{TMCR A5}$ [kW] | $P_{TMCR A9}$ [kW] | $P_{TMCR A21}$ [kW] | $P_{TMCR A34}$ [kW] | P_{TSR} [kW] | $P_{TMCR W5}$ [kW] | $P_{TMCR W9}$ [kW] | $P_{TMCR W21}$ [kW] | $P_{TMCR W34}$ [kW] | |
| HDO 140 2 | 6.6 | 274 | 49490 | 1478 | * | * | * | * | * | ● | * | * | * | * | ● | |
| HDO 140 2 | 7.3 | 248 | 54750 | 1478 | * | * | * | * | * | | * | * | * | * | | |
| HDO 140 2 | 8.2 | 220 | 61300 | 1473 | * | * | * | * | * | | * | * | * | * | | |
| HDO 140 2 | 9.0 | 200 | 64270 | 1401 | * | * | * | * | * | | * | * | * | * | | |
| HDO 140 2 | 10.1 | 178 | 65720 | 1276 | * | * | * | * | * | | * | * | * | * | | |
| HDO 140 2 | 11.3 | 160 | 67420 | 1176 | * | 265 | * | * | * | | * | * | * | 430 | | |
| HDO 140 2 | 12.6 | 142 | 69060 | 1072 | * | 265 | * | * | * | | * | * | * | 430 | | |
| HDO 140 2 | 14.0 | 129 | 66760 | 939 | * | 265 | * | * | * | | * | * | * | 303 | | 430 |
| HDO 140 2 | 15.7 | 115 | 72680 | 910 | * | 265 | * | * | * | | * | * | * | 303 | | 430 |
| HDO 140 3 | 17.7 | 102 | 64350 | 727 | * | * | * | * | * | * | * | * | * | * | * | |
| HDO 140 3 | 19.9 | 90 | 72270 | 727 | * | * | * | * | * | * | * | * | * | * | * | |
| HDO 140 3 | 23.3 | 77 | 72600 | 625 | * | * | * | * | 229 | 299 | * | * | * | 297 | 519 | |
| HDO 140 3 | 26.0 | 69 | 69020 | 531 | * | * | * | * | 229 | 299 | * | * | * | 297 | — | |
| HDO 140 3 | 28.8 | 63 | 76390 | 531 | * | * | * | * | 229 | 299 | 160 | * | * | 297 | — | |
| HDO 140 3 | 32.5 | 55 | 76280 | 470 | * | 211 | * | * | 229 | 299 | 160 | * | 223 | 297 | — | |
| HDO 140 3 | 36.0 | 50 | 80850 | 450 | * | 211 | * | * | 229 | 299 | 160 | * | 223 | 297 | — | |
| HDO 140 3 | 40.1 | 45 | 74300 | 371 | * | 211 | 153 | 184 | 229 | 299 | 160 | 166 | 223 | 297 | — | |
| HDO 140 3 | 44.4 | 41 | 80850 | 365 | * | 211 | 153 | 184 | 229 | 299 | 160 | 166 | 223 | 297 | — | |
| HDO 140 3 | 50.4 | 36 | 81510 | 324 | 113 | 211 | 153 | 184 | 229 | — | 160 | 166 | 223 | — | — | |
| HDO 140 3 | 55.8 | 32 | 80850 | 290 | 113 | 211 | 153 | 184 | 229 | — | 160 | 166 | 223 | — | — | |
| HDO 140 3 | 62.2 | 28.9 | 74300 | 239 | 113 | 211 | 153 | 184 | — | — | 160 | 166 | — | — | — | |
| HDO 140 3 | 68.8 | 26.2 | 80850 | 235 | 113 | — | 153 | 184 | — | — | 160 | 166 | — | — | — | |
| HDO 140 3 | 77.3 | 23.3 | 73920 | 191 | 113 | — | 153 | — | — | — | 160 | 166 | — | — | — | |
| HDO 140 4 | 82.3 | 21.9 | 76010 | 189 | 97 | — | 152 | — | — | — | — | — | — | — | — | |
| HDO 140 4 | 91.1 | 19.8 | 80850 | 181 | 97 | — | 152 | — | — | — | — | — | — | — | — | |
| HDO 140 4 | 101.5 | 17.7 | 74300 | 150 | 97 | — | — | — | — | — | — | — | — | — | — | |
| HDO 140 4 | 112.3 | 16.0 | 80850 | 147 | 97 | — | — | — | — | — | — | — | — | — | — | |
| HDO 140 4 | 128.0 | 14.1 | 81510 | 130 | 97 | — | — | — | — | — | — | — | — | — | — | |
| HDO 140 4 | 141.6 | 12.7 | 80850 | 117 | 97 | — | — | — | — | — | — | — | — | — | — | |
| HDO 140 4 | 162.7 | 11.1 | 81510 | 102 | — | — | — | — | — | — | — | — | — | — | — | |
| HDO 140 4 | 180.0 | 10.0 | 80850 | 92 | — | — | — | — | — | — | — | — | — | — | — | |
| HDO 140 4 | 198.3 | 9.1 | 81510 | 84 | — | — | — | — | — | — | — | — | — | — | — | |
| HDO 140 4 | 219.5 | 8.2 | 80850 | 75 | — | — | — | — | — | — | — | — | — | — | — | |
| HDO 140 4 | 252.1 | 7.1 | 81510 | 66 | — | — | — | — | — | — | — | — | — | — | — | |
| HDO 140 4 | 279.0 | 6.5 | 87060 | 64 | — | — | — | — | — | — | — | — | — | — | — | |
| HDO 140 4 | 311.0 | 5.8 | 81180 | 53 | — | — | — | — | — | — | — | — | — | — | — | |
| HDO 140 4 | 344.1 | 5.2 | 87060 | 52 | — | — | — | — | — | — | — | — | — | — | — | |
| HDO 140 4 | 386.6 | 4.7 | 78870 | 42 | — | — | — | — | — | — | — | — | — | — | — | |

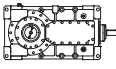
*  BONFIGLIOLI TECHNICAL SERVICE

— Thermal verification not necessary



HDO 140

$n_1 = 1500 \text{ min}^{-1}$

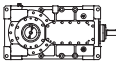
| | | | | | Tamb = 20°C | | | | | | | | | | |
|---|-------|--|-------------------------|-------------------------|----------------|-------------------|---------------------|---------------------|----------------------|----------------------|------------------|---------------------|---------------------|----------------------|----------------------|
|  | i | n ₂ [min ⁻¹] | Mn ₂ [Nm] | Pn ₁ [kW] | P _T | P _{TFAN} | P _{TMCRA5} | P _{TMCRA9} | P _{TMCRA21} | P _{TMCRA34} | P _{TSR} | P _{TMCRW5} | P _{TMCRW9} | P _{TMCRW21} | P _{TMCRW34} |
| | | | | | [kW] | [kW] | [kW] | [kW] | [kW] | [kW] | [kW] | [kW] | [kW] | [kW] | [kW] |
| HDO 140 2 | 6.6 | 228 | 52260 | 1301 | * | * | * | * | * | ● | * | * | * | * | ● |
| HDO 140 2 | 7.3 | 206 | 57840 | 1301 | * | * | * | * | 609 | | * | * | * | * | |
| HDO 140 2 | 8.2 | 184 | 64740 | 1296 | * | 366 | * | * | 609 | | * | * | * | * | |
| HDO 140 2 | 9.0 | 167 | 67890 | 1234 | * | 366 | * | * | 609 | | * | * | * | * | |
| HDO 140 2 | 10.1 | 148 | 69410 | 1123 | * | 366 | * | 388 | 609 | | * | * | * | 505 | |
| HDO 140 2 | 11.3 | 133 | 71210 | 1035 | 167 | 366 | 342 | 388 | 609 | | * | * | * | 505 | |
| HDO 140 2 | 12.6 | 119 | 72940 | 944 | 167 | 366 | 342 | 388 | 609 | | * | * | 382 | 505 | |
| HDO 140 2 | 14.0 | 108 | 69190 | 811 | 167 | 366 | 342 | 388 | 609 | | 300 | 309 | 382 | 505 | |
| HDO 140 2 | 15.7 | 96 | 76770 | 801 | 167 | 366 | 342 | 388 | 609 | | 300 | 309 | 382 | 505 | |
| HDO 140 3 | 17.7 | 85 | 68210 | 642 | * | * | * | 242 | 418 | 544 | * | * | 210 | 326 | 548 |
| HDO 140 3 | 19.9 | 75 | 76630 | 642 | * | * | * | 242 | 418 | 544 | * | * | 210 | 326 | 548 |
| HDO 140 3 | 23.3 | 64 | 76960 | 552 | 116 | * | 243 | 242 | 418 | — | 218 | 200 | 210 | 326 | — |
| HDO 140 3 | 26.0 | 58 | 73170 | 469 | 116 | 303 | 243 | 242 | — | — | 218 | 200 | 210 | 326 | — |
| HDO 140 3 | 28.8 | 52 | 80970 | 469 | 116 | 303 | 243 | 242 | — | — | 218 | 200 | 210 | 326 | — |
| HDO 140 3 | 32.5 | 46 | 80860 | 415 | 116 | 303 | 243 | 242 | — | — | 218 | 200 | 210 | 326 | — |
| HDO 140 3 | 36.0 | 42 | 82360 | 382 | 116 | 303 | 243 | 242 | — | — | 218 | 200 | 210 | 326 | — |
| HDO 140 3 | 40.1 | 37 | 79400 | 330 | 116 | — | 243 | 242 | — | — | 218 | 200 | 210 | — | — |
| HDO 140 3 | 44.4 | 34 | 81940 | 308 | 116 | — | 243 | 242 | — | — | 218 | 200 | 210 | — | — |
| HDO 140 3 | 50.4 | 29.7 | 82500 | 273 | 116 | — | — | — | — | — | 218 | 200 | 210 | — | — |
| HDO 140 3 | 55.8 | 26.9 | 81520 | 244 | 116 | — | — | — | — | — | 218 | 200 | 210 | — | — |
| HDO 140 3 | 62.2 | 24.1 | 82170 | 220 | 116 | — | — | — | — | — | — | — | — | — | — |
| HDO 140 3 | 68.8 | 21.8 | 81170 | 197 | 116 | — | — | — | — | — | — | — | — | — | — |
| HDO 140 3 | 77.3 | 19.4 | 78870 | 170 | 116 | — | — | — | — | — | — | — | — | — | — |
| HDO 140 4 | 82.3 | 18.2 | 80550 | 167 | — | — | — | — | — | — | — | — | — | — | — |
| HDO 140 4 | 91.1 | 16.5 | 82350 | 154 | — | — | — | — | — | — | — | — | — | — | — |
| HDO 140 4 | 101.5 | 14.8 | 82170 | 138 | — | — | — | — | — | — | — | — | — | — | — |
| HDO 140 4 | 112.3 | 13.4 | 85000 | 129 | — | — | — | — | — | — | — | — | — | — | — |
| HDO 140 4 | 128.0 | 11.7 | 84810 | 113 | — | — | — | — | — | — | — | — | — | — | — |
| HDO 140 4 | 141.6 | 10.6 | 87060 | 105 | — | — | — | — | — | — | — | — | — | — | — |
| HDO 140 4 | 162.7 | 9.2 | 84810 | 89 | — | — | — | — | — | — | — | — | — | — | — |
| HDO 140 4 | 180.0 | 8.3 | 87060 | 82 | — | — | — | — | — | — | — | — | — | — | — |
| HDO 140 4 | 198.3 | 7.6 | 84810 | 73 | — | — | — | — | — | — | — | — | — | — | — |
| HDO 140 4 | 219.5 | 6.8 | 87060 | 68 | — | — | — | — | — | — | — | — | — | — | — |
| HDO 140 4 | 252.1 | 5.9 | 84810 | 57 | — | — | — | — | — | — | — | — | — | — | — |
| HDO 140 4 | 279.0 | 5.4 | 87060 | 53 | — | — | — | — | — | — | — | — | — | — | — |
| HDO 140 4 | 311.0 | 4.8 | 80940 | 44 | — | — | — | — | — | — | — | — | — | — | — |
| HDO 140 4 | 344.1 | 4.4 | 87060 | 43 | — | — | — | — | — | — | — | — | — | — | — |
| HDO 140 4 | 386.6 | 3.9 | 78870 | 35 | — | — | — | — | — | — | — | — | — | — | — |

HDO

*  BONFIGLIOLI TECHNICAL SERVICE

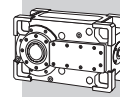
— Thermal verification not necessary



| HDO 140 | | | | | $n_1 = 1500 \text{ min}^{-1}$ | | | | | | | | | | | |
|---|-------|--|-------------------------|-------------------------|-------------------------------|---------------------------|------------------------------|------------------------------|-------------------------------|-------------------------------|---------------------------|------------------------------|------------------------------|-------------------------------|-------------------------------|-----|
| | | | | | Tamb = 40°C | | | | | | | | | | | |
|  | i | n ₂ [min ⁻¹] | Mn ₂ [Nm] | Pn ₁ [kW] | P _T [kW] | P _{TFAN} [kW] | P _{TMCR A5} [kW] | P _{TMCR A9} [kW] | P _{TMCR A21} [kW] | P _{TMCR A34} [kW] | P _{T SR} [kW] | P _{TMCR W5} [kW] | P _{TMCR W9} [kW] | P _{TMCR W21} [kW] | P _{TMCR W34} [kW] | |
| HDO 140 2 | 6.6 | 228 | 52260 | 1301 | * | * | * | * | * | ● | * | * | * | * | ● | |
| HDO 140 2 | 7.3 | 206 | 57840 | 1301 | * | * | * | * | * | | * | * | * | * | | |
| HDO 140 2 | 8.2 | 184 | 64740 | 1296 | * | * | * | * | * | | * | * | * | * | | |
| HDO 140 2 | 9.0 | 167 | 67890 | 1234 | * | 232 | * | * | * | | * | * | * | 424 | | |
| HDO 140 2 | 10.1 | 148 | 69410 | 1123 | * | 232 | * | * | * | | * | * | * | 424 | | |
| HDO 140 2 | 11.3 | 133 | 71210 | 1035 | 93 | 232 | * | * | * | | * | * | * | 303 | | 424 |
| HDO 140 2 | 12.6 | 119 | 72940 | 944 | 93 | 232 | * | * | 374 | | * | * | * | 303 | | 424 |
| HDO 140 2 | 14.0 | 108 | 69190 | 811 | 93 | 232 | * | 260 | 374 | | 226 | 235 | 303 | 424 | | |
| HDO 140 2 | 15.7 | 96 | 76770 | 801 | 93 | 232 | * | 260 | 374 | | 226 | 235 | 303 | 424 | | |
| HDO 140 3 | 17.7 | 85 | 68210 | 642 | * | * | * | * | * | 271 | * | * | * | 269 | 491 | |
| HDO 140 3 | 19.9 | 75 | 76630 | 642 | * | * | * | * | 204 | 271 | * | * | * | 269 | 491 | |
| HDO 140 3 | 23.3 | 64 | 76960 | 552 | * | * | * | * | 204 | 271 | * | * | 210 | 269 | — | |
| HDO 140 3 | 26.0 | 58 | 73170 | 469 | * | 202 | 151 | 182 | 204 | 271 | 182 | 164 | 210 | 269 | — | |
| HDO 140 3 | 28.8 | 52 | 80970 | 469 | * | 202 | 151 | 182 | 204 | 271 | 182 | 164 | 210 | 269 | — | |
| HDO 140 3 | 32.5 | 46 | 80860 | 415 | 91 | 202 | 151 | 182 | 204 | 271 | 182 | 164 | 210 | 269 | — | |
| HDO 140 3 | 36.0 | 42 | 82360 | 382 | 91 | 202 | 151 | 182 | 204 | 271 | 182 | 164 | 210 | 269 | — | |
| HDO 140 3 | 40.1 | 37 | 79400 | 330 | 91 | 202 | 151 | 182 | 204 | 271 | 182 | 164 | 210 | 269 | — | |
| HDO 140 3 | 44.4 | 34 | 81940 | 308 | 91 | 202 | 151 | 182 | 204 | 271 | 182 | 164 | 210 | 269 | — | |
| HDO 140 3 | 50.4 | 29.7 | 82500 | 273 | 91 | 202 | 151 | 182 | 204 | — | 182 | 164 | 210 | — | — | |
| HDO 140 3 | 55.8 | 26.9 | 81520 | 244 | 91 | 202 | 151 | 182 | 204 | — | 182 | 164 | 210 | — | — | |
| HDO 140 3 | 62.2 | 24.1 | 82170 | 220 | 91 | — | 151 | 182 | — | — | 182 | 164 | — | — | — | |
| HDO 140 3 | 68.8 | 21.8 | 81170 | 197 | 91 | — | 151 | — | — | — | — | 164 | — | — | — | |
| HDO 140 3 | 77.3 | 19.4 | 78870 | 170 | 91 | — | — | — | — | — | — | — | — | — | — | |
| HDO 140 4 | 82.3 | 18.2 | 80550 | 167 | 102 | — | — | — | — | — | — | — | — | — | — | |
| HDO 140 4 | 91.1 | 16.5 | 82350 | 154 | 102 | — | — | — | — | — | — | — | — | — | — | |
| HDO 140 4 | 101.5 | 14.8 | 82170 | 138 | 102 | — | — | — | — | — | — | — | — | — | — | |
| HDO 140 4 | 112.3 | 13.4 | 85000 | 129 | 102 | — | — | — | — | — | — | — | — | — | — | |
| HDO 140 4 | 128.0 | 11.7 | 84810 | 113 | — | — | — | — | — | — | — | — | — | — | — | |
| HDO 140 4 | 141.6 | 10.6 | 87060 | 105 | — | — | — | — | — | — | — | — | — | — | — | |
| HDO 140 4 | 162.7 | 9.2 | 84810 | 89 | — | — | — | — | — | — | — | — | — | — | — | |
| HDO 140 4 | 180.0 | 8.3 | 87060 | 82 | — | — | — | — | — | — | — | — | — | — | — | |
| HDO 140 4 | 198.3 | 7.6 | 84810 | 73 | — | — | — | — | — | — | — | — | — | — | — | |
| HDO 140 4 | 219.5 | 6.8 | 87060 | 68 | — | — | — | — | — | — | — | — | — | — | — | |
| HDO 140 4 | 252.1 | 5.9 | 84810 | 57 | — | — | — | — | — | — | — | — | — | — | — | |
| HDO 140 4 | 279.0 | 5.4 | 87060 | 53 | — | — | — | — | — | — | — | — | — | — | — | |
| HDO 140 4 | 311.0 | 4.8 | 80940 | 44 | — | — | — | — | — | — | — | — | — | — | — | |
| HDO 140 4 | 344.1 | 4.4 | 87060 | 43 | — | — | — | — | — | — | — | — | — | — | — | |
| HDO 140 4 | 386.6 | 3.9 | 78870 | 35 | — | — | — | — | — | — | — | — | — | — | — | |

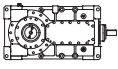
*  BONFIGLIOLI TECHNICAL SERVICE

— Thermal verification not necessary



HDO

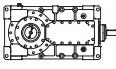
HDO 140 **n₁ = 1200 min⁻¹**

| | | | | | Tamb = 20°C | | | | | | | | | | |
|---|-------|--|-------------------------|-------------------------|----------------|-------------------|---------------------|---------------------|----------------------|----------------------|------------------|---------------------|---------------------|----------------------|----------------------|
|  | i | n ₂ [min ⁻¹] | Mn ₂ [Nm] | Pn ₁ [kW] | P _T | P _{TFAN} | P _{TMCRA5} | P _{TMCRA9} | P _{TMCRA21} | P _{TMCRA34} | P _{TSR} | P _{TMCRW5} | P _{TMCRW9} | P _{TMCRW21} | P _{TMCRW34} |
| | | | | | [kW] | [kW] | [kW] | [kW] | [kW] | [kW] | [kW] | [kW] | [kW] | [kW] | [kW] |
| HDO 140 2 | 6.6 | 183 | 55900 | 1113 | * | 360 | * | * | * | ● | * | * | * | * | ● |
| HDO 140 2 | 7.3 | 165 | 61830 | 1113 | * | 360 | * | * | 646 | | * | * | * | 520 | |
| HDO 140 2 | 8.2 | 147 | 69240 | 1109 | * | 360 | * | 410 | 646 | | * | * | * | 520 | |
| HDO 140 2 | 9.0 | 133 | 72580 | 1055 | 162 | 360 | 337 | 410 | 646 | | * | * | * | 520 | |
| HDO 140 2 | 10.1 | 119 | 74230 | 961 | 162 | 360 | 337 | 410 | 646 | | * | * | 372 | 520 | |
| HDO 140 2 | 11.3 | 107 | 73570 | 856 | 162 | 360 | 337 | 410 | 646 | | 299 | 308 | 372 | 520 | |
| HDO 140 2 | 12.6 | 95 | 78000 | 807 | 162 | 360 | 337 | 410 | — | | 299 | 308 | 372 | 520 | |
| HDO 140 2 | 14.0 | 86 | 69510 | 652 | 162 | 360 | 337 | 410 | — | | 299 | 308 | 372 | 520 | |
| HDO 140 2 | 15.7 | 77 | 78080 | 652 | 162 | 360 | 337 | 410 | — | | 299 | 308 | 372 | 520 | |
| HDO 140 3 | 17.7 | 68 | 68660 | 517 | * | 243 | 220 | 277 | — | — | 195 | 179 | 245 | — | — |
| HDO 140 3 | 19.9 | 60 | 77140 | 517 | * | 243 | 220 | 277 | — | — | 195 | 179 | 245 | — | — |
| HDO 140 3 | 23.3 | 52 | 82290 | 472 | 138 | 243 | 220 | 277 | — | — | 195 | 179 | 245 | — | — |
| HDO 140 3 | 26.0 | 46 | 75510 | 387 | 138 | 243 | 220 | 277 | — | — | 195 | 179 | 245 | — | — |
| HDO 140 3 | 28.8 | 42 | 82360 | 382 | 138 | 243 | 220 | 277 | — | — | 195 | 179 | 245 | — | — |
| HDO 140 3 | 32.5 | 37 | 84810 | 348 | 138 | 243 | 220 | 277 | — | — | 195 | 179 | 245 | — | — |
| HDO 140 3 | 36.0 | 33 | 81910 | 304 | 138 | 243 | 220 | — | — | — | 195 | 179 | 245 | — | — |
| HDO 140 3 | 40.1 | 29.9 | 82170 | 273 | 138 | — | 220 | — | — | — | 195 | 179 | — | — | — |
| HDO 140 3 | 44.4 | 27.0 | 81530 | 245 | 138 | — | — | — | — | — | 195 | 179 | — | — | — |
| HDO 140 3 | 50.4 | 23.8 | 82500 | 218 | 138 | — | — | — | — | — | — | 179 | — | — | — |
| HDO 140 3 | 55.8 | 21.5 | 81150 | 194 | 138 | — | — | — | — | — | — | — | — | — | — |
| HDO 140 3 | 62.2 | 19.3 | 82170 | 176 | 138 | — | — | — | — | — | — | — | — | — | — |
| HDO 140 3 | 68.8 | 17.4 | 81650 | 158 | 138 | — | — | — | — | — | — | — | — | — | — |
| HDO 140 3 | 77.3 | 15.5 | 78870 | 136 | — | — | — | — | — | — | — | — | — | — | — |
| HDO 140 4 | 82.3 | 13.2 | 85170 | 127 | — | — | — | — | — | — | — | — | — | — | — |
| HDO 140 4 | 91.1 | 11.8 | 82170 | 110 | — | — | — | — | — | — | — | — | — | — | — |
| HDO 140 4 | 101.5 | 10.7 | 87060 | 106 | — | — | — | — | — | — | — | — | — | — | — |
| HDO 140 4 | 112.3 | 9.4 | 84810 | 90 | — | — | — | — | — | — | — | — | — | — | — |
| HDO 140 4 | 128.0 | 8.5 | 87060 | 84 | — | — | — | — | — | — | — | — | — | — | — |
| HDO 140 4 | 141.6 | 7.4 | 84810 | 71 | — | — | — | — | — | — | — | — | — | — | — |
| HDO 140 4 | 162.7 | 6.7 | 87060 | 66 | — | — | — | — | — | — | — | — | — | — | — |
| HDO 140 4 | 180.0 | 6.1 | 84810 | 58 | — | — | — | — | — | — | — | — | — | — | — |
| HDO 140 4 | 198.3 | 5.5 | 87060 | 54 | — | — | — | — | — | — | — | — | — | — | — |
| HDO 140 4 | 219.5 | 4.8 | 84810 | 46 | — | — | — | — | — | — | — | — | — | — | — |
| HDO 140 4 | 252.1 | 4.3 | 87060 | 43 | — | — | — | — | — | — | — | — | — | — | — |
| HDO 140 4 | 279.0 | 3.9 | 81700 | 36 | — | — | — | — | — | — | — | — | — | — | — |
| HDO 140 4 | 311.0 | 3.5 | 87060 | 34 | — | — | — | — | — | — | — | — | — | — | — |
| HDO 140 4 | 344.1 | 3.1 | 78870 | 28 | — | — | — | — | — | — | — | — | — | — | — |
| HDO 140 4 | 386.6 | 2.8 | 71700 | 23 | — | — | — | — | — | — | — | — | — | — | — |

*  BONFIGLIOLI TECHNICAL SERVICE

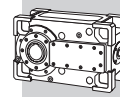
— Thermal verification not necessary



| HDO 140 | | | | | $n_1 = 1200 \text{ min}^{-1}$ | | | | | | | | | | |
|---|-------|--|-------------------------|-------------------------|-------------------------------|-------------------|----------------------|----------------------|-----------------------|-----------------------|-------------------|----------------------|----------------------|-----------------------|-----------------------|
| | | | | | Tamb = 40°C | | | | | | | | | | |
|  | i | n ₂ [min ⁻¹] | Mn ₂ [Nm] | Pn ₁ [kW] | P _T | P _{TFAN} | P _{TMCR A5} | P _{TMCR A9} | P _{TMCR A21} | P _{TMCR A34} | P _{T SR} | P _{TMCR W5} | P _{TMCR W9} | P _{TMCR W21} | P _{TMCR W34} |
| | | | | | [kW] | [kW] | [kW] | [kW] | [kW] | [kW] | [kW] | [kW] | [kW] | [kW] | [kW] |
| HDO 140 2 | 6.6 | 183 | 55900 | 1113 | * | 228 | * | * | * | ● | * | * | * | * | ● |
| HDO 140 2 | 7.3 | 165 | 61830 | 1113 | * | 228 | * | * | * | | * | * | * | 446 | |
| HDO 140 2 | 8.2 | 147 | 69240 | 1109 | * | 228 | * | * | * | | * | * | * | 446 | |
| HDO 140 2 | 9.0 | 133 | 72580 | 1055 | 88 | 228 | * | * | * | | * | * | * | 446 | |
| HDO 140 2 | 10.1 | 119 | 74230 | 961 | 88 | 228 | * | * | 369 | | 221 | * | 298 | 446 | |
| HDO 140 2 | 11.3 | 107 | 73570 | 856 | 88 | 228 | * | 259 | 369 | | 221 | 234 | 298 | 446 | |
| HDO 140 2 | 12.6 | 95 | 78000 | 807 | 88 | 228 | * | 259 | 369 | | 221 | 234 | 298 | 446 | |
| HDO 140 2 | 14.0 | 86 | 69510 | 652 | 88 | 228 | * | 259 | 369 | | 221 | 234 | 298 | 446 | |
| HDO 140 2 | 15.7 | 77 | 78080 | 652 | 88 | 228 | * | 259 | 369 | | 221 | 234 | 298 | 446 | |
| HDO 140 3 | 17.7 | 68 | 68660 | 517 | * | 146 | * | * | 236 | 441 | * | * | * | 304 | — |
| HDO 140 3 | 19.9 | 60 | 77140 | 517 | * | 146 | * | * | 236 | — | * | * | * | 304 | — |
| HDO 140 3 | 23.3 | 52 | 82290 | 472 | 81 | 146 | 152 | 183 | 236 | — | 183 | 165 | 233 | 304 | — |
| HDO 140 3 | 26.0 | 46 | 75510 | 387 | 81 | 146 | 152 | 183 | 236 | — | 183 | 165 | 233 | 304 | — |
| HDO 140 3 | 28.8 | 42 | 82360 | 382 | 81 | 146 | 152 | 183 | 236 | — | 183 | 165 | 233 | 304 | — |
| HDO 140 3 | 32.5 | 37 | 84810 | 348 | 81 | 146 | 152 | 183 | 236 | — | 183 | 165 | 233 | — | — |
| HDO 140 3 | 36.0 | 33 | 81910 | 304 | 81 | 146 | 152 | 183 | 236 | — | 183 | 165 | 233 | — | — |
| HDO 140 3 | 40.1 | 29.9 | 82170 | 273 | 81 | 146 | 152 | 183 | — | — | 183 | 165 | — | — | — |
| HDO 140 3 | 44.4 | 27.0 | 81530 | 245 | 81 | 146 | 152 | 183 | — | — | 183 | 165 | — | — | — |
| HDO 140 3 | 50.4 | 23.8 | 82500 | 218 | 81 | 146 | 152 | — | — | — | — | 165 | — | — | — |
| HDO 140 3 | 55.8 | 21.5 | 81150 | 194 | 81 | 146 | 152 | — | — | — | — | 165 | — | — | — |
| HDO 140 3 | 62.2 | 19.3 | 82170 | 176 | 81 | 146 | — | — | — | — | — | — | — | — | — |
| HDO 140 3 | 68.8 | 17.4 | 81650 | 158 | 81 | — | — | — | — | — | — | — | — | — | — |
| HDO 140 3 | 77.3 | 15.5 | 78870 | 136 | 81 | — | — | — | — | — | — | — | — | — | — |
| HDO 140 4 | 82.3 | 13.2 | 85170 | 127 | 106 | — | — | — | — | — | — | — | — | — | — |
| HDO 140 4 | 91.1 | 11.8 | 82170 | 110 | 106 | — | — | — | — | — | — | — | — | — | — |
| HDO 140 4 | 101.5 | 10.7 | 87060 | 106 | — | — | — | — | — | — | — | — | — | — | — |
| HDO 140 4 | 112.3 | 9.4 | 84810 | 90 | — | — | — | — | — | — | — | — | — | — | — |
| HDO 140 4 | 128.0 | 8.5 | 87060 | 84 | — | — | — | — | — | — | — | — | — | — | — |
| HDO 140 4 | 141.6 | 7.4 | 84810 | 71 | — | — | — | — | — | — | — | — | — | — | — |
| HDO 140 4 | 162.7 | 6.7 | 87060 | 66 | — | — | — | — | — | — | — | — | — | — | — |
| HDO 140 4 | 180.0 | 6.1 | 84810 | 58 | — | — | — | — | — | — | — | — | — | — | — |
| HDO 140 4 | 198.3 | 5.5 | 87060 | 54 | — | — | — | — | — | — | — | — | — | — | — |
| HDO 140 4 | 219.5 | 4.8 | 84810 | 46 | — | — | — | — | — | — | — | — | — | — | — |
| HDO 140 4 | 252.1 | 4.3 | 87060 | 43 | — | — | — | — | — | — | — | — | — | — | — |
| HDO 140 4 | 279.0 | 3.9 | 81700 | 36 | — | — | — | — | — | — | — | — | — | — | — |
| HDO 140 4 | 311.0 | 3.5 | 87060 | 34 | — | — | — | — | — | — | — | — | — | — | — |
| HDO 140 4 | 344.1 | 3.1 | 78870 | 28 | — | — | — | — | — | — | — | — | — | — | — |
| HDO 140 4 | 386.6 | 2.8 | 71700 | 23 | — | — | — | — | — | — | — | — | — | — | — |

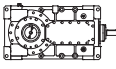
*  BONFIGLIOLI TECHNICAL SERVICE

— Thermal verification not necessary



HDO 140

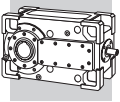
$n_1 = 1000 \text{ min}^{-1}$

|  | i | n_2 [min ⁻¹] | Mn_2 [Nm] | Pn_1 [kW] | Tamb = 20°C | | | | | | | | | | | |
|---|-------|-------------------------------|----------------|----------------|---------------|--------------------|----------------------|----------------------|-----------------------|-----------------------|-------------------|----------------------|----------------------|-----------------------|-----------------------|---|
| | | | | | P_T [kW] | P_{TFAN} [kW] | P_{TMCRA5} [kW] | P_{TMCRA9} [kW] | $P_{TMCRA21}$ [kW] | $P_{TMCRA34}$ [kW] | P_{TSR} [kW] | P_{TMCRW5} [kW] | P_{TMCRW9} [kW] | $P_{TMCRW21}$ [kW] | $P_{TMCRW34}$ [kW] | |
| HDO 140 2 | 6.6 | 152 | 59030 | 980 | 168 | 338 | 343 | 421 | 664 | | | 275 | * | 378 | 538 | |
| HDO 140 2 | 7.3 | 138 | 65330 | 980 | 168 | 338 | 343 | 421 | 664 | | | 275 | * | 378 | 538 | |
| HDO 140 2 | 8.2 | 122 | 73120 | 976 | 168 | 338 | 343 | 421 | 664 | | | 275 | * | 378 | 538 | |
| HDO 140 2 | 9.0 | 111 | 76670 | 929 | 168 | 338 | 343 | 421 | 664 | | | 275 | * | 378 | 538 | |
| HDO 140 2 | 10.1 | 99 | 78400 | 845 | 168 | 338 | 343 | 421 | 664 | ● | | 275 | 300 | 378 | 538 | ● |
| HDO 140 2 | 11.3 | 89 | 73880 | 716 | 168 | 338 | 343 | 421 | — | | | 275 | 300 | 378 | 538 | |
| HDO 140 2 | 12.6 | 79 | 80740 | 697 | 168 | 338 | 343 | 421 | — | | | 275 | 300 | 378 | 538 | |
| HDO 140 2 | 14.0 | 72 | 69720 | 545 | 168 | 338 | 343 | 421 | — | | | 275 | 300 | 378 | — | |
| HDO 140 2 | 15.7 | 64 | 78320 | 545 | 168 | 338 | 343 | 421 | — | | | 275 | 300 | 378 | — | |
| HDO 140 3 | 17.7 | 56 | 68660 | 431 | 116 | 232 | 243 | 300 | — | — | 218 | 200 | 268 | — | — | |
| HDO 140 3 | 19.9 | 50 | 77140 | 431 | 116 | 232 | 243 | 300 | — | — | 218 | 200 | 268 | — | — | |
| HDO 140 3 | 23.3 | 43 | 82420 | 394 | 116 | 232 | 243 | 300 | — | — | 218 | 200 | 268 | — | — | |
| HDO 140 3 | 26.0 | 38 | 75510 | 323 | 116 | 232 | 243 | — | — | — | 218 | 200 | — | — | — | |
| HDO 140 3 | 28.8 | 35 | 81990 | 317 | 116 | 232 | 243 | — | — | — | 218 | 200 | — | — | — | |
| HDO 140 3 | 32.5 | 31 | 84810 | 290 | 116 | 232 | — | — | — | — | 218 | 200 | — | — | — | |
| HDO 140 3 | 36.0 | 27.8 | 81580 | 252 | 116 | — | — | — | — | — | 218 | 200 | — | — | — | |
| HDO 140 3 | 40.1 | 24.9 | 82170 | 228 | 116 | — | — | — | — | — | — | — | — | — | — | |
| HDO 140 3 | 44.4 | 22.5 | 81220 | 204 | 116 | — | — | — | — | — | — | — | — | — | — | |
| HDO 140 3 | 50.4 | 19.8 | 82500 | 182 | 116 | — | — | — | — | — | — | — | — | — | — | |
| HDO 140 3 | 55.8 | 17.9 | 81320 | 162 | 116 | — | — | — | — | — | — | — | — | — | — | |
| HDO 140 3 | 62.2 | 16.1 | 82170 | 147 | 116 | — | — | — | — | — | — | — | — | — | — | |
| HDO 140 3 | 68.8 | 14.5 | 83920 | 136 | — | — | — | — | — | — | — | — | — | — | — | |
| HDO 140 3 | 77.3 | 12.9 | 78870 | 113 | — | — | — | — | — | — | — | — | — | — | — | |
| HDO 140 4 | 82.3 | 12.2 | 84810 | 117 | — | — | — | — | — | — | — | — | — | — | — | |
| HDO 140 4 | 91.1 | 11.0 | 87060 | 109 | — | — | — | — | — | — | — | — | — | — | — | |
| HDO 140 4 | 101.5 | 9.9 | 82000 | 92 | — | — | — | — | — | — | — | — | — | — | — | |
| HDO 140 4 | 112.3 | 8.9 | 87060 | 88 | — | — | — | — | — | — | — | — | — | — | — | |
| HDO 140 4 | 128.0 | 7.8 | 84810 | 75 | — | — | — | — | — | — | — | — | — | — | — | |
| HDO 140 4 | 141.6 | 7.1 | 87060 | 70 | — | — | — | — | — | — | — | — | — | — | — | |
| HDO 140 4 | 162.7 | 6.1 | 84810 | 59 | — | — | — | — | — | — | — | — | — | — | — | |
| HDO 140 4 | 180.0 | 5.6 | 87060 | 55 | — | — | — | — | — | — | — | — | — | — | — | |
| HDO 140 4 | 198.3 | 5.0 | 84810 | 49 | — | — | — | — | — | — | — | — | — | — | — | |
| HDO 140 4 | 219.5 | 4.6 | 87060 | 45 | — | — | — | — | — | — | — | — | — | — | — | |
| HDO 140 4 | 252.1 | 4.0 | 84810 | 38 | — | — | — | — | — | — | — | — | — | — | — | |
| HDO 140 4 | 279.0 | 3.6 | 87060 | 35 | — | — | — | — | — | — | — | — | — | — | — | |
| HDO 140 4 | 311.0 | 3.2 | 82170 | 30 | — | — | — | — | — | — | — | — | — | — | — | |
| HDO 140 4 | 344.1 | 2.9 | 87060 | 29 | — | — | — | — | — | — | — | — | — | — | — | |
| HDO 140 4 | 386.6 | 2.6 | 78870 | 23 | — | — | — | — | — | — | — | — | — | — | — | |

HDO

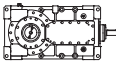
*  BONFIGLIOLI TECHNICAL SERVICE

— Thermal verification not necessary



HDO 140

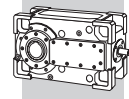
$n_1 = 1000 \text{ min}^{-1}$

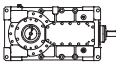
| Tamb = 40°C | | | | | | | | | | | | | | | |
|---|-------|--|-------------------------|-------------------------|------------------------|---------------------------|------------------------------|------------------------------|-------------------------------|-------------------------------|--------------------------|------------------------------|------------------------------|-------------------------------|-------------------------------|
|  | i | n ₂ [min ⁻¹] | Mn ₂ [Nm] | Pn ₁ [kW] | P _T [kW] | P _{TFAN} [kW] | P _{TMCR A5} [kW] | P _{TMCR A9} [kW] | P _{TMCR A21} [kW] | P _{TMCR A34} [kW] | P _{TSR} [kW] | P _{TMCR W5} [kW] | P _{TMCR W9} [kW] | P _{TMCR W21} [kW] | P _{TMCR W34} [kW] |
| | | | | | | | | | | | | | | | |
| HDO 140 2 | 7.3 | 138 | 65330 | 980 | 94 | 219 | * | * | 370 | * | 210 | 304 | 464 | | |
| HDO 140 2 | 8.2 | 122 | 73120 | 976 | 94 | 219 | * | * | 370 | 213 | 210 | 304 | 464 | | |
| HDO 140 2 | 9.0 | 111 | 76670 | 929 | 94 | 219 | * | * | 370 | 213 | 210 | 304 | 464 | | |
| HDO 140 2 | 10.1 | 99 | 78400 | 845 | 94 | 219 | * | 255 | 370 | 213 | 210 | 304 | 464 | | |
| HDO 140 2 | 11.3 | 89 | 73880 | 716 | 94 | 219 | * | 255 | 370 | 213 | 210 | 304 | 464 | | |
| HDO 140 2 | 12.6 | 79 | 80740 | 697 | 94 | 219 | * | 255 | 370 | 213 | 210 | 304 | 464 | | |
| HDO 140 2 | 14.0 | 72 | 69720 | 545 | 94 | 219 | * | 255 | 370 | 213 | 210 | 304 | — | | |
| HDO 140 2 | 15.7 | 64 | 78320 | 545 | 94 | 219 | * | 255 | 370 | 213 | 210 | 304 | — | | |
| HDO 140 3 | 17.7 | 56 | 68660 | 431 | 61 | 144 | 130 | 161 | — | — | 161 | 143 | 211 | — | — |
| HDO 140 3 | 19.9 | 50 | 77140 | 431 | 61 | 144 | 130 | 161 | — | — | 161 | 143 | 211 | — | — |
| HDO 140 3 | 23.3 | 43 | 82420 | 394 | 61 | 144 | 130 | 161 | — | — | 161 | 143 | 211 | — | — |
| HDO 140 3 | 26.0 | 38 | 75510 | 323 | 61 | 144 | 130 | 161 | — | — | 161 | 143 | 211 | — | — |
| HDO 140 3 | 28.8 | 35 | 81990 | 317 | 61 | 144 | 130 | 161 | — | — | 161 | 143 | 211 | — | — |
| HDO 140 3 | 32.5 | 31 | 84810 | 290 | 61 | 144 | 130 | 161 | — | — | 161 | 143 | 211 | — | — |
| HDO 140 3 | 36.0 | 27.8 | 81580 | 252 | 61 | 144 | 130 | 161 | — | — | 161 | 143 | 211 | — | — |
| HDO 140 3 | 40.1 | 24.9 | 82170 | 228 | 61 | 144 | 130 | 161 | — | — | 161 | 143 | — | — | — |
| HDO 140 3 | 44.4 | 22.5 | 81220 | 204 | 61 | 144 | 130 | 161 | — | — | 161 | 143 | — | — | — |
| HDO 140 3 | 50.4 | 19.8 | 82500 | 182 | 61 | 144 | 130 | — | — | — | — | 143 | — | — | — |
| HDO 140 3 | 55.8 | 17.9 | 81320 | 162 | 61 | — | 130 | — | — | — | — | — | — | — | — |
| HDO 140 3 | 62.2 | 16.1 | 82170 | 147 | 61 | — | — | — | — | — | — | — | — | — | — |
| HDO 140 3 | 68.8 | 14.5 | 83920 | 136 | 61 | — | — | — | — | — | — | — | — | — | — |
| HDO 140 3 | 77.3 | 12.9 | 78870 | 113 | 61 | — | — | — | — | — | — | — | — | — | — |
| HDO 140 4 | 82.3 | 12.2 | 84810 | 117 | — | — | — | — | — | — | — | — | — | — | — |
| HDO 140 4 | 91.1 | 11.0 | 87060 | 109 | — | — | — | — | — | — | — | — | — | — | — |
| HDO 140 4 | 101.5 | 9.9 | 82000 | 92 | — | — | — | — | — | — | — | — | — | — | — |
| HDO 140 4 | 112.3 | 8.9 | 87060 | 88 | — | — | — | — | — | — | — | — | — | — | — |
| HDO 140 4 | 128.0 | 7.8 | 84810 | 75 | — | — | — | — | — | — | — | — | — | — | — |
| HDO 140 4 | 141.6 | 7.1 | 87060 | 70 | — | — | — | — | — | — | — | — | — | — | — |
| HDO 140 4 | 162.7 | 6.1 | 84810 | 59 | — | — | — | — | — | — | — | — | — | — | — |
| HDO 140 4 | 180.0 | 5.6 | 87060 | 55 | — | — | — | — | — | — | — | — | — | — | — |
| HDO 140 4 | 198.3 | 5.0 | 84810 | 49 | — | — | — | — | — | — | — | — | — | — | — |
| HDO 140 4 | 219.5 | 4.6 | 87060 | 45 | — | — | — | — | — | — | — | — | — | — | — |
| HDO 140 4 | 252.1 | 4.0 | 84810 | 38 | — | — | — | — | — | — | — | — | — | — | — |
| HDO 140 4 | 279.0 | 3.6 | 87060 | 35 | — | — | — | — | — | — | — | — | — | — | — |
| HDO 140 4 | 311.0 | 3.2 | 82170 | 30 | — | — | — | — | — | — | — | — | — | — | — |
| HDO 140 4 | 344.1 | 2.9 | 87060 | 29 | — | — | — | — | — | — | — | — | — | — | — |
| HDO 140 4 | 386.6 | 2.6 | 78870 | 23 | — | — | — | — | — | — | — | — | — | — | — |

HDO

*  BONFIGLIOLI TECHNICAL SERVICE

— Thermal verification not necessary



| HDO 150 | | | | | n ₁ = 1800 min ⁻¹ | | | | | | | | | | | |
|---|-------|--|-------------------------|-------------------------|---|---------------------------|------------------------------|------------------------------|-------------------------------|-------------------------------|-------------------------------|------------------------------|------------------------------|-------------------------------|-------------------------------|-------------------------------|
|  | i | n ₂ [min ⁻¹] | Mn ₂ [Nm] | Pn ₁ [kW] | Tamb = 20°C | | | | | | | | | | | |
| | | | | | P _T [kW] | P _{TFAN} [kW] | P _{TMCR A5} [kW] | P _{TMCR A9} [kW] | P _{TMCR A21} [kW] | P _{TMCR A34} [kW] | P _{TMCR A51} [kW] | P _{TMCR W5} [kW] | P _{TMCR W9} [kW] | P _{TMCR W21} [kW] | P _{TMCR W34} [kW] | P _{TMCR W51} [kW] |
| HDO 150 2 | 5.5 | 327 | 64090 | 2282 | * | * | * | * | * | * | | * | * | * | * | |
| HDO 150 2 | 6.5 | 279 | 75090 | 2282 | * | * | * | * | * | * | | * | * | * | * | |
| HDO 150 2 | 7.0 | 256 | 77410 | 2160 | * | * | * | * | * | * | | * | * | * | * | |
| HDO 150 2 | 8.1 | 221 | 79760 | 1925 | * | * | * | * | * | * | | * | * | * | * | |
| HDO 150 2 | 8.9 | 203 | 82270 | 1823 | * | * | * | * | * | * | ⊖ | * | * | * | * | ⊖ |
| HDO 150 2 | 10.0 | 180 | 83380 | 1635 | * | 502 | * | * | * | 774 | | * | * | * | 779 | |
| HDO 150 2 | 10.9 | 165 | 86080 | 1550 | * | 502 | * | * | * | 774 | | * | * | * | 779 | |
| HDO 150 2 | 12.6 | 143 | 87980 | 1370 | * | 502 | * | 423 | 666 | 774 | | * | * | 540 | 779 | |
| HDO 150 2 | 13.7 | 131 | 90900 | 1299 | * | 502 | * | 423 | 666 | 774 | | * | * | 540 | 779 | |
| HDO 150 3 | 15.6 | 115 | 85410 | 1095 | * | * | * | * | * | * | * | * | * | * | * | 799 |
| HDO 150 3 | 18.3 | 98 | 96850 | 1060 | * | 378 | * | * | * | * | * | * | * | * | * | 799 |
| HDO 150 3 | 19.9 | 90 | 99110 | 996 | * | 378 | * | * | * | * | * | * | * | * | * | 799 |
| HDO 150 3 | 21.7 | 83 | 98890 | 913 | * | 378 | * | * | * | 612 | 676 | * | * | * | * | 799 |
| HDO 150 3 | 25.4 | 71 | 107800 | 849 | * | 378 | * | * | 490 | 612 | 676 | * | * | * | * | — |
| HDO 150 3 | 28.2 | 64 | 99160 | 703 | 194 | 378 | 321 | 378 | 490 | 612 | — | 278 | 346 | 462 | 684 | — |
| HDO 150 3 | 30.7 | 59 | 93720 | 611 | 194 | 378 | 321 | 378 | 490 | — | — | 278 | 346 | 462 | — | — |
| HDO 150 3 | 36.0 | 50 | 109830 | 611 | 194 | 378 | 321 | 378 | 490 | — | — | 278 | 346 | 462 | — | — |
| HDO 150 3 | 40.2 | 45 | 94980 | 473 | 194 | 378 | 321 | 378 | — | — | — | 278 | 346 | — | — | — |
| HDO 150 3 | 43.8 | 41 | 103400 | 473 | 194 | 378 | 321 | 378 | — | — | — | 278 | 346 | — | — | — |
| HDO 150 3 | 47.6 | 38 | 104500 | 439 | 194 | 378 | 321 | 378 | — | — | — | 278 | 346 | — | — | — |
| HDO 150 3 | 55.8 | 32 | 111230 | 399 | 194 | — | 321 | — | — | — | — | 278 | 346 | — | — | — |
| HDO 150 3 | 60.8 | 29.6 | 107330 | 354 | 194 | — | 321 | — | — | — | — | 278 | — | — | — | — |
| HDO 150 4 | 66.9 | 26.9 | 89590 | 274 | 160 | — | — | — | — | — | — | 225 | — | — | — | — |
| HDO 150 4 | 78.3 | 23.0 | 104990 | 274 | — | — | — | — | — | — | — | — | — | — | — | — |
| HDO 150 4 | 92.9 | 19.4 | 117200 | 258 | — | — | — | — | — | — | — | — | — | — | — | — |
| HDO 150 4 | 101.8 | 17.7 | 111430 | 224 | — | — | — | — | — | — | — | — | — | — | — | — |
| HDO 150 4 | 110.9 | 16.2 | 108670 | 200 | — | — | — | — | — | — | — | — | — | — | — | — |
| HDO 150 4 | 120.8 | 14.9 | 117200 | 198 | — | — | — | — | — | — | — | — | — | — | — | — |
| HDO 150 4 | 141.5 | 12.7 | 117090 | 169 | — | — | — | — | — | — | — | — | — | — | — | — |
| HDO 150 4 | 157.9 | 11.4 | 107360 | 139 | — | — | — | — | — | — | — | — | — | — | — | — |
| HDO 150 4 | 171.9 | 10.5 | 114780 | 136 | — | — | — | — | — | — | — | — | — | — | — | — |
| HDO 150 4 | 187.2 | 9.6 | 117200 | 128 | — | — | — | — | — | — | — | — | — | — | — | — |
| HDO 150 4 | 219.3 | 8.2 | 117090 | 109 | — | — | — | — | — | — | — | — | — | — | — | — |
| HDO 150 4 | 238.8 | 7.5 | 114780 | 98 | — | — | — | — | — | — | — | — | — | — | — | — |

HDO

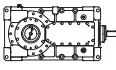
*  BONFIGLIOLI TECHNICAL SERVICE

— Thermal verification not necessary



HDO 150

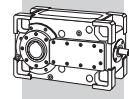
$n_1 = 1800 \text{ min}^{-1}$

| Tamb = 40°C | | | | | | | | | | | | | | | | |
|---|-------|--|-------------------------|-------------------------|----------------|-------------------|---------------------|---------------------|----------------------|----------------------|----------------------|---------------------|---------------------|----------------------|----------------------|----------------------|
|  | i | n ₂ [min ⁻¹] | Mn ₂ [Nm] | Pn ₁ [kW] | P _T | P _{TFAN} | P _{TMCRA5} | P _{TMCRA9} | P _{TMCRA21} | P _{TMCRA34} | P _{TMCRA51} | P _{TMCRW5} | P _{TMCRW9} | P _{TMCRW21} | P _{TMCRW34} | P _{TMCRW51} |
| | | | | | [kW] | [kW] | [kW] | [kW] | [kW] | [kW] | [kW] | [kW] | [kW] | [kW] | [kW] | [kW] |
| HDO 150 2 | 5.5 | 327 | 64090 | 2282 | * | * | * | * | * | * | ⊖ | * | * | * | * | ⊖ |
| HDO 150 2 | 6.5 | 279 | 75090 | 2282 | * | * | * | * | * | * | | * | * | * | * | |
| HDO 150 2 | 7.0 | 256 | 77410 | 2160 | * | * | * | * | * | * | | * | * | * | * | |
| HDO 150 2 | 8.1 | 221 | 79760 | 1925 | * | * | * | * | * | * | | * | * | * | * | |
| HDO 150 2 | 8.9 | 203 | 82270 | 1823 | * | * | * | * | * | * | | * | * | * | * | |
| HDO 150 2 | 10.0 | 180 | 83380 | 1635 | * | * | * | * | * | * | | * | * | * | 684 | |
| HDO 150 2 | 10.9 | 165 | 86080 | 1550 | * | * | * | * | * | * | | * | * | * | 684 | |
| HDO 150 2 | 12.6 | 143 | 87980 | 1370 | * | 367 | * | * | * | * | | * | * | * | 684 | |
| HDO 150 2 | 13.7 | 131 | 90900 | 1299 | * | 367 | * | * | * | * | | * | * | * | 684 | |
| HDO 150 3 | 15.6 | 115 | 85410 | 1095 | * | * | * | * | * | * | * | * | * | * | * | |
| HDO 150 3 | 18.3 | 98 | 96850 | 1060 | * | * | * | * | * | * | * | * | * | * | 732 | |
| HDO 150 3 | 19.9 | 90 | 99110 | 996 | * | * | * | * | * | * | * | * | * | * | 732 | |
| HDO 150 3 | 21.7 | 83 | 98890 | 913 | * | 254 | * | * | * | * | * | * | * | * | 732 | |
| HDO 150 3 | 25.4 | 71 | 107800 | 849 | * | 254 | * | * | * | * | * | * | * | * | 732 | |
| HDO 150 3 | 28.2 | 64 | 99160 | 703 | * | 254 | * | * | 322 | 392 | 422 | * | 274 | 390 | 612 | — |
| HDO 150 3 | 30.7 | 59 | 93720 | 611 | * | 254 | * | * | 322 | 392 | 422 | * | 274 | 390 | — | — |
| HDO 150 3 | 36.0 | 50 | 109830 | 611 | * | 254 | * | * | 322 | 392 | 422 | * | 274 | 390 | — | — |
| HDO 150 3 | 40.2 | 45 | 94980 | 473 | 154 | 254 | 225 | 256 | 322 | 392 | — | 238 | 274 | 390 | — | — |
| HDO 150 3 | 43.8 | 41 | 103400 | 473 | 154 | 254 | 225 | 256 | 322 | 392 | — | 238 | 274 | 390 | — | — |
| HDO 150 3 | 47.6 | 38 | 104500 | 439 | 154 | 254 | 225 | 256 | 322 | — | — | 238 | 274 | — | — | — |
| HDO 150 3 | 55.8 | 32 | 111230 | 399 | 154 | 254 | 225 | 256 | 322 | — | — | 238 | 274 | — | — | — |
| HDO 150 3 | 60.8 | 29.6 | 107330 | 354 | 154 | 254 | 225 | 256 | 322 | — | — | 238 | 274 | — | — | — |
| HDO 150 4 | 66.9 | 26.9 | 89590 | 274 | 104 | — | 159 | — | — | — | — | * | 223 | — | — | — |
| HDO 150 4 | 78.3 | 23.0 | 104990 | 274 | 104 | — | — | — | — | — | — | * | — | — | — | — |
| HDO 150 4 | 92.9 | 19.4 | 117200 | 258 | 104 | — | — | — | — | — | — | 183 | — | — | — | — |
| HDO 150 4 | 101.8 | 17.7 | 111430 | 224 | 104 | — | — | — | — | — | — | 183 | — | — | — | — |
| HDO 150 4 | 110.9 | 16.2 | 108670 | 200 | 104 | — | — | — | — | — | — | 183 | — | — | — | — |
| HDO 150 4 | 120.8 | 14.9 | 117200 | 198 | 104 | — | — | — | — | — | — | — | — | — | — | — |
| HDO 150 4 | 141.5 | 12.7 | 117090 | 169 | 104 | — | — | — | — | — | — | — | — | — | — | — |
| HDO 150 4 | 157.9 | 11.4 | 107360 | 139 | 104 | — | — | — | — | — | — | — | — | — | — | — |
| HDO 150 4 | 171.9 | 10.5 | 114780 | 136 | 104 | — | — | — | — | — | — | — | — | — | — | — |
| HDO 150 4 | 187.2 | 9.6 | 117200 | 128 | 104 | — | — | — | — | — | — | — | — | — | — | — |
| HDO 150 4 | 219.3 | 8.2 | 117090 | 109 | — | — | — | — | — | — | — | — | — | — | — | — |
| HDO 150 4 | 238.8 | 7.5 | 114780 | 98 | — | — | — | — | — | — | — | — | — | — | — | — |

HDO

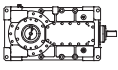
*  BONFIGLIOLI TECHNICAL SERVICE

— Thermal verification not necessary



HDO 150

$n_1 = 1500 \text{ min}^{-1}$

|  | i | n ₂ [min ⁻¹] | Mn ₂ [Nm] | Pn ₁ [kW] | Tamb = 20°C | | | | | | | | | | | |
|---|-------|--|-------------------------|-------------------------|------------------------|---------------------------|-----------------------------|-----------------------------|------------------------------|------------------------------|------------------------------|-----------------------------|-----------------------------|------------------------------|------------------------------|------------------------------|
| | | | | | P _T [kW] | P _{TFAN} [kW] | P _{TMCRA5} [kW] | P _{TMCRA9} [kW] | P _{TMCRA21} [kW] | P _{TMCRA34} [kW] | P _{TMCRA51} [kW] | P _{TMCRW5} [kW] | P _{TMCRW9} [kW] | P _{TMCRW21} [kW] | P _{TMCRW34} [kW] | P _{TMCRW51} [kW] |
| HDO 150 2 | 5.5 | 272 | 67710 | 2009 | * | * | * | * | * | * | | * | * | * | * | |
| HDO 150 2 | 6.5 | 232 | 79310 | 2008 | * | * | * | * | * | * | | * | * | * | * | |
| HDO 150 2 | 7.0 | 213 | 81770 | 1901 | * | * | * | * | * | * | | * | * | * | * | |
| HDO 150 2 | 8.1 | 184 | 84250 | 1694 | * | 440 | * | * | * | * | | * | * | * | 769 | |
| HDO 150 2 | 8.9 | 169 | 86910 | 1605 | * | 440 | * | * | * | 772 | ⊖ | * | * | * | 769 | ⊖ |
| HDO 150 2 | 10.0 | 150 | 88070 | 1439 | * | 440 | * | * | 657 | 772 | | * | * | 531 | 769 | |
| HDO 150 2 | 10.9 | 138 | 90930 | 1364 | * | 440 | * | 420 | 657 | 772 | | * | * | 531 | 769 | |
| HDO 150 2 | 12.6 | 119 | 92930 | 1206 | 213 | 440 | * | 420 | 657 | 772 | | * | 423 | 531 | 769 | |
| HDO 150 2 | 13.7 | 109 | 96020 | 1144 | 213 | 440 | 393 | 420 | 657 | 772 | | * | 423 | 531 | 769 | |
| HDO 150 3 | 15.6 | 96 | 90530 | 967 | 143 | 377 | * | * | 499 | 625 | 689 | * | * | 407 | 629 | — |
| HDO 150 3 | 18.3 | 82 | 102670 | 936 | 143 | 377 | * | 327 | 499 | 625 | 689 | * | * | 407 | 629 | — |
| HDO 150 3 | 19.9 | 75 | 105070 | 880 | 143 | 377 | * | 327 | 499 | 625 | 689 | * | * | 407 | 629 | — |
| HDO 150 3 | 21.7 | 69 | 104840 | 806 | 143 | 377 | 287 | 327 | 499 | 625 | 689 | * | 312 | 407 | 629 | — |
| HDO 150 3 | 25.4 | 59 | 113000 | 742 | 143 | 377 | 287 | 327 | 499 | 625 | — | 247 | 312 | 407 | 629 | — |
| HDO 150 3 | 28.2 | 53 | 105090 | 621 | 143 | 377 | 287 | 327 | 499 | — | — | 247 | 312 | 407 | — | — |
| HDO 150 3 | 30.7 | 49 | 99350 | 539 | 143 | 377 | 287 | 327 | — | — | — | 247 | 312 | 407 | — | — |
| HDO 150 3 | 36.0 | 42 | 111930 | 519 | 143 | 377 | 287 | 327 | — | — | — | 247 | 312 | 407 | — | — |
| HDO 150 3 | 40.2 | 37 | 100660 | 418 | 143 | — | 287 | 327 | — | — | — | 247 | 312 | — | — | — |
| HDO 150 3 | 43.8 | 34 | 107700 | 411 | 143 | — | 287 | 327 | — | — | — | 247 | 312 | — | — | — |
| HDO 150 3 | 47.6 | 31 | 110750 | 388 | 143 | — | 287 | 327 | — | — | — | 247 | 312 | — | — | — |
| HDO 150 3 | 55.8 | 26.9 | 110770 | 331 | 143 | — | 287 | — | — | — | — | 247 | — | — | — | — |
| HDO 150 3 | 60.8 | 24.7 | 106900 | 293 | 143 | — | — | — | — | — | — | 247 | — | — | — | — |
| HDO 150 4 | 66.9 | 22.4 | 94970 | 242 | 170 | — | — | — | — | — | — | — | — | — | — | — |
| HDO 150 4 | 78.3 | 19.1 | 111250 | 242 | 170 | — | — | — | — | — | — | — | — | — | — | — |
| HDO 150 4 | 92.9 | 16.1 | 117200 | 215 | 170 | — | — | — | — | — | — | — | — | — | — | — |
| HDO 150 4 | 101.8 | 14.7 | 111630 | 187 | — | — | — | — | — | — | — | — | — | — | — | — |
| HDO 150 4 | 110.9 | 13.5 | 111670 | 171 | — | — | — | — | — | — | — | — | — | — | — | — |
| HDO 150 4 | 120.8 | 12.4 | 117200 | 165 | — | — | — | — | — | — | — | — | — | — | — | — |
| HDO 150 4 | 141.5 | 10.6 | 117090 | 141 | — | — | — | — | — | — | — | — | — | — | — | — |
| HDO 150 4 | 157.9 | 9.5 | 113780 | 123 | — | — | — | — | — | — | — | — | — | — | — | — |
| HDO 150 4 | 171.9 | 8.7 | 114780 | 114 | — | — | — | — | — | — | — | — | — | — | — | — |
| HDO 150 4 | 187.2 | 8.0 | 117200 | 107 | — | — | — | — | — | — | — | — | — | — | — | — |
| HDO 150 4 | 219.3 | 6.8 | 117090 | 91 | — | — | — | — | — | — | — | — | — | — | — | — |
| HDO 150 4 | 238.8 | 6.3 | 114780 | 82 | — | — | — | — | — | — | — | — | — | — | — | — |

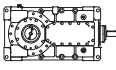
*  BONFIGLIOLI TECHNICAL SERVICE

— Thermal verification not necessary



HDO 150

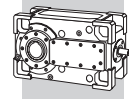
$n_1 = 1500 \text{ min}^{-1}$

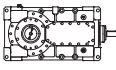
| Tamb = 40°C | | | | | | | | | | | | | | | | |
|---|-------|--|-------------------------|-------------------------|----------------|-------------------|---------------------|---------------------|----------------------|----------------------|----------------------|---------------------|---------------------|----------------------|----------------------|----------------------|
|  | i | n ₂ [min ⁻¹] | Mn ₂ [Nm] | Pn ₁ [kW] | P _T | P _{TFAN} | P _{TMCRA5} | P _{TMCRA9} | P _{TMCRA21} | P _{TMCRA34} | P _{TMCRA51} | P _{TMCRW5} | P _{TMCRW9} | P _{TMCRW21} | P _{TMCRW34} | P _{TMCRW51} |
| | | | | | [kW] | [kW] | [kW] | [kW] | [kW] | [kW] | [kW] | [kW] | [kW] | [kW] | [kW] | [kW] |
| HDO 150 2 | 5.5 | 272 | 67710 | 2009 | * | * | * | * | * | * | ● | * | * | * | * | ● |
| HDO 150 2 | 6.5 | 232 | 79310 | 2008 | * | * | * | * | * | * | | * | * | * | * | |
| HDO 150 2 | 7.0 | 213 | 81770 | 1901 | * | * | * | * | * | * | | * | * | * | * | |
| HDO 150 2 | 8.1 | 184 | 84250 | 1694 | * | * | * | * | * | * | | * | * | * | 674 | |
| HDO 150 2 | 8.9 | 169 | 86910 | 1605 | * | * | * | * | * | * | | * | * | * | 674 | |
| HDO 150 2 | 10.0 | 150 | 88070 | 1439 | * | 320 | * | * | * | * | | * | * | * | 674 | |
| HDO 150 2 | 10.9 | 138 | 90930 | 1364 | * | 320 | * | * | * | * | | * | * | * | 674 | |
| HDO 150 2 | 12.6 | 119 | 92930 | 1206 | 118 | 320 | * | * | 394 | 491 | | * | * | 488 | 674 | |
| HDO 150 2 | 13.7 | 109 | 96020 | 1144 | 118 | 320 | * | * | 394 | 491 | | * | * | 488 | 674 | |
| HDO 150 3 | 15.6 | 96 | 90530 | 967 | * | 241 | * | * | * | * | * | * | * | * | * | 767 |
| HDO 150 3 | 18.3 | 82 | 102670 | 936 | * | 241 | * | * | * | 341 | 371 | * | * | * | 561 | 767 |
| HDO 150 3 | 19.9 | 75 | 105070 | 880 | * | 241 | * | * | * | 341 | 371 | * | * | 341 | 561 | — |
| HDO 150 3 | 21.7 | 69 | 104840 | 806 | * | 241 | * | * | 287 | 341 | 371 | * | * | 341 | 561 | — |
| HDO 150 3 | 25.4 | 59 | 113000 | 742 | * | 241 | * | * | 287 | 341 | 371 | * | 242 | 341 | 561 | — |
| HDO 150 3 | 28.2 | 53 | 105090 | 621 | 140 | 241 | 211 | 242 | 287 | 341 | 371 | 224 | 242 | 341 | — | — |
| HDO 150 3 | 30.7 | 49 | 99350 | 539 | 140 | 241 | 211 | 242 | 287 | 341 | 371 | 224 | 242 | 341 | — | — |
| HDO 150 3 | 36.0 | 42 | 111930 | 519 | 140 | 241 | 211 | 242 | 287 | 341 | 371 | 224 | 242 | 341 | — | — |
| HDO 150 3 | 40.2 | 37 | 100660 | 418 | 140 | 241 | 211 | 242 | 287 | 341 | — | 224 | 242 | 341 | — | — |
| HDO 150 3 | 43.8 | 34 | 107700 | 411 | 140 | 241 | 211 | 242 | 287 | 341 | — | 224 | 242 | 341 | — | — |
| HDO 150 3 | 47.6 | 31 | 110750 | 388 | 140 | 241 | 211 | 242 | 287 | — | — | 224 | 242 | — | — | — |
| HDO 150 3 | 55.8 | 26.9 | 110770 | 331 | 140 | 241 | 211 | 242 | 287 | — | — | 224 | 242 | — | — | — |
| HDO 150 3 | 60.8 | 24.7 | 106900 | 293 | 140 | 241 | 211 | 242 | — | — | — | 224 | 242 | — | — | — |
| HDO 150 4 | 66.9 | 22.4 | 94970 | 242 | 115 | — | 170 | 195 | — | — | — | 181 | — | — | — | — |
| HDO 150 4 | 78.3 | 19.1 | 111250 | 242 | 115 | — | 170 | 195 | — | — | — | 181 | — | — | — | — |
| HDO 150 4 | 92.9 | 16.1 | 117200 | 215 | 115 | — | 170 | — | — | — | — | 181 | — | — | — | — |
| HDO 150 4 | 101.8 | 14.7 | 111630 | 187 | 115 | — | — | — | — | — | — | — | — | — | — | — |
| HDO 150 4 | 110.9 | 13.5 | 111670 | 171 | 115 | — | — | — | — | — | — | — | — | — | — | — |
| HDO 150 4 | 120.8 | 12.4 | 117200 | 165 | 115 | — | — | — | — | — | — | — | — | — | — | — |
| HDO 150 4 | 141.5 | 10.6 | 117090 | 141 | — | — | — | — | — | — | — | — | — | — | — | — |
| HDO 150 4 | 157.9 | 9.5 | 113780 | 123 | — | — | — | — | — | — | — | — | — | — | — | — |
| HDO 150 4 | 171.9 | 8.7 | 114780 | 114 | — | — | — | — | — | — | — | — | — | — | — | — |
| HDO 150 4 | 187.2 | 8.0 | 117200 | 107 | — | — | — | — | — | — | — | — | — | — | — | — |
| HDO 150 4 | 219.3 | 6.8 | 117090 | 91 | — | — | — | — | — | — | — | — | — | — | — | — |
| HDO 150 4 | 238.8 | 6.3 | 114780 | 82 | — | — | — | — | — | — | — | — | — | — | — | — |

HDO

*  BONFIGLIOLI TECHNICAL SERVICE

— Thermal verification not necessary



| HDO 150 | | | | | n ₁ = 1200 min ⁻¹ | | | | | | | | | | | |
|---|-------|--|-------------------------|-------------------------|---|---------------------------|-----------------------------|-----------------------------|------------------------------|------------------------------|------------------------------|-----------------------------|-----------------------------|------------------------------|------------------------------|------------------------------|
|  | i | n ₂ [min ⁻¹] | Mn ₂ [Nm] | Pn ₁ [kW] | Tamb = 20°C | | | | | | | | | | | |
| | | | | | P _T [kW] | P _{TFAN} [kW] | P _{TMCRA5} [kW] | P _{TMCRA9} [kW] | P _{TMCRA21} [kW] | P _{TMCRA34} [kW] | P _{TMCRA51} [kW] | P _{TMCRW5} [kW] | P _{TMCRW9} [kW] | P _{TMCRW21} [kW] | P _{TMCRW34} [kW] | P _{TMCRW51} [kW] |
| HDO 150 2 | 5.5 | 218 | 72390 | 1718 | * | * | * | * | * | * | | * | * | * | * | |
| HDO 150 2 | 6.5 | 186 | 84810 | 1718 | * | * | * | * | * | * | | * | * | * | 770 | |
| HDO 150 2 | 7.0 | 171 | 87430 | 1626 | * | 415 | * | * | * | 774 | | * | * | * | 770 | |
| HDO 150 2 | 8.1 | 148 | 90090 | 1449 | * | 415 | * | * | 648 | 774 | | * | * | 522 | 770 | |
| HDO 150 2 | 8.9 | 135 | 92910 | 1372 | * | 415 | * | 411 | 648 | 774 | ⊖ | * | * | 522 | 770 | ⊖ |
| HDO 150 2 | 10.0 | 120 | 94180 | 1231 | 205 | 415 | * | 411 | 648 | 774 | | * | * | 522 | 770 | |
| HDO 150 2 | 10.9 | 110 | 97220 | 1167 | 205 | 415 | 383 | 411 | 648 | 774 | | * | 420 | 522 | 770 | |
| HDO 150 2 | 12.6 | 95 | 99370 | 1031 | 205 | 415 | 383 | 411 | 648 | 774 | | 361 | 420 | 522 | 770 | |
| HDO 150 2 | 13.7 | 87 | 102660 | 978 | 205 | 415 | 383 | 411 | 648 | 774 | | 361 | 420 | 522 | 770 | |
| HDO 150 3 | 15.6 | 77 | 96800 | 827 | 169 | 383 | 296 | 353 | 529 | — | 719 | 253 | 321 | 437 | 659 | 869 |
| HDO 150 3 | 18.3 | 66 | 109780 | 801 | 169 | 383 | 296 | 353 | 529 | — | — | 253 | 321 | 437 | 659 | — |
| HDO 150 3 | 19.9 | 60 | 109340 | 732 | 169 | 383 | 296 | 353 | 529 | — | — | 253 | 321 | 437 | — | — |
| HDO 150 3 | 21.7 | 55 | 112090 | 690 | 169 | 383 | 296 | 353 | 529 | — | — | 253 | 321 | 437 | — | — |
| HDO 150 3 | 25.4 | 47 | 112300 | 590 | 169 | 383 | 296 | 353 | — | — | — | 253 | 321 | 437 | — | — |
| HDO 150 3 | 28.2 | 43 | 108280 | 512 | 169 | 383 | 296 | 353 | — | — | — | 253 | 321 | 437 | — | — |
| HDO 150 3 | 30.7 | 39 | 106230 | 461 | 169 | 383 | 296 | 353 | — | — | — | 253 | 321 | — | — | — |
| HDO 150 3 | 36.0 | 33 | 111310 | 413 | 169 | — | 296 | 353 | — | — | — | 253 | 321 | — | — | — |
| HDO 150 3 | 40.2 | 29.9 | 107250 | 356 | 169 | — | 296 | — | — | — | — | 253 | — | — | — | — |
| HDO 150 3 | 43.8 | 27.4 | 107150 | 327 | 169 | — | — | — | — | — | — | 253 | — | — | — | — |
| HDO 150 3 | 47.6 | 25.2 | 114010 | 319 | 169 | — | — | — | — | — | — | 253 | — | — | — | — |
| HDO 150 3 | 55.8 | 21.5 | 110260 | 264 | 169 | — | — | — | — | — | — | — | — | — | — | — |
| HDO 150 3 | 60.8 | 19.7 | 106420 | 234 | 169 | — | — | — | — | — | — | — | — | — | — | — |
| HDO 150 4 | 66.9 | 17.9 | 101540 | 207 | — | — | — | — | — | — | — | — | — | — | — | — |
| HDO 150 4 | 78.3 | 15.3 | 114980 | 200 | — | — | — | — | — | — | — | — | — | — | — | — |
| HDO 150 4 | 92.9 | 12.9 | 117200 | 172 | — | — | — | — | — | — | — | — | — | — | — | — |
| HDO 150 4 | 101.8 | 11.8 | 112750 | 151 | — | — | — | — | — | — | — | — | — | — | — | — |
| HDO 150 4 | 110.9 | 10.8 | 114780 | 141 | — | — | — | — | — | — | — | — | — | — | — | — |
| HDO 150 4 | 120.8 | 9.9 | 117200 | 132 | — | — | — | — | — | — | — | — | — | — | — | — |
| HDO 150 4 | 141.5 | 8.5 | 117090 | 113 | — | — | — | — | — | — | — | — | — | — | — | — |
| HDO 150 4 | 157.9 | 7.6 | 116600 | 101 | — | — | — | — | — | — | — | — | — | — | — | — |
| HDO 150 4 | 171.9 | 7.0 | 114780 | 91 | — | — | — | — | — | — | — | — | — | — | — | — |
| HDO 150 4 | 187.2 | 6.4 | 117200 | 85 | — | — | — | — | — | — | — | — | — | — | — | — |
| HDO 150 4 | 219.3 | 5.5 | 117090 | 73 | — | — | — | — | — | — | — | — | — | — | — | — |
| HDO 150 4 | 238.8 | 5.0 | 114780 | 65 | — | — | — | — | — | — | — | — | — | — | — | — |

HDO

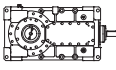
*  BONFIGLIOLI TECHNICAL SERVICE

— Thermal verification not necessary



HDO 150

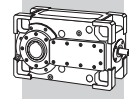
$n_1 = 1200 \text{ min}^{-1}$

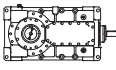
| Tamb = 40°C | | | | | | | | | | | | | | | | | |
|---|-------|--|-------------------------|-------------------------|----------------|-------------------|---------------------|---------------------|----------------------|----------------------|----------------------|---------------------|---------------------|----------------------|----------------------|----------------------|------|
|  | i | n ₂ [min ⁻¹] | Mn ₂ [Nm] | Pn ₁ [kW] | P _T | P _{TFAN} | P _{TMCRA5} | P _{TMCRA9} | P _{TMCRA21} | P _{TMCRA34} | P _{TMCRA51} | P _{TMCRW5} | P _{TMCRW9} | P _{TMCRW21} | P _{TMCRW34} | P _{TMCRW51} | |
| | | | | | [kW] | [kW] | [kW] | [kW] | [kW] | [kW] | [kW] | [kW] | [kW] | [kW] | [kW] | [kW] | [kW] |
| HDO 150 2 | 5.5 | 218 | 72390 | 1718 | * | * | * | * | * | * | ⊖ | * | * | * | 655 | ⊖ | |
| HDO 150 2 | 6.5 | 186 | 84810 | 1718 | * | * | * | * | * | * | | * | * | * | * | | 655 |
| HDO 150 2 | 7.0 | 171 | 87430 | 1626 | * | * | * | * | * | * | | * | * | * | * | | 655 |
| HDO 150 2 | 8.1 | 148 | 90090 | 1449 | * | * | * | * | * | * | | * | * | * | * | | 655 |
| HDO 150 2 | 8.9 | 135 | 92910 | 1372 | * | 292 | * | * | * | * | | * | * | * | * | | 655 |
| HDO 150 2 | 10.0 | 120 | 94180 | 1231 | 110 | 292 | * | * | 386 | 483 | | * | * | * | 480 | | 655 |
| HDO 150 2 | 10.9 | 110 | 97220 | 1167 | 110 | 292 | * | * | 386 | 483 | | * | * | * | 480 | | 655 |
| HDO 150 2 | 12.6 | 95 | 99370 | 1031 | 110 | 292 | * | * | 386 | 483 | | 266 | 360 | 480 | 655 | | 655 |
| HDO 150 2 | 13.7 | 87 | 102660 | 978 | 110 | 292 | * | * | 386 | 483 | | 266 | 360 | 480 | 655 | | 655 |
| HDO 150 3 | 15.6 | 77 | 96800 | 827 | * | 254 | * | * | 297 | 367 | | 397 | * | 249 | 365 | | 587 |
| HDO 150 3 | 18.3 | 66 | 109780 | 801 | * | 254 | * | * | 297 | 367 | 397 | * | 249 | 365 | 587 | — | |
| HDO 150 3 | 19.9 | 60 | 109340 | 732 | * | 254 | * | * | 297 | 367 | 397 | * | 249 | 365 | 587 | — | |
| HDO 150 3 | 21.7 | 55 | 112090 | 690 | * | 254 | * | 214 | 297 | 367 | 397 | * | 249 | 365 | — | — | |
| HDO 150 3 | 25.4 | 47 | 112300 | 590 | 115 | 254 | 186 | 214 | 297 | 367 | 397 | 199 | 249 | 365 | — | — | |
| HDO 150 3 | 28.2 | 43 | 108280 | 512 | 115 | 254 | 186 | 214 | 297 | 367 | 397 | 199 | 249 | 365 | — | — | |
| HDO 150 3 | 30.7 | 39 | 106230 | 461 | 115 | 254 | 186 | 214 | 297 | 367 | — | 199 | 249 | 365 | — | — | |
| HDO 150 3 | 36.0 | 33 | 111310 | 413 | 115 | 254 | 186 | 214 | 297 | — | — | 199 | 249 | — | — | — | |
| HDO 150 3 | 40.2 | 29.9 | 107250 | 356 | 115 | 254 | 186 | 214 | — | — | — | 199 | 249 | — | — | — | |
| HDO 150 3 | 43.8 | 27.4 | 107150 | 327 | 115 | 254 | 186 | 214 | — | — | — | 199 | 249 | — | — | — | |
| HDO 150 3 | 47.6 | 25.2 | 114010 | 319 | 115 | 254 | 186 | 214 | — | — | — | 199 | 249 | — | — | — | |
| HDO 150 3 | 55.8 | 21.5 | 110260 | 264 | 115 | — | 186 | 214 | — | — | — | 199 | — | — | — | — | |
| HDO 150 3 | 60.8 | 19.7 | 106420 | 234 | 115 | — | 186 | — | — | — | — | 199 | — | — | — | — | |
| HDO 150 4 | 66.9 | 17.9 | 101540 | 207 | 123 | — | — | — | — | — | — | — | — | — | — | — | |
| HDO 150 4 | 78.3 | 15.3 | 114980 | 200 | 123 | — | — | — | — | — | — | — | — | — | — | — | |
| HDO 150 4 | 92.9 | 12.9 | 117200 | 172 | 123 | — | — | — | — | — | — | — | — | — | — | — | |
| HDO 150 4 | 101.8 | 11.8 | 112750 | 151 | 123 | — | — | — | — | — | — | — | — | — | — | — | |
| HDO 150 4 | 110.9 | 10.8 | 114780 | 141 | — | — | — | — | — | — | — | — | — | — | — | — | |
| HDO 150 4 | 120.8 | 9.9 | 117200 | 132 | — | — | — | — | — | — | — | — | — | — | — | — | |
| HDO 150 4 | 141.5 | 8.5 | 117090 | 113 | — | — | — | — | — | — | — | — | — | — | — | — | |
| HDO 150 4 | 157.9 | 7.6 | 116600 | 101 | — | — | — | — | — | — | — | — | — | — | — | — | |
| HDO 150 4 | 171.9 | 7.0 | 114780 | 91 | — | — | — | — | — | — | — | — | — | — | — | — | |
| HDO 150 4 | 187.2 | 6.4 | 117200 | 85 | — | — | — | — | — | — | — | — | — | — | — | — | |
| HDO 150 4 | 219.3 | 5.5 | 117090 | 73 | — | — | — | — | — | — | — | — | — | — | — | — | |
| HDO 150 4 | 238.8 | 5.0 | 114780 | 65 | — | — | — | — | — | — | — | — | — | — | — | — | |

HDO

*  BONFIGLIOLI TECHNICAL SERVICE

— Thermal verification not necessary

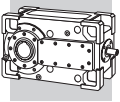


| HDO 150 | | | | | n ₁ = 1000 min ⁻¹ | | | | | | | | | | | |
|---|-------|--|-------------------------|-------------------------|---|---------------------------|-----------------------------|-----------------------------|------------------------------|------------------------------|------------------------------|-----------------------------|-----------------------------|------------------------------|------------------------------|------------------------------|
|  | i | n ₂ [min ⁻¹] | Mn ₂ [Nm] | Pn ₁ [kW] | Tamb = 20°C | | | | | | | | | | | |
| | | | | | P _T [kW] | P _{TFAN} [kW] | P _{TMCRA5} [kW] | P _{TMCRA9} [kW] | P _{TMCRA21} [kW] | P _{TMCRA34} [kW] | P _{TMCRA51} [kW] | P _{TMCRW5} [kW] | P _{TMCRW9} [kW] | P _{TMCRW21} [kW] | P _{TMCRW34} [kW] | P _{TMCRW51} [kW] |
| HDO 150 2 | 5.5 | 181 | 76470 | 1513 | * | * | * | * | * | 800 | | * | * | * | 805 | |
| HDO 150 2 | 6.5 | 155 | 89570 | 1512 | * | * | * | * | 641 | 800 | | * | * | 515 | 805 | |
| HDO 150 2 | 7.0 | 142 | 92350 | 1432 | * | 395 | * | 405 | 641 | 800 | | * | * | 515 | 805 | |
| HDO 150 2 | 8.1 | 123 | 95150 | 1276 | * | 395 | * | 405 | 641 | 800 | | * | * | 515 | 805 | |
| HDO 150 2 | 8.9 | 113 | 98150 | 1208 | 196 | 395 | 371 | 405 | 641 | 800 | ⊖ | * | 406 | 515 | 805 | ⊖ |
| HDO 150 2 | 10.0 | 100 | 99460 | 1083 | 196 | 395 | 371 | 405 | 641 | 800 | | 350 | 406 | 515 | 805 | |
| HDO 150 2 | 10.9 | 92 | 102690 | 1027 | 196 | 395 | 371 | 405 | 641 | 800 | | 350 | 406 | 515 | 805 | |
| HDO 150 2 | 12.6 | 79 | 104950 | 908 | 196 | 395 | 371 | 405 | 641 | — | | 350 | 406 | 515 | — | |
| HDO 150 2 | 13.7 | 73 | 108440 | 861 | 196 | 395 | 371 | 405 | 641 | — | | 350 | 406 | 515 | — | |
| HDO 150 3 | 15.6 | 64 | 98480 | 702 | 189 | 355 | 316 | 373 | 549 | — | — | 273 | 341 | 515 | — | — |
| HDO 150 3 | 18.3 | 55 | 112750 | 685 | 189 | 355 | 316 | 373 | 549 | — | — | 273 | 341 | 515 | — | — |
| HDO 150 3 | 19.9 | 50 | 108770 | 607 | 189 | 355 | 316 | 373 | — | — | — | 273 | 341 | 515 | — | — |
| HDO 150 3 | 21.7 | 46 | 117200 | 601 | 189 | 355 | 316 | 373 | — | — | — | 273 | 341 | — | — | — |
| HDO 150 3 | 25.4 | 39 | 111770 | 489 | 189 | 355 | 316 | 373 | — | — | — | 273 | 341 | — | — | — |
| HDO 150 3 | 28.2 | 35 | 107790 | 425 | 189 | 355 | 316 | — | — | — | — | 273 | 341 | — | — | — |
| HDO 150 3 | 30.7 | 33 | 112200 | 406 | 189 | — | 316 | — | — | — | — | 273 | — | — | — | — |
| HDO 150 3 | 36.0 | 27.8 | 110850 | 342 | 189 | — | — | — | — | — | — | 273 | — | — | — | — |
| HDO 150 3 | 40.2 | 24.9 | 107250 | 297 | 189 | — | — | — | — | — | — | — | — | — | — | — |
| HDO 150 3 | 43.8 | 22.9 | 106730 | 271 | 189 | — | — | — | — | — | — | — | — | — | — | — |
| HDO 150 3 | 47.6 | 21.0 | 114010 | 266 | 189 | — | — | — | — | — | — | — | — | — | — | — |
| HDO 150 3 | 55.8 | 17.9 | 112350 | 224 | 189 | — | — | — | — | — | — | — | — | — | — | — |
| HDO 150 3 | 60.8 | 16.4 | 108450 | 198 | — | — | — | — | — | — | — | — | — | — | — | — |
| HDO 150 4 | 66.9 | 15.0 | 107250 | 182 | — | — | — | — | — | — | — | — | — | — | — | — |
| HDO 150 4 | 78.3 | 12.8 | 117090 | 170 | — | — | — | — | — | — | — | — | — | — | — | — |
| HDO 150 4 | 92.9 | 10.8 | 117200 | 143 | — | — | — | — | — | — | — | — | — | — | — | — |
| HDO 150 4 | 101.8 | 9.8 | 111630 | 124 | — | — | — | — | — | — | — | — | — | — | — | — |
| HDO 150 4 | 110.9 | 9.0 | 114780 | 117 | — | — | — | — | — | — | — | — | — | — | — | — |
| HDO 150 4 | 120.8 | 8.3 | 117200 | 110 | — | — | — | — | — | — | — | — | — | — | — | — |
| HDO 150 4 | 141.5 | 7.1 | 117090 | 94 | — | — | — | — | — | — | — | — | — | — | — | — |
| HDO 150 4 | 157.9 | 6.3 | 116600 | 84 | — | — | — | — | — | — | — | — | — | — | — | — |
| HDO 150 4 | 171.9 | 5.8 | 114780 | 76 | — | — | — | — | — | — | — | — | — | — | — | — |
| HDO 150 4 | 187.2 | 5.3 | 117200 | 71 | — | — | — | — | — | — | — | — | — | — | — | — |
| HDO 150 4 | 219.3 | 4.6 | 117090 | 61 | — | — | — | — | — | — | — | — | — | — | — | — |
| HDO 150 4 | 238.8 | 4.2 | 114780 | 55 | — | — | — | — | — | — | — | — | — | — | — | — |

HDO

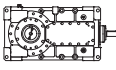
*  BONFIGLIOLI TECHNICAL SERVICE

— Thermal verification not necessary



HDO 150

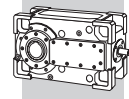
$n_1 = 1000 \text{ min}^{-1}$

| Tamb = 40°C | | | | | | | | | | | | | | | | | |
|---|-------|--|-------------------------|-------------------------|----------------|-------------------|---------------------|---------------------|----------------------|----------------------|----------------------|---------------------|---------------------|----------------------|----------------------|----------------------|------|
|  | i | n ₂ [min ⁻¹] | Mn ₂ [Nm] | Pn ₁ [kW] | P _T | P _{TFAN} | P _{TMCRA5} | P _{TMCRA9} | P _{TMCRA21} | P _{TMCRA34} | P _{TMCRA51} | P _{TMCRW5} | P _{TMCRW9} | P _{TMCRW21} | P _{TMCRW34} | P _{TMCRW51} | |
| | | | | | [kW] | [kW] | [kW] | [kW] | [kW] | [kW] | [kW] | [kW] | [kW] | [kW] | [kW] | [kW] | [kW] |
| HDO 150 2 | 5.5 | 181 | 76470 | 1513 | * | * | * | * | * | * | ● | * | * | * | 709 | ● | |
| HDO 150 2 | 6.5 | 155 | 89570 | 1512 | * | * | * | * | * | * | | * | * | * | * | | 709 |
| HDO 150 2 | 7.0 | 142 | 92350 | 1432 | * | * | * | * | * | * | | * | * | * | * | | 709 |
| HDO 150 2 | 8.1 | 123 | 95150 | 1276 | * | 274 | * | * | 372 | 469 | | * | * | * | 466 | | 709 |
| HDO 150 2 | 8.9 | 113 | 98150 | 1208 | 101 | 274 | * | * | 372 | 469 | | * | * | * | 466 | | 709 |
| HDO 150 2 | 10.0 | 100 | 99460 | 1083 | 101 | 274 | * | 280 | 372 | 469 | | 255 | 349 | 466 | 709 | | |
| HDO 150 2 | 10.9 | 92 | 102690 | 1027 | 101 | 274 | 240 | 280 | 372 | 469 | | 255 | 349 | 466 | 709 | | |
| HDO 150 2 | 12.6 | 79 | 104950 | 908 | 101 | 274 | 240 | 280 | 372 | 469 | | 255 | 349 | 466 | 709 | | |
| HDO 150 2 | 13.7 | 73 | 108440 | 861 | 101 | 274 | 240 | 280 | 372 | 469 | | 255 | 349 | 466 | 709 | | |
| HDO 150 3 | 15.6 | 64 | 98480 | 702 | 116 | 238 | 187 | 218 | 316 | 386 | | 416 | 200 | 268 | 384 | | — |
| HDO 150 3 | 18.3 | 55 | 112750 | 685 | 116 | 238 | 187 | 218 | 316 | 386 | 416 | 200 | 268 | 384 | — | — | |
| HDO 150 3 | 19.9 | 50 | 108770 | 607 | 116 | 238 | 187 | 218 | 316 | 386 | 416 | 200 | 268 | 384 | — | — | |
| HDO 150 3 | 21.7 | 46 | 117200 | 601 | 116 | 238 | 187 | 218 | 316 | 386 | 416 | 200 | 268 | 384 | — | — | |
| HDO 150 3 | 25.4 | 39 | 111770 | 489 | 116 | 238 | 187 | 218 | 316 | 386 | 416 | 200 | 268 | 384 | — | — | |
| HDO 150 3 | 28.2 | 35 | 107790 | 425 | 116 | 238 | 187 | 218 | 316 | — | — | 200 | 268 | — | — | — | |
| HDO 150 3 | 30.7 | 33 | 112200 | 406 | 116 | 238 | 187 | 218 | 316 | — | — | 200 | 268 | — | — | — | |
| HDO 150 3 | 36.0 | 27.8 | 110850 | 342 | 116 | 238 | 187 | 218 | — | — | — | 200 | 268 | — | — | — | |
| HDO 150 3 | 40.2 | 24.9 | 107250 | 297 | 116 | 238 | 187 | 218 | — | — | — | 200 | — | — | — | — | |
| HDO 150 3 | 43.8 | 22.9 | 106730 | 271 | 116 | 238 | 187 | 218 | — | — | — | 200 | — | — | — | — | |
| HDO 150 3 | 47.6 | 21.0 | 114010 | 266 | 116 | — | 187 | — | — | — | — | 200 | — | — | — | — | |
| HDO 150 3 | 55.8 | 17.9 | 112350 | 224 | 116 | — | 187 | — | — | — | — | — | — | — | — | — | |
| HDO 150 3 | 60.8 | 16.4 | 108450 | 198 | 116 | — | — | — | — | — | — | — | — | — | — | — | |
| HDO 150 4 | 66.9 | 15.0 | 107250 | 182 | — | — | — | — | — | — | — | — | — | — | — | — | |
| HDO 150 4 | 78.3 | 12.8 | 117090 | 170 | — | — | — | — | — | — | — | — | — | — | — | — | |
| HDO 150 4 | 92.9 | 10.8 | 117200 | 143 | — | — | — | — | — | — | — | — | — | — | — | — | |
| HDO 150 4 | 101.8 | 9.8 | 111630 | 124 | — | — | — | — | — | — | — | — | — | — | — | — | |
| HDO 150 4 | 110.9 | 9.0 | 114780 | 117 | — | — | — | — | — | — | — | — | — | — | — | — | |
| HDO 150 4 | 120.8 | 8.3 | 117200 | 110 | — | — | — | — | — | — | — | — | — | — | — | — | |
| HDO 150 4 | 141.5 | 7.1 | 117090 | 94 | — | — | — | — | — | — | — | — | — | — | — | — | |
| HDO 150 4 | 157.9 | 6.3 | 116600 | 84 | — | — | — | — | — | — | — | — | — | — | — | — | |
| HDO 150 4 | 171.9 | 5.8 | 114780 | 76 | — | — | — | — | — | — | — | — | — | — | — | — | |
| HDO 150 4 | 187.2 | 5.3 | 117200 | 71 | — | — | — | — | — | — | — | — | — | — | — | — | |
| HDO 150 4 | 219.3 | 4.6 | 117090 | 61 | — | — | — | — | — | — | — | — | — | — | — | — | |
| HDO 150 4 | 238.8 | 4.2 | 114780 | 55 | — | — | — | — | — | — | — | — | — | — | — | — | |

HDO

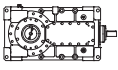
*  BONFIGLIOLI TECHNICAL SERVICE

— Thermal verification not necessary



HDO 160

$n_1 = 1800 \text{ min}^{-1}$

|  | i | n ₂ [min ⁻¹] | Mn ₂ [Nm] | Pn ₁ [kW] | Tamb = 20°C | | | | | | | | | | | |
|---|-------|--|-------------------------|-------------------------|------------------------|---------------------------|-----------------------------|-----------------------------|------------------------------|------------------------------|------------------------------|-----------------------------|-----------------------------|------------------------------|------------------------------|------------------------------|
| | | | | | P _T [kW] | P _{TFAN} [kW] | P _{TMCRA5} [kW] | P _{TMCRA9} [kW] | P _{TMCRA21} [kW] | P _{TMCRA34} [kW] | P _{TMCRA51} [kW] | P _{TMCRW5} [kW] | P _{TMCRW9} [kW] | P _{TMCRW21} [kW] | P _{TMCRW34} [kW] | P _{TMCRW51} [kW] |
| HDO 160 2 | 7.3 | 246 | 84950 | 2282 | * | * | * | * | * | * | | * | * | * | * | |
| HDO 160 2 | 7.9 | 227 | 89700 | 2217 | * | * | * | * | * | * | | * | * | * | * | |
| HDO 160 2 | 8.9 | 201 | 90600 | 1990 | * | * | * | * | * | * | | * | * | * | * | |
| HDO 160 2 | 10.4 | 173 | 97920 | 1843 | * | * | * | * | * | * | | * | * | * | * | |
| HDO 160 2 | 11.3 | 159 | 100750 | 1745 | * | * | * | * | * | * | ● | * | * | * | * | ● |
| HDO 160 2 | 12.2 | 148 | 92930 | 1501 | * | * | * | * | * | 755 | | * | * | * | 760 | |
| HDO 160 2 | 14.2 | 127 | 104970 | 1452 | * | 500 | * | * | * | 755 | | * | * | * | 760 | |
| HDO 160 2 | 15.4 | 117 | 108140 | 1377 | * | 500 | * | * | * | 755 | | * | * | * | 760 | |
| HDO 160 3 | 17.7 | 101 | 97020 | 1096 | * | 382 | * | * | * | * | 659 | * | * | * | * | 809 |
| HDO 160 3 | 20.7 | 87 | 113190 | 1095 | * | 382 | * | * | * | * | 659 | * | * | * | * | 809 |
| HDO 160 3 | 22.5 | 80 | 123030 | 1095 | * | 382 | * | * | * | * | 659 | * | * | * | * | 809 |
| HDO 160 3 | 24.6 | 73 | 112310 | 913 | * | 382 | * | * | * | 623 | 659 | * | * | * | * | — |
| HDO 160 3 | 28.8 | 63 | 131120 | 913 | * | 382 | * | * | * | 623 | 659 | * | * | * | * | — |
| HDO 160 3 | 31.3 | 58 | 138760 | 889 | * | 382 | * | * | * | 623 | 659 | * | * | * | * | — |
| HDO 160 3 | 34.9 | 52 | 110880 | 636 | 219 | 382 | 346 | 403 | 579 | — | — | 303 | 371 | 487 | 709 | — |
| HDO 160 3 | 40.7 | 44 | 129410 | 636 | 219 | 382 | 346 | 403 | — | — | — | 303 | 371 | 487 | — | — |
| HDO 160 3 | 44.3 | 41 | 134530 | 608 | 219 | 382 | 346 | 403 | — | — | — | 303 | 371 | 487 | — | — |
| HDO 160 3 | 49.4 | 36 | 116760 | 473 | 219 | 382 | 346 | 403 | — | — | — | 303 | 371 | — | — | — |
| HDO 160 3 | 54.1 | 33 | 118630 | 439 | 219 | 382 | 346 | — | — | — | — | 303 | 371 | — | — | — |
| HDO 160 3 | 63.2 | 28.5 | 138490 | 439 | 219 | 382 | 346 | — | — | — | — | 303 | 371 | — | — | — |
| HDO 160 3 | 68.6 | 26.2 | 137580 | 401 | 219 | — | 346 | — | — | — | — | 303 | 371 | — | — | — |
| HDO 160 4 | 75.9 | 23.7 | 101750 | 274 | 170 | — | — | — | — | — | — | 236 | — | — | — | — |
| HDO 160 4 | 88.6 | 20.3 | 118740 | 274 | 170 | — | — | — | — | — | — | 236 | — | — | — | — |
| HDO 160 4 | 96.3 | 18.7 | 129080 | 274 | 170 | — | — | — | — | — | — | 236 | — | — | — | — |
| HDO 160 4 | 115.2 | 15.6 | 126060 | 224 | 170 | — | — | — | — | — | — | — | — | — | — | — |
| HDO 160 4 | 125.2 | 14.4 | 137000 | 224 | 170 | — | — | — | — | — | — | — | — | — | — | — |
| HDO 160 4 | 137.1 | 13.1 | 143080 | 213 | 170 | — | — | — | — | — | — | — | — | — | — | — |
| HDO 160 4 | 160.1 | 11.2 | 146300 | 187 | — | — | — | — | — | — | — | — | — | — | — | — |
| HDO 160 4 | 174.0 | 10.3 | 146330 | 172 | — | — | — | — | — | — | — | — | — | — | — | — |
| HDO 160 4 | 194.1 | 9.3 | 132000 | 139 | — | — | — | — | — | — | — | — | — | — | — | — |
| HDO 160 4 | 212.6 | 8.5 | 141660 | 136 | — | — | — | — | — | — | — | — | — | — | — | — |
| HDO 160 4 | 248.1 | 7.3 | 146300 | 121 | — | — | — | — | — | — | — | — | — | — | — | — |
| HDO 160 4 | 269.7 | 6.7 | 147070 | 111 | — | — | — | — | — | — | — | — | — | — | — | — |

HDO

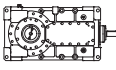
*  BONFIGLIOLI TECHNICAL SERVICE

— Thermal verification not necessary



HDO 160

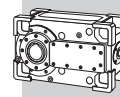
$n_1 = 1800 \text{ min}^{-1}$

| | | | | | Tamb = 40°C | | | | | | | | | | | |
|---|-------|--|-------------------------|-------------------------|----------------|-------------------|---------------------|---------------------|----------------------|----------------------|----------------------|---------------------|---------------------|----------------------|----------------------|----------------------|
|  | i | n ₂ [min ⁻¹] | Mn ₂ [Nm] | Pn ₁ [kW] | P _T | P _{TFAN} | P _{TMCRA5} | P _{TMCRA9} | P _{TMCRA21} | P _{TMCRA34} | P _{TMCRA51} | P _{TMCRW5} | P _{TMCRW9} | P _{TMCRW21} | P _{TMCRW34} | P _{TMCRW51} |
| | | | | | [kW] | [kW] | [kW] | [kW] | [kW] | [kW] | [kW] | [kW] | [kW] | [kW] | [kW] | [kW] |
| HDO 160 2 | 7.3 | 246 | 84950 | 2282 | * | * | * | * | * | * | ● | * | * | * | * | ● |
| HDO 160 2 | 7.9 | 227 | 89700 | 2217 | * | * | * | * | * | * | | * | * | * | * | |
| HDO 160 2 | 8.9 | 201 | 90600 | 1990 | * | * | * | * | * | * | | * | * | * | * | |
| HDO 160 2 | 10.4 | 173 | 97920 | 1843 | * | * | * | * | * | * | | * | * | * | * | |
| HDO 160 2 | 11.3 | 159 | 100750 | 1745 | * | * | * | * | * | * | | * | * | * | * | |
| HDO 160 2 | 12.2 | 148 | 92930 | 1501 | * | * | * | * | * | * | | * | * | * | 659 | |
| HDO 160 2 | 14.2 | 127 | 104970 | 1452 | * | * | * | * | * | * | | * | * | * | 659 | |
| HDO 160 2 | 15.4 | 117 | 108140 | 1377 | * | * | * | * | * | * | | * | * | * | 659 | |
| HDO 160 3 | 17.7 | 101 | 97020 | 1096 | * | * | * | * | * | * | * | * | * | * | * | |
| HDO 160 3 | 20.7 | 87 | 113190 | 1095 | * | * | * | * | * | * | * | * | * | * | * | |
| HDO 160 3 | 22.5 | 80 | 123030 | 1095 | * | * | * | * | * | * | * | * | * | * | * | |
| HDO 160 3 | 24.6 | 73 | 112310 | 913 | * | 261 | * | * | * | * | * | * | * | * | 760 | |
| HDO 160 3 | 28.8 | 63 | 131120 | 913 | * | 261 | * | * | * | * | * | * | * | * | 760 | |
| HDO 160 3 | 31.3 | 58 | 138760 | 889 | * | 261 | * | * | * | * | * | * | * | * | 632 760 | |
| HDO 160 3 | 34.9 | 52 | 110880 | 636 | * | 261 | * | * | 342 | 412 | 442 | * | 294 | 410 | — — | |
| HDO 160 3 | 40.7 | 44 | 129410 | 636 | * | 261 | * | * | 342 | 412 | 442 | * | 294 | 410 | — — | |
| HDO 160 3 | 44.3 | 41 | 134530 | 608 | * | 261 | * | * | 342 | 412 | 442 | * | 294 | 410 | — — | |
| HDO 160 3 | 49.4 | 36 | 116760 | 473 | 165 | 261 | 236 | 267 | 342 | 412 | — | 249 | 294 | 410 | — — | |
| HDO 160 3 | 54.1 | 33 | 118630 | 439 | 165 | 261 | 236 | 267 | 342 | — | — | 249 | 294 | — | — — | |
| HDO 160 3 | 63.2 | 28.5 | 138490 | 439 | 165 | 261 | 236 | 267 | 342 | — | — | 249 | 294 | — | — — | |
| HDO 160 3 | 68.6 | 26.2 | 137580 | 401 | 165 | 261 | 236 | 267 | 342 | — | — | 249 | 294 | — | — — | |
| HDO 160 4 | 75.9 | 23.7 | 101750 | 274 | * | — | * | * | — | — | — | * | — | — | — — | |
| HDO 160 4 | 88.6 | 20.3 | 118740 | 274 | * | — | * | * | — | — | — | * | — | — | — — | |
| HDO 160 4 | 96.3 | 18.7 | 129080 | 274 | * | — | * | * | — | — | — | * | — | — | — — | |
| HDO 160 4 | 115.2 | 15.6 | 126060 | 224 | 126 | — | 181 | 206 | — | — | — | 192 | — | — | — — | |
| HDO 160 4 | 125.2 | 14.4 | 137000 | 224 | 126 | — | 181 | — | — | — | — | 192 | — | — | — — | |
| HDO 160 4 | 137.1 | 13.1 | 143080 | 213 | 126 | — | 181 | — | — | — | — | — | — | — | — — | |
| HDO 160 4 | 160.1 | 11.2 | 146300 | 187 | 126 | — | — | — | — | — | — | — | — | — | — — | |
| HDO 160 4 | 174.0 | 10.3 | 146330 | 172 | 126 | — | — | — | — | — | — | — | — | — | — — | |
| HDO 160 4 | 194.1 | 9.3 | 132000 | 139 | — | — | — | — | — | — | — | — | — | — | — — | |
| HDO 160 4 | 212.6 | 8.5 | 141660 | 136 | — | — | — | — | — | — | — | — | — | — | — — | |
| HDO 160 4 | 248.1 | 7.3 | 146300 | 121 | — | — | — | — | — | — | — | — | — | — | — — | |
| HDO 160 4 | 269.7 | 6.7 | 147070 | 111 | — | — | — | — | — | — | — | — | — | — | — — | |

HDO

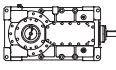
*  BONFIGLIOLI TECHNICAL SERVICE

— Thermal verification not necessary



HDO 160

$n_1 = 1500 \text{ min}^{-1}$

|  | i | n ₂ [min ⁻¹] | Mn ₂ [Nm] | Pn ₁ [kW] | Tamb = 20°C | | | | | | | | | | | |
|---|-------|--|-------------------------|-------------------------|------------------------|---------------------------|-----------------------------|-----------------------------|------------------------------|------------------------------|------------------------------|-----------------------------|-----------------------------|------------------------------|------------------------------|------------------------------|
| | | | | | P _T [kW] | P _{TFAN} [kW] | P _{TMCRA5} [kW] | P _{TMCRA9} [kW] | P _{TMCRA21} [kW] | P _{TMCRA34} [kW] | P _{TMCRA51} [kW] | P _{TMCRW5} [kW] | P _{TMCRW9} [kW] | P _{TMCRW21} [kW] | P _{TMCRW34} [kW] | P _{TMCRW51} [kW] |
| HDO 160 2 | 7.3 | 205 | 89730 | 2009 | * | * | * | * | * | * | | * | * | * | * | |
| HDO 160 2 | 7.9 | 189 | 94750 | 1951 | * | * | * | * | * | * | | * | * | * | * | |
| HDO 160 2 | 8.9 | 168 | 95690 | 1752 | * | * | * | * | * | 697 | | * | * | * | * | |
| HDO 160 2 | 10.4 | 144 | 103430 | 1622 | * | * | * | * | * | 697 | | * | * | * | 720 | |
| HDO 160 2 | 11.3 | 132 | 106410 | 1536 | * | * | * | * | 540 | 697 | ● | * | * | * | 720 | ● |
| HDO 160 2 | 12.2 | 123 | 98150 | 1321 | * | 499 | * | * | 540 | 697 | | * | * | 522 | 720 | |
| HDO 160 2 | 14.2 | 106 | 110890 | 1279 | 164 | 499 | * | * | 540 | 697 | | * | * | 522 | 720 | |
| HDO 160 2 | 15.4 | 97 | 114230 | 1212 | 164 | 499 | * | 423 | 540 | 697 | | * | * | 522 | 720 | |
| HDO 160 3 | 17.7 | 85 | 102810 | 967 | * | 388 | * | 334 | 510 | 636 | 700 | * | * | * | 640 | — |
| HDO 160 3 | 20.7 | 72 | 119990 | 967 | * | 388 | * | 334 | 510 | 636 | 700 | * | * | * | 640 | — |
| HDO 160 3 | 22.5 | 67 | 130430 | 967 | * | 388 | * | 334 | 510 | 636 | 700 | * | * | 425 | 640 | — |
| HDO 160 3 | 24.6 | 61 | 119050 | 806 | 172 | 388 | 299 | 334 | 510 | 636 | — | * | 324 | 425 | 640 | — |
| HDO 160 3 | 28.8 | 52 | 138950 | 806 | 172 | 388 | 299 | 334 | 510 | 636 | — | 260 | 324 | 425 | 640 | — |
| HDO 160 3 | 31.3 | 48 | 139750 | 746 | 172 | 388 | 299 | 334 | 510 | 636 | — | 260 | 324 | 425 | 640 | — |
| HDO 160 3 | 34.9 | 43 | 118520 | 567 | 172 | 388 | 299 | 334 | — | — | — | 260 | 324 | 425 | — | — |
| HDO 160 3 | 40.7 | 37 | 138380 | 567 | 172 | 388 | 299 | 334 | — | — | — | 260 | 324 | 425 | — | — |
| HDO 160 3 | 44.3 | 34 | 138440 | 522 | 172 | 388 | 299 | 334 | — | — | — | 260 | 324 | 425 | — | — |
| HDO 160 3 | 49.4 | 30 | 123770 | 418 | 172 | — | 299 | 334 | — | — | — | 260 | 324 | — | — | — |
| HDO 160 3 | 54.1 | 27.7 | 125770 | 388 | 172 | — | 299 | — | — | — | — | 260 | 324 | — | — | — |
| HDO 160 3 | 63.2 | 23.8 | 144850 | 383 | 172 | — | 299 | — | — | — | — | 260 | 324 | — | — | — |
| HDO 160 3 | 68.6 | 21.9 | 137030 | 333 | 172 | — | 299 | — | — | — | — | 260 | — | — | — | — |
| HDO 160 4 | 75.9 | 19.8 | 107850 | 242 | 182 | — | — | — | — | — | — | — | — | — | — | — |
| HDO 160 4 | 88.6 | 16.9 | 125870 | 242 | 182 | — | — | — | — | — | — | — | — | — | — | — |
| HDO 160 4 | 96.3 | 15.6 | 136820 | 242 | 182 | — | — | — | — | — | — | — | — | — | — | — |
| HDO 160 4 | 115.2 | 13.0 | 126280 | 187 | — | — | — | — | — | — | — | — | — | — | — | — |
| HDO 160 4 | 125.2 | 12.0 | 138630 | 189 | — | — | — | — | — | — | — | — | — | — | — | — |
| HDO 160 4 | 137.1 | 10.9 | 142460 | 177 | — | — | — | — | — | — | — | — | — | — | — | — |
| HDO 160 4 | 160.1 | 9.4 | 146300 | 156 | — | — | — | — | — | — | — | — | — | — | — | — |
| HDO 160 4 | 174.0 | 8.6 | 147070 | 144 | — | — | — | — | — | — | — | — | — | — | — | — |
| HDO 160 4 | 194.1 | 7.7 | 139890 | 123 | — | — | — | — | — | — | — | — | — | — | — | — |
| HDO 160 4 | 212.6 | 7.1 | 141140 | 113 | — | — | — | — | — | — | — | — | — | — | — | — |
| HDO 160 4 | 248.1 | 6.0 | 146300 | 100 | — | — | — | — | — | — | — | — | — | — | — | — |
| HDO 160 4 | 269.7 | 5.6 | 147070 | 93 | — | — | — | — | — | — | — | — | — | — | — | — |

*  BONFIGLIOLI TECHNICAL SERVICE

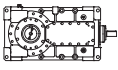
— Thermal verification not necessary

HDO



HDO 160

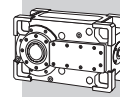
$n_1 = 1500 \text{ min}^{-1}$

| | | | | | Tamb = 40°C | | | | | | | | | | | | |
|---|-------|--|-------------------------|-------------------------|----------------|-------------------|---------------------|---------------------|----------------------|----------------------|----------------------|---------------------|---------------------|----------------------|----------------------|----------------------|------|
|  | i | n ₂ [min ⁻¹] | Mn ₂ [Nm] | Pn ₁ [kW] | P _T | P _{TFAN} | P _{TMCRA5} | P _{TMCRA9} | P _{TMCRA21} | P _{TMCRA34} | P _{TMCRA51} | P _{TMCRW5} | P _{TMCRW9} | P _{TMCRW21} | P _{TMCRW34} | P _{TMCRW51} | |
| | | | | | [kW] | [kW] | [kW] | [kW] | [kW] | [kW] | [kW] | [kW] | [kW] | [kW] | [kW] | [kW] | [kW] |
| HDO 160 2 | 7.3 | 205 | 89730 | 2009 | * | * | * | * | * | * | ● | * | * | * | * | ● | |
| HDO 160 2 | 7.9 | 189 | 94750 | 1951 | * | * | * | * | * | * | | * | * | * | * | | * |
| HDO 160 2 | 8.9 | 168 | 95690 | 1752 | * | * | * | * | * | * | | * | * | * | * | | 601 |
| HDO 160 2 | 10.4 | 144 | 103430 | 1622 | * | * | * | * | * | * | | * | * | * | * | | 601 |
| HDO 160 2 | 11.3 | 132 | 106410 | 1536 | * | * | * | * | * | * | | * | * | * | * | | 601 |
| HDO 160 2 | 12.2 | 123 | 98150 | 1321 | * | * | * | * | * | * | | * | * | * | * | | 601 |
| HDO 160 2 | 14.2 | 106 | 110890 | 1279 | * | * | * | * | * | 436 | | * | * | * | 433 | | 601 |
| HDO 160 2 | 15.4 | 97 | 114230 | 1212 | * | * | * | * | * | 436 | | * | * | * | 433 | | 601 |
| HDO 160 3 | 17.7 | 85 | 102810 | 967 | * | 252 | * | * | * | * | * | * | * | * | * | 773 | |
| HDO 160 3 | 20.7 | 72 | 119990 | 967 | * | 252 | * | * | * | * | 378 | * | * | * | * | 773 | |
| HDO 160 3 | 22.5 | 67 | 130430 | 967 | * | 252 | * | * | * | 350 | 378 | * | * | * | 570 | 773 | |
| HDO 160 3 | 24.6 | 61 | 119050 | 806 | * | 252 | * | * | 295 | 350 | 378 | * | * | 363 | 570 | — | |
| HDO 160 3 | 28.8 | 52 | 138950 | 806 | * | 252 | * | * | 295 | 350 | 378 | * | * | 363 | 570 | — | |
| HDO 160 3 | 31.3 | 48 | 139750 | 746 | * | 252 | * | * | 295 | 350 | 378 | * | 252 | 363 | 570 | — | |
| HDO 160 3 | 34.9 | 43 | 118520 | 567 | 158 | 252 | 229 | 260 | 295 | 350 | 378 | * | 252 | 363 | — | — | |
| HDO 160 3 | 40.7 | 37 | 138380 | 567 | 158 | 252 | 229 | 260 | 295 | 350 | 378 | 242 | 252 | 363 | — | — | |
| HDO 160 3 | 44.3 | 34 | 138440 | 522 | 158 | 252 | 229 | 260 | 295 | 350 | 378 | 242 | 252 | 363 | — | — | |
| HDO 160 3 | 49.4 | 30 | 123770 | 418 | 158 | 252 | 229 | 260 | 295 | 350 | — | 242 | 252 | — | — | — | |
| HDO 160 3 | 54.1 | 27.7 | 125770 | 388 | 158 | 252 | 229 | 260 | 295 | — | — | 242 | 252 | — | — | — | |
| HDO 160 3 | 63.2 | 23.8 | 144850 | 383 | 158 | 252 | 229 | 260 | 295 | — | — | 242 | 252 | — | — | — | |
| HDO 160 3 | 68.6 | 21.9 | 137030 | 333 | 158 | 252 | 229 | 260 | 295 | — | — | 242 | 252 | — | — | — | |
| HDO 160 4 | 75.9 | 19.8 | 107850 | 242 | 123 | — | 178 | 203 | — | — | — | 189 | 242 | — | — | — | |
| HDO 160 4 | 88.6 | 16.9 | 125870 | 242 | 123 | — | 178 | 203 | — | — | — | 189 | — | — | — | — | |
| HDO 160 4 | 96.3 | 15.6 | 136820 | 242 | 123 | — | 178 | 203 | — | — | — | 189 | — | — | — | — | |
| HDO 160 4 | 115.2 | 13.0 | 126280 | 187 | 123 | — | — | — | — | — | — | — | — | — | — | — | |
| HDO 160 4 | 125.2 | 12.0 | 138630 | 189 | 123 | — | — | — | — | — | — | — | — | — | — | — | |
| HDO 160 4 | 137.1 | 10.9 | 142460 | 177 | 123 | — | — | — | — | — | — | — | — | — | — | — | |
| HDO 160 4 | 160.1 | 9.4 | 146300 | 156 | 123 | — | — | — | — | — | — | — | — | — | — | — | |
| HDO 160 4 | 174.0 | 8.6 | 147070 | 144 | — | — | — | — | — | — | — | — | — | — | — | — | |
| HDO 160 4 | 194.1 | 7.7 | 139890 | 123 | — | — | — | — | — | — | — | — | — | — | — | — | |
| HDO 160 4 | 212.6 | 7.1 | 141140 | 113 | — | — | — | — | — | — | — | — | — | — | — | — | |
| HDO 160 4 | 248.1 | 6.0 | 146300 | 100 | — | — | — | — | — | — | — | — | — | — | — | — | |
| HDO 160 4 | 269.7 | 5.6 | 147070 | 93 | — | — | — | — | — | — | — | — | — | — | — | — | |

HDO

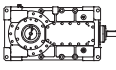
*  BONFIGLIOLI TECHNICAL SERVICE

— Thermal verification not necessary



HDO 160

$n_1 = 1200 \text{ min}^{-1}$

|  | i | n ₂ [min ⁻¹] | Mn ₂ [Nm] | Pn ₁ [kW] | Tamb = 20°C | | | | | | | | | | | |
|---|-------|--|-------------------------|-------------------------|------------------------|---------------------------|-----------------------------|-----------------------------|------------------------------|------------------------------|------------------------------|-----------------------------|-----------------------------|------------------------------|------------------------------|------------------------------|
| | | | | | P _T [kW] | P _{TFAN} [kW] | P _{TMCRA5} [kW] | P _{TMCRA9} [kW] | P _{TMCRA21} [kW] | P _{TMCRA34} [kW] | P _{TMCRA51} [kW] | P _{TMCRW5} [kW] | P _{TMCRW9} [kW] | P _{TMCRW21} [kW] | P _{TMCRW34} [kW] | P _{TMCRW51} [kW] |
| HDO 160 2 | 7.3 | 164 | 95950 | 1718 | * | * | * | * | 591 | 766 | ● | * | * | * | 771 | ● |
| HDO 160 2 | 7.9 | 151 | 101300 | 1669 | * | * | * | * | 591 | 766 | | * | * | * | 771 | |
| HDO 160 2 | 8.9 | 134 | 102330 | 1499 | * | * | * | * | 591 | 766 | | * | * | * | 771 | |
| HDO 160 2 | 10.4 | 115 | 110590 | 1388 | * | 431 | * | * | 591 | 766 | | * | * | * | 771 | |
| HDO 160 2 | 11.3 | 106 | 113790 | 1314 | 126 | 431 | * | 379 | 591 | 766 | | 242 | 336 | 496 | 771 | |
| HDO 160 2 | 12.2 | 99 | 104960 | 1130 | 126 | 431 | * | 379 | 591 | 766 | | 242 | 336 | 496 | 771 | |
| HDO 160 2 | 14.2 | 85 | 118570 | 1094 | 126 | 431 | 387 | 379 | 591 | 766 | | 242 | 336 | 496 | 771 | |
| HDO 160 2 | 15.4 | 78 | 122130 | 1036 | 126 | 431 | 387 | 379 | 591 | 766 | | 242 | 336 | 496 | 771 | |
| HDO 160 3 | 17.7 | 68 | 109930 | 828 | 181 | 395 | 308 | 365 | 541 | 667 | 731 | * | * | * | 671 | — |
| HDO 160 3 | 20.7 | 58 | 128300 | 827 | 181 | 395 | 308 | 365 | 541 | 667 | — | * | * | * | 671 | — |
| HDO 160 3 | 22.5 | 53 | 139460 | 827 | 181 | 395 | 308 | 365 | 541 | 667 | — | 271 | 339 | 455 | 671 | — |
| HDO 160 3 | 24.6 | 49 | 127290 | 690 | 181 | 395 | 308 | 365 | 541 | — | — | 271 | 339 | 455 | — | — |
| HDO 160 3 | 28.8 | 42 | 146300 | 679 | 181 | 395 | 308 | 365 | 541 | — | — | 271 | 339 | 455 | — | — |
| HDO 160 3 | 31.3 | 38 | 138890 | 593 | 181 | 395 | 308 | 365 | — | — | — | 271 | 339 | 455 | — | — |
| HDO 160 3 | 34.9 | 34 | 127430 | 487 | 181 | 395 | 308 | 365 | — | — | — | 271 | 339 | — | — | — |
| HDO 160 3 | 40.7 | 29.5 | 145570 | 477 | 181 | 395 | 308 | 365 | — | — | — | 271 | 339 | — | — | — |
| HDO 160 3 | 44.3 | 27.1 | 137690 | 415 | 181 | — | 308 | 365 | — | — | — | 271 | 339 | — | — | — |
| HDO 160 3 | 49.4 | 24.3 | 131890 | 356 | 181 | — | — | — | — | — | — | 271 | — | — | — | — |
| HDO 160 3 | 54.1 | 22.2 | 129470 | 319 | 181 | — | — | — | — | — | — | — | — | — | — | — |
| HDO 160 3 | 63.2 | 19.0 | 144180 | 305 | 181 | — | — | — | — | — | — | — | — | — | — | — |
| HDO 160 3 | 68.6 | 17.5 | 136410 | 265 | 181 | — | — | — | — | — | — | — | — | — | — | — |
| HDO 160 4 | 75.9 | 15.8 | 115310 | 207 | — | — | — | — | — | — | — | — | — | — | — | — |
| HDO 160 4 | 88.6 | 13.5 | 134500 | 207 | — | — | — | — | — | — | — | — | — | — | — | — |
| HDO 160 4 | 96.3 | 12.5 | 142280 | 201 | — | — | — | — | — | — | — | — | — | — | — | — |
| HDO 160 4 | 115.2 | 10.4 | 126280 | 149 | — | — | — | — | — | — | — | — | — | — | — | — |
| HDO 160 4 | 125.2 | 9.6 | 137260 | 149 | — | — | — | — | — | — | — | — | — | — | — | — |
| HDO 160 4 | 137.1 | 8.8 | 141760 | 141 | — | — | — | — | — | — | — | — | — | — | — | — |
| HDO 160 4 | 160.1 | 7.5 | 146300 | 125 | — | — | — | — | — | — | — | — | — | — | — | — |
| HDO 160 4 | 174.0 | 6.9 | 147070 | 115 | — | — | — | — | — | — | — | — | — | — | — | — |
| HDO 160 4 | 194.1 | 6.2 | 143330 | 101 | — | — | — | — | — | — | — | — | — | — | — | — |
| HDO 160 4 | 212.6 | 5.6 | 140570 | 90 | — | — | — | — | — | — | — | — | — | — | — | — |
| HDO 160 4 | 248.1 | 4.8 | 146300 | 80 | — | — | — | — | — | — | — | — | — | — | — | — |
| HDO 160 4 | 269.7 | 4.4 | 147070 | 74 | — | — | — | — | — | — | — | — | — | — | — | — |

*  BONFIGLIOLI TECHNICAL SERVICE

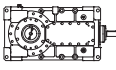
— Thermal verification not necessary

HDO



HDO 160

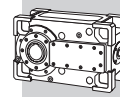
$n_1 = 1200 \text{ min}^{-1}$

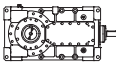
| | | | | | Tamb = 40°C | | | | | | | | | | | | |
|---|-------|--|-------------------------|-------------------------|----------------|-------------------|---------------------|---------------------|----------------------|----------------------|----------------------|---------------------|---------------------|----------------------|----------------------|----------------------|------|
|  | i | n ₂ [min ⁻¹] | Mn ₂ [Nm] | Pn ₁ [kW] | P _T | P _{TFAN} | P _{TMCRA5} | P _{TMCRA9} | P _{TMCRA21} | P _{TMCRA34} | P _{TMCRA51} | P _{TMCRW5} | P _{TMCRW9} | P _{TMCRW21} | P _{TMCRW34} | P _{TMCRW51} | |
| | | | | | [kW] | [kW] | [kW] | [kW] | [kW] | [kW] | [kW] | [kW] | [kW] | [kW] | [kW] | [kW] | [kW] |
| HDO 160 2 | 7.3 | 164 | 95950 | 1718 | * | * | * | * | * | * | ● | * | * | * | 670 | ● | |
| HDO 160 2 | 7.9 | 151 | 101300 | 1669 | * | * | * | * | * | * | | * | * | * | * | | 670 |
| HDO 160 2 | 8.9 | 134 | 102330 | 1499 | * | * | * | * | * | * | | * | * | * | * | | 670 |
| HDO 160 2 | 10.4 | 115 | 110590 | 1388 | * | * | * | * | * | * | | * | * | * | * | | 670 |
| HDO 160 2 | 11.3 | 106 | 113790 | 1314 | * | * | * | * | * | * | | * | * | * | 395 | | 670 |
| HDO 160 2 | 12.2 | 99 | 104960 | 1130 | * | * | * | * | * | 475 | | * | * | * | 395 | | 670 |
| HDO 160 2 | 14.2 | 85 | 118570 | 1094 | * | 340 | * | * | 387 | 475 | | * | * | * | 395 | | 670 |
| HDO 160 2 | 15.4 | 78 | 122130 | 1036 | * | 340 | * | * | 387 | 475 | | * | * | * | 395 | | 670 |
| HDO 160 3 | 17.7 | 68 | 109930 | 828 | * | 261 | * | * | 304 | 374 | 404 | * | 256 | 372 | 594 | — | |
| HDO 160 3 | 20.7 | 58 | 128300 | 827 | * | 261 | * | * | 304 | 374 | 404 | * | 256 | 372 | 594 | — | |
| HDO 160 3 | 22.5 | 53 | 139460 | 827 | * | 261 | * | * | 304 | 374 | 404 | * | 256 | 372 | 594 | — | |
| HDO 160 3 | 24.6 | 49 | 127290 | 690 | * | 261 | * | * | 304 | 374 | 404 | * | 256 | 372 | — | — | |
| HDO 160 3 | 28.8 | 42 | 146300 | 679 | * | 261 | * | 226 | 304 | 374 | 404 | * | 256 | 372 | — | — | |
| HDO 160 3 | 31.3 | 38 | 138890 | 593 | 125 | 261 | 196 | 226 | 304 | 374 | 404 | * | 256 | 372 | — | — | |
| HDO 160 3 | 34.9 | 34 | 127430 | 487 | 125 | 261 | 196 | 226 | 304 | 374 | 404 | 254 | 256 | 372 | — | — | |
| HDO 160 3 | 40.7 | 29.5 | 145570 | 477 | 125 | 261 | 196 | 226 | 304 | 374 | — | 254 | 256 | 372 | — | — | |
| HDO 160 3 | 44.3 | 27.1 | 137690 | 415 | 125 | 261 | 196 | 226 | 304 | — | — | 254 | 256 | — | — | — | |
| HDO 160 3 | 49.4 | 24.3 | 131890 | 356 | 125 | 261 | 196 | 226 | — | — | — | 254 | 256 | — | — | — | |
| HDO 160 3 | 54.1 | 22.2 | 129470 | 319 | 125 | 261 | 196 | 226 | — | — | — | 254 | 256 | — | — | — | |
| HDO 160 3 | 63.2 | 19.0 | 144180 | 305 | 125 | — | 196 | 226 | — | — | — | 254 | 256 | — | — | — | |
| HDO 160 3 | 68.6 | 17.5 | 136410 | 265 | 125 | — | 196 | 226 | — | — | — | — | — | — | — | — | |
| HDO 160 4 | 75.9 | 15.8 | 115310 | 207 | 132 | — | — | — | — | — | — | — | — | — | — | — | |
| HDO 160 4 | 88.6 | 13.5 | 134500 | 207 | 132 | — | — | — | — | — | — | — | — | — | — | — | |
| HDO 160 4 | 96.3 | 12.5 | 142280 | 201 | 132 | — | — | — | — | — | — | — | — | — | — | — | |
| HDO 160 4 | 115.2 | 10.4 | 126280 | 149 | 132 | — | — | — | — | — | — | — | — | — | — | — | |
| HDO 160 4 | 125.2 | 9.6 | 137260 | 149 | 132 | — | — | — | — | — | — | — | — | — | — | — | |
| HDO 160 4 | 137.1 | 8.8 | 141760 | 141 | — | — | — | — | — | — | — | — | — | — | — | — | |
| HDO 160 4 | 160.1 | 7.5 | 146300 | 125 | — | — | — | — | — | — | — | — | — | — | — | — | |
| HDO 160 4 | 174.0 | 6.9 | 147070 | 115 | — | — | — | — | — | — | — | — | — | — | — | — | |
| HDO 160 4 | 194.1 | 6.2 | 143330 | 101 | — | — | — | — | — | — | — | — | — | — | — | — | |
| HDO 160 4 | 212.6 | 5.6 | 140570 | 90 | — | — | — | — | — | — | — | — | — | — | — | — | |
| HDO 160 4 | 248.1 | 4.8 | 146300 | 80 | — | — | — | — | — | — | — | — | — | — | — | — | |
| HDO 160 4 | 269.7 | 4.4 | 147070 | 74 | — | — | — | — | — | — | — | — | — | — | — | — | |

HDO

*  BONFIGLIOLI TECHNICAL SERVICE

— Thermal verification not necessary

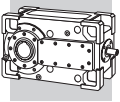


| HDO 160 | | | | | n ₁ = 1000 min ⁻¹ | | | | | | | | | | | |
|---|-------|--|-------------------------|-------------------------|---|---------------------------|-----------------------------|-----------------------------|------------------------------|------------------------------|------------------------------|-----------------------------|-----------------------------|------------------------------|------------------------------|------------------------------|
|  | i | n ₂ [min ⁻¹] | Mn ₂ [Nm] | Pn ₁ [kW] | Tamb = 20°C | | | | | | | | | | | |
| | | | | | P _T [kW] | P _{TFAN} [kW] | P _{TMCRA5} [kW] | P _{TMCRA9} [kW] | P _{TMCRA21} [kW] | P _{TMCRA34} [kW] | P _{TMCRA51} [kW] | P _{TMCRW5} [kW] | P _{TMCRW9} [kW] | P _{TMCRW21} [kW] | P _{TMCRW34} [kW] | P _{TMCRW51} [kW] |
| HDO 160 2 | 7.3 | 137 | 101350 | 1513 | 149 | 401 | * | 402 | 645 | 820 | | 265 | 359 | 519 | 825 | |
| HDO 160 2 | 7.9 | 126 | 107010 | 1469 | 149 | 401 | * | 402 | 645 | 820 | | 265 | 359 | 519 | 825 | |
| HDO 160 2 | 8.9 | 112 | 108070 | 1319 | 149 | 401 | * | 402 | 645 | 820 | | 265 | 359 | 519 | 825 | |
| HDO 160 2 | 10.4 | 96 | 116810 | 1221 | 149 | 401 | * | 402 | 645 | 820 | | 265 | 359 | 519 | 825 | |
| HDO 160 2 | 11.3 | 88 | 120180 | 1156 | 149 | 401 | 349 | 402 | 645 | 820 | ● | 265 | 359 | 519 | 825 | ● |
| HDO 160 2 | 12.2 | 82 | 110850 | 995 | 149 | 401 | 349 | 402 | 645 | 820 | | 265 | 359 | 519 | 825 | |
| HDO 160 2 | 14.2 | 71 | 125230 | 963 | 149 | 401 | 349 | 402 | 645 | — | | 265 | 359 | 519 | — | |
| HDO 160 2 | 15.4 | 65 | 129010 | 912 | 149 | 401 | 349 | 402 | 645 | — | | 265 | 359 | 519 | — | |
| HDO 160 3 | 17.7 | 56 | 111830 | 702 | 202 | 368 | 329 | 386 | 562 | 688 | — | 286 | 354 | 470 | — | — |
| HDO 160 3 | 20.7 | 48 | 130520 | 701 | 202 | 368 | 329 | 386 | 562 | — | — | 286 | 354 | 470 | — | — |
| HDO 160 3 | 22.5 | 44 | 139450 | 690 | 202 | 368 | 329 | 386 | 562 | — | — | 286 | 354 | 470 | — | — |
| HDO 160 3 | 24.6 | 41 | 134450 | 607 | 202 | 368 | 329 | 386 | — | — | — | 286 | 354 | 470 | — | — |
| HDO 160 3 | 28.8 | 35 | 146160 | 565 | 202 | 368 | 329 | 386 | — | — | — | 286 | 354 | — | — | — |
| HDO 160 3 | 31.3 | 32 | 138240 | 492 | 202 | 368 | 329 | 386 | — | — | — | 286 | 354 | — | — | — |
| HDO 160 3 | 34.9 | 28.6 | 132770 | 423 | 202 | — | 329 | — | — | — | — | 286 | — | — | — | — |
| HDO 160 3 | 40.7 | 24.5 | 144960 | 396 | 202 | — | — | — | — | — | — | 286 | — | — | — | — |
| HDO 160 3 | 44.3 | 22.6 | 137130 | 344 | 202 | — | — | — | — | — | — | 286 | — | — | — | — |
| HDO 160 3 | 49.4 | 20.2 | 131890 | 297 | 202 | — | — | — | — | — | — | — | — | — | — | — |
| HDO 160 3 | 54.1 | 18.5 | 129470 | 266 | 202 | — | — | — | — | — | — | — | — | — | — | — |
| HDO 160 3 | 63.2 | 15.8 | 146300 | 258 | 202 | — | — | — | — | — | — | — | — | — | — | — |
| HDO 160 3 | 68.6 | 14.6 | 139010 | 225 | — | — | — | — | — | — | — | — | — | — | — | — |
| HDO 160 4 | 75.9 | 13.2 | 121800 | 182 | — | — | — | — | — | — | — | — | — | — | — | — |
| HDO 160 4 | 88.6 | 11.3 | 134500 | 172 | — | — | — | — | — | — | — | — | — | — | — | — |
| HDO 160 4 | 96.3 | 10.4 | 146200 | 172 | — | — | — | — | — | — | — | — | — | — | — | — |
| HDO 160 4 | 115.2 | 8.7 | 126280 | 124 | — | — | — | — | — | — | — | — | — | — | — | — |
| HDO 160 4 | 125.2 | 8.0 | 138630 | 126 | — | — | — | — | — | — | — | — | — | — | — | — |
| HDO 160 4 | 137.1 | 7.3 | 141230 | 117 | — | — | — | — | — | — | — | — | — | — | — | — |
| HDO 160 4 | 160.1 | 6.2 | 146300 | 104 | — | — | — | — | — | — | — | — | — | — | — | — |
| HDO 160 4 | 174.0 | 5.7 | 147070 | 96 | — | — | — | — | — | — | — | — | — | — | — | — |
| HDO 160 4 | 194.1 | 5.2 | 143330 | 84 | — | — | — | — | — | — | — | — | — | — | — | — |
| HDO 160 4 | 212.6 | 4.7 | 140490 | 75 | — | — | — | — | — | — | — | — | — | — | — | — |
| HDO 160 4 | 248.1 | 4.0 | 146300 | 67 | — | — | — | — | — | — | — | — | — | — | — | — |
| HDO 160 4 | 269.7 | 3.7 | 147070 | 62 | — | — | — | — | — | — | — | — | — | — | — | — |

*  BONFIGLIOLI TECHNICAL SERVICE

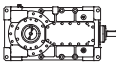
— Thermal verification not necessary

HDO



HDO 160

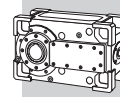
$n_1 = 1000 \text{ min}^{-1}$

|  | i | n ₂ [min ⁻¹] | Mn ₂ [Nm] | Pn ₁ [kW] | Tamb = 40°C | | | | | | | | | | | |
|---|-------|--|-------------------------|-------------------------|------------------------|---------------------------|-----------------------------|-----------------------------|------------------------------|------------------------------|------------------------------|-----------------------------|-----------------------------|------------------------------|------------------------------|------------------------------|
| | | | | | P _T [kW] | P _{TFAN} [kW] | P _{TMCRA5} [kW] | P _{TMCRA9} [kW] | P _{TMCRA21} [kW] | P _{TMCRA34} [kW] | P _{TMCRA51} [kW] | P _{TMCRW5} [kW] | P _{TMCRW9} [kW] | P _{TMCRW21} [kW] | P _{TMCRW34} [kW] | P _{TMCRW51} [kW] |
| HDO 160 2 | 7.3 | 137 | 101350 | 1513 | * | * | * | * | * | * | | * | * | * | 724 | |
| HDO 160 2 | 7.9 | 126 | 107010 | 1469 | * | * | * | * | * | * | | * | * | * | 724 | |
| HDO 160 2 | 8.9 | 112 | 108070 | 1319 | * | * | * | * | * | 429 | | * | * | 426 | 724 | |
| HDO 160 2 | 10.4 | 96 | 116810 | 1221 | * | * | * | * | * | 429 | | * | * | 426 | 724 | |
| HDO 160 2 | 11.3 | 88 | 120180 | 1156 | * | * | * | * | 349 | 429 | ● | * | * | 426 | 724 | ● |
| HDO 160 2 | 12.2 | 82 | 110850 | 995 | * | 314 | * | * | 349 | 429 | | * | * | 426 | 724 | |
| HDO 160 2 | 14.2 | 71 | 125230 | 963 | * | 314 | * | * | 349 | 429 | | * | 353 | 426 | 724 | |
| HDO 160 2 | 15.4 | 65 | 129010 | 912 | * | 314 | * | * | 349 | 429 | | * | 353 | 426 | 724 | |
| HDO 160 3 | 17.7 | 56 | 111830 | 702 | 125 | 247 | 196 | 227 | 325 | 395 | 425 | 209 | 277 | 393 | — | — |
| HDO 160 3 | 20.7 | 48 | 130520 | 701 | 125 | 247 | 196 | 227 | 325 | 395 | 425 | 209 | 277 | 393 | — | — |
| HDO 160 3 | 22.5 | 44 | 139450 | 690 | 125 | 247 | 196 | 227 | 325 | 395 | 425 | 209 | 277 | 393 | — | — |
| HDO 160 3 | 24.6 | 41 | 134450 | 607 | 125 | 247 | 196 | 227 | 325 | 395 | 425 | 209 | 277 | 393 | — | — |
| HDO 160 3 | 28.8 | 35 | 146160 | 565 | 125 | 247 | 196 | 227 | 325 | 395 | 425 | 209 | 277 | 393 | — | — |
| HDO 160 3 | 31.3 | 32 | 138240 | 492 | 125 | 247 | 196 | 227 | 325 | 395 | 425 | 209 | 277 | 393 | — | — |
| HDO 160 3 | 34.9 | 28.6 | 132770 | 423 | 125 | 247 | 196 | 227 | 325 | — | — | 209 | 277 | — | — | — |
| HDO 160 3 | 40.7 | 24.5 | 144960 | 396 | 125 | 247 | 196 | 227 | 325 | — | — | 209 | 277 | — | — | — |
| HDO 160 3 | 44.3 | 22.6 | 137130 | 344 | 125 | 247 | 196 | 227 | — | — | — | 209 | 277 | — | — | — |
| HDO 160 3 | 49.4 | 20.2 | 131890 | 297 | 125 | — | 196 | 227 | — | — | — | 209 | — | — | — | — |
| HDO 160 3 | 54.1 | 18.5 | 129470 | 266 | 125 | — | 196 | — | — | — | — | 209 | — | — | — | — |
| HDO 160 3 | 63.2 | 15.8 | 146300 | 258 | 125 | — | 196 | — | — | — | — | 209 | — | — | — | — |
| HDO 160 3 | 68.6 | 14.6 | 139010 | 225 | 125 | — | — | — | — | — | — | — | — | — | — | — |
| HDO 160 4 | 75.9 | 13.2 | 121800 | 182 | — | — | — | — | — | — | — | — | — | — | — | — |
| HDO 160 4 | 88.6 | 11.3 | 134500 | 172 | — | — | — | — | — | — | — | — | — | — | — | — |
| HDO 160 4 | 96.3 | 10.4 | 146200 | 172 | — | — | — | — | — | — | — | — | — | — | — | — |
| HDO 160 4 | 115.2 | 8.7 | 126280 | 124 | — | — | — | — | — | — | — | — | — | — | — | — |
| HDO 160 4 | 125.2 | 8.0 | 138630 | 126 | — | — | — | — | — | — | — | — | — | — | — | — |
| HDO 160 4 | 137.1 | 7.3 | 141230 | 117 | — | — | — | — | — | — | — | — | — | — | — | — |
| HDO 160 4 | 160.1 | 6.2 | 146300 | 104 | — | — | — | — | — | — | — | — | — | — | — | — |
| HDO 160 4 | 174.0 | 5.7 | 147070 | 96 | — | — | — | — | — | — | — | — | — | — | — | — |
| HDO 160 4 | 194.1 | 5.2 | 143330 | 84 | — | — | — | — | — | — | — | — | — | — | — | — |
| HDO 160 4 | 212.6 | 4.7 | 140490 | 75 | — | — | — | — | — | — | — | — | — | — | — | — |
| HDO 160 4 | 248.1 | 4.0 | 146300 | 67 | — | — | — | — | — | — | — | — | — | — | — | — |
| HDO 160 4 | 269.7 | 3.7 | 147070 | 62 | — | — | — | — | — | — | — | — | — | — | — | — |

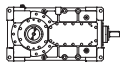
HDO

*  BONFIGLIOLI
TECHNICAL SERVICE

— Thermal verification not necessary



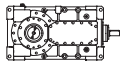
HDO

| HDO 170 | | | | | $n_1 = 1500 \text{ min}^{-1}$ | | | |
|---|-------|-------------------------------|----------------|----------------|-------------------------------|--------------------|---------------|--------------------|
|  | i | n_2 [min ⁻¹] | Mn_2 [Nm] | Pn_1 [kW] | Tamb = 20°C | | Tamb = 40°C | |
| | | | | | P_T [kW] | P_{TFAN} [kW] | P_T [kW] | P_{TFAN} [kW] |
| HDO 170 3 | 15.9 | 94 | 130010 | 1364 | * | 444 | * | * |
| HDO 170 3 | 18.5 | 81 | 150910 | 1364 | * | 444 | * | * |
| HDO 170 3 | 20.0 | 75 | 163440 | 1364 | * | 444 | * | * |
| HDO 170 3 | 21.7 | 69 | 146900 | 1132 | * | 444 | * | * |
| HDO 170 3 | 26.2 | 57 | 165080 | 1052 | 231 | 444 | * | 380 |
| HDO 170 3 | 28.4 | 53 | 178800 | 1052 | 231 | 444 | * | 380 |
| HDO 170 3 | 30.7 | 49 | 158700 | 862 | 231 | 444 | * | 380 |
| HDO 170 3 | 35.7 | 42 | 184210 | 862 | 231 | 444 | 161 | 380 |
| HDO 170 3 | 38.6 | 37 | 183140 | 753 | 231 | 444 | 161 | 380 |
| HDO 170 3 | 44.0 | 34 | 181730 | 690 | 231 | 444 | 161 | 380 |
| HDO 170 3 | 47.6 | 31 | 176740 | 619 | 231 | 444 | 161 | 380 |
| HDO 170 3 | 55.3 | 27.1 | 189370 | 572 | 231 | 444 | 161 | 380 |
| HDO 170 3 | 59.9 | 25.1 | 180390 | 503 | 231 | — | 161 | 380 |
| HDO 170 4 | 72.9 | 20.6 | 172210 | 402 | 213 | — | 143 | 315 |
| HDO 170 4 | 84.6 | 17.7 | 190190 | 383 | 213 | — | 143 | 315 |
| HDO 170 4 | 91.6 | 16.4 | 182320 | 339 | 213 | — | 143 | — |
| HDO 170 4 | 99.3 | 15.1 | 188900 | 324 | 213 | — | 143 | — |
| HDO 170 4 | 115.2 | 13.0 | 190190 | 281 | 213 | — | 143 | — |
| HDO 170 4 | 124.8 | 12.0 | 182320 | 249 | — | — | 143 | — |
| HDO 170 4 | 139.8 | 10.7 | 183700 | 224 | — | — | 143 | — |
| HDO 170 4 | 162.3 | 9.2 | 190190 | 200 | — | — | 143 | — |
| HDO 170 4 | 175.8 | 8.5 | 182320 | 177 | — | — | 143 | — |
| HDO 170 4 | 190.5 | 7.9 | 188900 | 169 | — | — | 143 | — |
| HDO 170 4 | 221.1 | 6.8 | 190190 | 146 | — | — | — | — |
| HDO 170 4 | 239.5 | 6.3 | 182320 | 130 | — | — | — | — |

*  BONFIGLIOLI TECHNICAL SERVICE

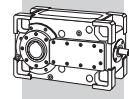
— Thermal verification not necessary



| HDO 180 | | | | | n ₁ = 1500 min ⁻¹ | | | |
|---|-------|--|-------------------------|-------------------------|---|---------------------------|------------------------|---------------------------|
|  | i | n ₂ [min ⁻¹] | Mn ₂ [Nm] | Pn ₁ [kW] | Tamb = 20°C | | Tamb = 40°C | |
| | | | | | P _T [kW] | P _{TFAN} [kW] | P _T [kW] | P _{TFAN} [kW] |
| HDO 180 3 | 17.7 | 85 | 144460 | 1363 | * | 466 | * | * |
| HDO 180 3 | 20.5 | 73 | 167160 | 1363 | * | 466 | * | * |
| HDO 180 3 | 22.1 | 68 | 180780 | 1363 | * | 466 | * | * |
| HDO 180 3 | 24.1 | 62 | 163220 | 1130 | * | 466 | * | * |
| HDO 180 3 | 27.9 | 54 | 188870 | 1130 | * | 466 | * | * |
| HDO 180 3 | 31.4 | 48 | 197760 | 1052 | 255 | 466 | * | 401 |
| HDO 180 3 | 34.1 | 44 | 176340 | 862 | 255 | 466 | * | 401 |
| HDO 180 3 | 39.5 | 38 | 202450 | 855 | 255 | 466 | * | 401 |
| HDO 180 3 | 42.7 | 35 | 198560 | 776 | 255 | 466 | * | 401 |
| HDO 180 3 | 48.6 | 31 | 197890 | 679 | 255 | 466 | 202 | 401 |
| HDO 180 3 | 52.9 | 28.3 | 196380 | 619 | 255 | 466 | 202 | 401 |
| HDO 180 3 | 61.2 | 24.5 | 202450 | 552 | 255 | 466 | 202 | 401 |
| HDO 180 3 | 66.2 | 22.7 | 196430 | 495 | 255 | — | 202 | 401 |
| HDO 180 4 | 81.0 | 18.5 | 191340 | 402 | 229 | — | 155 | 330 |
| HDO 180 4 | 93.7 | 16.0 | 202450 | 368 | 229 | — | 155 | — |
| HDO 180 4 | 101.3 | 14.8 | 199380 | 335 | 229 | — | 155 | — |
| HDO 180 4 | 110.3 | 13.6 | 209900 | 324 | 229 | — | 155 | — |
| HDO 180 4 | 127.6 | 11.8 | 202450 | 270 | 229 | — | 155 | — |
| HDO 180 4 | 138.0 | 10.9 | 207020 | 255 | — | — | 155 | — |
| HDO 180 4 | 155.4 | 9.7 | 204100 | 224 | — | — | 155 | — |
| HDO 180 4 | 179.8 | 8.3 | 202450 | 192 | — | — | 155 | — |
| HDO 180 4 | 194.5 | 7.7 | 205480 | 180 | — | — | — | — |
| HDO 180 4 | 211.6 | 7.1 | 209900 | 169 | — | — | — | — |
| HDO 180 4 | 244.9 | 6.1 | 202450 | 141 | — | — | — | — |




*  BONFIGLIOLI TECHNICAL SERVICE

— Thermal verification not necessary



25 MASS MOMENT OF INERTIA

Moments of inertia listed refer to gearbox input shaft and apply exclusively for configurations with a single extension input and output shaft.

| | i_N | $J \cdot 10^{-4} \text{ [kg m}^2\text{]}$ | | | | | | | | | |
|--|-------|---|---------|---------|---------|---------|---------|---------|---------|---------|---------|
| | | HDO 100 | HDO 110 | HDO 120 | HDO 125 | HDO 130 | HDO 140 | HDO 150 | HDO 160 | HDO 170 | HDO 180 |
| 2x  | 5.6 | 1862 | — | — | — | 8268 | — | 23425 | — | — | — |
| | 6.3 | 1780 | 1893 | 2869 | — | 7943 | 9161 | 21737 | — | — | — |
| | 7.1 | 1725 | 1803 | 2757 | 3116 | 10164 | 8677 | 20949 | 23848 | — | — |
| | 8.0 | 1578 | 1692 | 2592 | 2991 | 6959 | 8104 | 16297 | 22841 | — | — |
| | 9.0 | 1543 | 1566 | 2774 | 2922 | 8408 | 7438 | 15670 | 19669 | — | — |
| | 10.0 | 1204 | 1494 | 2666 | 2920 | 5207 | 7065 | 12076 | 18609 | — | — |
| | 11.2 | 1182 | 1168 | 2056 | 2206 | 6135 | 5514 | 12006 | 18114 | — | — |
| | 12.5 | 967 | 1121 | 1987 | 2154 | 4070 | 5275 | 9091 | 12785 | — | — |
| | 14.0 | 952 | 996 | 1572 | 1670 | 4673 | 4269 | 8884 | 12212 | — | — |
| | 16.0 | — | 966 | 1528 | 1636 | — | 4114 | — | 11945 | — | — |
| 18.0 | — | — | — | 1617 | — | — | — | — | — | — | |
| 3x  | 14.0 | 940 | — | — | — | — | — | — | — | — | — |
| | 16.0 | 926 | — | — | — | 3156 | — | 9690 | — | — | — |
| | 18.0 | 836 | 849 | 1233 | — | 2675 | 3280 | 9480 | 10012 | — | — |
| | 20.0 | 540 | 839 | 1205 | 1273 | 2643 | 3184 | 9382 | 9743 | — | — |
| | 22.4 | 487 | 550 | 1013 | 1052 | 1913 | 2716 | 8401 | 9618 | — | — |
| | 25.0 | 481 | 494 | 917 | 1038 | 1893 | 1970 | 8292 | 8568 | — | — |
| | 28.0 | 443 | 488 | 592 | 934 | 1728 | 1940 | 5067 | 8428 | — | — |
| | 31.5 | 440 | 448 | 534 | 920 | 1714 | 1764 | 4578 | 8363 | — | — |
| | 35.5 | 415 | 444 | 530 | 808 | 1612 | 1744 | 4524 | 4661 | — | — |
| | 40.0 | 413 | 418 | 464 | 540 | 1137 | 1636 | 3114 | 4592 | — | — |
| | 45.0 | 240 | 415 | 461 | 537 | 1069 | 1623 | 3093 | 4559 | — | — |
| | 50.0 | 239 | 242 | 278 | 467 | 1063 | 1084 | 2890 | 3142 | — | — |
| | 56.0 | 228 | 241 | 276 | 465 | 1021 | 1076 | 2867 | 2924 | — | — |
| | 63.0 | 227 | 230 | 249 | 280 | 1017 | 1031 | 2857 | 2895 | — | — |
| 71.0 | 227 | 229 | 248 | 251 | 1042 | 1025 | — | 2882 | — | — | |
| 80.0 | — | 227 | 246 | 250 | — | 1019 | — | — | — | — | |
| 90.0 | — | — | — | 249 | — | — | — | — | — | — | |
| 4x  | 71.0 | 168 | — | — | — | 553 | — | 1023 | — | — | — |
| | 80.0 | 167 | 169 | — | — | 551 | 558 | 1011 | 1040 | — | — |
| | 90.0 | 163 | 168 | 182 | — | 535 | 555 | 952 | 1025 | — | — |
| | 100.0 | 163 | 143 | 171 | 183 | 533 | 538 | 589 | 1019 | — | — |
| | 112.0 | 139 | 163 | 171 | 172 | 447 | 536 | 586 | 597 | — | — |
| | 125.0 | 139 | 140 | 145 | 172 | 446 | 449 | 554 | 593 | — | — |
| | 140.0 | 132 | 70 | 145 | 146 | 410 | 448 | 550 | 559 | — | — |
| | 160.0 | 68 | 60 | 141 | 146 | 410 | 412 | 301 | 555 | — | — |
| | 180.0 | 59 | 68 | 71 | 136 | 406 | 411 | 300 | 553 | — | — |
| | 200.0 | 59 | 59 | 61 | 72 | 405 | 243 | 287 | 303 | — | — |
| | 224.0 | 56 | 59 | 61 | 62 | 227 | 242 | 285 | 289 | — | — |
| | 250.0 | 56 | 56 | 58 | 62 | 226 | 227 | 284 | 287 | — | — |
| | 280.0 | 56 | 58 | 60 | 58 | 225 | 227 | — | 286 | — | — |
| | 315.0 | 56 | 56 | 57 | 58 | 225 | 225 | — | — | — | — |
| | 355.0 | 56 | 56 | 57 | 57 | 226 | 225 | — | — | — | — |
| | 400.0 | — | 56 | 56 | 57 | — | 225 | — | — | — | — |
| 450.0 | — | — | — | 57 | — | — | — | — | — | — | |




HDO

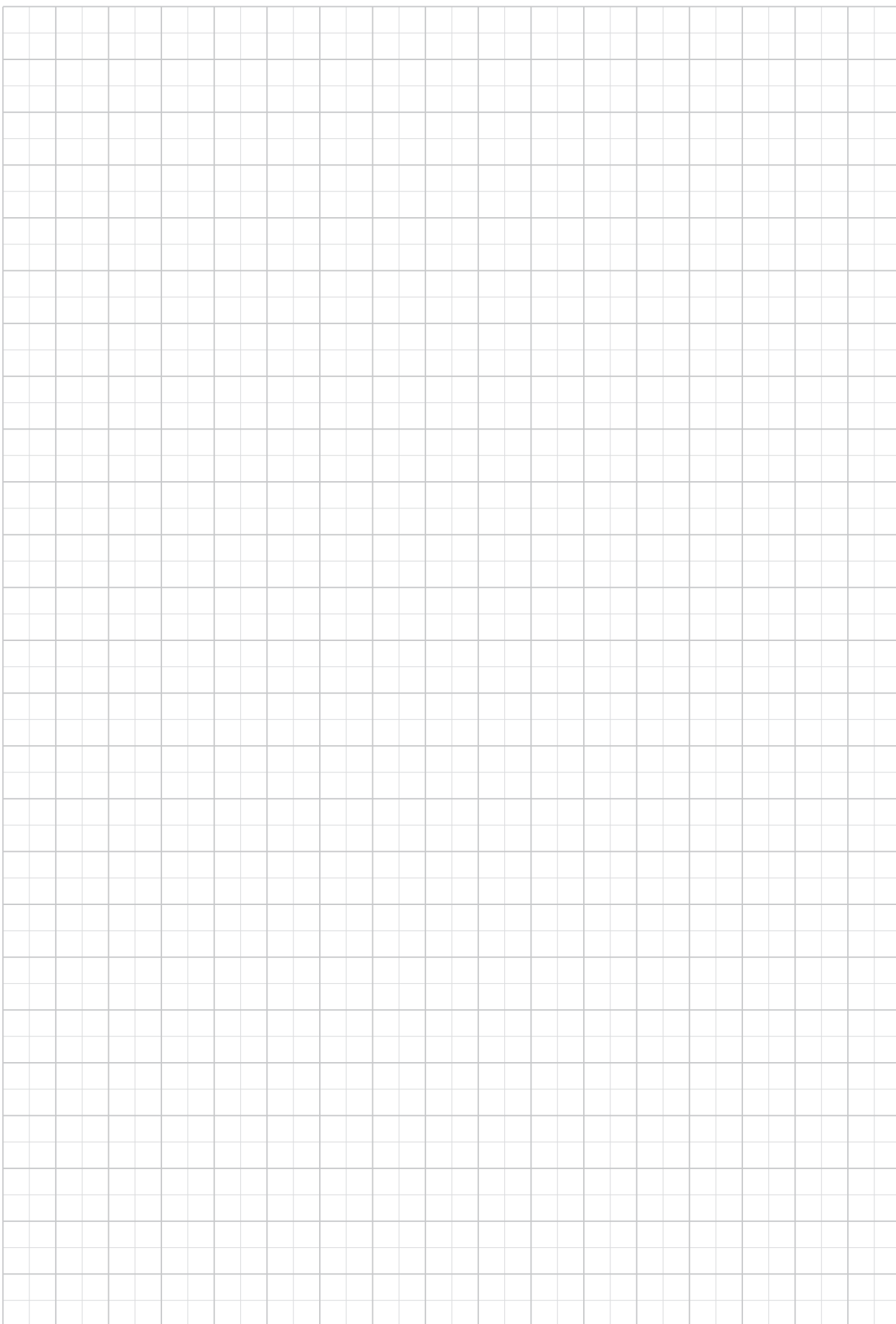
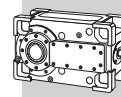
BONFIGLIOLI TECHNICAL SERVICE




26 EXACT RATIOS

HDO

| | i _N | i | | | | | | | | | |
|--|----------------|---------|---------|---------|---------|---------|---------|---------|---------|---------|---------|
| | | HDO 100 | HDO 110 | HDO 120 | HDO 125 | HDO 130 | HDO 140 | HDO 150 | HDO 160 | HDO 170 | HDO 180 |
| 2x  | 5.6 | 5.815 | — | — | — | 5.708 | — | 5.512 | — | — | — |
| | 6.3 | 6.462 | 6.354 | 6.569 | — | 6.231 | 6.569 | 6.459 | — | — | — |
| | 7.1 | 7.038 | 7.038 | 7.154 | 7.412 | 7.090 | 7.269 | 7.034 | 7.306 | — | — |
| | 8.0 | 8.000 | 8.077 | 8.077 | 7.976 | 7.714 | 8.167 | 8.133 | 7.941 | — | — |
| | 9.0 | 8.714 | 8.714 | 8.857 | 8.831 | 8.778 | 9.000 | 8.857 | 8.933 | — | — |
| | 10.0 | 10.000 | 10.000 | 10.000 | 9.875 | 9.643 | 10.111 | 10.010 | 10.427 | — | — |
| | 11.2 | 10.893 | 10.893 | 11.071 | 11.471 | 10.972 | 11.250 | 10.901 | 11.333 | — | — |
| | 12.5 | 12.400 | 12.500 | 12.500 | 12.344 | 11.957 | 12.639 | 12.607 | 12.152 | — | — |
| | 14.0 | 13.507 | 13.507 | 13.729 | 14.224 | 13.606 | 13.950 | 13.729 | 14.183 | — | — |
| | 16.0 | — | 15.500 | 15.500 | 15.306 | — | 15.672 | — | 15.417 | — | — |
| | 18.0 | — | — | — | 16.947 | — | — | — | — | — | — |
| 3x  | 14.0 | 14.009 | — | — | — | — | — | — | — | — | — |
| | 16.0 | 15.566 | — | — | — | 15.188 | — | 15.618 | — | 15.902 | — |
| | 18.0 | 17.308 | 18.910 | 17.260 | — | 18.265 | 17.719 | 18.300 | 17.735 | 18.457 | 17.691 |
| | 20.0 | 20.235 | 20.948 | 19.487 | 19.244 | 19.938 | 19.906 | 19.929 | 20.700 | 19.991 | 20.471 |
| | 22.4 | 22.500 | 22.042 | 21.802 | 22.588 | 22.613 | 23.262 | 21.698 | 22.500 | 21.659 | 22.139 |
| | 25.0 | 25.000 | 24.583 | 24.579 | 24.308 | 24.686 | 26.027 | 25.425 | 24.641 | 26.181 | 24.096 |
| | 28.0 | 28.320 | 27.232 | 28.343 | 27.731 | 28.267 | 28.800 | 28.232 | 28.760 | 28.356 | 27.882 |
| | 31.5 | 31.467 | 30.942 | 31.952 | 33.040 | 30.857 | 32.533 | 30.739 | 31.261 | 30.722 | 31.363 |
| | 35.5 | 36.000 | 34.276 | 34.796 | 35.798 | 34.862 | 36.000 | 36.019 | 34.908 | 35.660 | 34.136 |
| | 40.0 | 40.000 | 39.333 | 41.248 | 38.795 | 38.263 | 40.124 | 40.184 | 40.743 | 38.622 | 39.500 |
| | 45.0 | 43.896 | 43.571 | 44.918 | 42.952 | 43.813 | 44.400 | 43.760 | 44.286 | 43.951 | 42.719 |
| | 50.0 | 48.773 | 47.960 | 49.526 | 50.080 | 47.829 | 50.427 | 47.646 | 49.406 | 47.619 | 48.613 |
| | 56.0 | 55.800 | 53.128 | 53.934 | 55.448 | 54.036 | 55.800 | 55.830 | 54.107 | 55.273 | 52.910 |
| | 63.0 | 62.000 | 60.967 | 63.934 | 60.132 | 58.989 | 62.193 | 60.798 | 63.151 | 59.864 | 61.225 |
| 71.0 | 67.536 | 67.536 | 69.623 | 72.134 | 67.121 | 68.820 | — | 68.643 | — | 66.214 | |
| 80.0 | — | 77.500 | 78.607 | 77.625 | — | 77.316 | — | — | — | — | |
| 90.0 | — | — | — | 85.944 | — | — | — | — | — | — | |
| 4x  | 71.0 | 70.800 | — | — | — | 71.498 | — | 66.861 | — | 72.872 | — |
| | 80.0 | 78.667 | 77.356 | — | — | 78.050 | 82.290 | 78.345 | 75.927 | 84.583 | 80.969 |
| | 90.0 | 90.000 | 85.690 | 86.990 | — | 88.181 | 91.059 | 92.894 | 88.620 | 91.610 | 93.692 |
| | 100.0 | 100.000 | 96.694 | 103.119 | 96.987 | 96.262 | 101.491 | 101.848 | 96.326 | 99.256 | 101.326 |
| | 112.0 | 111.392 | 108.929 | 112.296 | 116.345 | 111.182 | 112.306 | 110.912 | 115.205 | 115.208 | 110.285 |
| | 125.0 | 123.769 | 121.706 | 125.679 | 125.201 | 121.371 | 127.964 | 120.762 | 125.223 | 124.779 | 127.615 |
| | 140.0 | 139.830 | 137.105 | 136.864 | 141.798 | 141.333 | 141.600 | 141.503 | 137.137 | 139.844 | 138.014 |
| | 160.0 | 160.000 | 154.711 | 162.241 | 152.592 | 154.286 | 162.667 | 157.865 | 160.061 | 162.319 | 155.383 |
| | 180.0 | 178.227 | 174.286 | 179.673 | 177.999 | 174.311 | 180.000 | 171.914 | 173.980 | 175.804 | 179.800 |
| | 200.0 | 198.030 | 194.730 | 201.087 | 200.321 | 190.286 | 198.345 | 187.182 | 194.096 | 190.478 | 194.450 |
| | 225.0 | 223.728 | 215.711 | 218.982 | 226.877 | 219.067 | 219.480 | 219.330 | 212.562 | 221.090 | 211.642 |
| | 250.0 | 248.587 | 244.444 | 252.424 | 244.148 | 239.143 | 252.133 | 238.849 | 248.095 | 239.458 | 244.900 |
| | 280.0 | 284.400 | 274.210 | 282.686 | 284.798 | 270.182 | 279.000 | — | 269.668 | — | — |
| | 315.0 | 316.000 | 310.733 | 325.856 | 315.172 | 294.943 | 310.964 | — | — | — | — |
| | 355.0 | 344.214 | 344.214 | 354.855 | 367.649 | 335.604 | 344.100 | — | — | — | — |
| | 400.0 | — | 395.000 | 400.643 | 395.635 | — | 386.581 | — | — | — | — |
| 450.0 | — | — | — | 438.036 | — | — | — | — | — | — | |

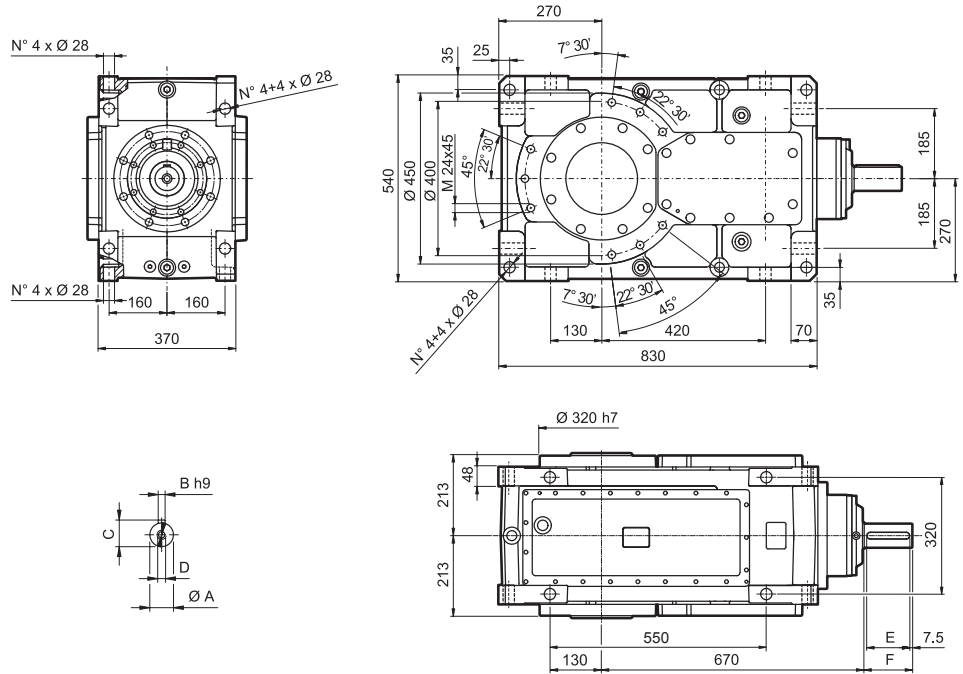


HDO

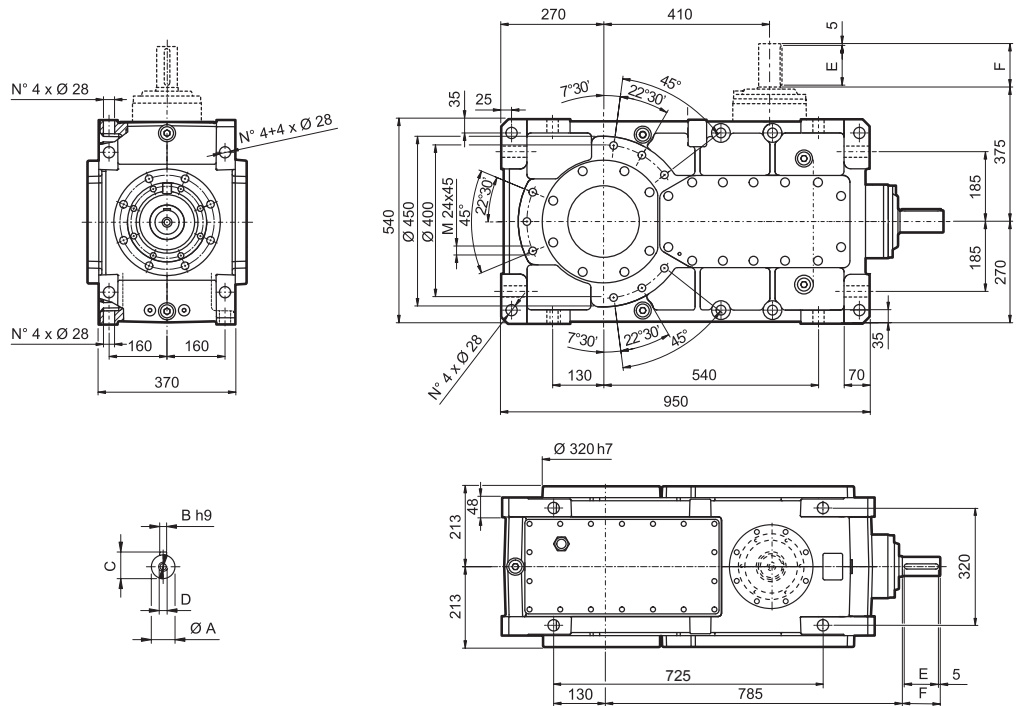


HDO 100

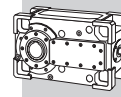
HDO 100 2



HDO 100 3 HDO 100 4

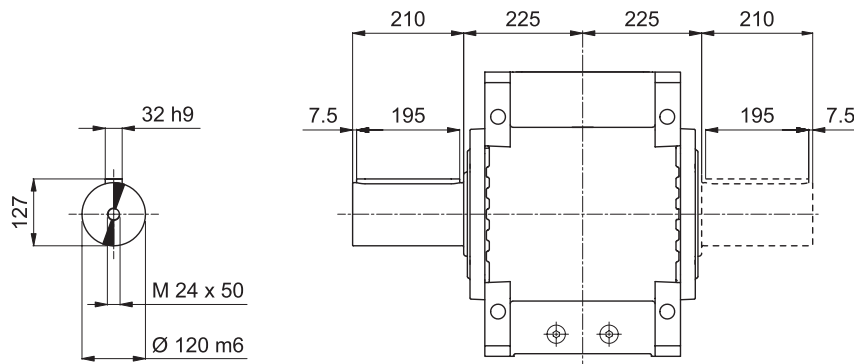


| VP | i = | A | B | C | D | E | F | LP |
|-----------|----------------|-------|----|------|--------|-----|-----|-----|
| HDO 100 2 | 5.8 ... 13.5 | 70 m6 | 20 | 74.5 | M20x42 | 125 | 140 | 640 |
| HDO 100 3 | 14 ... 17.3 | 55 m6 | 16 | 59 | M20x42 | 100 | 110 | 715 |
| HDO 100 3 | 20.2 ... 67.5 | 45 k6 | 14 | 48.5 | M16x36 | 100 | 110 | 715 |
| HDO 100 4 | 70.8 ... 139.8 | 35 k6 | 10 | 38 | M12x28 | 70 | 80 | 730 |
| HDO 100 4 | 160 ... 344.2 | 32 k6 | 10 | 35 | M12x28 | 70 | 80 | 730 |

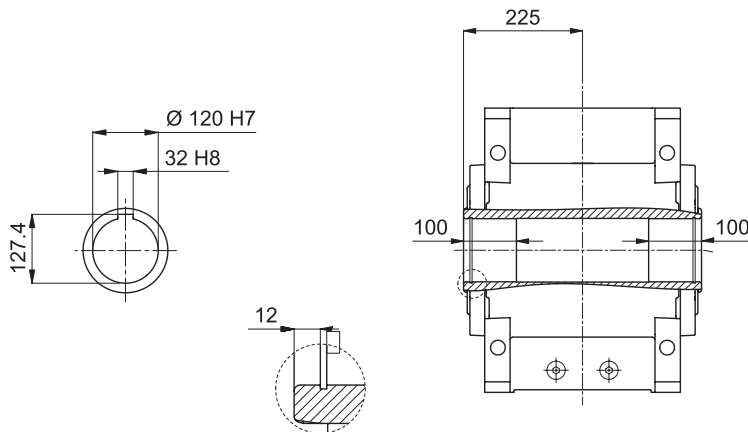


HDO 100

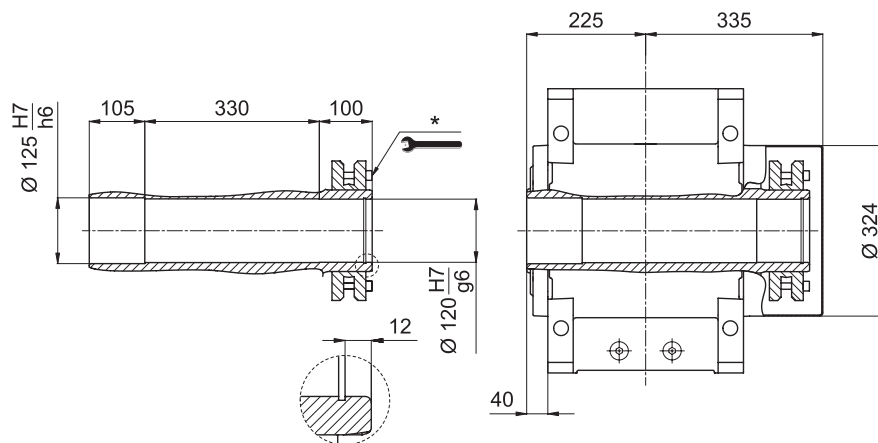
LP



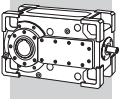
H



S



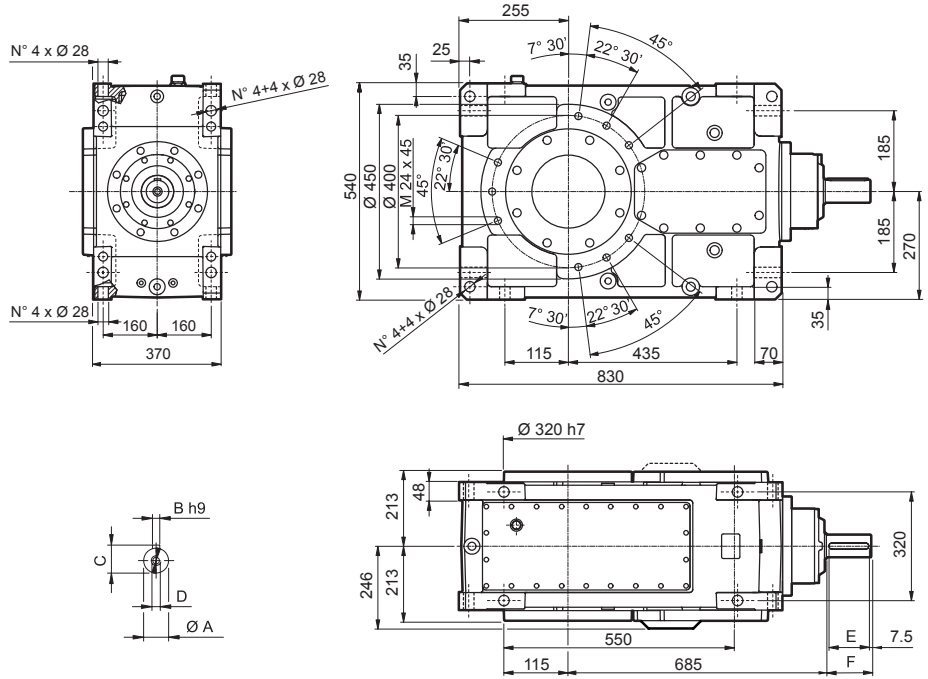
* For correct use, refer to the "OPERATION AND MAINTENANCE MANUAL".



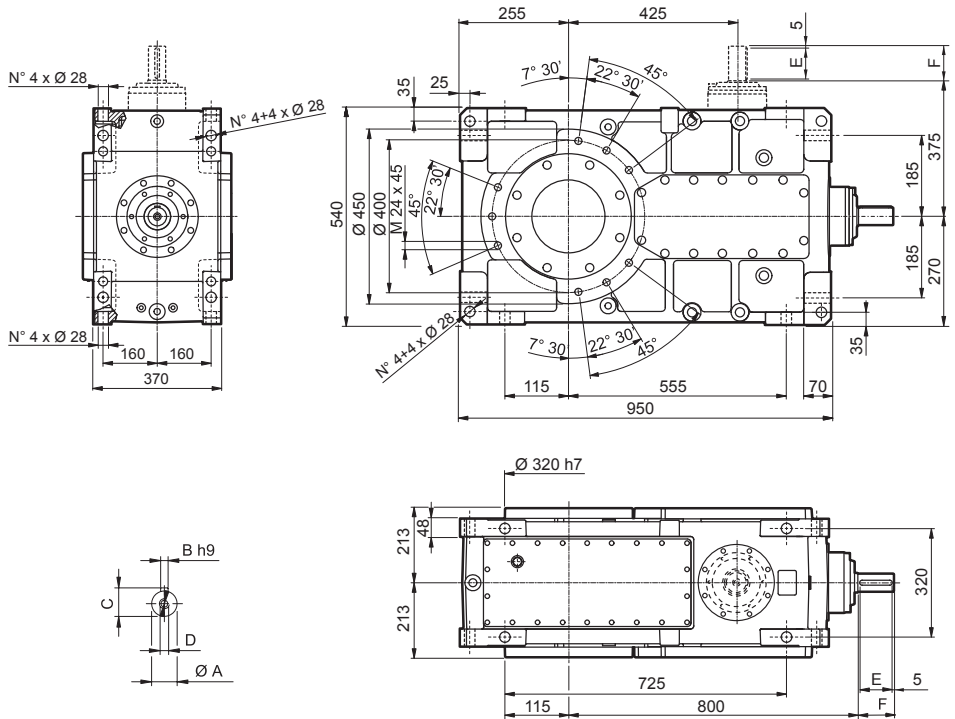
HDO 110

HDO

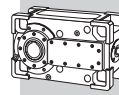
HDO 110 2



HDO 110 3 HDO 110 4

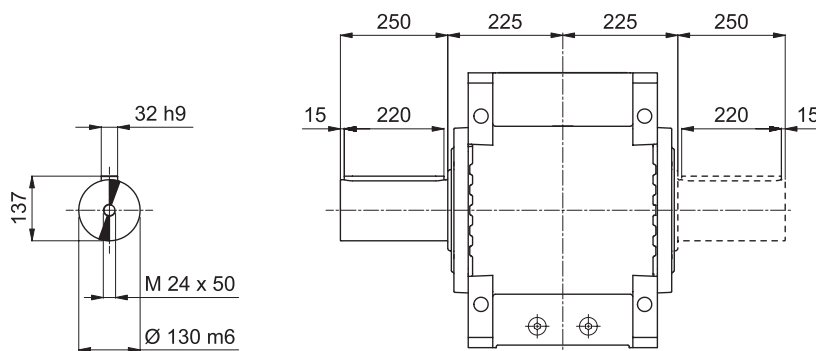


| VP | i = | A | B | C | D | E | F | Kg LP |
|-----------|----------------|-------|----|------|--------|-----|-----|-------|
| HDO 110 2 | 6.4 ... 15.5 | 70 m6 | 20 | 74.5 | M20x42 | 125 | 140 | 695 |
| HDO 110 3 | 18.9 ... 20.9 | 55 m6 | 16 | 59 | M20x42 | 100 | 110 | 770 |
| HDO 110 3 | 22 ... 77.5 | 45 k6 | 14 | 48.5 | M16x36 | 100 | 110 | 770 |
| HDO 110 4 | 77.4 ... 121.7 | 35 k6 | 10 | 38 | M12x28 | 70 | 80 | 765 |
| HDO 110 4 | 137.1 ... 395 | 32 k6 | 10 | 35 | M12x28 | 70 | 80 | 765 |

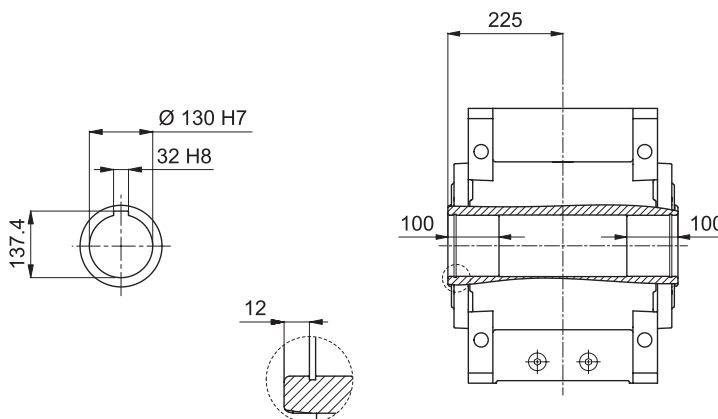


HDO 110

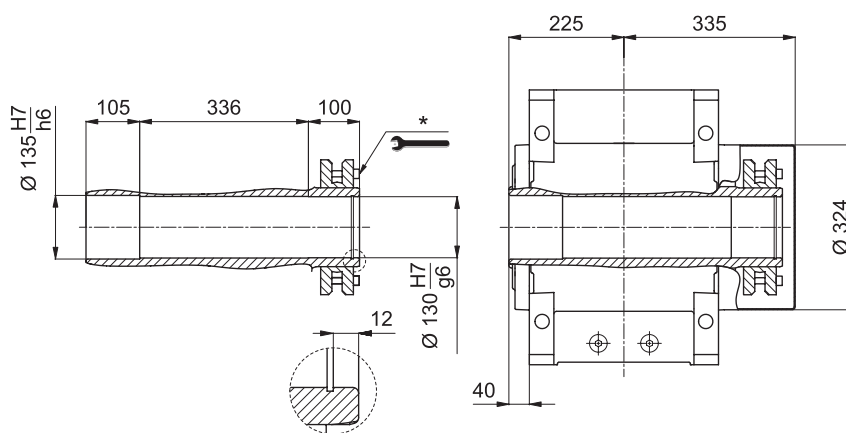
LP



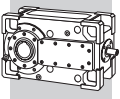
H



S



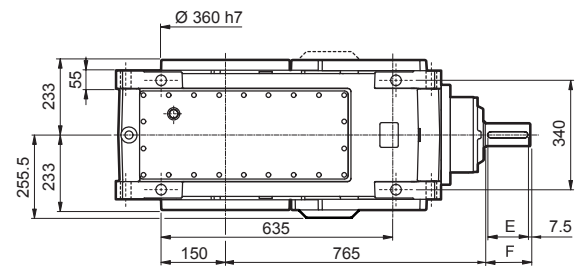
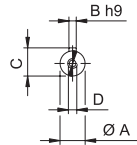
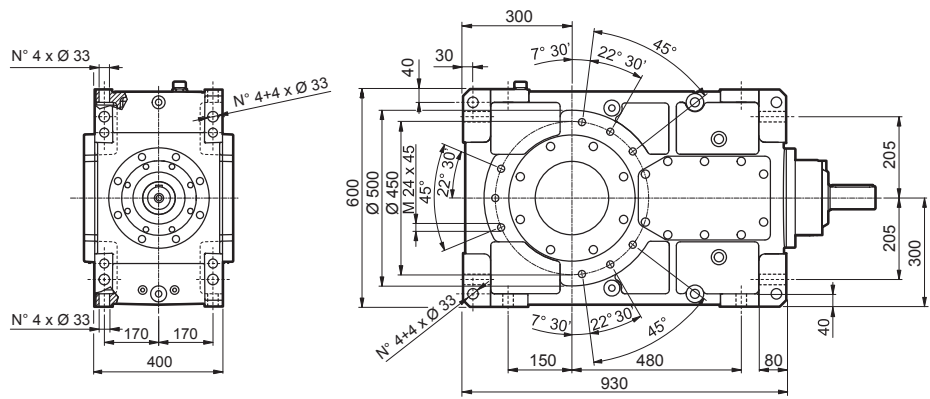
* For correct use, refer to the "OPERATION AND MAINTENANCE MANUAL".



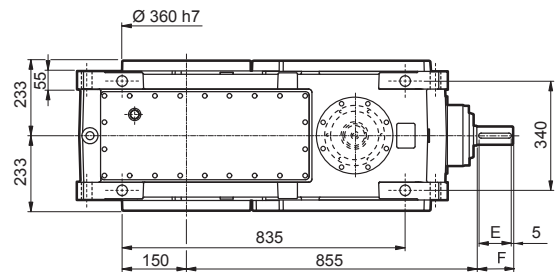
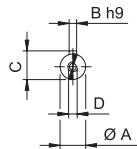
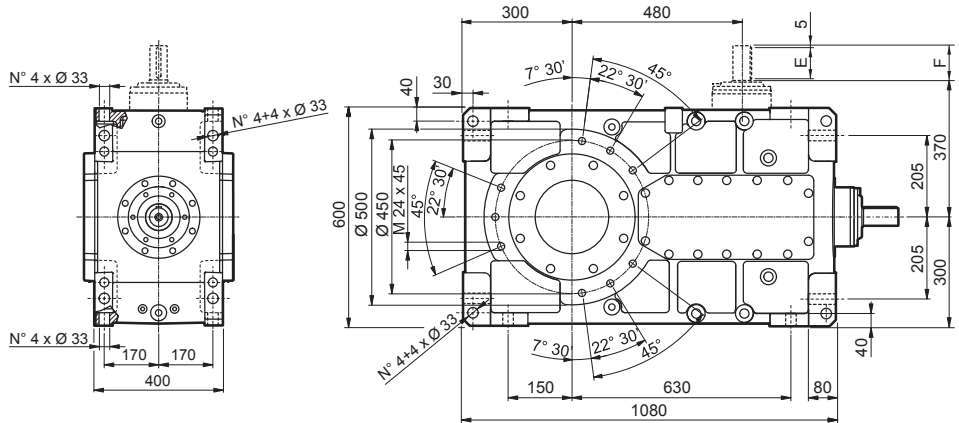
HDO 120

HDO

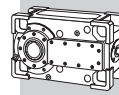
HDO 120 2



HDO 120 3 HDO 120 4

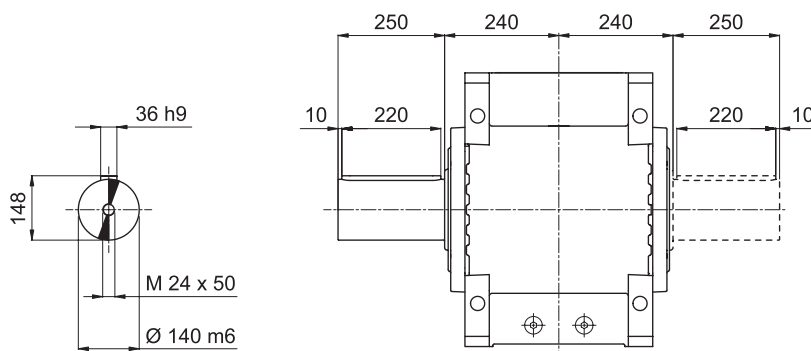


| VP | i = | A | B | C | D | E | F | LP |
|-----------|-----------------|-------|----|------|--------|-----|-----|------|
| HDO 120 2 | 6.6 ... 15.5 | 70 m6 | 20 | 74.5 | M20x42 | 125 | 140 | 945 |
| HDO 120 3 | 17.3 ... 24.6 | 55 m6 | 16 | 59 | M20x42 | 100 | 110 | 1025 |
| HDO 120 3 | 28.3 ... 78.6 | 45 k6 | 14 | 48.5 | M16x36 | 100 | 110 | 1025 |
| HDO 120 4 | 87 ... 162.2 | 35 k6 | 10 | 38 | M12x28 | 70 | 80 | 990 |
| HDO 120 4 | 179.7 ... 400.6 | 32 k6 | 10 | 35 | M12x28 | 70 | 80 | 990 |

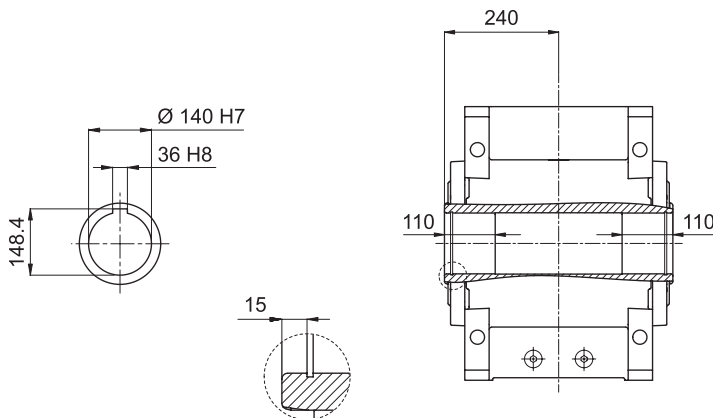


HDO 120

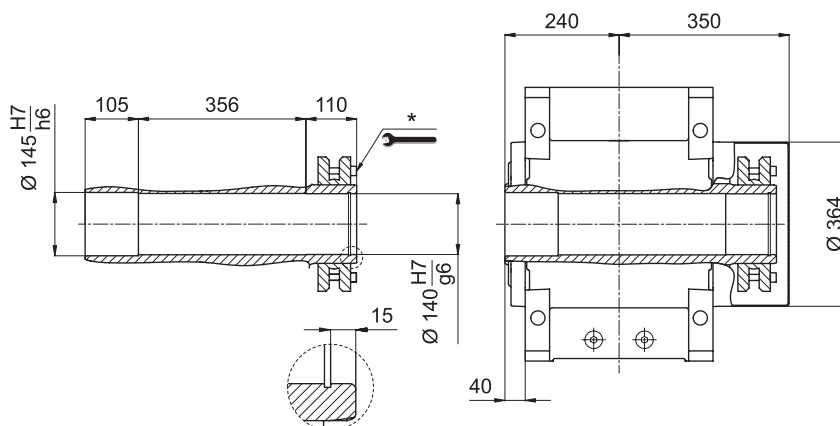
LP



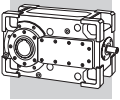
H



S



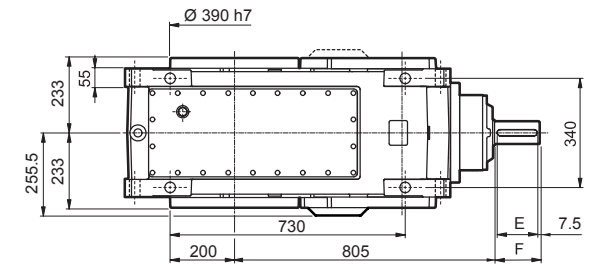
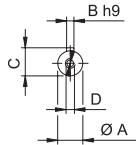
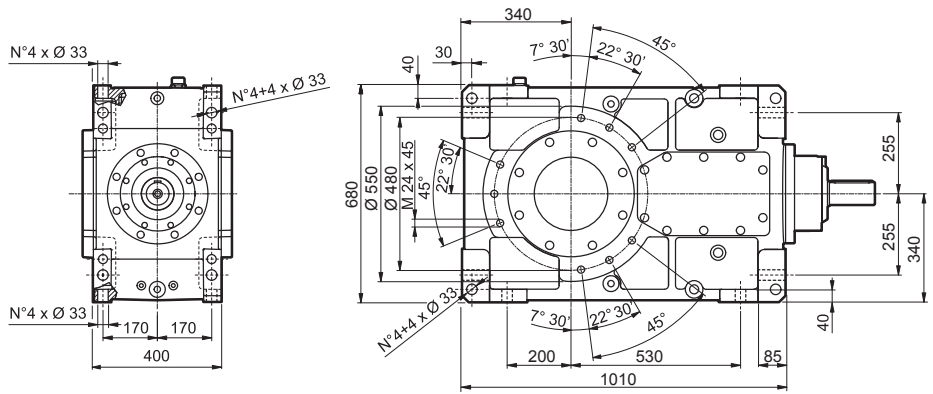
* For correct use, refer to the "OPERATION AND MAINTENANCE MANUAL".



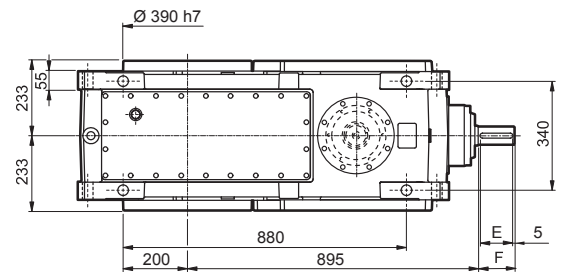
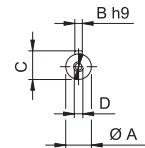
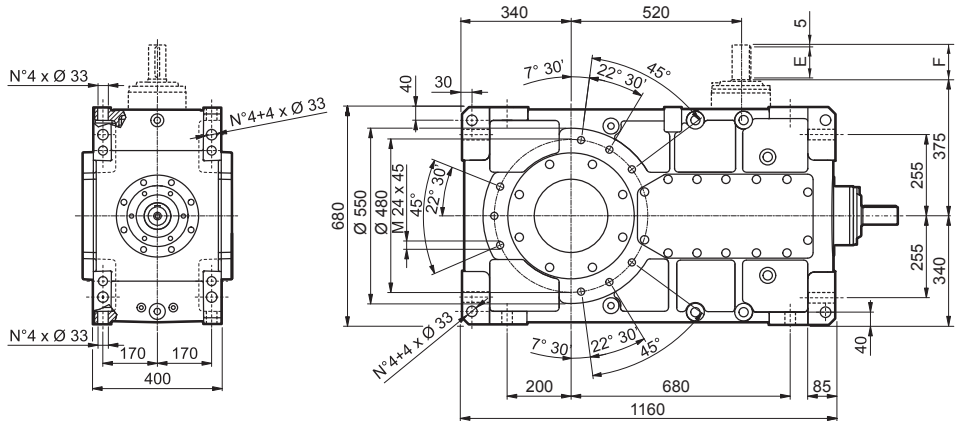
HDO 125

HDO

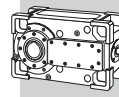
HDO 125 2



HDO 125 3 HDO 125 4

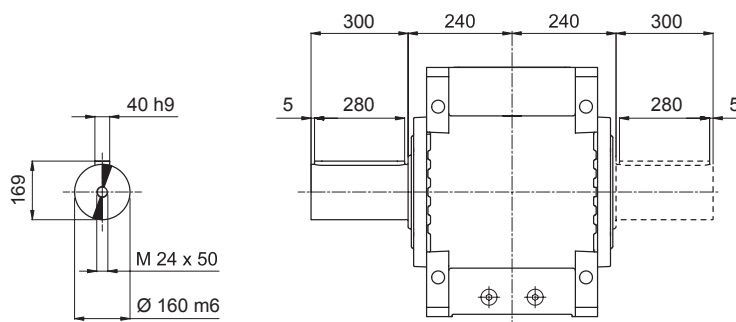


| VP | i = | A | B | C | D | E | F | LP |
|-----------|---------------|-------|----|------|--------|-----|-----|------|
| HDO 125 2 | 7.4...17.0 | 70 m6 | 20 | 74.5 | M20x42 | 125 | 140 | 1130 |
| HDO 125 3 | 19.2...35.8 | 55 m6 | 16 | 59 | M20x43 | 100 | 110 | 1205 |
| HDO 125 3 | 38.8...85.9 | 45 k6 | 14 | 48.5 | M16x36 | 100 | 110 | 1205 |
| HDO 125 4 | 97.0...178.0 | 35 k6 | 10 | 35 | M12x28 | 70 | 80 | 1165 |
| HDO 125 4 | 200.3...438.0 | 32 k6 | 10 | 35 | M12x28 | 70 | 80 | 1165 |

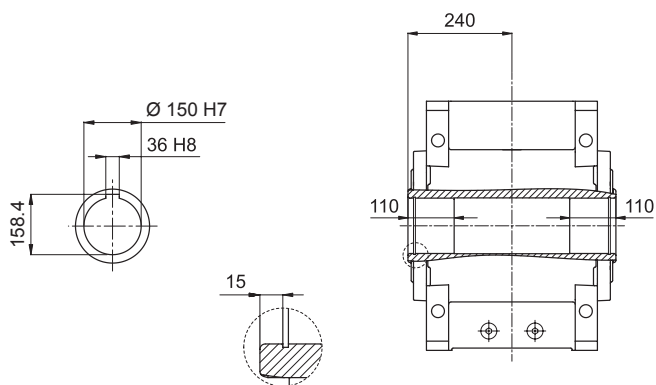


HDO 125

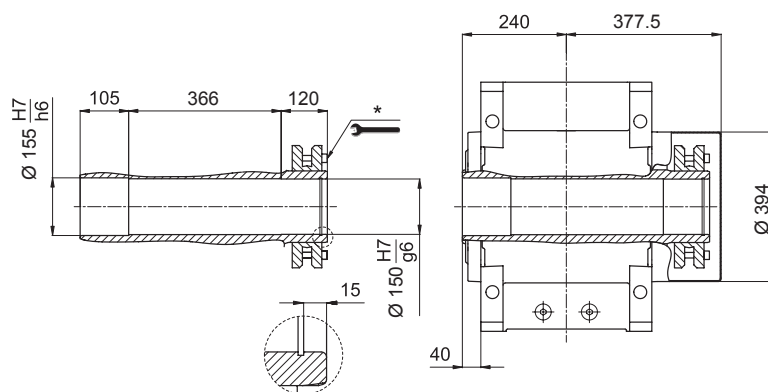
LP



H

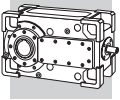


S

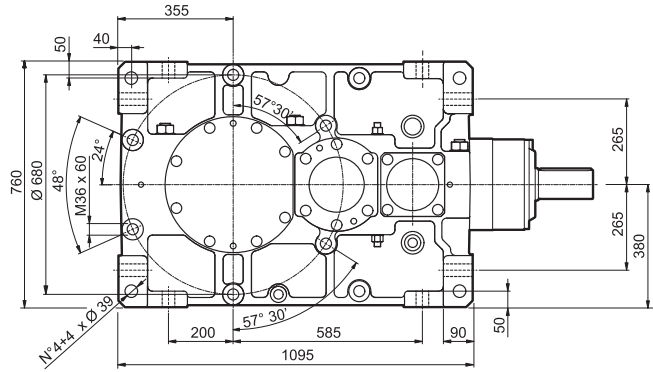
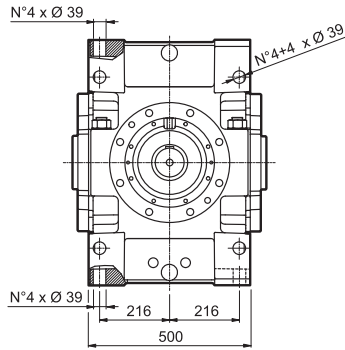


HDO

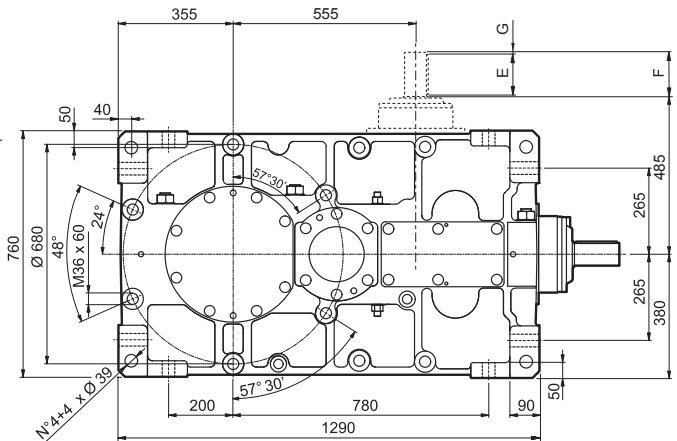
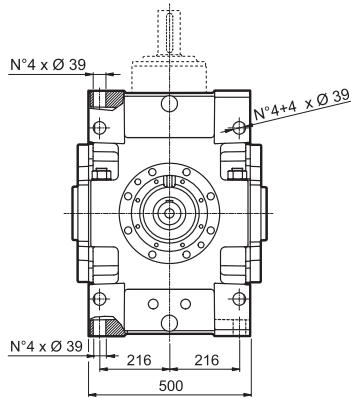
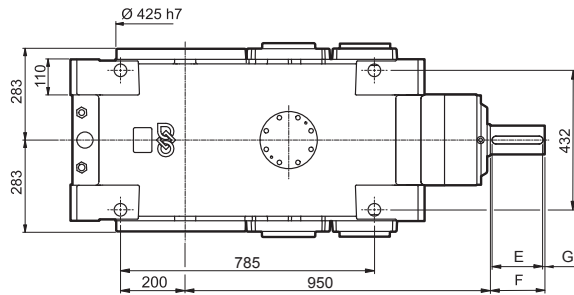
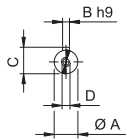
* For correct use, refer to the "OPERATION AND MAINTENANCE MANUAL".



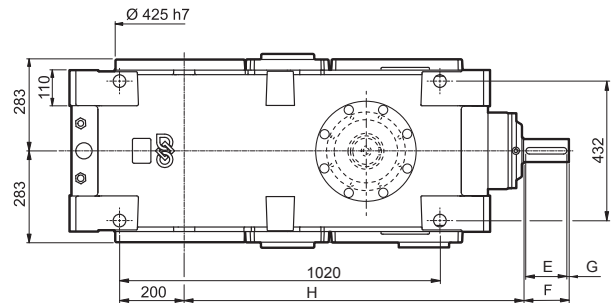
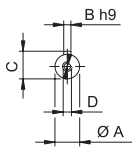
HDO 130



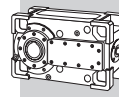
HDO 130 2



HDO 130 3 HDO 130 4

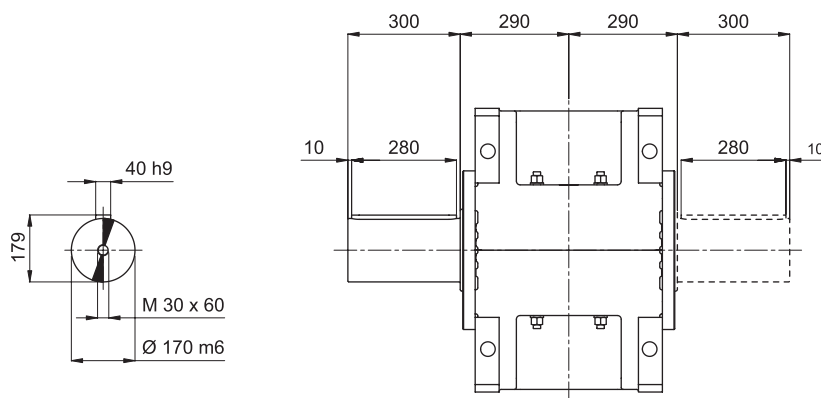


| VP | i = | A | B | C | D | E | F | G | H | LP |
|-----------|----------------|-------|----|------|--------|-----|-----|-----|------|------|
| HDO 130 2 | 5.7 ... 13.6 | 90 m6 | 25 | 95 | M24x50 | 160 | 170 | 5 | — | 1570 |
| HDO 130 3 | 15.2 ... 67.1 | 70 m6 | 20 | 74.5 | M20x42 | 125 | 140 | 7.5 | 1040 | 1730 |
| HDO 130 4 | 71.5 ... 335.6 | 45 k6 | 14 | 48.5 | M16x36 | 100 | 110 | 5 | 1105 | 1700 |

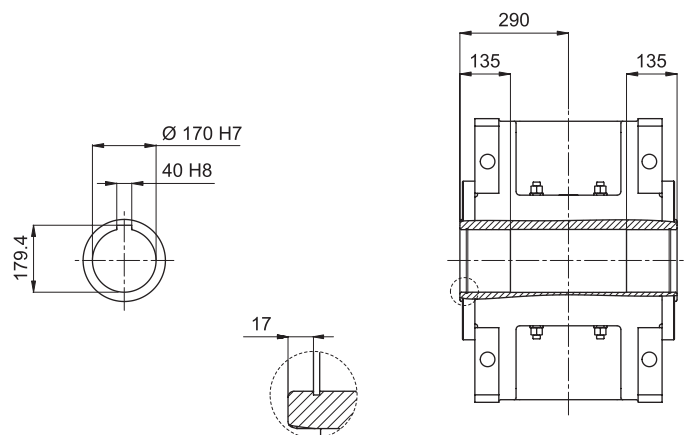


HDO 130

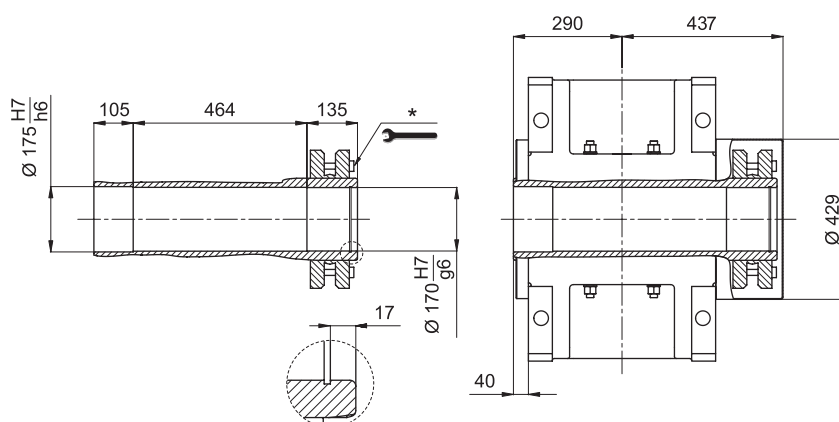
LP



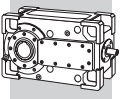
H



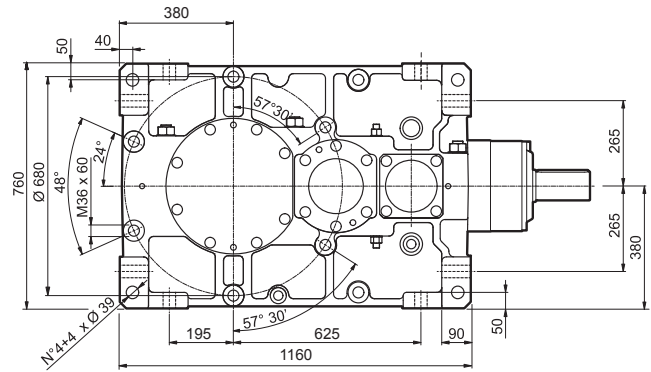
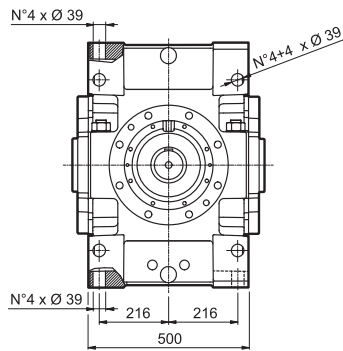
S



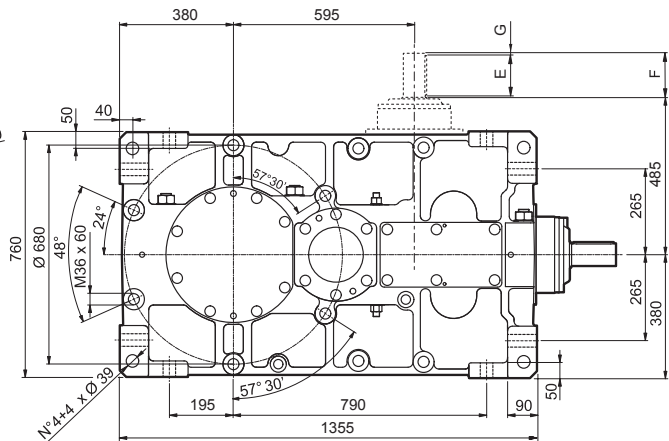
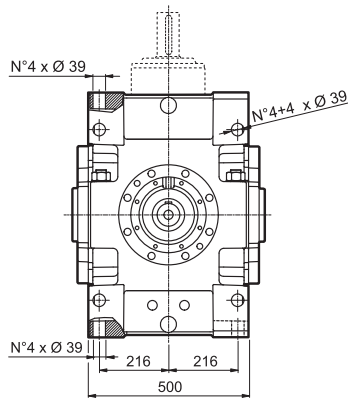
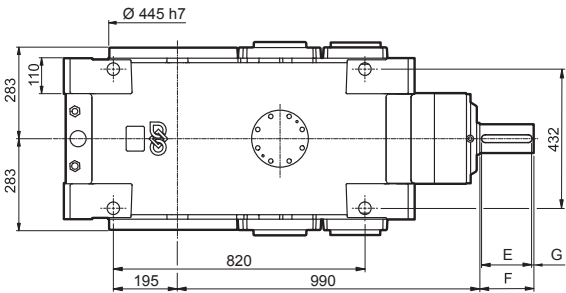
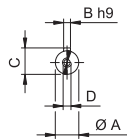
* For correct use, refer to the "OPERATION AND MAINTENANCE MANUAL".



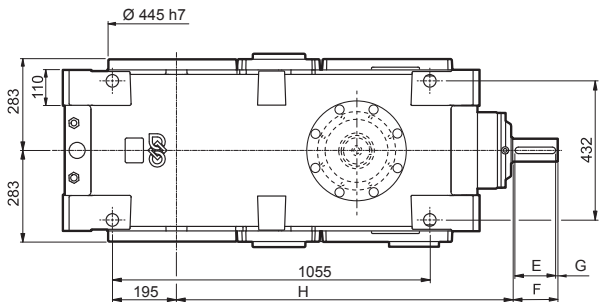
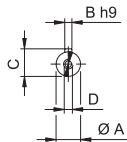
HDO 140



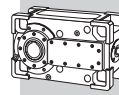
HDO 140 2



HDO 140 3 HDO 140 4

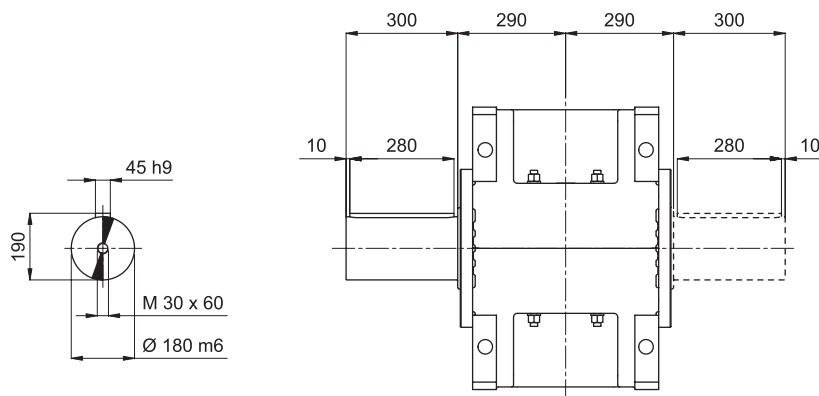


| VP | i = | A | B | C | D | E | F | G | H | LP |
|-----------|----------------|-------|----|------|--------|-----|-----|-----|------|------|
| HDO 140 2 | 6.6 ... 15.7 | 90 m6 | 25 | 95 | M24x50 | 160 | 170 | 5 | — | 1710 |
| HDO 140 3 | 17.7 ... 77.3 | 70 m6 | 20 | 74.5 | M20x42 | 125 | 140 | 7.5 | 1080 | 1960 |
| HDO 140 4 | 82.3 ... 386.6 | 45 k6 | 14 | 48.5 | M16x36 | 100 | 110 | 5 | 1145 | 1925 |

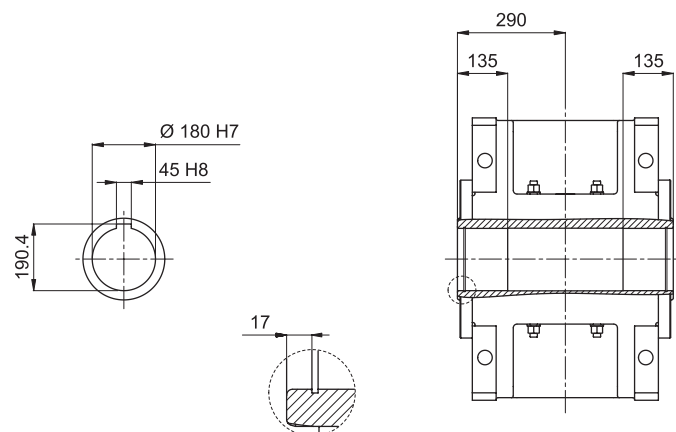


HDO 140

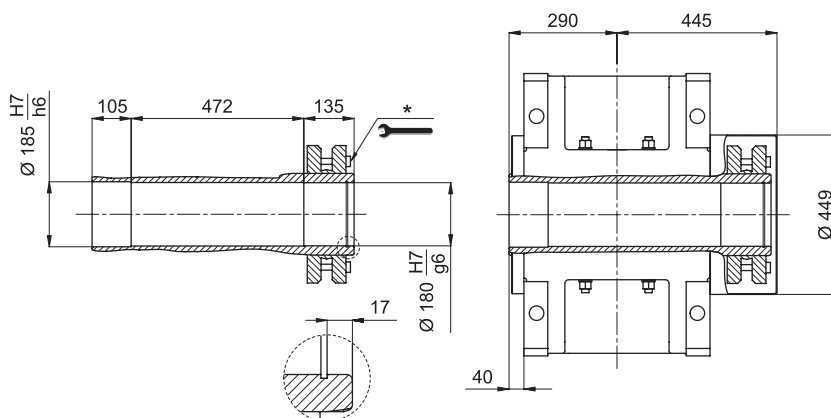
LP



H



S



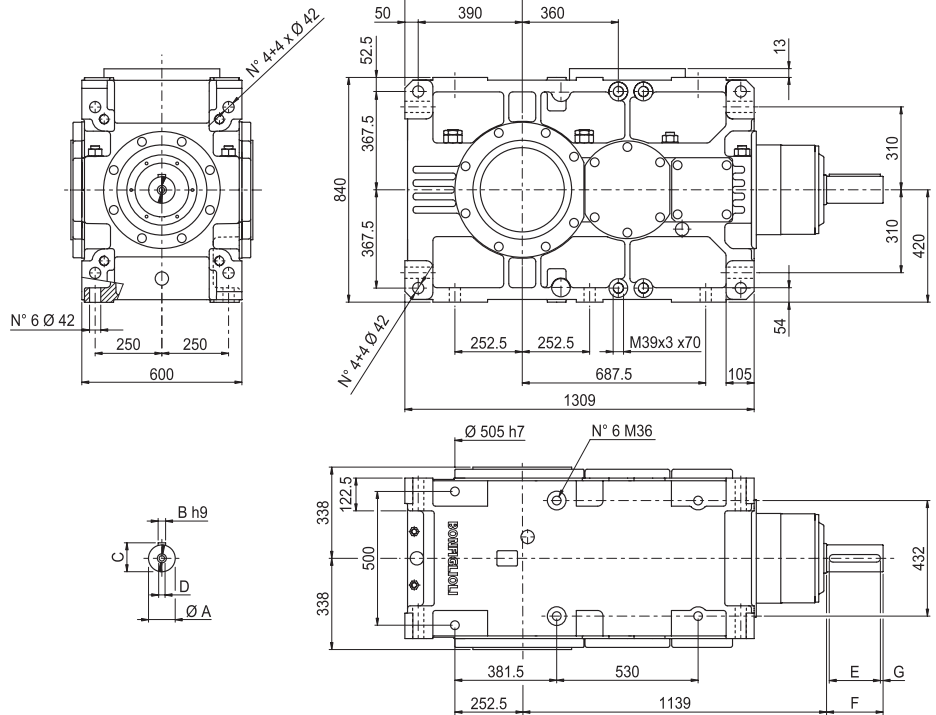
HDO

* For correct use, refer to the "OPERATION AND MAINTENANCE MANUAL".

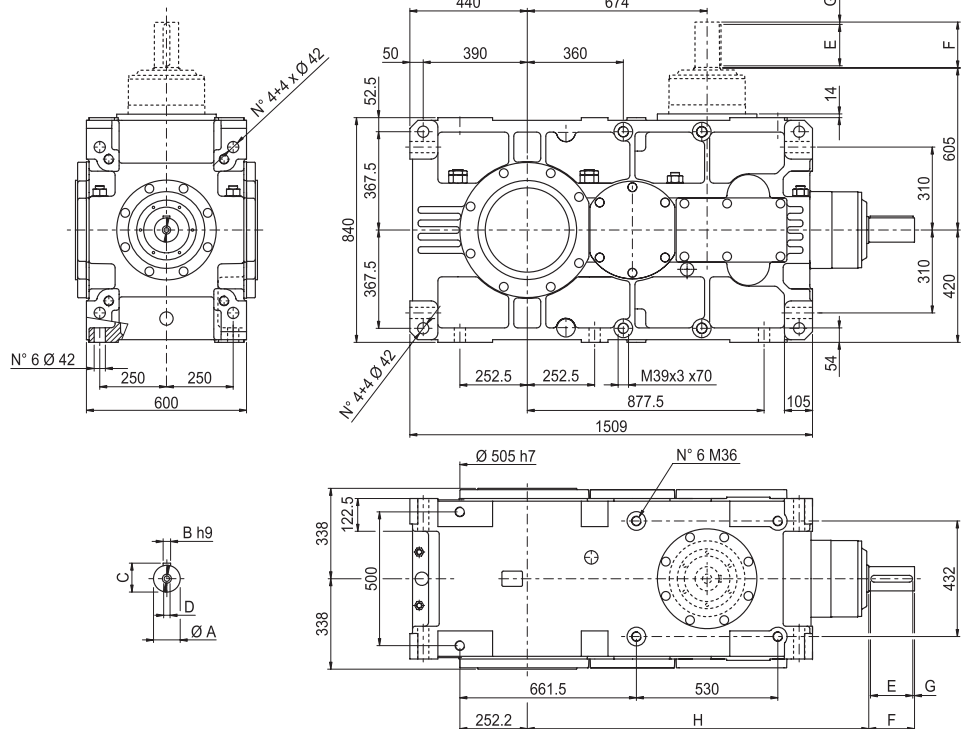


HDO 150

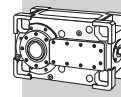
HDO 150 2



HDO 150 3 HDO 150 4

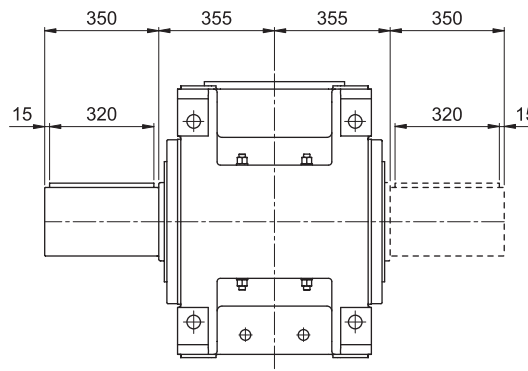
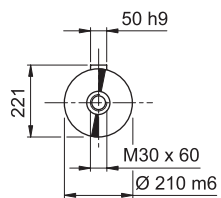


| VP | i = | A | B | C | D | E | F | G | H | LP |
|-----------|-----------------|--------|----|------|--------|-----|-----|----|------|------|
| HDO 150 2 | 5.5 ... 7.0 | 110 m6 | 28 | 116 | M24x50 | 190 | 210 | 10 | — | 2795 |
| HDO 150 2 | 8.1 ... 13.7 | 100 m6 | 28 | 106 | M24x50 | 190 | 210 | 10 | — | 2795 |
| HDO 150 3 | 15.6 ... 60.8 | 90 m6 | 25 | 95 | M24x50 | 160 | 170 | 5 | 1279 | 2895 |
| HDO 150 4 | 66.9 ... 92.9 | 55 m6 | 16 | 59 | M20x42 | 90 | 110 | 10 | 1249 | 2875 |
| HDO 150 4 | 101.8 ... 238.8 | 45 k6 | 14 | 48.5 | M16x36 | 100 | 110 | 5 | 1249 | 2875 |

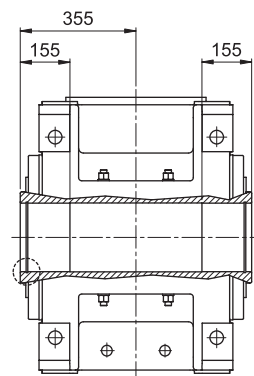
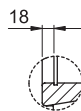
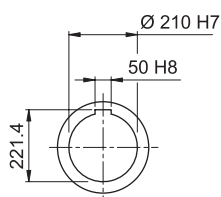


HDO 150

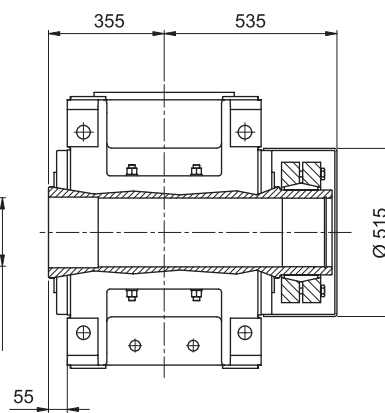
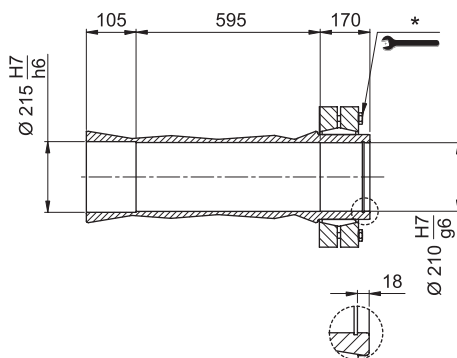
LP



H



S



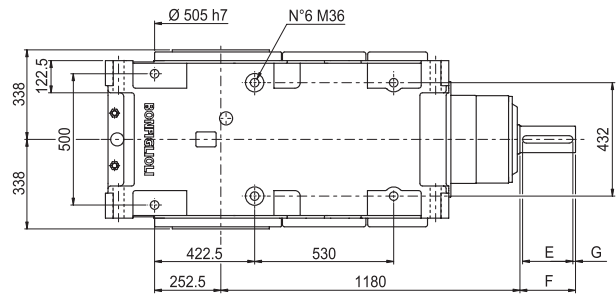
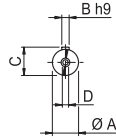
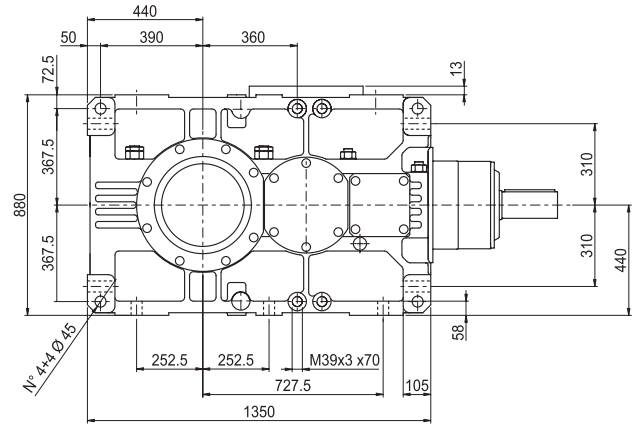
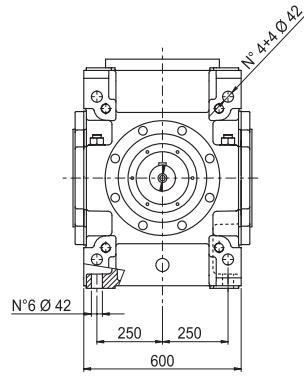
HDO

* For correct use, refer to the "OPERATION AND MAINTENANCE MANUAL".

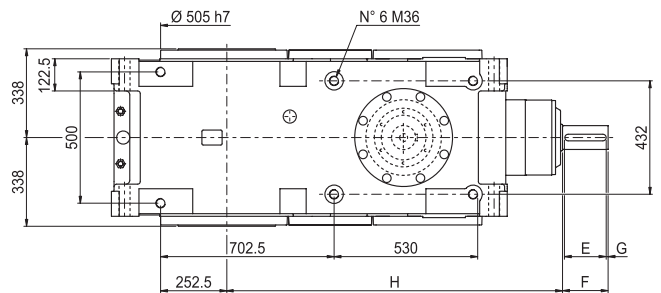
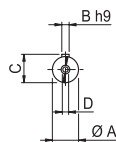
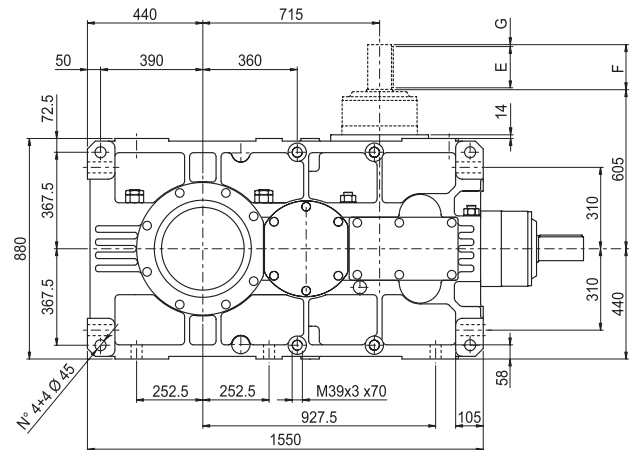
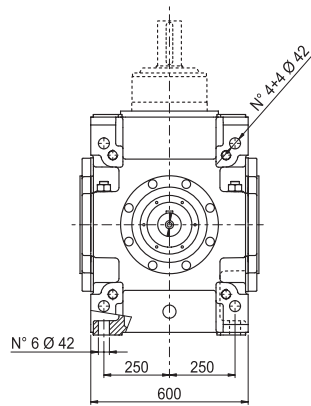


HDO 160

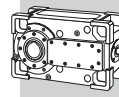
HDO 160 2



HDO 160 3 HDO 160 4

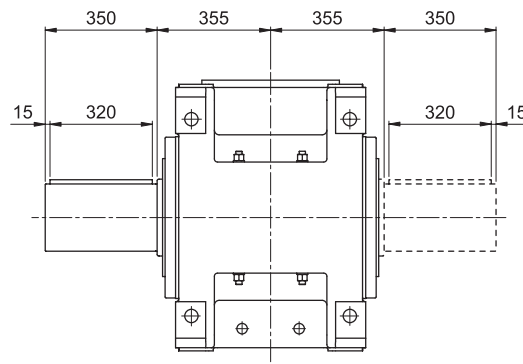
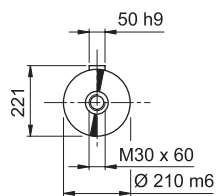


| VP | i = | A | B | C | D | E | F | G | H | LP |
|-----------|-----------------|--------|----|------|--------|-----|-----|----|------|------|
| HDO 160 2 | 7.3 ... 7.9 | 110 m6 | 28 | 116 | M24x50 | 190 | 210 | 10 | — | 3075 |
| HDO 160 2 | 8.9 ... 15.4 | 100 m6 | 28 | 106 | M24x50 | 190 | 210 | 10 | — | 3075 |
| HDO 160 3 | 17.7 ... 68.6 | 90 m6 | 25 | 95 | M24x50 | 160 | 170 | 5 | 1320 | 3175 |
| HDO 160 4 | 75.9 ... 96.3 | 55 m6 | 16 | 59 | M20x42 | 90 | 110 | 10 | 1290 | 3160 |
| HDO 160 4 | 115.2 ... 269.7 | 45 k6 | 14 | 48.5 | M16x36 | 100 | 110 | 5 | 1290 | 3160 |

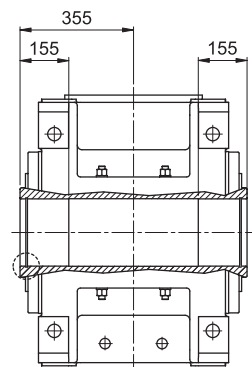
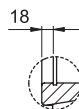
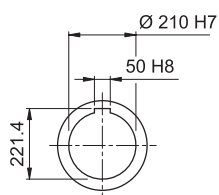


HDO 160

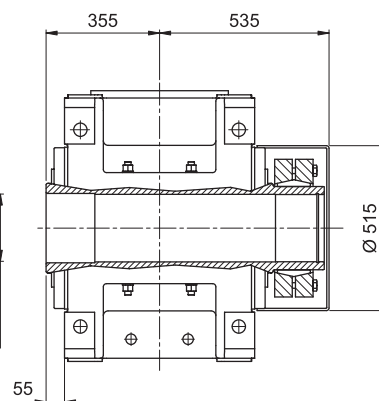
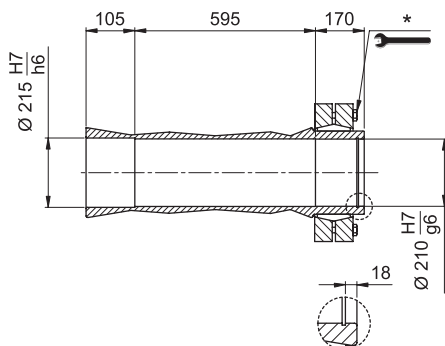
LP



H



S



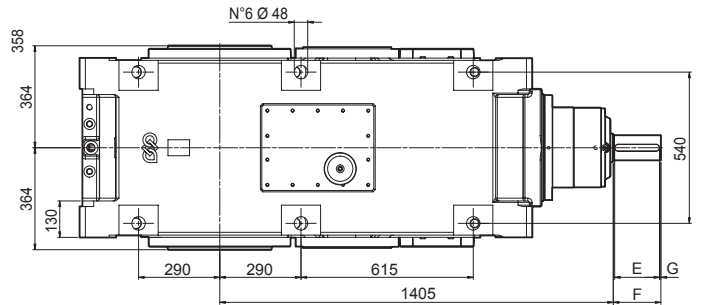
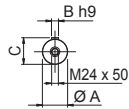
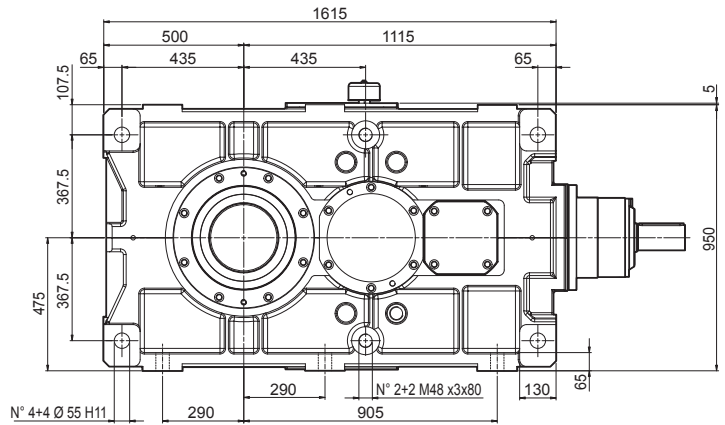
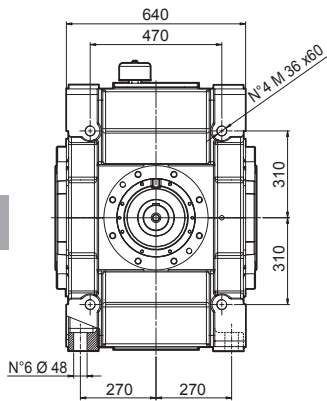
HDO

* For correct use, refer to the "OPERATION AND MAINTENANCE MANUAL".



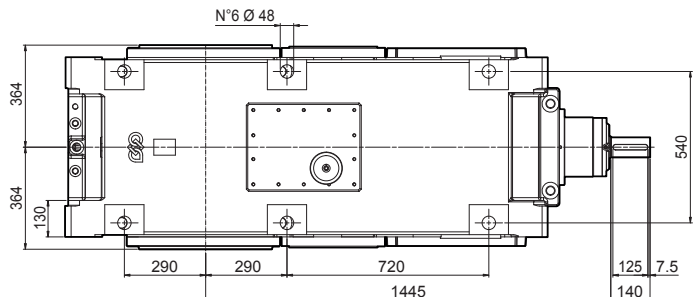
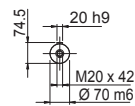
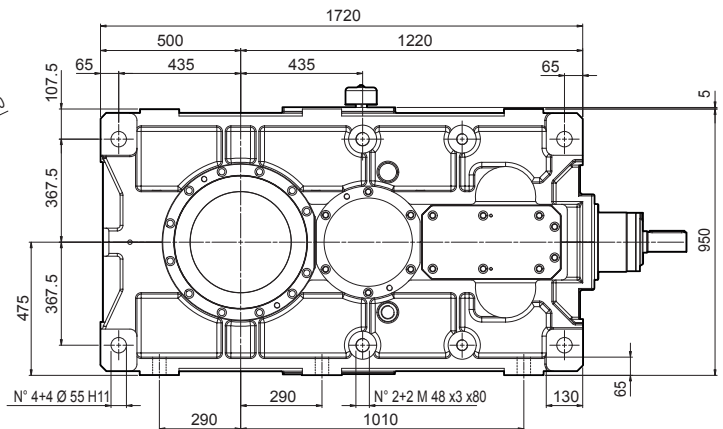
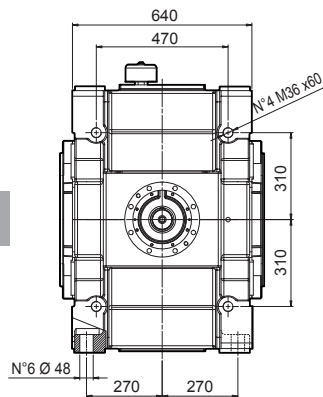
HDO 170

HDO 170 3

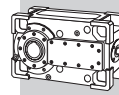


| VP | i = | A | B | C | E | F | G | LP |
|-----------|---------------|--------|----|-----|-----|-----|----|------|
| HDO 170 3 | 15.9 ... 21.7 | 100 m6 | 28 | 106 | 190 | 210 | 10 | 3675 |
| HDO 170 3 | 26.2 ... 59.9 | 90 m6 | 25 | 95 | 160 | 170 | 5 | 3675 |

HDO 170 4

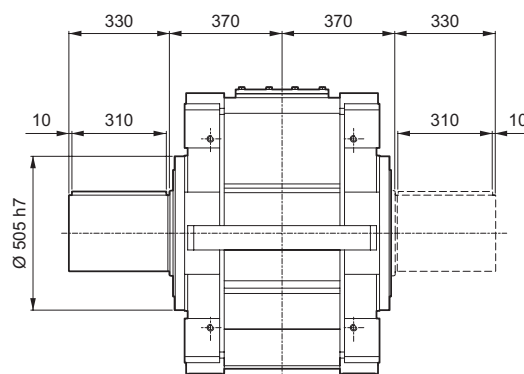
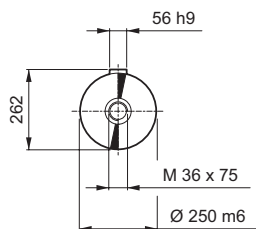


| VP | LP |
|-----------|------|
| HDO 170 4 | 3780 |

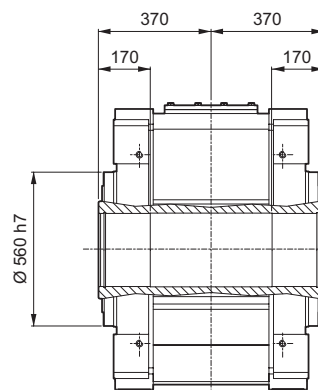
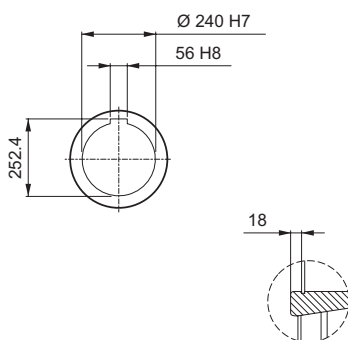


HDO 170

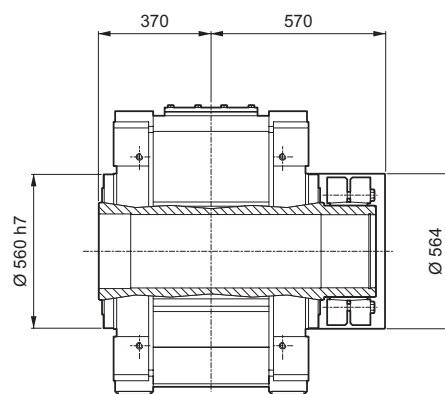
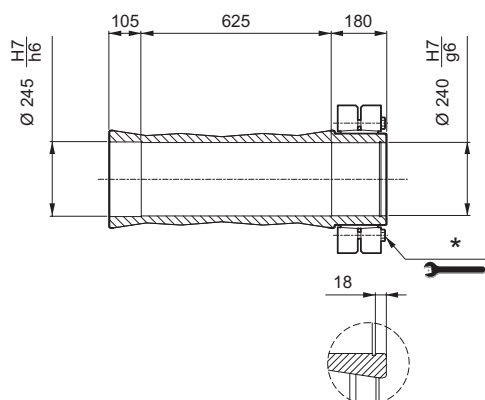
LP



H

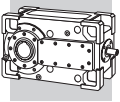


S



HDO

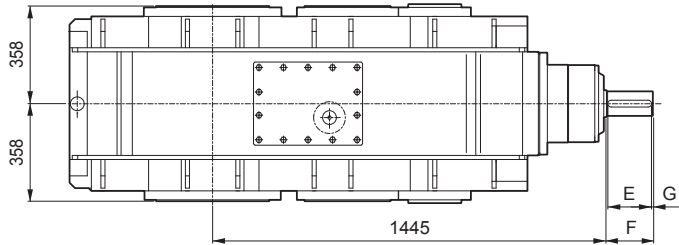
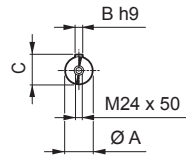
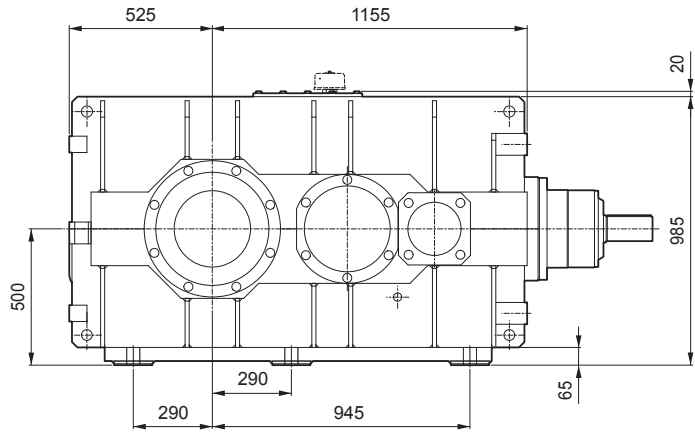
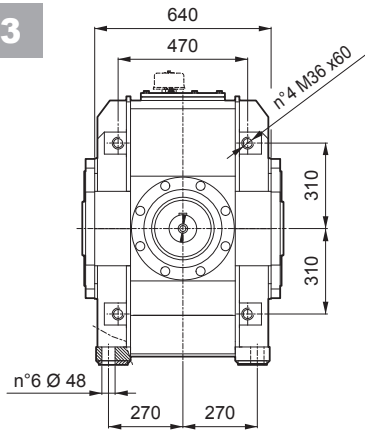
* For correct use, refer to the "OPERATION AND MAINTENANCE MANUAL".



HDO 180

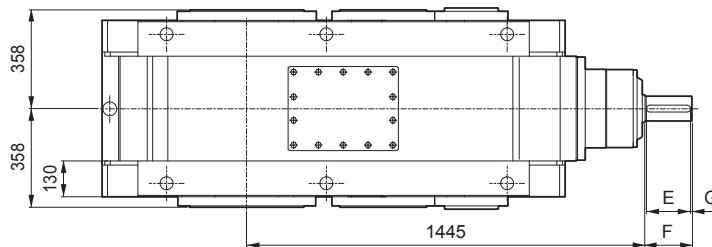
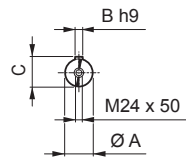
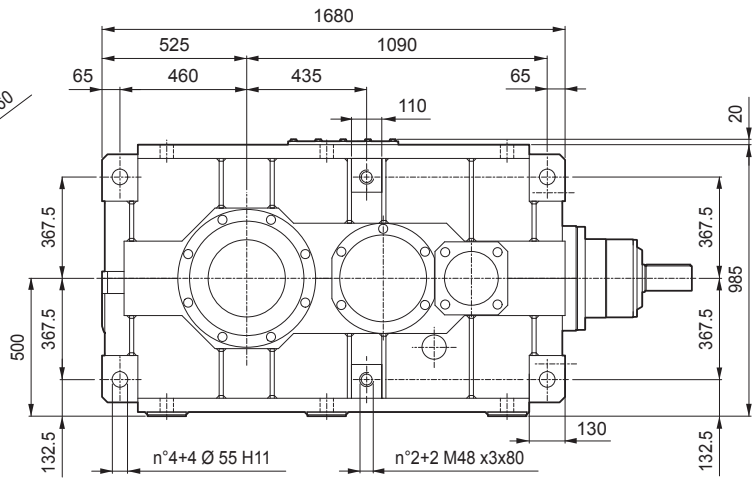
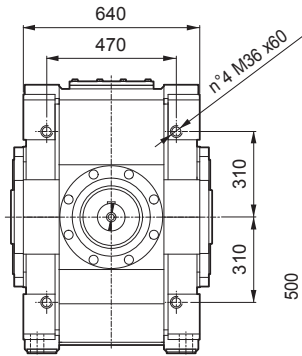
HDO 180 3

B3



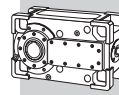
HDO 180 3

V5



| VP | i = | A | B | C | E | F | G | LP |
|-----------|---------------|--------|----|-----|-----|-----|----|-----------|
| HDO 180 3 | 17.7 ... 27.9 | 100 m6 | 28 | 106 | 190 | 210 | 10 | 3820 |
| HDO 180 3 | 31.4 ... 66.2 | 90 m6 | 25 | 95 | 160 | 170 | 5 | 3820 |

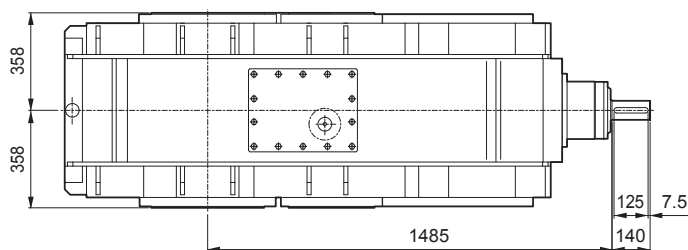
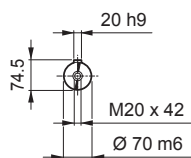
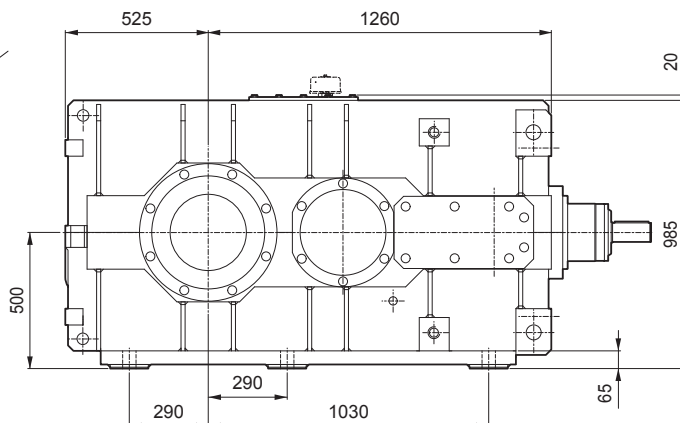
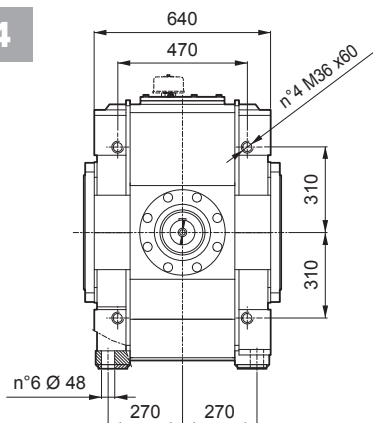
HDO



HDO 180

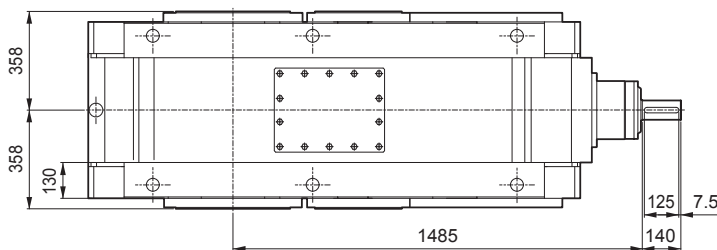
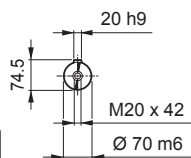
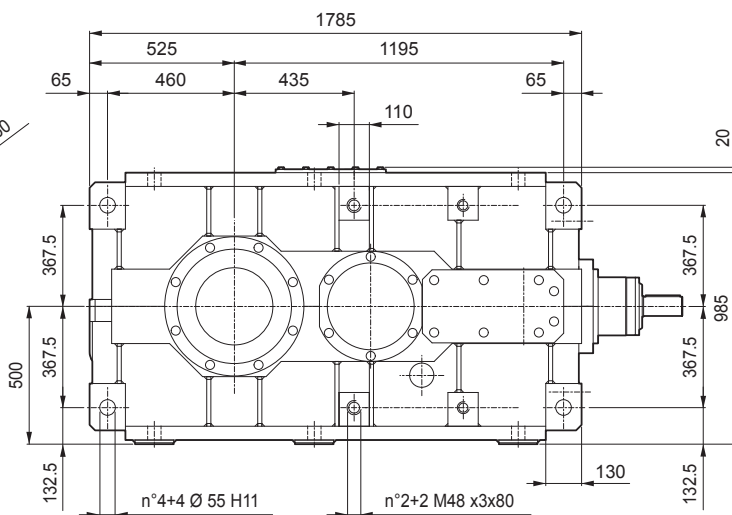
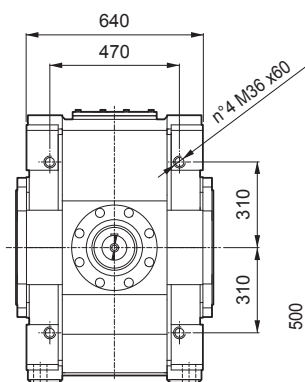
HDO 180 4

B3



HDO 180 4

V5

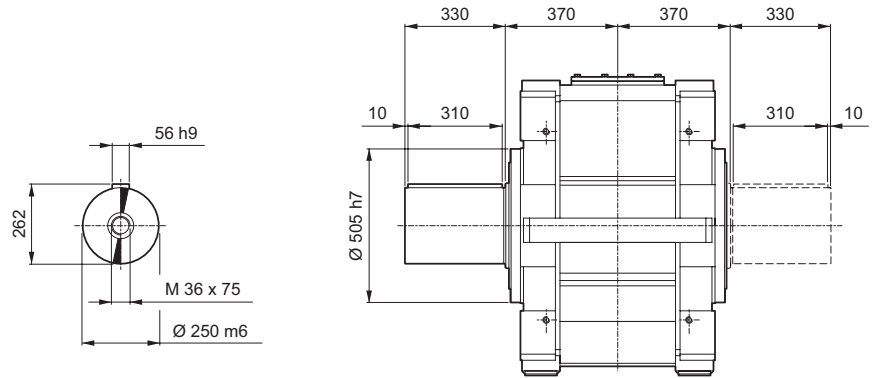


| | |
|-----------|------|
| VP | LP |
| HDO 180 4 | 3875 |

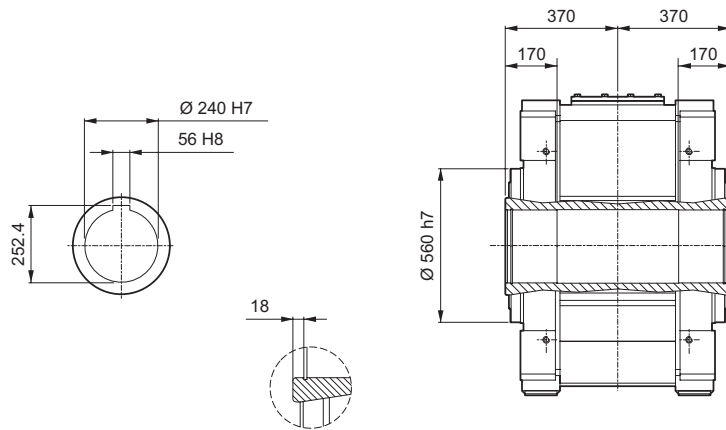


HDO 180

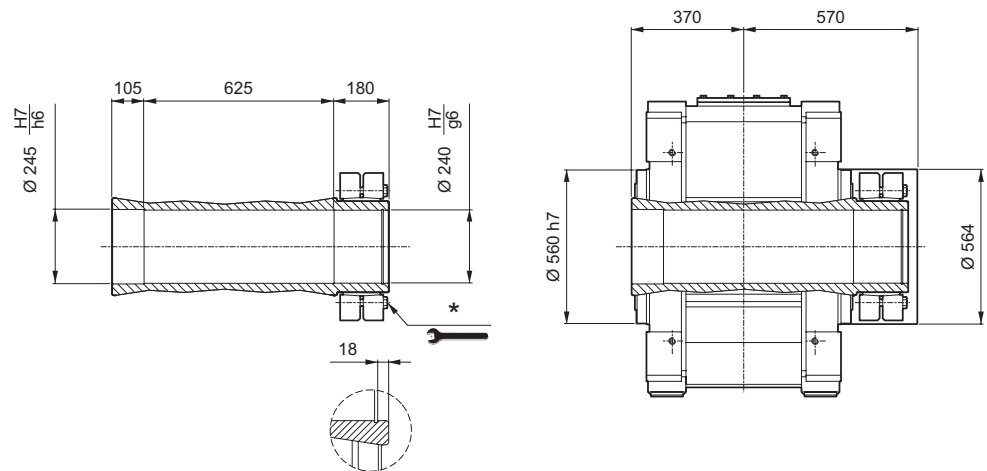
LP



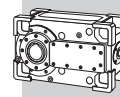
H



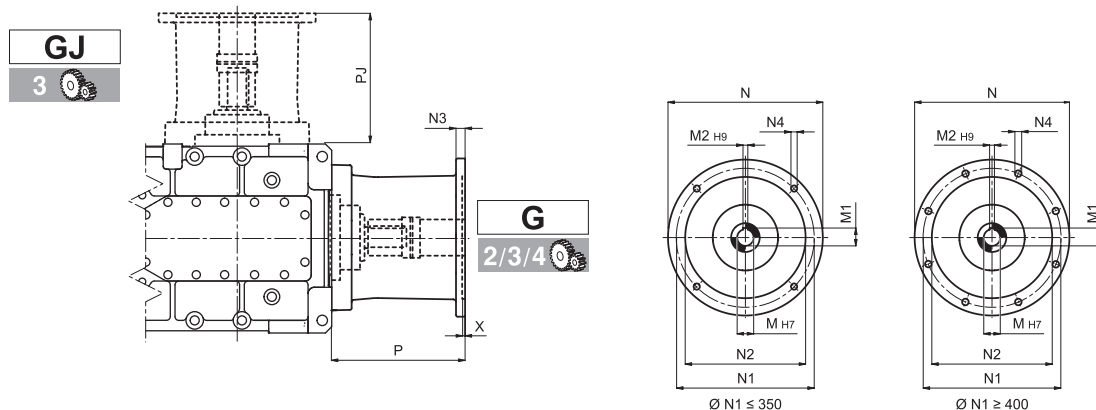
S



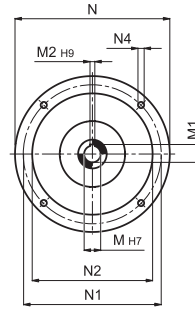
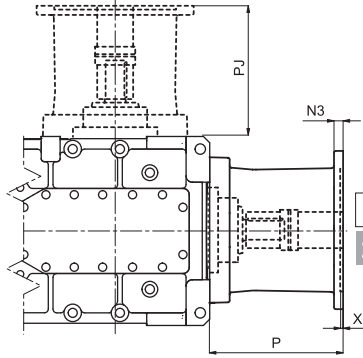
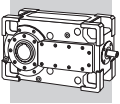
* For correct use, refer to the "OPERATION AND MAINTENANCE MANUAL".



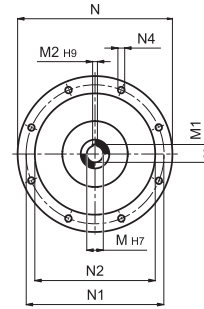
27.1 MOTOR MOUNTING WITH BELL HOUSING AND FLEXIBLE COUPLING



| | M | M1 | M2 | N | N1 | N2 | N3 | N4 | X | P | PJ |
|---------------|----|------|----|-----|-----|-----|----|--------|----|-------|-------|
| HDO 100 2_250 | 65 | 69.4 | 18 | 550 | 500 | 450 | 30 | 18 | 6 | 420.5 | — |
| HDO 100 2_280 | 75 | 79.9 | 20 | 550 | 500 | 450 | 30 | 18 | 6 | 420.5 | — |
| HDO 100 2_315 | 80 | 85.4 | 22 | 660 | 600 | 550 | 22 | 22 | 10 | 457 | — |
| HDO 100 3_160 | 42 | 45.3 | 12 | 350 | 300 | 250 | 23 | 18 | 6 | 351 | 351 |
| HDO 100 3_180 | 48 | 51.8 | 14 | 350 | 300 | 250 | 23 | 18 | 6 | 351 | 351 |
| HDO 100 3_200 | 55 | 59.3 | 16 | 400 | 350 | 300 | — | M16x23 | 7 | 376 | 376 |
| HDO 100 3_225 | 60 | 64.4 | 18 | 450 | 400 | 350 | 26 | 18 | 7 | 383 | 383 |
| HDO 100 3_250 | 65 | 69.4 | 18 | 550 | 500 | 450 | 30 | 18 | 6 | 413 | 413 |
| HDO 100 3_280 | 75 | 79.9 | 20 | 550 | 500 | 450 | 30 | 18 | 6 | 413 | 413 |
| HDO 100 3_315 | 80 | 85.4 | 22 | 660 | 600 | 550 | 22 | 22 | 10 | 449.5 | 449.5 |
| HDO 100 4_112 | 28 | 31.3 | 8 | 250 | 215 | 180 | 15 | 14 | 5 | 265 | — |
| HDO 100 4_132 | 38 | 41.3 | 10 | 300 | 265 | 230 | — | M12x20 | 6 | 285 | — |
| HDO 100 4_160 | 42 | 45.3 | 12 | 350 | 300 | 250 | 23 | 18 | 6 | 351 | — |
| HDO 100 4_180 | 48 | 51.8 | 14 | 350 | 300 | 250 | 23 | 18 | 6 | 351 | — |
| HDO 100 4_200 | 55 | 59.3 | 16 | 400 | 350 | 300 | — | M16x23 | 7 | 376 | — |
| HDO 100 4_225 | 60 | 64.4 | 18 | 450 | 400 | 350 | 26 | 18 | 7 | 383 | — |
| HDO 110 2_280 | 75 | 79.9 | 20 | 550 | 500 | 450 | 30 | 18 | 6 | 420.5 | — |
| HDO 110 2_315 | 80 | 85.4 | 22 | 660 | 600 | 550 | 22 | 22 | 10 | 457 | — |
| HDO 110 3_160 | 42 | 45.3 | 12 | 350 | 300 | 250 | 23 | 18 | 6 | 351 | 351 |
| HDO 110 3_180 | 48 | 51.8 | 14 | 350 | 300 | 250 | 23 | 18 | 6 | 351 | 351 |
| HDO 110 3_200 | 55 | 59.3 | 16 | 400 | 350 | 300 | — | M16x23 | 7 | 376 | 376 |
| HDO 110 3_225 | 60 | 64.4 | 18 | 450 | 400 | 350 | 26 | 18 | 7 | 383 | 383 |
| HDO 110 3_250 | 65 | 69.4 | 18 | 550 | 500 | 450 | 30 | 18 | 6 | 413 | 413 |
| HDO 110 3_280 | 75 | 79.9 | 20 | 550 | 500 | 450 | 30 | 18 | 6 | 413 | 413 |
| HDO 110 3_315 | 80 | 85.4 | 22 | 660 | 600 | 550 | 22 | 22 | 10 | 449.5 | 449.5 |
| HDO 110 4_112 | 28 | 31.3 | 8 | 250 | 215 | 180 | 15 | 14 | 5 | 265 | — |
| HDO 110 4_132 | 38 | 41.3 | 10 | 300 | 265 | 230 | — | M12x20 | 6 | 285 | — |
| HDO 110 4_160 | 42 | 45.3 | 12 | 350 | 300 | 250 | 23 | 18 | 6 | 351 | — |
| HDO 110 4_180 | 48 | 51.8 | 14 | 350 | 300 | 250 | 23 | 18 | 6 | 351 | — |
| HDO 110 4_200 | 55 | 59.3 | 16 | 400 | 350 | 300 | — | M16x23 | 7 | 376 | — |
| HDO 110 4_225 | 60 | 64.4 | 18 | 450 | 400 | 350 | 26 | 18 | 7 | 383 | — |
| HDO 120 2_315 | 80 | 85.4 | 22 | 660 | 600 | 550 | 22 | 22 | 10 | 482 | — |
| HDO 120 3_200 | 55 | 59.3 | 16 | 400 | 350 | 300 | — | M16x23 | 7 | 346 | — |
| HDO 120 3_225 | 60 | 64.4 | 18 | 450 | 400 | 350 | 26 | 18 | 7 | 353 | 353 |
| HDO 120 3_250 | 65 | 69.4 | 18 | 550 | 500 | 450 | 30 | 18 | 6 | 383 | 383 |
| HDO 120 3_280 | 75 | 79.9 | 20 | 550 | 500 | 450 | 30 | 18 | 6 | 383 | 383 |
| HDO 120 3_315 | 80 | 85.4 | 22 | 660 | 600 | 550 | 22 | 22 | 10 | 419.5 | 419.5 |
| HDO 120 4_132 | 38 | 41.3 | 10 | 300 | 265 | 230 | — | M12x40 | 6 | 255 | — |
| HDO 120 4_160 | 42 | 45.3 | 12 | 350 | 300 | 250 | 23 | 18 | 6 | 321 | — |
| HDO 120 4_180 | 48 | 51.8 | 14 | 350 | 300 | 250 | 23 | 18 | 6 | 321 | — |
| HDO 120 4_200 | 55 | 59.3 | 16 | 400 | 350 | 300 | — | M16x23 | 7 | 346 | — |
| HDO 120 4_225 | 60 | 64.4 | 18 | 450 | 400 | 350 | 26 | 18 | 7 | 353 | — |



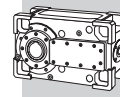
Ø N1 ≤ 350



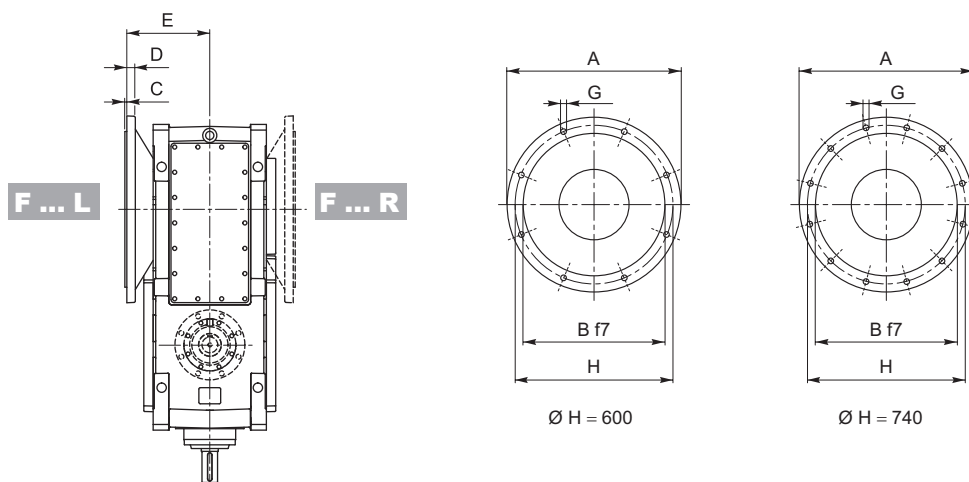
Ø N1 ≥ 400


HDO

| | | M | M1 | M2 | N | N1 | N2 | N3 | N4 | X | P | PJ |
|---------------|--|--------------------------------------|------|----|-----|-----|-----|----|--------|----|-------|-------|
| HDO 125 2 315 | | 80 | 85.4 | 22 | 660 | 600 | 550 | 22 | 22 | 10 | 482 | — |
| HDO 125 3 200 | | 55 | 59.3 | 16 | 400 | 350 | 300 | — | M16x23 | 7 | 346 | — |
| HDO 125 3 225 | | 60 | 64.4 | 18 | 450 | 400 | 350 | 26 | 18 | 7 | 353 | 353 |
| HDO 125 3 250 | | 65 | 69.4 | 18 | 550 | 500 | 450 | 30 | 18 | 6 | 383 | 383 |
| HDO 125 3 280 | | 75 | 79.9 | 20 | 550 | 500 | 450 | 30 | 18 | 6 | 383 | 383 |
| HDO 125 3 315 | | 80 | 85.4 | 22 | 660 | 600 | 550 | 22 | 22 | 10 | 419.5 | 419.5 |
| HDO 125 4 132 | | 38 | 41.3 | 10 | 300 | 265 | 230 | — | M12x40 | 6 | 255 | — |
| HDO 125 4 160 | | 42 | 45.3 | 12 | 350 | 300 | 250 | 23 | 18 | 6 | 321 | — |
| HDO 125 4 180 | | 48 | 51.8 | 14 | 350 | 300 | 250 | 23 | 18 | 6 | 321 | — |
| HDO 125 4 200 | | 55 | 59.3 | 16 | 400 | 350 | 300 | — | M16x23 | 7 | 346 | — |
| HDO 125 4 225 | | 60 | 64.4 | 18 | 450 | 400 | 350 | 26 | 18 | 7 | 353 | — |
| HDO 130 2 315 | | 80 | 85.4 | 22 | 660 | 600 | 550 | 22 | 22 | 10 | 590 | — |
| HDO 130 3 250 | | 65 | 69.4 | 18 | 550 | 500 | 450 | 30 | 18 | 6 | 415.5 | 413 |
| HDO 130 3 280 | | 75 | 79.9 | 20 | 550 | 500 | 450 | 30 | 18 | 6 | 415.5 | 413 |
| HDO 130 3 315 | | 80 | 85.4 | 22 | 660 | 600 | 550 | 22 | 22 | 10 | 452 | 449.5 |
| HDO 130 4 160 | | 42 | 45.3 | 12 | 350 | 300 | 250 | 23 | 18 | 6 | 416 | — |
| HDO 130 4 180 | | 48 | 51.8 | 14 | 350 | 300 | 250 | 23 | 18 | 6 | 416 | — |
| HDO 130 4 200 | | 55 | 59.3 | 16 | 400 | 350 | 300 | — | M16x23 | 7 | 441 | — |
| HDO 130 4 225 | | 60 | 64.4 | 18 | 450 | 400 | 350 | 26 | 18 | 7 | 448 | — |
| HDO 130 4 250 | | 65 | 69.4 | 18 | 550 | 500 | 450 | 30 | 18 | 6 | 478 | — |
| HDO 130 4 280 | | 75 | 79.9 | 20 | 550 | 500 | 450 | 30 | 18 | 6 | 478 | — |
| HDO 140 2 315 | | 80 | 85.4 | 22 | 660 | 600 | 550 | 22 | 22 | 10 | 590 | — |
| HDO 140 3 250 | | 65 | 69.4 | 18 | 550 | 500 | 450 | 30 | 18 | 6 | 415.5 | 413 |
| HDO 140 3 280 | | 75 | 79.9 | 20 | 550 | 500 | 450 | 30 | 18 | 6 | 415.5 | 413 |
| HDO 140 3 315 | | 80 | 85.4 | 22 | 660 | 600 | 550 | 22 | 22 | 10 | 452 | 449.5 |
| HDO 140 4 160 | | 42 | 45.3 | 12 | 350 | 300 | 250 | 23 | 18 | 6 | 416 | — |
| HDO 140 4 180 | | 48 | 51.8 | 14 | 350 | 300 | 250 | 23 | 18 | 6 | 416 | — |
| HDO 140 4 200 | | 55 | 59.3 | 16 | 400 | 350 | 300 | — | M16x23 | 7 | 441 | — |
| HDO 140 4 225 | | 60 | 64.4 | 18 | 450 | 400 | 350 | 26 | 18 | 7 | 448 | — |
| HDO 140 4 250 | | 65 | 69.4 | 18 | 550 | 500 | 450 | 30 | 18 | 6 | 478 | — |
| HDO 140 4 280 | | 75 | 79.9 | 20 | 550 | 500 | 450 | 30 | 18 | 6 | 478 | — |
| HDO 150 3 280 | | 75 | 79.9 | 20 | 550 | 500 | 450 | 30 | 18 | 6 | 553.5 | 528.5 |
| HDO 150 3 315 | | 80 | 85.4 | 22 | 660 | 600 | 550 | 22 | 22 | 10 | 590 | 565 |
| HDO 150 4 180 | | 48 | 51.8 | 14 | 350 | 300 | 250 | 23 | 18 | 6 | 426 | — |
| HDO 150 4 200 | | 55 | 59.3 | 16 | 400 | 350 | 300 | — | M16x23 | 7 | 451 | — |
| HDO 150 4 225 | | 60 | 64.4 | 18 | 450 | 400 | 350 | 26 | 18 | 7 | 458 | — |
| HDO 150 4 250 | | 65 | 69.4 | 18 | 550 | 500 | 450 | 30 | 18 | 6 | 488 | — |
| HDO 150 4 280 | | 75 | 79.9 | 20 | 550 | 500 | 450 | 30 | 18 | 6 | 488 | — |
| HDO 150 4 315 | | 80 | 85.4 | 22 | 660 | 600 | 550 | 22 | 22 | 10 | 524.5 | — |
| HDO 160 3 280 | | 75 | 79.9 | 20 | 550 | 500 | 450 | 30 | 18 | 6 | 553.5 | 508.5 |
| HDO 160 3 315 | | 80 | 85.4 | 22 | 660 | 600 | 550 | 22 | 22 | 10 | 590 | 545 |
| HDO 160 4 180 | | 48 | 51.8 | 14 | 350 | 300 | 250 | 23 | 18 | 6 | 426 | — |
| HDO 160 4 200 | | 55 | 59.3 | 16 | 400 | 350 | 300 | — | M16x23 | 7 | 451 | — |
| HDO 160 4 225 | | 60 | 64.4 | 18 | 450 | 400 | 350 | 26 | 18 | 7 | 458 | — |
| HDO 160 4 250 | | 65 | 69.4 | 18 | 550 | 500 | 450 | 30 | 18 | 6 | 488 | — |
| HDO 160 4 280 | | 75 | 79.9 | 20 | 550 | 500 | 450 | 30 | 18 | 6 | 488 | — |
| HDO 160 4 315 | | 80 | 85.4 | 22 | 660 | 600 | 550 | 22 | 22 | 10 | 524.5 | — |
| HDO 170 | | BONFIGLIOLI TECHNICAL SERVICE | | | | | | | | | | |
| HDO 180 | | | | | | | | | | | | |



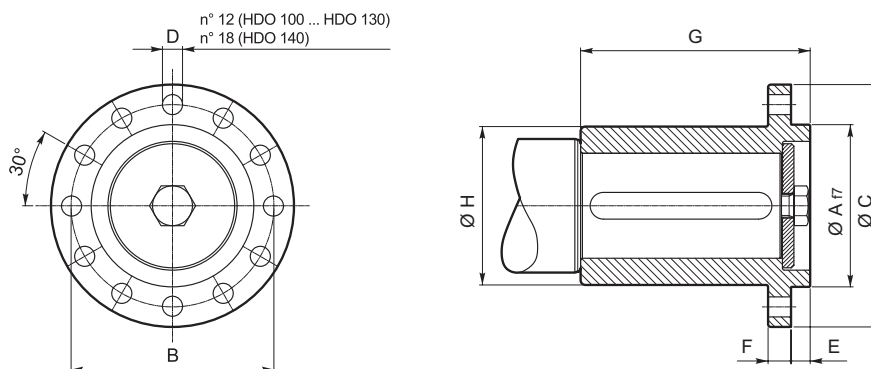
27.2 MOUNTING FLANGE




| | | A | B | C | D | E | G | H |
|---------|------|---|-----|---|----|-----|----|-----|
| HDO 100 | F660 | 660 | 550 | 7 | 30 | 335 | 22 | 600 |
| HDO 110 | F660 | 660 | 550 | 7 | 30 | 335 | 22 | 600 |
| HDO 120 | F660 | 660 | 550 | 7 | 30 | 355 | 26 | 600 |
| HDO 125 | F730 | 730 | 580 | 7 | 35 | 360 | 26 | 660 |
| HDO 130 | F800 | 800 | 680 | 7 | 40 | 460 | 26 | 740 |
| HDO 140 | F800 | 800 | 680 | 7 | 40 | 460 | 26 | 740 |
| HDO 150 | |  BONFIGLIOLI TECHNICAL SERVICE | | | | | | |
| HDO 160 | | | | | | | | |
| HDO 170 | | | | | | | | |
| HDO 180 | | | | | | | | |
| | | | | | | | | |

27.3 MANIFOLD FLANGE

Available for shaft arrangement: L, LJ, LD, R, RJ and RD, all featuring a single output shaft extension.

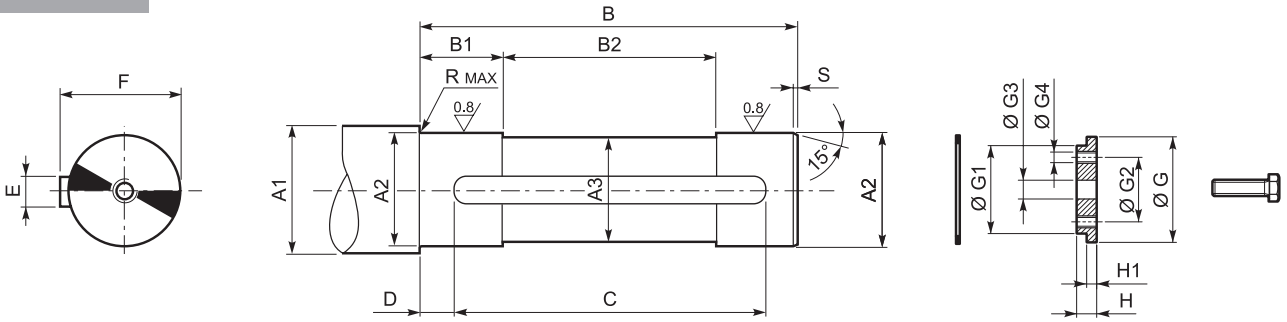


| | A | B | C | D | E | F | G | H |
|------------|-----|---|-----|----|----|----|-----|-----|
| HDO 100_FM | 200 | 260 | 309 | 25 | 19 | 31 | 244 | 200 |
| HDO 110_FM | 200 | 260 | 309 | 25 | 19 | 31 | 289 | 200 |
| HDO 120_FM | 200 | 260 | 309 | 25 | 19 | 31 | 289 | 200 |
| HDO 125_FM | 220 | 320 | 384 | 32 | 19 | 31 | 344 | 240 |
| HDO 130_FM | 220 | 320 | 384 | 32 | 19 | 31 | 344 | 250 |
| HDO 140_FM | 250 | 380 | 450 | 32 | 19 | 40 | 344 | 310 |
| HDO 150 | |  BONFIGLIOLI TECHNICAL SERVICE | | | | | | |
| HDO 160 | | | | | | | | |
| HDO 170 | | | | | | | | |
| HDO 180 | | | | | | | | |
| | | | | | | | | |



27.4 CUSTOMER'S SHAFT

H

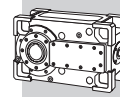


HDO

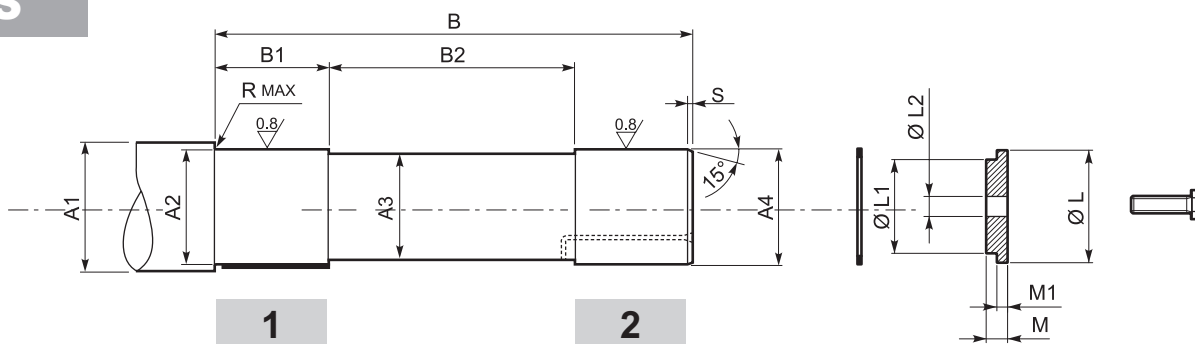
| | A1 | A2 | A3 | B | B1 | B2 | C | D | E | F | R | S | UNI6604 |
|---------|-------------------------------|--------|-------|-----|-----|-----|-----|-----|-------|-----|---|-----|------------|
| HDO 100 | ≥ 133 | 120 h6 | 119.5 | 420 | 100 | 250 | 360 | 30 | 32 h9 | 127 | 3 | 2.5 | 32x18x360A |
| HDO 110 | ≥ 143 | 130 h6 | 129.5 | 420 | 100 | 250 | 360 | 30 | 32 h9 | 137 | 3 | 2.5 | 32x18x360A |
| HDO 120 | ≥ 153 | 140 h6 | 139.5 | 444 | 110 | 260 | 400 | 40 | 36 h9 | 148 | 3 | 2.5 | 36x20x400A |
| HDO 125 | ≥ 163 | 150 h6 | 149.5 | 444 | 110 | 260 | 400 | 40 | 40 h9 | 169 | 3 | 2.5 | 40x22x400A |
| HDO 130 | ≥ 183 | 170 h6 | 169.5 | 540 | 135 | 310 | 400 | 80 | 40 h9 | 179 | 3 | 2.5 | 40x22x400A |
| HDO 140 | ≥ 193 | 180 h6 | 179.5 | 540 | 135 | 310 | 400 | 80 | 45 h9 | 190 | 3 | 2.5 | 45x25x400A |
| HDO 150 | ≥ 223 | 210 h6 | 209.5 | 667 | 155 | 400 | 500 | 100 | 50 h9 | 221 | 3 | 3 | 50x28x450B |
| HDO 160 | ≥ 223 | 210 h6 | 209.5 | 667 | 155 | 400 | 500 | 100 | 50 h9 | 221 | 3 | 3 | 50x28x450B |
| HDO 170 | BONFIGLIOLI TECHNICAL SERVICE | | | | | | | | | | | | |
| HDO 180 | BONFIGLIOLI TECHNICAL SERVICE | | | | | | | | | | | | |

Out of scope for supply

| | UNI7437 | G | G1 | G2 | G3 | G4 | H | H1 | UNI5739 |
|---------|-------------------------------|--------|-----|-----|----|-----|----|----|---------|
| HDO 100 | 120x4 | 120 d9 | 96 | 64 | 26 | M16 | 24 | 12 | M24x70 |
| HDO 110 | 130x4 | 130 d9 | 105 | 69 | 26 | M20 | 24 | 12 | M24x70 |
| HDO 120 | 140x4 | 140 d9 | 115 | 79 | 26 | M20 | 30 | 15 | M24x80 |
| HDO 125 | 150x4 | 150 d9 | 122 | 86 | 26 | M20 | 30 | 15 | M24x80 |
| HDO 130 | 170x4 | 170 d9 | 142 | 102 | 33 | M24 | 34 | 17 | M30x90 |
| HDO 140 | 180x4 | 180 d9 | 150 | 110 | 33 | M24 | 34 | 17 | M30x90 |
| HDO 150 | 210x5 | 210 d9 | 178 | 140 | 33 | M24 | 36 | 18 | M30x100 |
| HDO 160 | 210x5 | 210 d9 | 178 | 140 | 33 | M24 | 36 | 18 | M30x100 |
| HDO 170 | BONFIGLIOLI TECHNICAL SERVICE | | | | | | | | |
| HDO 180 | BONFIGLIOLI TECHNICAL SERVICE | | | | | | | | |



S



| | A1 | A2 | A3 | A4 | B | B1 | B2 | R | S |
|---------|--------------------------------------|--------|-------|--------|-----|-----|-----|---|-----|
| HDO 100 | ≥ 138 | 125 h6 | 119.5 | 120 g6 | 517 | 104 | 328 | 3 | 2.5 |
| HDO 110 | ≥ 148 | 135 h6 | 129.5 | 130 g6 | 523 | 104 | 334 | 3 | 2.5 |
| HDO 120 | ≥ 158 | 145 h6 | 139.5 | 140 g6 | 550 | 104 | 354 | 3 | 2.5 |
| HDO 125 | ≥ 168 | 155 h6 | 149.5 | 150 g6 | 570 | 104 | 363 | 3 | 2.5 |
| HDO 130 | ≥ 188 | 175 h6 | 169.5 | 170 g6 | 681 | 104 | 462 | 3 | 2.5 |
| HDO 140 | ≥ 198 | 185 h6 | 179.5 | 180 g6 | 689 | 104 | 470 | 3 | 2.5 |
| HDO 150 | ≥ 228 | 215 h6 | 209.5 | 210 g6 | 839 | 104 | 593 | 3 | 3 |
| HDO 160 | ≥ 228 | 215 h6 | 209.5 | 210 g6 | 839 | 104 | 593 | 3 | 3 |
| HDO 170 | BONFIGLIOLI TECHNICAL SERVICE | | | | | | | | |
| HDO 180 | | | | | | | | | |

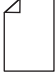
| Out of scope for supply | | | | | | | |
|-------------------------|--------------------------------------|--------|-----|----|----|----|---------|
| | | | | | | | |
| | UNI7437 | L | L1 | L2 | M | M1 | UNI5739 |
| HDO 100 | 120x4 | 120 d9 | 96 | 26 | 16 | 12 | M24x65 |
| HDO 110 | 130x4 | 130 d9 | 105 | 26 | 16 | 12 | M24x65 |
| HDO 120 | 140x4 | 140 d9 | 115 | 26 | 19 | 15 | M24x70 |
| HDO 125 | 150x4 | 150 d9 | 122 | 26 | 19 | 15 | M24x70 |
| HDO 130 | 170x4 | 170 d9 | 142 | 33 | 21 | 17 | M30x80 |
| HDO 140 | 180x4 | 180 d9 | 150 | 33 | 21 | 17 | M30x80 |
| HDO 150 | 210x5 | 210 d9 | 178 | 33 | 29 | 18 | M30x90 |
| HDO 160 | 210x5 | 210 d9 | 178 | 33 | 29 | 18 | M30x90 |
| HDO 170 | BONFIGLIOLI TECHNICAL SERVICE | | | | | | |
| HDO 180 | | | | | | | |

To facilitate part removal in the area of the cylindrical guide opposite the shrink disc, install a machine pivot to which a self-lubricating cylindrical bushing (1) can be fitted and/or with a hole big enough to allow application of a rust treatment (2).

In the presence of external thrust loads, vibration, safety problems, requirements for enhanced reliability, or unfavourable mounting positions (e.g. V5 mounting positions, output shaft directed downwards), install suitable devices to secure the shaft in an axial direction and prevent accidental decoupling.



INDEX OF REVISIONS

| BR_CAT_HDPO_STD_ENG_R01_0 | |
|---|---|
|  | Description |
| ... | Added new gearbox size HDP 125 and HDO 125. |
| ... | New rating charts. |
| ... | Updated section "Dimensions and weight". |

2014.04.11

This publication supersedes and replaces any previous edition and revision. We reserve the right to implement modifications without notice.
This catalogue cannot be reproduced, even partially, without prior consent.



Bonfiglioli has been designing and developing innovative and reliable power transmission and control solutions for industry, mobile machinery and renewable energy applications since 1956.