



# Motor Series **MTS5**

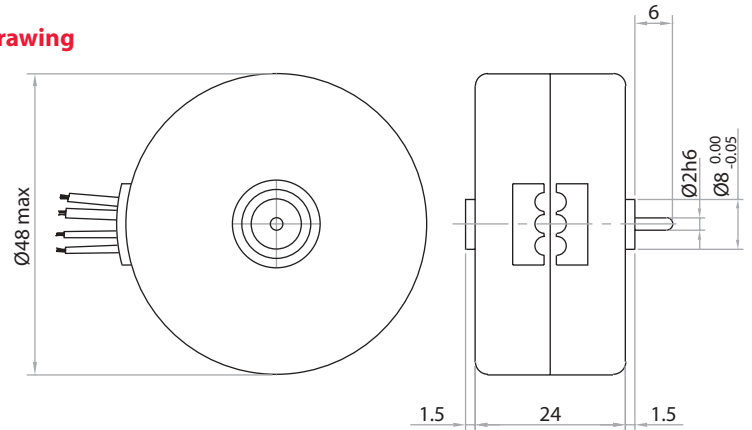


## Stepper Motor 15°

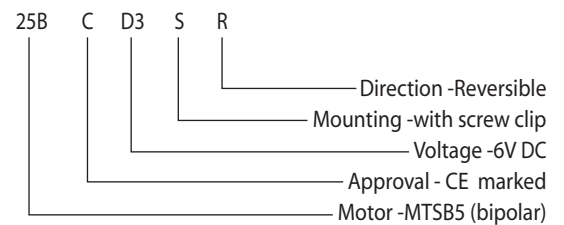
### Technical Data

Steps per revolution		24		
Winding Type		bipolar		
Rated Voltage	V	6	12	24
Resistance per winding	$\Omega$	15	78	300
Winding Type		unipolar		
Rated Voltage	V	6	12	24
Resistance per winding	$\Omega$	20	78	300
Winding temperature	$^{\circ}\text{C}$	105 max.		
Holding torque	gm-cm	230 (MTSB5)	200 (MTSU5)	
Axial Force	gm	200		
Lateral Force	gm	400		
Rotor inertia	gmcm <sup>2</sup>	6		

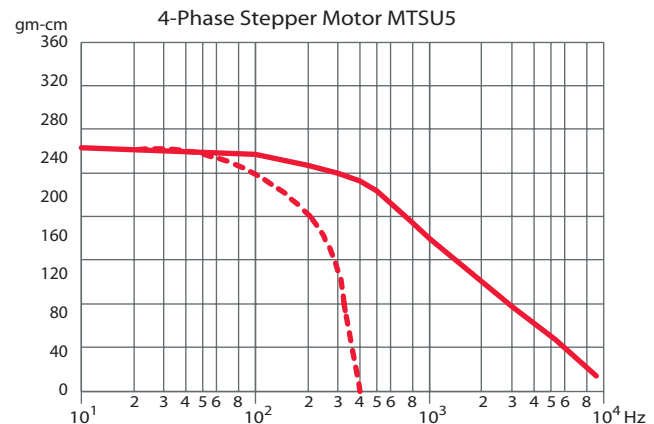
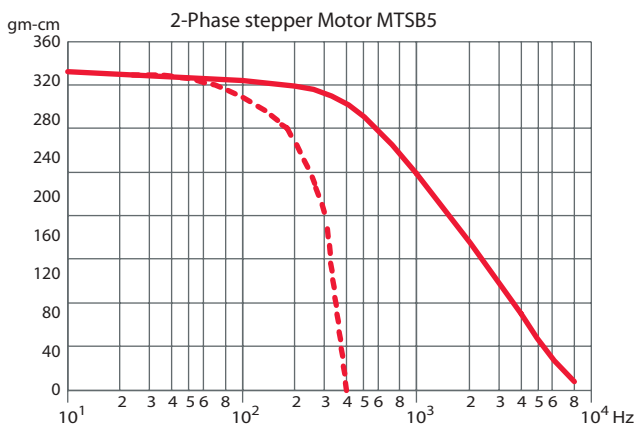
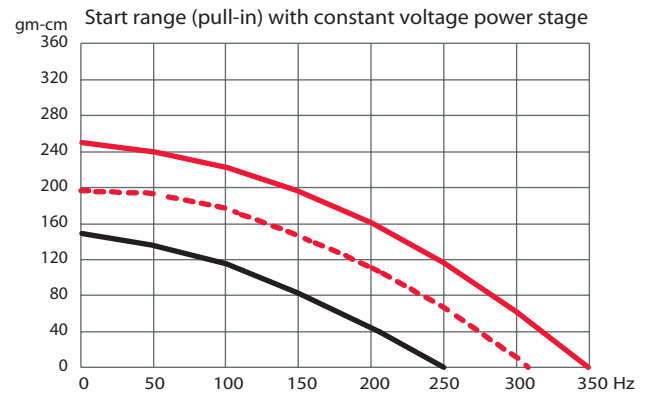
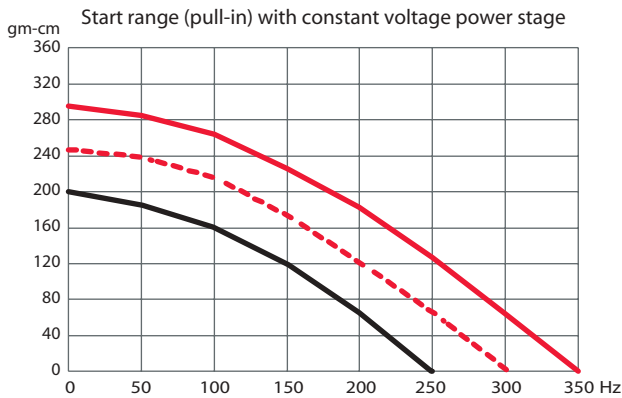
### Drawing



### Ordering Data (eg.)



### Torque Graphs



Slew range (pull-out) and start range (pull-in) with constant current power stage (chopper Drive)

Slew range (pull-out) and start range (pull-in) with constant current power stage (chopper Drive)