

# AC Input/Compact Size MU Series



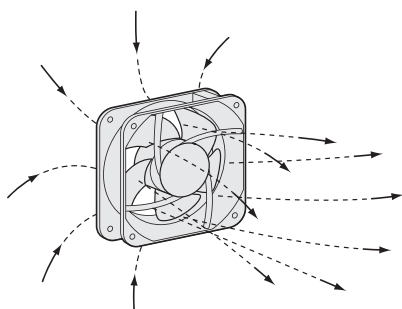
These compact AC axial flow fans are available in frame sizes ranging from □80 mm to □140 mm and conform to major safety standards.

Depending on the frame size, different speed types are available, from Low Speed, Middle Speed to Standard Speed.

## Features

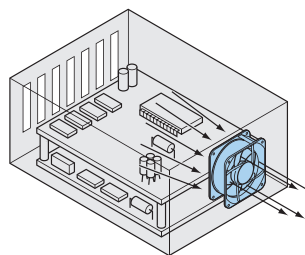
### Axial Flow Fans

Axial flow fans use a propeller to generate airflow in the direction of the axis of rotation. Capable of generating a large air flow, axial flow fans are suited for applications requiring ventilation cooling.









### Device Ventilation and Cooling

The large airflow of axial flow fans is suitable for ventilation and cooling inside electronic devices.




## Product Line

A product line of six fan sizes are available, with frame sizes from □80 mm to □140 mm.

	<b>MU825</b>	<b>MU925</b>	<b>MU1025</b>	<b>MU1225</b>	<b>MU1238</b>	<b>MU1428</b>
Frame Size	□80 mm 25 mm thick	□92 mm 25 mm thick	□104 mm 25 mm thick	□119 mm 25 mm thick	□119 mm 38 mm thick	□140 mm 28 mm thick
						
Speed Type	Standard Speed	●	●	●	●	●
	Middle Speed		●		●	
	Low Speed				●	


## System Configuration

**MU Series**



**AC Power Supply  
(Main power supply)**

Not supplied


**Accessories (Sold separately)**




**Finger Guards**  
→ Page G-100



**Filters**  
→ Page G-103



**Screens**  
→ Page G-106



**Plug Cords**  
→ Page G-107

### ● Example of System Configuration

Fan	Sold Separately	
<b>MU1238A-51B</b>	<b>Finger Guard</b>	<b>Plug Cord [1 m]</b>
€24.00	<b>FG12D</b>	<b>PCA2B</b>
	€6.00	€6.00

● The system configuration shown above is an example. Other combinations are also available.

## Product Number

### ● Fan Only

**MU 12 38 A - 5 1 B**

①    ②    ③    ④    ⑤    ⑥    ⑦

①	Series	<b>MU: MU Series</b>
②	Frame Size	<b>8:</b> 80 mm <b>9:</b> 92 mm <b>10:</b> 104 mm <b>12:</b> 119 mm <b>14:</b> 140 mm
③	Frame Thickness	<b>25:</b> 25 mm <b>28:</b> 28 mm <b>38:</b> 38 mm
④	Speed Type	<b>A, S:</b> Standard Speed <b>M, B:</b> Middle Speed <b>L:</b> Low Speed
⑤	Power Supply Voltage	<b>5:</b> Single-Phase 220/230 VAC
⑥	Power Connection	<b>1:</b> 2-Terminal <b>3:</b> Lead Wire Type
⑦	Reference Number	

### ● Fan Kit

**T - MU1238A-51 - GP**

①                      ②                      ③

①	Fan Kit Order Code
②	Fan Product Name
③	<b>G:</b> With finger guard and installation screws <b>GP:</b> With finger guard, plug cord and installation screws

Overview,  
Product  
Series

Axial  
Flow  
Fans

AC Input  
Energy Saving  
**EMU**

AC Input  
Energy Saving,  
Variable Flow  
**EMR**

AC Input  
Compact Size  
**MU**

AC Input  
Long-Life  
**MRE**

DC Input  
**MDS**  
**MD**

DC Input  
Alarm  
**MDA**

DC Input  
Long-Life  
**MDE**

Centrifugal  
Blowers

AC Input  
**MB**  
DC Input  
**MBD**

Cross Flow Fans

AC Input  
**MF**  
DC Input  
**MPD**

Accessories

Installation

# MU Series

## 80 mm – 25 mm Thick



Operating Voltage Range: ±10% (Applies to each voltage)  
 Overheat Protection: Impedance Protected  
 Color  
 Frame: Unpainted (Aluminum)    Blades: Black  
 Materials  
 Frame: Die Cast Aluminum  
 Blades: Polycarbonate (Flammability grade V-0)

80 mm

92 mm

104 mm

119 mm

140 mm

160 mm

180 mm

200 mm

### Specifications



Speed Type	Product Name	Voltage VAC	Frequency Hz	Current A	Input W	Speed r/min	Max. Air Flow m <sup>3</sup> /min	Max. Static Pressure Pa	Noise Level dB (A)
Standard Speed	<b>MU8255-53</b>	Single-Phase 220	50	0.06	8.5	2750	0.45	34	28
		Single-Phase 230	50	0.07	10.5	2750	0.45	34	28
		Single-Phase 230	60	0.06	8.0	3250	0.55	49	35

### Product Line

For the single-phase 100/115 VAC, the single-phase 200 VAC models, please contact the nearest Oriental Motor sales office.

#### Fan Only

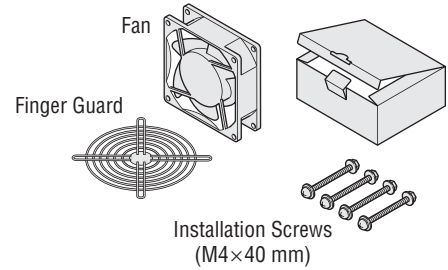
Product Name	List Price
<b>MU8255-53</b>	€24.00

The following items are included with each product.  
 Fan, Operating Manual

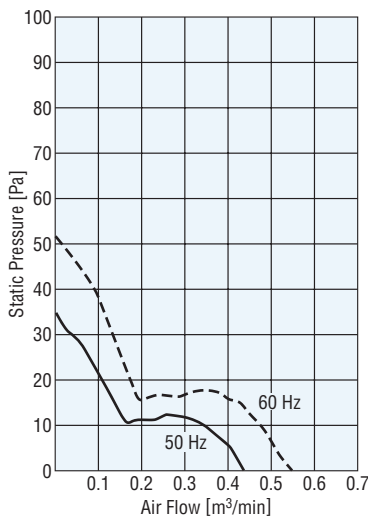
#### Fan Kit

Product Name	List Price
<b>T-MU8255-53-G</b>	€28.00

The following items are included in each kit.

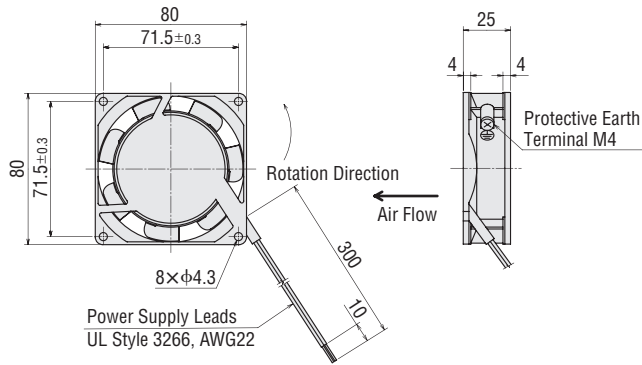


### Air Flow – Static Pressure Characteristics (The characteristics are applicable for the fan only.)

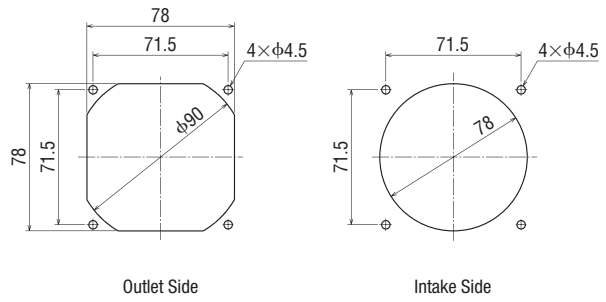


## ■ Dimensions Unit: mm

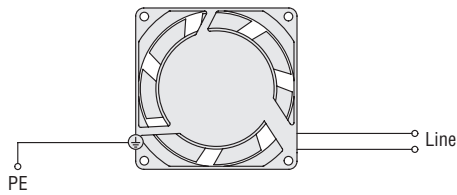
Mass: 0.25 kg



## ■ Panel Cut-Out Unit: mm



## ■ Connection Diagram



## ■ Accessories

Product	Product Name	List Price
Finger Guard	<b>FG8D</b>	€5.00
Stainless Steel Finger Guard	<b>FG8S</b>	€6.00
Filter	<b>FL8</b>	€10.00
Screen	<b>FS8S</b>	€8.00

Overview,  
Product  
Series

Axial  
Flow  
Fans

AC Input  
Energy Saving  
**EMU**

AC Input  
Energy Saving,  
Variable Flow  
**EMR**

AC Input  
Compact Size  
**MU**

AC Input  
Long-Life  
**MRE**

DC Input  
**MDS**  
**MD**

DC Input  
Alarm  
**MDA**

DC Input  
Long-Life  
**MDE**

Centrifugal  
Blowers

AC Input  
**MB**  
DC Input  
**MBD**

Cross Flow Fans

AC Input  
**MF**  
DC Input  
**MFD**

Accessories

Installation

# MU Series

**92 mm – 25 mm Thick**



Operating Voltage Range: ±10% (Applies to each voltage)  
Overheat Protection: Impedance Protected  
Color  
Frame: Unpainted (Aluminum)    Blades: Black  
Materials  
Frame: Die Cast Aluminum  
Blades: Polycarbonate (Flammability grade V-0)

80 mm

92 mm

104 mm

119 mm

140 mm

160 mm

180 mm

200 mm

## Specifications



Speed Type	Product Name	Voltage VAC	Frequency Hz	Current A	Input W	Speed r/min	Max. Air Flow m <sup>3</sup> /min	Max. Static Pressure Pa	Noise Level dB (A)
Standard Speed	<b>MU925S-51</b>	Single-Phase 220	50	0.06	8.5	2600	0.95	44	35
		Single-Phase 230	50	0.07	10.5	2600	0.95	44	35
		Single-Phase 230	60	0.06	8.0	3000	1.10	59	39
Middle Speed	<b>MU925M-51</b>	Single-Phase 220	50	0.06	8.5	2300	0.85	34	31
		Single-Phase 230	50	0.06	9.5	2300	0.85	34	32
		Single-Phase 230	60	0.06	8.0	2700	1.00	44	36

## Product Line

For the single-phase 100/115 VAC, the single-phase 200 VAC models, please contact the nearest Oriental Motor sales office.

### Fan Only

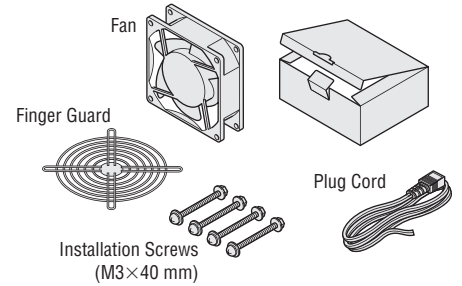
Product Name	List Price
<b>MU925S-51</b>	€24.00
<b>MU925M-51</b>	€24.00

### Fan Kit

Product Name	List Price
<b>T-MU925S-51-GP</b>	€33.00
<b>T-MU925M-51-GP</b>	€33.00

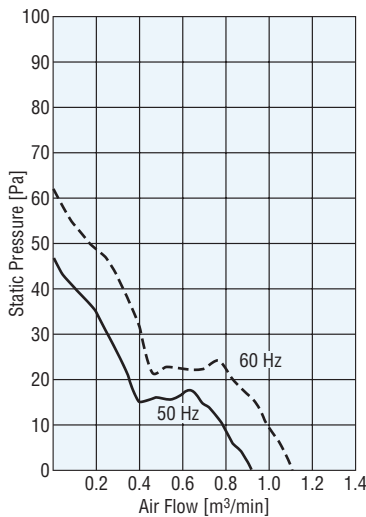
The following items are included with each product.  
Fan, Operating Manual

The following items are included in each kit.

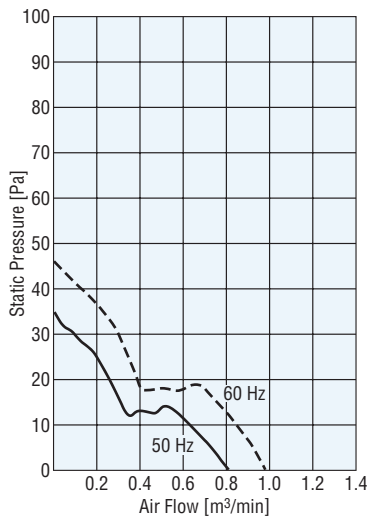


## Air Flow – Static Pressure Characteristics (The characteristics are applicable for the fan only.)

### MU925S

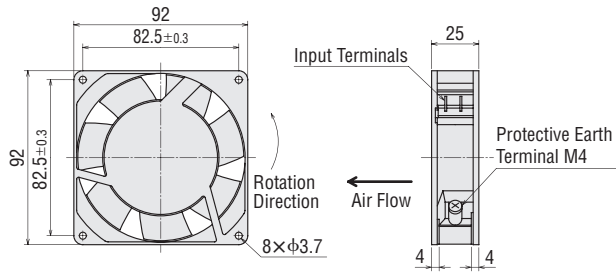


### MU925M

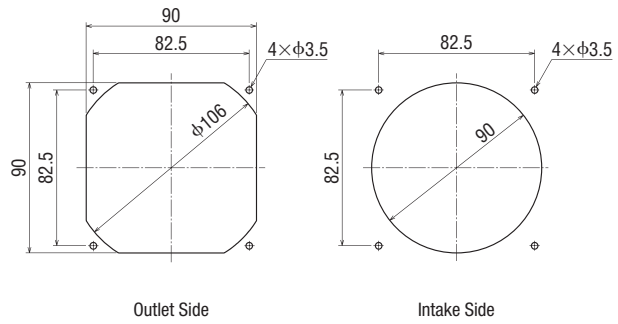


## ■ Dimensions Unit: mm

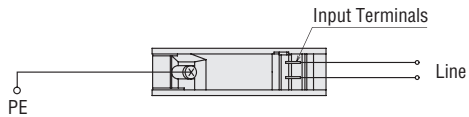
Mass: 0.27 kg



## ■ Panel Cut-Out Unit: mm



## ■ Connection Diagram



## ■ Accessories

Product	Product Name	List Price
Finger Guard	<b>FG9D</b>	€5.00
Stainless Steel Finger Guard	<b>FG9S</b>	€6.00
Filter	<b>FL9</b>	€9.00
Screen	<b>FS9S</b>	€8.00
Plug Cord	<b>PCA2B</b> (1 m)	€6.00
	<b>PCA2B2</b> (2 m)	€8.00

Overview,  
Product  
Series

Axial  
Flow  
Fans

AC Input  
Energy Saving,  
Variable Flow  
**EMU**

AC Input  
Energy Saving,  
Variable Flow  
**EMR**

AC Input  
Compact Size  
**MU**

AC Input  
Long-Life  
**MRE**

DC Input  
**MDS**  
**MD**

DC Input  
Alarm  
**MDA**

DC Input  
Long-Life  
**MDE**

Centrifugal  
Blowers

AC Input  
**MB**  
DC Input  
**MBD**

Cross Flow Fans

AC Input  
**MF**  
DC Input  
**MGD**

Accessories

Installation

## MU Series

104 mm – 25 mm Thick



Operating Voltage Range:  $\pm 10\%$   
Overheat Protection: Impedance Protected  
Color  
Frame: Unpainted (Aluminum)    Blades: Black  
Materials  
Frame: Die Cast Aluminum  
Blades: Polycarbonate (Flammability grade V-0)

80 mm

92 mm

### Specifications



104 mm

Speed Type	Product Name	Voltage VAC	Frequency Hz	Current A	Input W	Speed r/min	Max. Air Flow m <sup>3</sup> /min	Max. Static Pressure Pa	Noise Level dB (A)
Standard Speed	<b>MU1025S-51</b>	Single-Phase 230	50	0.06	11.0	2500	1.2	39	35
			60	0.05	9.5	2900	1.4	44	39

119 mm

### Product Line

For the single-phase 100 VAC, the single-phase 200 VAC models, please contact the nearest Oriental Motor sales office.

140 mm

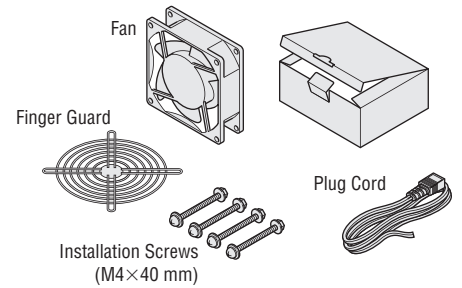
#### Fan Only

Product Name	List Price
<b>MU1025S-51</b>	€24.00

#### Fan Kit

Product Name	List Price
<b>T-MU1025S-51-GP</b>	€33.00

The following items are included in each kit.



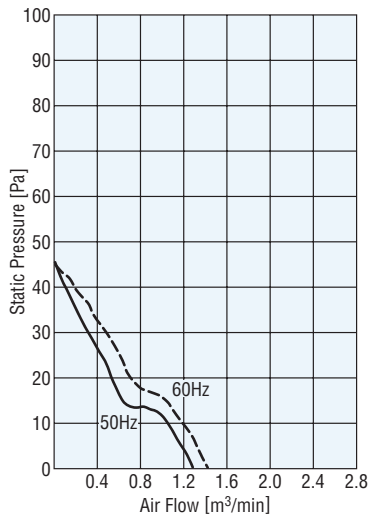
160 mm

180 mm

The following items are included with each product.  
Fan, Operating Manual

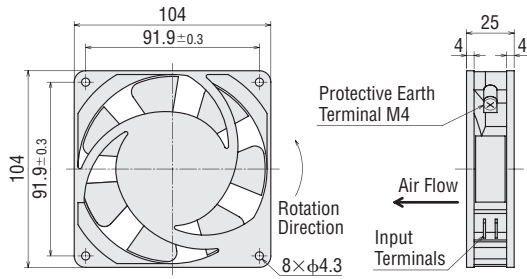
200 mm

### Air Flow – Static Pressure Characteristics (The characteristics are applicable for the fan only.)

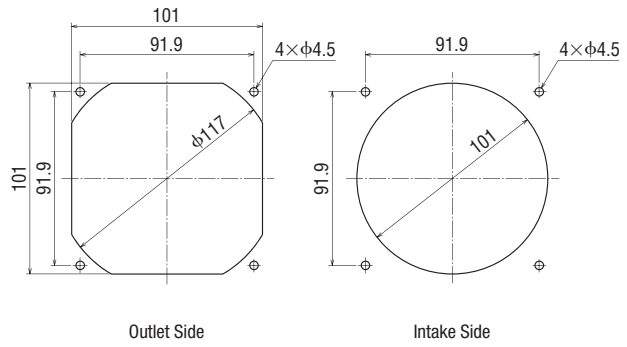


## Dimensions Unit: mm

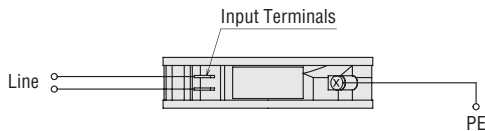
Mass: 0.30 kg



## Panel Cut-Out Unit: mm



## Connection Diagram



## Accessories

Product	Product Name	List Price
Finger Guard	<b>FG10D</b>	€5.00
Stainless Steel Finger Guard	<b>FG10S</b>	€6.00
Filter	<b>FL10</b>	€9.00
Metallic Filter	<b>FLW10</b>	€15.00
Plug Cord	<b>PCA2B</b> (1 m)	€6.00
	<b>PCA2B2</b> (2 m)	€8.00

Overview,  
Product  
Series

Axial  
Flow  
Fans

AC Input  
Energy Saving,  
Variable Flow  
**EMU**

AC Input  
Energy Saving,  
Variable Flow  
**EMR**

AC Input  
Compact Size  
**MU**

AC Input  
Long-Life  
**MRE**

DC Input  
**MDS**  
**MD**

DC Input  
Alarm  
**MDA**

DC Input  
Long-Life  
**MDE**

Centrifugal  
Blowers

AC Input  
**MB**  
DC Input  
**MBD**

Cross Flow Fans

AC Input  
**MF**  
DC Input  
**MFD**

Accessories

Installation



## MU Series

**119 mm – 25 mm Thick**



Operating Voltage Range:  $\pm 10\%$  (Applies to each voltage)  
Overheat Protection: Impedance Protected  
Color  
Frame: Unpainted (Aluminum)    Blades: Black  
Materials  
Frame: Die Cast Aluminum  
Blades: Polycarbonate (Flammability grade V-0)

80 mm

92 mm

### Specifications



104 mm

Speed Type	Product Name	Voltage VAC	Frequency Hz	Current A	Input W	Speed r/min	Max. Air Flow m <sup>3</sup> /min	Max. Static Pressure Pa	Noise Level dB (A)
Standard Speed	<b>MU1225S-51</b>	Single-Phase 220	50	0.07	10.5	2500	1.6	49	36
		Single-Phase 230	50	0.08	12.0	2500	1.6	49	36
		Single-Phase 230	60	0.07	10.0	2950	1.9	44	40
Middle Speed	<b>MU1225M-51</b>	Single-Phase 220	50	0.07	10.0	2250	1.4	32	33
		Single-Phase 230	50	0.07	12.0	2250	1.4	32	33
		Single-Phase 230	60	0.07	9.5	2600	1.7	31	37

119 mm

140 mm

160 mm

### Product Line

For the single-phase 100/115 VAC, the single-phase 200 VAC models, please contact the nearest Oriental Motor sales office.

180 mm

200 mm

#### Fan Only

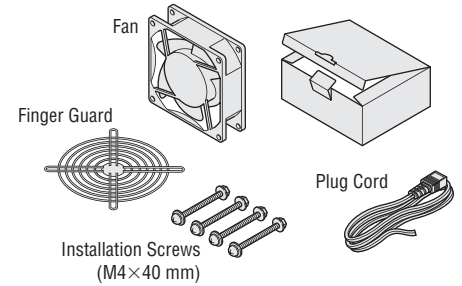
Product Name	List Price
<b>MU1225S-51</b>	€24.00
<b>MU1225M-51</b>	€24.00

#### Fan Kit

Product Name	List Price
<b>T-MU1225S-51-GP</b>	€33.00
<b>T-MU1225M-51-GP</b>	€33.00

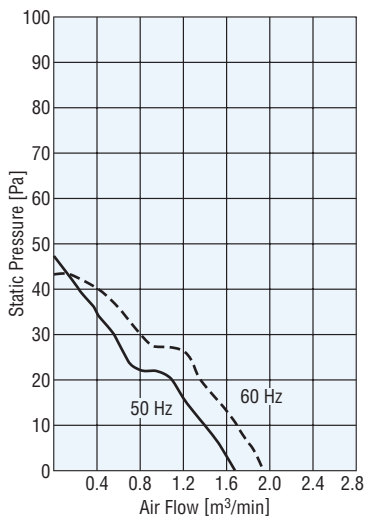
The following items are included with each product.  
Fan, Operating Manual

The following items are included in each kit.

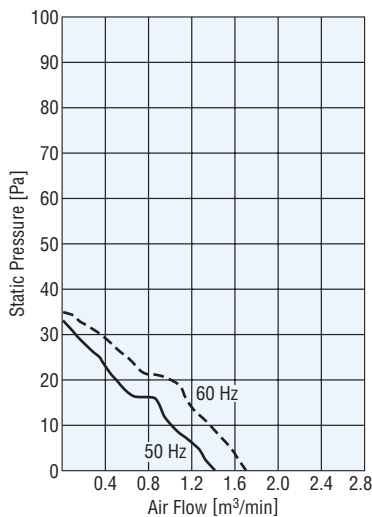


### Air Flow – Static Pressure Characteristics (The characteristics are applicable for the fan only.)

#### MU1225S

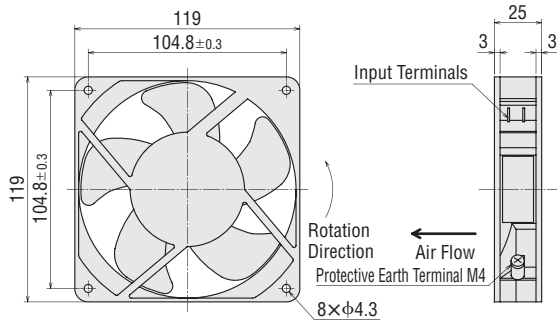


#### MU1225M

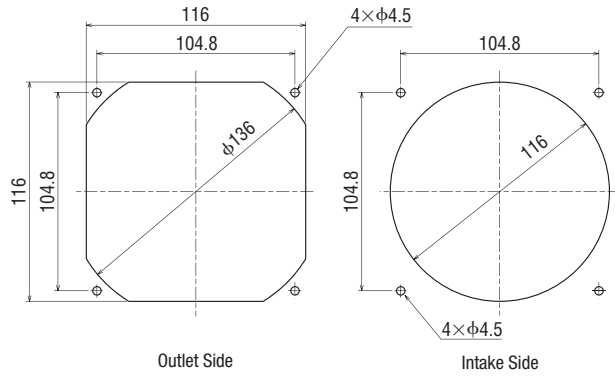


## Dimensions Unit: mm

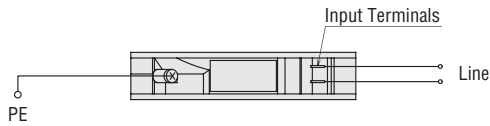
Mass: 0.31 kg



## Panel Cut-Out Unit: mm



## Connection Diagram



## Accessories

Product	Product Name	List Price
Finger Guard	<b>FG12D</b>	€6.00
Stainless Steel Finger Guard	<b>FG12S</b>	€7.00
Filter	<b>FL12</b>	€9.00
Metallic Filter	<b>FLW12</b>	€15.00
Screen	<b>FS12S</b>	€8.00
Plug Cord	<b>PCA2B</b> (1 m)	€6.00
	<b>PCA2B2</b> (2 m)	€8.00

Overview,  
Product  
Series

Axial  
Flow  
Fans

AC Input  
Energy Saving  
EMU

AC Input  
Energy Saving,  
Variable Flow  
EMR

AC Input  
Compact Size  
MU

AC Input  
Long-Life  
MRE

DC Input  
MDS  
MD

DC Input  
Alarm  
MDA

DC Input  
Long-Life  
MDE

Centrifugal  
Blowers

AC Input  
MB  
DC Input  
MBD

Cross Flow Fans

AC Input  
MF  
DC Input  
MFD

Accessories

Installation

# MU Series

## 119 mm – 38 mm Thick



Operating Voltage Range: ±10% (Applies to each voltage)  
Overheat Protection: Impedance Protected  
Color  
Frame: Unpainted (Aluminum)    Blades: Black  
Materials  
Frame: Die Cast Aluminum  
Blades: Polycarbonate (Flammability grade V-0)

80 mm

92 mm

104 mm

119 mm

140 mm

160 mm

180 mm

200 mm

### Specifications



Speed Type	Product Name	Voltage VAC	Frequency Hz	Current A	Input W	Speed r/min	Max. Air Flow m <sup>3</sup> /min	Max. Static Pressure Pa	Noise Level dB (A)
Standard Speed	<b>MU1238A-51B</b>	Single-Phase 220	50	0.10	13.5	2800	2.7	81	43
		Single-Phase 230	50	0.11	16.0	2800	2.7	81	43
		Single-Phase 230	60	0.10	13.5	3250	3.0	81	46
Middle Speed	<b>MU1238B-51B</b>	Single-Phase 220	50	0.09	11.5	2500	2.2	52	38
		Single-Phase 230	50	0.09	14.0	2500	2.3	59	39
		Single-Phase 230	60	0.09	11.5	2800	2.5	52	40
Low Speed	<b>MU1238L-51B</b>	Single-Phase 220	50	0.06	7.5	2100	1.85	34	33
		Single-Phase 230	50	0.06	9.5	2100	1.9	34	34
		Single-Phase 230	60	0.06	7.5	2200	1.9	29	33

### Product Line

For the single-phase 100/115 VAC, the single-phase 200 VAC models, please contact the nearest Oriental Motor sales office.

#### Fan Only

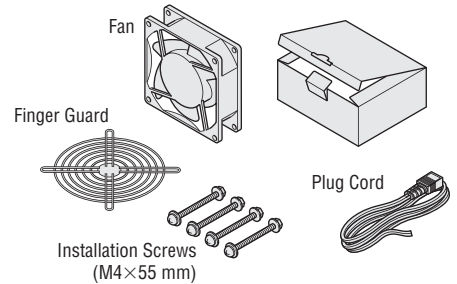
Product Name	List Price
<b>MU1238A-51B</b>	€24.00
<b>MU1238B-51B</b>	€24.00
<b>MU1238L-51B</b>	€24.00

#### Fan Kit

Product Name	List Price
<b>T-MU1238A-51-GP</b>	€33.00
<b>T-MU1238B-51-GP</b>	€33.00
<b>T-MU1238L-51-GP</b>	€33.00

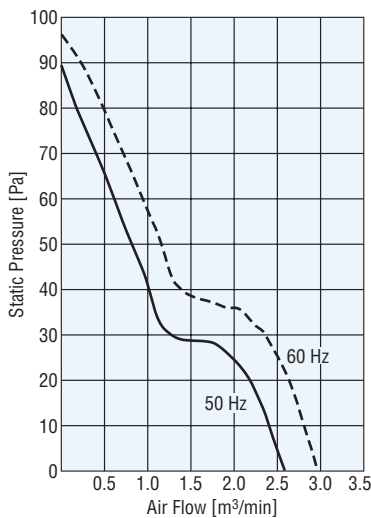
The following items are included with each product.  
Fan, Operating Manual

The following items are included in each kit.

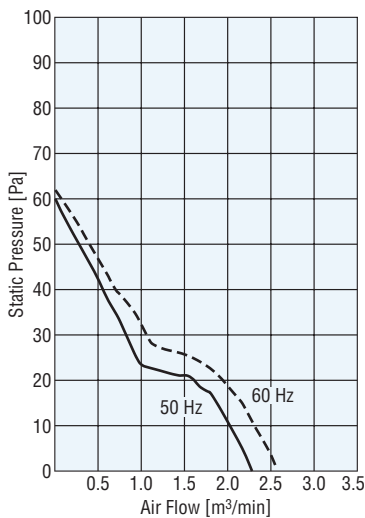


### Air Flow – Static Pressure Characteristics (The characteristics are applicable for the fan only.)

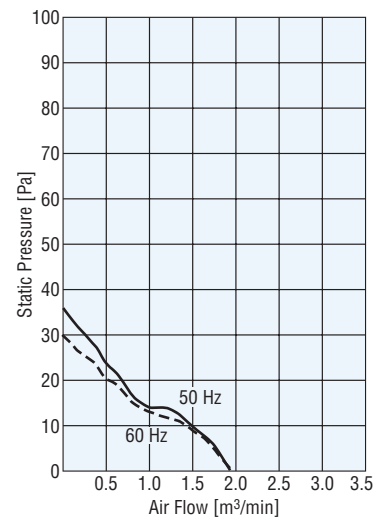
#### MU1238A



#### MU1238B

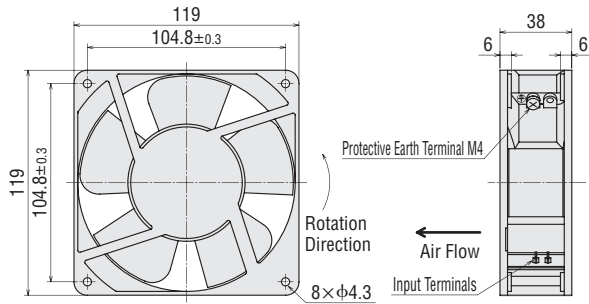


#### MU1238L

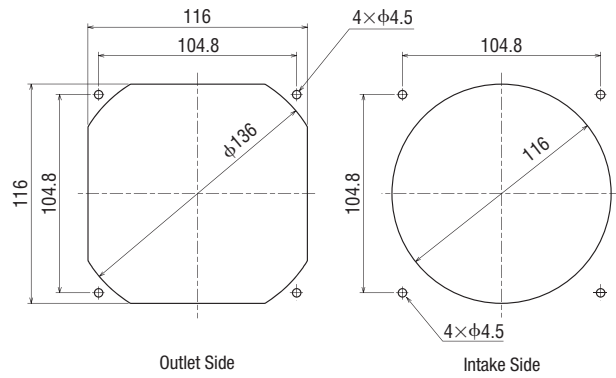


## Dimensions Unit: mm

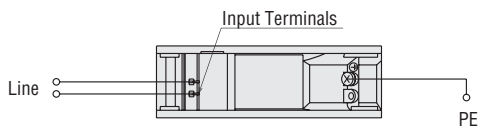
Mass: 0.53 kg



## Panel Cut-Out Unit: mm



## Connection Diagram



## Accessories

Product	Product Name	List Price
Finger Guard	<b>FG12D</b>	€6.00
Stainless Steel Finger Guard	<b>FG12S</b>	€7.00
Filter	<b>FL12</b>	€9.00
Metallic Filter	<b>FLW12</b>	€15.00
Screen	<b>FS12S</b>	€8.00
Plug Cord	<b>PCA2B</b> (1 m)	€6.00
	<b>PCA2B2</b> (2 m)	€8.00

Overview,  
Product  
Series

Axial  
Flow  
Fans

AC Input  
Energy Saving,  
Variable Flow  
**EMU**

AC Input  
Energy Saving,  
Variable Flow  
**EMR**

AC Input  
Compact Size  
**MU**

AC Input  
Long-Life  
**MRE**

DC Input  
**MDS**  
**MD**

DC Input  
Alarm  
**MDA**

DC Input  
Long-Life  
**MDE**

Centrifugal  
Blowers

AC Input  
**MB**  
DC Input  
**MBD**

Cross Flow Fans

AC Input  
**MF**  
DC Input  
**MGD**

Accessories

Installation

## MU Series

140 mm – 28 mm Thick



Operating Voltage Range:  $\pm 10\%$  (Applies to each voltage)  
Overheat Protection: Impedance Protected  
Color  
Frame: Unpainted (Aluminum)    Blades: Black  
Materials  
Frame: Die Cast Aluminum  
Blades: Polycarbonate (Flammability grade V-0)

80 mm

92 mm

### Specifications



104 mm

Speed Type	Product Name	Voltage VAC	Frequency Hz	Current A	Input W	Speed r/min	Max. Air Flow m <sup>3</sup> /min	Max. Static Pressure Pa	Noise Level dB (A)
Standard Speed	<b>MU1428S-51</b>	Single-Phase 220	50	0.07	12.0	2400	2.4	43	44
		Single-Phase 230	50	0.08	13.5	2500	2.5	45	45
		Single-Phase 230	60	0.07	12.0	2700	2.7	34	46

119 mm

140 mm

### Product Line

For the single-phase 100 VAC, the single-phase 200 VAC models, please contact the nearest Oriental Motor sales office.

160 mm

#### Fan Only

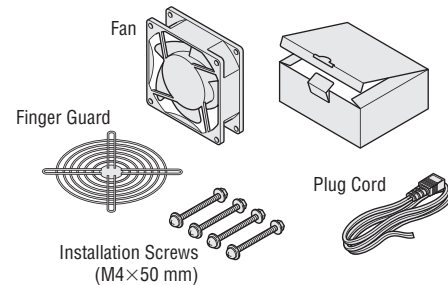
Product Name	List Price
<b>MU1428S-51</b>	€29.00

#### Fan Kit

Product Name	List Price
<b>T-MU1428S-51-GP</b>	€38.00

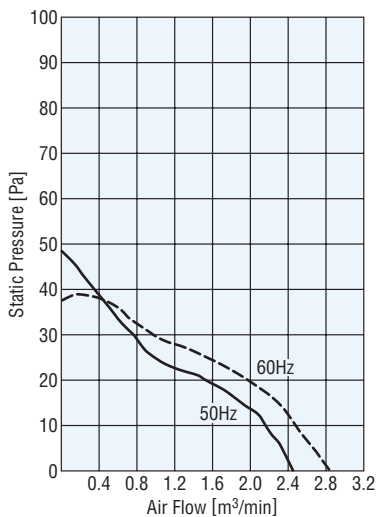
180 mm

The following items are included in each kit.



200 mm

### Air Flow – Static Pressure Characteristics (The characteristics are applicable for the fan only.)



Cooling Fans

# Accessories

	Page
Finger Guards.....	G-100
Filters.....	G-103
Screens .....	G-106
Plug Cords for Connection to Power Supply .....	G-107
Power Supply Cables .....	G-107
External Speed Potentiometer .....	G-108

Overview,  
Product  
Series

Axial  
Flow  
Fans

AC Input  
Energy Saving  
**EMU**

AC Input  
Energy Saving,  
Variable Flow  
**EMR**

AC Input  
Compact Size  
**MU**

AC Input  
Long-Life  
**MRE**

DC Input  
**MDS**  
**MD**

DC Input  
Alarm  
**MDA**

DC Input  
Long-Life  
**MDE**

Centrifugal  
Blowers

AC Input  
**MB**  
DC Input  
**MBD**

Cross Flow Fans

AC Input  
**MF**  
DC Input  
**MFD**

Accessories

Accessories

Installation

# Finger Guards

## Stainless Steel Finger Guards

It is very dangerous to touch fan blades when the fan is operating. Finger guards prevent fingers or foreign objects from entering the device. Finger guards are mounted to the fan frame using bolts.

● Finger Guards

Material: Steel wire Finish: Chrome plating

● Stainless Steel Finger Guards

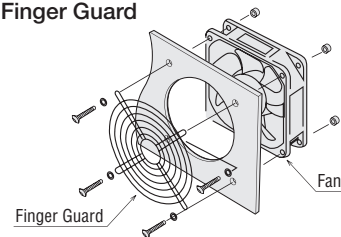
Material: Stainless steel Finish: Electropolish

● For the **EMU** Series, **MU** Series, **MDS** Series, **MD** Series, **MDA** Series and **MDE** Series, if the installation screws included in the fan kit product are used, finger guards can be installed on both sides of the fan. (When the installation panel thickness is 2 mm or less)



For Axial Flow Fans

### Installing the Finger Guard

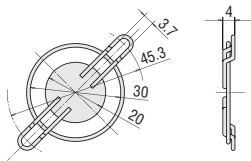


### Dimensions Unit: mm

● Finger Guards for Axial Flow Fans

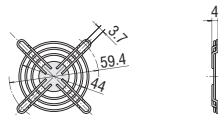
**FG4D**..... for **MDS410**

List Price €5.00 Mass: 4.2 g



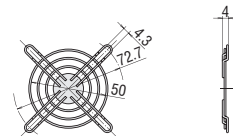
**FG5D**..... for **MDS510**

List Price €4.00 Mass: 7.7 g



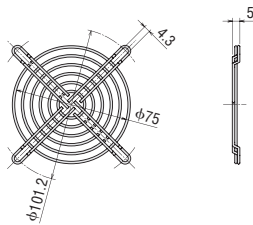
**FG6D**..... for **MD625** and **MDA625**

List Price €4.00 Mass: 8.3 g



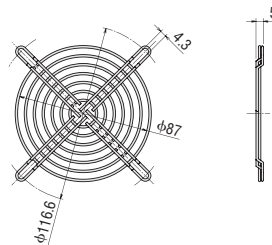
**FG8D**..... for **MU825**, **MD825** and **MDA825**

List Price €5.00 Mass: 23 g



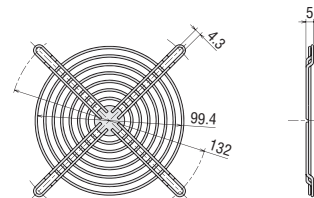
**FG9D**..... for **MU925**, **MD925** and **MDA925**

List Price €5.00 Mass: 28 g



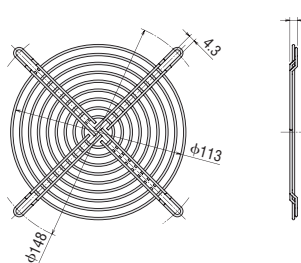
**FG10D**..... for **MU1025**

List Price €5.00 Mass: 34 g



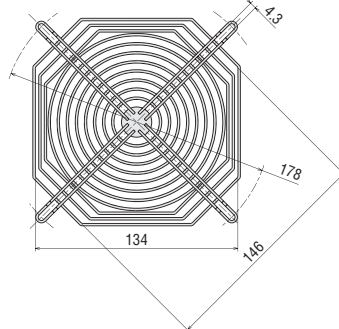
**FG12D**..... for **EMU1238**, **MU1225**, **MU1238**, **MD1225**, **MDS1225**, **MDA1225** and **MDE1225**

List Price €6.00 Mass: 42 g



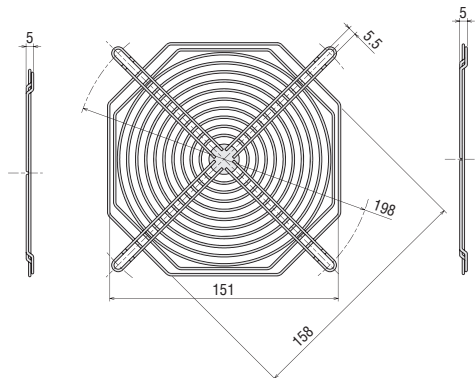
**FG14D**..... for **MU1428**, **MDS1451**, **MDA1451** and **MDE1451**

List Price €6.00 Mass: 64 g

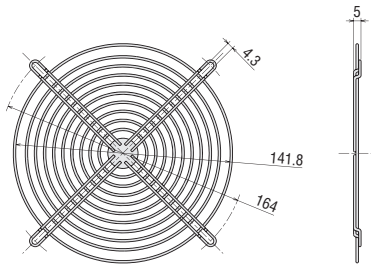


**FG16D**..... for **MRE16**

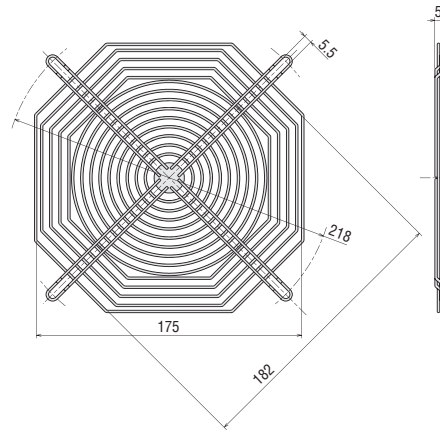
List Price €10.00 Mass: 75 g



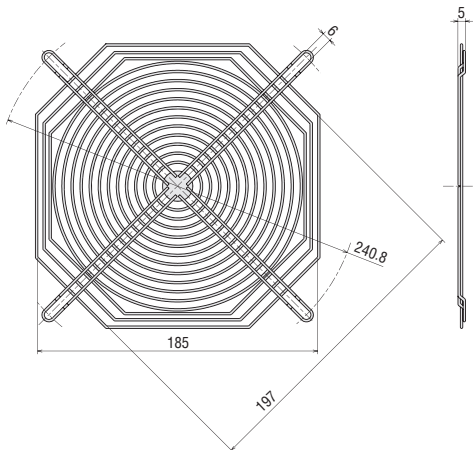
**FG17D**..... for **MDS1751** and **MDA1751**  
List Price €12.00 Mass: 57 g



**FG18D**..... for **MRE18**  
List Price €15.00 Mass: 95 g



**FG20D**..... for **MRE20**  
List Price €19.00 Mass: 105 g



Overview,  
Product  
Series

Axial  
Flow  
Fans

AC Input  
Energy Saving  
**EMU**

AC Input  
Energy Saving,  
Variable Flow  
**EMR**

AC Input  
Compact Size  
**MU**

AC Input  
Long-Life  
**MRE**

DC Input  
**MDS**  
**MD**

DC Input  
Alarm  
**MDA**

DC Input  
Long-Life  
**MDE**

Centrifugal  
Blowers

AC Input  
**MB**  
DC Input  
**MBD**

Cross Flow Fans

AC Input  
**MF**  
DC Input  
**MFD**

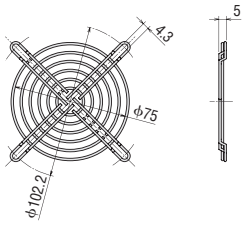
Accessories

Installation

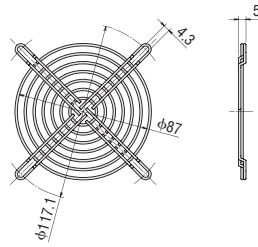


● Stainless Steel Finger Guards for Axial Flow Fans

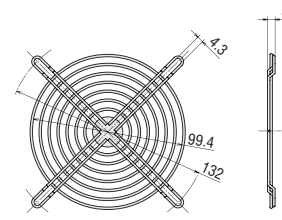
**FG85**..... for **MU825**, **MD825** and **MDA825**  
List Price €6.00 Mass: 22 g



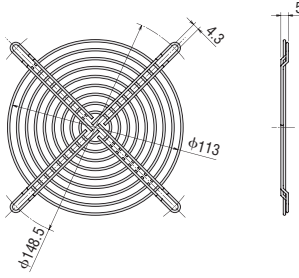
**FG95**..... for **MU925**, **MD925** and **MDA925**  
List Price €6.00 Mass: 27 g



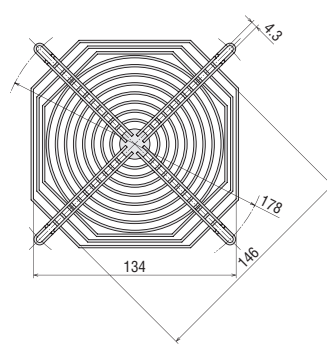
**FG105**..... for **MU1025**  
List Price €6.00 Mass: 33 g



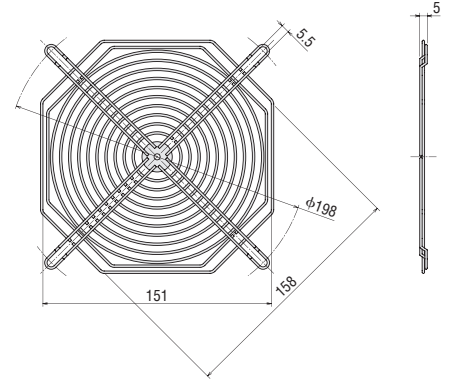
**FG125**..... for **EMU1238**, **MU1225**, **MU1238**,  
**MD1225**, **MDS1225**, **MDA1225** and  
**MDE1225**  
List Price €7.00 Mass: 41 g



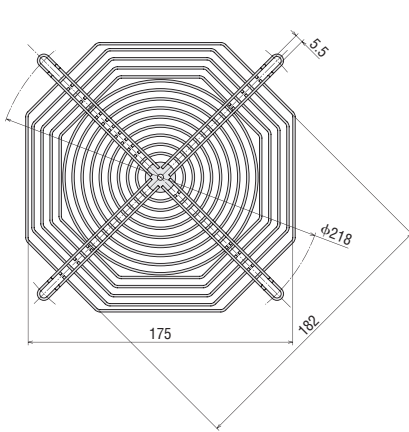
**FG145**..... for **MU1428**, **MDS1451**, **MDA1451**  
and **MDE1451**  
List Price €7.00 Mass: 64 g



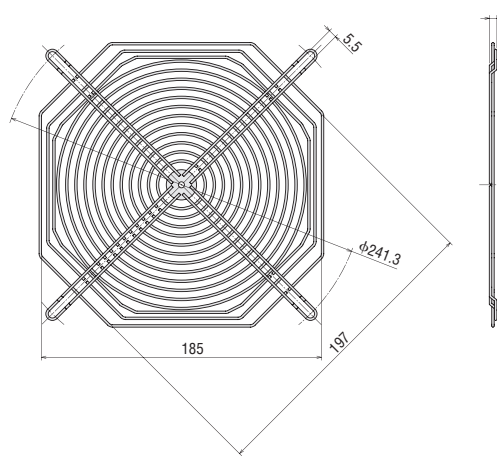
**FG165**..... for **MRE16**  
List Price €11.00 Mass: 73g



**FG185**..... for **MRE18**  
List Price €16.00 Mass: 92 g



**FG205**..... for **MRE20**  
List Price €20.00 Mass: 103 g



# Filters

## Metallic Filters

When using a fan to cool machinery, dust may accumulate inside the machinery after long periods of operation. Depending on the parts involved, this could cause a malfunction.

These filters prevent dust from entering the device, keeping the air inside the machinery dust free.

Additionally, because the material of the metallic filter is stainless metal, there is no worry of rust or corrosion and it is possible to remove deposits by washing or vacuuming with a vacuum cleaner.

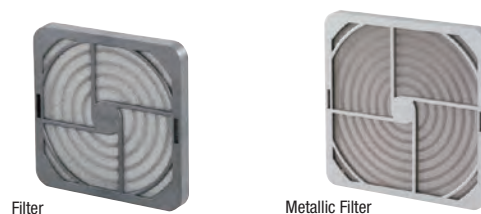
The filter and metal filter consist of the following three parts:

### ● Filter

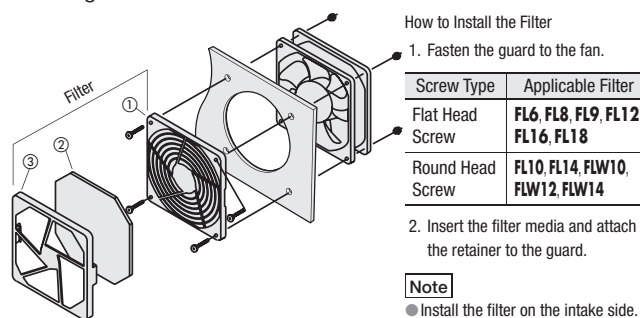
- ① Guard : Plastic finger guard  
Flammability grade: V-0
- ② Filter Media: Polyurethane air-cleaning filter media 20 to 45 PPI  
(PPI: The number of air bubbles per inch)
- ③ Retainer : Plastic retainer for filtering material  
Flammability grade: V-0

### ● Metallic Filter

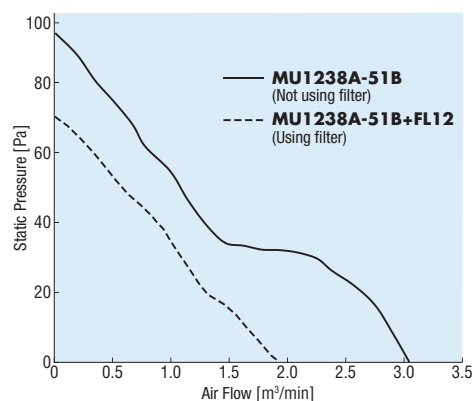
- ① Guard : Nylon resin finger guard  
Flammability grade: V-0
  - ② Filter Media: Stainless media 30 mesh  
(Mesh: Number of square holes per 1 inch)
  - ③ Retainer : Nylon resin retainer for filtering material  
Flammability grade: V-0
- The filter media and the retainer of the filter and metallic filter can be attached and detached very easily for washing or other kinds of maintenance.



Installing the Filter



## Example of Air Flow – Static Pressure Characteristics When Using a Filter

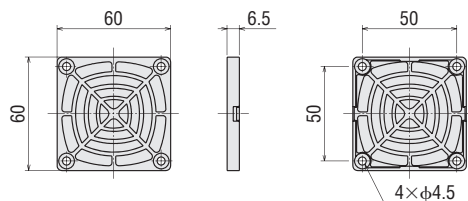


## Dimensions Unit: mm

### ● Filters for Axial Flow Fans

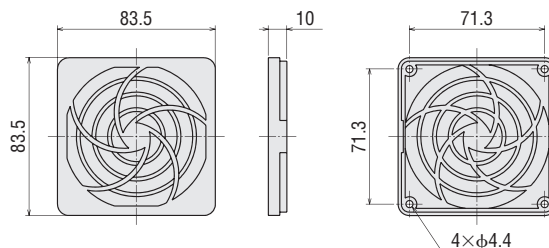
#### FL6..... for MD625 and MDA625

List Price €8.00 Mass: 11 g (Filter media: 45 PPI)



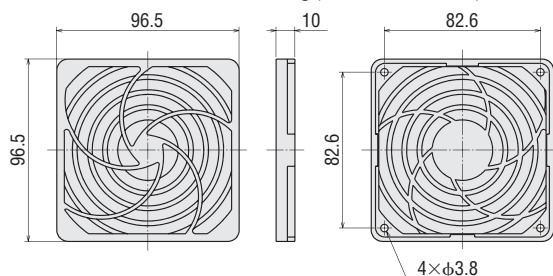
#### FL8..... for MU825, MD825 and MDA825

List Price €10.00 Mass: 19 g (Filter media: 20 PPI)



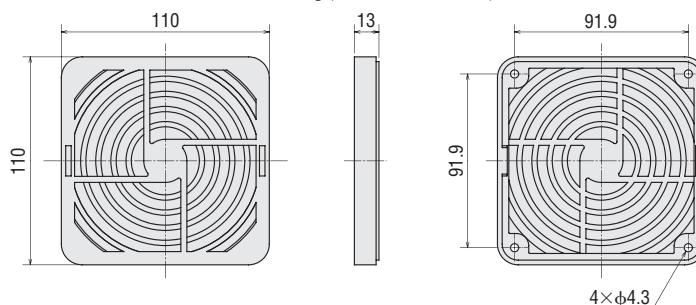
#### FL9..... for MU925, MD925 and MDA925

List Price €9.00 Mass: 26 g (Filter media: 20 PPI)

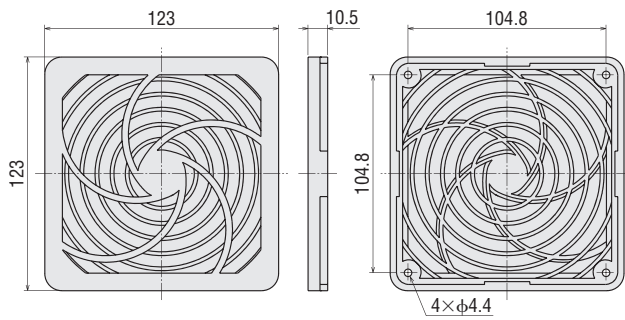


#### FL10..... for MU1025

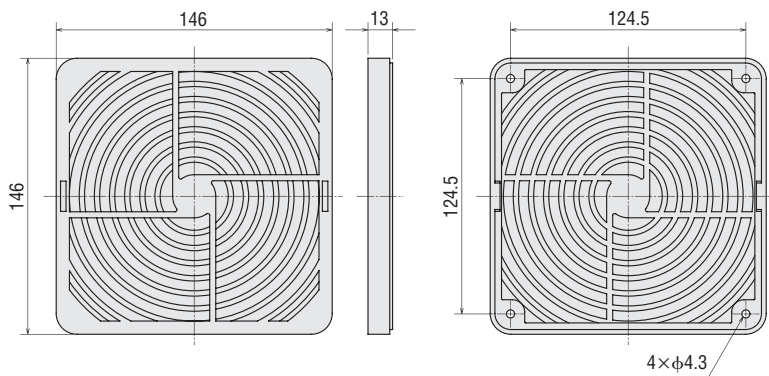
List Price €9.00 Mass: 63 g (Filter media: 30 PPI)



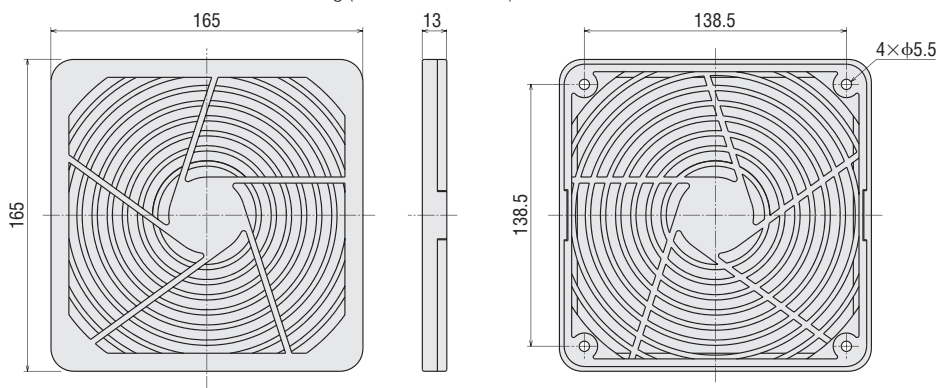
**FL12**..... for **EMU1238, MU1225, MU1238, MDS1225, MD1225, MDA1225** and **MDE1225**  
 List Price €9.00 Mass: 46 g (Filter media: 20 PPI)



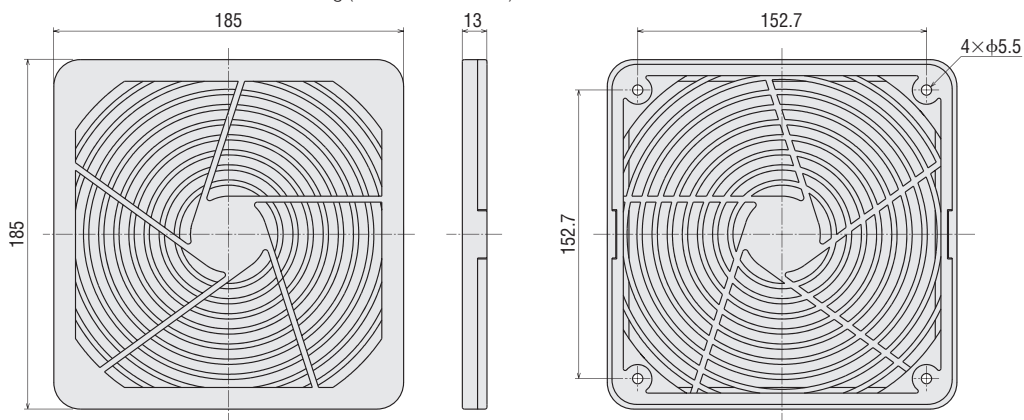
**FL14**..... for **MU1428, MDS1451, MDA1451** and **MDE1451**  
 List Price €15.00 Mass: 92 g (Filter media: 30 PPI)



**FL16**..... for **MRE16**  
 List Price €15.00 Mass: 126 g (Filter media: 30 PPI)



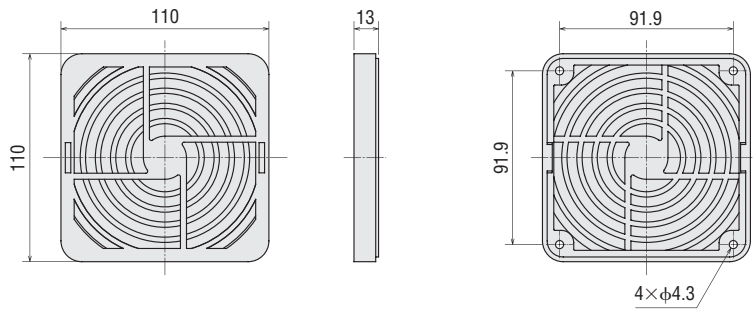
**FL18**..... for **MRE18**  
 List Price €26.00 Mass: 165 g (Filter media: 30 PPI)



## ● Metallic Filters for Axial Flow Fans

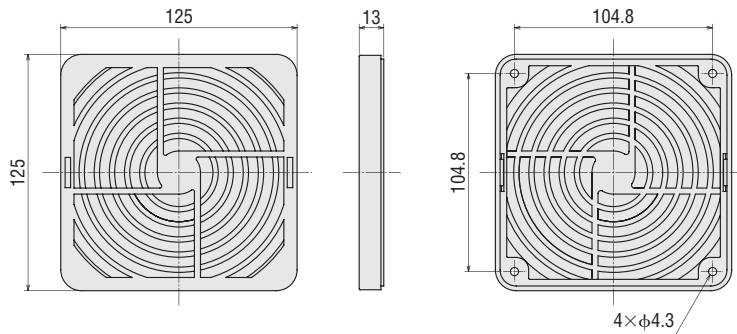
### FLW10..... for MU1025

List Price €15.00 Mass: 86 g (Filter media: 30 mesh)



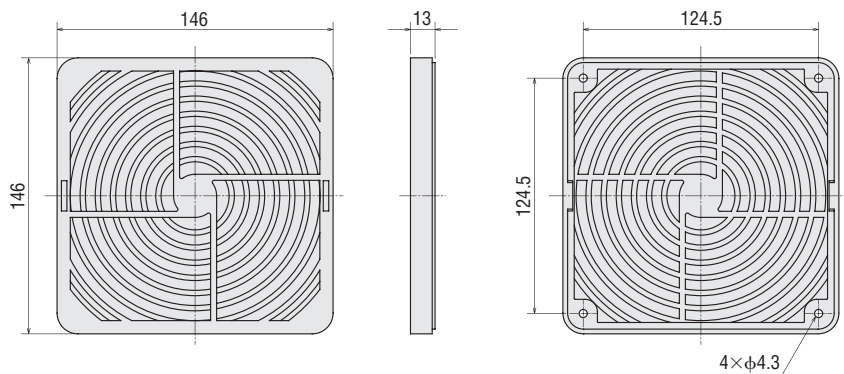
### FLW12..... for EMU1238, MU1225, MU1238, MDS1225, MD1225, MDA1225 and MDE1225

List Price €15.00 Mass: 104 g (Filter media: 30 mesh)



### FLW14..... for MU1428, MDS1451, MDA1451 and MDE1451

List Price €19.00 Mass: 130 g (Filter media: 30 mesh)



## ■ Replacement Filter Media

### ● Filter Medias for Filters

Product Name	List Price	Applicable Filter
<b>FLM6</b>	€31.00	<b>FL6</b>
<b>FLM8</b>	€32.00	<b>FL8</b>
<b>FLM9</b>	€33.00	<b>FL9</b>
<b>FLM10</b>	€33.00	<b>FL10</b>
<b>FLM12</b>	€33.00	<b>FL12</b>
<b>FLM14</b>	€35.00	<b>FL14</b>
<b>FLM16</b>	€35.00	<b>FL16</b>
<b>FLM18</b>	€36.00	<b>FL18</b>

### ● Filter Medias for Metallic Filters

Product Name	List Price	Applicable Filter
<b>FLWM10</b>	€11.00	<b>FLW10</b>
<b>FLWM12</b>	€11.00	<b>FLW12</b>
<b>FLWM14</b>	€14.00	<b>FLW14</b>

#### Note

- One package contains five filter media for filters.
- One package contains one filter media for metallic filters.
- When ordering, please specify the quantity by the number of packages.
- List price indicates the price with one package.

Overview,  
Product  
Series

Axial  
Flow  
Fans

AC Input  
Energy Saving  
**EMU**

AC Input  
Energy Saving,  
Variable Flow  
**EMR**

AC Input  
Compact Size  
**MU**

AC Input  
Long-Life  
**MRE**

DC Input  
**MDS**  
**MD**

DC Input  
Alarm  
**MDA**

DC Input  
Long-Life  
**MDE**

Centrifugal  
Blowers

AC Input  
**MB**  
DC Input  
**MBD**

Cross Flow Fans

AC Input  
**MF**  
DC Input  
**MFD**

Accessories

Installation

# Screens

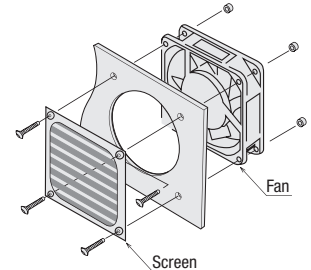
Fans are used to cool or ventilate electronic devices that may generate electromagnetic waves. These waves can escape from the fan cooling holes, causing interference to computers and measuring instruments.

The screens allow the passage of air, but block electromagnetic waves.

The screen is a durable magnetic shield using a stainless mesh fixed to an aluminum frame. Screens are easily attached to the fan using screws.

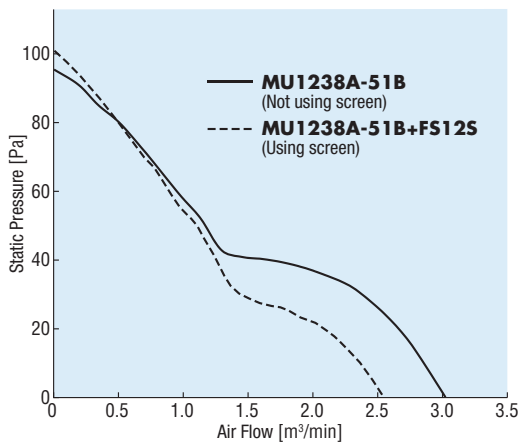


Installing the Screen



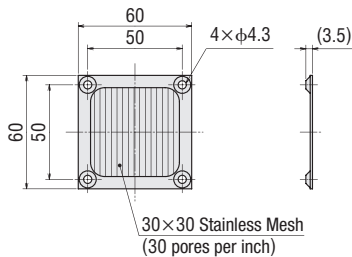
- Install from the flat side of the fan.
- To shut out electromagnetic waves, it is necessary to install such that there is no gap between the screen edges and the enclosure.

## Example of Air Flow – Static Pressure Characteristics When Using a Screen

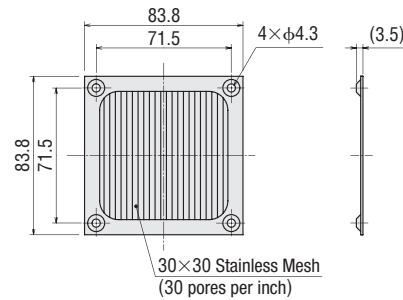


### Dimensions Unit: mm

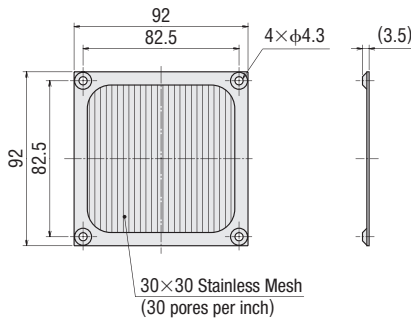
**FS6S** ..... for **MD625** and **MDA625**  
List Price €9.00 Mass: 7 g



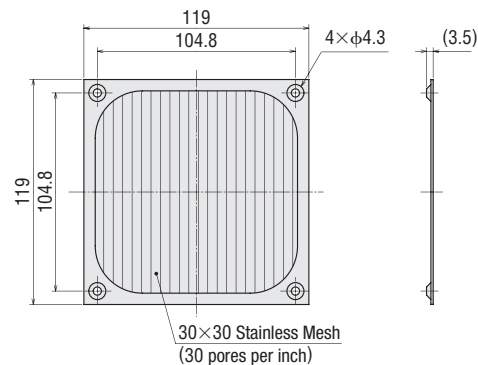
**FS8S** ..... for **MU825**, **MD825** and **MDA825**  
List Price €8.00 Mass: 15 g



**FS9S** ..... for **MU925**, **MD925** and **MDA925**  
List Price €8.00 Mass: 16 g



**FS12S** ..... for **EMU1238**, **MU1225**, **MU1238**, **MDS1225**, **MD1225**, **MDA1225** and **MDE1225**  
List Price €8.00 Mass: 24 g



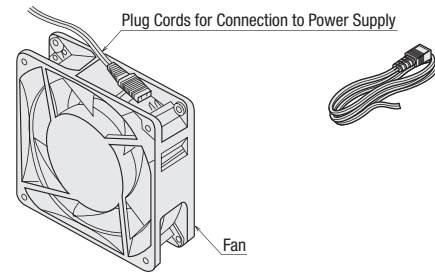
# Plug Cords for Connection to Power Supply

This plug cord is for use with the **EMU** Series and **MU** Series fans, providing terminals for connection to the power supply.

Regulations & Standards: UL Standards, CSA Standards, Electrical Appliance and Material Safety Law



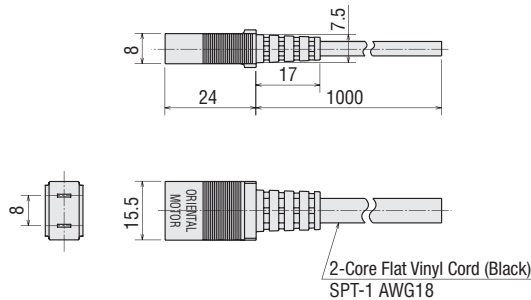
Connecting the Plug Cord



## Dimensions Unit: mm

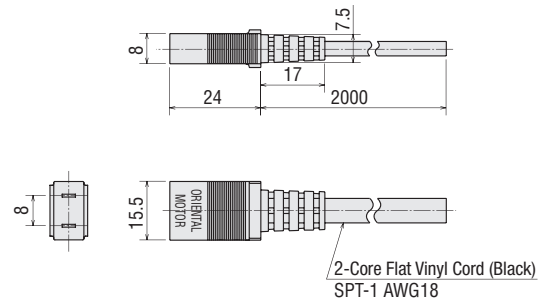
**PCA2B**..... 1 m

List Price €5.00



**PCA2B2**..... 2 m

List Price €7.00



# Power Supply Cables

These cables are used to connect the **EMR** Series fans and the power supply.

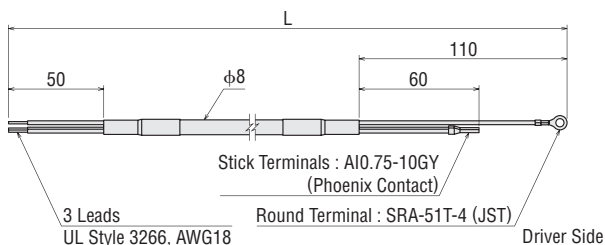
## Product Line

Product Name	Power Supply Voltage	Length L (m)	List Price
<b>CC01AC03N</b>	Single-Phase 100-240 VAC	1	€11.00
<b>CC02AC03N</b>		2	€17.00
<b>CC03AC03N</b>		3	€22.00
<b>CC01AC04N</b>	Three-Phase 200-240 VAC	1	€11.00
<b>CC02AC04N</b>		2	€17.00
<b>CC03AC04N</b>		3	€22.00

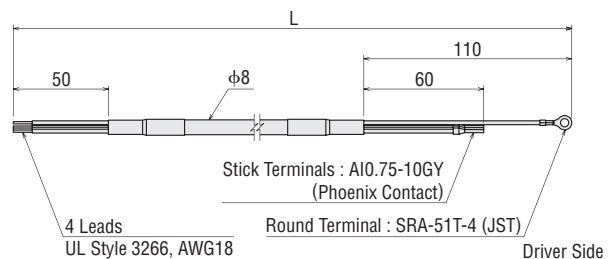


## Dimensions Unit: mm

### For Single-Phase



### For Three-Phase



Overview,  
Product  
Series

Axial  
Flow  
Fans

AC Input  
Energy Saving  
**EMU**

AC Input  
Energy Saving,  
Variable Flow  
**EMR**

AC Input  
Compact Size  
**MU**

AC Input  
Long-Life  
**MRE**

DC Input  
**MDS**  
**MD**

DC Input  
Alarm  
**MDA**

DC Input  
Long-Life  
**MDE**

Centrifugal  
Blowers

AC Input  
**MB**  
DC Input  
**MBD**

Cross Flow Fans

AC Input  
**MF**  
DC Input  
**MGD**

Accessories

Installation

# External Speed Potentiometer

This is a potentiometer used for setting the speed of the **EMR** Series fan.

## Product Line

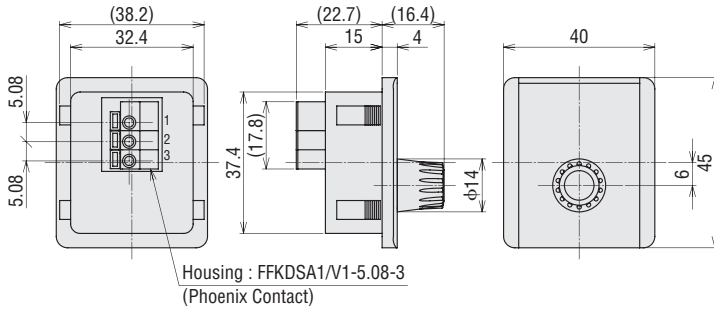
(0-20 kΩ 0.05 W, with a linear resistance vs. angle curve)

Product Name	List Price	Applicable Products
<b>PAVR2-20K</b>	€19.00	<b>EMR</b> Series



## Dimensions Unit: mm

Mass: 25g



### Panel Cut-Out

Thickness of the mounting plate: 1.5 to 3 mm

