

# MB Series AC Centrifugal Blowers

Impeller Diameter

φ 160mm



**Materials**

Motor Case : Die Cast Aluminum  
Casing : Die Cast Aluminum  
Impeller : Aluminum

## Specifications

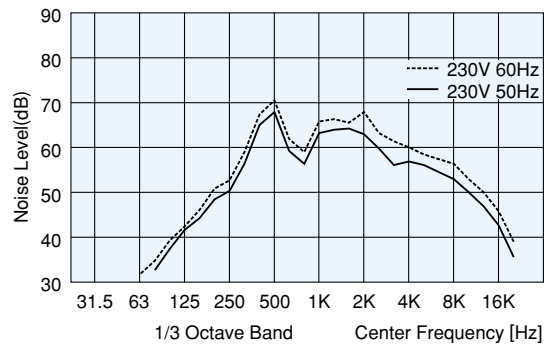
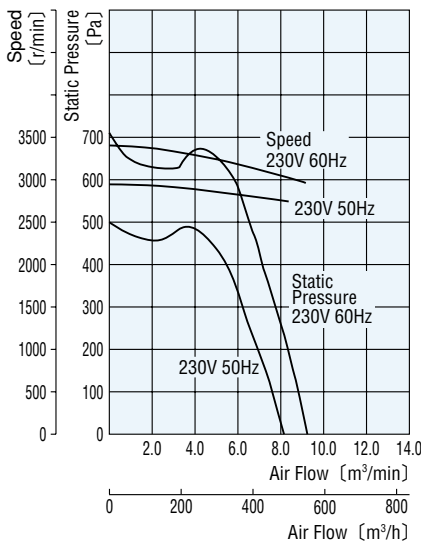
Model	Voltage V	Frequency Hz	Current A	Input Power W	Speed r/min	Max. Air Flow m <sup>3</sup> /min (m <sup>3</sup> /h)	Max. Static Pressure Pa	Noise level dB (A)	Capacitor μ F
<b>MB1665-D</b>	Single-Phase 200	50	1.3	245	2700	7.7 (462)	490	75	8.0
	Single-Phase 200	60	1.8	340	3000	8.4 (504)	686	76	
	Single-Phase 220	60	1.8	360	3150	8.7 (522)	686	77	
	Single-Phase 230	50	1.3	270	2750	8.0 (480)	490	75	
	Single-Phase 230	60	1.8	370	3150	8.9 (534)	686	77	
<b>MB1665-B</b>	Single-Phase 100	50	2.6	260	2750	8.0 (480)	490	76	40
	Single-Phase 100	60	3.7	360	3100	9.0 (540)	686	80	
	Single-Phase 110	60	3.7	380	3200	9.0 (540)	686	80	
	Single-Phase 115	60	3.7	400	3200	9.0 (540)	686	80	

- Values for maximum air flow and maximum static pressure are measured by the double-chamber method.
- Noise level is measured in the A range, at a distance of 1m from the fan intake side.
- A thermal protector is installed. If the fan heats up, the thermal protector goes into operation and the fan stops. Once the fan temperature drops, it will automatically restart. Perform inspection work after turning off the power source.
- Fans bearing the CE mark should only be used with Class I equipment. When installing into the equipment, either earth the fan or ensure that there is no contact with bare hands. Standards specifications are listed on page D-2.
- Refer to page D-4 for VDE certified products.

## Air Flow – Static Pressure Characteristics

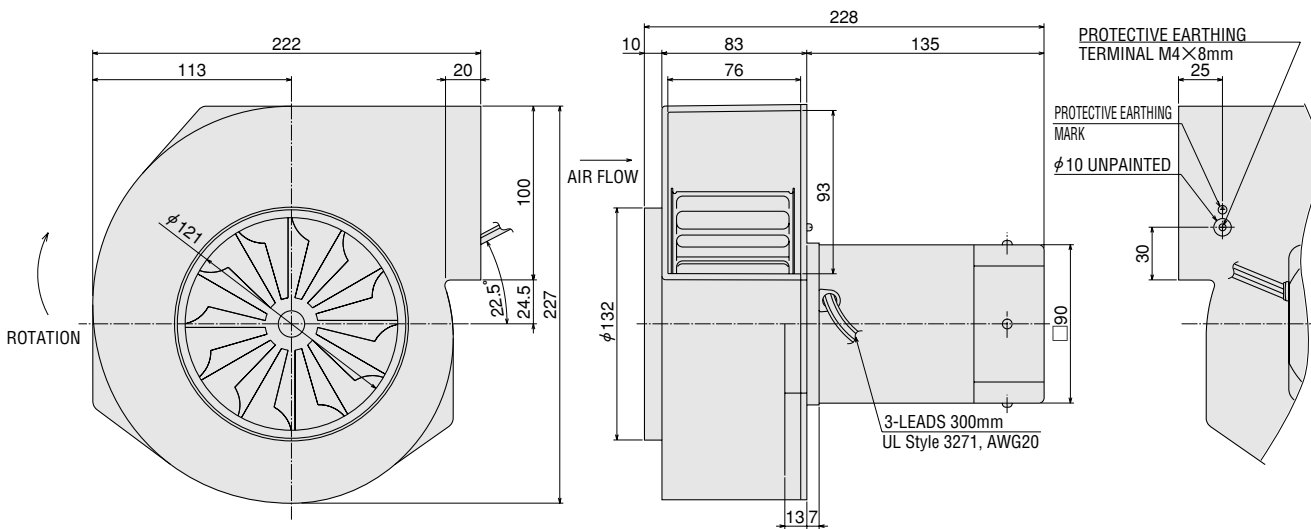
## Audible Noise Frequency Analysis

Measure at a distance of 1m from the fan intake side

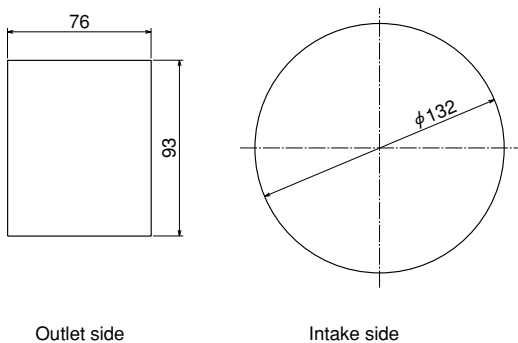


## ■ Dimensions (Scale 1/4, Unit=mm)

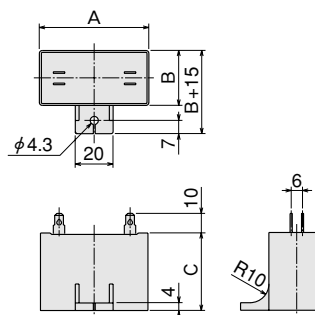
● Mass: 5.0kg



## ■ Panel Cut-Out (Scale 1/4, Unit=mm)

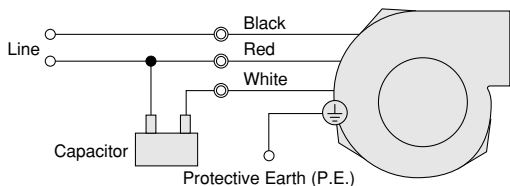


● Capacitor  
(Capacitor and capacitor cap are provided with the blower.)



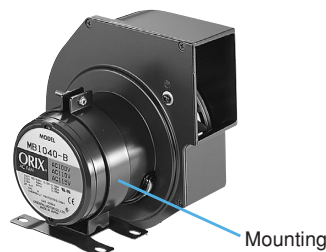
Model	Capacitor	Dimensions (mm)			Mass g
		A	B	C	
<b>MB1665-B</b>	CH400CFAUL	58	41	58	190
<b>MB1665-D</b>	CH80BFAUL	58	29	41	150

## ■ Wiring Diagram



## ■ Accessories (Sold separately)

Item	Model	Page
Mounting	<b>PAS5A</b>	C-105



# MB Series AC Centrifugal Blowers

Impeller Diameter

φ 120mm



**Materials**

Motor Case : Die Cast Aluminum  
Casing : Die Cast Aluminum  
Impeller : Aluminum

## Specifications

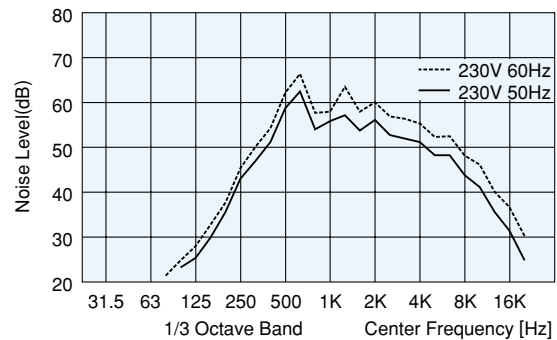
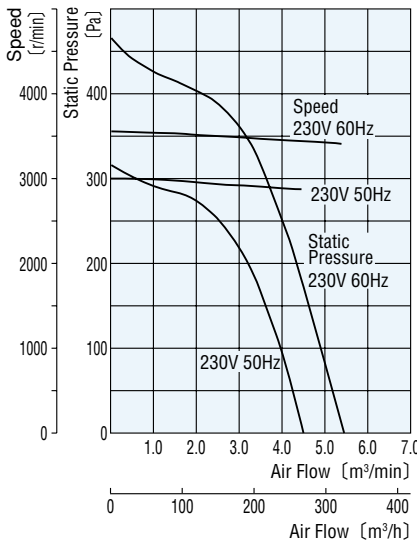
Model	Voltage V	Frequency Hz	Current A	Input Power W	Speed r/min	Max. Air Flow m <sup>3</sup> /min (m <sup>3</sup> /h)	Max. Static Pressure Pa	Noise level dB (A)	Capacitor μ F
<b>MB1255-D</b>	Single-Phase 200	50	0.6	100	2850	4.4 (264)	314	67	2.0
	Single-Phase 200	60	0.8	145	3200	4.9 (294)	451	69	
	Single-Phase 220	60	0.8	145	3300	5.1 (306)	451	71	
	Single-Phase 230	50	0.6	110	2900	4.5 (270)	314	67	
	Single-Phase 230	60	0.8	150	3300	5.2 (312)	451	71	
<b>MB1255-B</b>	Single-Phase 100	50	1.3	110	2850	4.4 (264)	309	67	10
	Single-Phase 100	60	1.6	150	3300	5.1 (306)	441	71	
	Single-Phase 110	60	1.6	150	3300	5.1 (306)	441	71	
	Single-Phase 115	60	1.6	150	3300	5.1 (306)	441	72	

- Values for maximum air flow and maximum static pressure are measured by the double-chamber method.
- Noise level is measured in the A range, at a distance of 1m from the fan intake side.
- A thermal protector is installed. If the fan heats up, the thermal protector goes into operation and the fan stops. Once the fan temperature drops, it will automatically restart. Perform inspection work after turning off the power source.
- Fans bearing the CE mark should only be used with Class I equipment. When installing into the equipment, either earth the fan or ensure that there is no contact with bare hands. For protection, use optional finger guard. Standards specifications are listed on page D-2.
- Refer to page D-4 for VDE certified products.

## Air Flow – Static Pressure Characteristics

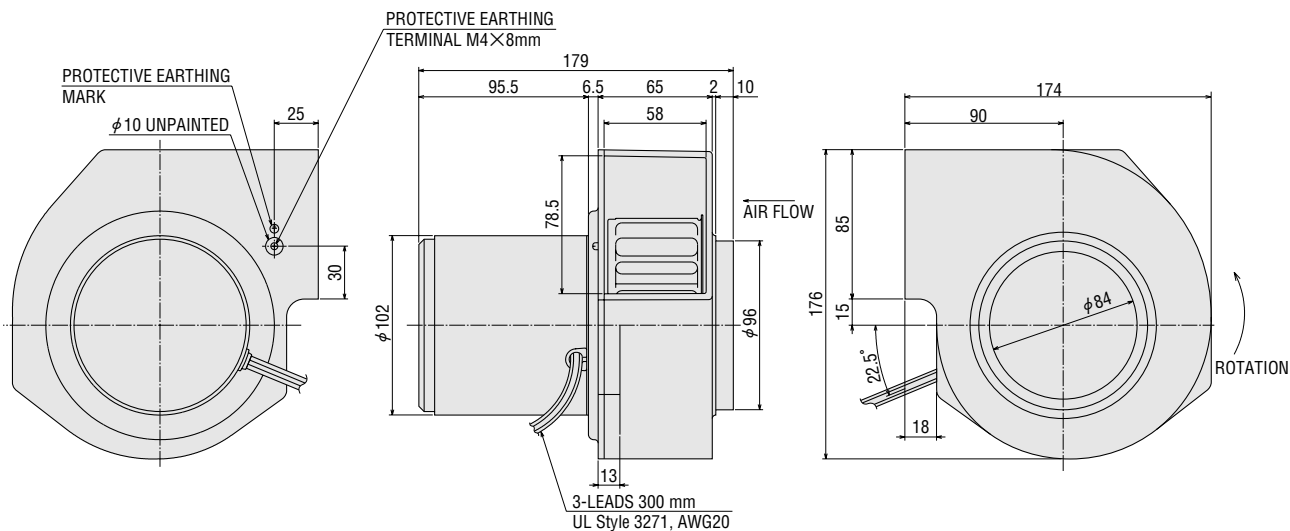
## Audible Noise Frequency Analysis

Measure at a distance of 1m from the fan intake side



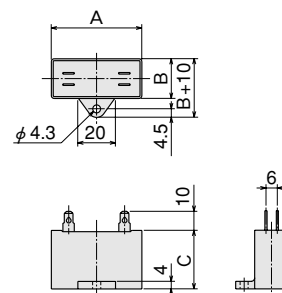
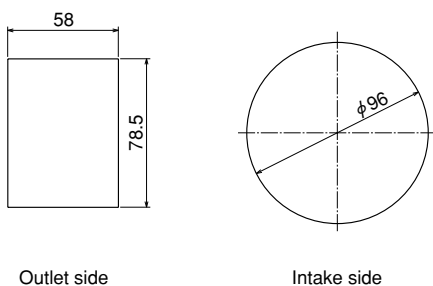
## ■ Dimensions (Scale 1/4, Unit = mm)

● Mass: 4.0kg

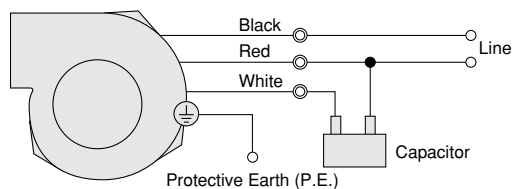


## ■ Panel Cut-Out (Scale 1/4, Unit = mm)

● Capacitor (Capacitor and capacitor cap are provided with the blower.)



## ■ Wiring Diagram

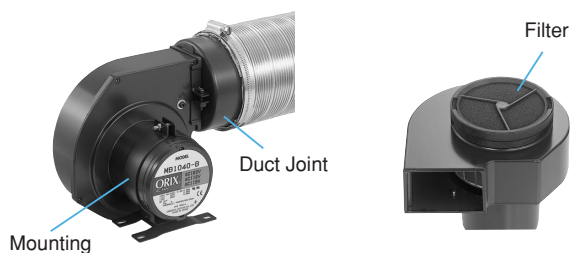


Model	Capacitor	Dimensions (mm)			Mass g
		A	B	C	
<b>MB1255-B</b>	CH100CFAUL	48	22.5	31.5	40
<b>MB1255-D</b>	CH20BFAUL	48	19	29	40

## ■ Accessories (Sold separately)

Item	Model	Safety Standards	Page
Finger Guard	<b>FGB12</b>	*	C-98
Filter	<b>FLB12</b>	—	C-101
Mounting	<b>PAS6A</b>	—	C-105
Duct Joint	<b>FD12</b>	—	C-104

\* These products have been designed to pass tests set forth under the UL and CSA standards for equipment used in fans. They conform to the standards only when used in an **ORIX,FAN**.



\* A finger guard can be installed in place of the filter.

# MB Series AC Centrifugal Blowers

Impeller Diameter

φ 100 mm



**Materials**

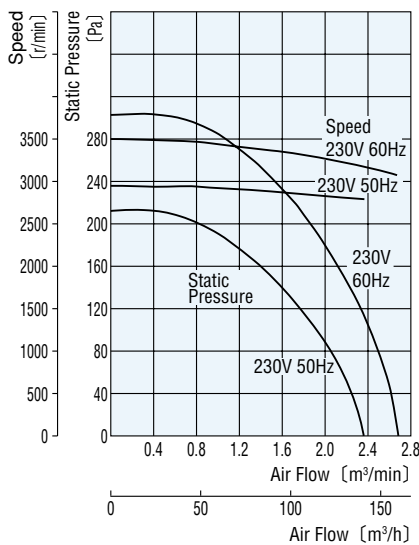
Motor Case : Die Cast Aluminum  
Casing : Die Cast Aluminum  
Impeller : Aluminum

## Specifications

Model	Voltage V	Frequency Hz	Current A	Input Power W	Speed r/min	Max. Air Flow m <sup>3</sup> /min (m <sup>3</sup> /h)	Max. Static Pressure Pa	Noise level dB (A)	Capacitor μ F
<b>MB1040-D</b>	Single-Phase 200	50	0.25	40	2750	2.3 (138)	206	61	1.2
	Single-Phase 200	60	0.30	50	3100	2.6 (156)	304	64	
	Single-Phase 220	60	0.30	55	3200	2.7 (162)	304	65	
	Single-Phase 230	50	0.30	50	2750	2.4 (144)	206	61	
	Single-Phase 230	60	0.30	55	3250	2.7 (162)	304	65	
<b>MB1040-B</b>	Single-Phase 100	50	0.50	45	2750	2.3 (138)	206	60	3.0
	Single-Phase 100	60	0.55	55	3050	2.6 (156)	284	63	
	Single-Phase 110	60	0.55	55	3200	2.6 (156)	284	64	
	Single-Phase 115	60	0.55	55	3200	2.6 (156)	284	64	

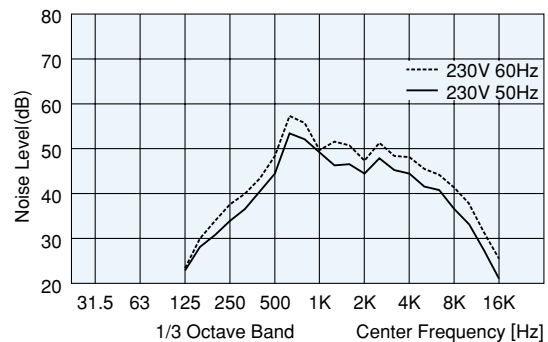
- Values for maximum air flow and maximum static pressure are measured by the double-chamber method.
- Noise level is measured in the A range, at a distance of 1m from the fan intake side.
- A thermal protector is installed. If the fan heats up, the thermal protector goes into operation and the fan stops. Once the fan temperature drops, it will automatically restart. Perform inspection work after turning off the power source.
- Fans bearing the CE mark should only be used with Class I equipment. When installing into the equipment, either earth the fan or ensure that there is no contact with bare hands. For protection, use optional finger guard. Standards specifications are listed on page D-2.
- Refer to page D-4 for VDE certified products.

## Air Flow – Static Pressure Characteristics



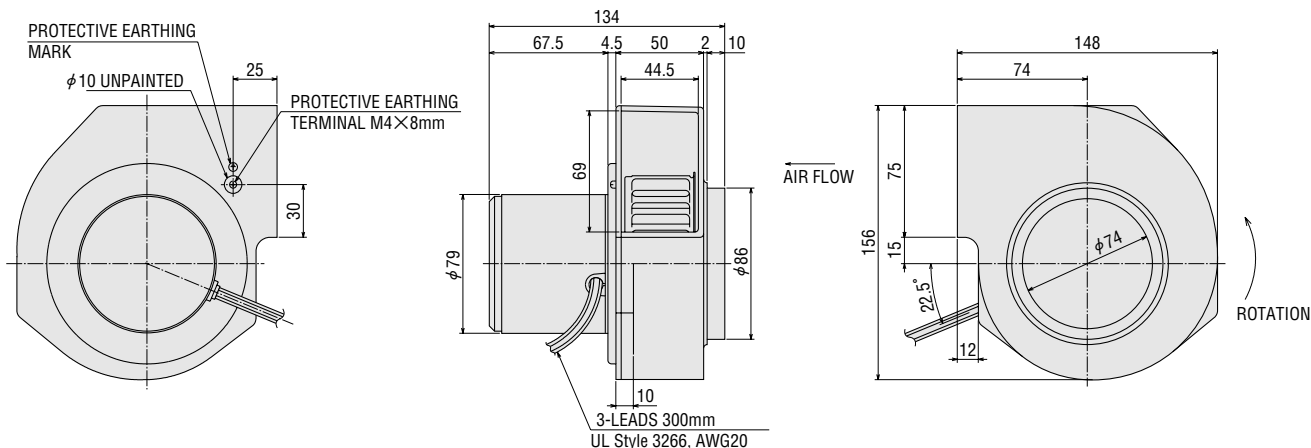
## Audible Noise Frequency Analysis

Measure at a distance of 1m from the fan intake side



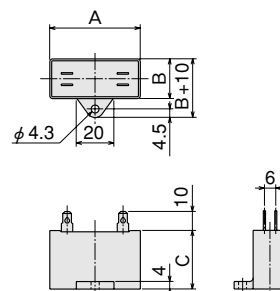
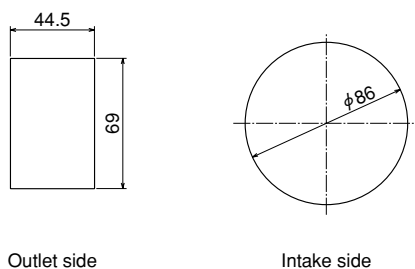
## ■ Dimensions (Scale 1/4, Unit = mm)

● Mass: 2.0kg



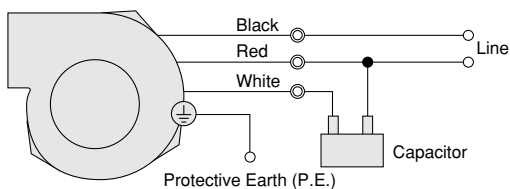
## ■ Panel Cut-Out (Scale 1/4, Unit = mm)

● Capacitor (Capacitor and capacitor cap are provided with the blower)



Model	Capacitor	Dimensions (mm)			Mass g
		A	B	C	
<b>MB1040-B</b>	CH30BFAUL	58	21	31	50
<b>MB1040-D</b>	CH12BFAUL	37	18	27	30

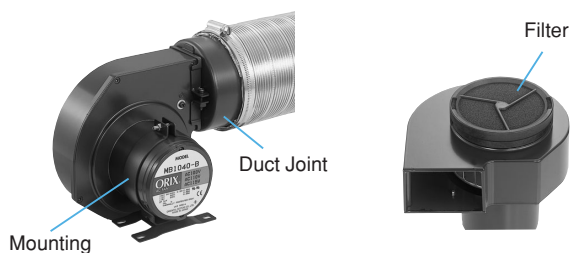
## ■ Wiring Diagram



## ■ Accessories (Sold separately)

Item	Model	Safety Standards	Page
Finger Guard	<b>FGB10</b>	*	C-98
Filter	<b>FLB10</b>	—	C-101
Mounting	<b>PAS4B</b>	—	C-105
Duct Joint	<b>FD10</b>	—	C-104

\* These products have been designed to pass tests set forth under the UL and CSA standards for equipment used in fans. They conform to the standards only when used in an **ORIX.FAN**.



\* A finger guard can be installed in place of the filter.

## MB Series

### AC Centrifugal Blowers

Impeller Diameter

φ80mm



#### Materials

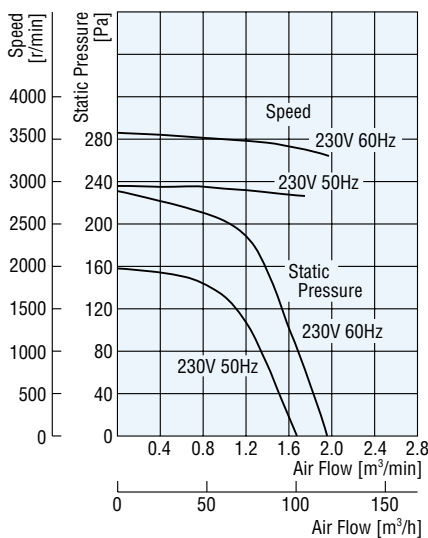
Motor Case : Die Cast Aluminum  
Casing : Die Cast Aluminum  
Impeller : Aluminum

### Specifications

Model	Voltage V	Frequency Hz	Current A	Input Power W	Speed r/min	Max. Air Flow m <sup>3</sup> /min (m <sup>3</sup> /h)	Max. Static Pressure Pa	Noise level dB (A)	Capacitor μ F
<b>MB840-D</b>	Single-Phase 200	50	0.14	28	2800	1.6 (96)	152	55	2.5
	Single-Phase 200	60	0.18	32	3200	1.8 (108)	221	58	
	Single-Phase 220	60	0.18	35	3350	1.8 (108)	226	59	
	Single-Phase 230	50	0.15	35	2850	1.6 (96)	157	55	
	Single-Phase 230	60	0.18	36	3350	1.8 (108)	226	59	
<b>MB840-B</b>	Single-Phase 100	50	0.29	28	2800	1.6 (96)	152	55	1.5
	Single-Phase 100	60	0.37	32	3150	1.8 (108)	221	58	
	Single-Phase 110	60	0.37	35	3300	1.8 (108)	226	59	
	Single-Phase 115	60	0.37	36	3350	1.8 (108)	226	59	

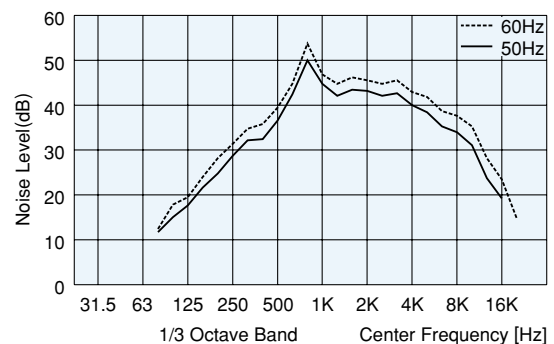
- Values for maximum air flow and maximum static pressure are measured by the double-chamber method.
- Noise level is measured in the A range, at a distance of 1m from the fan intake side.
- A thermal protector is installed. If the fan heats up, the thermal protector goes into operation and the fan stops. Once the fan temperature drops, it will automatically restart. Perform inspection work after turning off the power source.
- The **MB840** is protected with impedance protection that prevents the temperature from rising to the temperature at which the thermal protector is triggered even if the fan is locked due to the usage voltage or ambient temperature.
- Fans bearing the CE mark should only be used with Class I equipment. When installing into the equipment, either earth the fan or ensure that there is no contact with bare hands. For protection, use optional finger guard. Standards specifications are listed on page D-2.

### Air Flow – Static Pressure Characteristics



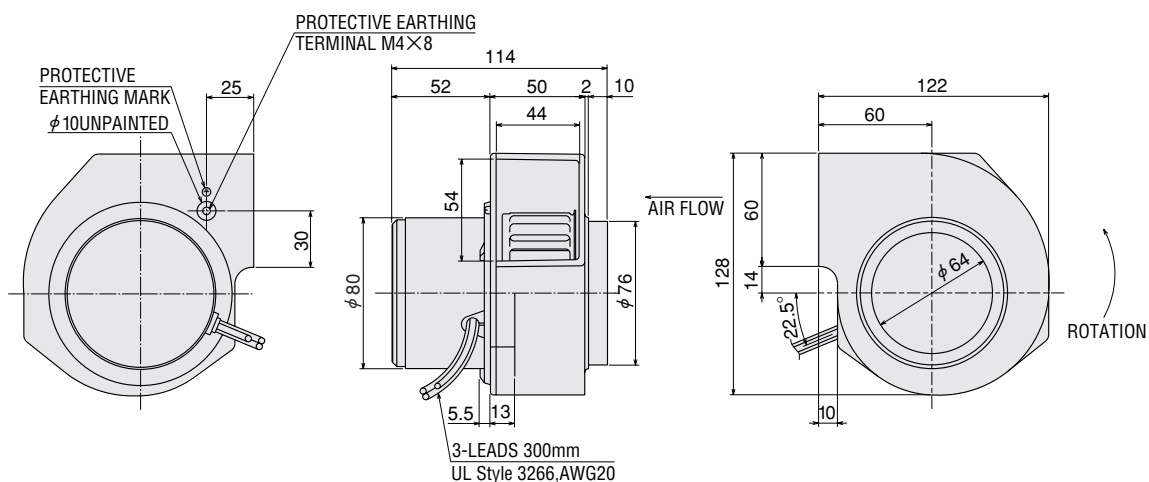
### Audible Noise Frequency Analysis

Measure at a distance of 1m from the fan intake side



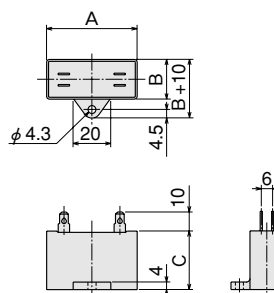
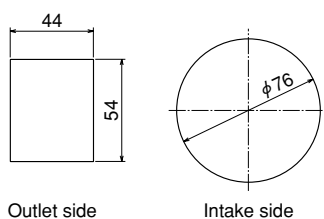
## ■ Dimensions (Scale 1/4, Unit = mm)

● Mass : 1.3kg



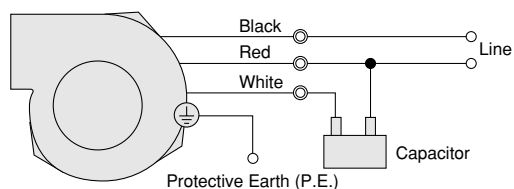
## ■ Panel Cut-Out (Scale 1/4, Unit = mm)

● Capacitor (Capacitor and capacitor cap are provided with the blower.)



Model	Capacitor	Dimensions (mm)			Mass g
		A	B	C	
<b>MB840-B</b>	CH15FAUL	31	14.5	23.5	35
<b>MB840-D</b>	CH25FAUL	31	17	27	40

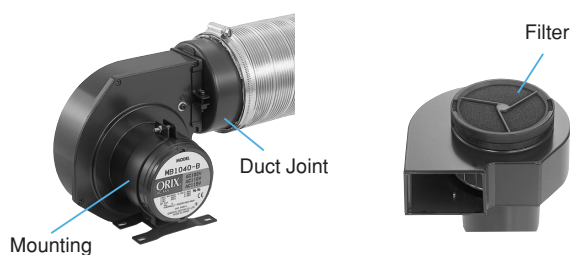
## ■ Wiring Diagram



## ■ Accessories (Sold separately)

Item	Model	Safety Standards	Page
Finger Guard	<b>FGB8</b>	*	C-98
Filter	<b>FLB8</b>	-	C-101
Mounting	<b>PAS4B</b>	-	C-105
Duct Joint	<b>FD8</b>	-	C-104

\* These products have been designed to pass tests set forth under the UL and CSA standards for equipment used in fans. They conform to the standards only when used in an **ORIX.FAN**.



\* A finger guard can be installed in place of the filter.



# MB Series AC Centrifugal Blowers

Impeller Diameter

φ60mm



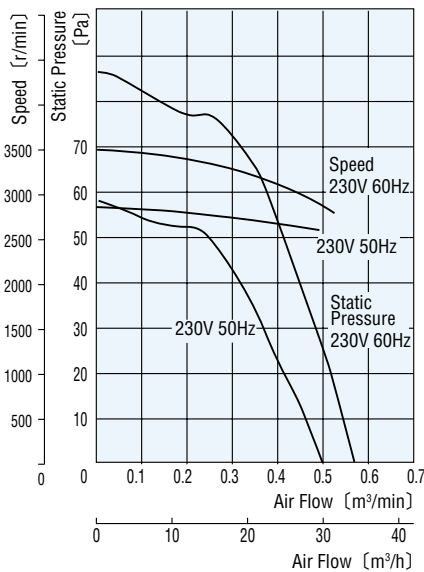
**Materials**  
 Motor Case : Die Cast Aluminum  
 Casing : Die Cast Aluminum  
 Impeller : Aluminum

## Specifications

Model	Voltage V	Frequency Hz	Current A	Input Power W	Speed r/min	Max. Air Flow m³/min (m³/h)	Max. Static Pressure Pa	Noise level dB (A)
<b>MB630-D</b>	Single-Phase 200	50	0.08	12	2500	0.49 (29.4)	56	38
	Single-Phase 200	60	0.08	11	2600	0.50 (30.0)	83	39
	Single-Phase 220	60	0.08	13	2900	0.55 (33.0)	83	42
	Single-Phase 230	50	0.09	16	2600	0.50 (30.0)	56	39
	Single-Phase 230	60	0.08	14	2900	0.55 (33.0)	83	43
<b>MB630-B</b>	Single-Phase 100	50	0.11	8.0	2300	0.44 (26.4)	53	37
	Single-Phase 100	60	0.11	8.0	1900	0.36 (21.6)	76	33
	Single-Phase 110	60	0.12	9.5	2300	0.45 (27.0)	77	38
	Single-Phase 115	60	0.12	10.0	2500	0.49 (29.4)	79	40

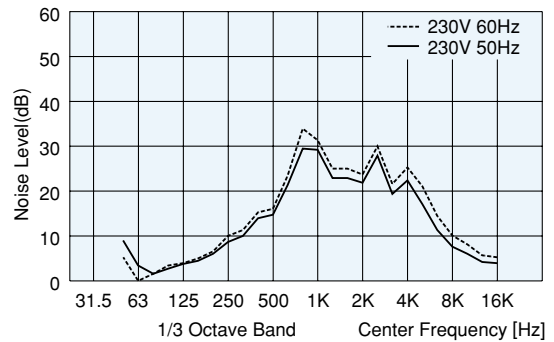
- Values for maximum air flow and maximum static pressure are measured by the double-chamber method.
- Noise level is measured in the A range, at a distance of 1m from the fan intake side.
- These products are impedance protected.
- Fans bearing the CE mark should only be used with Class I equipment. When installing into the equipment, either earth the fan or ensure that there is no contact with bare hands. Standards specifications are listed on page D-2.

## Air Flow – Static Pressure Characteristics



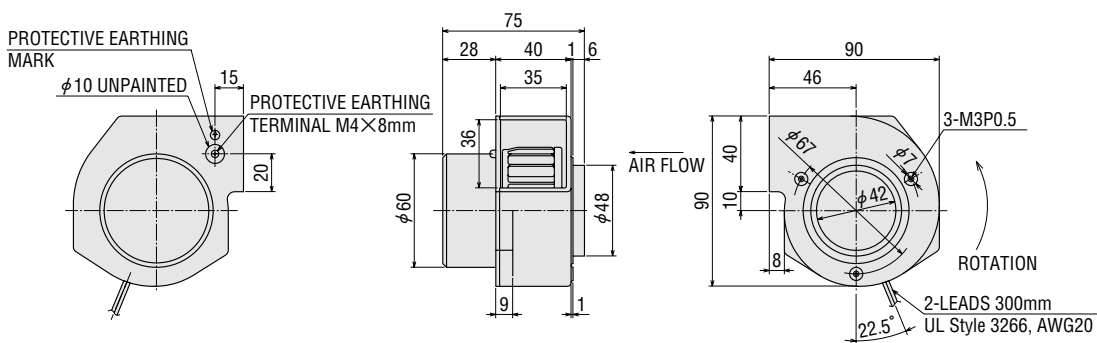
## Audible Noise Frequency Analysis

Measure at a distance of 1m from the fan intake side

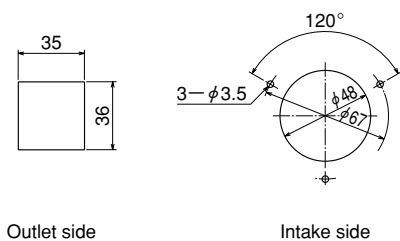


### ■ Dimensions (Scale 1/4, Unit=mm)

● Mass: 0.5kg



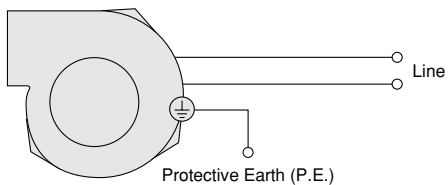
### ■ Panel Cut-Out (Scale 1/4, Unit=mm)



Outlet side

Intake side

### ■ Wiring Diagram



### ■ Accessories (Sold separately)

Item	Model	Page
Mounting	<b>PAS2B</b>	C-105



# MB Series AC Centrifugal Blowers

Impeller Diameter

φ50mm



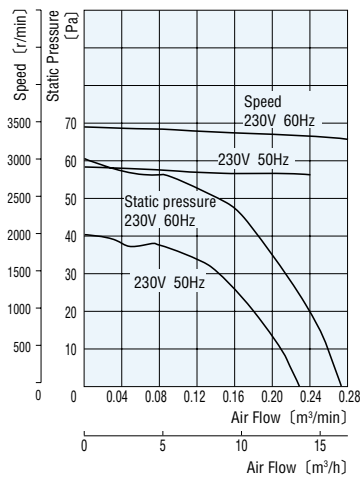
**Materials**  
 Motor Case : Die Cast Aluminum  
 Casing : Die Cast Aluminum  
 Impeller : Aluminum

## Specifications

Model	Voltage V	Frequency Hz	Current A	Input Power W	Speed r/min	Max. Air Flow m³/min (m³/h)	Max. Static Pressure Pa	Noise level dB (A)
<b>MB520-D</b>	Single-Phase 200	50	0.09	11	2650	0.22 (13.2)	38	33
	Single-Phase 200	60	0.08	10	3200	0.27 (16.2)	58	38
	Single-Phase 220	60	0.09	12	3300	0.27 (16.2)	60	38
	Single-Phase 230	50	0.10	16	2750	0.23 (13.8)	40	33
	Single-Phase 230	60	0.09	13	3300	0.27 (16.2)	60	38
<b>MB520-B</b>	Single-Phase 100	50	0.11	8	2600	0.21 (12.6)	37	33
	Single-Phase 100	60	0.10	7	3000	0.24 (14.4)	53	37
	Single-Phase 110	60	0.11	8.5	3200	0.25 (15.0)	55	38
	Single-Phase 115	60	0.11	9	3200	0.25 (15.0)	55	38

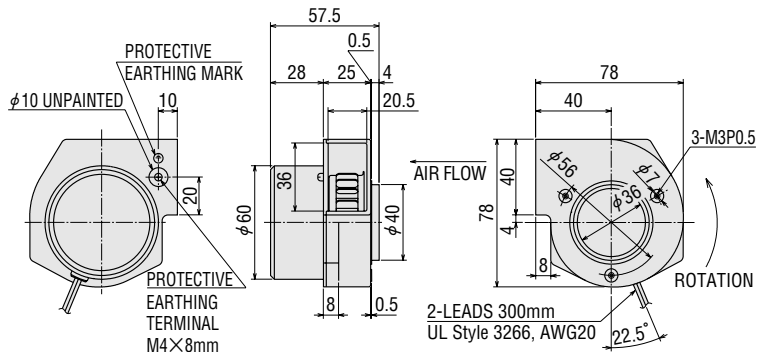
- Values for maximum air flow and maximum static pressure are measured by the double-chamber method.
- Noise level is measured in the A range, at a distance of 1m from the fan intake side.
- These products are impedance protected.
- Fans bearing the CE mark should only be used with Class I equipment. When installing into the equipment, either earth the fan or ensure that there is no contact with bare hands. Standards specifications are listed on page D-2.

## Air Flow – Static Pressure Characteristics



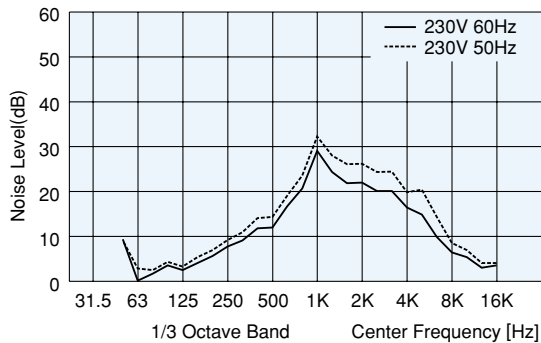
## Dimensions (Scale 1/4, Unit = mm)

● Mass: 0.3kg

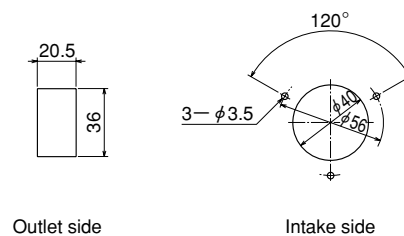


## Audible Noise Frequency Analysis

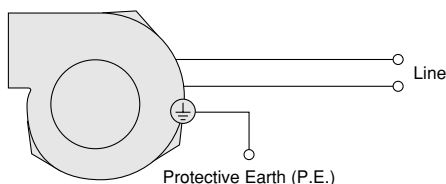
Measure at a distance of 1m from the fan intake side



## Panel Cut-Out (Scale 1/4, Unit = mm)



## Wiring Diagram



## Accessories (Sold separately)

Item	Model	Page
Mounting	<b>PAS2B</b>	C-105

