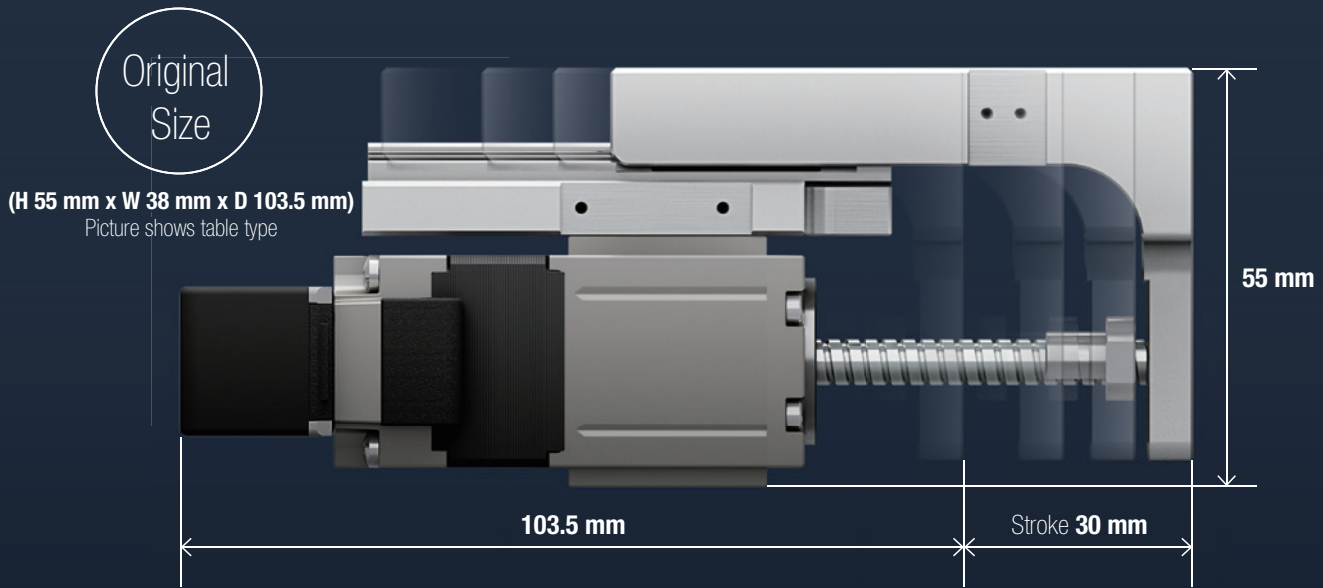


High Accuracy Positioning for μm Movement.

Min. Travelling Distance
0.001 mm

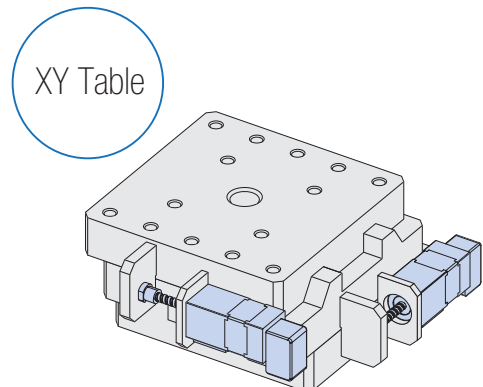
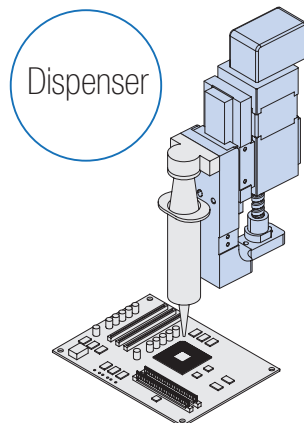
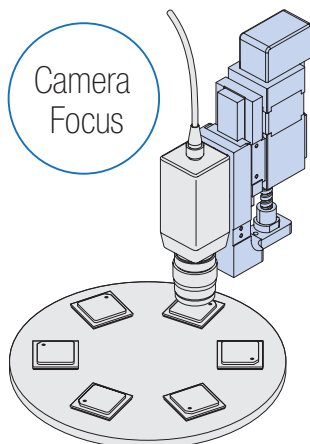
Repetitive Positioning Accuracy
 ± 0.003 mm



Stepper Motor with Integrated Ball Screw

Compact Linear Actuators **DR Series**

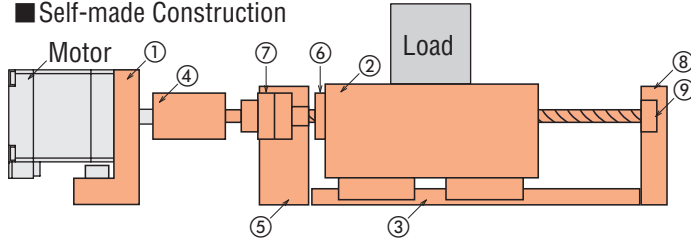
DR Series Application Examples



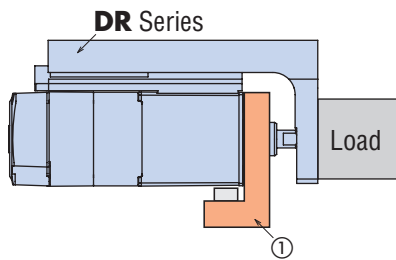
Less Mechanical Parts

Actuator with linear mechanism based on stepper motor with integrated ball screw. All necessary parts for the linear motion are integrated, this shortens the time and lowers the costs for construction, part selection, installation and precision adjustment.

Self-made Construction



DR Series Table Type



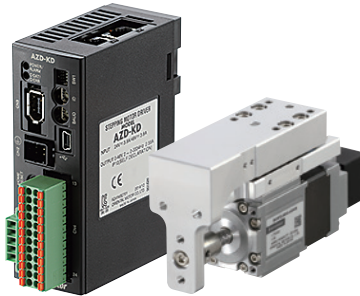
Mechanical Parts

For DR Series Table Type

- ① Mounting plate
- ② Travelling table
- ③ Linear guide
- ④ Coupling
- ⑤ Block (fixed side)
- ⑥ Ball screw
- ⑦ Bearing (fixed side)
- ⑧ Block (support side)
- ⑨ Bearing (support side)

Not Necessary
②-⑨

Lineup






Equipped with **alphaSTEP AZ Series**



Equipped with **PKP Series**

Compact Linear Actuators (precision ball screw, stroke 30 mm)

Version	Table Type	Rod Type	Rod Type with Guide
			
	Guide with high rigidity, load can be fixed.	Compact form for flexible engineering.	For transport of light loads.
Lead [mm]		1,0 (only AZ)/2,5	
With/Without Guide	With guide	Without Guide	With Guide
Installation Plate	Without/With Mounting Flange/With Mounting Foot	Without/With Mounting Foot	Without
List Price (alphaSTEP AZ Series Equipped)	From 1,072.00 €	From 885.00 €	From 956.00 €
List Price (PKP Series Equipped)	From 885.00 €	From 697.00 €	From 769.00 €

Driver

Version	For Closed Loop Stepper Motors with Absolute Sensor alphaSTEP AZ Series	For PKP Series Stepper Motors
	<ul style="list-style-type: none"> ■ Versions: Built-in Controller, Pulse Input with RS-485 Communication, Pulse Input ■ Multifunctional ■ List price from 310.00 € 	<ul style="list-style-type: none"> ■ Low vibration ■ Compact and light-weight ■ List price from 105.00 €

ORIENTAL MOTOR (EUROPA) GmbH

www.orientalmotor.de

ORIENTAL MOTOR (UK) LTD.

www.oriental-motor.co.uk

Customer Service Center
(Support in German & English)
Free Hotline 00800-22 55 66 22
info@orientalmotor.de



Other countries:

www.orientalmotor.eu

These products are manufactured at plants certified with the international standards ISO 9001 (for quality assurance) and ISO 14001 (for systems of environmental management).