

Easy Speed Control with Spin and Push



30 W Full Size



Easy Speed Control with Spin and Push

A settings dial designed for easy speed control.

Once the motor and the driver are connected, all you do for this simple wiring is turn on the switch.

Introducing the **BMU** Series, which is committed to your ease of use of the product.

The new brushless motor NexBL is a compact, high-power, and high-efficiency motor.

It offers the highest standards of speed control now at an affordable price.



WITH
200 W
AND
300 W

Brushless Motor and Driver Packages

BMU Series



NexBL is a new brushless motor from Oriental Motor. The entire structure has been innovated in pursuit of the optimal performance from a motor. It realizes a first-ever compactness, high power and high efficiency for a motor.

- ① Spin and push. Easy speed control.
- ② Easy wiring. Quick start.
- ③ Opening the panel reveals extensive functions.
- ④ New Brushless Motor—NexBL.



BMU Series Operation Procedure



① Spin and push. Easy speed control.



Turn the dial, and set the speed to your desired speed.

Turning the settings dial has a similar feeling as with clicking. Turning the dial clockwise increases the speed, while turning it counterclockwise reduces the speed.



Turning the dial slowly changes the speed by 1 r/min.

While observing the indication, turn the dial slowly to the right, and notice that speed increases by 1 r/min. While turning it slowly to the left, notice that the speed decreases by 1 r/min.



Pushing the dial sets the speed.

Once the desired value for speed is set. When power is re-supplied after setting the speed, the motor operates according to the set speed.



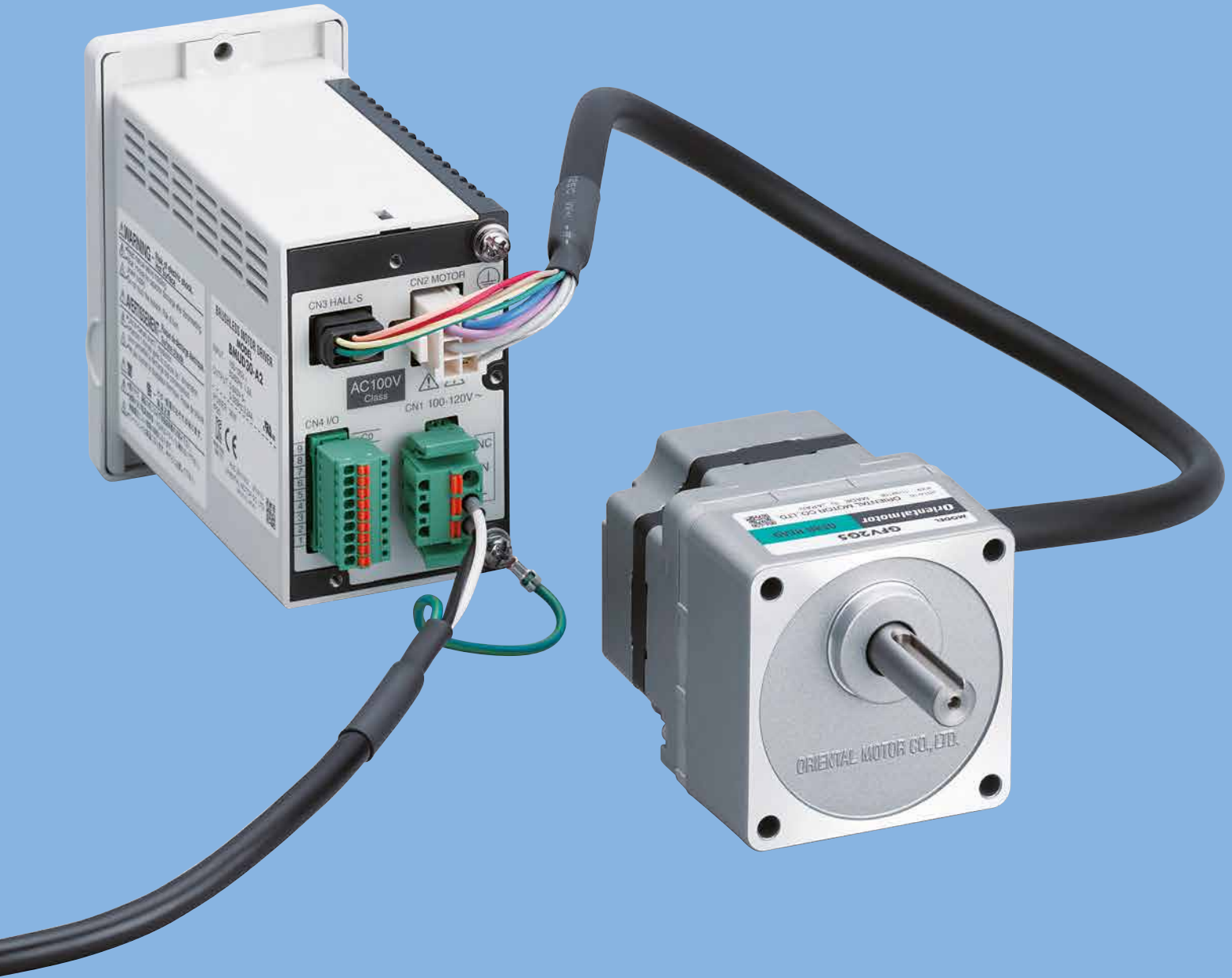
The dial operation can be locked.

After the speed has been set, it can be changed by operating the dial. The dial can be locked to prevent changes in speed with the dial operation. →Page 9



BMU Series

Connection and Activation



② Easy wiring. Quick start.



The motor and driver can be easily connected.

The motor connector is compact, and it easily passes through the flexible conduit and the cable gland..



The power and I/O connectors are of the screwless type.

There is no need for welding or special crimp tools when connecting the power connector and the I/O connector. While pushing the orange button, just insert the lead wire.



With only one switch, the motor can be started immediately.

The motor starts when the switch is set to the "RUN" position.

If set to the "STAND-BY" position, the motor decelerates to a stop.

The motor can be easily operated with the operating switch on the front side.



The rotation direction of the motor can be changed with easy operation.

Switching the rotation direction is possible with the rotation direction switch. It is possible even when the motor is in operation.



BMU Series

Extensive Functions



③ Opening the panel reveals the extensive functions.

Various functions can be set on the driver.

(Typical functions that can be set while the front panel is opened)

- Motor Startup/Stop*
 - Adjustment of operating speed*
 - Setting the operating speed*
 - Selecting the rotation direction*
 - Changing the indication
 - Operating speed indication when the speed reduction/speed increasing ratio is set
 - Setting the acceleration/deceleration time
 - Dial operation lock
 - Speed Setting for the 4-Speed Operation
 - Speed limits setting.
 - Validating the external operating signals
 - External input/output signal allocation
 - Setting the overload alarm detection time except during axial lock
 - Easy holding function for Output shaft.
- *Setting is possible even if the front panel is attached



Load factor can be shown.

With the rated torque of the motor at 100%, the load factor can be expressed in percentage (40-200%). The load condition during the start-up, as well as the load condition due to the aging deterioration of the equipment can be confirmed.



Indication at a load factor of 50%

Lock the dial operation.

This prevents the undesired changes in the speed and the changes or deletion of data with the operation of the dial.

● Setting the Lock Function

At the main screen for each operating mode, press the "MODE" key for 5 seconds or more. When "Lk" appears, the lock function is activated.



● Cancelling the lock function

Return to the main screen, and press the "MODE" key for 5 seconds or more. When "UnLk" is indicated, the lock function has been cancelled.

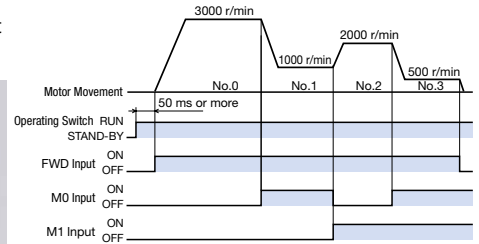


You can set to "Front Panel Operation Invalid"

When operating using external signals, the front panel switch operation can be set to "Invalid".

4-Speed Setting.

Operation in 4 speeds is possible by setting the data to operating data No.0, No.1, No.2, or No.3, and switching the input of the M0 terminal.



Note: When operating in 4-speed settings, the rotation direction of the motor using external input signals cannot be changed.

Indicates the transport speed of the conveyor.

The conveyor gear ratio is computed and set into the "gear ratio" parameters, and the conveyor transport speed can be indicated. As the conveyor transport speed can be checked directly, it is convenient for frequent changing of setup and other processes involved in the manufacturing process.

Sets the acceleration time and deceleration time.

The acceleration time and deceleration time can be digitally set, in addition to adjusting them with an acceleration/deceleration time potentiometer.

- Setting Range: 0.0~15.0 sec (Initial value: 0.5 sec)
- For the digital setting, the acceleration time and deceleration time are each set independently. Therefore, the time can be freely set according to the desired tact time of the equipment.

Set the upper and lower rotation speed limits.

The upper and lower limits for the speed control range can be set. The speed limits can be set with the monitor mode or data mode.

Output shaft is held when stopped.

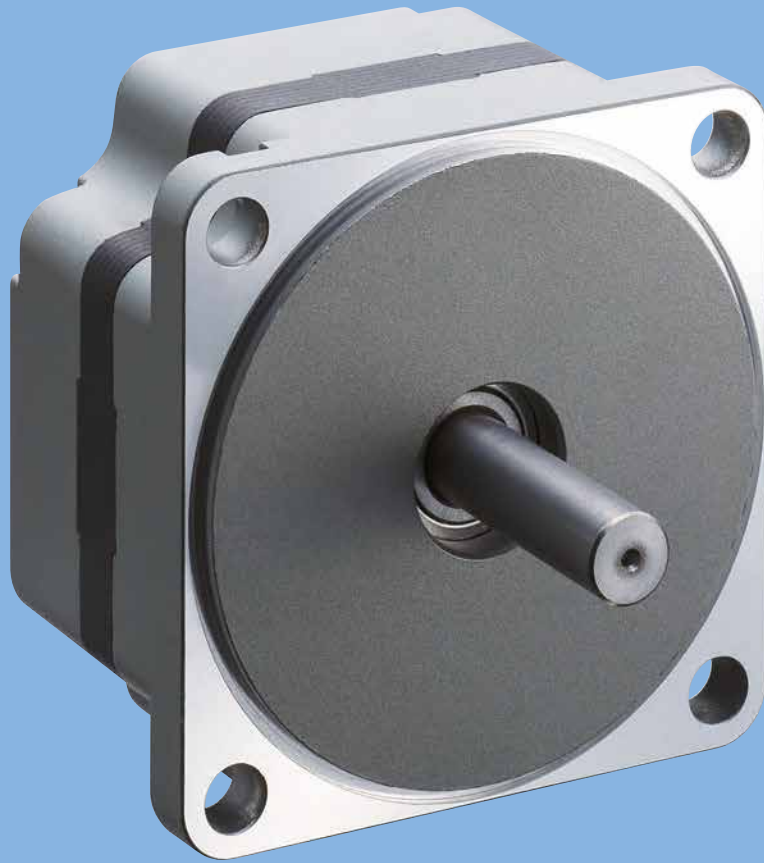
When the motor is stopped, the load can be electrically held. (Holding force is up to 50% of the rated torque.)

[Note]

If the electrical power supply to the driver is turned OFF, the holding force dissipates. This cannot be used to prevent a fall during a power outage



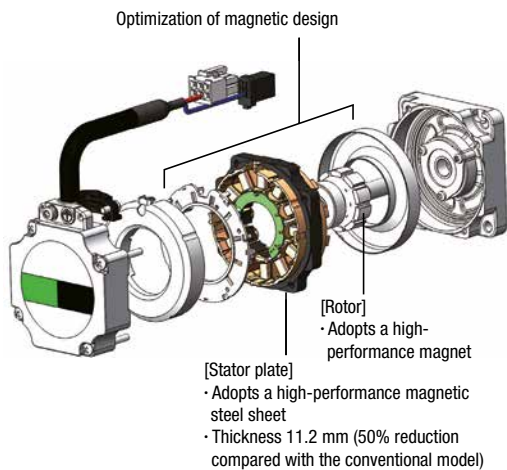
BMU Series Motor Features



④ New Brushless Motor NexBL

NexBL designed for compactness, high power and high efficiency

An optimal magnetic design and high-performance material enable a NexBL stator plate thickness of just 11.2 mm. This slimness realizes a highly efficient power unit that outputs 120 W. Compared with the conventional brushless motor of the same output power, the stator plate thickness is only half of the conventional one (For motors with a frame size of 90 mm). Moreover, the use of high-performance material reduces the amount of material used, therefore reducing costs.

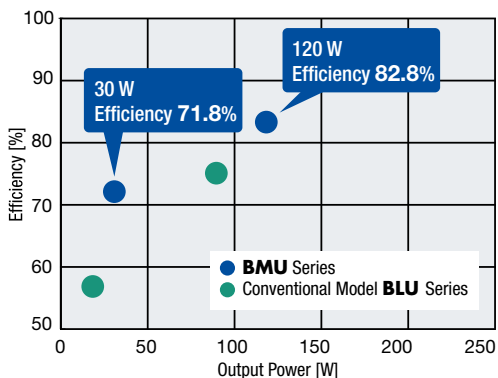


Substantial improvement in the efficiency of the motor and driver package

BMU Series enabled a substantial improvement in the efficiency of the motor and driver package.

- A maximum of 15% improvement of the efficiency of the package*

* **BMU** Series 30 W and **BLU** Series 20 W Comparison

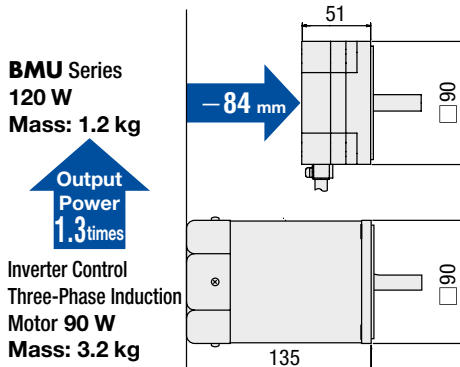


NexBL and Three-Phase Motor Comparison

Weight reduction and slim body are realized with the high-power NexBL. For example, compared with the three-phase induction motor of frame size 90 mm, NexBL has the following advantages:

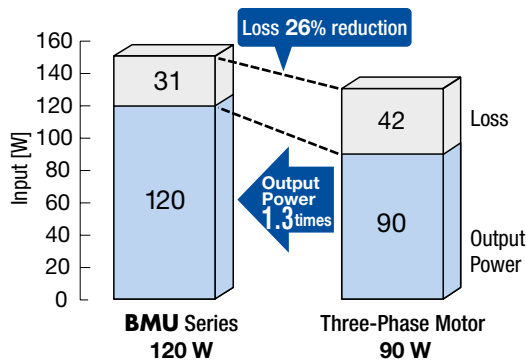
● Downsizing of the Equipment

Motor mass of 2.0 kg (Approx. 63%) reduction, and overall length is 84.6 mm (Approx. 63%) shorter. On the other hand, motor output power increases by 1.3 times. A lightweight, slim, high-power motor enables downsizing of the equipment.



● Energy Savings of the Equipment

Motor output power is increased by 1.3 times, while motor loss is reduced by 26%. This motor is effective for energy savings of the equipment.



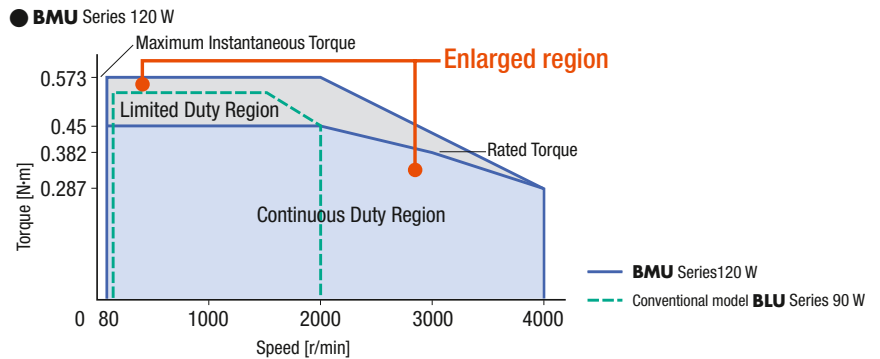
The highest standards of speed control now available at an affordable price.

Highest standards of speed control.

Maximum Speed of 4000 r/min

Speed ratio 1:50 (2.5 times of the conventional ratio)

BMU Series has a maximum speed of 4000 r/min. Speed ratio of 1:50 (80 to 4000 r/min) is realized. Speed regulation has been greatly improved from $\pm 0.5\%$ to $\pm 0.2\%$. With the highest standards of speed control, we respond to our customers' demands.



User-friendly features and extensive functions, all available at an affordable price.

For example, the set price for **BMU Series** of frame size 60 mm is much cheaper compared with an equivalent conventional model.



Conventional Model BLU Series

- Output Power: 20 W
- Gearhead gear ratio: 5
- Permissible torque: 0.45 N·m
- Speed range: 20~400 r/min



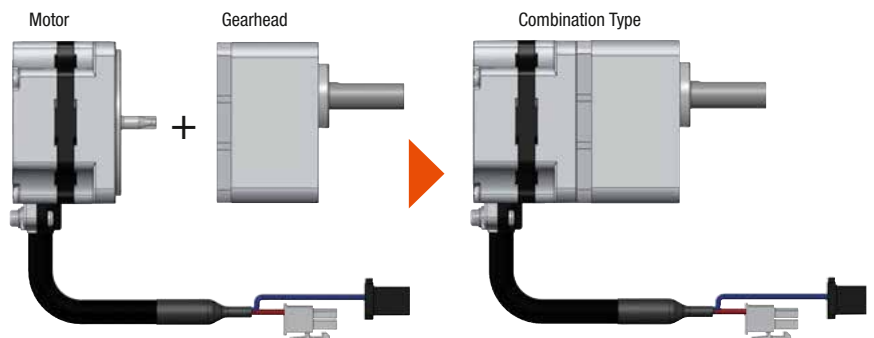
BMU Series

- Output Power: 30 W
- Gearhead gear ratio: 5
- Permissible torque: 0.45 N·m
- Speed range: 16~800 r/min





● For price and lead time please contact the nearest Oriental Motor office, or visit our website.

New gearhead combination type.

With the gearhead's boss section and cut on the installation surface, the installation accuracy with the equipment has been improved. It also achieved lower noise, compared with the conventional model. Since the motor and gearhead comes in a preassembled combination type, it can easily be attached to the equipment. The motor, driver, and gearhead comes together, saving time and effort for procurement.



Lineup

Motor	Frame Size	Output Power	Package			
			Type	Driver	Power Supply Voltage	Connection Cable
 Combination Type	60 mm	30 W	Standard (IP40) or IP65*2		Single-Phase 100-120 VAC Single-Phase 200-240 VAC Three-Phase 200-240 VAC	 1 m, 2 m, 3 m or not included
	Combination Type 80 mm Round Shaft Type 60 mm	60 W				
90 mm	120 W					
Combination Type 110 mm Round Shaft Type 90 mm	200 W					
Combination Type 110 mm Round Shaft Type 90 mm	300 W					
 Round Shaft Type*						



* For some round shaft types, the shaft is processed with a shaft flat.
 ** Not available for 300W Type. Please contact the nearest Oriental Motor sales office.

Brushless motors, which are suitable for speed control, has the following features:

In a brushless motor, there are no brushes, and thus no physical contact that could lead to frictional energy losses.

While DC motors use a brush and commutator to rotate and require regular maintenance, brushless motors rotate by the ON/OFF operation of the drive circuit transistor based on the signals detected by the hall effect IC (magnetic sensor).

Brushless motors are more expensive to design and manufacture, but they are typically more efficient than brushed motors.

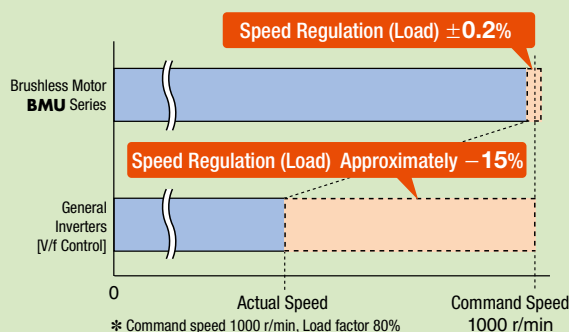
This leads to:

- Less maintenance and longer life
- More power
- Longer runtime

Stable speed control

Brushless motors compare the setting speed with the speed feedback signals from the motor at all times, and adjusts the motor's applied voltage. For this reason, even if the load changes, stable rotation is performed from low speed to high speed. Inverter-controlled (V/f control) three-phase induction motors do not perform, so the speed will drop significantly when the load increases. Brushless motors are recommended for applications that require speed stability.

- Speed change comparison at a load factor of 80% (Reference values)*



Compact and Powerful

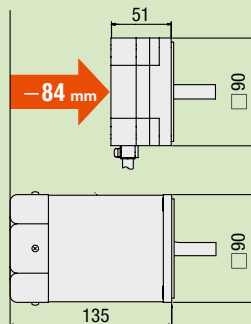
Brushless motors have slim body and provide high power due to permanent magnets being used in the rotor. For example, the overall length is 84 mm shorter and the output power is 1.3 times higher than that of three-phase induction motors with a frame size of 90 mm. Using brushless motors can contribute to downsizing of equipment.



Brushless Motor BMU Series 120 W

Output Power 1.3 times

Inverter-Controlled Three-Phase Induction Motor 90 W



Wide Speed Control Range

The brushless motor has a broader speed control range compared to AC speed control motors and inverters.

Unlike AC speed control motors, the torque at low speed is not limited, so brushless motors are suited to applications that require a constant torque from low speed to high speed.

Product Group	Speed Control Range*	Speed Ratio
Brushless Motor BMU Series	80~4000 r/min	1:50
Inverter-Controlled Three-Phase Induction Motor	200~2400 r/min	1:12
AC Speed Control Motor	50 Hz : 90~1400 r/min	1:15
	60 Hz : 90~1600 r/min	1:17

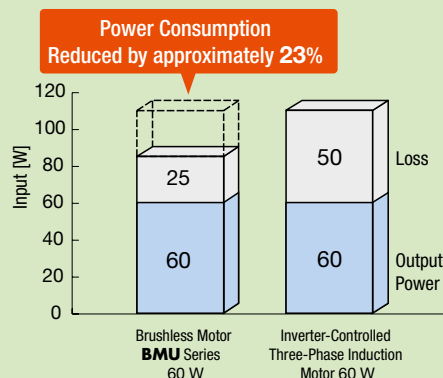
* The speed control range varies depending on the model.

Contributes to Energy Savings

Brushless motors, which incorporate permanent magnets in the rotor, generate little secondary loss from the rotor.

This allows for power consumption to be reduced by approximately 23% compared with inverter-controlled three-phase induction motors.* This contributes to energy savings with the equipment.

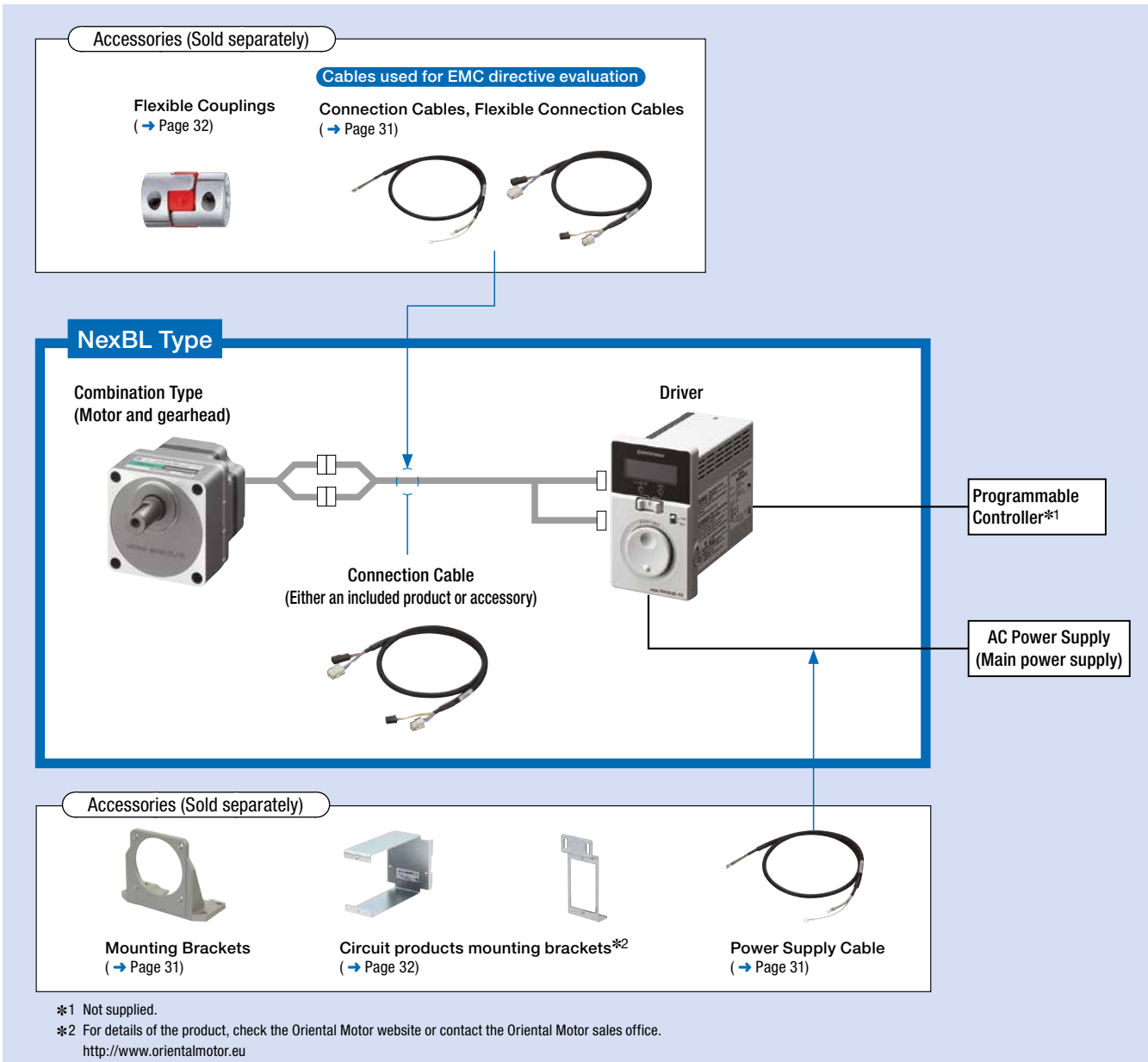
* When output power is 60 W



Equipped with protective functions that output an alarm

Various protective functions such as overload protective function and overvoltage protective function are equipped. An alarm is output when a protective function activates.

System Configuration



System Configuration

BMU Series Combination Type - Parallel Shaft	Sold Separately			
	Connection Cable (7 m)	Mounting Bracket	Flexible Coupling	Circuit Products Mounting Brackets
BMU5120A-10-3	CC07BL2	SOL5M8F	MCL551818	MAFP05V

The system configuration shown above is an example. Other combinations are available.

Product Number Code

BMU 5 120 A P -10 - 1

① ② ③ ⑤ ⑥ ⑦ ⑧

BMU 4 60 S A P -10 - 1

① ② ③ ④ ⑤ ⑥ ⑦ ⑧

①	Type	BMU: BMU Series
②	Frame Size	2: 60 mm 4: 80 mm 5: 90 mm 6: 104 mm (Gearhead section is 110 mm)
③	Output Power (W)	30: 30 W 60: 60 W 120: 120 W 200: 200 W 300: 300 W
④	Identification number	S
⑤	Power Supply Voltage	A: Single-Phase 100-120 VAC C: Single-Phase, Three-Phase 200-240 VAC
⑥	Motor Degree of Protection	None: Standard type (IP40 specification) P: IP65 Specification
⑦	Gear Ratio/Shaft Configuration	Number: Gear Ratio for Combination Types A: Round Shaft Type AC: Round Shaft Type (Shaft flat processed)
⑧	Connection Cable Length (Included)	Number: Included Connection Cable Length -1: 1 m -2: 2 m -3: 3 m None: Connection cable not included

Examples of product names that indicate connection cable availability and length
Includes a 3 m connection cable → **BMU5120A-10-3**
No connection cable → **BMU5120A-10**

Product Line

Combination Type

The combination type comes with the motor and its dedicated gearhead pre-assembled. This simplifies mounting in equipment. Motors and gearheads are also available separately to facilitate changes in motor and gearhead combinations and if spare gearheads are required.

- You may purchase the motor unit with connection cable (1 m, 2 m, 3 m).
For price and lead time please contact the nearest Oriental Motor office, or visit our website.

Combination Type – Parallel Shaft Gearhead

Standard Type (IP40 specification)

Output Power	Power Supply Voltage	Product Name	Gear Ratio
30 W	Single-Phase 100-120 VAC	BMU230A -□◇	5, 10, 15, 20, 30, 50, 100, 200
	Single-Phase, Three-Phase 200-240 VAC	BMU230C -□◇	5, 10, 15, 20, 30, 50, 100, 200
60 W	Single-Phase 100-120 VAC	BMU460SA -□◇	5, 10, 15, 20, 30, 50, 100, 200
	Single-Phase, Three-Phase 200-240 VAC	BMU460SC -□◇	5, 10, 15, 20, 30, 50, 100, 200
120 W	Single-Phase 100-120 VAC	BMU5120A -□◇	5, 10, 15, 20, 30, 50, 100, 200
	Single-Phase, Three-Phase 200-240 VAC	BMU5120C -□◇	5, 10, 15, 20, 30, 50, 100, 200
200 W	Single-Phase 100-120 VAC	BMU6200SA -□◇	5, 10, 15, 20, 30, 50, 100, 200
	Single-Phase, Three-Phase 200-240 VAC	BMU6200SC -□◇	5, 10, 15, 20, 30, 50, 100, 200
300 W	Single-Phase, Three-Phase 200-240 VAC	BMU6300SC -□◇	5, 10, 15, 20, 30, 50, 100

IP65 Specification

Output Power	Power Supply Voltage	Product Name	Gear Ratio
30 W	Single-Phase 100-120 VAC	BMU230AP -□◇	5, 10, 15, 20, 30, 50, 100, 200
	Single-Phase, Three-Phase 200-240 VAC	BMU230CP -□◇	5, 10, 15, 20, 30, 50, 100, 200
60 W	Single-Phase 100-120 VAC	BMU460SAP -□◇	5, 10, 15, 20, 30, 50, 100, 200
	Single-Phase, Three-Phase 200-240 VAC	BMU460SCP -□◇	5, 10, 15, 20, 30, 50, 100, 200
120 W	Single-Phase 100-120 VAC	BMU5120AP -□◇	5, 10, 15, 20, 30, 50, 100, 200
	Single-Phase, Three-Phase 200-240 VAC	BMU5120CP -□◇	5, 10, 15, 20, 30, 50, 100, 200
200 W	Single-Phase 100-120 VAC	BMU6200SAP -□◇	5, 10, 15, 20, 30, 50, 100, 200
	Single-Phase, Three-Phase 200-240 VAC	BMU6200SCP -□◇	5, 10, 15, 20, 30, 50, 100, 200

Round Shaft Type

Standard Type (IP40 specification)

Output Power	Power Supply Voltage	Product Name
30 W	Single-Phase 100-120 VAC	BMU230A-A ◇
	Single-Phase, Three-Phase 200-240 VAC	BMU230C-A ◇
60 W	Single-Phase 100-120 VAC	BMU260A-A ◇
	Single-Phase, Three-Phase 200-240 VAC	BMU260C-A ◇
120 W	Single-Phase 100-120 VAC	BMU5120A-A ◇
	Single-Phase, Three-Phase 200-240 VAC	BMU5120C-A ◇
200 W	Single-Phase 100-120 VAC	BMU5200A-A ◇
	Single-Phase, Three-Phase 200-240 VAC	BMU5200C-A ◇
300 W	Single-Phase, Three-Phase 200-240 VAC	BMU5300C-A ◇

IP65 Specification

Output Power	Power Supply Voltage	Product Name
30 W	Single-Phase 100-120 VAC	BMU230AP-A ◇
	Single-Phase, Three-Phase 200-240 VAC	BMU230CP-A ◇
60 W	Single-Phase 100-120 VAC	BMU260AP-A ◇
	Single-Phase, Three-Phase 200-240 VAC	BMU260CP-A ◇
120 W	Single-Phase 100-120 VAC	BMU5120AP-A ◇
	Single-Phase, Three-Phase 200-240 VAC	BMU5120CP-A ◇
200 W	Single-Phase 100-120 VAC	BMU5200AP-A ◇
	Single-Phase, Three-Phase 200-240 VAC	BMU5200CP-A ◇

The following items are included in each product.

Motor, driver, gearhead*¹, connection cable*², CN1 connector, CN4 connector, installation screws*¹, machine key*¹, operating manual, start up guide

*¹ Combination type only

*² Only with types supplied with a connection cable

Lineup of Other Products

Round Shaft Type
Shaft Flat Cutout on Output Shaft

- For details of the products processed with a shaft flat cutout, check the Oriental Motor website or contact the Oriental Motor sales office.

- A number indicating the gear ratio is specified in the box □ in the product name.

When the accessory connection cable is supplied, a number indicating the length of the cable, **-1** (1 m), **-2** (2 m), or **-3** (3 m), is specified in the box ◇ in the product name.

For motors with a degree of protection of IP65 specification, **P** is specified where the box ■ appears in the product name.

Motor and Driver Combinations

Combination Type – Parallel Shaft Gearhead

Output Power	Power Supply Voltage	Product Name	Combination Motor Product Name*	Motor Product Name	Gearhead Product Name	Driver Product Name
30 W	Single-Phase 100-120 VAC	BMU230A □-□◇	BLM230□-□2	BLM230□-GFV2	GFV2G□	BMUD30-A2
	Single-Phase, Three-Phase 200-240 VAC	BMU230C □-□◇				BMUD30-C2
60 W	Single-Phase 100-120 VAC	BMU460SA □-□◇	BLM460S□-□2	BLM460S□-GFV2	GFV4G□	BMUD60-A2
	Single-Phase, Three-Phase 200-240 VAC	BMU460SC □-□◇				BMUD60-C2
120 W	Single-Phase 100-120 VAC	BMU5120A □-□◇	BLM5120□-□2	BLM5120□-GFV2	GFV5G□	BMUD120-A2
	Single-Phase, Three-Phase 200-240 VAC	BMU5120C □-□◇				BMUD120-C2
200 W	Single-Phase 100-120 VAC	BMU6200SA □-□◇	BLM6200S□-□	BLM6200S□-GFV	GFV6G□	BMUD200-A
	Single-Phase, Three-Phase 200-240 VAC	BMU6200SC □-□◇				BMUD200-C
300 W	Single-Phase, Three-Phase 200-240 VAC	BMU6300SC □-□◇	BLM6300S-□	BLM6300S-GFV	GFV6G□	BMUD300-C

*For combination motors, the product name applies to the motor and gearhead combination.

Round Shaft Type

Output Power	Power Supply Voltage	Product Name	Motor Product Name	Driver Product Name
30 W	Single-Phase 100-120 VAC	BMU230A □-A◇	BLM230□-A2	BMUD30-A2
	Single-Phase, Three-Phase 200-240 VAC	BMU230C □-A◇		BMUD30-C2
60 W	Single-Phase 100-120 VAC	BMU260A □-A◇	BLM260□-A2	BMUD60-A2
	Single-Phase, Three-Phase 200-240 VAC	BMU260C □-A◇		BMUD60-C2
120 W	Single-Phase 100-120 VAC	BMU5120A □-A◇	BLM5120□-A2	BMUD120-A2
	Single-Phase, Three-Phase 200-240 VAC	BMU5120C □-A◇		BMUD120-C2
200 W	Single-Phase 100-120 VAC	BMU5200A □-A◇	BLM5200□-A	BMUD200-A
	Single-Phase, Three-Phase 200-240 VAC	BMU5200C □-A◇		BMUD200-C
300 W	Single-Phase, Three-Phase 200-240 VAC	BMU5300C □-A◇	BLM5300-A	BMUD300-C

● A number indicating the gear ratio is specified in the box □ in the product name.

When the accessory connection cable is supplied, a number indicating the length of the cable, **-1** (1 m), **-2** (2 m), or **-3** (3 m), is specified in the box ◇ in the product name.

For motors with a degree of protection of IP65 specification, **P** is specified where the box ■ appears in the product name.

Specifications

30 W



Product Name	Combination Type – Parallel Shaft Gearhead		Combination Type – Round Shaft Type	
	Product Name	Product Name	Product Name	Product Name
Rated Output Power (Continuous)	W	BMU230A □-□◇	BMU230A □-A◇	BMU230C □-□◇
Rated Speed	r/min			
Rated Torque	N·m			
Maximum Instantaneous Torque	N·m			
Rotor Inertia	J: $\times 10^{-4}$ kg·m ²			
Round Shaft Type Permissible Inertia	J: $\times 10^{-4}$ kg·m ²			
Speed Control Range		80~4000 r/min (Speed ratio 1:50)		
Speed Regulation	Load	±0.2% or less: Conditions 0~rated torque, rated speed, rated voltage, normal temperature		
	Voltage	±0.2% or less: Conditions Rated voltage -15~+10%, rated speed, no load, normal temperature		
	Temperature	±0.2% or less: Conditions Operating ambient temperature from 0~+40°C, rated speed, no load, rated voltage		
Power Supply Input	Rated Voltage	VAC	Single-Phase 100-120	Single-phase 200-240/Three-phase 200-240
	Permissible Voltage Range			-15~+10%
	Frequency	Hz		50/60
	Permissible Frequency Range			±5%
	Rated Input Current	A	1.2	Single-phase: 0.7/ Three-phase: 0.38
Maximum Input Current	A	2.0	Single-phase: 1.2/ Three-phase: 0.75	

● The values correspond to each specification and characteristic of a stand-alone motor. The speed-torque characteristics show the values when rated voltage is applied.

● A number indicating the gear ratio is specified in the box □ in the product name.

If the degree of protection of the motor is IP65 specification, **P** is entered where the box ■ is located within the product name.

When the accessory connection cable is supplied, a number indicating the length of the cable, **-1** (1 m), **-2** (2 m), or **-3** (3 m), is specified in the box ◇ in the product name.

60 W



Product Name	Combination Type – Parallel Shaft Gearhead Round Shaft Type	BMU460SA-□-□◇		BMU460SC-□-□◇	
		BMU260A-□-□◇		BMU260C-□-□◇	
Rated Output Power (Continuous)	W			60	
Rated Speed	r/min			3000	
Rated Torque	N·m			0.191	
Maximum Instantaneous Torque	N·m			0.287	
Rotor Inertia	J: $\times 10^{-4}$ kg·m ²			0.082	
Round Shaft Type Permissible Inertia	J: $\times 10^{-4}$ kg·m ²			3.75	
Speed Control Range		80~4000 r/min (Speed ratio 1:50)			
Speed Regulation	Load	$\pm 0.2\%$ or less: Conditions 0~rated torque, rated speed, rated voltage, normal temperature			
	Voltage	$\pm 0.2\%$ or less: Conditions Rated voltage $-15\sim+10\%$, rated speed, no load, normal temperature			
	Temperature	$\pm 0.2\%$ or less: Conditions Operating ambient temperature from 0~+40°C, rated speed, no load, rated voltage			
Power Supply Input	Rated Voltage	VAC	Single-Phase 100-120	Single-phase 200-240/Three-phase 200-240	
	Permissible Voltage Range		$-15\sim+10\%$		
	Frequency	Hz	50/60		
	Permissible Frequency Range		$\pm 5\%$		
	Rated Input Current	A	1.7	Single-phase: 1.0/ Three-phase: 0.52	
Maximum Input Current	A	3.3	Single-phase: 1.9/ Three-phase: 1.1		

120 W



Product Name	Combination Type – Parallel Shaft Gearhead Round Shaft Type	BMU5120A-□-□◇		BMU5120C-□-□◇	
		BMU5120A-□-□◇		BMU5120C-□-□◇	
Rated Output Power (Continuous)	W			120	
Rated Speed	r/min			3000	
Rated Torque	N·m			0.382	
Maximum Instantaneous Torque	N·m			0.573	
Rotor Inertia	J: $\times 10^{-4}$ kg·m ²			0.23	
Round Shaft Type Permissible Inertia	J: $\times 10^{-4}$ kg·m ²			5.6	
Speed Control Range		80~4000 r/min (Speed ratio 1:50)			
Speed Regulation	Load	$\pm 0.2\%$ or less: Conditions 0~rated torque, rated speed, rated voltage, normal temperature			
	Voltage	$\pm 0.2\%$ or less: Conditions Rated voltage $-15\sim+10\%$, rated speed, no load, normal temperature			
	Temperature	$\pm 0.2\%$ or less: Conditions Operating ambient temperature from 0~+40°C, rated speed, no load, rated voltage			
Power Supply Input	Rated Voltage	VAC	Single-Phase 100-120	Single-phase 200-240/Three-phase 200-240	
	Permissible Voltage Range		$-15\sim+10\%$		
	Frequency	Hz	50/60		
	Permissible Frequency Range		$\pm 5\%$		
	Rated Input Current	A	3.3	Single-phase: 2.0/ Three-phase: 1.1	
Maximum Input Current	A	6.8	Single-phase: 4.1/ Three-phase: 2.0		

200 W



Product Name	Combination Type - Parallel Shaft Gearhead Round Shaft Type	BMU6200SA-□-□◇		BMU6200SC-□-□◇	
		BMU5200A-□-□◇		BMU5200C-□-□◇	
Rated Output Power (Continuous)	W			200	
Rated Speed	r/min			3000	
Rated Torque	N·m			0.637	
Max. Instantaneous Torque	N·m			1.15	
Rotor Inertia	J: $\times 10^{-4}$ kg·m ²			0.454	
Round Shaft Type's Permissible Inertia	J: $\times 10^{-4}$ kg·m ²			8.75	
Speed Control Range		80~4000 r/min (Speed ratio 1:50)			
Speed Regulation	Load	$\pm 0.2\%$ or less: Conditions 0~rated torque, rated speed, rated voltage, normal temperature			
	Voltage	$\pm 0.2\%$ or less: Conditions Rated voltage $-15\sim+10\%$, rated speed, no load, normal temperature			
	Temperature	$\pm 0.2\%$ or less: Conditions Operating ambient temperature from 0~+40°C, rated speed, no load, rated voltage			
Power Supply Input	Rated Voltage	V	Single-Phase 100-120	Single-Phase 200-240/Three-Phase 200-240	
	Permissible Voltage Range		$-15\sim+10\%$		
	Frequency	Hz	50/60		
	Permissible Frequency Range		$\pm 5\%$		
	Rated Input Current	A	4.6	Single-Phase: 2.7/Three-Phase: 1.5	
Maximum Input Current	A	9.3	Single-Phase: 4.9/Three-Phase: 3.4		

300 W



Product Name	Combination Type - Parallel Shaft Gearhead Round Shaft Type	BMU6300SC-□-□◇	
		BMU5300C-A-□◇	
Rated Output Power (Continuous)	W	300	
Rated Speed	r/min	3000	
Rated Torque	N·m	0.955	
Max. Instantaneous Torque	N·m	1.43	
Rotor Inertia	J: $\times 10^{-4}$ kg·m ²	0.67	
Round Shaft Type's Permissible Inertia	J: $\times 10^{-4}$ kg·m ²	12	
Speed Control Range		80~4000 r/min (Speed ratio 1:50)	
Speed Regulation	Load	$\pm 0.2\%$ or less: Conditions 0~rated torque, rated speed, rated voltage, normal temperature	
	Voltage	$\pm 0.2\%$ or less: Conditions Rated voltage $-15\sim+10\%$, rated speed, no load, normal temperature	
	Temperature	$\pm 0.2\%$ or less: Conditions Operating ambient temperature from 0~+40°C, rated speed, no load, rated voltage	
Power Supply Input	Rated Voltage	V	Single-Phase 200-240/Three-Phase 200-240
	Permissible Voltage Range		$-15\sim+10\%$
	Frequency	Hz	50/60
	Permissible Frequency Range		$\pm 5\%$
	Rated Input Current	A	Single-Phase: 3.4/Three-Phase: 2.1
Maximum Input Current	A	Single-Phase: 7.8/Three-Phase: 4.7	

● The values correspond to each specification and characteristic of a stand-alone motor. The speed-torque characteristics show the values when rated voltage is applied.

● A number indicating the gear ratio is specified in the box □ in the product name.

If the degree of protection of the motor is IP65 specification, P is entered where the box □ is located within the product name.

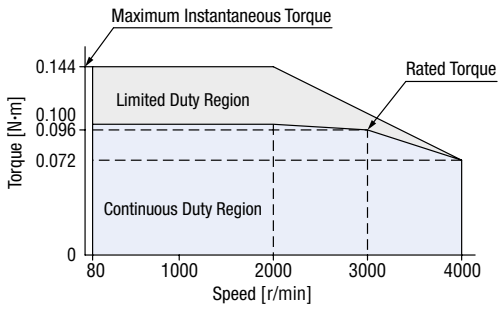
When the accessory connection cable is supplied, a number indicating the length of the cable, -1 (1 m), -2 (2 m), or -3 (3 m), is specified in the box ◇ in the product name.

Speed – Torque Characteristics

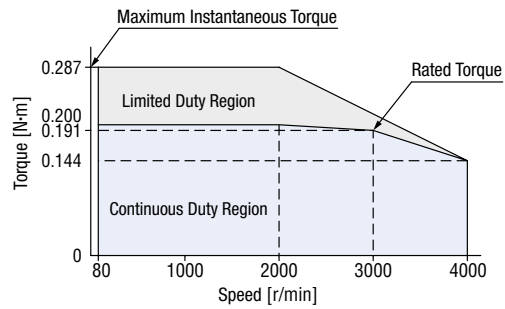
Continuous Duty Region: Continuous operation is possible in this region.

Limited Duty Region : This region is used primarily when accelerating.

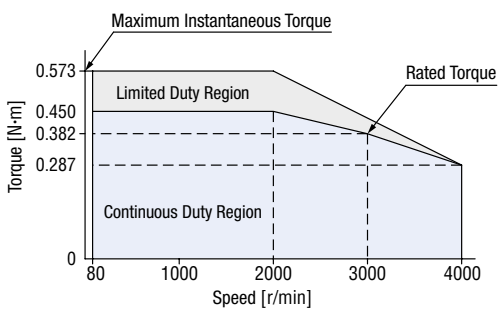
30 W



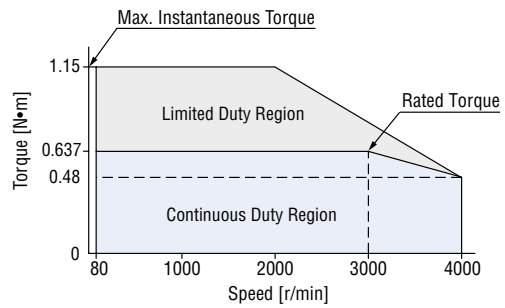
60 W



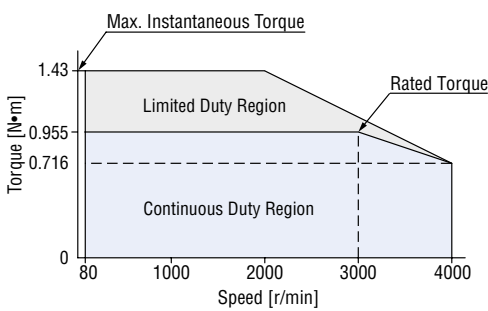
120 W



200 W



300 W



● The values correspond to each specification and characteristic of a stand-alone motor. The speed-torque characteristics show the values when rated voltage is applied.

Common Specifications

Item	Specifications
Speed Setting Methods	Digital setting using the dial 4 speed settings possible
Acceleration/Deceleration Time	Analog setting: 0.1~15.0 s (Time setting from stopped state until reaching the rated speed) Common settings for acceleration/deceleration time with the use of acceleration/deceleration time potentiometer* Digital setting: 0.0~15.0 s (Time setting from current speed to the setting speed) Individual settings for acceleration time/deceleration time for each operating data* *Acceleration time/deceleration time varies with the load condition of the motor.
Input Signals	Photocoupler Input Input Resistance: 5.7 kΩ, 200W/300W = 6.6 kΩ Operation due to internal power supply: 5 VDC Connectable External DC Power Supply: 24 VDC -15~+20% Current 100 mA or more Sink input/Source input Supplied through external wiring Arbitrary signal assignment to X0~X2 input (3 points) and for 200W/300W Types IN0 ~ IN4 input (5 points) is possible []: Initial Setting [FWD], [REV], [MO], [M1], ALARM-RESET, EXT-ERROR, H-FREE
Output Signals	Photocoupler and Open-Collector Output External Power Supply: 4.5~30 VDC Current 100 mA or less Sink Output/Source Output Supplied through external wiring Arbitrary signal assignment to Y0, Y1 (2 points) and for 200W/300W Types OUT0, OUT1 (2 points) is possible []: Initial Setting [ALARM-OUT1], [SPEED-OUT], ALARM-OUT2, MOVE, VA, WNG
Protective Function	When the following protective functions are activated, ALARM-OUT1 output turns OFF and the motor will undergo a coasting stop. At the same time, the alarm code will be displayed. (Instantaneous stop for external stop only) Overcurrent, Main circuit overheating, Overvoltage, Undervoltage, Sensor error, Overload, Overspeed, EEPROM error, Initial sensor error, Initial operation inhibition, External stop
Maximum Extension Distance	Motor and Driver Distance: 10.5 m (when an accessory connection cable is used)
Time Rating	Continuous

● Overload Alarm Detection Time

The overload alarm is generated if the operation goes beyond the continuous duty region. The detection time for this overload alarm can be set from 0.1~60.0 seconds. (Initial setting: 30.0 seconds)

However, alarm will be generated within 5 seconds in the following cases:

- If an applied load goes beyond the limited duty region
- If the output shaft is locked

General Specifications

Item	Motor	Driver
Insulation Resistance	100 MΩ or more when 500 VDC megger is applied between the windings and the case after continuous operation under normal ambient temperature and humidity.	100 MΩ or more when 500 VDC megger is applied between the power supply terminal and the protective earth terminal, and between the power supply terminal and the I/O signal terminal after continuous operation under normal ambient temperature and humidity.
Dielectric Strength	Sufficient to withstand 1.5 kVAC at 50 Hz applied between the windings and the case for 1 minute after continuous operation under normal ambient temperature and humidity.	No abnormality is judged even with application of 1.5 kVAC at 50 Hz between the power supply terminal and the protective earth terminal, and with application of 1.5 kVAC at 50 Hz between the power supply terminal and the I/O signal terminal, for 1 minute after continuous operation under normal ambient temperature and humidity.
Temperature Rise	The maximum temperature rise of the windings is 50°C (300 W Type: 60°C) and that of the case is 40°C*1 (300 W Type: 50°C) when measured by the thermocouple method after rated continuous operation under normal ambient temperature and humidity.	Temperature rise of the heat sink is 50°C or less measured by the thermocouple method after rated continuous operation under normal ambient temperature and humidity.
Operating Environment	Ambient Temperature	0~+40°C (Non-freezing) (300 W Type: 0~+40°C (Non-freezing), if driver front is installed upside)
	Ambient Humidity	85% or less (non-condensing)
	Altitude	Up to 1000 m above sea level
	Atmosphere	No corrosive gases or dust. Cannot be used in a radioactive area, magnetic field, vacuum, or other special environments.
	Vibration	Not subject to continuous vibration or excessive shock Conforms to JIS C 60068-2-6 "Sine-wave vibration test method" Frequency range: 10~55 Hz Pulsating amplitude: 0.15 mm Sweep direction: 3 directions (X, Y, Z) Number of sweeps: 20 times
Storage Conditions*2	Ambient Temperature	-20~+70°C (non-freezing) / -25~+70°C (non-freezing)
	Ambient Humidity	85% or less (non-condensing)
	Altitude	Up to 3000 m above sea level
Insulation Class	UL/CSA standard: 105 (A), EN standard: 120 (E)	—
Degree of Protection	Standard type: IP40 IP65 Specification: IP65 (Excluding the mounting surface of the round shaft type and connectors)	IP20

*1 For round shaft types, attach to a heat sink (material: aluminum) of one of the following sizes to keep the motor case surface temperature from exceeding 90°C.

30 W Type: 115 ×115 mm Thickness 5 mm, 120 W Type: 165×165 mm Thickness: 5 mm, 200 W Type: 200 ×200 mm Thickness 5 mm, 300 W Type: 250 ×250 mm Thickness 6 mm

*2 The storage condition applies to a short period such as a period during transportation.

Note

- Do not measure insulation resistance or perform a dielectric strength test while the motor and driver are connected.

Permissible Torque of Combination Type

Combination Type – Parallel Shaft Gearhead

Unit: N·m

Product Name	Motor Speed [r/min]	Gear Ratio	Torque [N·m]							
			5	10	15	20	30	50	100	200
BMU230	At 80~2000 r/min		0.45	0.9	1.4	1.8	2.6	4.3	6	6
	At 3000 r/min		0.43	0.86	1.3	1.7	2.5	4.1	6	6
	At 4000 r/min		0.32	0.65	0.97	1.3	1.9	3.1	5.4	5.4
BMU460S	At 80~2000 r/min		0.9	1.8	2.7	3.6	5.2	8.6	16	16
	At 3000 r/min		0.86	1.7	2.6	3.4	4.9	8.2	16	16
	At 4000 r/min		0.65	1.3	1.9	2.6	3.7	6.2	12.4	14
BMU5120	At 80~2000 r/min		2	4.1	6.1	8.1	11.6	19.4	30	30
	At 3000 r/min		1.7	3.4	5.2	6.9	9.9	16.4	30	30
	At 4000 r/min		1.3	2.6	3.9	5.2	7.4	12.3	24.7	27
BMU6200S	At 80~3000 r/min		2.9	5.7	8.6	11.5	16.4	27.4	51.6	70
	At 4000 r/min		2.2	4.3	6.5	8.6	12.4	20.6	38.9	63
BMU6300S	At 80~3000 r/min		4.3	8.6	12.9	17.2	24.6	41.1	70	—
	At 4000 r/min		3.2	6.4	9.7	12.9	18.5	30.8	58	—

A colored background indicates gear shaft rotation in the same direction as the motor shaft. Others rotate in the opposite direction.

Combination Type Output Shaft Speed

Unit: r/min

Motor Shaft Speed	Gear Ratio	Output Shaft Speed [r/min]							
		5	10	15	20	30	50	100	200
80 r/min		16	8	5.3	4	2.7	1.6	0.8	0.4
2000 r/min		400	200	133	100	66.7	40	20	10
3000 r/min		600	300	200	150	100	60	30	15
4000 r/min		800	400	267	200	133	80	40	20

Permissible Radial Load/Permissible Axial Load

Combination Type – Parallel Shaft Gearhead

Product Name	Gear Ratio		Permissible Radial Load		Permissible Axial Load N
			10 mm from output shaft end N	20 mm from output shaft end N	
BMU230	5	At 80~3000 r/min	100	150	40
		At 4000 r/min	90	110	
	10, 15, 20	At 80~3000 r/min	150	200	
		At 4000 r/min	130	170	
	30, 50, 100, 200	At 80~3000 r/min	200	300	
At 4000 r/min		180	230		
BMU460S	5	At 80~3000 r/min	200	250	100
		At 4000 r/min	180	220	
	10, 15, 20	At 80~3000 r/min	300	350	
		At 4000 r/min	270	330	
	30, 50, 100, 200	At 80~3000 r/min	450	550	
At 4000 r/min		420	500		
BMU5120	5	At 80~3000 r/min	300	400	150
		At 4000 r/min	230	300	
	10, 15, 20	At 80~3000 r/min	400	500	
		At 4000 r/min	370	430	
	30, 50, 100, 200	At 80~3000 r/min	500	650	
At 4000 r/min		450	550		
BMU6200S, BMU6300S	5, 10, 15, 20	At 80~3000 r/min	550	800	200
		At 4000 r/min	500	700	
	30, 50	At 80~3000 r/min	1000	1250	300
		At 4000 r/min	900	1100	
	100, 200*2	At 80~3000 r/min	1400	1700	400
		At 4000 r/min	1200	1400	

Round Shaft Type

Product Name	Permissible Radial Load		Permissible Axial Load
	10 mm from output shaft end N	20 mm from output shaft end N	
BMU230	80	100	Half of motor mass or less
BMU260	80	100	
BMU5120, BMU5200, BMU5300	150	170	

Permissible Load Inertia J of Combination Types

Combination Type – Parallel Shaft Gearhead

Unit: $\times 10^{-4}$ kg·m²

Product Name	Gear Ratio	5	10	15	20	30	50	100	200
		BMU230		12	50	110	200	370	920
BMU230	When instantaneous stop or instantaneous bi-directional operation is performed*	1.55	6.2	14	24.8	55.8	155	155	155
		22	95	220	350	800	2200	6200	12000
BMU460S	When instantaneous stop or instantaneous bi-directional operation is performed*	5.5	22	49.5	88	198	550	550	550
		45	190	420	700	1600	4500	12000	25000
BMU5120	When instantaneous stop or instantaneous bi-directional operation is performed*	25	100	225	400	900	2500	2500	2500
		100	460	1000	1700	3900	9300	18000	37000
BMU6200S	When instantaneous stop or instantaneous bi-directional operation is performed*	50	200	450	800	1800	5000	5000	5000
		100	460	1000	1700	3900	9300	18000	—
BMU6300S	When instantaneous stop or instantaneous bi-directional operation is performed*	50	200	450	800	1800	5000	5000	—

* It is also applicable when digitally setting the deceleration time to below 0.1 second.

*2 Only for 200W type.

Dimensions (Unit mm)

● "Mounting screws" are included with the combination type. Dimensions of installation screws → Page 26

● A number indicating the gear ratio is specified in the box □ in the product name.

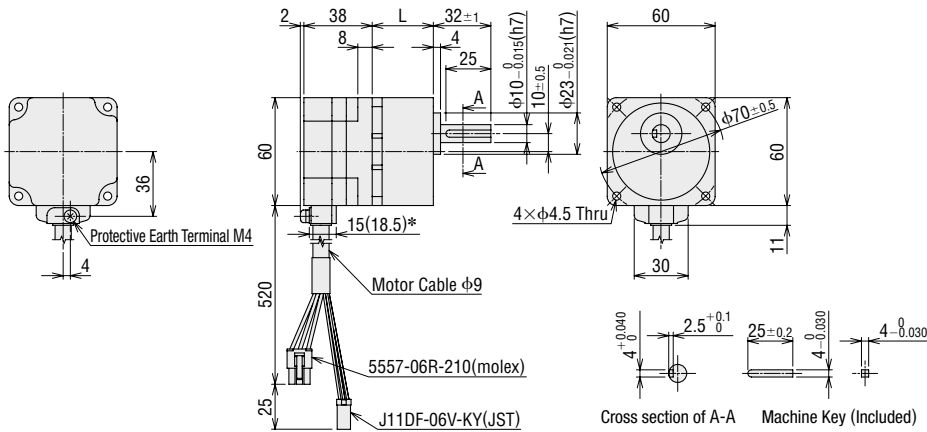
For motors with a degree of protection of IP65 specification, **P** is specified where the box ■ appears in the product name.

When the accessory connection cable is supplied, a number indicating the length of the cable, **-1** (1 m), **-2** (2 m), or **-3** (3 m), is specified in the box ◇ in the product name.

30 W

◇ Motor/Parallel Shaft Gearhead

Product Name	Motor Product Name	Gearhead Model	Gear Ratio	L	Mass kg
BMU230A ■-□◇ BMU230C ■-□◇	BLM230■-GFV2	GFV2G□	5~20	34	0.92
			30~100	38	
			200	43	



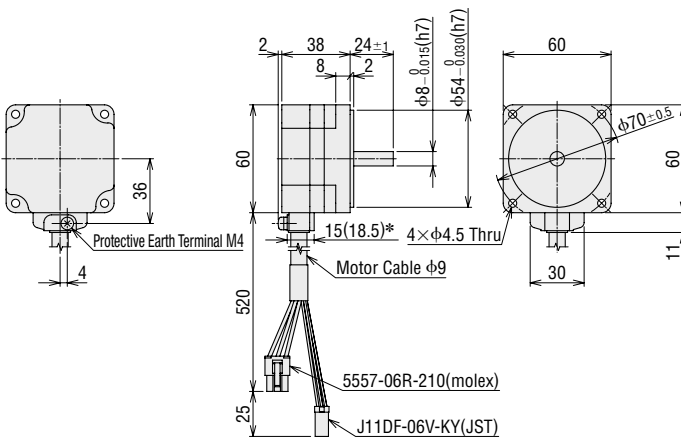
* The value in () is for the motor protection structure IP65 specification.

◇ Round Shaft Type

BMU230A■-A◇, **BMU230C**■-A◇

Motor: BLM230■-A

Mass: 0.42 kg

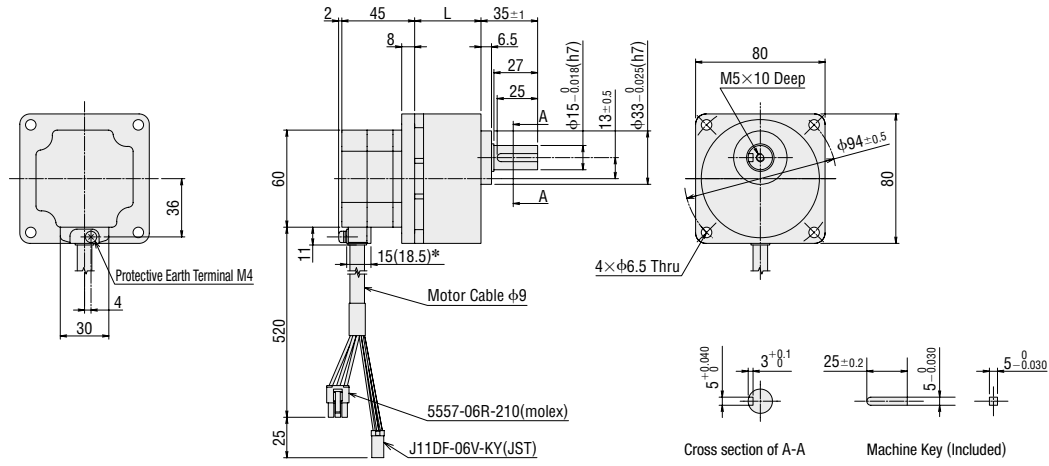


* The value in () is for the motor protection structure IP65 specification.

● 60 W

◇ Motor/Parallel Shaft Gearhead

Product Name	Motor Product Name	Gearhead Product Name	Gear Ratio	L	Mass kg
BMU460SA □ □ ◇ BMU460SC □ □ ◇	BLM460S □ -GFV2	GFV4G □	5~20	41	1.6
			30~100	46	
			200	51	



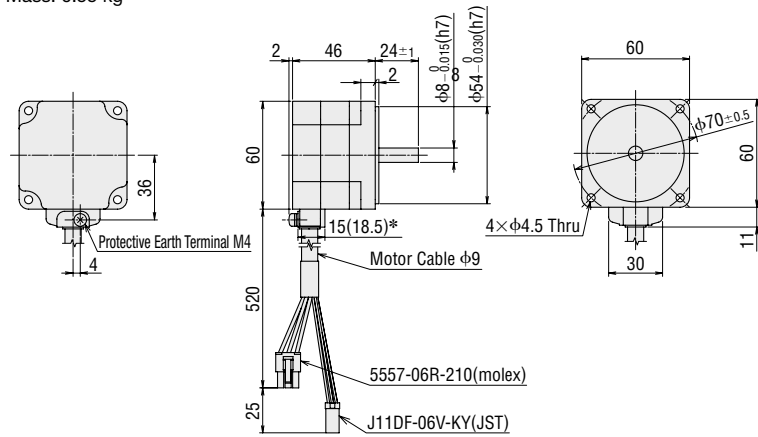
* The value in () is for the motor protection structure IP65 specification.

◇ Round Shaft Type

BMU260A □ -A ◇, **BMU260C** □ -A ◇

Motor: BLM260 □ -A

Mass: 0.55 kg

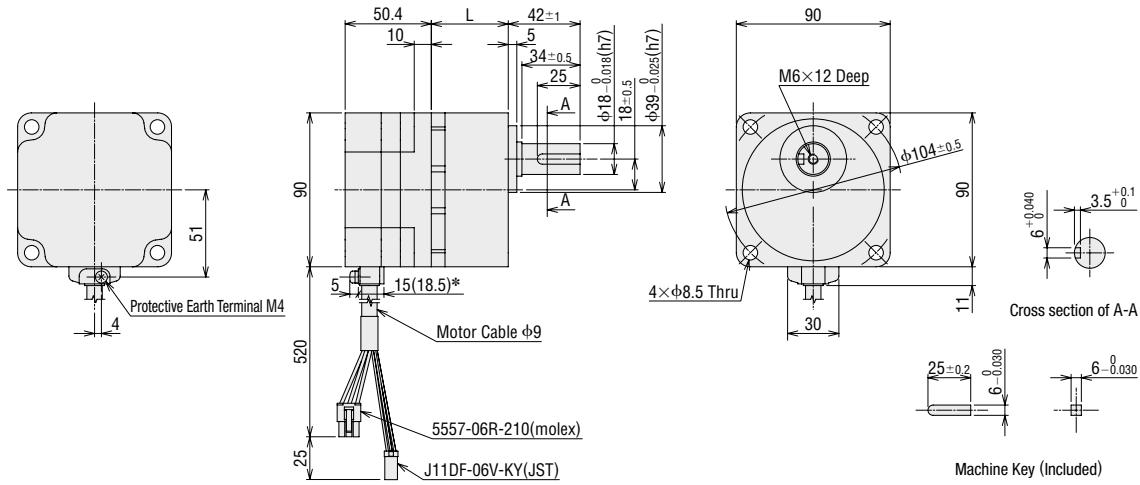


* The value in () is for the motor protection structure IP65 specification.

● 120 W

◇ Motor/Parallel Shaft Gearhead

Product Name	Motor Product Name	Gearhead Product Name	Gear Ratio	L	Mass kg
BMU5120A ■-□◇ BMU5120C ■-□◇	BLM5120■-GFV2	GFV5G□	5~20	45	2.7
			30~100	58	
			200	64	



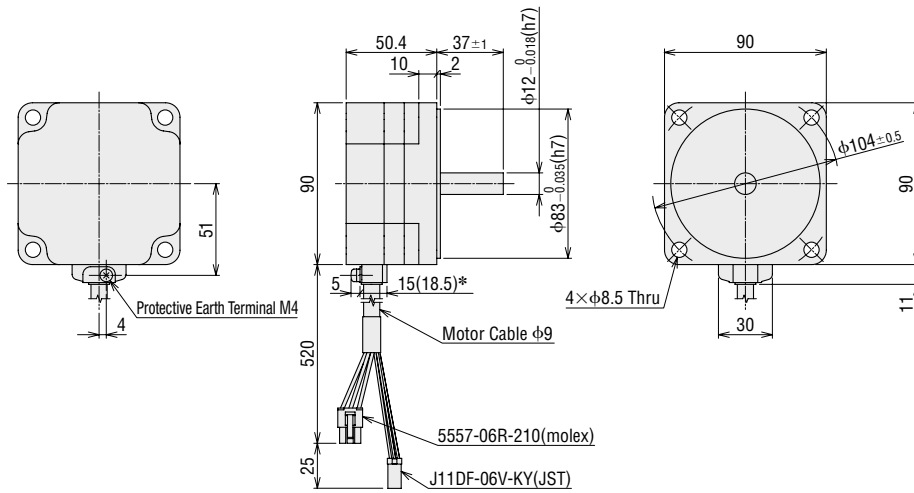
* The value in () is for the motor protection structure IP65 specification.

◇ Round Shaft Type

BMU5120A■-A◇, **BMU5120C**■-A◇

Motor: BLM5120■-A

Mass: 1.2 kg

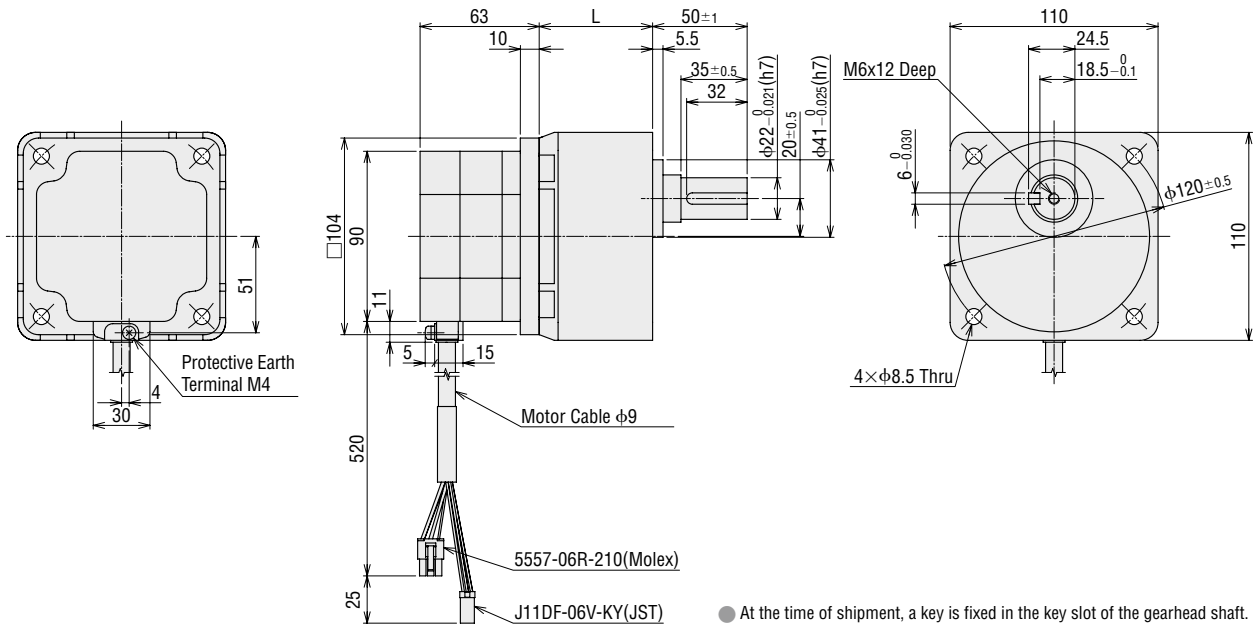


* The value in () is for the motor protection structure IP65 specification.

● 200 W

◇ Motor/Parallel Shaft Gearhead

Product Name	Motor Product Name	Gearhead Product Name	Gear Ratio	L	Mass kg
BMU6200SA □-□◇	BLM6200S □-GFV	GFV6G □	5~20	60	4.8
BMU6200SC □-□◇			30, 50	72	
			100, 200	86	

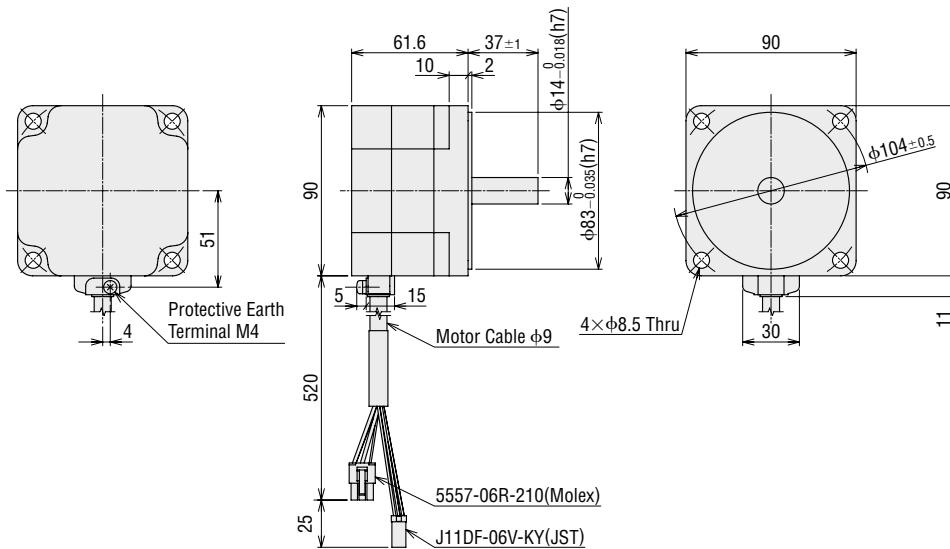


● Round Shaft Type

BMU5200A □-A◇, **BMU5200C** □-A◇

Motor: BLM5200 □-A

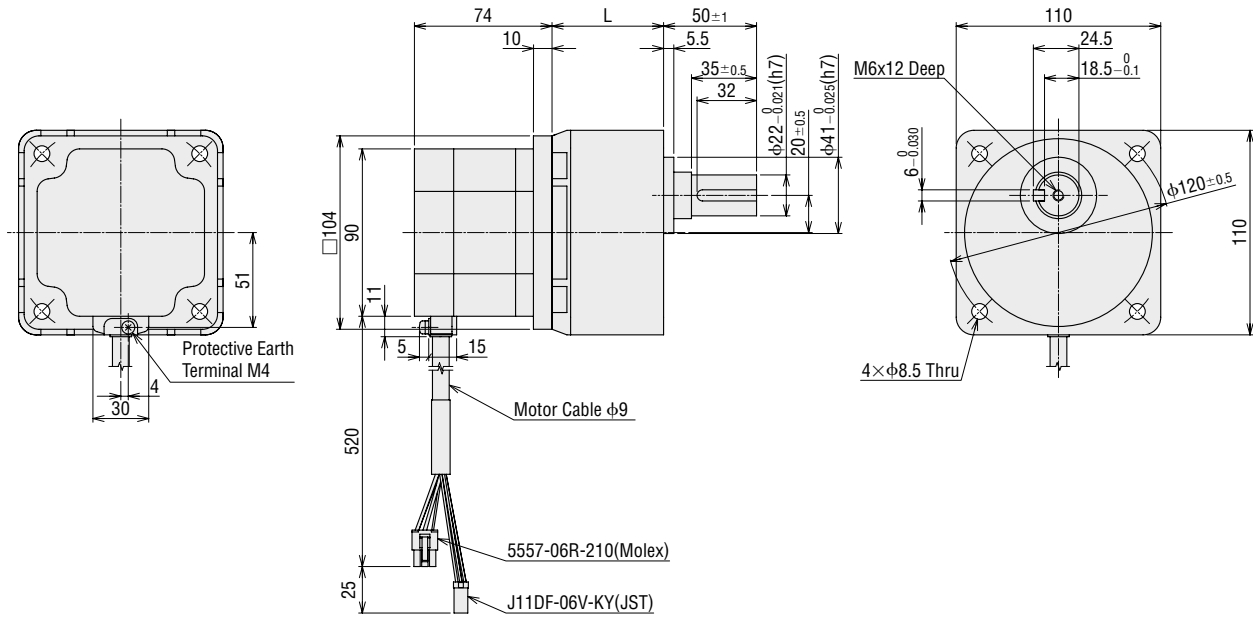
Mass: 1.7 kg



● 300 W

◇ Motor/Parallel Shaft Gearhead

Product Name	Motor Product Name	Gearhead Product Name	Gear Ratio	L	Mass kg
BMU63005C -□◇	BLM6300S-GFV	GFV6G□	5~20	60	5.3
			30, 50	72	
			100	86	

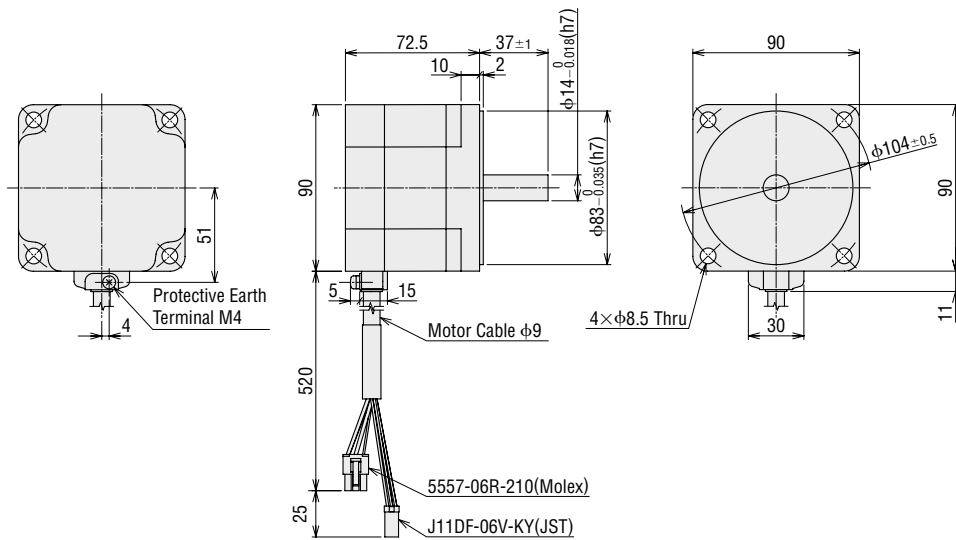


● Round Shaft Type

BMU5300C-A◇

Motor: BLM5300-A

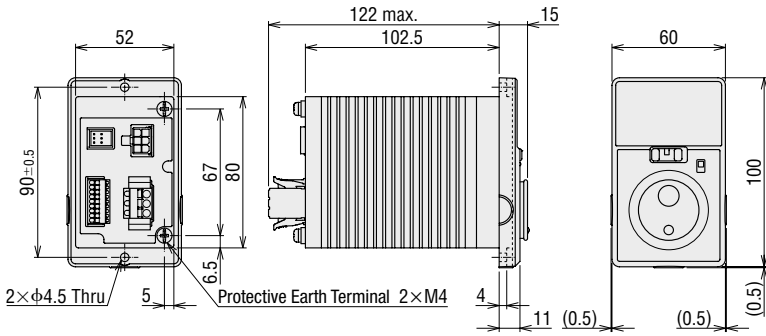
Mass: 2.2 kg



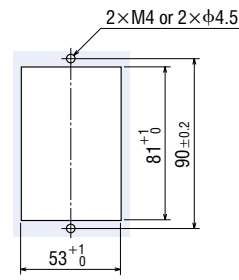
Driver

BMUD30-A2, BMUD30-C2, BMUD60-A2, BMUD60-C2, BMUD120-A2, BMUD120-C2

Mass: 0.4 kg

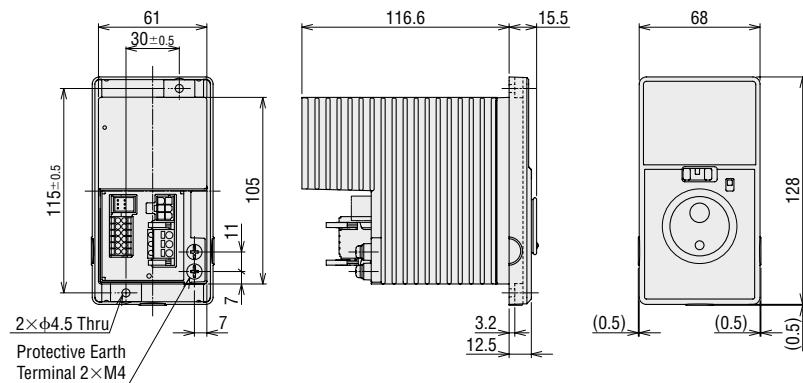


◇ Driver Panel Cut-out Diagram

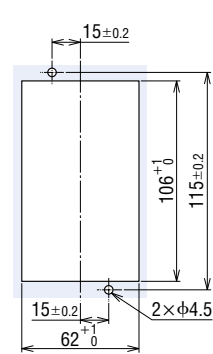


BMUD200-A, BMUD200-C, BMUD300-C

Mass: 0.8 kg

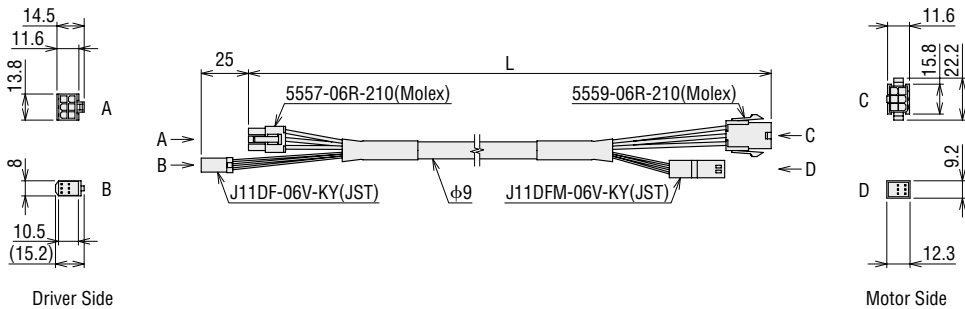


◇ Driver Panel Cut-out Diagram



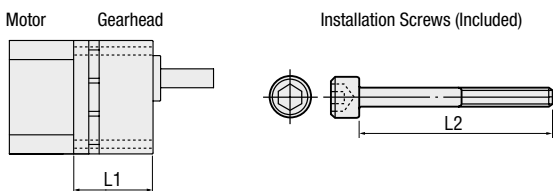
● Connection Cable (Included)

Cable Type	Length L (m)
1 m	1
2 m	2
3 m	3



■ Dimensions of Installation Screw

● Combination Type – Parallel Shaft Gearhead

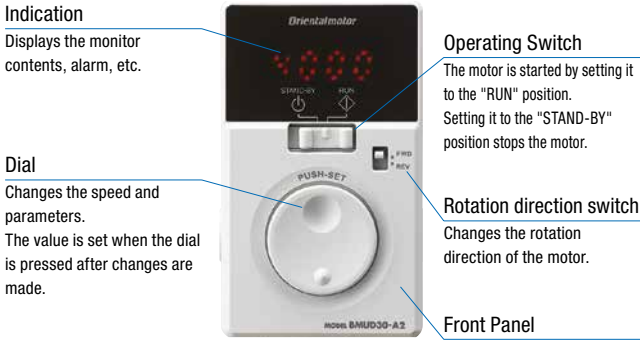


Gearhead Product Name	L1		L2		Screw Size
	Length (mm)	Length (mm)	Length (mm)	Length (mm)	
GFV2G5~20	42	50			M4 P0.7
GFV2G30~100	46	55			
GFV2G200	51	60			
GFV4G5~20	49	60			M6 P1.0
GFV4G30~100	54	65			
GFV4G200	59	70			
GFV5G5~20	55	70			M8 P1.25
GFV5G30~100	68	85			
GFV5G200	74	90			
GFV6G5~20	70	85			
GFV6G30~50	82	100			
GFV6G100~200	96	110			

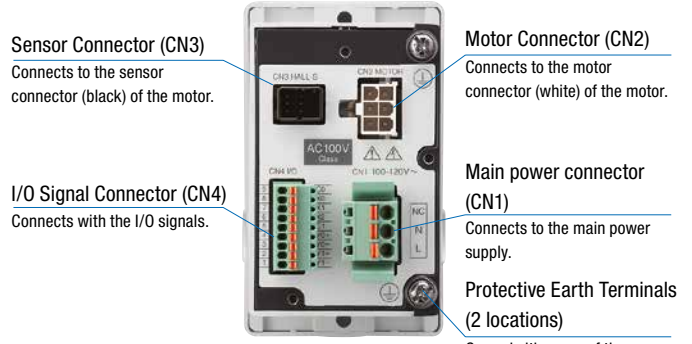
- Installation screw: Includes 4 plain washers and 4 spring washers each
- The installation screw material is stainless steel.

Connection and Operation

Names and Functions of Driver Parts

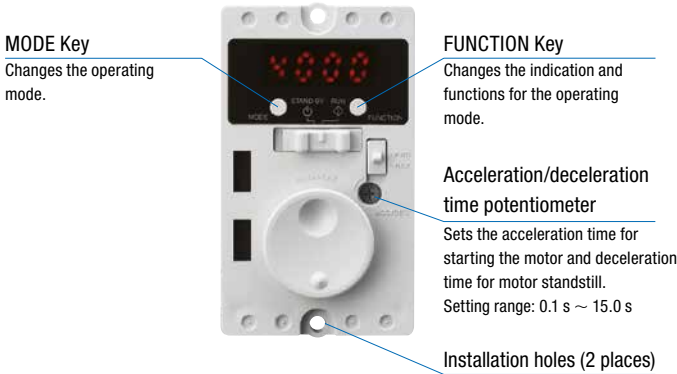


<Front side of the driver>

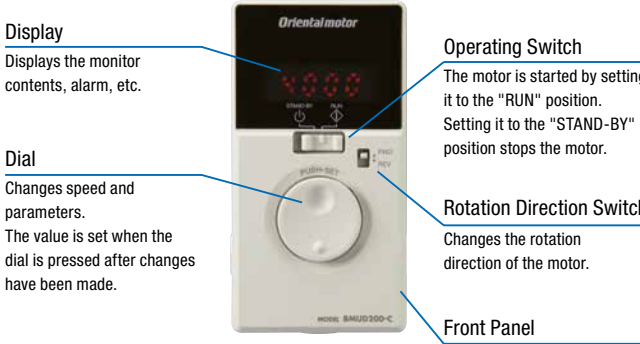


<Back side of the driver>

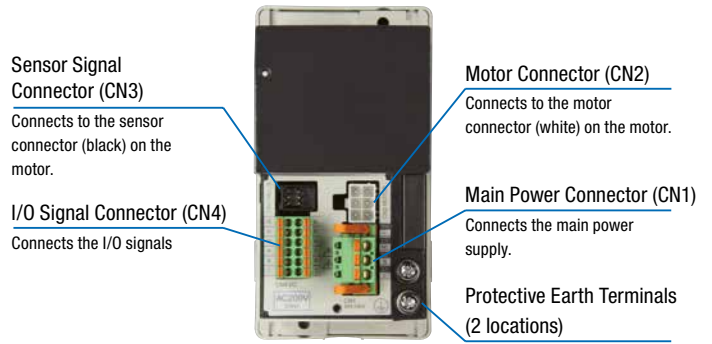
When Front Panel is Removed



Names and Functions of Driver Parts, 200W, 300W Type

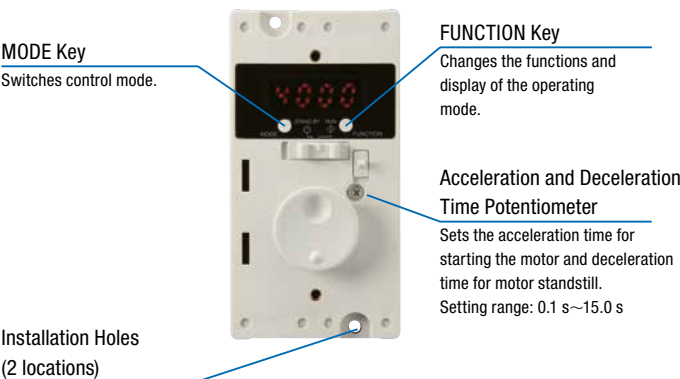


[Driver Front Side]



[Driver Rear Side]

When Front Panel is Removed



Extended Functions

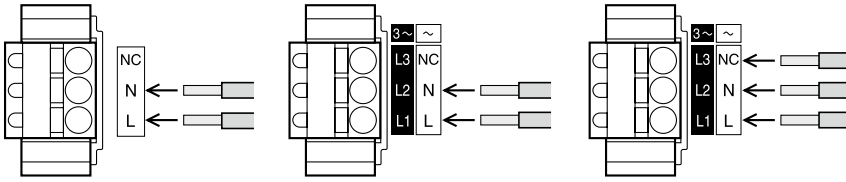
Remove the front panel to be able to perform various settings by operating the keys.

Operating mode	Details
Monitoring	Speed, load factor, operating data number, alarm, warning, I/O monitor
Data	Data No. 0, No. 1 (2 points) 200W, 300W Type: 4 points of data Operating speed, acceleration time, deceleration time, reset
Parameters	Gear ratio, speed increasing ratio, initial panel indication, initial operation inhibition alarm, analog acceleration/deceleration, external operating signal input, input function selection, output function selection, overload alarm detection time except during axial lock, overload warning level, speed attainment width, speed upper limit and lower limit function, slight position - keeping function, parameter mode reset

◇ Main power connector (CN1)

Connects to the main power supply. Connect a power supply that matches with the power supply voltage to be used.

- Single-Phase 100-120 VAC
- Single-Phase 200-240 VAC
- Three-Phase 200-240 VAC



• Applicable Lead Wire Size

AWG18~14 (0.75~2.0 mm²)

• Applicable Crimp Terminals

Use the following terminals for connection using crimp terminals. Please note that the applicable crimp terminal varies depending on the size of the lead wire.

Manufacturer	PHOENIX CONTACT	
Product No.	A1 0.75-10	[AWG18 (0.75 mm ²)]
	A1 1-10	[AWG18 (0.75 mm ²)]
	A1 1.5-10	[AWG16 (1.25 mm ²)]
	A1 2.5-10	[AWG14 (2.0 mm ²)]

● Operation with the driver only

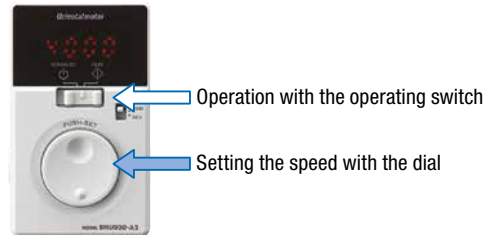
◇ Run/Stop

When the operating switch is set to the "RUN" position, the motor will start. When it is returned to the "STAND-BY" position, the motor decelerates to a stop.

◇ Speed Setting Method

Set the motor speed by using the dial.
Setting range: 50~4000 r/min

Turning the dial slowly to the right increases the speed by 1 r/min increments, while turning it to the left reduces the speed by 1 r/min increments. Turning the dial fast produces a great variation in speed. Pressing the dial sets the speed.



• Operating Switch

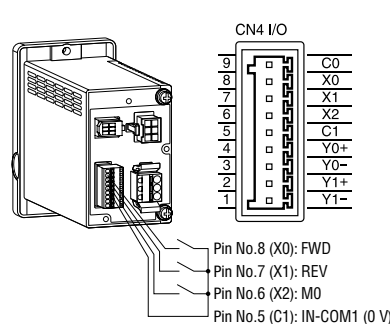


● Operation by external signals

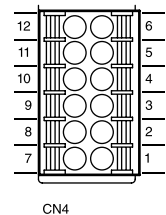
◇ Operating Method

- Using the built-in power supply in the driver, the motor is operated through signals from external sources (switches, relays, etc.).
Connect Pins for 30W, 60W, 120W types are No. 5~8 of the I/O signal connector (CN4).
Connect Pins for 200W, 300W types are No. 1~5 and No. 7 of the I/O signal connector (CN4).
- For operation using external signals, change the parameter setting in the "External Operating Signal Input". For details, see the user's guide.
- Multiple speed operation is available in up to 4 levels.

◇ For 30W, 60W, and 120W Types



◇ For 200W, 300W Types



• I/O Signals Connector (CN4) for 30W, 60W and 120W Types

Pin No.	Terminal Name	Signal Name*	Description
9	C0	IN-COM0	Input signal common (for external power supply)
8	X0	[FWD]	During "ON", the motor rotates in the FWD direction.
7	X1	[REV]	During "ON", the motor rotates in the REV direction.
6	X2	[M0]	Select the operating data.
5	C1	IN-COM1	Input signal common (for internal power supply: 0 V)
4	Y0+	[SPEED-OUT]	For every rotation of the motor output shaft, 30 pulses are output.
3	Y0-		
2	Y1+	[ALARM-OUT1]	It turns OFF when an alarm is generated. (Normally closed)
1	Y1-		

*The [] indicates the functions assigned in the factory.

Among the following signals, the signals required for the three input signal terminals (X0 - X2) and the two output signal terminals (Y0 - Y1) can be assigned.
Three points for the seven input signal points (FWD, REV, M0, M1, ALARM - RESET, EXT - ERROR, H - FREE)
Two points for the six output signal points (ALARM - OUT1, SPEED - OUT, ALARM - OUT2, MOVE, VA, WNG)

• I/O Signal Connector (CN4) for 200W, 300W Types

Pin No.	Signal Name	Function*	Description
1	IN4	[ALARM-RESET]	Alarms are reset.
2	IN3	[M1]	Selects the operating data.
3	IN2	[M0]	
4	IN1	[REV]	The motor rotates in the reverse direction when "ON".
5	IN0	[FWD]	The motor rotates in the forward direction when "ON".
6	IN-COM0	IN-COM0	Input signal common (for external power supply)
7	IN-COM1	IN-COM1	Input signal common (for external power supply: 0V)
8	N.C.	N.C.	No connection.
9	OUT1-	[ALARM-OUT1]	Turns OFF when an alarm activates. (Normally closed)
10	OUT1+		
11	OUT0-	[SPEED-OUT]	30 pulses are output with each rotation of the motor output shaft.
12	OUT0+		

*Text inside the [] represents the factory default function assignment.

The following signals can be assigned as necessary to 5 input signal terminals (IN0~IN4) and 2 output signal terminals (OUT0, OUT1).
5 out of the 7 possible input signals (FWD, REV, M0, M1, ALARM-RESET, EXT-ERROR, H-FREE)
2 out of the 6 possible output signals (ALARM-OUT1, SPEED-OUT, ALARM-OUT2, MOVE, VA, WNG)

• Applicable Lead Wire Size

For 30W, 60W and 120W Types:
AWG26~20 (0.14~0.5 mm²)
For 200W, 300W Types:
AWG24~18 (0.2~0.75 mm²)

• Applicable Crimp Terminals

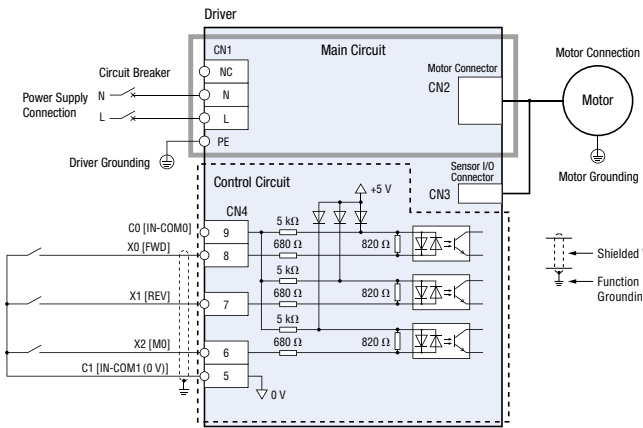
Use the following terminals for connection using crimp terminals. Please note that the applicable crimp terminal varies depending on the size of the lead wire.

Manufacturer	PHOENIX CONTACT	
Product No.	A 0.25-7	[AWG24 (0.2 mm ²)]
	A 0.34-7	[AWG22 (0.3 mm ²)]
	A 0.5-8	[AWG20 (0.5 mm ²)]
	A 0.75-10	[AWG18 (0.75 mm ²)]

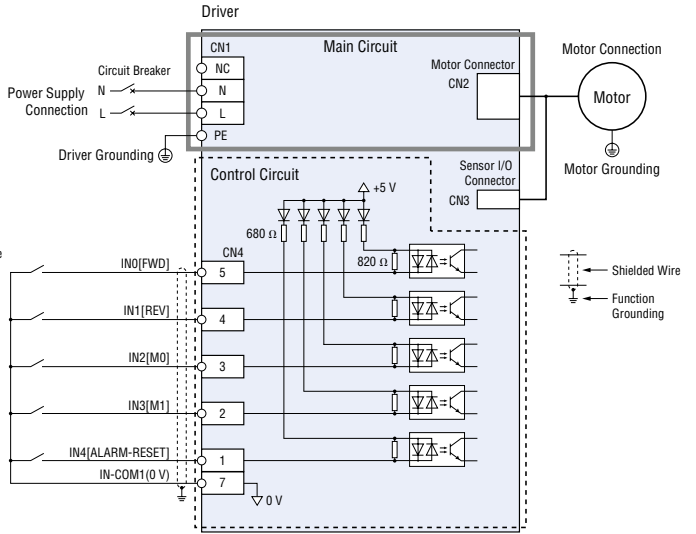
◇ Example for connection using switches, relays, etc.

The figure shows a connection example for the operation of the motor using switches having contacts, such as switches or relays. (Single-Phase)

● For 30W, 60W and 120W Types (Single-phase)

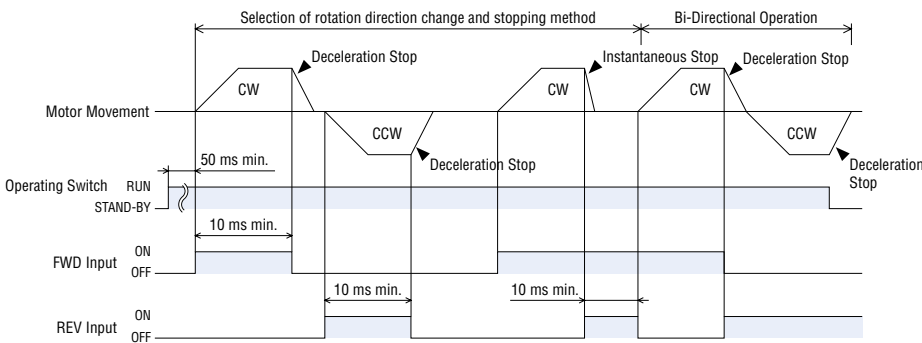


● For 200W, 300W Types (Single-phase)



◇ Timing Chart

This is a timing chart when the "External operating signal input" parameter is set to "ON" and the rotation direction switch is set to "FWD".



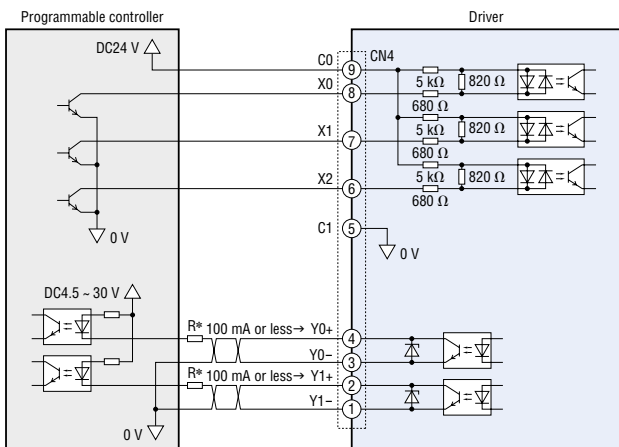
- Switching the FWD input to ON will cause the motor to turn clockwise as viewed from the motor shaft side, while switching the REV input to ON will cause the motor to turn counterclockwise. Turning it OFF decelerates the motor to stop.
- If both the FWD input and REV input are turned ON simultaneously, the motor will stop instantaneously.
- With the combination type, the rotation direction varies according to the gear ratio of the gearhead.

◇ Example of connection of I/O signals with the host controller

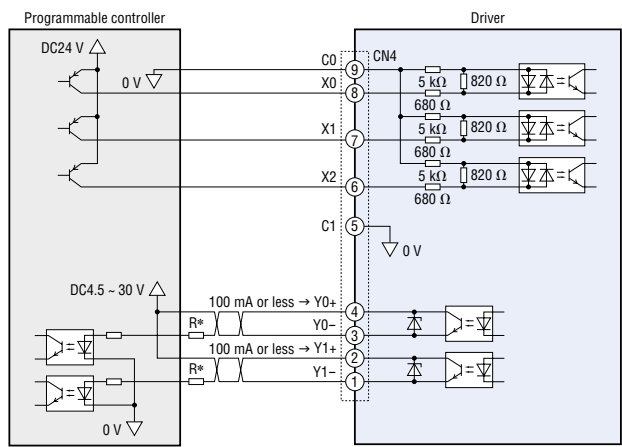
This is a connection example for the operation of the motor using the host controller of the transistor output type.

● For 30W, 60W and 120W Types

● Sink Logic

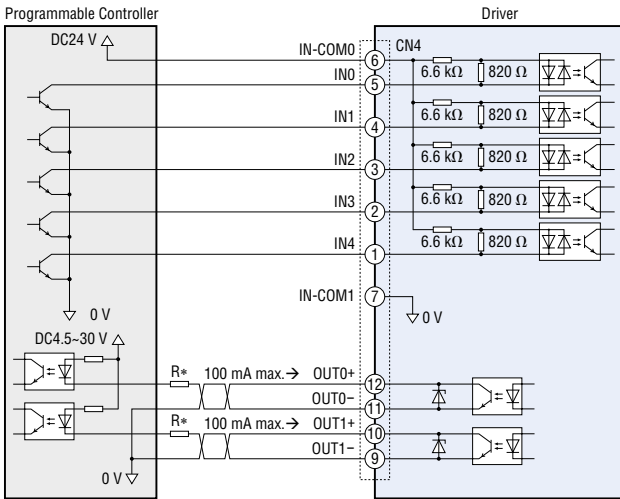


● Source Logic

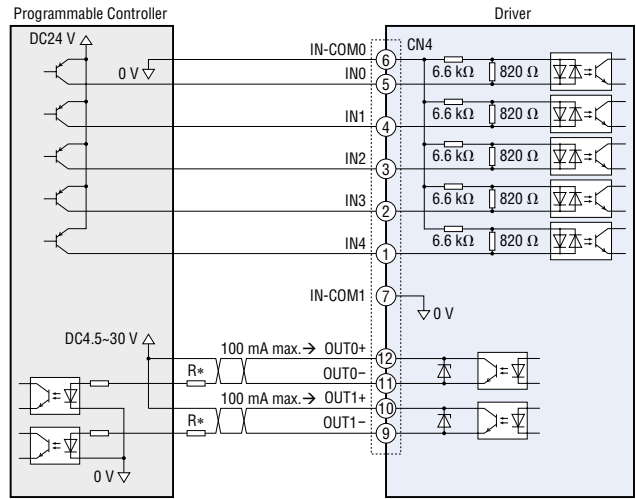


•For 200W, 300W Types

•Sink Logic



•Source Logic



*Recommended Resistance Value

- 24 VDC: 680 Ω~2.7 kΩ (2 W)
- 5 VDC: 150 Ω~560 Ω (0.5 W)

Note

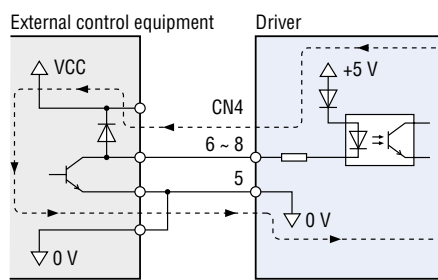
The current applied to Y0 and Y1 must be 100 mA or less. If this value is exceeded, connect the limiting resistance R.
Maintain the current value of OUT0 and OUT1 at 100 mA or less. If this current value is exceeded, connect the limiting resistor R.

◇ When using external control equipment with built-in clamping diodes

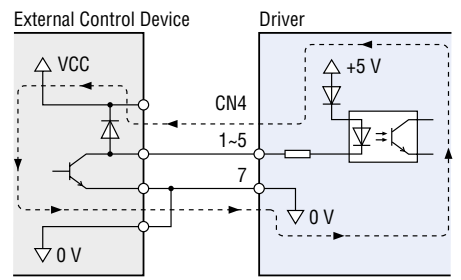
With external control equipment with built-in clamping diodes connected, if the power of the external control equipment is turned off with the driver turned on, the motor may rotate due to current flowing around. The motor may also rotate even if the driver and the external control equipment are simultaneously turned off because these two devices have different current capacities.

To turn off the power, first turn off the driver and then the external control equipment. To turn on the power, first turn on the external control equipment and then the driver.

• For 30W, 60W and 120W Types



• For 200W, 300W Types

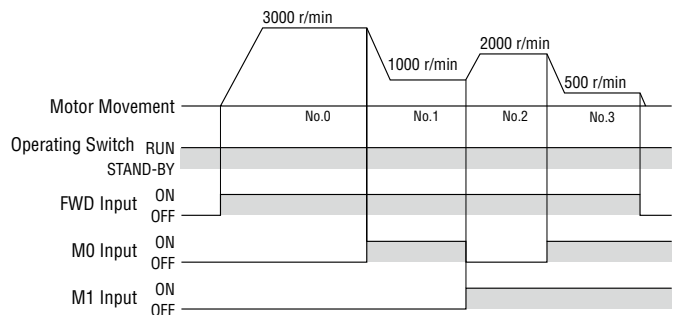


◇ When a Multistep Speed-Change Operation is Used

By switching the ON/OFF of the M0 or M1 input, the multiple speed operation becomes available.

•Example of operating conditions

Operating Data No.	M0	M1	Rotation Speed [r/min]
0	OFF	OFF	3000
1	ON	OFF	1000
2	OFF	ON	2000
3	ON	ON	500

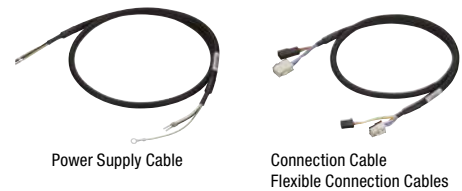


Accessories (Sold separately)

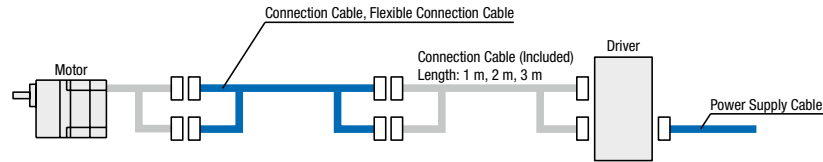
Power Supply Cable, Flexible Connection Cable

These cables are used to connect the motor and driver. The maximum extension length of the connectable cable is 10 m.

Use the flexible connection cable in applications where the cable is bent and flexed.



Cable System Configuration



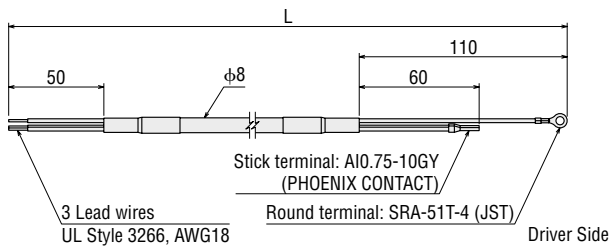
Product Line

Power Supply Cable

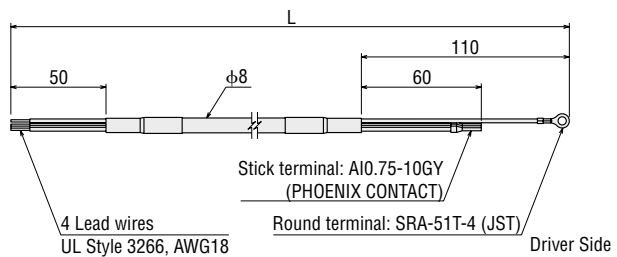
Product Name	Product Line	Power Supply Voltage	Length L (m)
CC01AC03N	Plug not included	Single-Phase 100-120 VAC	1
CC02AC03N		Single-Phase 200-240 VAC	2
CC03AC03N			3
CC01AC04N	Three-Phase 200-240 VAC		1
CC02AC04N			2
CC03AC04N			3

Dimensions (Unit mm)

CC01AC03N, CC02AC03N, CC03AC03N



CC01AC04N, CC02AC04N, CC03AC04N



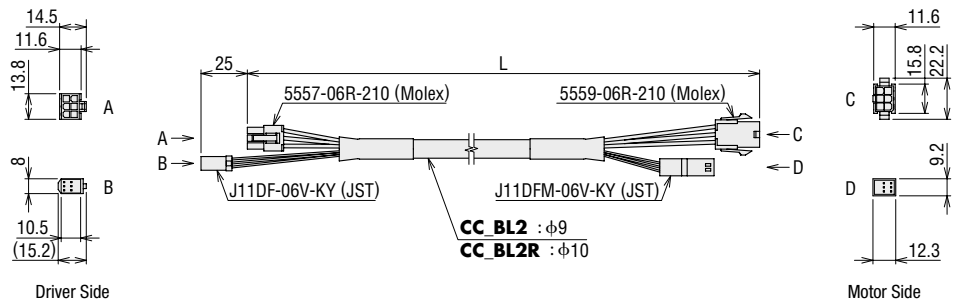
Connection Cable

Product Name	Length L (m)
CC01BL2	1
CC02BL2	2
CC03BL2	3
CC05BL2	5
CC07BL2	7
CC10BL2	10

Flexible Connection Cables

Product Name	Length L (m)
CC01BL2R	1
CC02BL2R	2
CC03BL2R	3
CC05BL2R	5
CC07BL2R	7
CC10BL2R	10

Connection Cable, Flexible Connection Cables



Note

When extending the connecting cable, make sure that the total length (up to two cables) is 10.5 m or less.

Motor and Gearhead Mounting Bracket

These dedicated mounting brackets are for mounting motors and gearheads.



Product Line

Product Name	Applicable Product
SOL2M4F	BMU230, BMU260
SOL4M6F	BMU460
SOL5M8F	BMU5120, BMU5200 (Round shaft type) BMU5300 (Round shaft type)
SOL6M8F	BMU6200 (Combination type) BMU6300 (Combination type)

Flexible Couplings

These are clamp type couplings for connecting the motor/gearhead shaft with the driven shaft.

Couplings usable for the combination type and the round shaft type are available.



Product Line

Product Name	Applicable Product
MCL30 Type	BMU230
MCL40 Type	BMU460 BMU5200 (Round Shaft Type) BMU5300 (Round Shaft Type)
MCL55 Type	BMU5120
MCL65 Type	BMU6200 (Combination Type) BMU6300 (Combination Type)

Circuit products mounting brackets

Mounting brackets for installing the driver are available.

Mounting brackets have product lines for different applications such as for DIN rail installation, installation on the wall surface, and for conveyor guide installation.

Product Line

Material: SPCC Surface treatment: Trivalent chromate

Product Name	Motor Type	Application
MADP05-15	BMU230, BMU460, BMU5120	For DIN Rail Installation
MADP05-12B	BMU5200, BMU6200, BMU5300, BMU6300	
MAFP04-15	BMU230, BMU460, BMU5120	For Wall Surface Installation
MAFP04-12B	BMU5200, BMU6200, BMU5300, BMU6300	
MAFP05V MAFP05H	BMU230, BMU460, BMU5120	For Conveyor Guide Installation



MADP05-15 <Application example>



MAFP04-15 <Application example>



MAFP05V <Application example>



MAFP05H <Application example>



MADP05-12B



MAFP04-12B


For more details of the accessories, check the Oriental Motor website or contact the Oriental Motor sales office.
<http://www.orientalmotor.eu>

Orientalmotor

These products are manufactured at plants certified with the international standards **ISO 9001** (for quality assurance) and **ISO 14001** (for systems of environmental management).

Specifications are subject to change without notice. Published in February 2016.


ORIENTAL MOTOR (EUROPA) GmbH
www.orientalmotor.de

European Headquarters 
Schiessstraße 74
40549 Düsseldorf, Germany
Tel: 0211-5206700 Fax: 0211-52067099

ORIENTAL MOTOR (UK) LTD.
www.oriental-motor.co.uk

UK Headquarters 
Unit 5, Faraday Office Park,
Rankine Road, Basingstoke,
Hampshire RG24 8AH, U.K.
Tel: 01256-347090 Fax: 01256-347099


ORIENTAL MOTOR ITALIA s.r.l.
www.orientalmotor.it

Italy Headquarters 
Via A. De Gasperi, 85
20017 Mazzo di Rho (MI), Italy
Tel: 02-93906346 Fax: 02-93906348

ORIENTAL MOTOR SWITZERLAND AG
www.orientalmotor.ch


Switzerland Headquarters
Badenerstraße 13
5200 Brugg AG, Switzerland
Tel: 056 560 5045 Fax: 056 560 5047

ORIENTAL MOTOR (FRANCE) SARL
www.orientalmotor.fr

France Headquarters 
56, Rue des Hautes Pâtures
92000 Nanterre Cedex, France
Tel: 01 47 86 97 50 Fax: 01 47 82 45 16

ORIENTAL MOTOR CO., LTD.
www.orientalmotor.co.jp

Headquarters
4-8-1 Higashiueno
Taito-ku, Tokyo 110-8536, Japan
Tel: (03)6744-0361 Fax: (03)5826-2576

 **Other countries:** www.orientalmotor.eu

Customer Center (Support in German & English)

00800-22 55 66 22*
CA LL OM CC

Mon-Thu: 08:00 - 17:30 CET Friday: 08:00 - 16:00 CET

* Free Call Europe

info@orientalmotor.de

For more information please contact: