

# Oriental motor

## Brushless Motor and Driver Package DC Power Supply Input, High Power **BLV Series**

Standard Type/Electromagnetic Brake Type

Introducing the new high power, DC input **BLV** Series brushless motor and driver with output options of 200 W to 400 W.

Communication control through I/O or RS-485 is available to support a wide variety of applications.



### Features

#### DC Power Supply Input, High Power Output Options of 200 W to 400 W, Compact Motor

The **BLV** Series are compact, DC input brushless motors and drivers with output options of 200 W to 400 W.

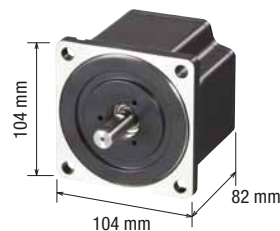
An extensive variety of motors lets you select the model that best suits your specific application.

Output Power	200 W	400 W
Frame Size	□104 mm	□104 mm
Power Supply Voltage	24 VDC	48 VDC
Motor Type	Standard Type	●
	Electromagnetic Brake Type	●

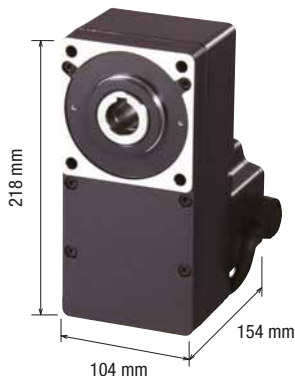
Three Types Available (Shown below are standard type models):



Combination Type – Parallel Shaft Gearhead



Round Shaft Type



Combination Type – Hollow Shaft Flat Gearhead

\*For gear ratios 5 to 20.

#### Features of the Hollow Shaft Flat Gearhead

□104 mm, space-saving, hollow shaft flat gearhead has been added to the lineup.

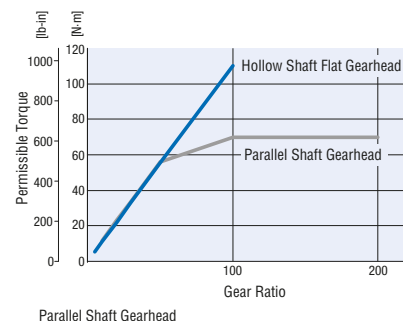
Combination Motor Output	Gear Ratio	Rated Life
200 W, 400 W	5*, 10, 15, 20, 30, 50, 100	5000 hrs.

\*Only compatible with the 400 W type.



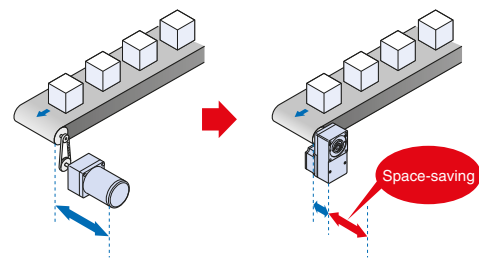
#### Permissible Torque without Saturation

The hollow shaft flat gearhead enables permissible torque without saturation so the motor torque can be fully utilized.



#### Space-saving

The output shaft can be coupled directly to a driven shaft without using a coupling, which allows you to reduce the size and installation space of your equipment.



[For Three-Phase Motor and Parallel Shaft Gearhead]

[For Brushless Motor and Hollow Shaft Flat Gearhead]

● Comes in an Electromagnetic Brake Type

The electromagnetic brake type is suitable for position holding during standstill or gravitational operation. Note that vertical drive (gravitational operation) requires motors of a specific power supply.

Drive System		Standard Type	Electromagnetic Brake Type
Horizontal Drive	Switching Power Supply	●*	●*
	Battery	●	●
Vertical Drive (Gravitational Operation)	Switching Power Supply	—	—
	Battery	—	●

\*Power supply limits depend on use. Please contact the nearest Oriental Motor sales office for details.

● Extended Functions

Functions can be extended and settings shown on a digital display by using a separately sold control module (OPX-2A). It can also be used in RS-485 communication mode.



● Equipped with Functions to Facilitate Battery Drive

- Capable of driving even if the battery voltage is low
- A warning output notifies when the battery voltage is low

Item	Standard Model	Extended Function
Specifications	<ul style="list-style-type: none"> <li>Speed Control Range: 100~4000 r/min (speed range 1:40)</li> <li>Speed Regulation: ±0.5%</li> </ul>	<ul style="list-style-type: none"> <li>Speed Control Range: 80~4000 r/min (speed range 1:50)</li> <li>Speed Regulation: ±0.2%</li> </ul>
Function	<ul style="list-style-type: none"> <li>Speed setting (internal speed potentiometer, external analog setting)</li> <li>Acceleration time, deceleration time</li> <li>Torque limiting</li> </ul>	<ul style="list-style-type: none"> <li>Various Display Functions: Operating speed (setting of gear ratio and speed increasing ratio), conveyor transportation speed, load factor, alarm code, warning code, I/O monitor</li> <li>Operating data digital settings (speed, torque limiting, acceleration time, deceleration time can be set up to 8 points)</li> <li>I/O signal allocation, test operation</li> <li>Data copy</li> </ul>

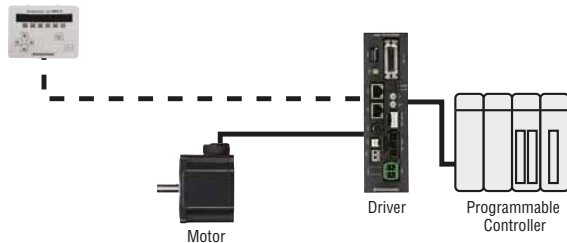
● Selectable Dual Control Method

Control from a programmable controller can be I/O control or RS-485 communication control.

◇ I/O Control System

Operation can be executed easily with I/O control.

Control Module OPX-2A (Sold separately) ● A control module (OPX-2A; accessory sold separately) is required for parameter settings.

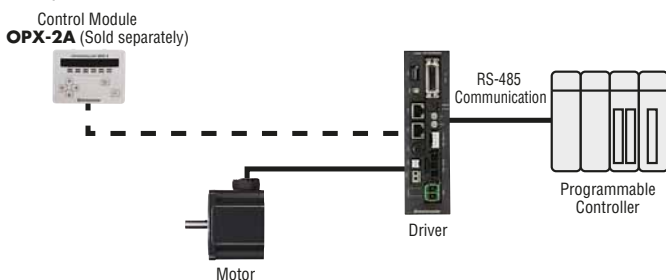


● Control Method for Data Settings and Operation Commands

Operating Data and Parameter Settings		Operation Commands (FWD, REV, etc.)
Operating Data	Driver potentiometer, control module (OPX-2A)	I/O
Parameters	Control module (OPX-2A)	

◇ RS-485 Communication System

RS-485 communication lets you set operating data and parameters and enter operation commands. A single programmable controller connects up to 31 drivers and provides multi-axis synchronous starting. The protocol of the RS-485 communication system supports Modbus RTU, allowing it to easily connect with programmable controllers, touch panels and other devices.



● Control Method for Data Settings and Operation Commands

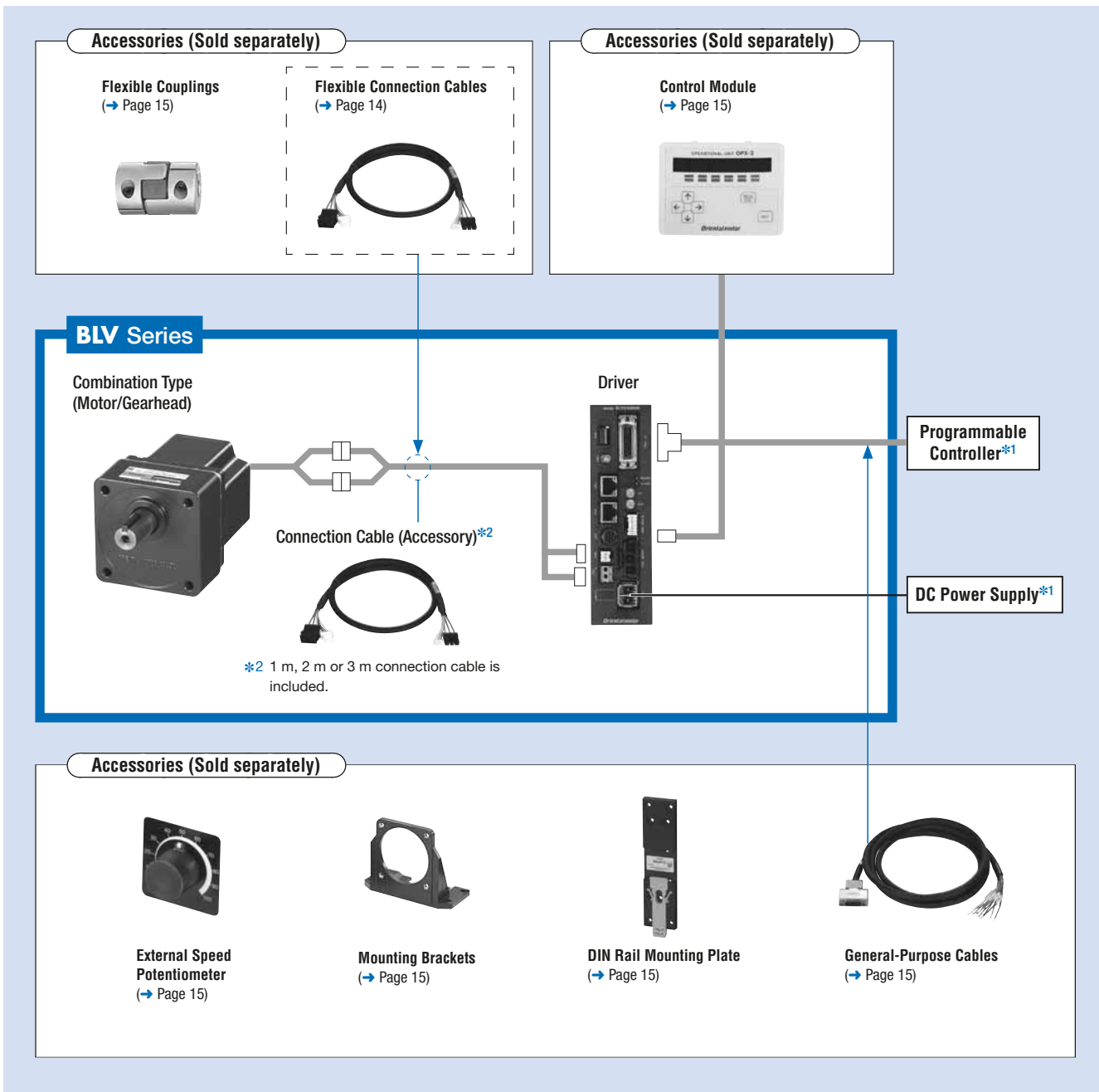
Operation Data and Parameter Setting	Operation Commands (FWD, REV, etc.)
RS-485 communication, control module (OPX-2A)	RS-485 communication, I/O

- FWD input, REV input and other operation commands can also be controlled from I/O.
- The test operation function is available with the control module (OPX-2A).
- The internal potentiometers for Speed, Acceleration/Deceleration and Torque Limiting are still active even when using either the control module (OPX-2A) or RS-485 communication.

# System Configuration

An example of a single-axis system configuration using I/O control is shown below.

\*1 Parts sold separately.



## Examples of System Configuration

<b>BLV Series</b> Combination Type - Parallel Shaft <b>BLV620K30S-3</b>	+	Sold Separately			
		External Speed Potentiometer	DIN Rail Mounting Plate	Mounting Brackets	Flexible Coupling
		<b>PAVR-20KZ</b>	<b>PADPO3</b>	<b>SOL6M8</b>	<b>MCL652022</b>

The system configuration shown above is an example of the standard type. Other combinations are available.

## Product Number Code

# BLV 6 20 K M 200 S - 1

①    ②    ③    ④    ⑤    ⑥    ⑦    ⑧

①	Series	<b>BLV</b> : BLV Series
②	Motor Frame Size	<b>6</b> : 104 mm [Gearhead Frame Size: 110 mm]
③	Output Power (W)	<b>20</b> : 200 W <b>40</b> : 400 W
④	Power Supply Voltage	<b>K</b> : 24 VDC <b>N</b> : 48 VDC
⑤	M: Electromagnetic Brake Type	Blank: Standard Type
⑥	Gear Ratio/Shaft Type	Number: Parallel shaft gearhead type Gear ratio <b>5~200</b> Hollow shaft flat gearhead Gear ratio <b>5~100</b> <b>A</b> : Round Shaft Type
⑦	Gearhead Type (Combination type only)	<b>S</b> : Parallel Shaft Gearhead <b>F</b> : Hollow Shaft Flat Gearhead
⑧	Cable Length (Included)	<b>1</b> : 1 m <b>2</b> : 2 m <b>3</b> : 3 m

## Product Line

### Combination Type

The combination type comes with the motor and its dedicated gearhead pre-assembled simplifying installation in equipment. Motors and gearheads are also available separately to facilitate changes or repairs.

### Standard Type

#### ◇ Combination Type – Parallel Shaft Gearhead

Output Power	Power Supply Voltage	Model	Gear Ratio
200 W	24 VDC	<b>BLV620K</b> □ <b>S</b> -◇	<b>5, 10, 15, 20, 30, 50, 100, 200</b>
400 W	48 VDC	<b>BLV640N</b> □ <b>S</b> -◇	<b>5, 10, 15, 20, 30, 50, 100, 200</b>

The following items are included in each product.

Motor, Driver, Gearhead, Connection Cable\*, Power Connector, Mounting Screws, Parallel Key, Operating Manual

\*A cable of 1 m, 2 m or 3 m long is included.

#### ◇ Combination Type – Hollow Shaft Flat Gearhead

Output Power	Power Supply Voltage	Model	Gear Ratio
200 W	24 VDC	<b>BLV620K</b> □ <b>F</b> -◇	<b>10, 15, 20, 30, 50, 100</b>
400 W	48 VDC	<b>BLV640N</b> □ <b>F</b> -◇	<b>5, 10, 15, 20, 30, 50, 100</b>

The following items are included in each product.

Motor, Driver, Gearhead, Connection Cable\*, Power Connector, Mounting Screws, Parallel Key, Safety Cover (with screws), Operating Manual

\*A cable of 1 m, 2 m or 3 m long is included.

#### ◇ Round Shaft Type

Output Power	Power Supply Voltage	Model
200 W	24 VDC	<b>BLV620KA</b> -◇
400 W	48 VDC	<b>BLV640NA</b> -◇

The following items are included in each product.

Motor, Driver, Connection Cable\*, Power Connector, Operating Manual

\*A cable of 1 m, 2 m or 3 m long is included.

### Electromagnetic Brake Type

#### ◇ Combination Type – Parallel Shaft Gearhead

Output Power	Power Supply Voltage	Model	Gear Ratio
200 W	24 VDC	<b>BLV620KM</b> □ <b>S</b> -◇	<b>5, 10, 15, 20, 30, 50, 100, 200</b>
400 W	48 VDC	<b>BLV640NM</b> □ <b>S</b> -◇	<b>5, 10, 15, 20, 30, 50, 100, 200</b>

The following items are included in each product.

Motor, Driver, Gearhead, Connection Cable\*, Power Connector, Mounting Screws, Parallel Key, Operating Manual

\*A cable of 1 m, 2 m or 3 m long is included.

#### ◇ Combination Type – Hollow Shaft Flat Gearhead

Output Power	Power Supply Voltage	Model	Gear Ratio
200 W	24 VDC	<b>BLV620KM</b> □ <b>F</b> -◇	<b>10, 15, 20, 30, 50, 100</b>
400 W	48 VDC	<b>BLV640NM</b> □ <b>F</b> -◇	<b>5, 10, 15, 20, 30, 50, 100</b>

The following items are included in each product.

Motor, Driver, Gearhead, Connection Cable\*, Power Connector, Mounting Screws, Parallel Key, Safety Cover (with screws), Operating Manual

\*A cable of 1 m, 2 m or 3 m long is included.

#### ◇ Round Shaft Type

Output Power	Power Supply Voltage	Model
200 W	24 VDC	<b>BLV620KMA</b> -◇
400 W	48 VDC	<b>BLV640NMA</b> -◇

The following items are included in each product.

Motor, Driver, Connection Cable\*, Power Connector, Operating Manual

\*A cable of 1 m, 2 m or 3 m long is included.

● Enter the gear ratio in the box (□) within the model name.

Enter the length of the connection cable (included) as **1** [1 m], **2** [2 m] or **3** [3 m] in the diamond (◇) within the model name.

## Specifications

### Standard Type

◇ 200 W, 400 W (RoHS)



Model	Combination Type – Parallel Shaft Gearhead		BLV620K□S-◇	BLV640N□S-◇
	Combination Type – Hollow Shaft Flat Gearhead		BLV620K□F-◇	BLV640N□F-◇
	Round Shaft Type		BLV620KA-◇	BLV640NA-◇
Rated Output Power (Continuous)	W		200	400
Power Source	Rated Voltage	VDC	24	48
	Permissible Voltage Range		±10%	
	Rated Input Current	A	13	11
	Maximum Input Current	A	25	18
Rated Torque	N·m		0.65	1.3
Starting Torque*1	N·m		1.15	1.8
Rated Speed	r/min		3000	
Speed Control Range	r/min		100~4000 (Analog setting) 80~4000 (Digital setting: can be set in 1 r/min increments)*2	
Round Shaft Type Permissible Load Inertia J	×10 <sup>-4</sup> kg·m <sup>2</sup>		8.75	15
Rotor Inertia J	×10 <sup>-4</sup> kg·m <sup>2</sup>		0.61	0.66
Speed Regulation	Load	±0.5% (±0.2%)*2 max. (0~Rated torque, at rated speed, at rated voltage, at normal ambient temperature)		
	Voltage	±0.5% (±0.2%)*2 max. (Rated voltage ±10%, at rated speed, with no load, at normal ambient temperature)		
	Temperature	±0.5% (±0.2%)*2 max. [0~+40°C, at rated speed, with no load, at rated voltage]		

### Electromagnetic Brake Type

◇ 200 W, 400 W (RoHS)



Model	Combination Type – Parallel Shaft Gearhead		BLV620KM□S-◇	BLV640NM□S-◇
	Combination Type – Hollow Shaft Flat Gearhead		BLV620KM□F-◇	BLV640NM□F-◇
	Round Shaft Type		BLV620KMA-◇	BLV640NMA-◇
Rated Output Power (Continuous)	W		200	400
Power Source	Rated Voltage	VDC	24	48
	Permissible Voltage Range		±10%	
	Rated Input Current	A	13	11
	Maximum Input Current	A	25	18
Rated Torque	N·m		0.65	1.3
Starting Torque*1	N·m		1.15	1.8
Rated Speed	r/min		3000	
Speed Control Range	r/min		100~4000 (Analog setting) 80~4000 (Digital setting: can be set in 1 r/min increments)*2	
Round Shaft Type Permissible Load Inertia J	×10 <sup>-4</sup> kg·m <sup>2</sup>		8.75	15
Rotor Inertia J	×10 <sup>-4</sup> kg·m <sup>2</sup>		0.61	0.66
Speed Regulation	Load	±0.5% (±0.2%)*2 max. (0~Rated torque, at rated speed, at rated voltage, at normal ambient temperature)		
	Voltage	±0.5% (±0.2%)*2 max. (Rated voltage ±10%, at rated speed, with no load, at normal ambient temperature)		
	Temperature	±0.5% (±0.2%)*2 max. [0~+40°C, at rated speed, with no load, at rated voltage]		
Electromagnetic Brake*3	Brake Type	Power off activated type, automatically controlled by the driver		
	Static Friction Torque	N·m	0.65	1.3

\*1 The time during which the starting torque is effective is no more than five seconds.

\*2 These specifications apply when a separately sold control module (OPX-2A) or communication is used.

\*3 Do not start or stop the motor by turning on/off the power supply, as it will cause the electromagnetic brake to wear abnormally.

● The values for each specification apply to the motor only.

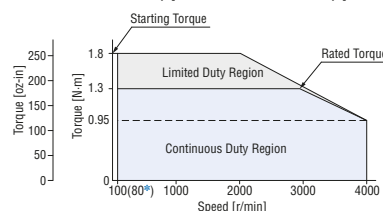
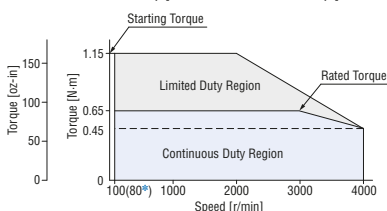
## Speed – Torque Characteristics

Continuous Duty Region: Continuous operation is possible in this region.

Limited Duty Region: This region is used primarily when accelerating. When a load that exceeds the rated torque is applied continuously for approximately five seconds, overload protection is activated and the motor coasts to a stop.

BLV620K□S-◇/BLV620K□F-◇/BLV620KA-◇  
BLV620KM□S-◇/BLV620KM□F-◇/BLV620KMA-◇

BLV640N□S-◇/BLV640N□F-◇/BLV640NA-◇  
BLV640NM□S-◇/BLV640NM□F-◇/BLV640NMA-◇



\*Values in parentheses indicate specifications that apply when a separately sold control module (OPX-2A) or communication is used.

● For the combination types, the values apply to the motor only.

● Enter the gear ratio in the box (□) within the model name.

Enter the length of the connection cable (included) as **1** [1 m], **2** [2 m] or **3** [3 m] in the diamond (◇) within the model name.

## Common Specifications

● Standard Model: These specifications apply when the basic motor/driver package is used.

● Extended Function: These specifications apply when a separately sold control module (**OPX-2A**) or communication is used.

Item	Standard Model	Extended Function*1
Speed Setting Method	Select one of the following methods: · Internal speed potentiometer (VR1) · External analog setting (External speed potentiometer or external DC voltage)	Select one of the following methods: · Control module ( <b>OPX-2A</b> ) · Communication setting · Internal speed potentiometer (VR1) · External analog setting (External speed potentiometer or external DC voltage)
Acceleration/Deceleration Time	Acceleration and Deceleration time potentiometer (VR2): 0.2~15 seconds (3000 r/min with no load)	Select one of the following methods: · Control module (with <b>OPX-2A</b> ) or communication setting: 0.2~15 seconds (time until setting speed is achieved) · Acceleration and Deceleration time potentiometer (VR2): 0.2~15 seconds (3000 r/min with no load)
Multi-Speed Setting Method	2 Speeds: 1 speed set by the internal speed potentiometer and 1 speed set by the external analog setting	Select one of the following methods: · 8 Speeds: Control module (with <b>OPX-2A</b> ) or communication setting · 8 Speeds: 6 speeds set by control module (with <b>OPX-2A</b> ) and 2 speeds set by analog setting*2 *2 1 speed set by the internal speed potentiometer (VR1), and 1 speed set by the external analog setting
Torque Limiting Function	Setting Method	Torque limiting potentiometer (VR3) Select one of the following methods: · Control module (with <b>OPX-2A</b> ) · Communication setting · Torque limiting potentiometer (VR3) · External analog setting (External torque potentiometer or external DC voltage)
	Setting Range	0~200% (Assuming that the rated torque of the motor is 100%) Factory Setting: 200% 0~200% (Assuming that the rated torque of the motor is 100%)*3 Factory Setting: 200% *3 Control Module ( <b>OPX-2A</b> ) or communication setting can be set in 1% increments.
Input Signals	Photocoupler input method Input resistance 3.3 kΩ Operated by internal power supply: 15 VDC±10% Connectable external DC power supply: 24 VDC -15~+20% Current 100 mA min. Sink logic/source logic: Switchable using a switch (factory setting: sink logic)	
	FWD, REV, STOP-MODE, M0, ALARM-RESET, MB-FREE	Arbitrary signal allocation to general-purpose input X0~X5 (6 points) is possible FWD [START/STOP], REV [RUN/BRAKE], STOP-MODE [FWD/REV], MB-FREE, EXT-ERROR, ALARM-RESET, HMI, M0, M1, M2 Names in [ ] apply in the 3-wire input mode.
Output Signals	Open-collector output External use condition Voltage control 200 W: 30 VDC max., 400 W: 53 VDC max. General-purpose output Y0, Y1: 100 mA max., SPEED-OUT: 10 mA max.	
	SPEED-OUT, ALARM-OUT1 (Y0), WNG (Y1)	SPEED-OUT Arbitrary signal allocation to general-purpose output Y0, Y1 (2 points) is possible ALARM-OUT1, WNG, MOVE, TLC, VA, ALARM-OUT2
Protective Functions	Overload, sensor abnormality, initial sensor abnormality, overvoltage, undervoltage, overspeed, overcurrent, EEPROM error, main circuit overheat, external stop, initial operation stop, communication switch setting error, main circuit output abnormality	
Warning	Main circuit overheat, undervoltage, overload, operation stop	
Maximum Cable Extension Distance	Motor/Driver Distance: 3.5 m	
Time Rating	Continuous	

\*1 The contents able to be set by the driver potentiometers (VR1, VR2, VR3) or external analog settings can be changed using parameters.

### Note:

● The torque limiting value may cause an error up to a maximum of approximately ±20% (during rated torque and rated speed) between the setting value and generated torque due to the setting speed, power supply voltage and motor cable extension length.

## General Specifications

Item	Motor	Driver
Insulation Resistance	100 MΩ or more when 500 VDC megger is applied between the windings and the case after continuous operation under normal ambient temperature and humidity.	100 MΩ or more when 500 VDC megger is applied between the power supply terminal and heat sink after continuous operation under normal ambient temperature and humidity.
Dielectric Voltage	Sufficient to withstand 0.5 kVAC at 50 Hz applied between the windings and the case for 1 minute after continuous operation under normal ambient temperature and humidity.	Sufficient to withstand 0.5 kVAC at 50 Hz applied between the power supply terminal and heat sink for 1 minute after continuous operation under normal ambient temperature and humidity.
Temperature Rise	60°C or less in the windings, and 50°C or less in the case*1, as measured by the thermocouple method after continuous operation under normal ambient temperature and humidity.	50°C or less in the heat sink, as measured by the thermocouple method after continuous operation under normal ambient temperature and humidity.
Operating Environment	Ambient Temperature	0~+40°C
	Ambient Humidity	85% or less (non-condensing)
	Altitude	Up to 1000 m above sea level
	Atmosphere	No corrosive gases or dust. Cannot be used in a radioactive area, magnetic field, vacuum or other special environment
	Vibration	Not subject to continuous vibration or excessive impact In compliance with JIS C 60068-2-6, "Sine-wave vibration test method" Frequency range: 10~55 Hz Pulsating amplitude: 0.15 mm Sweep direction: 3 directions (X, Y, Z) Number of sweeps: 20 times
Storage Condition*2	Ambient Temperature	-25~+70°C (non-freezing)
	Ambient Humidity	85% or less (non-condensing)
	Altitude	Up to 3000 m above sea level
Thermal Class	EN standards: 120 (E)	—
Degree of Protection	IP40	IP20

\*1 For round shaft types, please attach a heat radiation plate (material: aluminum) of the appropriate size listed below to maintain a maximum motor case temperature of 90°C:  
200 W: 200×200 mm, 5 mm thick  
400 W: 250×250 mm, 6 mm thick

\*2 The storage condition applies to a short period such as the period during transportation.

### Note:

● Do not measure insulation resistance or perform the dielectric strength test while the motor and driver are connected.

## Communication Specifications

### Modbus Communication Specifications

Item	Specifications
Communication Protocol	Modbus protocol (Modbus RTU mode)
Electrical Characteristics	EIA-485-compliant For use of twisted-pair wire (TIA/EIA-568B CAT5e min. recommended), set the total extension length of the communication cable at max. 50 m.
Transmit/Receive Method	Half-duplex communication
Baud Rate	9600 bps, 19200 bps, 38400 bps, 57600 bps, 115200 bps
Physical Layer	Asynchronous method (Data: 8-bit, Stop-Bit: 1-bit/2-bit, Parity: Blank/Even No./Odd No.)
Number of Connection Units	31 units max.

## Gearmotor – Torque Table of Combination Type

### Combination Type – Parallel Shaft Gearhead

Unit = N·m

Model	Gear Ratio	Motor Speed [r/min]	5	10	15	20	30	50	100	200
			100 r/min	20	10	6.7	5	3.3	2	1
		3000 r/min	600	300	200	150	100	60	30	15
		4000 r/min	800	400	267	200	133	80	40	20
BLV620 <input type="checkbox"/> S-◇		100~3000 r/min	2.9	5.9	8.8	11.7	16.8	28.0	52.7	70
		4000 r/min	2.0	4.1	6.1	8.1	11.6	19.4	36.5	63
BLV640 <input type="checkbox"/> S-◇		100~3000 r/min	5.9	11.7	17.6	23.4	33.5	55.9	70	70
		4000 r/min	4.3	8.6	12.8	17.1	24.5	40.9	63	63

● A colored background  indicates gear shaft rotation in the same direction as the motor shaft, while the others rotate in the opposite direction.

### Combination Type – Hollow Shaft Flat Gearhead

Unit = N·m

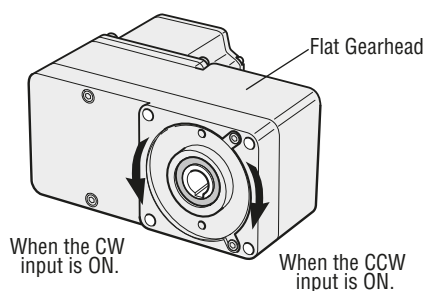
Model	Gear Ratio	Motor Speed [r/min]	5	10	15	20	30	50	100
			100 r/min	20	10	6.7	5	3.3	2
		3000 r/min	600	300	200	150	100	60	30
		4000 r/min	800	400	267	200	133	80	40
BLV620 <input type="checkbox"/> F-◇		100~3000 r/min	—	5.5	8.3	11.1	16.6	27.6	55.3
		4000 r/min	—	3.8	5.7	7.7	11.5	19.1	38.3
BLV640 <input type="checkbox"/> F-◇		100~3000 r/min	5.5	11.1	16.6	22.1	33.2	55.3	110
		4000 r/min	4.0	8.1	12.1	16.2	24.2	40.4	80.8

● The flat gearhead rotates in the opposite direction to the motor when viewed from the front of the gearhead. It rotates in the same direction as the motor when viewed from the rear (motor mounting surface) of the gearhead.

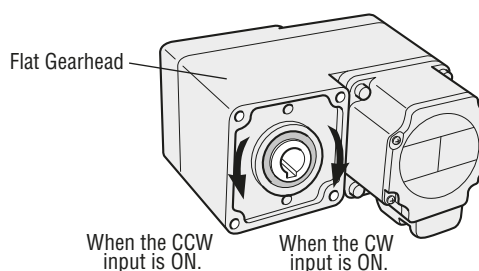
## Rotation Direction of the Hollow Shaft Flat Gearhead

The hollow shaft flat gearhead of the combination type rotates in the direction as shown below, with respect to the direction input from the driver.

### Front View



### Rear View



● Enter the power supply voltage **K** or **N** (**KM** and **NM** for electromagnetic brake type) in the box  within the model name.  
 Enter the gear ratio in the box  within the model name.  
 Enter the length of the connection cable (included) as **1** [1 m], **2** [2 m] or **3** [3 m] in the diamond  within the model name.

## Permissible Overhung Load and Permissible Thrust Load

### Combination Type – Parallel Shaft Gearhead

Model	Gear Ratio		Permissible Overhung Load		Permissible Thrust Load
			10 mm from shaft end	20 mm from shaft end	
			N	N	
BLV620 <input type="checkbox"/> S-◇ BLV640 <input type="checkbox"/> S-◇	5, 10, 15, 20	100~3000 r/min	550	800	200
		4000 r/min	500	700	
	30, 50	100~3000 r/min	1000	1250	300
		4000 r/min	900	1100	
	100, 200	100~3000 r/min	1400	1700	400
		4000 r/min	1200	1400	

### Combination Type – Hollow Shaft Flat Gearhead

Model	Gear Ratio		Permissible Overhung Load		Permissible Thrust Load
			10 mm from mounting surface of gearhead	20 mm from mounting surface of gearhead	
			N	N	
BLV620 <input type="checkbox"/> F-◇ BLV640 <input type="checkbox"/> F-◇	5*, 10	100~3000 r/min	1230	1070	800
		4000 r/min	1130	990	
	15, 20	100~3000 r/min	1680	1470	
		4000 r/min	1550	1360	
	30, 50, 100	100~3000 r/min	2040	1780	
		4000 r/min	1900	1660	

\* BLV640  F-◇ only.

### Round Shaft Type

Model	Permissible Overhung Load		Permissible Thrust Load
	10 mm from shaft end	20 mm from shaft end	
	N	N	
BLV620 <input type="checkbox"/> A-◇ BLV640 <input type="checkbox"/> A-◇	197	221	The permissible thrust load should not be greater than half the motor mass.

## Permissible Load Inertia J of Combination Type

### Combination Type – Parallel Shaft Gearhead

Unit =  $\times 10^{-4} \text{kg}\cdot\text{m}^2$

Model	Gear Ratio	5	10	15	20	30	50	100	200
		BLV620 <input type="checkbox"/> S-◇ BLV640 <input type="checkbox"/> S-◇		100	460	1000	1700	3900	9300
	When instantaneous stop or instantaneous bi-directional operation is performed	37.5	150	338	600	1350	3750	3750	3750

### Combination Type – Hollow Shaft Flat Gearhead

Unit =  $\times 10^{-4} \text{kg}\cdot\text{m}^2$

Model	Gear Ratio	5*	10	15	20	30	50	100
		BLV620 <input type="checkbox"/> F-◇ BLV640 <input type="checkbox"/> F-◇		100	460	1000	1700	3900
	When instantaneous stop or instantaneous bi-directional operation is performed	37.5	150	338	600	1350	3750	3750

\* BLV640  F-◇ only.

- Enter the power supply voltage **K** or **N** (**KM** and **NM** for electromagnetic brake type) in the box (■) within the model name.
- Enter the gear ratio in the box (□) within the model name.
- Enter the length of the connection cable (included) as **1** [1 m], **2** [2 m] or **3** [3 m] in the diamond (◇) within the model name.

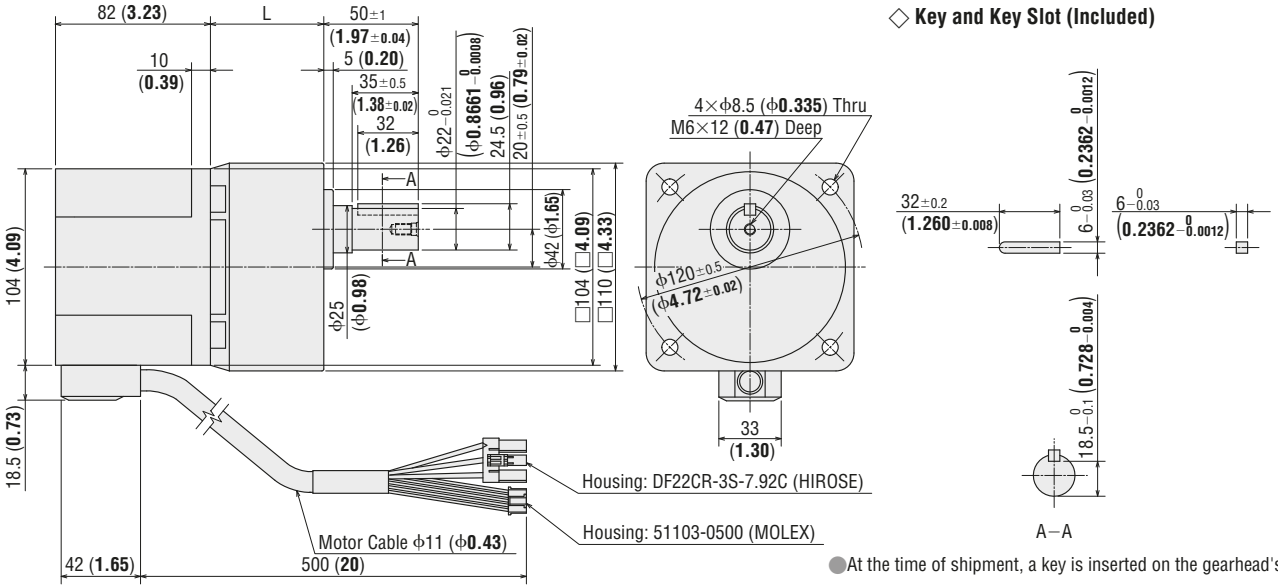


## Dimensions Unit = mm

● Mounting screws are included with the combination type.

- Standard Type 200 W, 400 W
- ◇ Motor/Parallel Shaft Gearhead

Model	Motor Model	Gearhead Model	Gear Ratio	L	Mass kg
BLV620K□S-◇ BLV640N□S-◇	BLVM620K-GFS BLVM640N-GFS	GFS6G□	5~20	60	5.4
			30, 50	72	
			100, 200	86	



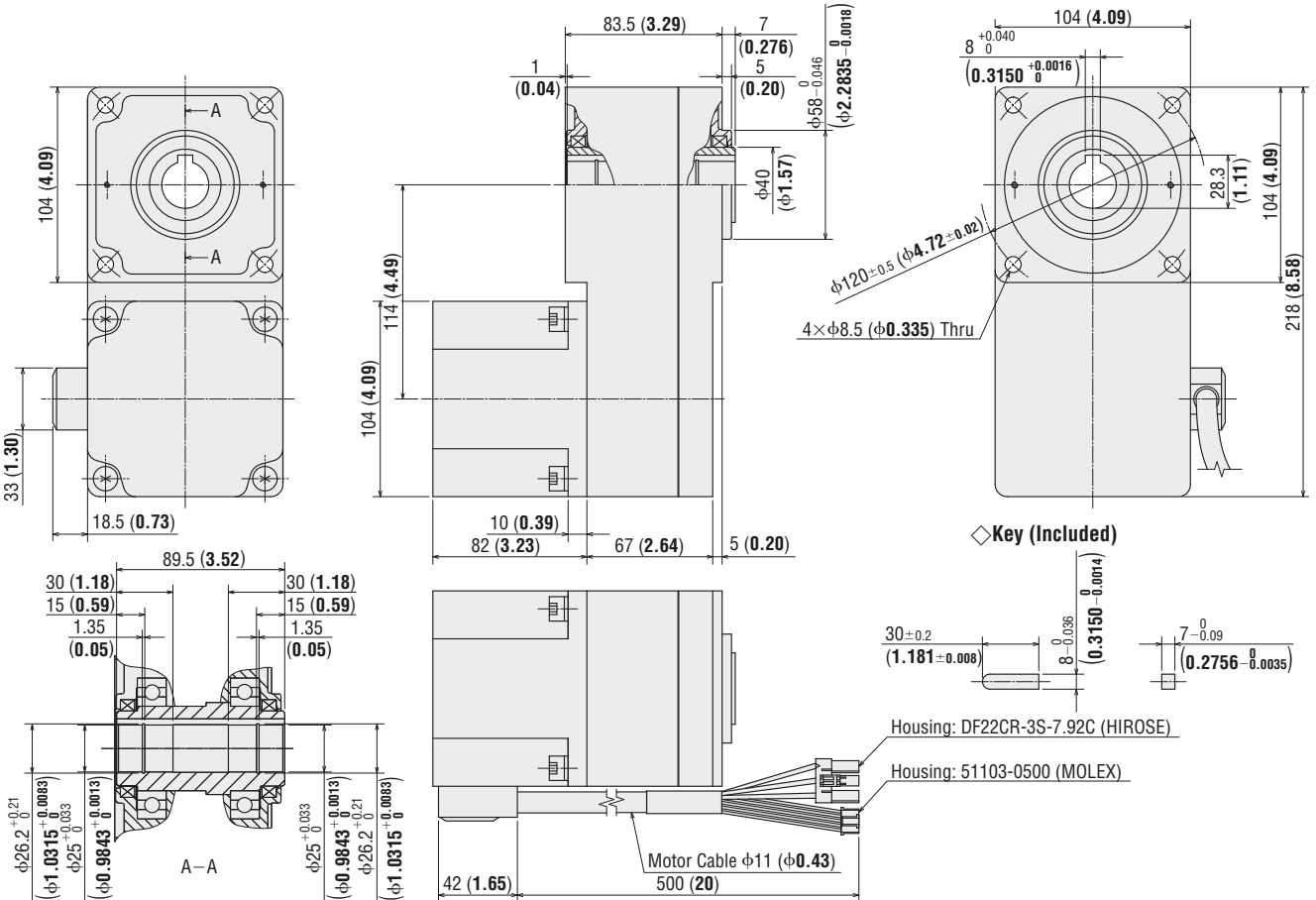
## ◇ Motor/Hollow Shaft Flat Gearhead

BLV620K□F-◇, BLV640N□F-◇

Motor: BLVM620K-GFS, BLVM640N-GFS

Gearhead: GFS6G□FR

Mass: 7.2 kg ((Including gearhead))



● Enter the gear ratio in the box (□) within the model name.

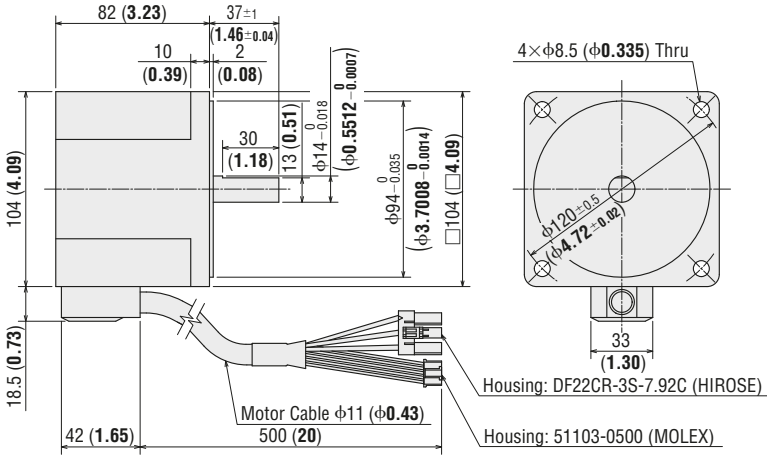
Enter the length of the connection cable (included) as **1** [1 m], **2** [2 m] or **3** [3 m] in the diamond (◇) within the model name.

◇ Round Shaft Type

**BLV620KA**-◇, **BLV640NA**-◇

Motor: BLVM620K-A, BLVM640N-A

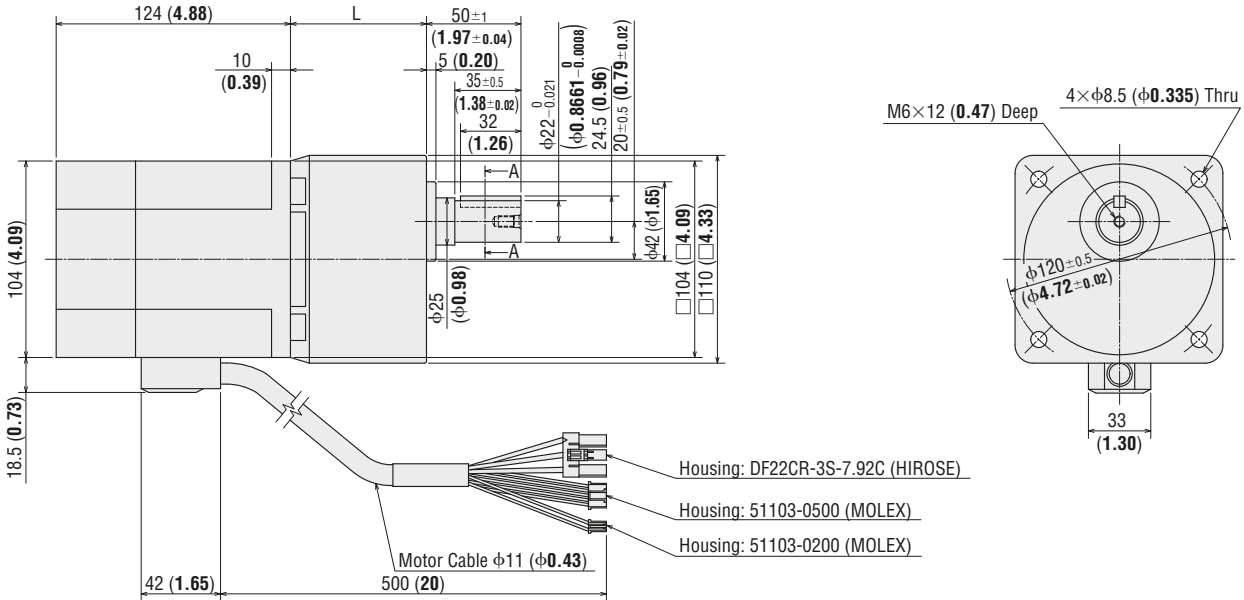
Mass: 2.4 kg



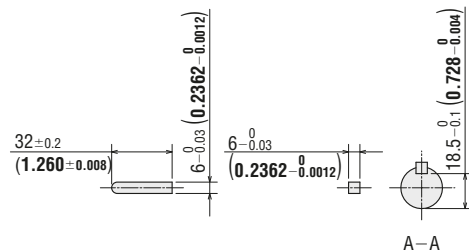
● Electromagnetic Brake Type 200 W, 400 W

◇ Motor/Parallel Shaft Gearhead

Model	Motor Model	Gearhead Model	Gear Ratio	L	Mass kg
<b>BLV620KM</b> □S-◇	BLVM620KM-GFS	GFS6G□	<b>5~20</b>	60	6.4
<b>BLV640NM</b> □S-◇	BLVM640NM-GFS		<b>30, 50</b>	72	
			<b>100, 200</b>	86	



◇ Key and Key Slot (Included)



● At the time of shipment, the key is inserted on the gearhead's shaft.

● Enter the gear ratio in the box (□) within the model name.

Enter the length of the connection cable (included) as **1** [1 m], **2** [2 m] or **3** [3 m] in the diamond (◇) within the model name.

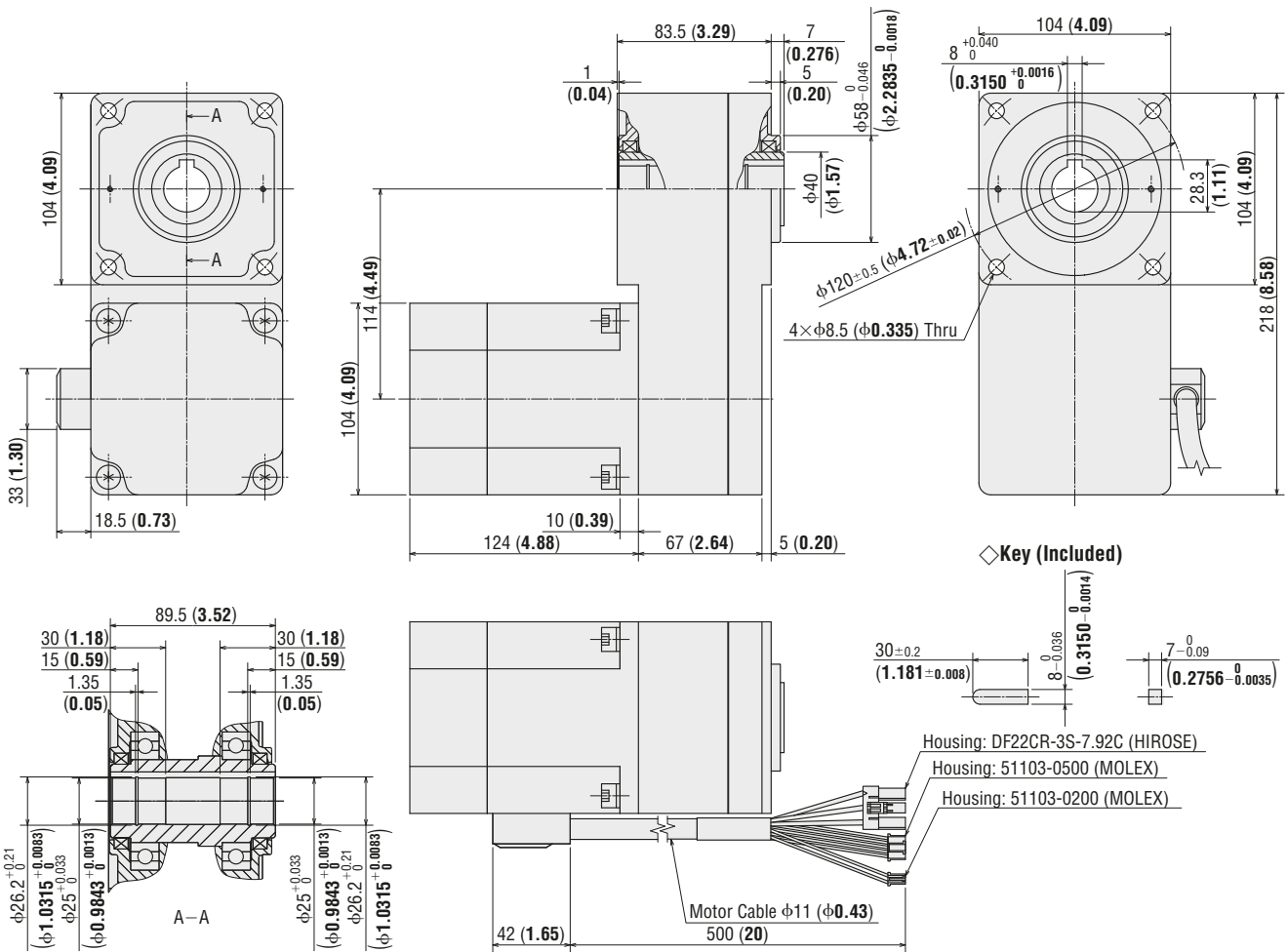
◇ Motor/Hollow Shaft Flat Gearhead

**BLV620KM**□F-◇, **BLV640NM**□F-◇

Motor: BLVM620KM-GFS, BLVM640NM-GFS

Gearhead: GFS6G□FR

Mass: 8.2 kg (Including gearhead)

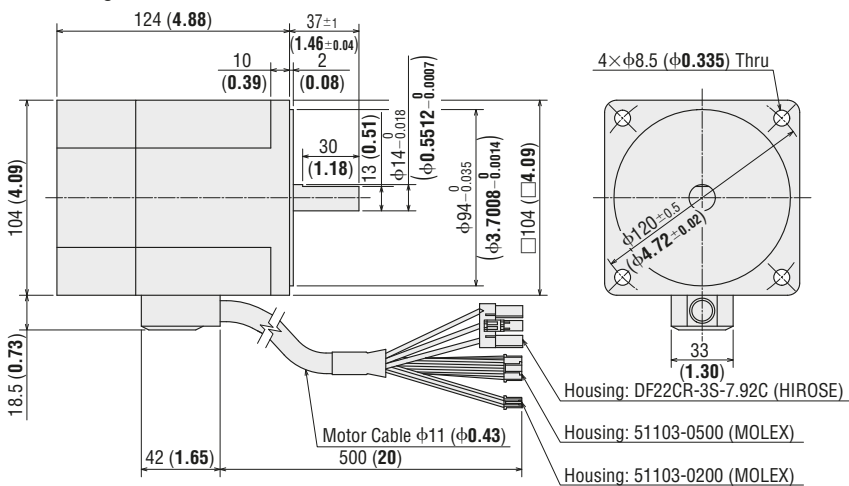


◇ Round Shaft Type

**BLV620KMA**-◇, **BLV640NMA**-◇

Motor: BLVM620KM-A, BLVM640NM-A

Mass: 3.4 kg



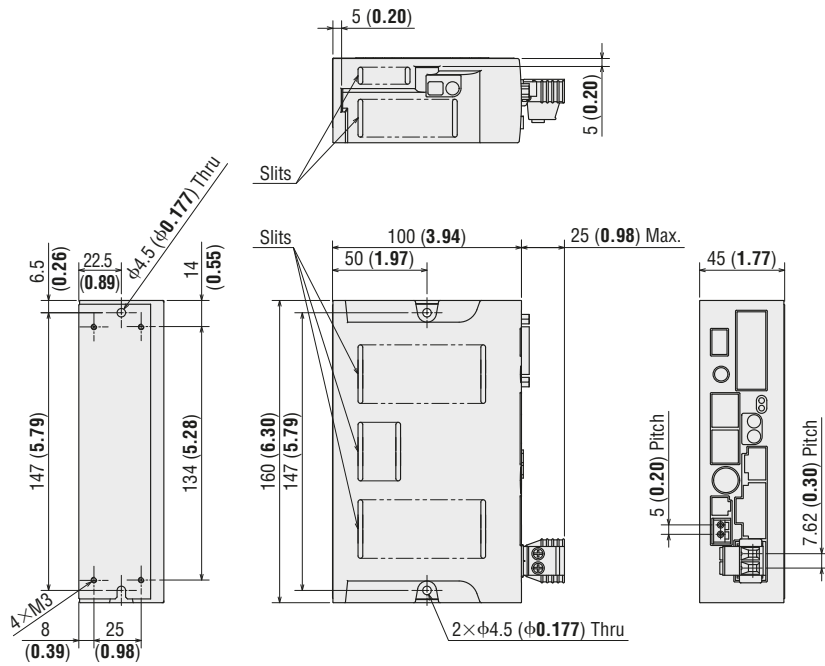
● Enter the gear ratio in the box (□) within the model name.

Enter the length of the connection cable (included) as **1** [1 m], **2** [2 m] or **3** [3 m] in the diamond (◇) within the model name.

## Driver

BLVD20KM, BLVD40NM

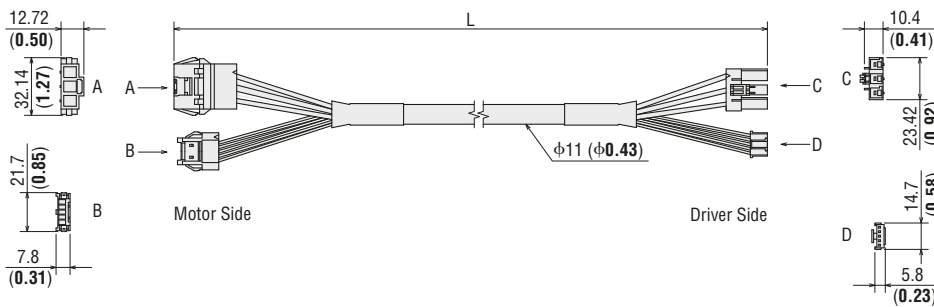
Mass: 0.6 kg



## Connection Cable (Included)

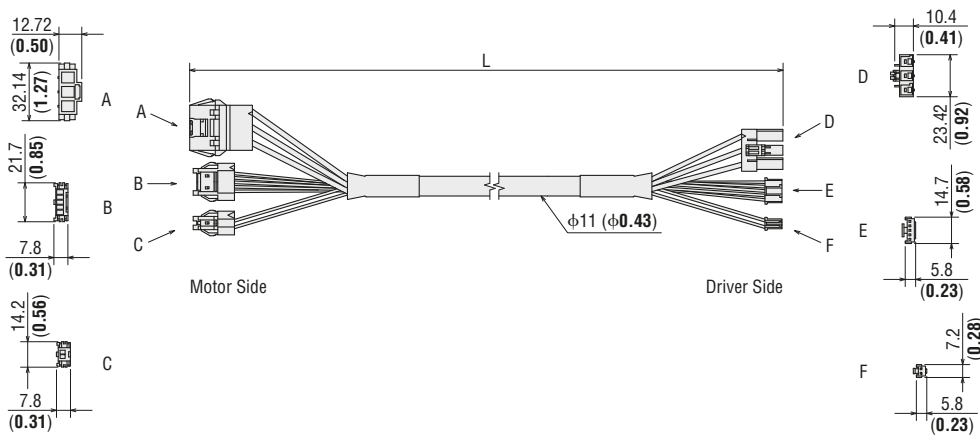
Cable Type	Length L [m]
Connection Cable 1 m	1
Connection Cable 2 m	2
Connection Cable 3 m	3

### Standard Type



Code	Housing Product Name	Manufacturer
A	DF22R-3EP-7.92C	HIROSE
B	51198-0500	MOLEX
C	DF22CR-3S-7.92C	HIROSE
D	51103-0500	MOLEX

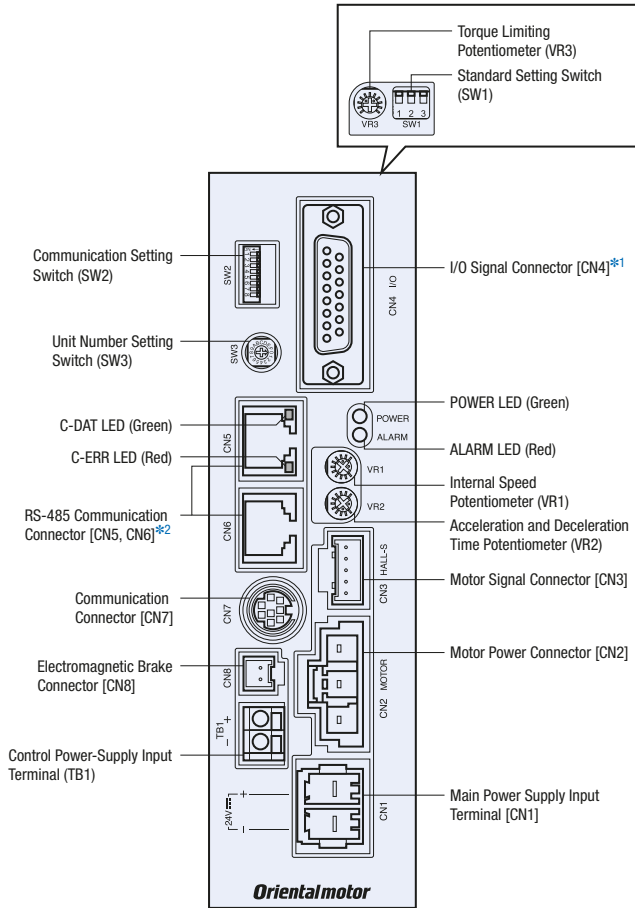
### Electromagnetic Brake Type



Code	Housing Product Name	Manufacturer
A	DF22R-3EP-7.92C	HIROSE
B	51198-0500	MOLEX
C	51198-0200	MOLEX
D	DF22CR-3S-7.92C	HIROSE
E	51103-0500	MOLEX
F	51103-0200	MOLEX

# Connection and Operation

## Names and Functions of Driver Parts



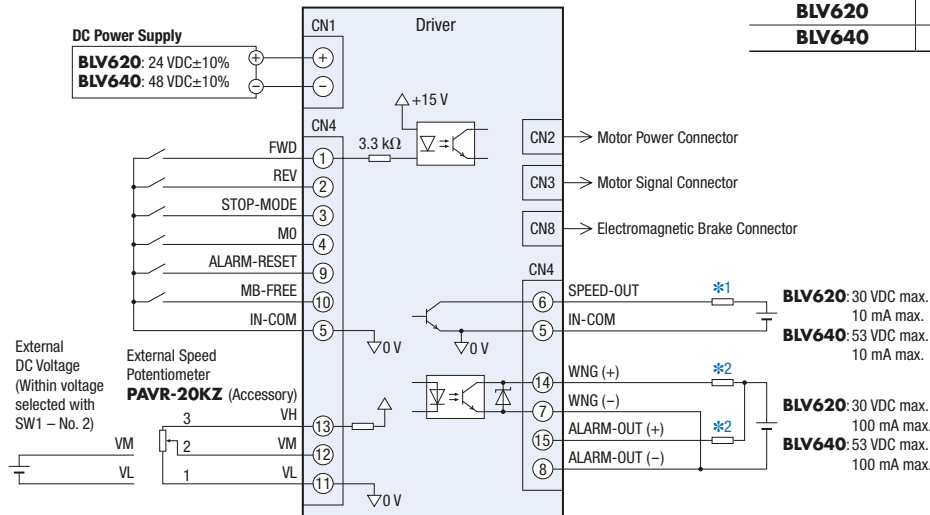
\*1 The following items are needed for the connector that connects the I/O signals:  
 - D-sub connector (15-pin), hood (screw: No. 4-40UNC)  
 - General-purpose cable is available as an accessory. → Page 15

Name	Description
POWER LED (Green)	Lights when main or logic power supply is on.
ALARM LED (Red)	Blinks while an alarm (protective function) occurs. The type of alarm can be confirmed by the blink count.
Internal Speed Potentiometer (VR1)	Sets the motor's speed.
Acceleration and Deceleration Time Potentiometer (VR2)	Sets the motor's starting and stopping times.
Torque Limiting Potentiometer (VR3)	Sets the motor's torque limiting value.
Main Power Supply Input Terminal [CN1]	Connects the main power supply. <b>BLV620</b> : +24V, <b>BLV640</b> : +48V
Motor Power Connector [CN2]	Connects the motor power connector.
Motor Signal Connector [CN3]	Connects the motor signal connector.
Electromagnetic Brake Connector [CN8]	Connects the motor electromagnetic brake connector.
I/O Signal Connector [CN4]	Used when an external control device is used or an operation command is entered.
Standard Setting Switch (SW1)	Switches the speed response, sink logic/source logic, and the external DC voltage.
Communication Connector [CN7]	Connects to control module <b>OPX-2A</b> .
Control Power-Supply Input Terminal (TB1)*2	Connects the driver's power supply for signal control.
RS-485 Communication Connector [CN5, CN6]*2	Connects the RS-485 communication cable.
C-DAT LED (Green)*2	Lights when communications are normal with the master station via RS-485 communication.
C-ERR LED (Red)*2	Lights when a communication abnormality occurs with the master station via RS-485 communication.
Communication Setting Switch (SW2)*2	Sets the baud rate, communication protocol and terminating resistor of the RS-485 communication.
Unit Number Setting Switch (SW3)*2	Sets the unit number of the RS-485 communication.

\*2 Used with RS-485 communications.  
 An RS-485 communication cable is available as an accessory.  
 → Page 15

## Connection Diagrams

A connection example for sink logic.



\*1 To prevent the current value from exceeding 10 mA, connect a limiting resistor appropriate for the power supply voltage that will be used.  
 \*2 To prevent the current value from exceeding 100 mA, connect a limiting resistor appropriate for the power supply voltage that will be used.

## Recommended Power Supply Capacity

Package Name	Input Power Supply Voltage	Power Supply Capacity
<b>BLV620</b>	24 VDC±10%	800 W min.
<b>BLV640</b>	48 VDC±10%	1 kW min.

Refer to the operating manual for detailed information and notes about this product. Please download the operating manual from our website or contact your nearest Oriental Motor sales office.  
<http://www.orientalmotor.eu>

## List of Motor and Driver Combinations

### Standard Type

#### ◇ Combination Type – Parallel Shaft Gearhead

Output Power	Model	Motor Model	Gearhead Model	Driver Model
200 W	<b>BLV620K</b> □S-◇	BLVM620K-GFS	GFS6G□	BLVD20KM
400 W	<b>BLV640N</b> □S-◇	BLVM640N-GFS		BLVD40NM

#### ◇ Combination Type – Hollow Shaft Flat Gearhead

Output Power	Model	Motor Model	Gearhead Model	Driver Model
200 W	<b>BLV620K</b> □F-◇	BLVM620K-GFS	GFS6G□FR	BLVD20KM
400 W	<b>BLV640N</b> □F-◇	BLVM640N-GFS		BLVD40NM

#### ◇ Round Shaft Type

Output Power	Model	Motor Model	Driver Model
200 W	<b>BLV620KA</b> -◇	BLVM620K-A	BLVD20KM
400 W	<b>BLV640NA</b> -◇	BLVM640N-A	BLVD40NM

### Electromagnetic Brake Type

#### ◇ Combination Type – Parallel Shaft Gearhead

Output Power	Model	Motor Model	Gearhead Model	Driver Model
200 W	<b>BLV620KM</b> □S-◇	BLVM620KM-GFS	GFS6G□	BLVD20KM
400 W	<b>BLV640NM</b> □S-◇	BLVM640NM-GFS		BLVD40NM

#### ◇ Combination Type – Hollow Shaft Flat Gearhead

Output Power	Model	Motor Model	Gearhead Model	Driver Model
200 W	<b>BLV620KM</b> □F-◇	BLVM620KM-GFS	GFS6G□FR	BLVD20KM
400 W	<b>BLV640NM</b> □F-◇	BLVM640NM-GFS		BLVD40NM

#### ◇ Round Shaft Type

Output Power	Model	Motor Model	Driver Model
200 W	<b>BLV620KMA</b> -◇	BLVM620KM-A	BLVD20KM
400 W	<b>BLV640NMA</b> -◇	BLVM640NM-A	BLVD40NM

● Enter the gear ratio in the box (□) within the model name.

Enter the length of the connection cable (included) as **1** [1 m], **2** [2 m] or **3** [3 m] in the diamond (◇) within the model name.

## Accessories (Sold separately)

### Flexible Connection Cables (RoHS)

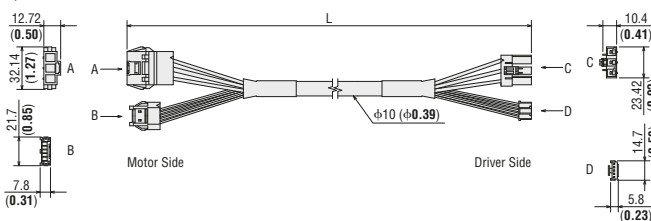
Use of flexible connection cables is recommended in applications where the cable will be bent and stretched repeatedly. The maximum extension length is 3.5 m.



#### Standard Type

Model	Length L [m]
<b>CC01BLV2R</b>	1
<b>CC02BLV2R</b>	2
<b>CC03BLV2R</b>	3

#### ◇ Dimensions Unit = mm

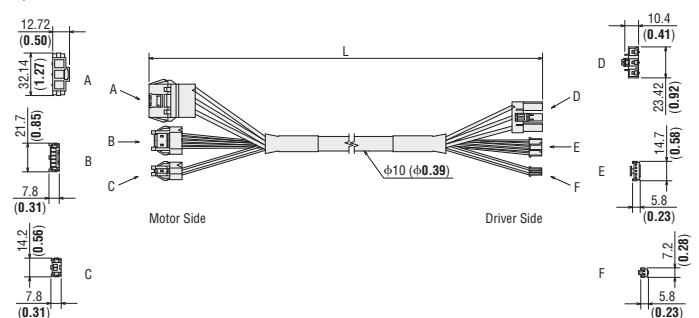


Code	Housing Product Name	Manufacturer
A	DF22R-3EP-7.92C	HIROSE
B	51198-0500	MOLEX
C	DF22CR-3S-7.92C	HIROSE
D	51103-0500	MOLEX

#### Electromagnetic Brake Type

Model	Length L [m]
<b>CC01BLV2MR</b>	1
<b>CC02BLV2MR</b>	2
<b>CC03BLV2MR</b>	3

#### ◇ Dimensions Unit = mm

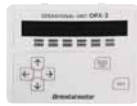


Code	Housing Product Name	Manufacturer
A	DF22R-3EP-7.92C	HIROSE
B	51198-0500	MOLEX
C	51198-0200	MOLEX
D	DF22CR-3S-7.92C	HIROSE
E	51103-0500	MOLEX
F	51103-0200	MOLEX

## Control Module (RoHS)

Allows for setting of various parameters and confirmation of the setting data. It is used by connecting to the driver communication connector (CN7).

Model
<b>OPX-2A</b>



## External Speed Potentiometer (RoHS)

Used to set and adjust the speed of motor.

Model
<b>PAVR-20KZ</b>



## Motor and Gearhead Mounting Brackets (RoHS)

Dedicated mounting brackets for mounting a motor and gearhead.

Applicable Product	Model
<b>BLV620</b> <input type="checkbox"/> S-◇	<b>SOL6M8</b>
<b>BLV640</b> <input type="checkbox"/> S-◇	
<b>BLV620</b> <input type="checkbox"/> A-◇	
<b>BLV640</b> <input type="checkbox"/> A-◇	



### Note:

- This mounting bracket cannot be used with the hollow shaft flat gearhead.

## Flexible Couplings (RoHS)

A clamp type coupling for connecting the motor/gearhead shaft with the driven shaft. Once the motor or gearhead are chosen, the coupling can be selected.



Applicable Product	Shaft Diameter [mm]	Coupling Type
<b>BLV620</b> <input type="checkbox"/> S-◇	φ22	<b>MCL65</b> Type
<b>BLV640</b> <input type="checkbox"/> S-◇		
<b>BLV620</b> <input type="checkbox"/> A-◇	φ14	<b>MCL40</b> Type
<b>BLV640</b> <input type="checkbox"/> A-◇		

## DIN Rail Mounting Plate (RoHS)

Use this plate when installing the driver to a DIN rail.

Model
<b>PADP03</b>



## Driver Cable

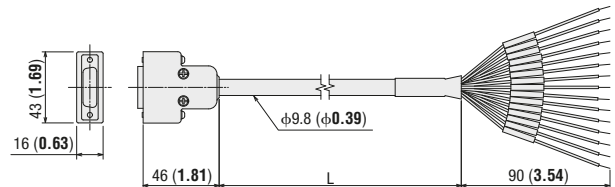
### General-Purpose Cables (RoHS)

Dedicated 15-conductor cables for connecting the I/O signal connector and programmable controller. They are high-quality, noise-blocking, double-shielded cables.



Model	Length L [m]
<b>CC15D1</b>	1
<b>CC15D2</b>	2

### Dimensions Unit = mm



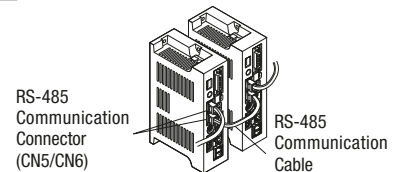
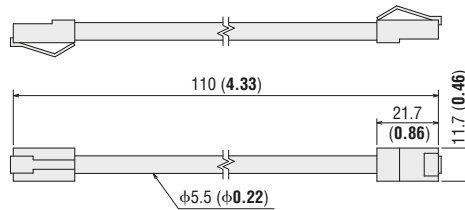
### RS-485 Communication Cable (RoHS)

This cable with connector assemblies are available to connected drivers for multi axis operation.

Model
<b>CC001-RS4</b>



### Dimensions Unit = mm



- Enter the power supply voltage **K** or **N (KM** and **NM** for electromagnetic brake type) in the box (■) within the model name.
- Enter the gear ratio in the box (□) within the model name.
- Enter the length of the connection cable (included) as **1** [1 m], **2** [2 m] or **3** [3 m]) in the diamond (◇) within the model name.

This product is manufactured at a plant certified with the international standards ISO 9001 (for quality assurance) and ISO 14001 (for systems of environmental management).

Specifications are subject to change without notice.  
This catalogue was published in March, 2015.

# ***Orientalmotor***

## **ORIENTAL MOTOR (EUROPA) GmbH**

[www.orientalmotor.de](http://www.orientalmotor.de)

### **European Headquarters**

Schießstraße 74  
40549 Düsseldorf, Germany  
Tel: 0211-5206700 Fax: 0211-52067099

### **Other countries:**

[www.orientalmotor.eu](http://www.orientalmotor.eu)

## **ORIENTAL MOTOR (UK) LTD.**

[www.oriental-motor.co.uk](http://www.oriental-motor.co.uk)

### **UK Headquarters**

Unit 5, Faraday Office Park,  
Rankine Road, Basingstoke,  
Hampshire RG24 8AH U.K.  
Tel: 01256-347090 Fax: 01256-347099

## **ORIENTAL MOTOR (FRANCE) SARL**

[www.orientalmotor.fr](http://www.orientalmotor.fr)

### **France Headquarters**

56, Rue des Hautes Pâtures  
92000 Nanterre Cedex, France  
Tel: 01 47 86 97 50 Fax: 01 47 82 45 16

## **ORIENTAL MOTOR ITALIA s.r.l.**

[www.orientalmotor.it](http://www.orientalmotor.it)

### **Italy Headquarters**

Via A. De Gasperi, 85  
20017 Mazzo di Rho (MI), Italy  
Tel: 02-93906346 Fax: 02-93906348

## **ORIENTAL MOTOR CO., LTD.**

[www.orientalmotor.co.jp](http://www.orientalmotor.co.jp)

### **Headquarters**

4-8-1 Higashiueno  
Taito-ku, Tokyo 110-8536, Japan  
Tel: (03)6744-0361 Fax: (03)5826-2576

For more information please contact: