



NAPÍNACÍ SÁŇ ELEKTROMOTORŮ OMC / OMC DRIVING PARTS

PMG

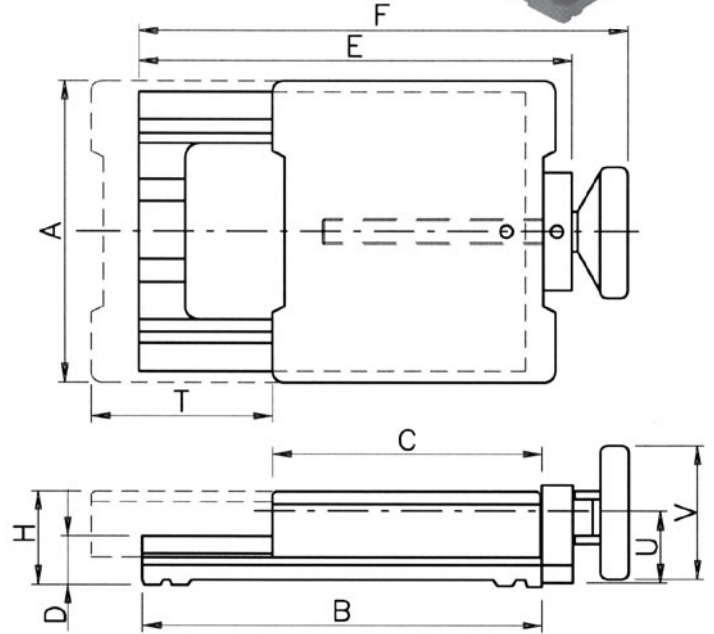
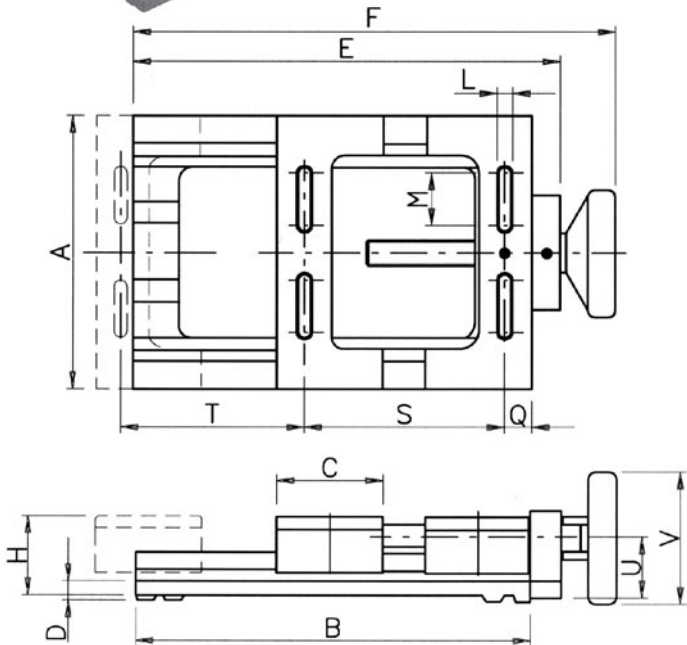
Litnové napínací sáň elektromotorů DIE-CAST CAST-IRON MOTOR SLIDE BASE



PMG / D
(S DVOJITÝM SUPORTEM)
(WITH DOUBLE SLIDE PLATE)



PMG / S
(JEDNODUCHÝ SUPORT)
(WITH SINGLE SLIDE PLATE)



PMG / D: Objednací kód, rozměry a nastavení - Codes, dimensions and adjustment

Velikost Size	Kód Code	Motor Motors	Nastavení Adjustment		A	B	C	D	E	F	G	H	L	M	Q	R	U	V	Hmotnost Weight (Kg)
			S	T															
1	780016200P00	71M	112	100	170	230	67	28	255	290	112	50	10	43	17	-	39	80	5
		80M	125	87															
		90S	140	72															
2	780016300P00	90S	140	120	215	305	85	30	325	360	142	60	12	60	22	-	48	100	9
		90L	140	120															
		100L	160	100															
3	780016400P00	112M	190	220	275	455	120	48	485	530	190	80	13	62	25	-	65	125	19
		132S	216	194															
		132M	216	194															

PMG / S: Objednací kód, rozměry a nastavení - Codes, dimensions and adjustment

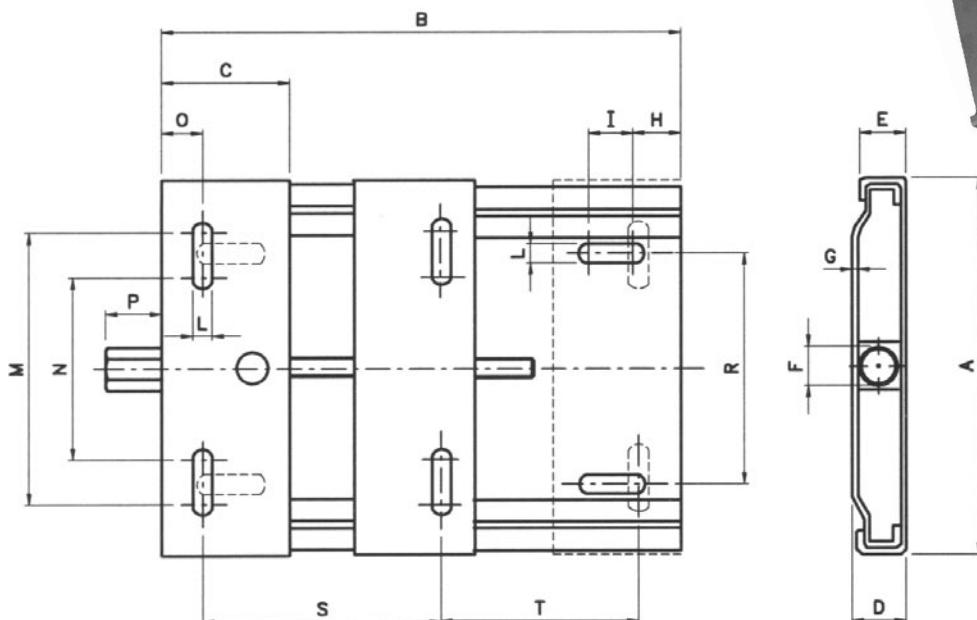
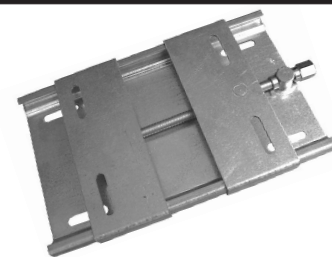
1	780016100P00	56A	-	-	145	185	155	40	210	245	105	50	-	-	-	85	35	80	3,5	
		63M	-	-																
		71M	-	-																
		80M	-	-																
2	780016600P00	80M	-	-	175	230	200	28	255	290	112	50	-	-	-	105	39	80	7,5	
		90S	-	-																
3	780016700P00	100L	-	-	210	305	257	30	325	360	142	60	-	-	-	130	48	100	10,5	
		112M	-	-																
4	780016500P00	132S	-	-	355	400	387	72	460	505	245	88	-	-	-	150	65	125	28,5	
		132M	-	-																
		160M	-	-																
		160L	-	-																
		180M	-	-																
		180L	-	-																



ComInTec

TECHNICAL INDUSTRIAL COMPONENTS - SAFETY DEVICE TO MECHANICAL TRANSMISSION - DRIVING PARTS AND ACCESSORIES
Všechna práva vyhrazena / All rights reserved. Including the right to reproduce this text or portions thereof in any form.

OPIS Engineering k.s. 614 00 BRNO, Selská 64 Tel. 543 330 055 Fax. 543 242 653



PML: Objednávací kód, rozměry a nastavení - Codes, dimensions and adjustments

Velikost Sizes	Kód Code	Motory Motors	Nastavení Adjustments		A	B	C	D	E	F	G	H	I	L	M	N	O	P	R	Hmotnost Weight (Kg)
			R	S																
1	780015100P00	56A	90	80	150	210	65	27	24	17	3	25	24.5	10	100	51	20	30	80	1.5
		63M	100	70																
		71M	112	58																
		80M	125	45																
2	780015200P00	80M	125	105	195	270	65	27	24	19	3	25	24.5	10	144	95	20	30	115	2
		90S	140	90																
		90L	140	90																
3	780015300P00	90S	140	226	240	380	95	32	29	22	3	30	43	12	182	96	27	30	160	4
		90L	140	226																
		100L	160	206																
		112M	190	176																
		132S	216	150																
4	780015400P00	132M	216	150	350	450	125	40	36	24	4	30	55	15	284	174	40	30	225	10
		160M	254	156																
		160L	254	156																
		180M	279	131																
		180L	279	131																