

**STAINLESS
STEEL
LINE**



ComIntec[®]
Safety in Power Transmission



- Ideal for the food, chemical and pharmaceutical sectors
- External applications
- Maximum corrosion resistance
- Application specific versions
- Made in Italy quality with a 2-year guarantee

**FLEXIBLE COUPLINGS
SAFETY COUPLINGS**



SAFETY COUPLINGS - TORQUE LIMITERS



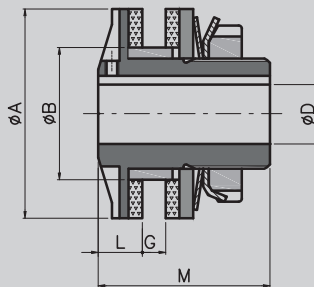
DF-SS



DSS/SG/N-SS

DF - SS Stainless steel friction torque limiter

- Ideal for OUTDOOR applications
- Sliding model
- Made of fully turned stainless steel
- Silent, vibration-free operation
- Simple torque adjustment



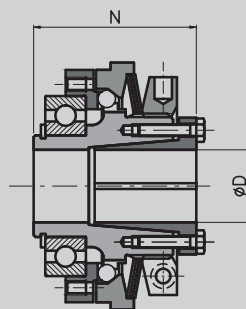
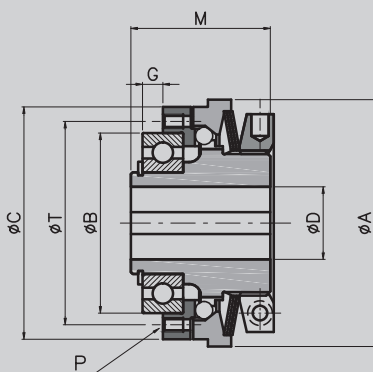
Size	TORQUE [Nm]	A	BH7	D H7 _{max}	G _{max}	L	M
00.25	1-15	25	14	8	3	5	26
00.38	1-25	38	24	12	5	8	33
0.50	2-65	50	36	20	6	10	35
1.70	6-150	70	45	24	10	15	55
2.90	13-350	90	60	36	12	16	60
3.115	65-700	115	72	44	16	18	70
4.140	140-900	140	85	52	19	20	80
5.170	160-1800	170	98	60	22	22,5	95



Springs and screws with high quality corrosion protection
▲ On request

DSS/SG/N - SS Stainless steel torque limiter with backlash free transmission

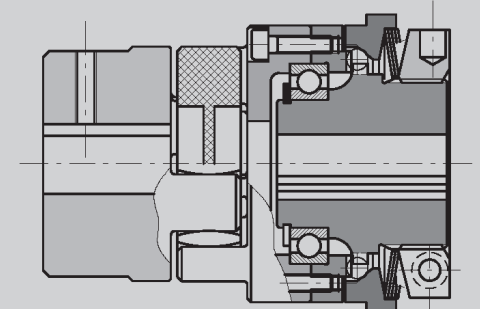
- Ideal for PHARMACEUTICAL and FOOD sectors
- Ball model with instant and accurate disengagement
- Made of heat-hardened stainless steel
- Compact with no torsional play
- Maintenance free



Size	TORQUE [Nm]	A	BH7	C	D H7 _{max}	G	P	M	N	T
00.40	0,8-4.5	44	30	40	12	2	6xM3	24	28,5	35
00.47	2-15	50	37	47	17	2	6xM3	29	34,5	42
0.63	5-37	70	42	65	20	4	6xM5	40	47	48
1.80	9-75	85	62	80	25	7	6xM5	48	56	70
2.96	20-150	100	75	96	35	9	6xM6	59	67	89
3.116	35-310	115	90	115	42	8	6xM8	64	73	105
4.138	75-540	135	100	138	50	6,5	6xM10	75	86	125

Springs and screws with high quality corrosion protection
▲ On request

An application example of a torque limiter with coupling



▲ On request

FLEXIBLE COUPLINGS



GAS-SS



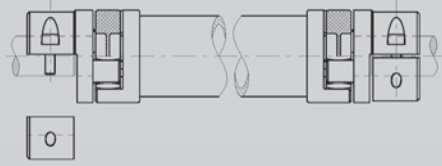
GTR-SS



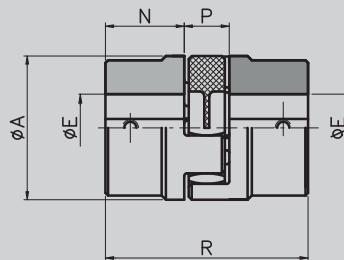
GRI-SS

GAS - SS Stainless steel jaw coupling

- Std. version (GAS-SS) or backlash free version (GAS/SG-SS)
- Compact and simple to install
- Made of fully turned stainless steel
- Different types of elastomeric elements
- Different locking solutions (keyway, clamp, etc...)



▲ On request: GAS/SG/DBSE-SS stainless steel extension



Size	TORQUE [Nm]	A	E H7 _{max}	N	P	R
04	2/4	14	7	7	8	22
03	5/10	20	9	10	10	30
01	12,5/25	30	16	11,5	12	35
00	17/34	40	25	25	16	66
0	60/120	55	35	30	18	78
1	160/320	65	40	35	20	90
2	325/650	80	48	45	24	114
3	450/900	95	55	50	26	126
4	525/1050	105	62	56	28	140
5	685/1370	120	74	65	30	160
6	900/1800	135	80	75	35	185

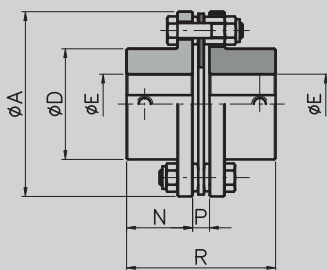
▲
▲
▲
▲
▲
▲
▲
▲
▲
▲
▲
▲

Torque for 98 Sh-A spider

▲ On request

GTR - SS Stainless steel torsionally rigid coupling

- Version with single disc pack
- Maintenance-free
- Made of fully turned stainless steel
- Maximum torsional rigidity
- Different locking solutions (keyway, clamp, etc...)



Size	TORQUE [Nm]		A	D	E H7 _{max}	N	R
	(1)	(2)					
0	60/120	40/80	78	45	30	29	65,5
1	100/200	70/140	80	45	30	36	80
2	150/300	105/210	92	53	35	42	92
3	300/600	215/430	112	64	42	46	102
4	700/1400	500/1000	136	76	50	56	124
5	1100/2200	800/1600	162	92	60	66	145
6	1700/3400	1200/2400	182	112	74	80	174
7	2600/5200	1850/3700	206	128	85	92	199
8	4000/8000	2850/5700	226	133	88	100	222
9	7000/14000	5000/10000	252	155	102	110	245
10	10000/20000	7000/14000	296	170	110	120	272

▲
▲
▲
▲
▲
▲
▲
▲
▲
▲
▲

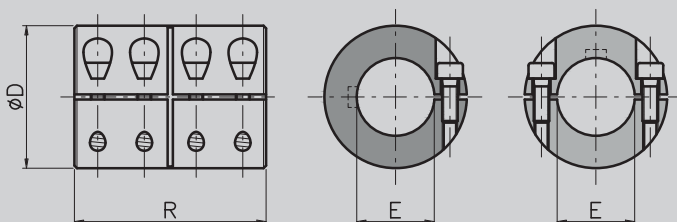
(1) screws and bolts with high quality corrosion protection

(2) stainless steel screws and bolts

▲ On request

GRI - SS Stainless steel torsionally rigid coupling

- One or two piece clamp hub versions available
- Maintenance-free
- Made of fully turned stainless steel
- Extreme torsional rigidity
- Customised design available



Size	D	E H8 _{max}	R	Torque transmitted [Nm]	
				Locking B	Locking C
10	32	10	45	46	36
15	40	15	50	100	90
20	45	20	65	180	165
25	50	25	70	210	205
30	55	30	75	250	245
35	65	35	85	560	530
40	70	40	90	620	610
45	80	45	100	690	685
50	90	50	110	1000	950

▲
▲
▲

▲ On request

CONNECTION COMPONENTS



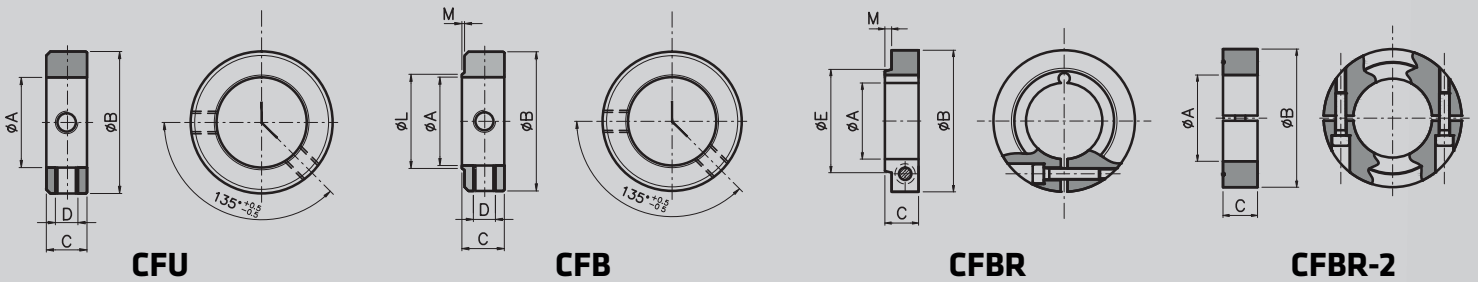
CFU - CFB
Unified shaft collar
Shaft collar with lip

CFBR - CFBR-2
Shaft collar with radial locking

- 304 or 303 stainless steel
- Fully turned with precise surface finishing
- Adapts to and locks on shafts perfectly
- H8 tolerance on bores finished with reduced roughness
- Customised design available

CFU					CFB							CFBR						CFBR-2			
Size	A	B	C	D	Size	A	B	C	D	L	M	Size	A	B	C	E	M	Size	A	B	C
6-12	6	12	8	M4	6-12	6	12	8	M4	8	0,6	10-32	10	32	11	15	1	10-32	10	32	10
8-16	8	16	8	M4	8-16	8	16	8	M4	10	0,8	15-40	15	40	13	20	1	15-40	15	40	12
10-20	10	20	10	M5	10-20	10	20	10	M5	13	0,8	20-45	20	45	13	25	1	20-45	20	45	12
12-22	12	22	12	M6	12-22	12	22	12	M5	15	0,8	25-50	25	50	13	32	1	25-50	25	50	12
15-25	15	25	12	M6	15-25	15	25	12	M6	18	1	30-55	30	55	14	38	1,2	30-55	30	55	12
16-25	16	25	12	M6	17-28	17	28	12	M6	20	1	35-63	35	63	17	45	1,2	35-63	35	63	12
17-28	17	28	12	M6	20-32	20	32	14	M6	24	1	▲ 40-70	40	70	17	50	1,2	▲ 40-70	40	70	14
20-32	20	32	14	M6	25-40	25	40	16	M6	30	1	▲ 45-80	45	80	20	55	1,5	▲ 45-80	45	80	14
25-40	25	40	16	M8	30-45	30	45	16	M8	36	1,2	▲ 50-80	50	80	20	60	1,5	▲ 50-80	50	80	14
30-45	30	45	16	M8	35-56	35	56	16	M8	39	1,2										
35-56	35	56	16	M8	40-63	40	63	18	M10	44	1,2										
40-63	40	63	18	M10																	
50-80	50	80	18	M10																	

▲ On request



ComInTec S.r.l.

Via Dell'artigiano, 9
 40055 Villanova di Castenaso (BO) - Italy
 Tel. +39 051 780216 - Fax +39 051 782256
 info@comintec.it - www.comintec.com

MADE IN ITALY



12 2020



UNIONCAMERE
 EMILIA-ROMAGNA

ATTIVITÀ COFINANZIATA DALLE CAMERE
 DI COMMERCIO DELL'EMILIA ROMAGNA

