



ComInTec®
Safety in Power Transmission

FLEXIBLE COUPLING

up to 5,100 Nm and 85 mm bore diameters



ED. 07/2021



- Download catalog
- Download instruction sheets

GF

GF - flexible coupling: technical data



- Made in steel fully turned with standard treatment of phosphating.
- Simple manufacturing.
- High angular misalignments possible.
- Elastic element with an internal nylon weave for high reliability.
- Possible to maintain without the need to move the hubs.
- Finished bore (in ISO H7 tolerance) with keyway (in ISO H9 tolerance), and low roughness.

ON REQUEST

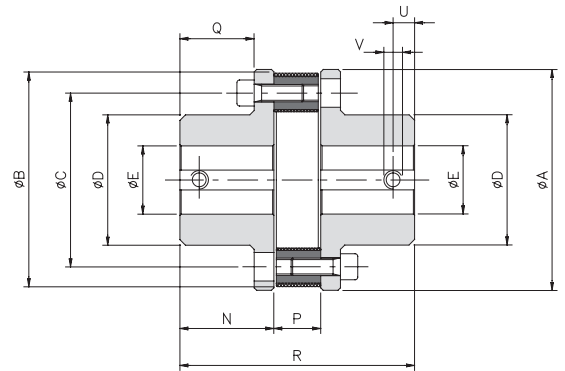
- Various hub connection type available.
- Specific surface treatments.
- Customised versions for specific needs.
- Connection to the Torque limiter's (safety coupling) range possible.

The GF coupling, even if being built simply, assures a high elastic reliability which allows the recovery of high angular misalignments (up to 5°), absolutely reducing the drive irregularities. It is composed of two hubs in steel UNI EN ISO 683-1:2018 fully turned and by an elastomeric central ring connected with screws and bolts in alternate way in respect to the two hubs.

For pre-selection of the coupling's size you can use the generic formula indicated on page 6.

DIMENSIONS

Size	A	B	C	D	E H7		N	P	Q	R	U	V
					pilot	max						
X 0	98	100	78	48	-	28	45	17	34	107	8	M4
X 1	128	130	100	70	-	38	55	24	44	134	12	M6
X 2	162	165	125	90	-	48	72	29	56	173	12	M6
X 3	178	185	140	105	-	55	76	36	60	188	15	M8
X 4	197	205	160	125	28	65	84	44	68	212	15	M8
X 5	235	240	195	155	30	85	100	50	80	250	15	M8



TECHNICAL CHARACTERISTICS

Size	Torque [Nm]		Weight [Kg]	Inertia [Kgm²]	Max speed [Rpm]	Misalignments			Elastic element			Screws tightening torque [Nm]
	Nom	Max				angular α [°]	axial X [mm]	radial K [mm]	Hardness [Sh-A]	Operating temperature [°C]	Maximum temperature [°C]	
X 0	75	225	3,4	0,00256	5000	3°	1,5	1	70 ± 5	-25 ÷ +70	+130	25
X 1	230	690	5	0,00826	4500	4°	2	1				55
X 2	470	1410	8,2	0,02654	3600	4°	2,5	1,5				88
X 3	750	2250	12,7	0,04268	3500	4°	3	1,5				140
X 4	1125	3375	16,9	0,07775	2800	4°	3	1,5	60 ± 5			140
X 5	1700	5100	22,2	0,19375	2500	4°	3,5	1,5				215

ORDER EXAMPLE

FLEXIBLE COUPLING					
Model	Size	Bore 1	Hub connection bore 1	Bore 2	Hub connection bore 2
GF	X3	d1=35 H7	A1	d2=45 H7	A1

Model	Size	Hub connection
GF flexible coupling	From X0 to X5	see hub connection type list at page 4

NOTES

- The weights refer to the coupling with minimum bore.
- Inertias refer to the coupling with maximum bore.
- For choice and availability of different hub connection type see pages 4 and 5.