

# GMPG

As 12-volt and 24-volt motor with Interference suppression and hall sensors



## Technical description

|                          |  |
|--------------------------|--|
| Motor housing            | Sheet steel, rolled & corrosion protection |
| Magnetic field           | Permanent magnet                           |
| Type of transmission     | Worm gear transmission                     |
| Transmission housing     | Zinc die casting                           |
| Gearwheel material       | Plastic                                    |
| Transmission lubrication | Grease, permanent lubrication              |
| Mechanical interface     | Drive shaft                                |
| Electrical interface     | Plug                                       |
| Sensor                   | Optional                                   |
| Thermal protection       | Optional                                   |
| Interference suppression | Optional                                   |

## Applications

- Industry**
- Gas-power machines, office machines, furniture adjustment, mechanical engineering
- Automobile**
- Adjustable sunroof

- Information
- GMK · GML
- GMP
- GMAG
- GMP1
- GMPS
- GMPD
- GMPG**
- SWMP
- DCK31
- DCK35
- SW2L
- SWNV
- SWMG
- SW3K

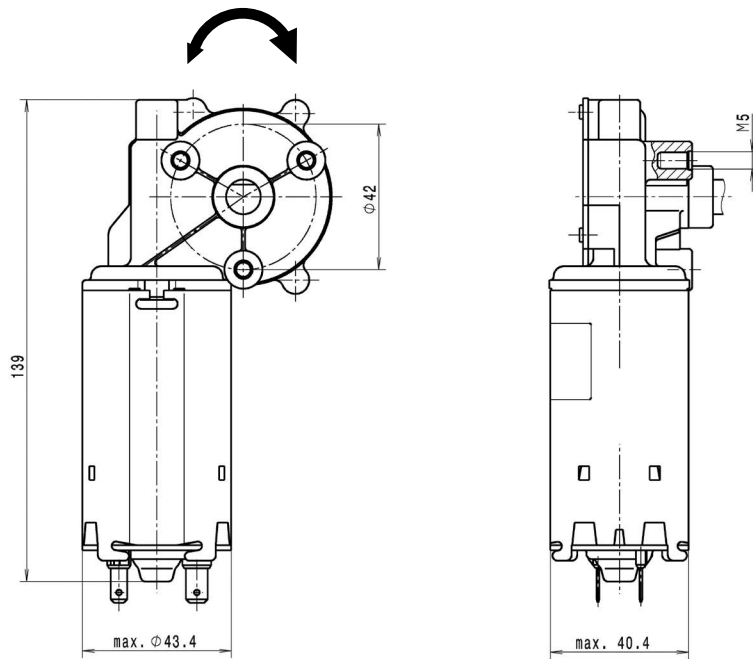
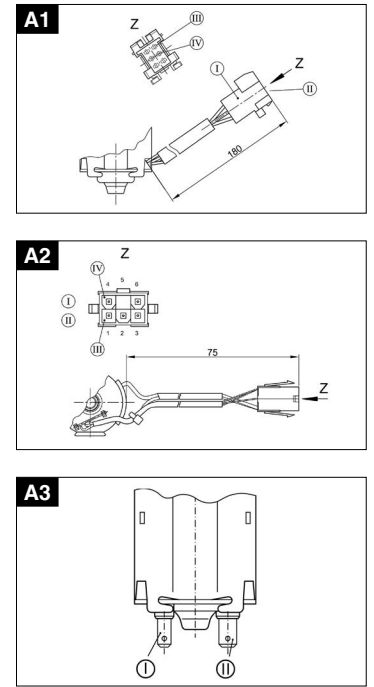
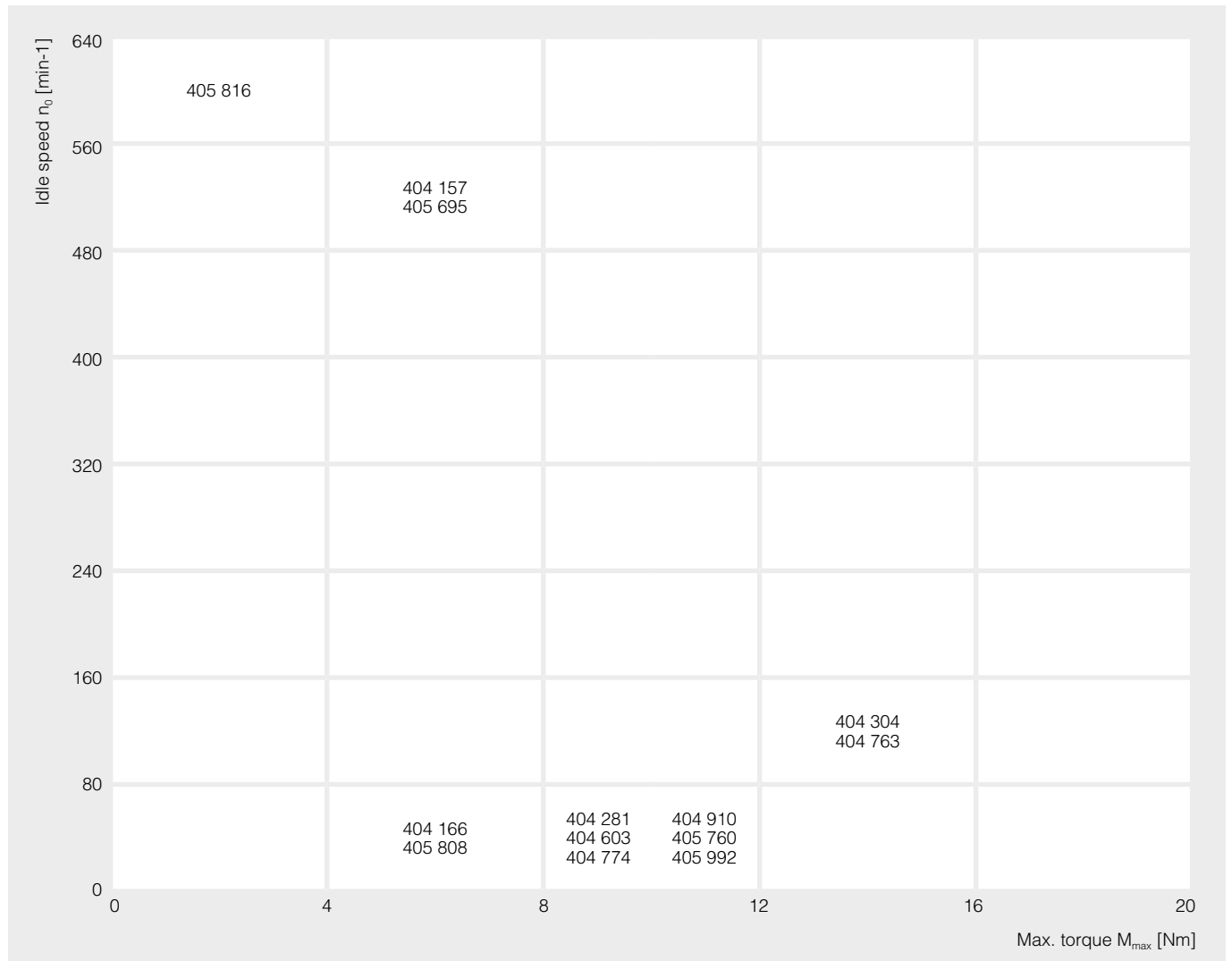


Image shows the transmission design on the right

### Connections



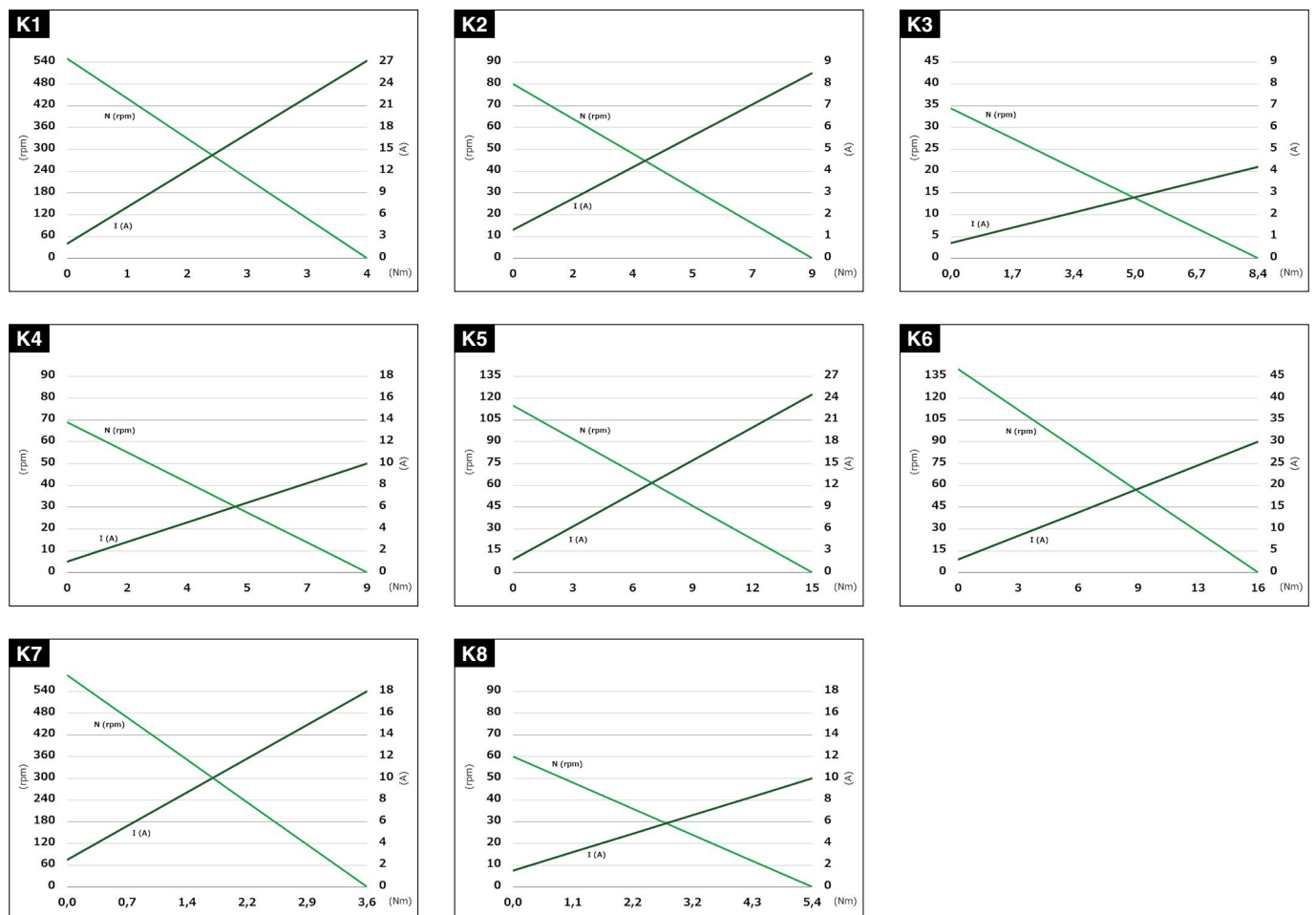
### Product matrix



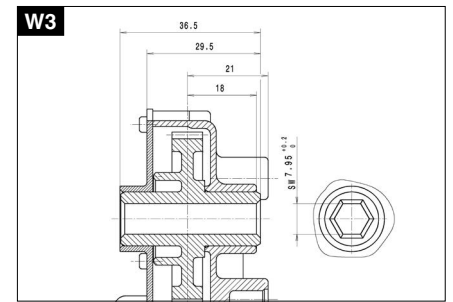
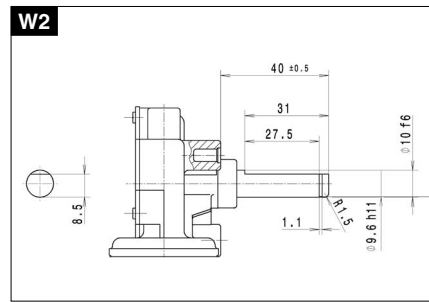
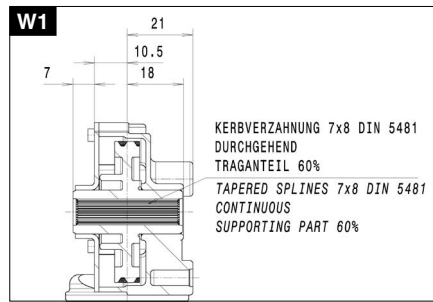
# Overview

| Type    | Nominal voltage | Max. torque | Idle speed | Nominal output | Nominal current | No-load current | Max. power | Hall sensors | Gear reduction | Gearwheel material | Thermal switch | Interference suppression | Transmission housing | Characteristic curve | Shaft | Electrical connection |
|---------|-----------------|-------------|------------|----------------|-----------------|-----------------|------------|--------------|----------------|--------------------|----------------|--------------------------|----------------------|----------------------|-------|-----------------------|
| 404 157 | 24.0            | 4.2         | 550.0      | 145.0          | 6.0             | 2.0             | 27.2       | N            | 56:4           | K                  | J              | J                        | lh                   | K1                   | W1    | A3                    |
| 404 166 | 12.0            | 5.4         | 60.0       | 27.6           | 2.3             | 0.8             | 8.4        | N            | 62:1           | K                  | N              | N                        | lh                   | K8                   | W1    | A3                    |
| 404 281 | 24.0            | 9.1         | 69.0       | 55.5           | 2.3             | 1.0             | 10.1       | N            | 62:1           | K                  | N              | J                        | rh                   | K4                   | W1    | A3                    |
| 404 304 | 24.0            | 15.0        | 115.0      | 130.0          | 5.4             | 1.8             | 24.5       | N            | 62:1           | K                  | N              | J                        | rh                   | K5                   | W1    | A3                    |
| 404 603 | 24.0            | 9.0         | 80.0       | 61.0           | 2.5             | 1.3             | 8.5        | N            | 62:1           | K                  | J              | J                        | rh                   | K2                   | W2    | A3                    |
| 404 763 | 24.0            | 15.8        | 140.0      | 162.0          | 6.8             | 3.0             | 29.3       | 2            | 62:1           | K                  | N              | J                        | rh                   | K6                   | W1    | A1                    |
| 404 774 | 24.0            | 8.4         | 34.4       | 28.3           | 1.2             | 0.7             | 4.2        | N            | 72:1           | K                  | N              | J                        | lh                   | K3                   | W3    | A3                    |
| 404 910 | 24.0            | 8.4         | 35.0       | 30.7           | 1.2             | 0.7             | 5.1        | 1            | 72:1           | K                  | N              | J                        | lh                   | K3                   | W3    | A2                    |
| 405 695 | 24.0            | 4.1         | 550.0      | 166.5          | 6.9             | 2.0             | 26.5       | N            | 56:4           | K                  | J              | J                        | rh                   | K1                   | W1    | A3                    |
| 405 760 | 24.0            | 9.0         | 80.0       | 61.0           | 3.0             | 1.3             | 9.0        | 2            | 62:1           | K                  | J              | J                        | rh                   | K2                   | W2    | A3                    |
| 405 808 | 12.0            | 5.3         | 60.0       | 29.5           | 2.5             | 1.5             | 10.1       | N            | 62:1           | K                  | N              | J                        | lh                   | K8                   | W1    | A3                    |
| 405 816 | 24.0            | 3.6         | 585.0      | 153.0          | 6.4             | 2.5             | 18.0       | N            | 56:4           | K                  | J              | J                        | lh                   | K7                   | W1    | A3                    |
| 405 992 | 24.0            | 9.0         | 34.0       | 27.4           | 1.1             | 0.7             | 4.3        | N            | 72:1           | K                  | N              | J                        | rh                   | K3                   | W3    | A3                    |

## Characteristic curves



# Shafts



- Information
- GMK · GML
- GMP
- GMAG
- GMP1
- GMPS
- GMPD
- GM PG**
- SWMP
- DCK31
- DCK35
- SW2L
- SWMV
- SWMG
- SW3K

# Global distributors

## Belgium

Eisses Import B.V.  
Admiraal Trompstraat 11  
3115 HK Schiedam  
Tel. +31 1 02 46 00 18  
Fax +31 1 02 46 00 19  
info@eissesbv.nl  
www.eissesbv.nl

## Denmark

Wald Antriebe GmbH  
Hanns-Hoerbiger-Straße 1  
29664 Walsrode  
Tel. +49 51 61 48 63 20  
Fax +49 51 61 48 63 233  
info@waldantriebe.de  
www.waldantriebe.de

## Germany - West

101 automation GmbH  
Schallbruch 19-21  
42781 Haan  
Tel. +49 21 29 37 63 50  
Fax +49 21 29 37 63 59  
sales@101automation.de  
www.101automation.de

## Germany - East

JBW GmbH  
Jakob-Baumann-Straße 5  
81249 Munich  
Tel. +49 89 89 74 54 30  
Fax +49 89 89 74 54 310  
info@elektromotore.eu  
www.elektromotore.eu

## Germany - South

Ott GmbH & Co. KG  
Baarstraße 3  
78652 Deisslingen  
Tel. +49 74 20 93 99 0  
info@ott-antriebe.de  
www.ott-antriebe.de

## Germany - North

Wald Antriebe GmbH  
Hanns-Hoerbiger-Straße 1  
29664 Walsrode  
Tel. +49 51 61 48 63 20  
Fax +49 51 61 48 63 233  
info@waldantriebe.de  
www.waldantriebe.de

## Finland

Oy Movetec Ab  
Suokalliontie 9  
01740 VANTAA  
Tel. +35 89 52 59 23 0  
Fax +358 9 5259 2333  
info@movetec.fi  
www.movetec.fi

## France

Comotech Industries SAS  
6 rue des Blonnières  
CS 82441  
44115 Haute Goulaine  
Tel. +33 2 40 05 05 05  
Fax +33 2 40 05 05 03  
accueil@comotech.fr  
www.comotech-industries.fr

## United Kingdom

Electro Mechanical Systems Ltd  
Eros House, Calleva Park, Aldermaston  
Berkshire RG7 8LN  
Tel. +44 11 89 81 73 91  
Fax +44 11 89 81 76 13  
info@ems-ltd.com  
www.ems-limited.co.uk

## India

Strategi Automation Solutions Pvt Ltd  
Plot 25/B, Dodannakundi Indl Estate  
560048 Bangalore  
Tel. +91 99 80 56 38 50  
Fax +91 80 41 16 30 47  
arun@strategiautomation.com  
www.strategiautomation.com

## Israel

Mechatronics Ltd.  
P.O. Box 3818  
49130 Petach-Tikva  
Tel. +97 2 39 28 88 88  
Fax +97 2 39 28 88 80  
office@mechatronics.co.il  
www.mechatronics.co.il

## Italy

Motech S.p.A.  
Via Salvemini, 20  
41122 Modena  
Tel. +39 59 45 42 96  
Fax +39 59 45 16 93  
m.coda@motech-italia.com  
www.motech-italia.com

## Japan

Nidec-Shimpo Corp  
1 Terada Kohtari, Nagaokakyo City  
617-0833 Kyoto  
Tel. +81 7 59 58 38 86  
Fax +81 7 59 58 36 48  
shinichi.takahashi@nidec-shimpo.co.jp  
www.nidec-shimpo.co.jp

## Canada

Drive Systems Group  
7150 Torbram Road, Unit 1 & 2  
L4T 3Z8 Mississauga, ON  
Tel. +1 90 54 05 03 10  
Fax +1 90 54 05 03 13  
georger@drivesystemsgroup.com  
www.drivesystemsgroup.com

## The Netherlands

Eisses Import B.V.  
Admiraal Trompstraat 11  
3115 HK Schiedam  
Tel. +31 1 02 46 00 18  
Fax +31 1 02 46 00 19  
info@eissesbv.nl  
www.eissesbv.nl

## Norway

Aratron AS  
Bjernerudveien 17  
1266 Oslo  
Tel. +47 23 19 16 60  
Fax +47 23 19 16 61  
christer@aratron.no  
www.aratron.no

## Austria

Kwapil & Co GmbH  
Kammelweg 9  
1210 Vienna  
Tel. +43 12 78 85 85  
verkauf@kwapil.com  
www.kwapil.com

## Poland

WH Technologies Sp. z o o  
ul. Pusta 3c  
82-550 Prabuty  
Tel. +48 58 67 75 571  
Fax +48 58 67 75 574  
whmotor@wh-tech.pl  
www.whmotors.pl

## Sweden

KG Knutsson AB  
Hammarbacken 8  
191 49 Sollentuna  
Tel. +46 8 92 30 0  
johan.nilsson@kgk.se  
www.kgk.se

## Switzerland

Antrimon Motion AG  
Gotthardstraße 3  
5630 Muri (AG)  
Tel. +41 5 66 75 40 30  
Fax +41 5 66 75 40 31  
motion@antrimon.com  
www.antrimon.com

## Slovakia

Opis Engineering, s.r.o  
Lucna 476  
03202 Zavazna Poruba  
Tel. +42 14 44 55 14 31 0  
Fax +42 14 45 54 72 34  
opis@opis.sk  
www.opis.sk

## Spain

Útiles Cerámicos, S.A.  
C/ San Jaime, 198 - Ap. 118  
12550 - Almazora (Castellón)  
Tel. +34 96 45 03 333  
Fax +34 96 45 50 712  
ucersa@ucersa.com  
www.ucersa.com

## Czech Republic

Opis Engineering k.s.  
Selská 64  
61400 Brno-Maloměřice  
Tel. +42 05 43 33 00 55  
Fax +42 05 43 24 26 53  
cada@opis.cz  
www.opis.cz

## Turkey

S-M KRON Elektronik A.S.  
Nilufer Ticaret Merkezi 66. Sokak No:6-8  
16120 Nilufer-BURSA  
Tel. +90 22 44 43 52 33  
Fax +90 22 44 43 52 42  
ahmetselim@s-mikron.com.tr  
www.s-mikron.com.tr

## USA

Power Electric  
15300 25th Ave North, Suite 400  
Plymouth MN 55447  
Tel. +1 76 3 383 60 07  
Fax +1 76 35 53 12 42  
info@powerelectric.com  
www.powerelectric.com



Nidec Motors & Actuators (Germany) GmbH  
Seewiesenstraße 9  
74321 Bietigheim-Bissingen

Tel. +49 (0) 71 42 / 508-0  
Fax +49 (0) 71 42 / 508-20 10  
sales@nidec-ma.com

www.nidec-ma.com