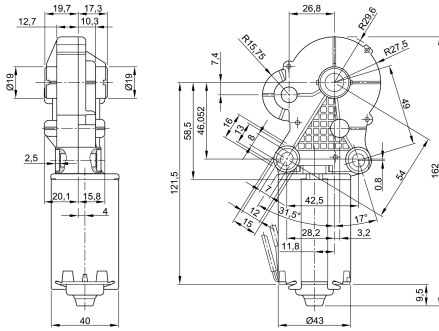


Design Data	
Commutation	Brushed
Direction of rotation	Bi-directional
Bearing type	A:Sleeve - B:Sleeve

Performance data		
Rated voltage [V]	U_N	24
Max-Drehmoment [Nm]	M_N	22.0
No-load speed [min^{-1}]	n_0	23.0
Nominal power [W]	P_N	36.3
Nominal current [A]	I_N	1.3
Nominal force [kN]	F_N	0.00
Duty cycle		s3

0320 AR



Motor picture

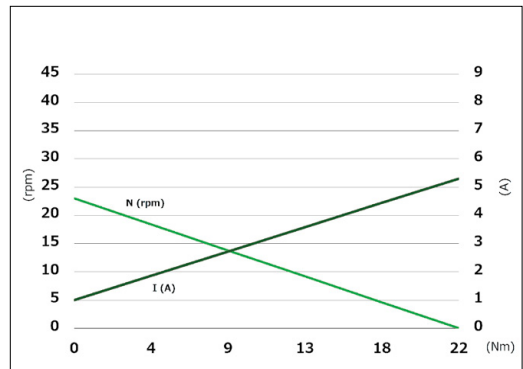


Sensor data	
Pulses	0
Output channels	0

Other data	
Gear ratio	210/1
Gear wheel material	plastic
Suppression components	7,5 μ H, 47nF, (0,47 μ F)
Enclosure class	IP 40
Weight [kg]	0.440

Remarks:

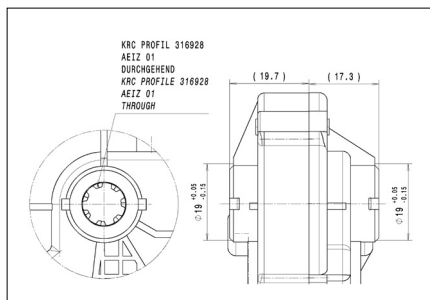
Characteristic curves



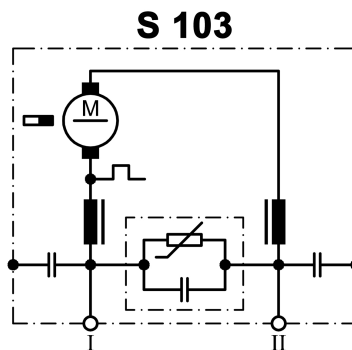
Output shaft drawing (W),

Wiring diagrams (S)

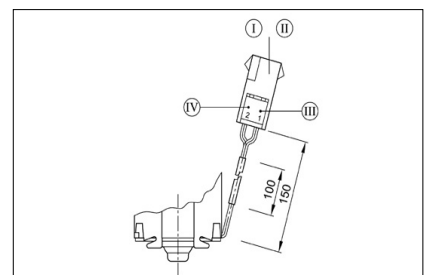
Connector layout (K)



I through Profile KRC 316928 AEIZ 01



I Terminal 1, black
 II Terminal 2, blue



tap housing 365057-1, timer contacts 928781-5
 mating with receptacle housing 365058-1,
 timer contacts 927768-1
 1 black motor, 2 blue motor