

Series GMM

Motor type 405 981

Design Data

Commutation	Brushed
Direction of rotation	Bi-directional
Bearing type	

Performance data

Rated voltage [V]	U_N	12
Max. torque [Nm]	M_N	2.10
No-load speed [min^{-1}]	n_0	3,600.0
Nominal power [W]	P_N	150
Nominal current [A]	I_N	12.5
Nominal force [kN]	F_N	0.00
Duty cycle		

Sensor data

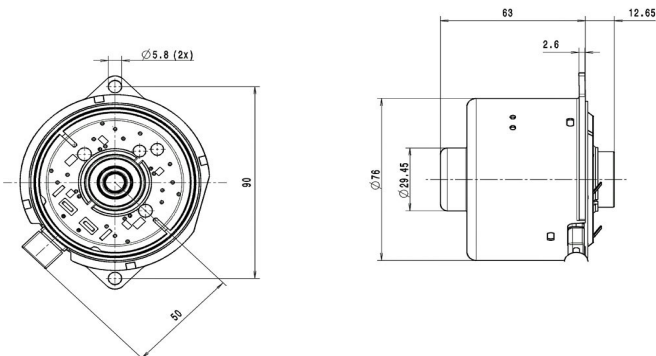
Pulses	0
Output channels	0

Other data

Gear ratio	
Gear wheel material	
Suppression components	
Enclosure class	IP67
Weight [kg]	0.800

Remarks:

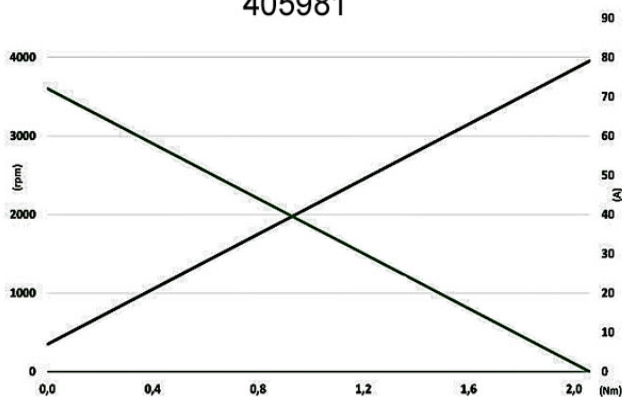
Characteristic curves



Motor picture



405981



Output shaft drawing

Wiring diagrams (S)

Connector layout

KERBVERZÄHNUNG
SERRATION

