

Design Data	
Commutation	Brushed
Direction of rotation	Bi-directional
Bearing type	A:Ball - B:Sleeve

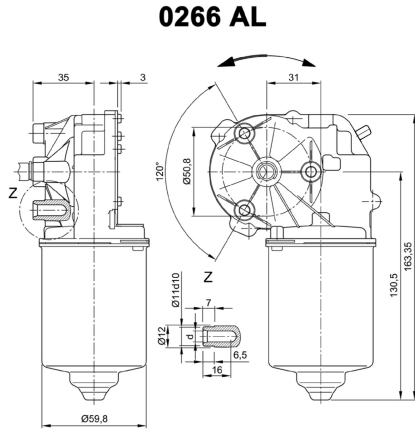
Performance data		
Rated voltage [V]	U_N	24
Nominal torque [Nm]	M_N	4.00
No-load speed [min^{-1}]	n_0	55.0
Nominal power [W]	P_N	21.5
Nominal current [A]	I_N	5.0
Nominal force [kN]	F_N	0.00
Duty cycle	s1	

Sensor data	
Pulses	78
Output channels	1

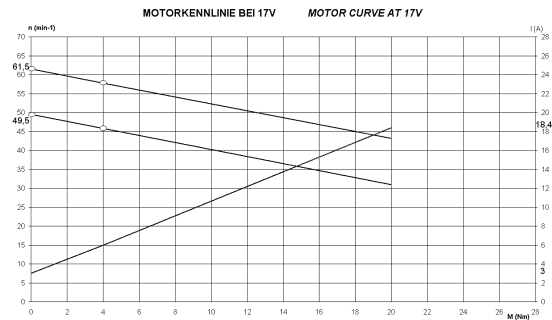
Other data	
Gear ratio	78/1
Gear wheel material	plastic
Suppression components	$6\mu\text{H}$, 1nF
Enclosure class	IP 30
Weight [kg]	1.210

Remarks: d= for thread forming screw M6 DIN ISO 965-2

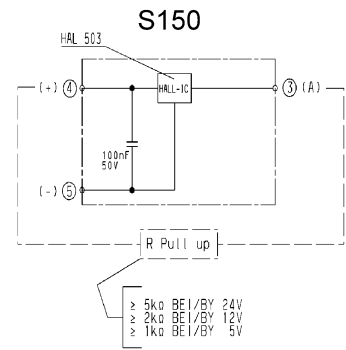
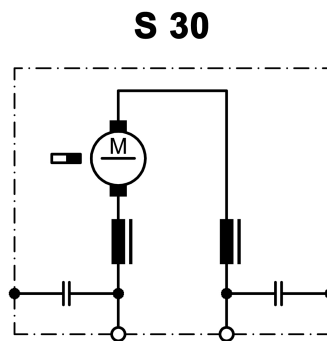
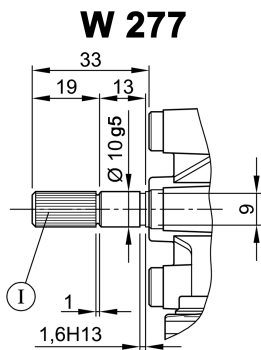
Characteristic curves



Motor picture



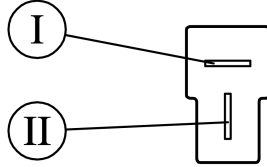
Output shaft drawing (W), Wiring diagrams (S) and Connector layout (K)



I serration (rolled)
 no of teeth 28, pitch circle dia 9 mm, tip circle dia 9,6 mm, root circle dia 8,26 mm space width angle 60°
 goes with go/no go gauge Frenco 33906
 www.frenco.de

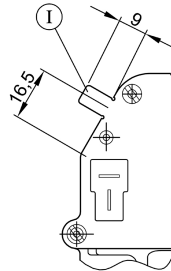
Output shaft drawing (W), Wiring diagrams (S) and Connector layout (K)

K 320



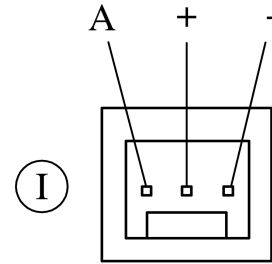
Fiat plug (DIN 46244) 6,3x0,8 mating with receptacle housing part#180907, drwg# C-180907& Receptacles for tabs, conductor cross section 0,5-1,5 sqmm (20-18AWG) part# 925603-x, drwg# 925603 www.tycoelectronics.com

K 312



Ground connection 6.3 x 0.8 DIN 46 244, d=0.9-0.1mm, mating with receptacle for tab, conductor cross section 0.5-1.5 sqmm/20-16 AWG, part# RSB8240.158 F 6.3-1.5 www.stocko.de

K 325



MAS-CON Solder tail MLAS 100-3435 mating with end connector CE100F-22-xx-x-x or CEP100 F-22-xx-x-x www.itwpancon.com

Notes
