

Design Data	
Commutation	brushed
Direction of rotation	bidirectional
Bearing Type	A:Ball - B:Sleeve

Performance data		
Nominal Voltage [V]	U_N	12
Nominal Torque [Nm]	M_N	4,00
Nominal Speed [min^{-1}]	n_N	25,862
Nominal Power [W]	P_N	10,8
Nominal current [A]	I_N	3,0
Nominal force [kN]	F_N	0,00
Duty cycle	s1	

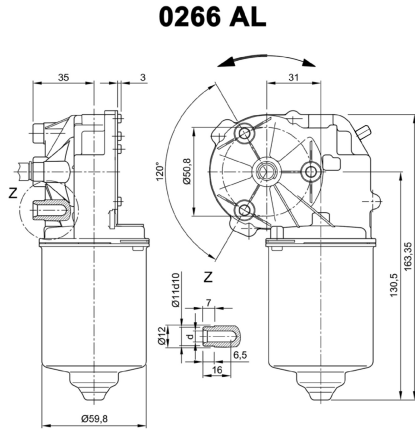
Sensor data	
Pulses	0
Output channels	0

Other data	
Gear ratio	69/1
Gear wheel material	plastic
Suppression components	6 μ H
Enclosure class	IP 30
Weight [kg]	1,210

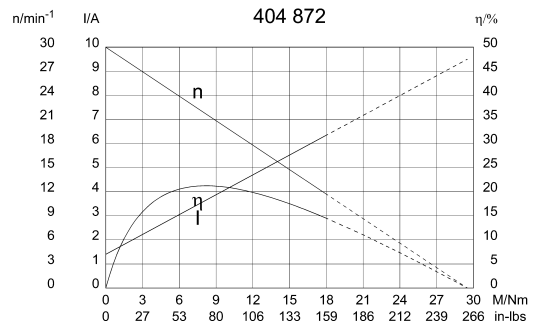
Remarks:

d = for thread-forming screw M6 DIN ISO 965-2

Characteristic Curves

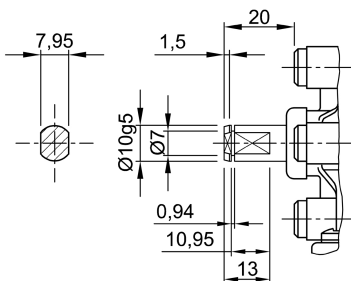


Motor picture

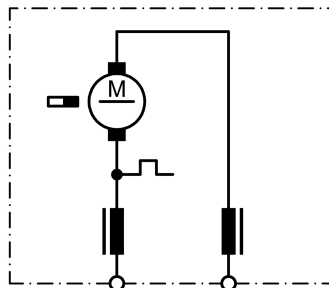


Output shaft drawing (W), Wiring diagrams (S) and Connector layout (K)

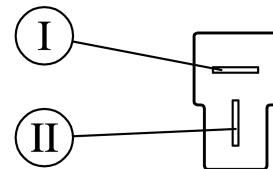
W 252



S 25



K 320



Flat plug (DIN 46244) 6.3x0.8 mating with receptacle housing part#180907, drwg# C-180907 & Receptacles for tabs, conductor cross section 0.5-1.5 sqmm (20-18AWG) part# 925603-x, drwg# 925603 www.tycoelectronics.com