

Design Data	
Commutation	Brushed
Direction of rotation	Bi-directional
Bearing type	

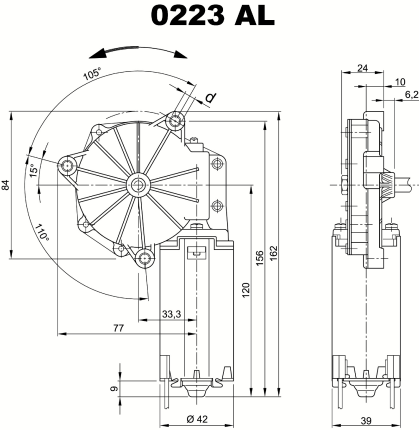
Performance data		
Rated voltage [V]	U_N	24
Nominal torque [Nm]	M_N	1.30
No-load speed [min^{-1}]	n_0	110.0
Nominal power [W]	P_N	12.2
Nominal current [A]	I_N	2.6
Nominal force [kN]	F_N	0.00
Duty cycle		s1

Sensor data	
Pulses	0
Output channels	0

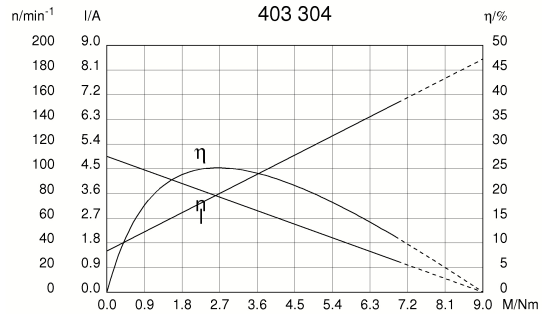
Other data	
Gear ratio	83/2
Gear wheel material	Plastic
Suppression components	
Enclosure class	IP30
Weight [kg]	0.710

Remarks: d = M6, Ball bearing

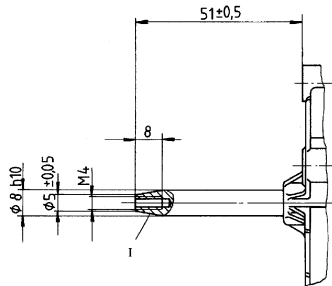
Characteristic curves



Motor picture

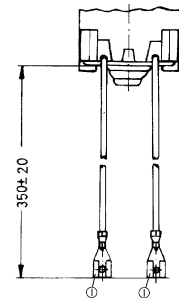
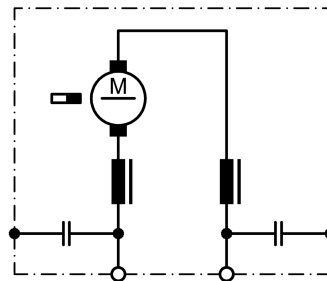


Output shaft drawing (W), Wiring diagrams (S) and Connector layout (K)



I: Cone 1:4

S 30



Spade connector 4.8 DIN 46 247