

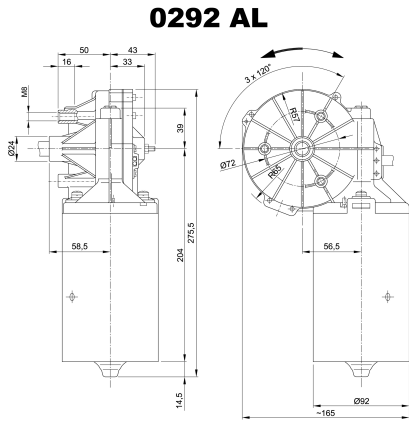
Design Data	
Commutation	brushed
Direction of rotation	bidirectional
Bearing Type	A:Ball - B:Ball

Performance data		
Nominal Voltage [V]	$U_N$	24
Nominal Torque [Nm]	$M_N$	20,00
Nominal Speed [ $\text{min}^{-1}$ ]	$n_N$	21
Nominal Power [W]	$P_N$	44,0
Nominal current [A]	$I_N$	6,0
Nominal force [kN]	$F_N$	0,00
Duty cycle	s1	

Sensor data	
Pulses	0
Output channels	0

Other data	
Gear ratio	50/1
Gear wheel material	plastic
Suppression components	
Enclosure class	IP 20
Weight [kg]	4,200

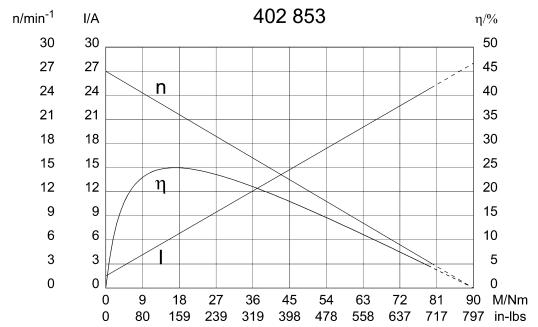
Remarks:



**Motor picture**

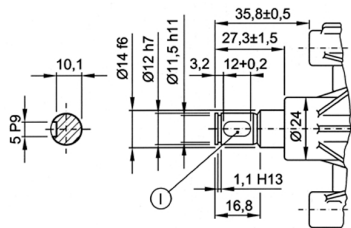


**Characteristic Curves**

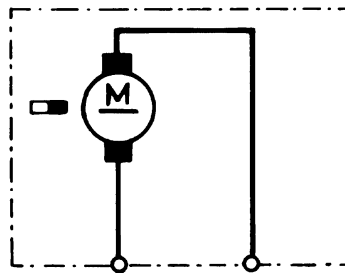


**Output shaft drawing (W), Wiring diagrams (S) and Connector layout (K)**

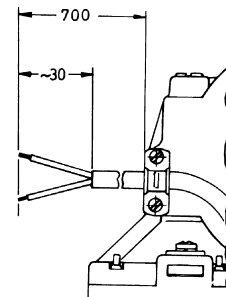
**W 110**



**S 28**



**K 86**



I Groove for feather key A 5x3x12 DIN 6885