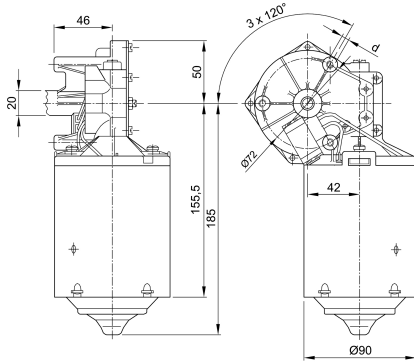


Design Data	
Commutation	brushed
Direction of rotation	bidirectional
Bearing Type	A:Ball - B:Sleeve

Performance data		
Nominal Voltage [V]	$U_N$	24
Nominal Torque [Nm]	$M_N$	8,00
Nominal Speed [ $\text{min}^{-1}$ ]	$n_N$	69,789
Nominal Power [W]	$P_N$	58,5
Nominal current [A]	$I_N$	6,0
Nominal force [kN]	$F_N$	0,00
Duty cycle	s1	

**0291 AL**



Sensor data	
Pulses	0
Output channels	0

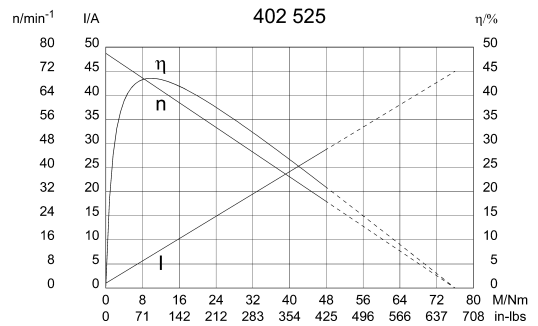
Other data	
Gear ratio	46/1
Gear wheel material	Resinbonded fabric
Suppression components	
Enclosure class	IP 20
Weight [kg]	2,900

Remarks:  
d = M6x16mm

**Motor picture**

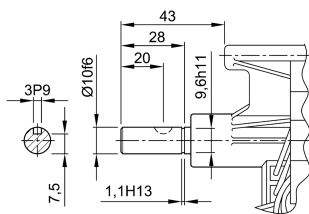


**Characteristic Curves**

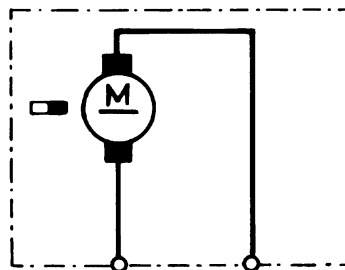


**Output shaft drawing (W), Wiring diagrams (S) and Connector layout (K)**

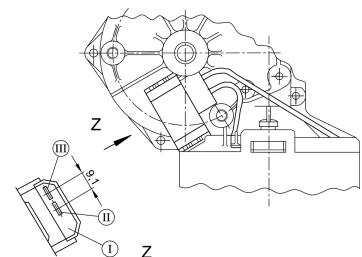
**W 278**



**S 28**



**K 243**



Flat plug 6,8x0,8 DIN 46244 mating with receptacle for tabs and connector housing 163 006-1, drwg C163006, [www.tycoelectronics.com](http://www.tycoelectronics.com)