













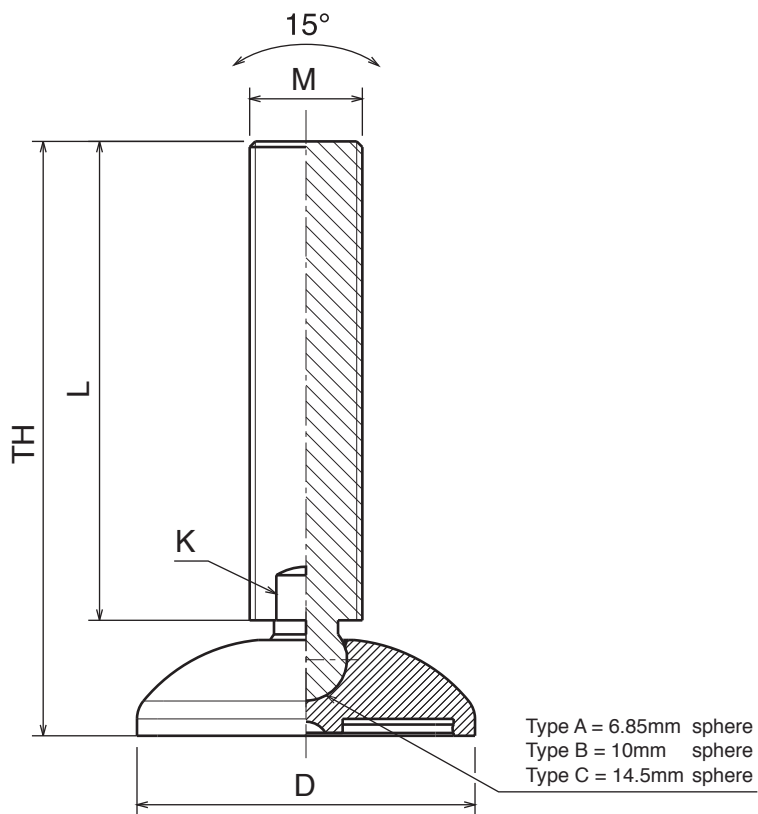


Part 900

<p>Ø40</p>  <p>pag. 172</p>	<p>Ø50</p>  <p>pag. 172</p>	<p>Ø60</p>  <p>pag. 172</p>	<p>Ø80</p>  <p>pag. 174</p>	<p>Ø100</p>  <p>pag. 174</p>	<p>Ø120</p>  <p>pag. 174</p>
<p>Ø50</p>  <p>pag. 176</p>	<p>Ø75</p>  <p>pag. 176</p>	<p>Ø100</p>  <p>pag. 176</p>	<p>Ø125</p>  <p>pag. 176</p>	<p>Ø75</p>  <p>pag. 178</p>	<p>Ø100</p>  <p>pag. 178</p>
 <p>pag. 172-174</p>		 <p>pag. 172</p>			

Materiale:	Material:	Materialien:
Basi: Poliammide	Base plate: Polyamide	Fussplatte: Polyamid
Stelo: Acciaio inox o Ferro zincato	Spindle: Stainless steel or Zinc plated steel	Spindel: Edelstahl oder Stahl Verzinkt



ACCESSORI / ACCESSORIES / ZUBEHÖR

Gomma anti-scivolo / Anti-slip pad / Gummiplatte



Part	Article-Nr.	For base
996	99601	Ø40
996	99602	Ø50
996	99603	Ø60

Dadi acciaio inox / Stainless steel nuts / Mut er Edelstahl



Part	Article-Nr.	Spindle
998	99801	M10
998	99802	M12
998	99803	M14
998	99804	M16
998	99805	M20

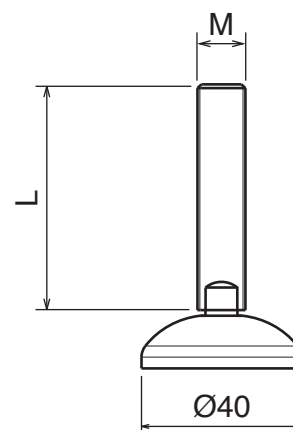
Piede diam. 40 mm / Leve ler diam. 40 mm / Gelenkfuss Diam. 40 mm

Spindle material

Part	Art.-Nr. SS	Art.-Nr. FeZn	D	Spindle	K	TH	L	Type
901	90101	90101Z	40	M10	7	50	35	A
901	90102	90102Z	40	M10	7	100	85	A
901	90103	90103Z	40	M10	7	150	135	A
902	90201	90201Z	40	M12	9	75	60	B
902	90202	90202Z	40	M12	9	100	85	B
902	90203	90203Z	40	M12	9	150	135	B
903	90301	90301Z	40	M16	13	75	60	B
903	90302	90302Z	40	M16	13	100	85	B
903	90303	90303Z	40	M16	13	150	135	B

SS: Acciaio inox / Stainless steel / Edelstahl

FeZn: Ferro zincato / Zinc plated steel / Stahl Verzinkt



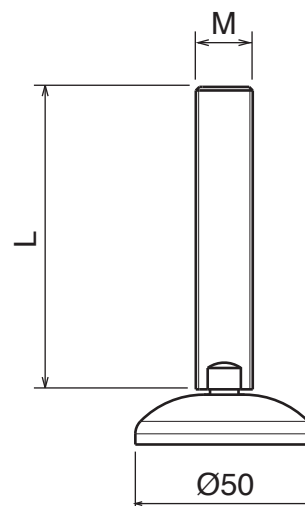
Piede diam. 50 mm / Leve ler diam. 50 mm / Gelenkfuss Diam. 50 mm

Spindle material

Part	Art.-Nr. SS	Art.-Nr. FeZn	D	Spindle	K	TH	L	Type
904	90401	90401Z	50	M10	7	50	35	A
904	90402	90402Z	50	M10	7	100	85	A
904	90403	90403Z	50	M10	7	150	135	A
905	90501	90501Z	50	M12	9	75	60	B
905	90502	90502Z	50	M12	9	100	85	B
905	90503	90503Z	50	M12	9	150	135	B
906	90601	90601Z	50	M16	13	75	60	B
906	90602	90602Z	50	M16	13	100	85	B
906	90603	90603Z	50	M16	13	150	135	B

SS: Acciaio inox / Stainless steel / Edelstahl

FeZn: Ferro zincato / Zinc plated steel / Stahl Verzinkt



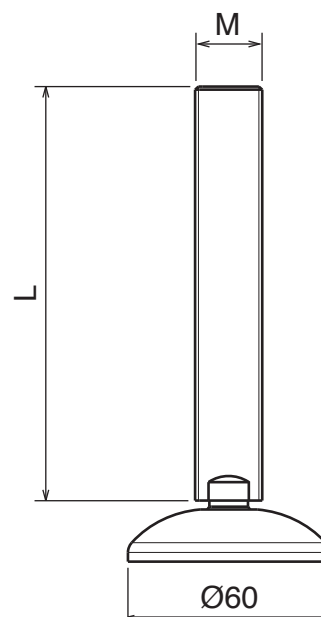
Piede diam. 60 mm / Leve ler diam. 60 mm / Gelenkfuss Diam. 60 mm

Spindle material

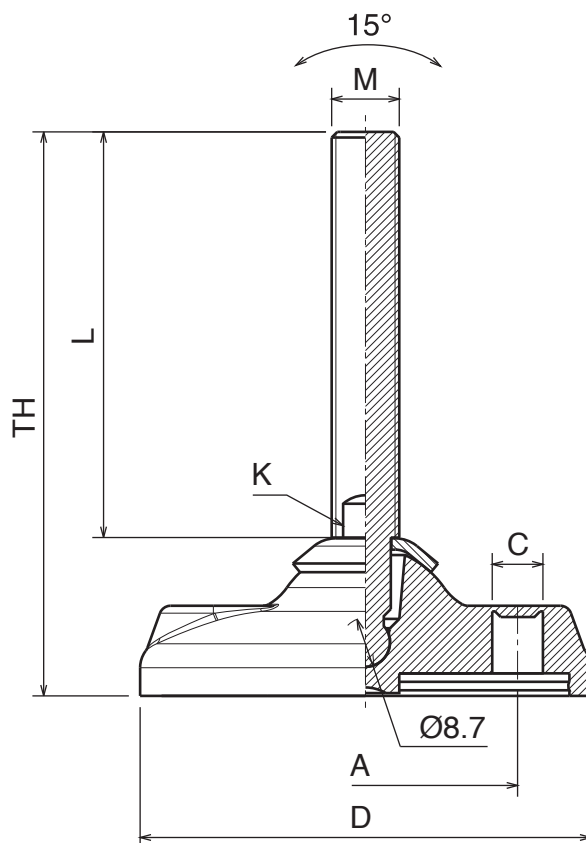
Part	Art.-Nr. SS	Art.-Nr. FeZn	D	Spindle	K	TH	L	Type
907	90701	90701Z	60	M12	9	80	60	B
907	90702	90702Z	60	M12	9	105	85	B
907	90703	90703Z	60	M12	9	155	135	B
908	90801	90801Z	60	M16	13	105	85	B
908	90802	90802Z	60	M16	13	155	135	B
908	90803	90803Z	60	M16	13	205	185	B
909	90901	90901Z	60	M20	16	105	85	C
909	90902	90902Z	60	M20	16	155	135	C
909	90903	90903Z	60	M20	16	205	185	C

SS: Acciaio inox / Stainless steel / Edelstahl

FeZn: Ferro zincato / Zinc plated steel / Stahl Verzinkt



Materiale:	Material:	Materialien:
Basi: Poliammide	Base plate: Polyamide	Fussplatte: Polyamid
Stelo: Acciaio inox o Ferro zincato	Spindle: Stainless steel or Zinc plated steel	Spindel: Edelstahl oder Stahl Verzinkt



ACCESSORI / ACCESSORIES / ZUBEHÖR

Gomma anti-scivolo / Anti-slip pad / Gummiplate



Part	Article-Nr.	For base
996	99604	Ø80
996	99605	Ø100
996	99606	Ø120

Dadi acciaio inox / Stainless steel nuts / Mut er Edelstahl



Part	Article-Nr.	Spindle
998	99802	M12
998	99803	M14
998	99804	M16
998	99805	M20
998	99806	M24

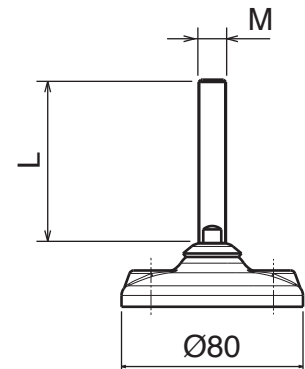
Piede diam. 80 mm / Leve ler diam. 80 mm / Gelenkfuss Diam. 80 mm

Spindle material

Part	Art.-Nr. SS	Art.-Nr. FeZn	D	Spindle	K	TH	L	A	C
910	91001	91001Z	80	M12	9	100	72	54	9
910	91002	91002Z	80	M12	9	150	122	54	9
910	91003	91003Z	80	M12	9	200	172	54	9
911	91101	91101Z	80	M16	13	95	67	54	9
911	91102	91102Z	80	M16	13	145	117	54	9
911	91103	91103Z	80	M16	13	195	167	54	9
912	91201	91201Z	80	M20	16	120	92	54	9
912	91202	91202Z	80	M20	16	170	142	54	9
912	91203	91203Z	80	M20	16	220	192	54	9

SS: Acciaio inox / Stainless steel / Edelstahl

FeZn: Ferro zincato / Zinc plated steel / Stahl Verzinkt



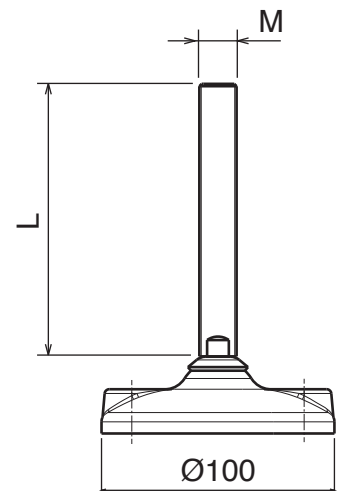
Piede diam. 100 mm / Leve ler diam. 100 mm / Gelenkfuss Diam. 100 mm

Spindle material

Part	Art.-Nr. SS	Art.-Nr. FeZn	D	Spindle	K	TH	L	A	C
913	91301	91301Z	100	M16	13	100	67	74	13
913	91302	91302Z	100	M16	13	150	117	74	13
913	91303	91303Z	100	M16	13	200	167	74	13
914	91401	91401Z	100	M20	16	125	92	74	13
914	91402	91402Z	100	M20	16	175	142	74	13
914	91403	91403Z	100	M20	16	225	192	74	13
915	91501	91501Z	100	M24	19	125	92	74	13
915	91502	91502Z	100	M24	19	175	142	74	13
915	91503	91503Z	100	M24	19	225	192	74	13

SS: Acciaio inox / Stainless steel / Edelstahl

FeZn: Ferro zincato / Zinc plated steel / Stahl Verzinkt



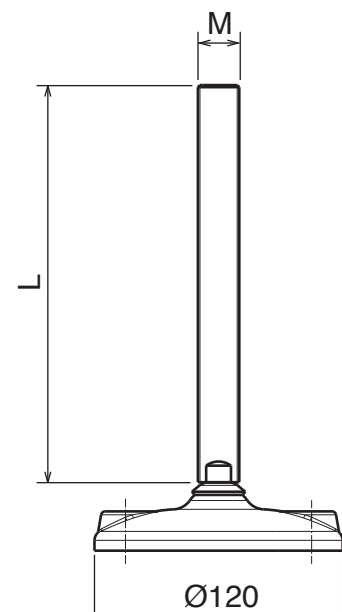
Piede diam. 120 mm / Leve ler diam. 120 mm / Gelenkfuss Diam. 120 mm

Spindle material

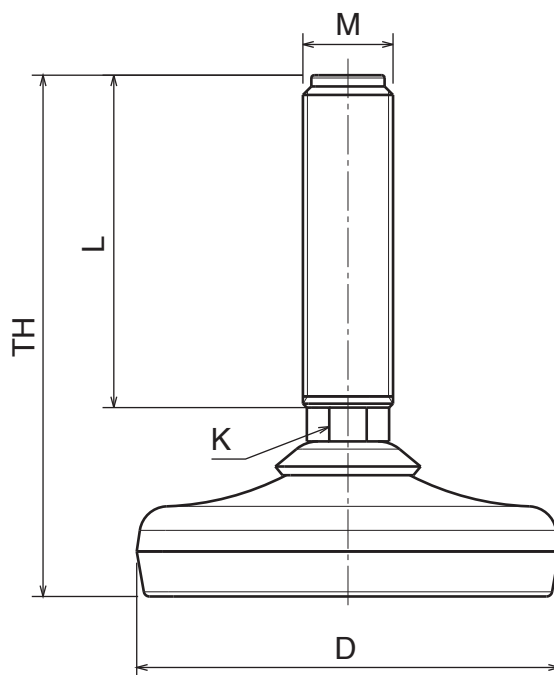
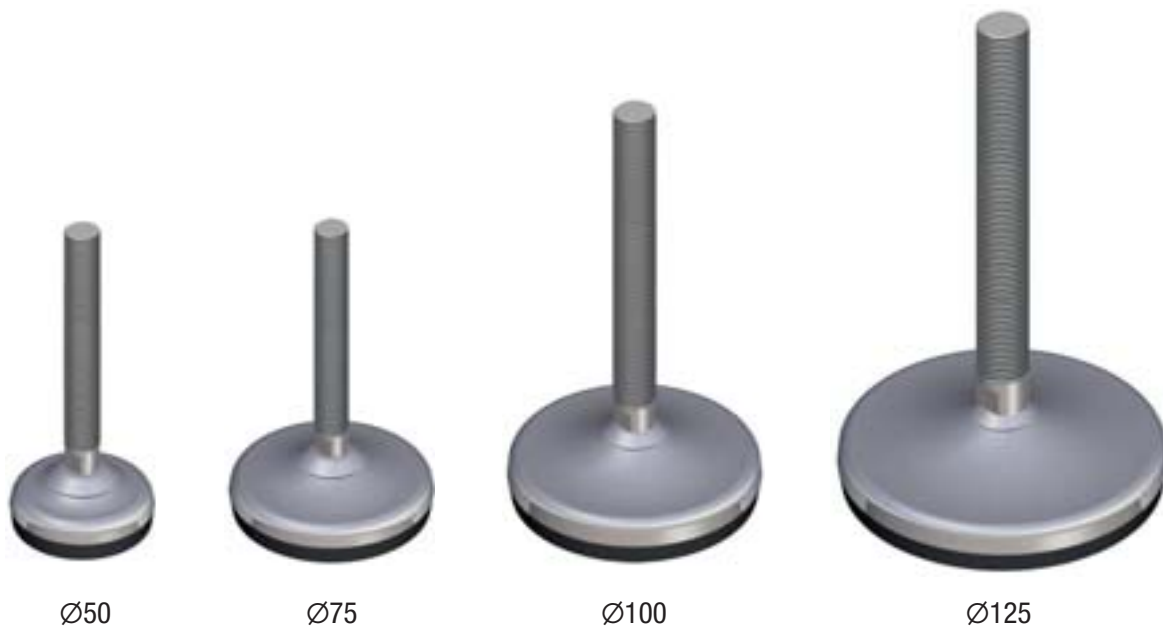
Part	Art.-Nr. SS	Art.-Nr. FeZn	D	Spindle	K	TH	L	A	C
916	91601	91601Z	120	M16	13	100	67	90	13
916	91602	91602Z	120	M16	13	150	117	90	13
916	91603	91603Z	120	M16	13	200	167	90	13
917	91701	91701Z	120	M20	16	125	92	90	13
917	91702	91702Z	120	M20	16	175	142	90	13
917	91703	91703Z	120	M20	16	225	192	90	13
918	91801	91801Z	120	M24	19	125	92	90	13
918	91802	91802Z	120	M24	19	175	142	90	13
918	91803	91803Z	120	M24	19	225	192	90	13

SS: Acciaio inox / Stainless steel / Edelstahl

FeZn: Ferro zincato / Zinc plated steel / Stahl Verzinkt



Materiale:	Material:	Materialien:
Basi, stelo e rondella: Acciaio inox	Base plate, spindle and washer: Stainless steel	Fussplatte, Spindel und Scheibe: Edelstahl



ACCESSORI / ACCESSORIES / ZUBEHÖR

Dadi acciaio inox / Stainless steel nuts / Mut er Edelstahl



Part	Article-Nr.	Spindle
998	99802	M12
998	99803	M14
998	99804	M16
998	99805	M20
998	99806	M24
998	99807	M30

Piede diam. 50 mm / Leveler diam. 50 mm / Stel fuss Diam. 50 mm

Part	Article-Nr.	D	Spindle	K	TH	L
919	91901	50	M12	9	75	50
919	91902	50	M12	9	100	75
919	91903	50	M12	9	150	125
920	92001	50	M16	13	90	65
920	92002	50	M16	13	140	115
920	92003	50	M16	13	190	165
921	92101	50	M20	16	90	65
921	92102	50	M20	16	115	90
921	92103	50	M20	16	165	140

SS: Acciaio inox / Stainless steel / Edelstahl
FeZn: Ferro zincato / Zinc plated steel / Stahl Verzinkt

Piede diam. 75 mm / Leveler diam. 75 mm / Stel fuss Diam. 75 mm

Part	Article-Nr.	D	Spindle	K	TH	L
922	92201	75	M12	9	80	50
922	92202	75	M12	9	105	75
922	92203	75	M12	9	155	125
923	92301	75	M16	13	95	65
923	92302	75	M16	13	145	115
923	92303	75	M16	13	195	165
924	92401	75	M20	16	95	65
924	92402	75	M20	16	120	90
924	92403	75	M20	16	170	140

SS: Acciaio inox / Stainless steel / Edelstahl
FeZn: Ferro zincato / Zinc plated steel / Stahl Verzinkt

Piede diam. 100 mm / Leveler diam. 100 mm / Stel fuss Diam. 100 mm

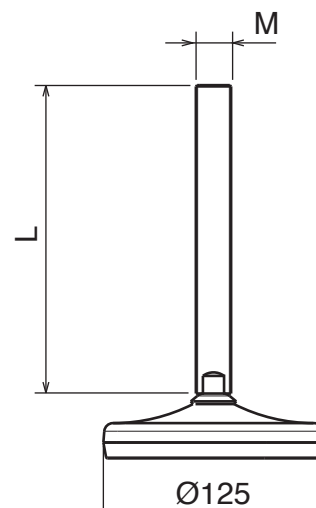
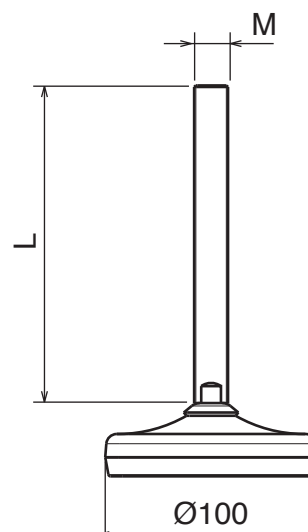
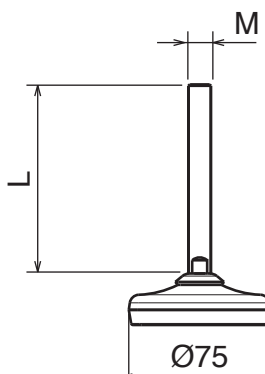
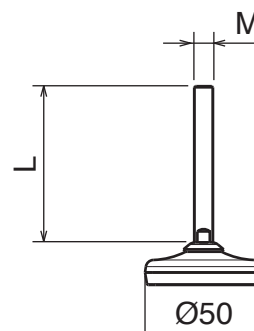
Part	Article-Nr.	D	Spindle	K	TH	L
925	92501	100	M16	13	100	65
925	92502	100	M16	13	150	115
925	92503	100	M16	13	200	165
926	92601	100	M20	16	125	90
926	92602	100	M20	16	175	140
926	92603	100	M20	16	225	190
927	92701	100	M24	19	125	90
927	92702	100	M24	19	175	140
927	92703	100	M24	19	225	190

SS: Acciaio inox / Stainless steel / Edelstahl
FeZn: Ferro zincato / Zinc plated steel / Stahl Verzinkt

Piede diam. 125 mm / Leveler diam. 125 mm / Stel fuss Diam. 125 mm

Part	Article-Nr.	D	Spindle	K	TH	L
928	92801	125	M20	16	130	90
928	92802	125	M20	16	180	140
928	92803	125	M20	16	230	190
929	92901	125	M24	19	130	90
929	92902	125	M24	19	180	140
929	92903	125	M24	19	230	190
930	93001	125	M30	24	155	115
930	93002	125	M30	24	205	165
930	93003	125	M30	24	255	215

SS: Acciaio inox / Stainless steel / Edelstahl
FeZn: Ferro zincato / Zinc plated steel / Stahl Verzinkt



934-939

EASY CLEAN

Piede con Foro Fissaggio
Leve ler with Fixing Hole
Ste lfuss mit Befestigungsbohrung

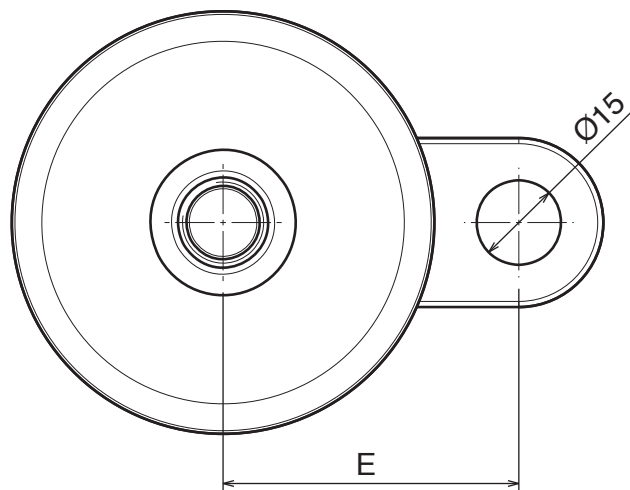
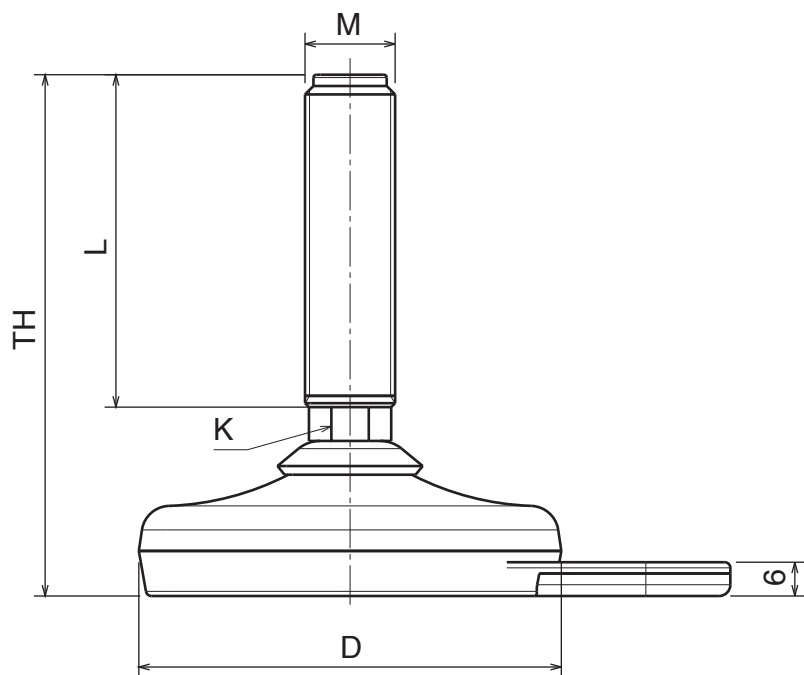
Materiale:	Material:	Materialien:
Basi, stelo e rondella: Acciaio inox	Base plate, spindle and washer: Stainless steel	Fussplatte, Spindel und Scheibe: Edelstahl



Ø75



Ø100

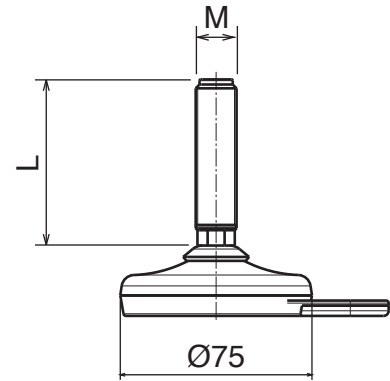


**Piede diam. 75 mm con fori fissaggio / Leve ler diam. 75 mm with fixing holes
Ste lfuss diam. 75 mm mit Befestigungsbohrung**

Part	Article-Nr.	D	E	Spindle	K	TH	L
934	93401	75	52,5	M12	9	80	50
934	93402	75	52,5	M12	9	105	75
934	93403	75	52,5	M12	9	155	125
935	93501	75	52,5	M16	13	95	65
935	93502	75	52,5	M16	13	145	115
935	93503	75	52,5	M16	13	195	165
936	93601	75	52,5	M20	16	95	65
936	93602	75	52,5	M20	16	120	90
936	93603	75	52,5	M20	16	170	140

SS: Acciaio inox / Stainless steel / Edelstahl

FeZn: Ferro zincato / Zinc plated steel / Stahl Verzinkt

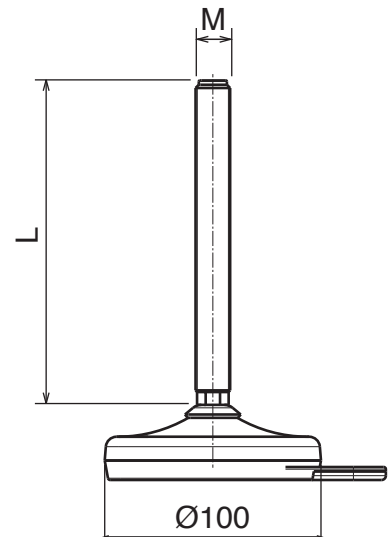


**Piede diam. 100 mm con fori fissaggio / Leve ler diam. 100 mm with fixing holes
Ste lfuss diam. 100 mm mit Befestigungsbohrung**

Part	Article-Nr.	D	E	Spindle	K	TH	L
937	93701	100	65	M16	13	100	65
937	93702	100	65	M16	13	150	115
937	93703	100	65	M16	13	200	165
938	93801	100	65	M20	16	125	90
938	93802	100	65	M20	16	175	140
938	93803	100	65	M20	16	225	190
939	93901	100	65	M24	19	125	90
939	93902	100	65	M24	19	175	140
939	93903	100	65	M24	19	225	190

SS: Acciaio inox / Stainless steel / Edelstahl

FeZn: Ferro zincato / Zinc plated steel / Stahl Verzinkt



ACCESSORI / ACCESSORIES / ZUBEHÖR

Dadi acciaio inox / Stainless steel nuts / Mut er Edelstahl



Part	Article-Nr.	Spindle
998	99802	M12
998	99803	M14
998	99804	M16
998	99805	M20
998	99806	M24
998	99807	M30