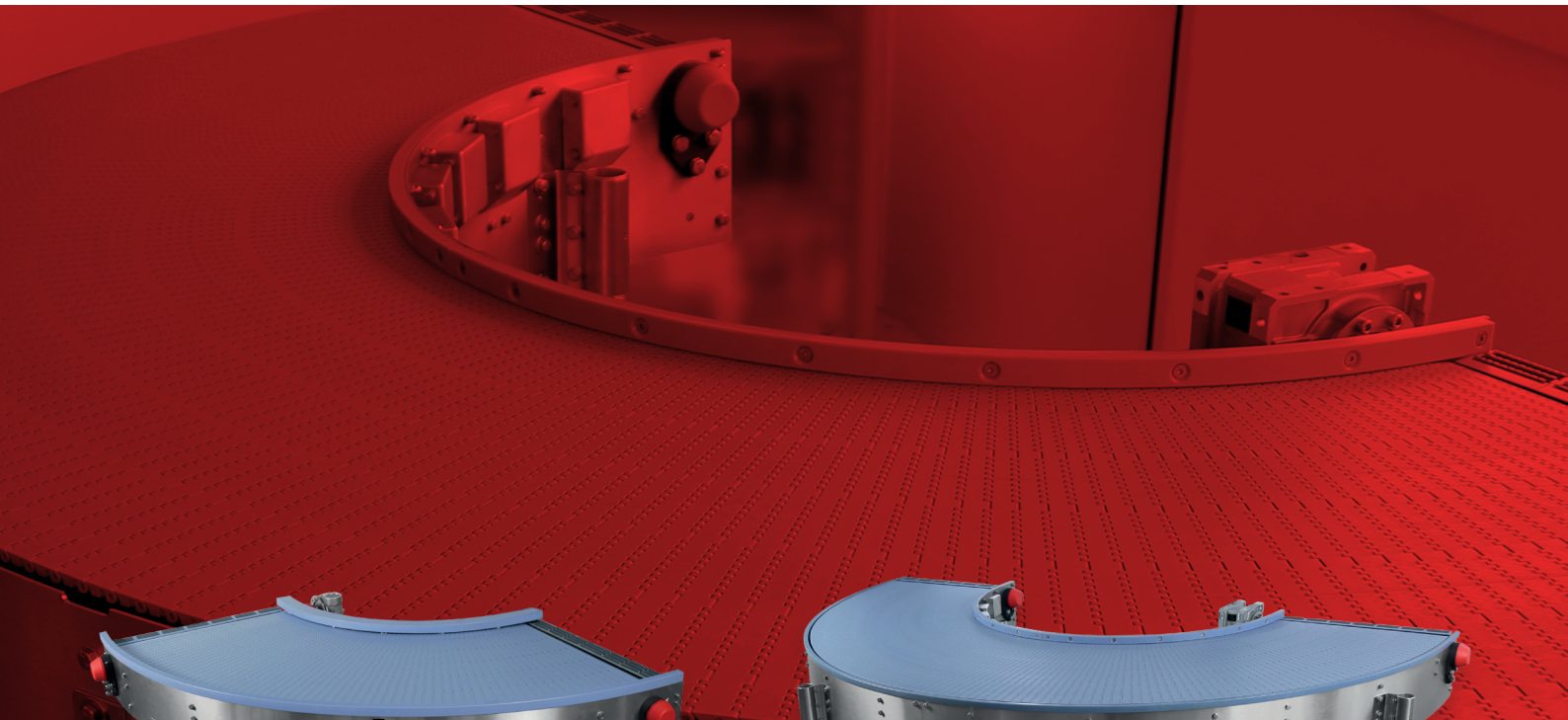


ZER⁵²⁰CONTACT

C U R V E



ANGLE 90°

ANGLE 180°

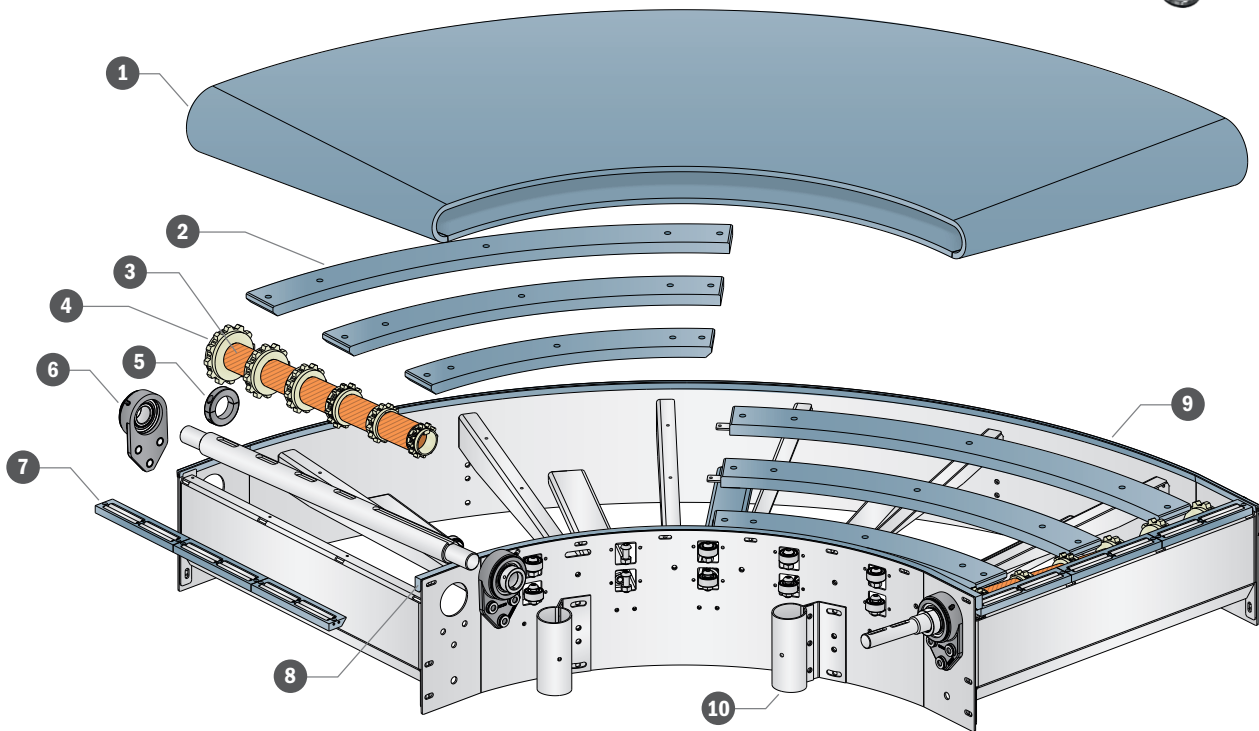
MovexTM

ZERO CONTACT

CURVE



The new **Zero Contact™ Curve** is available in different widths with a closed-top surface capable of handling a variety of package sizes, types and configurations including delicate products and applications exiting a shrink wrapper.



- 1 Zero Contact Belt™
- 2 Support guides
- 3 Spacer (optional)
- 4 Sprocket
- 5 Locking collars
- 6 Flange bearings
- 7 Transfer modules
- 8 Inside guide
- 9 Outside guide
- 10 Side mounting top bracket

For more details on Zero Contact™ Curve consult our product catalog:

www.movexii.com

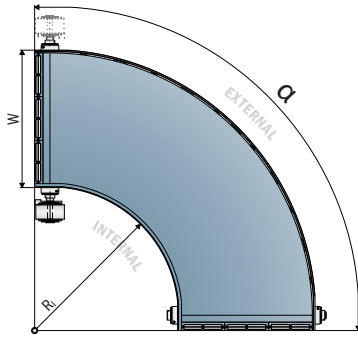
Technical specification

Available belt width:	200 mm to 1400 mm (increments of 200 mm)	Belt material:	Acetal (POM) RAL 5014
Available curve angle:	90° and 180° (Different angle on request)	Pins material:	PBT White
Max belt speed:	70 m/min.	Frame material:	Stainless steel - AISI 304
Weight:	9,25 Kg/m ²	Guide material:	BluLub
Max working load:	2700 N per 200 mm of belt width	Drive method:	Solid sprockets PA6 machined
Min inner radius:	600 mm to 1400 mm (increments of 200 mm)	Temperature range Dry:	-40+80°C
Gearmotor:	SEW	Temperature range Wet:	-40+65°C

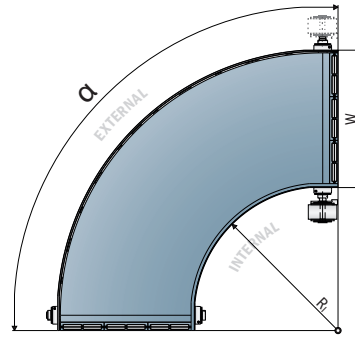
If you have questions about a specific application, contact our engineering department.

CURVES RANGE - Angle 90°

Left Version **CS**



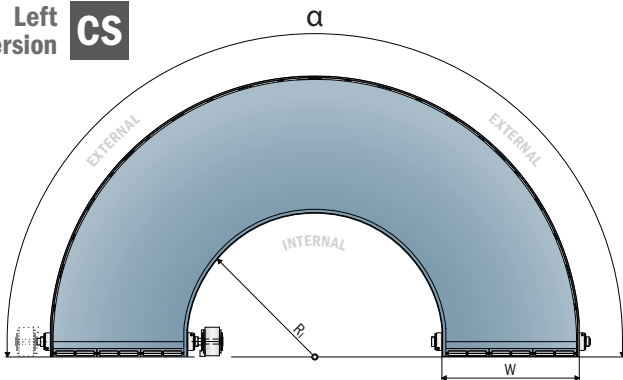
CD Right Version



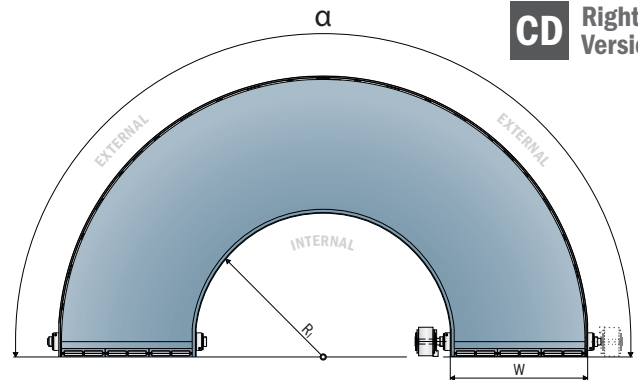
Width (mm)	Version	Rmin. 600	Rmin. 800	Rmin. 1000	Rmin. 1200	Rmin. 1400
200	RIGHT	5451010201A-CD	5451010202A-CD	5451010203A-CD	5451010204A-CD	5451010205A-CD
	LEFT	5451010201A-CS	5451010202A-CS	5451010203A-CS	5451010204A-CS	5451010205A-CS
400	RIGHT	5451010401A-CD	5451010402A-CD	5451010403A-CD	5451010404A-CD	-
	LEFT	5451010401A-CS	5451010402A-CS	5451010403A-CS	5451010404A-CS	-
600	RIGHT	5451010601A-CD	5451010602A-CD	5451010603A-CD	-	-
	LEFT	5451010601A-CS	5451010602A-CS	5451010603A-CS	-	-
800	RIGHT	5451010801A-CD	5451010802A-CD	-	-	-
	LEFT	5451010801A-CS	5451010802A-CS	-	-	-
1000	RIGHT	5451011001A-CD	-	-	-	-
	LEFT	5451011001A-CS	-	-	-	-

CURVES RANGE - Angle 180°

Left Version **CS**



CD Right Version



Width (mm)	Version	Rmin. 600	Rmin. 800	Rmin. 1000	Rmin. 1200	Rmin. 1400
200	RIGHT	5452010201A-CD	5452010202A-CD	5452010203A-CD	5452010204A-CD	5452010205A-CD
	LEFT	5452010201A-CS	5452010202A-CS	5452010203A-CS	5452010204A-CS	5452010205A-CS
400	RIGHT	5452010401A-CD	5452010402A-CD	5452010403A-CD	5452010404A-CD	-
	LEFT	5452010401A-CS	5452010402A-CS	5452010403A-CS	5452010404A-CS	-
600	RIGHT	5452010601A-CD	5452010602A-CD	5452010603A-CD	-	-
	LEFT	5452010601A-CS	5452010602A-CS	5452010603A-CS	-	-
800	RIGHT	5452010801A-CD	5452010802A-CD	-	-	-
	LEFT	5452010801A-CS	5452010802A-CS	-	-	-
1000	RIGHT	5452011001A-CD	-	-	-	-
	LEFT	5452011001A-CS	-	-	-	-

ZER⁵²⁰CONTACT

C U R V E

CURVE CONVEYOR WITH PLASTIC BELT

Design

Improved construction and straight section eliminated before and after curve.

Radius and pitch

Constant inner radius and reduced pitch.

Easy implementation

Easy implementation in existing layouts respectively easy replacement of existing conveyor.

Space

Less floorspace required.

Safety

Closed-Top design and Improved safety.

Product care

Improved product handling, holding original orientation.

Low noise

Low noise return with rubber coated return roller.

Speed

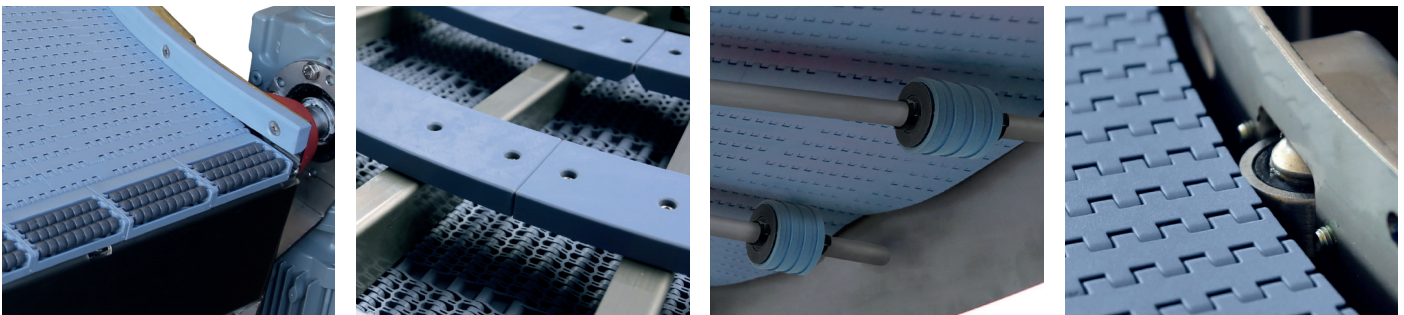
Up to 70 meters per minute.

Money saving

With reduced maintenance cost.

Ideal for transporting:

- Bags
- Containers
- Wrapped items
- Bundles
- Cartons



MovexTM

Movex S.p.A. | Viale Industria, 22 - 24060 Castelli Calepio BG - Italy - Ph | +39 035 8359711

Movex GmbH | Alfred-Nobel-Strasse, 4 - 68519 Viernheim - Germany - Ph | +49 (0) 6204 9375-0

Movex USA Inc. | Ph | +1-434-616-2590

Movex Brasil Ltda | Ph | +55 15 3141-2550

Movex SA de CV. | Ph | + (33) 3110-0808

Movex AG | Ph | +91 120 4159660-62

info@movexii.com | www.movexii.com | Follow us   