

ZER⁵²⁰CONTACT

The new modular radius belt **Zero Contact**™ is available in different widths with a closed-top surface capable of handling a variety of package sizes, types and configurations including delicate products exiting a shrink wrapper.

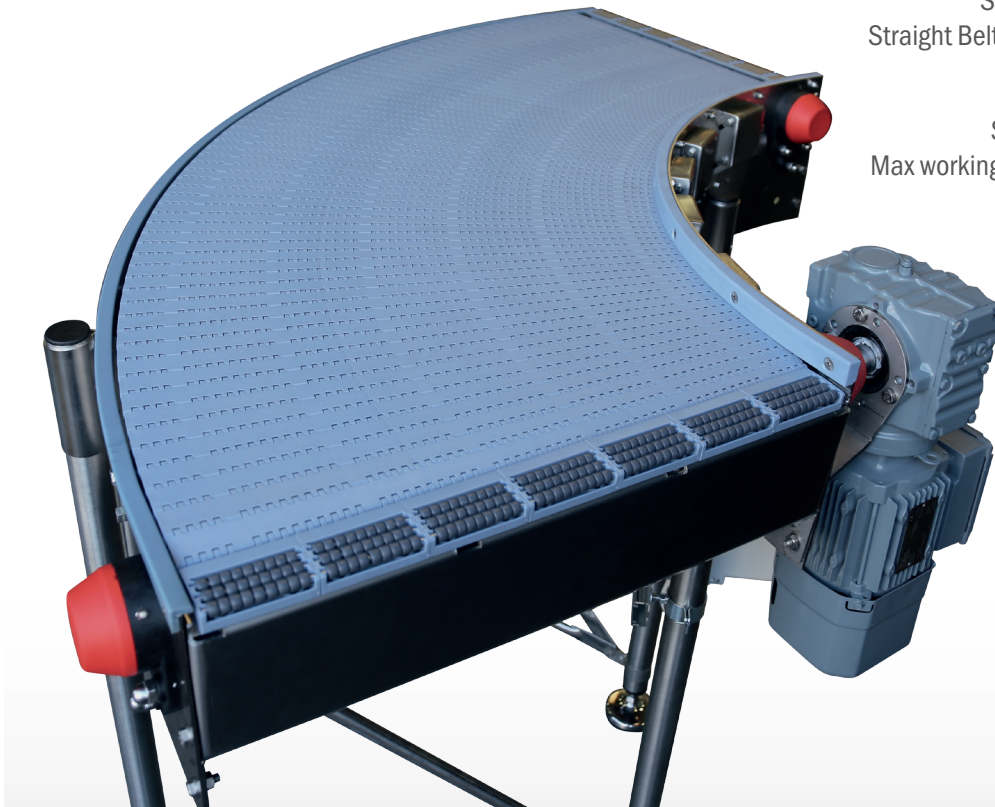
Minimum width available: 200 mm

Maximum width available: 1000 mm (increments of 200 mm)

Rm at first sprocket: 650 mm to 1450 mm (increments of 100 mm)

Row to row angle: 1,33°

Open Area: 0%



Design

Simple and Innovative Construction,
Straight Belt eliminated before and after curve.

Features

Speed: Up to 70 meters per minute
Max working load: Kg. 12000N/m. (belt width)

Product care

Improved product handling,
holding original orientation.

Radius and Pitch

Constant inner radius
and reduced pitch.

Safe design

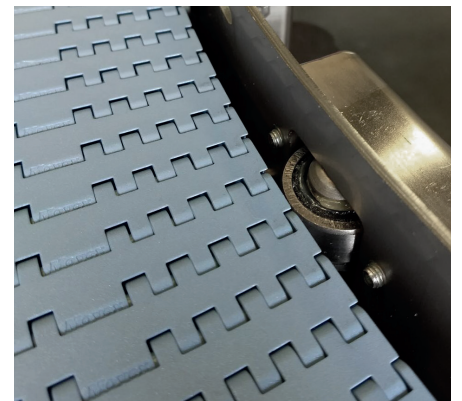
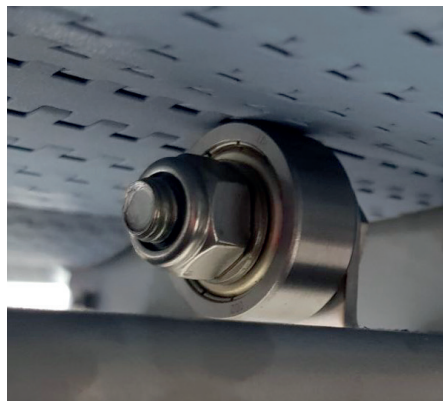
Closed-Top design
and Improved Safety.

Space

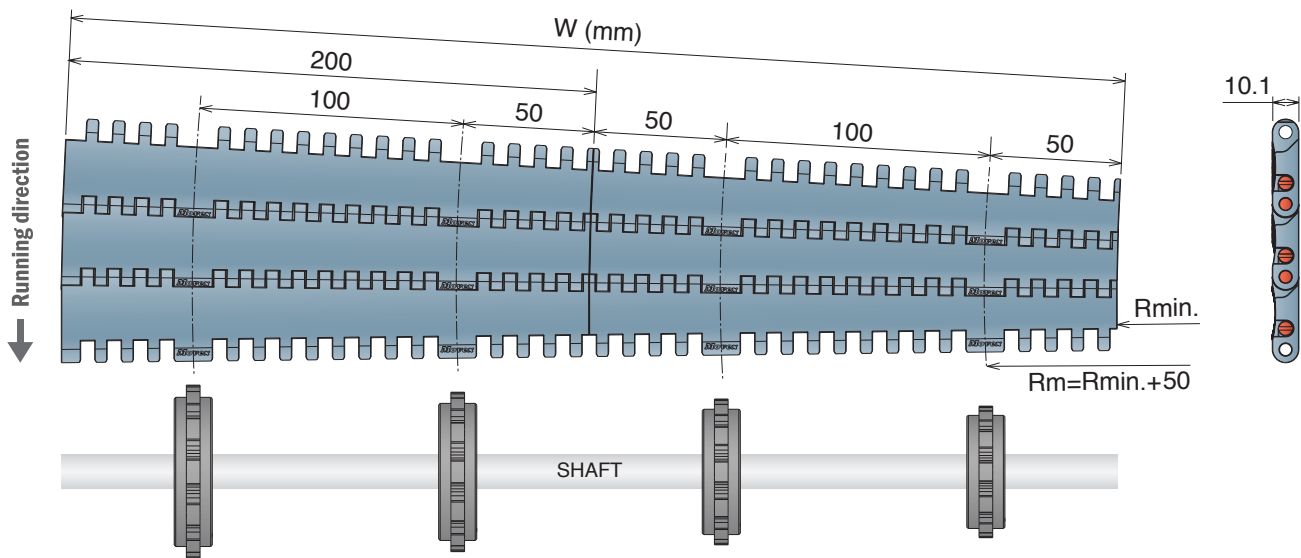
Less floorspace required.

Maintenance Cost

Reduced maintenance cost.



Technical features and Product order Code



Material

LFA - Code 01
Low friction Acetal

Max w. load: 41500 N/m

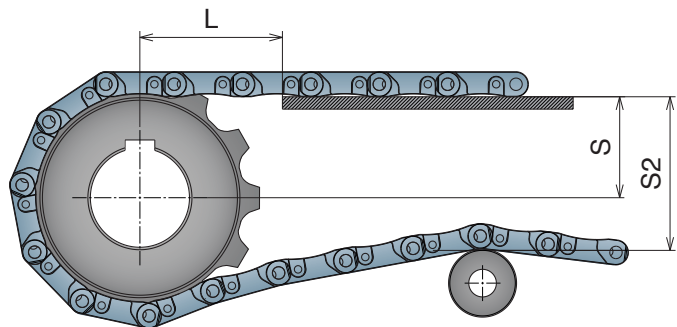
Weight: 26,9 kg/m²

Temp. range dry: -40÷80 °C

Temp. range wet: -40÷65 °C

Part	Belt Width (mm)	Rmin. 600	Rmin. 800	Rmin. 1000	Rmin. 1200	Rmin. 1400
5451	200	5451010201A	5451010202A	5451010203A	5451010204A	5451010205A
5451	400	5451010401A	5451010402A	5451010403A	5451010404A	-
5451	600	5451010601A	5451010602A	5451010603A	-	-
5451	800	5451010801A	5451010802A	-	-	-
5451	1000	5451011001A	-	-	-	-

Sprockets features and order Code



Material:

Polyamide

Screws: Stainless steel

Nuts: zinc plated steel

Part	Article-Nr.	Z	Bore	R min.	Pitch Diam.	Ext. Diam.	L	S	S2
1624	162401	12	40	600	58,0	61,0	13,6	25,6	53,4
1624	162402			700	66,0	69,0	15,8	29,9	62,3
1624	162403			800	76,0	79,0	18,0	34,2	71,2
1624	162404			900	84,0	86,0	20,2	38,5	80,1
1624	162405			1000	94,0	97,0	22,4	42,8	89,0
1624	162406			1100	102,0	104,0	24,6	47,1	97,9
1624	162407			1200	112,0	114,0	26,8	51,4	104,0
1624	162408			1300	119,0	122,0	29,0	55,7	106,8
1624	162409			1400	130,0	132,0	31,2	60,0	115,7
1624	162410			1500	137,0	140,0	33,4	64,3	124,6