

Metric
Version



Movex[®]
PRODUCT CATALOG

movexii.com

Made in ITALY PERFORMING everywhere.



Company Headquarters
Castelli calepio (BG) - ITALY

Movex® is a dynamic company driven by the ambition to design and manufacture conveying and material handling technology of the highest quality. We combine superior technical performance and design to provide customers with innovative solutions and impeccable service.

At our Italian headquarters, we design and manufacture standard and customized products and solutions to meet customers' needs in a dynamic and proactive environment.

Movex® follows every single customer from the project to installation, guaranteeing full support. With more than 30 technical sales representatives worldwide, we offer global support directly on-site, via video conference or by phone. Thanks to worldwide warehousing, we are able to provide short lead times and, in the event of the need for faster delivery times, our Priority Service, offering delivery in 1/2 working days, is always available.

As a leader in beverage and logistics conveyor components, Movex® stands as a robust entity in the industry with over 12 years of dynamic presence, ensuring quality products and impeccable service.



MISSION

To forge our values through the development of ideas and high standards, and to professionally support our partners with flexibility and efficiency.



VISION

To achieving strong market leadership, while constantly remaining up to date. To plan our future while remaining faithful to our history and values.






Movex's New Website

Always up to date
with our latest news
and products!



Discover Movex® at the click of a button: visit our new website to learn about all our solutions, browse the digital catalog to find the perfect products for your needs, and don't forget to follow us on social media to stay updated on the latest news and events!

Movex® offers you innovation and quality at your fingertips, wherever you are.

Follow us   

www.movexii.com



Priority service

Even faster and responsive,
when you need it.

Products in stock are available to ship
within 24 Hours of the receipt of order.

>10,000 ARTICLES NUMBER
READY TO DELIVERY

Priority service is optional,
available on request

Request a free quotation!


















Movex
Blueline[®]

After years of successful activity in the beverage sector, Movex[®] has expanded its expertise by developing a selection of products aimed at intercepting and meeting the needs of new sectors, such as the food, meat, poultry, seafood, bakery, vegetable, material handling, and automotive industries. **This new chapter in our company's history is called Blueline[®].**

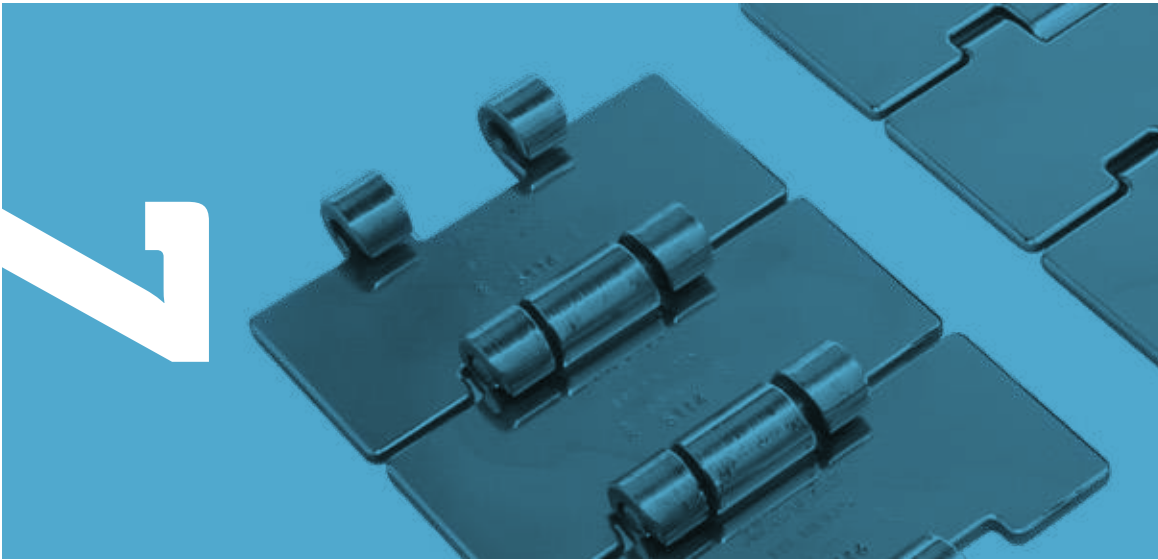
Discover our Blueline selection on our website and download the catalog!

Table of contents

Sommario / Inhaltsverzeichnis

	Steel chains	Page 7
	Plastic chains	Page 27
	Chain sprockets and Turning disks	Page 79 / 104
	Chain idler wheels	Page 109
	Magnetic, Tab & Bevel corner tracks	Page 119
	Modular belts and NoseBars	Page 195 / 306
	Modular solutions	Page 319
	Belt sprockets	Page 353
	Extruded profiles	Page 389
	Return components	Page 497
	Conveyor components	Page 509
	Conveyor support components	Page 579
	Bearing supports	Page 595
	Leveling feet	Page 677
	Materials	Page 765





Steel chains

812/815



Page 8/9

812 GT/815 GT



Page 10

815 TAB GT



Page 11

815 Transfer wing



Page 11

815 MINI



Page 12

815 MINI GT



Page 12

802/805



Page 13

802 GT/805 GT



Page 14

8157



Page 15

8157 GT



Page 15

512



Page 16

881 M



Page 17/18

881 M GT



Page 19

881 TAB



Page 20

881 B



Page 21

8811 TAB



Page 22

8811 R TAB



Page 23

8811 TAB GT



Page 23

8811 B



Page 24

8857 M



Page 25

8857 M GT



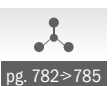
Page 25

1874 TAB



Page 26

Material Info:



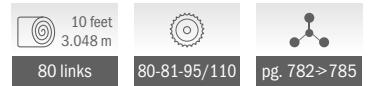
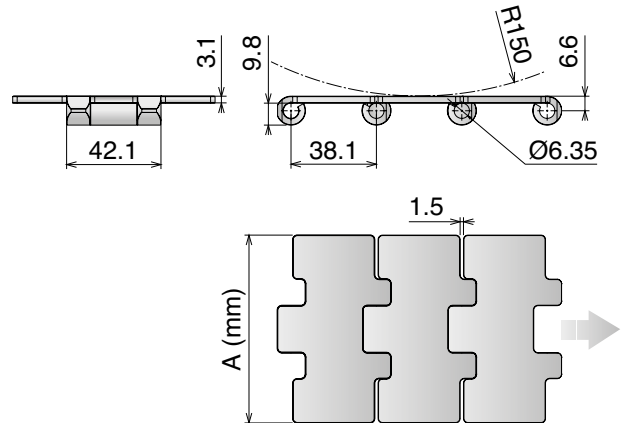
pg. 782>785

815

Catena rettilinea
Straight running chain / Geradegängige Scharnierbandkette

Delivery: **Easy** **Standard**

Pins: Martensitic 1.4057 | Backflex radius min.: 150 mm

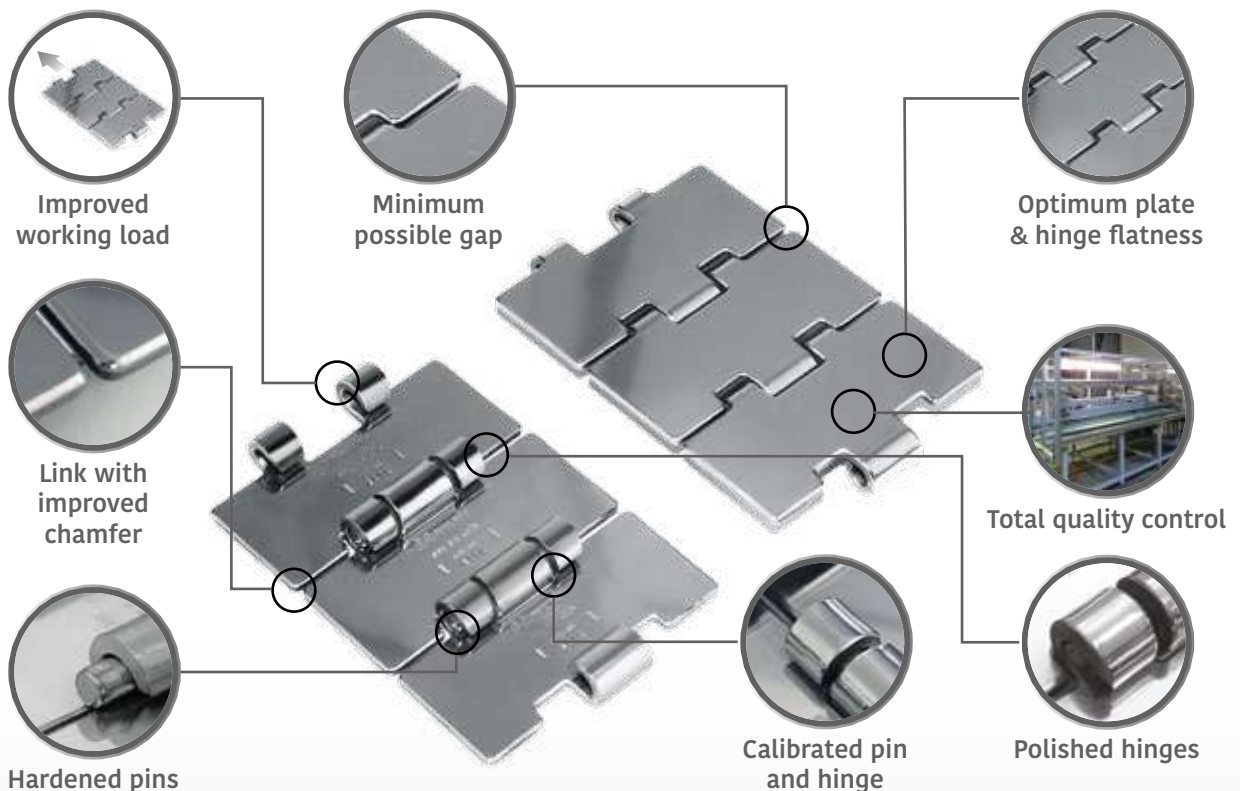


Article-Nr.	Ref.	A (Plate Width) mm	Weight kg/m	Surface finish µm	Surface Flatness mm	Polished Hinge eyes	Max working load (N)	Plate Thickness mm
-------------	------	--------------------	-------------	-------------------	---------------------	---------------------	----------------------	--------------------

SSM Max Speed - Hardened pins

10010302	SSM 815 K325	82,5	2,55	0,2	0,08	YES	6000	3,1
10010303	SSM 815 K330	83,8	2,59	0,2	0,08	YES		

Max Speed High Performance

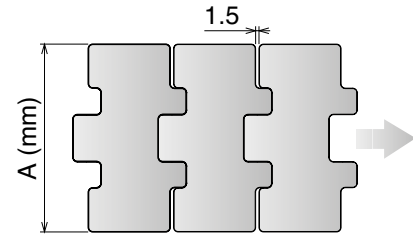
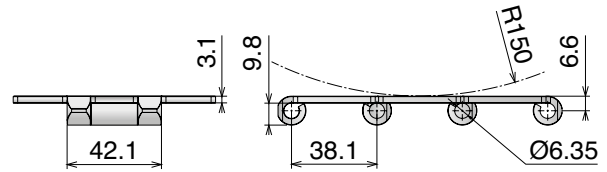


812/815

Catena rettilinea
Straight running chain / Geradegängige Scharnierbandkette

Delivery: **Easy** **Standard**

Pins: Martensitic 1.4057 | Backflex radius min.: 150 mm



Article-Nr.	Ref.	A (Plate Width) mm	Weight kg/m	Surface finish µm	Surface Flatness mm	Polished Hinge eyes	Max working load (N)	Plate Thickness mm
-------------	------	--------------------	-------------	-------------------	---------------------	---------------------	----------------------	--------------------

SS Ferritic Stainless Steel (1.4016)

10010216	SS 812 K300	76,2	2,50	0,5	0,15	NO	5400	3,1
10010202	SS 812 K325	82,5	2,55	0,5	0,15	NO		
10010203	SS 812 K330	83,8	2,59	0,5	0,15	NO		
10010204	SS 812 K350	88,9	2,69	0,5	0,15	NO		
10010214	SS 812 K400	101,6	3,00	0,5	0,15	NO		
10010205	SS 812 K450	114,3	3,25	0,5	0,20	NO		
10010206	SS 812 K600	152,4	4,15	0,5	0,30	NO		
10010207	SS 812 K750	190,5	5,05	0,5	0,30	NO		

SSE Specially treated Ferritic Stainless Steel (1.4589) - Hardened pins

10010102	SSE 815 K325	82,5	2,55	0,3	0,10	YES	6000	3,1
10010103	SSE 815 K330	83,8	2,59	0,3	0,10	YES		
10010104	SSE 815 K350	88,9	2,69	0,3	0,15	NO		
10010114	SSE 815 K400	101,6	3,00	0,3	0,15	NO		
10010105	SSE 815 K450	114,3	3,25	0,3	0,20	NO		
10010106	SSE 815 K600	152,4	4,15	0,3	0,30	NO		
10010107	SSE 815 K750	190,5	5,05	0,3	0,30	NO		

*SSA Austenitic Stainless Steel (AISI 304) - Austenitic pin

10010402	SSA 815 K325	82,5	2,55	0,5	0,15	NO	5300	3,1
10010403	SSA 815 K330	83,8	2,59	0,5	0,15	NO		
10010404	SSA 815 K350	88,9	2,69	0,5	0,15	NO		
10010405	SSA 815 K450	114,3	3,25	0,5	0,20	NO		
10010406	SSA 815 K600	152,4	4,15	0,5	0,30	NO		
10010407	SSA 815 K750	190,5	5,05	0,5	0,30	NO		

812 GT/815 GT

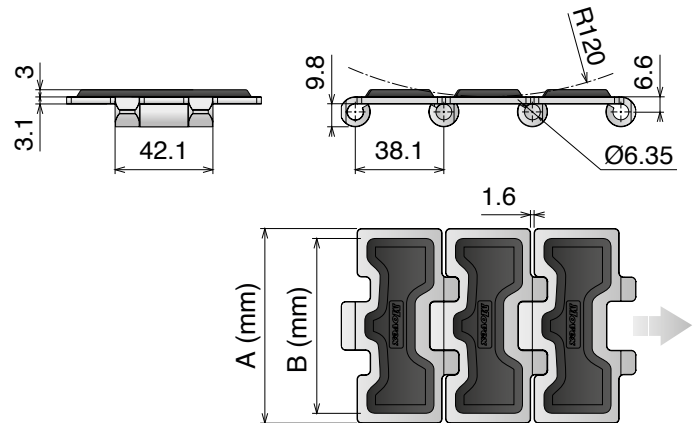
Catene in acciaio / Steel chains / Scharnierbandketten aus Edelstahl

812 GT/815 GT

Catena rettilinea
Straight running chain / Geradegängige Scharnierbandkette

Delivery: **Easy** **Standard**

Pins: Martensitic 1.4057 | Backflex radius min.: 120 mm



Article-Nr.	Ref.	A (Plate Width) mm	B (Rubber Width) mm	Weight kg/m	Max working load (N)	Plate/Rubber Thickness mm
-------------	------	--------------------	---------------------	-------------	----------------------	---------------------------

SS Ferritic Stainless Steel (1.4016)

10020202	SS 812 GT K325	82,5	75	2,80	5400	Plate 3,1 Rubber 3
-----------------	-----------------------	------	----	------	------	--------------------

SSE Specially treated Ferritic Stainless Steel (1.4589) - Hardened pins

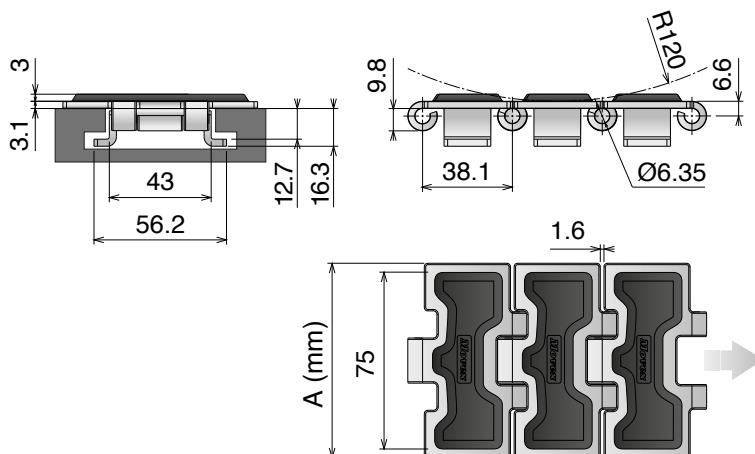
10020102	SSE 815 GT K325	82,5	75	2,80	6000	Plate 3,1 Rubber 3
10020105	SSE 815 GT K450	114,3	107	3,55		
10020107	SSE 815 GT K750	190,5	140	5,55		

815 TAB GT

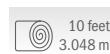
Catena rettilinea
Straight running chain / Geradegängige Scharnierbandkette

Delivery: **Easy** **Standard**

Pins: Martensitic 1.4057 | Backflex radius min.: 120 mm



TAB SYSTEM



80 links



82-83/112



pg. 782>785

Article-Nr.	Ref.	A (Plate Width) mm	Weight kg/m	Max working load (N)	Plate/Rubber Thickness mm
-------------	------	--------------------	-------------	----------------------	---------------------------

SSE Specially treated Ferritic Stainless Steel (1.4589) - Hardened pins

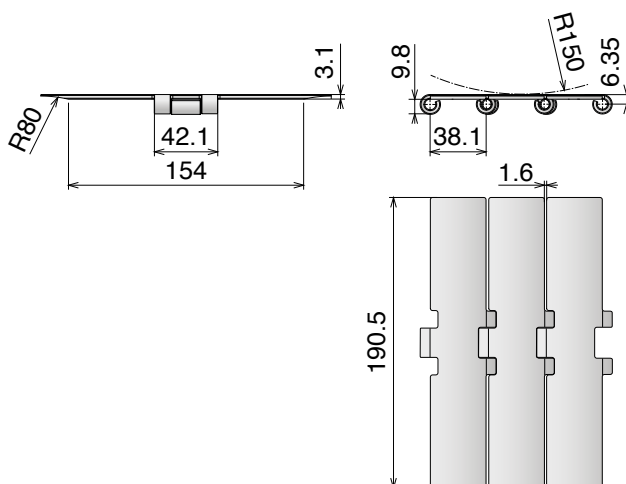
10200102	SSE 815 TAB GT K325	82,5	3,40	6000	Plate 3,1 Rubber 3
----------	---------------------	------	------	------	--------------------

815 Transfer wing

Catena rettilinea / Straight running chain / Geradegängige Scharnierbandkette

Delivery: **Easy** **Standard**

Pins: Martensitic 1.4057 | Backflex radius min.: 70 mm



80 links



80-81-95/110



pg. 782>785

Article-Nr.	Ref.	A (Plate Width) mm	Weight kg/m	Surface finish µm	Surface Flatness mm	Polished Hinge eyes	Max working load (N)	Plate Thickness mm
-------------	------	--------------------	-------------	-------------------	---------------------	---------------------	----------------------	--------------------

SSE Specially treated Ferritic Stainless Steel (1.4589) - Hardened pins

10250107	SSE 815 K750 TRANSFER WING	190,5	4,67	0,3	0,30	NO	6000	3,1
----------	----------------------------	-------	------	-----	------	----	------	-----

815 MINI-815 MINI GT

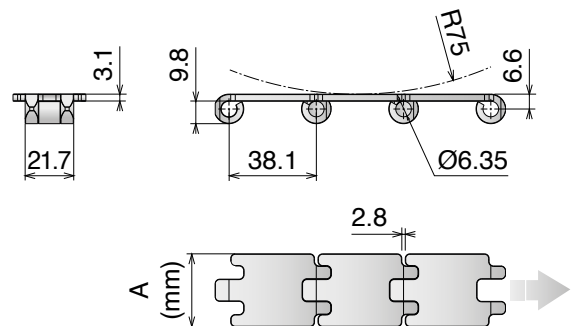
Catene in acciaio / Steel chains / Scharnierbandketten aus Edelstahl

815 MINI

Catena rettilinea
Straight running chain / Geradegängige Scharnierbandkette

Delivery: **Easy** **Standard**

Pins: Martensitic 1.4057 | Backflex radius min.: 75 mm



Article-Nr.	Ref.	A (Plate Width) mm	Weight kg/m	Max working load (N)	Plate Thickness mm
-------------	------	--------------------	-------------	----------------------	--------------------

SSE Specially treated Ferritic Stainless Steel (1.4589) - Hardened pins

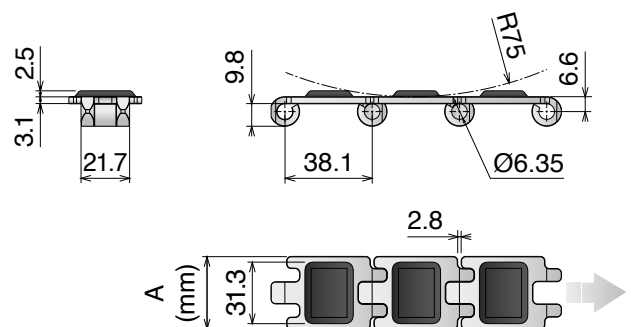
10210117	SSE 815 K125	31,75	1,07	3000	3,1
10210118	SSE 815 K175	44,45	1,35		

815 MINI GT

Catena rettilinea
Straight running chain / Geradegängige Scharnierbandkette

Delivery: **Easy** **Standard**

Pins: Martensitic 1.4057 | Backflex radius min.: 75 mm



Article-Nr.	Ref.	A (Plate Width) mm	B (Rubber Width) mm	Weight kg/m	Max working load (N)	Plate/Rubber Thickness mm
-------------	------	--------------------	---------------------	-------------	----------------------	---------------------------

SSE Specially treated Ferritic Stainless Steel (1.4589) - Hardened pins

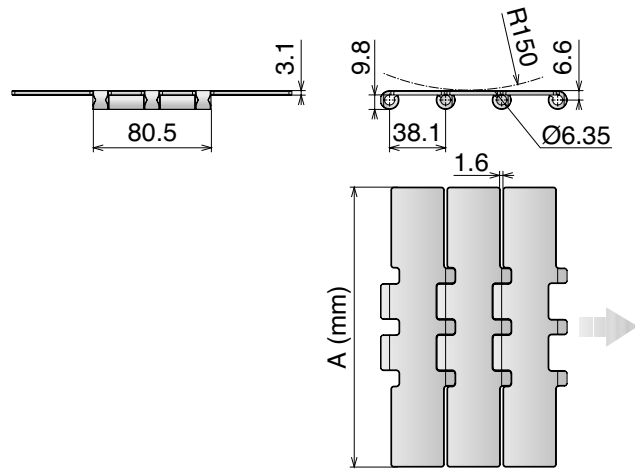
10230117	SSE 815 GT K125	31,75	31,3	1,20	4000	Plate 3,1 Rubber 2,5
----------	-----------------	-------	------	------	------	----------------------

802/805

Catena rettilinea
Straight running chain / Geradegängige Scharnierbandkette

Delivery: **Easy** **Standard**

Pins: Martensitic 1.4057 | Backflex radius min.: 150 mm



Article-Nr.	Ref.	A (Plate Width) mm	Weight kg/m	Surface finish μm	Max working load (N)	Plate Thickness mm
SS Ferritic Stainless Steel (1.4016)						
10030207	SS 802 K750	190,5	5,80	0,6	7000	3,1
SSE Specially treated Ferritic Stainless Steel (1.4589) - Hardened pins						
10030107	SSE 805 K750	190,5	5,80	0,3	9000	3,1
*SSA Austenitic Stainless Steel (AISI 304) - Austenitic pin						
10030407	SSA 805 K750	190,5	5,80	0,6	8700	3,1

802 GT/805 GT

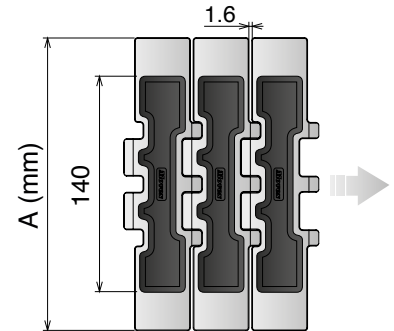
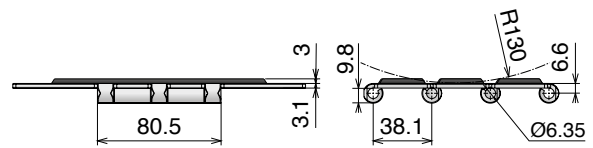
Catene in acciaio / Steel chains / Scharnierbandketten aus Edelstahl

802 GT/805 GT

Catena rettilinea
Straight running chain / Geradegängige Scharnierbandkette

Delivery: **Easy** Standard

Pins: Martensitic 1.4057 | Backflex radius min.: 130 mm



80 links



pg. 84-96/111



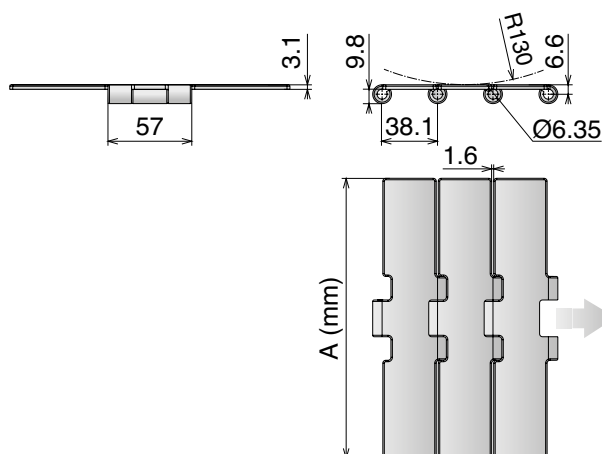
pg. 782>785

Article-Nr.	Ref.	A (Plate Width) mm	Weight kg/m	Max working load (N)	Plate/Rubber Thickness mm
SS Ferritic Stainless Steel (1.4016)					
10040207	SS 802 GT K750	190,5	6,20	7000	Plate 3,1 Rubber 3
SSE Specially treated Ferritic Stainless Steel (1.4589) - Hardened pins					
10040107	SSE 805 GT K750	190,5	6,20	9000	Plate 3,1 Rubber 3

8157 Catena rettilinea Straight running chain / Geradegängige Scharnierbandkette

Delivery: **Easy** **Standard**

Pins: Martensitic 1.4057 | Backflex radius min.: 130 mm



10 feet / 3.048 m
80 links

pg. 85-95/113

pg. 782>785

Article-Nr.	Ref.	A (Plate Width) mm	Weight kg/m	Surface finish µm	Max working load (N)	Plate Thickness mm
-------------	------	--------------------	-------------	-------------------	----------------------	--------------------

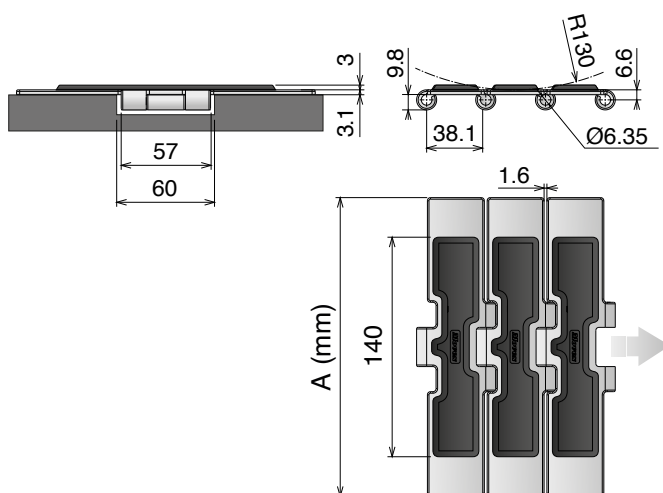
SSE Specially treated Ferritic Stainless Steel (1.4589) - Hardened pins

10050107	SSE 8157 K750	190,5	5,60	0,3	10000	3,1
----------	---------------	-------	------	-----	-------	-----

8157 GT Catena rettilinea Straight running chain / Geradegängige Scharnierbandkette

Delivery: **Easy** **Standard**

Pins: Martensitic 1.4057 | Backflex radius min.: 130 mm



10 feet / 3.048 m
80 links

pg. 85-95/113

pg. 782>785

Article-Nr.	Ref.	A (Plate Width) mm	Weight kg/m	Max working load (N)	Plate/Rubber Thickness mm
-------------	------	--------------------	-------------	----------------------	---------------------------

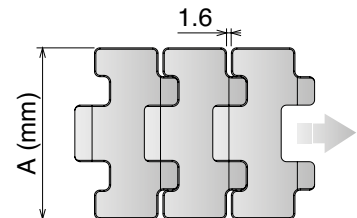
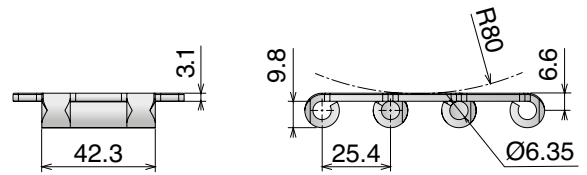
SSE Specially treated Ferritic Stainless Steel (1.4589) - Hardened pins

10060107	SSE 8157 GT K750	190,5	6,00	10000	Plate 3,1 Rubber 3
----------	------------------	-------	------	-------	--------------------

512 Catena rettilinea Straight running chain / Geradegängige Scharnierbandkette

Delivery: **Easy** **Standard**

Pins: Martensitic 1.4057 | Backflex radius min.: 80 mm



Article-Nr.	Ref.	A (Plate Width) mm	Weight kg/m	Surface finish µm	Max working load (N)	Plate Thickness mm
-------------	------	--------------------	-------------	-------------------	----------------------	--------------------

SSE Specially treated Ferritic Stainless Steel (1.4589) - Hardened pins

10070100	SSE 512 K217	55,1	2,30	0,3	5000	3,1
10070101	SSE 512 K236	59,9	2,40	0,3		
10070108	SSE 512 K250	63,5	2,45	0,3		
10070109	SSE 512 K283	71,9	2,65	0,3		
10070102	SSE 512 K325	82,5	2,90	0,3		
10070104	SSE 512 K350	88,9	3,00	0,3		
10070114	SSE 512 K400	101,6	3,30	0,3		

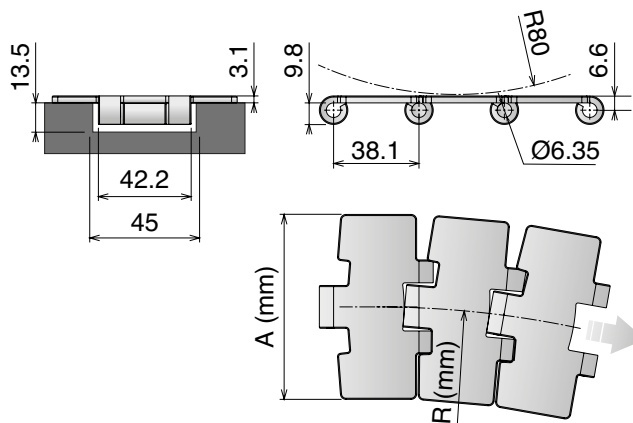
*SSA Austenitic Stainless Steel (AISI 304) - Austenitic pin

10070400	SSA 512 K217	55,1	2,30	0,3	4500	3,1
10070401	SSA 512 K236	59,9	2,40	0,3		
10070408	SSA 512 K250	63,5	2,45	0,3		
10070409	SSA 512 K283	71,9	2,65	0,3		
10070414	SSA 512 K400	101,6	3,30	0,3		

881 M Catena curvilinea Sideflexing chain / Kurvengängige Scharnierbandkette

Delivery: **Easy** **Standard**

Pins: Martensitic 1.4057 | Backflex radius min.: 80 mm



MAGNETIC SYSTEM

- 10 feet
3.048 m
-
-
- Easy Transfer Curves**
pg. 186/187
-

Article-Nr.	Ref.	A (Plate Width) mm	R mm	Weight kg/m	Surface finish µm	Surface Flatness mm	Polished Hinge eyes	Max working load (N)	Plate Thickness mm
-------------	------	--------------------	------	-------------	-------------------	---------------------	---------------------	----------------------	--------------------

SSM Max Speed - Hardened pins

10080302	SSM 881 M0 K325	82,5	500	2,55	0,2	0,08	YES	6000	3,1
10080303	SSM 881 M0 K330	83,8	500	2,59	0,2	0,08	YES		

Max Speed High Performance

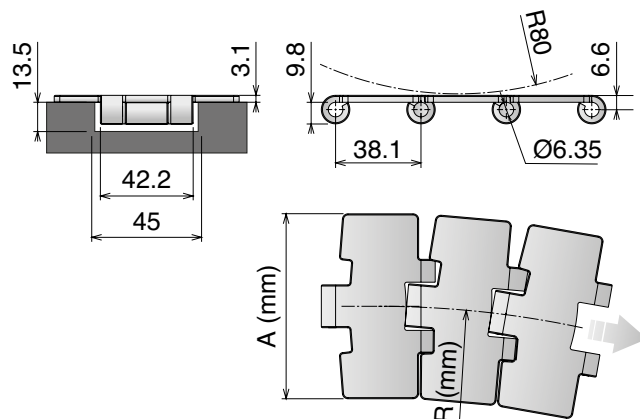
- Improved working load**
- Minimum possible gap**
- Optimum plate & hinge flatness**
- Link with improved chamfer**
- Total quality control**
- Hardened pins**
- Calibrated pin and hinge**
- Polished hinges**

881 M

Catena curvilinea
Sideflexing chain / Kurvengängige Scharnierbandkette

Delivery: **Easy** **Standard**

Pins: Martensitic 1.4057 | Backflex radius min.: 80 mm



MAGNETIC SYSTEM



10 feet
3.048 m



80 links

pg. 80->83-95/110-112



Easy Transfer
Curves

pg. 123->138

pg. 186/187



pg. 782->785

Article-Nr.	Ref.	A (Plate Width) mm	R mm	Weight kg/m	Surface finish µm	Surface Flatness mm	Polished Hinge eyes	Max working load (N)	Plate Thickness mm
-------------	------	-----------------------	---------	----------------	----------------------	------------------------	------------------------	-------------------------	-----------------------

SS Ferritic Stainless Steel (1.4016)

10080202	SS 881 MO K325	82,5	500	2,55	0,5	0,15	YES	5400	3,1
10080203	SS 881 MO K330	83,8	500	2,59	0,5	0,15	YES		
10080205	SS 881 MO K450	114,3	500	3,10	0,5	0,20	YES		
10080207	SS 881 MO K750	190,5	500	4,85	0,5	0,30	YES		

SSE Specially treated Ferritic Stainless Steel (1.4589) - Hardened pins

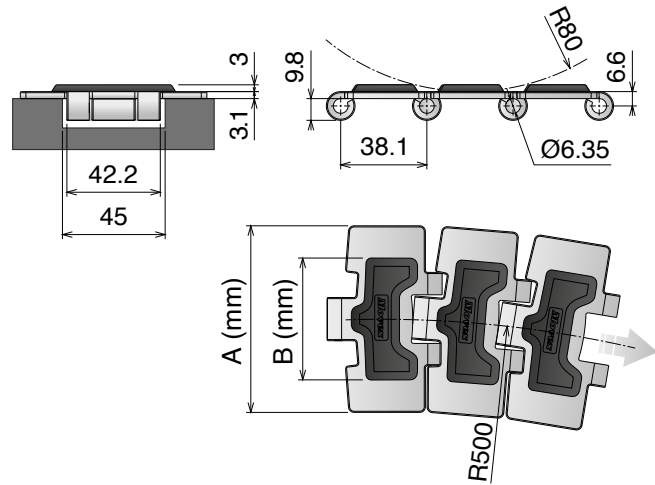
10080102	SSE 881 MO K325	82,5	500	2,55	0,3	0,10	YES	6000	3,1
10080103	SSE 881 MO K330	83,8	500	2,59	0,3	0,10	YES		
10080105	SSE 881 MO K450	114,3	500	3,10	0,3	0,20	YES		
10080107	SSE 881 MO K750	190,5	500	4,85	0,3	0,30	YES		

881 M GT

Catena curvilinea
Sideflexing chain / Kurvengängige Scharnierbandkette

Delivery: **Easy** Standard

Pins: Martensitic 1.4057 | Backflex radius min.: 80 mm



MAGNETIC SYSTEM

10 feet 3.048 m	pg. 80>83-95/110-112	pg. 123>138	Easy Transfer Curves pg. 186/187	pg. 782>785
80 links				

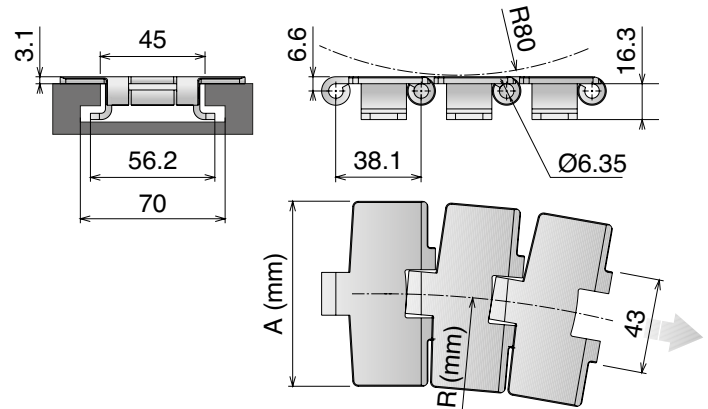
Article-Nr.	Ref.	A (Plate Width) mm	B (Plate Width) mm	Weight kg/m	Max working load (N)	Plate/Rubber Thickness mm
SSE Specially treated Ferritic Stainless Steel (1.4589) - Hardened pins						
10090102	SSE 881 M GT K325	82,5	57	2,80	6000	Plate 3,1 Rubber 3
10090107	SSE 881 M GT K750	190,5	140	5,00		

881 TAB

Catena curvilinea
Sideflexing chain / Kurvengängige Scharnierbandkette

Delivery: **Easy** **Standard**

Pins: Martensitic 1.4057 | Backflex radius min.: 80 mm



TAB SYSTEM



Article-Nr.	Ref.	A (Plate Width) mm	R mm	Weight kg/m	Surface finish µm	Max working load (N)	Plate Thickness mm
-------------	------	--------------------	------	-------------	-------------------	----------------------	--------------------

SS Ferritic Stainless Steel (1.4016)

10100202	SS 881 TAB K325	82,5	457	3,00	0,3	5400	3,1
----------	-----------------	------	-----	------	-----	------	-----

SSE Specially treated Ferritic Stainless Steel (1.4589) - Hardened pins

10100102	SSE 881 TAB K325	82,5	457	3,00	0,3	6000	3,1
10100105	SSE 881 TAB K450	114,3	500	3,69	0,3		
10100107	SSE 881 TAB K750	190,5	500	5,50	0,3		

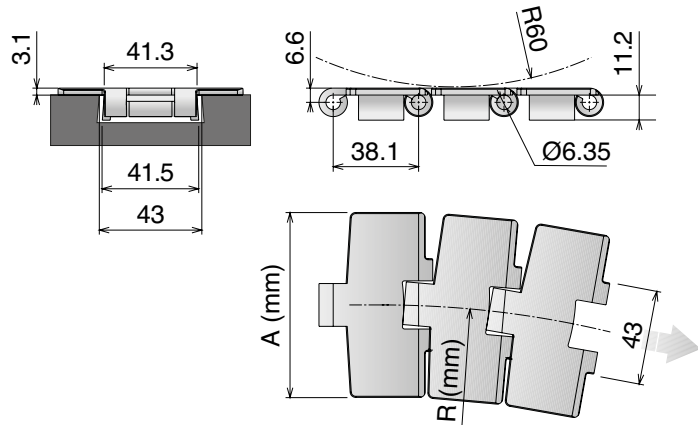
*SSA Austenitic Stainless Steel (AISI 304) - Austenitic pin

10100402	SSA 881 TAB K325	82,5	457	3,00	0,3	4500	3,1
10100405	SSA 881 TAB K450	114,3	500	3,69	0,3		
10100407	SSA 881 TAB K750	190,5	500	5,50	0,3		

881 B

Catena curvilinea
Sideflexing chain / Kurvengängige Scharnierbandkette

Pins: Martensitic 1.4057 | Backflex radius min.: 60 mm



BEVEL SYSTEM



80 links



pg. 82-83/112



pg. 182



pg. 782>785

Article-Nr.	Ref.	A (Plate Width) mm	R mm	Weight kg/m	Surface finish µm	Max working load (N)	Plate Thickness mm
-------------	------	-----------------------	---------	----------------	----------------------	-------------------------	-----------------------

SSE Specially treated Ferritic Stainless Steel (1.4589) - Hardened pins

10120102	SSE 881 K325	82,5	457	2,95	0,3	6000	3,1
10120104	SSE 881 K350	88,9	500	3,00	0,3		
10120105	SSE 881 K450	114,3	500	3,65	0,3		
10120107	SSE 881 K750	190,5	500	5,45	0,3		

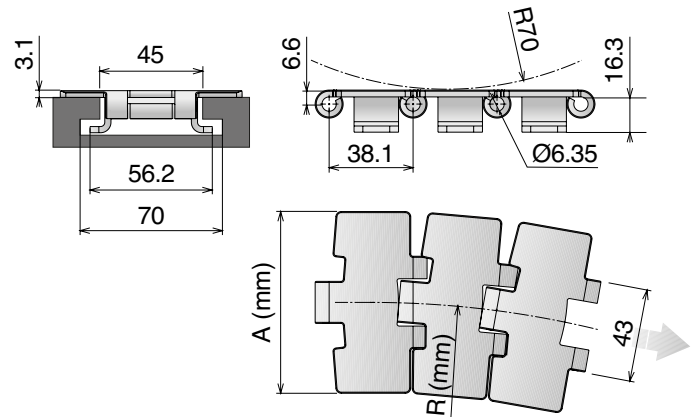
*SSA Austenitic Stainless Steel (AISI 304) - Austenitic pin

10120402	SSA 881 K325	82,5	457	2,95	0,3	4500	3,1
10120405	SSA 881 K450	114,3	500	3,65	0,3		
10120407	SSA 881 K750	190,5	500	5,45	0,3		

8811 TAB Catena curvilinea Sideflexing chain / Kurvengängige Scharnierbandkette

Delivery: **Easy** **Standard**

Pins: Martensitic 1.4057 | Backflex radius min.: 70 mm



TAB SYSTEM



Article-Nr.	Ref.	A (Plate Width) mm	R mm	Weight kg/m	Surface finish µm	Max working load (N)	Plate Thickness mm
-------------	------	--------------------	------	-------------	-------------------	----------------------	--------------------

SS Ferritic Stainless Steel (1.4016)

10140202	SS 8811 TAB K325	82,5	500	2,95	0,3	5400	3,1
10140203	SS 8811 TAB K330	83,8	500	3,05	0,3		
10140205	SS 8811 TAB K450	114,3	500	3,65	0,3		
10140207	SS 8811 TAB K750	190,5	500	5,45	0,3		

SSE Specially treated Ferritic Stainless Steel (1.4589) - Hardened pins

10140102	SSE 8811 TAB K325	82,5	500	2,95	0,3	6000	3,1
10140103	SSE 8811 TAB K330	83,8	500	3,05	0,3		
10140104	SSE 8811 TAB K350	88,9	500	3,15	0,3		
10140105	SSE 8811 TAB K450	114,3	500	3,65	0,3		
10140107	SSE 8811 TAB K750	190,5	500	5,45	0,3		

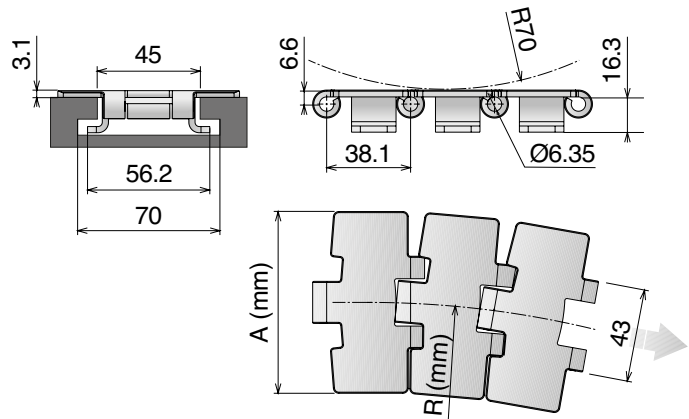
*SSA Austenitic Stainless Steel (AISI 304) - Austenitic pin

10140402	SSA 8811 TAB K325	82,5	500	2,95	0,3	4500	3,1
10140403	SSA 8811 TAB K330	83,8	500	3,05	0,3		
10140405	SSA 8811 TAB K450	114,3	500	3,65	0,3		
10140407	SSA 8811 TAB K750	190,5	500	5,45	0,3		

8811 R TAB

Catena curvilinea
Sideflexing chain / Kurvengängige Scharnierbandkette

Pins: Martensitic 1.4057 | Backflex radius min.: 80 mm



TAB SYSTEM

SMALL RADIUS

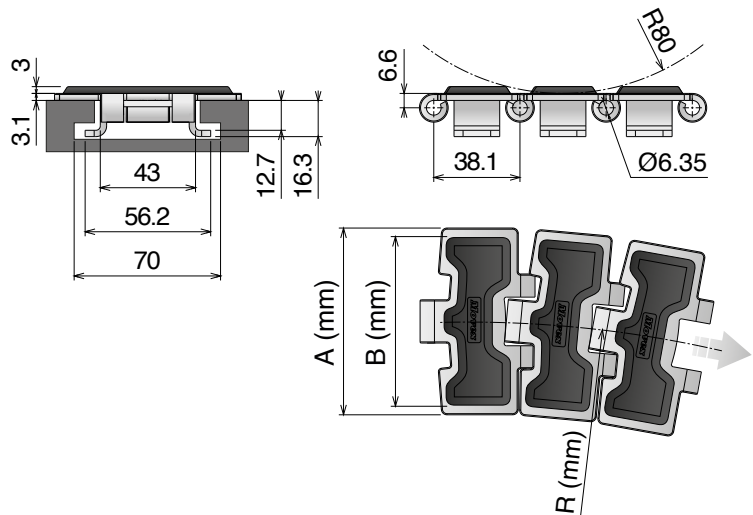


Article-Nr.	Ref.	A (Plate Width) mm	R mm	Weight kg/m	Surface finish µm	Max working load (N)	Plate Thickness mm
SS Ferritic Stainless Steel (1.4016)							
10240202	SS 8811R TAB K325	82,5	200	2,78	0,3	5400	3,1

8811 TAB GT

Catena curvilinea
Sideflexing chain / Kurvengängige Scharnierbandkette

Pins: Martensitic 1.4057 | Backflex radius min.: 80 mm



TAB SYSTEM



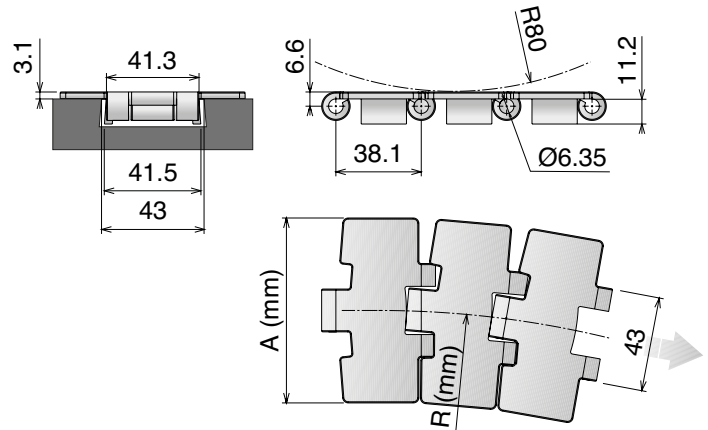
Article-Nr.	Ref.	A (Plate Width) mm	B (Plate Width) mm	R mm	Weight kg/m	Max working load (N)	Plate/Rubber Thickness mm
SSE Specially treated Ferritic Stainless Steel (1.4589) - Hardened pins							
10150102	SSE 8811 TAB GT K325	82,5	75	500	3,20	6000	Plate 3,1
10150107	SSE 8811 TAB GT K750	190,5	140	500	5,70		Rubber 3

8811 B

Catena curvilinea
Sideflexing chain / Kurvengängige Scharnierbandkette

Delivery: **Easy** **Standard**

Pins: Martensitic 1.4057 | Backflex radius min.: 80 mm



BEVEL SYSTEM

10 feet 3.048 m			
80 links	pg. 82-83/112	pg. 182	pg. 782>785

Article-Nr.	Ref.	A (Plate Width) mm	R mm	Weight kg/m	Surface finish µm	Max working load (N)	Plate Thickness mm
-------------	------	-----------------------	---------	----------------	----------------------	-------------------------	-----------------------

SSE Specially treated Ferritic Stainless Steel (1.4589) - Hardened pins

10160102	SSE 8811 K325	82,5	500	2,90	0,3	6000	3,1
10160104	SSE 8811 K350	88,9	500	3,15	0,3		
10160105	SSE 8811 K450	114,3	500	3,60	0,3		
10160107	SSE 8811 K750	190,5	500	5,40	0,3		

*SSA Austenitic Stainless Steel (AISI 304) - Austenitic pin

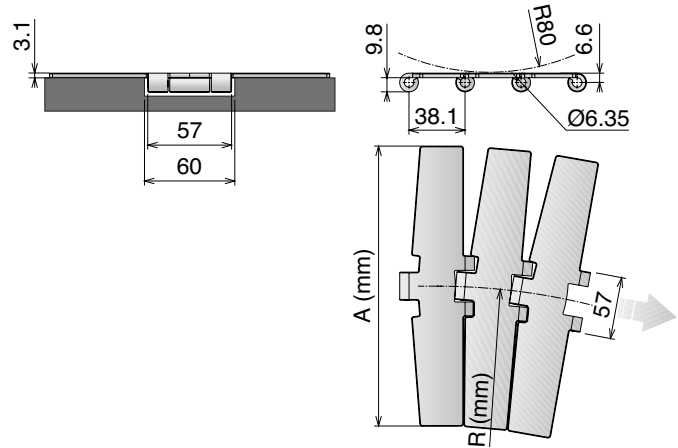
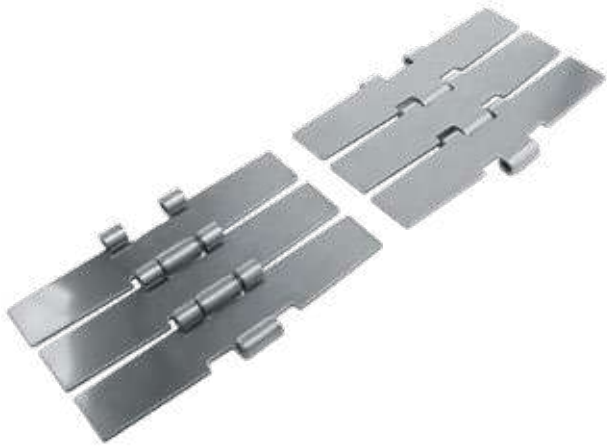
10160402	SSA 8811 K325	82,5	500	2,90	0,3	4500	3,1
10160404	SSA 8811 K350	88,9	500	3,15	0,3		
10160405	SSA 8811 K450	114,3	500	3,60	0,3		
10160407	SSA 8811 K750	190,5	500	5,40	0,3		

8857 M

Catena curvilinea
Sideflexing chain / Kurvengängige Scharnierbandkette

Delivery: **Easy** **Standard**

Pins: Martensitic 1.4057 | Backflex radius min.: 80 mm



MAGNETIC SYSTEM



10 feet
3.048 m



80 links



pg. 85-95/113



pg. 140->142



pg. 782->785

Article-Nr.	Ref.	A (Plate Width) mm	R mm	Weight kg/m	Surface finish µm	Max working load (N)	Plate Thickness mm
-------------	------	--------------------	------	-------------	-------------------	----------------------	--------------------

SSE Specially treated Ferritic Stainless Steel (1.4589) - Hardened pins

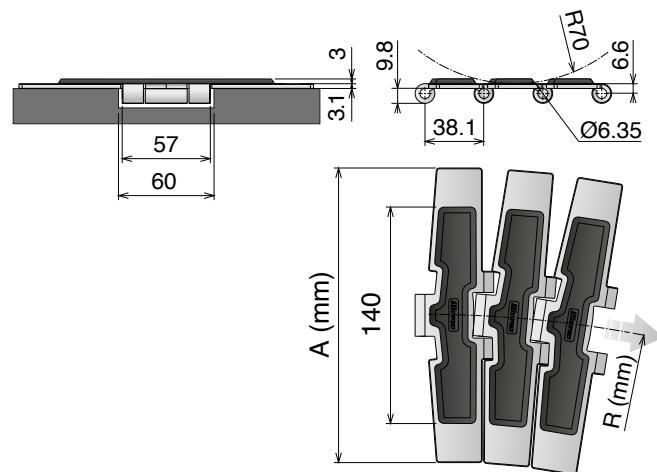
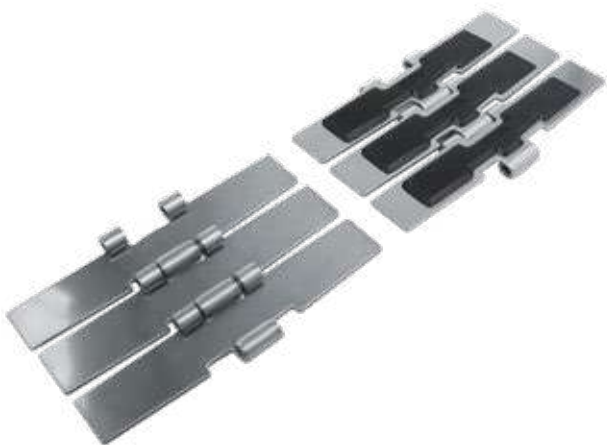
10180107	SSE 8857 M K750	190,5	750	5,30	0,3	10000	3,1
----------	-----------------	-------	-----	------	-----	-------	-----

8857 M GT

Catena curvilinea
Sideflexing chain / Kurvengängige Scharnierbandkette

Delivery: **Easy** **Standard**

Pins: Martensitic 1.4057 | Backflex radius min.: 70 mm



MAGNETIC SYSTEM



10 feet
3.048 m



80 links



pg. 85-95/113



pg. 139->144



pg. 782->785

Article-Nr.	Ref.	A (Plate Width) mm	R mm	Weight kg/m	Surface finish µm	Max working load (N)	Plate/Rubber Thickness mm
-------------	------	--------------------	------	-------------	-------------------	----------------------	---------------------------

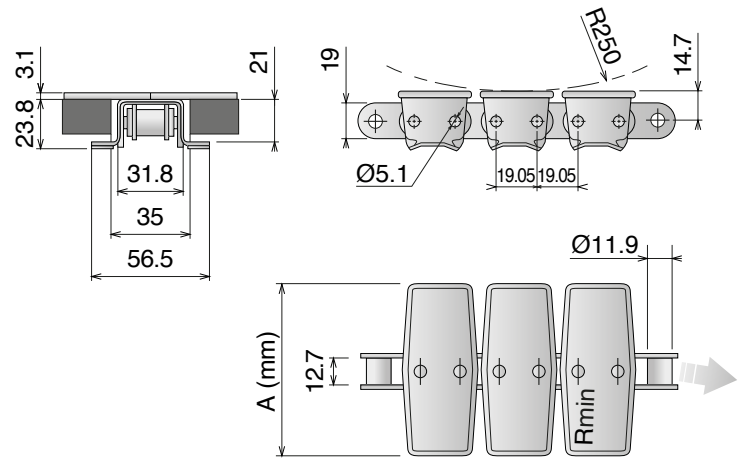
SSE Specially treated Ferritic Stainless Steel (1.4589) - Hardened pins

10190107	SSE 8857 M GT K750	190,5	750	5,70	0,3	10000	Plate 3,1 Rubber 3
----------	--------------------	-------	-----	------	-----	-------	--------------------

1874 TAB Catena curvilinea Sideflexing chain / Kurvengängige Scharnierbandkette

Delivery: **Easy** **Standard**

Backflex radius min.: 250 mm



Standard length roller chain: 160 Pitches

TAB SYSTEM

10 feet
3.048 m
80 links

SPROCKET
ASA 60
Standard on market

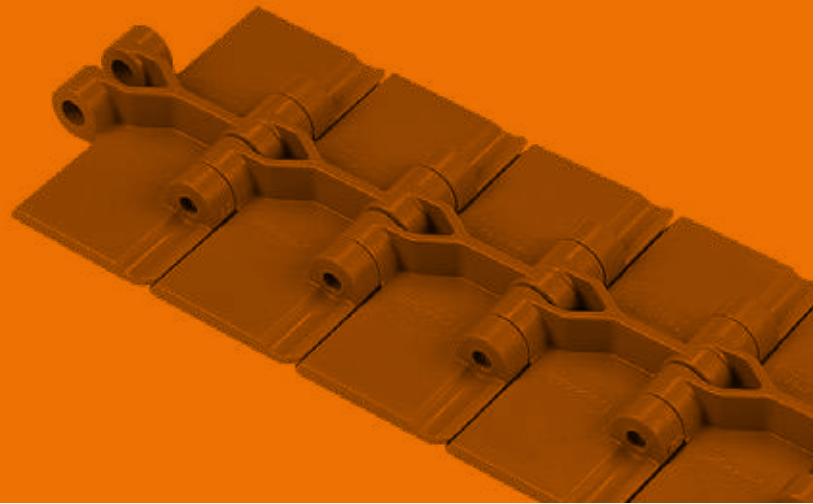
pg. 175/184


pg. 782>785

Article-Nr.	Ref.	A (Plate Width) mm	R mm	Weight kg/m	Surface finish µm	Max working load (N)	Plate Thickness mm
-------------	------	--------------------	------	-------------	-------------------	----------------------	--------------------

*SSA Austenitic Stainless Steel (AISI 304)

10220202	SS 1874 TAB K325	82,5	381	4,20	0,5	4500	3,1
10220205	SS 1874 TAB K450	114,3	381	4,80	0,5		
10220206	SS 1874 TAB K600	152,4	457	5,70	0,5		
10220207	SS 1874 TAB K750	190,5	610	6,40	0,5		








820  Page 29/30	820 V  Page 31	820 Plastic pin  Page 31	828  Page 32	831  Page 33	821  Page 34
--	--	--	--	---	--

821 GT  Page 35	821 LBP  Page 36	8257  Page 37	8257 GT  Page 38	8257 LBP  Page 39	878 TAB  Page 40
--	--	---	--	--	--

879 M  Page 41	879 TAB  Page 42	888 TAB  Page 43	888 TAB GT  Page 44	880 M  Page 45	880 TAB  Page 46
---	--	--	---	---	--

880 V TAB  Page 47	880 TAB Plastic pin  Page 48	880 TAB B0  Page 48	880 B  Page 49	882 M  Page 50	882 M GT  Page 51
---	--	---	--	---	---

882 M LBP  Page 52	882 TAB  Page 53	882 TAB GT  Page 54	882 TAB LBP  Page 55	1843  Page 56	1863  Page 57
---	--	---	--	--	---

1873  Page 58	1873 GB2 TWISTER  Page 59	1873 GT  Page 60	1873 GRIPPER GS1  Page 61	1873 GRIPPER GS2  Page 62	1873 GRIPPER GS4  Page 63
--	---	--	---	--	---












1873 D-SHAPE  Page 64	1873 MX1  Page 65	1873 MX2  Page 66	878 GRIPPER GS1  Page 67	878 GRIPPER GS2  Page 67	878 GRIPPER GS4  Page 67
--	---	---	--	---	--

1883  Page 68	1883 GT  Page 69	CC 600  Page 70	CC 600 TAB  Page 70	CC 600 D  Page 71	CC 600 D TAB  Page 71
--	--	---	---	--	---

Material Info:



pg. 771>781

CC 1400	CC 1400 TAB	1701 TAB OP	1701 TAB OPF	1706	1706 TAB
					
Page 72	Page 72	Page 73	Page 74	Page 75	Page 75
765 NO GAP	43 MFS PRO	63 MFL PRO	83 MFM PRO	103 MFH PRO	
					
Page 76	Page 77	Page 77	Page 78	Page 78	

PFX

The best choice for dry running applications.

PFX is the plastic material specifically developed for chains and belts in order to run with limited lubrication or in dry applications where the demands are extreme concerning speed, performance & efficiency.

Contact us, and request a free quotation!

820 FT



828 FT



880 M



880 TAB



Other different types of product in PFX are on request.



Low friction

Developed to reduce friction between chain and product, and chain and wearstrip.



Minimal dusting

Developed to avoid dusting under extreme circumstances.



Food contact Certified

PFX material is suitable in food application.



High performance

Longer wear life lead to excellent and long enduring product handling features.



Control of cost

Better control of total cost & sustainable conveyor technology.



Patented material

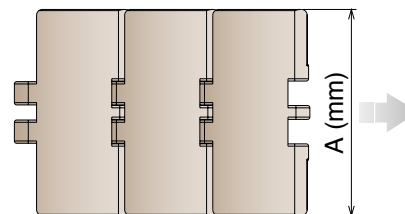
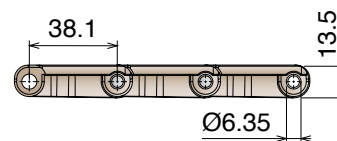
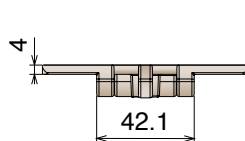
PFX is an exclusive product of Movex.

820

Catena rettilinea
Straight running chain / Geradegängige Scharnierbandkette

Delivery: **Easy** **Standard**

Pins: Stainless Steel | Backflex radius min.: 50 mm



80 links



86-87-96/110



pg. 771>781

Article-Nr.	Ref.	A (Plate Width) mm	Weight kg/m	Max working load N	Material
11010102	LF 820 K325	82,5	0,89	1625	LF
11010103	LF 820 K330	83,8	0,90		
11010104	LF 820 K350	88,9	0,91		
11010114	LF 820 K400	101,6	0,95		
11010105	LF 820 K450	114,3	1,00		
11010106	LF 820 K600	152,4	1,22		
11010107	LF 820 K750	190,5	1,43		
11010302	MX 820 K325	82,5	0,89	1260	MX
11010303	MX 820 K330	83,8	0,90		
11010304	MX 820 K350	88,9	0,91		
11010314	MX 820 K400	101,6	0,95		
11010305	MX 820 K450	114,3	1,00		
11010306	MX 820 K600	152,4	1,22		
11010307	MX 820 K750	190,5	1,43		

820 Series

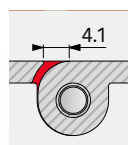
PRODUCT UPDATE

Movex created an optimized version in which the gap between the links is 45% lower and the contact surface has increased up to a maximum of 15%: the result is an improved product stability. The new design is completely interchangeable and connectable with the previous one.

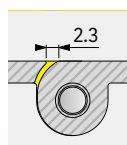
Advantages:

- Improved stability
- Increased sliding surface
- Minimized open gap
- Same backflex radius

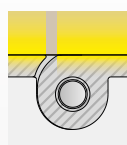
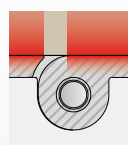
PREVIOUS VERSION



CURRENT VERSION



-45%
OPEN GAP



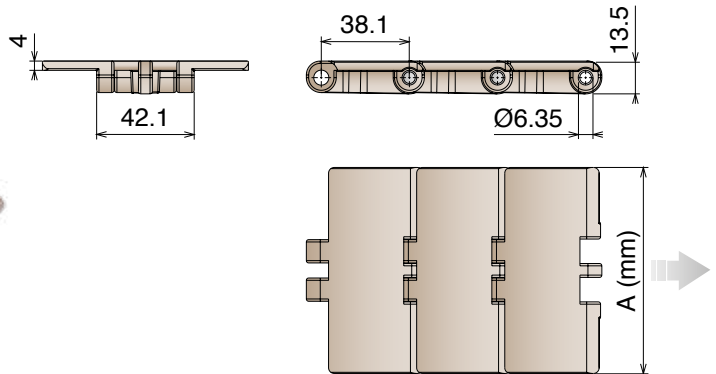
+15%
CONTACT SURFACE

820

Catena rettilinea
Straight running chain / Geradegängige Scharnierbandkette

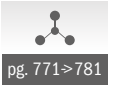
Delivery: **Easy** **Standard**

Pins: Stainless Steel | Backflex radius min.: 50 mm



-45%
OPEN GAP

+15%
CONTACT SURFACE

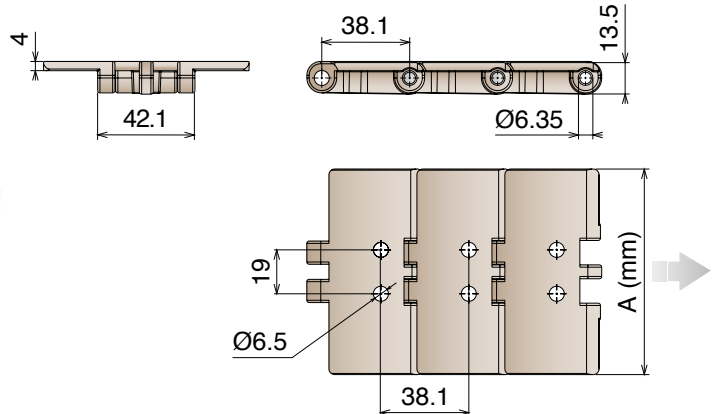


Article-Nr.	Ref.	A (Plate Width) mm	Weight kg/m	Max working load N	Material
11013002	PFX 820 K325	82,5	0,89	1260	PFX
11013003	PFX 820 K330	83,8	0,90		
11013004	PFX 820 K350	88,9	0,91		
11013014	PFX 820 K400	101,6	0,95		
11013005	PFX 820 K450	114,3	1,00		
11013006	PFX 820 K600	152,4	1,22		
11013007	PFX 820 K750	190,5	1,43		
11012502	MPX 820 K325	82,5	0,89	1625	MPX
11012503	MPX 820 K330	83,8	0,90		
11012504	MPX 820 K350	88,9	0,91		
11012514	MPX 820 K400	101,6	0,95		
11012505	MPX 820 K450	114,3	1,00		
11012506	MPX 820 K600	152,4	1,22		
11012507	MPX 820 K750	190,5	1,43		
11011602	DKM 820 K325	82,5	0,89	1625	DKM
11011603	DKM 820 K330	83,8	0,90		
11011604	DKM 820 K350	88,9	0,91		
11011614	DKM 820 K400	101,6	0,95		
11011605	DKM 820 K450	114,3	1,00		
11011606	DKM 820 K600	152,4	1,22		
11011607	DKM 820 K750	190,5	1,43		
11011702	MWX 820 K325	82,5	0,89	1625	MWX
11011703	MWX 820 K330	83,8	0,90		
11011704	MWX 820 K350	88,9	0,91		
11011714	MWX 820 K400	101,6	0,95		
11011705	MWX 820 K450	114,3	1,00		
11011706	MWX 820 K600	152,4	1,22		
11011707	MWX 820 K750	190,5	1,43		

820 V

Catena rettilinea
Straight running chain / Geradegängige Scharnierbandkette

Pins: Stainless Steel | Backflex radius min.: 50 mm



-45%
OPEN GAP

+15%
CONTACT SURFACE

10 feet
3.048 m
80 links

86-87-96/110

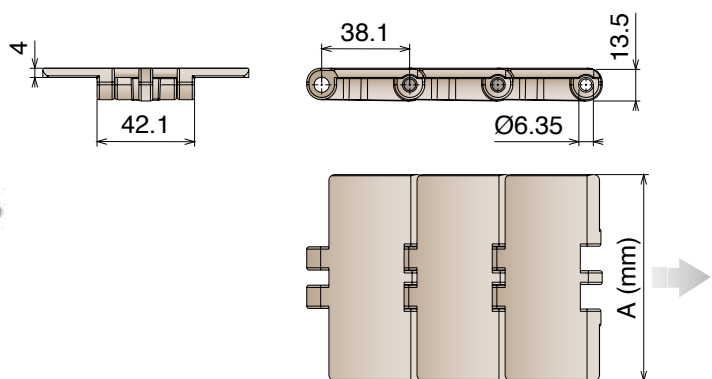
pg. 771>781

Article-Nr.	Ref.	A (Plate Width) mm	Weight kg/m	Max working load N	Material
11550102	LF 820 V2 K325	82,5	0,89	1625	LF
11550105	LF 820 V2 K450	114,3	1,00		

820

Plastic pin Catena rettilinea con perno in plastica
Straight running chain with plastic pin / Geradegängige Scharnierbandkette mit plastic bolzen

Pins: Reinforced acetal resin | Backflex radius min.: 50 mm



-45%
OPEN GAP

+15%
CONTACT SURFACE

10 feet
3.048 m
80 links

86-87-96/110

pg. 771>781

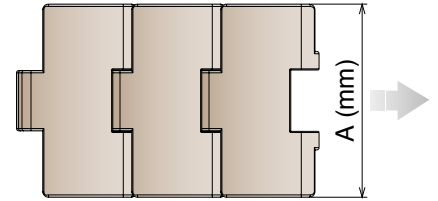
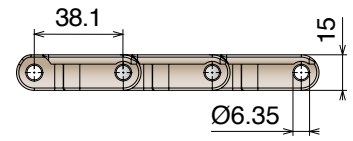
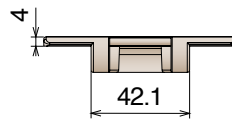
Article-Nr.	Ref.	A (Plate Width) mm	Weight kg/m	Max working load N	Material
11630102	LF 820 K325	82,5	0,69	650	LF
11630105	LF 820 K450	114,3	0,80		

828

Catena rettilinea
Straight running chain / Geradegängige Scharnierbandkette

Delivery: **Easy** **Standard**

Pins: Stainless Steel | Backflex radius min.: 50 mm



80 links



pg. 90-91/110



pg. 771>781

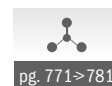
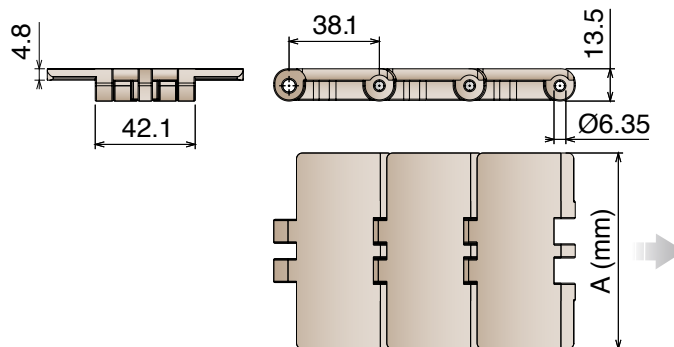
Article-Nr.	Ref.	A (Plate Width) mm	Weight kg/m	Max working load N	Material
11020102	LF 828 K325	82,5	1,07	2320	LF
11020103	LF 828 K330	83,8	1,13		
11020302	MX 828 K325	82,5	1,07	1860	MX
11020303	MX 828 K330	83,8	1,13		
11023002	PFX 828 K325	82,5	1,07	1860	PFX
11023003	PFX 828 K330	83,8	1,13		
11022502	MPX 828 K325	82,5	1,07	2320	MPX
11022503	MPX 828 K330	83,8	1,13		

831

Catena rettilinea
Straight running chain / Geradegängige Scharnierbandkette

Delivery: **Easy** **Standard**

Pins: Stainless Steel | Backflex radius min.: 50 mm

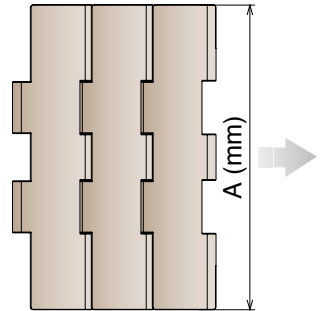
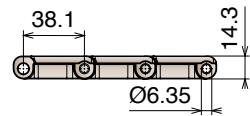
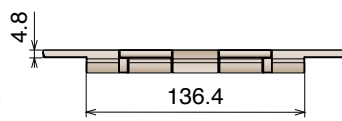


Article-Nr.	Ref.	A (Plate Width) mm	Weight kg/m	Max working load N	Material
11030102	LF 831 K325	82,5	1,00	1625	LF
11030105	LF 831 K450	114,3	1,28		
11030107	LF 831 K750	190,5	1,80		
11030302	MX 831 K325	82,5	1,00	1260	MX
11030305	MX 831 K450	114,3	1,28		
11030307	MX 831 K750	190,5	1,80		

821 Catena rettilinea Straight running chain / Geradegängige Scharnierbandkette

Delivery: **Easy** **Standard**

Pins: Stainless Steel | Backflex radius min.: 50 mm



80 links



pg. 84/111



pg. 771>781

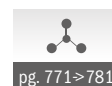
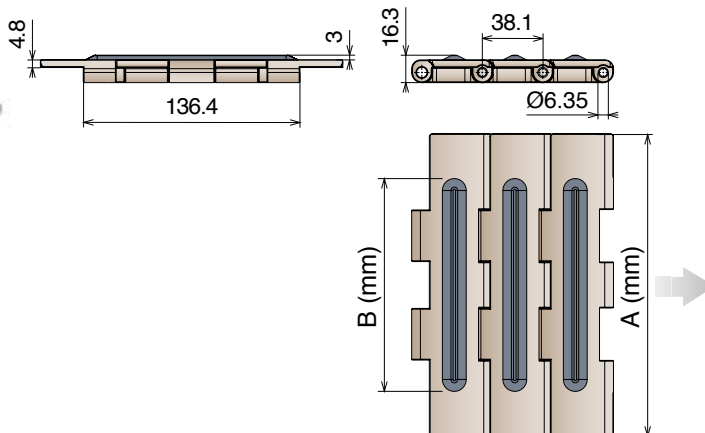
Article-Nr.	Ref.	A (Plate Width) mm	Weight kg/m	Max working load N	Material
11040107	LF 821 K750	190,5	2,55	2770	LF
11040108	LF 821 K1000	254,0	3,05		
11040109	LF 821 K1200	304,8	3,35		
11040307	MX 821 K750	190,5	2,55	2200	MX
11040308	MX 821 K1000	254,0	3,05		
11040309	MX 821 K1200	304,8	3,35		
11042507	MPX 821 K750	190,5	2,55	2770	MPX
11042508	MPX 821 K1000	254,0	3,05		
11042509	MPX 821 K1200	304,8	3,35		

821 GT

Catena rettilinea
Straight running chain / Geradegängige Scharnierbandkette

Delivery: **Easy** **Standard**

Pins: Stainless Steel | Backflex radius min.: 50 mm | TPE Rubber: 50 ShA



Article-Nr.	Ref.	A (Plate Width) mm	B (Rubber Width) mm	Weight kg/m	Max working load N	Material
11050107	LF 821 GT K750	190,5	134,0	2,55	2770	LF
11050108	LF 821 GT K1000	254,0	192,0	3,05		
11050109	LF 821 GT K1200	304,8	252,0	3,35		
11050307	MX 821 GT K750	190,5	134,0	2,55	2200	MX
11050308	MX 821 GT K1000	254,0	192,0	3,05		
11050309	MX 821 GT K1200	304,8	252,0	3,35		

821 LBP

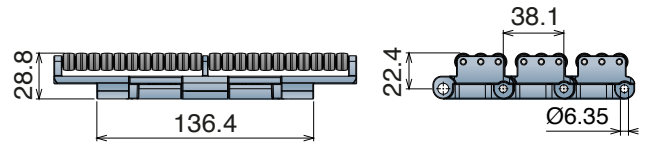
Catene in plastica / Plastic chains / Kunststoffkette

821 LBP

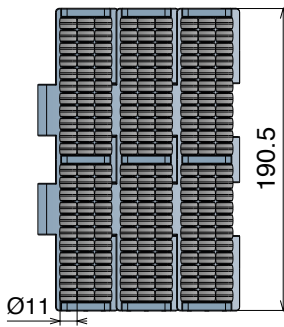
Catena rettilinea
Straight running chain / Geradegängige Scharnierbandkette

Delivery: **Easy** **Standard**

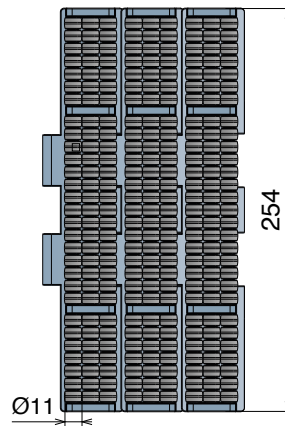
Pins: Stainless Steel | Backflex radius min.: 150 mm



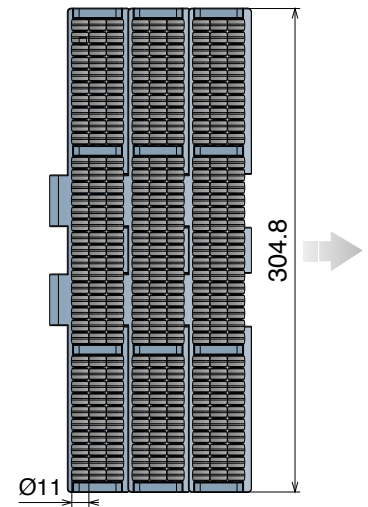
K750



K1000



K1200



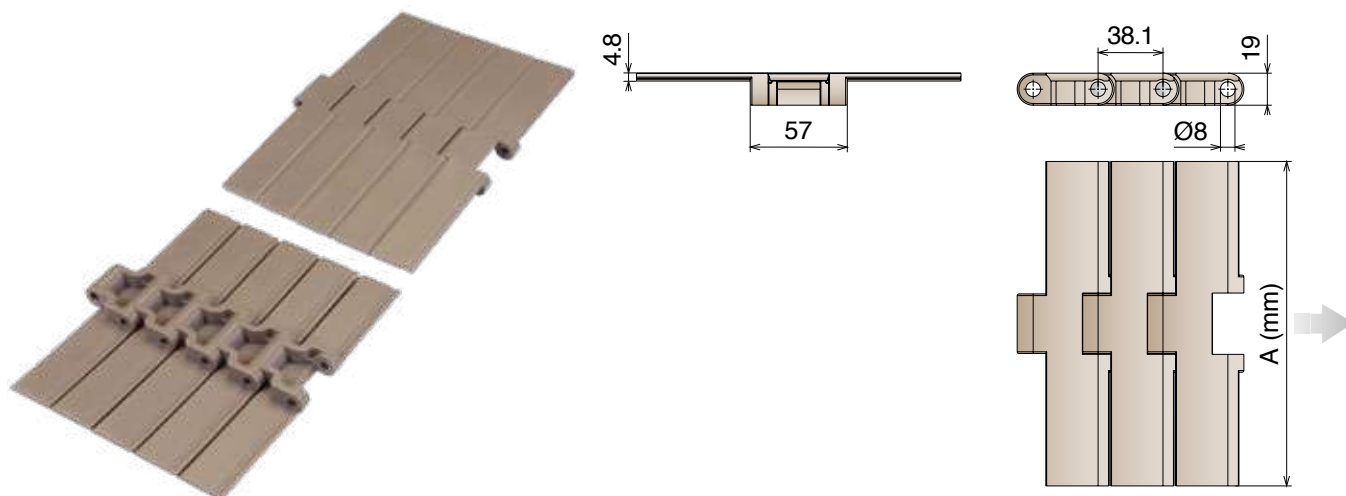
5 feet 1.524 m		
40 links	pg. 84/111	pg. 771>781

Article-Nr.	Ref.	Plate Width mm	Weight kg/m	Max working load N	Material
11060107	LFA 821 LBP K750	190,5	5,70	2770	LFA
11060108	LFA 821 LBP K1000	254,0	7,05		
11060109	LFA 821 LBP K1200	304,8	8,21		

8257 Catena rettilinea Straight running chain / Geradegängige Scharnierbandkette

Delivery: **Easy** Standard

Pins: Stainless Steel | Backflex radius min.: 50 mm



10 feet 3.048 m		
80 links	pg. 92-93/113	pg. 771>781

Article-Nr.	Ref.	A (Plate Width) mm	Weight kg/m	Max working load N	Material
11070107	LF 8257 K750	190,5	2,55	3830	LF
11070108	LF 8257 K1000	254,0	3,05		
11070109	LF 8257 K1200	304,8	3,35		
11070307	MX 8257 K750	190,5	2,55	3050	MX
11070308	MX 8257 K1000	254,0	3,05		
11070309	MX 8257 K1200	304,8	3,35		

8257 GT

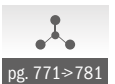
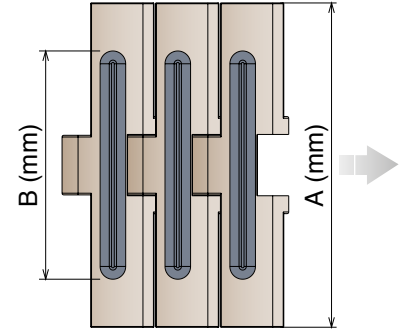
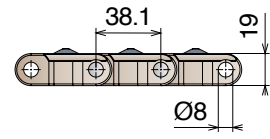
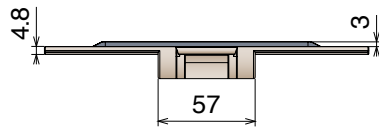
Catene in plastica / Plastic chains / Kunststoffkette

8257 GT

Catena rettilinea
Straight running chain / Geradegängige Scharnierbandkette

Delivery: **Easy** **Standard**

Pins: Stainless Steel | Backflex radius min.: 50 mm | TPE Rubber: 50 ShA



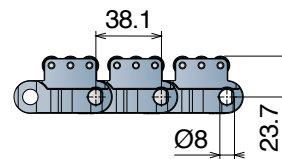
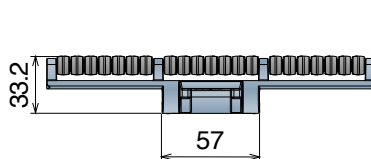
Article-Nr.	Ref.	A (Plate Width) mm	B (Rubber Width) mm	Weight kg/m	Max working load N	Material
11080107	LF 8257 GT K750	190,5	134,0	2,55	3830	LF
11080108	LF 8257 GT K1000	254,0	192,0	2,60		
11080109	LF 8257 GT K1200	304,8	252,0	2,95		

8257 LBP

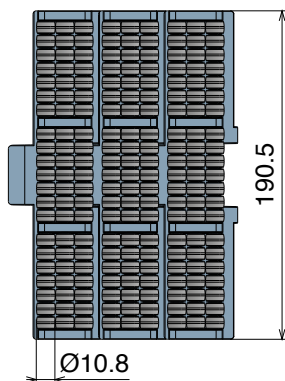
Catena rettilinea
Straight running chain / Geradegängige Scharnierbandkette

Delivery: **Easy** Standard

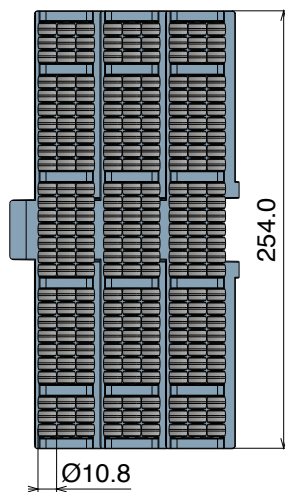
Pins: Stainless Steel | Backflex radius min.: 200 mm



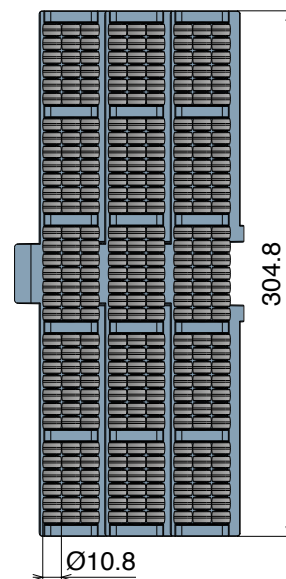
K750



K1000



K1200



5 feet 1.524 m	pg. 92-93/113	pg. 771>781
40 links		

Article-Nr.	Ref.	A (Plate Width) mm	Weight kg/m	Max working load N	Material
11090107	LFA 8257 LBP K750	190,5	5,65	3830	LFA
11090108	LFA 8257 LBP K1000	254,0	7,16		
11090109	LFA 8257 LBP K1200	304,8	8,05		

878 TAB

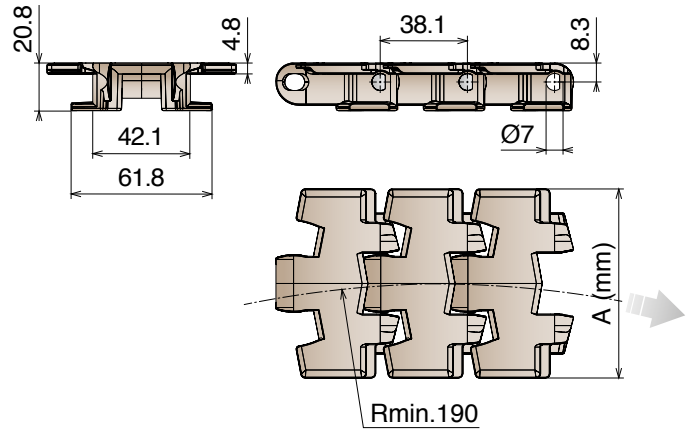
Catene in plastica / Plastic chains / Kunststoffkette

878 TAB

Catena curvilinea
Sideflexing chain / Kurvengängige Scharnierbandkette

Delivery: **Easy** **Standard**

Pins: Stainless Steel | Backflex radius min.: 50 mm



TAB SYSTEM

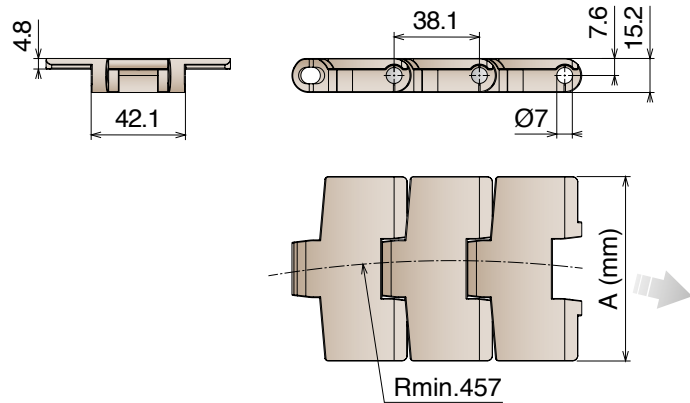


Article-Nr.	Ref.	A (Plate Width) mm	Weight kg/m	Max working load N	Material
11190102	LF 878 TAB K325	82,5	1,06	2200	LF
11190105	LF 878 TAB K450	114,3	1,18		
11190302	MX 878 TAB K325	82,5	1,06	1750	MX
11190305	MX 878 TAB K450	114,3	1,18		
11191602	DKM 878 TAB K325	82,5	1,06	2200	DKM
11191605	DKM 878 TAB K450	114,3	1,18		

879 M Catena curvilinea Sideflexing chain / Kurvengängige Scharnierbandkette

Delivery: **Easy** **Standard**

Pins: Ferritic Stainless Steel | Backflex radius min.: 50 mm



MAGNETIC SYSTEM

10 feet 3.048 m	pg. 90-91/110	pg. 123->136	Easy Transfer Curves pg. 186/187	pg. 771>781
80 links				

Article-Nr.	Ref.	A (Plate Width) mm	R mm	Weight kg/m	Max working load N	Material
11240102	LF 879 M K325	82,5	457	1,05	2200	LF
11240105	LF 879 M K450	114,3	457	1,15		
11240302	MX 879 M K325	82,5	457	1,05	1750	MX
11240305	MX 879 M K450	114,3	457	1,15		

879 TAB

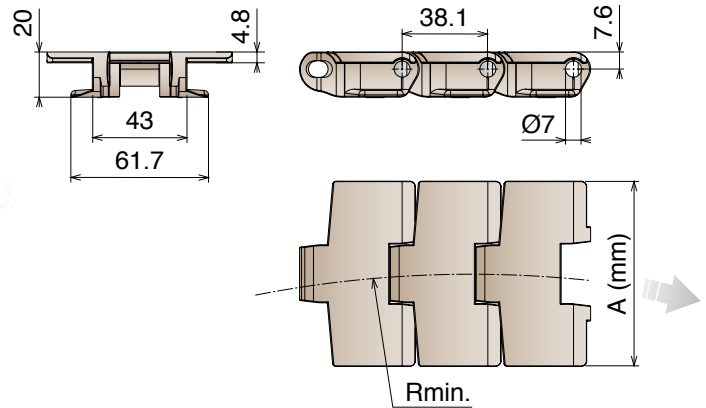
Catene in plastica / Plastic chains / Kunststoffkette

879 TAB

Catena curvilinea
Sideflexing chain / Kurvengängige Scharnierbandkette

Delivery: **Easy** **Standard**

Pins: Stainless Steel | Backflex radius min.: 50 mm



TAB SYSTEM

10 feet
3.048 m
80 links

pg. 90-91/110

pg. 171-183

Easy Transfer
Curves
pg. 192/193

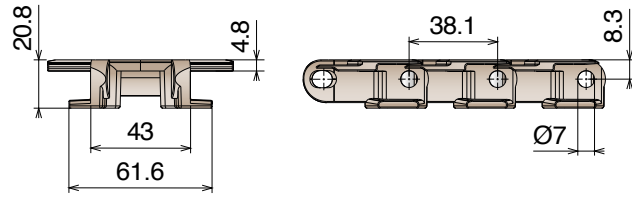
pg. 771>781

Article-Nr.	Ref.	A (Plate Width) mm	R mm	Weight kg/m	Max working load N	Material
11250102	LF 879 TAB K325	82,5	457	1,01	2200	LF
11250105	LF 879 TAB K450	114,3	457	1,13		
11250302	MX 879 TAB K325	82,5	457	1,01	1750	MX
11250305	MX 879 TAB K450	114,3	457	1,13		
11252502	MPX 879 TAB K325	82,5	457	1,01	2200	MPX
11252505	MPX 879 TAB K450	114,3	457	1,13		
11251702	MWX 879 TAB K325	82,5	457	1,01	2200	MWX
11251705	MWX 879 TAB K450	114,3	457	1,13		

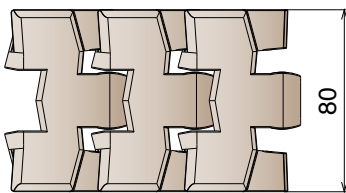
888 TAB

Catena curvilinea
Sideflexing chain / Kurvengängige Scharnierbandkette

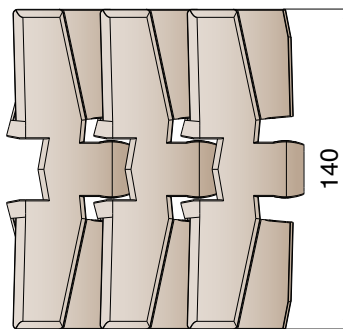
Pins: Stainless Steel | Backflex radius min.: 150 mm



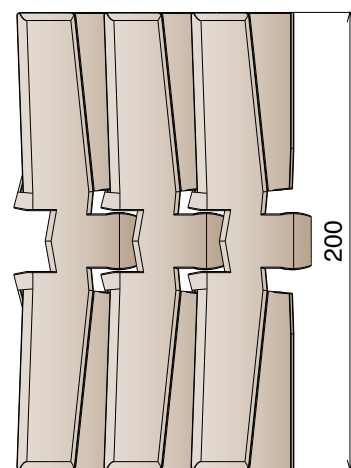
W80



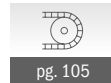
W140



W200



TAB SYSTEM



Article-Nr.	Ref.	Plate Width mm	R mm	Weight kg/m	Max working load N	Material
11700119	LF 888 TAB W80	80,0	200	1,05	2200	LF
11700120	LF 888 TAB W140	140,0	500	1,32		
11700121	LF 888 TAB W200	200,0	500	1,62		

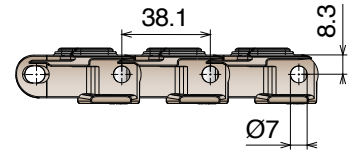
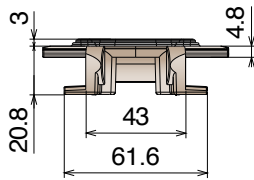
888 TAB GT

Catene in plastica / Plastic chains / Kunststoffkette

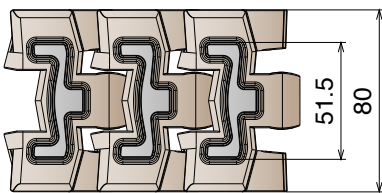
888 TAB GT

Catena curvilinea
Sideflexing chain / Kurvengängige Scharnierbandkette

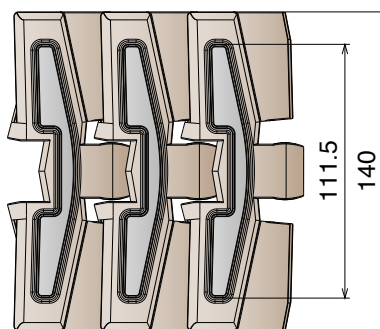
Pins: Stainless Steel | Backflex radius min.: 150 mm | TPE Rubber: 75 ShA



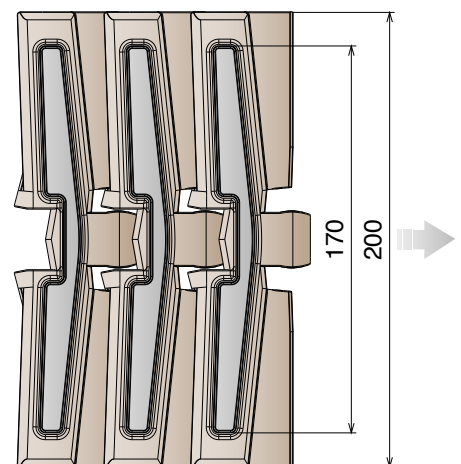
W80



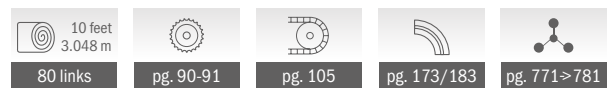
W140



W200



TAB SYSTEM

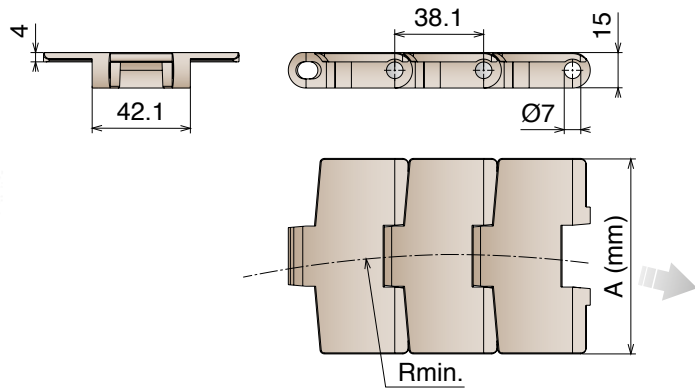


Article-Nr.	Ref.	Plate Width mm	R mm	Weight kg/m	Max working load N	Material
11710119	LF 888 TAB GT W80	80,0	200	1,15	2200	LF
11710120	LF 888 TAB GT W140	140,0	500	1,43		
11710121	LF 888 TAB GT W200	200,0	500	1,75		

880 M Catena curvilinea Sideflexing chain / Kurvengängige Scharnierbandkette

Delivery: **Easy** **Standard**

Pins: Ferritic Stainless Steel | Backflex radius min.: 50 mm



MAGNETIC SYSTEM

-  10 feet
3.048 m
80 links
-  pg. 90-91/110
-  pg. 123>136
-  Easy Transfer Curves
pg. 186/187
-  pg. 771>781

Article-Nr.	Ref.	A (Plate Width) mm	R mm	Weight kg/m	Max working load N	Material
11100102	LF 880 M K325	82,5	457	1,05	2200	LF
11100103	LF 880 M K330	83,8	457	1,09		
11100105	LF 880 M K450	114,3	457	1,15		
11100302	MX 880 M K325	82,5	457	1,05	1750	MX
11100303	MX 880 M K330	83,8	457	1,09		
11100305	MX 880 M K450	114,3	457	1,15		
11103002	PFX 880 M K325	82,5	457	1,05	1750	PFX
11103003	PFX 880 M K330	83,8	457	1,09		
11103005	PFX 880 M K450	114,3	457	1,15		
11102502	MPX 880 M K325	82,5	457	1,05	2200	MPX
11102503	MPX 880 M K330	83,8	457	1,09		
11102505	MPX 880 M K450	114,3	457	1,15		
11101702	MWX 880 M K325	82,5	457	1,05	2200	MWX
11101703	MWX 880 M K330	83,8	457	1,09		
11101705	MWX 880 M K450	114,3	457	1,15		

880 TAB

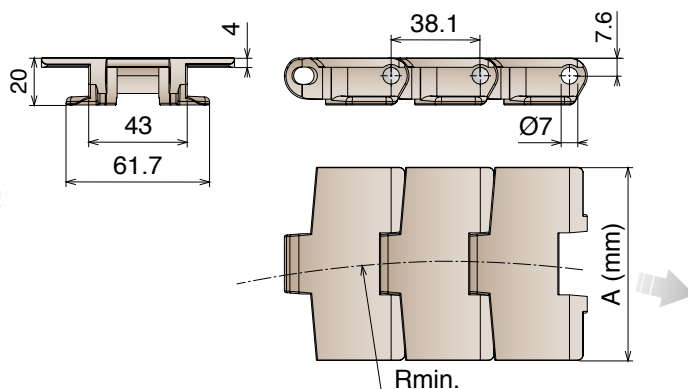
Catene in plastica / Plastic chains / Kunststoffkette

880 TAB

Catena curvilinea
Sideflexing chain / Kurvengängige Scharnierbandkette

Delivery: **Easy** **Standard**

Pins: Stainless Steel | Backflex radius min.: 40 mm



TAB SYSTEM



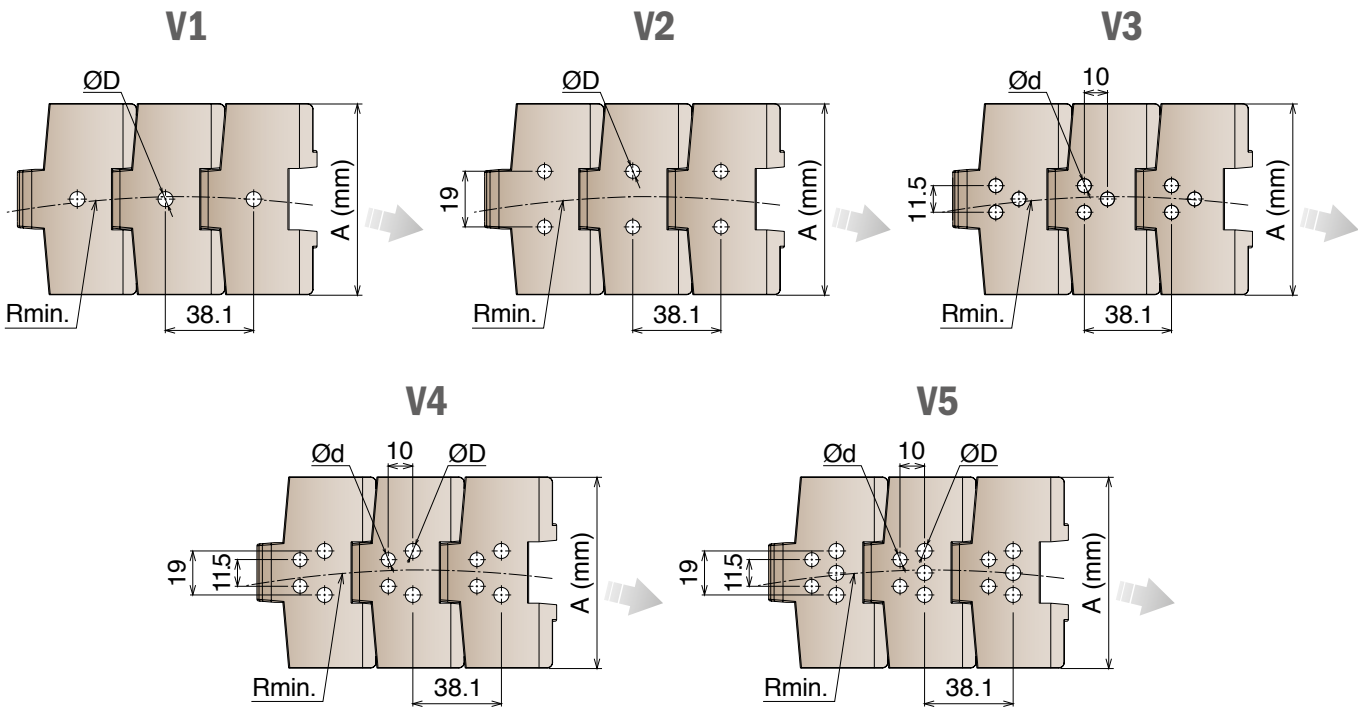
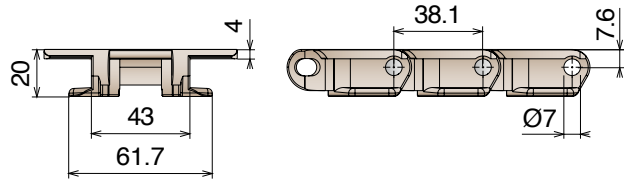
Article-Nr.	Ref.	A (Plate Width) mm	R mm	Weight kg/m	Max working load N	Material
11110102	LF 880 TAB K325	82,5	457	1,015	2200	LF
11110103	LF 880 TAB K330	83,8	457	1,018		
11110105	LF 880 TAB K450	114,3	457	1,09		
11110302	MX 880 TAB K325	82,5	457	1,015	1750	MX
11110303	MX 880 TAB K330	83,8	457	1,018		
11110305	MX 880 TAB K450	114,3	457	1,09		
11113002	PFX 880 TAB K325	82,5	457	1,015	1750	PFX
11113003	PFX 880 TAB K330	83,8	457	1,018		
11113005	PFX 880 TAB K450	114,3	457	1,09		
11112502	MPX 880 TAB K325	82,5	457	1,015	2200	MPX
11112503	MPX 880 TAB K330	83,8	457	1,018		
11112505	MPX 880 TAB K450	114,3	457	1,09		
11111602	DKM 880 TAB K325	82,5	457	1,015	2200	DKM
11111603	DKM 880 TAB K330	83,8	457	1,018		
11111605	DKM 880 TAB K450	114,3	457	1,09		
11111702	MWX 880 TAB K325	82,5	457	1,015	2200	MWX
11111703	MWX 880 TAB K330	83,8	457	1,018		
11111705	MWX 880 TAB K450	114,3	457	1,09		

880 V TAB

Catena curvilinea
Sideflexing chain / Kurvengängige Scharnierbandkette

Delivery: **Easy** Standard

Pins: Stainless Steel | Backflex radius min.: 40 mm



TAB SYSTEM



10 feet
3.048 m



80 links



pg. 171/183



Easy Transfer
Curves
pg. 192/193



pg. 771>781

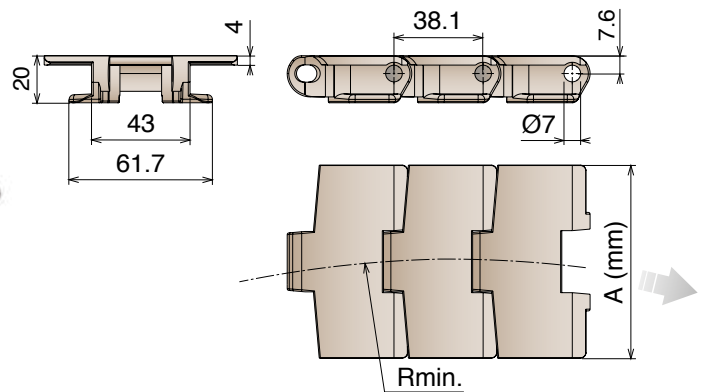
Article-Nr.	Ref.	A (Plate Width) mm	R mm	Weight kg/m	ØD mm	Ød mm	Max working load N	Material
11560102	LF 880 V1 K325	82,5	457	1,015	6,5	6	2200	LF
11570102	LF 880 V2 K325	82,5	457	1,015				
11580102	LF 880 V3 K325	82,5	457	1,015				
11560102-V4	LF 880 V4 K325	82,5	457	1,015				
11560102-V5	LF 880 V5 K325	82,5	457	1,015				
11570105	LF 880 V2 K450	114,3	457	1,09				

880 TAB Plastic pin-880 TAB BO

Catene in plastica / Plastic chains / Kunststoffkette

880 TAB Plastic pin Catena curvilinea con perno in plastica Sideflexing chain with plastic pin / Kurvengängige Schamierbandkette mit plastic bolzen

Pins: Reinforced acetal resin | Backflex radius min.: 40 mm



TAB SYSTEM

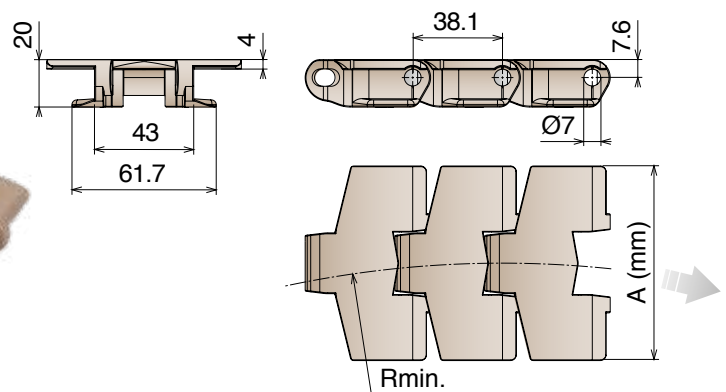
- 10 feet
3.048 m
80 links
- pg. 90-91
- pg. 171/183
- Easy Transfer
Curves
pg. 192/193
- pg. 771>781

Article-Nr.	Ref.	A (Plate Width) mm	R mm	Weight kg/m	Max working load N	Material
11660102	LF 880 TAB K325	82,5	457	0,815	550	LF
11660105	LF 880 TAB K450	114,3	457	0,89		

880 TAB BO Catena curvilinea Sideflexing chain / Kurvengängige Schamierbandkette

Delivery: **Easy** Standard

Pins: Stainless Steel | Backflex radius min.: 40 mm



TAB SYSTEM

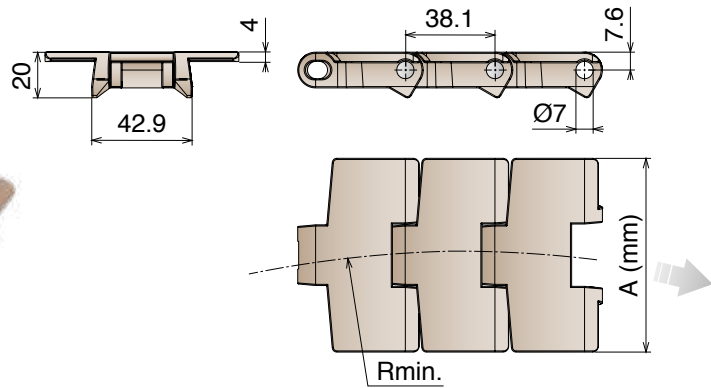
- 10 feet
3.048 m
80 links
- pg. 90-91
- pg. 172/183
- pg. 771>781

Article-Nr.	Ref.	A (Plate Width) mm	R mm	Weight kg/m	Max working load N	Material
11260102	LF 880 TAB BO K325	82,5	190	0,96	1680	LF
11260105	LF 880 TAB BO K450	114,3	190	1,10		
11260302	MX 880 TAB BO K325	82,5	190	0,96	1350	MX
11260305	MX 880 TAB BO K450	114,3	190	1,10		

880 B Catena curvilinea Sideflexing chain / Kurvengängige Scharnierbandkette

Delivery: **Easy** **Standard**

Pins: Stainless Steel | Backflex radius min.: 40 mm



BEVEL SYSTEM

10 feet
3.048 m
80 links

pg. 90-91

pg. 182

pg. 771>781

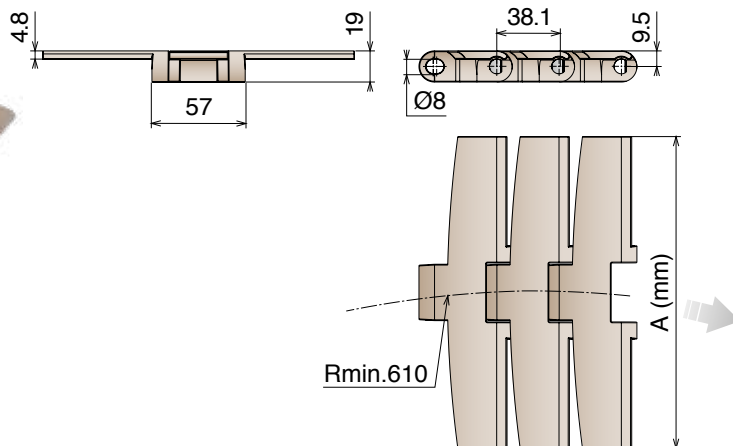
Article-Nr.	Ref.	A (Plate Width) mm	R mm	Weight kg/m	Max working load N	Material
11120102	LF 880 B K325	82,5	457	0,89	2200	LF
11120104	LF 880 B K350	88,9	457	0,93		
11120105	LF 880 B K450	114,3	457	1,05		
11120302	MX 880 B K325	82,5	457	0,89	1750	MX
11120304	MX 880 B K350	88,9	457	0,93		
11120305	MX 880 B K450	114,3	457	1,05		

882 M

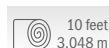
Catena curvilinea
Sideflexing chain / Kurvengängige Scharnierbandkette

Delivery: **Easy** **Standard**

Pins: Ferritic Stainless Steel | Backflex radius min.: 50 mm



MAGNETIC SYSTEM



80 links



pg. 92-93/113



pg. 139->136



pg. 771>781

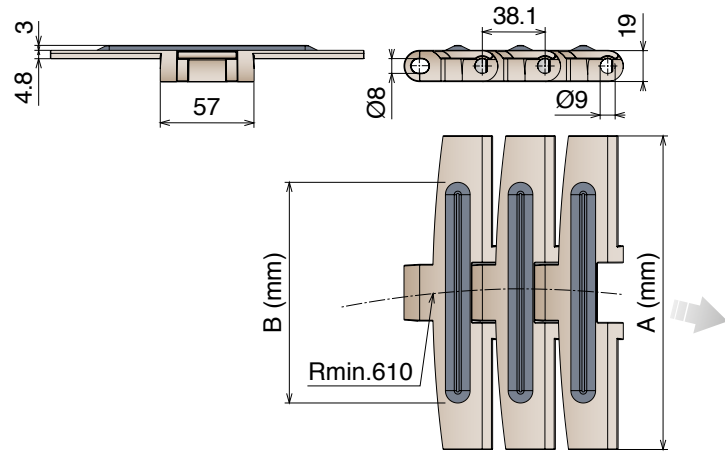
Article-Nr.	Ref.	A (Plate Width) mm	Weight kg/m	Max working load N	Material
11130107	LF 882 M K750	190,5	2,14	3830	LF
11130108	LF 882 M K1000	254,0	2,45		
11130109	LF 882 M K1200	304,8	2,68		
11130307	MX 882 M K750	190,5	2,14	3050	MX
11130308	MX 882 M K1000	254,0	2,45		
11130309	MX 882 M K1200	304,8	2,68		

882 M GT

Catena curvilinea
Sideflexing chain / Kurvengängige Scharnierbandkette

Delivery: **Easy** **Standard**

Pins: Ferritic Stainless Steel | Backflex radius min.: 50 mm | TPE Rubber: 50 ShA



MAGNETIC SYSTEM

5 feet
1.524 m

40 links



pg. 92-93/113



pg. 139->144



pg. 771->781

Article-Nr.	Ref.	A (Plate Width) mm	B (Rubber Width) mm	Weight kg/ m	Max working load N	Material
11150107	LF 882 M GT K750	190,5	134,0	2,10	3830	LF
11150108	LF 882 M GT K1000	254,0	197,0	2,45		
11150109	LF 882 M GT K1200	304,8	249,0	2,74		

882 M LBP

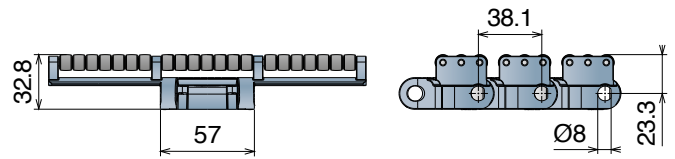
Catene in plastica / Plastic chains / Kunststoffkette

882 M LBP

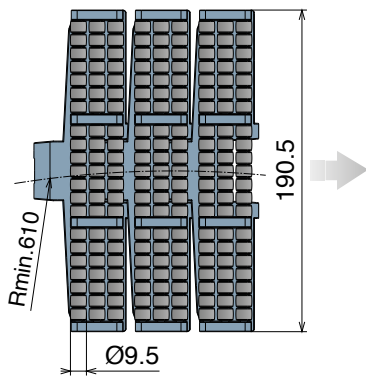
Catena curvilinea
Sideflexing chain / Kurvengängige Scharnierbandkette

Delivery: **Easy** Standard

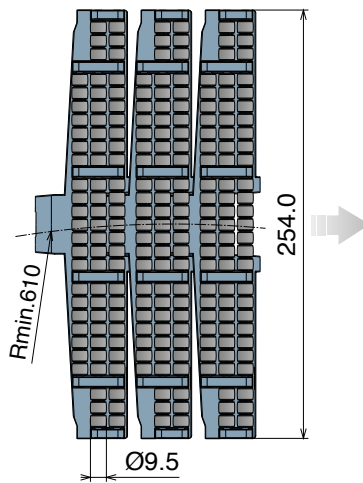
Pins: Ferritic Stainless Steel | Backflex radius min.: 150 mm



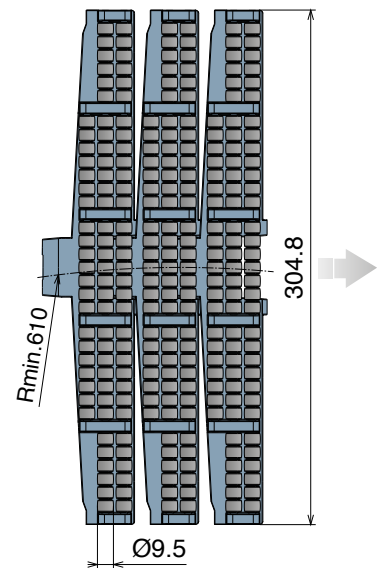
K750



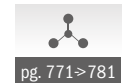
K1000



K1200



MAGNETIC SYSTEM



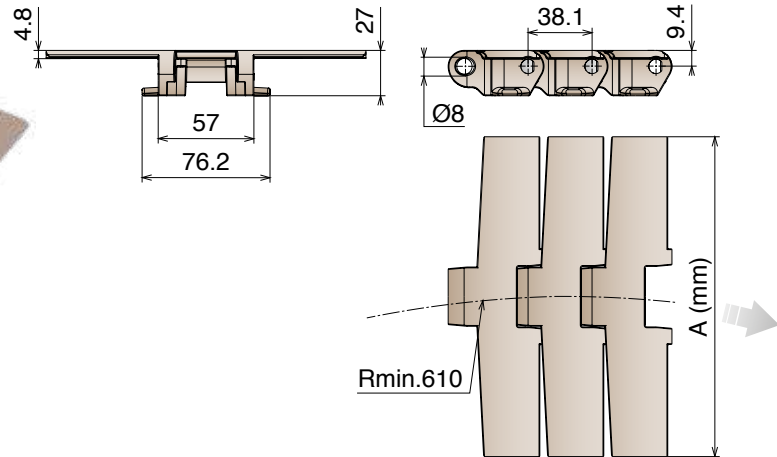
Article-Nr.	Ref.	A (Plate Width) mm	Weight kg/m	Max working load N	Material
11170107	LFA 882 M LBP K750	190,5	3,92	3830	LFA
11170108	LFA 882 M LBP K1000	254,0	4,94		
11170109	LFA 882 M LBP K1200	304,8	5,82		

882 TAB

Catena curvilinea
Sideflexing chain / Kurvengängige Scharnierbandkette

Delivery: **Easy** **Standard**

Pins: Stainless Steel | Backflex radius min.: 40 mm



TAB SYSTEM

10 feet
3.048 m
80 links

pg. 92-93

pg. 174/183

pg. 771>781

Article-Nr.	Ref.	A (Plate Width) mm	Weight kg/m	Max working load N	Material
11140105	LF 882 TAB K450	114,3	2,05	3830	LF
11140106	LF 882 TAB K600	152,4	2,20		
11140107	LF 882 TAB K750	190,5	2,45		
11140108	LF 882 TAB K1000	254,0	2,85		
11140109	LF 882 TAB K1200	304,8	3,40		
11140305	MX 882 TAB K450	114,3	2,05	3050	MX
11140306	MX 882 TAB K600	152,4	2,20		
11140307	MX 882 TAB K750	190,5	2,45		
11140308	MX 882 TAB K1000	254,0	2,85		
11140309	MX 882 TAB K1200	304,8	3,40		
11142505	MPX 882 TAB K450	114,3	2,05	3830	MPX
11142506	MPX 882 TAB K600	152,4	2,20		
11142507	MPX 882 TAB K750	190,5	2,45		
11142508	MPX 882 TAB K1000	254,0	2,85		
11142509	MPX 882 TAB K1200	304,8	3,40		
11141705	MWX 882 TAB K450	114,3	2,05	3830	MWX
11141706	MWX 882 TAB K600	152,4	2,20		
11141707	MWX 882 TAB K750	190,5	2,45		
11141708	MWX 882 TAB K1000	254,0	2,85		
11141709	MWX 882 TAB K1200	304,8	3,40		

882 TAB GT

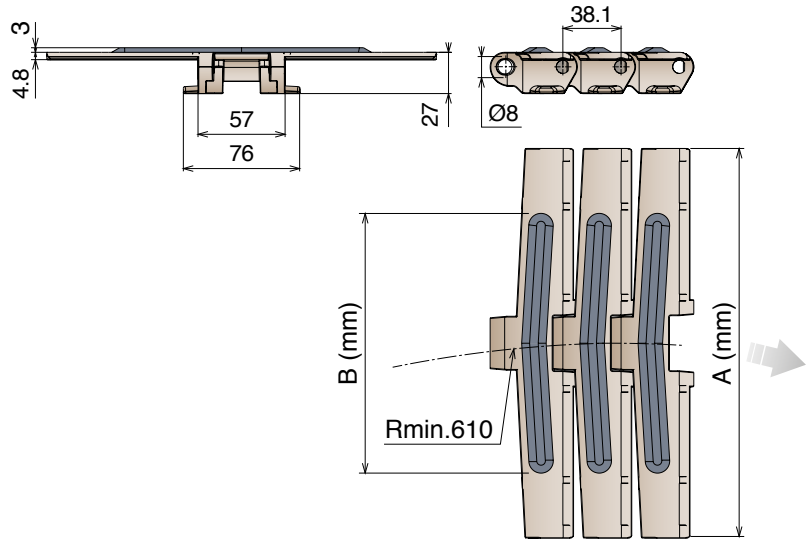
Catene in plastica / Plastic chains / Kunststoffkette

882 TAB GT

Catena curvilinea
Sideflexing chain / Kurvengängige Scharnierbandkette

Delivery: **Easy** Standard

Pins: Stainless Steel | Backflex radius min.: 40 mm | TPE Rubber: 50 ShA



TAB SYSTEM

5 feet
1.524 m
40 links

pg. 92-93

pg. 174/183

pg. 771>781

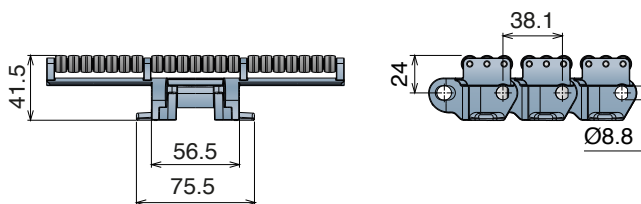
Article-Nr.	Ref.	A (Plate Width) mm	B (Rubber Width) mm	Weight kg/m	Max working load N	Material
11160107	LF 882 TAB GT K750	190,5	134,0	2,37	3830	LF
11160108	LF 882 TAB GT K1000	254,0	197,0	2,67		
11160109	LF 882 TAB GT K1200	304,8	249,0	2,92		
11160307	MX 882 TAB GT K750	190,5	134,0	2,37	3050	MX
11160308	MX 882 TAB GT K1000	254,0	197,0	2,67		
11160309	MX 882 TAB GT K1200	304,8	249,0	2,92		

882 TAB LBP

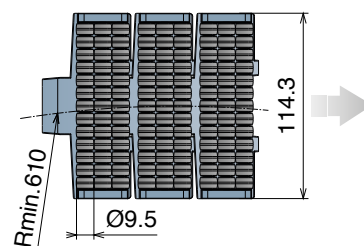
Catena curvilinea
Sideflexing chain / Kurvengängige Scharnierbandkette

Delivery: **Easy** **Standard**

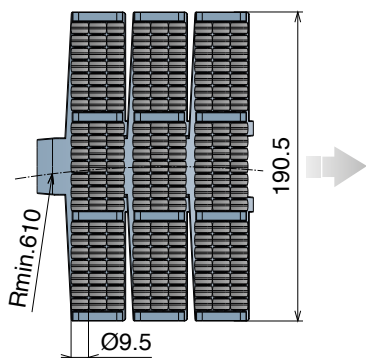
Pins: Stainless Steel | Backflex radius min.: 150 mm



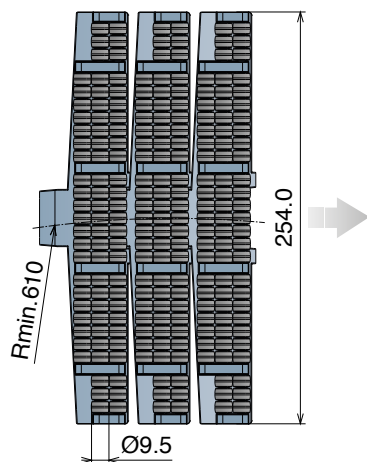
K450



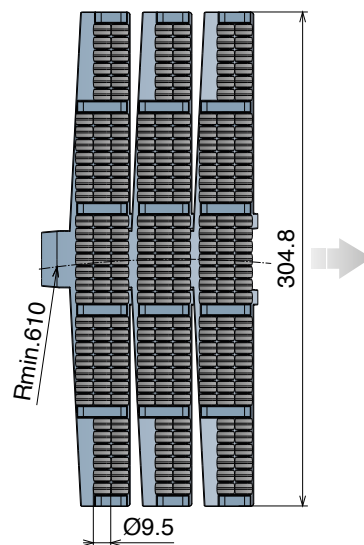
K750



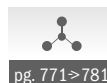
K1000



K1200



TAB SYSTEM

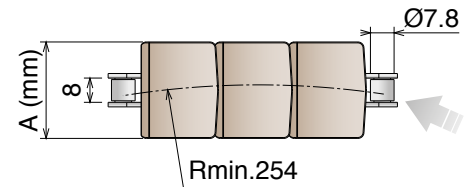
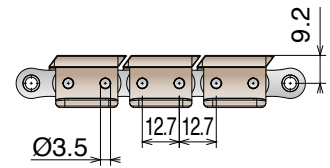
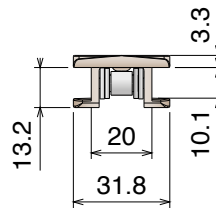


Article-Nr.	Ref.	Plate Width mm	Weight kg/m	Max working load N	Material
11180105	LFA 882 TAB LBP K450	114,3	4,00	3830	LFA
11180107	LFA 882 TAB LBP K750	190,5	4,70		
11180108	LFA 882 TAB LBP K1000	254,0	5,95		
11180109	LFA 882 TAB LBP K1200	304,8	6,55		

1843 Catena curvilinea Sideflexing chain / Kurvengängige Plattenbandkette

Delivery: **Easy** **Standard**

Backflex radius min.: 80 mm



Standard length roller chain: 240 Pitches

TAB SYSTEM

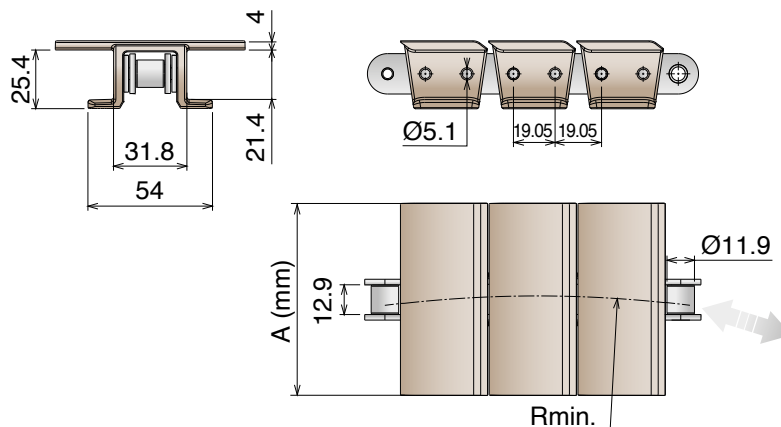


Article-Nr.	Chain	Ref.	A (Plate Width) mm	R mm	Weight kg/m	Max working load N	Material
11400117	C45	LF 1843 TAB K125	31,8	254	0,74	2700	LF
11410117	Stainless Steel		31,8	254	0,74	1900	
11400119	C45	LF 1843 TAB K200	50,8	254	0,89	2700	
11410119	Stainless Steel		50,8	254	0,89	1900	
11400317	C45	MX 1843 TAB K125	31,8	254	0,74	2700	MX
11410317	Stainless Steel		31,8	254	0,74	1900	
11400319	C45	MX 1843 TAB K200	50,8	254	0,89	2700	
11410319	Stainless Steel		50,8	254	0,89	1900	

NEW **1863** Catena curvilinea
Sideflexing chain / Kurvengängige Plattenbandkette

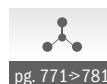
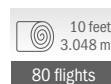
Delivery: **Easy** **Standard**

The stainless steel version is supplied with LONG-LIFE SS roller chain. | Backflex radius min.: 150 mm



Standard length roller chain: 160 Pitches

TAB SYSTEM



Article-Nr.	Chain	Ref.	A (Plate Width) mm	Weight kg/m	Max working load N	Sideflex radius min. mm	Material
11420102	C45	LF 1863 TAB K325	82,5	2,0	4500	355	LF
11430102	Stainless Steel		82,5	2,0	3500		
11420302	C45	MX 1863 TAB K325	82,5	2,0	4500	355	MX
11430302	Stainless Steel		82,5	2,0	3500		

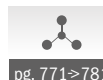
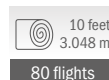
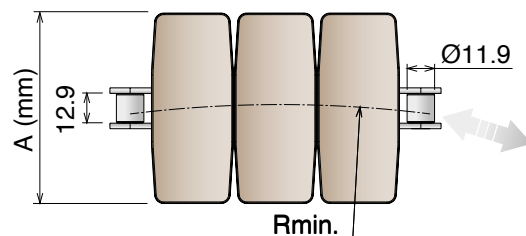
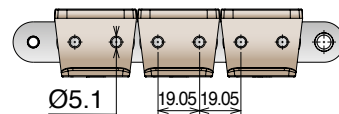
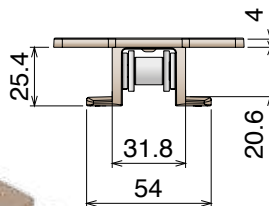
Advantages

- Over-lapping flights • Better product support • Safer design
- Finger protection • Interchangeable with 1873 series

1873 Catena curvilinea Sideflexing chain / Kurvengängige Plattenbandkette

Delivery: **Easy** **Standard**

The stainless steel version is supplied with LONG-LIFE SS roller chain. | Backflex radius min.: 210 mm



Standard length roller chain: 160 Pitches

TAB SYSTEM

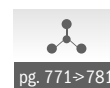
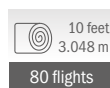
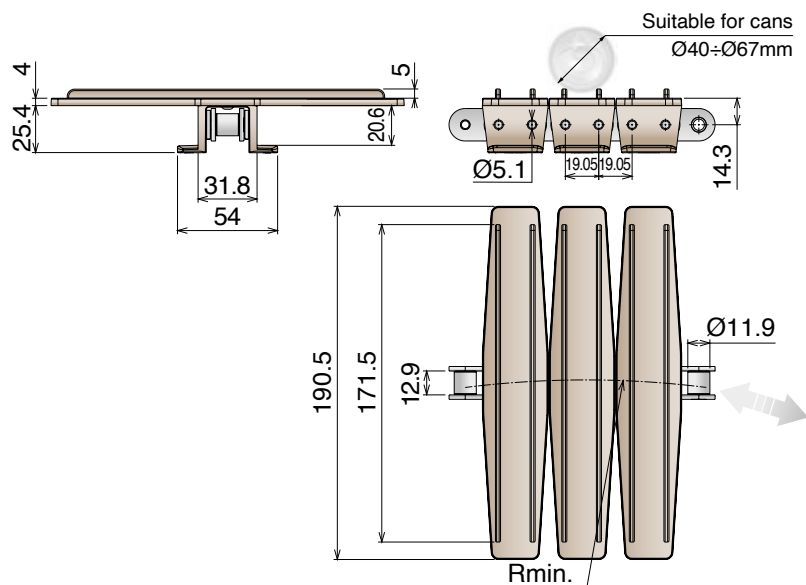
Article-Nr.	Chain	Ref.	A (Plate Width) mm	Weight kg/m	Max working load N	Sideflex radius min. mm	Material
11590102	C45	LF 1873 TAB K325	82,5	2,10	4500	355	LF
11600102	Stainless Steel		82,5	2,10	3500		
11590105	C45	LF 1873 TAB K450	114,3	2,30	4500	457	
11600105	Stainless Steel		114,3	2,30	3500		
11590106	C45	LF 1873 TAB K600	152,4	2,40	4500	457	
11600106	Stainless Steel		152,4	2,40	3500		
11590107	C45	LF 1873 TAB K750	190,5	2,60	4500	457	
11600107	Stainless Steel		190,5	2,60	3500		
11590108	C45	LF 1873 TAB K1000	254,0	2,80	4500	457	
11600108	Stainless Steel		254,0	2,80	3500		
11590109	C45	LF 1873 TAB K1200	304,8	3,00	4500	457	
11600109	Stainless Steel		304,8	3,00	3500		
11590302	C45	MX 1873 TAB K325	82,5	2,10	4500	355	MX
11600302	Stainless Steel		82,5	2,10	3500		
11590305	C45	MX 1873 TAB K450	114,3	2,30	4500	457	
11600305	Stainless Steel		114,3	2,30	3500		
11590306	C45	MX 1873 TAB K600	152,4	2,40	4500	457	
11600306	Stainless Steel		152,4	2,40	3500		
11590307	C45	MX 1873 TAB K750	190,5	2,60	4500	457	
11600307	Stainless Steel		190,5	2,60	3500		
11590308	C45	MX 1873 TAB K1000	254,0	2,80	4500	457	
11600308	Stainless Steel		254,0	2,80	3500		
11590309	C45	MX 1873 TAB K1200	304,8	3,00	4500	457	
11600309	Stainless Steel		304,8	3,00	3500		

NEW 1873 GB2 TWISTER

Catena curvilinea
Sideflexing chain / Kurvengängige Plattenbandkette

Delivery: **Easy** Standard

Pins: Stainless Steel | Backflex radius min.: 210 mm | The chain can twist 90° in 1500 mm



Article-Nr.	Chain	Ref.	Plate Width mm	R mm	Weight kg/m	Max working load N	Material
11370107	C45	LF 1873 TAB	190,5	457	2,60	4500	LF
11380107	Stainless Steel	K750 GB2	190,5	457	2,60	3500	
11370307	C45	MX 1873 TAB	190,5	457	2,60	4500	MX
11380307	Stainless Steel	K750 GB2	190,5	457	2,60	3500	

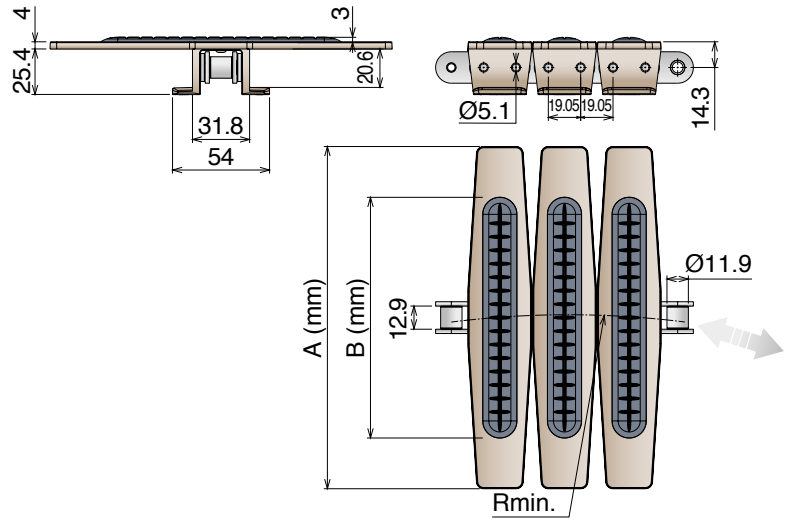


1873 GT

Catene in plastica / Plastic chains / Kunststoffkette

1873 GT Catena curvilinea Sideflexing chain / Kurvengängige Plattenbandkette

Delivery: **Easy** **Standard** *The stainless steel version is supplied with LONG-LIFE SS roller chain.* | TPE Rubber: 75 ShA | Backflex radius min.: 210 mm



Standard length roller chain: 160 Pitches

TAB SYSTEM

10 feet
3,048 m
80 flights

SPROCKET
ASA 60
Standard on market

pg. 175/184

pg. 771>781

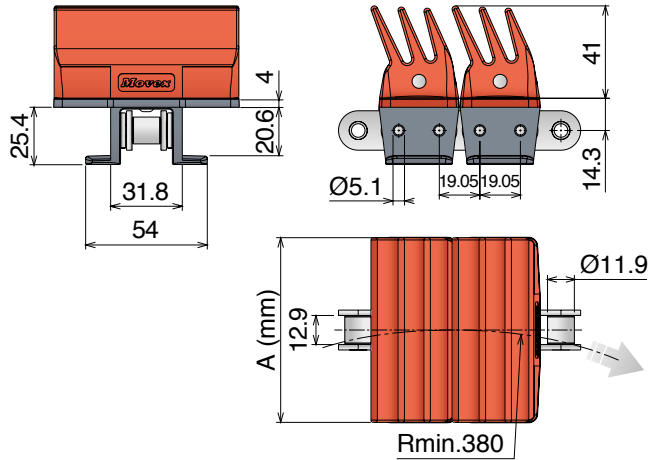
Article-Nr.	Chain	Ref.	A (Plate Width) mm	B (Rubber Width) mm	Weight kg/m	Max working load N	Sideflex radius min. mm	Material
11610107	C45	LF 1873 GT TAB K750	190,5	134,0	2,60	4500	457	LF
11620107	Stainless Steel		190,5	134,0	2,60	3500		
11610108	C45	LF 1873 GT TAB K1000	254,0	192,0	2,80	4500		
11620108	Stainless Steel		254,0	192,0	2,80	3500		
11610109	C45	LF 1873 GT TAB K1200	304,8	252,0	3,00	4500	457	
11620109	Stainless Steel		304,8	252,0	3,00	3500		

1873 GRIPPER GS1

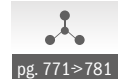
Catena curvilinea
Sideflexing chain / Kurvengängige Plattenbandkette

Delivery: **Easy** **Standard**

The stainless steel version is supplied with LONG-LIFE SS roller chain. | Backflex radius min.: 150 mm



TAB SYSTEM



Standard length roller chain: 160 Pitches

Article-Nr.	Chain	Ref.	A (Width) mm	Max working load N	Weight kg/m	Rubber	Material
11200102	C45	1873 TAB K325 GR	82,5	4500	4,354	Material: TPR Color: Red	LFD
11200105		1873 TAB K450 GR	114,3				
11200202	Nickel Plated Steel	1873 NP TAB K325 GR	82,5	4500	4,354		
11200205		1873 NP TAB K450 GR	114,3				
11200302	Stainless Steel	1873 SS TAB K325 GR	82,5	3500	4,354		
11200305		1873 SS TAB K450 GR	114,3				
11320102	C45	1873 TAB K325 GR	82,5	4500	4,354	Material: TPR Color: Red	MX
11320105		1873 TAB K450 GR	114,3				
11320202	Nickel Plated Steel	1873 NP TAB K325 GR	82,5	4500	4,354		
11320205		1873 NP TAB K450 GR	114,3				
11320302	Stainless Steel	1873 SS TAB K325 GR	82,5	3500	4,354		
11320305		1873 SS TAB K450 GR	114,3				
11210102	C45	1873 TAB K325 GR	82,5	4500	4,354	Material: EPDM-PP Color: Black	PP
11210105		1873 TAB K450 GR	114,3				
11210202	Nickel Plated Steel	1873 NP TAB K325 GR	82,5	4500	4,354		
11210205		1873 NP TAB K450 GR	114,3				
11210302	Stainless Steel	1873 SS TAB K325 GR	82,5	3500	4,354		
11210305		1873 SS TAB K450 GR	114,3				
11330102	C45	1873 TAB K325 GR	82,5	4500	4,354	Material: TPR Color: Red	MWX
11330105		1873 TAB K450 GR	114,3				
11330202	Nickel Plated Steel	1873 NP TAB K325 GR	82,5	4500	4,354		
11330205		1873 NP TAB K450 GR	114,3				
11330302	Stainless Steel	1873 SS TAB K325 GR	82,5	3500	4,354		
11330305		1873 SS TAB K450 GR	114,3				

1873 GRIPPER GS2

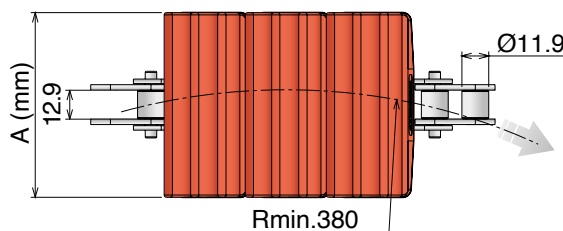
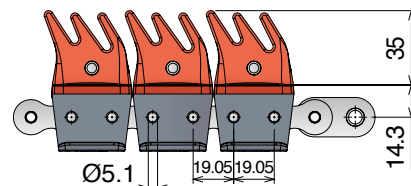
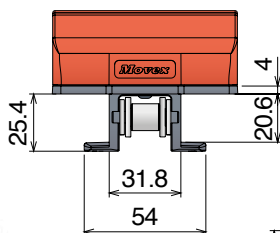
Catene in plastica / Plastic chains / Kunststoffkette

1873 GRIPPER GS2

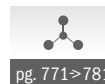
Catena curvilinea
Sideflexing chain / Kurvengängige Plattenbandkette

Delivery: **Easy** **Standard**

The stainless steel version is supplied with LONG-LIFE SS roller chain. | Backflex radius min.: 150 mm



TAB SYSTEM



Standard length roller chain: 160 Pitches

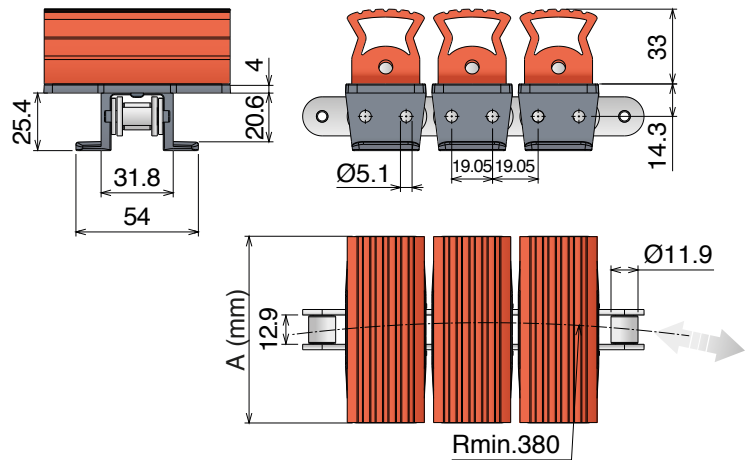
Article-Nr.	Chain	Ref.	A (Width) mm	Max working load N	Weight kg/m	Rubber	Material
11280102	C45	1873 TAB K325 GR	82,5	4500	4,354	Material: TPR Color: Red	LFD
11280105		1873 TAB K450 GR	114,3				
11280202	Nickel Plated Steel	1873 NP TAB K325 GR	82,5	4500	4,354		
11280205		1873 NP TAB K450 GR	114,3				
11280302	Stainless Steel	1873 SS TAB K325 GR	82,5	3500	4,354		
11280305		1873 SS TAB K450 GR	114,3				
11340102	C45	1873 TAB K325 GR	82,5	4500	4,354	Material: TPR Color: Red	MX
11340105		1873 TAB K450 GR	114,3				
11340202	Nickel Plated Steel	1873 NP TAB K325 GR	82,5	4500	4,354		
11340205		1873 NP TAB K450 GR	114,3				
11340302	Stainless Steel	1873 SS TAB K325 GR	82,5	3500	4,354		
11340305		1873 SS TAB K450 GR	114,3				
11290102	C45	1873 TAB K325 GR	82,5	4500	4,354	Material: EPDM-PP Color: Black	PP
11290105		1873 TAB K450 GR	114,3				
11290202	Nickel Plated Steel	1873 NP TAB K325 GR	82,5	4500	4,354		
11290205		1873 NP TAB K450 GR	114,3				
11290302	Stainless Steel	1873 SS TAB K325 GR	82,5	3500	4,354		
11290305		1873 SS TAB K450 GR	114,3				
11350102	C45	1873 TAB K325 GR	82,5	4500	4,354	Material: TPR Color: Red	MWX
11350105		1873 TAB K450 GR	114,3				
11350202	Nickel Plated Steel	1873 NP TAB K325 GR	82,5	4500	4,354		
11350205		1873 NP TAB K450 GR	114,3				
11350302	Stainless Steel	1873 SS TAB K325 GR	82,5	3500	4,354		
11350305		1873 SS TAB K450 GR	114,3				

1873 GRIPPER GS4

Catena curvilinea
Sideflexing chain / Kurvengängige Plattenbandkette

Delivery: **Easy** **Standard**

The stainless steel version is supplied with LONG-LIFE SS roller chain. | Backflex radius min.: 400 mm



TAB SYSTEM

10 feet
3.048 m
80 flights

SPROCKET
ASA 60
Standard on market

pg. 175/184

pg. 771->781

Standard length roller chain: 160 Pitches

Article-Nr.	Chain	Ref.	A (Width) mm	Max working load N	Weight kg/m	Rubber	Material	
11830102	C45	1873 TAB K325 GR	82,5	4500	4,15	Material: TPR	LFD	
11830105		1873 TAB K450 GR	114,3					
11830202	Nickel Plated Steel	1873 NP TAB K325 GR	82,5	4500	4,15	Color: Red		
11830205		1873 NP TAB K450 GR	114,3					
11830302	Stainless Steel	1873 SS TAB K325 GR	82,5	3500	4,15			
11830305		1873 SS TAB K450 GR	114,3					4,70
11840102	C45	1873 TAB K325 GR	82,5	4500	4,15	Material: TPR		MX
11840105		1873 TAB K450 GR	114,3					
11840202	Nickel Plated Steel	1873 NP TAB K325 GR	82,5	4500	4,15	Color: Red		
11840205		1873 NP TAB K450 GR	114,3					
11840302	Stainless Steel	1873 SS TAB K325 GR	82,5	3500	4,15			
11840305		1873 SS TAB K450 GR	114,3				4,70	
11850102	C45	1873 TAB K325 GR	82,5	4500	4,15	Material: EPDM-PP	PP	
11850105		1873 TAB K450 GR	114,3					
11850202	Nickel Plated Steel	1873 NP TAB K325 GR	82,5	4500	4,15	Color: Black		
11850205		1873 NP TAB K450 GR	114,3					
11850302	Stainless Steel	1873 SS TAB K325 GR	82,5	3500	4,15			
11850305		1873 SS TAB K450 GR	114,3					4,70
11860102	C45	1873 TAB K325 GR	82,5	4500	4,15	Material: TPR		MWX
11860105		1873 TAB K450 GR	114,3					
11860202	Nickel Plated Steel	1873 NP TAB K325 GR	82,5	4500	4,15	Color: Red		
11860205		1873 NP TAB K450 GR	114,3					
11860302	Stainless Steel	1873 SS TAB K325 GR	82,5	3500	4,15			
11860305		1873 SS TAB K450 GR	114,3				4,70	

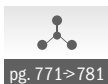
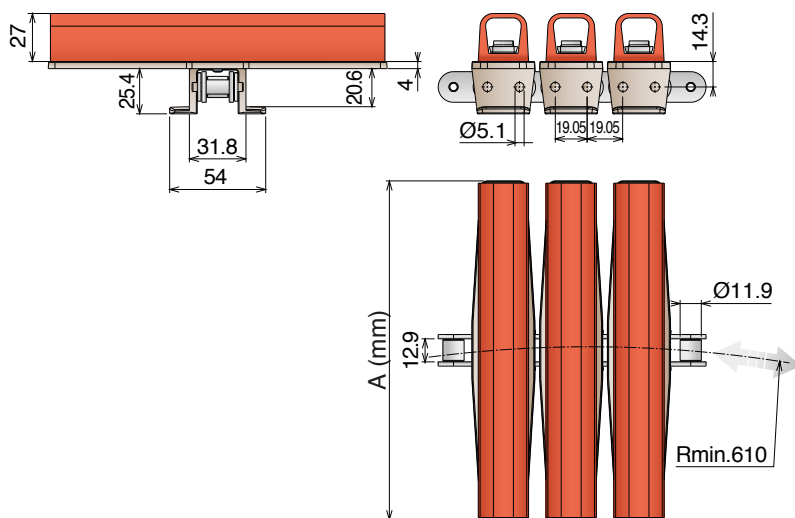
1873 D-SHAPE

Catene in plastica / Plastic chains / Kunststoffkette

1873 D-SHAPE

Catena curvilinea
Sideflexing chain / Kurvengängige Plattenbandkette

The stainless steel version is supplied with LONG-LIFE SS roller chain. | Backflex radius min.: 200 mm



TAB SYSTEM

Standard lenght roller chain: 160 Pitches

Article-Nr.	Chain	Ref.	A (Width) mm	Max working load N	Weight kg/m	Rubber	Material
11870106	C45	1873 TAB K600 D	152,4	4500	4,00		LF
11870107		1873 TAB K750 D	190,5				
11870206	Nickel Plated Steel	1873 NP TAB K600 D	152,4	4500	4,00	Material: TPR	
11870207		1873 NP TAB K750 D	190,5			Color: Red	
11870306	Stainless Steel	1873 SS TAB K600 D	152,4	3500	4,00		
11870307		1873 SS TAB K750 D	190,5				
11880106	C45	1873 TAB K600 D	152,4	4500	4,00		MX
11880107		1873 TAB K750 D	190,5				
11880206	Nickel Plated Steel	1873 NP TAB K600 D	152,4	4500	4,00	Material: TPR	
11880207		1873 NP TAB K750 D	190,5			4,90	
11880306	Stainless Steel	1873 SS TAB K600 D	152,4	3500	4,00		
11880307		1873 SS TAB K750 D	190,5				
11890106	C45	1873 TAB K600 D	152,4	4500	4,00		MPX
11890107		1873 TAB K750 D	190,5				
11890206	Nickel Plated Steel	1873 NP TAB K600 D	152,4	4500	4,00	Material: EPDM-PP	
11890207		1873 NP TAB K750 D	190,5			4,90	
11890306	Stainless Steel	1873 SS TAB K600 D	152,4	3500	4,00		
11890307		1873 SS TAB K750 D	190,5				

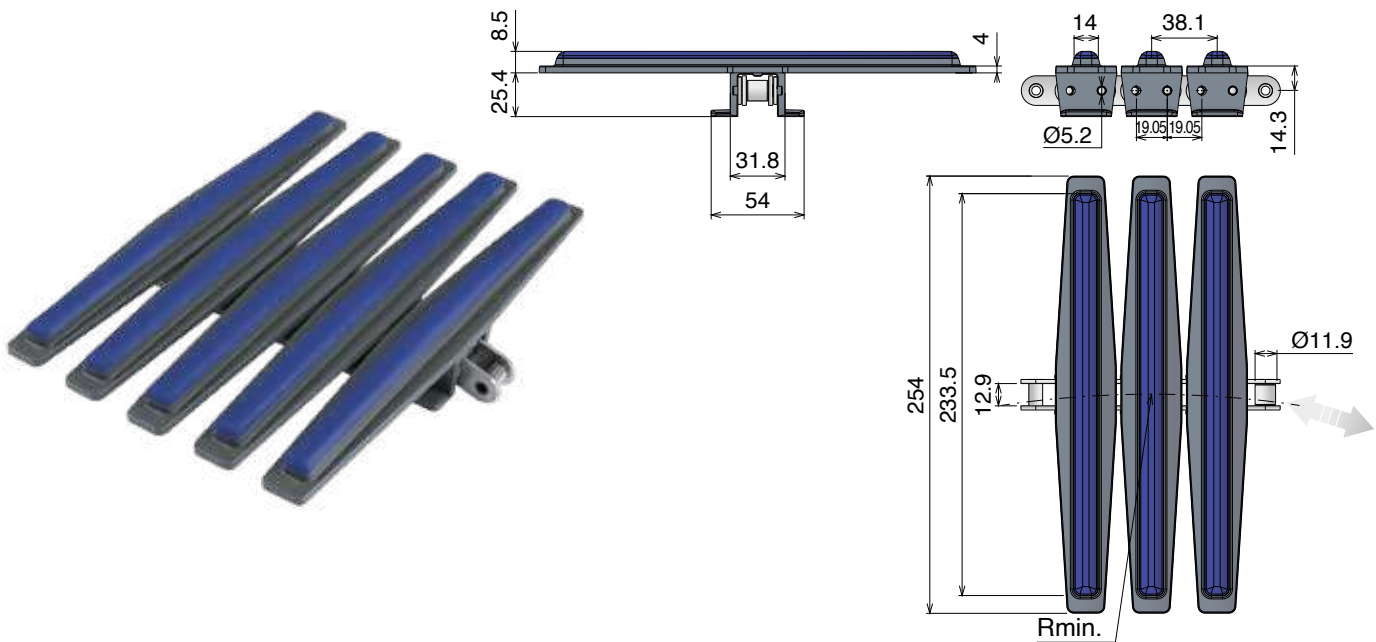


Movex

1873 MX1 Catena curvilinea Sideflexing chain / Kurvengängige Plattenbandkette

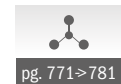
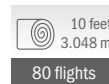
RANGE EXTENSION

The stainless steel version is supplied with LONG-LIFE SS roller chain. | TPE Rubber: 85 ShA | Backflex radius min.: 200 mm



Standard length roller chain: 160 Pitches

TAB SYSTEM



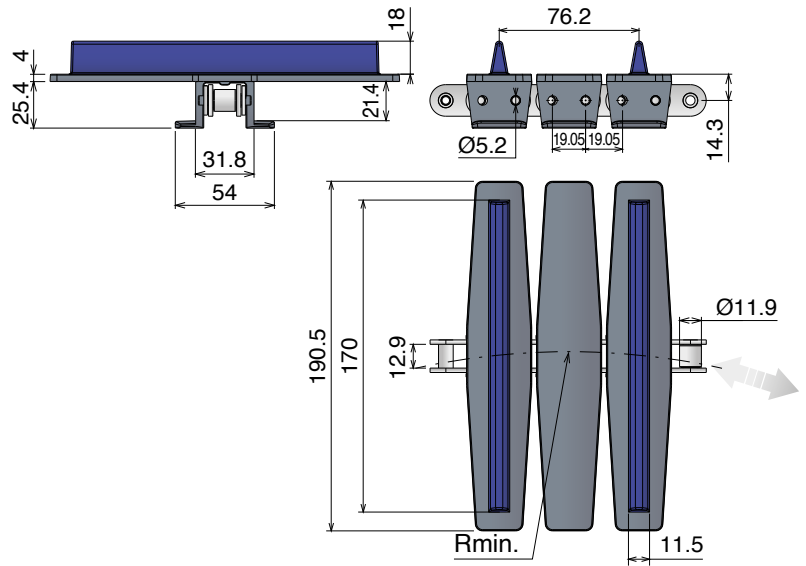
Article-Nr.	Chain	Ref.	A (Plate Width) mm	B (Rubber Width) mm	Weight kg/m	Max working load N	Rubber	Material
11790107	C45	1873 LF TAB K750	190,5	170,0	3,30	4500	Material: TPE Color: Red	LF
11780107	Nickel Plated Steel					4500		
11690107	Stainless Steel					3500		
11790108	C45	1873 LF TAB K1000	254,0	223,5	3,60	4500		
11780108	Nickel Plated Steel					4500		
11690108	Stainless Steel					3500		
11790111	C45	1873 LF TAB K1161	295,0	280,0	3,90	4500		
11780111	Nickel Plated Steel					4500		
11690111	Stainless Steel					3500		
11790307	C45	1873 MX TAB K750	190,5	170,0	3,30	4500	Material: TPE Color: Blue	MX
11780307	Nickel Plated Steel					4500		
11690307	Stainless Steel					3500		
11790308	C45	1873 MX TAB K1000	254,0	223,5	3,60	4500		
11780308	Nickel Plated Steel					4500		
11690308	Stainless Steel					3500		
11790311	C45	1873 MX TAB K1161	295,0	280,0	3,90	4500		
11780311	Nickel Plated Steel					4500		
11690311	Stainless Steel					3500		

1873 MX2

Catene in plastica / Plastic chains / Kunststoffkette

1873 MX2 Catena curvilinea Sideflexing chain / Kurvengängige Plattenbandkette

The stainless steel version is supplied with LONG-LIFE SS roller chain. | TPE Rubber: 75 ShA | Backflex radius min.: 200 mm



Standard lenght roller chain: 160 Pitches

TAB SYSTEM



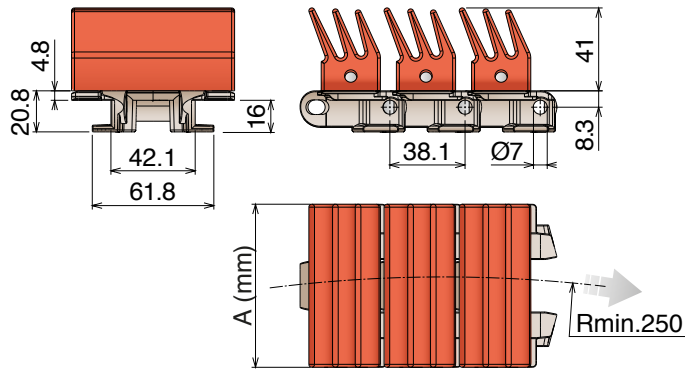
Article-Nr.	Chain	Ref.	Plate Width mm	Weight kg/m	Max working load N	Sideflex radius min. mm	Rubber	Material
11770107	C45	1873 LFTAB K750	190,5	2,60	4500	457	Material: TPE	LF
11760107	Nickel Plated Steel				4500		Color: Red	
11670107	Stainless Steel				3500			
11770307	C45	1873 MX TAB K750	190,5	2,60	4500	457	Material: TPE	MX
11760307	Nickel Plated Steel				4500		Color: Blue	
11670307	Stainless Steel				3500			

878 GRIPPER

Catena curvilinea
Sideflexing chain / Kurvengängige Scharnierbandkette

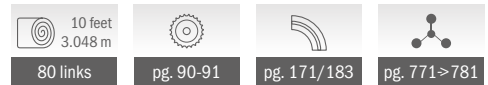
Delivery: **Easy** Standard

Backflex radius min. **GS1:** 100 mm - **GS2:** 180 mm - **GS4:** 380 mm

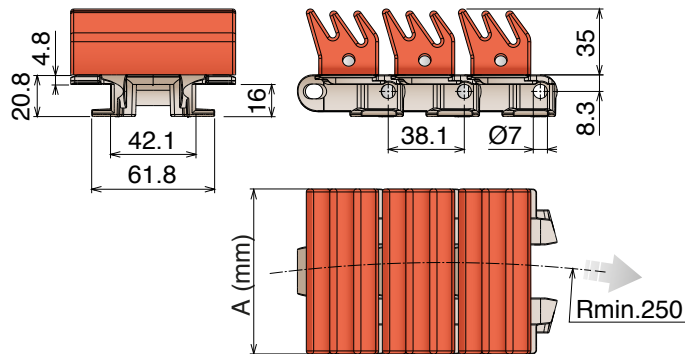


GS1

TAB SYSTEM

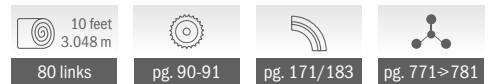


Article-Nr.	Ref.	A (Plate Width) mm	R mm	Weight kg/m	Max working load N	Rubber	Material
11800102	LF 878 GS1 K325	82,5	250	4,65	2200	TPR	LF

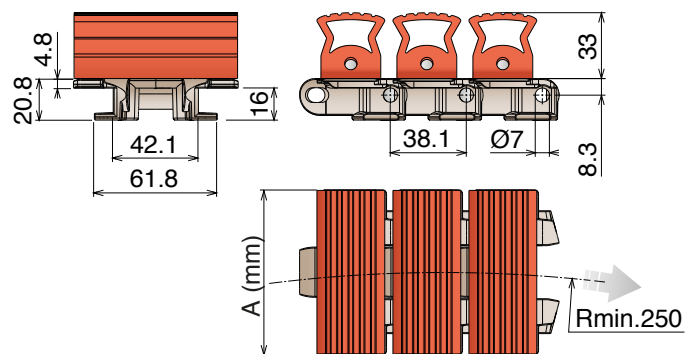


GS2

TAB SYSTEM

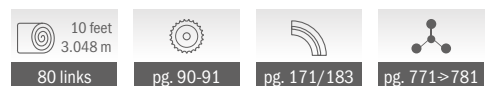


Article-Nr.	Ref.	A (Plate Width) mm	R mm	Weight kg/m	Max working load N	Rubber	Material
11810102	LF 878 GS2 K325	82,5	250	4,05	2200	TPR	LF



GS4

TAB SYSTEM

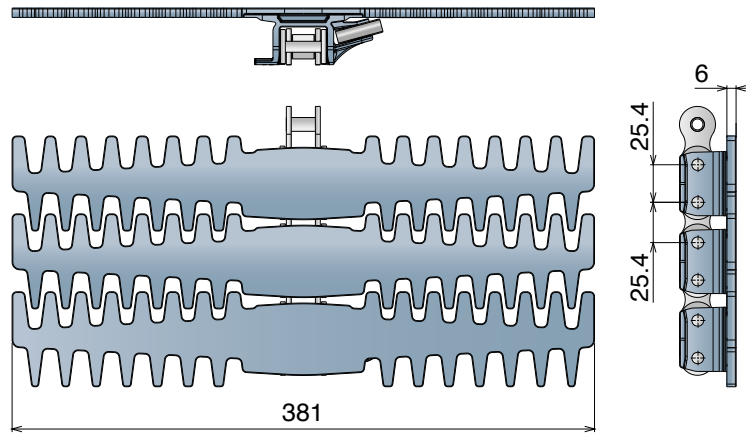
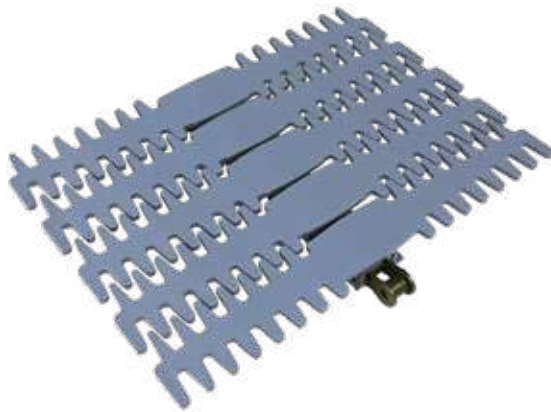


Article-Nr.	Ref.	A (Plate Width) mm	R mm	Weight kg/m	Max working load N	Rubber	Material
11820102	LF 878 GS4 K325	82,5	250	4,10	2200	TPR	LF

1883

Catena curvilinea
Sideflexing chain / Kurvengängige Plattenbandkette

Backflex radius min.: 350 mm



Standard length roller chain: 120 Pitches

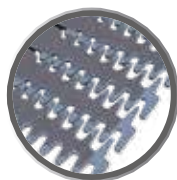


SPROCKET
ASA 80
Standard on market



Article-Nr.	Chain	Ref.	Plate Width mm	Weight kg/m	Max working load N	Sideflex radius min. mm	Material
11640110	C45	LFA 1883 TAB K1500	381,0	12,5	6500	711	LFA

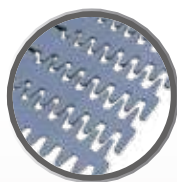
Max Speed High Performance



Grip Top



Reinforced Chain C45 Pitch 25.4 mm



Flat Top

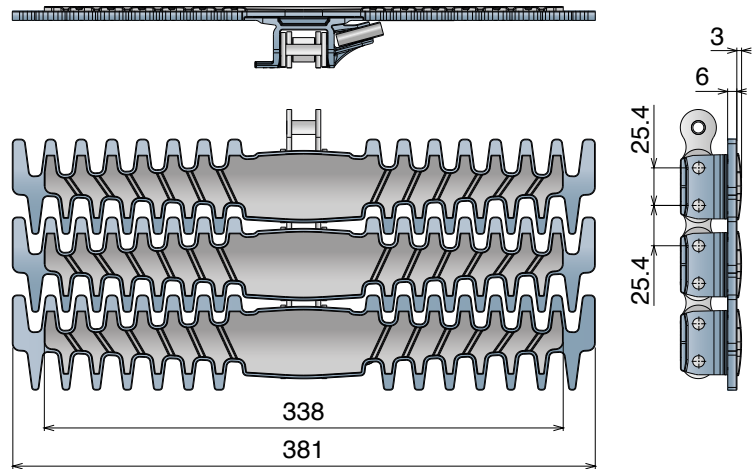


Chrome Steel Ball Bearing

1883 GT

Catena curvilinea
Sideflexing chain / Kurvengängige Plattenbandkette

Backflex radius min.: 350 mm



Standard length roller chain: 120 Pitches

10 feet
3.048 m
60 links

SPROCKET
ASA 80
Standard on market

pg. 771>781

Article-Nr.	Chain	Ref.	Plate Width mm	Weight kg/m	Max working load N	Sideflex radius min. mm	Material
11650110	C45	LFA 1883 GT TAB K1500	381,0	13,0	6500	711	LFA



CC 600-CC 600 TAB

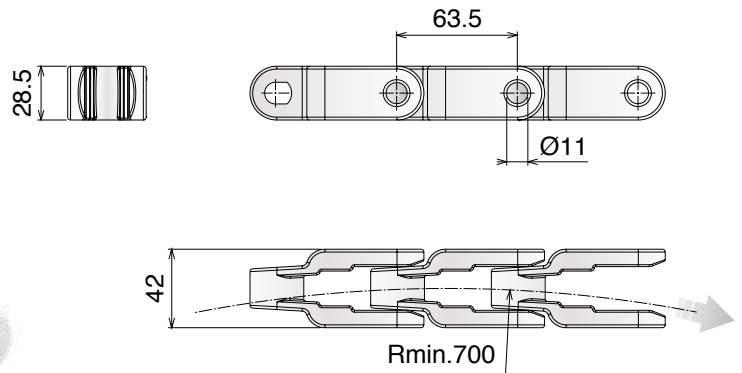
Catene in plastica / Plastic chains / Kunststoffkette

CC 600

Catena curvilinea
Sideflexing chain / Kurvengängige Scharnierbandkette

Delivery: **Easy** Standard

Pins: Stainless Steel | Backflex radius min.: 50 mm



10 feet 3.048 m		
48 links	pg. 99	pg. 771>781

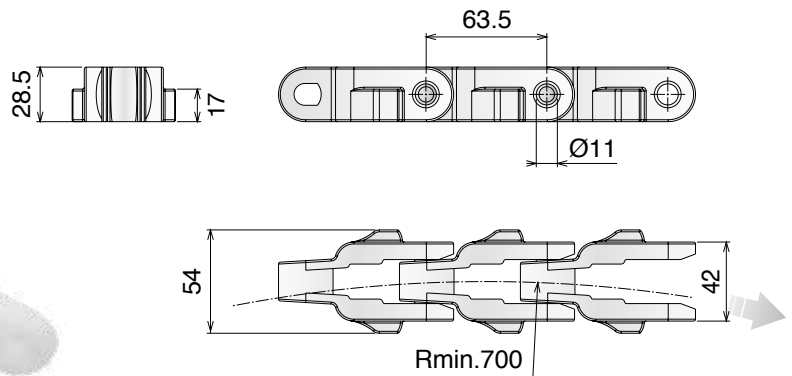
Article-Nr.	Ref.	Plate Width mm	Weight kg/m	Max working load N	Material
11220400	CC 600	42	1,35	4000	LFN
11220300	CC 600	42	1,35	3200	MX

CC 600 TAB

Catena curvilinea
Sideflexing chain / Kurvengängige Scharnierbandkette

Delivery: **Easy** Standard

Pins: Stainless Steel | Backflex radius min.: 50 mm



TAB SYSTEM

10 feet 3.048 m		
48 links	pg. 99	pg. 771>781

Article-Nr.	Ref.	Plate Width mm	Weight kg/m	Max working load N	Material
11230400	CC 600 TAB	42	1,45	4000	LFN
11230300	CC 600 TAB	42	1,45	3200	MX

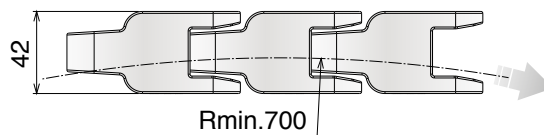
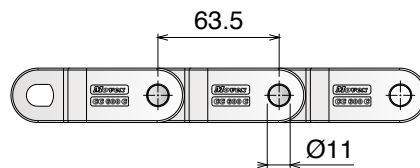
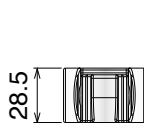
Catene in plastica / Plastic chains / Kunststoffkette

CC 600 D

Catena curvilinea
Sideflexing chain / Kurvengängige Scharnierbandkette

Delivery: **Easy** Standard

Pins: Stainless Steel | Backflex radius min.: 50 mm



48 links



pg. 99



pg. 771>781

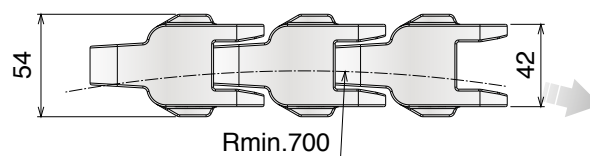
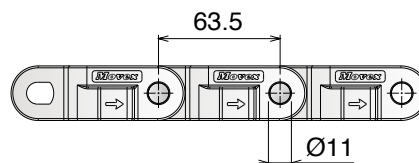
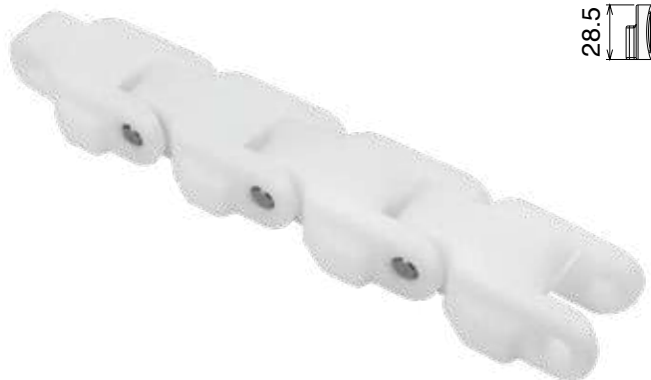
Article-Nr.	Ref.	Plate Width mm	Weight kg/m	Max working load N	Material
11220410	CC 600 D	42	1,40	4000	LFN
11220310	CC 600 D	42	1,40	3200	MX

CC 600 D TAB

Catena curvilinea
Sideflexing chain / Kurvengängige Scharnierbandkette

Delivery: **Easy** Standard

Pins: Stainless Steel | Backflex radius min.: 50 mm



TAB SYSTEM



48 links



pg. 99



pg. 771>781

Article-Nr.	Ref.	Plate Width mm	Weight kg/m	Max working load N	Material
11230410	CC 600 D TAB	42	1,55	4000	LFN
11230310	CC 600 D TAB	42	1,55	3200	MX

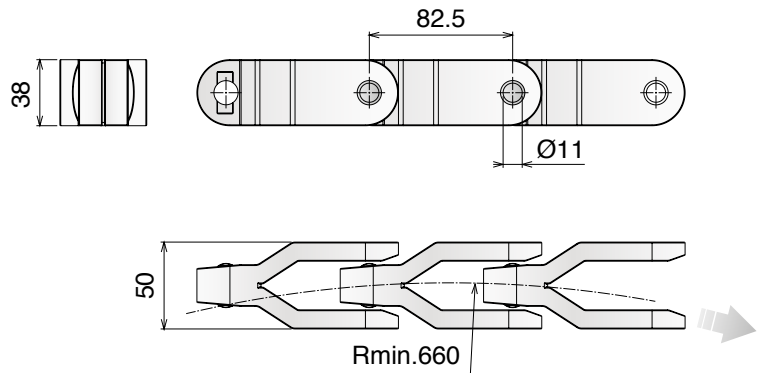
CC 1400-CC 1400 TAB

Catene in plastica / Plastic chains / Kunststoffkette

CC 1400

Catena curvilinea
Sideflexing chain / Kurvengängige Scharnierbandkette

Pins: Stainless Steel | Backflex radius min.: 50 mm



10 feet
3.052 m
37 links

pg. 99

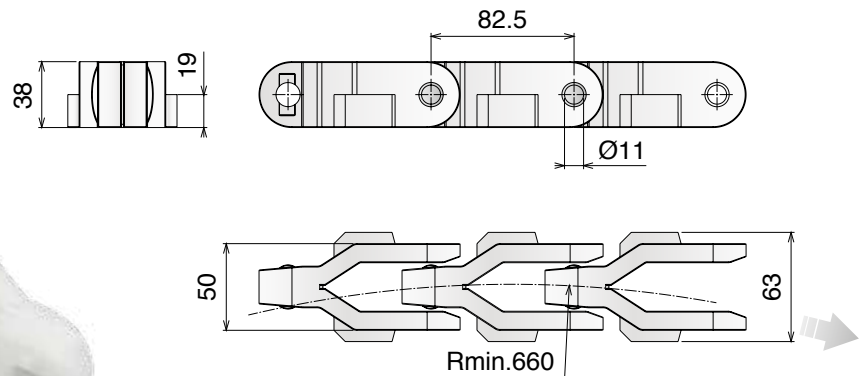
pg. 771>781

Article-Nr.	Ref.	Plate Width mm	Weight kg/m	Max working load N	Material
11300400	CC 1400	50	3,24	6500	LFN
11300300	CC 1400	50	3,24	5200	MX

CC 1400 TAB

Catena curvilinea
Sideflexing chain / Kurvengängige Scharnierbandkette

Pins: Stainless Steel | Backflex radius min.: 50 mm



TAB SYSTEM

10 feet
3.052 m
37 links

pg. 99

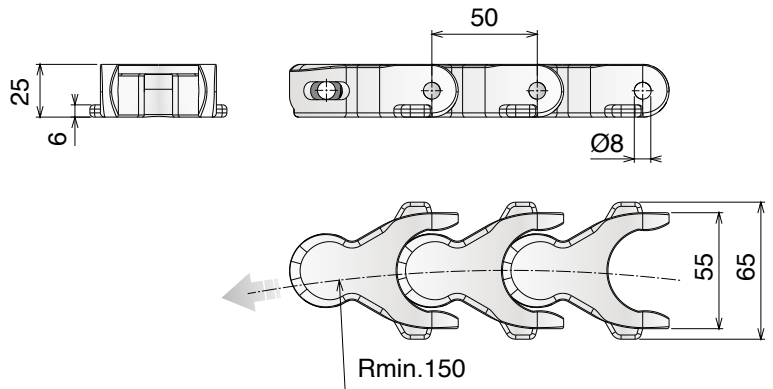
pg. 771>781

Article-Nr.	Ref.	Plate Width mm	Weight kg/m	Max working load N	Material
11310400	CC 1400 TAB	50	3,24	6500	LFN
11310300	CC 1400 TAB	50	3,24	5200	MX

1701 TAB OP

Catena curvilinea
Sideflexing chain / Kardankette

Pins: Stainless Steel | Backflex radius min.: 50 mm



TAB SYSTEM

10 feet 3.050 m	pg. 100	pg. 106	pg. 177/185	pg. 771>781
61 links				

Article-Nr.	Ref.	Plate Width mm	Weight kg/m	Max working load N	Material
11360400	LF 1701 TAB OP	55	1,40	2700	LFN

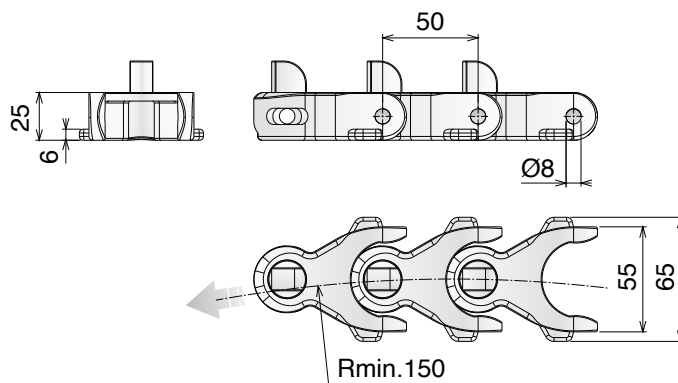
1701 TAB OPF

Catene in plastica / Plastic chains / Kunststoffkette

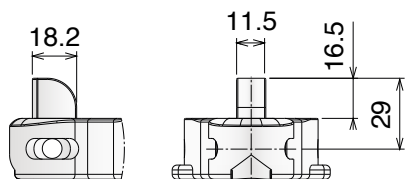
1701 TAB OPF

Catena curvilinea
Sideflexing chain / Kardankette

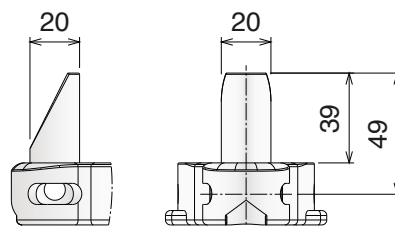
Pins: Stainless Steel | Backflex radius min. Type A/B/C: 100 mm | Backflex radius min. Type D: 120 mm



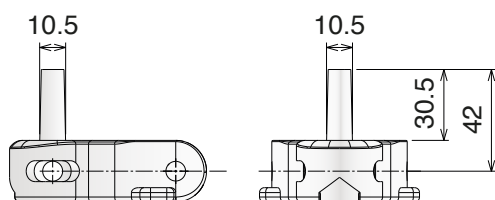
Type A



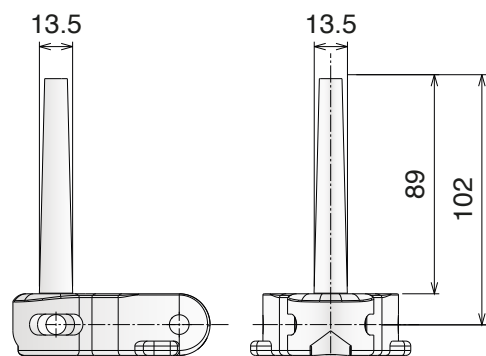
Type B



Type C



Type D



TAB SYSTEM



10 feet
3.050 m



61 links

pg. 100



pg. 106



pg. 177/185



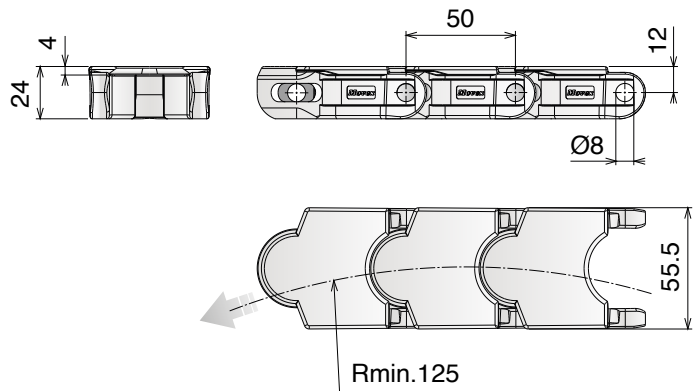
pg. 771 > 781

Article-Nr.	Ref.	Plate Width mm	Weight kg/m	Max working load N	Material
11360400-FA	1701 TAB Type A	55	1,60	2700	LFN
11360400-FB	1701 TAB Type B	55	1,60		
11360400-FC	1701 TAB Type C	55	2,00		
11360400-FD	1701 TAB Type D	55	2,30		

1706

Catena curvilinea
Sideflexing chain / Kardankette

Pins: Stainless Steel | Backflex radius min.: 80 mm

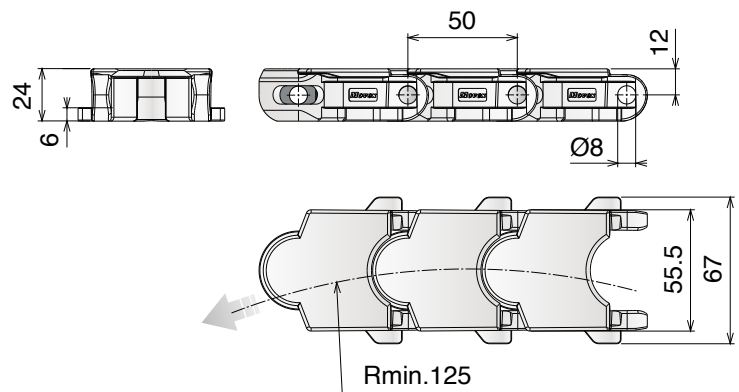


Article-Nr.	Ref.	Plate Width mm	Weight kg/m	Max working load N	Material
11720400	LF 1706	55,5	1,35	2300	LFN
11720300	MX 1706	55,5	1,35	1900	MX

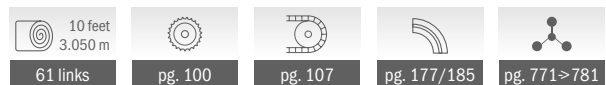
1706 TAB

Catena curvilinea
Sideflexing chain / Kardankette

Pins: Stainless Steel | Backflex radius min.: 80 mm



TAB SYSTEM



Article-Nr.	Ref.	Plate Width mm	Weight kg/m	Max working load N	Material
11730400	LF 1706 TAB	55,5	1,38	2300	LFN
11730300	MX 1706 TAB	55,5	1,38	1900	MX

765 NO GAP

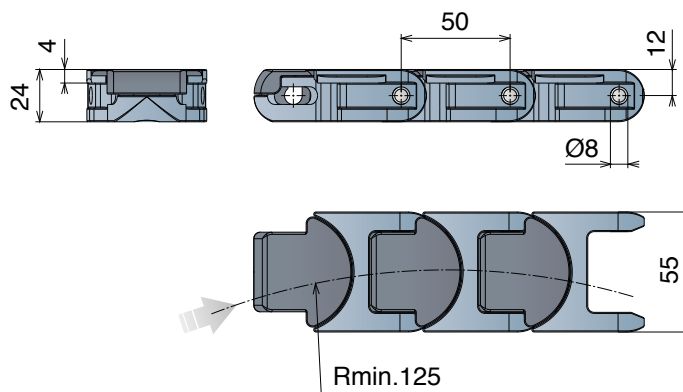
Catene in plastica / Plastic chains / Kunststoffkette

765 NO GAP

Catena curvilinea
Sideflexing chain / Kardankette

Delivery: **Easy** Standard

Pins: Stainless Steel | Backflex radius min.: 50 mm



61 links



pg. 100



pg. 107



pg. 771>781

Article-Nr.	Ref.	Plate Width mm	Weight kg/m	Max working load N	Frame Material	Plate Material
1194998	765 MX NO GAP	55	1,46	2200	MX	MK

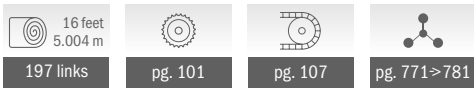
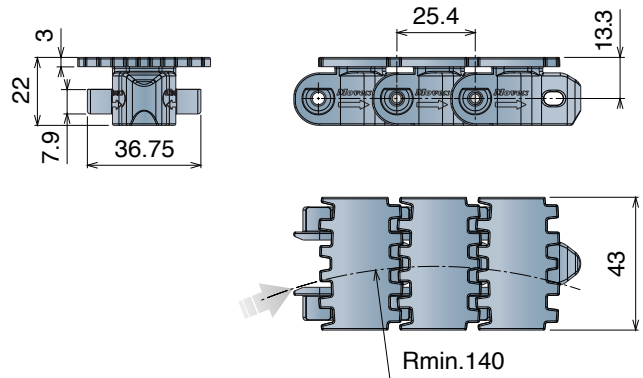
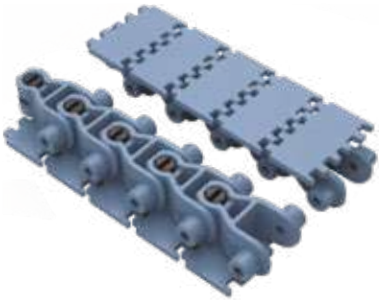


Advantages:

- Improved safety
- Product stability
- Ideal to transport small products

NEW 43 MFS PRO Catena curvilinea Sideflexing chain / Kardankette

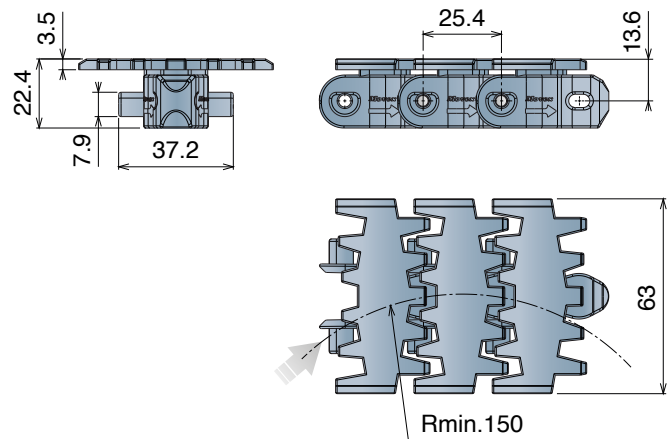
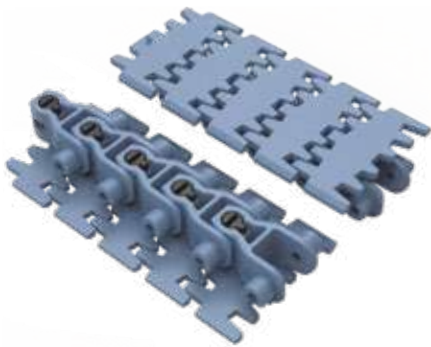
Pins: Stainless Steel | Backflex radius min.: 130 mm



Article-Nr.	Ref.	Plate Width mm	Weight kg/m	Pitch mm	Radius min. mm	Max working load N	Chain material	Pivot material
11460400	LFA 43 MFS	43	0,511	25,4	140	2300	LFA	MX
11460000	LFN 43 MFS	43	0,511	25,4	140	2300	LFN	MX White

NEW 63 MFL PRO Catena curvilinea Sideflexing chain / Kardankette

Pins: Stainless Steel | Backflex radius min.: 110 mm



Article-Nr.	Ref.	Plate Width mm	Weight kg/m	Pitch mm	Radius min. mm	Max working load N	Chain material	Pivot material
11460401	LFA 63 MFL	63	0,737	25,4	150	2400	LFA	MX
11460001	LFN 63 MFL	63	0,737	25,4	150	2400	LFN	MX White

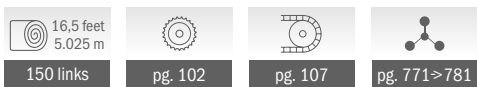
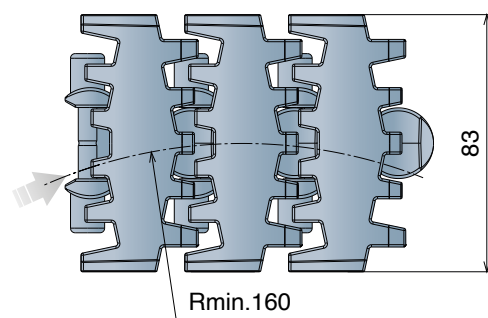
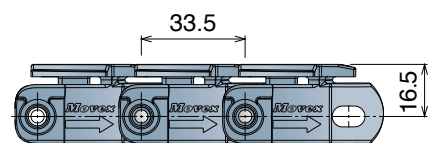
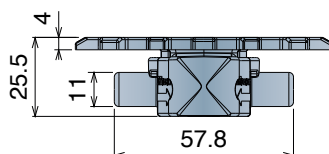
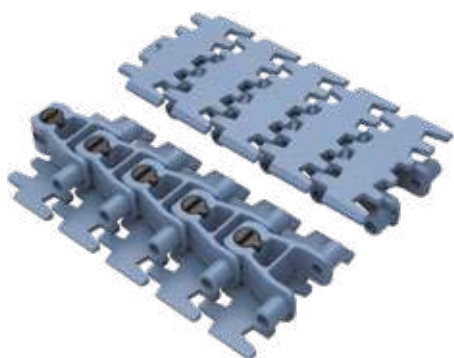
83 MFM PRO-103 MFH PRO

Catene in plastica / Plastic chains / Kunststoffkette

NEW 83 MFM PRO

Catena curvilinea
Sideflexing chain / Kardankette

Pins: Stainless Steel | Backflex radius min.: 75 mm

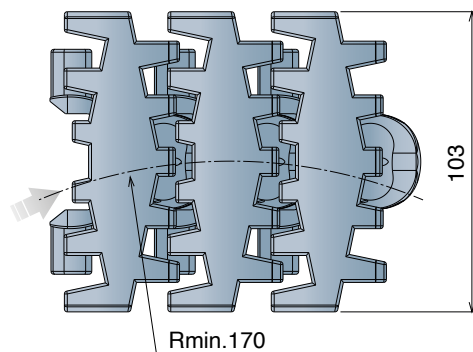
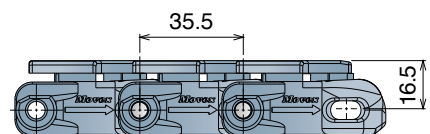
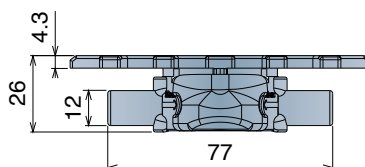
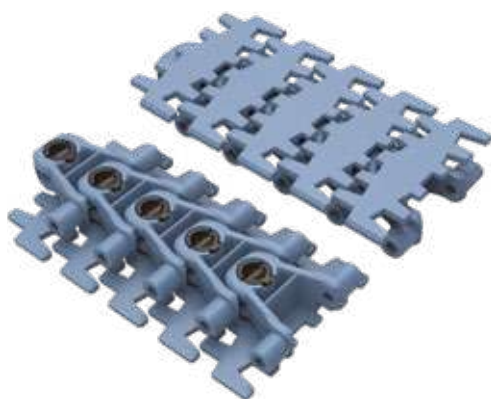


Article-Nr.	Ref.	Plate Width mm	Weight kg/m	Pitch mm	Radius min. mm	Max working load N	Chain material	Pivot material
11460402	LFA 83 MFM	83	0,955	33,5	160	2400	LFA	MX
11460002	LFN 83 MFM	83	0,955	33,5	160	2400	LFN	MX White

NEW 103 MFH PRO

Catena curvilinea
Sideflexing chain / Kardankette

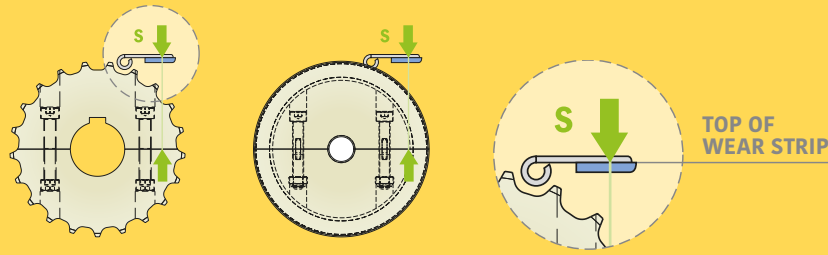
Pins: Stainless Steel | Backflex radius min.: 100 mm



Article-Nr.	Ref.	Plate Width mm	Weight kg/m	Pitch mm	Radius min. mm	Max working load N	Chain material	Pivot material
11460403	LFA 103 MFH	103	1,648	35,5	170	2400	LFA	MX
11460003	LFN 103 MFH	103	1,648	35,5	170	2400	LFN	MX White

















































What is the S dimension?

It defines the distance between sprocket/idler (=shaft) center and top of wear strip. It ensures smooth run of the chain at minimum noise level.



The value is specified for each type and size of sprocket in the tables on the following pages of the chapter.

For bore tolerance refers to Movex engineering manual available on our website.

815  Page 80	815  Page 80	815  Page 81	815  Page 81	881  Page 82	881  Page 82
881  Page 83	881  Page 83	805-821  Page 84	805-821  Page 84	8157  Page 85	8157  Page 85
820  Page 86	820  Page 86	820  Page 87	820  Page 87	831  Page 88	831  Page 88
831  Page 89	831  Page 89	880  Page 90	880  Page 90	880  Page 91	880  Page 91
882  Page 92	882  Page 92	882  Page 93	882  Page 93	512  Page 94	512  Page 94
815  Page 95	8157  Page 95	805  Page 96	820  Page 96	512  Page 97	815 MINI  Page 98
815 MINI  Page 98	CC 600  Page 99	CC 1400  Page 99	1701-1706-765  Page 100	1701-1706-765  Page 100	43 MFS-63 MFL PRO  Page 101
43 MFS-63 MFL PRO  Page 101	83 MFM PRO  Page 102	83 MFM PRO  Page 102	103 MFM PRO  Page 103	103 MFM PRO  Page 103	TURNING DISKS  Page 104 > 107

Material Info:



pg. 786

815

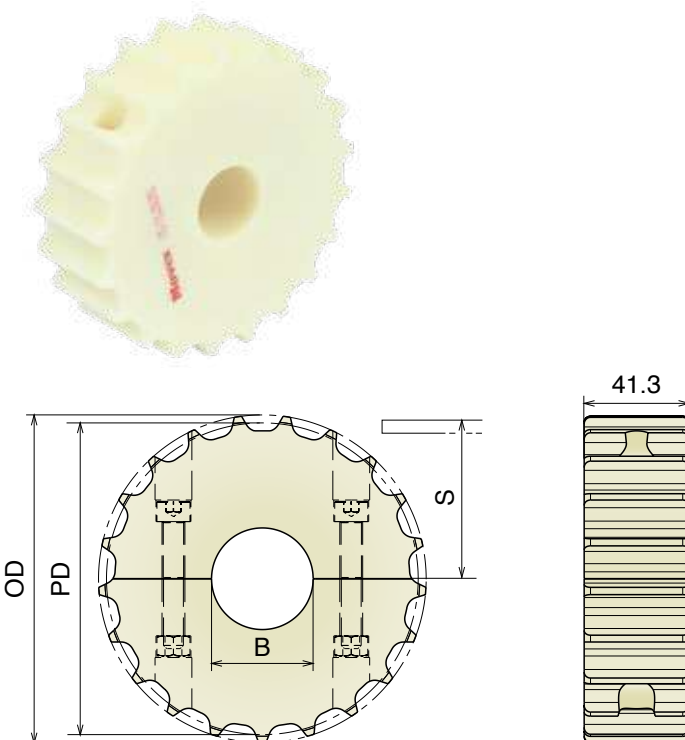
Ruota traino divisa, fresata

Split drive sprocket, machined / geteiltes Antriebskettenrad gefräst

Delivery:	Easy	Standard	Also suitable for Series 881 M	Part	Article-Nr.	Z	Bore	PD	OD	S
				501	50101	17	25	105,5	103,9	55,9
				501	50102		30			
				501	50103		35			
				501	50104		40			
				502	50201	19	25	117,3	117,0	61,9
				502	50202		30			
				502	50203		35			
				502	50204		40			
				503	50301	21	25	129,3	129,0	67,8
				503	50302		30			
				503	50303		35			
				503	50304		40			
				504	50401	23	25	141,2	142,0	73,8
				504	50402		30			
				504	50403		35			
				504	50404		40			
				505	50501	25	25	153,2	154,0	79,8
				505	50502		30			
				505	50503		35			
				505	50504		40			
				506	50601	27	25	165,2	166,8	85,8
				506	50602		30			
				506	50603		35			
				506	50604		40			
				507	50701	29	25	177,2	178,5	91,8
				507	50702		30			
				507	50703		35			
				507	50704		40			

Ruota rinvio divisa, fresata

Split idler sprocket, machined / geteiltes Umlenrad, gefräst



Part	Article-Nr.	Z	Bore	PD	OD	S
501	50150	17	18*	105,5	103,9	55,9
501	50151		25			
501	50152		30			
501	50153		35			
501	50154		40			
502	50250	19	18*	117,3	117,0	61,9
502	50251		25			
502	50252		30			
502	50253		35			
502	50254		40			
503	50350	21	18*	129,3	129,0	67,8
503	50351		25			
503	50352		30			
503	50353		35			
503	50354		40			
504	50450	23	18*	141,2	142,0	73,8
504	50451		25			
504	50452		30			
504	50453		35			
504	50454		40			
505	50550	25	18*	153,2	154,0	79,8
505	50551		25			
505	50552		30			
505	50553		35			
505	50554		40			
506	50650	27	18*	165,2	166,8	85,8
506	50651		25			
506	50652		30			
506	50653		35			
506	50654		40			
507	50750	29	18*	177,2	178,5	91,8
507	50751		25			
507	50752		30			
507	50753		35			
507	50754		40			

*Plain Bore

Materiale / Material / Materialien:

Poliamide rinforzato/Polyamide reinforced/Verstärktes Polyamid
 Viti: Acciaio inox/Screws: Stainless steel/Schrauben: Edelstahl
 Dadi: Ottone nichelato/Nuts: Nickel plated brass/Mutter: Messing

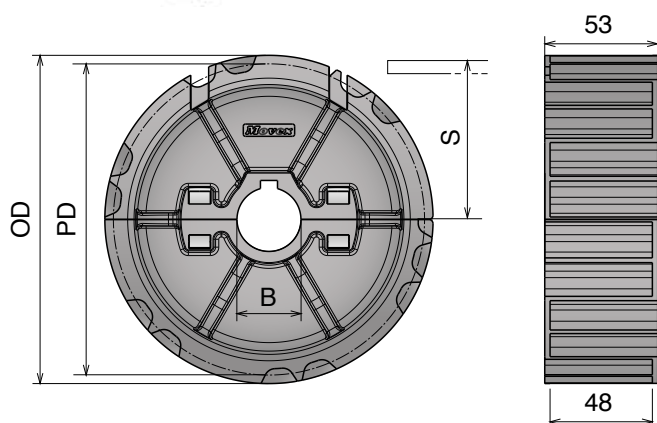
815

Ruota traino divisa, stampata

Split drive sprocket, molded / geteiltes Antriebskettenrad, gespritzt

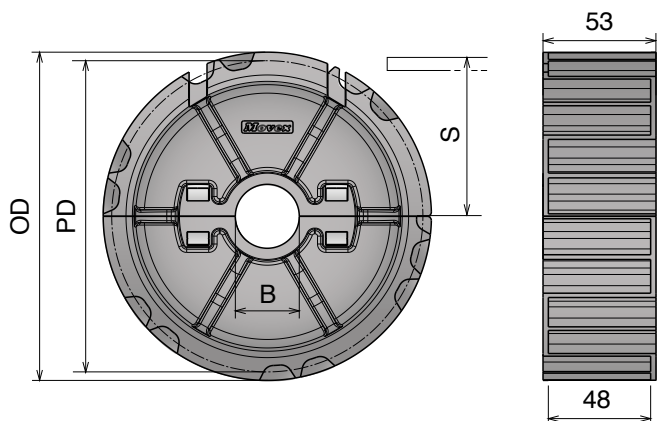
Delivery: **Easy** **Standard** Also suitable for Series 881 M

Part	Article-Nr.	Z-	Bore	PD	OD	S
508	50801	21	25	129,3	129,0	67,8
508	50802		30			
508	50803		35			
508	50804		40			
509	50901	23	25	141,2	142,0	73,8
509	50902		30			
509	50903		35			
509	50904		40			
510	51001	25	25	153,2	154,0	79,8
510	51002		30			
510	51003		35			
510	51004		40			



Ruota rinvio divisa, stampata

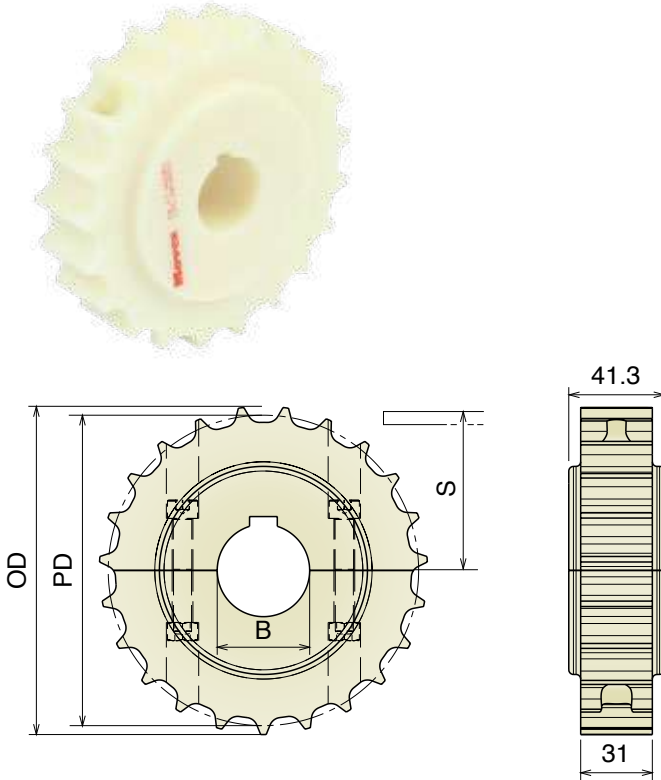
Split idler sprocket, molded / geteiltes Umlenkrad, gespritzt



Part	Article-Nr.	Z-	Bore	PD	OD	S
508	50851	21	25	129,3	129,0	67,8
508	50852		30			
508	50853		35			
508	50854		40			
509	50951	23	25	141,2	142,0	73,8
509	50952		30			
509	50953		35			
509	50954		40			
510	51051	25	25	153,2	154,0	79,8
510	51052		30			
510	51053		35			
510	51054		40			

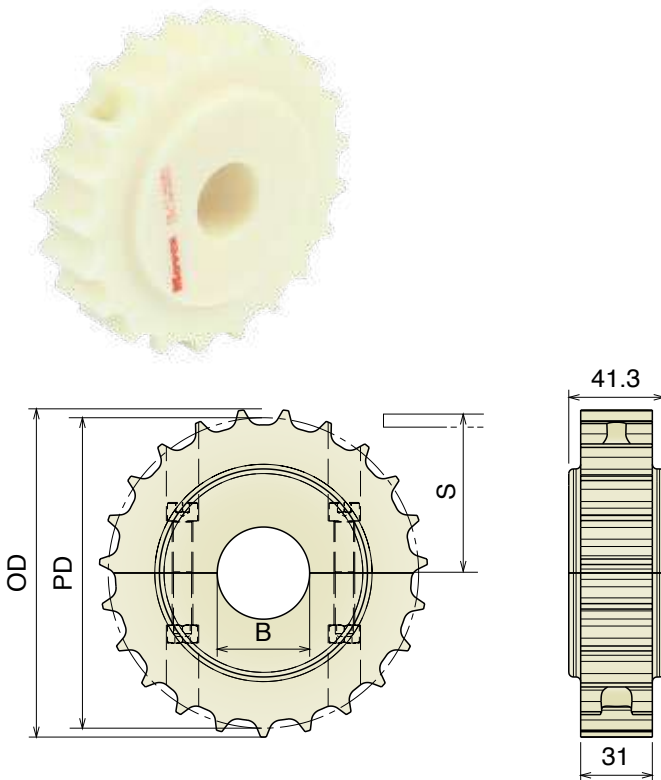
881 Ruota traino divisa, fresata Split drive sprocket, machined / geteiltes Antriebskettenrad gefräst

Also suitable for Series 881 M, 881 B, 881 TAB and 815 TAB GT



Part	Article-Nr.	Z	Bore	PD	OD	S
511	51101	17	25	105,5	103,9	55,9
511	51102		30			
511	51103		35			
511	51104		40			
512	51201	19	25	117,3	117,0	61,9
512	51202		30			
512	51203		35			
512	51204		40			
513	51301	21	25	129,3	129,0	67,8
513	51302		30			
513	51303		35			
513	51304		40			
514	51401	23	25	141,2	142,0	73,8
514	51402		30			
514	51403		35			
514	51404		40			
515	51501	25	25	153,2	154,0	79,8
515	51502		30			
515	51503		35			
515	51504		40			
516	51601	27	25	165,2	166,8	85,8
516	51602		30			
516	51603		35			
516	51604		40			
517	51701	29	25	177,2	178,5	91,8
517	51702		30			
517	51703		35			
517	51704		40			

Ruota rinvio divisa, fresata Split idler sprocket, machined / geteiltes Umlenrad, gefräst



Part	Article-Nr.	Z	Bore	PD	OD	S
511	51150	17	18*	105,5	103,9	55,9
511	51151		25			
511	51152		30			
511	51153		35			
511	51154		40			
512	51250	19	18*	117,3	117,0	61,9
512	51251		25			
512	51252		30			
512	51253		35			
512	51254		40			
513	51350	21	18*	129,3	129,0	67,8
513	51351		25			
513	51352		30			
513	51353		35			
513	51354		40			
514	51450	23	18*	141,2	142,0	73,8
514	51451		25			
514	51452		30			
514	51453		35			
514	51454		40			
515	51550	25	18*	153,2	154,0	79,8
515	51551		25			
515	51552		30			
515	51553		35			
515	51554		40			
516	51650	27	18*	165,2	166,8	85,8
516	51651		25			
516	51652		30			
516	51653		35			
516	51654		40			
517	51750	29	18*	177,2	178,5	91,8
517	51751		25			
517	51752		30			
517	51753		35			
517	51754		40			

*Plain Bore

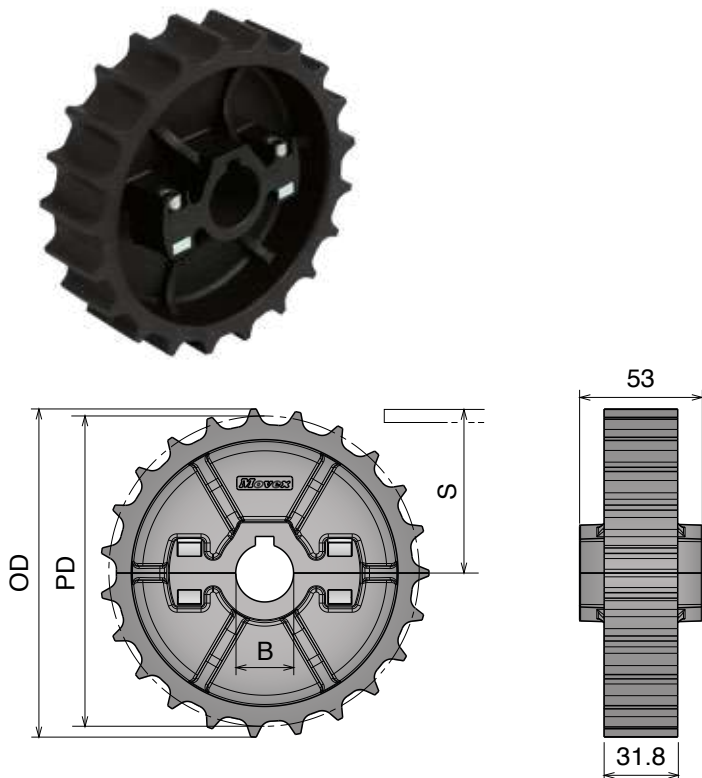
Materiale / Material / Materialien:

Poliammide rinforzato/Polyamide reinforced/Verstärktes Polyamid
 Viti: Acciaio inox/Screws: Stainless steel/Schrauben: Edelstahl
 Dadi: Ottone nichelato/Nuts: Nickel plated brass/Mutter: Messing

881

Ruota traino divisa, stampata Split drive sprocket, molded / geteiltes Antriebskettenrad, gespritzt

Delivery:	Easy	Standard	Also suitable for Series 881 M, 881 B, 881 TAB and 815 TAB GT	Part	Article-Nr.	Z-	Bore	PD	OD	S
				518	51801	21	25	129,3	129,0	67,8
				518	51802		30			
				518	51803		35			
				518	51804		40			
				519	51901	23	25	141,2	142,0	73,8
				519	51902		30			
				519	51903		35			
				519	51904		40			
				520	52001	25	25	153,2	154,0	79,8
				520	52002		30			
				520	52003		35			
				520	52004		40			



Ruota rinvio divisa, stampata Split idler sprocket, molded / geteiltes Umlenkrad, gespritzt

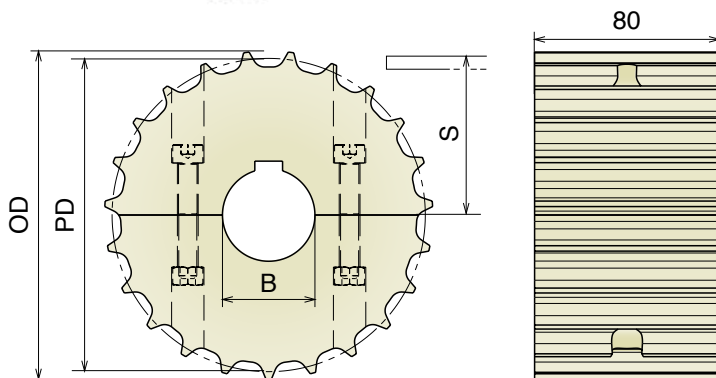
Part	Article-Nr.	Z-	Bore	PD	OD	S
518	51851	21	25	129,3	129,0	67,8
518	51852		30			
518	51853		35			
518	51854		40			
519	51951	23	25	141,2	142,0	73,8
519	51952		30			
519	51953		35			
519	51954		40			
520	52051	25	25	153,2	154,0	79,8
520	52052		30			
520	52053		35			
520	52054		40			

805-821

Ruota traino divisa, fresata

Split drive sprocket, machined / geteiltes Antriebskettenrad gefräst

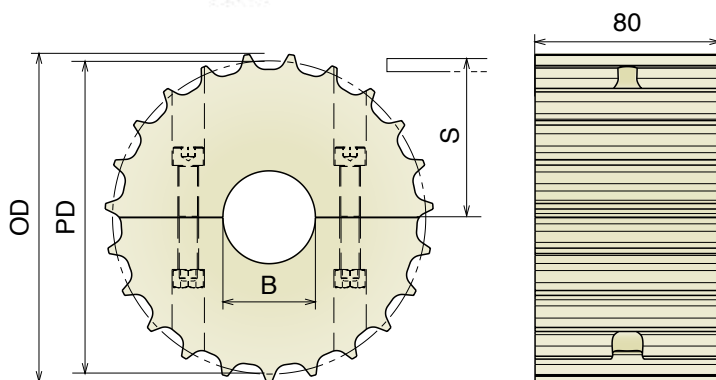
Delivery: **Easy** **Standard**



Part	Article-Nr.	Z	Bore	PD	OD	S
521	52101	17	25	105,5	103,9	55,9
521	52102		30			
521	52103		35			
521	52104		40			
522	52201	19	25	117,3	117,0	61,9
522	52202		30			
522	52203		35			
522	52204		40			
523	52301	21	25	129,3	129,0	67,8
523	52302		30			
523	52303		35			
523	52304		40			
524	52401	23	25	141,2	142,0	73,8
524	52402		30			
524	52403		35			
524	52404		40			
525	52501	25	25	153,2	154,0	79,8
525	52502		30			
525	52503		35			
525	52504		40			
526	52601	27	25	165,2	166,8	85,8
526	52602		30			
526	52603		35			
526	52604		40			
527	52701	29	25	177,2	178,5	91,8
527	52702		30			
527	52703		35			
527	52704		40			

Ruota rinvio divisa, fresata

Split idler sprocket, machined / geteiltes Umlenrad, gefräst



Part	Article-Nr.	Z	Bore	PD	OD	S
521	52150	17	18*	105,5	103,9	55,9
521	52151		25			
521	52152		30			
521	52153		35			
521	52154		40			
522	52250	19	18*	117,3	117,0	61,9
522	52251		25			
522	52252		30			
522	52253		35			
522	52254		40			
523	52350	21	18*	129,3	129,0	67,8
523	52351		25			
523	52352		30			
523	52353		35			
523	52354		40			
524	52450	23	18*	141,2	142,0	73,8
524	52451		25			
524	52452		30			
524	52453		35			
524	52454		40			
525	52550	25	18*	153,2	154,0	79,8
525	52551		25			
525	52552		30			
525	52553		35			
525	52554		40			
526	52650	27	18*	165,2	166,8	85,8
526	52651		25			
526	52652		30			
526	52653		35			
526	52654		40			
527	52750	29	18*	177,2	178,5	91,8
527	52751		25			
527	52752		30			
527	52753		35			
527	52754		40			

*Plain Bore

Materiale / Material / Materialien:

Poliammide/Polyamide/Polyamid

Viti: Acciaio inox/Screws: Stainless steel/Schrauben: Edelstahl

Dadi: Ferro zincato/Nuts: Zinc plated steel/Mutter: Verzinkter Stahl

8157

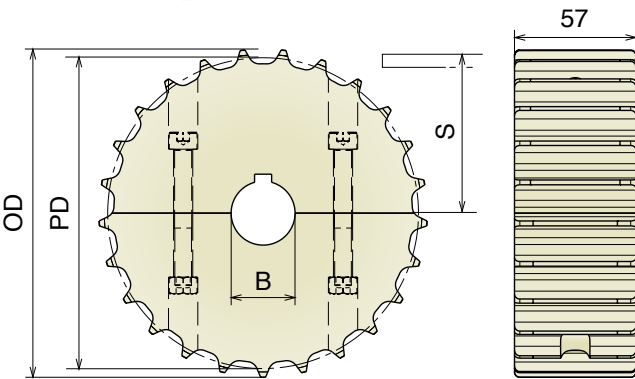
Ruote dentate per catene / Chain sprockets / Kettenräder für Scharnierbandketten

8157

Ruota traino divisa, fresata

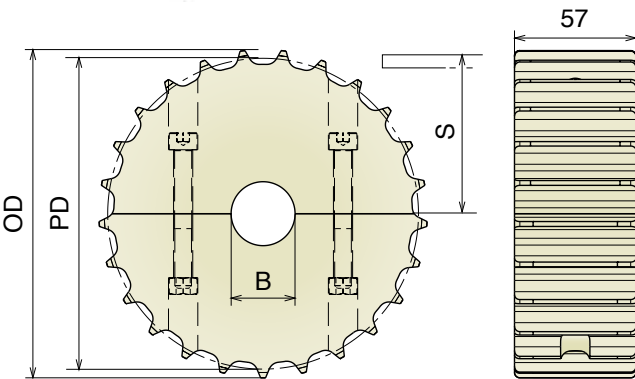
Split drive sprocket, machined / geteiltes Antriebskettenrad gefräst

Delivery: **Easy** **Standard** Also suitable for Series 8857 M - 8857 M GT



Ruota rinvio divisa, fresata

Split idler sprocket, machined / geteiltes Umlenrad, gefräst



Part	Article-Nr.	Z-	Bore	PD	OD	S
528	52801	17	25	105,5	103,9	55,9
528	52802		30			
528	52803		35			
528	52804		40			
529	52901	19	25	117,3	117,0	61,9
529	52902		30			
529	52903		35			
529	52904		40			
530	53001	21	25	129,3	129,0	67,8
530	53002		30			
530	53003		35			
530	53004		40			
531	53101	23	25	141,2	142,0	73,8
531	53102		30			
531	53103		35			
531	53104		40			
532	53201	25	25	153,2	154,0	79,8
532	53202		30			
532	53203		35			
532	53204		40			
533	53301	27	25	165,2	166,8	85,8
533	53302		30			
533	53303		35			
533	53304		40			
534	53401	29	25	177,2	178,5	91,8
534	53402		30			
534	53403		35			
534	53404		40			

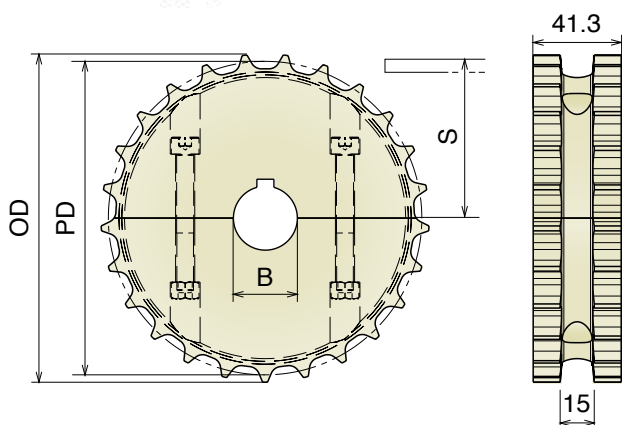
Part	Article-Nr.	Z-	Bore	PD	OD	S
528	52850	17	18*	105,5	103,9	55,9
528	52851		25			
528	52852		30			
528	52853		35			
528	52854		40			
529	52950	19	18*	117,3	117,0	61,9
529	52951		25			
529	52952		30			
529	52953		35			
529	52954		40			
530	53050	21	18*	129,3	129,0	67,8
530	53051		25			
530	53052		30			
530	53053		35			
530	53054		40			
531	53150	23	18*	141,2	142,0	73,8
531	53151		25			
531	53152		30			
531	53153		35			
531	53154		40			
532	53250	25	18*	153,2	154,0	79,8
532	53251		25			
532	53252		30			
532	53253		35			
532	53254		40			
533	53350	27	18*	165,2	166,8	85,8
533	53351		25			
533	53352		30			
533	53353		35			
533	53354		40			
534	53450	29	18*	177,2	178,5	91,8
534	53451		25			
534	53452		30			
534	53453		35			
534	53454		40			

*Plain Bore

820

Ruota traino divisa, fresata

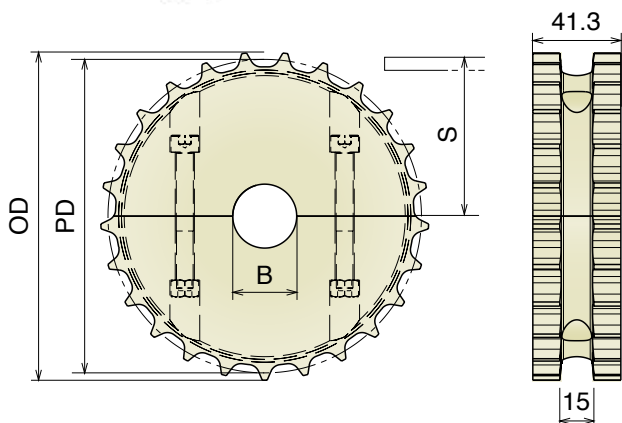
Split drive sprocket, machined / geteiltes Antriebskettenrad gefräst

Delivery: **Easy** **Standard**

Part	Article-Nr.	Z	Bore	PD	OD	S
535	53501	17	25	105,5	103,9	55,9
535	53502		30			
535	53503		35			
535	53504		40			
536	53601	19	25	117,3	117,0	61,9
536	53602		30			
536	53603		35			
536	53604		40			
537	53701	21	25	129,3	129,0	67,8
537	53702		30			
537	53703		35			
537	53704		40			
538	53801	23	25	141,2	142,0	73,8
538	53802		30			
538	53803		35			
538	53804		40			
539	53901	25	25	153,2	154,0	79,8
539	53902		30			
539	53903		35			
539	53904		40			
540	54001	27	25	165,2	166,8	85,8
540	54002		30			
540	54003		35			
540	54004		40			
541	54101	29	25	177,2	178,5	91,8
541	54102		30			
541	54103		35			
541	54104		40			

Ruota rinvio divisa, fresata

Split idler sprocket, machined / geteiltes Umlenrad, gefräst



Part	Article-Nr.	Z	Bore	PD	OD	S
535	53550	17	18*	105,5	103,9	55,9
535	53551		25			
535	53552		30			
535	53553		35			
535	53554		40			
536	53650	19	18*	117,3	117,0	61,9
536	53651		25			
536	53652		30			
536	53653		35			
536	53654		40			
537	53750	21	18*	129,3	129,0	67,8
537	53751		25			
537	53752		30			
537	53753		35			
537	53754		40			
538	53850	23	18*	141,2	142,0	73,8
538	53851		25			
538	53852		30			
538	53853		35			
538	53854		40			
539	53950	25	18*	153,2	154,0	79,8
539	53951		25			
539	53952		30			
539	53953		35			
539	53954		40			
540	54050	27	18*	165,2	166,8	85,8
540	54051		25			
540	54052		30			
540	54053		35			
540	54054		40			
541	54150	29	18*	177,2	178,5	91,8
541	54151		25			
541	54152		30			
541	54153		35			
541	54154		40			

*Plain Bore

Materiale / Material / Materialien:

Poliamide rinforzato/Polyamide reinforced/Verstärktes Polyamid
 Viti: Acciaio inox/Screws: Stainless steel/Schrauben: Edelstahl
 Dadi: Ottone nichelato/Nuts: Nickel plated brass/Mutter: Messing

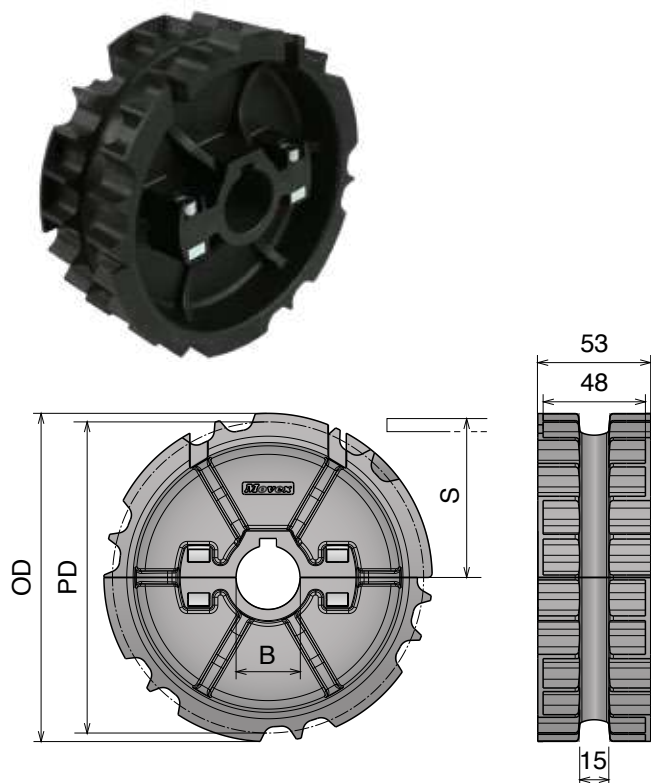
Ruote dentate per catene / Chain sprockets / Kettenräder für Scharnierbandketten

820 Ruota traino divisa, stampata

Split drive sprocket, molded / geteiltes Antriebskettenrad, gespritzt

Delivery: **Easy** Standard

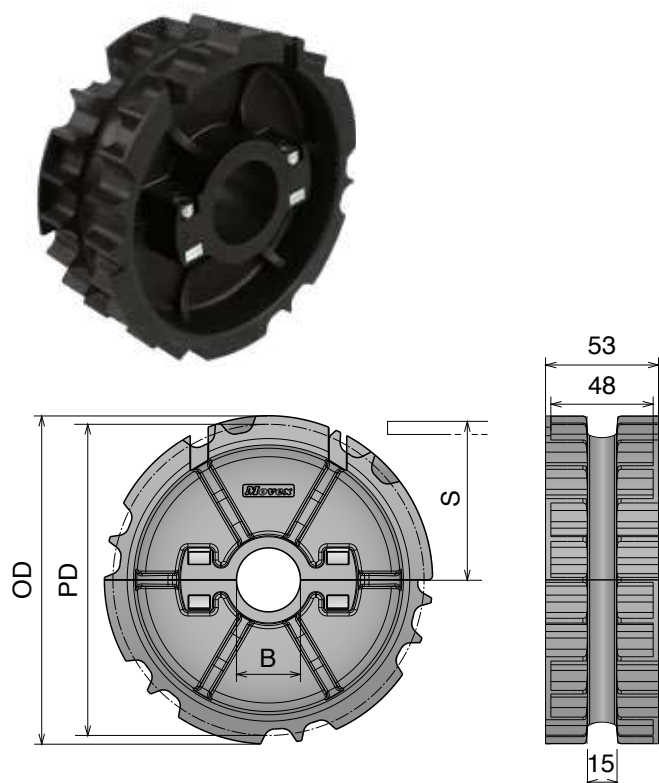
Part	Article-Nr.	Z-	Bore	PD	OD	S
542	54201	21	25	129,3	129,0	67,8
542	54202		30			
542	54203		35			
542	54204		40			
543	54301	23	25	141,2	142,0	73,8
543	54302		30			
543	54303		35			
543	54304		40			
544	54401	25	25	153,2	154,0	79,8
544	54402		30			
544	54403		35			
544	54404		40			



Ruota rinvio divisa, stampata

Split idler sprocket, molded / geteiltes Umlenkrad, gespritzt

Part	Article-Nr.	Z-	Bore	PD	OD	S
542	54251	21	25	129,3	129,0	67,8
542	54252		30			
542	54253		35			
542	54254		40			
543	54351	23	25	141,2	142,0	73,8
543	54352		30			
543	54353		35			
543	54354		40			
544	54451	25	25	153,2	154,0	79,8
544	54452		30			
544	54453		35			
544	54454		40			

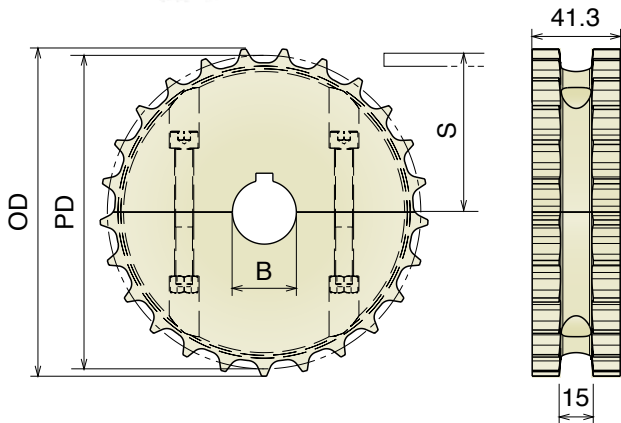


831

Ruota traino divisa, fresata

Split drive sprocket, machined / geteiltes Antriebskettenrad gefräst

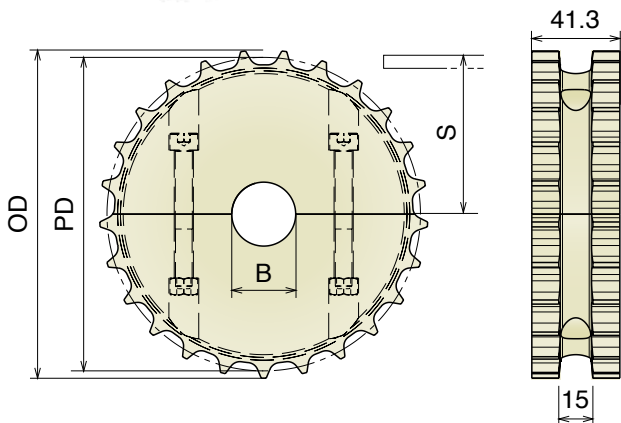
Delivery: **Easy** **Standard**



Part	Article-Nr.	Z	Bore	PD	OD	S
535	53501	17	25	105,5	103,9	55,1
535	53502		30			
535	53503		35			
535	53504		40			
536	53601	19	25	117,3	117,0	61,1
536	53602		30			
536	53603		35			
536	53604		40			
537	53701	21	25	129,3	129,0	67,0
537	53702		30			
537	53703		35			
537	53704		40			
538	53801	23	25	141,2	142,0	73,0
538	53802		30			
538	53803		35			
538	53804		40			
539	53901	25	25	153,2	154,0	79,0
539	53902		30			
539	53903		35			
539	53904		40			
540	54001	27	25	165,2	166,8	85,0
540	54002		30			
540	54003		35			
540	54004		40			
541	54101	29	25	177,2	178,5	91,0
541	54102		30			
541	54103		35			
541	54104		40			

Ruota rinvio divisa, fresata

Split idler sprocket, machined / geteiltes Umlenrad, gefräst



Part	Article-Nr.	Z	Bore	PD	OD	S
535	53550	17	18*	105,5	103,9	55,1
535	53551		25			
535	53552		30			
535	53553		35			
535	53554		40			
536	53650	19	18*	117,3	117,0	61,1
536	53651		25			
536	53652		30			
536	53653		35			
536	53654		40			
537	53750	21	18*	129,3	129,0	67,0
537	53751		25			
537	53752		30			
537	53753		35			
537	53754		40			
538	53850	23	18*	141,2	142,0	73,0
538	53851		25			
538	53852		30			
538	53853		35			
538	53854		40			
539	53950	25	18*	153,2	154,0	79,0
539	53951		25			
539	53952		30			
539	53953		35			
539	53954		40			
540	54050	27	18*	165,2	166,8	85,0
540	54051		25			
540	54052		30			
540	54053		35			
540	54054		40			
541	54150	29	18*	177,2	178,5	91,0
541	54151		25			
541	54152		30			
541	54153		35			
541	54154		40			

*Plain Bore

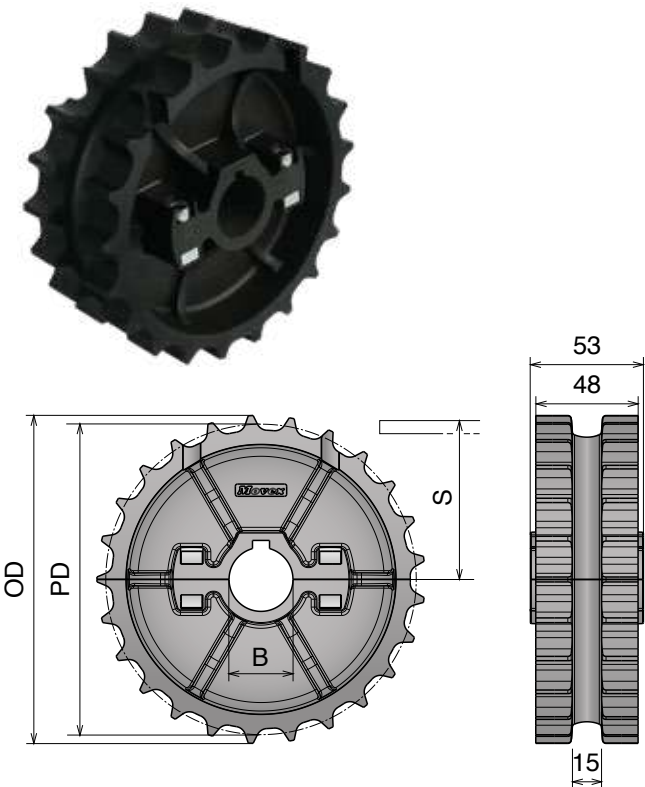
Materiale / Material / Materialien:

Poliamide rinforzato/Polyamide reinforced/Verstärktes Polyamid
 Viti: Acciaio inox/Screws: Stainless steel/Schrauben: Edelstahl
 Dadi: Ottone nichelato/Nuts: Nickel plated brass/Mutter: Messing

831 Ruota traino divisa, stampata

Split drive sprocket, molded / geteiltes Antriebskettenrad, gespritzt

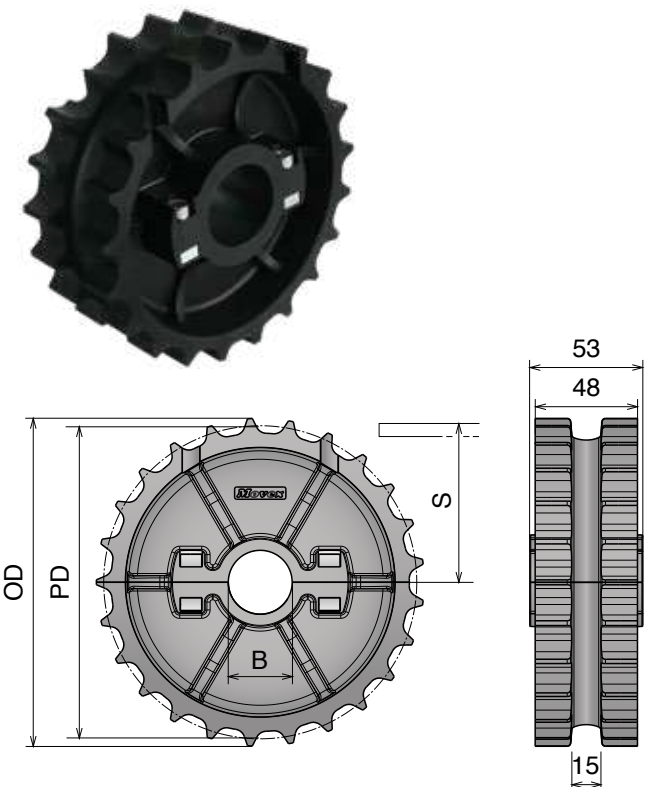
Part	Article-Nr.	Z-	Bore	PD	OD	S
542	54201-2L	21	25	129,3	129,0	67,0
542	54202-2L		30			
542	54203-2L		35			
542	54204-2L		40			
543	54301-2L	23	25	141,2	142,0	73,0
543	54302-2L		30			
543	54303-2L		35			
543	54304-2L		40			
544	54401-2L	25	25	153,2	154,0	79,0
544	54402-2L		30			
544	54403-2L		35			
544	54404-2L		40			



Ruota rinvio divisa, stampata

Split idler sprocket, molded / geteiltes Umlenkrad, gespritzt

Part	Article-Nr.	Z-	Bore	PD	OD	S
542	54251-2L	21	25	129,3	129,0	67,0
542	54252-2L		30			
542	54253-2L		35			
542	54254-2L		40			
543	54351-2L	23	25	141,2	142,0	73,0
543	54352-2L		30			
543	54353-2L		35			
543	54354-2L		40			
544	54451-2L	25	25	153,2	154,0	79,0
544	54452-2L		30			
544	54453-2L		35			
544	54454-2L		40			

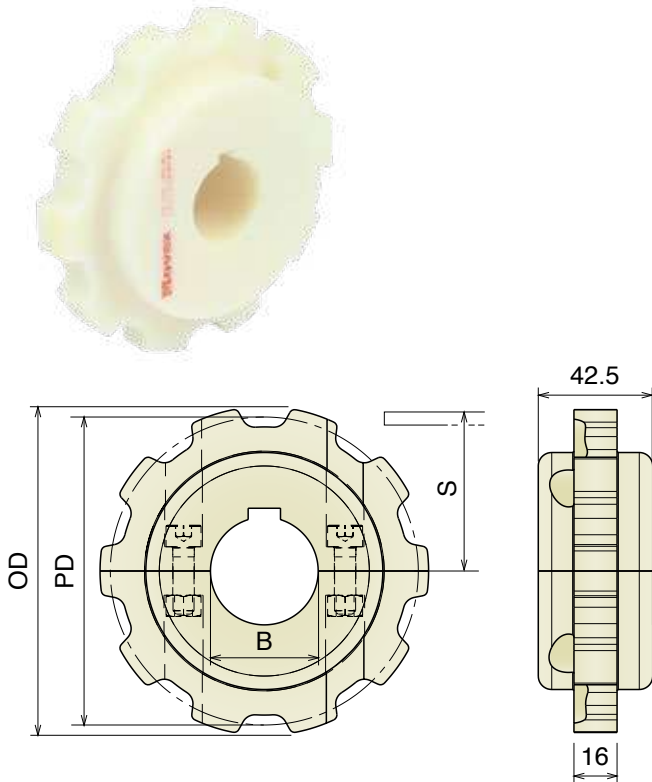


880

Ruota traino divisa, fresata

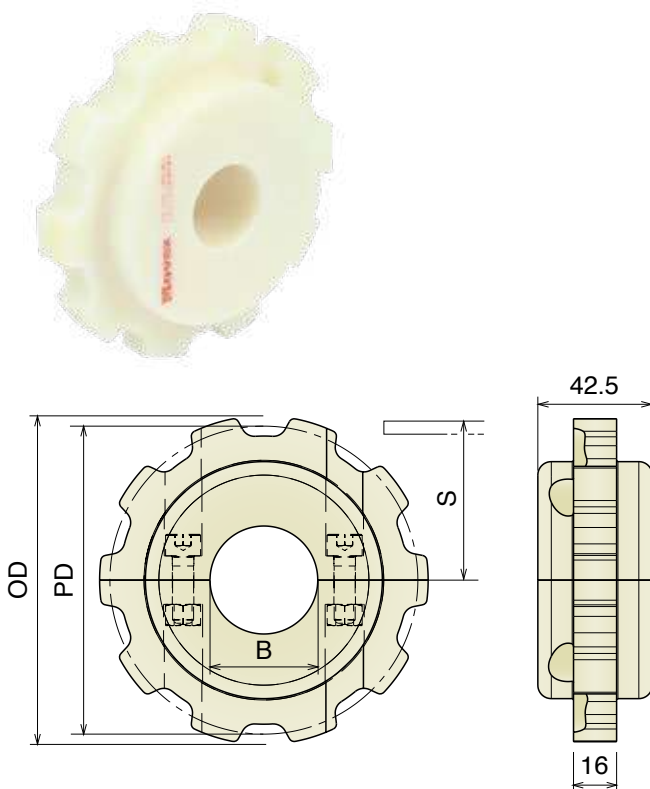
Split drive sprocket, machined / geteiltes Antriebskettenrad gefräst

Delivery:	Easy	Standard	Used also for Series 828 - 878 TAB - 879 M - 879 TAB - 888 TAB - 888 TAB GT	Part	Article-Nr.	Z	Bore	PD	OD	S
				545	54501	9	25	111,4	110,0	59,3
				545	54502		30			
				545	54503		35			
				545	54504		40			
				546	54601	10	25	123,3	122,0	65,25
				546	54602		30			
				546	54603		35			
				546	54604		40			
				547	54701	11	25	135,2	135,0	71,2
				547	54702		30			
				547	54703		35			
				547	54704		40			
				548	54801	12	25	147,2	147,3	77,2
				548	54802		30			
				548	54803		35			
				548	54804		40			



Ruota rinvio divisa, fresata

Split idler sprocket, machined / geteiltes Umlenrad, gefräst



Part	Article-Nr.	Z	Bore	PD	OD	S
545	54550	9	18*	111,4	110,0	59,3
545	54551		25			
545	54552		30			
545	54553		35			
545	54554		40			
546	54650	10	18*	123,3	122,0	65,25
546	54651		25			
546	54652		30			
546	54653		35			
546	54654		40			
547	54750	11	18*	135,2	135,0	71,2
547	54751		25			
547	54752		30			
547	54753		35			
547	54754		40			
548	54850	12	18*	147,2	147,3	77,2
548	54851		25			
548	54852		30			
548	54853		35			
548	54854		40			

*Plain Bore

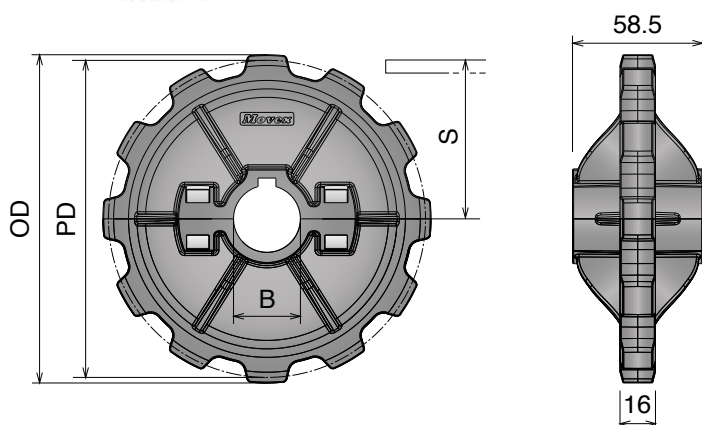
Materiale / Material / Materialien:

Poliamide rinforzato/Polyamide reinforced/Verstärktes Polyamid
 Viti: Acciaio inox/Screws: Stainless steel/Schrauben: Edelstahl
 Dadi: Ottone nichelato/Nuts: Nickel plated brass/Mutter: Messing

880 Ruota traino divisa, stampata

Split drive sprocket, molded / geteiltes Antriebskettenrad, gespritzt

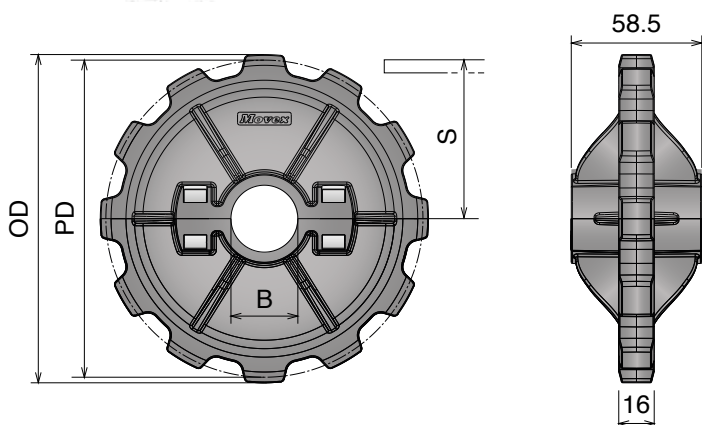
Delivery:	Easy	Standard	Used also for Series 828 - 878 TAB - 879 M - 879 TAB - 888 TAB - 888 TAB GT	Part	Article-Nr.	Z-	Bore	PD	OD	S
				549	54901	10	25	123,3	122,0	65,25
				549	54902		30			
				549	54903		35			
				549	54904		40			
				550	55001	12	25	147,2	147,3	77,2
				550	55002		30			
				550	55003		35			
				550	55004		40			



Ruota rinvio divisa, stampata

Split idler sprocket, molded / geteiltes Umlenkrad, gespritzt

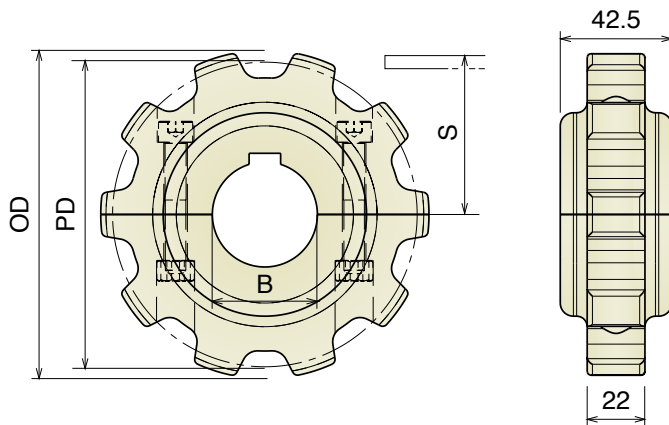
Part	Article-Nr.	Z-	Bore	PD	OD	S
549	54951	10	25	123,3	122,0	65,25
549	54952		30			
549	54953		35			
549	54954		40			
550	55051	12	25	147,2	147,3	77,2
550	55052		30			
550	55053		35			
550	55054		40			



882

Ruota traino divisa, fresata

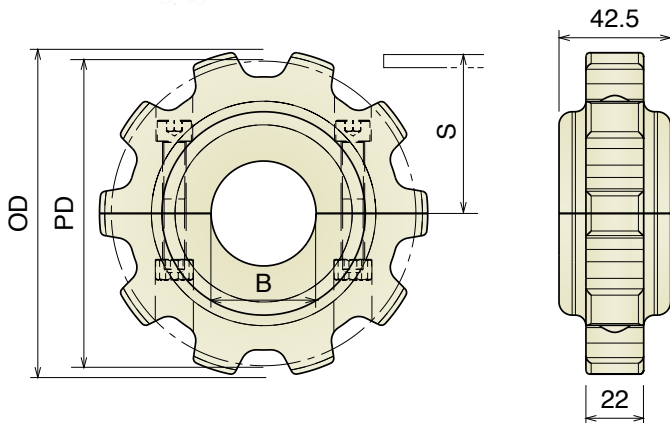
Split drive sprocket, machined / geteiltes Antriebskettenrad gefräst

Delivery: **Easy** **Standard** Also suitable for Series 8257

Part	Article-Nr.	Z	Bore	PD	OD	S
551	55101	9	25	111,4	112,0	60,5
551	55102		30			
551	55103		35			
551	55104		40			
552	55201	10	25	123,2	125,0	66,4
552	55202		30			
552	55203		35			
552	55204		40			
553	55301	11	25	135,2	137,0	72,4
553	55302		30			
553	55303		35			
553	55304		40			
554	55401	12	25	147,2	149,0	78,4
554	55402		30			
554	55403		35			
554	55404		40			
554	55406		50			

Ruota rinvio divisa, fresata

Split idler sprocket, machined / geteiltes Umlenrad, gefräst



Part	Article-Nr.	Z	Bore	PD	OD	S
551	55150	9	18*	111,4	112,0	60,5
551	55151		25			
551	55152		30			
551	55153		35			
551	55154		40			
552	55250	10	18*	123,2	125,0	66,4
552	55251		25			
552	55252		30			
552	55253		35			
552	55254		40			
553	55350	11	18*	135,2	137,0	72,4
553	55351		25			
553	55352		30			
553	55353		35			
553	55354		40			
554	55450	12	18*	147,2	149,0	78,4
554	55451		25			
554	55452		30			
554	55453		35			
554	55454		40			

*Plain Bore

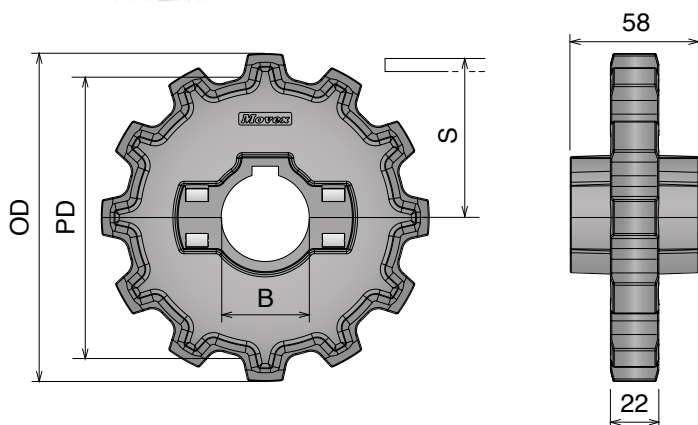
Materiale / Material / Materialien:

Poliamide rinforzato/Polyamide reinforced/Verstärktes Polyamid
 Viti: Acciaio inox/Screws: Stainless steel/Schrauben: Edelstahl
 Dadi: Ottone nichelato/Nuts: Nickel plated brass/Mutter: Messing

882 Ruota traino divisa, stampata

Split drive sprocket, molded / geteiltes Antriebskettenrad, gespritzt

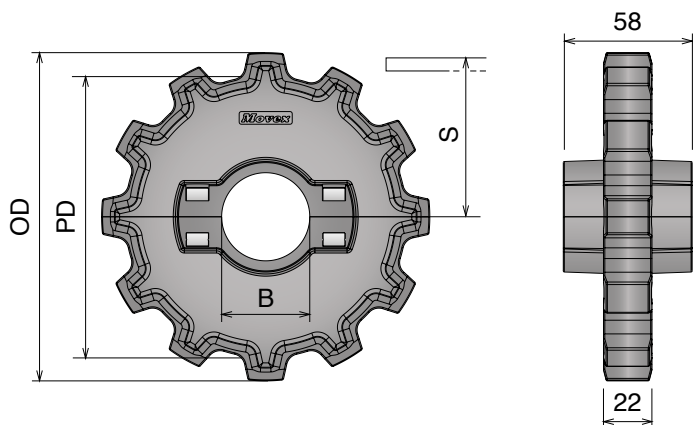
Delivery:	Easy	Standard	Also suitable for Series 8257	Part	Article-Nr.	Z-	Bore	PD	OD	S
				556	55601	12	25	147,2	149,0	78,4
				556	55602		30			
				556	55603		35			
				556	55604		40			



Ruota rinvio divisa, stampata

Split idler sprocket, molded / geteiltes Umlenkrad, gespritzt

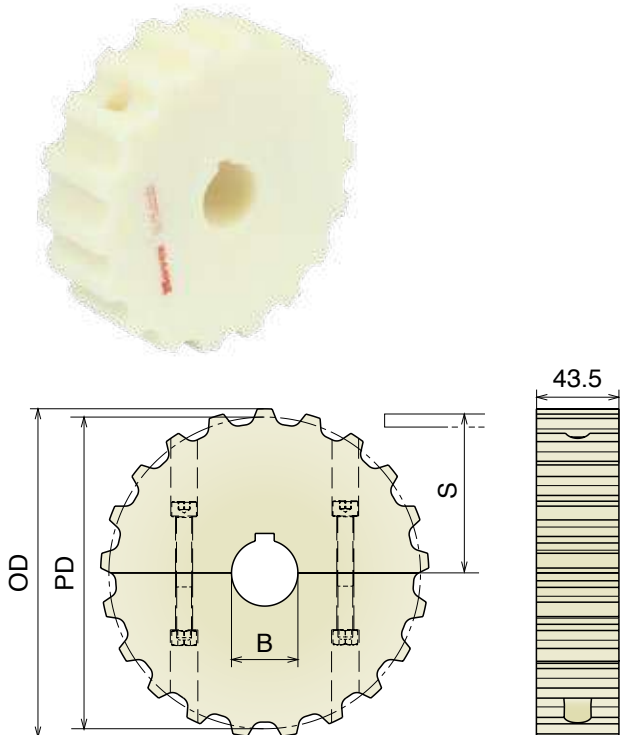
Part	Article-Nr.	Z-	Bore	PD	OD	S
556	55651	12	25	147,2	149,0	78,4
556	55652		30			
556	55653		35			
556	55654		40			



512

Ruota traino divisa, fresata

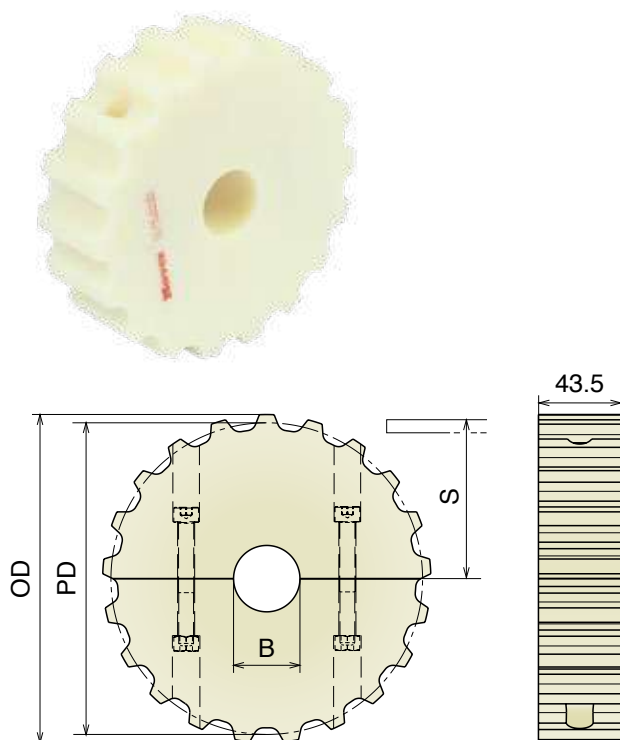
Split drive sprocket, machined / geteiltes Antriebskettenrad gefräst

Delivery: **Easy** **Standard**

Part	Article-Nr.	Z	Bore	PD	OD	S
557	55701	13	25	108,0	106,1	57,2
557	55702		30			
557	55703		35			
557	55704		40			
558	55801	15	25	124,0	122,2	65,2
558	55802		30			
558	55803		35			
558	55804		40			
559	55901	17	25	138,2	138,2	72,3
559	55902		30			
559	55903		35			
559	55904		40			
560	56001	18	25	146,3	146,4	76,4
560	56002		30			
560	56003		35			
560	56004		40			
561	56101	19	25	154,3	155,7	80,4
561	56102		30			
561	56103		35			
561	56104		40			
562	56201	21	25	170,4	173,0	88,4
562	56202		30			
562	56203		35			
562	56204		40			
563	56301	23	25	186,5	190,0	96,5
563	56302		30			
563	56303		35			
563	56304		40			
564	56401	25	25	202,7	204,0	104,6
564	56402		30			
564	56403		35			
564	56404		40			

Ruota rinvio divisa, fresata

Split idler sprocket, machined / geteiltes Umlenrad, gefräst



Part	Article-Nr.	Z	Bore	PD	OD	S
557	55750	13	18*	108,0	106,1	57,2
557	55751		25			
557	55752		30			
557	55753		35			
557	55754		40			
558	55850	15	18*	124,0	122,2	65,2
558	55851		25			
558	55852		30			
558	55853		35			
558	55854		40			
559	55950	17	18*	138,2	138,2	72,3
559	55951		25			
559	55952		30			
559	55953		35			
559	55954		40			
560	56050	18	18*	146,3	146,4	76,4
560	56051		25			
560	56052		30			
560	56053		35			
560	56054		40			
561	56150	19	18*	154,3	155,7	80,4
561	56151		25			
561	56152		30			
561	56153		35			
561	56154		40			
562	56250	21	18*	170,4	173,0	88,4
562	56251		25			
562	56252		30			
562	56253		35			
562	56254		40			
563	56350	23	18*	186,5	190,0	96,5
563	56351		25			
563	56352		30			
563	56353		35			
563	56354		40			
564	56450	25	18*	202,7	204,0	104,6
564	56451		25			
564	56452		30			
564	56453		35			
564	56454		40			

*Plain Bore

Materiale / Material / Materialien:

Poliammide/Polyamide/Polyamid

Viti: Acciaio inox/Screws: Stainless steel/Schrauben: Edelstahl

Dadi: Ferro zincato/Nuts: Zinc plated steel/Mutter: Verzinkter Stahl

815-8157

Ruote dentate per catene / Chain sprockets / Kettenräder für Scharnierbandketten

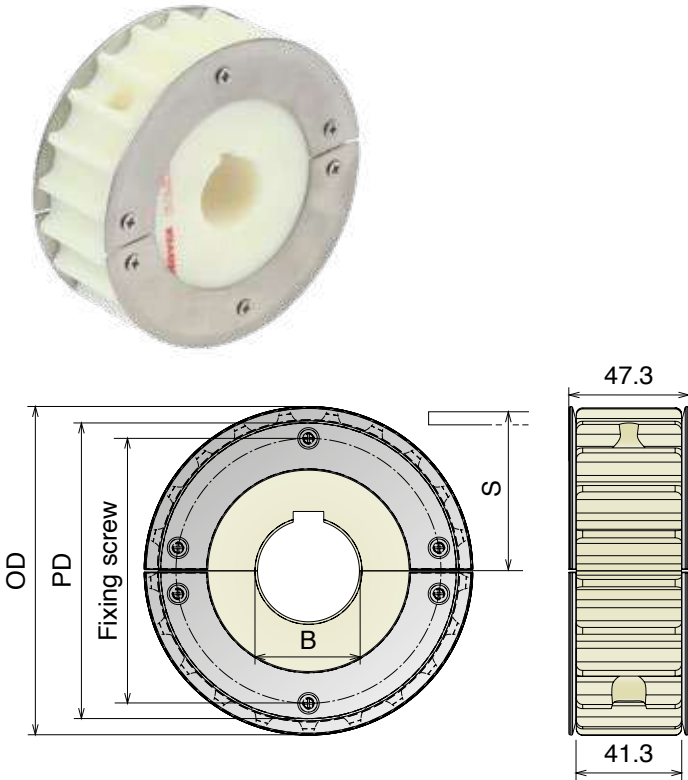
815

Ruota flangiata divisa, fresata

Split sprocket with guides, machined / Geteiltes Kettenrad mit Bordscheibe, gefräst

Delivery: **Easy** **Standard** Anelli Inox / SS Guide-rings / Edelstahl Bordscheibe
Also suitable for Series 881 M

Part	Article-Nr.	Z-	Bore	PD	OD	S	Ø screw
501	50101G	17	25	105,5	103,9	55,9	80,0
501	50102G		30				
501	50103G		35				
501	50104G		40				
503	50301G	21	25	129,3	129,0	67,8	104,0
503	50302G		30				
503	50303G		35				
503	50304G		40				
504	50401G	23	25	141,2	142,0	73,8	116,0
504	50402G		30				
504	50403G		35				
504	50404G		40				
505	50501G	25	25	153,2	154,0	79,8	128,0
505	50502G		30				
505	50503G		35				
505	50504G		40				



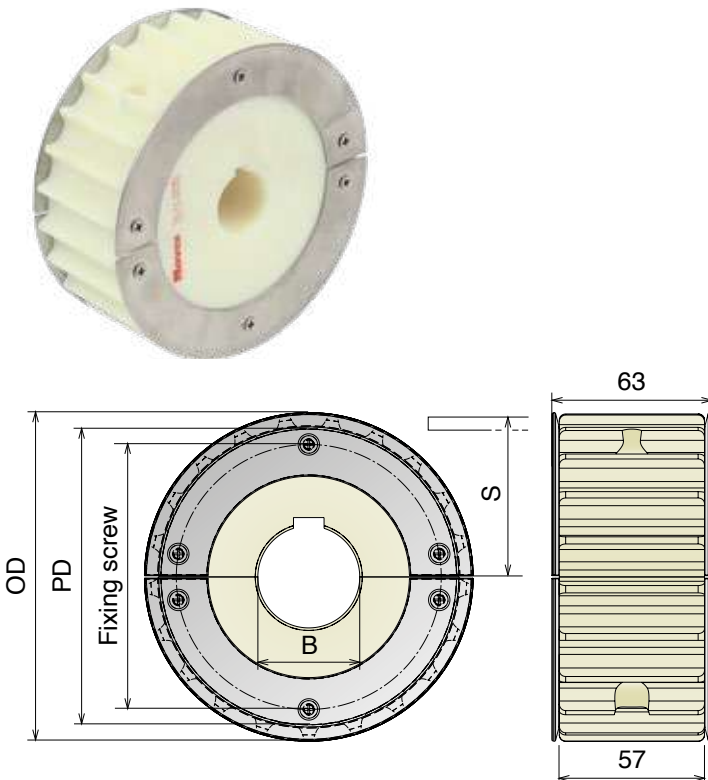
8157

Ruota flangiata divisa, fresata

Split sprocket with guides, machined / Geteiltes Kettenrad mit Bordscheibe, gefräst

Anelli Inox / SS Guide-rings / Edelstahl Bordscheibe
Also suitable for Series 8857 M

Part	Article-Nr.	Z-	Bore	PD	OD	S	Ø screw
528	52801G	17	25	105,5	103,9	55,9	80,0
528	52802G		30				
528	52803G		35				
528	52804G		40				
530	53001G	21	25	129,3	129,0	67,8	104,0
530	53002G		30				
530	53003G		35				
530	53004G		40				
531	53101G	23	25	141,2	142,0	73,8	116,0
531	53102G		30				
531	53103G		35				
531	53104G		40				
532	53201G	25	25	153,2	154,0	79,8	128,0
532	53202G		30				
532	53203G		35				
532	53204G		40				

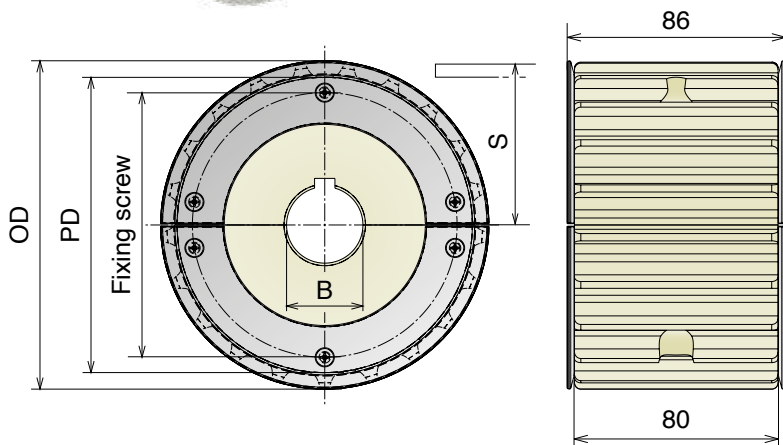


805

Ruota flangiata divisa, fresata

Split sprocket with guides, machined / Geteiltes Kettenrad mit Bordscheibe, gefräst

Delivery: **Easy** **Standard** Anelli Inox / SS Guide-rings / Edelstahl Bordscheibe



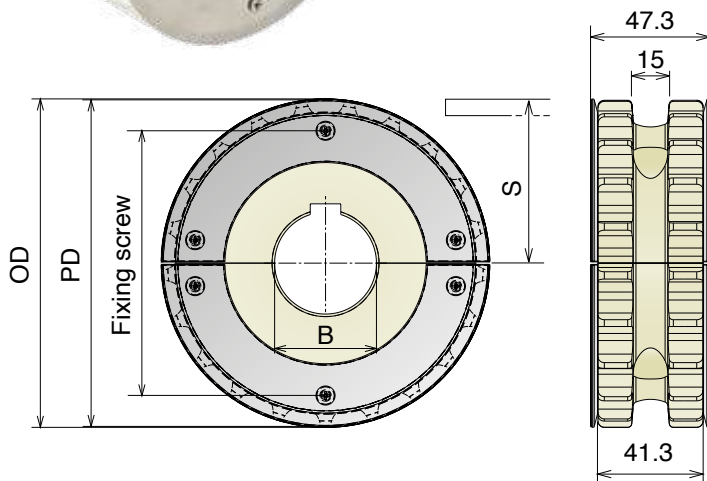
Part	Article-Nr.	Z-	Bore	PD	OD	S	Ø screw
521	52101G	17	25	105,5	103,9	55,9	80,0
521	52102G		30				
521	52103G		35				
521	52104G		40				
523	52301G	21	25	129,3	129,0	67,8	104,0
523	52302G		30				
523	52303G		35				
523	52304G		40				
524	52401G	23	25	141,2	142,0	73,8	116,0
524	52402G		30				
524	52403G		35				
524	52404G		40				
525	52501G	25	25	153,2	154,0	79,8	128,0
525	52502G		30				
525	52503G		35				
525	52504G		40				

820

Ruota flangiata divisa, fresata

Split sprocket with guides, machined / Geteiltes Kettenrad mit Bordscheibe, gefräst

Anelli Inox / SS Guide-rings / Edelstahl Bordscheibe



Part	Article-Nr.	Z-	Bore	PD	OD	S	Ø screw
535	53501G	17	25	105,5	103,9	55,9	80,0
535	53502G		30				
535	53503G		35				
535	53504G		40				
537	53701G	21	25	129,3	129,0	67,8	104,0
537	53702G		30				
537	53703G		35				
537	53704G		40				
538	53801G	23	25	141,2	142,0	73,8	116,0
538	53802G		30				
538	53803G		35				
538	53804G		40				
539	53901G	25	25	153,2	154,0	79,8	128,0
539	53902G		30				
539	53903G		35				
539	53904G		40				

Materiale / Material / Materialien:

Poliamide/Polyamide/Polyamid

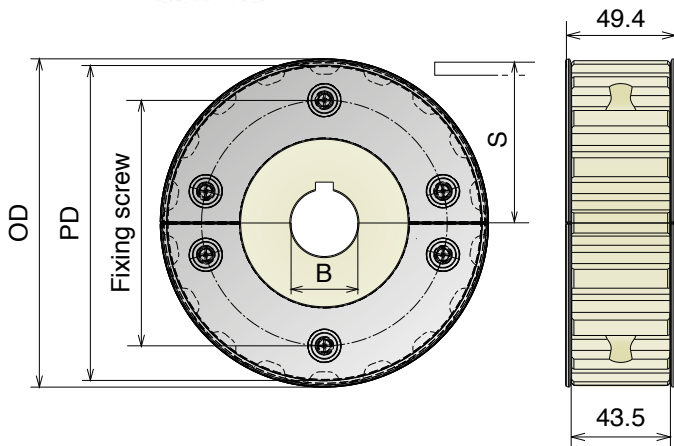
Viti: Acciaio inox/Screws: Stainless steel/Schrauben: Edelstahl

Dadi: Ferro zincato/Nuts: Zinc plated steel/Mutter: Verzinkter Stahl

512**Ruota flangiata divisa, fresata****Split sprocket with guides, machined / Geteiltes Kettenrad mit Bordscheibe, gefräst**

Anelli Inox / SS Guide-rings / Edelstahl Bordscheibe

Part	Article-Nr.	Z-	Bore	PD	OD	S	Ø screw
576	57601G	18	25	146,3	147,0	76,4	110,0
576	57602G		30				
576	57603G		35				
576	57604G		40				



815 MINI

Ruote dentate per catene / Chain sprockets / Kettenräder für Scharnierbandketten

Materiali / Material / Materialien:

Poliammide / Polyamide / Polyamid

Viti: Acciaio inox / Screws: Stainless steel / Schrauben: Edelstahl

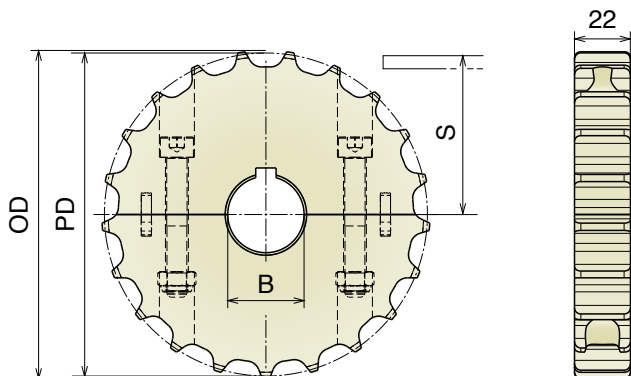
Dadi: Ferro zincato / Nuts: Zinc plated steel / Mutter: Verzinkter Stahl

815 MINI

Ruota traino divisa, fresata

Split drive sprocket, machined / geteiltes Antriebskettenrad gefräst

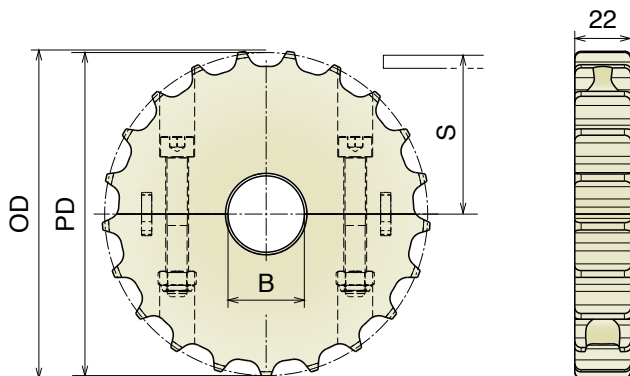
Delivery: **Easy** Standard



Part	Article-Nr.	Z	Bore	PD	OD	S
580	58001	19	25	117,3	117,0	61,9
580	58002		30			
580	58003		35			
580	58004		40			
581	58101	21	25	129,3	129,0	67,8
581	58102		30			
581	58103		35			
581	58104		40			
582	58201	23	25	141,2	142,0	73,8
582	58202		30			
582	58203		35			
582	58204		40			
583	58301	25	25	153,2	154,0	79,8
583	58302		30			
583	58303		35			
583	58304		40			

Ruota rinvio divisa, fresata

Split idler sprocket, machined / geteiltes Umlenrad, gefräst



Part	Article-Nr.	Z	Bore	PD	OD	S
580	58050	19	18*	117,3	117,0	61,9
580	58051		25			
580	58052		30			
580	58053		35			
580	58054		40			
581	58150	21	18*	129,3	129,0	67,8
581	58151		25			
581	58152		30			
581	58153		35			
581	58154		40			
582	58250	23	18*	141,2	142,0	73,8
582	58251		25			
582	58252		30			
582	58253		35			
582	58254		40			
583	58350	25	18*	153,2	154,0	79,8
583	58351		25			
583	58352		30			
583	58353		35			
583	58354		40			

*Plain Bore

Ruote dentate per catene / Chain sprockets / Kettenräder für Scharnierbandketten

Materiale / Material / Materialien:

Poliamide/Polyamide/Polyamid

Viti: Acciaio inox/Screws: Stainless steel/Schrauben: Edelstahl

Dadi: Ferro zincato/Nuts: Zinc plated steel/Mutter: Verzinkter Stahl

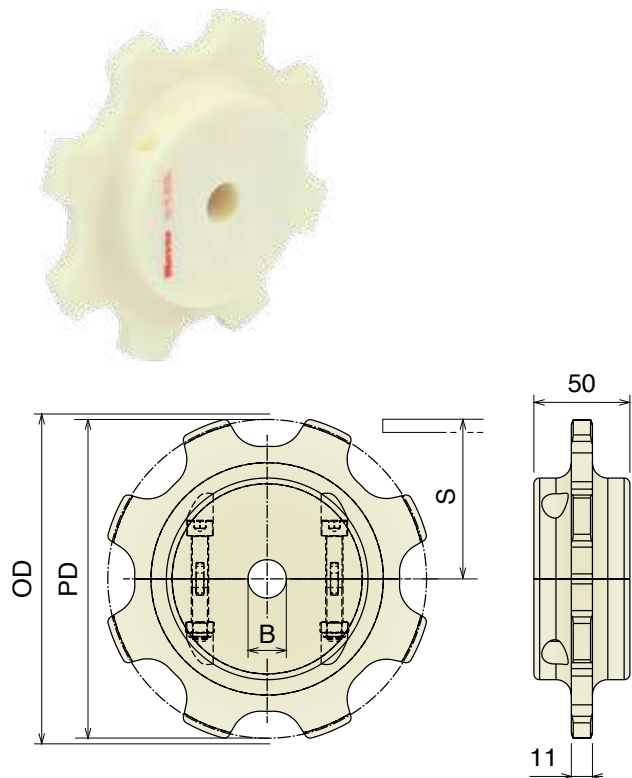
CC 600

Ruota rinvio divisa, fresata
Split idler sprocket, machined / geteiltes Umlenkrad, gefräst

For adequate quantities these sprockets can be delivered with finished bore.

Part	Article-Nr.	Z-	Bore	PD	OD	S
565	56550	8	20	166,0	172,0	70,0
566	56650	10	20	205,0	215,0	89,5
567	56750	12	20	246,0	256,0	110,0
568	56850	14	20	286,0	297,0	130,0

Other bores available on request



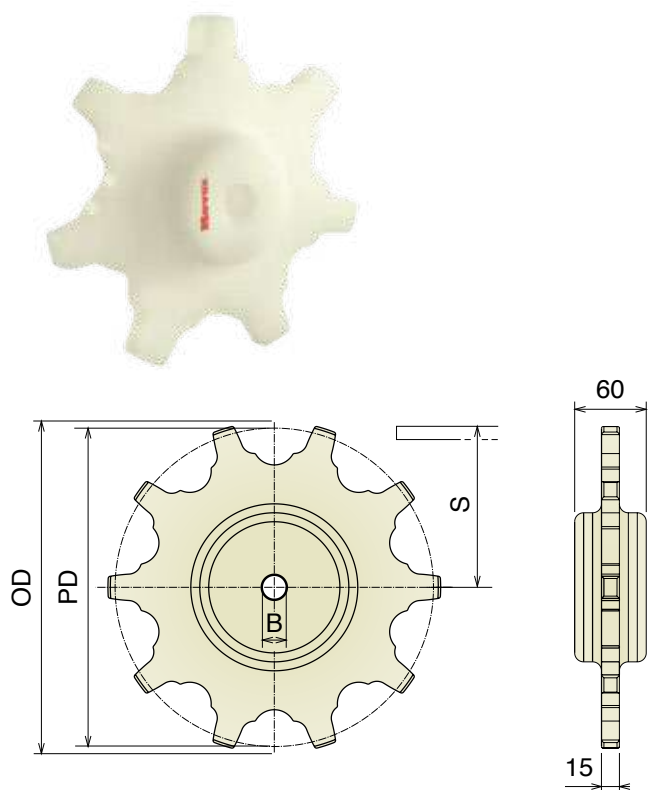
CC 1400

Ruota rinvio, fresata
Idler sprocket, machined / Umlenkrad, gefräst

For adequate quantities these sprockets can be delivered with finished bore.

Part	Article-Nr.	Z-	Bore	PD	OD	S
570	57050E	7	20	190,0	202,0	78,0
571	57150E	8	20	218,0	227,6	92,0
572	57250E	10	20	267,0	279,0	116,0

Other bores available on request



1701-1706-765 NO GAP

Ruote dentate per catene / Chain sprockets / Kettenräder für Scharnierbandketten

Materiali / Material / Materialien:

Poliammide/Polyamide/Polyamid

Viti: Acciaio inox/Screws: Stainless steel/Schrauben: Edelstahl

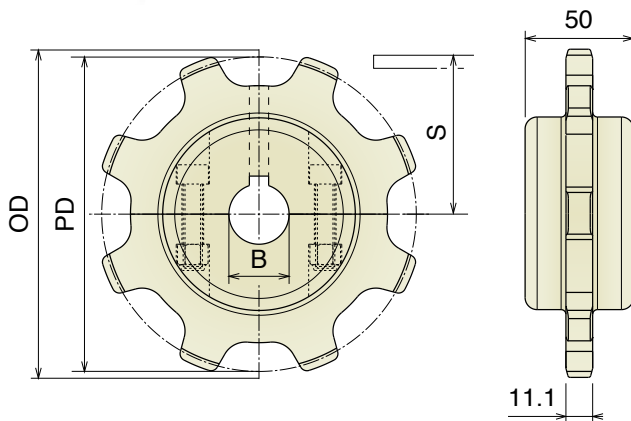
Dadi: Ferro zincato/Nuts: Zinc plated steel/Mutter: Verzinkter Stahl

1701-1706-765 NO GAP

Ruota traino divisa, fresata

Split drive sprocket, machined / geteiltes Antriebskettenrad gefräst

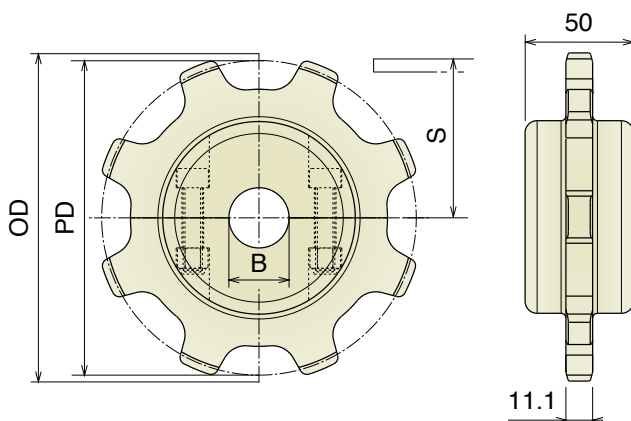
Delivery: **Easy** Standard



Part	Article-Nr.	Z	Bore	PD	OD	S
573	57301	8	25	130,7	132,75	53,0
573	57302		30			
573	57303		35			
573	57304		40			
574	57401	10	25	161,8	165,1	69,0
574	57402		30			
574	57403		35			
574	57404		40			
575	57501	13	25	208,9	215,0	93,5
575	57502		30			
575	57503		35			
575	57504		40			

Ruota rinvio divisa, fresata

Split idler sprocket, machined / geteiltes Umlenrad, gefräst



Part	Article-Nr.	Z	Bore	PD	OD	S
573	57350	8	18*	130,7	132,75	53,0
573	57351		25			
573	57352		30			
573	57353		35			
573	57354		40			
574	57450	10	18*	161,8	165,1	69,0
574	57451		25			
574	57452		30			
574	57453		35			
574	57454		40			
575	57550	13	18*	208,9	215,0	93,5
575	57551		25			
575	57552		30			
575	57553		35			
575	57554		40			

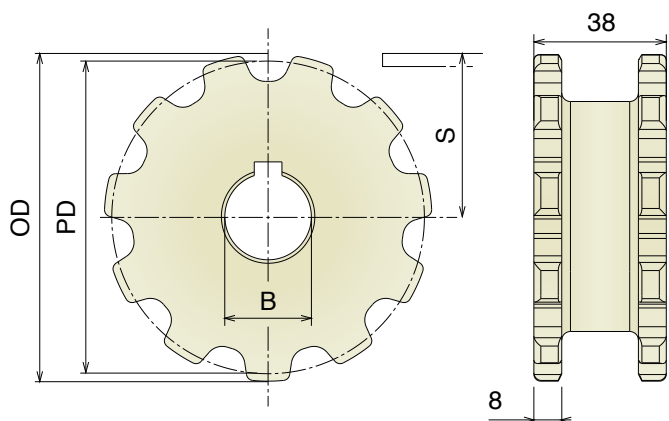
*Plain Bore

NEW 43 MFS PRO-63 MFL PRO

Ruota traino, fresata
 Drive sprocket, machined / Antriebskettenrad, gefräst

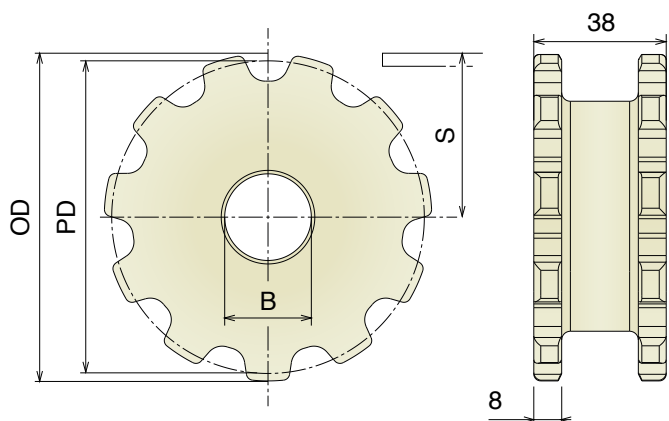
Delivery: **Easy** Standard

Part	Article-Nr.	Z-	Bore	PD	OD	S
577	57700	11	20	90,2	94,5	56,5
577	57701		25			
577	57702		30			
577	57703		35			
577	57704		40			



Ruota rinvio divisa, fresata
 Idler sprocket, machined / Umlenkrad, gefräst

Part	Article-Nr.	Z-	Bore	PD	OD	S
577	57750	11	20	90,2	94,5	56,5
577	57751		25			
577	57752		30			
577	57753		35			
577	57754		40			



83 MFM PRO

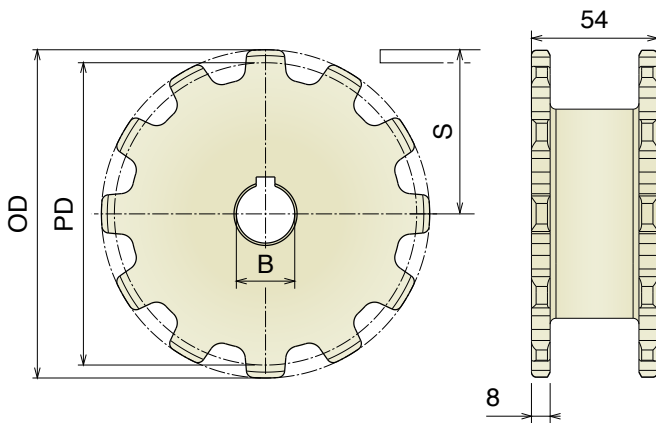
Ruote dentate per catene / Chain sprockets / Kettenräder für Scharnierbandketten

Materiale / Material / Materialien:
Poliammide/Polyamide/Polyamid

NEW 83 MFM PRO Ruota traino, fresata Drive sprocket, machined / Antriebskettenrad, gefräst

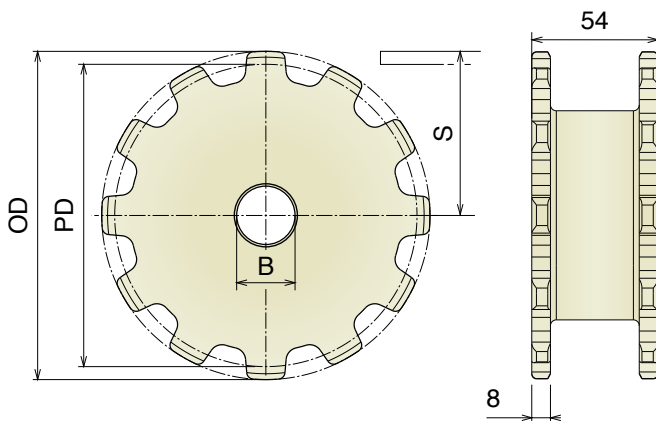
Delivery: **Easy** **Standard**

Part	Article-Nr.	Z-	Bore	PD	OD	S
589	58901	9	25	97,9	108,5	62
589	58902		30			
589	58903		35			
589	58904		40			
588	58801	12	25	129,4	140	77,7
588	58802		30			
588	58803		35			
588	58804		40			



Ruota rinvio divisa, fresata Idler sprocket, machined / Umlenkrad, gefräst

Part	Article-Nr.	Z-	Bore	PD	OD	S
589	58950	9	18*	97,9	108,5	62
589	58951		25			
589	58952		30			
589	58953		35			
589	58954		40			
588	58850	12	18*	129,4	140	77,7
588	58851		25			
588	58852		30			
588	58853		35			
588	58854		40			



*Plain Bore

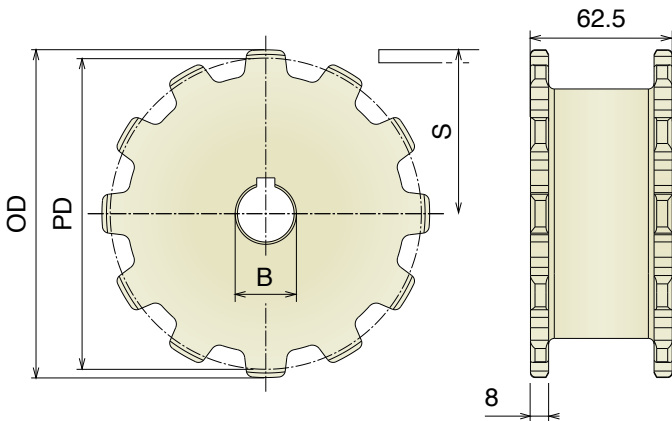
NEW

103 MFH PRO

Ruota traino, fresata
 Drive sprocket, machined / Antriebskettenrad, gefräst

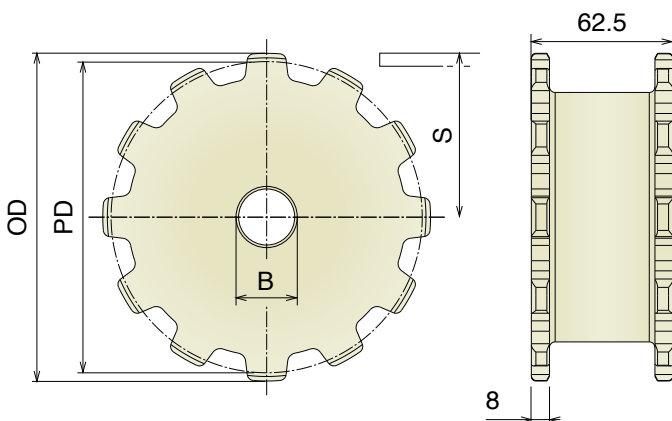
Delivery: **Easy** Standard

Part	Article-Nr.	Z-	Bore	PD	OD	S
578	57801	12	25	137,2	144,5	82,5
578	57802		30			
578	57803		35			
578	57804		40			



Ruota rinvio divisa, fresata
 Idler sprocket, machined / Umlenkrad, gefräst

Part	Article-Nr.	Z-	Bore	PD	OD	S
578	57851	12	25	129,4	140	77,7
578	57852		30			
578	57853		35			
578	57854		40			

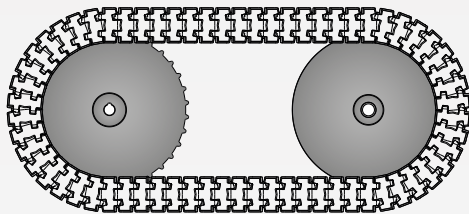


Turning disks

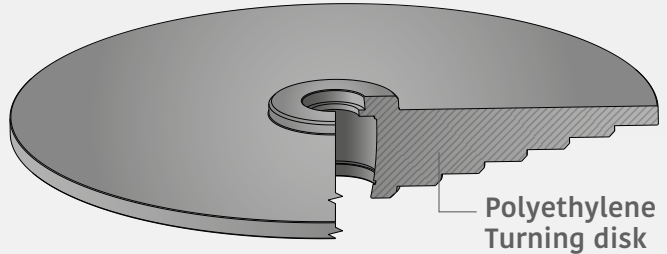
The use of drive disks, idler disks and turnings disks enables the design of the conveyor to be realized with many curves, greatly reducing the PV and guaranteeing exceeding performances compared to traditional system.

Thanks to our machined versions, superior tolerances and planarity are provided; it will then become easier to realize longer conveyors either at the same level or staggered, inclined or declined.

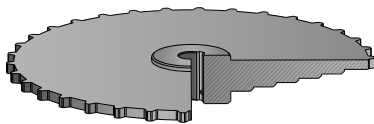
DRIVE DISK



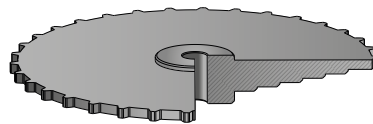
TURNING DISK



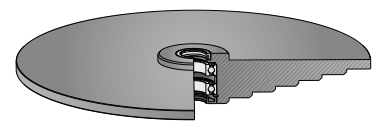
TYPES AVAILABLE



DRIVE DISK



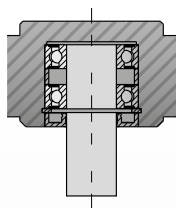
IDLER DISK



TURNING DISK

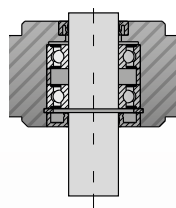
POSSIBLE APPLICATIONS

MACHINED DISK
OPTION A



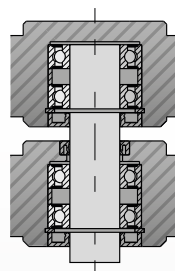
CLOSED VERSION

MACHINED DISK
OPTION B



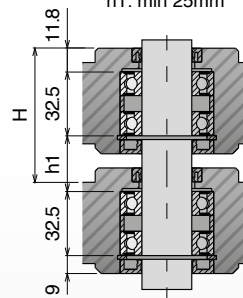
OPEN VERSION

MACHINED DISK
OPTION C



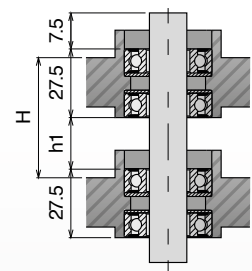
CLOSED VERSION
+ OPEN VERSION

MACHINED DISK
OPTION D
h1: min 25mm



OPEN VERSION
+ OPEN VERSION

MOLDED DISK
OPTION A
h1: min 25mm



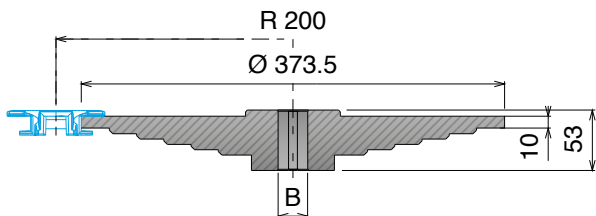
OPEN VERSION
+ OPEN VERSION

For a correct installation of the shaft and the position of the circlips, please contact your sales representative.

878 TAB **Ruota tangenziale** **Tangential sprockets / Tangentiale kettenräder**

Suitable for 888 TAB | Drive disk with grub screws included

Drive disk, machined

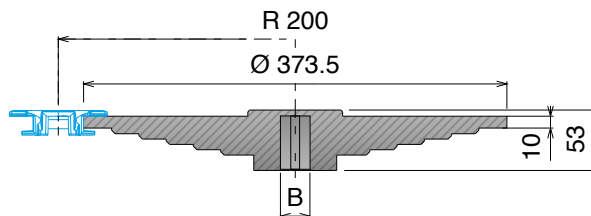


OPEN VERSION



ROUNDBORE
WITH KEYWAY

Article-Nr.	Z-	Bore
59300	34	20
59301		25
59302		30
59303		35
59304		40



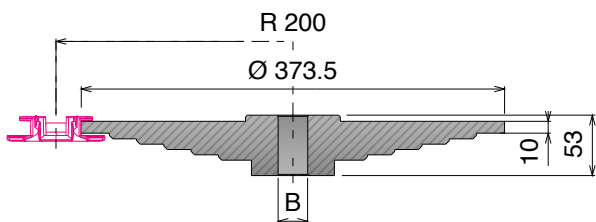
CLOSED VERSION



ROUNDBORE
WITH KEYWAY

Article-Nr.	Z-	Bore
59300C	34	20
59301C		25
59302C		30
59303C		35
59304C		40

Idler disk, machined

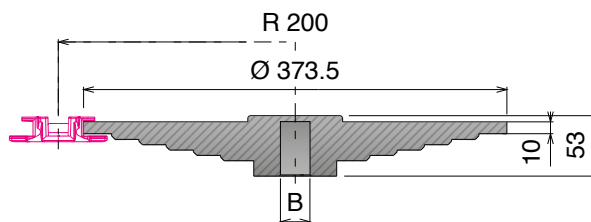


OPEN VERSION



ROUNDBORE

Article-Nr.	Z-	Bore
59361	34	20
59362		25
59363		30
59364		35
59365		40



CLOSED VERSION



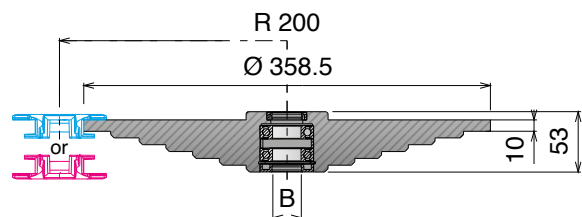
ROUNDBORE

Article-Nr.	Z-	Bore
59371C	34	20
59372C		25
59373C		30
59374C		35
59375C		40

878 TAB **Disco di ritorno** **Turning disk / Umlenkscheibe**

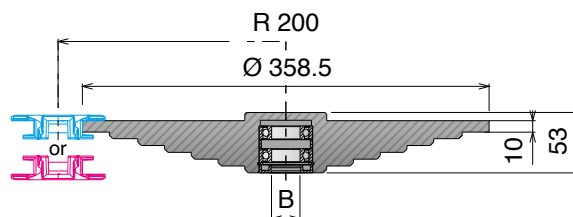
Suitable for 888 TAB | Bearings and oils seal included

Turning disk, machined - Carry and return side



OPEN VERSION
ROUNDBORE

Article-Nr.	Bore
593510	25



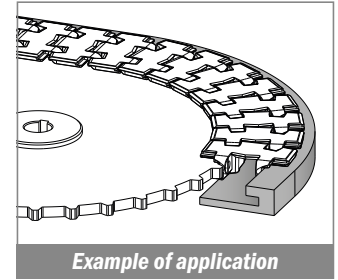
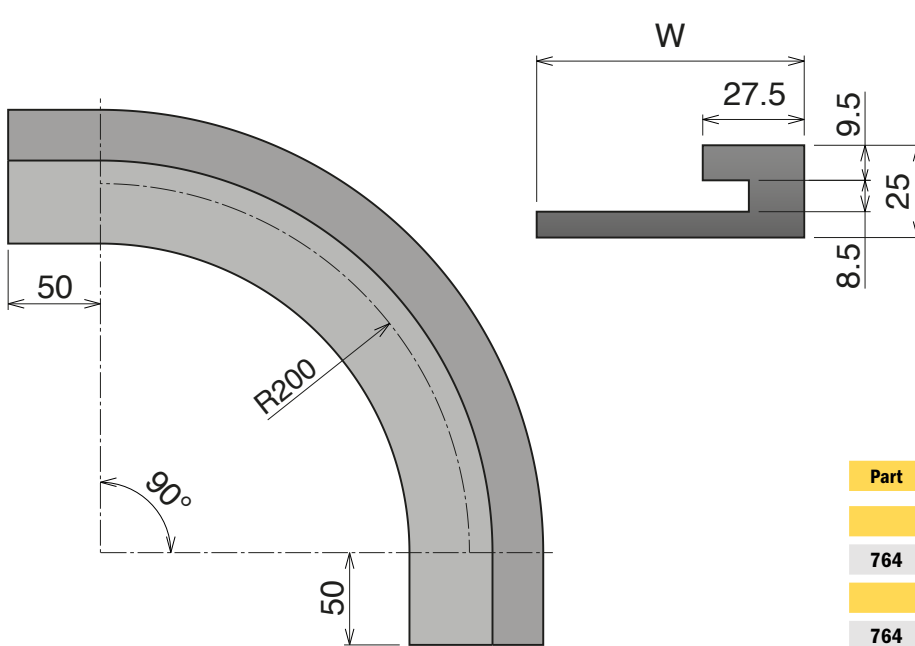
CLOSED VERSION
ROUNDBORE

Article-Nr.	Bore
59351C	25

878 TAB Curves

Specific for drive, idler and turning disk applications

Chain Reference 878 TAB - K325/K450



Example of application

TAB SYSTEM

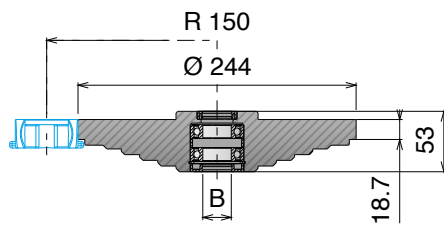
Part	α 90°	α 180°	Tracks	W
K325				
764	76411072	76421072	1	72,5
K450				
764	76411087	76421087	1	87,5

1701 TAB OP-1701 TAB OPF

Disco di ritorno
 Turning disk / Umlenkscheibe

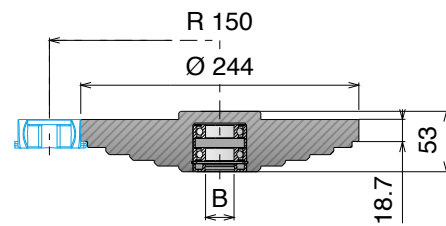
Suitable for 1701 TAB OP - 1701 TAB OPF | Bearings and oils seal included

Turning disk, machined - Carry side



OPEN VERSION
 ROUND BORE

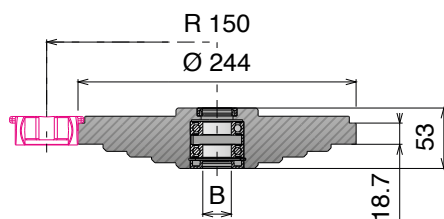
Article-Nr.	Bore
594010	25



CLOSED VERSION
 ROUND BORE

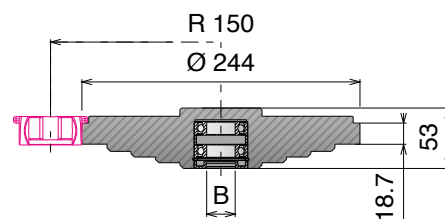
Article-Nr.	Bore
59401C	25

Turning disk, machined - Return side



OPEN VERSION
 ROUND BORE

Article-Nr.	Bore
594210	25



CLOSED VERSION
 ROUND BORE

Article-Nr.	Bore
59421C	25

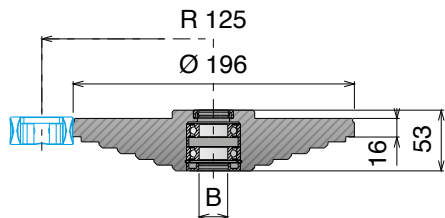
Materiale / Material / Materialien:
 Polietilene UHMW-PE
 Polyethylene UHMW-PE
 Polyäthylen UHMW-PE

1706-1706 TAB-765 NO GAP

Disco di ritorno
 Turning disk / Umlenkscheibe

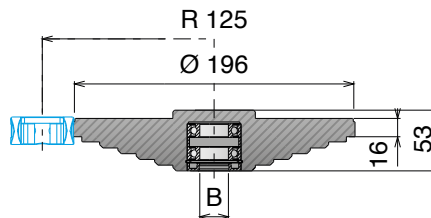
Suitable for 1706 - 1706 TAB - 765 NO GAP | Bearings and oils seal included

Turning disk, machined - Carry side



OPEN VERSION
 ROUND BORE

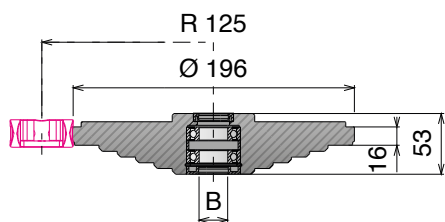
Article-Nr.	Bore
595010	25



CLOSED VERSION
 ROUND BORE

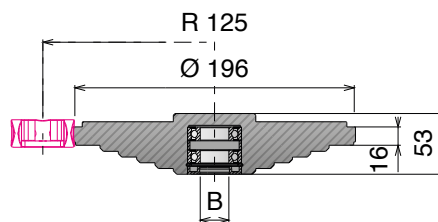
Article-Nr.	Bore
59501C	25

Turning disk, machined - Return side



OPEN VERSION
 ROUND BORE

Article-Nr.	Bore
595210	25



CLOSED VERSION
 ROUND BORE

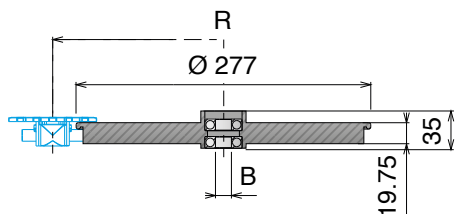
Article-Nr.	Bore
59521C	25

NEW MF PRO Series

Disco di ritorno
 Turning disk / Umlenkscheibe

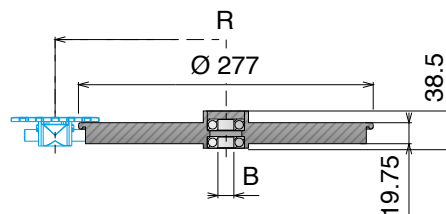
Suitable for 43 MFS Pro - 63 MFL Pro - 83 MFM Pro - 103 MFH Pro | Bearings included

Drive turning disk, molded - Carry side



OPEN VERSION
 ROUND BORE

Article-Nr.	Bore
170000	15

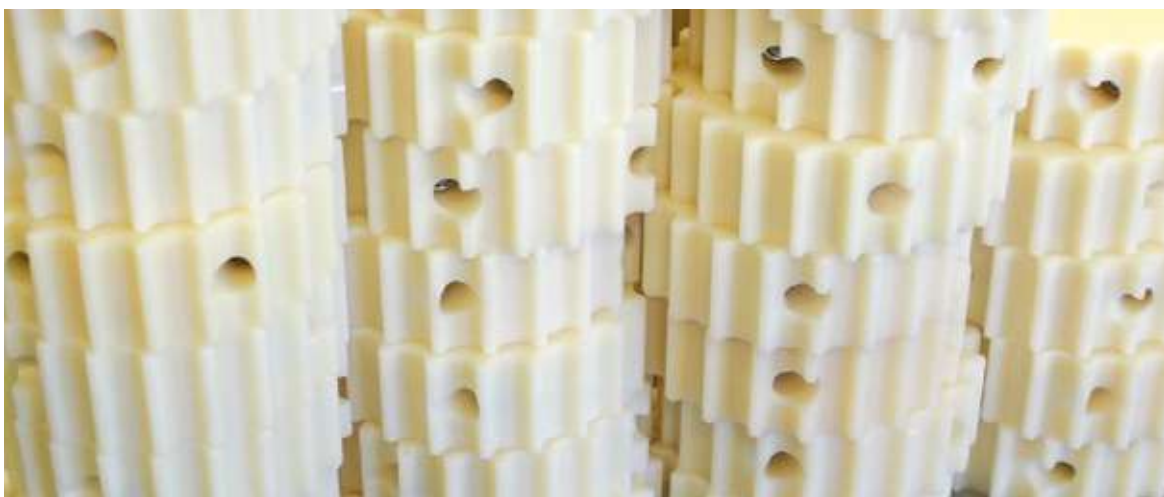


CLOSED VERSION
 ROUND BORE

Article-Nr.	Bore
170000C	15

R: 43 MFS Pro 150 63 MFL Pro 150
 83 MFM Pro 160 103 MFH Pro 170

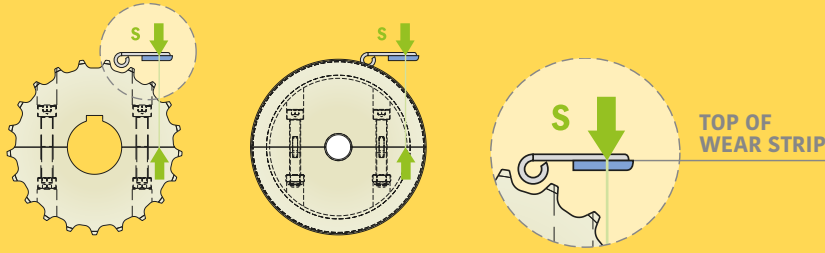
R: 43 MFS Pro 150 63 MFL Pro 150
 83 MFM Pro 160 103 MFH Pro 170



601

What is the S dimension?

It defines the distance between sprocket/idler (=shaft) center and top of wear strip. It ensures smooth run of the chain at minimum noise level.



The value is specified for each type and size of sprocket in the tables on the following pages of the chapter.

For bore tolerance refers to Movex engineering manual available on our website.



815

Page 110



815

Page 110



805

Page 111



821

Page 111



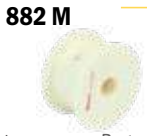
880 TAB

Page 112



881 TAB

Page 112



882 M

Page 113

Material Info:



pg. 786

Materiale / Material / Materialien:

Poliammide/Polyamide/Polyamid

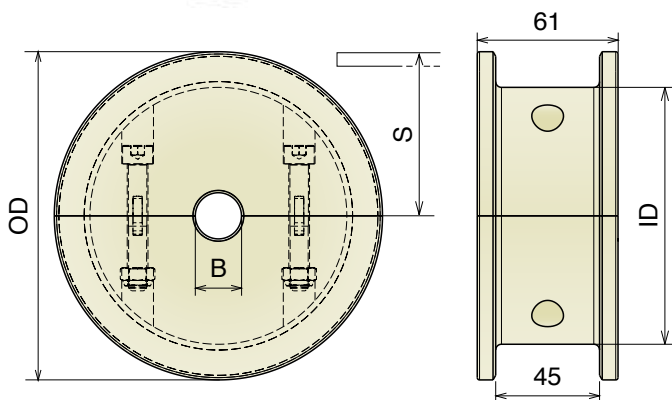
Viti: Acciaio inox/Screws: Stainless steel/Schrauben: Edelstahl

Dadi: ferro zincato/Nuts: zinc plated steel/Mutter: verzinkter Stahl

Dadi: ottone nichelato per stampate/Nuts: nickel plated brass for molded/Mutter: Messing vernickelt für gespritzt Version

815 Ruota rinvio liscia, divisa, fresata Split idler wheel, machined / geteilte Umlenkrolle, gefräst

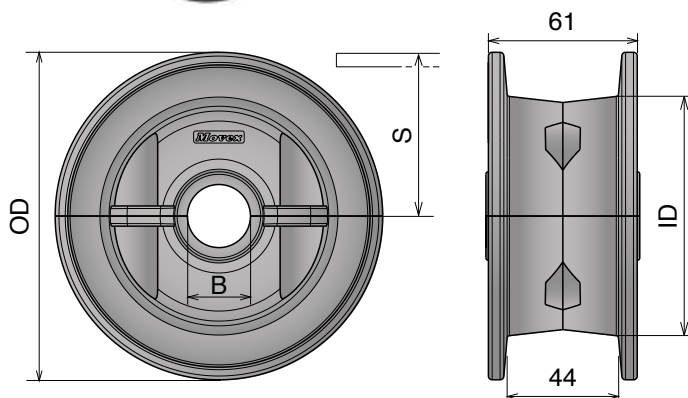
Delivery: **Easy** **Standard** Also suitable for Series 881 M - 820 - 831 - 828 - 879 M - 880 - 880 M



Part	Article-Nr.	ecq. Z.	Bore	OD	ID	S
601	60100	17	20	104,0	75,2	56,2
601	60101		25			
601	60102		30			
601	60103		35			
601	60104		40			
602	60200	19	20	117,0	92,2	62,6
602	60201		25			
602	60202		30			
602	60203		35			
602	60204		40			
603	60300	21	20	129,8	105,0	68,6
603	60301		25			
603	60302		30			
603	60303		35			
603	60304		40			
604	60400	23	20	142,2	111,3	74,6
604	60401		25			
604	60402		30			
604	60403		35			
604	60404		40			
605	60500	25	20	154,7	124,7	80,5
605	60501		25			
605	60502		30			
605	60503		35			
605	60504		40			
606	60600	27	20	167,2	135,0	88,5
606	60601		25			
606	60602		30			
606	60603		35			
606	60604		40			
607	60700	29	20	179,3	140,0	92,8
607	60701		25			
607	60702		30			
607	60703		35			
607	60704		40			

815 Ruota rinvio liscia, divisa, stampata Split idler wheel, molded / geteilte Umlenkrolle, gespritzt

Delivery: **Easy** **Standard** Also suitable for Series 881 M - 820 - 831 - 828 - 879 M - 880 - 880 M



Part	Article-Nr.	ecq. Z.	Bore	OD	ID	S
608	60801	21	25	129,8	94,8	68,6
608	60802		30			
608	60803		35			
608	60804		40			
609	60901	23	25	142,2	99,3	74,6
609	60902		30			
609	60903		35			
609	60904		40			
610	61001	25	25	154,7	102,0	80,5
610	61002		30			
610	61003		35			
610	61004		40			

Materiale / Material / Materialien:

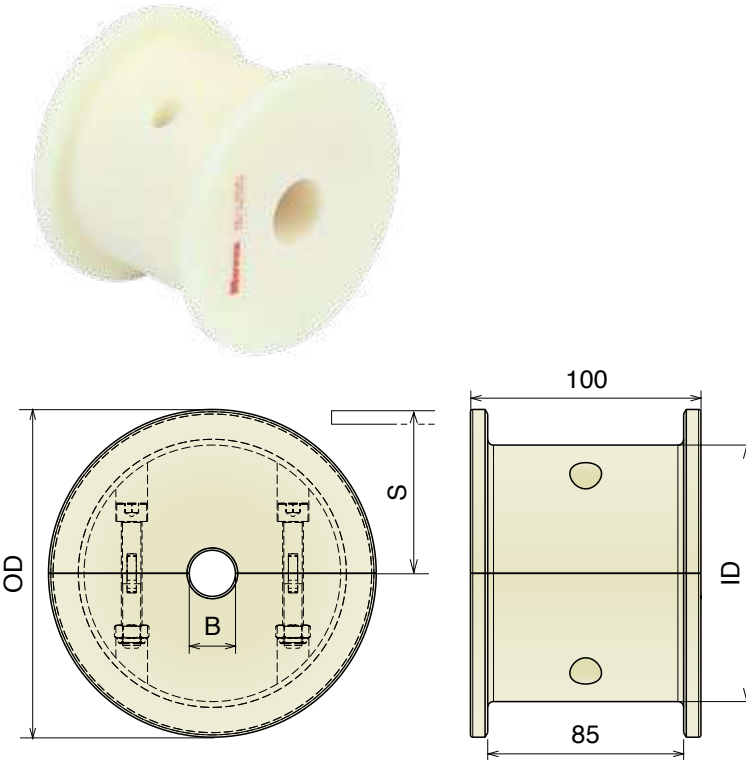
Poliamide/Polyamide/Polyamid

Viti: Acciaio inox/Screws: Stainless steel/Schrauben: Edelstahl

Dadi: ferro zincato/Nuts: zinc plated steel/Mutter: verzinkter Stahl

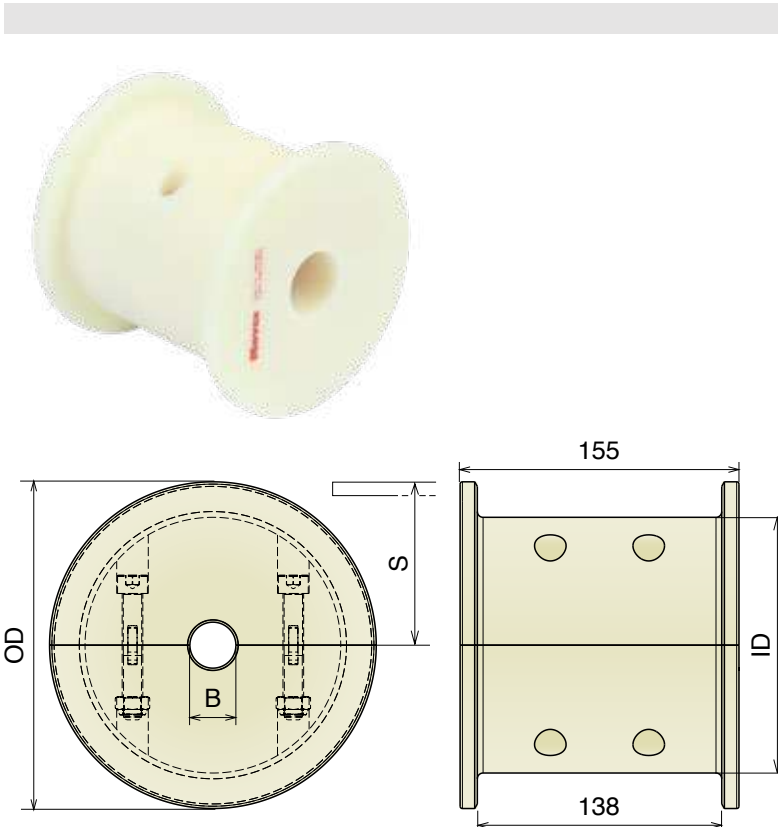
805 Ruota rinvio liscia, divisa, fresata Split idler wheel, machined / geteilte Umlenkrolle, gefräst

Delivery: **Easy** Standard



Part	Article-Nr.	ecq. Z-	Bore	OD	ID	S
611	61100	17	20	104,0	75,2	56,2
611	61101		25			
611	61102		30			
611	61103		35			
611	61104		40			
612	61200	19	20	117,0	92,2	62,6
612	61201		25			
612	61202		30			
612	61203		35			
612	61204		40			
613	61300	21	20	129,8	105,0	68,6
613	61301		25			
613	61302		30			
613	61303		35			
613	61304		40			
614	61400	23	20	142,2	111,3	74,6
614	61401		25			
614	61402		30			
614	61403		35			
614	61404		40			
615	61500	25	20	154,7	124,7	80,5
615	61501		25			
615	61502		30			
615	61503		35			
615	61504		40			
616	61600	27	20	167,2	135,0	88,5
616	61601		25			
616	61602		30			
616	61603		35			
616	61604		40			
617	61700	29	20	179,3	140,0	92,8
617	61701		25			
617	61702		30			
617	61703		35			
617	61704		40			

821 Ruota rinvio liscia, divisa, fresata Split idler wheel, machined / geteilte Umlenkrolle, gefräst



Part	Article-Nr.	ecq. Z-	Bore	OD	ID	S
625	62500	19	20	117,0	92,2	62,6
625	62501		25			
625	62502		30			
625	62503		35			
625	62504		40			
626	62600	21	20	129,8	105,0	68,6
626	62601		25			
626	62602		30			
626	62603		35			
626	62604		40			
627	62700	23	20	142,2	111,3	74,6
627	62701		25			
627	62702		30			
627	62703		35			
627	62704		40			
628	62800	25	20	154,7	124,7	80,5
628	62801		25			
628	62802		30			
628	62803		35			
628	62804		40			

880 TAB-881 TAB

Ruote folli per catene / Chain idler wheels / Umlenkrollen für Scharnierbandketten

Materiali / Material / Materialien:

Poliammide/Polyamide/Polyamid

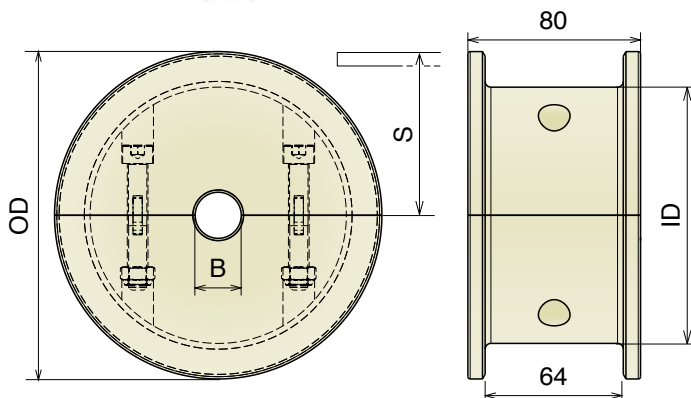
Viti: Acciaio inox/Screws: Stainless steel/Schrauben: Edelstahl

Dadi: ferro zincato/Nuts: zinc plated steel/Mutter: verzinkter Stahl

NEW 880 TAB

Ruota rinvio liscia, divisa, fresata

Split idler wheel, machined / geteilte Umlenkrolle, gefräst



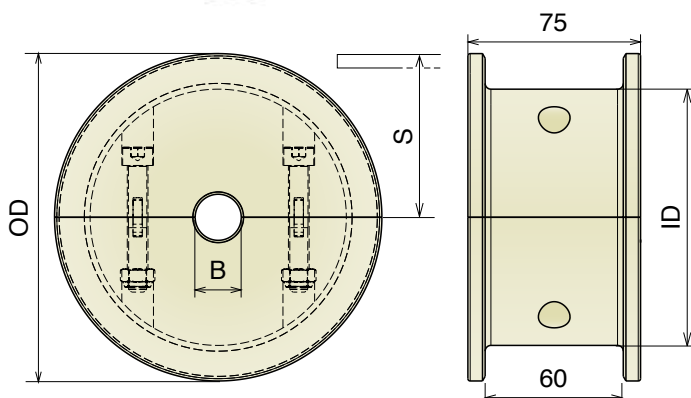
Part	Article-Nr.	ecq. Z.	Bore	OD	ID	S
636	63600	17	20	104,0	66,0	56,2
636	63601		25			
636	63602		30			
636	63603		35			
636	63604		40			
637	63700	19	20	117,0	75,0	62,6
637	63701		25			
637	63702		30			
637	63703		35			
637	63704		40			
638	63800	21	20	129,8	95,0	68,6
638	63801		25			
638	63802		30			
638	63803		35			
638	63804		40			
639	63900	23	20	142,2	108,0	74,6
639	63901		25			
639	63902		30			
639	63903		35			
639	63904		40			
640	64000	25	20	154,7	112,0	80,5
640	64001		25			
640	64002		30			
640	64003		35			
640	64004		40			
641	64100	27	20	167,2	120,0	88,5
641	64101		25			
641	64102		30			
641	64103		35			
641	64104		40			
642	64200	29	20	179,3	130,0	92,8
642	64201		25			
642	64202		30			
642	64203		35			
642	64204		40			

881 TAB

Ruota rinvio liscia, divisa, fresata

Split idler wheel, machined / geteilte Umlenkrolle, gefräst

Delivery: **Easy** **Standard** Also suitable for 815 TAB GT



Part	Article-Nr.	ecq. Z.	Bore	OD	ID	S
618	61800	17	20	104,0	66,0	56,2
618	61801		25			
618	61802		30			
618	61803		35			
618	61804		40			
619	61900	19	20	117,0	75,0	62,6
619	61901		25			
619	61902		30			
619	61903		35			
619	61904		40			
620	62000	21	20	129,8	95,0	68,6
620	62001		25			
620	62002		30			
620	62003		35			
620	62004		40			
621	62100	23	20	142,2	108,0	74,6
621	62101		25			
621	62102		30			
621	62103		35			
621	62104		40			
622	62200	25	20	154,7	112,0	80,5
622	62201		25			
622	62202		30			
622	62203		35			
622	62204		40			
623	62300	27	20	167,2	120,0	88,5
623	62301		25			
623	62302		30			
623	62303		35			
623	62304		40			
624	62400	29	20	179,3	130,0	92,8
624	62401		25			
624	62402		30			
624	62403		35			
624	62404		40			

Materiale / Material / Materialien:

Poliammide/Polyamide/Polyamid

Viti: Acciaio inox/Screws: Stainless steel/Schrauben: Edelstahl

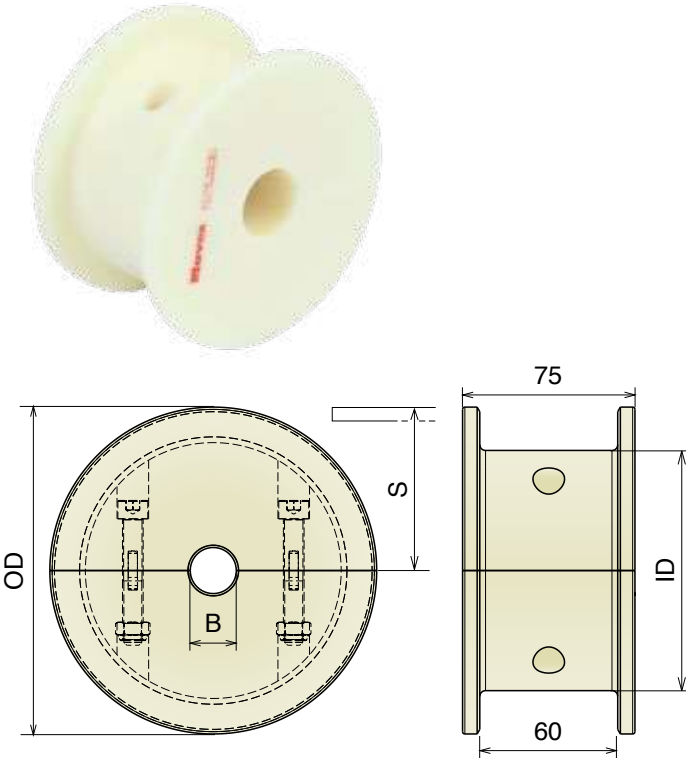
Dadi: ferro zincato/Nuts: zinc plated steel/Mutter: verzinkter Stahl

882 M

Ruote folli per catene / Chain idler wheels / Umlenkrollen für Scharnierbandketten

882 M Ruota rinvio liscia, divisa, fresata
Split idler wheel, machined / geteilte Umlenkrolle, gefräst

Delivery:	Easy	Standard	Also suitable for Series 8157 - 8257 - 8857 M - 8857 M GT	Part	Article-Nr.	ecq. Z-	Bore	OD	ID	S
				629	62900	17	20	104,0	75,2	56,2
				629	62901		25			
				629	62902		30			
				629	62903		35			
				629	62904		40			
				630	63000	19	20	117,0	92,2	62,6
				630	63001		25			
				630	63002		30			
				630	63003		35			
				630	63004		40			
				631	63100	21	20	129,8	105,0	68,6
				631	63101		25			
				631	63102		30			
				631	63103		35			
				631	63104		40			
				632	63200	23	20	142,2	111,3	74,6
				632	63201		25			
				632	63202		30			
				632	63203		35			
				632	63204		40			
				633	63300	25	20	154,7	124,7	80,5
				633	63301		25			
				633	63302		30			
				633	63303		35			
				633	63304		40			
				634	63400	27	20	167,2	135,0	88,5
				634	63401		25			
				634	63402		30			
				634	63403		35			
				634	63404		40			
				635	63500	29	20	179,3	140,0	92,8
				635	63501		25			
				635	63502		30			
				635	63503		35			
				635	63504		40			



Movex[®] MACHINING CENTER

We machine for your business.

The machining department is where we produce straight sections and corner tracks (TAB, Magnetic & bevel versions) available in a range of unique and patented materials in various shapes and an extensive selection of polyamide sprockets, idler wheels and turning disks, either machined or molded and suitable for covering all applications.

Movex[®] uses only top-materials and the best CNC technology for all types of processes required; this allows us to offer unrivaled accuracy and products that meet the needs of the most demanding clients. Beside the standard available corner tracks, we have organized a specific workflow to create tailor made products, developed over the last ten years, which aims to satisfy the requirements of even the most demanding buyer.

Get in touch with us and ask a personalized quotation.

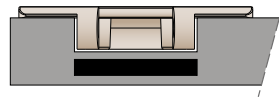
>7.500
CURVES
AVAILABLE

>10
CNC
WORKSTATIONS

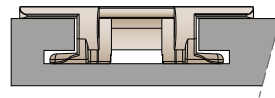
>1.900
SPROCKETS
AVAILABLE



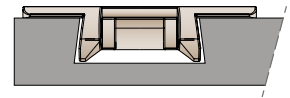
Corner tracks systems



Magnetic



TAB



Bevel

Magnetic corner tracks are the most effective and reliable system for the table top conveyor design. The magnets provide the correct magnetic field to hold the chain on the corner track and this provides a flat carrying surface for the chain; thus, improving product stability and properly supporting the product.

TAB type corner tracks are a more economical solution compared to magnetic curves. In those applications where cleaning and product support are less important, they can perfectly be used.

Bevel corner tracks are another alternative to magnetic and TAB corner track solutions. Compared with TAB system it is more accessible but an additional support in the return is required.

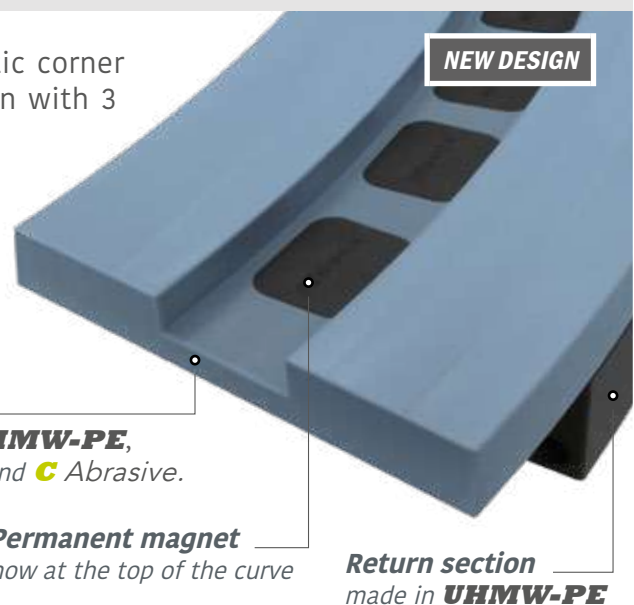
SOLID MAGNETIC CURVES

For 520 M modular belt and 882/8857 plastic chains.

THE NEW STANDARD DESIGN*.

With the main focus on quality, Movex magnetic corner tracks provide high performances in combination with 3 different materials, specific for each application: traditional, dry running and abrasive.

The new design offers better performances, a magnet field optimization up to 35%, and a production process improvement.



* 550 PRO M magnetic curves maintains the same design with magnets positioned at the bottom of the curve.

Three materials available:

Depending on application conditions various curve materials are suitable.

UHMW-PE
STANDARD



For Lubricated steel and plastic chains and belts.

BluLub®
HIGH-PERFORMANCE



For dry running or limited lubrication and higher speeds and loads.

C Abrasive
EXTREME CONDITIONS



For dry running steel chains and polluted circumstances.

On request, further customisations can be realised in order to meet your technical requirements:

Custom holes
(through, countersunk, counterbore)

Thread bushings M6, M8 and M10
(brass of zinc plated steel)

Special executions
(asymmetric curves, custom radii, widths, and angles)

THE NEW STANDARD DESIGN.

New design and best performance!

This design introduces replaceable guides.

Guides available in **BluLub®**, **UHMW-PE**, and **C Abrasive**

The use of a recycled material it's an important path for a sustainable choice.

Support base made in **Recycling multicolored material**

Permanent magnet now at the top of the curve

Return section made in **UHMW-PE**

Patented fixing system

NEW DESIGN



Main features:



Improved magnetic field

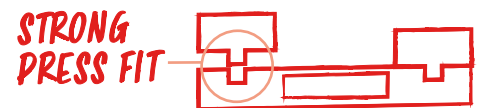
The consistent distance between the magnet and the chain ensures a constant magnetic field that reduces the annoying “stick-slip” effect. The new magnet cassettes include a double lip system.

+27% MAGNET FIELD OPTIMIZATION*



Fast and easy maintenance

Thanks to its patented RS, the easy replaceable guides simplify maintenance and reduce down-times.



Performance up to 90Kg/10cm



Interchangeable guides

In case of required replacement, guides can be ordered as handy **replacement kit** available in three different interchangeable materials, and easily installed without removing the curve from the conveyor: **BluLub®**, **UHMW-PE**, and **C Abrasive**.

3 GUIDES MATERIALS WITH 3 DIFFERENT FEATURES



Saving resources

The new design and the guides replacement kit, are extremely useful to reduce purchase and maintenance costs, thus also improving the TCO.

UP TO 35% ENERGY REDUCTION*

Three versions available:

* Compared to the previous version.



The color of **Recycling multicolored material** can vary depending to the the composition of raw materials used.

RS Kit replacement procedure

For RS version magnetic curves.

The kit replacement procedure can be done with the curve still mounted in the conveyor, this saves time and costs, with easy troubleshooting.

- Remove the worn guides from the top of the curve.

This can be done by inserting a flat screwdriver between the guide and the support base [1], and with the help of a hammer, leverage all the way round to lift the guide [2].

- Install the new guide on the support base.

Place the new guide in the appropriate seat [3], and using a soft hammer hit gently stab its upper surface the guide [4]. Make sure guide is firmly seated in the slot.

Now the guides are mounted properly and the conveyor can be reassembled.



Turn off and lock-out the conveyor power before proceeding with the replacement of the guide, and ensure that the chain ends cannot slip away because of its weight.



Scan to see the correct
RS MAGNETIC CURVES
replacement procedure.



SUSTAINABLE TIP

Remember, the worn guides should be deposited in the appropriate container for a proper recycling.

ETC EASY TRANSFER CURVES For 240XE/260/261/878/879/880 and 881/8811 steel chains.

THE NEW STANDARD DESIGN*.

Easy transfer curves are used to remove head to tail transfers, particularly complicated with unstable products.

Conveyed products can easily change tracks with a controlled-side-to-side transfer, guaranteeing the maximum efficiency of the line.

Movex easy transfer curves are available for magnetic and TAB chains with two different designs: full version (easier to be installed) and slim version (economical choice).

See product page to find the one that would best suit your needs.



RS PRO MAGNETIC CURVES

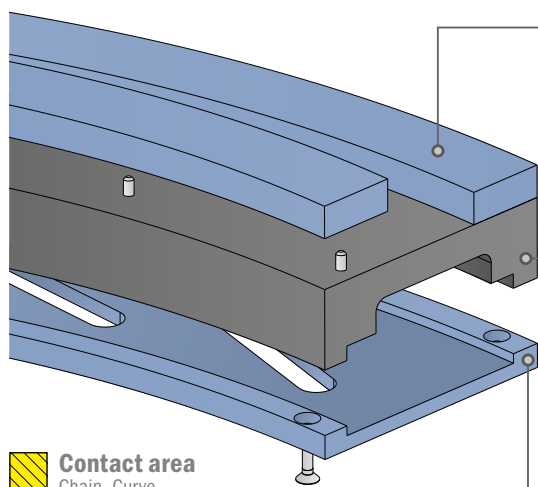
PATENTED

A NEW CONCEPT OF MAGNETIC CURVE.

RS PRO is a patented system that consists of machined plastic curve tracks equipped with permanent magnets with a new curve return concept.

This new return section-plate provides a total support of the chain or belt in the return of the curve.

RS PRO is equipped with guides in **BluLub®**, which contributes to improved PV-properties and reduce the energy consumption especially in applications with limited lubrication or higher loads.



Guides made in **BluLub®**

The assembly system reduces the maintenance-time in case of replacement and **BluLub®** material guarantees great performance and due the lower friction which also improves the product stability and wearlife of chains and belts.

Return section made in **Standard UHMW-PE**

The return section of the **RS PRO** curve is designed to reduce the distance between chain and magnets; ensuring steady magnetic force and keeping the chain in the correct position.

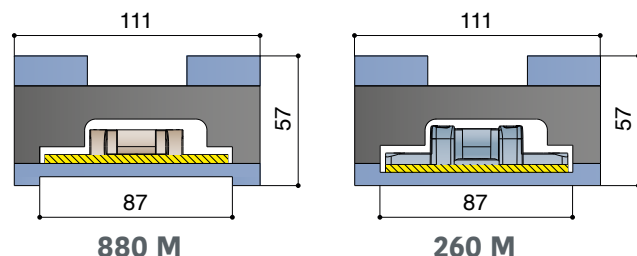
New support plate made in **BluLub®**

The new return-section plate creates a full support of the chain or belt in this return-section.

RS PRO patented curves can be used for **880 M**, **240 XE** and **260 M** chain-belt.

Depending on the installation of the return-section plate, the correct space is created in the return.

Basically, two executions in one design!



- Lower Friction • Less Wear • Easy to maintain • Lower TCO • Less Energy • Easy to install

RS CRATES

SPECIFIC FOR HIGH LOAD APPLICATIONS.

RS CRATES is the perfect solution for all the applications but specific abrasive conditions, able to guarantee great functionality even under high working load.

Available in **BluLub®** and **C Abrasive**, on request.



Magnetic corner tracks

The dimensions in the tables are expressed in millimeters.
*Other curves widths are available on product page.

879-880-881 M

Series	Radius min.	Base width*	Pitch	Straight track	Page
K325/K330					Page
M6	500	100	85	100	124
M7	500	100	85	-	125
M10	500	110	85	100	126
M4	500	111	85	100	127
M1	500	100	89	125	128
RS PRO	500	111	-	-	123
M5A	680	100	-	100	129
M5C	860	100	-	125	129
M5D	1000	100	-	-	129
M8	750	100	85	100	130
M42	750	111	85	100	131
M9	750	110	90	100	132
M43	1000	111	85	100	133
K450					Page
M21A	500	129	120	125	134
M22A	610	129	120	125	135
M27	610	129	117	-	136
K750					Page
M61	610	214	196	125	137
M62	750	214	-	-	138
M66	860	214	-	-	138
M65	1000	214	-	-	138

882 M

Series	Radius min.	Base width*	Pitch	Straight track	Page
K750					Page
M81	610	200	195	100	139
M85	750	200	195	100	140
M86	860	214	195	-	141
M80	1000	200	195	100	142
K1000					Page
M93	860	270	-	-	143
M94	1000	270	-	-	143
K1200					Page
M97	860	320	-	-	144
M98	1000	320	-	-	144

882 M LBP

Series	Radius min.	Base width*	Pitch	Straight track	Page
K750					Page
MP861	860	214	-	-	145
K1000					Page
MP931	860	270	-	-	146
MP941	1000	270	-	-	146
MP91	860	290	-	-	147
K1200					Page
MP971	860	340	-	-	148
MP981	1000	340	-	-	148

8857 M

Series	Radius min.	Base width*	Pitch	Straight track	Page
K750					Page
M85	750	200	195	100	140
M86	860	214	195	-	141
M80	1000	200	195	100	142

240 XE-260 M

Series	Radius min.	Base width*	Pitch	Straight track	Page
K330					Page
MB7	500	100	85	-	149
MB6	500	100	85	100	150
RS PRO	500	111	-	-	123
MB4	500	111	85	100	151
MB8	750	100	85	100	152
MB5D	1000	100	85	-	153
K450					Page
MB22	500	129	117	100	154
MB27	610	129	117	100	155

261 M

Series	Radius min.	Base width*	Pitch	Straight track	Page
K330					Page
MC7	500	100	85	-	156
MC6	500	100	85	100	157
MC4	500	111	85	100	158
MC8	750	100	85	100	159
MC5D	1000	100	85	-	160
K450					Page
MC22	500	129	117	100	161
MC27	610	129	117	100	162

520 M

Series	Radius min.	Base width*	Pitch	Straight track	Page
K330					Page
MA7	500	100	85	-	163
MA6	500	100	85	100	164
MA4	500	111	85	100	165
MA8	750	100	85	100	166
MA42	750	111	85	100	167
MA43	1000	111	85	100	168
MA5D	1000	100	85	-	169

550 PRO M

Series	Radius min.	Base width*	Pitch	Straight track	Page
K330					Page
-	500	100	85	100	170

TAB corner tracks

The dimensions in the tables are expressed in millimeters.
*Other curves widths are available on product page.

878-879-880-881-8811 TAB

Radius min.	Base width*	Pitch	Straight track	
K325/K330				Page
500/610/800/1000	100	85	50	171
K450				Page
500/610/800/1000	130	120	50	171
K750				Page
500/610/800/1000	200	195	50	171

878 TAB-880 TAB BO

Radius min.	Base width*	Pitch	Straight track	
K325				Page
200	100	-	50	172
K450				Page
200	130	-	50	172

888 TAB

Radius min.	Base width*	Pitch	Straight track	
W80				Page
200/500	100	-	50	173
W140				Page
500	155	-	50	173
W200				Page
500	215	-	50	173

882 TAB

Radius min.	Base width*	Pitch	Straight track	
K450				Page
610/800/1000	130	120	50	174
K600				Page
610/800/1000	170	160	50	174
K750				Page
610/800/1000	200	195	50	174
K1000				Page
610/800/1000	270	260	50	174
K1200				Page
610/800/1000	320	310	50	174

240 XE-260-261 TAB

Radius min.	Base width*	Pitch	Straight track	
K330				Page
500/610/800/1000	100	85	50	171
K450				Page
500/610/800/1000	130	120	50	171

1873-1874 TAB

Radius min.	Base width*	Pitch	Straight track	
K325				Page
500/610/800/1000	100	85	50	175
K450				Page
500/610/800/1000	130	120	50	175
K600				Page
500/610/800/1000	170	160	50	175
K750				Page
500/610/800/1000	200	195	50	175
K1000				Page
500/610/800/1000	270	260	50	175
K1200				Page
500/610/800/1000	320	310	50	175

1843 TAB

Radius min.	Base width*	Pitch	Straight track	
K125				Page
300/500	50	-	50	176
K200				Page
300/500	70	-	50	176

1701-1706 TAB

Radius min.	Base width*	Pitch	Straight track	
K55				Page
250/500	100	-	50	177

Bevel corner tracks

The dimensions in the tables are expressed in millimeters.
*Other curves widths are available on product page.

880-881-8811 B

Radius min.	Base width*	Pitch	Straight track	
K325				Page
500/610/800/1000	100	85	50	182

600 Series corner tracks

The dimensions in the tables are expressed in millimeters.
*Other curves widths are available on product page.

Standard

Radius min.	Curve width	Straight track	Version	
			STD	TAB
			Page	Page
515	STD 295/TAB 285	100	178	179
685	STD 380/TAB 370	100	178	179
855	STD 465/TAB 455	100	178	179
1025	STD 550/TAB 540	100	178	179
1195	STD 635/TAB 625	100	178	179
1365	STD 720/TAB 710	100	178	179
1535	STD 805/TAB 795	100	178	179
1705	STD 890/TAB 880	100	178	179

Small radius

Radius min.	Curve width	Straight track	Version	
			STD	TAB
			Page	Page
405	STD 380/TAB 370	100	178	179
505	STD 465/TAB 455	100	178	179
605	STD 550/TAB 540	100	178	179
725	STD 635/TAB 625	100	178	179
885	STD 720/TAB 710	100	178	179
1045	STD 805/TAB 795	100	178	179
1205	STD 890/TAB 880	100	178	179

Heavy duty

Radius min.	Curve width	Straight track	Version	
			STD	Bearings
			Page	Page
515	285	100	180	181
685	370	100	180	181
855	455	100	180	181
1025	540	100	180	181
1195	625	100	180	181
1365	710	100	180	181
1535	795	100	180	181
1705	880	100	180	181

Heavy duty/Small radius

Radius min.	Curve width	Straight track	Version	
			STD	Bearings
			Page	Page
395	285	100	180	181
425	370	100	180	181
505	455	100	180	181
605	540	100	180	181
725	625	100	180	181
885	710	100	180	181
1045	795	100	180	181
1205	880	100	180	181

TAB straight tracks

The dimensions in the tables are expressed in millimeters.

240 XE-878-879 880-881-888 260-261 TAB

Width	
K325/W80	Page
100	183
K450	Page
130	183
W140	Page
155	183
K750	Page
200	183
W200	Page
215	183

882 TAB

Width	
K450	Page
130	183
K600	Page
170	183
K750	Page
200	183
K1000	Page
270	183
K1200	Page
320	183

1873-1874 TAB

Width	
K325	Page
100	184
K450	Page
130	184
K600	Page
170	184
K750	Page
200	184
K1000	Page
270	184
K1200	Page
320	184

1843 TAB

Width	
K125	Page
50	184
K200	Page
70	184

1701-1706 TAB

Width	
K55	Page
100	185

ETC Easy transfer curves

The dimensions in the tables are expressed in millimeters.
*Width can vary depending on the versions and number of the tracks.

879-880-881 M

Tracks	Pitch
K325/K330	Page
2 and 4	85 186
K450	Page
2 and 4	120 187

240 XE-260 M

Tracks	Pitch
K330	Page
2 and 4	85 188
260 M K450	Page
2 and 4	120 189

261 M

Tracks	Pitch
K330	Page
2 and 4	85 190
K450	Page
2 and 4	120 191

878-879-880-881 881-260-261 TAB

Tracks	Pitch
K325/K330	Page
2 and 4	85 192
K450	Page
2 and 4	120 193

Article-Nr. structure guide

Magnetic, TAB and Bevel corner tracks

LEGENDA

Article-Nr. structure guide (Example)

8	12	1	1	6	1	4	RS
Design	Product code	Type	Radius	Angle segment	Number of tracks	Infeed length	Material/Version (when available, see product page)
7 Standard working	from 01 to 99 (depending on product)	1 Magnetic	1 500 mm	1 15°	1 1 Track	1 25 mm	/ Standard made in Grey UHMW-PE
		2 TAB	2 590 mm	2 30°	2 2 Tracks	2 50 mm	B Upper part in BluLub®
		3 Bevel	3 610 mm	3 45°	3 3 Tracks	3 75 mm	C Upper part in C Abrasive
8 Design with magnets on top of the curve			4 650 mm	4 60°	4 4 Tracks	4 100 mm	BB Upper and return part in BluLub®
			5 680 mm	5 75°	5 5 Tracks	5 125 mm	CC Upper and return part in C Abrasive
			6 750 mm	6 90°	6 6 Tracks	6 150 mm	RS RS with guide in BluLub®
			7 800 mm		7 7 Tracks	7 175 mm	RSH* RS_H with guide in Grey UHMW-PE
			8 860 mm		8 8 Tracks	8 200 mm	RSC* RS_C with guide in C Abrasive
			9 1000 mm		9 9 Tracks	-	RSPRO RS PRO

* Available exclusively for Design 8

600 Series corner tracks

LEGENDA

Article-Nr. structure guide (Example)

760	4	1	6	1	4	B
Product code	Type	Belt radius R _B	Angle segment	Belt width W _B	Infeed length	Material/Version
7604	Standard	1 510	1 15°	1 255		/ Standard made in Grey UHMW-PE
7614	Standard with TAB	2 680	2 30°	2 340		B Upper part in BluLub®
7624	Heavy duty	3 850	3 45°	3 425		
7634	Heavy duty with Bearings	4 1020	4 60°	4 510	4 100	
		5 1190	5 75°	5 595		
		6 1360	6 90°	6 680		
		7 1530		7 765		
		8 1700		8 850		
7605	Small radius	1 400	1 15°	1 340		/ Standard made in Grey UHMW-PE
7615	Small radius with TAB	2 500	2 30°	2 425		B Upper part in BluLub®
7625	Heavy duty/Small radius	3 600	3 45°	3 510		
7635	HD/Small radius with Bearings	4 720	4 60°	4 595	4 100	
		5 880	5 75°	5 680		
		6 1040	6 90°	6 765		
		7 1200		7 850		

TAB and Bevel Straight tracks

LEGENDA

Article-Nr. structure guide (Example)

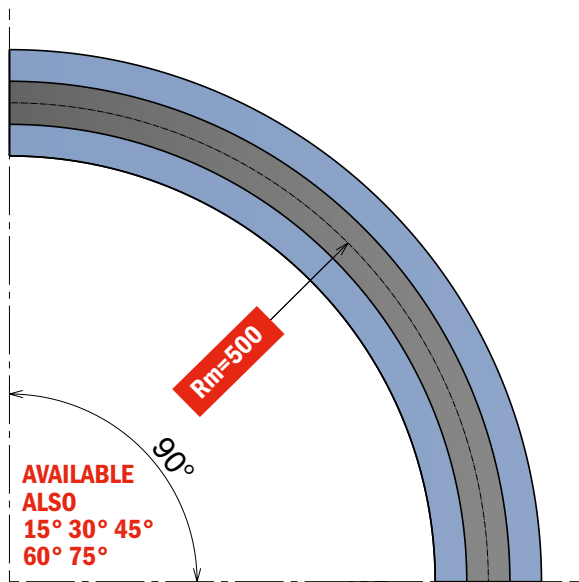
7	00	2	0	0	1	0	B
Design	Product code	Type	Chain width	Pitch	Number of tracks	Length	Material/Version
7 Standard working	from 01 to 99 (depending on product)		0 K55	0 1 track		0 2000 mm	/ Standard made in Grey UHMW-PE
		2 TAB	2 K200		1 1 Track		B Upper part in BluLub®
		3 Bevel	3 K325		2 2 Tracks		C Upper part in C Abrasive
			4 K450		3 3 Tracks		
			5 K600		4 4 Tracks		
			6 K750		5 5 Tracks		
			7 K1000		6 6 Tracks		
			8 K1200		7 7 Tracks		
					8 8 Tracks		
			9 9 Tracks				

RS PRO

Delivery: **Easy** **Standard** **PATENTED**

Chain Reference	879 M - K325	880 M - K325	880 M - K330	881 M - K325	881 M - K330	240 XE - K330	260 M - K330
-----------------	--------------	--------------	--------------	--------------	--------------	---------------	--------------

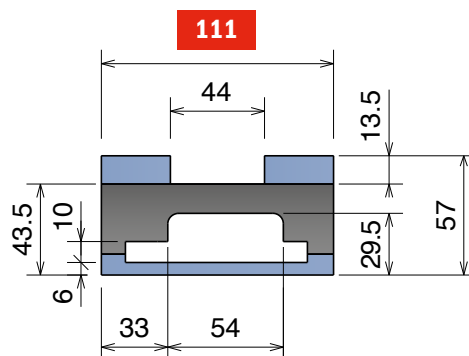
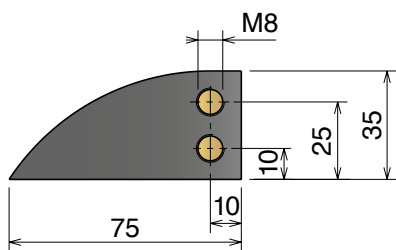
Curve Basic Width = 111 mm



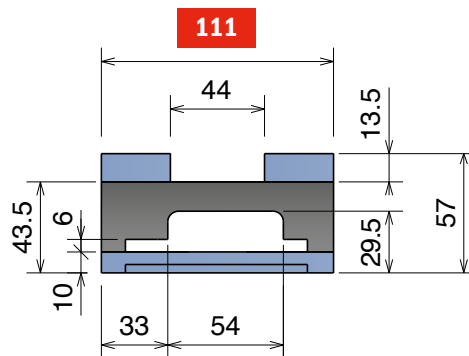
IN & OUT
 AVAILABLE ALSO
 125 mm - 100 mm - 50 mm



Available in
BluLub



SINGLE TRACK for 260 M



SINGLE TRACK for 880 M

MAGNETIC SYSTEM

Part	Article-Nr.	Tracks	W	Material
712	71211610RSPRO	1	111	

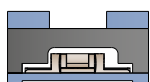


RS PRO
 CURVE

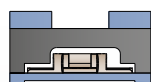
On request available
 with different radius.

RS PRO

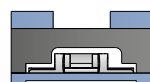
ONE curve, FIVE chains!



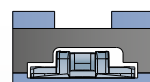
879 M



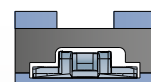
880 M



881 M



240 XE



260 M

879-880-881 M6 Series

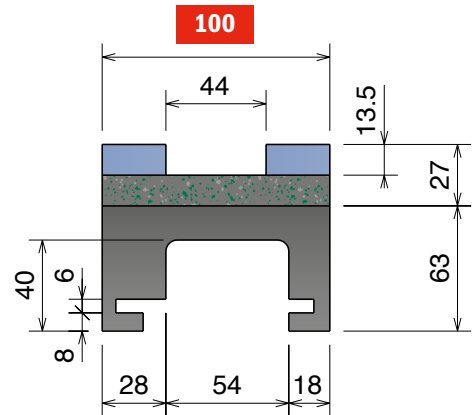
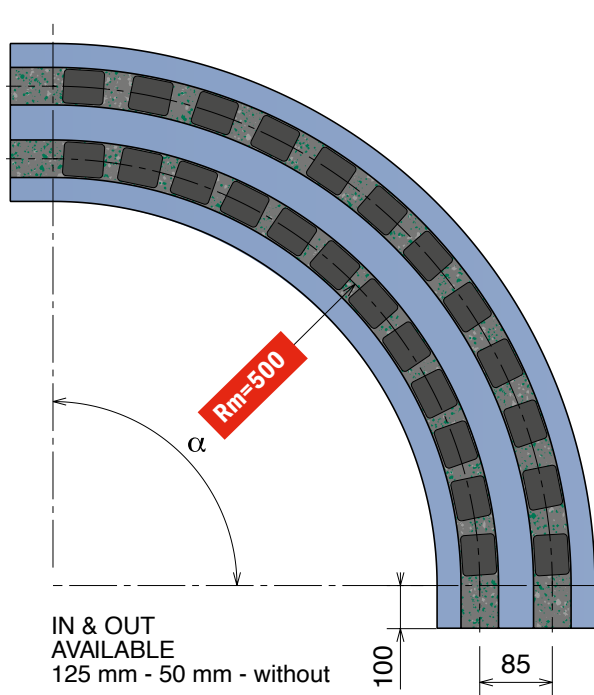
Curve magnetic, Tab & Bevel / Magnetic, Tab & Bevel corner tracks / Kurvenführungen Magnet, Tab & Bevel Version

Materiale / Material / Materialien:
UHMW-PE riciclato / Recycling UHMW-PE
Rezykliertes UHMW-PE
BluLub Guide / Guides / Gleitprofile

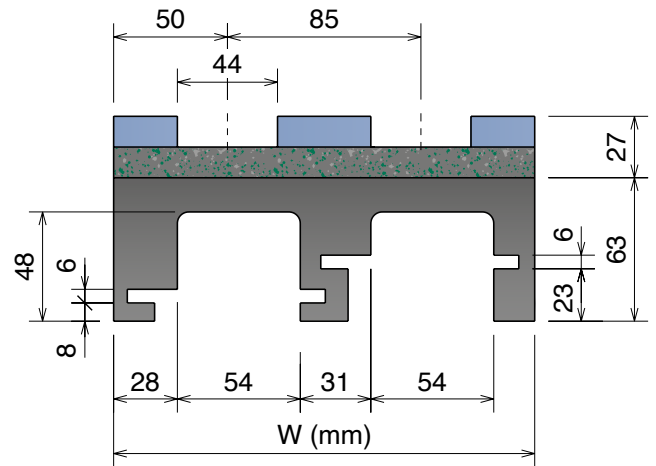
879-880-881 M6 Series

Chain Reference	879 M - K325	880 M - K325	880 M - K330	881 M - K325	881 M - K330	Delivery:	Easy	Standard
-----------------	--------------	--------------	--------------	--------------	--------------	-----------	------	----------

Curve Basic Width = 100 mm; Pitch = 85 mm



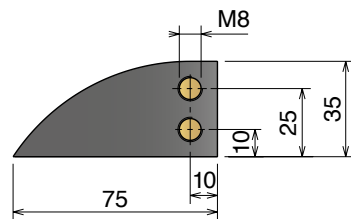
SINGLE TRACK



MULTI TRACK



Available in
BluLub®



RS complete curve

MAGNETIC SYSTEM

Solid curve in different materials available on request.

α 15°	α 30°	α 45°	α 60°	α 75°	α 90°	Tracks	W	Material
8011114RS	80111214RS	80111314RS	80111414RS	80111514RS	80111614RS	1	100	<p>Standard codes are for RS for RS^H add "H" for RS^C add "C"</p>
80111124RS	80111224RS	80111324RS	80111424RS	80111524RS	80111624RS	2	185	
80111134RS	80111234RS	80111334RS	80111434RS	80111534RS	80111634RS	3	270	
80111144RS	80111244RS	80111344RS	80111444RS	80111544RS	80111644RS	4	355	
80111154RS	80111254RS	80111354RS	80111454RS	80111554RS	80111654RS	5	440	
80111164RS	80111264RS	80111364RS	80111464RS	80111564RS	80111664RS	6	525	
80111174RS	80111274RS	80111374RS	80111474RS	80111574RS	80111674RS	7	610	
80111184RS	80111284RS	80111384RS	80111484RS	80111584RS	80111684RS	8	695	

Guides replacement kit

α 15°	α 30°	α 45°	α 60°	α 75°	α 90°	Tracks	W	Material
8011114RS-KIT	80111214RS-KIT	80111314RS-KIT	80111414RS-KIT	80111514RS-KIT	80111614RS-KIT	1	100	<p>Standard codes are for RS Kit for RS^H Kit replace "RS" with "RS^H" for RS^C Kit replace "RS" with "RS^C"</p>
80111124RS-KIT	80111224RS-KIT	80111324RS-KIT	80111424RS-KIT	80111524RS-KIT	80111624RS-KIT	2	185	
80111134RS-KIT	80111234RS-KIT	80111334RS-KIT	80111434RS-KIT	80111534RS-KIT	80111634RS-KIT	3	270	
80111144RS-KIT	80111244RS-KIT	80111344RS-KIT	80111444RS-KIT	80111544RS-KIT	80111644RS-KIT	4	355	
80111154RS-KIT	80111254RS-KIT	80111354RS-KIT	80111454RS-KIT	80111554RS-KIT	80111654RS-KIT	5	440	
80111164RS-KIT	80111264RS-KIT	80111364RS-KIT	80111464RS-KIT	80111564RS-KIT	80111664RS-KIT	6	525	
80111174RS-KIT	80111274RS-KIT	80111374RS-KIT	80111474RS-KIT	80111574RS-KIT	80111674RS-KIT	7	610	
80111184RS-KIT	80111284RS-KIT	80111384RS-KIT	80111484RS-KIT	80111584RS-KIT	80111684RS-KIT	8	695	

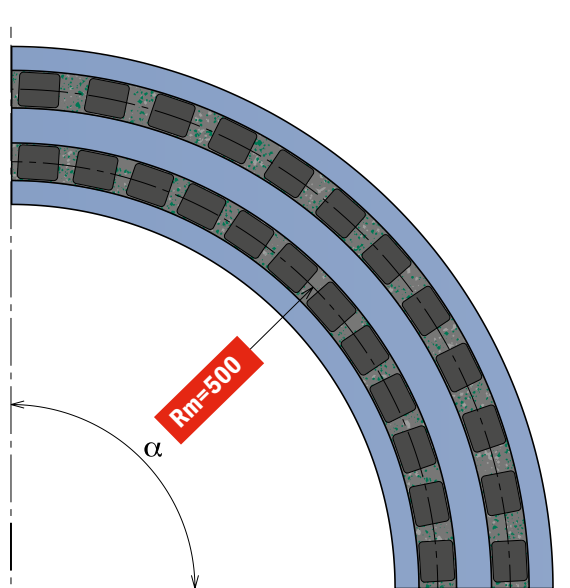
Images may differ from the actual product and are for illustrative purposes only.

Curve magnetic, Tab & Bevel / Magnetic, Tab & Bevel corner tracks / Kurvenführungen Magnet, Tab & Bevel Version

879-880-881 M7 Series

Chain Reference 879 M - K325 880 M - K325 880 M - K330 881 M - K325 881 M - K330

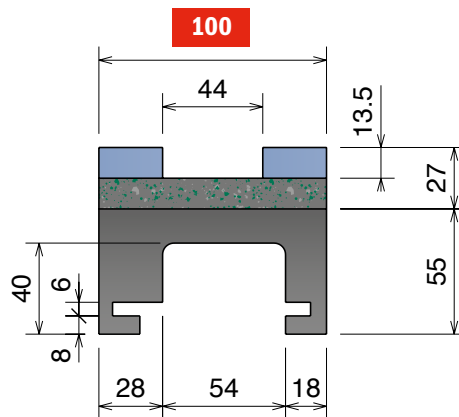
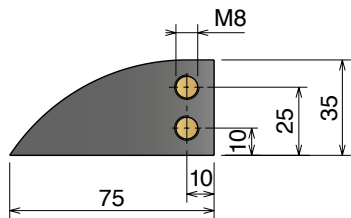
Curve Basic Width = 100 mm; Pitch = 85 mm



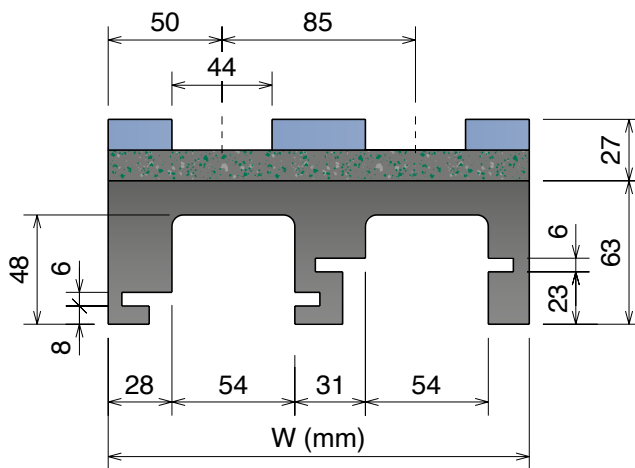
IN & OUT
 AVAILABLE ALSO
 125 mm - 100 mm - 50 mm



Available in
 BluLub®



SINGLE TRACK




MULTI TRACK

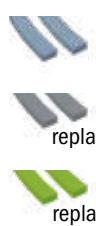
RS complete curve

MAGNETIC SYSTEM

Solid curve in different materials available on request.

α 15°	α 30°	α 45°	α 60°	α 75°	α 90°	Tracks	W	Material
80111110RS	80111210RS	80111310RS	80111410RS	80111510RS	80111610RS	1	100	 <p>Standard codes are for RS</p> <p>for RS^H add "H"</p> <p>for RS^C add "C"</p>
80111120RS	80111220RS	80111320RS	80111420RS	80111520RS	80111620RS	2	185	
80111130RS	80111230RS	80111330RS	80111430RS	80111530RS	80111630RS	3	270	
80111140RS	80111240RS	80111340RS	80111440RS	80111540RS	80111640RS	4	355	
80111150RS	80111250RS	80111350RS	80111450RS	80111550RS	80111650RS	5	440	
80111160RS	80111260RS	80111360RS	80111460RS	80111560RS	80111660RS	6	525	
80111170RS	80111270RS	80111370RS	80111470RS	80111570RS	80111670RS	7	610	
80111180RS	80111280RS	80111380RS	80111480RS	80111580RS	80111680RS	8	695	

Guides replacement kit

α 15°	α 30°	α 45°	α 60°	α 75°	α 90°	Tracks	W	Material
80111110RS-KIT	80111210RS-KIT	80111310RS-KIT	80111410RS-KIT	80111510RS-KIT	80111610RS-KIT	1	100	 <p>Standard codes are for RS Kit</p> <p>for RS^H Kit replace "RS" with "RSH"</p> <p>for RS^C Kit replace "RS" with "RSC"</p>
80111120RS-KIT	80111220RS-KIT	80111320RS-KIT	80111420RS-KIT	80111520RS-KIT	80111620RS-KIT	2	185	
80111130RS-KIT	80111230RS-KIT	80111330RS-KIT	80111430RS-KIT	80111530RS-KIT	80111630RS-KIT	3	270	
80111140RS-KIT	80111240RS-KIT	80111340RS-KIT	80111440RS-KIT	80111540RS-KIT	80111640RS-KIT	4	355	
80111150RS-KIT	80111250RS-KIT	80111350RS-KIT	80111450RS-KIT	80111550RS-KIT	80111650RS-KIT	5	440	
80111160RS-KIT	80111260RS-KIT	80111360RS-KIT	80111460RS-KIT	80111560RS-KIT	80111660RS-KIT	6	525	
80111170RS-KIT	80111270RS-KIT	80111370RS-KIT	80111470RS-KIT	80111570RS-KIT	80111670RS-KIT	7	610	
80111180RS-KIT	80111280RS-KIT	80111380RS-KIT	80111480RS-KIT	80111580RS-KIT	80111680RS-KIT	8	695	

879-880-881 M10 Series

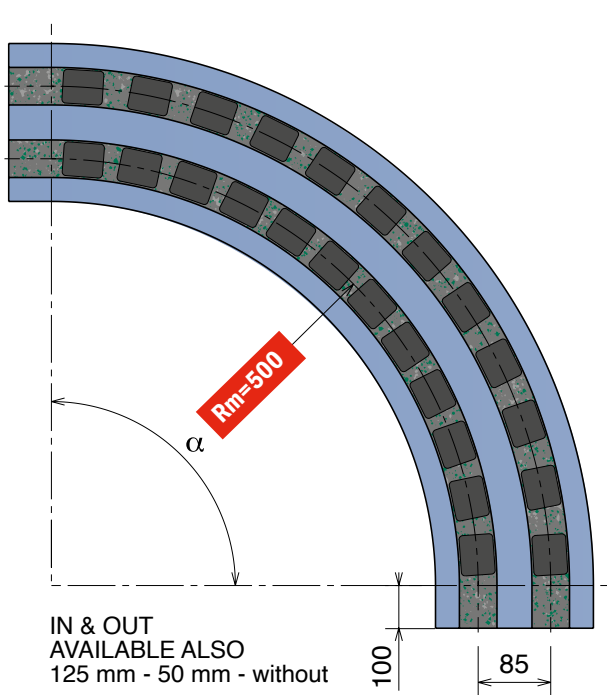
Curve magnetic, Tab & Bevel / Magnetic, Tab & Bevel corner tracks / Kurvenführungen Magnet, Tab & Bevel Version

Materiale / Material / Materialien:
UHMW-PE riciclato / Recycling UHMW-PE
Rezykliertes UHMW-PE
BluLub Guide / Guides / Gleitprofile

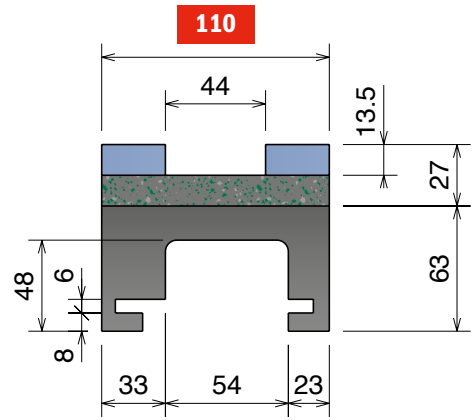
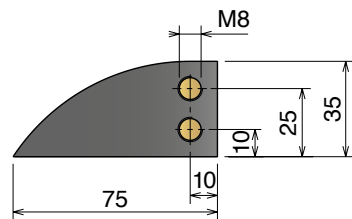
879-880-881 M10 Series

Chain Reference	879 M - K325	880 M - K325	880 M - K330	881 M - K325	881 M - K330
-----------------	--------------	--------------	--------------	--------------	--------------

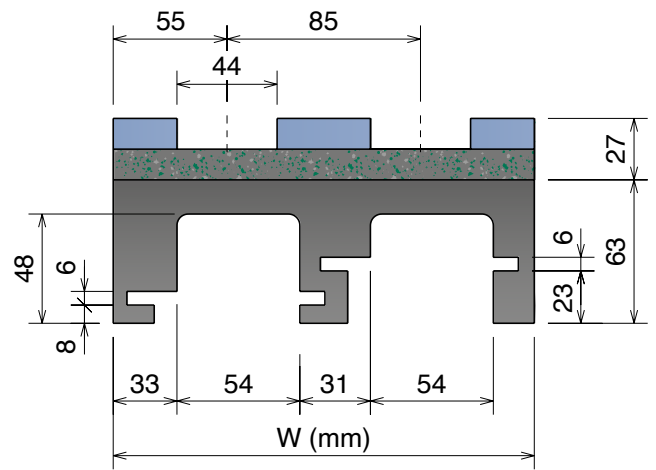
Curve Basic Width = 110 mm; Pitch = 85 mm



Available in
BluLub®



SINGLE TRACK



MULTI TRACK

RS complete curve

MAGNETIC SYSTEM

Solid curve in different materials available on request.

α 15°	α 30°	α 45°	α 60°	α 75°	α 90°	Tracks	W	Material
81111114RS	81111214RS	81111314RS	81111414RS	81111514RS	81111614RS	1	110	<p>Standard codes are for RS</p> <p>for RS^H add "H"</p> <p>for RS^C add "C"</p>
81111124RS	81111224RS	81111324RS	81111424RS	81111524RS	81111624RS	2	195	
81111134RS	81111234RS	81111334RS	81111434RS	81111534RS	81111634RS	3	280	
81111144RS	81111244RS	81111344RS	81111444RS	81111544RS	81111644RS	4	365	
81111154RS	81111254RS	81111354RS	81111454RS	81111554RS	81111654RS	5	450	
81111164RS	81111264RS	81111364RS	81111464RS	81111564RS	81111664RS	6	535	
81111174RS	81111274RS	81111374RS	81111474RS	81111574RS	81111674RS	7	620	
81111184RS	81111284RS	81111384RS	81111484RS	81111584RS	81111684RS	8	705	

Guides replacement kit

α 15°	α 30°	α 45°	α 60°	α 75°	α 90°	Tracks	W	Material
81111114RS-KIT	81111214RS-KIT	81111314RS-KIT	81111414RS-KIT	81111514RS-KIT	81111614RS-KIT	1	110	<p>Standard codes are for RS Kit</p> <p>for RS^H Kit replace "RS" with "RS^H"</p> <p>for RS^C Kit replace "RS" with "RS^C"</p>
81111124RS-KIT	81111224RS-KIT	81111324RS-KIT	81111424RS-KIT	81111524RS-KIT	81111624RS-KIT	2	195	
81111134RS-KIT	81111234RS-KIT	81111334RS-KIT	81111434RS-KIT	81111534RS-KIT	81111634RS-KIT	3	280	
81111144RS-KIT	81111244RS-KIT	81111344RS-KIT	81111444RS-KIT	81111544RS-KIT	81111644RS-KIT	4	365	
81111154RS-KIT	81111254RS-KIT	81111354RS-KIT	81111454RS-KIT	81111554RS-KIT	81111654RS-KIT	5	450	
81111164RS-KIT	81111264RS-KIT	81111364RS-KIT	81111464RS-KIT	81111564RS-KIT	81111664RS-KIT	6	535	
81111174RS-KIT	81111274RS-KIT	81111374RS-KIT	81111474RS-KIT	81111574RS-KIT	81111674RS-KIT	7	620	
81111184RS-KIT	81111284RS-KIT	81111384RS-KIT	81111484RS-KIT	81111584RS-KIT	81111684RS-KIT	8	705	

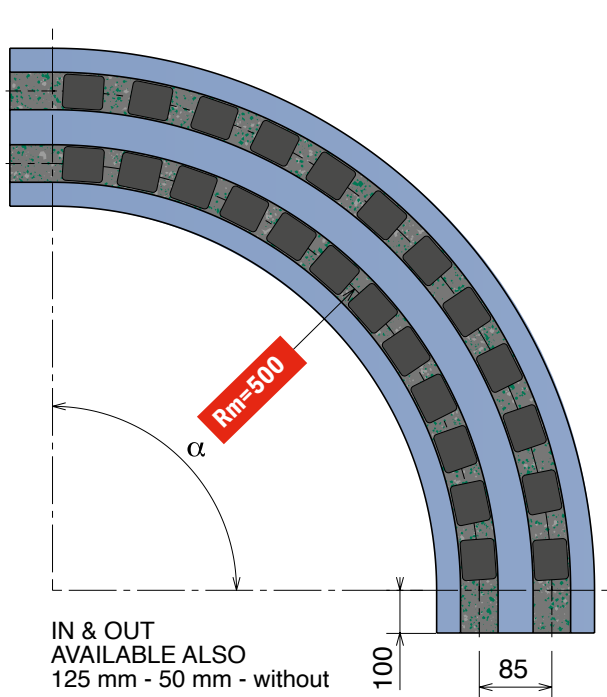
Images may differ from the actual product and are for illustrative purposes only.

Curve magnetic, Tab & Bevel / Magnetic, Tab & Bevel corner tracks / Kurvenführungen Magnet, Tab & Bevel Version

879-880-881 M4 Series

Chain Reference 879 M - K325 880 M - K325 880 M - K330 881 M - K325 881 M - K330

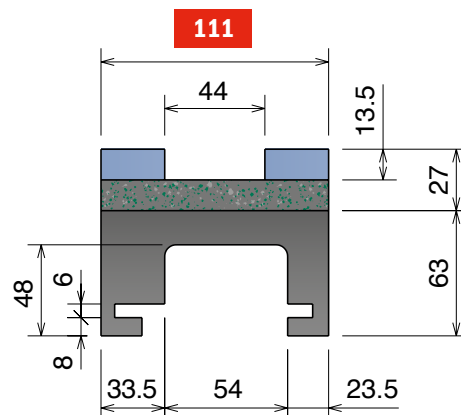
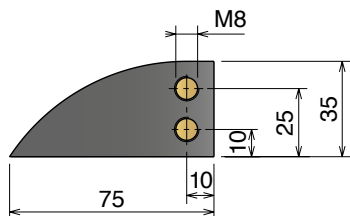
Curve Basic Width = 111 mm; Pitch = 85 mm



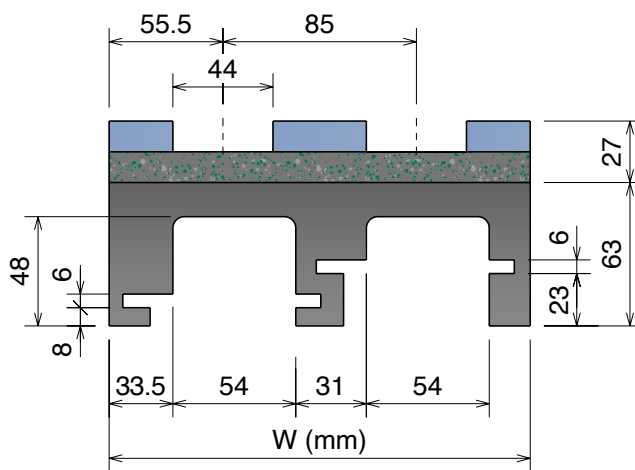
IN & OUT
 AVAILABLE ALSO
 125 mm - 50 mm - without



Available in
BluLub®



SINGLE TRACK



MULTI TRACK

RS complete curve

MAGNETIC SYSTEM

Solid curve in different materials available on request.

α 15°	α 30°	α 45°	α 60°	α 75°	α 90°	Tracks	W	Material
81211114RS	81211214RS	81211314RS	81211414RS	81211514RS	81211614RS	1	111	<p>Standard codes are for RS</p> <p>for RS^H add "H"</p> <p>for RS^C add "C"</p>
81211124RS	81211224RS	81211324RS	81211424RS	81211524RS	81211624RS	2	196	
81211134RS	81211234RS	81211334RS	81211434RS	81211534RS	81211634RS	3	281	
81211144RS	81211244RS	81211344RS	81211444RS	81211544RS	81211644RS	4	366	
81211154RS	81211254RS	81211354RS	81211454RS	81211554RS	81211654RS	5	451	
81211164RS	81211264RS	81211364RS	81211464RS	81211564RS	81211664RS	6	536	
81211174RS	81211274RS	81211374RS	81211474RS	81211574RS	81211674RS	7	621	
81211184RS	81211284RS	81211384RS	81211484RS	81211584RS	81211684RS	8	706	

Guides replacement kit

α 15°	α 30°	α 45°	α 60°	α 75°	α 90°	Tracks	W	Material
81211114RS-KIT	81211214RS-KIT	81211314RS-KIT	81211414RS-KIT	81211514RS-KIT	81211614RS-KIT	1	111	<p>Standard codes are for RS Kit</p> <p>for RS^H Kit replace "RS" with "RS^H"</p> <p>for RS^C Kit replace "RS" with "RS^C"</p>
81211124RS-KIT	81211224RS-KIT	81211324RS-KIT	81211424RS-KIT	81211524RS-KIT	81211624RS-KIT	2	196	
81211134RS-KIT	81211234RS-KIT	81211334RS-KIT	81211434RS-KIT	81211534RS-KIT	81211634RS-KIT	3	281	
81211144RS-KIT	81211244RS-KIT	81211344RS-KIT	81211444RS-KIT	81211544RS-KIT	81211644RS-KIT	4	366	
81211154RS-KIT	81211254RS-KIT	81211354RS-KIT	81211454RS-KIT	81211554RS-KIT	81211654RS-KIT	5	451	
81211164RS-KIT	81211264RS-KIT	81211364RS-KIT	81211464RS-KIT	81211564RS-KIT	81211664RS-KIT	6	536	
81211174RS-KIT	81211274RS-KIT	81211374RS-KIT	81211474RS-KIT	81211574RS-KIT	81211674RS-KIT	7	621	
81211184RS-KIT	81211284RS-KIT	81211384RS-KIT	81211484RS-KIT	81211584RS-KIT	81211684RS-KIT	8	706	

879-880-881 M1 Series

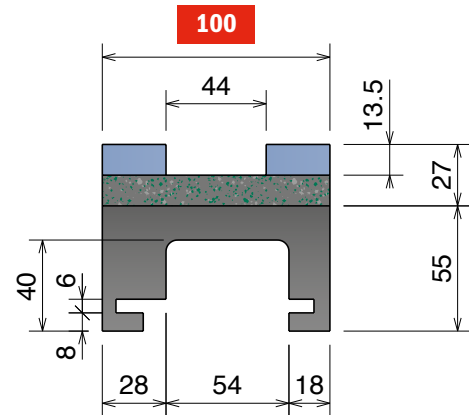
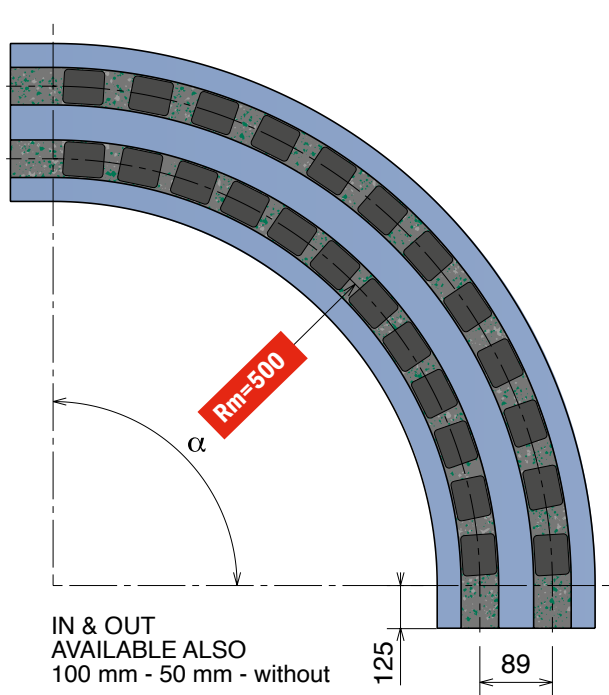
Curve magnetiche, Tab & Bevel / Magnetic, Tab & Bevel corner tracks / Kurvenführungen Magnet, Tab & Bevel Version

Materiale / Material / Materialien:
UHMW-PE riciclato / Recycling UHMW-PE
Rezykliertes UHMW-PE
BluLub Guide / Guides / Gleitprofile

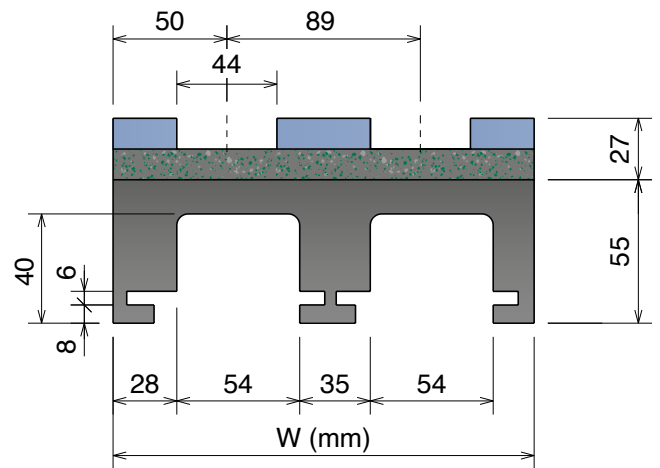
879-880-881 M1 Series

Chain Reference	879 M - K325	880 M - K325	880 M - K330	881 M - K325	881 M - K330
-----------------	--------------	--------------	--------------	--------------	--------------

Curve Basic Width = 100 mm; Pitch = 89 mm



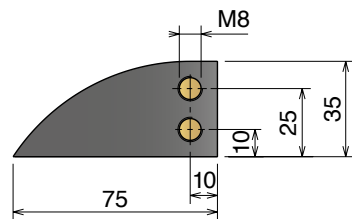
SINGLE TRACK



MULTI TRACK



Available in **BluLub®**



RS complete curve

MAGNETIC SYSTEM

Solid curve in different materials available on request.

α 15°	α 30°	α 45°	α 60°	α 75°	α 90°	Tracks	W	Material
83011115RS	83011215RS	83011315RS	83011415RS	83011515RS	83011615RS	1	100	<p>Standard codes are for RS</p> <p>for RS^H add "H"</p> <p>for RS^C add "C"</p>
83011125RS	83011225RS	83011325RS	83011425RS	83011525RS	83011625RS	2	189	
83011135RS	83011235RS	83011335RS	83011435RS	83011535RS	83011635RS	3	278	
83011145RS	83011245RS	83011345RS	83011445RS	83011545RS	83011645RS	4	367	
83011155RS	83011255RS	83011355RS	83011455RS	83011555RS	83011655RS	5	456	
83011165RS	83011265RS	83011365RS	83011465RS	83011565RS	83011665RS	6	545	
83011175RS	83011275RS	83011375RS	83011475RS	83011575RS	83011675RS	7	634	
83011185RS	83011285RS	83011385RS	83011485RS	83011585RS	83011685RS	8	723	

Guides replacement kit

α 15°	α 30°	α 45°	α 60°	α 75°	α 90°	Tracks	W	Material
83011115RS-KIT	83011215RS-KIT	83011315RS-KIT	83011415RS-KIT	83011515RS-KIT	83011615RS-KIT	1	100	<p>Standard codes are for RS Kit</p> <p>for RS^H Kit replace "RS" with "RSH"</p> <p>for RS^C Kit replace "RS" with "RSC"</p>
83011125RS-KIT	83011225RS-KIT	83011325RS-KIT	83011425RS-KIT	83011525RS-KIT	83011625RS-KIT	2	189	
83011135RS-KIT	83011235RS-KIT	83011335RS-KIT	83011435RS-KIT	83011535RS-KIT	83011635RS-KIT	3	278	
83011145RS-KIT	83011245RS-KIT	83011345RS-KIT	83011445RS-KIT	83011545RS-KIT	83011645RS-KIT	4	367	
83011155RS-KIT	83011255RS-KIT	83011355RS-KIT	83011455RS-KIT	83011555RS-KIT	83011655RS-KIT	5	456	
83011165RS-KIT	83011265RS-KIT	83011365RS-KIT	83011465RS-KIT	83011565RS-KIT	83011665RS-KIT	6	545	
83011175RS-KIT	83011275RS-KIT	83011375RS-KIT	83011475RS-KIT	83011575RS-KIT	83011675RS-KIT	7	634	
83011185RS-KIT	83011285RS-KIT	83011385RS-KIT	83011485RS-KIT	83011585RS-KIT	83011685RS-KIT	8	723	

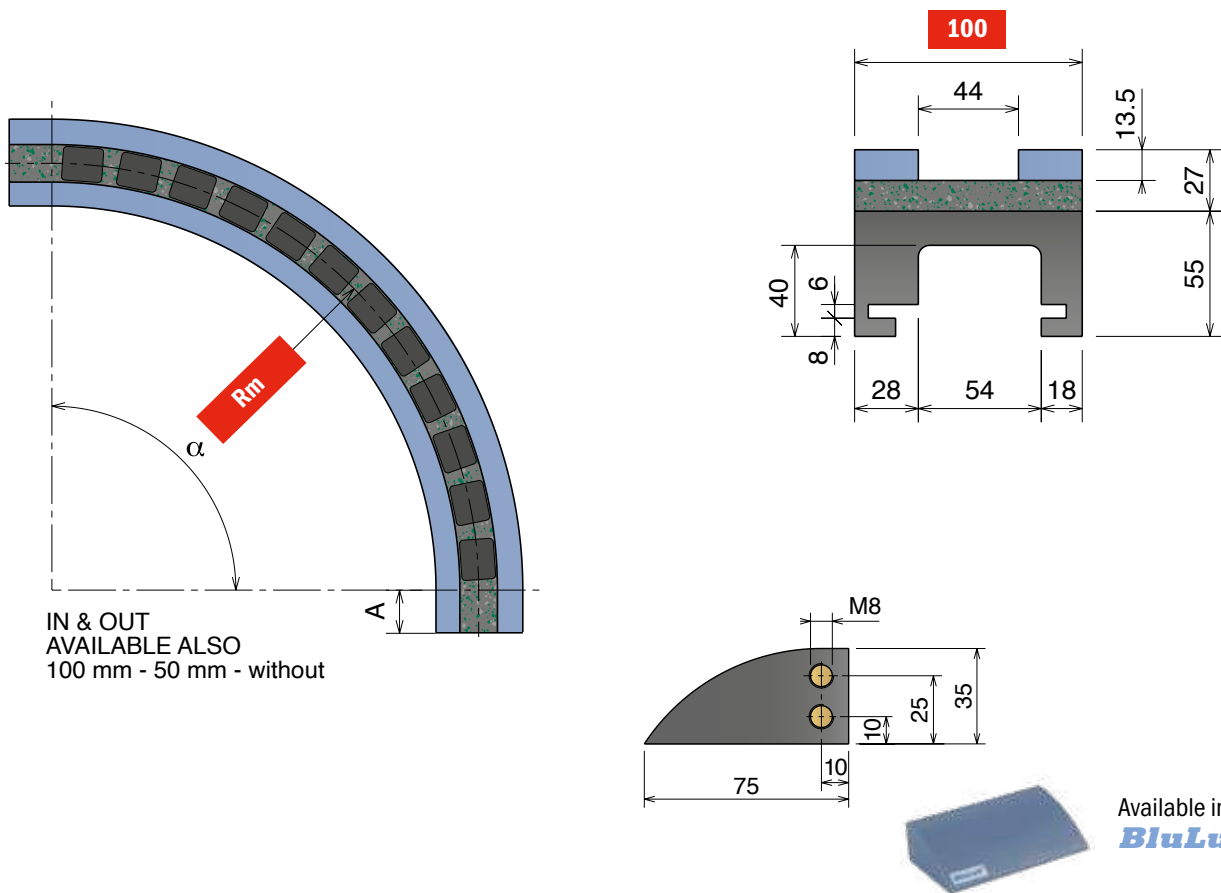
Images may differ from the actual product and are for illustrative purposes only.

Curve magnetiche, Tab & Bevel / Magnetic, Tab & Bevel corner tracks / Kurvenführungen Magnet, Tab & Bevel Version

879-880-881 M5 A/C/D Series

Chain Reference	879 M - K325	880 M - K325	880 M - K330	881 M - K325	881 M - K330
-----------------	--------------	--------------	--------------	--------------	--------------

Curve Basic Width = 100 mm



IN & OUT
 AVAILABLE ALSO
 100 mm - 50 mm - without

Available in
BluLub®

RS complete curve

M5A Series - Rm 680

α 15°	α 30°	α 45°	α 60°	α 75°	α 90°	Tracks	W	A	Rm	Material
80315114RS	80315214RS	80315314RS	80315414RS	80315514RS	80315614RS	1	100	100	680	<p>Standard codes are for RS for RS^H add "H" for RS^C add "C"</p>

M5C Series - Rm 860

α 15°	α 30°	α 45°	α 60°	α 75°	α 90°	Tracks	W	A	Rm
80318115RS	80318215RS	80318315RS	80318415RS	80318515RS	80318615RS	1	100	125	860

M5D Series - Rm 1000

α 15°	α 30°	α 45°	α 60°	α 75°	α 90°	Tracks	W	A	Rm
80319110RS	80319210RS	80319310RS	80319410RS	80319510RS	80319610RS	1	100	0	1000

Guides replacement kit

M5A Series - Rm 680

α 15°	α 30°	α 45°	α 60°	α 75°	α 90°	Tracks	W	A	Rm	Material
80315114RS-KIT	80315214RS-KIT	80315314RS-KIT	80315414RS-KIT	80315514RS-KIT	80315614RS-KIT	1	100	100	680	<p>Standard codes are for RS Kit for RS^H Kit replace "RS" with "RS^H" for RS^C Kit replace "RS" with "RS^C"</p>

M5C Series - Rm 860

α 15°	α 30°	α 45°	α 60°	α 75°	α 90°	Tracks	W	A	Rm
80318115RS-KIT	80318215RS-KIT	80318315RS-KIT	80318415RS-KIT	80318515RS-KIT	80318615RS-KIT	1	100	125	860

M5D Series - Rm 1000

α 15°	α 30°	α 45°	α 60°	α 75°	α 90°	Tracks	W	A	Rm
80319110RS-KIT	80319210RS-KIT	80319310RS-KIT	80319410RS-KIT	80319510RS-KIT	80319610RS-KIT	1	100	0	1000

879-880-881 M8 Series

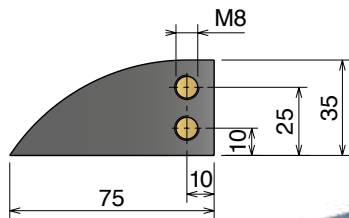
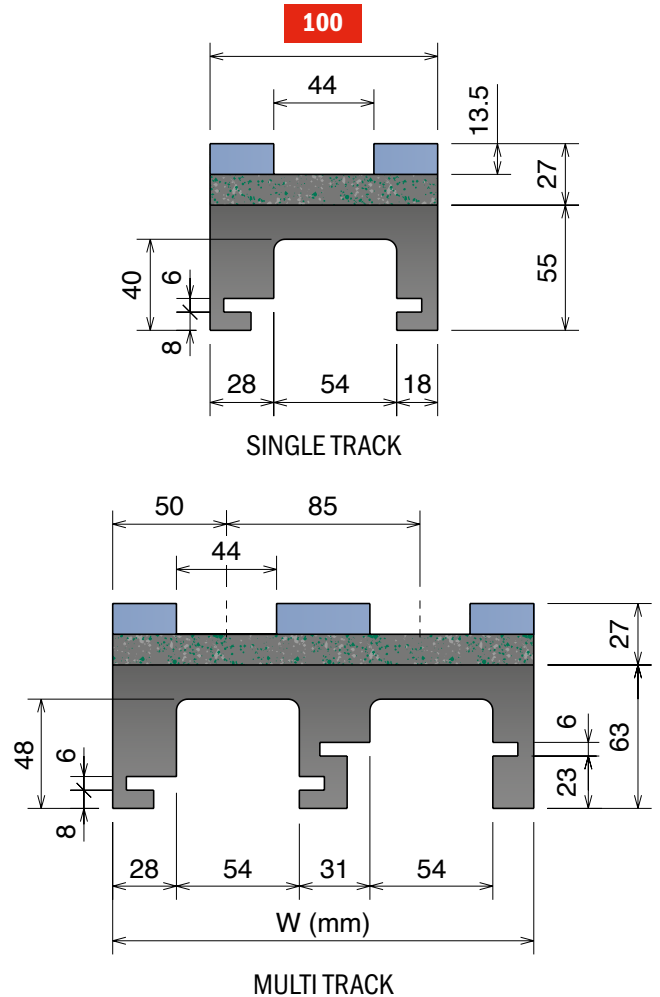
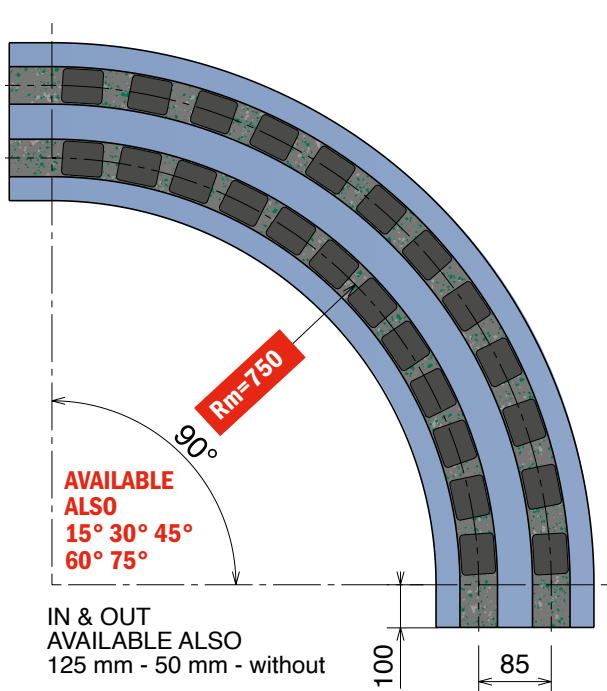
Curve magnetic, Tab & Bevel / Magnetic, Tab & Bevel corner tracks / Kurvenführungen Magnet, Tab & Bevel Version

Materiale / Material / Materialien:
UHMW-PE riciclato / Recycling UHMW-PE
Rezykliertes UHMW-PE
BluLub Guide / Guides / Gleitprofile

879-880-881 M8 Series

Chain Reference	879 M - K325	880 M - K325	880 M - K330	881 M - K325	881 M - K330
-----------------	--------------	--------------	--------------	--------------	--------------

Curve Basic Width = 100 mm; Pitch = 85 mm



RS complete curve

α 90°	Tracks	W	Material
80216614RS	1	100	Standard codes are for RS
80216624RS	2	185	
80216634RS	3	270	
80216644RS	4	355	for RS^H
80216654RS	5	440	add "H"
80216664RS	6	525	for RS^C
80216674RS	7	610	add "C"
80216684RS	8	695	

Guides replacement kit

α 90°	Tracks	W	Material
80216614RS-KIT	1	100	Standard codes are for RS Kit
80216624RS-KIT	2	185	
80216634RS-KIT	3	270	
80216644RS-KIT	4	355	for RS^H Kit
80216654RS-KIT	5	440	replace "RS" with "RSH"
80216664RS-KIT	6	525	for RS^C Kit
80216674RS-KIT	7	610	replace "RS" with "RSC"
80216684RS-KIT	8	695	

MAGNETIC SYSTEM

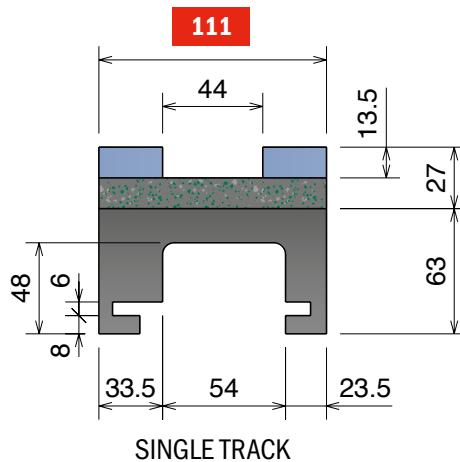
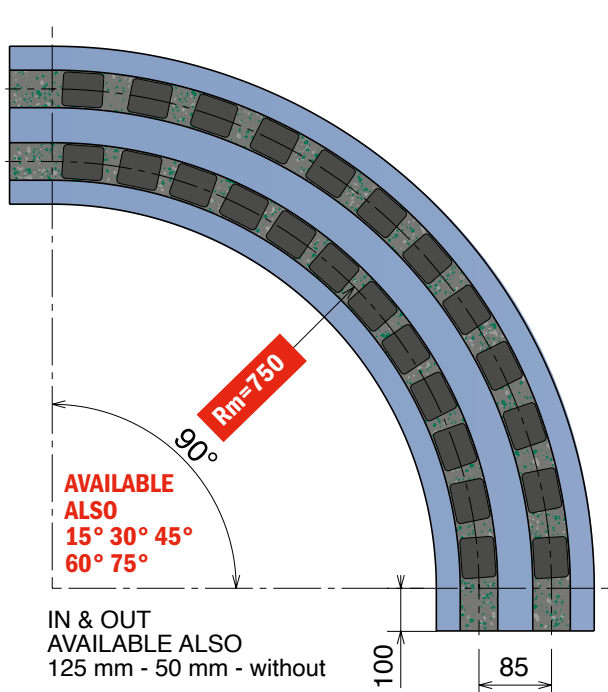
Solid curve in different materials available on request.

Images may differ from the actual product and are for illustrative purposes only.

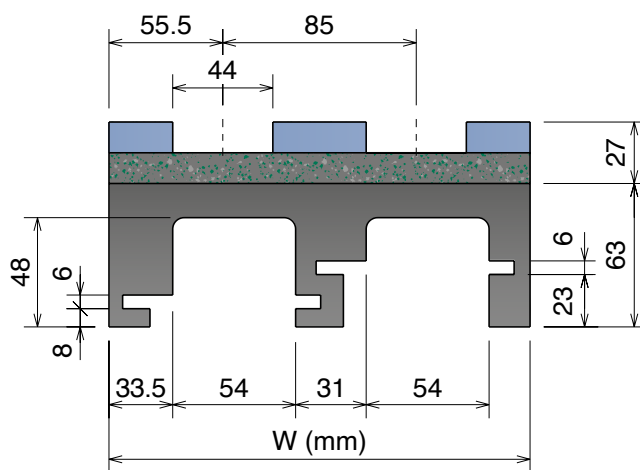
879-880-881 M42 Series

Chain Reference 879 M - K325 880 M - K325 880 M - K330 881 M - K325 881 M - K330

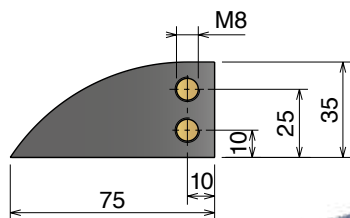
Curve Basic Width = 111 mm; Pitch = 85 mm



SINGLE TRACK



MULTI TRACK



Available in
BluLub®

RS complete curve

α 90°	Tracks	W	Material
81316614RS	1	111	Standard codes are for RS
81316624RS	2	196	
81316634RS	3	281	for RS^H
81316644RS	4	366	
81316654RS	5	451	for RS^C
81316664RS	6	536	
81316674RS	7	621	
81316684RS	8	706	

Guides replacement kit

α 90°	Tracks	W	Material
81316614RS-KIT	1	111	Standard codes are for RS Kit
81316624RS-KIT	2	196	
81316634RS-KIT	3	281	for RS^H Kit
81316644RS-KIT	4	366	
81316654RS-KIT	5	451	replace "RS" with "RS ^H "
81316664RS-KIT	6	536	
81316674RS-KIT	7	621	for RS^C Kit
81316684RS-KIT	8	706	

MAGNETIC SYSTEM

Solid curve in different materials available on request.

879-880-881 M9 Series

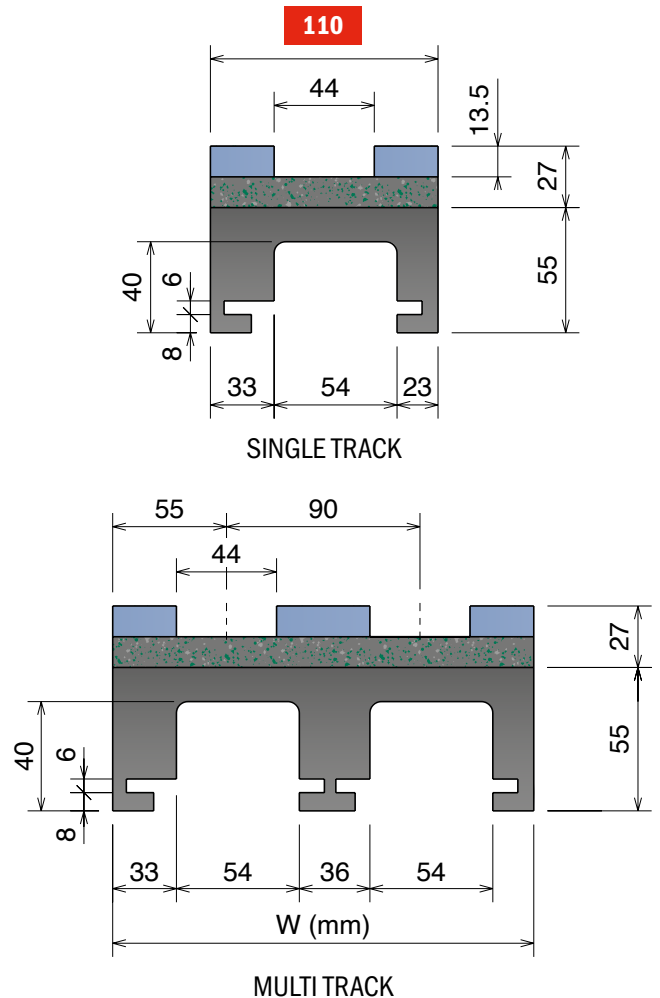
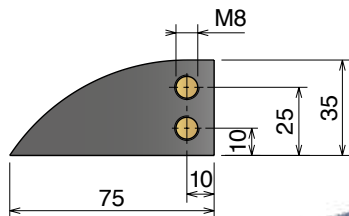
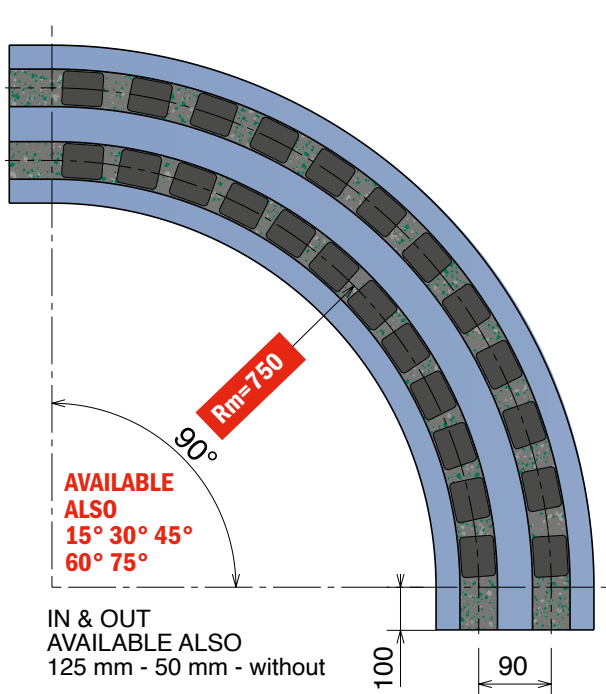
Curve magnetiche, Tab & Bevel / Magnetic, Tab & Bevel corner tracks / Kurvenführungen Magnet, Tab & Bevel Version

Materiale / Material / Materialien:
UHMW-PE riciclato / Recycling UHMW-PE
Rezykliertes UHMW-PE
BluLub Guide / Guides / Gleitprofile

879-880-881 M9 Series

Chain Reference 879 M - K325 880 M - K325 880 M - K330 881 M - K325 881 M - K330

Curve Basic Width = 110 mm; Pitch = 90 mm



RS complete curve

α 90°	Tracks	W	Material
81416614RS	1	110	Standard codes are for RS
81416624RS	2	200	
81416634RS	3	290	for RS^H add "H"
81416644RS	4	380	
81416654RS	5	470	for RS^C add "C"
81416664RS	6	560	
81416674RS	7	650	
81416684RS	8	740	

Guides replacement kit

α 90°	Tracks	W	Material
81416614RS-KIT	1	110	Standard codes are for RS Kit
81416624RS-KIT	2	200	
81416634RS-KIT	3	290	for RS^H Kit replace "RS" with "RSH"
81416644RS-KIT	4	380	
81416654RS-KIT	5	470	for RS^C Kit replace "RS" with "RSC"
81416664RS-KIT	6	560	
81416674RS-KIT	7	650	
81416684RS-KIT	8	740	

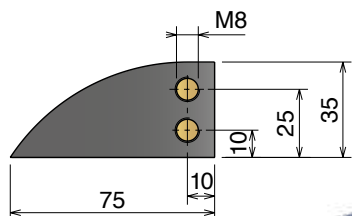
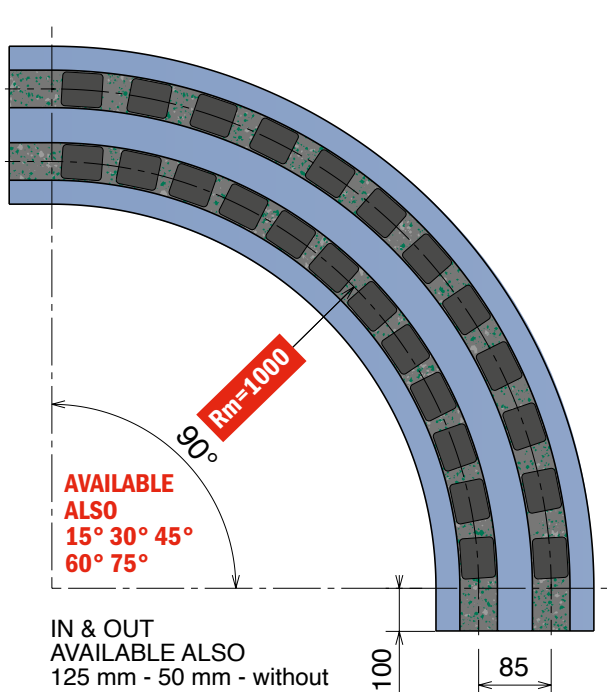
MAGNETIC SYSTEM

Solid curve in different materials available on request.

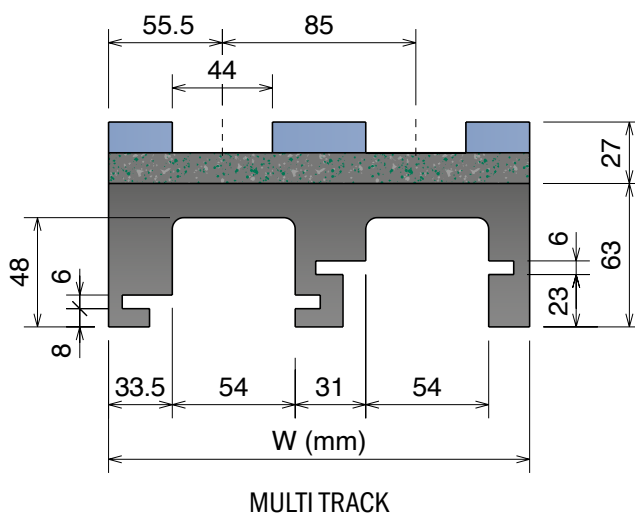
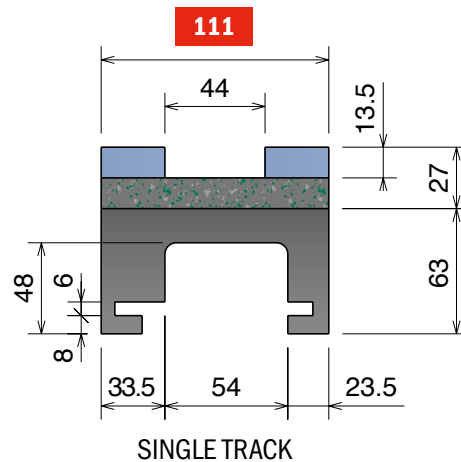
879-880-881 M43 Series

Chain Reference 879 M - K325 880 M - K325 880 M - K330 881 M - K325 881 M - K330 Delivery: **Easy** **Standard**

Curve Basic Width = 111 mm; Pitch = 85 mm



Available in
BluLub®



RS complete curve

α 90°	Tracks	W	Material
81219614RS	1	111	Standard codes are for RS
81219624RS	2	196	
81219634RS	3	281	for RS^H add "H"
81219644RS	4	366	
81219654RS	5	451	for RS^C add "C"
81219664RS	6	536	
81219674RS	7	621	
81219684RS	8	706	

Guides replacement kit

α 90°	Tracks	W	Material
81219614RS-KIT	1	111	Standard codes are for RS Kit
81219624RS-KIT	2	196	
81219634RS-KIT	3	281	for RS^H Kit replace "RS" with "RS ^H "
81219644RS-KIT	4	366	
81219654RS-KIT	5	451	for RS^C Kit replace "RS" with "RS ^C "
81219664RS-KIT	6	536	
81219674RS-KIT	7	621	
81219684RS-KIT	8	706	

MAGNETIC SYSTEM

Solid curve in different materials
 available on request.

879-880-881 M21A Series

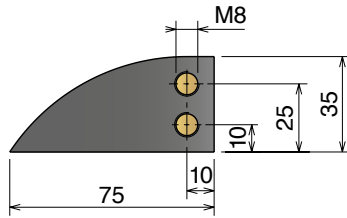
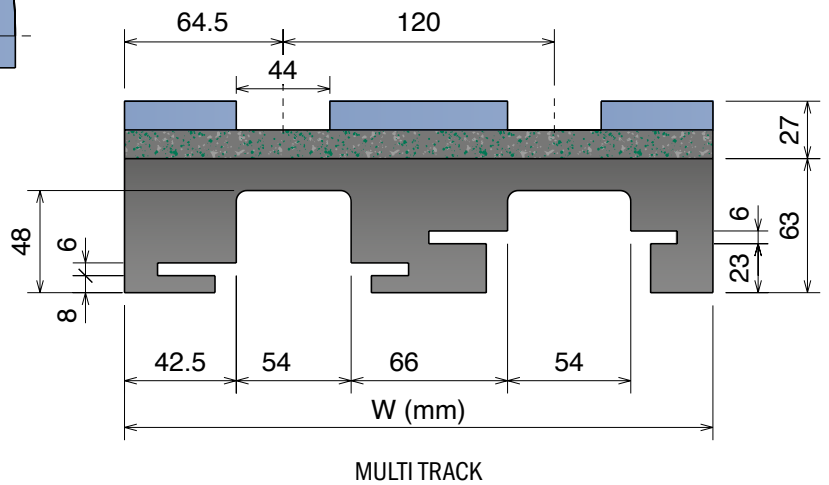
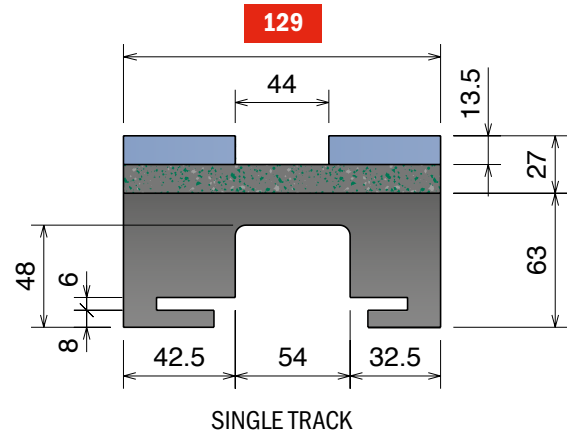
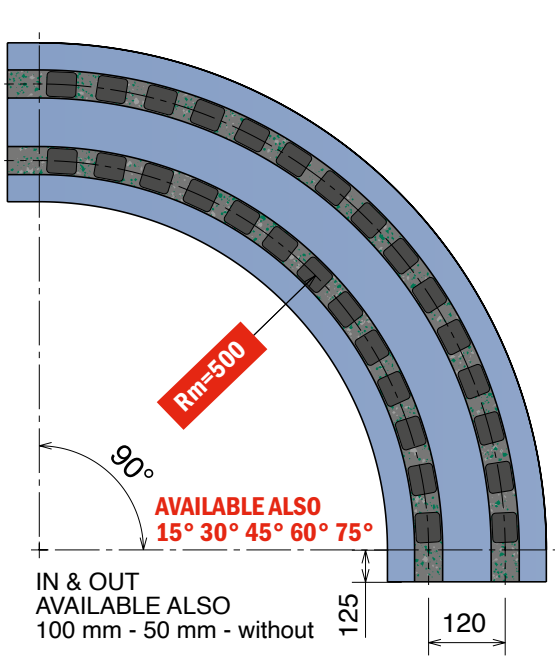
Curve magnetic, Tab & Bevel / Magnetic, Tab & Bevel corner tracks / Kurvenführungen Magnet, Tab & Bevel Version

Materiale / Material / Materialien:
UHMW-PE riciclato / Recycling UHMW-PE
Rezykliertes UHMW-PE
BluLub Guide / Guides / Gleitprofile

879-880-881 M21A Series

Chain Reference 879 M - K450 880 M - K450 881 M - K450

Curve Basic Width = 129 mm; Pitch = 120 mm



Available in
BluLub®

RS complete curve

α 90°	Tracks	W	Material
81511615RS	1	129	Standard codes are for RS
81511625RS	2	249	
81511635RS	3	369	for RS^H add "H"
81511645RS	4	489	
81511655RS	5	609	for RS^C add "C"

Guides replacement kit

α 90°	Tracks	W	Material
81511615RS-KIT	1	129	Standard codes are for RS Kit
81511625RS-KIT	2	249	
81511635RS-KIT	3	369	for RS^H Kit replace "RS" with "RSH"
81511645RS-KIT	4	489	
81511655RS-KIT	5	609	for RS^C Kit replace "RS" with "RSC"

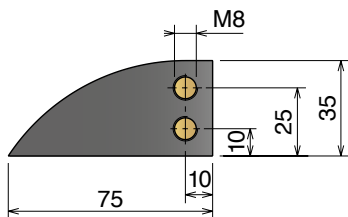
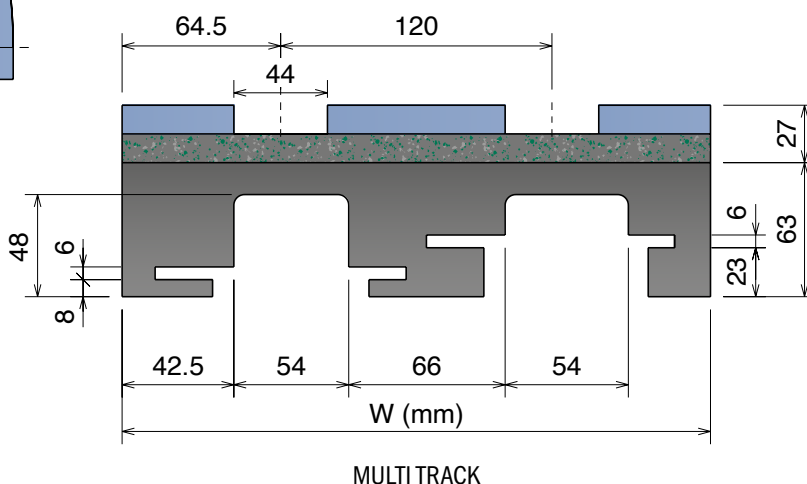
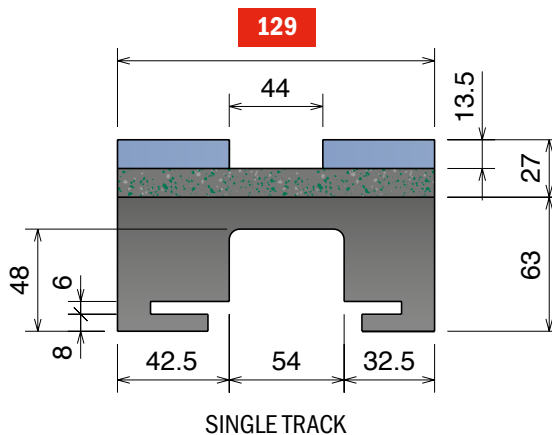
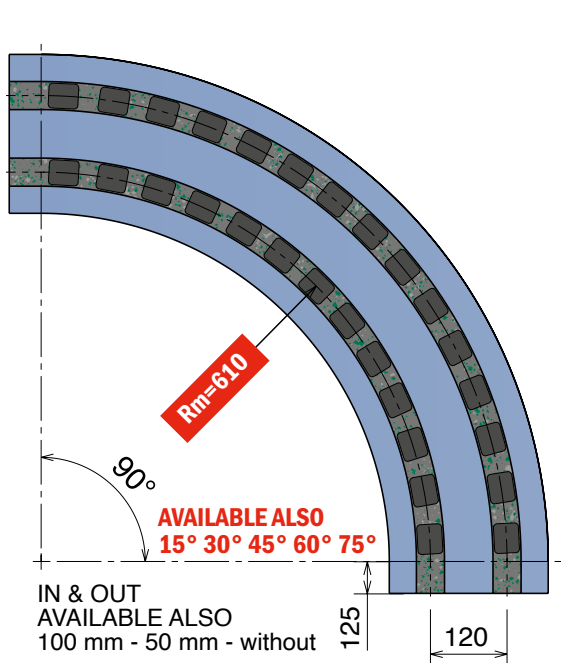
MAGNETIC SYSTEM

Solid curve in different materials
available on request.

879-880-881 M22A Series

Chain Reference 879 M - K450 880 M - K450 881 M - K450

Curve Basic Width = 129 mm; Pitch = 120 mm



Available in
BluLub®

RS complete curve

α 90°	Tracks	W	Material
80413615RS	1	129	Standard codes are for RS
80413625RS	2	249	
80413635RS	3	369	for RS^H add "H"
80413645RS	4	489	
80413655RS	5	609	for RS^C add "C"

Guides replacement kit

α 90°	Tracks	W	Material
80413615RS-KIT	1	129	Standard codes are for RS Kit
80413625RS-KIT	2	249	
80413635RS-KIT	3	369	for RS^H Kit replace "RS" with "RS ^H "
80413645RS-KIT	4	489	
80413655RS-KIT	5	609	for RS^C Kit replace "RS" with "RS ^C "

MAGNETIC SYSTEM

Solid curve in different materials available on request.

879-880-881 M27 Series

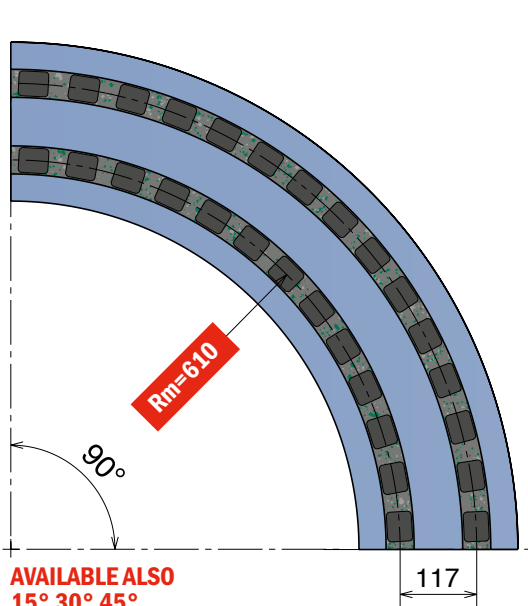
Curve magnetic, Tab & Bevel / Magnetic, Tab & Bevel corner tracks / Kurvenführungen Magnet, Tab & Bevel Version

Materiale / Material / Materialien:
 UHMW-PE riciclato / Recycling UHMW-PE
 Rezykliertes UHMW-PE
 BluLub Guide / Guides / Gleitprofile

879-880-881 M27 Series

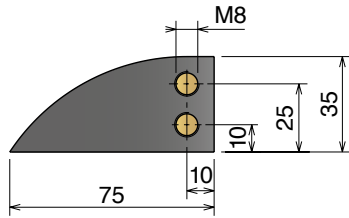
Chain Reference 879 M - K450 880 M - K450 881 M - K450

Curve Basic Width = 129 mm; Pitch = 117 mm

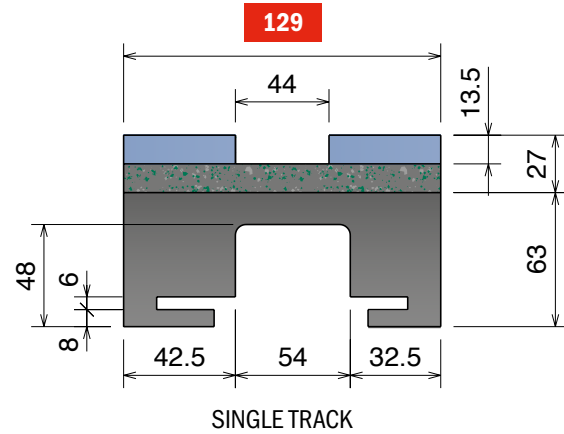


AVAILABLE ALSO
 15° 30° 45°
 60° 75°

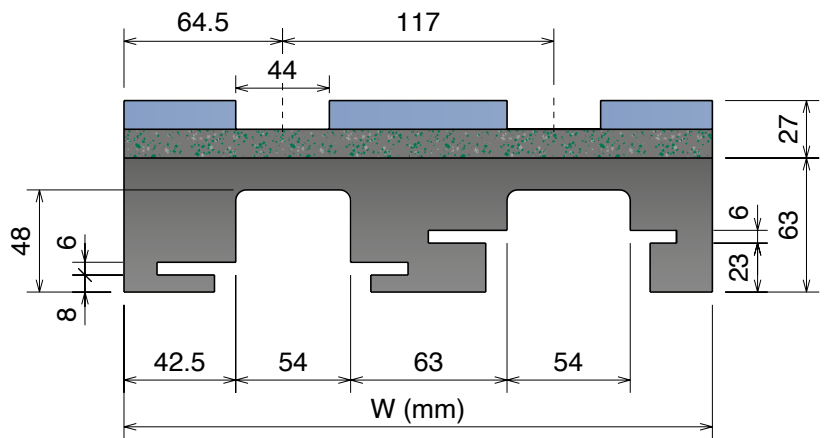
IN & OUT
 AVAILABLE ALSO
 100 mm - 50 mm



Available in
BluLub®



SINGLE TRACK



MULTI TRACK

RS complete curve

α 90°	Tracks	W	Material
83113610RS	1	129	Standard codes are for RS
83113620RS	2	246	
83113630RS	3	363	for RS^H add "H"
83113640RS	4	480	
83113650RS	5	597	for RS^C add "C"
83113660RS	6	714	
83113670RS	7	831	
83113680RS	8	948	

Guides replacement kit

α 90°	Tracks	W	Material
83113610RS-KIT	1	129	Standard codes are for RS Kit
83113620RS-KIT	2	246	
83113630RS-KIT	3	363	for RS^H Kit replace "RS" with "RSH"
83113640RS-KIT	4	480	
83113650RS-KIT	5	597	for RS^C Kit replace "RS" with "RSC"
83113660RS-KIT	6	714	
83113670RS-KIT	7	831	
83113680RS-KIT	8	948	

MAGNETIC SYSTEM

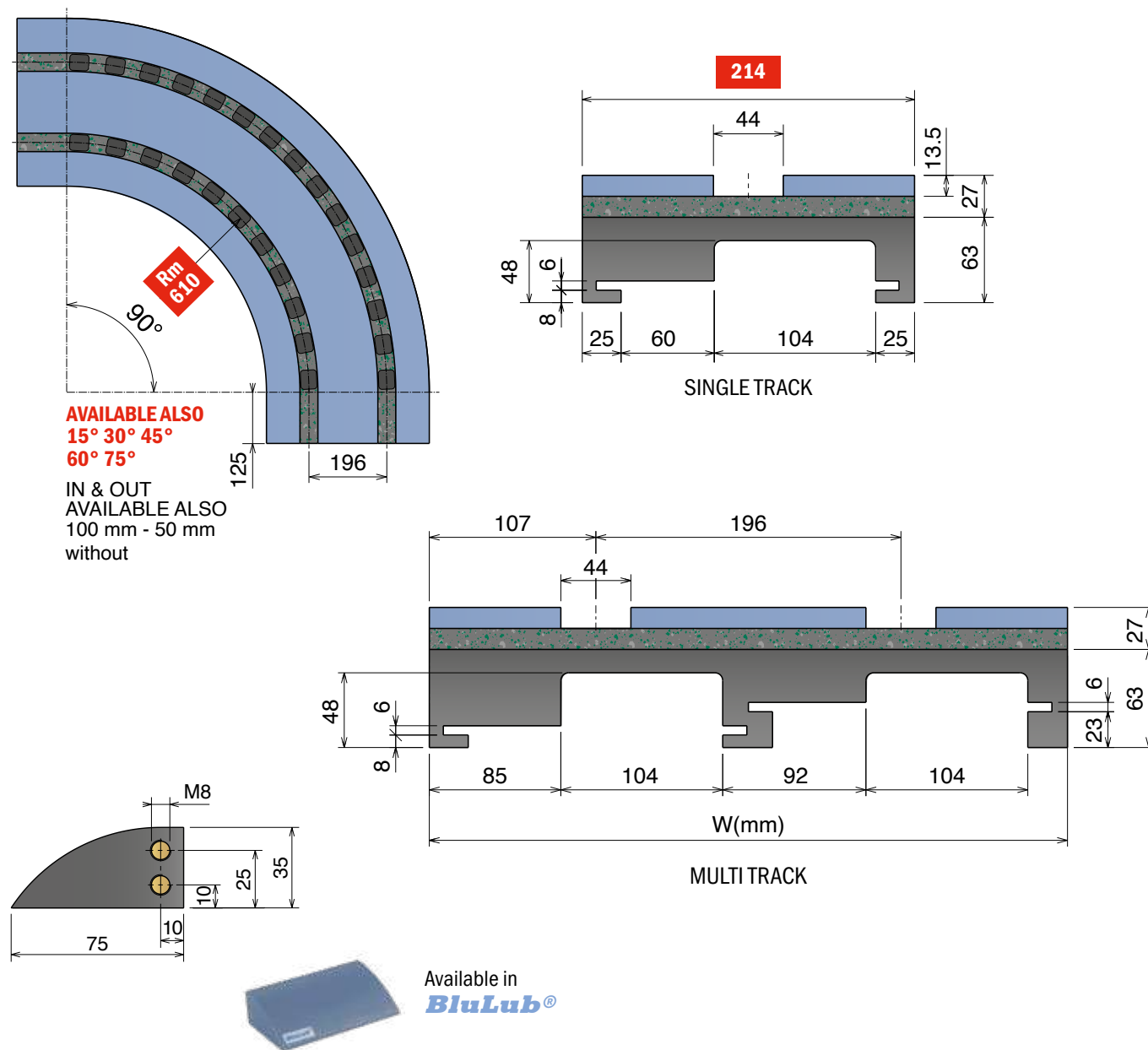
Solid curve in different materials
 available on request.

Images may differ from the actual product and are for illustrative purposes only.


880-881 M61 Series

Chain Reference 880 M - K750 881 M - K750

Curve Basic Width = 214 mm; Pitch = 196 mm



RS complete curve

α 90°	Tracks	W	Material
81613615RS	1	214	 Standard codes are for RS for RS^H add "H" for RS^C add "C"
81613625RS	2	410	
81613635RS	3	606	

Guides replacement kit

α 90°	Tracks	W	Material
81613615RS-KIT	1	214	 Standard codes are for RS Kit for RS^H Kit replace "RS" with "RS ^H " for RS^C Kit replace "RS" with "RS ^C "
81613625RS-KIT	2	410	
81613635RS-KIT	3	606	

MAGNETIC SYSTEM

Solid curve in different materials
 available on request.

880-881 M62/66/65 Series

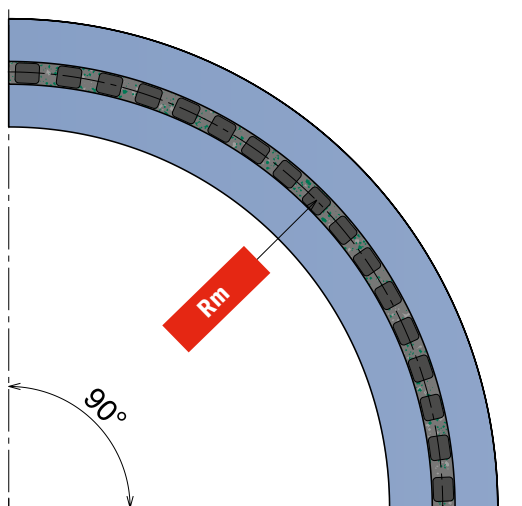
Curve magnetiche, Tab & Bevel / Magnetic, Tab & Bevel corner tracks / Kurvenführungen Magnet, Tab & Bevel Version

Materiale / Material / Materialien:
UHMW-PE riciclato / Recycling UHMW-PE
Rezykliertes UHMW-PE
BluLub Guide / Guides / Gleitprofile

880-881 M62/66/65 Series

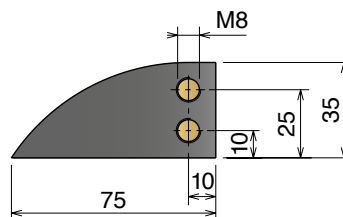
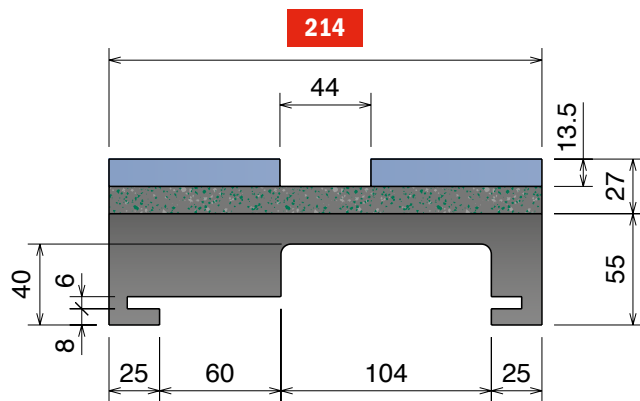
Chain Reference 880 M - K750 881 M - K750

Curve Basic Width = 214 mm



AVAILABLE ALSO
15° 30° 45°
60° 75°

IN & OUT
AVAILABLE ALSO
125 mm - 100 mm
50 mm






Available in
BluLub®

RS complete curve

α 90°	Tracks	W	Rm	Material
80716610RS	1	214	750	 Standard codes are for RS
80718610RS	1	214	860	
80719610RS	1	214	1000	
				 for RS^H add " H "
				 for RS^C add " C "

Guides replacement kit

α 90°	Tracks	W	Rm	Material
80716610RS-KIT	1	214	750	 Standard codes are for RS Kit
80718610RS-KIT	1	214	860	
80719610RS-KIT	1	214	1000	
				 for RS^H Kit replace " RS " with " RS^H "
				 for RS^C Kit replace " RS " with " RS^C "

MAGNETIC SYSTEM

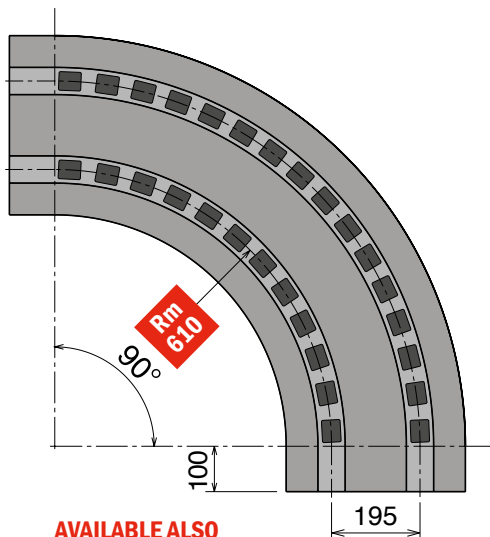
Solid curve in different materials
available on request.

Images may differ from the actual product and are for illustrative purposes only.

882 M81 Series

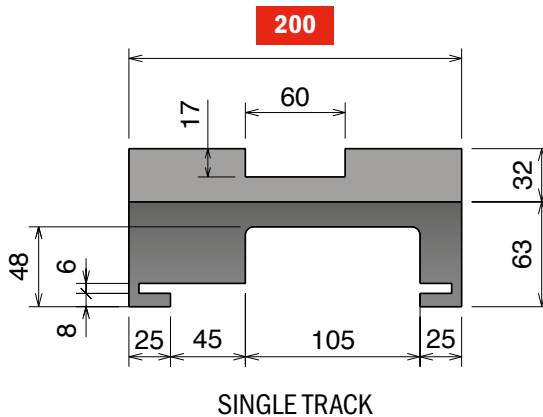
Chain Reference 882 M - K750

Curve Basic Width = 200 mm; Pitch = 195 mm

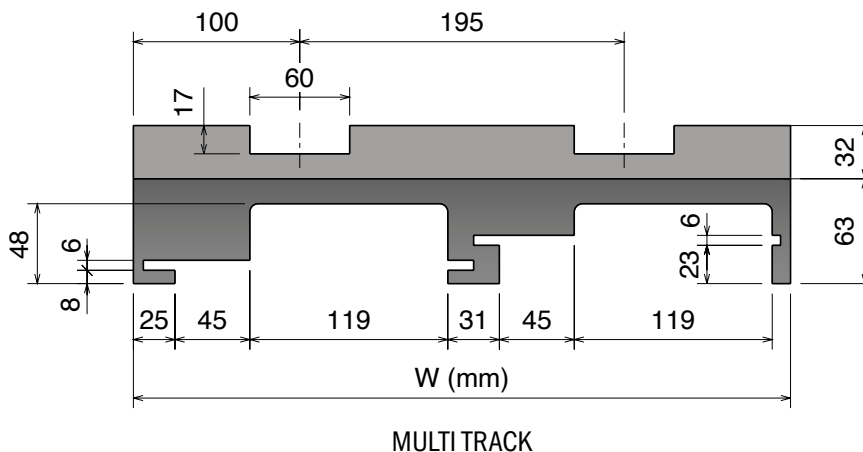


AVAILABLE ALSO
 15° 30° 45°
 60° 75°

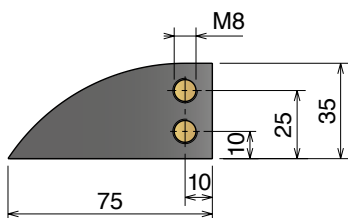
IN & OUT
 AVAILABLE ALSO
 125 mm - 50 mm
 without



SINGLE TRACK



MULTI TRACK



Available in
BluLub®

SOLID complete curve

α 90°	Tracks	W	Material
81713614	1	200	Standard codes for UHMW-PE
81713624	2	395	
81713634	3	590	for BluLub® add "B"
81713644	4	785	



for **C Abrasive**
 add "C"

RS complete curve

α 90°	Tracks	W	Material
81713614RS	1	200	Standard codes are for RS
81713624RS	2	395	
81713634RS	3	590	add "-KIT" for BluLub® Guides replaceable kit
81713644RS	4	785	

Available in **RS^H** and **RS^C** version on request.

MAGNETIC SYSTEM

MAGNETIC SYSTEM

882-8857 M85 Series

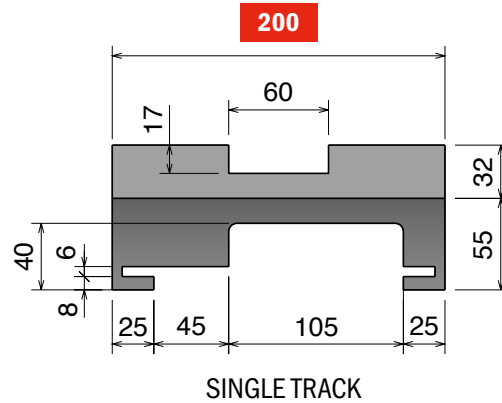
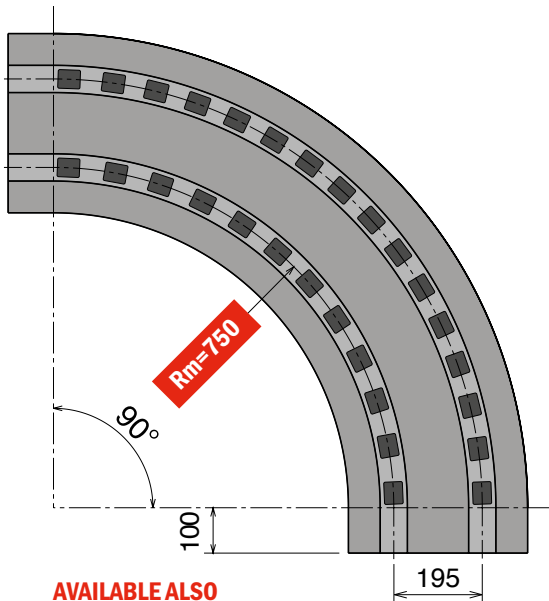
Curve magnetiche, Tab & Bevel / Magnetic, Tab & Bevel corner tracks / Kurvenführungen Magnet, Tab & Bevel Version

Materiale / Material / Materialien:
 Polietilene UHMW-PE
 Polyethylene UHMW-PE
 Polyäthylen UHMW-PE

882-8857 M85 Series

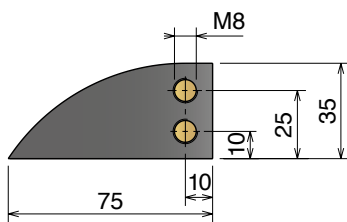
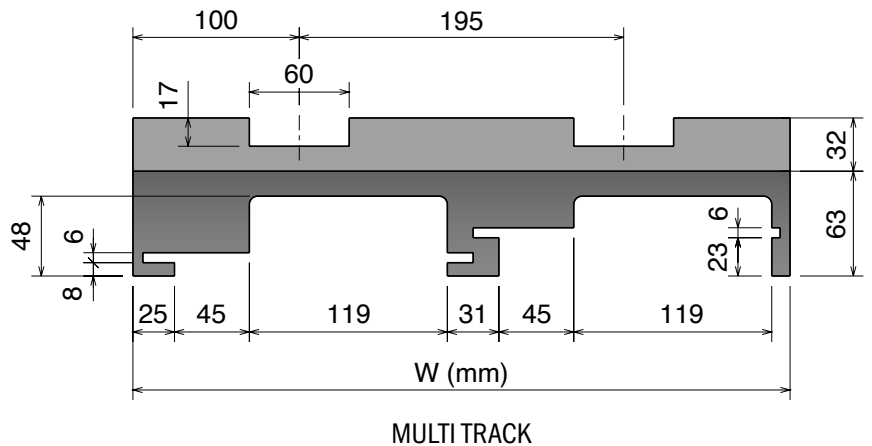
Chain Reference 882 M - K750 8857 M - K750

Curve Basic Width = 200 mm; Pitch = 195 mm






AVAILABLE ALSO
 15° 30° 45°
 60° 75°


IN & OUT
 AVAILABLE ALSO
 125 mm - 50 mm
 without



SOLID complete curve

α 90°	Tracks	W	Material
81816614	1	200	 Standard codes for UHMW-PE  for BluLub® add "B"  for C Abrasive add "C"
81816624	2	395	
81816634	3	590	

RS complete curve

α 90°	Tracks	W	Material
81816614RS	1	200	 Standard codes are for RS add "-KIT" for BluLub® Guides replaceable kit
81816624RS	2	395	
81816634RS	3	590	

Available in **RS_H** and **RS_C** version on request.

MAGNETIC SYSTEM

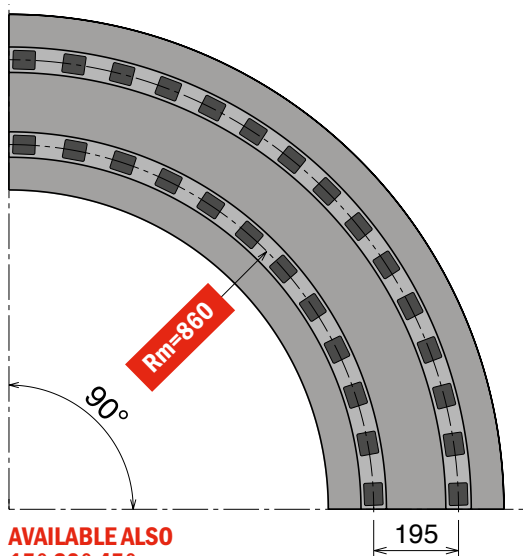
MAGNETIC SYSTEM

Images may differ from the actual product and are for illustrative purposes only.

882-8857 M86 Series

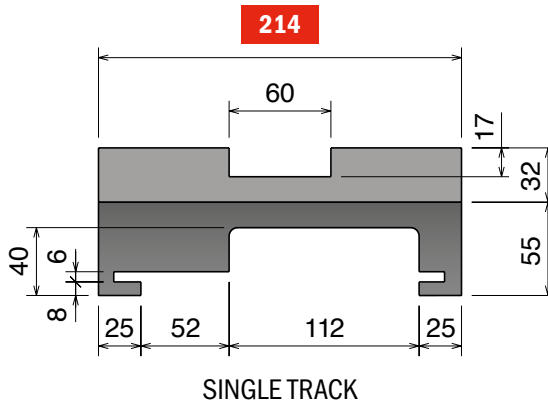
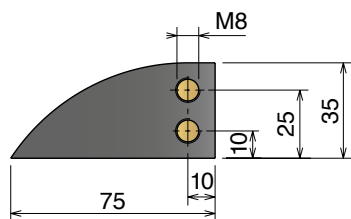
Chain Reference 882 M - K750 8857 M - K750

Curve Basic Width = 214 mm; Pitch = 200 mm

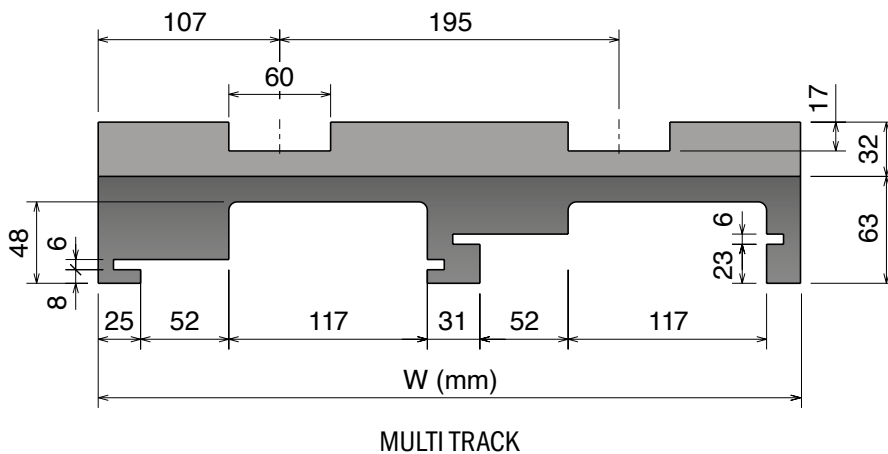


AVAILABLE ALSO
 15° 30° 45°
 60° 75°

IN & OUT
 AVAILABLE ALSO
 125 mm - 100 mm
 50 mm - without



SINGLE TRACK



MULTI TRACK



Available in
BluLub®

SOLID complete curve

α 90°	Tracks	W	Material
80818610	1	214	Standard codes for UHMW-PE
80818620	2	414	
80818630	3	614	



for **BluLub®**
add "B"



for **C Abrasive**
add "C"

RS complete curve

α 90°	Tracks	W	Material
80818610RS	1	214	Standard codes are for RS
80818620RS	2	414	
80818630RS	3	614	



add "-KIT" for **BluLub®**
Guides replaceable kit

Available in **RS^H** and **RS^C** version on request.

MAGNETIC SYSTEM

MAGNETIC SYSTEM

882-8857 M80 Series

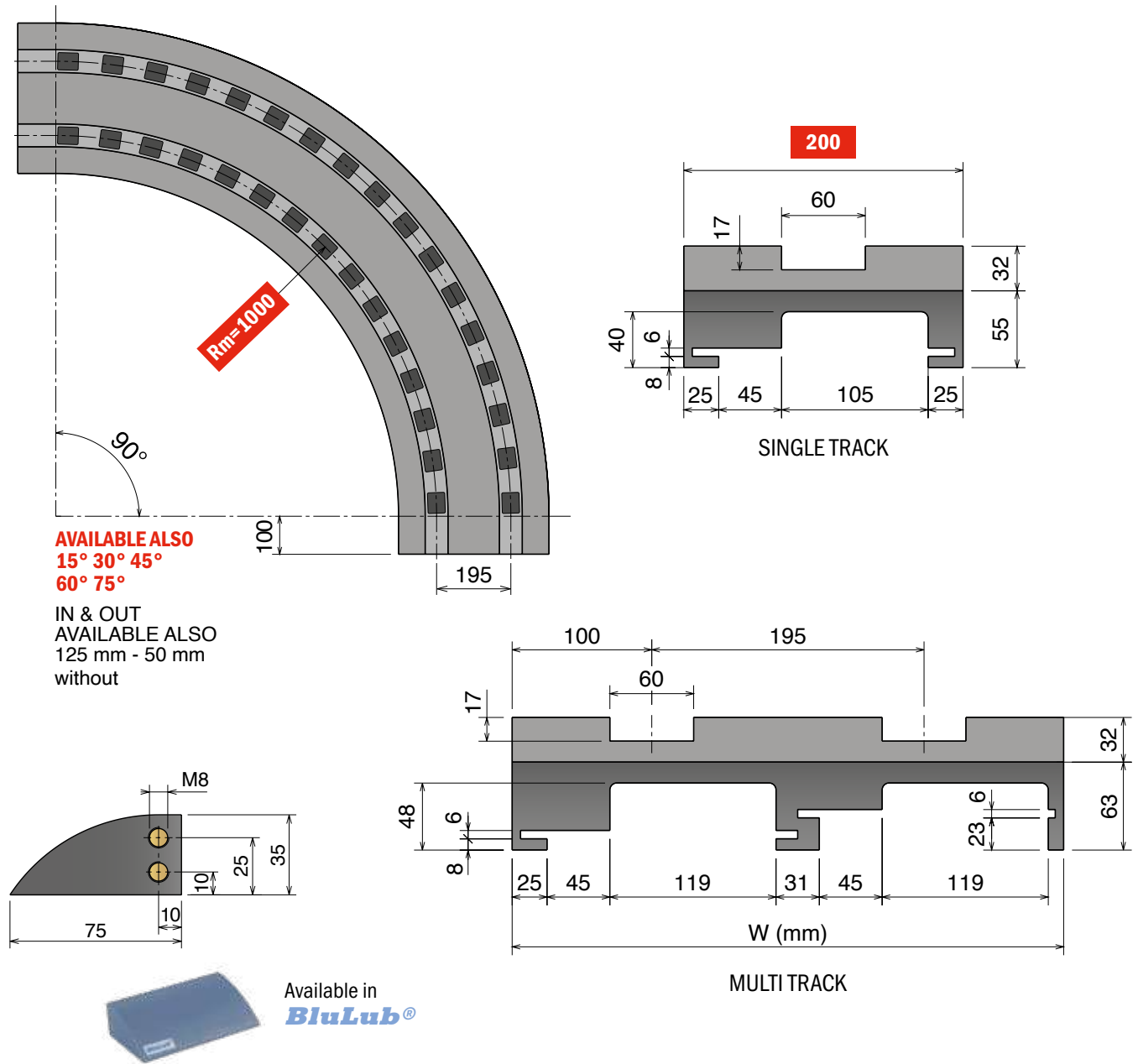
Curve magnetiche, Tab & Bevel / Magnetic, Tab & Bevel corner tracks / Kurvenführungen Magnet, Tab & Bevel Version

Materiale / Material / Materialien:
 Polietilene UHMW-PE
 Polyethylene UHMW-PE
 Polyäthylen UHMW-PE




882-8857 M80 Series

Chain Reference 882 M - K750 8857 M - K750


Curve Basic Width = 200 mm; Pitch = 195 mm



SOLID complete curve

α 90°	Tracks	W	Material
81919614	1	200	 Standard codes for UHMW-PE  for BluLub® add "B"  for C Abrasive add "C"
81919624	2	395	
81919634	3	590	

RS complete curve

α 90°	Tracks	W	Material
81919614RS	1	200	 Standard codes are for RS add "-KIT" for BluLub® Guides replaceable kit
81919624RS	2	395	
81919634RS	3	590	

Available in **RS_H** and **RS_C** version on request.

MAGNETIC SYSTEM

MAGNETIC SYSTEM

Images may differ from the actual product and are for illustrative purposes only.

Materiale / Material / Materialien:
 Polietilene UHMW-PE
 Polyethylene UHMW-PE
 Polyäthylen UHMW-PE

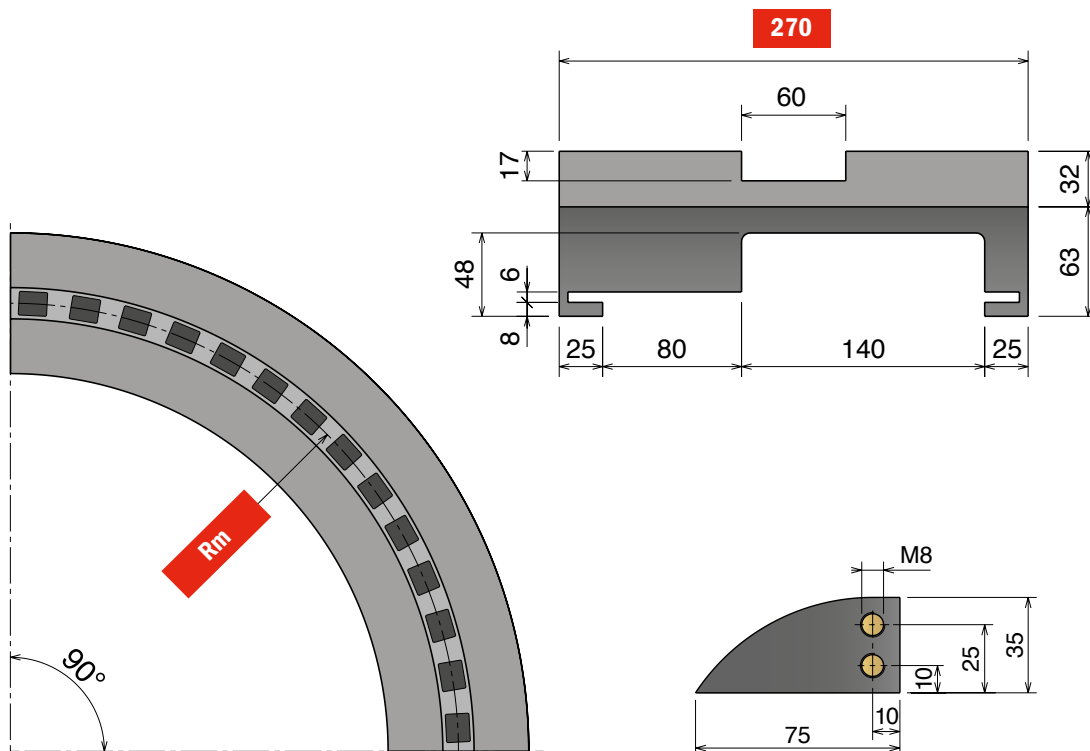
882 M M93/M94 Series

Curve magnetiche, Tab & Bevel / Magnetic, Tab & Bevel corner tracks / Kurvenführungen Magnet, Tab & Bevel Version

882 M M93/M94 Series

Chain Reference 882 M - K1000

Curve Basic Width = 270 mm






AVAILABLE ALSO
 15° 30° 45°
 60° 75°

IN & OUT
 AVAILABLE ALSO
 125 mm - 100 mm - 50 mm



Available in **BluLub®**

SOLID complete curve

α 90°	Tracks	W	Rm	Material
80918610	1	270	860	Standard codes for UHMW-PE 
80919610	1	270	1000	
				for BluLub® add "B" 
				for C Abrasive add "C" 

MAGNETIC SYSTEM

RS complete curve

α 90°	Tracks	W	Rm	Material
80918610RS	1	270	860	Standard codes are for RS 
80919610RS	1	270	1000	
				add "-KIT" for BluLub® Guides replaceable kit

Available in **RS_H** and **RS_C** version on request.

MAGNETIC SYSTEM

882 M M97/M98 Series

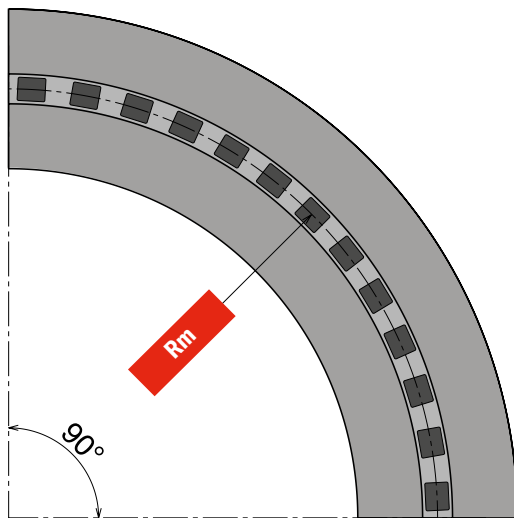
Curve magnetiche, Tab & Bevel / Magnetic, Tab & Bevel corner tracks / Kurvenführungen Magnet, Tab & Bevel Version

Materiale / Material / Materialien:
 Polietilene UHMW-PE
 Polyethylene UHMW-PE
 Polyäthylen UHMW-PE

882 M M97/M98 Series

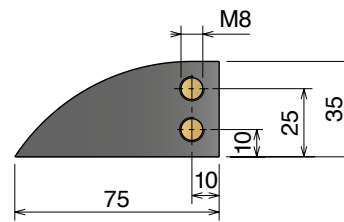
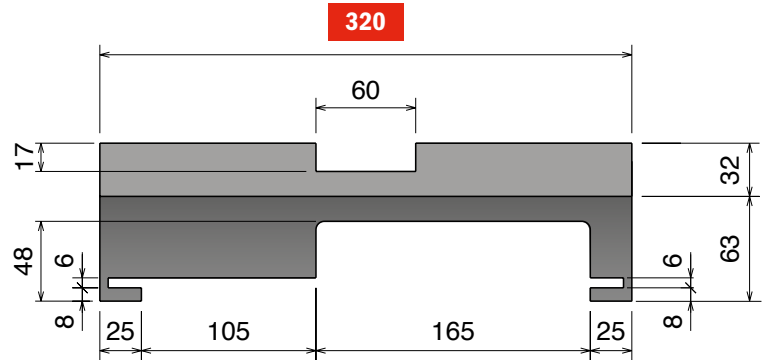
Chain Reference 882 M - K1200

Curve Basic Width = 320 mm



AVAILABLE
 ALSO
 15° 30° 45°
 60° 75°

IN & OUT
 AVAILABLE ALSO
 125 mm - 100 mm - 50 mm



Available in
BluLub®

SOLID complete curve

α 90°	Tracks	W	Rm	Material
81018610	1	320	860	Standard codes for UHMW-PE
81019610	1	320	1000	
				for BluLub® add "B"
				for C Abrasive add "C"

MAGNETIC SYSTEM

RS complete curve

α 90°	Tracks	W	Rm	Material
81018610RS	1	320	860	Standard codes are for RS
81019610RS	1	320	1000	
				add "-KIT" for BluLub® Guides replaceable kit

Available in **RS_H** and **RS_C** version on request.

MAGNETIC SYSTEM

Materiale / Material / Materialien:
 Polietilene UHMW-PE
 Polyethylene UHMW-PE
 Polyäthylen UHMW-PE

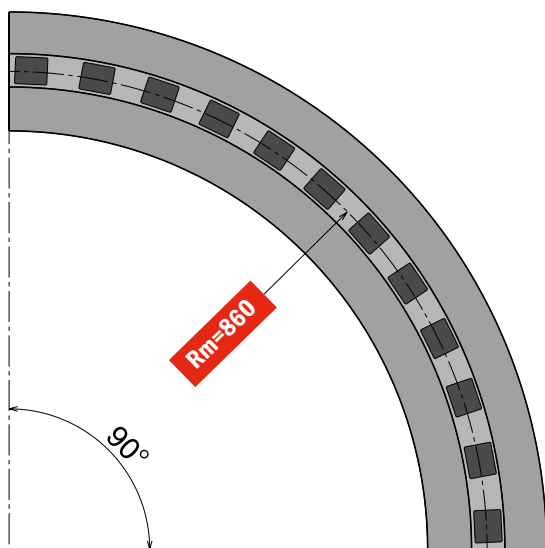
882 LBP MP861 Series

Curve magnetiche, Tab & Bevel / Magnetic, Tab & Bevel corner tracks / Kurvenführungen Magnet, Tab & Bevel Version

882 LBP MP861 Series

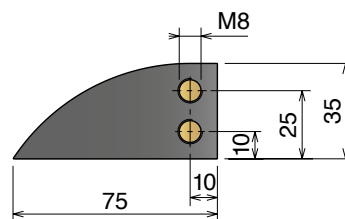
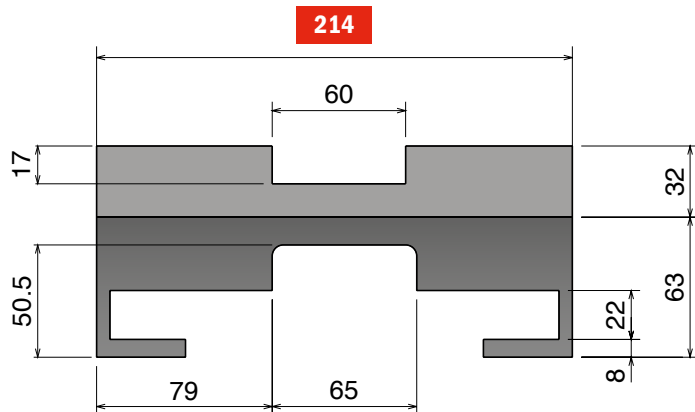
Chain Reference 882 M LBP - K750

Curve Basic Width = 214 mm



AVAILABLE
 ALSO
 15° 30° 45°
 60° 75°

IN & OUT
 AVAILABLE ALSO
 125 mm - 100 mm - 50 mm



Available in
BluLub®

SOLID complete curve

α 90°	Tracks	W	Material
88118610	1	214	

 Standard codes for **UHMW-PE**


 for **BluLub®** add "B"

 for **C Abrasive** add "C"

MAGNETIC SYSTEM

RS complete curve

α 90°	Tracks	W	Material
88118610RS	1	214	

 Standard codes are for **RS**

add "-KIT" for **BluLub®**
 Guides replaceable kit

Available in **RS_H** and **RS_C** version on request.

MAGNETIC SYSTEM

882 LBP MP931/MP941 Series

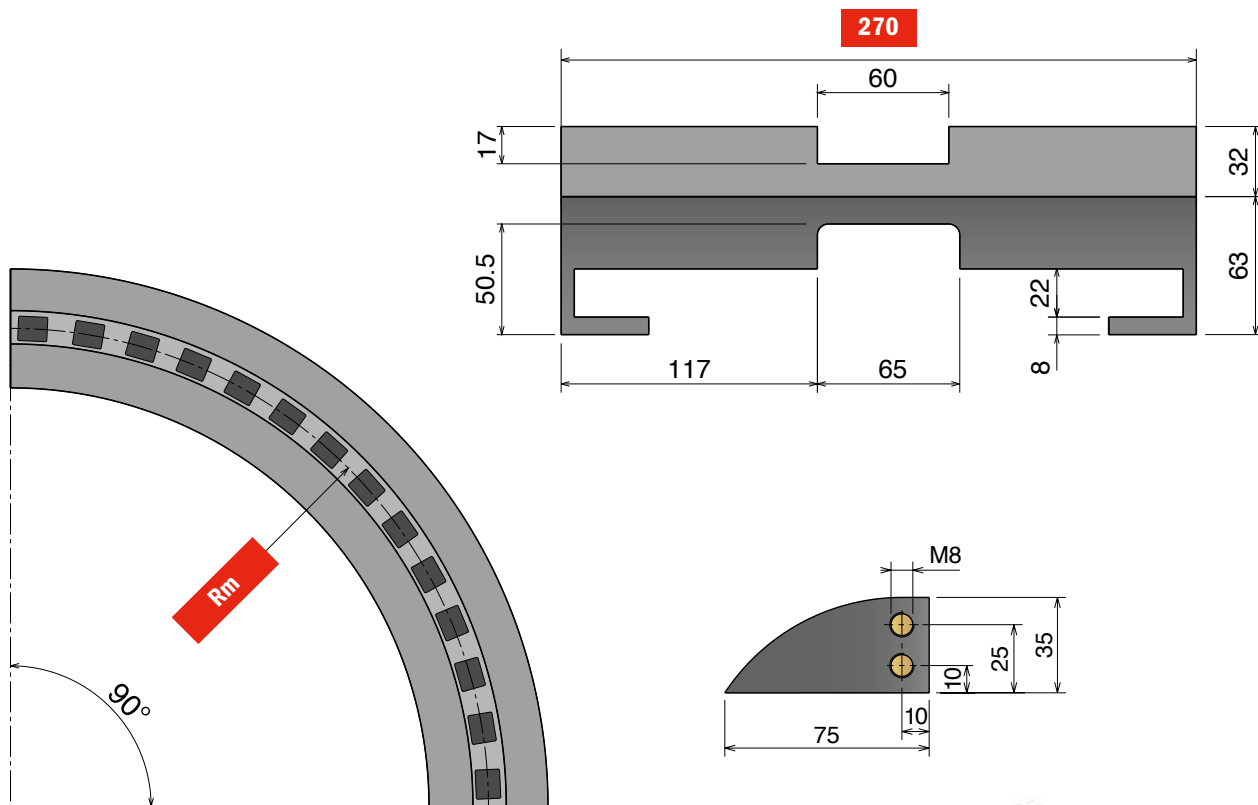
Curve magnetiche, Tab & Bevel / Magnetic, Tab & Bevel corner tracks / Kurvenführungen Magnet, Tab & Bevel Version

Materiale / Material / Materialien:
 Polietilene UHMW-PE
 Polyethylene UHMW-PE
 Polyäthylen UHMW-PE

882 LBP MP931/MP941 Series

Chain Reference 882 M LBP - K1000

Curve Basic Width = 270 mm



IN & OUT
 AVAILABLE ALSO
 125 mm - 100 mm - 50 mm




Available in
BluLub®

SOLID complete curve

M931 Series - Rm 860

α 15°	α 30°	α 45°	α 60°	α 75°	α 90°	Tracks	W	Rm	Material
88418110	88418210	88418310	88418410	88418510	88418610	1	270	860	 Standard codes for UHMW-PE


M941 Series - Rm 1000

α 15°	α 30°	α 45°	α 60°	α 75°	α 90°	Tracks	W	Rm	Material
88419110	88419210	88419310	88419410	88419510	88419610	1	270	1000	 for BluLub® add "B"


 for **Abrasive**
 add "C"

RS complete curve

M931 Series - Rm 860

α 15°	α 30°	α 45°	α 60°	α 75°	α 90°	Tracks	W	Rm	Material
88418110RS	88418210RS	88418310RS	88418410RS	88418510RS	88418610RS	1	270	860	 Standard codes are for RS

M941 Series - Rm 1000

α 15°	α 30°	α 45°	α 60°	α 75°	α 90°	Tracks	W	Rm	Material
88419110RS	88419210RS	88419310RS	88419410RS	88419510RS	88419610RS	1	270	1000	add "-KIT" for BluLub® Guides replaceable kit

MAGNETIC SYSTEM

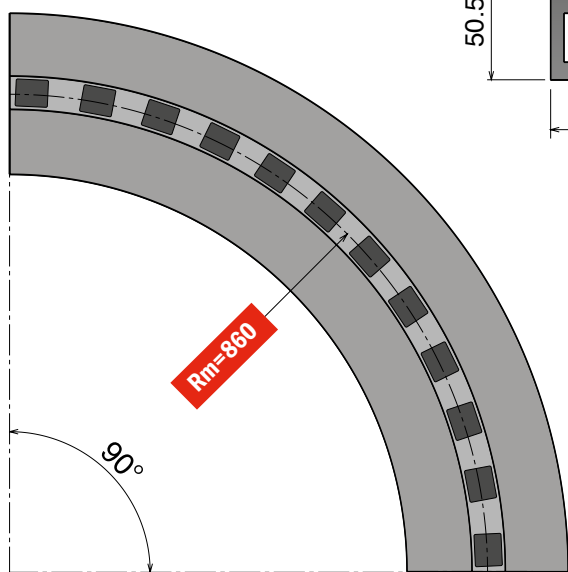
MAGNETIC SYSTEM

Images may differ from the actual product and are for illustrative purposes only.

882 LBP MP91 Series

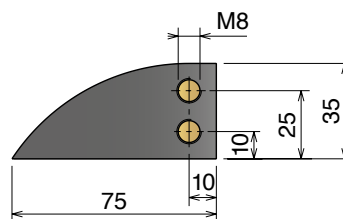
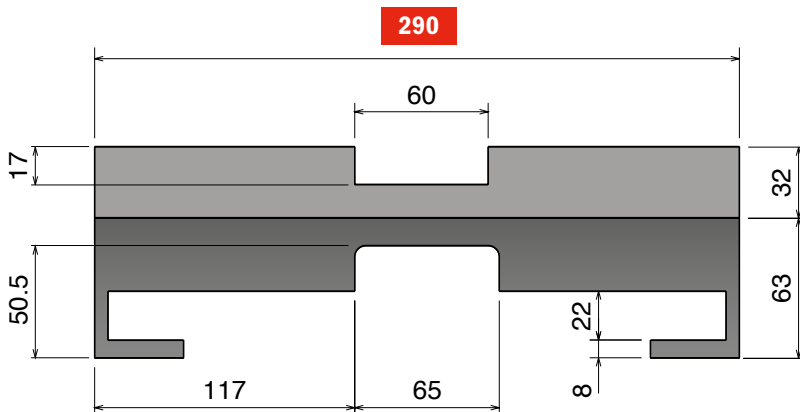
Chain Reference 882 M LBP - K1000

Curve Basic Width = 290 mm



AVAILABLE
 ALSO
 15° 30° 45°
 60° 75°

IN & OUT
 AVAILABLE ALSO
 125 mm - 100 mm - 50 mm



Available in
BluLub®

SOLID complete curve

α 90°	Tracks	W	Material
88218610	1	290	

 Standard codes for **UHMW-PE**


 for **BluLub®** add "B"

 for **C Abrasive** add "C"

MAGNETIC SYSTEM

RS complete curve

α 90°	Tracks	W	Material
88218610RS	1	290	

 Standard codes are for **RS**

add "-KIT" for **BluLub®**
 Guides replaceable kit

Available in **RS_H** and **RS_C** version on request.

MAGNETIC SYSTEM

882 LBP MP971/MP981 Series

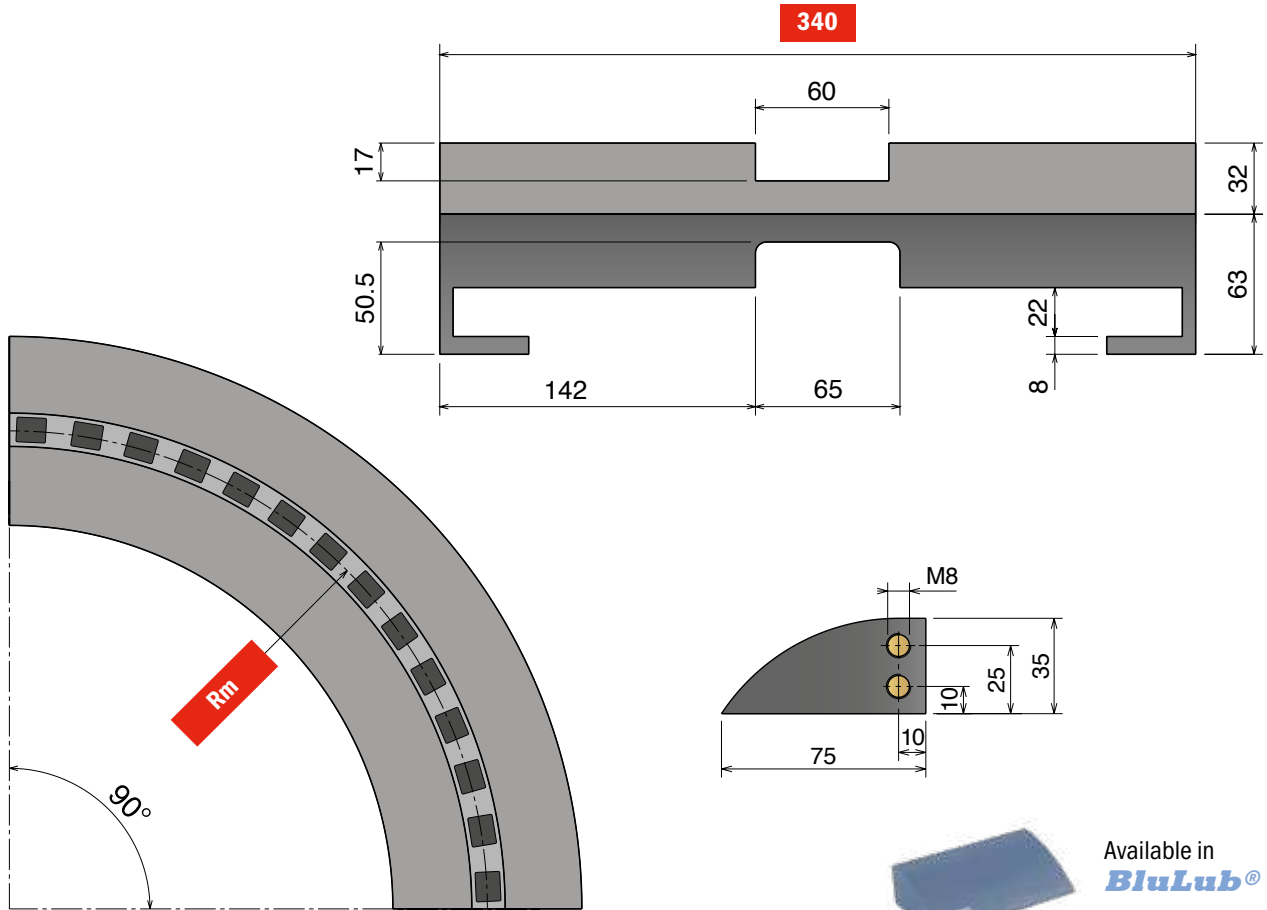
Curve magnetiche, Tab & Bevel / Magnetic, Tab & Bevel corner tracks / Kurvenführungen Magnet, Tab & Bevel Version

Materiale / Material / Materialien:
 Polietilene UHMW-PE
 Polyethylene UHMW-PE
 Polyäthylen UHMW-PE

882 LBP MP971/MP981 Series

Chain Reference 882 M LBP - K1200

Curve Basic Width = 340 mm



AVAILABLE ALSO
 15° 30° 45°
 60° 75°

IN & OUT
 AVAILABLE ALSO
 125 mm - 100 mm - 50 mm



Available in **BluLub®**

SOLID complete curve

α 90°	Tracks	W	Rm	Material
88318610	1	340	860	Standard codes for UHMW-PE
88319610	1	340	1000	

for **BluLub®** add "B"
 for **C Abrasive** add "C"

MAGNETIC SYSTEM

RS complete curve

α 90°	Tracks	W	Rm	Material
88318610RS	1	340	860	Standard codes are for RS
88319610RS	1	340	1000	

add "-KIT" for **BluLub®**
 Guides replaceable kit

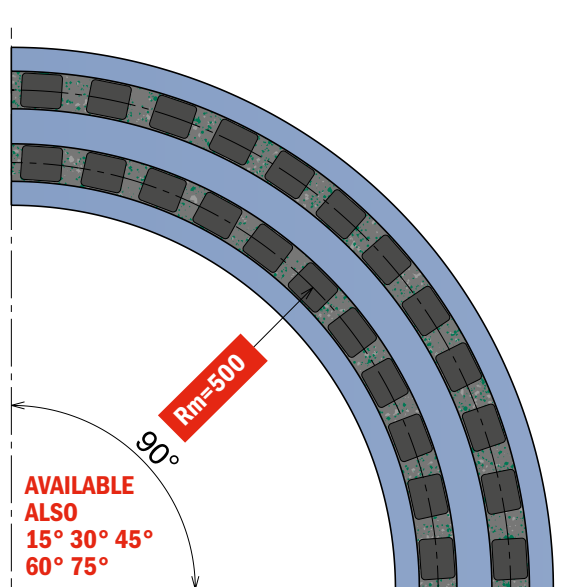
Available in **RS_H** and **RS_C** version on request.

MAGNETIC SYSTEM

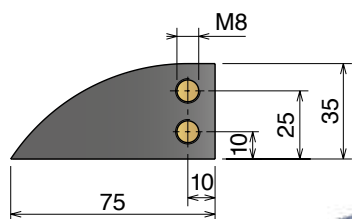
240 XE-260 M MB7 Series

Chain Reference 240 XE - K330 260 M - K330

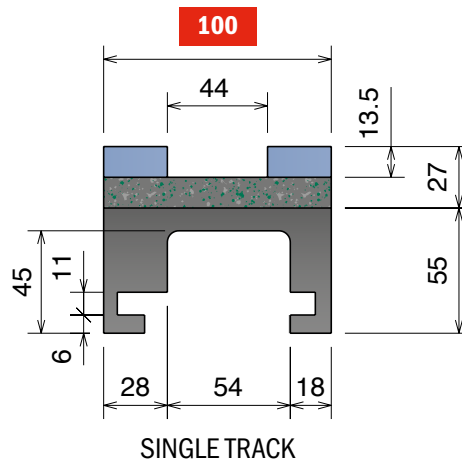
Curve Basic Width = 100 mm; Pitch = 85 mm



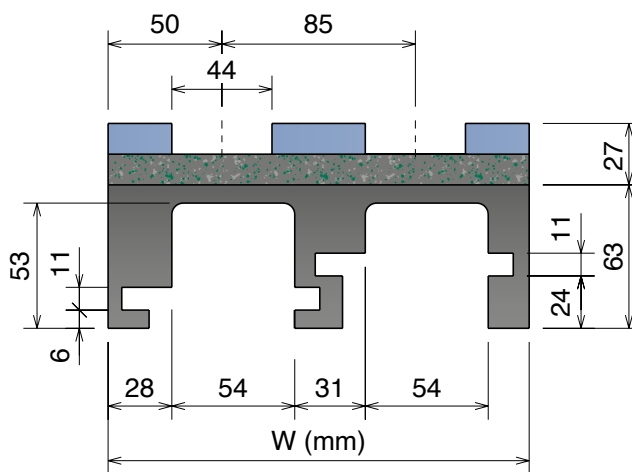
IN & OUT
 AVAILABLE ALSO
 125 mm - 100 mm - 50 mm



Available in
BluLub®



SINGLE TRACK



W (mm)
 MULTI TRACK

RS complete curve

α 90°	Tracks	W	Material
80511610RS	1	100	Standard codes are for RS
80511620RS	2	185	
80511630RS	3	270	for RS^H add "H"
80511640RS	4	355	
80511650RS	5	440	for RS^C add "C"
80511660RS	6	525	
80511670RS	7	610	
80511680RS	8	695	

Guides replacement kit

α 90°	Tracks	W	Material
80511610RS-KIT	1	100	Standard codes are for RS Kit
80511620RS-KIT	2	185	
80511630RS-KIT	3	270	for RS^H Kit replace "RS" with "RS ^H "
80511640RS-KIT	4	355	
80511650RS-KIT	5	440	for RS^C Kit replace "RS" with "RS ^C "
80511660RS-KIT	6	525	
80511670RS-KIT	7	610	
80511680RS-KIT	8	695	

MAGNETIC SYSTEM

Solid curve in different materials
 available on request.

240 XE-260 M MB6 Series

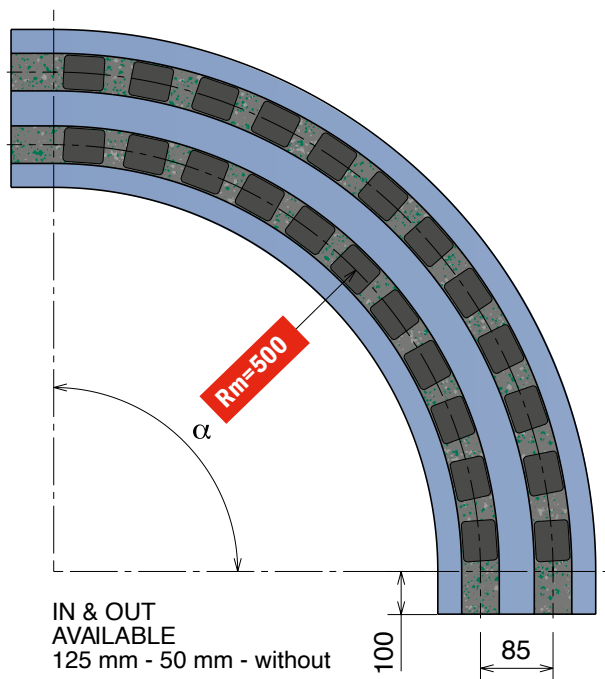
Curve magnetiche, Tab & Bevel / Magnetic, Tab & Bevel corner tracks / Kurvenführungen Magnet, Tab & Bevel Version

Materiale / Material / Materialien:
UHMW-PE riciclato / Recycling UHMW-PE
Rezykliertes UHMW-PE
BluLub Guide / Guides / Gleitprofile

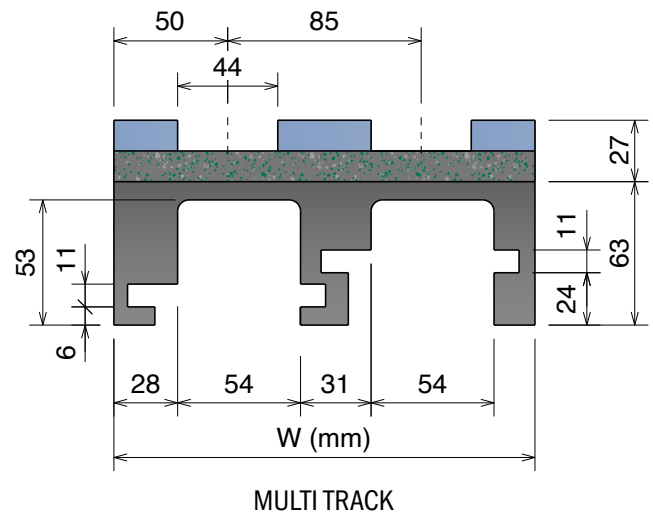
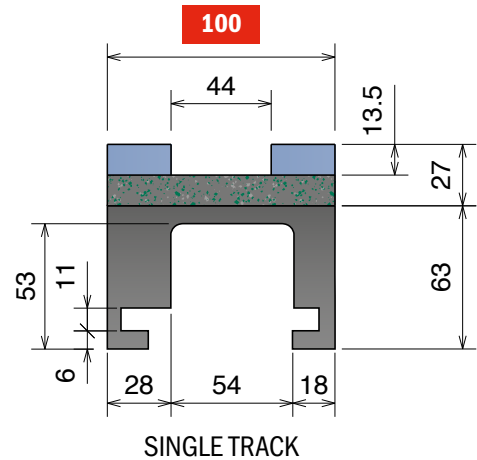
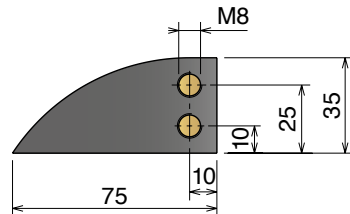
240 XE-260 M MB6 Series

Chain Reference 240 XE - K330 260 M - K330

Curve Basic Width = 100 mm; Pitch = 85 mm



Available in
BluLub®



RS complete curve

MAGNETIC SYSTEM

Solid curve in different materials available on request.

α 15°	α 30°	α 45°	α 60°	α 75°	α 90°	Tracks	W	Material
83211114RS	83211214RS	83211314RS	83211414RS	83211514RS	83211614RS	1	100	<p>Standard codes are for RS for RS^H add "H" for RS^C add "C"</p>
83211124RS	83211224RS	83211324RS	83211424RS	83211524RS	83211624RS	2	185	
83211134RS	83211234RS	83211334RS	83211434RS	83211534RS	83211634RS	3	270	
83211144RS	83211244RS	83211344RS	83211444RS	83211544RS	83211644RS	4	355	
83211154RS	83211254RS	83211354RS	83211454RS	83211554RS	83211654RS	5	440	
83211164RS	83211264RS	83211364RS	83211464RS	83211564RS	83211664RS	6	525	
83211174RS	83211274RS	83211374RS	83211474RS	83211574RS	83211674RS	7	610	
83211184RS	83211284RS	83211384RS	83211484RS	83211584RS	83211684RS	8	695	

Guides replacement kit

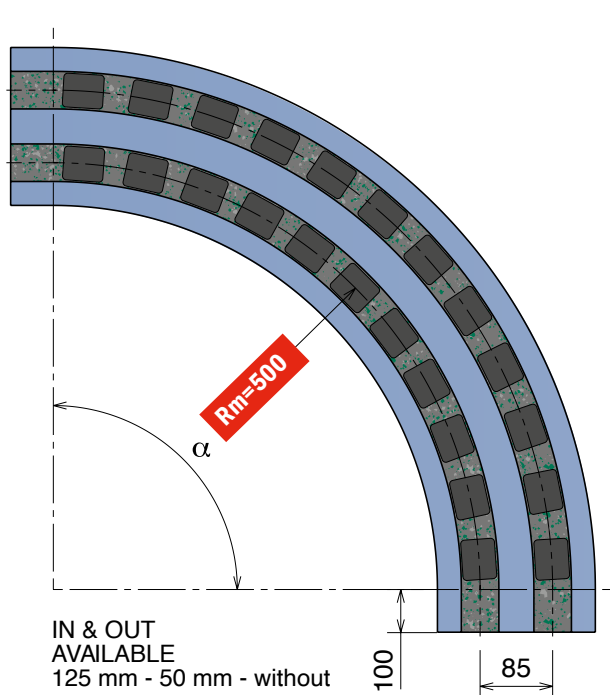
α 15°	α 30°	α 45°	α 60°	α 75°	α 90°	Tracks	W	Material
83211114RS-KIT	83211214RS-KIT	83211314RS-KIT	83211414RS-KIT	83211514RS-KIT	83211614RS-KIT	1	100	<p>Standard codes are for RS Kit for RS^H Kit replace "RS" with "RSH" for RS^C Kit replace "RS" with "RSC"</p>
83211124RS-KIT	83211224RS-KIT	83211324RS-KIT	83211424RS-KIT	83211524RS-KIT	83211624RS-KIT	2	185	
83211134RS-KIT	83211234RS-KIT	83211334RS-KIT	83211434RS-KIT	83211534RS-KIT	83211634RS-KIT	3	270	
83211144RS-KIT	83211244RS-KIT	83211344RS-KIT	83211444RS-KIT	83211544RS-KIT	83211644RS-KIT	4	355	
83211154RS-KIT	83211254RS-KIT	83211354RS-KIT	83211454RS-KIT	83211554RS-KIT	83211654RS-KIT	5	440	
83211164RS-KIT	83211264RS-KIT	83211364RS-KIT	83211464RS-KIT	83211564RS-KIT	83211664RS-KIT	6	525	
83211174RS-KIT	83211274RS-KIT	83211374RS-KIT	83211474RS-KIT	83211574RS-KIT	83211674RS-KIT	7	610	
83211184RS-KIT	83211284RS-KIT	83211384RS-KIT	83211484RS-KIT	83211584RS-KIT	83211684RS-KIT	8	695	

Images may differ from the actual product and are for illustrative purposes only.

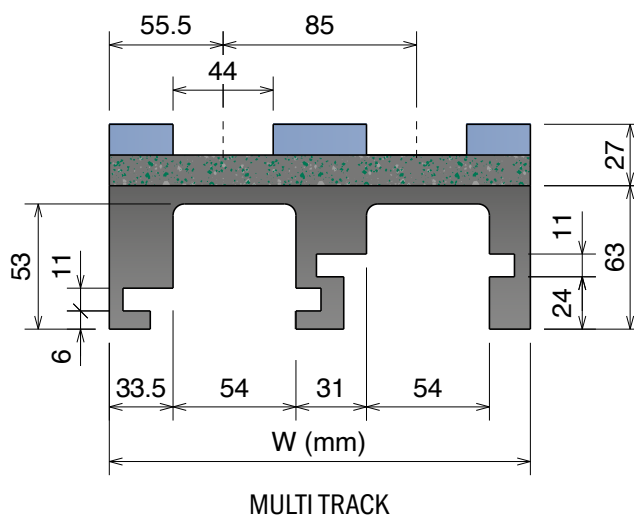
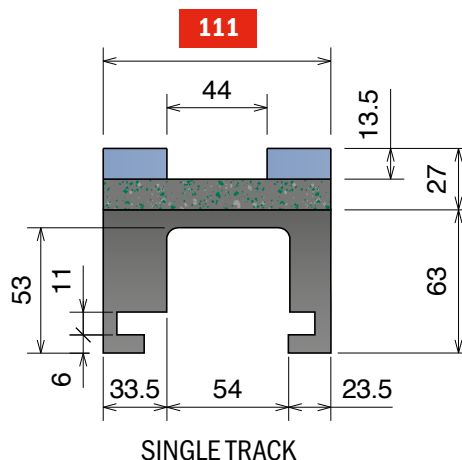
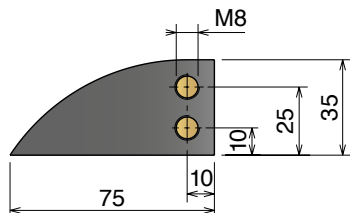
240 XE-260 M MB4 Series

Chain Reference 240 XE - K330 260 M - K330

Curve Basic Width = 111 mm; Pitch = 85 mm



Available in
BluLub®



RS complete curve

MAGNETIC SYSTEM

Solid curve in different materials available on request.

α 15°	α 30°	α 45°	α 60°	α 75°	α 90°	Tracks	W	Material
83311114RS	83311214RS	83311314RS	83311414RS	83311514RS	83311614RS	1	111	<p>Standard codes are for RS for RS^H add "H" for RS^C add "C"</p>
83311124RS	83311224RS	83311324RS	83311424RS	83311524RS	83311624RS	2	196	
83311134RS	83311234RS	83311334RS	83311434RS	83311534RS	83311634RS	3	281	
83311144RS	83311244RS	83311344RS	83311444RS	83311544RS	83311644RS	4	366	
83311154RS	83311254RS	83311354RS	83311454RS	83311554RS	83311654RS	5	451	
83311164RS	83311264RS	83311364RS	83311464RS	83311564RS	83311664RS	6	536	
83311174RS	83311274RS	83311374RS	83311474RS	83311574RS	83311674RS	7	621	
83311184RS	83311284RS	83311384RS	83311484RS	83311584RS	83311684RS	8	706	

Guides replacement kit

α 15°	α 30°	α 45°	α 60°	α 75°	α 90°	Tracks	W	Material
83311114RS-KIT	83311214RS-KIT	83311314RS-KIT	83311414RS-KIT	83311514RS-KIT	83311614RS-KIT	1	111	<p>Standard codes are for RS Kit for RS^H Kit replace "RS" with "RSH" for RS^C Kit replace "RS" with "RSC"</p>
83311124RS-KIT	83311224RS-KIT	83311324RS-KIT	83311424RS-KIT	83311524RS-KIT	83311624RS-KIT	2	196	
83311134RS-KIT	83311234RS-KIT	83311334RS-KIT	83311434RS-KIT	83311534RS-KIT	83311634RS-KIT	3	281	
83311144RS-KIT	83311244RS-KIT	83311344RS-KIT	83311444RS-KIT	83311544RS-KIT	83311644RS-KIT	4	366	
83311154RS-KIT	83311254RS-KIT	83311354RS-KIT	83311454RS-KIT	83311554RS-KIT	83311654RS-KIT	5	451	
83311164RS-KIT	83311264RS-KIT	83311364RS-KIT	83311464RS-KIT	83311564RS-KIT	83311664RS-KIT	6	536	
83311174RS-KIT	83311274RS-KIT	83311374RS-KIT	83311474RS-KIT	83311574RS-KIT	83311674RS-KIT	7	621	
83311184RS-KIT	83311284RS-KIT	83311384RS-KIT	83311484RS-KIT	83311584RS-KIT	83311684RS-KIT	8	706	

240 XE-260 M MB8 Series

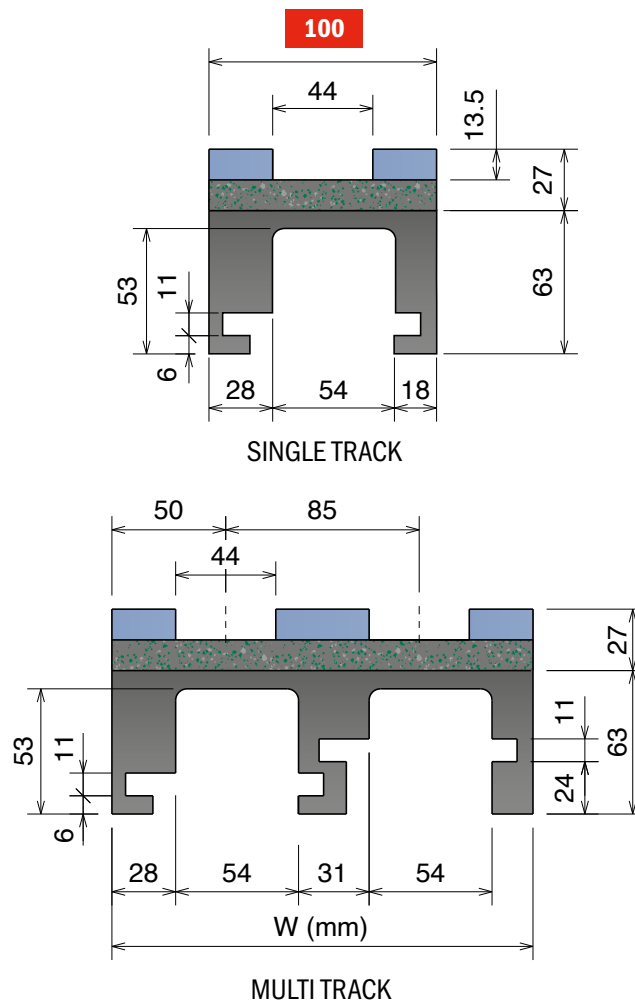
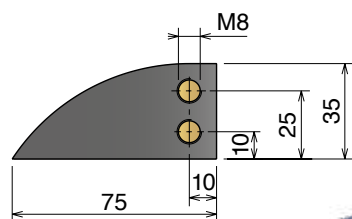
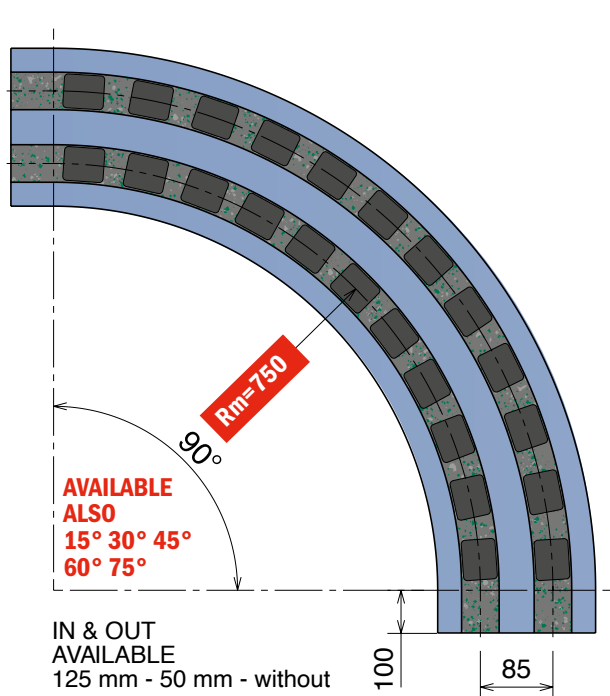
Curve magnetiche, Tab & Bevel / Magnetic, Tab & Bevel corner tracks / Kurvenführungen Magnet, Tab & Bevel Version

Material / Material / Materialien:
UHMW-PE riciclato / Recycling UHMW-PE
Rezykliertes UHMW-PE
BluLub Guide / Guides / Gleitprofile

240 XE-260 M MB8 Series

Chain Reference 240 XE - K330 260 M - K330

Curve Basic Width = 100 mm; Pitch = 85 mm



RS complete curve

α 90°	Tracks	W	Material
83216614RS	1	100	Standard codes are for RS
83216624RS	2	185	
83216634RS	3	270	
83216644RS	4	355	for RS^H
83216654RS	5	440	add "H"
83216664RS	6	525	for RS^C
83216674RS	7	610	
83216684RS	8	695	

Guides replacement kit

α 90°	Tracks	W	Material
83216614RS-KIT	1	100	Standard codes are for RS Kit
83216624RS-KIT	2	185	
83216634RS-KIT	3	270	
83216644RS-KIT	4	355	for RS^H Kit
83216654RS-KIT	5	440	replace "RS" with "RSH"
83216664RS-KIT	6	525	for RS^C Kit
83216674RS-KIT	7	610	
83216684RS-KIT	8	695	

MAGNETIC SYSTEM

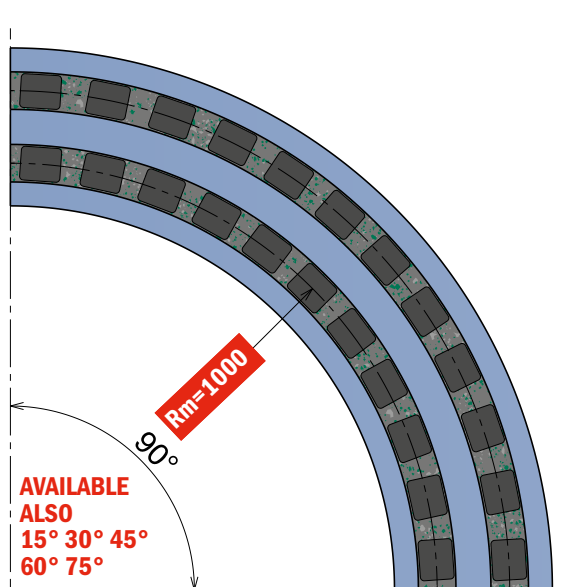
Solid curve in different materials available on request.

Images may differ from the actual product and are for illustrative purposes only.

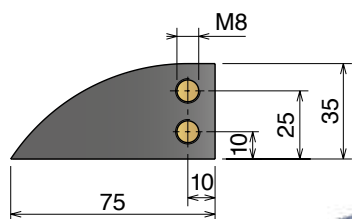
240 XE-260 M MB5D Series

Chain Reference 240 XE - K330 260 M - K330

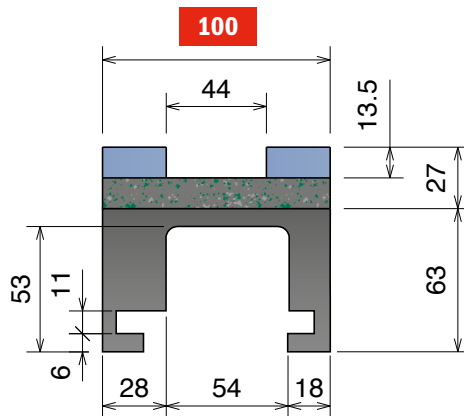
Curve Basic Width = 100 mm; Pitch = 85 mm



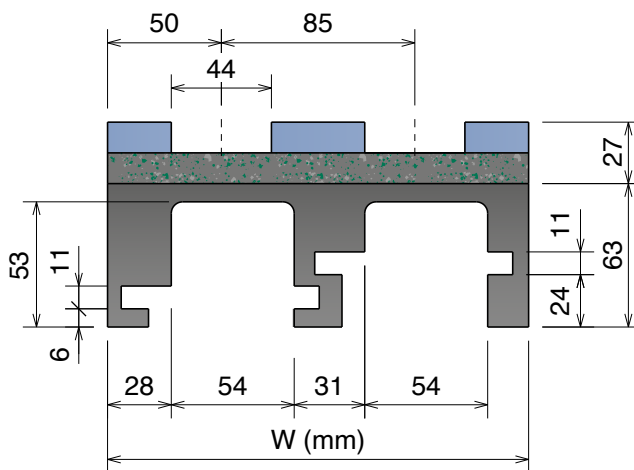
IN & OUT
 AVAILABLE ALSO
 125 mm - 100 mm - 50 mm



Available in
BluLub®



SINGLE TRACK



W (mm)
 MULTI TRACK

RS complete curve

α 90°	Tracks	W	Material
83219610RS	1	100	Standard codes are for RS
83219620RS	2	185	
83219630RS	3	270	for RS^H add "H"
83219640RS	4	355	
83219650RS	5	440	for RS^C add "C"
83219660RS	6	525	
83219670RS	7	610	
83219680RS	8	695	

Guides replacement kit

α 90°	Tracks	W	Material
83219610RS-KIT	1	100	Standard codes are for RS Kit
83219620RS-KIT	2	185	
83219630RS-KIT	3	270	for RS^H Kit replace "RS" with "RS ^H "
83219640RS-KIT	4	355	
83219650RS-KIT	5	440	for RS^C Kit replace "RS" with "RS ^C "
83219660RS-KIT	6	525	
83219670RS-KIT	7	610	
83219680RS-KIT	8	695	

MAGNETIC SYSTEM

Solid curve in different materials
 available on request.

240 XE-260 M MB22 Series

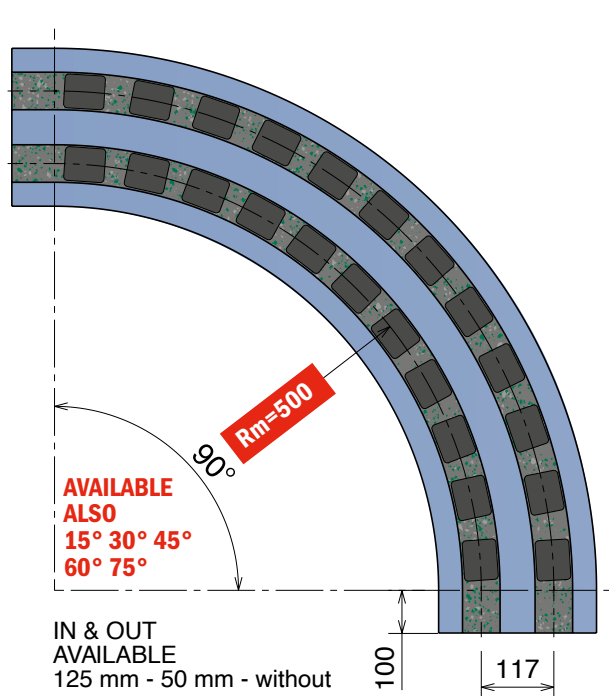
Curve magnetiche, Tab & Bevel / Magnetic, Tab & Bevel corner tracks / Kurvenführungen Magnet, Tab & Bevel Version

Materiale / Material / Materialien:
UHMW-PE riciclato / Recycling UHMW-PE
Rezykliertes UHMW-PE
BluLub Guide / Guides / Gleitprofile

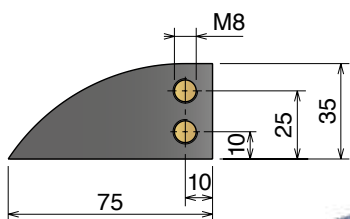
240 XE-260 M MB22 Series

Chain Reference 240 XE - K330 260 M - K450

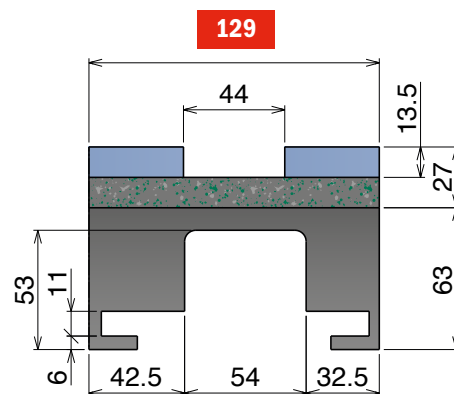
Curve Basic Width = 129 mm; Pitch = 117 mm



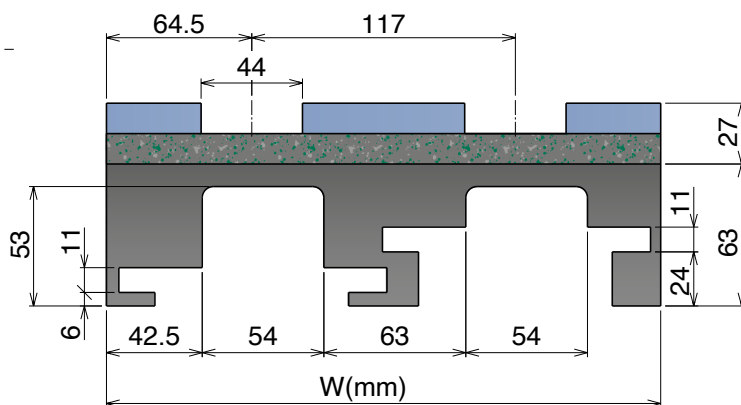
IN & OUT AVAILABLE
125 mm - 50 mm - without



Available in
BluLub®



SINGLE TRACK



W(mm)
MULTI TRACK

RS complete curve

α 90°	Tracks	W	Material
83411614RS	1	129	Standard codes are for RS
83411624RS	2	246	
83411634RS	3	363	for RS^H add "H"
83411644RS	4	480	



for **RS^C**
add "C"

Guides replacement kit

α 90°	Tracks	W	Material
83411614RS-KIT	1	129	Standard codes are for RS Kit
83411624RS-KIT	2	246	
83411634RS-KIT	3	363	for RS^H Kit replace "RS" with "RSH"
83411644RS-KIT	4	480	



for **RS^C Kit**
replace "RS" with "RSC"

MAGNETIC SYSTEM

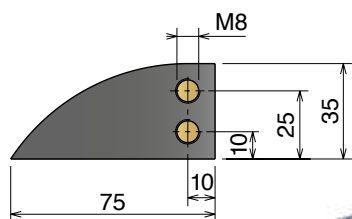
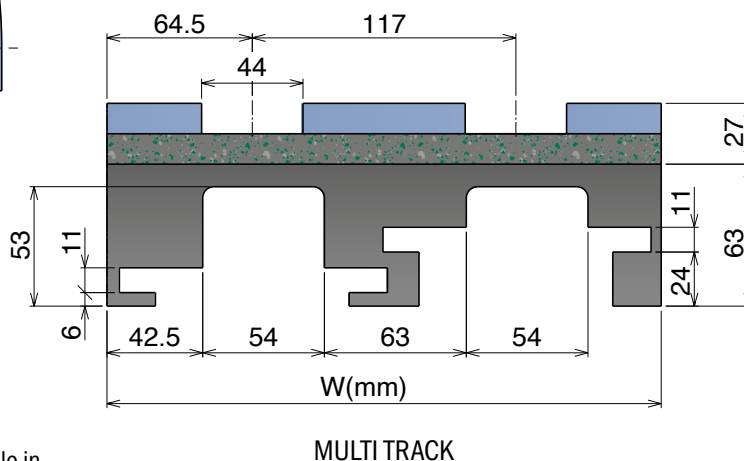
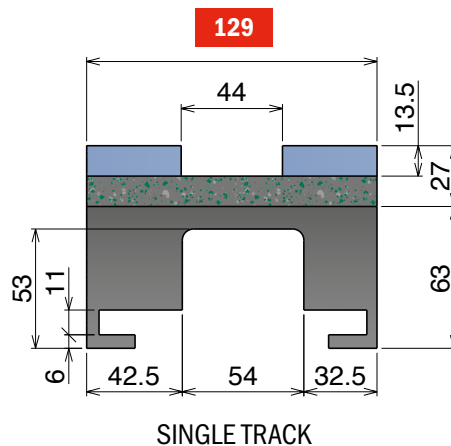
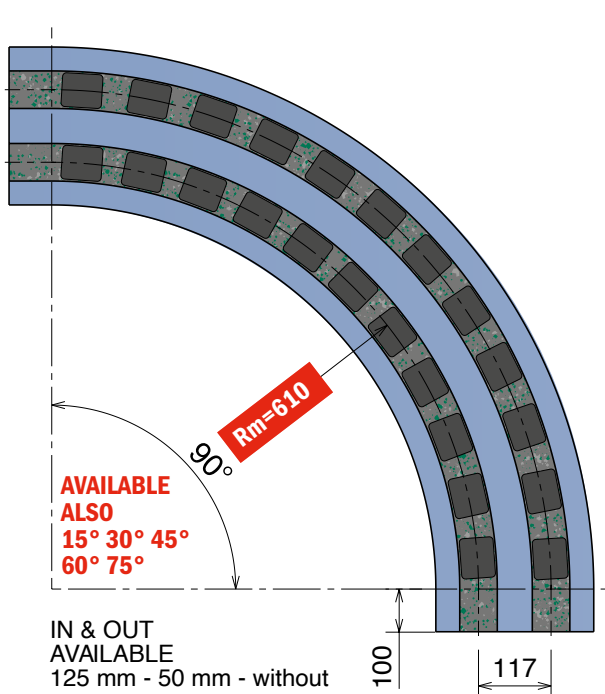
Solid curve in different materials
available on request.

Images may differ from the actual product and are for illustrative purposes only.

240 XE-260 M MB27 Series




Chain Reference 240 XE - K330 260 M - K450

Curve Basic Width = 129 mm; Pitch = 117 mm





Available in
BluLub®

RS complete curve

α 90°	Tracks	W	Material
83413614RS	1	129	 Standard codes are for RS
83413624RS	2	246	
83413634RS	3	363	
83413644RS	4	480	
			 for RS^H add "H"
			 for RS^C add "C"

Guides replacement kit

α 90°	Tracks	W	Material
83413614RS-KIT	1	129	 Standard codes are for RS Kit
83413624RS-KIT	2	246	
83413634RS-KIT	3	363	
83413644RS-KIT	4	480	
			 for RS^H Kit replace "RS" with "RS ^H "
			 for RS^C Kit replace "RS" with "RS ^C "

MAGNETIC SYSTEM

Solid curve in different materials
 available on request.

261 M MC7 Series

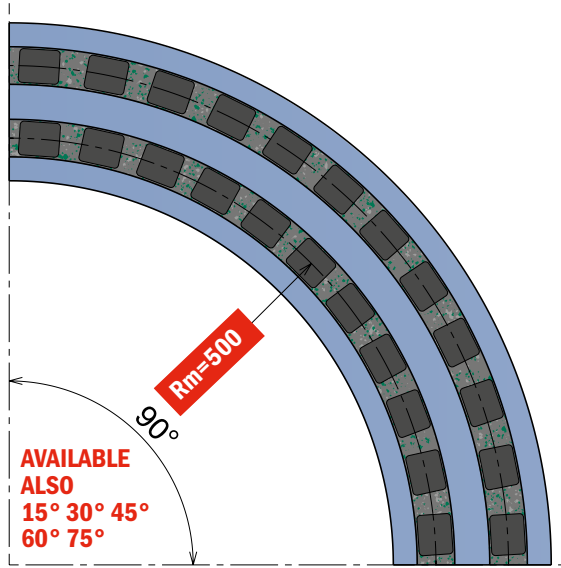
Curve magnetiche, Tab & Bevel / Magnetic, Tab & Bevel corner tracks / Kurvenführungen Magnet, Tab & Bevel Version

Materiale / Material / Materialien:
UHMW-PE riciclato / Recycling UHMW-PE
Rezykliertes UHMW-PE
BluLub Guide / Guides / Gleitprofile

261 M MC7 Series

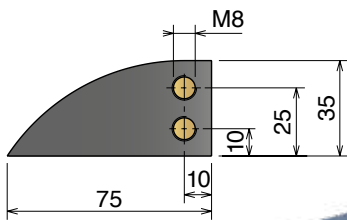
Chain Reference 261 M - K330

Curve Basic Width = 100 mm; Pitch = 85 mm

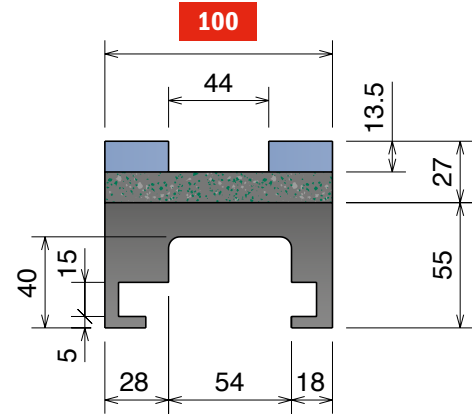


AVAILABLE ALSO
15° 30° 45°
60° 75°

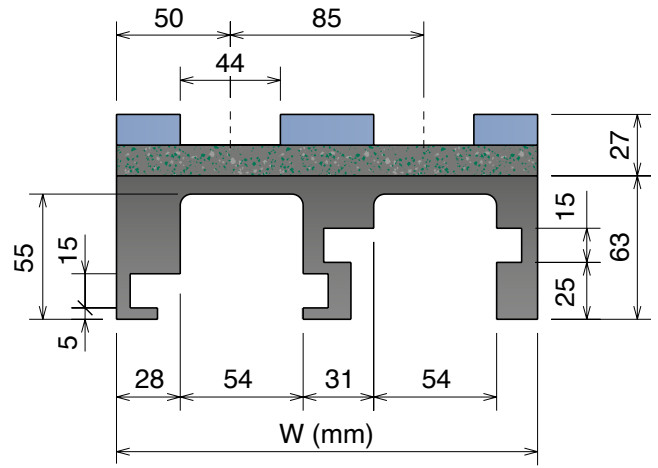
IN & OUT AVAILABLE ALSO
125 mm - 100 mm - 50 mm



Available in
BluLub®



SINGLE TRACK



MULTI TRACK

RS complete curve

α 90°	Tracks	W	Material
80611610RS	1	100	Standard codes are for RS
80611620RS	2	185	
80611630RS	3	270	for RS^H add "H"
80611640RS	4	355	
80611650RS	5	440	for RS^C add "C"
80611660RS	6	525	
80611670RS	7	610	
80611680RS	8	695	

Guides replacement kit

α 90°	Tracks	W	Material
80611610RS-KIT	1	100	Standard codes are for RS Kit
80611620RS-KIT	2	185	
80611630RS-KIT	3	270	for RS^H Kit replace "RS" with "RSH"
80611640RS-KIT	4	355	
80611650RS-KIT	5	440	for RS^C Kit replace "RS" with "RSC"
80611660RS-KIT	6	525	
80611670RS-KIT	7	610	
80611680RS-KIT	8	695	

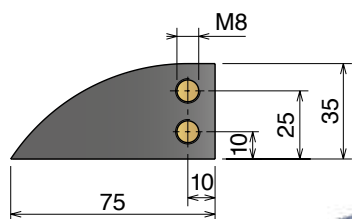
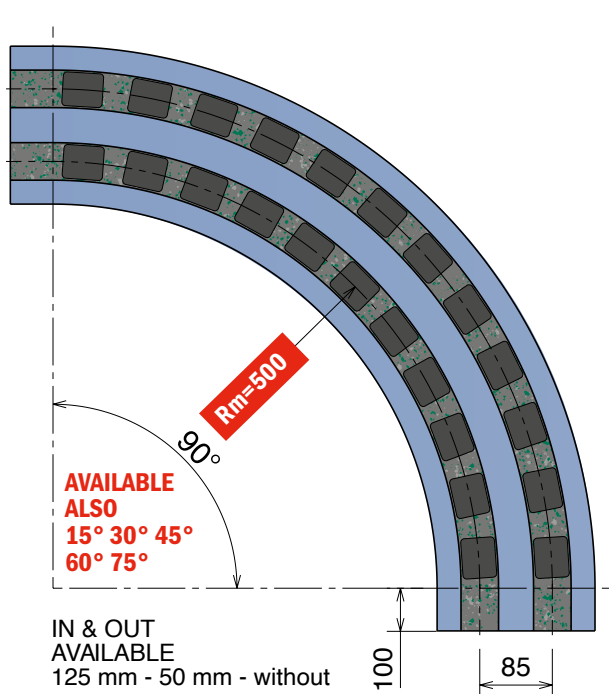
MAGNETIC SYSTEM

Solid curve in different materials available on request.

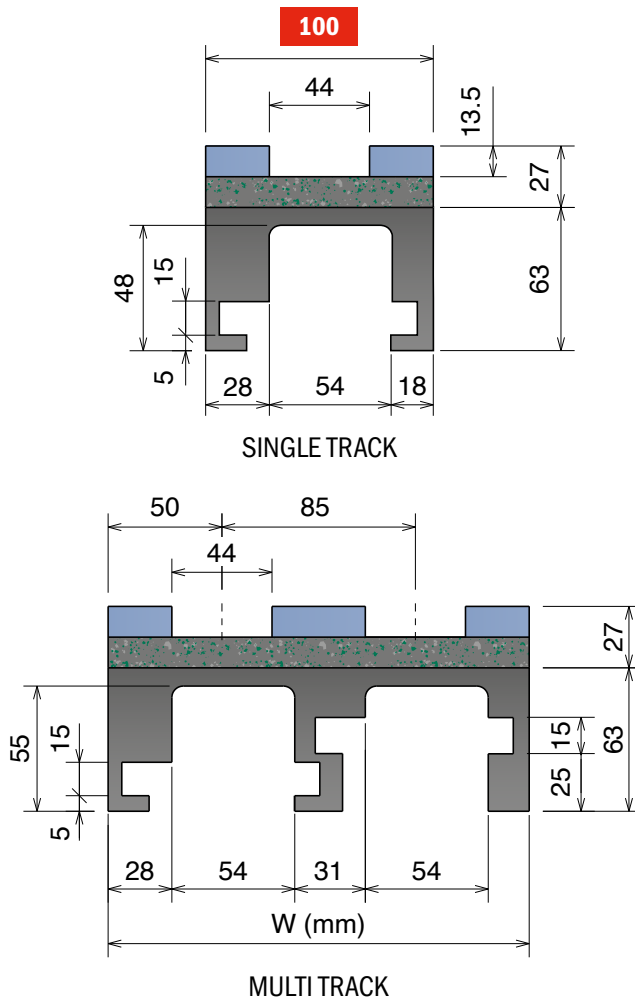
261 M MC6 Series

Chain Reference 261 M - K330

Curve Basic Width = 100 mm; Pitch = 85 mm



Available in **BluLub®**



RS complete curve

α 90°	Tracks	W	Material
80611614RS	1	100	Standard codes are for RS
80611624RS	2	185	
80611634RS	3	270	for RS^H add "H"
80611644RS	4	355	
80611654RS	5	440	for RS^C add "C"
80611664RS	6	525	
80611674RS	7	610	
80611684RS	8	695	

Guides replacement kit

α 90°	Tracks	W	Material
80611614RS-KIT	1	100	Standard codes are for RS Kit
80611624RS-KIT	2	185	
80611634RS-KIT	3	270	for RS^H Kit replace "RS" with "RS ^H "
80611644RS-KIT	4	355	
80611654RS-KIT	5	440	for RS^C Kit replace "RS" with "RS ^C "
80611664RS-KIT	6	525	
80611674RS-KIT	7	610	
80611684RS-KIT	8	695	

MAGNETIC SYSTEM

Solid curve in different materials available on request.

261 M MC4 Series

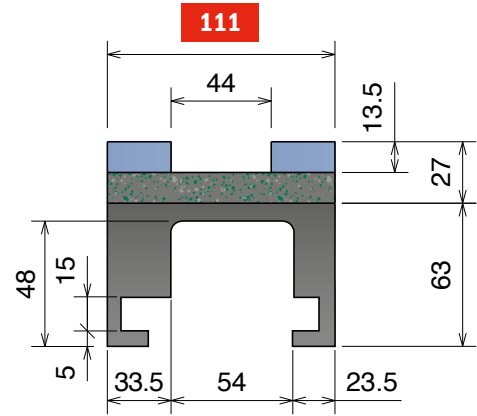
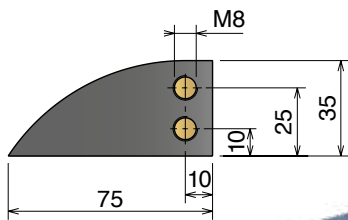
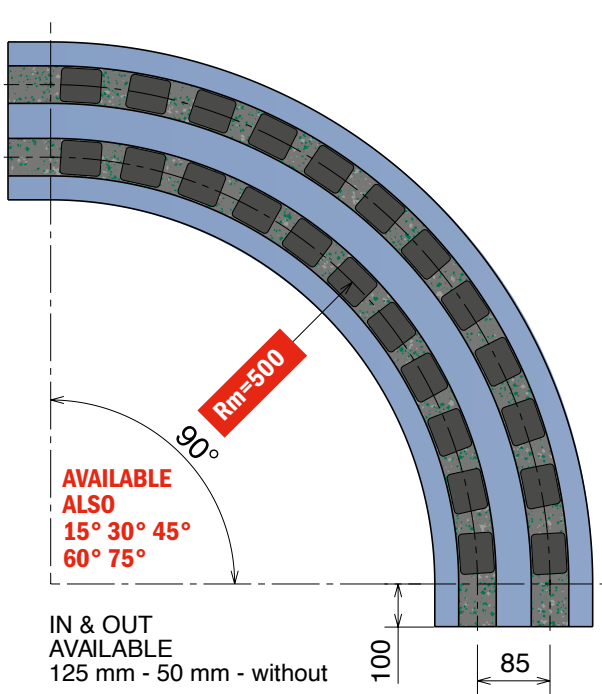
Curve magnetiche, Tab & Bevel / Magnetic, Tab & Bevel corner tracks / Kurvenführungen Magnet, Tab & Bevel Version

Materiale / Material / Materialien:
UHMW-PE riciclato / Recycling UHMW-PE
Rezykliertes UHMW-PE
BluLub Guide / Guides / Gleitprofile

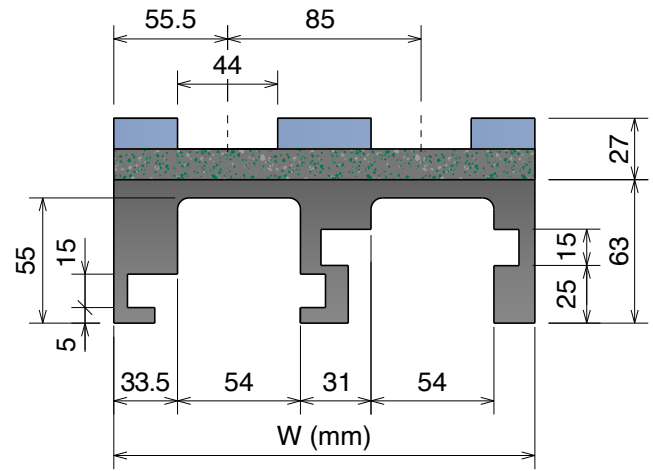
261 M MC4 Series

Chain Reference 261 M - K330

Curve Basic Width = 111 mm; Pitch = 85 mm



SINGLE TRACK



MULTI TRACK

RS complete curve

α 90°	Tracks	W	Material
83511614RS	1	111	Standard codes are for RS
83511624RS	2	196	
83511634RS	3	281	for RS^H add "H"
83511644RS	4	366	
83511654RS	5	451	for RS^C add "C"
83511664RS	6	536	
83511674RS	7	621	
83511684RS	8	706	

Guides replacement kit

α 90°	Tracks	W	Material
83511614RS-KIT	1	111	Standard codes are for RS Kit
83511624RS-KIT	2	196	
83511634RS-KIT	3	281	for RS^H Kit replace "RS" with "RSH"
83511644RS-KIT	4	366	
83511654RS-KIT	5	451	for RS^C Kit replace "RS" with "RSC"
83511664RS-KIT	6	536	
83511674RS-KIT	7	621	
83511684RS-KIT	8	706	

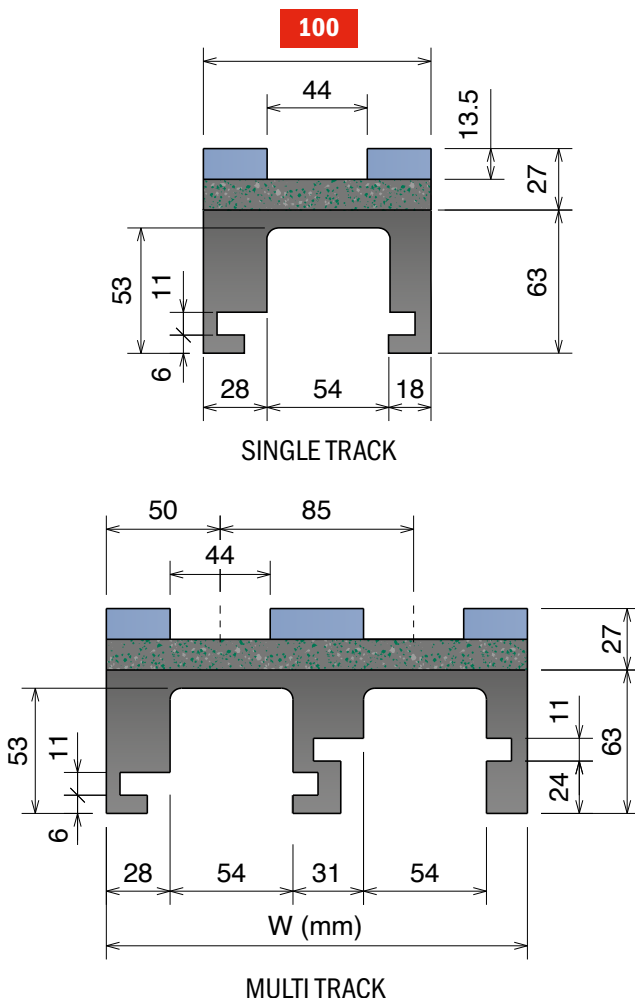
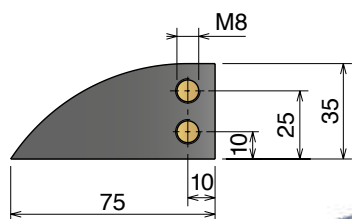
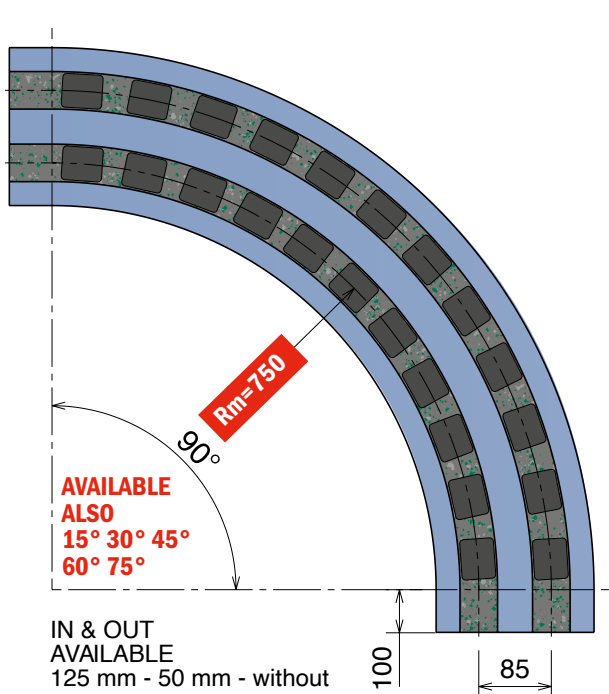
MAGNETIC SYSTEM

Solid curve in different materials available on request.

261 M MC8 Series

Chain Reference 261 M - K330

Curve Basic Width = 100 mm; Pitch = 85 mm



RS complete curve

α 90°	Tracks	W	Material
80616614RS	1	100	Standard codes are for RS
80616624RS	2	185	
80616634RS	3	270	for RS^H add "H"
80616644RS	4	355	
80616654RS	5	440	for RS^C add "C"
80616664RS	6	525	
80616674RS	7	610	
80616684RS	8	695	

Guides replacement kit

α 90°	Tracks	W	Material
80616614RS-KIT	1	100	Standard codes are for RS Kit
80616624RS-KIT	2	185	
80616634RS-KIT	3	270	for RS^H Kit replace "RS" with "RS ^H "
80616644RS-KIT	4	355	
80616654RS-KIT	5	440	for RS^C Kit replace "RS" with "RS ^C "
80616664RS-KIT	6	525	
80616674RS-KIT	7	610	
80616684RS-KIT	8	695	

MAGNETIC SYSTEM

Solid curve in different materials available on request.

261 M MC5D Series

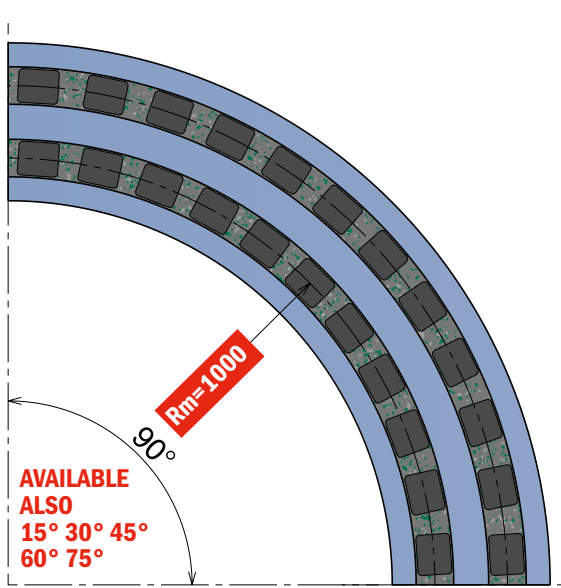
Curve magnetiche, Tab & Bevel / Magnetic, Tab & Bevel corner tracks / Kurvenführungen Magnet, Tab & Bevel Version

Materiale / Material / Materialien:
UHMW-PE riciclato / Recycling UHMW-PE
Rezykliertes UHMW-PE
BluLub Guide / Guides / Gleitprofile

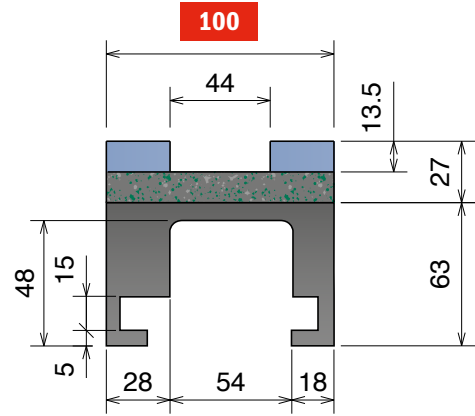
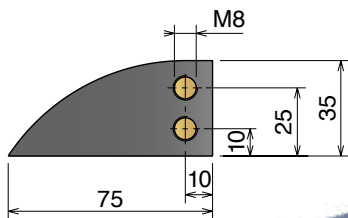
261 M MC5D Series

Chain Reference 261 M - K330

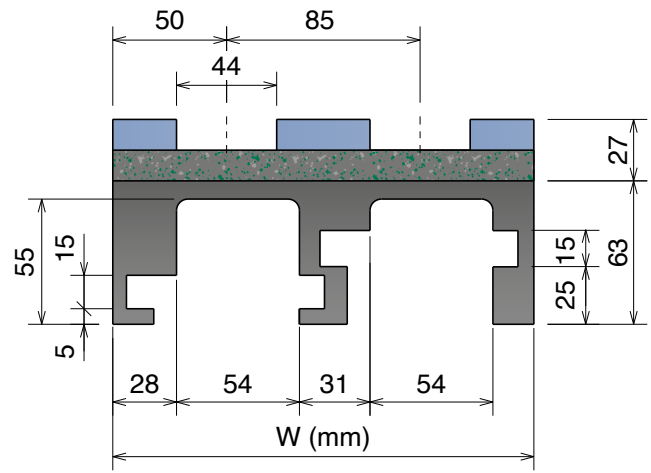
Curve Basic Width = 100 mm; Pitch = 85 mm



IN & OUT AVAILABLE
125 mm - 100 mm - 50 mm



SINGLE TRACK



MULTI TRACK

RS complete curve

α 90°	Tracks	W	Material
80619610RS	1	100	Standard codes are for RS
80619620RS	2	185	
80619630RS	3	270	
80619640RS	4	355	for RS^H
80619650RS	5	440	add "H"
80619660RS	6	525	for RS^C
80619670RS	7	610	add "C"
80619680RS	8	695	

Guides replacement kit

α 90°	Tracks	W	Material
80619610RS-KIT	1	100	Standard codes are for RS Kit
80619620RS-KIT	2	185	
80619630RS-KIT	3	270	
80619640RS-KIT	4	355	for RS^H Kit
80619650RS-KIT	5	440	replace "RS" with "RS ^H "
80619660RS-KIT	6	525	for RS^C Kit
80619670RS-KIT	7	610	replace "RS" with "RS ^C "
80619680RS-KIT	8	695	

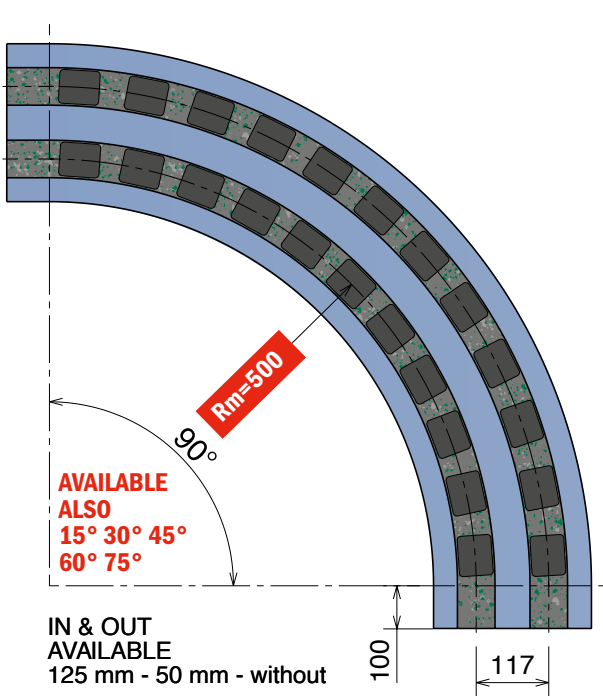
MAGNETIC SYSTEM

Solid curve in different materials available on request.

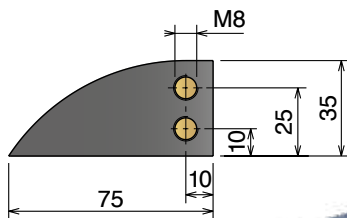
261 M MC22 Series

Chain Reference 261 M - K450

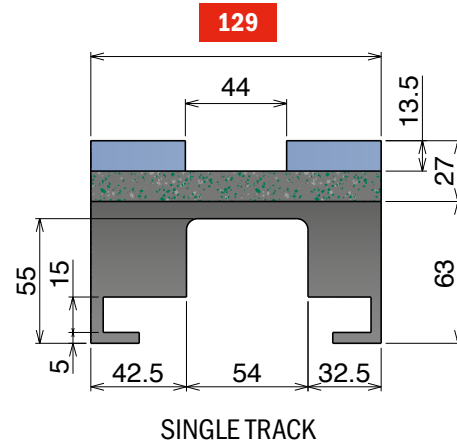
Curve Basic Width = 129 mm; Pitch = 117 mm



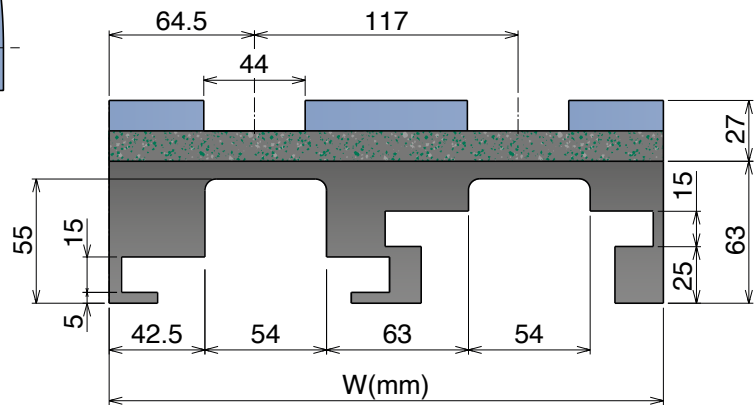
IN & OUT AVAILABLE
 125 mm - 50 mm - without



Available in
BluLub®






SINGLE TRACK



MULTI TRACK

RS complete curve

α 90°	Tracks	W	Material
83611614RS	1	129	 Standard codes are for RS  for RS^H add "H"  for RS^C add "C"
83611624RS	2	246	
83611634RS	3	363	
83611644RS	4	480	

Guides replacement kit

α 90°	Tracks	W	Material
83611614RS-KIT	1	129	 Standard codes are for RS Kit  for RS^H Kit replace "RS" with "RS ^H "  for RS^C Kit replace "RS" with "RS ^C "
83611624RS-KIT	2	246	
83611634RS-KIT	3	363	
83611644RS-KIT	4	480	

MAGNETIC SYSTEM

Solid curve in different materials
 available on request.

261 M MC27 Series

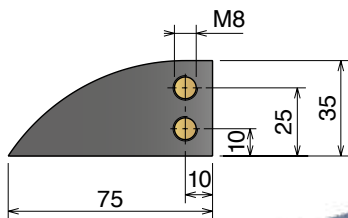
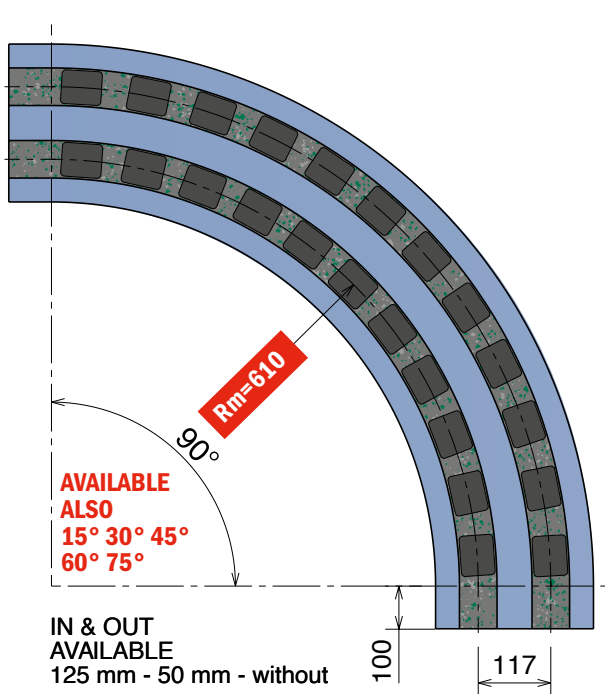
Curve magnetiche, Tab & Bevel / Magnetic, Tab & Bevel corner tracks / Kurvenführungen Magnet, Tab & Bevel Version

Material / Material / Materialien:
 UHMW-PE riciclato / Recycling UHMW-PE
 Rezykliertes UHMW-PE
 BluLub Guide / Guides / Gleitprofile

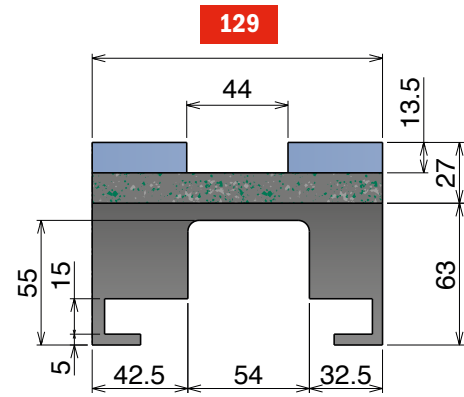
261 M MC27 Series

Chain Reference 261 M - K450

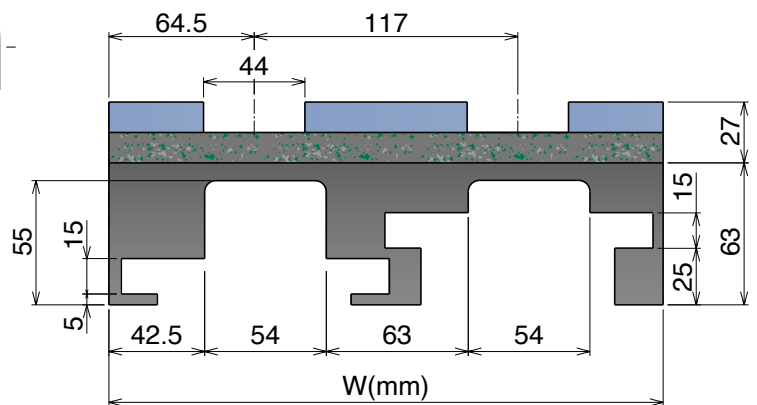
Curve Basic Width = 129 mm; Pitch = 117 mm



Available in **BluLub®**



SINGLE TRACK



MULTI TRACK

RS complete curve

α 90°	Tracks	W	Material
83613614RS	1	129	Standard codes are for RS
83613624RS	2	246	
83613634RS	3	363	for RS^H add "H"
83613644RS	4	480	

for **RS^C** add "C"

Guides replacement kit

α 90°	Tracks	W	Material
83613614RS-KIT	1	129	Standard codes are for RS Kit
83613624RS-KIT	2	246	
83613634RS-KIT	3	363	for RS^H Kit replace "RS" with "RSH"
83613644RS-KIT	4	480	

for **RS^C Kit** replace "RS" with "RSC"

MAGNETIC SYSTEM

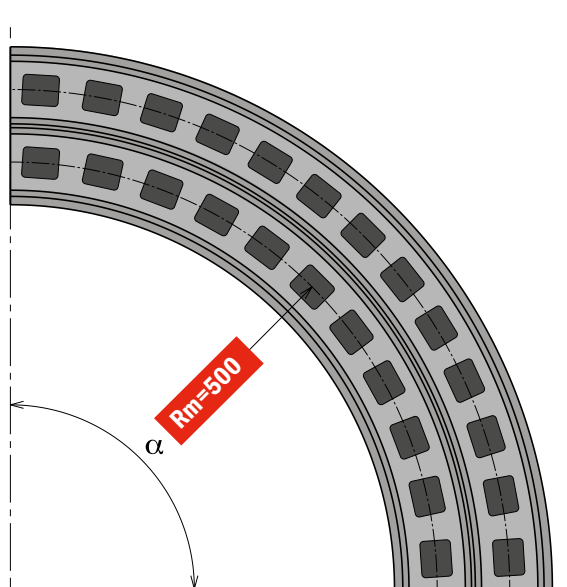
Solid curve in different materials available on request.

Images may differ from the actual product and are for illustrative purposes only.

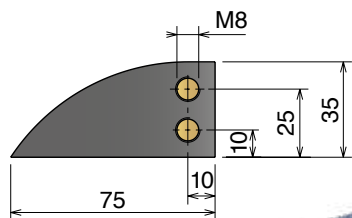
520 M MA7 Series

Chain Reference 520 M - K330

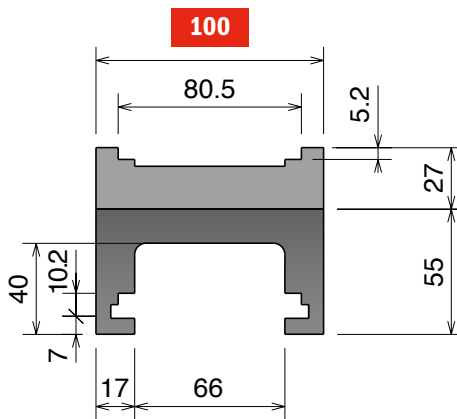
Curve Basic Width = 100 mm; Pitch = 85 mm



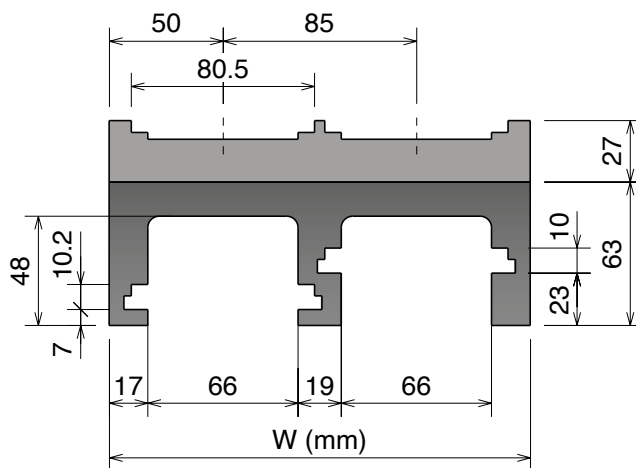
IN & OUT
 AVAILABLE ALSO
 125 mm - 100 mm - 50 mm



Available in
BluLub®



SINGLE TRACK



MULTI TRACK

SOLID complete curve

MAGNETIC SYSTEM

Solid curve in different materials available on request.

α 15°	α 30°	α 45°	α 60°	α 75°	α 90°	Tracks	W	Material
85011110	85011210	85011310	85011410	85011510	85011610	1	100	Standard codes for UHMW-PE
85011120	85011220	85011320	85011420	85011520	85011620	2	185	
85011130	85011230	85011330	85011430	85011530	85011630	3	270	
85011140	85011240	85011340	85011440	85011540	85011640	4	355	for BluLub® add "B"
85011150	85011250	85011350	85011450	85011550	85011650	5	440	
85011160	85011260	85011360	85011460	85011560	85011660	6	525	for Abrasive add "C"
85011170	85011270	85011370	85011470	85011570	85011670	7	610	
85011180	85011280	85011380	85011480	85011580	85011680	8	695	

520 M MA6 Series

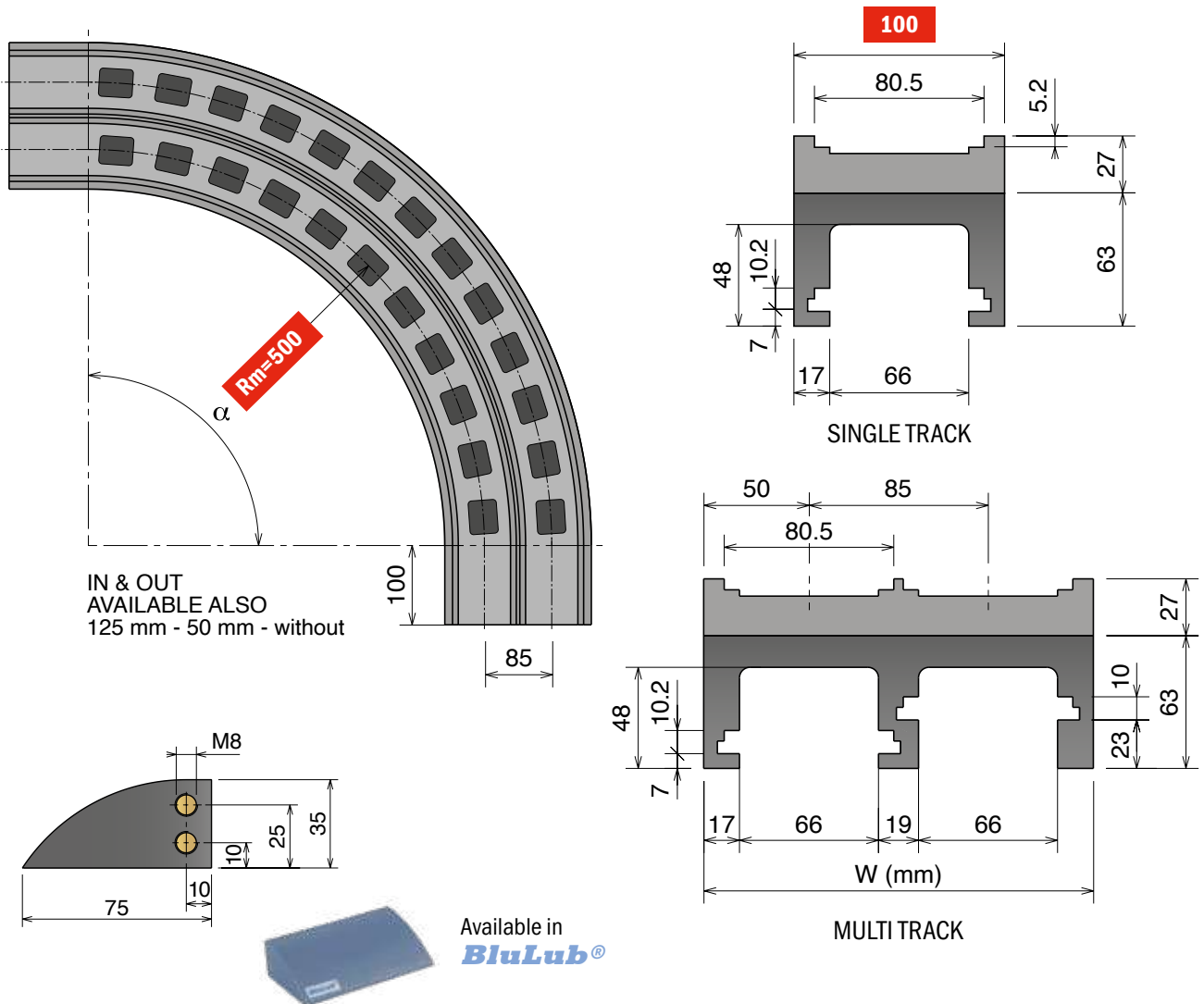
Curve magnetiche, Tab & Bevel / Magnetic, Tab & Bevel corner tracks / Kurvenführungen Magnet, Tab & Bevel Version

Materiale / Material / Materialien:
 Polietilene UHMW-PE
 Polyethylene UHMW-PE
 Polyäthylen UHMW-PE

520 M MA6 Series

Chain Reference 520 M - K330

Curve Basic Width = 100 mm; Pitch = 85 mm



SOLID complete curve

MAGNETIC SYSTEM

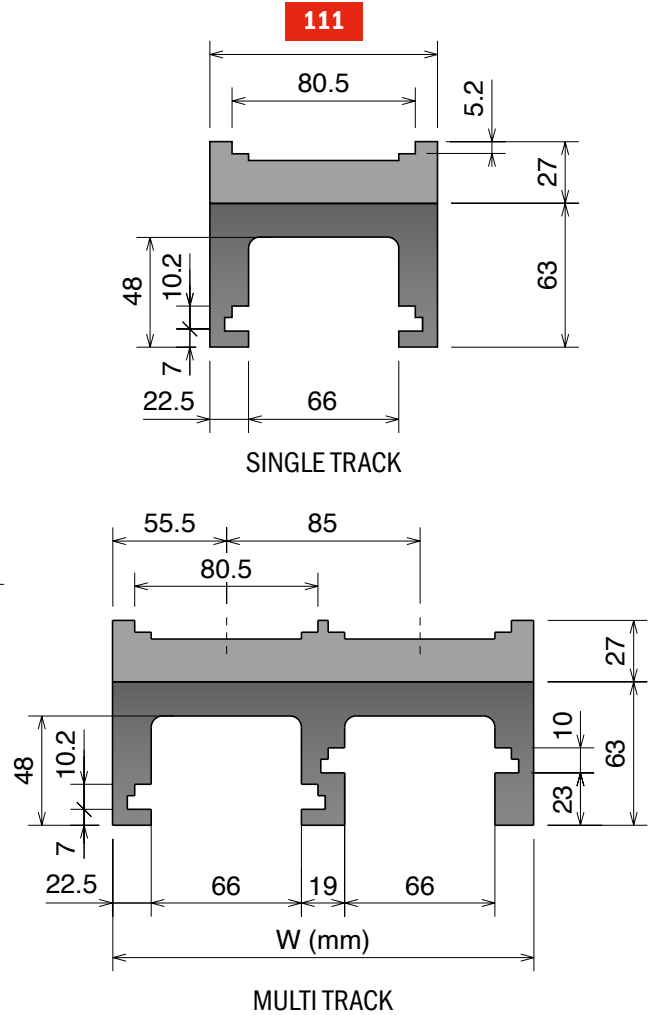
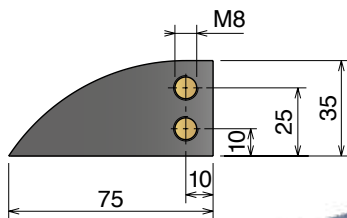
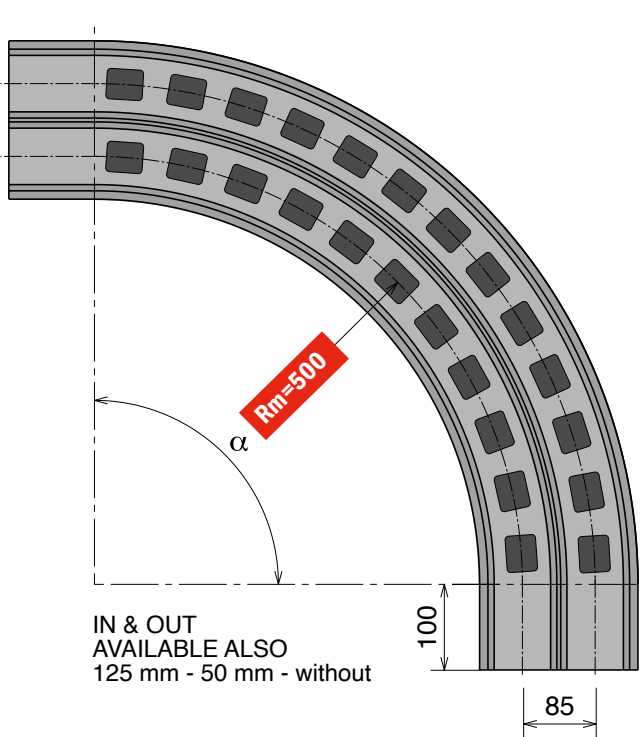
Solid curve in different materials available on request.

α 15°	α 30°	α 45°	α 60°	α 75°	α 90°	Tracks	W	Material
85011114	85011214	85011314	85011414	85011514	85011614	1	100	Standard codes for UHMW-PE
85011124	85011224	85011324	85011424	85011524	85011624	2	185	
85011134	85011234	85011334	85011434	85011534	85011634	3	270	for BluLub® add "B"
85011144	85011244	85011344	85011444	85011544	85011644	4	355	
85011154	85011254	85011354	85011454	85011554	85011654	5	440	for C Abrasive add "C"
85011164	85011264	85011364	85011464	85011564	85011664	6	525	
85011174	85011274	85011374	85011474	85011574	85011674	7	610	
85011184	85011284	85011384	85011484	85011584	85011684	8	695	

520 M MA4 Series

Chain Reference 520 M - K330

Curve Basic Width = 111 mm; Pitch = 85 mm



SOLID complete curve

MAGNETIC SYSTEM

Solid curve in different materials available on request.

α 15°	α 30°	α 45°	α 60°	α 75°	α 90°	Tracks	W	Material
85111114	85111214	85111314	85111414	85111514	85111614	1	111	Standard codes for UHMW-PE
85111124	85111224	85111324	85111424	85111524	85111624	2	196	
85111134	85111234	85111334	85111434	85111534	85111634	3	281	for BluLub® add "B"
85111144	85111244	85111344	85111444	85111544	85111644	4	366	
85111154	85111254	85111354	85111454	85111554	85111654	5	451	for Abrasive add "C"
85111164	85111264	85111364	85111464	85111564	85111664	6	536	
85111174	85111274	85111374	85111474	85111574	85111674	7	621	
85111184	85111284	85111384	85111484	85111584	85111684	8	706	

520 M MA8 Series

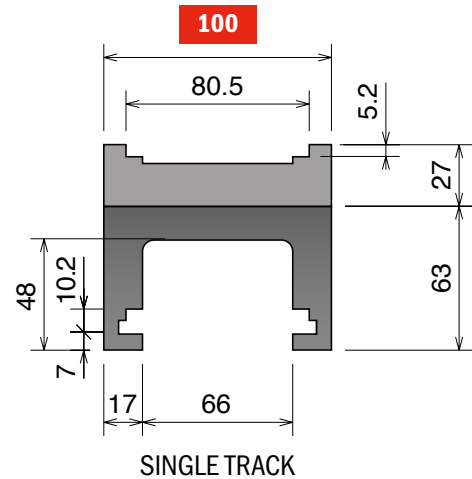
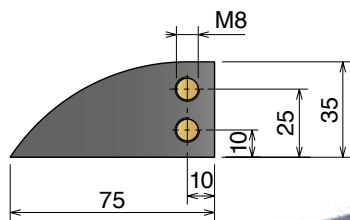
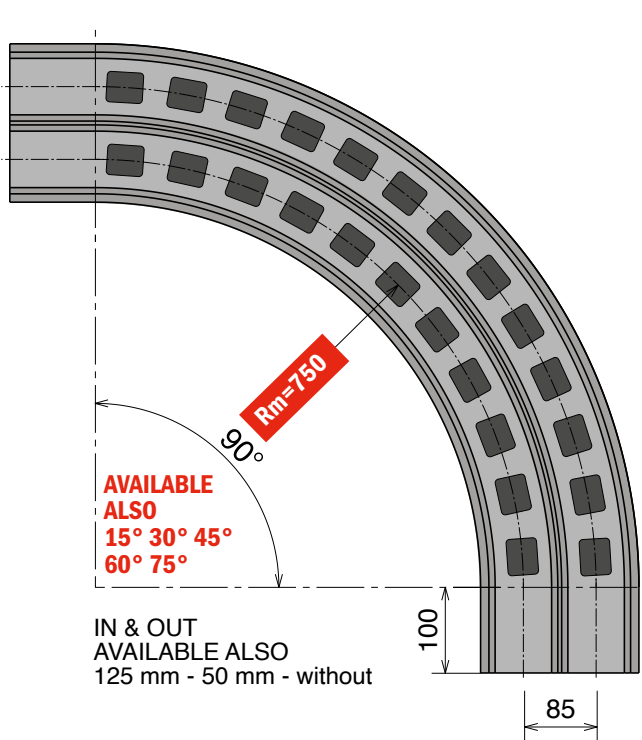
Curve magnetice, Tab & Bevel / Magnetic, Tab & Bevel corner tracks / Kurvenführungen Magnet, Tab & Bevel Version

Materiale / Material / Materialien:
 Polietilene UHMW-PE
 Polyethylene UHMW-PE
 Polyäthylen UHMW-PE

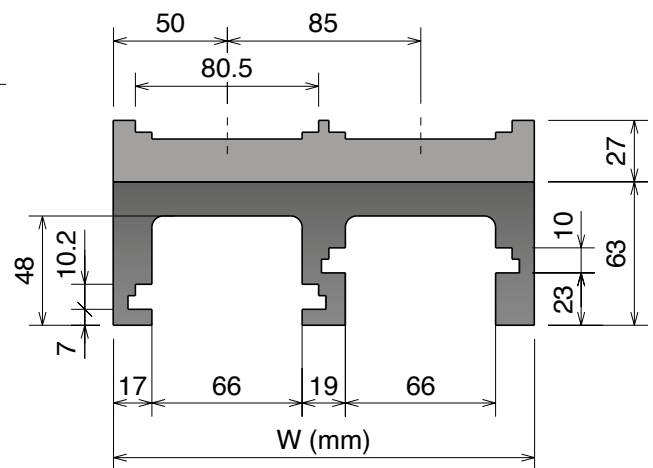
520 M MA8 Series

Chain Reference 520 M - K330

Curve Basic Width = 100 mm; Pitch = 85 mm



SINGLE TRACK



MULTI TRACK

SOLID complete curve

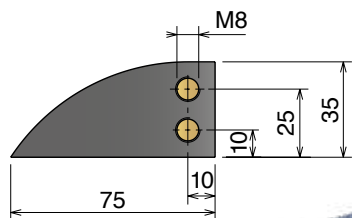
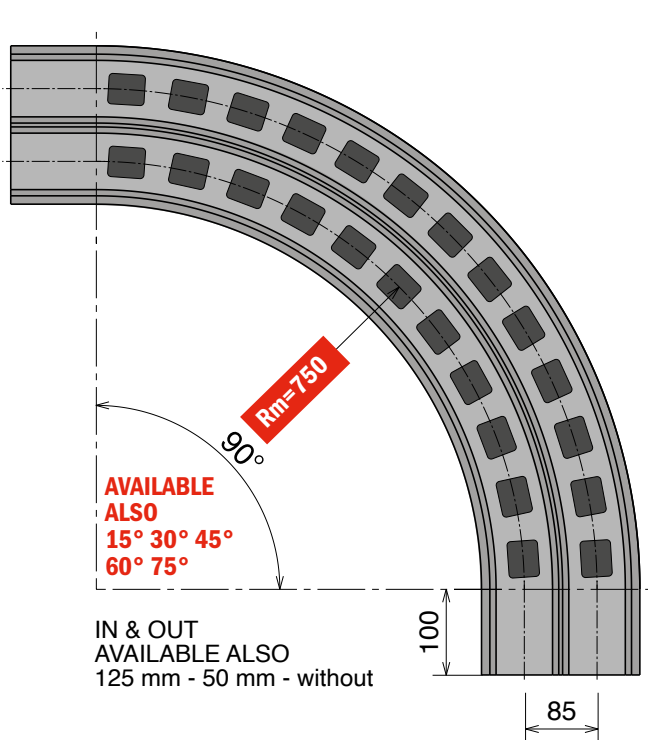
α 90°	Tracks	W	Material
85016614	1	100	Standard codes for UHMW-PE
85016624	2	185	
85016634	3	270	
85016644	4	355	for BluLub® add "B"
85016654	5	440	
85016664	6	525	for C Abrasive add "C"
85016674	7	610	
85016684	8	695	

MAGNETIC SYSTEM

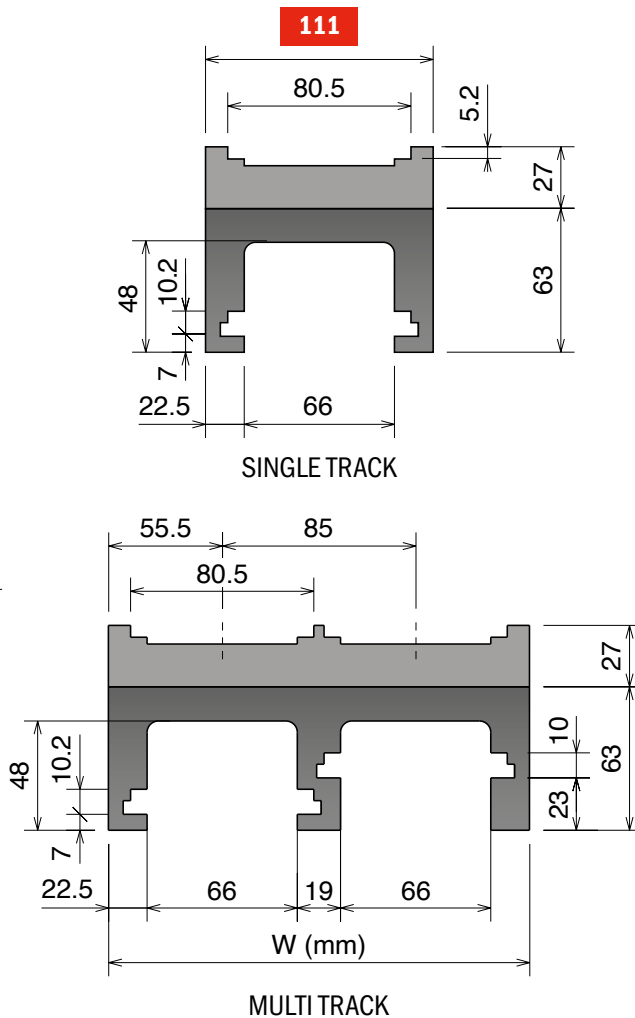
520 M MA42 Series

Chain Reference 520 M - K330




Curve Basic Width = 111 mm; Pitch = 85 mm



Available in **BluLub®**



SOLID complete curve

α 90°	Tracks	W	Material
85116614	1	111	 Standard codes for UHMW-PE
85116624	2	196	
85116634	3	281	 for BluLub® add " B "
85116644	4	366	
85116654	5	451	 for C Abrasive add " C "
85116664	6	536	
85116674	7	621	
85116684	8	706	

MAGNETIC SYSTEM

520 M MA43 Series

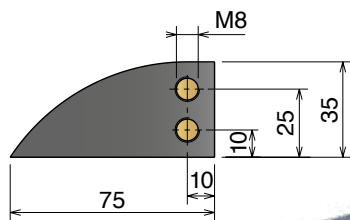
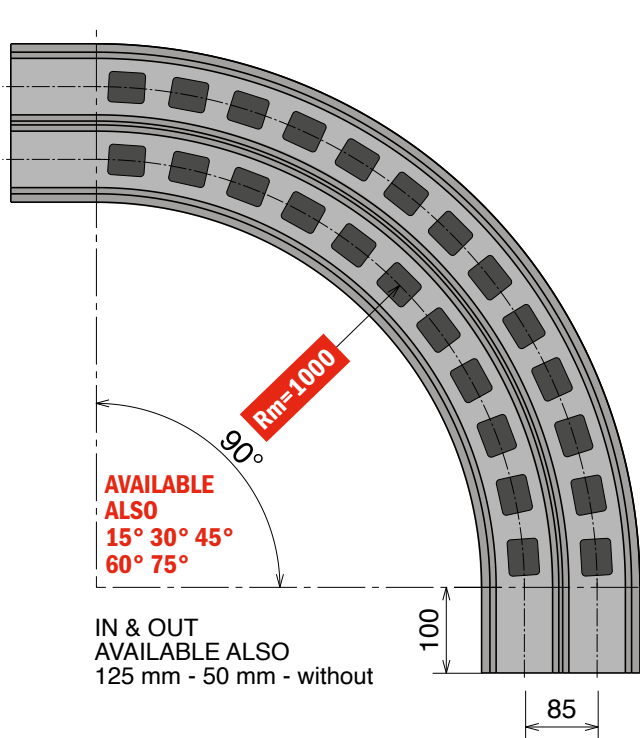
Curve magnetice, Tab & Bevel / Magnetic, Tab & Bevel corner tracks / Kurvenführungen Magnet, Tab & Bevel Version

Materiale / Material / Materialien:
 Polietilene UHMW-PE
 Polyethylene UHMW-PE
 Polyäthylen UHMW-PE

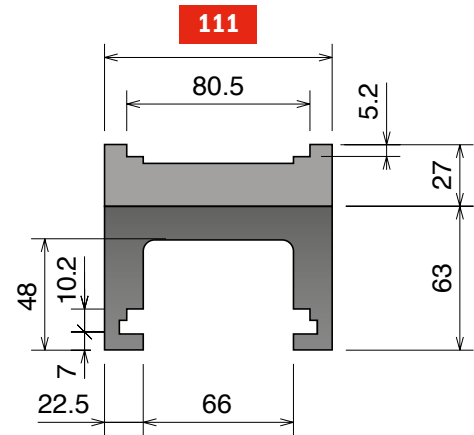
520 M MA43 Series

Chain Reference 520 M - K330

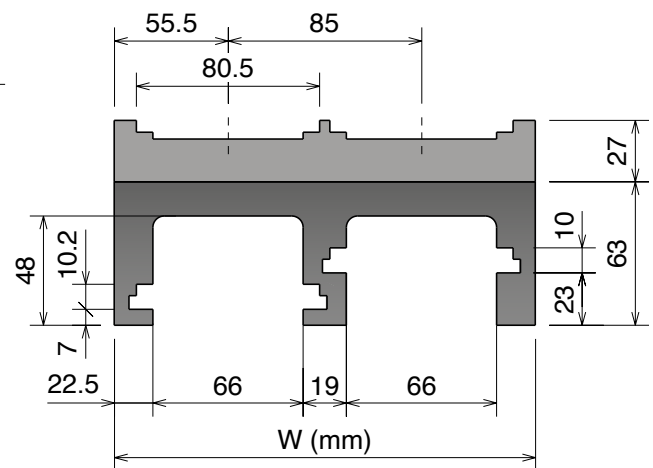
Curve Basic Width = 111 mm; Pitch = 85 mm



Available in
BluLub®



SINGLE TRACK



MULTI TRACK

SOLID complete curve

α 90°	Tracks	W	Material
85119614	1	111	Standard codes for UHMW-PE
85119624	2	196	
85119634	3	281	for BluLub® add "B"
85119644	4	366	
85119654	5	451	for Abrasive add "C"
85119664	6	536	
85119674	7	621	
85119684	8	706	

MAGNETIC SYSTEM

Materiale / Material / Materialien:
 Polietilene UHMW-PE
 Polyethylene UHMW-PE
 Polyäthylen UHMW-PE

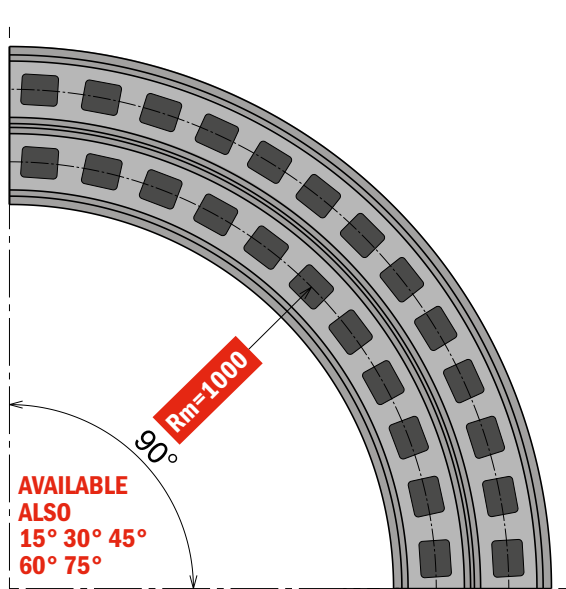
520 M MA5D Series

Curve magnetische, Tab & Bevel / Magnetic, Tab & Bevel corner tracks / Kurvenführungen Magnet, Tab & Bevel Version

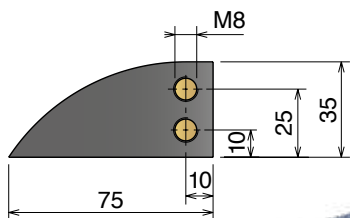
520 M MA5D Series

Chain Reference 520 M - K330

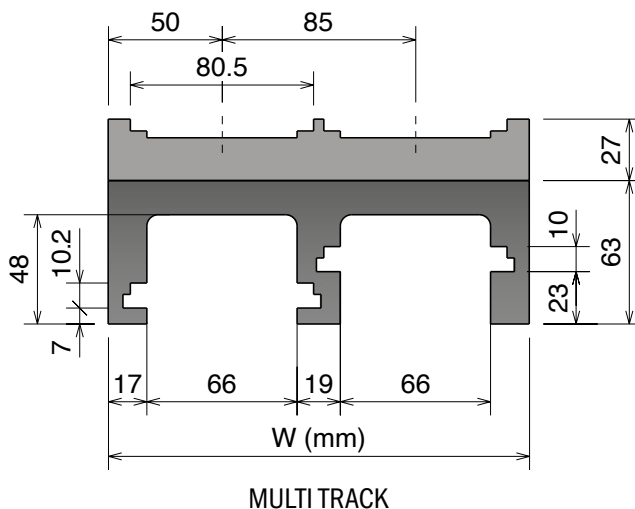
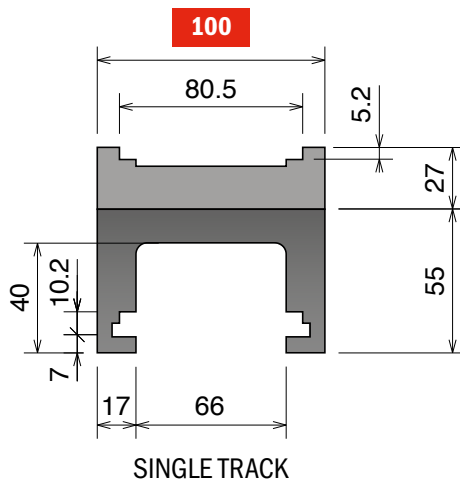
Curve Basic Width = 100 mm; Pitch = 85 mm



IN & OUT
 AVAILABLE ALSO
 125 mm - 100 mm - 50 mm



Available in
BluLub®



SOLID complete curve

α 90°	Tracks	W	Material
85019610	1	100	Standard codes for UHMW-PE
85019620	2	185	
85019630	3	270	for BluLub® add "B"
85019640	4	355	
85019650	5	440	for C Abrasive add "C"
85019660	6	525	
85019670	7	610	
85019680	8	695	

MAGNETIC SYSTEM

550 PRO M

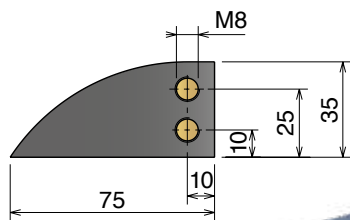
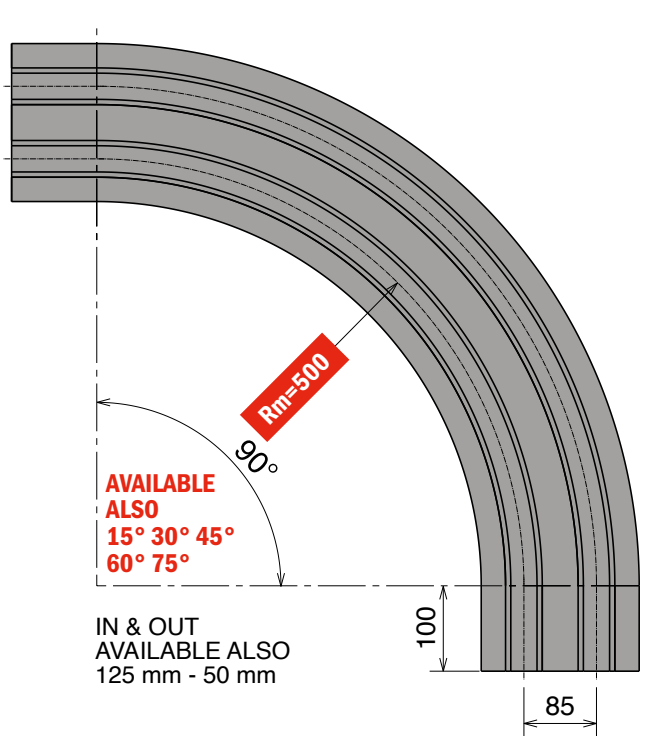
Curve magnetiche, Tab & Bevel / Magnetic, Tab & Bevel corner tracks / Kurvenführungen Magnet, Tab & Bevel Version

Materiale / Material / Materialien:
 Polietilene UHMW-PE
 Polyethylene UHMW-PE
 Polyäthylen UHMW-PE

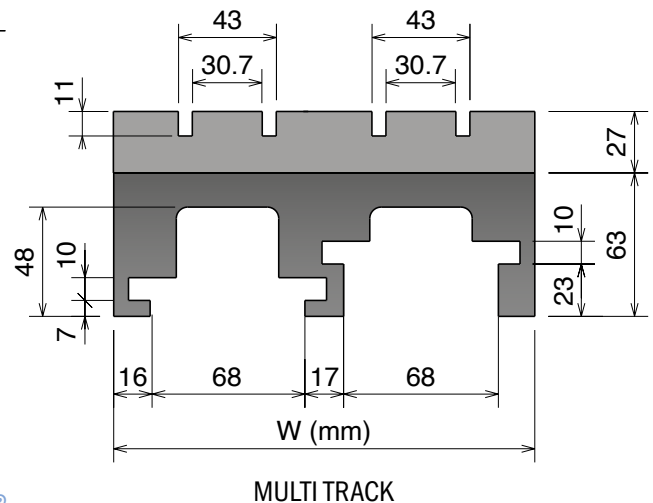
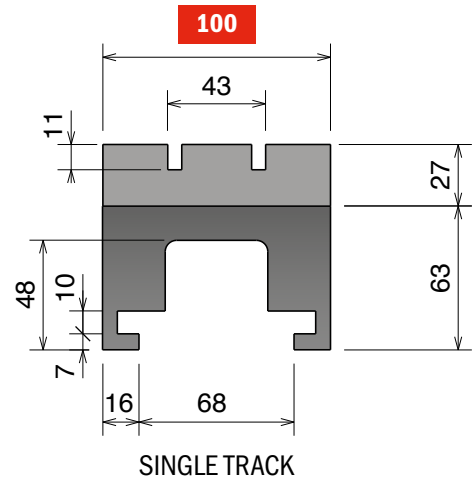
550 PRO M

Chain Reference 550 PRO M - K330

Curve Basic Width = 100 mm; Pitch = 85 mm



Available in
BluLub®



SOLID complete curve

α 90°	Tracks	W	Material
75211614	1	100	Standard codes for UHMW-PE
75211624	2	185	
75211634	3	270	
75211644	4	355	for BluLub® add "B"
75211654	5	440	
75211664	6	525	for Abrasive add "C"
75211674	7	610	
75211684	8	695	

MAGNETIC SYSTEM

Materiale / Material / Materialien:
 Polietilene UHMW-PE
 Polyethylene UHMW-PE
 Polyäthylen UHMW-PE

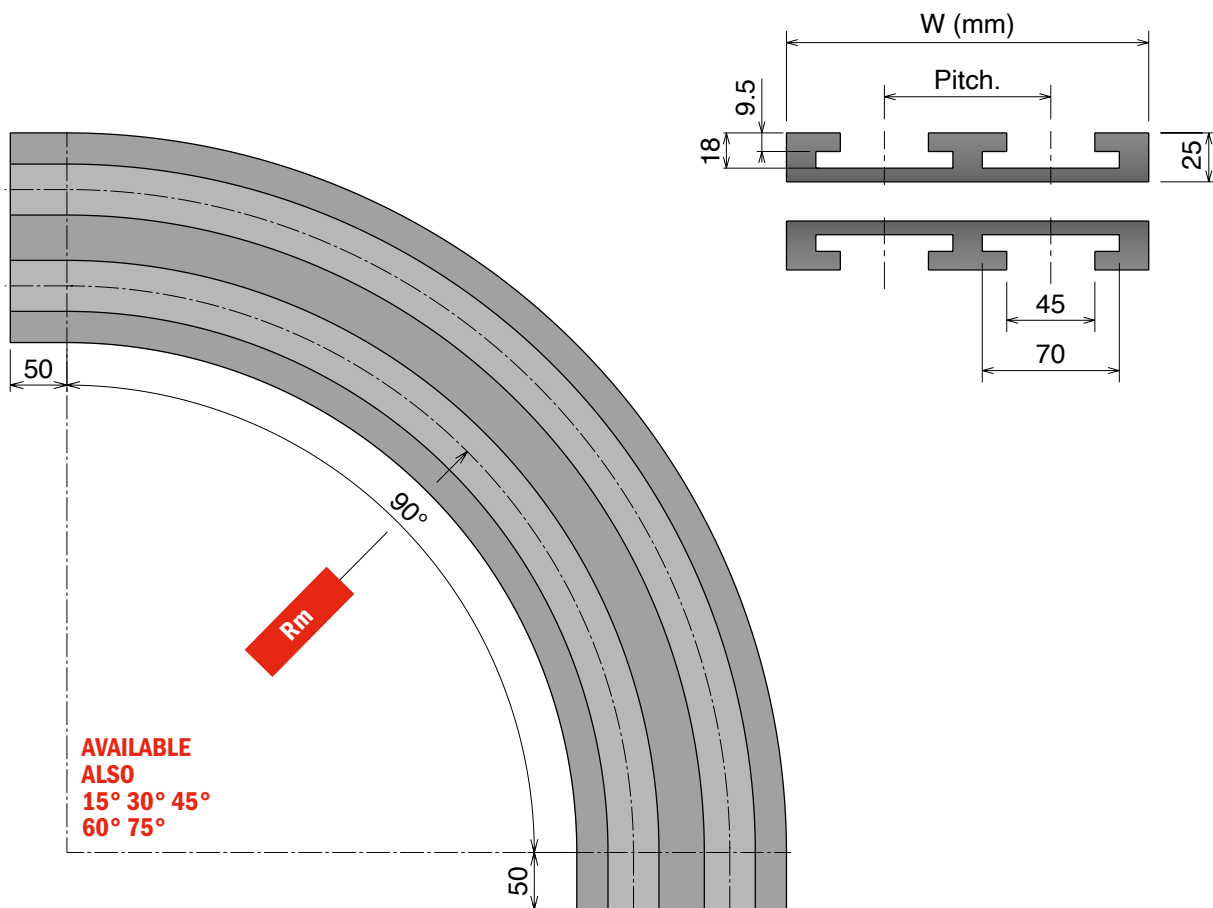
878-879-880-881-8811-240 XE-260-261 TAB

Curve magnetiche, Tab & Bevel / Magnetic, Tab & Bevel corner tracks / Kurvenführungen Magnet, Tab & Bevel Version

878-879-880-881-8811-240 XE-260-261 TAB

Chain Reference 878-879 TAB - K325/K450 880-881 TAB - K325/K450/K750 8881 TAB - K325/K330/K450/K750 240 XE TAB - K330 260-261 TAB - K330/K450

Supply: Set of 2 pieces (upper & return)








AVAILABLE
 ALSO
 15° 30° 45°
 60° 75°

SOLID complete curve

TAB SYSTEM

Upper part available on request, in **BluLub®** and **C Abrasive**.

Rm 500	Rm 610	Rm 800	Rm 1000	Tracks	W	Pitch	Material
K325							
72021612	72023612	72027612	72029612	1	100	85	 Standard codes on table Upper part:  add "B" for BluLub®  add "C" for abrasive Upper and return part:  add "BB" for BluLub®  add "CC" for abrasive
72021622	72023622	72027622	72029622	2	185		
72021632	72023632	72027632	72029632	3	270		
72021642	72023642	72027642	72029642	4	355		
72021652	72023652	72027652	72029652	5	440		
72021662	72023662	72027662	72029662	6	525		
K450							
72121612	72123612	72127612	72129612	1	130	120	
72121622	72123622	72127622	72129622	2	250		
72121632	72123632	72127632	72129632	3	370		
72121642	72123642	72127642	72129642	4	490		
72121652	72123652	72127652	72129652	5	610		
72121662	72123662	72127662	72129662	6	730		
K750							
72221612	72223612	72227612	72229612	1	200	195	
72221622	72223622	72227622	72229622	2	395		
72221632	72223632	72227632	72229632	3	590		
72221642	72223642	72227642	72229642	4	785		

878 TAB-880 TAB BO

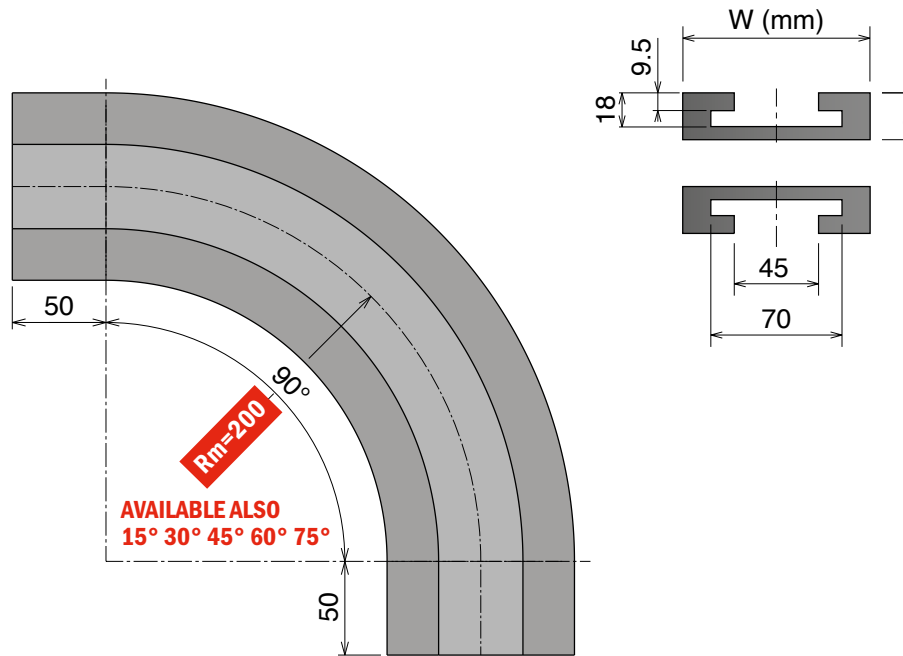
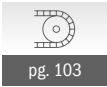
Curve magnetiche, Tab & Bevel / Magnetic, Tab & Bevel corner tracks / Kurvenführungen Magnet, Tab & Bevel Version

Materiale / Material / Materialien:
 Polietilene UHMW-PE
 Polyethylene UHMW-PE
 Polyäthylen UHMW-PE

878 TAB - 880 TAB BO

Chain Reference 878 TAB - K325/K450 880 TAB BO - K325/K450

Supply: Set of 2 pieces (upper & return)



Curve magnetiche, Tab & Bevel / Magnetic, Tab & Bevel corner tracks / Kurvenführungen Magnet, Tab & Bevel Version



TAB SYSTEM

Upper part available on request, in **BluLub**® and **C Abrasive**.

Rm 200	Tracks	W	Material
K325			 Standard codes on table
74420612	1	100	
K450			Upper part:  add " B " for BluLub ®  add " C " for abrasive
74520612	1	130	

Upper and return part:
 add "**BB**" for **BluLub**®
 add "**CC**" for abrasive

Images may differ from the actual product and are for illustrative purposes only.

Materiale / Material / Materialien:
 Polietilene UHMW-PE
 Polyethylene UHMW-PE
 Polyäthylen UHMW-PE

888 TAB

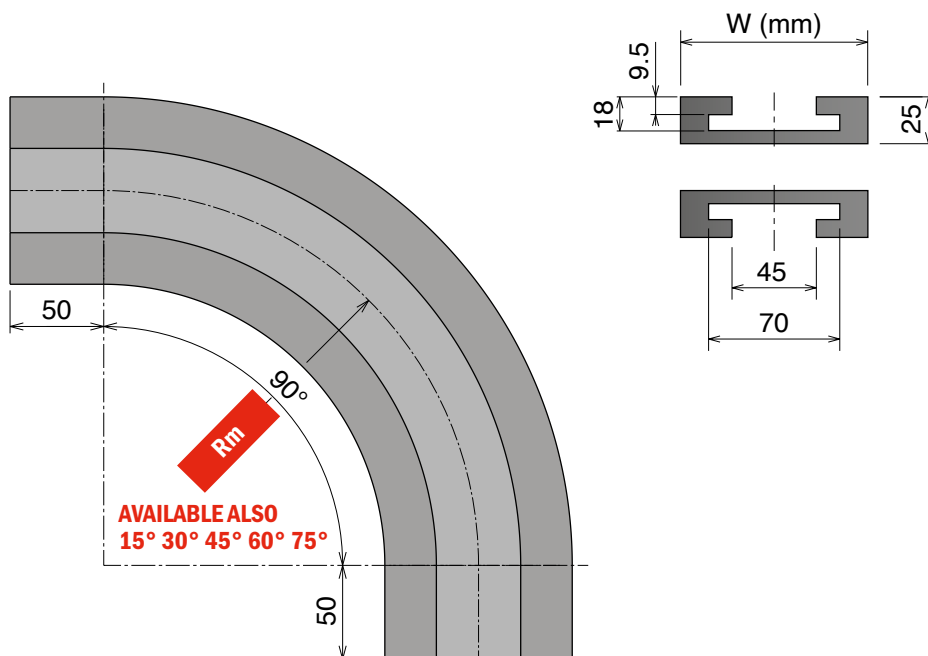
Curve magnetiche, Tab & Bevel / Magnetic, Tab & Bevel corner tracks / Kurvenführungen Magnet, Tab & Bevel Version

888 TAB

Chain Reference **888 TAB - W80/W140/W200**

Delivery: **Easy** **Standard**

Supply: Set of 2 pieces (upper & return)








TAB SYSTEM

Upper part available on request, in **BluLub®** and **C Abrasive**.



BluLub®
 Strongly recommended

Rm 200	Rm 500	Tracks	W	Material
W80				
74420612	72021612	1	100	 Standard codes on table
W140				
-	74621612	1	155	Upper part:  add "B" for BluLub®  add "C" for abrasive
W200				
-	74721612	1	215	Upper and return part:  add "BB" for BluLub®  add "CC" for abrasive

882 TAB

Curve magnetiche, Tab & Bevel / Magnetic, Tab & Bevel corner tracks / Kurvenführungen Magnet, Tab & Bevel Version

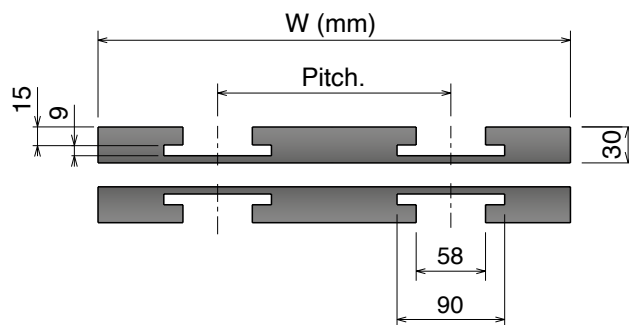
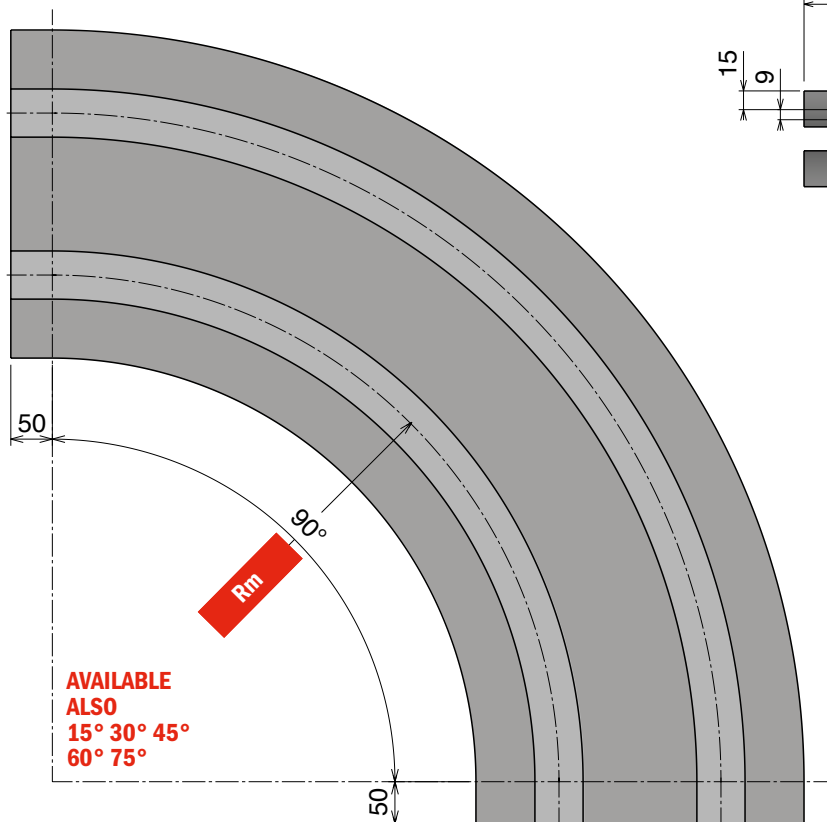
Materiale / Material / Materialien:
 Polietilene UHMW-PE
 Polyethylene UHMW-PE
 Polyäthylen UHMW-PE

882 TAB

Chain Reference 882 TAB - K450/K600/K750/K1000/K1200





Delivery: **Easy** Standard

Supply: Set of 2 pieces (upper & return)



TAB SYSTEM

Upper part available on request, in **BluLub**® and **C Abrasive**.

Rm 610	Rm 800	Rm 1000	Tracks	W	Pitch	Material
K450						
72723612	72727612	72729612	1	130	120	 Standard codes on table
72723622	72727622	72729622	2	250		
72723632	72727632	72729632	3	370		
72723642	72727642	72729642	4	490		
K600						
74823612	74827612	74829612	1	170	160	 Upper part: add " B " for BluLub ®
74823622	74827622	74829622	2	330		
74823632	74827632	74829632	3	490		
74823642	74827642	74829642	4	650		
K750						
72323612	72327612	72329612	1	200	195	 Upper and return part: add " BB " for BluLub ®
72323622	72327622	72329622	2	395		
72323632	72327632	72329632	3	590		
72323642	72327642	72329642	4	785		
K1000						
72423612	72427612	72429612	1	270	260	 add " CC " for abrasive
72423622	72427622	72429622	2	530		
72423632	72427632	72429632	3	790		
72423642	72427642	72429642	4	1050		
K1200						
72523612	72527612	72529612	1	320	310	
72523622	72527622	72529622	2	630		
72523632	72527632	72529632	3	940		
72523642	72527642	72529642	4	1250		

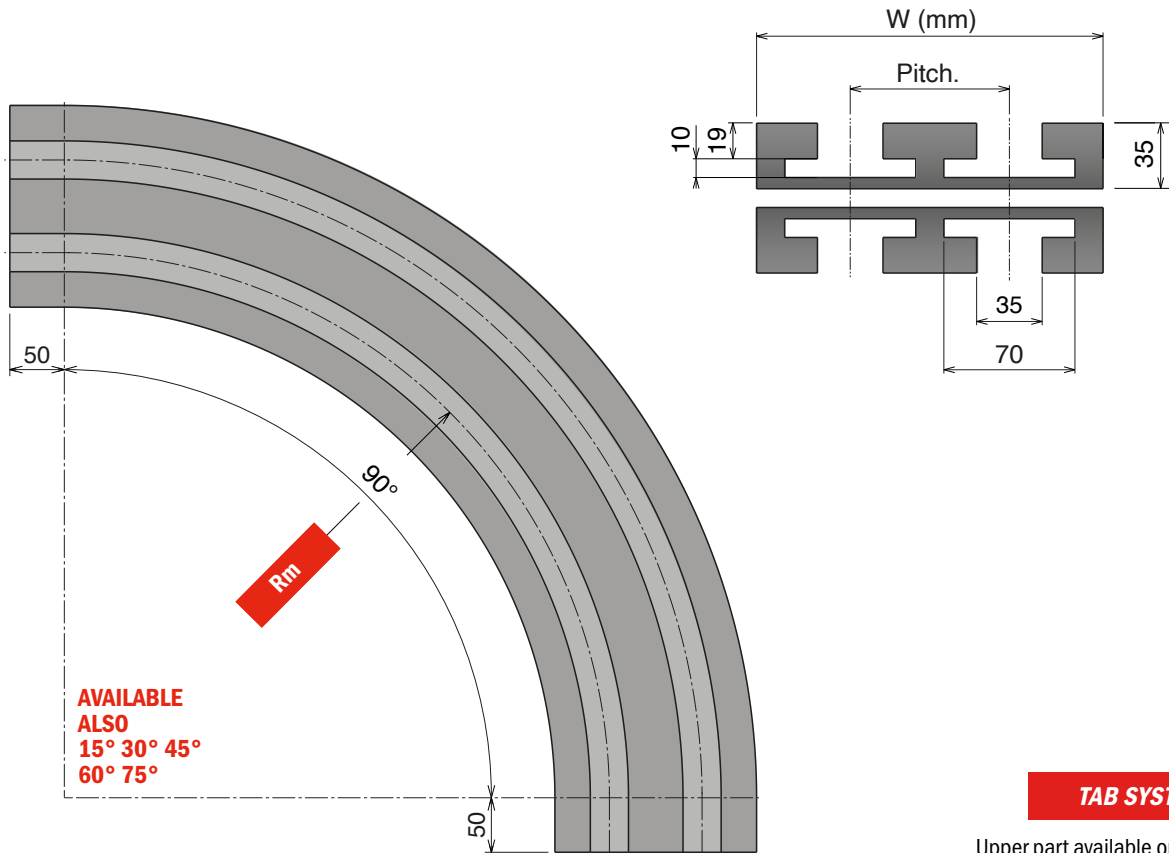
Images may differ from the actual product and are for illustrative purposes only.

1873-1874 TAB

Chain Reference 1873 TAB-1874 TAB - K325/K450/K600/K750/K1000/K1200

Delivery: **Easy** **Standard**



















Supply: Set of 2 pieces (upper & return)



AVAILABLE ALSO
 15° 30° 45°
 60° 75°

TAB SYSTEM

Upper part available on request, in **BluLub®** and **C Abrasive**.

Rm 500	Rm 610	Rm 800	Rm 1000	Tracks	W	Pitch	Material
K325							
72621612	72623612	72627612	72629612	1	100	85	 Standard codes on table Upper part:  add " B " for BluLub®  add " C " for abrasive
72621622	72623622	72627622	72629622	2	185		
72621632	72623632	72627632	72629632	3	270		
72621642	72623642	72627642	72629642	4	355		
K450							
72821612	72823612	72827612	72829612	1	130	120	 Standard codes on table Upper part:  add " B " for BluLub®  add " C " for abrasive
72821622	72823622	72827622	72829622	2	250		
72821632	72823632	72827632	72829632	3	370		
72821642	72823642	72827642	72829642	4	490		
K600							
72921612	72923612	72927612	72929612	1	170	160	 Standard codes on table Upper and return part:  add " BB " for BluLub®  add " CC " for abrasive
72921622	72923622	72927622	72929622	2	330		
72921632	72923632	72927632	72929632	3	490		
72921642	72923642	72927642	72929642	4	650		
K750							
73721612	73723612	73727612	73729612	1	200	195	 Standard codes on table Upper part:  add " B " for BluLub®  add " C " for abrasive
73721622	73723622	73727622	73729622	2	395		
73721632	73723632	73727632	73729632	3	590		
73721642	73723642	73727642	73729642	4	785		
K1000							
73821612	73823612	73827612	73829612	1	270	260	 Standard codes on table Upper part:  add " B " for BluLub®  add " C " for abrasive
73821622	73823622	73827622	73829622	2	530		
K1200							
73921612	73923612	73927612	73929612	1	320	310	 Standard codes on table Upper part:  add " B " for BluLub®  add " C " for abrasive
73921622	73923622	73927622	73929622	2	630		

1843 TAB

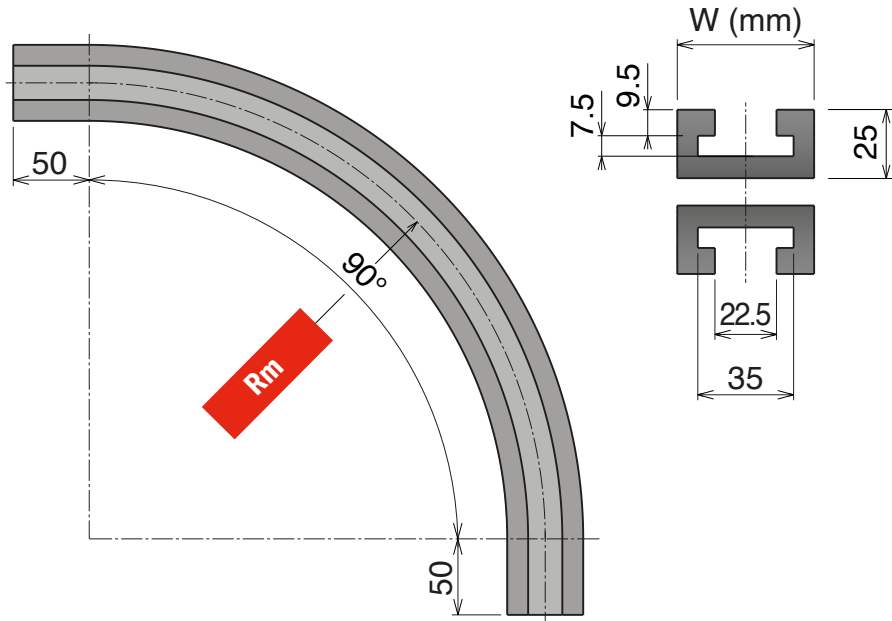
Curve magnetiche, Tab & Bevel / Magnetic, Tab & Bevel corner tracks / Kurvenführungen Magnet, Tab & Bevel Version

Materiale / Material / Materialien:
 Polietilene UHMW-PE
 Polyethylene UHMW-PE
 Polyäthylen UHMW-PE

1843 TAB

Chain Reference 1843 TAB - K125/K200

Supply: Set of 2 pieces (upper & return)



TAB SYSTEM


Upper part available on request, in **BluLub®** and **C Abrasive**.

Rm 300	Rm 500	Tracks	W	Material
K125				
74020612	74021612	1	50	
K200				
74120612	74121612	1	70	

 **Standard** codes on table


Upper part:

 add "**B**" for **BluLub®**

 add "**C**" for abrasive

Upper and return part:

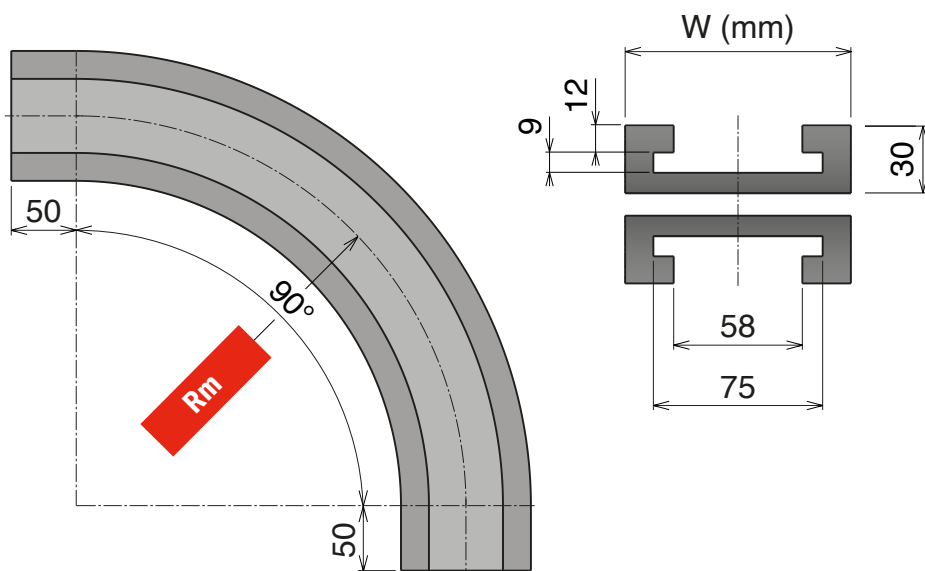
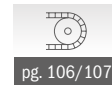
 add "**BB**" for **BluLub®**

 add "**CC**" for abrasive

1701 TAB-1706 TAB


Chain Reference 1701 TAB - 1701 TAB OP - 1701 TAB OPF - 1706 TAB - K55

Supply: Set of 2 pieces (upper & return)



TAB SYSTEM

Upper part available on request, in **BluLub®** and **C Abrasive**.

Rm 250	Rm 500	Tracks	W	Material
K55				
74220612	74221612	1	100	 Standard codes on table

Upper part:



add "**B**" for **BluLub®**



add "**C**" for abrasive

Upper and return part:



add "**BB**" for **BluLub®**

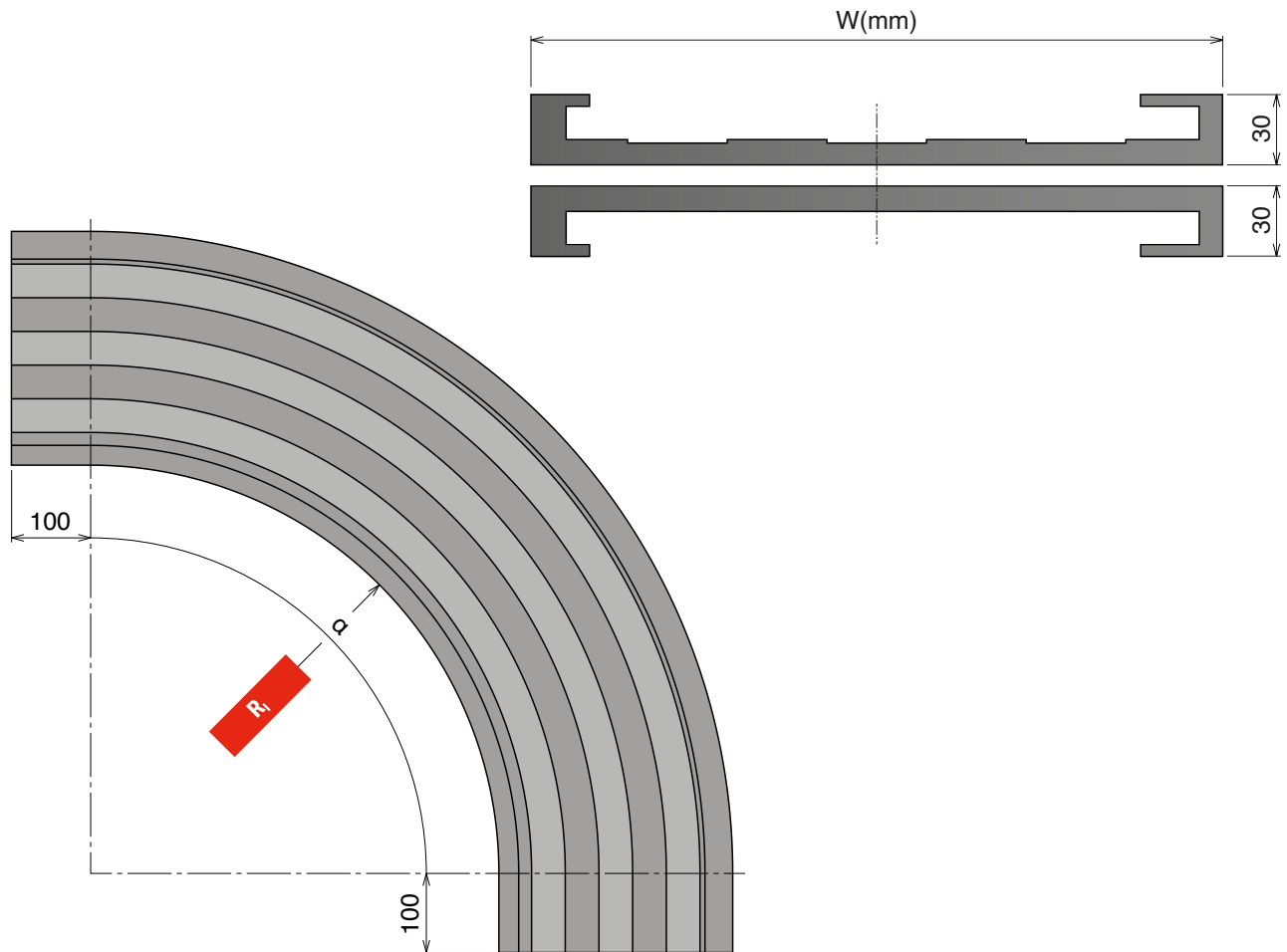


add "**CC**" for abrasive

600 Standard and Small radius

Belt Reference 600 Standard 600 Small radius

Supply: Set of 2 pieces (upper & return)



Upper part available in **BluLab®** on request, add "B" at the end of the code.

600 Standard

α 15°	α 30°	α 45°	α 60°	α 75°	α 90°	Curve radius R_1	Curve width W	Min. belt radius R_B	Belt width W_B
76041114	76041214	76041314	76041414	76041514	76041614	515	295	510	255
76042124	76042224	76042324	76042424	76042524	76042624	685	380	680	340
76043134	76043234	76043334	76043434	76043534	76043634	855	465	850	425
76044144	76044244	76044344	76044444	76044544	76044644	1025	550	1020	510
76045154	76045254	76045354	76045454	76045554	76045654	1195	635	1190	595
76046164	76046264	76046364	76046464	76046564	76046664	1365	720	1360	680
76047174	76047274	76047374	76047474	76047574	76047674	1535	805	1530	765
76048184	76048284	76048384	76048484	76048584	76048684	1705	890	1700	850

600 Small radius

α 15°	α 30°	α 45°	α 60°	α 75°	α 90°	Curve radius R_1	Curve width W	Min. belt radius R_B	Belt width W_B
76051124	76051224	76051324	76051424	76051524	76051624	405	380	400	340
76052134	76052234	76052334	76052434	76052534	76052634	505	465	500	425
76053144	76053244	76053344	76053444	76053544	76053644	605	550	600	510
76054154	76054254	76054354	76054454	76054554	76054654	725	635	720	595
76055164	76055264	76055364	76055464	76055564	76055664	885	720	880	680
76056174	76056274	76056374	76056474	76056574	76056674	1045	805	1040	765
76057184	76057284	76057384	76057484	76057584	76057684	1205	890	1200	850

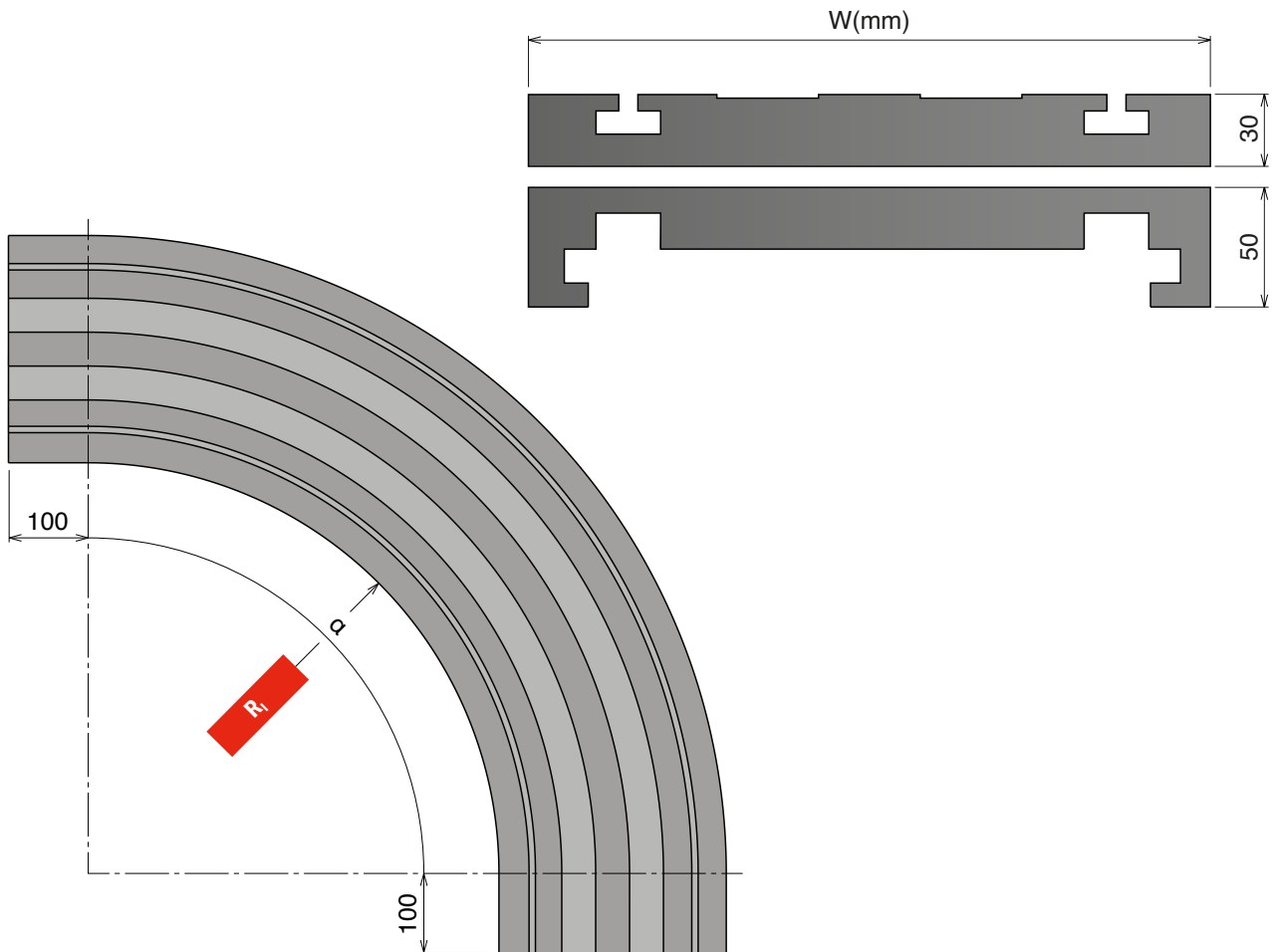
600 Standard and Small radius - TAB Version

Belt Reference

600 Standard - TAB / Reverse TAB / TAB reverse TAB

600 Small radius - TAB / Reverse TAB / TAB reverse TAB

Supply: Set of 2 pieces (upper & return)



600 Standard - TAB / Reverse TAB / TAB reverse TAB

Upper part available in **BluLub®** on request, add "B" at the end of the code.

α 15°	α 30°	α 45°	α 60°	α 75°	α 90°	Curve radius R_i	Curve width W	Min. belt radius R_B	Belt width W_B
76141114	76141214	76141314	76141414	76141514	76141614	515	285	510	255
76142124	76142224	76142324	76142424	76142524	76142624	685	370	680	340
76143134	76143234	76143334	76143434	76143534	76143634	855	455	850	425
76144144	76144244	76144344	76144444	76144544	76144644	1025	540	1020	510
76145154	76145254	76145354	76145454	76145554	76145654	1195	625	1190	595
76146164	76146264	76146364	76146464	76146564	76146664	1365	710	1360	680
76147174	76147274	76147374	76147474	76147574	76147674	1535	795	1530	765
76148184	76148284	76148384	76148484	76148584	76148684	1705	880	1700	850

600 Small radius - TAB / Reverse TAB / TAB reverse TAB

α 15°	α 30°	α 45°	α 60°	α 75°	α 90°	Curve radius R_i	Curve width W	Min. belt radius R_B	Belt width W_B
76151124	76151224	76151324	76151424	76151524	76151624	405	370	400	340
76152134	76152234	76152334	76152434	76152534	76152634	505	455	500	425
76153144	76153244	76153344	76153444	76153544	76153644	605	540	600	510
76154154	76154254	76154354	76154454	76154554	76154654	725	625	720	595
76155164	76155264	76155364	76155464	76155564	76155664	885	710	880	680
76156174	76156274	76156374	76156474	76156574	76156674	1045	795	1040	765
76157184	76157284	76157384	76157484	76157584	76157684	1205	880	1200	850

600 Heavy duty and Heavy duty/Small radius

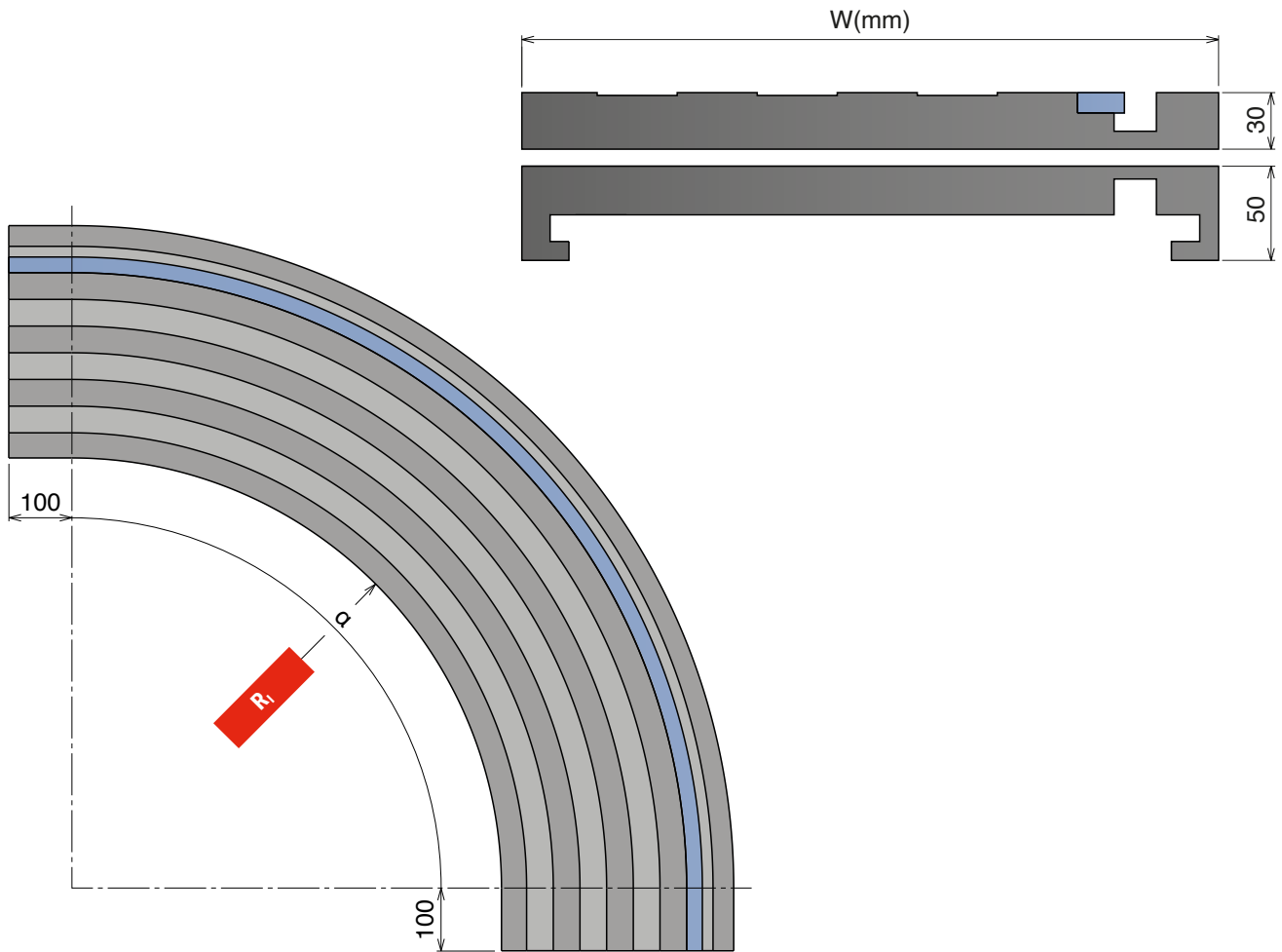
Tratti rettilinei / Straight track section / Gerade Schienen

Materiale / Material / Materialien:
 Polietilene UHMW-PE / **BluLub**
 Polyethylene UHMW-PE / **BluLub**
 Polyäthylen UHMW-PE / **BluLub**

600 Heavy duty and Heavy duty/Small radius

Belt Reference 600 Heavy duty 600 Heavy duty / Small radius

Supply: Set of 2 pieces (upper & return)



600 Heavy duty

Standard with **BluLub**® strip for minimized friction.

α 15°	α 30°	α 45°	α 60°	α 75°	α 90°	Curve radius R_1	Curve width W	Min. belt radius R_B	Belt width W_B
76241114	76241214	76241314	76241414	76241514	76241614	515	285	510	255
76242124	76242224	76242324	76242424	76242524	76242624	685	370	680	340
76243134	76243234	76243334	76243434	76243534	76243634	855	455	850	425
76244144	76244244	76244344	76244444	76244544	76244644	1025	540	1020	510
76245154	76245254	76245354	76245454	76245554	76245654	1195	625	1190	595
76246164	76246264	76246364	76246464	76246564	76246664	1365	710	1360	680
76247174	76247274	76247374	76247474	76247574	76247674	1535	795	1530	765
76248184	76248284	76248384	76248484	76248584	76248684	1705	880	1700	850

600 Heavy duty/Small radius

α 15°	α 30°	α 45°	α 60°	α 75°	α 90°	Curve radius R_1	Curve width W	Min. belt radius R_B	Belt width W_B
76250114	76250214	76250314	76250414	76250514	76250614	395	285	390	255
76251124	76251224	76251324	76251424	76251524	76251624	425	370	420	340
76252134	76252234	76252334	76252434	76252534	76252634	505	455	500	425
76253144	76253244	76253344	76253444	76253544	76253644	605	540	600	510
76254154	76254254	76254354	76254454	76254554	76254654	725	625	720	595
76255164	76255264	76255364	76255464	76255564	76255664	885	710	880	680
76256174	76256274	76256374	76256474	76256574	76256674	1045	795	1040	765
76257184	76257284	76257384	76257484	76257584	76257684	1205	880	1200	850

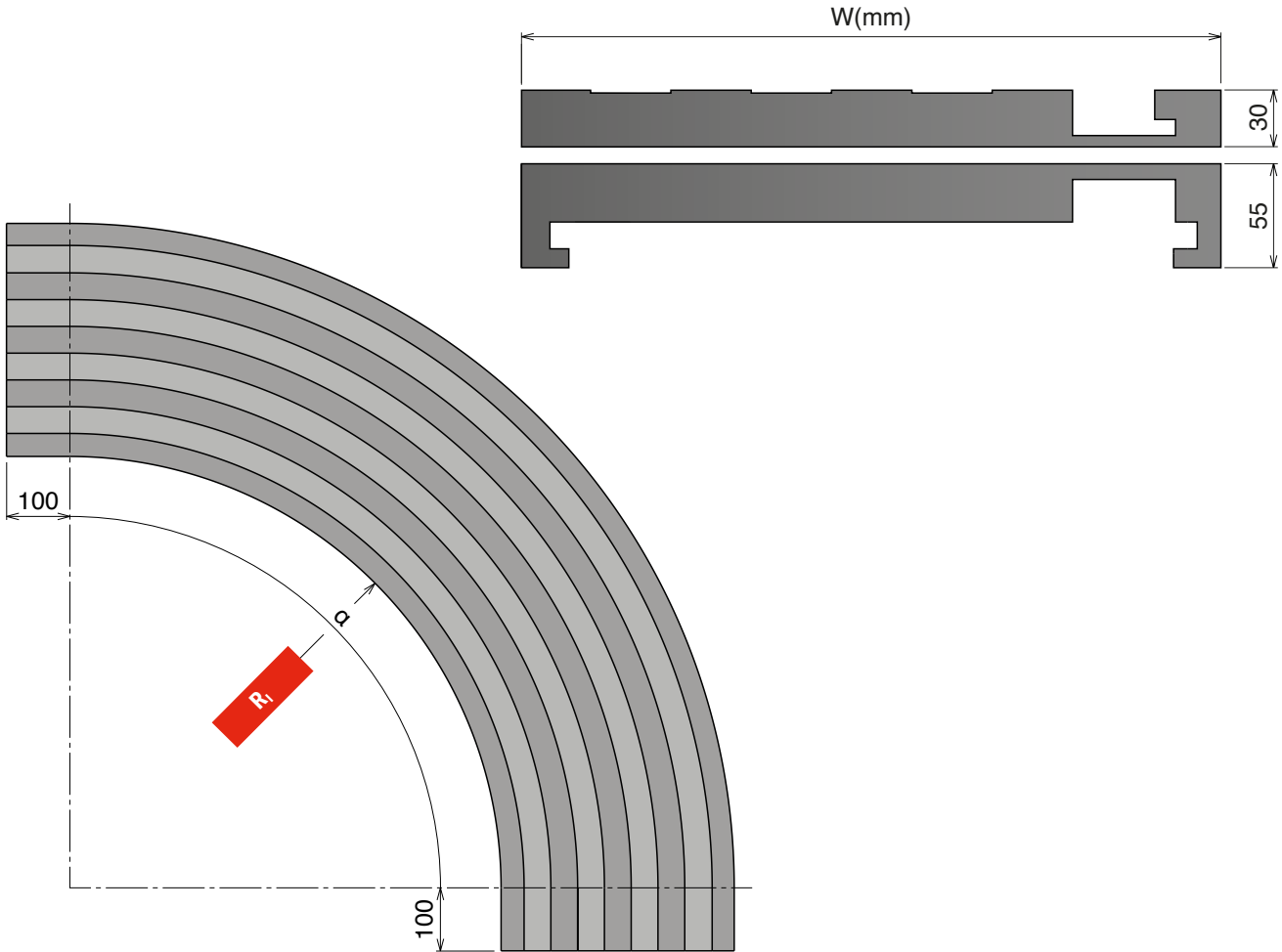
600 with Bearings

Belt Reference

600 Heavy duty with Bearings

600 Heavy duty/Small radius with Bearings

Supply: Set of 2 pieces (upper & return)



600 Heavy duty with Bearings

Upper part available in **BluLub®** on request, add "B" at the end of the code.

α 15°	α 30°	α 45°	α 60°	α 75°	α 90°	Curve radius R_1	Curve width W	Min. belt radius R_B	Belt width W_B
76341114	76341214	76341314	76341414	76341514	76341614	515	285	510	255
76342124	76342224	76342324	76342424	76342524	76342624	685	370	680	340
76343134	76343234	76343334	76343434	76343534	76343634	855	455	850	425
76344144	76344244	76344344	76344444	76344544	76344644	1025	540	1020	510
76345154	76345254	76345354	76345454	76345554	76345654	1195	625	1190	595
76346164	76346264	76346364	76346464	76346564	76346664	1365	710	1360	680
76347174	76347274	76347374	76347474	76347574	76347674	1535	795	1530	765
76348184	76348284	76348384	76348484	76348584	76348684	1705	880	1700	850

600 Heavy duty/Small radius with Bearings

α 15°	α 30°	α 45°	α 60°	α 75°	α 90°	Curve radius R_1	Curve width W	Min. belt radius R_B	Belt width W_B
76350114	76350214	76350314	76350414	76350514	76350614	395	285	390	255
76351124	76351224	76351324	76351424	76351524	76351624	425	370	420	340
76352134	76352234	76352334	76352434	76352534	76352634	505	455	500	425
76353144	76353244	76353344	76353444	76353544	76353644	605	540	600	510
76354154	76354254	76354354	76354454	76354554	76354654	725	625	720	595
76355164	76355264	76355364	76355464	76355564	76355664	885	710	880	680
76356174	76356274	76356374	76356474	76356574	76356674	1045	795	1040	765
76357184	76357284	76357384	76357484	76357584	76357684	1205	880	1200	850

880-881-8811 B

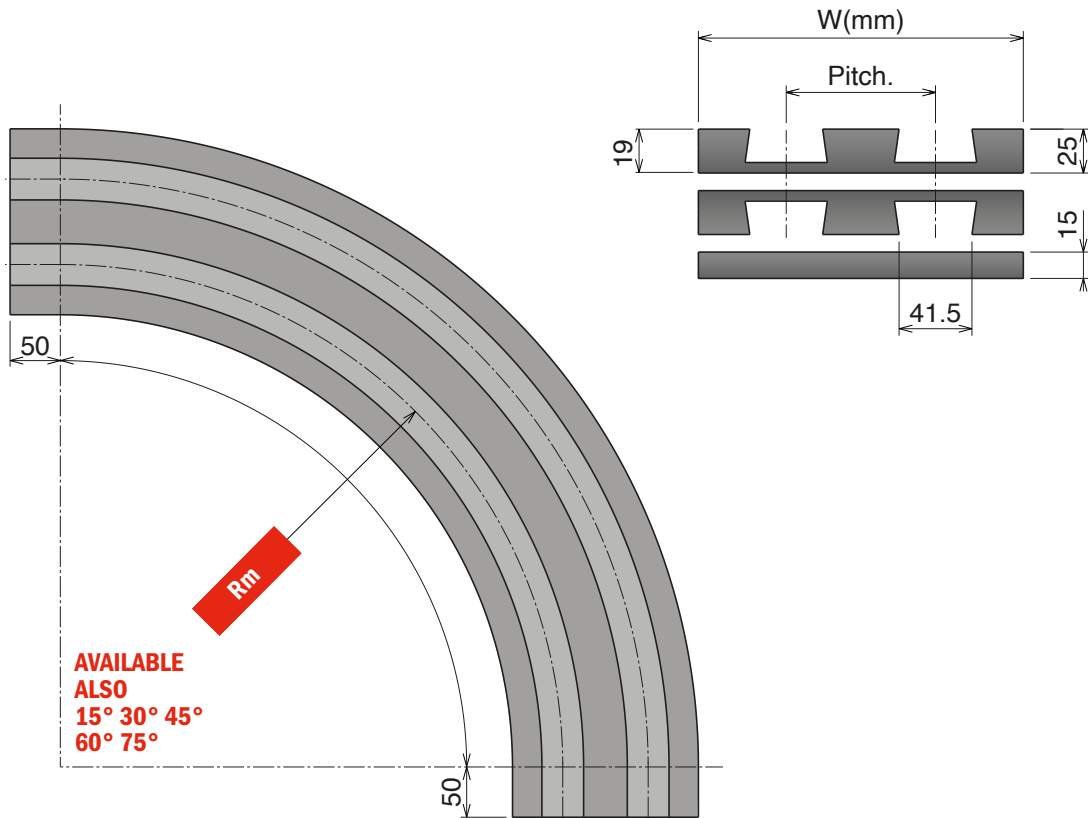
Curve magnetiche, Tab & Bevel / Magnetic, Tab & Bevel corner tracks / Kurvenführungen Magnet, Tab & Bevel Version

Materiale / Material / Materialien:
 Polietilene UHMW-PE
 Polyethylene UHMW-PE
 Polyäthylen UHMW-PE

880-881-8881 B

Chain Reference	880 B - K325	881 B - K325	8881 B - K325
-----------------	--------------	--------------	---------------

Supply: Set of 3 pieces (upper, return & plate)



AVAILABLE ALSO
 15° 30° 45°
 60° 75°

BEVEL SYSTEM

Upper part available on request, in **BluLub**® and **C Abrasive**.

Rm 500	Rm 610	Rm 800	Rm 1000	Tracks	W	Pitch	Material
K325							
77031612	77033612	77037612	77039612	1	100	85	Standard codes on table
77031622	77033622	77037622	77039622	2	185		
77031632	77033632	77037632	77039632	3	270		
77031642	77033642	77037642	77039642	4	355		
77031652	77033652	77037652	77039652	5	440		
77031662	77033662	77037662	77039662	6	525		



Upper part:



add "B" for **BluLub**®



add "C" for abrasive

Upper and return part:



add "BB" for **BluLub**®



add "CC" for abrasive

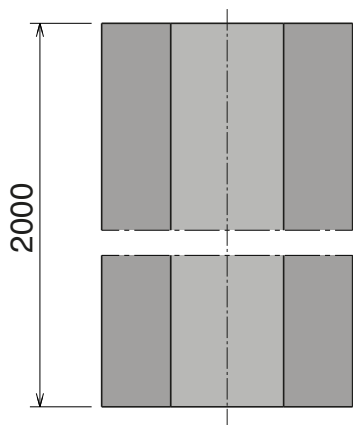
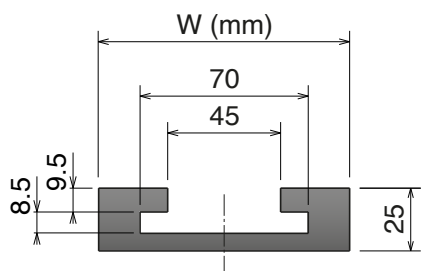
Images may differ from the actual product and are for illustrative purposes only.

878-879-880-881-888-240 XE-260-261 TAB

Chain Reference 878-879 TAB - K325/K450 880-881-8811 TAB - K325/K450/K750 888 TAB - W80/140/200 240 XE TAB - K330 260-261 TAB - K330/K450

Supply: 1 piece

Straight track section



TAB SYSTEM

Straight track available on request, in **BluLub®** and **C Abrasive**.

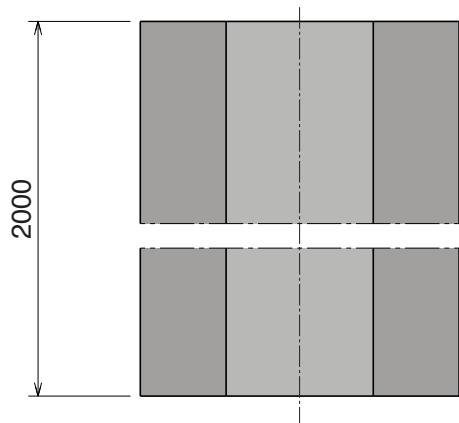
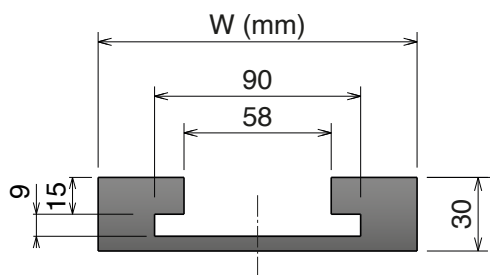
Article-Nr.	W	Length	Material
K325/W80			 Standard codes on table
79023010	100	2000	
K450			 add "B" for BluLub®
79024010	130	2000	
W140			 add "C" for abrasive
79620110	155	2000	
K750			
79026010	200	2000	
W200			
79622110	215	2000	

882 TAB Straight track section

Chain Reference 882 TAB - K450/K750/K1000/K1200

Delivery: **Easy** **Standard**

Supply: 1 piece



TAB SYSTEM

Straight track available on request, in **BluLub®** and **C Abrasive**.

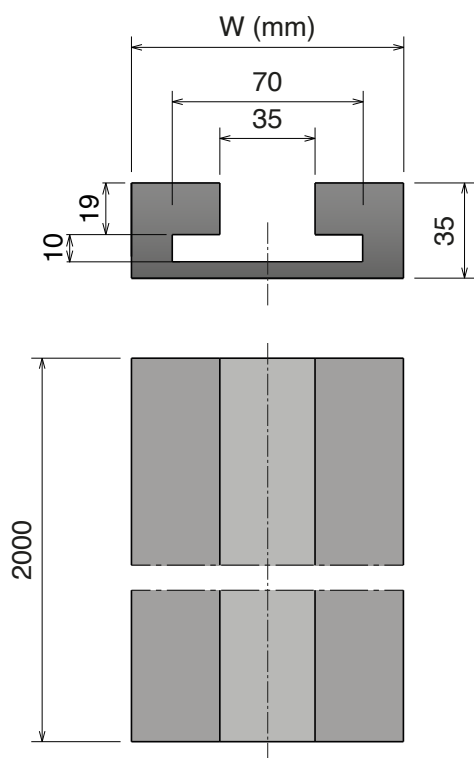
Article-Nr.	W	Length	Material
K450			 Standard codes on table
79124010	130	2000	
K600			 add "B" for BluLub®
79125010	170	2000	
K750			 add "C" for abrasive
79126010	200	2000	
K1000			
79127010	270	2000	
K1200			
79128010	320	2000	

1873-1874 TAB Straight track section

Chain Reference 1873 TAB-1874 TAB - K325/K450/K600/K750/K1000/K1200

Delivery: **Easy** **Standard**

Supply: 1 piece



TAB SYSTEM

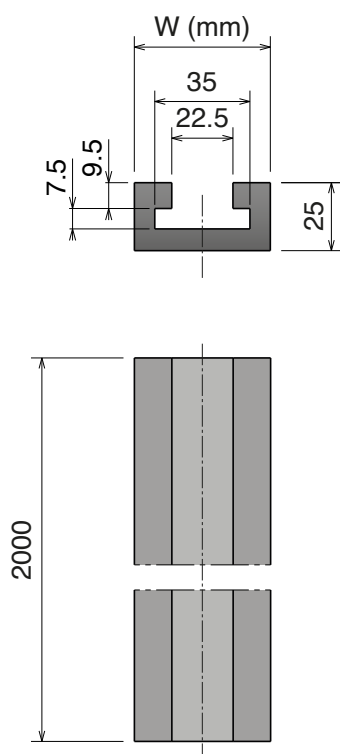
Straight track available on request, in **BluLub®** and **C Abrasive**.

Article-Nr.	W	Length	Material
K325			 Standard codes on table
79223010	100	2000	
K450			 add " B " for BluLub®
79224010	130	2000	
K600			 add " C " for abrasive
79225010	170	2000	
K750			
79226010	200	2000	
K1000			
79227010	270	2000	
K1200			
79228010	320	2000	

1843 TAB Straight track section


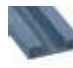

Chain Reference 1843 TAB - K125/K200

Supply: 1 piece



TAB SYSTEM

Straight track available on request, in **BluLub®** and **C Abrasive**.

Article-Nr.	W	A	Length	Material
K125				 Standard codes on table
79321010	50	22,5	2000	
K200				 add " B " for BluLub®
79322010	70	22,3	2000	
				 add " C " for abrasive

Materiale / Material / Materialien:
 Polietilene UHMW-PE
 Polyethylene UHMW-PE
 Polyäthylen UHMW-PE

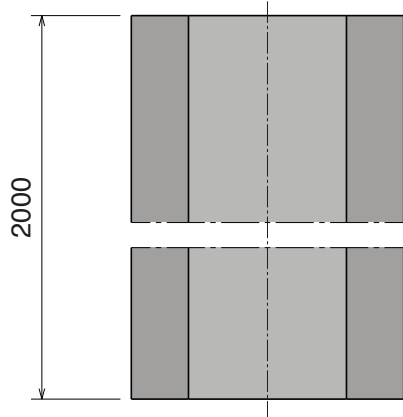
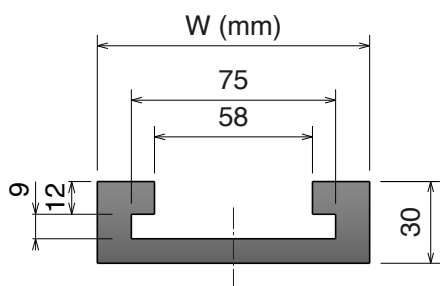
1701 TAB-1706 TAB

Tratti rettilinei / Straight track section / Gerade Schienen

1701 TAB-1706 TAB *Straight track section*


Chain Reference 1701 TAB - K55 1701 TAB OP - K55 1706 TAB - K55

Supply: 1 piece



TAB SYSTEM

Straight track available on request, in **BluLub**® and **C Abrasive**.

Article-Nr.	W	Length	Material
K55			 Standard codes on table
79420010	100	2000	



add "**B**" for **BluLub**®

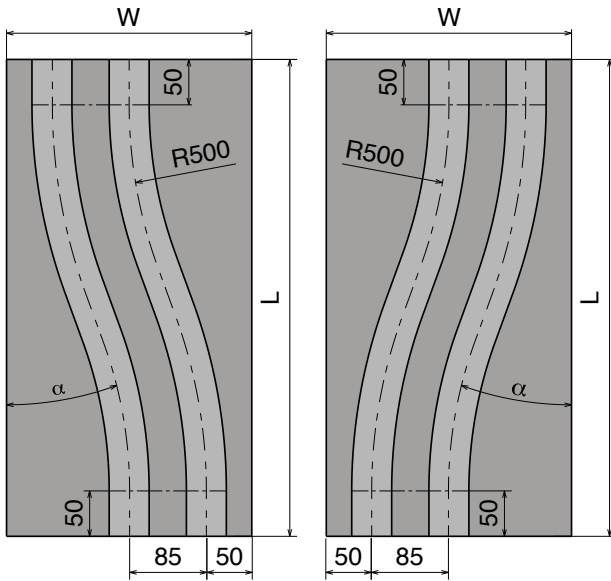


add "**C**" for abrasive

NEW ETC 879-880-881 M Series

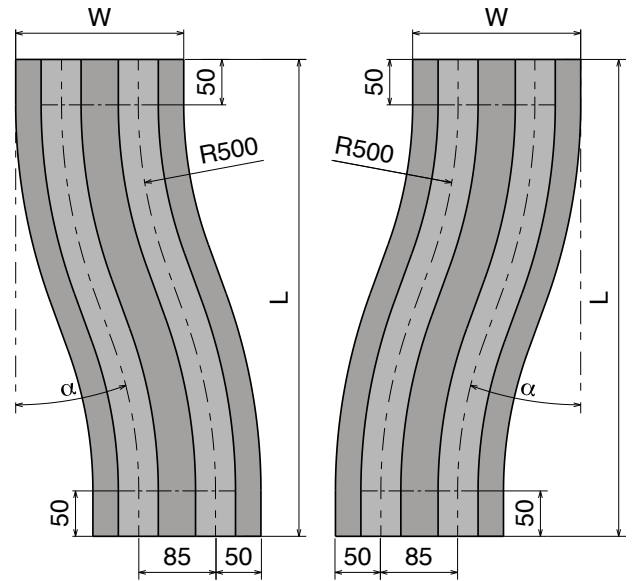
Chain Reference	879 M - K325	880 M - K325	880 M - K330	881 M - K325	881 M - K330
-----------------	--------------	--------------	--------------	--------------	--------------

Pitch = 85 mm



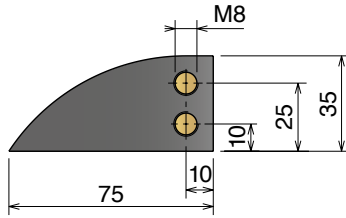
Full version

LEFT AND RIGHT VERSIONS

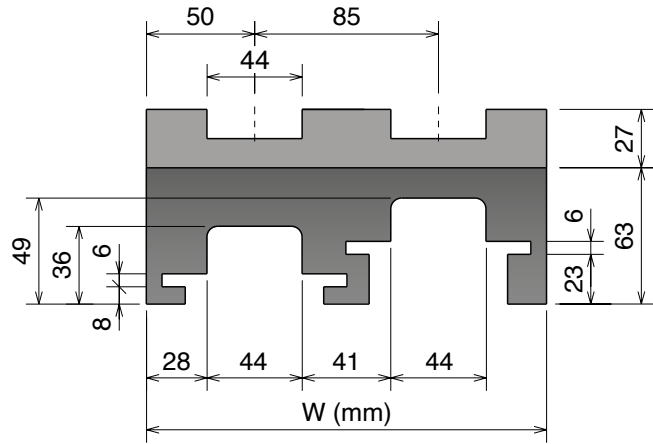


Slim version

LEFT AND RIGHT VERSIONS



Available in
BluLub®



Full version - K325/K330

Article-Nr.		Tracks	α	W	L	Material	
LEFT	RIGHT					Standard codes for UHMW-PE	for BluLub® add "B"
70165120	70175120	2	20°	270	525		
70165240	70175240	4	28°	525	733		

Slim version - K325/K330

Article-Nr.		Tracks	α	W	L	Material	
LEFT	RIGHT					Standard codes for UHMW-PE	for BluLub® add "B"
70164120	70174120	2	20°	185	525		
70164240	70174240	4	28°	355	733		

Materiale / Material / Materialien:
 Polietilene UHMW-PE
 Polyethylene UHMW-PE
 Polyäthylen UHMW-PE

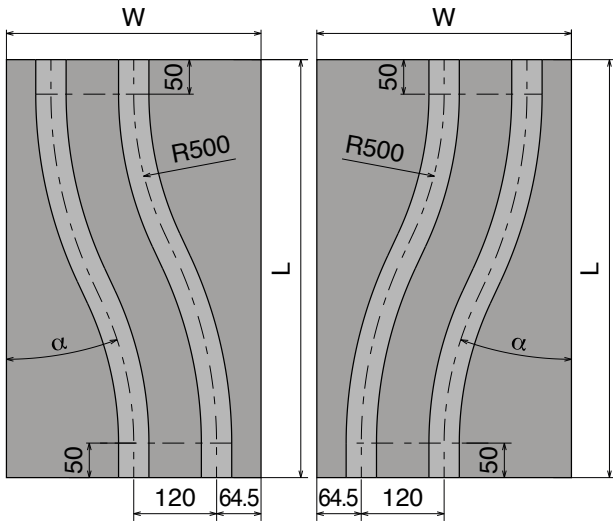
ETC 879-880-881 M Series

Tratti rettilinei / Straight track section / Gerade Schienen

NEW ETC 879-880-881 M Series

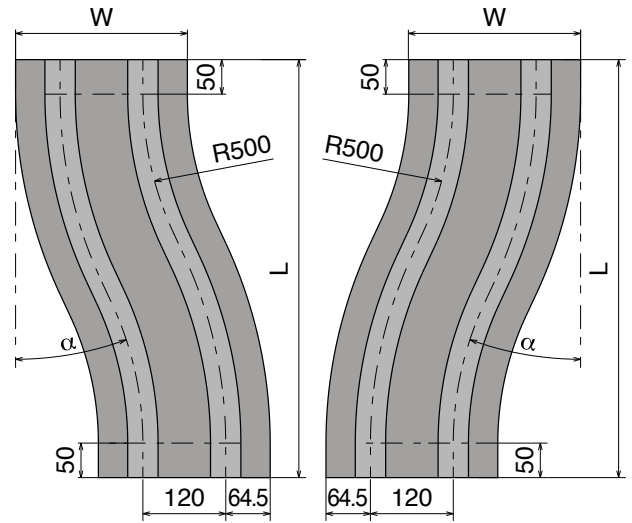
Chain Reference 879 M - K450 880 M - K450 881 M - K450

Pitch = 120 mm



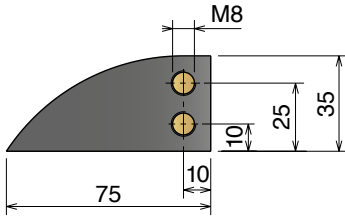
Full version

LEFT AND RIGHT VERSIONS

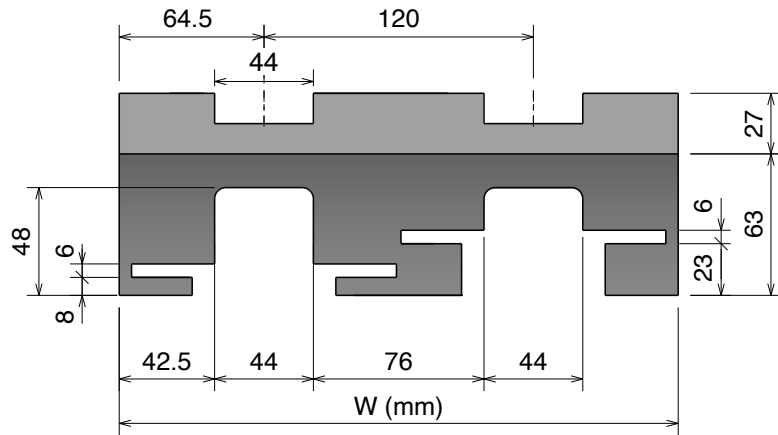


Slim version

LEFT AND RIGHT VERSIONS



Available in
BluLub®



Full version - K450

Article-Nr.		Tracks	α	W	L	Material	
LEFT	RIGHT					Standard codes for UHMW-PE	for BluLub® add "B"
71565120	71575120	2	25°	369	606		
71565240	71575240	4	32°	729	874		for C Abrasive add "C"

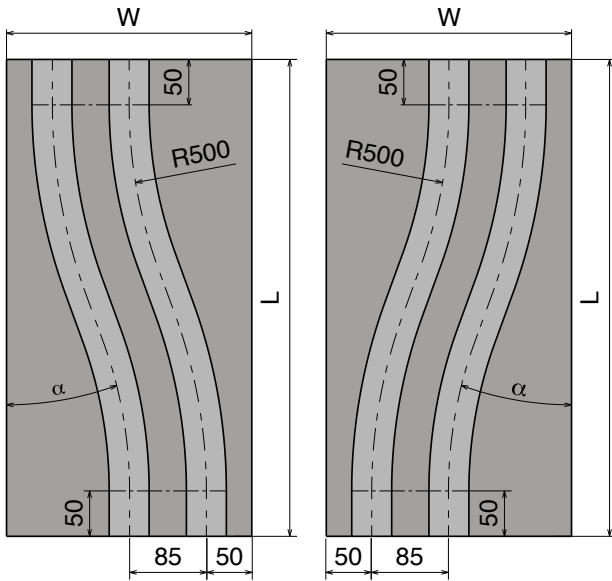
Slim version - K450

Article-Nr.		Tracks	α	W	L	Material	
LEFT	RIGHT					Standard codes for UHMW-PE	for BluLub® add "B"
71564120	71574120	2	25°	249	606		
71564240	71574240	4	32°	489	729		for C Abrasive add "C"

NEW ETC 240 XE-260 M Series

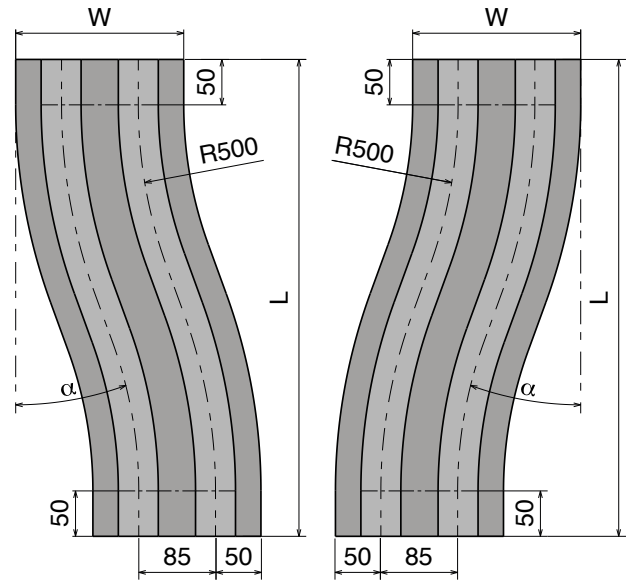
Chain Reference 240 XE - K330 260 M - K330

Pitch = 85 mm



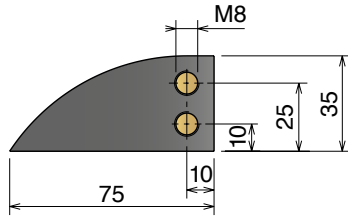
Full version

LEFT AND RIGHT VERSIONS

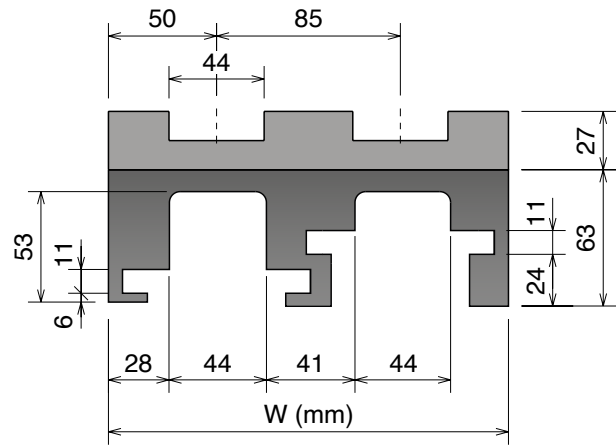


Slim version

LEFT AND RIGHT VERSIONS



Available in
BluLub®



Full version - K330

Article-Nr.		Tracks	α	W	L	Material	
LEFT	RIGHT					Standard codes for UHMW-PE	for BluLub® add "B"
73365120	73375120	2	20°	270	525		
73365240	73375240	4	28°	525	733		

Slim version - K330

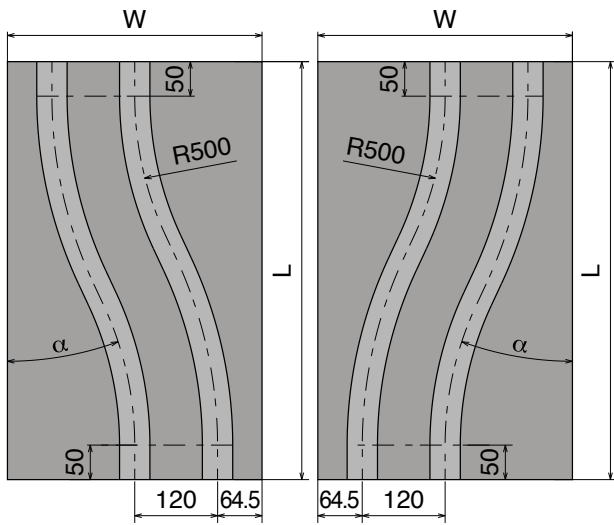
Article-Nr.		Tracks	α	W	L	Material	
LEFT	RIGHT					Standard codes for UHMW-PE	for BluLub® add "B"
73364120	73374120	2	20°	185	525		
73364240	73374240	4	28°	355	733		

Materiale / Material / Materialien:
 Polietilene UHMW-PE
 Polyethylene UHMW-PE
 Polyäthylen UHMW-PE

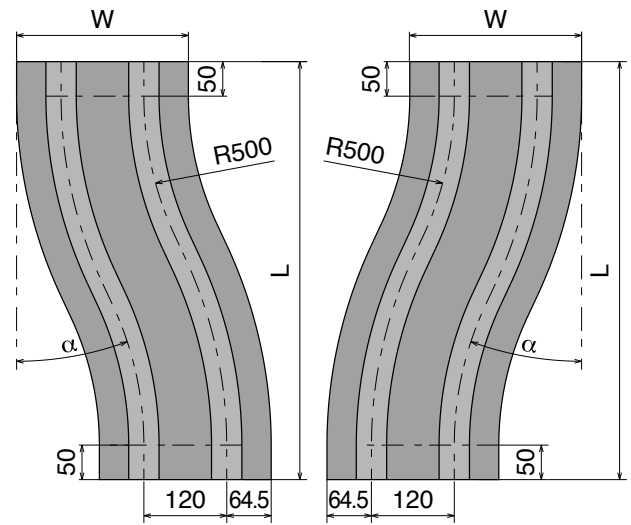
NEW ETC 260 M Series

Chain Reference 260 M - K450

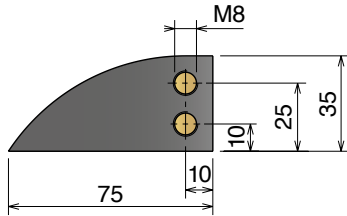
Pitch = 120 mm



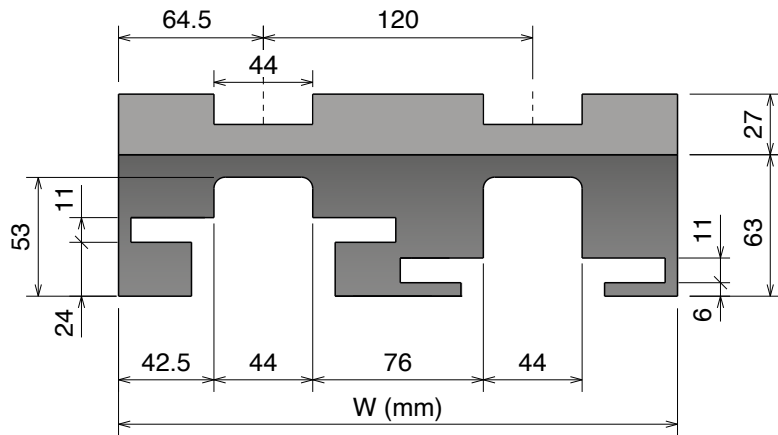
Full version
 LEFT AND RIGHT VERSIONS



Slim version
 LEFT AND RIGHT VERSIONS



Available in
BluLub®



Full version - K450

Article-Nr.		Tracks	α	W	L	Material	
LEFT	RIGHT					Standard codes for UHMW-PE	for BluLub® add "B"
73465120	73475120	2	25°	369	606	Standard codes for UHMW-PE	for BluLub® add "B"
73465240	73475240	4	32°	729	874	for C Abrasive add "C"	

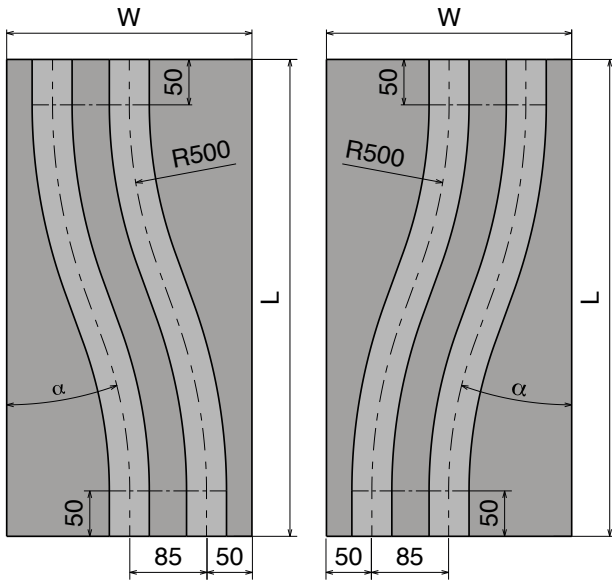
Slim version - K450

Article-Nr.		Tracks	α	W	L	Material	
LEFT	RIGHT					Standard codes for UHMW-PE	for BluLub® add "B"
73564120	73574120	2	25°	249	606	Standard codes for UHMW-PE	for BluLub® add "B"
73564240	73574240	4	32°	489	729	for C Abrasive add "C"	

NEW ETC 261 M Series

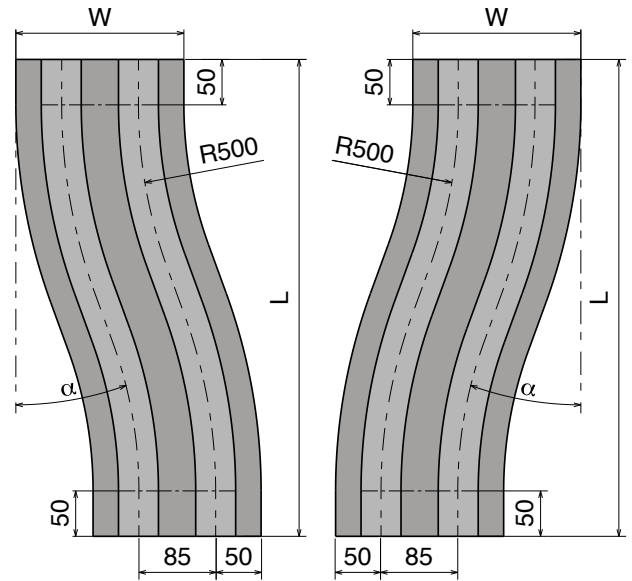
Chain Reference 261 M - K330

Pitch = 85 mm



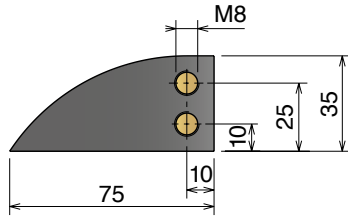
Full version

LEFT AND RIGHT VERSIONS

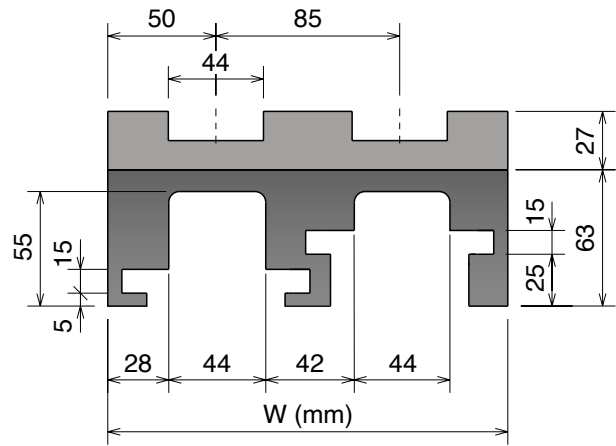


Slim version

LEFT AND RIGHT VERSIONS



Available in
BluLub®



Full version - K330

Article-Nr.		Tracks	α	W	L	Material	
LEFT	RIGHT					Standard codes for UHMW-PE	for BluLub® add "B"
73565120	73575120	2	20°	270	525		
73565240	73575240	4	28°	525	733		

for **C** Abrasive add "C"

Slim version - K330

Article-Nr.		Tracks	α	W	L	Material	
LEFT	RIGHT					Standard codes for UHMW-PE	for BluLub® add "B"
73564120	73574120	2	20°	185	525		
73564240	73574240	4	28°	355	733		

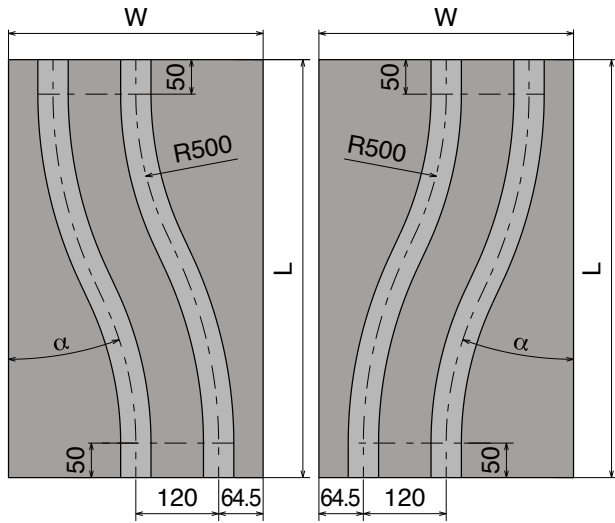
for **C** Abrasive add "C"

Materiale / Material / Materialien:
 Polietilene UHMW-PE
 Polyethylene UHMW-PE
 Polyäthylen UHMW-PE

NEW ETC 261 M Series

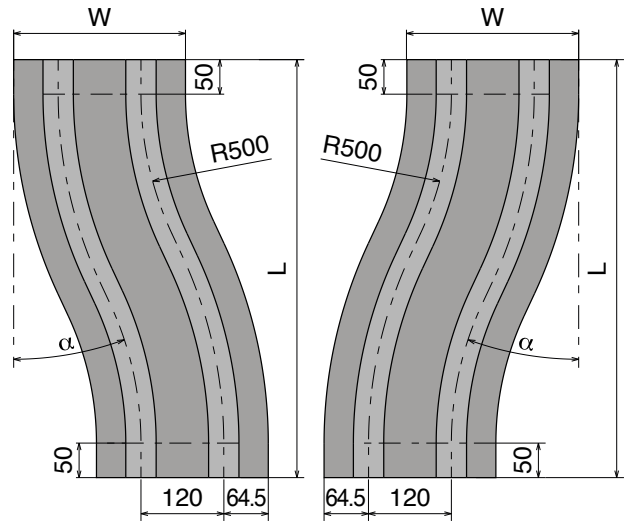
Chain Reference 261 M - K450

Pitch = 120 mm



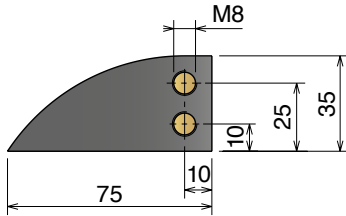
Full version

LEFT AND RIGHT VERSIONS

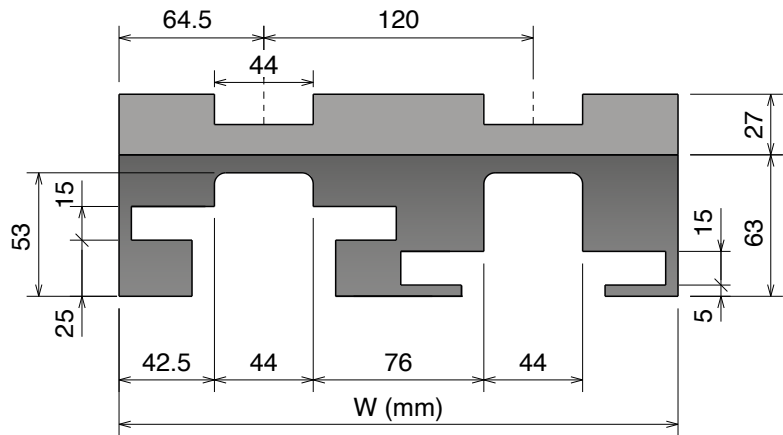


Slim version




LEFT AND RIGHT VERSIONS






Available in **BluLub®**



Full version - K450

Article-Nr.		Tracks	α	W	L	Material
LEFT	RIGHT					
73665120	73675120	2	25°	369	606	 Standard codes for UHMW-PE  for BluLub® add "B"  for Abrasive add "C"
73665240	73675240	4	32°	729	874	

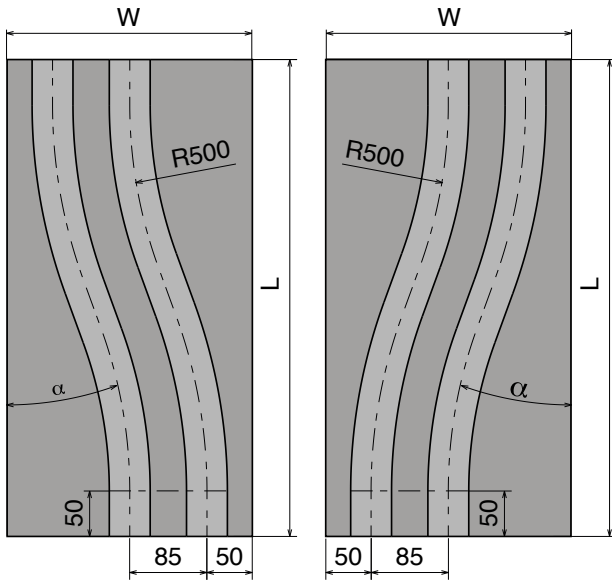
Slim version - K450

Article-Nr.		Tracks	α	W	L	Material
LEFT	RIGHT					
73664120	73674120	2	25°	249	606	 Standard codes for UHMW-PE  for BluLub® add "B"  for Abrasive add "C"
73664240	73674240	4	32°	489	729	

NEW ETC 878-879-880-881-8811-260-261 TAB

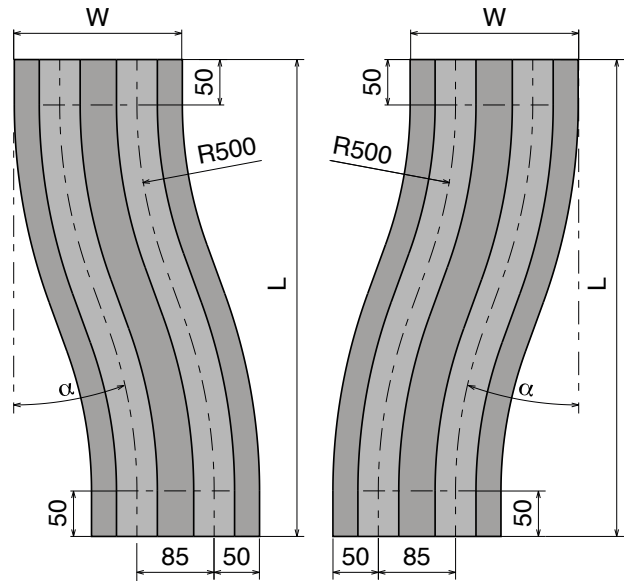
Chain Reference 878 TAB - K325 879 TAB - K325 880 TAB - K325/K330 881 TAB - K325 8811 TAB - K325/K330 260/261 TAB - K330

Supply: Set of 2 pieces (upper & return)



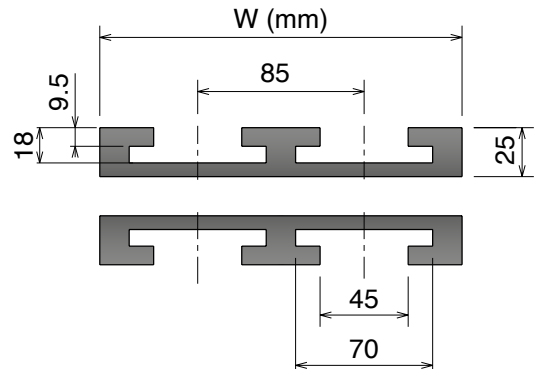
Full version

LEFT AND RIGHT VERSIONS




Slim version

LEFT AND RIGHT VERSIONS



Full version - K325/K330

Article-Nr.		Tracks	α	W	L	Material
LEFT	RIGHT					
72065120	72075120	2	20°	270	525	 Standard codes for UHMW-PE
72065240	72075240	4	28°	525	733	

Upper part:



for **BluLub®**
add "B"

for **C Abrasive** add "C"


Upper and return part:



for **BluLub®**
add "BB"

for **C Abrasive** add "CC"

Slim version - K325/K330

Article-Nr.		Tracks	α	W	L	Material
LEFT	RIGHT					
72064120	72074120	2	20°	185	525	 Standard codes for UHMW-PE
72064240	72074240	4	28°	355	733	

Upper part:



for **BluLub®**
add "B"

for **C Abrasive** add "C"

Upper and return part:



for **BluLub®**
add "BB"

for **C Abrasive** add "CC"

Materiale / Material / Materialien:
 Polietilene UHMW-PE
 Polyethylene UHMW-PE
 Polyäthylen UHMW-PE

878-879-880-881-8811-260-261 TAB

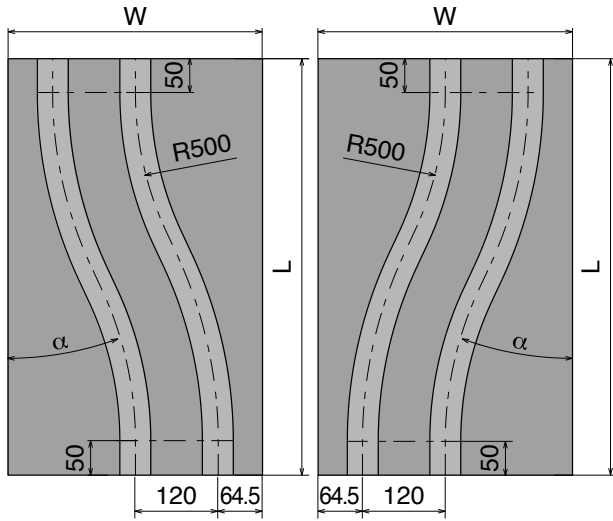
Tratti rettilinei / Straight track section / Gerade Schienen

NEW

ETC 878-879-880-881-8811-260-261 TAB

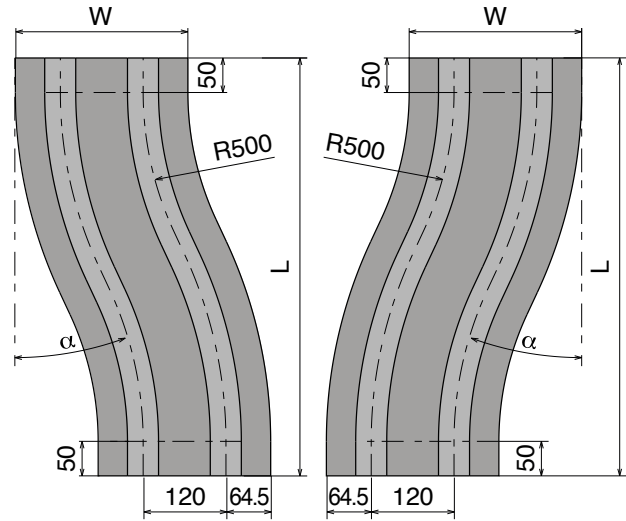
Chain Reference 878 TAB - K450 879 TAB - K450 880 TAB - K450 881 TAB - K450 8811 TAB - K450 260/261 TAB - K450

Supply: Set of 2 pieces (upper & return)



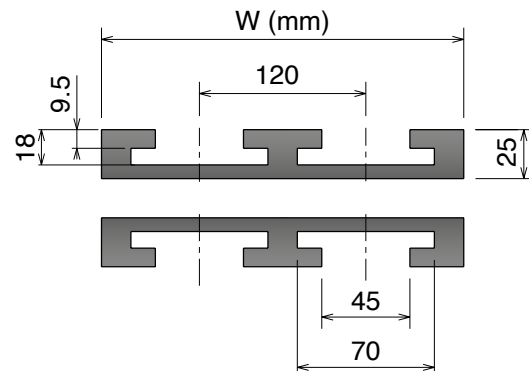
Full version

LEFT AND RIGHT VERSIONS



Slim version

LEFT AND RIGHT VERSIONS



Full version - K450

Article-Nr.		Tracks	α	W	L	Material
LEFT	RIGHT					
72165120	72175120	2	25°	370	606	Standard codes for UHMW-PE
72165240	72175240	4	32°	730	874	



Standard codes
for **UHMW-PE**

Upper part:



for **BluLub®**
add "B"

for **C Abrasive** add "C"

Upper and return part:



for **BluLub®**
add "BB"

for **C Abrasive** add "CC"

Slim version - K450

Article-Nr.		Tracks	α	W	L	Material
LEFT	RIGHT					
72164120	72174120	2	25°	250	606	Standard codes for UHMW-PE
72164240	72174240	4	32°	490	874	



Standard codes
for **UHMW-PE**

Upper part:



for **BluLub®**
add "B"

for **C Abrasive** add "C"

Upper and return part:



for **BluLub®**
add "BB"

for **C Abrasive** add "CC"

PFX

The best choice for dry running applications.

RANGE EXTENSION

Other different types of product in PFX are on request.

PFX is the plastic material specifically developed for chains and belts in order to run with limited lubrication or in dry applications where the demands are extreme concerning speed, performance & efficiency. Contact us, and request a free quotation!



520 FT



520 HD FT



520 PRO LBP



520 M



NEW

521 FT & One track belt



NEW

522 HD & One track belt



NEW

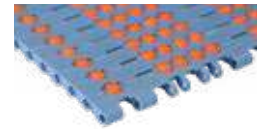
590 FG & One track belt



525 HD FT



525 HD FG



530 PRO LBP



550 FT & One track belt



NEW

550 UTS & One track belt



550 PRO FT



550 PRO M



551 FT



551 PRO LBP



NEW

240 XE FT



NEW

240 XE FG



NEW

240 XE TAB FT



NEW

240 XE TAB FG



260 M FT



260 M FG



260 TAB



261 M FT



261 TAB



Low friction

Developed to reduce friction between chain and product, and chain and wearstrip.



High performance

Longer wear life lead to excellent and long enduring product handling features.



Minimal dusting

Developed to avoid dusting under extreme circumstances.



Control of cost

Better control of total cost & sustainable conveyor technology.



Food contact Certified

PFX material is suitable in food application.



Patented material

PFX is an exclusive product of Movex.

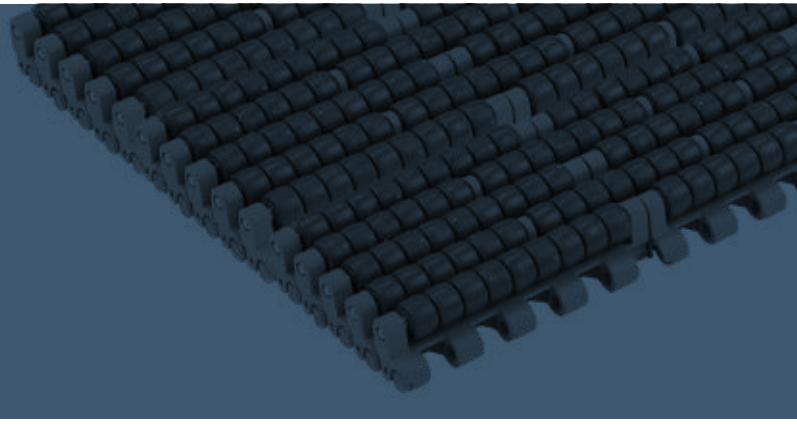
Energy saving

Low friction

High efficiency

High visibility

FDA APPROVAL



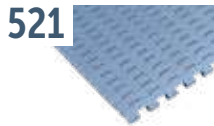
7870 FT
Page 198

7870 FG
Page 199

7870 DT
Page 200

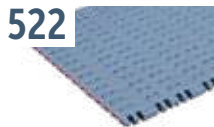
7870 CT
Page 201

7870 NS
Page 202



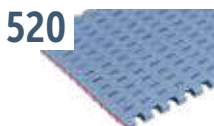
521 FT
Page 214

521 FT One track Belt
Page 215



522 HD FT
Page 216

522 HD One track Belt
Page 217



520 FT
Page 204

520 HD FT
Page 205

520 FTT
Page 206

520 FG
Page 207

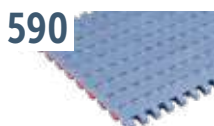
520 GT
Page 208

520 GT Side indent
Page 209

520 LBP
Page 210

520 PRO LBP
Page 211

520 M
Page 212



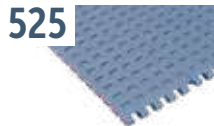
590 FT
Page 219

590 FT One track Belt
Page 220

590 FTT
Page 221

590 FG
Page 222

590 FG One track Belt
Page 223



525 HD FT
Page 225

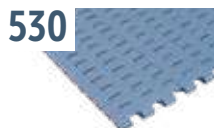
525 HD FT + RIB
Page 226

525 FTT
Page 227

525 HD FG
Page 228

525 HD GT
Page 229

525 HD GT Side indent
Page 230



530 FT
Page 232

530 FT One track Belt
Page 233

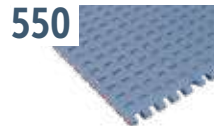
530 FTT
Page 234

530 GT
Page 235

530 GT Side indent
Page 236

530 LBP
Page 237

530 PRO LBP
Page 238



550 FT
Page 240

550 FT One track Belt
Page 241

550 FTT
Page 242

550 UTS & One track Belt
Page 243/244

550 GT
Page 245

550 GT Side indent
Page 246

550 FLIGHT TOP
Page 247/248

550 V & One track Belt
Page 249

550 PRO FT
Page 250

550 PRO M
Page 251



551 FT
Page 253

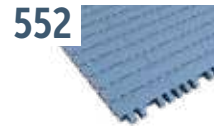
551 FTT
Page 254

551 GT
Page 255

551 GT Side indent
Page 256

551 LBP
Page 257

551 PRO LBP
Page 258



552 FT
Page 260

552 FT One track Belt
Page 261

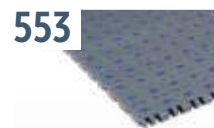
552 FTT
Page 262

552 PT
Page 263

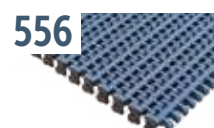
552 PT One track Belt
Page 264

552 GT
Page 265

552 GT Side indent
Page 266

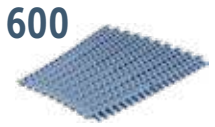
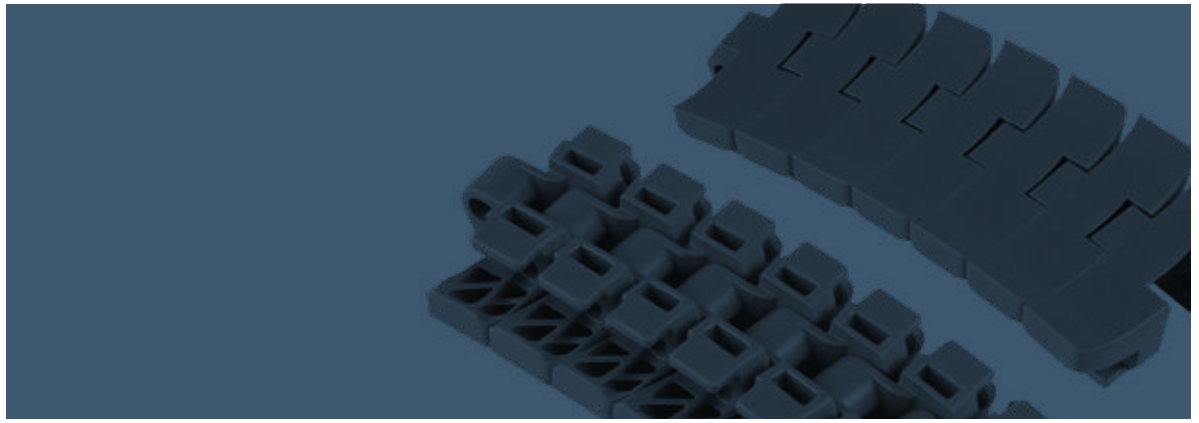


553 FLEX TOP
Page 268/269



556 FT
Page 271

556 GT
Page 272



600 Standard
Page 274

600 Heavy duty
Page 275

600 Heavy duty with Bearings Page 276

600 Small radius
Page 277

600 Heavy duty/ Small radius
Page 278

600 Heavy duty/ Small radius with Bearings Page 279

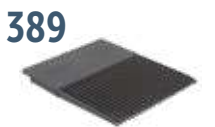
600 with pusher
Page 280

Dedicated molded profiles
Page 281 > 285



500 RR
Page 284

500 RR with Positioner
Page 285



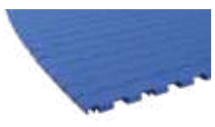
Comb
Page 286

Comb Quick-link
Page 287

AT-Comb
Page 288



ZERO CONTACT
Page 290/291



ZERO CONTACT PRO
Page 292/293



240 XE FT
Page 295

240 XE FG
Page 296

240 XE TAB FT
Page 297

240 XE TAB FG
Page 298



260 M FT
Page 299

260 M FG
Page 300

260 TAB
Page 301

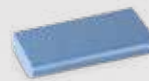


261 M FT
Page 302

261 TAB
Page 303

NoseBars Standard

for Modular belt:



7870 Series
Page 307

520 Series
Page 307

525 Series
Page 307

521 Series
Page 308

522 HD Series
Page 308

530 Series
(LBP excluded) Page 309

530 LBP
Page 309

530 PRO LBP
Page 310

NoseBars with Bearings

for Modular belt:



520 Series
Page 311

525 Series
Page 311

521 Series
Page 311

522 HD Series
Page 312

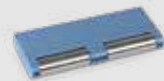
530 Series
(LBP excluded) Page 312

530 LBP
Page 313

530 PRO LBP
Page 313

NoseBars with Rollers

for Modular belt:



520 Series
Page 314

525 Series
Page 314

521 Series
Page 314

522 HD Series
Page 315

530 Series
(LBP excluded) Page 315

One piece

Custom made NoseBar, supplied in a single piece.

Standard

for Modular belt:



520 Series
Page 316

525 Series
Page 316

522 HD Series
Page 316

530 Series
Page 316

with Bearings

for Modular belt:



520 Series
Page 317

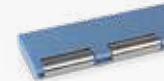
525 Series
Page 317

522 HD Series
Page 317

530 Series
Page 317

with Rollers

for Modular belt:



520 Series
Page 318

525 Series
Page 318

522 HD Series
Page 318

530 Series
Page 318

7870 Series

7870

Pitch 8 mm

H= 6 mm

Imperial Size



7870 FT

7870 FG

7870 DT

7870 CT



7870 NS

Movex[®]

7870 FT

Tappeto Modulare 7870 FT, H=6 M=3"
Modular Belt Series 7870 FT, H=6 M=3" / Modulare Mattenkette 7870 FT, H=6 M=3"

Backflex radius min.: 7.5 mm | Pin diameter: 3 mm

	
NoseBars	Active transfer plate
pg. 354	pg. 307
pg. 334>338	pg. 771>781

SAMPLE BOX

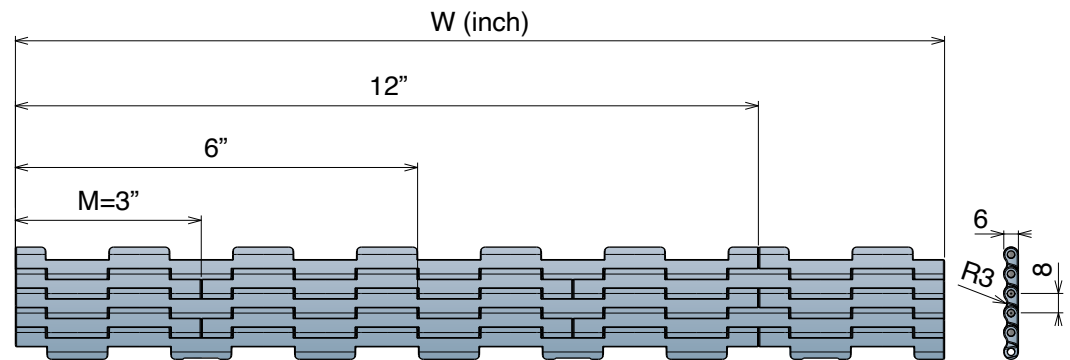
Art.-Nr. **5331018888A**



- Easier installation
- Quicker maintenance

Width* (Inch)
0003
0006
0009
0012
0015
0018
0021
0024
0027
0030
0033
0036
0039
0042
0045
0048
0051
0054

Version A - Standard



BELT MATERIAL	
POM - Acetal resin	
BELT COLORS	
RAL 5005	Cyan
White	LFA
PINS AVAILABLE	
PBT Pin	
Max w. load:	3000 N/m
Weight:	5.8 kg/m ²
Temp. range:	-40+80 °C

7870 FT MOVEX TOOL

Developed to facilitate belt assembly and disassembly.



Article Nr. **29969**

Movex tools are made with 3D printer, the color may vary due to availability of the material.

*Belts wider than standard are available with 3 inch increments.

The nominal tensile strength and the nominal width tolerance are valid for a temperature of 23°C (73 °F).

The actual width of the belt typically falls below the nominal value by 0.1% to 0.3%. For POM belts up to 750 mm (30") in width, the shrinkage ranges from -3 mm to 1 mm, and for those wider, from -0.35% to 0%.

Non-Standard belt widths are incremented by 25.4 mm (1"). The minimum width is 50.8 mm (2.0").

NEW 7870 FG

Tappeto Modulare 7870 FG, H=6 M=3"
 Modular Belt Series 7870 FG, H=6 M=3" / Modulare Mattenkette 7870 FG, H=6 M=3"

Backflex radius min.: 7.5 mm | Pin diameter: 3 mm

	NoseBars
pg. 354	pg. 307
	Active transfer plate
pg. 334>338	pg. 771>781

25.0%
OPEN SURFACE

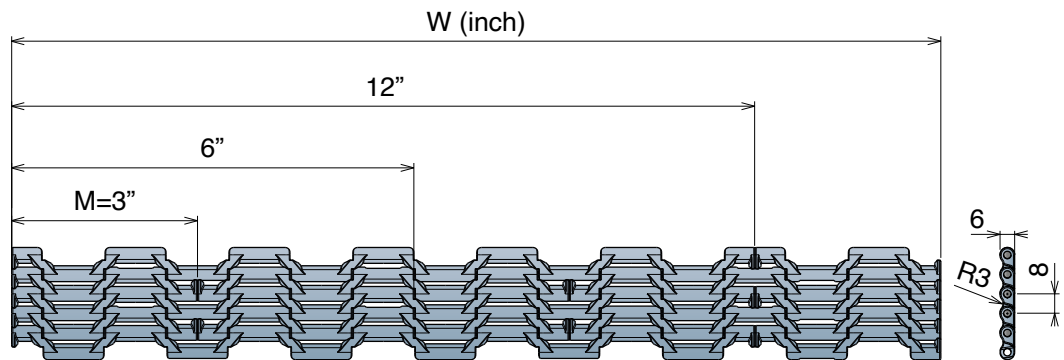
8 mm
PITCH



- Easier installation
- Quicker maintenance

Width* (inch)
0003
0006
0009
0012
0015
0018
0021
0024
0027
0030
0033
0036
0039
0042
0045
0048
0051
0054

Version A - Standard



BELT MATERIAL	
POM - Acetal resin	
BELT COLORS	
RAL 5005	Cyan
White	LFA
PINS AVAILABLE	
PBT Pin	
Max w. load:	2900 N/m
Weight:	5.1 kg/m ²
Temp. range:	-40+80 °C

7870 FT MOVEX TOOL

Developed to facilitate belt assembly and disassembly.



Article Nr. **29969**

Movex tools are made with 3D printer, the color may vary due to availability of the material.

***Belts wider than standard are available with 3 inch increments.**

The nominal tensile strength and the nominal width tolerance are valid for a temperature of 23°C (73 °F).

The actual width of the belt typically falls below the nominal value by 0.1% to 0.3%.



Non-Standard belt widths are incremented by 25.4 mm (1"). The minimum width is 50.8 mm (2.0").

NEW 7870 DT

Tappeto Modulare 7870 DT, H=6 M=3"
Modular Belt Series 7870 DT, H=6 M=3" / Modulare Mattenkette 7870 DT, H=6 M=3"

Backflex radius min.: 7.5 mm | Pin diameter: 3 mm

Imperial Size

	NoseBars
pg. 354	pg. 307
	Active transfer plate
pg. 334>338	pg. 771>781

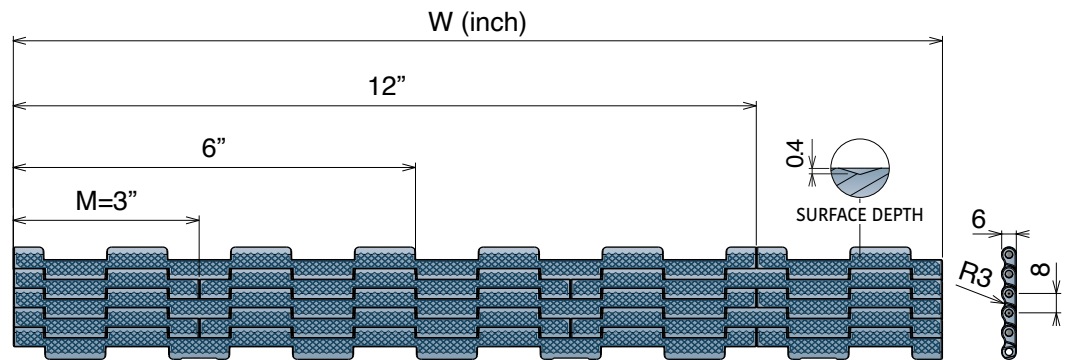
8 mm
PITCH



- Easier installation
- Quicker maintenance

Width* (Inch)
0003
0006
0009
0012
0015
0018
0021
0024
0027
0030
0033
0036
0039
0042
0045
0048
0051
0054

Version A - Standard



BELT MATERIAL	
POM - Acetal resin	
BELT COLORS	
RAL 5005	Cyan
White	LFA
PINS AVAILABLE	
PBT Pin	
Max w. load:	3000 N/m
Weight:	5.7 kg/m ²
Temp. range:	-40+80 °C

7870 FT MOVEX TOOL

Developed to facilitate belt assembly and disassembly.



Article Nr. **29969**

Movex tools are made with 3D printer, the color may vary due to availability of the material.

*Belts wider than standard are available with 3 inch increments.

The nominal tensile strength and the nominal width tolerance are valid for a temperature of 23°C (73 °F).

The actual width of the belt typically falls below the nominal value by 0.1% to 0.3%. For POM belts up to 750 mm (30") in width, the shrinkage ranges from -3 mm to 1 mm, and for those wider, from -0.35% to 0%.

Non-Standard belt widths are incremented by 25.4 mm (1"). The minimum width is 50.8 mm (2.0").

PATENTED

Belts wider than standard are available with 3 inch increments (standard) or 1 inch increments (special)



7870 CT


Tappeti modulari / Modular belts / Mattenketten

NEW 7870 CT

Tappeto Modulare 7870 CT, H=6 M=3"
Modular Belt Series 7870 CT, H=6 M=3" / Modulare Mattenkette 7870 CT, H=6 M=3"

Backflex radius min.: 7.5 mm | Pin diameter: 3 mm

	NoseBars
pg. 354	pg. 307
	Active transfer plate
pg. 334>338	pg. 771>781

	Pin Sphere®
pg. 651>661	



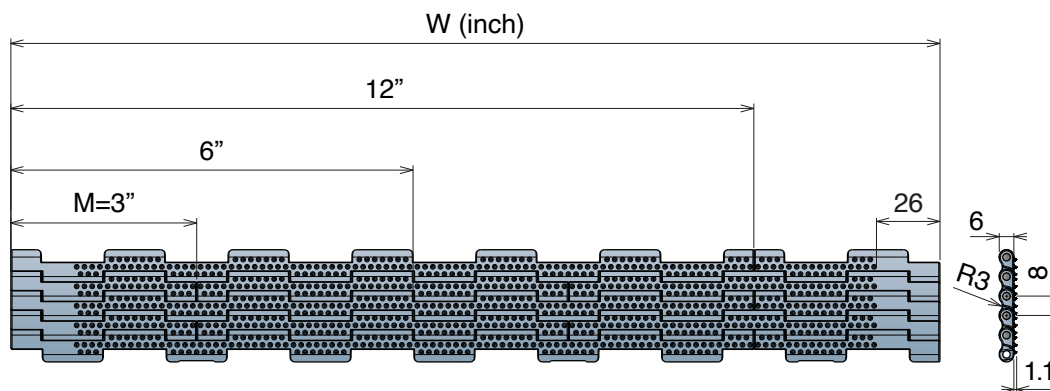
- Easier installation
- Quicker maintenance

8 mm
PITCH

Imperial Size

Width* (inch)
0003
0006
0009
0012
0015
0018
0021
0024
0027
0030
0033
0036
0039
0042
0045
0048
0051
0054

Version A - Standard



BELT MATERIAL	
POM - Acetal resin	
BELT COLORS	
RAL 5005	Cyan
White	LFA
PINS AVAILABLE	
PBT Pin	
Max w. load:	3000 N/m
Weight:	5.9 kg/m ²
Temp. range:	-40+80 °C

7870 FT MOVEX TOOL

Developed to facilitate belt assembly and disassembly.



Article Nr. **29969**

Movex tools are made with 3D printer, the color may vary due to availability of the material.

*Belts wider than standard are available with 3 inch increments.

The nominal tensile strength and the nominal width tolerance are valid for a temperature of 23°C (73 °F).

The actual width of the belt typically falls below the nominal value by 0.1% to 0.3%.

Non-Standard belt widths are incremented by 25.4 mm (1"). The minimum width is 50.8 mm (2.0").



NEW 7870 NS

Tappeto Modulare 7870 NS, H=6 M=3"

Modular Belt Series 7870 NS, H=6 M=3" / Modulare Mattenkette 7870 NS, H=6 M=3"

Backflex radius min.: 7.5 mm | Pin diameter: 3 mm

Imperial Size

	NoseBars
pg. 354	pg. 307
	Active transfer plate
pg. 334>338	pg. 771>781

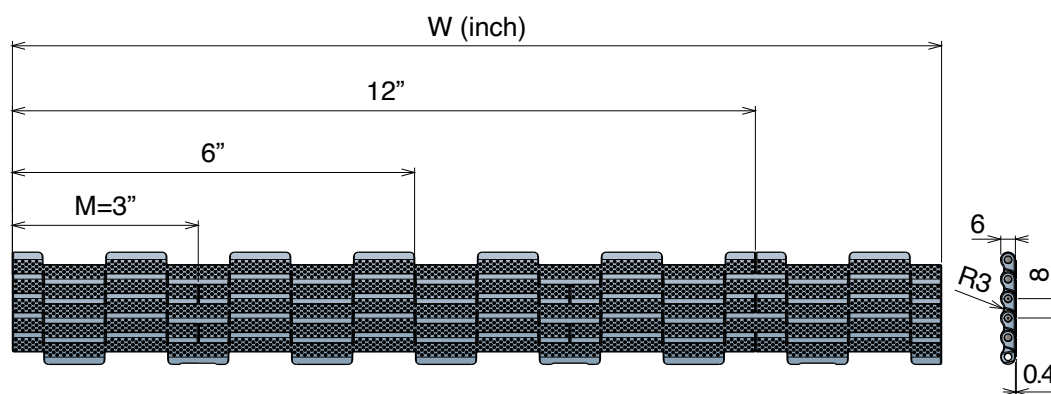
8 mm
PITCH



- Easier installation
- Quicker maintenance

Width* (Inch)
0003
0006
0009
0012
0015
0018
0021
0024
0027
0030
0033
0036
0039
0042
0045
0048
0051
0054

Version A - Standard



BELT MATERIAL	
POM - Acetal resin	
BELT COLORS	
RAL 5005	Cyan
White	LFA
PINS AVAILABLE	
PBT Pin	
Max w. load:	3000 N/m
Weight:	5.9 kg/m ²
Temp. range:	-40+80 °C

7870 FT MOVEX TOOL

Developed to facilitate belt assembly and disassembly.



Article Nr. **29969**

Movex tools are made with 3D printer, the color may vary due to availability of the material.

*Belts wider than standard are available with 3 inch increments.

The nominal tensile strength and the nominal width tolerance are valid for a temperature of 23°C (73 °F).

The actual width of the belt typically falls below the nominal value by 0.1% to 0.3%. For POM belts up to 750 mm (30") in width, the shrinkage ranges from -3 mm to 1 mm, and for those wider, from -0.35% to 0%.

Non-Standard belt widths are incremented by 25.4 mm (1"). The minimum width is 50.8 mm (2.0").

520

Pitch 12,7 mm
H= 8,7 mm



520 FT
520 HD FT
520 FTT
520 FG
520 GT
520 GT *Side Indent*

520 LBP
520 PRO LBP
520 M

Metric Size




520 FT

Tappeto Modulare 520 FT, H=8,7 M=85
Modular Belt Series 520 FT, H=8,7 M=85 / Modulare Mattenkette 520 FT, H=8,7 M=85

CODE STRUCTURE GUIDE (Example)

Backflex radius min.: 10 mm

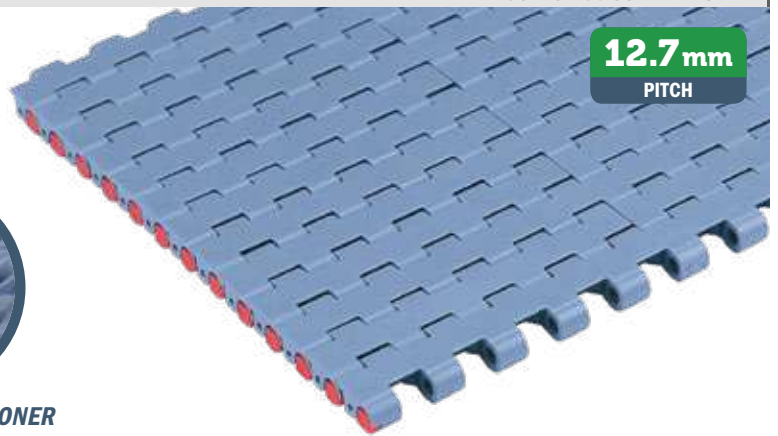
5201	01	0085	A
Series	*Material	Width	Version

		
pg. 357-358	307/311/314	pg. 771-781

SAMPLE BOX	
Art.-Nr.	5201018888A



REINFORCED POSITIONER



12.7mm
PITCH

*Material

LFA - Code 01

Low friction Acetal

Easy Delivery

Max w. load: 21500 N/m
Weight: 7,8 kg/m²
Temp. range dry: -40+80 °C
Temp. range wet: -40+65 °C
Pin material: PBT white

PP - Code 02

Polypropylene

Max w. load: 13000 N/m
Weight: 7,5 kg/m²
Temp. range dry: 4+104 °C
Temp. range wet: 4+104 °C
Pin material: PP blue

MX - Code 03

Performance PBT

Max w. load: 17500 N/m
Weight: 7,5 kg/m²
Temp. range dry: -40+120 °C
Temp. range wet: -40+60 °C
Pin material: POM grey

LFB - Code 23

Low friction Acetal

Max w. load: 21500 N/m
Weight: 7,8 kg/m²
Temp. range dry: -40+80 °C
Temp. range wet: -40+65 °C
Pin material: PBT white

MPX - Code 25

Lubricated Acetal

Max w. load: 21500 N/m
Weight: 7,8 kg/m²
Temp. range dry: -40+80 °C
Temp. range wet: -40+65 °C
Pin material: PBT white

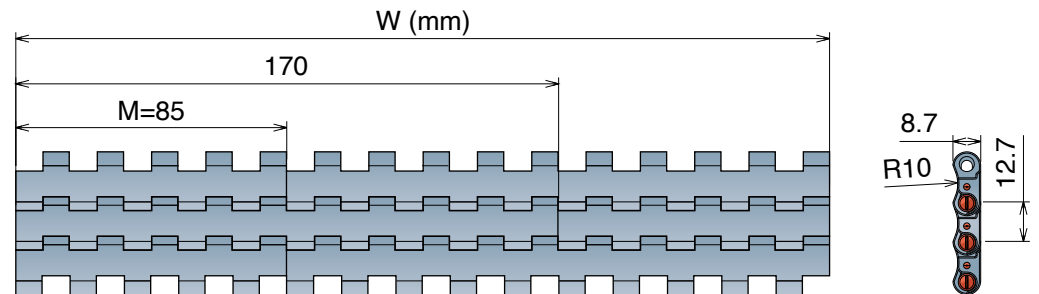
PFX - Code 30

Extra performance PBT

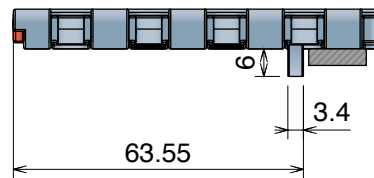
Max w. load: 17500 N/m
Weight: 7,5 kg/m²
Temp. range dry: -40+120 °C
Temp. range wet: -40+60 °C
Pin material: POM grey

**THE BEST CHOICE FOR
DRY RUNNING APPLICATIONS**

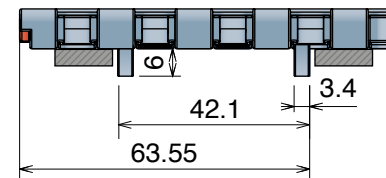
Version A - Standard



Version B - With 1 Positioner



Version C - With 2 Positioners



Version A - Standard

Series	Material	Width	Version
5201	*	0085	A
5201	*	0170	A
5201	*	0255	A
5201	*	0340	A
5201	*	0425	A
5201	*	0510	A
5201	*	0595	A
5201	*	0680	A
5201	*	0765	A
5201	*	0850	A
5201	*	0935	A
5201	*	1020	A
5201	*	1105	A
5201	*	1190	A
5201	*	1275	A
5201	*	1360	A
5201	*	1445	A
5201	*	1530	A

Version B - With 1 Positioner

Series	Material	Width	Version
5201	*	0085	B
5201	*	0170	B
5201	*	0255	B
5201	*	0340	B
5201	*	0425	B
5201	*	0510	B
5201	*	0595	B
5201	*	0680	B
5201	*	0765	B
5201	*	0850	B
5201	*	0935	B
5201	*	1020	B
5201	*	1105	B
5201	*	1190	B
5201	*	1275	B
5201	*	1360	B
5201	*	1445	B
5201	*	1530	B

Version C - With 2 Positioners

Series	Material	Width	Version
5201	*	0085	C
5201	*	0170	C
5201	*	0255	C
5201	*	0340	C
5201	*	0425	C
5201	*	0510	C
5201	*	0595	C
5201	*	0680	C
5201	*	0765	C
5201	*	0850	C
5201	*	0935	C
5201	*	1020	C
5201	*	1105	C
5201	*	1190	C
5201	*	1275	C
5201	*	1360	C
5201	*	1445	C
5201	*	1530	C

520 HD FT

Tappeto Modulare 520 HD, H=8,7 M=85
 Modular Belt Series 520 HD, H=8,7 M=85 / Modulare Mattenkette 520 HD, H=8,7 M=85

Metric Size

CODE STRUCTURE GUIDE (Example)

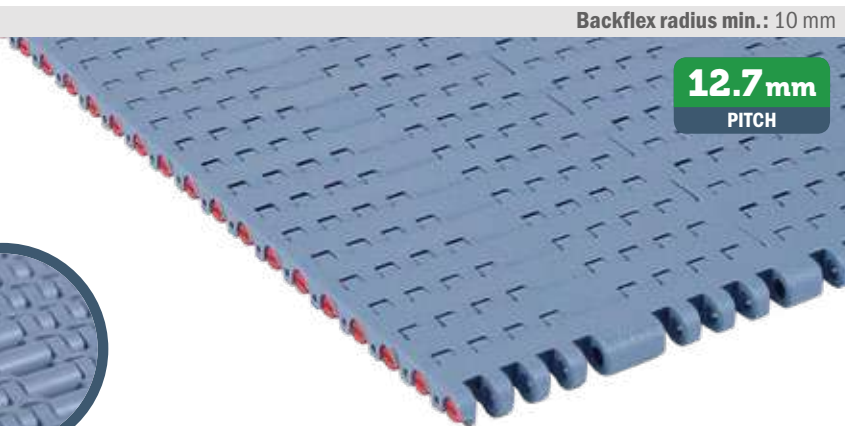
Backflex radius min.: 10 mm

5211	01	0085	A
Series	*Material	Width	Version

12.7mm
PITCH

	NoseBars	
pg. 355-356	307/311/314	pg. 771>781

SAMPLE BOX	
Art.-Nr.	5211018888A



*Material

LFA - Code 01
Low friction Acetal

Easy Delivery

Max w. load: 25500 N/m
 Weight: 7,8 kg/m²
 Temp. range dry: -40÷80 °C
 Temp. range wet: -40÷65 °C
 Pin material: PBT white

MX - Code 03
Performance PBT

Max w. load: 20000 N/m
 Weight: 7,5 kg/m²
 Temp. range dry: -40÷120 °C
 Temp. range wet: -40÷60 °C
 Pin material: POM grey

MPX - Code 25
Lubricated Acetal

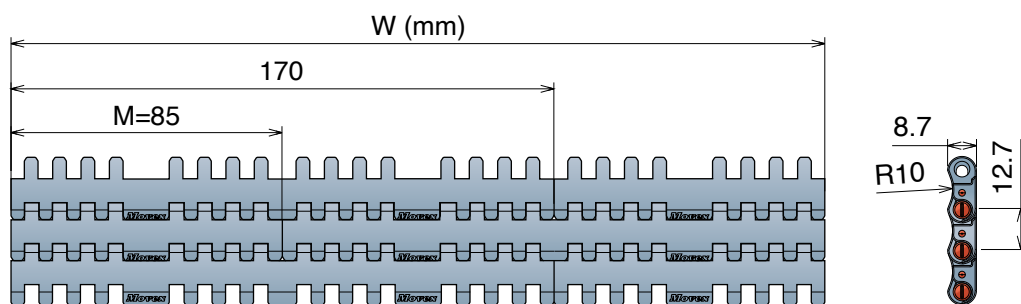
Max w. load: 25000 N/m
 Weight: 7,8 kg/m²
 Temp. range dry: -40÷80 °C
 Temp. range wet: -40÷65 °C
 Pin material: PBT white

PFX - Code 30
Extra performance PBT

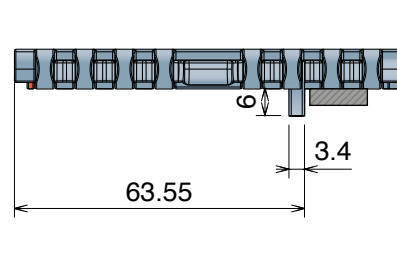
Max w. load: 20000 N/m
 Weight: 7,5 kg/m²
 Temp. range dry: -40÷120 °C
 Temp. range wet: -40÷60 °C
 Pin material: POM grey

THE BEST CHOICE FOR DRY RUNNING APPLICATIONS

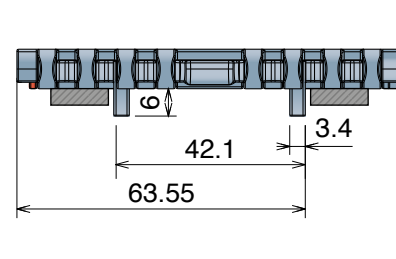
Version A - Standard



Version B - With 1 Positioner



Version C - With 2 Positioner



Version A - Standard

Series	Material	Width	Version
5211	*	0085	A
5211	*	0170	A
5211	*	0255	A
5211	*	0340	A
5211	*	0425	A
5211	*	0510	A
5211	*	0595	A
5211	*	0680	A

Version B - With 1 Positioner

Series	Material	Width	Version
5211	*	0085	B
5211	*	0170	B
5211	*	0255	B
5211	*	0340	B
5211	*	0425	B
5211	*	0510	B
5211	*	0595	B
5211	*	0680	B

Version C - With 2 Positioners

Series	Material	Width	Version
5211	*	0085	C
5211	*	0170	C
5211	*	0255	C
5211	*	0340	C
5211	*	0425	C
5211	*	0510	C
5211	*	0595	C
5211	*	0680	C



Advantages:

- Improved working load
- Easy installation
- Rigidity
- Product stability

520 FTT

Tappeto Modulare 520 FTT, H=8,7 M=85

Modular Belt Series 520 FTT, H=8,7 M=85 / Modulare Mattenkette 520 FTT, H=8,7 M=85

CODE STRUCTURE GUIDE (Example)

Backflex radius min.: 10 mm

5206	01	0085	C
Series	*Material	Width	Version

12.7mm
PITCH



pg. 357-358

307/311/314

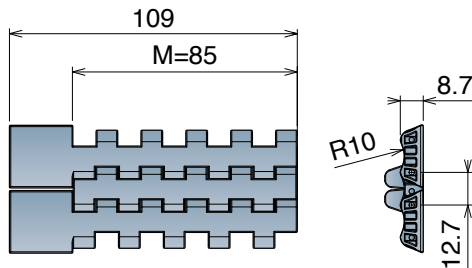
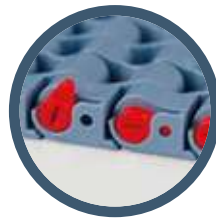
pg. 771>781

*Material

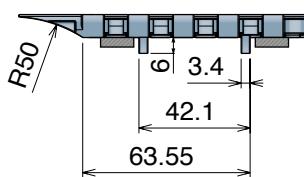
LFA - Code 01
Low friction Acetal

MX - Code 03
Performance PBT

Max w. load:	21500 N/m	Max w. load:	17500 N/m
Weight:	7,8 kg/m ²	Weight:	7,5 kg/m ²
Temp. range dry:	-40+80 °C	Temp. range dry:	-40+120 °C
Temp. range wet:	-40+65 °C	Temp. range wet:	-40+60 °C
Pin material:	PBT white	Pin material:	POM grey



Version C

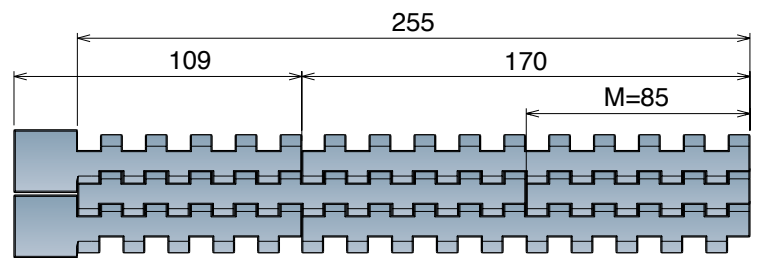


Version C

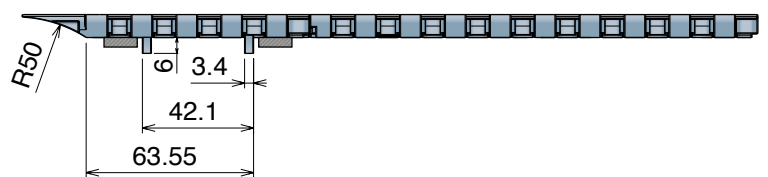
Series	Material	Width	Version
5206	*	0085	C

Max working load (N)

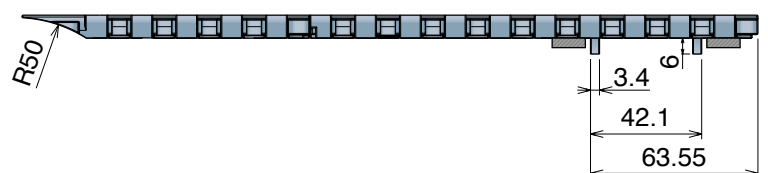
Width	85
LFA	1850
MX	1500



Version CN - Near



Version CO - Opposite



Version CN - Near

Series	Material	Width	Version
5206	*	0170	CN
5206	*	0255	CN

Version CO - Opposite

Series	Material	Width	Version
5206	*	0170	CO
5206	*	0255	CO

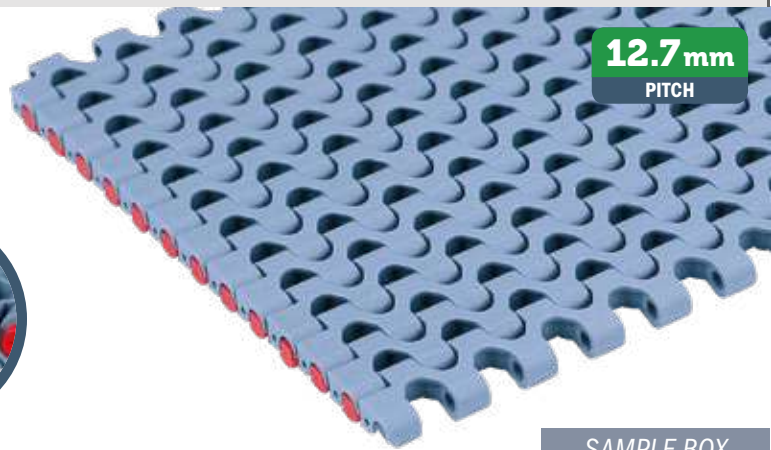
520 FG Open Surface 25% Tappeto Modulare 520 FG, H=8,7 M=85 Modular Belt Series 520 FG, H=8,7 M=85 / Modulare Mattenkette 520 FG, H=8,7 M=85

CODE STRUCTURE GUIDE (Example)

Backflex radius min.: 10 mm

5202	01	0085	A
Series	*Material	Width	Version

pg. 357-358	307/311/314	pg. 771>781



Metric Size

*Material

LFA - Code 01

Low friction Acetal

Easy Delivery

Max w. load: 21500 N/m
Weight: 7,5 kg/m²
Temp. range dry: -40+80 °C
Temp. range wet: -40+65 °C
Pin material: PBT white

SAMPLE BOX

Art.-Nr. 5202018888A

PP - Code 02

Polypropylene

Max w. load: 13000 N/m
Weight: 7,5 kg/m²
Temp. range dry: 4+104 °C
Temp. range wet: 4+104 °C
Pin material: PP blue

MX - Code 03

Performance PBT

Max w. load: 17500 N/m
Weight: 7,2 kg/m²
Temp. range dry: -40+120 °C
Temp. range wet: -40+60 °C
Pin material: POM grey

DKM - Code 16

Aramide Reinforced Acetal

Max w. load: 21500 N/m
Weight: 7,5 kg/m²
Temp. range dry: -40+80 °C
Temp. range wet: -40+65 °C
Pin material: PBT white

MWX - Code 17

Polyamide Composite

Max w. load: 21500 N/m
Weight: 7,8 kg/m²
Temp. range dry: -40+104 °C
Temp. range wet: NR
Pin material: PBT white

LFB - Code 23

Low friction Acetal

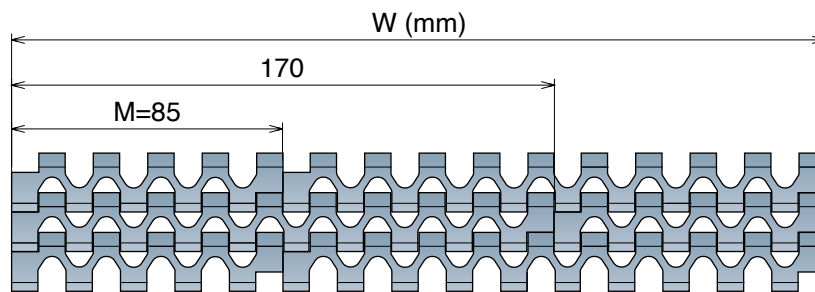
Max w. load: 21500 N/m
Weight: 7,5 kg/m²
Temp. range dry: -40+80 °C
Temp. range wet: -40+65 °C
Pin material: PBT white

MPX - Code 25

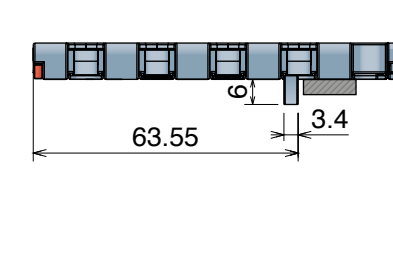
Lubricated Acetal

Max w. load: 21500 N/m
Weight: 7,5 kg/m²
Temp. range dry: -40+80 °C
Temp. range wet: -40+65 °C
Pin material: PBT white

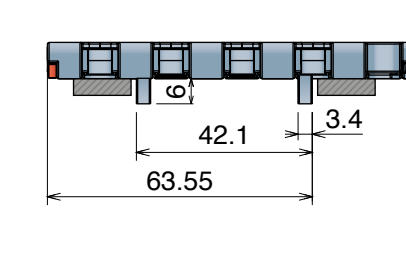
Version A - Standard



Version B - With 1 Positioner



Version C - With 2 Positioner



Version A - Standard

Series	Material	Width	Version
5202	*	0085	A
5202	*	0170	A
5202	*	0255	A
5202	*	0340	A
5202	*	0425	A
5202	*	0510	A
5202	*	0595	A
5202	*	0680	A
5202	*	0765	A
5202	*	0850	A
5202	*	0935	A
5202	*	1020	A
5202	*	1105	A
5202	*	1190	A
5202	*	1275	A
5202	*	1360	A
5202	*	1445	A
5202	*	1530	A

Version B - With 1 Positioner

Series	Material	Width	Version
5202	*	0085	B
5202	*	0170	B
5202	*	0255	B
5202	*	0340	B
5202	*	0425	B
5202	*	0510	B
5202	*	0595	B
5202	*	0680	B
5202	*	0765	B
5202	*	0850	B
5202	*	0935	B
5202	*	1020	B
5202	*	1105	B
5202	*	1190	B
5202	*	1275	B
5202	*	1360	B
5202	*	1445	B
5202	*	1530	B

Version C - With 2 Positioners

Series	Material	Width	Version
5202	*	0085	C
5202	*	0170	C
5202	*	0255	C
5202	*	0340	C
5202	*	0425	C
5202	*	0510	C
5202	*	0595	C
5202	*	0680	C
5202	*	0765	C
5202	*	0850	C
5202	*	0935	C
5202	*	1020	C
5202	*	1105	C
5202	*	1190	C
5202	*	1275	C
5202	*	1360	C
5202	*	1445	C
5202	*	1530	C




520 GT

Tappeto Modulare 520 GT, H=8,7 M=85
 Modular Belt Series 520 GT, H=8,7 M=85 / Modulare Mattenkette 520 GT, H=8,7 M=85

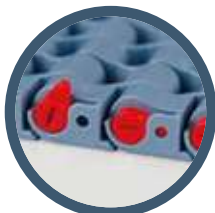
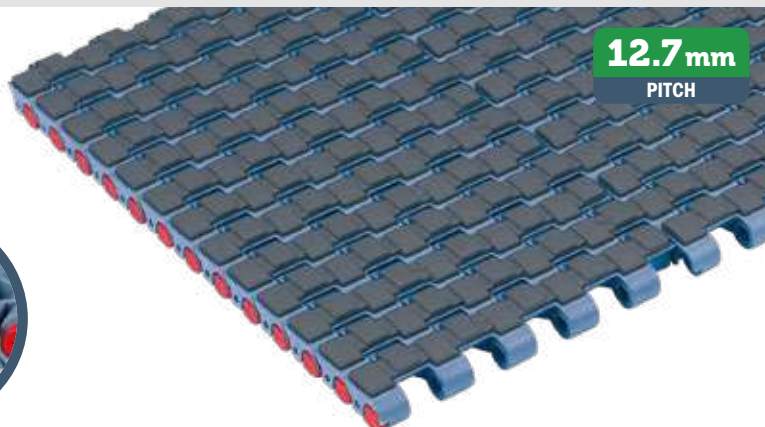
CODE STRUCTURE GUIDE (Example)

Backflex radius min.: 20 mm

5203	01	0085	A
Series	*Material	Width	Version

		
pg. 357-358	307/311/314	pg. 771>781

SAMPLE BOX	
Art.-Nr.	5203018888A



Metric Size

*Material

LFA - Code 01
 Low friction Acetal

Easy Delivery

Max w. load: 21500 N/m
 Weight: 9,0 kg/m²
 Temp. range dry: -40÷80 °C
 Temp. range wet: -40÷65 °C
 Pin material: PBT white
 Top rubber: 50 ShA-Dark grey

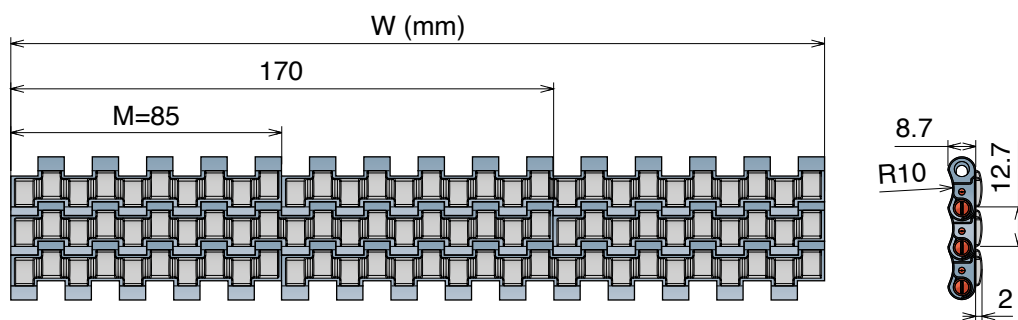
PP - Code 02
 Polypropylene

Max w. load: 13000 N/m
 Weight: 7,5 kg/m²
 Temp. range dry: 4÷80 °C
 Temp. range wet: 4÷80 °C
 Pin material: PP blu
 Top rubber: 50 ShA-Pigeon blue

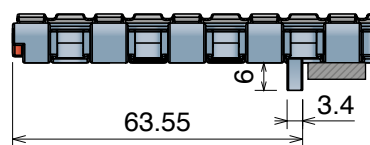
MX - Code 03
 Performance PBT

Max w. load: 17500 N/m
 Weight: 9,3 kg/m²
 Temp. range dry: -40÷120 °C
 Temp. range wet: -40÷60 °C
 Pin material: POM grey
 Top rubber: 50 ShA-Dark grey

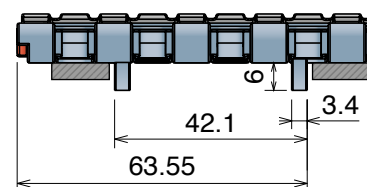
Version A - Standard



Version B - With 1 Positioner



Version C - With 2 Positioners



Version A - Standard

Series	Material	Width	Version
5203	*	0085	A
5203	*	0170	A
5203	*	0255	A
5203	*	0340	A
5203	*	0425	A
5203	*	0510	A
5203	*	0595	A
5203	*	0680	A
5203	*	0765	A
5203	*	0850	A
5203	*	0935	A
5203	*	1020	A
5203	*	1105	A
5203	*	1190	A
5203	*	1275	A
5203	*	1360	A
5203	*	1445	A
5203	*	1530	A

Version B - With 1 Positioner

Series	Material	Width	Version
5203	*	0085	B
5203	*	0170	B
5203	*	0255	B
5203	*	0340	B
5203	*	0425	B
5203	*	0510	B
5203	*	0595	B
5203	*	0680	B
5203	*	0765	B
5203	*	0850	B
5203	*	0935	B
5203	*	1020	B
5203	*	1105	B
5203	*	1190	B
5203	*	1275	B
5203	*	1360	B
5203	*	1445	B
5203	*	1530	B

Version C - With 2 Positioners

Series	Material	Width	Version
5203	*	0085	C
5203	*	0170	C
5203	*	0255	C
5203	*	0340	C
5203	*	0425	C
5203	*	0510	C
5203	*	0595	C
5203	*	0680	C
5203	*	0765	C
5203	*	0850	C
5203	*	0935	C
5203	*	1020	C
5203	*	1105	C
5203	*	1190	C
5203	*	1275	C
5203	*	1360	C
5203	*	1445	C
5203	*	1530	C

NEW

520 GT Side indent

Tappeto Modulare 520 GT Side Indent, H=8,7 M=85

Modular Belt Series 520 GT Side Indent, H=8,7 M=85 / Modulare Mattenkette 520 GT Side Indent, H=8,7 M=85

Metric Size

CODE STRUCTURE GUIDE (Example)

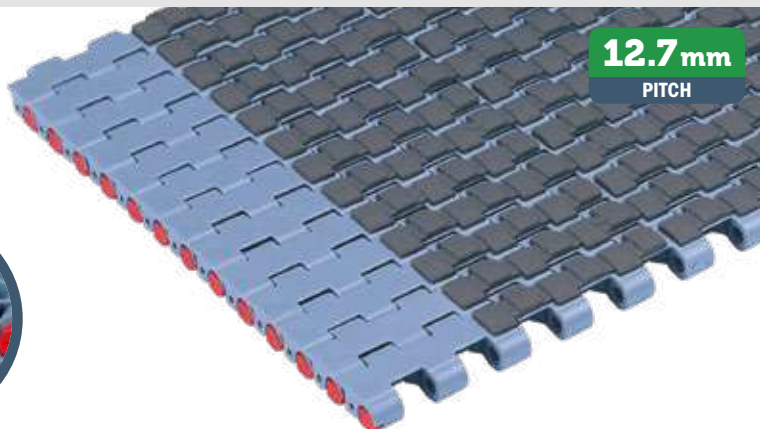
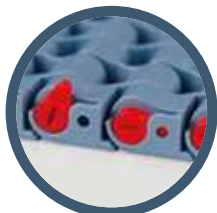
Backflex radius min.: 20 mm

5205	01	0085	A
Series	*Material	Width	Version

	NoseBars	
pg. 357-358	307/311/314	pg. 771>781

SAMPLE BOX

Art.-Nr. **5205018888A**



12.7mm
PITCH

*Material

LFA - Code 01

Low friction Acetal

Easy Delivery

Max w. load: 21500 N/m
Weight: 9,0 kg/m²
Temp. range dry: -40÷80 °C
Temp. range wet: -40÷65 °C
Pin material: PBT white
Top rubber: 50 ShA-Dark grey

PP - Code 02

Polypropylene

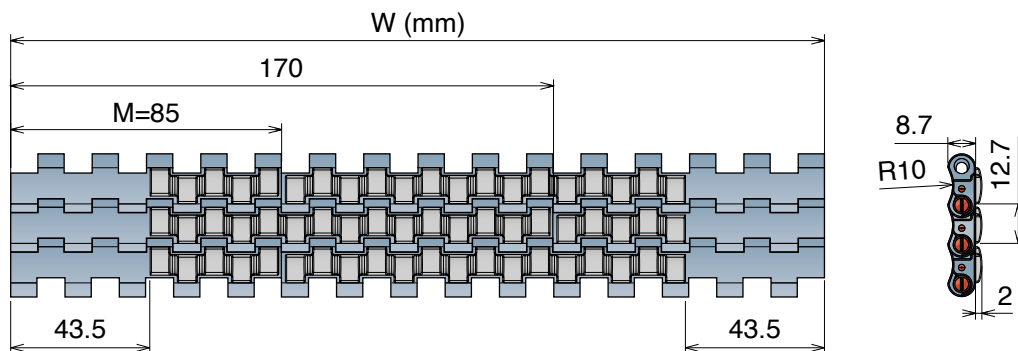
Max w. load: 13000 N/m
Weight: 7,5 kg/m²
Temp. range dry: 4÷80 °C
Temp. range wet: 4÷80 °C
Pin material: PP blu
Top rubber: 50 ShA-Pigeon blue

MX - Code 03

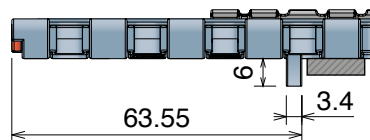
Performance PBT

Max w. load: 17500 N/m
Weight: 9,3 kg/m²
Temp. range dry: -40÷120 °C
Temp. range wet: -40÷60 °C
Pin material: POM grey
Top rubber: 50 ShA-Dark grey

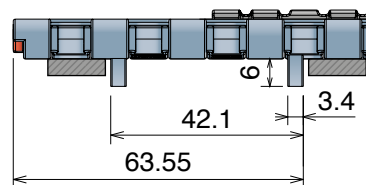
Version A - Standard



Version B - With 1 Positioner



Version C - With 2 Positioners



Version A - Standard

Series	Material	Width	Version
5205	*	0085	A
5205	*	0170	A
5205	*	0255	A
5205	*	0340	A
5205	*	0425	A
5205	*	0510	A
5205	*	0595	A
5205	*	0680	A
5205	*	0765	A
5205	*	0850	A
5205	*	0935	A
5205	*	1020	A
5205	*	1105	A
5205	*	1190	A
5205	*	1275	A
5205	*	1360	A
5205	*	1445	A
5205	*	1530	A

Version B - With 1 Positioner

Series	Material	Width	Version
5205	*	0085	B
5205	*	0170	B
5205	*	0255	B
5205	*	0340	B
5205	*	0425	B
5205	*	0510	B
5205	*	0595	B
5205	*	0680	B
5205	*	0765	B
5205	*	0850	B
5205	*	0935	B
5205	*	1020	B
5205	*	1105	B
5205	*	1190	B
5205	*	1275	B
5205	*	1360	B
5205	*	1445	B
5205	*	1530	B

Version C - With 2 Positioners

Series	Material	Width	Version
5205	*	0085	C
5205	*	0170	C
5205	*	0255	C
5205	*	0340	C
5205	*	0425	C
5205	*	0510	C
5205	*	0595	C
5205	*	0680	C
5205	*	0765	C
5205	*	0850	C
5205	*	0935	C
5205	*	1020	C
5205	*	1105	C
5205	*	1190	C
5205	*	1275	C
5205	*	1360	C
5205	*	1445	C
5205	*	1530	C

520 LBP


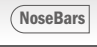

Tappeto Modulare 520 LBP, H=8,7 M=85

Modular Belt Series 520 LBP, H=8,7 M=85 / Modulare Mattenkette 520 LBP, H=8,7 M=85

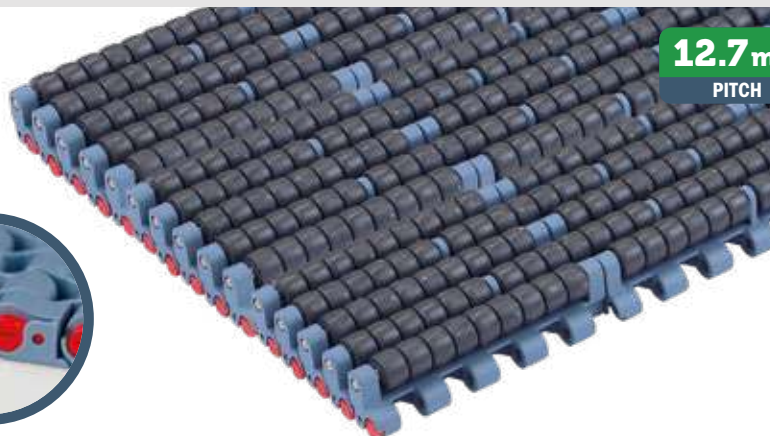
CODE STRUCTURE GUIDE (Example)

Backflex radius min.: 65 mm

5204	01	0085	A
Series	*Material	Width	Version

		
pg. 357-358	307/311/314	pg. 771>781

SAMPLE BOX	
Art.-Nr.	5204010888A

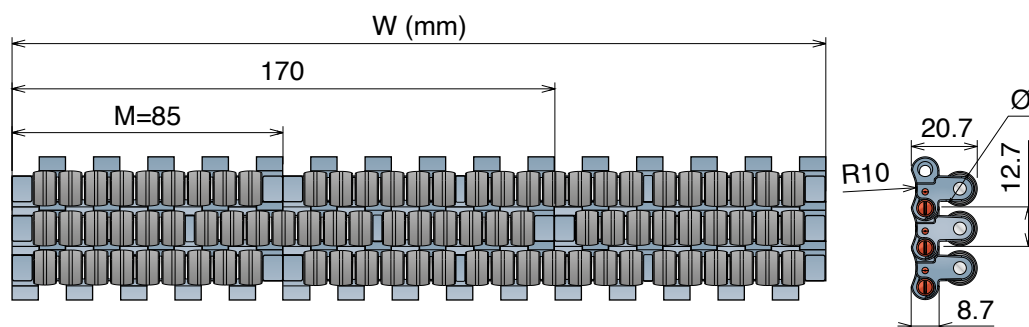


12.7mm
PITCH

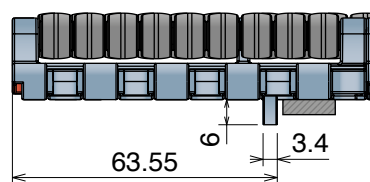


Metric Size

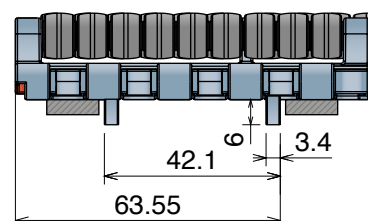
Version A - Standard



Version B - With 1 Positioner



Version C - With 2 Positioners



*Material

LFA - Code 01
Low friction Acetal

Max w. load: 21500 N/m
Weight: 24,0 kg/m²
Temp. range dry: -40+80 °C
Temp. range wet: -40+65 °C
Pin material: PBT white

Version A - Standard

Series	Material	Width	Version
5204	01	0085	A
5204	01	0170	A
5204	01	0255	A
5204	01	0340	A
5204	01	0425	A
5204	01	0510	A
5204	01	0595	A
5204	01	0680	A
5204	01	0765	A
5204	01	0850	A
5204	01	0935	A
5204	01	1020	A
5204	01	1105	A
5204	01	1190	A
5204	01	1275	A
5204	01	1360	A
5204	01	1445	A
5204	01	1530	A

Version B - With 1 Positioner

Series	Material	Width	Version
5204	01	0085	B
5204	01	0170	B
5204	01	0255	B
5204	01	0340	B
5204	01	0425	B
5204	01	0510	B
5204	01	0595	B
5204	01	0680	B
5204	01	0765	B
5204	01	0850	B
5204	01	0935	B
5204	01	1020	B
5204	01	1105	B
5204	01	1190	B
5204	01	1275	B
5204	01	1360	B
5204	01	1445	B
5204	01	1530	B

Version C - With 2 Positioners

Series	Material	Width	Version
5204	01	0085	C
5204	01	0170	C
5204	01	0255	C
5204	01	0340	C
5204	01	0425	C
5204	01	0510	C
5204	01	0595	C
5204	01	0680	C
5204	01	0765	C
5204	01	0850	C
5204	01	0935	C
5204	01	1020	C
5204	01	1105	C
5204	01	1190	C
5204	01	1275	C
5204	01	1360	C
5204	01	1445	C
5204	01	1530	C

520 PRO LBP

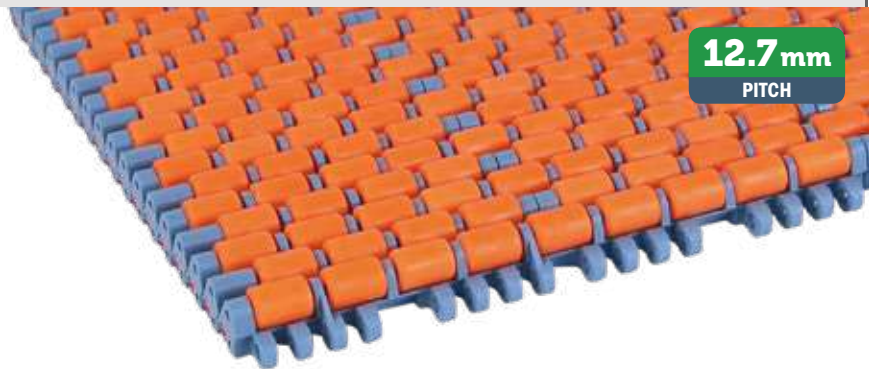
Tappeto Modulare 520 PRO LBP, H=8,7 M=85
 Modular Belt Series 520 PRO LBP, H=8,7 M=85 / Modulare Mattenkette 520 PRO LBP, H=8,7 M=85

Metric Size

CODE STRUCTURE GUIDE (Example)

Backflex radius min.: 40 mm

5209	01	0085	A
Series	*Material	Width	Version



pg. 355-356	307/311/314	pg. 771>781

SAMPLE BOX

Art.-Nr.	5210018888A
----------	--------------------

Material

LFA - Code 01
 Low friction Acetal

- Max w. load: 25000 N/m
- Weight SS pin: 19,0 kg/m²
- Weight Plastic pin: 15,3 kg/m²
- Temp. range dry: -40÷80 °C
- Temp. range wet: -40÷65 °C
- Pin material: PBT white

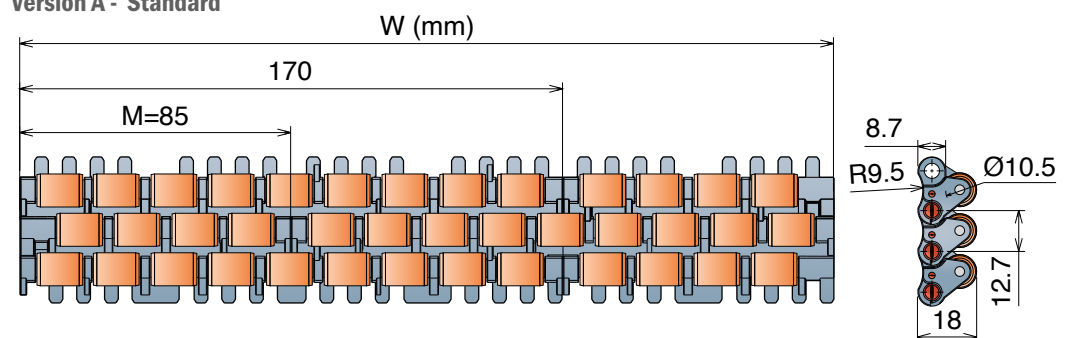
PFX Roller

THE BEST CHOICE TO REACH
 THE LOWEST FRICTION

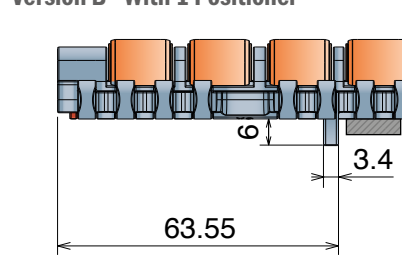


Bottom view

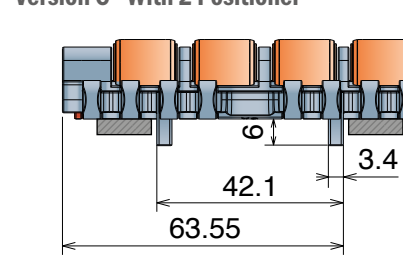
Version A - Standard



Version B - With 1 Positioner



Version C - With 2 Positioner



Stainless steel Pin

Series	Material	Width	Version
5209	01	0085	*
5209	01	0170	*
5209	01	0255	*
5209	01	0340	*
5209	01	0425	*
5209	01	0510	*
5209	01	0595	*
5209	01	0680	*
5209	01	0765	*
5209	01	0850	*
5209	01	0935	*
5209	01	1020	*
5209	01	1105	*
5209	01	1190	*
5209	01	1275	*
5209	01	1360	*
5209	01	1445	*
5209	01	1530	*


Plastic Pin

Series	Material	Width	Version
5210	01	0085	*
5210	01	0170	*
5210	01	0255	*
5210	01	0340	*
5210	01	0425	*
5210	01	0510	*
5210	01	0595	*
5210	01	0680	*
5210	01	0765	*
5210	01	0850	*
5210	01	0935	*
5210	01	1020	*
5210	01	1105	*
5210	01	1190	*
5210	01	1275	*
5210	01	1360	*
5210	01	1445	*
5210	01	1530	*

*Version	
Standard	Add A
With 1 Positioner	Add B
With 2 Positioners	Add C

520 M

Tappeto Modulare 520 M, H=8,7 K 330
Modular Belt Series 520 M, H=8,7 K 330 / Modulare Mattenkette 520 M, H=8,7 K 330

Part	Article-Nr.	Ref.	Weight Kg/m	*Material	Backflex radius min.: 15 mm
1193	1195019330	LFA 520 M K330	1,11	LFA	 <div style="background-color: green; color: white; padding: 5px; display: inline-block;">12.7 mm PITCH</div>
1193	1195039330	MX 520 M K330	1,11	MX	
1193	1195309330	PFX 520 M K330	1,11	PFX	

10 feet 3.048 m	pg. 357-358	307/311/314	pg. 163->169	pg. 771->781
240 links				

SAMPLE BOX

Art.-Nr. **1195018888A**

MAGNETIC SYSTEM



- Easier installation • Quicker maintenance
- Interchangeable with previous design

*Material

LFA - Code 01

Low friction Acetal

Easy Delivery

Max w. load: 2500 N
Temp. range dry: -40+80 °C
Temp. range wet: -40+65 °C
Pin: Ferritic stainless steel

MX - Code 03

Performance PBT

Max w. load: 2000 N
Temp. range dry: -40+120 °C
Temp. range wet: -40+60 °C
Pin: Ferritic stainless steel

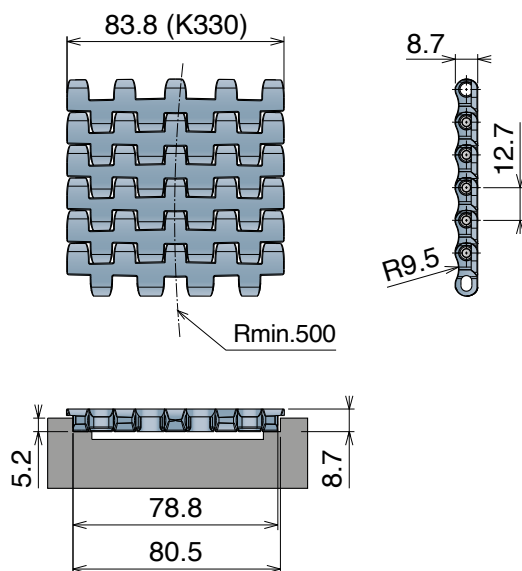
PFX - Code 30

Extra performance PBT

Max w. load: 2000 N
Temp. range dry: -40+120 °C
Temp. range wet: -40+60 °C
Pin: Ferritic stainless steel

**THE BEST CHOICE FOR
DRY RUNNING APPLICATIONS**

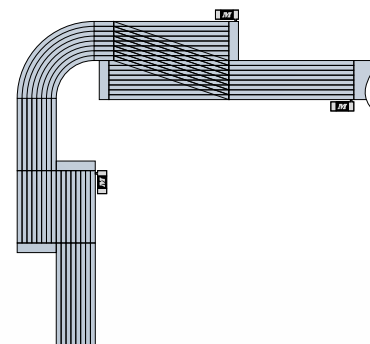
Version A - Standard



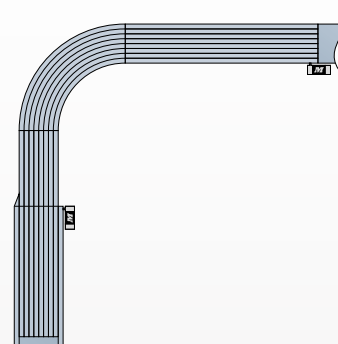
Advantages:

- No conveyor side transfers required
- Space savings
- Less components required
- Less drives required

Coventional layout



Layout with 520 M K330



520 M MOVEX TOOL

The specific tool for 520 M developed to facilitate belt assembly and disassembly.



Article Nr. **29968**

Movex tools are made with 3D printer, the color may vary due to availability of the material.

521/522

Pitch 12,7 mm

H= 8,7 mm



Imperial Size

Metric Size

521 FT

521 FT *One track belt*

522 HD FT

522 HD FT *One track belt*

Imperial Size




NEW 521 FT

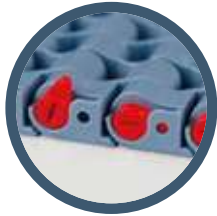
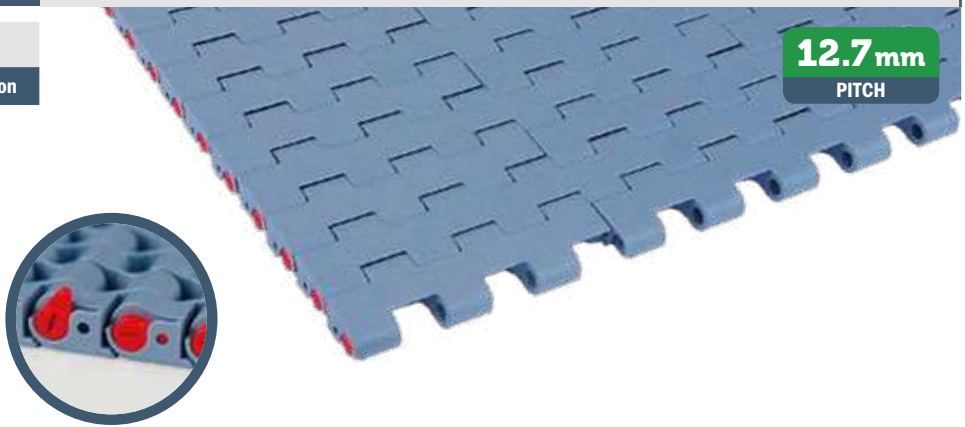
Tappeto Modulare 521 FT, H=8,7
Modular Belt Series 521 FT, H=8,7 / Modulare Mattenkette 521 FT, H=8,7

CODE STRUCTURE GUIDE (Example)

Backflex radius min.: 10 mm

5311	01	003	A
Series	*Material	Width	Version

		
pg. 355-356	308/311/314	pg. 771-781



*Material

LFA - Code 01

Low friction Acetal

Easy Delivery

Max w. load: 21500 N/m
Weight: 8,0 kg/m²
Temp. range dry: -40÷80 °C
Temp. range wet: -40÷65 °C
Pin material: PBT white

MX - Code 03

Performance PBT

Max w. load: 17500 N/m
Weight: 7,8 kg/m²
Temp. range dry: -40÷120 °C
Temp. range wet: -40÷60 °C
Pin material: POM grey

DKM - Code 16

Aramid Reinforced Acetal

Max w. load: 21500 N/m
Weight: 8,0 kg/m²
Temp. range dry: -40÷80 °C
Temp. range wet: -40÷65 °C
Pin material: PBT white

MWX - Code 17

Polyamide Composite

Max w. load: 21500 N/m
Weight: 8,3 kg/m²
Temp. range dry: -40÷104 °C
Temp. range wet: NR
Pin material: PBT white

MPX - Code 25

Lubricated Acetal

Max w. load: 2500 N
Weight: 8,9 kg/m²
Temp. range dry: -40÷104 °C
Temp. range wet: NR
Pin material: PBT white

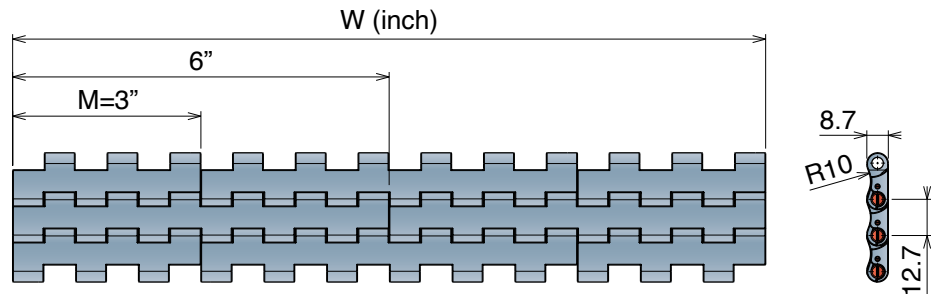
PFX - Code 30

Extra performance PBT

Max w. load: 17500 N/m
Weight: 7,8 kg/m²
Temp. range dry: -40÷120 °C
Temp. range wet: -40÷60 °C
Pin material: POM grey

**THE BEST CHOICE FOR
DRY RUNNING APPLICATIONS**

Version A - Standard



Version A - Standard

Series	Material	Width	Version
5311	01	0003	A
5311	01	0006	A
5311	01	0009	A
5311	01	0012	A
5311	01	0015	A
5311	01	0018	A
5311	01	0021	A
5311	01	0024	A
5311	01	0027	A
5311	01	0030	A
5311	01	0033	A
5311	01	0036	A
5311	01	0039	A
5311	01	0042	A
5311	01	0045	A
5311	01	0048	A
5311	01	0051	A
5311	01	0054	A

Tappeti modulari / Modular belts / Mattenketten

521 FT One track Belt

Tappeto Modulare 521 FT, H=8,7
Modular Belt Series 521 FT, H=8,7 / Modulare Mattenkette 521 FT, H=8,7

CODE STRUCTURE GUIDE (Example)

Backflex radius min.: 10 mm

5311	01	9750	A
Series	*Material	Width	Version

12.7mm
PITCH

pg. 355-356	308/311/314	pg. 771>781

*Material

LFA - Code 01

Low friction Acetal

Weight: 8,0 kg/m²
Temp. range dry: -40÷80 °C
Temp. range wet: -40÷65 °C
Pin material: PBT white

MX - Code 03

Performance PBT

Weight: 7,8 kg/m²
Temp. range dry: -40÷120 °C
Temp. range wet: -40÷60 °C
Pin material: POM grey

DKM - Code 16

Aramide Reinforced Acetal

Weight: 8,0 kg/m²
Temp. range dry: -40÷80 °C
Temp. range wet: -40÷65 °C
Pin material: PBT white

MWX - Code 17

Polyamide Composite

Weight: 8,3 kg/m²
Temp. range dry: -40÷104 °C
Temp. range wet: NR
Pin material: PBT white

MPX - Code 25

Lubricated Acetal

Weight: 8,0 kg/m²
Temp. range dry: -40÷80 °C
Temp. range wet: -40÷65 °C
Pin material: PBT white

PFX - Code 30

Extra performance PBT

Weight: 7,8 kg/m²
Temp. range dry: -40÷120 °C
Temp. range wet: -40÷60 °C
Pin material: POM grey

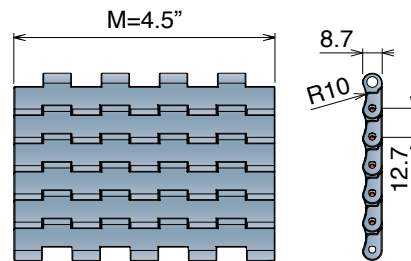
Max working load (N)

Width	K450	K750
LFA	2400	4000
MX	2000	3300
DKM	2400	4000
MWX	2400	4000
MPX	2400	4000
PFX	2000	3300

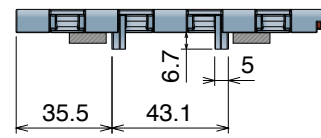


K450

Version A - Standard



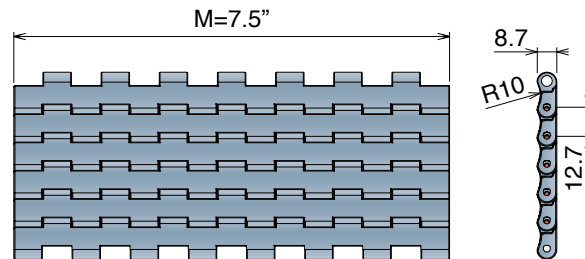
Version C - With 2 Positioner



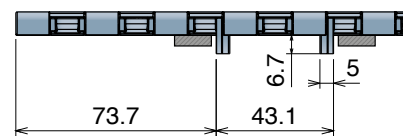
Series	Material	Width	Version
5311	*	9450	A
5311	*	9450	C

K750

Version A - Standard



Version C - With 2 Positioner



Series	Material	Width	Version
5311	*	9750	A
5311	*	9750	C

Imperial Size

Tappeti modulari / Modular belts / Mattenketten

522 HD FT




Tappeto Modulare 522 HD, H=8,7 M=50
Modular Belt Series 522 HD, H=8,7 M=50 / Modulare Mattenkette 522 HD, H=8,7 M=50

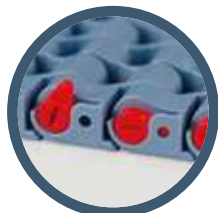
CODE STRUCTURE GUIDE (Example)

Backflex radius min.: 10 mm

5271	01	0100	A
Series	*Material	Width	Version

12.7mm
PITCH

		
pg. 355-356	308/312/315	pg. 771-781



*Material

LFA - Code 01

Low friction Acetal

Easy Delivery

Max w. load: 25500 N/m
Weight: 7,8 kg/m²
Temp. range dry: -40+80 °C
Temp. range wet: -40+65 °C
Pin material: PBT white

MX - Code 03

Performance PBT

Max w. load: 20000 N/m
Weight: 7,5 kg/m²
Temp. range dry: -40+120 °C
Temp. range wet: -40+60 °C
Pin material: POM grey

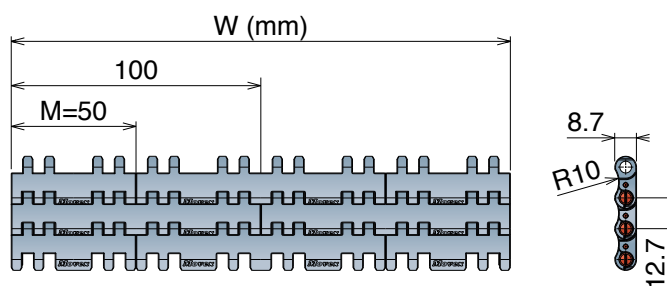
PFX - Code 30

Extra performance PBT

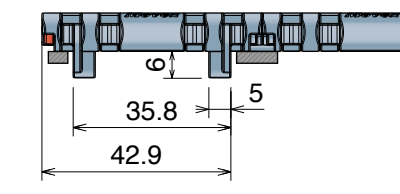
Max w. load: 20000 N/m
Weight: 7,5 kg/m²
Temp. range dry: -40+120 °C
Temp. range wet: -40+60 °C
Pin material: POM grey

**THE BEST CHOICE FOR
DRY RUNNING APPLICATIONS**

Version A - Standard



Version C - With 2 Positioner



Version A - Standard

Series	Material	Width	Version
5271	*	0100**	A
5271	*	0150	A
5271	*	0200	A
5271	*	0250	A
5271	*	0300	A

Version C - With 2 Positioners

Series	Material	Width	Version
5271	*	0100**	C
5271	*	0150	C
5271	*	0200	C
5271	*	0250	C
5271	*	0300	C

** Belt assembled with Pin Sphere.

522 HD One track belt MOVEX TOOL

The specific tool for belts developed to facilitate belt assembly and disassembly, perfectly compatible also with all 522 HD One-Track belt versions (See next page).



Article Nr. **29971**

Movex tools are made with 3D printer, the color may vary due to availability of the material.

522 HD FT One track Belt

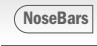

Tappeto Modulare 522 HD, H=8,7
Modular Belt Series 522 HD, H=8,7 / Modulare Mattenkette 522 HD, H=8,7

CODE STRUCTURE GUIDE (Example)

Backflex radius min.: 10 mm

5271	01	9115	A
Series	*Material	Width	Version

12.7mm
PITCH

pg. 355-356 308/312/315 pg. 771>781 Art.-Nr. **5271018888A**

*Material

Easy Delivery

LFA - Code 01
Low friction Acetal

MX - Code 03
Performance PBT

PFX - Code 30
Extra performance PBT

Max w. load: See table below	Max w. load: See table below	Max w. load: See table below
Weight: 7,8 kg/m ²	Weight: 7,5 kg/m ²	Weight: 7,5 kg/m ²
Temp. range dry: -40+80 °C	Temp. range dry: -40+120 °C	Temp. range dry: -40+120 °C
Temp. range wet: -40+65 °C	Temp. range wet: -40+60 °C	Temp. range wet: -40+60 °C
Pin material: PBT white	Pin material: POM black	Pin material: POM black

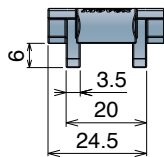
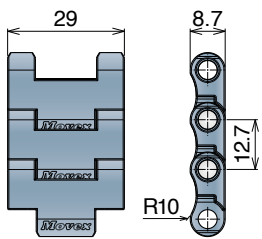

Pin Sphere®
 AUTOLOCK

- Easier installation
- Quicker maintenance
- High strength

Width 29 mm

Version C - With 2 Positioner

Version A - Standard

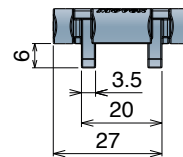
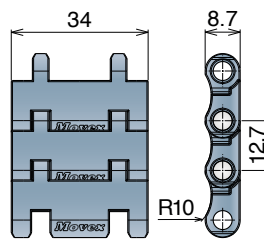


Series	Material	Width	Version
5271	*	9115	A
5271	*	9115	C

Width 34 mm

Version C - With 2 Positioner

Version A - Standard

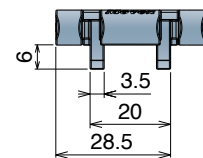
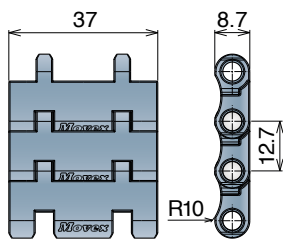


Series	Material	Width	Version
5271	*	9134	A
5271	*	9134	C

Width 37 mm

Version C - With 2 Positioner

Version A - Standard

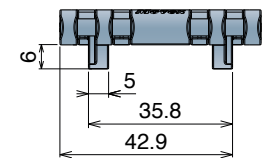
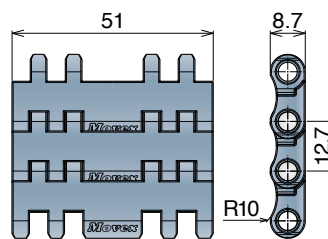


Series	Material	Width	Version
5271	*	9145	A
5271	*	9145	C

Width 51 mm

Version C - With 2 Positioner

Version A - Standard

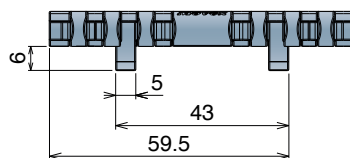
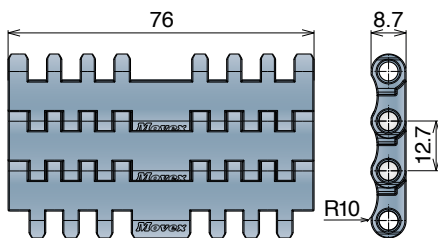


Series	Material	Width	Version
5271	*	9200	A
5271	*	9200	C

Width 76 mm

Version C - With 2 Positioner

Version A - Standard



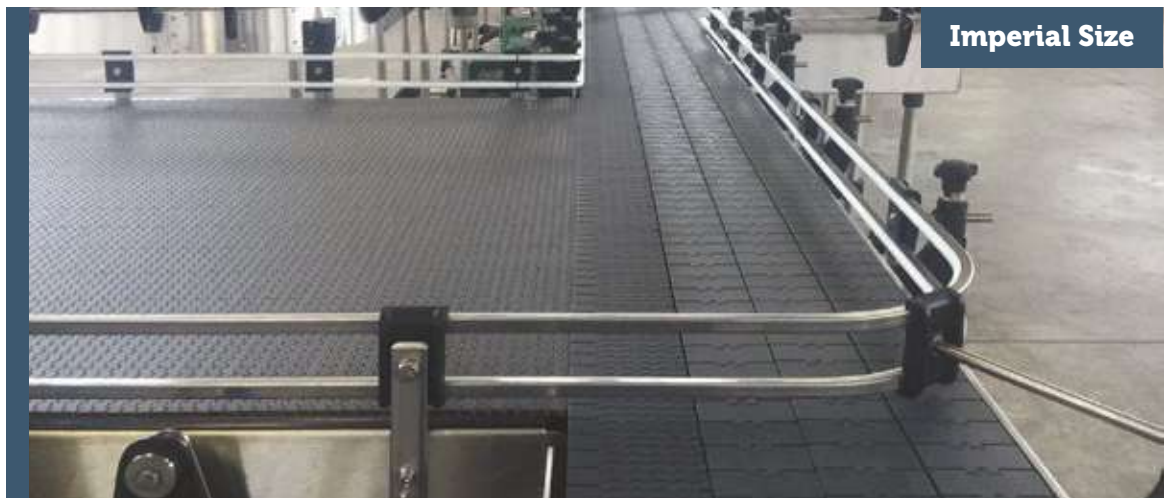
Series	Material	Width	Version
5271	*	9300	A
5271	*	9300	C

Max working load (N)

Width	29	34	37	51	76
LFA	600	870	945	1300	2000
MX	450	680	740	1020	1520
PFX	450	680	740	1020	1520

590

Pitch 19,05 mm
H= 8,7 mm



- 590 FT
- 590 FT *One track Belt*
- 590 FTT
- 590 FG
- 590 FG *One track Belt*



590 FT

Tappeto Modulare 590 FT, H=8,7 M=3"
Modular Belt Series 590 FT, H=8,7 M=3" / Modulare Mattenkette 590 FT, H=8,7 M=3"

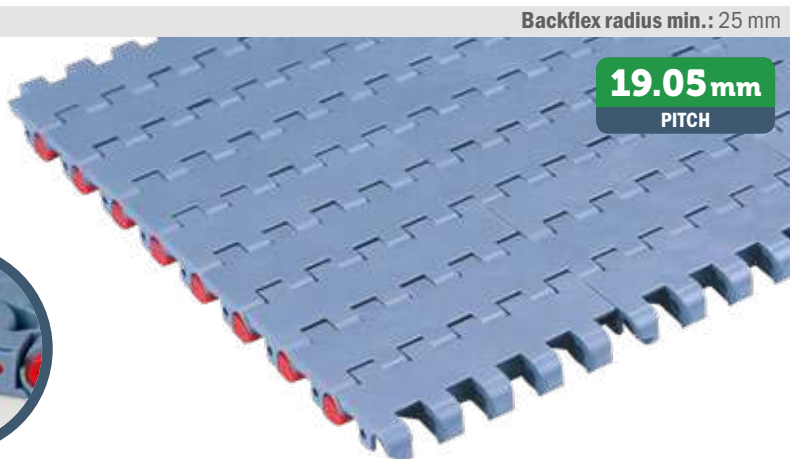
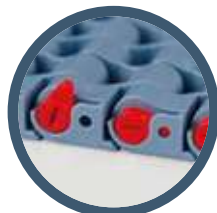
CODE STRUCTURE GUIDE (Example)

Backflex radius min.: 25 mm

5301	01	0003	A
Series	*Material	Width	Version

		A
pg. 361	pg. 771>781	Accessories
BlueLine catalog		

SAMPLE BOX	
Art.-Nr.	5301018888A



Imperial Size

*Material

LFA - Code 01

Low friction Acetal

Easy Delivery

Max w. load: 30000 N/m
Weight: 7,2 kg/m²
Temp. range dry: -40÷80 °C
Temp. range wet: -40÷65 °C
Pin material: PBT white

MX - Code 03

Performance PBT

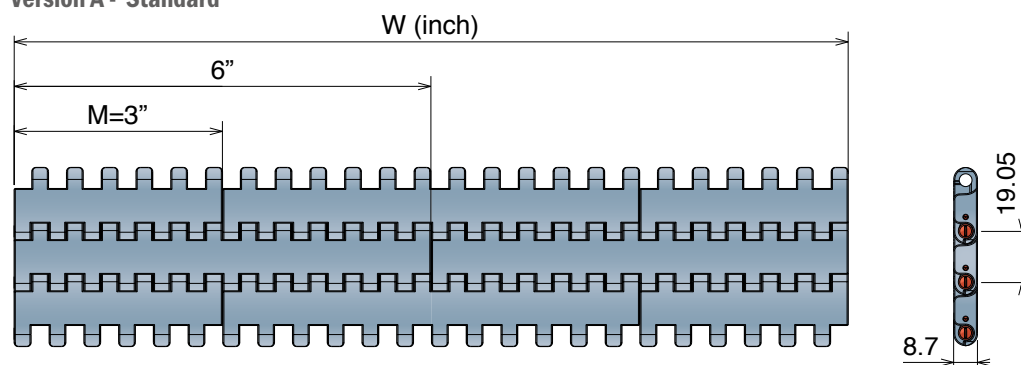
Max w. load: 24000 N/m
Weight: 7,0 kg/m²
Temp. range dry: -40÷120 °C
Temp. range wet: -40÷60 °C
Pin material: POM grey

MPX - Code 25

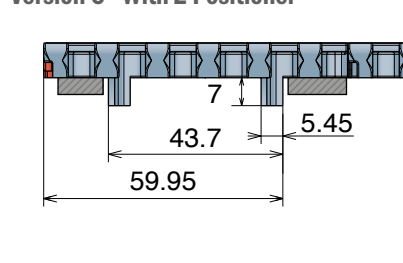
Lubricated Acetal

Max w. load: 30000 N/m
Weight: 7,2 kg/m²
Temp. range dry: -40÷80 °C
Temp. range wet: -40÷65 °C
Pin material: PBT white

Version A - Standard



Version C - With 2 Positioner



Version A - Standard

Series	Material	Width	Version
5301	*	0003	A
5301	*	0006	A
5301	*	0009	A
5301	*	0012	A
5301	*	0015	A
5301	*	0018	A
5301	*	0021	A
5301	*	0024	A
5301	*	0027	A
5301	*	0030	A
5301	*	0033	A
5301	*	0036	A
5301	*	0039	A
5301	*	0042	A
5301	*	0045	A
5301	*	0048	A
5301	*	0051	A
5301	*	0054	A

Version C - With 2 Positioners

Series	Material	Width	Version
5301	*	0003	C
5301	*	0006	C
5301	*	0009	C
5301	*	0012	C
5301	*	0015	C
5301	*	0018	C
5301	*	0021	C
5301	*	0024	C
5301	*	0027	C
5301	*	0030	C
5301	*	0033	C
5301	*	0036	C
5301	*	0039	C
5301	*	0042	C
5301	*	0045	C
5301	*	0048	C
5301	*	0051	C
5301	*	0054	C

590 FT One track Belt

Tappeti modulari / Modular belts / Mattenketten

Imperial Size

590 FT One track Belt



Tappeto Modulare 590 FT, H=8,7
Modular Belt Series 590 FT, H=8,7 / Modulare Mattenkette 590 FT, H=8,7

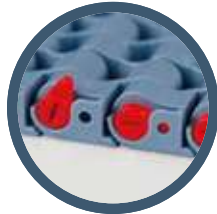
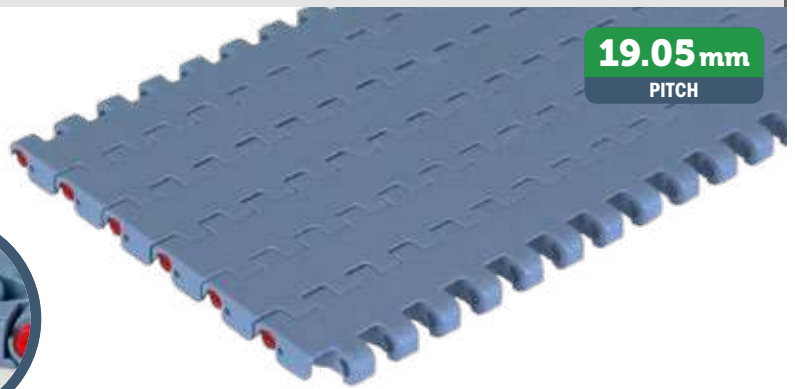
CODE STRUCTURE GUIDE (Example)

Backflex radius min.: 25 mm

5301	01	9325	A
Series	*Material	Width	Version

19.05 mm
PITCH

	
pg. 361	pg. 771>781



*Material

LFA - Code 01
Low friction Acetal

Easy Delivery

Weight: 7,2 kg/m²
Temp. range dry: -40+80 °C
Temp. range wet: -40+65 °C
Pin material: PBT white

MX - Code 03
Performance PBT

Weight: 7,0 kg/m²
Temp. range dry: -40+120 °C
Temp. range wet: -40+60 °C
Pin material: POM grey

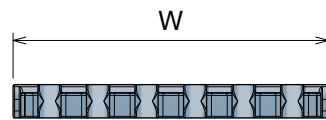
MPX - Code 25
Lubricated Acetal

Weight: 7,2 kg/m²
Temp. range dry: -40+80 °C
Temp. range wet: -40+65 °C
Pin material: PBT white

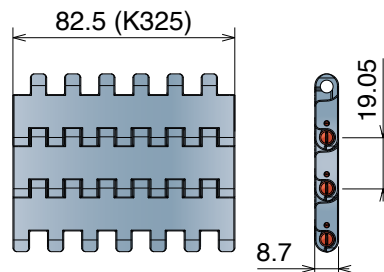
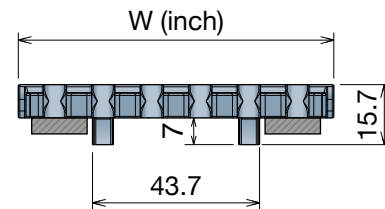
Max working load (N)

Width	K325	K450	K750
LFA	2500	3400	5700
MX	2000	2800	4500
MPX	2500	3400	5700

Version A - Standard

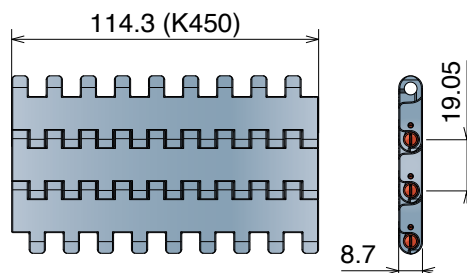


Version C - With 2 Positioner



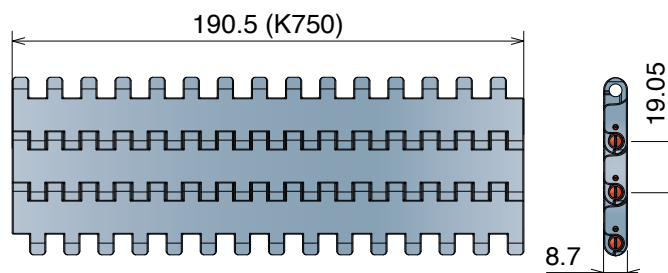
K325 - One track belt

Series	Material	Width	Version
5301	*	9325	A
5301	*	9325	C



K450 - One track belt

Series	Material	Width	Version
5301	*	9450	A
5301	*	9450	C



K750 - One track belt

Series	Material	Width	Version
5301	*	9750	A
5301	*	9750	C

Tappeti modulari / Modular belts / Mattenketten

590 FTT

Tappeto Modulare 590 FTT, H=8,7
 Modular Belt Series 590 FTT, H=8,7 / Modulare Mattenkette 590 FTT, H=8,7

CODE STRUCTURE GUIDE (Example)

Backflex radius min.: 25 mm

5306	01	9450	C-R
Series	*Material	Width	Version

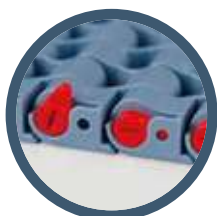
19.05mm
PITCH



pg. 361



pg. 771>781



Imperial Size

*Material

LFA - Code 01

Low friction Acetal

Weight: 7,2 kg/m²
 Temp. range dry: -40÷80 °C
 Temp. range wet: -40÷65 °C
 Pin material: PBT white

MX - Code 03

Performance PBT

Weight: 7,0 kg/m²
 Temp. range dry: -40÷120 °C
 Temp. range wet: -40÷60 °C
 Pin material: POM grey

MPX - Code 25

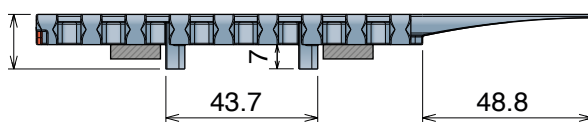
Lubricated Acetal

Weight: 7,2 kg/m²
 Temp. range dry: -40÷80 °C
 Temp. range wet: -40÷65 °C
 Pin material: PBT white

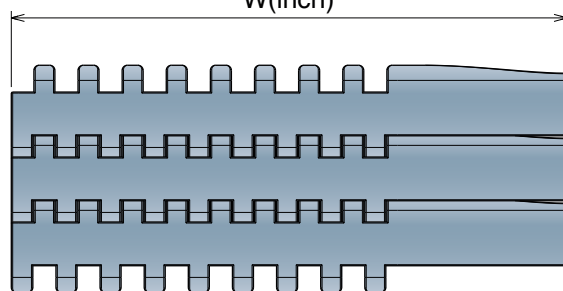
Max working load (N)

Width	K450	K750
LFA	3400	5700
MX	2800	4500
MPX	3400	5700

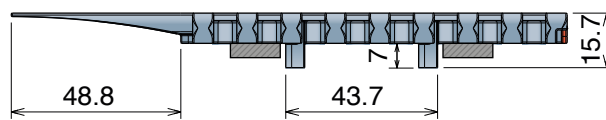
Version 590 FTT DX



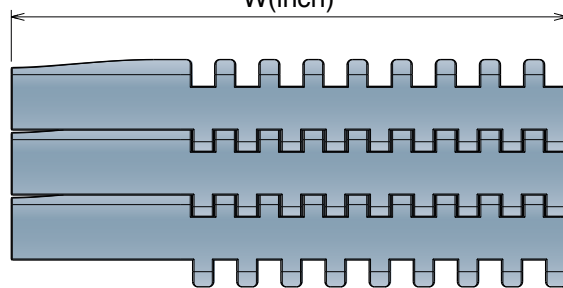
W(inch)



Version 590 FTT SX



W(inch)



Version 590 FTT DX

Series	Material	Width	Version	Total width
5306	*	9450	C-R	160.0
5306	*	9750	C-R	236.2

Version 590 FTT SX

Series	Material	Width	Version	Total width
5306	*	9450	C-L	160.0
5306	*	9750	C-L	236.2

590 FG

Tappeti modulari / Modular belts / Mattenketten

NEW

590 FG

Tappeto Modulare 590 FG, H=8,7

Modular Belt Series 590 FG, H=8,7 / Modulare Mattenkette 590 FG, H=8,7

Imperial Size

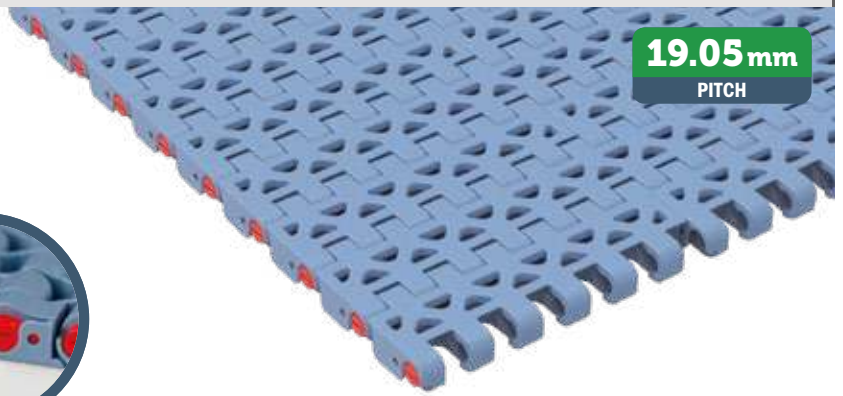
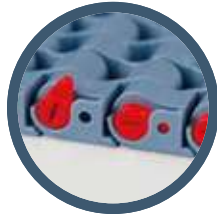
CODE STRUCTURE GUIDE (Example)

Backflex radius min.: 25 mm

5302	01	0085	A
Series	*Material	Width	Version



19.05 mm
PITCH



*Material

LFA - Code 01

Low friction Acetal

Easy Delivery

Max w. load: 30000 N/m
Weight: 6,5 kg/m²
Temp. range dry: -40+80 °C
Temp. range wet: -40+65 °C
Pin material: PBT white

MX - Code 03

Performance PBT

Max w. load: 24000 N/m
Weight: 6,0 kg/m²
Temp. range dry: -40+120 °C
Temp. range wet: -40+60 °C
Pin material: POM grey

LFB - Code 23

Low friction Acetal

Max w. load: 30000 N/m
Weight: 6,5 kg/m²
Temp. range dry: -40+80 °C
Temp. range wet: -40+65 °C
Pin material: PBT white

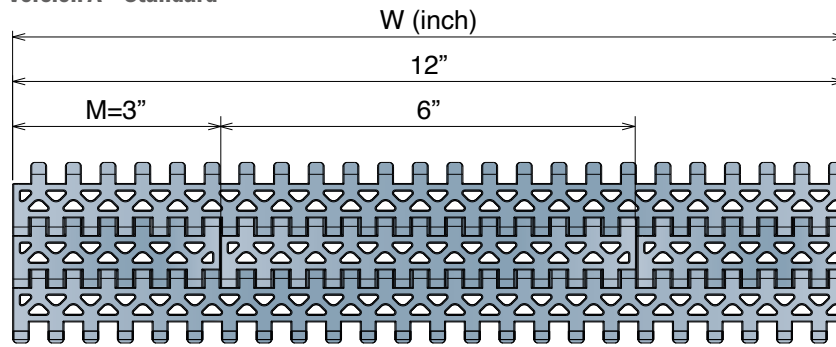
PFX - Code 30

Extra performance PBT

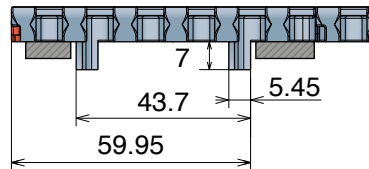
Max w. load: 24000 N/m
Weight: 6,0 kg/m²
Temp. range dry: -40+120 °C
Temp. range wet: -40+60 °C
Pin material: POM grey

**THE BEST CHOICE FOR
DRY RUNNING APPLICATIONS**

Version A - Standard



Version C - With 2 Positioner



Version A - Standard

Series	Material	Width	Version
5302	*	0003	A
5302	*	0006	A
5302	*	0009	A
5302	*	0012	A
5302	*	0015	A
5302	*	0018	A
5302	*	0021	A
5302	*	0024	A
5302	*	0027	A
5302	*	0030	A
5302	*	0033	A
5302	*	0036	A
5302	*	0039	A
5302	*	0042	A
5302	*	0045	A
5302	*	0048	A
5302	*	0051	A
5302	*	0054	A

Version C - With 2 Positioners

Series	Material	Width	Version
5302	*	0003	C
5302	*	0006	C
5302	*	0009	C
5302	*	0012	C
5302	*	0015	C
5302	*	0018	C
5302	*	0021	C
5302	*	0024	C
5302	*	0027	C
5302	*	0030	C
5302	*	0033	C
5302	*	0036	C
5302	*	0039	C
5302	*	0042	C
5302	*	0045	C
5302	*	0048	C
5302	*	0051	C
5302	*	0054	C

NEW

590 FG One track Belt

Tappeto Modulare 590 FG, H=8,7
Modular Belt Series 590 FG, H=8,7 / Modulare Mattenkette 590 FG, H=8,7

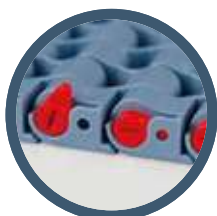
CODE STRUCTURE GUIDE (Example)

Backflex radius min.: 25 mm

5302	01	9330	A
Series	*Material	Width	Version

19.05mm
PITCH

pg. 361	pg. 771>781



Imperial Size

***Material**

LFA - Code 01

Low friction Acetal

Easy Delivery

Max w. load: 30000 N/m
Weight: 6,5 kg/m²
Temp. range dry: -40÷80 °C
Temp. range wet: -40÷65 °C
Pin material: PBT white

MX - Code 03

Performance PBT

Max w. load: 24000 N/m
Weight: 6,0 kg/m²
Temp. range dry: -40÷120 °C
Temp. range wet: -40÷60 °C
Pin material: POM grey

LFB - Code 23

Low friction Acetal

Max w. load: 30000 N/m
Weight: 6,5 kg/m²
Temp. range dry: -40÷80 °C
Temp. range wet: -40÷65 °C
Pin material: PBT white

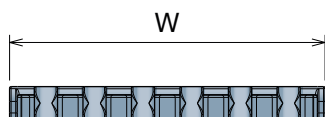
PFX - Code 30

Extra performance PBT

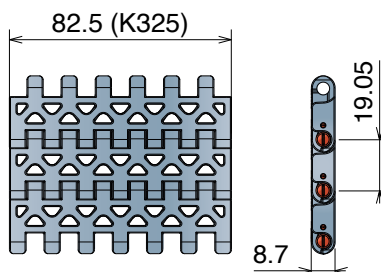
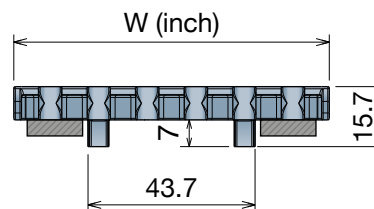
Max w. load: 24000 N/m
Weight: 6,0 kg/m²
Temp. range dry: -40÷120 °C
Temp. range wet: -40÷60 °C
Pin material: POM grey

THE BEST CHOICE FOR DRY RUNNING APPLICATIONS

Version A - Standard

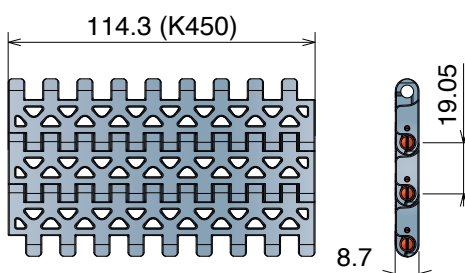


Version C - With 2 Positioner



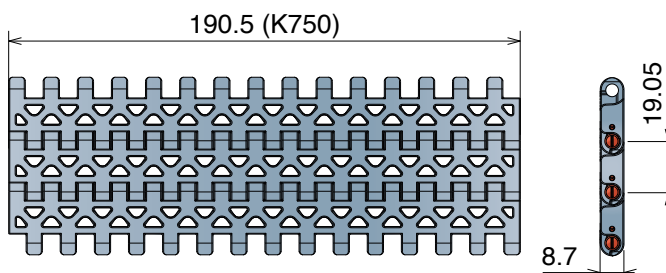
K325 - One track belt

Series	Material	Width	Version
5302	*	9325	A
5302	*	9325	C



K450 - One track belt

Series	Material	Width	Version
5302	*	9450	A
5302	*	9450	C



K750 - One track belt

Series	Material	Width	Version
5302	*	9750	A
5302	*	9750	C

525

Pitch 15,0 mm
H= 8,7 mm



- 525 HD FT
- 525 HD FT+RIB
- 525 FTT
- 525 HD FG
- 525 HD GT
- 525 HD GT *Side Indent*

525 HD FT

Tappeto Modulare 525 HD, H=8,7 M=85
Modular Belt Series 525 HD, H=8,7 M=85 / Modulare Mattenkette 525 HD, H=8,7 M=85

Metric Size

CODE STRUCTURE GUIDE (Example)			
5261	01	0085	A
Series	*Material	Width	Version

Backflex radius min.: 25 mm

15.0mm
PITCH

pg. 359-360	307/311/314	pg. 771>781

SAMPLE BOX	
Art.-Nr.	5261018888A



REINFORCED POSITIONER

***Material**

LFA - Code 01
Low friction Acetal

Easy Delivery

Max w. load: 25500 N/m
Weight: 9,0 kg/m²
Temp. range dry: -40÷80 °C
Temp. range wet: -40÷65 °C
Pin material: PBT white

PP - Code 02
Polypropylene

Max w. load: 15500 N/m
Weight: 8,7 kg/m²
Temp. range dry: 4÷104 °C
Temp. range wet: 4÷104 °C
Pin material: PP blue

MX - Code 03
Performance PBT

Max w. load: 20500 N/m
Weight: 8,7 kg/m²
Temp. range dry: -40÷120 °C
Temp. range wet: -40÷60 °C
Pin material: POM grey

LFB - Code 23
Low friction Acetal

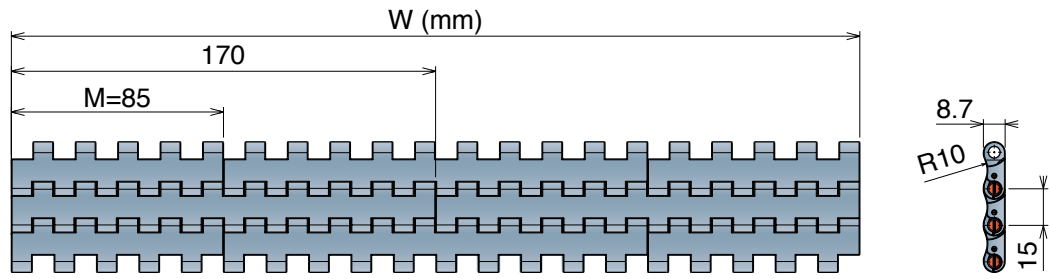
Max w. load: 25500 N/m
Weight: 9,0 kg/m²
Temp. range dry: -40÷80 °C
Temp. range wet: -40÷65 °C
Pin material: PBT white

PFX - Code 30
Extra performance PBT

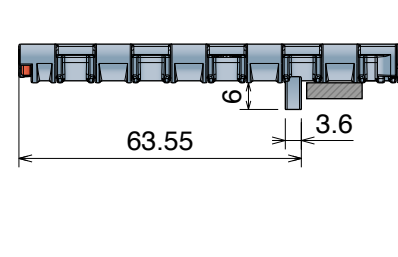
Max w. load: 20500 N/m
Weight: 8,7 kg/m²
Temp. range dry: -40÷120 °C
Temp. range wet: -40÷60 °C
Pin material: POM grey

THE BEST CHOICE FOR DRY RUNNING APPLICATIONS

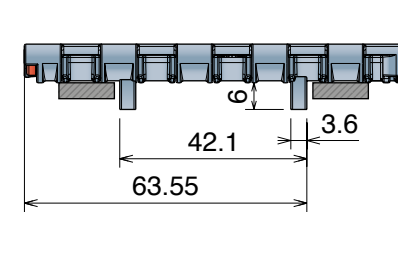
Version A - Standard



Version B - With 1 Positioner



Version C - With 2 Positioner



Version A - Standard

Series	Material	Width	Version
5261	*	0085	A
5261	*	0170	A
5261	*	0255	A
5261	*	0340	A
5261	*	0425	A
5261	*	0510	A
5261	*	0595	A
5261	*	0680	A
5261	*	0765	A
5261	*	0850	A
5261	*	0935	A
5261	*	1020	A
5261	*	1105	A
5261	*	1190	A
5261	*	1275	A
5261	*	1360	A
5261	*	1445	A
5261	*	1530	A

Version B - With 1 Positioner

Series	Material	Width	Version
5261	*	0085	B
5261	*	0170	B
5261	*	0255	B
5261	*	0340	B
5261	*	0425	B
5261	*	0510	B
5261	*	0595	B
5261	*	0680	B
5261	*	0765	B
5261	*	0850	B
5261	*	0935	B
5261	*	1020	B
5261	*	1105	B
5261	*	1190	B
5261	*	1275	B
5261	*	1360	B
5261	*	1445	B
5261	*	1530	B

Version C - With 2 Positioners

Series	Material	Width	Version
5261	*	0085	C
5261	*	0170	C
5261	*	0255	C
5261	*	0340	C
5261	*	0425	C
5261	*	0510	C
5261	*	0595	C
5261	*	0680	C
5261	*	0765	C
5261	*	0850	C
5261	*	0935	C
5261	*	1020	C
5261	*	1105	C
5261	*	1190	C
5261	*	1275	C
5261	*	1360	C
5261	*	1445	C
5261	*	1530	C

525 HD FT + RIB

Tappeto Modulare 525 HD, H=8,7 M=85

Modular Belt Series 525 HD, H=8,7 M=85 / Modulare Mattenkette 525 HD, H=8,7 M=85

CODE STRUCTURE GUIDE (Example)

Backflex radius min.: 25 mm

5261	01	0085	A	XR3
Series	*Material	Width	Version	RIB

pg. 359-360

NoseBars
307/311/314

pg. 771-781

15.0mm
PITCH

Metric Size

*Material

LFA - Code 01

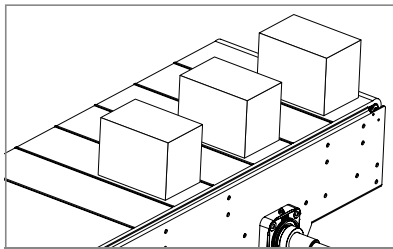
Low friction Acetal

Max w. load: 25500 N/m
Weight: 9,0 kg/m²
Temp. range dry: -40÷80 °C
Temp. range wet: -40÷65 °C
Pin material: PBT white

MX - Code 03

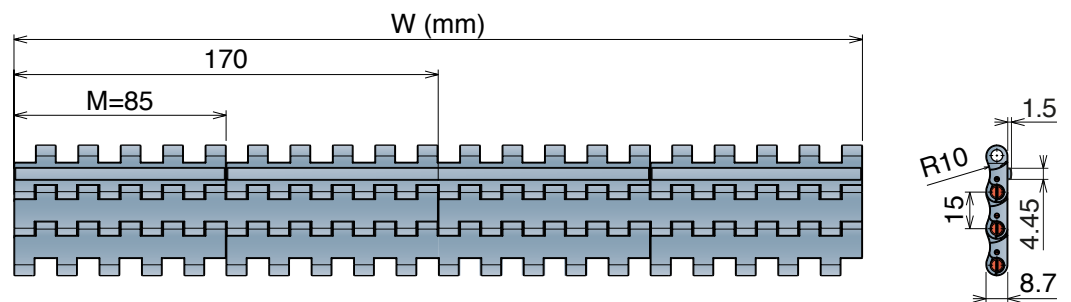
Performance PBT

Max w. load: 20500 N/m
Weight: 8,7 kg/m²
Temp. range dry: -40÷120 °C
Temp. range wet: -40÷60 °C
Pin material: POM grey

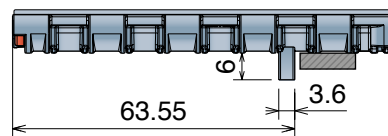


Special application in palletizer

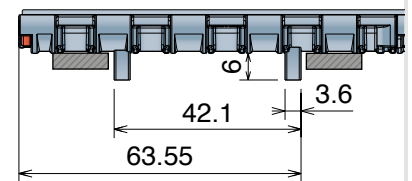
Version A - Standard



Version B - With 1 Positioner



Version C - With 2 Positioner



Version A - Standard

Series	Material	Width	Version	RIB
5261	*	0085	A	XR3 or XR5
5261	*	0170	A	XR3 or XR5
5261	*	0255	A	XR3 or XR5
5261	*	0340	A	XR3 or XR5
5261	*	0425	A	XR3 or XR5
5261	*	0510	A	XR3 or XR5
5261	*	0595	A	XR3 or XR5
5261	*	0680	A	XR3 or XR5
5261	*	0765	A	XR3 or XR5
5261	*	0850	A	XR3 or XR5
5261	*	0935	A	XR3 or XR5
5261	*	1020	A	XR3 or XR5
5261	*	1105	A	XR3 or XR5
5261	*	1190	A	XR3 or XR5
5261	*	1275	A	XR3 or XR5
5261	*	1360	A	XR3 or XR5
5261	*	1445	A	XR3 or XR5
5261	*	1530	A	XR3 or XR5

XR3 (RIB every 3 links) | XR5 (RIB every 5 links)

Version B - With 1 Positioner

Series	Material	Width	Version	RIB
5261	*	0085	B	XR3 or XR5
5261	*	0170	B	XR3 or XR5
5261	*	0255	B	XR3 or XR5
5261	*	0340	B	XR3 or XR5
5261	*	0425	B	XR3 or XR5
5261	*	0510	B	XR3 or XR5
5261	*	0595	B	XR3 or XR5
5261	*	0680	B	XR3 or XR5
5261	*	0765	B	XR3 or XR5
5261	*	0850	B	XR3 or XR5
5261	*	0935	B	XR3 or XR5
5261	*	1020	B	XR3 or XR5
5261	*	1105	B	XR3 or XR5
5261	*	1190	B	XR3 or XR5
5261	*	1275	B	XR3 or XR5
5261	*	1360	B	XR3 or XR5
5261	*	1445	B	XR3 or XR5
5261	*	1530	B	XR3 or XR5

XR3 (RIB every 3 links) | XR5 (RIB every 5 links)

Version C - With 2 Positioners

Series	Material	Width	Version	RIB
5261	*	0085	C	XR3 or XR5
5261	*	0170	C	XR3 or XR5
5261	*	0255	C	XR3 or XR5
5261	*	0340	C	XR3 or XR5
5261	*	0425	C	XR3 or XR5
5261	*	0510	C	XR3 or XR5
5261	*	0595	C	XR3 or XR5
5261	*	0680	C	XR3 or XR5
5261	*	0765	C	XR3 or XR5
5261	*	0850	C	XR3 or XR5
5261	*	0935	C	XR3 or XR5
5261	*	1020	C	XR3 or XR5
5261	*	1105	C	XR3 or XR5
5261	*	1190	C	XR3 or XR5
5261	*	1275	C	XR3 or XR5
5261	*	1360	C	XR3 or XR5
5261	*	1445	C	XR3 or XR5
5261	*	1530	C	XR3 or XR5

XR3 (RIB every 3 links) | XR5 (RIB every 5 links)

525 FTT

Tappeto Modulare 525 FTT, H=8,7 M=85
 Modular Belt Series 525 FTT, H=8,7 M=85 / Modulare Mattenkette 525 FTT, H=8,7 M=85

Metric Size

CODE STRUCTURE GUIDE (Example)

Backflex radius min.: 25 mm

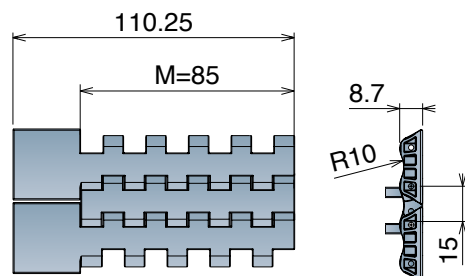
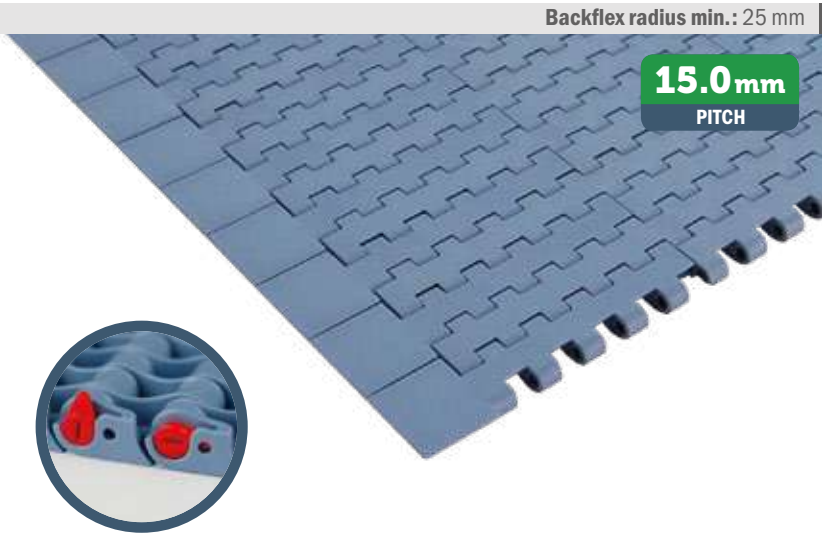
5256	01	0085	C
Series	*Material	Width	Version

pg. 359-360	307/311/314	pg. 771>781

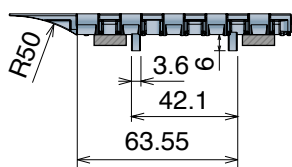
*Material

LFA - Code 01 Low friction Acetal	MX - Code 03 Performance PBT
---	--

Max w. load: 21500 N/m	Max w. load: 17500 N/m
Weight: 7,8 kg/m ²	Weight: 7,5 kg/m ²
Temp. range dry: -40÷80 °C	Temp. range dry: -40÷120 °C
Temp. range wet: -40÷65 °C	Temp. range wet: -40÷60 °C
Pin material: PBT white	Pin material: POM grey



Version C

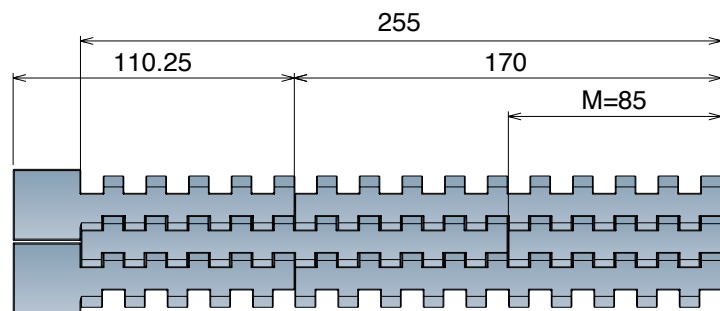


Version C

Series	Material	Width	Version
5256	*	0085	C

Max working load (N)

Width	85
LFA	1850
MX	1500



Version CN - Near



Version CO - Opposite



Version CN - Near

Series	Material	Width	Version
5256	*	0170	CN
5256	*	0255	CN

Version CO - Opposite

Series	Material	Width	Version
5256	*	0170	CO
5256	*	0255	CO

525 HD FG Open Surface 35% Tappeto Modulare 525 HD Flush grid, H=8,7 M=85 Modular Belt Series 525 HD Flush grid, H=8,7 M=85 / Modulare Mattenkette 525 HD Flush grid, H=8,7 M=85




CODE STRUCTURE GUIDE (Example)

Backflex radius min.: 25 mm

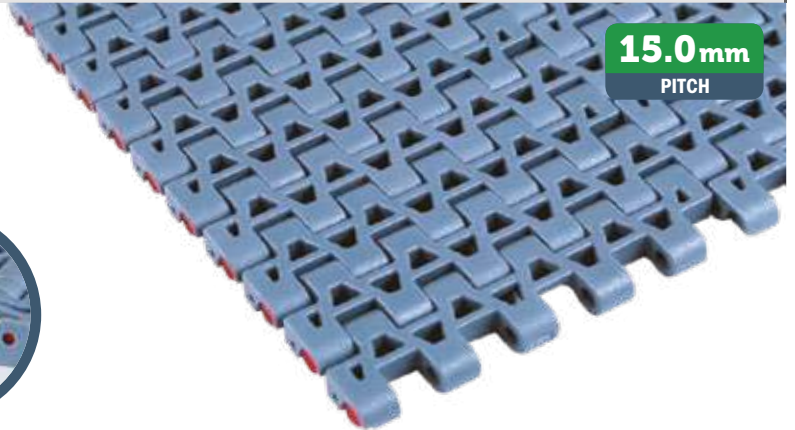
5262	01	0085	A
Series	*Material	Width	Version

15.0mm
PITCH

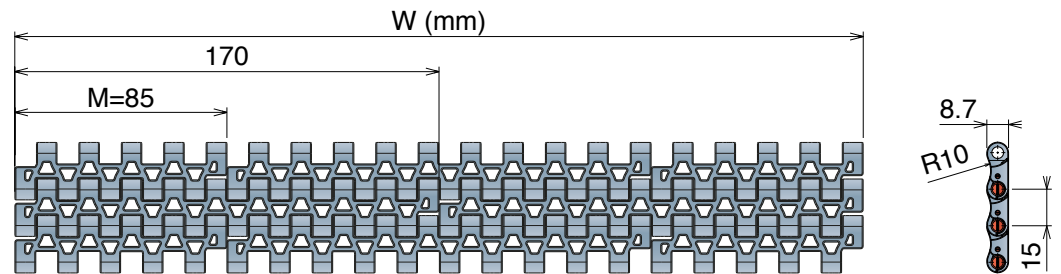
Metric Size

		
pg. 359-360	307/311/314	pg. 771-781

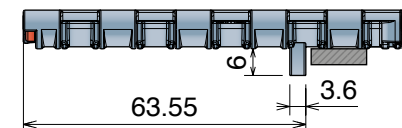
SAMPLE BOX	
Art.-Nr.	5262018888A



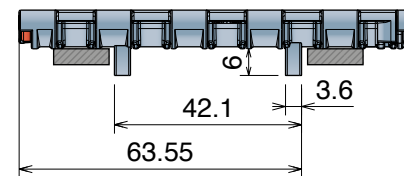
Version A - Standard



Version B - With 1 Positioner



Version C - With 2 Positioners



*Material

LFA - Code 01 Low friction Acetal

Easy Delivery

Max w. load: 25500 N/m
Weight: 8,1 kg/m²
Temp. range dry: -40+80 °C
Temp. range wet: -40+65 °C
Pin material: PBT white

MX - Code 03 Performance PBT

Max w. load: 20500 N/m
Weight: 7,8 kg/m²
Temp. range dry: -40+120 °C
Temp. range wet: -40+60 °C
Pin material: POM grey

LFB - Code 23 Low friction Acetal

Max w. load: 25500 N/m
Weight: 8,1 kg/m²
Temp. range dry: -40+80 °C
Temp. range wet: -40+65 °C
Pin material: PBT white

PFX - Code 30 Extra performance PBT

Max w. load: 20500 N/m
Weight: 7,8 kg/m²
Temp. range dry: -40+120 °C
Temp. range wet: -40+60 °C
Pin material: POM grey

**THE BEST CHOICE FOR
DRY RUNNING APPLICATIONS**

Version A - Standard

Series	Material	Width	Version
5262	*	0085	A
5262	*	0170	A
5262	*	0255	A
5262	*	0340	A
5262	*	0425	A
5262	*	0510	A
5262	*	0595	A
5262	*	0680	A
5262	*	0765	A
5262	*	0850	A
5262	*	0935	A
5262	*	1020	A
5262	*	1105	A
5262	*	1190	A
5262	*	1275	A
5262	*	1360	A
5262	*	1445	A
5262	*	1530	A

Version B - With 1 Positioner

Series	Material	Width	Version
5262	*	0085	B
5262	*	0170	B
5262	*	0255	B
5262	*	0340	B
5262	*	0425	B
5262	*	0510	B
5262	*	0595	B
5262	*	0680	B
5262	*	0765	B
5262	*	0850	B
5262	*	0935	B
5262	*	1020	B
5262	*	1105	B
5262	*	1190	B
5262	*	1275	B
5262	*	1360	B
5262	*	1445	B
5262	*	1530	B

Version C - With 2 Positioners

Series	Material	Width	Version
5262	*	0085	C
5262	*	0170	C
5262	*	0255	C
5262	*	0340	C
5262	*	0425	C
5262	*	0510	C
5262	*	0595	C
5262	*	0680	C
5262	*	0765	C
5262	*	0850	C
5262	*	0935	C
5262	*	1020	C
5262	*	1105	C
5262	*	1190	C
5262	*	1275	C
5262	*	1360	C
5262	*	1445	C
5262	*	1530	C

525 HD GT

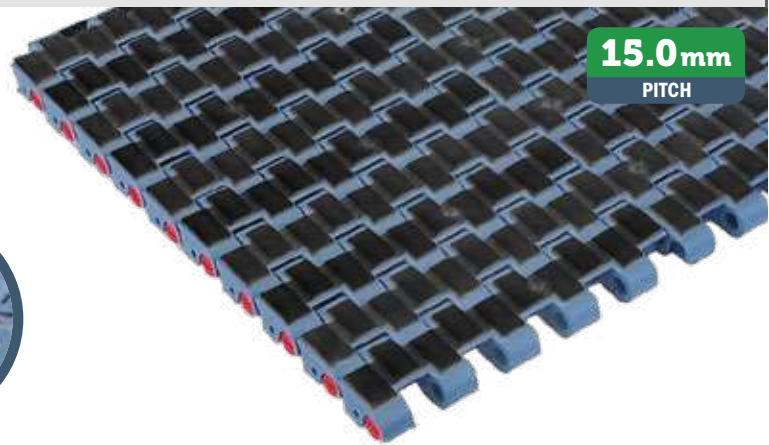
Tappeto Modulare 525 HD GT, H=8,7 M=85
 Modular Belt Series 525 HD GT, H=8,7 M=85 / Modulare Mattenkette 525 HD GT, H=8,7 M=85

Metric Size

CODE STRUCTURE GUIDE (Example)

Backflex radius min.: 25 mm

5263	01	0085	A
Series	*Material	Width	Version



15.0mm
PITCH

pg. 359-360	307/311/314	pg. 771>781

SAMPLE BOX	
Art.-Nr.	5263018888A



*Material

LFA - Code 01
Low friction Acetal

Easy Delivery

Max w. load: 25500 N/m
 Weight: 10,35 kg/m²
 Temp. range dry: -40+80 °C
 Temp. range wet: -40+65 °C
 Pin material: PBT white
 Top rubber: 50 ShA- Dark grey

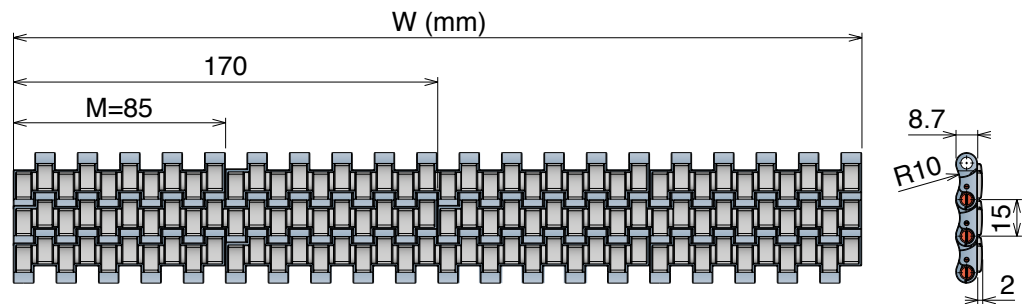
PP - Code 02
Polypropylene

Max w. load: 15500 N/m
 Weight: 8,7 kg/m²
 Temp. range dry: 4+80 °C
 Temp. range wet: 4+80 °C
 Pin material: PP blue
 Top rubber: 50 ShA- Pigeon blue

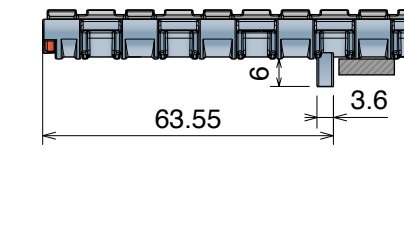
MX - Code 03
Performance PBT

Max w. load: 20500 N/m
 Weight: 10,35 kg/m²
 Temp. range dry: -40+120 °C
 Temp. range wet: -40+60 °C
 Pin material: POM grey
 Top rubber: 50 ShA- Dark grey

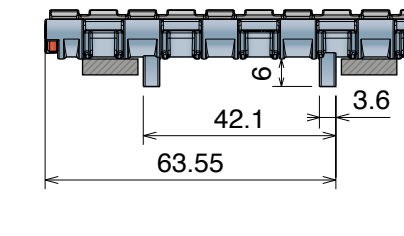
Version A - Standard



Version B - With 1 Positioner



Version C - With 2 Positioners



Version A - Standard

Series	Material	Width	Version
5263	*	0085	A
5263	*	0170	A
5263	*	0255	A
5263	*	0340	A
5263	*	0425	A
5263	*	0510	A
5263	*	0595	A
5263	*	0680	A
5263	*	0765	A
5263	*	0850	A
5263	*	0935	A
5263	*	1020	A
5263	*	1105	A
5263	*	1190	A
5263	*	1275	A
5263	*	1360	A
5263	*	1445	A
5263	*	1530	A

Version B - With 1 Positioner

Series	Material	Width	Version
5263	*	0085	B
5263	*	0170	B
5263	*	0255	B
5263	*	0340	B
5263	*	0425	B
5263	*	0510	B
5263	*	0595	B
5263	*	0680	B
5263	*	0765	B
5263	*	0850	B
5263	*	0935	B
5263	*	1020	B
5263	*	1105	B
5263	*	1190	B
5263	*	1275	B
5263	*	1360	B
5263	*	1445	B
5263	*	1530	B

Version C - With 2 Positioners

Series	Material	Width	Version
5263	*	0085	C
5263	*	0170	C
5263	*	0255	C
5263	*	0340	C
5263	*	0425	C
5263	*	0510	C
5263	*	0595	C
5263	*	0680	C
5263	*	0765	C
5263	*	0850	C
5263	*	0935	C
5263	*	1020	C
5263	*	1105	C
5263	*	1190	C
5263	*	1275	C
5263	*	1360	C
5263	*	1445	C
5263	*	1530	C

525 HD GT Side indent

Tappeti modulari / Modular belts / Mattenketten

Belts wider than standard are available with 85 mm increments

525 HD GT Side Indent

Tappeto Modulare 525 HD GT Side Indent, H=8,7 M=85
 Modular Belt Series 525 HD GT Side Indent, H=8,7 M=85 / Modulare Mattenkette 525 HD GT Side Indent, H=8,7 M=85




CODE STRUCTURE GUIDE (Example)

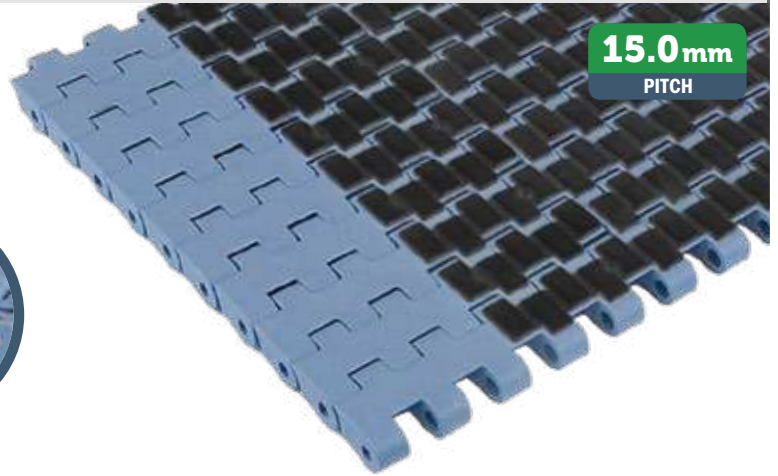
Backflex radius min.: 25 mm

5265	01	0255	A
Series	*Material	Width	Version

15.0mm
PITCH

Metric Size

		
pg. 359-360	307/311/314	pg. 771>781



*Material

LFA - Code 01
Low friction Acetal

Easy Delivery

Max w. load: 25500 N/m
 Weight: 10,35 kg/m²
 Temp. range dry: -40+80 °C
 Temp. range wet: -40+65 °C
 Pin material: PBT white
 Top rubber: 50 ShA- Dark grey

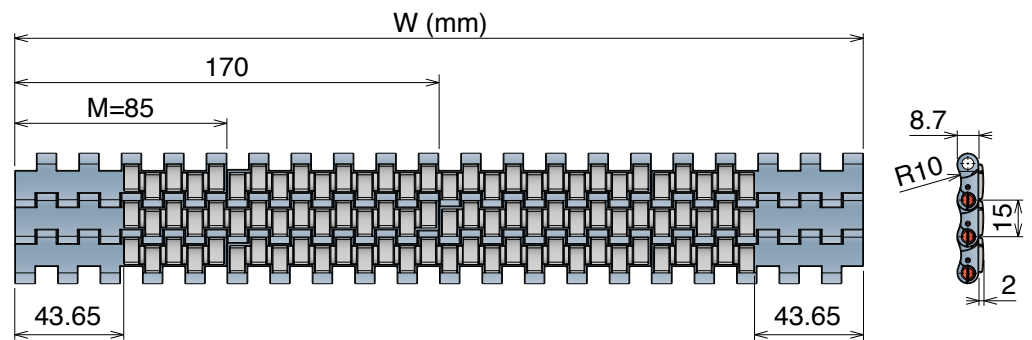
PP - Code 02
Polypropylene

Max w. load: 15500 N/m
 Weight: 8,7 kg/m²
 Temp. range dry: 4+80 °C
 Temp. range wet: 4+80 °C
 Pin material: PP blue
 Top rubber: 50 ShA- Pigeon blue

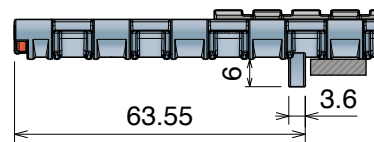
MX - Code 03
Performance PBT

Max w. load: 20500 N/m
 Weight: 10,35 kg/m²
 Temp. range dry: -40+120 °C
 Temp. range wet: -40+60 °C
 Pin material: POM grey
 Top rubber: 50 ShA- Dark grey

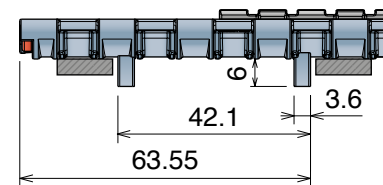
Version A - Standard



Version B - With 1 Positioner



Version C - With 2 Positioner



Version A - Standard

Series	Material	Width	Version
5265	*	0255	A
5265	*	0340	A
5265	*	0425	A
5265	*	0510	A
5265	*	0595	A
5265	*	0680	A
5265	*	0765	A
5265	*	0850	A
5265	*	0935	A
5265	*	1020	A
5265	*	1105	A
5265	*	1190	A
5265	*	1275	A
5265	*	1360	A
5265	*	1445	A
5265	*	1530	A

Version B - With 1 Positioner

Series	Material	Width	Version
5265	*	0255	B
5265	*	0340	B
5265	*	0425	B
5265	*	0510	B
5265	*	0595	B
5265	*	0680	B
5265	*	0765	B
5265	*	0850	B
5265	*	0935	B
5265	*	1020	B
5265	*	1105	B
5265	*	1190	B
5265	*	1275	B
5265	*	1360	B
5265	*	1445	B
5265	*	1530	B

Version C - With 2 Positioners

Series	Material	Width	Version
5265	*	0255	C
5265	*	0340	C
5265	*	0425	C
5265	*	0510	C
5265	*	0595	C
5265	*	0680	C
5265	*	0765	C
5265	*	0850	C
5265	*	0935	C
5265	*	1020	C
5265	*	1105	C
5265	*	1190	C
5265	*	1275	C
5265	*	1360	C
5265	*	1445	C
5265	*	1530	C

Tappeti modulari / Modular belts / Mattenketten

530

Pitch 15,0 mm
H= 8,7 mm



530 FT

530 FT *One track Belt*

530 FTT

530 GT

530 GT *Side indent*

530 LBP

530 PRO LBP

530 FT

Tappeto Modulare 530 FT, H=8,7 M=3"
Modular Belt Series 530 FT, H=8,7 M=3" / Modulare Mattenkette 530 FT, H=8,7 M=3"

CODE STRUCTURE GUIDE (Example)

Backflex radius min.: 25 mm

5321	01	0003	A
Series	*Material	Width	Version

15.0mm
PITCH



NoseBars



pg. 359-360

309/312/315

pg. 771>781

SAMPLE BOX

Art.-Nr. **5321018888A**



Imperial Size

*Material

LFA - Code 01

Low friction Acetal

Easy Delivery

Max w. load: 26000 N/m
Weight: 9,2 kg/m²
Temp. range dry: -40÷80 °C
Temp. range wet: -40÷65 °C
Pin material: PBT white

MX - Code 03

Performance PBT

Max w. load: 21000 N/m
Weight: 9,0 kg/m²
Temp. range dry: -40÷120 °C
Temp. range wet: -40÷60 °C
Pin material: POM grey

DKM - Code 16

Aramide Reinforced Acetal

Max w. load: 26000 N/m
Weight: 9,2 kg/m²
Temp. range dry: -40÷80 °C
Temp. range wet: -40÷65 °C
Pin material: PBT white

MWX - Code 17

Polyamide Composite

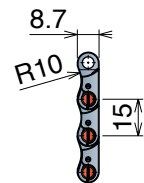
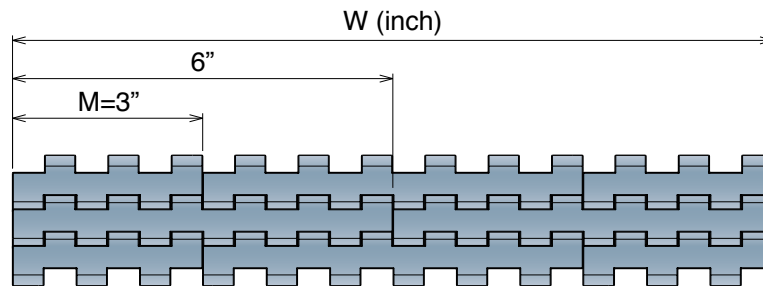
Max w. load: 26000 N/m
Weight: 9,5 kg/m²
Temp. range dry: -40÷104 °C
Temp. range wet: NR
Pin material: PBT white

MPX - Code 25

Lubricated Acetal

Max w. load: 26000 N/m
Weight: 9,2 kg/m²
Temp. range dry: -40÷80 °C
Temp. range wet: -40÷65 °C
Pin material: PBT white

Version A - Standard



Version A - Standard

Series	Material	Width	Version
5321	*	0003	A
5321	*	0006	A
5321	*	0009	A
5321	*	0012	A
5321	*	0015	A
5321	*	0018	A
5321	*	0021	A
5321	*	0024	A
5321	*	0027	A
5321	*	0030	A
5321	*	0033	A
5321	*	0036	A
5321	*	0039	A
5321	*	0042	A
5321	*	0045	A
5321	*	0048	A
5321	*	0051	A
5321	*	0054	A

530 FT One track Belt

Tappeto Modulare 530 FT, H=8,7 M=3"
 Modular Belt Series 530 FT, H=8,7 M=3" / Modulare Mattenkette 530 FT, H=8,7 M=3"

Imperial Size

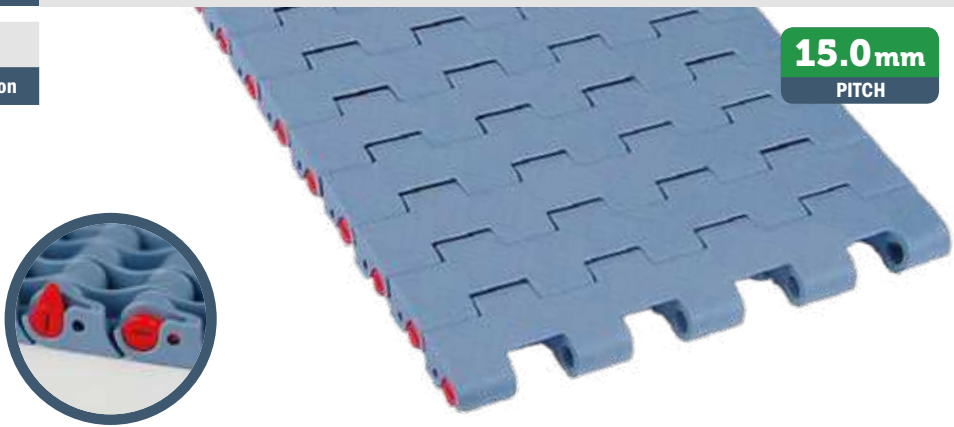
CODE STRUCTURE GUIDE (Example)

Backflex radius min.: 10 mm

5321	01	9450	A
Series	*Material	Width	Version

15.0mm
PITCH

pg. 359-360	309/312/315	pg. 771>781



*Material

LFA - Code 01
Low friction Acetal

Easy Delivery
 Max w. load: 3000 N
 Weight: 9,2 kg/m²
 Temp. range dry: -40÷80 °C
 Temp. range wet: -40÷65 °C
 Pin material: PBT white

MX - Code 03
Performance PBT

Max w. load: 2400 N
 Weight: 9,0 kg/m²
 Temp. range dry: -40÷120 °C
 Temp. range wet: -40÷60 °C
 Pin material: POM grey

DKM - Code 16
Aramide Reinforced Acetal

Max w. load: 3000 N
 Weight: 9,2 kg/m²
 Temp. range dry: -40÷80 °C
 Temp. range wet: -40÷65 °C
 Pin material: PBT white

MWX - Code 17
Polyamide Composite

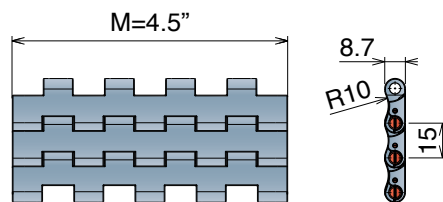
Max w. load: 3000 N
 Weight: 9,5 kg/m²
 Temp. range dry: -40÷104 °C
 Temp. range wet: NR
 Pin material: PBT white

MPX - Code 25
Lubricated Acetal

Max w. load: 3000 N
 Weight: 9,2 kg/m²
 Temp. range dry: -40÷80 °C
 Temp. range wet: -40÷65 °C
 Pin material: PBT white

K450

Version A - Standard



Version A - Standard

Series	Material	Width	Version
5321	*	9450	A

530 FTT

Tappeto Modulare 530 FTT, H=8,7 M=3"
 Modular Belt Series 530 FTT, H=8,7 M=3" / Modulare Mattenkette 530 FTT, H=8,7 M=3"

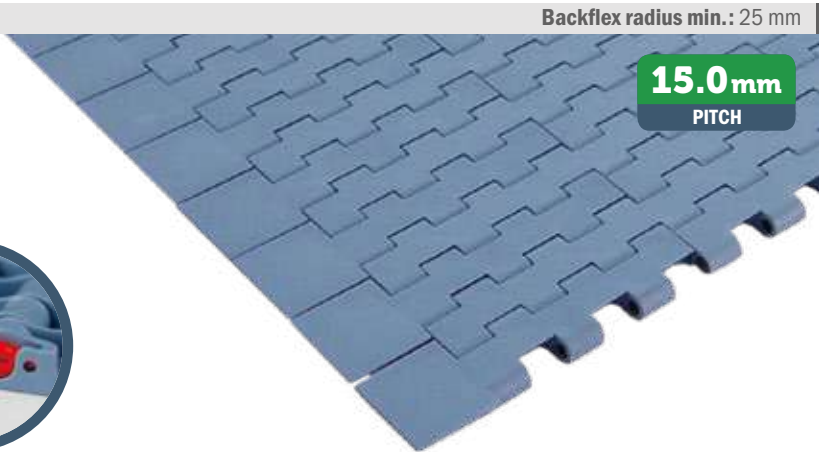
CODE STRUCTURE GUIDE (Example)

Backflex radius min.: 25 mm

5326	01	0003	A
Series	*Material	Width	Version

15.0mm
PITCH

pg. 359-360	309/312/315	pg. 771-781



*Material

LFA - Code 01

Low friction Acetal

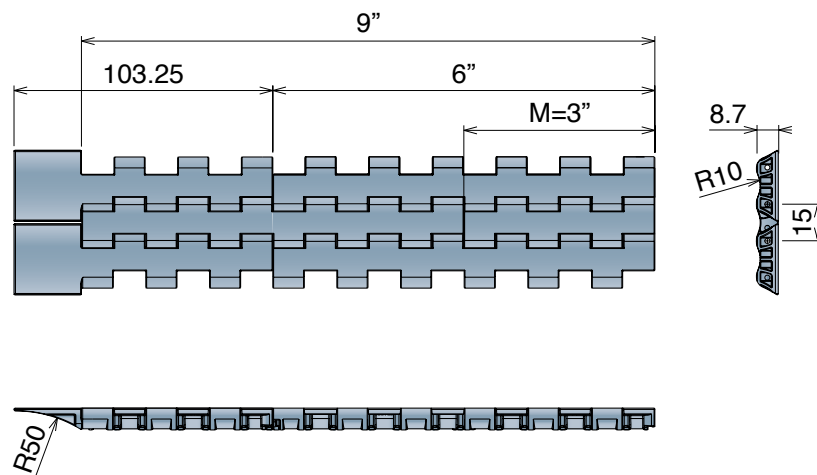
Max w. load: 26000 N/m
Weight: 9,2 kg/m²
Temp. range dry: -40÷80 °C
Temp. range wet: -40÷65 °C
Pin material: PBT white

MX - Code 03

Performance PBT

Max w. load: 21000 N/m
Weight: 9,0 kg/m²
Temp. range dry: -40÷120 °C
Temp. range wet: -40÷60 °C
Pin material: POM grey

Version A - Standard



Version A - Standard

Series	Material	Width	Version
5326	*	0003	A
5326	*	0006	A
5326	*	0009	A



530 GT

Tappeto Modulare 530 GT, H=8,7 M=3"
 Modular Belt Series 530 GT, H=8,7 M=3" / Modulare Mattenkette 530 GT, H=8,7 M=3"

CODE STRUCTURE GUIDE (Example)

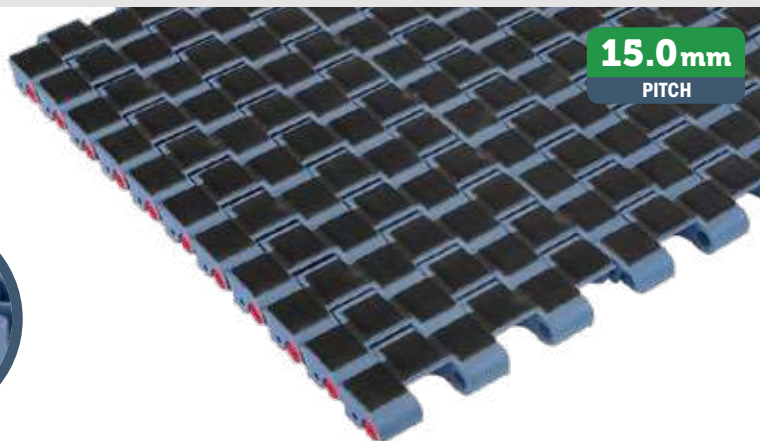
Backflex radius min.: 30 mm

5323	01	0003	A
Series	*Material	Width	Version

pg. 359-360	309/312/315	pg. 771>781

SAMPLE BOX

Art.-Nr. **5323018888A**



Imperial Size

*Material

LFA - Code 01

Low friction Acetal

Easy Delivery

Max w. load: 26000 N/m
 Weight: 10,6 kg/m²
 Temp. range dry: -40÷80 °C
 Temp. range wet: -40÷65 °C
 Pin material: PBT white
 Top rubber: 50 ShA-Dark grey

PP - Code 02

Polypropylene

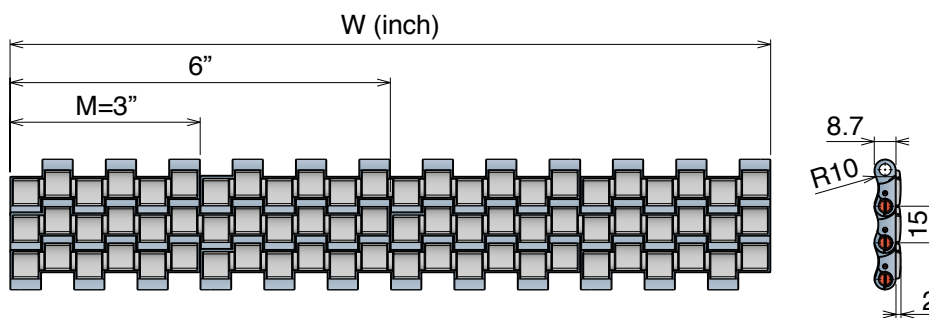
Max w. load: 16000 N/m
 Weight: 9,0 kg/m²
 Temp. range dry: 4÷80 °C
 Temp. range wet: 4÷80 °C
 Pin material: PP blue
 Top rubber: 50 ShA-Pigeon blue

MX - Code 03

Performance PBT

Max w. load: 21000 N/m
 Weight: 10,6 kg/m²
 Temp. range dry: -40÷120 °C
 Temp. range wet: -40÷60 °C
 Pin material: POM grey
 Top rubber: 50 ShA-Dark grey

Version A - Standard



Version A - Standard

Series	Material	Width	Version
5323	*	0003	A
5323	*	0006	A
5323	*	0009	A
5323	*	0012	A
5323	*	0015	A
5323	*	0018	A
5323	*	0021	A
5323	*	0024	A
5323	*	0027	A
5323	*	0030	A
5323	*	0033	A
5323	*	0036	A
5323	*	0039	A
5323	*	0042	A
5323	*	0045	A
5323	*	0048	A
5323	*	0051	A
5323	*	0054	A

530 GT Side indent

Tappeti modulari / Modular belts / Mattenketten

Belts wider than standard are available with 3 inch increments

530 GT Side indent Tappeto Modulare 530 GT, H=8,7 M=3" Modular Belt Series 530 GT, H=8,7 M=3" / Modulare Mattenkette 530 GT, H=8,7 M=3"


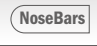

CODE STRUCTURE GUIDE (Example)

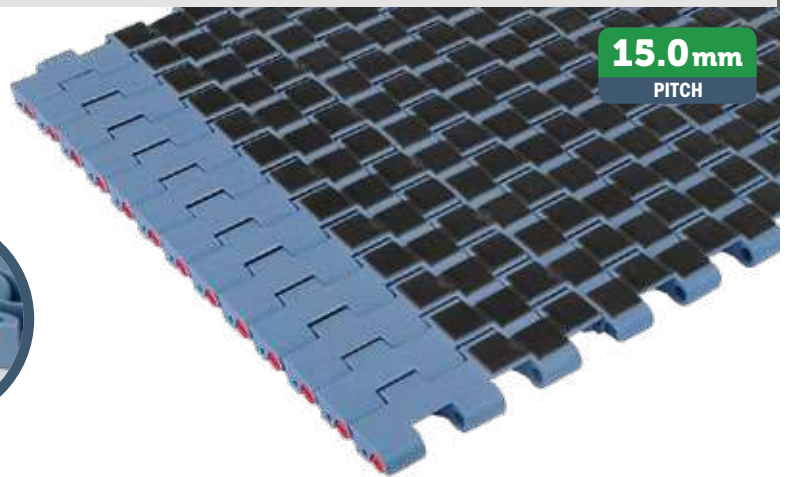
Backflex radius min.: 30 mm

5325	01	0009	A
Series	*Material	Width	Version

15.0mm
PITCH

Imperial Size

		
pg. 359-360	309/312/315	pg. 771-781



*Material

LFA - Code 01

Low friction Acetal

Easy Delivery

Max w. load: 26000 N/m
Weight: 10,6 kg/m²
Temp. range dry: -40+80 °C
Temp. range wet: -40+65 °C
Pin material: PBT white
Top rubber: 50 ShA-Dark grey

PP - Code 02

Polypropylene

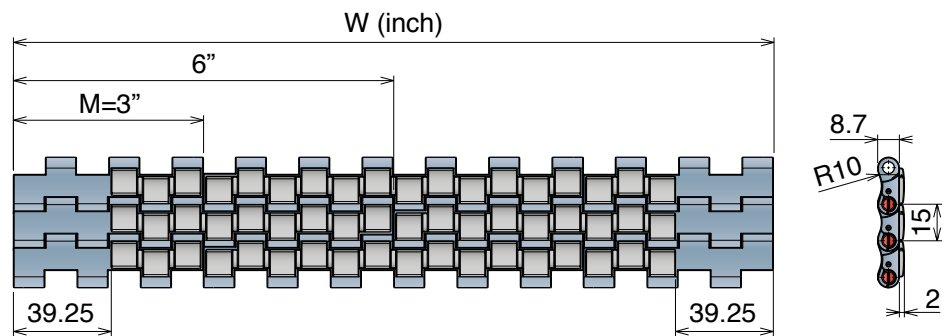
Max w. load: 16000 N/m
Weight: 9,0 kg/m²
Temp. range dry: 4+80 °C
Temp. range wet: 4+80 °C
Pin material: PP blue
Top rubber: 50 ShA-Pigeon blue

MX - Code 03

Performance PBT

Max w. load: 21000 N/m
Weight: 10,6 kg/m²
Temp. range dry: -40+120 °C
Temp. range wet: -40+60 °C
Pin material: POM grey
Top rubber: 50 ShA-Dark grey

Version A - Standard



Version A - Standard

Series	Material	Width	Version
5325	*	0009	A
5325	*	0012	A
5325	*	0015	A
5325	*	0018	A
5325	*	0021	A
5325	*	0024	A
5325	*	0027	A
5325	*	0030	A
5325	*	0033	A
5325	*	0036	A
5325	*	0039	A
5325	*	0042	A
5325	*	0045	A
5325	*	0048	A
5325	*	0051	A
5325	*	0054	A

Tappeti modulari / Modular belts / Mattenketten

530 LBP

Tappeto Modulare 530 LBP, H=8,7 M=3"
 Modular Belt Series 530 LBP, H=8,7 M=3" / Modulare Mattenkette 530 LBP, H=8,7 M=3"

Imperial Size

CODE STRUCTURE GUIDE (Example)

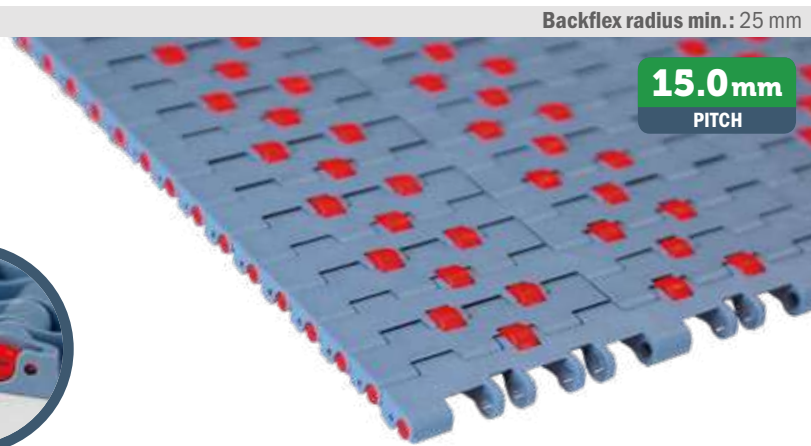
Backflex radius min.: 25 mm

5324	01	0006	A
Series	*Material	Width	Version

15.0mm
PITCH

	NoseBars	
pg. 359-360	pg. 309/313	pg. 771>781

SAMPLE BOX	
Art.-Nr.	5324018888A



Material

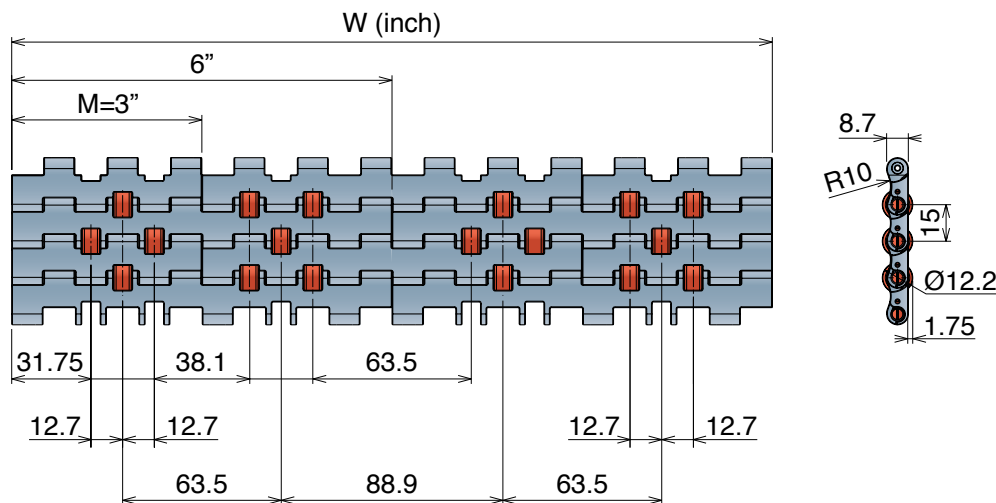
LFA - Code 01
Low friction Acetal

Max w. load: 24000 N/m
Weight: 9,0 kg/m²
Temp. range dry: -40÷80 °C
Temp. range dry: -40÷65 °C
Pin material: PBT white

POM Roller

Density: 700 rollers/m²

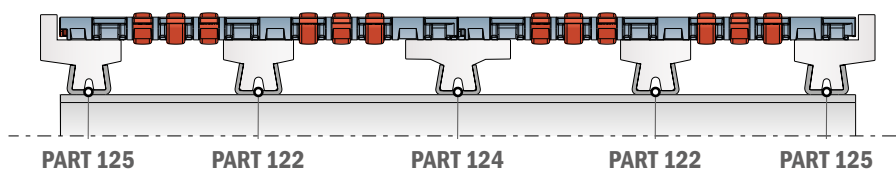
Version A - Standard



Version A - Standard

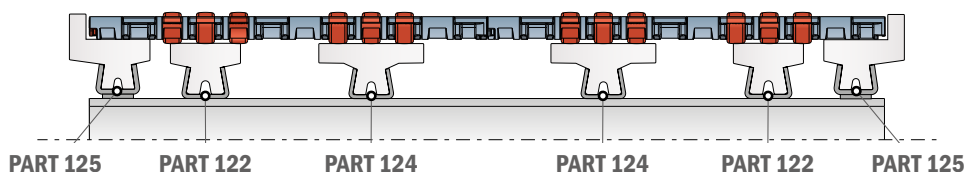
Series	Material	Width	Version
5324	01	0006	A
5324	01	0012	A
5324	01	0018	A
5324	01	0024	A
5324	01	0030	A
5324	01	0036	A
5324	01	0042	A
5324	01	0048	A
5324	01	0054	A

Guide position for accumulation system - Example



For accumulation system, please place the wear strips between the rollers (max 50 mm).

Guide position for driven rollers, for alignment/distribution system - Example



For driven rollers, please place the wear strips directly in contact under the rollers.

530 LBP can also be used with standard profiles: consult extruded profiles section for more details.

530 PRO LBP

Tappeto Modulare 530 PRO LBP, H=8,7 M=3"
Modular Belt Series 530 PRO LBP, H=8,7 M=3" / Modulare Mattenkette 530 PRO LBP, H=8,7 M=3"

CODE STRUCTURE GUIDE (Example)

Backflex radius min.: 25 mm

5237	01	0006	A
Series	*Material	Width	Version

15.0mm
PITCH



NoseBars



pg. 359-360

pg. 310/313

pg. 771-781

SAMPLE BOX

Art.-Nr. **5237018888A**



- Easier installation
- Quicker maintenance
- High strength

Material

LFA - Code 01

Low friction Acetal

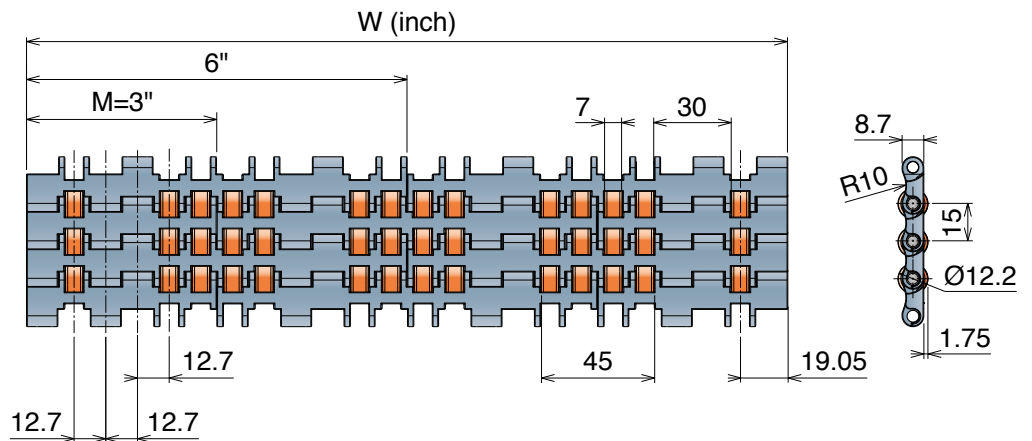
Max w. load: 21000 N/m
Weight: 10,0 kg/m²
Temp. range dry: -40÷80 °C
Temp. range wet: -40÷65 °C
Pin material: PBT white

PFX Roller

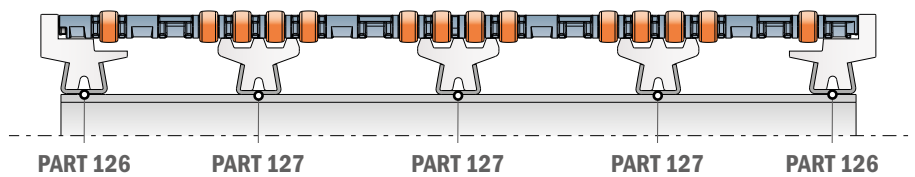
Density: 3.400 rollers/m²

**THE BEST CHOICE TO REACH
THE LOWEST FRICTION**

Version A - Standard

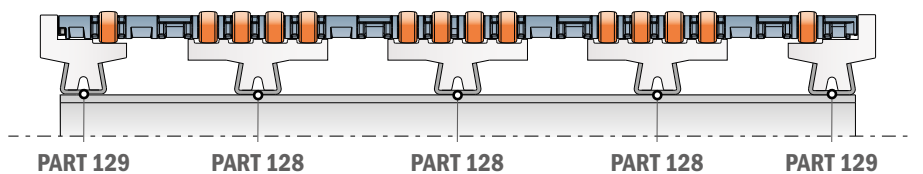


Guide position for accumulation system - Example



For accumulation system, please place the wear strips between the rollers (max 25 mm).

Guide position for driven rollers, for alignment/distribution system - Example

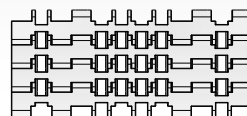


For driven rollers, please place the wear strips directly in contact under the rollers.

530 PRO LBP can also be used with standard profiles: consult extruded profiles section for more details.

Version A - Standard

Series	Material	Width	Version
5237	01	0006	A
5237	01	0009	A
5237	01	0012	A
5237	01	0015	A
5237	01	0018	A
5237	01	0021	A
5237	01	0024	A
5237	01	0027	A
5237	01	0030	A
5237	01	0033	A
5237	01	0036	A
5237	01	0039	A
5237	01	0042	A
5237	01	0045	A
5237	01	0048	A
5237	01	0051	A
5237	01	0054	A



Rollers configuration for
530 PRO LBP,
6 inch wide belt.

550

Pitch 25,4 mm

H= 8,7 mm



550 FT

550 FT *One track Belt*

550 FTT

550 UTS

550 UTS *One track Belt*

550 GT

550 GT *Side indent*

550 FLIGHT TOP

550 V

550 V *One track Belt*

550 PRO FT

550 PRO M

550 FT

Tappeto Modulare 550 FT, H=8,7 M=85
Modular Belt Series 550 FT, H=8,7 M=85 / Modulare Mattenkette 550 FT, H=8,7 M=85

CODE STRUCTURE GUIDE (Example)

Backflex radius min.: 25 mm

5501	01	0085	A
Series	*Material	Width	Version

25.4 mm
PITCH

*Material

LFA - Code 01

Low friction Acetal

Easy Delivery

Max w. load: 30000 N/m
Weight: 8,5 kg/m²
Temp. range dry: -40÷80 °C
Temp. range wet: -40÷65 °C
Pin material: PBT white

PP - Code 02

Polypropylene

Max w. load: 18000 N/m
Weight: 8,4 kg/m²
Temp. range dry: 4÷104 °C
Temp. range wet: 4÷104 °C
Pin material: PP blue

MX - Code 03

Performance PBT

Max w. load: 24000 N/m
Weight: 8,2 kg/m²
Temp. range dry: -40÷120 °C
Temp. range wet: -40÷60 °C
Pin material: POM grey

LFW - Code 05

Low friction Acetal

Max w. load: 30000 N/m
Weight: 8,5 kg/m²
Temp. range dry: -40÷80 °C
Temp. range wet: -40÷65 °C
Pin material: PBT white

DKM - Code 16

Aramide Reinforced Acetal

Max w. load: 30000 N/m
Weight: 8,5 kg/m²
Temp. range dry: -40÷80 °C
Temp. range wet: -40÷65 °C
Pin material: PBT white

MWX - Code 17

Polyamide Composite

Max w. load: 30000 N/m
Weight: 8,9 kg/m²
Temp. range dry: -40÷104 °C
Temp. range wet: NR
Pin material: PBT white

LFB - Code 23

Low friction Acetal

Max w. load: 30000 N/m
Weight: 8,5 kg/m²
Temp. range dry: -40÷80 °C
Temp. range wet: -40÷65 °C
Pin material: PBT white

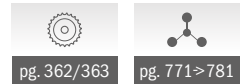
PFX - Code 30

Extra performance PBT

Max w. load: 24000 N/m
Weight: 8,2 kg/m²
Temp. range dry: -40÷120 °C
Temp. range wet: -40÷60 °C
Pin material: POM grey



- Easier installation
- Quicker maintenance
- 100% interchangeable



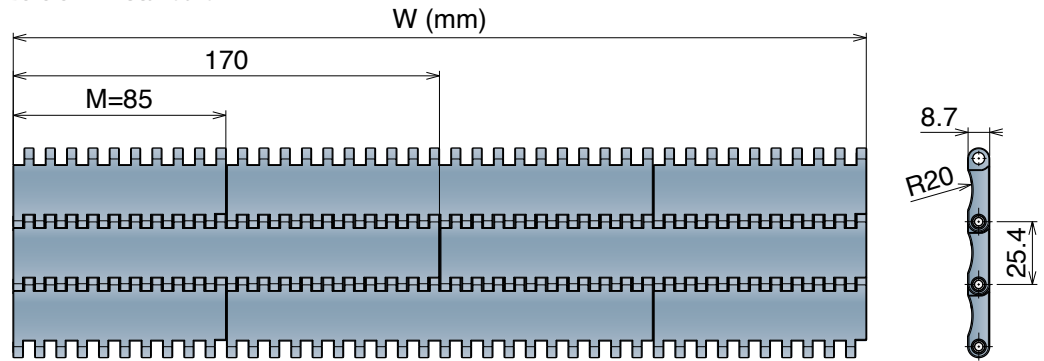
pg. 362/363

pg. 771>781

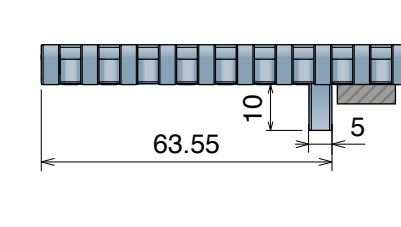
SAMPLE BOX

Art.-Nr. **550101888A**

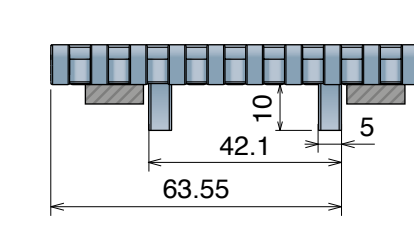
Version A - Standard



Version B - With 1 Positioner



Version C - With 2 Positioner



Version A - Standard

Series	Material	Width	Version
5501	*	0085	A
5501	*	0170	A
5501	*	0255	A
5501	*	0340	A
5501	*	0425	A
5501	*	0510	A
5501	*	0595	A
5501	*	0680	A
5501	*	0765	A
5501	*	0850	A
5501	*	0935	A
5501	*	1020	A
5501	*	1105	A
5501	*	1190	A
5501	*	1275	A
5501	*	1360	A
5501	*	1445	A
5501	*	1530	A

Version B - With 1 Positioner

Series	Material	Width	Version
5501	*	0085	B
5501	*	0170	B
5501	*	0255	B
5501	*	0340	B
5501	*	0425	B
5501	*	0510	B
5501	*	0595	B
5501	*	0680	B
5501	*	0765	B
5501	*	0850	B
5501	*	0935	B
5501	*	1020	B
5501	*	1105	B
5501	*	1190	B
5501	*	1275	B
5501	*	1360	B
5501	*	1445	B
5501	*	1530	B

Version C - With 2 Positioners

Series	Material	Width	Version
5501	*	0085	C
5501	*	0170	C
5501	*	0255	C
5501	*	0340	C
5501	*	0425	C
5501	*	0510	C
5501	*	0595	C
5501	*	0680	C
5501	*	0765	C
5501	*	0850	C
5501	*	0935	C
5501	*	1020	C
5501	*	1105	C
5501	*	1190	C
5501	*	1275	C
5501	*	1360	C
5501	*	1445	C
5501	*	1530	C

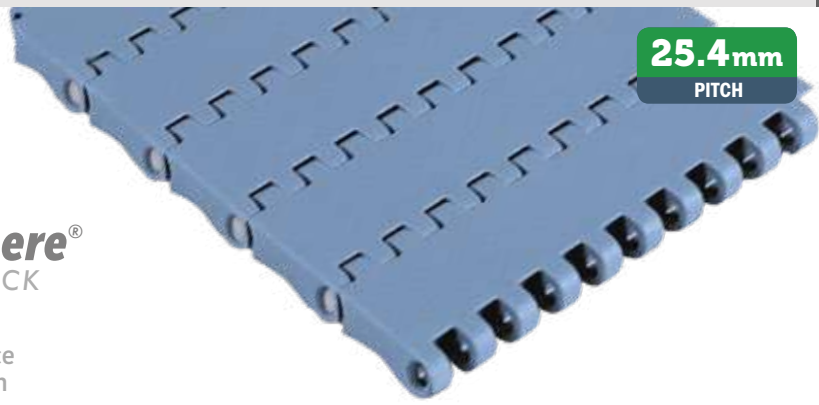
550 FT One track Belt

Tappeto Modulare 550 FT, H=8,7 K330
Modular Belt Series 550 FT, H=8,7 K330 / Modulare Mattenkette 550 FT, H=8,7 K330

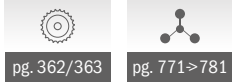
Metric Size

CODE STRUCTURE GUIDE (Example)			
5221	01	9330	A
Series	*Material	Width	Version

Backflex radius min.: 25 mm



25.4mm
PITCH



pg. 362/363 | pg. 771>781

***Material**

LFA - Code 01
Low friction Acetal

Easy Delivery

Max w. load: 2500 N
Weight: 8,5 kg/m²
Temp. range dry: -40+80 °C
Temp. range wet: -40+65 °C
Pin material: PBT white

PP - Code 02
Polypropylene

Max w. load: 1500 N
Weight: 8,4 kg/m²
Temp. range dry: 4+104 °C
Temp. range wet: 4+104 °C
Pin material: PP blue

MX - Code 03
Performance PBT

Max w. load: 2000 N
Weight: 8,2 kg/m²
Temp. range dry: -40+120 °C
Temp. range wet: -40+60 °C
Pin material: POM grey

DKM - Code 16
Aramide Reinforced Acetal

Max w. load: 2500 N
Weight: 8,5 kg/m²
Temp. range dry: -40+80 °C
Temp. range wet: -40+65 °C
Pin material: PBT white

MWX - Code 17
Polyamide Composite

Max w. load: 2500 N
Weight: 8,9 kg/m²
Temp. range dry: -40+104 °C
Temp. range wet: NR
Pin material: PBT white

LFB - Code 23
Low friction Acetal

Max w. load: 2500 N
Weight: 8,5 kg/m²
Temp. range dry: -40+80 °C
Temp. range wet: -40+65 °C
Pin material: PBT white

PFX - Code 30
Extra performance PBT

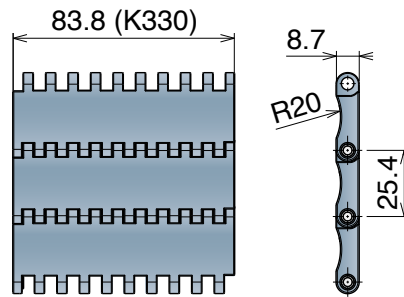
Max w. load: 2000 N
Weight: 8,2 kg/m²
Temp. range dry: -40+120 °C
Temp. range wet: -40+60 °C
Pin material: POM grey

THE BEST CHOICE FOR DRY RUNNING APPLICATIONS

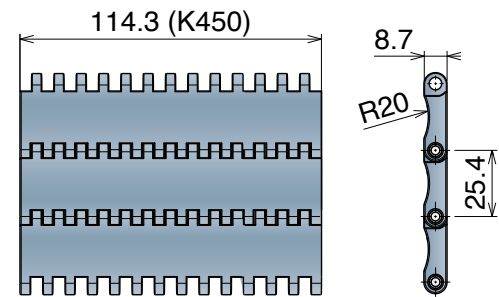


- Easier installation
- Quicker maintenance
- 10% Higher strength

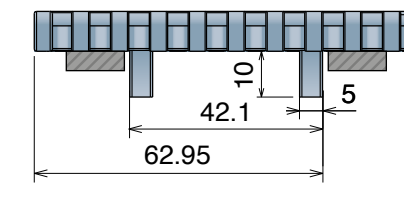
K330 Version A - Standard



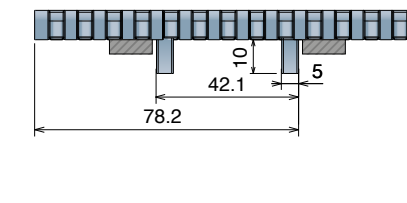
K450 Version A - Standard



Version C - With 2 Positioner



Version C - With 2 Positioner



Series	Material	Width	Version
5221	*	9330	A
5221	*	9330	C

Series	Material	Width	Version
5221	*	9450	A
5221	*	9450	C

Disassembling / Assembling mode



550 FT one track belt MOVEX TOOL

The specific tool for belts developed to facilitate belt assembly and disassembly.



Article Nr. 29970

Movex tools are made with 3D printer, the color may vary due to availability of the material.

550 FTT

Tappeto Modulare 550 FTT, H=8,7 M=85

Modular Belt Series 550 FTT, H=8,7 M=85 / Modulare Mattenkette 550 FTT, H=8,7 M=85

CODE STRUCTURE GUIDE (Example)

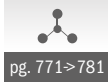
Backflex radius min.: 25 mm

5506	01	0085	C
Series	*Material	Width	Version

25.4mm
PITCH



pg. 362/363



pg. 771>781

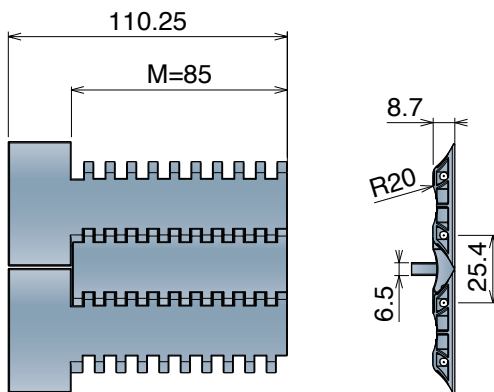
*Material

LFA - Code 01	MX - Code 03
Low friction Acetal	Performance PBT

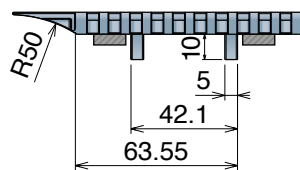
Max w. load: 30000 N/m	Max w. load: 24000 N/m
Weight: 8,5 kg/m ²	Weight: 8,2 kg/m ²
Temp. range dry: -40+80 °C	Temp. range dry: -40+120 °C
Temp. range wet: -40+65 °C	Temp. range wet: -40+60 °C
Pin material: PBT white	Pin material: POM grey



- Easier installation
- Quicker maintenance
- 100% interchangeable



Version C

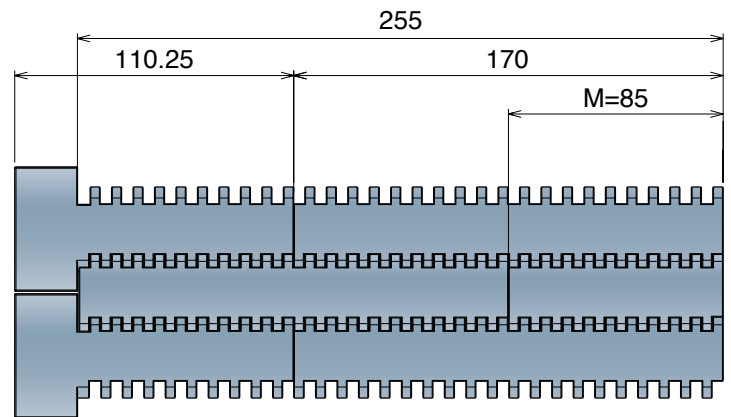


Version C

Series	Material	Width	Version
5506	*	0085	C

Max working load (N)

Width	85
LFA	2300
MX	1850



Version CN - Near



Version CO - Opposite



Version CN - Near

Series	Material	Width	Version
5506	*	0170	CN
5506	*	0255	CN

Version CO - Opposite

Series	Material	Width	Version
5506	*	0170	CO
5506	*	0255	CO

NEW

550 UTS

Open Surface 25% Tappeto Modulare 550 UTS, H=8,7 M=85
 Modular Belt Series 550 UTS, H=8,7 M=85 / Modulare Mattenkette 550 UTS, H=8,7 M=85

Metric Size



CODE STRUCTURE GUIDE (Example)

Backflex radius min.: 25 mm

5502	01	0085	A
Series	*Material	Width	Version

25.4mm
PITCH



 pg. 362/363
 pg. 771>781

SAMPLE BOX

Art.-Nr. **5502018888A**

***Material**

LFA - Code 01

Low friction Acetal

Easy Delivery

Max w. load: 30000 N/m
Weight: 7,0 kg/m²
Temp. range dry: -40÷80 °C
Temp. range wet: -40÷65 °C
Pin material: PBT white

MX - Code 03

Performance PBT

Max w. load: 24000 N/m
Weight: 6,7 kg/m²
Temp. range dry: -40÷120 °C
Temp. range wet: -40÷60 °C
Pin material: POM grey

LFB - Code 23

Low friction Acetal

Max w. load: 30000 N/m
Weight: 7,0 kg/m²
Temp. range dry: -40÷80 °C
Temp. range wet: -40÷65 °C
Pin material: PBT white

PFX - Code 30

Extra performance PBT

Max w. load: 24000 N/m
Weight: 6,7 kg/m²
Temp. range dry: -40÷120 °C
Temp. range wet: -40÷60 °C
Pin material: POM grey

THE BEST CHOICE FOR DRY RUNNING APPLICATIONS

One modular belt, countless uses.

The benefits of a flat top and flush grid belts, combined. Ideal for...



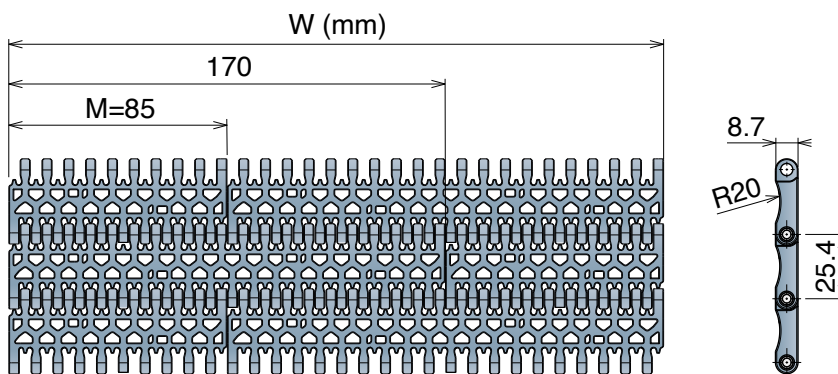
✓ Simplifying your line layout and inventory management.

✓ Saving resources, energy and maintenance time.

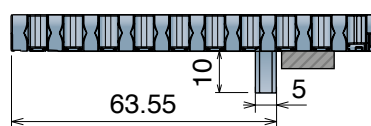


- Easier installation
- Quicker maintenance
- 100% interchangeable

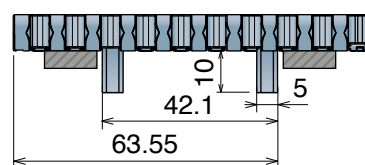
Version A - Standard



Version B - With 1 Positioner



Version C - With 2 Positioner



Version A - Standard

Series	Material	Width	Version
5502	*	0085	A
5502	*	0170	A
5502	*	0255	A
5502	*	0340	A
5502	*	0425	A
5502	*	0510	A
5502	*	0595	A
5502	*	0680	A
5502	*	0765	A
5502	*	0850	A
5502	*	0935	A
5502	*	1020	A
5502	*	1105	A
5502	*	1190	A
5502	*	1275	A
5502	*	1360	A
5502	*	1445	A
5502	*	1530	A

Version B - With 1 Positioner

Series	Material	Width	Version
5502	*	0085	B
5502	*	0170	B
5502	*	0255	B
5502	*	0340	B
5502	*	0425	B
5502	*	0510	B
5502	*	0595	B
5502	*	0680	B
5502	*	0765	B
5502	*	0850	B
5502	*	0935	B
5502	*	1020	B
5502	*	1105	B
5502	*	1190	B
5502	*	1275	B
5502	*	1360	B
5502	*	1445	B
5502	*	1530	B

Version C - With 2 Positioners

Series	Material	Width	Version
5502	*	0085	C
5502	*	0170	C
5502	*	0255	C
5502	*	0340	C
5502	*	0425	C
5502	*	0510	C
5502	*	0595	C
5502	*	0680	C
5502	*	0765	C
5502	*	0850	C
5502	*	0935	C
5502	*	1020	C
5502	*	1105	C
5502	*	1190	C
5502	*	1275	C
5502	*	1360	C
5502	*	1445	C
5502	*	1530	C

550 UTS One track Belt

Tappeti modulari / Modular belts / Mattenketten

PATENTED

Belts wider than standard are available with 85 mm increments

NEW 550 UTS One track Belt Open Surface 25% Tappeto Modulare 550 UTS, H=8,7 K330 Modular Belt Series 550 UTS, H=8,7 K330 / Modulare Mattenkette 550 UTS, H=8,7 K330

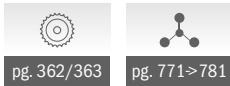
CODE STRUCTURE GUIDE (Example)

Backflex radius min.: 25 mm

5502	01	9330	A
Series	*Material	Width	Version

25.4 mm
PITCH

Metric Size



***Material**

LFA - Code 01
Low friction Acetal

Easy Delivery

Max w. load: 2500 N
Weight: 7,0 kg/m²
Temp. range dry: -40÷80 °C
Temp. range wet: -40÷65 °C
Pin material: PBT white

MX - Code 03
Performance PBT

Max w. load: 2000 N
Weight: 6,7 kg/m²
Temp. range dry: -40÷120 °C
Temp. range wet: -40÷60 °C
Pin material: POM grey

LFB - Code 23
Low friction Acetal

Max w. load: 2500 N
Weight: 7,0 kg/m²
Temp. range dry: -40÷80 °C
Temp. range wet: -40÷65 °C
Pin material: PBT white

PFX - Code 30
Extra performance PBT

Max w. load: 2000 N
Weight: 6,7 kg/m²
Temp. range dry: -40÷120 °C
Temp. range wet: -40÷60 °C
Pin material: POM grey

**THE BEST CHOICE FOR
DRY RUNNING APPLICATIONS**

**One modular belt,
countless uses.**

The benefits of a flat top and flush grid belts, combined. Ideal for...



Petaloid bases



Aluminum & steel cans



Glass bottles & jars

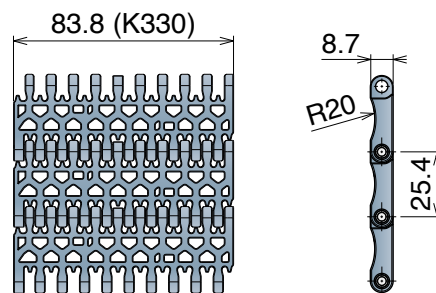
✓ Simplifying your line layout and inventory management.

✓ Saving resources, energy and maintenance time.

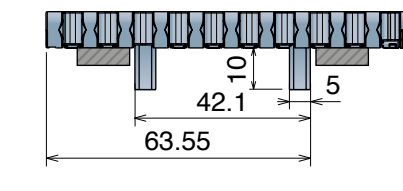


- Easier installation
- Quicker maintenance
- 100% interchangeable

Version A - Standard



Version C - With 2 Positioner



Version A - Standard

Series	Material	Width	Version
5502	*	9330	A

Version C - With 2 Positioners

Series	Material	Width	Version
5502	*	9330	C

**550 UTS and One track belt
MOVEX TOOL**

The specific tool for belts developed to facilitate belt assembly and disassembly.



Article Nr. **29970**

550 GT

Tappeto Modulare 550 GT, H=8,7 M=85
 Modular Belt Series 550 GT, H=8,7 M=85 / Modulare Mattenkette 550 GT, H=8,7 M=85

CODE STRUCTURE GUIDE (Example)

Backflex radius min.: 30 mm

5503	01	0085	A
Series	*Material	Width	Version

25.4mm
PITCH



pg. 362/363

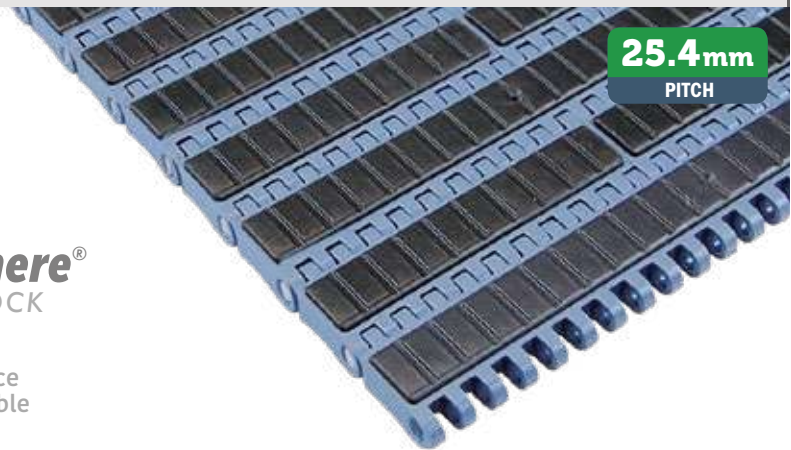
pg. 771>781

SAMPLE BOX

Art.-Nr. **5503018888A**



- Easier installation
- Quicker maintenance
- 100% interchangeable



Metric Size

*Material

LFA - Code 01

Low friction Acetal

- Max w. load: 27500 N/m
- Weight: 10,1 kg/m²
- Temp. range dry: -40÷80 °C
- Temp. range wet: -40÷65 °C
- Pin material: PBT white
- Top rubber: 50 Sha-Dark grey

PP - Code 02

Polypropylene

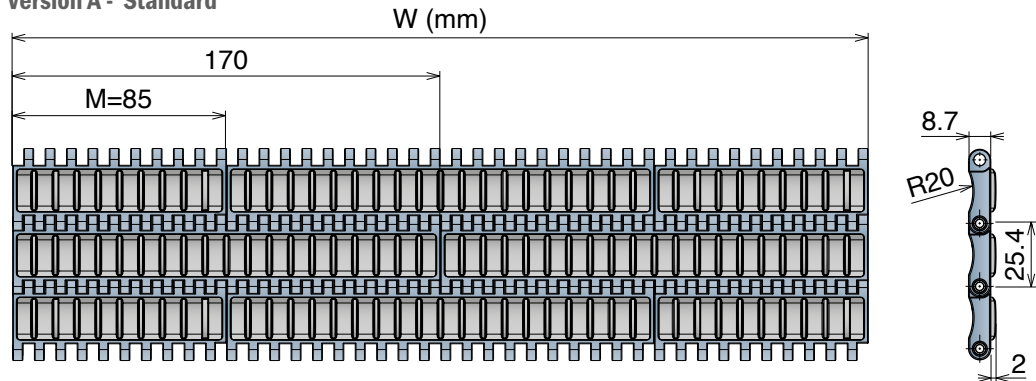
- Max w. load: 16500 N/m
- Weight: 8,4 kg/m²
- Temp. range dry: 4÷80 °C
- Temp. range wet: 4÷80 °C
- Pin material: PP blue
- Top rubber: 50 Sha-Pigeon blue

MX - Code 03

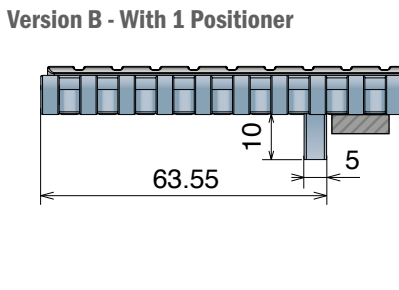
Performance PBT

- Max w. load: 21500 N/m
- Weight: 10,5 kg/m²
- Temp. range dry: -40÷120 °C
- Temp. range wet: -40÷60 °C
- Pin material: POM grey
- Top rubber: 50 Sha-Dark grey

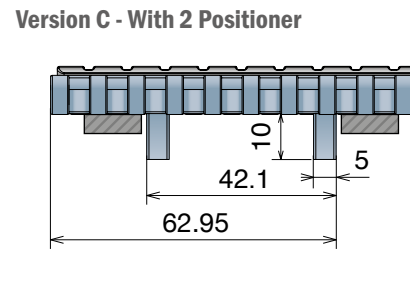
Version A - Standard



Version B - With 1 Positioner



Version C - With 2 Positioner



Version A - Standard

Series	Material	Width	Version
5503	*	0085	A
5503	*	0170	A
5503	*	0255	A
5503	*	0340	A
5503	*	0425	A
5503	*	0510	A
5503	*	0595	A
5503	*	0680	A
5503	*	0765	A
5503	*	0850	A
5503	*	0935	A
5503	*	1020	A
5503	*	1105	A
5503	*	1190	A
5503	*	1275	A
5503	*	1360	A
5503	*	1445	A
5503	*	1530	A

Version B - With 1 Positioner

Series	Material	Width	Version
5503	*	0085	B
5503	*	0170	B
5503	*	0255	B
5503	*	0340	B
5503	*	0425	B
5503	*	0510	B
5503	*	0595	B
5503	*	0680	B
5503	*	0765	B
5503	*	0850	B
5503	*	0935	B
5503	*	1020	B
5503	*	1105	B
5503	*	1190	B
5503	*	1275	B
5503	*	1360	B
5503	*	1445	B
5503	*	1530	B

Version C - With 2 Positioners

Series	Material	Width	Version
5503	*	0085	C
5503	*	0170	C
5503	*	0255	C
5503	*	0340	C
5503	*	0425	C
5503	*	0510	C
5503	*	0595	C
5503	*	0680	C
5503	*	0765	C
5503	*	0850	C
5503	*	0935	C
5503	*	1020	C
5503	*	1105	C
5503	*	1190	C
5503	*	1275	C
5503	*	1360	C
5503	*	1445	C
5503	*	1530	C

550 GT Side indent

Tappeti modulari / Modular belts / Mattenketten

PATENTED

Belts wider than standard are available with 85 mm increments

550 GT Side indent Tappeto Modulare 550 GT, H=8,7 M=85 Modular Belt Series 550 GT, H=8,7 M=85 / Modulare Mattenkette 550 GT, H=8,7 M=85

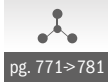
CODE STRUCTURE GUIDE (Example)

Backflex radius min.: 30 mm

5505	01	0255	A
Series	*Material	Width	Version

25.4mm
PITCH

Metric Size



- Easier installation
- Quicker maintenance
- 100% interchangeable

*Material

LFA - Code 01

Low friction Acetal

Max w. load: 27500 N/m
Weight: 10,1 kg/m²
Temp. range dry: -40+80 °C
Temp. range wet: -40+65 °C
Pin material: PBT white
Top rubber: 50 ShA-Dark grey

PP - Code 02

Polypropylene

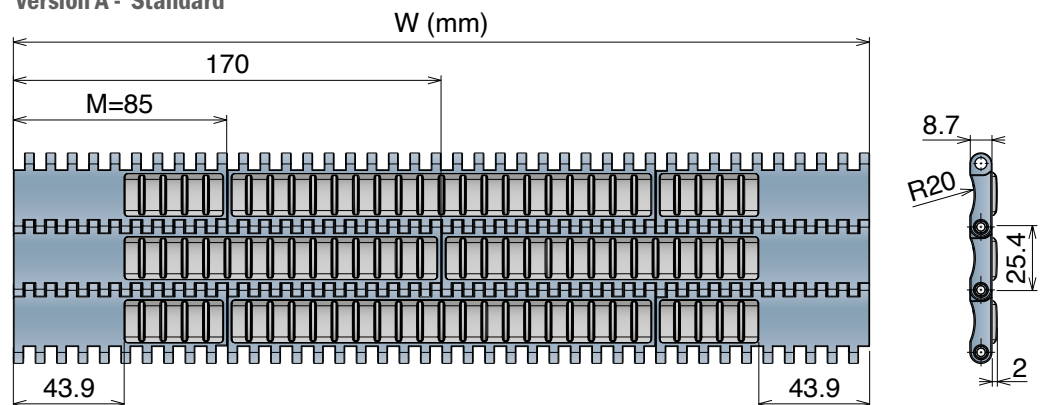
Max w. load: 16500 N/m
Weight: 8,4 kg/m²
Temp. range dry: 4+80 °C
Temp. range wet: 4+80 °C
Pin material: PP blue
Top rubber: 50 ShA-Pigeon blue

MX - Code 03

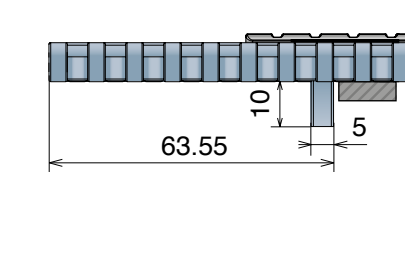
Performance PBT

Max w. load: 21500 N/m
Weight: 10,5 kg/m²
Temp. range dry: -40+120 °C
Temp. range wet: -40+60 °C
Pin material: POM grey
Top rubber: 50 ShA-Dark grey

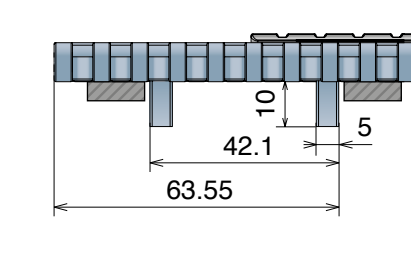
Version A - Standard



Version B - With 1 Positioner



Version C - With 2 Positioners



Version A - Standard

Series	Material	Width	Version
5505	*	0255	A
5505	*	0340	A
5505	*	0425	A
5505	*	0510	A
5505	*	0595	A
5505	*	0680	A
5505	*	0765	A
5505	*	0850	A
5505	*	0935	A
5505	*	1020	A
5505	*	1105	A
5505	*	1190	A
5505	*	1275	A
5505	*	1360	A
5505	*	1445	A
5505	*	1530	A

Version B - With 1 Positioner

Series	Material	Width	Version
5505	*	0255	B
5505	*	0340	B
5505	*	0425	B
5505	*	0510	B
5505	*	0595	B
5505	*	0680	B
5505	*	0765	B
5505	*	0850	B
5505	*	0935	B
5505	*	1020	B
5505	*	1105	B
5505	*	1190	B
5505	*	1275	B
5505	*	1360	B
5505	*	1445	B
5505	*	1530	B

Version C - With 2 Positioners

Series	Material	Width	Version
5505	*	0255	C
5505	*	0340	C
5505	*	0425	C
5505	*	0510	C
5505	*	0595	C
5505	*	0680	C
5505	*	0765	C
5505	*	0850	C
5505	*	0935	C
5505	*	1020	C
5505	*	1105	C
5505	*	1190	C
5505	*	1275	C
5505	*	1360	C
5505	*	1445	C
5505	*	1530	C

Tappeti modulari / Modular belts / Mattenketten

PATENTED

Belts wider than standard are available with 85 mm increments

550 FLIGHT TOP Tappeto Modulare 550 with Flight, H=8,7 M=85 Modular Belt Series 550 with Flight, H=8,7 M=85 / Modulare Mattenkette 550 with Flight, H=8,7 M=85

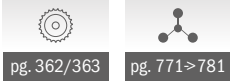
CODE STRUCTURE GUIDE

Backflex radius min.: 30 mm

See following table

25.4mm
PITCH

Metric Size



pg. 362/363

pg. 771>781

SAMPLE BOX

Art.-Nr. **5509018888A**

Material

LFA - Code 01

Low friction Acetal

Max w. load: 30000 N/m
Weight: 8,5 kg/m²
Temp. range dry: -40÷80 °C
Temp. range wet: -40÷65 °C
Pin material: PBT white

PP - Code 02

Polypropylene

Max w. load: 18000 N/m
Weight: 8,4 kg/m²
Temp. range dry: 4÷104 °C
Temp. range wet: 4÷104 °C
Pin material: PP blue

LFW - Code 05

Low friction Acetal

Max w. load: 30000 N/m
Weight: 8,5 kg/m²
Temp. range dry: -40÷80 °C
Temp. range wet: -40÷65 °C
Pin material: PBT white

PPW - Code 21

Polypropylene

Max w. load: 18000 N/m
Weight: 8,4 kg/m²
Temp. range dry: 4÷104 °C
Temp. range wet: 4÷104 °C
Pin material: PP blue

LFB - Code 23

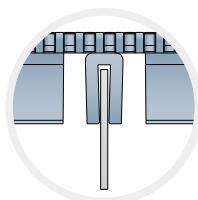
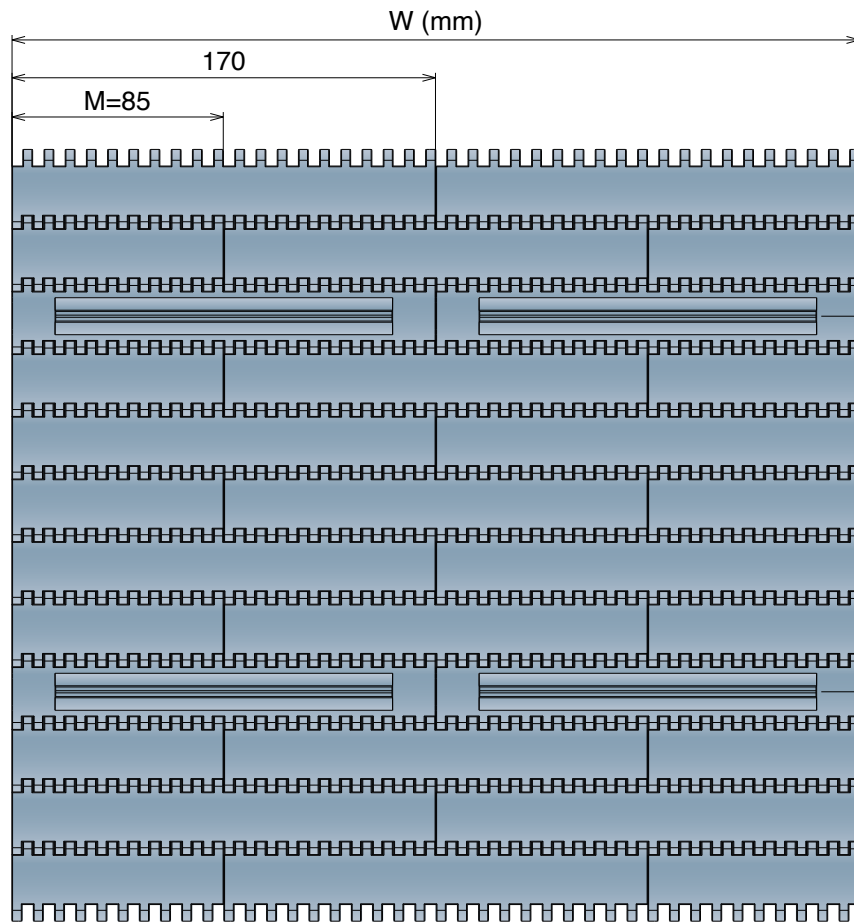
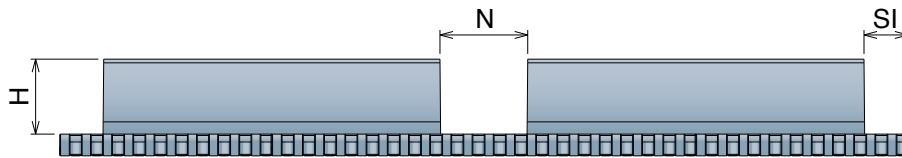
Low friction Acetal

Max w. load: 30000 N/m
Weight: 8,5 kg/m²
Temp. range dry: -40÷80 °C
Temp. range wet: -40÷65 °C
Pin material: PBT white

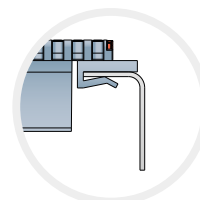


- Easier installation
- Quicker maintenance
- 100% interchangeable

Version A - Standard



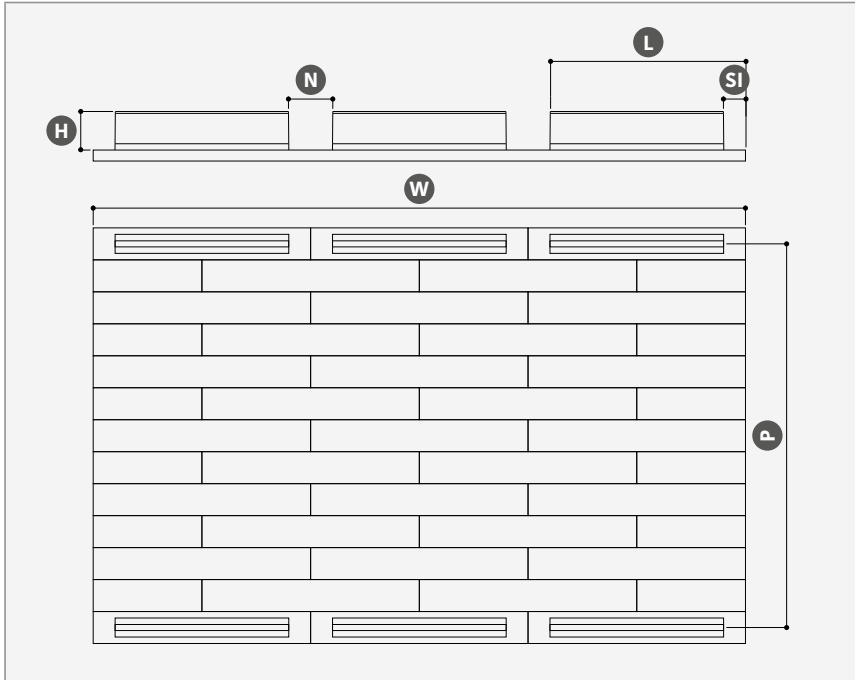
Notch utility
RETURN SECTION with Bar-cap



Side indent utility
RETURN SECTION with Z-Profile & J-Profile

Request for quotation

Technical drawing



Please fill out the following form or add dimensions into the drawing.

Company

Sales contact

Contact

Date

For different combination, please ask to your sales representative.

Fill out the form and send to your sales contact or to:

info@movexii.com

Technical features

Dimension expressed in millimeter

Belt surface	Flat Top (FT)		Flush Grid (FG)		Grip Top (GT)	
Material & colour	LFA	LFW	LFB	PP	PPW	
W - Width	Standard (85 multiple)			Special (17 multiple)		
H - Flight height	Standard 30	Standard 51	Standard 76	Special (Max 76)		
P - Pitch	Number of pitches or distance between flights (25,4 mm multiple)					
SI - Side Indent*	No	17	30	50		
Notch*	No	Single	Double	Triple		
	N - Notch width (preferred 34 or 60 mm)			L - Notch distance (2 or more)		

Configuration recommended

Dimensions expressed in millimeter

Width ≤ 170	170 > Width ≤ 425	425 > Width ≤ 850	Width > 850

NEW 550 V

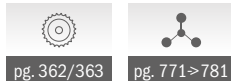
Tappeto Modulare 550 GT, H=8,7 M=85
Modular Belt Series 550 GT, H=8,7 M=85 / Modulare Mattenkette 550 GT, H=8,7 M=85

CODE STRUCTURE GUIDE (Example)

Backflex radius min.: 25 mm

5508	01	0085	A
Series	*Material	Width	Version

25.4mm
PITCH



- Easier installation
- Quicker maintenance
- 100% interchangeable

Metric Size

*Material

LFA - Code 01

Low friction Acetal

Max w. load: 25500 N/m
Weight: 9,0 kg/m²
Temp. range dry: -40÷80 °C
Temp. range wet: -40÷65 °C
Pin material: PBT white

MX - Code 03

Performance PBT

Max w. load: 20500 N/m
Weight: 8,7 kg/m²
Temp. range dry: -40÷120 °C
Temp. range wet: -40÷60 °C
Pin material: POM grey

AS - Code 12

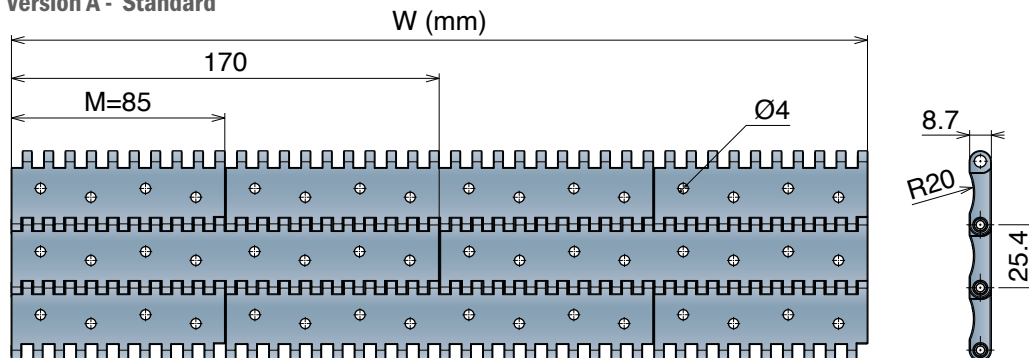
Antistatic Acetal

Max w. load: 2500 N/m
Weight: 8,5 kg/m²
Temp. range dry: -40÷120 °C
Temp. range wet: -40÷60 °C
Pin material: PBT white

AS MATERIAL

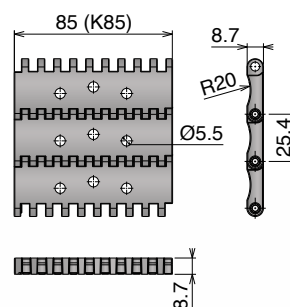
IS AVAILABLE ONLY FOR ONE TRACK BELT VERSION

Version A - Standard



One track Belt version

K85 Version A - Standard



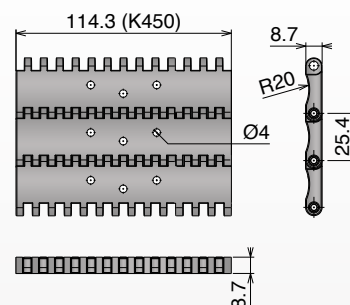
Article-Nr

5508129085A

Version A - Standard

Series	Material	Width	Version
5508	*	0085	A
5508	*	0170	A
5508	*	0255	A
5508	*	0340	A
5508	*	0425	A
5508	*	0510	A
5508	*	0595	A
5508	*	0680	A
5508	*	0765	A
5508	*	0850	A
5508	*	0935	A
5508	*	1020	A
5508	*	1105	A
5508	*	1190	A
5508	*	1275	A
5508	*	1360	A
5508	*	1445	A
5508	*	1530	A

K450 Version A - Standard



Article-Nr

5508129115A

550 PRO FT

Tappeto Modulare 550 PRO FT, H=8,7 K330

Modular Belt Series 550 PRO FT, H=8,7 K330 / Modulare Mattenkette 550 PRO FT, H=8,7 K330

CODE STRUCTURE GUIDE (Example)

Backflex radius min.: 25 mm

5227	01	9330	A
Series	*Material	Width	Version

25.4mm
PITCH



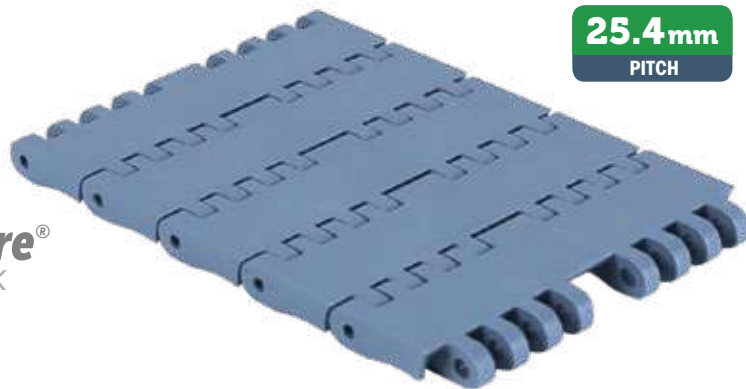
550 PRO FT & PRO M

SAMPLE BOX

Art.-Nr. 5227018888A



- Easier installation
- Quicker maintenance
- 100% interchangeable



*Material

LFA - Code 01

Low friction Acetal

Easy Delivery

Max w. load: 2300 N
Weight: 8,5 kg/m²
Temp. range dry: -40+80 °C
Temp. range wet: -40+65 °C
Pin material: PBT white

MX - Code 03

Performance PBT

Max w. load: 1850 N
Weight: 8,2 kg/m²
Temp. range dry: -40+120 °C
Temp. range wet: -40+60 °C
Pin material: POM grey

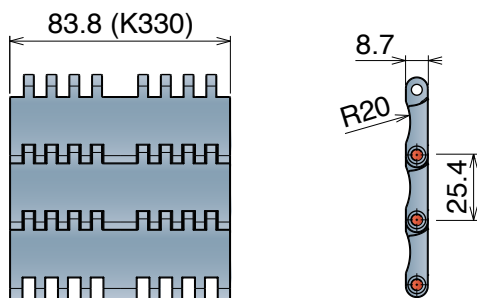
PFX - Code 30

Extra performance PBT

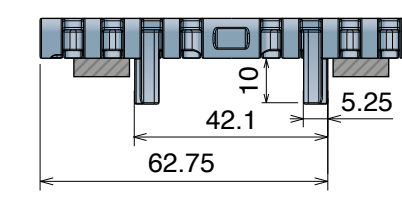
Max w. load: 1850 N
Weight: 8,2 kg/m²
Temp. range dry: -40+120 °C
Temp. range wet: -40+60 °C
Pin material: POM grey

**THE BEST CHOICE FOR
DRY RUNNING APPLICATIONS**

Version A - Standard



Version C - With 2 Positioner



Advantages:

- Optimized product support
- Superior flatness
- Low wear
- Bi-directional

Version A - Standard

Series	Material	Width	Version
5227	*	9330	A

Version C - With 2 Positioners

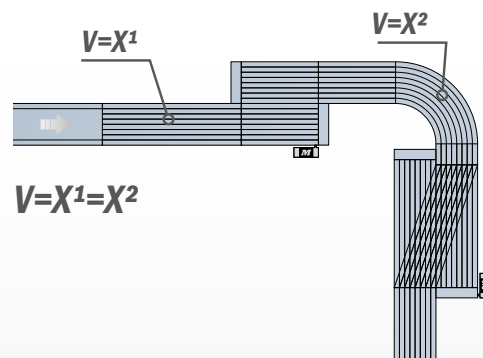
Series	Material	Width	Version
5227	*	9330	C

550 PRO M & 550 PRO FT

The perfect combination

- Same height between guide and center sprockets (S Dimension)
- Same speed for curved and straight
- Unique sprocket for curved and straight

Layout with 550 Pro M and 550 PRO FT



550 PRO M





Tappeto Modulare 550 PRO M, H=8,7 K330
 Modular Belt Series 550 PRO M, H=8,7 K330 /Modulare Mattenkette 550 PRO M, H=8,7 K330

CODE STRUCTURE GUIDE (Example)

Backflex radius min.: 15 mm

5228	30	9330	C
Series	*Material	Width	Version

25.4mm
PITCH

 10 feet 3.048 m	 pg. 364/365	 pg. 178	 pg. 771>781
240 links			

MAGNETIC SYSTEM

550 PRO FT & PRO M

SAMPLE BOX

Art.-Nr. **5227018888A**



- Easier installation • Quicker maintenance
- 100% interchangeable



Metric Size

*Material

LFA - Code 01

Low friction Acetal

Easy Delivery

Max w. load: 2500 N
 Weight: 8,2 kg/m²
 Temp. range dry: -40+80 °C
 Temp. range wet: -40+65 °C
 Pin material: Ferritic
 Stainless Steel

MX - Code 03

Performance PBT

Max w. load: 2000 N
 Weight: 8,0 kg/m²
 Temp. range dry: -40+120 °C
 Temp. range wet: -40+60 °C
 Pin material: Ferritic
 Stainless Steel

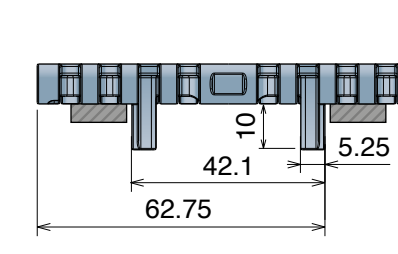
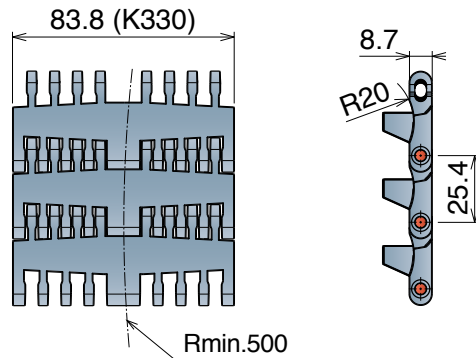
PFX - Code 30

Extra performance PBT

Max w. load: 2000 N
 Weight: 8,0 kg/m²
 Temp. range dry: -40+120 °C
 Temp. range wet: -40+60 °C
 Pin material: Ferritic
 Stainless Steel

**THE BEST CHOICE FOR
 DRY RUNNING APPLICATIONS**

Version C - With 2 Positioner



Advantages:

- Optimized product support
- Superior flatness
- Low wear
- Bi-directional

Version C - With 2 Positioners

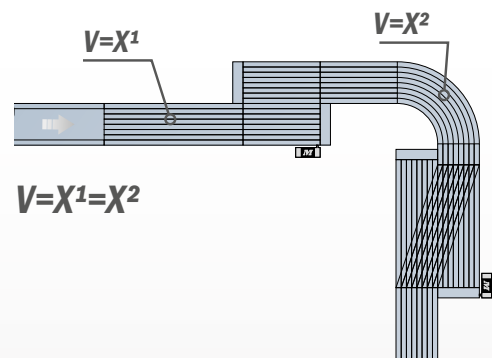
Series	Material	Width	Version
5228	*	9330	C

550 PRO M & 550 PRO FT

The perfect combination

- Same height between guide and center sprockets (S Dimension)
- Same speed for curved and straight
- Unique sprocket for curved and straight

Layout with 550 Pro M and 550 PRO FT



551

Pitch 25,4 mm
H= 12,7 mm



- 551 FT
- 551 FTT
- 551 GT
- 551 GT *Side indent*
- 551 LBP
- 551 PRO LBP

551 FT

Tappeto Modulare 551 FT, H=12,7 M=85
Modular Belt Series 551 FT, H=12,7 M=85 / Modulare Mattenkette 551 FT, H=12,7 M=85

CODE STRUCTURE GUIDE (Example)

Backflex radius min.: 25 mm

5231	01	0085	A
Series	*Material	Width	Version

25.4mm
PITCH

* Material

LFA - Code 01
Low friction Acetal

Easy Delivery

Max w. load: 41500 N/m
Weight: 12,5 kg/m²
Temp. range dry: -40÷80 °C
Temp. range wet: -40÷65 °C
Pin material: PBT white

PP - Code 02
Polypropylene

Max w. load: 27000 N/m
Weight: 10,0 kg/m²
Temp. range dry: 4÷104 °C
Temp. range wet: 4÷104 °C
Pin material: PP blue

MX - Code 03
Performance PBT

Max w. load: 33500 N/m
Weight: 12,0 kg/m²
Temp. range dry: -40÷120 °C
Temp. range wet: -40÷60 °C
Pin material: POM grey

DKM - Code 16
Aramide Reinforced Acetal

Max w. load: 41500 N/m
Weight: 12,5 kg/m²
Temp. range dry: -40÷80 °C
Temp. range wet: -40÷65 °C
Pin material: PBT white

MWX - Code 17
Polyamide Composite

Max w. load: 41500 N/m
Weight: 13,0 kg/m²
Temp. range dry: -40÷104 °C
Temp. range wet: NR
Pin material: PBT white

MPX - Code 25
Lubricated Acetal

Max w. load: 41500 N/m
Weight: 12,5 kg/m²
Temp. range dry: -40÷80 °C
Temp. range wet: -40÷65 °C
Pin material: PBT white

PFX - Code 30
Extra performance PBT

Max w. load: 33500 N/m
Weight: 12,0 kg/m²
Temp. range dry: -40÷120 °C
Temp. range wet: -40÷60 °C
Pin material: POM grey

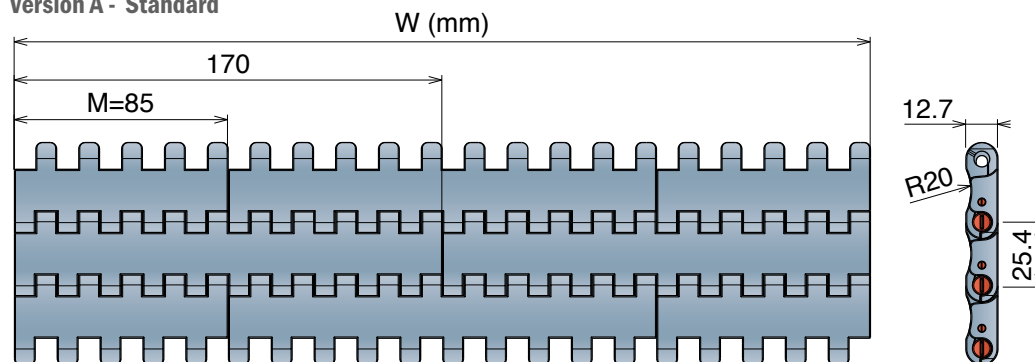
**THE BEST CHOICE FOR
DRY RUNNING APPLICATIONS**

SAMPLE BOX

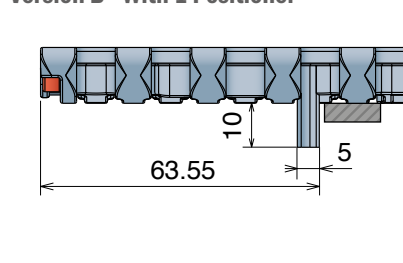
Art.-Nr. **523101888A**



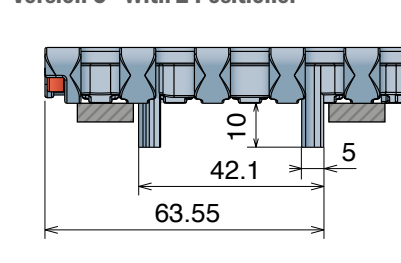
Version A - Standard



Version B - With 1 Positioner



Version C - With 2 Positioners



Version A - Standard

Series	Material	Width	Version
5231	*	0085	A
5231	*	0170	A
5231	*	0255	A
5231	*	0340	A
5231	*	0425	A
5231	*	0510	A
5231	*	0595	A
5231	*	0680	A
5231	*	0765	A
5231	*	0850	A
5231	*	0935	A
5231	*	1020	A
5231	*	1105	A
5231	*	1190	A
5231	*	1275	A
5231	*	1360	A
5231	*	1445	A
5231	*	1530	A

Version B - With 1 Positioner

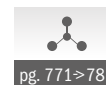
Series	Material	Width	Version
5231	*	0085	B
5231	*	0170	B
5231	*	0255	B
5231	*	0340	B
5231	*	0425	B
5231	*	0510	B
5231	*	0595	B
5231	*	0680	B
5231	*	0765	B
5231	*	0850	B
5231	*	0935	B
5231	*	1020	B
5231	*	1105	B
5231	*	1190	B
5231	*	1275	B
5231	*	1360	B
5231	*	1445	B
5231	*	1530	B

Version C - With 2 Positioners

Series	Material	Width	Version
5231	*	0085	C
5231	*	0170	C
5231	*	0255	C
5231	*	0340	C
5231	*	0425	C
5231	*	0510	C
5231	*	0595	C
5231	*	0680	C
5231	*	0765	C
5231	*	0850	C
5231	*	0935	C
5231	*	1020	C
5231	*	1105	C
5231	*	1190	C
5231	*	1275	C
5231	*	1360	C
5231	*	1445	C
5231	*	1530	C



pg. 366-367



pg. 771>781

551 FTT

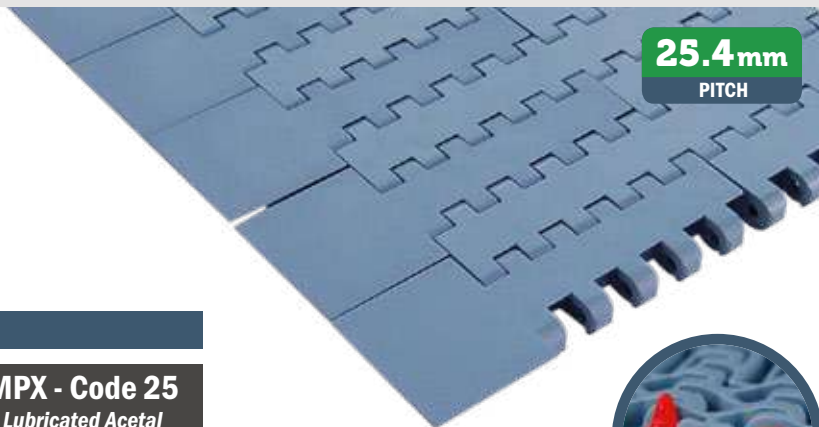
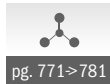
Tappeto Modulare 551 FTT, H=12,7 M=85

Modular Belt Series 551 FTT, H=12,7 M=85 / Modulare Mattenkette 551 FTT, H=12,7 M=85

CODE STRUCTURE GUIDE (Example)

Backflex radius min.: 25 mm

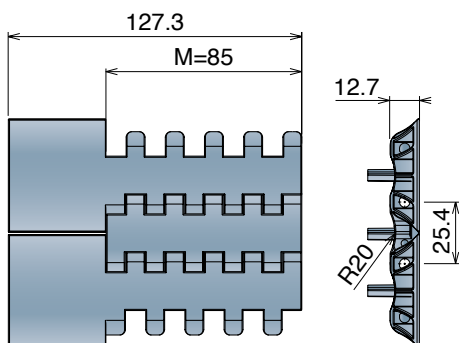
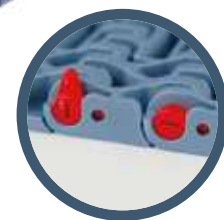
5236	01	0085	C
Series	*Material	Width	Version



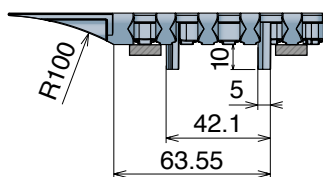
25.4mm
PITCH

*Material

LFA - Code 01 <i>Low friction Acetal</i>	MX - Code 03 <i>Performance PBT</i>	MPX - Code 25 <i>Lubricated Acetal</i>
Max w. load: 41500 N/m Weight: 12,5 kg/m ² Temp. range dry: -40÷80 °C Temp. range wet: -40÷65 °C Pin material: PBT white	Max w. load: 33500 N/m Weight: 12,0 kg/m ² Temp. range dry: -40÷120 °C Temp. range wet: -40÷60 °C Pin material: POM grey	Max w. load: 41500 N/m Weight: 12,5 kg/m ² Temp. range dry: -40÷80 °C Temp. range wet: -40÷65 °C Pin material: PBT white



Version C

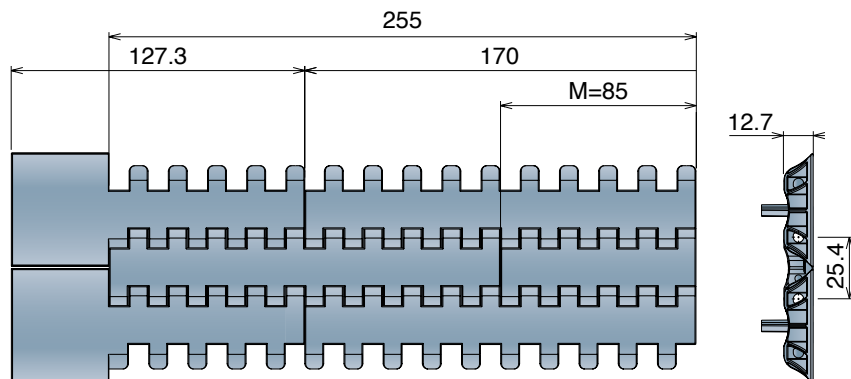


Version C

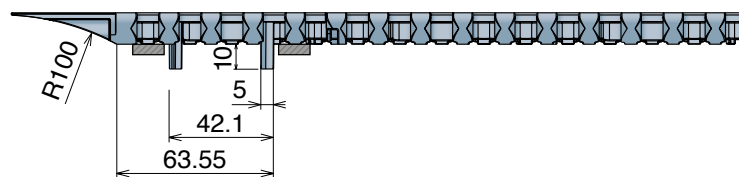
Series	Material	Width	Version
5236	*	0085	C

Max working load (N)

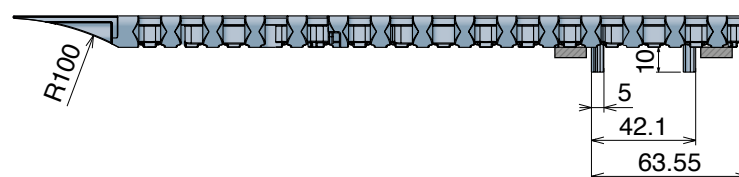
Width	85
LFA	3500
MX	2800
MPX	3500



Version CN - Near



Version C0 - Opposite



Version CN - Near

Series	Material	Width	Version
5236	*	0170	CN
5236	*	0255	CN

Version C0 - Opposite

Series	Material	Width	Version
5236	*	0170	C0
5236	*	0255	C0

551 GT

Tappeto Modulare 551 GT, H=12,7 M=85
 Modular Belt Series 551 GT, H=12,7 M=85 / Modulare Mattenkette 551 GT, H=12,7 M=85

CODE STRUCTURE GUIDE (Example)

Backflex radius min.: 50 mm

5233	01	0085	A
Series	*Material	Width	Version

25.4mm
PITCH



pg. 366-367

pg. 771>781

SAMPLE BOX

Art.-Nr. **5233018888A**



Metric Size

*Material

LFA - Code 01

Low friction Acetal

Easy Delivery

Max w. load: 41500 N/m
 Weight: 13,5 kg/m²
 Temp. range dry: -40÷80 °C
 Temp. range wet: -40÷65 °C
 Pin material: PBT white
 Top rubber: 50 ShA-Dark grey

PP - Code 02

Polypropylene

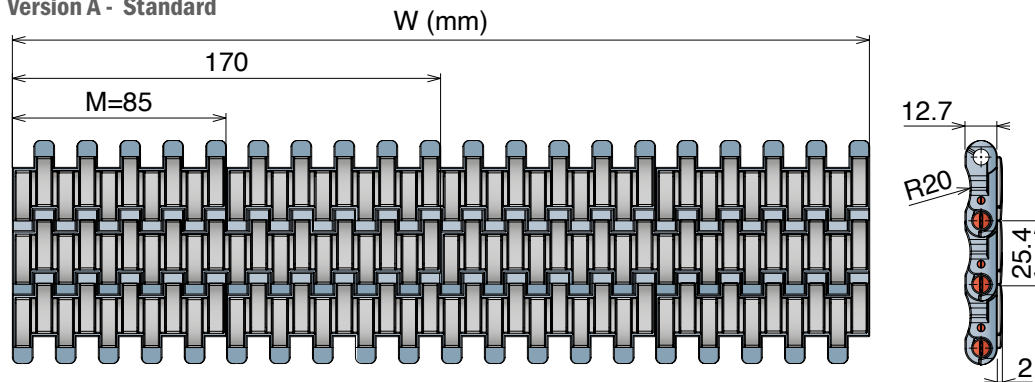
Max w. load: 27000 N/m
 Weight: 11,0 kg/m²
 Temp. range dry: 4÷80 °C
 Temp. range wet: 4÷80 °C
 Pin material: PP blue
 Top rubber: 50 ShA-Pigeon blue

MX - Code 03

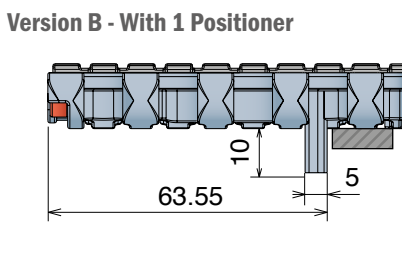
Performance PBT

Max w. load: 33500 N/m
 Weight: 12,7 kg/m²
 Temp. range dry: -40÷120 °C
 Temp. range wet: -40÷60 °C
 Pin material: POM grey
 Top rubber: 50 ShA-Dark grey

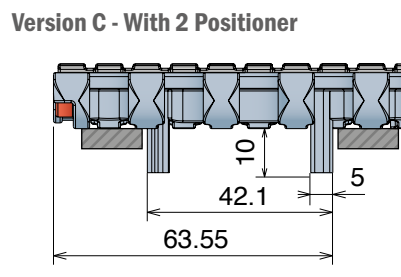
Version A - Standard



Version B - With 1 Positioner



Version C - With 2 Positioners



Version A - Standard

Series	Material	Width	Version
5233	*	0085	A
5233	*	0170	A
5233	*	0255	A
5233	*	0340	A
5233	*	0425	A
5233	*	0510	A
5233	*	0595	A
5233	*	0680	A
5233	*	0765	A
5233	*	0850	A
5233	*	0935	A
5233	*	1020	A
5233	*	1105	A
5233	*	1190	A
5233	*	1275	A
5233	*	1360	A
5233	*	1445	A
5233	*	1530	A

Version B - With 1 Positioner

Series	Material	Width	Version
5233	*	0085	B
5233	*	0170	B
5233	*	0255	B
5233	*	0340	B
5233	*	0425	B
5233	*	0510	B
5233	*	0595	B
5233	*	0680	B
5233	*	0765	B
5233	*	0850	B
5233	*	0935	B
5233	*	1020	B
5233	*	1105	B
5233	*	1190	B
5233	*	1275	B
5233	*	1360	B
5233	*	1445	B
5233	*	1530	B

Version C - With 2 Positioners

Series	Material	Width	Version
5233	*	0085	C
5233	*	0170	C
5233	*	0255	C
5233	*	0340	C
5233	*	0425	C
5233	*	0510	C
5233	*	0595	C
5233	*	0680	C
5233	*	0765	C
5233	*	0850	C
5233	*	0935	C
5233	*	1020	C
5233	*	1105	C
5233	*	1190	C
5233	*	1275	C
5233	*	1360	C
5233	*	1445	C
5233	*	1530	C

551 GT Side indent

Tappeti modulari / Modular belts / Mattenketten

Belts wider than standard are available with 85 mm increments

551 GT Side indent Tappeto Modulare 551 GT, H=12,7 M=85 Modular Belt Series 551 GT, H=12,7 M=85 / Modulare Mattenkette 551 GT, H=12,7 M=85

CODE STRUCTURE GUIDE (Example)

Backflex radius min.: 50 mm

5235	01	0255	A
Series	*Material	Width	Version

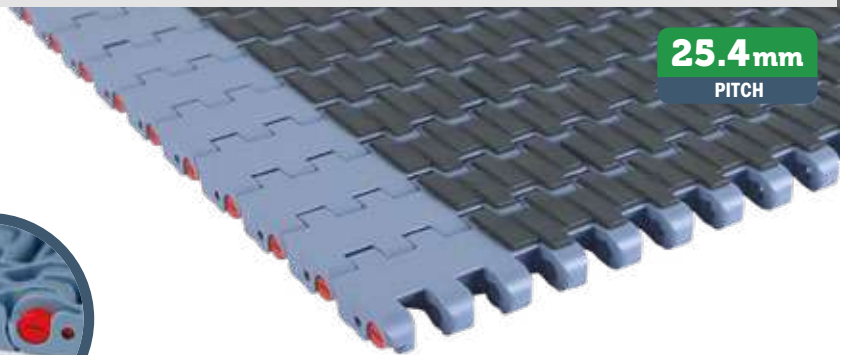
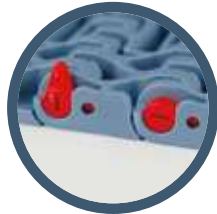
25.4mm
PITCH



pg. 366-367



pg. 771>781



Metric Size

*Material

LFA - Code 01

Low friction Acetal

Easy Delivery

Max w. load: 41500 N/m
Weight: 13,5 kg/m²
Temp. range dry: -40+80 °C
Temp. range wet: -40+65 °C
Pin material: PBT white
Top rubber: 50 ShA-Dark grey

PP - Code 02

Polypropylene

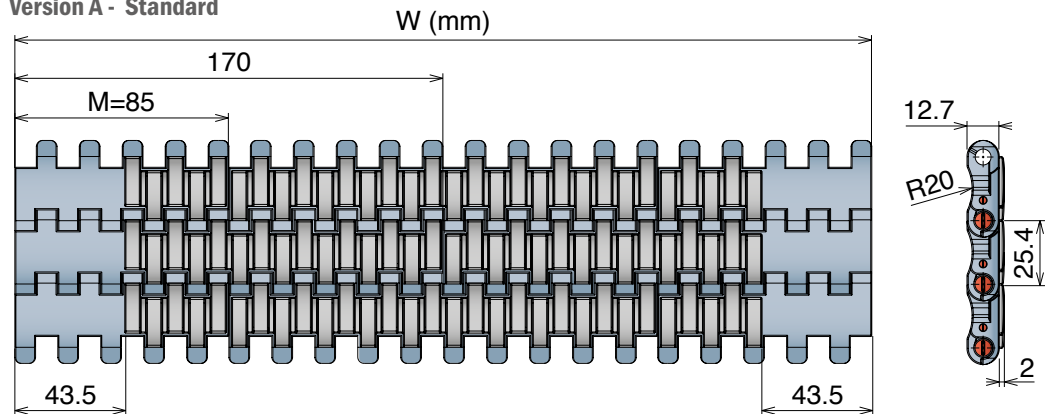
Max w. load: 27000 N/m
Weight: 11,0 kg/m²
Temp. range dry: 4+80 °C
Temp. range wet: 4+80 °C
Pin material: PP blue
Top rubber: 50 ShA-Pigeon blue

MX - Code 03

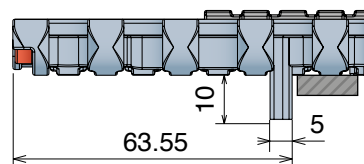
Performance PBT

Max w. load: 33500 N/m
Weight: 12,7 kg/m²
Temp. range dry: -40+120 °C
Temp. range wet: -40+60 °C
Pin material: POM grey
Top rubber: 50 ShA-Dark grey

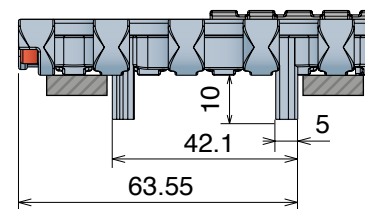
Version A - Standard



Version B - With 1 Positioner



Version C - With 2 Positioner



Version A - Standard

Series	Material	Width	Version
5235	*	0255	A
5235	*	0340	A
5235	*	0425	A
5235	*	0510	A
5235	*	0595	A
5235	*	0680	A
5235	*	0765	A
5235	*	0850	A
5235	*	0935	A
5235	*	1020	A
5235	*	1105	A
5235	*	1190	A
5235	*	1275	A
5235	*	1360	A
5235	*	1445	A
5235	*	1530	A

Version B - With 1 Positioner

Series	Material	Width	Version
5235	*	0255	B
5235	*	0340	B
5235	*	0425	B
5235	*	0510	B
5235	*	0595	B
5235	*	0680	B
5235	*	0765	B
5235	*	0850	B
5235	*	0935	B
5235	*	1020	B
5235	*	1105	B
5235	*	1190	B
5235	*	1275	B
5235	*	1360	B
5235	*	1445	B
5235	*	1530	B

Version C - With 2 Positioners

Series	Material	Width	Version
5235	*	0255	C
5235	*	0340	C
5235	*	0425	C
5235	*	0510	C
5235	*	0595	C
5235	*	0680	C
5235	*	0765	C
5235	*	0850	C
5235	*	0935	C
5235	*	1020	C
5235	*	1105	C
5235	*	1190	C
5235	*	1275	C
5235	*	1360	C
5235	*	1445	C
5235	*	1530	C

551 LBP

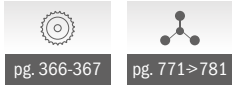
Tappeto Modulare 551 LBP, H=12,7 M=85
 Modular Belt Series 551 LBP, H=12,7 M=85 / Modulare Mattenkette 551 LBP, H=12,7 M=85

Metric Size

CODE STRUCTURE GUIDE (Example)			
5234	01	0085	A
Series	*Material	Width	Version

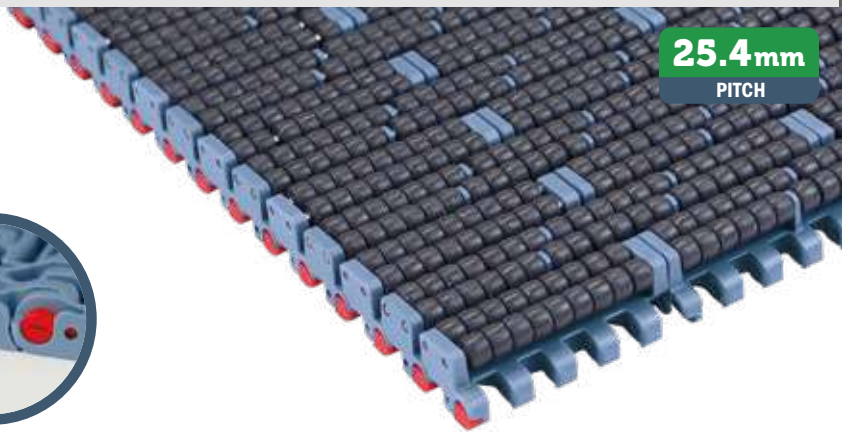
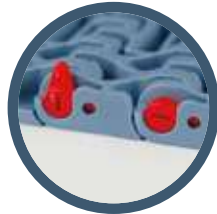
Backflex radius min.: 120 mm

25.4mm
PITCH



pg. 366-367 pg. 771>781

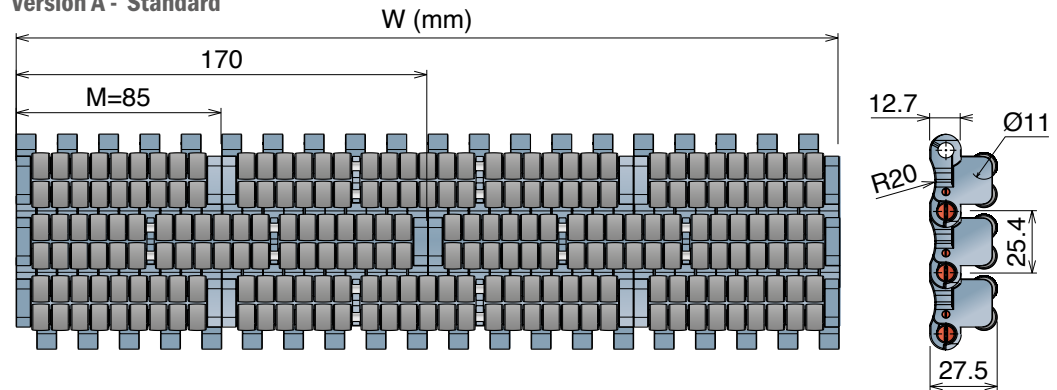
SAMPLE BOX
 Art.-Nr. **5234018888A**



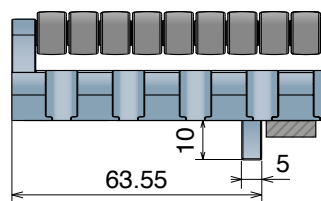
Material
LFA - Code 01
 Low friction Acetal

Max w. load: 41500 N/m
Weight: 26,9 kg/m²
Temp. range dry: -40÷80 °C
Temp. range wet: -40÷65 °C
Pin material: PBT white

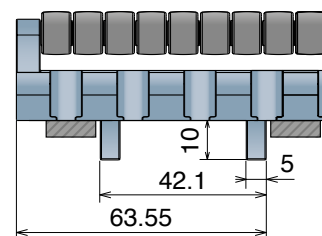
Version A - Standard



Version B - With 1 Positioner



Version C - With 2 Positioner



Version A - Standard

Series	Material	Width	Version
5234	01	0085	A
5234	01	0170	A
5234	01	0255	A
5234	01	0340	A
5234	01	0425	A
5234	01	0510	A
5234	01	0595	A
5234	01	0680	A
5234	01	0765	A
5234	01	0850	A
5234	01	0935	A
5234	01	1020	A
5234	01	1105	A
5234	01	1190	A
5234	01	1275	A
5234	01	1360	A
5234	01	1445	A
5234	01	1530	A

Version B - With 1 Positioner

Series	Material	Width	Version
5234	01	0085	B
5234	01	0170	B
5234	01	0255	B
5234	01	0340	B
5234	01	0425	B
5234	01	0510	B
5234	01	0595	B
5234	01	0680	B
5234	01	0765	B
5234	01	0850	B
5234	01	0935	B
5234	01	1020	B
5234	01	1105	B
5234	01	1190	B
5234	01	1275	B
5234	01	1360	B
5234	01	1445	B
5234	01	1530	B

Version C - With 2 Positioners

Series	Material	Width	Version
5234	01	0085	C
5234	01	0170	C
5234	01	0255	C
5234	01	0340	C
5234	01	0425	C
5234	01	0510	C
5234	01	0595	C
5234	01	0680	C
5234	01	0765	C
5234	01	0850	C
5234	01	0935	C
5234	01	1020	C
5234	01	1105	C
5234	01	1190	C
5234	01	1275	C
5234	01	1360	C
5234	01	1445	C
5234	01	1530	C

551 PRO LBP

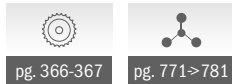
Tappeto Modulare 551 PRO LBP, H=12,7 M=85

Modular Belt Series 551 PRO LBP, H=12,7 M=85 / Modulare Mattenkette 551 PRO LBP, H=12,7 M=85

CODE STRUCTURE GUIDE (Example)

Backflex radius min.: 100 mm

5240	01	0085	A
Series	*Material	Width	Version

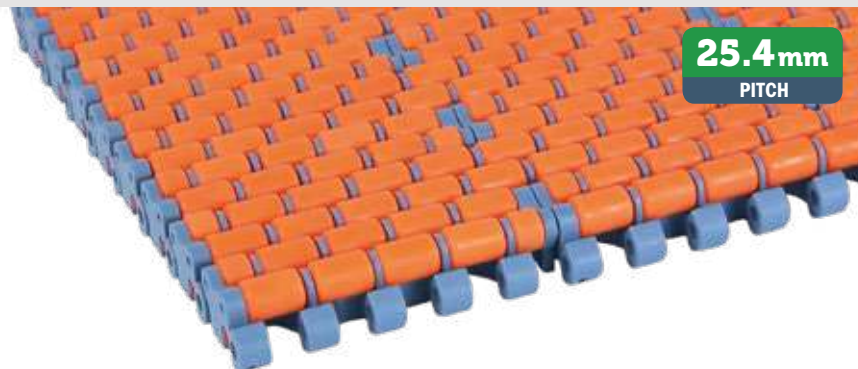


pg. 366-367

pg. 771>781

SAMPLE BOX

Art.-Nr. **5240018888A**



Metric Size

Material

LFA - Code 01

Low friction Acetal

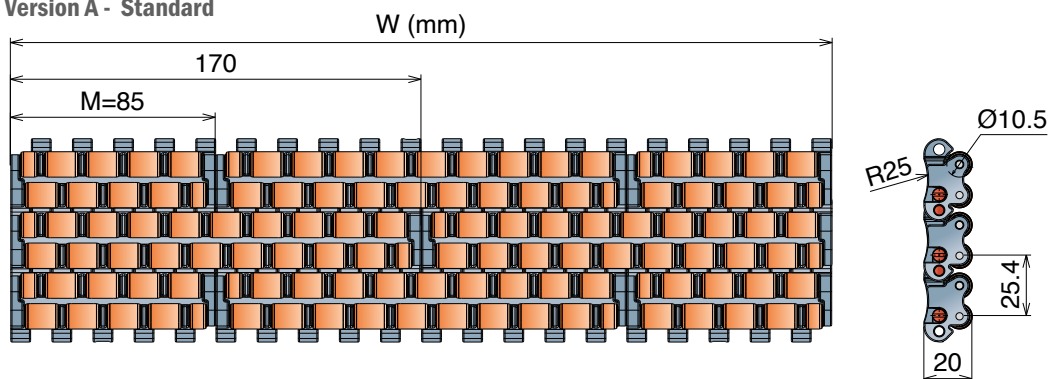
Easy Delivery

Max w. load: 41500 N/m
 Weight SS pin: 13,8 kg/m²
 Weight Plastic pin: 11,0 kg/m²
 Temp. range dry: -40÷80 °C
 Temp. range wet: -40÷65 °C
 Pin material: PBT white

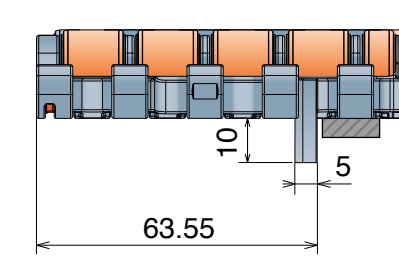
PFX Roller

**THE BEST CHOICE TO REACH
THE LOWEST FRICTION**

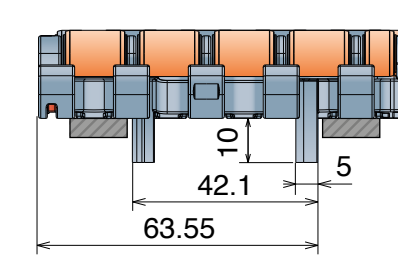
Version A - Standard



Version B - With 1 Positioner



Version C - With 2 Positioner



Stainless steel Pin



Plastic Pin

Series	Material	Width	Version
5239	01	0085	*
5239	01	0170	*
5239	01	0255	*
5239	01	0340	*
5239	01	0425	*
5239	01	0510	*
5239	01	0595	*
5239	01	0680	*
5239	01	0765	*
5239	01	0850	*
5239	01	0935	*
5239	01	1020	*
5239	01	1105	*
5239	01	1190	*
5239	01	1275	*
5239	01	1360	*
5239	01	1445	*
5239	01	1530	*

Series	Material	Width	Version
5240	01	0085	*
5240	01	0170	*
5240	01	0255	*
5240	01	0340	*
5240	01	0425	*
5240	01	0510	*
5240	01	0595	*
5240	01	0680	*
5240	01	0765	*
5240	01	0850	*
5240	01	0935	*
5240	01	1020	*
5240	01	1105	*
5240	01	1190	*
5240	01	1275	*
5240	01	1360	*
5240	01	1445	*
5240	01	1530	*

*Version	
Standard	Add A
With 1 Positioner	Add B
With 2 Positioners	Add C

552

Pitch 25,4 mm

H= 12,7 mm



552 FT

552 FT *One track Belt*

552 FTT

552 PT

552 PT *One track Belt*

552 GT

552 GT *Side indent*

552 FT



Tappeto Modulare 552 FT, H=12,7 M=3"
Modular Belt Series 552 FT, H=12,7 M=3" / Modulare Mattenkette 552 FT, H=12,7 M=3"

CODE STRUCTURE GUIDE (Example)

Backflex radius min.: 25 mm

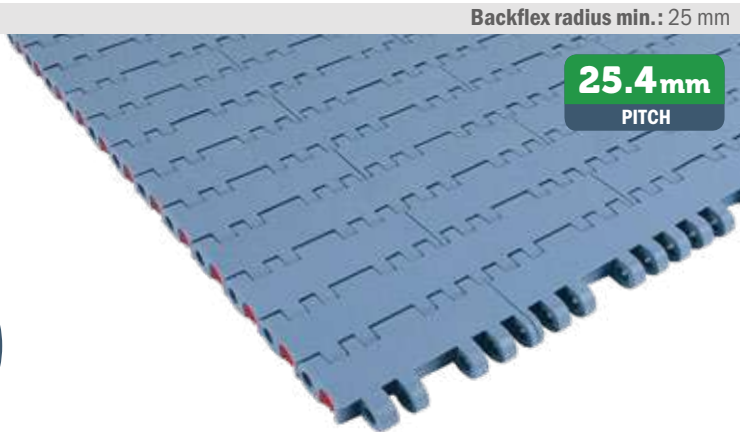
5341	01	0009	A
Series	*Material	Width	Version

25.4 mm
PITCH

	
pg. 368	pg. 771>781

SAMPLE BOX

Art.-Nr. **5341018889A**



*Material

LFA - Code 01

Low friction Acetal

Easy Delivery

Max w. load: 41500 N/m
Weight: 13,5 kg/m²
Temp. range dry: -40+80 °C
Temp. range wet: -40+65 °C
Pin material: PBT white

MX - Code 03

Performance PBT

Max w. load: 33500 N/m
Weight: 13,0 kg/m²
Temp. range dry: -40+120 °C
Temp. range wet: -40+60 °C
Pin material: POM grey

MWX - Code 17

Polyamide Composite

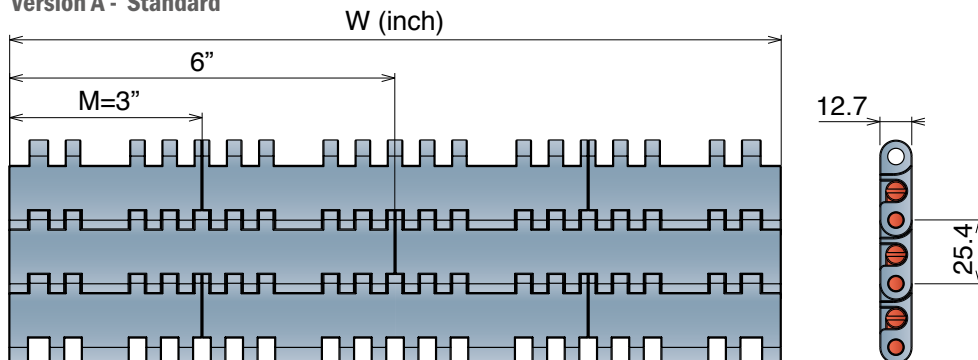
Max w. load: 41500 N/m
Weight: 14,0 kg/m²
Temp. range dry: -40+104 °C
Temp. range wet: NR
Pin material: PBT white

MPX - Code 25

Lubricated Acetal

Max w. load: 41500 N/m
Weight: 13,5 kg/m²
Temp. range dry: -40+80 °C
Temp. range wet: -40+65 °C
Pin material: PBT white

Version A - Standard



Version A - Standard

Series	Material	Width	Version
5341	*	0009	A
5341	*	0012	A
5341	*	0015	A
5341	*	0018	A
5341	*	0021	A
5341	*	0024	A
5341	*	0027	A
5341	*	0030	A
5341	*	0033	A
5341	*	0036	A
5341	*	0039	A
5341	*	0042	A
5341	*	0045	A
5341	*	0048	A
5341	*	0051	A
5341	*	0054	A

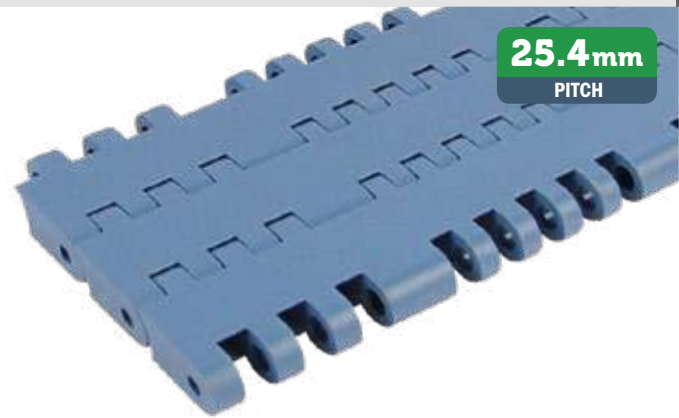
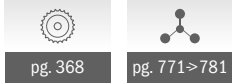
552 FT One track Belt

Tappeto Modulare 552 FT, H=12,7
Modular Belt Series 552 FT, H=12,7 / Modulare Mattenkette 552 FT, H=12,7

Imperial Size

CODE STRUCTURE GUIDE (Example)			
5341	01	0003	A
Series	*Material	Width	Version

Backflex radius min.: 25 mm



***Material**

LFA - Code 01
Low friction Acetal

Easy Delivery

Max w. load: See below
Weight: 13,5 kg/m²
Temp. range dry: -40+80 °C
Temp. range wet: -40+65 °C
Pin material: PBT white

MX - Code 03
Performance PBT

Max w. load: See below
Weight: 13,0 kg/m²
Temp. range dry: -40+120 °C
Temp. range wet: -40+60 °C
Pin material: POM grey

MWX - Code 17
Polyamide Composite

Max w. load: See below
Weight: 14,0 kg/m²
Temp. range dry: -40+104 °C
Temp. range wet: NR
Pin material: PBT white

MPX - Code 25
Lubricated Acetal

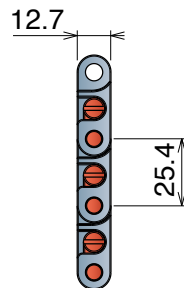
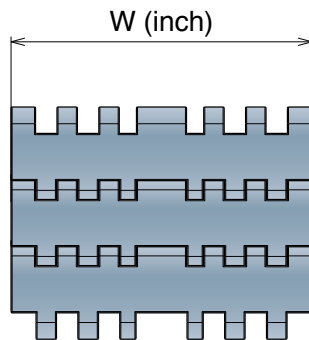
Max w. load: See below
Weight: 13,5 kg/m²
Temp. range dry: -40+80 °C
Temp. range wet: -40+65 °C
Pin material: PBT white

Max working load (N)

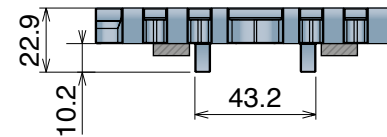
Width	K300	K325	K450
LFA	3200	3400	4800
MX	2500	2800	3800
MWX	3200	3400	4800
MPX	3200	3400	4800

Width	K600	K750
LFA	6200	7900
MX	5100	6400
MWX	6200	7900
MPX	6200	7900

Version A - Standard



Version C - With 2 Positioner



K300 - One track belt



Series	Material	Width	Version
5341	*	0003	A
5341	*	0003	C

K325 - One track belt



Series	Material	Width	Version
5341	*	9325	A
5341	*	9325	C

K450 - One track belt



Series	Material	Width	Version
5341	*	9450	A
5341	*	9450	C

K600 - One track belt



Series	Material	Width	Version
5341	*	0006	A
5341	*	0006	C

K750 - One track belt



Series	Material	Width	Version
5341	*	9750	A
5341	*	9750	C

552 FTT



Tappeto Modulare 552 FTT, H=12,7
Modular Belt Series 552 FTT, H=12,7 / Modulare Mattenkette 552 FTT, H=12,7

CODE STRUCTURE GUIDE (Example)

Backflex radius min.: 25 mm

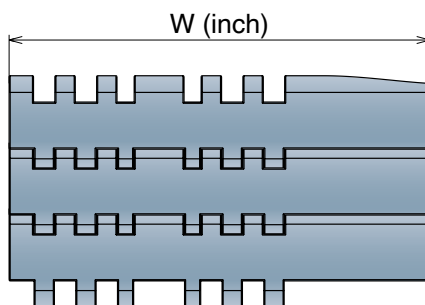
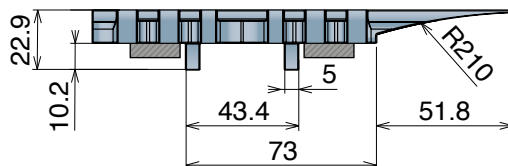
5346	01	9450	C-R
Series	*Material	Width	Version

25.4 mm
PITCH

	
pg. 368	pg. 771>781

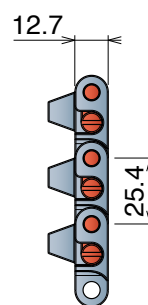


552 FTT - DX Version



K450 / K750

Series	Material	Width	Version	Total width
5346	*	9450	C - R	160.3
5346	*	9750	C - R	237.4



*Material

LFA - Code 01

Low friction Acetal

Max w. load: See below
Weight: 13,5 kg/m²
Temp. range dry: -40÷80 °C
Temp. range wet: -40÷65 °C
Pin material: PBT white

MX - Code 03

Performance PBT

Max w. load: See below
Weight: 13,0 kg/m²
Temp. range dry: -40÷120 °C
Temp. range wet: -40÷60 °C
Pin material: POM grey

MWX - Code 17

Polyamide Composite

Max w. load: See below
Weight: 14,0 kg/m²
Temp. range dry: -40÷104 °C
Temp. range wet: NR
Pin material: PBT white

MPX - Code 25

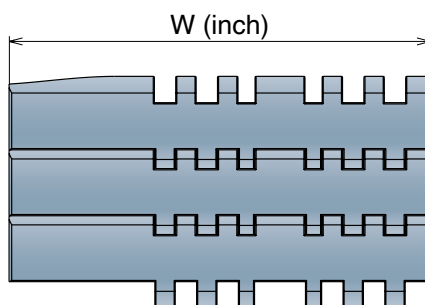
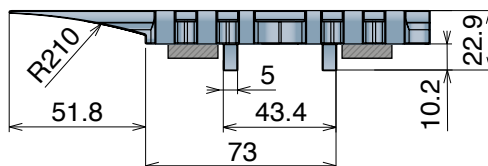
Lubricated Acetal

Max w. load: See below
Weight: 13,5 kg/m²
Temp. range dry: -40÷80 °C
Temp. range wet: -40÷65 °C
Pin material: PBT white

Max working load (N)

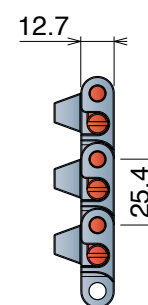
Width	450	750
LFA	4800	7900
MX	3800	6400
MWX	4800	7900
MPX	4800	7900

552 FTT - SX Version



K450 / K750

Series	Material	Width	Version	Total width
5346	*	9450	C - L	160.3
5346	*	9750	C - L	237.4

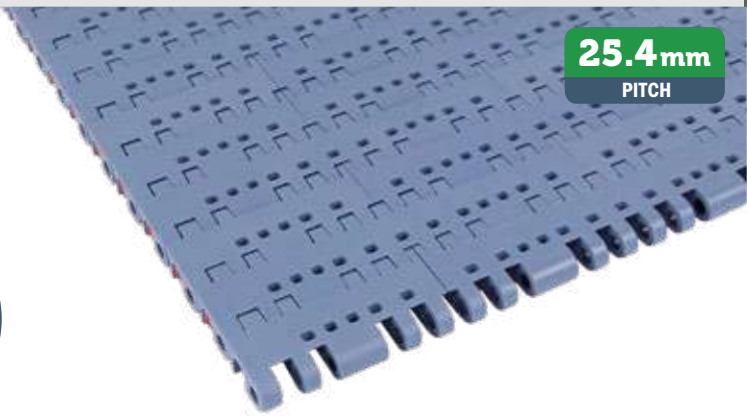



552 PT Open Surface 8% Tappeto Modulare 552 PT, H=12,7 M=3"

Modular Belt Series 552 PT, H=12,7 M=3" / Modulare Mattenkette 552 PT, H=12,7 M=3"


Imperial Size

CODE STRUCTURE GUIDE (Example)				Backflex radius min.: 25 mm
5342	01	0009	A	<div style="background-color: #28a745; color: white; padding: 5px; border-radius: 5px; display: inline-block;"> 25.4mm PITCH </div>
Series	*Material	Width	Version	





pg. 368



pg. 771>781

SAMPLE BOX

Art.-Nr. **5342018888A**



***Material**

LFA - Code 01
Low friction Acetal

Max w. load: 41500 N/m
 Weight: 13,2 kg/m²
 Temp. range dry: -40÷80 °C
 Temp. range wet: -40÷65 °C
 Pin material: PBT white

MX - Code 03
Performance PBT

Max w. load: 33500 N/m
 Weight: 12,7 kg/m²
 Temp. range dry: -40÷120 °C
 Temp. range wet: -40÷60 °C
 Pin material: POM grey

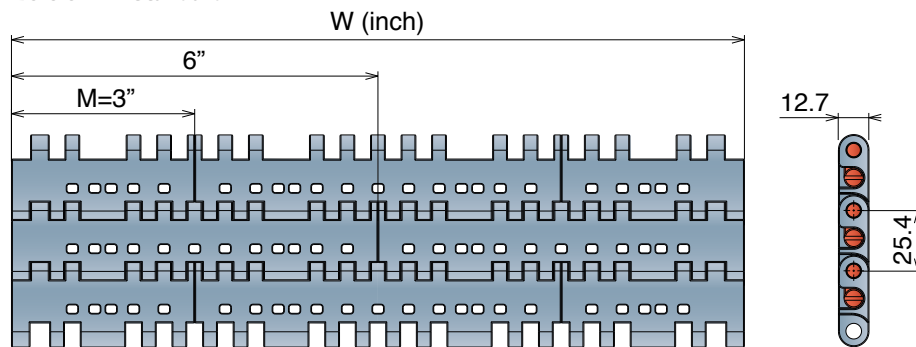
MWX - Code 17
Polyamide Composite

Max w. load: 41500 N/m
 Weight: 13,7 kg/m²
 Temp. range dry: -40÷104 °C
 Temp. range wet: NR
 Pin material: PBT white

MPX - Code 25
Lubricated Acetal

Max w. load: 41500 N/m
 Weight: 13,2 kg/m²
 Temp. range dry: -40÷80 °C
 Temp. range wet: -40÷65 °C
 Pin material: PBT white

Version A - Standard



Version A - Standard

Series	Material	Width	Version
5342	*	0009	A
5342	*	0012	A
5342	*	0015	A
5342	*	0018	A
5342	*	0021	A
5342	*	0024	A
5342	*	0027	A
5342	*	0030	A
5342	*	0033	A
5342	*	0036	A
5342	*	0039	A
5342	*	0042	A
5342	*	0045	A
5342	*	0048	A
5342	*	0051	A
5342	*	0054	A

552 PT One track Belt

Tappeti modulari / Modular belts / Mattenketten

Imperial Size


552 PT One track Belt Open Surface 8% Tappeto Modulare 552 PT, H=12,7 M=3" Modular Belt Series 552 PT, H=12,7 M=3" / Modulare Mattenkette 552 PT, H=12,7 M=3"

CODE STRUCTURE GUIDE (Example)

Backflex radius min.: 25 mm

5342	01	0003	A
Series	*Material	Width	Version

25.4mm
PITCH

	
pg. 368	pg. 771>781



*Material

LFA - Code 01

Low friction Acetal

Max w. load: See below
Weight: 13,2 kg/m²
Temp. range dry: -40+80 °C
Temp. range wet: -40+65 °C
Pin material: PBT white

MX - Code 03

Performance PBT

Max w. load: See below
Weight: 12,7 kg/m²
Temp. range dry: -40+120 °C
Temp. range wet: -40+60 °C
Pin material: POM grey

MWX - Code 17

Polyamide Composite

Max w. load: See below
Weight: 13,7 kg/m²
Temp. range dry: -40+104 °C
Temp. range wet: NR
Pin material: PBT white

MPX - Code 25

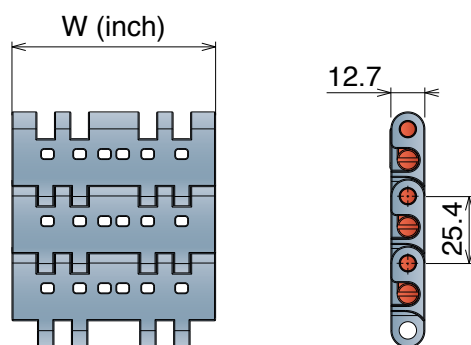
Lubricated Acetal

Max w. load: See below
Weight: 13,2 kg/m²
Temp. range dry: -40+80 °C
Temp. range wet: -40+65 °C
Pin material: PBT white

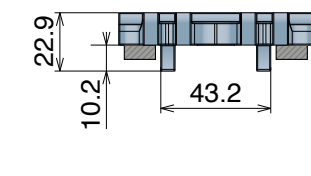
Max working load (N)

Width	300	600
LFA	3200	6300
MX	2500	5100
MWX	3200	6300
MPX	3200	6300

Version A - Standard



Version C - With 2 Positioner



Version A - Standard

Series	Material	Width	Version
5342	*	0003	A
5342	*	0006	A

Version C - With 2 Positioners

Series	Material	Width	Version
5342	*	0003	C
5342	*	0006	C

Tappeti modulari / Modular belts / Mattenketten

552 GT

Tappeto Modulare 552 GT, H=12,7 M=3"
Modular Belt Series 552 GT, H=12,7 M=3" / Modulare Mattenkette 552 GT, H=12,7 M=3"

Imperial Size

CODE STRUCTURE GUIDE (Example)

Backflex radius min.: 25 mm

5343	01	0009	A
Series	*Material	Width	Version

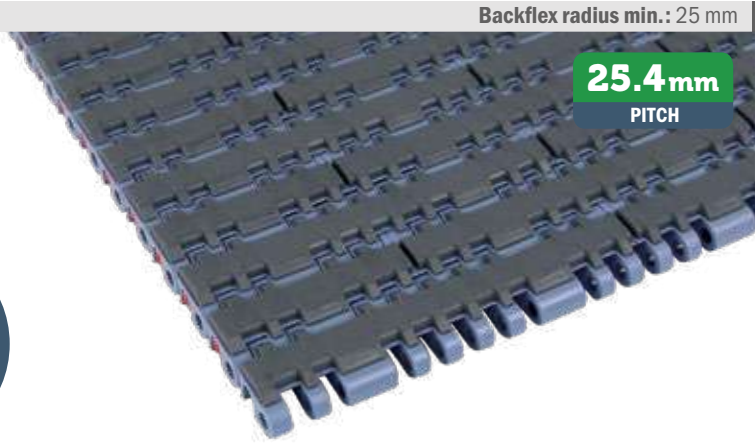
25.4mm
PITCH



pg. 368



pg. 771>781



*Material

LFA - Code 01

Low friction Acetal

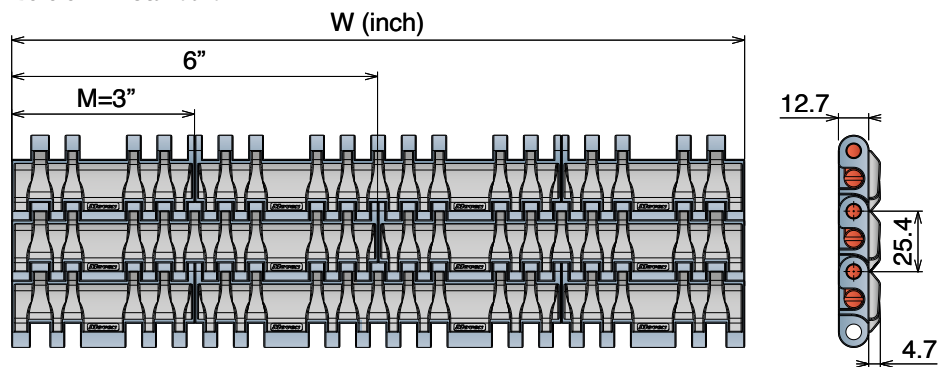
Max w. load: 41500 N/m
Weight: 15,5 kg/m²
Temp. range dry: -40÷80 °C
Temp. range wet: -40÷65 °C
Pin material: PBT white
Top rubber: 50 Sha-Dark grey

PP - Code 02

Polypropylene

Max w. load: 27000 N/m
Weight: 13,5 kg/m²
Temp. range dry: 4÷80 °C
Temp. range wet: 4÷80 °C
Pin material: PP blue
Top rubber: 50 Sha-Black

Version A - Standard



Plastic Pin

See the material table above

Series	Material	Width	Version
5343	*	0009	A
5343	*	0012	A
5343	*	0015	A
5343	*	0018	A
5343	*	0021	A
5343	*	0024	A
5343	*	0027	A
5343	*	0030	A
5343	*	0033	A
5343	*	0036	A
5343	*	0039	A
5343	*	0042	A
5343	*	0045	A
5343	*	0048	A
5343	*	0051	A
5343	*	0054	A

Stainless steel Pin

AISI 304

Series	Material	Width	Version
5343	01	0012	A-SS
5343	01	0015	A-SS
5343	01	0018	A-SS
5343	01	0021	AS-S

With the SS pin version, these values increase:

Max w. load: 45000 N/m
Weight: LFA belt: 22,9 kg/m²
PP belt: 18,9 kg/m²



Rubber Thickness 4.7 mm

552 GT Side indent

Tappeti modulari / Modular belts / Mattenketten

Belts wider than standard are available with 3 inch increments

552 GT Side indent Tappeto Modulare 552 GT SI, H=12,7 M=3" / Modular Belt Series 552 GT SI, H=12,7 M=3" / Modulare Mattenkette 552 GT SI, H=12,7 M=3"

CODE STRUCTURE GUIDE (Example)

Backflex radius min.: 25 mm

5345	01	0009	A
Series	*Material	Width	Version

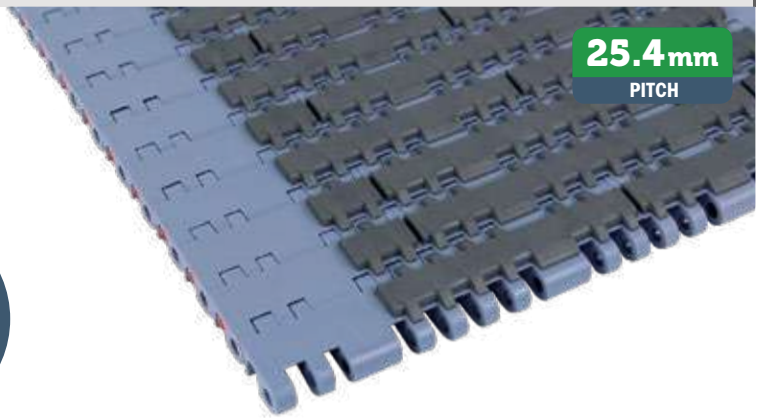
25.4 mm
PITCH



pg. 368



pg. 771>781



Imperial Size

*Material

LFA - Code 01

Low friction Acetal

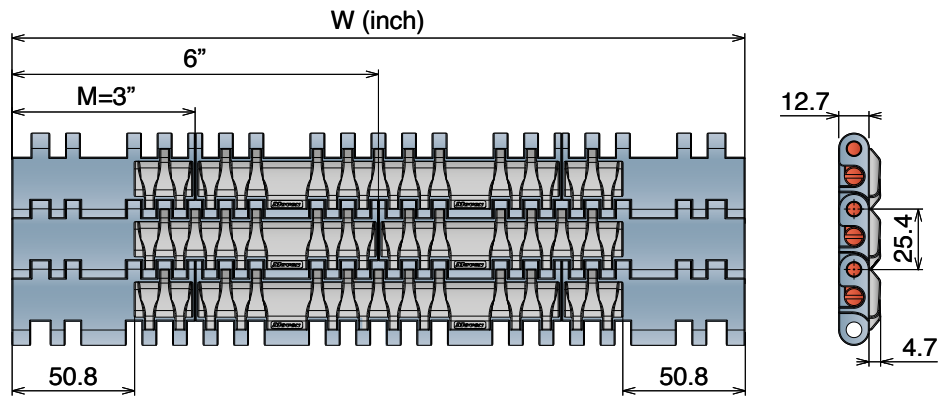
Max w. load: 41500 N/m
Weight: 15,5 kg/m²
Temp. range dry: -40+80 °C
Temp. range wet: -40+65 °C
Pin material: PBT white
Top rubber: 50 ShA-Dark grey

PP - Code 02

Polypropylene

Max w. load: 27000 N/m
Weight: 13,5 kg/m²
Temp. range dry: 4+80 °C
Temp. range wet: 4+80 °C
Pin material: PP blue
Top rubber: 50 ShA-Black

Version A - Standard



Plastic Pin

See the material table above

Series	Material	Width	Version
5345	*	0009	A
5345	*	0012	A
5345	*	0015	A
5345	*	0018	A
5345	*	0021	A
5345	*	0024	A
5345	*	0027	A
5345	*	0030	A
5345	*	0033	A
5345	*	0036	A
5345	*	0039	A
5345	*	0042	A
5345	*	0045	A
5345	*	0048	A
5345	*	0051	A
5345	*	0054	A

Stainless steel Pin

AISI 304

Series	Material	Width	Version
5345	01	0012	A-SS
5345	01	0015	A-SS
5345	01	0018	A-SS
5345	01	0021	A-SS

With the SS pin version, these values increase:

Max w. load: 45000 N/m
Weight: LFA belt: 22,9 kg/m²
PP belt: 18,9 kg/m²

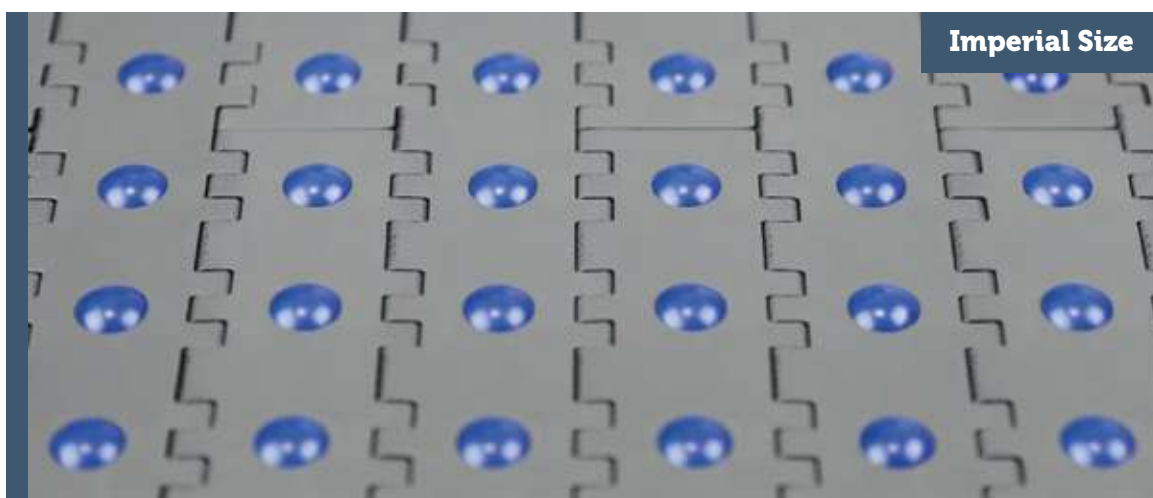


Rubber Thickness 4.7 mm

553 Series

553

Pitch 25,4 mm
H= 8,7 mm



553 FLEXTOP

Movex[®]

553 FLEX TOP Tappeto Modulare 553 FLEXTOP, H=8,7 M=3" / Modular Belt Series 553 FLEXTOP, H=8,7 M=3" / Modulare Mattenkette 553 FLEXTOP, H=8,7 M=3"

Backflex radius min.: 25 mm

The new **Movex® 553 FlexTop** modular belt with self-locking spheres is specifically designed for high-precision material handling, suitable for several applications like logistic centers, packaging stations (food and beverage) and corrugated industries, easily to be integrated into existing systems. The 360° movement possibility makes the belt suitable for diverting, rotation, accumulation and acceleration applications and minimize required maintenance and downtimes. The small pitch between the spheres allows every type of product transfer and is ideal for small and light packages, unlike traditional roller conveyors.

The complete closed sliding belt surface is the perfect solution to carry carton boxes, crates, cans and bottles shrink-wrap packaging and any kind of polybag with Top-Accuracy package control. **553 FlexTop is best choice for material handling applications!**

High strength

Design and features of 553 FlexTop make it ideal for the transport of several type of products (e.g. polybags, shrink-wrap packaging).

Perfect product control

The small pitch between the spheres allows for a great product-control.

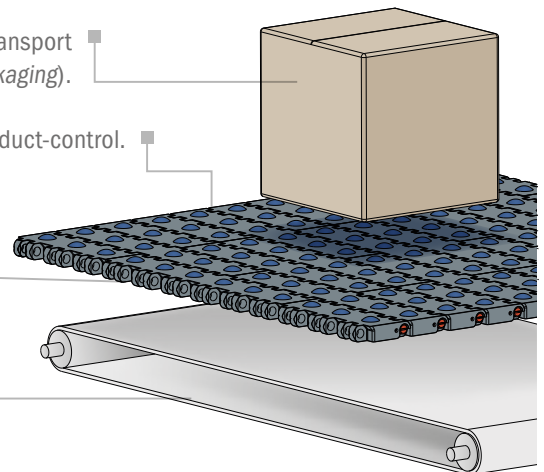
Self cleaning

A complete closed sliding surface, in combination with self-locking spheres, makes the belt design flexible and robust.

Great versatility

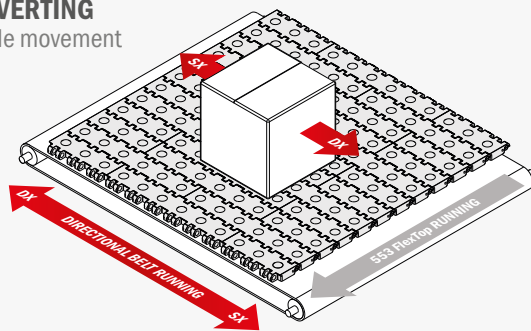
The directional belt underneath the flextop belt controls the direction and the speed of the spheres, making this belt 100% versatile.

Long durability



DIVERTING

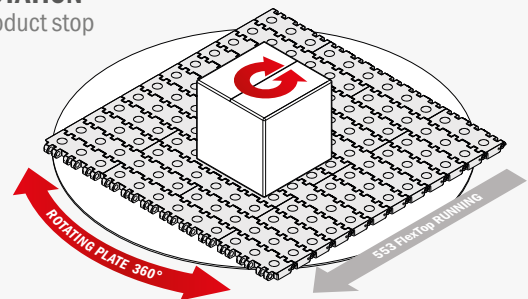
Side movement



By using a directional belt underneath the Flextop belt, running square to the travel direction, the product can be transferred left and right.

ROTATION

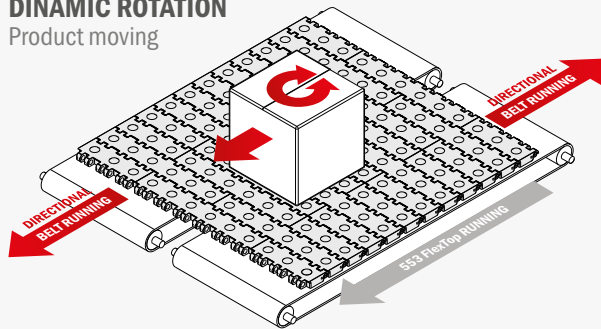
Product stop



By using a rotating plate underneath the Flextop belt, sphere can rotate by 360°. This option can be used with product stopped or running on the belt, to easily positioning the product.

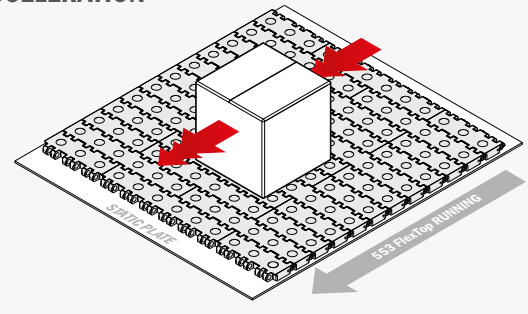
DINAMIC ROTATION

Product moving



By using two auxiliary belts underneath the Flextop belt, running at opposite direction, the product will start rotating. With this option the Flextop belt can keep running.

ACCELERATION



By using a static plate underneath the Flextop belt, spheres will start rotating independently, so the speed of the product will result double than the speed of the belt itself.

PATENTED

Belts wider than standard are available with 3 inch increments

553 FLEX TOP

Tappeti modulari / Modular belts / Mattenketten

553 FLEX TOP Tappeto Modulare 553 FLEXTOP, H=8,7 M=3" Modular Belt Series 553 FLEXTOP, H=8,7 M=3" / Modulare Mattenkette 553 FLEXTOP, H=8,7 M=3"

CODE STRUCTURE GUIDE (Example)

Backflex radius min.: 25 mm

5530	27	0003	A
Series	*Material	Width	Version

	553 Sorter +	
pg. 369	pg. 341>344	pg. 771>781

SAMPLE BOX

Art.-Nr. **5530278888A**



Imperial Size

*Material

LFG - Code 27

Low friction Acetal

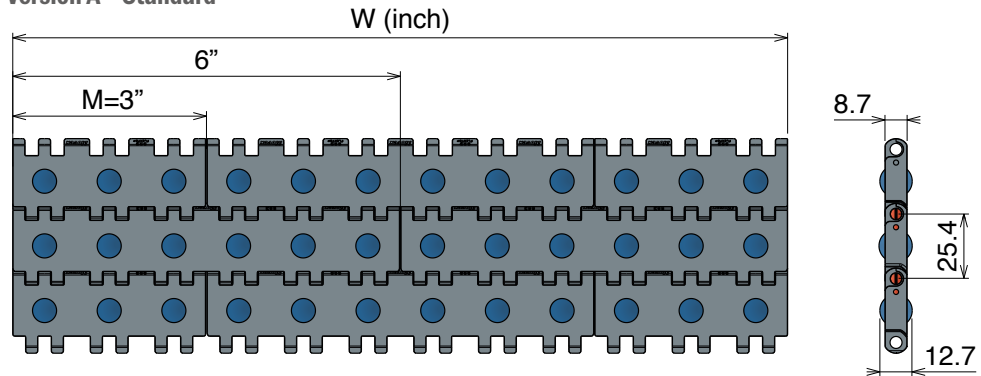
Max w. load: 27500 N/m
 Weight: 10,0 kg/m²
 Temp. range dry: -40÷80 °C
 Temp. range wet: -40÷65 °C
 Pin material: PBT white

Sphere Material

High-tech polyamide

Max w. load: 15 N
 Sphere diameter: 12,7 mm

Version A - Standard



Version A - Standard

Series	Material	Width	Version
5530	27	0003	A
5530	27	0006	A
5530	27	0009	A
5530	27	0012	A
5530	27	0015	A
5530	27	0018	A
5530	27	0021	A
5530	27	0024	A
5530	27	0027	A
5530	27	0030	A
5530	27	0033	A
5530	27	0036	A
5530	27	0039	A
5530	27	0042	A
5530	27	0045	A
5530	27	0048	A
5530	27	0051	A
5530	27	0054	A
5530	27	0057	A

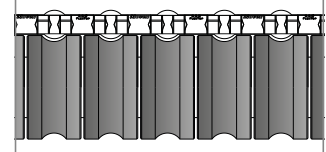
Series	Material	Width	Version
5530	27	0060	A
5530	27	0063	A
5530	27	0066	A
5530	27	0069	A
5530	27	0072	A
5530	27	0075	A
5530	27	0078	A
5530	27	0081	A
5530	27	0084	A
5530	27	0087	A
5530	27	0090	A
5530	27	0093	A
5530	27	0096	A
5530	27	0099	A
5530	27	0102	A
5530	27	0105	A
5530	27	0108	A
5530	27	0111	A
5530	27	0114	A



PATENTED CLOSED GAP

Patented closed gap helps reducing maintenance frequency and increasing productivity.

Used with Part 236 & 237
Page 443



Continue >>

556 Series

556

Pitch 25,4 mm
H= 12,7 mm



Imperial Size

556 FT
556 GT

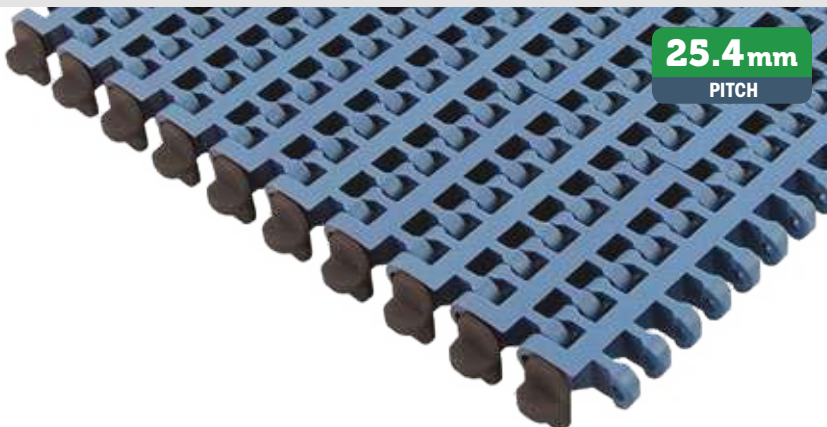
Movex®

556 FT Open Surface 25% Tappeto Modulare Curvilineo Serie 556 FT, H=12,7 M=3" / Side Flex Modular Belt Series 556 FT, H=12,7 M=3" / Kurvengängige Mattenkette Serie 556 FT, H=12,7 M=3"



CODE STRUCTURE GUIDE (Example)

Backflex radius min.: 25 mm

5431	01	0009	A
Series	*Material	Width	Version



Imperial Size

 pg. 370
 pg. 771>781

*Material

LFA - Code 01
Low friction Acetal

Max w. load:

Straight: 30000 N/m
 Curve: 2000 N
 Weight: 7,5 kg/m²
 Temp. range dry: -40÷80 °C
 Temp. range wet: -40÷65 °C
 Pin material: PBT white

LFB - Code 23
Low friction Acetal

Max w. load:

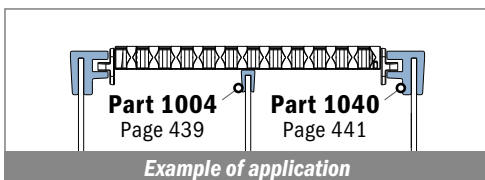
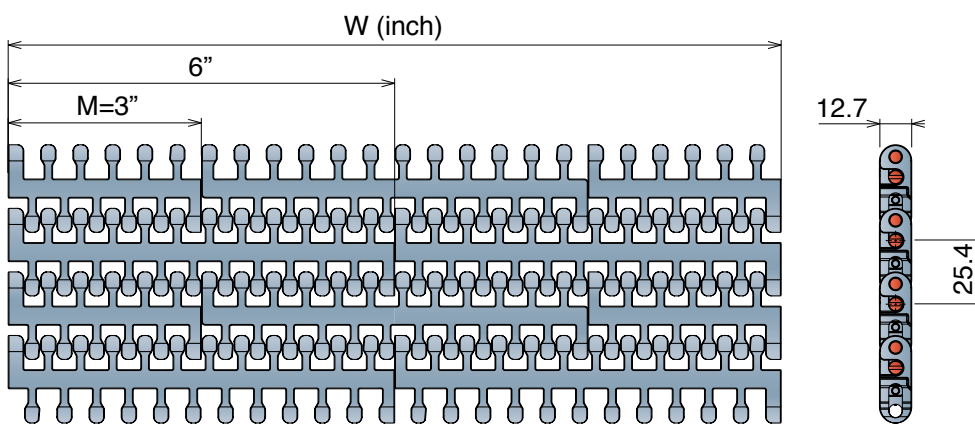
Straight: 30000 N/m
 Curve: 2000 N
 Weight: 7,5 kg/m²
 Temp. range dry: -40÷80 °C
 Temp. range wet: -40÷65 °C
 Pin material: PBT white

PPB - Code 24
Polypropylene

Max w. load:

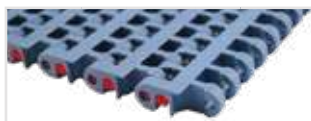
Straight: 19500 N/m
 Curve: 1300 N
 Weight: 5,8 kg/m²
 Temp. range dry: 4÷104 °C
 Temp. range wet: 4÷104 °C
 Pin material: PP blu

THE BEST CHOICE FOR FOOD CONTACT APPLICATION



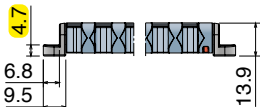
Example of application

STANDARD



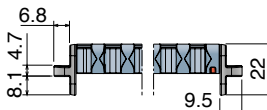
Series	Material	Width	Version	min radius
5431	*	0003	A	145
5431	*	0006	A	290
5431	*	0009	A	435
5431	*	0012	A	580
5431	*	0015	A	725
5431	*	0018	A	890
5431	*	0021	A	1040
5431	*	0024	A	1250

TAB



Series	Material	Width	Version	min radius
5431	*	0003	B	145
5431	*	0006	B	290
5431	*	0009	B	435
5431	*	0012	B	580
5431	*	0015	B	725
5431	*	0018	B	890
5431	*	0021	B	1040
5431	*	0024	B	1250

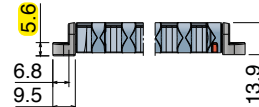
TAB/POSITIONER



Series	Material	Width	Version	min radius
5431	*	0003	C	145
5431	*	0006	C	290
5431	*	0009	C	435
5431	*	0012	C	580
5431	*	0015	C	725
5431	*	0018	C	890
5431	*	0021	C	1040
5431	*	0024	C	1250

NEW

TAB-S



Series	Material	Width	Version	min radius
5431	*	0003	D	145
5431	*	0006	D	290
5431	*	0009	D	435
5431	*	0012	D	580
5431	*	0015	D	725
5431	*	0018	D	890
5431	*	0021	D	1040
5431	*	0024	D	1250

556 GT Open Surface 25% Tappeto Modulare Curvilineo Serie 556 GT, H=12,7 M=3"

Side Flex Modular Belt Series 556 GT, H=12,7 M=3" / Kurvengängige Mattenkette Serie 556 GT, H=12,7 M=3"

CODE STRUCTURE GUIDE (Example)

Backflex radius min.: 25 mm

5433	01	0009	A
Series	*Material	Width	Version



25.4mm
PITCH

Imperial Size



pg. 370



pg. 771>781

*Material

LFA - Code 01

Low friction Acetal

Max w. load:

Straight: 30000 N/m

Curve: 2000 N

Weight: 7,7 kg/m²

Temp. range dry: -40+80 °C

Temp. range wet: -40+65 °C

Pin material: PBT white

Top rubber: 50 ShA-Dark grey

LFB - Code 23

Low friction Acetal

Max w. load:

Straight: 30000 N/m

Curve: 2000 N

Weight: 7,7 kg/m²

Temp. range dry: -40+80 °C

Temp. range wet: -40+65 °C

Pin material: PBT white

Top rubber: 50 ShA-Black

PPB - Code 24

Polypropylene

Max w. load:

Straight: 19500 N/m

Curve: 1300 N

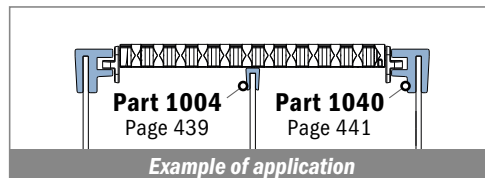
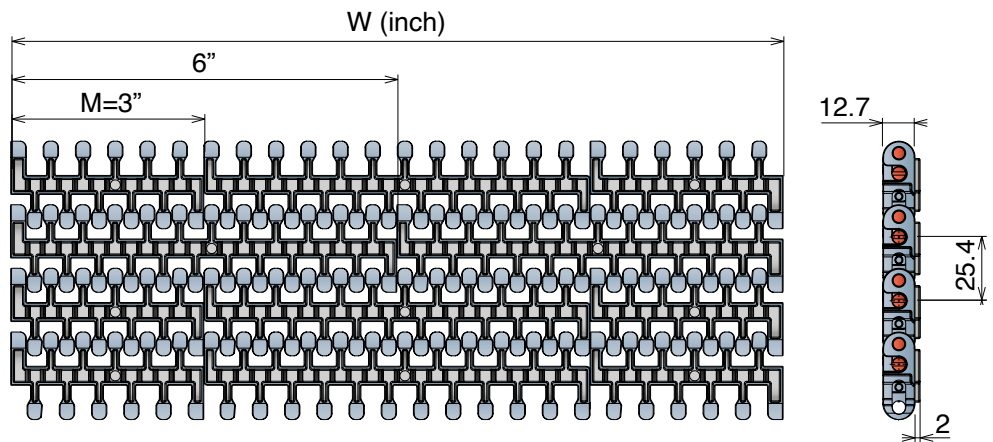
Weight: 6,0 kg/m²

Temp. range dry: 4+104 °C

Temp. range wet: 4+104 °C

Pin material: PP blu

Top rubber: 50 ShA-Black

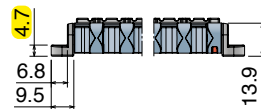


STANDARD



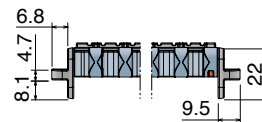
Series	Material	Width	Version	min radius
5433	*	0003	A	145
5433	*	0006	A	290
5433	*	0009	A	435
5433	*	0012	A	580
5433	*	0015	A	725
5433	*	0018	A	890
5433	*	0021	A	1040
5433	*	0024	A	1250

TAB



Series	Material	Width	Version	min radius
5433	*	0003	B	145
5433	*	0006	B	290
5433	*	0009	B	435
5433	*	0012	B	580
5433	*	0015	B	725
5433	*	0018	B	890
5433	*	0021	B	1040
5433	*	0024	B	1250

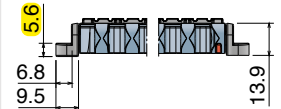
TAB/POSITIONER



Series	Material	Width	Version	min radius
5433	*	0003	C	145
5433	*	0006	C	290
5433	*	0009	C	435
5433	*	0012	C	580
5433	*	0015	C	725
5433	*	0018	C	890
5433	*	0021	C	1040
5433	*	0024	C	1250

NEW

TAB-S



Series	Material	Width	Version	min radius
5433	*	0003	D	145
5433	*	0006	D	290
5433	*	0009	D	435
5433	*	0012	D	580
5433	*	0015	D	725
5433	*	0018	D	890
5433	*	0021	D	1040
5433	*	0024	D	1250

600

Pitch 31,75 mm

H= 12,7 mm



600 Standard

600 Heavy duty

**600 Heavy duty
with Bearings**

600 Small radius

600 Heavy duty/Small radius

**600 Heavy duty/Small radius
with Bearings**

600 with pusher

600 Machined profiles

600 Standard

Tappeto Modulare Curvilineo Serie 600, H=12,7 M=85

Side Flex Modular Belt Series 600, H=12,7 M=85 / Kurvengängige Mattenkette Serie 600, H=12,7 M=85

CODE STRUCTURE GUIDE (Example)

Backflex radius min.: 25 mm

5421	01	0255	A
Series	*Material	Width	Version

29.5%
OPEN SURFACE

31.75 mm
PITCH



Metric Size

pg. 373	pg. 178/179	pg. 771>781

*Material

LFA - Code 01

Low friction Acetal

Max w. load:

Straight 30000 N/m
Curve 2500 N

Weight: 7,7 kg/m²

Temp. range dry: -40+80 °C

Temp. range wet: -40+65 °C

Pin material: PBT white

LFB - Code 23

Low friction Acetal

Max w. load:

Straight 30000 N/m
Curve 2500 N

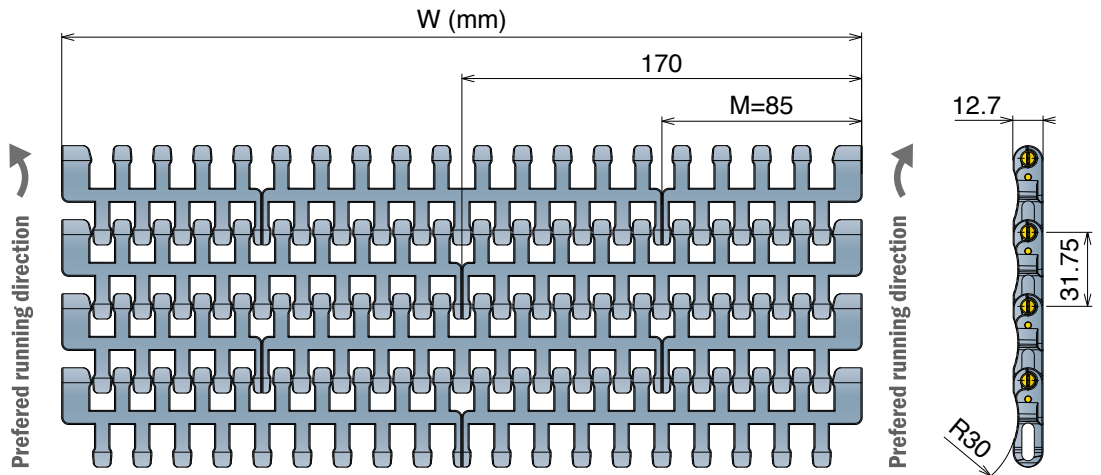
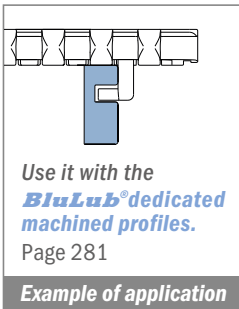
Weight: 7,7 kg/m²

Temp. range dry: -40+80 °C

Temp. range wet: -40+65 °C

Pin material: PBT white

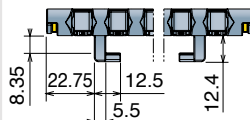
Internal Min Radius
2 times the width



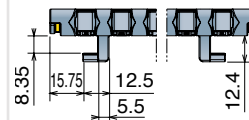
STANDARD



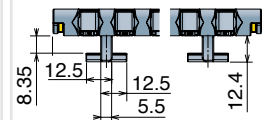
TAB



REVERSE TAB



TAB REVERSE TAB



Series	Material	Width	Version	min radius
5421	*	0255	A	510
5421	*	0340	A	680
5421	*	0425	A	850
5421	*	0510	A	1020
5421	*	0595	A	1190
5421	*	0680	A	1360
5421	*	0765	A	1530
5421	*	0850	A	1700
5421	*	0255	B	510
5421	*	0340	B	680
5421	*	0425	B	850
5421	*	0510	B	1020
5421	*	0595	B	1190
5421	*	0680	B	1360
5421	*	0765	B	1530
5421	*	0850	B	1700
5421	*	0255	C	510
5421	*	0340	C	680
5421	*	0425	C	850
5421	*	0510	C	1020
5421	*	0595	C	1190
5421	*	0680	C	1360
5421	*	0765	C	1530
5421	*	0850	C	1700
5421	*	0255	D	510
5421	*	0340	D	680
5421	*	0425	D	850
5421	*	0510	D	1020
5421	*	0595	D	1190
5421	*	0680	D	1360
5421	*	0765	D	1530
5421	*	0850	D	1700

600 Heavy duty

Tappeto Modulare Curvilineo Serie 600, H=12,7 M=85
Side Flex Modular Belt Series 600, H=12,7 M=85 / Kurvengängige Mattenkette Serie 600, H=12,7 M=85

CODE STRUCTURE GUIDE (Example)

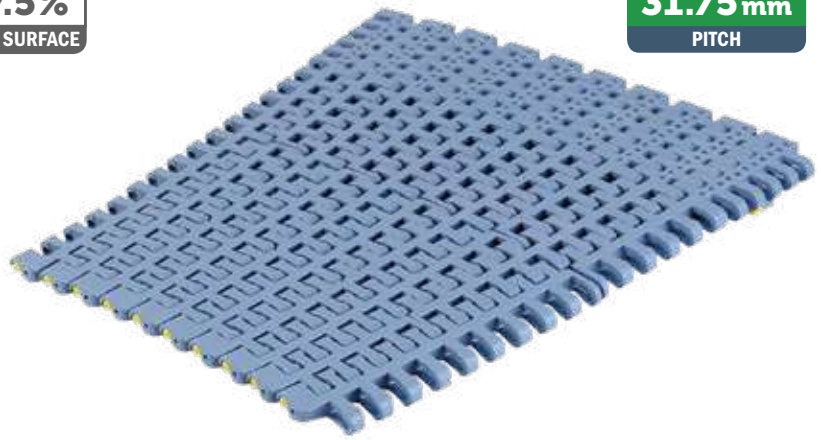
Backflex radius min.: 25 mm

5422	01	0255	E
Series	*Material	Width	Version

27.5%
OPEN SURFACE

31.75mm
PITCH

pg. 373	pg. 180	pg. 771>781



Metric Size

*Material

LFA - Code 01

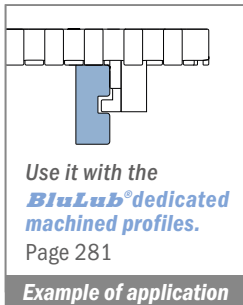
Low friction Acetal

Max w. load:
Straight 30000 N/m
Curve 3500 N
Weight: 8,3 kg/m²
Temp. range dry: -40+80 °C
Temp. range wet: -40+65 °C
Pin material: PBT white

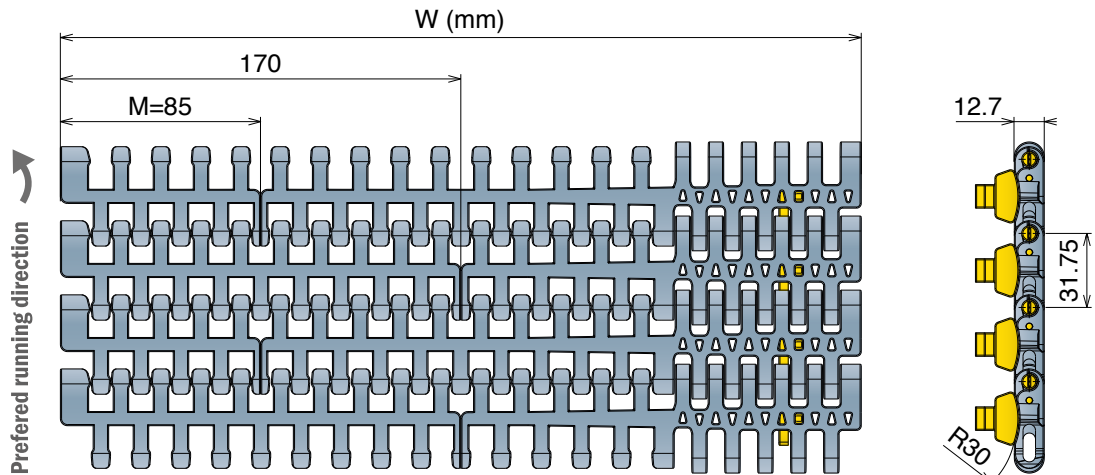
LFB - Code 23

Low friction Acetal

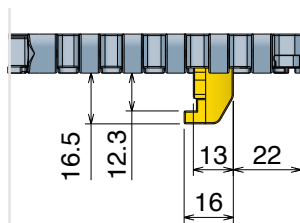
Max w. load:
Straight 30000 N/m
Curve 3500 N
Weight: 8,3 kg/m²
Temp. range dry: -40+80 °C
Temp. range wet: -40+65 °C
Pin material: PBT white



Internal Min Radius
2 times the width



STANDARD



Series	Material	Width	Version	min radius
5422	*	0255	E	510
5422	*	0340	E	680
5422	*	0425	E	850
5422	*	0510	E	1020
5422	*	0595	E	1190
5422	*	0680	E	1360
5422	*	0765	E	1530
5422	*	0850	E	1700

TAB DKM Material



600 Heavy duty with Bearings

Tappeti modulari / Modular belts / Mattenketten

Belts wider than standard are available with 85 mm increments

Metric Size

600 Heavy duty with Bearings

Tappeto Modulare Curvilineo Serie 600, H=12,7 M=85
Side Flex Modular Belt Series 600, H=12,7 M=85 / Kurvengängige Mattenkette Serie 600, H=12,7 M=85

CODE STRUCTURE GUIDE (Example)

Backflex radius min.: 25 mm

5422	01	0340	F
Series	*Material	Width	Version

27.5%
OPEN SURFACE

31.75 mm
PITCH

		
pg. 373	pg. 181	pg. 771>781



Internal Min Radius
2 times the width

*Material

LFA - Code 01

Low friction Acetal

Max w. load:

Straight 30000 N/m
Curve 3500 N

Weight: 9,0 kg/m²

Temp. range dry: -40+80 °C

Temp. range wet: -40+65 °C

Pin material: PBT white

LFB - Code 23

Low friction Acetal

Max w. load:

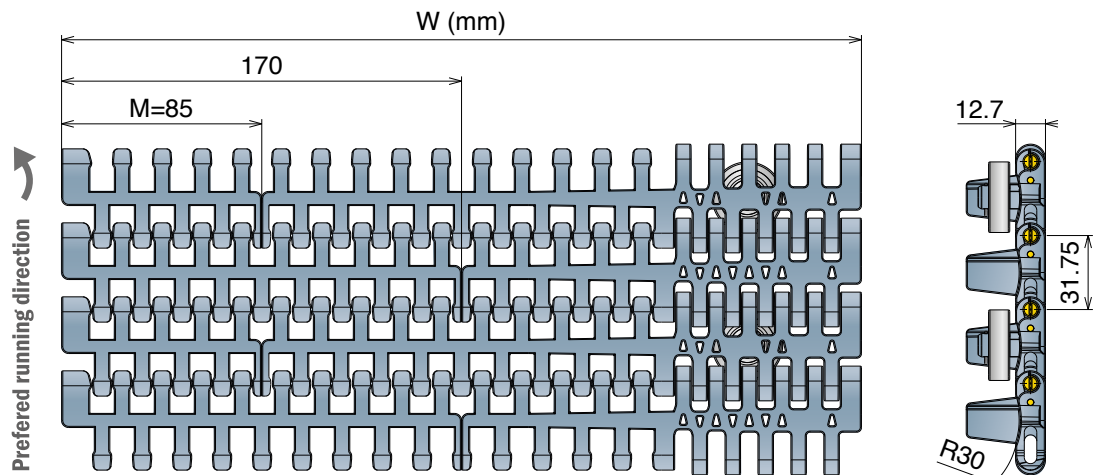
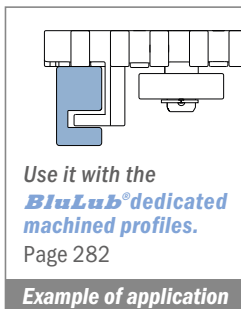
Straight 30000 N/m
Curve 3500 N

Weight: 9,0 kg/m²

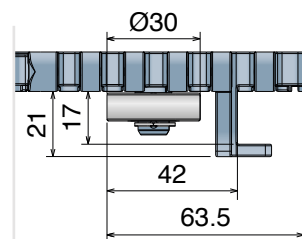
Temp. range dry: -40+80 °C

Temp. range wet: -40+65 °C

Pin material: PBT white



STANDARD



Series	Material	Width	Version	min radius
5422	*	0255	F	510
5422	*	0340	F	680
5422	*	0425	F	850
5422	*	0510	F	1020
5422	*	0595	F	1190
5422	*	0680	F	1360
5422	*	0765	F	1530
5422	*	0850	F	1700

Bearing Zoom



600 Small radius

Tappeto Modulare Curvilineo Serie 600, H=12,7 M=85
Side Flex Modular Belt Series 600, H=12,7 M=85 / Kurvengängige Mattenkette Serie 600, H=12,7 M=85

CODE STRUCTURE GUIDE (Example)

Backflex radius min.: 25 mm

5423	01	0340	A
Series	*Material	Width	Version

29.5%
OPEN SURFACE

31.75 mm
PITCH

pg. 373-374	pg. 178/179	pg. 771>781

*Material

LFA - Code 01

Low friction Acetal

Max w. load:

Straight 30000 N/m

Curve 2500 N

Weight: 7,0 kg/m²

Temp. range dry: -40+80 °C

Temp. range wet: -40+65 °C

Pin material: PBT white

LFB - Code 23

Low friction Acetal

Max w. load:

Straight 30000 N/m

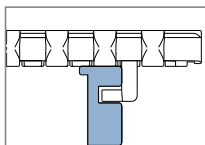
Curve 2500 N

Weight: 7,0 kg/m²

Temp. range dry: -40+80 °C

Temp. range wet: -40+65 °C

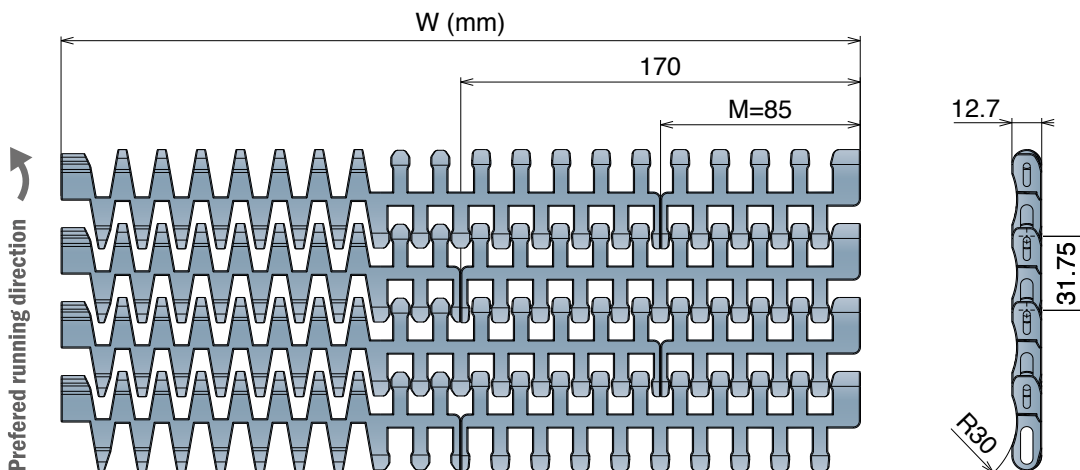
Pin material: PBT white



Use it with the **BluLub®** dedicated machined profiles.

Page 281

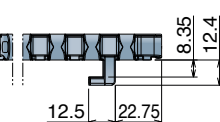
Example of application



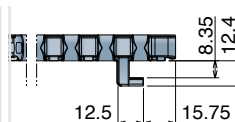
STANDARD



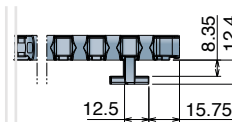
TAB



REVERSE TAB



TAB REVERSE TAB



Series	Material	Width	Version	min radius
5423	*	0340	A	400
5423	*	0425	A	500
5423	*	0510	A	600
5423	*	0595	A	720
5423	*	0680	A	880
5423	*	0765	A	1040
5423	*	0850	A	1200

Series	Material	Width	Version	min radius
5423	*	0340	B	400
5423	*	0425	B	500
5423	*	0510	B	600
5423	*	0595	B	720
5423	*	0680	B	880
5423	*	0765	B	1040
5423	*	0850	B	1200

Series	Material	Width	Version	min radius
5423	*	0340	C	400
5423	*	0425	C	500
5423	*	0510	C	600
5423	*	0595	C	720
5423	*	0680	C	880
5423	*	0765	C	1040
5423	*	0850	C	1200

Series	Material	Width	Version	min radius
5423	*	0340	D	400
5423	*	0425	D	500
5423	*	0510	D	600
5423	*	0595	D	720
5423	*	0680	D	880
5423	*	0765	D	1040
5423	*	0850	D	1200

600 Heavy duty/Small radius

Tappeti modulari / Modular belts / Mattenketten

Belts wider than standard are available with 85 mm increments

Metric Size

600 Heavy duty/Small radius

Tappeto Modulare Curvilineo Serie 600, H=12,7 M=170
Side Flex Modular Belt Series 600, H=12,7 M=170 / Kurvengängige Mattenkette Serie 600, H=12,7 M=170

CODE STRUCTURE GUIDE (Example)

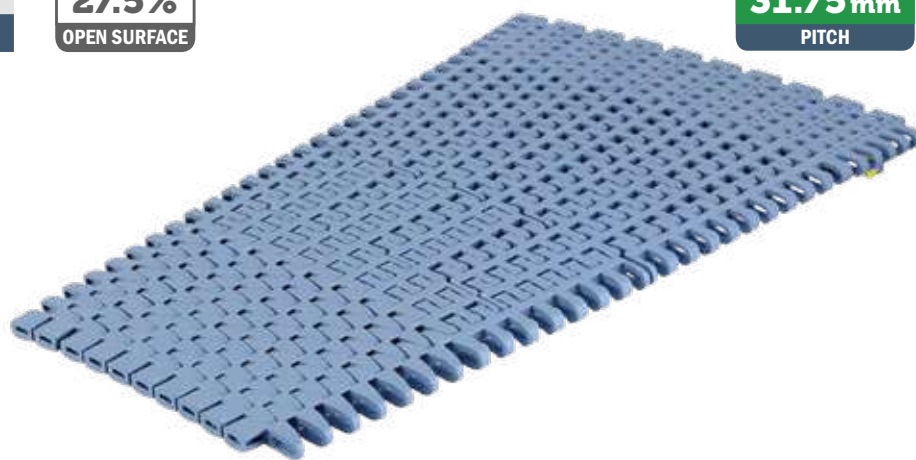
Backflex radius min.: 25 mm

5424	01	0425	E
Series	*Material	Width	Version

27.5%
OPEN SURFACE

31.75 mm
PITCH

		
pg. 373-374	pg. 180	pg. 771>781



*Material

LFA - Code 01

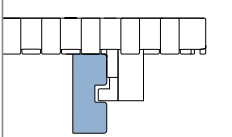
Low friction Acetal

Max w. load:
Straight 30000 N/m
Curve 3500 N
Weight: 7,5 kg/m²
Temp. range dry: -40+80 °C
Temp. range wet: -40+65 °C
Pin material: PBT white

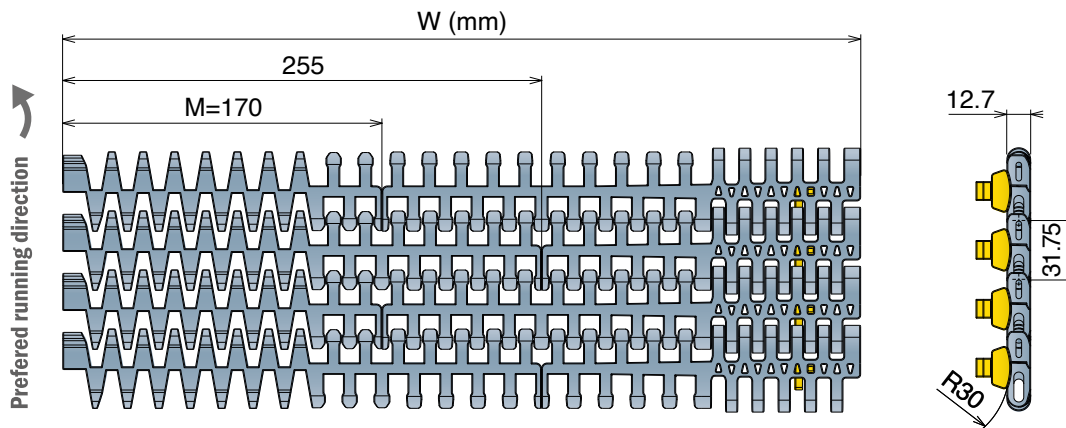
LFB - Code 23

Low friction Acetal

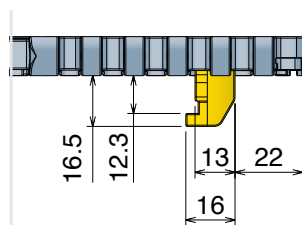
Max w. load:
Straight 30000 N/m
Curve 3500 N
Weight: 7,5 kg/m²
Temp. range dry: -40+80 °C
Temp. range wet: -40+65 °C
Pin material: PBT white



Use it with the **BluLub®** dedicated machined profiles.
Page 281
Example of application



STANDARD



Series	Material	Width	Version	min radius
5424	*	0255	E	390
5424	*	0340	E	420
5424	*	0425	E	500
5424	*	0510	E	600
5424	*	0595	E	720
5424	*	0680	E	880
5424	*	0765	E	1040
5424	*	0850	E	1200

TAB DKM Material



Tappeti modulari / Modular belts / Mattenketten

600 Heavy duty/Small radius with Bearings

Belts wider than standard are available with 85 mm increments

Tappeti modulari / Modular belts / Mattenketten

600 Heavy duty/Small radius with Bearings

Tappeto Curvilineo Serie 600, H=12,7 M=170
Side Flex Modular Belt Series 600, H=12,7 M=170 / Kurvengängige Mattenkette Serie 600, H=12,7 M=170

CODE STRUCTURE GUIDE (Example)

Backflex radius min.: 25 mm

5424	01	0425	F
Series	*Material	Width	Version

27.5%
OPEN SURFACE

31.75mm
PITCH

pg. 373-374	pg. 181	pg. 771>781



Metric Size

*Material

LFA - Code 01

Low friction Acetal

Max w. load:

Straight 30000 N/m

Curve 3500 N

Weight: 8,5 kg/m²

Temp. range dry: -40÷80 °C

Temp. range wet: -40÷65 °C

Pin material: PBT white

LFB - Code 23

Low friction Acetal

Max w. load:

Straight 30000 N/m

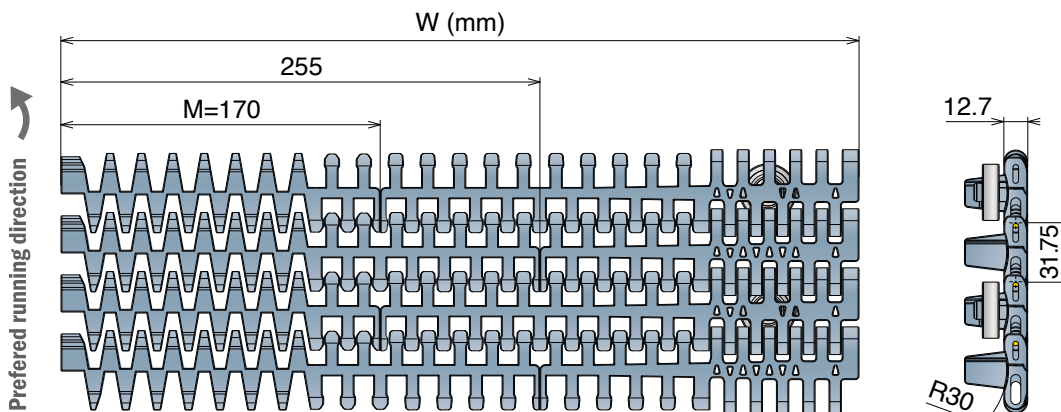
Curve 3500 N

Weight: 8,5 kg/m²

Temp. range dry: -40÷80 °C

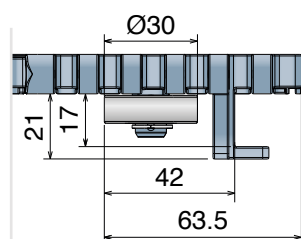
Temp. range wet: -40÷65 °C

Pin material: PBT white



Use it with the **BluLub®** dedicated machined profiles.
Page 282
Example of application

STANDARD



Series	Material	Width	Version	min radius
5424	*	0255	F	390
5424	*	0340	F	420
5424	*	0425	F	500
5424	*	0510	F	600
5424	*	0595	F	720
5424	*	0680	F	880
5424	*	0765	F	1040
5424	*	0850	F	1200

Bearing Zoom



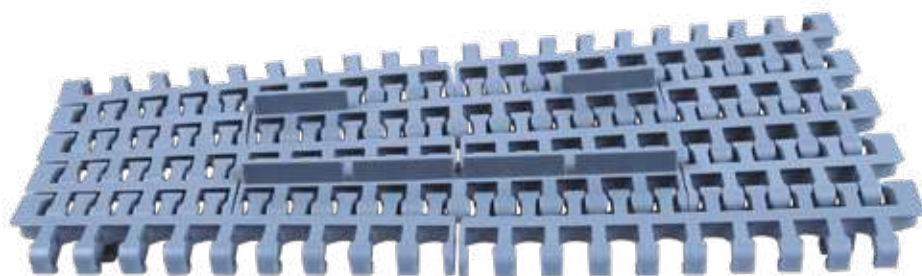
600 with pusher

Tappeti modulari / Modular belts / Mattenketten

Metric Size

600 with pusher

Tappeto Modulare Curvilineo Serie 600, H=12,7 M=85
Side Flex Modular Belt Series 600, H=12,7 M=85 / Kurvengängige Mattenkette Serie 600, H=12,7 M=85



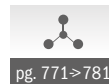
31.75 mm
PITCH



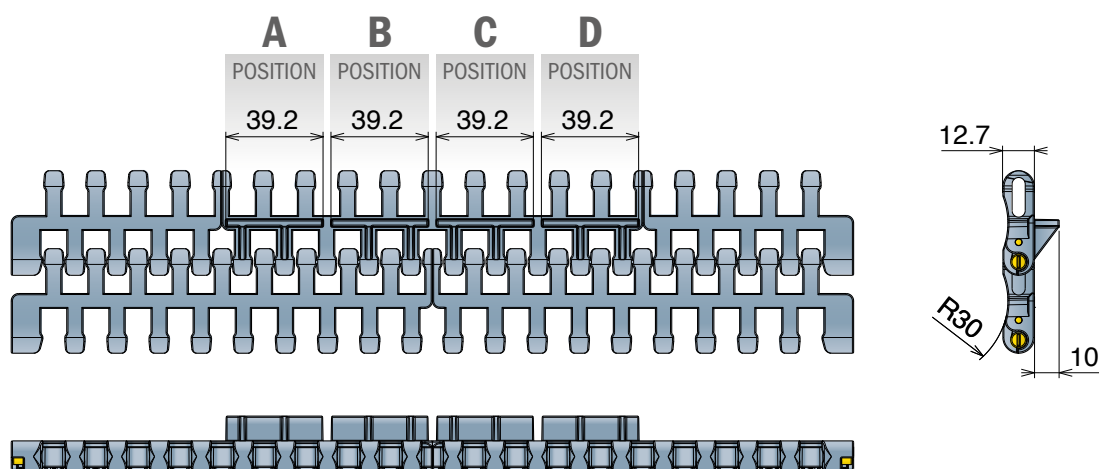
pg. 373



pg. 178/179



pg. 771>781



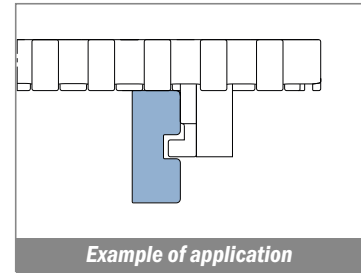
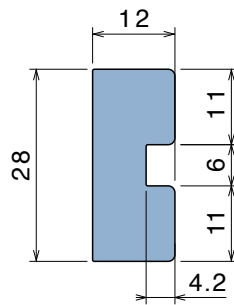
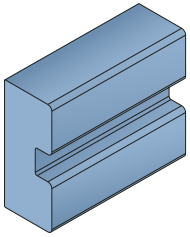
The pusher is applicable only for the center module, and there are available up to a maximum of 4 positions (A-B-C-D) or with different types of combinations (example A-B-D / A-C / B-C-D).

Consult our engineering department for details.

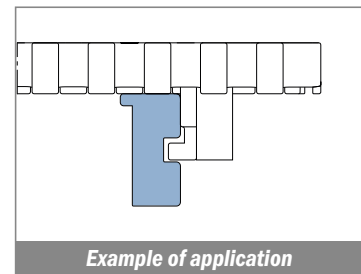
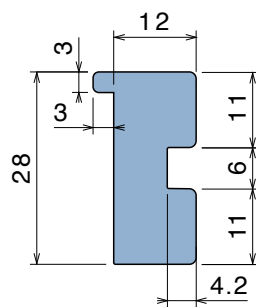
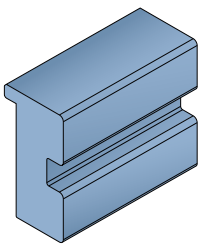
NEW Machined profiles for 600 Heavy duty and Heavy duty / Small radius

Minimum radius of curvature: 390 mm

Article-Nr.	Material	Availability	Supply
104700BC	BluLub	On request	3 m bars



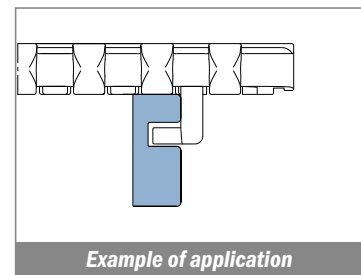
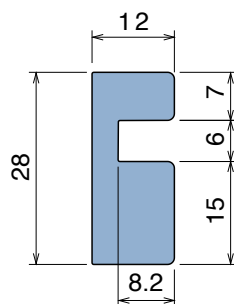
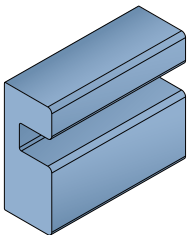
Article-Nr.	Material	Availability	Supply
104700BC-B	BluLub	On request	3 m bars



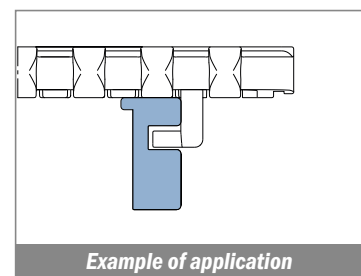
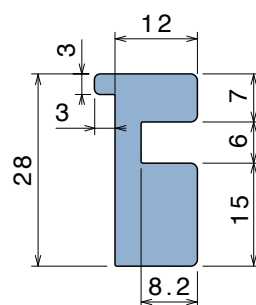
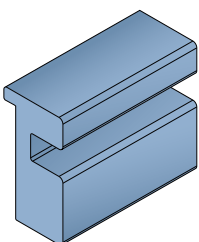
NEW Machined profiles for 600 Standard and Small radius

Minimum radius of curvature: 390 mm

Article-Nr.	Material	Availability	Supply
104710BC	BluLub	On request	3 m bars



Article-Nr.	Material	Availability	Supply
P104710BC-B	BluLub	On request	3 m bars

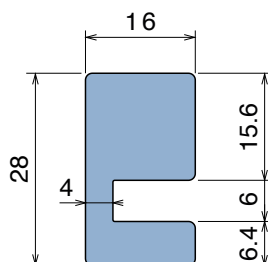
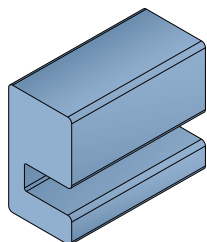


600 Machined profiles

Tappeti modulari / Modular belts / Mattenketten

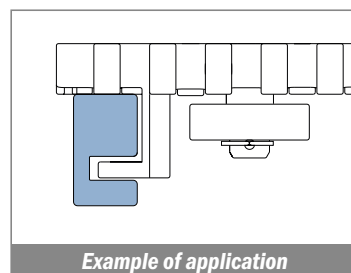
NEW Machined profiles for 600 Heavy duty / Small radius with Bearings

Minimum radius of curvature: 390 mm

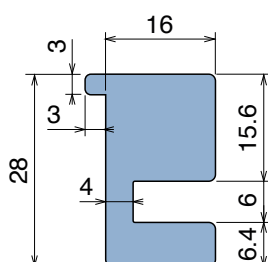
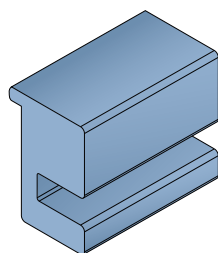


Article-Nr.	Material	Availability	Supply
-------------	----------	--------------	--------

104720BC	BluLub	On request	3 m bars
----------	--------	------------	----------

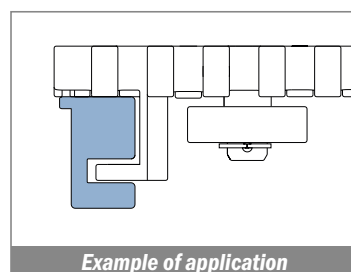


Example of application



Article-Nr.	Material	Availability	Supply
-------------	----------	--------------	--------

104720BC-B	BluLub	On request	3 m bars
------------	--------	------------	----------



Example of application

500 Series

500

Pitch 50,8 mm
H= 24 mm

Imperial Size



500 RR

500 RR *with positioner*

Combs

Combs Quick-link version

AT-Comb Active transfer comb

Movex®

500 RR

Tappeti modulari / Modular belts / Mattenketten

Belts wider than standard are available with 3 inch increments

Imperial Size

500 RR

Tappeto Modulare 500 RR
Raised Rib Belt Series 500 RR / Modulare Mattenkette 500 RR

CODE STRUCTURE GUIDE (Example)

Backflex radius min.: 100 mm

1348	02	0060
Series	*Material	Width

50.8mm
PITCH



*Material

PP - Code 02	PPX - Code 11
Polypropylene	Polypropylene

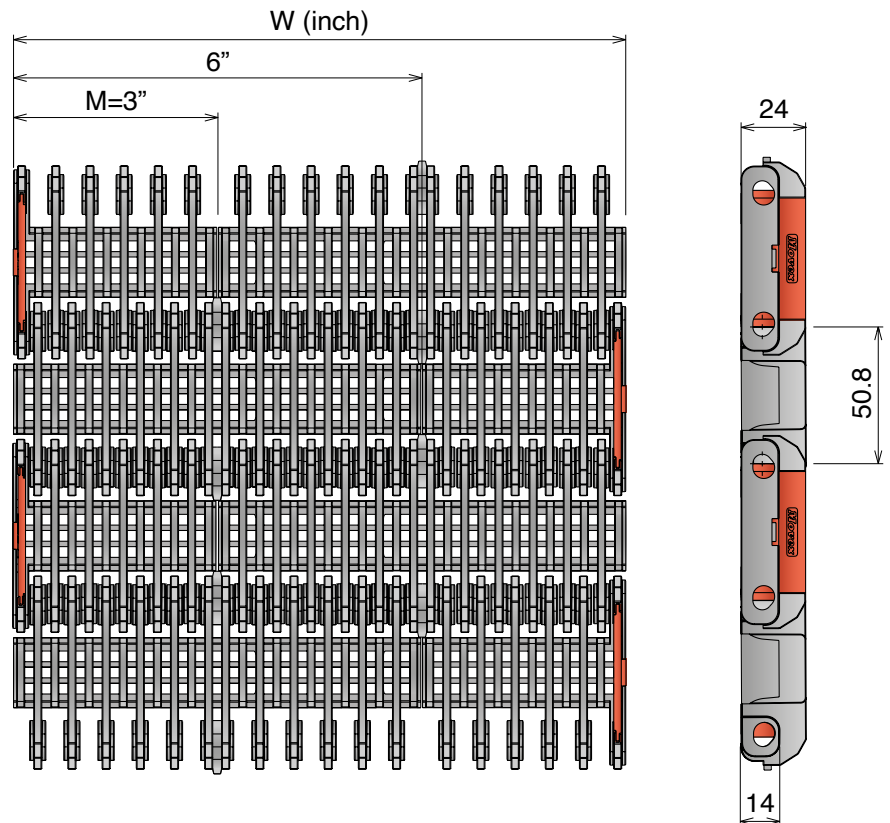
Max w. load: 30000 N/m	Max w. load: 30000 N/m
Weight: 10,65 kg/m ²	Weight: 10,65 kg/m ²
Temp. range: 4÷104 °C	Temp. range: 4÷104 °C

Pin material: PP grey **Pin material:** PP grey

IMPROVED HEAT STABILITY



Series	Material	Width
1348	*	0060
1348	*	0063
1348	*	0066
1348	*	0069
1348	*	0072
1348	*	0075
1348	*	0078
1348	*	0081
1348	*	0084
1348	*	0087
1348	*	0090
1348	*	0093
1348	*	0096
1348	*	0099
1348	*	0102
1348	*	0105
1348	*	0108
1348	*	0111
1348	*	0114
1348	*	0117
1348	*	0120



Tappeti modulari / Modular belts / Mattenketten

500 RR with positioner

Tappeti modulari / Modular belts / Mattenketten

Belts wider than standard are available with 3 inch increments

500 RR with positioner Tappeto Modulare 500 RR Raised Rib Belt Series 500 RR / Modulare Mattenkette 500 RR

CODE STRUCTURE GUIDE (Example)

Backflex radius min.: 100 mm

1348	02	0060	C
Series	*Material	Width	Version

50.8mm
PITCH



pg. 376-377



pg. 771>781

*Material

PP - Code 02
Polypropylene

PPX - Code 11
Polypropylene

Max w. load:	30000 N/m	Max w. load:	30000 N/m
Weight:	10,65 kg/m ²	Weight:	10,65 kg/m ²
Temp. range:	4÷104 °C	Temp. range:	4÷104 °C

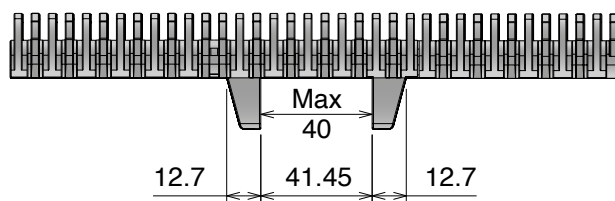
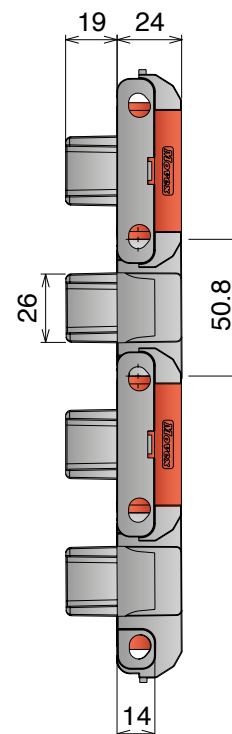
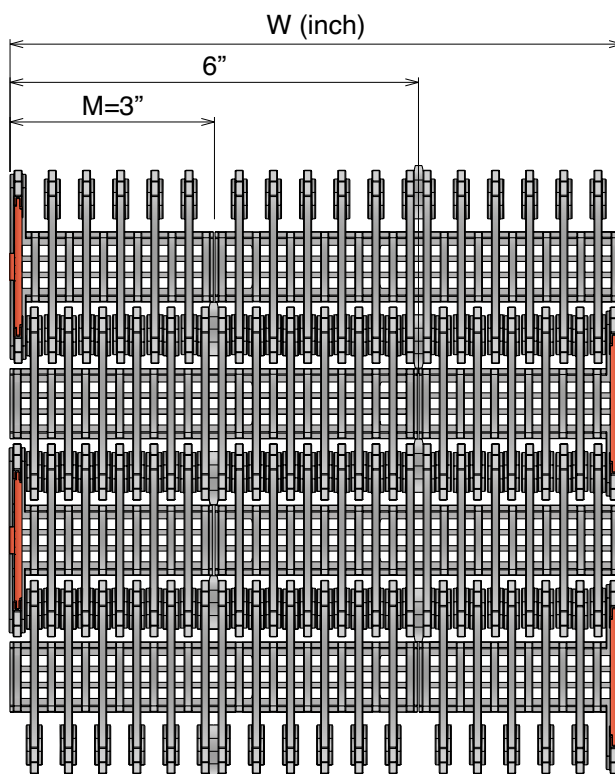
Pin material: PP grey **Pin material:** PP grey

IMPROVED HEAT STABILITY



Imperial Size

Series	Material	Width	Version
1348	*	0060	C
1348	*	0063	C
1348	*	0066	C
1348	*	0069	C
1348	*	0072	C
1348	*	0075	C
1348	*	0078	C
1348	*	0081	C
1348	*	0084	C
1348	*	0087	C
1348	*	0090	C
1348	*	0093	C
1348	*	0096	C
1348	*	0099	C
1348	*	0102	C
1348	*	0105	C
1348	*	0108	C
1348	*	0111	C
1348	*	0114	C
1348	*	0117	C
1348	*	0120	C



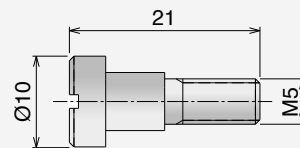
Bottom view

For belt widths multiple of 3", positioners are centered (e.g. 63,69,75,81 inches).
For belt widths multiple of 6", positioners are 1,5" offset (e.g. 60,66,72,78 inches).

Tappeti modulari / Modular belts / Mattenketten

Comb Pettine Combs / Fingerplatte

Two screw included



For assembly instructions refers to Movex engineering manual available on our website.

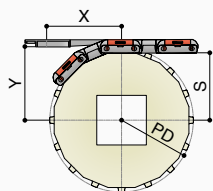
Type A

Part Article-Nr.

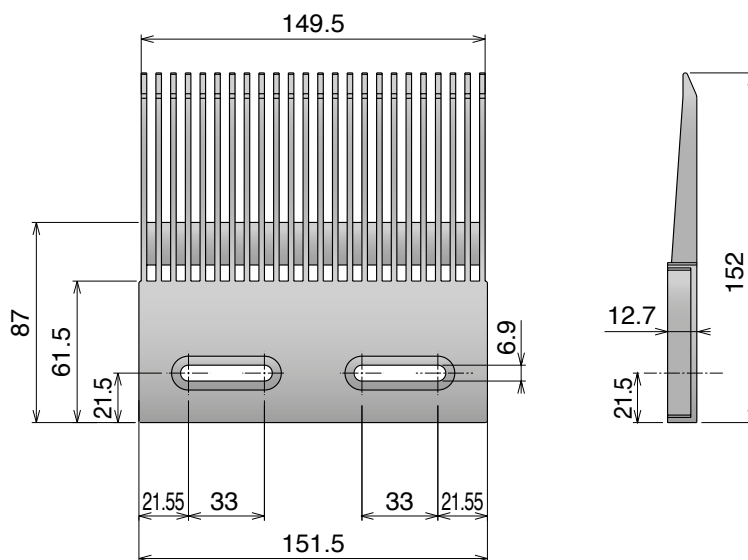
389 38901

Combs integration with sprockets

see table below for dimensions



Z-	PD (mm)	S (mm)	X (mm)	Y (mm)
10	164,4	74,2	114,3	85,5
12	196,3	90,1	114,3	101,4
13	212,3	98,1	114,3	109,4
16	260,4	122,2	114,3	133,5



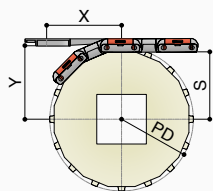
Type B

Part Article-Nr.

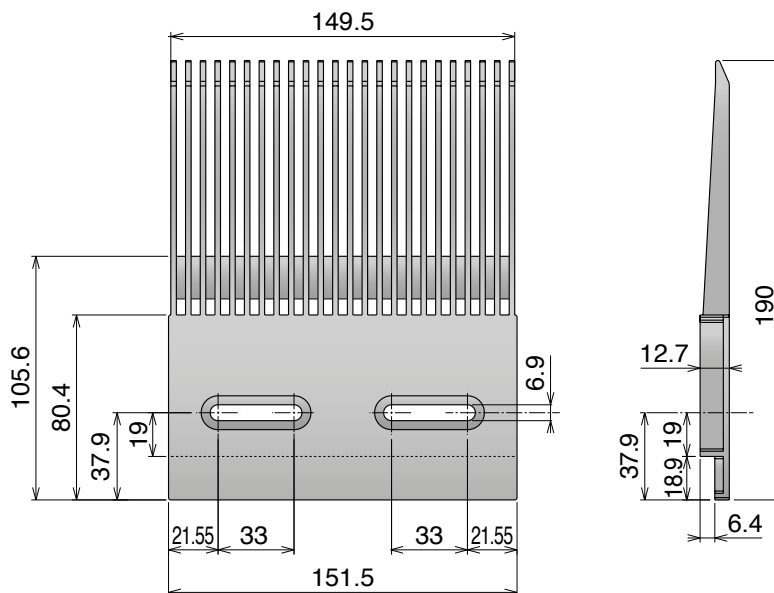
389 38902

Combs integration with sprockets

see table below for dimensions

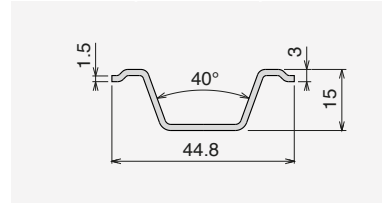


Z-	PD (mm)	S (mm)	X (mm)	Y (mm)
10	164,4	74,2	135,9	85,5
12	196,3	90,1	135,9	101,4
13	212,3	98,1	135,9	109,4
16	260,4	122,2	135,9	133,5



NEW **Comb Quick-link version** Pettine
Combs / Fingerplatte

Used with Stainless steel profile



Art-Nr.	Availability	Supply
38960C	Stock item	3 m bars
38960	On request	6 m bars

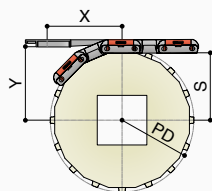
This profile has to be ordered separately.

Type A

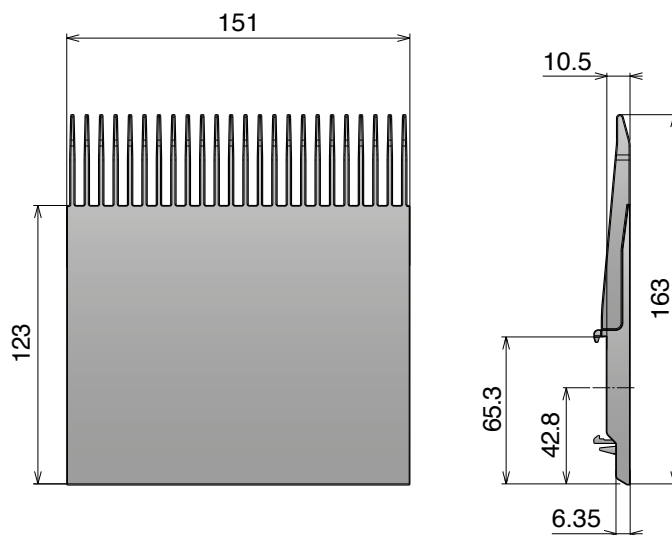
Part	Article-Nr.
389	38951

Combs integration with sprockets

see table below for dimensions



Z-	PD (mm)	S (mm)	X (mm)	Y (mm)
10	164,4	74,2	122	72,7
12	196,3	90,1	122	88,6
13	212,3	98,1	122	96,6
16	260,4	122,2	122	120,7

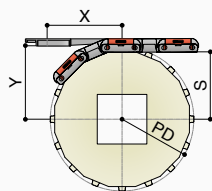


Type B

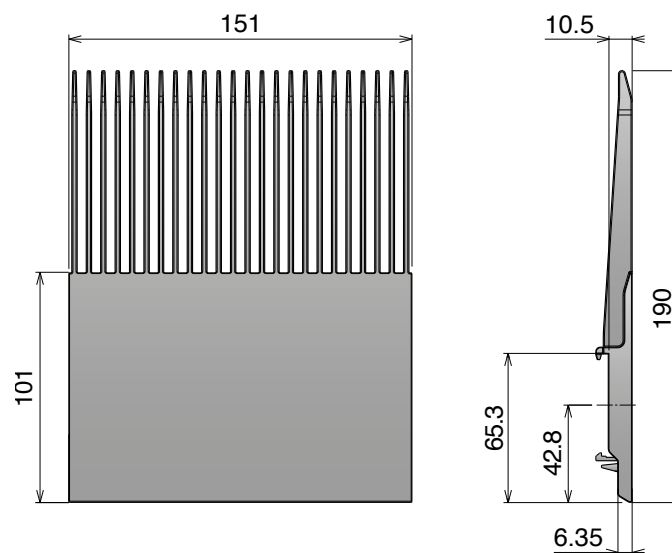
Part	Article-Nr.
389	38952

Combs integration with sprockets

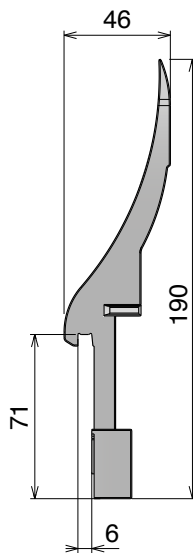
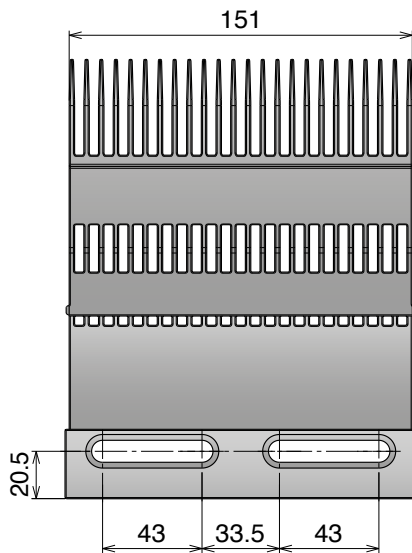
see table below for dimensions



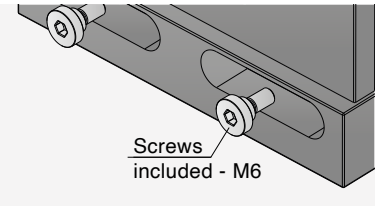
Z-	PD (mm)	S (mm)	X (mm)	Y (mm)
10	164,4	74,2	110	72,7
12	196,3	90,1	114	88,6
13	212,3	98,1	116	96,6
16	260,4	122,2	122	120,7



NEW AT-Comb ACTIVE TRANSFER COMB



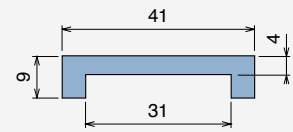
Two screw included



Screws included - M6

For assembly instructions refers to Movex engineering manual available on our website.

Used with U-profile Part. 111



BluLub® material recommended

Art-Nr.	Availability	Supply
11101BC	Stock item	3 m bars
11101B	On request	6 m bars
11101B-30	On request	30 m coils

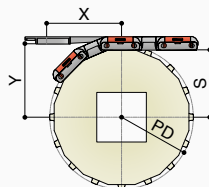
This profile has to be ordered separately.

At Comb

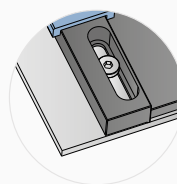
Part	Article-Nr.
389	38971

Combs integration with sprockets

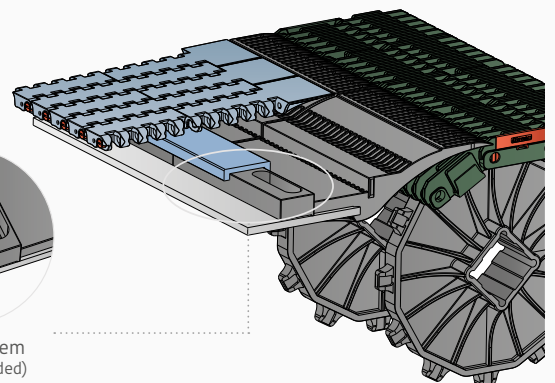
see table below for dimensions



Z-	PD (mm)	S (mm)	X (mm)	Y (mm)
10	164,4	74,2	166,5	64,2
12	196,3	90,1	167,5	80,1
13	212,3	98,1	168,5	88,1
16	260,4	122,2	169,5	112,2



Fixing system (Screw included)



ZERO CONTACT

ZER⁵²⁰CONTACT

SIDE FLEX MODULAR BELT



Imperial Size

Metric Size

ZERO CONTACT
ZERO CONTACT PRO

Movex[®]

ZERO CONTACT

Tappeto Modulare Curvilineo Zero Contact™, H=10,1 M=200

Side Flex Modular Belt Zero Contact™, H=10,1 M=200 / Kurvengängige Mattenkette Zero Contact™, H=10,1 M=200

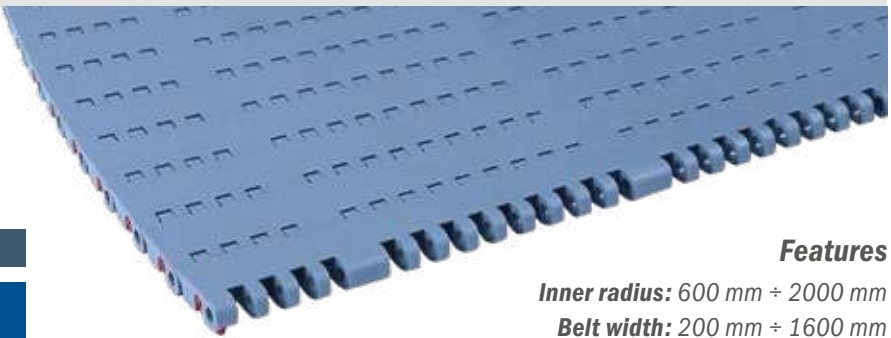
		
pg. 375	pg. 320>327	pg. 771>781

SAMPLE BOX
Art.-Nr. **599999925A**

Material

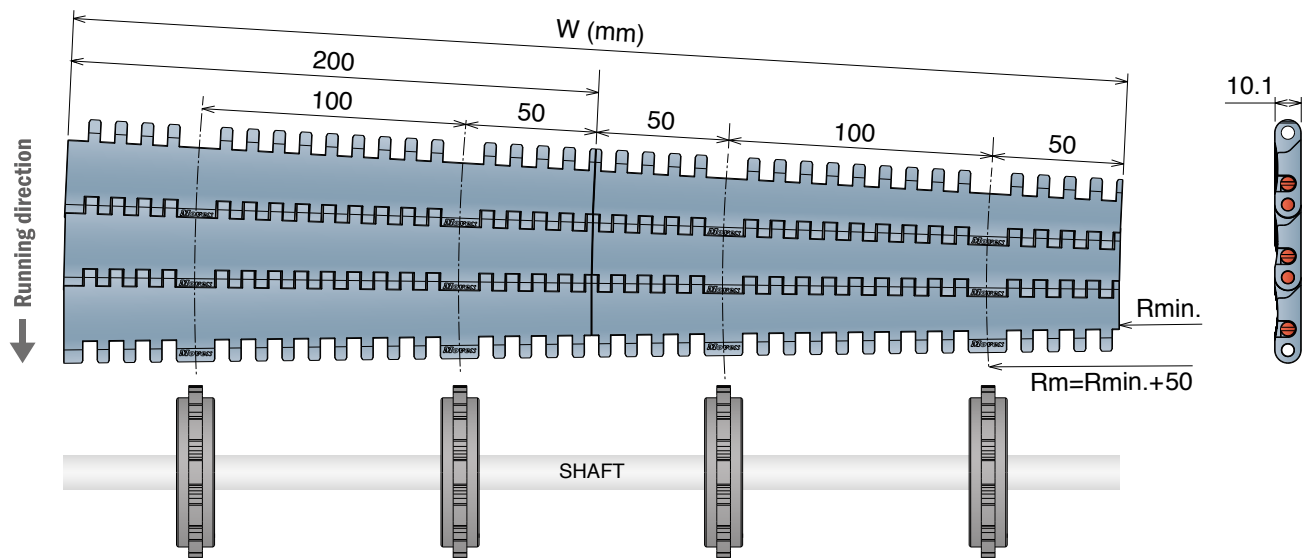
LFA - Code 01 Low friction Acetal	LFB - Code 23 Low friction Acetal
---	---

Max w. load: 13500 N/m	Max w. load: 13500 N/m
Weight: 9,25 kg/m ²	Weight: 9,25 kg/m ²
Temp. range dry: -40÷80 °C	Temp. range dry: -40÷80 °C
Temp. range wet: -40÷65 °C	Temp. range wet: -40÷65 °C
Pin material: PBT white	Pin material: PBT white



Features

- Inner radius:** 600 mm ÷ 2000 mm
- Belt width:** 200 mm ÷ 1600 mm
- Angle:** 90° and 180° (different on request)
- Row to row angle:** 1,33°
- Pin material:** Ø4,7 mm, PBT White
- Open Area:** 0%



Movex® Zero Contact™ modular fixed radius curve belt is the best choice for all type of transportation, for beverage, food and logistic industries, thanks to its versatility.

It offers high performances, reducing the coefficient of friction between product and running belt surface and improves the efficiency of the line, by minimizing downtimes.

A wide range of radii and widths helps finding the right solution for every product dimension and transportation condition, from light packages to heavier ones.

Installation and maintenance have never been so easy, so far.




The belt is compliant to: • Regulation: D.P.R. 777 - 23 August 1982 e D.L. 108 - 25 January 1992; • UNI EN 1186 1÷15:2003

- D.M. 34 del 21.3.73 S.O. GU n° 104 - 20/04/73 and following updates • Regulation (EU) n. 10/2011, GUUE L 12 del 15/01/2011 and following updates.
- Regulations (CE) n. 1935/2004 GUCE L 338 del 13/11/04 and n. 1895/2005 GUCE L 302 - 19/11/2005.

 **Low friction**

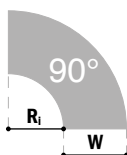
 **Minimized maintenance**

 **Easy pin removal**

Delivery: **Easy** Standard

ZERO CONTACT

SIDE FLEX MODULAR BELT



Side Flex Modular Belt Zero Contact™ 90° | Length of the belt 150 Modules

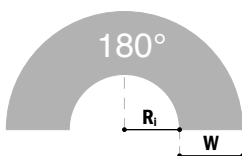
Belt Width	R, 600	R, 800	R, 1000	R, 1200	R, 1400	R, 1600	R, 1800	R, 2000	Material
200	5451010201A	5451010202A	5451010203A	5451010204A	5451010205A	5451010206A	5451010207A	5451010208A	LFA
400	5451010401A	5451010402A	5451010403A	5451010404A	5451010405A	5451010406A	5451010407A	-	
600	5451010601A	5451010602A	5451010603A	5451010604A	5451010605A	5451010606A	-	-	
800	5451010801A	5451010802A	5451010803A	5451010804A	5451010805A	-	-	-	
1000	5451011001A	5451011002A	5451011003A	5451011004A	-	-	-	-	
1200	5451011201A	5451011202A	5451011203A	-	-	-	-	-	
1400	5451011401A	5451011402A	-	-	-	-	-	-	
1600	5451011601A	-	-	-	-	-	-	-	

Side Flex Modular Belt Zero Contact™ 90° | Length of the belt 150 Modules

Belt Width	R, 600	R, 800	R, 1000	R, 1200	R, 1400	R, 1600	R, 1800	R, 2000	Material
200	5451230201A	5451230202A	5451230203A	5451230204A	5451230205A	5451230206A	5451230207A	5451230208A	LFB
400	5451230401A	5451230402A	5451230403A	5451230404A	5451230405A	5451230406A	5451230407A	-	
600	5451230601A	5451230602A	5451230603A	5451230604A	5451230605A	5451230606A	-	-	
800	5451230801A	5451230802A	5451230803A	5451230804A	5451230805A	-	-	-	
1000	5451231001A	5451231002A	5451231003A	5451231004A	-	-	-	-	
1200	5451231201A	5451231202A	5451231203A	-	-	-	-	-	
1400	5451231401A	5451231402A	-	-	-	-	-	-	
1600	5451231601A	-	-	-	-	-	-	-	

ZERO CONTACT

SIDE FLEX MODULAR BELT



Side Flex Modular Belt Zero Contact™ 180° | Length of the belt 285 Modules

Belt Width	R, 600	R, 800	R, 1000	R, 1200	R, 1400	R, 1600	R, 1800	R, 2000	Material
200	5452010201A	5452010202A	5452010203A	5452010204A	5452010205A	5452010206A	5452010207A	5452010208A	LFA
400	5452010401A	5452010402A	5452010403A	5452010404A	5452010405A	5452010406A	5452010407A	-	
600	5452010601A	5452010602A	5452010603A	5452010604A	5452010605A	5452010606A	-	-	
800	5452010801A	5452010802A	5452010803A	5452010804A	5452010805A	-	-	-	
1000	5452011001A	5452011002A	5452011003A	5452011004A	-	-	-	-	
1200	5452011201A	5452011202A	5452011203A	-	-	-	-	-	
1400	5452011401A	5452011402A	-	-	-	-	-	-	
1600	5452011601A	-	-	-	-	-	-	-	

Side Flex Modular Belt Zero Contact™ 180° | Length of the belt 285 Modules

Belt Width	R, 600	R, 800	R, 1000	R, 1200	R, 1400	R, 1600	R, 1800	R, 2000	Material
200	5452230201A	5452230202A	5452230203A	5452230204A	5452230205A	5452230206A	5452230207A	5452230208A	LFB
400	5452230401A	5452230402A	5452230403A	5452230404A	5452230405A	5452230406A	5452230407A	-	
600	5452230601A	5452230602A	5452230603A	5452230604A	5452230605A	5452230606A	-	-	
800	5452230801A	5452230802A	5452230803A	5452230804A	5452230805A	-	-	-	
1000	5452231001A	5452231002A	5452231003A	5452231004A	-	-	-	-	
1200	5452231201A	5452231202A	5452231203A	-	-	-	-	-	
1400	5452231401A	5452231402A	-	-	-	-	-	-	
1600	5452231601A	-	-	-	-	-	-	-	

ZERO CONTACT PRO

Tappeti modulari / Modular belts / Mattenketten

Imperial Size

ZERO CONTACT PRO

Tappeto Modulare Curvilineo Zero Contact PRO, H=9

Side Flex Modular Belt Zero Contact PRO, H=9 / Kurvengängige Mattenkette Zero Contact PRO, H=9

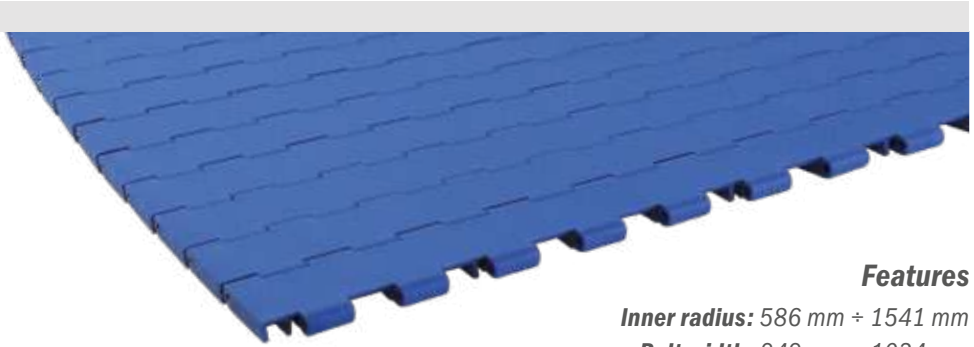
	
Zero contact Pro Curve	
pg. 375	pg. 771>781

SAMPLE BOX
Art.-Nr. **5999999925A**

Material

PA - Code 28
Glass fiber reinforced

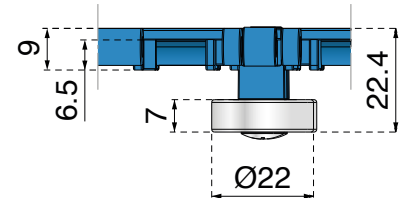
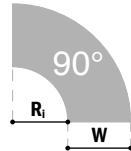
Max w. load: 19000 N/m
Weight: 9,25 kg/m²
Temp. range dry: -30+100 °C
Temp. range wet: N.R.
Pin: Stainless steel



Features

- Inner radius: 586 mm ÷ 1541 mm
- Belt width: 249 mm ÷ 1034 mm
- Angle: 90° and 180° (different on request)
- Row to row angle: 1°
- Pin: Ø4 mm, material 1.4301
- Open Area: 0%

ZERO CONTACT PRO
SIDE FLEX MODULAR BELT



Side Flex Modular Belt Zero Contact PRO™ 90° | Without bearings | Length of the belt 200 modules

Order code	R _i - mm	W - mm	Order code	R _i - mm	W - mm	Order code	R _i - mm	W - mm
5461280439A-M	586	439	5462281034A-M	756	1034	5464280504A-M	1116	504
5461280524A-M	586	524	5463280269A-M	1011	269	5465280419A-M	1201	419
5461280864A-M	586	864	5463280439A-M	1011	439	5466280249A-M	1286	249
5461281034A-M	586	1034	5463280524A-M	1011	524	5465280504A-M	1286	504
5462280269A-M	756	269	5463280864A-M	1011	864	5466280419A-M	1456	419
5462280439A-M	756	439	5463281034A-M	1011	1034	5466280504A-M	1541	504
5462280524A-M	756	524	5465280249A-M	1031	249			
5462280864A-M	756	864	5464280419A-M	1031	419			

Side Flex Modular Belt Zero Contact PRO™ 90° | With bearings | Length of the belt 200 modules

Order code	R _i - mm	W - mm	Order code	R _i - mm	W - mm
5462280249A-M	1031	249	5463280249A-M	1286	249
5461280419A-M	1031	419	5462280504A-M	1286	504
5461280504A-M	1116	504	5463280419A-M	1456	419
5462280419A-M	1201	419	5463280504A-M	1541	504



Side Flex Modular Belt Zero Contact PRO™ 90° | Two track combinations | Length of the belts 200 modules

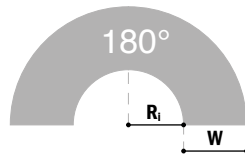
Track 1 - Order code	R _i - mm	W - mm	+	Track 2 - Order code	R _i - mm	W - mm	=	Total width
5462280269A-M	756	269	+	5462280249A-M	1031	249	=	524
5463280269A-M	1011	269	+	5463280249A-M	1286	249	=	524
5461280439A-M	586	439	+	5461280419A-M	1031	419	=	864
5462280439A-M	756	439	+	5462280419A-M	1201	419	=	864
5463280439A-M	1011	439	+	5463280419A-M	1456	419	=	864
5461280524A-M	586	524	+	5461280504A-M	1116	504	=	1034
5462280524A-M	756	524	+	5462280504A-M	1286	504	=	1034
5463280524A-M	1011	524	+	5463280504A-M	1541	504	=	1034

The gap between the belts is 6 mm. | Track 1 belt is supplied without bearings. | Track 2 belt is supplied with bearings.

Tappeti modulari / Modular belts / Mattenketten

ZERO CONTACT

SIDE FLEX MODULAR BELT



Side Flex Modular Belt Zero Contact PRO™ 180° | Without bearings | Length of the belt 380 modules

Order code	R _i - mm	W - mm	Order code	R _i - mm	W - mm	Order code	R _i - mm	W - mm
5461280439B-M	586	439	5462281034B-M	756	1034	5464280504B-M	1116	504
5461280524B-M	586	524	5463280269B-M	1011	269	5465280419B-M	1201	419
5461280864B-M	586	864	5463280439B-M	1011	439	5466280249B-M	1286	249
5461281034B-M	586	1034	5463280524B-M	1011	524	5465280504B-M	1286	504
5462280269B-M	756	269	5463280864B-M	1011	864	5466280419B-M	1456	419
5462280439B-M	756	439	5463281034B-M	1011	1034	5466280504B-M	1541	504
5462280524B-M	756	524	5465280249B-M	1031	249			
5462280864B-M	756	864	5464280419B-M	1031	419			

Side Flex Modular Belt Zero Contact PRO™ 180° | With bearings | Length of the belt 380 modules

Order code	R _i - mm	W - mm	Order code	R _i - mm	W - mm
5462280249B-M	1031	249	5463280249B-M	1286	249
5461280419B-M	1031	419	5462280504B-M	1286	504
5461280504B-M	1116	504	5463280419B-M	1456	419
5462280419B-M	1201	419	5463280504B-M	1541	504



Side Flex Modular Belt Zero Contact PRO™ 180° | Two track combinations | Length of the belts 380 modules

Track 1 - Order code	R _i - mm	W - mm		Track 2 - Order code	R _i - mm	W - mm	Total width
5462280269B-M	756	269	+	5462280249B-M	1031	249	= 524
5463280269B-M	1011	269	+	5463280249B-M	1286	249	= 524
5461280439B-M	586	439	+	5461280419B-M	1031	419	= 864
5462280439B-M	756	439	+	5462280419B-M	1201	419	= 864
5463280439B-M	1011	439	+	5463280419B-M	1456	419	= 864
5461280524B-M	586	524	+	5461280504B-M	1116	504	= 1034
5462280524B-M	756	524	+	5462280504B-M	1286	504	= 1034
5463280524B-M	1011	524	+	5463280504B-M	1541	504	= 1034

The gap between the belts is 6 mm. | Track 1 belt is supplied without bearings. | Track 2 belt is supplied with bearings.

The innovative design of **Movex® Zero Contact™ PRO** is recommended for high speed, heavy loads and transportation of abrasive substances, like sand, salt, sugar, and many other applications.

The stainless steel pins guarantee a higher working load and due to the new pin retention with grub screw, the assembly of this belt is 100% secure.

The robust structure of **Zero Contact™ PRO** can be summarized in minimal maintenance, long life expectation and high reliability.

Zero Contact™ PRO is a versatile belt, allowing a wider range of available widths and radii. Find out also our “two-tracks” version.



Extreme speed



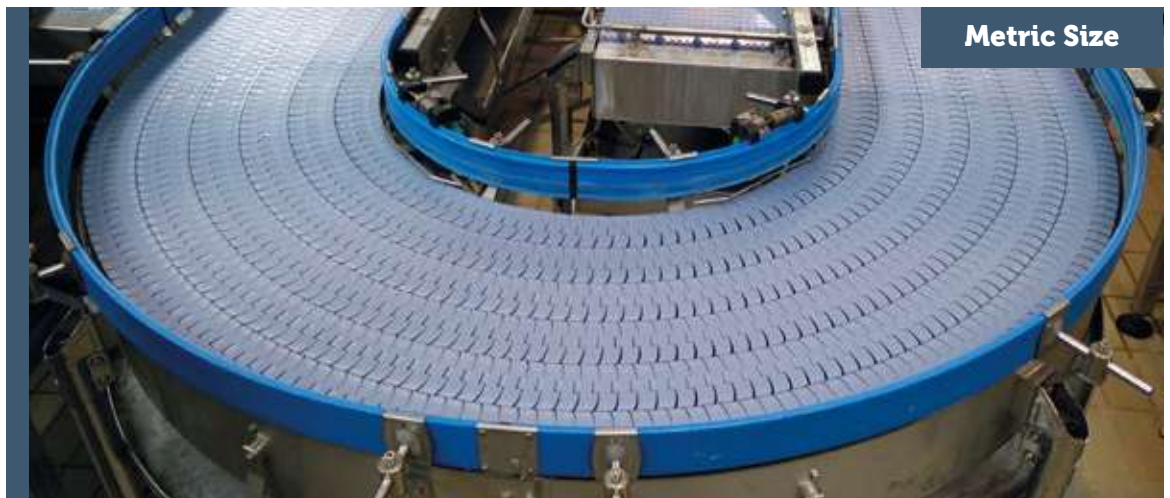
Heavy duty



High abrasion resistance

240/260 261

Pitch 25,4 mm
H= 8,7 mm / 12,7 mm



Movex[®]

240 XE FT

240 XE FG

240 XE TAB FT

240 XE TAB FG

260 M FT

260 M FG

260 TAB

261 M FT

261 TAB

NEW 240 XE FT

Catena curvilinea
Sideflexing belt/chain / Kurvengängige Mattenkette

MAGNETIC SYSTEM

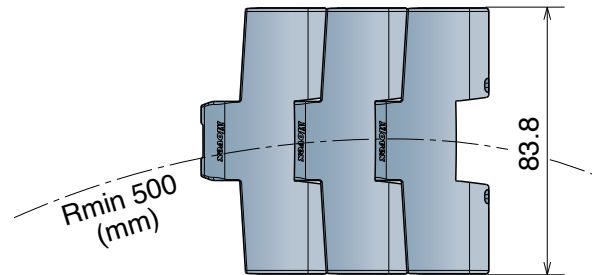
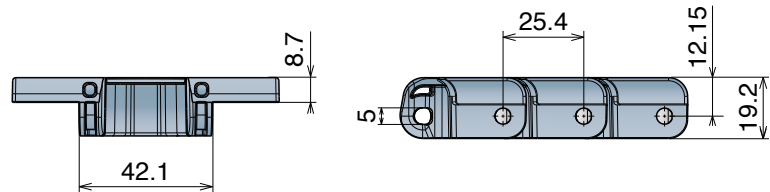
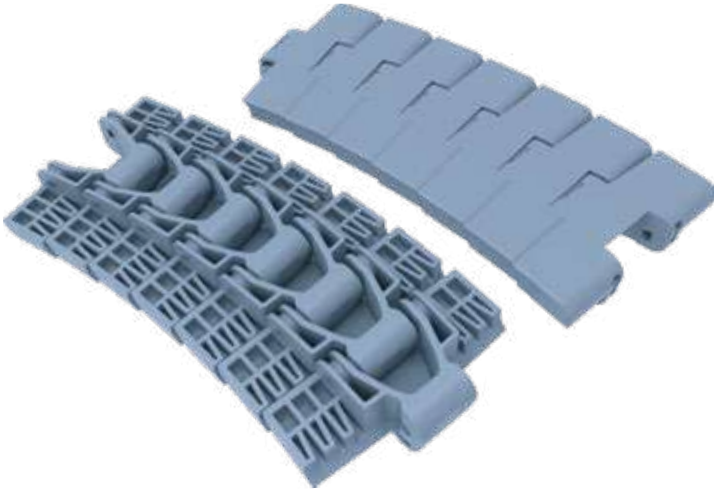
Delivery: **Easy** Standard

Pins: Ferritic SS | Backflex radius min.: 130 mm

Interchangeable with 260M series

25.4mm
PITCH

Metric Size



BluLub® & PFX

Powerful dry running combination

The use of both our exclusive materials unleashes extra-performance and an astounding speed!

UP TO 150 m/min!

SAMPLE BOX

Art.-Nr. **19999940-KIT**

10 feet
3.048 m

120 links

pg. 371-372

123/149>155

pg. 771>781

Article-Nr.	Ref.	A (Plate Width) mm	Weight kg/m	Max working load (N)	Sideflex radius mm	Material
12040103	LFA 240 XE M FT K330	83,8	1,07	1800	500	LFA
12040303	MX 240 XE M FT K330	83,8	1,02	1450	500	MX
12043003	PFX 240 XE M FT K330	83,8	1,02	1450	500	PFX

D-Shape - Pin locking system

Simple

Easy to insert and release, even when it's already installed.

Reliable

It's engineered to operate without jamming.

Safety system

When pin is inserted, it's locked in and can be removed only when needed.



Main Improvements compared to the 260M belt/chain

-38% Chain weight | **+24%** Energy saving

-15% Carbon footprint | **+15%** PV limit

240 XE FG

Tappeti modulari / Modular belts / Mattenketten

NEW 240 XE FG

Open Surface 25% Catena curvilinea
Sideflexing belt/chain / Kurvengängige Mattenkette

MAGNETIC SYSTEM

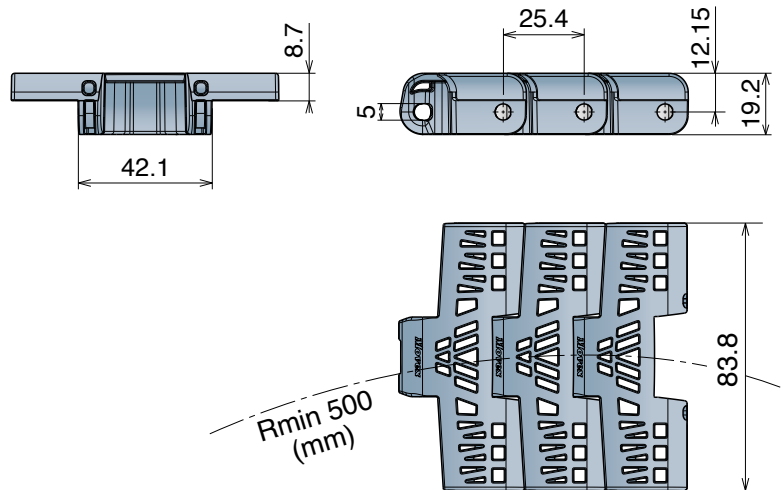
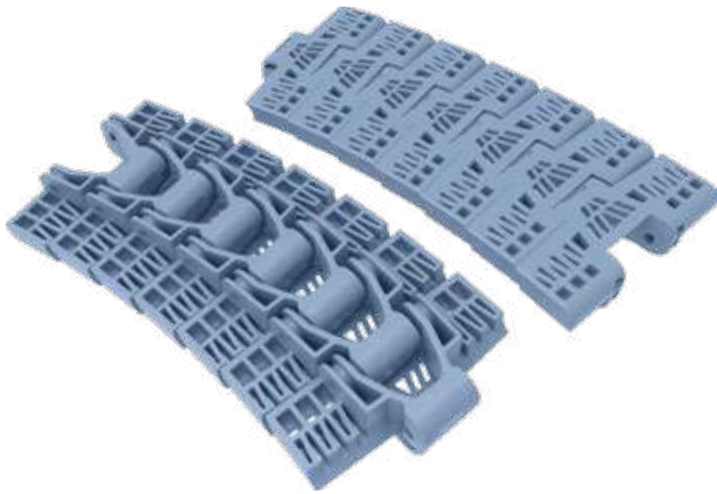
Delivery: **Easy** **Standard**

Pins: Ferritic SS | Backflex radius min.: 130 mm

Metric Size

Interchangeable with 260M series

25.4 mm
PITCH



BluLub® & PFX

Powerful dry running combination

The use of both our exclusive materials unleashes extra-performance and an astounding speed!

UP TO 150 m/min!

SAMPLE BOX

Art.-Nr. **19999940-KIT**



120 links



pg. 371-372



123/149>155



pg. 771>781

Article-Nr.	Ref.	A (Plate Width) mm	Weight kg/m	Max working load (N)	Sideflex radius mm	Material
12050103	LFA 240 XE M FG K330	83,8	1,02	1800	500	LFA
12050303	MX 240 XE M FG K330	83,8	0,98	1450	500	MX
12053003	PFX 240 XE M FG K330	83,8	0,98	1450	500	PFX

D-Shape - Pin locking system

Simple

Easy to insert and release, even when it's already installed.

Reliable

It's engineered to operate without jamming.

Safety system

When pin is inserted, it's locked in and can be removed only when needed.



Main Improvements compared to the 260M belt/chain

-38% Chain weight | **+24%** Energy saving

-15% Carbon footprint | **+15%** PV limit

NEW 240 XE TAB FT

Catena curvilinea
Sideflexing belt/chain / Kurvengängige Mattenkette

TAB SYSTEM

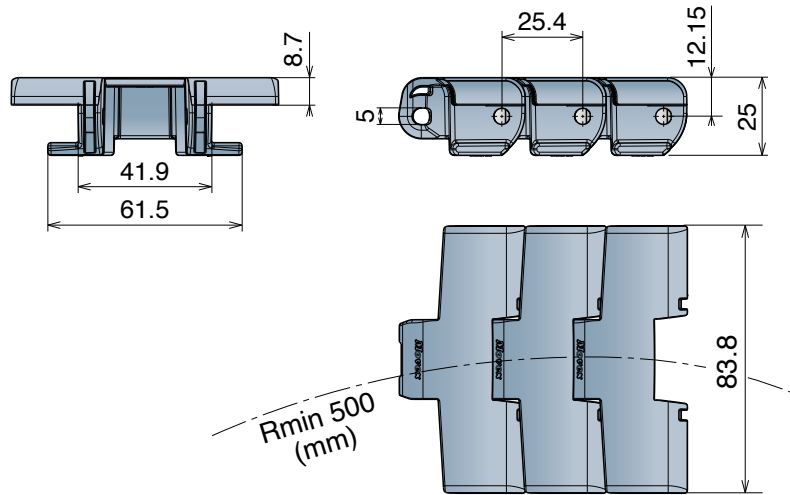
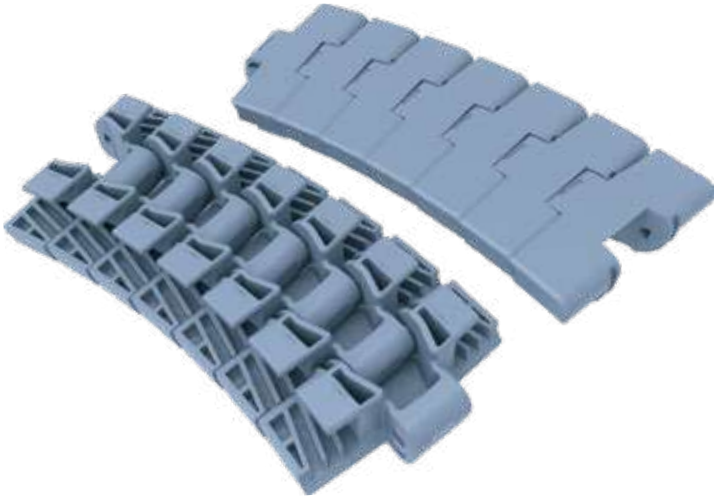
Delivery: **Easy** Standard

Pins: Ferritic SS | Backflex radius min.: 130 mm

↻ Interchangeable with 260TAB series

25.4mm
PITCH

Metric Size



BluLub® & PFX

Powerful dry running combination

The use of both our exclusive materials unleashes extra-performance and an astounding speed!

UP TO 150 m/min!

10 feet 3.048 m			
120 links	pg. 371-372	pg. 171/183	pg. 771>781

Article-Nr.	Ref.	A (Plate Width) mm	Weight kg/m	Max working load (N)	Sideflex radius mm	Material
12060103	LFA 240 XE TAB FT K330	83,8	1,18	1800	500	LFA
12060303	MX 240 XE TAB FT K330	83,8	1,11	1450	500	MX
12063003	PFX 240 XE TAB FT K330	83,8	1,11	1450	500	PFX
12062303	LFB 240 XE TAB FT K330	83,8	1,18	1800	500	LFB

Main Improvements compared to the 260TAB belt/chain

-38% Chain weight

+24% Energy saving

-15% Carbon footprint

+15% PV limit

240 XE TAB FG

Tappeti modulari / Modular belts / Mattenketten

NEW 240 XE TAB FG

Open Surface 25% Catena curvilinea
Sideflexing belt/chain / Kurvengängige Mattenkette

TAB SYSTEM

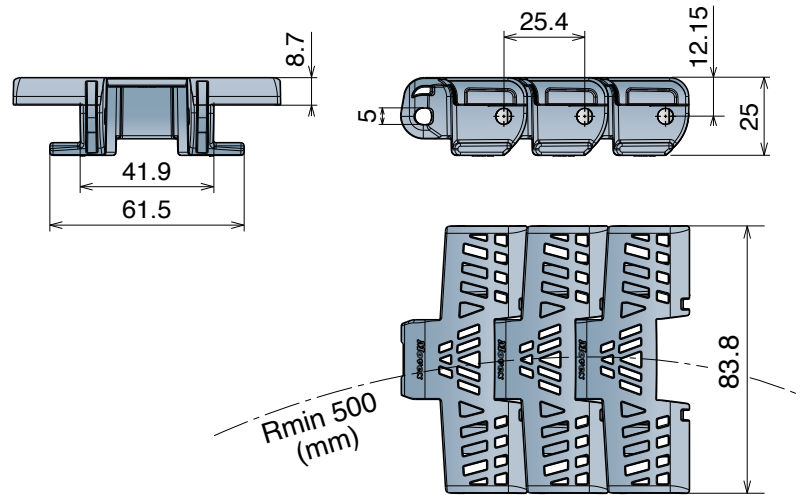
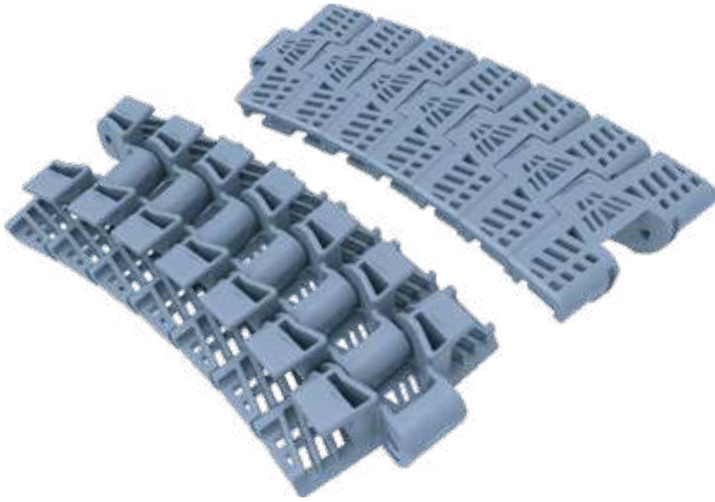
Delivery: **Easy** **Standard**

Pins: Ferritic SS | Backflex radius min.: 130 mm

Metric Size

↻ Interchangeable with 260TAB series

25.4 mm
PITCH



BluLub® & PFX

Powerful dry running combination

The use of both our exclusive materials unleashes extra-performance and an astounding speed!

UP TO 150 m/min!

10 feet 3.048 m			
120 links	pg. 371-372	pg. 171/183	pg. 771>781

Article-Nr.	Ref.	A (Plate Width) mm	Weight kg/m	Max working load (N)	Sideflex radius mm	Material
12070103	LFA 240 XE TAB FG K330	83,8	1,13	1800	500	LFA
12070303	MX 240 XE TAB FG K330	83,8	1,06	1450	500	MX
12073003	PFX 240 XE TAB FG K330	83,8	1,06	1450	500	PFX
12072303	LFB 240 XE TAB FG K330	83,8	1,13	1800	500	LFB

Main Improvements compared to the 260TAB belt/chain

-38% Chain weight

+24% Energy saving

-15% Carbon footprint

+15% PV limit

260 M FT

Catena curvilinea
Sideflexing belt/chain / Kurvengängige Mattenkette

MAGNETIC SYSTEM

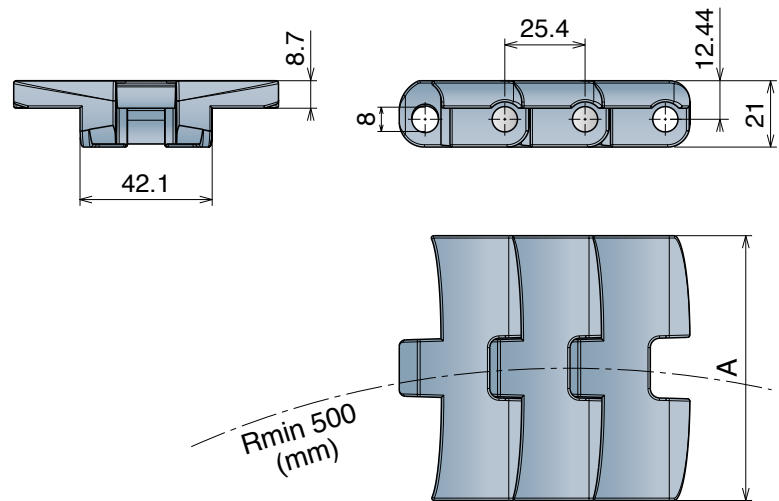
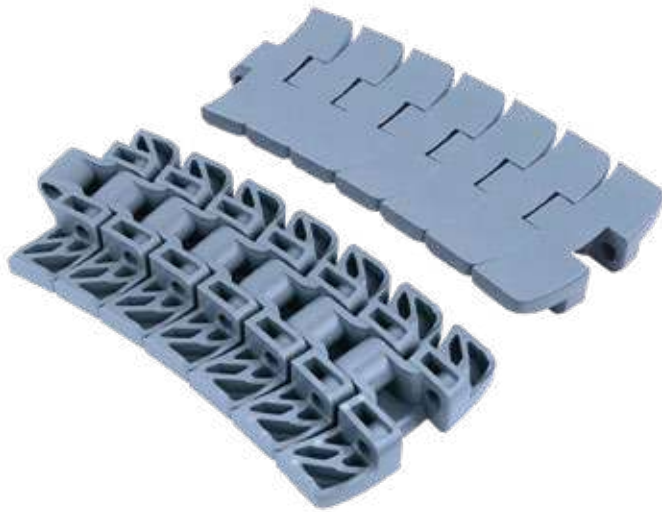
Delivery: **Easy** **Standard**

Pins: Ferritic SS | Backflex radius min.: 130 mm

Interchangeable with 240XE series

25.4mm
PITCH

Metric Size



Advantages:

- Heavy duty
- 20% Reduced gap link
- 95% Closed surface

SAMPLE BOX

Art.-Nr. **999800**



120 links



pg. 371-372



123/149>155



pg. 771>781

Article-Nr.	Ref.	A (Plate Width) mm	Weight kg/m	Max working load (N)	Sideflex radius mm	Material
11510103	LFA 260 M FT K330	83,8	1,75	2000	500	LFA
11510105	LFA 260 M FT K450	114,3	2,30			
11510303	MX 260 M FT K330	83,8	1,75	1600	500	MX
11510305	MX 260 M FT K450	114,3	2,30			
11513003	PFX 260 M FT K330	83,8	1,65	1600	500	PFX
11513005	PFX 260 M FT K450	114,3	2,20			
11511603	DKM 260 M FT K330	83,8	1,75	2000	500	DKM
11511605	DKM 260 M FT K450	114,3	2,30			
11512303	LFA 260 M FT K330	83,8	1,75	2000	500	LFB
11512305	LFA 260 M FT K450	114,3	2,30			

260 M FG

Tappeti modulari / Modular belts / Mattenketten

260 M FG

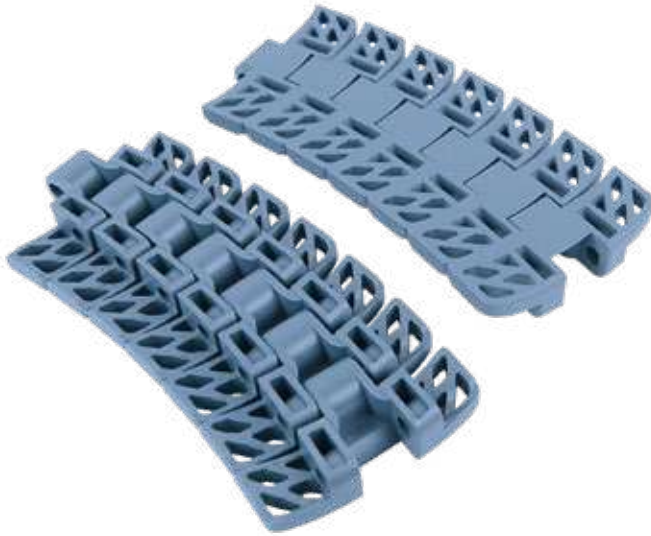
Catena curvilinea
Sideflexing belt/chain / Kurvengängige Mattenkette

MAGNETIC SYSTEM

Delivery: **Easy** **Standard**

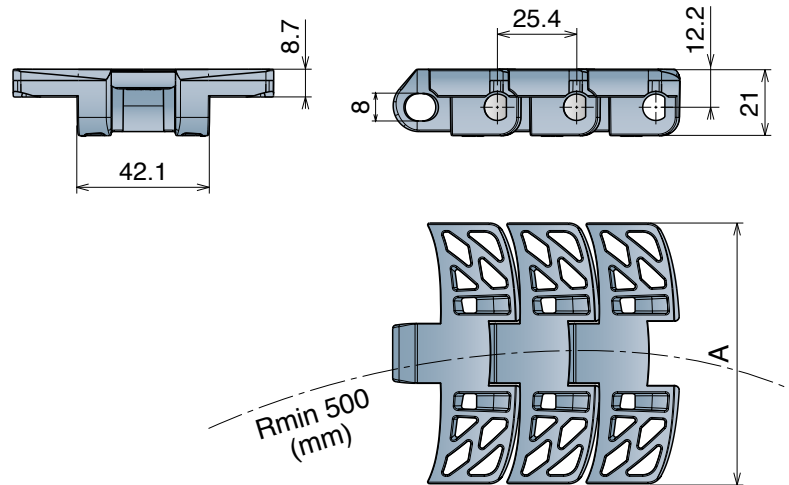
Pins: Ferritic SS | Backflex radius min.: 130 mm

Metric Size



↻ Interchangeable with 240XE series

25.4 mm
PITCH



10 feet 3.048 m			
120 links	pg. 371-372	123/149>155	pg. 771>781

Article-Nr.	Ref.	A (Plate Width) mm	Weight kg/m	Max working load (N)	Sideflex radius mm	Material
11540103	LFA 260 M FG K330	83,8	1,62	2000	500	LFA
11540105	LFA 260 M FG K450	114,3	2,13			
11540303	MX 260 M FG K330	83,8	1,62	1600	500	MX
11540305	MX 260 M FG K450	114,3	2,13			
11543003	PFX 260 M FG K330	83,8	1,52	1600	500	PFX
11543005	PFX 260 M FG K450	114,3	2,03			
11542303	LFB 260 M FG K330	83,8	1,62	2000	500	LFB
11542305	LFB 260 M FG K450	114,3	2,13			

260 TAB

Catena curvilinea
Sideflexing belt/chain / Kurvengängige Mattenkette

TAB SYSTEM

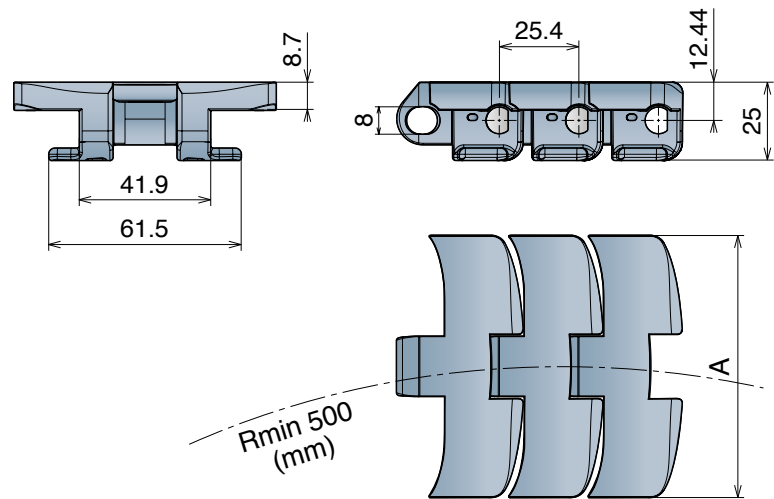
Delivery: **Easy** **Standard**





Pins: Ferritic SS | Backflex radius min.: 130 mm

 Interchangeable with 240XE TAB series

25.4mm
PITCH

Metric Size



 10 feet 3.048 m			
120 links	pg. 371-372	pg. 171/183	pg. 771>781

Article-Nr.	Ref.	A (Plate Width) mm	Weight kg/m	Max working load (N)	Sideflex radius mm	Material
11520103	LFA 260 TAB K330	83,8	1,85	2000	500	LFA
11520105	LFA 260 TAB K450	114,3	2,00			
11520303	MX 260 TAB K330	83,8	1,85	1600	500	MX
11520305	MX 260 TAB K450	114,3	2,00			
11523003	PFX 260 TAB K330	83,8	1,75	1600	500	PFX
11523005	PFX 260 TAB K450	114,3	1,90			
11521603	DKM 260 TAB K330	83,8	1,85	2000	500	DKM
11521605	DKM 260 TAB K450	114,3	2,00			
11522303	LFB 260 TAB K330	83,8	1,85	2000	500	LFB
11522305	LFB 260 TAB K450	114,3	2,00			

261 M FT

Tappeti modulari / Modular belts / Mattenketten

261 M FT

Catena curvilinea
Sideflexing belt/chain / Kurvengängige Mattenkette

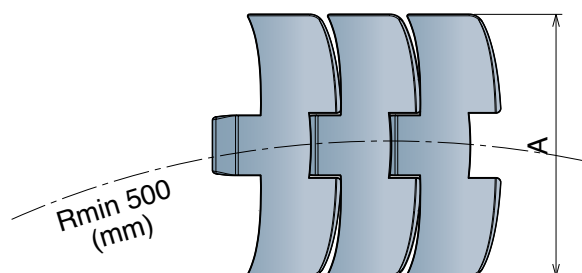
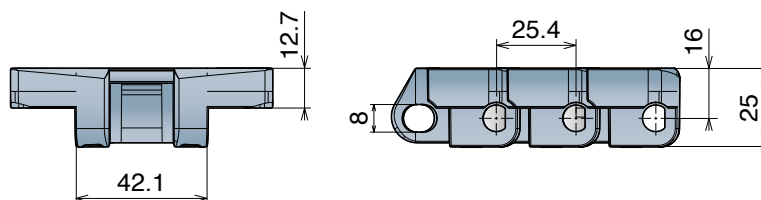
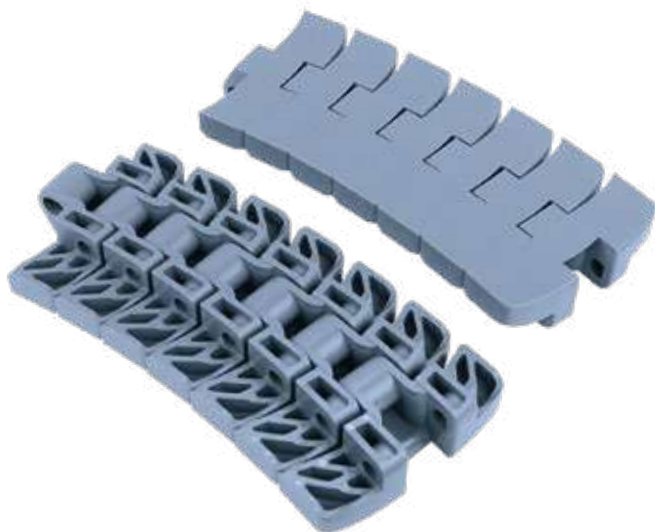
MAGNETIC SYSTEM

Delivery: **Easy** **Standard**

Pins: Ferritic SS | Backflex radius min.: 240 mm

25.4 mm
PITCH

Metric Size



10 feet 3.048 m			
120 links	pg. 371-372	pg. 156>162	pg. 771>781

Article-Nr.	Ref.	A (Plate Width) mm	Weight kg/m	Max working load (N)	Sideflex radius mm	Material
11530103	LFA 261 M FT K330	83,8	2,00	2000	500	LFA
11530105	LFA 261 M FT K450	114,3	2,52			
11530303	MX 261 M FT K330	83,8	2,00	1600	500	MX
11530305	MX 261 M FT K450	114,3	2,52			
11533003	PFX 261 M FT K330	83,8	2,00	1600	500	PFX
11533005	PFX 261 M FT K450	114,3	2,52			
11531603	DKM 261 M FT K330	83,8	2,00	2000	500	DKM
11531605	DKM 261 M FT K450	114,3	2,52			
11531703	MWX 261 M FT K330	83,8	2,16	2000	500	MWX
11531705	MWX 261 M FT K450	114,3	2,70			

Tappeti modulari / Modular belts / Mattenketten

261 TAB

Catena curvilinea
Sideflexing belt/chain / Kurvengängige Mattenkette

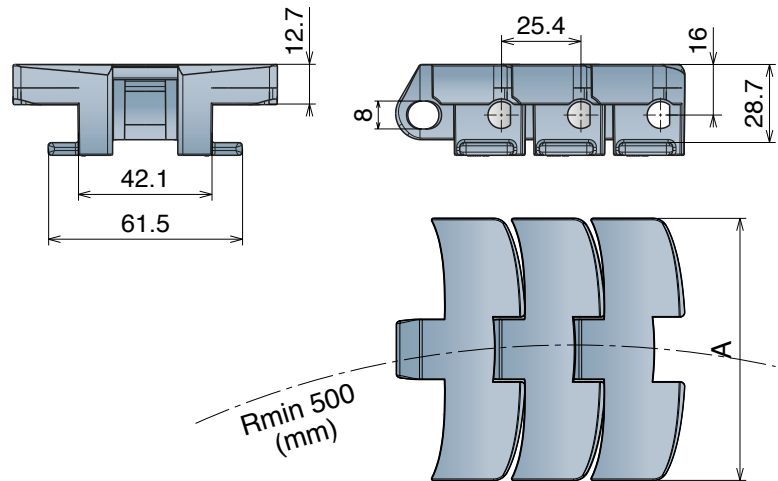
TAB SYSTEM

Delivery: **Easy** Standard

Pins: Ferritic SS | Backflex radius min.: 240 mm

25.4 mm
PITCH

Metric Size



10 feet
3.048 m
120 links

pg. 371-372

pg. 171/183

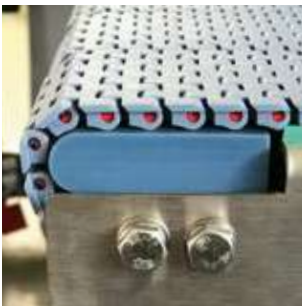
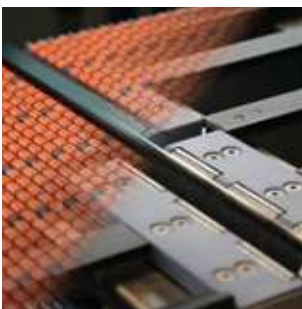
pg. 771>781

Article-Nr.	Ref.	A (Plate Width) mm	Weight kg/m	Max working load (N)	Sideflex radius mm	Material
11900103	LFA 261 TAB K330	83,8	2,00	2000	500	LFA
11900105	LFA 261 TAB K450	114,3	2,52			
11900303	MX 261 TAB K330	83,8	2,00	1600	500	MX
11900305	MX 261 TAB K450	114,3	2,52			
11903003	PFX 261 TAB K330	83,8	2,00	1600	500	PFX
11903005	PFX 261 TAB K450	114,3	2,52			
11901603	DKM 261 TAB K330	83,8	2,00	2000	500	DKM
11901605	DKM 261 TAB K450	114,3	2,52			
11901703	MWX 261 TAB K330	83,8	2,16	2000	500	MWX
11901705	MWX 261 TAB K450	114,3	2,70			

NoseBars

RANGE EXTENSION

Movex NoseBars improve the efficiency of your production line.



Small products are becoming a challenge when they have to be transferred from head-to-tail, especially when they don't have a flat base like cans and petaloid bottles.

This is becoming even more critical when the line capacity is pushed to the limit and speeds or operating hours could compromise the required efficiency.

Movex NoseBars are the best solution for a combination of short transfer and high performance.

Moreover, they will let your line:

- Running with limited maintenance
- Exceeding in performances
- Achieving high speeds and loads

Paying specific attention during the development as well as during the automated production, together with our constant quality control checks, we have reached these features which can be reflected to all Movex products.

Movex NoseBars are suitable for all applications and conditions. Made from super-performance **BluLub®**, for a reduced coefficient of friction, the smallest gaps are reached between the belts to assure a smooth and precise transfer.

Movex NoseBars are available in three different versions: standard, with rollers and with bearings. Specific the executions with rollers and bearings are ideal for high speed and/or high load applications.

Less friction, longer lifetime, less belt elongation and less maintenance are facts which makes the Movex NoseBars reliable and long-lasting products.

Find out the best combination for your application with our modular belts and NoseBars in the selection chart at page 306.

Blulub®

Do you know what it is?

All Movex NoseBars are made with a compound developed by Movex, the **Blulub®**, a special high-performance material which contains the latest generation of solid lubricants.

The use of products made in **Blulub®** is designed for applications with limited lubrication, higher speeds and/or higher loads.

Blulub® requires less energy and with its lower coefficient of friction, improves the product stability and wear life of modular belts.

One piece

Custom made NoseBar, supplied in a single piece.

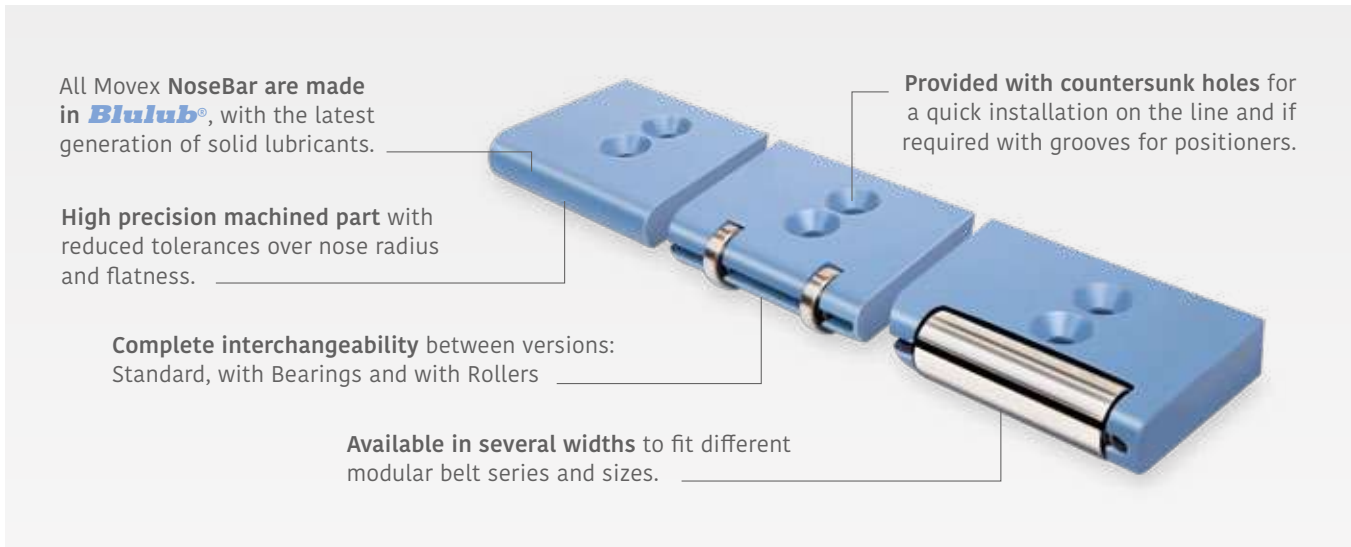
One piece is the patented system from Movex that reduces the required conveyor maintenance time drastically.

One piece is very quick to install and easy to clean!

More info at page 316 > 318

PATENTED





All Movex NoseBar are made in **Blulub®**, with the latest generation of solid lubricants.

High precision machined part with reduced tolerances over nose radius and flatness.

Complete interchangeability between versions: Standard, with Bearings and with Rollers

Available in several widths to fit different modular belt series and sizes.

Provided with countersunk holes for a quick installation on the line and if required with grooves for positioners.

Three different options, fully interchangeable:



Standard

GENERAL APPLICATIONS

Static NoseBars with unique properties due the special Movex *BluLub®* compound are the ideal choice for any type of application, help improving the line efficiency, reducing dust and the frequency of maintenance.

- Available diameters: 6 / 19 / 22 mm
- Available also with grooves for positioners
- Can be machined to width, according your needs



with Bearings

HIGH-SPEED APPLICATIONS

Dynamic NoseBars with Bearings help improving the line efficiency and grant a longer life compared to traditional ones, minimizing the coefficient of friction and generating less wear. The rotating chrome steel bearings create an improved situation specific for high-speed applications.

- Available diameters: 19 / 22 mm
- Available also with grooves for positioners
- Can be machined to width, according your needs



with Rollers

HIGH-LOAD APPLICATIONS

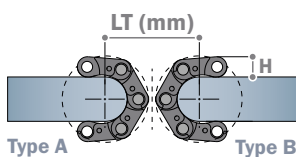
Dynamic NoseBars with Rollers and bearings are long-lasting component that increase the efficiency of the processing line. Thanks to its sturdy stainless steel rollers, they are also the ideal choice for heavy load applications or high abrasive working conditions like dusts, liquids, etc.

- Available diameter: 19 mm
- Available also with grooves for positioners (only for 521 FT)
- Can be machined to width, according your needs

NoseBar selection and Transfer lengths

Movex modular belts				Belt Pitch (mm)	Nosebar Ø (mm)	STANDARD	WITH BEARINGS	WITH ROLLERS
7870 Series				8	6	Page 307	NOT APPLICABLE	NOT APPLICABLE
520 FT	520 HD FT	520 FTT	520 FG	12,7	19*	Page 307	Page 311	Page 314
520 GT	520 LBP	520 PRO LBP	520 M					
521 FT				12,7	19*	Page 308	Page 311	Page 314
522 HD FT		522 HD OTB		12,7	19*	Page 308	Page 312	Page 315
525 HD FT	525 FTT	525 HD FG	525 HD GT	15	19*	Page 307	Page 311	Page 314
530 FT	530 FTT	530 GT	530 GT SI	15	19*	Page 309	Page 312	Page 315
530 LBP				15	19*	Page 309	Page 313	NOT APPLICABLE
530 PRO LBP				15	19*	Page 310	Page 313	NOT APPLICABLE

Also available Ø22mm.



		Modular belt - Type B													
		7870 FT	520 HD FT	520 FG	521 FT	522 HD FT	525 HD FT	525 HD FG	530 FT	520 GT	525 HD GT	530 LBP	530 PRO LBP	520 PRO LBP	520 LBP
Modular belt - Type A	7870 FT - H 6mm	22	31	31	31	31	31	31	31	33	33	33,5	33,5	38,5	41,5
	520 HD FT - H 8,7mm	31	40	40	40	40	40	40	40	42	42	43	43	48	51
	520 FG - H 8,7mm	31	40	40	40	40	40	40	40	42	42	43	43	48	51
	521 FT - H 8,7mm	31	40	40	40	40	40	40	40	42	42	43	43	48	51
	522 HD FT - H 8,7mm	31	40	40	40	40	40	40	40	42	42	43	43	48	51
	525 HD FT - H 8,7mm	31	40	40	40	40	40	40	40	42	42	43	43	48	51
	525 HD FG - H 8,7mm	31	40	40	40	40	40	40	40	42	42	43	43	48	51
	530 FT - H 8,7mm	31	40	40	40	40	40	40	40	42	42	43	43	48	51
	520 GT - H 10,7mm	33	42	42	42	42	42	42	42	44	44	45	45	50	53
	525 HD GT - H 10,7mm	33	42	42	42	42	42	42	42	44	44	45	45	50	53
	530 LBP - H 12,2mm	33,5	43	43	43	43	43	43	43	45	45	45	45	50	53
	530 PRO LBP - H 12,2mm	33,5	43	43	43	43	43	43	43	45	45	45	45	50	53
	520 PRO LBP - H 18mm	38,5	48	48	48	48	48	48	48	50	50	50	50	55	58
	520 LBP - H 20,7mm	41,5	51	51	51	51	51	51	51	53	53	53	53	58	61

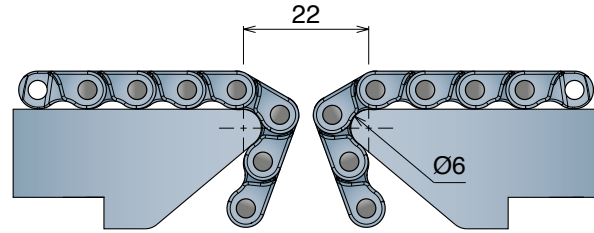
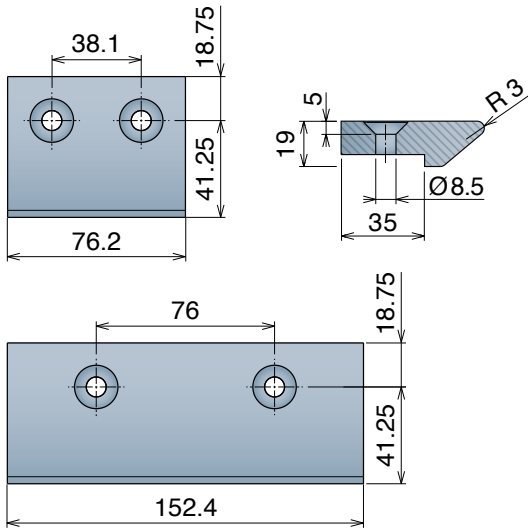
NoseBars for 7870 Series

Delivery: **Easy** **Standard**

Article-Nr. K (mm)

22818 76,2 (3')

22819 152,4 (6')



NoseBars for 520/525 Series

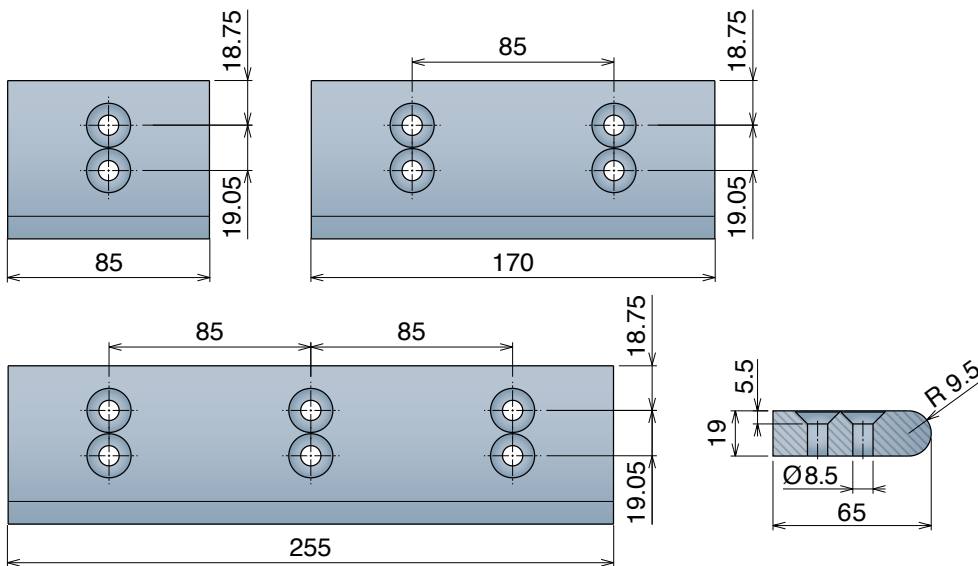
Delivery: **Easy** **Standard**

Article-Nr. K (mm)

22801 85

22802 170

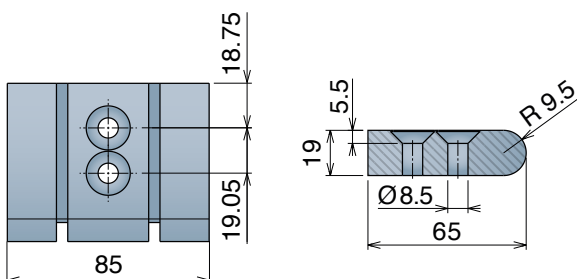
22803 255



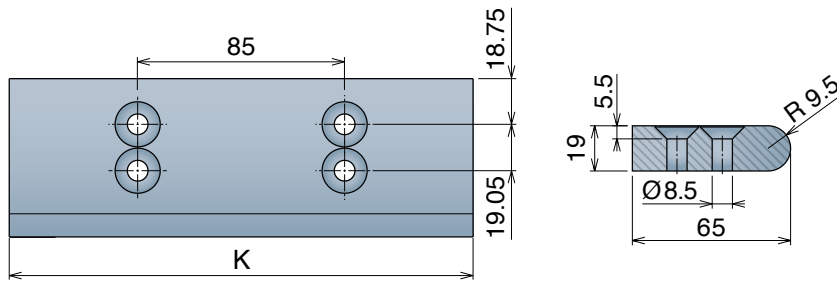
Version B - With 1 Positioner | Version C - With 2 Positioners

Article-Nr. K (mm)

22807 85

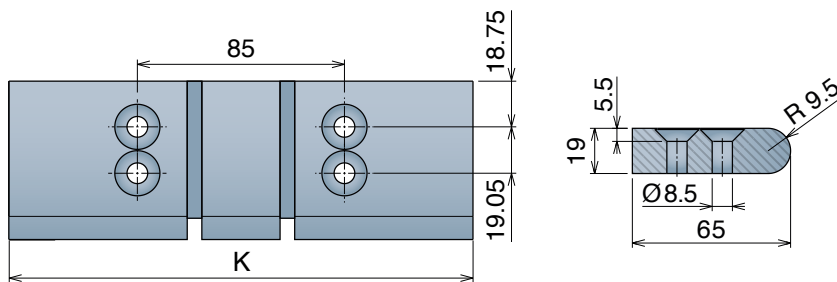


NoseBars for 521 Series



Article-Nr.	K (mm)
22846	114,3 (4.5')
22840	190,5 (7.5')

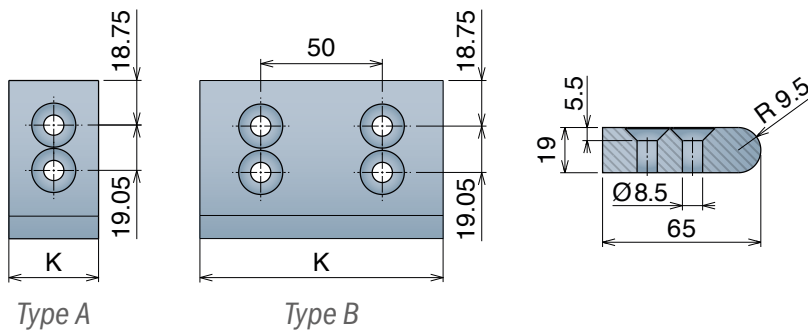
Version B - With 1 Positioner | Version C - With 2 Positioners



Article-Nr.	K (mm)
22837	114,3 (4.5')
22843	190,5 (7.5')

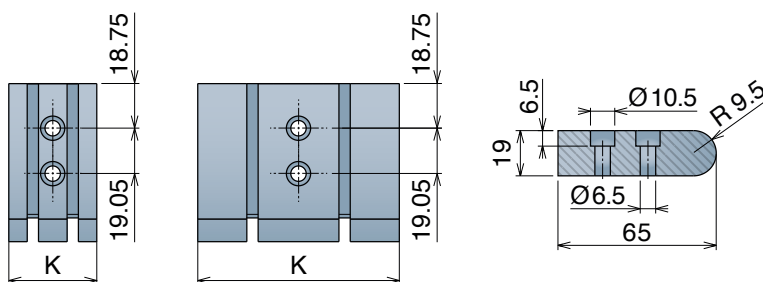
NoseBars for 522 HD Series

Delivery: **Easy** Standard



Article-Nr.	K (mm)	Type
22820	29	A
22821	34	A
22822	37	A
22823	51 (2')	A
22808	76,2 (3')	A
22824	100	B

Version B - With 1 Positioner | Version C - With 2 Positioners



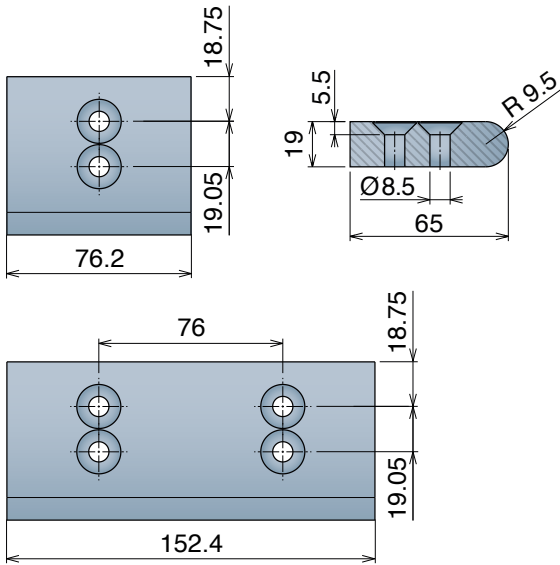
Article-Nr.	K (mm)
22820P	29
22821P	34
22822P	37
22823P	51 (2')
22808P	76,2 (3')

NoseBars for 530 Series

(LBP version excluded)

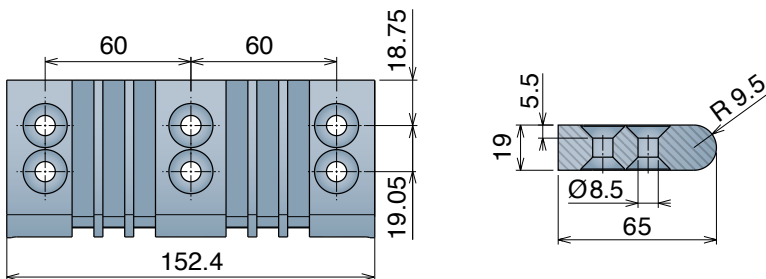
Delivery: **Easy** **Standard**

Article-Nr.	K (mm)
22808	76,2 (3')
22809	152,4 (6')



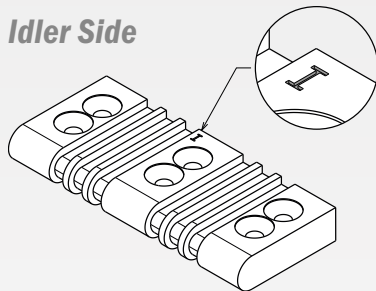
NoseBar for 530 LBP

Article-Nr.	K (mm)
22867	152,4 (6')

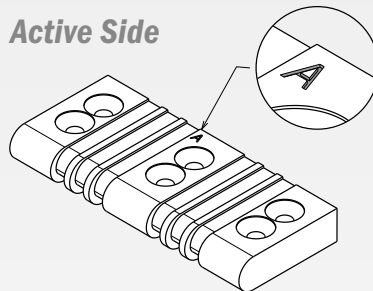


How to use Movex 530 LBP double-face Nosebar

Idler Side

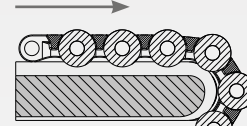


Active Side



Movex 530 LBP Nosebars are special Nosebars, specific to optimize the characteristics of this particular belt. It can be installed in two different ways: **idler side** and **active side**, depending if you want to obtain the accumulation or acceleration effects of the goods. In both modalities the same Nosebar is used: it simply needs to be installed on one side rather than the other. One face of the Nosebar is set up for the accumulation function and the opposite one for the acceleration function.

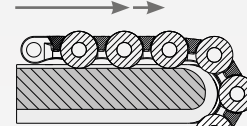
$V = X$



Idler System (sectional view)

The nosebar allows the belts rollers to remain raised above the surface, free to roll.

$V = 2X$

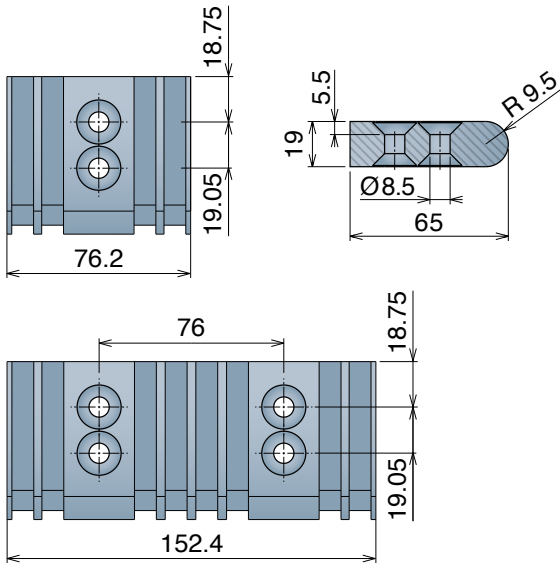


Active System (sectional view)

The nosebar allows the belt rollers to touch the surface, increasing the speed of the goods.

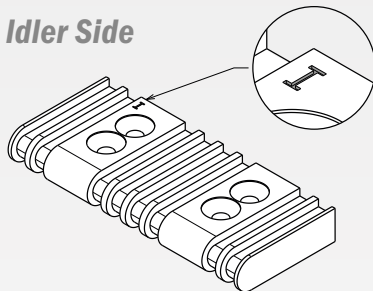
NoseBar for 530 PRO LBP

Article-Nr.	K (mm)
22865	76,2 (3')
22866	152,4 (6')

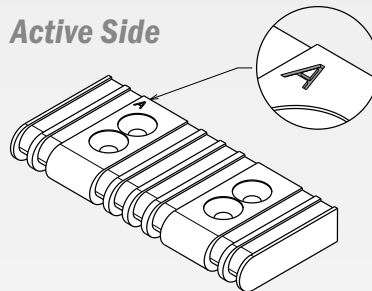


How to use Movex 530 Pro LBP double-face Nosebar

Idler Side

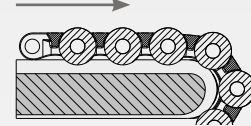


Active Side



Movex 530 Pro LBP Nosebars are special Nosebars, specific to optimize the characteristics of this particular belt. It can be installed in two different ways: **idler side** and **active side**, depending if you want to obtain the accumulation or acceleration effects of the goods. In both modalities the same Nosebar is used: it simply needs to be installed on one side rather than the other. One face of the Nosebar is set up for the accumulation function and the opposite one for the acceleration function.

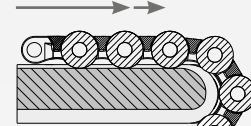
V = X



Idler System (sectional view)

The nosebar allows the belts rollers to remain raised above the surface, free to roll.

V = 2X

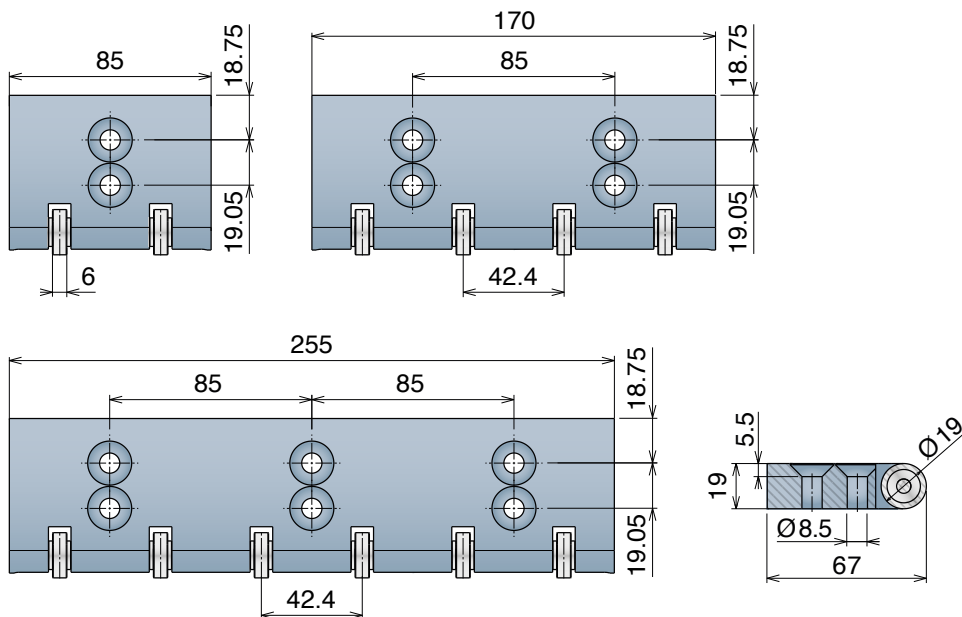


Active System (sectional view)

The nosebar allows the belt rollers to touch the surface, increasing the speed of the goods.

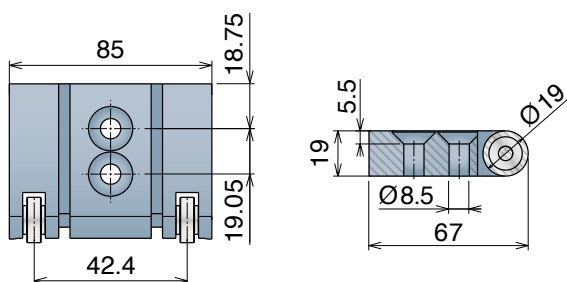
NoseBars with Bearings for 520/525 Series

Delivery: **Easy** Standard



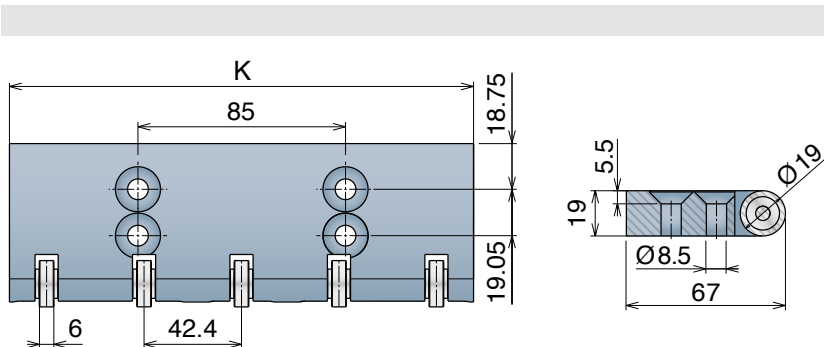
Article-Nr.	K (mm)
22811	85
22812	170
22813	255

Version B - With 1 Positioner | Version C - With 2 Positioners



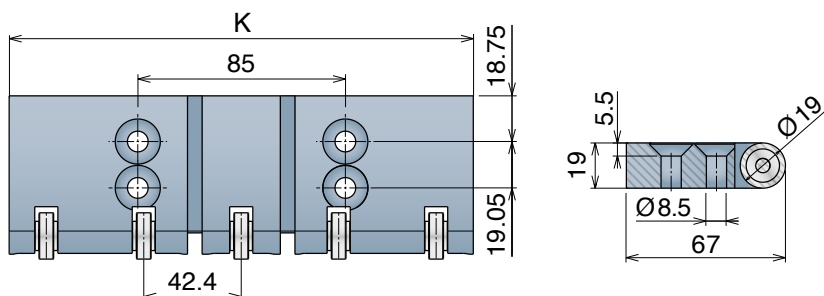
Article-Nr.	K (mm)
22817	85

NoseBars with Bearings for 521 Series



Article-Nr.	K (mm)
22848C	114,3 (4.5')
22842C	190,5 (7.5')

Version B - With 1 Positioner | Version C - With 2 Positioners



Article-Nr.	K (mm)
22838C	114,3 (4.5')
22845C	190,5 (7.5')

NoseBars with Bearings

NoseBars / NoseBars / NoseBars

Materiale / Material / Materialien:

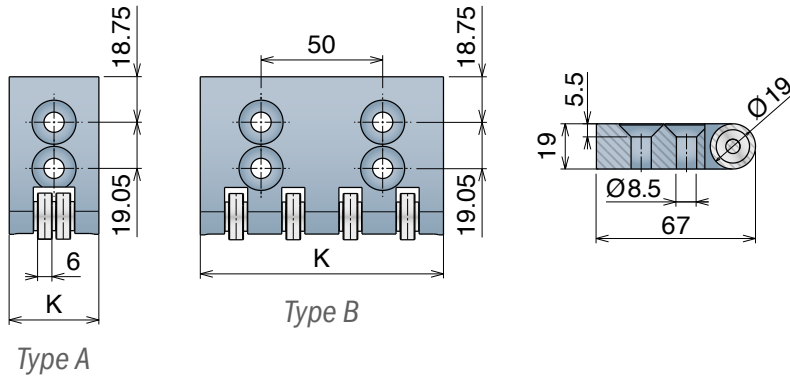
BluLub

Cuscinetti: Acciaio al cromo / Bearings:

Chrome steel / Lagereinsätze: Chrom-Stahl

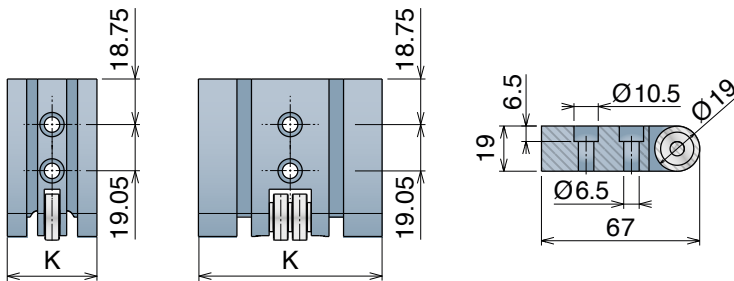
NoseBars with Bearings for 522 HD Series

Delivery: **Easy** Standard



Article-Nr.	K (mm)	Type
22850	29	A
22851	34	A
22852	37	A
22853	51 (2')	A
22861	76,2 (3')	A
22854	100	B

Version B - With 1 Positioner | Version C - With 2 Positioners

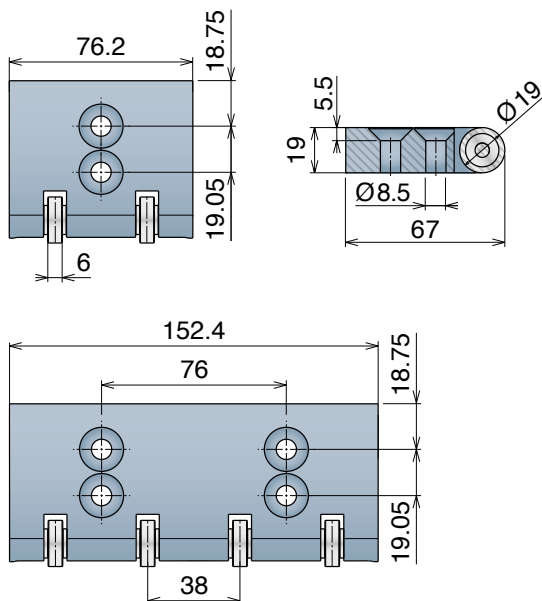


Article-Nr.	K (mm)
22850P	29
22851P	34
22852P	37
22853P	51 (2')
22861P	76,2 (3')

NoseBars with Bearings for 530 Series

(LBP version excluded)

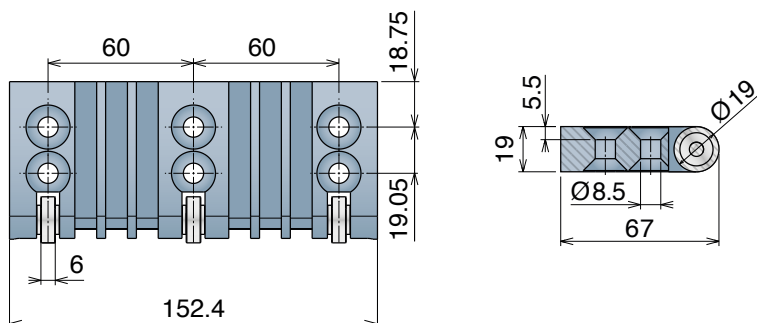
Delivery: **Easy** Standard



Article-Nr.	K (mm)
22861	76,2 (3')
22862	152,4 (6')

NoseBar with Bearings for 530 LBP

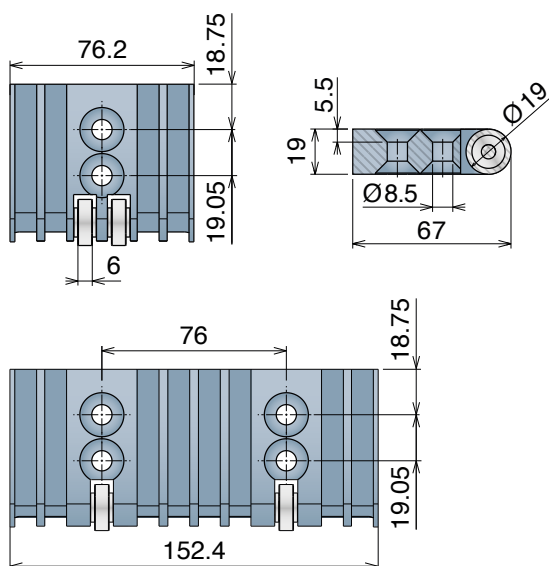
Article-Nr.	K (mm)
22868	152,4 (6')



NoseBars with Bearings for 530 PRO LBP

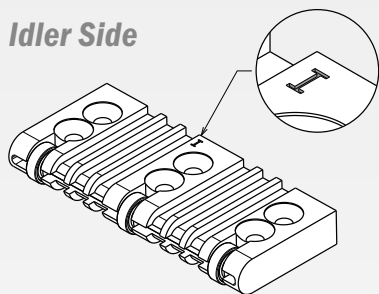
Delivery: **Easy** Standard

Article-Nr.	K (mm)
22863	76,2 (3')
22864	152,4 (6')

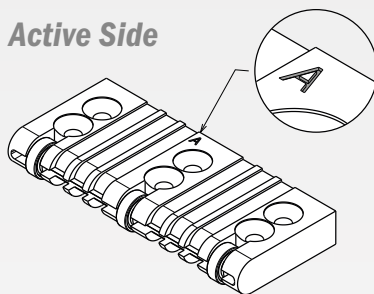


How to use Movex 530 LBP and Pro LBP double-face Nosebar

Idler Side

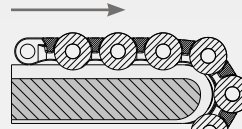


Active Side



Movex 530 LBP and Pro LBP Nosebars are special Nosebars, specific to optimize the characteristics of this particular belt. It can be installed in two different ways: **idler side** and **active side**, depending if you want to obtain the accumulation or acceleration effects of the goods. In both modalities the same Nosebar is used: it simply needs to be installed on one side rather than the other. One face of the Nosebar is set up for the accumulation function and the opposite one for the acceleration function.

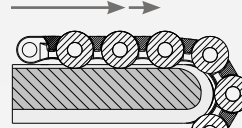
$$V = X$$



Idler System (sectional view)

The nosebar allows the belts rollers to remain raised above the surface, free to roll.

$$V = 2X$$



Active System (sectional view)

The nosebar allows the belt rollers to touch the surface, increasing the speed of the goods.

NoseBars with Rollers

NoseBars / NoseBars / NoseBars

Materiale / Material / Materialien:

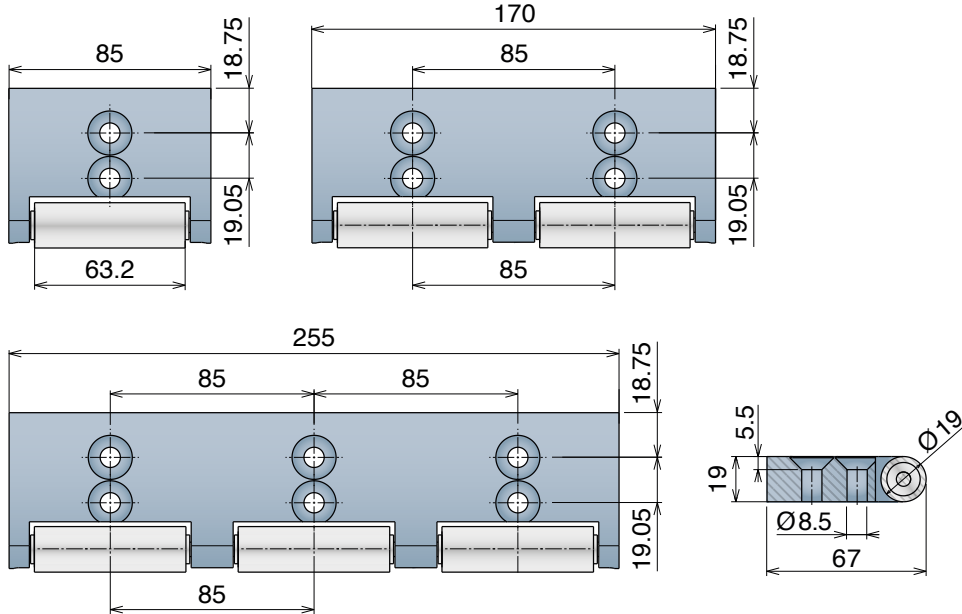
BluLub Cuscinetti: Acciaio al cromo / Bearings: Chrome steel / Lagereinsätze: Chrom-Stahl

Rulli: Acciaio inox / Rollers: Stainless steel / Rollen: Edelstahl

NoseBars with Rollers for 520/525 HD Series

Delivery: **Easy** Standard

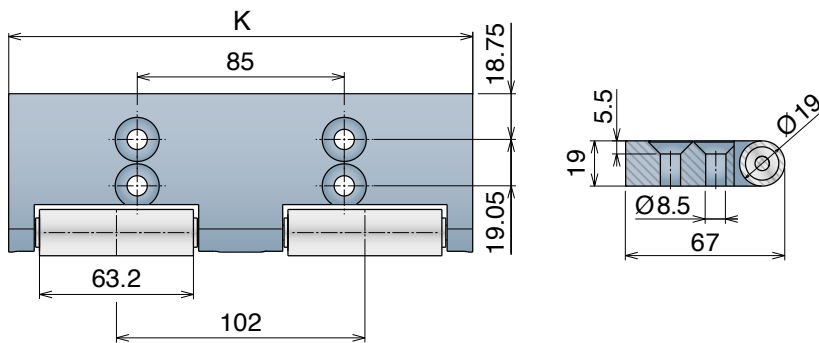
Article-Nr. K (mm)



22814	85
22815	170
22816	255

NoseBars with Rollers for 521 Series

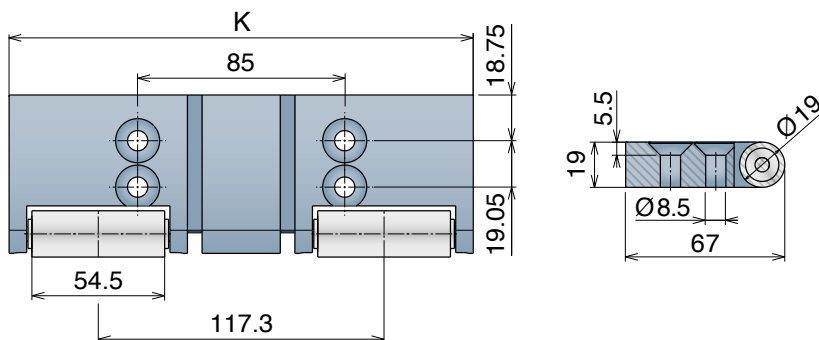
Article-Nr. K (mm)



22847B	114,3 (4.5')
22841B	190,5 (7.5')

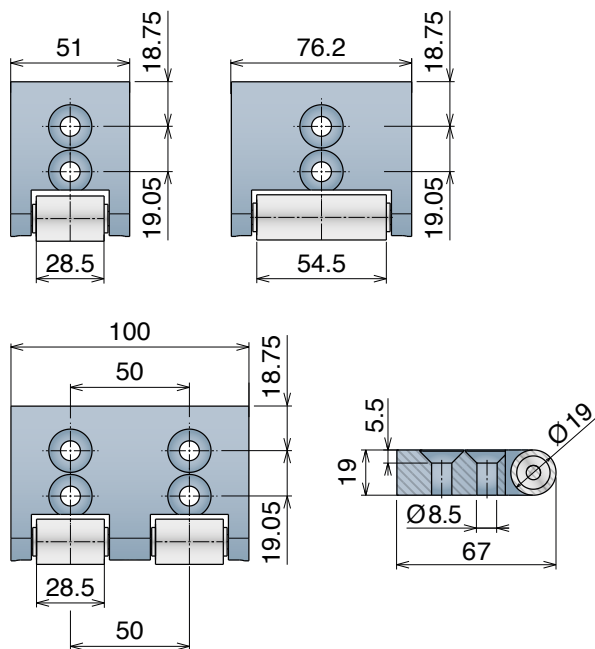
Version B - With 1 Positioner | Version C - With 2 Positioners

Article-Nr. K (mm)



22844B	190.5 (7.5')
--------	--------------

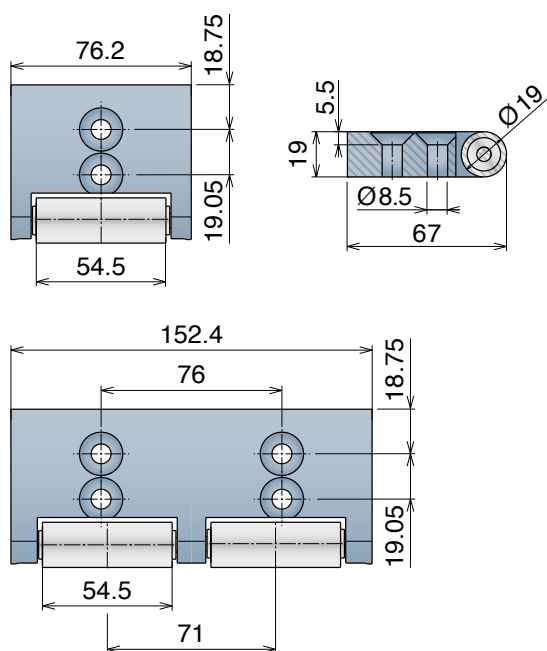
NoseBars with Rollers for 522 HD Series



Article-Nr.	K (mm)
22823B	51 (2')
22808B	76,2 (3')
22824B	100

NoseBars with Rollers for 530 Series

(LBP version excluded)



Article-Nr.	K (mm)
22808B	76,2 (3')
22809B	152,4 (6')

One piece Standard

RANGE EXTENSION

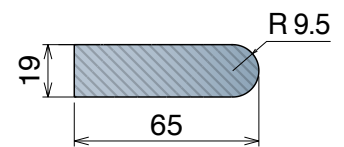
PATENTED

IDEAL FOR GENERAL APPLICATIONS

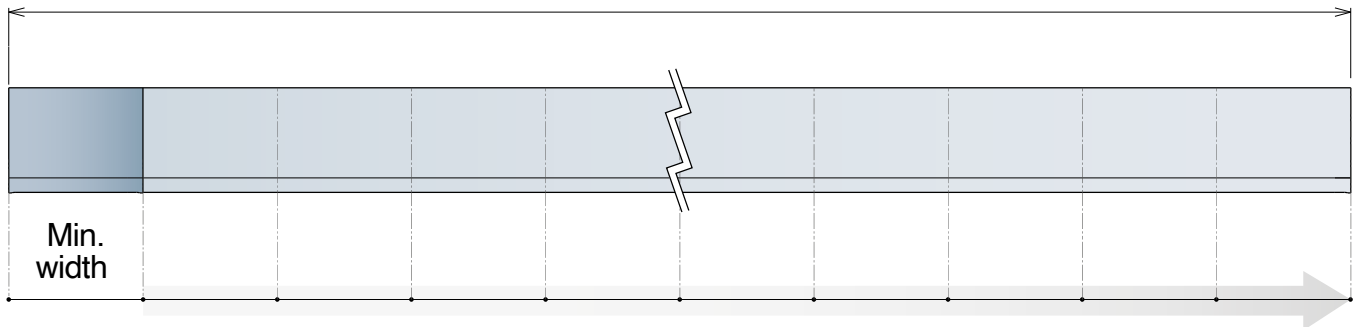
The custom made Movex Nosebars supplied in a single piece to perfectly match your needs.



One piece is a machined-to-width nosebar patented by Movex that greatly reduces the time necessary for the conveyor maintenance: being a single piece, of the required width, it is quick to install, easy to clean and offer a better level of hygiene.



Max width available = 1500 mm



520/525 Series

Min width:
85 mm

Article-Nr.	K (mm)
2280425	425
2280510	510
2280595	595
2280680	680
2280765	765
2280850	850

522 HD Series

Min width:
50 mm

Article-Nr.	K (mm)
2280200	200
2280250	250
2280300	300
2280350	350
2280400	400
2280450	450

530 Series

Min width:
3 inch

Article-Nr.	K (mm)
2280457	457,2
2280533	533,4
2280610	609,6
2280686	685,8
2280762	762
2280838	838,2

Available different widths and with holes on request.

Advantages:

- Single piece
- Improved strength
- Less fixing point
- Fast maintenance
- Hygienical concept
- Easy clean
- Easy to install
- Reduced friction

One piece with Bearings

RANGE EXTENSION

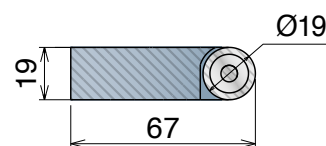
PATENTED

IDEAL FOR HIGH-SPEED APPLICATIONS

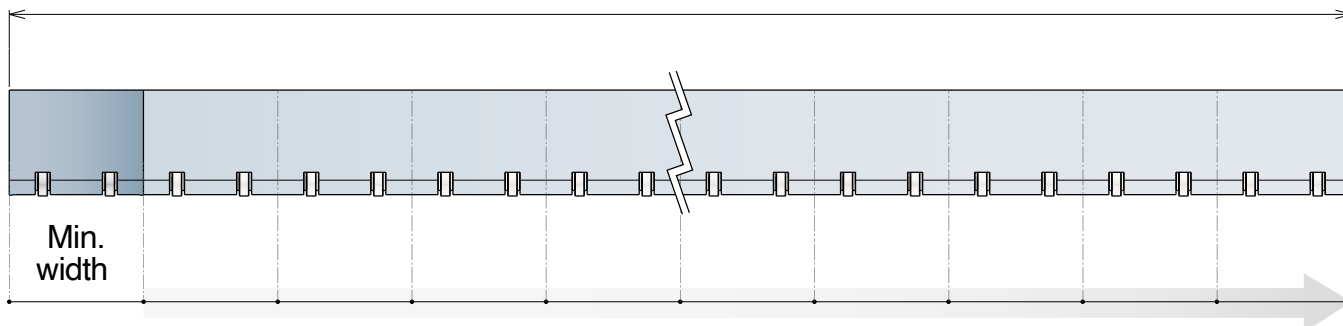
The custom made Movex Nosebars supplied in a single piece to perfectly match your needs.



One piece with Bearings is a machined-to-width nosebar patented by Movex that greatly reduces the time necessary for the conveyor maintenance: being a single piece with bearings, of the required width, it is quick to install, easy to clean, offers a better level of hygiene and is ideal for high-speed applications.



Max width available = 1500 mm



520/525 Series

Min width:
85 mm

Article-Nr.	K (mm)
2280425C	425
2280510C	510
2280595C	595
2280680C	680
2280765C	765
2280850C	850

522 HD Series

Min width:
50 mm

Article-Nr.	K (mm)
2280200C	200
2280250C	250
2280300C	300
2280350C	350
2280400C	400
2280450C	450

530 Series

Min width:
3 inch

Article-Nr.	K (mm)
2280457C	457,2
2280533C	533,4
2280610C	609,6
2280686C	685,8
2280762C	762
2280838C	838,2

Available different widths and with holes on request.

Advantages:

- Single piece
- Improved strength
- Less fixing point
- Fast maintenance
- Hygienical concept
- Easy clean
- Easy to install
- Reduced friction

One piece with Rollers

RANGE EXTENSION

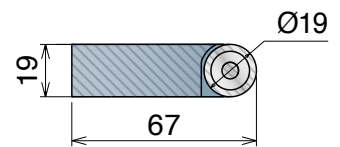
PATENTED

IDEAL FOR HIGH-LOAD APPLICATIONS

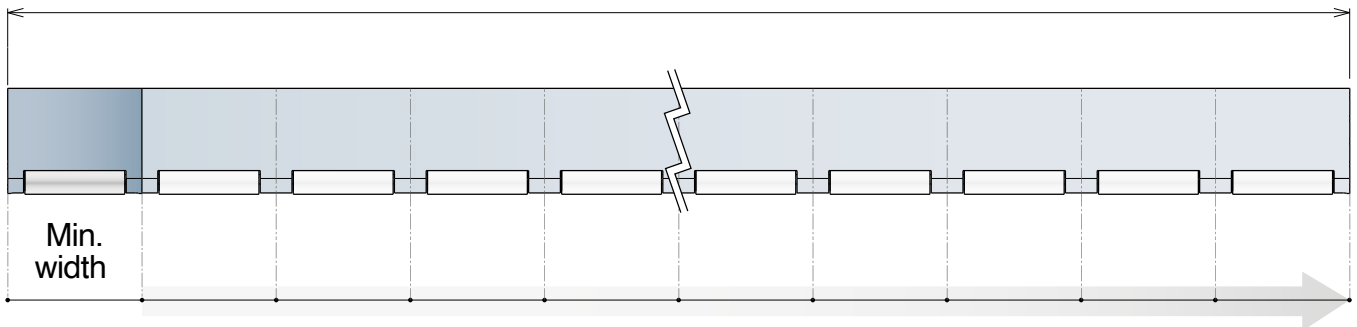
The custom made Movex Nosebars supplied in a single piece to perfectly match your needs.



One piece with Rollers and bearings is a machined-to-width nosebar patented by Movex that greatly reduces the time necessary for the conveyor maintenance: being a single piece with Rollers, of the required width, it is quick to install, easy to clean, offers a better level of hygiene and is ideal for heavy-load applications.



Max width available = 1500 mm



520/525 Series

Min width: 85 mm

Article-Nr.	K (mm)
2280425B	425
2280510B	510
2280595B	595
2280680B	680
2280765B	765
2280850B	850

522 HD Series

Min width: 50 mm

Article-Nr.	K (mm)
2280200B	200
2280250B	250
2280300B	300
2280350B	350
2280400B	400
2280450B	450

530 Series

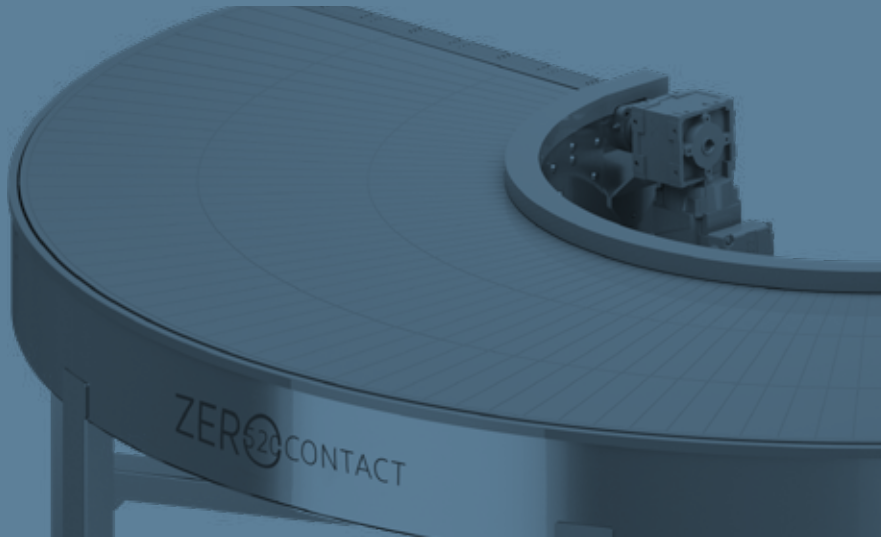
Min width: 3 inch

Article-Nr.	K (mm)
2280457B	457,2
2280533B	533,4
2280610B	609,6
2280686B	685,8
2280762B	762
2280838B	838,2

Available different widths and with holes on request.

Advantages:

- Single piece
- Improved strength
- Less fixing point
- Fast maintenance
- Hygienical concept
- Easy clean
- Easy to install
- Reduced friction



ZEROCONTACT
CURVE CONVEYOR

Page 320/321



ZEROCONTACT S
CURVE CONVEYOR

Page 322/323



ZEROCONTACT
FLAT EDGE
CURVE CONVEYOR

Page 324/325



ZEROCONTACT H
CURVE CONVEYOR

Page 326/327



ZEROCONTACT PRO
CURVE CONVEYOR

Page 328/329



ZEROCONTACT PRO
TWO TRACKS
VERSION
CURVE CONVEYOR

Page 330/331

Accessories



ZEROCONTACT
FLOOR SUPPORTS AND GEARMOTORS

Page 332/333



ZEROCONTACT 510 ATP
ACTIVE TRANSFER PLATE

Page 334/335



ZEROCONTACT PRO ATP
ACTIVE TRANSFER PLATE

Page 336 > 338

Accessories



553 SORTER+
MULTIDIRECTIONAL CONVEYOR

Page 339 > 344



553 SORTER+
FOR ALL VERSIONS AVAILABLE

Page 345/346

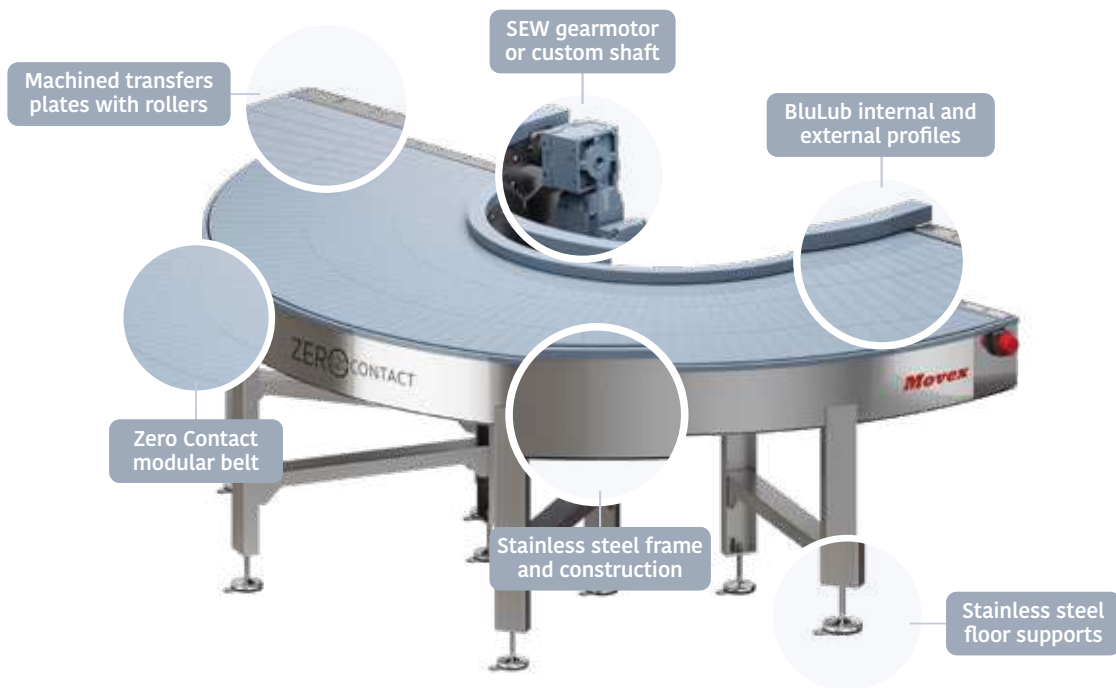


QUOTE MODULES
FOR ALL MODULAR SOLUTIONS

Page 347 > 352

ZERO CONTACT

CURVE CONVEYOR



Product use

Zero Contact™ curve conveyor is available in different widths with a closed-top surface capable of handling a variety of package sizes, types and configurations including delicate products and applications found on shrink wrappers.

Zero Contact™ is designed to be used for the transport of various sized parts, is suitable for food and beverage industry thanks to the FDA approval, and helps reducing energy consumption and improving the line efficiency. It can be easily connected to existing layout.



INNER RADIUS 600mm ÷ 2000mm

BELT WIDTH 200mm ÷ 1600mm

MATERIAL OF MODULES Acetal (POM)

COLOR OF MODULES Pigeon Blue (RAL 5014)

PINS PBT White

PIN LOCK Clips

FRAME Stainless steel

TEMPERATURE RANGE

Dry: -40°C÷80°C Wet: -40°C ÷65°C

(Dry:-40°F ÷ 176°F Wet: -40°F ÷ 149°F)

MAX. WORKING LOAD

13.500 N/m belt width

CURVE ANGLE 15° ÷ 360°

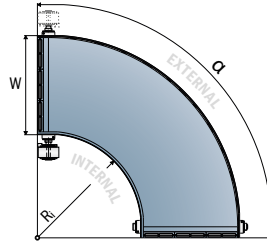
OPEN AREA 0%

Delivery: **Easy** Standard

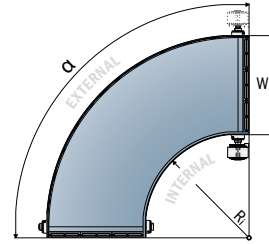
CURVES RANGE

Angle 90°

Left Version **CS**



CD Right Version



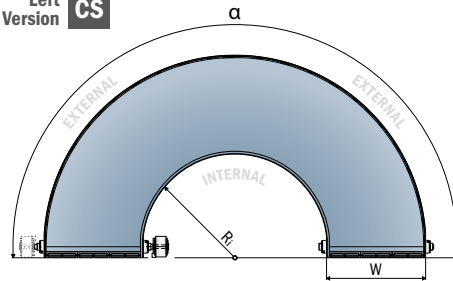
Width	Version	R _i 600mm	R _i 800mm	R _i 1000mm	R _i 1200mm	R _i 1400mm	R _i 1600mm	R _i 1800mm	R _i 2000mm
200mm	RIGHT	W02R06G090-CD	W02R08G090-CD	W02R10G090-CD	W02R12G090-CD	W02R14G090-CD	W02R16G090-CD	W02R18G090-CD	W02R20G090-CD
	LEFT	W02R06G090-CS	W02R08G090-CS	W02R10G090-CS	W02R12G090-CS	W02R14G090-CS	W02R16G090-CS	W02R18G090-CS	W02R20G090-CS
400mm	RIGHT	W04R06G090-CD	W04R08G090-CD	W04R10G090-CD	W04R12G090-CD	W04R14G090-CD	W04R16G090-CD	W04R18G090-CD	-
	LEFT	W04R06G090-CS	W04R08G090-CS	W04R10G090-CS	W04R12G090-CS	W04R14G090-CS	W04R16G090-CS	W04R18G090-CS	-
600mm	RIGHT	W06R06G090-CD	W06R08G090-CD	W06R10G090-CD	W06R12G090-CD	W06R14G090-CD	W06R16G090-CD	-	-
	LEFT	W06R06G090-CS	W06R08G090-CS	W06R10G090-CS	W06R12G090-CS	W06R14G090-CS	W06R16G090-CS	-	-
800mm	RIGHT	W08R06G090-CD	W08R08G090-CD	W08R10G090-CD	W08R12G090-CD	W08R14G090-CD	-	-	-
	LEFT	W08R06G090-CS	W08R08G090-CS	W08R10G090-CS	W08R12G090-CS	W08R14G090-CS	-	-	-
1000mm	RIGHT	W10R06G090-CD	W10R08G090-CD	W10R10G090-CD	W10R12G090-CD	-	-	-	-
	LEFT	W10R06G090-CS	W10R08G090-CS	W10R10G090-CS	W10R12G090-CS	-	-	-	-
1200mm	RIGHT	W12R06G090-CD	W12R08G090-CD	W12R10G090-CD	-	-	-	-	-
	LEFT	W12R06G090-CS	W12R08G090-CS	W12R10G090-CS	-	-	-	-	-
1400mm	RIGHT	W14R06G090-CD	W14R08G090-CD	-	-	-	-	-	-
	LEFT	W14R06G090-CS	W14R08G090-CS	-	-	-	-	-	-
1600mm	RIGHT	W16R06G090-CD	-	-	-	-	-	-	-
	LEFT	W16R06G090-CS	-	-	-	-	-	-	-

These codes mean complete curve, except floor supports and gearmotor, if you need to include them please see page 332/333.

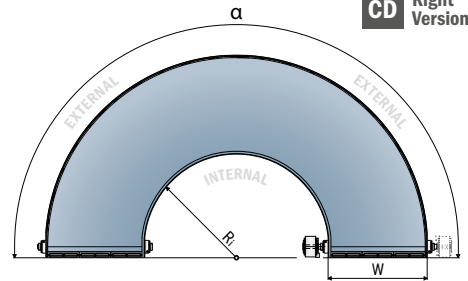
CURVES RANGE

Angle 180°

Left Version **CS**



CD Right Version

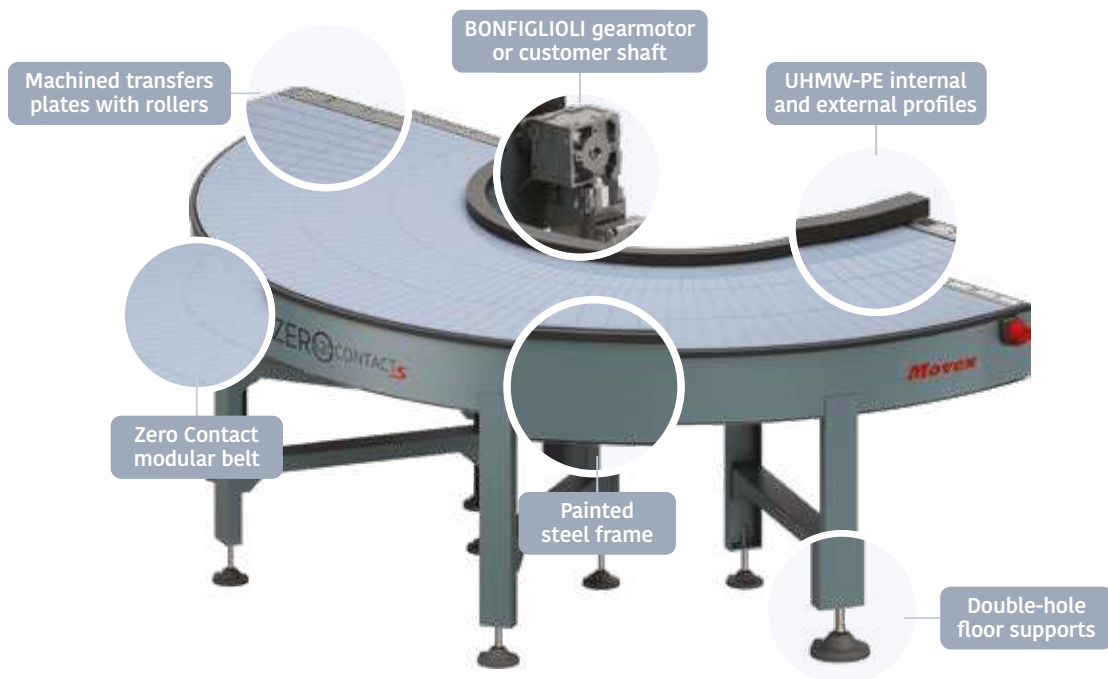


Width	Version	R _i 600mm	R _i 800mm	R _i 1000mm	R _i 1200mm	R _i 1400mm	R _i 1600mm	R _i 1800mm	R _i 2000mm
200mm	RIGHT	W02R06G180-CD	W02R08G180-CD	W02R10G180-CD	W02R12G180-CD	W02R14G180-CD	W02R16G180-CD	W02R18G180-CD	W02R20G180-CD
	LEFT	W02R06G180-CS	W02R08G180-CS	W02R10G180-CS	W02R12G180-CS	W02R14G180-CS	W02R16G180-CS	W02R18G180-CS	W02R20G180-CS
400mm	RIGHT	W04R06G180-CD	W04R08G180-CD	W04R10G180-CD	W04R12G180-CD	W04R14G180-CD	W04R16G180-CD	W04R18G180-CD	-
	LEFT	W04R06G180-CS	W04R08G180-CS	W04R10G180-CS	W04R12G180-CS	W04R14G180-CS	W04R16G180-CS	W04R18G180-CS	-
600mm	RIGHT	W06R06G180-CD	W06R08G180-CD	W06R10G180-CD	W06R12G180-CD	W06R14G180-CD	W06R16G180-CD	-	-
	LEFT	W06R06G180-CS	W06R08G180-CS	W06R10G180-CS	W06R12G180-CS	W06R14G180-CS	W06R16G180-CS	-	-
800mm	RIGHT	W08R06G180-CD	W08R08G180-CD	W08R10G180-CD	W08R12G180-CD	W08R14G180-CD	-	-	-
	LEFT	W08R06G180-CS	W08R08G180-CS	W08R10G180-CS	W08R12G180-CS	W08R14G180-CS	-	-	-
1000mm	RIGHT	W10R06G180-CD	W10R08G180-CD	W10R10G180-CD	W10R12G180-CD	-	-	-	-
	LEFT	W10R06G180-CS	W10R08G180-CS	W10R10G180-CS	W10R12G180-CS	-	-	-	-
1200mm	RIGHT	W12R06G180-CD	W12R08G180-CD	W12R10G180-CD	-	-	-	-	-
	LEFT	W12R06G180-CS	W12R08G180-CS	W12R10G180-CS	-	-	-	-	-
1400mm	RIGHT	W14R06G180-CD	W14R08G180-CD	-	-	-	-	-	-
	LEFT	W14R06G180-CS	W14R08G180-CS	-	-	-	-	-	-
1600mm	RIGHT	W16R06G180-CD	-	-	-	-	-	-	-
	LEFT	W16R06G180-CS	-	-	-	-	-	-	-

These codes mean complete curve, except floor supports and gearmotor, if you need to include them please see page 332/333.

ZERO⁵²⁰CONTACT^S

CURVE CONVEYOR



Product use

Zero Contact™ S is ideal for logistic / handling and distribution centers as well as can also be adopted for all types of product transportation, like wood or ceramic applications, dry conditions. Painted steel frames can be customized with every type of color.

Zero Contact™ S can be quickly installed into existing layout and fixed to the floor thanks to the leveling feet with double-floor fixation.



INNER RADIUS 600mm ÷ 2000mm

BELT WIDTH 200mm ÷ 1600mm

MATERIAL OF MODULES Acetal (POM)

COLOR OF MODULES Pigeon Blue (RAL 5014)

PINS PBT White

PIN LOCK Clips

FRAME Painted steel RAL 7031 or custom

TEMPERATURE RANGE

Dry: -40°C÷80°C Wet: n.a.

(Dry:-40°F ÷ 176°F Wet: n.a.)

MAX. WORKING LOAD

13.500 N/m belt width

CURVE ANGLE 15° ÷ 360°

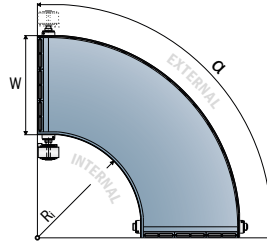
OPEN AREA 0%

Delivery: **Easy** Standard

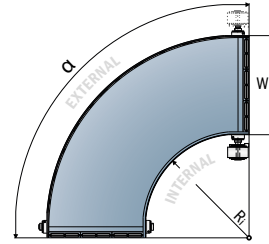
CURVES RANGE

Angle 90°

Left Version **CS**



CD Right Version



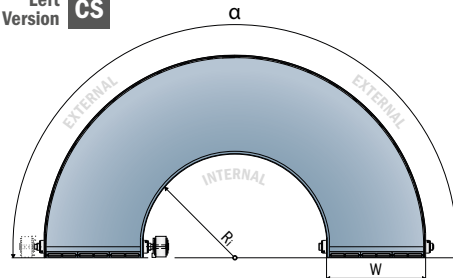
Width	Version	R, 600mm	R, 800mm	R, 1000mm	R, 1200mm	R, 1400mm	R, 1600mm	R, 1800mm	R, 2000mm
200mm	RIGHT	W02R06G090-CDS	W02R08G090-CDS	W02R10G090-CDS	W02R12G090-CDS	W02R14G090-CDS	W02R16G090-CDS	W02R18G090-CDS	W02R20G090-CDS
	LEFT	W02R06G090-CSS	W02R08G090-CSS	W02R10G090-CSS	W02R12G090-CSS	W02R14G090-CSS	W02R16G090-CSS	W02R18G090-CSS	W02R20G090-CSS
400mm	RIGHT	W04R06G090-CDS	W04R08G090-CDS	W04R10G090-CDS	W04R12G090-CDS	W04R14G090-CDS	W04R16G090-CDS	W04R18G090-CDS	-
	LEFT	W04R06G090-CSS	W04R08G090-CSS	W04R10G090-CSS	W04R12G090-CSS	W04R14G090-CSS	W04R16G090-CSS	W04R18G090-CSS	-
600mm	RIGHT	W06R06G090-CDS	W06R08G090-CDS	W06R10G090-CDS	W06R12G090-CDS	W06R14G090-CDS	W06R16G090-CDS	-	-
	LEFT	W06R06G090-CSS	W06R08G090-CSS	W06R10G090-CSS	W06R12G090-CSS	W06R14G090-CSS	W06R16G090-CSS	-	-
800mm	RIGHT	W08R06G090-CDS	W08R08G090-CDS	W08R10G090-CDS	W08R12G090-CDS	W08R14G090-CDS	-	-	-
	LEFT	W08R06G090-CSS	W08R08G090-CSS	W08R10G090-CSS	W08R12G090-CSS	W08R14G090-CSS	-	-	-
1000mm	RIGHT	W10R06G090-CDS	W10R08G090-CDS	W10R10G090-CDS	W10R12G090-CDS	-	-	-	-
	LEFT	W10R06G090-CSS	W10R08G090-CSS	W10R10G090-CSS	W10R12G090-CSS	-	-	-	-
1200mm	RIGHT	W12R06G090-CDS	W12R08G090-CDS	W12R10G090-CDS	-	-	-	-	-
	LEFT	W12R06G090-CSS	W12R08G090-CSS	W12R10G090-CSS	-	-	-	-	-
1400mm	RIGHT	W14R06G090-CDS	W14R08G090-CDS	-	-	-	-	-	-
	LEFT	W14R06G090-CSS	W14R08G090-CSS	-	-	-	-	-	-
1600mm	RIGHT	W16R06G090-CDS	-	-	-	-	-	-	-
	LEFT	W16R06G090-CSS	-	-	-	-	-	-	-

These codes mean complete curve, except floor supports and gearmotor, if you need to include them please see page 332/333.

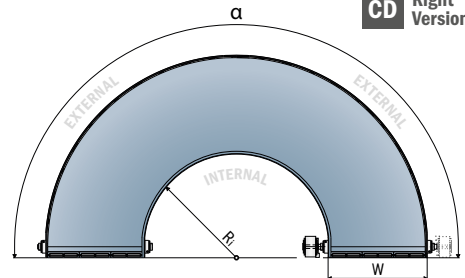
CURVES RANGE

Angle 180°

Left Version **CS**



CD Right Version



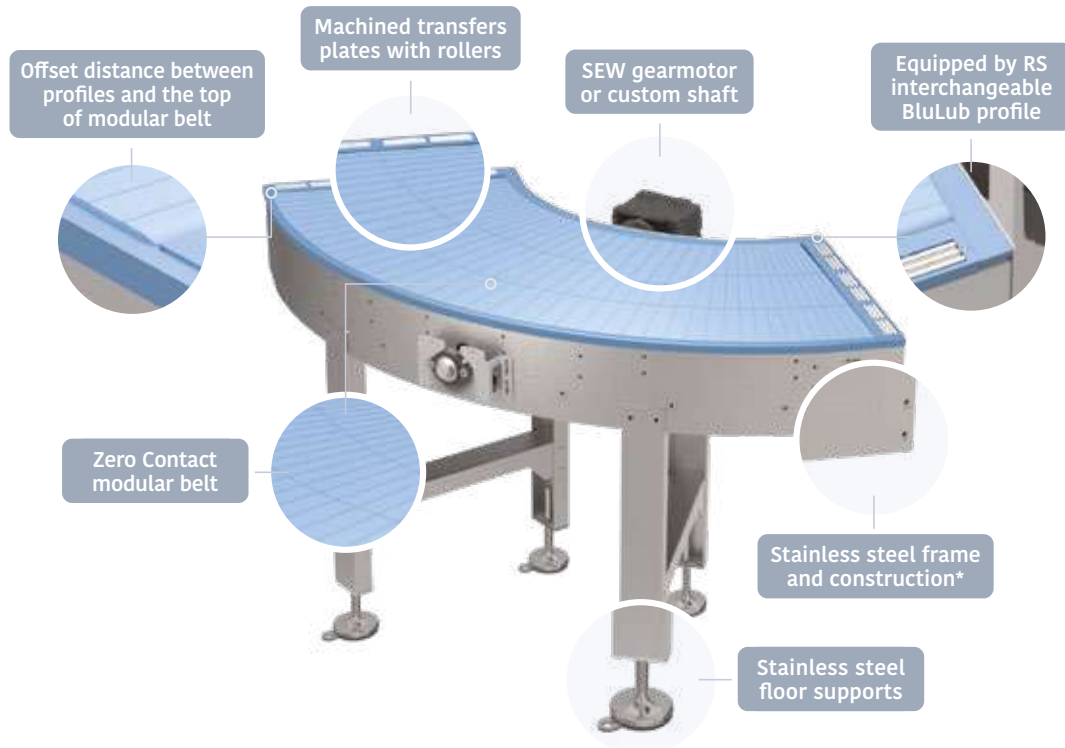
Width	Version	R, 600mm	R, 800mm	R, 1000mm	R, 1200mm	R, 1400mm	R, 1600mm	R, 1800mm	R, 2000mm
200mm	RIGHT	W02R06G180-CDS	W02R08G180-CDS	W02R10G180-CDS	W02R12G180-CDS	W02R14G180-CDS	W02R16G180-CDS	W02R18G180-CDS	W02R20G180-CDS
	LEFT	W02R06G180-CSS	W02R08G180-CSS	W02R10G180-CSS	W02R12G180-CSS	W02R14G180-CSS	W02R16G180-CSS	W02R18G180-CSS	W02R20G180-CSS
400mm	RIGHT	W04R06G180-CDS	W04R08G180-CDS	W04R10G180-CDS	W04R12G180-CDS	W04R14G180-CDS	W04R16G180-CDS	W04R18G180-CDS	-
	LEFT	W04R06G180-CSS	W04R08G180-CSS	W04R10G180-CSS	W04R12G180-CSS	W04R14G180-CSS	W04R16G180-CSS	W04R18G180-CSS	-
600mm	RIGHT	W06R06G180-CDS	W06R08G180-CDS	W06R10G180-CDS	W06R12G180-CDS	W06R14G180-CDS	W06R16G180-CDS	-	-
	LEFT	W06R06G180-CSS	W06R08G180-CSS	W06R10G180-CSS	W06R12G180-CSS	W06R14G180-CSS	W06R16G180-CSS	-	-
800mm	RIGHT	W08R06G180-CDS	W08R08G180-CDS	W08R10G180-CDS	W08R12G180-CDS	W08R14G180-CDS	-	-	-
	LEFT	W08R06G180-CSS	W08R08G180-CSS	W08R10G180-CSS	W08R12G180-CSS	W08R14G180-CSS	-	-	-
1000mm	RIGHT	W10R06G180-CDS	W10R08G180-CDS	W10R10G180-CDS	W10R12G180-CDS	-	-	-	-
	LEFT	W10R06G180-CSS	W10R08G180-CSS	W10R10G180-CSS	W10R12G180-CSS	-	-	-	-
1200mm	RIGHT	W12R06G180-CDS	W12R08G180-CDS	W12R10G180-CDS	-	-	-	-	-
	LEFT	W12R06G180-CSS	W12R08G180-CSS	W12R10G180-CSS	-	-	-	-	-
1400mm	RIGHT	W14R06G180-CDS	W14R08G180-CDS	-	-	-	-	-	-
	LEFT	W14R06G180-CSS	W14R08G180-CSS	-	-	-	-	-	-
1600mm	RIGHT	W16R06G180-CDS	-	-	-	-	-	-	-
	LEFT	W16R06G180-CSS	-	-	-	-	-	-	-

These codes mean complete curve, except floor supports and gearmotor, if you need to include them please see page 332/333.

NEW

ZERO CONTACT

CURVE CONVEYOR

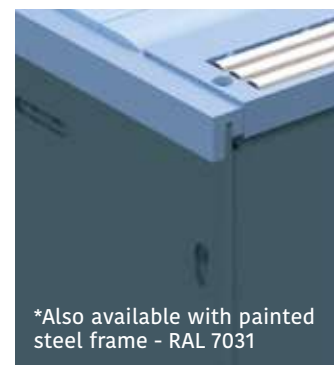


Product use

Zero Contact™ Flat Edge is the advanced curve conveyor system designed for versatility and efficiency. With a reduced offset distance between profiles and the top of the modular belt, it handles wide packages with ease and accuracy. Its bidirectional design and central drive ensure quick direction changes, while its energy-efficient operation reduces costs and environmental impact.

Zero Contact™ Flat Edge optimizes line efficiency and minimizes downtime, also for corrugated and wood industries.

Bi-Directional



*Also available with painted steel frame - RAL 7031

INNER RADIUS 600mm ÷ 2000mm

BELT WIDTH 200mm ÷ 1600mm

MATERIAL OF MODULES Acetal (POM)

COLOR OF MODULES Pigeon Blue (RAL 5014)

PINS PBT White

PIN LOCK Clips

FRAME Stainless steel

TEMPERATURE RANGE

Dry: -40°C ÷ 80°C Wet: -40°C ÷ 65°C

(Dry: -40°F ÷ 176°F Wet: -40°F ÷ 149°F)

MAX. WORKING LOAD

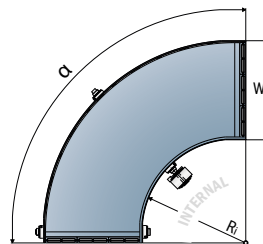
13.500 N/m belt width

CURVE ANGLE 90°/180° (different on request)

OPEN AREA 0%

CURVES RANGE

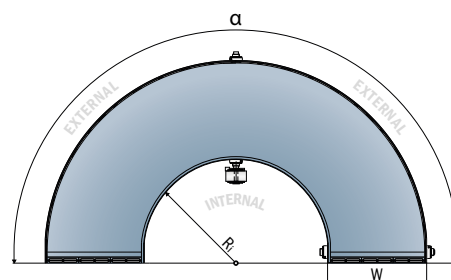
Angle 90°



Width	Version	R, 600mm	R, 800mm	R, 1000mm	R, 1200mm	R, 1400mm	R, 1600mm	R, 1800mm	R, 2000mm
200mm	BI-DIRECTIONAL	W02R06G090-CP	W02R08G090-CP	W02R10G090-CP	W02R12G090-CP	W02R14G090-CP	W02R16G090-CP	W02R18G090-CP	W02R20G090-CP
400mm	BI-DIRECTIONAL	W04R06G090-CP	W04R08G090-CP	W04R10G090-CP	W04R12G090-CP	W04R14G090-CP	W04R16G090-CP	W04R18G090-CP	-
600mm	BI-DIRECTIONAL	W06R06G090-CP	W06R08G090-CP	W06R10G090-CP	W06R12G090-CP	W06R14G090-CP	W06R16G090-CP	-	-
800mm	BI-DIRECTIONAL	W08R06G090-CP	W08R08G090-CP	W08R10G090-CP	W08R12G090-CP	W08R14G090-CP	-	-	-
1000mm	BI-DIRECTIONAL	W10R06G090-CP	W10R08G090-CP	W10R10G090-CP	W10R12G090-CP	-	-	-	-
1200mm	BI-DIRECTIONAL	W12R06G090-CP	W12R08G090-CP	W12R10G090-CP	-	-	-	These codes mean complete curve, except floor supports and gearmotor, if you need to include them please see page 332/333.	
1400mm	BI-DIRECTIONAL	W14R06G090-CP	W14R08G090-CP	-	-	-	-		
1600mm	BI-DIRECTIONAL	W16R06G090-CP	-	-	-	-	-		

CURVES RANGE

Angle 180°

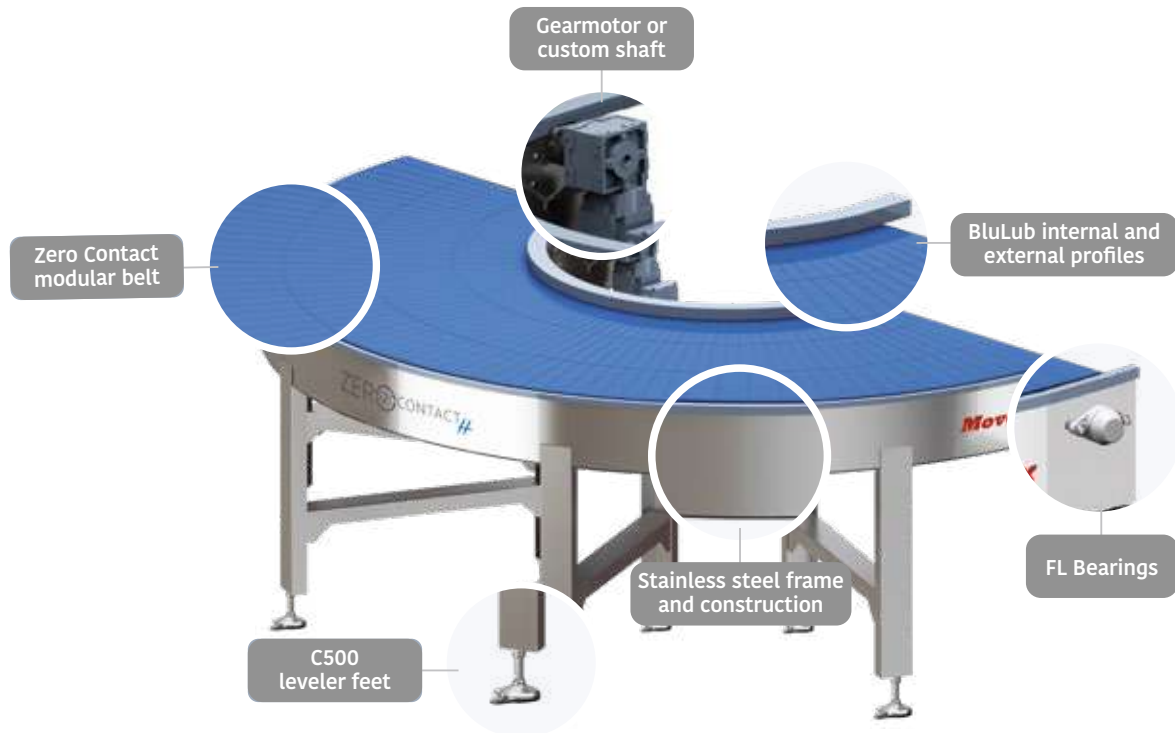


Width	Version	R, 600mm	R, 800mm	R, 1000mm	R, 1200mm	R, 1400mm	R, 1600mm	R, 1800mm	R, 2000mm
200mm	BI-DIRECTIONAL	W02R06G180-CP	W02R08G180-CP	W02R10G180-CP	W02R12G180-CP	W02R14G180-CP	W02R16G180-CP	W02R18G180-CP	W02R20G180-CP
400mm	BI-DIRECTIONAL	W04R06G180-CP	W04R08G180-CP	W04R10G180-CP	W04R12G180-CP	W04R14G180-CP	W04R16G180-CP	W04R18G180-CP	-
600mm	BI-DIRECTIONAL	W06R06G180-CP	W06R08G180-CP	W06R10G180-CP	W06R12G180-CP	W06R14G180-CP	W06R16G180-CP	-	-
800mm	BI-DIRECTIONAL	W08R06G180-CP	W08R08G180-CP	W08R10G180-CP	W08R12G180-CP	W08R14G180-CP	-	-	-
1000mm	BI-DIRECTIONAL	W10R06G180-CP	W10R08G180-CP	W10R10G180-CP	W10R12G180-CP	-	-	-	-
1200mm	BI-DIRECTIONAL	W12R06G180-CP	W12R08G180-CP	W12R10G180-CP	-	-	-	These codes mean complete curve, except floor supports and gearmotor, if you need to include them please see page 332/333.	
1400mm	BI-DIRECTIONAL	W14R06G180-CP	W14R08G180-CP	-	-	-	-		
1600mm	BI-DIRECTIONAL	W16R06G180-CP	-	-	-	-	-		

NEW

ZERO CONTACT

CURVE CONVEYOR



Product use

Specifically designed for industrial environments with critical hygienic level, Movex® Zero Contact™ Hygienic is the perfect solutions for dairy, food, chemical and pharmaceutical industries, subjected to daily washing cycles.

Movex® Zero Contact™ modular belt is approved for direct food contact by FDA. Any bulk food product can stay on the modular belt without contamination. With reference to the foodstuff categories detailed by Reg. (EU) No. 10/2011.



INNER RADIUS 600mm ÷ 2000mm

BELT WIDTH 200mm ÷ 1600mm

MATERIAL OF MODULES Acetal (POM)

COLOR OF MODULES LFB (Blue)

PINS PBT White

PIN LOCK Clips

FRAME Stainless steel

TEMPERATURE RANGE

Dry: -40°C÷80°C Wet: -40°C ÷65°C

(Dry:-40°F ÷ 176°F Wet: -40°F ÷ 149°F)

MAX. WORKING LOAD

13.500 N/m belt width

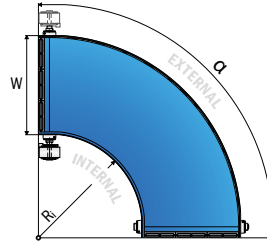
CURVE ANGLE 90° ÷ 180° (different on request)

OPEN AREA 0%

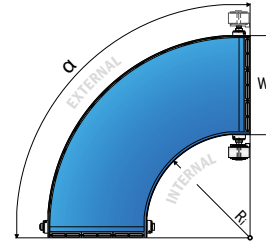
CURVES RANGE

Angle 90°

Left Version **CS**



CD Right Version



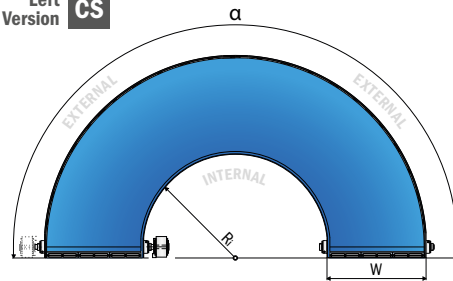
Width	Version	R, 600mm	R, 800mm	R, 1000mm	R, 1200mm	R, 1400mm	R, 1600mm	R, 1800mm	R, 2000mm
200mm	RIGHT	W02R06G090-CDH	W02R08G090-CDH	W02R10G090-CDH	W02R12G090-CDH	W02R14G090-CDH	W02R16G090-CDH	W02R18G090-CDH	W02R20G090-CDH
	LEFT	W02R06G090-CSH	W02R08G090-CSH	W02R10G090-CSH	W02R12G090-CSH	W02R14G090-CSH	W02R16G090-CSH	W02R18G090-CSH	W02R20G090-CSH
400mm	RIGHT	W04R06G090-CDH	W04R08G090-CDH	W04R10G090-CDH	W04R12G090-CDH	W04R14G090-CDH	W04R16G090-CDH	W04R18G090-CDH	-
	LEFT	W04R06G090-CSH	W04R08G090-CSH	W04R10G090-CSH	W04R12G090-CSH	W04R14G090-CSH	W04R16G090-CSH	W04R18G090-CSH	-
600mm	RIGHT	W06R06G090-CDH	W06R08G090-CDH	W06R10G090-CDH	W06R12G090-CDH	W06R14G090-CDH	W06R16G090-CDH	-	-
	LEFT	W06R06G090-CSH	W06R08G090-CSH	W06R10G090-CSH	W06R12G090-CSH	W06R14G090-CSH	W06R16G090-CSH	-	-
800mm	RIGHT	W08R06G090-CDH	W08R08G090-CDH	W08R10G090-CDH	W08R12G090-CDH	W08R14G090-CDH	-	-	-
	LEFT	W08R06G090-CSH	W08R08G090-CSH	W08R10G090-CSH	W08R12G090-CSH	W08R14G090-CSH	-	-	-
1000mm	RIGHT	W10R06G090-CDH	W10R08G090-CDH	W10R10G090-CDH	W10R12G090-CDH	-	-	-	-
	LEFT	W10R06G090-CSH	W10R08G090-CSH	W10R10G090-CSH	W10R12G090-CSH	-	-	-	-
1200mm	RIGHT	W12R06G090-CDH	W12R08G090-CDH	W12R10G090-CDH	-	-	-	-	-
	LEFT	W12R06G090-CSH	W12R08G090-CSH	W12R10G090-CSH	-	-	-	-	-
1400mm	RIGHT	W14R06G090-CDH	W14R08G090-CDH	-	-	-	-	-	-
	LEFT	W14R06G090-CSH	W14R08G090-CSH	-	-	-	-	-	-
1600mm	RIGHT	W16R06G090-CDH	-	-	-	-	-	-	-
	LEFT	W16R06G090-CSH	-	-	-	-	-	-	-

These codes mean complete curve, except floor supports and gearmotor, if you need to include them please see page 332/333.

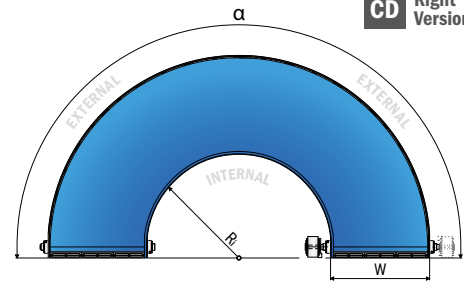
CURVES RANGE

Angle 180°

Left Version **CS**



CD Right Version

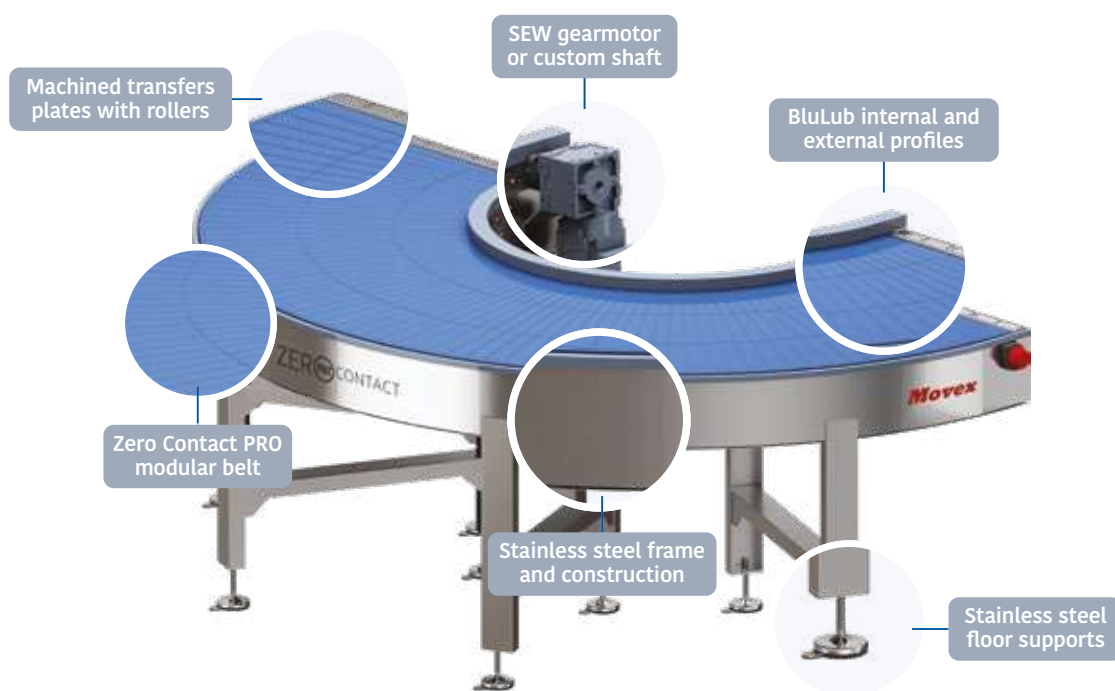


Width	Version	R, 600mm	R, 800mm	R, 1000mm	R, 1200mm	R, 1400mm	R, 1600mm	R, 1800mm	R, 2000mm
200mm	RIGHT	W02R06G180-CDH	W02R08G180-CDH	W02R10G180-CDH	W02R12G180-CDH	W02R14G180-CDH	W02R16G180-CDH	W02R18G180-CDH	W02R20G180-CDH
	LEFT	W02R06G180-CSH	W02R08G180-CSH	W02R10G180-CSH	W02R12G180-CSH	W02R14G180-CSH	W02R16G180-CSH	W02R18G180-CSH	W02R20G180-CSH
400mm	RIGHT	W04R06G180-CDH	W04R08G180-CDH	W04R10G180-CDH	W04R12G180-CDH	W04R14G180-CDH	W04R16G180-CDH	W04R18G180-CDH	-
	LEFT	W04R06G180-CSH	W04R08G180-CSH	W04R10G180-CSH	W04R12G180-CSH	W04R14G180-CSH	W04R16G180-CSH	W04R18G180-CSH	-
600mm	RIGHT	W06R06G180-CDH	W06R08G180-CDH	W06R10G180-CDH	W06R12G180-CDH	W06R14G180-CDH	W06R16G180-CDH	-	-
	LEFT	W06R06G180-CSH	W06R08G180-CSH	W06R10G180-CSH	W06R12G180-CSH	W06R14G180-CSH	W06R16G180-CSH	-	-
800mm	RIGHT	W08R06G180-CDH	W08R08G180-CDH	W08R10G180-CDH	W08R12G180-CDH	W08R14G180-CDH	-	-	-
	LEFT	W08R06G180-CSH	W08R08G180-CSH	W08R10G180-CSH	W08R12G180-CSH	W08R14G180-CSH	-	-	-
1000mm	RIGHT	W10R06G180-CDH	W10R08G180-CDH	W10R10G180-CDH	W10R12G180-CDH	-	-	-	-
	LEFT	W10R06G180-CSH	W10R08G180-CSH	W10R10G180-CSH	W10R12G180-CSH	-	-	-	-
1200mm	RIGHT	W12R06G180-CDH	W12R08G180-CDH	W12R10G180-CDH	-	-	-	-	-
	LEFT	W12R06G180-CSH	W12R08G180-CSH	W12R10G180-CSH	-	-	-	-	-
1400mm	RIGHT	W14R06G180-CDH	W14R08G180-CDH	-	-	-	-	-	-
	LEFT	W14R06G180-CSH	W14R08G180-CSH	-	-	-	-	-	-
1600mm	RIGHT	W16R06G180-CDH	-	-	-	-	-	-	-
	LEFT	W16R06G180-CSH	-	-	-	-	-	-	-

These codes mean complete curve, except floor supports and gearmotor, if you need to include them please see page 332/333.

ZERO CONTACT

CURVE CONVEYOR



Product use

Zero Contact™ PRO is the right choice for heavy duty applications with high abrasive conditions, like sand, salt as well as production of tiles, bricks and cement production or applications where speeds and loads result very high.

Zero Contact™ PRO is designed with different dimension and features, so to guarantee higher performance for hostile environments:



The belt in Polyamide glass fiber reinforced, more resistant to high wear conditions



The rods in stainless steel and fixed by using grub screws guarantee high loads



INNER RADIUS 586mm ÷ 1541mm

BELT WIDTH 249mm ÷ 1034mm

MATERIAL OF MODULES Polyamide glass fiber reinforced (PA)

COLOR OF MODULES Dark Pigeon Blue (RAL 5017)

PINS Stainless steel

PIN LOCK Stainless steel grub screws

FRAME Stainless steel

TEMPERATURE RANGE

Dry: -30°C ÷ 100°C Wet: n.a.
(Dry: -22°F ÷ 212°F Wet: n.a.)

MAX. WORKING LOAD

19.000 N/m belt width

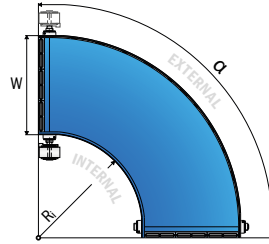
CURVE ANGLE 15° ÷ 360°

OPEN AREA 0%

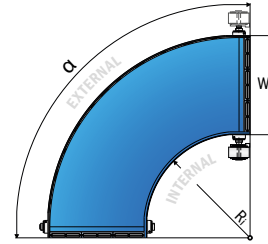
CURVES RANGE

Angle 90°

Left Version **CS**



CD Right Version



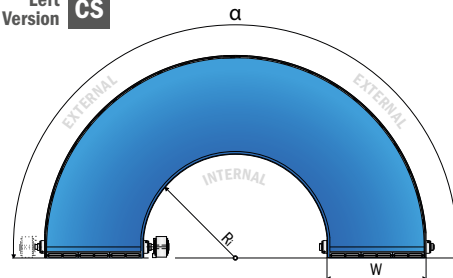
Width	Version	R _i 586mm	R _i 756mm	R _i 1011mm	R _i 1031mm	R _i 1116mm	R _i 1201mm	R _i 1286mm	R _i 1456mm	R _i 1541mm
249mm	RIGHT	-	-	-	W91R94G090-CD	-	-	W91R97G090-CD	-	-
	LEFT	-	-	-	W91R94G090-CS	-	-	W91R97G090-CS	-	-
269mm	RIGHT	-	W92R92G090-CD	W92R93G090-CD	-	-	-	-	-	-
	LEFT	-	W92R92G090-CS	W92R93G090-CS	-	-	-	-	-	-
419mm	RIGHT	-	-	-	W93R94G090-CD	-	W93R96G090-CD	-	W93R98G090-CD	-
	LEFT	-	-	-	W93R94G090-CS	-	W93R96G090-CS	-	W93R98G090-CS	-
439mm	RIGHT	W94R91G090-CD	W94R92G090-CD	W94R93G090-CD	-	-	-	-	-	-
	LEFT	W94R91G090-CS	W94R92G090-CS	W94R93G090-CS	-	-	-	-	-	-
504mm	RIGHT	-	-	-	-	W95R95G090-CD	-	W95R97G090-CD	-	W95R99G090-CD
	LEFT	-	-	-	-	W95R95G090-CS	-	W95R97G090-CS	-	W95R99G090-CS
524mm	RIGHT	W96R91G090-CD	W96R92G090-CD	W96R93G090-CD	-	-	-	-	-	-
	LEFT	W96R91G090-CS	W96R92G090-CS	W96R93G090-CS	-	-	-	-	-	-
864mm	RIGHT	W97R91G090-CD	W97R92G090-CD	W97R93G090-CD	-	-	-	-	-	-
	LEFT	W97R91G090-CS	W97R92G090-CS	W97R93G090-CS	-	-	-	-	-	-
1034mm	RIGHT	W98R91G090-CD	W98R92G090-CD	W98R93G090-CD	-	-	-	-	-	-
	LEFT	W98R91G090-CS	W98R92G090-CS	W98R93G090-CS	-	-	-	-	-	-

These codes mean complete curve, except floor supports and gearmotor, if you need to include them please see page 332/333.

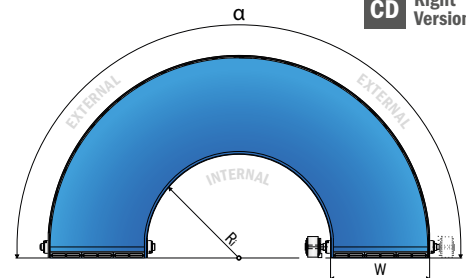
CURVES RANGE

Angle 180°

Left Version **CS**



CD Right Version



Width	Version	R _i 586mm	R _i 756mm	R _i 1011mm	R _i 1031mm	R _i 1116mm	R _i 1201mm	R _i 1286mm	R _i 1456mm	R _i 1541mm
249mm	RIGHT	-	-	-	W91R94G180-CD	-	-	W91R97G180-CD	-	-
	LEFT	-	-	-	W91R94G180-CS	-	-	W91R97G180-CS	-	-
269mm	RIGHT	-	W92R92G180-CD	W92R93G180-CD	-	-	-	-	-	-
	LEFT	-	W92R92G180-CS	W92R93G180-CS	-	-	-	-	-	-
419mm	RIGHT	-	-	-	W93R94G180-CD	-	W93R96G180-CD	-	W93R98G180-CD	-
	LEFT	-	-	-	W93R94G180-CS	-	W93R96G180-CS	-	W93R98G180-CS	-
439mm	RIGHT	W94R91G180-CD	W94R92G180-CD	W94R93G180-CD	-	-	-	-	-	-
	LEFT	W94R91G180-CS	W94R92G180-CS	W94R93G180-CS	-	-	-	-	-	-
504mm	RIGHT	-	-	-	-	W95R95G180-CD	-	W95R97G180-CD	-	W95R99G180-CD
	LEFT	-	-	-	-	W95R95G180-CS	-	W95R97G180-CS	-	W95R99G180-CS
524mm	RIGHT	W96R91G180-CD	W96R92G180-CD	W96R93G180-CD	-	-	-	-	-	-
	LEFT	W96R91G180-CS	W96R92G180-CS	W96R93G180-CS	-	-	-	-	-	-
864mm	RIGHT	W97R91G180-CD	W97R92G180-CD	W97R93G180-CD	-	-	-	-	-	-
	LEFT	W97R91G180-CS	W97R92G180-CS	W97R93G180-CS	-	-	-	-	-	-
1034mm	RIGHT	W98R91G180-CD	W98R92G180-CD	W98R93G180-CD	-	-	-	-	-	-
	LEFT	W98R91G180-CS	W98R92G180-CS	W98R93G180-CS	-	-	-	-	-	-

These codes mean complete curve, except floor supports and gearmotor, if you need to include them please see page 332/333.

ZERO **PRO** CONTACT

CURVE CONVEYOR

TWO TRACKS VERSION

Product use

Zero Contact™ PRO is available also with “two-tracks” design; by keeping the same advantages of the Zero Contact™ PRO, with the Zero Contact™ PRO “two tracks” the maximum working load can be even higher thanks to the increased number of bearings. Moreover, the two belts can work at different / independent speeds and can be activated independently thanks to the double shaft.

The two belts can also be used for goods acceleration or can be also stopped independently, in case there is a double track infeed conveyor.



Separate belts offers the possibility of different / higher speeds



2 different bearing-tracks guarantee extreme load, even at higher speed



INNER RADIUS 586mm ÷ 1011mm

BELT WIDTH 524mm ÷ 1034mm

MATERIAL OF MODULES Polyamide glass fiber reinforced (PA)

COLOR OF MODULES Dark Pigeon Blue (RAL 5017)

PINS Stainless steel

PIN LOCK Stainless steel grub screws

FRAME Stainless steel

TEMPERATURE RANGE

Dry: -30°C ÷ 100°C Wet: n.a.
(Dry: -22°F ÷ 212°F Wet: n.a.)

MAX. WORKING LOAD

21.000N/m belt width

CURVE ANGLE 15° ÷ 360°

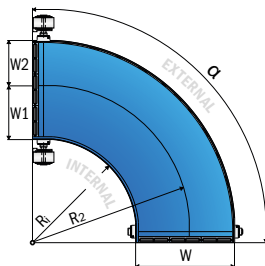
OPEN AREA 0%

CURVES RANGE

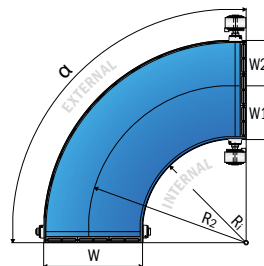
Angle 90°

Double-Shaft

Left Version **CS**



CD Right Version



Width	Version	R _i 586mm	R _i 756mm	R _i 1011mm
524mm	RIGHT	-	W96R92G090-CD2	W96R93G090-CD2
	LEFT	-	W96R92G090-CS2	W96R93G090-CS2
864mm	RIGHT	W97R91G090-CD2	W97R92G090-CD2	W97R93G090-CD2
	LEFT	W97R91G090-CS2	W97R92G090-CS2	W97R93G090-CS2
1034mm	RIGHT	W98R91G090-CD2	W98R92G090-CD2	W98R93G090-CD2
	LEFT	W98R91G090-CS2	W98R92G090-CS2	W98R93G090-CS2

CODE	R1 - mm	W1 - mm	R2 - mm	W2 - mm	WTot - mm
W96R92G090-CD2 or CS2	756	269	1031	249	524
W96R93G090-CD2 or CS2	1011	269	1286	249	524
W97R91G090-CD2 or CS2	586	439	1031	419	864
W97R92G090-CD2 or CS2	756	439	1201	419	864
W97R93G090-CD2 or CS2	1011	439	1456	419	864
W98R91G090-CD2 or CS2	586	524	1116	504	1034
W98R92G090-CD2 or CS2	756	524	1286	504	1034
W98R93G090-CD2 or CS2	1011	524	1541	504	1034

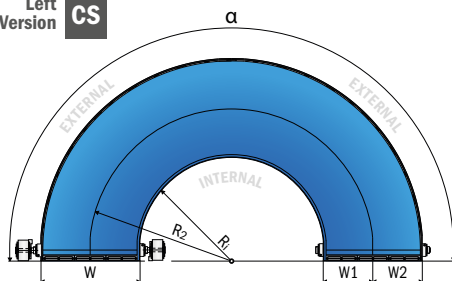
The gap between the two belts is always 6mm. These codes mean complete curve, except floor supports and gearmotors, if you need to include them please see page 332/333.

CURVES RANGE

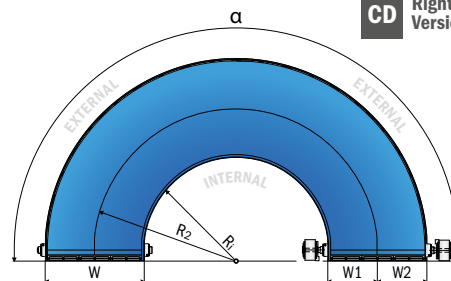
Angle 180°

Double-Shaft

Left Version **CS**



CD Right Version



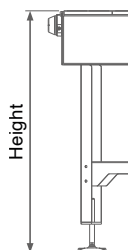
Width	Version	R _i 586mm	R _i 756mm	R _i 1011mm
524mm	RIGHT	-	W96R92G180-CD2	W96R93G180-CD2
	LEFT	-	W96R92G180-CS2	W96R93G180-CS2
864mm	RIGHT	W97R91G180-CD2	W97R92G180-CD2	W97R93G180-CD2
	LEFT	W97R91G180-CS2	W97R92G180-CS2	W97R93G180-CS2
1034mm	RIGHT	W98R91G180-CD2	W98R92G180-CD2	W98R93G180-CD2
	LEFT	W98R91G180-CS2	W98R92G180-CS2	W98R93G180-CS2

CODE	R1 - mm	W1 - mm	R2 - mm	W2 - mm	WTot - mm
W96R92G090-CD2 or CS2	756	269	1031	249	524
W96R93G090-CD2 or CS2	1011	269	1286	249	524
W97R91G090-CD2 or CS2	586	439	1031	419	864
W97R92G090-CD2 or CS2	756	439	1201	419	864
W97R93G090-CD2 or CS2	1011	439	1456	419	864
W98R91G090-CD2 or CS2	586	524	1116	504	1034
W98R92G090-CD2 or CS2	756	524	1286	504	1034
W98R93G090-CD2 or CS2	1011	524	1541	504	1034

The gap between the two belts is always 6mm. These codes mean complete curve, except floor supports and gearmotors, if you need to include them please see page 332/333.

Zero Contact™

Floor support



- Stainless steel AISI 304 or painted steel
- Single or double floor fixation levlers
- Customizable height and specifications



Floor support for Zero Contact

Article Nr.	Curve Width - mm	Total Height - mm	Angle
W02G090H	200	1000	90°
W04G090H	400	1000	90°
W06G090H	600	1000	90°
W08G090H	800	1000	90°
W10G090H	1000	1000	90°
W12G090H	1200	1000	90°
W14G090H	1400	1000	90°
W16G090H	1600	1000	90°

Article Nr.	Curve Width - mm	Total Height - mm	Angle
W02G180H	200	1000	180°
W04G180H	400	1000	180°
W06G180H	600	1000	180°
W08G180H	800	1000	180°
W10G180H	1000	1000	180°
W12G180H	1200	1000	180°
W14G180H	1400	1000	180°
W16G180H	1600	1000	180°

Floor support for Zero Contact PRO

Article Nr.	Curve Width - mm	Total Height - mm	Angle
W91G090H	249	1000	90°
W92G090H	269	1000	90°
W93G090H	419	1000	90°
W94G090H	439	1000	90°
W95G090H	504	1000	90°
W96G090H	524	1000	90°
W97G090H	864	1000	90°
W98G090H	1034	1000	90°

Article Nr.	Curve Width - mm	Total Height - mm	Angle
W91G180H	249	1000	180°
W92G180H	269	1000	180°
W93G180H	419	1000	180°
W94G180H	439	1000	180°
W95G180H	504	1000	180°
W96G180H	524	1000	180°
W97G180H	864	1000	180°
W98G180H	1034	1000	180°

Floor support for Zero Contact S

Article Nr.	Curve Width - mm	Total Height - mm	Angle
W02G090HS	200	1000	90°
W04G090HS	400	1000	90°
W06G090HS	600	1000	90°
W08G090HS	800	1000	90°
W10G090HS	1000	1000	90°
W12G090HS	1200	1000	90°
W14G090HS	1400	1000	90°
W16G090HS	1600	1000	90°

Article Nr.	Curve Width - mm	Total Height - mm	Angle
W02G180HS	200	1000	180°
W04G180HS	400	1000	180°
W06G180HS	600	1000	180°
W08G180HS	800	1000	180°
W10G180HS	1000	1000	180°
W12G180HS	1200	1000	180°
W14G180HS	1400	1000	180°
W16G180HS	1600	1000	180°

For different heights or custom specification please contact your sales representative.

Zero Contact™

Gearmotor



SEW Gearmotors

- Foodgrade oil
- Power for 90° curve > 0,37kW – type WA30 DRN71M4
- Power for 180° curve > 0,55kW – type WA30 DRN80MK4
- Internal shaft position (no cable supplied)

Article Nr.	Power
M090-S/I	for 90° curve
M180-S/I	for 180° curve

Recommended for **Zero Contact™** and **Zero Contact™ PRO**

For different gearmotors please contact your sales representative



BONFIGLIOLI Gearmotors

- Power for 90° curve > 0,37kW – type BN 71B 4 B14 KW 0,37
- Power for 180° curve > 0,55kW – type BN 71C 4 B14 KW 0,55
- Internal shaft position (no cable supplied)

Article Nr.	Power
M090L-S/I	for 90° curve
M180L-S/I	for 180° curve

Recommended for **Zero Contact™ S**

For different gearmotors please contact your sales representative

ZERO⁵¹⁰ ATP

ACTIVE TRANSFER PLATE

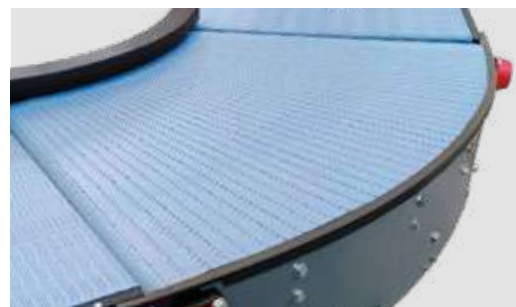


The **Zero ATP** is the perfect solution for small and light products, which hardly slide on standard solution. With the Active Transfer Plate Movex helps reducing downtimes and improving efficiency.

Zero ATP is a complete conveyor unit and supplied connected to the **Zero Contact**™ curve independently, so speed can be different than the curve itself, so able to accelerate or decelerate carried products.

Zero ATP Active Transfer Plates are equipped with Movex 7870 FT micropitch belt.

A tensioning system is included.



Main features

- Equipped with Movex 7870 modular belt
- 8mm pitch, 3mm nose radius
- Available length 250mm and 500mm
- Connectable to Zero Contact curves



DIFFERENT BELT SURFACE AVAILABLE ON REQUEST

For different configurations and 7870 modular belt surface (Flush grid, Diamond top, Cone top, Non slip), please contact your sales representative.

Zero ATP for Zero Contact - Zero Contact Flat Edge - Zero Contact Hygienic

Module length 250mm

Article Nr.	Curve Width - mm	Micropitch Width - mm
W02L10ATP	200	228,6
W04L10ATP	400	381
W06L10ATP	600	609,6
W08L10ATP	800	838,2
W10L10ATP	1000	990,6
W12L10ATP	1200	1219,2
W14L10ATP	1400	1447,8
W16L10ATP	1600	1600,2

Module length 500mm

Article Nr.	Curve Width - mm	Micropitch Width - mm
W02L20ATP	200	228,6
W04L20ATP	400	381
W06L20ATP	600	609,6
W08L20ATP	800	838,2
W10L20ATP	1000	990,6
W12L20ATP	1200	1219,2
W14L20ATP	1400	1447,8
W16L20ATP	1600	1600,2

Longer Zero ATP available on request

Zero ATP for Zero Contact PRO

Module length 250mm

Article Nr.	Curve Width - mm	Micropitch Width - mm
W91L10ATP	249	228,6
W92L10ATP	269	228,6
W93L10ATP	419	381
W94L10ATP	439	457,2
W95L10ATP	504	533,4
W96L10ATP	524	533,4
W97L10ATP	864	838,2
W98L10ATP	1034	990,6

Module length 500mm

Article Nr.	Curve Width - mm	Micropitch Width - mm
W91L20ATP	249	228,6
W92L20ATP	269	228,6
W93L20ATP	419	381
W94L20ATP	439	457,2
W95L20ATP	504	533,4
W96L20ATP	524	533,4
W97L20ATP	864	838,2
W98L20ATP	1034	990,6

Longer Zero ATP available on request

Zero ATP for Zero Contact S

Module length 250mm

Article Nr.	Curve Width - mm	Micropitch Width - mm
W02L10ATPS	200	228,6
W04L10ATPS	400	381
W06L10ATPS	600	609,6
W08L10ATPS	800	838,2
W10L10ATPS	1000	990,6
W12L10ATPS	1200	1219,2
W14L10ATPS	1400	1447,8
W16L10ATPS	1600	1600,2

Module length 500mm

Article Nr.	Curve Width - mm	Micropitch Width - mm
W02L20ATPS	200	228,6
W04L20ATPS	400	381
W06L20ATPS	600	609,6
W08L20ATPS	800	838,2
W10L20ATPS	1000	990,6
W12L20ATPS	1200	1219,2
W14L20ATPS	1400	1447,8
W16L20ATPS	1600	1600,2

Longer Zero ATP available on request

SEW Gearmotor

- Foodgrade oil
- Power 0,18kW



Article Nr.	Power
MDT-1600	0,18kW

BONFIGLIOLI Gearmotor

- Power 0,18kW



Article Nr.	Power
MDTL-1600	0,18kW

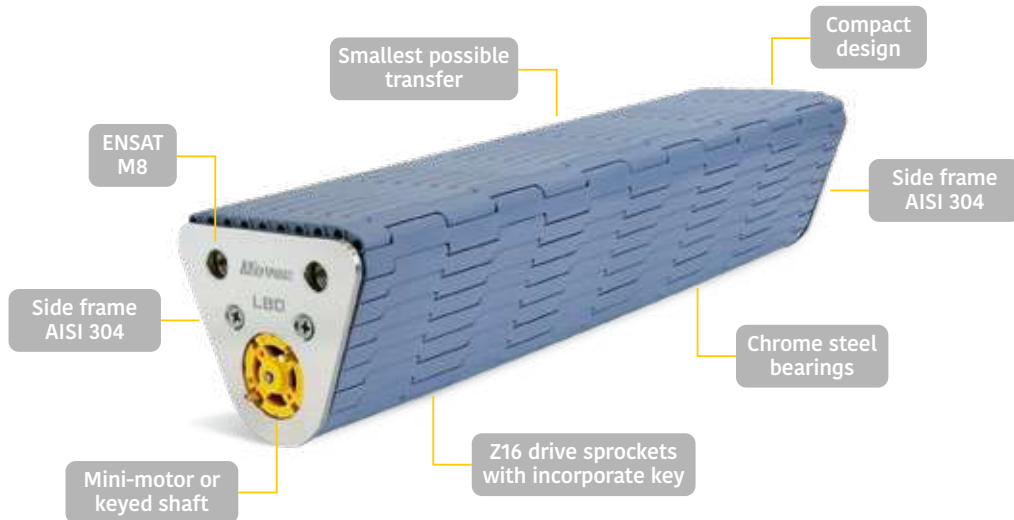
For different gearmotors please contact your sales representative.

SEW and BONFIGLIOLI are believed to be the trademarks and/or trade names of their respective owners and are not owned or controlled by Movex S.p.A.

100%
GUARANTEED
TRANSFER!

ZERO^{PRO} ATP[®]

ACTIVE TRANSFER PLATE



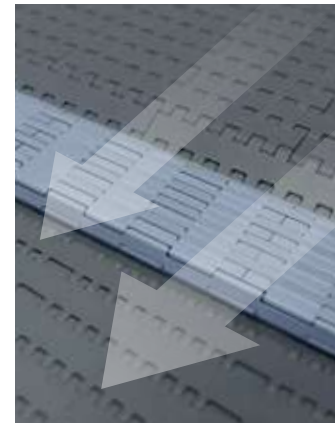
Product use

Zero ATP Pro[®] equipped with micro-pitch 7870 modular belt series, is the smallest Active Transfer Plate available on the market.

With its revolutionary compact shape, Zero ATP Pro[®] is the right choice to connect different conveyors, guaranteeing a smooth product transfer, that can be easily integrated into existing lines by replacing traditional transfers, with limited structural work.

Zero ATP Pro[®] can be provided with mini-motor or key shaft for a roller chain drive and it's a maintenance and tensioning free system.

DIFFERENT BELT SURFACE AVAILABLE ON REQUEST



BELT SERIES 7870 FT

BELT WIDTH 6in ÷ 24in (152,4mm ÷ 609,6mm)

BELT DIMENSIONS Pitch 8mm Thickness 6mm

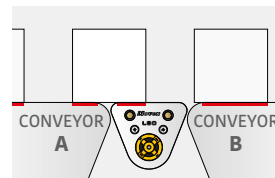
MATERIAL OF MODULES LFA, MX and LFB

TRANSFER LENGTH 80mm or 150mm

TRANSMISSION Mini motor or Keyed shaft

MAX. WORKING LOAD 3.000 N/m belt width

SIMULTANEOUS TRANSPORT OF:



LIGHTWEIGHT & SMALL GOODS



HIGH LOAD & BIG GOODS

Plug-in & Play solution | Maintenance free | Self-tensioning

For different configurations and 7870 modular belt surface (Flush grid, Diamond top, Cone top, Non slip), please contact your sales representative.

Zero ATP Pro® Mini motor version



Mini-motor version

Includes a mini-motor assembled at the inside of the module.

Optional cover for motor connection

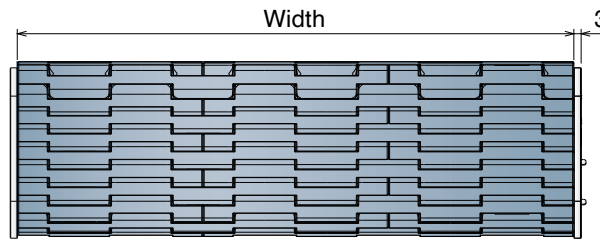
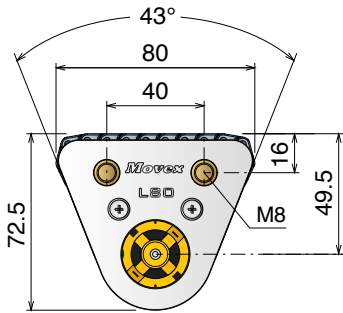
Article-Nr. 300601

Mini-motor features:

Supply voltage 6-15 V dc | Power Rating 7.85W

Max Torque 6539 g.cm.

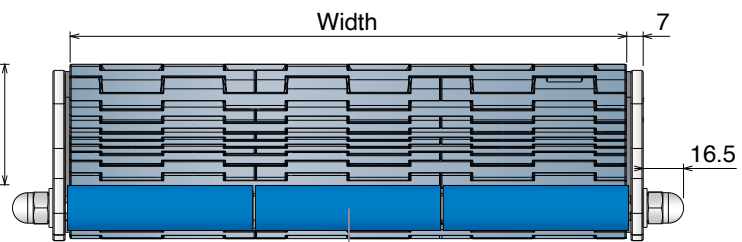
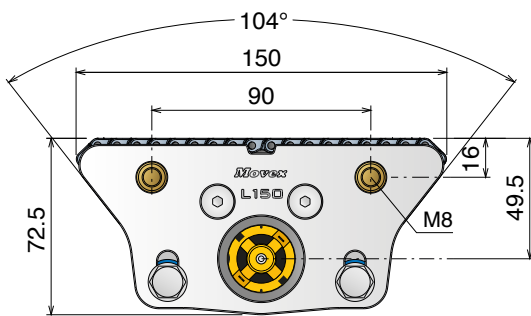
Transfer length 80mm



Series	Material	Width	Version
5336	*	0006	A
5336	*	0009	A
5336	*	0012	A
5336	*	0015	A
5336	*	0018	A
5336	*	0021	A
5336	*	0024	A

* Material		
LFA - Code 01 <i>Low friction Acetal</i>	MX - Code 03 <i>Performance PBT</i>	LFB - Code 23 <i>Low friction Acetal</i>
Max w. load: 3000 N	Max w. load: 2700 N	Max w. load: 3000 N
Weight: 5,8 kg/m ²	Weight: 5,5 kg/m ²	Weight: 5,8 kg/m ²
Temp. range dry: -40÷80 °C	Temp. range dry: -40÷120 °C	Temp. range dry: -40÷80 °C
Temp. range wet: -40÷65 °C	Temp. range wet: -40÷60 °C	Temp. range wet: -40÷65 °C
Pin material: PBT white	Pin material: POM grey	Pin material: PBT white

Transfer length 150mm - IMPROVED DESIGN



Soft roller - SEBS rubber

Series	Material	Width	Version
5338	*	0006	A
5338	*	0009	A
5338	*	0012	A
5338	*	0015	A
5338	*	0018	A
5338	*	0021	A
5338	*	0024	A

* Material		
LFA - Code 01 <i>Low friction Acetal</i>	MX - Code 03 <i>Performance PBT</i>	LFB - Code 23 <i>Low friction Acetal</i>
Max w. load: 3000 N	Max w. load: 2700 N	Max w. load: 3000 N
Weight: 5,8 kg/m ²	Weight: 5,5 kg/m ²	Weight: 5,8 kg/m ²
Temp. range dry: -40÷80 °C	Temp. range dry: -40÷120 °C	Temp. range dry: -40÷80 °C
Temp. range wet: -40÷65 °C	Temp. range wet: -40÷60 °C	Temp. range wet: -40÷65 °C
Pin material: PBT white	Pin material: POM grey	Pin material: PBT white

For different configurations and 7870 modular belt surface (Flush grid, Diamond top, Cone top, Non slip), please contact your sales representative.

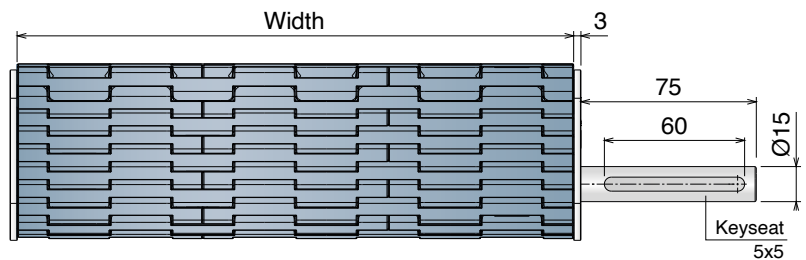
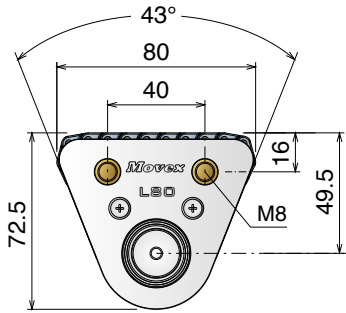
Zero ATP Pro[®] Keyed shaft version



Keyed shaft version

Includes a 15 mm shaft with standard key seat 5x5 for roller chain transmission.

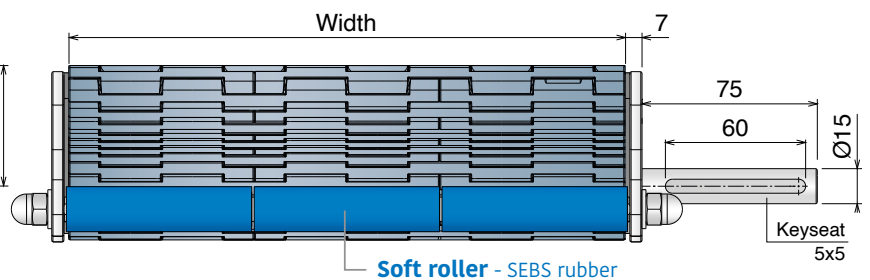
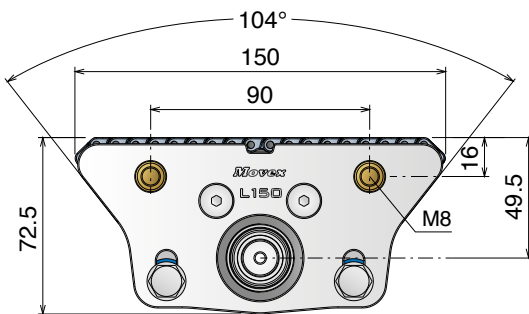
Transfer length 80mm



Series	Material	Width	Version
5336	*	0006	B
5336	*	0009	B
5336	*	0012	B
5336	*	0015	B
5336	*	0018	B
5336	*	0021	B
5336	*	0024	B

* Material			
LFA - Code 01	MX - Code 03	LFB - Code 23	
<i>Low friction Acetal</i>	<i>Performance PBT</i>	<i>Low friction Acetal</i>	
Max w. load: 3000 N	Max w. load: 2700 N	Max w. load: 3000 N	
Weight: 5,8 kg/m ²	Weight: 5,5 kg/m ²	Weight: 5,8 kg/m ²	
Temp. range dry: -40+80 °C	Temp. range dry: -40+120 °C	Temp. range dry: -40+80 °C	
Temp. range wet: -40+65 °C	Temp. range wet: -40+60 °C	Temp. range wet: -40+65 °C	
Pin material: PBT white	Pin material: POM grey	Pin material: PBT white	

Transfer length 150mm - IMPROVED DESIGN



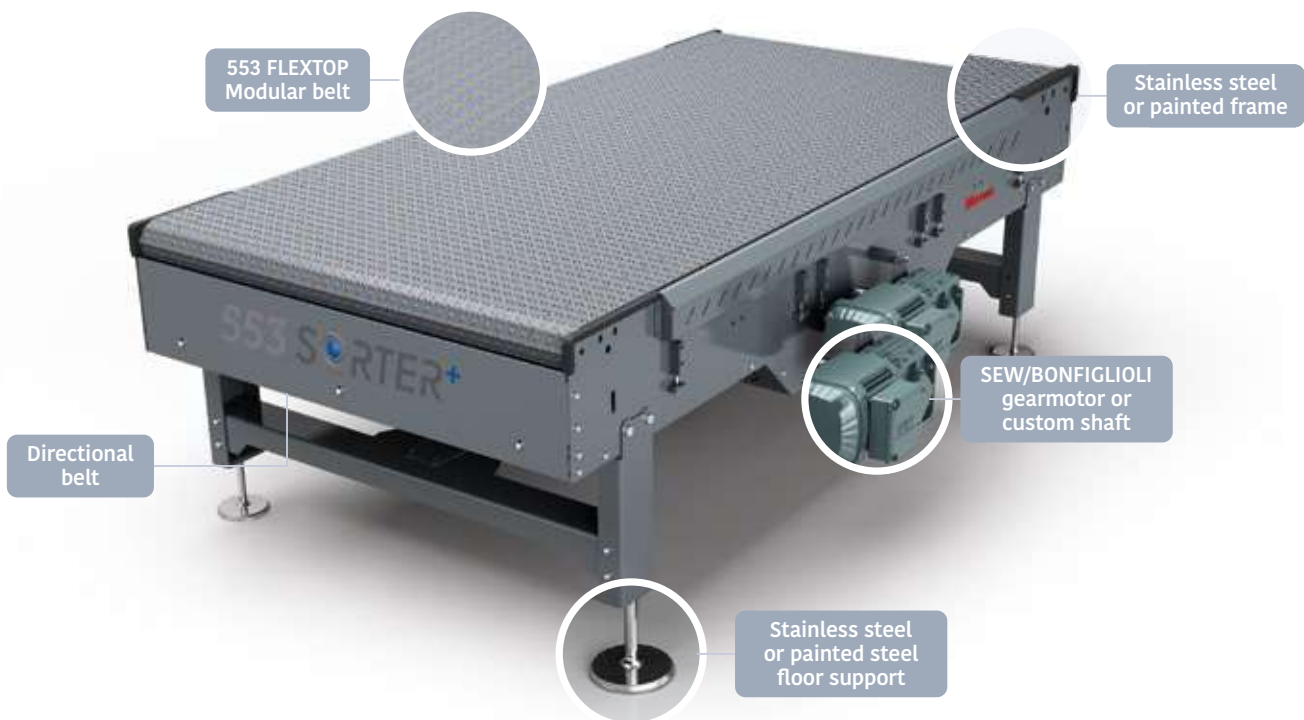
Series	Material	Width	Version
5338	*	0006	B
5338	*	0009	B
5338	*	0012	B
5338	*	0015	B
5338	*	0018	B
5338	*	0021	B
5338	*	0024	B

* Material			
LFA - Code 01	MX - Code 03	LFB - Code 23	
<i>Low friction Acetal</i>	<i>Performance PBT</i>	<i>Low friction Acetal</i>	
Max w. load: 3000 N	Max w. load: 2700 N	Max w. load: 3000 N	
Weight: 5,8 kg/m ²	Weight: 5,5 kg/m ²	Weight: 5,8 kg/m ²	
Temp. range dry: -40+80 °C	Temp. range dry: -40+120 °C	Temp. range dry: -40+80 °C	
Temp. range wet: -40+65 °C	Temp. range wet: -40+60 °C	Temp. range wet: -40+65 °C	
Pin material: PBT white	Pin material: POM grey	Pin material: PBT white	

For different configurations and 7870 modular belt surface (Flush grid, Diamond top, Cone top, Non slip), please contact your sales representative.

553 SORTER⁺

MULTIDIRECTIONAL CONVEYOR



Product use

The **553 Sorter plus™** is a multidirectional conveyor, equipped with the unique and patented 553 FlexTop modular belt, and with directional belt or plate, is the ideal solution to transport countless types of products and for several types of industries. It can be easily integrated into existing systems.

The **553 Sorter plus™** is available in different widths and lengths and in two different versions:

- **Diverter** - able to quickly move side to side your goods
- **Static Turn** - able to rotate statically your goods



BELT PITCH: 25,4 mm

THICKNESS: 8,7 mm

INCREMENTS: 76,2 mm

TOTAL LENGTH: 600mm ÷ 1400mm

TOTAL WIDTH: 390mm ÷ 1000mm

MATERIAL OF MODULES: Dark grey acetal (POM)

MATERIAL OF SPHERES: Blue Polyamide (PA)

TEMPERATURE RANGE

Dry: -40°C÷80°C Wet: n.a.

(Dry:-40°F ÷ 176°F Wet: n.a.)

MAX. WORKING LOAD

27.500 N/m belt width

OPEN AREA 0%

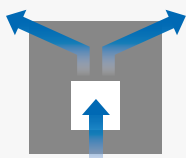
FRAME Stainless steel or Painted steel

553 SORTER+

The new design has improved the performance of the conveyor, making it even more effective and customizable to meet the needs of the most demanding customers. The completely closed sliding belt surface is the perfect solution for carrying carton boxes, crates, cans and bottles, shrink-wrapped packaging, and any kind of polybag with top-accuracy package control.

Versatility is the watchword

Available movement options



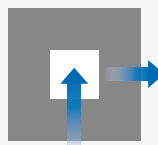
Diverter

Capable of moving your goods side to side (left and right).



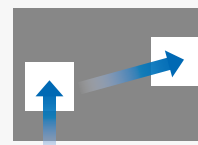
Static turn

Capable of rotating statically your goods.



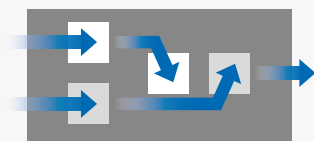
90° transfer

Capable of moving your goods at a 90° angle (left and right).



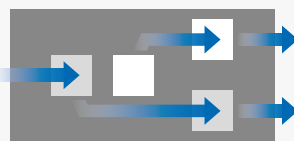
Aligner

Capable of moving your goods and aligning them with a lateral profile.



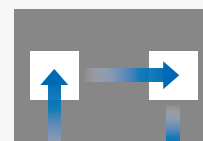
Merger

Capable of moving your goods and aligning them in a single row.



Diverger

Capable of moving your goods and dividing them in two rows.



U-turn

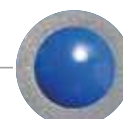
Capable of making a U-turn with your goods.

Available on request

Ideal for several products and industries



These are just some of the products that can be handled with 553 Sorter+, its versatility allows to transport countless types of products and for several type of industries.



15 N
LOAD/SPHERE
Closed gap
PATENTED

For different configuration please contact your sales representative.

553 SORTER+ Single Diverter



+ Accessories

Page 345-346



Floor supports



Gearmotors

ZERO^{PRO}ATP[®]
ACTIVE TRANSFER PLATE

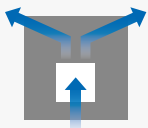


TRY IT NOW!

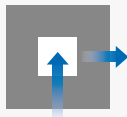
Choose the smallest Active Transfer Plate available on the market and boost your line performance! Ask for more info!

■ Standard 553 Sorter+ Painted steel frame color RAL 7031 - Blue grey

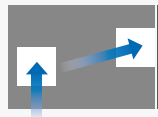
Available movement options



Diverter



90° transfer



Aligner

553 Sorter+ Diverter version

These codes mean complete curve, except floor supports and gearmotors.

W Belt Width*	L Conveyor length*	Type	N° of diverter	Diverter type (see below for more specs)	Diverter width	Frame material
533 (21")	1000 (39")	DI Diverter	1	RD Roller drive	350 (13.8")	PS Painted steel
686 (27")	1400 (55")			DD Master/slave Roller drive	500 (19.7")	SS Stainless steel
838 (33")	1800 (70")			DM Drum motor	600 (23.6")	
990 (39")				GB Gearbox		

Article-Nr. structure guide (Example) Select the different value to compose the Article-Nr

W0533

L01000

DI

1

RD

0350

PS

Diverter Power supply



RD Roller drive
24Vdc



Single motor
Up to 12Kg

DD Master/slave Roller drive
24Vdc



Dual motor
Up to 20Kg

DM Drum motor
380/400V



Single motor
Up to 50Kg

GB Gearbox
380/400V



Single motor
Up to 50Kg

RD and DD solutions include the control system.

*Different lengths, widths and configurations are available on request, please contact your sales representative.

553 SORTER+ Double Diverter



+ Accessories Page 345-346



Floor supports



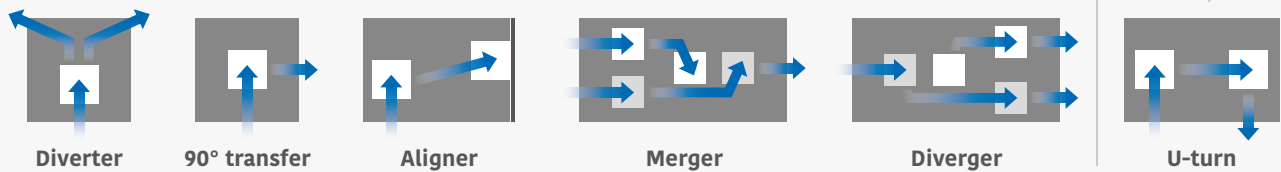
Gearmotors

ZER^{PRO}ATP[®]
ACTIVE TRANSFER PLATE  **TRY IT NOW!**

Choose the smallest Active Transfer Plate available on the market and boost your line performance! Ask for more info!

■ Standard 553 Sorter+ Painted steel frame color RAL 7031 - Blue grey

Available movement options



553 Sorter+ Diverter version

These codes mean complete curve, except floor supports and gearmotors.

W Belt Width*	L Conveyor length*	Type	N° of diverter	Diverter type (see below for more specs)	Diverter width	Frame material
533 (21")	1000 (39")	DI Diverter	2	RD Roller drive	350 (13.8")	PS Painted steel
686 (27")	1400 (55")			DD Master/slave Roller drive	500 (19.7")	SS Stainless steel
838 (33")	1800 (70")			DM Drum motor	600 (23.6")	
990 (39")				GB Gearbox		

Article-Nr. structure guide (Example) Select the different value to compose the Article-Nr

W0533 | L01000 | DI | 2 | RD | 0350 | PS

Diverter Power supply



RD Roller drive
24Vdc



Single motor
Up to 12Kg

DD Master/slave Roller drive
24Vdc



Dual motor
Up to 20Kg

DM Drum motor
380/400V



Single motor
Up to 50Kg

GB Gearbox
380/400V



Single motor
Up to 50Kg

RD and DD solutions include the control system.

*Different lengths, widths and configurations are available on request, please contact your sales representative.

553 SORTER⁺ Triple Diverter



+ Accessories Page 345-346



Floor supports



Gearmotors

ZERO^{PRO}ATP[®]
ACTIVE TRANSFER PLATE

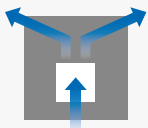


TRY IT NOW!

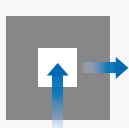
Choose the smallest Active Transfer Plate available on the market and boost your line performance! Ask for more info!

■ Standard 553 Sorter+ Painted steel frame color RAL 7031 - Blue grey

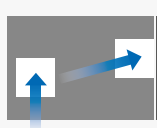
Available movement options



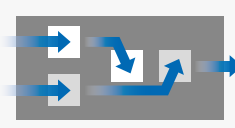
Diverter



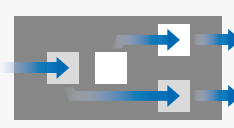
90° transfer



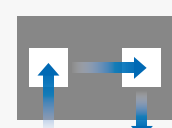
Aligner



Merger



Diverger



U-turn

On request

553 Sorter⁺ Diverter version

These codes mean complete curve, except floor supports and gearmotors.

W Belt Width*	L Conveyor length*	Type	N° of diverter	Diverter type (see below for more specs)	Diverter width	Frame material
533 (21")	1600 (63")	DI Diverter	3	RD Roller drive	350 (13.8")	PS Painted steel
686 (27")	2000 (78")			DD Master/slave Roller drive	500 (19.7")	SS Stainless steel
838 (33")				DM Drum motor	600 (23.6")	
990 (39")				GB Gearbox		

Article-Nr. structure guide (Example) Select the different value to compose the Article-Nr

W0533

L01600

DI

3

RD

0350

PS

Diverter Power supply



RD Roller drive
24Vdc



Single motor
Up to 12Kg

DD Master/slave Roller drive
24Vdc



Dual motor
Up to 20Kg

DM Drum motor
380/400V



Single motor
Up to 50Kg

GB Gearbox
380/400V



Single motor
Up to 50Kg

RD and DD solutions include the control system.

553 SORTER+ Static turn



+ Accessories Page 345-346



Floor supports



Gearmotors

ZERO^{PRO}ATP[®]
ACTIVE TRANSFER PLATE



Choose the smallest Active Transfer Plate available on the market and boost your line performance! Ask for more info!

■ Standard 553 Sorter+ Painted steel frame color RAL 7031 - Blue grey

Available movement options



Static turn

553 Sorter+ Static turn version

These codes mean complete curve, except floor supports and gearmotors.

W Belt Width*	L Conveyor length*	Type	N° of diverter	Diverter type (see below for more specs)	Turning Table Ø	Frame material
533 (21")	1200 (47")	ST Static turn	1	GB Gearbox	400 (15.8")	PS Painted steel
686 (27")	1800 (71")				600 (23.6")	SS Stainless steel
838 (33")						
990 (39")						

Article-Nr. structure guide (Example) Select the different value to compose the Article-Nr

W0533

L01200

ST

1

GB

0400

PS

Static turn Power supply



GB Gearbox
380/400V

Kg
Single motor
Up to 50Kg

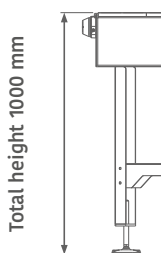
*Different lengths, widths and configurations are available on request, please contact your sales representative.

553 Sorter+

Floor support
with leveling feet



Conveyor Width	Painted Steel Floor support
533 (21")	W0533HS
686 (27")	W0686HS
838 (33")	W0838HS
990 (39")	W0990HS



- Stainless steel AISI 304 floor supports available on request
- Single or double floor fixation levellers available on request
- Customizable height and specifications

For different heights or custom specification please contact your sales representative.

553 Sorter+

Gearmotor

SEW

- Foodgrade oil
- Type WA30 DRN71M4
- Internal shaft position (no cable supplied)



Article Nr.	Power
M090-S/IM	0,37 kW

BONFIGLIOLI

- Type BN 71B 4 B14
- Internal shaft position (no cable supplied)



Article Nr.	Power
M090L-S/IM	0,37 kW

For different gearmotors please contact your sales representative.

SEW and BONFIGLIOLI are believed to be the trademarks and/or trade names of their respective owners and are not owned or controlled by Movex.

553 Sorter+

Accessories and personalization

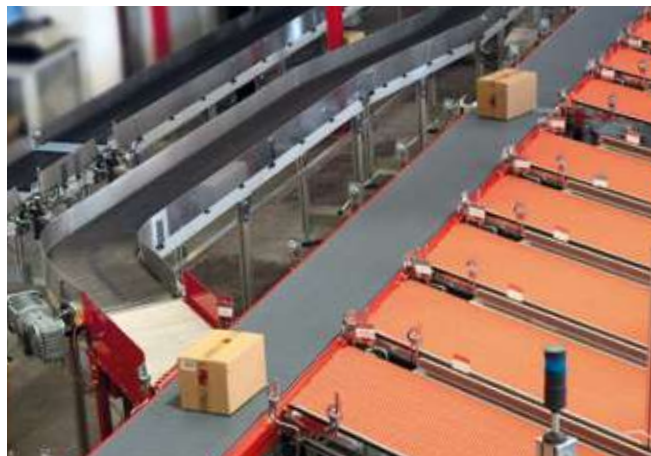
Slide chute



In option, we can provide sliders to any diverting point: the slide could be made of painted steel or stainless steel, ensuring compatibility with your operational requirements and environmental conditions.

Contact our expert for more information.

Low back pressure chute



In option, we can provide straight chute or angled chute with our Low back pressure modular belt 551 Pro LBP, designed to handle high-speed accumulation with minimal product damage.

Contact our expert for more information.

Custom personalization

The **Movex® 553 Sorter+** automatic sorting systems are reliable and cost-effective solutions designed to optimize logistics operations across a wide range of products and industries.

Our portfolio meets most market demands with standard solutions, ensuring short lead times for both units and spare parts. For specialized applications, we provide comprehensive support, including the design and development of customized solutions tailored to specific requirements.

What are you waiting for? Contact us for a free consultation today!

ZER⁵²⁰CONTACT

CURVE CONVEYOR

Company	
Sales contact	
Contact	
Date	

Technical features	Please circle required input or fill the proper field							
Radius - mm (in)	600 (23.6)	800 (31.5)	1000 (39.4)	1200 (47.2)	1400 (55.1)	1600 (63)	1800 (70.9)	2000 (78.7)
Width - mm (in)	200 (7.9)	400 (15.7)	600 (23.6)	800 (31.5)	1000 (39.4)	1200 (47.2)	1400 (55.1)	1600 (63)
Angle	90°			180°			Different:	
Direction	Right (clockwise)				Left (counter clockwise)			
Gearmotor position	Internal				External			
Transfer plates	Plastic with stainless steel rollers				Stainless steel with stainless steel rollers			
Gearmotor *	No	Yes	SEW	Different shaft for:				
Floor supports height - mm (in)	No	Yes	1000+/-75 (39.4+/-3.0)	Different:				
ZeroATP - mm (in) **	No	Yes	Infeed	Outfeed		250 (9.8)	500 (19.7)	

* For a different gearmotor, please fill with type and model, we will provide a quotation with the proper machined shaft

** In case of ZeroATP selected, standard transfers will not be included (based on sides selected)



ZER^{PRO}ATP
ACTIVE TRANSFER PLATE

ZeroATP Pro **

No Yes

Type of product	
Product dimensions (mm)	
Weight per linear meter (Kg/m)	
Belt Speed	
Number of tracks per products	

Double check here if your combination Radius/Width is available

W/R	600 (23.6)	800 (31.5)	1000 (39.4)	1200 (47.2)	1400 (55.1)	1600 (63)	1800 (70.9)	2000 (78.7)
200 (7.9)								
400 (15.7)								
600 (23.6)								
800 (31.5)								
1000 (39.4)								
1200 (47.2)								
1400 (55.1)								
1600 (63)								

Example of module filled



Technical features	Please circle required input or fill the proper field							
Radius - mm (inch)	600 (23.6)	800 (31.5)	1000 (39.4)	1200 (47.2)	1400 (55.1)	1600 (63)	1800 (70.9)	2000 (78.7)
Width - mm (inch)	200 (7.9)	400 (15.7)	600 (23.6)	800 (31.5)	1000 (39.4)	1200 (47.2)	1400 (55.1)	1600 (63)
Angle	90°			180°			Different:	
Direction	Right (clockwise)				Left (counter clockwise)			
Gearmotor position	Internal				External			
Transfer plates	Plastic with stainless steel rollers				Stainless steel with stainless steel rollers			
Painted steel frames	Blue Grey RAL 7031				Different (specify the RAL):			
Bottom safety cover	Yes				No			
Gearmotor *	No	Yes	BONFIGLIOLI	Different shaft for:				
Floor supports height - mm (inch)	No	Yes	1000+/-75 (39.4+/-3.0)	Different:				
ZeroATP - mm (inch) **	No	Yes	Infeed	Outfeed		250 (9.8)	500 (19.7)	

ZERO CONTACT S

CURVE CONVEYOR

Company	
Sales contact	
Contact	
Date	

Technical features	Please circle required input or fill the proper field							
Radius - mm (in)	600 (23.6)	800 (31.5)	1000 (39.4)	1200 (47.2)	1400 (55.1)	1600 (63)	1800 (70.9)	2000 (78.7)
Width - mm (in)	200 (7.9)	400 (15.7)	600 (23.6)	800 (31.5)	1000 (39.4)	1200 (47.2)	1400 (55.1)	1600 (63)
Angle	90°			180°			Different:	
Direction	Right (clockwise)				Left (counter clockwise)			
Gearmotor position	Internal				External			
Transfer plates	Plastic with stainless steel rollers				No			
Painted steel frames	Blue Grey RAL 7031				Different (specify the RAL):			
Bottom safety cover	Yes				No			
Gearmotor *	No	Yes	BONFIGLIOLI	Different shaft for:				
Floor supports height - mm (in)	No	Yes	1000+/-75 (39.4+/-3.0)	Different:				
ZeroATP - mm (in) **	No	Yes	Infeed	Outfeed		250 (9.8)	500 (19.7)	

* In case of different gearmotor, please provide model and type name and we will quote a curve with required machined shaft

** In case of ZeroATP, standard transfers plates will not be included (based on the side selected)



TRY IT NOW!

ZERO^{PRO} ATP
ACTIVE TRANSFER PLATE

ZeroATP Pro **

No Yes

Type of product	
Product dimensions (mm)	
Weight per linear meter (Kg/m)	
Belt Speed	
Number of tracks per products	

Double check here if your combination Radius/Width is available

W/R	600 (23.6)	800 (31.5)	1000 (39.4)	1200 (47.2)	1400 (55.1)	1600 (63)	1800 (70.9)	2000 (78.7)
200 (7.9)								
400 (15.7)								
600 (23.6)								
800 (31.5)								
1000 (39.4)								
1200 (47.2)								
1400 (55.1)								
1600 (63)								



Example of module filled

Technical features	Please circle required input or fill the proper field							
Radius - mm (Inch)	600 (23.6)	800 (31.5)	1000 (39.4)	1200 (47.2)	1400 (55.1)	1600 (63)	1800 (70.9)	2000 (78.7)
Width - mm (Inch)	200 (7.9)	400 (15.7)	600 (23.6)	800 (31.5)	1000 (39.4)	1200 (47.2)	1400 (55.1)	1600 (63)
Angle	90°			180°			Different:	
Direction	Right (clockwise)				Left (counter clockwise)			
Gearmotor position	Internal				External			
Transfer plates	Plastic with stainless steel rollers				No			
Painted steel frames	Blue Grey RAL 7031				Different (specify the RAL):			
Bottom safety cover	Yes				No			
Gearmotor *	No	Yes	BONFIGLIOLI	Different shaft for:				
Floor supports height - mm (Inch)	No	Yes	1000+/-75 (39.4+/-3.0)	Different:				
ZeroATP - mm (Inch) **	No	Yes	Infeed	Outfeed		250 (9.8)	500 (19.7)	

ZERO CONTACT FLAT EDGE QUOTE MODULE

For different configuration please contact your sales representative.

Soluzioni modulari / Modular solutions / Modulare Lösungen

ZERO CONTACT

CURVE CONVEYOR
BI-DIRECTIONAL

Company	
Sales contact	
Contact	
Date	

Technical features	Please circle required input or fill the proper field							
Radius - mm (in)	600 (23.6)	800 (31.5)	1000 (39.4)	1200 (47.2)	1400 (55.1)	1600 (63)	1800 (70.9)	2000 (78.7)
Width - mm (in)	200 (7.9)	400 (15.7)	600 (23.6)	800 (31.5)	1000 (39.4)	1200 (47.2)	1400 (55.1)	1600 (63)
Angle	90°			180°			Different:	
Frame material	Stainless steel				Painted steel			
Drive	Bi-directional							
Gearmotor position	Central							
Transfer plates	Plastic with stainless steel rollers				Stainless steel with stainless steel rollers			
Gearmotor *	No	Yes	SEW	Different shaft for:				
Floor supports height - mm (in)	No	Yes	1000+/-75 (39.4+/-3.0)	Different:				
ZeroATP - mm (in) **	No	Yes	Infeed	Outfeed		250 (9.8)	500 (19.7)	

* For a different gearmotor, please fill with type and model, we will provide a quotation with the proper machined shaft

** In case of ZeroATP selected, standard transfers will not be included (based on sides selected)



ZERO^{PRO}ATP
ACTIVE TRANSFER PLATE

ZeroATP Pro **

No Yes

Type of product	
Product dimensions (mm)	
Weight per linear meter (Kg/m)	
Belt Speed	
Number of tracks per products	

Double check here if your combination Radius/Width is available

W/R	600 (23.6)	800 (31.5)	1000 (39.4)	1200 (47.2)	1400 (55.1)	1600 (63)	1800 (70.9)	2000 (78.7)
200 (7.9)								
400 (15.7)								
600 (23.6)								
800 (31.5)								
1000 (39.4)								
1200 (47.2)								
1400 (55.1)								
1600 (63)								



Example of module filled

Technical features	Please circle required input or fill the proper field							
Radius - mm (inch)	600 (23.6)	800 (31.5)	1000 (39.4)	1200 (47.2)	1400 (55.1)	1600 (63)	1800 (70.9)	2000 (78.7)
Width - mm (inch)	200 (7.9)	400 (15.7)	600 (23.6)	800 (31.5)	1000 (39.4)	1200 (47.2)	1400 (55.1)	1600 (63)
Angle	90°			180°			Different:	
Drive	Central							
Gearmotor position	External							
Transfer plates	Plastic with stainless steel rollers				No			
Painted steel frames	Blue Grey RAL 7031				Different (specify the RAL):			
Bottom safety cover	No							
Gearmotor *	No	Yes	BONFIGLIOLI	Different shaft for:				
Floor supports height - mm (inch)	No	Yes	1000+/-75 (39.4+/-3.0)	Different:				
ZeroATP - mm (inch) **	No	Yes	Infeed	Outfeed		250 (9.8)	500 (19.7)	

ZERO CONTACT HYGIENIC QUOTE MODULE

Soluzioni modulari / Modular solutions / Modulare Lösungen

ZERO CONTACT ⁵²⁰

CURVE CONVEYOR

Company	
Sales contact	
Contact	
Date	

Technical features	Please circle required input or fill the proper field							
Radius - mm (in)	600 (23.6)	800 (31.5)	1000 (39.4)	1200 (47.2)	1400 (55.1)	1600 (63)	1800 (70.9)	2000 (78.7)
Width - mm (in)	200 (7.9)	400 (15.7)	600 (23.6)	800 (31.5)	1000 (39.4)	1200 (47.2)	1400 (55.1)	1600 (63)
Angle	90°			180°			Different:	
Direction	Right (clockwise)				Left (counter clockwise)			
Gearmotor position	Internal				External			
Transfer plates	No	Plastic with stainless steel rollers			Stainless steel with stainless steel rollers			
Gearmotor *	No	Yes	SEW	Different shaft for:				
Floor supports height - mm (in)	No	Yes	1000+/-75 (39.4+/-3.0)	Different:				
ZeroATP - mm (in) **	No	Yes	Infeed	Outfeed		250 (9.8)	500 (19.7)	

* For a different gearmotor, please fill with type and model, we will provide a quotation with the proper machined shaft

** In case of ZeroATP selected, standard transfers will not be included (based on sides selected)



ZERO^{PRO}ATP
ACTIVE TRANSFER PLATE

ZeroATP Pro **	
No	Yes

Type of product	
Product dimensions (mm)	
Weight per linear meter (Kg/m)	
Belt Speed	
Number of tracks per products	

Double check here if your combination Radius/Width is available

W/R	600 (23.6)	800 (31.5)	1000 (39.4)	1200 (47.2)	1400 (55.1)	1600 (63)	1800 (70.9)	2000 (78.7)
200 (7.9)								
400 (15.7)								
600 (23.6)								
800 (31.5)								
1000 (39.4)								
1200 (47.2)								
1400 (55.1)								
1600 (63)								



Example of module filled

Technical features	Please circle required input or fill the proper field							
Radius - mm (Inch)	600 (23.6)	800 (31.5)	1000 (39.4)	1200 (47.2)	1400 (55.1)	1600 (63)	1800 (70.9)	2000 (78.7)
Width - mm (Inch)	200 (7.9)	400 (15.7)	600 (23.6)	800 (31.5)	1000 (39.4)	1200 (47.2)	1400 (55.1)	1600 (63)
Angle	90°			180°			Different:	
Direction	Right (clockwise)				Left (counter clockwise)			
Gearmotor position	Internal				External			
Transfer plates	No	Plastic with stainless steel rollers			Stainless steel with stainless steel rollers			
Painted steel frames	Blue Grey RAL 7031				Different (specify the RAL):			
Bottom safety cover	Yes				No			
Gearmotor *	No	Yes	SEW	Different shaft for:				
Floor supports height - mm (Inch)	No	Yes	1000+/-75 (39.4+/-3.0)	Different:				
ZeroATP - mm (Inch) **	No	Yes	Infeed	Outfeed		250 (9.8)	500 (19.7)	

ZERO CONTACT

CURVE CONVEYOR

Company	
Sales contact	
Contact	
Date	

Technical features	Please circle required input or fill the proper field								
Radius - mm (in)	586 (23.1)	756 (29.8)	1011 (39.8)	1031 (40.6)	1116 (43.9)	1201 (47.3)	1286 (50.6)	1456 (57.3)	1541 (60.7)
Width - mm (in)	249 (9.8)	269 (10.6)	419 (16.5)	439 (17.3)	504 (19.8)	524 (20.6)	864 (34)	1034 (40.7)	
Angle	90°			180°			Different:		
Direction	Right (clockwise)				Left (counter clockwise)				
Version *	Standard				"Two-Tracks"				
Gearmotor position	Internal				External				
Transfer plates	Plastic with stainless steel rollers				Stainless steel with stainless steel rollers				
Gearmotor **	No	Yes	SEW	Different shaft for:					
Floor supports height - mm (in)	No	Yes	1000+/-75 (39.4+/-3.0)	Different:					
ZeroATP - mm (in) ***	No	Yes	Infeed	Outfeed	250 (9.8)	500 (19.7)			

* In case of "Two-Tracks" version, no need to fill Gearmotor position fields

** In case of different gearmotor, please provide model and type name and we will quote a curve with required machined shaft

*** In case of ZeroATP, standard transfers plates will not be included (based on the side selected)



TRY IT NOW!

ZERO ATP
ACTIVE TRANSFER PLATE

ZeroATP Pro ***

No Yes

Type of product	
Product dimensions (mm)	
Weight per linear meter (Kg/m)	
Belt Speed	
Number of tracks per products	

Double check here if your combination Radius/Width is available

W/R	586 (23.1)	756 (29.8)	1011 (39.8)	1031 (40.6)	1116 (43.9)	1201 (47.3)	1286 (50.6)	1456 (57.3)	1541 (60.7)
249 (9.8)									
269 (10.6)									
419 (16.5)									
439 (17.3)									
504 (19.8)									
524 (20.6)									
864 (34)									
1034 (40.7)									

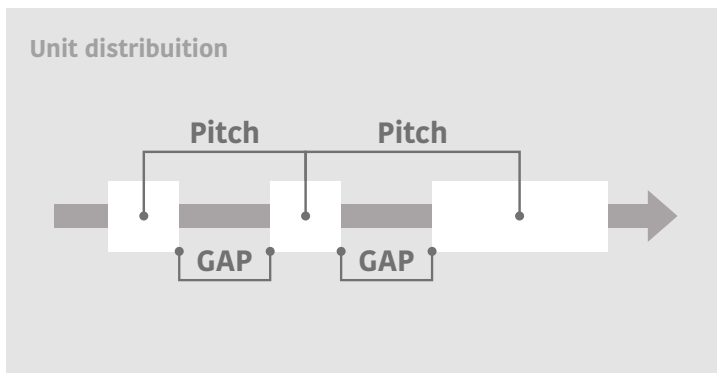


Example of module filled

Technical features	Please circle required input or fill the proper field							
Radius - mm (inch)	600 (23.6)	800 (31.5)	1000 (39.4)	1200 (47.2)	1400 (55.1)	1600 (63)	1800 (70.9)	2000 (78.7)
Width - mm (inch)	200 (7.9)	400 (15.7)	600 (23.6)	800 (31.5)	1000 (39.4)	1200 (47.2)	1400 (55.1)	1600 (63)
Angle	90°			180°			Different:	
Direction	Right (clockwise)				Left (counter clockwise)			
Gearmotor position	Internal				External			
Transfer plates	Plastic with stainless steel rollers				No			
Painted steel frames	Blue Grey RAL 7031				Different (specify the RAL):			
Bottom safety cover	Yes				No			
Gearmotor *	No	Yes	SONFIGLIOLI	Different shaft for:				
Floor supports height - mm (inch)	No	Yes	1000+/-75 (39.4+/-3.0)	Different:				
ZeroATP - mm (inch) **	No	Yes	Infeed	Outfeed	250 (9.8)	500 (19.7)		

553 SORTER+

MULTIDIRECTIONAL CONVEYOR



Different lengths, widths and configurations are available on request, please contact your sales representative.

Company	
Sales contact	
Contact	
Date	

Unit type

<input type="checkbox"/>	Carton Boxes
<input type="checkbox"/>	Parcels
<input type="checkbox"/>	Wrapped units
<input type="checkbox"/>	Polybag
<input type="checkbox"/>	Trays
<input type="checkbox"/>	
<input type="checkbox"/>	

Material

<input type="checkbox"/>	Carton
<input type="checkbox"/>	Plastic
<input type="checkbox"/>	Film
<input type="checkbox"/>	Rubber
<input type="checkbox"/>	Steel
<input type="checkbox"/>	Wood
<input type="checkbox"/>	

Dimensions (mm)

	W	L	H
Min			
Max			

Load (kg)

Min	
Max	

Unit direction

<input type="checkbox"/>	LSL
<input type="checkbox"/>	SSL

Unit distribution

THROUGHPUT - Items per hr

Machine type

<input type="checkbox"/>	Sorter
<input type="checkbox"/>	Infeeder
<input type="checkbox"/>	Bulk Sorter
<input type="checkbox"/>	Aligner
<input type="checkbox"/>	1:2 Diverter
<input type="checkbox"/>	1:3 Diverter
<input type="checkbox"/>	2:2 Diverter
<input type="checkbox"/>	2:3 Diverter
<input type="checkbox"/>	2:1 Converger
<input type="checkbox"/>	3:1 Converger
<input type="checkbox"/>	3:2 Converger

*On Request

<input type="checkbox"/>	2:1 Diverger
<input type="checkbox"/>	3:1 Diverger
<input type="checkbox"/>	3:2 Diverger
<input type="checkbox"/>	"U" Turn*
<input type="checkbox"/>	Static Turn 90°
<input type="checkbox"/>	Static Turn 180°
<input type="checkbox"/>	Dynamic Turn*
<input type="checkbox"/>	Multi-Sorter*
<input type="checkbox"/>	

Do you need help to configure your 553 Sorter+?

Send an email with the filled form and the technical drawings of your layout (.stp/.dwg/.dxf) to info@movexii.com, or contact your sales representative.

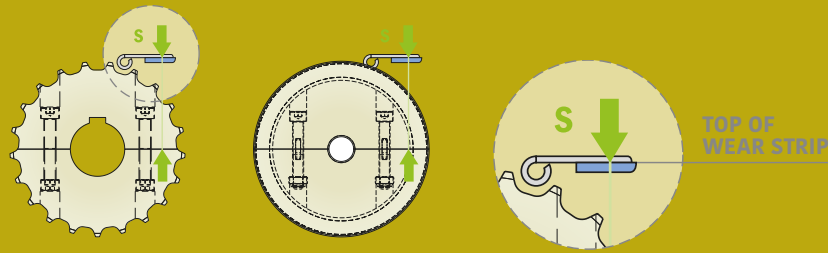
You will be contacted by one of our experts for a dedicated support and a customized quote based on your needs.



353

What is the S dimension?

It defines the distance between sprocket/idler (=shaft) center and top of wear strip. It ensures smooth run of the chain at minimum noise level.



The value is specified for each type and size of sprocket in the tables on the following pages of the chapter.

For bore tolerance refers to Movex engineering manual available on our website.

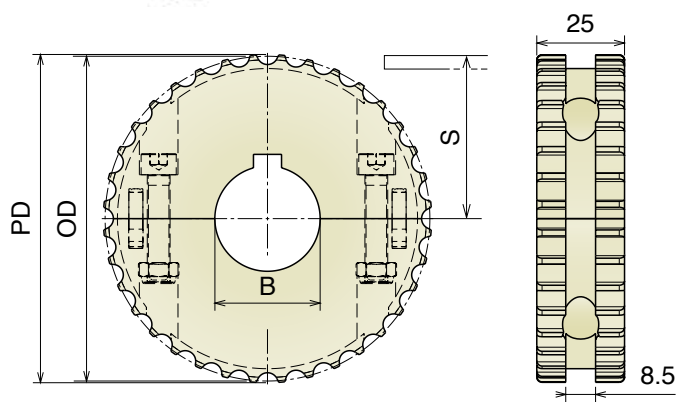
7870 Page 354	7870 Page 354	521-520 HD-522 HD-520 PRO LBP Page 355	521-520 HD-522 HD-520 PRO LBP Page 355	521-520 HD-522 HD-520 PRO LBP Page 356	521-520 HD-522 HD-520 PRO LBP Page 356
520 Page 357	520 Page 357	520 Page 358	520 Page 358	525-530 Page 359	525-530 Page 359
525-530 Page 360	525-530 Page 360	590 Page 361	590 Page 361	550 Page 362	550 Page 362
550 Page 363	550 Page 363	550 PRO Page 364	550 PRO Page 364	550 PRO Page 365	550 PRO Page 365
551 Page 366	551 Page 366	551 Page 367	551 Page 367	552 Page 368	552 Page 368
553 Page 369	553 Page 369	556 Page 370	556 Page 370	240-260-261 Page 371	240-260-261 Page 371
240-260-261 Page 372	240-260-261 Page 372	600 Page 373	600 Page 373	600 Support Page 374	600 Support Page 374
600 Support roller Page 374	ZERO CONTACT Page 375	ZERO CONTACT PRO Page 375	500RR Page 376	500RR Page 376	500RR SPLIT V. Page 377

Material Info:



pg. 786

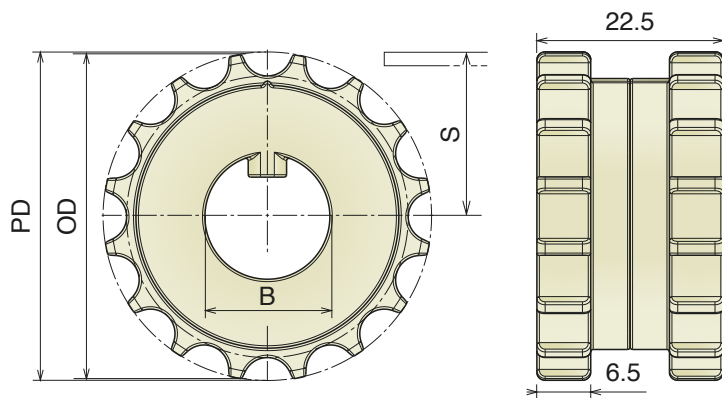
7870 Ruota traino divisa, fresata Split drive sprocket, machined / geteiltes Antriebskettenrad, gefräst



Part	Article-Nr.	Z-	Bore	PD	OD	S
1599	159936E	16**	20	41	40,2	16,65
1601	160101E	18**	25	46,5	47,3	20,2
1601	160111E		20*20	□		
1598	159896E	20**	25	51,5	51,5	22,3
1602	160201E	24**	25	61,8	62,6	27,9
1603	160206E		25*25	□		
1603	160301	36	25	92,6	93,5	43,3
1603	160302		30			
1603	160303		35			
1603	160304		40			
1603	160306		25*25	□		
1603	160307		30*30	□		
1603	160308		40*40	□		

**Drive sprockets z-16, z-18, z-20 and z-24 are supplied non-split

Ruota traino, stampata Drive sprocket, molded / Antriebskettenrad, gespritzt



Article-Nr.	Z-	Bore	PD	OD	S
159780	16	15	41	40,2	16,65

Materiale / Material / Materialien:

Poliamide/Polyamide/Polyamid

Viti: Acciaio inox/Screws: Stainless steel/Schrauben: Edelstahl

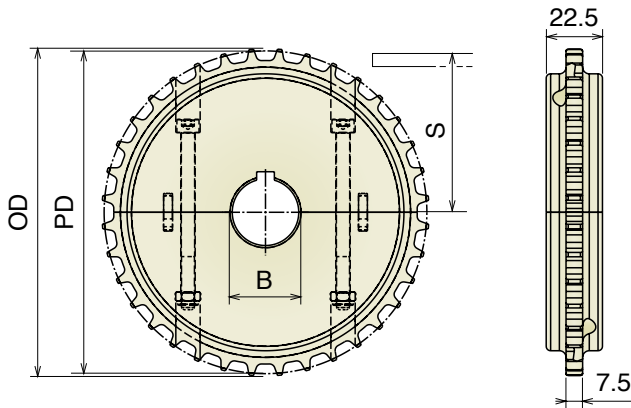
Dadi: ferro zincato/Nuts: zinc plated steel/Mutter: verzinkter Stahl

521-520HD-522HD-520PROLBP

Ruote per tappeti / Belt sprockets / Kettenräder für Mattenketten

521-520HD-522HD-520PROLBP

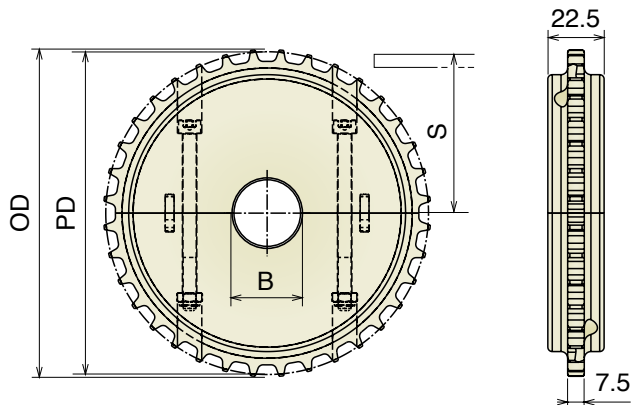
Ruota traino divisa, fresata
Split drive sprocket, machined
geteiltes Antriebskettenrad, gefräst



Part	Article-Nr.	Z-	Bore	PD	OD	S
1561	156101	28	25	113,4	115,4	52,4
1561	156102		30			
1561	156103		35			
1561	156104		40			
1561	156106		25* 25	∇		
1561	156107		30* 30	∇		
1561	156108		40* 40	∇		
1562	156201	36	25	145,7	147,7	68,5
1562	156202		30			
1562	156203		35			
1562	156204		40			
1562	156206		25* 25	∇		
1562	156207		30* 30	∇		
1562	156208		40* 40	∇		
1563	156301	38	25	153,8	155,8	72,6
1563	156302		30			
1563	156303		35			
1563	156304		40			
1563	156306		25* 25	∇		
1563	156307		30* 30	∇		
1563	156308		40* 40	∇		
1564	156401	40	25	161,9	163,8	76,6
1564	156402		30			
1564	156403		35			
1564	156404		40			
1564	156406		25* 25	∇		
1564	156407		30* 30	∇		
1564	156408		40* 40	∇		

Ruota rinvio divisa, fresata

Split idler sprocket, machined / geteiltes Umlenrad, gefräst



Part	Article-Nr.	Z-	Bore	PD	OD	S
1561	156150	28	18*	113,4	115,4	52,4
1561	156151		25			
1561	156152		30			
1561	156153		35			
1561	156154		40			
1562	156250	36	18*	145,7	147,7	68,5
1562	156251		25			
1562	156252		30			
1562	156253		35			
1562	156254		40			
1563	156350	38	18*	153,8	155,8	72,6
1563	156351		25			
1563	156352		30			
1563	156353		35			
1563	156354		40			
1564	156450	40	18*	161,9	163,8	76,6
1564	156451		25			
1564	156452		30			
1564	156453		35			
1564	156454		40			

*Plain Bore

521-520HD-522HD-520PROLBP

Ruote per tappeti / Belt sprockets / Kettenräder für Mattenketten

• Materiale / Material / Materialien:

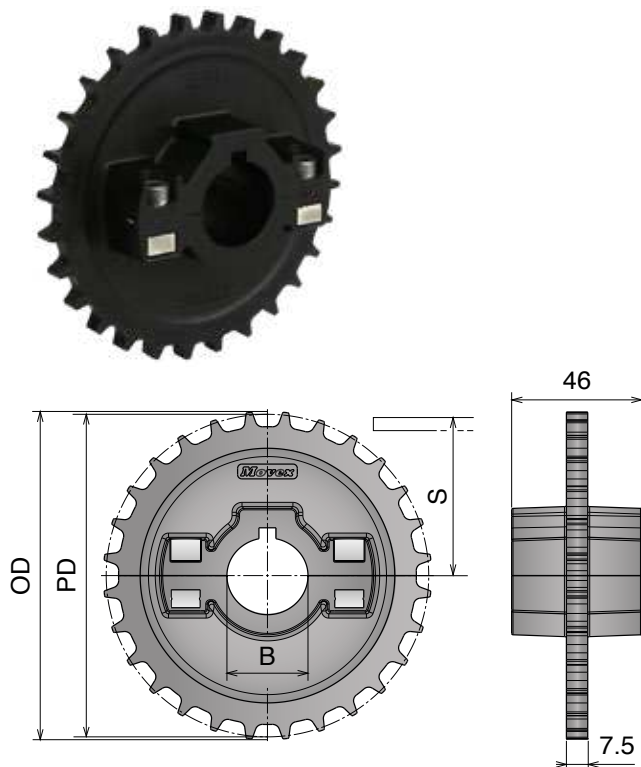
Poliamide/Polyamide/Polyamid

Viti: Acciaio inox/Screws: Stainless steel/Schrauben: Edelstahl

Dadi: ferro zincato/Nuts: zinc plated steel/Mutter: verzinkter Stahl

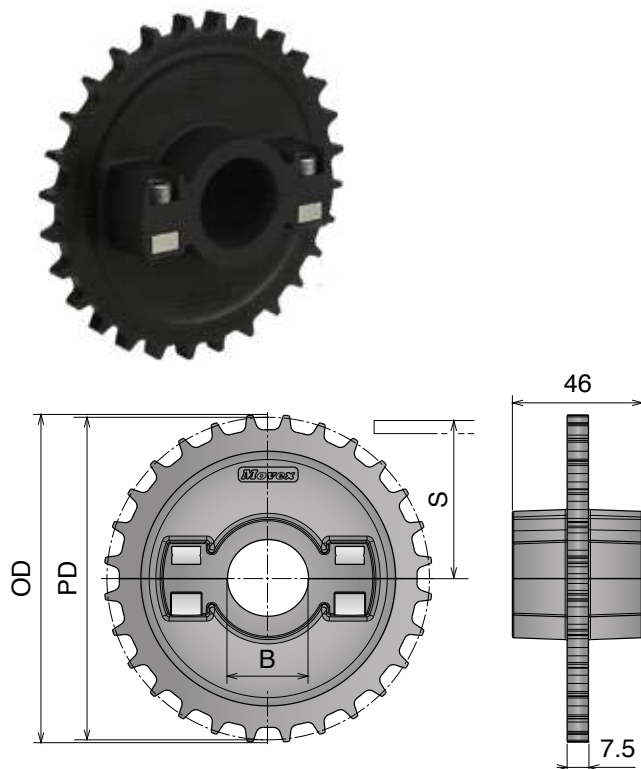
521-520HD-522HD-520PROLBP

Ruota traino divisa, stampata
Split drive sprocket, molded
geteiltes Antriebskettenrad, gespritzt



Part	Article-Nr.	Z-	Bore	PD	OD	S
1630	163001	24	25	97,3	99,3	44,3
1630	163002		30			
1630	163003		35			
1630	163004		40			
1630	163006		25* 25	□		
1630	163007		30* 30	□		
1630	163008		40* 40	□		
1631	163101	28	25	113,4	115,4	52,4
1631	163102		30			
1631	163103		35			
1631	163104		40			
1631	163106		25* 25	□		
1631	163107		30* 30	□		
1631	163108		40* 40	□		
1632	163201	36	25	145,7	147,7	68,5
1632	163202		30			
1632	163203		35			
1632	163204		40			
1632	163206		25* 25	□		
1632	163207		30* 30	□		
1632	163208		40* 40	□		

Ruota rinvio divisa, stampata
Split idler sprocket, molded / geteiltes Umlenrad, gespritzt

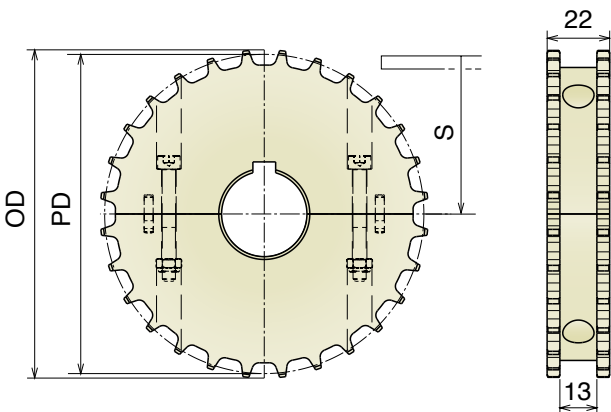


Part	Article-Nr.	Z-	Bore	PD	OD	S
1630	163051	24	25	97,3	99,3	44,3
1630	163052		30			
1630	163053		35			
1630	163054		40			
1631	163151	28	25	113,4	115,4	52,4
1631	163152		30			
1631	163153		35			
1631	163154		40			
1632	163251	36	25	145,7	147,7	68,5
1632	163252		30			
1632	163253		35			
1632	163254		40			

520 Ruota traino divisa, fresata

Split drive sprocket, machined / geteiltes Antriebskettenrad, gefräst

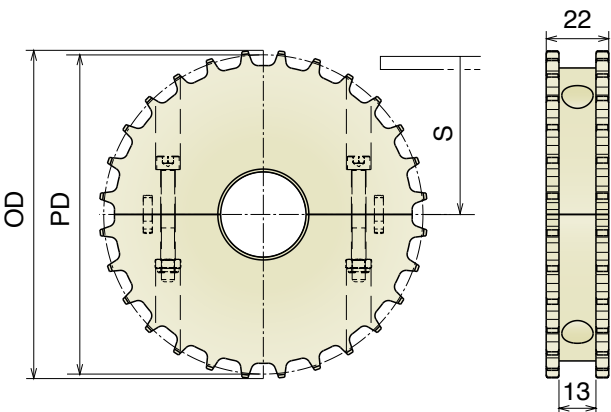
Delivery: **Easy** Standard



Part	Article-Nr.	Z-	Bore	PD	OD	S
1501	150101	28	25	113,4	115,4	52,4
1501	150102		30			
1501	150103		35			
1501	150104		40			
1501	150106		25* 25	□		
1501	150107		30* 30	□		
1501	150108		40* 40	□		
1502	150201	36	25	145,7	147,7	68,5
1502	150202		30			
1502	150203		35			
1502	150204		40			
1502	150206		25* 25	□		
1502	150207		30* 30	□		
1502	150208		40* 40	□		
1503	150301	38	25	153,8	155,8	72,6
1503	150302		30			
1503	150303		35			
1503	150304		40			
1503	150306		25* 25	□		
1503	150307		30* 30	□		
1503	150308		40* 40	□		
1504	150401	40	25	161,9	163,8	76,6
1504	150402		30			
1504	150403		35			
1503	150404		40			
1504	150406		25* 25	□		
1504	150407		30* 30	□		
1504	150408		40* 40	□		

Ruota rinvio divisa, fresata

Split idler sprocket, machined / geteiltes Umlenrad, gefräst



Part	Article-Nr.	Z-	Bore	PD	OD	S
1501	150150	28	18*	113,4	115,4	52,4
1501	150151		25			
1501	150152		30			
1501	150153		35			
1501	150154		40			
1502	150250	36	18*	145,7	147,7	68,5
1502	150251		25			
1502	150252		30			
1502	150253		35			
1502	150254		40			
1503	150350	38	18*	153,8	155,8	72,6
1503	150351		25			
1503	150352		30			
1503	150353		35			
1503	150354		40			
1504	150450	40	18*	161,9	163,8	76,6
1504	150451		25			
1504	150452		30			
1504	150453		35			
1504	150454		40			

*Plain Bore

520

Ruota traino divisa, stampata

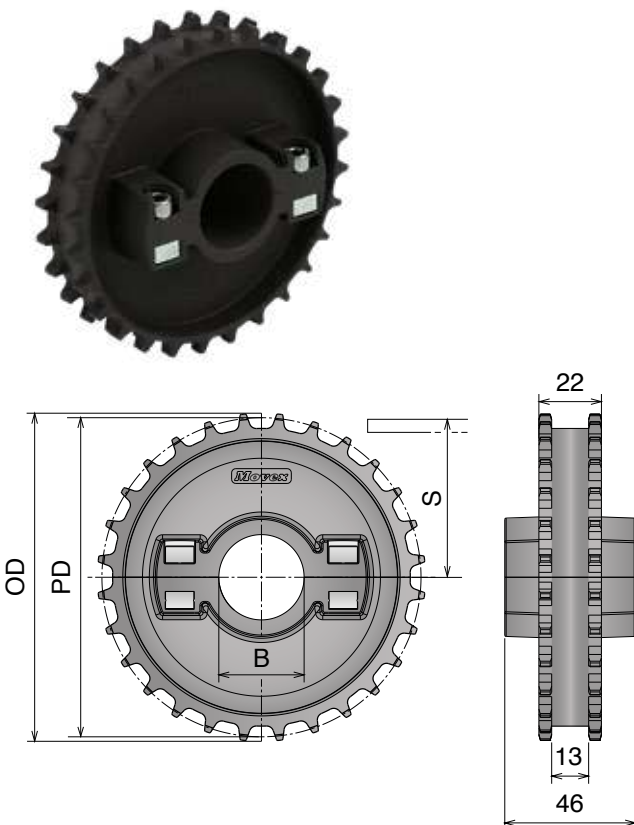
Split drive sprocket, molded / geteiltes Antriebskettenrad, gespritzt

RANGE EXTENSION

Delivery:	Easy	Standard	Part	Article-Nr.	Z-	Bore	PD	OD	S
			1505	150501	24	25	97,3	99,3	44,3
			1505	150502		30			
			1505	150503		35			
			1505	150504		40			
			1505	150506		25*25	□		
			1505	150507		30*30	□		
			1505	150508		40*40	□		
			1506	150601	28	25	113,4	115,4	52,4
			1506	150602		30			
			1506	150603		35			
			1506	150604		40			
			1506	150606		25*25	□		
			1506	150607		30*30	□		
			1506	150608		40*40	□		
			1507	150701	36	25	145,7	147,7	68,5
			1507	150702		30			
			1507	150703		35			
			1507	150704		40			
			1507	150706		25*25	□		
			1507	150707		30*30	□		
			1507	150708		40*40	□		
			1508	150801	38	25	153,8	155,8	72,6
			1508	150802		30			
			1508	150803		35			
			1508	150804		40			
			1508	150806		25*25	□		
			1508	150807		30*30	□		
			1508	150808		40*40	□		

Ruota rinvio divisa, stampata

Split idler sprocket, molded / geteiltes Umlenrad, gespritzt



Part	Article-Nr.	Z-	Bore	PD	OD	S
1505	150551	24	25	97,3	99,3	44,3
1505	150552		30			
1505	150553		35			
1505	150554		40			
1506	150651	28	25	113,4	115,4	52,4
1506	150652		30			
1506	150653		35			
1506	150654		40			
1507	150751	36	25	145,7	147,7	68,5
1507	150752		30			
1507	150753		35			
1507	150754		40			
1508	150851	36	25	153,8	155,8	72,6
1508	150852		30			
1508	150853		35			
1508	150854		40			

Materiale / Material / Materialien:

Poliammide/Polyamide/Polyamid

Viti: Acciaio inox/Screws: Stainless steel/Schrauben: Edelstahl

Dadi: ferro zincato/Nuts: zinc plated steel/Mutter: verzinkter Stahl

525-530

Ruote per tappeti / Belt sprockets / Kettenräder für Mattenketten

525-530

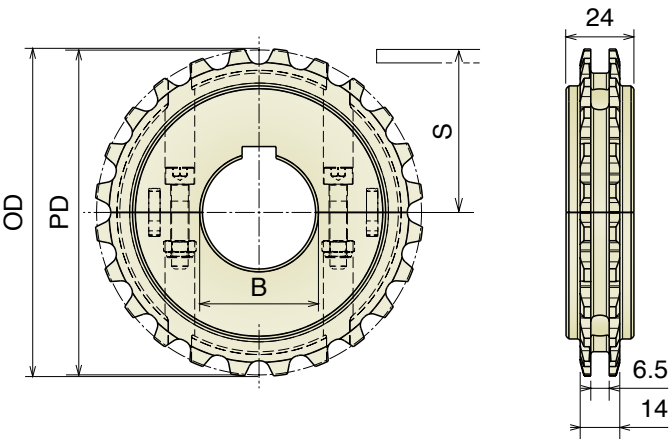
Ruota traino divisa, fresata

Split drive sprocket, machined / geteiltes Antriebskettenrad, gefräst

Delivery: **Easy** **Standard**

Part	Article-Nr.	Z-	Bore	PD	OD	S
1581	158101E	12**	25	58,1	58,2	24,6
1581	158106E		25* 25			
1582	158201E	16**	25	77,1	77,7	34,2
1582	158202E		30			
1582	158206E		25* 25			
1582	158207E		30* 30			
1583	158301	24	25	114,9	115,5	53,5
1583	158302		30			
1583	158303		35			
1583	158304		40			
1583	158306		25* 25			
1583	158307		30* 30			
1583	158308		40* 40			
1584	158401	32	25	153,4	154,8	72,5
1584	158402		30			
1584	158403		35			
1584	158404		40			
1584	158406		25* 25			
1584	158407		30* 30			
1584	158408		40* 40			

**Drive sprockets Z-12 and Z-16 are supplied non-split.



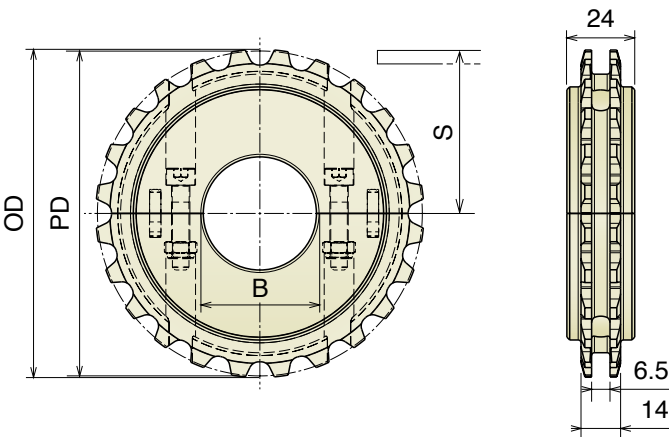
Ruota rinvio divisa, fresata

Split idler sprocket, machined / geteiltes Umlenrad, gefräst

Part	Article-Nr.	Z-	Bore	PD	OD	S
1581	158150E	12**	18*	58,1	58,2	24,6
1581	158151E		25			
1582	158250E	16**	18*	77,1	77,7	34,2
1582	158251E		25			
1582	158252E		30			
1583	158350	24	18*	114,9	115,5	53,5
1583	158351		25			
1583	158352		30			
1583	158353		35			
1583	158354		40			
1584	158450	32	18*	153,4	154,8	72,5
1584	158451		25			
1584	158452		30			
1584	158453		35			
1584	158454		40			

**Drive sprockets Z-12 and Z-16 are supplied non-split.

*Plain Bore

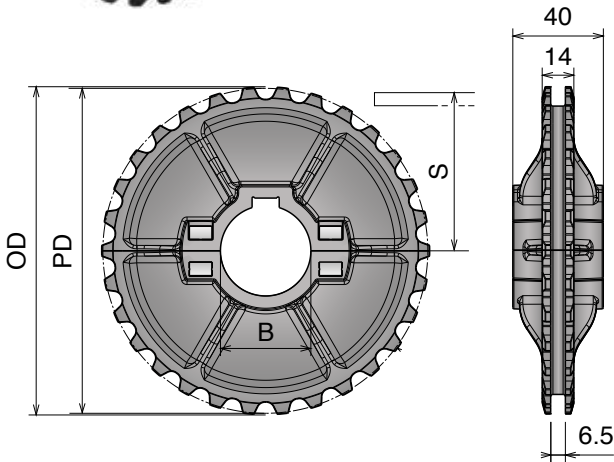


525-530

Ruota traino divisa, stampata

Split drive sprocket, molded / geteiltes Antriebskettenrad, gespritzt

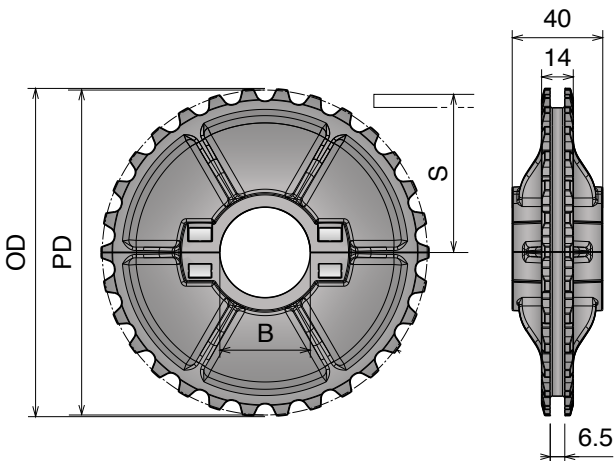
Delivery: **Easy** **Standard**



Part	Article-Nr.	Z-	Bore	PD	OD	S
1586	158601	24	25	114,9	115,5	53,5
1586	158602		30			
1586	158603		35			
1586	158604		40			
1586	158606		25*25	□		
1586	158607		30*30	□		
1586	158608		40*40	□		
1587	158701	30	25	143,5	145,1	67,5
1587	158702		30			
1587	158703		35			
1587	158704		40			
1587	158706		25*25	□		
1587	158707		30*30	□		
1587	158708		40*40	□		
1588	158801	32	25	153,4	154,8	72,5
1588	158802		30			
1588	158803		35			
1588	158804		40			
1588	158806		25*25	□		
1588	158807		30*30	□		
1588	158808		40*40	□		

Ruota rinvio divisa, stampata

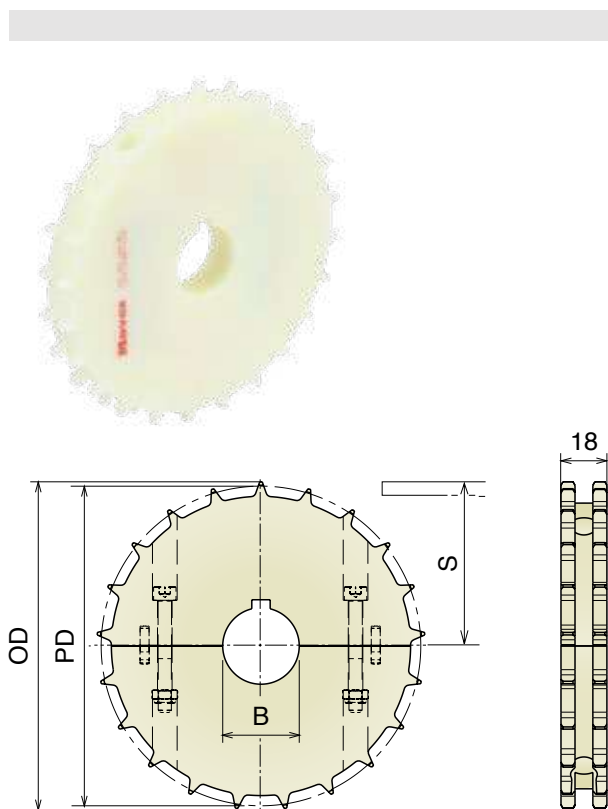
Split idler sprocket, molded / geteiltes Umlenkrad, gespritzt



Part	Article-Nr.	Z-	Bore	PD	OD	S
1586	158651	24	25	114,9	115,5	53,5
1586	158652		30			
1586	158653		35			
1586	158654		40			
1587	158751	30	25	143,5	145,1	67,5
1587	158752		30			
1587	158753		35			
1587	158754		40			
1588	158851	32	25	153,4	154,8	72,5
1588	158852		30			
1588	158853		35			
1588	158854		40			

590 Ruota traino divisa, fresata

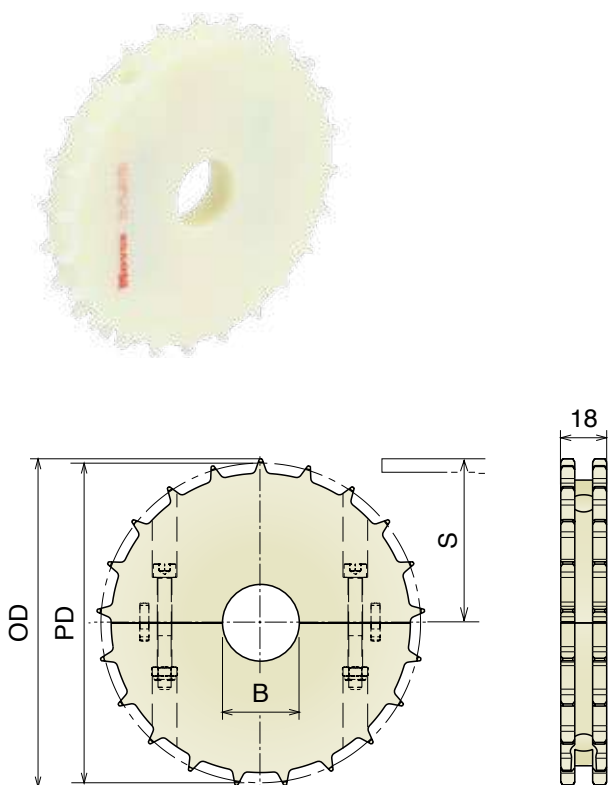
Split drive sprocket, machined / geteiltes Antriebskettenrad, gefräst



Part	Article-Nr.	Z-	Bore	PD	OD	S
1511	151101	17	25	103,7	104,6	47,5
1511	151102		30			
1511	151103		35			
1511	151104		40			
1511	151106		25* 25	□		
1511	151107		30* 30	□		
1511	151108		40* 40	□		
1512	151201	21	25	127,8	128,7	59,5
1512	151202		30			
1512	151203		35			
1512	151204		40			
1512	151206		25* 25	□		
1512	151207		30* 30	□		
1512	151208		40* 40	□		
1513	151301	24	25	146,0	145,6	68,6
1513	151302		30			
1513	151303		35			
1513	151304		40			
1513	151306		25* 25	□		
1513	151307		30* 30	□		
1513	151308		40* 40	□		
1514	151401	25	25	152,0	151,7	71,6
1514	151402		30			
1514	151403		35			
1514	151404		40			
1514	151406		25* 25	□		
1514	151407		30* 30	□		
1514	151408		40* 40	□		

Ruota rinvio divisa, fresata

Split idler sprocket, machined / geteiltes Umlenkrad, gefräst

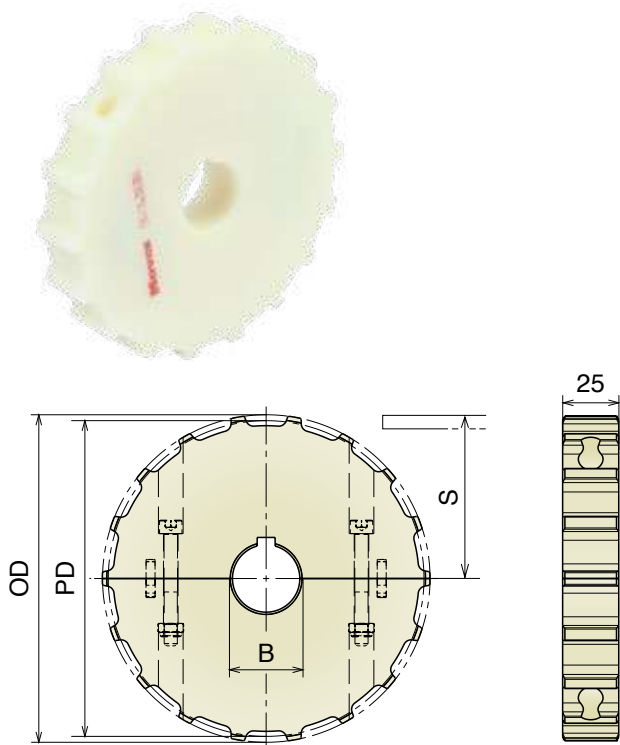


Part	Article-Nr.	Z-	Bore	PD	OD	S
1511	151150	17	18*	103,7	104,6	47,5
1511	151151		25			
1511	151152		30			
1511	151153		35			
1511	151154		40			
1512	151250	21	18*	127,8	128,7	59,5
1512	151251		25			
1512	151252		30			
1512	151253		35			
1512	151254		40			
1513	151350	24	18*	146,0	145,6	68,6
1513	151351		25			
1513	151352		30			
1513	151353		35			
1513	151354		40			
1514	151450	25	18*	152,0	151,7	71,6
1514	151451		25			
1514	151452		30			
1514	151453		35			
1514	151454		40			

*Plain Bore

550 Ruota traino divisa, fresata

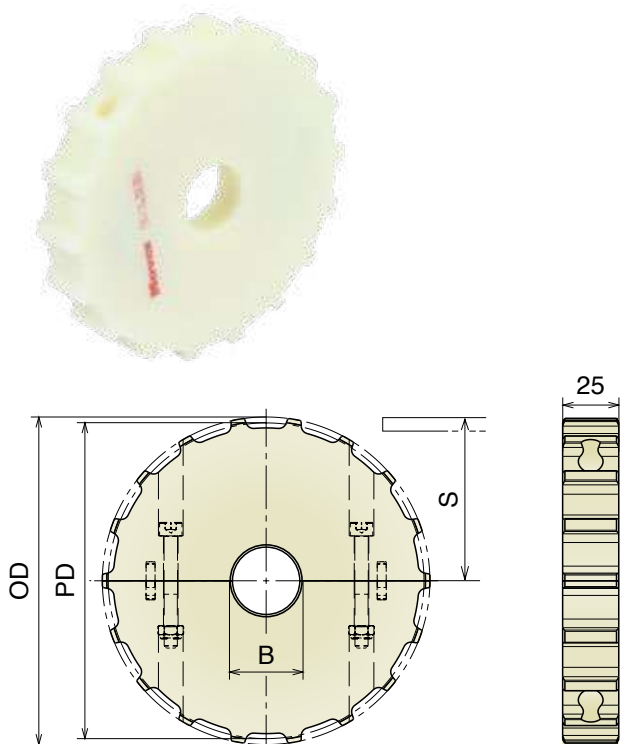
Split drive sprocket, machined / geteiltes Antriebskettenrad, gefräst

Delivery: **Easy** **Standard**

Part	Article-Nr.	Z-	Bore	PD	OD	S
1521	152101	14	25	114,1	114,0	52,7
1521	152102		30			
1521	152103		35			
1521	152104		40			
1521	152106		25* 25	□		
1521	152107		30* 30	□		
1521	152108		40* 40	□		
1522	152201	16	25	130,2	130,0	60,7
1522	152202		30			
1522	152203		35			
1522	152204		40			
1522	152206		25* 25	□		
1522	152207		30* 30	□		
1522	152208		40* 40	□		
1523	152301	18	25	146,3	146,0	68,8
1523	152302		30			
1523	152303		35			
1523	152304		40			
1523	152306		25* 25	□		
1523	152307		30* 30	□		
1523	152308		40* 40	□		
1524	152401	20	25	162,4	162,0	76,8
1524	152402		30			
1524	152403		35			
1524	152404		40			
1524	152406		25* 25	□		
1524	152407		30* 30	□		
1524	152408		40* 40	□		

Ruota rinvio divisa, fresata

Split idler sprocket, machined / geteiltes Umlenrad, gefräst



Part	Article-Nr.	Z-	Bore	PD	OD	S
1521	152150	14	18*	114,1	114,0	52,7
1521	152151		25			
1521	152152		30			
1521	152153		35			
1521	152154		40			
1522	152250	16	18*	130,2	130,0	60,7
1522	152251		25			
1522	152252		30			
1522	152253		35			
1522	152254		40			
1523	152350	18	18*	146,3	146,0	68,8
1523	152351		25			
1523	152352		30			
1523	152353		35			
1523	152354		40			
1524	152450	20	18*	162,4	162,0	76,8
1524	152451		25			
1524	152452		30			
1524	152453		35			
1524	152454		40			

*Plain Bore

Materiale / Material / Materialien:

Poliammide rinforzato / Polyamide reinforced / Verstärktes Polyamid

Viti: Acciaio inox / Screws: Stainless steel / Schrauben: Edelstahl

Dadi: Ottone nichelato / Nuts: Nickel plated brass / Mutter: Messing

550 Ruota traino divisa, stampata

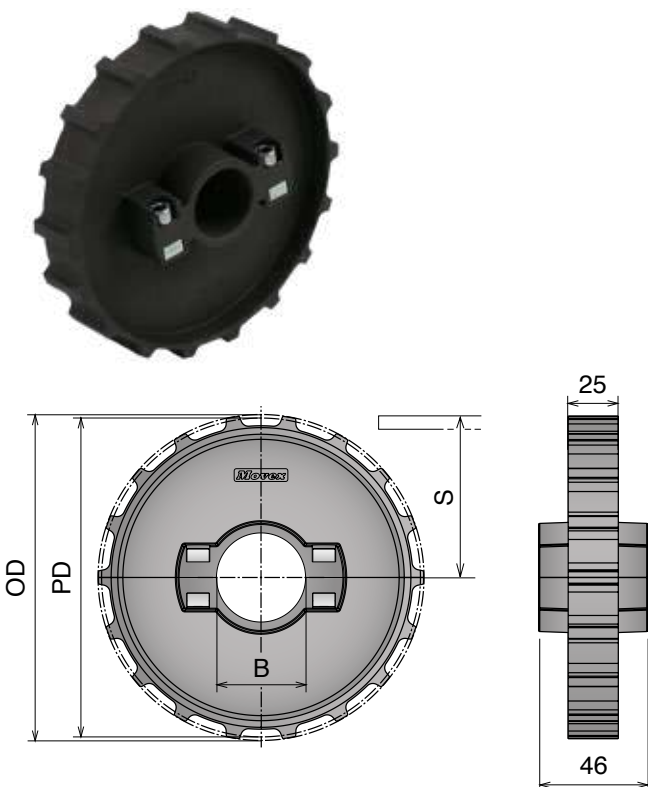
Split drive sprocket, molded / geteiltes Antriebskettenrad, gespritzt

Delivery: **Easy** **Standard**

Part	Article-Nr.	Z-	Bore	PD	OD	S
1525	152501	14	25	114,1	114,0	52,7
1525	152502		30			
1525	152503		35			
1525	152504		40			
1525	152506		25* 25	□		
1525	152507		30* 30	□		
1525	152508		40* 40	□		
1526	152601	16	25	130,2	130,0	60,7
1526	152602		30			
1526	152603		35			
1526	152604		40			
1526	152606		25* 25	□		
1526	152607		30* 30	□		
1526	152608		40* 40	□		
1527	152701	18	25	146,3	146,0	68,8
1527	152702		30			
1527	152703		35			
1527	152704		40			
1527	152706		25* 25	□		
1527	152707		30* 30	□		
1527	152708		40* 40	□		
1528	152801	20	25	162,4	162,0	76,8
1528	152802		30			
1528	152803		35			
1528	152804		40			
1528	152806		25* 25	□		
1528	152807		30* 30	□		
1528	152808		40* 40	□		

Ruota rinvio divisa, stampata

Split idler sprocket, molded / geteiltes Umlenkrad, gespritzt



Part	Article-Nr.	Z-	Bore	PD	OD	S
1525	152551	14	25	114,1	114,0	52,7
1525	152552		30			
1525	152553		35			
1525	152554		40			
1526	152651	16	25	130,2	130,0	60,7
1526	152652		30			
1526	152653		35			
1526	152654		40			
1527	152751	18	25	146,3	146,0	68,8
1527	152752		30			
1527	152753		35			
1527	152754		40			
1528	152851	20	25	162,4	162,0	76,8
1528	152852		30			
1528	152853		35			
1528	152854		40			

550 PRO

Ruote per tappeti / Belt sprockets / Kettenräder für Mattenketten

Material / Material / Materialien:

Poliammide/Polyamide/Polyamid

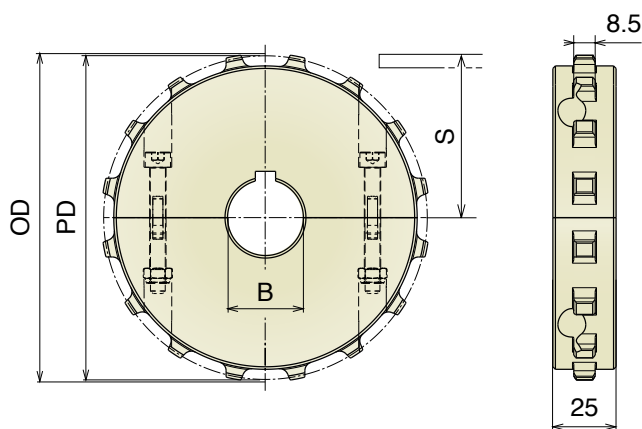
Viti: Acciaio inox/Screws: Stainless steel/Schrauben: Edelstahl

Dadi: ferro zincato/Nuts: zinc plated steel/Mutter: verzinkter Stahl

550 PRO

Ruota traino divisa, fresata

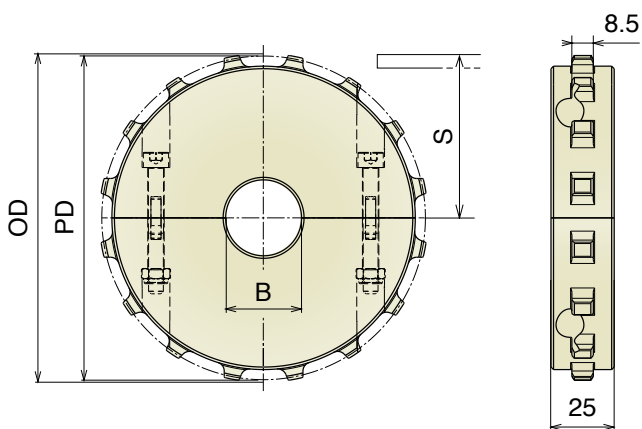
Split drive sprocket, machined / geteiltes Antriebskettenrad, gefräst



Part	Article-Nr.	Z-	Bore	PD	OD	S
1640	164001	14	25	114,1	114,0	52,7
1640	164002		30			
1640	164003		35			
1640	164004		40			
1640	164006		25* 25	□		
1640	164007		30* 30	□		
1640	164008		40* 40	□		
1641	164101	16	25	130,2	130,0	60,7
1641	164102		30			
1641	164103		35			
1641	164104		40			
1641	164106		25* 25	□		
1641	164107		30* 30	□		
1641	164108		40* 40	□		
1642	164201	18	25	146,3	146,0	68,8
1642	164202		30			
1642	164203		35			
1642	164204		40			
1642	164206		25* 25	□		
1642	164207		30* 30	□		
1642	164208		40* 40	□		
1643	164301	20	25	162,4	162,0	76,8
1643	164302		30			
1643	164303		35			
1643	164304		40			
1643	164306		25* 25	□		
1643	164307		30* 30	□		
1643	164308		40* 40	□		

Ruota rinvio divisa, fresata

Split idler sprocket, machined / geteiltes Umlenrad, gefräst



Part	Article-Nr.	Z-	Bore	PD	OD	S
1640	164050	14	18*	114,1	114,0	52,7
1640	164051		25			
1640	164052		30			
1640	164053		35			
1640	164054		40			
1641	164150	16	18*	130,2	130,0	60,7
1641	164151		25			
1641	164152		30			
1641	164153		35			
1641	164154		40			
1642	164250	18	18*	146,3	146,0	68,8
1642	164251		25			
1642	164252		30			
1642	164253		35			
1642	164254		40			
1643	164350	20	18*	162,4	162,0	76,8
1643	164351		25			
1643	164352		30			
1643	164353		35			
1643	164354		40			

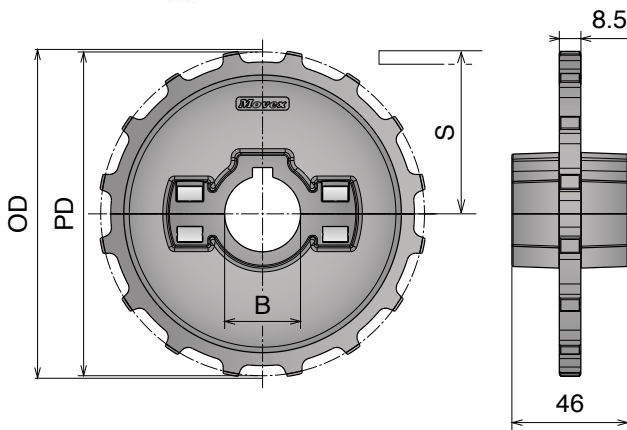
*Plain Bore

Materiale / Material / Materialien:

Poliammide rinforzato/Polyamide reinforced/Verstärktes Polyamid
 Viti: Acciaio inox/Screws: Stainless steel/Schrauben: Edelstahl
 Dadi: Ottone nichelato/Nuts: Nickel plated brass/Mutter: Messing

550 PRO

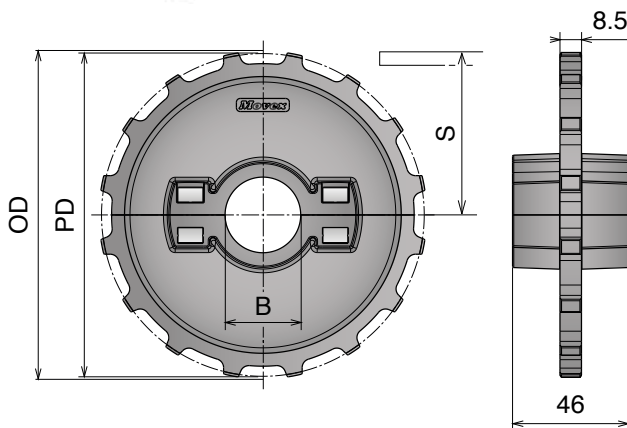
Ruota traino divisa, stampata
Split drive sprocket, molded / geteiltes Antriebskettenrad, gespritzt



Part	Article-Nr.	Z-	Bore	PD	OD	S
1650	165001	14	25	114,1	114,0	52,7
1650	165002		30			
1650	165003		35			
1650	165004		40			
1650	165006		25* 25	□		
1650	165007		30* 30	□		
1650	165008		40* 40	□		
1651	165101	16	25	130,2	130,0	60,7
1651	165102		30			
1651	165103		35			
1651	165104		40			
1651	165106		25* 25	□		
1651	165107		30* 30	□		
1651	165108		40* 40	□		
1652	165201	18	25	146,3	146,0	68,8
1652	165202		30			
1652	165203		35			
1652	165204		40			
1652	165206		25* 25	□		
1652	165207		30* 30	□		
1652	165208		40* 40	□		
1653	165301	20	25	162,4	162,0	76,8
1653	165302		30			
1653	165303		35			
1653	165304		40			
1653	165306		25* 25	□		
1653	165307		30* 30	□		
1653	165308		40* 40	□		

Ruota rinvio divisa, stampata

Split idler sprocket, molded / geteiltes Umlenkrad, gespritzt

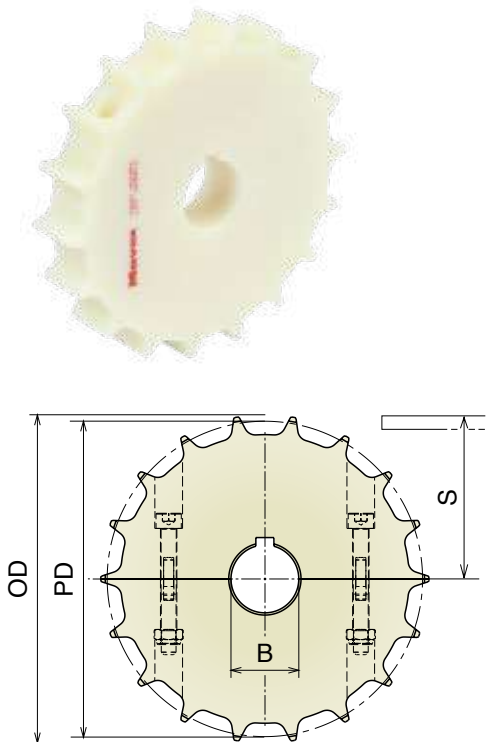


Part	Article-Nr.	Z-	Bore	PD	OD	S
1650	165051	14	25	114,1	114,0	52,7
1650	165052		30			
1650	165053		35			
1650	165054		40			
1651	165151	16	25	130,2	130,0	60,7
1651	165152		30			
1651	165153		35			
1651	165154		40			
1652	165251	18	25	146,3	146,0	68,8
1652	165252		30			
1652	165253		35			
1652	165254		40			
1653	165351	20	25	162,4	162,0	76,8
1653	165352		30			
1653	165353		35			
1653	165354		40			

551

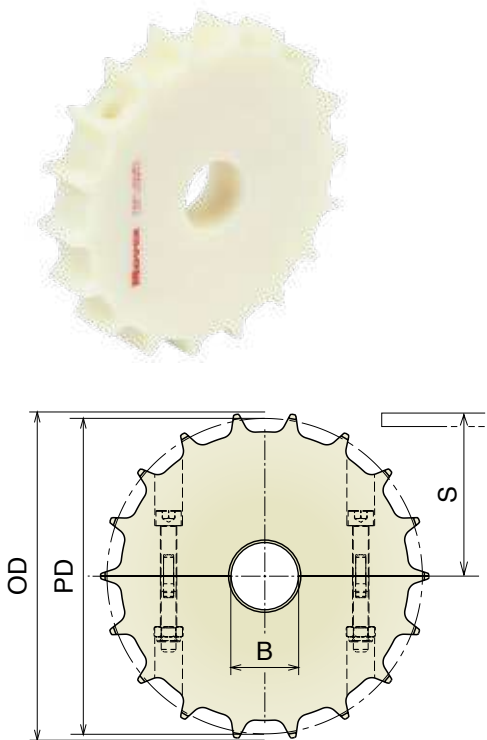
Ruota traino divisa, fresata

Split drive sprocket, machined / geteiltes Antriebskettenrad, gefräst



Ruota rinvio divisa, fresata

Split idler sprocket, machined / geteiltes Umlenrad, gefräst



Part	Article-Nr.	Z-	Bore	PD	OD	S
1539	153901	11	25	90,2	92,0	39,7
1539	153902		30			
1539	153903E	**	35			
1539	153904E	**	40			
1539	153906		25* 25			
1539	153907		30* 30			
1539	153908E	**	40* 40			
1531	153101	14	25	114,2	113,5	50,7
1531	153102		30			
1531	153103		35			
1531	153104		40			
1531	153106		25* 25			
1531	153107		30* 30			
1531	153108		40* 40			
1532	153201	16	25	130,2	129,0	58,7
1532	153202		30			
1532	153203		35			
1532	153204		40			
1532	153206		25* 25			
1532	153207		30* 30			
1532	153208		40* 40			
1533	153301	18	25	146,3	145,3	66,7
1533	153302		30			
1533	153303		35			
1533	153304		40			
1533	153306		25* 25			
1533	153307		30* 30			
1533	153308		40* 40			
1534	153401	20	25	162,4	161,7	74,8
1534	153402		30			
1534	153403		35			
1534	153404		40			
1534	153406		25* 25			
1534	153407		30* 30			
1534	153408		40* 40			
1634	163401	21	25	170,4	169,7	78,9
1634	163402		30			
1634	163403		35			
1634	163404		40			
1634	163406		25* 25			
1634	163407		30* 30			
1634	163408		40* 40			

Part	Article-Nr.	Z-	Bore	PD	OD	S
1539	153950	11	18*	90,2	92,0	39,7
1539	153951		25			
1539	153952		30			
1539	153953E	**	35			
1539	153954E	**	40			
1531	153150	14	18*	114,2	114,0	50,7
1531	153151		25			
1531	153152		30			
1531	153153		35			
1531	153154		40			
1532	153250	16	18*	130,2	129,0	58,7
1532	153251		25			
1532	153252		30			
1532	153253		35			
1532	153254		40			
1533	153350	18	18*	146,3	145,3	66,7
1533	153351		25			
1533	153352		30			
1533	153353		35			
1533	153354		40			
1534	153450	20	18*	162,4	161,7	74,8
1534	153451		25			
1534	153452		30			
1534	153453		35			
1534	153454		40			
1634	163450	21	18*	170,4	169,7	78,9
1634	163451		25			
1634	163452		30			
1634	163453		35			
1634	163454		40			

*Plain Bore **These sprockets are supplied non-split

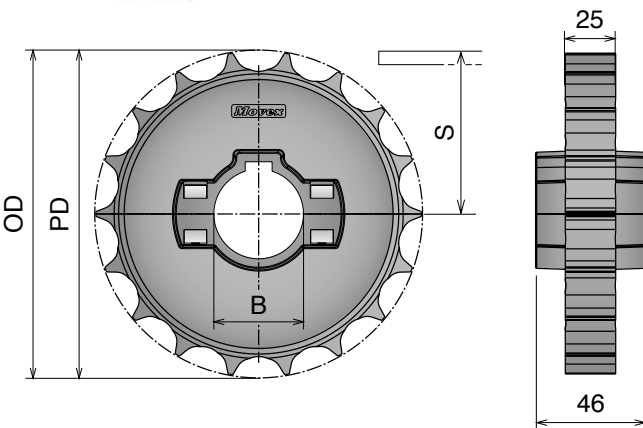
Materiale / Material / Materialien:

Poliammide rinforzato/Polyamide reinforced/Verstärktes Polyamid
 Viti: Acciaio inox/Screws: Stainless steel/Schrauben: Edelstahl
 Dadi: Ottone nichelato/Nuts: Nickel plated brass/Mutter: Messing

551 Ruota traino divisa, stampata

Split drive sprocket, molded / geteiltes Antriebskettenrad, gespritzt

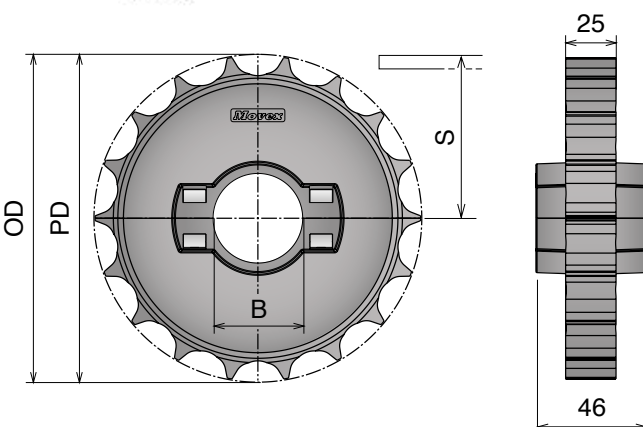
Delivery: **Easy** **Standard**



Part	Article-Nr.	Z-	Bore	PD	OD	S
1535	153501	14	25	114,2	113,5	50,7
1535	153502		30			
1535	153503		35			
1535	153504		40			
1535	153506		25* 25	∇		
1535	153507		30* 30	∇		
1535	153508		40* 40	∇		
1536	153601	16	25	130,2	129,0	58,7
1536	153602		30			
1536	153603		35			
1536	153604		40			
1536	153606		25* 25	∇		
1536	153607		30* 30	∇		
1536	153608		40* 40	∇		
1537	153701	18	25	146,3	145,3	66,7
1537	153702		30			
1537	153703		35			
1537	153704		40			
1537	153706		25* 25	∇		
1537	153707		30* 30	∇		
1537	153708		40* 40	∇		
1538	153801	20	25	162,4	161,7	74,8
1538	153802		30			
1538	153803		35			
1538	153804		40			
1538	153806		25* 25	∇		
1538	153807		30* 30	∇		
1538	153808		40* 40	∇		

Ruota rinvio divisa, stampata

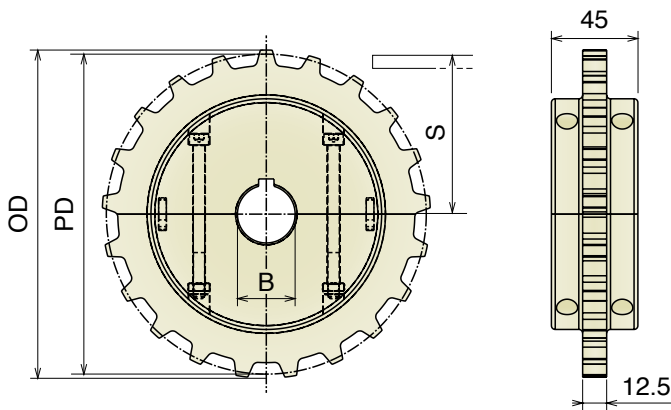
Split idler sprocket, molded / geteiltes Umlenkrad, gespritzt



Part	Article-Nr.	Z-	Bore	PD	OD	S
1535	153551	14	25	114,2	113,5	50,7
1535	153552		30			
1535	153553		35			
1535	153554		40			
1536	153651	16	25	130,2	129,0	58,7
1536	153652		30			
1536	153653		35			
1536	153654		40			
1537	153751	18	25	146,3	145,3	66,7
1537	153752		30			
1537	153753		35			
1537	153754		40			
1538	153851	20	25	162,4	161,7	74,8
1538	153852		30			
1538	153853		35			
1538	153854		40			

552 Ruota traino divisa, fresata

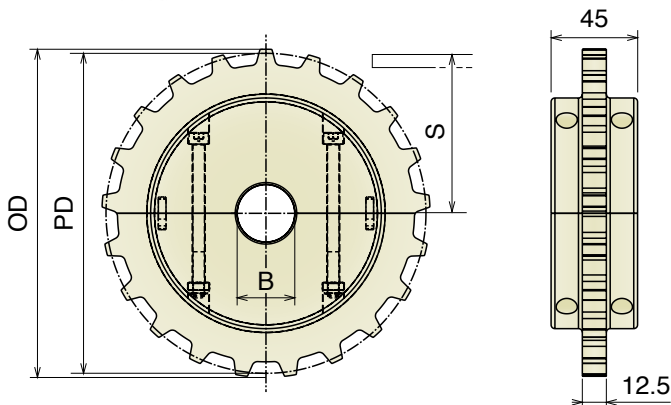
Split drive sprocket, machined / geteiltes Antriebskettenrad, gefräst



Part	Article-Nr.	Z-	Bore	PD	OD	S
1611	161101	16	25	130,2	130,6	58,7
1611	161102		30			
1611	161103		35			
1611	161104		40			
1611	161106		25* 25	□		
1611	161107		30* 30	□		
1611	161108		40* 40	□		
1612	161201	18	25	146,3	146,9	66,8
1612	161202		30			
1612	161203		35			
1612	161204		40			
1612	161206		25* 25	□		
1612	161207		30* 30	□		
1612	161208		40* 40	□		
1613	161301	21	25	170,4	170,7	78,8
1613	161302		30			
1613	161303		35			
1613	161304		40			
1613	161306		25* 25	□		
1613	161307		30* 30	□		
1613	161308		40* 40	□		
1614	161401	25	25	202,7	204,2	95,0
1614	161402		30			
1614	161403		35			
1614	161404		40			
1614	161406		25* 25	□		
1614	161407		30* 30	□		
1614	161408		40* 40	□		

Ruota rinvio divisa, fresata

Split idler sprocket, machined / geteiltes Umlenrad, gefräst



Part	Article-Nr.	Z-	Bore	PD	OD	S
1611	161150	16	18*	130,2	130,6	58,7
1611	161151		25			
1611	161152		30			
1611	161153		35			
1611	161154		40			
1612	161250	18	18*	146,3	146,9	66,8
1612	161251		25			
1612	161252		30			
1612	161253		35			
1612	161254		40			
1613	161350	21	18*	170,4	170,7	78,8
1613	161351		25			
1613	161352		30			
1613	161353		35			
1613	161354		40			
1614	161450	25	18*	202,7	204,2	95,0
1614	161451		25			
1614	161452		30			
1614	161453		35			
1614	161454		40			

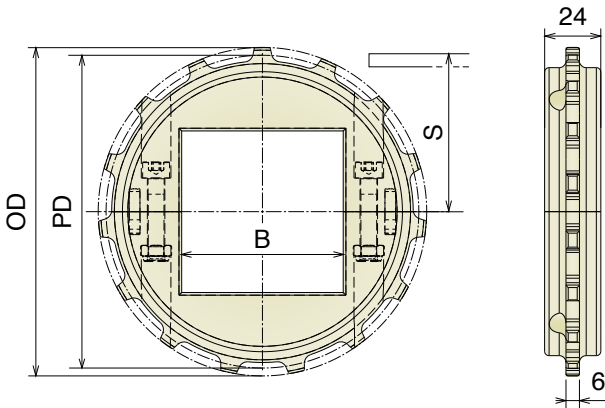
*Plain Bore

Materiali / Material / Materialien: Machined Sp: Poliammide/Polyamide/Polyamid
 Molded Sp: Poliammide rinforzato/Polyamide reinforced/Verstärktes Polyamid
 Viti: Acciaio inox/Screws: Stainless steel/Schrauben: Edelstahl
 Dadi: ferro zincato/Nuts: zinc plated steel/Mutter: verzinkter Stahl

553 Ruota traino divisa, fresata
 Split drive sprocket, machined / geteiltes Antriebskettenrad, gefräst

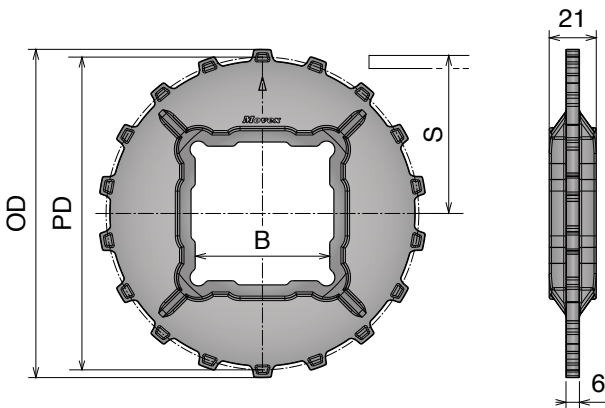
RANGE EXTENSION

Part	Article-Nr.	Z-	Bore	PD	OD	S
1661	166108	12	40*40	98,1	97,6	44,5
1662	166208	15	40*40	122,2	121,9	56,5
1662	166210		60*60			
1663	166301	18	40	146,3	146,0	68,5
1663	166302		60			
1663	166304		65			
1663	166308		40*40			
1663	166310		60*60			
1663	166311		65*65			



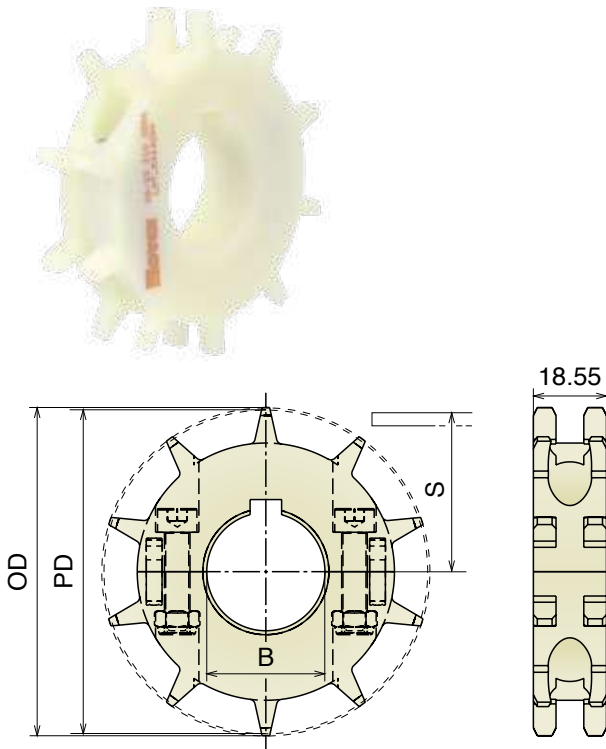
553 Ruota traino, stampata
 drive sprocket, molded / Antriebskettenrad, gespritzt

Part	Article-Nr.	Z-	Bore	PD	OD	S
1665	166511	18	40*40	146,3	146,0	68,5
1665	166510		60*60			



556 Ruota traino divisa, fresata

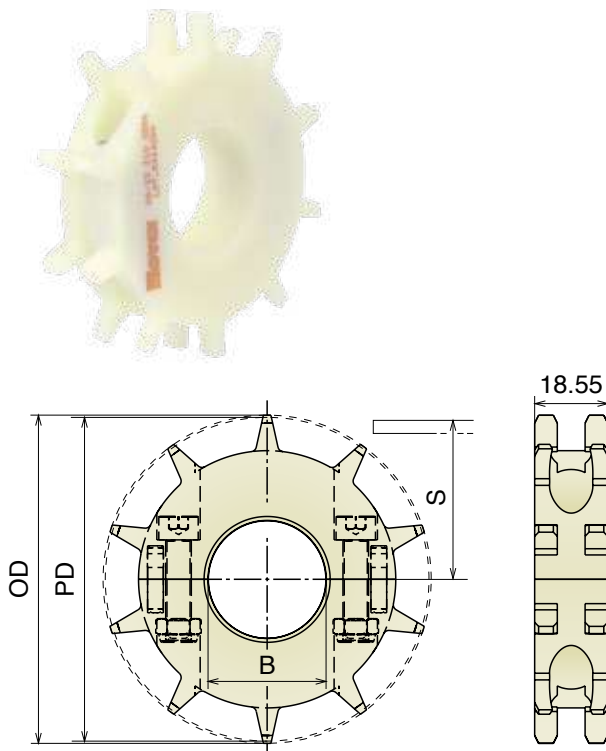
Split drive sprocket, machined / geteiltes Antriebskettenrad, gefräst



Part	Article-Nr.	Z-	Bore	PD	OD	S
1620	162001	10	25	82,2	83,3	33,0
1620	162002		30			
1620	162003E		35			
1620	162004E		40			
1620	162006		25* 25	□		
1620	162007		30* 30	□		
1620	162008E		40* 40	□		
1621	162101	12	25	98,1	100,0	41,0
1621	162102		30			
1621	162103		35			
1621	162104		40			
1621	162106		25* 25	□		
1621	162107		30* 30	□		
1621	162108E		40* 40	□		
1622	162201	15	25	122,2	124,3	53,0
1622	162202		30			
1622	162203		35			
1622	162204		40			
1622	162206		25* 25	□		
1622	162207		30* 30	□		
1622	162208		40* 40	□		
1623	162301	18	25	146,3	147,8	65,0
1623	162302		30			
1623	162303		35			
1623	162304		40			
1623	162306		25* 25	□		
1623	162307		30* 30	□		
1623	162308		40* 40	□		

Ruota rinvio divisa, fresata

Split idler sprocket, machined / geteiltes Umlenkrad, gefräst



Part	Article-Nr.	Z-	Bore	PD	OD	S
1620	162050	10	18*	82,2	83,3	33,0
1620	162051		25			
1620	162052		30			
1620	162053E		35			
1620	162054E		40			
1621	162150	12	18*	98,1	100,0	41,0
1621	162151		25			
1621	162152		30			
1621	162153		35			
1621	162154		40			
1622	162250	15	18*	122,2	124,3	53,0
1622	162251		25			
1622	162252		30			
1622	162253		35			
1622	162254		40			
1623	162350	18	18*	146,3	147,8	65,0
1623	162351		25			
1623	162352		30			
1623	162353		35			
1623	162354		40			

*Plain Bore

Materiale / Material / Materialien:

Poliamide/Polyamide/Polyamid

Viti: Acciaio inox/Screws: Stainless steel/Schrauben: Edelstahl

Dadi: ferro zincato/Nuts: zinc plated steel/Mutter: verzinkter Stahl

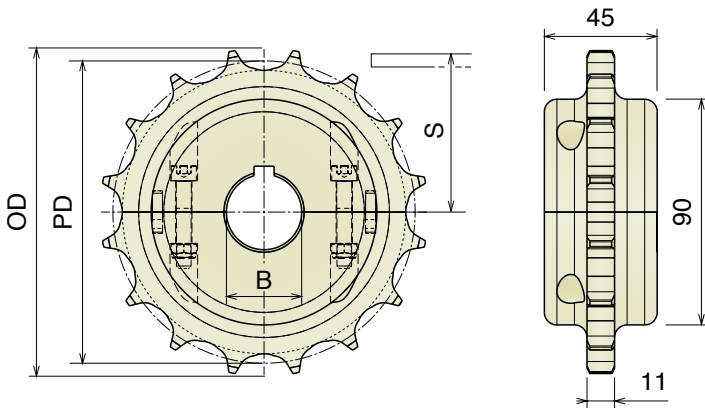
240-260-261

Ruota traino divisa, fresata

Split drive sprocket, machined / geteiltes Antriebskettenrad, gefräst

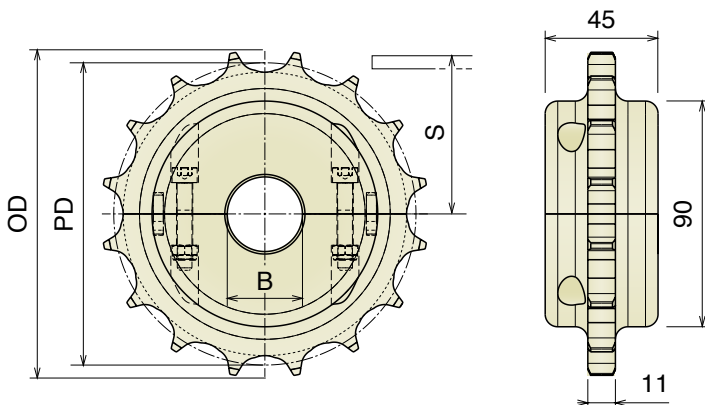
Delivery: **Easy** **Standard**

Part	Article-Nr.	Z-	Bore	PD	OD	S
1541	154101	16	25	128,9	130,9	67,8
1541	154102		30			
1541	154103		35			
1541	154104		40			
1542	154201	18	25	144,8	146,8	75,7
1542	154202		30			
1542	154203		35			
1542	154204		40			
1543	154301	19	25	154,3	156,3	80,5
1543	154302		30			
1543	154303		35			
1543	154304		40			



Ruota rinvio divisa, fresata

Split idler sprocket, machined / geteiltes Umlenrad, gefräst



Part	Article-Nr.	Z-	Bore	PD	OD	S
1541	154150	16	18*	128,9	130,9	67,8
1541	154151		25			
1541	154152		30			
1541	154153		35			
1541	154154		40			
1542	154250	18	18*	144,8	146,8	75,7
1542	154251		25			
1542	154252		30			
1542	154253		35			
1542	154254		40			
1543	154350	19	18*	154,3	156,3	80,5
1543	154351		25			
1543	154352		30			
1543	154353		35			
1543	154354		40			

*Plain Bore

240-260-261

Ruote per tappeti / Belt sprockets / Kettenräder für Mattenketten

Materiale / Material / Materialien:

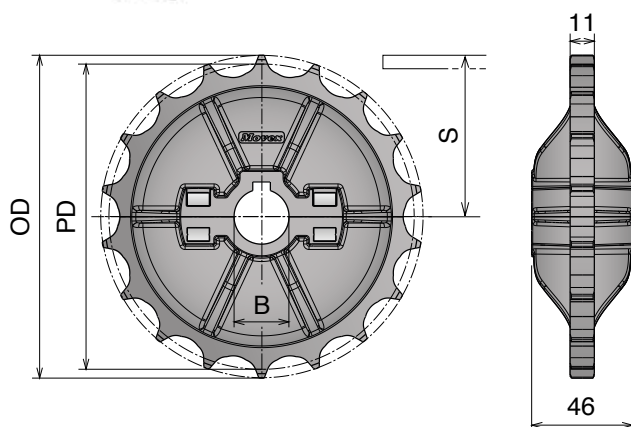
Poliammide rinforzato / Polyamide reinforced / Verstärktes Polyamid
 Viti: Acciaio inox / Screws: Stainless steel / Schrauben: Edelstahl
 Dadi: Ottone nichelato / Nuts: Nickel plated brass / Mutter: Messing

240-260-261

Ruota traino divisa, stampata

Split drive sprocket, molded / geteiltes Antriebskettenrad, gespritzt

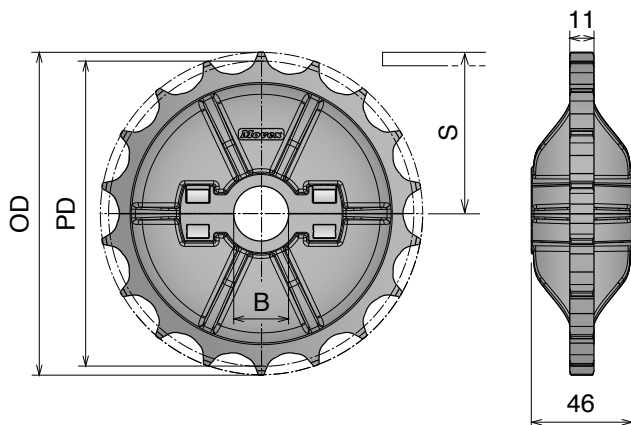
Delivery: **Easy** **Standard**



Part	Article-Nr.	Z-	Bore	PD	OD	S
1545	154501	16	25	128,9	130,9	67,8
1545	154502		30			
1545	154503		35			
1545	154504		40			
1545	154506		25*25	□		
1545	154507		30*30	□		
1545	154508		40*40	□		
1546	154601	18	25	144,8	146,8	75,7
1546	154602		30			
1546	154603		35			
1546	154604		40			
1546	154606		25*25	□		
1546	154607		30*30	□		
1546	154608		40*40	□		
1547	154701	19	25	154,3	156,3	80,5
1547	154702		30			
1547	154703		35			
1547	154704		40			
1547	154706		25*25	□		
1547	154707		30*30	□		
1547	154708		40*40	□		

Ruota rinvio divisa, stampata

Split idler sprocket, molded / geteiltes Umlenkrad, gespritzt

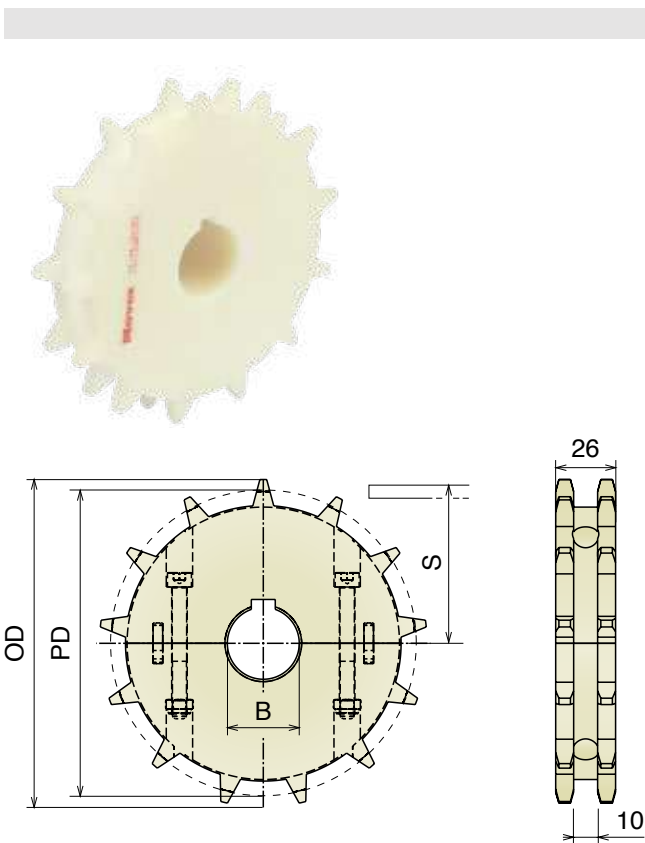


Part	Article-Nr.	Z-	Bore	PD	OD	S
1545	154551	16	25	128,9	130,9	67,8
1545	154552		30			
1545	154553		35			
1545	154554		40			
1546	154651	18	25	144,8	146,8	75,7
1546	154652		30			
1546	154653		35			
1546	154654		40			
1547	154751	19	25	154,3	156,3	80,5
1547	154752		30			
1547	154753		35			
1547	154754		40			

600

Ruota traino divisa, fresata

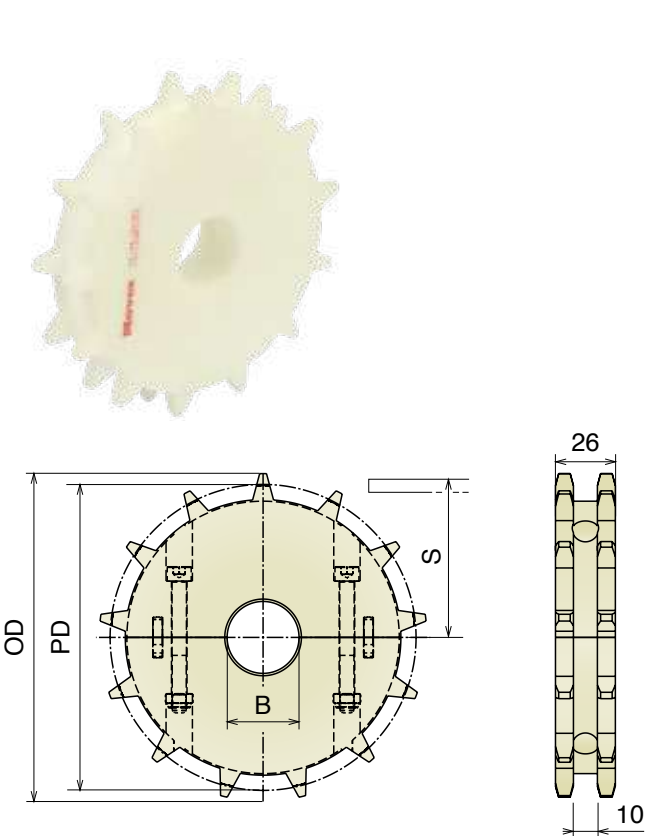
Split drive sprocket, machined / geteiltes Antriebskettenrad, gefräst



Part	Article-Nr.	Z-	Bore	PD	OD	S
1571	157101	10	25	102,8	107,7	45,0
1571	157102		30			
1571	157103		35			
1571	157104		40			
1572	157201	13	25	132,7	138,8	60,0
1572	157202		30			
1572	157203		35			
1572	157204		40			
1573	157301	15	25	152,7	159,4	70,0
1573	157302		30			
1573	157303		35			
1573	157304		40			
1574	157401	16	25	162,8	169,6	75,0
1574	157402		30			
1574	157403		35			
1574	157404		40			

Ruota rinvio divisa, fresata

Split idler sprocket, machined / geteiltes Umlenrad, gefräst



Part	Article-Nr.	Z-	Bore	PD	OD	S
1571	157150	10	18*	102,8	107,7	45,0
1571	157151		25			
1571	157152		30			
1571	157153		35			
1571	157154		40			
1572	157250	13	18*	132,7	138,8	60,0
1572	157251		25			
1572	157252		30			
1572	157253		35			
1572	157254		40			
1573	157350	15	18*	152,7	159,4	70,0
1573	157351		25			
1573	157352		30			
1573	157353		35			
1573	157354		40			
1574	157450	16	18*	162,8	169,6	75,0
1574	157451		25			
1574	157452		30			
1574	157453		35			
1574	157454		40			

*Plain Bore

600 Support sprocket/Split support roller

Ruote per tappeti / Belt sprockets / Kettenräder für Mattenketten

• Materiale / Material / Materialien:

Poliammide/Polyamide/Polyamid

Viti: Acciaio inox/Screws: Stainless steel/Schrauben: Edelstahl

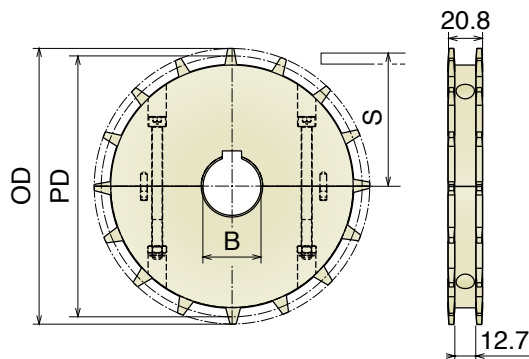
Dadi: ferro zincato/Nuts: zinc plated steel/Mutter: verzinkter stahl

600 Support sprocket

Ruota traino divisa, fresata

Split drive sprocket, machined / geteiltes Antriebskettenrad gefräst

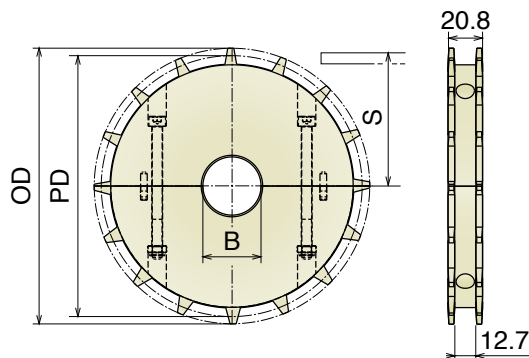
Designed to support Small radius section



Article-Nr.	Z-	Bore	PD	OD	S
157101SR	10	25	102,8	107,7	45,0
157102SR		30			
157103SR		35			
157104SR		40			
157201SR	13	25	132,7	138,8	60,0
157202SR		30			
157203SR		35			
157204SR		40			
157301SR	15	25	152,7	159,4	70,0
157302SR		30			
157303SR		35			
157304SR		40			
157401SR	16	25	162,8	169,6	75,0
157402SR		30			
157403SR		35			
157404SR		40			

Ruota rinvio divisa, fresata

Split idler sprocket, machined / geteiltes Umlenkrad, gefräst



Article-Nr.	Z-	Bore	PD	OD	S
157150SR	10	18*	102,8	107,7	45,0
157151SR		25			
157152SR		30			
157153SR		35			
157154SR		40			
157250SR	13	18*	132,7	138,8	60,0
157251SR		25			
157252SR		30			
157253SR		35			
157254SR		40			
157350SR	15	18*	152,7	159,4	70,0
157351SR		25			
157352SR		30			
157353SR		35			
157354SR		40			
157450SR	16	18*	162,8	169,6	75,0
157451SR		25			
157452SR		30			
157453SR		35			
157454SR		40			

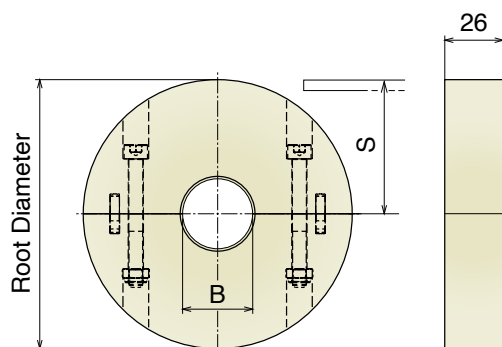
*Plain Bore

600 Support roller

Ruota rinvio liscia, divisa, fresata

Split idler wheel, machined / geteilte Umlenkrolle, gefräst

Designed to support Small radius section



Article-Nr.	Z- eq.	Bore	Root Ø	S
157150R	10	18*	85,1	45,0
157151R		25		
157152R		30		
157153R		35		
157154R		40		
157250R	13	18*	115,0	60,0
157251R		25		
157252R		30		
157253R		35		
157254R		40		
157350R	15	18*	134,3	70,0
157351R		25		
157352R		30		
157353R		35		
157354R		40		
157450R	16	18*	146,8	75,0
157451R		25		
157452R		30		
157453R		35		
157454R		40		

Fix split support roller with split collars

Part 215

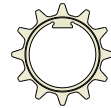
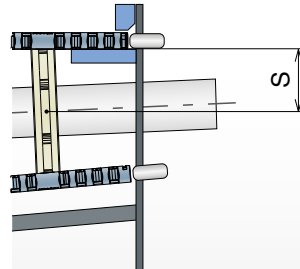
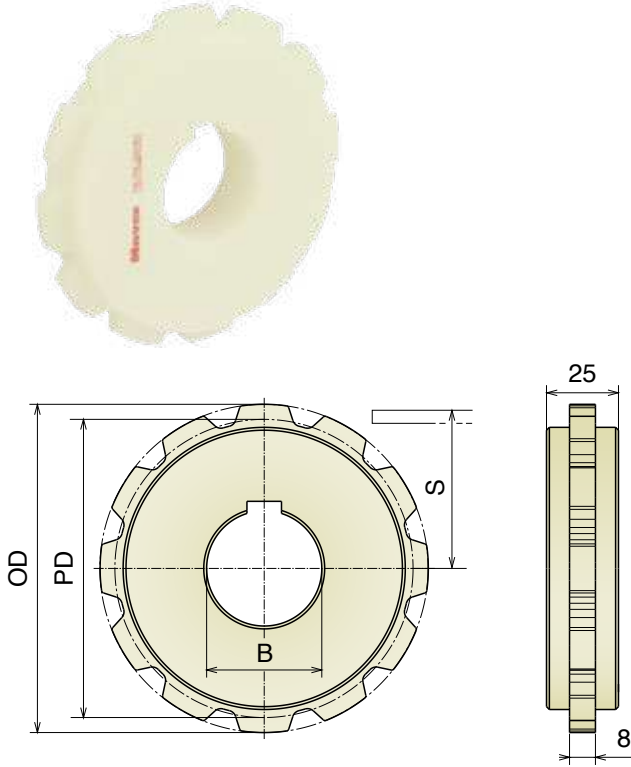
Page 507



ZERO CONTACT

Ruota traino, fresata
 Drive sprocket, machined / Antriebskettenrad, gefräst

Part	Article-Nr.	Z-	Bore	R,+50	PD	OD	S
1624	162401	12	40	650	58,0	61,0	24,0
1624	162402			750	66,0	69,0	29,0
1624	162403			850	76,0	79,0	33,0
1624	162404			950	84,0	86,0	37,5
1624	162405			1050	94,0	97,0	41,5
1624	162406			1150	102,0	104,0	46,0
1624	162407			1250	112,0	114,0	50,5
1624	162408			1350	119,0	122,0	54,5
1624	162409			1450	130,0	132,0	56,0
1624	162410			1550	137,0	140,0	63,5
1624	162411			1650	145,0	148,0	67,5
1624	162412			1750	154,0	157,0	72,0
1624	162413			1850	163,0	166,0	76,5
1624	162414			1950	171,0	174,0	81,0
1624	162415			2050	180,0	183,0	85,0
1624	162416			2150	189,0	192,0	90,0



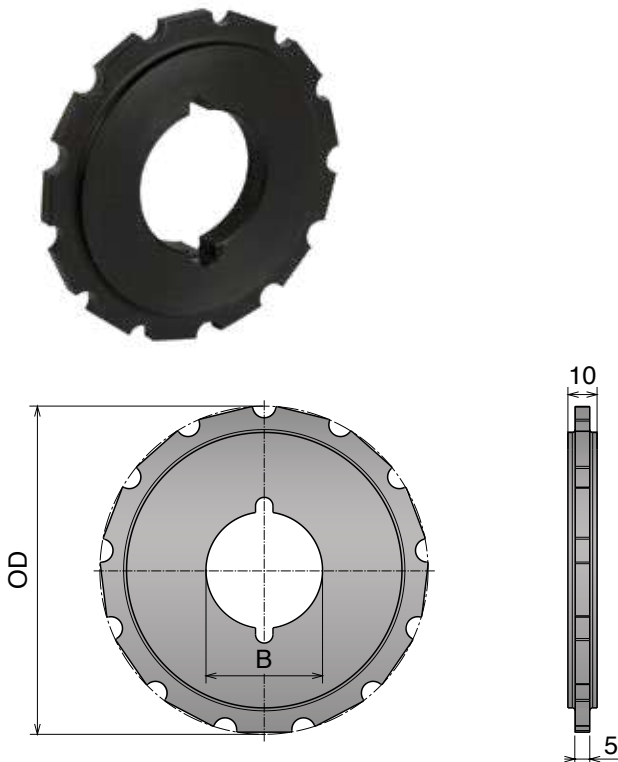
Smallest sprocket with integrated key valid only for code 162401

NOTE: in order to install the smallest sprockets a shaft key way continued to the end of the shaft is required.

ZERO CONTACT PRO

Ruota traino, fresata
 Drive sprocket, machined / Antriebskettenrad, gefräst

Part	Article-Nr.	Z-	Bore	OD
1633	163301	13	30	45,9
1633	163302			52,0
1633	163303		40	58,0
1633	163304			64,1
1633	163305			70,2
1633	163306			76,2
1633	163307			82,3
1633	163308			88,3
1633	163309			94,4
1633	163310			100,5
1633	163311			106,6
1633	163312			112,6
1633	163313			118,7
1633	163314			124,7
1633	163315			130,8
1633	163316			136,9
1633	163317			142,9



500 RR

Ruote per tappeti / Belt sprockets / Kettenräder für Mattenketten

Materiale / Material / Materialien:

Resina acetica/Acetal resin/Azetal

Viti: Acciaio inox/Screws: Stainless steel/Schrauben: Edelstahl

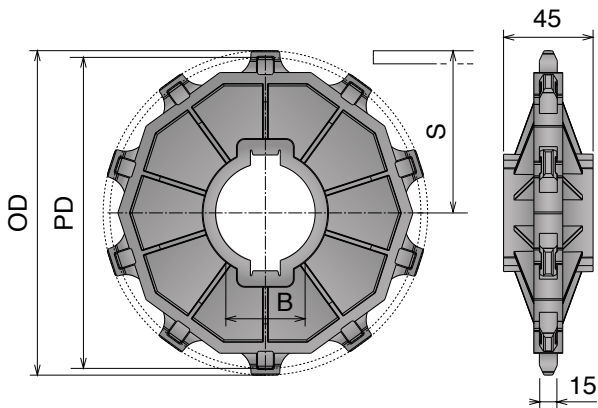
Dadi: Acciaio inox/Nuts: Stainless steel/Mutter: Edelstahl

500 RR

Ruota traino, stampata

Drive sprocket, molded / Antriebskettenrad, gespritzt

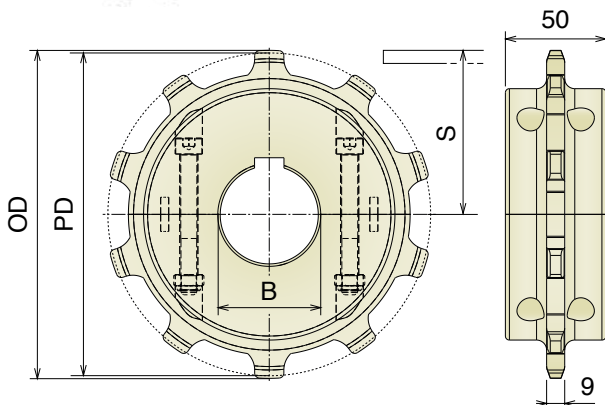
Delivery: **Easy** **Standard**



Part	Article-Nr.	Z-	Bore	PD	OD	S
1551	155104	10	40	164,4	163,1	74,2
1551	155105		50			
1551	155106		40*40	□		
1551	155107		60*60	□		
1551	155108		65*65	□		
1552	155204	12	40	196,3	196,3	90,1
1552	155206		40*40	□		
1552	155207		60*60	□		
1552	155208		65*65	□		
1553	155311	13	65	212,3	213,6	98,1
1553	155310		90			
1553	155306		40*40	□		
1553	155307		60*60	□		
1553	155308		65*65	□		
1553	155309		90*90	□		
1559	155910	16	90	260,4	262,0	122,3
1559	155908		65*65	□		
1559	155909		90*90	□		
1559	155912		120*120	□		

Ruota traino, fresata

Drive sprocket, machined / Antriebskettenrad, gefräst



Part	Article-Nr.	Z-	Bore	PD	OD	S
1607	160704	10	40	164,4	163,1	74,2
1607	160705		50			
1607	160706		40*40	□		
1607	160707		60*60	□		
1607	160708		65*65	□		
1608	160804	12	40	196,3	196,3	90,1
1608	160806		40*40	□		
1608	160807		60*60	□		
1608	160808		65*65	□		
1609	160911	13	65	212,3	209,0	98,1
1609	160910		90			
1609	160906		40*40	□		
1609	160907		60*60	□		
1609	160908		65*65	□		
1609	160909		90*90	□		
1610	161010	16	90	260,4	262,0	122,3
1610	161005		2,5"			
1610	161008		65*65	□		
1610	161009		90*90	□		
1610	161012E	**	120*120	□		

**These sprockets are supplied non-split

Materiale / Material / Materialien:

Resina acetica/Acetal resin/Azetal

Viti: Acciaio inox/Screws: Stainless steel/Schrauben: Edelstahl

Dadi: Acciaio inox/Nuts: Stainless steel/Mutter: Edelstahl

500 RR Split Version

Ruote per tappeti / Belt sprockets / Kettenräder für Mattenketten

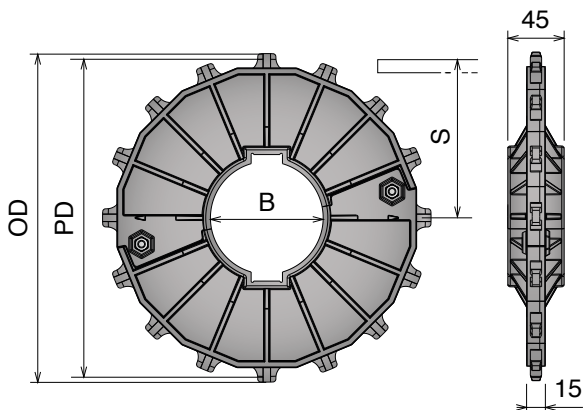
500 RR Split Version

Ruota traino, stampata/Drive sprocket, molded / Antriebskettenrad, gespritzt

Delivery:	Easy	Standard	Part	Article-Nr.	Z-	Bore	PD	OD	S
			1558	155810	16	Ø 90 with double keyway	260,4	262,0	122,3

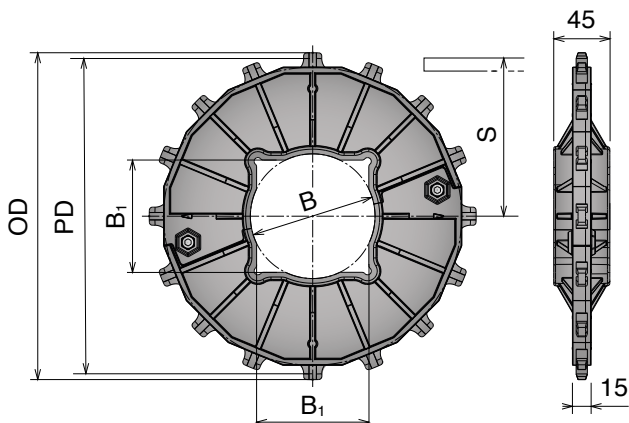
**Advantages:**

- Easy clean
- Easy installation
- Heavy duty design

**Ruota rinvio divisa, stampata**

Split idler sprocket, molded / geteiltes Umlenkrad, gespritzt

Part	Article-Nr.	Z-	Bore (B)	Bore (B ₁ x B ₂)	PD	OD	S
1558	155809	16	Ø 100	90* 90	260,4	262,0	122,3



Movex[®] EXTRUSION CENTER

We extrude for your business.

Movex[®] is a dynamic and flexible business reality that have been active in the industrial production for over ten years and is reaching market leadership as a reliable and precise supplier, planning the future without losing sight of its history and the values that allow its growth.

All our products are tested by our quality control team; monitoring, performance analysis and control of all processes are our main priorities. We are strongly committed to providing our customers with the highest quality.

We meet our customers' needs for both standard and customized products in a dynamic and proactive environment.

>2.000
PROFILES
AVAILABLE

>50
EXTRUSION
MACHINES

>300
EXTRUSION
TOOLS





Choose the one that best suits you.

Movex® provides a new generation of high-performance profiles developed and produced with the most up to date technology. Experienced engineers work around the clock on more than 50 extrusion machines, perfecting almost 2.000 high-quality products of different types and sizes.

Movex® profiles are produced from top-quality **UHMW-PE**, with the possibility of enhanced performance with the use of our super-performing materials **BluLub®**, **Titanium White®** and **AS**.

Standard or customized extrusion...your choice.

Movex® is driven by the will to design and manufacture top quality items, combining technical performance and design, in order to offer its customers a tailor made service.

Beside of the standard available profiles, **Movex®** is also developing together with the customer innovative special solutions to offer “*the product you need when you need it*” against an attractive price.

We have organized a specific workflow, developed over the course of the last ten years, which aims to satisfy the requirements of even the most demanding buyer. Get in touch with us and ask a personalized quotation.

DESIGN DEPT



PACKAGING DEPT





BORN TO PERFORM

BluLub® is the Movex super-performance compounded Ultra High Molecular Weight Polyethylene material, with the latest generation of solid lubricants, able to contribute improving PV properties (limiting pressure velocity) compared to standard UHMW-PE, especially in applications with limited lubrication, higher speeds and/or higher loads.

BluLub® ensures high wear and abrasion resistance, requires less energy and with the lowest coefficient of friction, improves the product stability and wear life of sliding parts.



Low Friction

Lowest coefficient of friction compared to traditional materials.



High Performance

Extreme material performances with high speeds and loads.



Molecular density:
9,200,000 g/mol.

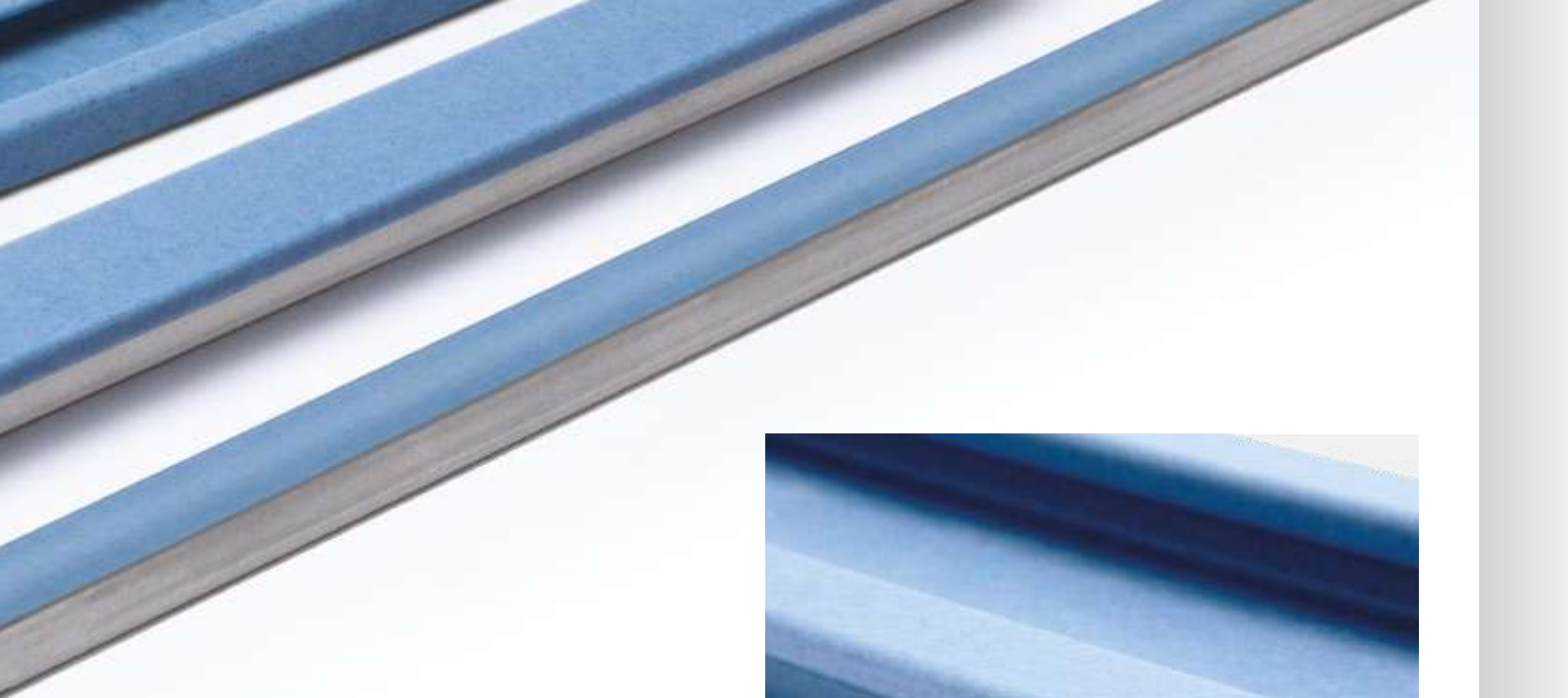


Operating temperature:
-40 to + 80°C (-40 to 176°F)



Linear expansion coefficient:
 $2 \times 10^{-4} \text{ } ^\circ\text{C}^{-1}$ ($1.1 \times 10^{-4} \text{ } ^\circ\text{F}^{-1}$)

FDA
APPROVED



Thanks to the unique **BluLub®** characteristics, all the extruded profiles can offer several advantages like longer wear life, minimized dust generation and extreme noise reduction. The recent test with the Technical University of Chemnitz, confirmed **BluLub®** being the best material available for dry running applications.

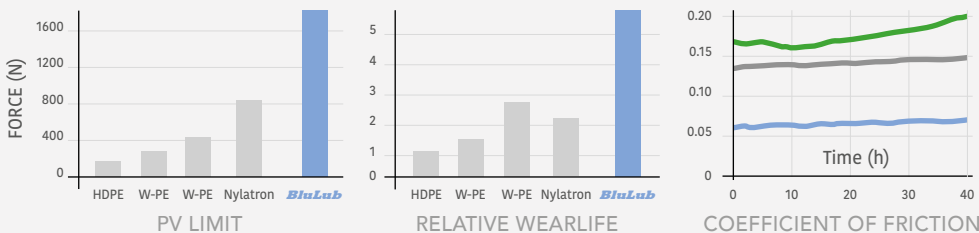


Your
SUSTAINABLE
choice.



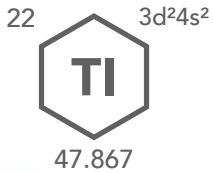
UP TO **80%**
ENERGY SAVING

With lowest coefficient of friction and optimized sliding properties of **BluLub®**, the conveying power required, thus the energy consumption, can be extremely reduced.



More advantages:

- Long wear life
- Low noise
- Minimized dusting
- Best Lubricant



Titanium (WHITE)

High quality, BRIGHT WHITE extrusion.

The name **Titanium White®** refers to the special metal because it has comparable unique properties, like high strength and optimum performance, generating low friction, absorbing heat and reducing energy consumption.

Thanks to the **Titanium White®** characteristics, the extruded profiles are made of an intense white UHMW-PE, resulting in a smoother surface and devoid of push marks, meaning in a minimized power consumption and possible goods defect. It has also an improved UV and aging resistance and a high chemical resistance.



UP TO **50%**

**IMPROVED
RESISTANCE**

COMPARISON WITH UHMW-PE



Molecular density:
9,200,000 g/mol.



Operating temperature:
-40 to + 80°C (-40 to 176°F)



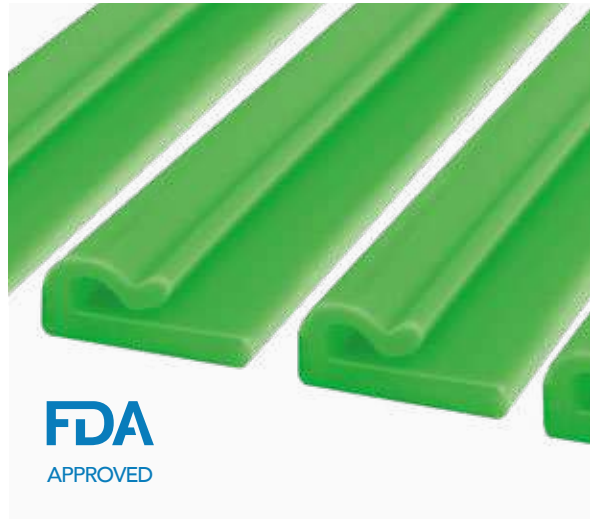
Linear expansion coefficient:
 $2 \times 10^{-4} \text{ } ^\circ\text{C}^{-1}$ ($1.1 \times 10^{-4} \text{ } ^\circ\text{F}^{-1}$)

FDA
APPROVED

UHMW-PE

Standard profiles are all made with a first-rate **UHMW-PE** polyethylene, a thermoplastic polymer with a variable crystalline structure with a vast range of applications.

UHMW-PE is available in several colors and lengths. It's the perfect choice to reach your line performance against an attractive price.



Green



Black



Blue



Grey



Molecular density:
5,600,000 g/mol.



Operating temperature:
-40 to + 80°C (-40 to 176°F)



Linear expansion coefficient:
 $2 \times 10^{-4} \text{°C}^{-1}$ ($1.1 \times 10^{-4} \text{°F}^{-1}$)



AS Antistatic

Plastic packaging and PET bottles can generate high levels of static buildup.

Static dissipative profiles are plastics designed to reduce static electricity in order to protect electrostatic-sensitive devices or contain flammable liquids or gases.



Molecular density:
5,600,000 g/mol.

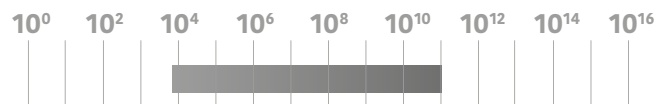


Operating temperature:
-40 to + 80°C (-40 to 176°F)



Linear expansion coefficient:
 $2 \times 10^{-4} \text{°C}^{-1}$ ($1.1 \times 10^{-4} \text{°F}^{-1}$)

Surface resistivity (Ohm/sq)



METAL CONDUCTORS

PLASTIC INSULATORS

HIGH QUALITY SIDE GUIDES

Made with ram extrusion technology and new patented process.

The Movex side guides, extruded with RAM extrusion technology, are the perfect choice to improve the conveyor performances. Thanks to a new patented and innovative production process, we have further enhanced our range of profiles, improving performance and reducing the dust creation.

These profiles are available with height from 50 to 170 mm, and with many different shapes and types (with clamping system or label saver), and can also be extruded with our unique materials **BluLub®** and **Titanium White®**, providing unparalleled performance and reliability.

KEY BENEFITS

compared to traditional extrusion technique:

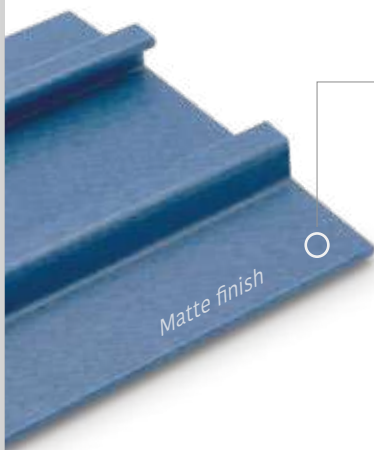
- Best efficiency • Increased wall thickness
- Superior flatness • Improved sliding properties
- Reduced product damage • Smoother shape
- Less dust/powder • Improved superficial texture
- High-level quality standards



Vertical RAM extrusion



BluLub® side guide rail



Matte finish



9.200.000
g/mol



BluLub® Side guides

MADE WITH RAM TECHNOLOGY



Polished finish



500.000
g/mol



HDPE Side guides

TRADITIONAL IN THE MARKET
SCREW EXTRUSION PROCESS (COMPETITOR MATERIAL)

WEAR TEST RESULTS

Friction

BluLub

HDPE

Wear life

BluLub

HDPE

TCO

BluLub

HDPE

RS SIDE GUIDE RAIL

Easy and modular replacement label saver system.

RS Side guide profile is a development which enable you to simplify your business! Thanks to the replaceable wear-strip in **BluLub®**, **RS Side guide profile** can reduce total cost of ownership: in case of required maintenance, only **BluLub®** strips can be replaced, saving time at a lower cost.

Different profiles are available from stock and can be mounted in different ways to optimize the support of your product according to the specific needs.



Increased performance

BluLub® wearstrips contribute to a lower friction which results in less energy consumption.



Fast and easy maintenance

Thanks to its innovative design, the easy replaceable **BluLub® wearstrips** meets the needs to reduce maintenance time.



Interchangeable wearstrip

Every **BluLub® wearstrip** has the same fixing system, this makes all versions interchangeable. In case of required replacement, wearstrips can be ordered as coiled spare parts.



No gap between connection

BluLub® wearstrip allows you to connect two or more different base profiles with no gap, by simply slide it in.

The right choice for:

- Innovative equipment
- Total cost reduction
- Less energy consumption
- Improved product stability

RS Side guide rail profiles are available in various executions.

Materials:

- Base profile: **UHMW-PE** (see details).
- Label saver: **BluLub®** polyethylene UHMW-PE with molecular density 9,200,000 g/mo. with reduced coefficient of friction and higher wear resistance and its complies with the code of Federal Regulations of FDA (see details).

Movex® PROFILE TEST

Technische universität CHEMNITZ.



TECHNISCHE UNIVERSITÄT
CHEMNITZ

The following graphics show the test results obtained with a cooperation with the Technical University of Chemnitz, which analysed the coefficient of friction and the wear values of the Movex profiles (BluLub, Ti-White and UHMPWPE) in combination with our main plastic chain materials (LF and PFX) and cans and PET bottles.

A dedicated setup shown in the following pictures have been studied, in order to represent the reality as much as possible (it must be considered that, being a test environment, many factors could not be considered, e.g. temperature, dirt, cycling operations).

In general, it can be seen that the friction values are below 0.15 in all tests for BluLub and Titanium White, i.e., the pairings consistently exhibit very good sliding behaviour. For UHMW-PE and HDPE the values show clearly different performances.

The LF chain produced the expected results with the drop in friction values from dry running to water lubrication to lubricant. It is noticeable that significantly lower friction values were measured with water and lubricant compared to PFX chain. With the PFX chain, the phenomenon also occurs that the friction values with water lubrication are noticeably higher than those with dry running.

For dry conditions, BluLub and PFX combination offers the best performances, even if the combination of Titanium White and LF is not that far away; the main differences between the two combinations is shown in the wear graphs.

Another clear difference (which is not analysed in this report, as was not the scope of it) is the carried product stability; in fact, the coefficient of frictions of PFX and LF are very different (more information on the Movex general catalog).

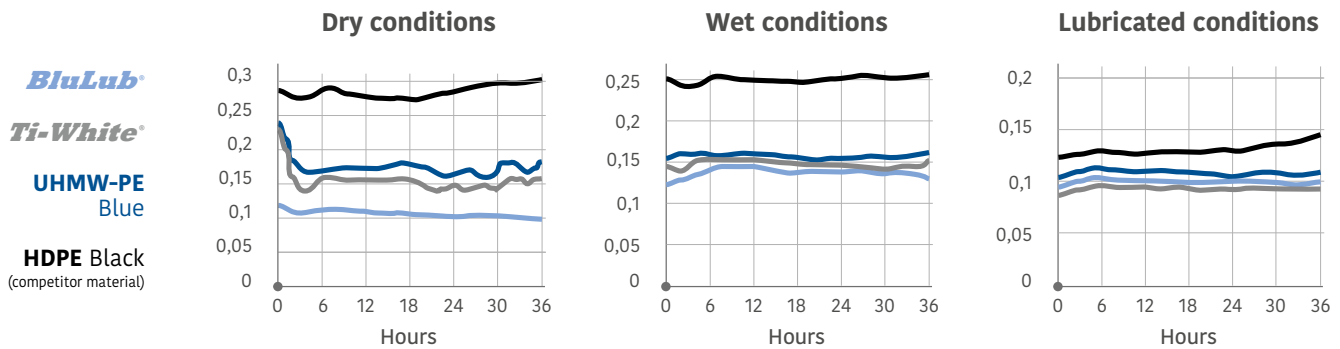
In water condition it is evident that LF in combination with Ti-White offers the best performance. For the complete report, please ask to your sales representative.



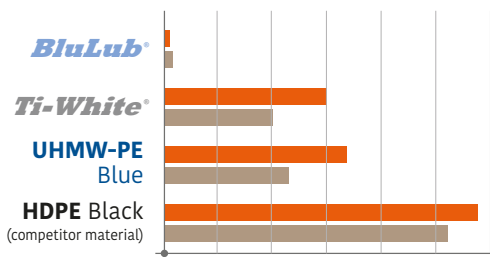
Friction values (averaged between 30 and 36 hours running time)

Conveyor test	Dry		Wet		Lubricated	
	PFX	LF	PFX	LF	PFX	LF
BluLub®	0,100	0,119	0,137	0,094	0,096	0,061
Ti-White®	0,153	0,104	0,142	0,064	0,094	0,066
UHMW-PE Blue	0,171	0,128	0,159	0,078	0,105	0,090
HDPE Black (competitor material)	0,275	0,205	0,25	0,18	0,160	0,161

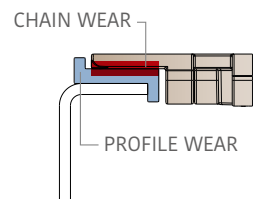
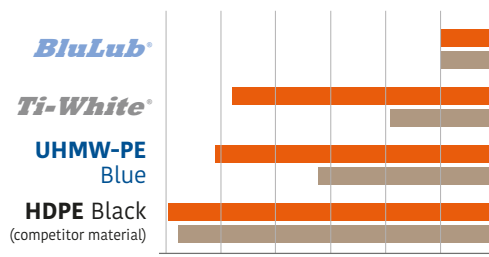
Measured value curves chain material PFX



Chain wear values

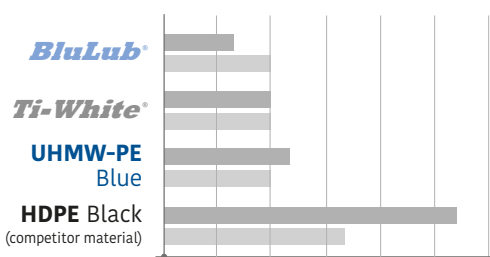


Profile wear values

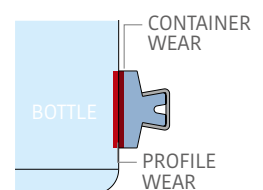
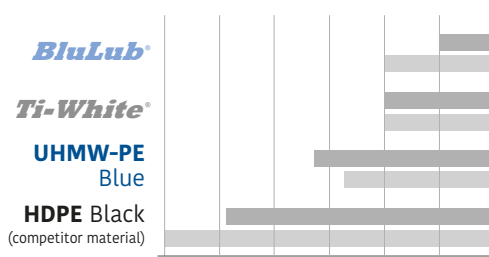


LEGEND: ● PFX | ● LF

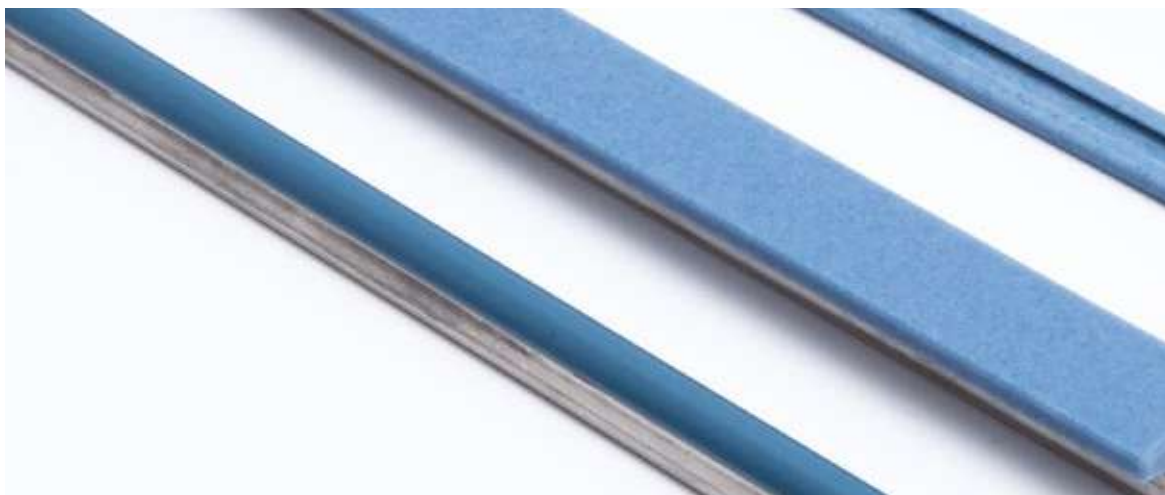
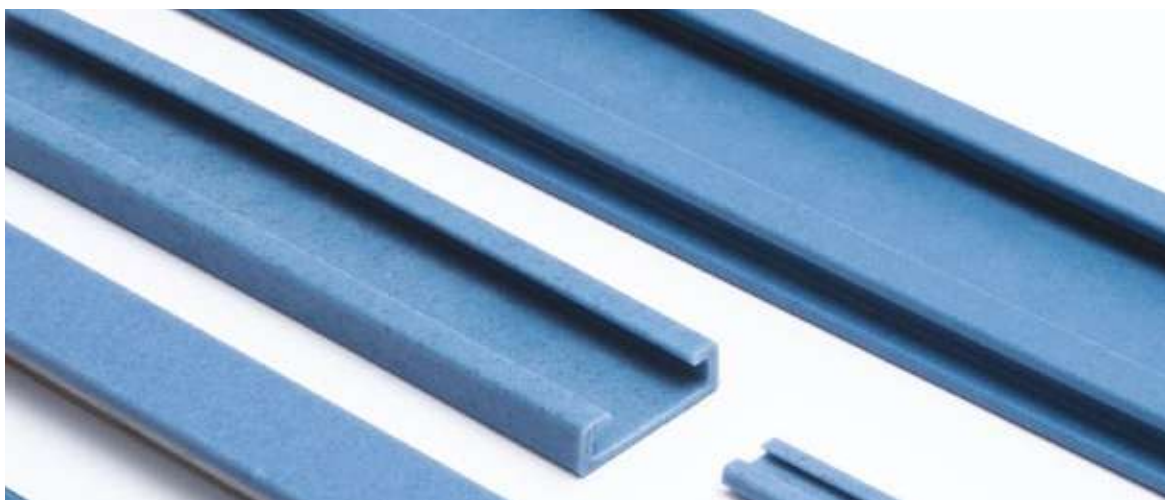
Container wear values



Profile wear values



LEGEND: ● PET | ● CAN

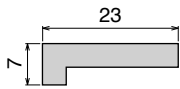




L-Profile

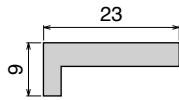
See product page for specific details and materials available.

1094



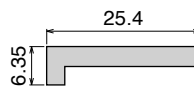
Page 399

175



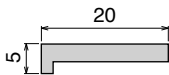
Page 399

1038



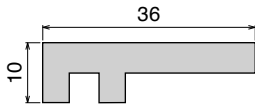
Page 399

150



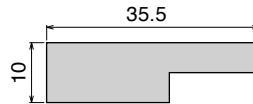
Page 399

1058



Page 400

174

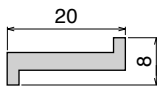


Page 400

Z-Profile

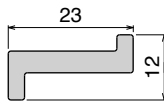
See product page for specific details and materials available.

101



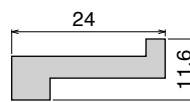
Page 400

102



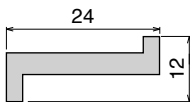
Page 401

176



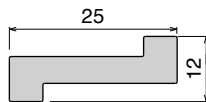
Page 401

1121



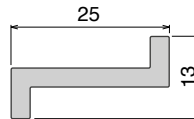
Page 401

102



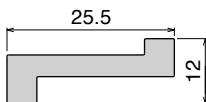
Page 402

1116



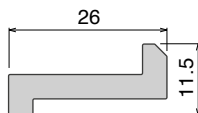
Page 402

1074



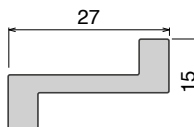
Page 402

1118



Page 402

1117



Page 403

Material Info:

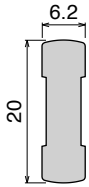


pg. 380>385

Special shape

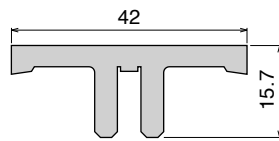
See product page for specific details and materials available.

107



Page 403

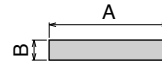
108 Fit on 4 mm



Page 403

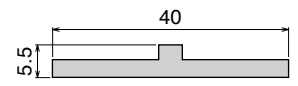
105

A: 20/25/30/40/50/60/70/100
B: 3/5



Page 404

106

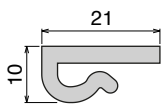


Page 404

J-Profile

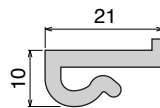
See product page for specific details and materials available.

103 Fit on 2,5 to 3,5 mm



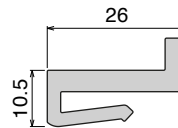
Page 405

104 Fit on 2,5 to 3,5 mm



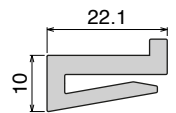
Page 405

179 Fit on 2,5 to 3,5 mm



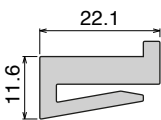
Page 405

1014 Fit on 3 mm



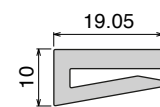
Page 406

1015 Fit on 2,5 to 3,5 mm



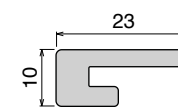
Page 406

1016 Fit on 3 mm



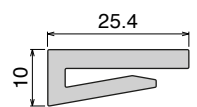
Page 406

1112



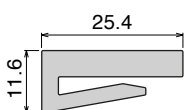
Page 407

1017 Fit on 3 mm



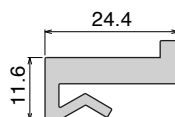
Page 407

1018 Fit on 3 mm



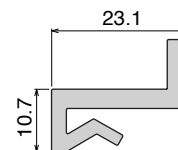
Page 407

1019 Fit on 3 mm



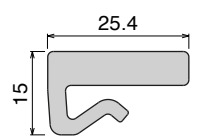
Page 408

1020 Fit on 3 mm



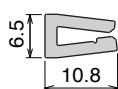
Page 408

1091 Fit on 3 mm



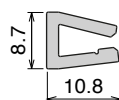
Page 408

1068 Fit on 2,5 mm



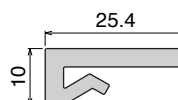
Page 409

1090 Fit on 3 mm



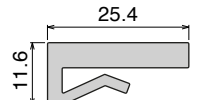
Page 409

1021 Fit on 3 mm



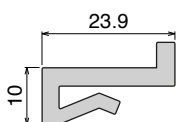
Page 409

1022 Fit on 3 mm



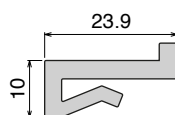
Page 410

1023 Fit on 3 mm



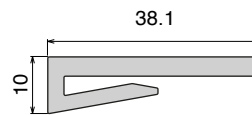
Page 410

1024 Fit on 3 mm



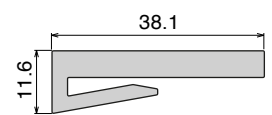
Page 410

1025 Fit on 3 mm



Page 411

1026 Fit on 3 mm

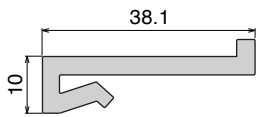


Page 411

J-Profile

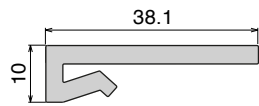
See product page for specific details and materials available.

1027 Fit on 3 mm



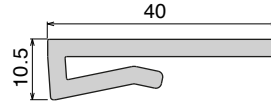
Page 411

1028 Fit on 3 mm



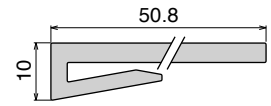
Page 412

1046 Fit on 3 mm



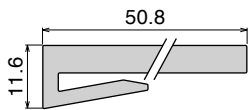
Page 412

1029 Fit on 3 mm



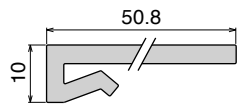
Page 412

1030 Fit on 3 mm



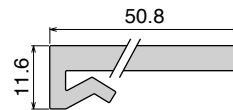
Page 413

1031 Fit on 3 mm



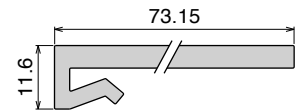
Page 413

1032 Fit on 3 mm



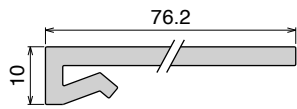
Page 413

1035 Fit on 3 mm



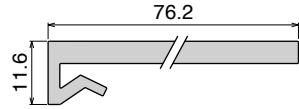
Page 414

1033 Fit on 3 mm



Page 414

1034 Fit on 3 mm

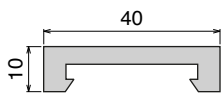


Page 414

U-Profile

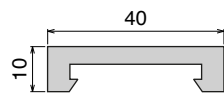
See product page for specific details and materials available.

109



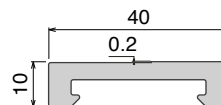
Page 415

1111



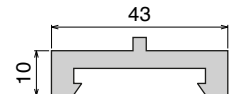
Page 415

1113 Staggered



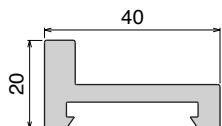
Page 416

110



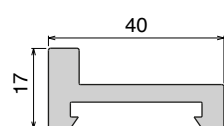
Page 416

156



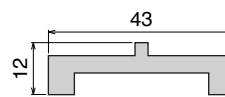
Page 417

156



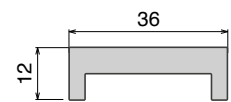
Page 417

149



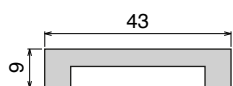
Page 417

1066



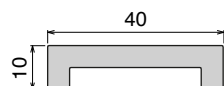
Page 418

177



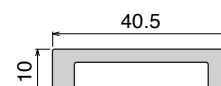
Page 418

1059



Page 419

178



Page 419

111

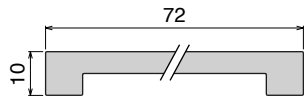


Page 420

U-Profile

See product page for specific details and materials available.

1060



Page 420

199



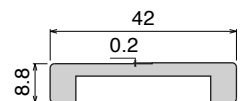
Page 421

199



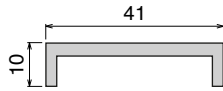
Page 421

199 Staggered



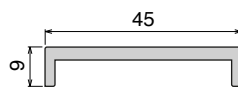
Page 421

1115



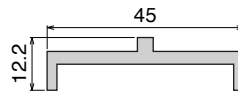
Page 422

1080



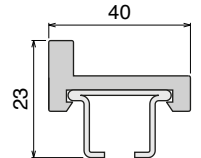
Page 422

1081



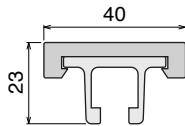
Page 422

133



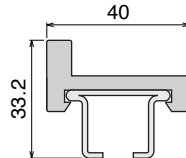
Page 423

148



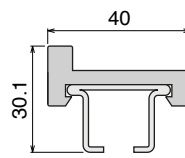
Page 423

157



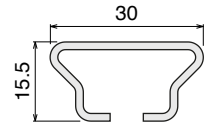
Page 424

157



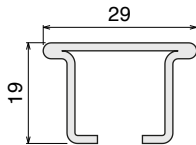
Page 424

118 Stainless steel



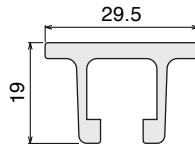
Page 425

112 Stainless steel



Page 425

147 Aluminum

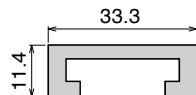


Page 425

C-Profile

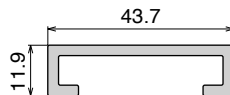
See product page for specific details and materials available.

1041 Fit on 25 x 5 mm



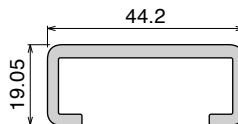
Page 426

1082 Fit on 38,1 x 6,35 mm



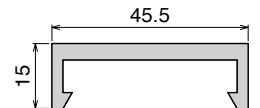
Page 426

1044 Fit on 38,1 x 12,7 mm



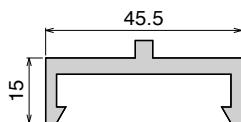
Page 426

1053 Fit on 38,1 x 6,35 mm



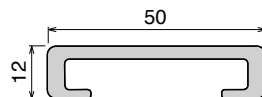
Page 427

1054 Fit on 38,1 x 6,35 mm



Page 427

1101 Fit on 40 x 6 mm



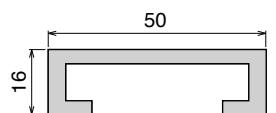
Page 427

137 Fit on 40 x 8 mm



Page 428

137 Fit on 40 x 8 mm

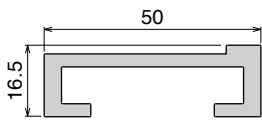


Page 428

C-Profile

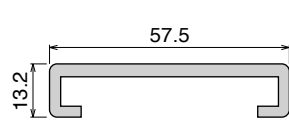
See product page for specific details and materials available.

137 Fit on 40 x 8 mm



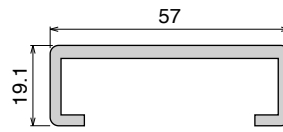
Page 428

1042 Fit on 50 x 6 mm



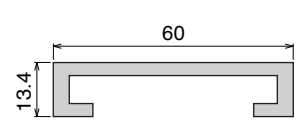
Page 429

1045 Fit on 50,8 x 12,7 mm



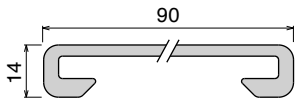
Page 429

158 Fit on 50 x 6 mm



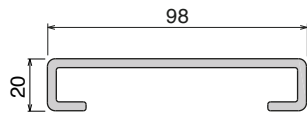
Page 429

1102 Fit on 80 x 5 mm



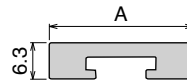
Page 430

1107 Fit on 90 x 12 mm



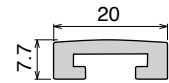
Page 430

163 See dimension available
Used with Part. 164/165



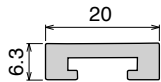
Page 431

160 Used with Part. 164/165



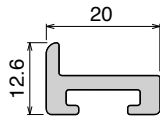
Page 432

161 Used with Part. 164/165



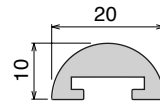
Page 432

1092 Used with Part. 164/165



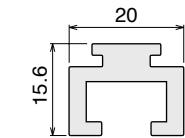
Page 432

162 Used with Part. 164/165



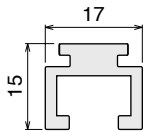
Page 433

164 Aluminum



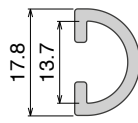
Page 433

165 Aluminum



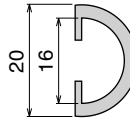
Page 433

1114



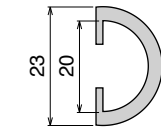
Page 434

1039



Page 434

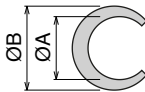
1083



Page 434

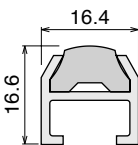
166

ØA: 8/10/12/16
ØB: 12/14/16/20



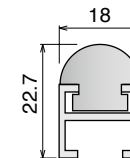
Page 435

154 Aluminum



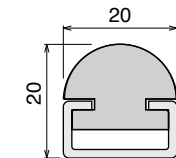
Page 435

155 Aluminum



Page 436

134 Stainless steel

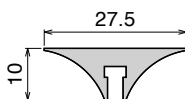


Page 436

Transfer plate and NoseBar

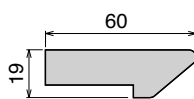
See product page for specific details and materials available.

199 Fit on 3 mm



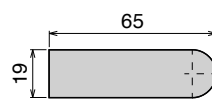
Page 437

238



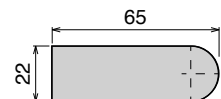
Page 437

228



Page 437

235



Page 437

Bar cap and cover CAN BE USED AS STANDARD BELT SUPPORT

See product page for specific details and materials available.

1000

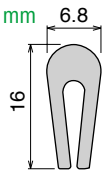
Fit on 1,5 mm



Page 438

1001

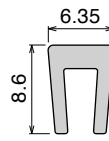
Fit on 1,5 mm



Page 438

1002

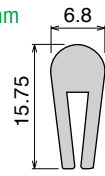
Fit on 3 mm



Page 438

1109

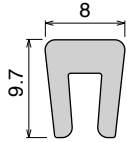
Fit on 3 mm



Page 438

1003

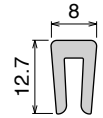
Fit on 3 mm



Page 439

1004

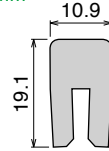
Fit on 3 mm



Page 439

1084

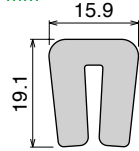
Fit on 3 mm



Page 439

1085

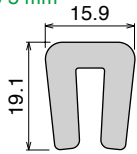
Fit on 3 mm



Page 440

153

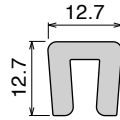
Fit on 4/5 mm



Page 440

1006

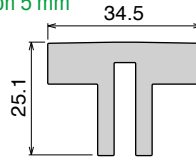
Fit on 5 mm



Page 440

1007

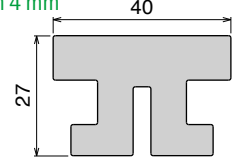
Fit on 5 mm



Page 441

1095

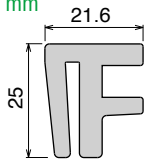
Fit on 4 mm



Page 441

1040

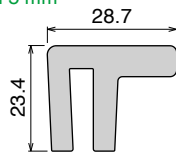
Fit on 3 mm



Page 441

1008

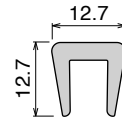
Fit on 5 mm



Page 442

1009

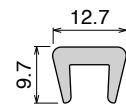
Fit on 6 mm



Page 442

1010

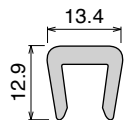
Fit on 6 mm



Page 442

1086

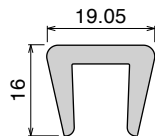
Fit on 8 mm



Page 443

1011

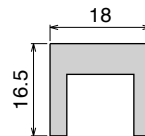
Fit on 10 mm



Page 443

1127

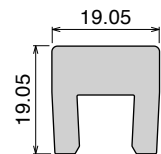
Fit on 12 mm



Page 443

1013

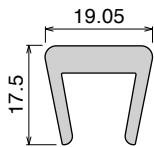
Fit on 10 mm



Page 444

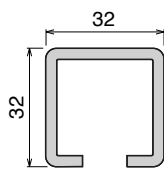
1012

Fit on 12/13 mm



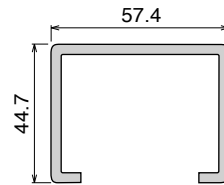
Page 444

181 Fit on 25,4 x 25,4 mm



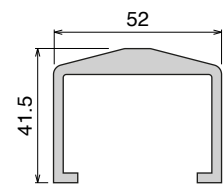
Page 444

1052 Fit on 38,1 x 50,8 mm



Page 445

180 Fit on 30,5 x 46 mm



Page 445

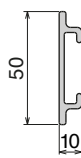
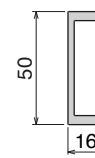
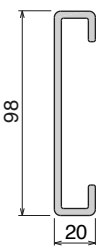

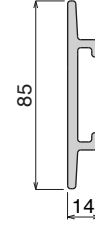
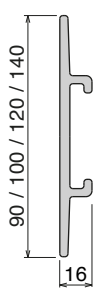
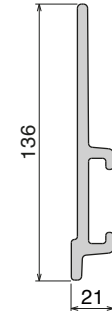
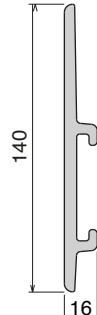
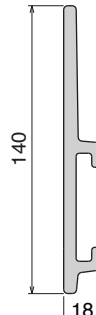
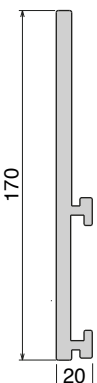
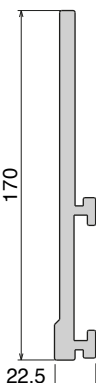
1108



Page 445

Side guide rail USED WITH PLATE

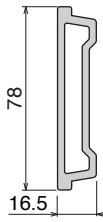
See product page for specific details and materials available.

<p>1063 Fit on mm 30 x 4</p> 	<p>137 Fit on mm 40 x 8</p> 	<p>137 Fit on mm 40 x 10</p> 	<p>158 Fit on mm 50 x 6</p> 	<p>1107 Fit on mm 90 x 12</p> 
Page 446	Page 446	Page 447	Page 447	Page 448
<p>1064 Fit on mm 55 x 4</p> 	<p>183 Fit on mm 40 x 8</p> 	<p>1103 Fit on mm 40 x 4</p> 	<p>158 Fit on mm 50 x 6</p> 	<p>194 Label saver Fit on mm 50 x 6</p> 
Page 448	Page 449	Page 449	Page 450	Page 450
<p>189 Fit on mm 40 x 8</p> 	<p>189 Label saver Fit on mm 40 x 8</p> 	<p>1079 RS Fit on mm 40 x 8</p> 	<p>1079 RS Fit on mm 40 x 8</p> 	<p>1104 Fit on mm 40 x 4</p> 
Page 451	Page 451/452	Page 452	Page 452	Page 453
<p>1096 Fit on mm 50 x 5</p> 	<p>189 Fit on mm 50 x 6</p> 	<p>189 Label saver Fit on mm 50 x 6</p> 	<p>187 Fit on mm 60 x 6</p> 	<p>187 Label saver Fit on mm 60 x 6</p> 
Page 453	Page 454	Page 454/455	Page 456	Page 456

Side guide rail USED WITH PLATE AND CLAMP

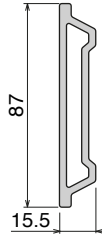
See product page for specific details and materials available.

135
Fit on mm
60 x 6



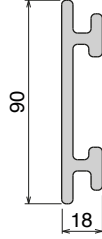
Page 457

136
Fit on mm
60 x 6



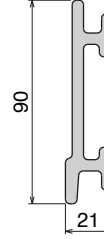
Page 457

1057
Fit on mm
50 x 6



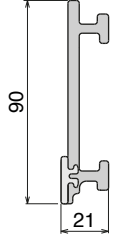
Page 458

1077 Label saver
Fit on mm
50 x 6



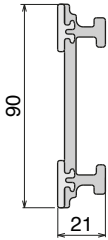
Page 458

1077 RS
Fit on mm
50 x 6



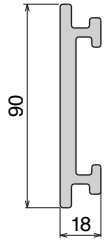
Page 459

1078 RS
Fit on mm
50 x 6



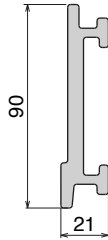
Page 459

1057
Fit on mm
60 x 6



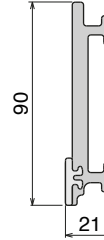
Page 460

1077 Label saver
Fit on mm
60 x 6



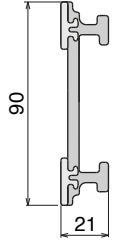
Page 460

1077 RS
Fit on mm
60 x 6



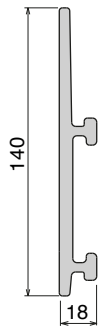
Page 461

1078 RS
Fit on mm
60 x 6



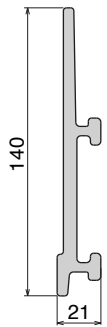
Page 461

193
Fit on mm
60 x 5



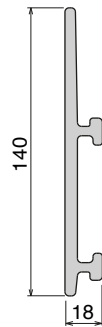
Page 462

189
Fit on mm
60 x 5



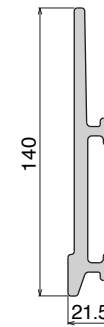
Page 462/463

193
Fit on mm
60 x 6



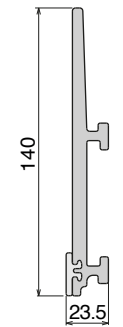
Page 464

189 Label saver
Fit on mm
60 x 6



Page 464/465

1075 RS
Fit on mm
60 x 6



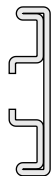
Page 465

117
Stainless steel
Fit on mm
40 x 6
40 x 8
40 x 10



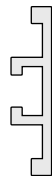
Page 466

1055
Stainless steel
Fit on mm
40 x 8
50 x 6



Page 466

159 - 1088 - 1089
Aluminum
Fit on mm
50 x 6
60 x 5
60 x 6



Page 467

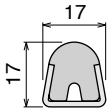
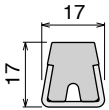
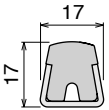
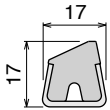
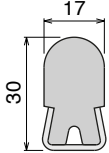
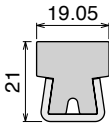
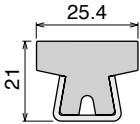
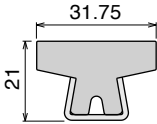
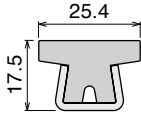
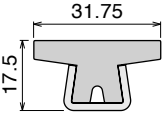
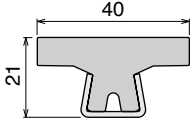
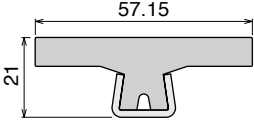
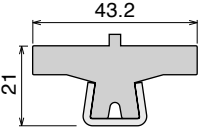
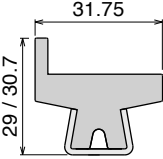
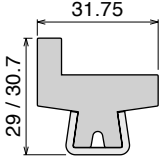
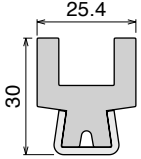
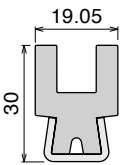
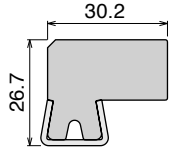
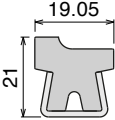
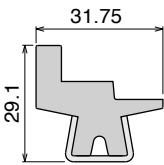
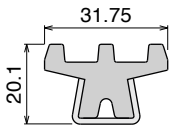
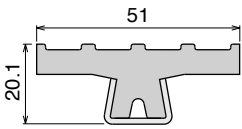
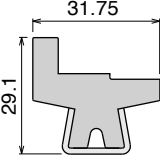
3017 Profile
Stainless steel



Page 467

Guide rail

See product page for specific details and materials available. | Assembled with stainless steel profile AISI 304.

<p>119</p>  <p>Hygienic Version AVAILABLE</p> <p>Page 468</p>	<p>121</p>  <p>Hygienic Version AVAILABLE</p> <p>Page 469</p>	<p>120</p>  <p>Hygienic Version AVAILABLE</p> <p>Page 470</p>	<p>152</p>  <p>Page 471</p>
<p>1067</p>  <p>Page 471</p>	<p>143</p>  <p>Page 472</p>	<p>122</p>  <p>Hygienic Version AVAILABLE</p> <p>Page 473</p>	<p>123</p>  <p>Hygienic Version AVAILABLE</p> <p>Page 474</p>
<p>140</p>  <p>Page 475</p>	<p>146</p>  <p>Page 475</p>	<p>124</p>  <p>Page 476</p>	<p>141</p>  <p>Hygienic Version AVAILABLE</p> <p>Page 477</p>
<p>142</p>  <p>Page 478</p>	<p>125</p>  <p>Page 478</p>	<p>144</p>  <p>Hygienic Version AVAILABLE</p> <p>Page 479</p>	<p>145</p>  <p>Hygienic Version AVAILABLE</p> <p>Page 480</p>
<p>1087</p>  <p>Page 481</p>	<p>184</p>  <p>Page 481</p>	<p>191</p>  <p>Page 482</p>	<p>126</p>  <p>Page 482</p>
<p>127</p>  <p>Page 482</p>	<p>128</p>  <p>Page 483</p>	<p>129</p>  <p>Page 483</p>	

Bending machines and rollers

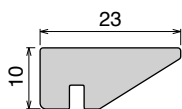
See product page for specific details.

<p>198</p>  <p>Page 484</p>	<p>199</p>  <p>Page 484</p>	<p>151</p>  <p>Page 485/486</p>
---	---	--

Neck guide

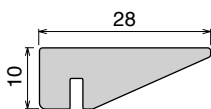
See product page for specific details and materials available.

170 Fit on 2,5 mm



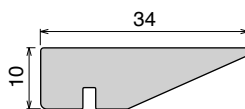
Page 487

168 Fit on 2,5 mm



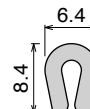
Page 487

169 Fit on 2,5 mm



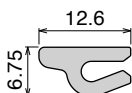
Page 487

167 Fit on 1,8/2 mm



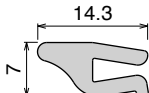
Page 488

192 Fit on 1,8/2 mm



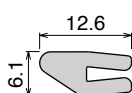
Page 488

1062 Fit on 1,8/2 mm



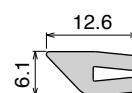
Page 488

1072 Fit on 1,8/2 mm



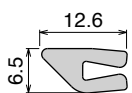
Page 488

1073 Fit on 1,8/2 mm



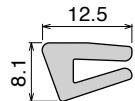
Page 489

1076 Fit on 1,8/2 mm



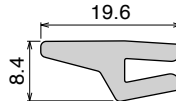
Page 489

1037 Fit on 3 mm



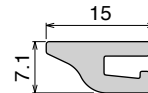
Page 489

171 Fit on 3 mm



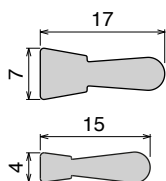
Page 489

172 Fit on 3 mm



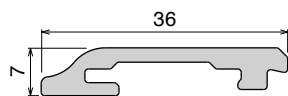
Page 490

131
TYPE A
TYPE B



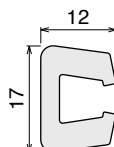
Page 490

198 Fit on 2 mm



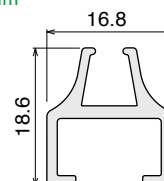
Page 490

130 Aluminum



Page 491

188 Aluminum



Page 491

BluLub® STABILIZED DO YOU KNOW WHAT IT IS?

All Movex neck guides are now made with **BluLub® STABILIZED**, a new compound based on our BluLub and developed specifically for this type of product and its application. Thanks to the addition of a special additive we have improved dimensional stability and reduced the thermal expansion.

Shoes and connecting elements

See product page for specific details and materials available.

113



Page 492

113



Page 493

114



Page 493

116



Page 494

116



Page 495

115

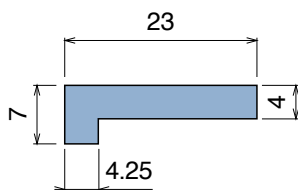
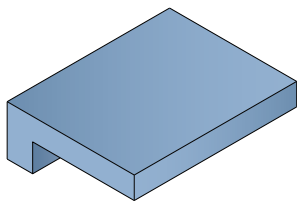


Page 495

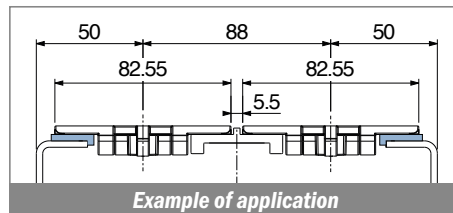
*Standard 3 or 6 meter covers and inserts are typically shipped by common carrier. Selected items can be coiled into cartons for more convenient shipping through UPS.

*Products stored in coils will have the tendency to retain a certain deformation when uncoiled, therefore consistency in the profile cross section over the full length of the coil cannot be guaranteed.

1094 Profilo "L" / L-Profile / L-Profil

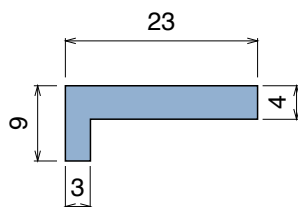
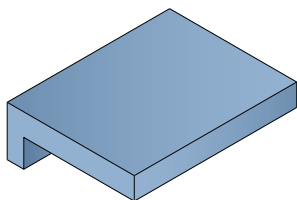


Article-Nr.	Material	Availability	Supply*
109404	BluLub	On request	60 m coils
109403	Ti-White	On request	60 m coils
109401	Black	On request	60 m coils
109405	Blue	On request	60 m coils
109402	Green	On request	60 m coils

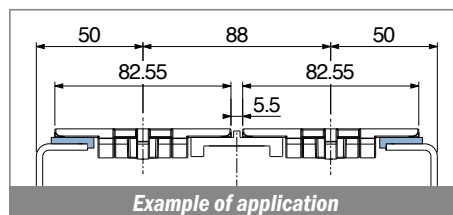


175 Profilo "L" / L-Profile / L-Profil

Delivery: **Easy** **Standard**

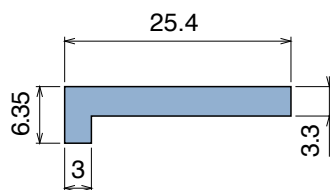
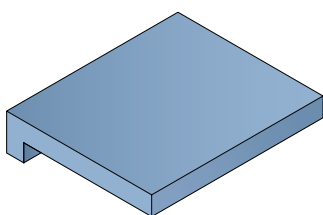


Article-Nr.	Material	Availability	Supply*
17504	BluLub	On request	60 m coils
17503	Ti-White	On request	60 m coils
17501	Black	Stock item	60 m coils
17505	Blue	On request	60 m coils
17502	Green	Stock item	60 m coils

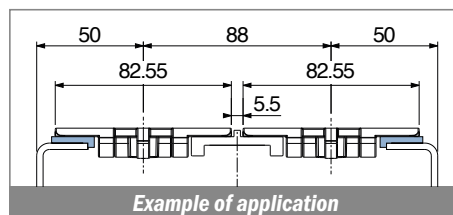


1038 Profilo "L" / L-Profile / L-Profil

North America STANDARD

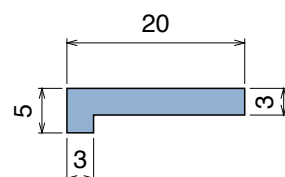
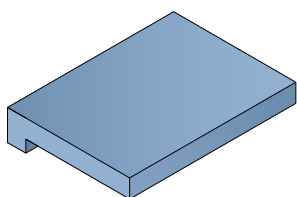


Article-Nr.	Material	Availability	Supply*
103804	BluLub	On request	60 m coils
103803	Ti-White	On request	60 m coils
103805	Blue	On request	60 m coils

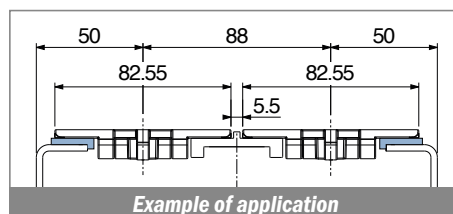


150 Profilo "L" / L-Profile / L-Profil

Delivery: **Easy** **Standard**

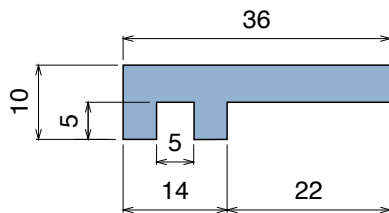
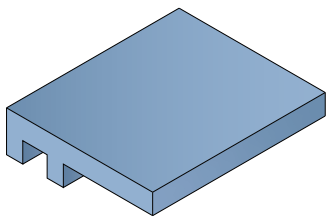


Article-Nr.	Material	Availability	Supply*
15004	BluLub	On request	60 m coils
15003	Ti-White	On request	60 m coils
15001	Black	Stock item	60 m coils
15005	Blue	On request	60 m coils
15002	Green	Stock item	60 m coils

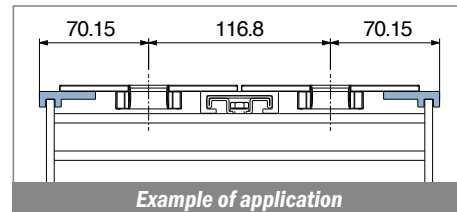


1058 Profilo "L" / L-Profile / L-Profil

Delivery: **Easy** **Standard**

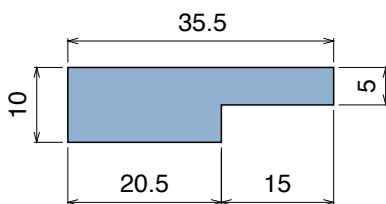
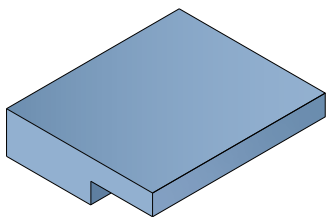


Article-Nr.	Material	Availability	Supply*
105800BC	BluLub	On request	3 m bars
105800B	BluLub	On request	6 m bars
105803C	Ti-White	On request	3 m bars
105803	Ti-White	On request	6 m bars
105801C	Black	Stock item	3 m bars
105801	Black	On request	6 m bars
105805C	Blue	On request	3 m bars
105805	Blue	On request	6 m bars
105802C	Green	Stock item	3 m bars
105802	Green	On request	6 m bars

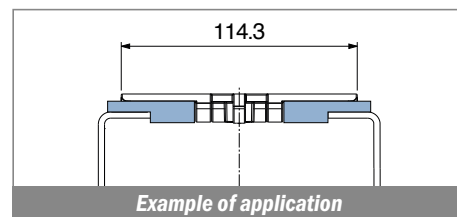


174 Profilo "L" / L-Profile / L-Profil

Delivery: **Easy** **Standard**

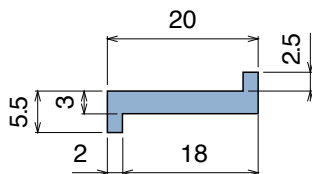
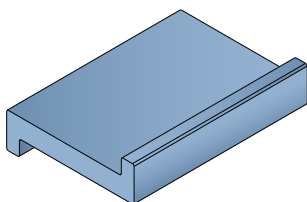


Article-Nr.	Material	Availability	Supply*
17404C	BluLub	On request	3 m bars
17404	BluLub	On request	6 m bars
17403C	Ti-White	On request	3 m bars
17403	Ti-White	On request	6 m bars
17401C	Black	Stock item	3 m bars
17401	Black	On request	6 m bars
17405C	Blue	On request	3 m bars
17405	Blue	On request	6 m bars
17402C	Green	Stock item	3 m bars
17402	Green	On request	6 m bars

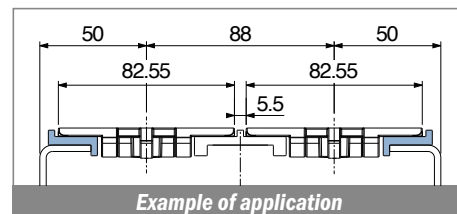


101 Profilo "Z" / Z-Profile / Z-Profil

Delivery: **Easy** **Standard**



Article-Nr.	Material	Availability	Supply*
10104	BluLub	On request	60 m coils
10103	Ti-White	On request	60 m coils
10101	Black	Stock item	60 m coils
10105	Blue	On request	60 m coils
10102	Green	Stock item	60 m coils

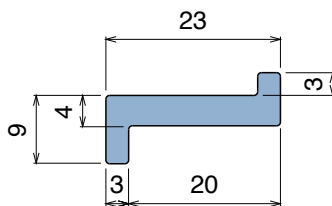
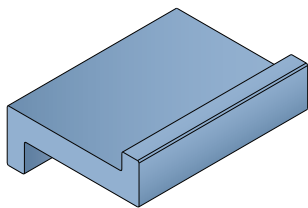


*Standard 3 or 6 meter covers and inserts are typically shipped by common carrier. Selected items can be coiled into cartons for more convenient shipping through UPS.

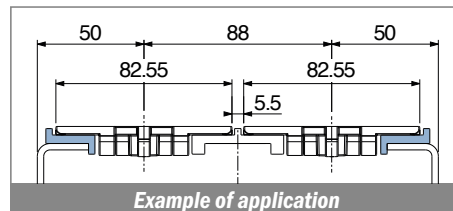
*Products stored in coils will have the tendency to retain a certain deformation when uncoiled, therefore consistency in the profile cross section over the full length of the coil cannot be guaranteed.

102 Profilo "Z" / Z-Profile / Z-Profil

Delivery: **Easy** **Standard**

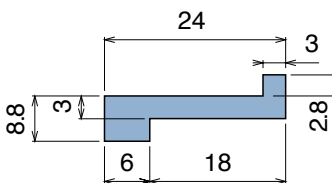
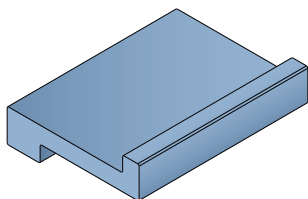


Article-Nr.	Material	Availability	Supply*
10202B	BluLub	Stock item	60 m coils
10203	Ti-White	On request	60 m coils
10201	Black	Stock item	60 m coils
10205	Blue	On request	60 m coils
10202	Green	Stock item	60 m coils
10201A	AS	Stock item	60 m coils

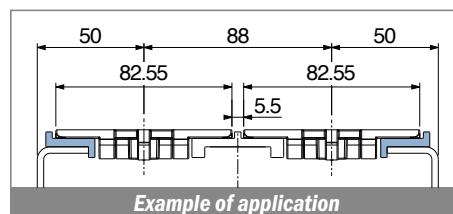


176 Profilo "Z" / Z-Profile / Z-Profil

Delivery: **Easy** **Standard**



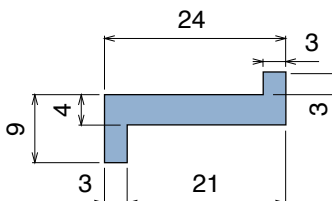
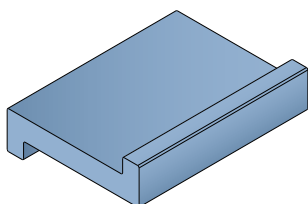
Article-Nr.	Material	Availability	Supply*
17604	BluLub	On request	60 m coils
17603	Ti-White	On request	60 m coils
17601	Black	On request	60 m coils
17605	Blue	On request	60 m coils
17602	Green	Stock item	60 m coils



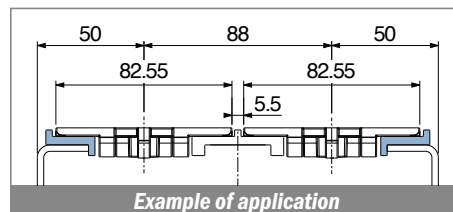
NEW 1121

Profilo "Z" / Z-Profile / Z-Profil

Delivery: **Easy** **Standard**



Article-Nr.	Material	Availability	Supply*
112100B-60	BluLub	On request	60 m coils
112103-60	Ti-White	On request	60 m coils
112101-60	Black	On request	60 m coils
112105-60	Blue	On request	60 m coils
112102-60	Green	On request	60 m coils

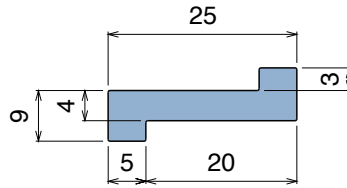
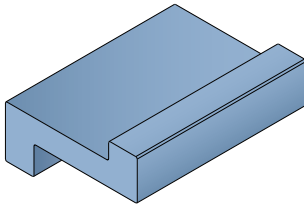


*Standard 3 or 6 meter covers and inserts are typically shipped by common carrier. Selected items can be coiled into cartons for more convenient shipping through UPS.

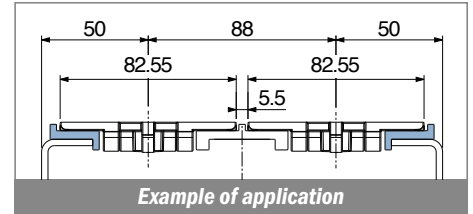
*Products stored in coils will have the tendency to retain a certain deformation when uncoiled, therefore consistency in the profile cross section over the full length of the coil cannot be guaranteed.

102 Profilo "Z" / Z-Profile / Z-Profil

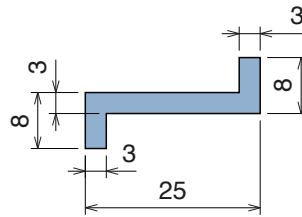
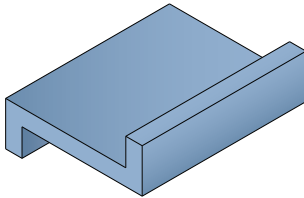
Delivery: **Easy** **Standard**



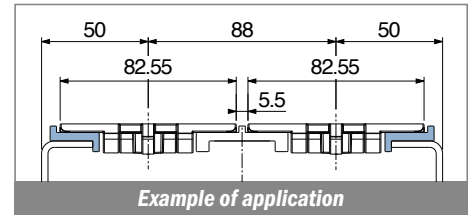
Article-Nr.	Material	Availability	Supply*
10299B	BluLub	Stock item	60 m coils
10293	Ti-White	On request	60 m coils
10297	Black	On request	60 m coils
10295	Blue	On request	60 m coils
10298	Green	Stock item	60 m coils



NEW 1116 Profilo "Z" / Z-Profile / Z-Profil

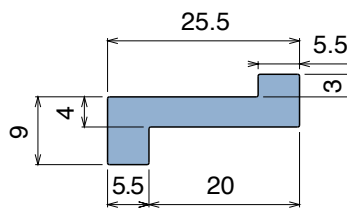
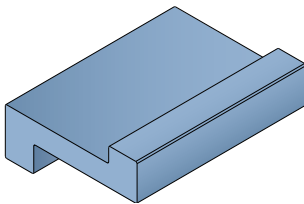


Article-Nr.	Material	Availability	Supply*
111600B-60	BluLub	On request	60 m coils
111603-60	Ti-White	On request	60 m coils
111601-60	Black	On request	60 m coils
111605-60	Blue	On request	60 m coils
111602-60	Green	On request	60 m coils

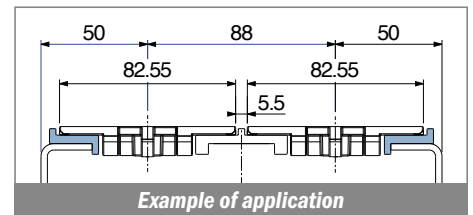


1074 Profilo "Z" / Z-Profile / Z-Profil

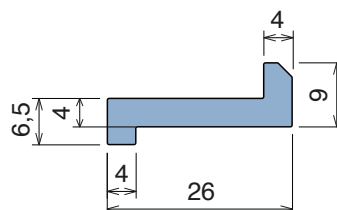
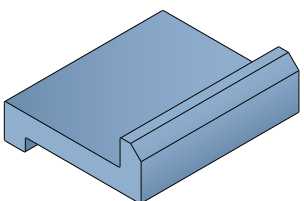
Delivery: **Easy** **Standard**



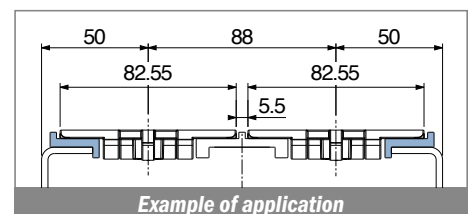
Article-Nr.	Material	Availability	Supply*
107404	BluLub	On request	60 m coils
107403	Ti-White	On request	60 m coils
107401	Black	Stock item	60 m coils
107405	Blue	On request	60 m coils



NEW 1118 Profilo "Z" / Z-Profile / Z-Profil



Article-Nr.	Material	Availability	Supply*
111800B-60	BluLub	On request	60 m coils
111801-60	Black	On request	60 m coils
111803-60	Blue	On request	60 m coils
111805-60	Green	On request	60 m coils

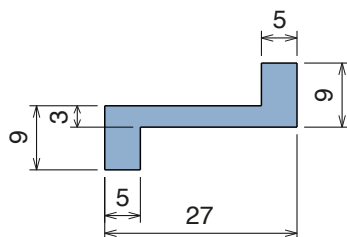
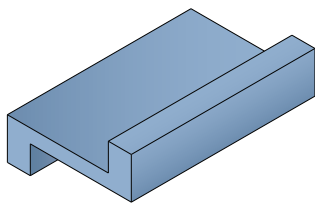


*Standard 3 or 6 meter covers and inserts are typically shipped by common carrier. Selected items can be coiled into cartons for more convenient shipping through UPS.

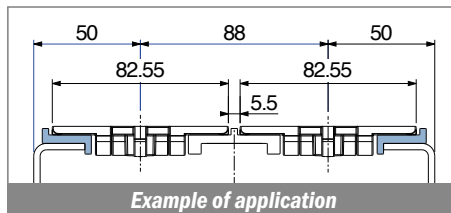
*Products stored in coils will have the tendency to retain a certain deformation when uncoiled, therefore consistency in the profile cross section over the full length of the coil cannot be guaranteed.

NEW 1117

Profilo "Z" / Z-Profile / Z-Profil



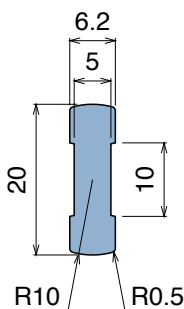
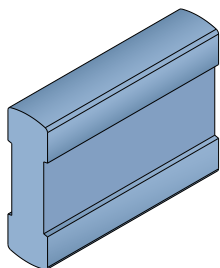
Article-Nr.	Material	Availability	Supply*
111700B-60	BluLub	On request	60 m coils
111703-60	Ti-White	On request	60 m coils
111701-60	Black	On request	60 m coils
111705-60	Blue	On request	60 m coils
111702-60	Green	On request	60 m coils



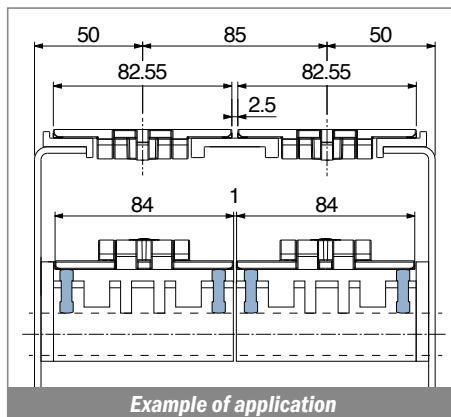
107

Profilo guida catena / Wear strip / Rückführleiste

Delivery: **Easy** **Standard**



Article-Nr.	Material	Availability	Supply*
10704	BluLub	On request	60 m coils
10703	Ti-White	Stock item	60 m coils
10701	Black	On request	60 m coils
10705	Blue	On request	60 m coils
10702	Green	Stock item	60 m coils



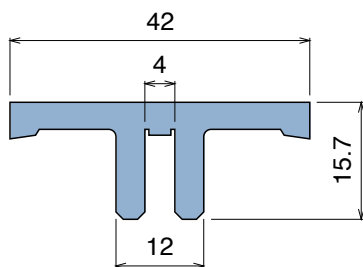
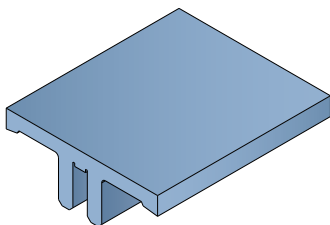
Supports available
Part 230/231
Page 508



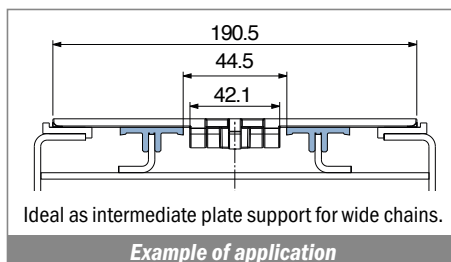
108

Profilo T / T-profile / T-Profil

Delivery: **Easy** **Standard** Fit on 4 mm

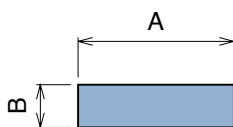
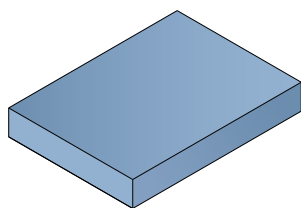


Article-Nr.	Material	Availability	Supply*
10800BC	BluLub	On request	3 m bars
10800B	BluLub	Stock item	6 m bars
10803C	Ti-White	On request	3 m bars
10803	Ti-White	On request	6 m bars
10801C	Black	Stock item	3 m bars
10801	Black	On request	6 m bars
10805C	Blue	On request	3 m bars
10805	Blue	On request	6 m bars
10802C	Green	Stock item	3 m bars
10802	Green	Stock item	6 m bars

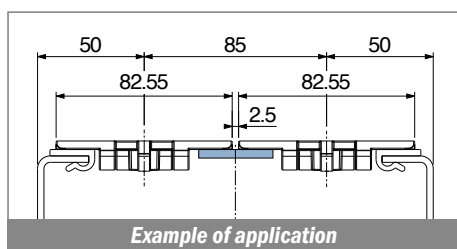


105 Profilo piatto / Flat profile / Flachprofil

Delivery: **Easy** Standard

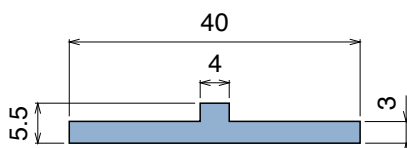
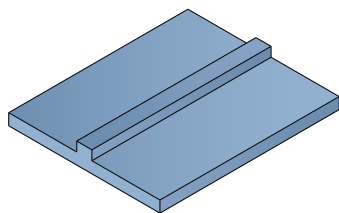


Article-Nr.	Material	A	B	Availability	Supply*
10502BL	BluLub	20	3	On request	60 m coils
10504BL	BluLub	20	5	On request	60 m coils
10595BL	BluLub	25	3	On request	60 m coils
10592BL	BluLub	30	3	On request	60 m coils
10594BL	BluLub	30	5	On request	60 m coils
10596BL	BluLub	40	3	On request	60 m coils
10597BL	BluLub	50	3	On request	60 m coils
10506BL	BluLub	60	3	On request	60 m coils
10508BL	BluLub	70	3	On request	60 m coils
10510BL	BluLub	100	3	On request	60 m coils
10502W	Ti-White	20	3	On request	60 m coils
10504W	Ti-White	20	5	On request	60 m coils
10595W	Ti-White	25	3	On request	60 m coils
10592W	Ti-White	30	3	On request	60 m coils
10594W	Ti-White	30	5	On request	60 m coils
10596W	Ti-White	40	3	On request	60 m coils
10597W	Ti-White	50	3	On request	60 m coils
10506W	Ti-White	60	3	On request	60 m coils
10508W	Ti-White	70	3	On request	60 m coils
10510W	Ti-White	100	3	On request	60 m coils
10501	Black	20	3	Stock item	60 m coils
10503	Black	20	5	Stock item	60 m coils
10505	Black	60	3	Stock item	60 m coils
10507	Black	70	3	Stock item	60 m coils
10509	Black	100	3	On request	60 m coils
10501B	Blue	20	3	On request	60 m coils
10503B	Blue	20	5	On request	60 m coils
10505B	Blue	60	3	On request	60 m coils
10507B	Blue	70	3	On request	60 m coils
10509B	Blue	100	3	On request	60 m coils
10502	Green	20	3	Stock item	60 m coils
10504	Green	20	5	Stock item	60 m coils
10595	Green	25	3	Stock item	60 m coils
10592	Green	30	3	On request	60 m coils
10594	Green	30	5	Stock item	60 m coils
10596	Green	40	3	Stock item	60 m coils
10597	Green	50	3	On request	60 m coils
10506	Green	60	3	Stock item	60 m coils
10508	Green	70	3	Stock item	60 m coils
10510	Green	100	3	Stock item	60 m coils

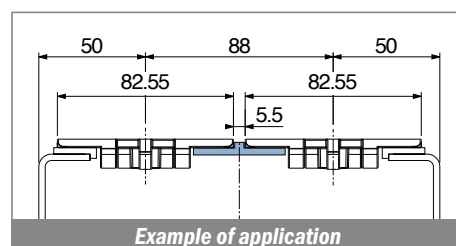


106 Profilo guida catena / Flat profile with nose / Flachprofil mit Nase

Delivery: **Easy** Standard



Article-Nr.	Material	Availability	Supply*
10604	BluLub	On request	60 m coils
10603	Ti-White	On request	60 m coils
10601	Black	Stock item	60 m coils
10605	Blue	On request	60 m coils
10602	Green	Stock item	60 m coils

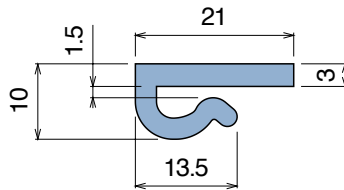
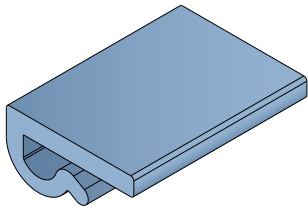


*Standard 3 or 6 meter covers and inserts are typically shipped by common carrier. Selected items can be coiled into cartons for more convenient shipping through UPS.

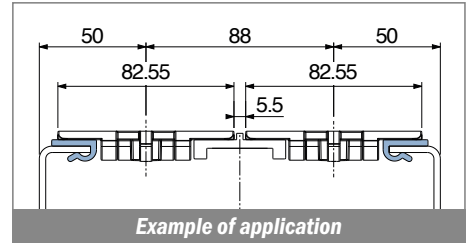
*Products stored in coils will have the tendency to retain a certain deformation when uncoiled, therefore consistency in the profile cross section over the full length of the coil cannot be guaranteed.

103 Profilo "J" / J-Profile / J-Profil

Delivery: **Easy** **Standard** Fit on 2,5 to 3,5 mm

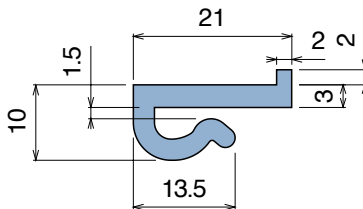
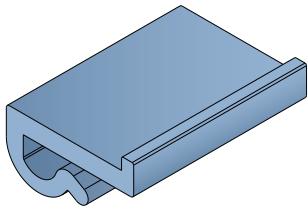


Article-Nr.	Material	Availability	Supply*
10300B-30	BluLub	Stock item	30 m coils
10303	Ti-White	Stock item	60 m coils
10301	Black	Stock item	60 m coils
10305	Blue	On request	60 m coils
10302	Green	Stock item	60 m coils

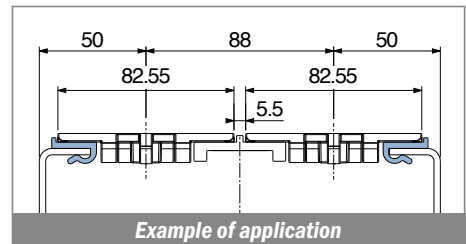


104 Profilo "J" / J-Profile / J-Profil

Delivery: **Easy** **Standard** Fit on 2,5 to 3,5 mm

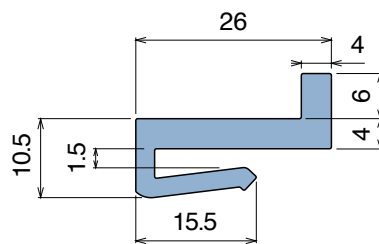
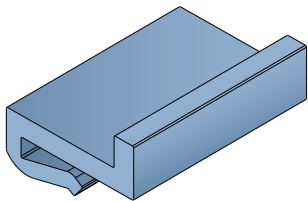


Article-Nr.	Material	Availability	Supply*
10400B	BluLub	Stock item	60 m coils
10403	Ti-White	On request	60 m coils
10401	Black	Stock item	60 m coils
10405	Blue	On request	60 m coils
10402	Green	Stock item	60 m coils

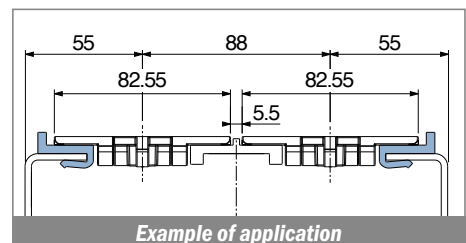


179 Profilo "J" / J-Profile / J-Profil

Delivery: **Easy** **Standard** Fit on 2,5 to 3,5 mm



Article-Nr.	Material	Availability	Supply*
17902BC	BluLub	On request	3 m bars
17902B	BluLub	On request	6 m bars
17902B-60	BluLub	Stock item	60 m coils
17902WC	Ti-White	On request	3 m bars
17902W	Ti-White	On request	6 m bars
17902W-60	Ti-White	On request	60 m coils
17901C	Black	Stock item	3 m bars
17901	Black	On request	6 m bars
17901BC	Blue	On request	3 m bars
17901B	Blue	On request	6 m bars
17901B-60	Blue	On request	60 m coils
17902C	Green	Stock item	3 m bars
17902	Green	On request	6 m bars
17902-60	Green	Stock item	60 m coils



1014-1015-1016

Guide estruse / Extruded profiles / Extrudiertes Profil

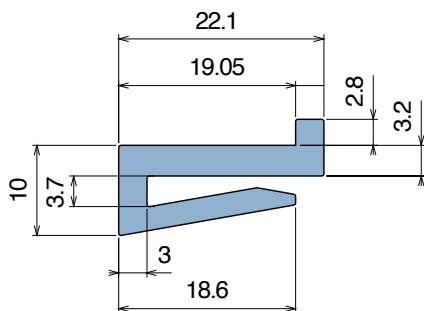
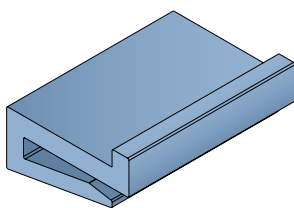
*Standard 3 or 6 meter covers and inserts are typically shipped by common carrier. Selected items can be coiled into cartons for more convenient shipping through UPS.

*Products stored in coils will have the tendency to retain a certain deformation when uncoiled, therefore consistency in the profile cross section over the full length of the coil cannot be guaranteed.

1014

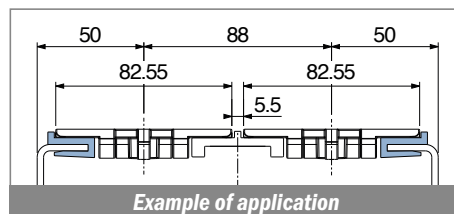
Profilo "J" / J-Profile / J-Profil

Delivery: **Easy** **Standard** Fit on 3 mm (1/8")



North America STANDARD

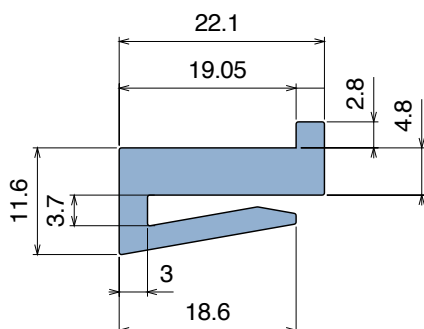
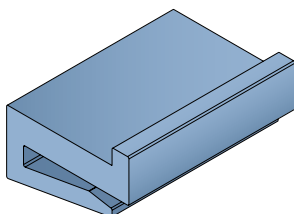
Article-Nr.	Material	Availability	Supply*
101400BC	BluLub	On request	3 m bars
101400B	BluLub	On request	6 m bars
101400B-30	BluLub	On request	30 m coils
101403C	Ti-White	Stock item	3 m bars
101403	Ti-White	On request	6 m bars
101403-30	Ti-White	Stock item	30 m coils
101405C	Blue	On request	3 m bars
101405	Blue	On request	6 m bars
101405-30	Blue	On request	30 m coils



1015

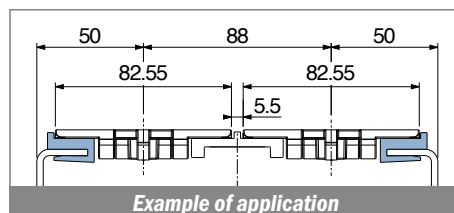
Profilo "J" / J-Profile / J-Profil

Fit on 2,5 to 3,5 mm (1/8")



North America STANDARD

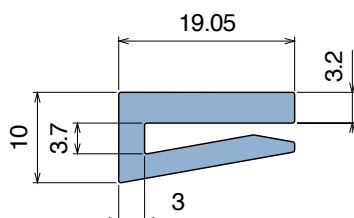
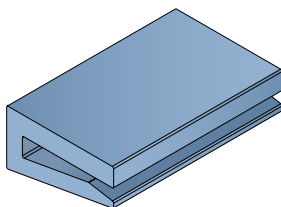
Article-Nr.	Material	Availability	Supply*
101500BC	BluLub	On request	3 m bars
101500B	BluLub	On request	6 m bars
101500B-30	BluLub	On request	30 m coils
101503C	Ti-White	On request	3 m bars
101503	Ti-White	On request	6 m bars
101503-30	Ti-White	On request	30 m coils
101505C	Blue	On request	3 m bars
101505	Blue	On request	6 m bars
101505-30	Blue	On request	30 m coils



1016

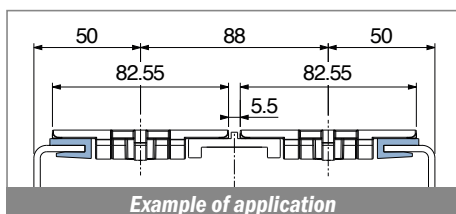
Profilo "J" / J-Profile / J-Profil

Delivery: **Easy** **Standard** Fit on 3 mm (1/8")



North America STANDARD

Article-Nr.	Material	Availability	Supply*
101600BC	BluLub	On request	3 m bars
101600B	BluLub	On request	6 m bars
101600B-30	BluLub	On request	30 m coils
101603C	Ti-White	Stock item	3 m bars
101603	Ti-White	On request	6 m bars
101603-30	Ti-White	Stock item	30 m coils
101601C	Black	On request	3 m bars
101601	Black	On request	6 m bars
101601-30	Black	On request	30 m coils
101605C	Blue	On request	3 m bars
101605	Blue	On request	6 m bars
101605-30	Blue	On request	30 m coils
101602C	Green	On request	3 m bars
101602	Green	On request	6 m bars
101602-30	Green	On request	30 m coils



*Standard 3 or 6 meter covers and inserts are typically shipped by common carrier. Selected items can be coiled into cartons for more convenient shipping through UPS.

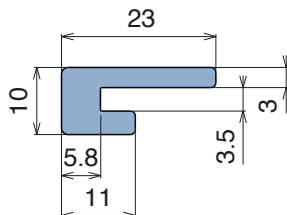
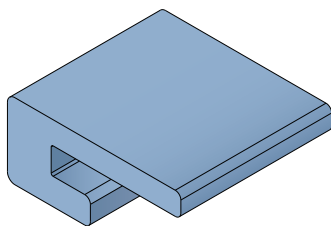
*Products stored in coils will have the tendency to retain a certain deformation when uncoiled, therefore consistency in the profile cross section over the full length of the coil cannot be guaranteed.

NEW

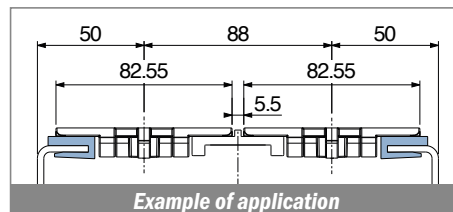
1112

Profilo "J" / J-Profile / J-Profil

Fit on 3 mm (1/8")



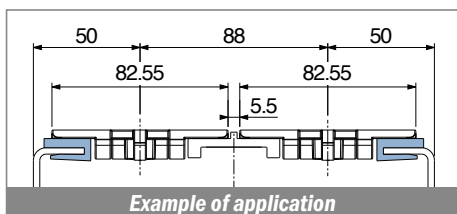
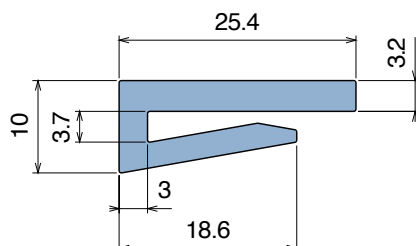
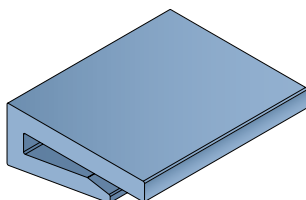
Article-Nr.	Material	Availability	Supply*
111200BC	BluLub	On request	3 m bars
111200B	BluLub	On request	6 m bars
111203C	Ti-White	On request	3 m bars
111203	Ti-White	On request	6 m bars
111205C	Blue	On request	3 m bars
111205	Blue	On request	6 m bars
111202C	Green	On request	3 m bars
111202	Green	On request	6 m bars



1017

Profilo "J" / J-Profile / J-Profil

Delivery: **Easy** **Standard** Fit on 3 mm (1/8")



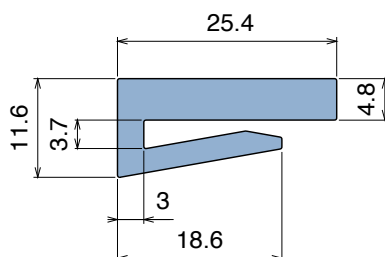
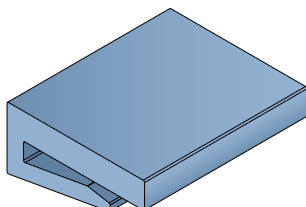
North America STANDARD

Article-Nr.	Material	Availability	Supply*
101700BC	BluLub	On request	3 m bars
101700B	BluLub	On request	6 m bars
101700B-30	BluLub	On request	30 m coils
101703C	Ti-White	Stock item	3 m bars
101703	Ti-White	On request	6 m bars
101703-30	Ti-White	Stock item	30 m coils
101701C	Black	On request	3 m bars
101701	Black	On request	6 m bars
101701-30	Black	On request	30 m coils
101705C	Blue	On request	3 m bars
101705	Blue	On request	6 m bars
101705-30	Blue	On request	30 m coils
101702C	Green	On request	3 m bars
101702	Green	On request	6 m bars
101702-30	Green	On request	30 m coils

1018

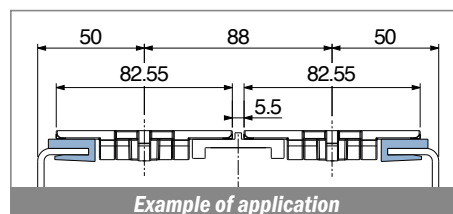
Profilo "J" / J-Profile / J-Profil

Delivery: **Easy** **Standard** Fit on 3 mm (1/8")



North America STANDARD

Article-Nr.	Material	Availability	Supply*
101800BC	BluLub	On request	3 m bars
101800B	BluLub	On request	6 m bars
101800B-30	BluLub	On request	30 m coils
101803C	Ti-White	Stock item	3 m bars
101803	Ti-White	On request	6 m bars
101803-30	Ti-White	On request	30 m coils
101805C	Blue	On request	3 m bars
101805	Blue	On request	6 m bars
101805-30	Blue	On request	30 m coils



1019-1020-1091

Guide estruse / Extruded profiles / Extrudiertes Profil

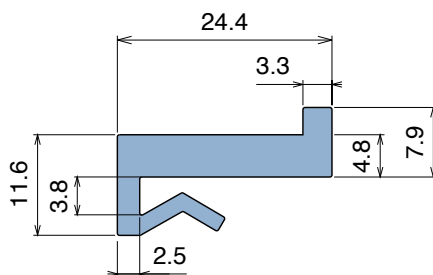
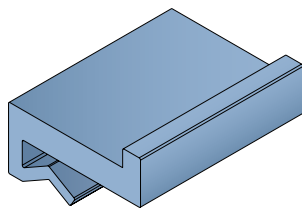
*Standard 3 or 6 meter covers and inserts are typically shipped by common carrier. Selected items can be coiled into cartons for more convenient shipping through UPS.

*Products stored in coils will have the tendency to retain a certain deformation when uncoiled, therefore consistency in the profile cross section over the full length of the coil cannot be guaranteed.

1019

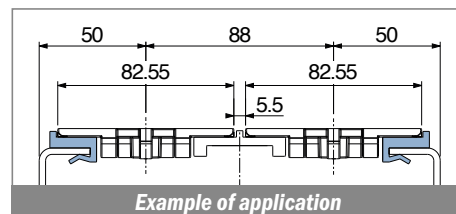
Profilo "J" / J-Profile / J-Profil

Delivery: **Easy** **Standard** Fit on 3 mm (1/8")



North America STANDARD

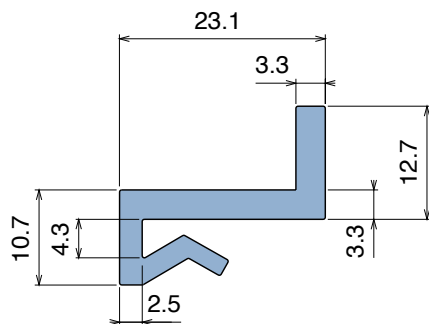
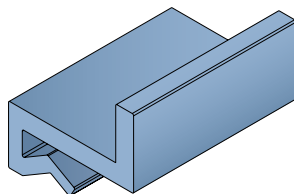
Article-Nr.	Material	Availability	Supply*
101900BC	BluLub	On request	3 m bars
101900B	BluLub	On request	6 m bars
101900B-30	BluLub	On request	30 m coils
101903C	Ti-White	Stock item	3 m bars
101903	Ti-White	On request	6 m bars
101903-30	Ti-White	On request	30 m coils
101905C	Blue	On request	3 m bars
101905	Blue	On request	6 m bars
101905-30	Blue	On request	30 m coils



1020

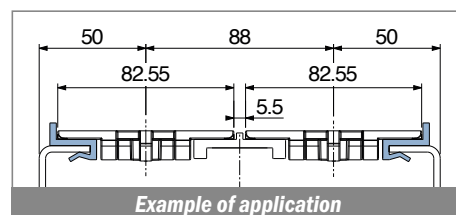
Profilo "J" / J-Profile / J-Profil

Delivery: **Easy** **Standard** Fit on 3 mm (1/8")



North America STANDARD

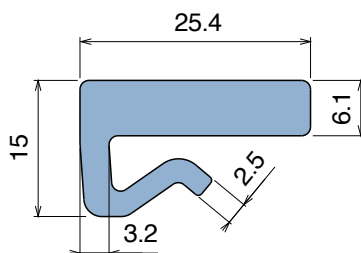
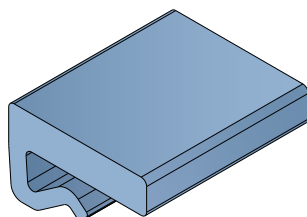
Article-Nr.	Material	Availability	Supply*
102000BC	BluLub	On request	3 m bars
102000B	BluLub	On request	6 m bars
102003C	Ti-White	Stock item	3 m bars
102003	Ti-White	Stock item	6 m bars
102001C	Black	On request	3 m bars
102001	Black	On request	6 m bars
102005C	Blue	On request	3 m bars
102005	Blue	On request	6 m bars
102002C	Green	On request	3 m bars
102002	Green	On request	6 m bars



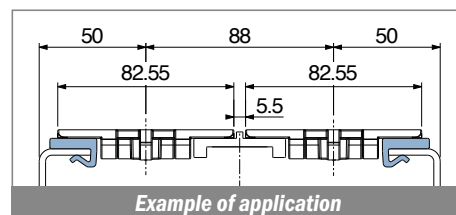
NEW 1091

Profilo "J" / J-Profile / J-Profil

Fit on 3 mm (1/8")



Article-Nr.	Material	Availability	Supply*
109100B-30	BluLub	On request	30 m coils
109103-30	Ti-White	On request	30 m coils
109105-30	Blue	On request	30 m coils



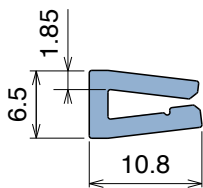
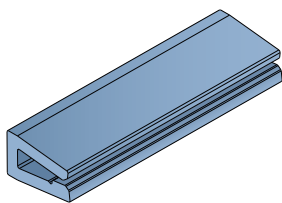
*Standard 3 or 6 meter covers and inserts are typically shipped by common carrier. Selected items can be coiled into cartons for more convenient shipping through UPS.

*Products stored in coils will have the tendency to retain a certain deformation when uncoiled, therefore consistency in the profile cross section over the full length of the coil cannot be guaranteed.

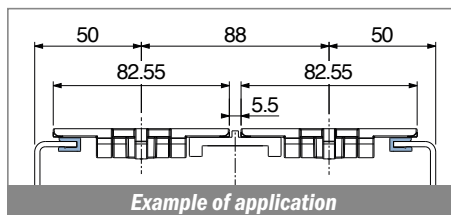
1068

Profilo "J" / J-Profile / J-Profil

Delivery: **Easy** **Standard** Fit on 1,8 to 2 mm



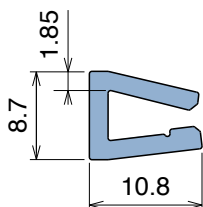
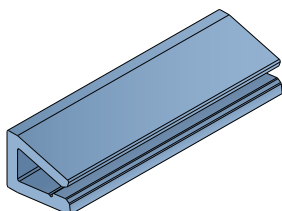
Article-Nr.	Material	Availability	Supply*
106800B	BluLub	Stock item	30 m coils
106802	Ti-White	On request	30 m coils
106805	Blue	On request	30 m coils



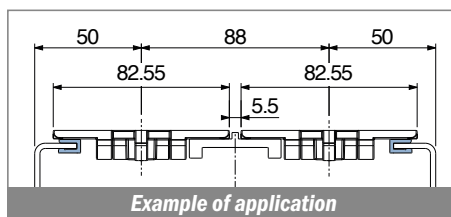
1090

Profilo "J" / J-Profile / J-Profil

Delivery: **Easy** **Standard** Fit on 3 mm (1/8")



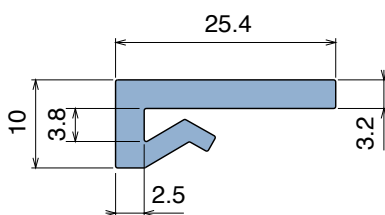
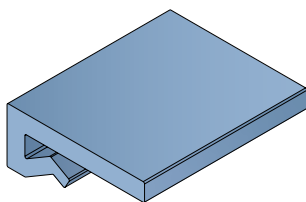
Article-Nr.	Material	Availability	Supply*
109000B	BluLub	On request	30 m coils
109002	Ti-White	On request	30 m coils
109005	Blue	On request	30 m coils



1021

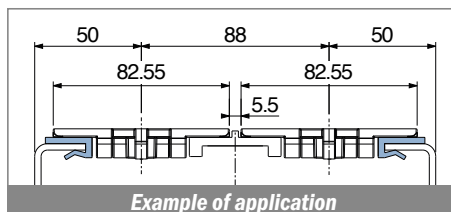
Profilo "J" / J-Profile / J-Profil

Delivery: **Easy** **Standard** Fit on 3 mm (1/8")



North America STANDARD

Article-Nr.	Material	Availability	Supply*
102100BC	BluLub	On request	3 m bars
102100B	BluLub	On request	6 m bars
102100B-30	BluLub	On request	30 m coils
102103C	Ti-White	Stock item	3 m bars
102103	Ti-White	On request	6 m bars
102103-30	Ti-White	Stock item	30 m coils
102101C	Black	On request	3 m bars
102101	Black	On request	6 m bars
102101-30	Black	On request	30 m coils
102105C	Blue	On request	3 m bars
102105	Blue	On request	6 m bars
102105-30	Blue	On request	30 m coils
102102C	Green	On request	3 m bars
102102	Green	On request	6 m bars
102102-30	Green	On request	30 m coils



1022-1023-1024

Guide estruse / Extruded profiles / Extrudiertes Profil

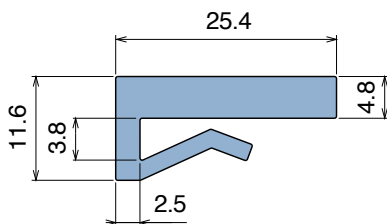
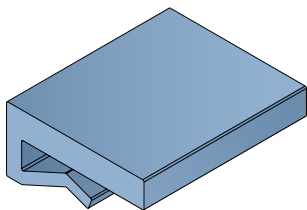
*Standard 3 or 6 meter covers and inserts are typically shipped by common carrier. Selected items can be coiled into cartons for more convenient shipping through UPS.

*Products stored in coils will have the tendency to retain a certain deformation when uncoiled, therefore consistency in the profile cross section over the full length of the coil cannot be guaranteed.

1022

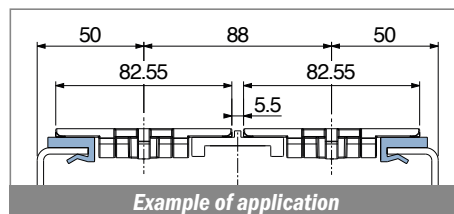
Profilo "J" / J-Profile / J-Profil

Delivery: **Easy** **Standard** Fit on 3 mm (1/8")



North America STANDARD

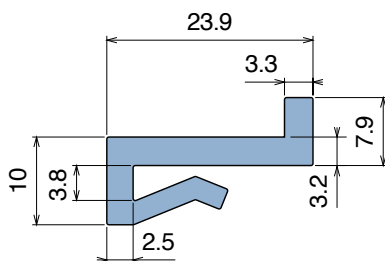
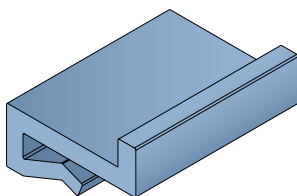
Article-Nr.	Material	Availability	Supply*
102200BC	BluLub	On request	3 m bars
102200B	BluLub	On request	6 m bars
102200B-30	BluLub	On request	30 m coils
102203C	Ti-White	Stock item	3 m bars
102203	Ti-White	On request	6 m bars
102203-30	Ti-White	On request	30 m coils
102205C	Blue	On request	3 m bars
102205	Blue	On request	6 m bars
102205-30	Blue	On request	30 m coils



1023

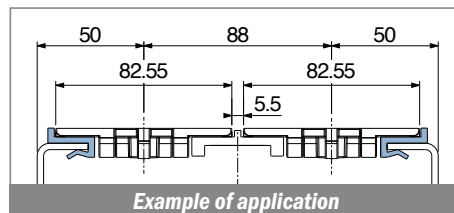
Profilo "J" / J-Profile / J-Profil

Delivery: **Easy** **Standard** Fit on 3 mm (1/8")



North America STANDARD

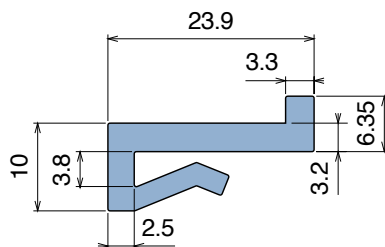
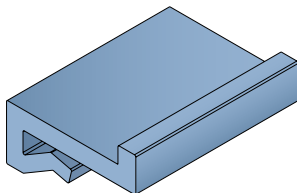
Article-Nr.	Material	Availability	Supply*
102300BC	BluLub	On request	3 m bars
102300B	BluLub	On request	6 m bars
102303C	Ti-White	Stock item	3 m bars
102303	Ti-White	On request	6 m bars
102305C	Blue	On request	3 m bars
102305	Blue	On request	6 m bars



1024

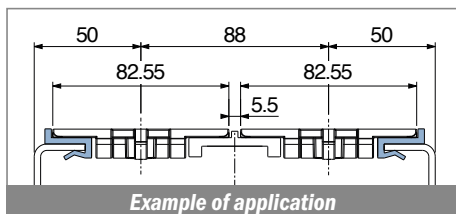
Profilo "J" / J-Profile / J-Profil

Delivery: **Easy** **Standard** Fit on 3 mm (1/8")



North America STANDARD

Article-Nr.	Material	Availability	Supply*
102400BC	BluLub	On request	3 m bars
102400B	BluLub	On request	6 m bars
102400B-30	BluLub	On request	30 m coils
102403C	Ti-White	Stock item	3 m bars
102403	Ti-White	On request	6 m bars
102403-30	Ti-White	Stock item	30 m coils
102401C	Black	On request	3 m bars
102401	Black	On request	6 m bars
102401-30	Black	On request	30 m coils
102405C	Blue	On request	3 m bars
102405	Blue	On request	6 m bars
102405-30	Blue	On request	30 m coils
102402C	Green	Stock item	3 m bars
102402	Green	Stock item	6 m bars
102402-30	Green	On request	30 m coils



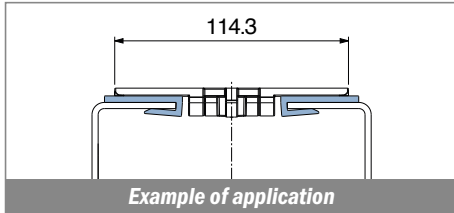
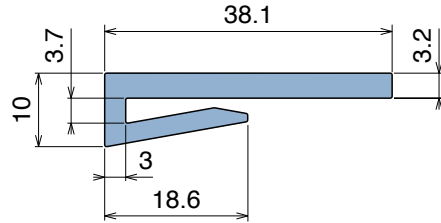
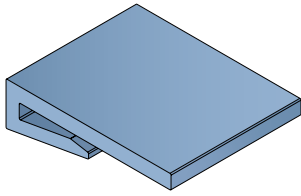
*Standard 3 or 6 meter covers and inserts are typically shipped by common carrier. Selected items can be coiled into cartons for more convenient shipping through UPS.

*Products stored in coils will have the tendency to retain a certain deformation when uncoiled, therefore consistency in the profile cross section over the full length of the coil cannot be guaranteed.

1025

Profilo "J" / J-Profile / J-Profil

Delivery: **Easy** **Standard** Fit on 3 mm (1/8")



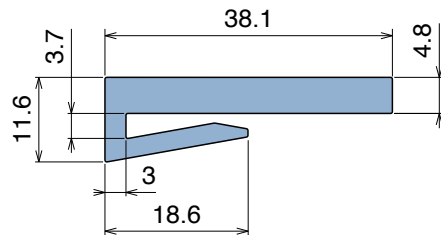
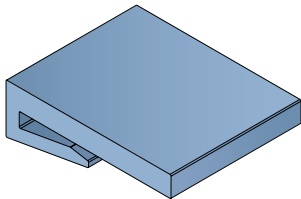
North America STANDARD

Article-Nr.	Material	Availability	Supply*
102500BC	BluLub	On request	3 m bars
102500B	BluLub	On request	6 m bars
102500B-30	BluLub	On request	30 m coils
102503C	Ti-White	Stock item	3 m bars
102503	Ti-White	On request	6 m bars
102503-30	Ti-White	Stock item	30 m coils
102501C	Black	On request	3 m bars
102501	Black	On request	6 m bars
102501-30	Black	On request	30 m coils
102505C	Blue	On request	3 m bars
102505	Blue	On request	6 m bars
102505-30	Blue	On request	30 m coils
102502C	Green	On request	3 m bars
102502	Green	On request	6 m bars
102502-30	Green	On request	30 m coils

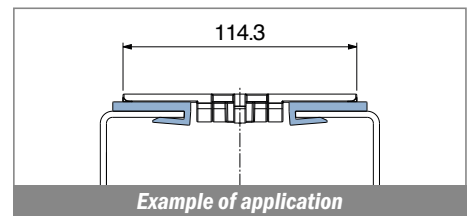
1026

Profilo "J" / J-Profile / J-Profil

Delivery: **Easy** **Standard** Fit on 3 mm (1/8")



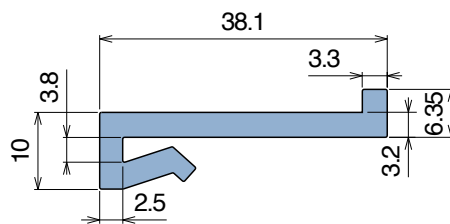
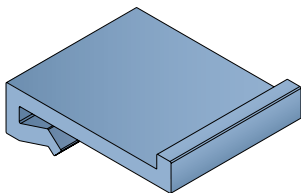
Article-Nr.	Material	Availability	Supply*
102600BC	BluLub	On request	3 m bars
102600B	BluLub	On request	6 m bars
102600B-30	BluLub	On request	30 m coils
102603C	Ti-White	Stock item	3 m bars
102603	Ti-White	On request	6 m bars
102603-30	Ti-White	On request	30 m coils
102605C	Blue	On request	3 m bars
102605	Blue	On request	6 m bars
102605-30	Blue	On request	30 m coils



1027

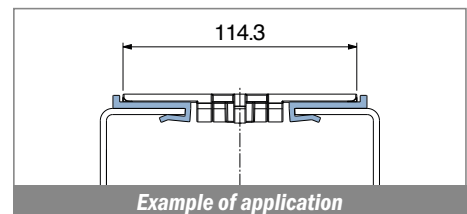
Profilo "J" / J-Profile / J-Profil

Delivery: **Easy** **Standard** Fit on 3 mm (1/8")



North America STANDARD

Article-Nr.	Material	Availability	Supply*
102700BC	BluLub	On request	3 m bars
102700B	BluLub	On request	6 m bars
102700B-30	BluLub	On request	30 m coils
102703C	Ti-White	Stock item	3 m bars
102703	Ti-White	On request	6 m bars
102703-30	Ti-White	On request	30 m coils
102705C	Blue	On request	3 m bars
102705	Blue	On request	6 m bars
102705-30	Blue	On request	30 m coils



1028-1046-1029

Guide estruse / Extruded profiles / Extrudiertes Profil

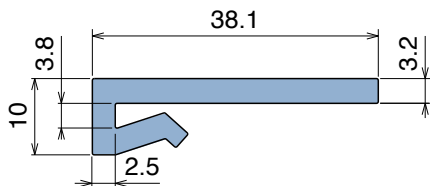
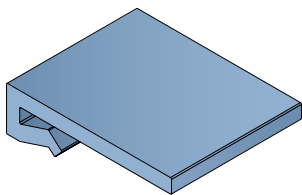
*Standard 3 or 6 meter covers and inserts are typically shipped by common carrier. Selected items can be coiled into cartons for more convenient shipping through UPS.

*Products stored in coils will have the tendency to retain a certain deformation when uncoiled, therefore consistency in the profile cross section over the full length of the coil cannot be guaranteed.

1028

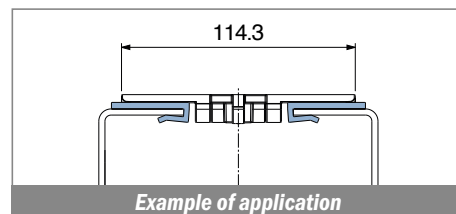
Profilo "J" / J-Profile / J-Profil

Delivery: **Easy** **Standard** Fit on 3 mm (1/8")



North America STANDARD

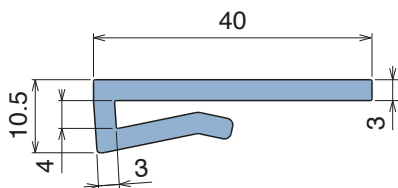
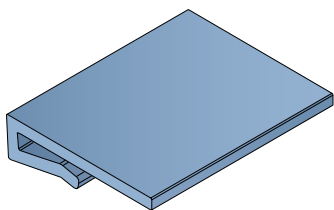
Article-Nr.	Material	Availability	Supply*
102800BC	BluLub	On request	3 m bars
102800B	BluLub	On request	6 m bars
102800B-30	BluLub	On request	30 m coils
102803C	Ti-White	Stock item	3 m bars
102803	Ti-White	On request	6 m bars
102803-30	Ti-White	Stock item	30 m coils
102805C	Blue	On request	3 m bars
102805	Blue	On request	6 m bars
102805-30	Blue	On request	30 m coils



1046

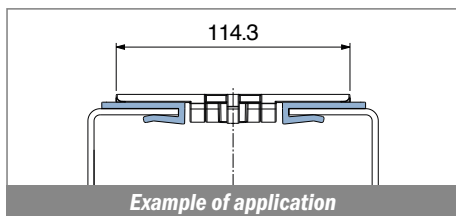
Profilo "J" / J-Profile / J-Profil

Delivery: **Easy** **Standard** Fit on 3 mm (1/8")



North America STANDARD

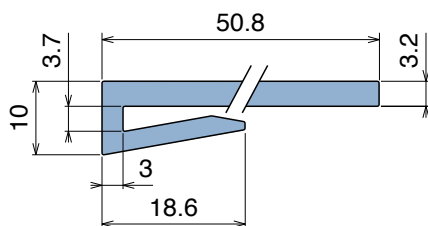
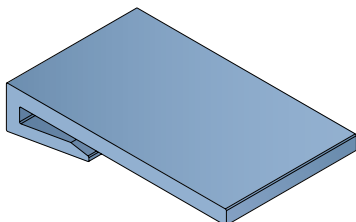
Article-Nr.	Material	Availability	Supply*
104600BC	BluLub	On request	3 m bars
104600B	BluLub	On request	6 m bars
104600B-30	BluLub	Stock item	30 m coils
104603C	Ti-White	Stock item	3 m bars
104603	Ti-White	On request	6 m bars
104603-30	Ti-White	Stock item	30 m coils
104601C	Black	On request	3 m bars
104601	Black	On request	6 m bars
104601-30	Black	On request	30 m coils
104605C	Blue	On request	3 m bars
104605	Blue	On request	6 m bars
104605-30	Blue	On request	30 m coils
104602C	Green	Stock item	3 m bars
104602	Green	On request	6 m bars
104602-30	Green	Stock item	30 m coils



1029

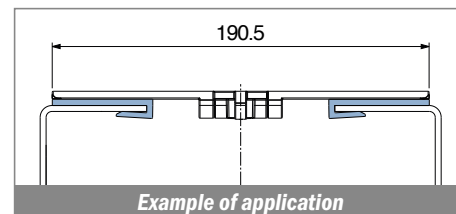
Profilo "J" / J-Profile / J-Profil

Delivery: **Easy** **Standard** Fit on 3 mm (1/8")



North America STANDARD

Article-Nr.	Material	Availability	Supply*
102900BC	BluLub	On request	3 m bars
102900B	BluLub	On request	6 m bars
102900B-30	BluLub	On request	30 m coils
102903C	Ti-White	Stock item	3 m bars
102903	Ti-White	On request	6 m bars
102903-30	Ti-White	On request	30 m coils
102905C	Blue	On request	3 m bars
102905	Blue	On request	6 m bars
102905-30	Blue	On request	30 m coils



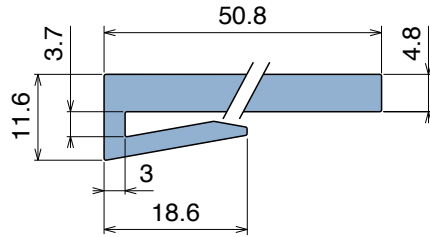
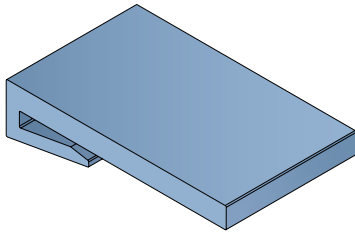
*Standard 3 or 6 meter covers and inserts are typically shipped by common carrier. Selected items can be coiled into cartons for more convenient shipping through UPS.

*Products stored in coils will have the tendency to retain a certain deformation when uncoiled, therefore consistency in the profile cross section over the full length of the coil cannot be guaranteed.

1030

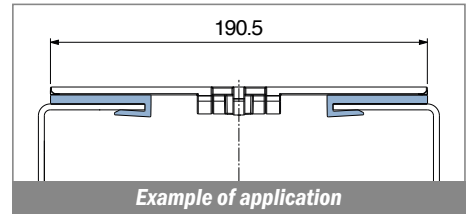
Profilo "J" / J-Profile / J-Profil

Delivery: **Easy** **Standard** Fit on 3 mm (1/8")



North America STANDARD

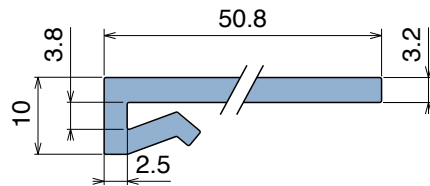
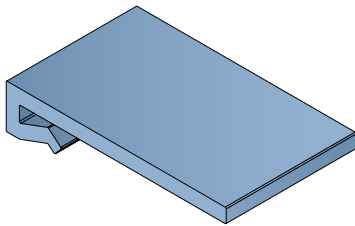
Article-Nr.	Material	Availability	Supply*
103000BC	BluLub	On request	3 m bars
103000B	BluLub	On request	6 m bars
103003C	Ti-White	Stock item	3 m bars
103003	Ti-White	On request	6 m bars
103005C	Blue	On request	3 m bars
103005	Blue	On request	6 m bars



1031

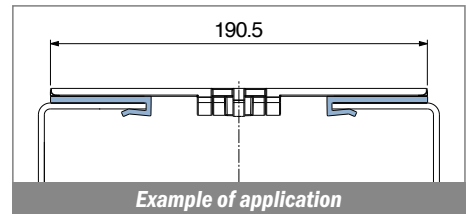
Profilo "J" / J-Profile / J-Profil

Delivery: **Easy** **Standard** Fit on 3 mm (1/8")



North America STANDARD

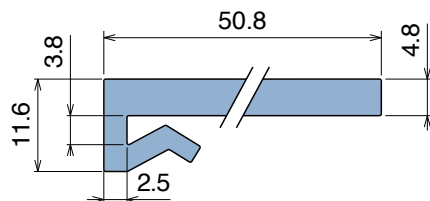
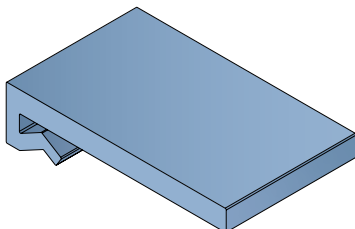
Article-Nr.	Material	Availability	Supply*
103100BC	BluLub	Stock item	3 m bars
103100B	BluLub	On request	6 m bars
103103C	Ti-White	Stock item	3 m bars
103103	Ti-White	Stock item	6 m bars
103105C	Blue	On request	3 m bars
103105	Blue	On request	6 m bars



1032

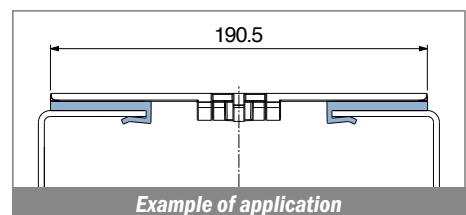
Profilo "J" / J-Profile / J-Profil

Delivery: **Easy** **Standard** Fit on 3 mm (1/8")



North America STANDARD

Article-Nr.	Material	Availability	Supply*
103200BC	BluLub	On request	3 m bars
103200B	BluLub	On request	6 m bars
103203C	Ti-White	Stock item	3 m bars
103203	Ti-White	On request	6 m bars
103205C	Blue	On request	3 m bars
103205	Blue	On request	6 m bars



1035-1033-1034

Guide estruse / Extruded profiles / Extrudiertes Profil

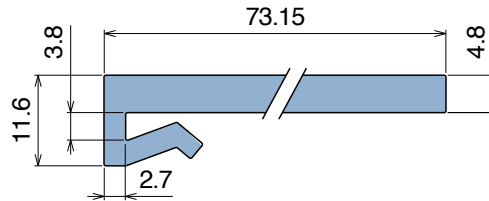
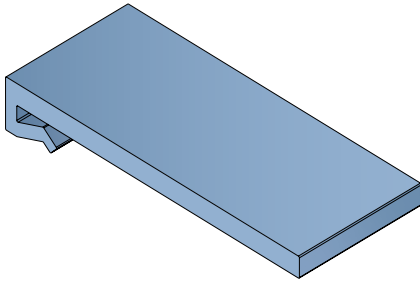
*Standard 3 or 6 meter covers and inserts are typically shipped by common carrier. Selected items can be coiled into cartons for more convenient shipping through UPS.

*Products stored in coils will have the tendency to retain a certain deformation when uncoiled, therefore consistency in the profile cross section over the full length of the coil cannot be guaranteed.

1035

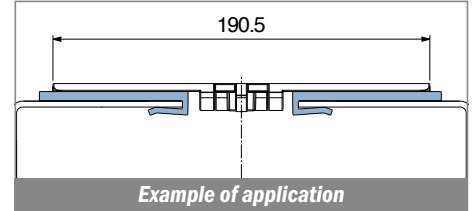
Profilo "J" / J-Profile / J-Profil

Delivery: **Easy** **Standard** Fit on 3 mm (1/8")



North America STANDARD

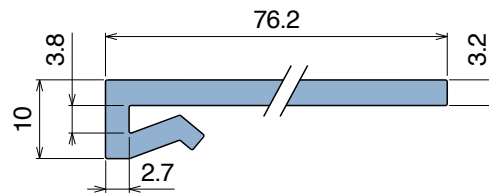
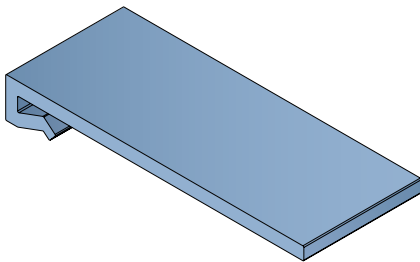
Article-Nr.	Material	Availability	Supply*
103500BC	BluLub	On request	3 m bars
103500B	BluLub	On request	6 m bars
103503C	Ti-White	Stock item	3 m bars
103503	Ti-White	On request	6 m bars
103505C	Blue	On request	3 m bars
103505	Blue	On request	6 m bars



1033

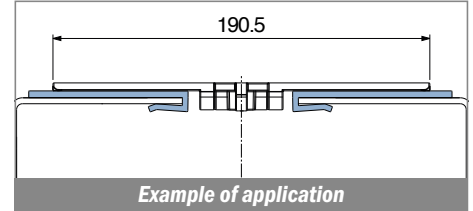
Profilo "J" / J-Profile / J-Profil

Delivery: **Easy** **Standard** Fit on 3 mm (1/8")



North America STANDARD

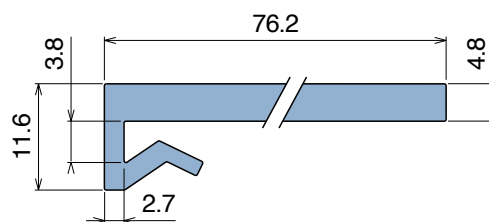
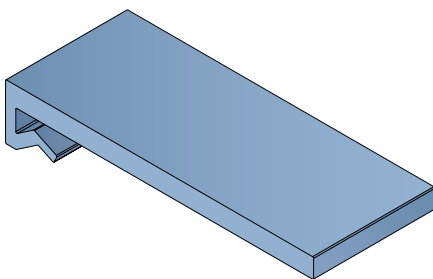
Article-Nr.	Material	Availability	Supply*
103300BC	BluLub	Stock item	3 m bars
103300B	BluLub	On request	6 m bars
103303C	Ti-White	Stock item	3 m bars
103303	Ti-White	On request	6 m bars
103305C	Blue	On request	3 m bars
103305	Blue	On request	6 m bars



1034

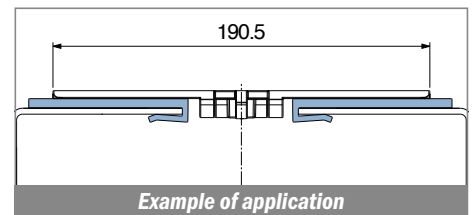
Profilo "J" / J-Profile / J-Profil

Delivery: **Easy** **Standard** Fit on 3 mm (1/8")



North America STANDARD

Article-Nr.	Material	Availability	Supply*
103400BC	BluLub	On request	3 m bars
103400B	BluLub	On request	6 m bars
103403C	Ti-White	Stock item	3 m bars
103403	Ti-White	On request	6 m bars
103405C	Blue	On request	3 m bars
103405	Blue	On request	6 m bars



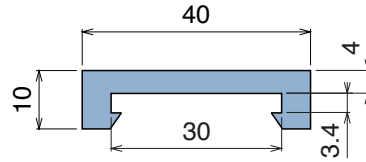
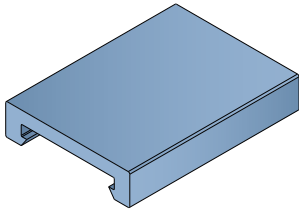
*Standard 3 or 6 meter covers and inserts are typically shipped by common carrier. Selected items can be coiled into cartons for more convenient shipping through UPS.

*Products stored in coils will have the tendency to retain a certain deformation when uncoiled, therefore consistency in the profile cross section over the full length of the coil cannot be guaranteed.

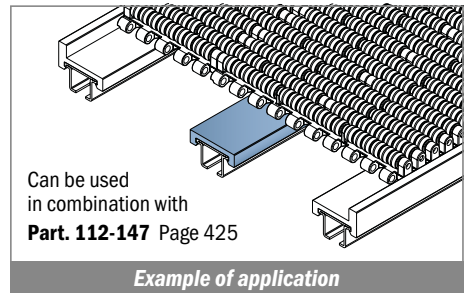
109

Profilo "U" / U-Profile / U-Profil

Delivery: **Easy** **Standard**



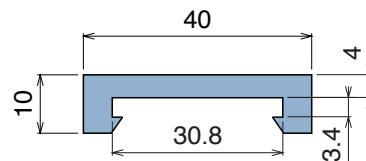
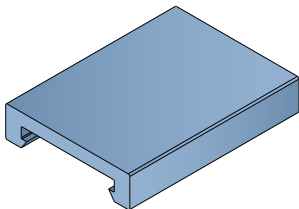
Article-Nr.	Material	Availability	Supply*
10901BC	BluLub	Stock item	3 m bars
10901B	BluLub	On request	6 m bars
10901B-30	BluLub	On request	30 m coils
10903C	Ti-White	Stock item	3 m bars
10903	Ti-White	Stock item	6 m bars
10903-30	Ti-White	On request	30 m coils
10901C	Black	Stock item	3 m bars
10901	Black	Stock item	6 m bars
10901-30	Black	Stock item	30 m coils
10905C	Blue	On request	3 m bars
10905	Blue	On request	6 m bars
10905-30	Blue	On request	30 m coils
10902C	Green	Stock item	3 m bars
10902	Green	Stock item	6 m bars
10902-30	Green	On request	30 m coils
10901AC	AS	Stock item	3 m bars
10901A	AS	Stock item	6 m bars



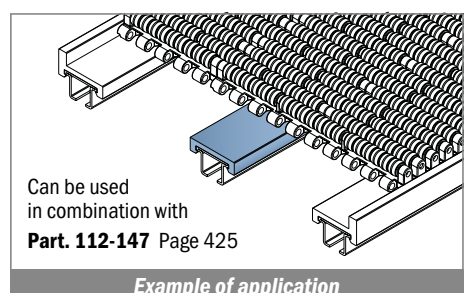
NEW

1111

Profilo "U" / U-Profile / U-Profil

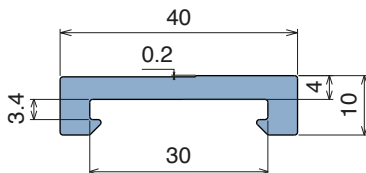
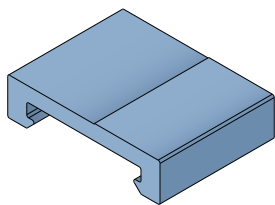


Article-Nr.	Material	Availability	Supply*
111101BC	BluLub	On request	3 m bars
111101B	BluLub	On request	6 m bars
111101B-30	BluLub	On request	30 m coils
111103C	Ti-White	On request	3 m bars
111103	Ti-White	On request	6 m bars
111103-30	Ti-White	On request	30 m coils
111101C	Black	On request	3 m bars
111101	Black	On request	6 m bars
111101-30	Black	On request	30 m coils
111105C	Blue	On request	3 m bars
111105	Blue	On request	6 m bars
111105-30	Blue	On request	30 m coils
111102C	Green	On request	3 m bars
111102	Green	On request	6 m bars
111102-30	Green	On request	30 m coils
111101AC	AS	On request	3 m bars
111101A	AS	On request	6 m bars

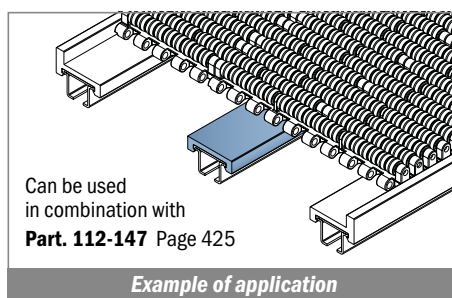


NEW 1113

Profilo "U" / U-Profile staggered version / U-Profil



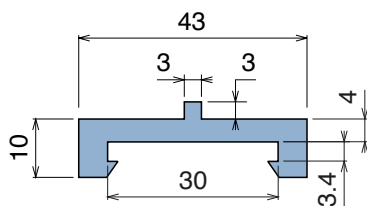
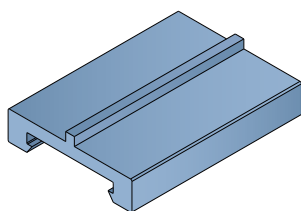
Article-Nr.	Material	Availability	Supply*
111300BC	BluLub	On request	3 m bars
111300B	BluLub	On request	6 m bars
111300B-30	BluLub	On request	30 m coils
111303C	Ti-White	On request	3 m bars
111303	Ti-White	On request	6 m bars
111303-30	Ti-White	On request	30 m coils
111301C	Black	On request	3 m bars
111301	Black	On request	6 m bars
111301-30	Black	On request	30 m coils
111305C	Blue	On request	3 m bars
111305	Blue	On request	6 m bars
111305-30	Blue	On request	30 m coils
111302C	Green	On request	3 m bars
111302	Green	On request	6 m bars
111302-30	Green	On request	30 m coils



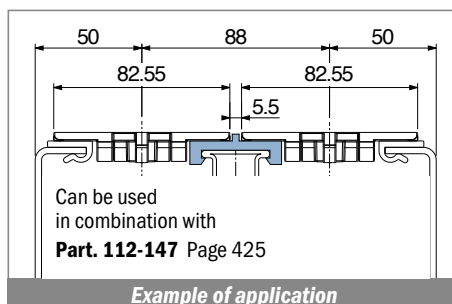
110

Profilo "U" / U-Profile / U-Profil

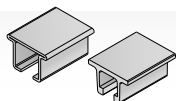
Delivery: **Easy** **Standard**



Article-Nr.	Material	Availability	Supply*
11000BC	BluLub	On request	3 m bars
11000B	BluLub	On request	6 m bars
11000B-30	BluLub	On request	30 m coils
11003C	Ti-White	On request	3 m bars
11003	Ti-White	On request	6 m bars
11003-30	Ti-White	On request	30 m coils
11001C	Black	Stock item	3 m bars
11001	Black	On request	6 m bars
11001-30	Black	On request	30 m coils
11005C	Blue	On request	3 m bars
11005	Blue	On request	6 m bars
11005-30	Blue	On request	30 m coils
11002C	Green	Stock item	3 m bars
11002	Green	On request	6 m bars
11002-30	Green	On request	30 m coils



Used with Part 112 and Part 147 Pag 123



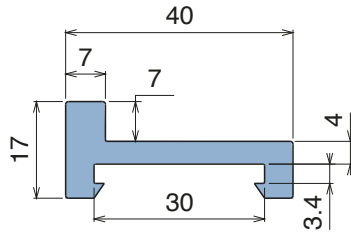
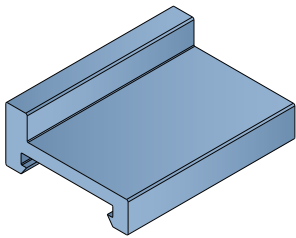
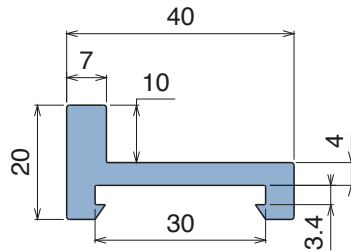
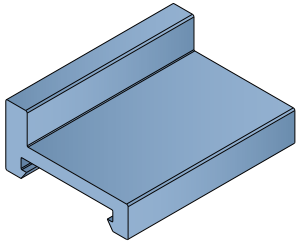
*Standard 3 or 6 meter covers and inserts are typically shipped by common carrier. Selected items can be coiled into cartons for more convenient shipping through UPS.

*Products stored in coils will have the tendency to retain a certain deformation when uncoiled, therefore consistency in the profile cross section over the full length of the coil cannot be guaranteed.

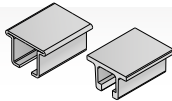
156

Profilo "U" / U-Profile / U-Profil

Delivery: **Easy** **Standard** Coils available

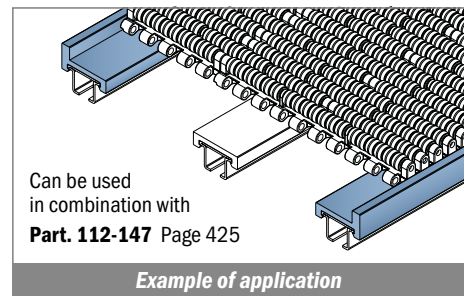


Used with
Part 112 and
Part 147 Pag 123



Article-Nr.	Material	Availability	Supply*
15601BC	<i>BluLub</i>	On request	3 m bars
15601B	<i>BluLub</i>	On request	6 m bars
15603C	<i>Ti-White</i>	On request	3 m bars
15603	<i>Ti-White</i>	On request	6 m bars
15601C	Black	Stock item	3 m bars
15601	Black	On request	6 m bars
15605C	Blue	On request	3 m bars
15605	Blue	On request	6 m bars
15602C	Green	Stock item	3 m bars
15602	Green	On request	6 m bars

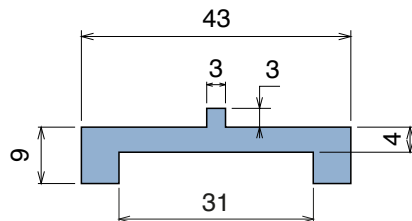
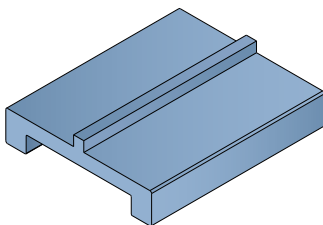
Article-Nr.	Material	Availability	Supply*
15699BC	<i>BluLub</i>	Stock item	3 m bars
15699WC	<i>Ti-White</i>	On request	3 m bars
15699NC	Black	On request	3 m bars
15694C	Blue	On request	3 m bars
15699C	Green	Stock item	3 m bars



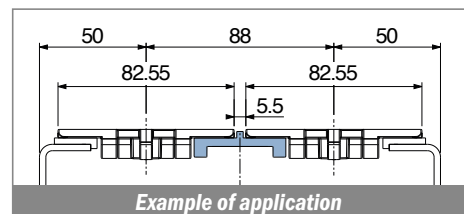
149

Profilo "U" / U-Profile / U-Profil

Delivery: **Easy** **Standard** Coils available

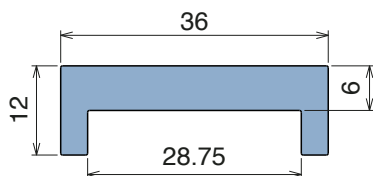
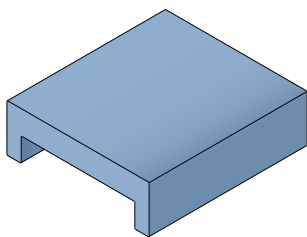


Article-Nr.	Material	Availability	Supply*
14950BC	<i>BluLub</i>	On request	3 m bars
14950B	<i>BluLub</i>	On request	6 m bars
14953C	<i>Ti-White</i>	On request	3 m bars
14953	<i>Ti-White</i>	On request	6 m bars
14950C	Black	Stock item	3 m bars
14950	Black	On request	6 m bars
14955C	Blue	On request	3 m bars
14955	Blue	On request	6 m bars
14952C	Green	Stock item	3 m bars
14952	Green	On request	6 m bars

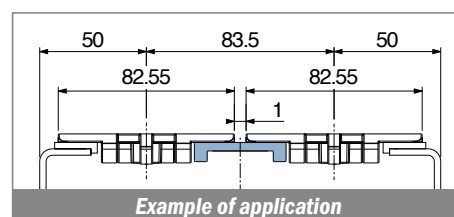


NEW 1066

Profilo "U" / U-Profile / U-Profil



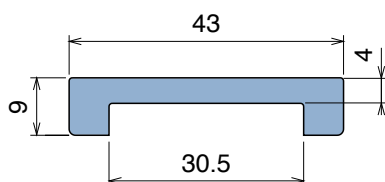
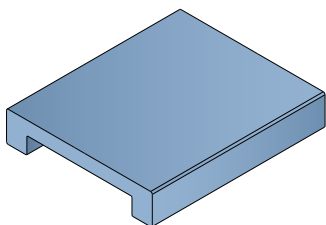
Article-Nr.	Material	Availability	Supply*
106600BC	BluLub	On request	3 m bars
106600B	BluLub	On request	6 m bars
106600B-30	BluLub	On request	30 m coils
106603C	Ti-White	On request	3 m bars
106603	Ti-White	On request	6 m bars
106603-30	Ti-White	On request	30 m coils
106601C	Black	On request	3 m bars
106601	Black	On request	6 m bars
106601-30	Black	On request	30 m coils
106605C	Blue	On request	3 m bars
106605	Blue	On request	6 m bars
106605-30	Blue	On request	30 m coils
106602C	Green	On request	3 m bars
106602	Green	On request	6 m bars
106602-30	Green	On request	30 m coils



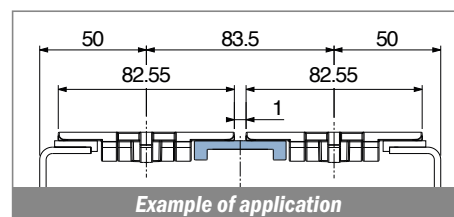
177

Profilo "U" / U-Profile / U-Profil

Delivery: **Easy** **Standard**



Article-Nr.	Material	Availability	Supply*
17701BC	BluLub	Stock item	3 m bars
17701B	BluLub	On request	6 m bars
17701B-30	BluLub	On request	30 m coils
17703C	Ti-White	On request	3 m bars
17703	Ti-White	On request	6 m bars
17703-30	Ti-White	On request	30 m coils
17701C	Black	Stock item	3 m bars
17701	Black	Stock item	6 m bars
17701-30	Black	On request	30 m coils
17705C	Blue	On request	3 m bars
17705	Blue	On request	6 m bars
17705-30	Blue	On request	30 m coils
17702C	Green	Stock item	3 m bars
17702	Green	On request	6 m bars
17702-30	Green	On request	30 m coils



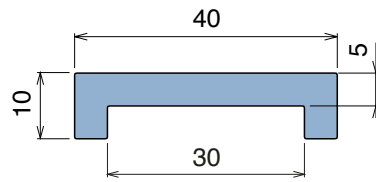
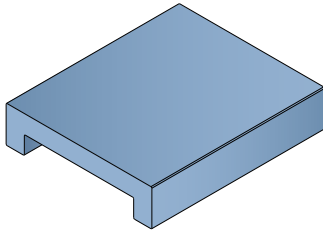
*Standard 3 or 6 meter covers and inserts are typically shipped by common carrier. Selected items can be coiled into cartons for more convenient shipping through UPS.

*Products stored in coils will have the tendency to retain a certain deformation when uncoiled, therefore consistency in the profile cross section over the full length of the coil cannot be guaranteed.

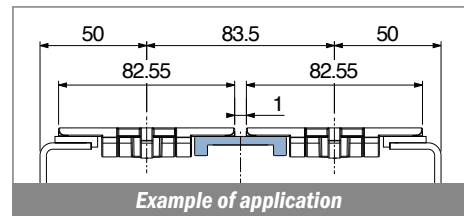
1059

Profilo "U" / U-Profile / U-Profil

Delivery: **Easy** **Standard** Coils available



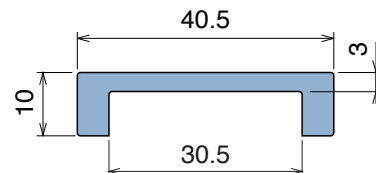
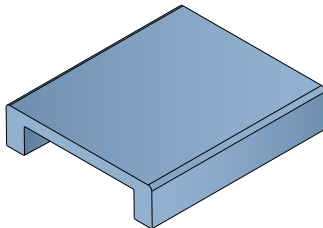
Article-Nr.	Material	Availability	Supply*
105901BC	BluLub	Stock item	3 m bars
105901B	BluLub	On request	6 m bars
105901B-30	BluLub	On request	30 m coils
105903C	Ti-White	On request	3 m bars
105903	Ti-White	On request	6 m bars
105903-30	Ti-White	On request	30 m coils
105901C	Black	Stock item	3 m bars
105901	Black	On request	6 m bars
105901-30	Black	On request	30 m coils
105905C	Blue	On request	3 m bars
105905	Blue	On request	6 m bars
105905-30	Blue	On request	30 m coils
105902C	Green	Stock item	3 m bars
105902	Green	On request	6 m bars
105902-30	Green	On request	30 m coils



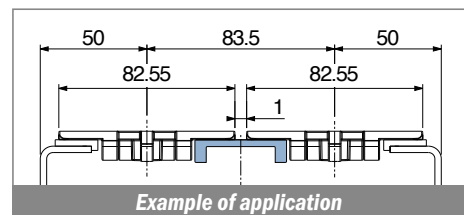
178

Profilo "U" / U-Profile / U-Profil

Delivery: **Easy** **Standard** Coils available



Article-Nr.	Material	Availability	Supply*
17801BC	BluLub	Stock item	3 m bars
17801B	BluLub	On request	6 m bars
17801B-30	BluLub	Stock item	30 m coils
17803C	Ti-White	On request	3 m bars
17803	Ti-White	On request	6 m bars
17803-30	Ti-White	Stock item	30 m coils
17801C	Black	Stock item	3 m bars
17801	Black	On request	6 m bars
17801-30	Black	On request	30 m coils
17805C	Blue	On request	3 m bars
17805	Blue	On request	6 m bars
17805-30	Blue	On request	30 m coils
17802C	Green	Stock item	3 m bars
17802	Green	On request	6 m bars
17802-30	Green	Stock item	30 m coils



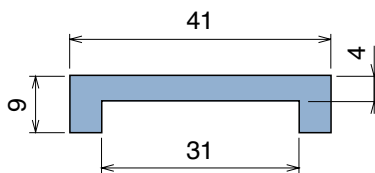
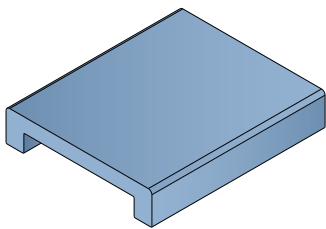
*Standard 3 or 6 meter covers and inserts are typically shipped by common carrier. Selected items can be coiled into cartons for more convenient shipping through UPS.

*Products stored in coils will have the tendency to retain a certain deformation when uncoiled, therefore consistency in the profile cross section over the full length of the coil cannot be guaranteed.

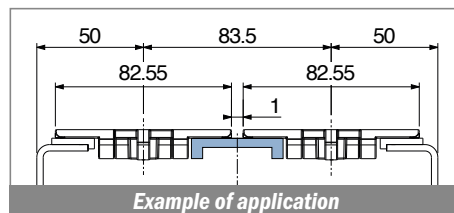
111

Profilo "U" / U-Profile / U-Profil

Delivery: **Easy** **Standard** Coils available



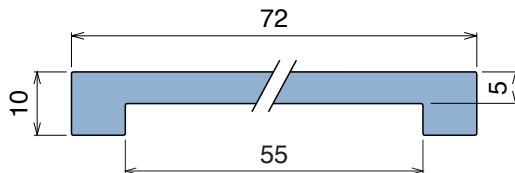
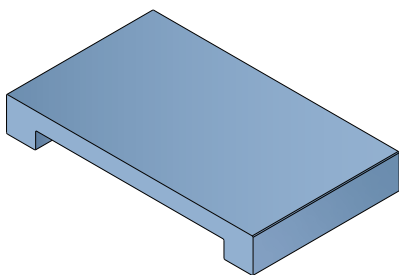
Article-Nr.	Material	Availability	Supply*
11101BC	BluLub	Stock item	3 m bars
11101B	BluLub	On request	6 m bars
11101B-30	BluLub	On request	30 m coils
11103C	Ti-White	On request	3 m bars
11103	Ti-White	On request	6 m bars
11103-30	Ti-White	On request	30 m coils
11101C	Black	Stock item	3 m bars
11101	Black	Stock item	6 m bars
11101-30	Black	Stock item	30 m coils
11105C	Blue	On request	3 m bars
11105	Blue	On request	6 m bars
11105-30	Blue	On request	30 m coils
11102C	Green	Stock item	3 m bars
11102	Green	Stock item	6 m bars
11102-30	Green	On request	30 m coils



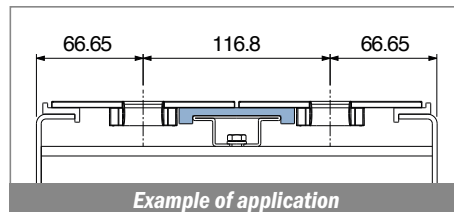
1060

Profilo "U" / U-Profile / U-Profil

Delivery: **Easy** **Standard** Coils available



Article-Nr.	Material	Availability	Supply*
106000BC	BluLub	On request	3 m bars
106000B	BluLub	On request	6 m bars
106003C	Ti-White	On request	3 m bars
106003	Ti-White	On request	6 m bars
106001C	Black	Stock item	3 m bars
106001	Black	On request	6 m bars
106005C	Blue	On request	3 m bars
106005	Blue	On request	6 m bars
106002C	Green	Stock item	3 m bars
106002	Green	Stock item	6 m bars

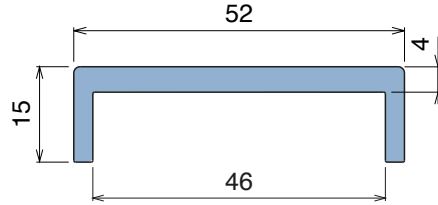
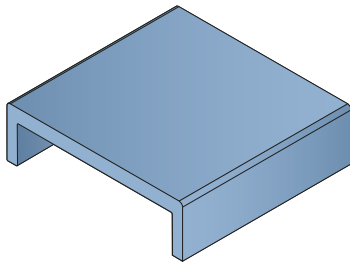


*Standard 3 or 6 meter covers and inserts are typically shipped by common carrier. Selected items can be coiled into cartons for more convenient shipping through UPS.

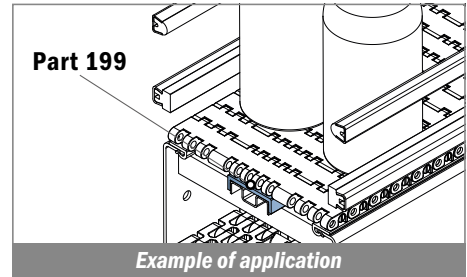
*Products stored in coils will have the tendency to retain a certain deformation when uncoiled, therefore consistency in the profile cross section over the full length of the coil cannot be guaranteed.

199 Profilo "U" / U-Profile / U-Profil

Delivery: **Easy** **Standard** Coils available

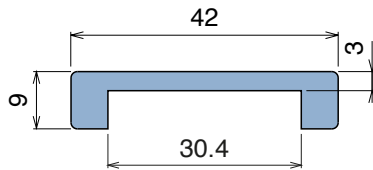
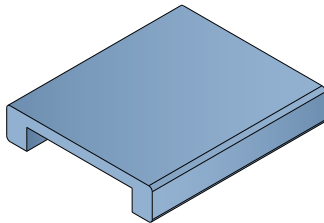


Article-Nr.	Material	Availability	Supply*
19976BC	BluLub	On request	3 m bars
19976B	BluLub	On request	6 m bars
19976C	Ti-White	Stock item	3 m bars
19976	Ti-White	On request	6 m bars
19976BLC	Blue	On request	3 m bars
19976BL	Blue	On request	6 m bars



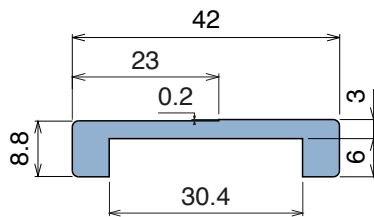
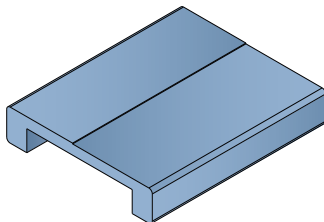
199 Profilo "U" / U-Profile / U-Profil

Delivery: **Easy** **Standard** Coils available

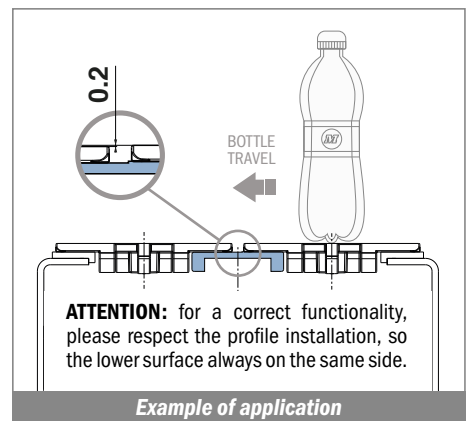
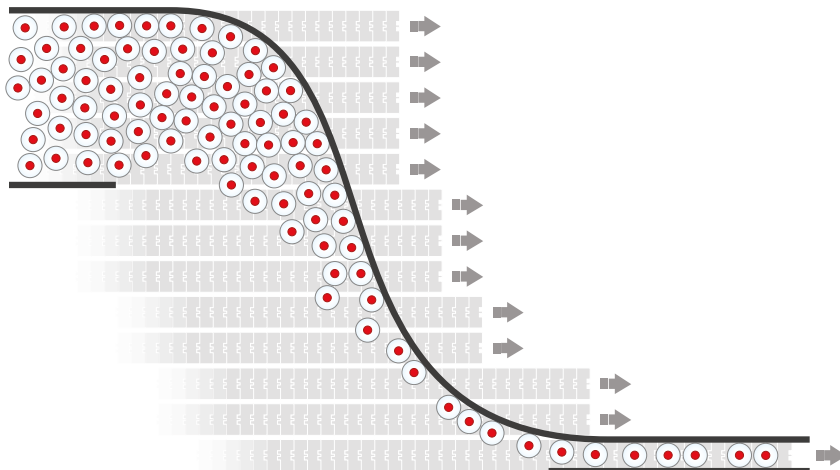


Article-Nr.	Material	Availability	Supply*
19944B-30	BluLub	Stock item	30 m coils
19944W-30	Ti-White	On request	30 m coils
19944-30	Black	On request	30 m coils
19944BL-30	Blue	On request	30 m coils
19940-30	Green	Stock item	30 m coils

Staggered version



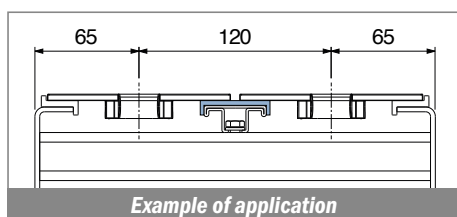
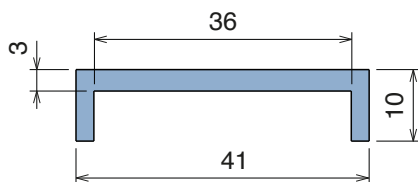
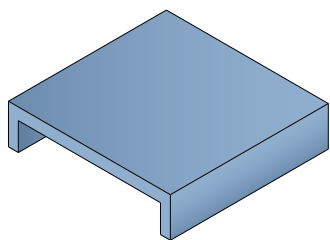
Article-Nr.	Material	Availability	Supply*
19945B-30	BluLub	Stock item	30 m coils
19945W-30	Ti-White	On request	30 m coils
19945-30	Black	Stock item	30 m coils
19945BL-30	Blue	On request	30 m coils
19946-30	Green	Stock item	30 m coils



*Standard 3 or 6 meter covers and inserts are typically shipped by common carrier. Selected items can be coiled into cartons for more convenient shipping through UPS.

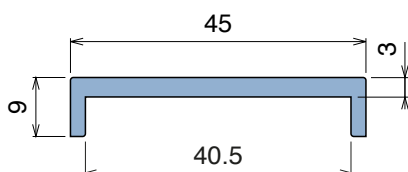
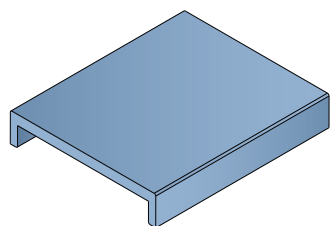
*Products stored in coils will have the tendency to retain a certain deformation when uncoiled, therefore consistency in the profile cross section over the full length of the coil cannot be guaranteed.

NEW 1115 Profilo "U" / U-Profile / U-Profil

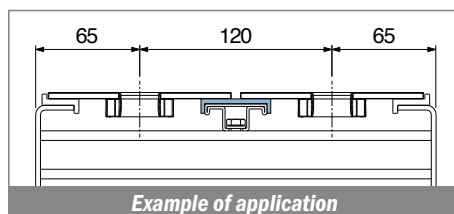


Article-Nr.	Material	Availability	Supply*
111500BC	BluLub	On request	3 m bars
111500B	BluLub	On request	6 m bars
111500B-30	BluLub	On request	30 m coils
111503C	Ti-White	On request	3 m bars
111503	Ti-White	On request	6 m bars
111503-30	Ti-White	On request	30 m coils
111501C	Black	On request	3 m bars
111501	Black	On request	6 m bars
111501-30	Black	On request	30 m coils
111505C	Blue	On request	3 m bars
111505	Blue	On request	6 m bars
111505-30	Blue	On request	30 m coils
111502C	Green	On request	3 m bars
111502	Green	On request	6 m bars
111502-30	Green	On request	30 m coils

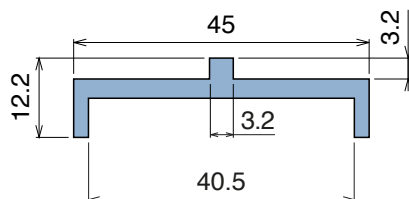
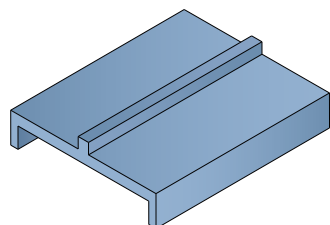
1080 Profilo "U" / U-Profile / U-Profil



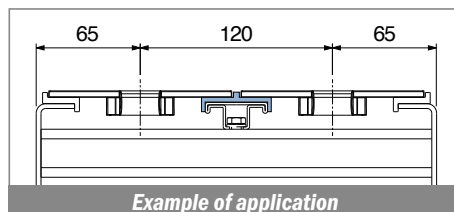
Article-Nr.	Material	Availability	Supply*
108000C	BluLub	On request	3 m bars
108003C	Ti-White	On request	3 m bars
108001C	Black	On request	3 m bars
108005C	Blue	On request	3 m bars
108002C	Green	On request	3 m bars



1081 Profilo "U" / U-Profile / U-Profil



Article-Nr.	Material	Availability	Supply*
108100BC	BluLub	On request	3 m bars
108100B	BluLub	On request	6 m bars
108103C	Ti-White	On request	3 m bars
108103	Ti-White	On request	6 m bars
108101C	Black	On request	3 m bars
108101	Black	On request	6 m bars
108105C	Blue	On request	3 m bars
108105	Blue	On request	6 m bars
108102C	Green	On request	3 m bars
108102	Green	On request	6 m bars



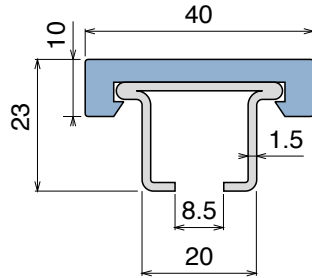
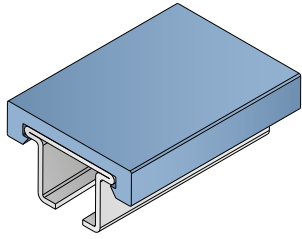
*Standard 3 or 6 meter covers and inserts are typically shipped by common carrier. Selected items can be coiled into cartons for more convenient shipping through UPS.

*Products stored in coils will have the tendency to retain a certain deformation when uncoiled, therefore consistency in the profile cross section over the full length of the coil cannot be guaranteed.

133

Profilo "U" assemblato clip-on / U-Profile assembled clip-on / U-Profil montiert clip-on

Delivery: **Easy** **Standard**



Article-Nr.	Material	Metal	Availability	Supply*
13305BC	<i>BluLub</i>	AISI 304	Stock item	3 m bars
13305B	<i>BluLub</i>	AISI 304	On request	6 m bars
13307C	<i>Ti-White</i>	AISI 304	On request	3 m bars
13307	<i>Ti-White</i>	AISI 304	On request	6 m bars
13303C	Black	AISI 304	Stock item	3 m bars
13303	Black	AISI 304	On request	6 m bars
13303BLC	Blue	AISI 304	On request	3 m bars
13303BL	Blue	AISI 304	On request	6 m bars
13301C	Green	AISI 304	Stock item	3 m bars
13301	Green	AISI 304	On request	6 m bars
13303AC	AS	AISI 304	Stock item	3 m bars
13304A	AS	AISI 304	On request	6 m bars

Article-Nr.	Material	Metal	Availability	Supply*
13306BC	<i>BluLub</i>	AISI 430	Stock item	3 m bars
13306B	<i>BluLub</i>	AISI 430	On request	6 m bars
13308C	<i>Ti-White</i>	AISI 430	On request	3 m bars
13308	<i>Ti-White</i>	AISI 430	On request	6 m bars
13304C	Black	AISI 430	Stock item	3 m bars
13304	Black	AISI 430	On request	6 m bars
13304BLC	Blue	AISI 430	On request	3 m bars
13304BL	Blue	AISI 430	On request	6 m bars
13302C	Green	AISI 430	Stock item	3 m bars
13302	Green	AISI 430	On request	6 m bars
13304AC	AS	AISI 430	Stock item	3 m bars
13304A	AS	AISI 430	On request	6 m bars

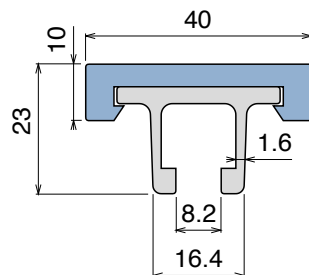
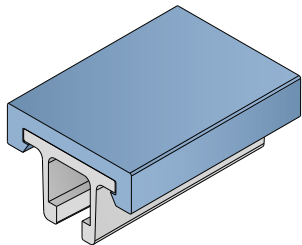
Assembled with
Accessories
Pag 492 >> 495



148

Profilo "U" assemblato clip-on / U-Profile assembled clip-on / U-Profil montiert clip-on

Delivery: **Easy** **Standard**

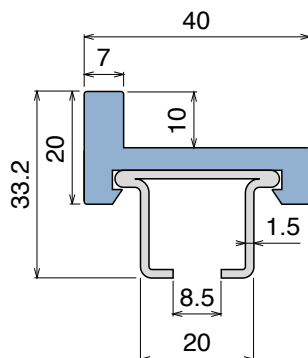
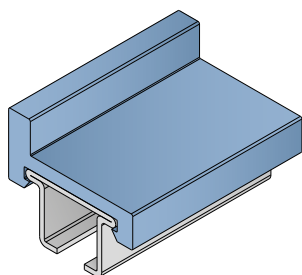


Article-Nr.	Material	Metal	Availability	Supply*
14801BC	<i>BluLub</i>	Aluminum	Stock item	3 m bars
14801B	<i>BluLub</i>	Aluminum	On request	6 m bars
14803C	<i>Ti-White</i>	Aluminum	Stock item	3 m bars
14803	<i>Ti-White</i>	Aluminum	On request	6 m bars
14802C	Black	Aluminum	Stock item	3 m bars
14802	Black	Aluminum	On request	6 m bars
14805C	Blue	Aluminum	On request	3 m bars
14805	Blue	Aluminum	On request	6 m bars
14801C	Green	Aluminum	Stock item	3 m bars
14801	Green	Aluminum	On request	6 m bars
14802AC	AS	Aluminum	Stock item	3 m bars
14802A	AS	Aluminum	On request	6 m bars

157

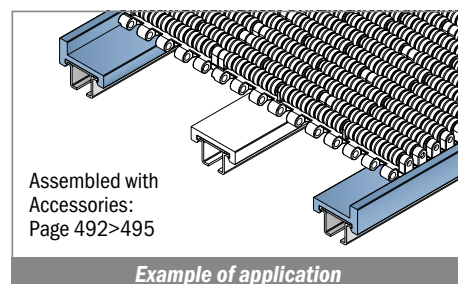
Profilo "U" assemblato clip-on / U-Profile assembled clip-on / U-Profil montiert clip-on

Delivery: **Easy** Standard



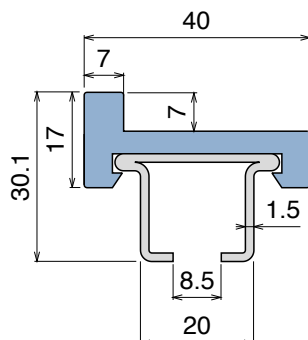
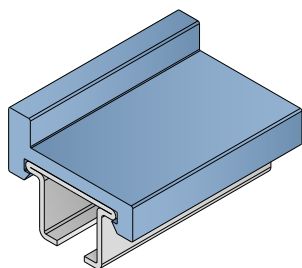
Article-Nr.	Material	Metal	Availability	Supply
15700BC	<i>BluLub</i>	AISI 304	On request	3 m bars
15700B	<i>BluLub</i>	AISI 304	On request	6 m bars
15703C	<i>Ti-White</i>	AISI 304	On request	3 m bars
15703	<i>Ti-White</i>	AISI 304	On request	6 m bars
15704C	Black	AISI 304	On request	3 m bars
15704	Black	AISI 304	On request	6 m bars
15705C	Blue	AISI 304	On request	3 m bars
15705	Blue	AISI 304	On request	6 m bars
15701C	Green	AISI 304	Stock item	3 m bars
15701	Green	AISI 304	On request	6 m bars

Article-Nr.	Material	Metal	Availability	Supply
15706BC	<i>BluLub</i>	AISI 430	On request	3 m bars
15706B	<i>BluLub</i>	AISI 430	On request	6 m bars
15707C	<i>Ti-White</i>	AISI 430	On request	3 m bars
15707	<i>Ti-White</i>	AISI 430	On request	6 m bars
15708C	Black	AISI 430	On request	3 m bars
15708	Black	AISI 430	On request	6 m bars
15706C	Blue	AISI 430	On request	3 m bars
15706	Blue	AISI 430	On request	6 m bars
15702C	Green	AISI 430	Stock item	3 m bars
15702	Green	AISI 430	On request	6 m bars

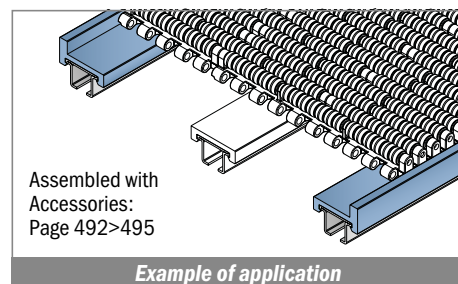


157

Profilo "U" assemblato clip-on / U-Profile assembled clip-on / U-Profil montiert clip-on

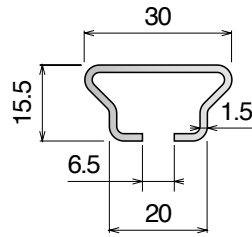
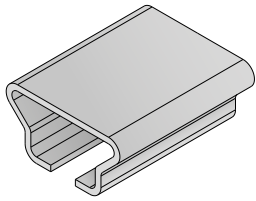


Article-Nr.	Material	Metal	Availability	Supply
15799BC	<i>BluLub</i>	AISI 304	On request	3 m bars
15799WC	<i>Ti-White</i>	AISI 304	On request	3 m bars
15799NC	Black	AISI 304	On request	3 m bars
15799BLC	Blue	AISI 304	On request	3 m bars
15799C	Green	AISI 304	On request	3 m bars

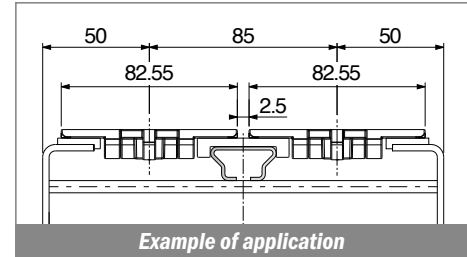


118 Profilo in Acciaio inox / Stainless steel profile / Edelstahl-Profil

Delivery: **Easy** **Standard**

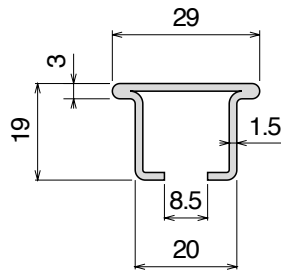
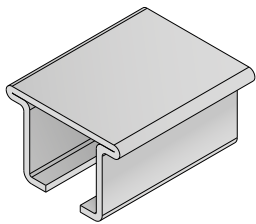


Article-Nr.	Material	Availability	Supply*
11801C	AISI 304	Stock item	3 m bars
11801	AISI 304	Stock item	6 m bars
11802C	AISI 430	Stock item	3 m bars
11802	AISI 430	On request	6 m bars

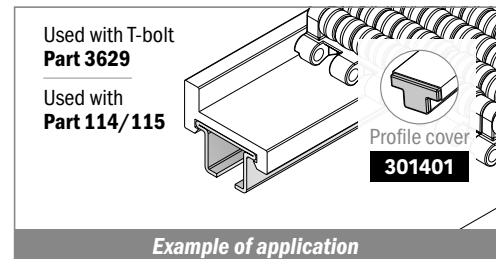


112 Profilo in Acciaio inox / Stainless steel profile / Edelstahl-Profil

Delivery: **Easy** **Standard**

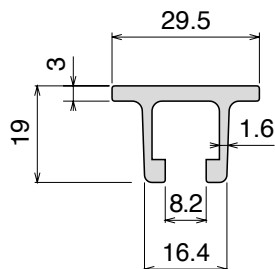
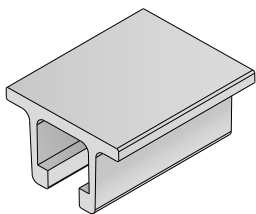


Article-Nr.	Material	Availability	Supply*	Profile cover	Box
11201C	AISI 304	Stock item	3 m bars	301401	60 pcs
11201	AISI 304	Stock item	6 m bars	301401	60 pcs
11202C	AISI 430	Stock item	3 m bars	301401	60 pcs
11202	AISI 430	Stock item	6 m bars	301401	60 pcs

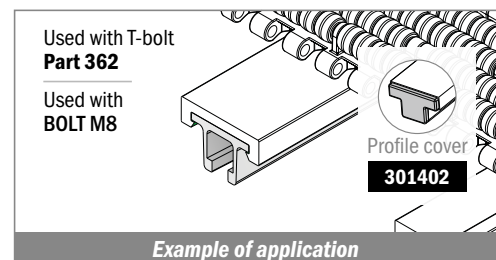


147 Profilo in alluminio / Aluminum profile / Aluminium-Profil

Delivery: **Easy** **Standard**



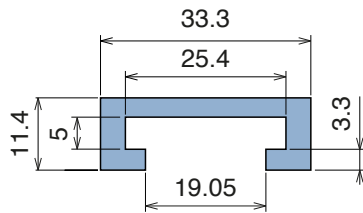
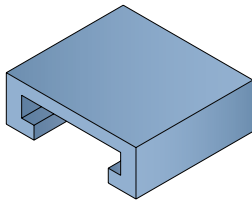
Article-Nr.	Material	Availability	Supply*	Profile cover	Box
14701C	Aluminum	Stock item	3 m bars	301402	60 pcs
14701	Aluminum	Stock item	6 m bars	301402	60 pcs



1041

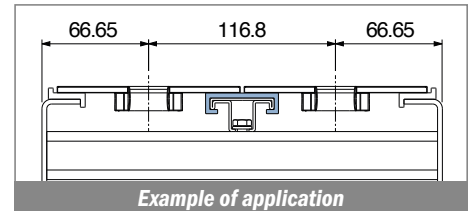
Profilo "C" / C-Profile / C-Profil

Delivery: **Easy** **Standard** Fit on 25 x 5 mm



North America STANDARD

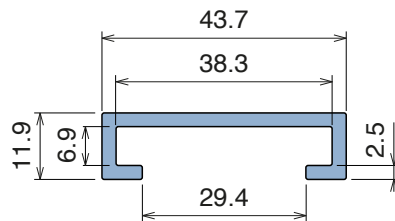
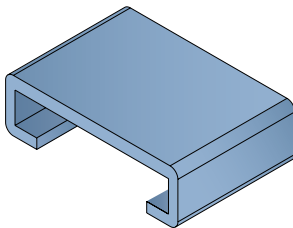
Article-Nr.	Material	Availability	Supply*
104100BC	BluLub	On request	3 m bars
104100B	BluLub	On request	6 m bars
104103C	Ti-White	Stock item	3 m bars
104103	Ti-White	On request	6 m bars
104105C	Blue	On request	3 m bars
104105	Blue	On request	6 m bars
104102C	Green	On request	3 m bars
104102	Green	On request	6 m bars



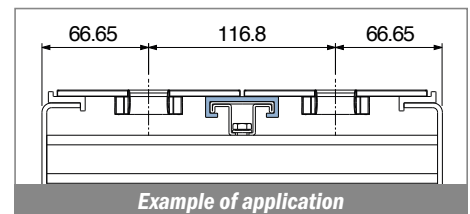
1082

Profilo "C" / C-Profile / C-Profil

Fit on 38.1 x 6.35 mm



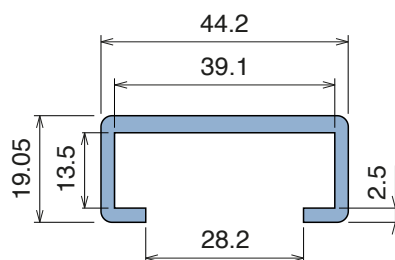
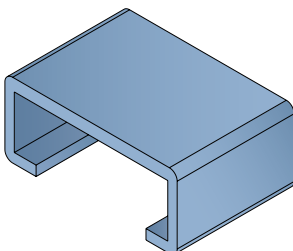
Article-Nr.	Material	Availability	Supply*
108200BC	BluLub	On request	3 m bars
108200B	BluLub	On request	6 m bars
108203C	Ti-White	On request	3 m bars
108203	Ti-White	On request	6 m bars
108205C	Blue	On request	3 m bars
108205	Blue	On request	6 m bars



1044

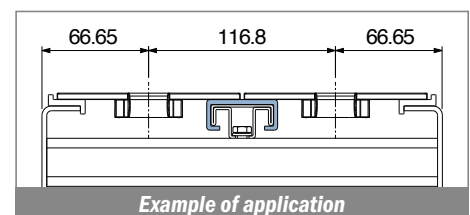
Profilo "C" / C-Profile / C-Profil

Delivery: **Easy** **Standard** Fit on 38.1 x 12.7 mm



North America STANDARD

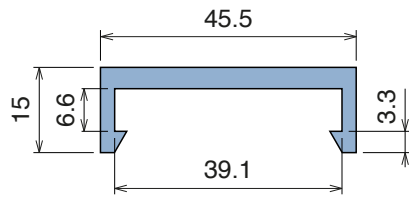
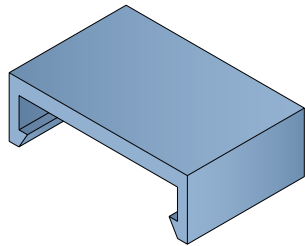
Article-Nr.	Material	Availability	Supply*
104400BC	BluLub	On request	3 m bars
104400B	BluLub	On request	6 m bars
104403C	Ti-White	Stock item	3 m bars
104403	Ti-White	On request	6 m bars
104405C	Blue	On request	3 m bars
104405	Blue	On request	6 m bars



1053

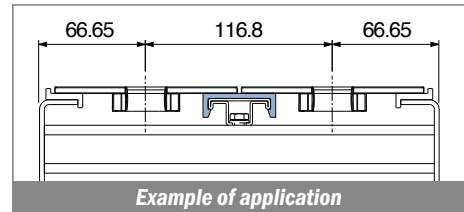
Profilo "C" / C-Profile / C-Profil

Delivery: **Easy** **Standard** Fit on 38.1 x 6.35 mm



North America STANDARD

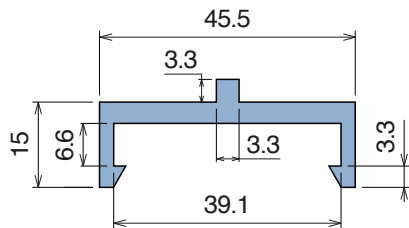
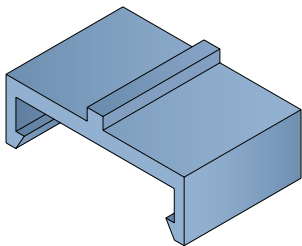
Article-Nr.	Material	Availability	Supply*
105300BC	BluLub	On request	3 m bars
105300B	BluLub	On request	6 m bars
105303C	Ti-White	Stock item	3 m bars
105303	Ti-White	On request	6 m bars
105305C	Blue	On request	3 m bars
105305	Blue	On request	6 m bars



1054

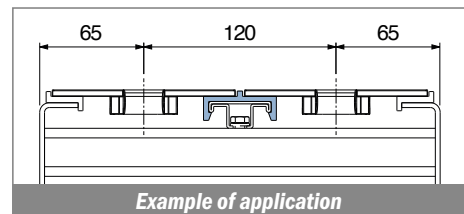
Profilo "C" / C-Profile / C-Profil

Delivery: **Easy** **Standard** Fit on 38.1 x 6.35 mm



North America STANDARD

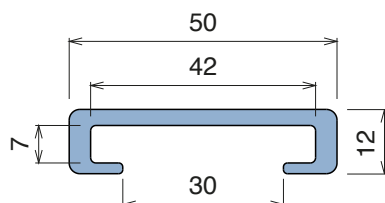
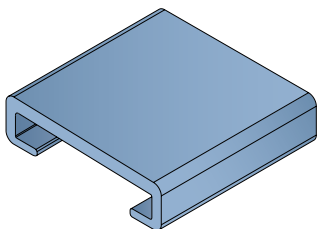
Article-Nr.	Material	Availability	Supply*
105400BC	BluLub	On request	3 m bars
105400B	BluLub	On request	6 m bars
105403C	Ti-White	Stock item	3 m bars
105403	Ti-White	On request	6 m bars
105405C	Blue	On request	3 m bars
105405	Blue	On request	6 m bars



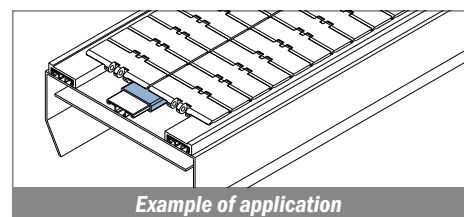
NEW 1101

Profilo "C" / C-Profile / C-Profil

Fit on 40 x 6 mm



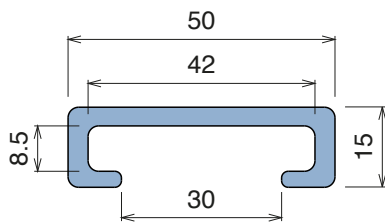
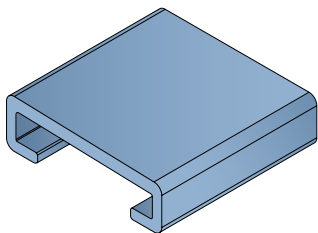
Article-Nr.	Material	Availability	Supply*
110100BC	BluLub	On request	3 m bars
110100B	BluLub	On request	6 m bars
110103C	Ti-White	On request	3 m bars
110103	Ti-White	On request	6 m bars
110105C	Blue	On request	3 m bars
110105	Blue	On request	6 m bars



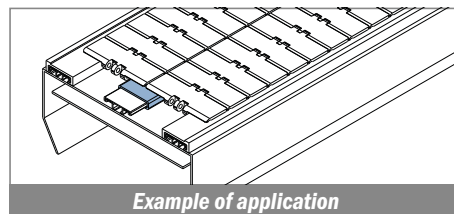
137

Profilo "C" / C-Profile / C-Profil

Delivery: **Easy** **Standard** Fit on 40 x 8 mm



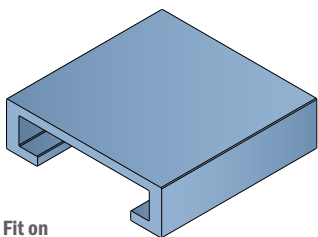
Article-Nr.	Material	Availability	Supply*
13701BC	BluLub	Stock item	3 m bars
13701B	BluLub	On request	6 m bars
13703C	Ti-White	Stock item	3 m bars
13703	Ti-White	On request	6 m bars
13702C	Black	Stock item	3 m bars
13702	Black	On request	6 m bars
13705C	Blue	On request	3 m bars
13705	Blue	On request	6 m bars
13701C	Green	Stock item	3 m bars
13701	Green	Stock item	6 m bars



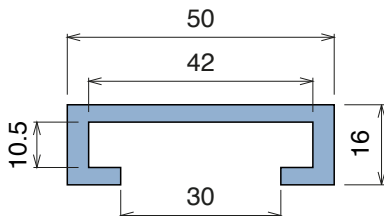
137

Profilo "C" / C-Profile / C-Profil

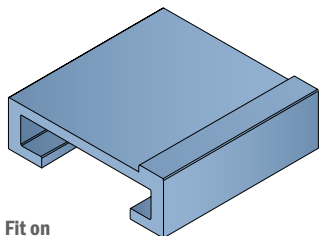
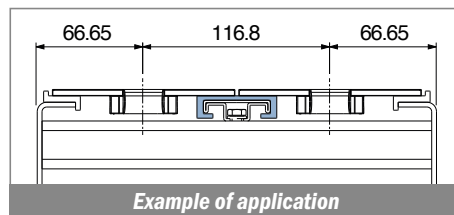
Delivery: **Easy** **Standard**



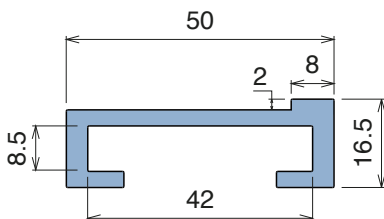
Fit on 40 x 8 mm



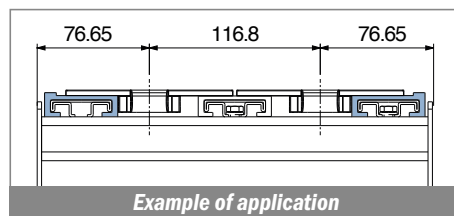
Article-Nr.	Material	Availability	Supply*
13711BC	BluLub	Stock item	3 m bars
13711B	BluLub	On request	6 m bars
13713C	Ti-White	On request	3 m bars
13713	Ti-White	On request	6 m bars
13712C	Black	On request	3 m bars
13712	Black	On request	6 m bars
13715C	Blue	On request	3 m bars
13715	Blue	On request	6 m bars
13711C	Green	Stock item	3 m bars
13711	Green	Stock item	6 m bars



Fit on 40 x 10 mm



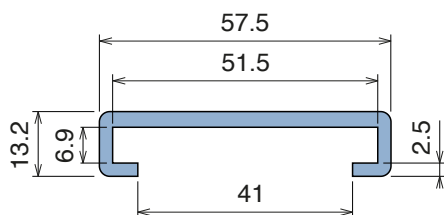
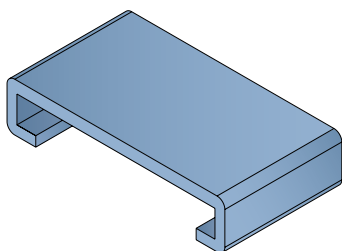
Article-Nr.	Material	Availability	Supply*
13720BC	BluLub	On request	3 m bars
13720B	BluLub	On request	6 m bars
13720C	Ti-White	On request	3 m bars
13720	Ti-White	On request	6 m bars
13725C	Blue	On request	3 m bars
13725	Blue	On request	6 m bars



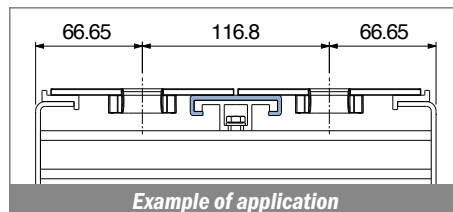
1042

Profilo "C" / C-Profile / C-Profil

Delivery: **Easy** **Standard** Fit on 50 x 6 mm



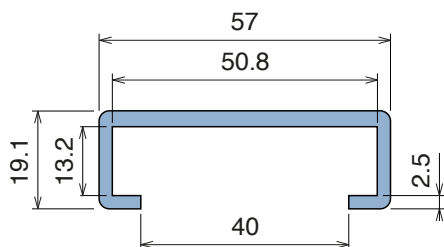
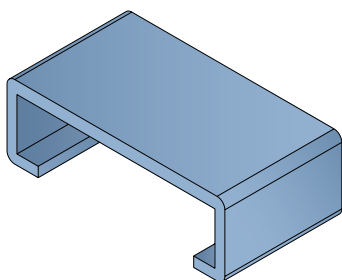
Article-Nr.	Material	Availability	Supply*
104200BC	BluLub	On request	3 m bars
104200B	BluLub	On request	6 m bars
104203C	Ti-White	Stock item	3 m bars
104203	Ti-White	On request	6 m bars
104205C	Blue	On request	3 m bars
104205	Blue	On request	6 m bars
104201C	Green	On request	3 m bars
104201	Green	On request	6 m bars



1045

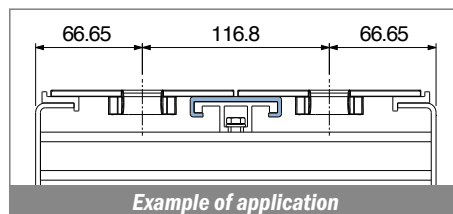
Profilo "C" / C-Profile / C-Profil

Fit on 50.8 x 12.7 mm



North America STANDARD

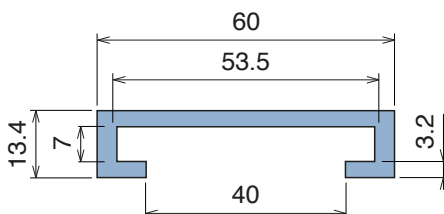
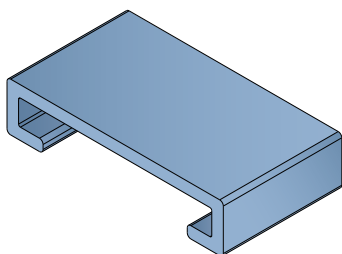
Article-Nr.	Material	Availability	Supply*
104500BC	BluLub	On request	3 m bars
104500B	BluLub	On request	6 m bars
104503C	Ti-White	On request	3 m bars
104503	Ti-White	On request	6 m bars
104505C	Blue	On request	3 m bars
104505	Blue	On request	6 m bars



158

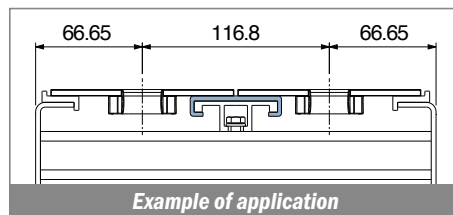
Profilo "C" / C-Profile / C-Profil

Delivery: **Easy** **Standard** Fit on 50 x 6 mm



North America STANDARD

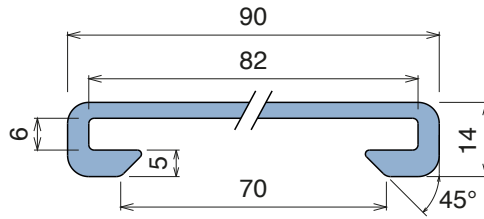
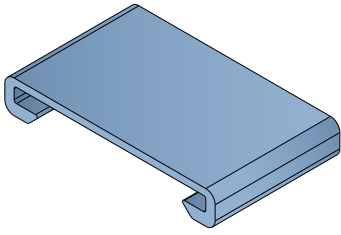
Article-Nr.	Material	Availability	Supply*
15800BC	BluLub	Stock item	3 m bars
15894C	Ti-White	On request	3 m bars
15898C	Black	Stock item	3 m bars
15894BLC	Blue	On request	3 m bars
15897C	Green	Stock item	3 m bars
15800C	Grey	Stock item	3 m bars



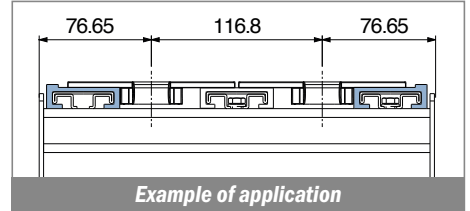
NEW 1102

Profilo "C" / C-Profile / C-Profil

Fit on 80 x 5 mm



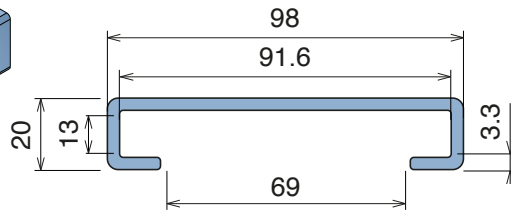
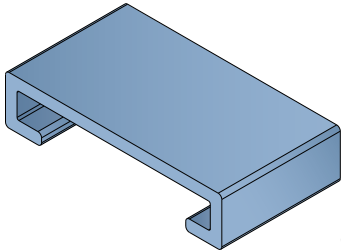
Article-Nr.	Material	Availability	Supply*
110200BC	BluLub	On request	3 m bars
110200B	BluLub	On request	6 m bars
110203C	Ti-White	On request	3 m bars
110203	Ti-White	On request	6 m bars
110205C	Blue	On request	3 m bars
110205	Blue	On request	6 m bars



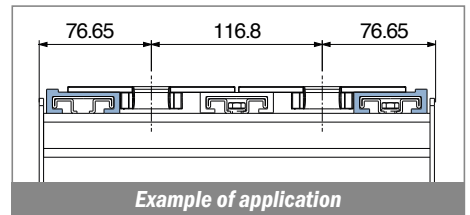
NEW 1107

Profilo "C" / C-Profile / C-Profil

Fit on 90 x 12 mm



Article-Nr.	Material	Availability	Supply*
110700BC	BluLub	On request	3 m bars
110703C	Ti-White	On request	3 m bars
110701C	Black	On request	3 m bars
110705C	Blue	On request	3 m bars



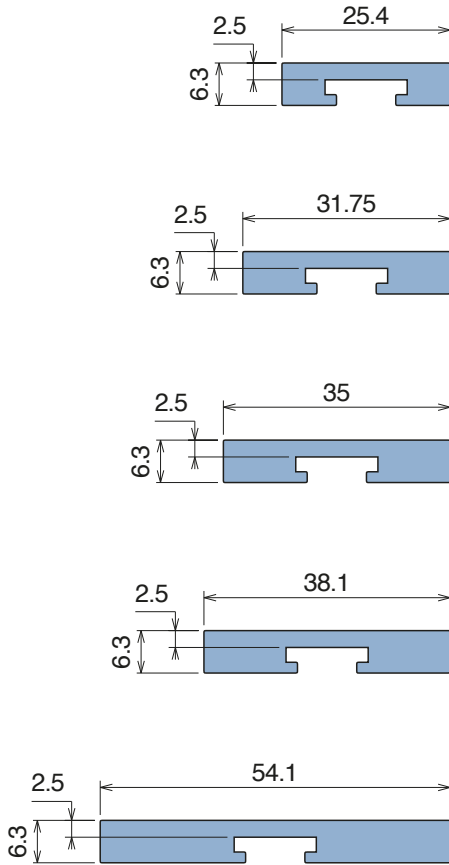
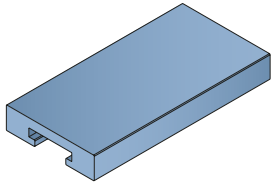
*Standard 3 or 6 meter covers and inserts are typically shipped by common carrier. Selected items can be coiled into cartons for more convenient shipping through UPS.

*Products stored in coils will have the tendency to retain a certain deformation when uncoiled, therefore consistency in the profile cross section over the full length of the coil cannot be guaranteed.

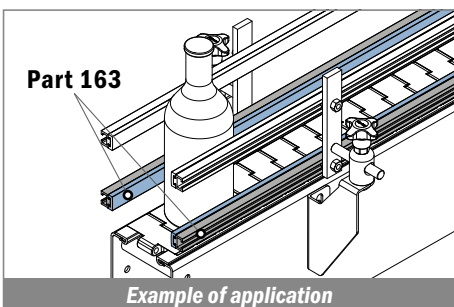
163

Profilo "C" / C-Profile / C-Profil

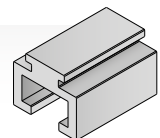
Delivery: **Easy** **Standard** Coils available



Article-Nr.	Material	A	Availability	Supply*
16303BC	BluLub	25,4	Stock item	3 m bars
16303B	BluLub	25,4	On request	6 m bars
16303B-30	BluLub	25,4	Stock item	30 m coils
16313BC	BluLub	31,75	On request	3 m bars
16313B	BluLub	31,75	On request	6 m bars
16313B-30	BluLub	31,75	On request	30 m coils
16323BC	BluLub	35	On request	3 m bars
16323B	BluLub	35	On request	6 m bars
16323B-30	BluLub	35	On request	30 m coils
16324BC	BluLub	38,1	On request	3 m bars
16324B	BluLub	38,1	On request	6 m bars
16324B-30	BluLub	38,1	On request	30 m coils
16325BC	BluLub	54,1	On request	3 m bars
16325B	BluLub	54,1	On request	6 m bars
16325B-30	BluLub	54,1	On request	30 m coils
16303C	Ti-White	25,4	Stock item	3 m bars
16303	Ti-White	25,4	On request	6 m bars
16303-30	Ti-White	25,4	Stock item	30 m coils
16313C	Ti-White	31,75	Stock item	3 m bars
16313	Ti-White	31,75	On request	6 m bars
16313-30	Ti-White	31,75	On request	30 m coils
16323C	Ti-White	35	Stock item	3 m bars
16323	Ti-White	35	On request	6 m bars
16323-30	Ti-White	35	On request	30 m coils
16324C	Ti-White	38,1	Stock item	3 m bars
16324	Ti-White	38,1	Stock item	6 m bars
16324-30	Ti-White	38,1	On request	30 m coils
16325C	Ti-White	54,1	On request	3 m bars
16325	Ti-White	54,1	On request	6 m bars
16325-30	Ti-White	54,1	On request	30 m coils
16303BLC	Blue	25,4	On request	3 m bars
16303BL	Blue	25,4	On request	6 m bars
16303BL-30	Blue	25,4	On request	30 m coils
16313BLC	Blue	31,75	On request	3 m bars
16313BL	Blue	31,75	On request	6 m bars
16313BL-30	Blue	31,75	On request	30 m coils
16323BLC	Blue	35	On request	3 m bars
16323BL	Blue	35	On request	6 m bars
16323BL-30	Blue	35	On request	30 m coils
16324BLC	Blue	38,1	On request	3 m bars
16324BL	Blue	38,1	On request	6 m bars
16324BL-30	Blue	38,1	On request	30 m coils
16325BLC	Blue	54,1	On request	3 m bars
16325BL	Blue	54,1	On request	6 m bars
16325BL-30	Blue	54,1	On request	30 m coils



Used with
Part 164/165
Page 433



160-161-1092

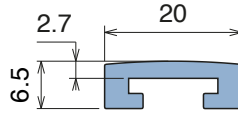
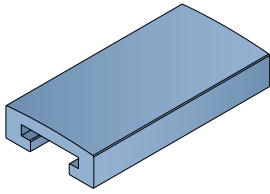
Guide estruse / Extruded profiles / Extrudiertes Profil

*Standard 3 or 6 meter covers and inserts are typically shipped by common carrier. Selected items can be coiled into cartons for more convenient shipping through UPS.

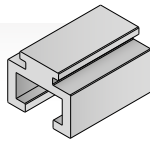
*Products stored in coils will have the tendency to retain a certain deformation when uncoiled, therefore consistency in the profile cross section over the full length of the coil cannot be guaranteed.

160 Profilo "C" / C-Profile / C-Profil

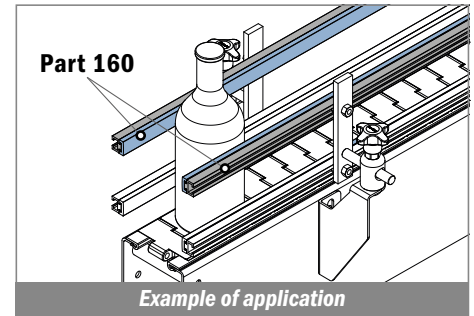
Delivery: **Easy** **Standard** Coils available



Used with
Part 164/165
Page 433

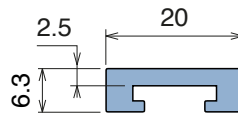
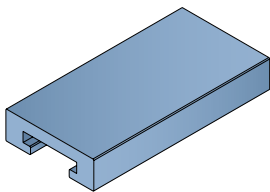


Article-Nr.	Material	Availability	Supply*
16003BC	<i>BluLub</i>	Stock item	3 m bars
16003B	<i>BluLub</i>	On request	6 m bars
16003B-30	<i>BluLub</i>	Stock item	30 m coils
16003C	<i>Ti-White</i>	Stock item	3 m bars
16003	<i>Ti-White</i>	Stock item	6 m bars
16003-30	<i>Ti-White</i>	Stock item	30 m coils
16005C	Blue	On request	3 m bars
16005	Blue	On request	6 m bars
16005-30	Blue	On request	30 m coils

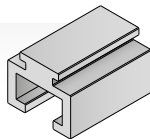


161 Profilo "C" / C-Profile / C-Profil

Delivery: **Easy** **Standard** Coils available

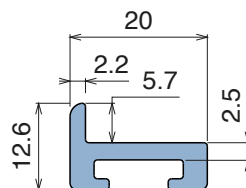
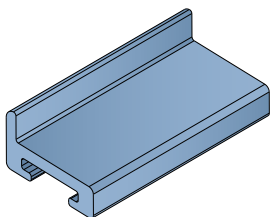


Used with
Part 164/165
Page 433

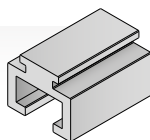


Article-Nr.	Material	Availability	Supply*
16103BC	<i>BluLub</i>	On request	3 m bars
16103B	<i>BluLub</i>	On request	6 m bars
16103B-30	<i>BluLub</i>	Stock item	30 m coils
16103C	<i>Ti-White</i>	Stock item	3 m bars
16103	<i>Ti-White</i>	Stock item	6 m bars
16103-30	<i>Ti-White</i>	Stock item	30 m coils
16105C	Blue	On request	3 m bars
16105	Blue	On request	6 m bars
16105-30	Blue	On request	30 m coils

NEW 1092 Profilo "C" / C-Profile / C-Profil



Used with
Part 164/165
Page 433



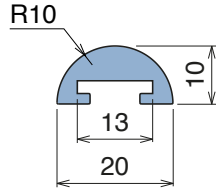
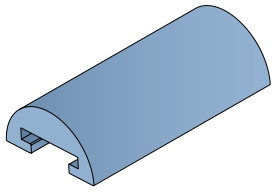
Article-Nr.	Material	Availability	Supply*
109200BC	<i>BluLub</i>	On request	3 m bars
109200B	<i>BluLub</i>	On request	6 m bars
109203C	<i>Ti-White</i>	On request	3 m bars
109203	<i>Ti-White</i>	On request	6 m bars
109205C	Blue	On request	3 m bars
109205	Blue	On request	6 m bars

*Standard 3 or 6 meter covers and inserts are typically shipped by common carrier. Selected items can be coiled into cartons for more convenient shipping through UPS.

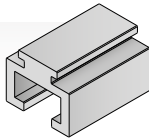
*Products stored in coils will have the tendency to retain a certain deformation when uncoiled, therefore consistency in the profile cross section over the full length of the coil cannot be guaranteed.

162 Profilo "C" / C-Profile / C-Profil

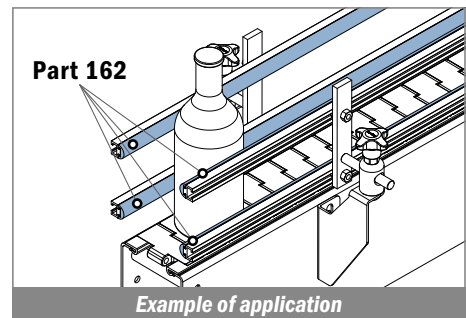
Delivery: **Easy** **Standard** Coils available



Used with **Part 164/165**
See below

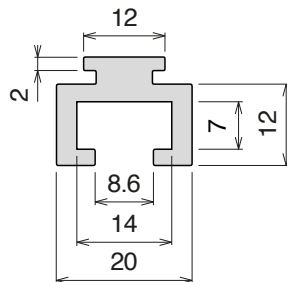
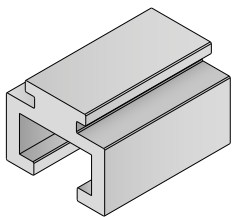


Article-Nr.	Material	Availability	Supply*
16205C	Blue	On request	3 m bars
16205	Blue	On request	6 m bars
16205-30	Blue	On request	30 m coils
16202BC	<i>BluLub</i>	Stock item	3 m bars
16202B	<i>BluLub</i>	On request	6 m bars
16202B-30	<i>BluLub</i>	Stock item	30 m coils
16203C	<i>Ti-White</i>	Stock item	3 m bars
16203	<i>Ti-White</i>	On request	6 m bars
16203-30	<i>Ti-White</i>	Stock item	30 m coils
16202C	Green	Stock item	3 m bars
16202	Green	On request	6 m bars
16202-30	Green	Stock item	30 m coils



164 Guida in alluminio / Aluminum guide / Aluminium profil

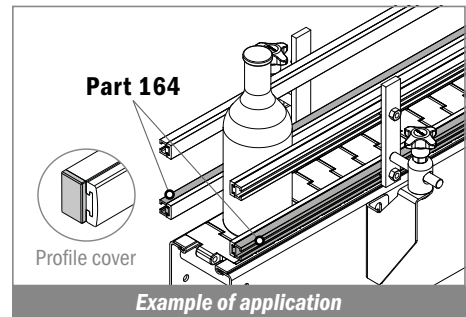
Delivery: **Easy** **Standard** Coils available



Used with **Part 362** Page 558
and **Part 1097** Page 578

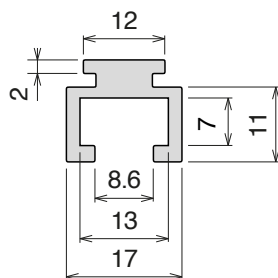
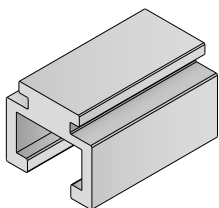


Article-Nr.	Material	Availability	Supply*	Profile cover	Box
16401C	Aluminum	Stock item	3 m bars	301403	60 pcs
16401	Aluminum	Stock item	6 m bars	301403	60 pcs



165 Guida in alluminio / Aluminum guide / Aluminium profil

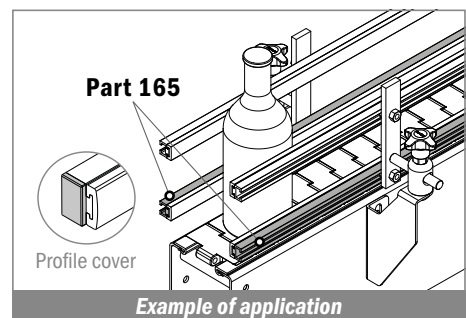
Delivery: **Easy** **Standard**



Used with **Part 362** Page 558
and **Part 1097** Page 578

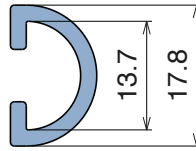
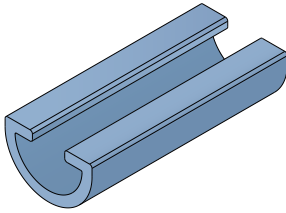


Article-Nr.	Material	Availability	Supply*	Profile cover	Box
16501C	Aluminum	Stock item	3 m bars	301404	60 pcs
16501	Aluminum	Stock item	6 m bars	301404	60 pcs

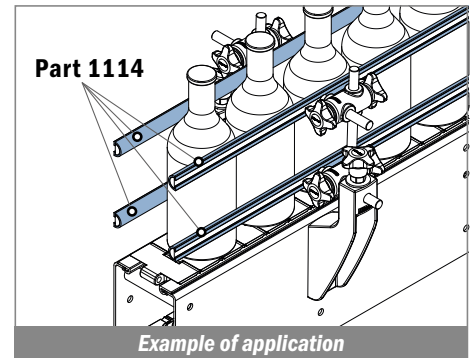


NEW 1114

Profilo per mezzitondi / Half round profile for steel rods / Halbmond Profil



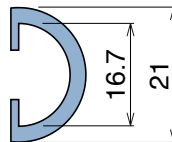
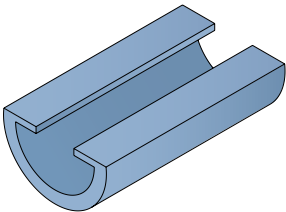
Article-Nr.	Material	Availability	Supply*
111400BC	BluLub	On request	3 m bars
111400B	BluLub	On request	6 m bars
111400B-30	BluLub	On request	30 m coils
111400B-60	BluLub	On request	60 m coils
111403C	Ti-White	On request	3 m bars
111403	Ti-White	On request	6 m bars
111403-30	Ti-White	On request	30 m coils
111403-60	Ti-White	On request	60 m coils
111405C	Blue	On request	3 m bars
111405	Blue	On request	6 m bars
111405-30	Blue	On request	30 m coils
111405-60	Blue	On request	60 m coils



1039

Profilo per mezzitondi / Half round profile for steel rods / Halbmond Profil

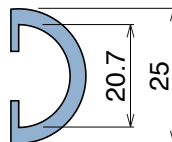
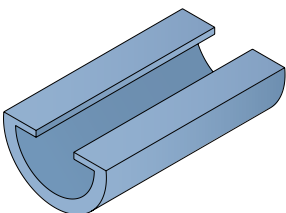
Delivery: **Easy** Standard



Article-Nr.	Material	Availability	Supply*
103923BC	BluLub	On request	3 m bars
103923B	BluLub	On request	6 m bars
103923B-30	BluLub	Stock item	30 m coils
103923B-60	BluLub	On request	60 m coils
103923C	Ti-White	Stock item	3 m bars
103923	Ti-White	On request	6 m bars
103923-30	Ti-White	Stock item	30 m coils
103923-60	Ti-White	Stock item	60 m coils
103925C	Blue	On request	3 m bars
103925	Blue	On request	6 m bars
103925-30	Blue	On request	30 m coils
103925-60	Blue	On request	60 m coils

1083

Profilo per mezzitondi / Half round profile for steel rods / Halbmond Profil

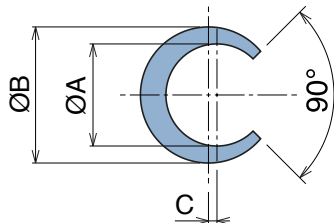
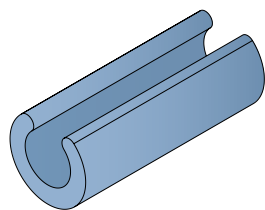


Article-Nr.	Material	Availability	Supply*
108300BC	BluLub	On request	3 m bars
108300B	BluLub	On request	6 m bars
108300B-30	BluLub	On request	30 m coils
108300B-60	BluLub	On request	60 m coils
108303C	Ti-White	On request	3 m bars
108303	Ti-White	On request	6 m bars
108303-30	Ti-White	On request	30 m coils
108303-60	Ti-White	On request	60 m coils
108305C	Blue	On request	3 m bars
108305	Blue	On request	6 m bars
108305-30	Blue	On request	30 m coils
108305-60	Blue	On request	60 m coils

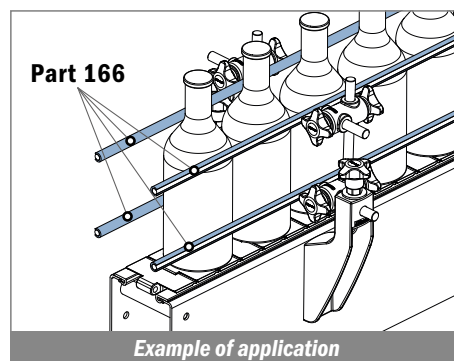
*Standard 3 or 6 meter covers and inserts are typically shipped by common carrier. Selected items can be coiled into cartons for more convenient shipping through UPS.

*Products stored in coils will have the tendency to retain a certain deformation when uncoiled, therefore consistency in the profile cross section over the full length of the coil cannot be guaranteed.

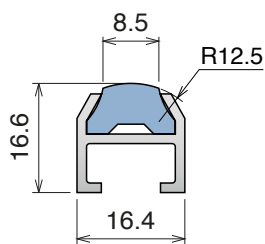
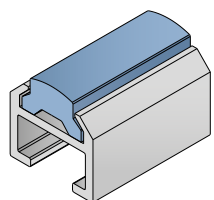
166 Profilo per toncini / Round profile for steel rods / Halbmond Profil



Delivery:	Easy	Standard	Coils available	Article-Nr.	A	B	C	Material	Availability	Supply*
				16601B	8	12	0.5	BluLub	Stock item	30 m coils
				16602B	10	14	0.5	BluLub	On request	30 m coils
				16603B	12	16	1	BluLub	On request	30 m coils
				16604B	16	20	1.5	BluLub	On request	30 m coils
				16601	8	12	0.5	Ti-White	Stock item	30 m coils
				16602	10	14	0.5	Ti-White	Stock item	30 m coils
				16603	12	16	1	Ti-White	Stock item	30 m coils
				16604	16	20	1.5	Ti-White	Stock item	30 m coils
				16601BL	8	12	0.5	Blue	On request	30 m coils
				16602BL	10	14	0.5	Blue	On request	30 m coils
				16603BL	12	16	1	Blue	On request	30 m coils
				16604BL	16	20	1.5	Blue	On request	30 m coils



154 Guida laterale / Side guide rail / Seitenführungen



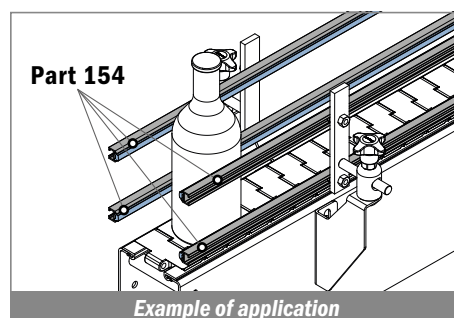
Delivery:	Easy	Standard	Metal profile: Aluminium	Article-Nr.	Material	Availability	Supply*
				15401BC	BluLub	Stock item	3 m bars
				15401B	BluLub	On request	6 m bars
				15401C	Ti-White	On request	3 m bars
				15401	Ti-White	On request	6 m bars
				15405C	Blue	On request	3 m bars
				15405	Blue	On request	6 m bars
				15402C	Green	On request	3 m bars
				15402	Green	On request	6 m bars

Used with
Hex head bolt



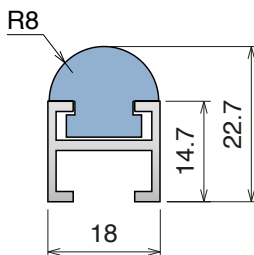
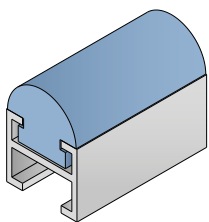
Only plastic profile

Article-Nr.	Material	Availability	Supply*
15451B-30	BluLub	On request	30 m coils
15451-30	Ti-White	On request	30 m coils
15455-30	Blue	On request	30 m coils
15452-30	Green	On request	30 m coils



155 Guida laterale / Side guide rail / Seitenführungen

Metal profile: Aluminium



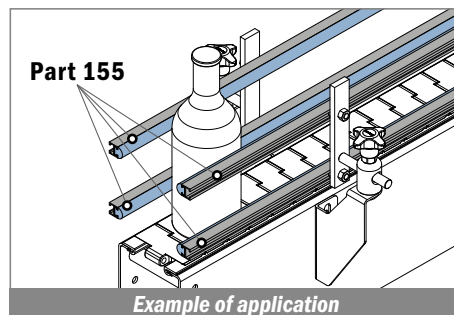
Used with T-bolt
Part 362 Pag 558



Article-Nr.	Material	Availability	Supply*
15500BC	BluLub	On request	3 m bars
15503C	Ti-White	On request	3 m bars
15505C	Blue	On request	3 m bars
15501C	Green	On request	3 m bars

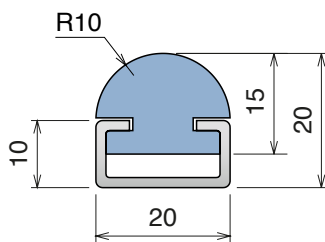
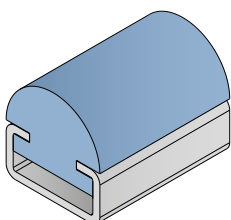
Only plastic profile

Article-Nr.	Material	Availability	Supply*
15550BC	BluLub	On request	3 m bars
15553C	Ti-White	On request	3 m bars
15555C	Blue	On request	3 m bars
15551C	Green	On request	3 m bars



134 Guida laterale / Side guide rail / Seitenführungen

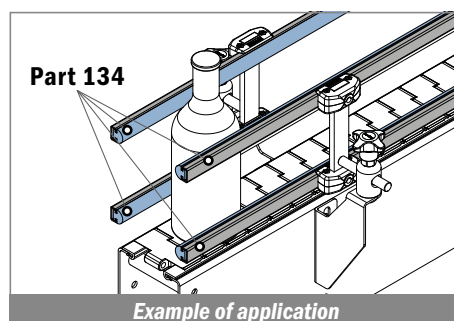
Delivery: **Easy** **Standard** Metal profile: Stainless steel AISI 304



Article-Nr.	Material	Availability	Supply*
13400BC	BluLub	On request	3 m bars
13400B	BluLub	On request	6 m bars
13403C	Ti-White	On request	3 m bars
13403	Ti-White	On request	6 m bars
13405C	Blue	On request	3 m bars
13405	Blue	On request	6 m bars
13401C	Green	Stock item	3 m bars
13401	Green	On request	6 m bars

Only plastic profile

Article-Nr.	Material	Availability	Supply*
13450BC	BluLub	On request	3 m bars
13453C	Ti-White	On request	3 m bars
13455C	Blue	On request	3 m bars
13451C	Green	On request	3 m bars

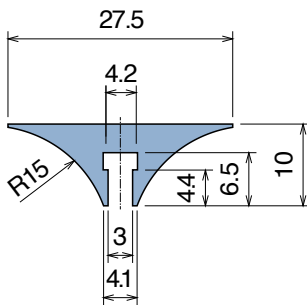
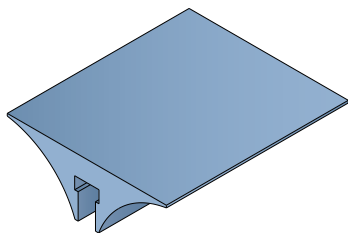


*Standard 3 or 6 meter covers and inserts are typically shipped by common carrier. Selected items can be coiled into cartons for more convenient shipping through UPS.

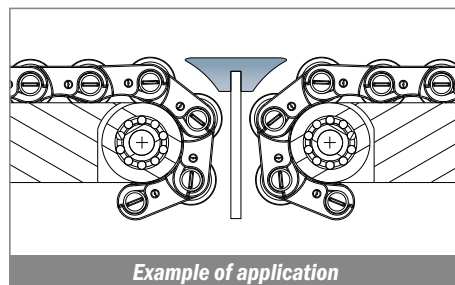
*Products stored in coils will have the tendency to retain a certain deformation when uncoiled, therefore consistency in the profile cross section over the full length of the coil cannot be guaranteed.

199 Piastra di trasferimento / Transfer plate / Überschubprofil

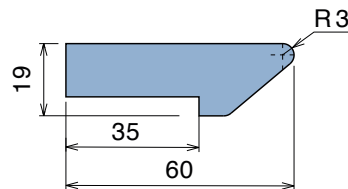
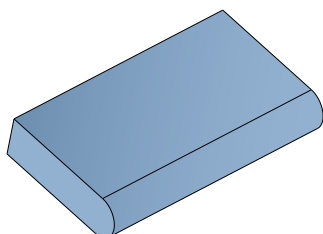
Delivery: **Easy** **Standard** Fit on 3 mm (1/8")



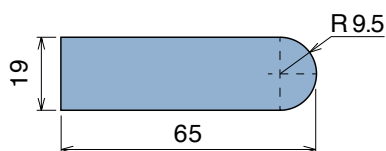
Article-Nr.	Material	Availability	Supply*
19960B	BluLub	Stock item	1,5 m bars
19960	Black	Stock item	1,5 m bars



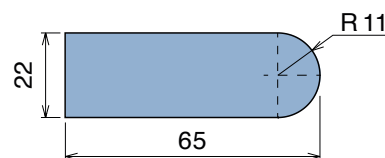
238-228-235 NoseBar / NoseBar / NoseBar



Article-Nr.	Material	Availability	Supply
2381500	BluLub	On request	1,5 m bars



Article-Nr.	Material	Availability	Supply
2281500	BluLub	On request	1,5 m bars



Article-Nr.	Material	Availability	Supply
2351500	BluLub	On request	1,5 m bars

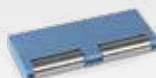
NoseBars Standard



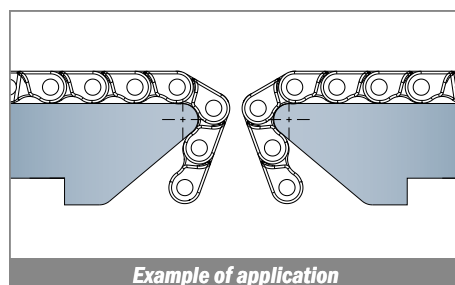
NoseBars with Bearings



NoseBars with Rollers



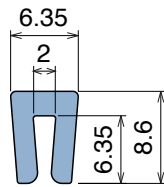
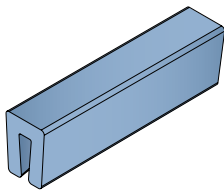
Machined to width NoseBars are available in the section Modular belts. Find more details at Page 306.



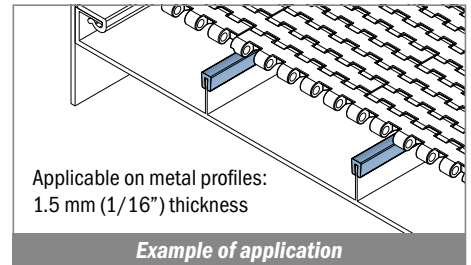
1000

Copri profilo / Bar cap / Abdeckprofil

Delivery: **Easy** **Standard** Fit on 1.5 mm (1/16")

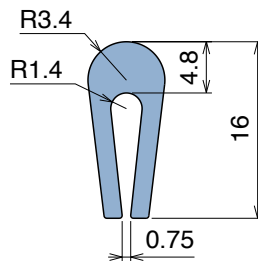
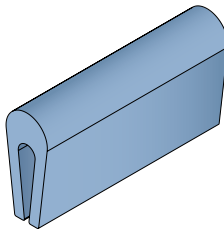


Article-Nr.	Material	Availability	Supply*
100008-30	BluLub	On request	30 m coils
100003-30	Ti-White	Stock item	30 m coils
100005-30	Blue	On request	30 m coils

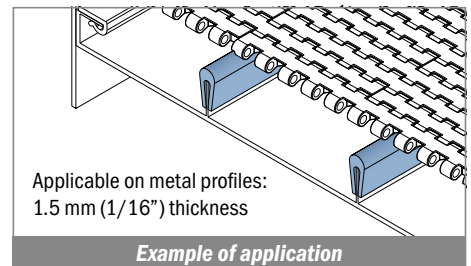


1001

Copri profilo / Bar cap / Abdeckprofil



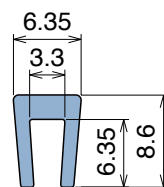
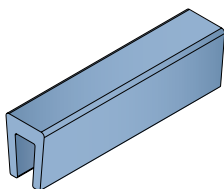
Article-Nr.	Material	Availability	Supply*
100103B-30	BluLub	Stock item	30 m coils
100103-30	Ti-White	Stock item	30 m coils
100105-30	Blue	On request	30 m coils



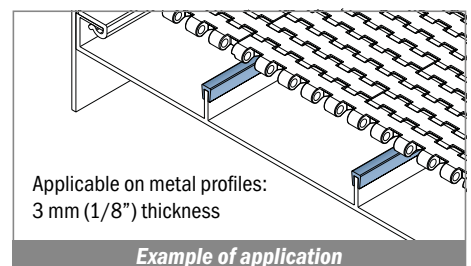
1002

Copri profilo / Bar cap / Abdeckprofil

Delivery: **Easy** **Standard** Fit on 3 mm (1/8")



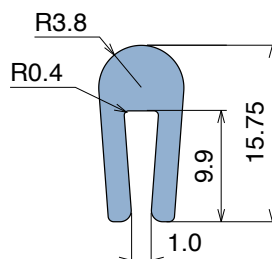
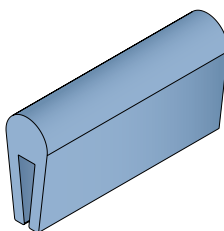
Article-Nr.	Material	Availability	Supply*
100208-30	BluLub	Stock item	30 m coils
100203-30	Ti-White	Stock item	30 m coils
100205-30	Blue	On request	30 m coils



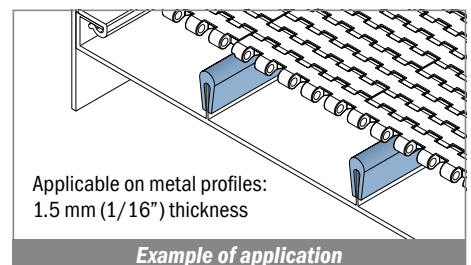
NEW 1109

Copri profilo / Bar cap / Abdeckprofil

Fit on 3 mm (1/8")



Article-Nr.	Material	Availability	Supply*
110908-30	BluLub	On request	30 m coils
110903-30	Ti-White	On request	30 m coils
110905-30	Blue	On request	30 m coils

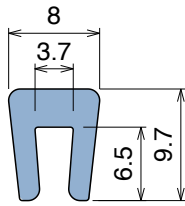
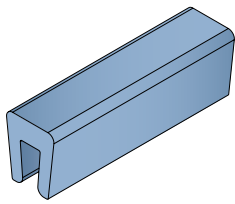


*Standard 3 or 6 meter covers and inserts are typically shipped by common carrier. Selected items can be coiled into cartons for more convenient shipping through UPS.

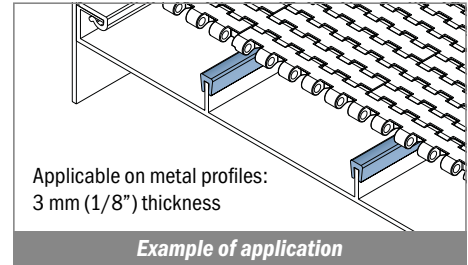
*Products stored in coils will have the tendency to retain a certain deformation when uncoiled, therefore consistency in the profile cross section over the full length of the coil cannot be guaranteed.

1003 Copri profilo / Bar cap / Abdeckprofil

Delivery: **Easy** **Standard** Fit on 3 mm (1/8")

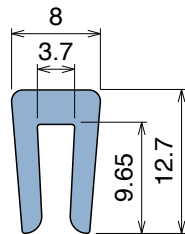
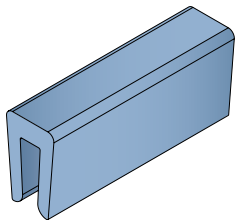


Article-Nr.	Material	Availability	Supply*
100300B-30	BluLub	Stock item	30 m coils
100303-30	Ti-White	Stock item	30 m coils
100305-30	Blue	On request	30 m coils

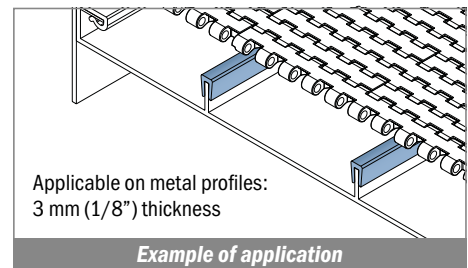


1004 Copri profilo / Bar cap / Abdeckprofil

Fit on 3 mm (1/8")

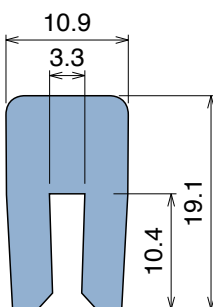
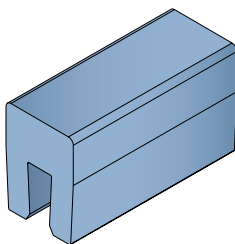


Article-Nr.	Material	Availability	Supply*
100400B-30	BluLub	On request	30 m coils
100403-30	Ti-White	Stock item	30 m coils
100405-30	Blue	On request	30 m coils

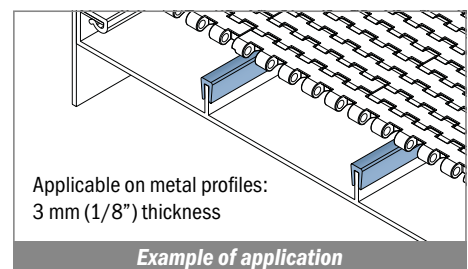


1084 Copri profilo / Bar cap / Abdeckprofil

Fit on 3 mm (1/8")

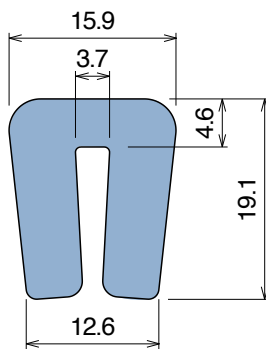
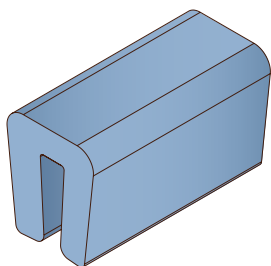


Article-Nr.	Material	Availability	Supply*
108400BC	BluLub	On request	3 m bars
108400B	BluLub	On request	6 m bars
108400B-30	BluLub	On request	30 m coils
108403C	Ti-White	On request	3 m bars
108403	Ti-White	On request	6 m bars
108403-30	Ti-White	On request	30 m coils
108405C	Blue	On request	3 m bars
108405	Blue	On request	6 m bars
108405-30	Blue	On request	30 m coils

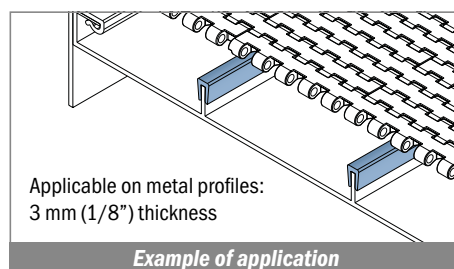


1085 Copri profilo / Bar cap / Abdeckprofil

Fit on 3 mm (1/8")

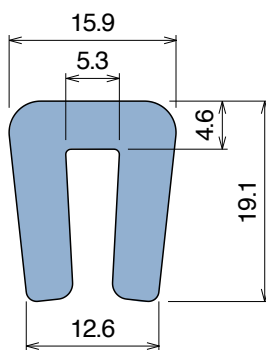
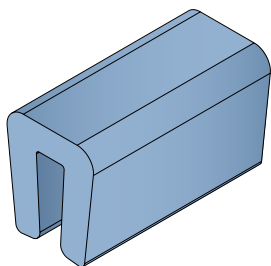


Article-Nr.	Material	Availability	Supply*
108500BC	BluLub	On request	3 m bars
108500B	BluLub	On request	6 m bars
108500B-30	BluLub	On request	30 m coils
108503C	Ti-White	On request	3 m bars
108503	Ti-White	On request	6 m bars
108503-30	Ti-White	On request	30 m coils
108505C	Blue	On request	3 m bars
108505	Blue	On request	6 m bars
108505-30	Blue	On request	30 m coils

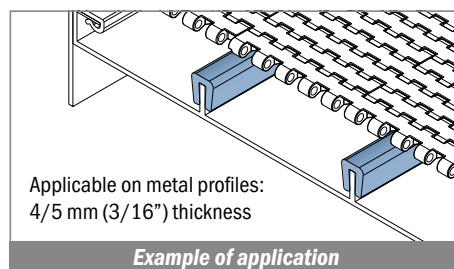


153 Copri profilo / Bar cap / Abdeckprofil

Delivery: **Easy** **Standard** Fit on 4/5 mm (3/16")

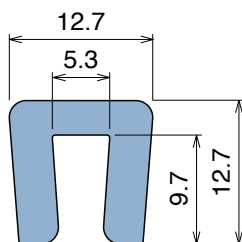
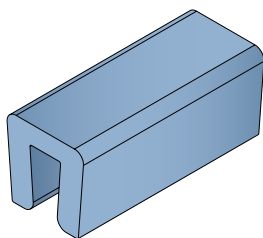


Article-Nr.	Material	Availability	Supply*
15300C	BluLub	Stock item	3 m bars
15300	BluLub	On request	6 m bars
15300-30	BluLub	Stock item	30 m coils
15303C	Ti-White	Stock item	3 m bars
15303	Ti-White	On request	6 m bars
15303-30	Ti-White	Stock item	30 m coils
15305C	Blue	On request	3 m bars
15305	Blue	On request	6 m bars
15305-30	Blue	On request	30 m coils
15302C	Green	Stock item	3 m bars
15302	Green	On request	6 m bars
15302-30	Green	On request	30 m coils

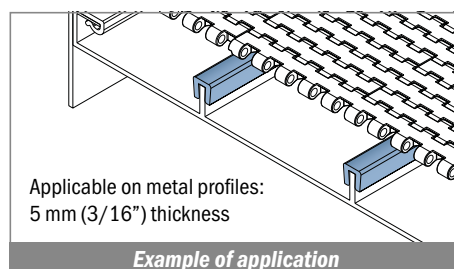


1006 Copri profilo / Bar cap / Abdeckprofil

Delivery: **Easy** **Standard** Fit on 5 mm (3/16")



Article-Nr.	Material	Availability	Supply
100600B-30	BluLub	On request	30 m coils
100603-30	Ti-White	Stock item	30 m coils
100605-30	Blue	On request	30 m coils



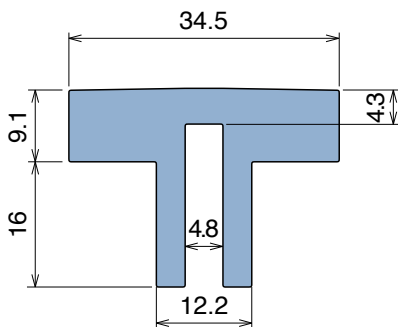
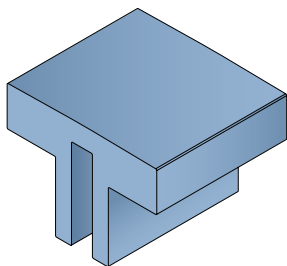
*Standard 3 or 6 meter covers and inserts are typically shipped by common carrier. Selected items can be coiled into cartons for more convenient shipping through UPS.

*Products stored in coils will have the tendency to retain a certain deformation when uncoiled, therefore consistency in the profile cross section over the full length of the coil cannot be guaranteed.

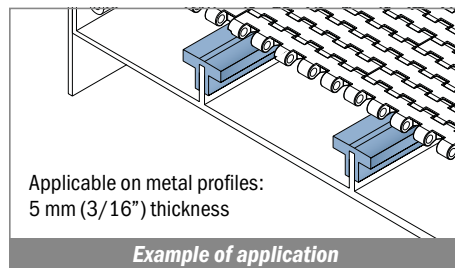
1007

Copri profilo / Bar cap / Abdeckprofil

Delivery: **Easy** **Standard** Fit on 5 mm (3/16")



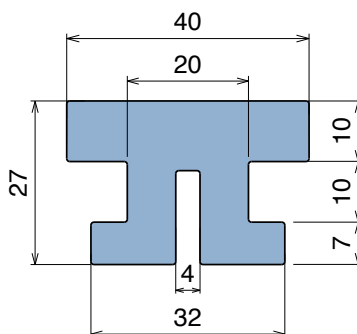
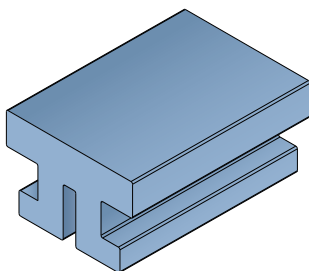
Article-Nr.	Material	Availability	Supply
100703BC	BluLub	Stock item	3 m bars
100703B	BluLub	On request	6 m bars
100703C	Ti-White	Stock item	3 m bars
100703	Ti-White	On request	6 m bars
100705C	Blue	On request	3 m bars
100705	Blue	On request	6 m bars



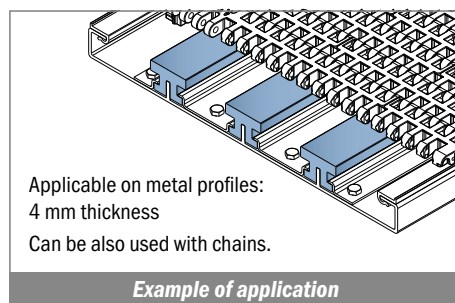
1095

Copri profilo / Bar cap / Abdeckprofil

Fit on 4 mm



Article-Nr.	Material	Availability	Supply
109504BC	BluLub	On request	3 m bars
109503C	Ti-White	On request	3 m bars
109501C	Blue	On request	3 m bars



Used with
Part 3016



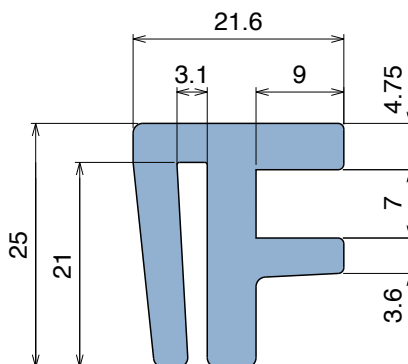
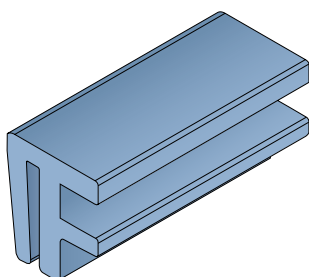
Art-Nr. **301601**

Available in box of 24 pcs

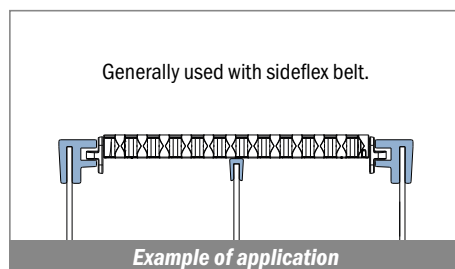
1040

Copri profilo / Bar cap / Abdeckprofil

Delivery: **Easy** **Standard** Fit on 3 mm (1/8")



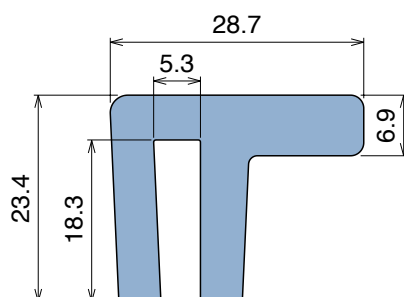
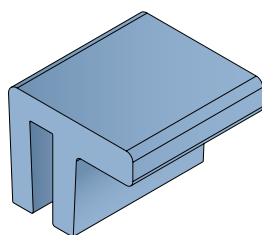
Article-Nr.	Material	Availability	Supply*
104000BC	BluLub	On request	3 m bars
104000B	BluLub	On request	6 m bars
104003C	Ti-White	Stock item	3 m bars
104003	Ti-White	On request	6 m bars
104005C	Blue	On request	3 m bars
104005	Blue	On request	6 m bars



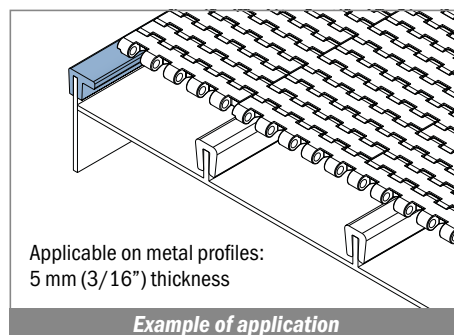
1008

Copri profilo / Bar cap / Abdeckprofil

Delivery: **Easy** **Standard** Fit on 5 mm (3/16")



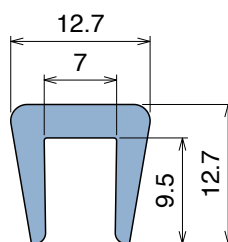
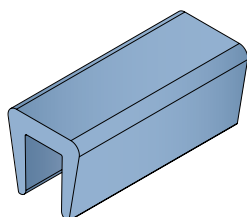
Article-Nr.	Material	Availability	Supply*
100803BC	BluLub	Stock item	3 m bars
100803B	BluLub	On request	6 m bars
100803C	Ti-White	Stock item	3 m bars
100803	Ti-White	Stock item	6 m bars
100805C	Blue	On request	3 m bars
100805	Blue	On request	6 m bars



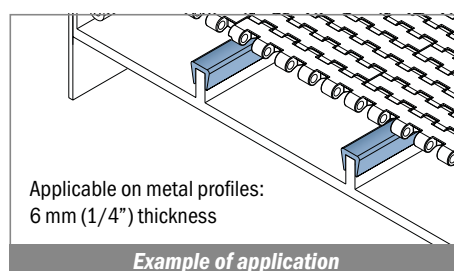
1009

Copri profilo / Bar cap / Abdeckprofil

Delivery: **Easy** **Standard** Fit on 6 mm (1/4")



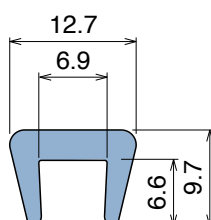
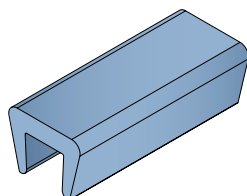
Article-Nr.	Material	Availability	Supply*
100900B-30	BluLub	On request	30 m coils
100903-30	Ti-White	Stock item	30 m coils
100905-30	Blue	On request	30 m coils



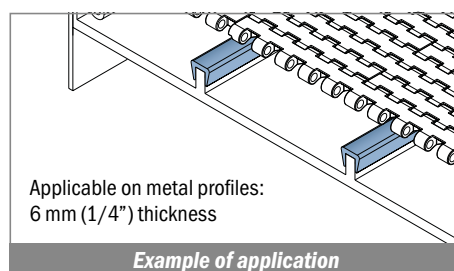
1010

Copri profilo / Bar cap / Abdeckprofil

Delivery: **Easy** **Standard** Fit on 6 mm (1/4")



Article-Nr.	Material	Availability	Supply*
101000B-30	BluLub	On request	30 m coils
101003-30	Ti-White	Stock item	30 m coils
101005-30	Blue	On request	30 m coils

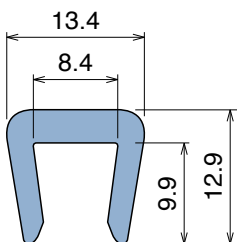
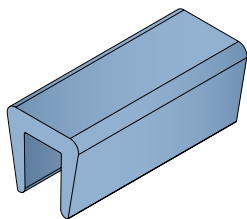


*Standard 3 or 6 meter covers and inserts are typically shipped by common carrier. Selected items can be coiled into cartons for more convenient shipping through UPS.

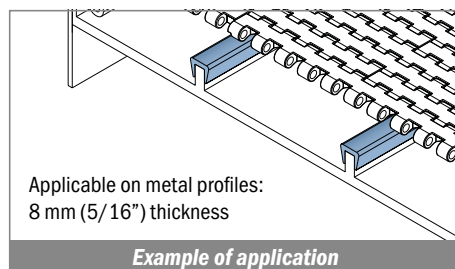
*Products stored in coils will have the tendency to retain a certain deformation when uncoiled, therefore consistency in the profile cross section over the full length of the coil cannot be guaranteed.

1086 Copri profilo / Bar cap / Abdeckprofil

Fit on 8 mm (5/16")

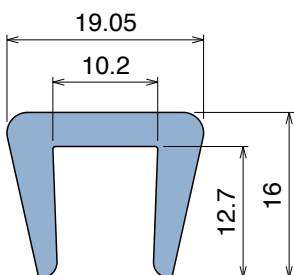
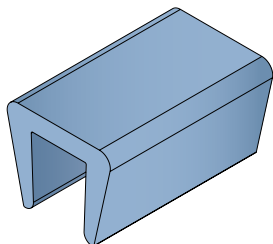


Article-Nr.	Material	Availability	Supply*
108600B-30	BluLub	On request	30 m coils
108603-30	Ti-White	On request	30 m coils
108605-30	Blue	On request	30 m coils

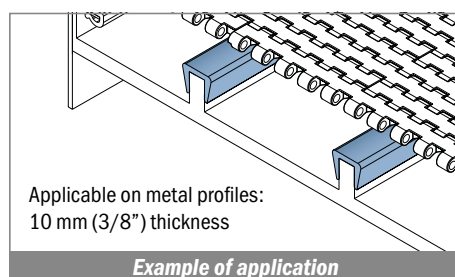


1011 Copri profilo / Bar cap / Abdeckprofil

Fit on 10 mm (3/8")

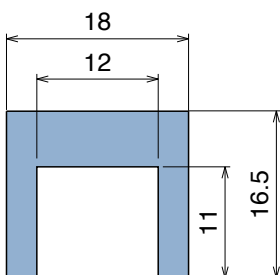
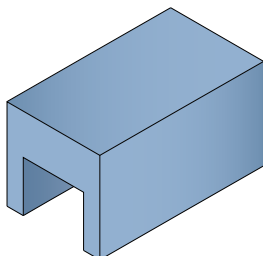


Article-Nr.	Material	Availability	Supply
101100B-30	BluLub	On request	30 m coils
101103-30	Ti-White	On request	30 m coils
101105-30	Blue	On request	30 m coils

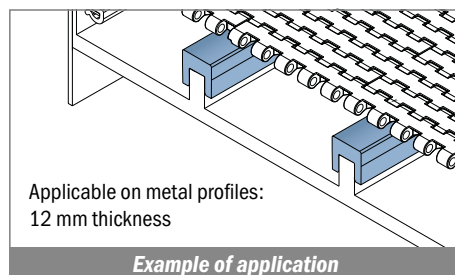


NEW 1127 Copri profilo / Bar cap / Abdeckprofil

Fit on 12 mm

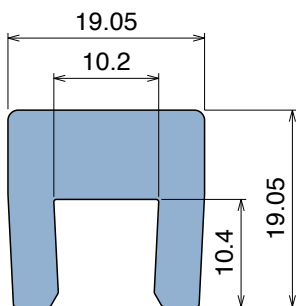
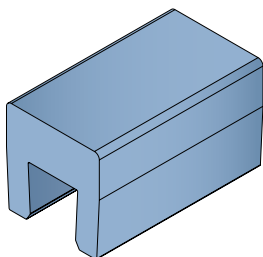


Article-Nr.	Material	Availability	Supply
112700BC	BluLub	On request	3 m bars
112700B-30	BluLub	On request	30 m coils
112703C	Ti-White	On request	3 m bars
112703-30	Ti-White	On request	30 m coils
112705C	Blue	On request	3 m bars
112705-30	Blue	On request	30 m coils

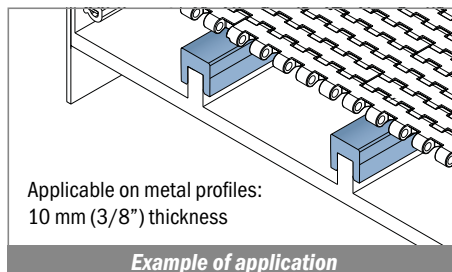


1013 Copri profilo / Bar cap / Abdeckprofil

Fit on 10 mm (3/8")

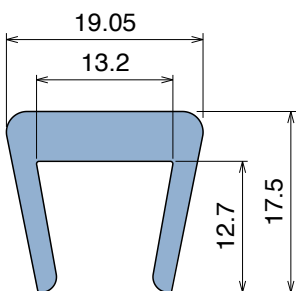
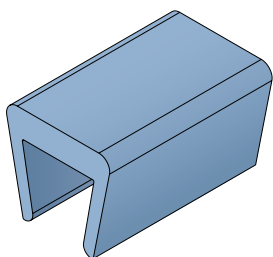


Article-Nr.	Material	Availability	Supply
101300BC	BluLub	On request	3 m bars
101300B	BluLub	On request	6 m bars
101303C	Ti-White	On request	3 m bars
101303	Ti-White	On request	6 m bars
101305C	Blue	On request	3 m bars
101305	Blue	On request	6 m bars

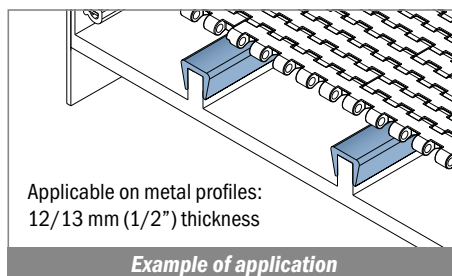


1012 Copri profilo / Bar cap / Abdeckprofil

Delivery: **Easy** **Standard** Fit on 12/13 mm (1/2")

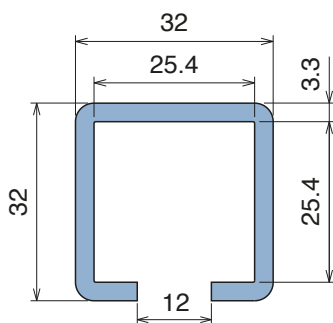
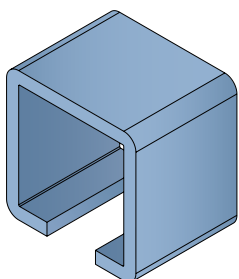


Article-Nr.	Material	Availability	Supply
101200B-30	BluLub	On request	30 m coils
101203-30	Ti-White	Stock item	30 m coils
101205-30	Blue	On request	30 m coils

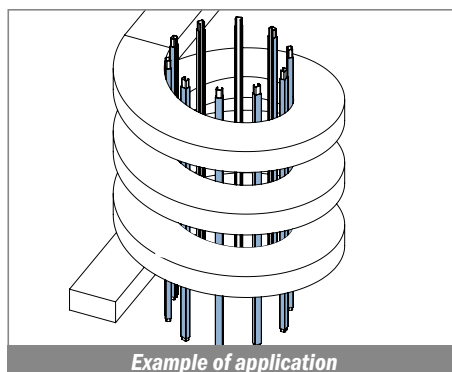


181 Copri profilo / Bar cover / Abdeckprofil

Delivery: **Easy** **Standard** Fit on 25.4 x 25.4 mm (1" x 1")

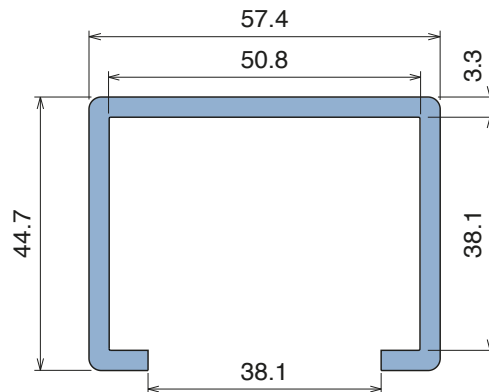
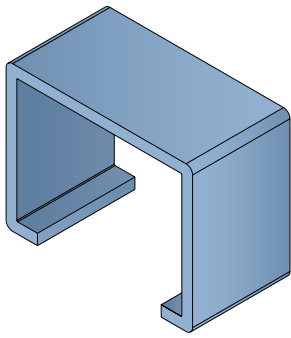


Article-Nr.	Material	Availability	Supply
18100BC	BluLub	On request	3 m bars
18100B	BluLub	On request	6 m bars
18103C	Ti-White	Stock item	3 m bars
18103	Ti-White	On request	6 m bars
18105C	Blue	On request	3 m bars
18105	Blue	On request	6 m bars

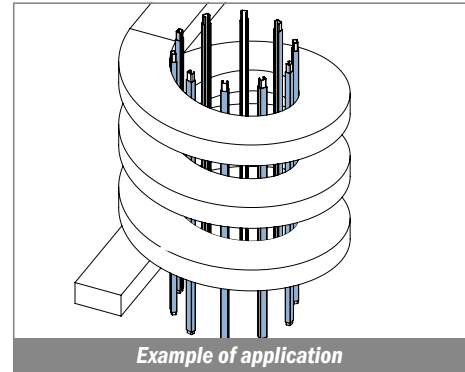


1052 Copri profilo / Bar cover / Abdeckprofil

Delivery: **Easy** **Standard** Fit on 38.1 x 50.8 mm (1-1/2"x 2")

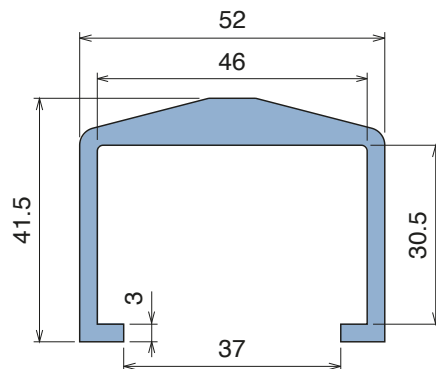
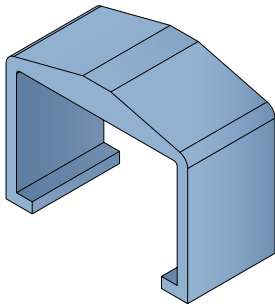


Article-Nr.	Material	Availability	Supply
105200BC	BluLub	On request	3 m bars
105200B	BluLub	On request	6 m bars
105203C	Ti-White	Stock item	3 m bars
105203	Ti-White	On request	6 m bars
105205C	Blue	On request	3 m bars
105205	Blue	On request	6 m bars

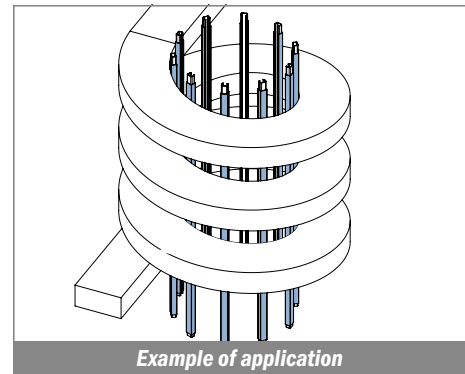


180 Copri profilo / Bar cover / Abdeckprofil

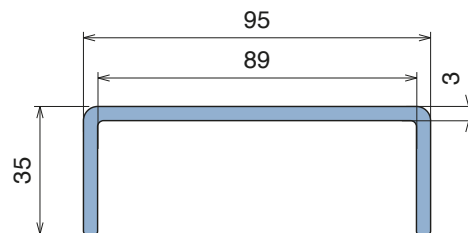
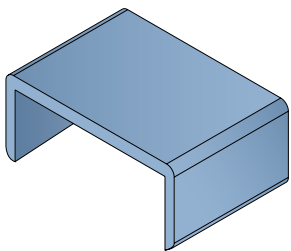
Fit on 30.5 x 46 mm



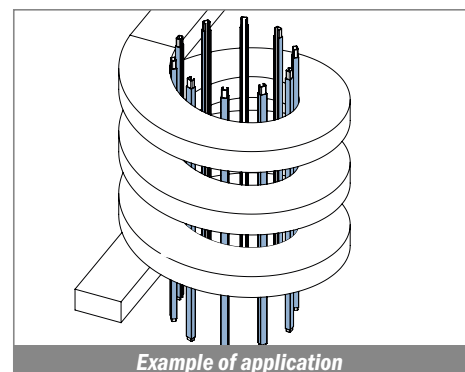
Article-Nr.	Material	Availability	Supply
18000BC	BluLub	On request	3 m bars
18000B	BluLub	On request	6 m bars
18003C	Ti-White	On request	3 m bars
18003	Ti-White	On request	6 m bars
18005C	Blue	On request	3 m bars
18005	Blue	On request	6 m bars



NEW 1108 Copri profilo / Bar cover / Abdeckprofil

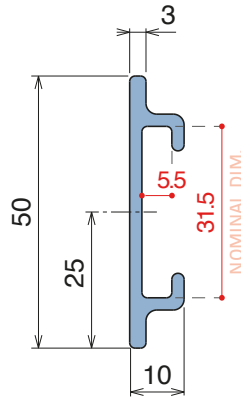
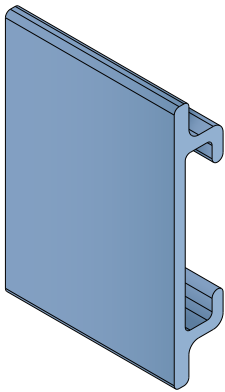


Article-Nr.	Material	Availability	Supply
110800BC	BluLub	On request	3 m bars
110803C	Ti-White	On request	3 m bars
110805C	Blue	On request	3 m bars



1063 Guida laterale / Side guide / Seitenführung

Delivery: **Easy** **Standard** Fit on 30 x 4 mm



Article-Nr.	Material	Availability	Supply*
106300BC	BluLub	On request	3 m bars
106301C	Black	Stock item	3 m bars
106302C	Green	Stock item	3 m bars

Part 3017

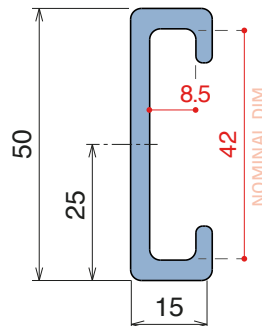
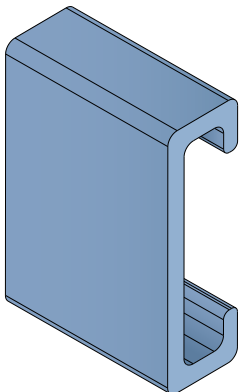
30 x 4 mm
Page 467



Option of application - Plate

137 Guida laterale / Side guide / Seitenführung

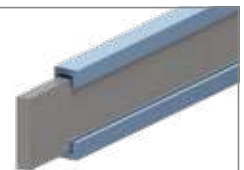
Delivery: **Easy** **Standard** Fit on 40 x 8 mm



Article-Nr.	Material	Availability	Supply*
13701BC	BluLub	Stock item	3 m bars
13701B	BluLub	On request	6 m bars
13703C	Ti-White	Stock item	3 m bars
13703	Ti-White	On request	6 m bars
13702C	Black	Stock item	3 m bars
13702	Black	On request	6 m bars
13705C	Blue	On request	3 m bars
13705	Blue	On request	6 m bars
13701C	Green	Stock item	3 m bars
13701	Green	Stock item	6 m bars

Part 3017

40 x 8 mm
Page 467



Option of application - Plate

Part 117

Page 466



Option of application - M-Profile

Part 1055

Page 466



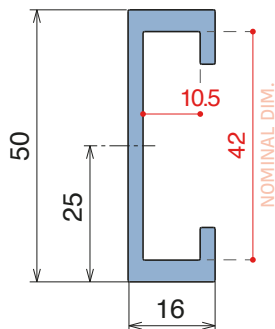
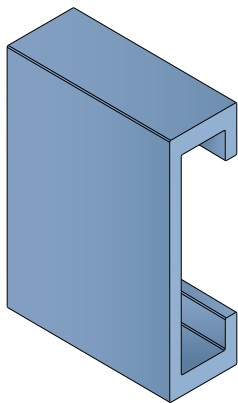
Option of application - Guide

*Standard 3 or 6 meter covers and inserts are typically shipped by common carrier. Selected items can be coiled into cartons for more convenient shipping through UPS.

*Products stored in coils will have the tendency to retain a certain deformation when uncoiled, therefore consistency in the profile cross section over the full length of the coil cannot be guaranteed.

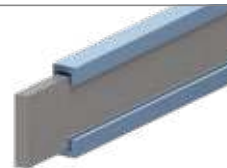
137 Guida laterale / Side guide / Seitenführung

Delivery: **Easy** **Standard** Fit on 40 x 10 mm



Article-Nr.	Material	Availability	Supply*
13711BC	BluLub	Stock item	3 m bars
13711B	BluLub	On request	6 m bars
13713C	Ti-White	On request	3 m bars
13713	Ti-White	On request	6 m bars
13712C	Black	On request	3 m bars
13712	Black	On request	6 m bars
13715C	Blue	On request	3 m bars
13715	Blue	On request	6 m bars
13711C	Green	Stock item	3 m bars
13711	Green	Stock item	6 m bars

Part 3017
40 x 10 mm
Page 467



Option of application - Plate

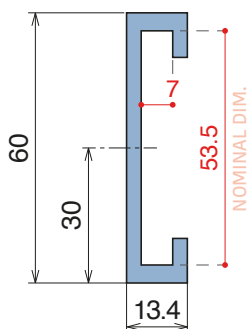
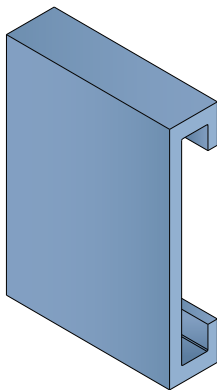
Part 117
Page 466



Option of application - M-Profile

158 Guida laterale / Side guide / Seitenführung

Delivery: **Easy** **Standard** Fit on 50 x 6 mm



Article-Nr.	Material	Availability	Supply*
15800BC	BluLub	Stock item	3 m bars
15894C	Ti-White	On request	3 m bars
15898C	Black	Stock item	3 m bars
15894BLC	Blue	On request	3 m bars
15897C	Green	Stock item	3 m bars
15800C	Grey	Stock item	3 m bars

Part 3017
50 x 6 mm
Page 467



Option of application - Plate

Part 159
Page 467



Option of application - Guide

1107-1064

Guide estruse / Extruded profiles / Extrudiertes Profil

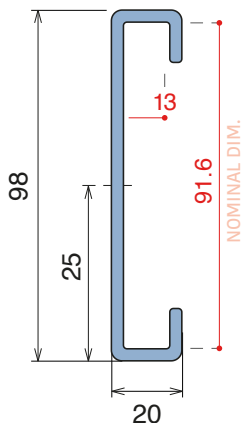
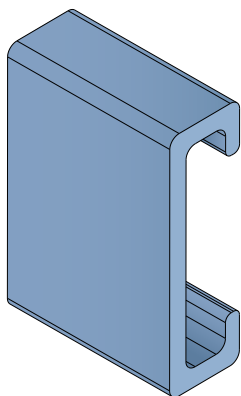
*Standard 3 or 6 meter covers and inserts are typically shipped by common carrier. Selected items can be coiled into cartons for more convenient shipping through UPS.

*Products stored in coils will have the tendency to retain a certain deformation when uncoiled, therefore consistency in the profile cross section over the full length of the coil cannot be guaranteed.

NEW 1107

Guida laterale / Side guide / Seitenführung

Fit on 90 x 12 mm



Article-Nr.	Material	Availability	Supply*
110700BC	BluLub	On request	3 m bars
110703C	Ti-White	On request	3 m bars
110701C	Black	On request	3 m bars
110705C	Blue	On request	3 m bars

Part 3017
90 x 12 mm
Page 467

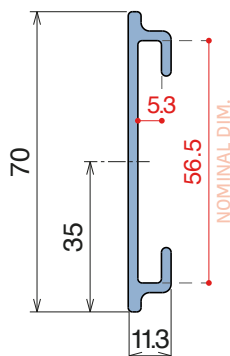
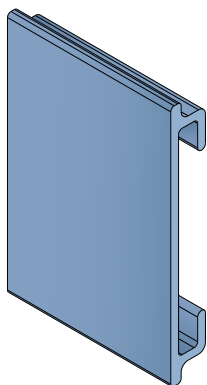


Option of application - Plate

1064

Guida laterale / Side guide / Seitenführung

Delivery: **Easy** **Standard** Fit on 55 x 4 mm



Article-Nr.	Material	Availability	Supply
106400BC	BluLub	On request	3 m bars
106403C	Ti-White	On request	3 m bars
106401C	Black	Stock item	3 m bars
106405C	Blue	On request	3 m bars

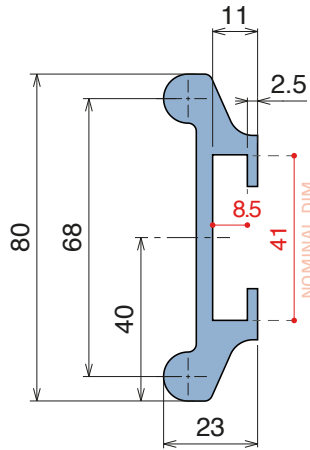
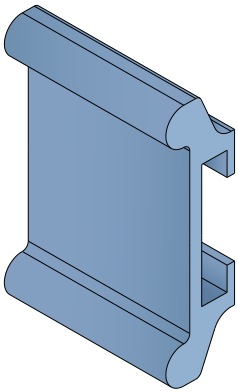
Plate
55 x 4 mm



Option of application - Plate

183 Guida laterale / Side guide / Seitenführung

Delivery: **Easy** **Standard** Fit on 40 x 8 mm



Article-Nr.	Material	Availability	Supply
18301BC	BluLub	Stock item	3 m bars
18301C	Black	Stock item	3 m bars
18305C	Blue	On request	3 m bars
18397C	Green	Stock item	3 m bars

Part 3017
40 x 8 mm
Page 467



Option of application - Plate

Part 117
Page 466



Option of application - M-Profile

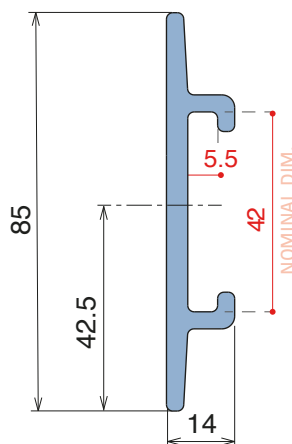
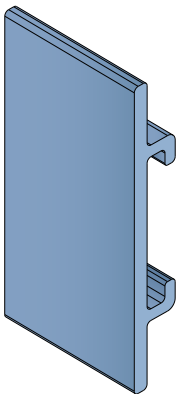
Part 1055
Page 466



NEW 1103

Guida laterale / Side guide / Seitenführung

Fit on 40 x 4 mm



Article-Nr.	Material	Availability	Supply
110300BC	BluLub	On request	3 m bars
110305C	Blue	On request	3 m bars
110304C	Green	On request	3 m bars

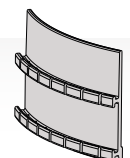
Part 3017
40 x 4 mm
Page 467



Option of application - Plate

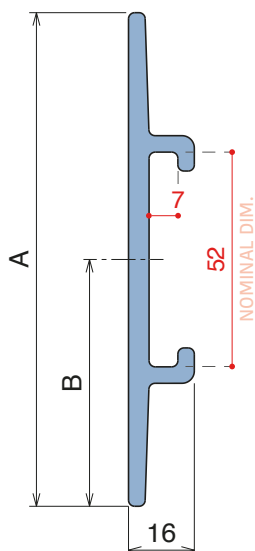
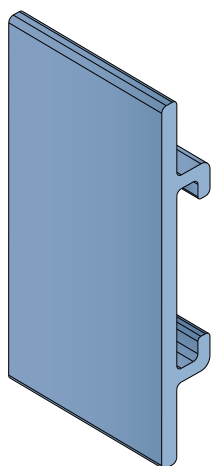
Easy Bendable

For the grooved version, just add "S" to the related Article Nr.



158 Guida laterale / Side guide / Seitenführung

Delivery: **Easy** **Standard** Fit on 50 x 6 mm



Article-Nr.	A	B	Material	Availability	Supply
15801BC	90	45	BluLub	Stock item	3 m bars
15802BC	100	50	BluLub	Stock item	3 m bars
15803BC	120	60	BluLub	Stock item	3 m bars
15804BC	140	70	BluLub	On request	3 m bars
15831C	90	45	Ti-White	On request	3 m bars
15832C	100	50	Ti-White	On request	3 m bars
15833C	120	60	Ti-White	On request	3 m bars
15834C	140	70	Ti-White	On request	3 m bars
15801BLC	90	45	Blue	On request	3 m bars
15802BLC	100	50	Blue	On request	3 m bars
15803BLC	120	60	Blue	On request	3 m bars
15804BLC	140	70	Blue	On request	3 m bars
15801C	90	45	Grey	Stock item	3 m bars
15802C	100	50	Grey	Stock item	3 m bars
15803C	120	60	Grey	Stock item	3 m bars
15804C	140	70	Grey	On request	3 m bars

Part 3017

50 x 6 mm
Page 467



Option of application - Plate

Part 159

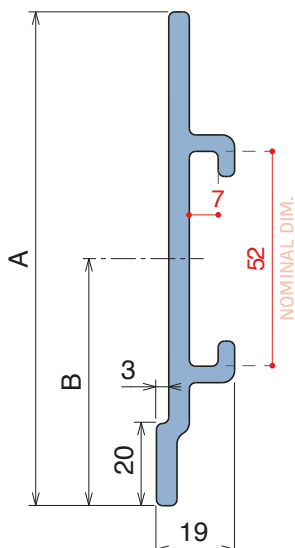
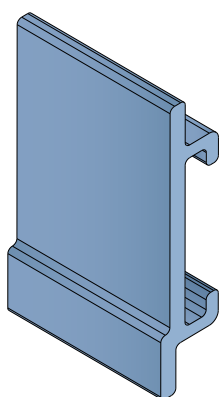
Page 467



Option of application - Guide

194 Guida laterale con salva etichetta / Side guide with lable saver / Seitenführung mit Etikettenschutz

Fit on 50 x 6 mm



Article-Nr.	A	B	Material	Availability	Supply
19400BC	90	45	BluLub	Stock item	3 m bars
19403BC	120	60	BluLub	Stock item	3 m bars
19430C	90	45	Ti-White	On request	3 m bars
19433C	120	60	Ti-White	On request	3 m bars
19400BLC	90	45	Blue	On request	3 m bars
19403BLC	120	60	Blue	On request	3 m bars
19400C	90	45	Grey	On request	3 m bars
19403C	120	60	Grey	On request	3 m bars

Part 3017

50 x 6 mm
Page 467



Option of application - Plate

Part 159

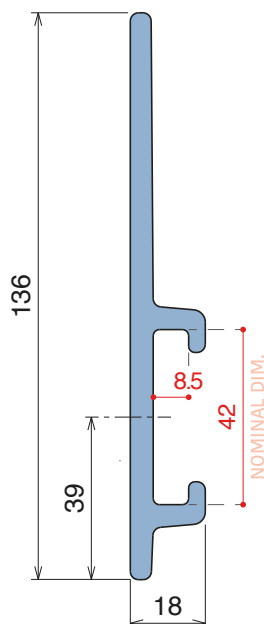
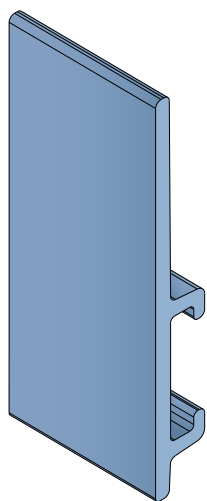
Page 467



Option of application - Guide

189 Guida laterale / Side guide / Seitenführung

Delivery: **Easy** **Standard** Fit on 40 x 8 mm



Article-Nr.	Material	Availability	Supply
18912BC	BluLub	Stock item	3 m bars
18912BLC	Blue	On request	3 m bars
18916C	Grey	On request	3 m bars

Part 3017
40 x 8 mm
Page 467



Option of application - Plate

Part 117
Page 466



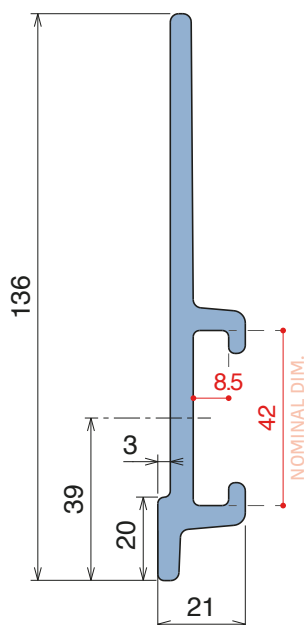
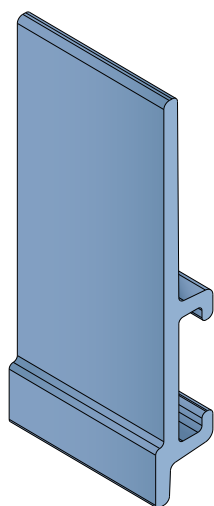
Option of application - M-Profile

Part 1055
Page 466



Option of application - Guide

Guida laterale con salva etichetta Side guide with label saver / Seitenführung mit Etikettenschutz



Article-Nr.	Material	Availability	Supply
18910BC	BluLub	Stock item	3 m bars
18910BLC	Blue	On request	3 m bars
18914C	Grey	Stock item	3 m bars

Part 3017
40 x 8 mm
Page 467



Option of application - Plate

Part 117
Page 466



Option of application - M-Profile

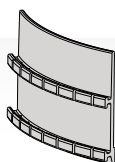
Part 1055
Page 466



Option of application - Guide

Easy Bendable

For the grooved version, just add "-S" to the related Article Nr.

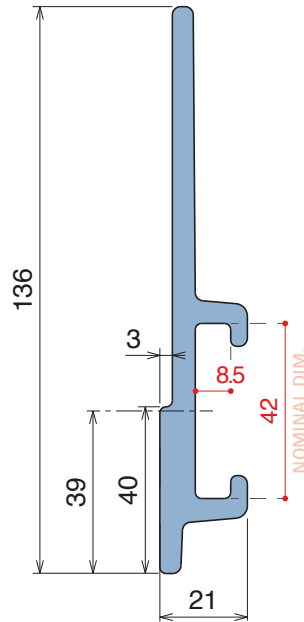
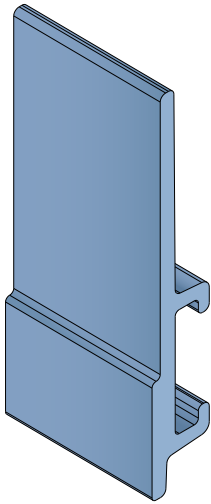


189-1079 RS

Guide estruse / Extruded profiles / Extrudiertes Profil

Guida laterale con salva etichetta

Side guide with lable saver / Seitenführung mit Etikettenschutz



Article-Nr.	Material	Availability	Supply
18911BC	BluLub	Stock item	3 m bars
18911BLC	Blue	On request	3 m bars
18915C	Grey	On request	3 m bars

Part 3017
40 x 8 mm
Page 467

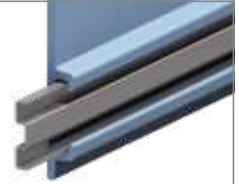
Valid also for
RS versions



Option of application - Plate

Part 117
Page 466

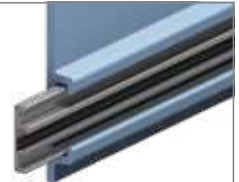
Valid also for
RS versions



Option of application - M-Profile

Part 1055
Page 466

Valid also for
RS versions



Option of application - Guide

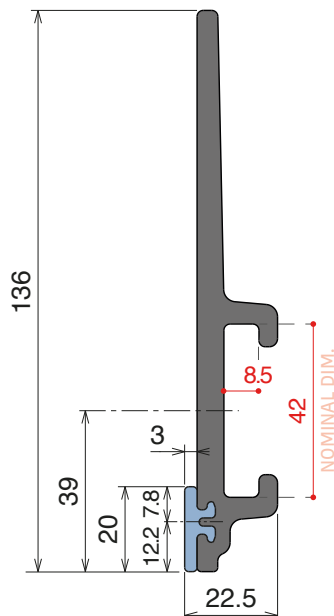
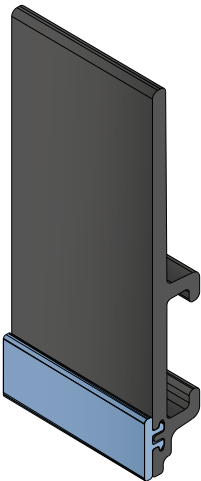
1079

RS

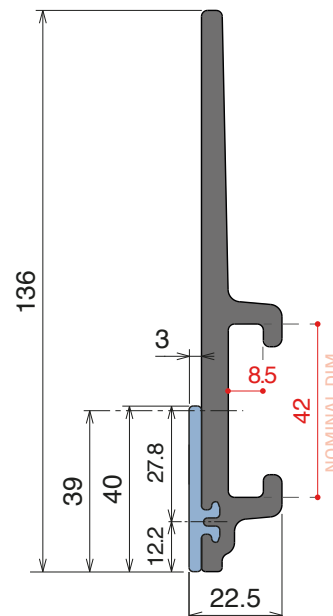
Guida laterale con salva etichetta / Side guide with lable saver / Seitenführung mit Etikettenschutz

Delivery: **Easy** **Standard** Fit on 40 x 8 mm

Article-Nr.	Version	Material	Availability	Supply
107900	A	Black+ BluLub	On request	3 m bars
107901	B	Black+ BluLub	On request	3 m bars



VERSION A - Label saver 2 cm



VERSION B - Label saver 4 cm

Base profile

Art-Nr.	Supply
18980	3 m bars

Label saver 2 cm

Art-Nr.	Supply
18987	30 m coils

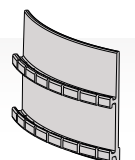
Label saver 4 cm

Art-Nr.	Supply
18988	30 m coils

Single components

Easy Bendable

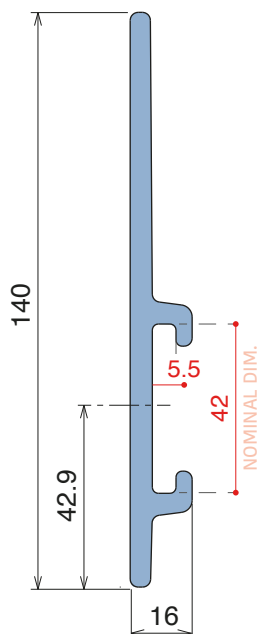
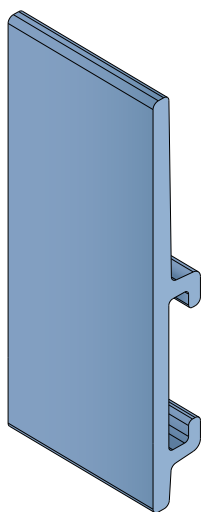
For the grooved version, just add "-S" to the related Article Nr.



NEW 1104

Guida laterale con salva etichetta / Side guide with lable saver / Seitenführung mit Etikettenschutz

Fit on 40 x 4 mm



Article-Nr.	Material	Availability	Supply
110400BC	BluLub	On request	3 m bars
110405C	Blue	On request	3 m bars
110404C	Grey	On request	3 m bars

Part 3017
40 x 4 mm
Page 467

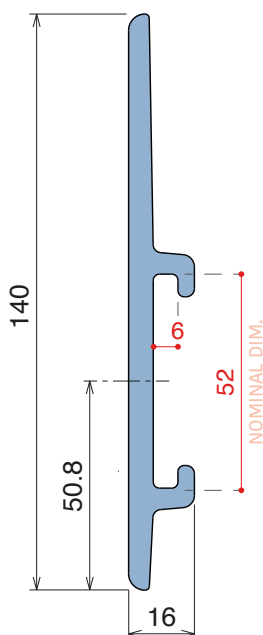
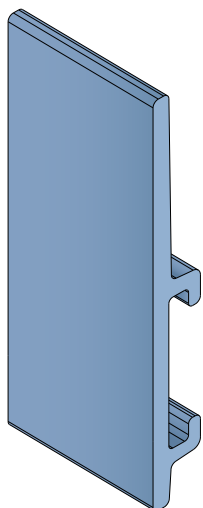


Option of application - Plate

1096

Guida laterale con salva etichetta / Side guide with lable saver / Seitenführung mit Etikettenschutz

Fit on 50 x 5 mm



Article-Nr.	Material	Availability	Supply
109600BC	BluLub	Stock item	3 m bars
109600BLC	Blue	On request	3 m bars
109605C	Grey	On request	3 m bars

Part 3017
50 x 5 mm
Page 467



Option of application - Plate

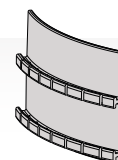
Part 159
Page 467



Option of application - Guide

Easy Bendable

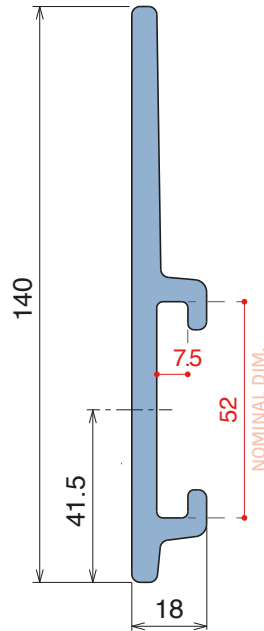
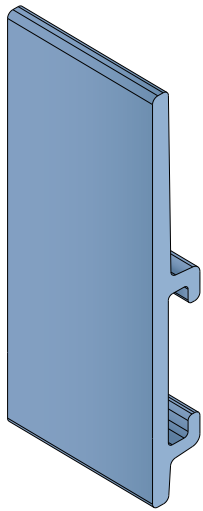
For the grooved version, just add "-S" to the related Article Nr.



189

Guida laterale / Side guide / Seitenführung

Delivery: **Easy** **Standard** Fit on 50 x 6 mm



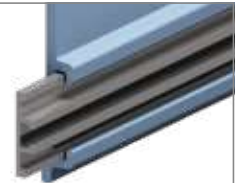
Article-Nr.	Material	Availability	Supply
18902BC	BluLub	Stock item	3 m bars
18902BLC	Blue	On request	3 m bars
18906C	Grey	On request	3 m bars

Part 3017
50 x 6 mm
Page 467



Option of application - Plate

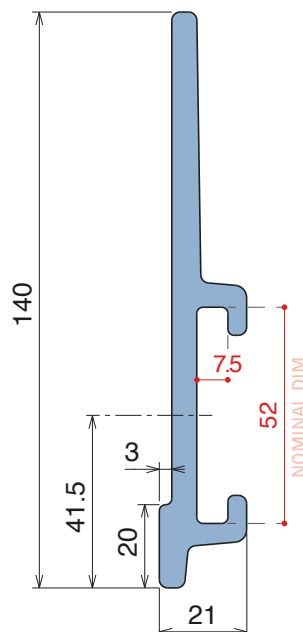
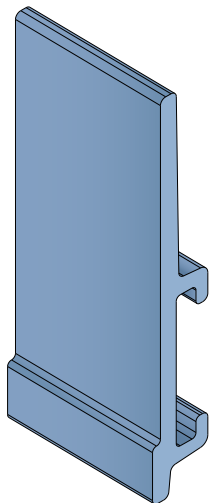
Part 159
Page 467



Option of application - Guide

Guida laterale con salva etichetta

Side guide with label saver / Seitenführung mit Etikettenschutz



Article-Nr.	Material	Availability	Supply
18900BC	BluLub	Stock item	3 m bars
18900BLC	Blue	On request	3 m bars
18904C	Grey	Stock item	3 m bars

Part 3017
50 x 6 mm
Page 467



Option of application - Plate

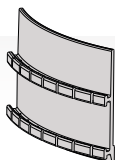
Part 159
Page 467

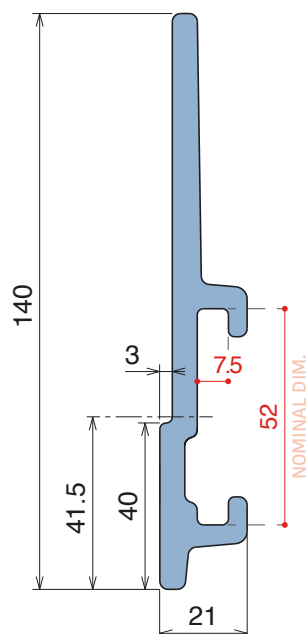
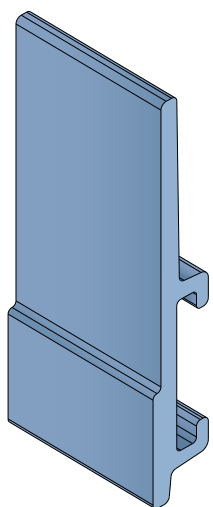


Option of application - Guide

Easy Bendable

For the grooved version, just add "-S" to the related Article Nr.



Guida laterale con salva etichetta**Side guide with lable saver / Seitenführung mit Etikettenschutz**

Article-Nr.	Material	Availability	Supply
18901BC	BluLub	Stock item	3 m bars
18901BLC	Blue	On request	3 m bars
18905C	Grey	On request	3 m bars

Part 3017
50 x 6 mm
Page 467



Option of application - Plate

Part 159
Page 467

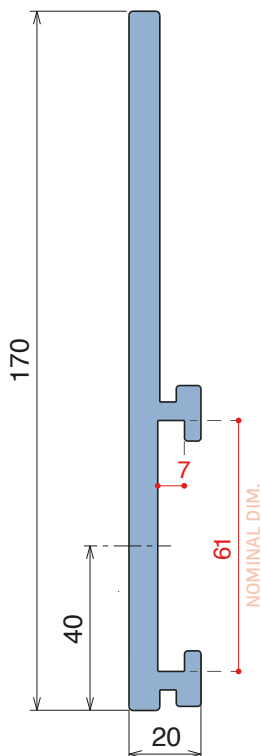
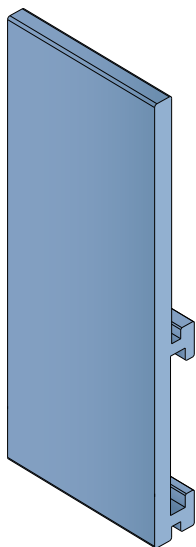


Option of application - Guide

187

Guida laterale / Side guide / Seitenführung

Delivery: **Easy** **Standard** Fit on 60 x 6 mm



Article-Nr.	Material	Availability	Supply
18710BC	BluLub	Stock item	3 m bars
18705C	Blue	On request	3 m bars
18714C	Grey	On request	3 m bars

Part 3017

60 x 6 mm
Page 467



Option of application - Plate

Part 1089

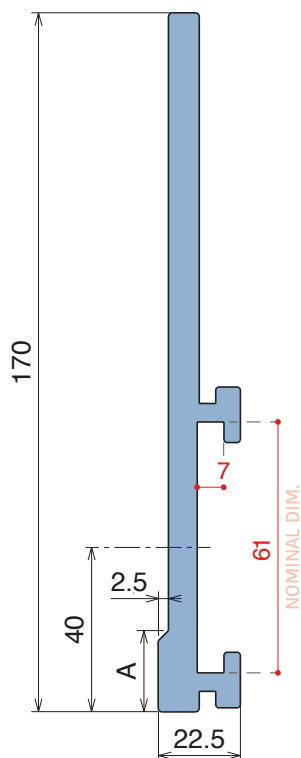
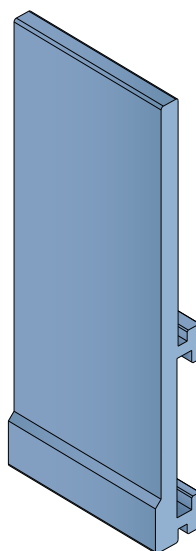
Page 467



Option of application - Guide

Guida laterale con salva etichetta

Side guide with label saver / Seitenführung mit Etikettenschutz



Article-Nr.	A	Material	Availability	Supply
18720BC	12	BluLub	Stock item	3 m bars
18730BC	20	BluLub	Stock item	3 m bars
18740BC	40	BluLub	Stock item	3 m bars
18725C	12	Blue	On request	3 m bars
18735C	20	Blue	On request	3 m bars
18745C	40	Blue	On request	3 m bars
18724C	12	Grey	On request	3 m bars
18734C	20	Grey	On request	3 m bars
18744C	40	Grey	On request	3 m bars

Part 3017

60 x 6 mm
Page 467



Option of application - Plate

Part 1089

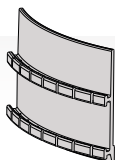
Page 467



Option of application - Guide

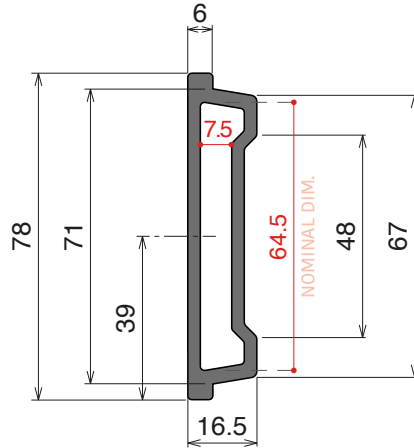
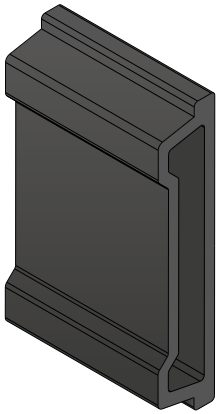
Easy Bendable

For the grooved version, just add "-S" to the related Article Nr.



135 Guida laterale / Side guide / Seitenführung

Delivery: **Easy** **Standard** Fit on 60 x 6 mm



Article-Nr.	Material	Availability	Supply
13501C	Black	Stock item	3 m bars
13501	Black	Stock item	6 m bars
13502C	Blue RAL 5012	Stock item	3 m bars
13502	Blue RAL 5012	Stock item	6 m bars

Part 3017
60 x 6 mm
Page 467

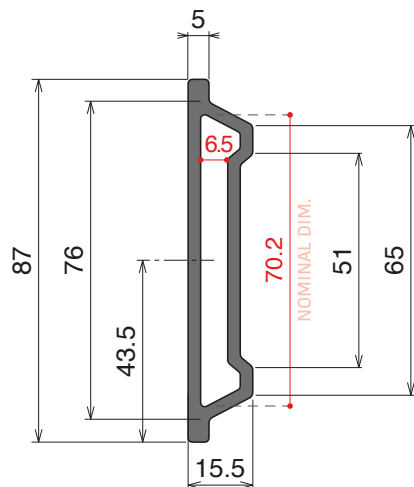
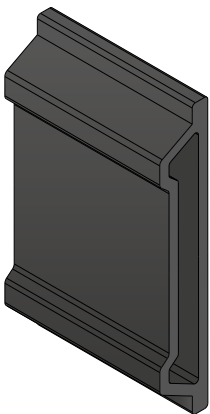


Part 3310
pag 539

Option of application - Plate

136 Guida laterale / Side guide / Seitenführung

Delivery: **Easy** **Standard** Fit on 60 x 6 mm



Article-Nr.	Material	Availability	Supply
13601C	Black	Stock item	3 m bars
13601	Black	On request	6 m bars
13602C	Blue RAL 5012	Stock item	3 m bars
13602	Blue RAL 5012	Stock item	6 m bars

Part 3017
60 x 6 mm
Page 467

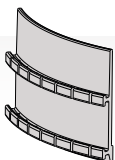


Part 345
Page 539

Option of application - Plate

Easy Bendable

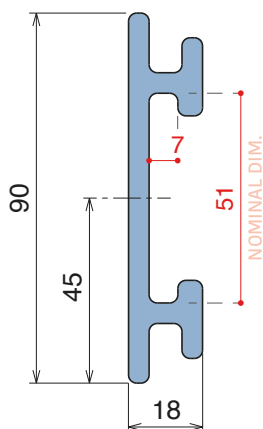
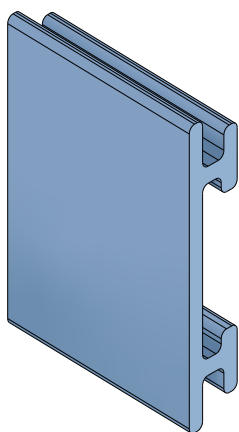
For the grooved version, just add "-S" to the related Article Nr.



1057/1077

Guida laterale / Side guide / Seitenführung

Delivery: **Easy** **Standard** Fit on 50 x 6 mm



Article-Nr.	Material	Availability	Supply
105720BLC	BluLub	Stock item	3 m bars
105721C	Black	On request	3 m bars
105725C	Blue	On request	3 m bars
105724C	Grey	On request	3 m bars
105721AC	AS	On request	3 m bars

Part 3017
50 x 6 mm
Page 467

Valid also for
RS versions



Option of application - Plate

Part 159
Page 467

Valid also for
RS versions

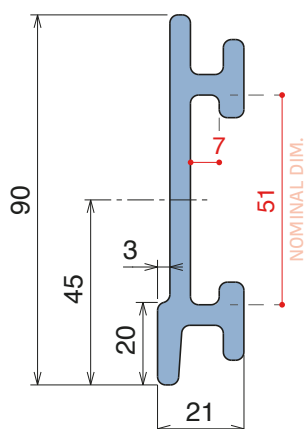
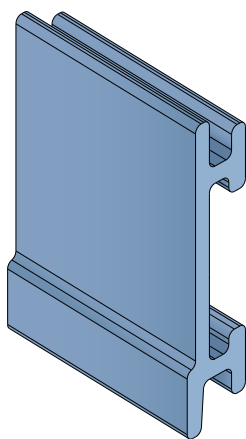


Part 3311
Page 539

Option of application - Guide

Guida laterale con salva etichetta

Side guide with label saver / Seitenführung mit Etikettenschutz



Article-Nr.	Material	Availability	Supply
107720BLC	BluLub	Stock item	3 m bars
107721C	Black	On request	3 m bars
107725C	Blue	On request	3 m bars
107724C	Grey	On request	3 m bars
107721AC	AS	On request	3 m bars

Part 3017
50 x 6 mm
Page 467

Valid also for
RS versions



Option of application - Plate

Part 159
Page 467

Valid also for
RS versions

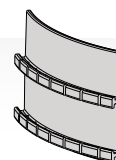


Part 3311
Page 539

Option of application - Guide

Easy Bendable

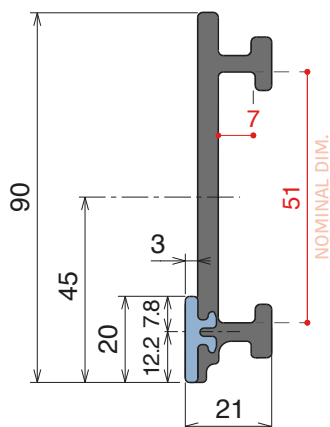
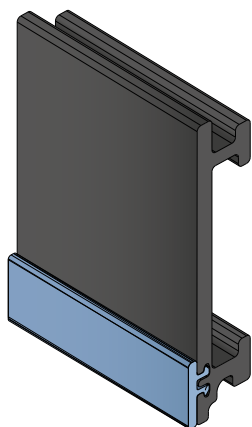
For the grooved version, just add "-S" to the related Article Nr.



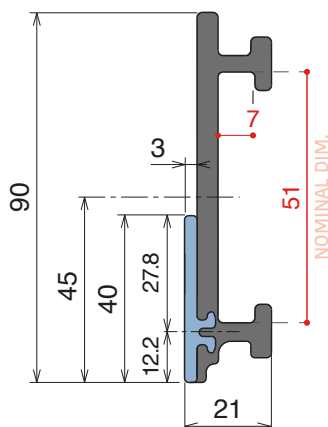
1077/1078

RS Guida laterale con salva etichetta / Side guide with lable saver / Seitenführung mit Etikettenschutz

Delivery:	Easy	Standard	Fit on 50 x 6 mm	Article-Nr.	Version	Material	Availability	Supply
				107722	A	Black+ BluLub	On request	3 m bars
				107723	B	Black+ BluLub	On request	3 m bars



VERSION A - Label saver 2 cm



VERSION B - Label saver 4 cm

Base profile

Art-Nr.	Supply
107790	3 m bars

Label saver 2 cm

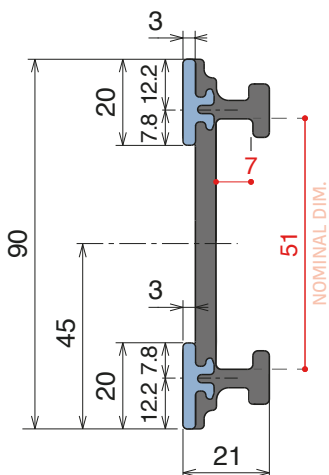
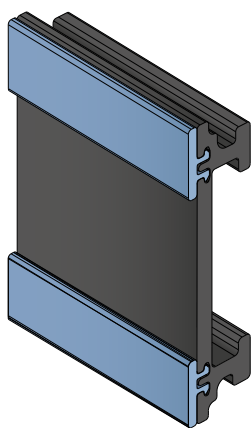
Art-Nr.	Supply
18987	30 m coils

Label saver 4 cm

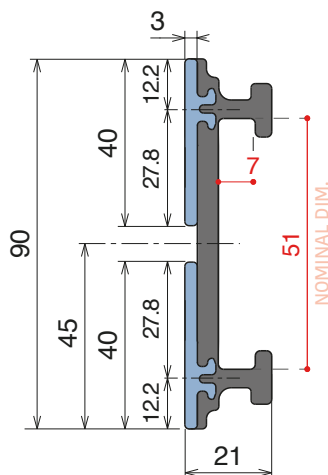
Art-Nr.	Supply
18988	30 m coils

Single components

Guida laterale con salva etichetta / Side guide with lable saver / Seitenführung mit Etikettenschutz



VERSION A - Label saver 2 cm



VERSION B - Label saver 4 cm

Article-Nr.	Version	Material	Availability	Supply
107822	A	Black+ BluLub	On request	3 m bars
107823	B	Black+ BluLub	On request	3 m bars

Base profile

Art-Nr.	Supply
107890	3 m bars

Label saver 2 cm

Art-Nr.	Supply
18987	30 m coils

Label saver 4 cm

Art-Nr.	Supply
18988	30 m coils

Label saver 2 cm and 4 cm
can also be combined together to obtain different version.

Single components

Easy Bendable

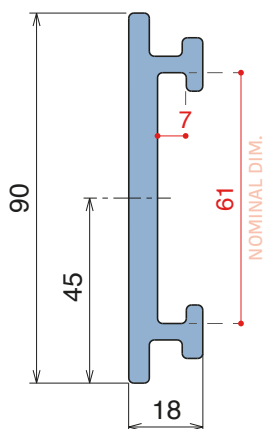
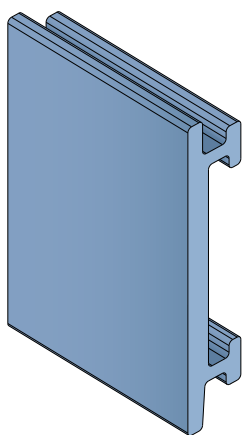
For the grooved version, just add "-S" to the related Article Nr.



1057/1077

Guida laterale / Side guide / Seitenführung

Delivery: **Easy** **Standard** Fit on 60 x 6 mm



Article-Nr.	Material	Availability	Supply
105700BC	BluLub	Stock item	3 m bars
105711C	Black	Stock item	3 m bars
105705C	Blue	On request	3 m bars
105704C	Grey	Stock item	3 m bars

Part 3017

60 x 6 mm
Page 467

Valid also for
RS versions



Option of application - Plate

Part 1089

Page 467

Valid also for
RS versions

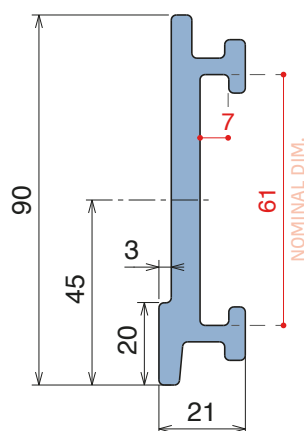
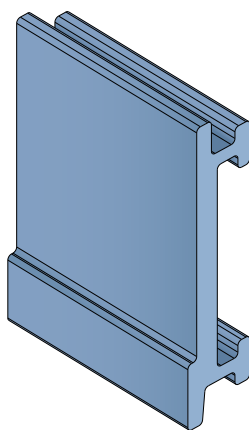


Part 3311
Page 539

Option of application - Guide

Guida laterale con salva etichetta

Side guide with label saver / Seitenführung mit Etikettenschutz



Article-Nr.	Material	Availability	Supply
107700BC	BluLub	On request	3 m bars
107711C	Black	On request	3 m bars
107705C	Blue	On request	3 m bars
107704C	Grey	On request	3 m bars

Part 3017

60 x 6 mm
Page 467

Valid also for
RS versions



Option of application - Plate

Part 1089

Page 467

Valid also for
RS versions

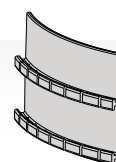


Part 3311
Page 539

Option of application - Guide

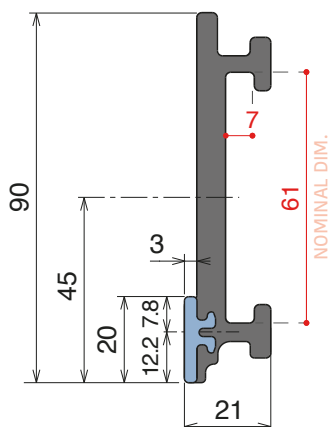
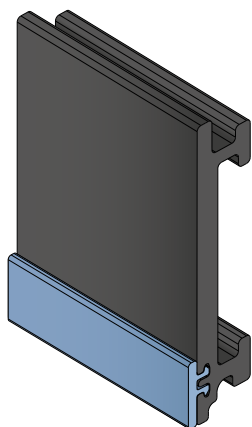
Easy Bendable

For the grooved version,
just add "-S" to the
related Article Nr.

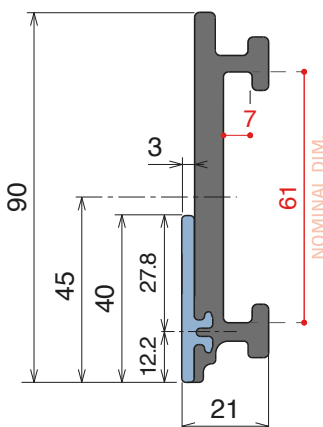


1077/1078 RS Guida laterale con salva etichetta / Side guide with lable saver / Seitenführung mit Etikettenschutz

Delivery:	Easy	Standard	Fit on 60 x 6 mm	Article-Nr.	Version	Material	Availability	Supply
				107700	A	Black+ BluLub	On request	3 m bars
				107701	B	Black+ BluLub	On request	3 m bars



VERSION A - Label saver 2 cm



VERSION B - Label saver 4 cm

Base profile

Art-Nr.	Supply
107791	3 m bars

Label saver 2 cm

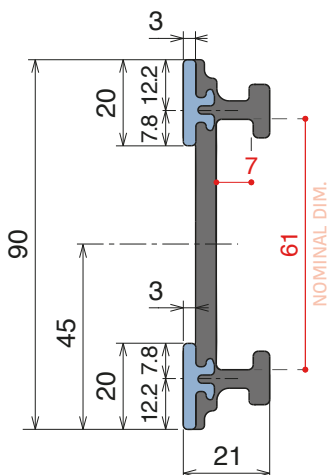
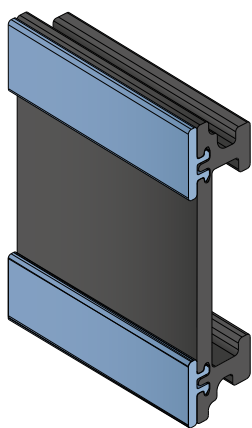
Art-Nr.	Supply
18987	30 m coils

Label saver 4 cm

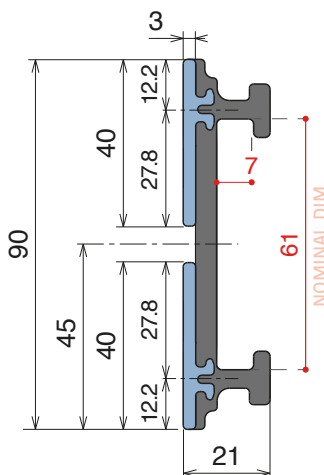
Art-Nr.	Supply
18988	30 m coils

Single components

Guida laterale con salva etichetta / Side guide with lable saver / Seitenführung mit Etikettenschutz



VERSION A - Label saver 2 cm



VERSION B - Label saver 4 cm

Article-Nr.	Version	Material	Availability	Supply
107800	A	Black+ BluLub	On request	3 m bars
107801	B	Black+ BluLub	On request	3 m bars

Base profile

Art-Nr.	Supply
107891	3 m bars

Label saver 2 cm

Art-Nr.	Supply
18987	30 m coils

Label saver 4 cm

Art-Nr.	Supply
18988	30 m coils

Label saver 2 cm and 4 cm can also be combined together to obtain different version.

Single components

Easy Bendable

For the grooved version, just add "-S" to the related Article Nr.

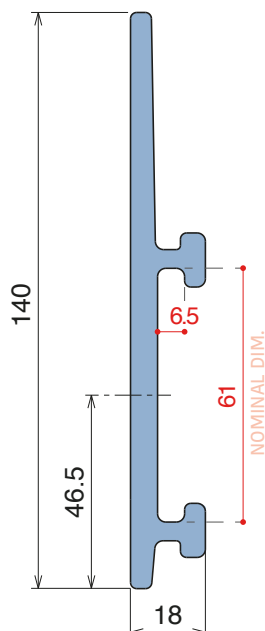
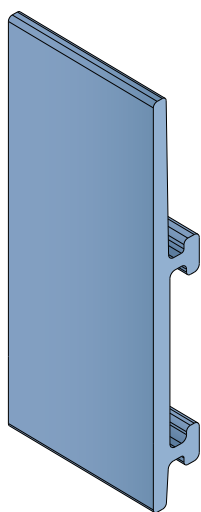


193/189

Guida laterale / Side guide / Seitenführung

Delivery: **Easy** **Standard** Fit on 60 x 5 mm

Article-Nr.	Material	Availability	Supply
19330BC	BluLub	Stock item	3 m bars
19335C	Blue	On request	3 m bars
19334C	Grey	On request	3 m bars



Part 3017
60 x 5 mm
Page 467

Part 3311
Page 539

Option of application - Plate

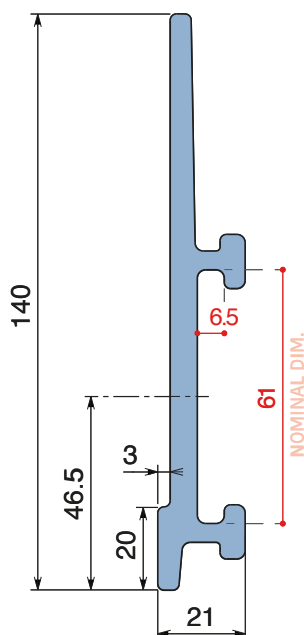
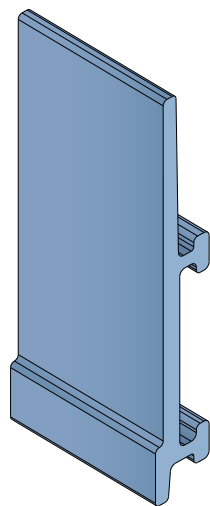
Part 1088
Page 467

Part 3311
Page 539

Option of application - Guide

Guida laterale con salva etichetta

Side guide with label saver / Seitenführung mit Etikettenschutz



Article-Nr.	Material	Availability	Supply
18980BC	BluLub	Stock item	3 m bars
18985C	Blue	On request	3 m bars
18984C	Grey	On request	3 m bars

Part 3017
60 x 5 mm
Page 467

Part 3311
Page 539

Option of application - Plate

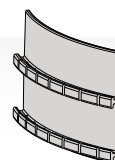
Part 1088
Page 467

Part 3311
Page 539

Option of application - Guide

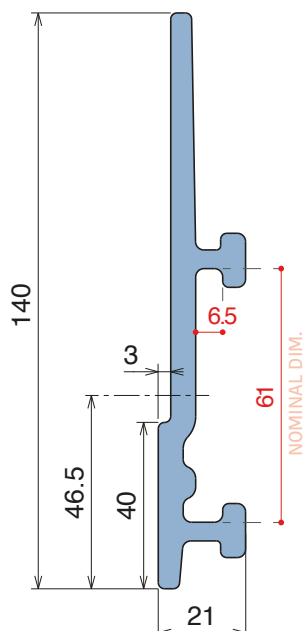
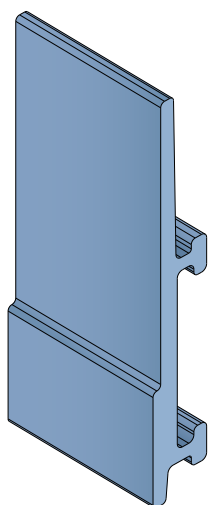
Easy Bendable

For the grooved version, just add "-S" to the related Article Nr.



Guida laterale con salva etichetta

Side guide with lable saver / Seitenführung mit Etikettenschutz



Article-Nr.	Material	Availability	Supply
18940BC	BluLub	Stock item	3 m bars
18945C	Blue	On request	3 m bars
18944C	Grey	Stock item	3 m bars

Part 3017
60 x 5 mm
Page 467



Part 3311
Page 539

Option of application - Plate

Part 1088
Page 467

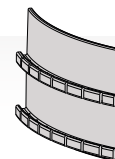


Part 3311
Page 539

Option of application - Guide

Easy Bendable

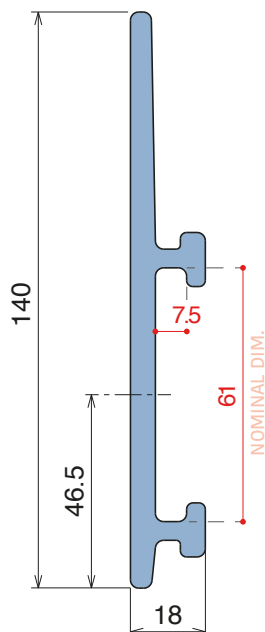
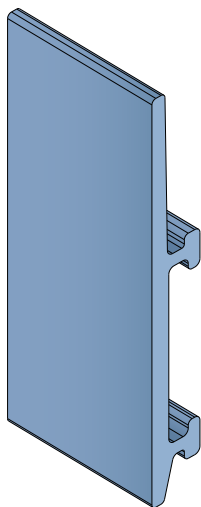
For the grooved version, just add "-S" to the related Article Nr.



193 Guida laterale / Side guide / Seitenführung

Delivery: **Easy** **Standard** Fit on 60 x 6 mm

Article-Nr.	Material	Availability	Supply
19320BC	BluLub	Stock item	3 m bars
19325C	Blue	On request	3 m bars
19324C	Grey	Stock item	3 m bars



Part 3017

60 x 6 mm
Page 467



Part 3311
Page 539

Option of application - Plate

Part 1089

Page 467



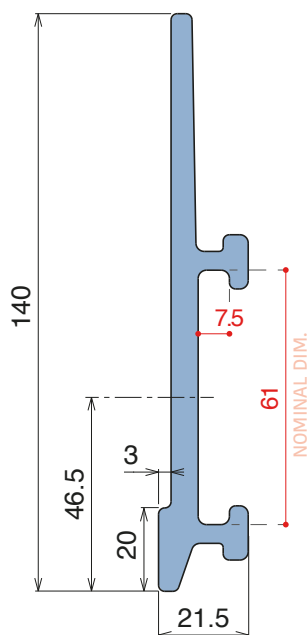
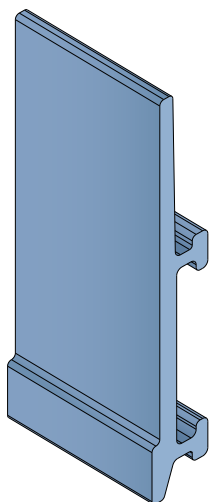
Part 3311
Page 539

Option of application - Guide

189 Guida laterale con salva etichetta / Side guide with lable saver / Seitenführung mit Etikettenschutz

Delivery: **Easy** **Standard** Fit on 60 x 6 mm

Article-Nr.	Material	Availability	Supply
18920BC	BluLub	Stock item	3 m bars
18925C	Blue	On request	3 m bars
18924C	Grey	Stock item	3 m bars



Part 3017

60 x 6 mm
Page 467



Part 3311
Page 539

Option of application - Plate

Part 1089

Page 467

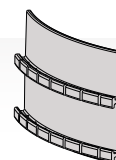


Part 3311
Page 539

Option of application - Guide

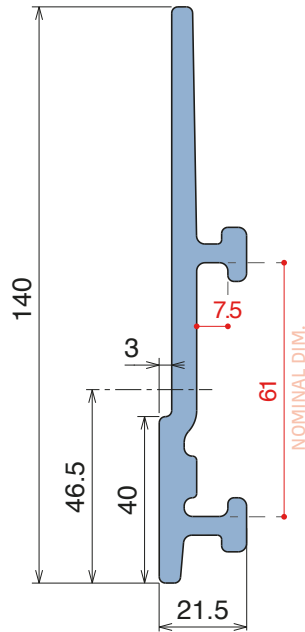
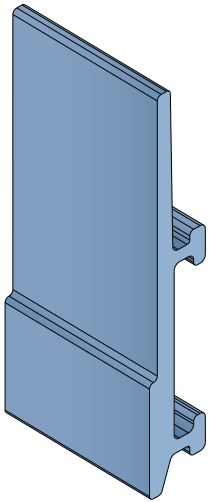
Easy Bendable

For the grooved version, just add "-S" to the related Article Nr.



Guida laterale con salva etichetta

Side guide with lable saver / Seitenführung mit Etikettenschutz



Article-Nr.	Material	Availability	Supply
18930BC	BluLub	Stock item	3 m bars
18935C	Blue	On request	3 m bars
18934C	Grey	Stock item	3 m bars

Part 3017
60 x 6 mm
Page 467



Valid also for
RS versions

Part 3311
Page 539

Option of application - Plate

Part 1089
Page 467



Valid also for
RS versions

Part 3311
Page 539

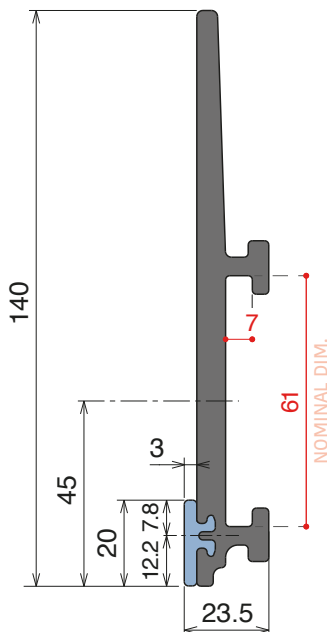
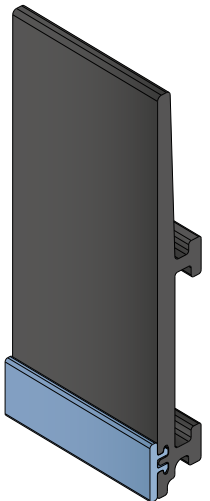
Option of application - Guide

1075

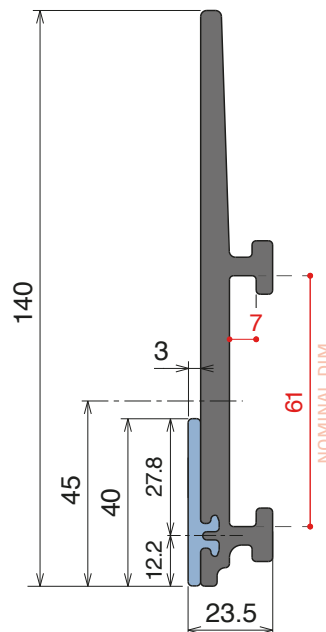
RS Guida laterale con salva etichetta / Side guide with lable saver / Seitenführung mit Etikettenschutz

Delivery: **Easy** **Standard** Fit on 60 x 6 mm

Article-Nr.	Version	Material	Availability	Supply
107500	A	Black+ BluLub	On request	3 m bars
107501	B	Black+ BluLub	On request	3 m bars



VERSION A - Label saver 2 cm



VERSION B - Label saver 4 cm

Base profile

Art-Nr.	Supply
18990	3 m bars

Label saver 2 cm

Art-Nr.	Supply
18987	30 m coils

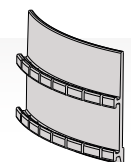
Label saver 4 cm

Art-Nr.	Supply
18988	30 m coils

Single components

Easy Bendable

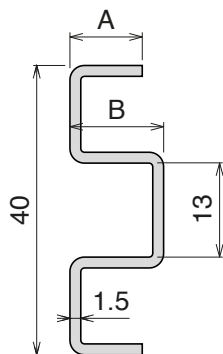
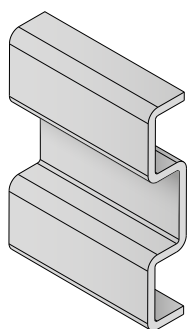
For the grooved version, just add "-S" to the related Article Nr.



117

Profilo Omega / M-Profile / M-Profil

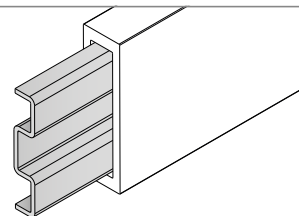
Delivery: **Easy** Standard



Used with part:
137 - 183 - 189 - 1079

Article-Nr.	A	B	Availability	Supply
11703C	6	10	Stock item	3 m bars
11703	6	10	On request	6 m bars
11701C	8	8	Stock item	3 m bars
11701	8	8	Stock item	6 m bars
11702C	10	10	Stock item	3 m bars
11702	10	10	On request	6 m bars

Used with
BOLT M8

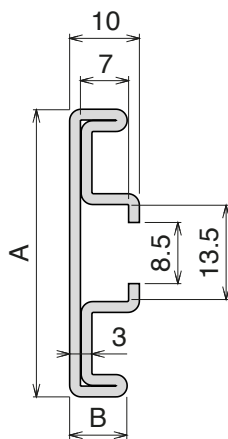
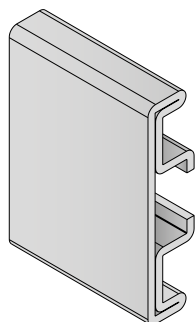


Example of application

1055

Profilo in Acciaio inox / Stainless steel Profile / Edelstahlprofil

Delivery: **Easy** Standard

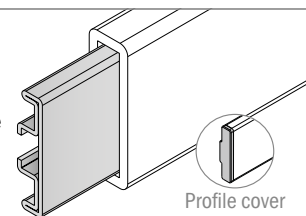


Used with part:
137 - 183 - 189
1079 - 1042

Article-Nr.	A	B	Availability	Supply	Profile cover	Box
105501C	40	8	Stock item	3 m bars	301409	60 pcs
105501	40	8	On request	6 m bars	301409	60 pcs
105503C	50	6	Stock item	3 m bars	301410	60 pcs
105503	50	6	On request	6 m bars	301410	60 pcs

Used with
BOLT M8

Used with
Closing profile
Part 1097



Profile cover

Example of application

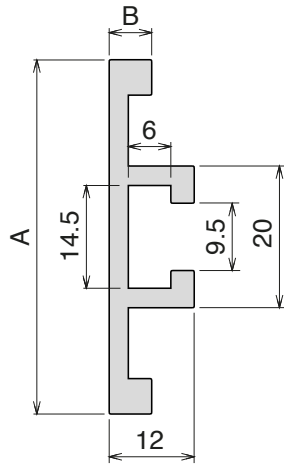
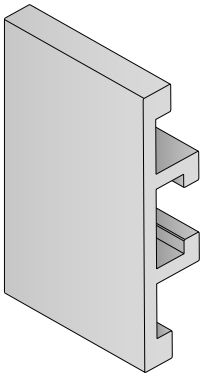
Materiale / Material / Materialien:
 Acciaio inox AISI 304
 Stainless steel AISI 304
 Edelstahl AISI 304

159-1088-1089-3017

Guide estruse / Extruded profiles / Extrudiertes Profil

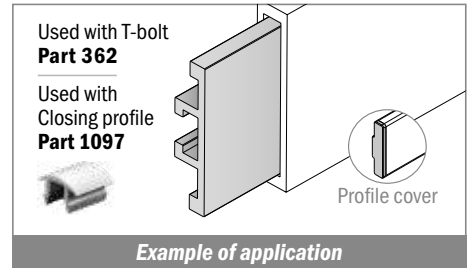
159-1088-1089

Profilo in Alluminio / Aluminum Profile / Aluminium Profil



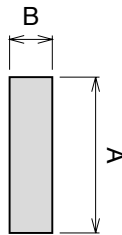
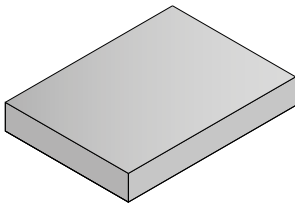
Used with Part:
 158 - 187 - 189 - 193
 1075 - 1077 - 1078 - 1042

Article-Nr.	A	B	Availability	Supply	Profile cover	Box
15901C	50	6	Stock item	3 m bars	301411	60 pcs
15901	50	6	On request	6 m bars	301411	60 pcs
108801C	60	5	Stock item	3 m bars	301412	60 pcs
108801	60	5	On request	6 m bars	301412	60 pcs
108901C	60	6	Stock item	3 m bars	301413	60 pcs
108901	60	6	On request	6 m bars	301413	60 pcs



NEW 3017

Profilo in Acciaio inox / Stainless steel Profile / Edelstahlprofil

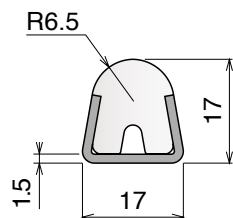
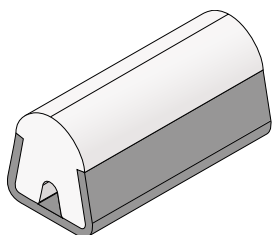


Article-Nr.	A (mm)	B (mm)	Availability	Supply
301701C	30	4	On request	3 m bars
301702C	40	4	On request	3 m bars
301703C	40	8	On request	3 m bars
301710C	40	10	On request	3 m bars
301704C	50	5	On request	3 m bars
301705C	50	6	On request	3 m bars
301707C	60	5	On request	3 m bars
301708C	60	6	On request	3 m bars
301709C	90	12	On request	3 m bars

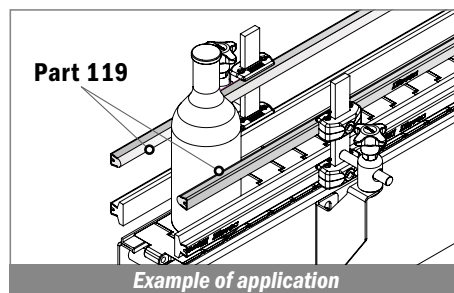
119 Guida conica / Guide rail / Konische Führung

Delivery: **Easy** Standard

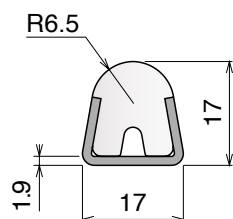
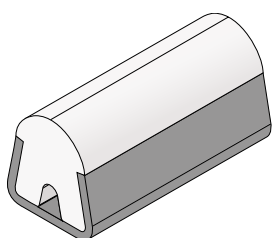
Stainless steel profile thickness: 1,5 mm



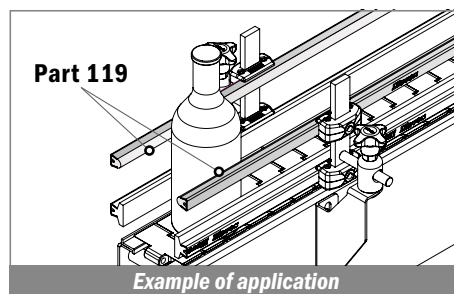
Article-Nr.	Material	Availability	Supply
11901BC	BluLub	Stock item	3 m bars
11901B	BluLub	On request	6 m bars
11901C	Ti-White	Stock item	3 m bars
11901	Ti-White	On request	6 m bars
11905C	Blue	On request	3 m bars
11905	Blue	On request	6 m bars
11901AC	AS	Stock item	3 m bars
11901A	AS	On request	6 m bars



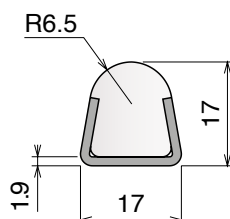
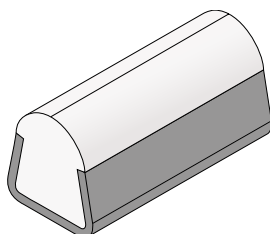
Stainless steel profile thickness: 1,9 mm



Article-Nr.	Material	Availability	Supply
11963B	BluLub	On request	3 m bars
11967B	BluLub	On request	6 m bars
11963	Ti-White	Stock item	3 m bars
11967	Ti-White	On request	6 m bars
11964C	Blue	On request	3 m bars
11964	Blue	On request	6 m bars
11963A	AS	Stock item	3 m bars
11967A	AS	On request	6 m bars



 Hygienic Version



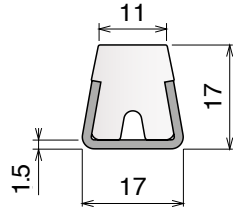
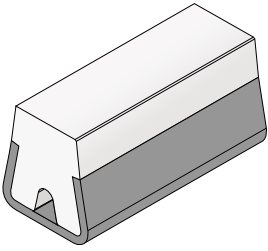
Article-Nr.	Material	Availability	Supply
11953B	BluLub	On request	3 m bars
11957B	BluLub	On request	6 m bars
11953	Ti-White	On request	3 m bars
11957	Ti-White	Stock item	6 m bars
11983C	Blue	On request	3 m bars
11987	Blue	On request	6 m bars

Materiale / Material / Materialien:
 Profilo metallico: Acciaio inox AISI 304
 Metal profile: Stainless steel AISI 304
 Metallprofil: Edelstahl AISI 304

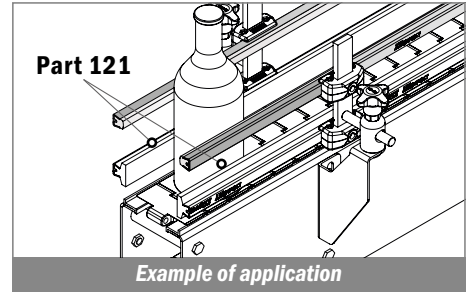
121 Guida conica / Guide rail / Konische Führung

Delivery: **Easy** **Standard**

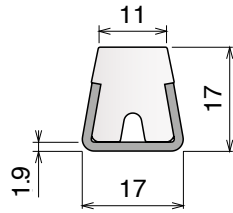
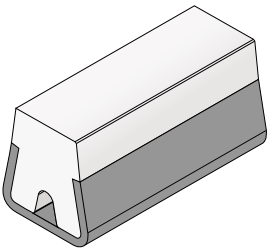
Stainless steel profile thickness: 1,5 mm



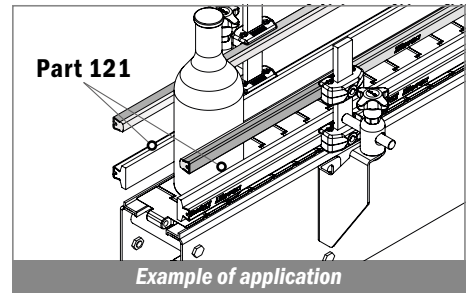
Article-Nr.	Material	Availability	Supply
12101BC	<i>BluLub</i>	On request	3 m bars
12101B	<i>BluLub</i>	On request	6 m bars
12101C	<i>Ti-White</i>	Stock item	3 m bars
12101	<i>Ti-White</i>	On request	6 m bars
12105C	Blue	On request	3 m bars
12105	Blue	On request	6 m bars
12101AC	AS	Stock item	3 m bars
12101A	AS	On request	6 m bars



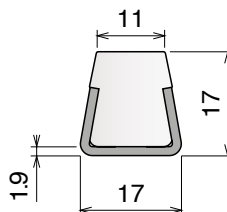
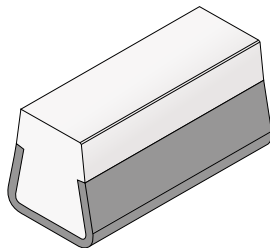
Stainless steel profile thickness: 1,9 mm



Article-Nr.	Material	Availability	Supply
12163B	<i>BluLub</i>	On request	3 m bars
12167B	<i>BluLub</i>	On request	6 m bars
12163	<i>Ti-White</i>	Stock item	3 m bars
12167	<i>Ti-White</i>	On request	6 m bars
12173	Blue	On request	3 m bars
12177	Blue	On request	6 m bars
12163A	AS	Stock item	3 m bars
12167A	AS	On request	6 m bars




 Hygienic
 Version

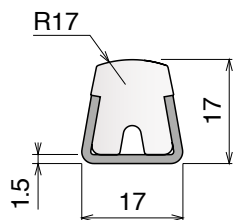
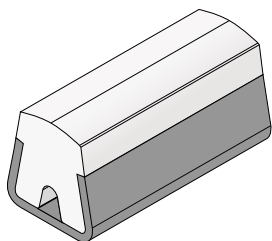


Article-Nr.	Material	Availability	Supply
12153B	<i>BluLub</i>	On request	3 m bars
12157B	<i>BluLub</i>	On request	6 m bars
12153	<i>Ti-White</i>	Stock item	3 m bars
12157	<i>Ti-White</i>	On request	6 m bars
12183	Blue	On request	3 m bars
12187	Blue	On request	6 m bars

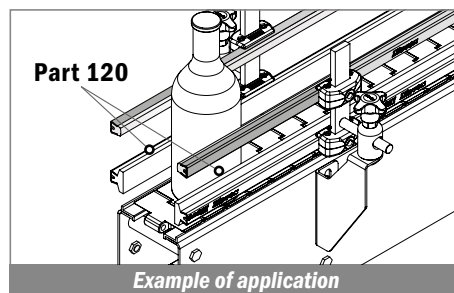
120 Guida conica / Guide rail / Konische Führung

Delivery: **Easy** Standard

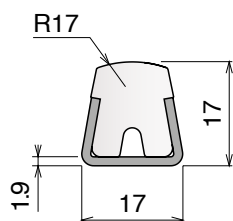
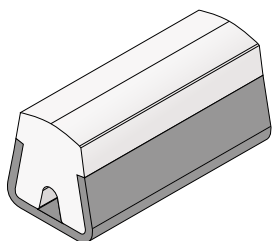
Stainless steel profile thickness: 1,5 mm



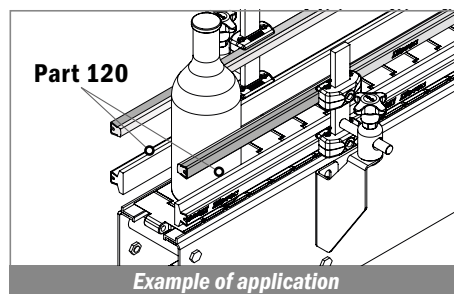
Article-Nr.	Material	Availability	Supply
12001BC	BluLub	On request	3 m bars
12001B	BluLub	On request	6 m bars
12001C	Ti-White	Stock item	3 m bars
12001	Ti-White	On request	6 m bars
12005C	Blue	On request	3 m bars
12005	Blue	On request	6 m bars
12001AC	AS	Stock item	3 m bars
12001A	AS	On request	6 m bars



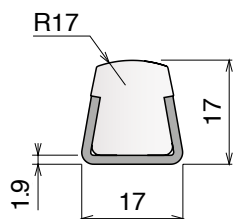
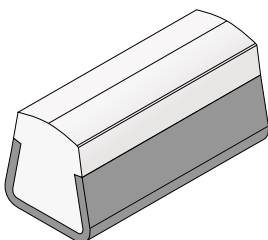
Stainless steel profile thickness: 1,9 mm



Article-Nr.	Material	Availability	Supply
12063B	BluLub	On request	3 m bars
12067B	BluLub	On request	6 m bars
12063	Ti-White	Stock item	3 m bars
12067	Ti-White	On request	6 m bars
12063BL	Blue	On request	3 m bars
12067BL	Blue	On request	6 m bars
12063A	AS	Stock item	3 m bars
12067A	AS	On request	6 m bars



Hygienic Version
NEW



Article-Nr.	Material	Availability	Supply
12053B	BluLub	On request	3 m bars
12057B	BluLub	On request	6 m bars
12053	Ti-White	Stock item	3 m bars
12057	Ti-White	On request	6 m bars
12083	Blue	On request	3 m bars
12087	Blue	On request	6 m bars

Materiale / Material / Materialien:
 Profilo metallico: Acciaio inox AISI 304
 Metal profile: Stainless steel AISI 304
 Metallprofil: Edelstahl AISI 304

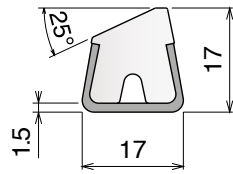
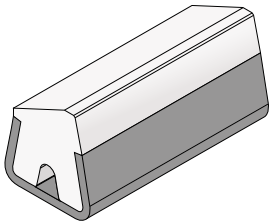
152-1067

Guide estruse / Extruded profiles / Extrudiertes Profil

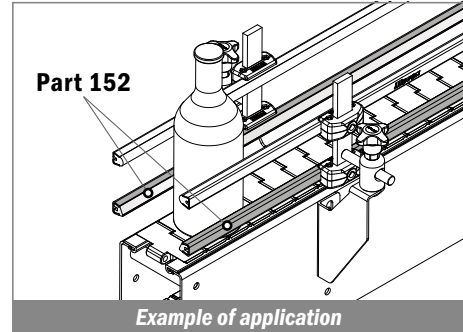
152 Guida conica / Guide rail / Konische Führung

Delivery: **Easy** Standard

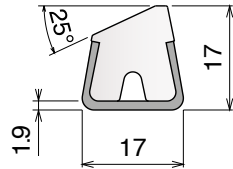
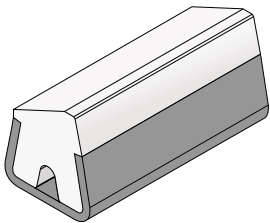
Stainless steel profile thickness: 1,5 mm



Article-Nr.	Material	Availability	Supply
15200BC	BluLub	On request	3 m bars
15201C	Ti-White	Stock item	3 m bars
15205C	Blue	On request	3 m bars



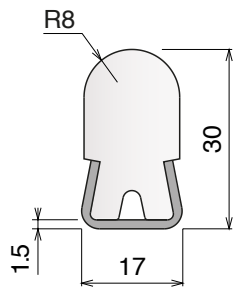
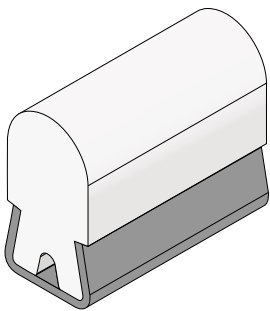
Stainless steel profile thickness: 1,9 mm



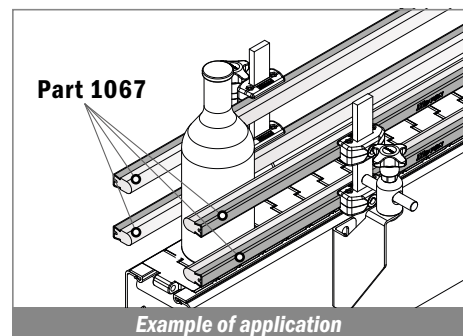
Article-Nr.	Material	Availability	Supply
15260BC	BluLub	On request	3 m bars
15263	Ti-White	On request	3 m bars
15265C	Blue	On request	3 m bars

1067 Guida conica / Guide rail / Konische Führung

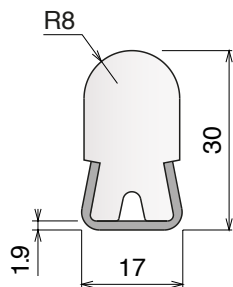
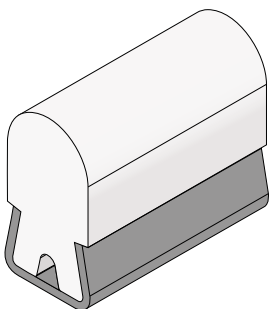
Stainless steel profile thickness: 1,5 mm



Article-Nr.	Material	Availability	Supply
106700BC	BluLub	On request	3 m bars
106701C	Ti-White	On request	3 m bars
106705C	Blue	On request	3 m bars



Stainless steel profile thickness: 1,9 mm

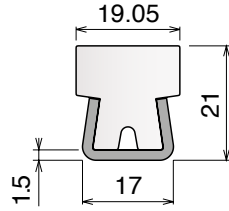
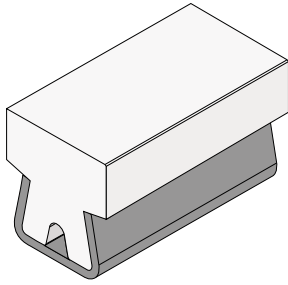


Article-Nr.	Material	Availability	Supply
106760BC	BluLub	On request	3 m bars
106763	Ti-White	On request	3 m bars
106765C	Blue	On request	3 m bars

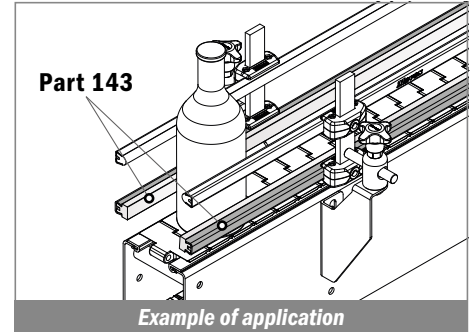
143 Guida conica / Guide rail / Konische Führung

Delivery: **Easy** Standard

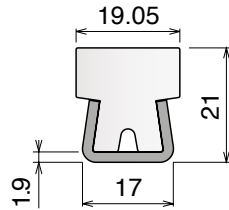
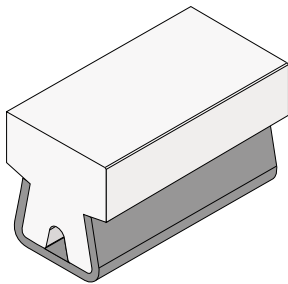
Stainless steel profile thickness: 1,5 mm



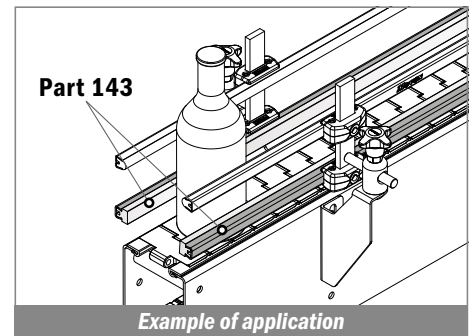
Article-Nr.	Material	Availability	Supply
14300BC	BluLub	On request	3 m bars
14301C	Ti-White	On request	3 m bars
14305C	Blue	On request	3 m bars



Stainless steel profile thickness: 1,9 mm



Article-Nr.	Material	Availability	Supply
14360BC	BluLub	On request	3 m bars
14363	Ti-White	Stock item	3 m bars
14365C	Blue	On request	3 m bars

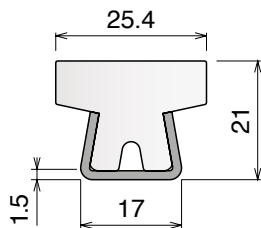
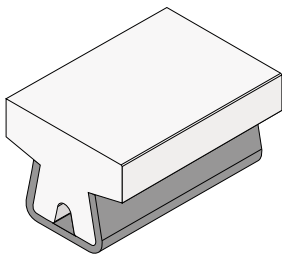


Materiale / Material / Materialien:
 Profilo metallico: Acciaio inox AISI 304
 Metal profile: Stainless steel AISI 304
 Metallprofil: Edelstahl AISI 304

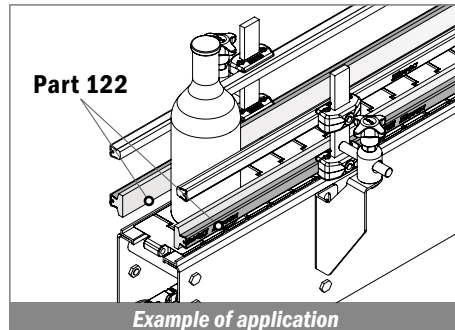
122 Guida conica / Guide rail / Konische Führung

Delivery: **Easy** Standard

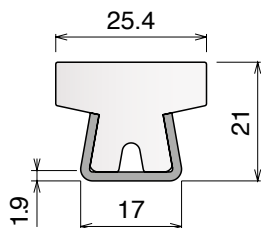
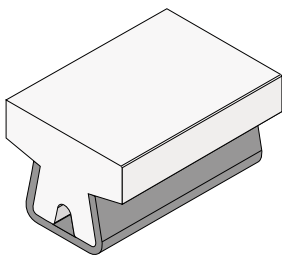
Stainless steel profile thickness: 1,5 mm



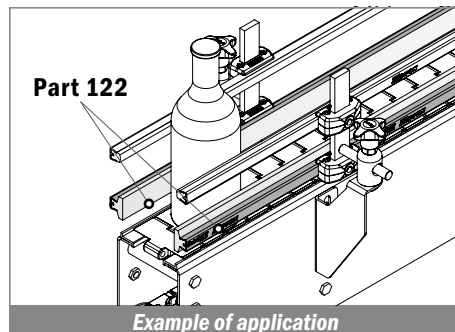
Article-Nr.	Material	Availability	Supply
12200BC	BluLub	On request	3 m bars
12201C	Ti-White	Stock item	3 m bars
12205C	Blue	On request	3 m bars
12201AC	AS	Stock item	3 m bars



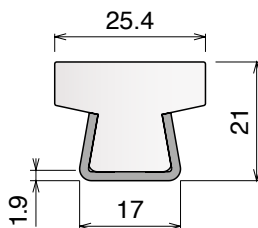
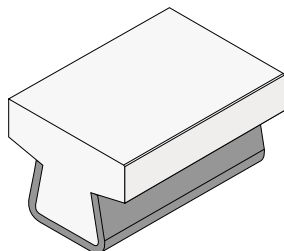
Stainless steel profile thickness: 1,9 mm



Article-Nr.	Material	Availability	Supply
12260BC	BluLub	On request	3 m bars
12263	Ti-White	Stock item	3 m bars
12263BLC	Blue	On request	3 m bars
12263A	AS	Stock item	3 m bars



Hygienic Version
NEW

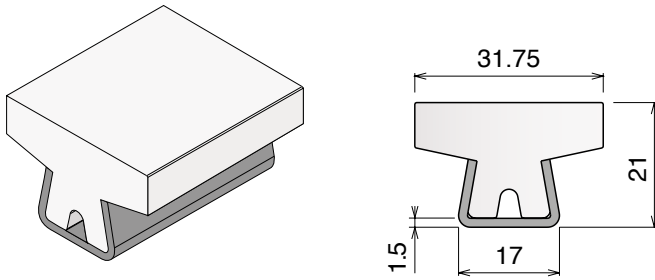


Article-Nr.	Material	Availability	Supply
12253B	BluLub	On request	3 m bars
12257B	BluLub	On request	6 m bars
12253	Ti-White	Stock item	3 m bars
12257	Ti-White	On request	6 m bars
12283	Blue	On request	3 m bars
12287	Blue	On request	6 m bars

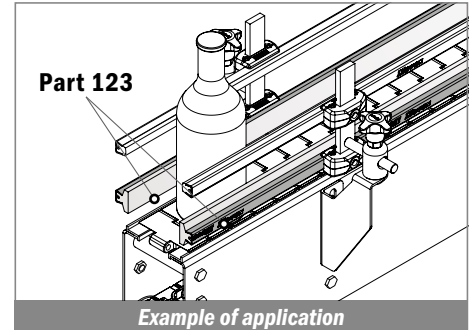
123 Guida conica / Guide rail / Konische Führung

Delivery: **Easy** Standard

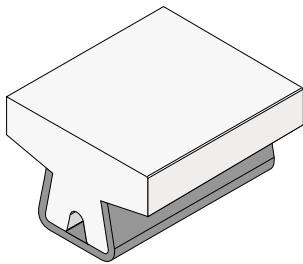
Stainless steel profile thickness: 1,5 mm



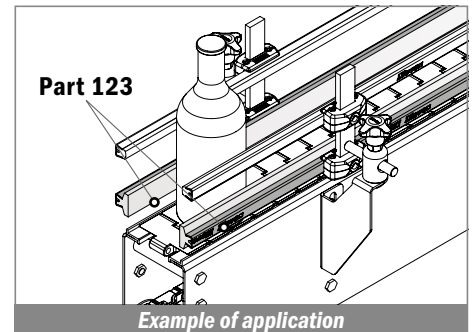
Article-Nr.	Material	Availability	Supply
12300BC	BluLub	On request	3 m bars
12301C	Ti-White	Stock item	3 m bars
12305C	Blue	On request	3 m bars
12301AC	AS	Stock item	3 m bars



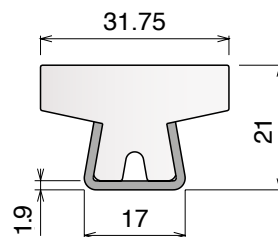
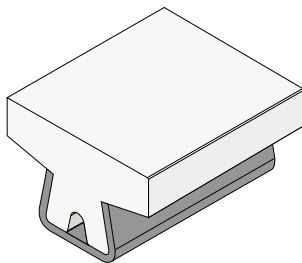
Stainless steel profile thickness: 1,9 mm



Article-Nr.	Material	Availability	Supply
12360BC	BluLub	On request	3 m bars
12363	Ti-White	Stock item	3 m bars
12363BLC	Blue	On request	3 m bars
12363A	AS	Stock item	3 m bars



Hygienic Version
NEW

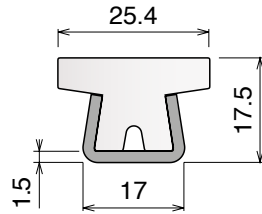
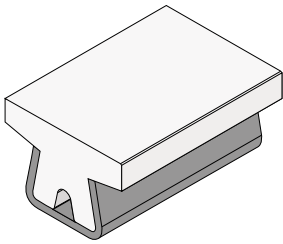


Article-Nr.	Material	Availability	Supply
12353B	BluLub	On request	3 m bars
12357B	BluLub	On request	6 m bars
12353	Ti-White	Stock item	3 m bars
12357	Ti-White	On request	6 m bars
12383	Blue	On request	3 m bars
12387	Blue	On request	6 m bars

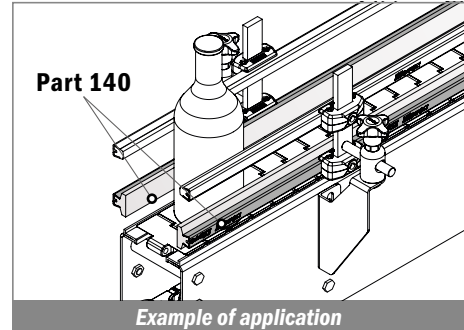
140 Guida conica / Guide rail / Konische Führung

Delivery: **Easy** **Standard**

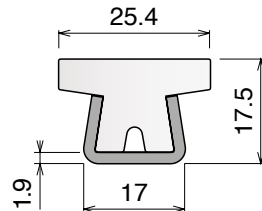
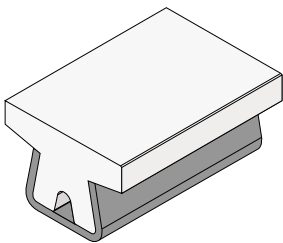
Stainless steel profile thickness: 1,5 mm



Article-Nr.	Material	Availability	Supply
14000BC	<i>BluLub</i>	On request	3 m bars
14001C	<i>Ti-White</i>	Stock item	3 m bars
14005C	Blue	On request	3 m bars



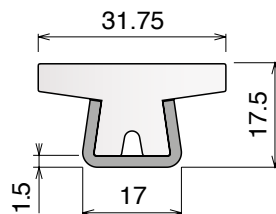
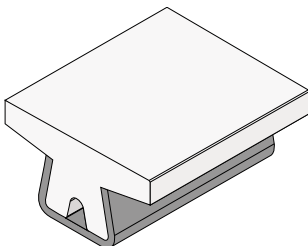
Stainless steel profile thickness: 1,9 mm



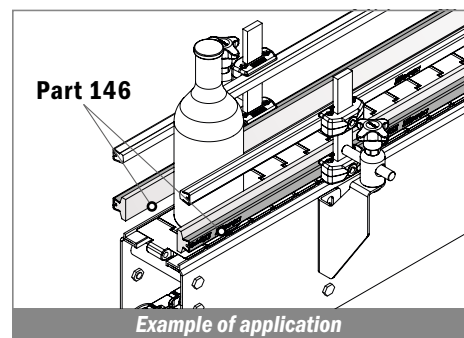
Article-Nr.	Material	Availability	Supply
14060BC	<i>BluLub</i>	On request	3 m bars
14063	<i>Ti-White</i>	Stock item	3 m bars
14063BLC	Blue	On request	3 m bars

146 Guida conica / Guide rail / Konische Führung

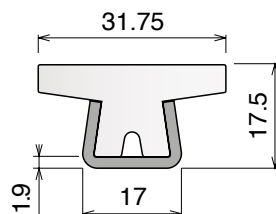
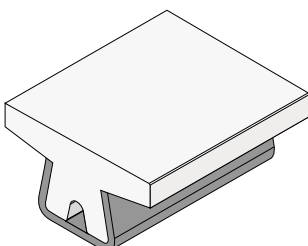
Stainless steel profile thickness: 1,5 mm



Article-Nr.	Material	Availability	Supply
14600BC	<i>BluLub</i>	On request	3 m bars
14601C	<i>Ti-White</i>	On request	3 m bars
14605C	Blue	On request	3 m bars



Stainless steel profile thickness: 1,9 mm

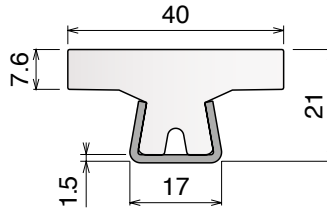
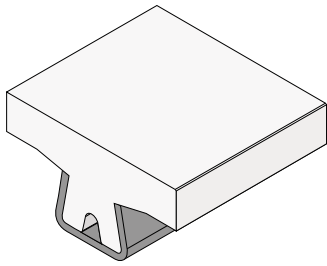


Article-Nr.	Material	Availability	Supply
14660BC	<i>BluLub</i>	On request	3 m bars
14663	<i>Ti-White</i>	On request	3 m bars
14663BLC	Blue	On request	3 m bars

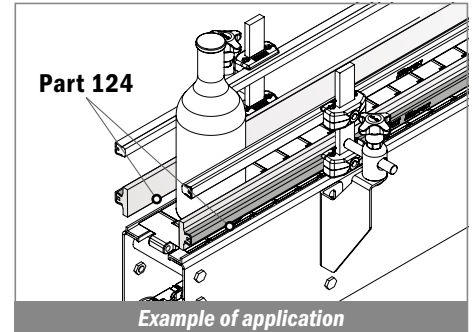
124 Guida conica / Guide rail / Konische Führung

Delivery: **Easy** **Standard**

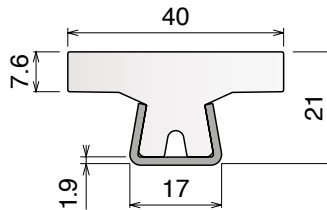
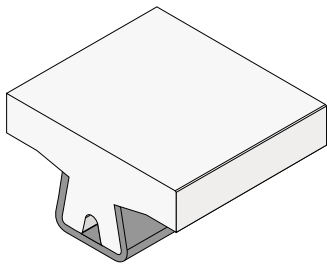
Stainless steel profile thickness: 1,5 mm



Article-Nr.	Material	Availability	Supply
12400BC	BluLub	On request	3 m bars
12401C	Ti-White	Stock item	3 m bars
12405C	Blue	On request	3 m bars
12401AC	AS	Stock item	3 m bars



Stainless steel profile thickness: 1,9 mm



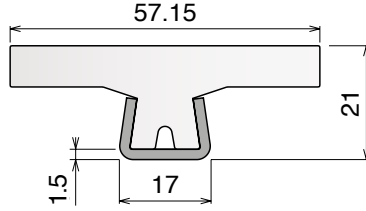
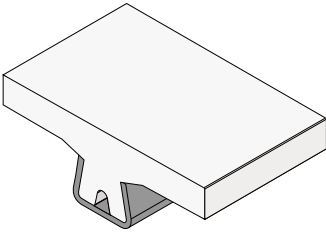
Article-Nr.	Material	Availability	Supply
12460BC	BluLub	On request	3 m bars
12463	Ti-White	Stock item	3 m bars
12463BLC	Blue	On request	3 m bars
12463A	AS	Stock item	3 m bars

Materiale / Material / Materialien:
 Profilo metallico: Acciaio inox AISI 304
 Metal profile: Stainless steel AISI 304
 Metallprofil: Edelstahl AISI 304

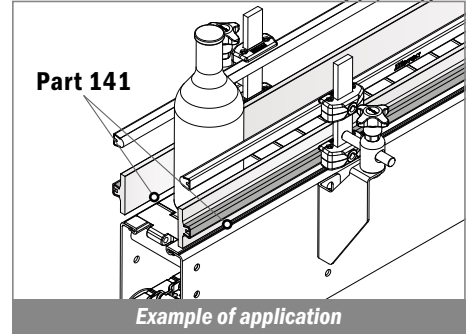
141 Guida conica / Guide rail / Konische Führung

Delivery: **Easy** **Standard**

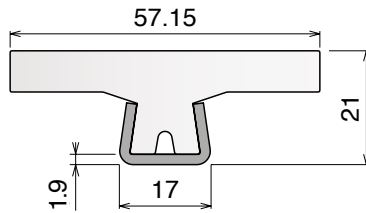
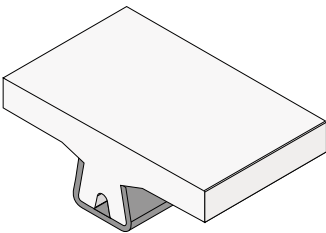
Stainless steel profile thickness: 1,5 mm



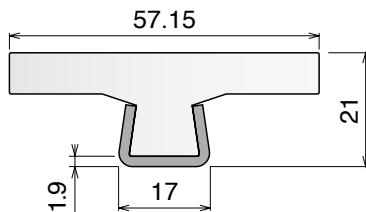
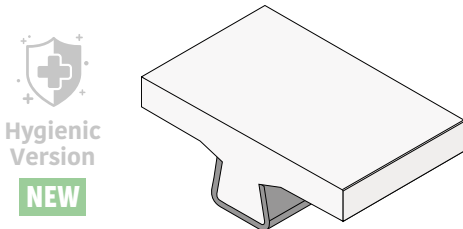
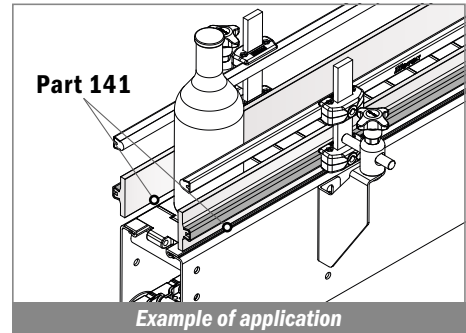
Article-Nr.	Material	Availability	Supply
14101BC	<i>BluLub</i>	On request	3 m bars
14101C	<i>Ti-White</i>	Stock item	3 m bars
14105C	Blue	On request	3 m bars
14101AC	<i>AS</i>	Stock item	3 m bars



Stainless steel profile thickness: 1,9 mm



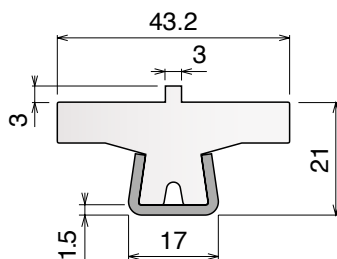
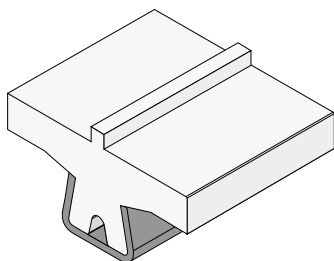
Article-Nr.	Material	Availability	Supply
14160BC	<i>BluLub</i>	On request	3 m bars
14163	<i>Ti-White</i>	Stock item	3 m bars
14163BLC	Blue	On request	3 m bars
14163A	<i>AS</i>	Stock item	3 m bars



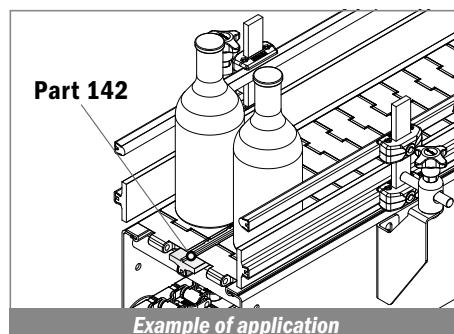
Article-Nr.	Material	Availability	Supply
14153B	<i>BluLub</i>	On request	3 m bars
14157B	<i>BluLub</i>	On request	6 m bars
14153	<i>Ti-White</i>	Stock item	3 m bars
14157	<i>Ti-White</i>	On request	6 m bars
14183	Blue	On request	3 m bars
14187	Blue	On request	6 m bars

142 Guida conica / Guide rail / Konische Führung

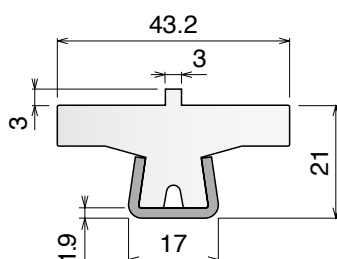
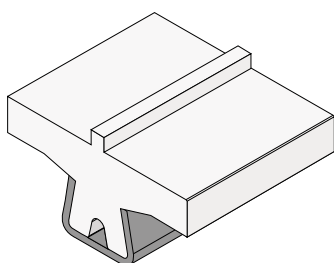
Stainless steel profile thickness: 1,5 mm



Article-Nr.	Material	Availability	Supply
14200BC	BluLub	On request	3 m bars
14201C	Ti-White	On request	3 m bars
14205C	Blue	On request	3 m bars



Stainless steel profile thickness: 1,9 mm

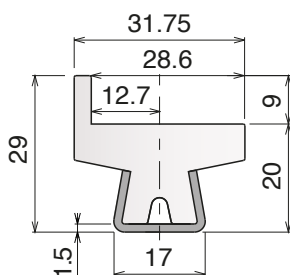
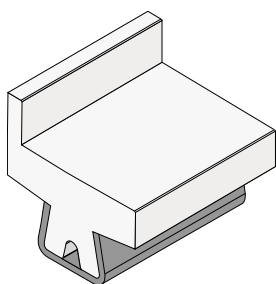


Article-Nr.	Material	Availability	Supply
14260BC	BluLub	On request	3 m bars
14263	Ti-White	On request	3 m bars
14263BLC	Blue	On request	3 m bars

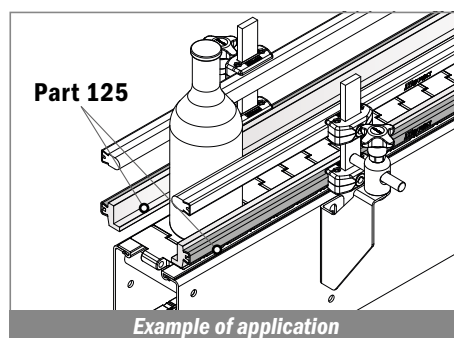
125 Guida conica / Guide rail / Konische Führung

Delivery: **Easy** Standard

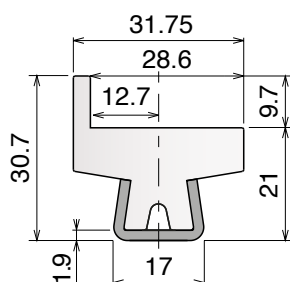
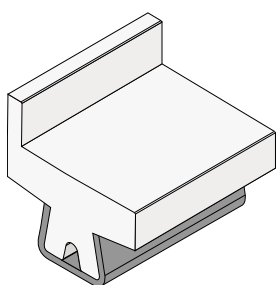
Stainless steel profile thickness: 1,5 mm



Article-Nr.	Material	Availability	Supply
12500BC	BluLub	On request	3 m bars
12501C	Ti-White	On request	3 m bars
12505C	Blue	On request	3 m bars



Stainless steel profile thickness: 1,9 mm

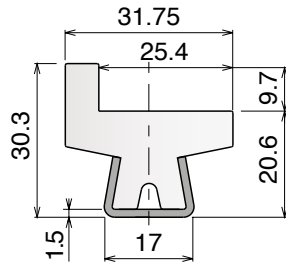
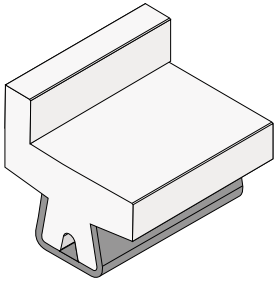


Article-Nr.	Material	Availability	Supply
12560BC	BluLub	On request	3 m bars
12563	Ti-White	Stock item	3 m bars
12563BLC	Blue	On request	3 m bars

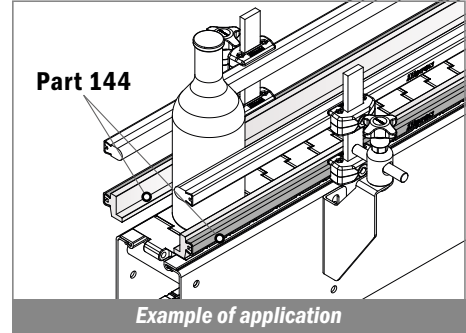
Materiale / Material / Materialien:
 Profilo metallico: Acciaio inox AISI 304
 Metal profile: Stainless steel AISI 304
 Metallprofil: Edelstahl AISI 304

144 Guida conica / Guide rail / Konische Führung

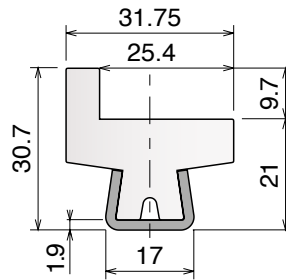
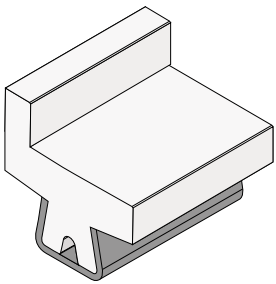
Stainless steel profile thickness: 1,5 mm



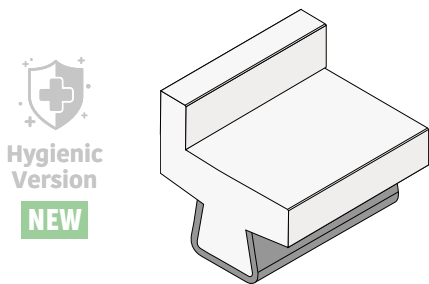
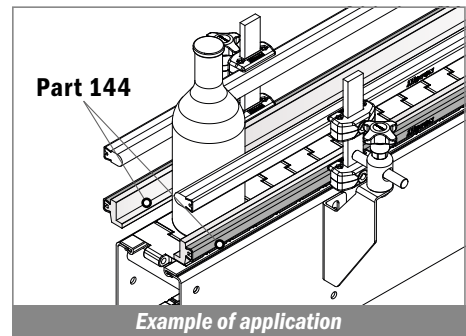
Article-Nr.	Material	Availability	Supply
14400BC	BluLub	On request	3 m bars
14401C	Ti-White	Stock item	3 m bars
14405C	Blue	On request	3 m bars



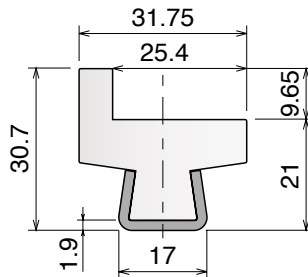
Stainless steel profile thickness: 1,9 mm



Article-Nr.	Material	Availability	Supply
14460BC	BluLub	On request	3 m bars
14463	Ti-White	Stock item	3 m bars
14463BLC	Blue	On request	3 m bars



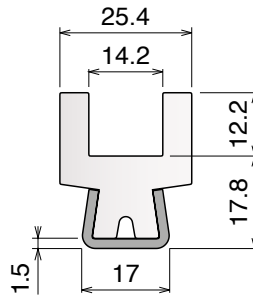
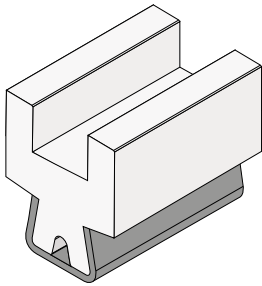
Hygienic Version
NEW



Article-Nr.	Material	Availability	Supply
14453B	BluLub	On request	3 m bars
14457B	BluLub	On request	6 m bars
14453	Ti-White	Stock item	3 m bars
14457	Ti-White	On request	6 m bars
14483	Blue	On request	3 m bars
14487	Blue	On request	6 m bars

145 Guida conica / Guide rail / Konische Führung

Stainless steel profile thickness: 1,5 mm

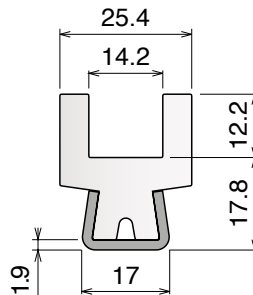
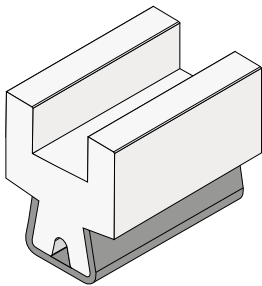


Article-Nr.	Material	Availability	Supply
14503C	BluLub	On request	3 m bars
14504C	Ti-White	On request	3 m bars
14505C	Blue	On request	3 m bars

Bendable profile, generally used with sideflexing belt 600 series.

Example of application

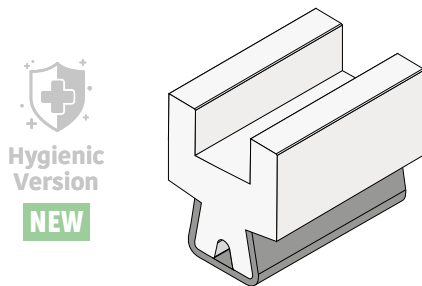
Stainless steel profile thickness: 1,9 mm



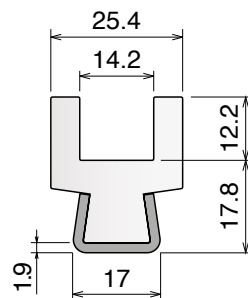
Article-Nr.	Material	Availability	Supply
14563	BluLub	On request	3 m bars
14564	Ti-White	On request	3 m bars
14565	Blue	On request	3 m bars

Bendable profile, generally used with sideflexing belt 600 series.

Example of application




 Hygienic Version
NEW



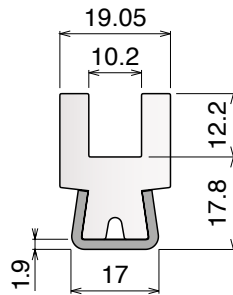
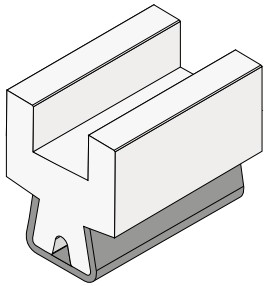
Article-Nr.	Material	Availability	Supply
14553B	BluLub	On request	3 m bars
14557B	BluLub	On request	6 m bars
14553	Ti-White	Stock item	3 m bars
14557	Ti-White	On request	6 m bars
14583	Blue	On request	3 m bars
14587	Blue	On request	6 m bars

Materiale / Material / Materialien:
 Profilo metallico: Acciaio inox AISI 304
 Metal profile: Stainless steel AISI 304
 Metallprofil: Edelstahl AISI 304

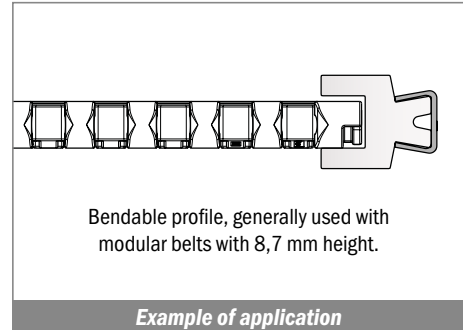
1087

Guida conica / Guide rail / Konische Führung

Stainless steel profile thickness: 1,9 mm



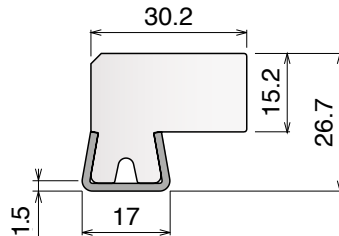
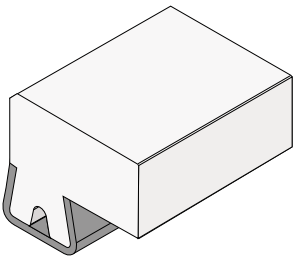
Article-Nr.	Material	Availability	Supply
108763	BluLub	On request	3 m bars
108764	Ti-White	On request	3 m bars
108765	Blue	On request	3 m bars



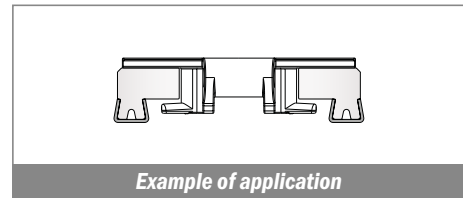
184

Guida conica / Guide rail / Konische Führung

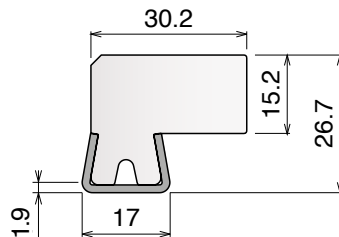
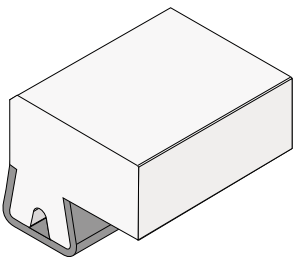
Stainless steel profile thickness: 1,5 mm



Article-Nr.	Material	Availability	Supply
18400BC	BluLub	On request	3 m bars
18401C	Ti-White	On request	3 m bars
18405C	Blue	On request	3 m bars



Stainless steel profile thickness: 1,9 mm



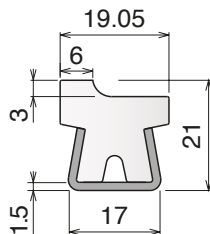
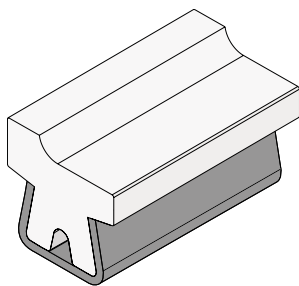
Article-Nr.	Material	Availability	Supply
18460BC	BluLub	On request	3 m bars
18463	Ti-White	On request	3 m bars
18463BLC	Blue	On request	3 m bars

191

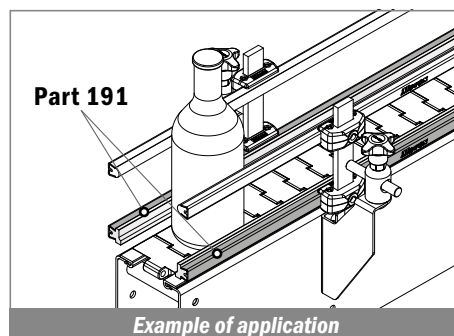
Guida conica / Guide rail / Konische Führung

Delivery: **Easy** Standard

Stainless steel profile thickness: 1,5 mm



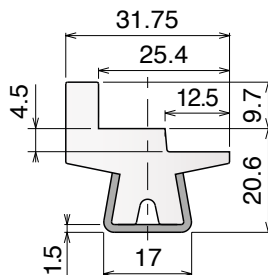
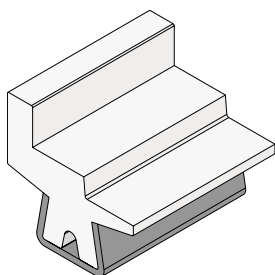
Article-Nr.	Material	Availability	Supply
19100BC	BluLub	On request	3 m bars
19101C	Ti-White	Stock item	3 m bars
19105C	Blue	On request	3 m bars



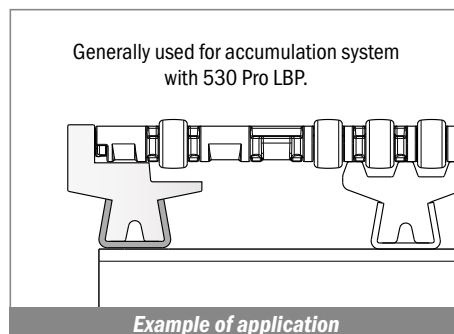
126

Guida conica / Guide rail / Konische Führung

Stainless steel profile thickness: 1,5 mm



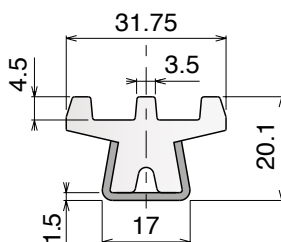
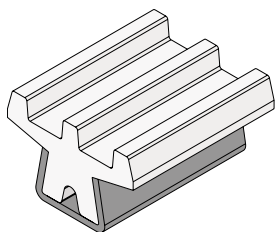
Article-Nr.	Material	Availability	Supply
12600BC	BluLub	On request	3 m bars
12601C	Ti-White	On request	3 m bars
12605C	Blue	On request	3 m bars



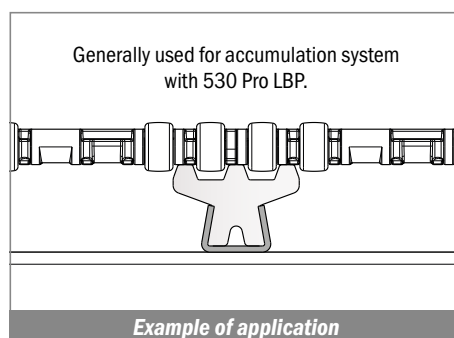
127

Guida conica / Guide rail / Konische Führung

Stainless steel profile thickness: 1,5 mm



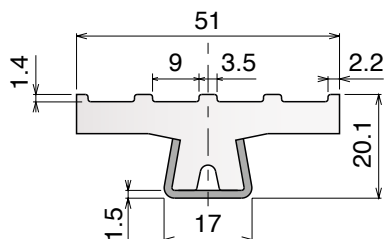
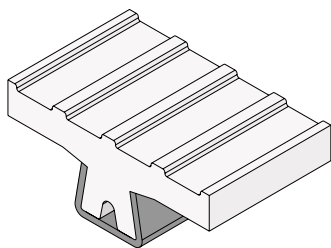
Article-Nr.	Material	Availability	Supply
12700BC	BluLub	On request	3 m bars
12701C	Ti-White	On request	3 m bars
12705C	Blue	On request	3 m bars



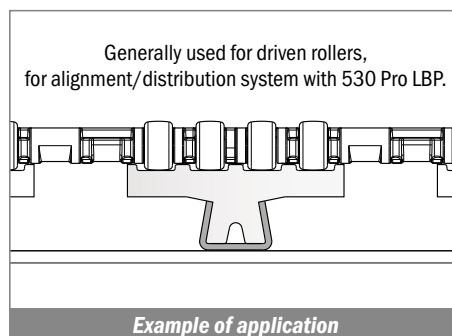
Materiale / Material / Materialien:
 Profilo metallico: Acciaio inox AISI 304
 Metal profile: Stainless steel AISI 304
 Metallprofil: Edelstahl AISI 304

128 Guida conica / Guide rail / Konische Führung

Stainless steel profile thickness: 1,5 mm

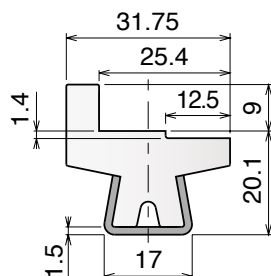
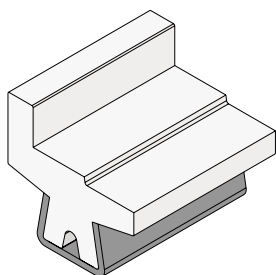


Article-Nr.	Material	Availability	Supply
12800BC	BluLub	On request	3 m bars
12801C	Ti-White	On request	3 m bars
12805C	Blue	On request	3 m bars

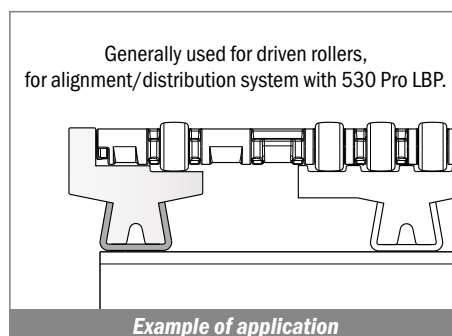


129 Guida conica / Guide rail / Konische Führung

Stainless steel profile thickness: 1,5 mm



Article-Nr.	Material	Availability	Supply
12900BC	BluLub	On request	3 m bars
12901C	Ti-White	On request	3 m bars
12905C	Blue	On request	3 m bars



198-199

Macchina curvatrice / Bending machine / Biegemaschine

Delivery: **Easy** **Standard**



Electric Bending machine

Article-Nr. **19848**

Dimension base: 665 x 740 mm
 Height: 1400 mm
 Approximate weight: 170 Kg
 Shafts diameter: 30 mm
 Rolls diameter: 137 mm
 Geared motor: HP 1
 Shafts speed: 9 RPM
 Steel frame
 Two forming rolls
 Steel shafts in special steel

Manual Bending machine

Article-Nr. **19999**

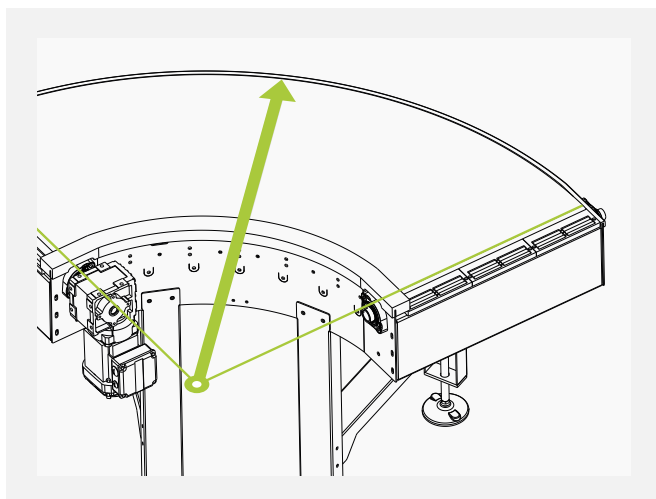


Dimension: 570 x 260 mm
 Approximate weight: 19 Kg
 Shafts diameter: 25 mm

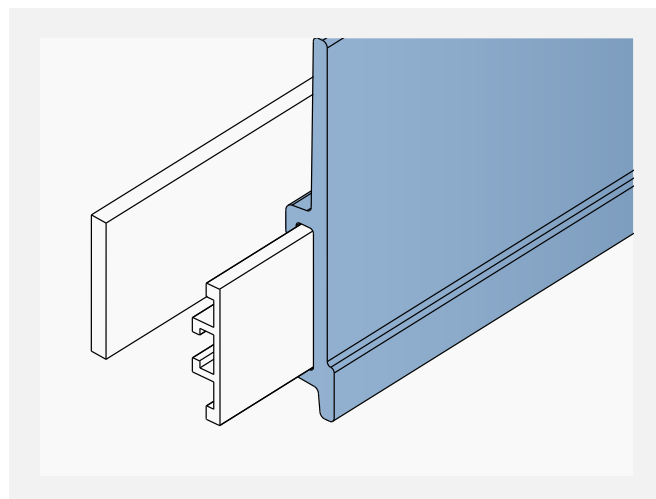
Height: 180 mm
 Steel frame

To achieve the correct curvature please follow below steps:

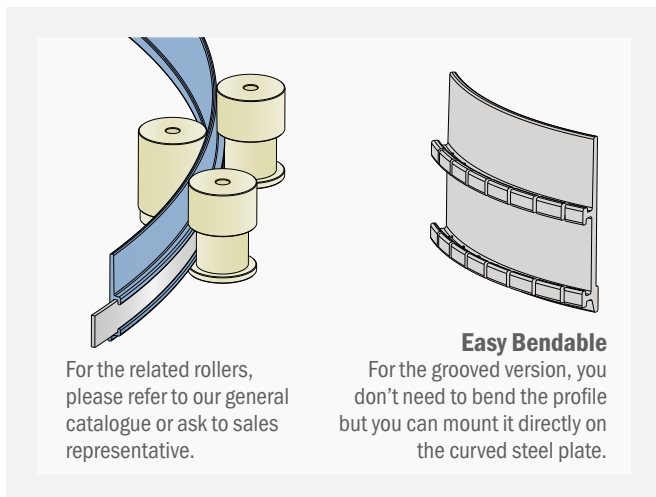
1 | Identify correct curve radius angle



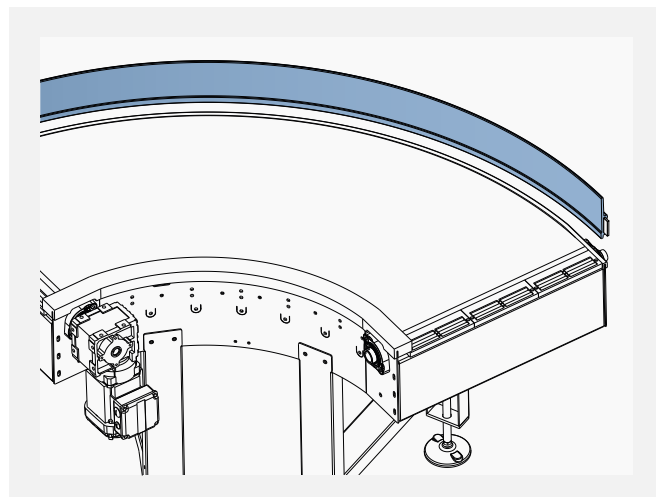
2 | Insert the plate into the profile



3 | Bend assembled profile



4 | Assemble the curved profile on the line



*For narrower profiles, bending operation can be done directly on the line, by hand.

151

Rulli per macchina curvatrice / Roller for bending machine / Rollen für Biegemaschine

Ø 25 mm Manual bending machine

Ø 30 mm Electric bending machine

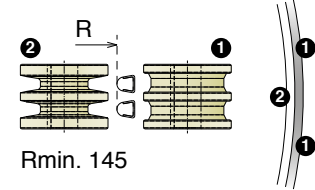
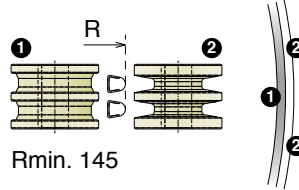


Internal curve

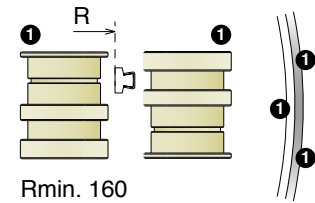
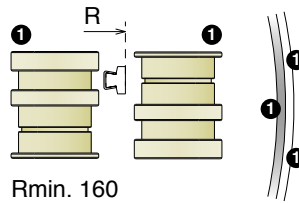
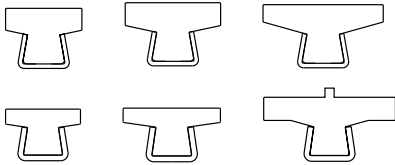


External curve

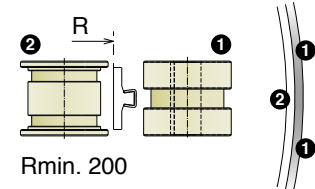
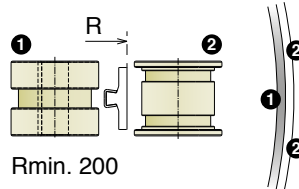
Article-Nr.	Ø (mm)	Suitable for Part.
15101	25	119 - 120 - 121 - 152
15101E	30	119 - 120 - 121 - 152



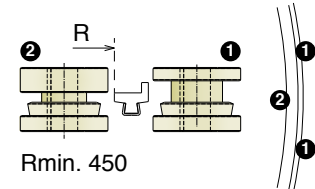
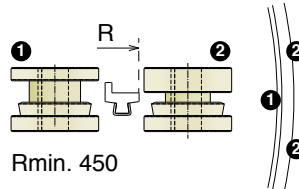
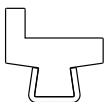
Article-Nr.	Ø (mm)	Suitable for Part.
15102	25	122 - 123 - 124 - 142 - 140 - 146
15102E	30	122 - 123 - 124 - 142 - 140 - 146



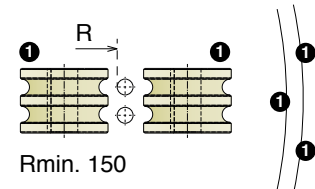
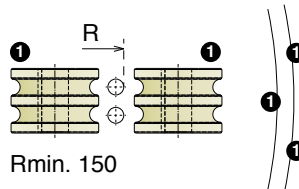
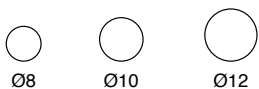
Article-Nr.	Ø (mm)	Suitable for Part.
15103	25	141
15103E	30	141



Article-Nr.	Ø (mm)	Suitable for Part.
15104	25	144
15104E	30	144



Article-Nr.	Ø (mm)	Suitable for Part.
15105	25	Ø8 - Ø10 - Ø12
15105E	30	Ø8 - Ø10 - Ø12



151

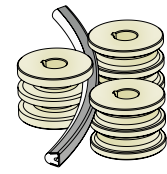
Rulli per macchina curvatrice / Roller for bending machine / Rollen für Biegemaschine

Ø 25 mm Manual bending machine

Ø 30 mm Electric bending machine

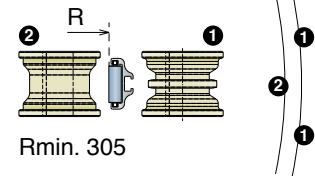
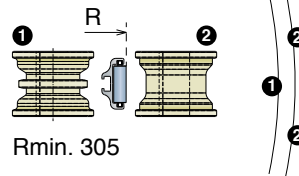


Internal curve

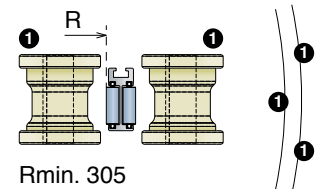
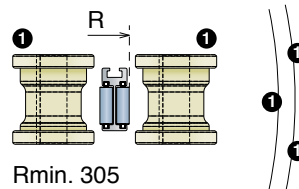


External curve

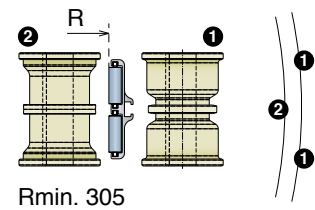
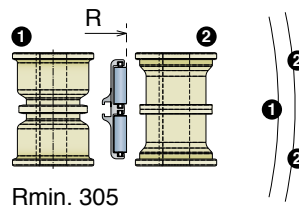
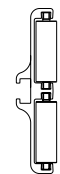
Article-Nr.	Ø (mm)	Suitable for Part.
15109	25	358
15109E	30	358



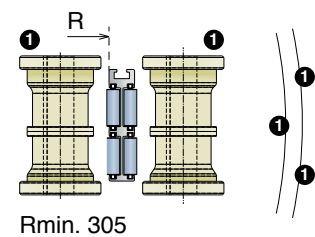
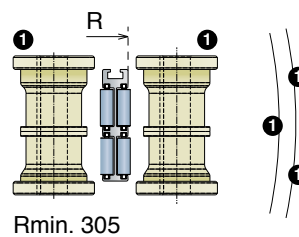
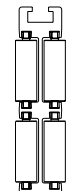
Article-Nr.	Ø (mm)	Suitable for Part.
15110	25	360
15110E	30	360



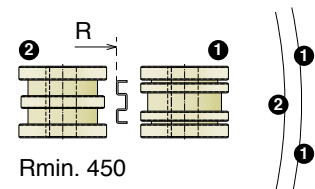
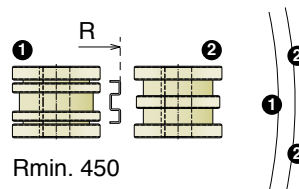
Article-Nr.	Ø (mm)	Suitable for Part.
15106	25	359
15106E	30	359



Article-Nr.	Ø (mm)	Suitable for Part.
15107	25	361
15107E	30	361

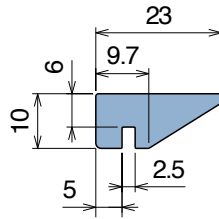
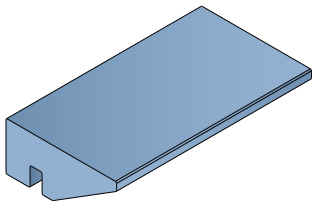


Article-Nr.	Ø (mm)	Suitable for Part.
15108	25	117
15108E	30	117

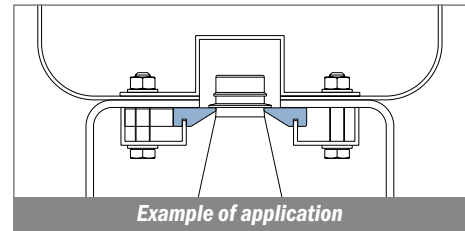


170 Guida collo / Neck guide / Nackenführung

Delivery: **Easy** **Standard** Fit on 2.5 mm

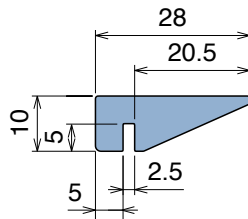
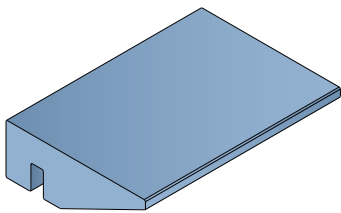


Article-Nr.	Material	Availability	Supply
17001B	BluLub	Stock item	3 m bars
17002B	BluLub	Stock item	6 m bars
17000B	BluLub	Stock item	30 m coils
17001	Ti-White	On request	3 m bars
17002	Ti-White	On request	6 m bars
17000	Ti-White	On request	30 m coils
17005C	Blue	On request	3 m bars
17005	Blue	On request	6 m bars
17005-30	Blue	On request	30 m coils

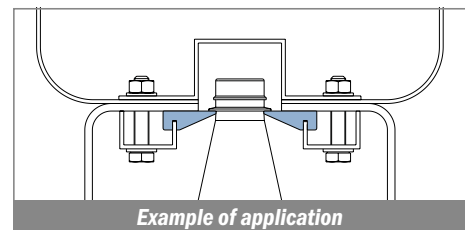


168 Guida collo / Neck guide / Nackenführung

Delivery: **Easy** **Standard** Fit on 2.5 mm

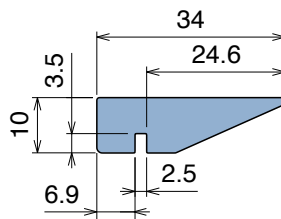
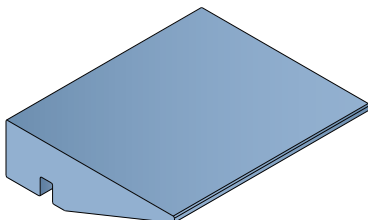


Article-Nr.	Material	Availability	Supply
16801B	BluLub	Stock item	3 m bars
16802B	BluLub	On request	6 m bars
16800B	BluLub	Stock item	30 m coils
16801	Ti-White	On request	3 m bars
16802	Ti-White	On request	6 m bars
16800	Ti-White	On request	30 m coils
16805C	Blue	On request	3 m bars
16805	Blue	On request	6 m bars
16805-30	Blue	On request	30 m coils

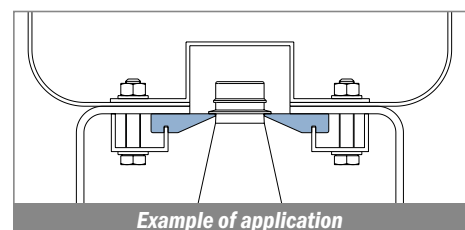


169 Guida collo / Neck guide / Nackenführung

Delivery: **Easy** **Standard** Fit on 2.5 mm

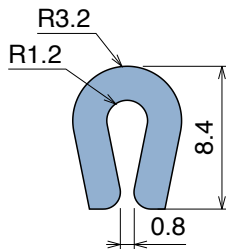
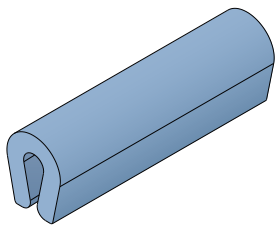


Article-Nr.	Material	Availability	Supply
16901B	BluLub	Stock item	3 m bars
16902B	BluLub	On request	6 m bars
16900B	BluLub	Stock item	30 m coils
16901	Ti-White	On request	3 m bars
16902	Ti-White	On request	6 m bars
16900	Ti-White	On request	30 m coils
16905C	Blue	On request	3 m bars
16905	Blue	On request	6 m bars
16905-30	Blue	On request	30 m coils

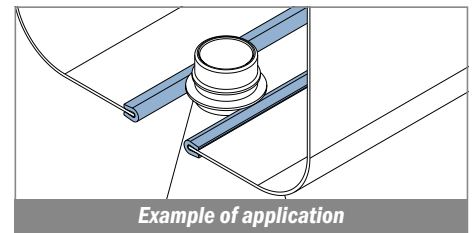


167 Guida collo / Neck guide / Nackenführung

Delivery: **Easy** **Standard** Fit on 1.8 - 2 mm

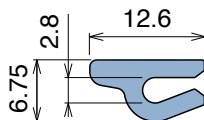
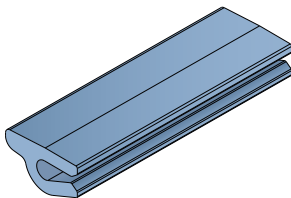


Article-Nr.	Material	Availability	Supply
16700BC	BluLub STABILIZED	Stock item	3 m bars
16700B	BluLub STABILIZED	On request	6 m bars
16700B-30	BluLub STABILIZED	Stock item	30 m coils
16700C	Ti-White	On request	3 m bars
16700	Ti-White	On request	6 m bars
16700-30	Ti-White	On request	30 m coils
16705C	Blue	On request	3 m bars
16705	Blue	On request	6 m bars
16705-30	Blue	On request	30 m coils

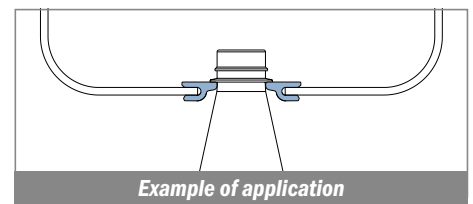


192 Guida collo / Neck guide / Nackenführung

Delivery: **Easy** **Standard** Fit on 1.8 - 2 mm

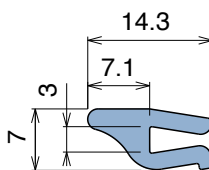
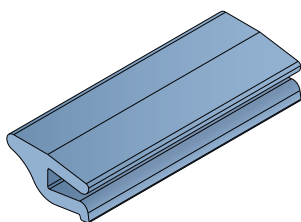


Article-Nr.	Material	Availability	Supply
19200B	BluLub STABILIZED	Stock item	30 m coils
19200	Ti-White	On request	30 m coils
19205	Blue	On request	30 m coils

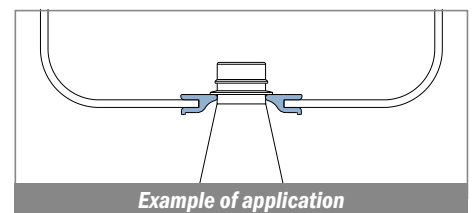


1062 Guida collo / Neck guide / Nackenführung

Delivery: **Easy** **Standard** Fit on 1.8 - 2 mm

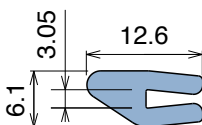
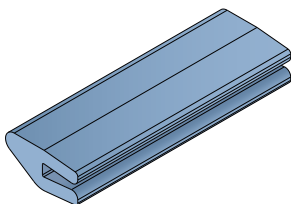


Article-Nr.	Material	Availability	Supply
106200B	BluLub STABILIZED	Stock item	30 m coils
106200	Ti-White	On request	30 m coils
106205	Blue	On request	30 m coils

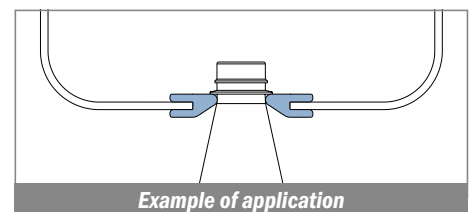


1072 Guida collo / Neck guide / Nackenführung

Delivery: **Easy** **Standard** Fit on 1.8 - 2 mm

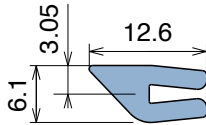
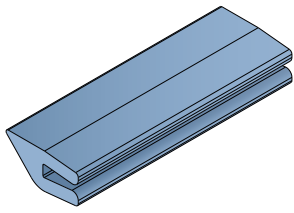


Article-Nr.	Material	Availability	Supply
107200B	BluLub STABILIZED	Stock item	30 m coils
107200	Ti-White	On request	30 m coils
107205	Blue	On request	30 m coils

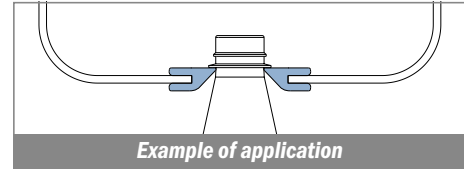


1073 Guida collo / Neck guide / Nackenführung

Delivery: **Easy** **Standard** Fit on 1.8 - 2 mm

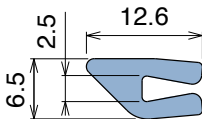
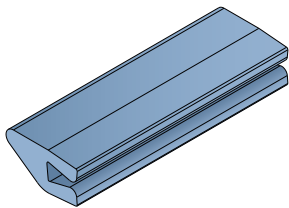


Article-Nr.	Material	Availability	Supply
107300B	BluLub STABILIZED	Stock item	30 m coils
107300	Ti-White	On request	30 m coils
107305	Blue	On request	30 m coils

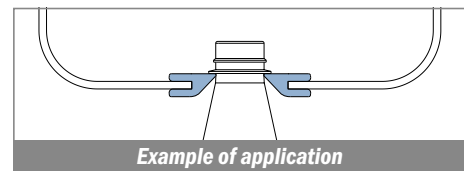


1076 Guida collo / Neck guide / Nackenführung

Delivery: **Easy** **Standard** Fit on 1.8 - 2 mm

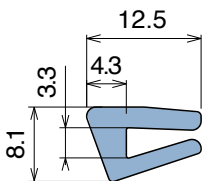
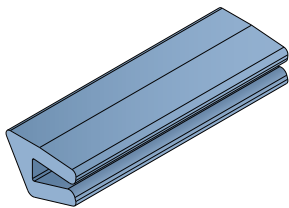


Article-Nr.	Material	Availability	Supply
107600B	BluLub STABILIZED	Stock item	30 m coils
107600	Ti-White	On request	30 m coils
107605	Blue	On request	30 m coils

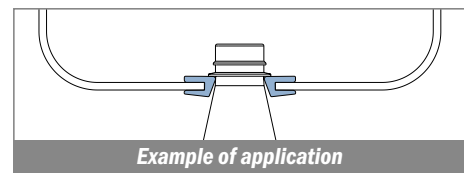


1037 Guida collo / Neck guide / Nackenführung

Delivery: **Easy** **Standard** Fit on 3 mm

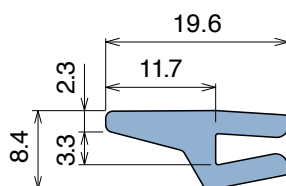
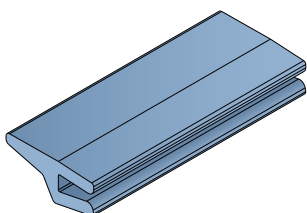


Article-Nr.	Material	Availability	Supply
103700B	BluLub STABILIZED	Stock item	30 m coils
103700	Ti-White	On request	30 m coils
103705	Blue	On request	30 m coils

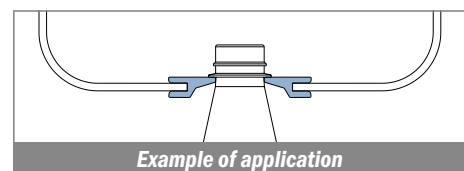


171 Guida collo / Neck guide / Nackenführung

Delivery: **Easy** **Standard** Fit on 3 mm

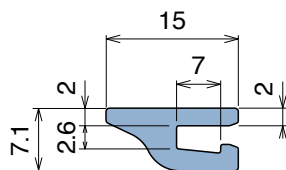
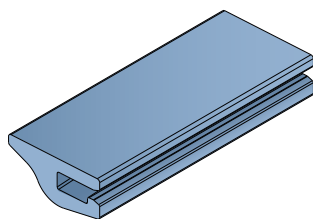


Article-Nr.	Material	Availability	Supply
17100B	BluLub STABILIZED	Stock item	30 m coils
17100	Ti-White	On request	30 m coils
17105	Blue	On request	30 m coils

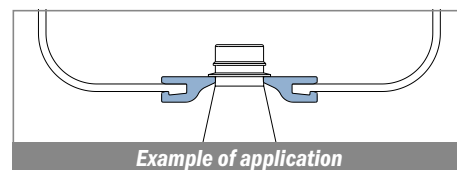


172 Guida collo / Neck guide / Nackenführung

Delivery: **Easy** **Standard** Fit on 3 mm

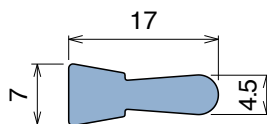
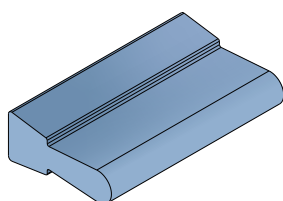


Article-Nr.	Material	Availability	Supply
17200B	BluLub STABILIZED	Stock item	30 m coils
17200	Ti-White	On request	30 m coils
17205	Blue	On request	30 m coils

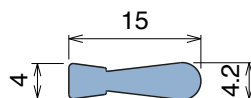


131 Profilo guida bottiglia / Plastic rail for bottle guide / Flaschenführungs Profil

Delivery: **Easy** **Standard**

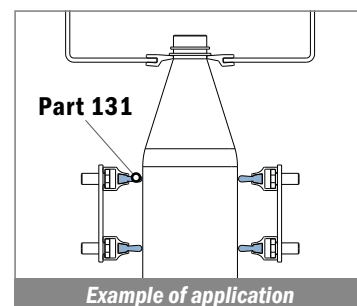


TYPE A



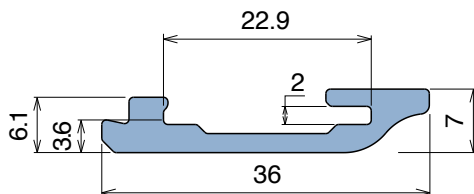
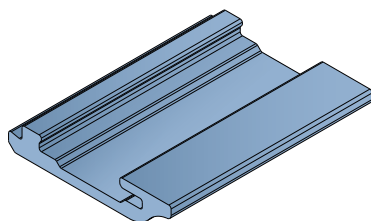
TYPE B

Article-Nr.	Type	Material	Availability	Supply
13101B	A	BluLub STABILIZED	Stock item	30 m coils
13102B	B	BluLub STABILIZED	Stock item	30 m coils
13106	A	Ti-White	On request	30 m coils
13107	B	Ti-White	On request	30 m coils
13108	A	Blue	On request	30 m coils
13109	B	Blue	On request	30 m coils
13101	A	Grey	Stock item	30 m coils
13102	B	Grey	Stock item	30 m coils

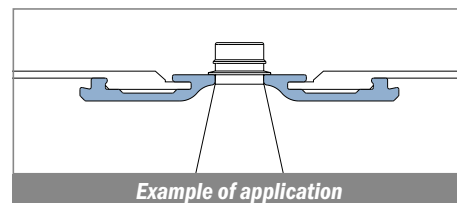


NEW 198 Guida collo / Neck guide / Nackenführung

Delivery: **Easy** **Standard** Fit on 2 mm



Article-Nr.	Material	Availability	Supply
19836B-30	BluLub STABILIZED	Stock item	30 m coils

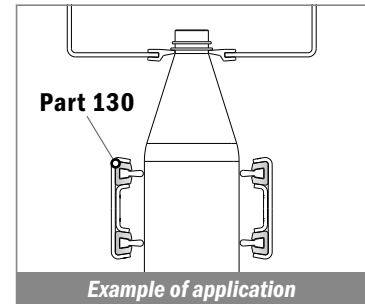
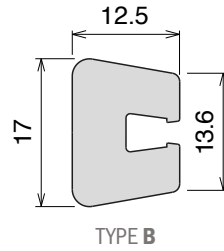
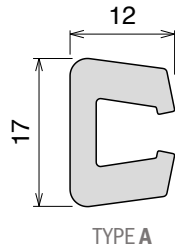
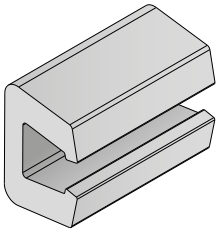


Materiale / Material / Materialien:
 Poliammide rinforzato
 Polyamide reinforced
 Verstärktes Polyamid

130 Profilo in alluminio / Aluminum rail / Aluminium Profil

Delivery: **Easy** **Standard**

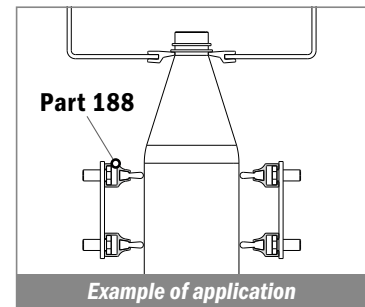
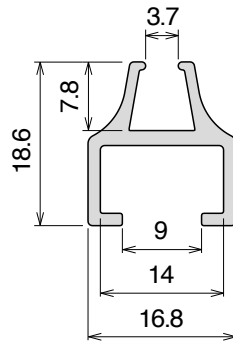
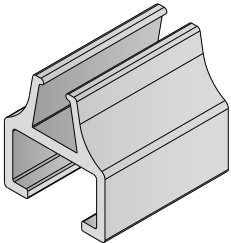
Article-Nr.	Type	Availability	Supply
13001C	A	Stock item	3 m bars
13001	A	On request	6 m bars
13002C	B	On request	3 m bars



188 Profilo in alluminio / Aluminum rail / Aluminium Profil

Delivery: **Easy** **Standard**

Article-Nr.	Availability	Supply
18801C	Stock item	3 m bars
18801	Stock item	6 m bars



Used with
Part 362 Page 558
 and **Part 1097** Page 578



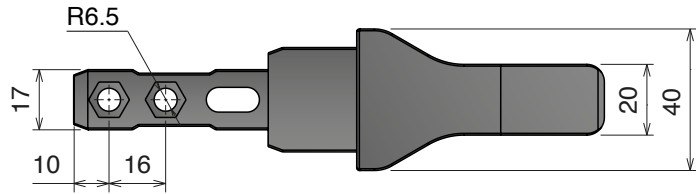
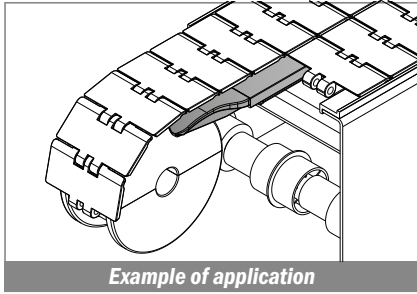
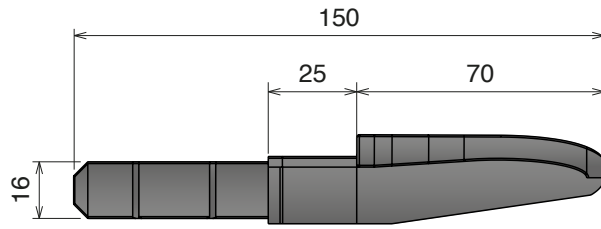
113

Pattino guida catena, centrale / Central wear strip shoe / Zentraler Einlaufschuh

Delivery: **Easy** **Standard** Used with Part 112 Page 425

Article-Nr.	Colour	Availability
-------------	--------	--------------

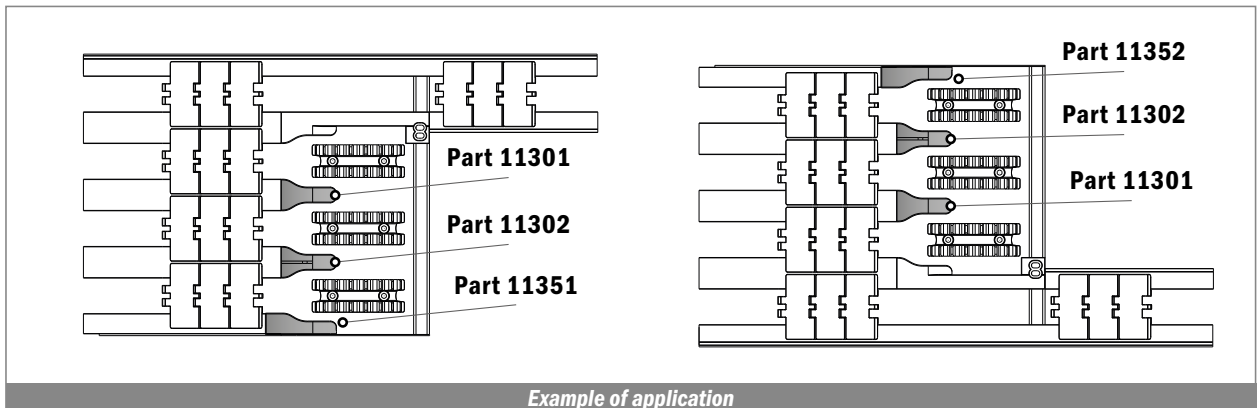
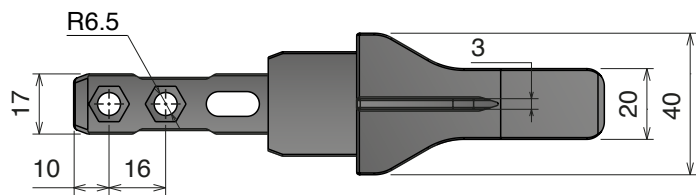
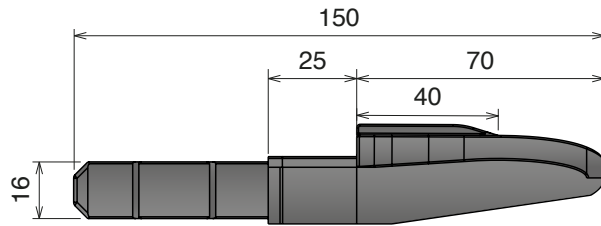
11301	Black	On request
-------	-------	------------



CON NERVATURA / WITH NOSE / MIT NASE

Article-Nr.	Colour	Availability
-------------	--------	--------------

11302	Black	On request
-------	-------	------------



Materiale / Material / Materialien:
 Poliammide rinforzato
 Polyamide reinforced
 Verstärktes Polyamid

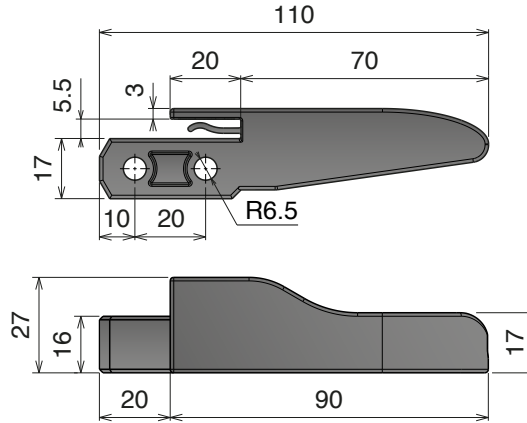
113 Pattino guida catena, laterale / Lateral wear strip shoe / Seitlicher Einlaufschuh

Delivery: **Easy** **Standard**

Article-Nr. Colour Availability

11351 Black On request

VERSION LEFT

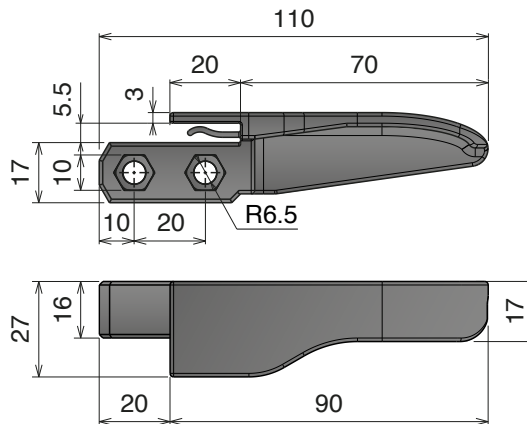


VERSION RIGHT



Article-Nr. Colour Availability

11352 Black On request



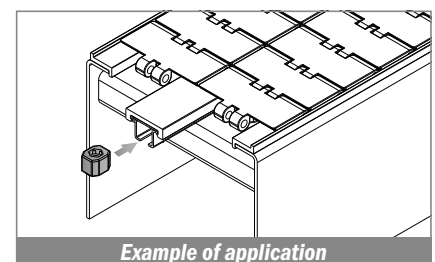
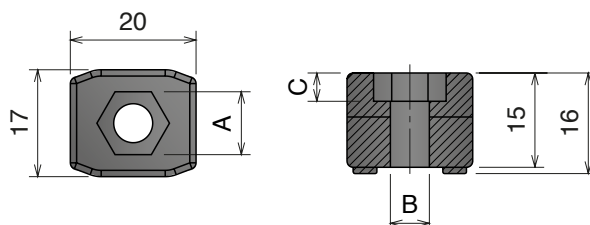
114 Blocchetto fissaggio / Fixing clamp / Fixierblock

Delivery: **Easy** **Standard** Used with Part 112 Page 425

Article-Nr. A B C Colour Availability

11401 10 6,2 4,5 Black On request

11402 13 8,2 6 Black On request



116

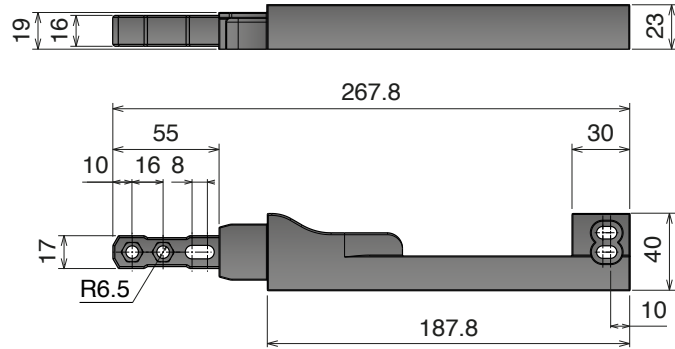
Pattino guida catena, laterale / Side transfer guide shoe / Seitlicher Transfer Schuh

Delivery: **Easy** **Standard** Used with Part 112 Page 425

Article-Nr.	Colour	Availability
-------------	--------	--------------

11651	Black	On request
--------------	-------	------------

VERSION LEFT

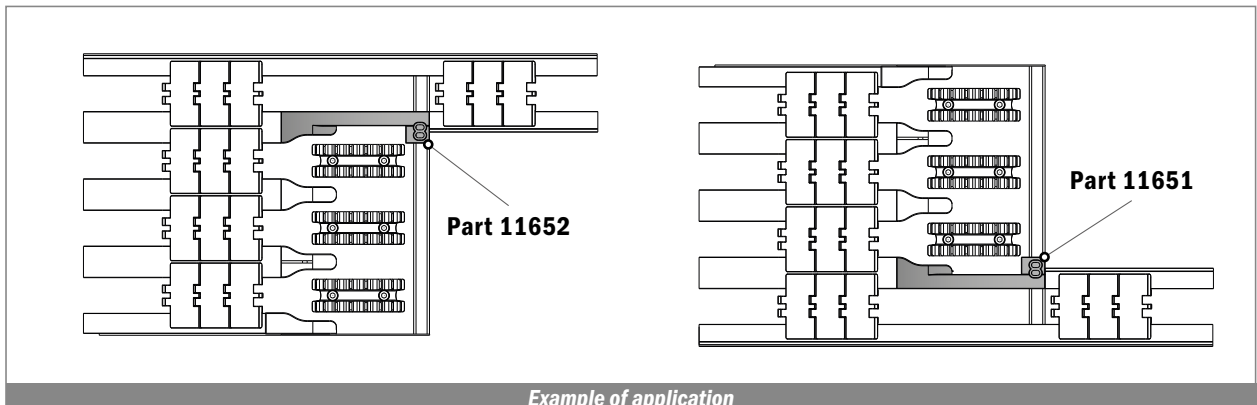
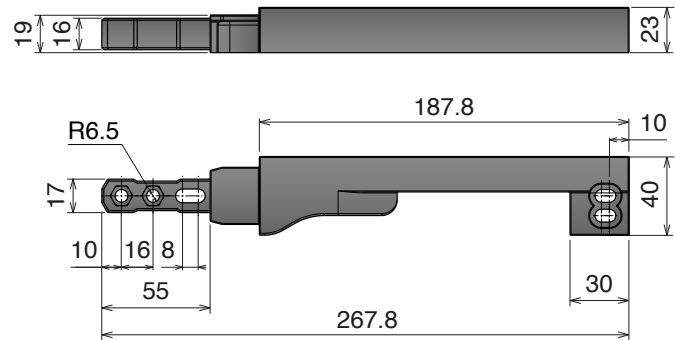


VERSION RIGHT



Article-Nr.	Colour	Availability
-------------	--------	--------------

11652	Black	On request
--------------	-------	------------



Example of application

Materiale / Material / Materialien:
 Poliammide rinforzato
 Polyamide reinforced
 Verstärktes Polyamid

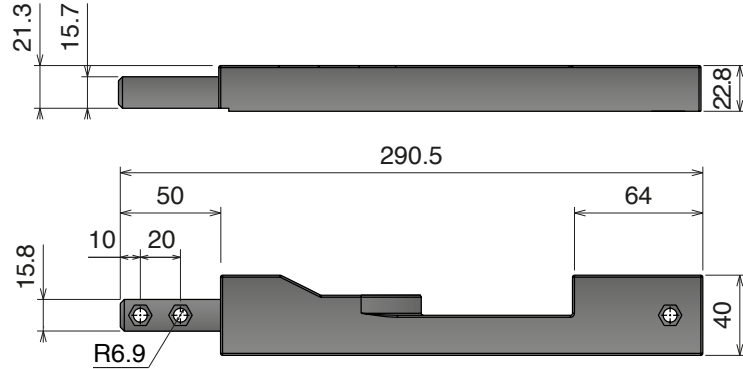
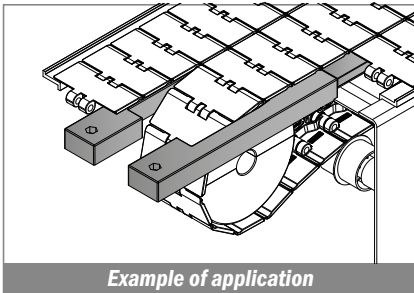
116

Pattino guida catena, laterale / Side transfer guide shoe / Seitlicher Tranferschuh

Delivery: **Easy** **Standard** Used with Part 112 Page 425

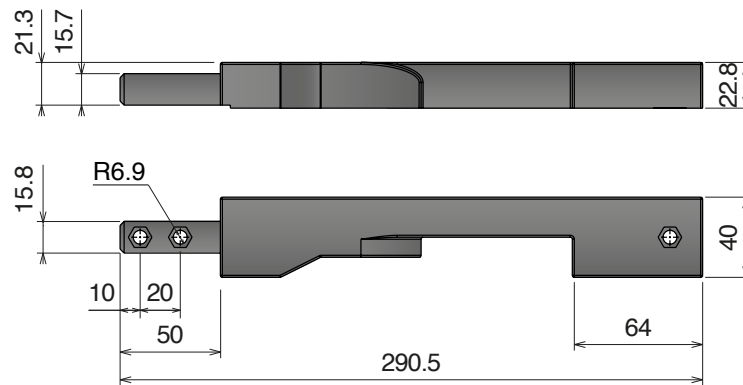
Article-Nr.	Colour	Availability
11601	Black	On request

VERSION LEFT



VERSION RIGHT

Article-Nr.	Colour	Availability
11602	Black	On request

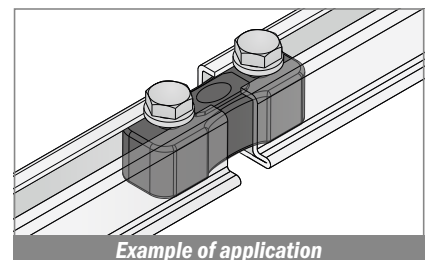
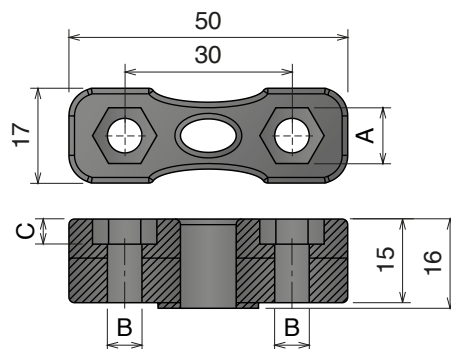


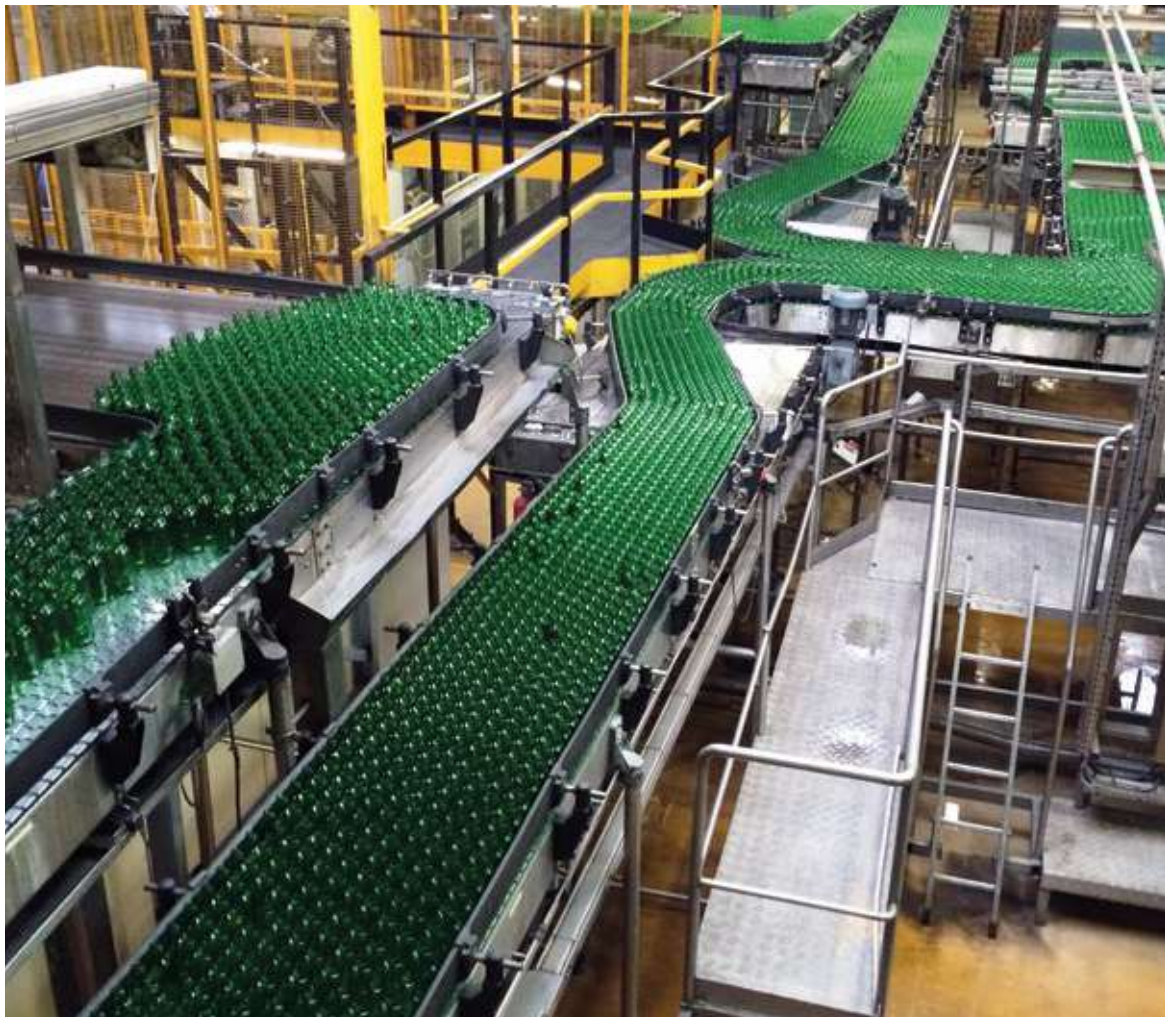
115

Blocchetto giunzione / Connecting element / Verbindungselement

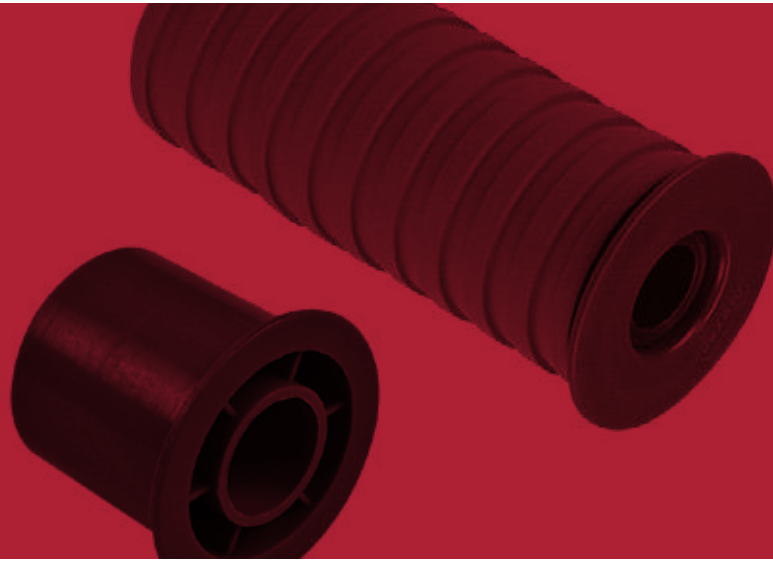
Delivery: **Easy** **Standard** Used with Part 112 Page 425

Article-Nr.	A	B	C	Colour	Availability
11501	10	6,2	4,5	Black	On request
11502	13	8,2	6	Black	On request





497



219 - Ø40  Page 498	220 - Ø47  Page 498	201 - Ø50  Page 499	203 - Ø57  Page 499	202 - Ø60  Page 500	204 - Ø67  Page 500
222 - Ø40  Page 501	223 - Ø47  Page 501	224 - Ø50  Page 502	225 - Ø57  Page 502	226 - Ø60  Page 503	227 - Ø67  Page 503
208  Page 504	209  Page 504	210  Page 504	211  Page 504	232  Page 505	236  Page 505
237  Page 505	207  Page 506	233  Page 506	213  Page 506	221  Page 507	215  Page 507
217  Page 507	218  Page 508	230  Page 508	231  Page 508		

Return components

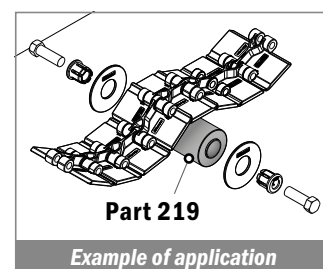
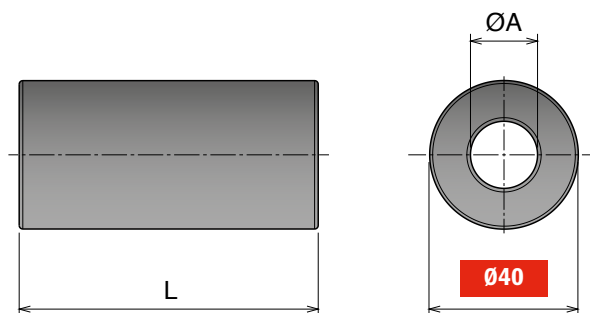
219 Rullini di ritorno D=40 mm Return roller D=40 mm / Rückführrolle D=40 mm

WATERTIGHT

Delivery: **Easy** **Standard**



Part	Article-Nr.	L	ØA
219	21951	41	16
219	21952	41	18
219	21953	41	20
219	21901	82,5	16
219	21902	82,5	18
219	21903	82,5	20
219	21911	84,5	16
219	21912	84,5	18
219	21913	84,5	20
219	21964	116	12
219	21961	116	16
219	21962	116	18
219	21963	116	20



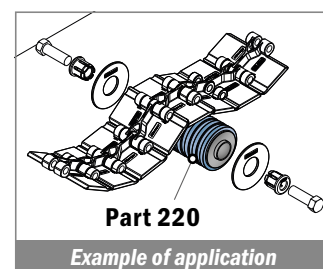
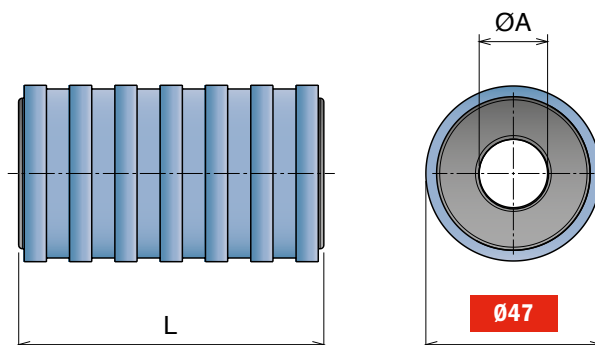
220 Rullini di ritorno gommati D=47 mm Return roller with rubber D=47 mm / Rückführrolle gummiert D=47 mm

WATERTIGHT

Delivery: **Easy** **Standard**



Part	Article-Nr.	L	ØA
220	22051	41	16
220	22052	41	18
220	22053	41	20
220	22001	82,5	16
220	22002	82,5	18
220	22003	82,5	20
220	22011	84,5	16
220	22012	84,5	18
220	22013	84,5	20
220	22064	116	12
220	22061	116	16
220	22062	116	18
220	22063	116	20



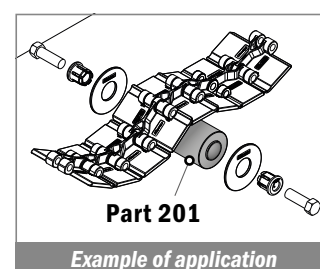
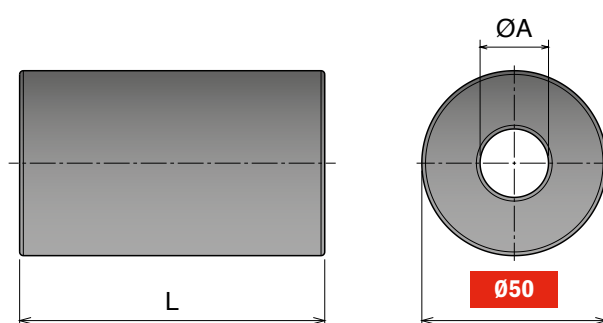
Materiale / Material / Materialien:
 Rullino: Polietilene (PE)/Roller: Polyethylene (PE)
 Rückführrolle Polyäthylen (PE)
 Gomma: TPR / Rubber: TPR / Gummi: TPR

201 Rullini di ritorno D=50 mm Return roller D=50 mm / Rückführrolle D=50 mm

WATERTIGHT

Delivery: **Easy** **Standard**

Part	Article-Nr.	L	ØA
201	20151	41	16
201	20152	41	18
201	20153	41	20
201	20101	82,5	16
201	20102	82,5	18
201	20103	82,5	20
201	20111	84,5	16
201	20112	84,5	18
201	20113	84,5	20
201	20164	116	12
201	20161	116	16
201	20162	116	18
201	20163	116	20

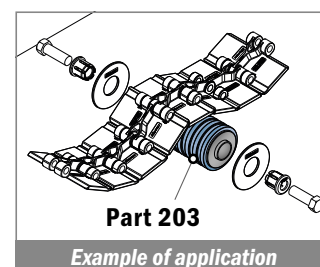
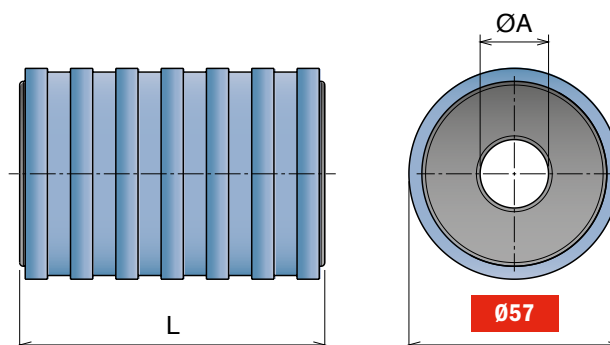


203 Rullini di ritorno gommati D=57 mm Return roller with rubber D=57 mm / Rückführrolle gummiert D=57 mm

WATERTIGHT

Delivery: **Easy** **Standard**

Part	Article-Nr.	L	ØA
203	20351	41	16
203	20352	41	18
203	20353	41	20
203	20301	82,5	16
203	20302	82,5	18
203	20303	82,5	20
203	20311	84,5	16
203	20312	84,5	18
203	20313	84,5	20
203	20364	116	12
203	20361	116	16
203	20362	116	18
203	20363	116	20



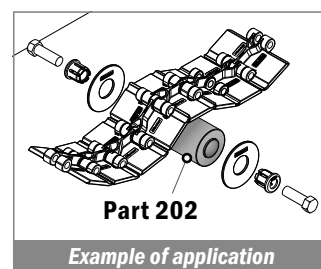
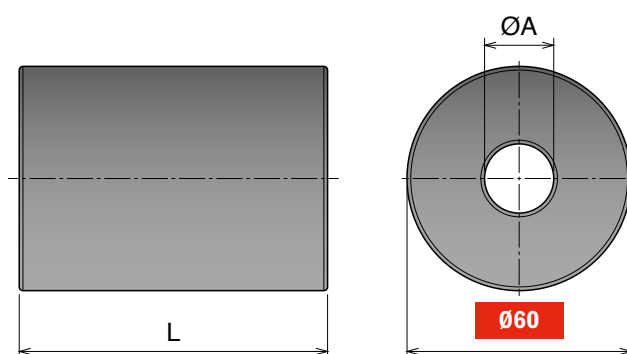
202 Rullini di ritorno D=60 mm Return roller D=60 mm / Rückführrolle D=60 mm

WATERTIGHT

Delivery: **Easy** **Standard**



Part	Article-Nr.	L	ØA
202	20251	41	16
202	20252	41	18
202	20253	41	20
202	20201	82,5	16
202	20202	82,5	18
202	20203	82,5	20
202	20211	84,5	16
202	20212	84,5	18
202	20213	84,5	20
202	20264	116	12
202	20261	116	16
202	20262	116	18
202	20263	116	20



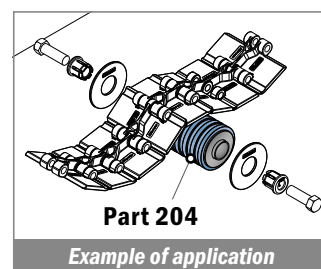
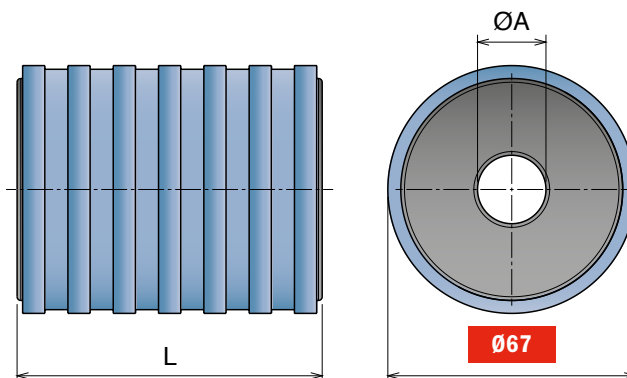
204 Rullini di ritorno gommati D=67 mm Return roller with rubber D=67 mm / Rückführrolle gummiert D=67 mm

WATERTIGHT

Delivery: **Easy** **Standard**



Part	Article-Nr.	L	ØA
204	20451	41	16
204	20452	41	18
204	20453	41	20
204	20401	82,5	16
204	20402	82,5	18
204	20403	82,5	20
204	20411	84,5	16
204	20412	84,5	18
204	20413	84,5	20
204	20464	116	12
204	20461	116	16
204	20462	116	18
204	20463	116	20



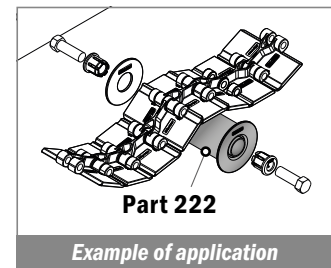
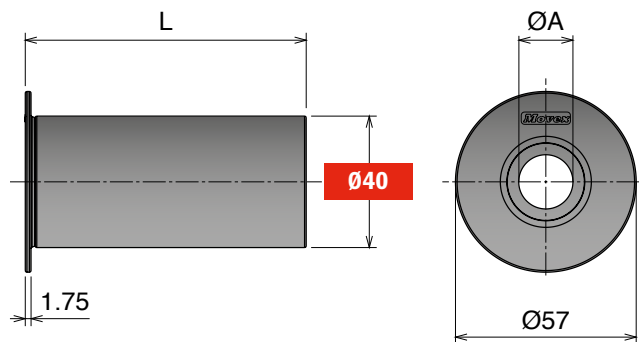
Materiale / Material / Materialien:
 Rullino: Polietilene (PE)/Roller: Polyethylene (PE)
 Rückführrolle Polyäthylen (PE)
 Gomma: TPR / Rubber: TPR / Gummi: TPR

222 Rullini di ritorno flangiati D=40 mm Return roller with flange D=40 mm / Rückführrolle mit Seitenscheibe D=40 mm

WATERTIGHT

Delivery: **Easy** **Standard**

Part	Article-Nr.	L	ØA
222	22251	43	16
222	22252	43	18
222	22253	43	20
222	22201	85,5	16
222	22202	85,5	18
222	22203	85,5	20
222	22211	87,5	16
222	22212	87,5	18
222	22213	87,5	20
222	22264	119	12
222	22261	119	16
222	22262	119	18
222	22263	119	20

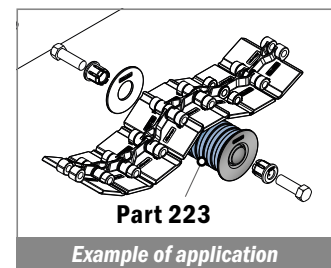
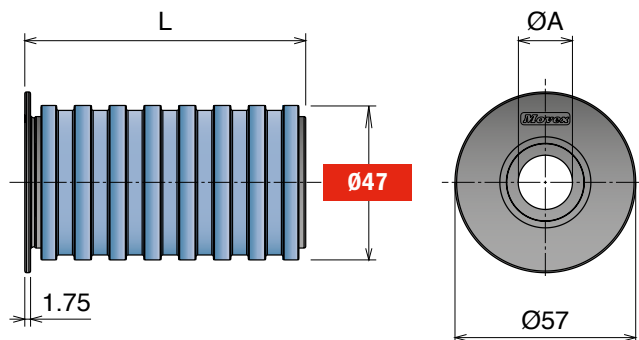


223 Rullini di ritorno flangiati gommati D=47 mm Return roller with flange and rubber D=47 mm / Rückführrolle gummiert mit Seitenscheibe D=47 mm

WATERTIGHT

Delivery: **Easy** **Standard**

Part	Article-Nr.	L	ØA
223	22351	43	16
223	22352	43	18
223	22353	43	20
223	22301	85,5	16
223	22302	85,5	18
223	22303	85,5	20
223	22311	87,5	16
223	22312	87,5	18
223	22313	87,5	20
223	22364	119	12
223	22361	119	16
223	22362	119	18
223	22363	119	20



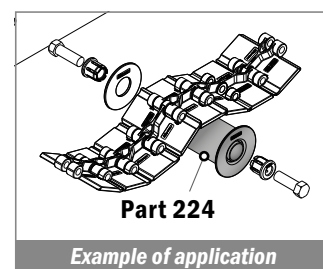
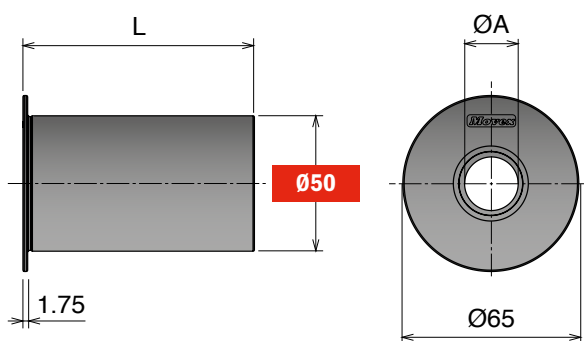
224 Rullini di ritorno flangiati D=50 mm Return roller with flange D=50 mm / Rückführrolle mit Seitenscheibe D=50 mm



Delivery: **Easy** **Standard**



Part	Article-Nr.	L	ØA
224	22451	43	16
224	22452	43	18
224	22453	43	20
224	22401	85,5	16
224	22402	85,5	18
224	22403	85,5	20
224	22411	87,5	16
224	22412	87,5	18
224	22413	87,5	20
224	22464	119	12
224	22461	119	16
224	22462	119	18
224	22463	119	20



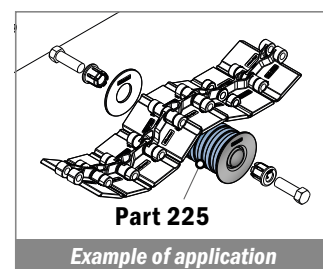
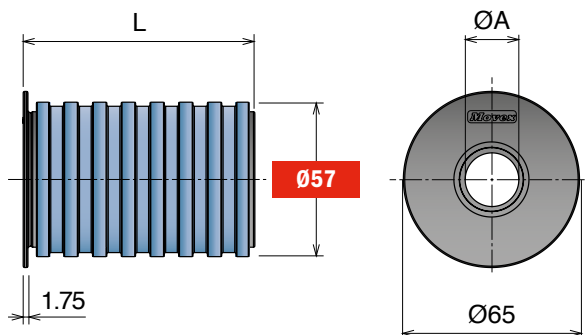
225 Rullini di ritorno flangiati gommati D=57 mm Return roller with flange and rubber D=57 mm / Rückführrolle gummiert mit Seitenscheibe D=57 mm



Delivery: **Easy** **Standard**



Part	Article-Nr.	L	ØA
225	22551	43	16
225	22552	43	18
225	22553	43	20
225	22501	85,5	16
225	22502	85,5	18
225	22503	85,5	20
225	22511	87,5	16
225	22512	87,5	18
225	22513	87,5	20
225	22564	119	12
225	22561	119	16
225	22562	119	18
225	22563	119	20

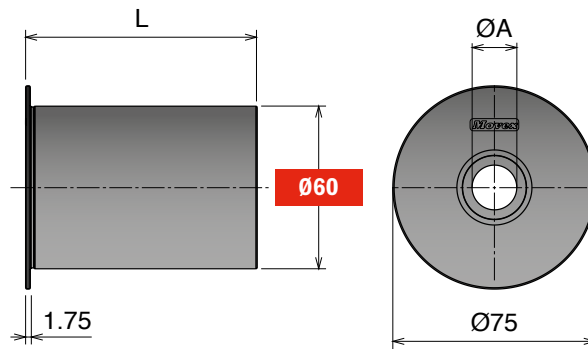
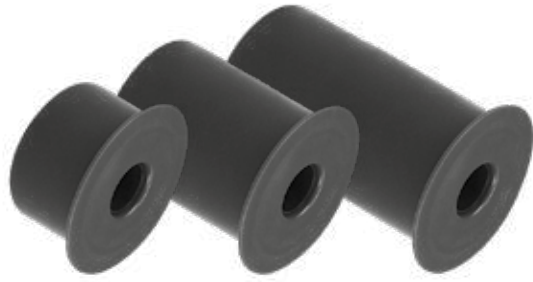


Materiale / Material / Materialien:
 Rullino: Polietilene (PE)/Roller: Polyethylene (PE)
 Rückführrolle Polyäthylen (PE)
 Gomma: TPR / Rubber: TPR / Gummi: TPR

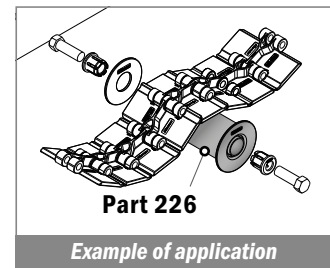
226 Rullini di ritorno flangiati D=60 mm Return roller with flange D=60 mm / Rückführrolle mit Seitenscheibe D=60 mm

WATERTIGHT

Delivery: **Easy** **Standard**



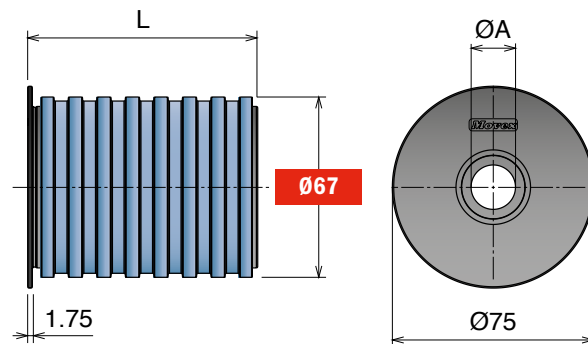
Part	Article-Nr.	L	ØA
226	22651	43	16
226	22652	43	18
226	22653	43	20
226	22601	85,5	16
226	22602	85,5	18
226	22603	85,5	20
226	22611	87,5	16
226	22612	87,5	18
226	22613	87,5	20
226	22664	119	12
226	22661	119	16
226	22662	119	18
226	22663	119	20



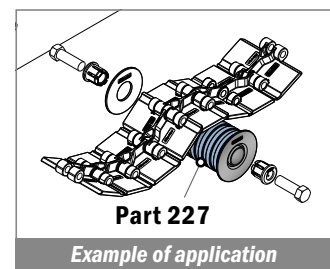
227 Rullini di ritorno flangiati gommati D=67 mm Return roller with flange and rubber D=67 mm / Rückführrolle gummiert mit Seitenscheibe D=67 mm

WATERTIGHT

Delivery: **Easy** **Standard**

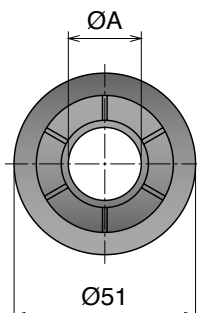
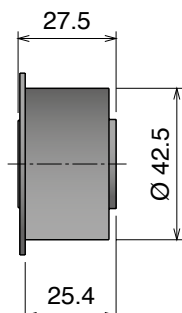


Part	Article-Nr.	L	ØA
227	22751	43	16
227	22752	43	18
227	22753	43	20
227	22701	85,5	16
227	22702	85,5	18
227	22703	85,5	20
227	22711	87,5	16
227	22712	87,5	18
227	22713	87,5	20
227	22764	119	12
227	22761	119	16
227	22762	119	18
227	22763	119	20

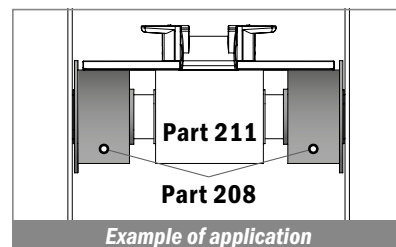


208 Rullini di ritorno flangiati D=42.5 mm Return roller with flange D=42.5 mm / Rückführrolle mit Seitenscheibe D=42.5 mm

Delivery: **Easy** **Standard**

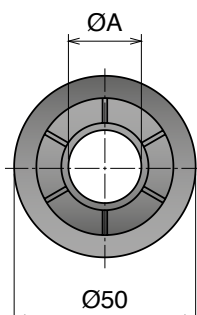
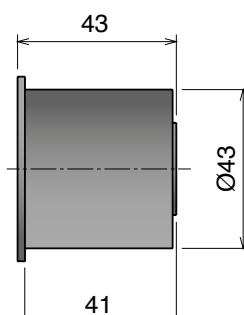


Part	Article-Nr.	ØA
208	20801	16
208	20802	18
208	20803	20

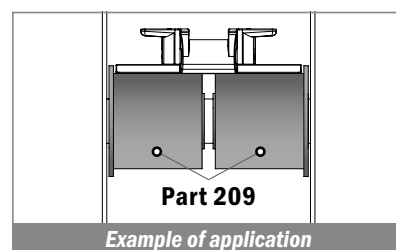


209 Rullini di ritorno flangiati D=43 mm Return roller with flange D=43 mm / Rückführrolle mit Seitenscheibe D=43 mm

Delivery: **Easy** **Standard**

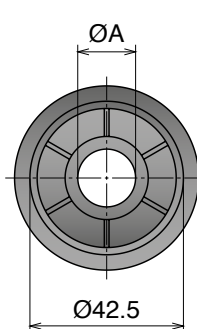
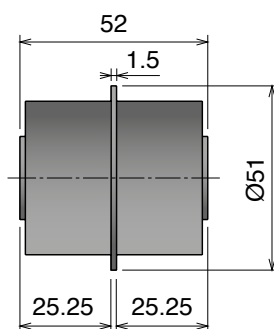


Part	Article-Nr.	ØA
209	20901	16
209	20902	18
209	20903	20

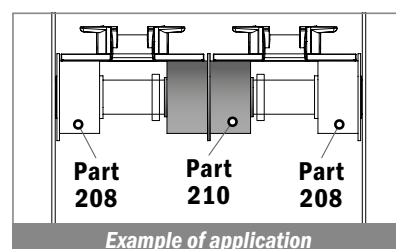


210 Rullini doppio di ritorno Double return roller / Doppel- Rücklaufrolle

Delivery: **Easy** **Standard**

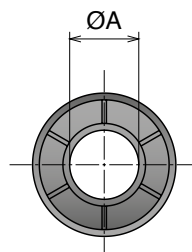
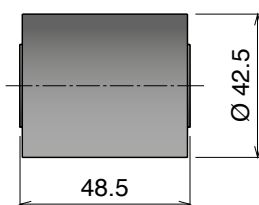


Part	Article-Nr.	ØA
210	21001	16
210	21002	18
210	21003	20

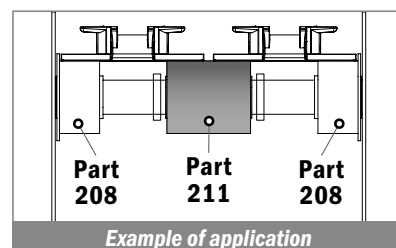


211 Rullini di ritorno D=42.5 mm Return roller D=42.5 mm / Rückführrolle D=42.5 mm

Delivery: **Easy** **Standard**



Part	Article-Nr.	ØA
211	21101	16
211	21102	18
211	21103	20



Materiale / Material / Materialien:

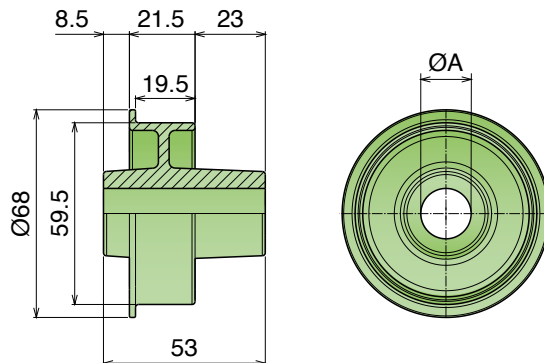
Part. 232: Polietilene (PE) / Polyethylene (PE) / Polyäthylen (PE)

Part. 236/237: Poliammide/Polyamide/Polyamid

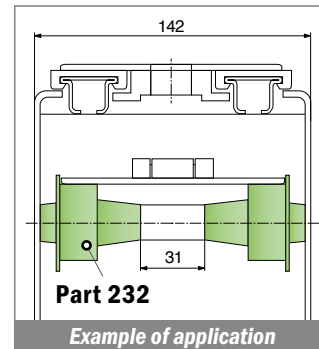
+Gomma NBR/ NBR Rubber/ NBR Gummi

232 Rullini di ritorno flangiati Ø68 Return roller with flange Ø68 / Rückführrolle mit Seitenscheibe Ø68

Delivery: **Easy** Standard

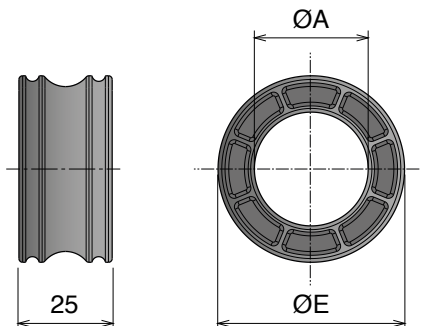


Part	Article-Nr.	ØA
232	23201	15
232	23202	16
232	23203	18
232	23204	20

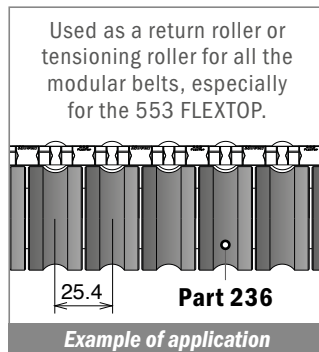


236 Rullini di ritorno con scanalatura Return roller with groove / Rückführrolle mit Nut

Delivery: **Easy** Standard

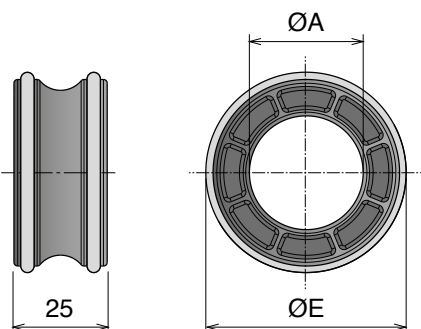


Part	Article-Nr.	ØE	ØA
236	23652	50	30
236	23656	70	30

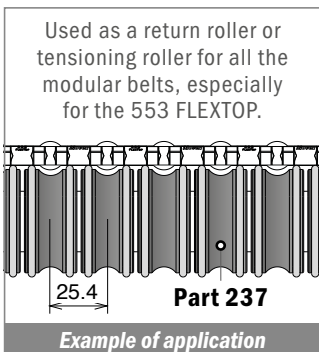


237 Rullini di ritorno con scanalatura e O-ring Return roller with groove and O-ring / Rückführrolle mit Nut und O-ring

Delivery: **Easy** Standard



Part	Article-Nr.	ØE	ØA
237	23752	53	30
237	23756	73	30

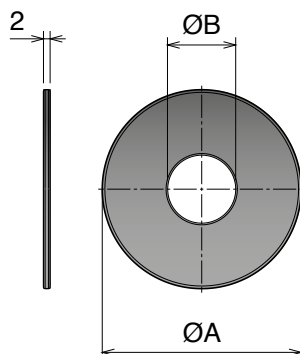


Heavy duty design

Heavy duty design

207 Flangia Flange / Seitenscheibe

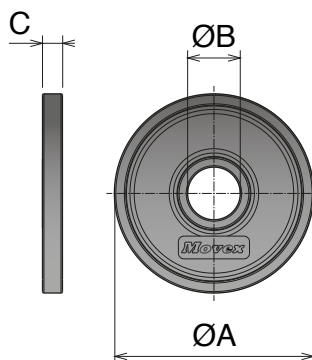
Delivery: **Easy** **Standard**



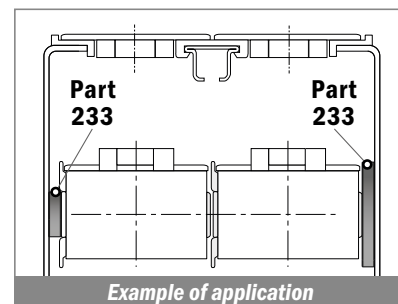
Part	Article-Nr.	ØA	ØB
207	20719	50	12
207	20712	50	16
207	20713	50	18
207	20714	50	20
207	20720	60	12
207	20701	60	16
207	20702	60	18
207	20703	60	20
207	20721	70	12
207	20704	70	16
207	20705	70	18
207	20706	70	20
207	20722	80	12
207	20707	80	16
207	20708	80	18
207	20709	80	20

233 Flangia Flange / Seitenscheib

Delivery: **Easy** **Standard**

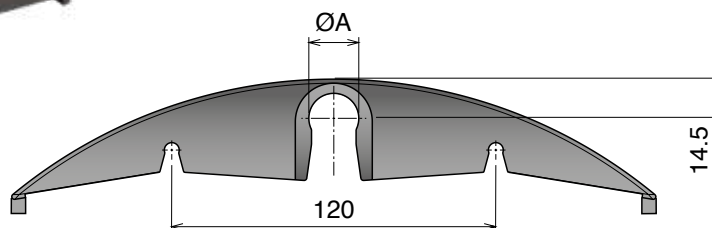


Part	Article-Nr.	ØA	ØB	C
233	23303	25,5	20	7,25
233	23304	60	20	7,25
233	23305	70	16	7
233	23307	70	20	7
233	23302	90	20	5

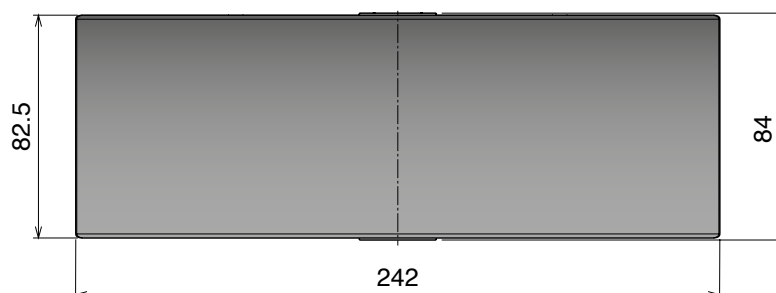
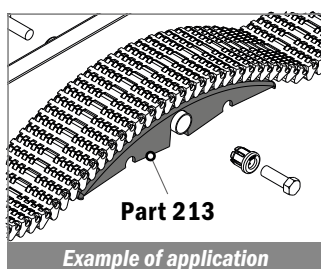


213 Pattino oscillante innesto rapido Snap-on sliding shoe / Rücklaufschuh, aufsteckbar

Delivery: **Easy** **Standard**



Part	Article-Nr.	ØA
213	21301	16
213	21302	18
213	21303	20



Materiale / Material / Materialien:

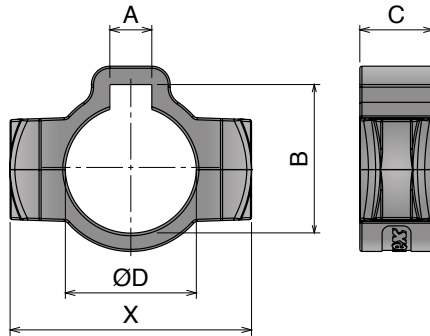
Morsetti: Poliammide/Clamps: Polyamide/Klemme: Polyamid

Viti: Acciaio inox/Screws: Stainless steel/Schraube: Edelstahl

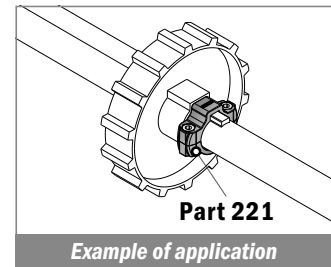
Dadi: Ottone nichelato/Nuts: Nickel plated brass/Mutter: Messing vernickelt

221 Collare di riferimento con chiave Split collar with keyway / geteilter Stelling mit Nut

Delivery: **Easy** **Standard** Max recommended tightening torque: 3 N mt

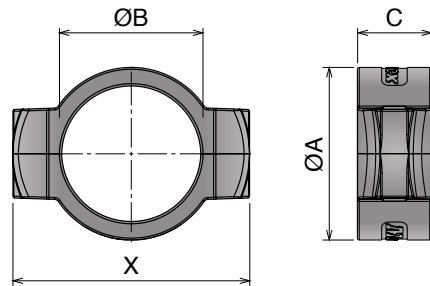


Part	Article-Nr.	A	B	C	ØD	X
221	22101	8	28,3	14	25	46
221	22102	8	33,3	16	30	51
221	22103	10	38,3	16	35	57
221	22104	12	43,3	18	40	64
221	22101Y	6,85	28,3	14	1"	46
221	22102Y	6,85	34,7	16	1,25"	52
221	22104Y	10,025	42,4	18	1,5"	64



215 Collare di riferimento Split collar / geteilter Stelling

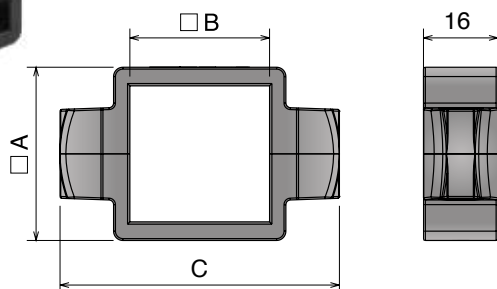
Delivery: **Easy** **Standard** Max recommended tightening torque: 3 N mt



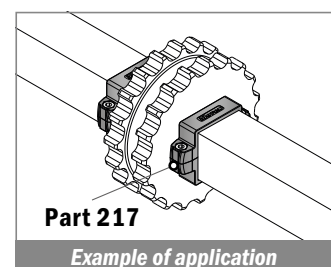
Part	Article-Nr.	ØA	ØB	C	X
215	21501	20	12	12	29,5
215	21502	22	14	12	31,5
215	21509	24	16	12	37
215	21503	26	18	14	42
215	21504	28	20	14	42
215	21505	32	25	14	46
215	21506	38	30	16	51
215	21507	43	35	16	57
215	21508	48	40	18	64
215	21501Y	20	0,5"	12	29,5
215	21503Y	26	0,75"	14	42
215	21505Y	32	1"	14	46
215	21506Y	38	1,25"	16	52
215	21508Y	48	1,5"	18	64

217 Collare di riferimento Split collar / geteilter Stelling

Delivery: **Easy** **Standard** Max recommended tightening torque: 3 N mt



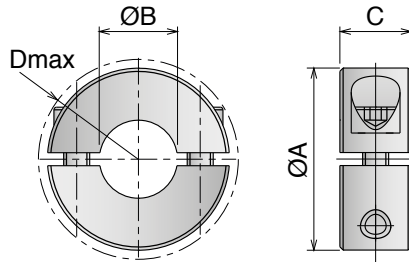
Part	Article-Nr.	□A	□B	C
217	21701	33	25	55
217	21702	37	30	60
217	21703	47	40	70
217	21704	59	50	81
217	21705	69	60	92
217	21701Y	1.30	1.00	2.16
217	21702Y	1.57	1 ¼	2.36
217	21703Y	1.85	1 ½	2.75
217	21704Y	2.36	2.00	3.19
217	21705Y	2.87	2 ½	3.62



NEW 218 Collare di riferimento in acciaio Stainless steel split collar / Geteilter Stelling, Edelstahl

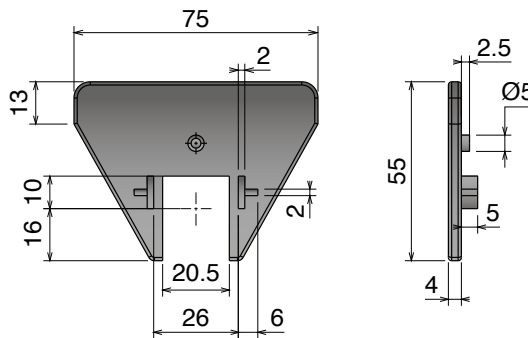
Stainless Steel | AISI 304

Delivery: **Easy** Standard

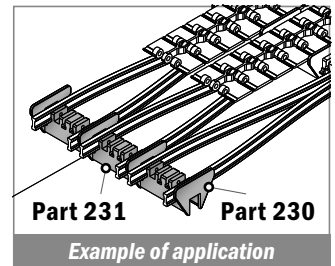


Part	Article-Nr.	ØA	ØB	C	Dmax
218	21801	18	8	9	22,4
218	21802	24	10	9	26
218	21803	28	12	11	31,8
218	21804	34	16	13	39,4
218	21805	36	18	13	41,1
218	21806	40	20	15	46,4
218	21807	45	25	15	50,8
218	21808	54	30	15	58,6
218	21809	58	35	15	62
218	21810	60	40	15	65
218	21801Y	11/16	5/16	5/16	0.88
218	21802Y	7/8	3/8	11/32	1.02
218	21803Y	15/16	7/16	3/8	1.25
218	21804Y	1-1/8	1/2	13/32	1.25
218	21805Y	1-5/16	5/8	7/16	1.55
218	21806Y	1-1/2	3/4	1/2	1.83
218	21807Y	1-3/4	1	1/2	2.00
218	21808Y	2-1/16	1-1/4	1/2	2.31
218	21809Y	2-1/4	1-7/16	9/16	2.44
218	21810Y	2-3/8	1-1/2	9/16	2.56

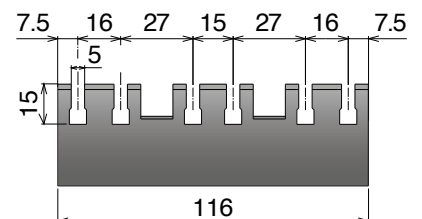
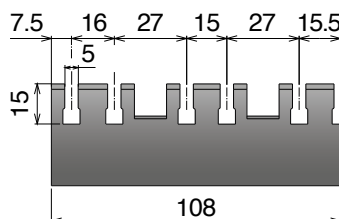
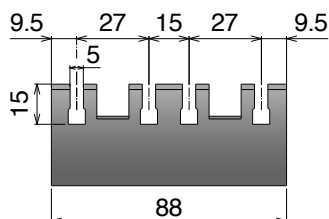
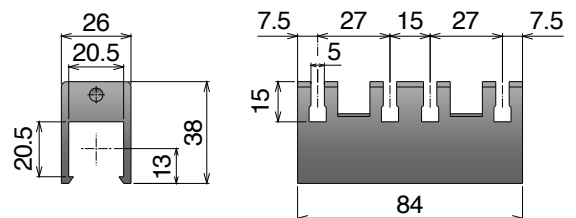
230 Piastrina Spacer / Führungsscheiben



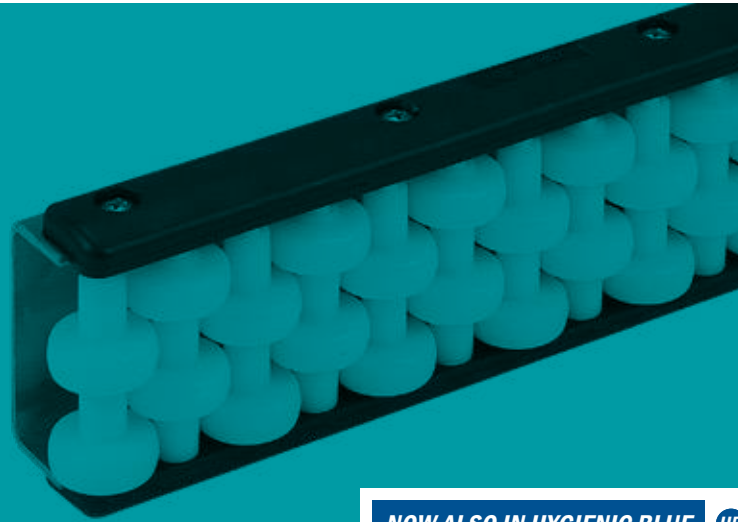
Part	Article-Nr.
230	23001



231 Distanziale per serpentina Spacer for serpentine / Montageblock




Part	Article-Nr.	W
231	23101	84
231	23102	88
231	23103	108
231	23104	116



NOW ALSO IN HYGIENIC BLUE 

 Page 512	 Page 512	 Page 513	 Page 513	 Page 514	 Page 514
---	---	---	---	---	---

 Page 515	 Page 515	 Page 516	 Page 516	 Page 517	 Page 517
---	---	---	---	---	---

 Page 517	 Page 518	 Page 518	 Page 519	 Page 520	 Page 521
---	---	---	---	---	---

 Page 522	 Page 523	 Page 524	 Page 525	 Page 526	 Page 526
---	---	---	---	---	---

 Page 527	 Page 527	 Page 528	 Page 528	 Page 529	 Page 529
---	---	---	---	---	---

 Page 529	 Page 530	 Page 530	 Page 530	 Page 531	 Page 531
---	---	---	---	---	---

 Page 531	 Page 532	 Page 532	 Page 532	 Page 533	 Page 533
---	---	---	---	---	---

 Page 533	 Page 534	 Page 534	 Page 535	 Page 535	 Page 535
---	---	---	---	---	---

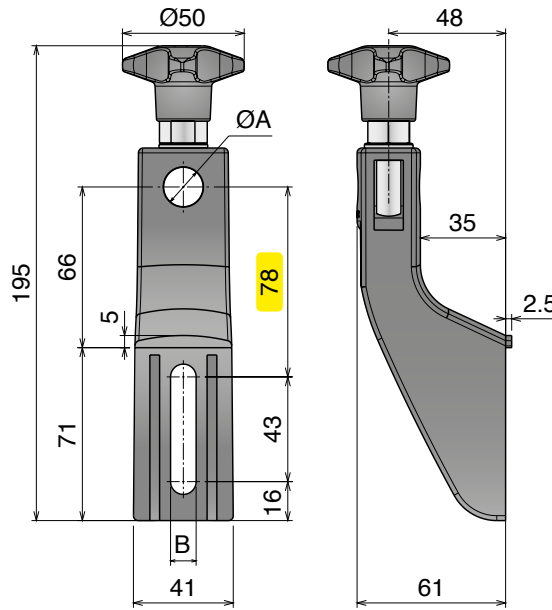
328  Page 536	329  Page 536	330  Page 536	362  Page 536	390  Page 537	392  Page 537
393  Page 537	336  Page 537	394  Page 538	341 HB  Page 538	341 HB  Page 538	3310  Page 539
3311  Page 539	345  Page 539	349  Page 540	350  Page 540	351  Page 540	3004  Page 541
352  Page 541	3005  Page 541	347  Page 542	348  Page 542	346  Page 542	356  Page 543
357  Page 543	3011  Page 543	3099  Page 544	335  Page 545	358  Page 546	358  Page 547
358  Page 547	358  Page 547	358  Page 548	364  Page 548	359  Page 549	365  Page 549
360  Page 550	360  Page 551	366  Page 550/551	361  Page 552	361  Page 553	367  Page 552/553
364-365  Page 554	366-367  Page 555	366  Page 556	367  Page 556	364  Page 557	365  Page 557
395  Page 558	362  Page 558	3629  Page 558	333  Page 558	358/359/360/361  Page 559	3014  Page 559
353  Page 560	354  Page 560	355  Page 560	363  Page 561	396  Page 562	363  Page 563
36399  Page 563	199/299  Page 564	368  Page 565	369  Page 565	370  Page 566	371  Page 566



Conveyor components

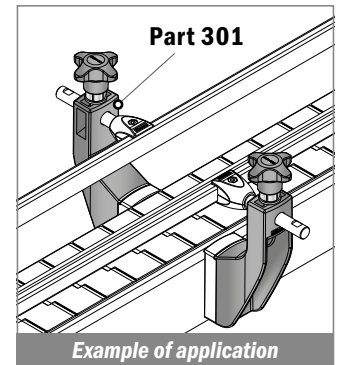
301 Supporto laterale - piccolo - Side bracket - small - / Geländerhalter - klein -

Delivery: **Easy** Standard



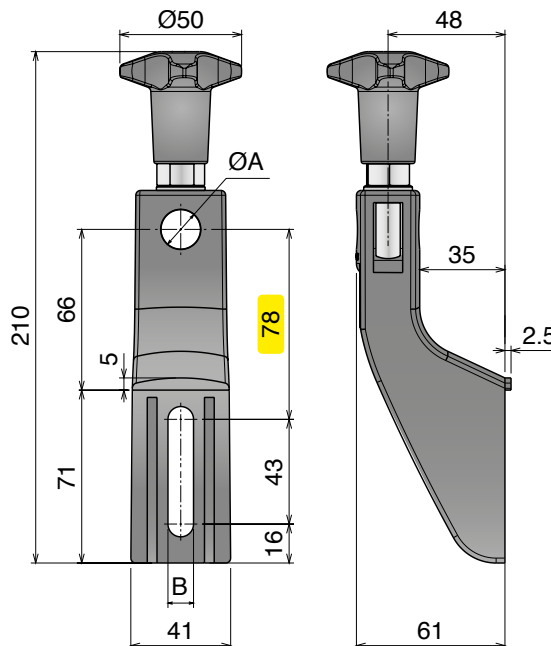
NOW ALSO IN HYGIENIC BLUE

Part	Article-Nr.	$\varnothing A$	B	Colour
301	30101	12	9	Black
301	30105	14	9	Black
301	30102	16	9	Black
301	30103	12	10,5	Black
301	30106	14	10,5	Black
301	30104	16	10,5	Black
301	30151	12	9	Hygienic blue
301	30155	14	9	Hygienic blue
301	30152	16	9	Hygienic blue
301	30153	12	10,5	Hygienic blue
301	30156	14	10,5	Hygienic blue
301	30154	16	10,5	Hygienic blue



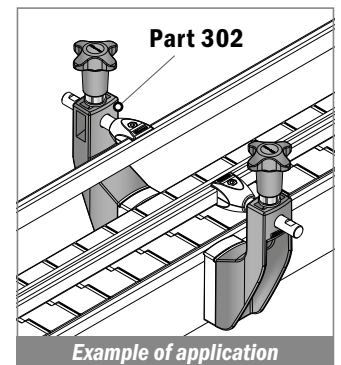
302 Supporto laterale - piccolo - volantino alto - Side bracket - small - high knob / Geländerhalter - klein - hoher Sterngriff

Delivery: **Easy** Standard



NOW ALSO IN HYGIENIC BLUE

Part	Article-Nr.	$\varnothing A$	B	Colour
302	30201	12	9	Black
302	30205	14	9	Black
302	30202	16	9	Black
302	30203	12	10,5	Black
302	30206	14	10,5	Black
302	30204	16	10,5	Black
302	30251	12	9	Hygienic blue
302	30255	14	9	Hygienic blue
302	30252	16	9	Hygienic blue
302	30253	12	10,5	Hygienic blue
302	30256	14	10,5	Hygienic blue
302	30254	16	10,5	Hygienic blue



Materiale / Material / Materialien:

Supporto: PA / Support: PA / Halter: PA

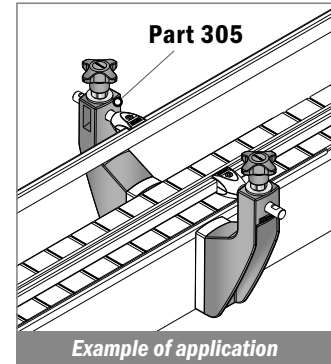
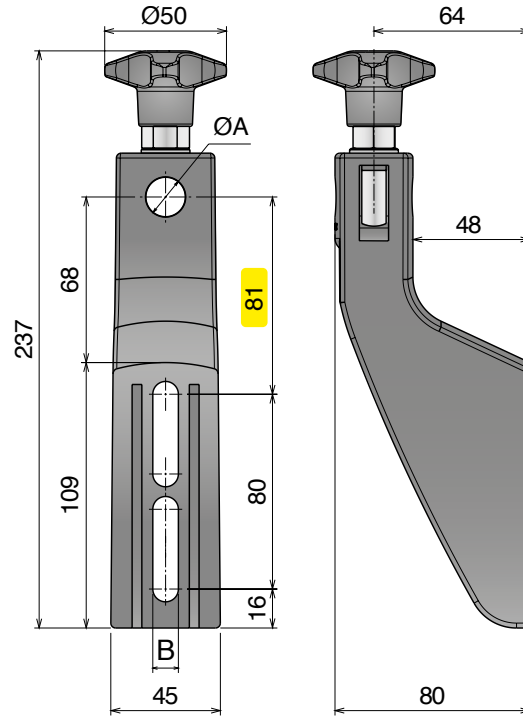
Volantino: PA+ottone nichelato / Knob: PA+nickel plated brass / Sterngriff: PA+ Messing vernickelt

Tirante: Acciaio inox / Eyebolt: Stainless steel / Augenschraube: Edelstahl

305 Supporto laterale -medio- Side bracket -medium- / Geländerhalter -medium-

Delivery: **Easy** Standard

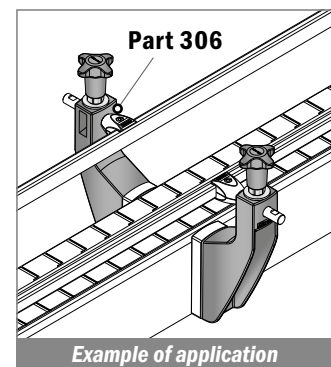
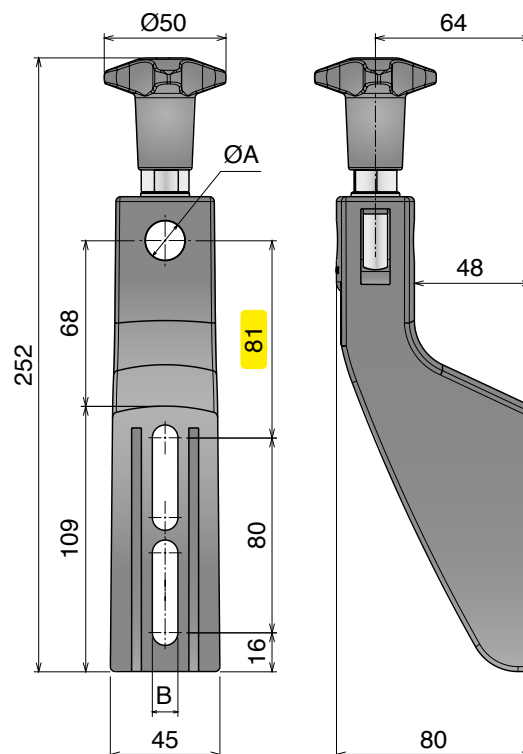
Part	Article-Nr.	ØA	B
305	30501	12	9
305	30505	14	9
305	30502	16	9
305	30503	12	10,5
305	30506	14	10,5
305	30504	16	10,5



306 Supporto laterale -medio- volantino alto Side bracket -medium- high knob / Geländerhalter -medium- hoher Sterngriff

Delivery: **Easy** Standard

Part	Article-Nr.	ØA	B
306	30601	12	9
306	30605	14	9
306	30602	16	9
306	30603	12	10,5
306	30606	14	10,5
306	30604	16	10,5



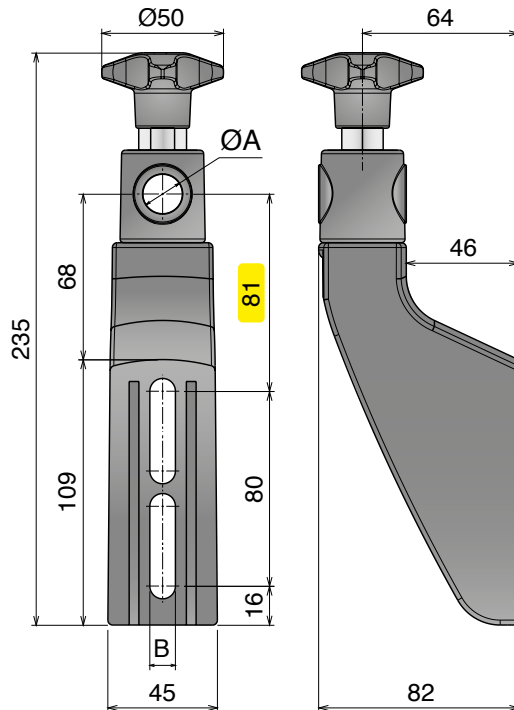
307-308

Componenti / Conveyor components / Komponenten

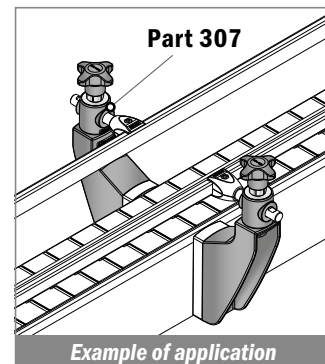
Materiale / Material / Materialien: Supporto: PA/Support: PA/Halter: PA
 Volantino: PA+ottone nichelato/Knob: PA+nickel plated brass/Stemgriff: PA+ Messing vernickelt
 Tirante: Acciaio inox/Eyebolt: Stainless steel/Augenschraube: Edelstahl
 Testina: PA o Acciaio inox/Head: PA or stainless steel/Schwenkkopf: PA oder Edelstahl
 Vite, rondella e dado: Acciaio inox/Screw, washer and nut: Stainless steel/Schraube, Unterlegs und Mutter: Edelstahl

307 Supporto laterale -medio- orientabile Side bracket -medium- adjustable / Geländerhalter -medium- einstellbar

Delivery: **Easy** Standard

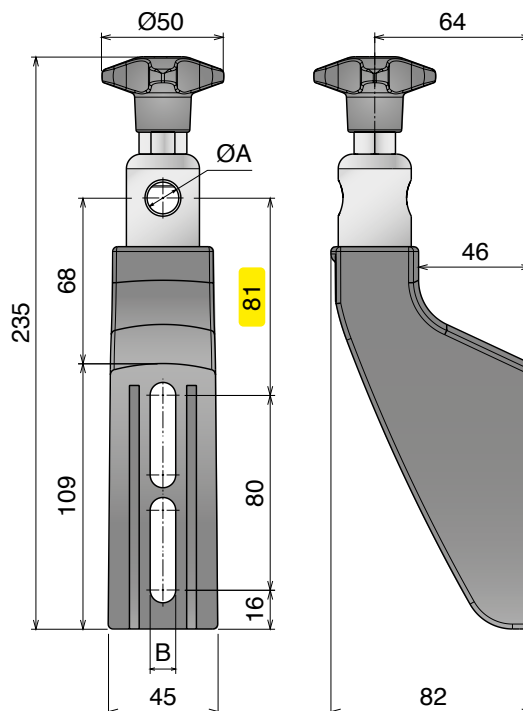


Part	Article-Nr.	ØA	B
307	30701	12	9
307	30705	14	9
307	30702	16	9
307	30703	12	10,5
307	30706	14	10,5
307	30704	16	10,5
307	30709	bracket	9
307	30710	bracket	10,5

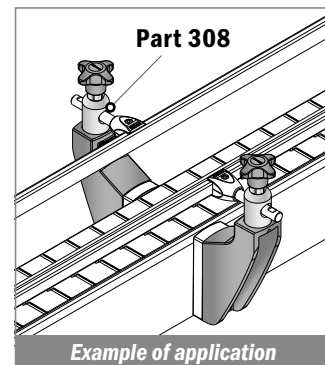


308 Supporto laterale -medio- orientabile Acciaio inox Side bracket -medium- adjustable stainless steel / Geländerhalter -medium- einstellbar edelstahl

Delivery: **Easy** Standard



Part	Article-Nr.	ØA	B
308	30801	12	9
308	30805	14	9
308	30802	16	9
308	30803	12	10,5
308	30806	14	10,5
308	30804	16	10,5



Materiale / Material / Materialien:

Supporto: PA / Support: PA / Halter: PA

Volantino: PA+ottone nichelato / Knob: PA+nickel plated brass / Sterngriff: PA+ Messing vernickelt

Tirante: Acciaio inox / Eyebolt: Stainless steel / Augenschraube: Edelstahl

309-310

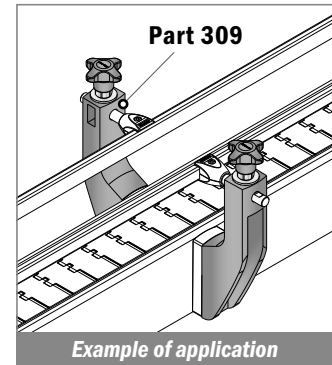
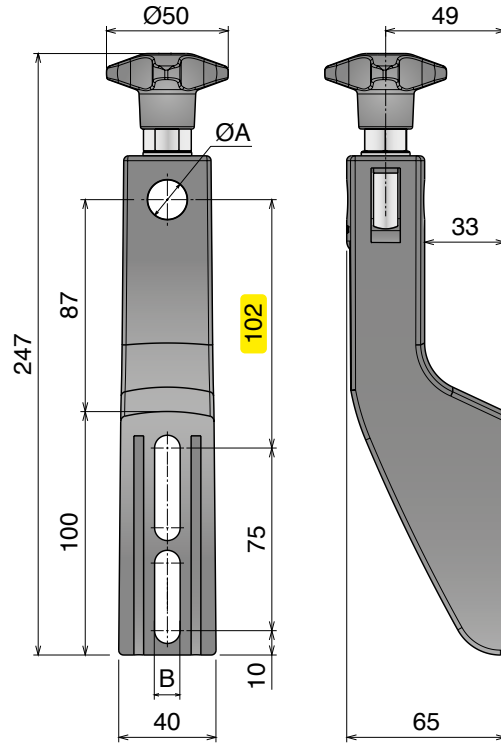
Componenti / Conveyor components / Komponenten

309 Supporto laterale -grande- Side bracket -large- / Geländerhalter -groß-

NOW ALSO IN HYGIENIC BLUE

Delivery: **Easy** Standard

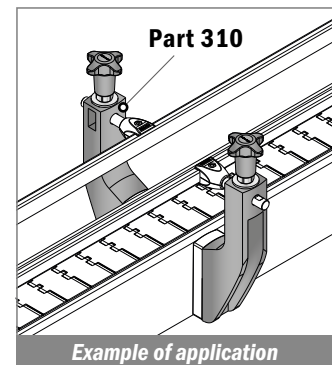
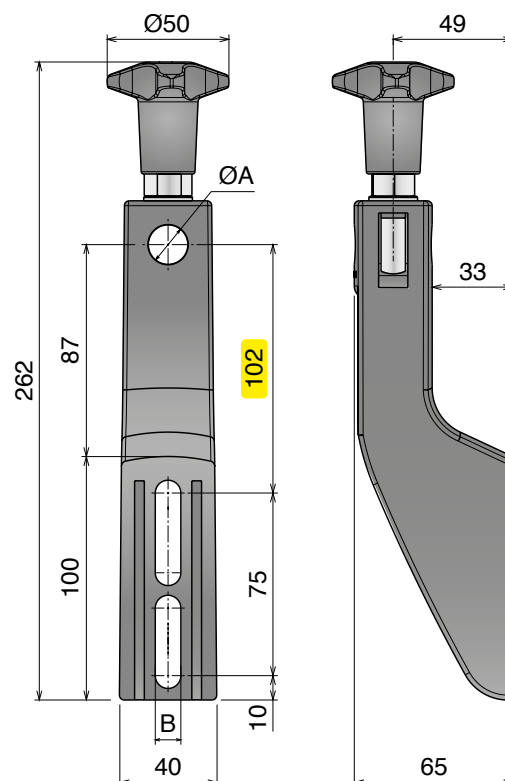
Part	Article-Nr.	ØA	B	Colour
309	30901	12	9	Black
309	30905	14	9	Black
309	30902	16	9	Black
309	30903	12	10,5	Black
309	30906	14	10,5	Black
309	30904	16	10,5	Black
309	30951	12	9	Hygienic blue
309	30955	14	9	Hygienic blue
309	30952	16	9	Hygienic blue
309	30953	12	10,5	Hygienic blue
309	30956	14	10,5	Hygienic blue
309	30954	16	10,5	Hygienic blue



310 Supporto laterale -grande- volantino alto Side bracket -large- high knob / Geländerhalter -groß- hoher sterngriff

Delivery: **Easy** Standard

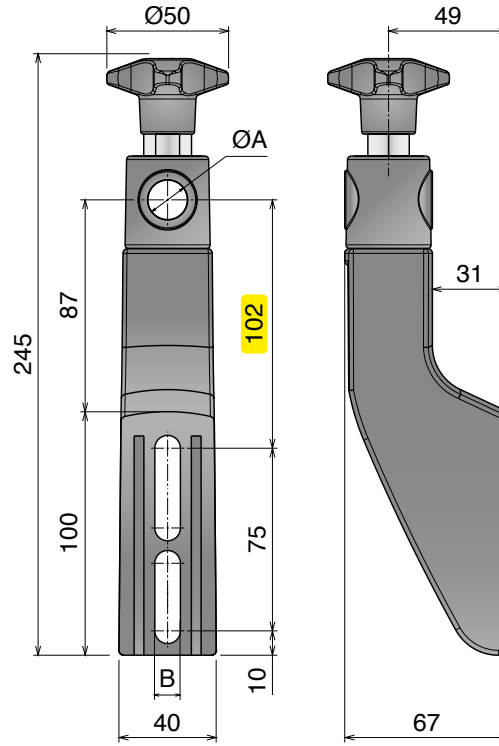
Part	Article-Nr.	ØA	B
310	31001	12	9
310	31005	14	9
310	31002	16	9
310	31003	12	10,5
310	31006	14	10,5
310	31004	16	10,5



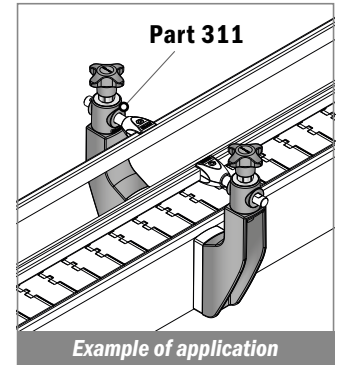
Materiale / Material / Materialien: Supporto: PA/Support: PA/Halter: PA
 Volantino: PA+ottone nichelato/Knob: PA+nickel plated brass/Sterngriff: PA+ Messing vernickelt
 Tirante: Acciaio inox/Eyebolt: Stainless steel/Augenschraube: Edelstahl
 Testina: PA o Acciaio inox/Head: PA or stainless steel/Schwenkkopf: PA oder Edelstahl
 Vite, rondella e dado: Acciaio inox/Screw, washer and nut: Stainless steel/Schraube, Unterlegs und Mutter: Edelstahl

311 Supporto laterale -grande- orientabile Side bracket -large- adjustable / Geländerhalter -groß- einstellbar

Delivery: **Easy** Standard

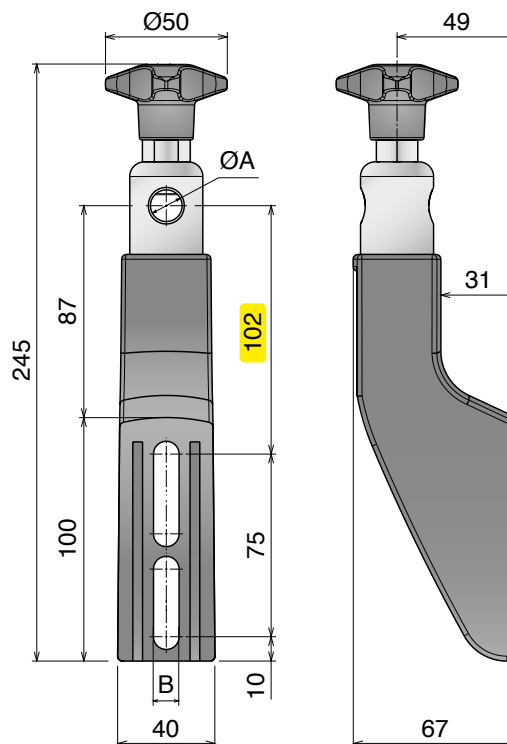


Part	Article-Nr.	ØA	B
311	31101	12	9
311	31105	14	9
311	31102	16	9
311	31103	12	10,5
311	31106	14	10,5
311	31104	16	10,5
311	31109	bracket	9
311	31110	bracket	10,5

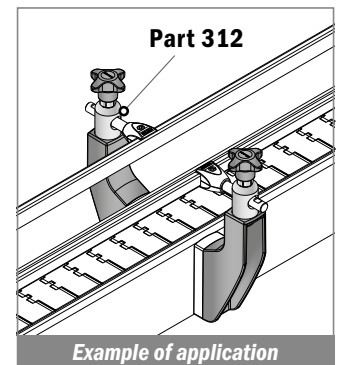


312 Supporto laterale -grande- orientabile Acciaio inox Side bracket -large- adjustable stainless steel / Geländerhalter -groß- einstellbar edelstahl

Delivery: **Easy** Standard



Part	Article-Nr.	ØA	B
312	31201	12	9
312	31205	14	9
312	31202	16	9
312	31203	12	10,5
312	31206	14	10,5
312	31204	16	10,5

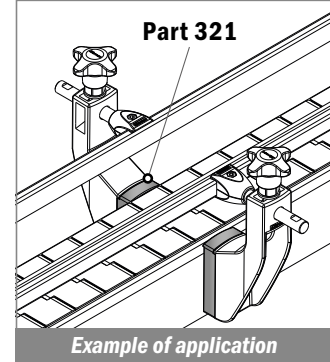
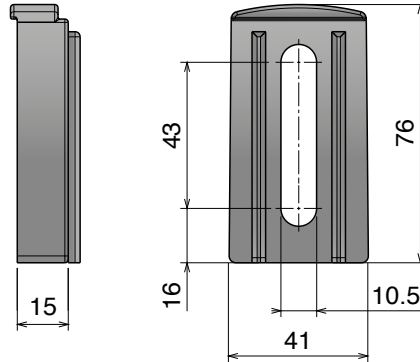


321 Distanziale per supporto -piccolo
Spacer for bracket -small / Distanzstück für Geländerhalter -klein

NOW ALSO IN HYGIENIC BLUE

Delivery: **Easy** **Standard** Used with bracket Part. 301-302 Page 512

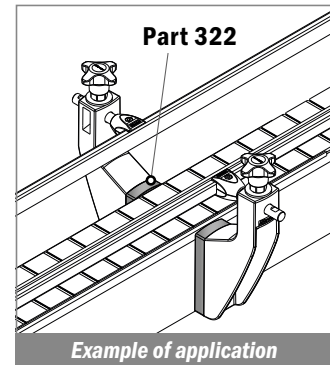
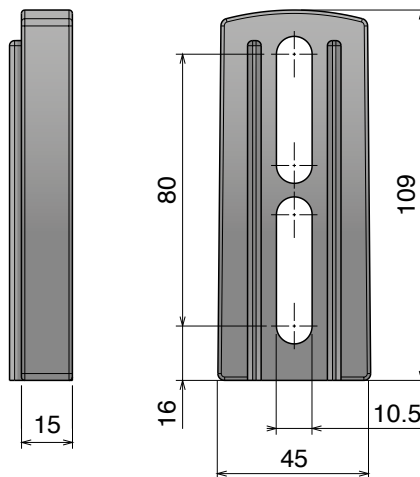
Part	Article-Nr.	Colour
321	32101	Black
321	32151	Hygienic blue



322 Distanziale per supporto -medio
Spacer for bracket -medium / Distanzstück für Geländerhalter -medium

Delivery: **Easy** **Standard** Used with Part 305-306 Page 513 and Part 307-308 Page 514

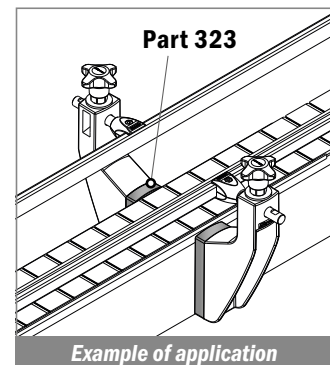
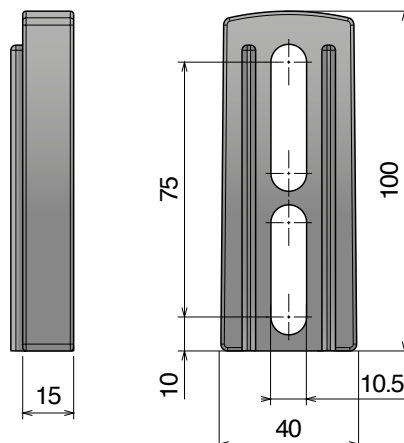
Part	Article-Nr.	Colour
322	32201	Black



323 Distanziale per supporto -grande
Spacer for bracket -large / Distanzstück für Geländerhalter -groß

Delivery: **Easy** **Standard** Used with Part 309-310 Page 515 and Part 311-312 Page 516

Part	Article-Nr.	Colour
322	32301	Black

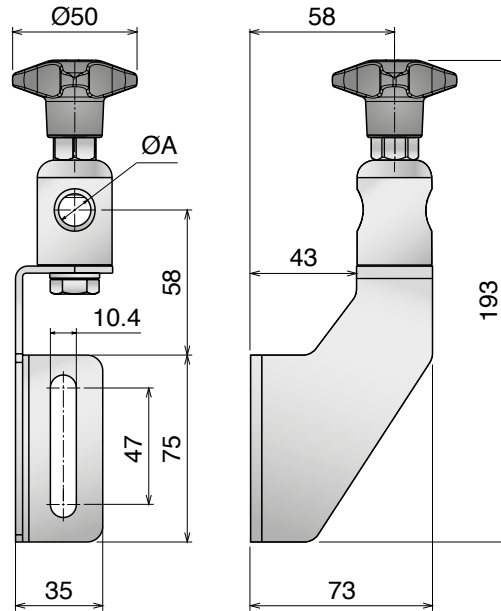


398 Supporto laterale inox -medio- orientabile

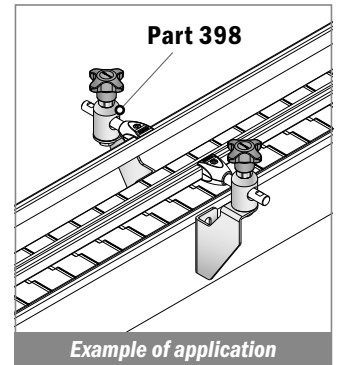
SS bracket -medium- adjustable / Edelstahl Geländerhalter -medium- einstellbar

NOW ALSO IN HYGIENIC BLUE

Delivery: **Easy** Standard

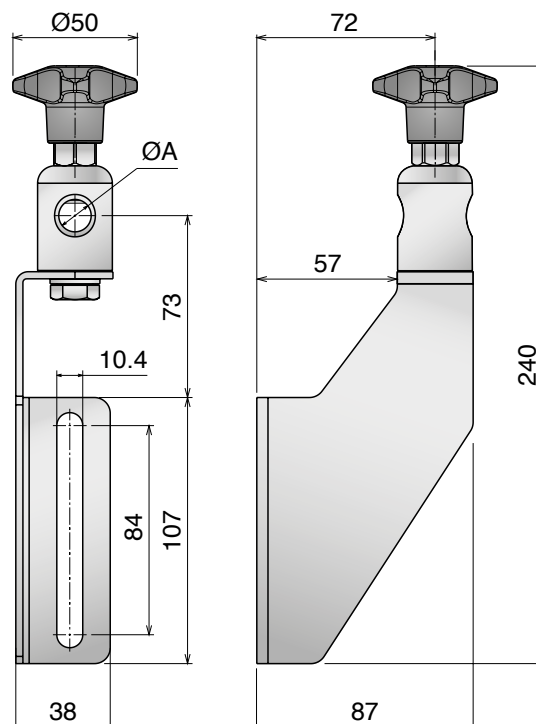


Part	Article-Nr.	ØA	Knob Colour
398	39860	12	Black
398	39862	14	Black
398	39861	16	Black
398	39860HB	12	Hygienic blue
398	39862HB	14	Hygienic blue
398	39861HB	16	Hygienic blue

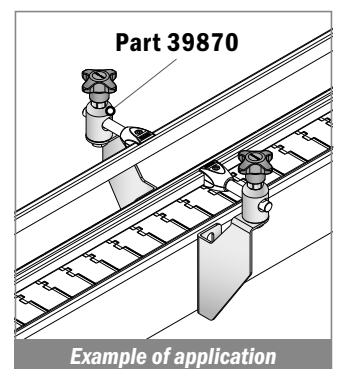


Supporto laterale inox -grande- orientabile

SS bracket -large- adjustable / Edelstahl Geländerhalter -groß- einstellbar



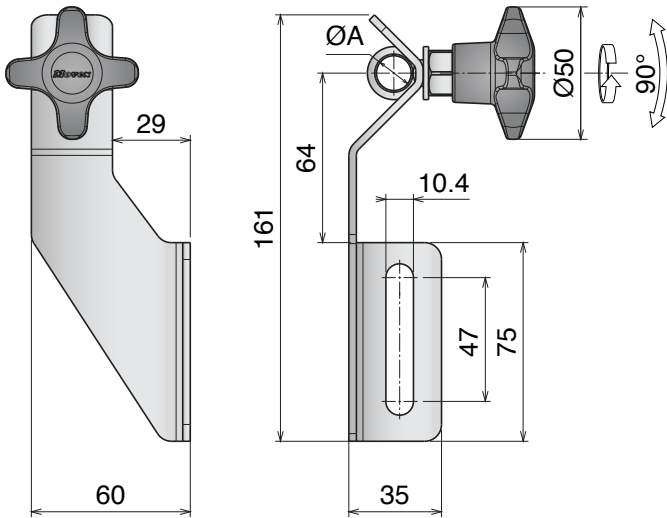
Part	Article-Nr.	ØA	Knob Colour
398	39870	12	Black
398	39872	14	Black
398	39871	16	Black
398	39870HB	12	Hygienic blue
398	39872HB	14	Hygienic blue
398	39871HB	16	Hygienic blue



398 Supporto laterale inox -piccolo
 SS bracket -small / Edelstahl Geländerhalter -klein

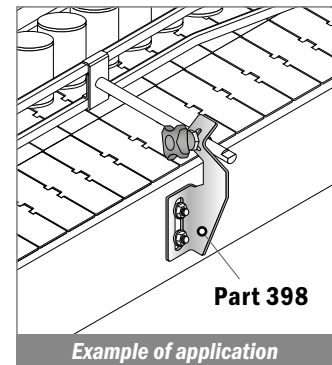
Stainless Steel | AISI 304

Width 60 mm – Height 64 mm



Advantages:

- Hygienic design
- Stronger design
- Easy to install
- Corrosion resistant
- High temperature resistant
- Fixing system customizable



Stainless steel knob

Plastic knob

Stainless steel nut



Part	Article-Nr.	ØA
398	39810SK	12-13
398	39811SK	14
398	39812SK	16

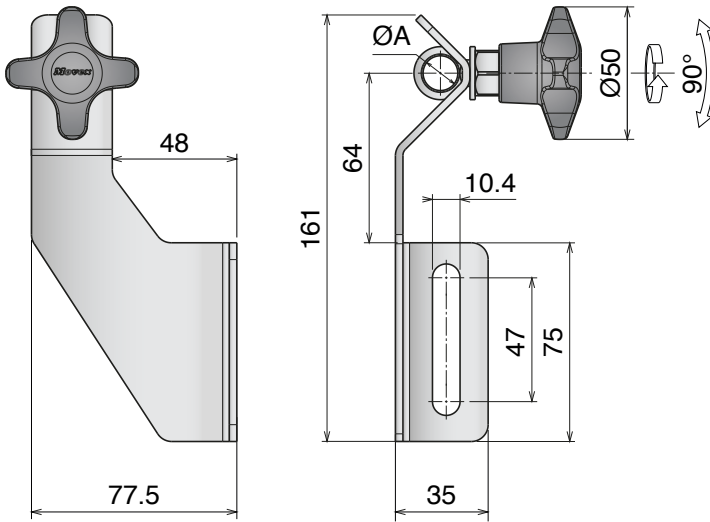
Part	Article-Nr.	ØA
398	39810	12-13
398	39811	14
398	39812	16

Part	Article-Nr.	ØA
398	39810S	12-13
398	39811S	14
398	39812S	16

398 Supporto laterale inox - medio SS bracket - medium / Edelstahl Geländerhalter - medium

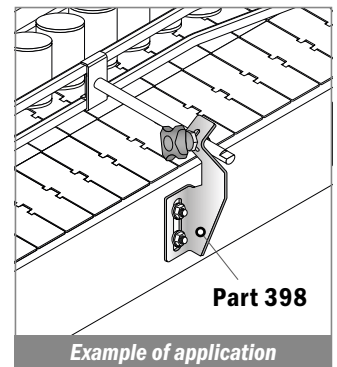
Stainless Steel | AISI 304

Width 77,5 mm - Height 64 mm



Advantages:

- Hygienic design
- Stronger design
- Easy to install
- Corrosion resistant
- High temperature resistant
- Fixing system customizable



Stainless steel knob



Plastic knob



Stainless steel nut



Part	Article-Nr.	ØA
398	39820SK	12-13
398	39821SK	14
398	39822SK	16

Part	Article-Nr.	ØA
398	39820	12-13
398	39821	14
398	39822	16

Part	Article-Nr.	ØA
398	39820S	12-13
398	39821S	14
398	39822S	16

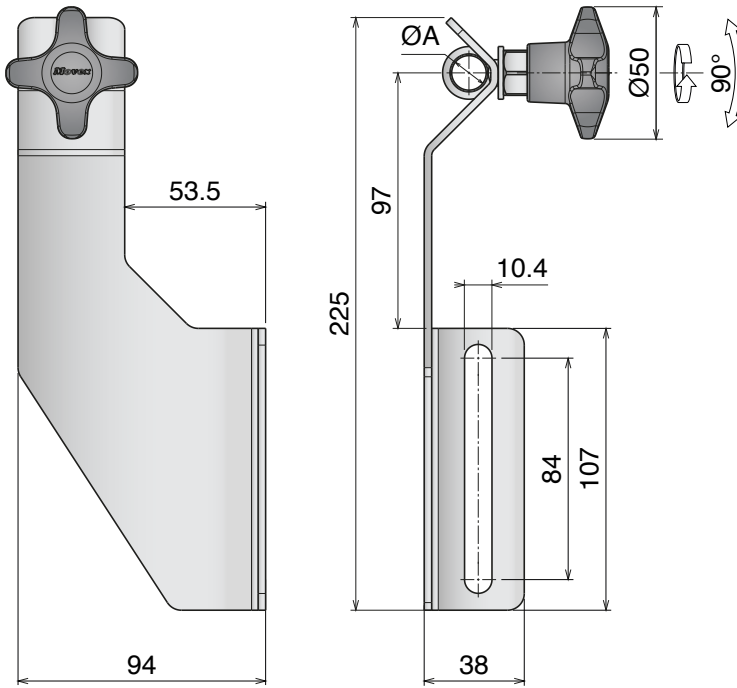
398 Supporto laterale inox -grande

SS bracket -large / Edelstahl Geländerhalter -groß

Stainless Steel | AISI 304

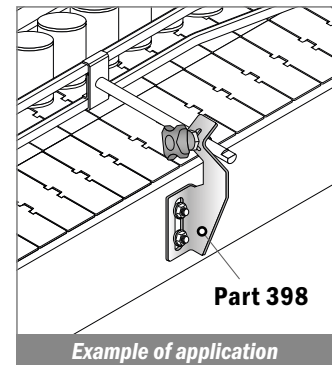
Delivery: **Easy** Standard

Width 94 mm - Height 97 mm



Advantages:

- Hygienic design
- Stronger design
- Easy to install
- Corrosion resistant
- High temperature resistant
- Fixing system customizable



Stainless steel knob



Plastic knob



Stainless steel nut



Part	Article-Nr.	ØA
398	39830SK	12-13
398	39831SK	14
398	39832SK	16

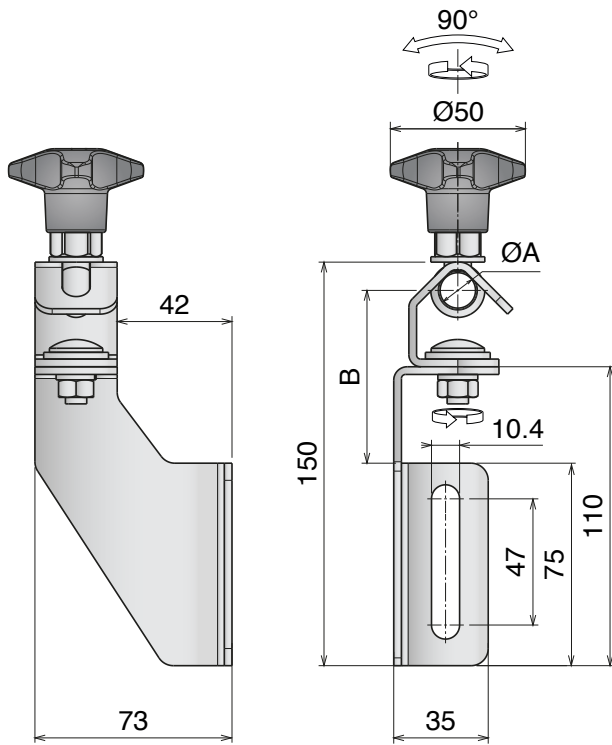
Part	Article-Nr.	ØA
398	39830	12-13
398	39831	14
398	39832	16

Part	Article-Nr.	ØA
398	39830S	12-13
398	39831S	14
398	39832S	16

398 Supporto laterale inox - medio- orientabile SS bracket - medium- adjustable / Edelstahl Geländerhalter - medium- einstellbar

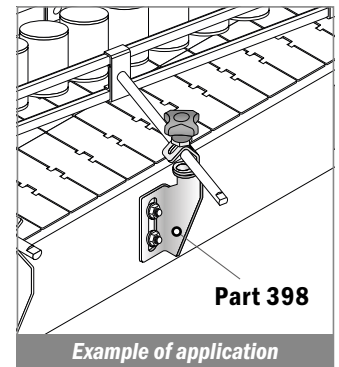
Stainless Steel | AISI 304

Width 73 mm – Height 64 mm



Advantages:

- Hygienic design
- Stronger design
- Easy to install
- Corrosion resistant
- High temperature resistant
- Fixing system customizable



Stainless steel knob



Plastic knob



Stainless steel nut



Part	Article-Nr.	ØA	B
398	39840SK	12-13	64
398	39841SK	14	62,5
398	39842SK	16	61

Part	Article-Nr.	ØA	B
398	39840	12-13	64
398	39841	14	62,5
398	39842	16	61

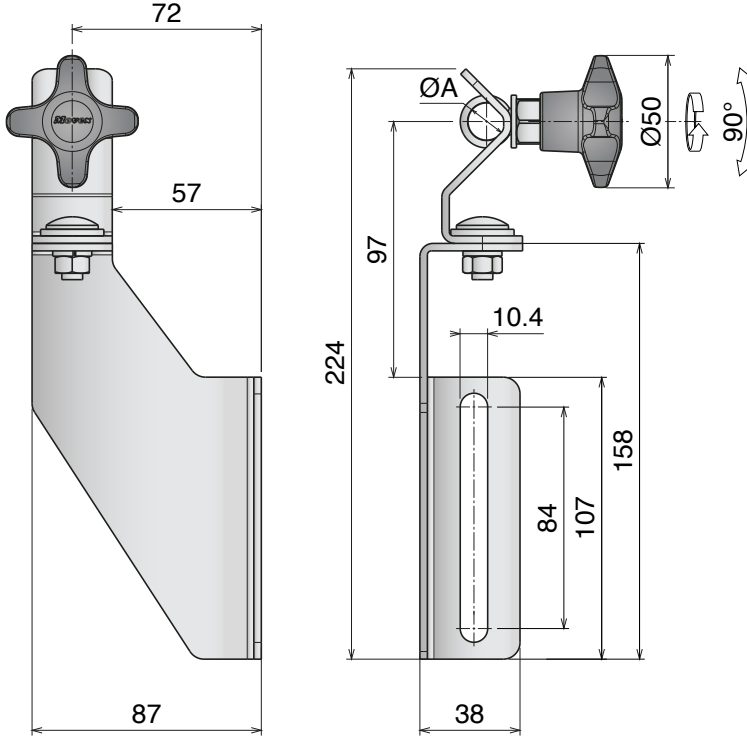
Part	Article-Nr.	ØA	B
398	39840S	12-13	64
398	39841S	14	62,5
398	39842S	16	61

398 Supporto laterale inox -grande- orientabile
 SS bracket -large- adjustable / Edelstahl Geländerhalter -groß- einstellbar

Stainless Steel | AISI 304

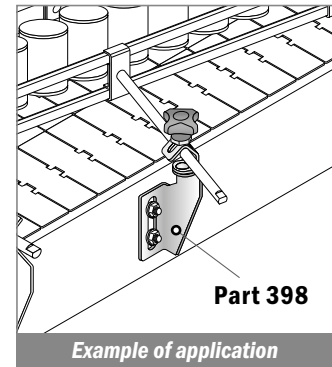
Delivery: **Easy** Standard

Width 87 mm - Height 97 mm



Advantages:

- Hygienic design
- Stronger design
- Easy to install
- Corrosion resistant
- High temperature resistant
- Fixing system customizable



Stainless steel knob

Plastic knob

Stainless steel nut



Part	Article-Nr.	ØA
398	39850SK	12-13
398	39851SK	14
398	39852SK	16

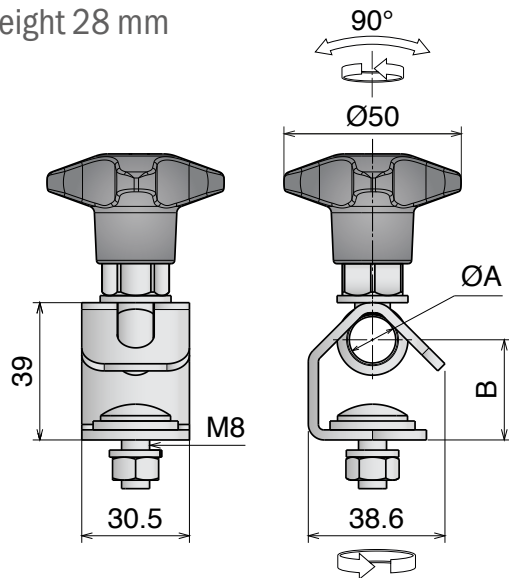
Part	Article-Nr.	ØA
398	39850	12-13
398	39851	14
398	39852	16

Part	Article-Nr.	ØA
398	39850S	12-13
398	39851S	14
398	39852S	16

398 Testina orientabile inox -media Stainless steel adjustable head -medium / Edelstahl Schwenkkopf -medium

Stainless Steel | AISI 304

Height 28 mm



Advantages:

- Hygienic design
- Stronger design
- Easy to install
- Corrosion resistant
- High temperature resistant
- Fixing system customizable

Stainless steel knob



Part	Article-Nr.	ØA	B
398	39845SK	12-13	29
398	39846SK	14	27,5
398	39847SK	16	26

Plastic knob



Part	Article-Nr.	ØA	B
398	39845	12-13	29
398	39846	14	27,5
398	39847	16	26

Stainless steel nut

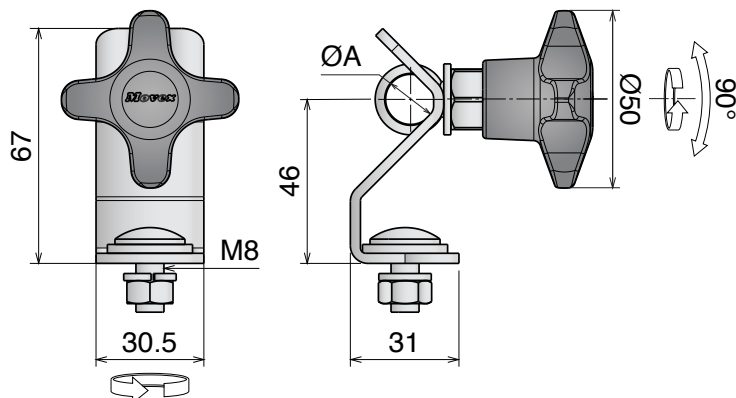


Part	Article-Nr.	ØA	B
398	39845S	12-13	29
398	39846S	14	27,5
398	39847S	16	26

398 Testina orientabile inox -alta
 Stainless steel adjustable head -large / Edelstahl Schwenkopf -groß

Stainless Steel | AISI 304

Height 46 mm



Advantages:

- Hygienic design
- Stronger design
- Easy to install
- Corrosion resistant
- High temperature resistant
- Fixing system customizable

Stainless steel knob



Part	Article-Nr.	ØA
398	39855SK	12-13
398	39856SK	14
398	39857SK	16

Plastic knob



Part	Article-Nr.	ØA
398	39855	12-13
398	39856	14
398	39857	16

Stainless steel nut



Part	Article-Nr.	ØA
398	39855S	12-13
398	39856S	14
398	39857S	16

313-314

Componenti / Conveyor components / Komponenten

Materiale / Material / Materialien:

Volantino: PA+ottone nichelato / Knob: PA+nickel plated brass / Sterngriff: PA+ Messing vernickelt

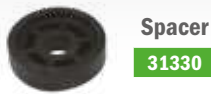
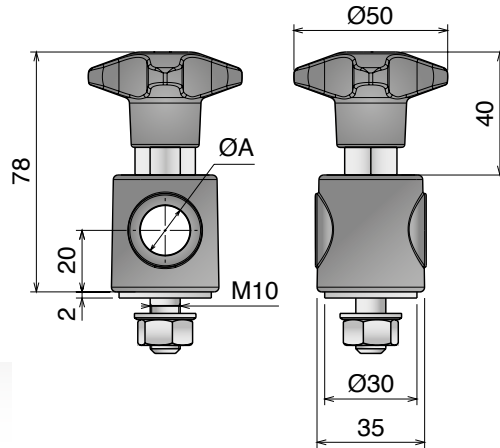
Tirante: Acciaio inox / Eyebolt: Stainless steel / Augenschraube: Edelstahl

Testina: PA o Acciaio inox / Head: PA or stainless steel / Schwenkopf: PA oder Edelstahl

Vite, rondella e dado: Acciaio inox / Screw, washer and nut: Stainless steel / Schraube, Scheibe und Mutter: Edelstahl

313 Testina orientabile Adjustable head / Schwenkopf

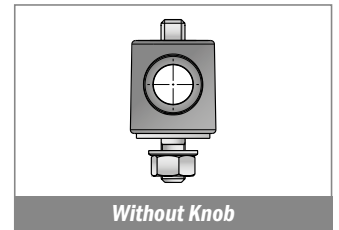
Delivery: **Easy** **Standard**



Spacer
31330

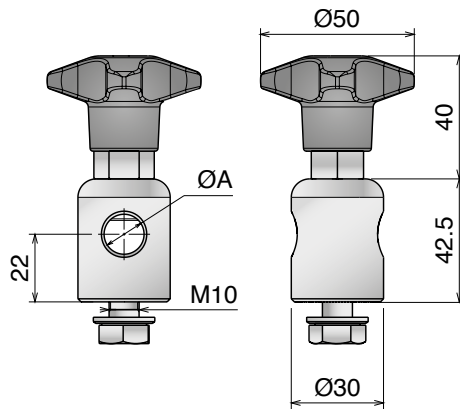
NOW ALSO IN HYGIENIC BLUE

Part	Article-Nr.	ØA	Knob Colour
313	31301	12	Black
313	31303	14	Black
313	31302	16	Black
313	31351	12	Hygienic blue
313	31353	14	Hygienic blue
313	31352	16	Hygienic blue
313	31311	12-without knob	-
313	31313	14-without knob	-
313	31312	16-without knob	-



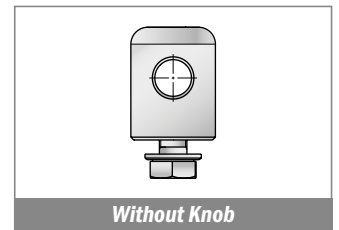
314 Testina orientabile, acciaio inox Adjustable head, stainless steel / Schwenkopf, Edelstahl

Delivery: **Easy** **Standard**

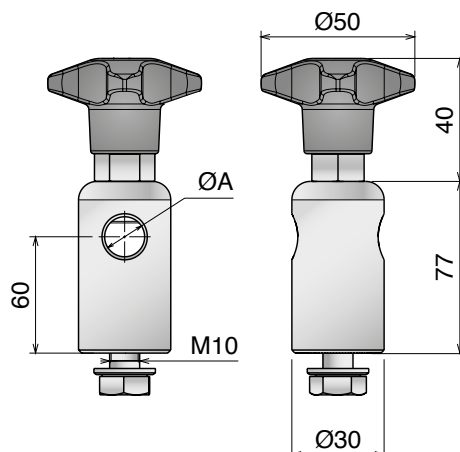


NOW ALSO IN HYGIENIC BLUE

Part	Article-Nr.	ØA	Knob Colour
314	31401	12	Black
314	31403	14	Black
314	31402	16	Black
314	31451	12	Hygienic blue
314	31453	14	Hygienic blue
314	31452	16	Hygienic blue
314	31411	12-without knob	-
314	31413	14-without knob	-
314	31412	16-without knob	-

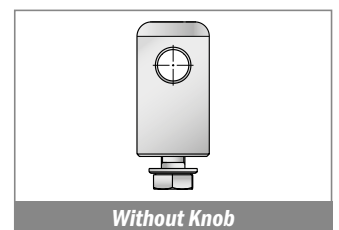


Testina orientabile alta, acciaio inox Adjustable head, stainless steel / Schwenkopf, Edelstahl



NOW ALSO IN HYGIENIC BLUE

Part	Article-Nr.	ØA
314	31409	12
314	31414	14
314	31410	16
314	31419	12-without knob
314	31421	14-without knob
314	31420	16-without knob



315 Supporto laterale "L" L-bracket / Winkel

Delivery: **Easy** **Standard**

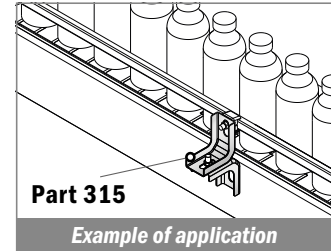
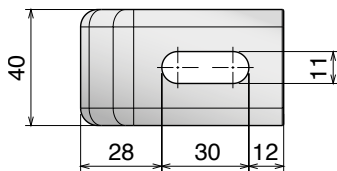
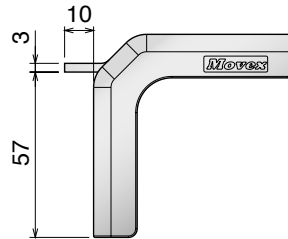
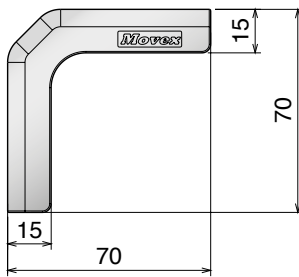
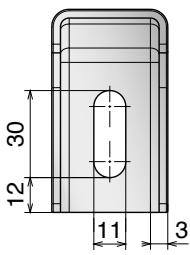
Stainless Steel | AISI 304

Part	Article-Nr.	Type
315	31501	A
315	31502	B



TYPE A - WITHOUT NOSE

TYPE B - WITH NOSE



316 Supporto laterale "L" L-bracket / Winkel

Delivery: **Easy** **Standard**

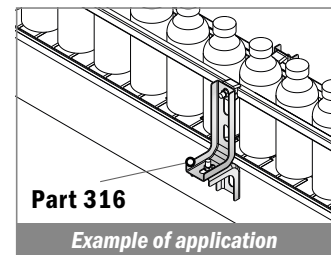
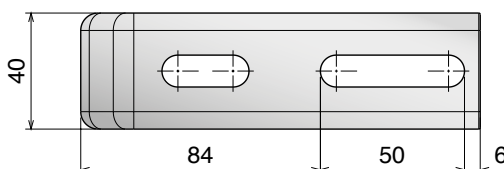
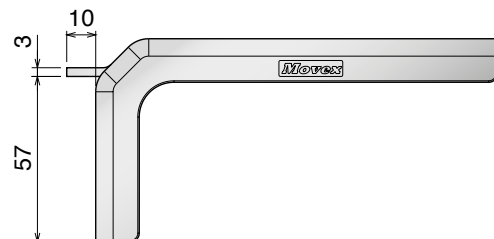
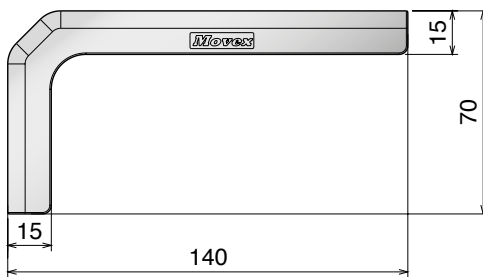
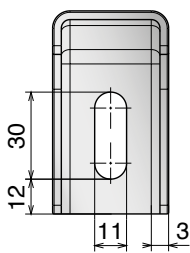
Stainless Steel | AISI 304

Part	Article-Nr.	Type
316	31601	A
316	31602	B



TYPE A - WITHOUT NOSE

TYPE B - WITH NOSE

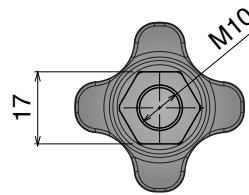
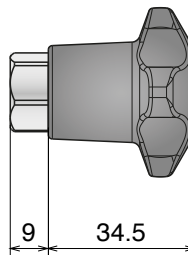
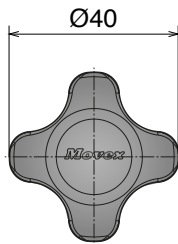
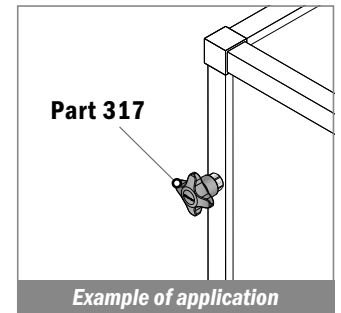
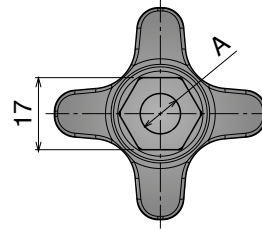
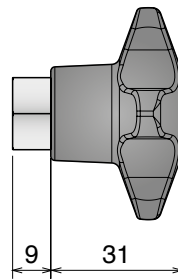
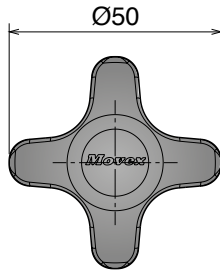


317 Volantino Star knob / Sterngriff

NOW ALSO IN HYGIENIC BLUE

Delivery: **Easy** **Standard**

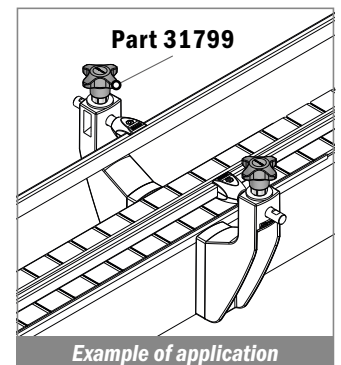
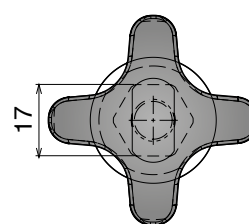
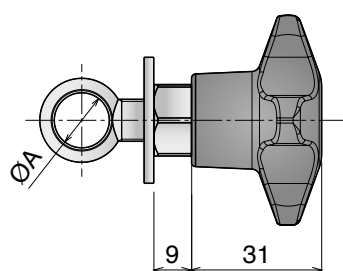
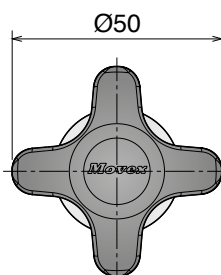
Part	Article-Nr.	A	Ø	Knob Colour
317	31702	M10	40	Black
317	31703	M8	50	Black
317	31701	M10	50	Black
317	31704	M12	50	Black
317	31753	M8	50	Hygienic blue
317	31751	M10	50	Hygienic blue
317	31754	M12	50	Hygienic blue



Volantino con tirante Star knob with eye-bolt / Sterngriff mit Augenschraube

NOW ALSO IN HYGIENIC BLUE

Part	Article-Nr.	ØA	Knob Colour
317	31799	12	Black
317	31797	14	Black
317	31798	16	Black
317	31759	12	Hygienic blue
317	31757	14	Hygienic blue
317	31758	16	Hygienic blue



Materiale / Material / Materialien:

Poliamide + ottone nichelato / Acciaio inox / Ottone
 Polyamide + nickel plated brass / Stainless steel / Brass
 Polyamid + Messing vernickelt / Edelstahl / Messing

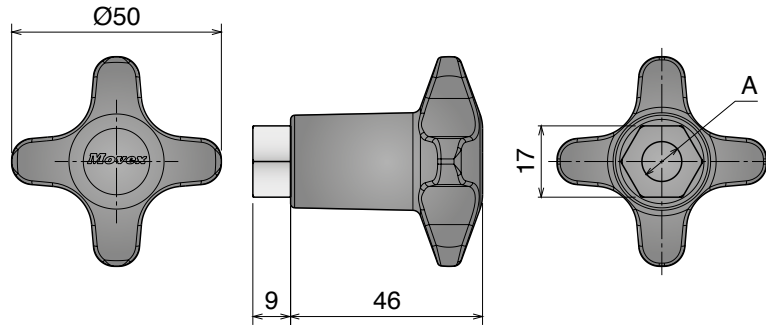
318-319-334

Componenti / Conveyor components / Komponenten

318 Volantino
 Star knob / Sterngriff

Delivery: **Easy** Standard

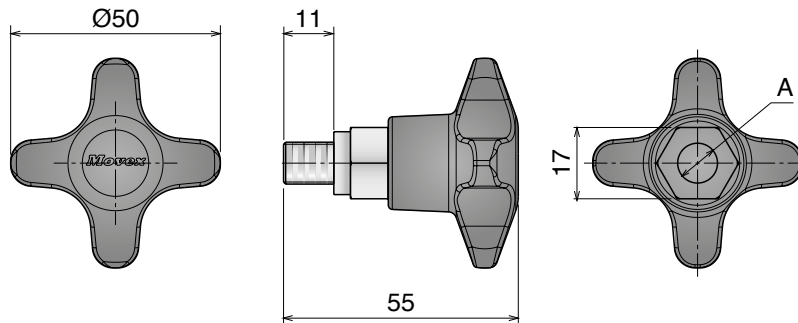
Part	Article-Nr.	A
318	31802	M8
318	31801	M10
318	31803	M12



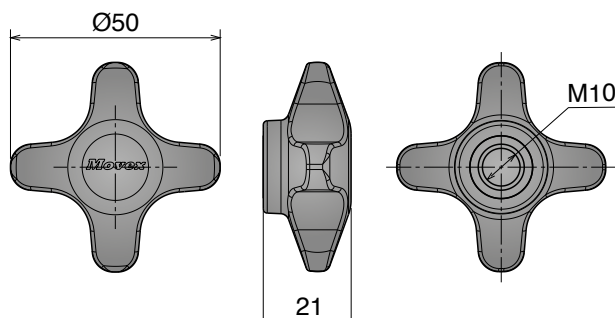
319 Volantino
 Star knob / Sterngriff

Delivery: **Easy** Standard

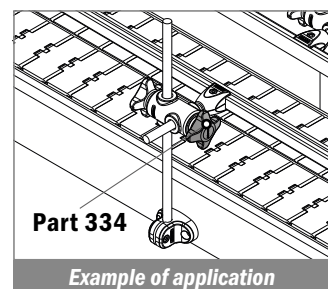
Part	Article-Nr.	A
319	31903	M8
319	31901	M10
319	31904	M12



NEW **334** Volantino
 Star knob / Sterngriff



Part	Article-Nr.	Colour
334	33401	Black
334	33401H	Hygienic blue
334	334010	Orange



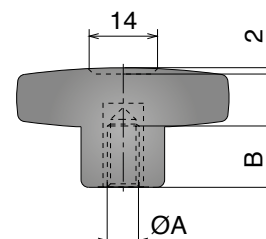
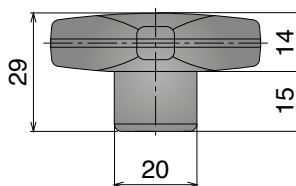
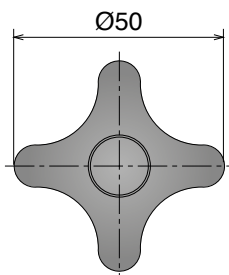
Materiale / Material / Materialien:

Part. 317: Acciaio inox / Stainless steel / Edelstahl

Part. 320: Poliammide + ottone nichelato / Polyamide + nickel plated brass / Polyamid + messing vernickelt

Part.3007: Poliammide + ottone / Polyamide + brass / Polyamid + messing

3001 Volantino a croce con boccola filettata Star knob with threaded bush / Sterngriff mit Innengewinde

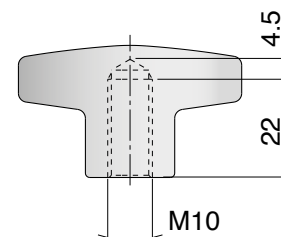
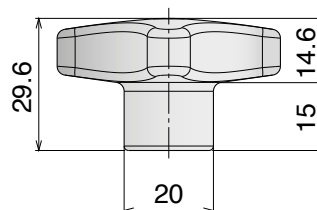
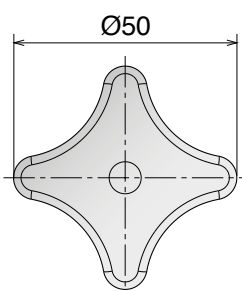


Part	Article-Nr.	ØA	Threaded bush	B
3001	300103	M8	Stainless steel	14
3001	300101	M10	Stainless steel	14
3001	300105	M12	Stainless steel	18
3001	300104	M8	Brass	14
3001	300102	M10	Brass	14
3001	300106	M12	Brass	18

317 Volantino Acciaio inox Star knob stainless steel / Sterngriff Edelstahl

Stainless Steel | AISI 304

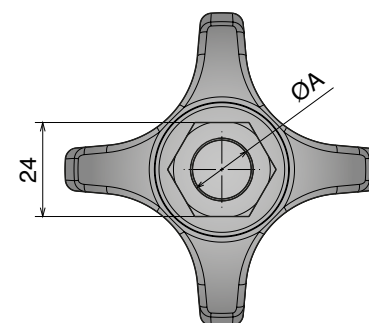
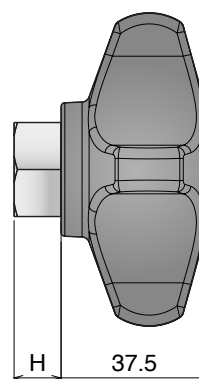
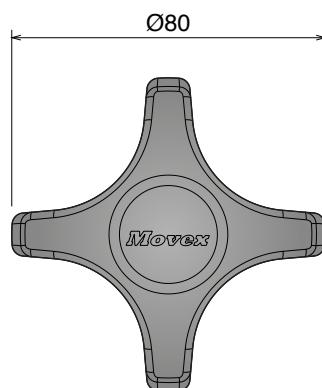
Delivery: **Easy** Standard



Part	Article-Nr.	ØA
317	31721	M10

320 Volantino Ø80 Star knob Ø80 / Sterngriff Ø80

Delivery: **Easy** Standard



Part	Article-Nr.	ØA	H
320	32001	M12	12
320	32002KN	M16	15

Materiale / Material / Materialien:

Part. 3008: Poliammide + acciaio zincato / Polyamide + galvanised steel

Polyamid + verzinktem stahl

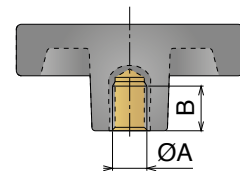
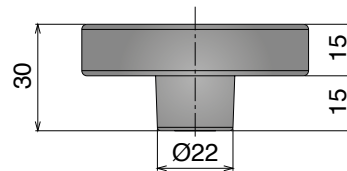
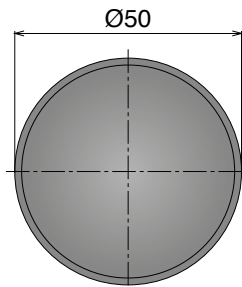
Part. 3002: Poliammide + ottone / Polyamide + brass / Polyamid + messing

3008-3002

Componenti / Conveyor components / Komponenten

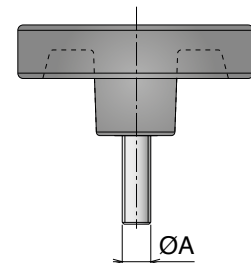
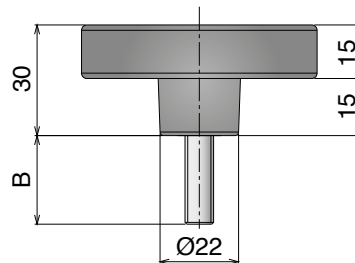
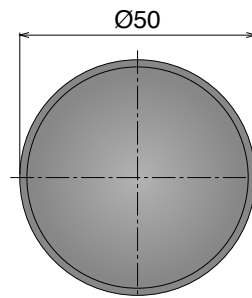
3007 Impugnatura con boccia filettata Knob with threaded bushing / Drehgriff mit Gewindebuchse

Part	Article-Nr.	ØA	B
3007	300701	M8	15
3007	300702	M10	14
3007	300703	M12	18



3008 Impugnatura con perno filettato Knob with threaded pin / Drehgriffschraube

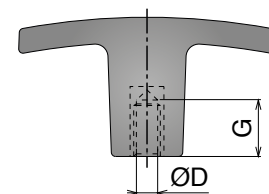
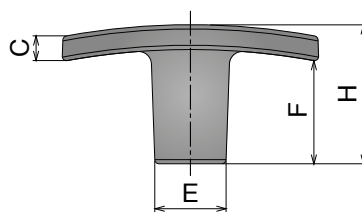
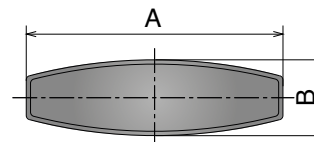
Part	Article-Nr.	ØA	B
3008	300801	M8	25
3008	300802	M10	25
3008	300803	M12	30



3002 Tirante con boccia filettata Handle with threaded insert / T-Griff mit Innengewinde

Delivery: **Easy** Standard

Part	Article-Nr.	A	B	C	ØD	E	F	G	H
3002	300201	50	15	5	M6	14	17	10	24
3002	300202	50	15	5	M8	14	17	14	24
3002	300203	60	18	6	M10	16.5	24	21	33



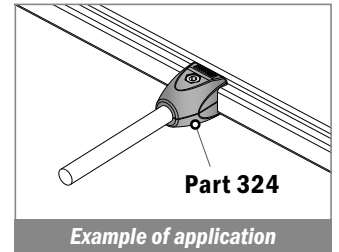
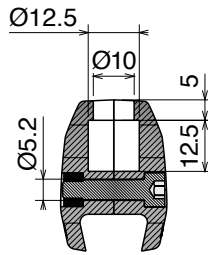
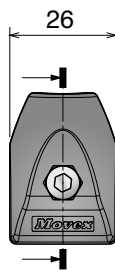
• **Materiale / Material / Materialien:** Morsetti: PA/Clamp: PA/Klemme: PA
 Vite, perno e rondella: Acciaio inox/Screw, pin and washer: Stainless steel
 Schraube, Bolzen und Scheibe: Edelstahl
 Dado: ottone nichelato/Nut: nickel plated brass/Mutter: Messing vernickelt

324 Morsetto singolo per guida laterale conica Single clamp for conical side guide / Einfachklemme für konische Seitenführung

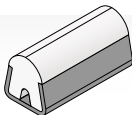
NOW ALSO IN HYGIENIC BLUE

Delivery: **Easy** **Standard** Used with Part 349/350 Page 540 and Part 356 Page 543

Part	Article-Nr.	ØA	Colour
324	32401	without pin	Black
324	32451	without pin	Hygienic blue



Used with
Guide rail
 Page 397

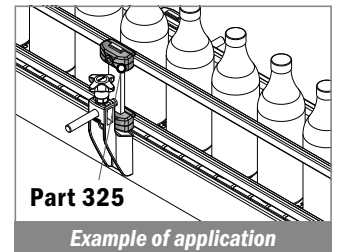
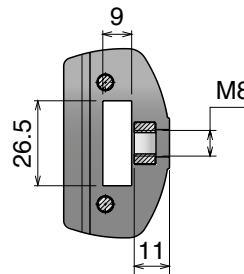
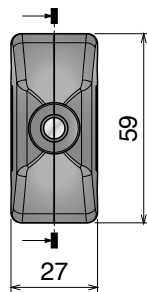
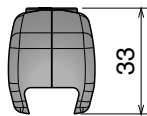


325 Morsetto singolo per guida laterale conica Single clamp for conical side guide / Einfachklemme für konische Seitenführung

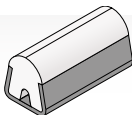
NOW ALSO IN HYGIENIC BLUE

Delivery: **Easy** **Standard** Used with Part 351 Page 540 and Part 352/3004/3005 Page 541 (Thread M8)

Part	Article-Nr.	ØA	Colour
325	32501	without pin	Black
325	32551	without pin	Hygienic blue



Used with
Guide rail
 Page 397

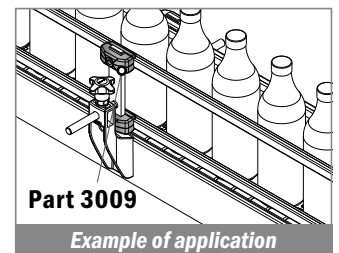
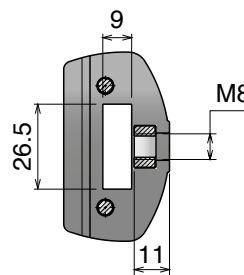
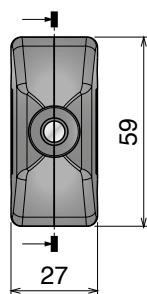
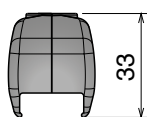


3009 Morsetto singolo per guida laterale Single clamp for side guide / Einfachklemme für Seitenführung

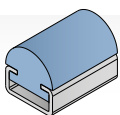
NOW ALSO IN HYGIENIC BLUE

Delivery: **Easy** **Standard** Used with Part 351 Page 540 and Part 352/3004/3005 Page 541 (Thread M8)

Part	Article-Nr.	ØA	Colour
3009	300901	without pin	Black
3009	300902	without pin	Hygienic blue



Used with
PART 134
 Page 436



Materiale / Material / Materialien:

Part. 326: Poliammide/Polyamide/Polyamid
 Part. 3013: Acciaio inox / Stainless steel / Edelstahl
 Part. 3010: Acciaio inox / Stainless steel / Edelstahl

326-3013-3010

Componenti / Conveyor components / Komponenten

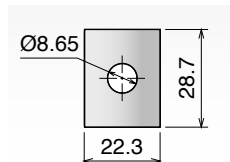
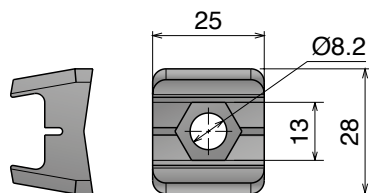
326 Morsetto singolo per guida laterale conica Single clamp for conical side guide / Einfachklemme für konische Seitenführung

NOW ALSO IN HYGIENIC BLUE

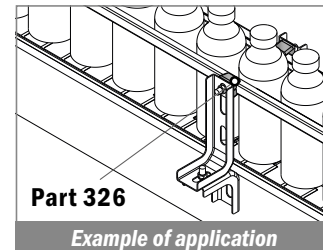
Delivery: **Easy** **Standard**

Part Article-Nr. Colour

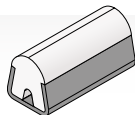
326	32601	Black
326	32651	Hygienic blue



Reinforced plate 33201
 3 mm thickness



Used with **Guide rail**
 Page 397



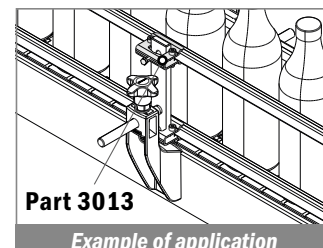
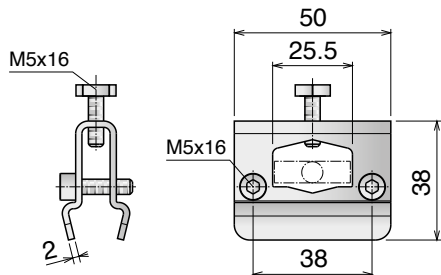
3013 Morsetto singolo per guida laterale conica Single clamp for conical side guide / Einfachklemme für konische Seitenführung

Stainless Steel | AISI 304

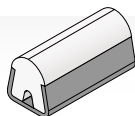
Delivery: **Easy** **Standard** Screws supplied not assembled

Part Article-Nr. Suitable for

3013	301301	● 12/14/15/16 ■ 25x6/25x8
------	--------	---------------------------



Used with **Guide rail**
 Page 397



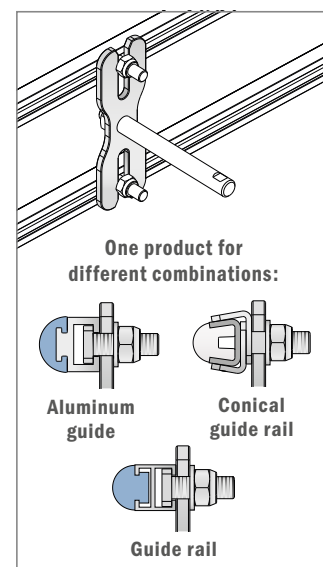
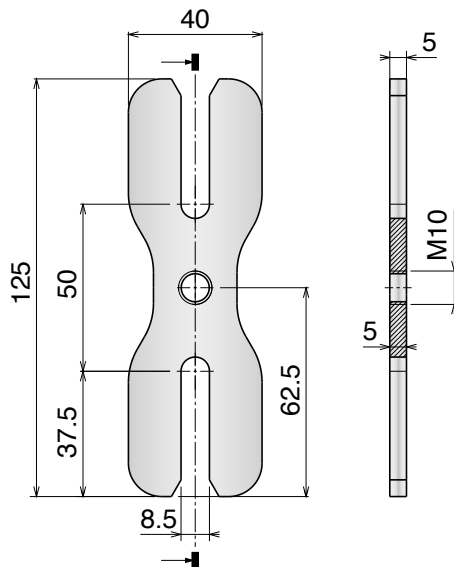
3010 Morsetto doppio regolabile Adjustable double clamp / Einstellbare Doppelklemme

Stainless Steel | AISI 304

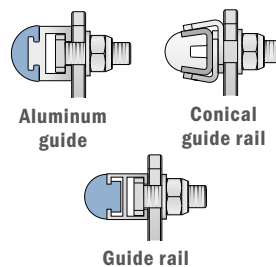
Delivery: **Easy** **Standard** Used with Part 351 Page 540 and Part 352 Page 541 (Thread M10)

Part Article-Nr. ØA

3010	301001	without pin
------	--------	-------------



One product for different combinations:



Example of application

327-3012

Componenti / Conveyor components / Komponenten

Materiale / Material / Materialien:

Morsetto: PA/Clamp: PA/Klemme: PA

Perno e rondella: Acciaio inox/Pin and washer: Stainless steel/Bolzen und Scheibe: Edelstahl

Dado: ottone nichelato/Nut: nickel plate brass/Mutter: Messing vernickelt

327

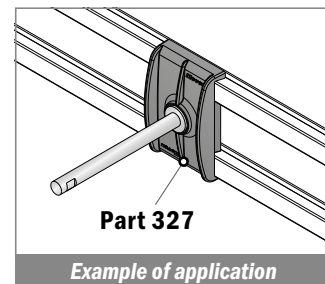
Morsetto doppio per guida laterale conica

Double clamp for conical side guide / Doppelklemme für konische Seitenführung

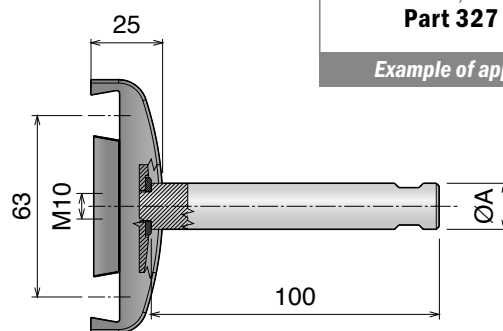
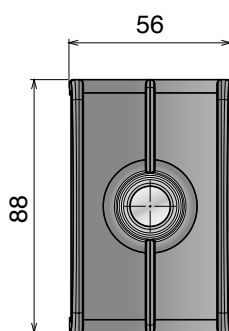
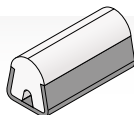
NOW ALSO IN HYGIENIC BLUE

Delivery: **Easy** **Standard** Used with Part 351 Page 540 and Part 352 Page 541 (Thread M10)

Part	Article-Nr.	ØA	Colour
327	32701	without pin	Black
327	32702	12	Black
327	32703	16	Black
327	32751	without pin	Hygienic blue
327	32752	12	Hygienic blue
327	32753	16	Hygienic blue



Used with
Guide rail
Page 397



3012

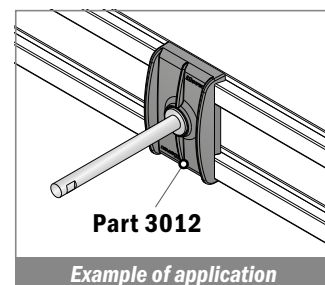
Morsetto doppio per guida laterale

Double clamp for side guide / Doppelklemme für Seitenführung

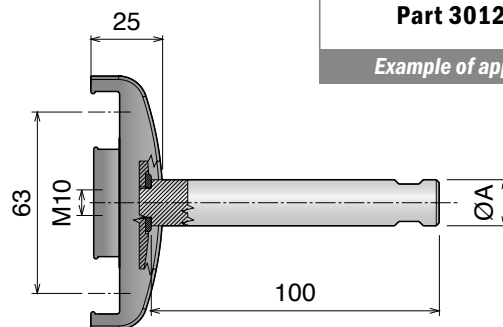
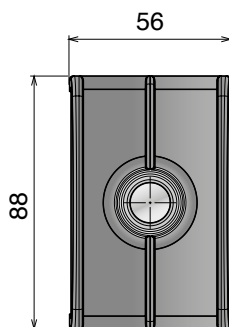
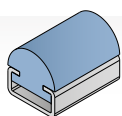
NOW ALSO IN HYGIENIC BLUE

Delivery: **Easy** **Standard** Used with Part 351 Page 540 and Part 352 Page 541 (Thread M10)

Part	Article-Nr.	ØA	Colour
3012	301201	without pin	Black
3012	301202	12	Black
3012	301203	16	Black
3012	301251	without pin	Hygienic blue
3012	301252	12	Hygienic blue
3012	301253	16	Hygienic blue



Used with
PART 134
Page 436



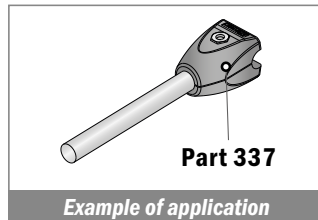
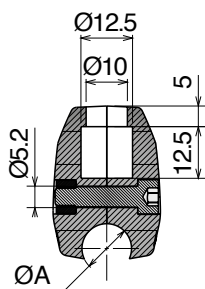
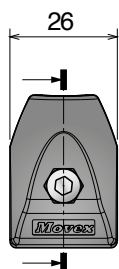
• **Materiale / Material / Materialien:** Morsetti: PA/Clamp: PA/Klemme: PA
 Vite, perno e rondella: Acciaio inox/Screw, pin and washer: Stainless steel
 Schraube, Bolzen und Scheibe: Edelstahl
 Dado: ottone nichelato/Nut: nickel plated brass/Mutter: Messing vernickelt

337 Morsetto singolo per tondino Single clamp for round bar / Einfachklemme für Rund Profil

NOW ALSO IN HYGIENIC BLUE

Delivery: **Easy** **Standard** Used with Part 349/350 Page 540 and Part 356 Page 543

Part	Article-Nr.	ØA	Colour
337	33701	10	Black
337	33702	12	Black
337	33751	10	Hygienic blue
337	33752	12	Hygienic blue

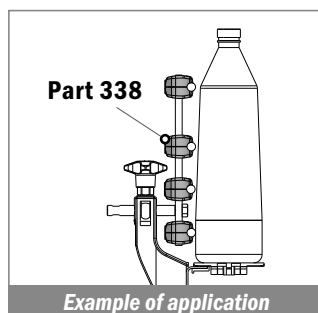
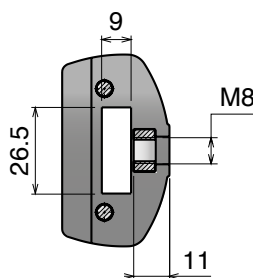
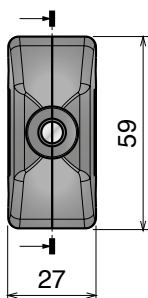
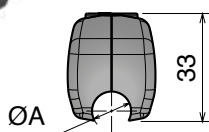


338 Morsetto singolo per tondino Single clamp for round bar / Einfachklemme für Rund Profil

NOW ALSO IN HYGIENIC BLUE

Delivery: **Easy** **Standard** Used with Part 351 Page 540 and Part 352/3004/3005 Page 541 (Thread M8)

Part	Article-Nr.	ØA	Colour
338	33801	10	Black
338	33802	12	Black
338	33851	10	Hygienic blue
338	33852	12	Hygienic blue

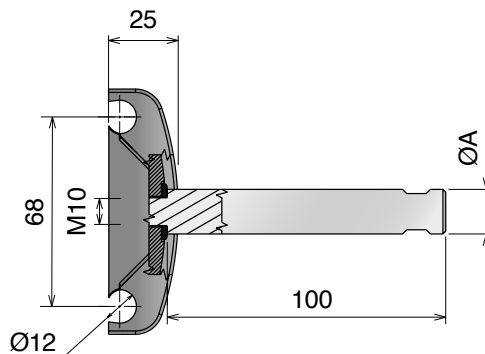
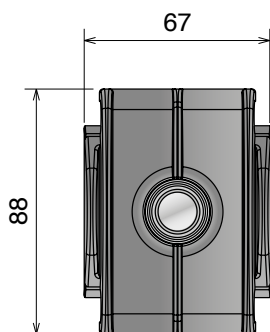
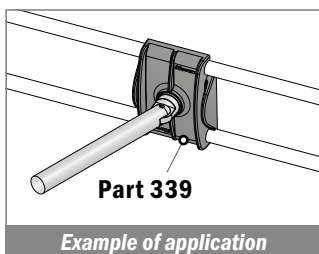


339 Morsetto doppio per tondino Double clamp for round bar / Doppelklemme für Rund Profil

NOW ALSO IN HYGIENIC BLUE

Delivery: **Easy** **Standard** Used with Part 351 Page 540 and Part 352 Page 541 (Thread M10)

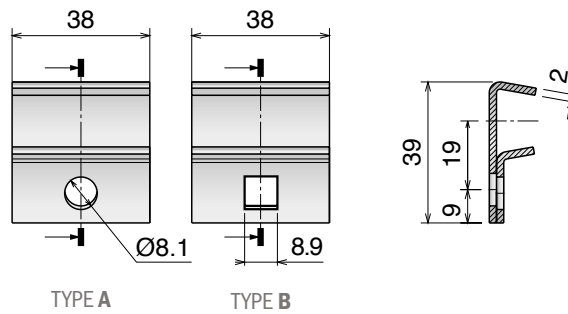
Part	Article-Nr.	ØA	Colour
339	33901	without pin	Black
339	33902	12	Black
339	33904	14	Black
339	33903	16	Black
339	33951	without pin	Hygienic blue
339	33952	12	Hygienic blue
339	33954	14	Hygienic blue
339	33953	16	Hygienic blue



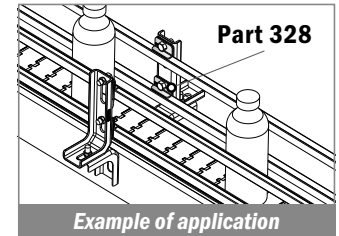
328

Morsetto singolo per guida laterale conica
Single clamp for conical side guide / Einfachklemme für konische Seitenführung

Delivery: **Easy** **Standard** Used with Guide rail Page 397



Part	Article-Nr.	Material	Type
328	32801	AISI 304	A
328	32802	AISI 304	B
328	32811	AISI 316	A

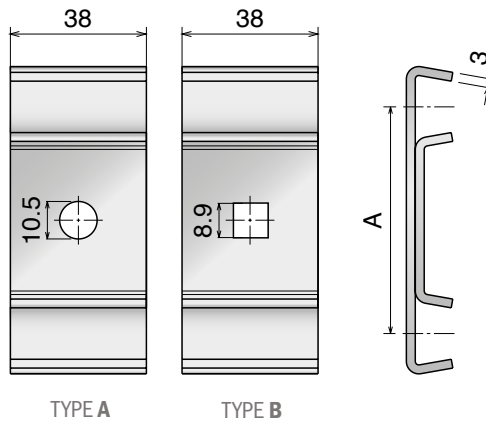


Example of application

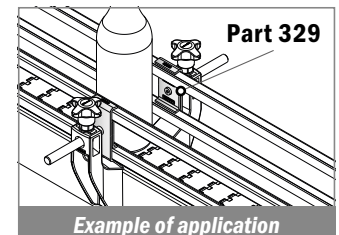
329

Morsetto doppio per guida laterale conica
Double clamp for conical side guide / Doppelklemme für konische Seitenführung

Delivery: **Easy** **Standard** Used with Guide rail Page 397



Part	Article-Nr.	A	Type
329	32904	50,0	A
329	32901	63,5	A
329	32902	82,55	A
329	32903	95,25	A
329	32911	63,5	B
329	32912	82,55	B
329	32913	95,25	B

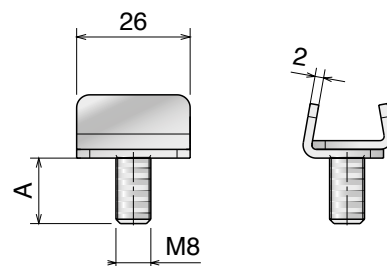


Example of application

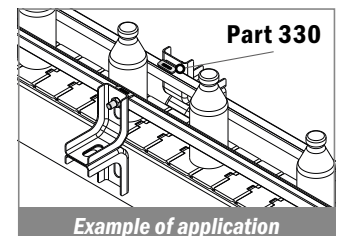
330

Morsetto singolo per guida laterale conica
Single clamp for conical side guide / Einfachklemme für konische Seitenführung

Delivery: **Easy** **Standard** Used with Guide rail Page 397



Part	Article-Nr.	A
330	33001	15
330	33003	20
330	33002	25
330	33004	30

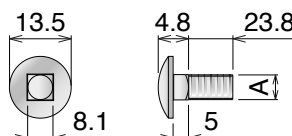


Example of application

362

Vite con quadro sotto testa sferica
Bolt with round head and square neck / Flachrundschraube mit Vierkantansatz

Delivery: **Easy** **Standard** Used with Part 328 and Part 329 (See above)



Part	Article-Nr.	A
362	36271	M8

Materiale / Material / Materialien: Acciaio inox/Stainless steel/Edelstahl
 Morsetto: Resina acetica/Clamp: Acetal resin/Klemme: Azetal
 Vite, perno e dado: Acciaio inox/Screw, pin and nut: Stainless steel
 Schraube, Bolzen und Mutter: Edelstahl

390-392-393-336

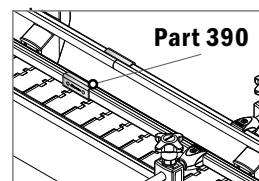
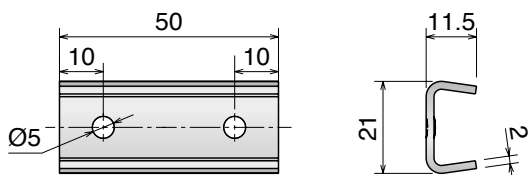
Componenti / Conveyor components / Komponenten

390 Elemento di giunzione Connecting element / Verbinder

Delivery: **Easy** **Standard** Used with Guide rail Page 397

Part Article-Nr.

390 39001



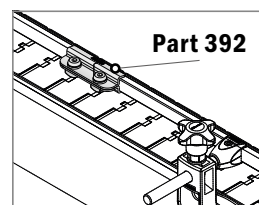
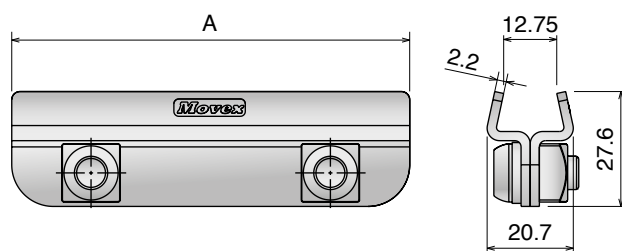
Example of application

392 Elemento di connessione Connecting clamp / Verbindungsklemme

Delivery: **Easy** **Standard** Used with Guide rail Page 397

Part Article-Nr. A

392	39201	75
392	39202	100
392	39203	150



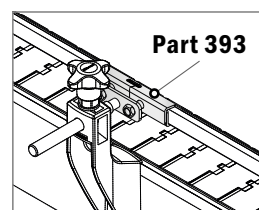
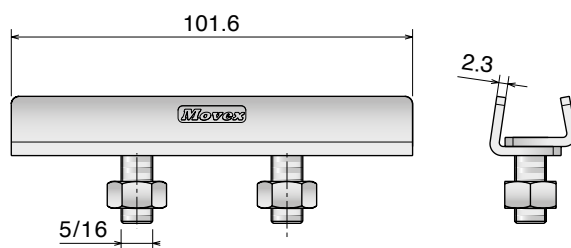
Example of application

393 Elemento di connessione Connecting clamp / Verbindungsklemme

Delivery: **Easy** **Standard** Used with Guide rail Page 397

Part Article-Nr.

393 39302



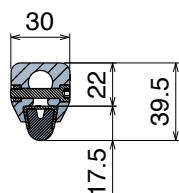
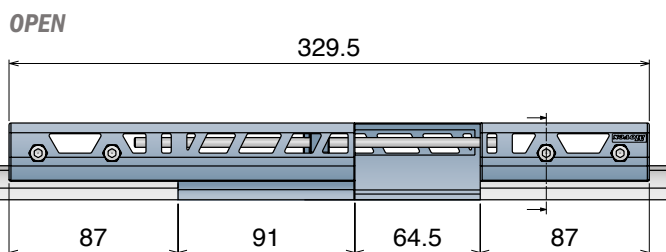
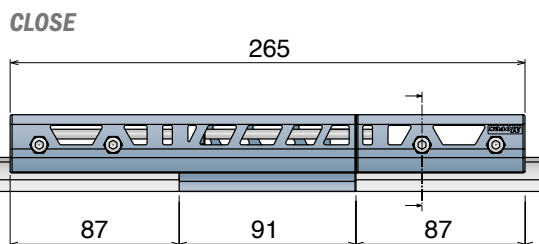
Example of application

336 Morsetto regolabile guide coniche Adjustable clamp for conical guide / verstellbare Klemme für konische Führungen

Delivery: **Easy** **Standard** Used with Guide rail Page 397

Part Article-Nr.

336 33601

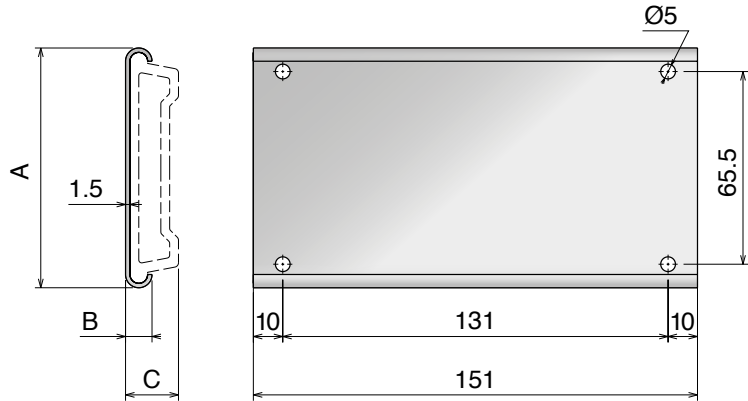


• **Materiale / Material / Materialien:** Acciaio inox/Stainless steel/Edelstahl
 Morsetto: PA/Clamp: PA/Klemme: PA
 Vite, perno e rondella: Acciaio inox/Screw, pin and washer: Stainless steel/Schraube, Bolzen und Scheibe: Edelstahl
 Dado: ottone nichelato/Nut: nickel plated brass/Mutter: Messing vernickelt

394 Morsetto di giunzione Joint clamp / Verbindungsplatte

Delivery: **Easy** **Standard** Used with Part 135/136 Page 457

Part	Article-Nr.	A	B	C
394	39401	81,5	9	18
394	39402	90	8	17



341 Morsetto Clamp / Klemme

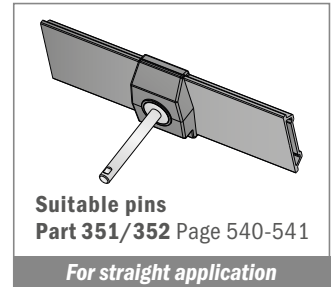
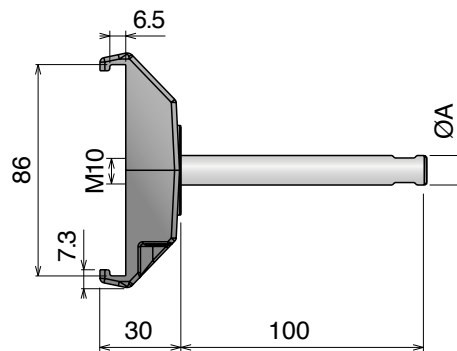
Delivery: **Easy** **Standard** Versions without pins don't include nuts and washer too

NOW ALSO IN HYGIENIC BLUE

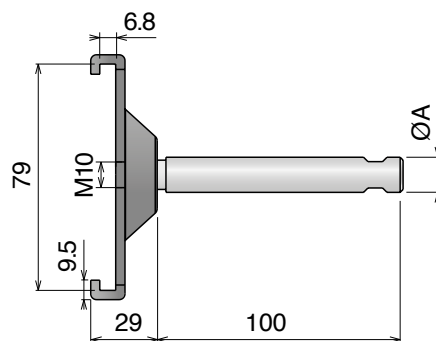
Part	Article-Nr.	ØA	Colour
341	34101	without pin	Black
341	34102	12	Black
341	34103	16	Black
341	34151	without pin	Hygienic blue
341	34152	12	Hygienic blue
341	34153	16	Hygienic blue



TYPE A
Used with Part 136 Page 457

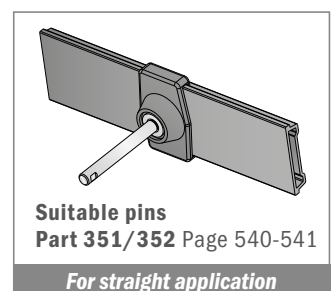


TYPE B
Used with Part 135 Page 457



NOW ALSO IN HYGIENIC BLUE

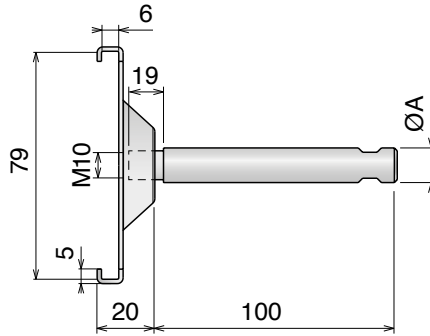
Part	Article-Nr.	ØA	Colour
341	34111	without pin	Black
341	34112	12	Black
341	34113	16	Black
341	34161	without pin	Hygienic blue
341	34162	12	Hygienic blue
341	34163	16	Hygienic blue



Materiale / Material / Materialien:
 Morsetto: Acciaio inox/ Clamp: SS/Klemme: Edelstahl
 Perno: Acciaio inox/ Pin: SS/Blozen: Edelstahl

3310 Morsetto acciaio inox Clamp, stainless steel / Klemme, Edelstahl

Delivery: **Easy** **Standard** Used with Part 135 Page 457 - Suitable pins Part 351/352 Page 540-541

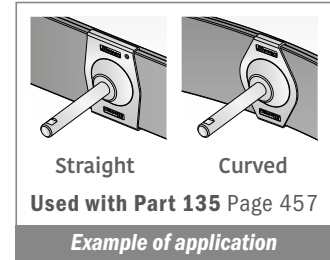


For straight application

Part	Article-Nr.	ØA
3310	33101	without pin
3310	33102	12
3310	33103	16

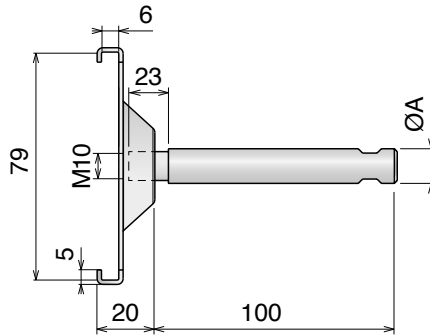
For curved application

Part	Article-Nr.	ØA
3310	33105	without pin
3310	33106	12
3310	33107	16



3311 Morsetto acciaio inox Clamp, stainless steel / Klemme, Edelstahl

Delivery: **Easy** **Standard** Suitable pins Part 3004/3005 Page 541

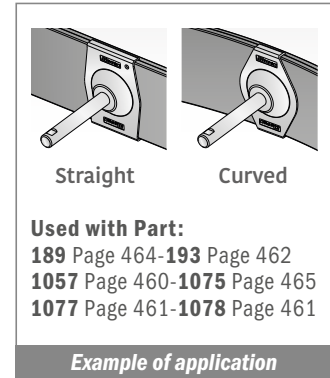


For straight application

Part	Article-Nr.	ØA
3311	33112	12
3311	33113	16

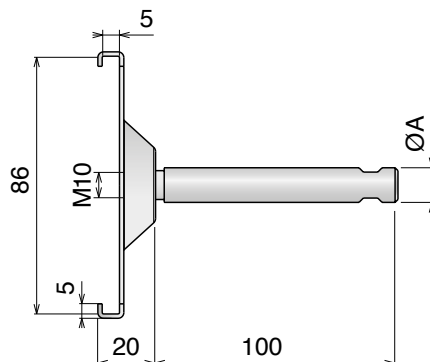
For curved application

Part	Article-Nr.	ØA
3311	33116	12
3311	33117	16

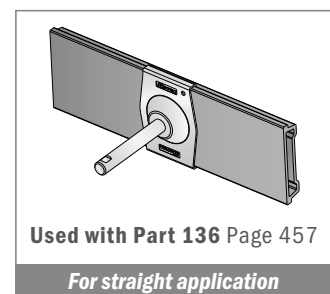


345 Morsetto acciaio inox Clamp, stainless steel / Klemme, Edelstahl

Delivery: **Easy** **Standard** Suitable pins Part 351/352 Page 540-541

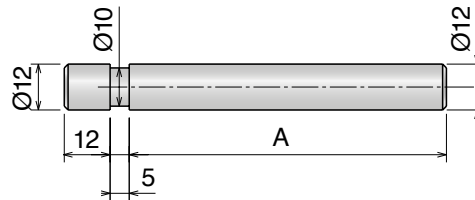


Part	Article-Nr.	ØA
345	34501	without pin
345	34502	12
345	34503	16

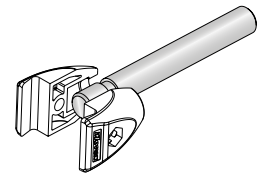


349 Perno Rod / Bolzen

Delivery: **Easy** **Standard**



Part	Article-Nr.	A
349	34901	80
349	34902	100
349	34903	150

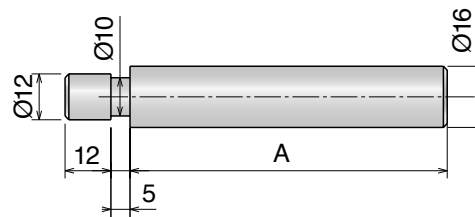


Used with Part:
324 Page 532 - 337 Page 535

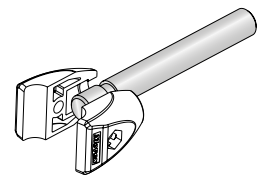
Example of application

350 Perno Rod / Bolzen

Delivery: **Easy** **Standard**



Part	Article-Nr.	A
350	35001	80
350	35002	100
350	35003	150

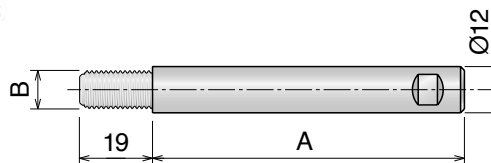


Used with Part:
324 Page 532 - 337 Page 535

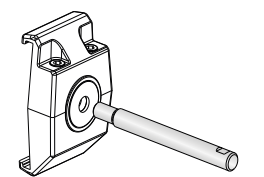
Example of application

351 Perno Rod / Bolzen

Delivery: **Easy** **Standard**



Part	Article-Nr.	A	B
351	35101	80	M10
351	35102	100	M10
351	35103	150	M10
351	35151	80	M8
351	35152	100	M8
351	35153	150	M8

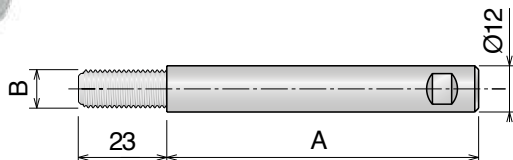


Used with Part:
327 Page 554 - 341 Page 538
345 Page 539 - 3310 Page 539

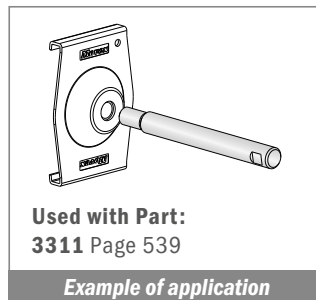
Example of application

3004 Perno Rod / Bolzen

Delivery: **Easy** **Standard**

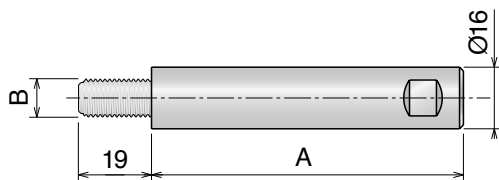


Part	Article-Nr.	A	B
3004	300401	80	M10
3004	300402	100	M10
3004	300403	150	M10
3004	300451	80	M8
3004	300452	100	M8
3004	300453	150	M8

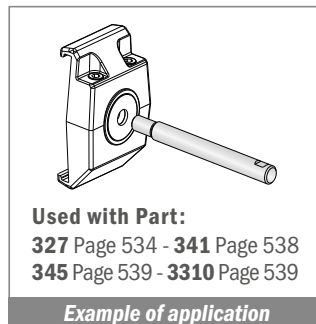


352 Perno Rod / Bolzen

Delivery: **Easy** **Standard**

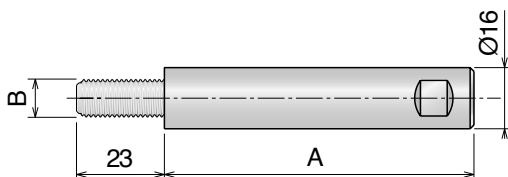


Part	Article-Nr.	A	B
352	35201	80	M10
352	35202	100	M10
352	35203	150	M10
352	35251	80	M8
352	35252	100	M8
352	35253	150	M8

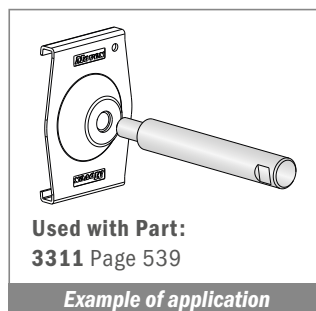


3005 Perno Rod / Bolzen

Delivery: **Easy** **Standard**

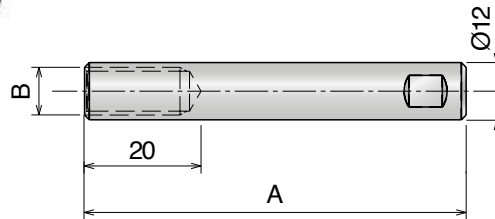


Part	Article-Nr.	A	B
3005	300501	80	M10
3005	300502	100	M10
3005	300503	150	M10
3005	300551	80	M8
3005	300552	100	M8
3005	300553	150	M8

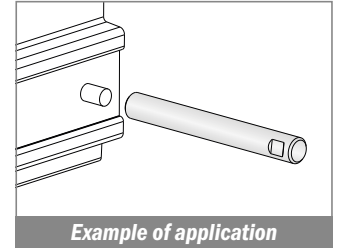


347 Perno filettato femmina Rod / Bolzen

Delivery: **Easy** **Standard**

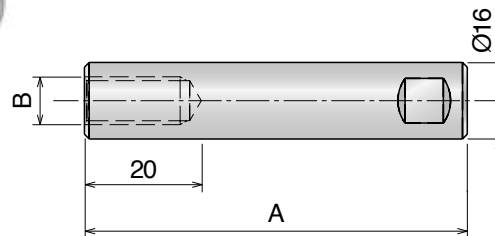


Part	Article-Nr.	A	B
347	34701	80	M10
347	34702	100	M10
347	34703	150	M10
347	34751	80	M8
347	34752	100	M8
347	34753	150	M8

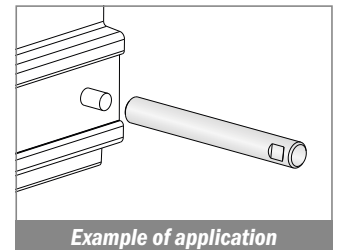


348 Perno filettato femmina Rod / Bolzen

Delivery: **Easy** **Standard**

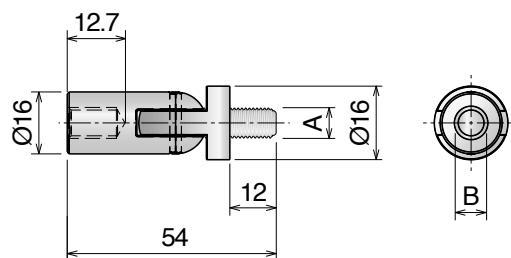


Part	Article-Nr.	A	B
348	34801	80	M10
348	34802	100	M10
348	34803	150	M10
348	34851	80	M8
348	34852	100	M8
348	34853	150	M8

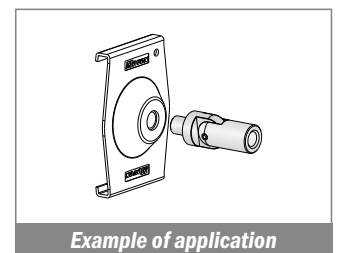


346 Snodo Joint rod adapter / Gelenk

Delivery: **Easy** **Standard**

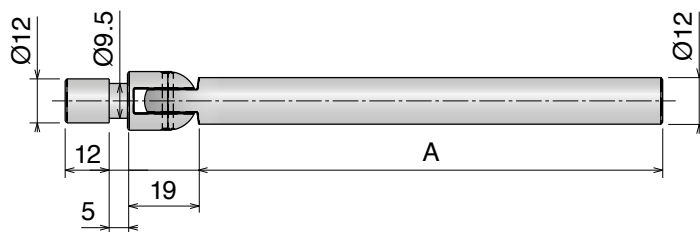


Part	Article-Nr.	A	B
346	34699	M8	M8
346	34602	M8	M10
346	34603	M10	M10

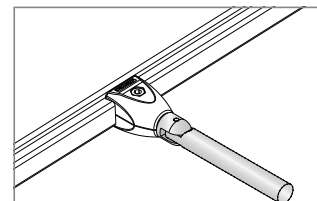


356 Perno snodato Jointed rods / Gelenkbolzen

Delivery: **Easy** **Standard**



Part	Article-Nr.	A
356	35601	80
356	35602	100
356	35603	150

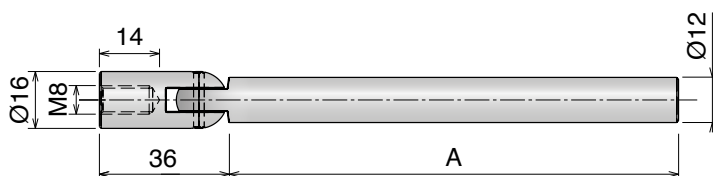


Used with Part:
 324 Page 532
 337 Page 535

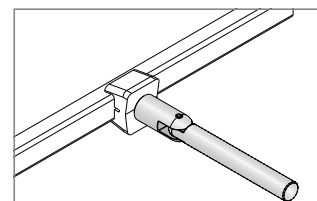
Example of application

357 Perno snodato Jointed rods / Gelenkbolzen

Delivery: **Easy** **Standard**



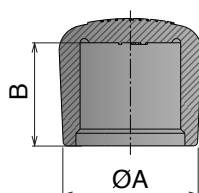
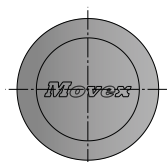
Part	Article-Nr.	A
357	35701	80
357	35702	100
357	35703	150



Example of application

3011 Cappucci terminali End caps / Abdeckstopfen

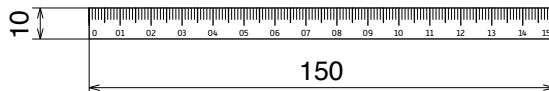
Delivery: **Easy** **Standard**



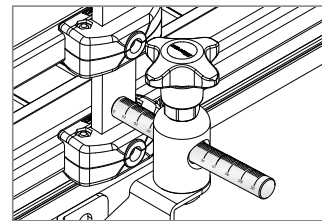
Part	Article-Nr.	ØA	B	Colour	Box
3011	301101A	Ø12	12,3	Black	100 pcs
3011	301102A	Ø14	12,8	Black	100 pcs
3011	301103A	Ø16	16,4	Black	100 pcs
3011	301104A	Ø20	20,1	Black	100 pcs
3011	301101B	Ø12	12,3	Yellow	100 pcs
3011	301102B	Ø14	12,8	Yellow	100 pcs
3011	301103B	Ø16	16,4	Yellow	100 pcs
3011	301104B	Ø20	20,1	Yellow	100 pcs
3011	301101C	Ø12	12,3	Hygienic blue	100 pcs
3011	301102C	Ø14	12,8	Hygienic blue	100 pcs
3011	301103C	Ø16	16,4	Hygienic blue	100 pcs
3011	301104C	Ø20	20,1	Hygienic blue	100 pcs

NEW 3099 *Righello metrico adesivo*
Adhesive back metric rule / Lineal zum Aufkleben (Metrisch)

Delivery: **Easy** **Standard**



Part	Article-Nr.	Color	Sheet
3099	309999	White	26 pcs
3099	309999T	Transparent	26 pcs
3099	309999Y	Yellow	26 pcs



Example of application

Materiale / Material / Materialien:

Polietilene HMW-PE / Polyethylene HMW-PE / Polyethylen HMW-PE
 Rulli: resina acetaltica o gomma SEBS / Rollers: Acetal Resin or SEBS rubber / Röllchen: Azetal oder SEBS gummi

335 Guide a rulli laterale Roller guides / Röllchenführung

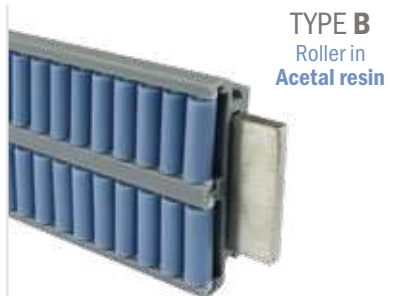
PATENTED

Max fixing load M8 screw: 15 N·m | Minimum internal/external radius: 305 mm



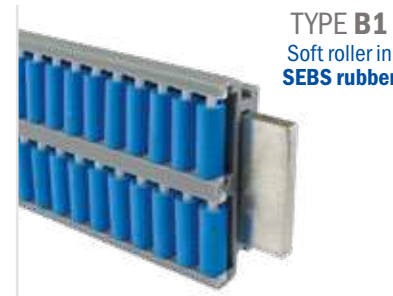
TYPE A
 Roller in
 Acetal resin

Part	Article-Nr.	Type
335	33502	A



TYPE B
 Roller in
 Acetal resin

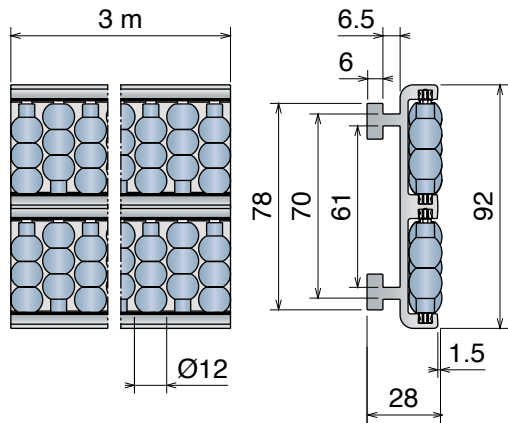
Part	Article-Nr.	Type
335	33504	B



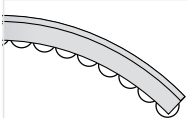
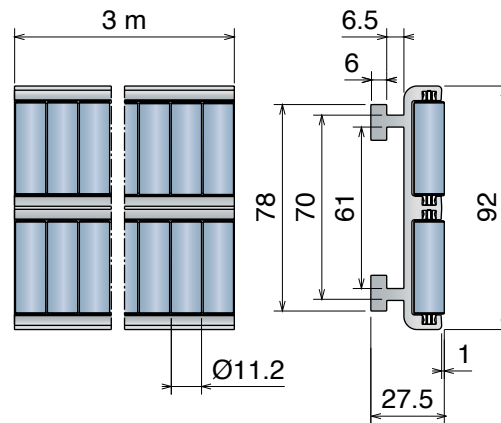
TYPE B1
 Soft roller in
 SEBS rubber

Part	Article-Nr.	Type
335	33506	B1

Design TYPE A



Design TYPE B and B1

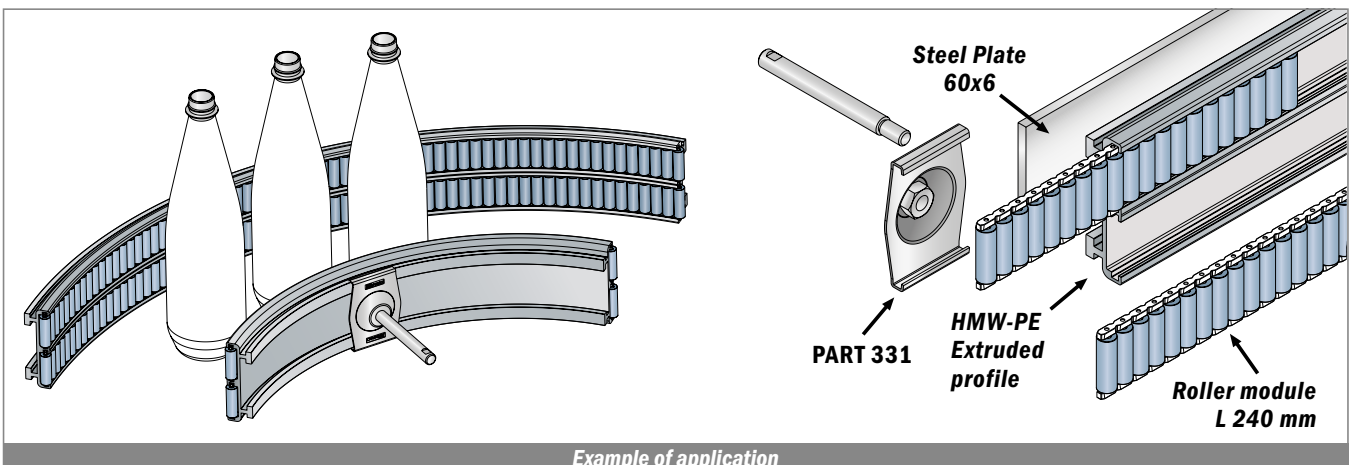


These roller guides can be curved in either directions.

Bending machine and Rollers
 Page 484 >> 486



Fixing screw:
 M8 hex.head
 or **PART 362**
 Page 538

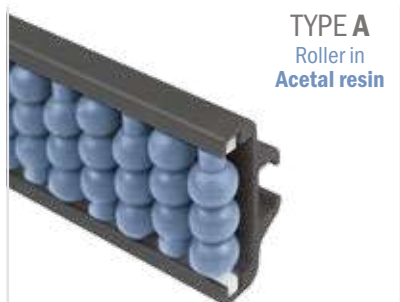


Example of application

Materiale / Material / Materialien:
 Polietilene HMW-PE / Polyethylene HMW-PE / Polyethylen HMW-PE
 Rulli: resina acetatica o gomma SEBS / Rollers: Acetal Resin or SEBS
 rubber / Röllchen: Azetal oder SEBS gummi

NEW 358 Guide a rulli laterale Roller guides / Röllchenführung

Delivery: **Easy** **Standard** Max fixing load M8 screw: 15 Nm | Minimum internal/external radius: 460 mm



TYPE A
 Roller in
 Acetal resin

Part	Article-Nr.	Type
358	35822	A



TYPE B
 Roller in
 Acetal resin

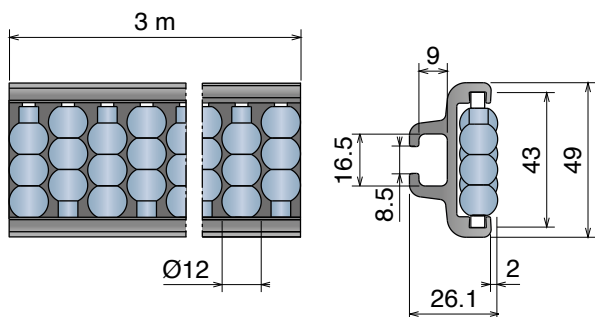
Part	Article-Nr.	Type
358	35824	B



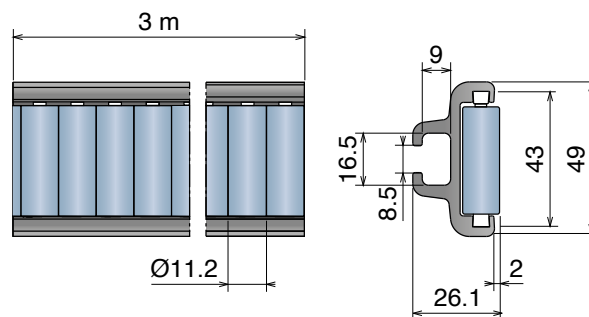
TYPE B1
 Soft roller in
 SEBS rubber

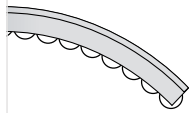
Part	Article-Nr.	Type
358	35826	B1

Design TYPE A

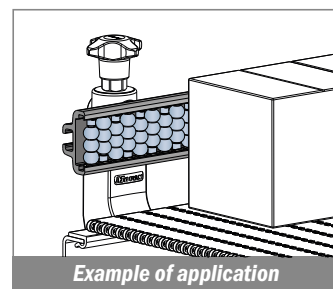


Design TYPE B and B1

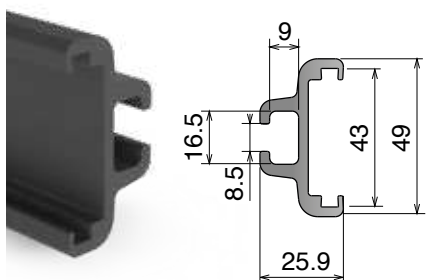


 These roller guides can be curved in either directions.

Bending machine and Rollers Page 484>>486



Spare parts and Shoe



Article-Nr.	Material	Supply
35820EC	Polyethylene HMW-PE	3 m bars



Used also with reinforced version
 (see next page)

Article-Nr.	Type
36401	fresato/machined/gefräst

Used with
PART 395
 Page 558



Materiale / Material / Materialien:

Polietilene HMW-PE / Polyethylene HMW-PE / Polyethylen HMW-PE

Rulli: Resina acetica o gomma SEBS / Rollers: Acetal Resin or SEBS rubber / Röllchen: Azetal oder SEBS gummi

Profilo di metallo: Acciaio inox / Metal profile: Stainless steel / Metallprofil: Edelstahl

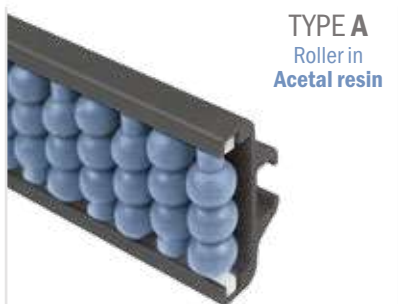
NEW

358

Guide a rulli laterale
Roller guides / Röllchenführung

REINFORCED VERSION

Delivery: **Easy** **Standard** Max fixing load M8 screw: 15 N-m | Minimum internal/external radius: 460 mm



TYPE A
Roller in
Acetal resin

Part	Article-Nr.	Type
358	35822H	A



TYPE B
Roller in
Acetal resin

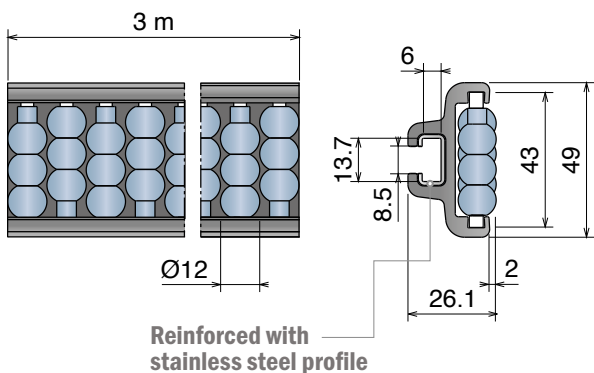
Part	Article-Nr.	Type
358	35824H	B



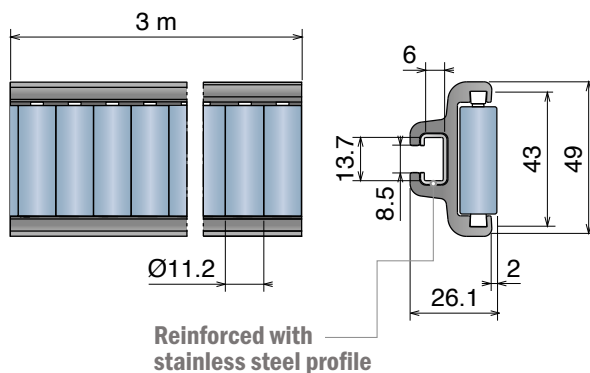
TYPE B1
Soft roller in
SEBS rubber

Part	Article-Nr.	Type
358	35826H	B1

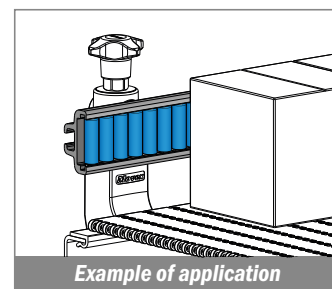
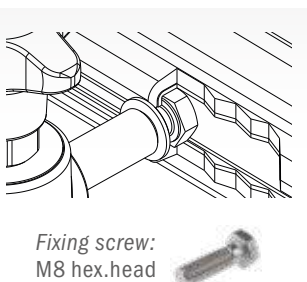
Design TYPE A



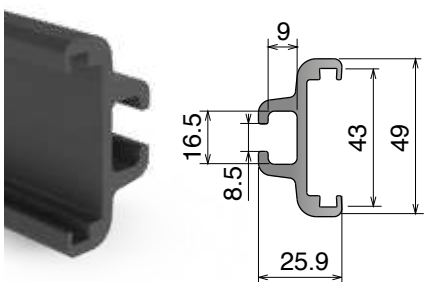
Design TYPE B and B1



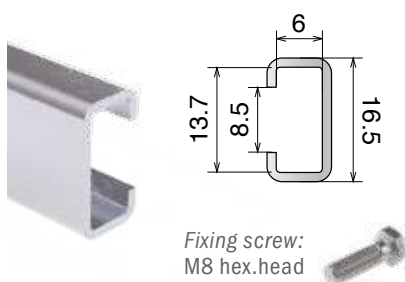
These roller guides can be curved in either directions.
Bending machine and Rollers Page 484>>486



Spare parts



Article-Nr.	Material	Supply
35820EC	Polyethylene HMW-PE	3 m bars



Article-Nr.	Material	Supply
35820C	Stainless steel	3 m bars

Used with
PART 395
Page 558



Materiale / Material / Materialien:

Guida: alluminio anodizzato/Guide: anodized aluminum/Führung: eloxiertem Aluminium

Rulli: resina acetica o gomma SEBS/Rollers: Acetal Resin or SEBS rubber/Röllchen: Azetal oder SEBS gummi

Vite: Acciaio inox/Screw: Stainless steel/Schrauben: Edelstahl

358 Guide a rulli laterale Roller guides / Röllchenführung

Delivery: **Easy** **Standard** Max fixing load M8 screw: 15 N·m | Minimum internal/external radius: 460 mm



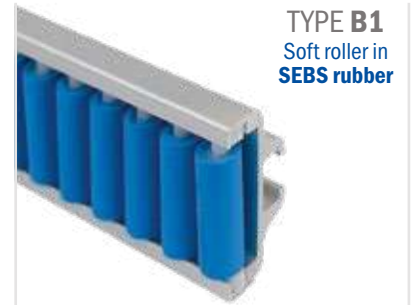
TYPE A
Roller in
Acetal resin

Part	Article-Nr.	Type
358	35802	A



TYPE B
Roller in
Acetal resin

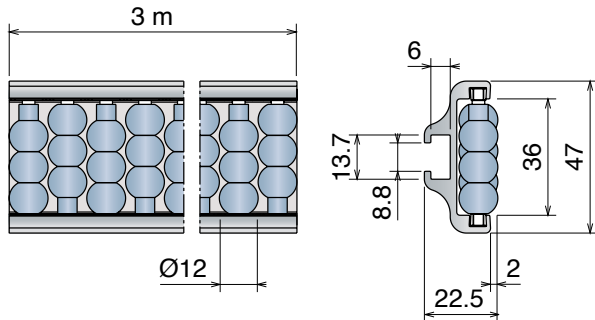
Part	Article-Nr.	Type
358	35804	B



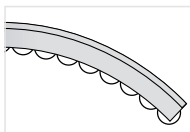
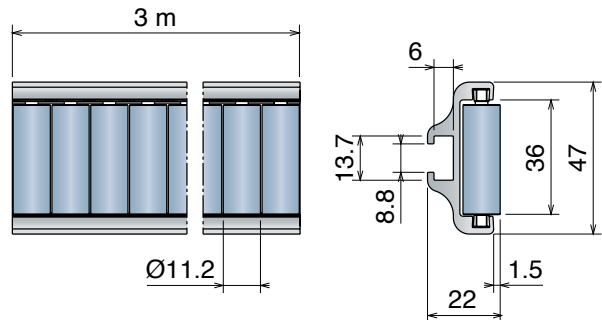
TYPE B1
Soft roller in
SEBS rubber

Part	Article-Nr.	Type
358	35806	B1

Design TYPE A



Design TYPE B and B1



These roller guides can be curved in either directions.

Bending machine and Rollers
Page 484>>486



Fixing screw:
M8 hex.head
or **PART 362**
Page 538



Puntale / Shoe / Einlaufschuh



Part	Article-Nr.	Type
364	36401	fresato/machined/gefräst

Discover more options:
Page 554/555

Materiale / Material / Materialien:

Guida: alluminio anodizzato / Guide: anodized aluminum / Führung: eloxiertem Aluminium
 Rulli: resina acetilica o gomma SEBS / Rollers: Acetal Resin or SEBS rubber / Röllchen: Azetal oder SEBS gummi
 Vite: Acciaio inox / Screw: Stainless steel / Schrauben: Edelstahl

359

Guide a rulli laterale Roller guides / Röllchenführung

Delivery: **Easy** **Standard** Max fixing load M8 screw: 15 N·m | Minimum internal/external radius: 508 mm



TYPE A
Roller in
Acetal resin

Part	Article-Nr.	Type
359	35902	A



TYPE B
Roller in
Acetal resin

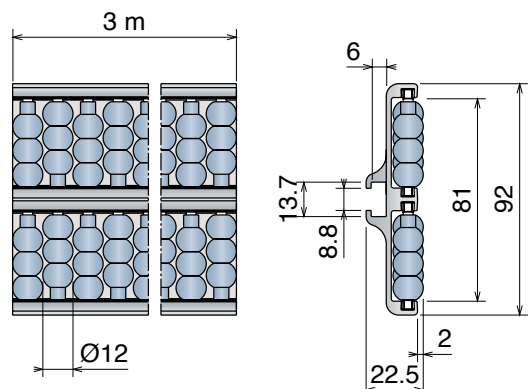
Part	Article-Nr.	Type
359	35904	B



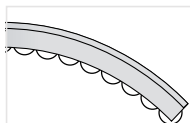
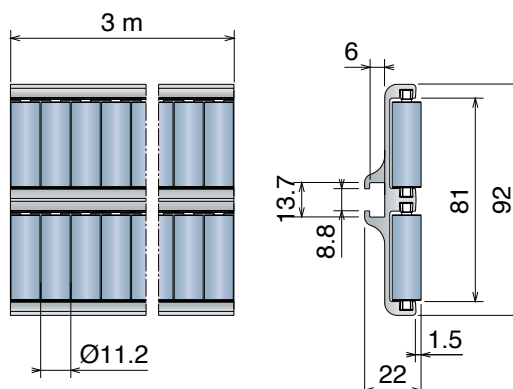
TYPE B1
Soft roller in
SEBS rubber

Part	Article-Nr.	Type
359	35906	B1

Design TYPE A



Design TYPE B and B1



These roller guides can be curved in either directions.

Bending machine and Rollers
Page 484 >> 486



Fixing screw:
M8 hex.head
or **PART 362**
Page 538



Puntale / Shoe / Einlaufschuh



Part	Article-Nr.	Type
365	36501	fresato/machined/gefräst

Discover more options:
Page 554/555

Materiale / Material / Materialien:

Guida: alluminio anodizzato / Guide: anodized aluminum / Führung: eloxiertem Aluminium
 Rulli: resina acetica o gomma SEBS / Rollers: Acetal Resin or SEBS rubber / Röllchen: Azetal oder SEBS gummi

360 Guide a rulli intermedia Roller guides / Röllchenführung

Delivery: **Easy** **Standard** Max fixing load M8 screw: 15 Nm | Minimum internal/external radius: 610 mm

TYPE A
 Roller in Acetal resin

Part	Article-Nr.	Type
360	36002	A

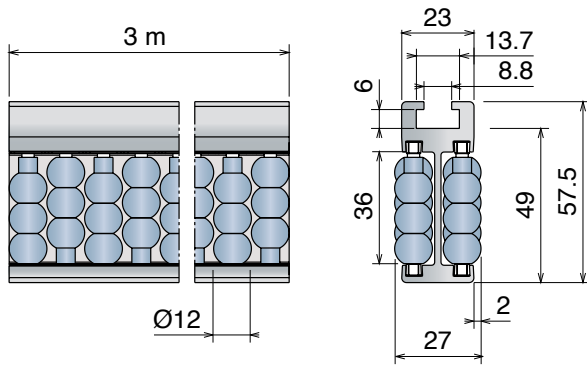
TYPE B
 Roller in Acetal resin

Part	Article-Nr.	Type
360	36004	B

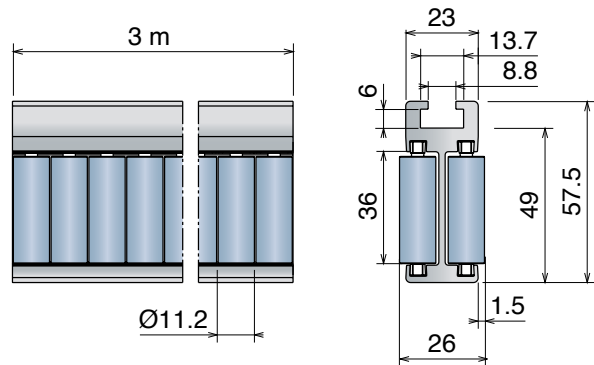
TYPE B1
 Soft roller in SEBS rubber

Part	Article-Nr.	Type
360	36006	B1

Design TYPE A



Design TYPE B and B1



These roller guides can be curved in either directions.

Bending machine and Rollers
 Page 484 >> 486



Fixing screw:
 M8 hex. head
 or **PART 362**
 Page 538



Puntale / Shoe / Einlaufschuh



Part	Article-Nr.	Type
366	36601	fresato/machined/gefräst

Discover more options:
 Page 554/555

Materiale / Material / Materialien:

Guida: alluminio anodizzato / Guide: anodized aluminum / Führung: eloxiertem Aluminium
 Rulli: resina acetilica o gomma SEBS / Rollers: Acetal Resin or SEBS rubber / Röllchen: Azetal oder SEBS gummi

360 Guide a rulli intermedia
 Roller guides / Röllchenführung

REINFORCED VERSION

Max fixing load M8 screw: 15 N·m



TYPE A

Part	Article-Nr.	Type
360	36012	A



TYPE B

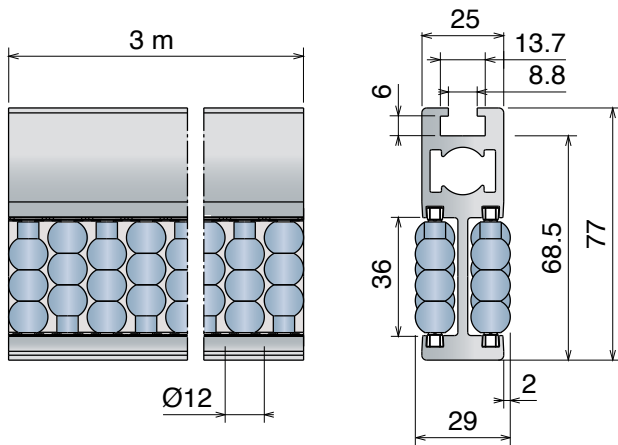
Part	Article-Nr.	Type
360	36014	B



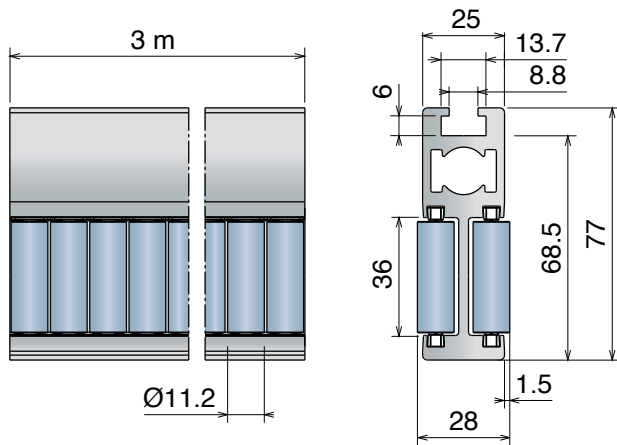
TYPE B1

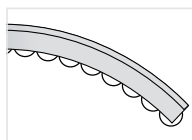
Part	Article-Nr.	Type
360	36016	B1

Design TYPE A



Design TYPE B and B1



 These roller guides can be curved in either directions.

Bending machine and Rollers
 Page 484 >> 486



Fixing screw:
 M8 hex.head or **PART 362**
 Page 538

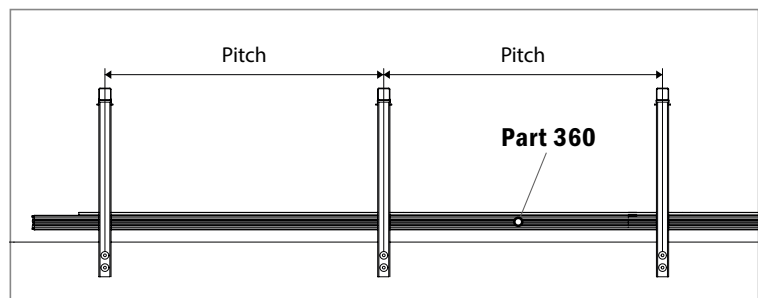


Puntale
 Shoe / Einlaufschuh



Part	Article-Nr.	Type
366	36601	fresato/machined/gefräst

Discover more options: Page 554/555



Part 360 Reinforced version is a reliable roller guides solution, the new robust design permits less support elements and allows higher pitches.

Example of application

Materiale / Material / Materialien:

Guida: alluminio anodizzato / Guide: anodized aluminum / Führung: eloxiertem Aluminium
 Rulli: resina acetica o gomma SEBS / Rollers: Acetal Resin or SEBS rubber / Röllchen: Azetal oder SEBS gummi

361 Guide a rulli intermedia Roller guides / Röllchenführung


Delivery: **Easy** **Standard** Max fixing load M8 screw: 15 Nm | Minimum internal/external radius: 610 mm

TYPE A



Part	Article-Nr.	Type
361	36102	A

TYPE B



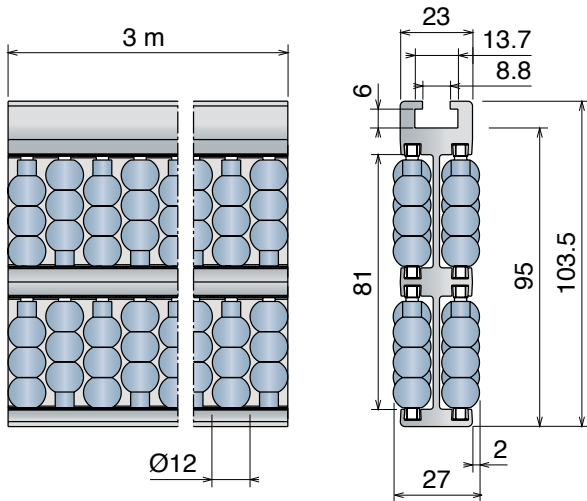
Part	Article-Nr.	Type
361	36104	B

TYPE B1

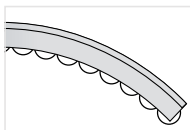
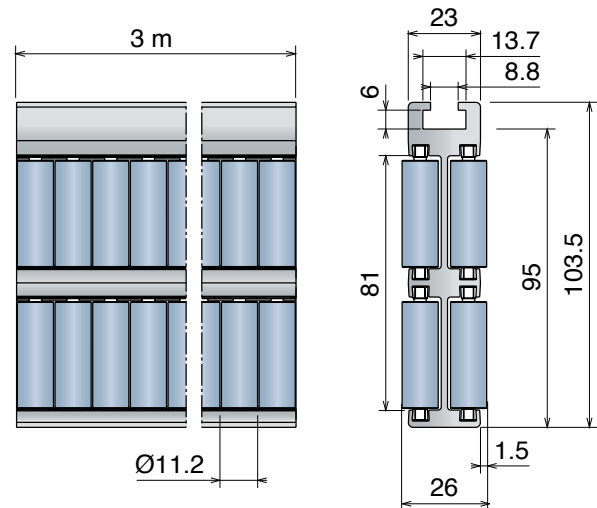


Part	Article-Nr.	Type
361	36106	B1

Design TYPE A



Design TYPE B and B1



These roller guides can be curved in either directions.

Bending machine and Rollers
 Page 484>>486



Fixing screw:
 M8 hex.head
 or **PART 362**
 Page 538



Puntale / Shoe / Einlaufschuh



Part	Article-Nr.	Type
367	36701	fresato/machined/gefräst

Discover more options:
 Page 554/555

Materiale / Material / Materialien:

Guida: alluminio anodizzato / Guide: anodized aluminum / Führung: eloxiertem Aluminium
 Rulli: resina acetilica o gomma SEBS / Rollers: Acetal Resin or SEBS rubber / Röllchen: Azetal oder SEBS gummi

361 Guide a rulli intermedia Roller guides / Röllchenführung

REINFORCED VERSION

Delivery: **Easy** **Standard** Max fixing load M8 screw: 15 N·m



TYPE A
 Roller in
 Acetal resin

Part	Article-Nr.	Type
361	36112	A



TYPE B
 Roller in
 Acetal resin

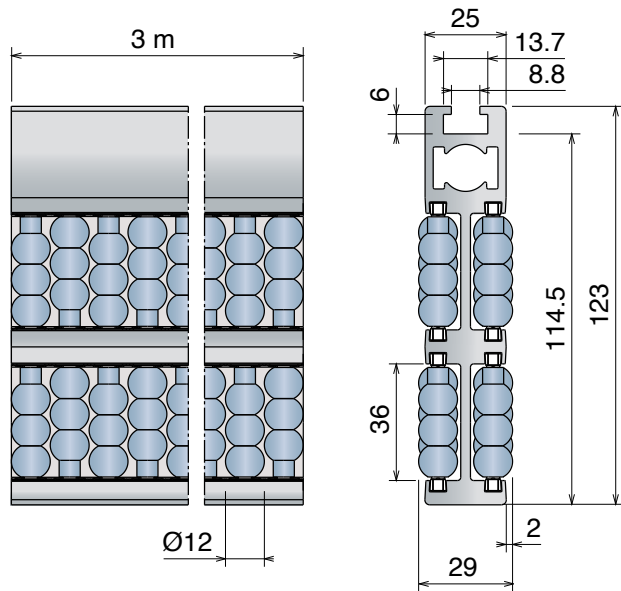
Part	Article-Nr.	Type
361	36114	B



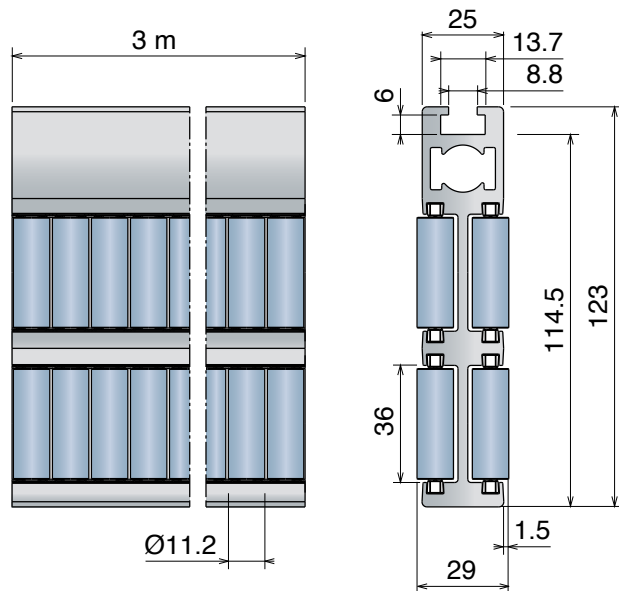
TYPE B1
 Soft roller in
 SEBS rubber

Part	Article-Nr.	Type
361	36116	B1

Design TYPE A



Design TYPE B and B1



These roller guides can be curved in either directions.

Bending machine and Rollers
 Page 484 >> 486



Fixing screw:
 M8 hex.head or **PART 362**
 Page 538

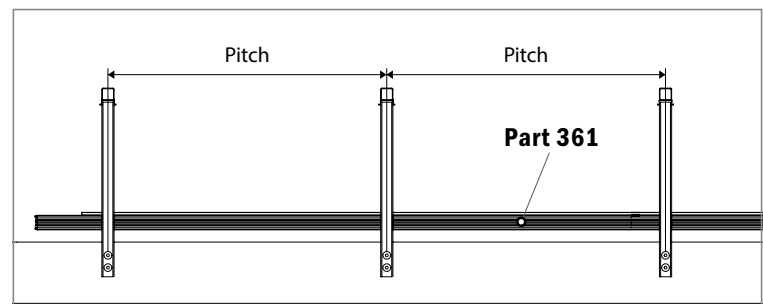


**Puntale
 Shoe / Einlaufschuh**



Part	Article-Nr.	Type
367	36701	fresato/machined/gefräst

Discover more options: Page 554/555



Part 361 Reinforced version is a reliable roller guides solution, the new robust design allows less support elements and wider pitches.

Example of application

364-365

Componenti / Conveyor components / Komponenten

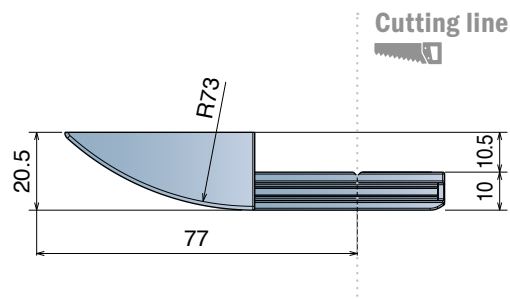
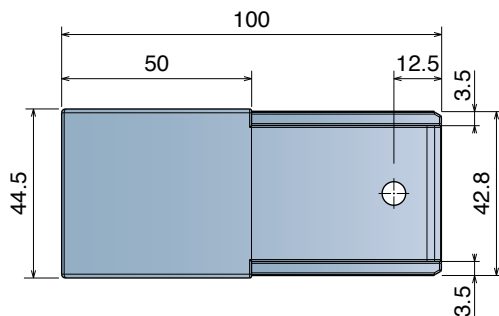
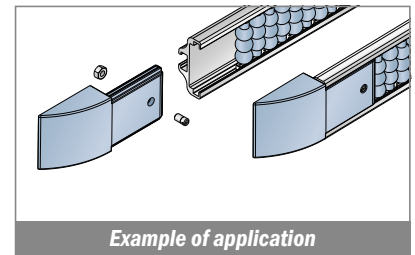
Materiale / Material / Materialien:

Rulli: Resina acetica / Rollers: Acetal Resin / Röllchen: Azetal
 Grano: Acciaio inox / Grub Screws: Stainless steel / Gewindestift: Edelstahl
 Dadi: ottone nichelato / Nuts: nickel plated brass / Mutter: Messing vernickelt

364 Puntale Shoe / Einlaufschuh

Delivery: **Easy** **Standard** Part 364 it is designed to allow the possibility to shorten it, if necessary.

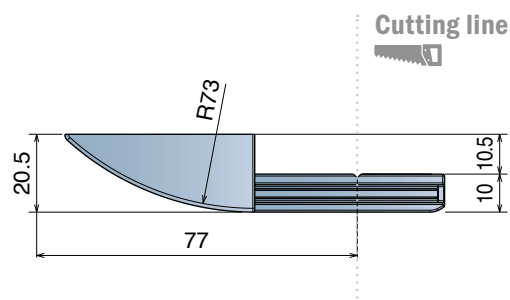
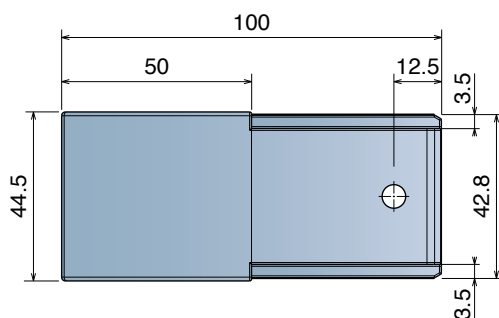
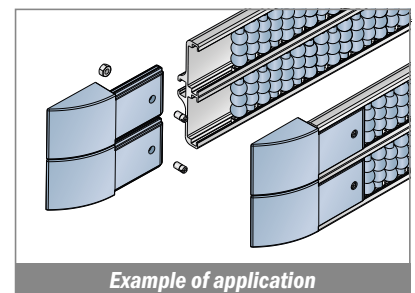
Part	Article-Nr.	Grub screw
364	36411	M6



365 Puntale Shoe / Einlaufschuh

Delivery: **Easy** **Standard** Part 365 it is designed to allow the possibility to shorten it, if necessary.

Part	Article-Nr.	Grub screw
365	36511	M6



Materiale / Material / Materialien:

Rulli: Resina acetlica / Rollers: Acetal Resin / Röllchen: Azetal

Grano: Acciaio inox/Grub Screws: Stainless steel/Gewindestift: Edelstahl

Dadi: ottone nichelato/Nuts: nickel plated brass/Mutter: Messing vernickelt

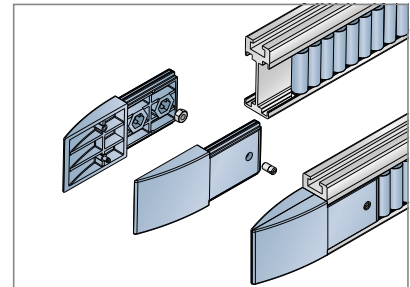
366 Puntale Shoe / Einlaufschuh

Delivery: **Easy** **Standard** Part 366 it is designed to allow the possibility to shorten it, if necessary.

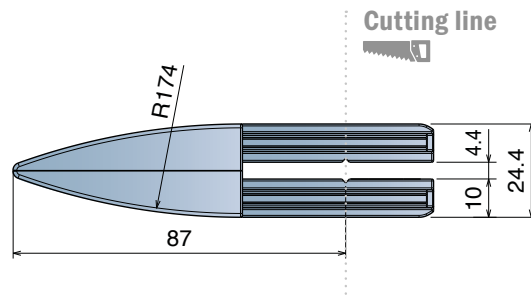
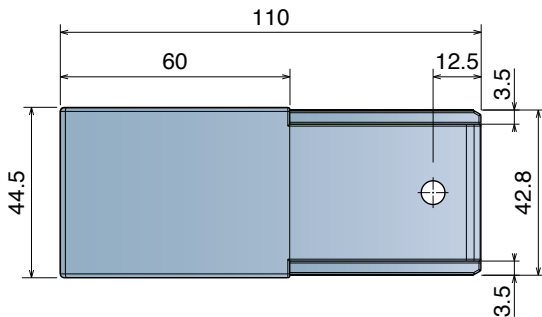


Part	Article-Nr.	Grub screw
366	36611	M6

366	36611	M6
-----	-------	----



Example of application



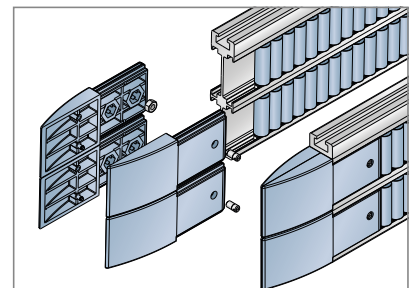
367 Puntale Shoe / Einlaufschuh

Delivery: **Easy** **Standard** Part 367 it is designed to allow the possibility to shorten it, if necessary.

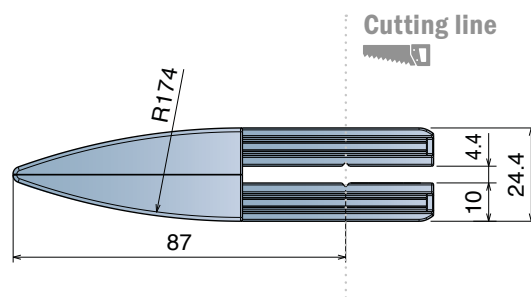
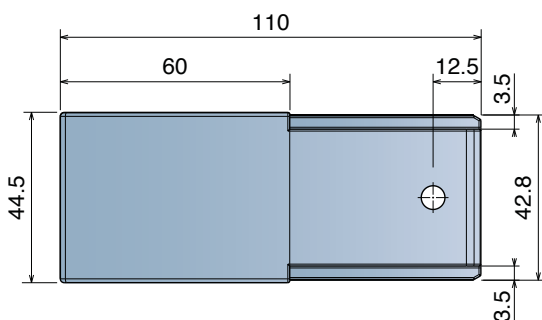


Part	Article-Nr.	Grub screw
367	36711	M6

367	36711	M6
-----	-------	----



Example of application

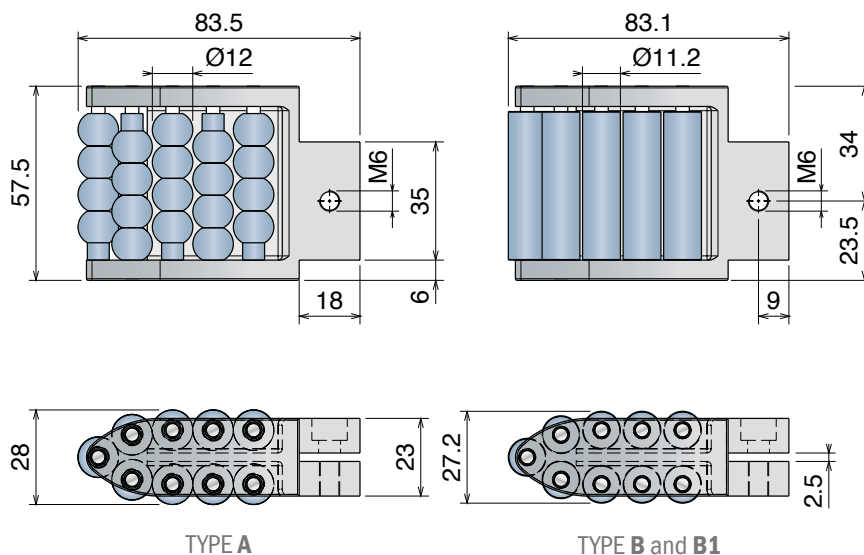


366 Puntale centrale a rulli Central roller shoe / Einlaufschuh

PATENTED



Part	Article-Nr.	Type
366	36621	A - Acetal resin roller
366	36622	B - Acetal resin roller
366	36623	B1 - Soft roller SEBS

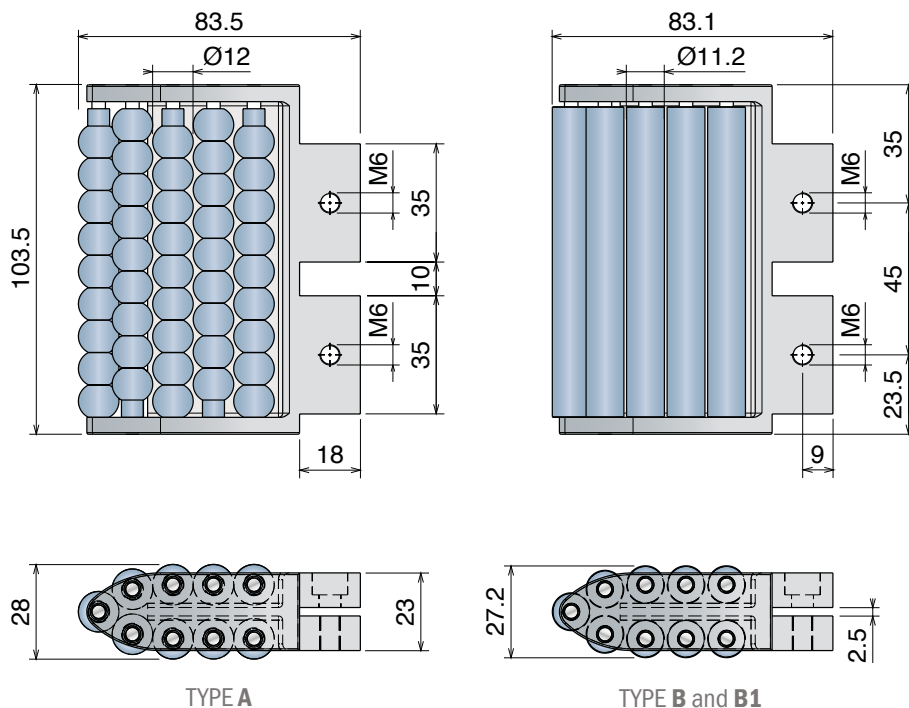


367 Puntale centrale a rulli Central roller shoe / Einlaufschuh

PATENTED



Part	Article-Nr.	Type
367	36721	A - Acetal resin roller
367	36722	B - Acetal resin roller
367	36723	B1 - Soft roller SEBS



364 Puntale laterale a rulli Side roller shoe / Einlaufschuh

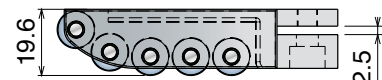
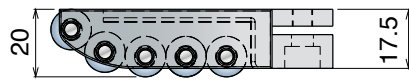
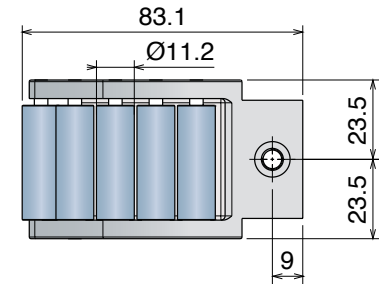
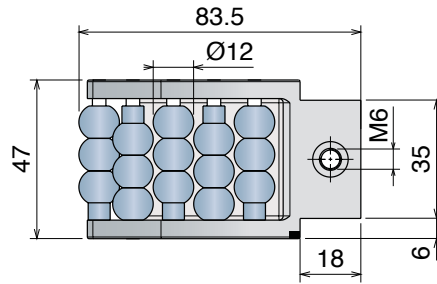
PATENTED



Part	Article-Nr.	Type
364	36421	A - Acetal resin roller
364	36422	B - Acetal resin roller
364	36423	B1 - Soft roller SEBS



TYPE B1
Soft roller
SEBS rubber



TYPE A

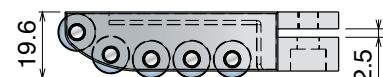
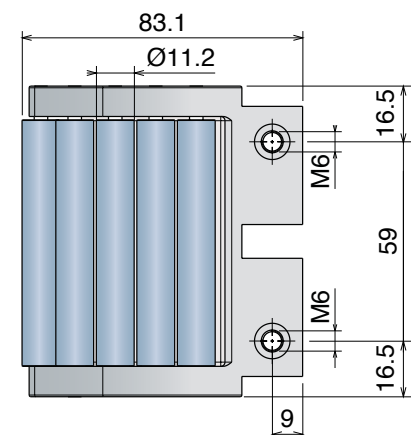
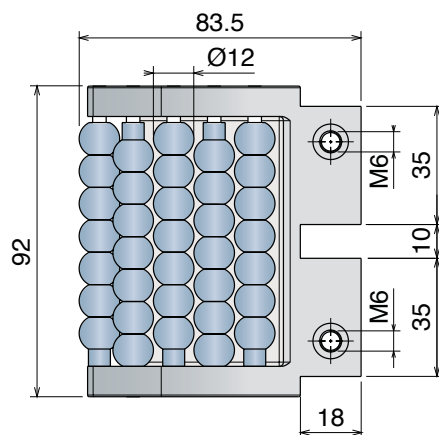
TYPE B and B1

365 Puntale laterale a rulli Side roller shoe / Einlaufschuh

PATENTED



Part	Article-Nr.	Type
365	36521	A - Acetal resin roller
365	36522	B - Acetal resin roller
365	36523	B1 - Soft roller SEBS



TYPE A

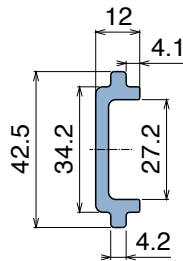
TYPE B and B1

NEW 395 Guida laterale in PE PE side guides / Seitenführung in PE

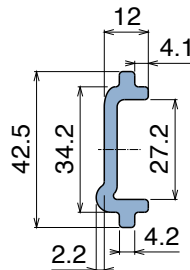
Delivery: **Easy** **Standard** Used with Roller guides Part 358/359/360/361



The codes refer only to the PE side guides.



TYPE A

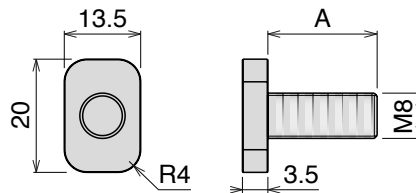


TYPE B

Article-Nr.	Material	Availability	Supply	Type
39510BC	BluLub	Stock item	3 m bars	A
39510C	Ti-White	Stock item	3 m bars	A
39520BC	BluLub	Stock item	3 m bars	B
39520C	Ti-White	Stock item	3 m bars	B

362 Vite a "T" T-bolt / T-Schraube

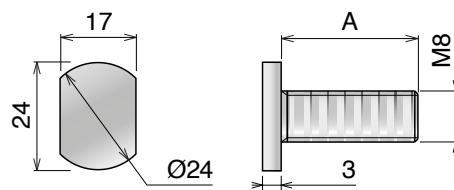
Delivery: **Easy** **Standard** Used with Part 154/155/159/164/165/358/359/360/361/1055/1088/1089



Part	Article-Nr.	A
362	36201	17
362	36202	22
362	36203	27

3629 Vite a "T" T-bolt / T-Schraube

Delivery: **Standard** **On request** Used with Part 112

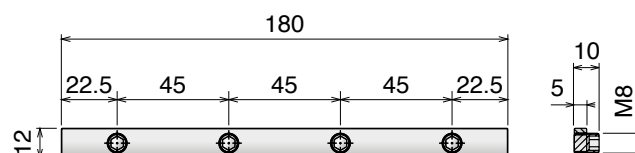


Part	Article-Nr.	A
3629	362901	17
3629	362902	22
3629	362903	27

333 Elemento di giunzione Connecting elements / Verbindungselement

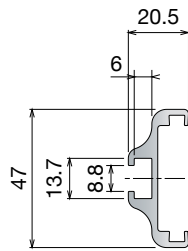
Part Article-Nr.

333 33301



358/359/360/361

Guide in alluminio
Aluminum guides / Aluminiumführung

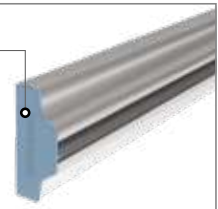


Part	Article-Nr.	Version	Min. radius	Supply
358	35800	Single-lateral	250	3 m

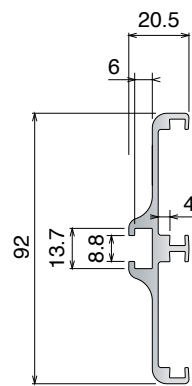
Profile cover

Art-Nr.	Box
301405	60 pcs

Profile cover must be ordered separately



Accessory - Profile cover



Part	Article-Nr.	Version	Min. radius	Supply
359	35900	Double-lateral	500	3 m

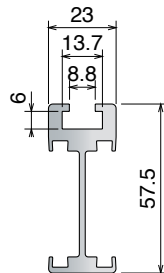
Profile cover

Art-Nr.	Box
301406	60 pcs

Profile cover must be ordered separately



Accessory - Profile cover



Part	Article-Nr.	Version	Min. radius	Supply
360	36000	Single-lateral	500	3 m

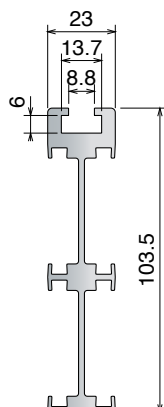
Profile cover

Art-Nr.	Box
301407	60 pcs

Profile cover must be ordered separately



Accessory - Profile cover



Part	Article-Nr.	Version	Min. radius	Supply
358	36100	Double-lateral	750	3 m

Profile cover

Art-Nr.	Box
301408	60 pcs

Profile cover must be ordered separately



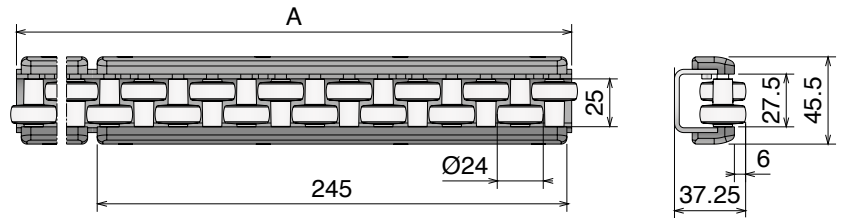
Accessory - Profile cover

353 Guide a rulli di accumulo Accumulation roller guides / Stauröllchenführung

Delivery: **Easy** Standard



Part	Article-Nr.	A	Pin	Pin Ø
353	35301	1 m	PA	6 mm
353	35302	2 m	PA	6 mm
353	35303	3 m	PA	6 mm

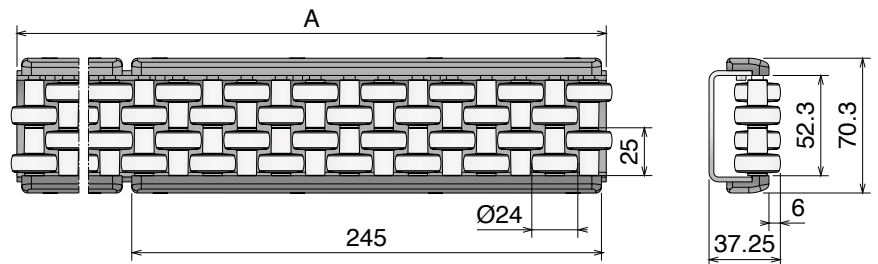


354 Guide a rulli di accumulo Accumulation roller guides / Stauröllchenführung

Delivery: **Easy** Standard



Part	Article-Nr.	A	Pin	Pin Ø
354	35401	1 m	PA	6 mm
354	35402	2 m	PA	6 mm
354	35403	3 m	PA	6 mm

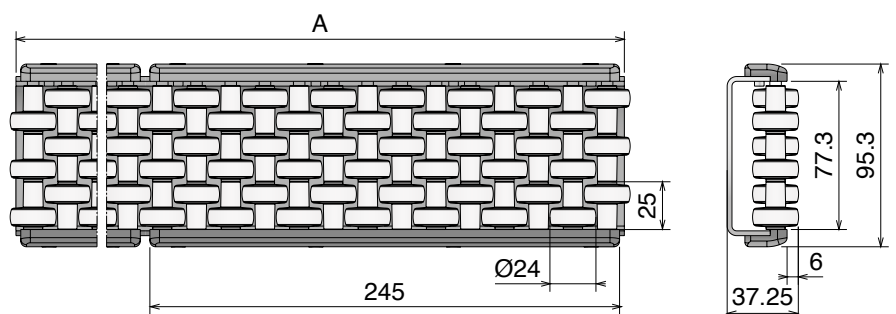


355 Guide a rulli di accumulo Accumulation roller guides / Stauröllchenführung

Delivery: **Easy** Standard



Part	Article-Nr.	A	Pin	Pin Ø
355	35501	1 m	SS	6 mm
355	35502	2 m	SS	6 mm
355	35503	3 m	SS	6 mm



Material: Resina acetilica / Acetal Resin / Azetal or **BluLub®**.
 Polyethylene UHMW-PE with reduced coefficient of friction and higher wear resistance.
 BluLub complies with the code of Federal Regulations of FDA. Linear expansion coefficient:
 1.1x10⁻⁴ °F⁻¹ (2x10⁻⁴ °C⁻¹) Operating temperature: -40 to 176°F (-40 to +80°C)

363 Guida a rulli flessibile

Flexible roller guide / Flexible Röllchenführung

RANGE EXTENSION

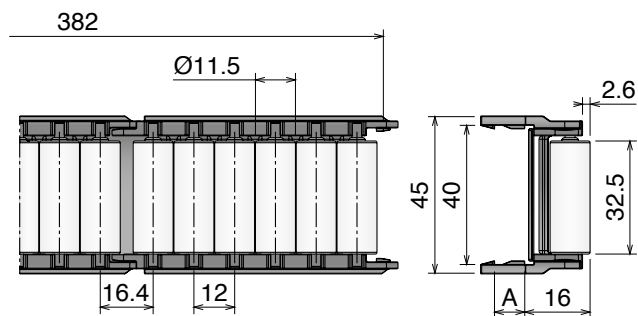
Delivery: **Easy** **Standard**

Part	Article-Nr.	Type	A	Colour
363	36301	A	8	White
363	36302	B	8	White
363	36303	A	10	White
363	36304	B	10	White
363	36305	A	8	BluLub
363	36306	A	10	BluLub
363	36307	B1	8	Soft rollers SEBS
363	36308	B1	10	Soft rollers SEBS

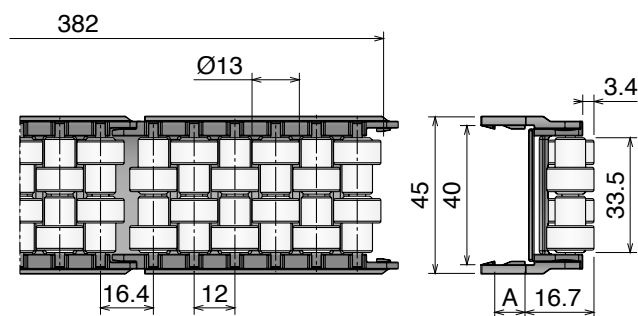


Try with...
BluLub®
 Rollers!

- Lower wear
- Noise reduction
- Improved product stability
- Lower coefficient of friction
- Less energy consumption

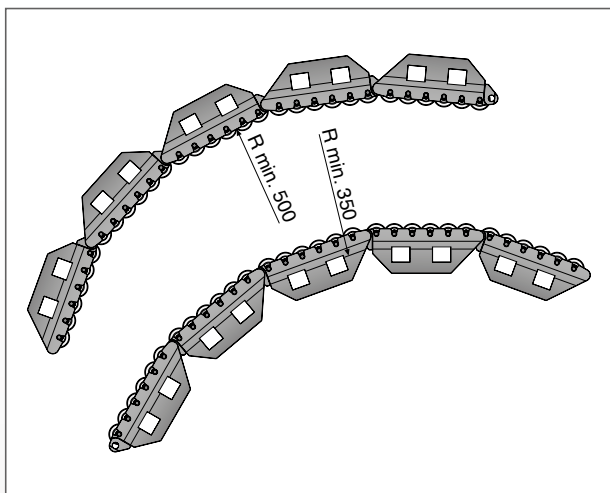


TYPE A/B1

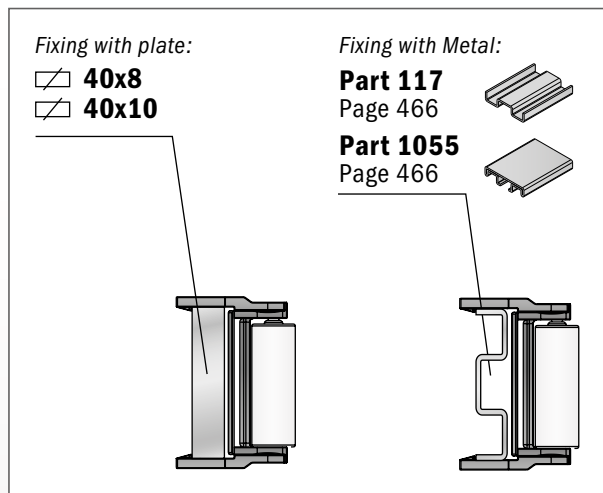


TYPE B

Curvature radius



Fixing with plate and metal profile



Material: Resina acetilica / Acetal Resin / Azetal or **BluLub**.
 Polyethylene UHMW-PE with reduced coefficient of friction and higher wear resistance.
 BluLub complies with the code of Federal Regulations of FDA. Linear expansion coefficient:
 $1.1 \times 10^{-4} \text{ } ^\circ\text{F}^{-1}$ ($2 \times 10^{-4} \text{ } ^\circ\text{C}^{-1}$) Operating temperature: -40 to 176°F (-40 to +80°C)

396 Guida a rulli flessibile Flexible roller guide / Flexible Röllchenführung

RANGE EXTENSION

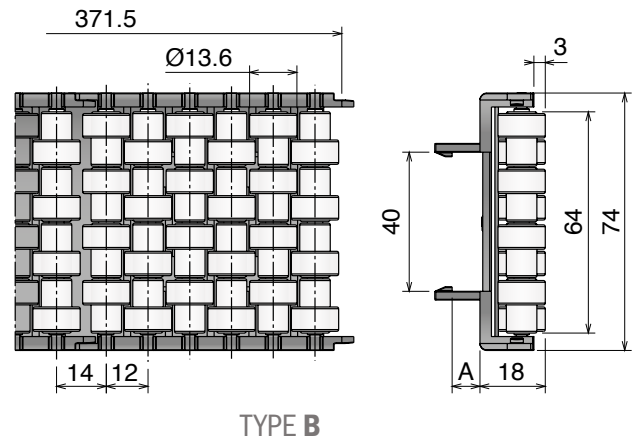
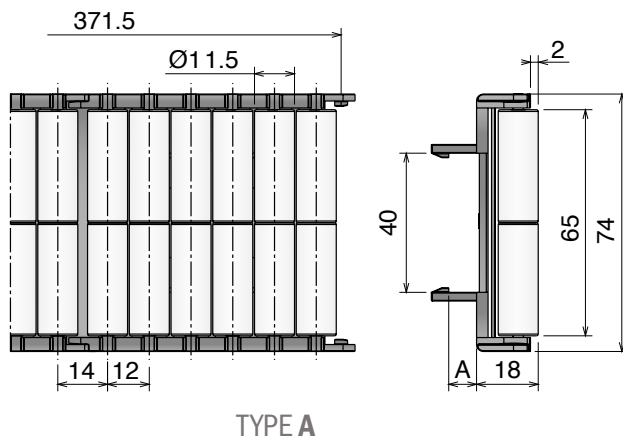
Delivery: **Easy** **Standard**



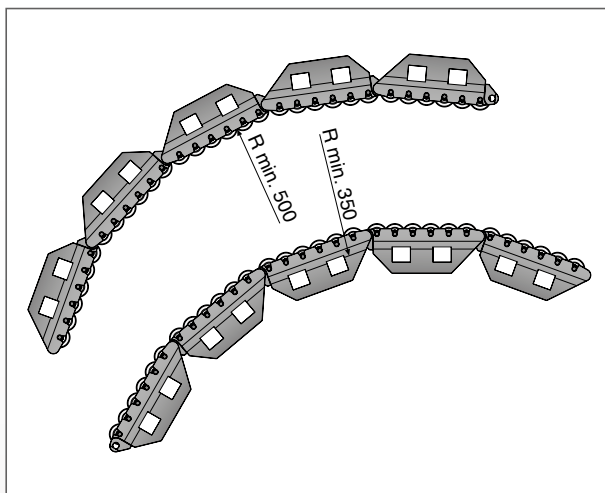
Part	Article-Nr.	Type	A	Colour
396	39601	A	8	White
396	39602	B	8	White
363	39604	A	10	White
363	39605	B	10	White
363	39603	A	8	BluLub
363	39606	A	10	BluLub

Try with...
**BluLub®
 Rollers!**

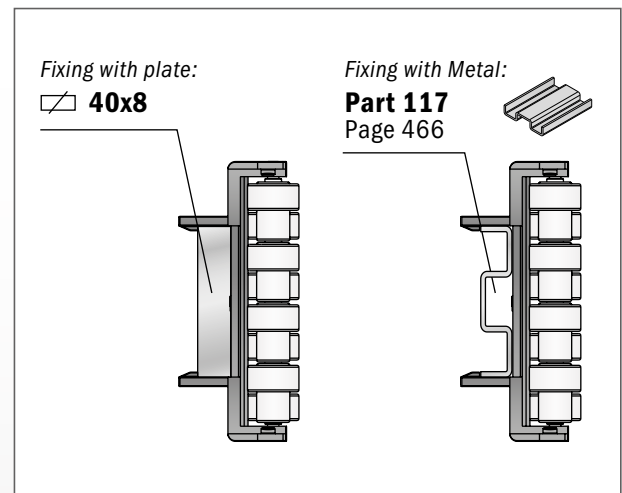
- Lower wear
- Noise reduction
- Improved product stability
- Lower coefficient of friction
- Less energy consumption



Curvature radius



Fixing with plate and metal profile



Material: Resina acetica / Acetal Resin / Azetal or **BluLub®**.
 Polyethylene UHMW-PE with reduced coefficient of friction and higher wear resistance.
 BluLub complies with the code of Federal Regulations of FDA. Linear expansion coefficient:
 $1.1 \times 10^{-4} \text{ } ^\circ\text{F}^{-1}$ ($2 \times 10^{-4} \text{ } ^\circ\text{C}^{-1}$) Operating temperature: -40 to 176°F (-40 to +80°C)

363 Guida a rulli flessibile (centrale)

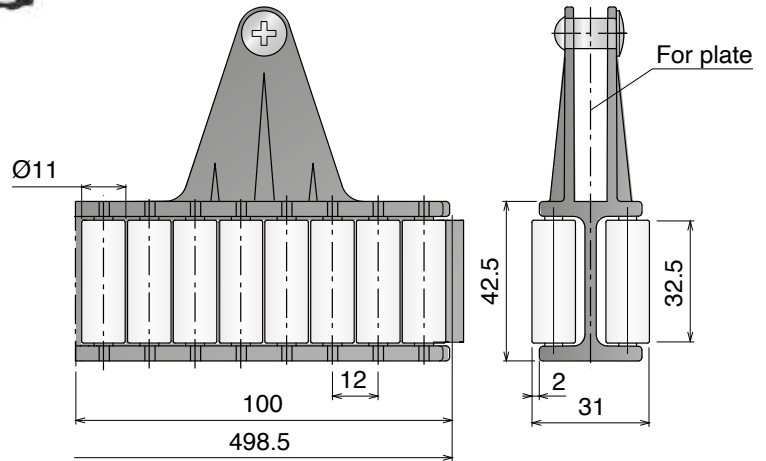
Flexible roller guide (Centre) / Flexible Röllchenführung (Zentral)

Delivery: **Easy** **Standard** Can also be used with Part 117 Page 466 - Part 1055 Page 466

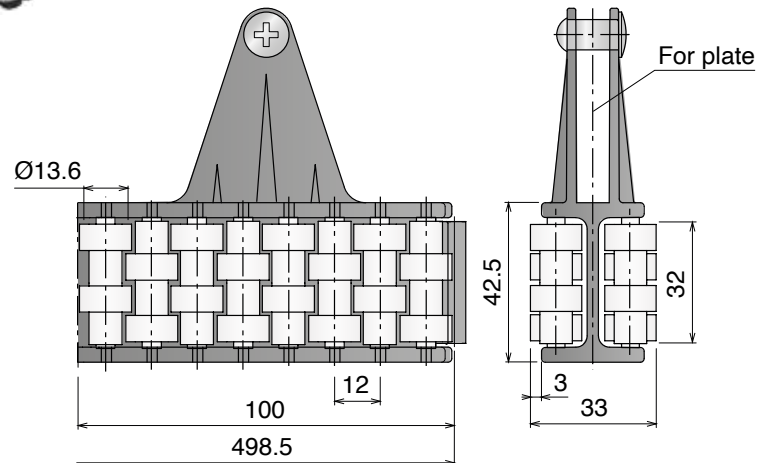
Part	Article-Nr.	Type	For plate	Colour
363	36313	A	40x8	White
363	36311	A	40x10	White
363	36314	B	40x8	White
363	36312	B	40x10	White
363	36315	A	40x8	BluLub
363	36316	A	40x10	BluLub
363	36317	B1	40x8	Soft rollers SEBS
363	36318	B1	40x10	Soft rollers SEBS



TYPE A/B1

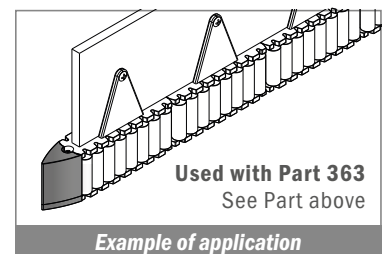
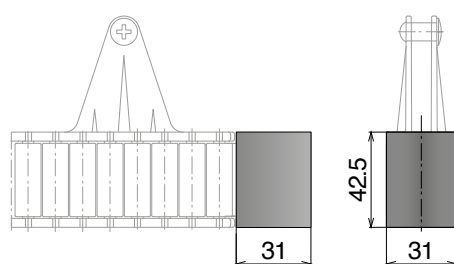


TYPE B



Puntale / Shoe / Einlaufschuh

Part	Article-Nr.	For Type
363	36399	A & B



199/299 Blocco di montaggio catena Chain mounting block / Kettenmontageblock

Delivery: **Easy** Standard



Part	Article-Nr.
------	-------------

199	19980
------------	--------------

For steel chain:

812/815 (GT)

881 M (GT)

and plastic chain:

820 (GT)

831

Part	Article-Nr.
------	-------------

199	19981
------------	--------------

For steel chain:

8157 (GT)

8857 M (GT/LBP)

and plastic chain:

8257 (GT/LBP)

Part	Article-Nr.
------	-------------

199	19982
------------	--------------

For steel chain:

812/815 (GT)

881 M (GT)

and plastic chain:

828

880 M

880 Bevel

879 M

Part	Article-Nr.
------	-------------

299	29978
------------	--------------

For sideflexing belt/chain:

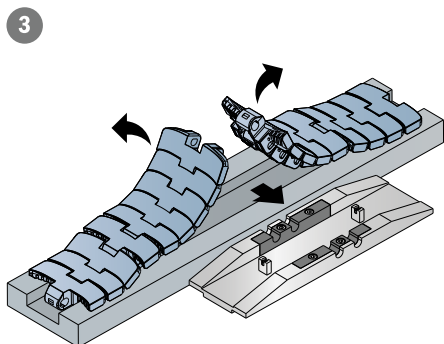
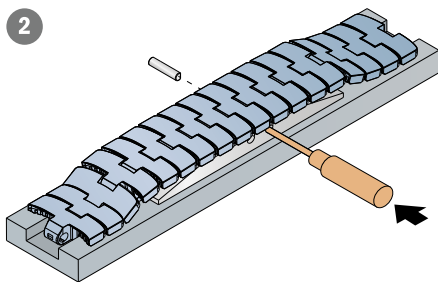
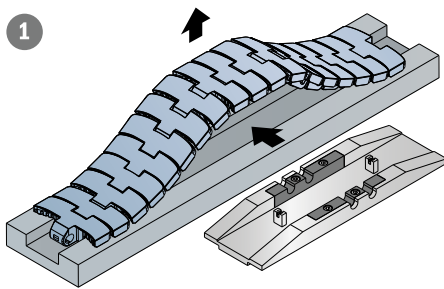
260 M (FT/FG)

261 M (FT)

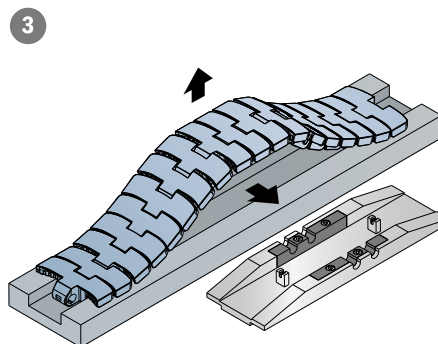
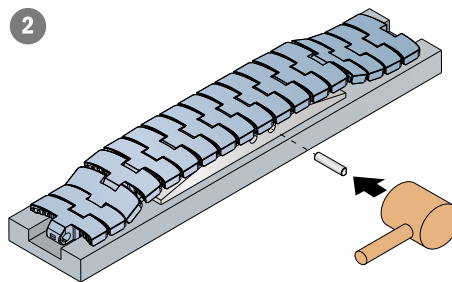
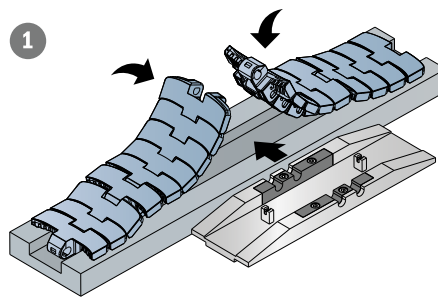
and steel chain:

512

Disassembling mode:



Assembling mode:



Materiale / Material / Materialien:

Modulo: resina acetlica/Module: acetal resin/Module: Azetal

Perni, viti e dadi: Acciaio inox/Pins, screws and nuts: Stainless steel/Bolzen, Schraube und Mutter: Edelstahl

Rulli: resina acetlica o acciaio inox/Rollers: acetal resin or stainless steel/Röllchen: Azetal oder Edelstahl

368 Moduli di trasferimento L=85 mm Transfer modules L=85 mm / Überschubmodul L=85 mm

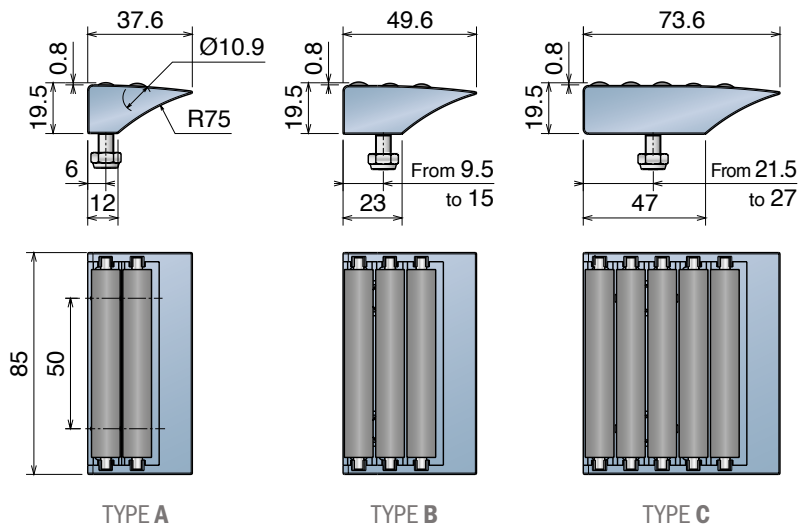
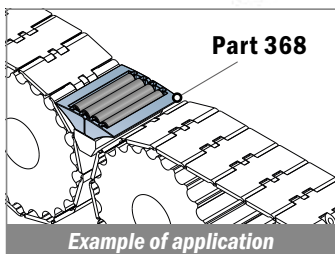
NOW ALSO WITH PFX ROLLERS

Delivery: **Easy** **Standard**

Part	Article-Nr.	Type	Roller material
368	36801	A	Acetal resin
368	36802	B	Acetal resin
368	36803	C	Acetal resin
368	36801PFX	A	PFX
368	36802PFX	B	PFX
368	36803PFX	C	PFX
368	36801SS	A	Stainless steel
368	36802SS	B	Stainless steel
368	36803SS	C	Stainless steel



Smart roller
with mini bearings
in stainless steel



TYPE A

TYPE B

TYPE C

369 Moduli di trasferimento L=115 mm Transfer modules L=115 mm / Überschubmodul L=115 mm

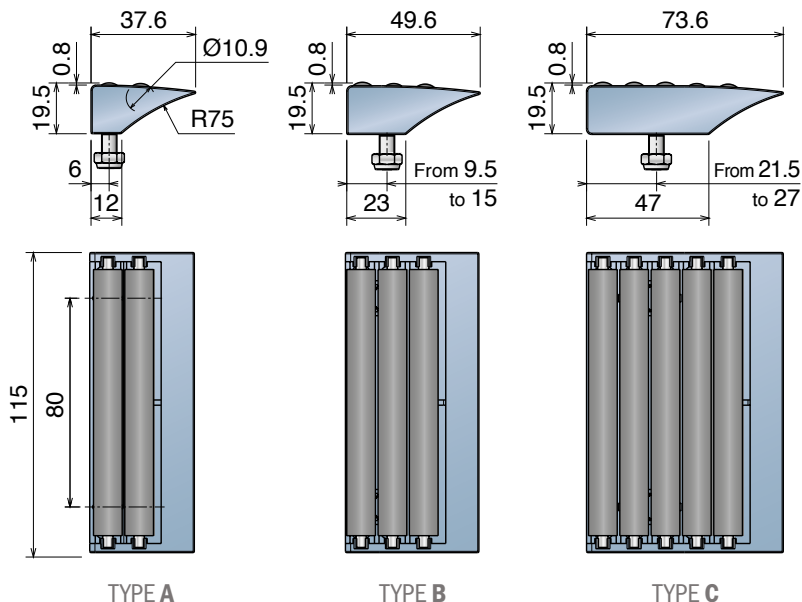
NOW ALSO WITH PFX ROLLERS

Delivery: **Easy** **Standard**

Part	Article-Nr.	Type	Roller material
369	36901	A	Acetal resin
369	36902	B	Acetal resin
369	36903	C	Acetal resin
369	36901PFX	A	PFX
369	36902PFX	B	PFX
369	36903PFX	C	PFX
369	36901SS	A	Stainless steel
369	36902SS	B	Stainless steel
369	36903SS	C	Stainless steel



Smart roller
with mini bearings
in stainless steel



TYPE A

TYPE B

TYPE C

370-371

Componenti / Conveyor components / Komponenten

Materiale / Material / Materialien:

Modulo: resina acetica/Module: acetal resin/Module: Azetal

Perni, viti e dadi: Acciaio inox/Pins, screws and nuts: Stainless steel/Bolzen, Schraube und Mutter: Edelstahl

Rulli: resina acetica o acciaio inox/Rollers: acetal resin or stainless steel/Rollen: Azetal oder Edelstahl

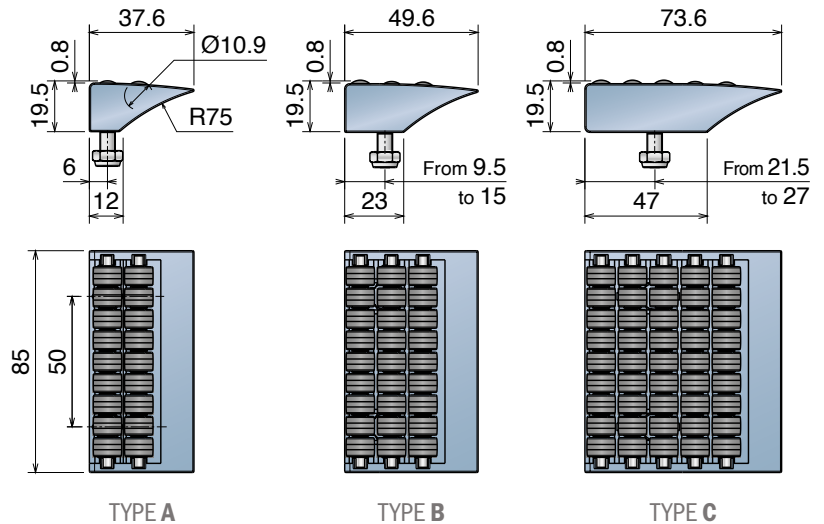
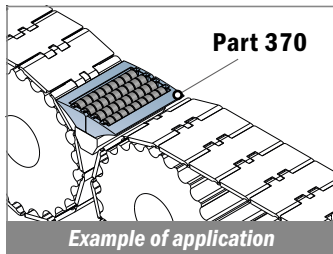
370 Moduli di trasferimento L=85 mm Transfer modules L=85 mm / Überschubmodul L=85 mm

NOW ALSO WITH PFX ROLLERS

Delivery: **Easy** **Standard**



Part	Article-Nr.	Type	Roller material
370	37001	A	Acetal resin
370	37002	B	Acetal resin
370	37003	C	Acetal resin
370	37001PFX	A	PFX
370	37002PFX	B	PFX
370	37003PFX	C	PFX



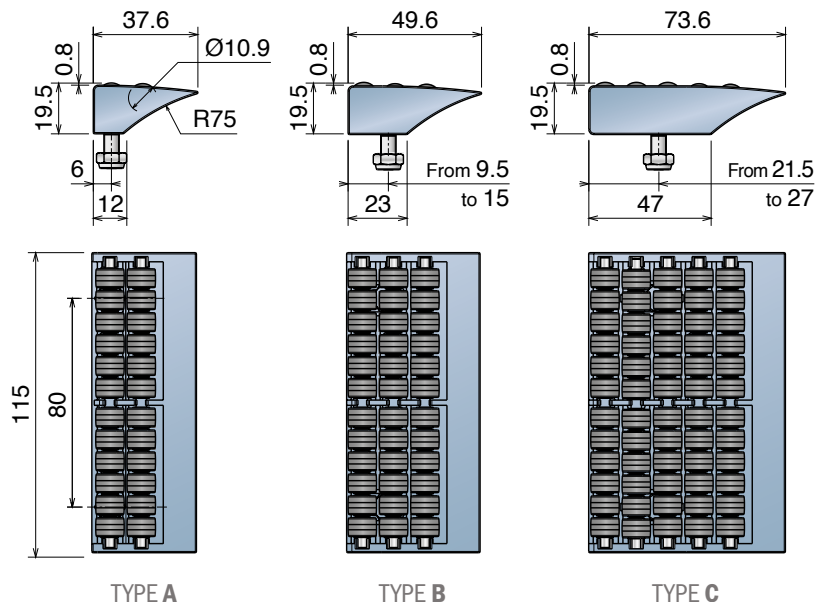
371 Moduli di trasferimento L=115 mm Transfer modules L=115 mm / Überschubmodul L=115 mm

NOW ALSO WITH PFX ROLLERS

Delivery: **Easy** **Standard**



Part	Article-Nr.	Type	Roller material
371	37101	A	Acetal resin
371	37102	B	Acetal resin
371	37103	C	Acetal resin
371	37101PFX	A	PFX
371	37102PFX	B	PFX
371	37103PFX	C	PFX



Materiale / Material / Materialien:

Modulo: **BluLub** / Module: **BluLub** / Module: **BluLub**

Perno: Acciaio inox / Pin: Stainless steel / Bolzen: Edelstahl

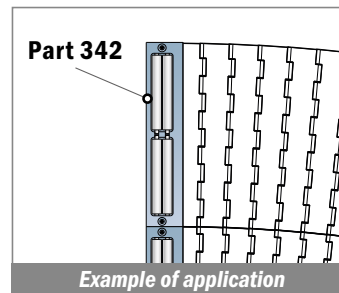
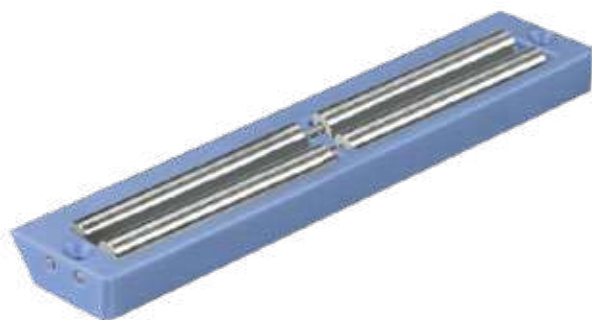
Rulli: Acciaio inox / Rollers: Stainless steel / Rollen: Edelstahl

342

Moduli di trasferimento L=200 mm
Transfer modules L=200 mm / Überschubmodul L=200 mm

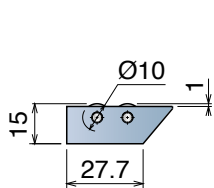
RANGE EXTENSION

Part	Article-Nr.	Type	Material
342	34201	A	BluLub
342	34201N	B	BluLub
342	34201NL	C	BluLub
342	34201S	A	PE Black
342	34201NS	B	PE Black
342	34201NLS	C	PE Black

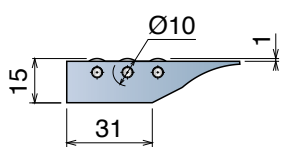
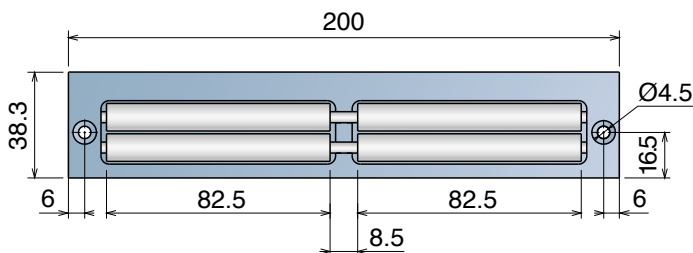


Smart roller

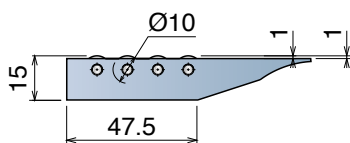
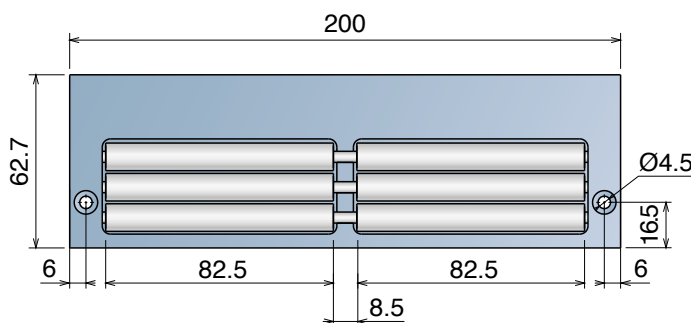
with mini bearings
in stainless steel



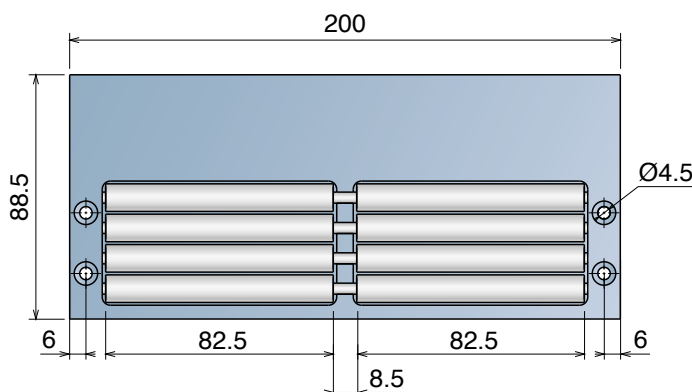
TYPE A



TYPE B



TYPE C



Advantages:

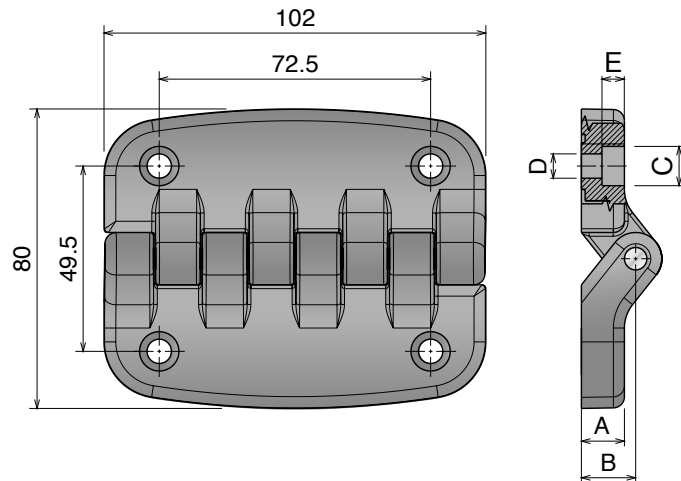
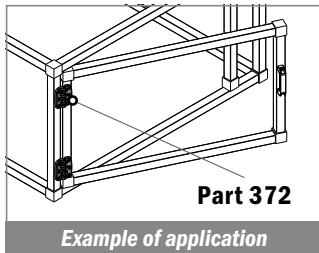
- Machined transfer
- High precision
- Solid structure
- Easy to install

372 Cerniera Hinge / Scharnier

NOW ALSO IN HYGIENIC BLUE

Delivery: **Easy** **Standard**

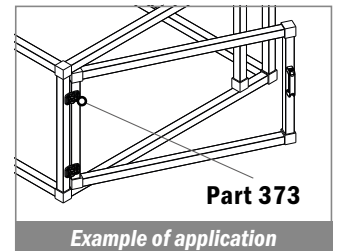
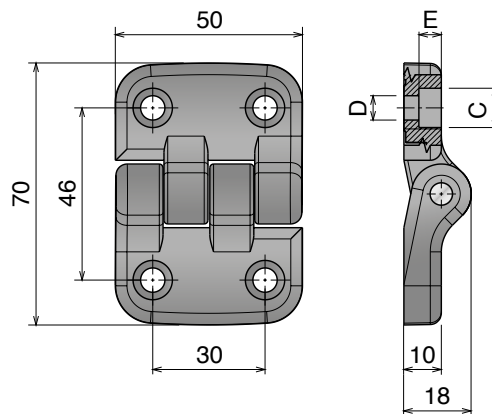
Part	Article-Nr.	A	B	C	D	E	Colour
372	37201	11	14	10,5	6,5	6	Black
372	37202	11	14	13,5	8,5	8	Black
372	37203	18	21	13,5	8,5	8	Black
372	37211	11	14	10,5	6,5	6	Hygienic blue
372	37212	11	14	13,5	8,5	8	Hygienic blue
372	37213	18	21	13,5	8,5	8	Hygienic blue



373 Cerniera Hinge / Scharnier

Delivery: **Easy** **Standard**

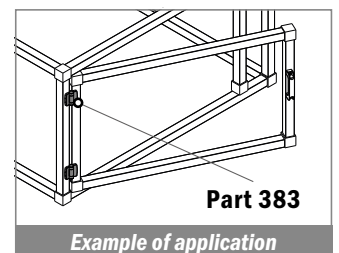
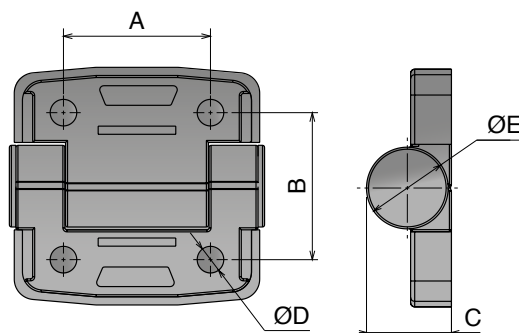
Part	Article-Nr.	C	D	E
373	37301	10,5	6,5	6
373	37302	13,5	8,5	4



383 Cerniera Hinge / Scharnier

Delivery: **Easy** **Standard**

Part	Article-Nr.	A	B	C	ØD	ØE	F	G
383	38301	24	25	14,5	4,5	14	44,6	41
383	38302	36	36	20,8	6,5	20	62,5	58

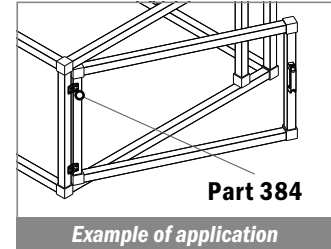
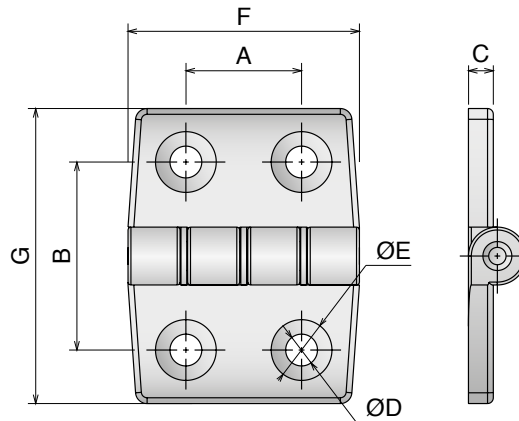


384 Cerniera Acciaio Inox SS Hinge / Edelstahl Scharnier

Stainless Steel | AISI 304

Delivery: **Easy** Standard

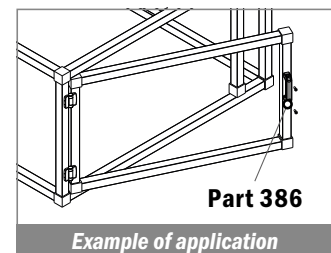
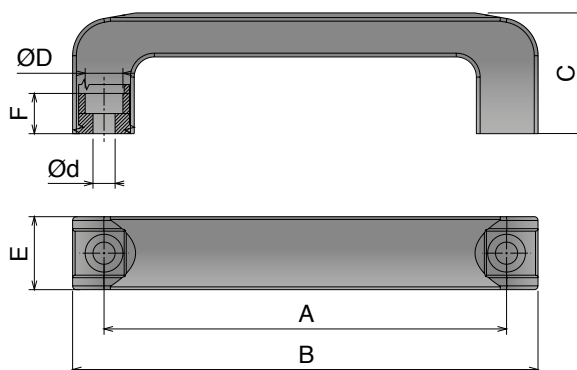
Part	Article-Nr.	A	B	C	ØD	ØE	F	G
384	38401	20	32,5	4,3	5,5	10,5	40	51
384	38402	30	41	5	6,5	12,5	60	71



386 Maniglia Handle / Handgriff

Delivery: **Easy** Standard

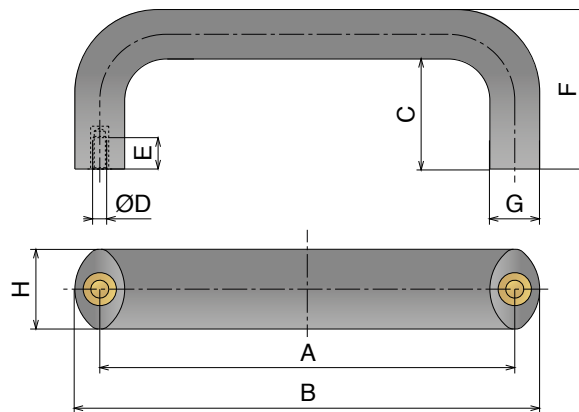
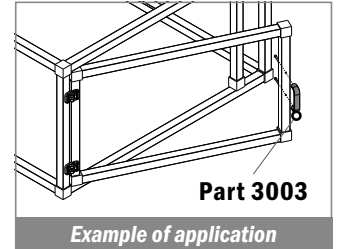
Part	Article-Nr.	A	B	C	Ød	ØD	E	F
386	38603	120	140	40	7	11	24	15
386	38601	120	140	40	8,5	13	24,5	16
386	38602	160	185	48	8,5	15	29	16



3003 Maniglia piena con boccola Solid handle with threaded insert / Handgriff mit Innengewinde

Delivery: **Easy** **Standard**

Part	Article-Nr.	A	B	C	ØD	E	F	G	H
3003	300301	120	134	34	M6	9	50	16	25
3003	300302	120	134	34	M8	14	50	16	25

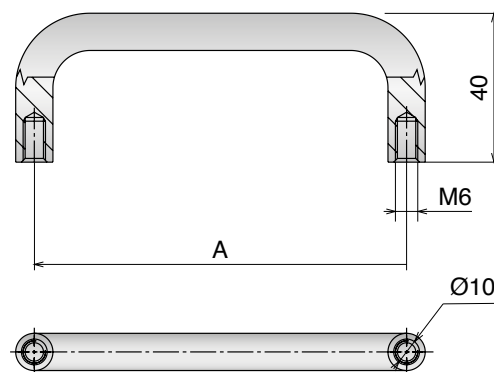
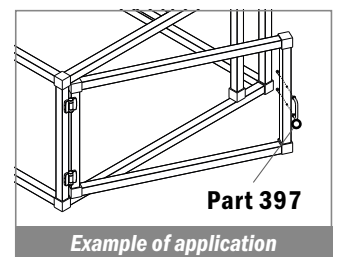


397 Maniglia acciaio inox Stainless Steel handle / Handgriffe Edelstahl

Delivery: **Easy** **Standard**

Stainless Steel | AISI 304

Part	Article-Nr.	A
397	39701	95
397	39702	100
397	39703	110



Materiale / Material / Materialien:

Maniglia: Poliammide/Handle: Polyamide/Griff: Polyamid

Insero femmina: Ottone nichelato/Female insert: Nickel plated brass /Einsatz: Messing vernickelt

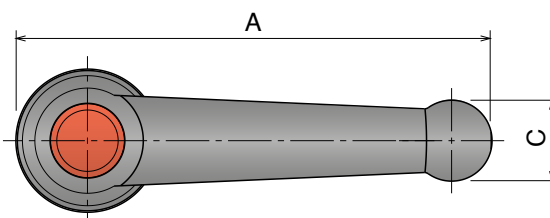
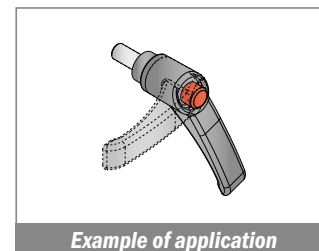
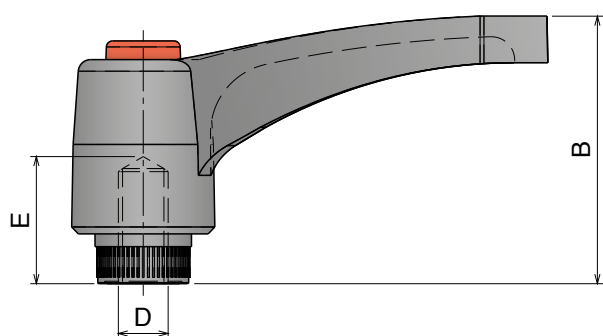
Insero maschio: Acciaio inox /Male insert: Stainless steel /Aussengewinde: Edelstahl

374 Maniglia a ripresa Adjustable handle / Ratschenhebel

NEW DESIGN

Delivery: **Easy** Standard

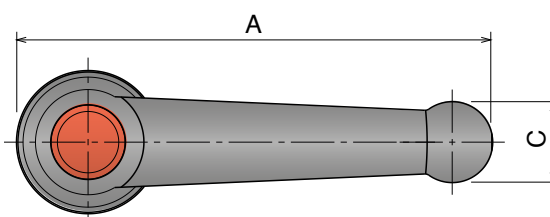
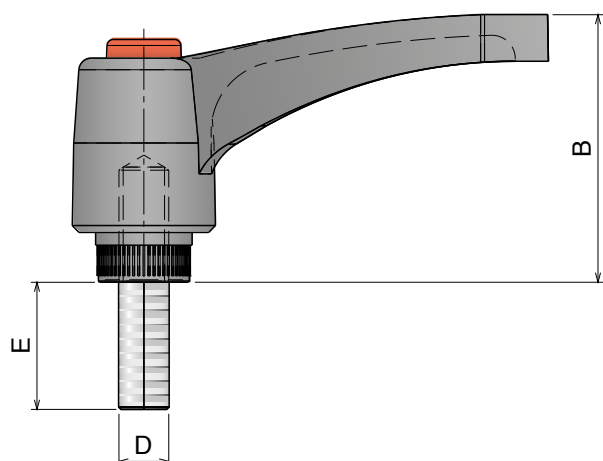
Part	Article-Nr.	A	B	C	D	E	Box
374	37403	51	33	9	M5	12	20 pcs
374	37404	51	33	9	M6	12	20 pcs
374	37405	63	41	12	M6	18	20 pcs
374	37406	63	41	12	M8	18	20 pcs
374	37407	63	41	12	M10	18	20 pcs
374	37401	76.5	43	13	M8	18	20 pcs
374	37409	76.5	43	13	M10	18	20 pcs
374	37402	93.5	54	15.5	M10	22	20 pcs
374	37408	93.5	54	15.5	M12	22	20 pcs



375 Maniglia a ripresa Adjustable handle / Ratschenhebel

Delivery: **Easy** Standard

Part	Article-Nr.	A	B	C	D	E	Box
375	37508	51	33	9	M5	16	20 pcs
375	37509	51	33	9	M6	16	20 pcs
375	37510	63	41	12	M8	16	20 pcs
375	37511	63	41	12	M8	20	20 pcs
375	37515	63	41	12	M8	55	20 pcs
375	37501	76.5	43	13	M8	20	20 pcs
375	37512	76.5	43	13	M8	25	20 pcs
375	37502	76.5	43	13	M10	25	20 pcs
375	37513	93.5	54	15.5	M10	20	20 pcs
375	37514	93.5	54	15.5	M10	25	20 pcs



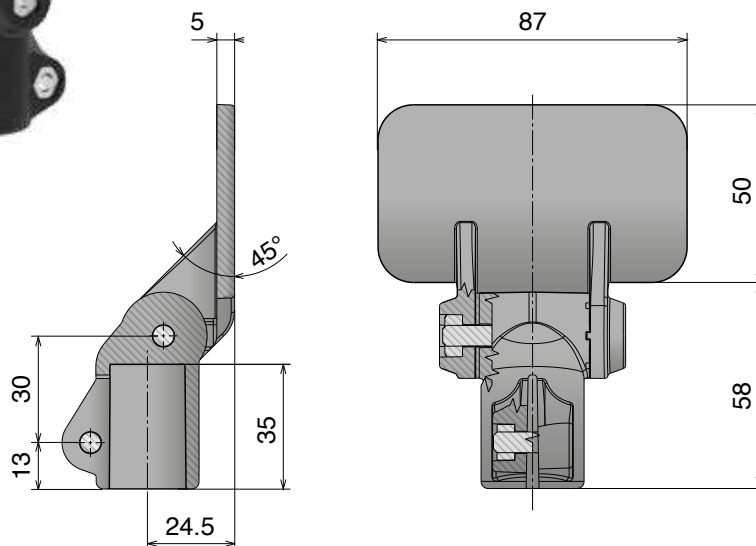
Materiale / Material / Materialien:

Morsetto: Poliammide/Clamp: Polyamide/Klemme: Polyamid

Viti e dadi: Acciaio inox/Screws and nuts: Stainless steel/Schraube und Mutter: Edelstahl

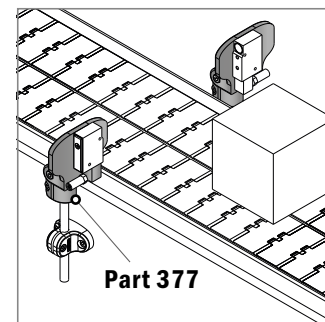
377 Morsetto standard per fotocellula o riflettore Clamp for photocells or reflector / Klemme für Fotozelle oder Reflektor

Delivery: **Easy** **Standard**

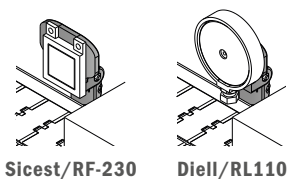
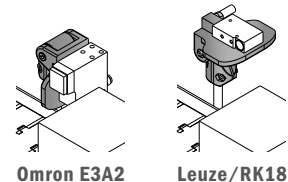


*All the product names in the application example section are believed to be the trademarks and/or trade names of their respective owners and are not owned or controlled by Movex S.p.A.

Part	Article-Nr.	ØA
377	37701	14
377	37702	16
377	37703	20
377	37704	12
377	37705	15
377	37706	18



One product for several models of photocells reflectors*:

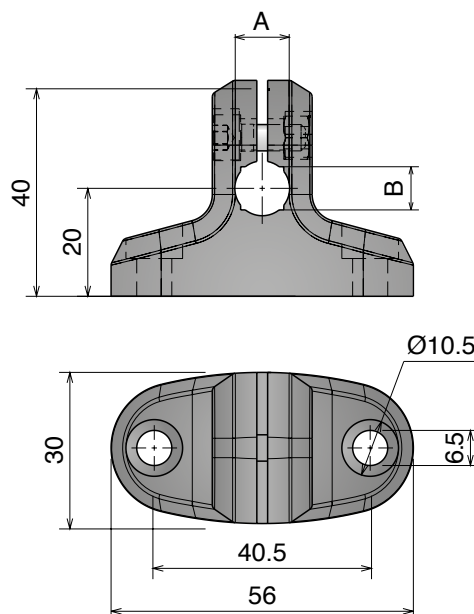


and many other types:
Sick/WL36 - Datalogic/RT7
Omron/E35-R - Datalogic/R2

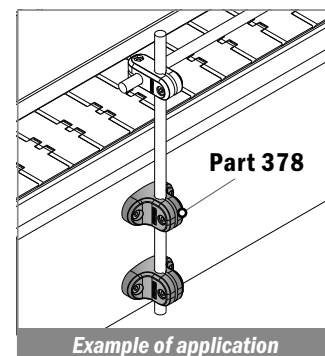
Example of application

378 Morsetto a "T" T-clamp / T-Klemme

Delivery: **Easy** **Standard** Max recommended tightening torque: 3 N mt



Part	Article-Nr.	A	B
378	37801	10	8
378	37802	12	10
378	37803	14	12



Materiale / Material / Materialien:

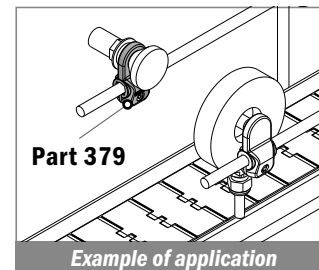
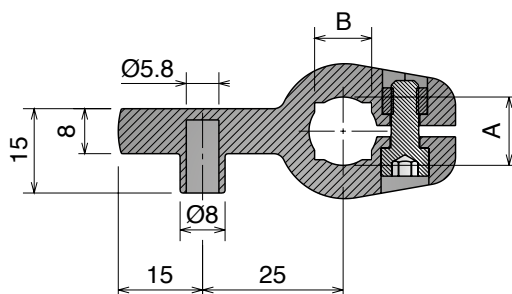
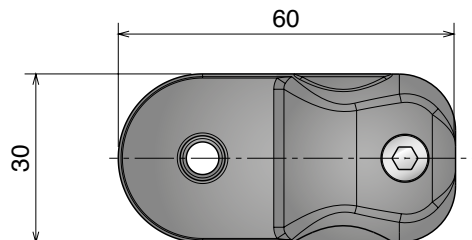
Morsetto: Poliammide/Clamp: Polyamide/Klemme: Polyamid

Viti e dadi: Acciaio inox/Screws and nuts: Stainless steel/Schraube und Mutter: Edelstahl

379 Morsetto per riflettore
Clamp for reflector / Reflektorklemme

Delivery: **Easy** **Standard** Max recommended tightening torque: 3 N mt

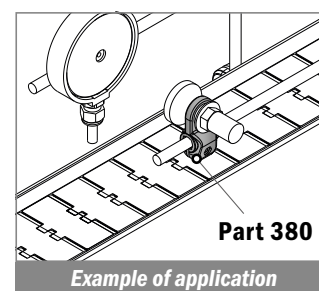
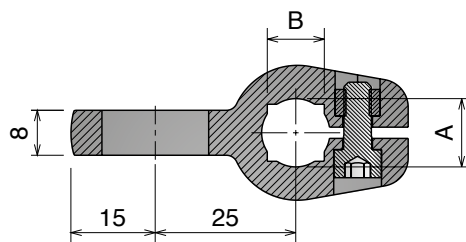
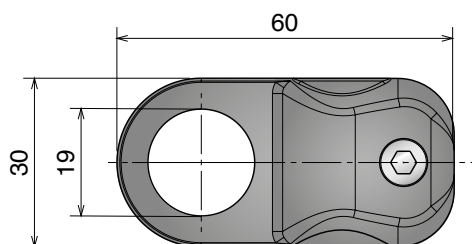
Part	Article-Nr.	A	B
379	37901	10	8
379	37902	12	10
379	37903	14	12



380 Morsetto per fotocellule o sensori
Clamp for photocells or sensors / Klemme für Lichtschranke oder Sensoren

Delivery: **Easy** **Standard** Max recommended tightening torque: 3 N mt

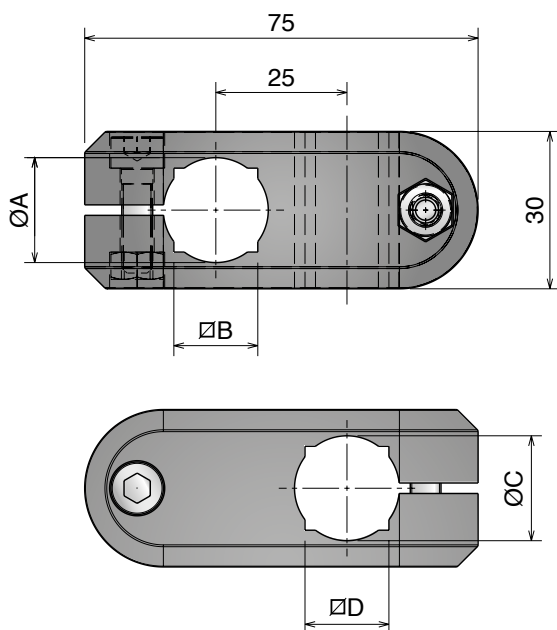
Part	Article-Nr.	A	B
380	38001	10	8
380	38002	12	10
380	38003	14	12



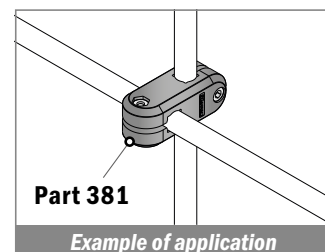
381 Morsetto a croce Cross clamp / Kreuzklemmee

NOW ALSO IN HYGIENIC BLUE

Delivery: **Easy** **Standard** Max recommended tightening torque: 3 N mt



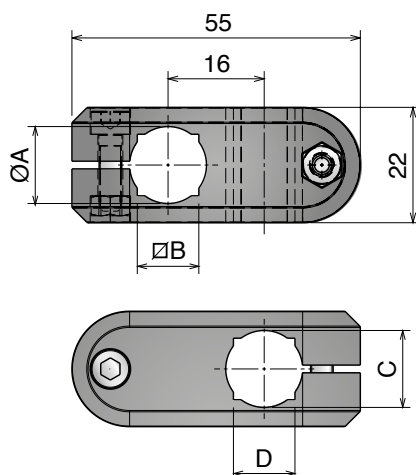
Part	Article-Nr.	ØA	ØB	ØC	ØD	Colour
381	38101	14	12	14	12	Black
381	38102	16	14	16	14	Black
381	38103	18	-	18	-	Black
381	38104	20	16	20	16	Black
381	38111	14	12	14	12	Hygienic blue
381	38112	16	14	16	14	Hygienic blue
381	38113	18	-	18	-	Hygienic blue
381	38114	20	16	20	16	Hygienic blue
381	38121	16	-	16	-	Stainless steel
381	38122	16	-	20	-	Stainless steel
381	38123	20	-	20	-	Stainless steel



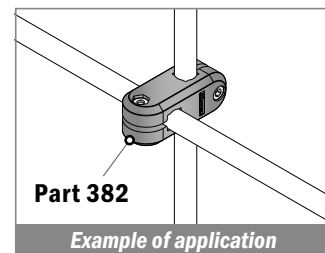
382 Morsetto a croce Cross clamp / Kreuzklemmee

NOW ALSO IN HYGIENIC BLUE

Delivery: **Easy** **Standard** Max recommended tightening torque: 3 N mt



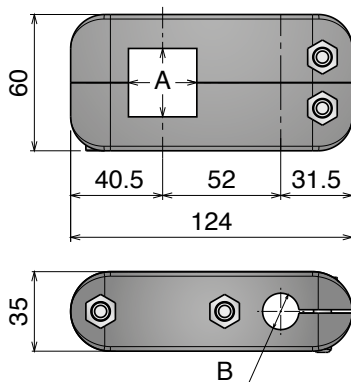
Part	Article-Nr.	ØA	ØB	ØC	ØD	Colour
382	38201	10	8	10	8	Black
382	38202	12	10	12	10	Black
382	38203	14	12	14	12	Black
382	38211	10	8	10	8	Hygienic blue
382	38212	12	10	12	10	Hygienic blue
382	38213	14	12	14	12	Hygienic blue



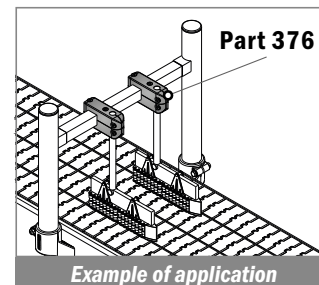
376 Morsetto a croce "extra" Extra Cross Block / Kreuzklemme "Extra"

Delivery: **Easy** Standard

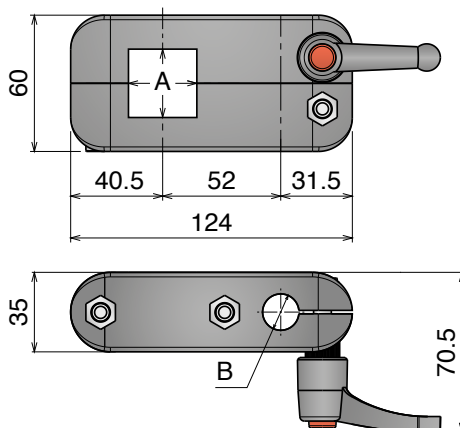
NEW DESIGN



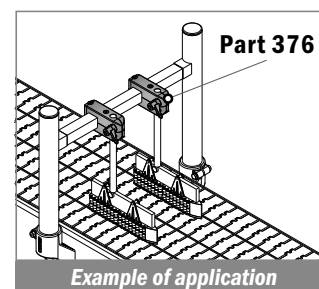
Part	Article-Nr.	A	B
376	37601	30x30	16
376	37604	30x30	20
376	37602	40x40	16
376	37603	40x40	20



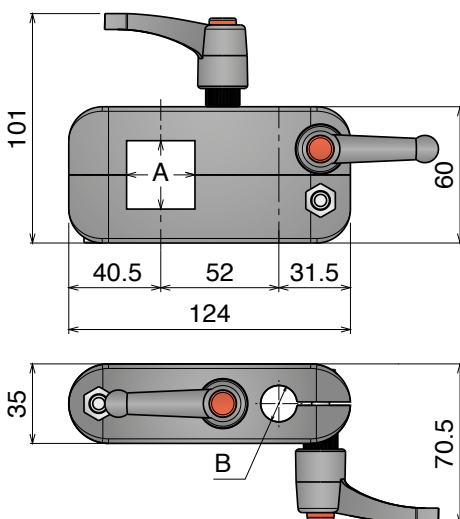
Morsetto a croce "extra" con maniglia Extra Cross Block with handle / Kreuzklemme "Extra" m. Ratschenhebel



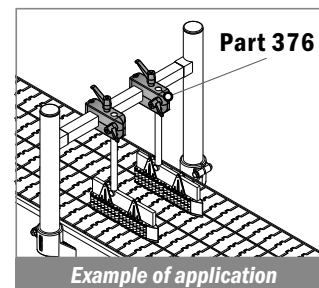
Part	Article-Nr.	A	B
376	37611	30x30	16
376	37614	30x30	20
376	37612	40x40	16
376	37613	40x40	20



Morsetto a croce "extra" con maniglie Extra Cross Block with handles / Kreuzklemme "Extra" m. Ratschenhebel



Part	Article-Nr.	A	B
376	37621	30x30	16
376	37624	30x30	20
376	37622	40x40	16
376	37623	40x40	20



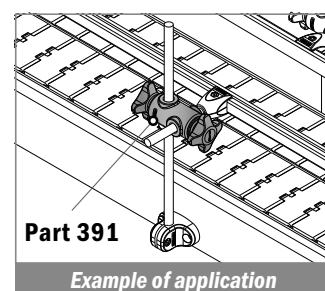
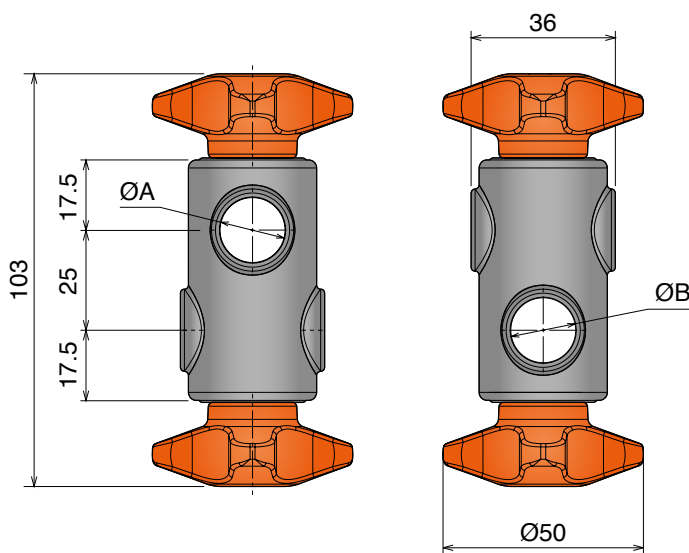
391 Morsetto a croce Cross clamp / Kreuzklemme

Delivery: **Easy** **Standard**



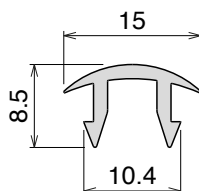
RANGE EXTENSION

Part	Article-Nr.	ØA	ØB	Colour
391	39101	12	12	Black
391	39103	14	14	Black
391	39102	16	16	Black
391	39104	12	16	Black
391	39151	12	12	Hygienic Blue
391	39153	14	14	Hygienic Blue
391	39152	16	16	Hygienic Blue
391	39154	12	16	Hygienic Blue
391	39141	12	12	Orange
391	39143	14	14	Orange
391	39142	16	16	Orange
391	39144	12	16	Orange

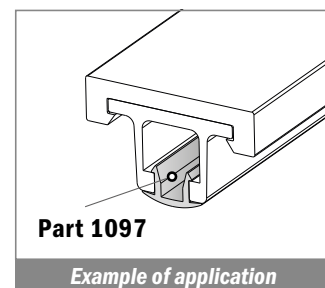


NEW 1097 Profilo di chiusura Closing profile / Abdeckprofil

Delivery: **Easy** **Standard**



Article-Nr.	Material	Availability	Supply
109701-30	Grey PVC	Stock item	30 m coils



Used with Part:

154 - 155 - 159 - 164 - 165 - 188

358 - 359 - 360 - 361 - 1055 - 1088 - 1089

• Materiale / Material / Materialien:

Supporto: Acciaio inox/Support: Stainless steel/Halter: Edelstahl
Morsetto: PA/Clamps: PA/Klemme: PA

387-388

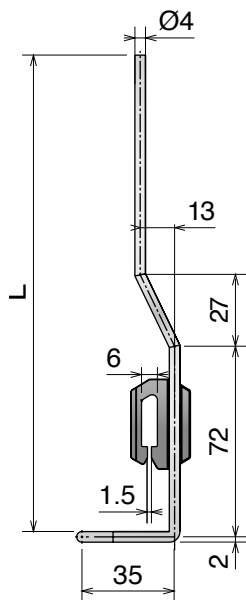
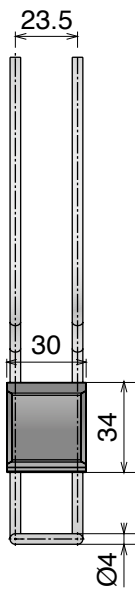
Componenti / Conveyor components / Komponenten

387 Sostegno per Sgocciolatoio Drip Tray Supports / Tropfblechhalter

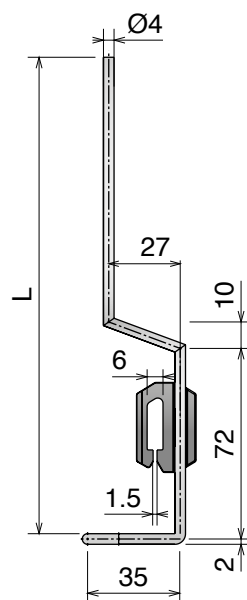
Delivery: **Easy** **Standard** Max load capacity 20 Kg



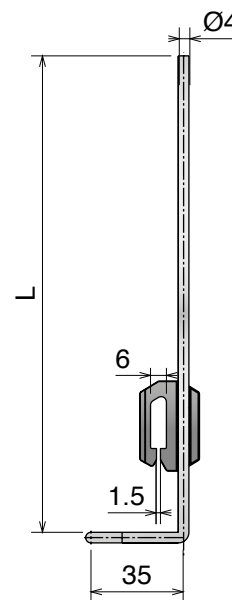
Part	Article-Nr.	L	Type
387	38701	180	A
387	38702	250	A
387	38703	180	B
387	38704	250	B
387	38705	280	B
387	38706	246	C
387	38707	396	C
387	38708	180	D
387	38709	250	D



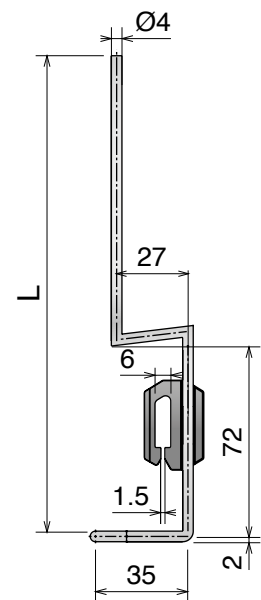
TYPE A



TYPE B



TYPE C

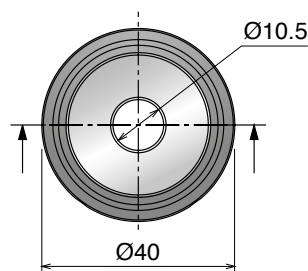
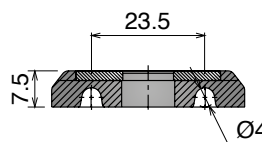
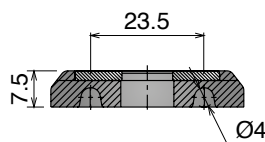


TYPE D

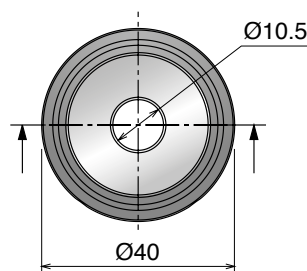
388 Rondella di fissaggio Fixing washer / Fixierscheibe

Delivery: **Easy** **Standard**

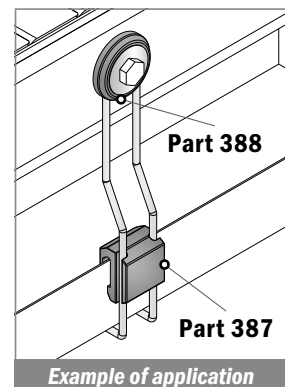
Part	Article-Nr.	Type
388	38801	A
388	38802	B



TYPE A



TYPE B



NEW 903 Vite igienica certificata ed igienica Certified hygienic screw / Zertifiziert hygienische Schraube

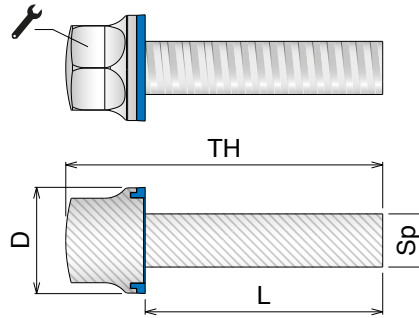
Delivery: **Easy** **Standard**



Main features:

- Stainless steel AISI 304
- Blue seal for hermetic closure

Art-Nr.	Sp	D	TH	L		Box
903255	M8	16	58	45	13	10 pcs
903253	M10	20	60	45	16	10 pcs
903251	M12	24,5	78	60	18	10 pcs



CERTIFIED PRODUCTS
ASK FOR CERTIFICATION:
certificate@movexii.com

Example of application

NEW 903 Dado certificato ed igienico Certified hygienic nut / Zertifiziert hygienische Hutmutter

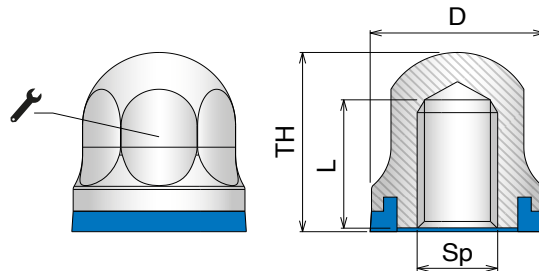
Delivery: **Easy** **Standard**



Main features:

- Stainless steel AISI 304
- Blue seal for hermetic closure

Art-Nr.	Sp	D	TH	L		Box
903235	M6	13	14	10	10	10 pcs
903236	M8	16	17	12	13	10 pcs
903237	M10	20	20,5	15	16	10 pcs
903238	M12	24,5	25	18	18	10 pcs
903239	M16	32	32	23	24	10 pcs
903240	M20	39	38	27	30	10 pcs



CERTIFIED PRODUCTS
ASK FOR CERTIFICATION:
certificate@movexii.com

Example of application

998 Dado Nut / Sechskantmutter

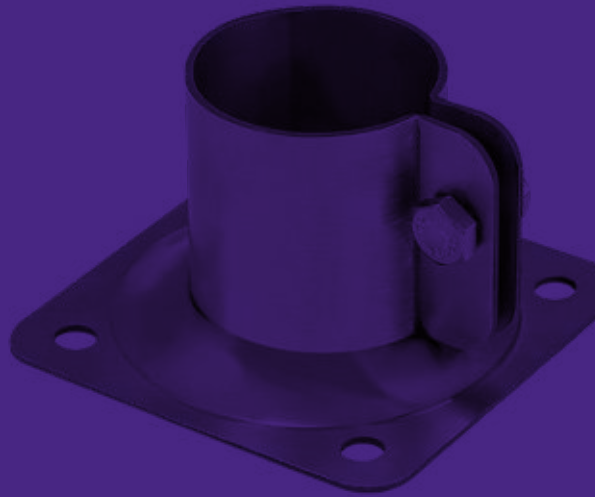
Delivery: **Easy** **Standard**



Main features:

- Stainless steel (SS) or Zinc plated steel (FeZn)
- UNI 5588 - ISO 4032 - DIN 934

Art-Nr.	Art-Nr.	Sp	Box
SS	FeZn		
99801	99801Z	M10	50 pcs
99802	99802Z	M12	50 pcs
99804	99804Z	M16	10 pcs
99805	99805Z	M20	10 pcs
99806	99806Z	M24	5 pcs
99807	99807Z	M30	5 pcs
99808	99808Z	M36	5 pcs



401  Page 580	402  Page 580	403  Page 581	404  Page 581	407  Page 582	408  Page 582
409  Page 583	499  Page 583	410  Page 584	411  Page 584	426  Page 585	432  Page 585
427  Page 586	343  Page 586	425  Page 587	413  Page 587	433  Page 588	414  Page 588
419  Page 589	420  Page 589	415  Page 590	416  Page 591	428  Page 592	429  Page 592
430  Page 592	418  Page 593	421  Page 593	422  Page 594	423  Page 594	424  Page 594

401-402

Componenti di supporto / Conveyor support components / Stützelemente

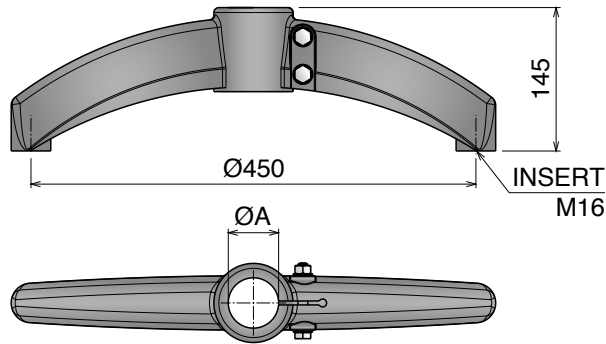
Materiale / Material / Materialien:

Basi: Poliammide/Base: Polyamide/Halter: Polyamid

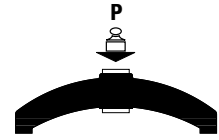
Viti e rondelle: Acciaio inox/Screws and washers: Stainless steel/Schrauben und Scheibe: Edelstahl
Inserti e dadi: ottone nichelato/Inserts nuts: nickel plated brass/Mutter: Messing vernickelt

401 Base a due braccia Bipod / Zweibeinhalter

Delivery: **Easy** **Standard** Fasteners included | Max recommended tightening torque: 25 N mt



Part	Article-Nr.	ØA
401	40101	48,3
401	40105	50,9
401	40102	60,3



Tube sliding load resistance

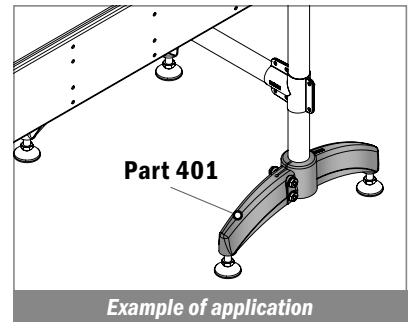
$P = 8000 \text{ N}$

Max applicable load

$P = 9600 \text{ N}$

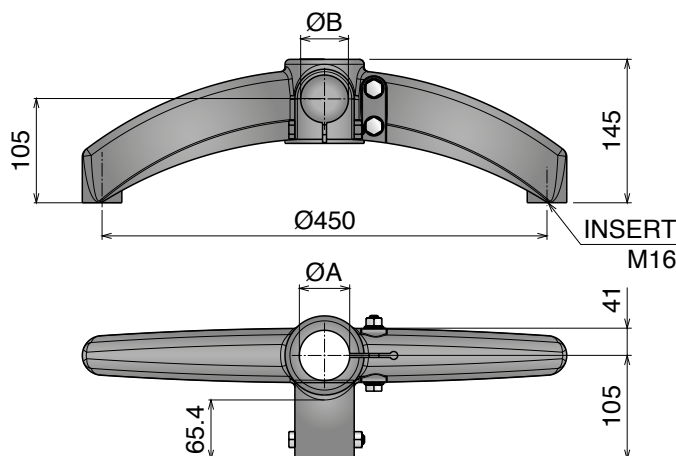
Bolts tightening torque

25 N.m

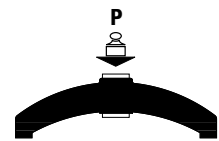


402 Base a due braccia 180° con giunto Bipod 180° with connector / Zweibeinhalter 180° m. Verbinder

Delivery: **Easy** **Standard** Fasteners included | Max recommended tightening torque: 25 N mt



Part	Article-Nr.	ØA	ØB
402	40201	48,3	48,3
402	40205	50,9	48,3
402	40202	60,3	48,3
402	40203	48,3	42,4
402	40206	50,9	42,4
402	40204	60,3	42,4



Tube sliding load resistance

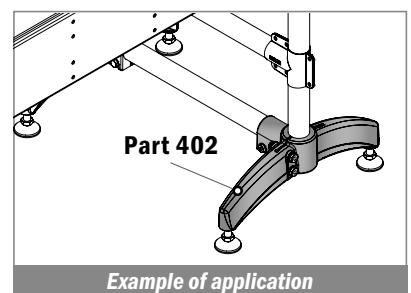
$P = 8000 \text{ N}$

Max applicable load

$P = 8000 \text{ N}$

Bolts tightening torque

25 N.m



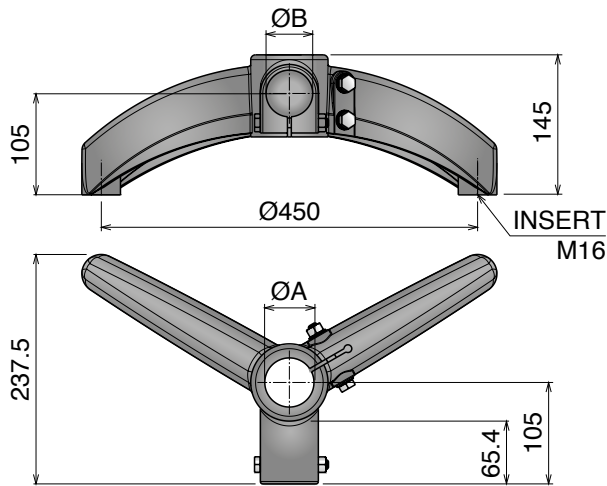
Materiale / Material / Materialien:

Basi: Poliammide/Base: Polyamide/Halter: Polyamid

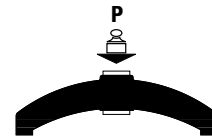
Viti e rondelle: Acciaio inox/Screws and washers: Stainless steel/Schrauben und Scheibe: Edelstahl
 Inserti e dadi: ottone nichelato/Inserts nuts: nickel plated brass/Mutter: Messing vernickelt

403 Base a due braccia 120° con giunto Bipod 120° with connector / Zweibeinhalter 120° m. Verbinder

Delivery: **Easy** **Standard** Fasteners included | Max recommended tightening torque: 25 N mt



Part	Article-Nr.	ØA	ØB
403	40301	48,3	48,3
403	40305	50,9	48,3
403	40302	60,3	48,3
403	40303	48,3	42,4
403	40306	50,9	42,4
403	40304	60,3	42,4



Tube sliding load resistance

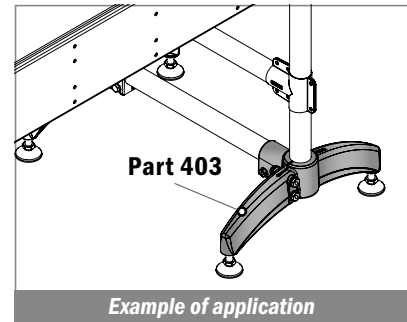
$P = 8000\text{ N}$

Max applicable load

$P = 8000\text{ N}$

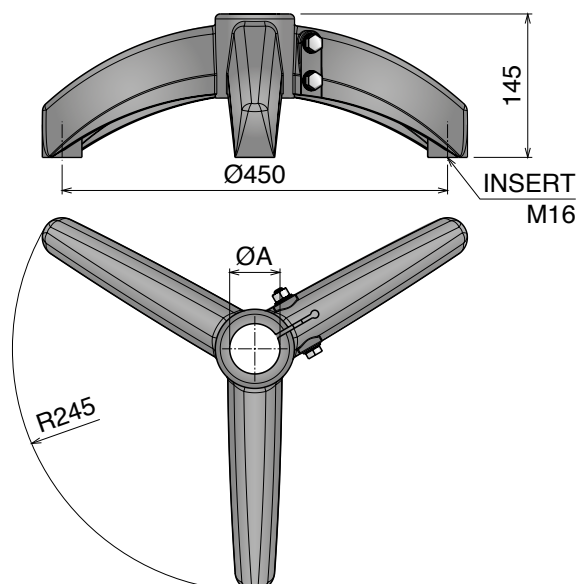
Bolts tightening torque

25 N.m

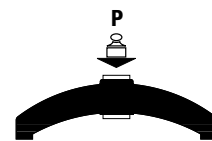


404 Base a tre braccia Tripod / Dreibeinhalter

Delivery: **Easy** **Standard** Fasteners included | Max recommended tightening torque: 25 N mt



Part	Article-Nr.	ØA
404	40401	48,3
404	40405	50,9
404	40402	60,3



Tube sliding load resistance

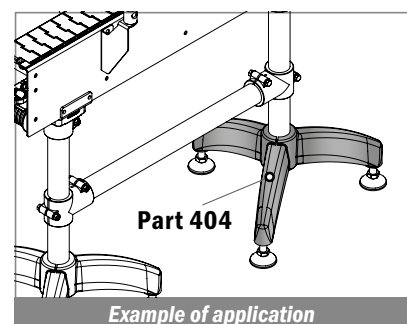
$P = 8000\text{ N}$

Max applicable load

$P = 10000\text{ N}$

Bolts tightening torque

25 N.m



407-408

Componenti di supporto / Conveyor support components / Stützelemente

Materiale / Material / Materialien:

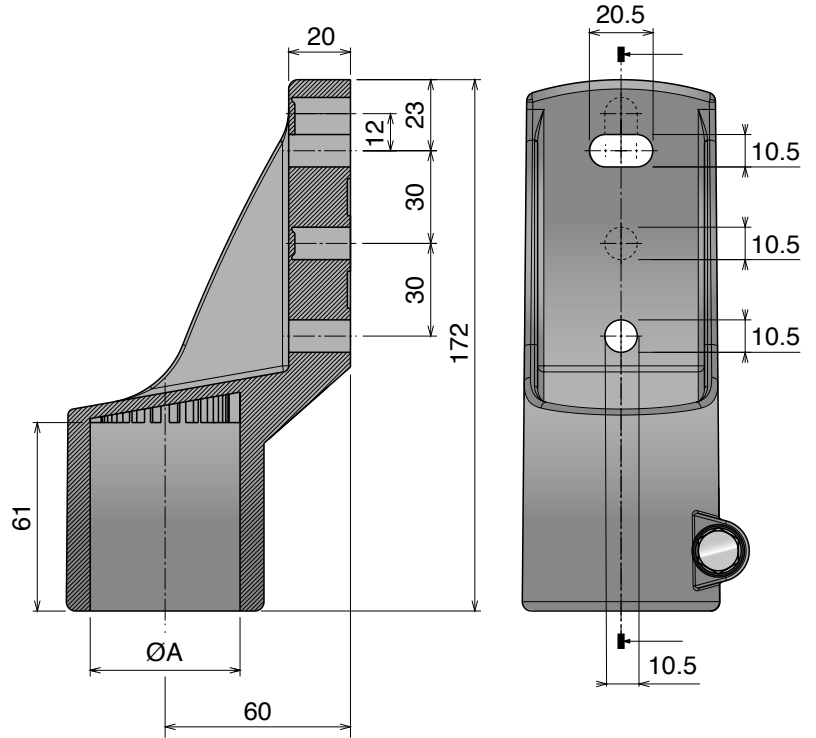
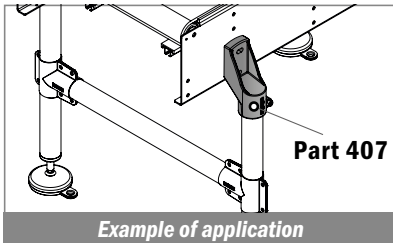
Testata: Poliammide / Side bracket: Polyamide / Halter: Polyamid

Viti e rondelle: Acciaio inox / Screws and washers: Stainless steel / Schrauben und Scheibe: Edelstahl
Dadi: ottone nichelato / Nuts: nickel plated brass / Mutter: Messing vernickelt

407 Testata laterale Side mounting top bracket / seitlicher Stützkopf

Delivery: **Easy** **Standard** Max recommended tightening torque: 20 N mt

Part	Article-Nr.	ØA
407	40701	48,3
407	40702	50,9

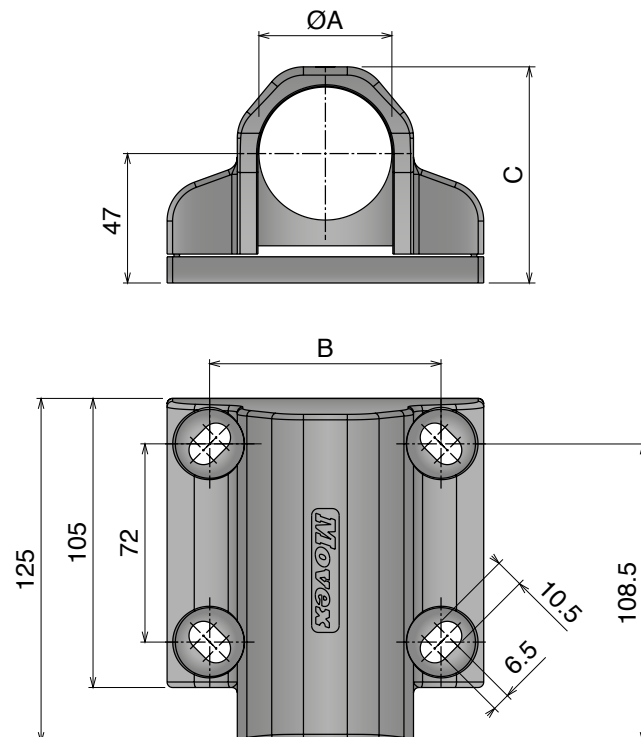
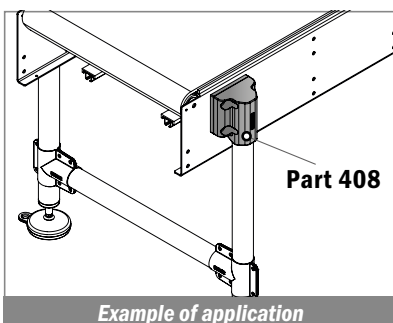


408 Testata laterale Side mounting top bracket / seitlicher Stützkopf

Delivery: **Easy** **Standard** Fasteners not included | Max recommended tightening torque: 25 N mt

RANGE EXTENSION

Part	Article-Nr.	ØA	B	C
408	40801	48,3	84	78,5
408	40802	50,9	100	84,8
408	40803	60,3	100	84,8



Materiale / Material / Materialien:

Testata: Acciaio inox / Support head: stainless steel / Halter: Edelstahl
 Viti e rondelle: Acciaio inox / Screws and washers: Stainless steel / Mutter: Edelstahl

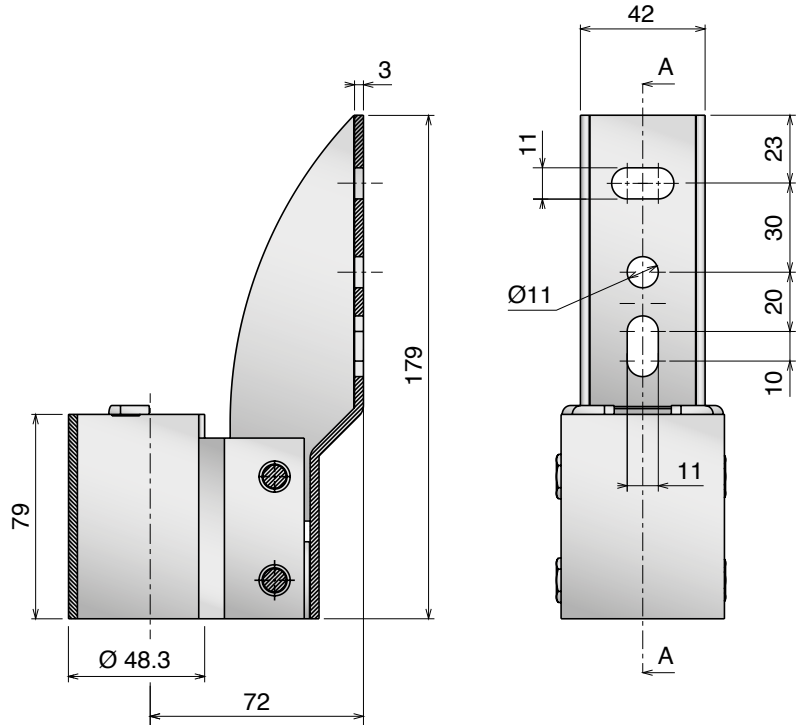
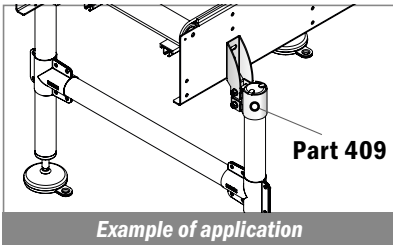
409 Testata laterale Side mounting top bracket / seitlicher Stützkopf

Stainless Steel | AISI 304

Delivery: **Easy** **Standard** Fasteners not included

Part Article-Nr.

409 40901



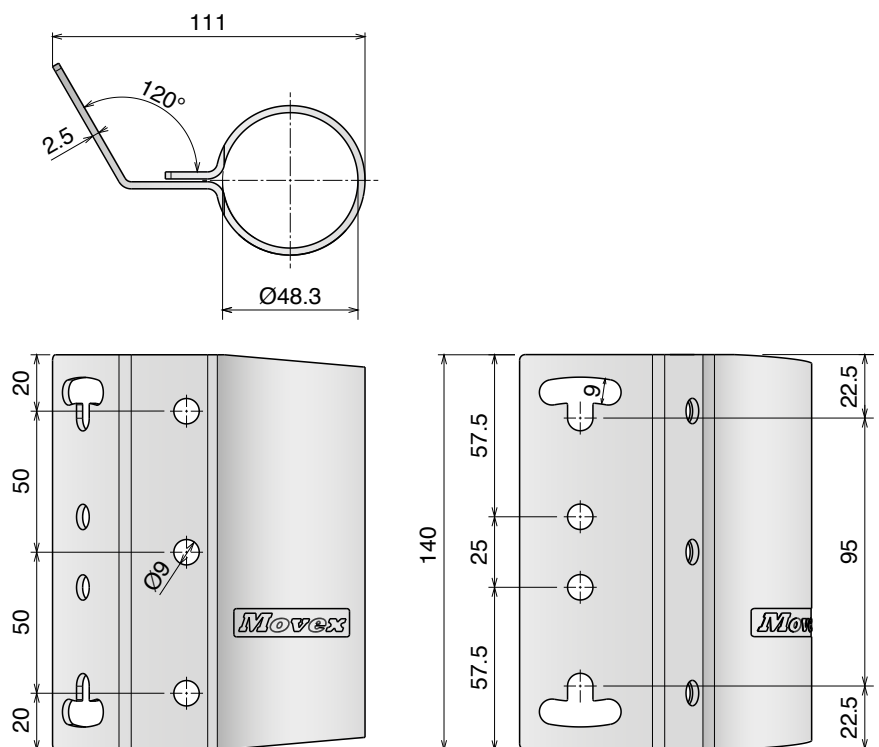
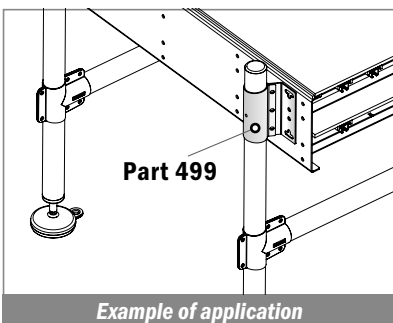
499 Testata laterale Side mounting top bracket / seitlicher Stützkopf

Stainless Steel | AISI 304

Delivery: **Easy** **Standard** Fasteners not included

Part Article-Nr.

499 49995



410-411

Componenti di supporto / Conveyor support components / Stützelemente

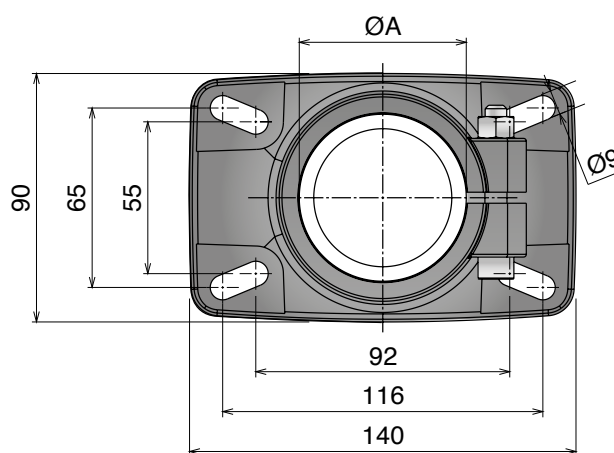
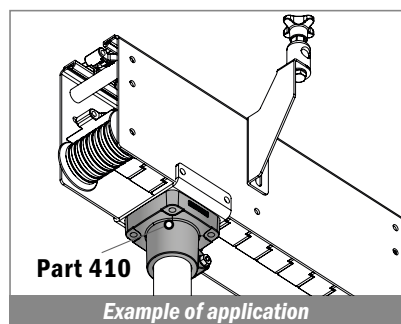
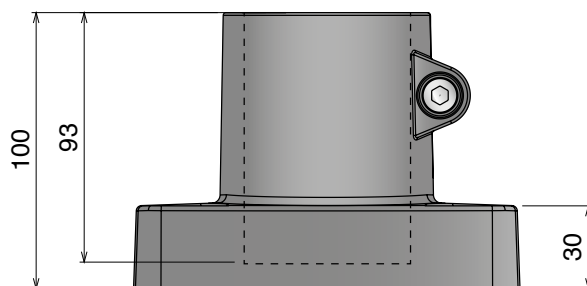
Materiale / Material / Materialien:

Testata: Poliammide/Support head: Polyamide/Halter: Polyamid
Viti e rondelle e dado: Acciaio inox /Screws, washers and nut:
Stainless steel /Schrauben, Scheibe und Mutter: Edelstahl

410 Testata d'appoggio Support head / Stützkopf

Delivery: **Easy** **Standard** Max recommended tightening torque: 20 N mt

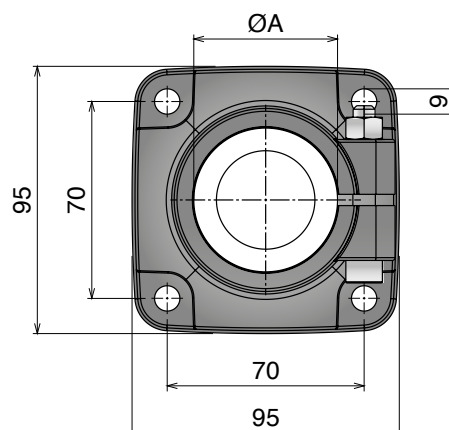
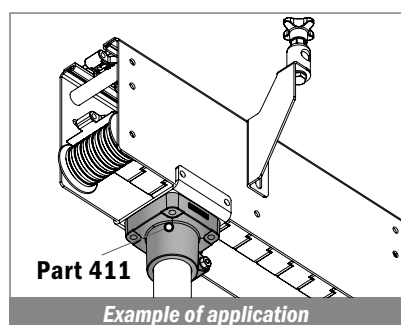
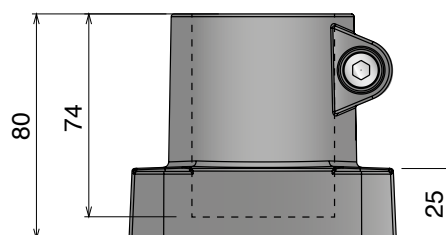
Part	Article-Nr.	ØA
410	41001	48,3
410	41002	60,3



411 Testata d'appoggio Support head / Stützkopf

Delivery: **Easy** **Standard** Max recommended tightening torque: 20 N mt

Part	Article-Nr.	ØA
411	41101	48,3
411	41102	50,9



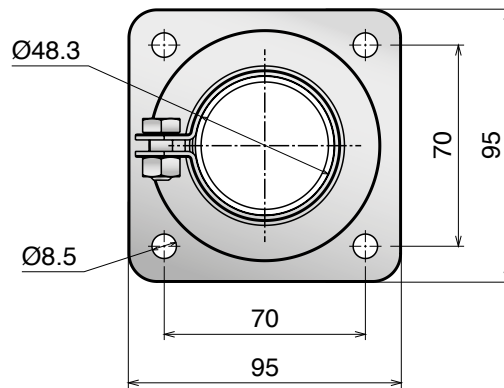
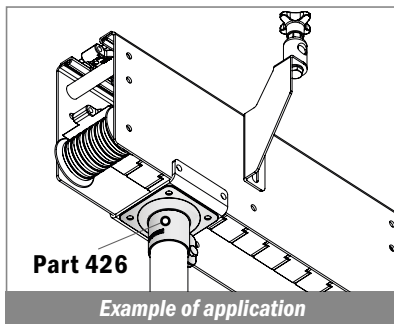
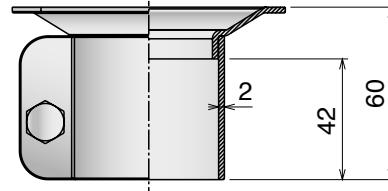
426 Testata d'appoggio Support head / Stützkopf

Stainless Steel | AISI 304

Screw included

Part Article-Nr.

426 42601

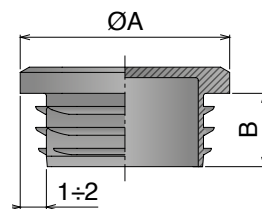


432 Tappo per tubo metrico tondo e quadro Plug for round and square metric tube / Runde und Quadratische Lamellenstopfen für metrische Rohre

RANGE EXTENSION

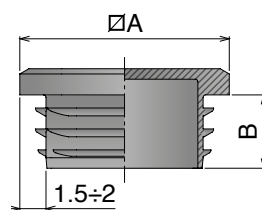
Delivery: **Easy** Standard

Part	Article-Nr.	ØA	B	Type
432	43202	20	11	A
432	43203	25	14	A
432	43204	30	14	A
432	43205	35	14	A
432	43206	40	14	A
432	43201	48	14	A
432	43207	50	17	A

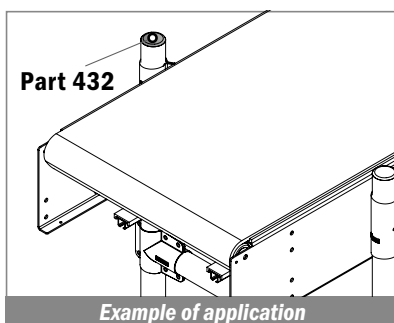


TYPE A - Rounded

Part	Article-Nr.	∇A	B	Type
432	43252	20 x 20	11	B
432	43253	25 x 25	14	B
432	43254	30 x 30	14	B
432	43255	35 x 35	14	B
432	43256	40 x 40	14	B
432	43251	50 x 50	14	B
432	43257	60 x 60	14	B



TYPE B - Square

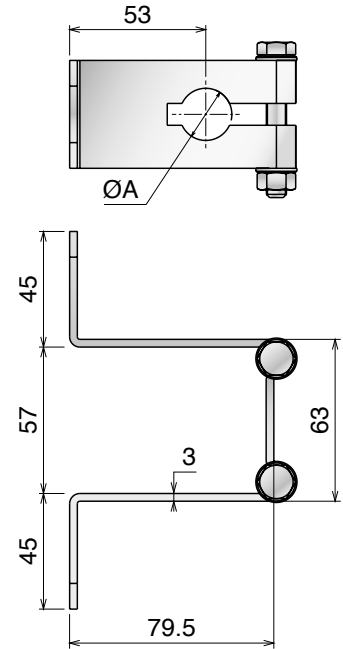
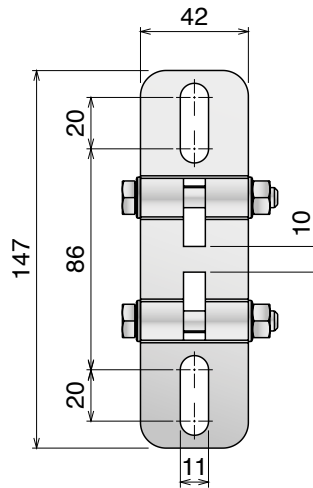
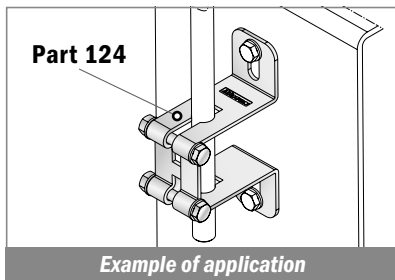


427 Supporto laterale Side bracket / Seitenhalter

Stainless Steel | AISI 304

Delivery: **Easy** Standard

Part	Article-Nr.	ØA
427	42701	16
427	42702	20

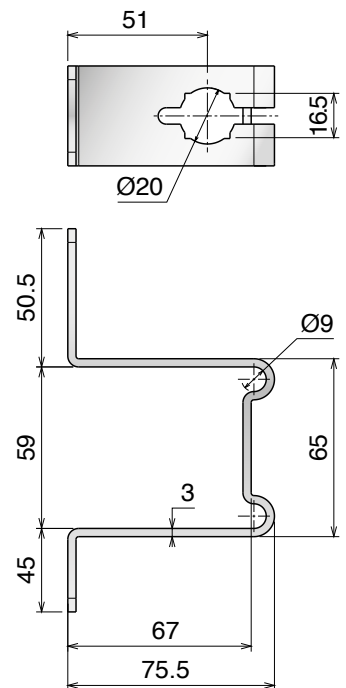
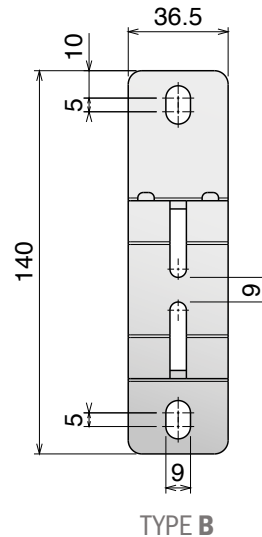
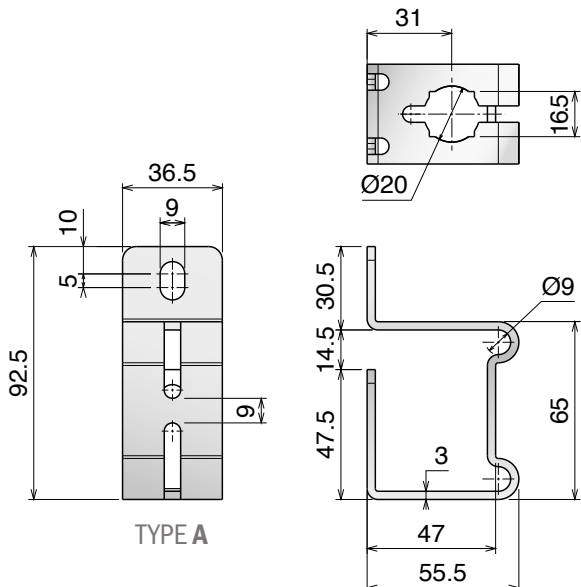


NEW 343 Supporto laterale Side bracket / Seitenhalter

Stainless Steel | AISI 304

Delivery: **Easy** Standard

Part	Article-Nr.	Type
343	34301	A
343	34302	B



Materiale / Material / Materialien:

Giunto: Poliammide / Joint: Polyamide / Verbinder: Polyamid

Viti e rondelle: Acciaio inox / Screws and washers: Stainless steel / Schrauben und Scheibe: Edelstahl
 Inserti e dadi: Acciaio inox / Inserts nuts: Stainless steel / Mutter: Edelstahl

425-413

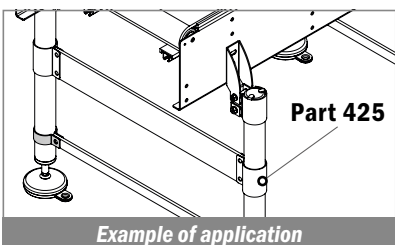
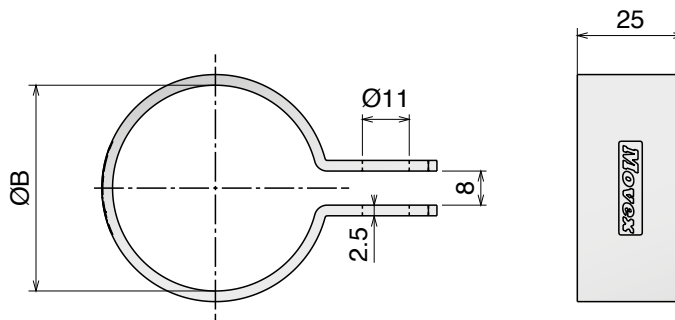
Componenti di supporto / Conveyor support components / Stützelemente

425 Morsetto a collare (acciaio inox)
 Clamp collar (SS) / Klemmschelle (Edelstahl)

Stainless Steel | AISI 304

Delivery: **Easy** Standard

Part	Article-Nr.	A	ØB
425	42501	25	48,3
425	42511	25	50,8

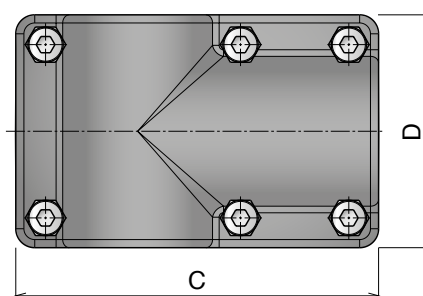
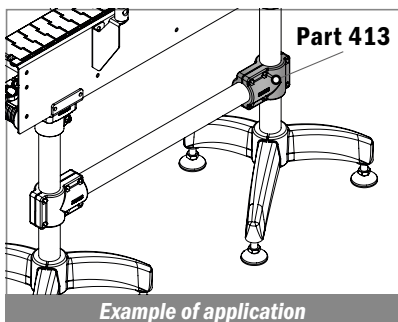
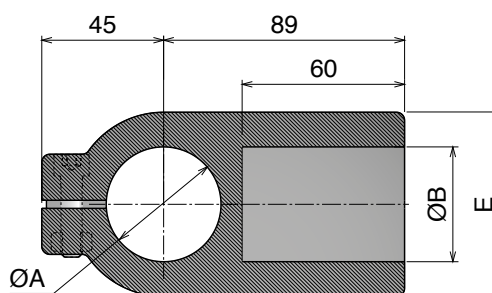


413 Giunto di collegamento
 Connecting joint / Verbindungselement

RANGE EXTENSION

Delivery: **Easy** Standard Max recommended tightening torque: 15 N mt

Part	Article-Nr.	ØA	ØB	C	D	E
413	41301	48,3	48,3	134	86	68
413	41304	50,9	50,9	134	86	68
413	41302	60,3	48,3	146	98	80
413	41303	60,3	60,3	146	98	80



433-414

Componenti di supporto / Conveyor support components / Stützelemente

Materiale / Material / Materialien:

Giunto: Poliammide / Joint: Polyamide / Verbinder: Polyamid

Viti e rondelle: Acciaio inox / Screws and washers: Stainless steel / Schrauben und Scheibe: Edelstahl

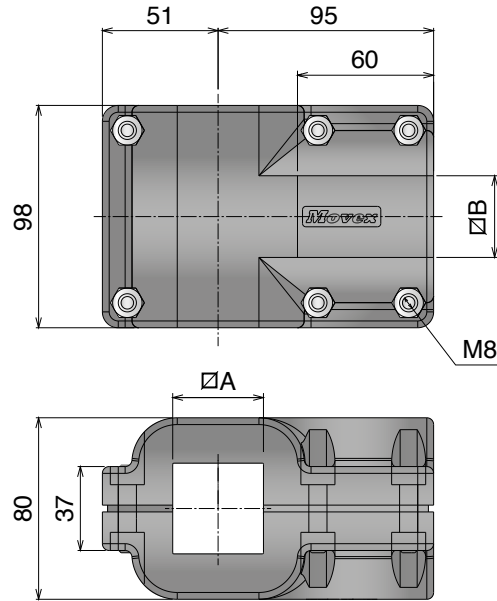
Inserti e dadi: Acciaio inox / Inserts nuts: Stainless steel / Mutter: Edelstahl

NEW 433

Giunto di collegamento per tubi quadrati

Connecting joint for square tubes / Verbindungselement für vierkant Rohre

Delivery: **Easy** Standard



Part	Article-Nr.	ØA	ØB
433	43301	30	30
433	43302	40	40
433	43303	45	45
433	43304	50	50

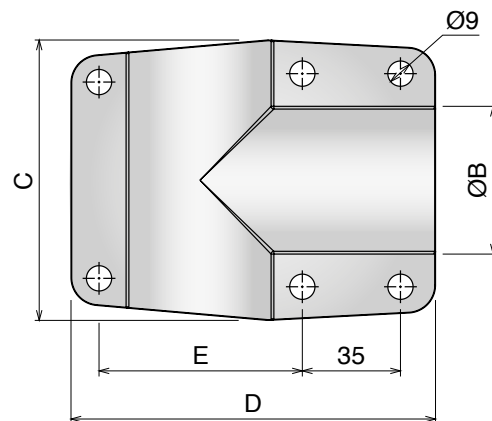
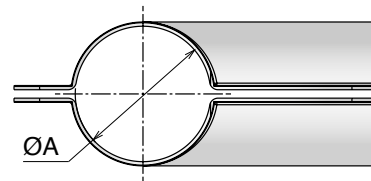
414

Giunto di collegamento (acciaio inox)

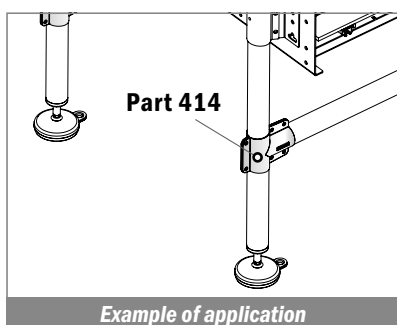
Connecting joint (SS) / Verbindungselement (Edelstahl)

Stainless Steel | AISI 304

Delivery: **Easy** Standard Max recommended tightening torque: 25 N mt



Part	Article-Nr.	ØA	ØB	C	D	E
414	41401	48,3	48,3	100	130	72,5
414	41402	60,3	60,3	110	150	92,5



Materiale / Material / Materialien:

Tappo: Poliammide / Plug: Polyamide / Stopfen: Polyamid

Inseri: PA o Ottone / Inserts: PA or Brass

Einsatz: PA oder Messing

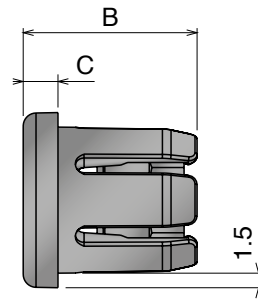
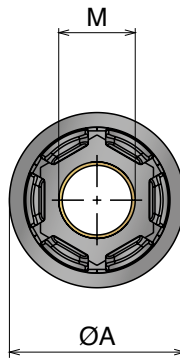
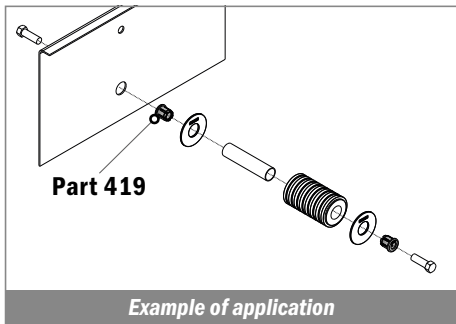
419 Tappi ad espansione Expansions plugs / Gewindezapfen, Spreizbar

Delivery: **Easy** **Standard**



**Brass insert
High Strength**

Part	Article-Nr.		ØA	B	C	M
	Brass Bush	PA Bush				
419	41907	-	20	19	3	M8
419	41908	-	20	19	3	M10
419	41901	-	20	20	4	M8
419	41902	-	20	20	4	M10
419	41903	41913	38	40	5	M8
419	41904	41914	38	40	5	M10
419	41905	41915	42,4	40	5	M8
419	41906	41916	42,4	40	5	M10



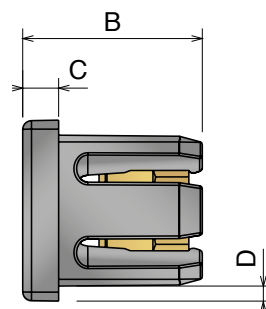
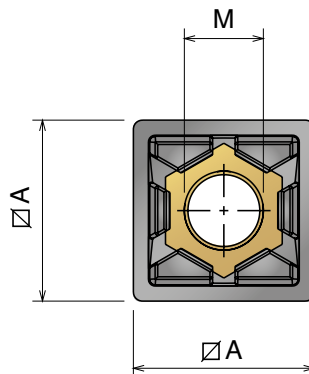
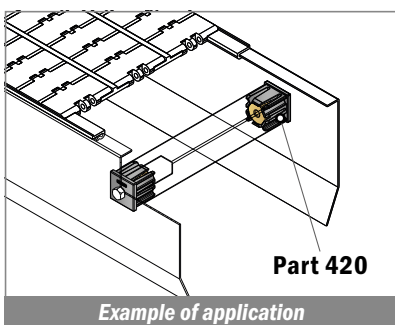
420 Tappi ad espansione Expansions plugs / Gewindezapfen, Spreizbar

Delivery: **Easy** **Standard**



**Brass insert
High Strength**

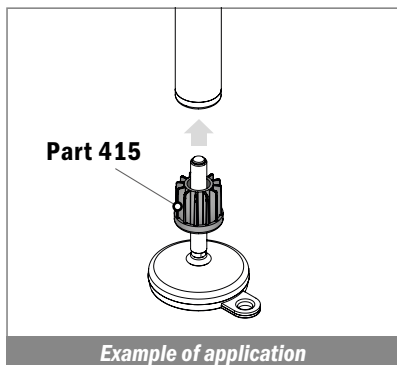
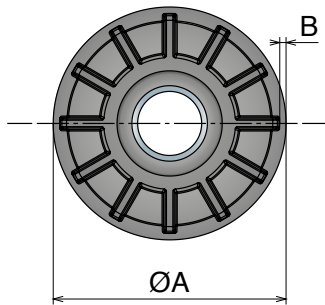
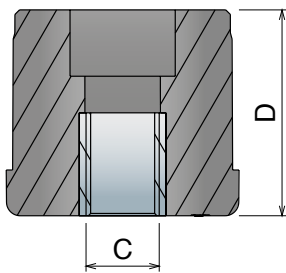
Part	Article-Nr.		ØA	B	C	D	M
	Brass Bush	PA Bush					
420	42001	-	20	20	4	1,5	M8
420	42002	-	20	20	4	1,5	M10
420	42003	-	20	20	4	2	M8
420	42004	-	20	20	4	2	M10
420	42005	42015	40	40	5	2	M8
420	42006	42016	40	40	5	2	M10



415 Tappi tondi filettati Threaded bushings for round tubes / Gewindezapfen f. Rund-Rohr

RANGE EXTENSION

Delivery:	Easy	Standard	Part	Art.-Nr.	ØA	B	C	D	Part	Art.-Nr.	ØA	B	C	D
			415	415001	20	2	M8	23	415	41550			M10	48
			415	415002			M8	26	415	41551			M12	48
			415	415003	25	2	M10	26	415	41552	48,3	1,5	M14	48
			415	415004			M12	26	415	41501			M16	48
			415	41507			M10	33	415	41502			M20	48
			415	41508	30	1	M12	33	415	41553			M10	55
			415	41509			M14	33	415	41554			M12	55
			415	41510			M16	33	415	41555	48,3	2	M14	55
			415	41511			M10	33	415	41556			M16	55
			415	41512	30	1,5	M12	33	415	41557			M20	55
			415	41513			M14	33	415	41558			M10	45
			415	41514			M16	33	415	41559			M12	45
			415	41515			M10	33	415	41560	48,3	2,5	M14	45
			415	41516	30	2	M12	33	415	41561			M16	45
			415	41517			M14	33	415	41562			M20	45
			415	41518			M16	33	415	41563			M10	45
			415	41519			M10	33	415	41564			M12	45
			415	41520	30	2,5	M12	33	415	41565	50	1,5	M14	45
			415	41521			M14	33	415	41503			M16	45
			415	41522			M16	33	415	41504			M20	45
			415	41523			M10	40	415	415015			M10	45
			415	41524	38	1,5	M12	40	415	415016			M12	45
			415	41525			M14	40	415	415017	50	3	M14	45
			415	41526			M16	40	415	415018			M16	45
			415	41527			M10	40	415	415019			M20	45
			415	41528	38	2	M12	40	415	41566			M10	50
			415	41529			M14	40	415	41567			M12	50
			415	41530			M16	40	415	41568	50,9	1,5	M14	50
			415	41531			M10	40	415	41569			M16	50
			415	41532	38	2,5	M12	40	415	41570			M20	50
			415	41533			M14	40	415	41571			M10	45
			415	41534			M16	40	415	41572			M12	45
			415	415005			M8	40	415	41573	50,9	2	M14	45
			415	415006			M10	40	415	41574			M16	45
			415	415007	40	3	M12	40	415	41575			M20	45
			415	415008			M14	40	415	41576			M10	45
			415	415009			M16	40	415	41577			M12	45
			415	41535			M10	43	415	41578	50,9	2,5	M14	45
			415	41536			M12	43	415	41579			M16	45
			415	41537	42,4	1,5	M14	43	415	41580			M20	45
			415	41538			M16	43	415	415020			M10	55
			415	41539			M20	43	415	415021			M12	55
			415	41540			M10	43	415	415022	60,3	1,2	M14	55
			415	41541			M12	43	415	415023			M16	55
			415	41542	42,4	2	M14	43	415	415024			M20	55
			415	41543			M16	43	415	41581			M10	55
			415	41544			M20	43	415	41582			M12	55
			415	41545			M10	43	415	41583	60,3	1,5	M14	55
			415	41546			M12	43	415	41584			M16	55
			415	41547	42,4	2,5	M14	43	415	41585			M20	55
			415	41548			M16	43	415	41586			M10	55
			415	41549			M20	43	415	41587			M12	55
			415	415010			M10	38	415	41588	60,3	2	M14	55
			415	415011			M12	38	415	41505			M16	55
			415	415012	45	3	M14	38	415	41506			M20	55
			415	415013			M16	38	415	41589			M10	55
			415	415014			M20	38	415	41590			M12	55
									415	41591	60,3	2,5	M14	55
									415	41592			M16	55
									415	41593			M20	55

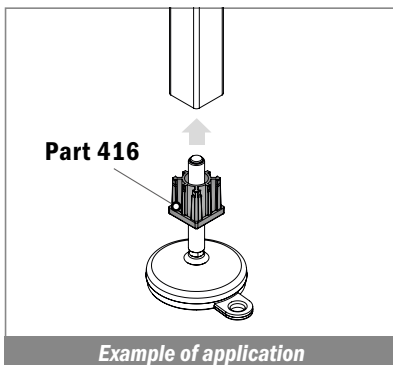
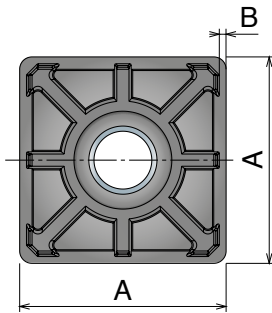
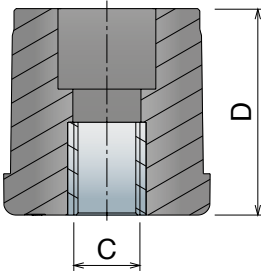


416 Tappi quadri filettati

Threaded bushings for square tubes / Gewindezapfen f. Vierkant-Rohr

RANGE EXTENSION

Delivery: **Easy** Standard



Part	Article-Nr.	A	B	C	D	Part	Article-Nr.	A	B	C	D
416	416001	20	1,5	M8	23	416	416003			M10	38
416	416002	20	2	M8	23	416	416004	45	3	M12	38
416	41601	25	1,5	M10	26	416	416005			M14	38
416	41602			M12	26	416	416006			M16	38
416	41611			M10	33	416	41648			M10	50
416	41603	30	1,5	M12	33	416	41649			M12	50
416	41612			M14	33	416	41650	50	1,2	M14	50
416	41604			M16	33	416	41651			M16	50
416	41613			M10	33	416	41652			M20	50
416	41614	30	2	M12	33	416	41653			M10	50
416	41615			M14	33	416	41654			M12	50
416	41616			M16	33	416	41655	50	1,5	M14	50
416	41617			M10	38	416	41656			M16	50
416	41618			M12	38	416	41657			M20	50
416	41619	35	1,5	M14	38	416	41658			M10	50
416	41620			M16	38	416	41659			M12	50
416	41621			M20	38	416	41660	50	2	M14	50
416	41622			M10	43	416	41609			M16	50
416	41623			M12	43	416	41610			M20	50
416	41624	35	2	M14	43	416	41661			M10	50
416	41625			M16	43	416	41662			M12	50
416	41626			M20	43	416	41663	50	2,5	M14	50
416	41681			M10	43	416	41664			M16	50
416	41682			M12	43	416	41665			M20	50
416	41683	38,1	1,6	M14	43	416	41666			M10	50
416	41684			M16	43	416	41667			M12	50
416	41685			M20	43	416	41668	50	3	M14	50
416	41686			M10	43	416	41669			M16	50
416	41687			M12	43	416	41670			M20	50
416	41688	38,1	3	M14	43	416	41671			M10	55
416	41689			M16	43	416	41672			M12	55
416	41690			M20	43	416	41673	60	2	M14	55
416	41627			M10	38	416	41674			M16	55
416	41628			M12	38	416	41675			M20	55
416	41629	40	1,2	M14	38	416	41676			M10	55
416	41630			M16	38	416	41677			M12	55
416	41631			M20	38	416	41678	60	3	M14	55
416	41632			M10	43	416	41679			M16	55
416	41605			M12	43	416	41680			M20	55
416	41633	40	1,5	M14	43	416	41608	80		M14	55
416	41606			M16	43	416	41609		3	M16	55
416	41634			M20	43	416	416010			M20	55
416	41635			M10	43						
416	41636			M12	43						
416	41637	40	2	M14	45						
416	41607			M16	45						
416	41608			M20	45						
416	41638			M10	38						
416	41639			M12	38						
416	41640	40	2,5	M14	38						
416	41641			M16	38						
416	41642			M20	38						
416	41643			M10	38						
416	41644			M12	38						
416	41645	45	2	M14	38						
416	41646			M16	38						
416	41647			M20	38						

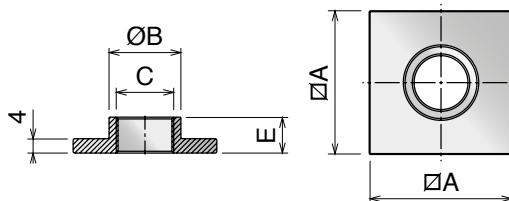
428 Tappi quadrati filettati Threaded bushings for square tube / Gewindezapfen f. Vierkant-Rohr

Stainless Steel | AISI 304

Delivery: **Easy** Standard



Part	Article-Nr.	∅A	C	∅B	E
428	42801	40	M16	20	10
428	42802	40	M20	23	11,5
428	42803	45	M16	20	10
428	42804	45	M20	23	11,5
428	42805	50	M16	20	10
428	42806	50	M20	23	11,5
428	42807	60	M16	20	10
428	42808	60	M20	23	11,5



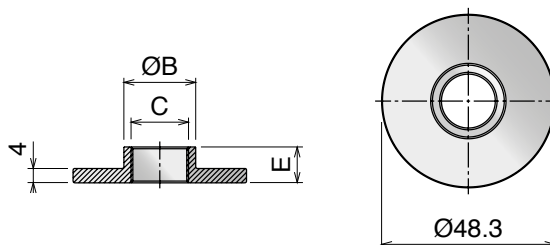
429 Tappi tondi filettati Threaded bushings for round tube / Gewindezapfen f. Rund-Rohr

Stainless Steel | AISI 304

Delivery: **Easy** Standard



Part	Article-Nr.	C	∅B	E
429	42901	M16	20	10
429	42902	M20	23	11,5



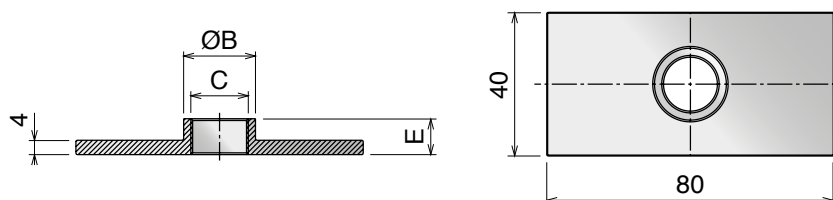
430 Tappi rettangolari filettati Threaded bushings for rectangular tube / Gewindezapfen f. Rechteck

Stainless Steel | AISI 304

Delivery: **Easy** Standard

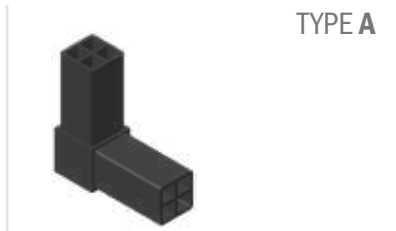


Part	Article-Nr.	C	∅B	E
430	43001	M16	20	10
430	43002	M20	23	11,5



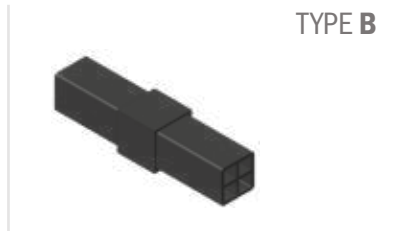
418 Giunto di collegamento Connecting joint / Verbindungselement

Delivery: **Easy** **Standard** For tubes 25 x 25 x 1.5 mm



TYPE A

Part	Article-Nr.	Type
418	41801	A



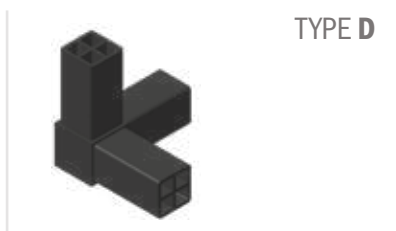
TYPE B

Part	Article-Nr.	Type
418	41802	B



TYPE C

Part	Article-Nr.	Type
418	41803	C



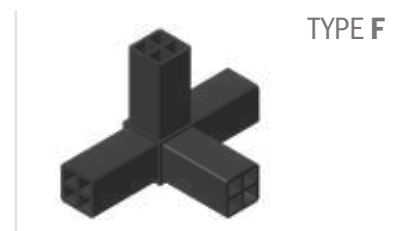
TYPE D

Part	Article-Nr.	Type
418	41804	D



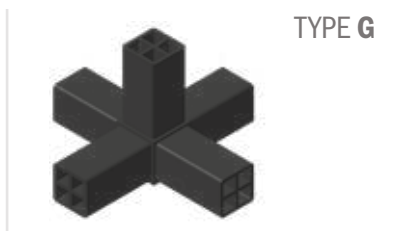
TYPE E

Part	Article-Nr.	Type
418	41805	E



TYPE F

Part	Article-Nr.	Type
418	41806	F



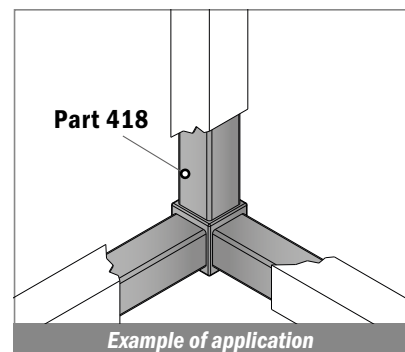
TYPE G

Part	Article-Nr.	Type
418	41807	G



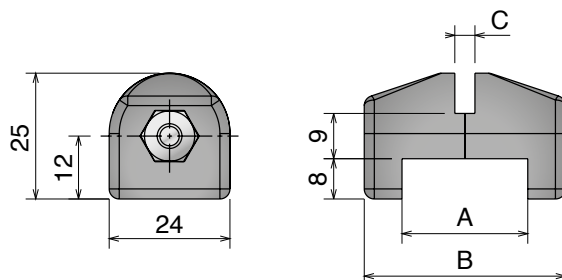
TYPE H

Part	Article-Nr.	Type
418	41808	H

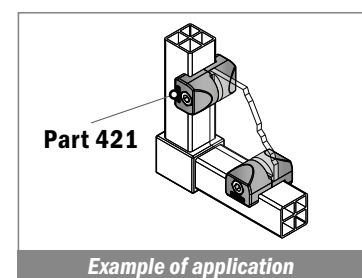


421 Blocco per pannelli Panel clamp / Panelklemme

Delivery: **Easy** **Standard**



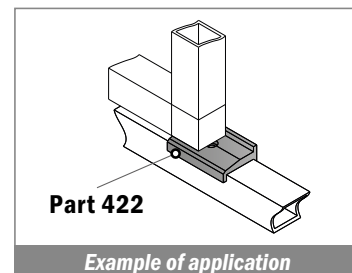
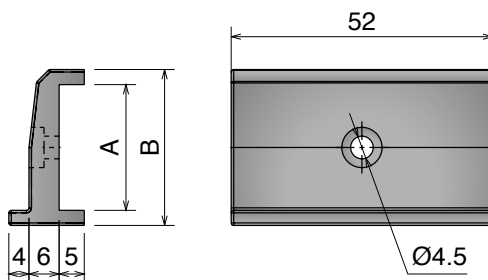
Part	Article-Nr.	A	B	C
421	42101	25	40	4
421	42102	25	40	5
421	42103	25	40	6
421	42104	30	45	4
421	42105	30	45	5
421	42106	30	45	6



422 Fermaporta Door stop / Türstopper

Delivery: **Easy** **Standard**

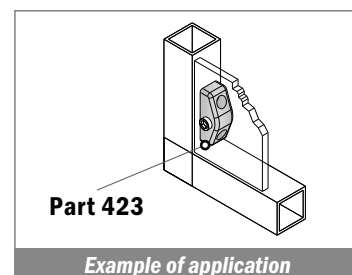
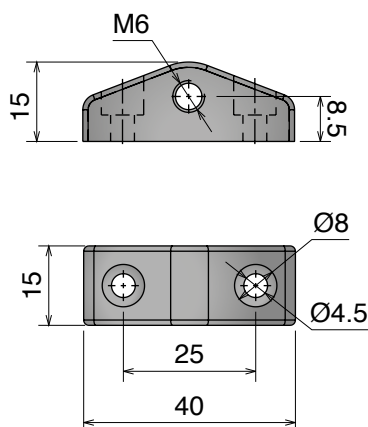
Part	Article-Nr.	A	B
422	42201	25	31



423 Blocchetto di fissaggio Fixing lock / Anschlag

Delivery: **Easy** **Standard**

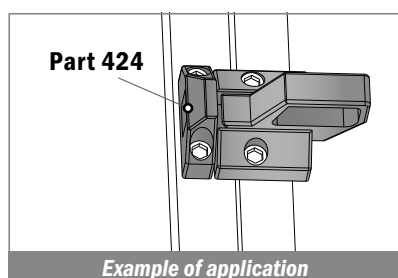
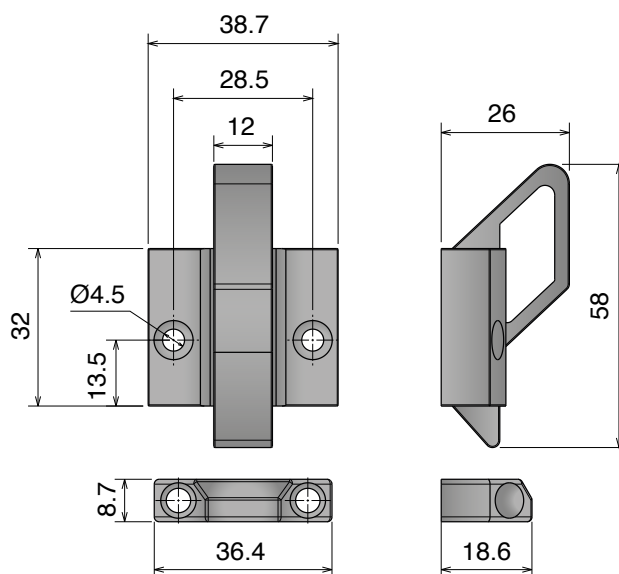
Part	Article-Nr.
423	42301



424 Fermaporta a molla Spring loaded latch / Türverschluss

Delivery: **Easy** **Standard**

Part	Article-Nr.
424	42401





UCFL Series

Ø20-Ø25-Ø30-Ø35-Ø40



Standard and watertight version

Page 599

UCF Series

Ø25-Ø30-Ø35-Ø40



Standard and watertight version

Page 599

UCFA Series

Ø20-Ø25-Ø30



Standard and watertight version

Page 609

Page 622

UCFL-H | UCF-H Series

Ø30-Ø35-Ø40



Watertight version

Page 629

CL | CS Series

Ø30-Ø35-Ø40



Watertight version

Page 629

Page 638/646

SUCF | SUCFL | SUCFK Series

Ø20-Ø25-Ø30-Ø35-Ø45



Standard version

Page 654

HYGIENIC Series



Standard and watertight version

Page 658

Accessories

HYGIENIC SAFETY CAP AND SEALING RING

STANDARD SAFETY CAP



Pag 674



Pag 675

UCFL

Delivery: **Easy** Standard

UCFL standard

WITH GRUB SCREW



REINFORCED VERSION
Page 597

SOLID VERSION
Page 598

UCFL watertight

WITH GRUB SCREW



REINFORCED VERSION
Close & open cap page 599/600

SOLID VERSION
Close & open cap page 601/602

UCFL standard

WITH LOCKING COLLAR
(eccentric ring)



REINFORCED VERSION
Page 603

SOLID VERSION
Page 604

UCFL watertight

WITH LOCKING COLLAR
(eccentric ring)



REINFORCED VERSION
Close & open cap page 605/606

SOLID VERSION
Close & open cap page 607/608

SS ProRun

*The **Pro** choice for uncompromising performance.*

Manufactured with premium materials to ensure maximum reliability and durability, the new **SS ProRun** bearing insert is the ideal solution for those who need performance, even in the most demanding environments and under the most critical conditions.

- **AISI 440 rings:** Absolute guarantee of precision and robustness.
- **AISI 440 bearings and balls:** Maximum corrosion resistance and longevity.
- **FDA blue NBR seals:** Perfect sealing, protection from contaminants.
- **FDA-certified grease:** Superior lubrication for excellent and long-lasting performance.

Optimize your operations and choose quality that lasts; choose **SS ProRun**.

Browse the catalog and discover the available versions.

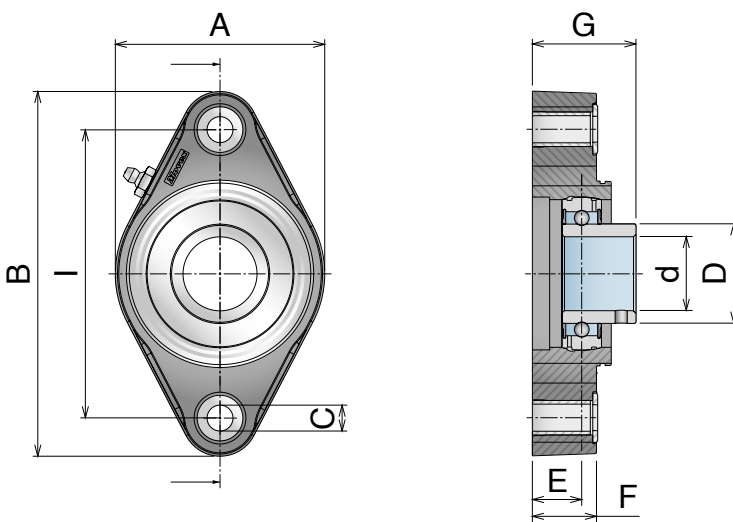


UCFL Grub screw

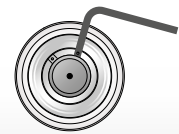
Standard bearings - reinforced version

Main features:

- Housing in reinforced polyamide
- Chrome steel or stainless steel ball bearing (pre-lubricated)
- Nickel-plated brass mounting hole spacers
- Nickel plated steel or SS grease nipple with self-forming thread M6
- Stainless steel washers



FIXING METHOD



GRUB SCREW

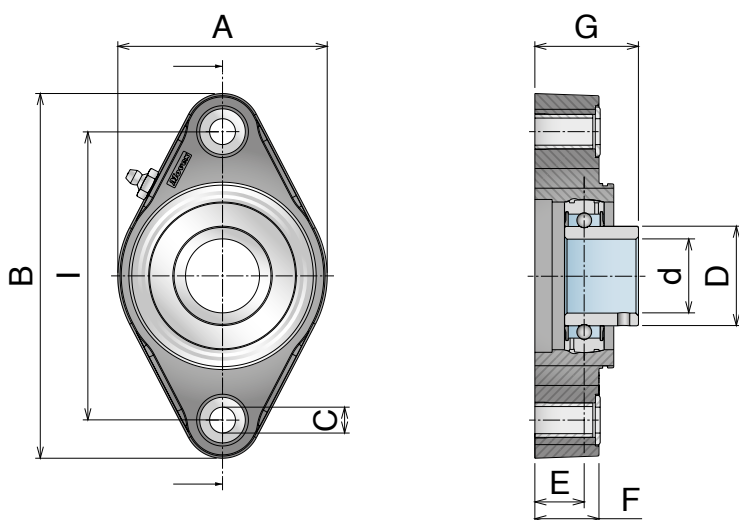
Chrome Steel		Stainless Steel										Caps (Accessories)	
Article-Number		Series	d	I	A	B	C	D	E	F	G	Close	Open
80110	80110SS	UCFL 204	20	90	62	116	11	29	16	20	34	89004	89054-20
80100	80100SS	UCFL 204/90		90	71	130	11	29	17,5	22,5	33,5	89001	89051-20
80121	80121SS	UCFL 205/90	25	90	85	116	11	34	14,5	20	34	89005	89055-25
80101	80101SS	UCFL 205/90		90	71	130	11	34	16,8	22,5	36,3	89001	89051-25
80111	80111SS	UCFL 205		99	71	130	11	34	16,8	22,5	36,3	89001	89051-25
80122	80122SS	UCFL 206/90	30	90	85	116	11	40,3	14,5	20	36,5	89005	89055-30
80132	80132SS	UCFL 206/99		99	85	130	11	40,3	20	26	42	89002	89052-30
80102	80102SS	UCFL 206/99		99	85	148	11	40,3	20	26	42	89002	89052-30
80112	80112SS	UCFL 206		117	85	148	11	40,3	20	26	42	89002	89052-30
80103	80103SS	UCFL 207/117	35	117	93	148	11	48	19,5	26	43	89003	89053-35
80123	80123SS	UCFL 207/117		117	112	148	11	48	19,5	26	43	89003	89053-35
80113	80113SS	UCFL 207		130	93	162	11	48	19,5	26	43	89003	89053-35
80104	80104SS	UCFL 208/117	40	117	93	148	11	53	19	26	44	89003	89053-40
80124	80124SS	UCFL 208/117		117	112	148	11	53	19	26	44	89003	89053-40
80114	80114SS	UCFL 208		130	93	162	11	53	19	26	44	89003	89053-40

UCFL Grub screw

Standard bearings - solid version

Main features:

- Housing in reinforced polypropylene
- Chrome steel or stainless steel ball bearing (pre-lubricated)
- Nickel-plated brass mounting hole spacers
- Nickel plated steel or SS grease nipple with self-forming thread M6
- Stainless steel washers



FIXING METHOD



GRUB SCREW

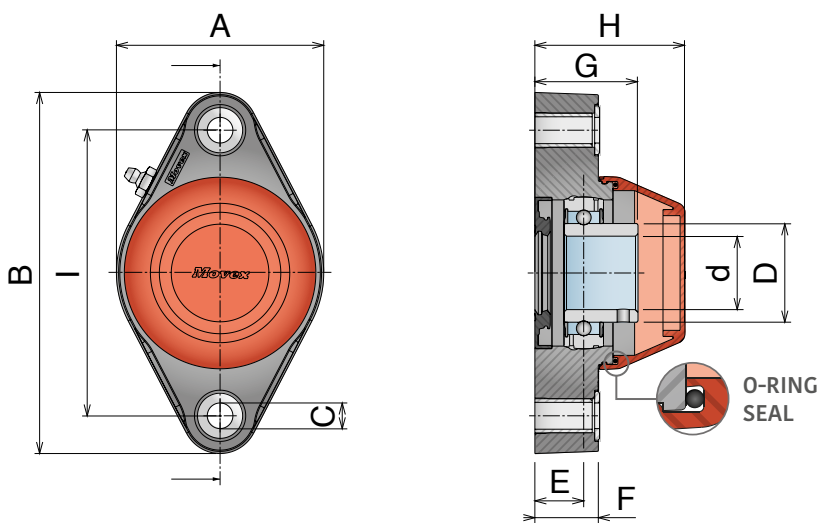
Chrome Steel	Stainless Steel											Caps (Accessories)	
Article-Number		Series	d	I	A	B	C	D	E	F	G	Close	Open
82205	82205SS	UCFL 204/76,5	20	76,4	55,9	100	10,2	29	15,5	12	33,5	89004	89054-20
82210	82210SS	UCFL 204		90	62	116	11	29	16	20	34	89004	89054-20
82201	82201SS	UCFL 205/90	25	90	71	130	10,2	34	16,8	22,5	36,3	89001	89051-25
82211	82211SS	UCFL 205		99	71	130	11	34	16,8	22,5	36,3	89001	89051-25
82222	82222SS	UCFL 206/90	30	90	85	116	10,2	40,3	14,5	20	36,5	89005	89055-30
82212	82212SS	UCFL 206		117	85	148	11	40,3	20	26	42	89002	89052-30
82203	82203SS	UCFL 207/117	35	117	93	148	11	48	19,5	26	43	89003	89053-35
82223	82223SS	UCFL 207/117		117	112	148	11	48	19,5	26	43	89003	89053-35
82213	82213SS	UCFL 207		130	93	162	11	48	19,5	26	43	89003	89053-35
82204	82204SS	UCFL 208/117	40	117	93	148	11	53	19	26	44	89003	89053-40
82224	82224SS	UCFL 208/117		117	112	148	11	53	19	26	44	89003	89053-40

UCFL Grub screw

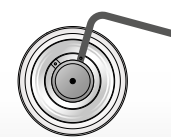
Watertight bearings - reinforced version

Main features:

- Housing in reinforced polyamide
- Chrome steel or stainless steel ball bearing (pre-lubricated)
- Nickel-plated brass mounting hole spacers
- Nickel plated steel or SS grease nipple with self-forming thread M6
- Polypropylene closed cap with O-ring seal
- Stainless steel washers
- NBR bottom seal



FIXING METHOD



GRUB SCREW

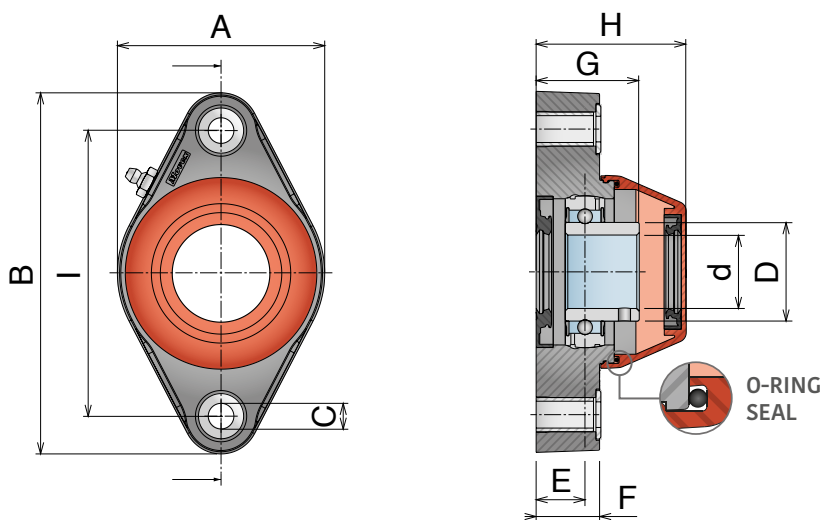
Chrome Steel	Chrome Steel "Long life"	Stainless Steel	Article-Number	Series	d	I	A	B	C	D	E	F	G	H
	80310L	80310SS	UCFL 204	UCFL 204	20	90	62	116	11	29	16	20	34	51,5
	80300L	80300SS	UCFL 204			90	71	130	11	29	17,5	22,5	33,5	52
	80321L	80321SS	UCFL 205/90	UCFL 205/90	25	90	85	116	11	34	14,5	20	34	55,5
	80301L	80301SS	UCFL 205/90			90	71	130	11	34	16,8	22,5	36,3	52
	80311L	80311SS	UCFL 205			99	71	130	11	34	16,8	22,5	36,3	52
	80322L	80322SS	UCFL 206/90	UCFL 206/99	30	90	85	116	11	40,3	14,5	20	36,5	55,5
	80332L	80332SS	UCFL 206/99			99	85	130	11	40,3	20	26	42	61,5
	80302L	80302SS	UCFL 206/99			99	85	148	11	40,3	20	26	42	61,5
	80312L	80312SS	UCFL 206			117	85	148	11	40,3	20	26	42	61,5
	80303L	80303SS	UCFL 207/117	UCFL 207/117	35	117	93	148	11	48	19,5	26	43	66,5
	80323L	80323SS	UCFL 207/117			117	112	148	11	48	19,5	26	43	66,5
	80313L	80313SS	UCFL 207			130	93	162	11	48	19,5	26	43	66,5
	80304L	80304SS	UCFL 208/117	UCFL 208/117	40	117	93	148	11	53	19	26	44	66,5
	80324L	80324SS	UCFL 208/117			117	112	148	11	53	19	26	44	66,5
	80314L	80314SS	UCFL 208			130	93	162	11	53	19	26	44	66,5

UCFL Grub screw

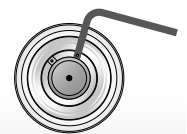
Watertight bearings - reinforced version

Main features:

- Housing in reinforced polyamide
- Chrome steel or stainless steel ball bearing (pre-lubricated)
- Nickel-plated brass mounting hole spacers
- Nickel plated steel or SS grease nipple with self-forming thread M6
- Polypropylene open cap with O-ring seal & NBR top seal
- Stainless steel washers
- NBR bottom seal



FIXING METHOD



GRUB SCREW

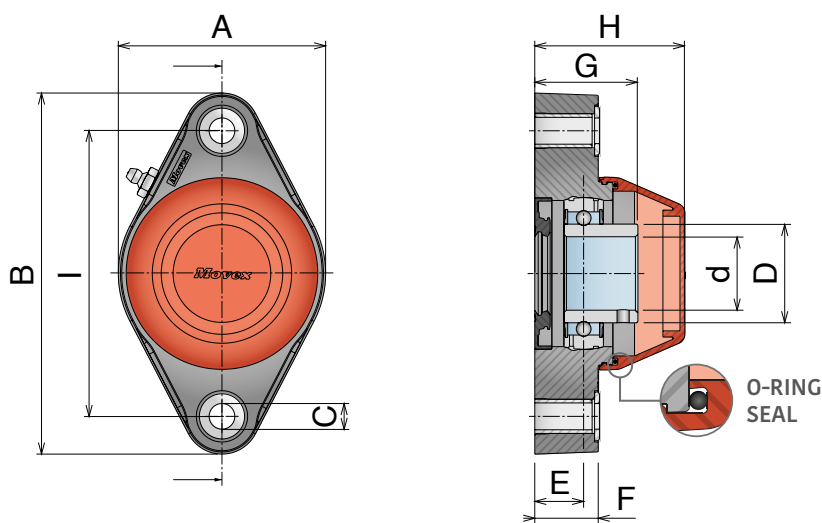
Chrome Steel	Chrome Steel "Long life"	Stainless Steel	Article-Number	Series	d	I	A	B	C	D	E	F	G	H
	80410L	80410SS	UCFL 204	UCFL 204	20	90	62	116	11	29	16	20	34	51,5
	80400L	80400SS	UCFL 204			90	71	130	11	29	17,5	22,5	33,5	52
	80421L	80421SS	UCFL 205/90	UCFL 205/90	25	90	85	116	11	34	14,5	20	34	55,5
	80401L	80401SS	UCFL 205/90			90	71	130	11	34	16,8	22,5	36,3	52
	80411L	80411SS	UCFL 205			99	71	130	11	34	16,8	22,5	36,3	52
	80422L	80422SS	UCFL 206/90	UCFL 206/90	30	90	85	116	11	40,3	14,5	20	36,5	55,5
	80432L	80432SS	UCFL 206/99			99	85	130	11	40,3	20	26	42	61,5
	80402L	80402SS	UCFL 206/99			99	85	148	11	40,3	20	26	42	61,5
	80412L	80412SS	UCFL 206			117	85	148	11	40,3	20	26	42	61,5
	80403L	80403SS	UCFL 207/117	UCFL 207/117	35	117	93	148	11	48	19,5	26	43	66,5
	80423L	80423SS	UCFL 207/117			117	112	148	11	48	19,5	26	43	66,5
	80413L	80413SS	UCFL 207			130	93	162	11	48	19,5	26	43	66,5
	80404L	80404SS	UCFL 208/117	UCFL 208/117	40	117	93	148	11	53	19	26	44	66,5
	80424L	80424SS	UCFL 208/117			117	112	148	11	53	19	26	44	66,5
	80414L	80414SS	UCFL 208			130	93	162	11	53	19	26	44	66,5

UCFL *Grub screw*

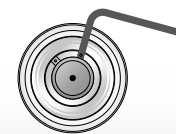
Watertight bearings - solid version

Main features:

- Housing in reinforced polypropylene
- Chrome steel or stainless steel ball bearing (pre-lubricated)
- Nickel-plated brass mounting hole spacers
- Nickel plated steel or SS grease nipple with self-forming thread M6
- Polypropylene closed cap with O-ring seal
- Stainless steel washers
- NBR bottom seal



FIXING METHOD



GRUB SCREW

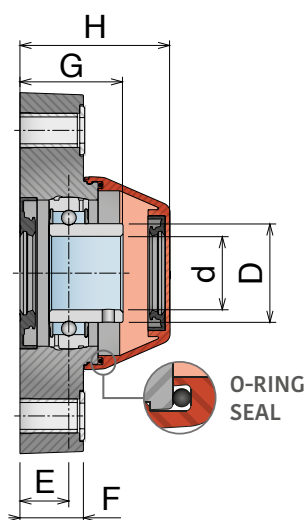
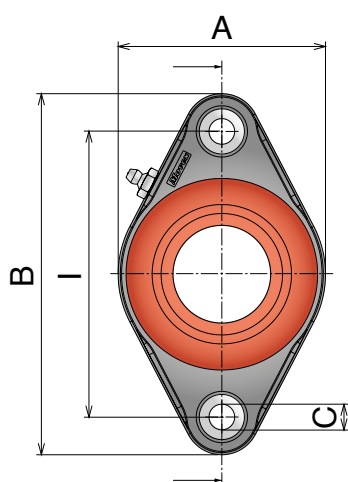
Chrome Steel	Chrome Steel "Long life"	Stainless Steel	SS ProRun	Article-Number	Series	d	I	A	B	C	D	E	F	G	H			
				82405	82405L	82405SS	82405LSS	UCFL 204/76,5	20	76,5	56	100	10,2	29	15,5	12	26	49
				82410	82410L	82410SS	82410LSS	UCFL 204		90	62	116	11	29	16	20	34	51,5
				82401	82401L	82401SS	82401LSS	UCFL 205/90	25	90	71	130	10,2	34	16,8	22,5	36,3	52
				82411	82411L	82411SS	82411LSS	UCFL 205		99	71	130	11	34	16,8	22,5	36,3	52
				82422	82422L	82422SS	82422LSS	UCFL 206/90	30	90	85	116	10,2	40,3	14,5	20	36,5	55,5
				82412	82412L	82412SS	82412LSS	UCFL 206		117	85	148	11	40,3	20	26	42	61,5
				82403	82403L	82403SS	82403LSS	UCFL 207/117	35	117	93	148	11	48	19,5	26	43	66,5
				82423	82423L	82423SS	82423LSS	UCFL 207/117		117	112	148	11	48	19,5	26	43	66,5
				82413	82413L	82413SS	82413LSS	UCFL 207		117	93	162	11	48	19,5	26	43	66,5
				82404	82404L	82404SS	82404LSS	UCFL 208/117	40	117	93	148	11	53	19	26	44	66,5
				82424	82424L	82424SS	82424LSS	UCFL 208/117		117	112	148	11	53	19	26	44	66,5

UCFL Grub screw

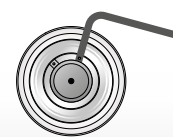
Watertight bearings - solid version

Main features:

- Housing in reinforced polypropylene
- Chrome steel or stainless steel ball bearing (pre-lubricated)
- Nickel-plated brass mounting hole spacers
- Nickel plated steel or SS grease nipple with self-forming thread M6
- Polypropylene open cap with O-ring seal & NBR top seal
- Stainless steel washers
- NBR bottom seal



FIXING METHOD



GRUB SCREW

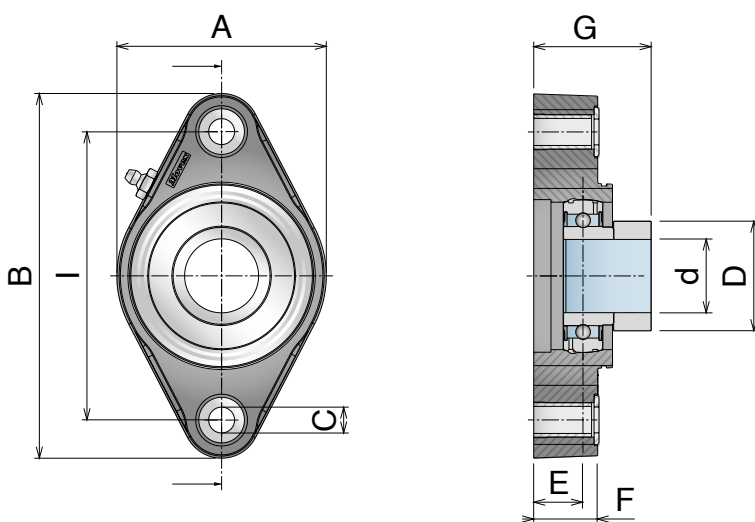
Chrome Steel	Chrome Steel "Long life"	Stainless Steel	SS ProRun	Article-Number	Series	d	I	A	B	C	D	E	F	G	H
82505	82505L	82505SS	82505LSS	UCFL 204/76,5	UCFL 204	20	76,5	56	100	10,2	29	15,5	12	26	49
82510	82510L	82510SS	82510LSS	UCFL 204			90	62	116	11	29	16	20	34	51,5
82501	82501L	82501SS	82501LSS	UCFL 205/90	UCFL 205	25	90	71	130	10,2	34	16,8	22,5	36,3	52
82511	82511L	82511SS	82511LSS	UCFL 205			99	71	130	11	34	16,8	22,5	36,3	52
82522	82522L	82522SS	82522LSS	UCFL 206/90	UCFL 206	30	90	85	116	10,2	40,3	14,5	20	36,5	55,5
82512	82512L	82512SS	82512LSS	UCFL 206			117	85	148	11	40,3	20	26	42	61,5
82503	82503L	82503SS	82503LSS	UCFL 207/117	UCFL 207/117	35	117	93	148	11	48	19,5	26	43	66,5
82523	82523L	82523SS	82523LSS	UCFL 207/117			117	112	148	11	48	19,5	26	43	66,5
82513	82513L	82513SS	82513LSS	UCFL 207			130	93	162	11	48	19,5	26	43	66,5
82504	82504L	82504SS	82504LSS	UCFL 208/117	UCFL 208/117	40	117	93	148	11	53	19	26	44	66,5
82524	82524L	82524SS	82524LSS	UCFL 208/117			117	112	148	11	53	19	26	44	66,5

UCFL *Locking collar*

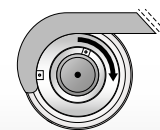
Standard bearings - reinforced version

Main features:

- Housing in reinforced polyamide
- Chrome steel ball bearing (pre-lubricated)
- Nickel-plated brass mounting hole spacers
- Nickel plated steel or SS grease nipple with self-forming thread M6
- Stainless steel washers



FIXING METHOD
(ECCENTRIC RING)



LOCKING COLLAR

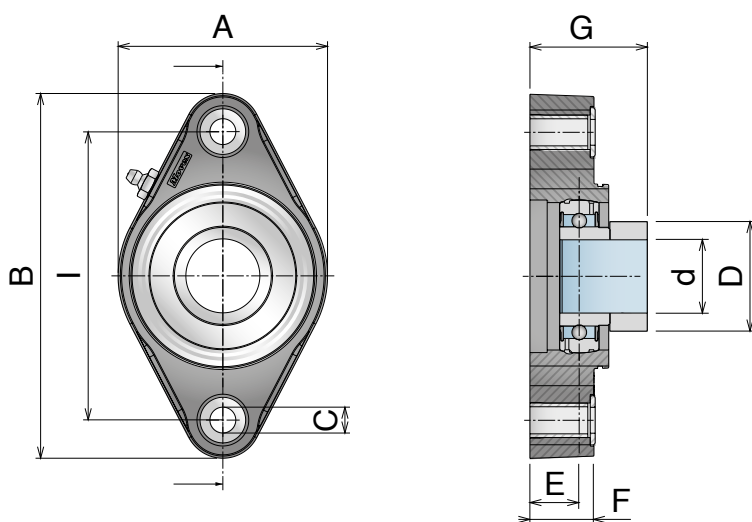
Chrome Steel											Caps (Accessories)	
Article-Number	Series	d	I	A	B	C	D	E	F	G	Close	Open
80210	UCFL 204	20	90	62	116	11	33,3	16	20	39,9	89004	89054-20
80200	UCFL 204		90	71	130	11	33,3	17,5	22,5	41,4	89001	89051-20
80221	UCFL 205/90	25	90	85	116	11	38,1	14,5	20	37,9	89005	89055-25
80201	UCFL 205/90		90	71	130	11	38,1	16,8	22,5	40,2	89001	89051-25
80211	UCFL 205		99	71	130	11	38,1	16,8	22,5	40,2	89001	89051-25
80222	UCFL 206/90	30	90	85	116	11	44,5	14,5	20	42,2	89005	89055-30
80232	UCFL 206/99		99	85	130	11	44,5	20	26	47,7	89002	89052-30
80202	UCFL 206/99		99	85	148	11	44,5	20	26	47,7	89002	89052-30
80212	UCFL 206		117	85	148	11	44,5	20	26	47,7	89002	89052-30
80203	UCFL 207/117	35	117	93	148	11	55,6	19,5	26	49,9	89003	89053-35
80223	UCFL 207/117		117	112	148	11	55,6	19,5	26	49,9	89003	89053-35
80213	UCFL 207		130	93	162	11	55,6	19,5	26	49,9	89003	89053-35
80204	UCFL 208/117	40	117	93	148	11	60,3	19	26	53,7	89003	89053-40
80224	UCFL 208/117		117	112	148	11	60,3	19	26	53,7	89003	89053-40
80214	UCFL 208		130	93	162	11	60,3	19	26	53,7	89003	89053-40

UCFL Locking collar

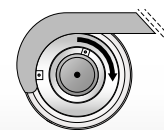
Standard bearings - solid version

Main features:

- Housing in reinforced polypropylene
- Chrome steel ball bearing (pre-lubricated)
- Nickel-plated brass mounting hole spacers
- Nickel plated steel or SS grease nipple with self-forming thread M6
- Stainless steel washers



FIXING METHOD
(ECCENTRIC RING)



LOCKING COLLAR

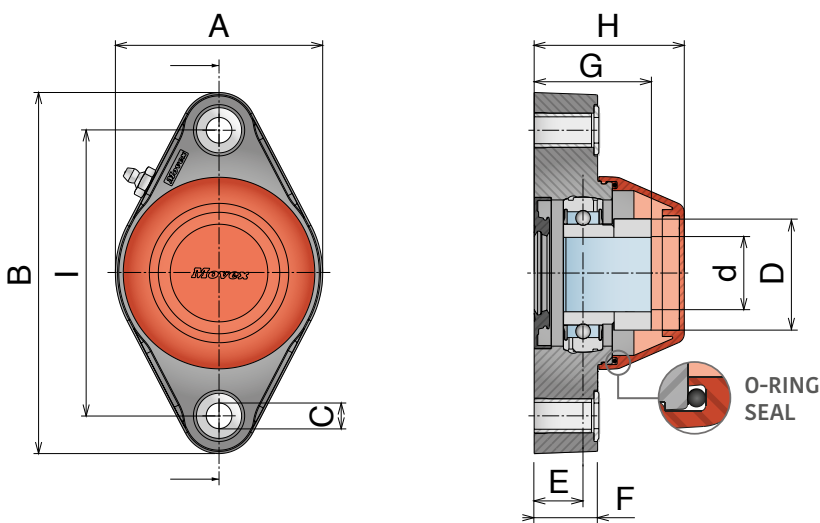
Chrome Steel											Caps (Accessories)	
Article-Number	Series	d	I	A	B	C	D	E	F	G	Close	Open
82305	UCFL 204/76,5	20	76,4	55,9	100	10,2	33,3	16	12	33,5	89004	89054-20
82310	UCFL 204		90	62	116	11	33,3	16	20	39,9	89004	89054-20
82301	UCFL 205/90	25	90	71	130	10,2	38,1	16,8	22,5	36,3	89001	89051-25
82311	UCFL 205		99	71	130	11	38,1	16,8	22,5	40,2	89001	89051-25
82322	UCFL 206/90	30	90	85	116	10,2	44,5	14,4	20	36,5	89005	89055-30
82312	UCFL 206		117	85	148	11	44,5	20	26	47,7	89002	89052-30
82303	UCFL 207/117	35	117	93	148	11	55,6	19,5	26	43	89003	89053-35
82323	UCFL 207/117		117	112	148	11	55,6	19,5	26	43	89003	89053-35
82313	UCFL 207		130	93	162	11	55,6	19,5	26	49,9	89003	89053-35
82304	UCFL 208/117	40	117	93	148	11	60,3	19	26	53,7	89003	89053-40
82324	UCFL 207/117		117	112	148	11	60,3	19	26	53,7	89003	89053-40

UCFL Locking collar

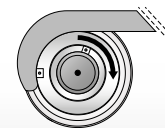
Watertight bearings - reinforced version

Main features:

- Housing in reinforced polyamide
- Chrome steel ball bearing (pre-lubricated)
- Nickel-plated brass mounting hole spacers
- Nickel plated steel or SS grease nipple with self-forming thread M6
- Polypropylene closed cap with O-ring seal
- Stainless steel washers
- NBR bottom seal



FIXING METHOD
(ECCENTRIC RING)



LOCKING COLLAR

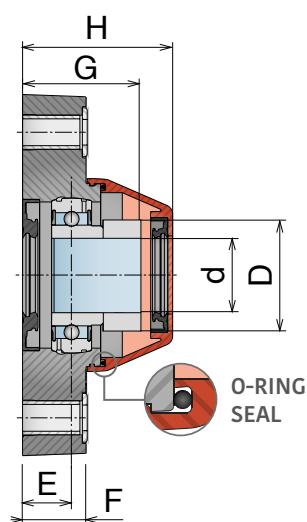
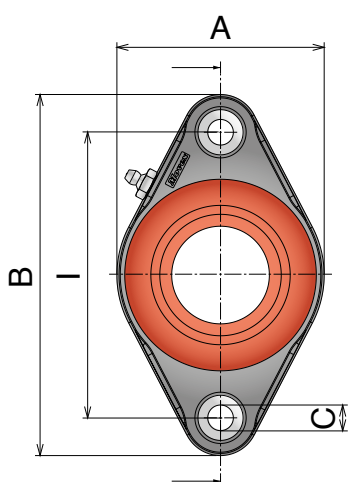
Chrome Steel	Article-Number	Series	d	I	A	B	C	D	E	F	G	H
	80510	UCFL 204	20	90	62	116	11	33,3	16	20	39,9	51,5
	80500	UCFL 204		90	71	130	11	33,3	17,5	22,5	41,4	52
	80521	UCFL 205/90	25	90	85	116	11	38,1	14,5	20	37,9	55,5
	80501	UCFL 205/90		90	71	130	11	38,1	16,8	22,5	40,2	52
	80511	UCFL 205		99	71	130	11	38,1	16,8	22,5	40,2	52
	80522	UCFL 206/90	30	90	85	116	11	44,5	14,5	20	42,2	55,5
	80532	UCFL 206/99		99	85	130	11	44,5	20	26	47,7	61,5
	80502	UCFL 206/99		99	85	148	11	44,5	20	26	47,7	61,5
	80512	UCFL 206		117	85	148	11	44,5	20	26	47,7	61,5
	80503	UCFL 207/117	35	117	93	148	11	55,6	19,5	26	49,9	66,5
	80523	UCFL 207/117		117	112	148	11	55,6	19,5	26	49,9	66,5
	80513	UCFL 207		130	93	162	11	55,6	19,5	26	49,9	66,5
	80504	UCFL 208/117	40	117	93	148	11	60,3	19	26	53,7	66,5
	80524	UCFL 208/117		117	112	148	11	60,3	19	26	53,7	66,5
	80514	UCFL 208		130	93	162	11	60,3	19	26	53,7	66,5

UCFL Locking collar

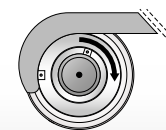
Watertight bearings - reinforced version

Main features:

- Housing in reinforced polyamide
- Chrome steel ball bearing (pre-lubricated)
- Nickel-plated brass mounting hole spacers
- Nickel plated steel or SS grease nipple with self-forming thread M6
- Polypropylene open cap with O-ring seal & NBR top seal
- Stainless steel washers
- NBR bottom seal



FIXING METHOD
(ECCENTRIC RING)



LOCKING COLLAR

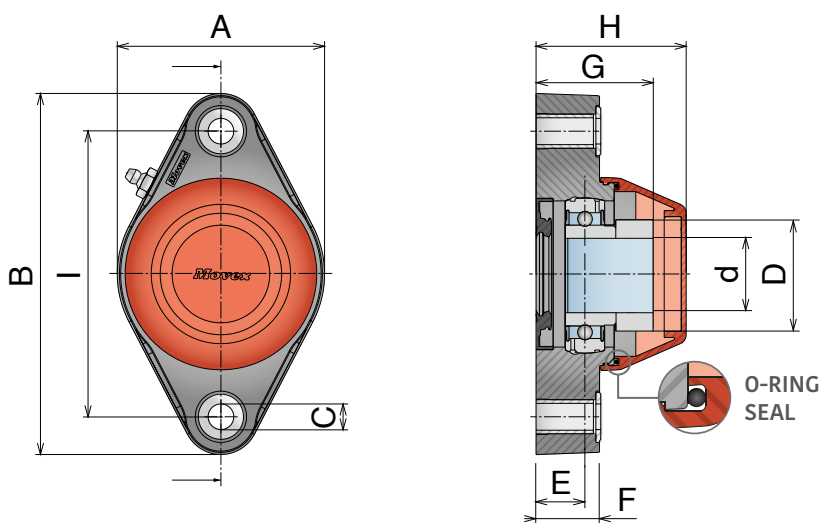
Chrome Steel		Article-Number	Series	d	I	A	B	C	D	E	F	G	H
	80610	UCFL 204	20	90	62	116	11	33,3	16	20	39,9	51,5	
	80600	UCFL 204			71	130	11	33,3	17,5	22,5	41,4	52	
	80621	UCFL 205/90	25	90	85	116	11	38,1	14,5	20	37,9	55,5	
	80601	UCFL 205/90			71	130	11	38,1	16,8	22,5	40,2	52	
	80611	UCFL 205			99	130	11	38,1	16,8	22,5	40,2	52	
	80622	UCFL 206/90	30	90	85	116	11	44,5	14,5	20	42,2	55,5	
	80632	UCFL 206/99			99	130	11	44,5	20	26	47,7	61,5	
	80602	UCFL 206/99			99	148	11	44,5	20	26	47,7	61,5	
	80612	UCFL 206			117	148	11	44,5	20	26	47,7	61,5	
	80603	UCFL 207/117	35	117	93	148	11	55,6	19,5	26	49,9	66,5	
	80623	UCFL 207/117			112	148	11	55,6	19,5	26	49,9	66,5	
	80613	UCFL 207			130	162	11	55,6	19,5	26	49,9	66,5	
	80604	UCFL 208/117	40	117	93	148	11	60,3	19	26	53,7	66,5	
	80624	UCFL 208/117			112	148	11	60,3	19	26	53,7	66,5	
	80614	UCFL 208			130	162	11	60,3	19	26	53,7	66,5	

UCFL Locking collar

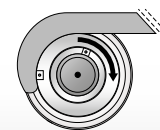
Watertight bearings - solid version

Main features:

- Housing in reinforced polypropylene
- Chrome steel ball bearing (pre-lubricated)
- Nickel-plated brass mounting hole spacers
- Nickel plated steel or SS grease nipple with self-forming thread M6
- Polypropylene closed cap with O-ring seal
- Stainless steel washers
- NBR bottom seal



FIXING METHOD
(ECCENTRIC RING)



LOCKING COLLAR

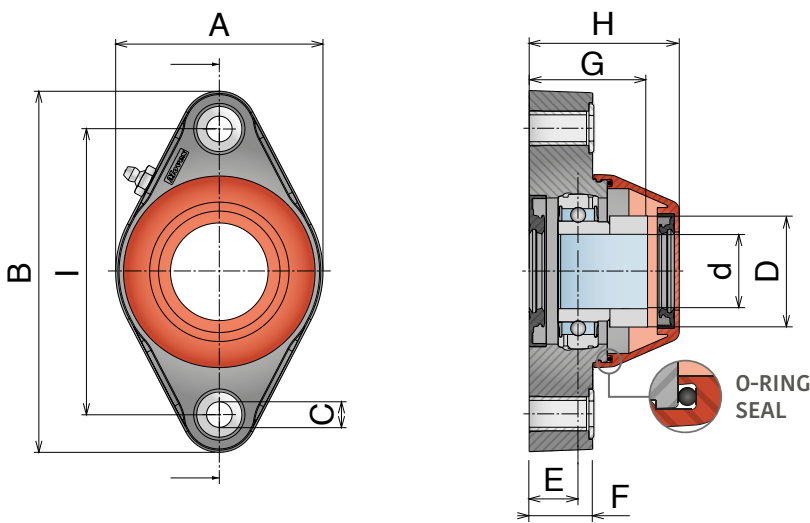
Chrome Steel		Article-Number	Series	d	I	A	B	C	D	E	F	G	H
	82605	UCFL 204/76,5	20	76,5	56	100	10,2	33,3	15,5	12	39,4	49	
	82610	UCFL 204		90	62	116	11	33,3	16	20	39,9	51,5	
	82601	UCFL 205/90	25	90	71	130	10,2	38,1	16,8	22,5	40,2	52	
	82611	UCFL 205		99	71	130	11	38,1	16,8	22,5	40,2	52	
	82622	UCFL 206/90	30	90	85	116	10,2	44,5	14,5	20	42,2	55,5	
	82612	UCFL 206		117	85	148	11	44,5	20	26	47,7	61,5	
	82603	UCFL 207/117	35	117	93	148	11	55,6	19,5	26	49,9	66,5	
	82623	UCFL 207/117		117	112	148	11	55,6	19,5	26	49,9	66,5	
	82613	UCFL 207		130	93	162	11	55,6	19,5	26	49,9	66,5	
	82604	UCFL 208/117	40	117	93	148	11	60,3	19	26	53,7	66,5	
	82624	UCFL 208/117		117	112	148	11	60,3	19	26	53,7	66,5	

UCFL Locking collar

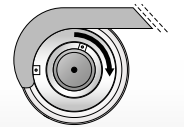
Watertight bearings - solid version

Main features:

- Housing in reinforced polypropylene
- Chrome steel ball bearing (pre-lubricated)
- Nickel-plated brass mounting hole spacers
- Nickel plated steel or SS grease nipple with self-forming thread M6
- Polypropylene open cap with O-ring seal & NBR top seal
- Stainless steel washers
- NBR bottom seal



FIXING METHOD
(ECCENTRIC RING)



LOCKING COLLAR

Chrome Steel												
Article-Number	Series	d	I	A	B	C	D	E	F	G	H	
82705	UCFL 204/76,5	20	76,5	56	100	10,2	33,3	15,5	12	39,4	49	
82710	UCFL 204		90	62	116	11	33,3	16	20	39,9	51,5	
82701	UCFL 205/90	25	90	71	130	10,2	38,1	16,8	22,5	40,2	52	
82711	UCFL 205		99	71	130	11	38,1	16,8	22,5	40,2	52	
82722	UCFL 206/90	30	90	85	116	10,2	44,5	14,5	20	42,2	55,5	
82712	UCFL 206		117	85	148	11	44,5	20	26	47,7	61,5	
82703	UCFL 207/117	35	117	93	148	11	55,6	19,5	26	49,9	66,5	
82723	UCFL 207/117		117	112	148	11	55,6	19,5	26	49,9	66,5	
82713	UCFL 207		130	93	162	11	55,6	19,5	26	49,9	66,5	
82704	UCFL 208/117	40	117	93	148	11	60,3	19	26	53,7	66,5	
82724	UCFL 208/117		117	112	148	11	60,3	19	26	53,7	66,5	

UCF

Delivery: **Easy** **Standard**

UCF standard

WITH GRUB SCREW



REINFORCED VERSION

Page 610

SOLID VERSION

Page 611

UCF watertight

WITH GRUB SCREW



REINFORCED VERSION

Close & open cap page 612/613

SOLID VERSION

Close & open cap page 614/615

UCF standard

WITH LOCKING COLLAR
(eccentric ring)



REINFORCED VERSION

Page 616

SOLID VERSION

Page 617

UCF watertight

WITH LOCKING COLLAR
(eccentric ring)



REINFORCED VERSION

Close & open cap page 618/619

SOLID VERSION

Close & open cap page 620/621

SS ProRun

*The **Pro** choice for uncompromising performance.*

Manufactured with premium materials to ensure maximum reliability and durability, the new **SS ProRun** bearing insert is the ideal solution for those who need performance, even in the most demanding environments and under the most critical conditions.

- **AISI 440 rings:** Absolute guarantee of precision and robustness.
- **AISI 440 bearings and balls:** Maximum corrosion resistance and longevity.
- **FDA blue NBR seals:** Perfect sealing, protection from contaminants.
- **FDA-certified grease:** Superior lubrication for excellent and long-lasting performance.

Optimize your operations and choose quality that lasts; choose **SS ProRun**.

Browse the catalog and discover the available versions.

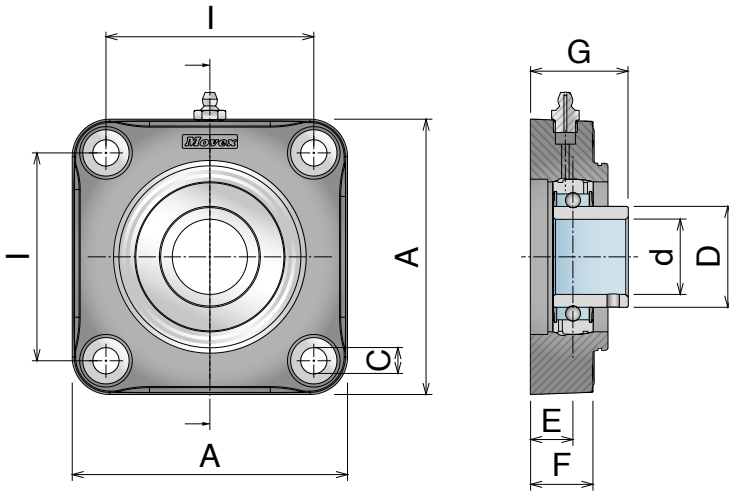


UCF *Grub screw*

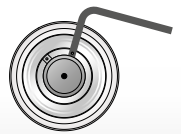
Standard bearings - reinforced version

Main features:

- Housing in reinforced polyamide
- Chrome steel or stainless steel ball bearing (pre-lubricated)
- Nickel-plated brass mounting hole spacers
- Nickel plated steel or SS grease nipple with self-forming thread M6
- Stainless steel washers



FIXING METHOD



GRUB SCREW

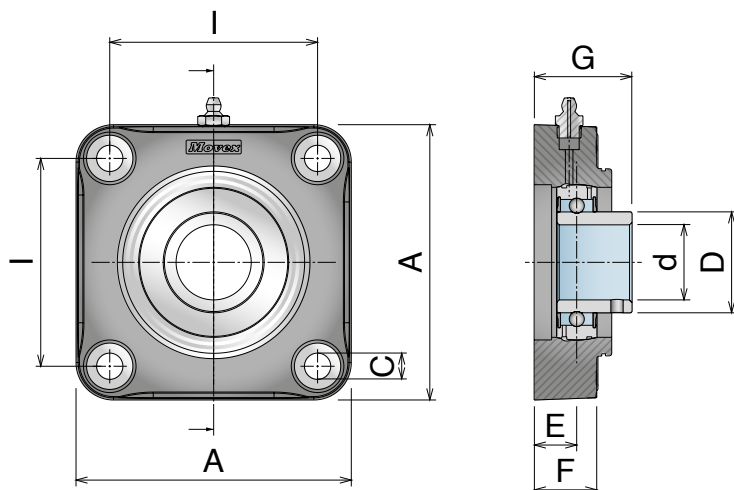
Chrome Steel	Stainless Steel										Caps (Accessories)	
Article-Number	Series	d	I	A	C	D	E	F	G	Close	Open	
80701	80701SS	UCF 205	25	70	98	11	34	16	22	35,5	89001	89051-25
80702	80702SS	UCF 206	30	83	110	11	40,3	17	25	39	89002	89052-30
80703	80703SS	UCF 207/83	35	83	110	11	48	20	25	43,5	89003	89053-35
80713	80713SS	UCF 207		92	118	11	48	20	25	43,5	89003	89053-35
80704	80704SS	UCF 208/83	40	83	110	11	53	19,5	25	44,5	89003	89053-40
80714	80714SS	UCF 208		102	130	11	53	19	25	44	89003	89053-40

UCF *Grub screw*

Standard bearings - solid version

Main features:

- Housing in reinforced polypropylene
- Chrome steel or stainless steel ball bearing (pre-lubricated)
- Nickel-plated brass mounting hole spacers
- Nickel plated steel or SS grease nipple with self-forming thread M6
- Stainless steel washers



FIXING METHOD



GRUB SCREW

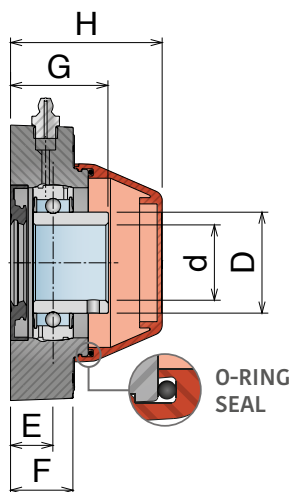
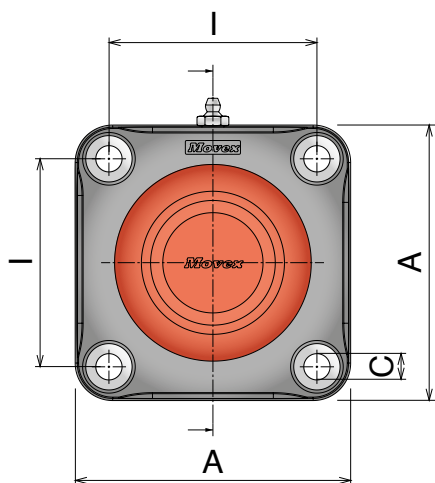
Chrome Steel	Stainless Steel										Caps (Accessories)	
Article-Number	Series	d	I	A	C	D	E	F	G	Close	Open	
82801	82801SS	UCF 205	25	70	98	11	34	16	22	35,5	89001	89051-25
82802	82802SS	UCF 206	30	83	110	11	40,3	17	25	39	89002	89052-30
82813	82813SS	UCF 207	35	92	118	11	48	20	25	43,5	89003	89053-35
82804	82804SS	UCF 208/83	40	83	110	11	53	19,5	25	44,5	89003	89053-40

UCF *Grub screw*

Watertight bearings - reinforced version

Main features:

- Housing in reinforced polyamide
- Chrome steel or stainless steel ball bearing (pre-lubricated)
- Nickel-plated brass mounting hole spacers
- Nickel plated steel or SS grease nipple with self-forming thread M6
- Polypropylene closed cap with O-ring seal
- Stainless steel washers
- NBR bottom seal



FIXING METHOD



GRUB SCREW

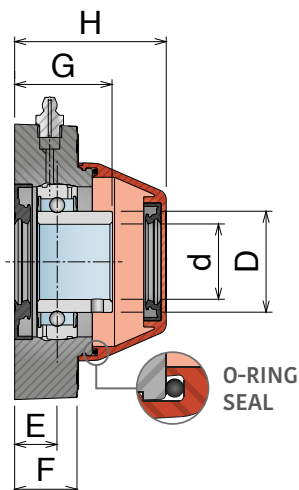
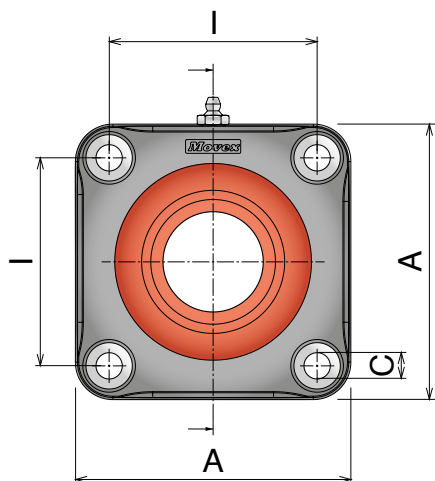
Chrome Steel	Chrome Steel "Long life"	Stainless Steel	Article-Number	Series	d	I	A	C	D	E	F	G	H
	80901L	80901SS		UCF 205	25	70	98	11	34	16	22	35,5	51,5
80901													
	80902L	80902SS		UCF 206	30	83	110	11	40,3	17	25	39	60,5
80902													
	80903L	80903SS		UCF 207/83	35	83	110	11	48	20	25	43,5	65,5
80903				UCF 207		92	118	11	48	20	25	43,5	65,5
80913	80913L	80913SS											
	80904L	80904SS		UCF 208/83	40	83	110	11	53	19,5	25	44,5	65,5
80904				UCF 208		102	130	11	53	19	25	44	65,5
80914	80914L	80914SS											

UCF Grub screw

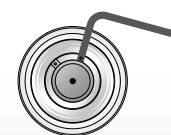
Watertight bearings - reinforced version

Main features:

- Housing in reinforced polyamide
- Chrome steel or stainless steel ball bearing (pre-lubricated)
- Nickel-plated brass mounting hole spacers
- Nickel plated steel or SS grease nipple with self-forming thread M6
- Polypropylene open cap with O-ring seal & NBR top seal
- Stainless steel washers
- NBR bottom seal



FIXING METHOD



GRUB SCREW

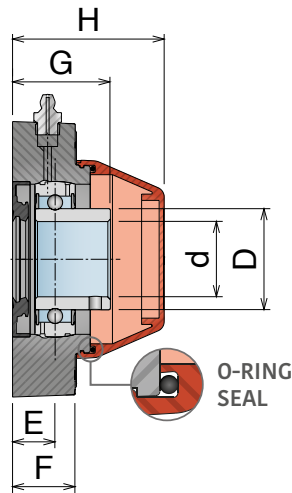
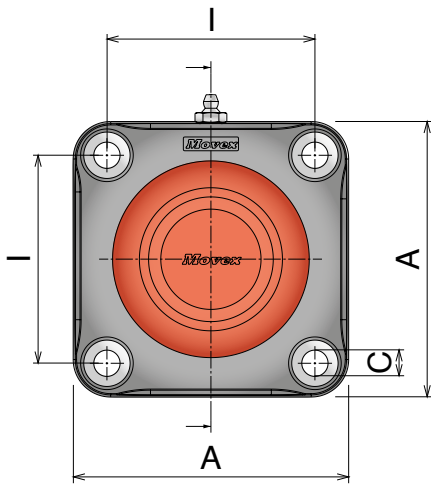
Chrome Steel	Chrome Steel "Long life"	Stainless Steel	Article-Number	Series	d	I	A	C	D	E	F	G	H
81001	81001L	81001SS	UCF 205	25	70	98	11	34	16	22	35,5	51,5	
81002	81002L	81002SS	UCF 206	30	83	110	11	40,3	17	25	39	60,5	
81003	81003L	81003SS	UCF 207/83	35	83	110	11	48	20	25	43,5	65,5	
81013	81013L	81013SS	UCF 207		92	118	11	48	20	25	43,5	65,5	
81004	81004L	81004SS	UCF 208/83	40	83	110	11	53	19,5	25	44,5	65,5	
81014	81014L	81014SS	UCF 208		102	130	11	53	19	25	44	65,5	

UCF *Grub screw*

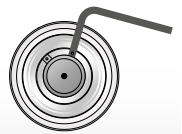
Watertight bearings - solid version

Main features:

- Housing in reinforced polypropylene
- Chrome steel or stainless steel ball bearing (pre-lubricated)
- Nickel-plated brass mounting hole spacers
- Nickel plated steel or SS grease nipple with self-forming thread M6
- Polypropylene closed cap with O-ring seal
- Stainless steel washers
- NBR bottom seal



FIXING METHOD



GRUB SCREW

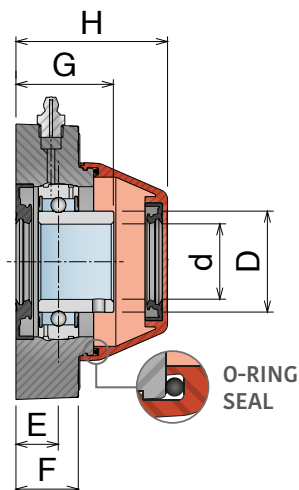
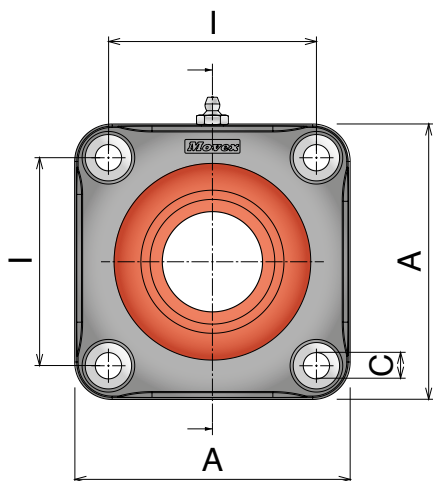
Chrome Steel	Chrome Steel "Long life"	Stainless Steel	SS ProRun	Article-Number	Series	d	I	A	C	D	E	F	G	H
83001	83001L	83001SS	83001LSS	UCF 205	25	70	98	11	34	16	22	35,5	51,5	
83002	83002L	83002SS	83002LSS	UCF 206	30	83	110	11	40,3	17	25	39	60,5	
83013	83013L	83013SS	83013LSS	UCF 207	35	92	118	11	48	20	25	43,5	65,5	
83004	83004L	83004SS	83004LSS	UCF 208/83	40	83	110	11	53	19,5	25	44,5	65,5	

UCF *Grub screw*

Watertight bearings - solid version

Main features:

- Housing in reinforced polypropylene
- Chrome steel or stainless steel ball bearing (pre-lubricated)
- Nickel-plated brass mounting hole spacers
- Nickel plated steel or SS grease nipple with self-forming thread M6
- Polypropylene open cap with O-ring seal & NBR top seal
- Stainless steel washers
- NBR bottom seal



FIXING METHOD



GRUB SCREW

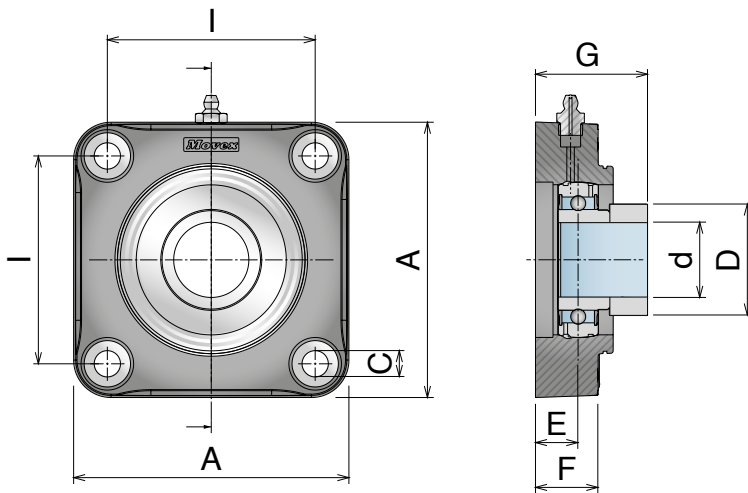
Chrome Steel	Chrome Steel "Long life"	Stainless Steel	SS ProRun	Article-Number	Series	d	I	A	C	D	E	F	G	H
				83101	UCF 205	25	70	98	11	34	16	22	35,5	51,5
				83102	UCF 206	30	83	110	11	40,3	17	25	39	60,5
				83113	UCF 207	35	92	118	11	48	20	25	43,5	65,5
				83104	UCF 208/83	40	83	110	11	53	19,5	25	44,5	65,5

UCF Locking collar

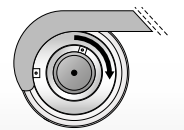
Standard bearings - reinforced version

Main features:

- Housing in reinforced polyamide
- Chrome steel ball bearing (pre-lubricated)
- Nickel-plated brass mounting hole spacers
- Nickel plated steel or SS grease nipple with self-forming thread M6
- Stainless steel washers



FIXING METHOD
(ECCENTRIC RING)



LOCKING COLLAR

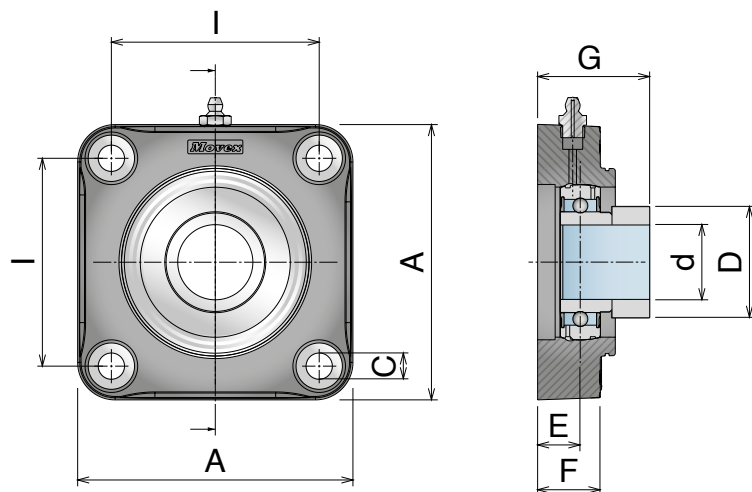
Chrome Steel										Caps (Accessories)	
Article-Number	Series	d	I	A	C	D	E	F	G	Close	Open
80801	UCF 205	25	70	98	11	38,1	16	22	39,4	89001	89051-25
80802	UCF 206	30	83	110	11	44,5	17	25	44,7	89002	89052-30
80803	UCF 207/83	35	83	110	11	55,6	20	25	50,4	89003	89053-35
80813	UCF 207		92	118	11	55,6	20	25	50,4	89003	89053-35
80804	UCF 208/83	40	83	110	11	60,3	19,5	25	54,2	89003	89053-40
80814	UCF 208		102	130	11	60,3	19	25	53,7	89003	89053-40

UCF Locking collar

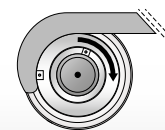
Standard bearings - solid version

Main features:

- Housing in reinforced polypropylene
- Chrome steel ball bearing (pre-lubricated)
- Nickel-plated brass mounting hole spacers
- Nickel plated steel or SS grease nipple with self-forming thread M6
- Stainless steel washers



FIXING METHOD
(ECCENTRIC RING)



LOCKING COLLAR

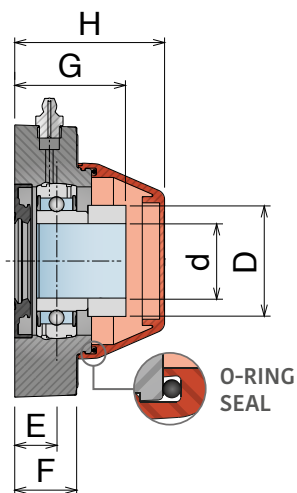
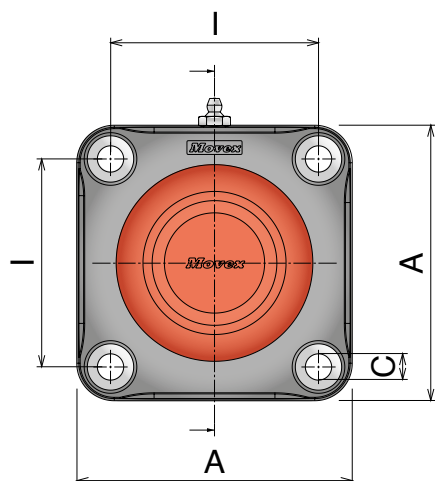
Chrome Steel										Caps (Accessories)	
Article-Number	Series	d	I	A	C	D	E	F	G	Close	Open
82901	UCF 205	25	70	98	11	38,1	16	22	39,4	89001	89051-25
82902	UCF 206	30	83	110	11	44,5	17	25	44,7	89002	89052-30
82913	UCF 207	35	92	118	11	55,6	20	25	50,4	89003	89053-35
82904	UCF 208/83	40	83	110	11	60,3	19,5	25	54,2	89003	89053-40

UCF Locking collar

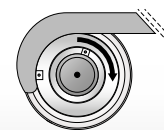
Watertight bearings - reinforced version

Main features:

- Housing in reinforced polyamide
- Chrome steel ball bearing (pre-lubricated)
- Nickel-plated brass mounting hole spacers
- Nickel plated steel or SS grease nipple with self-forming thread M6
- Polypropylene closed cap with O-ring seal
- Stainless steel washers
- NBR bottom seal



FIXING METHOD
(ECCENTRIC RING)



LOCKING COLLAR

Chrome Steel

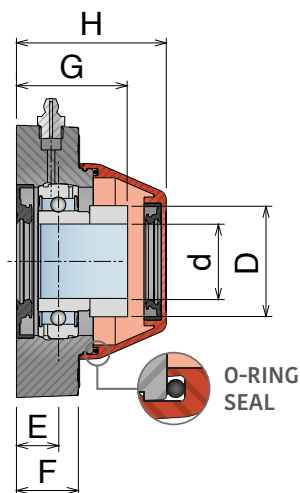
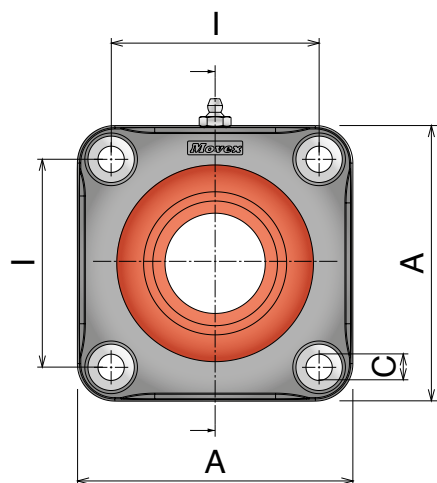
Article-Number	Series	d	I	A	C	D	E	F	G	H
81101	UCF 205	25	70	98	11	38,1	16	22	39,4	51,5
81102	UCF 206	30	83	110	11	44,5	17	25	44,7	60,5
81103	UCF 207/83	35	83	110	11	55,6	20	25	50,4	65,5
81113	UCF 207		92	118	11	55,6	20	25	50,4	65,5
81104	UCF 208/83	40	83	110	11	60,3	19,5	25	54,2	65,5
81114	UCF 208		102	130	11	60,3	19	25	53,7	65,5

UCF Locking collar

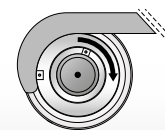
Watertight bearings - reinforced version

Main features:

- Housing in reinforced polyamide
- Chrome steel ball bearing (pre-lubricated)
- Nickel-plated brass mounting hole spacers
- Nickel plated steel or SS grease nipple with self-forming thread M6
- Polypropylene open cap with O-ring seal & NBR top seal
- Stainless steel washers
- NBR bottom seal



FIXING METHOD
(ECCENTRIC RING)



LOCKING COLLAR

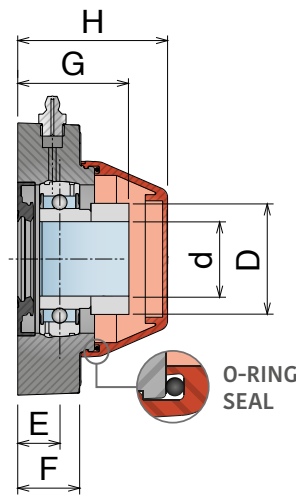
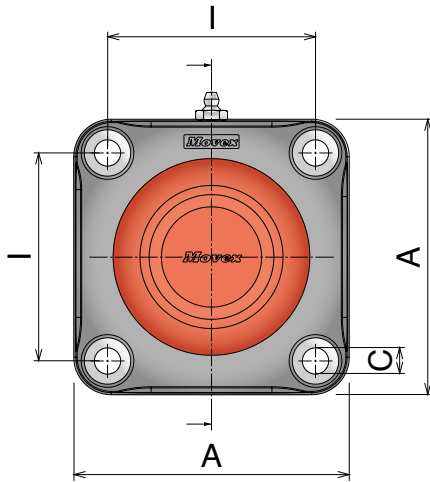
Chrome Steel											
Article-Number	Series	d	I	A	C	D	E	F	G	H	
81201	UCF 205	25	70	98	11	38,1	16	22	39,4	51,5	
81202	UCF 206	30	83	110	11	44,5	17	25	44,7	60,5	
81203	UCF 207/83	35	83	110	11	55,6	20	25	50,4	65,5	
81213	UCF 207		92	118	11	55,6	20	25	50,4	65,5	
81204	UCF 208/83	40	83	110	11	60,3	19,5	25	54,2	65,5	
81214	UCF 208		102	130	11	60,3	19	25	53,7	65,5	

UCF Locking collar

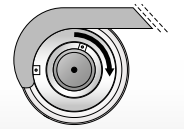
Watertight bearings - solid version

Main features:

- Housing in reinforced polypropylene
- Chrome steel ball bearing (pre-lubricated)
- Nickel-plated brass mounting hole spacers
- Nickel plated steel or SS grease nipple with self-forming thread M6
- Polypropylene closed cap with O-ring seal
- Stainless steel washers
- NBR bottom seal



FIXING METHOD
(ECCENTRIC RING)



LOCKING COLLAR

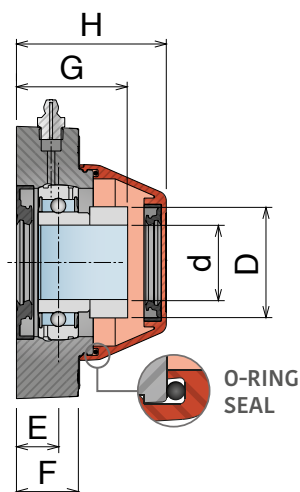
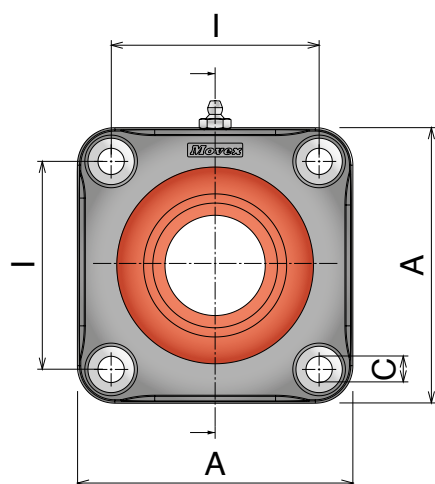
Chrome Steel										
Article-Number	Series	d	I	A	C	D	E	F	G	H
83201	UCF 205	25	70	98	11	38,1	16	22	39,4	51,5
83202	UCF 206	30	83	110	11	44,5	17	25	44,7	60,5
83213	UCF 207	35	92	118	11	55,6	20	25	50,4	65,5
83204	UCF 208/83	40	83	110	11	60,3	19,5	25	54,2	65,5

UCF Locking collar

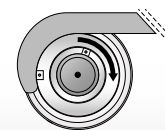
Watertight bearings - solid version

Main features:

- Housing in reinforced polypropylene
- Chrome steel ball bearing (pre-lubricated)
- Nickel-plated brass mounting hole spacers
- Nickel plated steel or SS grease nipple with self-forming thread M6
- Polypropylene open cap with O-ring seal & NBR top seal
- Stainless steel washers
- NBR bottom seal



FIXING METHOD
(ECCENTRIC RING)



LOCKING COLLAR

Chrome Steel		Article-Number	Series	d	I	A	C	D	E	F	G	H
		83301	UCF 205	25	70	98	11	38,1	16	22	39,4	51,5
		83302	UCF 206	30	83	110	11	44,5	17	25	44,7	60,5
		83313	UCF 207	35	92	118	11	55,6	20	25	50,4	65,5
		83304	UCF 208/83	40	83	110	11	60,3	19,5	25	54,2	65,5

UCFA

Delivery: **Easy** Standard

UCFA standard

WITH GRUB SCREW



SOLID VERSION
Page 623

UCFA watertight

WITH GRUB SCREW



SOLID VERSION
Close cap page 624

SOLID VERSION
Open cap page 625

UCFA standard

WITH LOCKING COLLAR
(eccentric ring)



SOLID VERSION
Page 626

UCFA watertight

WITH LOCKING COLLAR
(eccentric ring)



SOLID VERSION
Close cap page 627

SOLID VERSION
Open cap page 628

SS ProRun

*The **Pro** choice for uncompromising performance.*

Manufactured with premium materials to ensure maximum reliability and durability, the new **SS ProRun** bearing insert is the ideal solution for those who need performance, even in the most demanding environments and under the most critical conditions.

- **AISI 440 rings:** Absolute guarantee of precision and robustness.
- **AISI 440 bearings and balls:** Maximum corrosion resistance and longevity.
- **FDA blue NBR seals:** Perfect sealing, protection from contaminants.
- **FDA-certified grease:** Superior lubrication for excellent and long-lasting performance.

Optimize your operations and choose quality that lasts; choose **SS ProRun**.

Browse the catalog and discover the available versions.



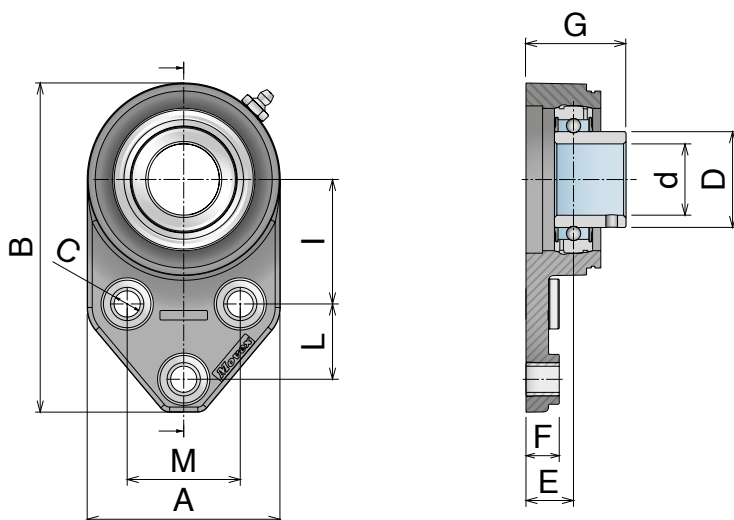
NEW

UCFA *Grub screw*

Standard bearings - solid version

Main features:

- Housing in reinforced polyamide
- Chrome steel or stainless steel ball bearing (pre-lubricated)
- Nickel-plated brass mounting hole spacers
- Nickel plated steel or SS grease nipple with self-forming thread M6
- Stainless steel washers



FIXING METHOD



GRUB SCREW

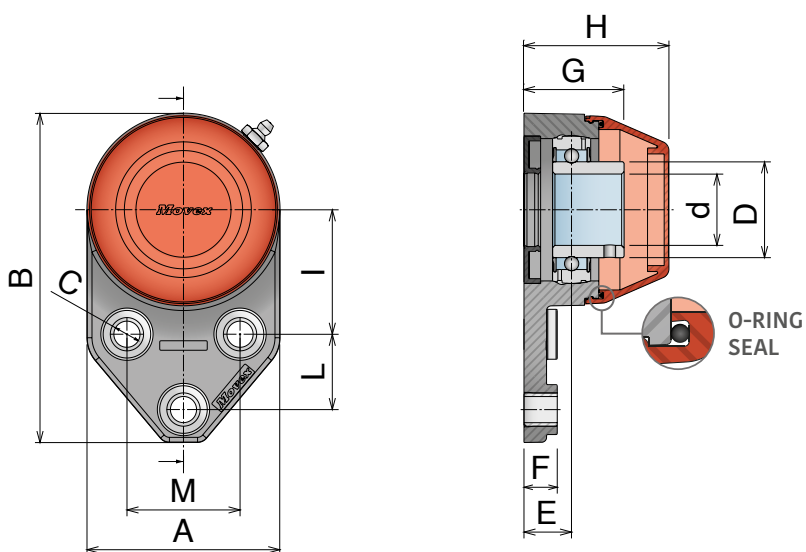
Chrome Steel		Stainless Steel												Caps (Accessories)	
Article-Number	Series	d	I	A	B	C	D	E	F	G	L	M	Close	Open	
83400	83400SS	UCFA 204	20	46	68,8	124,2	11	29	16,4	14	34,4	28,6	41,3	89001	89051-20
83401	83401SS	UCFA 205	25	46	68,8	124,2	11	34	17,8	14	37,3	28,6	41,3	89001	89051-25
83402	83402SS	UCFA 206	30	52,4	81,3	138,6	11	40,3	20	14	42	31,7	47,6	89002	89052-30

UCFA *Grub screw*

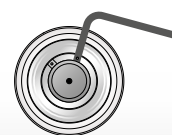
Watertight bearings - solid version

Main features:

- Housing in reinforced polypropylene
- Chrome steel or stainless steel ball bearing (pre-lubricated)
- Nickel-plated brass mounting hole spacers
- Nickel plated steel or SS grease nipple with self-forming thread M6
- Polypropylene close cap with O-ring seal
- Stainless steel washers
- NBR bottom seal



FIXING METHOD



GRUB SCREW

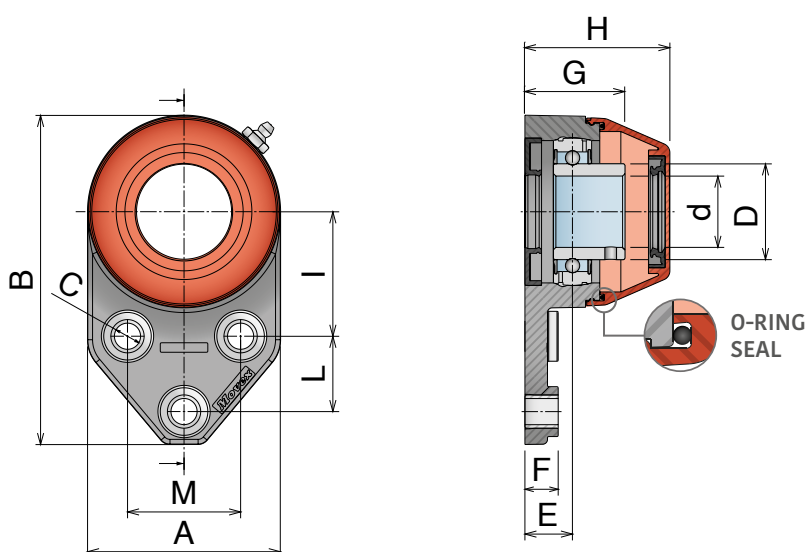
Chrome Steel	Chrome Steel "Long life"	Stainless Steel	SS ProRun	Article-Number	Series	d	I	A	B	C	D	E	F	G	H	L	M
	83600L	83600SS	83600LSS	UCFA 204	20	46	68,8	124,2	11	29	16,4	14	34,4	51,8	28,6	41,3	
83601	83601L	83601SS	83601LSS	UCFA 205	25	46	68,8	124,2	11	34	17,8	14	37,3	51,8	28,6	41,3	
83602	83602L	83602SS	83602LSS	UCFA 206	30	52,4	81,3	138,6	11	40,3	20	14	42	61	31,7	47,6	

UCFA *Grub screw*

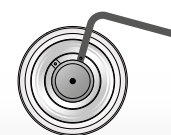
Watertight bearings - solid version

Main features:

- Housing in reinforced polyamide
- Chrome steel or stainless steel ball bearing (pre-lubricated)
- Nickel-plated brass mounting hole spacers
- Nickel plated steel or SS grease nipple with self-forming thread M6
- Polypropylene open cap with O-ring seal & NBR top seal
- Stainless steel washers
- NBR bottom seal



FIXING METHOD



GRUB SCREW

Chrome Steel	Chrome Steel "Long life"	Stainless Steel	SS ProRun
--------------	--------------------------	-----------------	-----------

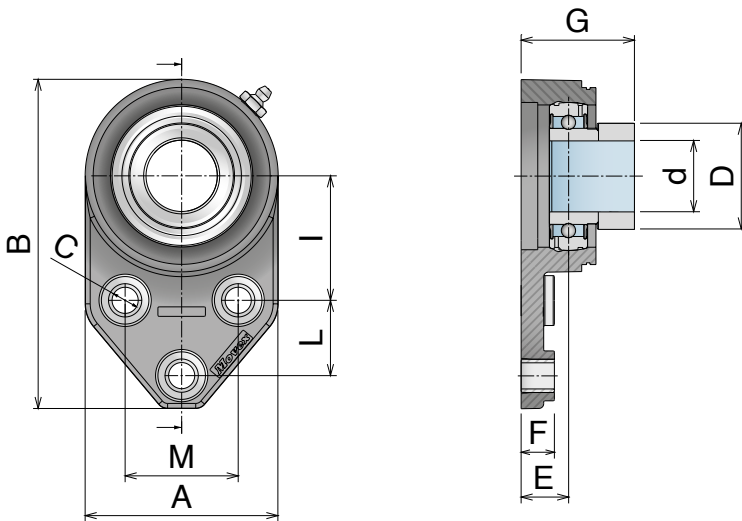
Article-Number				Series	d	I	A	B	C	D	E	F	G	H	L	M
83700	83700L	83700SS	83700LSS	UCFA 204	20	46	68,8	124,2	11	29	16,4	14	34,4	51,8	28,6	41,3
83701	83701L	83701SS	83701LSS	UCFA 205	25	46	68,8	124,2	11	34	17,8	14	37,3	51,8	28,6	41,3
83702	83702L	83702SS	83702LSS	UCFA 206	30	52,4	81,3	138,6	11	40,3	20	14	42	61	31,7	47,6

UCFA Locking collar

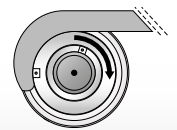
Standard bearings - solid version

Main features:

- Housing in reinforced polypropylene
- Chrome steel ball bearing (pre-lubricated)
- Nickel-plated brass mounting hole spacers
- Nickel plated steel or SS grease nipple with self-forming thread M6
- Stainless steel washers



FIXING METHOD
(ECCENTRIC RING)



LOCKING COLLAR

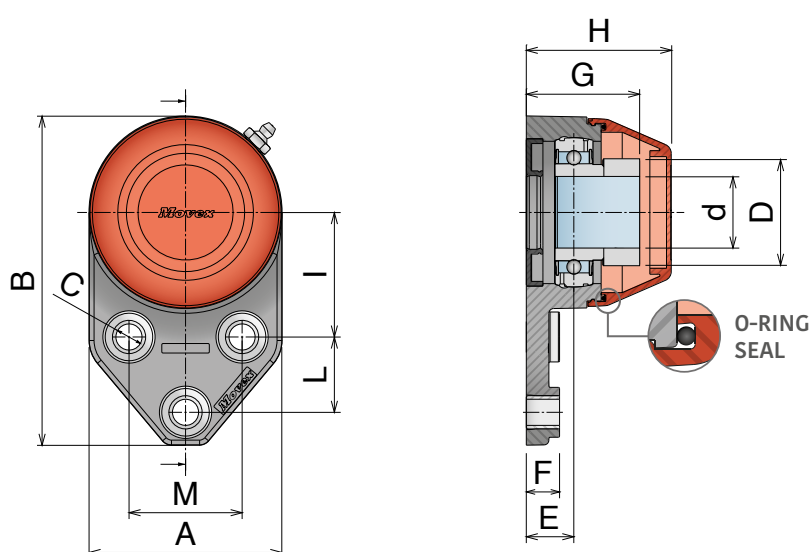
Chrome Steel												Caps (Accessories)		
Article-Number	Series	d	I	A	B	C	D	E	F	G	L	M	Close	Open
83500	UCFA 204	20	46	68,8	124,2	11	33,3	16,4	14	40,3	28,6	41,3	89001	89051-20
83501	UCFA 205	25	46	68,8	124,2	11	38,1	17,8	14	41,2	28,6	41,3	89001	89051-25
83502	UCFA 206	30	52,4	81,3	138,6	11	44,5	20	14	47,7	31,7	47,6	89002	89052-30

UCFA Locking collar

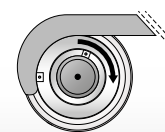
Watertight bearings - solid version

Main features:

- Housing in reinforced polypropylene
- Chrome steel ball bearing (pre-lubricated)
- Nickel-plated brass mounting hole spacers
- Nickel plated steel or SS grease nipple with self-forming thread M6
- Polypropylene closed cap with O-ring seal
- Stainless steel washers
- NBR bottom seal



FIXING METHOD
(ECCENTRIC RING)



LOCKING COLLAR

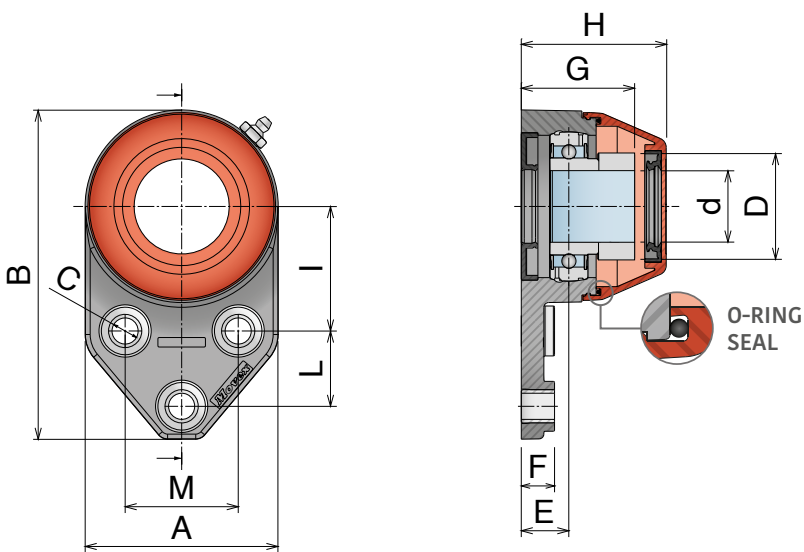
Chrome Steel		Article-Number	Series	d	I	A	B	C	D	E	F	G	H	L	M
	83800	UCFA 204	20	46	68,8	124,2	11	33,3	16,4	14	40,3	51,8	28,6	41,3	
	83801	UCFA 205	25	46	68,8	124,2	11	38,1	17,8	14	41,2	51,8	28,6	41,3	
	83802	UCFA 206	30	52,4	81,3	138,6	11	44,5	20	14	47,7	61	31,7	47,6	

UCFA Locking collar

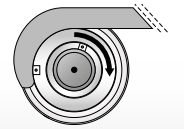
Watertight bearings - solid version

Main features:

- Housing in reinforced polypropylene
- Chrome steel ball bearing (pre-lubricated)
- Nickel-plated brass mounting hole spacers
- Nickel plated steel or SS grease nipple with self-forming thread M6
- Polypropylene open cap with O-ring seal & NBR top seal
- Stainless steel washers
- NBR bottom seal



FIXING METHOD
(ECCENTRIC RING)



LOCKING COLLAR

Chrome Steel

Article-Number	Series	d	I	A	B	C	D	E	F	G	H	L	M
83900	UCFA 204	20	46	68,8	124,2	11	33,3	16,4	14	40,3	51,8	28,6	41,3
83901	UCFA 205	25	46	68,8	124,2	11	38,1	17,8	14	41,2	51,8	28,6	41,3
83902	UCFA 206	30	52,4	81,3	138,6	11	44,5	20	14	47,7	61	31,7	47,6

UCFL-H / UCF-H

Delivery: **Easy** **Standard**

UCFL-H watertight

WITH GRUB SCREW



SOLID VERSION

Close cap page 630

SOLID VERSION

Open cap page 631

UCFL-H watertight

WITH LOCKING COLLAR
(eccentric ring)



SOLID VERSION

Close cap page 632

SOLID VERSION

Open cap page 633

UCF-H watertight

WITH GRUB SCREW



SOLID VERSION

Close cap page 634

SOLID VERSION

Open cap page 635

UCF-H watertight

WITH LOCKING COLLAR
(eccentric ring)



SOLID VERSION

Close cap page 636

SOLID VERSION

Open cap page 637

SS ProRun

The **Pro** choice for uncompromising performance.

Manufactured with premium materials to ensure maximum reliability and durability, the new **SS ProRun** bearing insert is the ideal solution for those who need performance, even in the most demanding environments and under the most critical conditions.

- **AISI 440 rings:** Absolute guarantee of precision and robustness.
- **AISI 440 bearings and balls:** Maximum corrosion resistance and longevity.
- **FDA blue NBR seals:** Perfect sealing, protection from contaminants.
- **FDA-certified grease:** Superior lubrication for excellent and long-lasting performance.

Optimize your operations and choose quality that lasts; choose **SS ProRun**.

Browse the catalog and discover the available versions.

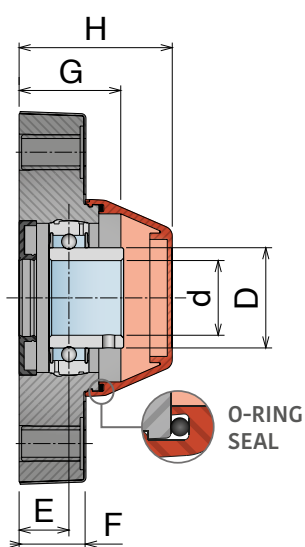
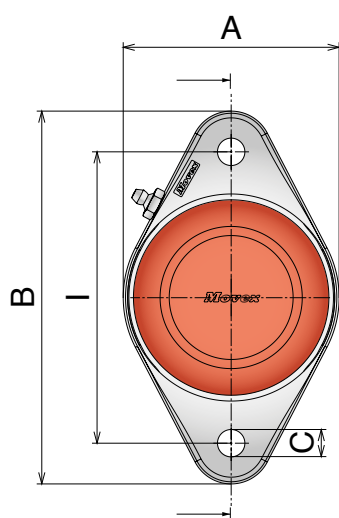


UCFL-H *Grub screw*

Watertight bearings - solid version

Main features:

- Housing in reinforced polypropylene & cover in SS
- Chrome steel or stainless steel ball bearing (pre-lubricated)
- Nickel-plated brass mounting hole spacers
- Nickel plated steel or SS grease nipple with self-forming thread M6
- Polypropylene close cap with O-ring seal
- NBR bottom seal



FIXING METHOD



GRUB SCREW

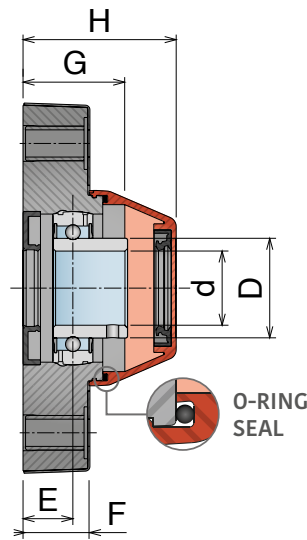
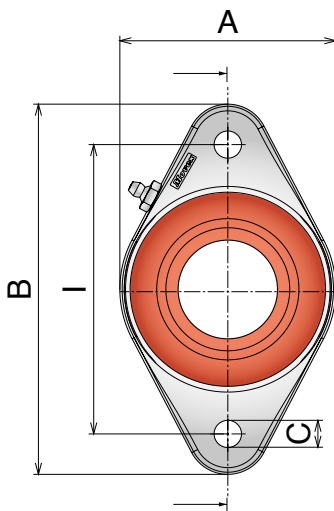
Chrome Steel	Chrome Steel "Long life"	Article-Number	Series	d	I	A	B	C	D	E	F	G	H	
		82412H	82412LH	UCFL-H 206	30	117	86,7	149,7	11	40,3	20	26,85	42	61,5
		82403H	82403LH	UCFL-H 207/117	35	117	94,7	149,7	11	48	19,5	26	43	66,5
		82404H	82404LH	UCFL-H 208/117	40	117	94,7	149,7	11	53	19	26,85	44	67

UCFL-H *Grub screw*

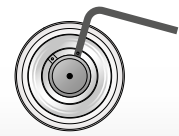
Watertight bearings - solid version

Main features:

- Housing in reinforced polypropylene & cover in SS
- Chrome steel or stainless steel ball bearing (pre-lubricated)
- Nickel-plated brass mounting hole spacers
- Nickel plated steel or SS grease nipple with self-forming thread M6
- Polypropylene open cap with O-ring seal & NBR top seal
- NBR bottom seal



FIXING METHOD



GRUB SCREW

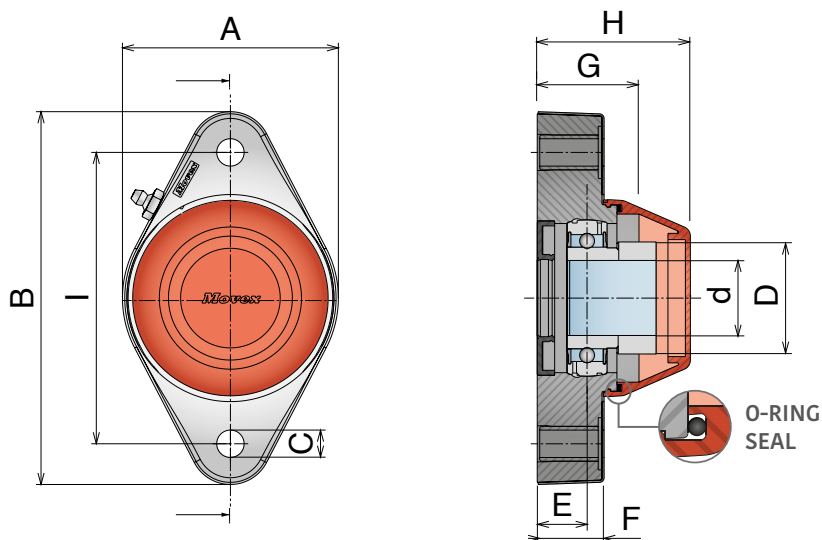
Chrome Steel	Chrome Steel "Long life"	Article-Number	Series	d	I	A	B	C	D	E	F	G	H	
		82512H	82512LH	UCFL-H 206	30	117	86,7	149,7	11	40,3	20	26,85	42	61,5
		82503H	82503LH	UCFL-H 207/117	35	117	94,7	149,7	11	48	19,5	26	43	66,5
		82504H	82504LH	UCFL-H 208/117	40	117	94,7	149,7	11	53	19	26,85	44	67

UCFL-H Locking collar

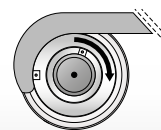
Watertight bearings - solid version

Main features:

- Housing in reinforced polypropylene & cover in SS
- Chrome steel ball bearing (pre-lubricated)
- Nickel-plated brass mounting hole spacers
- Nickel plated steel or SS grease nipple with self-forming thread M6
- Polypropylene close cap with O-ring seal
- NBR bottom seal



FIXING METHOD
(ECCENTRIC RING)



LOCKING COLLAR

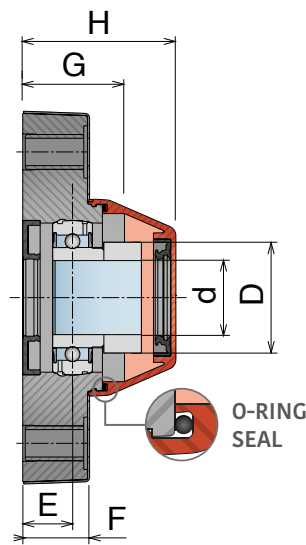
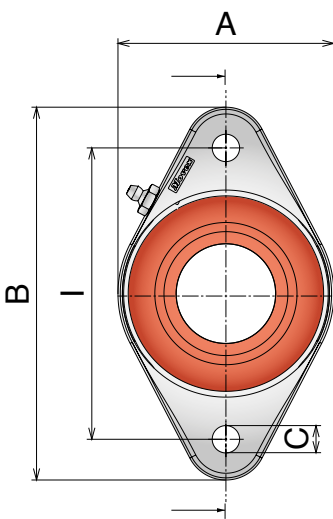
Chrome Steel		Article-Number	Series	d	I	A	B	C	D	E	F	G	H
		82612H	UCFL-H 206	30	117	86,7	149,7	11	40,3	20	26,85	42	61,5
		82603H	UCFL-H 207/117	35	117	94,7	149,7	11	48	19,5	26	43	66,5
		82604H	UCFL-H 208/117	40	117	94,7	149,7	11	53	19	26,85	44	67

UCFL-H *Locking collar*

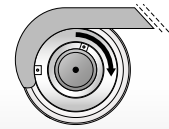
Watertight bearings - solid version

Main features:

- Housing in reinforced polypropylene & cover in SS
- Chrome steel ball bearing (pre-lubricated)
- Nickel-plated brass mounting hole spacers
- Nickel plated steel or SS grease nipple with self-forming thread M6
- Polypropylene open cap with O-ring seal & NBR top seal
- NBR bottom seal



FIXING METHOD
(ECCENTRIC RING)



LOCKING COLLAR

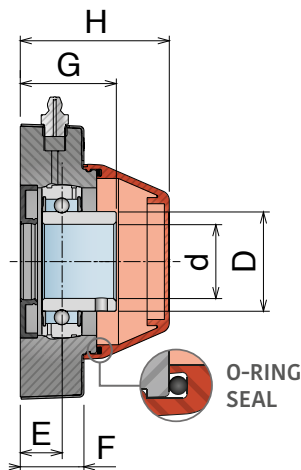
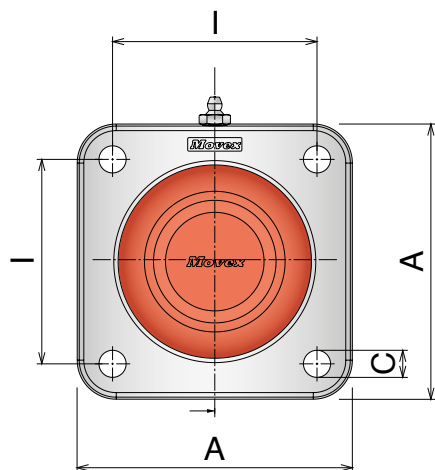
Chrome Steel		Article-Number	Series	d	I	A	B	C	D	E	F	G	H
		82712H	UCFL-H 206	30	117	86,7	149,7	11	40,3	20	26,85	42	61,5
		82703H	UCFL-H 207/117	35	117	94,7	149,7	11	48	19,5	26	43	66,5
		82704H	UCFL-H 208/117	40	117	94,7	149,7	11	53	19	26,85	44	67

UCF-H *Grub screw*

Watertight bearings - solid version

Main features:

- Housing in reinforced polypropylene & cover in SS
- Chrome steel or stainless steel ball bearing (pre-lubricated)
- Nickel-plated brass mounting hole spacers
- Nickel plated steel or SS grease nipple with self-forming thread M6
- Polypropylene close cap with O-ring seal
- NBR bottom seal



FIXING METHOD



GRUB SCREW

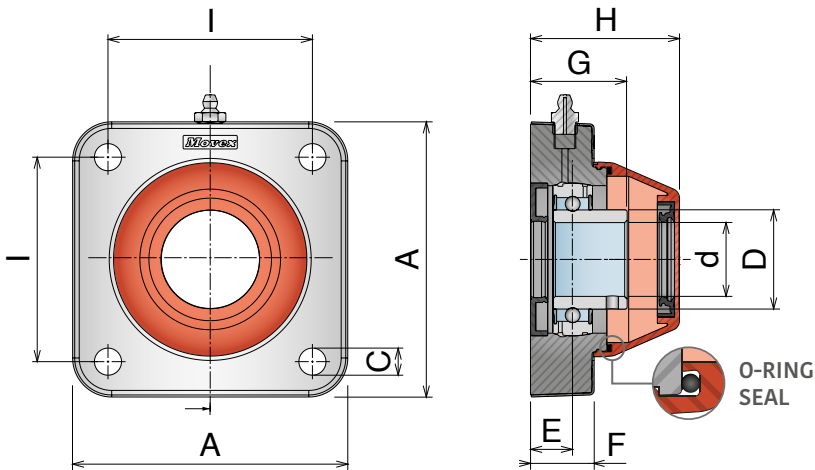
Chrome Steel	Chrome Steel "Long life"	Article-Number	Series	d	I	A	C	D	E	F	G	H	
		83002H	83002LH	UCF-H 206	30	83	111,7	11	40,3	17	25	39	60,5
		83004H	83004LH	UCF-H 208/83	40	83	111,7	11	53	19,5	25	44,5	65,5

UCF-H *Grub screw*

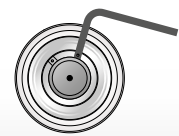
Watertight bearings - solid version

Main features:

- Housing in reinforced polypropylene & cover in SS
- Chrome steel or stainless steel ball bearing (pre-lubricated)
- Nickel-plated brass mounting hole spacers
- Nickel plated steel or SS grease nipple with self-forming thread M6
- Polypropylene open cap with O-ring seal & NBR top seal
- NBR bottom seal



FIXING METHOD



GRUB SCREW

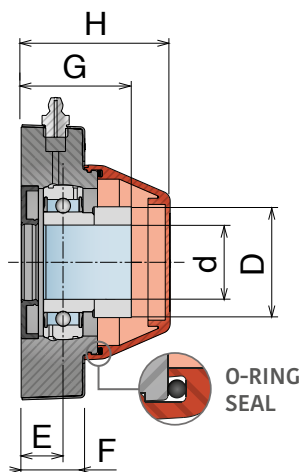
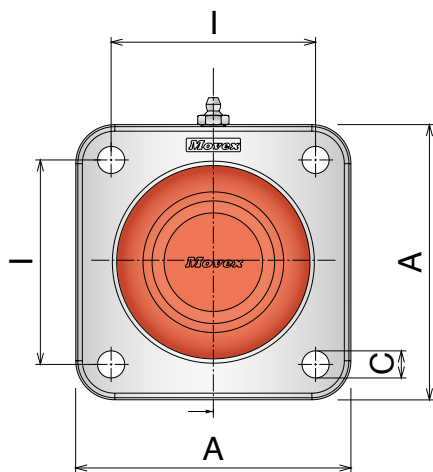
Chrome Steel		Chrome Steel "Long life"									
Article-Number		Series	d	I	A	C	D	E	F	G	H
83102H	83102LH	UCF-H 206	30	83	111,7	11	40,3	17	25	39	60,5
83104H	83104LH	UCF-H 208/83	40	83	111,7	11	53	19,5	25	44,5	65,5

UCF-H Locking collar

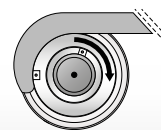
Watertight bearings - solid version

Main features:

- Housing in reinforced polypropylene & cover in SS
- Chrome steel ball bearing (pre-lubricated)
- Nickel-plated brass mounting hole spacers
- Nickel plated steel or SS grease nipple with self-forming thread M6
- Polypropylene close cap with O-ring seal
- NBR bottom seal



FIXING METHOD
(ECCENTRIC RING)



LOCKING COLLAR

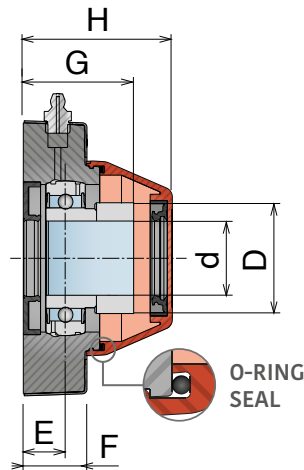
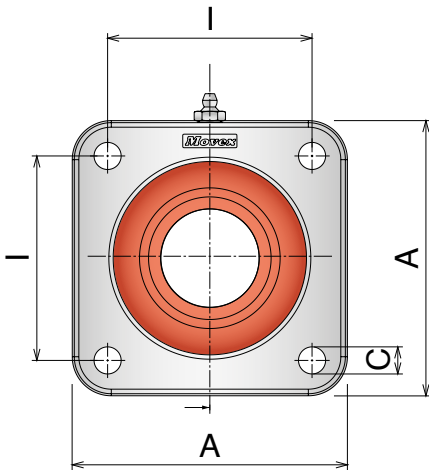
Chrome Steel										
Article-Number	Series	d	I	A	C	D	E	F	G	H
83202H	UCF-H 206	30	83	111,7	11	40,3	17	25	39	60,5
83204H	UCF-H 208/83	40	83	111,7	11	53	19,5	25	44,5	65,5

UCF-H Locking collar

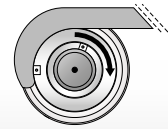
Watertight bearings - solid version

Main features:

- Housing in reinforced polypropylene & cover in SS
- Chrome steel ball bearing (pre-lubricated)
- Nickel-plated brass mounting hole spacers
- Nickel plated steel or SS grease nipple with self-forming thread M6
- Polypropylene open cap with O-ring seal & NBR top seal
- NBR bottom seal



FIXING METHOD
(ECCENTRIC RING)



LOCKING COLLAR

Chrome Steel										
Article-Number	Series	d	I	A	C	D	E	F	G	H
83302H	UCF-H 206	30	83	111,7	11	40,3	17	25	39	60,5
83304H	UCF-H 208/83	40	83	111,7	11	53	19,5	25	44,5	65,5

CL

Delivery: **Easy** Standard

CL watertight

WITH GRUB SCREW



SOLID VERSION
Close cap page 639



SOLID VERSION
Open cap page 640

CL watertight

WITH LOCKING COLLAR
(eccentric ring)



SOLID VERSION
Close cap page 641



SOLID VERSION
Open cap page 642

CL standard

WITH LOCKING COLLAR - **COMPACT**
(eccentric ring)



STANDARD VERSION
Page 643



CL watertight

WITH LOCKING COLLAR - **COMPACT**
(eccentric ring)



SOLID VERSION
Close cap page 644



SOLID VERSION
Open cap page 645

SS ProRun

The **Pro** choice for uncompromising performance.

Manufactured with premium materials to ensure maximum reliability and durability, the new **SS ProRun** bearing insert is the ideal solution for those who need performance, even in the most demanding environments and under the most critical conditions.

- **AISI 440 rings:** Absolute guarantee of precision and robustness.
- **AISI 440 bearings and balls:** Maximum corrosion resistance and longevity.
- **FDA blue NBR seals:** Perfect sealing, protection from contaminants.
- **FDA-certified grease:** Superior lubrication for excellent and long-lasting performance.

Optimize your operations and choose quality that lasts; choose **SS ProRun**.

Browse the catalog and discover the available versions.

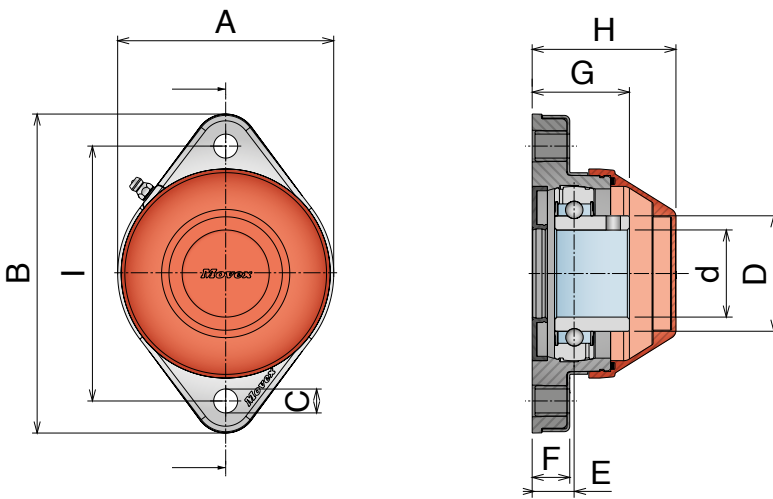


CL Grub screw

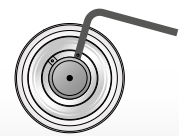
Watertight bearings - solid version

Main features:

- Housing in reinforced polypropylene & cover in SS
- Chrome steel or stainless steel ball bearing (pre-lubricated)
- Nickel-plated brass mounting hole spacers
- Nickel plated steel or SS grease nipple with self-forming thread M6
- Polypropylene close cap with O-ring seal
- NBR bottom seal



FIXING METHOD



GRUB SCREW

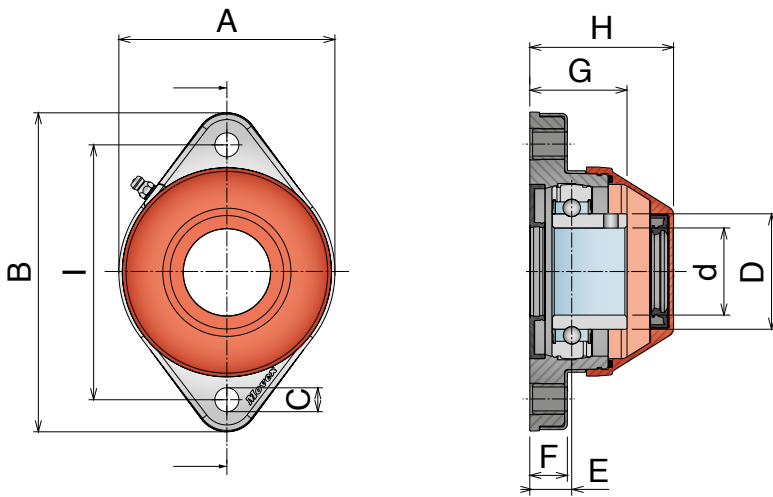
Chrome Steel	Chrome Steel "Long life"	Stainless Steel	SS ProRun											
Article-Number				Series	d	I	A	B	C	D	E	F	G	H
84502	84502L	84502SS	84502LSS	CL 206	30	117	99	146,5	11	40	18,5	16,5	40	69
84503	84503L	84503SS	84503LSS	CL 207	35	117	99	146,5	11	48	18,5	16,5	41,5	69
84504	84504L	84504SS	84504LSS	CL 208	40	117	99	146,5	11	53	18,5	16,5	43	69

CL Grub screw

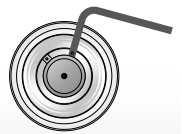
Watertight bearings - solid version

Main features:

- Housing in reinforced polypropylene & cover in SS
- Chrome steel or stainless steel ball bearing (pre-lubricated)
- Nickel-plated brass mounting hole spacers
- Nickel plated steel or SS grease nipple with self-forming thread M6
- Polypropylene open cap with O-ring seal & NBR top seal
- NBR bottom seal



FIXING METHOD



GRUB SCREW

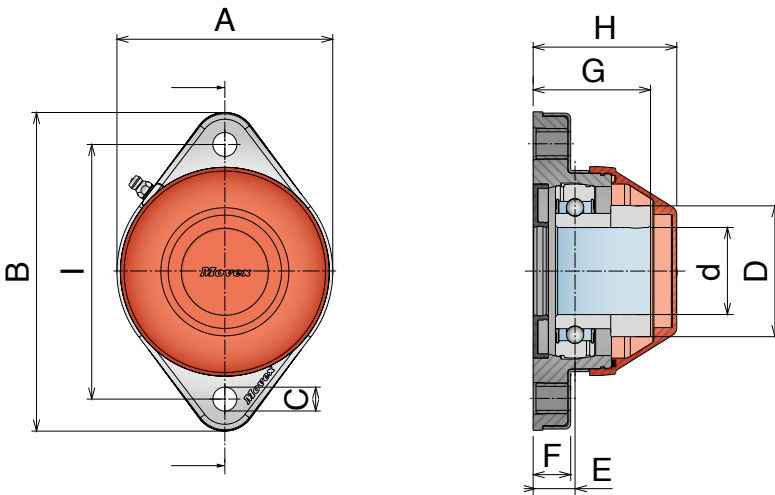
Chrome Steel	Chrome Steel "Long life"	Stainless Steel	SS ProRun	Article-Number	Series	d	l	A	B	C	D	E	F	G	H			
				84602	84602L	84602SS	84602LSS	CL 206	30	117	99	146,5	11	40	18,5	16,5	40	69
				84603	84603L	84603SS	84603LSS	CL 207	35	117	99	146,5	11	48	18,5	16,5	41,5	69
				84604	84604L	84604SS	84604LSS	CL 208	40	117	99	146,5	11	53	18,5	16,5	43	69

CL Locking collar

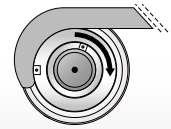
Watertight bearings - solid version

Main features:

- Housing in reinforced polypropylene & cover in SS
- Chrome steel ball bearing (pre-lubricated)
- Nickel-plated brass mounting hole spacers
- Nickel plated steel or SS grease nipple with self-forming thread M6
- Polypropylene close cap with O-ring seal
- NBR bottom seal



FIXING METHOD
(ECCENTRIC RING)



LOCKING COLLAR

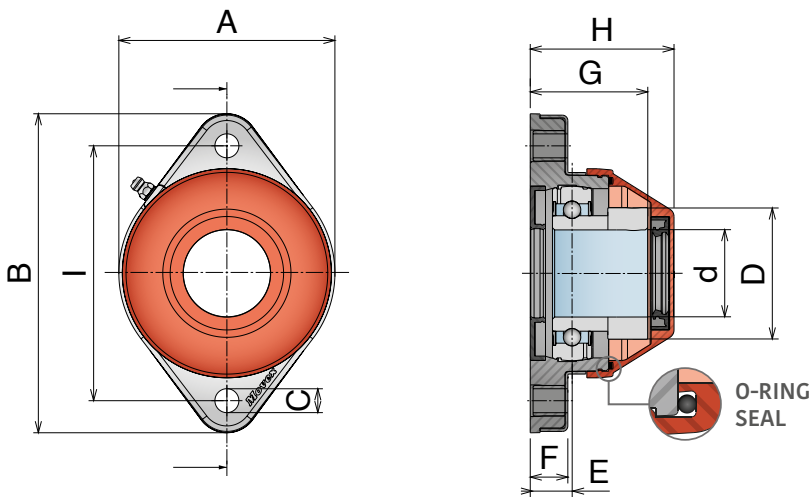
Chrome Steel		Article-Number	Series	d	I	A	B	C	D	E	F	G	H
		84702	CL 206	30	117	99	146,5	11	45	18,5	16,5	46	69
		84703	CL 207	35	117	99	146,5	11	56	18,5	16,5	49	69
		84704	CL 208	40	117	99	146,5	11	60,3	18,5	16,5	53	69

CL Locking collar

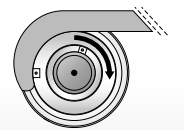
Watertight bearings - solid version

Main features:

- Housing in reinforced polypropylene & cover in SS
- Chrome steel ball bearing (pre-lubricated)
- Nickel-plated brass mounting hole spacers
- Nickel plated steel or SS grease nipple with self-forming thread M6
- Polypropylene open cap with O-ring seal & NBR top seal
- NBR bottom seal



FIXING METHOD
(ECCENTRIC RING)



LOCKING COLLAR

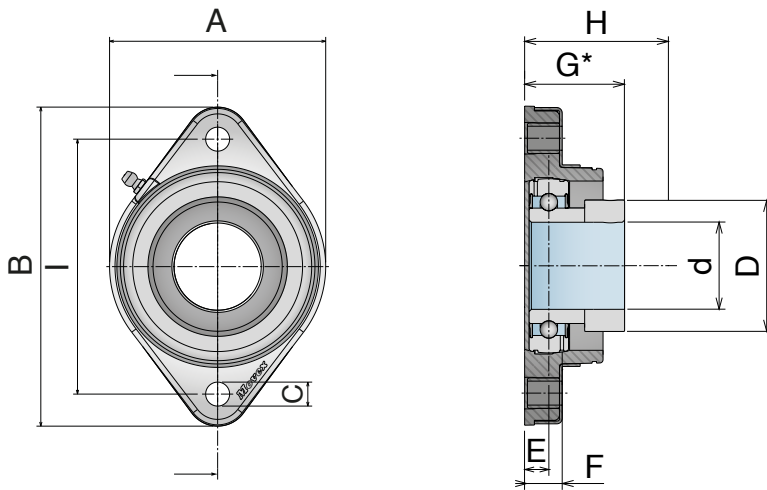
Chrome Steel		Article-Number	Series	d	I	A	B	C	D	E	F	G	H
		84802	CL 206	30	117	99	146,5	11	45	18,5	16,5	46	69
		84803	CL 207	35	117	99	146,5	11	56	18,5	16,5	49	69
		84804	CL 208	40	117	99	146,5	11	60,3	18,5	16,5	53	69

CL Locking collar - Compact

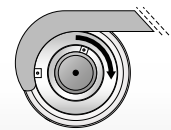
Standard bearings - solid version

Main features:

- Housing in reinforced polypropylene & cover in SS
- Chrome steel ball bearing (pre-lubricated)
- Nickel-plated brass mounting hole spacers
- Nickel plated steel or SS grease nipple with self-forming thread M6
- **No** bottom seal available



FIXING METHOD
(ECCENTRIC RING)



LOCKING COLLAR

Chrome Steel											
Article-Number	Series	d	l	A	B	C	D	E	F	G*	H
89939	CL 206	30	117	99	146,5	11	45	16,3	16	44	69
89936	CL 208	40	117	99	146,5	11	60,3	11,1	16	45,8	69

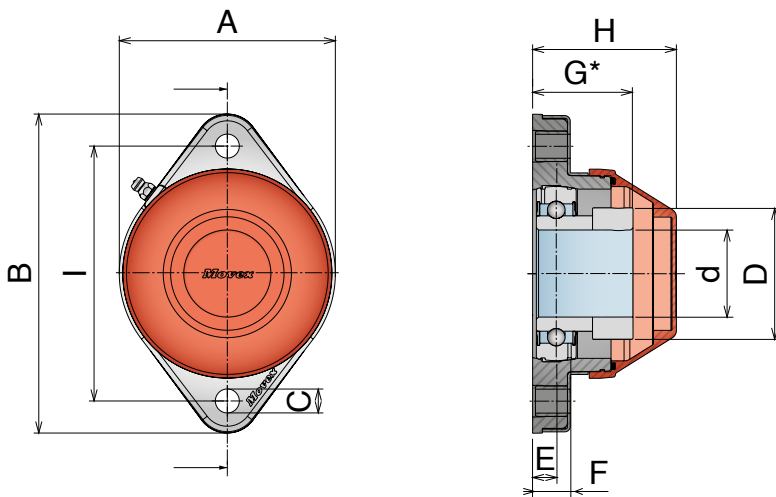
*G dimension smaller than standard version

CL Locking collar - Compact

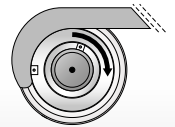
Watertight bearings - solid version

Main features:

- Housing in reinforced polypropylene & cover in SS
- Chrome steel ball bearing (pre-lubricated)
- Nickel-plated brass mounting hole spacers
- Nickel plated steel or SS grease nipple with self-forming thread M6
- Polypropylene close cap with O-ring seal
- **No** bottom seal available



FIXING METHOD
(ECCENTRIC RING)



LOCKING COLLAR

Chrome Steel		Article-Number	Series	d	I	A	B	C	D	E	F	G*	H
		89942	CL 206	30	117	99	146,5	11	45	16,3	16	44	69
		89940	CL 208	40	117	99	146,5	11	60,3	11,1	16	45,8	69

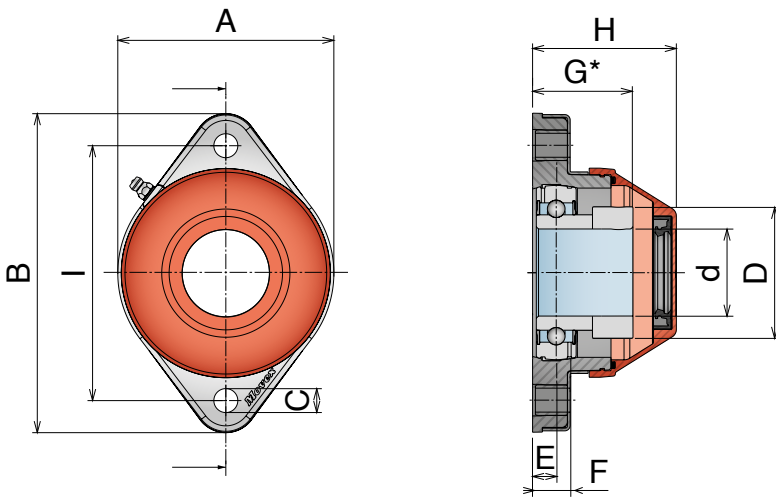
*G dimension smaller than standard version

CL Locking collar - Compact

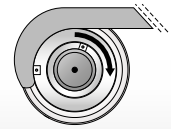
Watertight bearings - solid version

Main features:

- Housing in reinforced polypropylene & cover in SS
- Chrome steel ball bearing (pre-lubricated)
- Nickel-plated brass mounting hole spacers
- Nickel plated steel or SS grease nipple with self-forming thread M6
- Polypropylene open cap with O-ring seal & NBR top seal
- **No** bottom seal available



FIXING METHOD
(ECCENTRIC RING)



LOCKING COLLAR

Chrome Steel		Article-Number	Series	d	I	A	B	C	D	E	F	G*	H
		89943	CL 206	30	117	99	146,5	11	45	16,3	16	44	69
		89941	CL 208	40	117	99	146,5	11	60,3	11,1	16	45,8	69

*G dimension smaller than standard version

CS

Delivery: **Easy** Standard

CS watertight

WITH GRUB SCREW



SOLID VERSION
Close cap page 647



SOLID VERSION
Open cap page 648

CS watertight

WITH LOCKING COLLAR
(eccentric ring)



SOLID VERSION
Close cap page 649



SOLID VERSION
Open cap page 650

CS standard

WITH LOCKING COLLAR - **COMPACT**
(eccentric ring)



STANDARD VERSION
Page 651



CS watertight

WITH LOCKING COLLAR - **COMPACT**
(eccentric ring)



SOLID VERSION
Close cap page 652



SOLID VERSION
Open cap page 653

SS ProRun

The **Pro** choice for uncompromising performance.

Manufactured with premium materials to ensure maximum reliability and durability, the new **SS ProRun** bearing insert is the ideal solution for those who need performance, even in the most demanding environments and under the most critical conditions.

- **AISI 440 rings:** Absolute guarantee of precision and robustness.
- **AISI 440 bearings and balls:** Maximum corrosion resistance and longevity.
- **FDA blue NBR seals:** Perfect sealing, protection from contaminants.
- **FDA-certified grease:** Superior lubrication for excellent and long-lasting performance.

Optimize your operations and choose quality that lasts; choose **SS ProRun**.

Browse the catalog and discover the available versions.

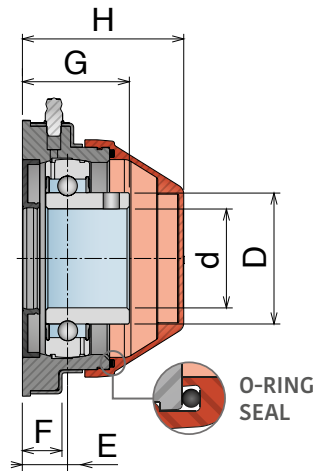
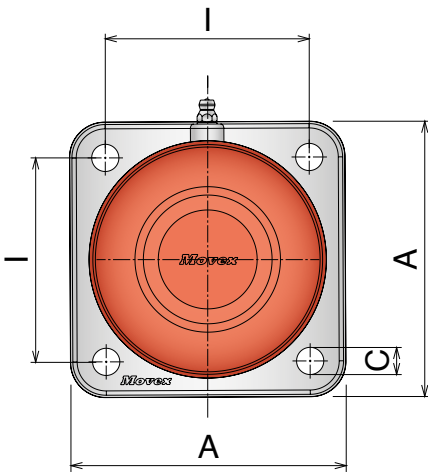


CS Grub screw

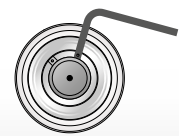
Watertight bearings - solid version

Main features:

- Housing in reinforced polypropylene & cover in SS
- Chrome steel or stainless steel ball bearing (pre-lubricated)
- Nickel-plated brass mounting hole spacers
- Nickel plated steel or SS grease nipple with self-forming thread M6
- Polypropylene close cap with O-ring seal
- NBR bottom seal



FIXING METHOD



GRUB SCREW

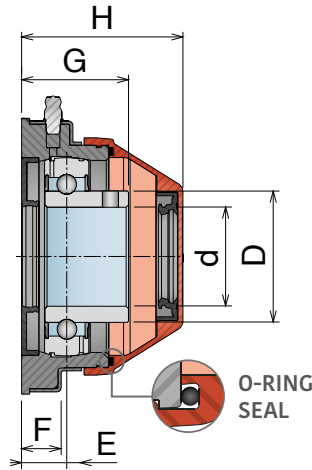
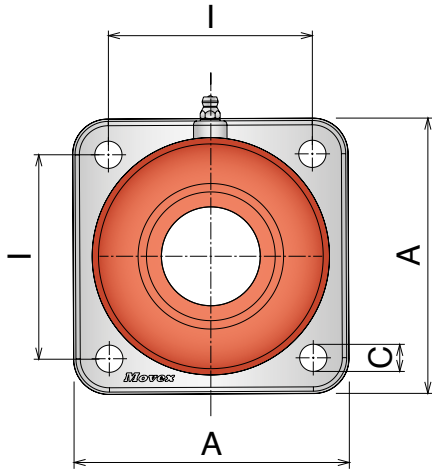
Chrome Steel	Chrome Steel "Long life"	Stainless Steel	SS ProRun
--------------	--------------------------	-----------------	-----------

Article-Number				Series	d	I	A	C	D	E	F	G	H
84902	84902L	84902SS	84902LSS	CS 206	30	82,5	111	11	40	18,5	16,5	40	69
84903	84903L	84903SS	84903LSS	CS 207	35	82,5	111	11	48	18,5	16,5	41,5	69
84904	84904L	84904SS	84904LSS	CS 208	40	82,5	111	11	53	18,5	16,5	43	69

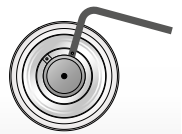
Watertight bearings - solid version

Main features:

- Housing in reinforced polypropylene & cover in SS
- Chrome steel or stainless steel ball bearing (pre-lubricated)
- Nickel-plated brass mounting hole spacers
- Nickel plated steel or SS grease nipple with self-forming thread M6
- Polypropylene open cap with O-ring seal & NBR top seal
- NBR bottom seal



FIXING METHOD



GRUB SCREW

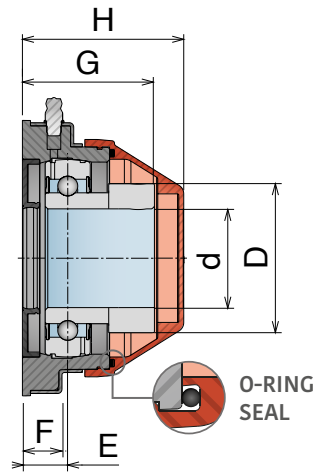
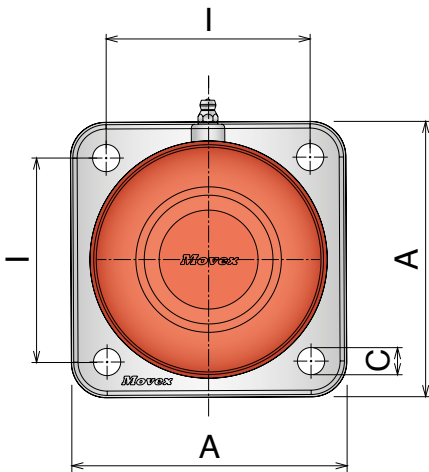
Chrome Steel	Chrome Steel "Long life"	Stainless Steel	SS ProRun	Article-Number	Series	d	I	A	C	D	E	F	G	H			
				85002	85002L	85002SS	85002LSS	CS 206	30	82,5	111	11	40	18,5	16,5	40	69
				85003	85003L	85003SS	85003LSS	CS 207	35	82,5	111	11	48	18,5	16,5	41,5	69
				85004	85004L	85004SS	85004LSS	CS 208	40	82,5	111	11	53	18,5	16,5	43	69

CS Locking collar

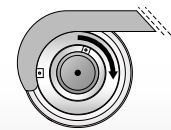
Watertight bearings - solid version

Main features:

- Housing in reinforced polypropylene & cover in SS
- Chrome steel ball bearing (pre-lubricated)
- Nickel-plated brass mounting hole spacers
- Nickel plated steel or SS grease nipple with self-forming thread M6
- Polypropylene close cap with O-ring seal
- NBR bottom seal



FIXING METHOD
(ECCENTRIC RING)



LOCKING COLLAR

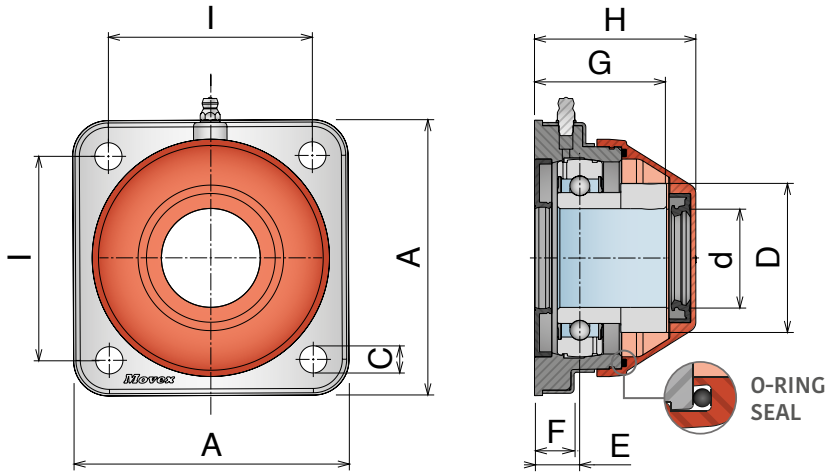
Chrome Steel		Article-Number	Series	d	I	A	C	D	E	F	G	H
		85102	CS 206	30	82,5	111	11	45	18,5	16,5	46	69
		85103	CS 207	35	82,5	111	11	56	18,5	16,5	49	69
		85104	CS 208	40	82,5	111	11	60,3	18,5	16,5	53	69

CS Locking collar

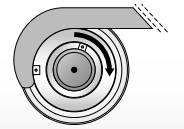
Watertight bearings - solid version

Main features:

- Housing in reinforced polypropylene & cover in SS
- Chrome steel ball bearing (pre-lubricated)
- Nickel-plated brass mounting hole spacers
- Nickel plated steel or SS grease nipple with self-forming thread M6
- Polypropylene open cap with O-ring seal & NBR top seal
- NBR bottom seal



FIXING METHOD
(ECCENTRIC RING)



LOCKING COLLAR

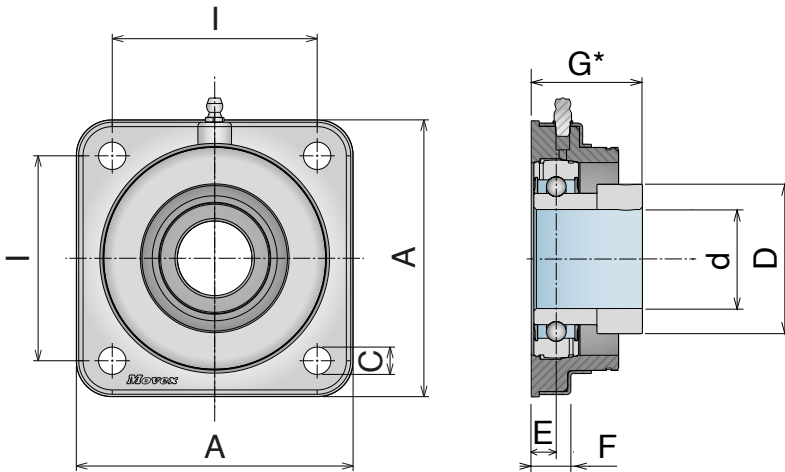
Chrome Steel		Article-Number	Series	d	I	A	C	D	E	F	G	H
		85202	CS 206	30	82,5	111	11	45	18,5	16,5	46	69
		85203	CS 207	35	82,5	111	11	56	18,5	16,5	49	69
		85204	CS 208	40	82,5	111	11	60,3	18,5	16,5	53	69

CS Locking collar - Compact

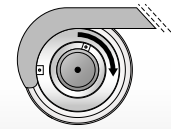
Standard bearings - solid version

Main features:

- Housing in reinforced polypropylene & cover in SS
- Chrome steel ball bearing (pre-lubricated)
- Nickel-plated brass mounting hole spacers
- Nickel plated steel or SS grease nipple with self-forming thread M6
- **No** bottom seal available



FIXING METHOD
(ECCENTRIC RING)



LOCKING COLLAR

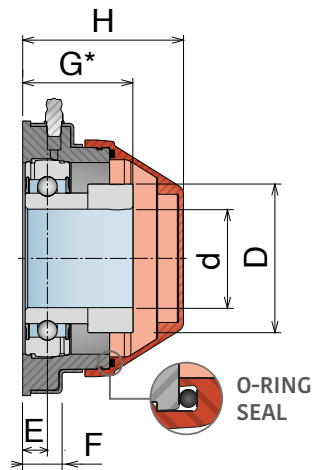
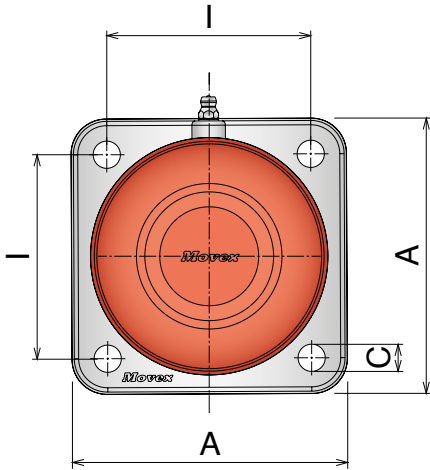
Chrome Steel									
Article-Number	Series	d	I	A	C	D	E	F	G*
89938	CS 206	30	82,5	111	11	45	15,3	16	43
89937	CS 208	40	82,5	111	11	60,3	10,1	16	44,8

*G dimension smaller than standard version

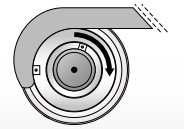
Watertight bearings - solid version

Main features:

- Housing in reinforced polypropylene & cover in SS
- Chrome steel ball bearing (pre-lubricated)
- Nickel-plated brass mounting hole spacers
- Nickel plated steel or SS grease nipple with self-forming thread M6
- Polypropylene close cap with O-ring seal
- **No** bottom seal available



FIXING METHOD
(ECCENTRIC RING)



LOCKING COLLAR

Chrome Steel		Article-Number	Series	d	I	A	C	D	E	F	G*	H
		89946	CS 206	30	82,5	111	11	45	15,3	16	43	69
		89944	CS 208	40	82,5	111	11	60,3	10,1	16	44,8	69

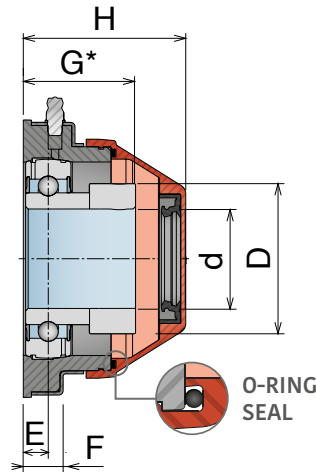
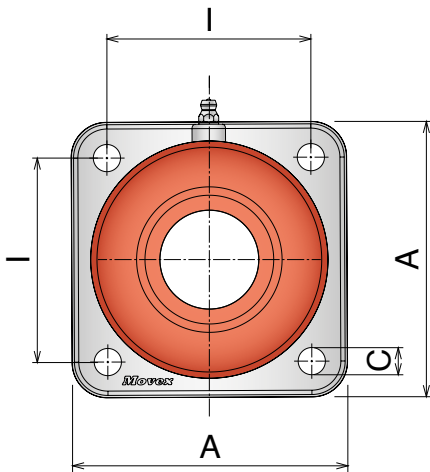
*G dimension smaller than standard version

CS Locking collar - Compact

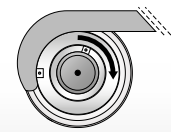
Watertight bearings - solid version

Main features:

- Housing in reinforced polypropylene & cover in SS
- Chrome steel ball bearing (pre-lubricated)
- Nickel-plated brass mounting hole spacers
- Nickel plated steel or SS grease nipple with self-forming thread M6
- Polypropylene open cap with O-ring seal & NBR top seal
- **No** bottom seal available



FIXING METHOD
(ECCENTRIC RING)



LOCKING COLLAR

Chrome Steel		Article-Number	Series	d	I	A	C	D	E	F	G*	H
		89947	CS 206	30	82,5	111	11	45	15,3	16	43	69
		89945	CS 208	40	82,5	111	11	60,3	10,1	16	44,8	69

*G dimension smaller than standard version

Stainless steel *series*

Delivery: **Easy** Standard

SUCFL bearings

WITH GRUB SCREW



STANDARD VERSION

Page 655

SUCF bearings

WITH GRUB SCREW



STANDARD VERSION

Page 656

SUCFK bearings

WITH GRUB SCREW



STANDARD VERSION

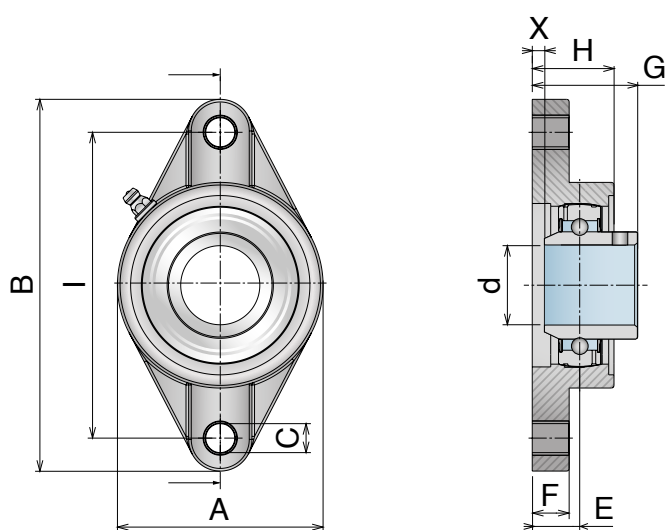
Page 657

SUCFL *Grub screw*

Standard bearings - solid version

Main features:

- Housing in stainless steel
- Best choice for food or pharmaceutical industries
- Stainless steel ball bearing (pre-lubricated)
- Nickel plated steel or SS grease nipple with self-forming thread M6



FIXING METHOD



GRUB SCREW

Stainless Steel

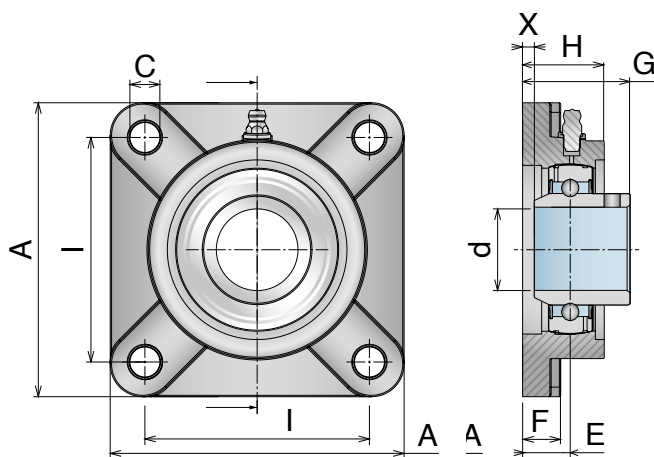
Article-Number	Series	d	I	A	B	C	E	F	G	H	X
81700	SUCFL 204	20	90	60	113	12	15	11	33,3	25,5	2,3
81701	SUCFL 205	25	99	68	130	16	16	14,5	35,8	27	1,7
81702	SUCFL 206	30	117	80	148	16	18	14,5	40,2	31	2,1
81703	SUCFL 207	35	130	90	161	16	19	14,5	44,4	34	1,5
81704	SUCFL 208	40	144	100	175	16	21	15	51,2	36	2

SUCF *Grub screw*

Standard bearings - solid version

Main features:

- Housing in stainless steel
- Best choice for food or pharmaceutical industries
- Stainless steel ball bearing (pre-lubricated)
- Nickel plated steel or SS grease nipple with self-forming thread M6



FIXING METHOD



GRUB SCREW

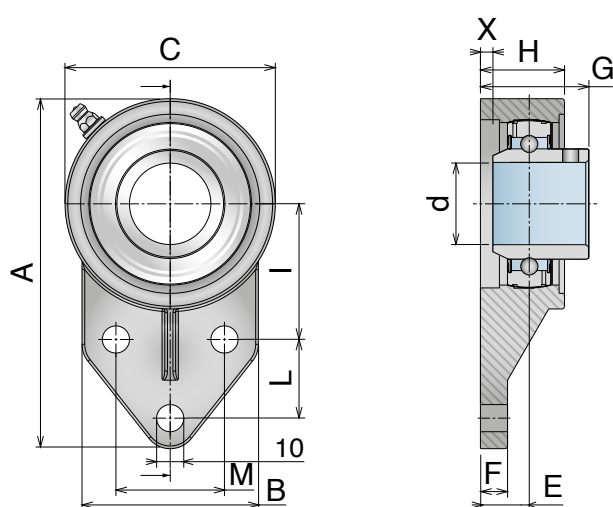
Stainless Steel										
Article-Number	Series	d	I	A	C	E	F	G	H	X
81900	SUCF 204	20	64	86	12	15	12	33,3	25,5	2,3
81901	SUCF 205	25	70	95	12	16	14	35,8	27	1,7
81902	SUCF 206	30	83	108	12	18	14	40,2	31	2,1
81903	SUCF 207	35	92	117	14	19	15,5	44,4	34	1,5
81904	SUCF 208	40	102	130	16	21	15,5	51,2	36	2

SUCFK *Grub screw*

Standard bearings - solid version

Main features:

- Housing in stainless steel
- Best choice for food or pharmaceutical industries
- Stainless steel ball bearing (pre-lubricated)
- Nickel plated steel or SS grease nipple with self-forming thread M6



FIXING METHOD



GRUB SCREW

Stainless Steel		Article-Number	Series	d	A	I	L	M	B	C	E	F	G	H	X
	82100	SUCFK 204	20	110	42	27	32	52	62	15	13	33,3	25,5	2,3	
	82101	SUCFK 205	25	116	45	27	34	56	68	16	13	35,7	27	1,7	
	82102	SUCFK 206	30	130	50	29	40	65	78	18	13	40,2	31	2,1	
	82103	SUCFK 207	35	144	55	32	46	70	90	19	15	44,4	34	1,5	
	82104	SUCFK 208	40	164	60	41	50	78	100	21	16	51,2	36	2	

Hygienic series

Delivery: **Easy** Standard

FL Hygienic

WITH GRUB SCREW



STANDARD VERSION

Page 659

WATERTIGHT VERSION

Close/open cap page 660/661

F Hygienic

WITH GRUB SCREW



STANDARD VERSION

Page 662

WATERTIGHT VERSION

Close/open cap page 663/664

FB Hygienic

WITH GRUB SCREW



STANDARD VERSION

Page 665

WATERTIGHT VERSION

Close/open cap page 666/667

UCP Hygienic

WITH GRUB SCREW



STANDARD VERSION

Page 668

WATERTIGHT VERSION

Close/open cap page 669/670

UCT Hygienic

WITH GRUB SCREW



STANDARD VERSION

Page 671

WATERTIGHT VERSION

Close/open cap page 672/673

Accessories

HYGIENIC VERSION



BLUE VERSION

Page 674

WHITE VERSION

Page 674

SS ProRun

*The **Pro** choice for uncompromising performance.*

Manufactured with premium materials to ensure maximum reliability and durability, the new **SS ProRun** bearing insert is the ideal solution for those who need performance, even in the most demanding environments and under the most critical conditions.

- **AISI 440 rings:** Absolute guarantee of precision and robustness.
- **AISI 440 bearings and balls:** Maximum corrosion resistance and longevity.
- **FDA blue NBR seals:** Perfect sealing, protection from contaminants.
- **FDA-certified grease:** Superior lubrication for excellent and long-lasting performance.

Optimize your operations and choose quality that lasts; choose SS ProRun.

Browse the catalog and discover the available versions.



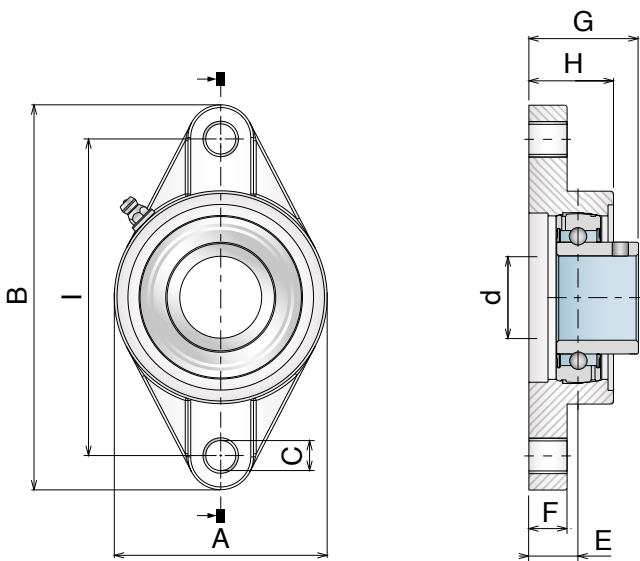
NEW

FL Grub screw

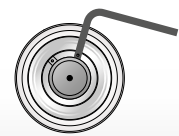
Standard bearings - solid version

Main features:

- Housing in reinforced polypropylene
- Stainless steel ball bearing (pre-lubricated)
- Stainless steel mounting hole spacers
- Nickel plated steel or SS grease nipple with self-forming thread M6
- Washer for grease nipple in PE



FIXING METHOD



GRUB SCREW

Stainless Steel											Caps (Accessories)	
Article-Number	Series	d	I	A	B	C	E	F	G	H	Close	Open
○ 81300 ● 81300B	FL 204	20	90	64	113	11	15,4	11,4	33,4	26,5	89801	89851
○ 81301 ● 81301B	FL 205	25	99	70	131	11	17	14	36,5	29,5	89802	89852
○ 81305 ● 81305B	FL 206/90,5	30	90,5	84	112,5	11	11,5	20,5	33,5	23,3	89803	89853
○ 81302 ● 81302B	FL 206		117	80	148	11	18	14	40	30,5	89803	89853
○ 81303 ● 81303B	FL 207	35	130	90	164	13	18	16,1	41,5	32,8	89804	89854
○ 81306 ● 81306B	FL 208/119	40	119	99	150	14	13,5	24,5	38,5	27,5	89805	89855
○ 81304 ● 81304B	FL 208		144	100	176	14	21,5	20	46,5	37,5	89805	89855

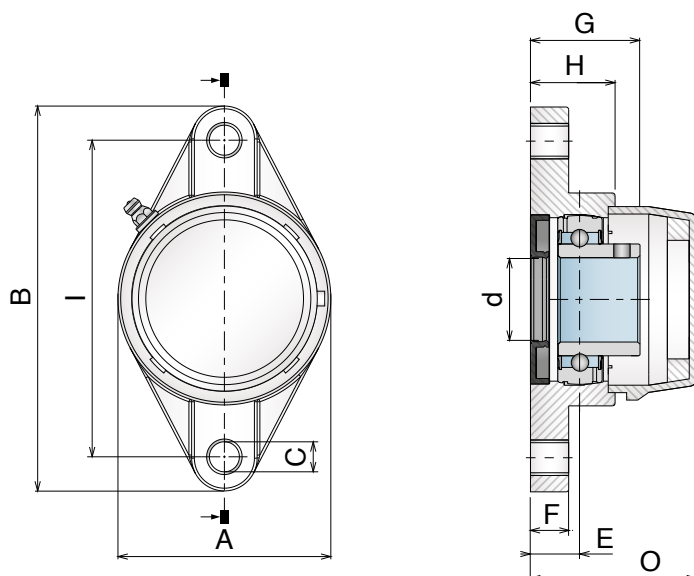
For blue caps, add "B" to the code (e.g.: 89801B)

FL Grub screw

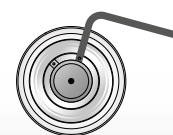
Watertight bearings - solid version

Main features:

- Housing in reinforced polypropylene
- Stainless steel ball bearing (pre-lubricated)
- Stainless steel mounting hole spacers
- Nickel plated steel or SS grease nipple with self-forming thread M6
- Polypropylene closed cap with O-ring seal
- Washer for grease nipple in PE
- NBR bottom seal



FIXING METHOD



GRUB SCREW

Stainless Steel		Article-Number	Series	d	I	A	B	C	E	F	G	H	O	
○	●	81320	81320B	FL 204	20	90	64	113	11	15,4	11,4	33,4	26,5	46,5
○	●	81321	81321B	FL 205	25	99	70	131	11	17	14	36,5	29,5	51
○	●	81325	81325B	FL 206/90,5	30	90,5	84	112,5	11	11,5	20,5	33,5	23,3	50
○	●	81322	81322B	FL 206		117	80	148	11	18	14	40	30,5	58
○	●	81323	81323B	FL 207	35	130	90	164	13	18	16,1	41,5	32,8	61
○	●	81326	81326B	FL 208/119	40	119	99	150	14	13,5	24,5	38,5	27,5	60,5
○	●	81324	81324B	FL 208		144	100	176	14	21,5	20	46,5	37,5	71

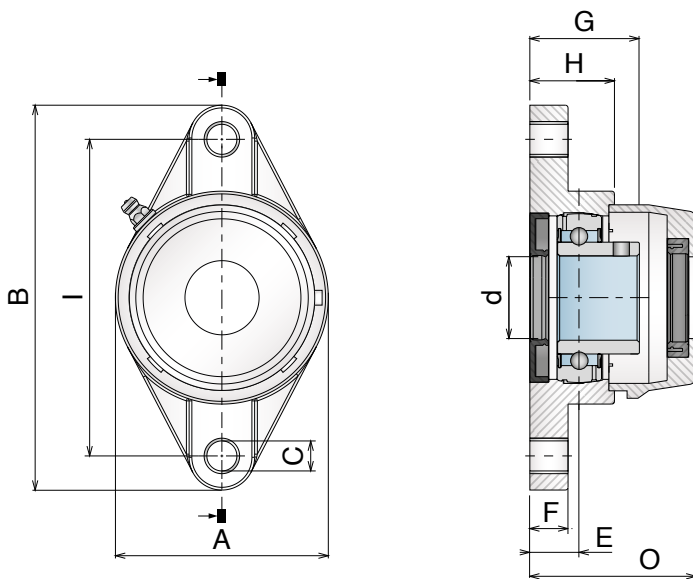
SS ProRun		Article-Number	Series	d	I	A	B	C	E	F	G	H	O	
○	●	81320L	81320BL	FL 204	20	90	64	113	11	15,4	11,4	33,4	26,5	46,5
○	●	81321L	81321BL	FL 205	25	99	70	131	11	17	14	36,5	29,5	51
○	●	81325L	81325BL	FL 206/90,5	30	90,5	84	112,5	11	11,5	20,5	33,5	23,3	50
○	●	81322L	81322BL	FL 206		117	80	148	11	18	14	40	30,5	58
○	●	81323L	81323BL	FL 207	35	130	90	164	13	18	16,1	41,5	32,8	61
○	●	81326L	81326BL	FL 208/119	40	119	99	150	14	13,5	24,5	38,5	27,5	60,5
○	●	81324L	81324BL	FL 208		144	100	176	14	21,5	20	46,5	37,5	71

FL Grub screw

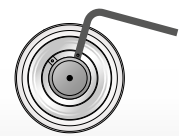
Watertight bearings - solid version

Main features:

- Housing in reinforced polypropylene
- Stainless steel ball bearing (pre-lubricated)
- Stainless steel mounting hole spacers
- Nickel plated steel or SS grease nipple with self-forming thread M6
- Polypropylene open cap with O-ring seal & NBR top seal
- Washer for grease nipple in PE
- NBR bottom seal



FIXING METHOD



GRUB SCREW

Stainless Steel		Series	d	I	A	B	C	E	F	G	H	O
○	81330 ● 81330B	FL 204	20	90	64	113	11	15,4	11,4	33,4	26,5	46,5
○	81331 ● 81331B	FL 205	25	99	70	131	11	17	14	36,5	29,5	51
○	81335 ● 81335B	FL 206/90,5	30	90,5	84	112,5	11	11,5	20,5	33,5	23,3	50
○	81332 ● 81332B	FL 206		117	80	148	11	18	14	40	30,5	58
○	81333 ● 81333B	FL 207	35	130	90	164	13	18	16,1	41,5	32,8	61
○	81336 ● 81336B	FL 208/119	40	119	99	150	14	13,5	24,5	38,5	27,5	60,5
○	81334 ● 81334B	FL 208		144	100	176	14	21,5	20	46,5	37,5	71

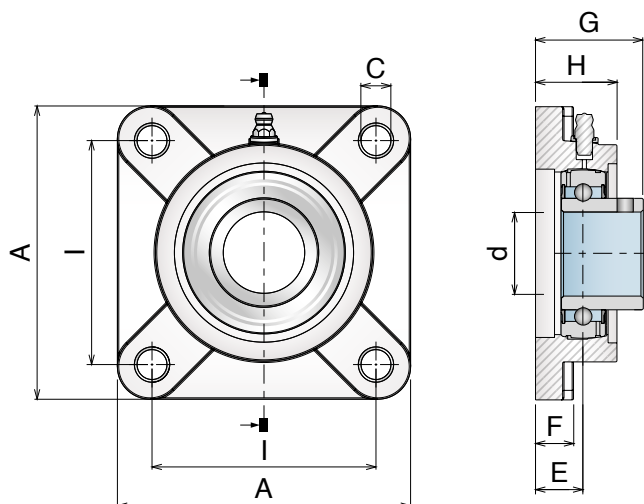
SS ProRun		Series	d	I	A	B	C	E	F	G	H	O
○	81330L ● 81330BL	FL 204	20	90	64	113	11	15,4	11,4	33,4	26,5	46,5
○	81331L ● 81331BL	FL 205	25	99	70	131	11	17	14	36,5	29,5	51
○	81335L ● 81335BL	FL 206/90,5	30	90,5	84	112,5	11	11,5	20,5	33,5	23,3	50
○	81332L ● 81332BL	FL 206		117	80	148	11	18	14	40	30,5	58
○	81333L ● 81333BL	FL 207	35	130	90	164	13	18	16,1	41,5	32,8	61
○	81336L ● 81336BL	FL 208/119	40	119	99	150	14	13,5	24,5	38,5	27,5	60,5
○	81334L ● 81334BL	FL 208		144	100	176	14	21,5	20	46,5	37,5	71

F Grub screw

Standard bearings - solid version

Main features:

- Housing in reinforced polypropylene
- Stainless steel ball bearing (pre-lubricated)
- Stainless steel mounting hole spacers
- Nickel plated steel or SS grease nipple with self-forming thread M6
- Washer for grease nipple in PE



FIXING METHOD



GRUB SCREW

Stainless Steel											Caps (Accessories)	
Article-Number	Series	d	I	A	C	E	F	G	H	Close	Open	
○ 81400 ● 81400B	F 204	20	63,5	86	11	18	13,4	34,8	25,3	89801	89851	
○ 81401 ● 81401B	F 205	25	70	95	11	17	14	35,8	28,5	89802	89852	
○ 81402 ● 81402B	F 206	30	83	107	11	19,2	14,3	40,8	31,5	89803	89853	
○ 81403 ● 81403B	F 207	35	92	118	13	21,5	15,5	42,8	34,4	89804	89854	
○ 81404 ● 81404B	F 208	40	102	130	14	23	17	46,2	33,4	89805	89855	

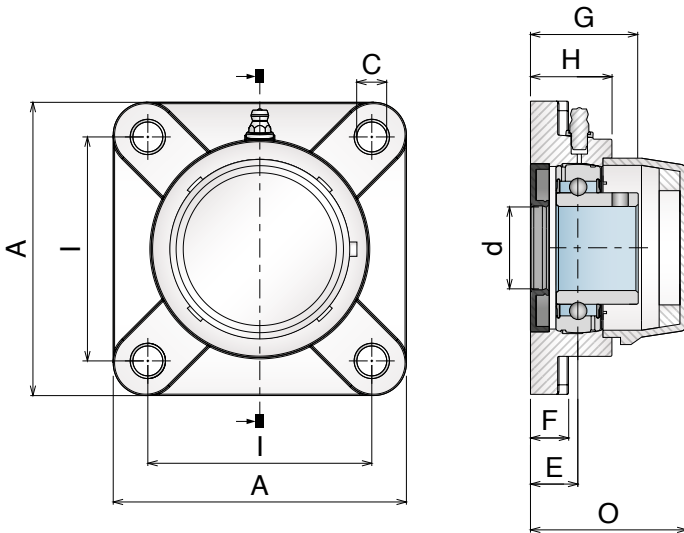
For blue caps, add "B" to the code (e.g.: 89801B)

F Grub screw

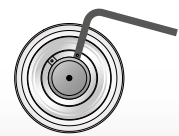
Watertight bearings - solid version

Main features:

- Housing in reinforced polypropylene
- Stainless steel ball bearing (pre-lubricated)
- Stainless steel mounting hole spacers
- Nickel plated steel or SS grease nipple with self-forming thread M6
- Polypropylene closed cap with O-ring seal
- Washer for grease nipple in PE
- NBR bottom seal



FIXING METHOD



GRUB SCREW

Stainless Steel

Article-Number	Series	d	I	A	C	E	F	G	H	O
○ 81420 ● 81420B	F 204	20	63,5	86	11	18	13,4	34,8	25,3	48,5
○ 81421 ● 81421B	F 205	25	70	95	11	17	14	35,8	28,5	51
○ 81422 ● 81422B	F 206	30	83	107	11	19,2	14,3	40,8	31,5	59
○ 81423 ● 81423B	F 207	35	92	118	13	21,5	15,5	42,8	34,4	62,5
○ 81424 ● 81424B	F 208	40	102	130	14	23	17	46,2	33,4	71

SS ProRun

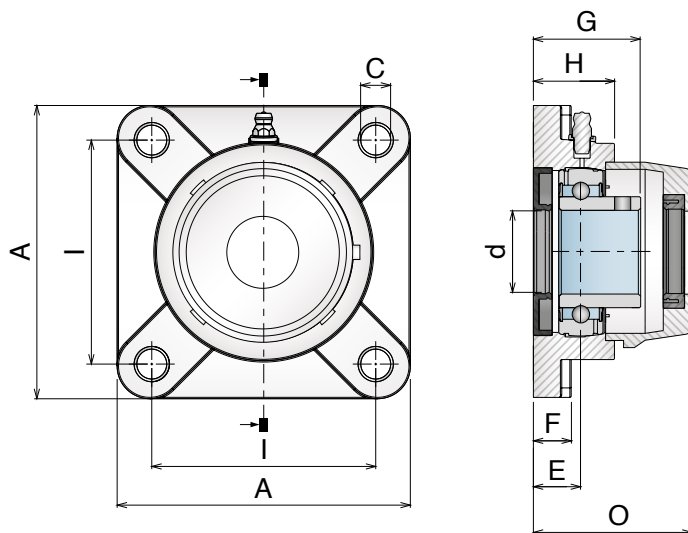
Article-Number	Series	d	I	A	C	E	F	G	H	O
○ 81420L ● 81420BL	F 204	20	63,5	86	11	18	13,4	34,8	25,3	48,5
○ 81421L ● 81421BL	F 205	25	70	95	11	17	14	35,8	28,5	51
○ 81422L ● 81422BL	F 206	30	83	107	11	19,2	14,3	40,8	31,5	59
○ 81423L ● 81423BL	F 207	35	92	118	13	21,5	15,5	42,8	34,4	62,5
○ 81424L ● 81424BL	F 208	40	102	130	14	23	17	46,2	33,4	71

F Grub screw

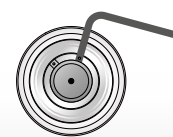
Watertight bearings - solid version

Main features:

- Housing in reinforced polypropylene
- Stainless steel ball bearing (pre-lubricated)
- Stainless steel mounting hole spacers
- Nickel plated steel or SS grease nipple with self-forming thread M6
- Polypropylene open cap with O-ring seal & NBR top seal
- Washer for grease nipple in PE
- NBR bottom seal



FIXING METHOD



GRUB SCREW

Stainless Steel

Article-Number	Series	d	I	A	C	E	F	G	H	O
○ 81430 ● 81430B	F 204	20	63,5	86	11	18	13,4	34,8	25,3	48,5
○ 81431 ● 81431B	F 205	25	70	95	11	17	14	35,8	28,5	51
○ 81432 ● 81432B	F 206	30	83	107	11	19,2	14,3	40,8	31,5	59
○ 81433 ● 81433B	F 207	35	92	118	13	21,5	15,5	42,8	34,4	62,5
○ 81434 ● 81434B	F 208	40	102	130	14	23	17	46,2	33,4	71

SS ProRun

Article-Number	Series	d	I	A	C	E	F	G	H	O
○ 81430L ● 81430BL	F 204	20	63,5	86	11	18	13,4	34,8	25,3	48,5
○ 81431L ● 81431BL	F 205	25	70	95	11	17	14	35,8	28,5	51
○ 81432L ● 81432BL	F 206	30	83	107	11	19,2	14,3	40,8	31,5	59
○ 81433L ● 81433BL	F 207	35	92	118	13	21,5	15,5	42,8	34,4	62,5
○ 81434L ● 81434BL	F 208	40	102	130	14	23	17	46,2	33,4	71

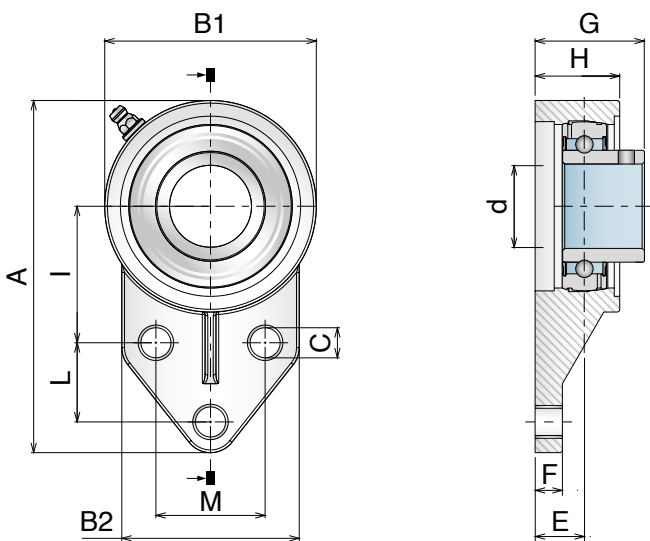
FB

Grub screw

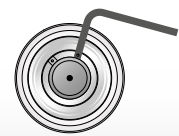
Standard bearings - solid version

Main features:

- Housing in reinforced polypropylene
- Stainless steel ball bearing (pre-lubricated)
- Stainless steel mounting hole spacers
- Nickel plated steel or SS grease nipple with self-forming thread M6
- Washer for grease nipple in PE



FIXING METHOD



GRUB SCREW

Stainless Steel														Caps (Accessories)				
Article-Number		Series	d	A	B1	B2	C	E	F	G	H	I	L	M	Close	Open		
○	81500	●	81500B	FB 204	20	108,5	62	62	11	15,4	12	33,4	26,2	42,9	22,2	38,1	89801	89851
○	81501	●	81501B	FB 205	25	120,6	68,5	63,5	11	21	12	40,5	33,5	46	28,6	41,3	89802	89852
○	81502	●	81502B	FB 206	30	140	82	75	11	19	14	41	31,5	52,4	31,8	47,6	89803	89853
○	81503	●	81503B	FB 207	35	158	94	89	13	21,4	17	44,9	36,5	60,3	31,8	50,8	89804	89854
○	81504	●	81504B	FB 208	40	164	100	78	13	21,4	18	46,4	35,7	60,3	41,3	50	89805	89855

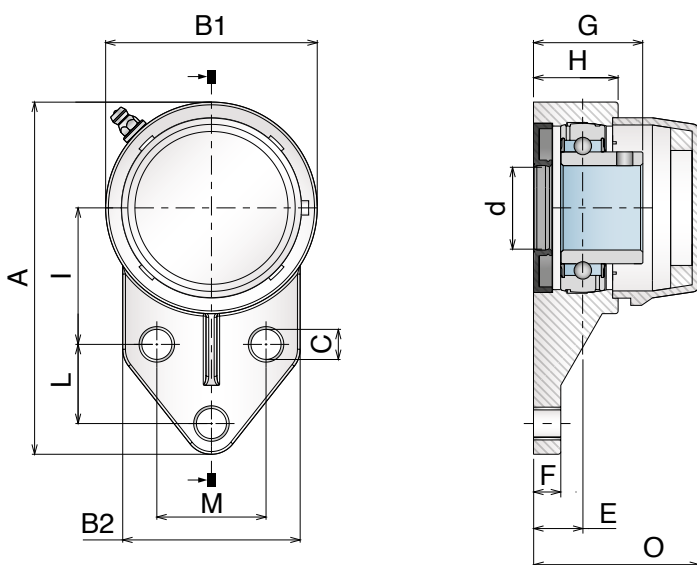
For blue caps, add "B" to the code (e.g.: 89801B)

FB Grub screw

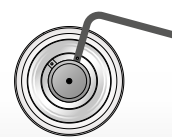
Watertight bearings - solid version

Main features:

- Housing in reinforced polypropylene
- Stainless steel ball bearing (pre-lubricated)
- Stainless steel mounting hole spacers
- Nickel plated steel or SS grease nipple with self-forming thread M6
- Polypropylene closed cap with O-ring seal
- Washer for grease nipple in PE
- NBR bottom seal



FIXING METHOD



GRUB SCREW

Stainless Steel

Article-Number	Series	d	A	B1	B2	C	E	F	G	H	I	L	M	O
○ 81520 ● 81520B	FB 204	20	108,5	62	62	11	15,4	12	33,4	26,2	42,9	22,2	38,1	46
○ 81521 ● 81521B	FB 205	25	120,6	68,5	63,5	11	21	12	40,5	33,5	46	28,6	41,3	54,5
○ 81522 ● 81522B	FB 206	30	140	82	75	11	19	14	41	31,5	52,4	31,8	47,6	58
○ 81523 ● 81523B	FB 207	35	158	94	89	13	21,4	17	44,9	36,5	60,3	31,8	50,8	65,5
○ 81524 ● 81524B	FB 208	40	164	100	78	13	21,4	18	46,4	35,7	60,3	41,3	50	70

SS ProRun

Article-Number	Series	d	A	B1	B2	C	E	F	G	H	I	L	M	O
○ 81520L ● 81520BL	FB 204	20	108,5	62	62	11	15,4	12	33,4	26,2	42,9	22,2	38,1	46
○ 81521L ● 81521BL	FB 205	25	120,6	68,5	63,5	11	21	12	40,5	33,5	46	28,6	41,3	54,5
○ 81522L ● 81522BL	FB 206	30	140	82	75	11	19	14	41	31,5	52,4	31,8	47,6	58
○ 81523L ● 81523BL	FB 207	35	158	94	89	13	21,4	17	44,9	36,5	60,3	31,8	50,8	65,5
○ 81524L ● 81524BL	FB 208	40	164	100	78	13	21,4	18	46,4	35,7	60,3	41,3	50	70

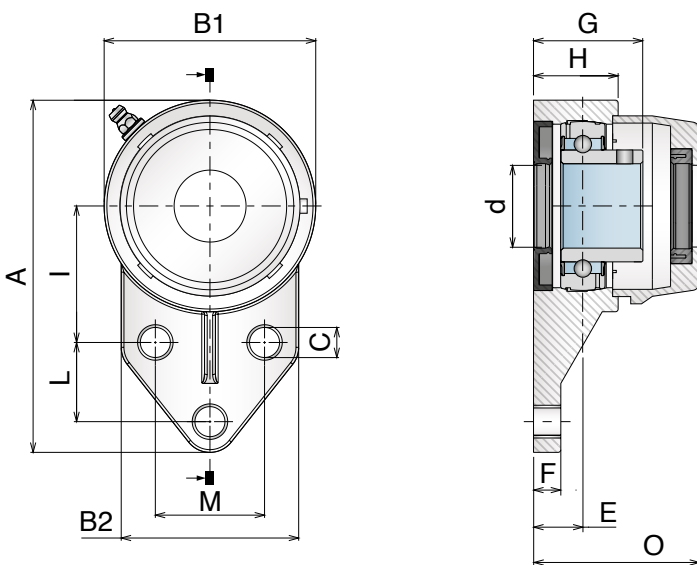
FB

Grub screw

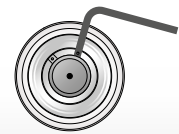
Watertight bearings - solid version

Main features:

- Housing in reinforced polypropylene
- Stainless steel ball bearing (pre-lubricated)
- Stainless steel mounting hole spacers
- Nickel plated steel or SS grease nipple with self-forming thread M6
- Polypropylene open cap with O-ring seal & NBR top seal
- Washer for grease nipple in PE
- NBR bottom seal



FIXING METHOD



GRUB SCREW

Stainless Steel

Article-Number	Series	d	A	B1	B2	C	E	F	G	H	I	L	M	O
○ 81530 ● 81530B	FB 204	20	108,5	62	62	11	15,4	12	33,4	26,2	42,9	22,2	38,1	46
○ 81531 ● 81531B	FB 205	25	120,6	68,5	63,5	11	21	12	40,5	33,5	46	28,6	41,3	54,5
○ 81532 ● 81532B	FB 206	30	140	82	75	11	19	14	41	31,5	52,4	31,8	47,6	58
○ 81533 ● 81533B	FB 207	35	158	94	89	13	21,4	17	44,9	36,5	60,3	31,8	50,8	65,5
○ 81534 ● 81534B	FB 208	40	164	100	78	13	21,4	18	46,4	35,7	60,3	41,3	50	70

SS ProRun

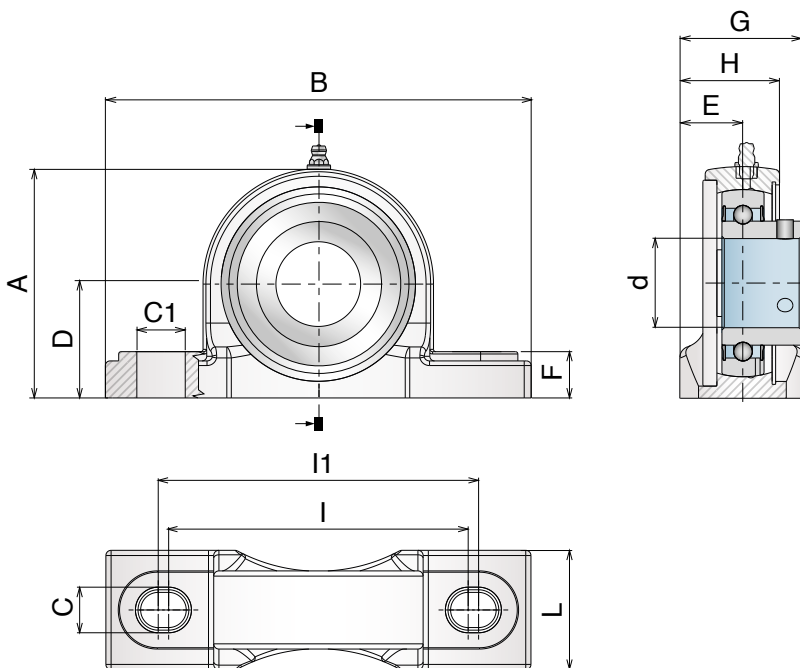
Article-Number	Series	d	A	B1	B2	C	E	F	G	H	I	L	M	O
○ 81530L ● 81530BL	FB 204	20	108,5	62	62	11	15,4	12	33,4	26,2	42,9	22,2	38,1	46
○ 81531L ● 81531BL	FB 205	25	120,6	68,5	63,5	11	21	12	40,5	33,5	46	28,6	41,3	54,5
○ 81532L ● 81532BL	FB 206	30	140	82	75	11	19	14	41	31,5	52,4	31,8	47,6	58
○ 81533L ● 81533BL	FB 207	35	158	94	89	13	21,4	17	44,9	36,5	60,3	31,8	50,8	65,5
○ 81534L ● 81534BL	FB 208	40	164	100	78	13	21,4	18	46,4	35,7	60,3	41,3	50	70

UCP Grub screw

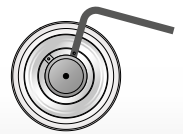
Standard bearings - solid version

Main features:

- Housing in reinforced polypropylene
- Stainless steel ball bearing (pre-lubricated)
- Stainless steel mounting hole spacers
- Nickel plated steel or SS grease nipple with self-forming thread M6
- Washer for grease nipple in PE



FIXING METHOD



GRUB SCREW

Stainless Steel															Caps (Accessories)	
Article-Number	Series	d	I	I1	A	B	C	C1	D	E	F	G	H	L	Close	Open
○ 81800 ● 81800B	UCP 204	20	92	98	65,5	127	11	14	34	18,8	15	37	30	37	89801	89851
○ 81801 ● 81801B	UCP 205	25	102	108	71	140,5	11	14	36,7	19	15	38	33	37,8	89802	89852
○ 81802 ● 81802B	UCP 206	30	115	123	83,5	163,6	14	18	43,3	23	17,8	46	38	46	89803	89853
○ 81803 ● 81803B	UCP 207	35	123	131	94,2	168	14	18	48	24	18	48	39	48	89804	89854
○ 81804 ● 81804B	UCP 208	40	133	141	98,8	184	14	18	50	26,9	20	51,8	43	53,6	89805	89855

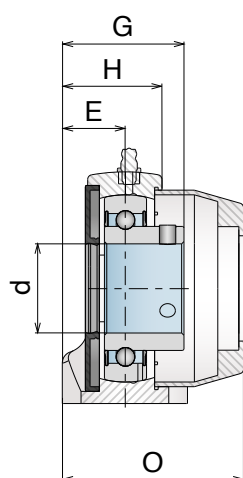
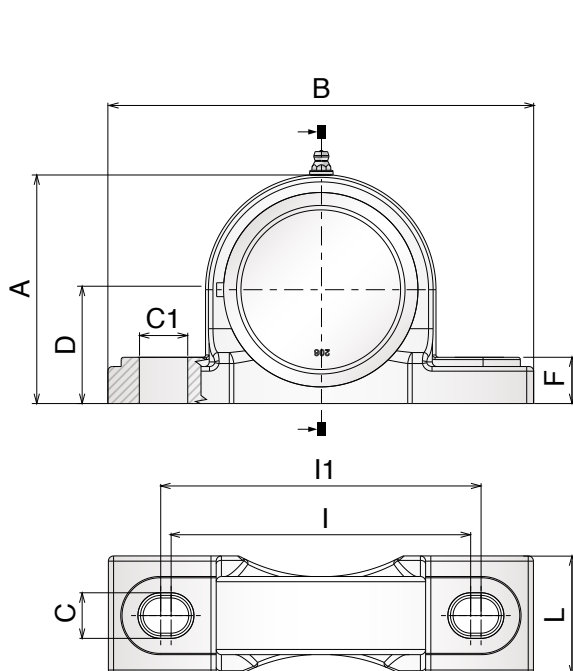
For blue caps, add "B" to the code (e.g.: 89801B)

UCP Grub screw

Watertight bearings - solid version

Main features:

- Housing in reinforced polypropylene
- Stainless steel ball bearing (pre-lubricated)
- Stainless steel mounting hole spacers
- Nickel plated steel or SS grease nipple with self-forming thread M6
- Polypropylene closed cap with O-ring seal
- Washer for grease nipple in PE
- NBR bottom seal



FIXING METHOD



GRUB SCREW

Stainless Steel

Article-Number	Series	d	I	I1	A	B	C	C1	D	E	F	G	H	L	O
○ 81820 ● 81820B	UCP 204	20	92	98	65,5	127	11	14	34	18,8	15	37	30	37	50
○ 81821 ● 81821B	UCP 205	25	102	108	71,1	140,5	11	14	36,7	19	15	38	33	37,8	54,1
○ 81822 ● 81822B	UCP 206	30	115	123	83,5	163,6	14	18	43,3	23	17,8	46	38	46	65
○ 81823 ● 81823B	UCP 207	35	123	131	94,2	168	14	18	48	24	18	48	39	48	67
○ 81824 ● 81824B	UCP 208	40	133	141	98,8	184	14	18	50	26,9	20	51,8	43	53,6	77,5

SS ProRun

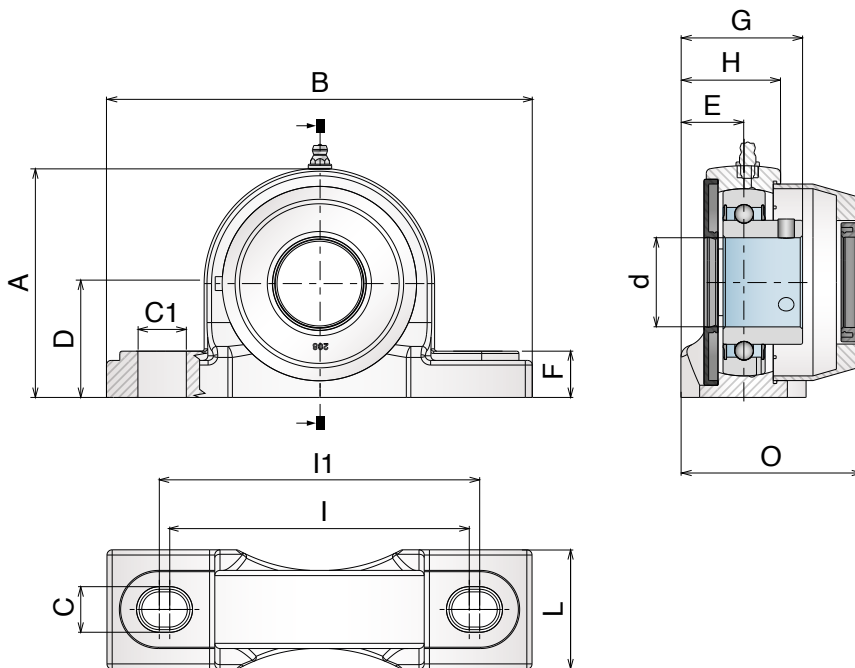
Article-Number	Series	d	I	I1	A	B	C	C1	D	E	F	G	H	L	O
○ 81820L ● 81820BL	UCP 204	20	92	98	65,5	127	11	14	34	18,8	15	37	30	37	50
○ 81821L ● 81821BL	UCP 205	25	102	108	71,1	140,5	11	14	36,7	19	15	38	33	37,8	54,1
○ 81822L ● 81822BL	UCP 206	30	115	123	83,5	163,6	14	18	43,3	23	17,8	46	38	46	65
○ 81823L ● 81823BL	UCP 207	35	123	131	94,2	168	14	18	48	24	18	48	39	48	67
○ 81824L ● 81824BL	UCP 208	40	133	141	98,8	184	14	18	50	26,9	20	51,8	43	53,6	77,5

UCP Grub screw

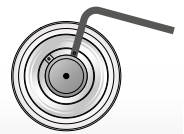
Watertight bearings - solid version

Main features:

- Housing in reinforced polypropylene
- Stainless steel ball bearing (pre-lubricated)
- Stainless steel mounting hole spacers
- Nickel plated steel or SS grease nipple with self-forming thread M6
- Polypropylene open cap with O-ring seal & NBR top seal
- Washer for grease nipple in PE
- NBR bottom seal



FIXING METHOD



GRUB SCREW

Stainless Steel

Article-Number	Series	d	I	I1	A	B	C	C1	D	E	F	G	H	L	O
81830	UCP 204	20	92	98	65,5	127	11	14	34	18,8	15	37	30	37	50
81831	UCP 205	25	102	108	71,1	140,5	11	14	36,7	19	15	38	33	37,8	54,1
81832	UCP 206	30	115	123	83,5	163,6	14	18	43,3	23	17,8	46	38	46	65
81833	UCP 207	35	123	131	94,2	168	14	18	48	24	18	48	39	48	67
81834	UCP 208	40	133	141	98,8	184	14	18	50	26,9	20	51,8	43	53,6	77,5

SS ProRun

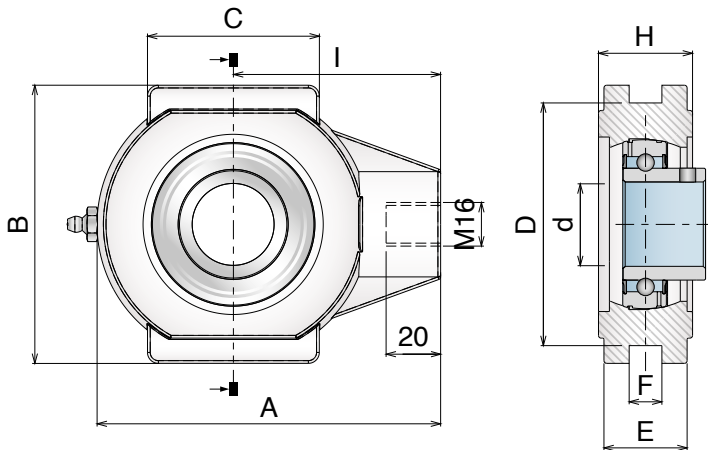
Article-Number	Series	d	I	I1	A	B	C	C1	D	E	F	G	H	L	O
81830L	UCP 204	20	92	98	65,5	127	11	14	34	18,8	15	37	30	37	50
81831L	UCP 205	25	102	108	71,1	140,5	11	14	36,7	19	15	38	33	37,8	54,1
81832L	UCP 206	30	115	123	83,5	163,6	14	18	43,3	23	17,8	46	38	46	65
81833L	UCP 207	35	123	131	94,2	168	14	18	48	24	18	48	39	48	67
81834L	UCP 208	40	133	141	98,8	184	14	18	50	26,9	20	51,8	43	53,6	77,5

UCT *Grub screw*

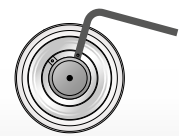
Standard bearings - solid version

Main features:

- Housing in reinforced polypropylene
- Stainless steel ball bearing (pre-lubricated)
- Stainless steel mounting hole spacers
- Nickel plated steel or SS grease nipple with self-forming thread M6
- Washer for grease nipple in PE



FIXING METHOD



GRUB SCREW

Stainless Steel											Caps (Accessories)	
Article-Number	Series	d	I	A	B	C	D	E	F	H	Close	Open
○ 86000 ● 86000B	UCT 204	20	64	99	88	47	76	23,5	12	27,5	89801	89851
○ 86001 ● 86001B	UCT 205	25	64	99	88	47	76	23,5	12	27,5	89802	89852
○ 86002 ● 86002B	UCT 206	30	76	125	102	63	90	30,5	12	34,5	89803	89853
○ 86003 ● 86003B	UCT 207	35	76	125	102	63	90	30,5	12	34,5	89804	89854
○ 86004 ● 86004B	UCT 208	40	140	114	80	102	33,5	16	38,5	70	89805	89855

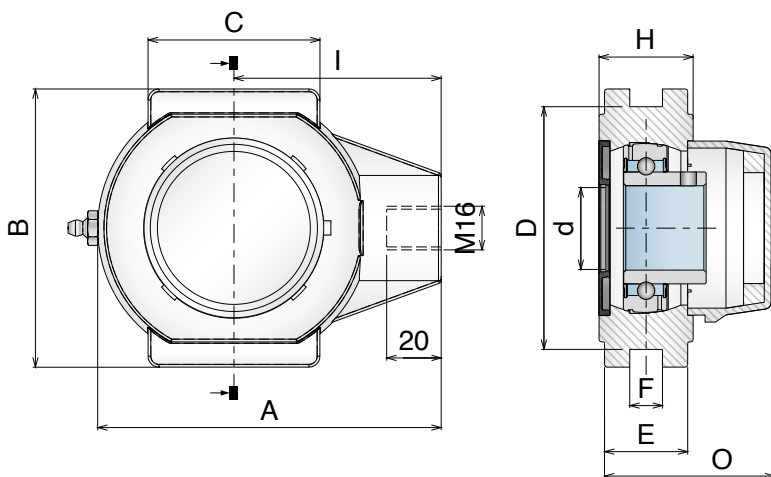
For blue caps, add "B" to the code (e.g.: 89802B)

UCT Grub screw

Watertight bearings - solid version

Main features:

- Housing in reinforced polypropylene
- Stainless steel ball bearing (pre-lubricated)
- Stainless steel mounting hole spacers
- Nickel plated steel or SS grease nipple with self-forming thread M6
- Polypropylene closed cap with O-ring seal
- Washer for grease nipple in PE
- NBR bottom seal



FIXING METHOD



GRUB SCREW

Stainless Steel

Article-Number	Series	d	I	A	B	C	D	E	F	H	O
○ 86020 ● 86020B	UCT 204	20	64	99	88	47	76	23,5	12	27,5	46,5
○ 86021 ● 86021B	UCT 205	25	64	99	88	47	76	23,5	12	27,5	46,5
○ 86022 ● 86022B	UCT 206	30	76	125	102	63	90	30,5	12	34,5	60
○ 86023 ● 86023B	UCT 207	35	76	125	102	63	90	30,5	12	34,5	62
○ 86024 ● 86024B	UCT 208	40	140	114	80	102	33,5	16	38,5	70	76

SS ProRun

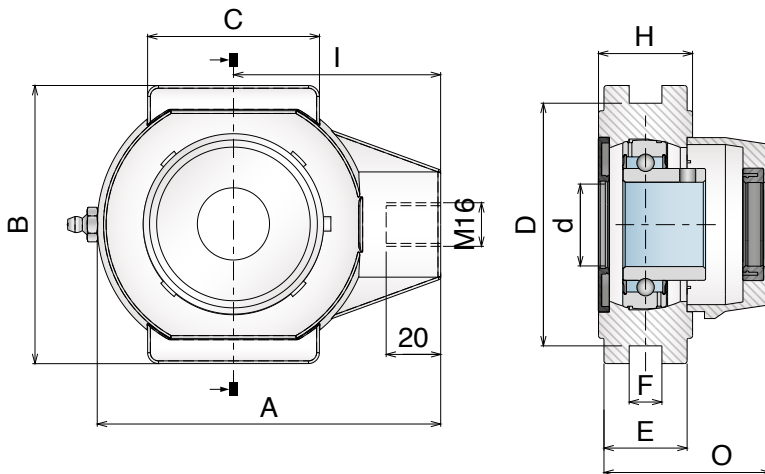
Article-Number	Series	d	I	A	B	C	D	E	F	H	O
○ 86020L ● 86020BL	UCT 204	20	64	99	88	47	76	23,5	12	27,5	46,5
○ 86021L ● 86021BL	UCT 205	25	64	99	88	47	76	23,5	12	27,5	46,5
○ 86022L ● 86022BL	UCT 206	30	76	125	102	63	90	30,5	12	34,5	60
○ 86023L ● 86023BL	UCT 207	35	76	125	102	63	90	30,5	12	34,5	62
○ 86024L ● 86024BL	UCT 208	40	140	114	80	102	33,5	16	38,5	70	76

UCT Grub screw

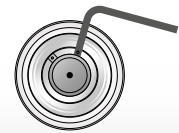
Watertight bearings - solid version

Main features:

- Housing in reinforced polypropylene
- Stainless steel ball bearing (pre-lubricated)
- Stainless steel mounting hole spacers
- Nickel plated steel or SS grease nipple with self-forming thread M6
- Polypropylene open cap with O-ring seal & NBR top seal
- Washer for grease nipple in PE
- NBR bottom seal



FIXING METHOD



GRUB SCREW

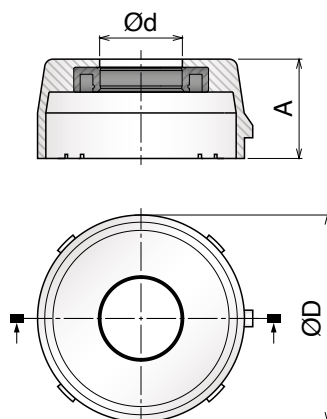
Stainless Steel

Article-Number	Series	d	I	A	B	C	D	E	F	H	O
○ 86030 ● 86030B	UCT 204	20	64	99	88	47	76	23,5	12	27,5	46,5
○ 86031 ● 86031B	UCT 205	25	64	99	88	47	76	23,5	12	27,5	46,5
○ 86032 ● 86032B	UCT 206	30	76	125	102	63	90	30,5	12	34,5	60
○ 86033 ● 86033B	UCT 207	35	76	125	102	63	90	30,5	12	34,5	62
○ 86034 ● 86034B	UCT 208	40	140	114	80	102	33,5	16	38,5	70	76

SS ProRun

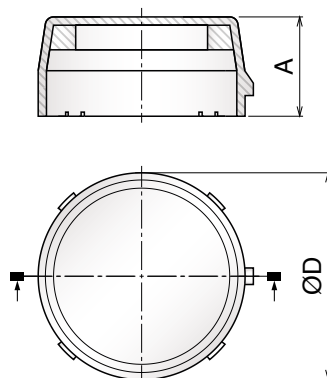
Article-Number	Series	d	I	A	B	C	D	E	F	H	O
○ 86030L ● 86030BL	UCT 204	20	64	99	88	47	76	23,5	12	27,5	46,5
○ 86031L ● 86031BL	UCT 205	25	64	99	88	47	76	23,5	12	27,5	46,5
○ 86032L ● 86032BL	UCT 206	30	76	125	102	63	90	30,5	12	34,5	60
○ 86033L ● 86033BL	UCT 207	35	76	125	102	63	90	30,5	12	34,5	62
○ 86034L ● 86034BL	UCT 208	40	140	114	80	102	33,5	16	38,5	70	76

898 Coperchio di sicurezza aperto / Open clip-on safety cap / Offene Schutzkappe



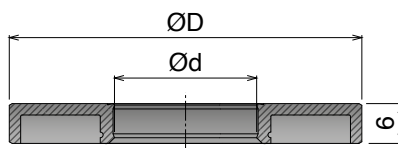
Color / Article - Nr.	ØD	Ød	A	Series
○ 89851	50	20	23	204
● 89851B	50	20	23	
○ 89852	55	25	25	205
● 89852B	55	25	25	
○ 89853	64	30	30	206
● 89853B	64	30	30	
○ 89854	73	35	32	207
● 89854B	73	35	32	
○ 89855	84	40	38	208
● 89855B	84	40	38	

898 Coperchio di sicurezza chiuso / Closed clip-on safety cap / Geschlossene Schutzkappe



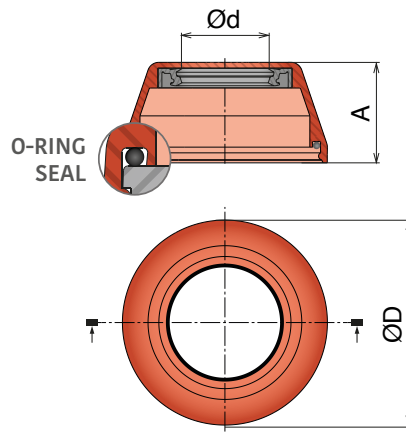
Color / Article - Nr.	ØD	A	Series
○ 89801	50	23	204
● 89801B	50	23	
○ 89802	55	25	205
● 89802B	55	25	
○ 89803	64	30	206
● 89803B	64	30	
○ 89804	73	32	207
● 89804B	73	32	
○ 89805	84	38	208
● 89805B	84	38	

897 Anello di tenuta igienico / Hygienic ealing ring / Dichtringe



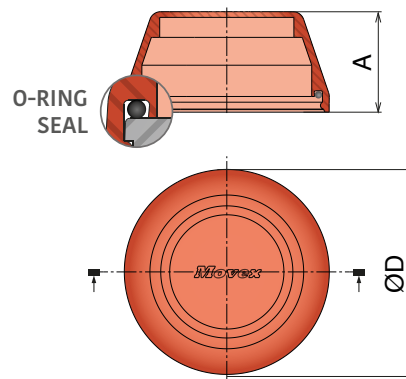
Color / Article - Nr.	ØD	Ød	Series
● 89701	52	20	204
● 89701B	52	20	
● 89702	62	25	205
● 89702B	62	25	
● 89703	72	30	206
● 89703B	72	30	
● 89704	82	35	207
● 89704B	82	35	
● 89705	88	40	208
● 89705B	88	40	

890 Coperchio di sicurezza aperto / Open clip-on safety cap / Offene Schutzkappe



Article - Nr.	Ød	ØD	A
89054-20	20	59	31
89051-20	20	68	29
89051-25	25	68	29
89055-25	25	71	35.2
89055-30	30	71	35.2
89052-30	30	79	35
89053-35	35	90	40
89053-40	40	90	40

890 Coperchio di sicurezza chiuso / Closed clip-on safety cap / Geschlossene Schutzkappe



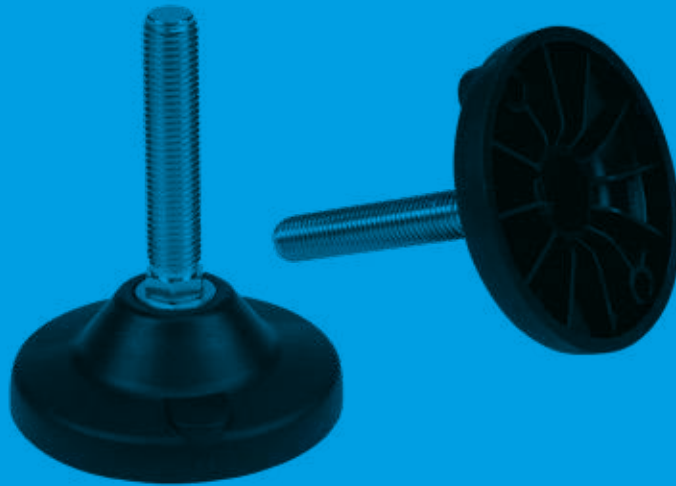
Article - Nr.	ØD	A
89004	59	31
89001	68	29
89005	71	35.2
89002	79	35
89003	90	40

*Design to stabilize,
built to last.*



Discover our wide range of Leveling Feet, crafted to deliver maximum support and stability across all sectors.

Browse this catalog section to find the perfect leveling foot for any application, including yours.



Basic Series

Ø40-Ø50-Ø60-Ø80-Ø100



Page 678

Articulated Series

Ø110 Ø123



Page 682

Muscle Series

Ø123



Page 686

P400R Series

Ø80-Ø100-Ø120



Page 689

STEEL Series

Ø123.5



Page 693

S400 Series

SPLIT
HEAVY
HEAVY-SPLIT



Page 695

S400B Series

SPLIT
HEAVY
HEAVY-SPLIT



Page 719

C500 Series

SPLIT
HEAVY
HEAVY-SPLIT



Page 745

Accessories

903



Page 763

903



Page 763

903



Page 764

998



Page 764

996



Page 764

Basic Series

Delivery: **Easy** **Standard**

Main features:

- Molded baseplate in polyamide
- Spindle in austenitic stainless steel or zinc plated steel

Other versions available:

- Double floor fixation
- Base and spindle made in polyamide and zinc plated insert.



The **BASIC series**, with plastic baseplate and fully threaded spindle is the standard choice for the industrial environments.

The spindle can be made with flat or hexagonal key wrench and is available in two different materials, zinc plated steel or stainless steel.

Maximum compressive strength (static load) as in the table, maximum tensile strength (static load) 500 N.

Accessori / Accessories / Zubehör



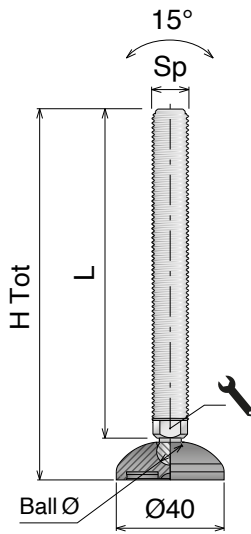
Gomma anti-scivolo
Anti-slip pad/Gummiplatte

Art-Nr.	For base
99601	Ø40
99602	Ø50
99603	Ø60
99604	Ø80
99605	Ø100



Dadi
Nuts/Sechskantmuttern

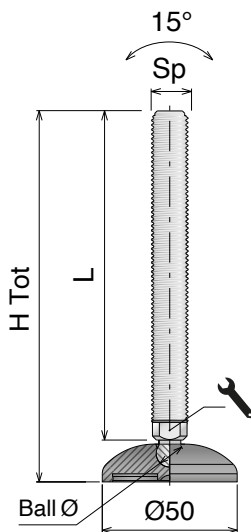
Art-Nr.	Sp	Material	Box
99801	M10	Stainless steel	50 pcs
99802	M12	Stainless steel	50 pcs
99804	M16	Stainless steel	10 pcs
99805	M20	Stainless steel	10 pcs
Art-Nr.	Sp	Material	Box
99801Z	M10	Zinc plated steel	50 pcs
99802Z	M12	Zinc plated steel	50 pcs
99804Z	M16	Zinc plated steel	10 pcs
99805Z	M20	Zinc plated steel	10 pcs



Ø40

DIAMETER (mm)

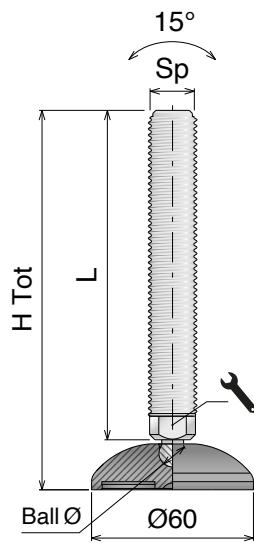
Art-Nr.	Art-Nr.	Sp	H Tot (mm)	L (mm)	Ball Ø (mm)	Wrench (mm)		Load (N)
SS	FeZn					7	9	
90101	90101Z	M10	50	35	6.85	7	-	10.000
90102	90102Z		100	85	6.85	7	-	
90103	90103Z		150	135	6.85	7	-	
90201	90201Z	M12	75	60	10	9	-	12.000
90202	90202Z		100	85	10	9	-	
90203	90203Z		150	135	10	9	-	
90301	90301Z	M16	75	60	10	13	-	15.000
90302	90302Z		100	85	10	13	-	
90303	90303Z		150	135	10	13	-	
90301H	90301ZH		75	60	10	-	16	
90302H	90302ZH		100	85	10	-	16	
90303H	90303ZH		150	135	10	-	16	



Ø50

DIAMETER (mm)

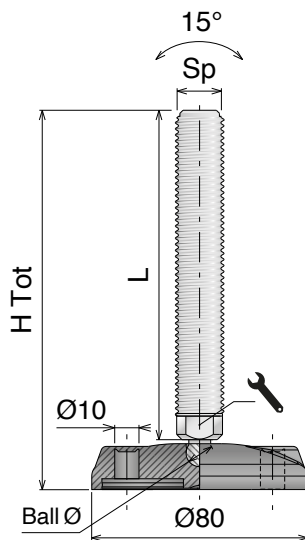
Art-Nr.	Art-Nr.	Sp	H Tot (mm)	L (mm)	Ball Ø (mm)	Wrench (mm)		Load (N)
SS	FeZn					7	9	
90401	90401Z	M10	50	35	6.85	7	-	10.000
90402	90402Z		100	85	6.85	7	-	
90403	90403Z		150	135	6.85	7	-	
90501	90501Z	M12	75	60	10	9	-	12.000
90502	90502Z		100	85	10	9	-	
90503	90503Z		150	135	10	9	-	
90601	90601Z	M16	75	60	10	13	-	15.000
90602	90602Z		100	85	10	13	-	
90603	90603Z		150	135	10	13	-	
90601H	90601ZH		75	60	10	-	16	
90602H	90602ZH		100	85	10	-	16	
90603H	90603ZH		150	135	10	-	16	



Ø60

DIAMETER (mm)

Art-Nr.	Art-Nr.	Sp	H Tot (mm)	L (mm)	Ball Ø (mm)	Wrench (mm)		Load (N)
SS	FeZn					Hex	Flat	
90701	90701Z	M12	80	60	10	9	-	12.000
90702	90702Z		105	85	10	9	-	
90703	90703Z		155	135	10	9	-	
90801	90801Z	M16	105	85	10	13	-	15.000
90802	90802Z		155	135	10	13	-	
90803	90803Z		205	185	10	13	-	
90801H	90801ZH		105	85	10	-	16	
90802H	90802ZH		155	135	10	-	16	
90803H	90803ZH		205	185	10	-	16	
90901	90901Z	M20	105	85	14,5	16	-	16.000
90902	90902Z		155	135	14,5	16	-	
90903	90903Z		205	185	14,5	16	-	
90901H	90901ZH		105	85	14,5	-	20	
90902H	90902ZH		155	135	14,5	-	20	
90903H	90903ZH		205	185	14,5	-	20	



Ø80

DIAMETER (mm)

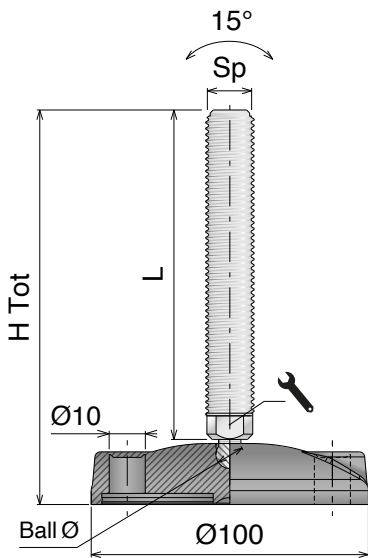
X2
FIXING POINT

Art-Nr.	Art-Nr.	Sp	H Tot (mm)	L (mm)	Ball Ø (mm)	Wrench (mm)		Load (N)
SS	FeZn					Hex	Flat	
95301	95301Z	M12	80	60	10	9	-	12.000
95302	95302Z		105	85	10	9	-	
95303	95303Z		155	135	10	9	-	
95401	95401Z	M16	105	85	10	13	-	15.000
95402	95402Z		155	135	10	13	-	
95403	95403Z		205	185	10	13	-	
95401H	95401ZH		105	85	10	-	16	
95402H	95402ZH		155	135	10	-	16	
95403H	95403ZH		205	185	10	-	16	
95501	95501Z	M20	105	85	14,5	16	-	18.000
95502	95502Z		155	135	14,5	16	-	
95503	95503Z		205	185	14,5	16	-	
95501H	95501ZH		105	85	14,5	-	20	
95502H	95502ZH		155	135	14,5	-	20	
95503H	95503ZH		205	185	14,5	-	20	

Materiale / Material / Materialien:

SS: Acciaio inox / Stainless steel / Edelstahl

FeZn: Ferro zincato / Zinc plated steel / Stahl Verzinkt



Ø 100

DIAMETER (mm)

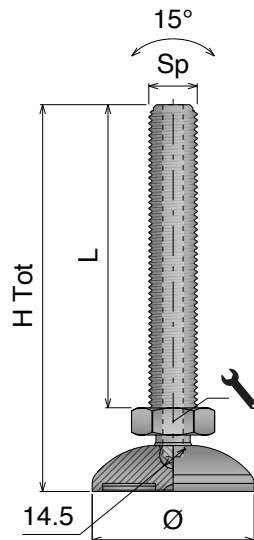


Art-Nr.	Art-Nr.	Sp	H Tot (mm)	L (mm)	Ball Ø (mm)	Wrench (mm)		Load (N)
SS	FeZn					13	16	
95601	95601Z	M16	108	85	10	13	-	15.000
95602	95602Z		158	135	10	13	-	
95603	95603Z		208	185	10	13	-	
95601H	95601ZH		108	85	10	-	16	
95602H	95602ZH		158	135	10	-	16	
95603H	95603ZH		208	185	10	-	16	
95701	95701Z	M20	108	85	14,5	16	-	18.000
95702	95702Z		158	135	14,5	16	-	
95703	95703Z		208	185	14,5	16	-	
95701H	95701ZH		108	85	14,5	-	20	
95702H	95702ZH		158	135	14,5	-	20	
95703H	95703ZH		208	185	14,5	-	20	



Basic Series POLYAMIDE VERSION

Base and spindle made in polyamide and zinc plated insert.



Ø 60

DIAMETER (mm)



Art-Nr.	Sp	H Tot (mm)	L (mm)	Wrench (mm)	Load (N)
FeZn insert				16	
90810PH	M16	105	76	24	12.000

Ø 80

DIAMETER (mm)



Art-Nr.	Sp	H Tot (mm)	L (mm)	Wrench (mm)	Load (N)
FeZn insert				16	
95410PH	M16	105	76	24	12.000

Ø 100

DIAMETER (mm)



Art-Nr.	Sp	H Tot (mm)	L (mm)	Wrench (mm)	Load (N)
FeZn insert				16	
95710PH	M16	110	76	24	12.000

Articulated Series

Delivery: **Easy** **Standard**

Main features:

- Molded baseplate in polyamide
- Spindle in austenitic stainless steel or zinc plated steel

Other versions available:

- Anti-slip NBR rubber pad
- Double floor fixation
- With PA ball



The **ARTICULATED series**, with plastic baseplate and fully threaded spindle is the standard choice for the industrial environments.

The spindle is made with hexagonal key wrench and available in two different materials, zinc plated steel or stainless steel and the baseplate is available with or without rubber pad.

Maximum compressive strength (static load) as in the table, maximum tensile strength (static load) 500 N.

Accessori / Accessories / Zubehör



Gomma anti-scivolo Anti-slip pad/Gummiplatte

Art-Nr.	For base
99607	Ø110
99608	Ø123



Dadi Nuts/Sechskantmuttern

Art-Nr.	Sp	Material	Box
99804	M16	Stainless steel	10 pcs
99805	M20	Stainless steel	10 pcs
99806	M24	Stainless steel	5 pcs
Art-Nr.	Sp	Material	Box
99804Z	M16	Zinc plated steel	10 pcs
99805Z	M20	Zinc plated steel	10 pcs
99806Z	M24	Zinc plated steel	5 pcs

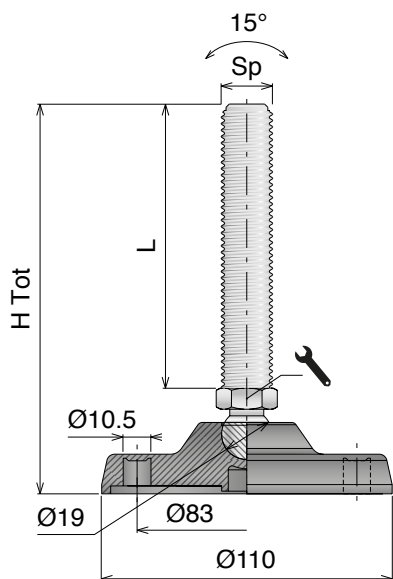
Materiale / Material / Materialien:

SS: Acciaio inox / Stainless steel / Edelstahl

FeZn: Ferro zincato / Zinc plated steel / Stahl Verzinkt

Articulated Series

Piedi di livellamento / Leveling feet / Nivellierfüße



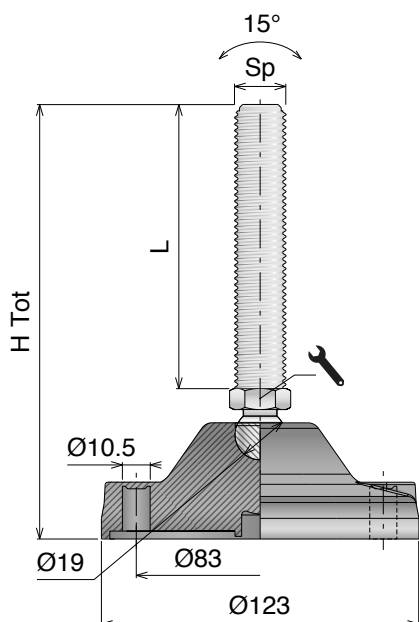
Ø110

DIAMETER (mm)



FIXING POINT

Art-Nr.	Art-Nr.	Sp	H Tot (mm)	L (mm)	Wrench (mm)	Load (N)
SS	FeZn				⬡	
94301H	94301ZH	M16	155	115	20	15.000
94302H	94302ZH		185	145	20	
94303H	94303ZH		235	195	20	
94401H	94401ZH	M20	155	115	20	
94402H	94402ZH		185	145	20	
94403H	94403ZH		235	195	20	
94501H	94501ZH	M24	155	115	24	18.000
94502H	94502ZH		185	145	24	
94503H	94503ZH		235	195	24	



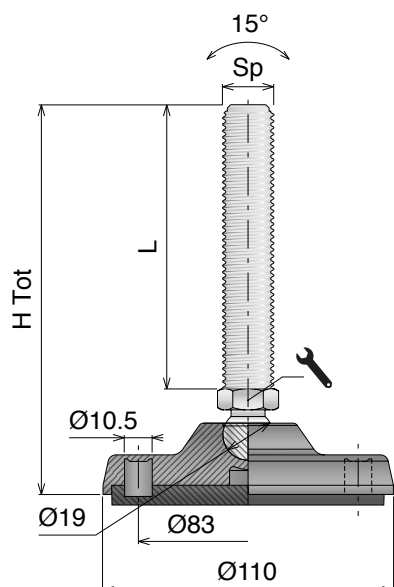
Ø123

DIAMETER (mm)



FIXING POINT

Art-Nr.	Art-Nr.	Sp	H Tot (mm)	L (mm)	Wrench (mm)	Load (N)
SS	FeZn				⬡	
94801H	94801ZH	M16	175	115	20	25.000
94802H	94802ZH		205	145	20	
94803H	94803ZH		255	195	20	
94901H	94901ZH	M20	175	115	20	
94902H	94902ZH		205	145	20	
94903H	94903ZH		255	195	20	
95001H	95001ZH	M24	175	115	24	
95002H	95002ZH		205	145	24	
95003H	95003ZH		255	195	24	



Ø110

DIAMETER (mm)



FIXING POINT



ANTI-SLIP

Art-Nr.	Art-Nr.	Sp	H Tot (mm)	L (mm)	Wrench (mm)	Load (N)
SS	FeZn				⬡	
94351H	94351ZH	M16	155	115	20	15.000
94352H	94352ZH		185	145	20	
94353H	94353ZH		235	195	20	
94451H	94451ZH	M20	155	115	20	
94452H	94452ZH		185	145	20	
94453H	94453ZH		235	195	20	
94551H	94551ZH	M24	155	115	24	18.000
94552H	94552ZH		185	145	24	
94553H	94553ZH		235	195	24	

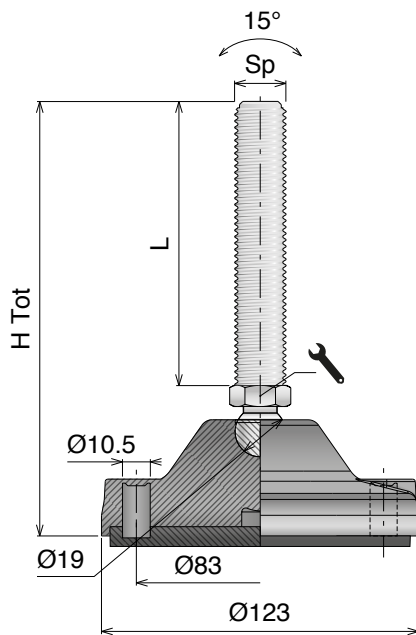
Articulated Series

Piedi di livellamento / Leveling feet / Nivellierfüße

Materiale / Material / Materialien:

SS: Acciaio inox / Stainless steel / Edelstahl

FeZn: Ferro zincato / Zinc plated steel / Stahl Verzinkt



Ø123

DIAMETER (mm)

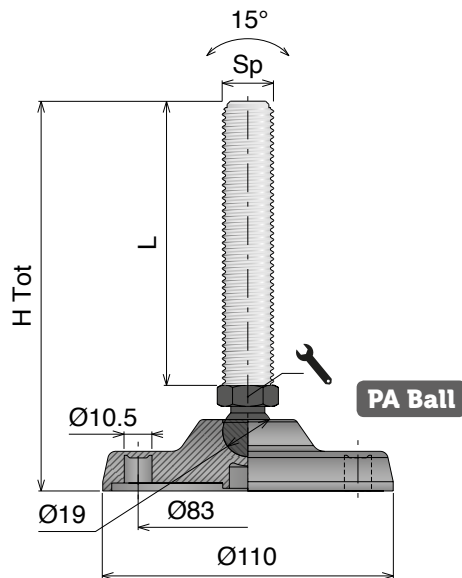


FIXING POINT



ANTI-SLIP

Art-Nr.	Art-Nr.	Sp	H Tot (mm)	L (mm)	Wrench (mm)	Load (N)
SS	FeZn				⬡	
94851H	94851ZH	M16	175	115	20	25.000
94852H	94852ZH		205	145	20	
94853H	94853ZH		255	195	20	
94951H	94951ZH	M20	175	115	20	25.000
94952H	94952ZH		205	145	20	
94953H	94953ZH		255	195	20	
95051H	95051ZH	M24	175	115	24	25.000
95052H	95052ZH		205	145	24	
95053H	95053ZH		255	195	24	



Ø110

DIAMETER (mm)



PA-BALL

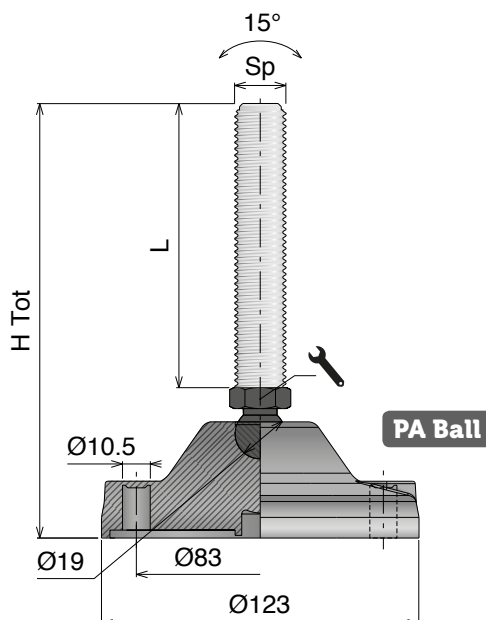


FIXING POINT

Art-Nr.	Art-Nr.	Sp	H Tot (mm)	L (mm)	Wrench (mm)	Load (N)
SS	FeZn				⬡	
-	94601ZH	M16	155	115	24	12.000
94602H	94602ZH		185	145	24	
94603H	94603ZH		235	195	24	
94701H	94701ZH	M20	155	115	24	12.000
-	94702ZH		185	145	24	
94703H	94703ZH		235	195	24	



Best Value



Ø123

DIAMETER (mm)



PA-BALL



FIXING POINT

Art-Nr.	Art-Nr.	Sp	H Tot (mm)	L (mm)	Wrench (mm)	Load (N)
SS	FeZn				⬡	
-	95101ZH	M16	175	115	24	20.000
95102H	95102ZH		205	145	24	
95103H	95103ZH		255	195	24	
95201H	95201ZH	M20	175	115	24	20.000
-	95202ZH		205	145	24	
95203H	95203ZH		255	195	24	



Best Value

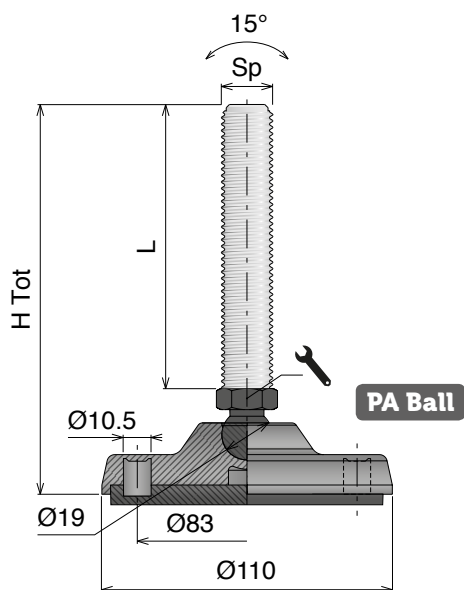
Materiali / Material / Materialien:

SS: Acciaio inox / Stainless steel / Edelstahl

FeZn: Ferro zincato / Zinc plated steel / Stahl Verzinkt

Articulated Series

Piedi di livellamento / Leveling feet / Nivellierfüße



Ø110

DIAMETER (mm)



PA-BALL



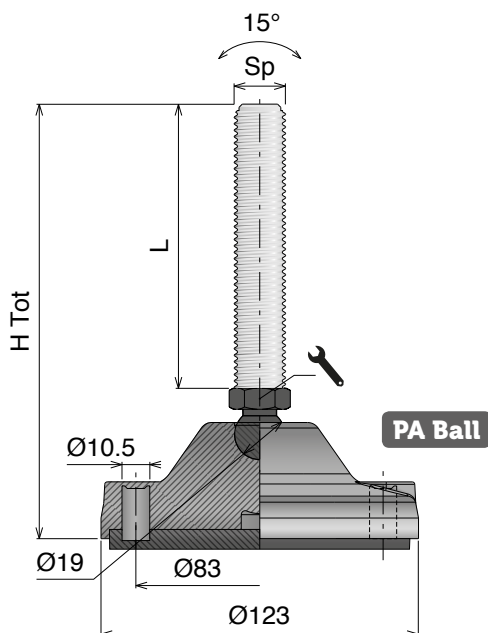
FIXING POINT X2



ANTI-SLIP

Art-Nr.	Art-Nr.	Sp	H Tot (mm)	L (mm)	Wrench (mm)	Load (N)
SS	FeZn				24	
-	94651ZH	M16	155	115	24	12.000
94652H	94652ZH		185	145	24	
94653H	94653ZH		235	195	24	
94751H	94751ZH	M20	155	115	24	12.000
-	94752ZH		185	145	24	
94753H	94753ZH		235	195	24	

Best Value



Ø123

DIAMETER (mm)



PA-BALL



FIXING POINT X2



ANTI-SLIP

Art-Nr.	Art-Nr.	Sp	H Tot (mm)	L (mm)	Wrench (mm)	Load (N)
SS	FeZn				24	
-	95151ZH	M16	175	115	24	20.000
95152H	95152ZH		205	145	24	
95153H	95153ZH		255	195	24	
95251H	95251ZH	M20	175	115	24	20.000
-	95252ZH		205	145	24	
95253H	95253ZH		255	195	24	

Best Value

Muscle Series

Delivery: **Easy** **Standard**

Main features:

- Molded baseplate in polyamide
- Spindle in austenitic stainless steel or zinc plated steel
- Washer in austenitic stainless steel
- Double floor fixation points

Other versions available:

- Anti-slip NBR rubber pad
- Double floor fixation



The **MUSCLE series**, with plastic baseplate, fully threaded spindle and stainless steel washer is the standard choice for the industrial environments.

The spindle can be made with flat or hexagonal key wrench and is available in two different materials, zinc plated steel or stainless steel and the baseplate is available with or without rubber pad.

The spindle is fixed by using a circlip or with a self-locking nut.

Maximum compressive strength (static load) as in the table, maximum tensile strength (static load) 1.000 N

Accessori / Accessories / Zubehör



Gomma anti-scivolo
Anti-slip pad/Gummiplatte

Art-Nr.	For base
99608	Ø123



Dadi
Nuts/Sechskantmuttern

Art-Nr.	Sp	Material	Box
99805	M20	Stainless steel	10 pcs
99806	M24	Stainless steel	5 pcs
99807	M30	Stainless steel	5 pcs
Art-Nr.	Sp	Material	Box
99805Z	M20	Zinc plated steel	10 pcs
99806Z	M24	Zinc plated steel	5 pcs
99807Z	M30	Zinc plated steel	5 pcs

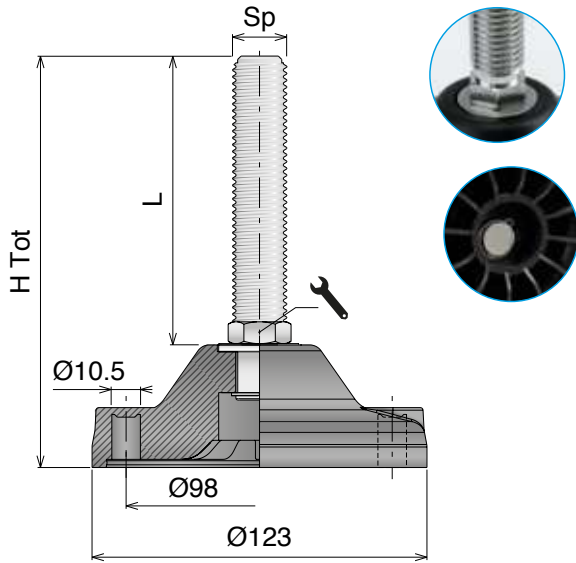
Materiale / Material / Materialien:

SS: Acciaio inox / Stainless steel / Edelstahl

FeZn: Ferro zincato / Zinc plated steel / Stahl Verzinkt

Muscle Series

Piedi di livellamento / Leveling feet / Nivellierfüße



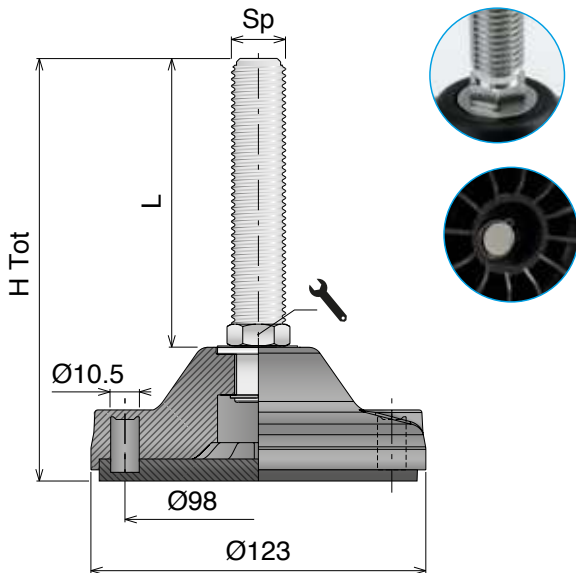
Ø123 Type A

DIAMETER (mm)



FIXING POINT

Art-Nr.	Art-Nr.	Sp	H Tot (mm)	L (mm)	Wrench (mm)	Load (N)
SS	FeZn				20	
95801H	95801ZH	M20	150	98	20	30.000
95802H	95802ZH		200	148	20	
95803H	95803ZH		250	198	20	
95901H	95901ZH	M24	150	98	24	30.000
95902H	95902ZH		200	148	24	
95903H	95903ZH		250	198	24	



Ø123 Type A

DIAMETER (mm)

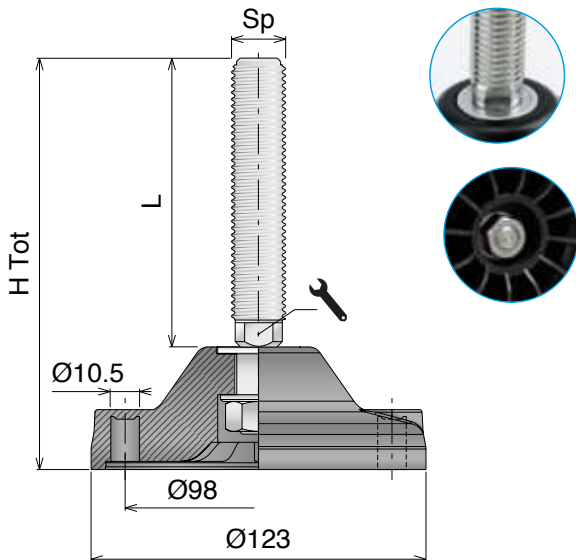


FIXING POINT



ANTI-SLIP

Art-Nr.	Art-Nr.	Sp	H Tot (mm)	L (mm)	Wrench (mm)	Load (N)
SS	FeZn				20	
95851H	95851ZH	M20	150	98	20	30.000
95852H	95852ZH		200	148	20	
95853H	95853ZH		250	198	20	
95951H	95951ZH	M24	150	98	24	30.000
95952H	95952ZH		200	148	24	
95953H	95953ZH		250	198	24	



Ø123 Type B

DIAMETER (mm)



FIXING POINT

Art-Nr.	Art-Nr.	Sp	H Tot (mm)	L (mm)	Wrench (mm)	Load (N)
SS	FeZn				16	
93102	93102Z	M20	200	148	16	30.000
93103	-		250	198	16	
93203	-	M24	250	198	19	30.000
93302	-	M30	200	148	24	
93303	93303Z		250	198	24	

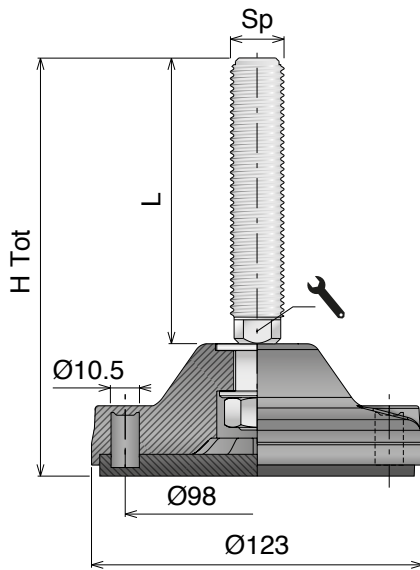
Muscle Series

Piedi di livellamento / Leveling feet / Nivellierfüße

Materiale / Material / Materialien:

SS: Acciaio inox / Stainless steel / Edelstahl

FeZn: Ferro zincato / Zinc plated steel / Stahl Verzinkt



Ø123 Type B
DIAMETER (mm)

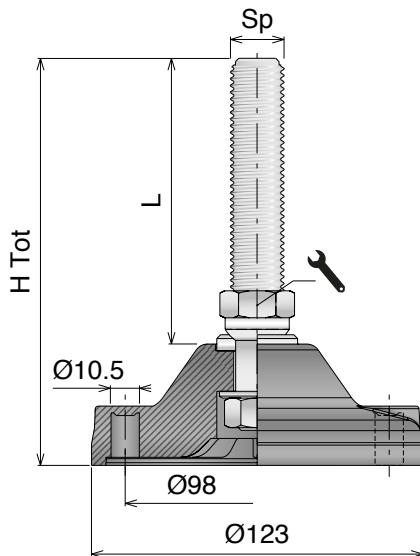


FIXING POINT



ANTI-SLIP

Art-Nr.	Art-Nr.	Sp	H Tot (mm)	L (mm)	Wrench (mm)	Load (N)
SS	FeZn				16	
93152	93152Z	M20	200	148	16	
93153	-		250	198	16	
93253	-	M24	250	198	19	30.000
93352	-	M30	200	148	24	
93353	93353Z		250	198	24	

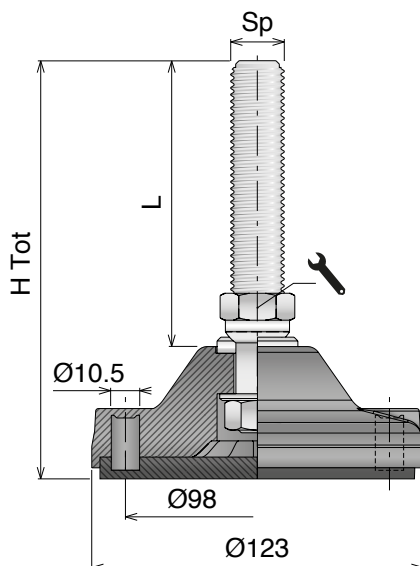


Ø123 Type C
DIAMETER (mm)



FIXING POINT

Art-Nr.	Art-Nr.	Sp	H Tot (mm)	L (mm)	Wrench (mm)	Load (N)
SS	FeZn				24	
98103H	98103ZH	M20	250	198	24	30.000
98203H	98203ZH	M24	250	198	24	
98302H	-	M30	200	148	32	
98303H	98303ZH		250	198	32	



Ø123 Type C
DIAMETER (mm)



FIXING POINT



ANTI-SLIP

Art-Nr.	Art-Nr.	Sp	H Tot (mm)	L (mm)	Wrench (mm)	Load (N)
SS	FeZn				24	
98153H	98153ZH	M20	250	198	24	30.000
98253H	98253ZH	M24	250	198	24	
98352H	-	M30	200	148	32	
98353H	98353ZH		250	198	32	

P400R Series

RANGE EXTENSION

Delivery: **Easy** **Standard**

Main features:

- Molded baseplate in polyamide
- Spindle in austenitic stainless steel or zinc plated steel
- Washer in austenitic stainless steel

Versions available:

- Anti-slip NBR rubber pad
- Double floor fixation



The **P400R series**, with plastic baseplate, fully threaded spindle and stainless steel washer is the best choice for industrial environments where a medium-high level of hygiene is required.

The compact baseplate and the smooth edges guarantee an excellent cleanability, even in critical conditions and the stainless steel washer ensures complete closure between the spindle and the baseplate.

Maximum compressive strength (static load) as in the table, maximum tensile strength (static load) 500 N.

Accessori / Accessories / Zubehör



Gomma anti-scivolo
Anti-slip pad/Gummiplatte

Art-Nr.	For base
99604	Ø80
99605	Ø100
99606	Ø120



Dadi
Nuts/Sechskantmuttern

Art-Nr.	Sp	Material	Box
99802	M12	Stainless steel	10 pcs
99804	M16	Stainless steel	10 pcs
99805	M20	Stainless steel	10 pcs
99806	M24	Stainless steel	5 pcs
99802Z	M12	Zinc plated steel	10 pcs
99804Z	M16	Zinc plated steel	10 pcs
99805Z	M20	Zinc plated steel	10 pcs
99806Z	M24	Zinc plated steel	5 pcs

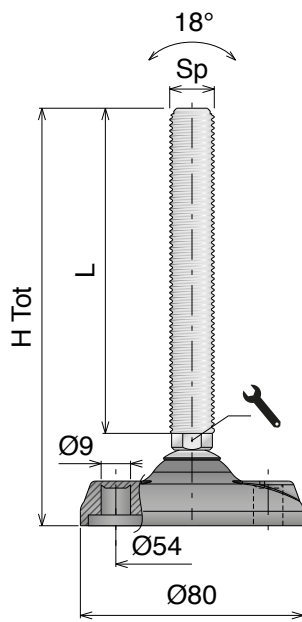
P400R Series

Piedi di livellamento / Leveling feet / Nivellierfüße

Materiale / Material / Materialien:

SS: Acciaio inox / Stainless steel / Edelstahl

FeZn: Ferro zincato / Zinc plated steel / Stahl Verzinkt



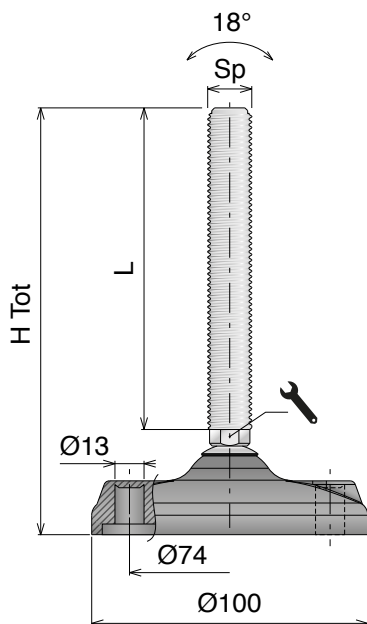
Ø80

DIAMETER (mm)



FIXING POINT

Art-Nr.	Art-Nr.	Sp	H Tot (mm)	L (mm)	Wrench (mm)		Load (N)
SS	FeZn				Hex	Hex	
91001	91001Z	M12	100	67	9	-	12.000
91002	91002Z		150	117	9	-	
91003	91003Z		200	167	9	-	
91101	91101Z	M16	95	61	13	-	15.000
91102	91102Z		145	111	13	-	
91103	91103Z		195	161	13	-	
91101H	91101ZH		95	61	-	16	
91102H	91102ZH		145	111	-	16	
91103H	91103ZH		195	161	-	16	
91201	91201Z	M20	120	84	16	-	16.000
91202	91202Z		170	134	16	-	
91203	91203Z		220	184	16	-	
91201H	91201ZH		120	84	-	20	
91202H	91202ZH		170	134	-	20	
91203H	91203ZH		220	184	-	20	



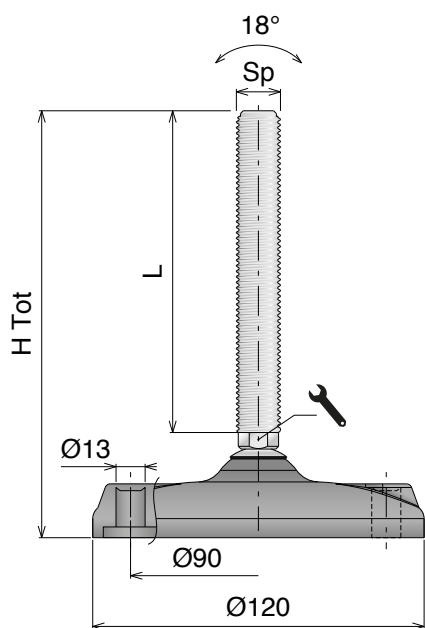
Ø100

DIAMETER (mm)



FIXING POINT

Art-Nr.	Art-Nr.	Sp	H Tot (mm)	L (mm)	Wrench (mm)		Load (N)
SS	FeZn				Hex	Hex	
91301	91301Z	M16	100	61	13	-	15.000
91302	91302Z		150	111	13	-	
91303	91303Z		200	161	13	-	
91301H	91301ZH		100	61	-	16	
91302H	91302ZH		150	111	-	16	
91303H	91303ZH		200	161	-	16	
91401	91401Z	M20	125	84	16	-	16.000
91402	91402Z		175	134	16	-	
91403	91403Z		225	184	16	-	
91401H	91401ZH		125	84	-	20	
91402H	91402ZH		175	134	-	20	
91403H	91403ZH		225	184	-	20	
91501	91501Z	M24	125	83	19	-	18.000
91502	91502Z		175	133	19	-	
91503	91503Z		225	183	19	-	



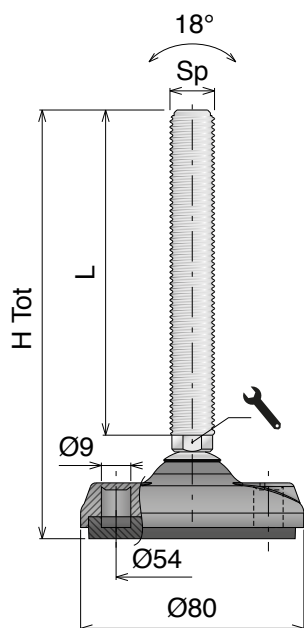
Ø120

DIAMETER (mm)



FIXING POINT

Art-Nr.	Art-Nr.	Sp	H Tot (mm)	L (mm)	Wrench (mm)		Load (N)
SS	FeZn				Hex	Hex	
91601	91601Z	M16	100	61	13	-	15.000
91602	91602Z		150	111	13	-	
91603	91603Z		200	161	13	-	
91601H	91601ZH		100	61	-	16	
91602H	91602ZH		150	111	-	16	
91603H	91603ZH		200	161	-	16	
91701	91701Z	M20	125	84	16	-	16.000
91702	91702Z		175	134	16	-	
91703	91703Z		225	184	16	-	
91701H	91701ZH		125	84	-	20	
91702H	91702ZH		175	134	-	20	
91703H	91703ZH		225	184	-	20	
91801	91801Z	M24	125	83	19	-	18.000
91802	91802Z		175	133	19	-	
91803	91803Z		225	183	19	-	



Ø80

DIAMETER (mm)



FIXING POINT



ANTI-SLIP

Art-Nr.	Art-Nr.	Sp	H Tot (mm)	L (mm)	Wrench (mm)		Load (N)
SS	FeZn				Hex	Hex	
91001R	91001ZR	M12	103	67	9	-	12.000
91002R	91002ZR		153	117	9	-	
91003R	91003ZR		203	167	9	-	
91101R	91101ZR	M16	98	61	13	-	15.000
91102R	91102ZR		148	111	13	-	
91103R	91103ZR		198	161	13	-	
91101HR	91101ZHR		98	61	-	16	
91102HR	91102ZHR		148	111	-	16	
91103HR	91103ZHR		198	161	-	16	
91201R	91201ZR	M20	123	84	16	-	16.000
91202R	91202ZR		173	134	16	-	
91203R	91203ZR		223	184	16	-	
91201HR	91201ZHR		123	84	-	20	
91202HR	91202ZHR		173	134	-	20	
91203HR	91203ZHR		223	184	-	20	

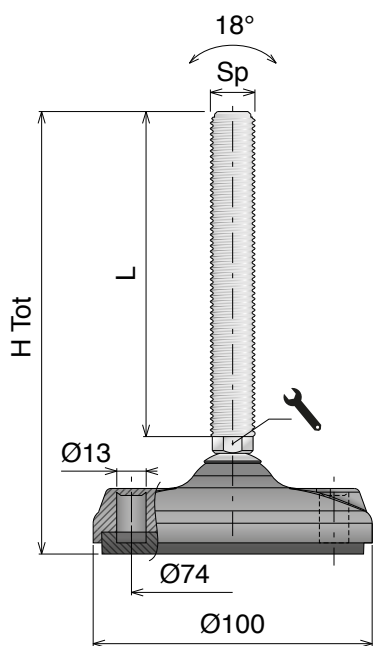
P400R Series

Piedi di livellamento / Leveling feet / Nivellierfüße

Materiale / Material / Materialien:

SS: Acciaio inox / Stainless steel / Edelstahl

FeZn: Ferro zincato / Zinc plated steel / Stahl Verzinkt



Ø100

DIAMETER (mm)

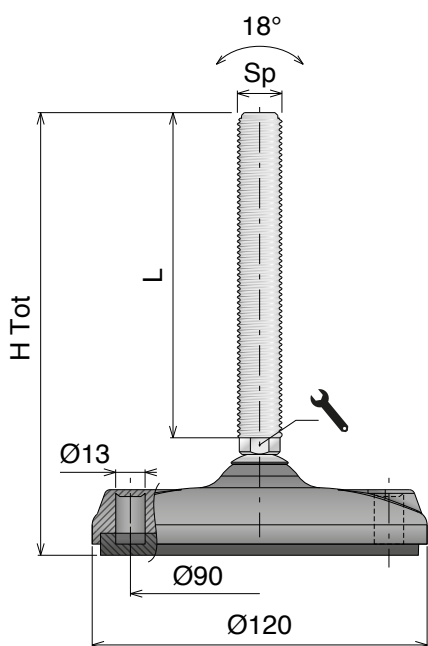


FIXING POINT



ANTI-SLIP

Art-Nr.	Art-Nr.	Sp	H Tot (mm)	L (mm)	Key (mm)		Load (N)
					SS	FeZn	
91301R	91301ZR	M16	103	61	13	-	15.000
91302R	91302ZR		153	111	13	-	
91303R	91303ZR		203	161	13	-	
91301HR	91301ZHR		103	61	-	16	
91302HR	91302ZHR		153	111	-	16	
91303HR	91303ZHR		203	161	-	16	
91401R	91401ZR	M20	128	84	16	-	16.000
91402R	91402ZR		178	134	16	-	
91403R	91403ZR		228	184	16	-	
91401HR	91401ZHR		128	84	-	20	
91402HR	91402ZHR		178	134	-	20	
91403HR	91403ZHR		228	184	-	20	
91501R	91501ZR	M24	128	83	19	-	18.000
91502R	91502ZR		178	133	19	-	
91503R	91503ZR		228	183	19	-	



Ø120

DIAMETER (mm)



FIXING POINT



ANTI-SLIP

Art-Nr.	Art-Nr.	Sp	H Tot (mm)	L (mm)	Key (mm)		Load (N)
					SS	FeZn	
91601R	91601ZR	M16	103	61	13	-	15.000
91602R	91602ZR		153	111	13	-	
91603R	91603ZR		203	161	13	-	
91601HR	91601ZHR		103	61	-	16	
91602HR	91602ZHR		153	111	-	16	
91603HR	91603ZHR		203	161	-	16	
91701R	91701ZR	M20	128	84	16	-	16.000
91702R	91702ZR		178	134	16	-	
91703R	91703ZR		228	184	16	-	
91701HR	91701ZHR		128	84	-	20	
91702HR	91702ZHR		178	134	-	20	
91703HR	91703ZHR		228	184	-	20	
91801R	91801ZR	M24	128	83	19	-	18.000
91802R	91802ZR		178	133	19	-	
91803R	91803ZR		228	183	19	-	

STEEL Series

Delivery: **Easy** Standard

Main features:

- Stamped baseplate in austenitic stainless steel or zinc plated steel
- Spindle in austenitic stainless steel or zinc plated steel



The **STEEL series**, with stamped baseplate and fully threaded spindle is the standard choice for the industrial environments, where a low level of hygiene and low load are required.

Ideal for heavy and dirty production environments, the STEEL series can be provided without fixing holes, with 2 fixing holes or with 4 fixing holes.

The spindle is made with hexagonal key wrench and is available in two different materials, zinc plated steel or stainless steel.

Maximum compressive strength (static load) 10.000 N, maximum tensile strength (static load) 4.000 N.

Accessori / Accessories / Zubehör



Dadi Nuts/Sechskantmuttern

Art-Nr.	Sp	Material	Box
99804	M16	Stainless steel	10 pcs
99805	M20	Stainless steel	10 pcs
99806	M24	Stainless steel	5 pcs
99807	M30	Stainless steel	5 pcs

Art-Nr.	Sp	Material	Box
99804Z	M16	Zinc plated steel	10 pcs
99805Z	M20	Zinc plated steel	10 pcs
99806Z	M24	Zinc plated steel	5 pcs
99807Z	M30	Zinc plated steel	5 pcs

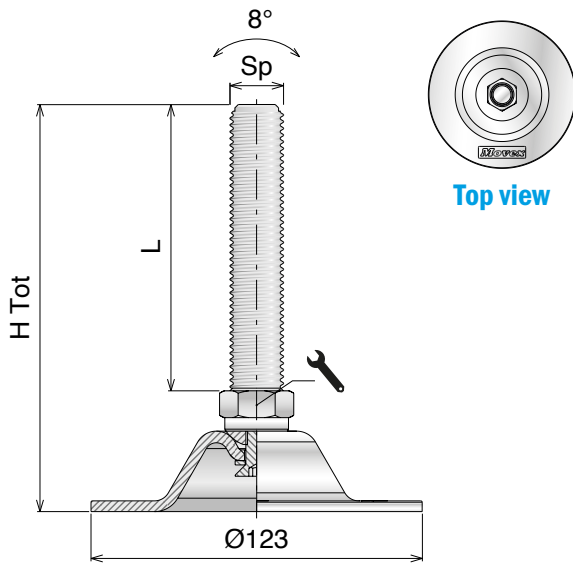
STEEL Series

Piedi di livellamento / Leveling feet / Nivellierfüße

Materiale / Material / Materialien:

SS: Acciaio inox / Stainless steel / Edelstahl

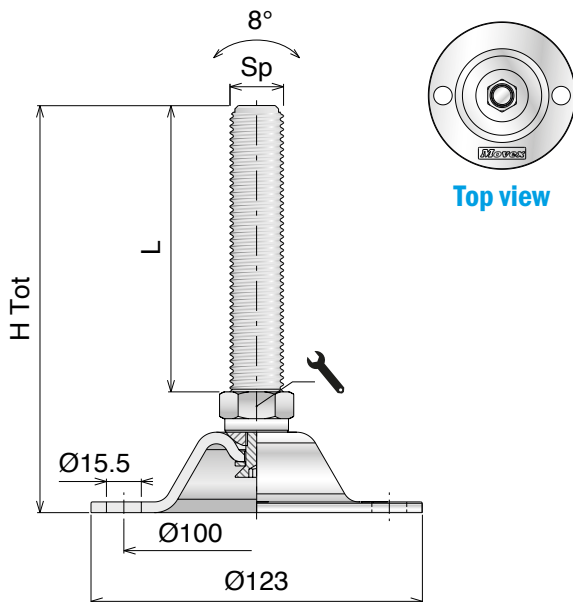
FeZn: Ferro zincato / Zinc plated steel / Stahl Verzinkt



Top view

Ø123
DIAMETER (mm)

Art-Nr.	Art-Nr.	Sp	H Tot (mm)	L (mm)	Wrench (mm)	Load (N)
SS	FeZn				Hex	
96801H	96801ZH	M16	155	115	20	10.000
96802H	96802ZH		175	135	20	
96901H	96901ZH	M20	160	115	24	
96902H	96902ZH		175	135	24	
97001H	97001ZH	M24	170	125	24	
97002H	97002ZH		230	185	24	
97101H	97101ZH	M30	170	125	32	
97102H	97102ZH		230	185	32	

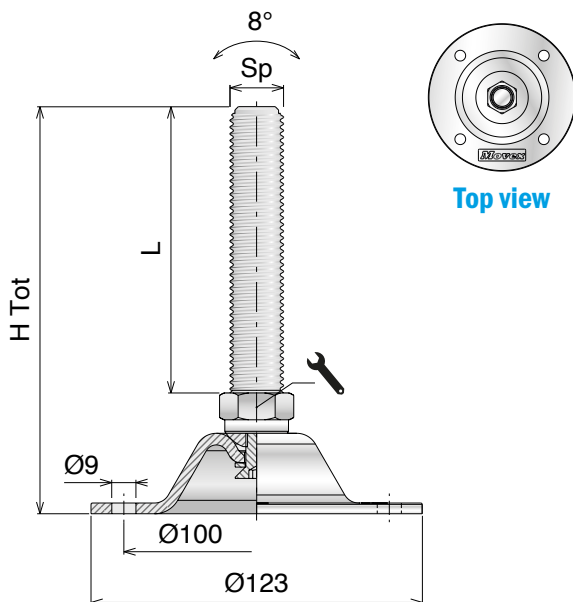


Top view

Ø123
DIAMETER (mm)



Art-Nr.	Art-Nr.	Sp	H Tot (mm)	L (mm)	Wrench (mm)	Load (N)
SS	FeZn				Hex	
96401H	96401ZH	M16	155	115	20	10.000
96402H	96402ZH		175	135	20	
96501H	96501ZH	M20	160	115	24	
96502H	96502ZH		175	135	24	
96601H	96601ZH	M24	170	125	24	
96602H	96602ZH		230	185	24	
96701H	96701ZH	M30	170	125	32	
96702H	96702ZH		230	185	32	



Top view

Ø123
DIAMETER (mm)



Art-Nr.	Art-Nr.	Sp	H Tot (mm)	L (mm)	Wrench (mm)	Load (N)
SS	FeZn				Hex	
96001H	96001ZH	M16	155	115	20	10.000
96002H	96002ZH		175	135	20	
96101H	96101ZH	M20	160	115	24	
96102H	96102ZH		175	135	24	
96201H	96201ZH	M24	170	125	24	
96202H	96202ZH		230	185	24	
96301H	96301ZH	M30	170	125	32	
96302H	96302ZH		230	185	32	

S400 Series STAINLESS STEEL LEVELERS WITH FULLY THREADED SPINDLE

RANGE EXTENSION

Delivery: **Easy** **Standard**

S400

Main features:

- Overmolded baseplate in austenitic stainless steel
- Spindle in austenitic stainless steel
- Washer in austenitic stainless steel
- Vulcanized anti-slip NBR rubber

Versions available:

- Single floor fixation



S400 SPLIT

Main features:

- Overmolded baseplate in austenitic stainless steel
- Spindle in austenitic stainless steel
- Separate spindle and baseplate
- Vulcanized anti-slip NBR rubber



S400 HEAVY

Main features:

- Full machined baseplate in austenitic stainless steel
- Spindle in austenitic stainless steel
- Washer in austenitic stainless steel

Versions available:

- Vulcanized anti-slip NBR rubber
- Double floor fixation



S400 HEAVY-SPLIT

Main features:

- Full machined baseplate in austenitic stainless steel
- Spindle in austenitic stainless steel
- Separate spindle and baseplate

Versions available:

- Vulcanized anti-slip NBR rubber



The **S400 series**, with overmolded base plate in austenitic stainless steel, fully threaded spindle and stainless steel washer is the best choice for industrial environments where a high level of hygiene is required.

The stainless steel baseplate and its particular shape guarantees an excellent cleanability, even in critical conditions; the stainless steel washer ensures complete closure between the spindle and the baseplate and the NBR rubber guarantees anti-slip properties and hermetic closure between the leveller and the floor.

Maximum compressive strength (static load) as in the table, maximum tensile strength (static load) 4.000 N (S400); 8.000 N (S400 HEAVY); NOT AVAILABLE (SPLIT and HEAVY-SPLIT).

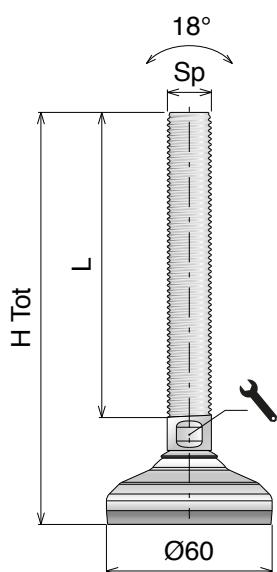
S400 Series

Piedi di livellamento / Leveling feet / Nivellierfüße

On request vulcanized rubber can be provided white or blue and spindle can be made in AISI 316.

Material / Material / Materialien:

Base, stelo e rondella: Acciaio inox
Base plate, spindle and washer: Stainless steel
Fussplatte, Spindel und Scheibe: Edelstahl



Ø 60

DIAMETER (mm)



ANTI-SLIP

Art-Nr.	Sp	H Tot (mm)	L (mm)	Wrench (mm)	Load (N)
901019	M10	90	50,5	8	3.000
901020		120	80,5	8	
901021		150	110,5	8	
901022	M12	90	50,8	10	4.500
901023		120	80,8	10	
901024		150	110,8	10	
901025		180	140,8	10	
901026	M16	90	51,3	13	4.500
901027		120	81,3	13	
901028		150	111,3	13	
901029		180	141,3	13	
901030		230	191,3	13	
901031	M20	90	52,3	17	4.500
901032		120	82,3	17	
901033		150	112,3	17	
901034		180	142,3	17	
901035		230	192,3	17	
901036		290	252,3	17	

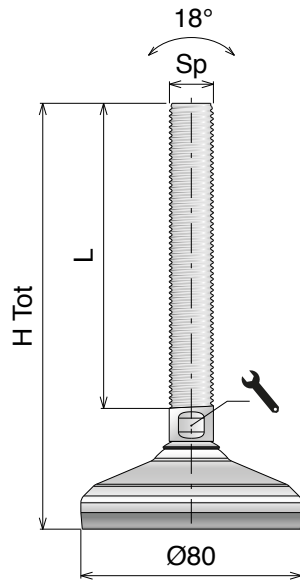
Materiale / Material / Materialien:

Base, stelo e rondella: Acciaio inox
 Base plate, spindle and washer: Stainless steel
 Fussplatte, Spindel und Scheibe: Edelstahl

On request vulcanized rubber can be provided
 white or blue and spindle can be made in AISI 316.

S400 Series

Piedi di livellamento / Leveling feet / Nivellierfüße



Ø 80

DIAMETER (mm)



ANTI-SLIP

Art-Nr.	Sp	H Tot (mm)	L (mm)	Wrench (mm)	Load (N)
901080	M12	95	50,8	10	12.000
901081		125	80,8	10	
901082		155	110,8	10	
901083		185	140,8	10	
901084	M16	95	51,3	13	15.000
901085		125	81,3	13	
901086		155	111,3	13	
901087		185	141,3	13	
901088		235	191,3	13	
901089	M20	95	52,3	17	15.000
901090		125	82,3	17	
901091		155	112,3	17	
901092		185	142,3	17	
901093		235	192,3	17	
901094		295	252,3	17	
901095	M24	125	76	19	15.000
901096		155	106	19	
901097		185	136	19	
901098		235	186	19	
901099		295	246	19	
901100	M30	155	106	24	15.000
901101		185	136	24	
901102		235	186	24	
901103		295	246	24	
901104		345	296	24	

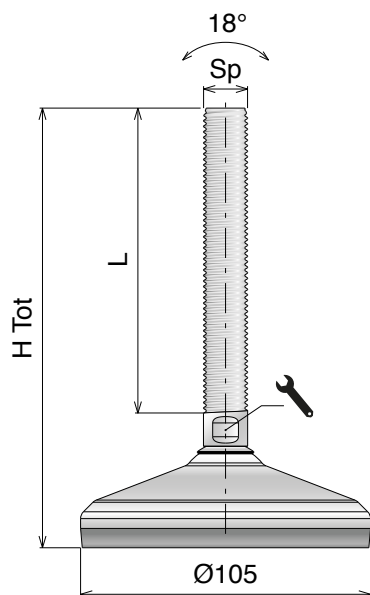
S400 Series

Piedi di livellamento / Leveling feet / Nivellierfüße

On request vulcanized rubber can be provided
white or blue and spindle can be made in AISI 316.

Materiale / Material / Materialien:

Base, stelo e rondella: Acciaio inox
Base plate, spindle and washer: Stainless steel
Fussplatte, Spindel und Scheibe: Edelstahl



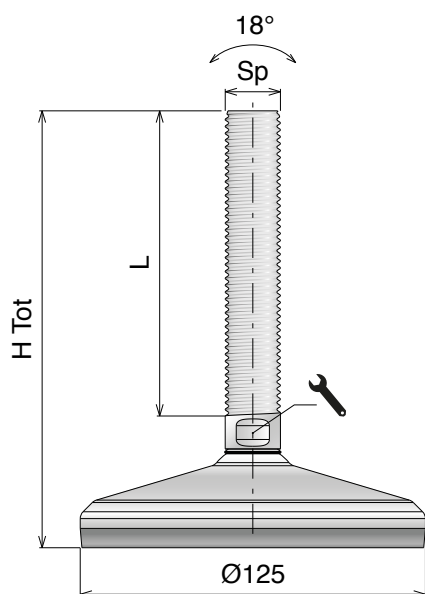
Ø105

DIAMETER (mm)



ANTI-SLIP

Art-Nr.	Sp	H Tot (mm)	L (mm)	Wrench (mm)	Load (N)
901130	M16	100	51,3	13	25.000
901131		130	81,3	13	
901132		160	111,3	13	
901133		190	141,3	13	
901134		240	191,3	13	
901135	M20	100	52,3	17	25.000
901136		130	82,3	17	
901137		160	112,3	17	
901138		190	142,3	17	
901139		240	192,3	17	
901140		300	252,3	17	
901141	M24	130	76	19	25.000
901142		160	106	19	
901143		190	136	19	
901144		240	186	19	
901145		300	246	19	
901146	M30	160	106	24	25.000
901147		190	136	24	
901148		240	186	24	
901149		300	246	24	
901150		350	296	24	
901151	M36	190	136	30	25.000
901152		240	186	30	
901153		300	246	30	
901154		350	296	30	



Ø125

DIAMETER (mm)



ANTI-SLIP

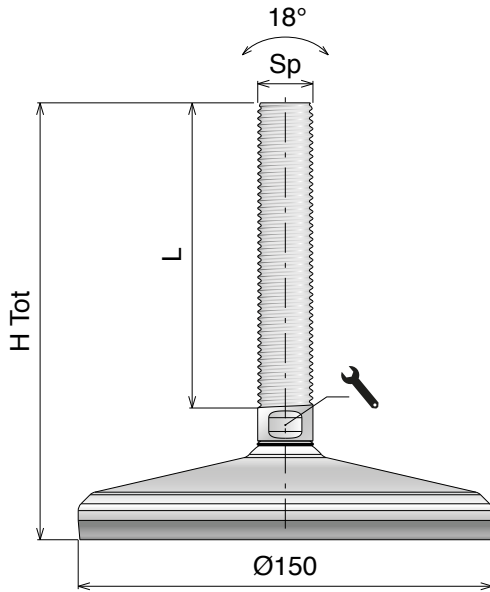
Art-Nr.	Sp	H Tot (mm)	L (mm)	Wrench (mm)	Load (N)
901155	M20	100	52,3	17	30.000
901156		130	82,3	17	
901157		160	112,3	17	
901158		190	142,3	17	
901159		240	192,3	17	
901160		300	252,3	17	
901161	M24	130	76	19	30.000
901162		160	106	19	
901163		190	136	19	
901164		240	186	19	
901165		300	246	19	
901166	M30	160	106	24	30.000
901167		190	136	24	
901168		240	186	24	
901169		300	246	24	
901170		350	296	24	
901171	M36	190	136	30	30.000
901172		240	186	30	
901173		300	246	30	
901174		350	296	30	

Materiale / Material / Materialien:
 Base, stelo e rondella: Acciaio inox
 Base plate, spindle and washer: Stainless steel
 Fussplatte, Spindel und Scheibe: Edelstahl

On request vulcanized rubber can be provided
 white or blue and spindle can be made in AISI 316.

S400 Series

Piedi di livellamento / Leveling feet / Nivellierfüße



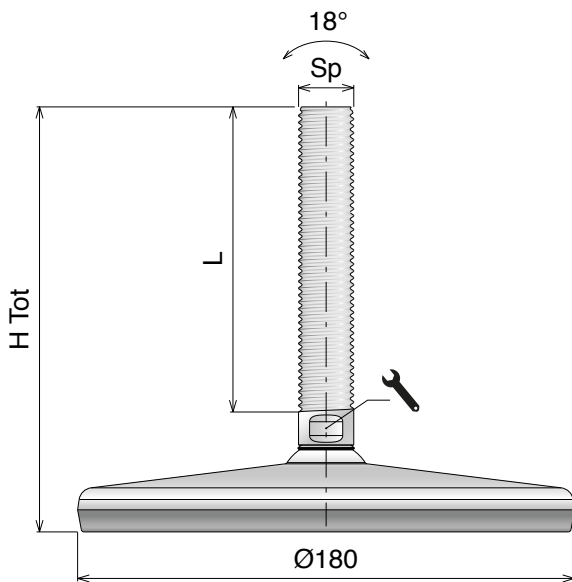
Ø 150

DIAMETER (mm)



ANTI-SLIP

Art-Nr.	Sp	H Tot (mm)	L (mm)	Wrench (mm)	Load (N)
901175	M20	100	52,3	17	45.000
901176		130	82,3	17	
901177		160	112,3	17	
901178		190	142,3	17	
901179		240	192,3	17	
901180		300	252,3	17	
901181	M24	130	76	19	45.000
901182		160	106	19	
901183		190	136	19	
901184		240	186	19	
901185		300	246	19	
901186	M30	160	106	24	45.000
901187		190	136	24	
901188		240	186	24	
901189		300	246	24	
901190		350	296	24	
901191	M36	190	136	30	45.000
901192		240	186	30	
901193		300	246	30	
901194		350	296	30	



Ø 180

DIAMETER (mm)



ANTI-SLIP

Art-Nr.	Sp	H Tot (mm)	L (mm)	Wrench (mm)	Load (N)
901195	M20	95,7	52,3	17	38.000
901196		125,7	82,3	17	
901197		155,7	112,3	17	
901198		185,7	142,3	17	
901199		235,7	192,3	17	
901200		295,7	252,3	17	
901201	M24	125,7	76	19	38.000
901202		155,7	106	19	
901203		185,7	136	19	
901204		235,7	186	19	
901205		295,7	246	19	
901206	M30	155,7	106	24	38.000
901207		185,7	136	24	
901208		235,7	186	24	
901209		295,7	246	24	
901210		345,7	296	24	
901211	M36	185,7	136	30	38.000
901212		235,7	186	30	
901213		295,7	246	30	
901214		345,7	296	30	

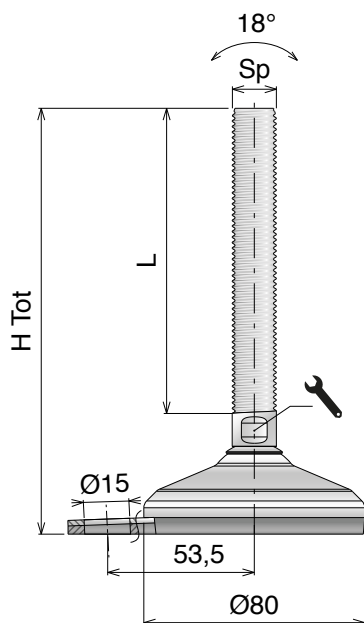
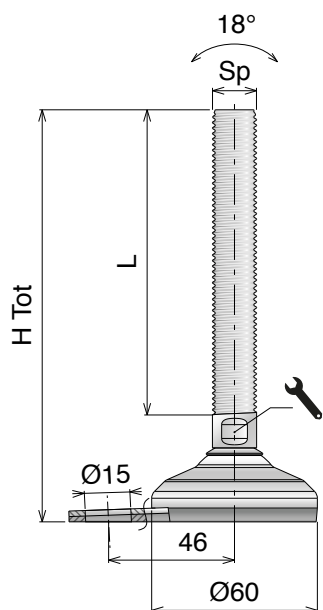
S400 Series

Piedi di livellamento / Leveling feet / Nivellierfüße

On request vulcanized rubber can be provided
white or blue and spindle can be made in AISI 316.

Materiale / Material / Materialien:

Base, stelo e rondella: Acciaio inox
Base plate, spindle and washer: Stainless steel
Fussplatte, Spindel und Scheibe: Edelstahl



Ø 60

DIAMETER (mm)



FIXING POINT



ANTI-SLIP

Art-Nr.	Sp	H Tot (mm)	L (mm)	(mm)	Load (N)
901215	M10	90	50,5	8	3.000
901216		120	80,5	8	
901217		150	110,5	8	
901218	M12	90	50,8	10	4.500
901219		120	80,8	10	
901220		150	110,8	10	
901221		180	140,8	10	
901222	M16	90	51,3	13	4.500
901223		120	81,3	13	
901224		150	111,3	13	
901225		180	141,3	13	
901226		230	191,3	13	
901227	M20	90	52,3	17	4.500
901228		120	82,3	17	
901229		150	112,3	17	
901230		180	142,3	17	
901231		230	192,3	17	
901232		290	252,3	17	

Ø 80

DIAMETER (mm)



FIXING POINT



ANTI-SLIP

Art-Nr.	Sp	H Tot (mm)	L (mm)	(mm)	Load (N)
901258	M12	95	50,8	10	12.000
901259		125	80,8	10	
901260		155	110,8	10	
901261		185	140,8	10	
901262	M16	95	51,3	13	15.000
901263		125	81,3	13	
901264		155	111,3	13	
901265		185	141,3	13	
901266		235	191,3	13	
901267	M20	95	52,3	17	15.000
901268		125	82,3	17	
901269		155	112,3	17	
901270		185	142,3	17	
901271		235	192,3	17	
901272		295	252,3	17	
901273	M24	125	76	19	15.000
901274		155	106	19	
901275		185	136	19	
901276		235	186	19	
901277		295	246	19	
901278	M30	155	106	24	15.000
901279		185	136	24	
901280		235	186	24	
901281		295	246	24	
901282		345	296	24	

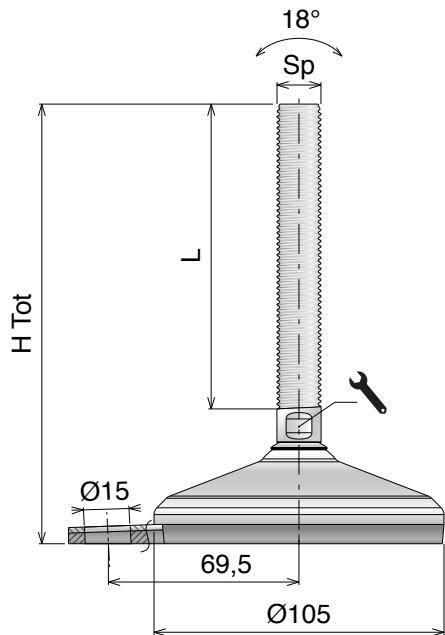
Materiale / Material / Materialien:

Base, stelo e rondella: Acciaio inox
 Base plate, spindle and washer: Stainless steel
 Fussplatte, Spindel und Scheibe: Edelstahl

On request vulcanized rubber can be provided
 white or blue and spindle can be made in AISI 316.

S400 Series

Piedi di livellamento / Leveling feet / Nivellierfüße



Ø 105

DIAMETER (mm)

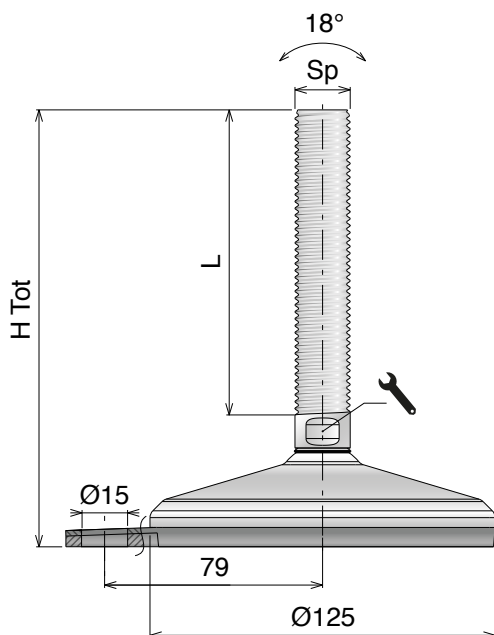


FIXING POINT



ANTI-SLIP

Art-Nr.	Sp	H Tot (mm)	L (mm)	Wrench (mm)	Load (N)
901308	M16	100	51,3	13	25.000
901309		130	81,3	13	
901310		160	111,3	13	
901311		190	141,3	13	
901312		240	191,3	13	
901313	M20	100	52,3	17	25.000
901314		130	82,3	17	
901315		160	112,3	17	
901316		190	142,3	17	
901317		240	192,3	17	
901318	300	252,3	17		
901319	M24	130	76	19	25.000
901320		160	106	19	
901321		190	136	19	
901322		240	186	19	
901323		300	246	19	
901324	M30	160	106	24	25.000
901325		190	136	24	
901326		240	186	24	
901327		300	246	24	
901328		350	296	24	
901329	M36	190	136	30	25.000
901330		240	186	30	
901331		300	246	30	
901332		350	296	30	



Ø 125

DIAMETER (mm)



FIXING POINT



ANTI-SLIP

Art-Nr.	Sp	H Tot (mm)	L (mm)	Wrench (mm)	Load (N)
901333	M20	100	52,3	17	30.000
901334		130	82,3	17	
901335		160	112,3	17	
901336		190	142,3	17	
901337		240	192,3	17	
901338	300	252,3	17		
901339	M24	130	76	19	30.000
901340		160	106	19	
901341		190	136	19	
901342		240	186	19	
901343		300	246	19	
901344	M30	160	106	24	30.000
901345		190	136	24	
901346		240	186	24	
901347		300	246	24	
901348		350	296	24	
901349	M36	190	136	30	30.000
901350		240	186	30	
901351		300	246	30	
901352		350	296	30	

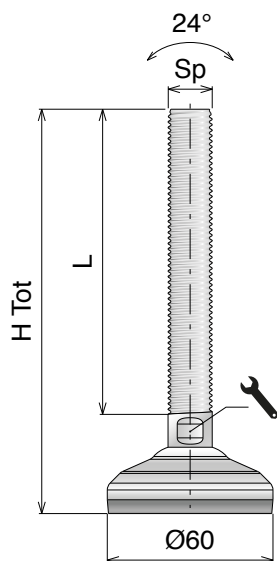
S400 SPLIT

Piedi di livellamento / Leveling feet / Nivellierfüße

On request vulcanized rubber can be provided
white or blue and spindle can be made in AISI 316.

Materiale / Material / Materialien:

Base, stelo e rondella: Acciaio inox
Base plate, spindle and washer: Stainless steel
Fussplatte, Spindel und Scheibe: Edelstahl



Ø 60

DIAMETER (mm)

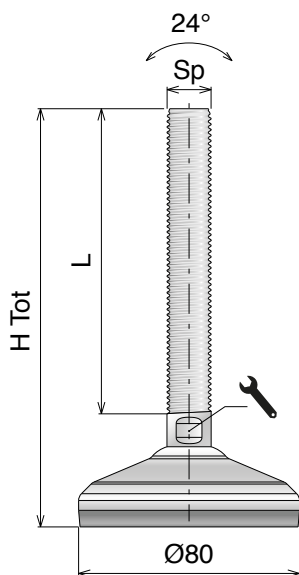


ANTI-SLIP



SPLIT VERSION

Art-Nr.	Sp	H Tot (mm)	L (mm)	Wrench (mm)	Load (N)
901353	M10	89	50,5	8	3.000
901354		119	80,5	8	
901355		149	110,5	8	
901356	M12	89	50,8	10	4.500
901357		119	80,8	10	
901358		149	110,8	10	
901359		179	140,8	10	
901360	M16	89	51,3	13	4.500
901361		119	81,3	13	
901362		149	111,3	13	
901363		179	141,3	13	
901364		229	191,3	13	
901365	M20	89	52,3	17	4.500
901366		119	82,3	17	
901367		149	112,3	17	
901368		179	142,3	17	
901369		229	192,3	17	
901370		289	252,3	17	



Ø 80

DIAMETER (mm)



ANTI-SLIP



SPLIT VERSION

Art-Nr.	Sp	H Tot (mm)	L (mm)	Wrench (mm)	Load (N)
901371	M12	94	50,8	10	12.000
901372		124	80,8	10	
901373		154	110,8	10	
901374		184	140,8	10	
901375	M16	94	51,3	13	15.000
901376		124	81,3	13	
901377		154	111,3	13	
901378		184	141,3	13	
901379		234	191,3	13	
901380	M20	94	52,3	17	15.000
901381		124	82,3	17	
901382		154	112,3	17	
901383		184	142,3	17	
901384		234	192,3	17	
901385		294	252,3	17	
901386	M24	125	76	19	15.000
901387		155	106	19	
901388		185	136	19	
901389		235	186	19	
901390		295	246	19	
901391	M30	155	106	24	15.000
901392		185	136	24	
901393		235	186	24	
901394		295	246	24	
901395		345	296	24	

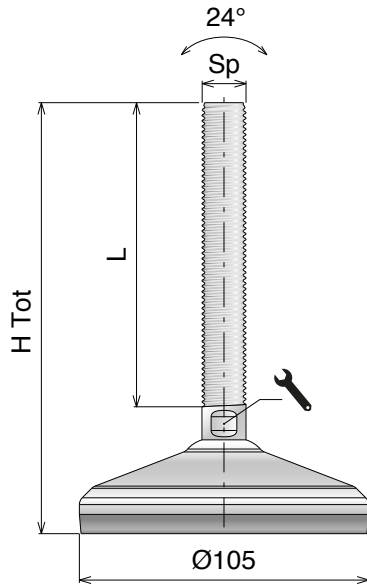
Materiale / Material / Materialien:

Base, stelo e rondella: Acciaio inox
 Base plate, spindle and washer: Stainless steel
 Fussplatte, Spindel und Scheibe: Edelstahl

On request vulcanized rubber can be provided
 white or blue and spindle can be made in AISI 316.

S400 SPLIT

Piedi di livellamento / Leveling feet / Nivellierfüße

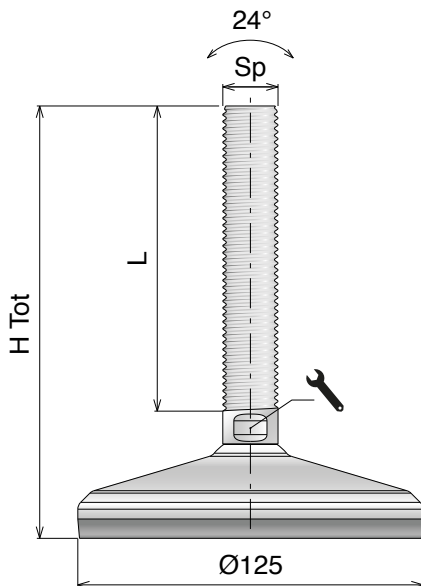


Ø 105

DIAMETER (mm)



Art-Nr.	Sp	H Tot (mm)	L (mm)	Wrench (mm)	Load (N)
901396	M16	99	51,3	13	25.000
901397		129	81,3	13	
901398		159	111,3	13	
901399		189	141,3	13	
901400		239	191,3	13	
901401	M20	99	52,3	17	25.000
901402		129	82,3	17	
901403		159	112,3	17	
901404		189	142,3	17	
901405		239	192,3	17	
901406		299	252,3	17	
901407	M24	130	76	19	25.000
901408		160	106	19	
901409		190	136	19	
901410		240	186	19	
901411		300	246	19	
901412	M30	160	106	24	25.000
901413		190	136	24	
901414		240	186	24	
901415		300	246	24	
901416		350	296	24	
901417	M36	190	136	30	25.000
901418		240	186	30	
901419		300	246	30	
901420		350	296	30	



Ø 125

DIAMETER (mm)



Art-Nr.	Sp	H Tot (mm)	L (mm)	Wrench (mm)	Load (N)
901421	M20	99	52,3	17	30.000
901422		129	82,3	17	
901423		159	112,3	17	
901424		189	142,3	17	
901425		239	192,3	17	
901426		299	252,3	17	
901427	M24	130	76	19	30.000
901428		160	106	19	
901429		190	136	19	
901430		240	186	19	
901431		300	246	19	
901432	M30	160	106	24	30.000
901433		190	136	24	
901434		240	186	24	
901435		300	246	24	
901436		350	296	24	
901437	M36	190	136	30	30.000
901438		240	186	30	
901439		300	246	30	
901440		350	296	30	

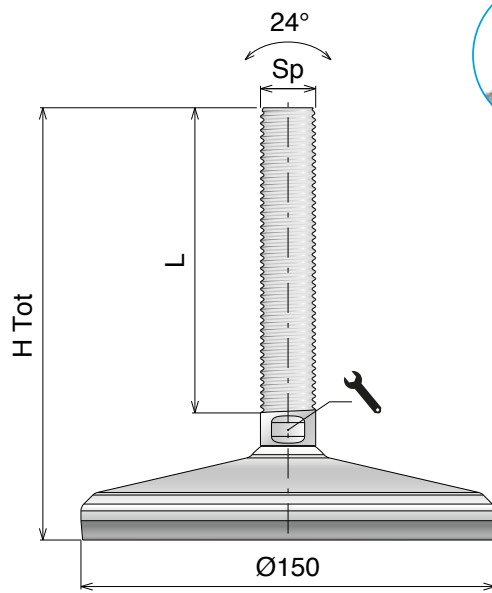
S400 SPLIT

Piedi di livellamento / Leveling feet / Nivellierfüße

On request vulcanized rubber can be provided
white or blue and spindle can be made in AISI 316.

Materiale / Material / Materialien:

Base, stelo e rondella: Acciaio inox
Base plate, spindle and washer: Stainless steel
Fussplatte, Spindel und Scheibe: Edelstahl



Ø 150

DIAMETER (mm)



Art-Nr.	Sp	H Tot (mm)	L (mm)	Wrench (mm)	Load (N)
901441	M20	99	52,3	17	45.000
901442		129	82,3	17	
901443		159	112,3	17	
901444		189	142,3	17	
901445		239	192,3	17	
901446		299	252,3	17	
901447	M24	130	76	19	45.000
901448		160	106	19	
901449		190	136	19	
901450		240	186	19	
901451		300	246	19	
901452	M30	160	106	24	45.000
901453		190	136	24	
901454		240	186	24	
901455		300	246	24	
901456		350	296	24	
901457	M36	190	136	30	45.000
901458		240	186	30	
901459		300	246	30	
901460		350	296	30	

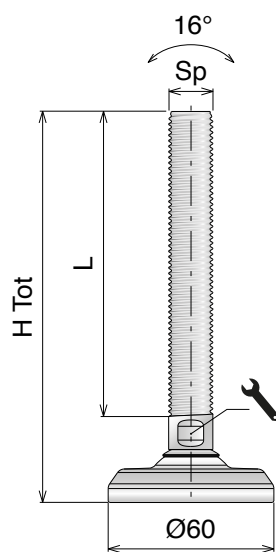
Materiale / Material / Materialien:

Base, stelo e rondella: Acciaio inox
 Base plate, spindle and washer: Stainless steel
 Fussplatte, Spindel und Scheibe: Edelstahl

On request spindle can be made in AISI 316.

S400 HEAVY

Piedi di livellamento / Leveling feet / Nivellierfüße



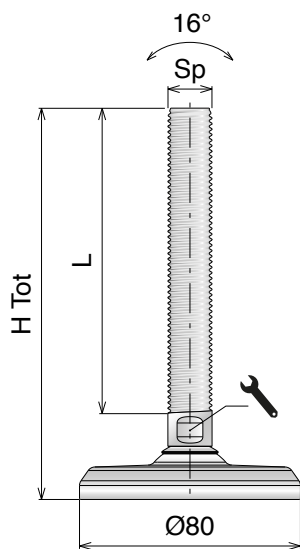
Ø60

DIAMETER (mm)



HIGH LOAD

Art-Nr.	Sp	H Tot (mm)	L (mm)	Wrench (mm)	Load (N)
901461	M10	82,5	50,5	7	3.000
901462		112,5	80,5	7	
901463		142,5	110,5	7	
901464	M12	82,5	50,8	10	12.000
901465		112,5	80,8	10	
901466		142,5	110,8	10	
901467		172,5	140,8	10	
901468	M16	82,5	51,3	13	30.000
901469		112,5	81,3	13	
901470		142,5	111,3	13	
901471		172,5	141,3	13	
901472		222,5	191,3	13	
901473	M20	82,5	52,3	17	45.000
901474		112,5	82,3	17	
901475		142,5	112,3	17	
901476		172,5	142,3	17	
901477		222,5	192,3	17	
901478		282,5	252,3	17	



Ø80

DIAMETER (mm)



HIGH LOAD

Art-Nr.	Sp	H Tot (mm)	L (mm)	Wrench (mm)	Load (N)
901479	M12	82,5	50,8	10	12.000
901480		112,5	80,8	10	
901481		142,5	110,8	10	
901482		172,5	140,8	10	
901483	M16	82,5	51,3	13	30.000
901484		112,5	81,3	13	
901485		142,5	111,3	13	
901486		172,5	141,3	13	
901487		222,5	191,3	13	
901488	M20	82,5	52,3	17	45.000
901489		112,5	82,3	17	
901490		142,5	112,3	17	
901491		172,5	142,3	17	
901492		222,5	192,3	17	
901493		282,5	252,3	17	
901494	M24	112,5	76	19	70.000
901495		142,5	106	19	
901496		172,5	136	19	
901497		222,5	186	19	
901498		282,5	246	19	
901499	M30	142,5	106	24	80.000
901500		172,5	136	24	
901501		222,5	186	24	
901502		282,5	246	24	
901503		332,5	296	24	

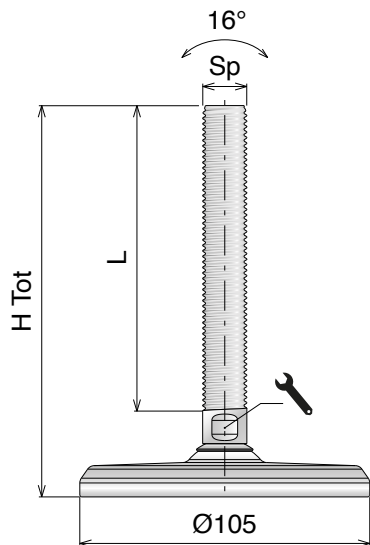
S400 HEAVY

Piedi di livellamento / Leveling feet / Nivellierfüße

On request spindle can be made in AISI 316.

Materiale / Material / Materialien:

Base, stelo e rondella: Acciaio inox
Base plate, spindle and washer: Stainless steel
Fussplatte, Spindel und Scheibe: Edelstahl



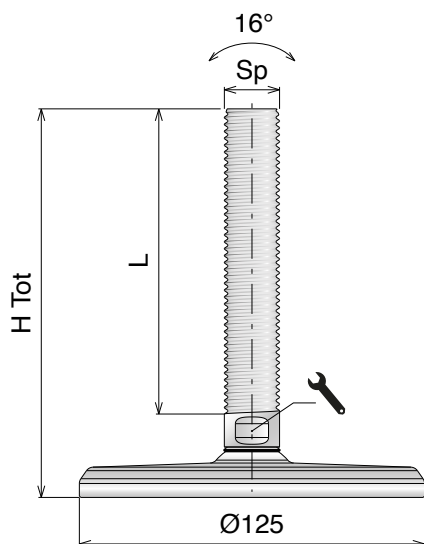
Ø105

DIAMETER (mm)



HIGH LOAD

Art-Nr.	Sp	H Tot (mm)	L (mm)	Wrench (mm)	Load (N)
901504	M16	82,5	51,3	13	30.000
901505		112,5	81,3	13	
901506		142,5	111,3	13	
901507		172,5	141,3	13	
901508		222,5	191,3	13	
901509	M20	82,5	52,3	17	45.000
901510		112,5	82,3	17	
901511		142,5	112,3	17	
901512		172,5	142,3	17	
901513		222,5	192,3	17	
901514	282,5	252,3	17		
901515	M24	112,5	76	19	70.000
901516		142,5	106	19	
901517		172,5	136	19	
901518		222,5	186	19	
901519		282,5	246	19	
901520	M30	142,5	106	24	100.000
901521		172,5	136	24	
901522		222,5	186	24	
901523		282,5	246	24	
901524		332,5	296	24	
901525	M36	172,5	136	30	120.000
901526		222,5	186	30	
901527		282,5	246	30	
901528		332,5	296	30	



Ø125

DIAMETER (mm)



HIGH LOAD

Art-Nr.	Sp	H Tot (mm)	L (mm)	Wrench (mm)	Load (N)
901529	M20	82,5	52,3	17	45.000
901530		112,5	82,3	17	
901531		142,5	112,3	17	
901532		172,5	142,3	17	
901533		222,5	192,3	17	
901534	282,5	252,3	17		
901535	M24	112,5	76	19	70.000
901536		142,5	106	19	
901537		172,5	136	19	
901538		222,5	186	19	
901539		282,5	246	19	
901540	M30	142,5	106	24	100.000
901541		172,5	136	24	
901542		222,5	186	24	
901543		282,5	246	24	
901544		332,5	296	24	
901545	M36	172,5	136	30	130.000
901546		222,5	186	30	
901547		282,5	246	30	
901548		332,5	296	30	

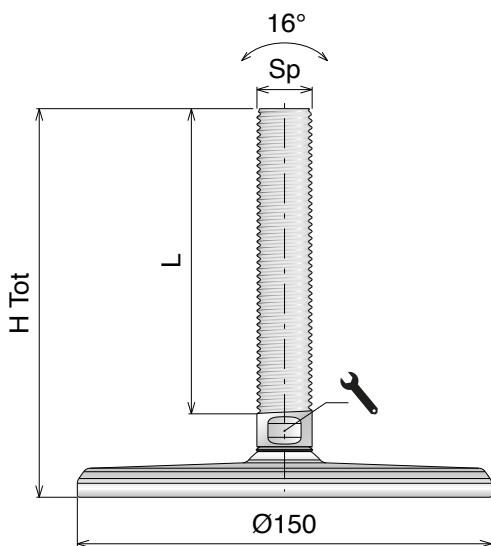
Materiale / Material / Materialien:

Base, stelo e rondella: Acciaio inox
 Base plate, spindle and washer: Stainless steel
 Fussplatte, Spindel und Scheibe: Edelstahl

On request vulcanized rubber can be provided
 white or blue and spindle can be made in AISI 316.

S400 HEAVY

Piedi di livellamento / Leveling feet / Nivellierfüße



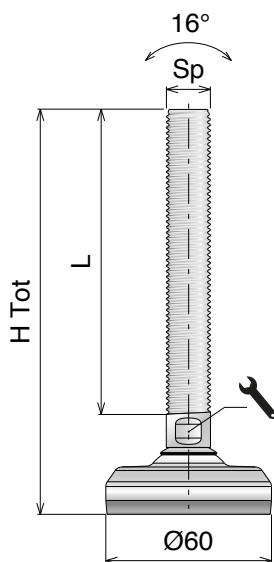
Ø 150

DIAMETER (mm)



HIGH LOAD

Art-Nr.	Sp	H Tot (mm)	L (mm)	Wrench (mm)	Load (N)
901549	M20	82,5	52,3	17	45.000
901550		112,5	82,3	17	
901551		142,5	112,3	17	
901552		172,5	142,3	17	
901553		222,5	192,3	17	
901554		282,5	252,3	17	
901555	M24	112,5	76	19	70.000
901556		142,5	106	19	
901557		172,5	136	19	
901558		222,5	186	19	
901559		282,5	246	19	
901560	M30	142,5	106	24	100.000
901561		172,5	136	24	
901562		222,5	186	24	
901563		282,5	246	24	
901564		332,5	296	24	
901565	M36	172,5	136	30	150.000
901566		222,5	186	30	
901567		282,5	246	30	
901568		332,5	296	30	



Ø 60

DIAMETER (mm)



HIGH LOAD



ANTI-SLIP

Art-Nr.	Sp	H Tot (mm)	L (mm)	Wrench (mm)	Load (N)
901569	M10	87,5	50,5	7	3.000
901570		117,5	80,5	7	
901571		147,5	110,5	7	
901572	M12	88,5	50,8	10	12.000
901573		118,5	80,8	10	
901574		148,5	110,8	10	
901575		178,5	140,8	10	
901576	M16	88,5	51,3	13	30.000
901577		118,5	81,3	13	
901578		148,5	111,3	13	
901579		178,5	141,3	13	
901580		228,5	191,3	13	
901581	M20	88,5	52,3	17	45.000
901582		118,5	82,3	17	
901583		148,5	112,3	17	
901584		178,5	142,3	17	
901585		228,5	192,3	17	
901586		288,5	252,3	17	

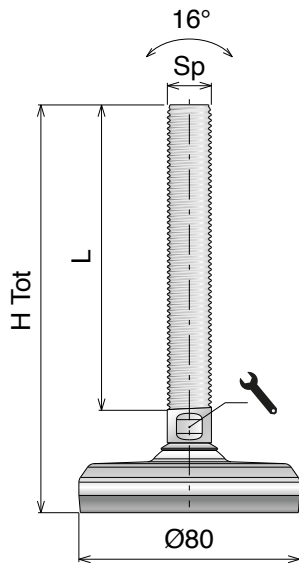
S400 HEAVY

Piedi di livellamento / Leveling feet / Nivellierfüße

On request vulcanized rubber can be provided
white or blue and spindle can be made in AISI 316.

Materiale / Material / Materialien:

Base, stelo e rondella: Acciaio inox
Base plate, spindle and washer: Stainless steel
Fussplatte, Spindel und Scheibe: Edelstahl



Ø 80

DIAMETER (mm)

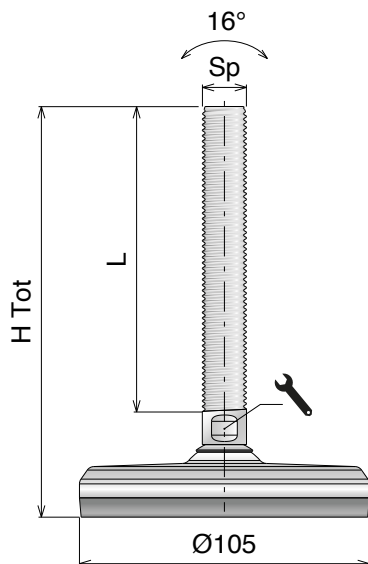


HIGH LOAD



ANTI-SLIP

Art-Nr.	Sp	H Tot (mm)	L (mm)	Wrench (mm)	Load (N)
901587	M12	88,5	50,8	10	12.000
901588		118,5	80,8	10	
901589		148,5	110,8	10	
901590		178,5	140,8	10	
901591	M16	88,5	51,3	13	30.000
901592		118,5	81,3	13	
901593		148,5	111,3	13	
901594		178,5	141,3	13	
901595		228,5	191,3	13	
901596	M20	88,5	52,3	17	45.000
901597		118,5	82,3	17	
901598		148,5	112,3	17	
901599		178,5	142,3	17	
901600		228,5	192,3	17	
901601		288,5	252,3	17	
901602	M24	118,5	76	19	70.000
901603		148,5	106	19	
901604		178,5	136	19	
901605		228,5	186	19	
901606		288,5	246	19	
901607	M30	148,5	106	24	80.000
901608		178,5	136	24	
901609		228,5	186	24	
901610		288,5	246	24	
901611		338,5	296	24	



Ø 105

DIAMETER (mm)



HIGH LOAD



ANTI-SLIP

Art-Nr.	Sp	H Tot (mm)	L (mm)	Wrench (mm)	Load (N)
901612	M16	88,5	51,3	13	30.000
901613		118,5	81,3	13	
901614		148,5	111,3	13	
901615		178,5	141,3	13	
901616		228,5	191,3	13	
901617	M20	88,5	52,3	17	45.000
901618		118,5	82,3	17	
901619		148,5	112,3	17	
901620		178,5	142,3	17	
901621		228,5	192,3	17	
901622		288,5	252,3	17	
901623	M24	118,5	76	19	70.000
901624		148,5	106	19	
901625		178,5	136	19	
901626		228,5	186	19	
901627		288,5	246	19	
901628	M30	148,5	106	24	100.000
901629		178,5	136	24	
901630		228,5	186	24	
901631		288,5	246	24	
901632		338,5	296	24	
901633	M36	178,5	136	30	120.000
901634		228,5	186	30	
901635		288,5	246	30	
901636		338,5	296	30	

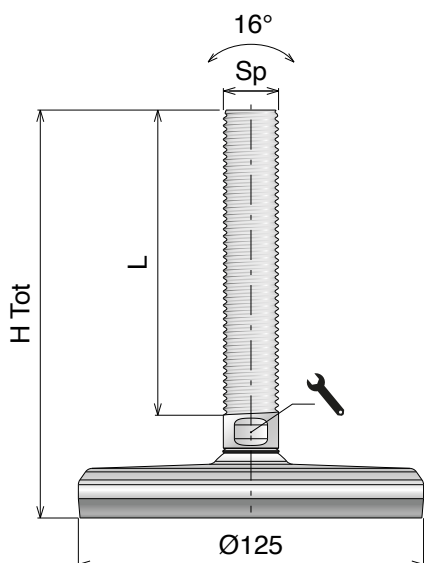
Materiale / Material / Materialien:

Base, stelo e rondella: Acciaio inox
 Base plate, spindle and washer: Stainless steel
 Fussplatte, Spindel und Scheibe: Edelstahl

On request vulcanized rubber can be provided
 white or blue and spindle can be made in AISI 316.

S400 HEAVY

Piedi di livellamento / Leveling feet / Nivellierfüße



Ø 125

DIAMETER (mm)

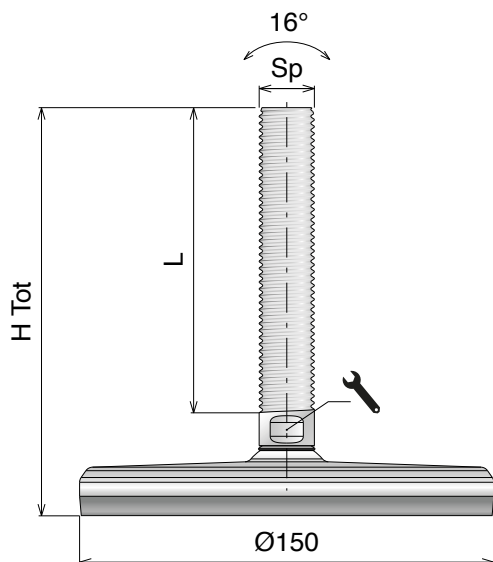


HIGH LOAD



ANTI-SLIP

Art-Nr.	Sp	H Tot (mm)	L (mm)	Wrench (mm)	Load (N)
901637	M20	88,5	52,3	17	45.000
901638		118,5	82,3	17	
901639		148,5	112,3	17	
901640		178,5	142,3	17	
901641		228,5	192,3	17	
901642		288,5	252,3	17	
901643	M24	118,5	76	19	70.000
901644		148,5	106	19	
901645		178,5	136	19	
901646		228,5	186	19	
901647		288,5	246	19	
901648	M30	148,5	106	24	100.000
901649		178,5	136	24	
901650		228,5	186	24	
901651		288,5	246	24	
901652		338,5	296	24	
901653	M36	178,5	136	30	130.000
901654		228,5	186	30	
901655		288,5	246	30	
901656		338,5	296	30	



Ø 150

DIAMETER (mm)



HIGH LOAD



ANTI-SLIP

Art-Nr.	Sp	H Tot (mm)	L (mm)	Wrench (mm)	Load (N)
901657	M20	88,5	52,3	17	45.000
901658		118,5	82,3	17	
901659		148,5	112,3	17	
901660		178,5	142,3	17	
901661		228,5	192,3	17	
901662		288,5	252,3	17	
901663	M24	118,5	76	19	70.000
901664		148,5	106	19	
901665		178,5	136	19	
901666		228,5	186	19	
901667		288,5	246	19	
901668	M30	148,5	106	24	100.000
901669		178,5	136	24	
901670		228,5	186	24	
901671		288,5	246	24	
901672		338,5	296	24	
901673	M36	178,5	136	30	150.000
901674		228,5	186	30	
901675		288,5	246	30	
901676		338,5	296	30	

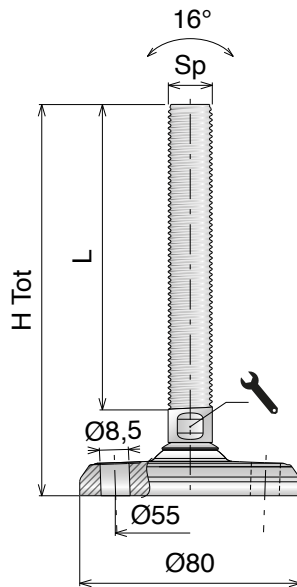
S400 HEAVY

Piedi di livellamento / Leveling feet / Nivellierfüße

On request spindle can be made in AISI 316.

Materiale / Material / Materialien:

Base, stelo e rondella: Acciaio inox
Base plate, spindle and washer: Stainless steel
Fussplatte, Spindel und Scheibe: Edelstahl



Ø80

DIAMETER (mm)

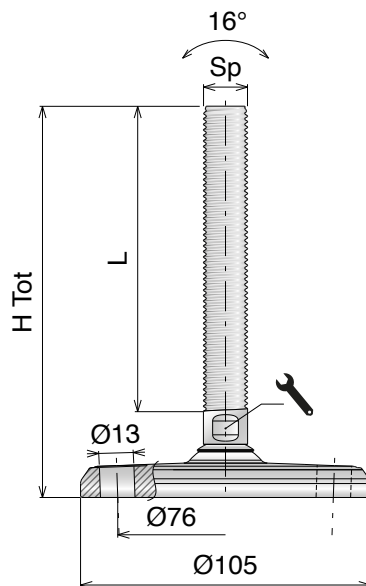


HIGH LOAD



FIXING POINT

Art-Nr.	Sp	H Tot (mm)	L (mm)	Wrench (mm)	Load (N)
901695	M12	82,5	50,8	10	12.000
901696		112,5	80,8	10	
901697		142,5	110,8	10	
901698		172,5	140,8	10	
901699	M16	82,5	51,3	13	30.000
901700		112,5	81,3	13	
901701		142,5	111,3	13	
901702		172,5	141,3	13	
901703		222,5	191,3	13	
901704	M20	82,5	52,3	17	45.000
901705		112,5	82,3	17	
901706		142,5	112,3	17	
901707		172,5	142,3	17	
901708		222,5	192,3	17	
901709		282,5	252,3	17	
901710	M24	112,5	76	19	70.000
901711		142,5	106	19	
901712		172,5	136	19	
901713		222,5	186	19	
901714		282,5	246	19	
901715	M30	142,5	106	24	80.000
901716		172,5	136	24	
901717		222,5	186	24	
901718		282,5	246	24	
901719		332,5	296	24	



Ø105

DIAMETER (mm)



HIGH LOAD



FIXING POINT

Art-Nr.	Sp	H Tot (mm)	L (mm)	Wrench (mm)	Load (N)
901720	M16	82,5	51,3	13	30.000
901721		112,5	81,3	13	
901722		142,5	111,3	13	
901723		172,5	141,3	13	
901724		222,5	191,3	13	
901725	M20	82,5	52,3	17	45.000
901726		112,5	82,3	17	
901727		142,5	112,3	17	
901728		172,5	142,3	17	
901729		222,5	192,3	17	
901730		282,5	252,3	17	
901731	M24	112,5	76	19	70.000
901732		142,5	106	19	
901733		172,5	136	19	
901734		222,5	186	19	
901735		282,5	246	19	
901736	M30	142,5	106	24	100.000
901737		172,5	136	24	
901738		222,5	186	24	
901739		282,5	246	24	
901740		332,5	296	24	
901741	M36	172,5	136	30	120.000
901742		222,5	186	30	
901743		282,5	246	30	
901744		332,5	296	30	

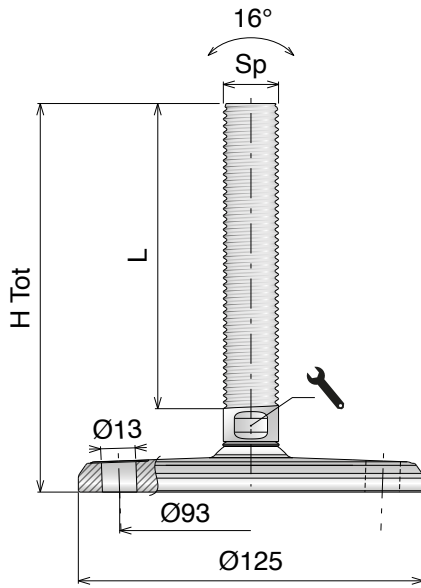
Materiale / Material / Materialien:

Base, stelo e rondella: Acciaio inox
 Base plate, spindle and washer: Stainless steel
 Fussplatte, Spindel und Scheibe: Edelstahl

On request spindle can be made in AISI 316.

S400 HEAVY

Piedi di livellamento / Leveling feet / Nivellierfüße



Ø125

DIAMETER (mm)

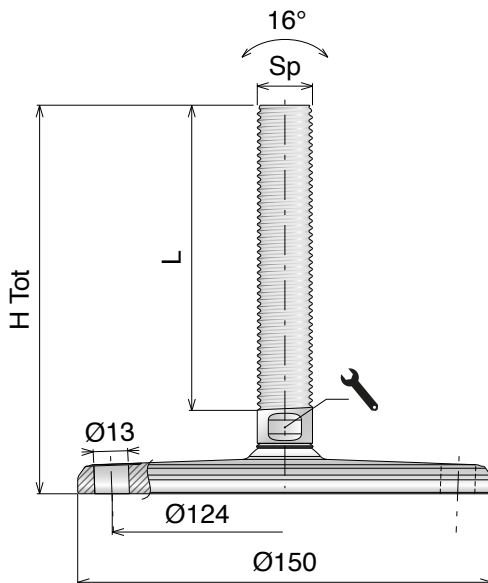


HIGH LOAD



FIXING POINT

Art-Nr.	Sp	H Tot (mm)	L (mm)	Wrench (mm)	Load (N)
901745	M20	82,5	52,3	17	45.000
901746		112,5	82,3	17	
901747		142,5	112,3	17	
901748		172,5	142,3	17	
901749		222,5	192,3	17	
901750		282,5	252,3	17	
901751	M24	112,5	76	19	70.000
901752		142,5	106	19	
901753		172,5	136	19	
901754		222,5	186	19	
901755		282,5	246	19	
901756	M30	142,5	106	24	100.000
901757		172,5	136	24	
901758		222,5	186	24	
901759		282,5	246	24	
901760		332,5	296	24	
901761	M36	172,5	136	30	130.000
901762		222,5	186	30	
901763		282,5	246	30	
901764		332,5	296	30	



Ø150

DIAMETER (mm)



HIGH LOAD



FIXING POINT

Art-Nr.	Sp	H Tot (mm)	L (mm)	Wrench (mm)	Load (N)
901765	M20	82,5	52,3	17	45.000
901766		112,5	82,3	17	
901767		142,5	112,3	17	
901768		172,5	142,3	17	
901769		222,5	192,3	17	
901770		282,5	252,3	17	
901771	M24	112,5	76	19	70.000
901772		142,5	106	19	
901773		172,5	136	19	
901774		222,5	186	19	
901775		282,5	246	19	
901776	M30	142,5	106	24	100.000
901777		172,5	136	24	
901778		222,5	186	24	
901779		282,5	246	24	
901780		332,5	296	24	
901781	M36	172,5	136	30	150.000
901782		222,5	186	30	
901783		282,5	246	30	
901784		332,5	296	30	

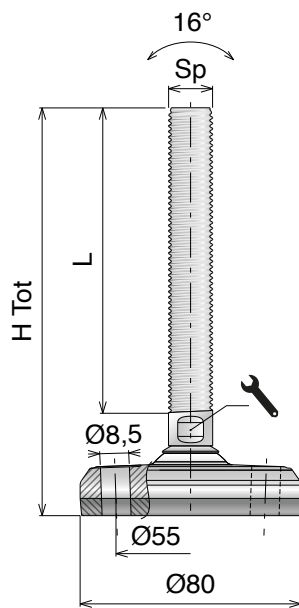
S400 HEAVY

Piedi di livellamento / Leveling feet / Nivellierfüße

On request vulcanized rubber can be provided
white or blue and spindle can be made in AISI 316.

Materiale / Material / Materialien:

Base, stelo e rondella: Acciaio inox
Base plate, spindle and washer: Stainless steel
Fussplatte, Spindel und Scheibe: Edelstahl



Ø 80

DIAMETER (mm)



HIGH LOAD

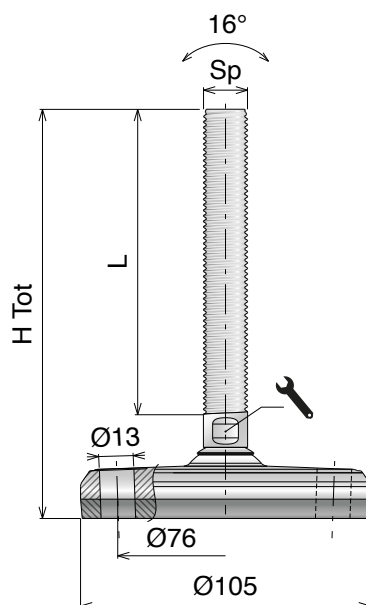


FIXING POINT



ANTI-SLIP

Art-Nr.	Sp	H Tot (mm)	L (mm)	Wrench (mm)	Load (N)
901803	M12	88,5	50,8	10	12.000
901804		118,5	80,8	10	
901805		148,5	110,8	10	
901806		178,5	140,8	10	
901807	M16	88,5	51,3	13	30.000
901808		118,5	81,3	13	
901809		148,5	111,3	13	
901810		178,5	141,3	13	
901811	228,5	191,3	13		
901812	M20	88,5	52,3	17	45.000
901813		118,5	82,3	17	
901814		148,5	112,3	17	
901815		178,5	142,3	17	
901816		228,5	192,3	17	
901817	288,5	252,3	17		
901818	M24	118,5	76	19	70.000
901819		148,5	106	19	
901820		178,5	136	19	
901821		228,5	186	19	
901822		288,5	246	19	
901823	M30	148,5	106	24	80.000
901824		178,5	136	24	
901825		228,5	186	24	
901826		288,5	246	24	
901827		338,5	296	24	



Ø 105

DIAMETER (mm)



HIGH LOAD



FIXING POINT



ANTI-SLIP

Art-Nr.	Sp	H Tot (mm)	L (mm)	Wrench (mm)	Load (N)
901828	M16	88,5	51,3	13	30.000
901829		118,5	81,3	13	
901830		148,5	111,3	13	
901831		178,5	141,3	13	
901832		228,5	191,3	13	
901833	M20	88,5	52,3	17	45.000
901834		118,5	82,3	17	
901835		148,5	112,3	17	
901836		178,5	142,3	17	
901837		228,5	192,3	17	
901838	288,5	252,3	17		
901839	M24	118,5	76	19	70.000
901840		148,5	106	19	
901841		178,5	136	19	
901842		228,5	186	19	
901843		288,5	246	19	
901844	M30	148,5	106	24	100.000
901845		178,5	136	24	
901846		228,5	186	24	
901847		288,5	246	24	
901848		338,5	296	24	
901849	M36	178,5	136	30	120.000
901850		228,5	186	30	
901851		288,5	246	30	
901852		338,5	296	30	

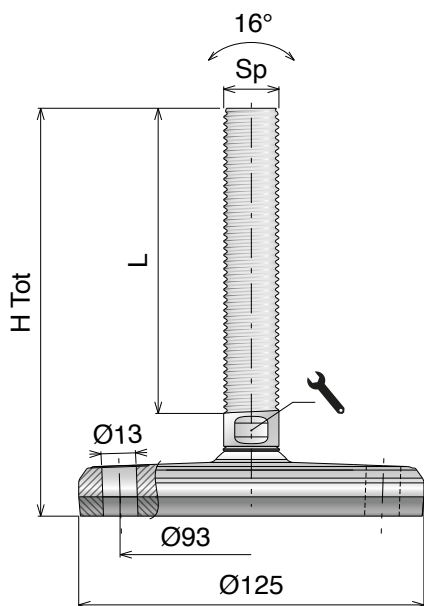
Materiale / Material / Materialien:

Base, stelo e rondella: Acciaio inox
 Base plate, spindle and washer: Stainless steel
 Fussplatte, Spindel und Scheibe: Edelstahl

On request vulcanized rubber can be provided
 white or blue and spindle can be made in AISI 316.

S400 HEAVY

Piedi di livellamento / Leveling feet / Nivellierfüße



Ø 125

DIAMETER (mm)



HIGH LOAD

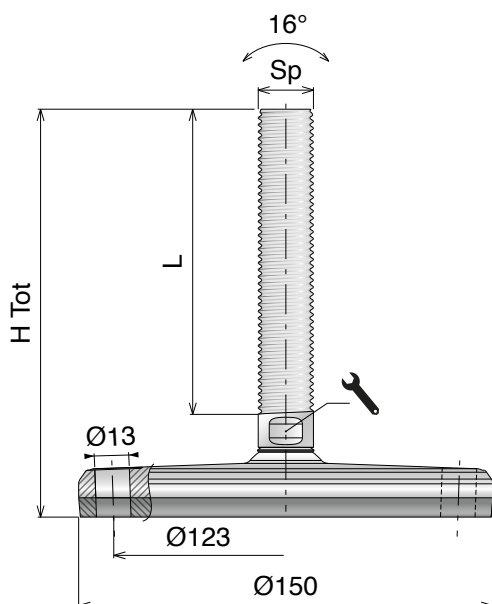


FIXING POINT



ANTI-SLIP

Art-Nr.	Sp	H Tot (mm)	L (mm)	Wrench (mm)	Load (N)
901853	M20	88,5	52,3	17	45.000
901854		118,5	82,3	17	
901855		148,5	112,3	17	
901856		178,5	142,3	17	
901857		228,5	192,3	17	
901858		288,5	252,3	17	
901859	M24	118,5	76	19	70.000
901860		148,5	106	19	
901861		178,5	136	19	
901862		228,5	186	19	
901863		288,5	246	19	
901864	M30	148,5	106	24	100.000
901865		178,5	136	24	
901866		228,5	186	24	
901867		288,5	246	24	
901868		338,5	296	24	
901869	M36	178,5	136	30	130.000
901870		228,5	186	30	
901871		288,5	246	30	
901872		338,5	296	30	



Ø 150

DIAMETER (mm)



HIGH LOAD



FIXING POINT



ANTI-SLIP

Art-Nr.	Sp	H Tot (mm)	L (mm)	Wrench (mm)	Load (N)
901873	M20	88,5	52,3	17	45.000
901874		118,5	82,3	17	
901875		148,5	112,3	17	
901876		178,5	142,3	17	
901877		228,5	192,3	17	
901878		288,5	252,3	17	
901879	M24	118,5	76	19	70.000
901880		148,5	106	19	
901881		178,5	136	19	
901882		228,5	186	19	
901883		288,5	246	19	
901884	M30	148,5	106	24	100.000
901885		178,5	136	24	
901886		228,5	186	24	
901887		288,5	246	24	
901888		338,5	296	24	
901889	M36	178,5	136	30	150.000
901890		228,5	186	30	
901891		288,5	246	30	
901892		338,5	296	30	

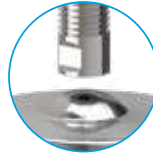
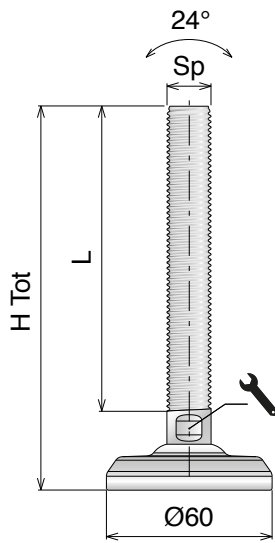
S400 HEAVY-SPLIT

Piedi di livellamento / Leveling feet / Nivellierfüße

On request spindle can be made in AISI 316.

Materiale / Material / Materialien:

Base e stelo: Acciaio inox
Base plate and spindle: Stainless steel
Fussplatte und Spindel: Edelstahl



Ø 60

DIAMETER (mm)

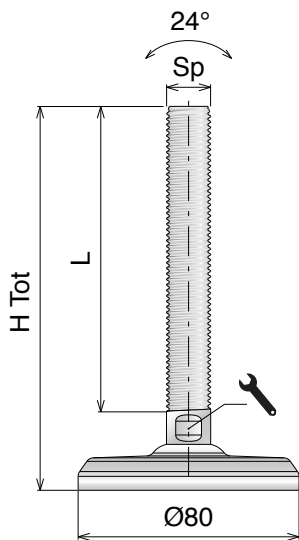


HIGH LOAD



SPLIT VERSION

Art-Nr.	Sp	H Tot (mm)	L (mm)	Wrench (mm)	Load (N)
901893	M10	81,5	50,5	7	3.000
901894		111,5	80,5	7	
901895		141,5	110,5	7	
901896	M12	81,5	50,8	10	12.000
901897		111,5	80,8	10	
901898		141,5	110,8	10	
901899		171,5	140,8	10	
901900	M16	81,5	51,3	13	30.000
901901		111,5	81,3	13	
901902		141,5	111,3	13	
901903		171,5	141,3	13	
901904		221,5	191,3	13	
901905	M20	81,5	52,3	17	45.000
901906		111,5	82,3	17	
901907		141,5	112,3	17	
901908		171,5	142,3	17	
901909		221,5	192,3	17	
901910		281,5	252,3	17	



Ø 80

DIAMETER (mm)



HIGH LOAD



SPLIT VERSION

Art-Nr.	Sp	H Tot (mm)	L (mm)	Wrench (mm)	Load (N)
901911	M12	81,5	50,8	10	12.000
901912		111,5	80,8	10	
901913		141,5	110,8	10	
901914		171,5	140,8	10	
901915	M16	81,5	51,3	13	30.000
901916		111,5	81,3	13	
901917		141,5	111,3	13	
901918		171,5	141,3	13	
901919		221,5	191,3	13	
901920	M20	81,5	52,3	17	45.000
901921		111,5	82,3	17	
901922		141,5	112,3	17	
901923		171,5	142,3	17	
901924		221,5	192,3	17	
901925		281,5	252,3	17	
901926	M24	111,5	76	19	70.000
901927		141,5	106	19	
901928		171,5	136	19	
901929		221,5	186	19	
901930		281,5	246	19	
901931	M30	141,5	106	24	80.000
901932		171,5	136	24	
901933		221,5	186	24	
901934		281,5	246	24	
901935		331,5	296	24	

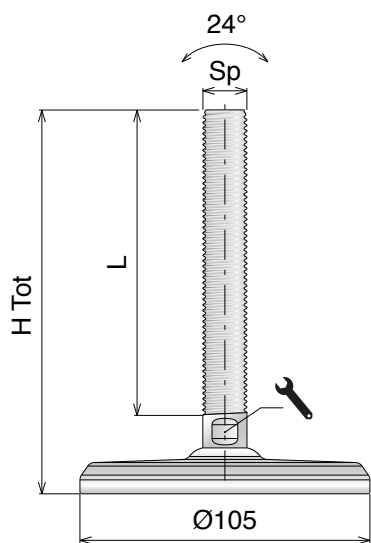
Materiale / Material / Materialien:

Base e stelo: Acciaio inox
 Base plate and spindle: Stainless steel
 Fussplatte und Spindel: Edelstahl

On request spindle can be made in AISI 316.

S400 HEAVY-SPLIT

Piedi di livellamento / Leveling feet / Nivellierfüße



Ø 105

DIAMETER (mm)

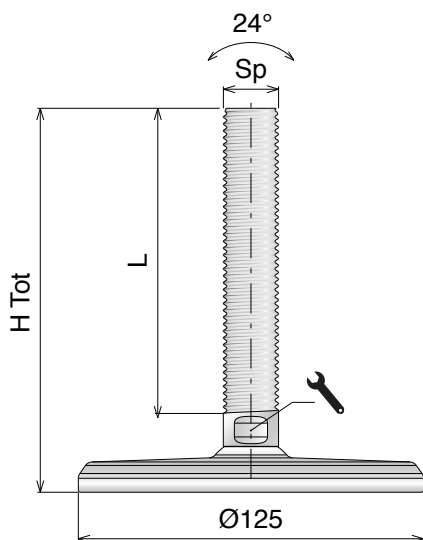


HIGH LOAD



SPLITVERSION

Art-Nr.	Sp	H Tot (mm)	L (mm)	Wrench (mm)	Load (N)
901936	M16	81,5	51,3	13	30.000
901937		111,5	81,3	13	
901938		141,5	111,3	13	
901939		171,5	141,3	13	
901940		221,5	191,3	13	
901941	M20	81,5	52,3	17	45.000
901942		111,5	82,3	17	
901943		141,5	112,3	17	
901944		171,5	142,3	17	
901945		221,5	192,3	17	
901946		281,5	252,3	17	
901947	M24	111,5	76	19	70.000
901948		141,5	106	19	
901949		171,5	136	19	
901950		221,5	186	19	
901951		281,5	246	19	
901952	M30	141,5	106	24	100.000
901953		171,5	136	24	
901954		221,5	186	24	
901955		281,5	246	24	
901956		331,5	296	24	
901957	M36	171,5	136	30	120.000
901958		221,5	186	30	
901959		281,5	246	30	
901960		331,5	296	30	



Ø 125

DIAMETER (mm)



HIGH LOAD



SPLITVERSION

Art-Nr.	Sp	H Tot (mm)	L (mm)	Wrench (mm)	Load (N)
901961	M20	81,5	52,3	17	45.000
901962		111,5	82,3	17	
901963		141,5	112,3	17	
901964		171,5	142,3	17	
901965		221,5	192,3	17	
901966		281,5	252,3	17	
901967	M24	111,5	76	19	70.000
901968		141,5	106	19	
901969		171,5	136	19	
901970		221,5	186	19	
901971		281,5	246	19	
901972	M30	141,5	106	24	100.000
901973		171,5	136	24	
901974		221,5	186	24	
901975		281,5	246	24	
901976		331,5	296	24	
901977	M36	171,5	136	30	130.000
901978		221,5	186	30	
901979		281,5	246	30	
901980		331,5	296	30	

S400 HEAVY-SPLIT

Piedi di livellamento / Leveling feet / Nivellierfüße

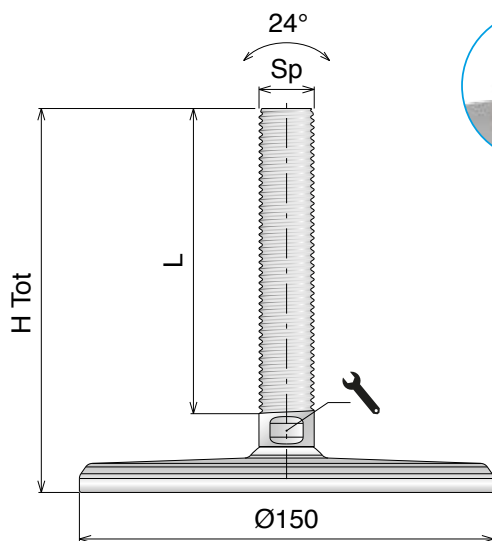
On request vulcanized rubber can be provided
white or blue and spindle can be made in AISI 316.

Materiale / Material / Materialien:

Base e stelo: Acciaio inox

Base plate and spindle: Stainless steel

Fussplatte und Spindel: Edelstahl



Ø 150

DIAMETER (mm)

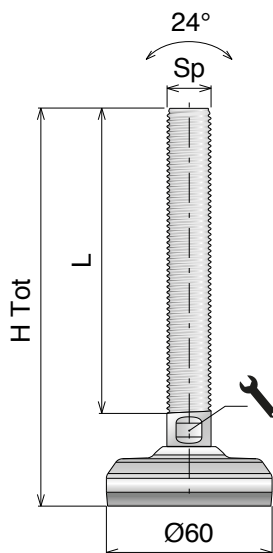


HIGH LOAD



SPLITVERSION

Art-Nr.	Sp	H Tot (mm)	L (mm)	Wrench (mm)	Load (N)
901981	M20	81,5	52,3	17	45.000
901982		111,5	82,3	17	
901983		141,5	112,3	17	
901984		171,5	142,3	17	
901985		221,5	192,3	17	
901986		281,5	252,3	17	
901987	M24	111,5	76	19	70.000
901988		141,5	106	19	
901989		171,5	136	19	
901990		221,5	186	19	
901991		281,5	246	19	
901992	M30	141,5	106	24	100.000
901993		171,5	136	24	
901994		221,5	186	24	
901995		281,5	246	24	
901996		331,5	296	24	
901997	M36	171,5	136	30	150.000
901998		221,5	186	30	
901999		281,5	246	30	
902000		331,5	296	30	



Ø 60

DIAMETER (mm)



HIGH LOAD



SPLITVERSION



ANTI-SLIP

Art-Nr.	Sp	H Tot (mm)	L (mm)	Wrench (mm)	Load (N)
902001	M10	86,5	50,5	7	3.000
902002		116,5	80,5	7	
902003		146,5	110,5	7	
902004	M12	87,5	50,8	10	12.000
902005		117,5	80,8	10	
902006		147,5	110,8	10	
902007		177,5	140,8	10	
902008	M16	87,5	51,3	13	30.000
902009		117,5	81,3	13	
902010		147,5	111,3	13	
902011		177,5	141,3	13	
902012		227,5	191,3	13	
902013	M20	87,5	52,3	17	45.000
902014		117,5	82,3	17	
902015		147,5	112,3	17	
902016		177,5	142,3	17	
902017		227,5	192,3	17	
902018		287,5	252,3	17	

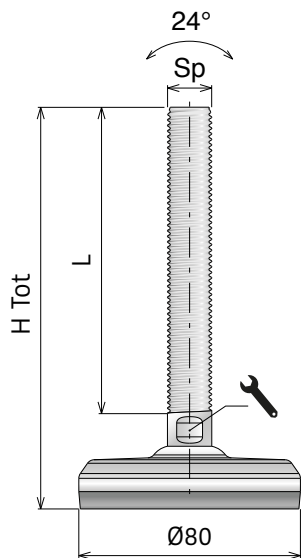
Materiale / Material / Materialien:

Base e stelo: Acciaio inox
 Base plate and spindle: Stainless steel
 Fussplatte und Spindel: Edelstahl

On request vulcanized rubber can be provided
 white or blue and spindle can be made in AISI 316.

S400 HEAVY-SPLIT

Piedi di livellamento / Leveling feet / Nivellierfüße



Ø 80

DIAMETER (mm)



HIGH LOAD

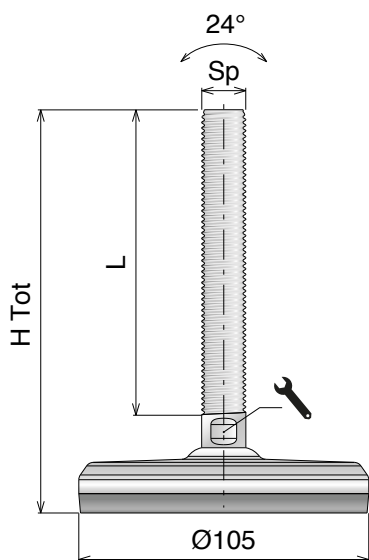


SPLITVERSION



ANTI-SLIP

Art-Nr.	Sp	H Tot (mm)	L (mm)	Wrench (mm)	Load (N)
902019	M12	87,5	50,8	10	12.000
902020		117,5	80,8	10	
902021		147,5	110,8	10	
902022		177,5	140,8	10	
902023	M16	87,5	51,3	13	30.000
902024		117,5	81,3	13	
902025		147,5	111,3	13	
902026		177,5	141,3	13	
902027		227,5	191,3	13	
902028	M20	87,5	52,3	17	45.000
902029		117,5	82,3	17	
902030		147,5	112,3	17	
902031		177,5	142,3	17	
902032		227,5	192,3	17	
902033		287,5	252,3	17	
902034	M24	117,5	76	19	70.000
902035		147,5	106	19	
902036		177,5	136	19	
902037		227,5	186	19	
902038		287,5	246	19	
902039	M30	147,5	106	24	80.000
902040		177,5	136	24	
902041		227,5	186	24	
902042		287,5	246	24	
902043		337,5	296	24	



Ø 105

DIAMETER (mm)



HIGH LOAD



SPLITVERSION



ANTI-SLIP

Art-Nr.	Sp	H Tot (mm)	L (mm)	Wrench (mm)	Load (N)
902044	M16	87,5	51,3	13	30.000
902045		117,5	81,3	13	
902046		147,5	111,3	13	
902047		177,5	141,3	13	
902048		227,5	191,3	13	
902049	M20	87,5	52,3	17	45.000
902050		117,5	82,3	17	
902051		147,5	112,3	17	
902052		177,5	142,3	17	
902053		227,5	192,3	17	
902054		287,5	252,3	17	
902055	M24	117,5	76	19	70.000
902056		147,5	106	19	
902057		177,5	136	19	
902058		227,5	186	19	
902059		287,5	246	19	
902060	M30	147,5	106	24	100.000
902061		177,5	136	24	
902062		227,5	186	24	
902063		287,5	246	24	
902064		337,5	296	24	
902065	M36	177,5	136	30	120.000
902066		227,5	186	30	
902067		287,5	246	30	
902068		337,5	296	30	

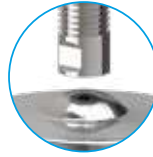
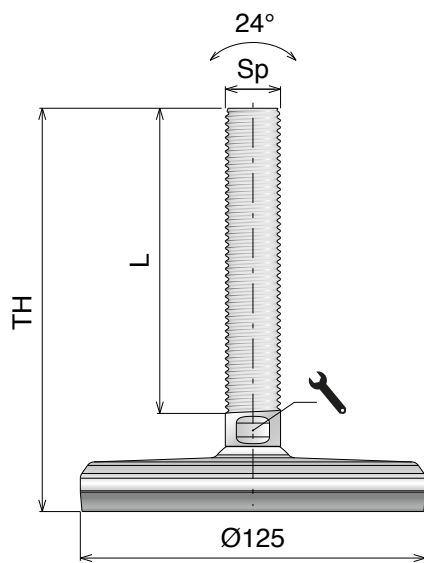
S400 HEAVY-SPLIT

Piedi di livellamento / Leveling feet / Nivellierfüße

On request vulcanized rubber can be provided
white or blue and spindle can be made in AISI 316.

Material / Material / Materialien:

Base e stelo: Acciaio inox
Base plate and spindle: Stainless steel
Fussplatte und Spindel: Edelstahl



Ø 125

DIAMETER (mm)



HIGH LOAD

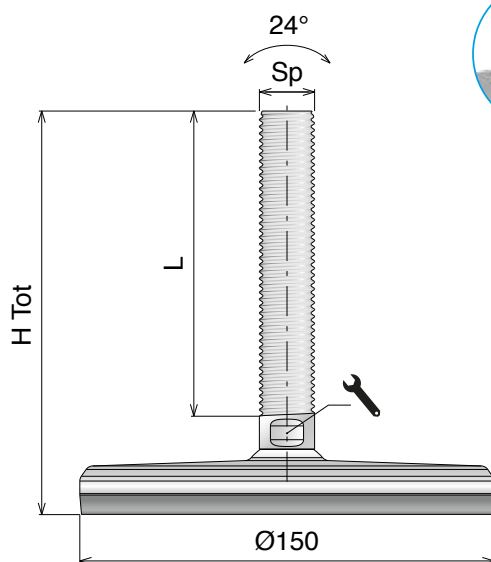


SPLIT VERSION



ANTI-SLIP

Art-Nr.	Sp	H Tot (mm)	L (mm)	Wrench (mm)	Load (N)
902069	M20	87,5	52,3	17	45.000
902070		117,5	82,3	17	
902071		147,5	112,3	17	
902072		177,5	142,3	17	
902073		227,5	192,3	17	
902074		287,5	252,3	17	
902075	M24	117,5	76	19	70.000
902076		147,5	106	19	
902077		177,5	136	19	
902078		227,5	186	19	
902079		287,5	246	19	
902080	M30	147,5	106	24	100.000
902081		177,5	136	24	
902082		227,5	186	24	
902083		287,5	246	24	
902084		337,5	296	24	
902085	M36	177,5	136	30	130.000
902086		227,5	186	30	
902087		287,5	246	30	
902088		337,5	296	30	



Ø 150

DIAMETER (mm)



HIGH LOAD



SPLIT VERSION



ANTI-SLIP

Art-Nr.	Sp	H Tot (mm)	L (mm)	Wrench (mm)	Load (N)
902089	M20	87,5	52,3	17	45.000
902090		117,5	82,3	17	
902091		147,5	112,3	17	
902092		177,5	142,3	17	
902093		227,5	192,3	17	
902094		287,5	252,3	17	
902095	M24	117,5	76	19	70.000
902096		147,5	106	19	
902097		177,5	136	19	
902098		227,5	186	19	
902099		287,5	246	19	
902100	M30	147,5	106	24	100.000
902101		177,5	136	24	
902102		227,5	186	24	
902103		287,5	246	24	
902104		337,5	296	24	
902105	M36	177,5	136	30	150.000
902106		227,5	186	30	
902107		287,5	246	30	
902108		337,5	296	30	

S400B Series HYGIENIC STAINLESS STEEL LEVELERS

RANGE EXTENSION

Delivery: **Easy** **Standard**

S400B

Main features:

- Overmolded baseplate in AISI 304
- Spindle and cover in AISI 304
- Washer in AISI 304
- Vulcanized anti-slip NBR rubber

Versions available:

- with single floor fixation



S400B SPLIT

Main features:

- Overmolded baseplate in AISI 304
- Spindle and cover in AISI 304
- Separate spindle and baseplate
- Vulcanized anti-slip NBR rubber



S400B HEAVY

Main features:

- Full machined baseplate in AISI 304
- Spindle and cover in AISI 304
- Washer in AISI 304 stainless steel

Versions available:

- Vulcanized anti-slip NBR rubber
- Double floor fixation



S400B HEAVY-SPLIT

Main features:

- Full machined baseplate in AISI 304
- Spindle and cover in AISI 304
- Separate spindle and baseplate

Versions available:

- Vulcanized anti-slip NBR rubber



The **S400B series**, with overmolded baseplate in AISI 304 stainless steel, threaded spindle with complete closure cover and stainless steel washer is the best choice for industrial environments where a high level of hygiene is required, like food, chemical and pharmaceutical industries.

The stainless steel baseplate and its particular shape guarantee an excellent cleanability, especially in critical conditions; the stainless steel cover avoids exposure of the thread part to external agents; the stainless steel washer ensures complete closure between the spindle and the baseplate and the NBR rubber guarantees anti-slip properties and hermetic closure between the leveler and the floor.

Maximum compressive strength (static load) as in the table, maximum tensile strength (static load) 4.000 N (S400); 8.000 N (S400 HEAVY); NOT AVAILABLE (SLIT and HEAVY-DUTY).

Accessori / Accessories / Zubehör

Find out more details on page 763/764

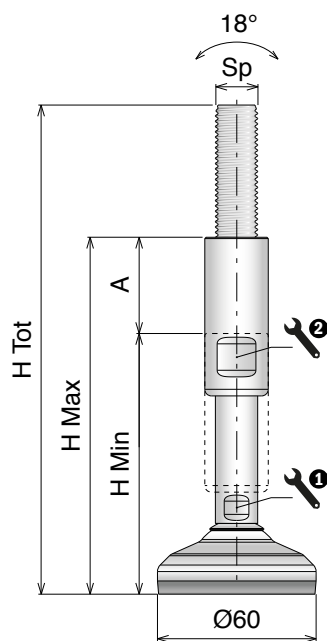
S400B Series

Piedi di livellamento / Leveling feet / Nivellierfüße

On request vulcanized rubber can be provided
white or blue and spindle can be made in AISI 316.

Materiale / Material / Materialien:

Base, stelo, rondella e boccola: Acciaio inox
Base plate, spindle, washer and cover: Stainless steel
Fussplatte, Spindel, Scheibe und Hülse: Edelstahl



Ø60

DIAMETER (mm)



Art-Nr.	Sp	H Tot (mm)	H Min (mm)	H Max (mm)	A (mm)	1 (mm)	2 (mm)	Load (N)
902123	M12	185	105	150	45	10	17	4.500
902124		235	135	200	65	10	17	
902125	M16	185	105	150	45	13	19	4.500
902126		235	135	200	65	13	19	
902127	M20	185	105	150	45	17	24	4.500
902128		235	135	200	65	17	24	
902129	M24	185	105	150	45	19	30	4.500
902130		235	135	200	65	19	30	
902131	M30	185	105	150	45	24	36	4.500
902132		235	135	200	65	24	36	
902133		295	195	260	65	24	36	
902134	M36	185	105	150	45	30	42	4.500
902135		235	135	200	65	30	42	
902136		295	195	260	65	30	42	

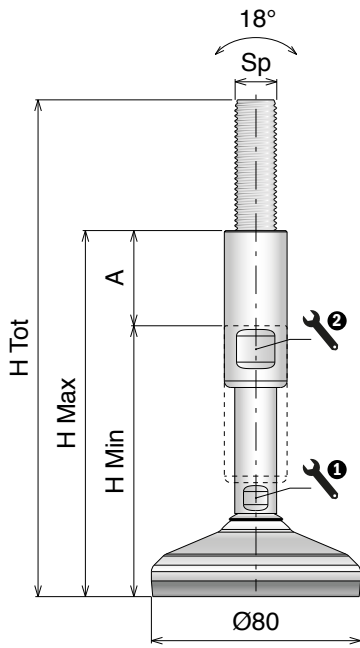
Materiale / Material / Materialien:

Base, stelo, rondella e boccia: Acciaio inox
 Base plate, spindle, washer and cover: Stainless steel
 Fussplatte, Spindel, Scheibe und Hülse: Edelstahl

On request vulcanized rubber can be provided
 white or blue and spindle can be made in AISI 316.

S400B Series

Piedi di livellamento / Leveling feet / Nivellierfüße

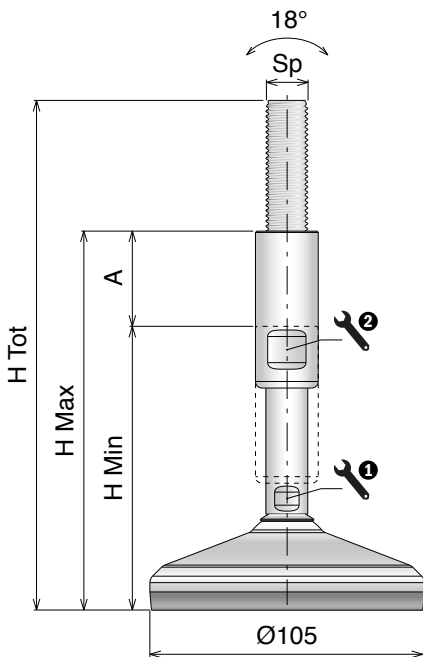


Ø80

DIAMETER (mm)



Art-Nr.	Sp	H Tot (mm)	H Min (mm)	H Max (mm)	A (mm)	1 (mm)	2 (mm)	Load (N)
902165	M12	190	110	155	45	10	17	12.000
902166		240	140	205	65	10	17	
902167	M16	190	110	155	45	13	19	15.000
902168		240	140	205	65	13	19	
902169	M20	190	110	155	45	17	24	15.000
902170		240	140	205	65	17	24	
902171	M24	190	110	155	45	19	30	15.000
902172		240	140	205	65	19	30	
902173	M30	190	110	155	45	24	36	15.000
902174		240	140	205	65	24	36	
902175		300	200	265	65	24	36	
902176	M36	190	110	155	45	30	42	15.000
902177		240	140	205	65	30	42	
902178		300	200	265	65	30	42	



Ø105

DIAMETER (mm)



Art-Nr.	Sp	H Tot (mm)	H Min (mm)	H Max (mm)	A (mm)	1 (mm)	2 (mm)	Load (N)
902193	M12	195	115	160	45	10	17	12.000
902194		245	145	210	65	10	17	
902195	M16	195	115	160	45	13	19	25.000
902196		245	145	210	65	13	19	
902197	M20	195	115	160	45	17	24	25.000
902198		245	145	210	65	17	24	
902199	M24	195	115	160	45	19	30	25.000
902200		245	145	210	65	19	30	
902201	M30	195	115	160	45	24	36	25.000
902202		245	145	210	65	24	36	
902203		305	205	270	65	24	36	
902204	M36	195	115	160	45	30	42	25.000
902205		245	145	210	65	30	42	
902206		305	205	270	65	30	42	

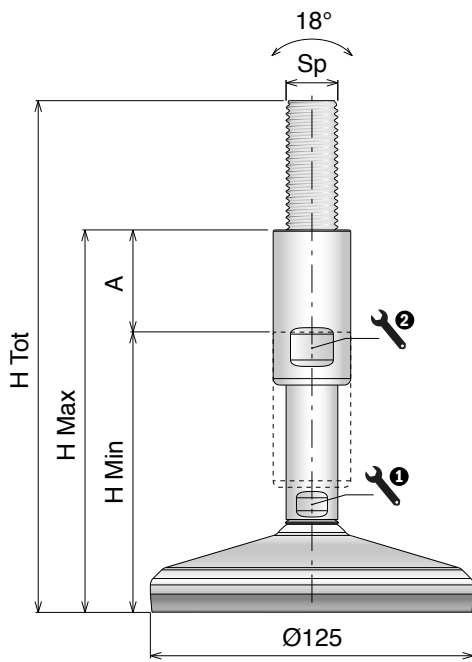
S400B Series

Piedi di livellamento / Leveling feet / Nivellierfüße

On request vulcanized rubber can be provided
white or blue and spindle can be made in AISI 316.

Materiale / Material / Materialien:

Base, stelo, rondella e boccola: Acciaio inox
Base plate, spindle, washer and cover: Stainless steel
Fussplatte, Spindel, Scheibe und Hülse: Edelstahl

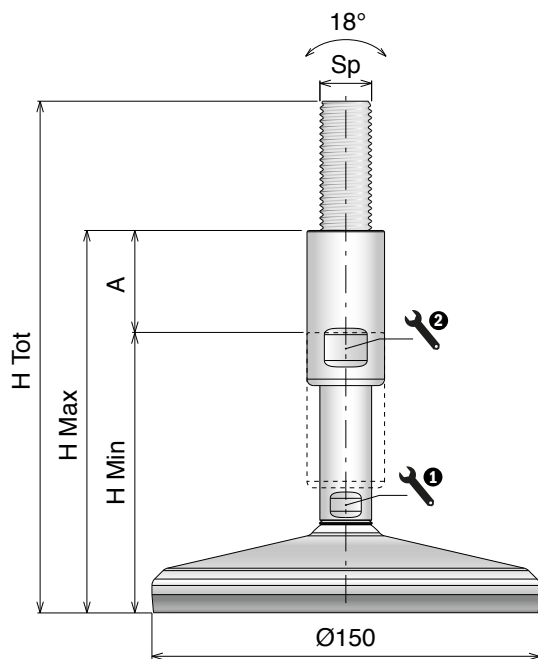


Ø125

DIAMETER (mm)



Art-Nr.	Sp	H Tot (mm)	H Min (mm)	H Max (mm)	A (mm)	1 (mm)	2 (mm)	Load (N)
902207	M12	195	115	160	45	10	17	12.000
902208		245	145	210	65	10	17	
902209	M16	195	115	160	45	13	19	30.000
902210		245	145	210	65	13	19	
902211	M20	195	115	160	45	17	24	30.000
902212		245	145	210	65	17	24	
902213	M24	195	115	160	45	19	30	30.000
902214		245	145	210	65	19	30	
902215	M30	195	115	160	45	24	36	30.000
902216		245	145	210	65	24	36	
902217		305	205	270	65	24	36	
902218	M36	195	115	160	45	30	42	30.000
902219		245	145	210	65	30	42	
902220		305	205	270	65	30	42	



Ø150

DIAMETER (mm)



Art-Nr.	Sp	H Tot (mm)	H Min (mm)	H Max (mm)	A (mm)	1 (mm)	2 (mm)	Load (N)
902221	M12	195	115	160	45	10	17	12.000
902222		245	145	210	65	10	17	
902223	M16	195	115	160	45	13	19	30.000
902224		245	145	210	65	13	19	
902225	M20	195	115	160	45	17	24	45.000
902226		245	145	210	65	17	24	
902227	M24	195	115	160	45	19	30	45.000
902228		245	145	210	65	19	30	
902229	M30	195	115	160	45	24	36	45.000
902230		245	145	210	65	24	36	
902231		305	205	270	65	24	36	
902232	M36	195	115	160	45	30	42	45.000
902233		245	145	210	65	30	42	
902234		305	205	270	65	30	42	

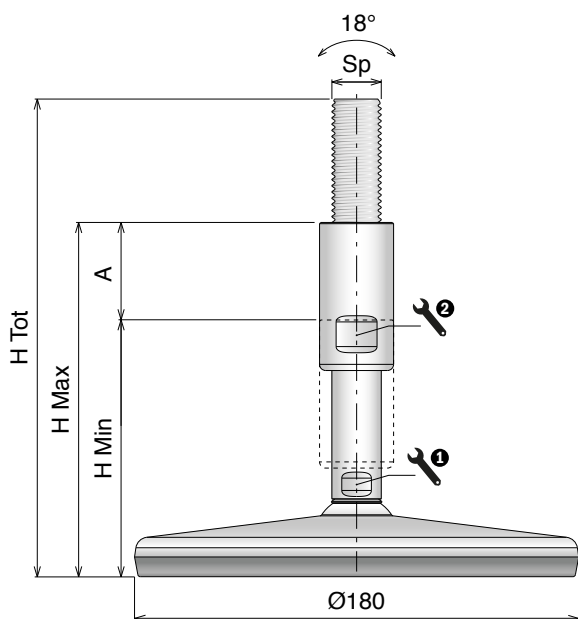
Materiale / Material / Materialien:

Base, stelo, rondella e boccia: Acciaio inox
 Base plate, spindle, washer and cover: Stainless steel
 Fussplatte, Spindel, Scheibe und Hülse: Edelstahl

On request vulcanized rubber can be provided
 white or blue and spindle can be made in AISI 316.

S400B Series

Piedi di livellamento / Leveling feet / Nivellierfüße



Ø180

DIAMETER (mm)



ANTI-SLIP

Art-Nr.	Sp	H Tot (mm)	H Min (mm)	H Max (mm)	A (mm)	1 (mm)	2 (mm)	Load (N)
902235	M12	191	111	156	45	10	17	12.000
902236		241	141	206	65	10	17	
902237	M16	191	111	156	45	13	19	30.000
902238		241	141	206	65	13	19	
902239	M20	191	111	156	45	17	24	38.000
902240		241	141	206	65	17	24	
902241	M24	191	111	156	45	19	30	38.000
902242		241	141	206	65	19	30	
902243	M30	191	111	156	45	24	36	38.000
902244		241	141	206	65	24	36	
902245		301	201	266	65	24	36	
902246	M36	191	111	156	45	30	42	38.000
902247		241	141	206	65	30	42	
902248		301	201	266	65	30	42	

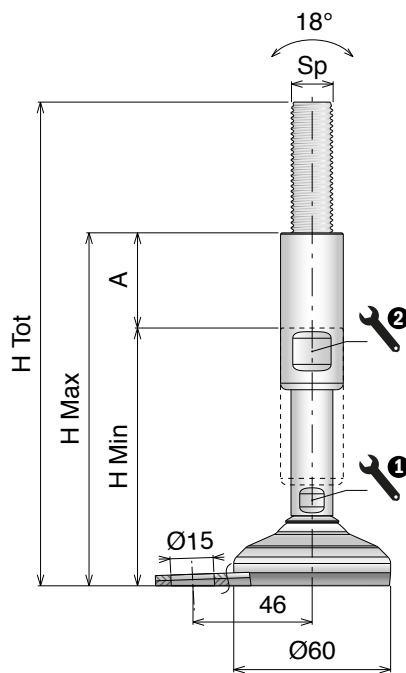
S400B Series

Piedi di livellamento / Leveling feet / Nivellierfüße

On request vulcanized rubber can be provided
white or blue and spindle can be made in AISI 316.

Materiale / Material / Materialien:

Base, stelo, rondella e boccola: Acciaio inox
Base plate, spindle, washer and cover: Stainless steel
Fussplatte, Spindel, Scheibe und Hülse: Edelstahl



Ø 60

DIAMETER (mm)

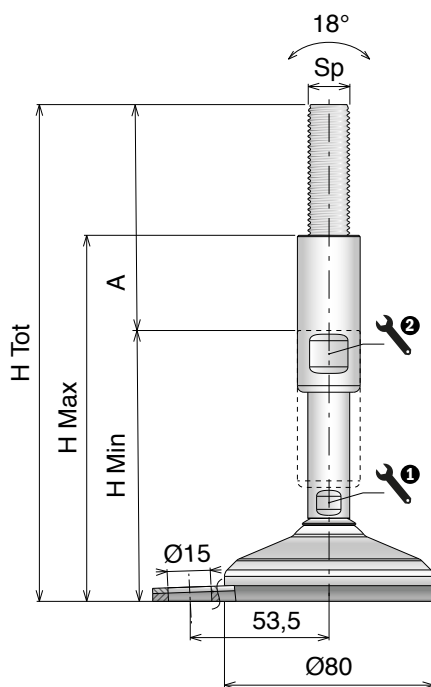


ANTI-SLIP



FIXING POINT

Art-Nr.	Sp	H Tot (mm)	H Min (mm)	H Max (mm)	A (mm)	1 (mm)	2 (mm)	Load (N)
902249	M12	185	105	150	45	10	17	4.500
902250		235	135	200	65	10	17	
902251	M16	185	105	150	45	13	19	4.500
902252		235	135	200	65	13	19	
902253	M20	185	105	150	45	17	24	4.500
902254		235	135	200	65	17	24	
902255	M24	185	105	150	45	19	30	4.500
902256		235	135	200	65	19	30	
902257	M30	185	105	150	45	24	36	4.500
902258		235	135	200	65	24	36	
902259		295	195	260	65	24	36	
902260	M36	185	105	150	45	30	42	4.500
902261		235	135	200	65	30	42	
902262		295	195	260	65	30	42	



Ø 80

DIAMETER (mm)



ANTI-SLIP



FIXING POINT

Art-Nr.	Sp	H Tot (mm)	H Min (mm)	H Max (mm)	A (mm)	1 (mm)	2 (mm)	Load (N)
902277	M12	190	110	155	45	10	17	12.000
902278		240	140	205	65	10	17	
902279	M16	190	110	155	45	13	19	15.000
902280		240	140	205	65	13	19	
902281	M20	190	110	155	45	17	24	15.000
902282		240	140	205	65	17	24	
902283	M24	190	110	155	45	19	30	15.000
902284		240	140	205	65	19	30	
902285	M30	190	110	155	45	24	36	15.000
902286		240	140	205	65	24	36	
902287		300	200	265	65	24	36	
902288	M36	190	110	155	45	30	42	15.000
902289		240	140	205	65	30	42	
902290		300	200	265	65	30	42	

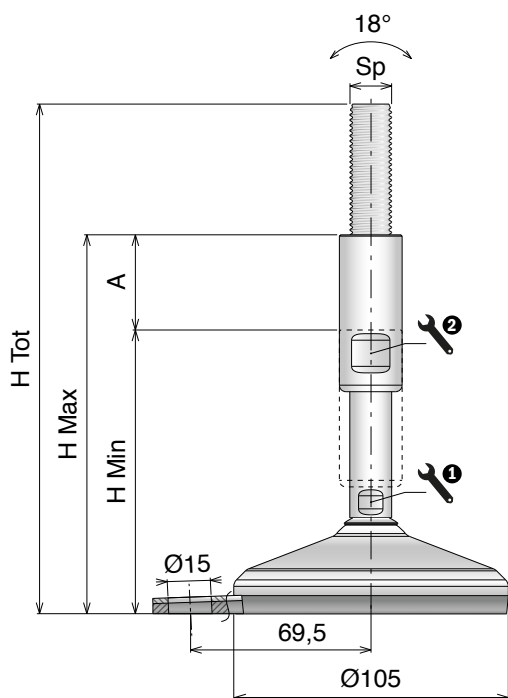
Materiale / Material / Materialien:

Base, stelo, rondella e boccia: Acciaio inox
 Base plate, spindle, washer and cover: Stainless steel
 Fussplatte, Spindel, Scheibe und Hülse: Edelstahl

On request vulcanized rubber can be provided
 white or blue and spindle can be made in AISI 316.

S400B Series

Piedi di livellamento / Leveling feet / Nivellierfüße



Ø105

DIAMETER (mm)

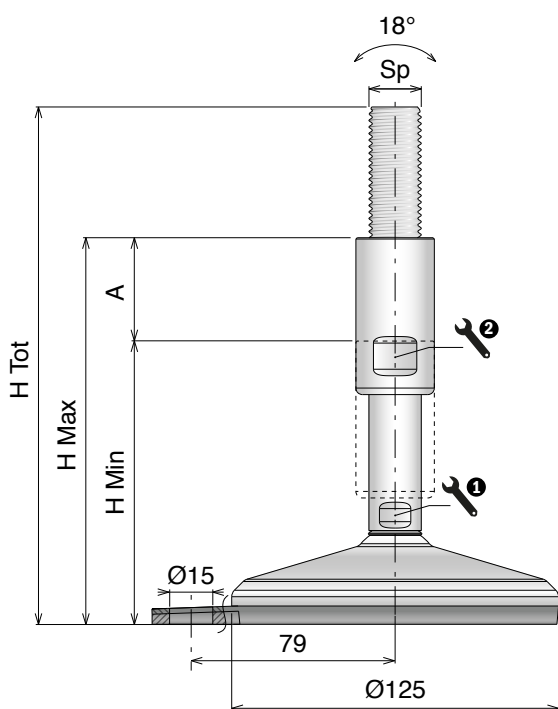


ANTI-SLIP



FIXING POINT

Art-Nr.	Sp	H Tot (mm)	H Min (mm)	H Max (mm)	A (mm)	1 (mm)	2 (mm)	Load (N)
902305	M12	195	115	160	45	10	17	12.000
902306		245	145	210	65	10	17	
902307	M16	195	115	160	45	13	19	25.000
902308		245	145	210	65	13	19	
902309	M20	195	115	160	45	17	24	25.000
902310		245	145	210	65	17	24	
902311	M24	195	115	160	45	19	30	25.000
902312		245	145	210	65	19	30	
902313	M30	195	115	160	45	24	36	25.000
902314		245	145	210	65	24	36	
902315		305	205	270	65	24	36	
902316	M36	195	115	160	45	30	42	25.000
902317		245	145	210	65	30	42	
902318		305	205	270	65	30	42	



Ø125

DIAMETER (mm)



ANTI-SLIP



FIXING POINT

Art-Nr.	Sp	H Tot (mm)	H Min (mm)	H Max (mm)	A (mm)	1 (mm)	2 (mm)	Load (N)
902319	M12	195	115	160	45	10	17	12.000
902320		245	145	210	65	10	17	
902321	M16	195	115	160	45	13	19	30.000
902322		245	145	210	65	13	19	
902323	M20	195	115	160	45	17	24	30.000
902324		245	145	210	65	17	24	
902325	M24	195	115	160	45	19	30	30.000
902326		245	145	210	65	19	30	
902327	M30	195	115	160	45	24	36	30.000
902328		245	145	210	65	24	36	
902329		305	205	270	65	24	36	
902330	M36	195	115	160	45	30	42	30.000
902331		245	145	210	65	30	42	
902332		305	205	270	65	30	42	

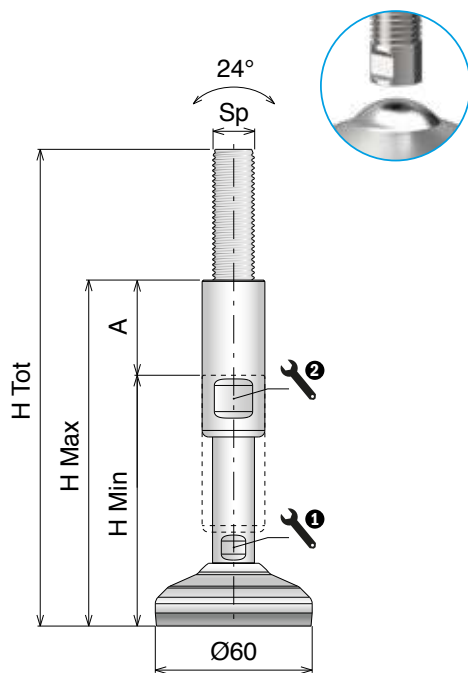
S400B SPLIT

Piedi di livellamento / Leveling feet / Nivellierfüße

On request vulcanized rubber can be provided
white or blue and spindle can be made in AISI 316.

Materiale / Material / Materialien:

Base, stelo, rondella e boccola: Acciaio inox
Base plate, spindle, washer and cover: Stainless steel
Fussplatte, Spindel, Scheibe und Hülse: Edelstahl



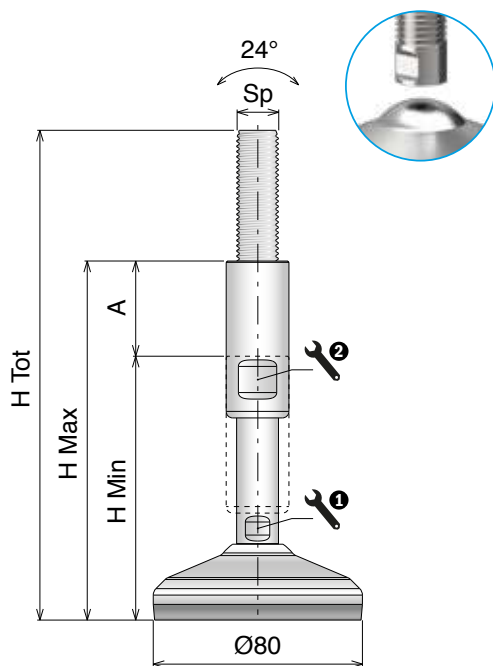
Ø60

DIAMETER (mm)



SPLITVERSION ANTI-SLIP

Art-Nr.	Sp	H Tot (mm)	H Min (mm)	H Max (mm)	A (mm)	1 (mm)	2 (mm)	Load (N)
902333	M12	184	104	149	45	10	17	4.500
902334		234	134	199	65	10	17	
902335	M16	184	104	149	45	13	19	4.500
902336		234	134	199	65	13	19	
902337	M20	184	104	149	45	17	24	4.500
902338		234	134	199	65	17	24	
902339	M24	184	104	149	45	19	30	4.500
902340		234	134	199	65	19	30	
902341	M30	184	104	149	45	24	36	4.500
902342		234	134	199	65	24	36	
902343		294	194	259	65	24	36	
902344	M36	184	104	149	45	30	42	4.500
902345		234	134	199	65	30	42	
902346		294	194	259	65	30	42	



Ø80

DIAMETER (mm)



SPLITVERSION ANTI-SLIP

Art-Nr.	Sp	H Tot (mm)	H Min (mm)	H Max (mm)	A (mm)	1 (mm)	2 (mm)	Load (N)
902347	M12	189	109	154	45	10	17	12.000
902348		239	139	204	65	10	17	
902349	M16	189	109	154	45	13	19	15.000
902350		239	139	204	65	13	19	
902351	M20	189	109	154	45	17	24	15.000
902352		239	139	204	65	17	24	
902353	M24	189	109	154	45	19	30	15.000
902354		239	139	204	65	19	30	
902355	M30	189	109	154	45	24	36	15.000
902356		239	139	204	65	24	36	
902357		299	199	264	65	24	36	
902358	M36	189	109	154	45	30	42	15.000
902359		239	139	204	65	30	42	
902360		299	199	264	65	30	42	

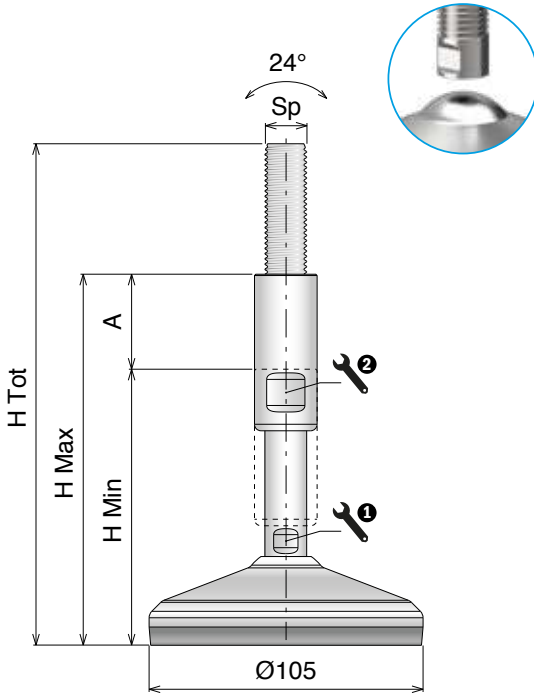
Materiale / Material / Materialien:

Base, stelo, rondella e boccia: Acciaio inox
 Base plate, spindle, washer and cover: Stainless steel
 Fussplatte, Spindel, Scheibe und Hülse: Edelstahl

On request vulcanized rubber can be provided
 white or blue and spindle can be made in AISI 316.

S400B SPLIT

Piedi di livellamento / Leveling feet / Nivellierfüße

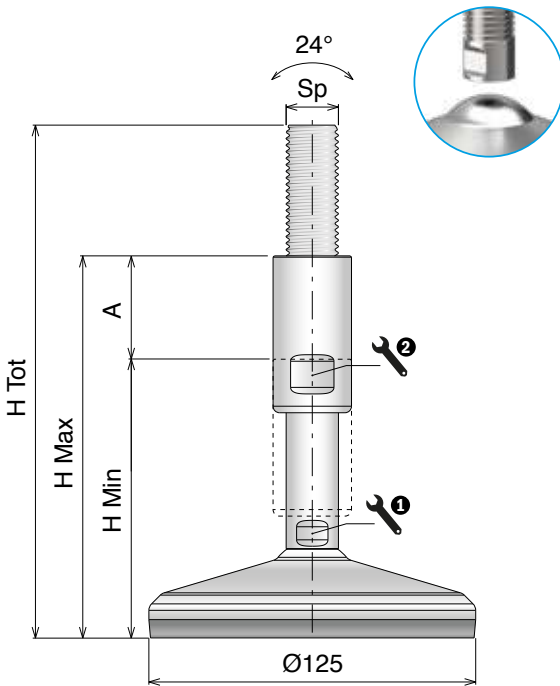


Ø105

DIAMETER (mm)



Art-Nr.	Sp	H Tot (mm)	H Min (mm)	H Max (mm)	A (mm)	1 (mm)	2 (mm)	Load (N)
902361	M12	194	114	159	45	10	17	12.000
902362		244	144	209	65	10	17	
902363	M16	194	114	159	45	13	19	25.000
902364		244	144	209	65	13	19	
902365	M20	194	114	159	45	17	24	25.000
902366		244	144	209	65	17	24	
902367	M24	194	114	159	45	19	30	25.000
902368		244	144	209	65	19	30	
902369	M30	194	114	159	45	24	36	25.000
902370		244	144	209	65	24	36	
902371		304	204	269	65	24	36	
902372	M36	194	114	159	45	30	42	25.000
902373		244	144	209	65	30	42	
902374		304	204	269	65	30	42	



Ø125

DIAMETER (mm)



Art-Nr.	Sp	H Tot (mm)	H Min (mm)	H Max (mm)	A (mm)	1 (mm)	2 (mm)	Load (N)
902375	M12	194	114	159	45	10	17	12.000
902376		244	144	209	65	10	17	
902377	M16	194	114	159	45	13	19	30.000
902378		244	144	209	65	13	19	
902379	M20	194	114	159	45	17	24	30.000
902380		244	144	209	65	17	24	
902381	M24	194	114	159	45	19	30	30.000
902382		244	144	209	65	19	30	
902383	M30	194	114	159	45	24	36	30.000
902384		244	144	209	65	24	36	
902385		304	204	269	65	24	36	
902386	M36	194	114	159	45	30	42	30.000
902387		244	144	209	65	30	42	
902388		304	204	269	65	30	42	

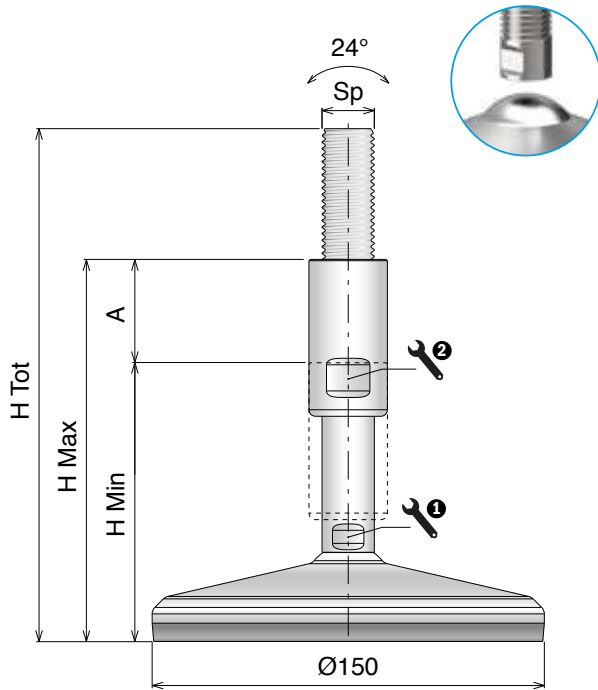
S400B SPLIT

Piedi di livellamento / Leveling feet / Nivellierfüße

On request vulcanized rubber can be provided
white or blue and spindle can be made in AISI 316.

Materiale / Material / Materialien:

Base, stelo, rondella e boccia: Acciaio inox
Base plate, spindle, washer and cover: Stainless steel
Fussplatte, Spindel, Scheibe und Hülse: Edelstahl



Ø150
DIAMETER (mm)



Art-Nr.	Sp	H Tot (mm)	H Min (mm)	H Max (mm)	A (mm)	1 (mm)	2 (mm)	Load (N)
902389	M12	194	114	159	45	10	17	12.000
902390		244	144	209	65	10	17	
902391	M16	194	114	159	45	13	19	30.000
902392		244	144	209	65	13	19	
902393	M20	194	114	159	45	17	24	45.000
902394		244	144	209	65	17	24	
902395	M24	194	114	159	45	19	30	45.000
902396		244	144	209	65	19	30	
902397	M30	194	114	159	45	24	36	45.000
902398		244	144	209	65	24	36	
902399		304	204	269	65	24	36	
902400	M36	194	114	159	45	30	42	45.000
902401		244	144	209	65	30	42	
902402		304	204	269	65	30	42	

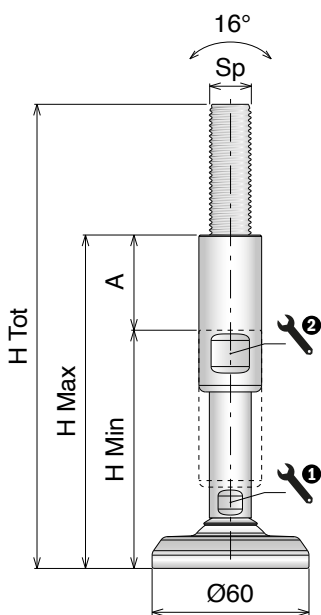
Materiale / Material / Materialien:

Base, stelo, rondella e boccia: Acciaio inox
 Base plate, spindle, washer and cover: Stainless steel
 Fussplatte, Spindel, Scheibe und Hülse: Edelstahl

On request spindle can be made in AISI 316.

S400B HEAVY

Piedi di livellamento / Leveling feet / Nivellierfüße



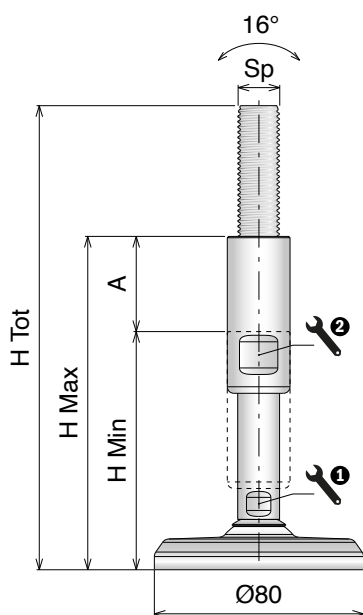
Ø60

DIAMETER (mm)



HIGH LOAD

Art-Nr.	Sp	H Tot (mm)	H Min (mm)	H Max (mm)	A (mm)	1 (mm)	2 (mm)	Load (N)
902403	M12	177,5	97,5	142,5	45	10	17	12.000
902404		227,5	127,5	192,5	65	10	17	
902405	M16	177,5	97,5	142,5	45	13	19	30.000
902406		227,5	127,5	192,5	65	13	19	
902407	M20	177,5	97,5	142,5	45	17	24	45.000
902408		227,5	127,5	192,5	65	17	24	
902409	M24	177,5	97,5	142,5	45	19	30	60.000
902410		227,5	127,5	192,5	65	19	30	
902411	M30	177,5	97,5	142,5	45	24	36	60.000
902412		227,5	127,5	192,5	65	24	36	
902413		287,5	187,5	252,5	65	24	36	
902414	M36	177,5	97,5	142,5	45	30	42	60.000
902415		227,5	127,5	192,5	65	30	42	
902416		287,5	187,5	252,5	65	30	42	



Ø80

DIAMETER (mm)



HIGH LOAD

Art-Nr.	Sp	H Tot (mm)	H Min (mm)	H Max (mm)	A (mm)	1 (mm)	2 (mm)	Load (N)
902417	M12	177,5	97,5	142,5	45	10	17	12.000
902418		227,5	127,5	192,5	65	10	17	
902419	M16	177,5	97,5	142,5	45	13	19	30.000
902420		227,5	127,5	192,5	65	13	19	
902421	M20	177,5	97,5	142,5	45	17	24	45.000
902422		227,5	127,5	192,5	65	17	24	
902423	M24	177,5	97,5	142,5	45	19	30	70.000
902424		227,5	127,5	192,5	65	19	30	
902425	M30	177,5	97,5	142,5	45	24	36	80.000
902426		227,5	127,5	192,5	65	24	36	
902427		287,5	187,5	252,5	65	24	36	
902428	M36	177,5	97,5	142,5	45	30	42	80.000
902429		227,5	127,5	192,5	65	30	42	
902430		287,5	187,5	252,5	65	30	42	

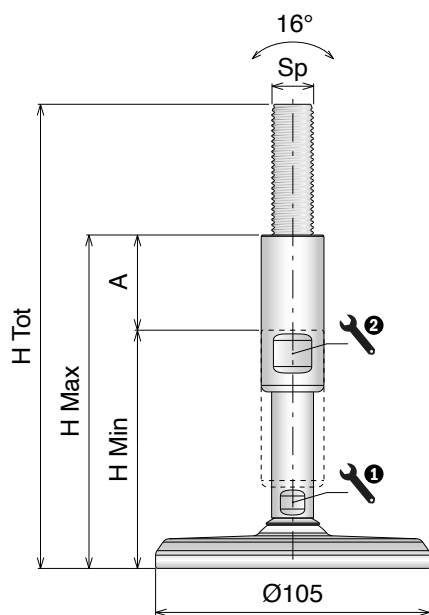
S400B HEAVY

Piedi di livellamento / Leveling feet / Nivellierfüße

On request spindle can be made in AISI 316.

Materiale / Material / Materialien:

Base, stelo, rondella e boccia: Acciaio inox
Base plate, spindle, washer and cover: Stainless steel
Fussplatte, Spindel, Scheibe und Hülse: Edelstahl



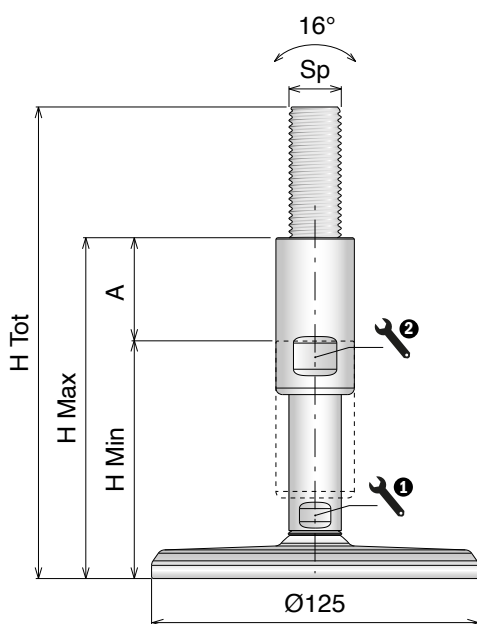
Ø105

DIAMETER (mm)



HIGH LOAD

Art-Nr.	Sp	H Tot (mm)	H Min (mm)	H Max (mm)	A (mm)	1 (mm)	2 (mm)	Load (N)
902431	M12	177,5	97,5	142,5	45	10	17	12.000
902432		227,5	127,5	192,5	65	10	17	
902433	M16	177,5	97,5	142,5	45	13	19	30.000
902434		227,5	127,5	192,5	65	13	19	
902435	M20	177,5	97,5	142,5	45	17	24	45.000
902436		227,5	127,5	192,5	65	17	24	
902437	M24	177,5	97,5	142,5	45	19	30	70.000
902438		227,5	127,5	192,5	65	19	30	
902439	M30	177,5	97,5	142,5	45	24	36	100.000
902440		227,5	127,5	192,5	65	24	36	
902441		287,5	187,5	252,5	65	24	36	
902442	M36	177,5	97,5	142,5	45	30	42	120.000
902443		227,5	127,5	192,5	65	30	42	
902444		287,5	187,5	252,5	65	30	42	



Ø125

DIAMETER (mm)



HIGH LOAD

Art-Nr.	Sp	H Tot (mm)	H Min (mm)	H Max (mm)	A (mm)	1 (mm)	2 (mm)	Load (N)
902445	M12	177,5	97,5	142,5	45	10	17	12.000
902446		227,5	127,5	192,5	65	10	17	
902447	M16	177,5	97,5	142,5	45	13	19	30.000
902448		227,5	127,5	192,5	65	13	19	
902449	M20	177,5	97,5	142,5	45	17	24	45.000
902450		227,5	127,5	192,5	65	17	24	
902451	M24	177,5	97,5	142,5	45	19	30	70.000
902452		227,5	127,5	192,5	65	19	30	
902453	M30	177,5	97,5	142,5	45	24	36	100.000
902454		227,5	127,5	192,5	65	24	36	
902455		287,5	187,5	252,5	65	24	36	
902456	M36	177,5	97,5	142,5	45	30	42	130.000
902457		227,5	127,5	192,5	65	30	42	
902458		287,5	187,5	252,5	65	30	42	

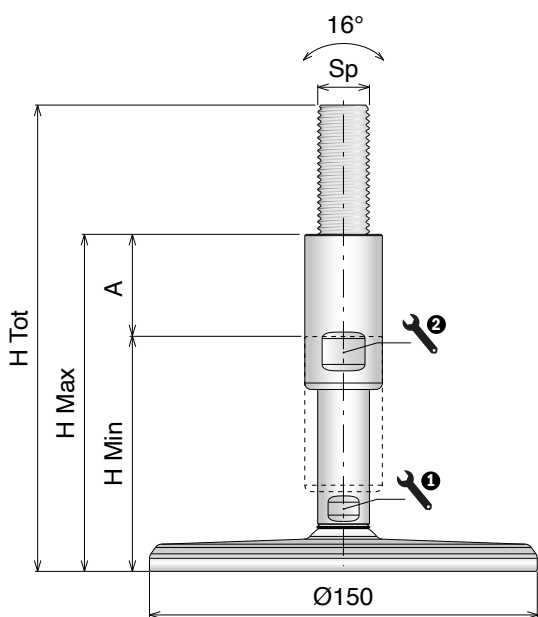
Materiale / Material / Materialien:

Base, stelo, rondella e boccia: Acciaio inox
 Base plate, spindle, washer and cover: Stainless steel
 Fussplatte, Spindel, Scheibe und Hülse: Edelstahl

On request spindle can be made in AISI 316.

S400B HEAVY

Piedi di livellamento / Leveling feet / Nivellierfüße



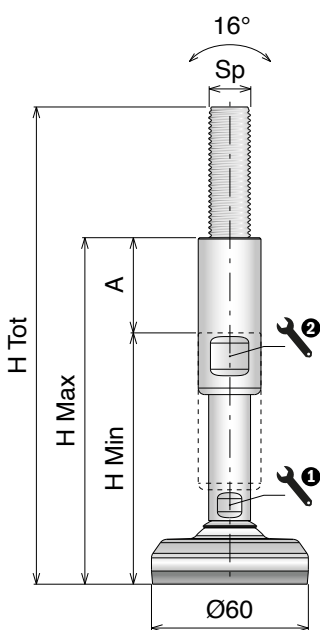
Ø150

DIAMETER (mm)



HIGH LOAD

Art-Nr.	Sp	H Tot (mm)	H Min (mm)	H Max (mm)	A (mm)	1 (mm)	2 (mm)	Load (N)
902459	M12	177,5	97,5	142,5	45	10	17	12.000
902460		227,5	127,5	192,5	65	10	17	
902461	M16	177,5	97,5	142,5	45	13	19	30.000
902462		227,5	127,5	192,5	65	13	19	
902463	M20	177,5	97,5	142,5	45	17	24	45.000
902464		227,5	127,5	192,5	65	17	24	
902465	M24	177,5	97,5	142,5	45	19	30	70.000
902466		227,5	127,5	192,5	65	19	30	
902467	M30	177,5	97,5	142,5	45	24	36	100.000
902468		227,5	127,5	192,5	65	24	36	
902469		287,5	187,5	252,5	65	24	36	
902470	M36	177,5	97,5	142,5	45	30	42	120.000
902471		227,5	127,5	192,5	65	30	42	
902472		287,5	187,5	252,5	65	30	42	



Ø60

DIAMETER (mm)



HIGH LOAD



ANTI-SLIP

Art-Nr.	Sp	H Tot (mm)	H Min (mm)	H Max (mm)	A (mm)	1 (mm)	2 (mm)	Load (N)
902473	M12	182,5	102,5	147,5	45	10	17	12.000
902474		232,5	132,5	197,5	65	10	17	
902475	M16	182,5	102,5	147,5	45	13	19	30.000
902476		232,5	132,5	197,5	65	13	19	
902477	M20	182,5	102,5	147,5	45	17	24	45.000
902478		232,5	132,5	197,5	65	17	24	
902479	M24	182,5	102,5	147,5	45	19	30	60.000
902480		232,5	132,5	197,5	65	19	30	
902481	M30	182,5	102,5	147,5	45	24	36	60.000
902482		232,5	132,5	197,5	65	24	36	
902483		292,5	192,5	257,5	65	24	36	
902484	M36	182,5	102,5	147,5	45	30	42	60.000
902485		232,5	132,5	197,5	65	30	42	
902486		292,5	192,5	257,5	65	30	42	

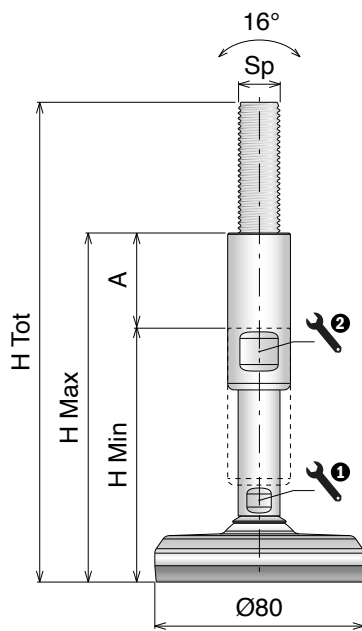
S400B HEAVY

Piedi di livellamento / Leveling feet / Nivellierfüße

On request vulcanized rubber can be provided
white or blue and spindle can be made in AISI 316.

Materiale / Material / Materialien:

Base, stelo, rondella e boccola: Acciaio inox
Base plate, spindle, washer and cover: Stainless steel
Fussplatte, Spindel, Scheibe und Hülse: Edelstahl



Ø80

DIAMETER (mm)

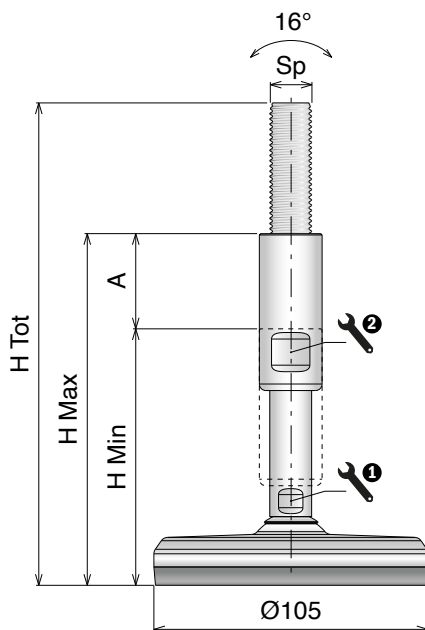


HIGH LOAD



ANTI-SLIP

Art-Nr.	Sp	H Tot (mm)	H Min (mm)	H Max (mm)	A (mm)	1 (mm)	2 (mm)	Load (N)
902487	M12	183,5	103,5	148,5	45	10	17	12.000
902488		233,5	133,5	198,5	65	10	17	
902489	M16	183,5	103,5	148,5	45	13	19	30.000
902490		233,5	133,5	198,5	65	13	19	
902491	M20	183,5	103,5	148,5	45	17	24	45.000
902492		233,5	133,5	198,5	65	17	24	
902493	M24	183,5	103,5	148,5	45	19	30	70.000
902494		233,5	133,5	198,5	65	19	30	
902495	M30	183,5	103,5	148,5	45	24	36	80.000
902496		233,5	133,5	198,5	65	24	36	
902497		293,5	193,5	258,5	65	24	36	
902498	M36	183,5	103,5	148,5	45	30	42	80.000
902499		233,5	133,5	198,5	65	30	42	
902500		293,5	193,5	258,5	65	30	42	



Ø105

DIAMETER (mm)



HIGH LOAD



ANTI-SLIP

Art-Nr.	Sp	H Tot (mm)	H Min (mm)	H Max (mm)	A (mm)	1 (mm)	2 (mm)	Load (N)
902501	M12	184,5	104,5	149,5	45	10	17	12.000
902502		234,5	134,5	199,5	65	10	17	
902503	M16	184,5	104,5	149,5	45	13	19	30.000
902504		234,5	134,5	199,5	65	13	19	
902505	M20	184,5	104,5	149,5	45	17	24	45.000
902506		234,5	134,5	199,5	65	17	24	
902507	M24	184,5	104,5	149,5	45	19	30	70.000
902508		234,5	134,5	199,5	65	19	30	
902509	M30	184,5	104,5	149,5	45	24	36	100.000
902510		234,5	134,5	199,5	65	24	36	
902511		294,5	194,5	259,5	65	24	36	
902512	M36	184,5	104,5	149,5	45	30	42	120.000
902513		234,5	134,5	199,5	65	30	42	
902514		294,5	194,5	259,5	65	30	42	

Materiale / Material / Materialien:

Base, stelo, rondella e boccia: Acciaio inox
 Base plate, spindle, washer and cover: Stainless steel
 Fussplatte, Spindel, Scheibe und Hülse: Edelstahl

On request vulcanized rubber can be provided
 white or blue and spindle can be made in AISI 316.

S400B HEAVY

Piedi di livellamento / Leveling feet / Nivellierfüße

Ø125

DIAMETER (mm)

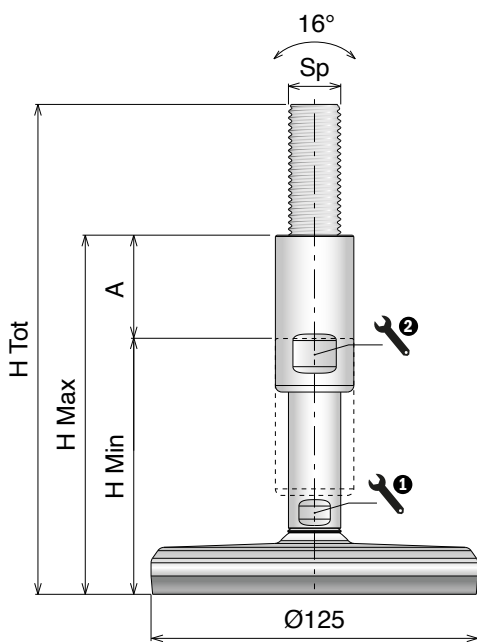


HIGH LOAD



ANTI-SLIP

Art-Nr.	Sp	H Tot (mm)	H Min (mm)	H Max (mm)	A (mm)	1 (mm)	2 (mm)	Load (N)
902515	M12	184,5	104,5	149,5	45	10	17	12.000
902516		234,5	134,5	199,5	65	10	17	
902517	M16	184,5	104,5	149,5	45	13	19	30.000
902518		234,5	134,5	199,5	65	13	19	
902519	M20	184,5	104,5	149,5	45	17	24	45.000
902520		234,5	134,5	199,5	65	17	24	
902521	M24	184,5	104,5	149,5	45	19	30	70.000
902522		234,5	134,5	199,5	65	19	30	
902523	M30	184,5	104,5	149,5	45	24	36	100.000
902524		234,5	134,5	199,5	65	24	36	
902525		294,5	194,5	259,5	65	24	36	
902526	M36	184,5	104,5	149,5	45	30	42	130.000
902527		234,5	134,5	199,5	65	30	42	
902528		294,5	194,5	259,5	65	30	42	



Ø150

DIAMETER (mm)

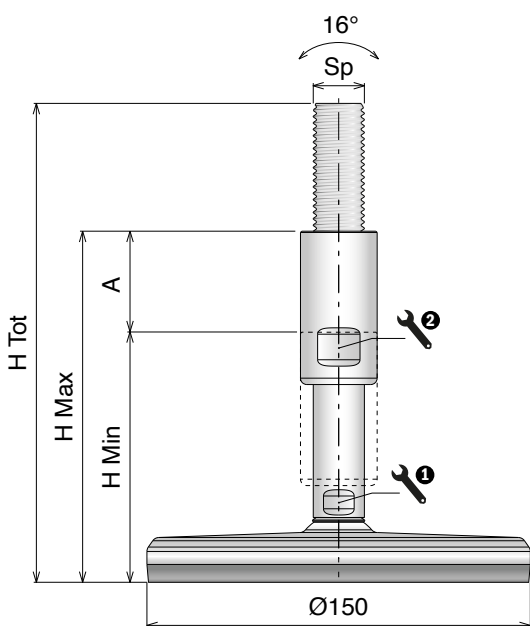


HIGH LOAD



ANTI-SLIP

Art-Nr.	Sp	H Tot (mm)	H Min (mm)	H Max (mm)	A (mm)	1 (mm)	2 (mm)	Load (N)
902529	M12	184,5	104,5	149,5	45	10	17	12.000
902530		234,5	134,5	199,5	65	10	17	
902531	M16	184,5	104,5	149,5	45	13	19	30.000
902532		234,5	134,5	199,5	65	13	19	
902533	M20	184,5	104,5	149,5	45	17	24	45.000
902534		234,5	134,5	199,5	65	17	24	
902535	M24	184,5	104,5	149,5	45	19	30	70.000
902536		234,5	134,5	199,5	65	19	30	
902537	M30	184,5	104,5	149,5	45	24	36	100.000
902538		234,5	134,5	199,5	65	24	36	
902539		294,5	194,5	259,5	65	24	36	
902540	M36	184,5	104,5	149,5	45	30	42	150.000
902541		234,5	134,5	199,5	65	30	42	
902542		294,5	194,5	259,5	65	30	42	



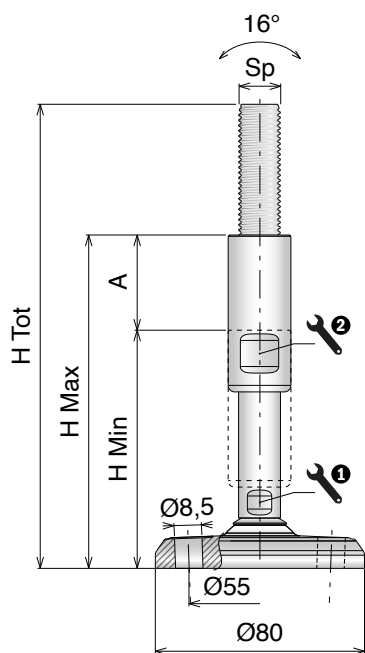
S400B HEAVY

Piedi di livellamento / Leveling feet / Nivellierfüße

On request spindle can be made in AISI 316.

Materiale / Material / Materialien:

Base, stelo, rondella e boccola: Acciaio inox
Base plate, spindle, washer and cover: Stainless steel
Fussplatte, Spindel, Scheibe und Hülse: Edelstahl



Ø80

DIAMETER (mm)

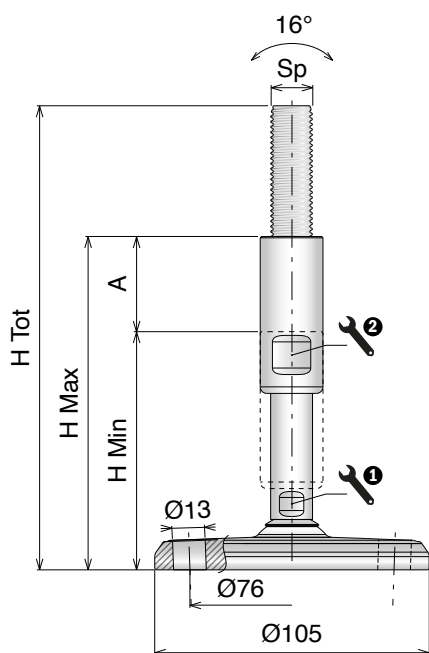


HIGH LOAD



FIXING POINT

Art-Nr.	Sp	H Tot (mm)	H Min (mm)	H Max (mm)	A (mm)	1 (mm)	2 (mm)	Load (N)
902557	M12	177,5	97,5	142,5	45	10	17	12.000
902558		227,5	127,5	192,5	65	10	17	
902559	M16	177,5	97,5	142,5	45	13	19	30.000
902560		227,5	127,5	192,5	65	13	19	
902561	M20	177,5	97,5	142,5	45	17	24	45.000
902562		227,5	127,5	192,5	65	17	24	
902563	M24	177,5	97,5	142,5	45	19	30	70.000
902564		227,5	127,5	192,5	65	19	30	
902565	M30	177,5	97,5	142,5	45	24	36	80.000
902566		227,5	127,5	192,5	65	24	36	
902567		287,5	187,5	252,5	65	24	36	
902568	M36	177,5	97,5	142,5	45	30	42	80.000
902569		227,5	127,5	192,5	65	30	42	
902570		287,5	187,5	252,5	65	30	42	



Ø105

DIAMETER (mm)



HIGH LOAD



FIXING POINT

Art-Nr.	Sp	H Tot (mm)	H Min (mm)	H Max (mm)	A (mm)	1 (mm)	2 (mm)	Load (N)
902571	M12	177,5	97,5	142,5	45	10	17	12.000
902572		227,5	127,5	192,5	65	10	17	
902573	M16	177,5	97,5	142,5	45	13	19	30.000
902574		227,5	127,5	192,5	65	13	19	
902575	M20	177,5	97,5	142,5	45	17	24	45.000
902576		227,5	127,5	192,5	65	17	24	
902577	M24	177,5	97,5	142,5	45	19	30	70.000
902578		227,5	127,5	192,5	65	19	30	
902579	M30	177,5	97,5	142,5	45	24	36	100.000
902580		227,5	127,5	192,5	65	24	36	
902581		287,5	187,5	252,5	65	24	36	
902582	M36	177,5	97,5	142,5	45	30	42	120.000
902583		227,5	127,5	192,5	65	30	42	
902584		287,5	187,5	252,5	65	30	42	

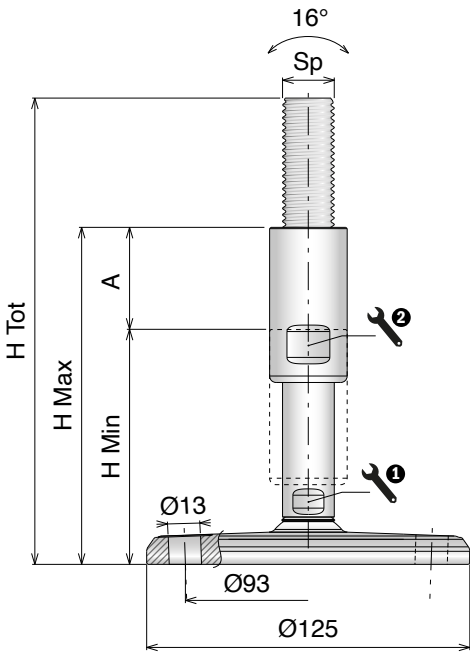
Materiale / Material / Materialien:

Base, stelo, rondella e boccia: Acciaio inox
 Base plate, spindle, washer and cover: Stainless steel
 Fussplatte, Spindel, Scheibe und Hülse: Edelstahl

On request spindle can be made in AISI 316.

S400B HEAVY

Piedi di livellamento / Leveling feet / Nivellierfüße

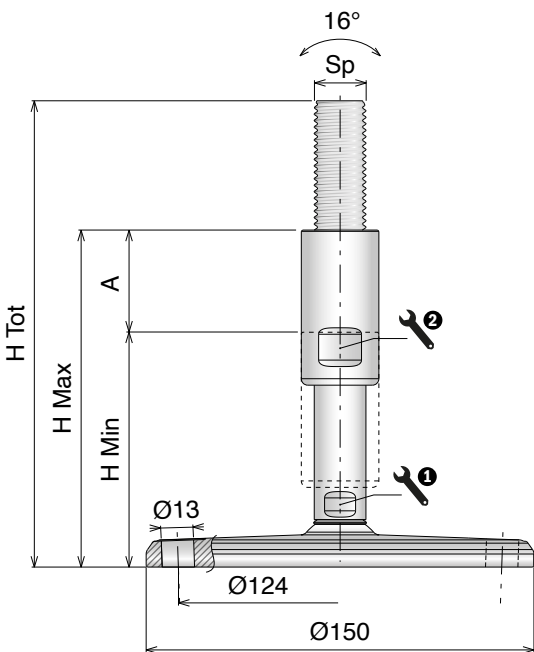


Ø125

DIAMETER (mm)



Art-Nr.	Sp	H Tot (mm)	H Min (mm)	H Max (mm)	A (mm)	1 (mm)	2 (mm)	Load (N)
902585	M12	177,5	97,5	142,5	45	10	17	12.000
902586		227,5	127,5	192,5	65	10	17	
902587	M16	177,5	97,5	142,5	45	13	19	30.000
902588		227,5	127,5	192,5	65	13	19	
902589	M20	177,5	97,5	142,5	45	17	24	45.000
902590		227,5	127,5	192,5	65	17	24	
902591	M24	177,5	97,5	142,5	45	19	30	70.000
902592		227,5	127,5	192,5	65	19	30	
902593	M30	177,5	97,5	142,5	45	24	36	100.000
902594		227,5	127,5	192,5	65	24	36	
902595		287,5	187,5	252,5	65	24	36	
902596	M36	177,5	97,5	142,5	45	30	42	130.000
902597		227,5	127,5	192,5	65	30	42	
902598		287,5	187,5	252,5	65	30	42	



Ø150

DIAMETER (mm)



Art-Nr.	Sp	H Tot (mm)	H Min (mm)	H Max (mm)	A (mm)	1 (mm)	2 (mm)	Load (N)
902599	M12	177,5	97,5	142,5	45	10	17	12.000
902600		227,5	127,5	192,5	65	10	17	
902601	M16	177,5	97,5	142,5	45	13	19	30.000
902602		227,5	127,5	192,5	65	13	19	
902603	M20	177,5	97,5	142,5	45	17	24	45.000
902604		227,5	127,5	192,5	65	17	24	
902605	M24	177,5	97,5	142,5	45	19	30	70.000
902606		227,5	127,5	192,5	65	19	30	
902607	M30	177,5	97,5	142,5	45	24	36	100.000
902608		227,5	127,5	192,5	65	24	36	
902609		287,5	187,5	252,5	65	24	36	
902610	M36	177,5	97,5	142,5	45	30	42	150.000
902611		227,5	127,5	192,5	65	30	42	
902612		287,5	187,5	252,5	65	30	42	

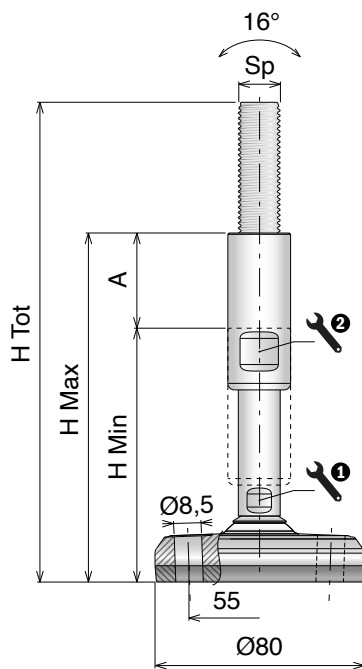
S400B HEAVY

Piedi di livellamento / Leveling feet / Nivellierfüße

On request vulcanized rubber can be provided
white or blue and spindle can be made in AISI 316.

Materiale / Material / Materialien:

Base, stelo, rondella e boccola: Acciaio inox
Base plate, spindle, washer and cover: Stainless steel
Fussplatte, Spindel, Scheibe und Hülse: Edelstahl



Ø80

DIAMETER (mm)



HIGH LOAD

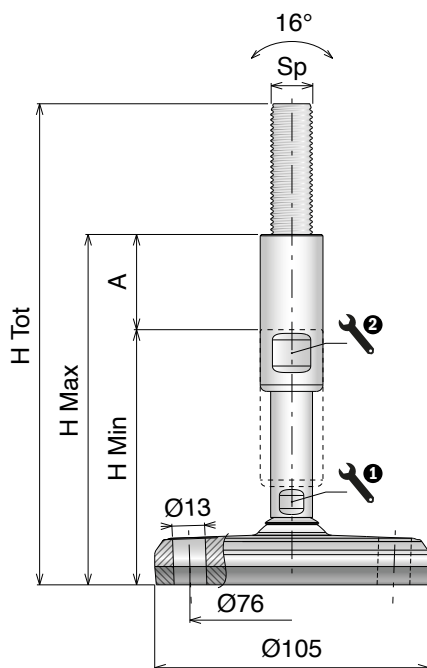


FIXING POINT



ANTI-SLIP

Art-Nr.	Sp	H Tot (mm)	H Min (mm)	H Max (mm)	A (mm)	1 (mm)	2 (mm)	Load (N)
902627	M12	183,5	103,5	148,5	45	10	17	12.000
902628		233,5	133,5	198,5	65	10	17	
902629	M16	183,5	103,5	148,5	45	13	19	30.000
902630		233,5	133,5	198,5	65	13	19	
902631	M20	183,5	103,5	148,5	45	17	24	45.000
902632		233,5	133,5	198,5	65	17	24	
902633	M24	183,5	103,5	148,5	45	19	30	80.000
902634		233,5	133,5	198,5	65	19	30	
902635	M30	183,5	103,5	148,5	45	24	36	80.000
902636		233,5	133,5	198,5	65	24	36	
902637		293,5	193,5	258,5	65	24	36	
902638	M36	183,5	103,5	148,5	45	30	42	80.000
902639		233,5	133,5	198,5	65	30	42	
902640		293,5	193,5	258,5	65	30	42	



Ø105

DIAMETER (mm)



HIGH LOAD



FIXING POINT



ANTI-SLIP

Art-Nr.	Sp	H Tot (mm)	H Min (mm)	H Max (mm)	A (mm)	1 (mm)	2 (mm)	Load (N)
902641	M12	184,5	104,5	149,5	45	10	17	12.000
902642		234,5	134,5	199,5	65	10	17	
902643	M16	184,5	104,5	149,5	45	13	19	30.000
902644		234,5	134,5	199,5	65	13	19	
902645	M20	184,5	104,5	149,5	45	17	24	45.000
902646		234,5	134,5	199,5	65	17	24	
902647	M24	184,5	104,5	149,5	45	19	30	70.000
902648		234,5	134,5	199,5	65	19	30	
902649	M30	184,5	104,5	149,5	45	24	36	100.000
902650		234,5	134,5	199,5	65	24	36	
902651		294,5	194,5	259,5	65	24	36	
902652	M36	184,5	104,5	149,5	45	30	42	120.000
902653		234,5	134,5	199,5	65	30	42	
902654		294,5	194,5	259,5	65	30	42	

Materiale / Material / Materialien:

Base, stelo, rondella e boccia: Acciaio inox
 Base plate, spindle, washer and cover: Stainless steel
 Fussplatte, Spindel, Scheibe und Hülse: Edelstahl

On request vulcanized rubber can be provided
 white or blue and spindle can be made in AISI 316.

S400B HEAVY

Piedi di livellamento / Leveling feet / Nivellierfüße

Ø125

DIAMETER (mm)



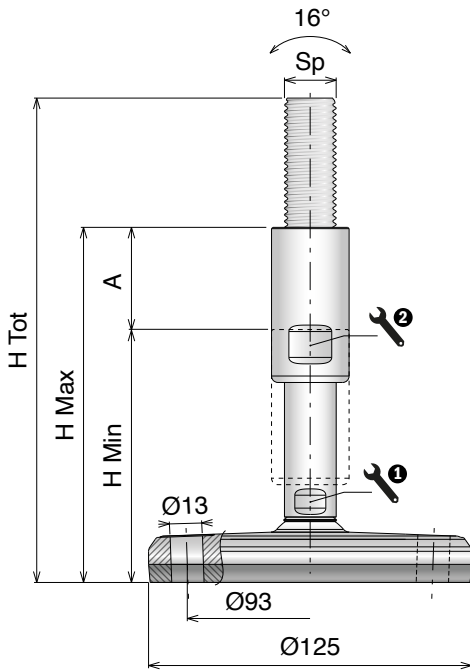
HIGH LOAD



FIXING POINT



ANTI-SLIP



Art-Nr.	Sp	H Tot (mm)	H Min (mm)	H Max (mm)	A (mm)	1 (mm)	2 (mm)	Load (N)
902655	M12	184,5	104,5	149,5	45	10	17	12.000
902656		234,5	134,5	199,5	65	10	17	
902657	M16	184,5	104,5	149,5	45	13	19	30.000
902658		234,5	134,5	199,5	65	13	19	
902659	M20	184,5	104,5	149,5	45	17	24	45.000
902660		234,5	134,5	199,5	65	17	24	
902661	M24	184,5	104,5	149,5	45	19	30	70.000
902662		234,5	134,5	199,5	65	19	30	
902663	M30	184,5	104,5	149,5	45	24	36	100.000
902664		234,5	134,5	199,5	65	24	36	
902665		294,5	194,5	259,5	65	24	36	
902666	M36	184,5	104,5	149,5	45	30	42	130.000
902667		234,5	134,5	199,5	65	30	42	
902668		294,5	194,5	259,5	65	30	42	

Ø150

DIAMETER (mm)



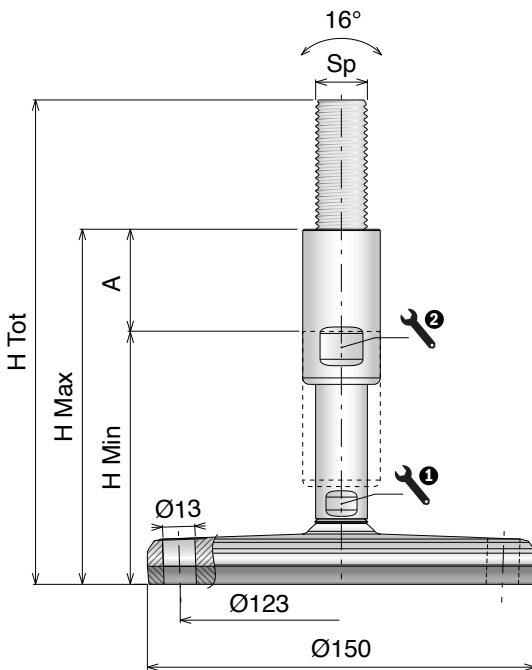
HIGH LOAD



FIXING POINT



ANTI-SLIP



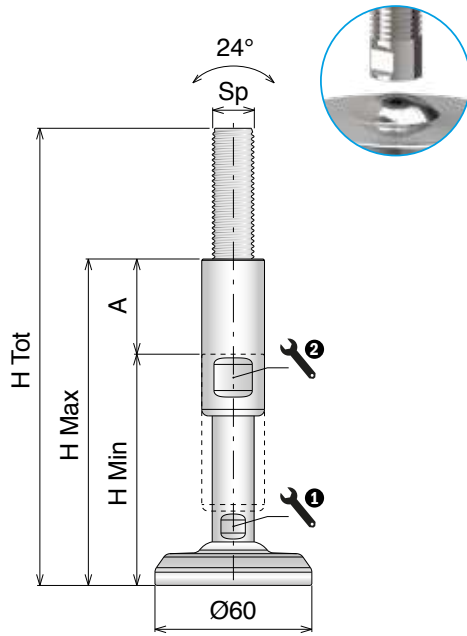
Art-Nr.	Sp	H Tot (mm)	H Min (mm)	H Max (mm)	A (mm)	1 (mm)	2 (mm)	Load (N)
902669	M12	184,5	104,5	149,5	45	10	17	12.000
902670		234,5	134,5	199,5	65	10	17	
902671	M16	184,5	104,5	149,5	45	13	19	30.000
902672		234,5	134,5	199,5	65	13	19	
902673	M20	184,5	104,5	149,5	45	17	24	45.000
902674		234,5	134,5	199,5	65	17	24	
902675	M24	184,5	104,5	149,5	45	19	30	70.000
902676		234,5	134,5	199,5	65	19	30	
902677	M30	184,5	104,5	149,5	45	24	36	100.000
902678		234,5	134,5	199,5	65	24	36	
902679		294,5	194,5	259,5	65	24	36	
902680	M36	184,5	104,5	149,5	45	30	42	150.000
902681		234,5	134,5	199,5	65	30	42	
902682		294,5	194,5	259,5	65	30	42	

S400B HEAVY-SPLIT

Piedi di livellamento / Leveling feet / Nivellierfüße

On request vulcanized rubber can be provided
white or blue and spindle can be made in AISI 316.

Materiale / Material / Materialien:
Base, stelo e boccola: Acciaio inox
Base plate, spindle and cover: Stainless steel
Fussplatte, Spindel und Hülse: Edelstahl



Ø60

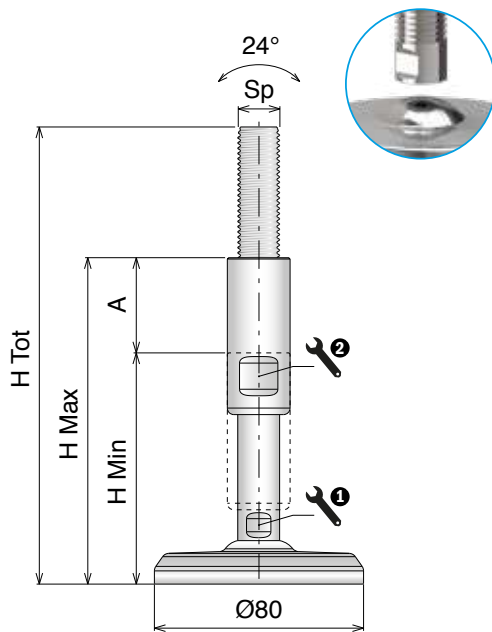
DIAMETER (mm)



HIGH LOAD SPLITVERSION



Art-Nr.	Sp	H Tot (mm)	H Min (mm)	H Max (mm)	A (mm)	1 (mm)	2 (mm)	Load (N)
902683	M12	176,5	96,5	141,5	45	10	17	12.000
902684		226,5	126,5	191,5	65	10	17	
902685	M16	176,5	96,5	141,5	45	13	19	30.000
902686		226,5	126,5	191,5	65	13	19	
902687	M20	176,5	96,5	141,5	45	17	24	45.000
902688		226,5	126,5	191,5	65	17	24	
902689	M24	176,5	96,5	141,5	45	19	30	60.000
902690		226,5	126,5	191,5	65	19	30	
902691	M30	176,5	96,5	141,5	45	24	36	60.000
902692		226,5	126,5	191,5	65	24	36	
902693		286,5	186,5	251,5	65	24	36	
902694	M36	176,5	96,5	141,5	45	30	42	60.000
902695		226,5	126,5	191,5	65	30	42	
902696		286,5	186,5	251,5	65	30	42	



Ø80

DIAMETER (mm)



HIGH LOAD SPLITVERSION



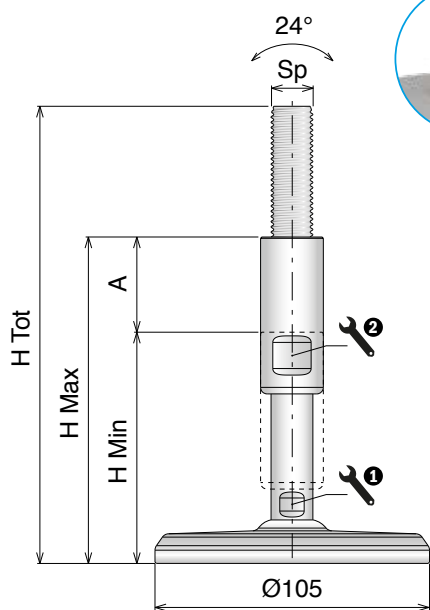
Art-Nr.	Sp	H Tot (mm)	H Min (mm)	H Max (mm)	A (mm)	1 (mm)	2 (mm)	Load (N)
902697	M12	176,5	97,5	142,5	45	10	17	12.000
902698		226,5	127,5	192,5	65	10	17	
902699	M16	176,5	96,5	141,5	45	13	19	30.000
902700		226,5	126,5	191,5	65	13	19	
902701	M20	176,5	96,5	141,5	45	17	24	45.000
902702		226,5	126,5	191,5	65	17	24	
902703	M24	176,5	96,5	141,5	45	19	30	70.000
902704		226,5	126,5	191,5	65	19	30	
902705	M30	176,5	96,5	141,5	45	24	36	80.000
902706		226,5	126,5	191,5	65	24	36	
902707		286,5	186,5	251,5	65	24	36	
902708	M36	176,5	96,5	141,5	45	30	42	80.000
902709		226,5	126,5	191,5	65	30	42	
902710		286,5	186,5	251,5	65	30	42	

Materiale / Material / Materialien:
 Base, stelo e boccia: Acciaio inox
 Base plate, spindle and cover: Stainless steel
 Fussplatte, Spindel und Hülse: Edelstahl

On request vulcanized rubber can be provided
 white or blue and spindle can be made in AISI 316.

S400B HEAVY-SPLIT

Piedi di livellamento / Leveling feet / Nivellierfüße

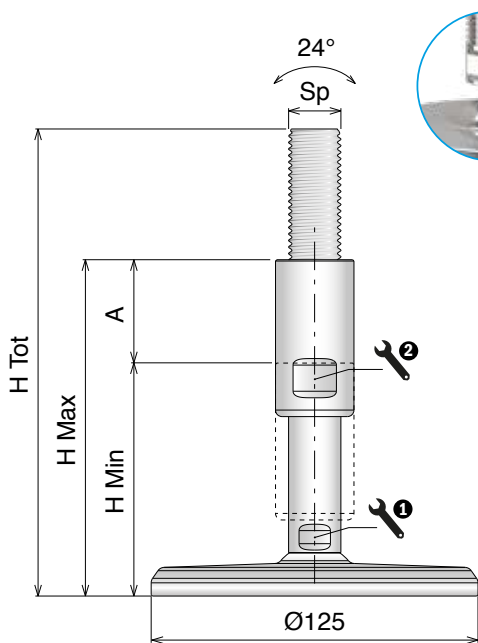


Ø105
 DIAMETER (mm)

Kg
 HIGH LOAD

SPLITVERSION

Art-Nr.	Sp	H Tot (mm)	H Min (mm)	H Max (mm)	A (mm)	1 (mm)	2 (mm)	Load (N)
902711	M12	176,5	96,5	141,5	45	10	17	12.000
902712		226,5	126,5	191,5	65	10	17	
902713	M16	176,5	96,5	141,5	45	13	19	30.000
902714		226,5	126,5	191,5	65	13	19	
902715	M20	176,5	96,5	141,5	45	17	24	45.000
902716		226,5	126,5	191,5	65	17	24	
902717	M24	176,5	96,5	141,5	45	19	30	70.000
902718		226,5	126,5	191,5	65	19	30	
902719	M30	176,5	96,5	141,5	45	24	36	100.000
902720		226,5	126,5	191,5	65	24	36	
902721		286,5	186,5	251,5	65	24	36	
902722	M36	176,5	96,5	141,5	45	30	42	120.000
902723		226,5	126,5	191,5	65	30	42	
902724		286,5	186,5	251,5	65	30	42	



Ø125
 DIAMETER (mm)

Kg
 HIGH LOAD

SPLITVERSION

Art-Nr.	Sp	H Tot (mm)	H Min (mm)	H Max (mm)	A (mm)	1 (mm)	2 (mm)	Load (N)
902725	M12	176,5	96,5	141,5	45	10	17	12.000
902726		226,5	126,5	191,5	65	10	17	
902727	M16	176,5	96,5	141,5	45	13	19	30.000
902728		226,5	126,5	191,5	65	13	19	
902729	M20	176,5	96,5	141,5	45	17	24	45.000
902730		226,5	126,5	191,5	65	17	24	
902731	M24	176,5	96,5	141,5	45	19	30	70.000
902732		226,5	126,5	191,5	65	19	30	
902733	M30	176,5	96,5	141,5	45	24	36	100.000
902734		226,5	126,5	191,5	65	24	36	
902735		286,5	186,5	251,5	65	24	36	
902736	M36	176,5	96,5	141,5	45	30	42	130.000
902737		226,5	126,5	191,5	65	30	42	
902738		286,5	186,5	251,5	65	30	42	

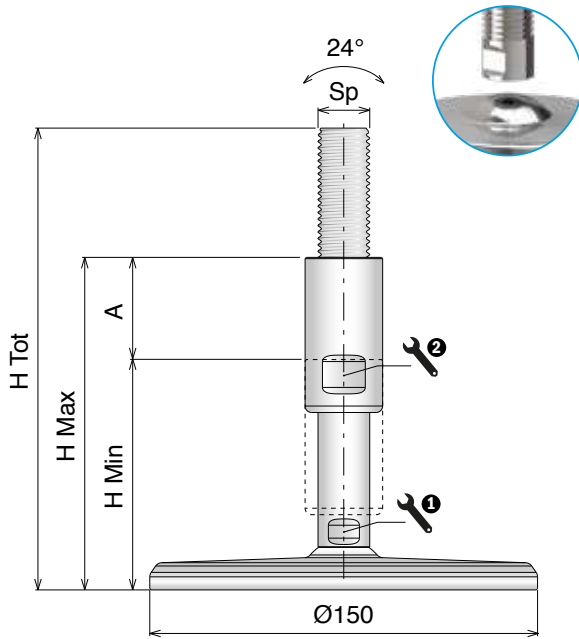
S400B HEAVY-SPLIT

Piedi di livellamento / Leveling feet / Nivellierfüße

On request vulcanized rubber can be provided
white or blue and spindle can be made in AISI 316.

Materiale / Material / Materialien:

Base, stelo e boccola: Acciaio inox
Base plate, spindle and cover: Stainless steel
Fussplatte, Spindel und Hülse: Edelstahl



Ø150

DIAMETER (mm)

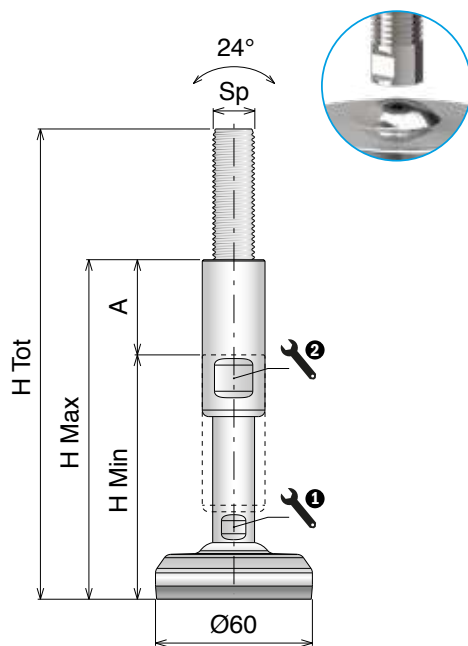


HIGH LOAD



SPLITVERSION

Art-Nr.	Sp	H Tot (mm)	H Min (mm)	H Max (mm)	A (mm)	1 (mm)	2 (mm)	Load (N)
902739	M12	176,5	96,5	141,5	45	10	17	12.000
902740		226,5	126,5	191,5	65	10	17	
902741	M16	176,5	96,5	141,5	45	13	19	30.000
902742		226,5	126,5	191,5	65	13	19	
902743	M20	176,5	96,5	141,5	45	17	24	45.000
902744		226,5	126,5	191,5	65	17	24	
902745	M24	176,5	96,5	141,5	45	19	30	70.000
902746		226,5	126,5	191,5	65	19	30	
902747	M30	176,5	96,5	141,5	45	24	36	100.000
902748		226,5	126,5	191,5	65	24	36	
902749		286,5	186,5	251,5	65	24	36	
902750	M36	176,5	96,5	141,5	45	30	42	150.000
902751		226,5	126,5	191,5	65	30	42	
902752		286,5	186,5	251,5	65	30	42	



Ø60

DIAMETER (mm)



HIGH LOAD



SPLITVERSION



ANTI-SLIP

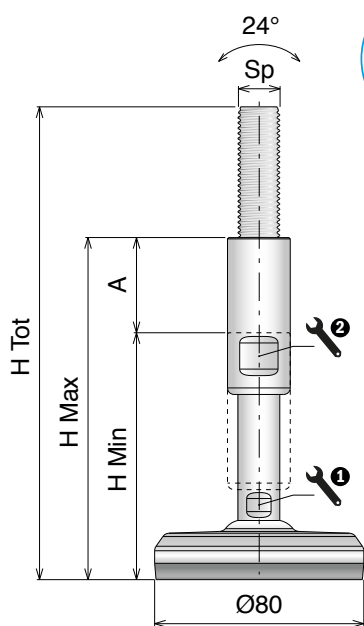
Art-Nr.	Sp	H Tot (mm)	H Min (mm)	H Max (mm)	A (mm)	1 (mm)	2 (mm)	Load (N)
902753	M12	181,5	101,5	146,5	45	10	17	12.000
902754		231,5	131,5	196,5	65	10	17	
902755	M16	181,5	101,5	146,5	45	13	19	30.000
902756		231,5	131,5	196,5	65	13	19	
902757	M20	181,5	101,5	146,5	45	17	24	45.000
902758		231,5	131,5	196,5	65	17	24	
902759	M24	181,5	101,5	146,5	45	19	30	60.000
902760		231,5	131,5	196,5	65	19	30	
902761	M30	181,5	101,5	146,5	45	24	36	60.000
902762		231,5	131,5	196,5	65	24	36	
902763		291,5	191,5	256,5	65	24	36	
902764	M36	181,5	101,5	146,5	45	30	42	60.000
902765		231,5	131,5	196,5	65	30	42	
902766		291,5	191,5	256,5	65	30	42	

Materiale / Material / Materialien:
 Base, stelo e boccola: Acciaio inox
 Base plate, spindle and cover: Stainless steel
 Fussplatte, Spindel und Hülse: Edelstahl

On request vulcanized rubber can be provided
 white or blue and spindle can be made in AISI 316.

S400B HEAVY-SPLIT

Piedi di livellamento / Leveling feet / Nivellierfüße

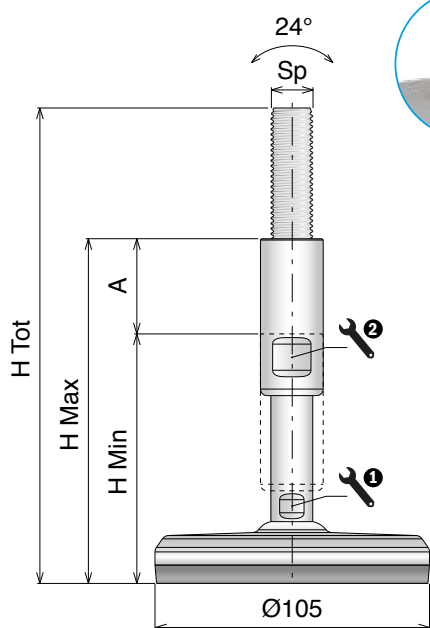


Ø80

DIAMETER (mm)



Art-Nr.	Sp	H Tot (mm)	H Min (mm)	H Max (mm)	A (mm)	1 (mm)	2 (mm)	Load (N)
902767	M12	182,5	102,5	147,5	45	10	17	12.000
902768		232,5	132,5	197,5	65	10	17	
902769	M16	182,5	102,5	147,5	45	13	19	30.000
902770		232,5	132,5	197,5	65	13	19	
902771	M20	182,5	102,5	147,5	45	17	24	45.000
902772		232,5	132,5	197,5	65	17	24	
902773	M24	182,5	102,5	147,5	45	19	30	70.000
902774		232,5	132,5	197,5	65	19	30	
902775	M30	182,5	102,5	147,5	45	24	36	80.000
902776		232,5	132,5	197,5	65	24	36	
902777		292,5	192,5	257,5	65	24	36	
902778	M36	182,5	102,5	147,5	45	30	42	80.000
902779		232,5	132,5	197,5	65	30	42	
902780		292,5	192,5	257,5	65	30	42	



Ø105

DIAMETER (mm)



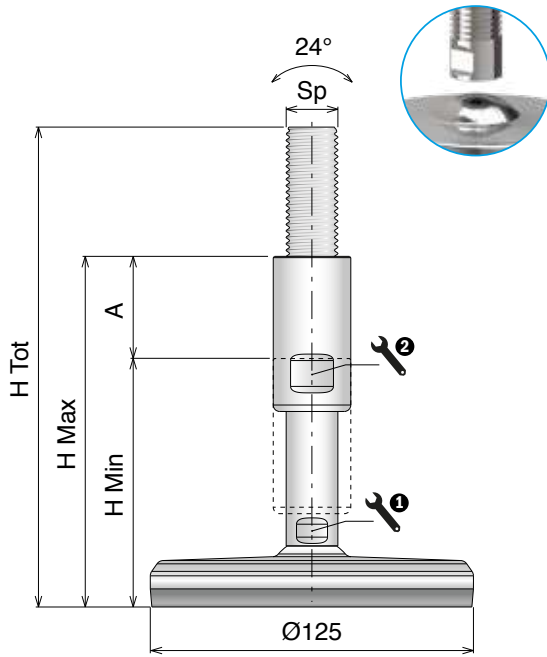
Art-Nr.	Sp	H Tot (mm)	H Min (mm)	H Max (mm)	A (mm)	1 (mm)	2 (mm)	Load (N)
902781	M12	183,5	103,5	148,5	45	10	17	12.000
902782		233,5	133,5	198,5	65	10	17	
902783	M16	183,5	103,5	148,5	45	13	19	30.000
902784		233,5	133,5	198,5	65	13	19	
902785	M20	183,5	103,5	148,5	45	17	24	45.000
902786		233,5	133,5	198,5	65	17	24	
902787	M24	183,5	103,5	148,5	45	19	30	70.000
902788		233,5	133,5	198,5	65	19	30	
902789	M30	183,5	103,5	148,5	45	24	36	100.000
902790		233,5	133,5	198,5	65	24	36	
902791		293,5	193,5	258,5	65	24	36	
902792	M36	183,5	103,5	148,5	45	30	42	120.000
902793		233,5	133,5	198,5	65	30	42	
902794		293,5	193,5	258,5	65	30	42	

S400B HEAVY-SPLIT

Piedi di livellamento / Leveling feet / Nivellierfüße

On request vulcanized rubber can be provided
white or blue and spindle can be made in AISI 316.

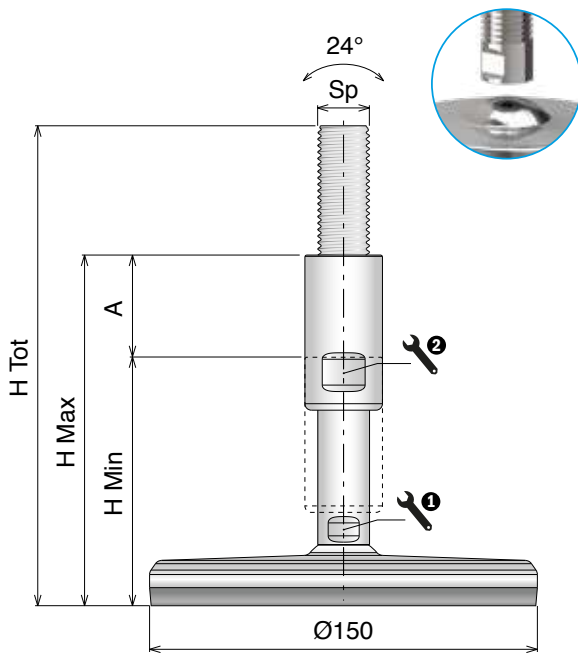
Materiale / Material / Materialien:
Base, stelo e boccola: Acciaio inox
Base plate, spindle and cover: Stainless steel
Fussplatte, Spindel und Hülse: Edelstahl



Ø125
DIAMETER (mm)



Art-Nr.	Sp	H Tot (mm)	H Min (mm)	H Max (mm)	A (mm)	1 (mm)	2 (mm)	Load (N)
902795	M12	183,5	103,5	148,5	45	10	17	12.000
902796		233,5	133,5	198,5	65	10	17	
902797	M16	183,5	103,5	148,5	45	13	19	30.000
902798		233,5	133,5	198,5	65	13	19	
902799	M20	233,5	103,5	148,5	45	17	24	45.000
902800		234,5	133,5	198,5	65	17	24	
902801	M24	183,5	103,5	148,5	45	19	30	70.000
902802		233,5	133,5	198,5	65	19	30	
902803	M30	183,5	103,5	148,5	45	24	36	100.000
902804		233,5	133,5	198,5	65	24	36	
902805		293,5	193,5	258,5	65	24	36	
902806	M36	183,5	103,5	148,5	45	30	42	130.000
902807		233,5	133,5	198,5	65	30	42	
902808		293,5	193,5	258,5	65	30	42	



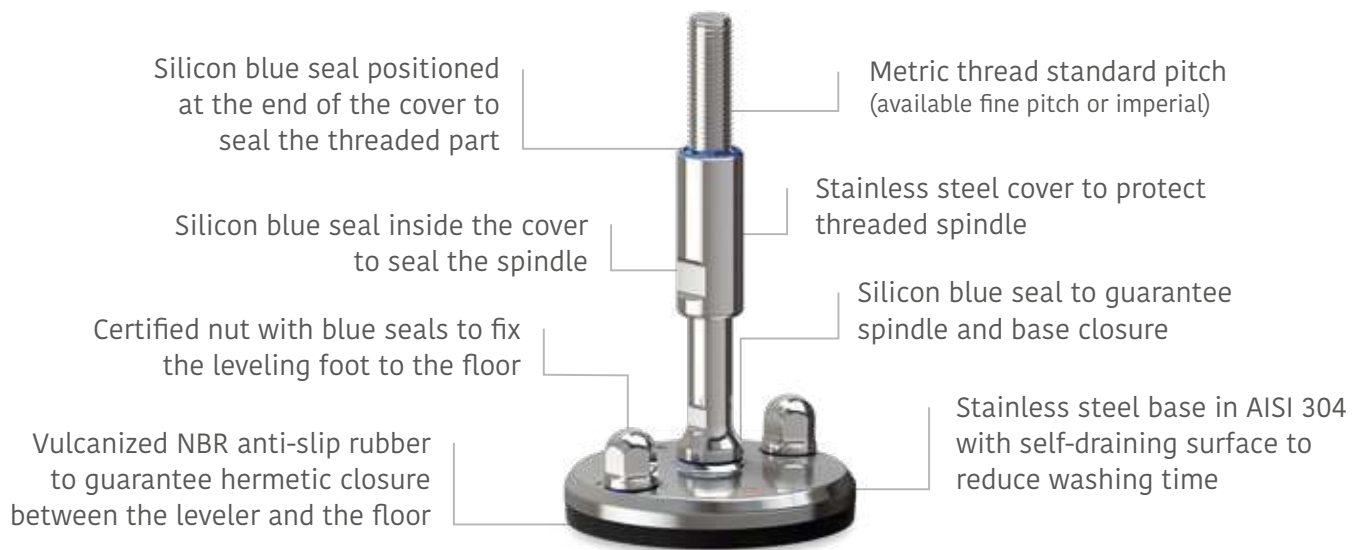
Ø150
DIAMETER (mm)



Art-Nr.	Sp	H Tot (mm)	H Min (mm)	H Max (mm)	A (mm)	1 (mm)	2 (mm)	Load (N)
902809	M12	183,5	103,5	148,5	45	10	17	12.000
902810		233,5	133,5	198,5	65	10	17	
902811	M16	183,5	103,5	148,5	45	13	19	30.000
902812		233,5	133,5	198,5	65	13	19	
902813	M20	183,5	103,5	148,5	45	17	24	45.000
902814		233,5	133,5	198,5	65	17	24	
902815	M24	183,5	103,5	148,5	45	19	30	70.000
902816		233,5	133,5	198,5	65	19	30	
902817	M30	183,5	103,5	148,5	45	24	36	100.000
902818		233,5	133,5	198,5	65	24	36	
902819		293,5	193,5	258,5	65	24	36	
902820	M36	183,5	103,5	148,5	45	30	42	150.000
902821		233,5	133,5	198,5	65	30	42	
902822		293,5	193,5	258,5	65	30	42	

C500 Series

HYGIENIC AND CERTIFIED
STAINLESS STEEL LEVELERS



The **C500 series** is the best choice for industrial environments with critical hygienic level, like dairy, food, chemical and pharmaceutical industries, subjected to daily washing cycles.

It offers a complete protection against bacterial proliferation and guarantees reduced washing cycle time as well as self-draining surfaces able to drain external elements easier than traditional systems.

The new **C500 series** with hygienic stainless steel follows actual regulations and is approved by 3A and EHEDG normative. Base, spindle and cover are produced exclusively in AISI 304, with surface finishing lower than 0,8 μm , silicon blue seals are FDA approved and easily detectable by industrial scanner.



HYGIENIC DESIGN

Completely sanitized and certified



SAVING (Energy, water, detergents)

Fewer resources for sanitation



SUPERIOR DURABILITY

Thanks to the threaded part's cover



CLEANLINESS

Reduced washing cycle

AVAILABLE RANGE

The **C500 series** is available as following versions:

C500 Series

For standard applications, hygienic and certified.

C500 Series SPLIT

For application with higher floor slope or where separate base and spindle are required.

C500 Series HEAVY

For high load applications.

C500 Series HEAVY-SPLIT

For high load applications where the separate base and spindle are required.

Every above version offers excellent hygienic performances.

CERTIFICATIONS

The **C500 series** has 3A and EHEDG certifications, provided based on the selected type.

These certifications are released by no profit associations that protect consumers, guaranteeing products made according to the internal standards. This applies to all processes and components in contact directly or indirectly with every single food. Movex is committed to offer a high quality product in according to the most recent normative.



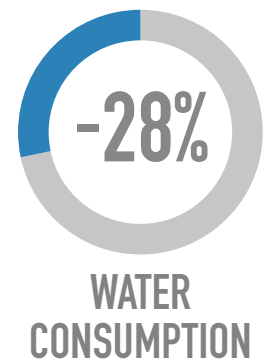
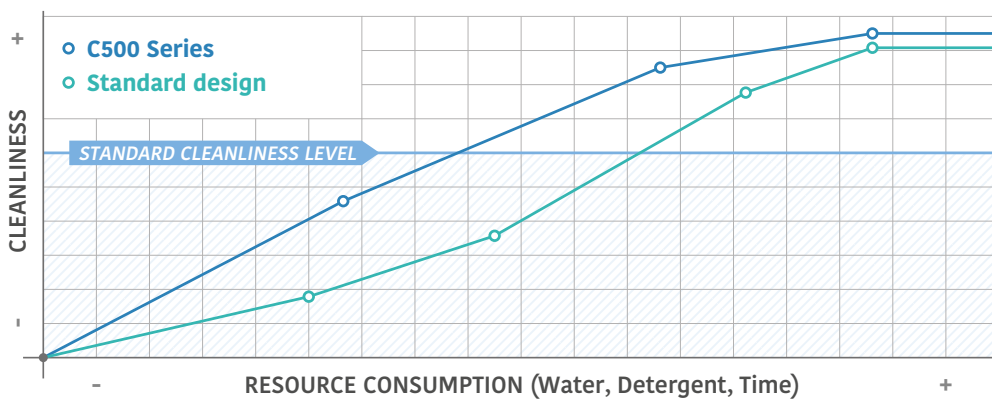
- Non-profit European consortium
- Regulations for food manufacturers, machine food manufactures and food raw material suppliers
- Research institutes and universities
 - Government health agencies
 - Approximately 45 guidelines



- Non-profit American association
- Regulations for food manufacturers, machine food manufactures and food raw material suppliers
 - Public and governmental health agencies
 - Over 70 guidelines

WHY CHOOSE A CERTIFIED PRODUCT?

Calculated saving



The stainless steel self-draining surfaces help the entire washing process, reducing time and resources consumption.

UV ray analysis

The real difference between a conventional leveler and the hygienic and certified **C500 series** is invisible with human eyes.

If we compare two levelers that have been subjected to the same washing process, they will both look clean and sanitized; but analyzed with UV ray, we will see that the conventional solution is still contaminated by bacteria (see picture).



C500 Series

DECLARATION OF CONFORMITY

C500, C500-HEAVY, C500-SPLIT, C500-HEAVY-SPLIT series are certified 3A and EHEDG, following product details.

FEATURES



Base, spindle and cover material:

- Stainless steel AISI 304 (1.4301) – available also in AISI 316 (1.4401) on request

Anti-slip rubber:

- NBR rubber, color black
- Hardness: 70-75 Shore-A
- Working temperature: $-30^{\circ}\text{C} \div 110^{\circ}\text{C}$
- Compliant to REACH (CE 1907-2006)
- Compliant to ROHS&ROHS 2 (2002/95/EC)

Seals:

- Silicone rubber, color blue
- Hardness: 60 Shore-A
- Working temperature: $-60^{\circ}\text{C} \div 200^{\circ}\text{C}$
- Compliant to FDA normative

Ref. Norms.



The **C500 series** and all its versions (**HEAVY**, **SPLIT** and **HEAVY-SPLIT**) are the ideal choice for all those environments where hygienic level is constantly monitored (dairy, food, chemical and pharmaceutical industries) subjected to daily washing cycles.

Self-draining surfaces with roughness lower than $0,8 \mu\text{m}$ and the 3 seals (blue silicone detectable with food scanner) placed respectively inside the cover and between the spindle and the baseplate guarantee a hermetic closure, avoiding any external parts infiltration.

Following **3A** normative, levelers are properly installed when they provide a minimum clearance between the lowest part of the equipment and the floor of not less than 4.0 in. (102 mm) when the equipment base outlines an area in which no point is more than 12.5 in. (318 mm) from the nearest edge of the base, or a clearance of at least 6 in. (152 mm) when any point is more than 12.5 in. (318 mm) from the nearest edge.

Following **EHEDG** normative, recommended distance between floor and machined is at least 300 mm. Levelers with fixation need to be installed always with Movex certified nuts, on the contrary the company will not guarantee certifications requirements (follow installation manual – floor fixation, provided with every delivery).

Movex supplies all certified levelers with seals (unlosable); nevertheless, the end user should always check correct seals position before proceeding with the installation (follow installation manual, provided with every delivery).

C500 levelers have great resistance to the most common industrial detergents, following material specifications, compatible with producer specifications.

For a correct execution, please always follow provided manual (maintenance and cleaning manual, included in every delivery).

C500 Series

HYGIENIC AND CERTIFIED STAINLESS STEEL LEVELERS

Delivery: **Easy** **Standard**

C500

Main features:

- Overmolded self-draining baseplate in AISI 304
- Spindle and cover in AISI 304
- Blue seals for hermetic closure
- Vulcanized anti-slip NBR rubber

Other versions available:

- Single floor fixation



C500 SPLIT

Main features:

- Overmolded self-draining baseplate in AISI 304
- Spindle and cover in AISI 304
- Blue seals for hermetic closure
- Vulcanized anti-slip NBR rubber
- Separate spindle and baseplate



C500 HEAVY

Main features:

- Full machined self-draining baseplate in AISI 304
- Spindle and cover in AISI 304
- Blue seals for hermetic closure
- Vulcanized anti-slip NBR rubber

Other versions available:

- Double floor fixation



C500 HEAVY-SPLIT

Main features:

- Full machined self-draining baseplate in AISI 304
- Spindle and cover in AISI 304
- Blue seals for hermetic closure
- Vulcanized anti-slip NBR rubber
- Separate spindle and baseplate



The **C500 series**, with baseplate in AISI 304 stainless steel, threaded spindle with cover and hermetic seals is the best choice for industrial environments with critical hygienic level, like dairy, food, chemical and pharmaceutical industries, subjected to daily washing cycles.

The stainless steel baseplate and its particular shape guarantee an excellent cleanability, especially in critical conditions; the stainless steel cover offers 100% thread protection and avoids its exposure to external agents; the three seals (blue silicone detectable with food scanner) placed respectively inside the cover and between the spindle and the baseplate guarantee a hermetic closure, avoiding any external parts infiltration and the NBR rubber guarantees anti-slip properties and hermetic closure between the leveler and the floor.

Maximum compressive strength (static load) as in the table, maximum tensile strength (static load) 4.000 N (S400); 8.000 N (S400 HEAVY); NOT AVAILABLE (SPLIT and HEAVY-SPLIT).

The **C500 series** can also be combined with hygienic bolts, nuts and covers for perfect sanitation.

Accessori / Accessories / Zubehör

Find out more details on page 763/764

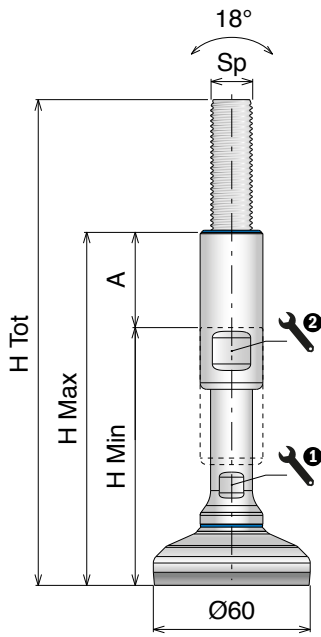
Materiale / Material / Materialien:

Base, stelo, rondella e boccia: Acciaio inox
 Base plate, spindle, washer and cover: Stainless steel
 Fussplatte, Spindel, Scheibe und Hülse: Edelstahl

On request vulcanized rubber can be provided
 white or blue and spindle can be made in AISI 316.

C500 Series

Piedi di livellamento / Leveling feet / Nivellierfüße

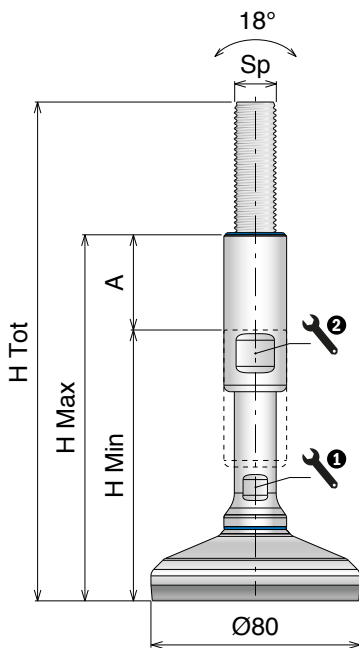


Ø60

DIAMETER (mm)



Art-Nr.	Sp	H Tot (mm)	H Min (mm)	H Max (mm)	A (mm)	1 (mm)	2 (mm)	Load (N)
902823	M12	185	105	150	45	10	17	4.500
902824		235	135	200	65	10	17	
902825	M16	185	105	150	45	13	19	4.500
902826		235	135	200	65	13	19	
902827	M20	185	105	150	45	17	24	4.500
902828		235	135	200	65	17	24	
902829	M24	185	105	150	45	19	30	4.500
902830		235	135	200	65	19	30	
902831	M30	185	105	150	45	24	36	4.500
902832		235	135	200	65	24	36	
902833		295	195	260	65	24	36	
902834	M36	185	105	150	45	30	42	4.500
902835		235	135	200	65	30	42	
902836		295	195	260	65	30	42	



Ø80

DIAMETER (mm)



Art-Nr.	Sp	H Tot (mm)	H Min (mm)	H Max (mm)	A (mm)	1 (mm)	2 (mm)	Load (N)
902837	M12	190	110	155	45	10	17	12.000
902838		240	140	205	65	10	17	
902839	M16	190	110	155	45	13	19	15.000
902840		240	140	205	65	13	19	
902841	M20	190	110	155	45	17	24	15.000
902842		240	140	205	65	17	24	
902843	M24	190	110	155	45	19	30	15.000
902844		240	140	205	65	19	30	
902845	M30	190	110	155	45	24	36	15.000
902846		240	140	205	65	24	36	
902847		300	200	265	65	24	36	
902848	M36	190	110	155	45	30	42	15.000
902849		240	140	205	65	30	42	
902850		300	200	265	65	30	42	

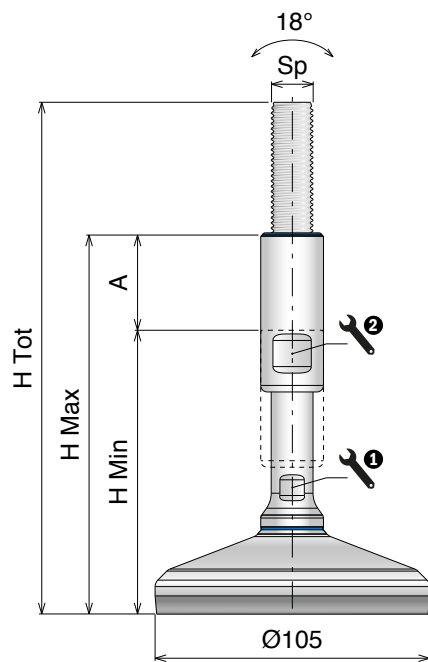
C500 Series

Piedi di livellamento / Leveling feet / Nivellierfüße

On request vulcanized rubber can be provided
white or blue and spindle can be made in AISI 316.

Materiale / Material / Materialien:

Base, stelo, rondella e boccia: Acciaio inox
Base plate, spindle, washer and cover: Stainless steel
Fussplatte, Spindel, Scheibe und Hülse: Edelstahl

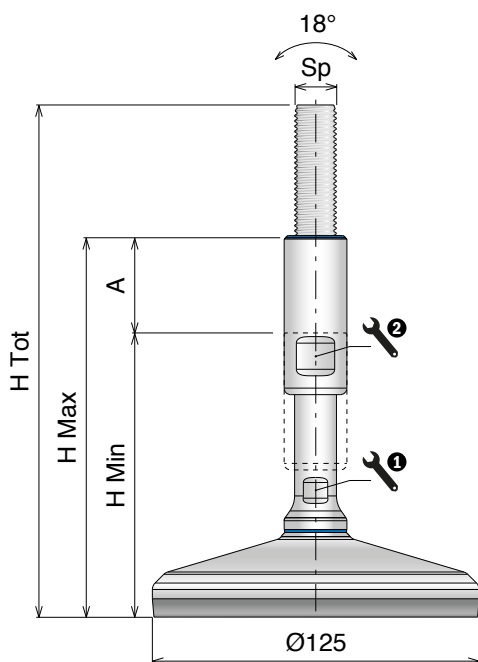


Ø105

DIAMETER (mm)



Art-Nr.	Sp	H Tot (mm)	H Min (mm)	H Max (mm)	A (mm)	1 (mm)	2 (mm)	Load (N)
902851	M12	195	115	160	45	10	17	12.000
902852		245	145	210	65	10	17	
902853	M16	195	115	160	45	13	19	25.000
902854		245	145	210	65	13	19	
902855	M20	195	115	160	45	17	24	25.000
902856		245	145	210	65	17	24	
902857	M24	195	115	160	45	19	30	25.000
902858		245	145	210	65	19	30	
902859	M30	195	115	160	45	24	36	25.000
902860		245	145	210	65	24	36	
902861		305	205	270	65	24	36	
902862	M36	195	115	160	45	30	42	25.000
902863		245	145	210	65	30	42	
902864		305	205	270	65	30	42	



Ø125

DIAMETER (mm)



Art-Nr.	Sp	H Tot (mm)	H Min (mm)	H Max (mm)	A (mm)	1 (mm)	2 (mm)	Load (N)
902865	M12	195	115	160	45	10	17	12.000
902866		245	145	210	65	10	17	
902867	M16	195	115	160	45	13	19	30.000
902868		245	145	210	65	13	19	
902869	M20	195	115	160	45	17	24	30.000
902870		245	145	210	65	17	24	
902871	M24	195	115	160	45	19	30	30.000
902872		245	145	210	65	19	30	
902873	M30	195	115	160	45	24	36	30.000
902874		245	145	210	65	24	36	
902875		305	205	270	65	24	36	
902876	M36	195	115	160	45	30	42	30.000
902877		245	145	210	65	30	42	
902878		305	205	270	65	30	42	



CERTIFIED PRODUCTS

ASK FOR CERTIFICATION:
certificate@movexii.com

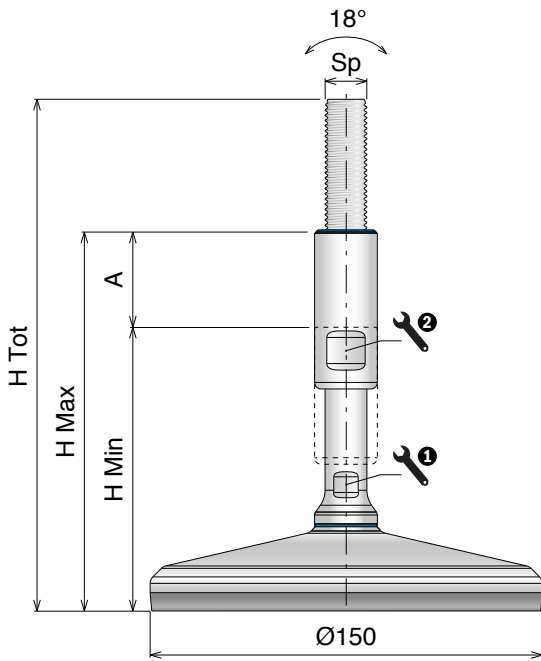
Materiale / Material / Materialien:

Base, stelo, rondella e boccia: Acciaio inox
 Base plate, spindle, washer and cover: Stainless steel
 Fussplatte, Spindel, Scheibe und Hülse: Edelstahl

On request vulcanized rubber can be provided
 white or blue and spindle can be made in AISI 316.

C500 Series

Piedi di livellamento / Leveling feet / Nivellierfüße

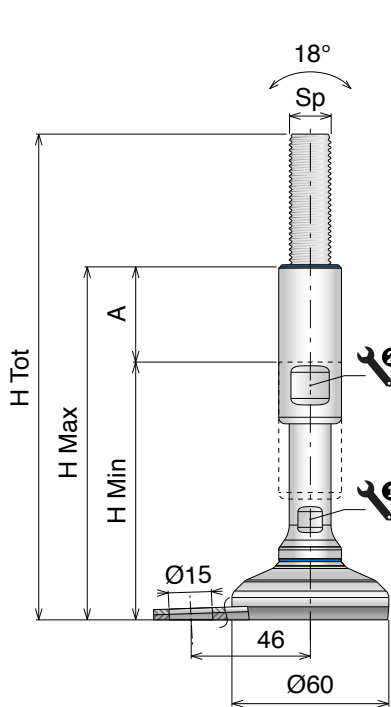


Ø150

DIAMETER (mm)



Art-Nr.	Sp	H Tot (mm)	H Min (mm)	H Max (mm)	A (mm)	1 (mm)	2 (mm)	Load (N)
902879	M12	195	115	160	45	10	17	12.000
902880		245	145	210	65	10	17	
902881	M16	195	115	160	45	13	19	30.000
902882		245	145	210	65	13	19	
902883	M20	195	115	160	45	17	24	45.000
902884		245	145	210	65	17	24	
902885	M24	195	115	160	45	19	30	45.000
902886		245	145	210	65	19	30	
902887	M30	195	115	160	45	24	36	45.000
902888		245	145	210	65	24	36	
902889		305	205	270	65	24	36	
902890	M36	195	115	160	45	30	42	45.000
902891		245	145	210	65	30	42	
902892		305	205	270	65	30	42	

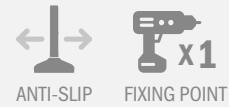


Nut M12
 Hygienic & certified

903238

Ø60

DIAMETER (mm)



Art-Nr.	Sp	H Tot (mm)	H Min (mm)	H Max (mm)	A (mm)	1 (mm)	2 (mm)	Load (N)
902893	M12	185	105	150	45	10	17	4.500
902894		235	135	200	65	10	17	
902895	M16	185	105	150	45	13	19	4.500
902896		235	135	200	65	13	19	
902897	M20	185	105	150	45	17	24	4.500
902898		235	135	200	65	17	24	
902899	M24	185	105	150	45	19	30	4.500
902900		235	135	200	65	19	30	
902901	M30	185	105	150	45	24	36	4.500
902902		235	135	200	65	24	36	
902903		295	195	260	65	24	36	
902904	M36	185	105	150	45	30	42	4.500
902905		235	135	200	65	30	42	
902906		295	195	260	65	30	42	

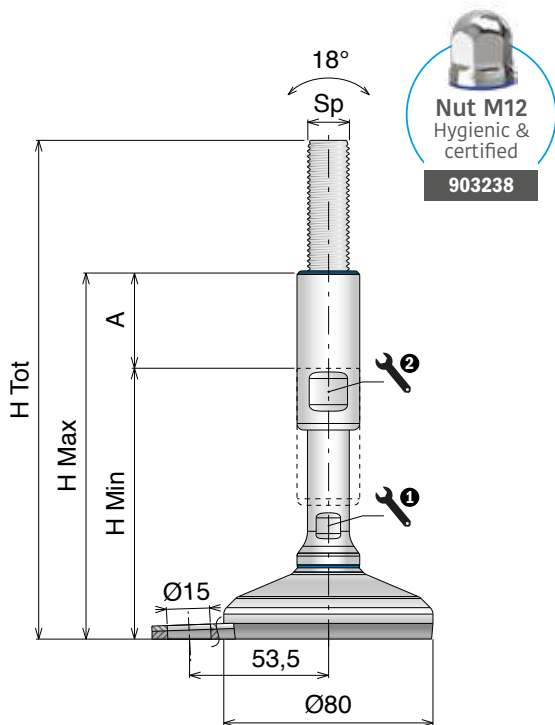
C500 Series

Piedi di livellamento / Leveling feet / Nivellierfüße

On request vulcanized rubber can be provided
white or blue and spindle can be made in AISI 316.

Materiale / Material / Materialien:

Base, stelo, rondella e boccola: Acciaio inox
Base plate, spindle, washer and cover: Stainless steel
Fussplatte, Spindel, Scheibe und Hülse: Edelstahl



Ø80

DIAMETER (mm)

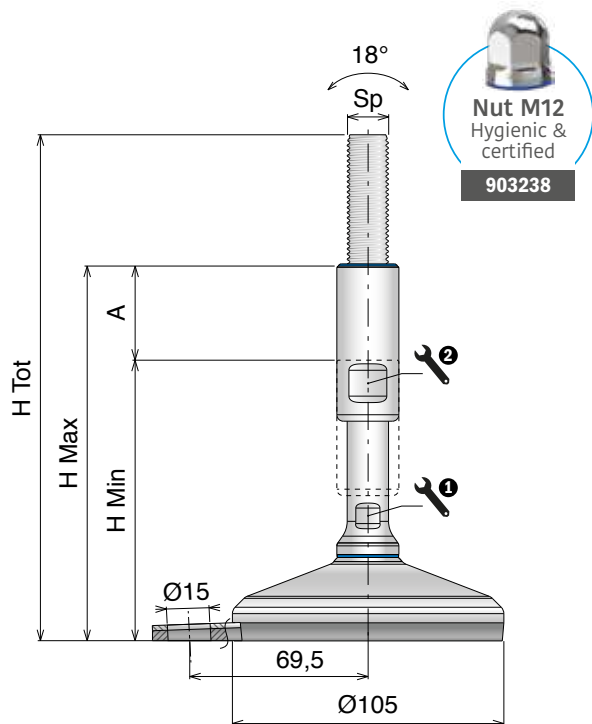


ANTI-SLIP



FIXING POINT

Art-Nr.	Sp	H Tot (mm)	H Min (mm)	H Max (mm)	A (mm)	1 (mm)	2 (mm)	Load (N)
902907	M12	190	110	155	45	10	17	12.000
902908		240	140	205	65	10	17	
902909	M16	190	110	155	45	13	19	15.000
902910		240	140	205	65	13	19	
902911	M20	190	110	155	45	17	24	15.000
902912		240	140	205	65	17	24	
902913	M24	190	110	155	45	19	30	15.000
902914		240	140	205	65	19	30	
902915	M30	190	110	155	45	24	36	15.000
902916		240	140	205	65	24	36	
902917		300	200	265	65	24	36	
902918	M36	190	110	155	45	30	42	15.000
902919		240	140	205	65	30	42	
902920		300	200	265	65	30	42	



Ø105

DIAMETER (mm)



ANTI-SLIP



FIXING POINT

Art-Nr.	Sp	H Tot (mm)	H Min (mm)	H Max (mm)	A (mm)	1 (mm)	2 (mm)	Load (N)
902921	M12	195	115	160	45	10	17	12.000
902922		245	145	210	65	10	17	
902923	M16	195	115	160	45	13	19	25.000
902924		245	145	210	65	13	19	
902925	M20	195	115	160	45	17	24	25.000
902926		245	145	210	65	17	24	
902927	M24	195	115	160	45	19	30	25.000
902928		245	145	210	65	19	30	
902929	M30	195	115	160	45	24	36	25.000
902930		245	145	210	65	24	36	
902931		305	205	270	65	24	36	
902932	M36	195	115	160	45	30	42	25.000
902933		245	145	210	65	30	42	
902934		305	205	270	65	30	42	



CERTIFIED PRODUCTS

ASK FOR CERTIFICATION:
certificate@movexii.com

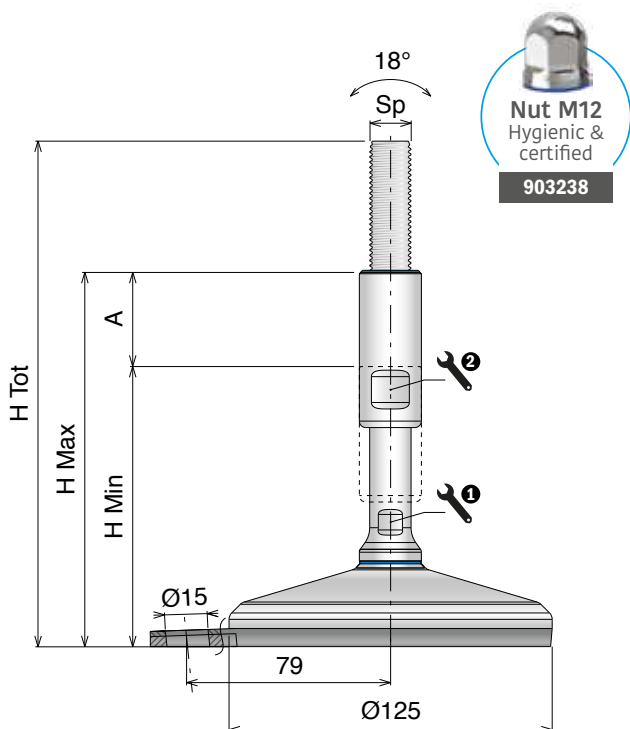
Materiale / Material / Materialien:

Base, stelo, rondella e boccia: Acciaio inox
 Base plate, spindle, washer and cover: Stainless steel
 Fussplatte, Spindel, Scheibe und Hülse: Edelstahl

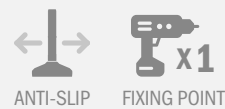
On request vulcanized rubber can be provided
 white or blue and spindle can be made in AISI 316.

C500 Series

Piedi di livellamento / Leveling feet / Nivellierfüße



Ø125
 DIAMETER (mm)



Art-Nr.	Sp	H Tot (mm)	H Min (mm)	H Max (mm)	A (mm)	1 (mm)	2 (mm)	Load (N)
902935	M12	195	115	160	45	10	17	12.000
902936		245	145	210	65	10	17	
902937	M16	195	115	160	45	13	19	30.000
902938		245	145	210	65	13	19	
902939	M20	195	115	160	45	17	24	30.000
902940		245	145	210	65	17	24	
902941	M24	195	115	160	45	19	30	30.000
902942		245	145	210	65	19	30	
902943	M30	195	115	160	45	24	36	30.000
902944		245	145	210	65	24	36	
902945		305	205	270	65	24	36	
902946	M36	195	115	160	45	30	42	30.000
902947		245	145	210	65	30	42	
902948		305	205	270	65	30	42	



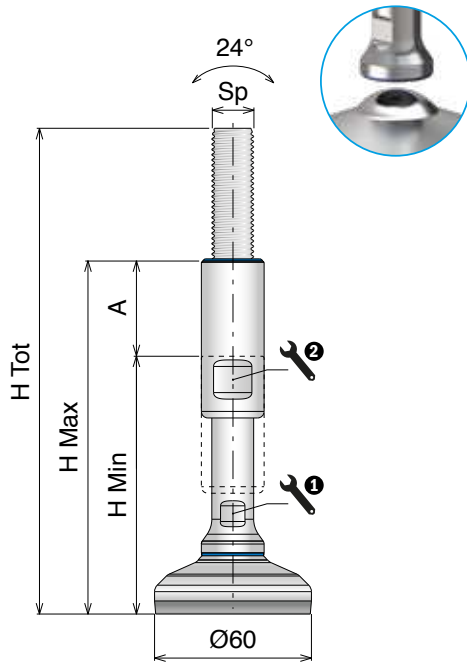
CERTIFIED PRODUCTS
 ASK FOR CERTIFICATION:
certificate@movexii.com

C500 SPLIT

Piedi di livellamento / Leveling feet / Nivellierfüße

On request vulcanized rubber can be provided
white or blue and spindle can be made in AISI 316.

Materiale / Material / Materialien:
Base, stelo e boccia: Acciaio inox
Base plate, spindle and cover: Stainless steel
Fussplatte, Spindel und Hülse: Edelstahl

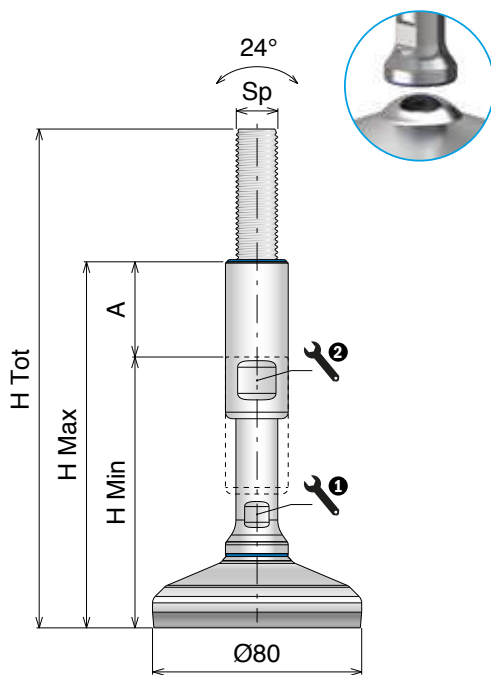


Ø60

DIAMETER (mm)



Art-Nr.	Sp	H Tot (mm)	H Min (mm)	H Max (mm)	A (mm)	1 (mm)	2 (mm)	Load (N)
902949	M12	185	105	150	45	10	17	4.500
902950		235	135	200	65	10	17	
902951	M16	185	105	150	45	13	19	4.500
902952		235	135	200	65	13	19	
902953	M20	185	105	150	45	17	24	4.500
902954		235	135	200	65	17	24	
902955	M24	185	105	150	45	19	30	4.500
902956		235	135	200	65	19	30	
902957	M30	185	105	150	45	24	36	4.500
902958		235	135	200	65	24	36	
902959		295	195	260	65	24	36	
902960	M36	185	105	150	45	30	42	4.500
902961		235	135	200	65	30	42	
902962		295	195	260	65	30	42	



Ø80

DIAMETER (mm)



Art-Nr.	Sp	H Tot (mm)	H Min (mm)	H Max (mm)	A (mm)	1 (mm)	2 (mm)	Load (N)
902963	M12	190	110	155	45	10	17	12.000
902964		240	140	205	65	10	17	
902965	M16	190	110	155	45	13	19	15.000
902966		240	140	205	65	13	19	
902967	M20	190	110	155	45	17	24	15.000
902968		240	140	205	65	17	24	
902969	M24	190	110	155	45	19	30	15.000
902970		240	140	205	65	19	30	
902971	M30	190	110	155	45	24	36	15.000
902972		240	140	205	65	24	36	
902973		300	200	265	65	24	36	
902974	M36	190	110	155	45	30	42	15.000
902975		240	140	205	65	30	42	
902976		300	200	265	65	30	42	



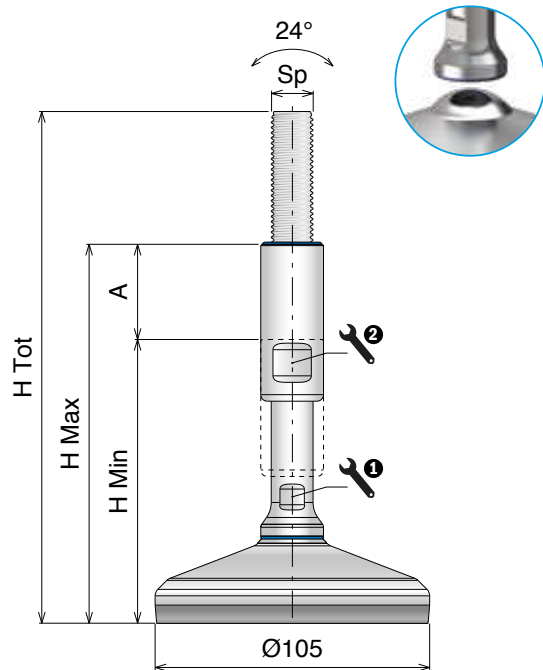
CERTIFIED PRODUCTS
ASK FOR CERTIFICATION:
certificate@movexii.com

Materiale / Material / Materialien:
 Base, stelo e boccia: Acciaio inox
 Base plate, spindle and cover: Stainless steel
 Fussplatte, Spindel und Hülse: Edelstahl

On request vulcanized rubber can be provided
 white or blue and spindle can be made in AISI 316.

C500 SPLIT

Piedi di livellamento / Leveling feet / Nivellierfüße



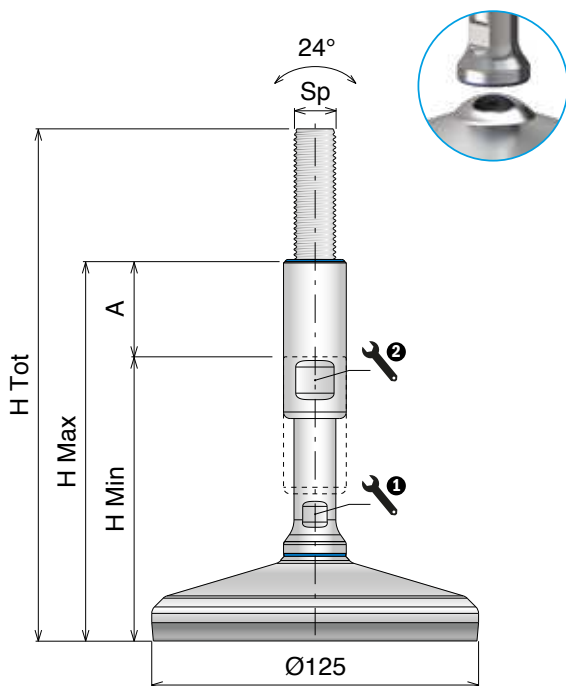
Ø105

DIAMETER (mm)



SPLITVERSION ANTI-SLIP

Art-Nr.	Sp	H Tot (mm)	H Min (mm)	H Max (mm)	A (mm)	1 (mm)	2 (mm)	Load (N)
902977	M12	195	115	160	45	10	17	12.000
902978		245	145	210	65	10	17	
902979	M16	195	115	160	45	13	19	25.000
902980		245	145	210	65	13	19	
902981	M20	195	115	160	45	17	24	25.000
902982		245	145	210	65	17	24	
902983	M24	195	115	160	45	19	30	25.000
902984		245	145	210	65	19	30	
902985	M30	195	115	160	45	24	36	25.000
902986		245	145	210	65	24	36	
902987		305	205	270	65	24	36	
902988	M36	195	115	160	45	30	42	25.000
902989		245	145	210	65	30	42	
902990		305	205	270	65	30	42	



Ø125

DIAMETER (mm)



SPLITVERSION ANTI-SLIP

Art-Nr.	Sp	H Tot (mm)	H Min (mm)	H Max (mm)	A (mm)	1 (mm)	2 (mm)	Load (N)
902991	M12	195	115	160	45	10	17	12.000
902992		245	145	210	65	10	17	
902993	M16	195	115	160	45	13	19	30.000
902994		245	145	210	65	13	19	
902995	M20	195	115	160	45	17	24	30.000
902996		245	145	210	65	17	24	
902997	M24	195	115	160	45	19	30	30.000
902998		245	145	210	65	19	30	
902999	M30	195	115	160	45	24	36	30.000
903000		245	145	210	65	24	36	
903001		305	205	270	65	24	36	
903002	M36	195	115	160	45	30	42	30.000
903003		245	145	210	65	30	42	
903004		305	205	270	65	30	42	

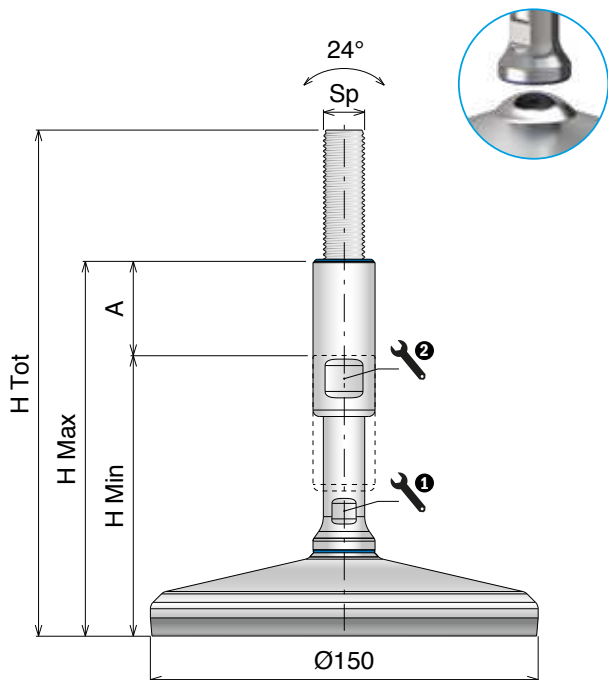
C500 SPLIT

Piedi di livellamento / Leveling feet / Nivellierfüße

On request vulcanized rubber can be provided
white or blue and spindle can be made in AISI 316.

Materiale / Material / Materialien:

Base, stelo e boccia: Acciaio inox
Base plate, spindle and cover: Stainless steel
Fussplatte, Spindel und Hülse: Edelstahl



Ø150
DIAMETER (mm)



Art-Nr.	Sp	H Tot (mm)	H Min (mm)	H Max (mm)	A (mm)	1 (mm)	2 (mm)	Load (N)
903005	M12	195	115	160	45	10	17	12.000
903006		245	145	210	65	10	17	
903007	M16	195	115	160	45	13	19	30.000
903008		245	145	210	65	13	19	
903009	M20	195	115	160	45	17	24	45.000
903010		245	145	210	65	17	24	
903011	M24	195	115	160	45	19	30	45.000
903012		245	145	210	65	19	30	
903013	M30	195	115	160	45	24	36	45.000
903014		245	145	210	65	24	36	
903015		305	205	270	65	24	36	
903016	M36	195	115	160	45	30	42	45.000
903017		245	145	210	65	30	42	
903018		305	205	270	65	30	42	



CERTIFIED PRODUCTS
ASK FOR CERTIFICATION:
certificate@movexii.com

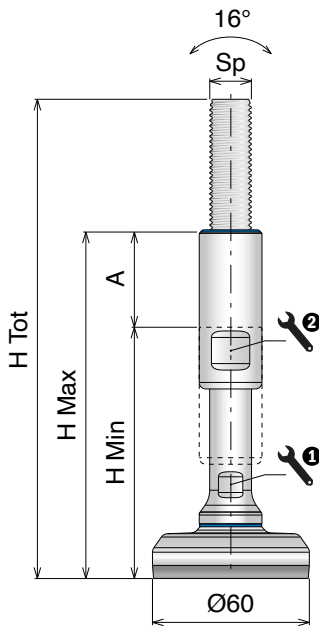
Materiale / Material / Materialien:

Base, stelo, rondella e boccia: Acciaio inox
 Base plate, spindle, washer and cover: Stainless steel
 Fussplatte, Spindel, Scheibe und Hülse: Edelstahl

On request vulcanized rubber can be provided
 white or blue and spindle can be made in AISI 316.

C500 HEAVY

Piedi di livellamento / Leveling feet / Nivellierfüße



Ø 60

DIAMETER (mm)

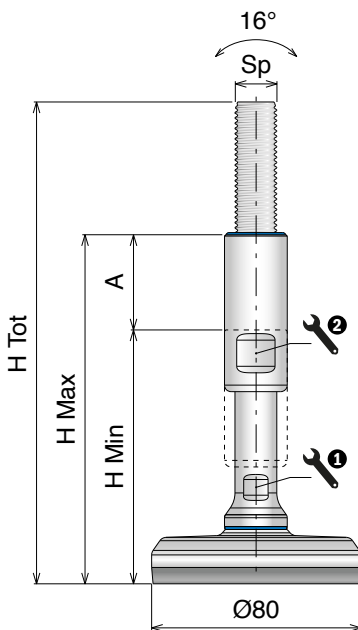


HIGH LOAD



ANTI-SLIP

Art-Nr.	Sp	H Tot (mm)	H Min (mm)	H Max (mm)	A (mm)	1 (mm)	2 (mm)	Load (N)
903019	M12	182,5	102,5	147,5	45	10	17	12.000
903020		232,5	132,5	197,5	65	10	17	
903021	M16	182,5	102,5	147,5	45	13	19	30.000
903022		232,5	132,5	197,5	65	13	19	
903023	M20	182,5	102,5	147,5	45	17	24	45.000
903024		232,5	132,5	197,5	65	17	24	
903025	M24	182,5	102,5	147,5	45	19	30	60.000
903026		232,5	132,5	197,5	65	19	30	
903027	M30	182,5	102,5	147,5	45	24	36	60.000
903028		232,5	132,5	197,5	65	24	36	
903029		292,5	192,5	257,5	65	24	36	
903030	M36	182,5	102,5	147,5	45	30	42	60.000
903031		232,5	132,5	197,5	65	30	42	
903032		292,5	192,5	257,5	65	30	42	



Ø 80

DIAMETER (mm)



HIGH LOAD



ANTI-SLIP

Art-Nr.	Sp	H Tot (mm)	H Min (mm)	H Max (mm)	A (mm)	1 (mm)	2 (mm)	Load (N)
903033	M12	183,5	103,5	148,5	45	10	17	12.000
903034		233,5	133,5	198,5	65	10	17	
903035	M16	183,5	103,5	148,5	45	13	19	30.000
903036		233,5	133,5	198,5	65	13	19	
903037	M20	183,5	103,5	148,5	45	17	24	45.000
903038		233,5	133,5	198,5	65	17	24	
903039	M24	183,5	103,5	148,5	45	19	30	70.000
903040		233,5	133,5	198,5	65	19	30	
903041	M30	183,5	103,5	148,5	45	24	36	80.000
903042		233,5	133,5	198,5	65	24	36	
903043		293,5	193,5	258,5	65	24	36	
903044	M36	183,5	103,5	148,5	45	30	42	80.000
903045		233,5	133,5	198,5	65	30	42	
903046		293,5	193,5	258,5	65	30	42	

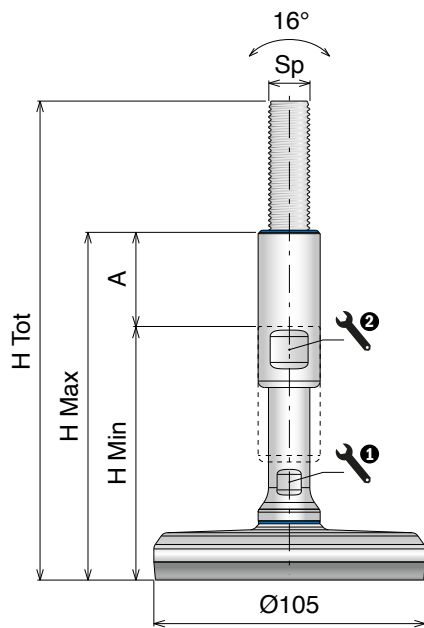
C500 HEAVY

Piedi di livellamento / Leveling feet / Nivellierfüße

On request vulcanized rubber can be provided
white or blue and spindle can be made in AISI 316.

Materiale / Material / Materialien:

Base, stelo, rondella e boccola: Acciaio inox
Base plate, spindle, washer and cover: Stainless steel
Fussplatte, Spindel, Scheibe und Hülse: Edelstahl



Ø105

DIAMETER (mm)

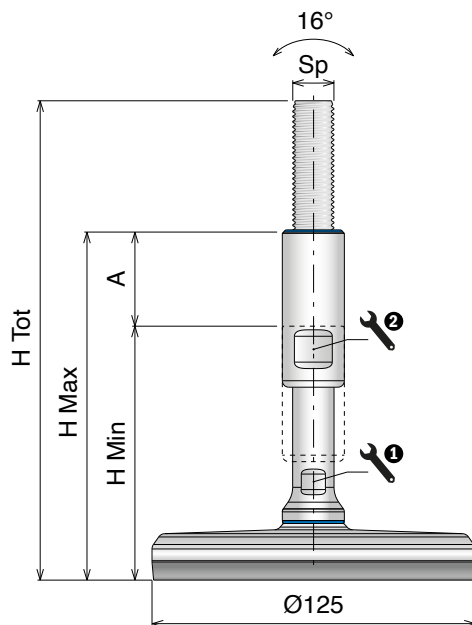


HIGH LOAD



ANTI-SLIP

Art-Nr.	Sp	H Tot (mm)	H Min (mm)	H Max (mm)	A (mm)	1 (mm)	2 (mm)	Load (N)
903047	M12	184,5	104,5	149,5	45	10	17	12.000
903048		234,5	134,5	199,5	65	10	17	
903049	M16	184,5	104,5	149,5	45	13	19	30.000
903050		234,5	134,5	199,5	65	13	19	
903051	M20	184,5	104,5	149,5	45	17	24	45.000
903052		234,5	134,5	199,5	65	17	24	
903053	M24	184,5	104,5	149,5	45	19	30	70.000
903054		234,5	134,5	199,5	65	19	30	
903055	M30	184,5	104,5	149,5	45	24	36	100.000
903056		234,5	134,5	199,5	65	24	36	
903057		294,5	194,5	259,5	65	24	36	
903058	M36	184,5	104,5	149,5	45	30	42	120.000
903059		234,5	134,5	199,5	65	30	42	
903060		294,5	194,5	259,5	65	30	42	



Ø125

DIAMETER (mm)



HIGH LOAD



ANTI-SLIP

Art-Nr.	Sp	H Tot (mm)	H Min (mm)	H Max (mm)	A (mm)	1 (mm)	2 (mm)	Load (N)
903061	M12	184,5	104,5	149,5	45	10	17	12.000
903062		234,5	134,5	199,5	65	10	17	
903063	M16	184,5	104,5	149,5	45	13	19	30.000
903064		234,5	134,5	199,5	65	13	19	
903065	M20	184,5	104,5	149,5	45	17	24	45.000
903066		234,5	134,5	199,5	65	17	24	
903067	M24	184,5	104,5	149,5	45	19	30	70.000
903068		234,5	134,5	199,5	65	19	30	
903069	M30	184,5	104,5	149,5	45	24	36	100.000
903070		234,5	134,5	199,5	65	24	36	
903071		294,5	194,5	259,5	65	24	36	
903072	M36	184,5	104,5	149,5	45	30	42	130.000
903073		234,5	134,5	199,5	65	30	42	
903074		294,5	194,5	259,5	65	30	42	



CERTIFIED PRODUCTS

ASK FOR CERTIFICATION:
certificate@movexii.com

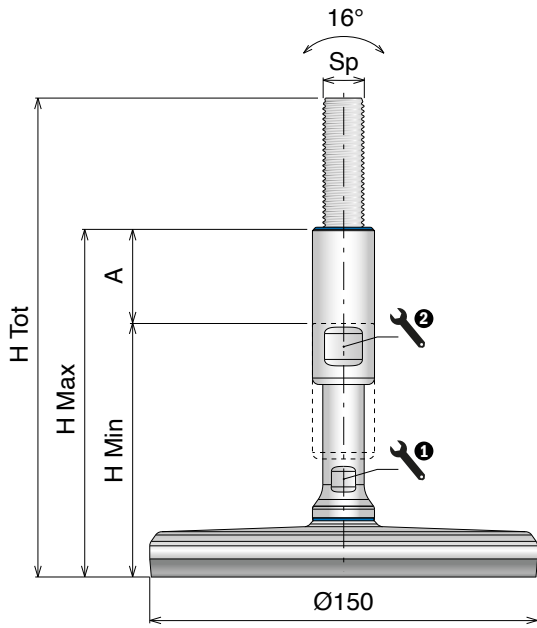
Materiale / Material / Materialien:

Base, stelo, rondella e boccia: Acciaio inox
 Base plate, spindle, washer and cover: Stainless steel
 Fussplatte, Spindel, Scheibe und Hülse: Edelstahl

On request vulcanized rubber can be provided
 white or blue and spindle can be made in AISI 316.

C500 HEAVY

Piedi di livellamento / Leveling feet / Nivellierfüße

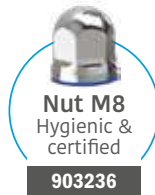
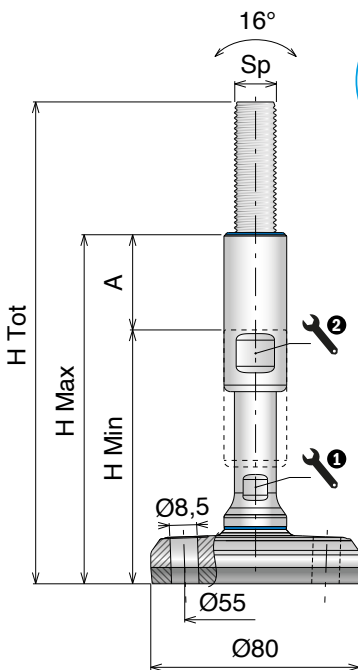


Ø 150

DIAMETER (mm)



Art-Nr.	Sp	H Tot (mm)	H Min (mm)	H Max (mm)	A (mm)	1 (mm)	2 (mm)	Load (N)
903075	M12	184,5	104,5	149,5	45	10	17	12.000
903076		234,5	134,5	199,5	65	10	17	
903077	M16	184,5	104,5	149,5	45	13	19	30.000
903078		234,5	134,5	199,5	65	13	19	
903079	M20	184,5	104,5	149,5	45	17	24	45.000
903080		234,5	134,5	199,5	65	17	24	
903081	M24	184,5	104,5	149,5	45	19	30	70.000
903082		234,5	134,5	199,5	65	19	30	
903083	M30	184,5	104,5	149,5	45	24	36	100.000
903084		234,5	134,5	199,5	65	24	36	
903085		294,5	194,5	259,5	65	24	36	
903086	M36	184,5	104,5	149,5	45	30	42	150.000
903087		234,5	134,5	199,5	65	30	42	
903088		294,5	194,5	259,5	65	30	42	



Ø 80

DIAMETER (mm)



Art-Nr.	Sp	H Tot (mm)	H Min (mm)	H Max (mm)	A (mm)	1 (mm)	2 (mm)	Load (N)
903103	M12	183,5	103,5	148,5	45	10	17	12.000
903104		233,5	133,5	198,5	65	10	17	
903105	M16	183,5	103,5	148,5	45	13	19	30.000
903106		233,5	133,5	198,5	65	13	19	
903107	M20	183,5	103,5	148,5	45	17	24	45.000
903108		233,5	133,5	198,5	65	17	24	
903109	M24	183,5	103,5	148,5	45	19	30	70.000
903110		233,5	133,5	198,5	65	19	30	
903111	M30	183,5	103,5	148,5	45	24	36	80.000
903112		233,5	133,5	198,5	65	24	36	
903113		293,5	193,5	258,5	65	24	36	
903114	M36	183,5	103,5	148,5	45	30	42	80.000
903115		233,5	133,5	198,5	65	30	42	
903116		293,5	193,5	258,5	65	30	42	

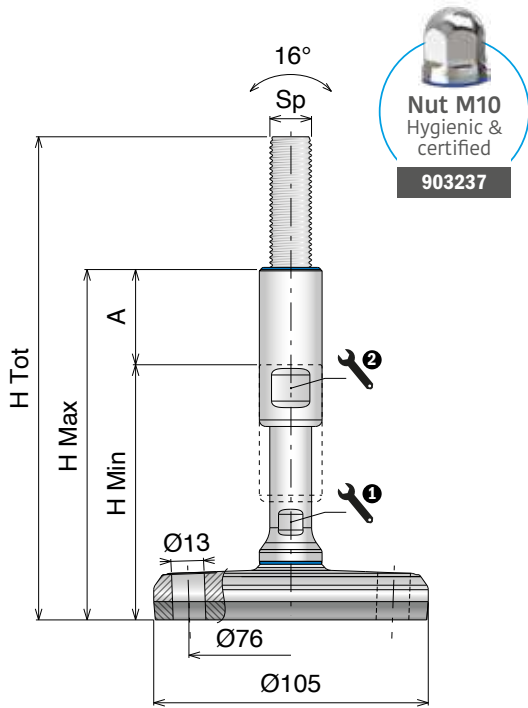
C500 HEAVY

Piedi di livellamento / Leveling feet / Nivellierfüße

On request vulcanized rubber can be provided
white or blue and spindle can be made in AISI 316.

Materiale / Material / Materialien:

Base, stelo, rondella e boccola: Acciaio inox
Base plate, spindle, washer and cover: Stainless steel
Fussplatte, Spindel, Scheibe und Hülse: Edelstahl



Ø105

DIAMETER (mm)



HIGH LOAD

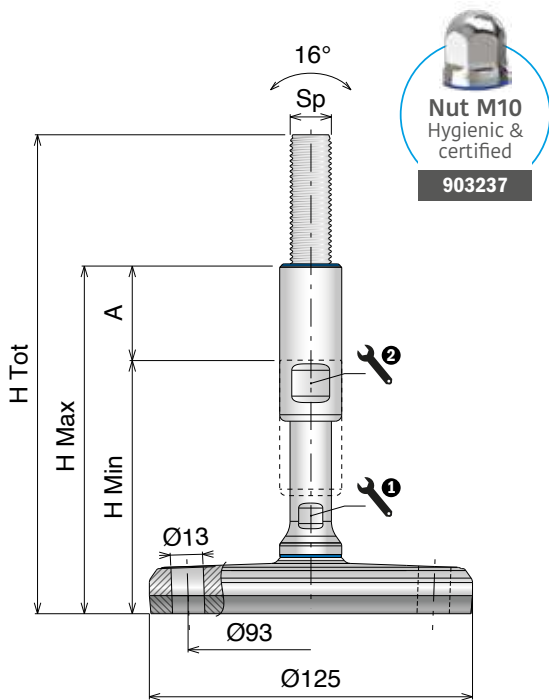


FIXING POINT



ANTI-SLIP

Art-Nr.	Sp	H Tot (mm)	H Min (mm)	H Max (mm)	A (mm)	1 (mm)	2 (mm)	Load (N)
903117	M12	184,5	104,5	149,5	45	10	17	12.000
903118		234,5	134,5	199,5	65	10	17	
903119	M16	184,5	104,5	149,5	45	13	19	30.000
903120		234,5	134,5	199,5	65	13	19	
903121	M20	184,5	104,5	149,5	45	17	24	45.000
903122		234,5	134,5	199,5	65	17	24	
903123	M24	184,5	104,5	149,5	45	19	30	70.000
903124		234,5	134,5	199,5	65	19	30	
903125	M30	184,5	104,5	149,5	45	24	36	100.000
903126		234,5	134,5	199,5	65	24	36	
903127		294,5	194,5	259,5	65	24	36	
903128	M36	184,5	104,5	149,5	45	30	42	120.000
903129		234,5	134,5	199,5	65	30	42	
903130		294,5	194,5	259,5	65	30	42	



Ø125

DIAMETER (mm)



HIGH LOAD



FIXING POINT



ANTI-SLIP

Art-Nr.	Sp	H Tot (mm)	H Min (mm)	H Max (mm)	A (mm)	1 (mm)	2 (mm)	Load (N)
903131	M12	184,5	104,5	149,5	45	10	17	12.000
903132		234,5	134,5	199,5	65	10	17	
903133	M16	184,5	104,5	149,5	45	13	19	30.000
903134		234,5	134,5	199,5	65	13	19	
903135	M20	184,5	104,5	149,5	45	17	24	45.000
903136		234,5	134,5	199,5	65	17	24	
903137	M24	184,5	104,5	149,5	45	19	30	70.000
903138		234,5	134,5	199,5	65	19	30	
903139	M30	184,5	104,5	149,5	45	24	36	100.000
903140		234,5	134,5	199,5	65	24	36	
903141		294,5	194,5	259,5	65	24	36	
903142	M36	184,5	104,5	149,5	45	30	42	130.000
903143		234,5	134,5	199,5	65	30	42	
903144		294,5	194,5	259,5	65	30	42	



CERTIFIED PRODUCTS
ASK FOR CERTIFICATION:
certificate@movexii.com

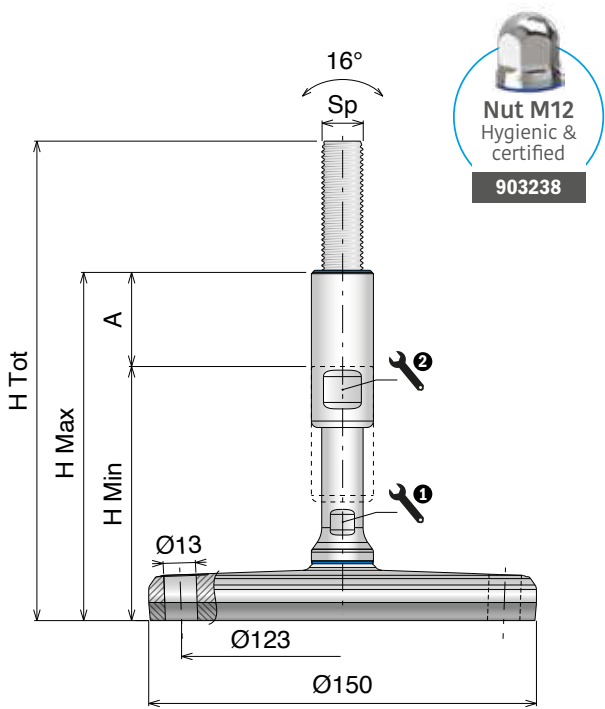
Materiale / Material / Materialien:

Base, stelo, rondella e boccia: Acciaio inox
 Base plate, spindle, washer and cover: Stainless steel
 Fussplatte, Spindel, Scheibe und Hülse: Edelstahl

On request vulcanized rubber can be provided
 white or blue and spindle can be made in AISI 316.

C500 HEAVY

Piedi di livellamento / Leveling feet / Nivellierfüße



Ø 150
 DIAMETER (mm)

Kg
 HIGH LOAD

X2
 FIXING POINT

←→
 ANTI-SLIP

Art-Nr.	Sp	H Tot (mm)	H Min (mm)	H Max (mm)	A (mm)	1 (mm)	2 (mm)	Load (N)
903145	M12	184,5	104,5	149,5	45	10	17	12.000
903146		234,5	134,5	199,5	65	10	17	
903147	M16	184,5	104,5	149,5	45	13	19	30.000
903148		234,5	134,5	199,5	65	13	19	
903149	M20	184,5	104,5	149,5	45	17	24	45.000
903150		234,5	134,5	199,5	65	17	24	
903151	M24	184,5	104,5	149,5	45	19	30	70.000
903152		234,5	134,5	199,5	65	19	30	
903153	M30	184,5	104,5	149,5	45	24	36	100.000
903154		234,5	134,5	199,5	65	24	36	
903155		294,5	194,5	259,5	65	24	36	
903156	M36	184,5	104,5	149,5	45	30	42	150.000
903157		234,5	134,5	199,5	65	30	42	
903158		294,5	194,5	259,5	65	30	42	

C500 HEAVY-SPLIT

Piedi di livellamento / Leveling feet / Nivellierfüße

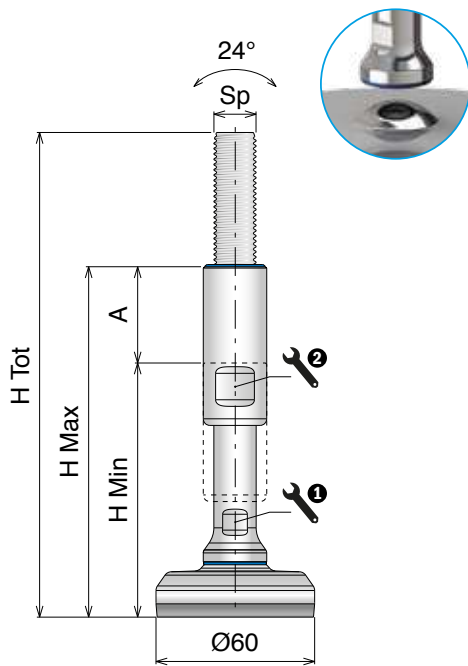
On request vulcanized rubber can be provided
white or blue and spindle can be made in AISI 316.

Materiale / Material / Materialien:

Base, stelo e boccola: Acciaio inox

Base plate, spindle and cover: Stainless steel

Fussplatte, Spindel und Hülse: Edelstahl



Ø 60

DIAMETER (mm)



HIGH LOAD

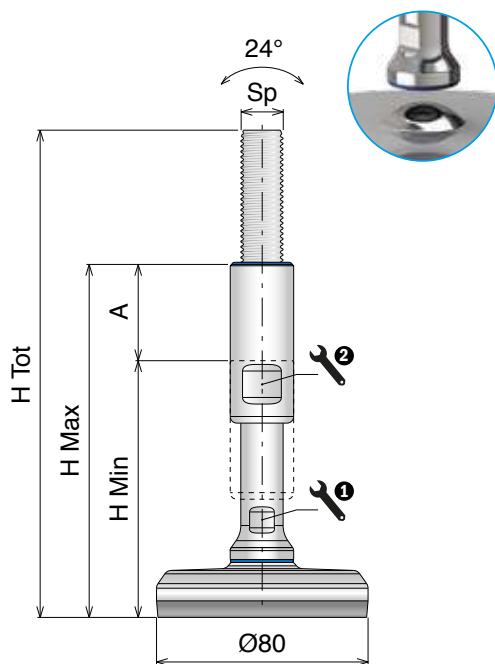


SPLITVERSION



ANTI-SLIP

Art-Nr.	Sp	H Tot (mm)	H Min (mm)	H Max (mm)	A (mm)	1 (mm)	2 (mm)	Load (N)
903159	M12	182,5	102,5	147,5	45	10	17	12.000
903160		232,5	132,5	197,5	65	10	17	
903161	M16	182,5	102,5	147,5	45	13	19	30.000
903162		232,5	132,5	197,5	65	13	19	
903163	M20	182,5	102,5	147,5	45	17	24	45.000
903164		232,5	132,5	197,5	65	17	24	
903165	M24	182,5	102,5	147,5	45	19	30	60.000
903166		232,5	132,5	197,5	65	19	30	
903167	M30	182,5	102,5	147,5	45	24	36	60.000
903168		232,5	132,5	197,5	65	24	36	
903169		292,5	192,5	257,5	65	24	36	
903170	M36	182,5	102,5	147,5	45	30	42	60.000
903171		232,5	132,5	197,5	65	30	42	
903172		292,5	192,5	257,5	65	30	42	



Ø 80

DIAMETER (mm)



HIGH LOAD



SPLITVERSION



ANTI-SLIP

Art-Nr.	Sp	H Tot (mm)	H Min (mm)	H Max (mm)	A (mm)	1 (mm)	2 (mm)	Load (N)
903173	M12	183,5	103,5	148,5	45	10	17	12.000
903174		233,5	133,5	198,5	65	10	17	
903175	M16	183,5	103,5	148,5	45	13	19	30.000
903176		233,5	133,5	198,5	65	13	19	
903177	M20	183,5	103,5	148,5	45	17	24	45.000
903178		233,5	133,5	198,5	65	17	24	
903179	M24	183,5	103,5	148,5	45	19	30	70.000
903180		233,5	133,5	198,5	65	19	30	
903181	M30	183,5	103,5	148,5	45	24	36	80.000
903182		233,5	133,5	198,5	65	24	36	
903183		293,5	193,5	258,5	65	24	36	
903184	M36	183,5	103,5	148,5	45	30	42	80.000
903185		233,5	133,5	198,5	65	30	42	
903186		293,5	193,5	258,5	65	30	42	



CERTIFIED PRODUCTS

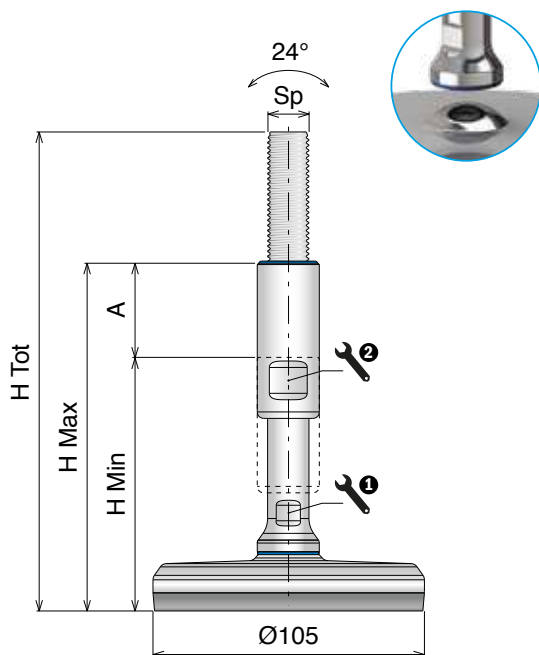
ASK FOR CERTIFICATION:
certificate@movexii.com

Materiale / Material / Materialien:
 Base, stelo e boccola: Acciaio inox
 Base plate, spindle and cover: Stainless steel
 Fussplatte, Spindel und Hülse: Edelstahl

On request vulcanized rubber can be provided
 white or blue and spindle can be made in AISI 316.

C500 HEAVY-SPLIT

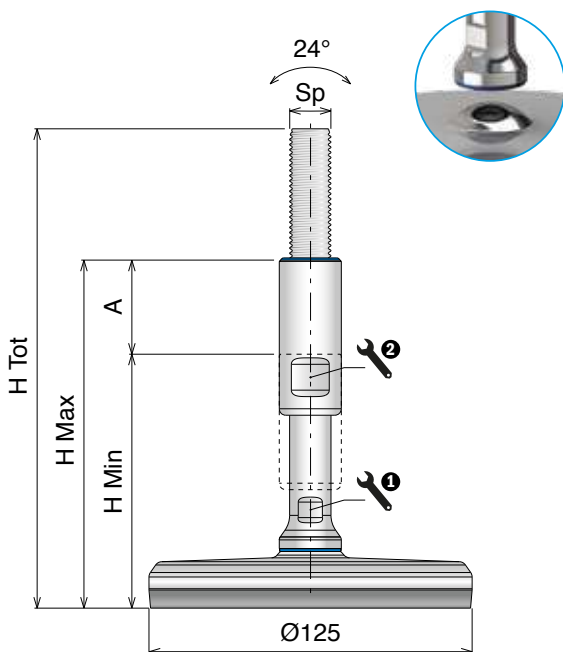
Piedi di livellamento / Leveling feet / Nivellierfüße



Ø105
 DIAMETER (mm)

Kg
 HIGH LOAD SPLIT VERSION ANTI-SLIP

Art-Nr.	Sp	H Tot (mm)	H Min (mm)	H Max (mm)	A (mm)	1 (mm)	2 (mm)	Load (N)
903187	M12	184,5	104,5	149,5	45	10	17	12.000
903188		234,5	134,5	199,5	65	10	17	
903189	M16	184,5	104,5	149,5	45	13	19	30.000
903190		234,5	134,5	199,5	65	13	19	
903191	M20	184,5	104,5	149,5	45	17	24	45.000
903192		234,5	134,5	199,5	65	17	24	
903193	M24	184,5	104,5	149,5	45	19	30	70.000
903194		234,5	134,5	199,5	65	19	30	
903195	M30	184,5	104,5	149,5	45	24	36	100.000
903196		234,5	134,5	199,5	65	24	36	
903197		294,5	194,5	259,5	65	24	36	
903198	M36	184,5	104,5	149,5	45	30	42	120.000
903199		234,5	134,5	199,5	65	30	42	
903200		294,5	194,5	259,5	65	30	42	



Ø125
 DIAMETER (mm)

Kg
 HIGH LOAD SPLIT VERSION ANTI-SLIP

Art-Nr.	Sp	H Tot (mm)	H Min (mm)	H Max (mm)	A (mm)	1 (mm)	2 (mm)	Load (N)
903201	M12	184,5	104,5	149,5	45	10	17	12.000
903202		234,5	134,5	199,5	65	10	17	
903203	M16	184,5	104,5	149,5	45	13	19	30.000
903204		234,5	134,5	199,5	65	13	19	
903205	M20	184,5	104,5	149,5	45	17	24	45.000
903206		234,5	134,5	199,5	65	17	24	
903207	M24	184,5	104,5	149,5	45	19	30	70.000
903208		234,5	134,5	199,5	65	19	30	
903209	M30	184,5	104,5	149,5	45	24	36	100.000
903210		234,5	134,5	199,5	65	24	36	
903211		294,5	194,5	259,5	65	24	36	
903212	M36	184,5	104,5	149,5	45	30	42	130.000
903213		234,5	134,5	199,5	65	30	42	
903214		294,5	194,5	259,5	65	30	42	

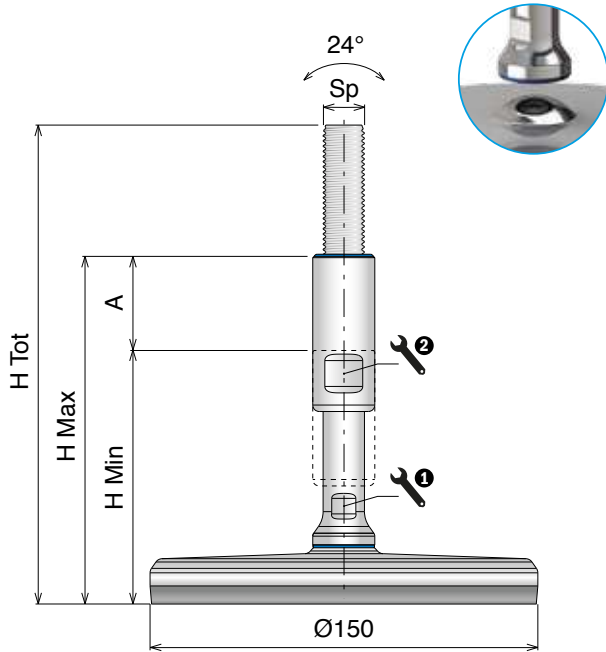
C500 HEAVY-SPLIT

Piedi di livellamento / Leveling feet / Nivellierfüße

On request vulcanized rubber can be provided
white or blue and spindle can be made in AISI 316.

Materiale / Material / Materialien:

Base, stelo e boccola: Acciaio inox
Base plate, spindle and cover: Stainless steel
Fussplatte, Spindel und Hülse: Edelstahl



Ø150
DIAMETER (mm)

Kg
HIGH LOAD SPLITVERSION ANTI-SLIP

Art-Nr.	Sp	H Tot (mm)	H Min (mm)	H Max (mm)	A (mm)	1 (mm)	2 (mm)	Load (N)
903215	M12	184,5	104,5	149,5	45	10	17	12.000
903216		234,5	134,5	199,5	65	10	17	
903217	M16	184,5	104,5	149,5	45	13	19	30.000
903218		234,5	134,5	199,5	65	13	19	
903219	M20	184,5	104,5	149,5	45	17	24	45.000
903220		234,5	134,5	199,5	65	17	24	
903221	M24	184,5	104,5	149,5	45	19	30	70.000
903222		234,5	134,5	199,5	65	19	30	
903223	M30	184,5	104,5	149,5	45	24	36	100.000
903224		234,5	134,5	199,5	65	24	36	
903225		294,5	194,5	259,5	65	24	36	
903226	M36	184,5	104,5	149,5	45	30	42	150.000
903227		234,5	134,5	199,5	65	30	42	
903228		294,5	194,5	259,5	65	30	42	



CERTIFIED PRODUCTS
ASK FOR CERTIFICATION:
certificate@movexii.com

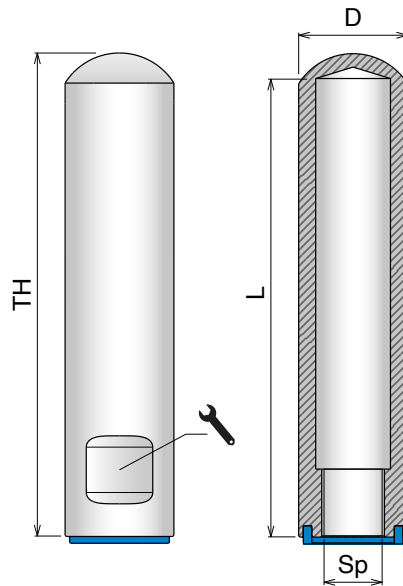
NEW 903 Boccia superiore certificata ed igienica
 Certified hygienic top cover / Zertifiziert hygienische Abdeckülse

Delivery: **Easy** **Standard**



Main features:

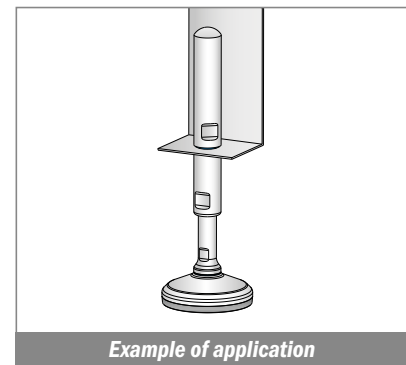
- Stainless steel AISI 304
- Blue seal for hermetic closure
- Perfect to protect the threaded spindle



Art-Nr.	Sp	D	TH	L	
903229	M12	Ø20	110	100	17
903230	M16	Ø24	110	100	19
903231	M20	Ø30	110	100	24
903232	M24	Ø34	110	100	30
903233	M30	Ø40	110	100	36
903234	M36	Ø46	110	100	42



CERTIFIED PRODUCTS
 ASK FOR CERTIFICATION:
certificate@movexii.com



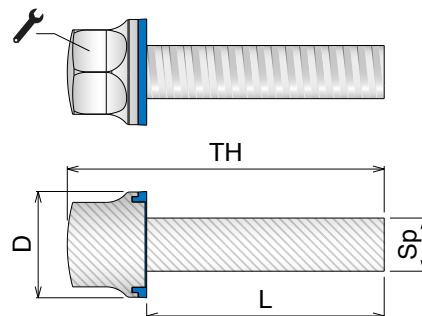
NEW 903 Vite igienica certificata ed igienica
 Certified hygienic screw / Zertifiziert hygienische Schraube

Delivery: **Easy** **Standard**



Main features:

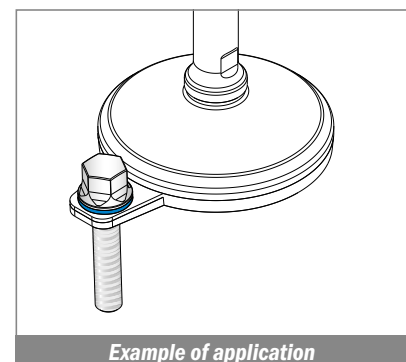
- Stainless steel AISI 304
- Blue seal for hermetic closure



Art-Nr.	Sp	D	TH	L		Box
903255	M8	16	58	45	13	10 pcs
903253	M10	20	60	45	16	10 pcs
903251	M12	24,5	78	60	18	10 pcs



CERTIFIED PRODUCTS
 ASK FOR CERTIFICATION:
certificate@movexii.com



NEW 903

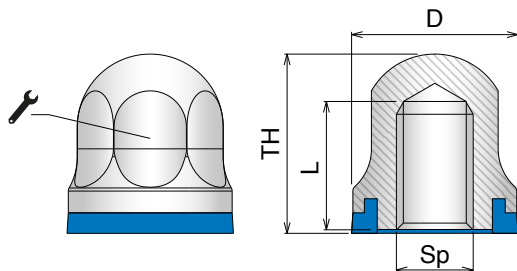
Dado certificato ed igienico
Certified hygienic nut / Zertifiziert hygienische Hutmutter

Delivery: **Easy** **Standard**



Main features:

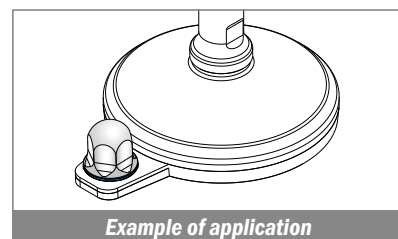
- Stainless steel AISI 304
- Blue seal for hermetic closure



Art-Nr.	Sp	D	TH	L		Box
903235	M6	13	14	10	10	10 pcs
903236	M8	16	17	12	13	10 pcs
903237	M10	20	20,5	15	16	10 pcs
903238	M12	24,5	25	18	18	10 pcs
903239	M16	32	32	23	24	10 pcs
903240	M20	39	38	27	30	10 pcs



CERTIFIED PRODUCTS
ASK FOR CERTIFICATION:
certificate@movexii.com



998

Dado
Nut / Sechskantmutter

Delivery: **Easy** **Standard**



Main features:

- Stainless steel (SS) or Zinc plated steel (FeZn)
- UNI 5588 - ISO 4032 - DIN 934

Art-Nr.	Art-Nr.	Sp	Box
SS	FeZn		
99801	99801Z	M10	50 pcs
99802	99802Z	M12	50 pcs
99804	99804Z	M16	10 pcs
99805	99805Z	M20	10 pcs
99806	99806Z	M24	5 pcs
99807	99807Z	M30	5 pcs
99808	99808Z	M36	5 pcs

996

Gomma anti-scivolo
Anti-slip pad / Gummiplatte

Delivery: **Easy** **Standard**



Main features:

- High quality vulcanized anti-slip NBR rubber
- Suitable for leveling feet Basic, Articulated, Muscle and P400R series

Art-Nr.	For base
99601	Ø40
99602	Ø50
99603	Ø60
99604	Ø80
99605	Ø100
99607	Ø110
99606	Ø120
99608	Ø123

CORRELATED PRODUCTS

Support base



Threaded bushings

POLYAMIDE



Threaded bushings

AISI 304



765

Materials chemical resistance

Materials resistance Page 766->768	General Page 769	PH-Range Page 769	Rubber materials Page 769	Plastic materials Page 770	Pin materials Page 770
--	----------------------------	-----------------------------	-------------------------------------	--------------------------------------	----------------------------------

Materials for plastic chains and modular belts

POM	Low friction Acetal	Lubricated Acetal	Antistatic Acetal
	LF	MPX Page 772	AS Page 775
	LFA	MP Page 773	
	LFB		
	LFD		
	LFG		
	LFN	Reinforced Acetal	
LFW Page 771	DKM Page 774		

PBT	Performance Polybutylene terephthalate	Extra-Performance Polybutylene terephthalate
	MX Page 776	PFX Page 777

PP	Polypropylene	Reinforced Polypropylene
	PP	PPX Page 779
	PPB	
	PPW Page 778	

PA	Polyamide composite	Polyamide composite
	MWX Page 780	PA Page 781

Materials for stainless steel chains



Stainless steel	
SS Page 782	SSE Page 783
SSM Page 784	SSA Page 785

Materials for sprockets



Polyamide	Reinforced Polyamide
PA Page 786	RPA Page 786

Material chemical resistance

Resistenza chimica dei materiali / Materials chemical resistance / Chemische Beständigkeit der Materialien

LEGEND: ● Resistant | ● Conditionally Resistant | ● Not Resistant

Material chemical resistance

Substances		PBT	POM	PP	PE	PA
at norm climate conditions DIN50014, 23°C/50% r.a.h.		Chains & Belts	Chains & Belts	Chains & Belts	Curves Chain guides Components	Sporckets Components Chains & Belts
A	Acetamide 50%		●		●	●
	Acetic acid, aqueous solution 10%	●	●	●	●	●
	Acetic acid, aqueous solution 5%	●	●	●	●	●
	Acetic acid, concentrated	●	●	●	●	●
	Acetone	●	●	●	●	●
	Ammonia, aqueous solution 10%	●	●	●	●	●
	Anone			●	●	●
B	Benzene	●	●	●	●	●
	Benzine	●	●	●	●	●
	Bitumen		●	●	●	●
	Boric acid, aqueous solution 10%	●	●	●	●	●
	Butyl acetate	●	●	●	●	●
C	Calcium chloride, aqueous solution 10%	●	●	●	●	●
	Carbon tetrachloride	●	●	●	●	●
	Chlorbenzene	●	●	●	●	●
	Chloroform	●	●	●	●	●
	Citric acid, aqueous solution 10%	●	●	●	●	●
	Cupric (II) sulphate, 10%		●	●	●	●
	Cyclohexane	●	●	●	●	●
	Cyclohexanone	●	●	●	●	●
D	Diesel oil	●	●	●	●	●
	Dimethyl formamide	●	●	●	●	●
	Diocetyl phthalate	●	●	●	●	●
	Dioxane	●	●	●	●	●
E	Edible fats, edible oils	●	●	●	●	●
	Ethanol 96%	●	●	●	●	●
	Ethyl ether	●	●	●	●	●
	Ethylacetate	●	●	●	●	●
	Ethylene chloride	●	●	●	●	●
F	Formaldehyde, aqueous solution 30%		●	●	●	●
	Formamide	●	●		●	●
	Formic acid, aqueous solution 10%	●	●	●	●	●
	Freon, frigen, liquid	●		●	●	●
	Fruit juices	●	●	●	●	●

Continue >>

Movex

Material chemical resistance

Resistenza chimica dei materiali / Materials chemical resistance / Chemische Beständigkeit der Materialien

LEGEND: ● Resistant | ● Conditionally Resistant | ● Not Resistant

Substances	PBT	POM	PP	PE	PA
at norm climate conditions DIN50014, 23°C/50% r.a.h.	Chains & Belts	Chains & Belts	Chains & Belts	Curves Chain guides Components	Sporckets Components Chains & Belts
Fuel oil	●	●	●	●	●
G Glycerine	●	●	●	●	●
Glycol	●	●	●	●	●
Glycantine, aqueous solution 40%	●	●	●	●	●
H Heptane, hexane	●	●	●	●	●
Hydrochloric acid, aqueous solution 2%	●	●	●	●	●
Hydrochloric acid, aqueous solution 36%	●	●	●	●	●
Hydrofluoric acid, 40%	●	●	●	●	●
Hydrogen peroxide, aqueous solution 0.5%	●	●	●	●	●
Hydrogen peroxide, aqueous solution 30%	●	●	●	●	●
Hydrogen sulphide	●	●	●	●	●
Hydrogen sulphide, aqueous solution	●	●	●	●	●
I Iodine solution, alcohol solution			●	●	●
Iso-octane			●	●	●
Isopropanol	●	●	●	●	●
L Lactic acid, aqueous solution 10%	●	●	●	●	●
Lactic acid, aqueous solution 90%		●	●	●	●
Linseed oil	●	●	●	●	●
M Methanol	●	●	●	●	●
Methyl ethyl ketone	●	●	●	●	●
Methylene chloride	●	●	●	●	●
Milk	●	●	●	●	●
N Nitric acid, aqueous solution 2%	●	●	●	●	●
Nitrobenzene	●	●	●	●	●
O Oxalic acid, aqueous solution 10%	●	●	●	●	●
Ozone	●	●		●	●
P Paraffin oil	●	●	●	●	●
Perchlorethylene	●	●	●	●	●
Petroleum	●	●	●	●	●
Phenol, aqueous solution	●	●	●	●	●
Phosphoric acid, aqueous solution 10%	●	●	●	●	●
Phosphoric acid, concentrated	●	●	●	●	●
Potassium dichromate, aqueous solution 10%	●	●	●	●	●
Potassium lye, aqueous solution 10%	●	●	●	●	●
Potassium lye, aqueous solution 50%	●	●	●	●	●

Continue >>

Material chemical resistance

Resistenza chimica dei materiali / Materials chemical resistance / Chemische Beständigkeit der Materialien

LEGEND: ● Resistant | ● Conditionally Resistant | ● Not Resistant

Substances	PBT	POM	PP	PE	PA
at norm climate conditions DIN50014, 23°C/50% r.a.h.	Chains & Belts	Chains & Belts	Chains & Belts	Curves Chain guides Components	Sprockets Components Chains & Belts
Potassium permanganate, aqueous solution 1%	●	●	●	●	●
Propanol	●	●	●	●	●
Pyridine		●	●	●	●
S Salicylic acid	●			●	●
Silicon oils	●	●	●	●	●
Soap solution, aqueous solution	●	●	●	●	●
Soda lye, aqueous solution 5%	●	●	●	●	●
Soda lye, aqueous solution 50%	●	●	●	●	●
Soda solution, aqueous solution 10%	●		●	●	●
Sodium bisulphite, aqueous solution 10%	●	●	●	●	●
Sodium carbonate, aqueous solution 10%	●	●	●	●	●
Sodium chloride, aqueous solution 10%	●	●	●	●	●
Sodium hypochlorite, aqueous solution 10%	●	●	●	●	●
Sodium nitrate, aqueous solution 10%	●	●	●	●	●
Sodium thiosulphate, aqueous solution 10%	●	●	●	●	●
Styrene	●	●	●	●	●
Sulphuric acid, aqueous solution 2%	●	●	●	●	●
Sulphuric acid, concentrated 98%	●	●	●	●	●
T Tar	●	●	●		●
Tartaric acid	●	●	●	●	●
Tetrahydrofurane	●	●	●	●	●
Tetralin	●	●		●	●
Toluene	●	●	●	●	●
Transformer oil	●	●	●	●	●
Trichlorethylene	●	●	●	●	●
Triethanolamine	●	●	●	●	●
U Urea, aqueous solution	●	●	●	●	●
V Vaseline	●	●	●	●	●
W Water, cold	●	●	●	●	●
Water, warm	●	●	●	●	●
Wax, molten	●	●	●	●	●
Wine, brandy	●	●	●	●	●
X Xylene	●	●	●	●	●
Z Zinc chloride, aqueous solution 10%	●	●	●	●	●

Resistenza chimica dei materiali / Materials chemical resistance / Chemische Beständigkeit der Materialien

General

LEGEND: ● Resistant | ● Conditionally Resistant | ● Not Resistant

Test condition	PBT	POM	PP	PE	PA
at norm climate conditions DIN50014, 23°C/50% r.a.h.	Chains & Belts	Chains & Belts	Chains & Belts	Curves Chain guides Components	Sprockets Components Chains & Belts
Acids, weak	●	●	●	●	●
Acids, strong	●	●	●	●	●
Alkalines, weak	●	●	●	●	●
Alkalines, strong	●	●	●	●	●
Solvents, alcohol	●	●	●	●	●
Solvents, ester	●	●	●	●	●
Solvents, ether	●	●	●	●	●
Solvents, Ketone	●	●	●	●	●
Water, cold	●	●	●	●	●
Water, hot	●	●	●	●	●

PH-Range

General pH-limits at 23°C	PBT	POM	PP	PE	PA
Lower limit	2	4	1	1	4
Upper limit	9	13	13,5	13,5	12

Rubber materials

LEGEND: ● Very good | ● Good | ● Worse

Test condition	NBR	EPDM-PP	TPR	TPE
at 23°C	GT stainless steel chains	Gripper chains	Gripper chains	GT plastic chains & belts
Mechanical resistance				
Wear resistance	●	●	●	●
Tear resistance	●	●	●	●
Chemical resistance				
Against acids	●	●	●	●
Against alkalines	●	●	●	●
Against oils	●	●	●	●
Against solvents	●	●	●	●
Application temperatures				
°C -	-30	-40	-50	-50
°C +	100	130	120	120

Extruded / machined plastic materials

LEGEND: ● Very good | ● Good | ● Satisfactory

Test condition	UHMWPE	<i>BluLub</i>	C
at 23°C	Extremely high mol. weight	UHMWPE w/built in lubrication	UHMWPE w/ceramic additives
Mechanical resistance			
Wear resistance against steel chains	●	●	●
Wear resistance against plastic chains	●	●	
Chemical resistance			
Against acids	●	●	●
Against alkalines	●	●	●
Against oils	●	●	●
Against solvents	●	●	●
Application temperatures			
°C -	-40	-40	-40
°C + (shortly)	80 (100)	50 (80)	80 (100)

Pin materials

General pH-limits at 23°C	PBT	POM	PP	PE	PA
Lower limit	2	4	1	1	4
Upper limit	9	13	13,5	13,5	12

Stainless steel	Pin	Remarks
SSM	DIN-EN 1.4057 / AISI 431	Hardened
SSE	DIN-EN 1.4057 / AISI 431	Hardened
SS	DIN-EN 1.4057 / AISI 431	
SSA	DIN-EN 1.4301 / AISI 304	

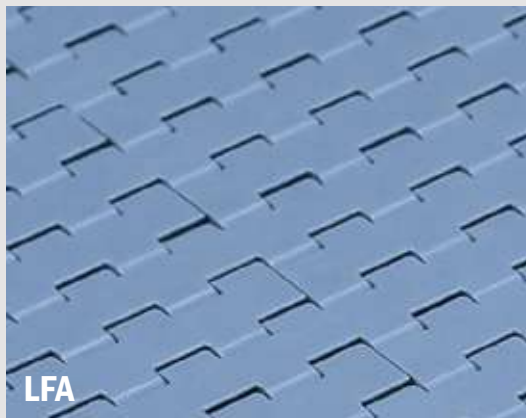
Plastic chains	Pin	Remarks
All materials	Ferritic Stainless steel (Suitable for magnetic system DIN-EN 1.4016 - AISI 430)	820, 880 TAB (also available with plastic pin POM reinforced)

Plastic belts	Pin	Remarks
LFA	PBT	White
MPX	PBT	White
DKM	PBT	White
MWX	PBT	White
MX/PFX	POM	Grey
PP	PP	Blue (500 RR: PP grey)

LF-LFA-LFB-LFD-LFG-LFN-LFW



LF



LFA

Also available:

LFB

LFD

LFG

LFN

LFW

Description

Low friction Acetal Resin.

This material can be used in all common applications.

Primary Components: POM

General information

Material	Chemical abbreviation	Allowable application temperatures						FDA Approval
		Fahrenheit			Celsius			
		Min	Max		Min	Max		
			Dry	Wet		Dry	Wet	
Low friction acetal	POM	-40	176	149	-40	80	65	YES

Friction Factors Between Material and Product

Lubrication	Product Material					
	Paper & carton	Metal (steel)	Aluminium	Plastics & PET	Glass (returnable)	Glass (new)
Dry	0,28	0,25	0,25	0,21	0,24	0,20
Water	n.a.	0,20	0,18	0,16	0,18	0,15
W&s & Dry lube	n.a.	0,15	0,14	0,13	0,14	0,12
Oil	n.a.	0,10	n.a.	n.a.	n.a.	n.a.

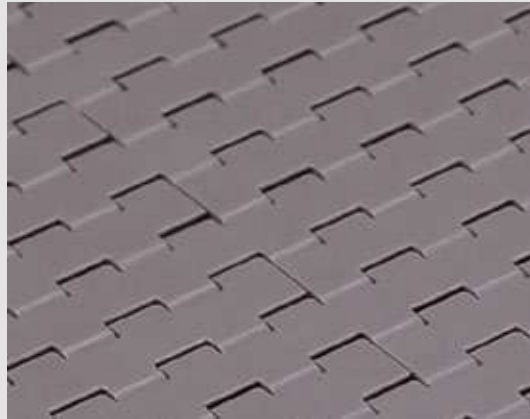
Friction Factors Between Material and Product

Lubrication	Wearstrip Material		
	Stainless steel	UHMW-PE & PA	BluLub®
Dry	0,24	0,20	0,18
Water	0,19	0,16	0,14
W&s & Dry lube	0,15	0,10	0,10
Oil	0,10	0,10	0,10

Note

Material properties and performance of final product are subject to variation according to operating conditions, e.g. environmental conditions, chemicals, cleanliness.

MPX



Materials

Description

High performance Material with a low coefficient of friction.

This material can increase wear life 25% over LF material.

Primary Components: POM

General information

Material	Chemical abbreviation	Allowable application temperatures						FDA Approval
		Fahrenheit			Celsius			
		Min	Max		Min	Max		
			Dry	Wet		Dry	Wet	
Lucricated Acetal	POM	-40	176	149	-40	80	65	YES

Friction Factors Between Material and Product

Lubrication	Product Material					
	Paper & carton	Metal (steel)	Aluminium	Plastics & PET	Glass (returnable)	Glass (new)
Dry	0,24	0,22	0,21	0,19	0,21	0,16
Water	n.a.	0,19	0,17	0,15	0,17	0,14
W&s & Dry lube	n.a.	0,15	0,14	0,13	0,13	0,12
Oil	n.a.	0,10	n.a.	n.a.	n.a.	n.a.

Friction Factors Between Material and Product

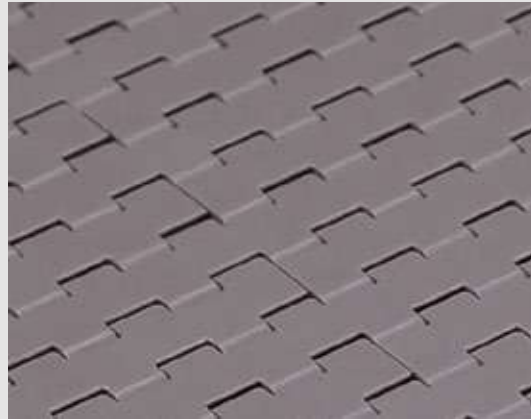
Lubrication	Wearstrip Material		
	Stainless steel	UHMW-PE & PA	<i>BluLub</i> ®
Dry	0,23	0,19	0,17
Water	0,19	0,15	0,14
W&s & Dry lube	0,15	0,10	0,10
Oil	0,10	0,10	0,10

Note

Material properties and performance of final product are subject to variation according to operating conditions, e.g. environmental conditions, chemicals, cleanliness.

MP

Materials



Description

High performance Material with a low coefficient of friction.

This material can increase wear life 25% over LF material.

Primary Components: POM

General information

Material	Chemical abbreviation	Allowable application temperatures						FDA Approval
		Fahrenheit			Celsius			
		Min	Max		Min	Max		
			Dry	Wet		Dry	Wet	
Lucricated Acetal	POM	-40	176	149	-40	80	65	YES

Friction Factors Between Material and Product

Lubrication	Product Material					
	Paper & carton	Metal (steel)	Aluminium	Plastics & PET	Glass (returnable)	Glass (new)
Dry	0,24	0,22	0,21	0,19	0,21	0,16
Water	n.a.	0,19	0,17	0,15	0,17	0,14
W&s & Dry lube	n.a.	0,15	0,14	0,13	0,13	0,12
Oil	n.a.	0,10	n.a.	n.a.	n.a.	n.a.

Friction Factors Between Material and Product

Lubrication	Wearstrip Material		
	Stainless steel	UHMW-PE & PA	<i>BluLub</i> ®
Dry	0,23	0,19	0,17
Water	0,19	0,15	0,14
W&s & Dry lube	0,15	0,10	0,10
Oil	0,10	0,10	0,10

Note

Material properties and performance of final product are subject to variation according to operating conditions, e.g. environmental conditions, chemicals, cleanliness.

DKM



Materials

Description

Aramide reinforced acetal material

It's commonly used in dry running glass handling applications.

Primary Component: POM

General information

Material	Chemical abbreviation	Allowable application temperatures						FDA Approval
		Fahrenheit			Celsius			
		Min	Max		Min	Max		
			Dry	Wet		Dry	Wet	
Aramide reinforced acetal	POM	-40	176	149	-40	80	65	-

Friction Factors Between Material and Product

Lubrication	Product Material					
	Paper & carton	Metal (steel)	Aluminium	Plastics & PET	Glass (returnable)	Glass (new)
Dry	0,21	0,19	0,16	0,20	0,15	0,13
Water	n.a.	0,17	0,15	0,15	0,14	0,13
W&s & Dry lube	n.a.	0,14	0,13	0,13	0,12	0,11
Oil	n.a.	0,10	n.a.	n.a.	n.a.	n.a.

Friction Factors Between Material and Product

Lubrication	Wearstrip Material		
	Stainless steel	UHMW-PE & PA	<i>BluLub</i> ®
Dry	0,21	0,19	0,17
Water	0,18	0,15	0,14
W&s & Dry lube	0,15	0,11	0,11
Oil	0,10	0,10	0,10

Note

Material properties and performance of final product are subject to variation according to operating conditions, e.g. environmental conditions, chemicals, cleanliness.

AS



Materials

Description**AS material***eliminates the static accumulation that can happen during conveying products.***Primary Components:** POM**General information**

Material	Chemical abbreviation	Allowable application temperatures						FDA Approval
		Fahrenheit			Celsius			
		Min	Max		Min	Max		
			Dry	Wet		Dry	Wet	
Antistatic Acetal	POM	-4	180	N.R.	-18	82	N.R.	YES

Friction Factors Between Material and Product

Lubrication	Product Material					
	Paper & carton	Metal (steel)	Aluminium	Plastics & PET	Glass (returnable)	Glass (new)
Dry	0,35	0,28	0,29	0,25	0,27	0,24
Water	n.a.	n.a.	n.a.	n.a.	n.a.	n.a.
W&s & Dry lube	n.a.	n.a.	n.a.	n.a.	n.a.	n.a.
Oil	n.a.	n.a.	n.a.	n.a.	n.a.	n.a.

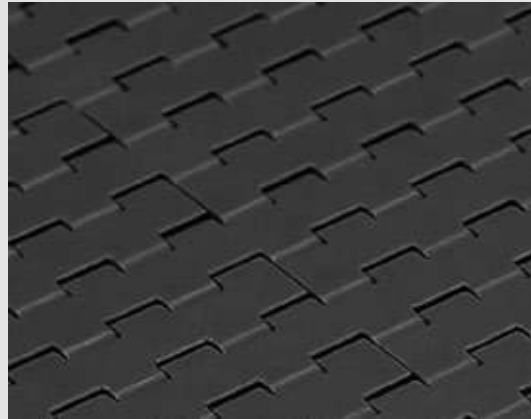
Friction Factors Between Material and Product

Lubrication	Wearstrip Material		
	Stainless steel	UHMW-PE & PA	<i>BluLub</i> ®
Dry	0,27	0,22	0,20
Water	n.a.	n.a.	n.a.
W&s & Dry lube	n.a.	n.a.	n.a.
Oil	n.a.	n.a.	n.a.

Note

Material properties and performance of final product are subject to variation according to operating conditions, e.g. environmental conditions, chemicals, cleanliness.

MX



Materials

Description

Extra Performance material (PBT with additives) with a very low coefficient of friction and improved wear resistance. Recommended for high speed and dry running applications.

Primary Components: PBT

General information

Material	Chemical abbreviation	Allowable application temperatures						FDA Approval
		Fahrenheit			Celsius			
		Min	Max		Min	Max		
			Dry	Wet		Dry	Wet	
Performance PBT	PBT	-40	248	140	-40	120	60	YES

Friction Factors Between Material and Product

Lubrication	Product Material					
	Paper & carton	Metal (steel)	Aluminium	Plastics & PET	Glass (returnable)	Glass (new)
Dry	0,20	0,18	0,15	0,13	0,14	0,12
Water	n.a.	0,16	0,14	0,12	0,13	0,12
W&s & Dry lube	n.a.	0,13	0,12	0,10	0,11	0,10
Oil	n.a.	0,10	n.a.	n.a.	n.a.	n.a.

Friction Factors Between Material and Product

Lubrication	Wearstrip Material		
	Stainless steel	UHMW-PE & PA	<i>BluLub</i> ®
Dry	0,20	0,16	0,13
Water	0,17	0,11	0,09
W&s & Dry lube	0,14	0,09	0,08
Oil	0,10	0,10	0,10

Note

Material properties and performance of final product are subject to variation according to operating conditions, e.g. environmental conditions, chemicals, cleanliness.

PFX

Materials



Description

Extra Performance material (PBT with additives) with a very low coefficient of friction and improved wear resistance. Recommended for high speed and dry running applications.

Primary Components: PBT

General information

Material	Chemical abbreviation	Allowable application temperatures						FDA Approval
		Fahrenheit			Celsius			
		Min	Max		Min	Max		
			Dry	Wet		Dry	Wet	
Extra performance PBT	PBT	-40	248	140	-40	120	60	YES

Friction Factors Between Material and Product

Lubrication	Product Material					
	Paper & carton	Metal (steel)	Aluminium	Plastics & PET	Glass (returnable)	Glass (new)
Dry	0,18	0,16	0,14	0,10	0,11	0,10
Water	n.a.	0,14	0,13	0,11	0,12	0,11
W&s & Dry lube	n.a.	0,12	0,11	0,09	0,10	0,09
Oil	n.a.	0,09	n.a.	n.a.	n.a.	n.a.

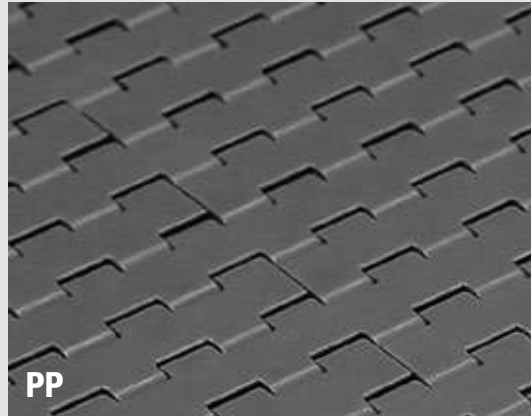
Friction Factors Between Material and Product

Lubrication	Wearstrip Material		
	Stainless steel	UHMW-PE & PA	BluLub®
Dry	0,18	0,16	0,12
Water	0,15	0,10	0,08
W&s & Dry lube	0,13	0,08	0,07
Oil	0,09	0,09	0,09

Note

Material properties and performance of final product are subject to variation according to operating conditions, e.g. environmental conditions, chemicals, cleanliness.

PP-PPB-PPW



Also available:

PPB

PPW

Description

Polypropylene

for better chemical resistance and higher temperatures.

Primary Component: PP

General information

Material	Chemical abbreviation	Allowable application temperatures						FDA Approval
		Fahrenheit			Celsius			
		Min	Max		Min	Max		
			Dry	Wet		Dry	Wet	
Polypropylene	PP	40	220	220	4	104	104	YES

Friction Factors Between Material and Product

Lubrication	Product Material					
	Paper & carton	Metal (steel)	Aluminium	Plastics & PET	Glass (returnable)	Glass (new)
Dry	0,40	0,30	0,32	0,28	0,29	0,26
Water	n.a.	0,24	0,26	0,22	0,23	0,21
W&s & Dry lube	n.a.	0,20	0,20	0,18	0,19	0,18
Oil	n.a.	0,10	n.a.	n.a.	n.a.	n.a.

Friction Factors Between Material and Product

Lubrication	Wearstrip Material		
	Stainless steel	UHMW-PE & PA	<i>BluLub</i> ®
Dry	0,29	0,24	0,21
Water	0,23	0,19	0,17
W&s & Dry lube	0,19	0,13	0,13
Oil	0,10	0,10	0,10

Note

Material properties and performance of final product are subject to variation according to operating conditions, e.g. environmental conditions, chemicals, cleanliness.

PPX

Materials



Description

Reinforced Polypropylene

for improved heat stability and chemical resistance.

Primary Component: PP

General information

Material	Chemical abbreviation	Allowable application temperatures						FDA Approval
		Fahrenheit			Celsius			
		Min	Max		Min	Max		
			Dry	Wet		Dry	Wet	
Reinforced Polypropylene	PP	40	220	220	4	104	104	YES

Friction Factors Between Material and Product

Lubrication	Product Material					
	Paper & carton	Metal (steel)	Aluminium	Plastics & PET	Glass (returnable)	Glass (new)
Dry	0,40	0,30	0,32	0,28	0,29	0,26
Water	n.a.	0,24	0,26	0,22	0,23	0,21
W&s & Dry lube	n.a.	0,20	0,20	0,18	0,19	0,18
Oil	n.a.	0,10	n.a.	n.a.	n.a.	n.a.

Friction Factors Between Material and Product

Lubrication	Wearstrip Material		
	Stainless steel	UHMW-PE & PA	BluLub®
Dry	0,29	0,24	0,21
Water	0,23	0,19	0,17
W&s & Dry lube	0,19	0,13	0,13
Oil	0,10	0,10	0,10

Note

Material properties and performance of final product are subject to variation according to operating conditions, e.g. environmental conditions, chemicals, cleanliness.

MWX



Materials

Description

MWX increases wear life

Used in applications where chain is subject to abrasives conditions such as glass sand and dirt.

Primary Component: Nylon (PA)

General information

Material	Chemical abbreviation	Allowable application temperatures						FDA Approval
		Fahrenheit			Celsius			
		Min	Max		Min	Max		
			Dry	Wet		Dry	Wet	
Polyamid Composite	PA	-40	219	N.R.	-40	104	N.R.	-

Friction Factors Between Material and Product

Lubrication	Product Material					
	Paper & carton	Metal (steel)	Aluminium	Plastics & PET	Glass (returnable)	Glass (new)
Dry	0,24	0,21	0,18	0,15	0,17	0,14
Water	n.a.	0,19	0,17	0,14	0,15	0,14
W&s & Dry lube	n.a.	0,15	0,14	0,12	0,13	0,12
Oil	n.a.	0,10	n.a.	n.a.	n.a.	n.a.

Friction Factors Between Material and Product

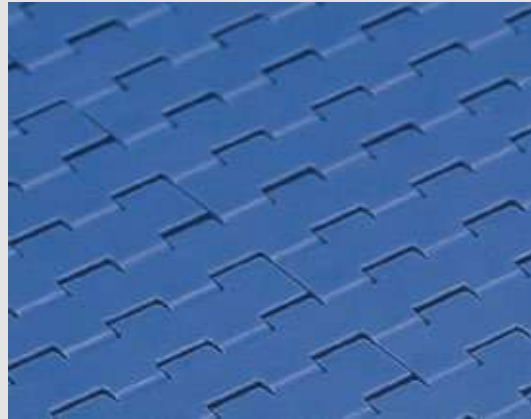
Lubrication	Wearstrip Material		
	Stainless steel	UHMW-PE & PA	<i>BluLub</i> ®
Dry	0,24	0,19	0,15
Water	0,20	0,13	0,11
W&s & Dry lube	0,17	0,11	0,09
Oil	0,10	0,10	0,10

Note

Material properties and performance of final product are subject to variation according to operating conditions, e.g. environmental conditions, chemicals, cleanliness.

PA

Materials



Description

PA Polyamide composite

The high crystallinity of this material gives it excellent mechanical properties such as high abrasion, high wear resistance as well as good hardness and stiffness.

Primary Components: Nylon

General information

Material	Chemical abbreviation	Allowable application temperatures						FDA Approval
		Fahrenheit			Celsius			
		Min	Max		Min	Max		
			Dry	Wet		Dry	Wet	
Polyamid Composite	PA	-40	219	N.R.	-40	104	N.R.	-

Friction Factors Between Material and Product

Lubrication	Product Material					
	Paper & carton	Metal (steel)	Aluminium	Plastics & PET	Glass (returnable)	Glass (new)
Dry	0,24	0,21	0,18	0,15	0,17	0,14
Water	n.a.	0,19	0,17	0,14	0,15	0,14
W&s & Dry lube	n.a.	0,15	0,14	0,12	0,13	0,12
Oil	n.a.	0,10	n.a.	n.a.	n.a.	n.a.

Friction Factors Between Material and Product

Lubrication	Wearstrip Material		
	Stainless steel	UHMW-PE & PA	BluLub®
Dry	0,24	0,19	0,15
Water	0,20	0,13	0,11
W&s & Dry lube	0,17	0,11	0,09
Oil	0,10	0,10	0,10

Note

Material properties and performance of final product are subject to variation according to operating conditions, e.g. environmental conditions, chemicals, cleanliness.

SS



Description

Ferritic Stainless Steel (1.4016)
for standard applications.

Materials

General information

Material	Chemical abbreviation	Allowable application temperatures						FDA Approval
		Fahrenheit			Celsius			
		Min	Max		Min	Max		
			Dry	Wet		Dry	Wet	
Standard Stainless Steel	1.4016	-22	750	265	-30	400	130	-

Friction Factors Between Material and Product

Lubrication	Product Material					
	Paper & carton	Metal (steel)	Aluminium	Plastics & PET	Glass (returnable)	Glass (new)
Dry	0,40	0,50	0,35	0,30	0,47	0,35
Water	n.a.	0,35	0,30	0,25	0,31	0,30
W&s & Dry lube	n.a.	0,20	0,15	0,15	0,21	0,15
Oil	n.a.	0,20	n.a.	n.a.	n.a.	n.a.

Friction Factors Between Material and Product

Lubrication	Wearstrip Material		
	Stainless steel	UHMW-PE & PA	<i>BluLub</i> ®
Dry	n.a.	0,35	0,32
Water	0,40	0,27	0,24
W&s & Dry lube	0,20	0,18	0,15
Oil	0,20	0,18	0,15

Note

Material properties and performance of final product are subject to variation according to operating conditions, e.g. environmental conditions, chemicals, cleanliness.

SSE



Materials

Description

Specially treated Ferritic Stainless Steel (1.4589)
for improved working-load and less friction.

General information

Material	Chemical abbreviation	Allowable application temperatures						FDA Approval
		Fahrenheit			Celsius			
		Min	Max		Min	Max		
			Dry	Wet		Dry	Wet	
Special Stainless Steel	1.4589	-22	750	265	-30	400	130	-

Friction Factors Between Material and Product

Lubrication	Product Material					
	Paper & carton	Metal (steel)	Aluminium	Plastics & PET	Glass (returnable)	Glass (new)
Dry	0,38	0,48	0,33	0,29	0,45	0,33
Water	n.a.	0,33	0,29	0,24	0,29	0,29
W&s & Dry lube	n.a.	0,19	0,14	0,14	0,20	0,14
Oil	n.a.	0,19	n.a.	n.a.	n.a.	n.a.

Friction Factors Between Material and Product

Lubrication	Wearstrip Material		
	Stainless steel	UHMW-PE & PA	<i>BluLub</i> ®
Dry	n.a.	0,33	0,30
Water	0,38	0,26	0,23
W&s & Dry lube	0,19	0,17	0,14
Oil	0,19	0,17	0,14

Note

Material properties and performance of final product are subject to variation according to operating conditions, e.g. environmental conditions, chemicals, cleanliness.

SSM



Description

Specially treated Ferritic SS (1.4589)
with optimized surface finish for superior sliding properties. For High-Speed and more critical applications.

Materials

General information

Material	Chemical abbreviation	Allowable application temperatures						FDA Approval
		Fahrenheit			Celsius			
		Min	Max		Min	Max		
			Dry	Wet		Dry	Wet	
Max Speed Stainless Steel	1.4589	-22	750	265	-30	400	130	-

Friction Factors Between Material and Product

Lubrication	Product Material					
	Paper & carton	Metal (steel)	Aluminium	Plastics & PET	Glass (returnable)	Glass (new)
Dry	0,34	0,43	0,30	0,26	0,40	0,30
Water	n.a.	0,30	0,26	0,21	0,26	0,26
W&s & Dry lube	n.a.	0,17	0,13	0,13	0,18	0,13
Oil	n.a.	0,17	n.a.	n.a.	n.a.	n.a.

Friction Factors Between Material and Product

Lubrication	Wearstrip Material		
	Stainless steel	UHMW-PE & PA	BluLub®
Dry	n.a.	0,32	0,29
Water	0,36	0,24	0,22
W&s & Dry lube	0,18	0,16	0,14
Oil	0,18	0,16	0,14

Note

Material properties and performance of final product are subject to variation according to operating conditions, e.g. environmental conditions, chemicals, cleanliness.

SSA



Materials

Description

Austenitic Stainless Steel with high resistance to corrosion and acid (AISI 304)
for improved working-load and less friction.

General information

Material	Chemical abbreviation	Allowable application temperatures						FDA Approval
		Fahrenheit			Celsius			
		Min	Max		Min	Max		
			Dry	Wet		Dry	Wet	
Austenitic Stainless Steel	AISI 304	-22	750	265	-30	400	130	-

Friction Factors Between Material and Product

Lubrication	Product Material					
	Paper & carton	Metal (steel)	Aluminium	Plastics & PET	Glass (returnable)	Glass (new)
Dry	0,43	0,38	0,34	0,30	0,33	0,33
Water	n.a.	0,30	0,27	0,21	0,29	0,29
W&s & Dry lube	n.a.	0,15	0,14	0,14	0,15	0,15
Oil	n.a.	n.a.	n.a.	n.a.	n.a.	n.a.

Friction Factors Between Material and Product

Lubrication	Wearstrip Material		
	Stainless steel	UHMW-PE & PA	BluLub®
Dry	0,40	0,30	0,30
Water	0,35	0,22	0,22
W&s & Dry lube	0,15	0,15	0,15
Oil	0,15	0,10	0,10

Note

Material properties and performance of final product are subject to variation according to operating conditions, e.g. environmental conditions, chemicals, cleanliness.

PA



Description

PA Polyamide composite

The high crystallinity of this material gives it excellent mechanical properties such as high abrasion, high wear resistance as well as good hardness and stiffness.

Primary Component: Polyamide (PA)

Screws: Stainless steel

Nuts: Zinc plated steel

Materials

General information

Material	Chemical abbreviation	Allowable application temperatures						FDA Approval
		Fahrenheit			Celsius			
		Min	Max		Min	Max		
			Dry	Wet		Dry	Wet	
Polyamide	PA	-40	221	N.R.	-40	105	N.R.	YES

Note: Material properties and performance of final product are subject to variation according to operating conditions, e.g. environmental conditions, chemicals, cleanliness.

Reinforced PA



Description

PA Polyamide reinforced

High quality polyamide specifically developed for injection molding, glass fiber reinforced.

Primary Component: Polyamide (PA)

Screws: Stainless steel

Nuts: Nickel plated brass

Materials

General information

Material	Chemical abbreviation	Allowable application temperatures						FDA Approval
		Fahrenheit			Celsius			
		Min	Max		Min	Max		
			Dry	Wet		Dry	Wet	
Polyamide Reinforced	PA	-4	248	248	-20	120	120	-

Note: Material properties and performance of final product are subject to variation according to operating conditions, e.g. environmental conditions, chemicals, cleanliness.

Movex®

This catalogue presents and includes the latest generations of products shown in earlier publications and it relates to the current production.

Other information, which may be different from that contained in this catalogue has to be considered invalid.

Movex® S.p.A. reserves the right to carry out modifications rendered necessary by the technical evolution of the products.

© Copyright **Movex® S.p.A.** 2025

The contents of this catalogue are the copyright of **Movex® S.p.A.** and may not be reproduced (even extracts) unless written permission is granted.

Every care has been taken to ensure the accuracy of the information contained in this publication but no liability can be accepted for any error or omissions.

Catalogue N° M999404-B

The digital version of this catalogue
is available on:

www.movexii.com

Movex S.p.A.

Headquarters

Viale Industria, 22
24060 Castelli Calepio (BG)

Logistics Center

Via della Repubblica, 21/E
24060 Castelli Calepio (BG)

Phone +39 035 8359711

info@movexii.com

www.movexii.com

Follow us    

#MovexWorld

Movex worldwide

Movex GmbH

P +49-6204-9375-0

Movex Brasil Ltda

P +55-15-3141-2550

Movex France

P +39-335-8085980

Movex AG India

P +91-120-4159660-62

Movex UK Ltd.

P +44-77-20678442

Movex Nederland

P +31-630-994850

Movex USA Inc.

P +1-877-401-5377

Movex SA de CV

P +52-1-3318458187

Movex CIS Countries

P +39-348-7769760

movexii.com