

2014

Movex

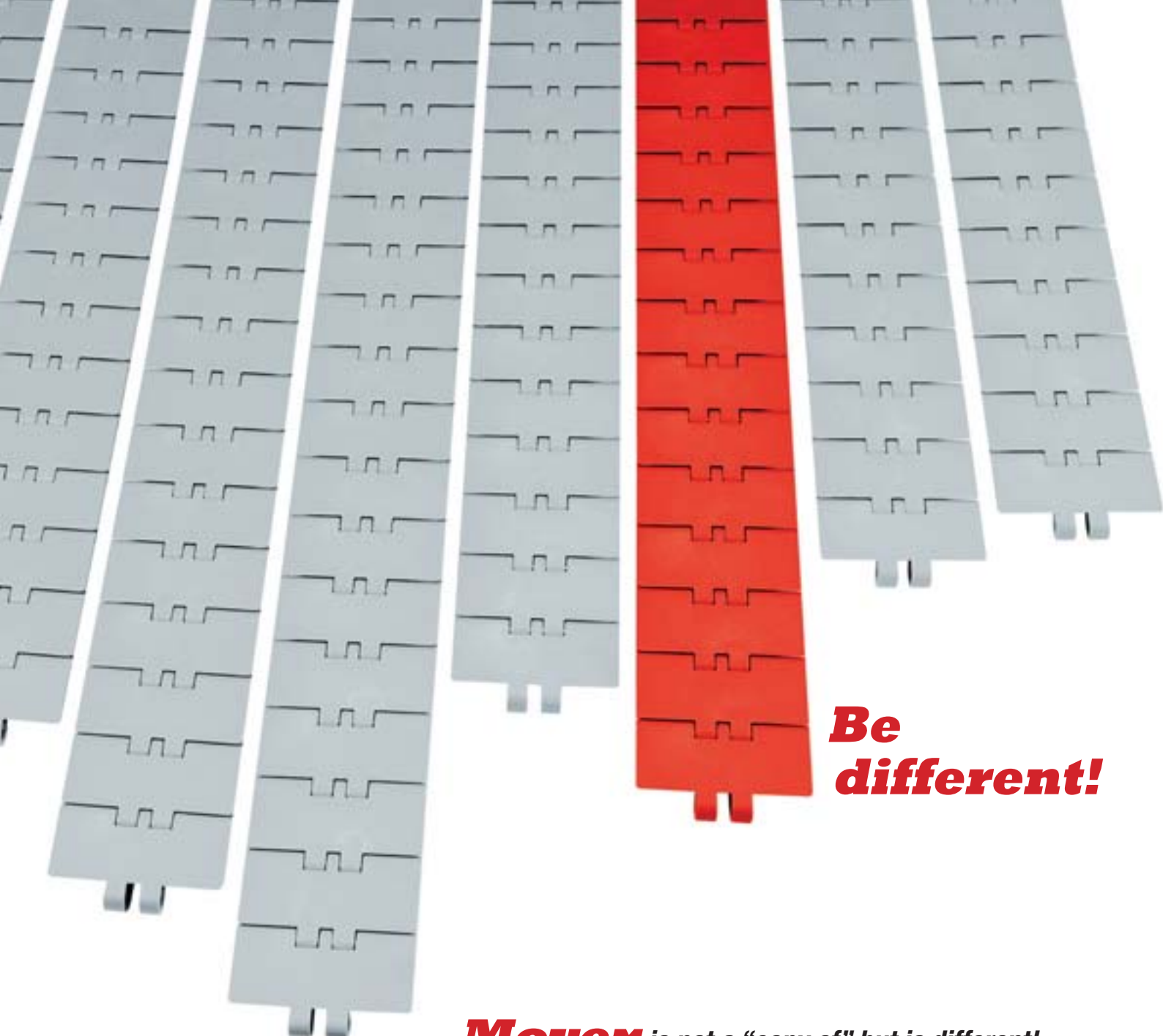


This catalogue presents and includes the latest generations of products shown in earlier publications and it relates to the current production. Other information, which may be different from that contained in this catalogue has to be considered invalid. Movex Industrial Innovation S.p.A. reserves the right to carry out modifications rendered necessary by the technical evolution of the products.

© Copyright Movex S.p.A. 2014

The contents of this catalogue are the copyright of Movex S.p.A. and may not be reproduced (even extracts) unless written permission is granted. Every care has been taken to ensure the accuracy of the information contained in this publication but no liability can be accepted for any error or omissions.

Printed in Italy. Catalogue No. M999506



***Be
different!***

Movex is not a “copy of” but is different!

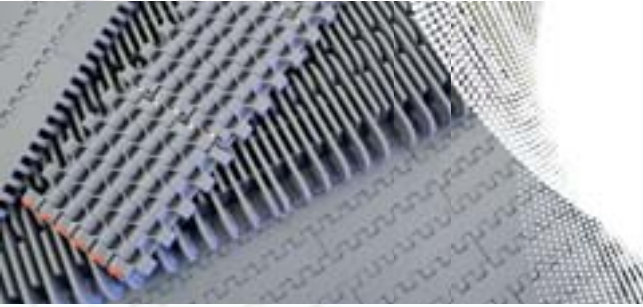
Movex is a family owned European company.

Movex has a European mentality.

Movex is “Quality & Service”.

Movex is better, in all aspects & disciplines!

Movex is ready to serve you!



MOVEX INDUSTRIAL INNOVATIONS

A new setup... Not new to the industry

Movex raggruppa un team internazionale di tecnici del settore beverage e componentistica industriale. Movex percepisce le esigenze e l'evoluzione del mercato intende quindi proporsi con soluzioni innovative. Situata in Italia a Telgate, Movex investe con tecnologie avanzate per offrire al cliente una gamma completa di catene, tappeti modulari e componenti di alta qualità. Movex è un concentrato di competenza ed esperienza, propone design, flessibilità, qualità e servizio impeccabile. Unitevi a noi in questo nuovo progetto!

Movex è la soluzione che stavate aspettando... Movex il futuro passa da qui!

MOVEX INDUSTRIAL INNOVATIONS

A new setup... Not new to the industry

Movex, a new home to a team of experienced Industry experts. Recognizing today's changing and demanding market we have assembled all our experience gained over a long period to invent a whole new solution. Based in Telgate, Italy, Movex is investing in talent and the latest technology to bring you, the customer, a range of conveyor chains, belts and components with unprecedented levels of quality and service.

*Combining our expertise and the experience gained within the industry we are committed to providing the very best in product design and application advice to ensure a confident solution to all our customers' requirements. Join us now! It's the solution you have been waiting for... **Movex, the future is here!***

MOVEX INDUSTRIAL INNOVATIONS

Neu aufgestellt in QUALITÄT, ZUVERLÄSSIGKEIT und KUNDENORIENTIERTE PROBLEMLÖSUNGEN

Movex ist eine neue Realität für ein Team von Experten aus aller Welt die seit langer Zeit in dieser Industrie tätig sind. Wir haben die Bedürfnisse der Kunden erkannt und bündeln unsere Erfahrungen um neue Lösungen dem Markt anzubieten zu können.

Unser Hauptsitz ist in Telgate, Italien. Wir investieren in Personen und Technologie um Ihnen qualitativ hochwertige Komponenten für die Transporttechnik zu liefern. Basierend auf unseren Erkenntnissen und der jahrelangen Erfahrungen bieten wir unseren Kunden eine komplette Produktpalette mit innovativen Design und Applikationslösungen um alle Bedürfnisse der Industrie ab zu decken.

Folgend Sie uns in eine neue Erfahrung... Movex, die Zukunft ist hier!

I nostri prodotti

Catene e tappeti Un'ampia gamma di catene e tappeti di alta qualità per qualsiasi tipo di esigenza, anche la più complessa. Tappeti modulari dal robusto design, costruiti per soddisfare ogni tipo di applicazione e implementare l'efficienza dell'impianto.

Componenti Una gamma omnicomprensiva e versatile di componenti per soddisfare le necessità di ogni tipologia di impianto. I nostri innovativi design offrono ingegnosi accorgimenti e pratiche soluzioni che semplificano la costruzione dell'impianto.

Supporti con cuscinetti Ancora una vasta gamma di supporti con cuscinetti di alta qualità montati su alloggiamenti in plastica. Ideali per l'industria alimentare e dell'imbottigliamento e in genere per applicazioni in ambiente umido.

Curve Le nostre curve sono progettate con materiali selezionati per garantire il più basso coefficiente d'attrito e la più lunga durata (resistenza all'usura). Il design evoluto assicura uno scorrimento ottimale garantendo la più elevata efficienza.

Our Products

Chains and Belts A wide range of high quality chains and belts made for the most challenging applications. The robust design specially made to fulfill specific application needs and to improve the efficiency of your production line.

Conveyor Components A comprehensive and versatile range of components to support all your conveyor constructions needs. Innovative and carefully thought-out designs, contributes to simplify combinations and integrations of the conveyors.

Bearing Supports Wide range of bearing supports built with plastic housing and high quality bearings. Our bearings are ideal for food, beverage industry and applications in wet environment.

Corner Tracks Our corner tracks are designed with the materials selected to provide the lowest coefficient of friction and high wear life. The carefully thought out design ensures a smooth running conveyor with high efficiency.

Unsere Produkte

Scharnierbandketten und Modulare Mattenketten Eine komplette Palette qualitativ hochwertiger Ketten designed für anspruchsvolle Applikationen. Robustes Design der modularen Mattenketten um spezifische Anwendungen zu erfüllen und die Effizienz zu erhöhen.

Transporteur-Komponenten Eine umfassende und vielseitig verwendbare Selektion von Komponenten um Ihre Bedürfnisse zur Realisierung von Transporteuren zu unterstützen. Unser innovatives Design trägt zur einfacheren Gestaltung der Konstruktion bei.

Flanschlager Große Auswahl verschiedener Flanschlager mit Kunststoffgehäuse und exzellenten Lagereinsätzen. Diese Produktpalette eignet sich ideal für die Anwendungen in der Lebensmittel- und in der Getränkeindustrie.

Kurvenführungen Unsere Kurvenführungen werden aus Materialien gefertigt die geringe Reibwerte besitzen und eine hohe Verschleißfestigkeit ausweisen. Unser einfaches und durchdachtes Design trägt zu einem ruhigen und ruckelfreien Lauf der Kette bei.

materiali

Catene in Acciaio

- SSE** Acciaio Inox ferritico speciale (1.4589). Elevato carico di lavoro e minore attrito.
- SS** Acciaio inox ferritico standard (1.4016)
- Max speed** Acciaio inox speciale (1.4589) per applicazioni ad elevate velocità e nelle più critiche condizioni. Ottima finitura superficiale per una migliore scorrevolezza.

Catene e tappeti in plastica

- LF** Resina acetica a basso coefficiente di attrito. Materiale utilizzato per la maggior parte delle applicazioni (Beige)
- LFA** Resina acetica a basso coefficiente di attrito. Materiale utilizzato per la maggior parte delle applicazioni (RAL5014)
- MX** Materiale performante (PBT lubrificato) con coefficiente di attrito molto basso. Ottima resistenza all'usura, buona solidità e allungamento limitato. Indicato per alte velocità e applicazioni a secco.
- MK** Resina acetica con coefficiente di attrito estremamente basso. Materiale con additivi auto-lubrificanti. Questo materiale è stato sviluppato per applicazioni con vetro, lattine e linee in PET. La lubrificazione esterna potrebbe essere eliminata o limitata.
- PP** Polipropilene per applicazioni ad alte temperature. Materiale con ottima resistenza ad alcune sostanze chimici.
- PPX** Polipropilene rinforzato, migliore stabilità alle elevate temperature e resistenza alle sostanze chimiche.

materials

Stainless Steel Chains

- SSE** Specially treated Ferritic Stainless Steel (1.4589) for improved working-load and less friction.
- SS** Ferritic Stainless Steel (1.4016) for standard applications.
- Max speed** Specially treated Ferritic Stainless Steel (1.4589) with optimized surface finish for superior sliding properties. For High-Speed and more critical applications.

Plastic Chains & Modular Belts

- LF** Low friction Acetal Resin. This material can be used in all common applications. (Brown)
- LFA** Low friction Acetal Resin. This material can be used in all common applications. (Pigeon-blue)
- MX** Extra Performance material (PBT with additives) with very low coefficient of friction and improved wear resistance. Recommended for high speed and dry running applications.
- MK** Super Low Friction Acetal Resin. The internal-lubrication-additives ensure continuous low friction resulting in higher efficiency and optimum service life. This material is specially developed for glass, can and PET lines where external lubrication has to be avoided or limited.
- PP** Polypropylene for better chemical resistance and higher temperatures.
- PPX** Reinforced Polypropylene for improved heat stability and chemical resistance.



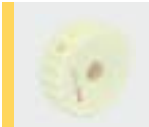
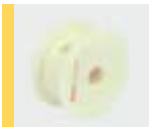


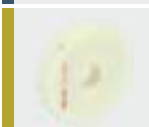





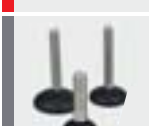
materialien

Scharnierbandketten aus Edelstahl

- SSE** speziell behandelte ferritische Edelstahl (1.4589), dieser behandelte Edelstahl weist eine verbesserte Zugkraft aus und geringere Reibwerte
- SS** ferritische Edelstahl für Standardanwendungen (1.4016)
- Max speed** speziell behandelte ferritische Edelstahl (1.4589) mit optimierter Oberfläche zur Verbesserung der Gleiteigenschaften und für Hochgeschwindigkeiten bzw. kritische Applikationen.

Scharnierbandketten und Mattenketten aus Kunststoff

- LF** Azetal mit geringem Reibwert, Diese Material kann für alle Standard-Applikationen verwendet werden (Hellbraun)
- LFA** Azetal mit geringem Reibwert, Diese Material kann für alle Standard-Applikationen verwendet werden (Taubenblau)
- MX** Hochleistungs-Material (PBT mit Zusätzen) mit sehr niedrigen Reibwert, verbesserter Verschleißbeständigkeit. Geeignet für Hochleistungsanlagen und Trockenlauf
- MK** Hochleistungs-Azetal mit internen Schmierstoffzusätzen um eine kontinuierlich niedrigen Reibwert zu gewährleisten. Diese Eigenschaft trägt dazu bei das die Lebensdauer erhöht und somit die Schmierung von Extern vermieden werden kann. Geeignet für Glass, Dosen und PET Linien.
- PP** Polypropylen, diese Material weist eine verbesserte chemische Beständigkeit und kann für Einsätze mit höheren Temperaturen verwendet werden.
- PPX** Verstärktes Polypropylen, hat eine verbesserte Temperaturstabilität und bessere chemische Beständigkeit

	Catene in acciaio <i>Steel chains</i> <i>Scharnierbandketten aus Edelstahl</i>	7
	Catene in plastica <i>Plastic chains</i> <i>Scharnierbandketten aus Kunststoff</i>	13
	Ruote dentate per catene <i>Chain sprockets</i> <i>Kettenräder für Scharnierbandketten</i>	29
	Ruote folli per catene <i>Chain idler wheels</i> <i>Umlenkrollen für Scharnierbandketten</i>	45
	Curve Tab e magnetiche <i>Tab & Magnetic corner tracks</i> <i>Kurvenführungen Tab & Magnet Version</i>	51
	Tappeti <i>Belts</i> <i>Mattenketten</i>	77
	Ruote per tappeti <i>Belt sprockets</i> <i>Kettenräder für Mattenketten</i>	97
	Guide <i>Guides</i> <i>Profile</i>	111
	Rulli di ritorno <i>Return components</i> <i>Rückführelemente</i>	137
	Componenti <i>Conveyor components</i> <i>Komponenten</i>	147
	Componenti di supporto <i>Conveyor support components</i> <i>Stützelemente</i>	189
	Cuscinetti <i>Bearings</i> <i>Flanschlager</i>	203
	Piedi <i>Leveling pads</i> <i>Gelenkfüsse</i>	223



steel chains

Series 812/815



pag. 8

Series 802



pag. 8

Series 8157



pag. 9

Series 512



pag. 9

Series 881 M



pag. 10

Series 881 TAB



pag. 10

Series 881 B



pag. 10

Series 8811 TAB



pag. 11

Series 8811 B



pag. 11

Series 8857 M



pag. 11

Series 812 GT



pag. 12

Series 802 GT

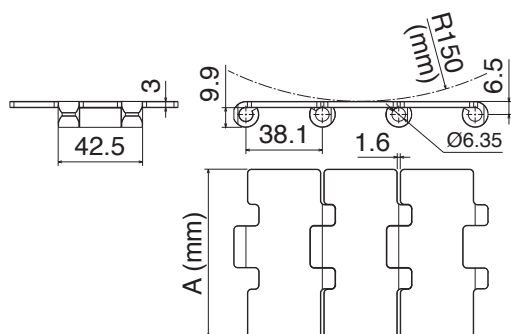


pag. 12

812/815-802



812/815 catena rettilinea / straight running chain / geradegängige Scharnierbandkette



Part	Article-Nr.	Ref.	A	Weight kg/m	Max working load
1001	10010202	SS 812 K325	82,5	2,55	5500 N
1001	10010203	SS 812 K330	83,8	2,59	
1001	10010204	SS 812 K350	88,9	2,69	
1001	10010205	SS 812 K450	114,3	3,25	
1001	10010206	SS 812 K600	152,4	4,15	
1001	10010207	SS 812 K750	190,5	5,05	

1001	10010102	SSE 815 K325	82,5	2,55	6000 N
1001	10010103	SSE 815 K330	83,8	2,59	
1001	10010104	SSE 815 K350	88,9	2,69	
1001	10010105	SSE 815 K450	114,3	3,25	
1001	10010106	SSE 815 K600	152,4	4,15	
1001	10010107	SSE 815 K750	190,5	5,05	

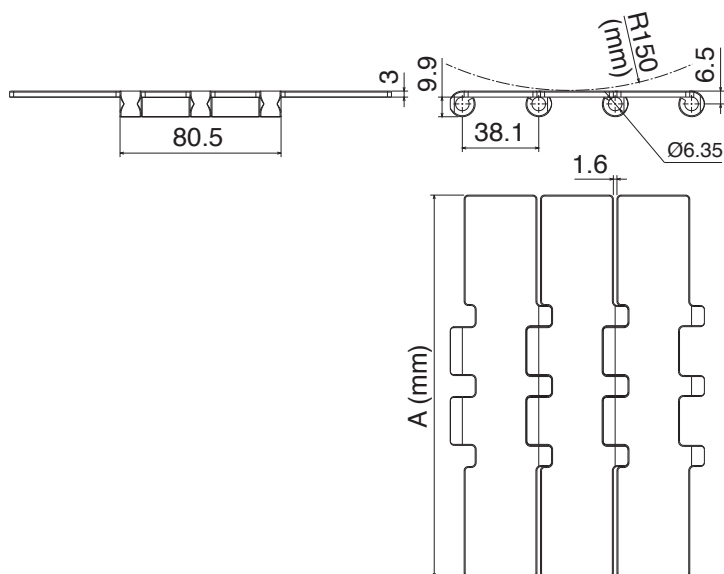
1001	10010302	SSM 815 K325	82,5	2,55	6000 N
1001	10010303	SSM 815 K330	83,8	2,59	

Material	
01	SSE Super-hard stainless steel
02	SS Standard stainless steel
03	SSM Max Speed

Pins: Austenitic Steel



802 catena rettilinea / straight running chain / geradegängige Scharnierbandkette



Part	Article-Nr.	Ref.	A	Weight kg/m	Max working load
1003	10030207	SS 802 K750	190,5	5,80	7000 N
1003	10030107	SSE 805 K750	190,5	5,80	9000 N

Material	
01	SSE Super-hard stainless steel
02	SS Standard stainless steel

Pins: Austenitic Steel

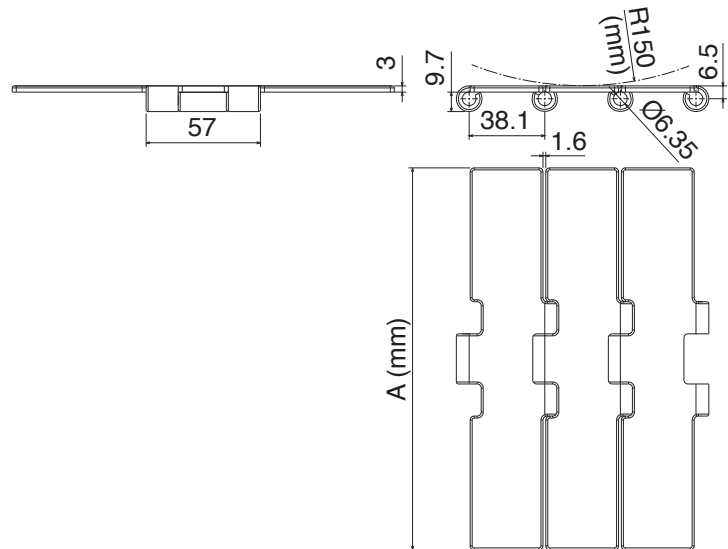


8157 catena rettilinea / straight running chain / geradegängige Scharnierbandkette

Part	Article-Nr.	Ref.	A	Weight kg/m	Max working load
1005	10050107	SSE 8157 K750	190,5	5,60	7000 N



Material	
01	SSE Super-hard stainless steel
Pins: Austenitic Steel	

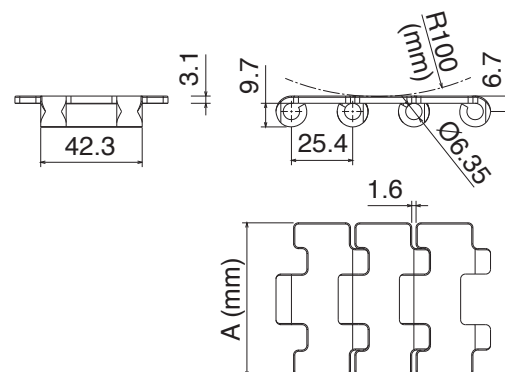
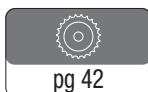


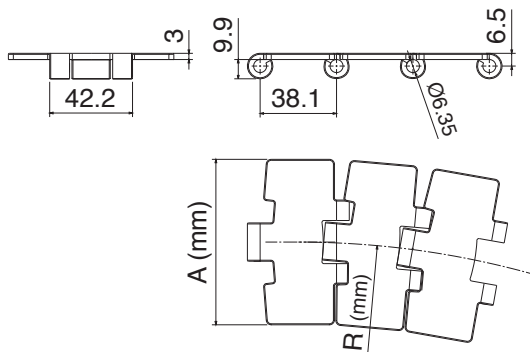
512 catena rettilinea / straight running chain / geradegängige Scharnierbandkette

Part	Article-Nr.	Ref.	A	Weight kg/m	Max working load
1007	10070100	SSE 512 K217	55,0	2,30	5000 N
1007	10070101	SSE 512 K236	60,0	2,40	
1007	10070108	SSE 512 K250	63,5	2,45	
1007	10070109	SSE 512 K283	72,0	2,65	



Material	
01	SSE Super-hard stainless steel
Pins: Austenitic Steel	





881 M catena curvilinea / Sideflexing chain / kurvengängige Scharnierbandkette

Part	Article-Nr.	Ref.	A	R	Weight kg/m	Max working load
1008	10080202	SS 881 MO K325	82,5	500	2,55	4000 N
1008	10080203	SS 881 MO K330	83,8	500	2,59	
1008	10080205	SS 881 MO K450	114,3	500	3,10	
1008	10080207	SS 881MO K750	190,5	500	4,85	

1008	10080102	SSE 881 MO K325	82,5	500	2,55	6000 N
1008	10080103	SSE 881 MO K330	83,8	500	2,59	
1008	10080105	SSE 881 MO K450	114,3	500	3,10	
1008	10080107	SSE 881 MO K750	190,5	500	4,85	

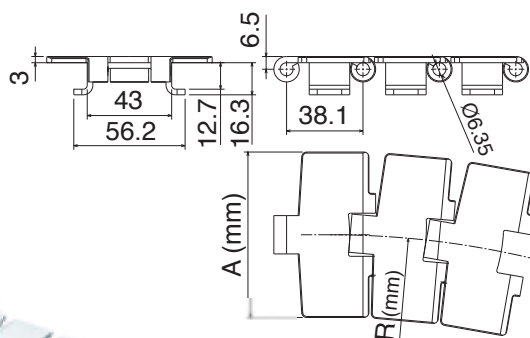
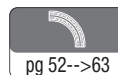
1008	10080302	SSM 881 MO K325	82,5	500	2,55	6000 N
1008	10080303	SSM 881 MO K330	83,8	500	2,59	

Material

- 01 **SSE** Super-hard stainless steel
- 02 **SS** Standard stainless steel
- 03 **SSM** **Max Speed**

Pins: Ferritic Stainless Steel

Magnetic System



881 TAB catena curvilinea / Sideflexing chain / kurvengängige Scharnierbandkette

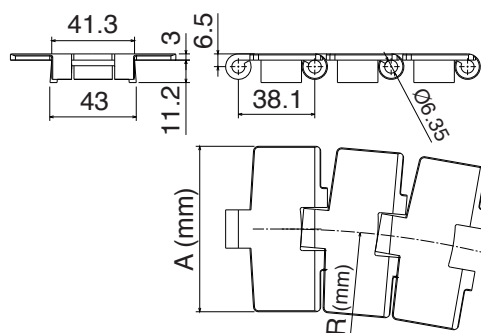
Part	Article-Nr.	Ref.	A	R	Weight kg/m	Max working load
1010	10100202	SS 881 TAB K325	82,5	457	3,00	4000 N
1010	10100102	SSE 881 TAB K325	82,5	457	3,00	6000 N
1010	10100105	SSE 881 TAB K450	114,3	500	3,69	
1010	10100107	SSE 881 TAB K750	190,5	500	5,50	

Material

- 01 **SSE** Super-hard stainless steel
- 02 **SS** Standard stainless steel

Pins: Austenitic Steel

Tab System



881 B catena curvilinea / Sideflexing chain / kurvengängige Scharnierbandkette

Part	Article-Nr.	Ref.	A	R	Weight kg/m	Max working load
1012	10120102	SSE 881 K325	82,5	457	2,95	6000 N
1012	10120105	SSE 881 K450	114,3	500	3,65	
1012	10120107	SSE 881 K750	190,5	500	5,45	

Material

- 01 **SSE** Super-hard stainless steel

Pins: Austenitic Steel

Bevel System



8811 TAB catena curvilinea / Sideflexing chain / kurvengängige Scharnierbandkette

Part	Article-Nr.	Ref.	A	R	Weight kg/m	Max working load
1014	10140202	SS 8811 TAB K325	82,5	500	2,95	4000 N
1014	10140203	SS 8811 TAB K330	83,8	500	3,05	
1014	10140205	SS 8811 TAB K450	114,3	610	3,65	
1014	10140207	SS 8811 TAB K750	190,5	610	5,45	
1014	10140102	SSE 8811 TAB K325	82,5	500	2,95	6000 N
1014	10140103	SSE 8811 TAB K330	83,8	500	3,05	
1014	10140104	SSE 8811 TAB K350	88,9	500	3,15	
1014	10140105	SSE 8811 TAB K450	114,3	610	3,65	
1014	10140107	SSE 8811 TAB K750	190,5	610	5,45	

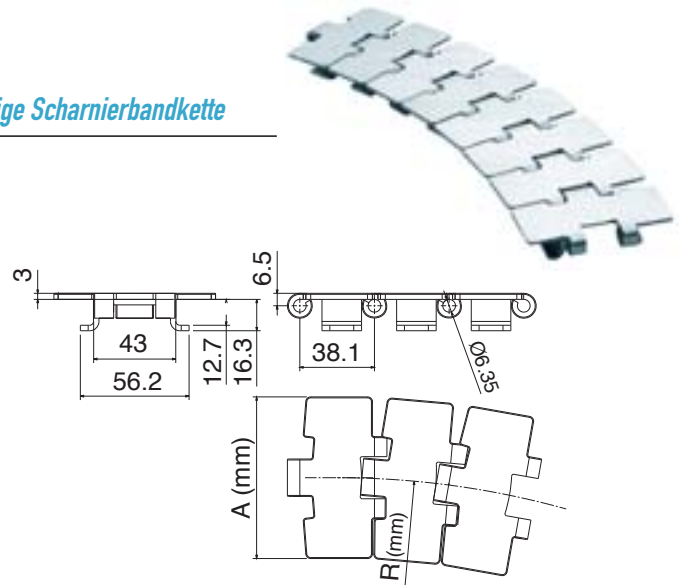
Material

- 01 **SSE** Super-hard stainless steel
- 02 **SS** Standard stainless steel

Pins: Austenitic Steel



Tab System



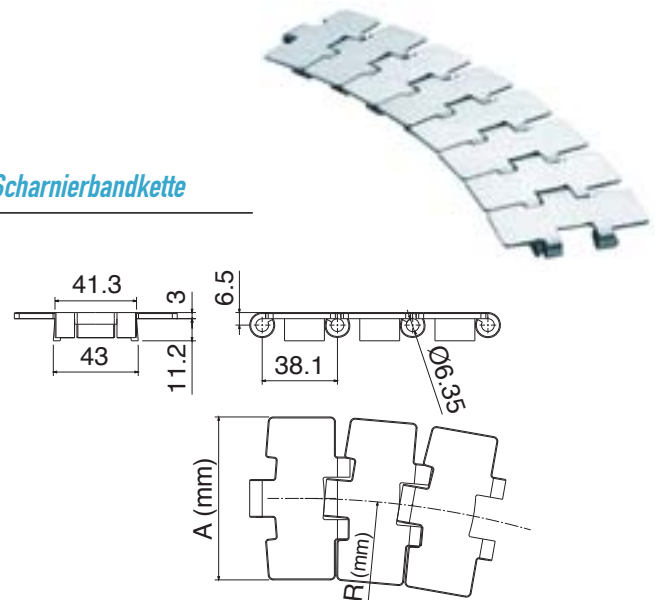
8811 B catena curvilinea / Sideflexing chain / kurvengängige Scharnierbandkette

Part	Article-Nr.	Ref.	A	R	Weight kg/m	Max working load
1016	10160102	SSE 8811 K325	82,5	500	2,90	6000 N
1016	10160104	SSE 8811 K350	88,9	500	3,15	
1016	10160105	SSE 8811 K450	114,3	610	3,60	
1016	10160107	SSE 8811 K750	190,5	610	5,40	

Material

- 01 **SSE** Super-hard stainless steel

Pins: Austenitic Steel



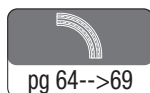
8857 M catena curvilinea / Sideflexing chain / kurvengängige Scharnierbandkette

Part	Article-Nr.	Ref.	A	R	Weight kg/m	Max working load
1018	10180107	SSE 8857 M K750	190,5	750	5,30	7000 N

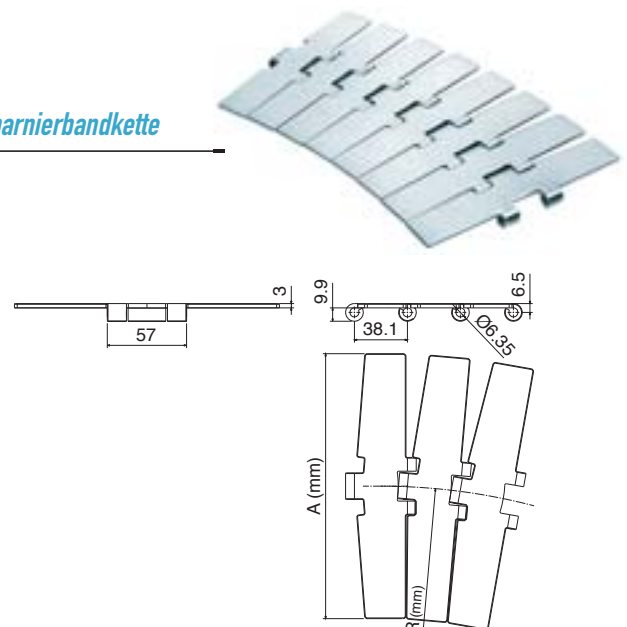
Material

- 01 **SSE** Super-hard stainless steel

Pins: Ferritic Stainless Steel



Magnetic System



812 GT - 802 GT



New

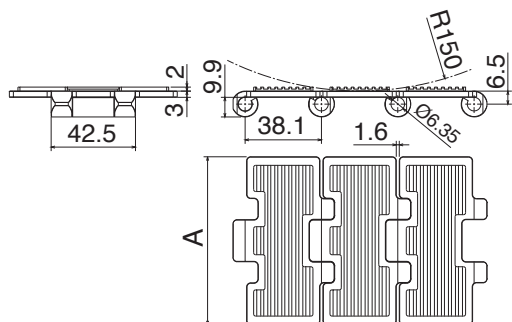
812 GT catena curvilinea / Sideflexing chain / kurvengängige Scharnierbandkette

Part	Article-Nr.	Ref.	A	Weight kg/m	Max working load
1002	10020202	SS 812 GT K325	82,5	2,80	5500 N

Material	
02	SS Super-hard stainless steel
Pins: Ferritic Stainless Steel	

10 feet
3.048 m
80 links

pg 30/31-43/46



New

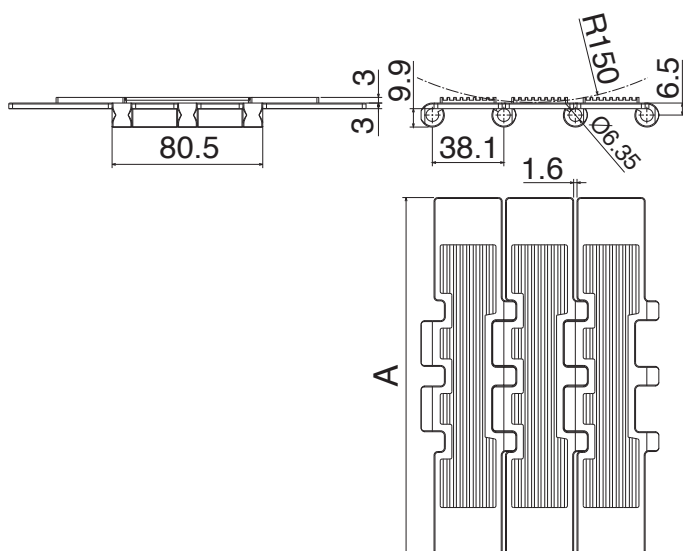
802 GT catena curvilinea / Sideflexing chain / kurvengängige Scharnierbandkette

Part	Article-Nr.	Ref.	A	Weight kg/m	Max working load
1004	10040207	SS 802 GT K750	190,5	6,20	7000 N

Material	
02	SS Super-hard stainless steel
Pins: Ferritic Stainless Steel	

10 feet
3.048 m
80 links

pg 34/37



plastic chains

Series 820



pag. 14

Series 828



pag. 14

Series 831



pag. 15

Series 821



pag. 15

Series 821 GT



pag. 16

Series 821 LBP



pag. 16

Series 8257



pag. 17

Series 8257 GT



pag. 17

Series 8257 LBP



pag. 18

Series 878 TAB



pag. 18

Series 879 M



pag. 19

Series 879 TAB



pag. 19

Series 880 M



pag. 20

Series 880 TAB



pag. 20

Series 880 B



pag. 21

Series 882 M



pag. 21

Series 882 M GT



pag. 22

Series 882 M LBP



pag. 22

Series 882 TAB



pag. 23

Series 882 TAB GT



pag. 23

Series 882 TAB LBP



pag. 24

Series 1873 GRIPPER



pag. 25

Series 1873 GRIPPER



pag. 25

Series CC 600



pag. 26

Series CC 600 TAB



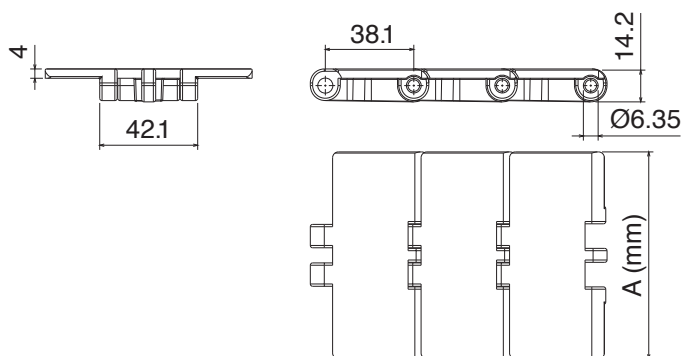
pag. 26



820

catena rettilinea / straight running chain / geradegängige Scharnierbandkette

Part	Article-Nr.	Ref.	A	Weight Kg/m
1101	11010102	820 K325	82,5	0,89
1101	11010103	820 K330	83,8	0,90
1101	11010104	820 K350	88,9	0,91
1101	11010114	820 K400	101,6	0,95
1101	11010105	820 K450	114,3	1,00
1101	11010106	820 K600	152,4	1,22
1101	11010107	820 K750	190,5	1,43



	Material	Breaking load
01	LF Standard Material Acetal Resin	5000 N
03	MX Lubricated PBT	4000 N
08	MK Super Performance Acetal	4800 N

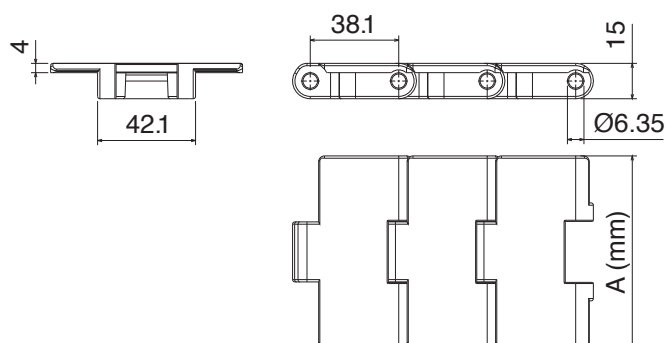
Pins: Stainless Steel



828

catena rettilinea / straight running chain / geradegängige Scharnierbandkette

Part	Article-Nr.	Ref.	A	Weight Kg/m
1102	11020102	828 K325	82,5	1,07
1102	11020103	828 K330	83,8	1,13



	Material	Breaking load
01	LF Standard Material Acetal Resin	6000 N
03	MX Lubricated PBT	5000 N
08	MK Super Performance Acetal	5700 N

Pins: Stainless Steel



831

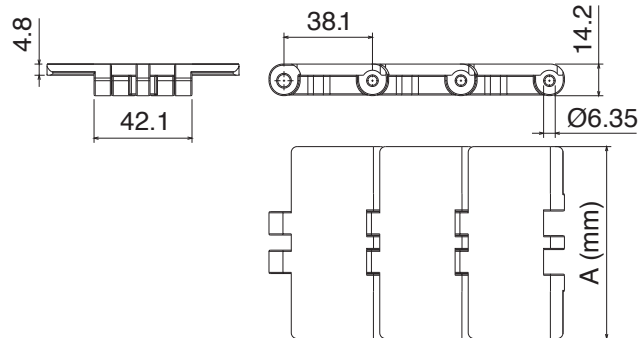
catena rettilinea / straight running chain / geradegängige Scharnierbandkette

Part	Article-Nr.	Ref.	A	Weight Kg/m
1103	11030102	831 K325	82,5	1,00
1103	11030105	831 K450	114,3	1,28
1103	11030107	831 K750	190,5	1,80



	Material	Breaking load
01	LF Standard Material Acetal Resin	5000 N
03	MX Lubricated PBT	4000 N
08	MK Super Performance Acetal	4800 N

Pins: Stainless Steel



821

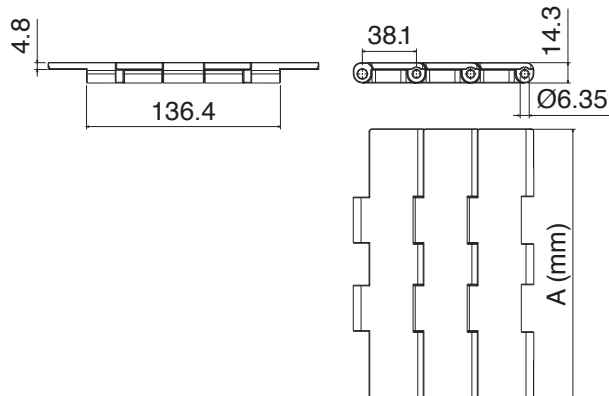
catena rettilinea / straight running chain / geradegängige Scharnierbandkette

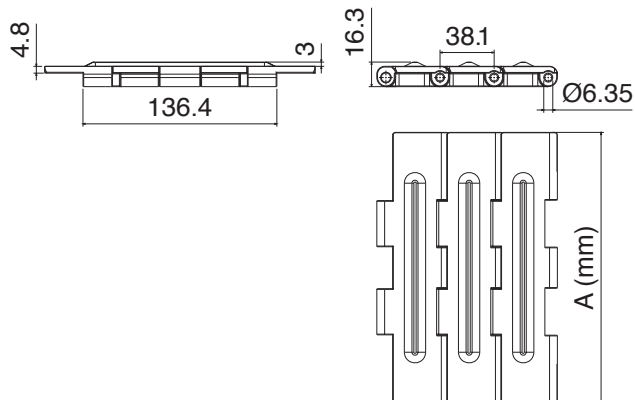
Part	Article-Nr.	Ref.	A	Weight Kg/m
1104	11040107	821 K750	190,5	2,55
1104	11040108	821 K1000	254,0	3,05
1104	11040109	821 K1200	304,8	3,35



	Material	Breaking load
01	LF Standard Material Acetal Resin	8000 N
03	MX Lubricated PBT	7500 N
08	MK Super Performance Acetal	7900 N

Pins: Stainless Steel





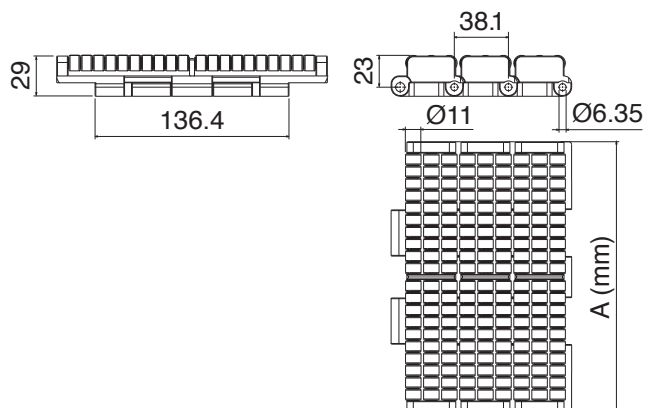
821 GT

catena rettilinea / straight running chain / geradegängige Scharnierbandkette

Part	Article-Nr.	Ref.	A	Weight Kg/m
1105	11050107	821 GT K750	190,5	2,25
1105	11050108	821 GT K1000	254,0	3,20
1105	11050109	821 GT K1200	304,8	3,70

	Material	Breaking load
01	LF Standard Material Acetal Resin	8000 N
03	MX Lubricated PBT	7500 N

Rubber: Hardness 75ShA
TPR
Pins: Stainless Steel



821 LBP

catena rettilinea / straight running chain / geradegängige Scharnierbandkette

Part	Article-Nr.	Ref.	A	Weight Kg/m
1106	11060107	821 LBP K750	190,5	5,70
1106	11060108	821 LBP K1000	254,0	7,05
1106	11060109	821 LBP K1200	304,8	8,21

	Material	Breaking load
01	LFA Standard Material Acetal Resin	8000 N

Roller
Acetal Resin
Pins: Stainless Steel



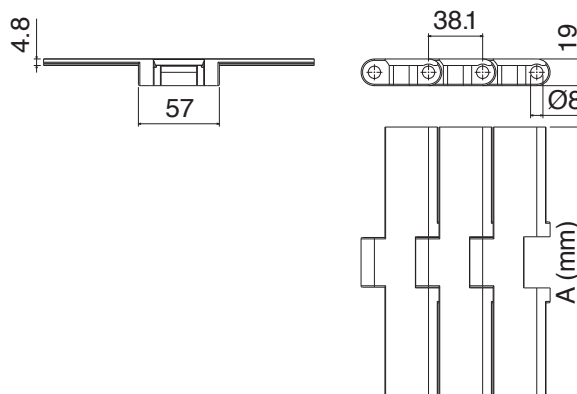
8257

catena rettilinea / straight running chain / geradegängige Scharnierbandkette

Part	Article-Nr.	Ref.	A	Weight Kg/m
1107	11070107	8257 K750	190,5	2,20
1107	11070108	8257 K1000	254,0	2,50
1107	11070109	8257 K1200	304,8	2,85

	Material	Breaking load
01	LF Standard Material Acetal Resin	10000 N
03	MX Lubricated PBT	9000 N
08	MK Super Performance Acetal	9700 N

Pins: Stainless Steel



8257 GT

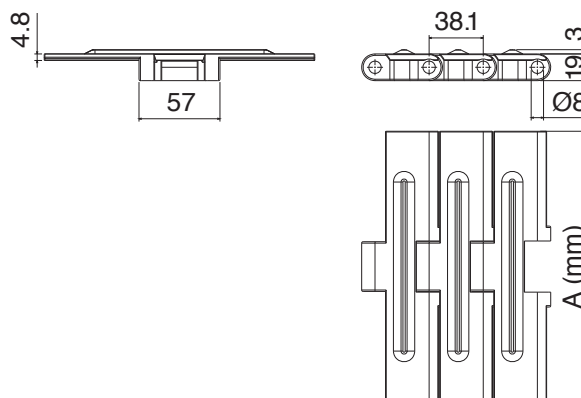
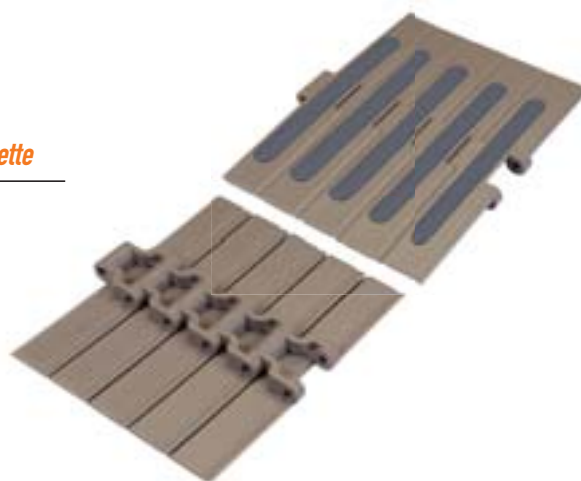
catena rettilinea / straight running chain / geradegängige Scharnierbandkette

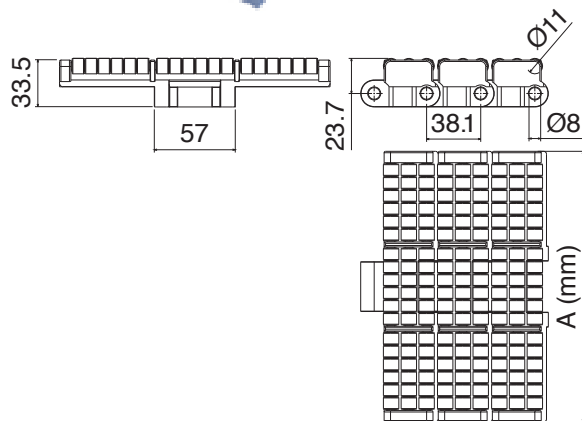
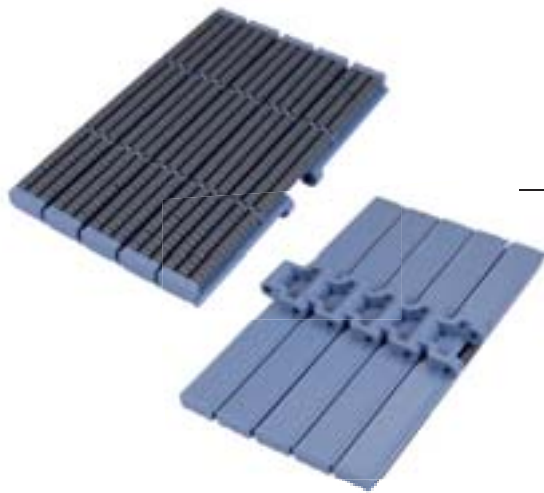
Part	Article-Nr.	Ref.	A	Weight Kg/m
1108	11080107	8257 GT K750	190,5	2,25
1108	11080108	8257 GT K1000	254,0	2,60
1108	11080109	8257 GT K1200	304,8	2,95

	Material	Breaking load
01	LF Standard Material Acetal Resin	10000 N
03	MX Lubricated PBT	9000 N

Rubber: Hardness 75ShA
TPR

Pins: Stainless Steel



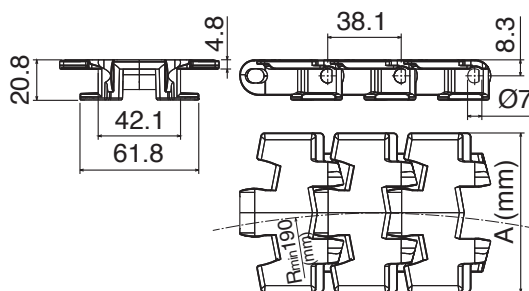


8257 LBP

catena rettilinea / straight running chain / geradegängige Scharnierbandkette

Part	Article-Nr.	Ref.	A	Weight Kg/m
1109	11090107	8257 LBP K750	190,5	5,65
1109	11090108	8257 LBP K1000	254,0	7,15
1109	11090109	8257 LBP K1200	304,8	8,05

	Material	Breaking load
01	LFA Standard Material Acetal Resin	10000 N
	Roller Acetal Resin	
	Pins: Stainless Steel	



878 TAB

catena curvilinea / Sideflexing chain / kurvengängige Scharnierbandkette

Part	Article-Nr.	Ref.	A	Weight Kg/m
1119	11190102	878 TAB K325	82,5	1,06
1119	11190105	878 TAB K450	114,3	1,18

	Material	Breaking load
01	LF Standard Material Acetal Resin	6000 N
03	MX Lubricated PBT	5000 N
08	MK Super Performance Acetal	5700 N
	Pins: Stainless Steel	



Tab System

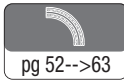
879 M

catena curvilinea / Sideflexing chain / kurvengängige Scharnierbandkette

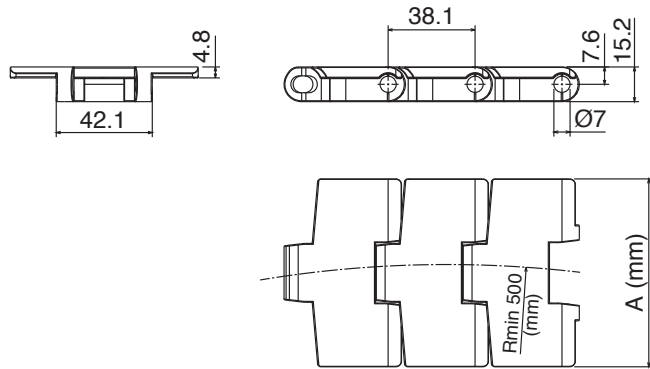
Part	Article-Nr.	Ref.	A	Weight Kg/m
1124	11240102	879 M K325	82,5	1,05
1124	11240105	879 M K450	114,3	1,15

	Material	Breaking load
01	LF Standard Material Acetal Resin	6000 N
03	MX Lubricated PBT	5000 N
08	MK Super Performance Acetal	5700 N

Pins: Ferritic Stainless Steel



Magnetic System



879 TAB

catena curvilinea / Sideflexing chain / kurvengängige Scharnierbandkette

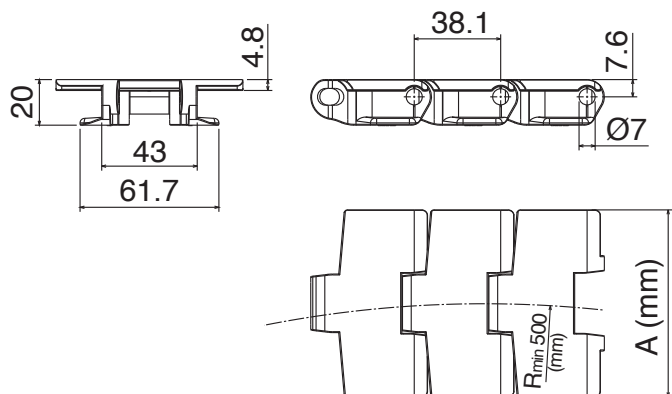
Part	Article-Nr.	Ref.	A	Weight Kg/m
1125	11250102	879 TAB K325	82,5	1,01
1125	11250105	879 TAB K450	114,3	1,13

	Material	Breaking load
01	LF Standard Material Acetal Resin	6000 N
03	MX Lubricated PBT	5000 N
08	MK Super Performance Acetal	5700 N

Pins: Stainless Steel



Tab System





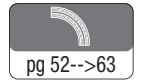
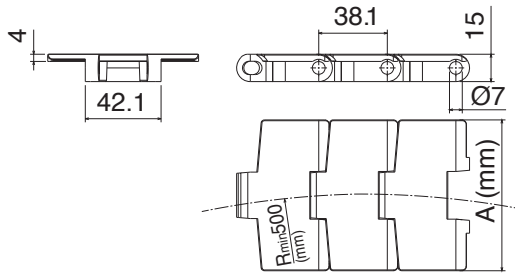
880 M

catena curvilinea / Sideflexing chain / kurvengängige Scharnierbandkette

Part	Article-Nr.	Ref.	A	Weight Kg/m
1110	11100102	880 M K325	82,5	1,05
1110	11100103	880 M K330	83,8	1,09
1110	11100105	880 M K450	114,3	1,15

	Material	Breaking load
01	LF Standard Material Acetal Resin	5800 N
03	MX Lubricated PBT	5200 N
08	MK Super Performance Acetal	5500 N

Pins: Ferritic Stainless Steel



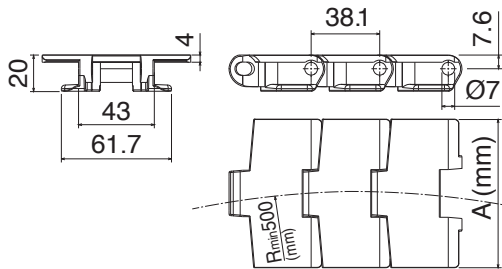
880 TAB

catena curvilinea / Sideflexing chain / kurvengängige Scharnierbandkette

Part	Article-Nr.	Ref.	A	Weight Kg/m
1111	11110102	880 TAB K325	82,5	1,015
1111	11110103	880 TAB K330	83,8	1,018
1111	11110105	880 TAB K450	114,3	1,09

	Material	Breaking load
01	LF Standard Material Acetal Resin	6000 N
03	MX Lubricated PBT	5000 N
08	MK Super Performance Acetal	5700 N

Pins: Stainless Steel



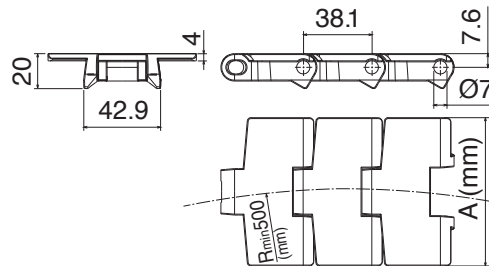
880 B

catena curvilinea / Sideflexing chain / kurvengängige Scharnierbandkette

Part	Article-Nr.	Ref.	A	Weight Kg/m
1112	11120102	880 B K325	82,5	0,89
1112	11120103	880 B K330	83,8	0,91
1112	11120105	880 B K450	114,3	1,05

	Material	Breaking load
01	LF Standard Material Acetal Resin	6000 N
03	MX Lubricated PBT	5000 N
08	MK Super Performance Acetal	5700 N

Pins: Stainless Steel



Bevel System

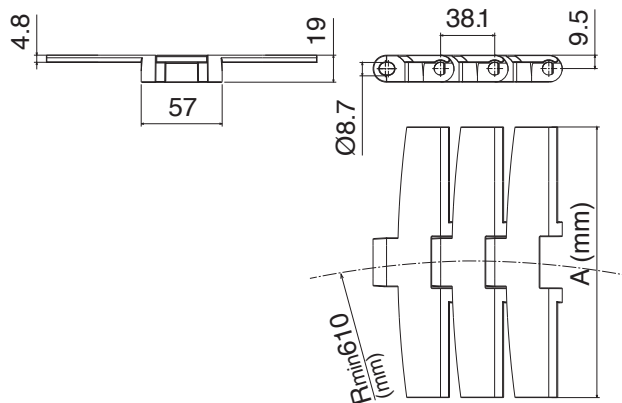
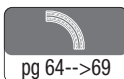
882 M

catena curvilinea / Sideflexing chain / kurvengängige Scharnierbandkette

Part	Article-Nr.	Ref.	A	Weight Kg/m
1113	11130107	882 M K750	190,5	2,14
1113	11130108	882 M K1000	254,0	2,45
1113	11130109	882 M K1200	304,8	2,68

	Material	Breaking load
01	LF Standard Material Acetal Resin	10000 N
03	MX Lubricated PBT	9000 N
08	MK Super Performance Acetal	9500 N

Pins: Ferritic Stainless Steel



Magnetic System



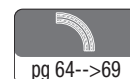
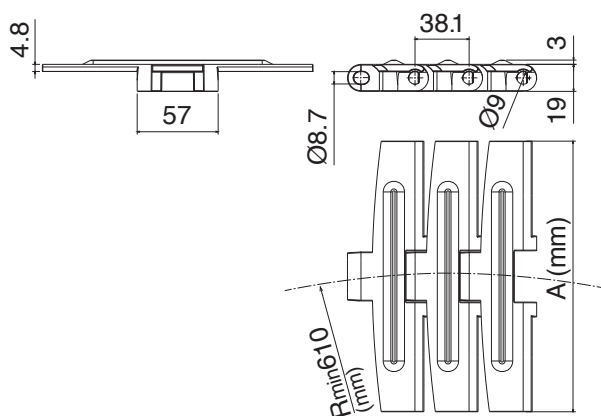
882 M GT

catena curvilinea / Sideflexing chain / kurvengängige Scharnierbandkette

Part	Article-Nr.	Ref.	A	Weight Kg/m
1115	11150107	882 M GT K750	190,5	2,10
1115	11150108	882 M GT K1000	254,0	2,45
1115	11150109	882 M GT K1200	304,8	2,74

	Material	Breaking load
01	LF Standard Material Acetal Resin	10000 N
03	MX Lubricated PBT	9000 N

Rubber: Hardness 75ShA
TPR
 Pins: Ferritic Stainless Steel



Magnetic System



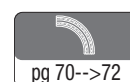
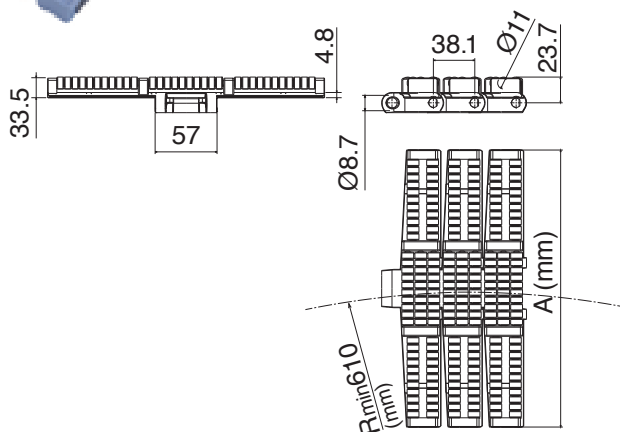
882 M LBP

catena curvilinea / Sideflexing chain / kurvengängige Scharnierbandkette

Part	Article-Nr.	Ref.	A	Weight Kg/m
1117	11170107	882 M LBP K750	190,5	3,92
1117	11170108	882 M LBP K1000	254,0	4,94
1117	11170109	882 M LBP K1200	304,8	5,82

	Material	Breaking load
01	LFA Standard Material Acetal Resin	10000 N

Roller
 Acetal Resin
 Pins: Ferritic Stainless Steel



Magnetic System

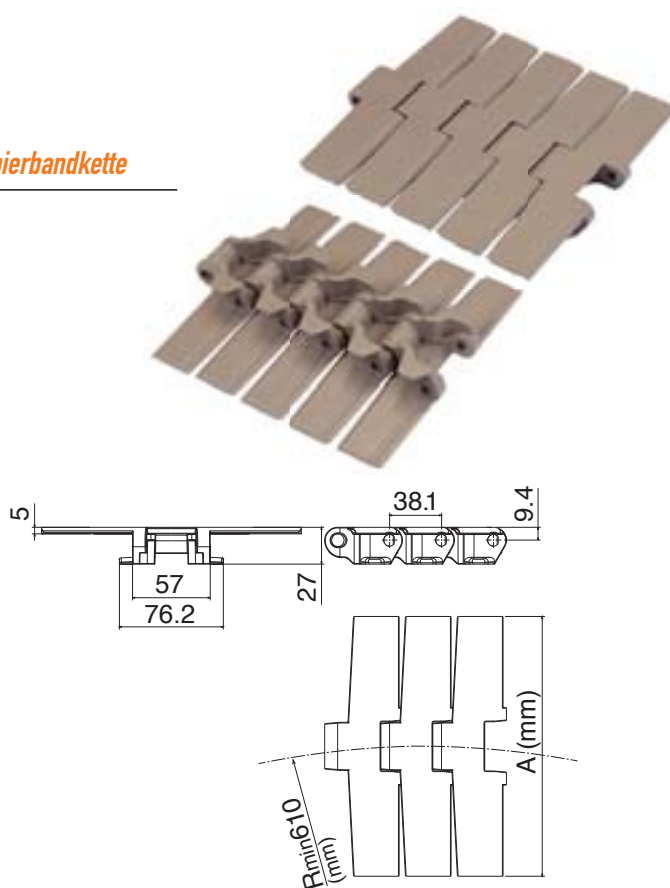
882 TAB

catena curvilinea / Sideflexing chain / kurvengängige Scharnierbandkette

Part	Article-Nr.	Ref.	A	Weight Kg/m
1114	11140105	882 TAB K450	114,3	2,05
1114	11140107	882 TAB K750	190,5	2,45
1114	11140108	882 TAB K1000	254,0	2,85
1114	11140109	882 TAB K1200	304,8	3,40

	Material	Breaking load
01	LF Standard Material Acetal Resin	10000 N
03	MX Lubricated PBT	9000 N
08	MK Super Performance Acetal	9500 N

Pins: Stainless Steel



Tab System

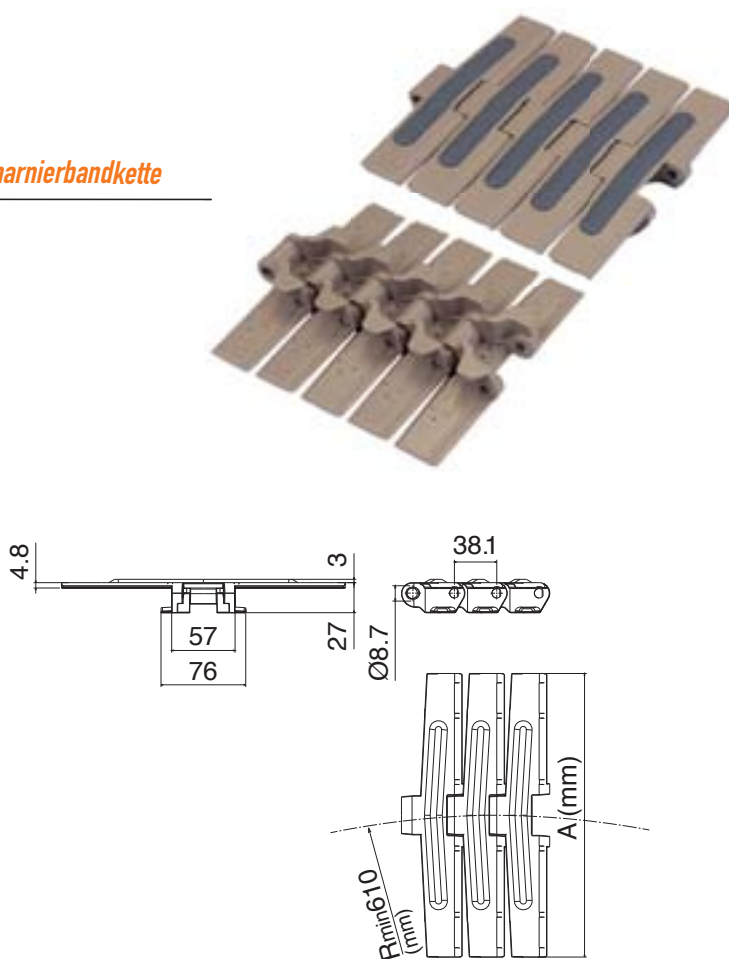
882 TAB GT

catena curvilinea / Sideflexing chain / kurvengängige Scharnierbandkette

Part	Article-Nr.	Ref.	A	Weight Kg/m
1116	11160107	882 TAB GT K750	190,5	2,37
1116	11160108	882 TAB GT K1000	254,0	2,67
1116	11160109	882 TAB GT K1200	304,8	2,92

	Material	Breaking load
01	LF Standard Material Acetal Resin	10000 N
03	MX Lubricated PBT	9000 N

Rubber: Hardness 75ShA
TPR
Pins: Stainless Steel



Tab System

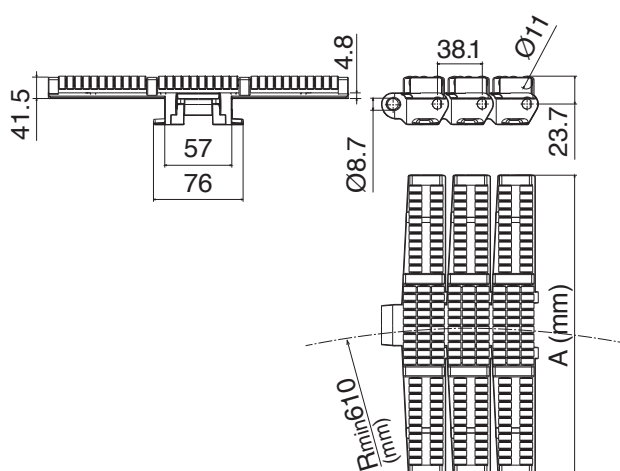


882 TAB LBP

catena curvilinea / Sideflexing chain / kurvengängige Scharnierbandkette

Part	Article-Nr.	Ref.	A	Weight Kg/m
1118	11180107	882 TAB LBP K750	190,5	4,70
1118	11180108	882 TAB LBP K1000	254,0	5,95
1118	11180109	882 TAB LBP K1200	304,8	6,55

	Material	Breaking load
01	LFA Standard Material Acetal Resin	10000 N
Roller		
	Acetal Resin	
Pins: Stainless Steel		



Tab System

1873 GRIPPER GS1

catena curvilinea / Sideflexing chain / kurvengängige Gripperkette



Part	Article-Nr.	Plate	Chain	Rubber	Ref.	Breaking load	Weight Kg/m
1120	11200102	LFD	C45	TPR	1873 TAB K325 GR	27000 N	4,354
1120	11200202	LFD	Nickel Plated Steel	TPR	1873 NP TAB K325 GR	21000 N	
1120	11200302	LFD	Stainless Steel	TPR	1873 SS TAB K325 GR	21000 N	
1121	11210102	PP	C45	EPDM-PP	1873 TAB K325 GR	27000 N	
1121	11210202	PP	Nickel Plated Steel	EPDM-PP	1873 NP TAB K325 GR	21000 N	
1121	11210302	PP	Stainless Steel	EPDM-PP	1873 SS TAB K325 GR	21000 N	

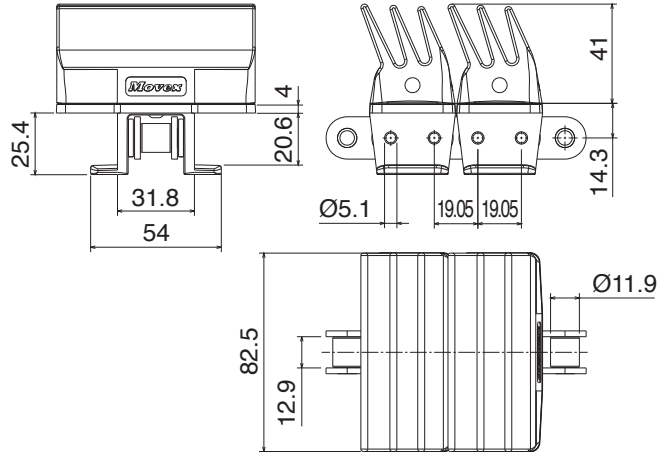
Material

PP LFD Standard Acetal Resin

Rubber: Hardness 45ShA

TPR EPDM-PP

Roller chain
C45; Nickel Plated Steel; Stainless Steel AISI304



10 feet
3.048 m
80 links



New

1873 GRIPPER GS2

catena curvilinea / Sideflexing chain / kurvengängige Gripperkette



Part	Article-Nr.	Plate	Chain	Rubber	Ref.	Breaking load	Weight Kg/m
1128	11280102	LFD	C45	TPR	1873 TAB K325 GR	27000 N	4,354
1128	11280202	LFD	Nickel Plated Steel	TPR	1873 NP TAB K325 GR	21000 N	
1128	11280302	LFD	Stainless Steel	TPR	1873 SS TAB K325 GR	21000 N	
1128	11290102	PP	C45	EPDM-PP	1873 TAB K325 GR	27000 N	
1128	11290202	PP	Nickel Plated Steel	EPDM-PP	1873 NP TAB K325 GR	21000 N	
1128	11290302	PP	Stainless Steel	EPDM-PP	1873 SS TAB K325 GR	21000 N	

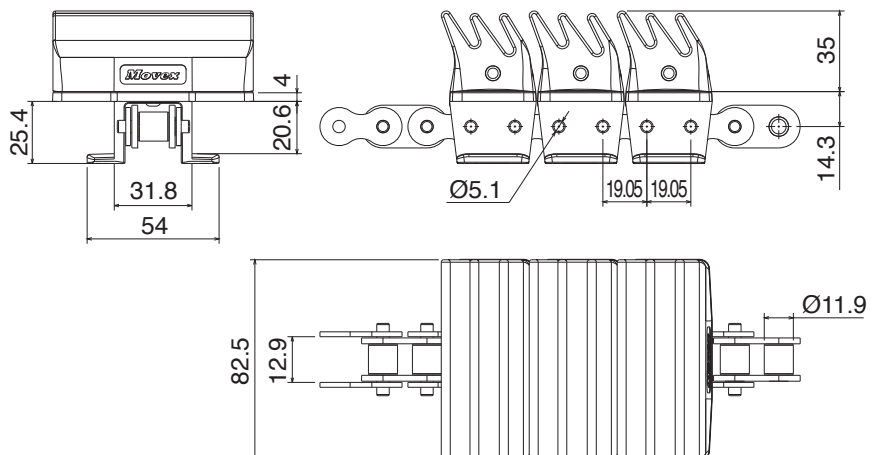
Material

PP LFD Standard Acetal Resin

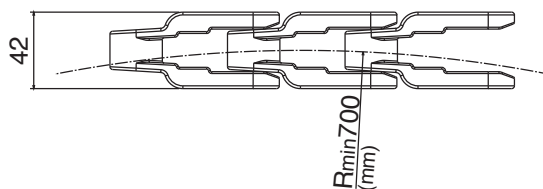
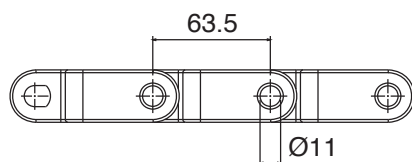
Rubber: Hardness 45ShA

TPR EPDM-PP

Roller chain
C45; Nickel Plated Steel; Stainless Steel AISI304



10 feet
3.048 m
80 links



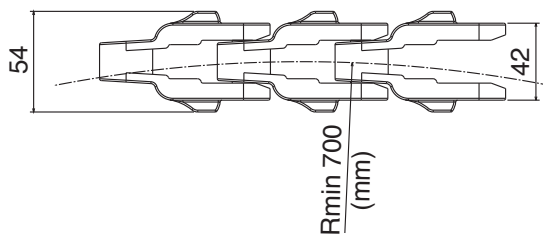
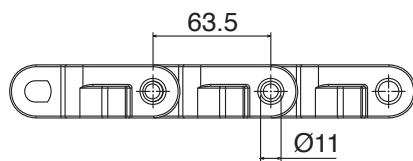
CC 600

catena curvilinea / Sideflexing chain / kurvengängige Kette

Part	Article-Nr.	Ref.	Breaking load	Weight Kg/m
1122	11220400	CC 600	14000 N	1,35

Material	
04	LFN Standard Material Acetal Resin
03	MX Lubricated PBT

Pins: Stainless Steel



CC 600 TAB

catena curvilinea / Sideflexing chain / kurvengängige Kette

Part	Article-Nr.	Ref.	Breaking load	Weight Kg/m
1123	11230400	CC 600 TAB	14000 N	1,45

Material	
04	LFN Standard Material Acetal Resin
03	MX Lubricated PBT

Pins: Stainless Steel



Ingranaggi

L'ingranaggio è uno dei più importanti componenti di un impianto di trasporto. Una ruota ben disegnata assicura una migliore performance e una maggior durata del trasportatore. Offriamo una vasta gamma di ruote fresate e stampate per soddisfare ogni necessità applicativa. Gli ingranaggi Movex nascono da anni di esperienza specifica ed offriamo la più avanzata soluzione:

1. Tutte le ruote sono concepite in due pezzi per un più facile montaggio/smontaggio sull'albero.
2. Tutte le superfici sono lisce per prevenire qualsiasi deposito.
3. I nostri ingranaggi sono ottenuti dal miglior poliammide per assicurare la più lunga durata e resistenza all'usura.
4. Il profilo del dente è specificamente disegnato per offrire la maggior superficie di contatto con la catena e/o il tappeto riducendo la forza esercitata su ciascun dente consentendo una vita più lunga dell'ingranaggio. Il design è sviluppato inoltre tenendo conto dell'allungamento naturale di catena/tappeto, garantendo agli stessi di performare senza problemi entro la soglia di tolleranza dell'allungamento.
5. Le viti in acciaio inossidabile vengono accoppiate con dadi autobloccanti e/o inserti nichelati per consentire un più facile smontaggio/riassemblaggio anche dopo un lungo periodo dall'installazione.

Sprockets

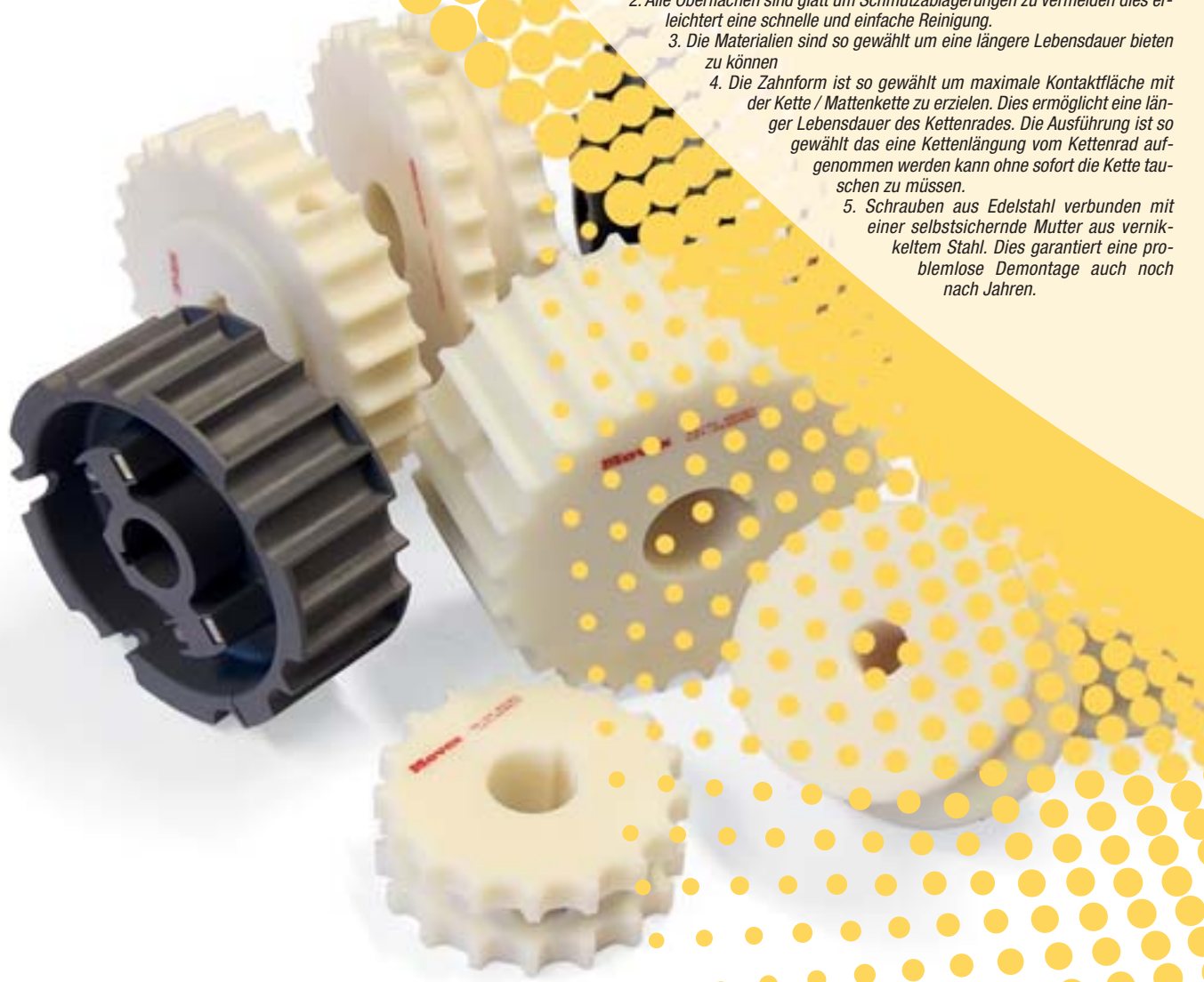
The sprocket is one of the most important parts of a conveyor. A well designed sprocket will ensure that the conveyor runs smoothly and efficiently for a long time. We have a wide variety of machined and molded sprockets to cover all application needs. Movex Sprockets are designed based on many years of experience to provide you the ultimate solution.

1. *All our sprockets are designed split so that it can be installed and uninstalled from the shaft easily.*
2. *All surfaces and edges from the sprockets are smooth to prevent dirt depositing easily. This makes cleaning easier, maintaining a high hygiene standard.*
3. *Our sprockets are machined from the best polyamide material to ensure longer wear life.*
4. *The sprocket teeth are uniquely designed to provide maximum contact surface with the chain henceforth giving lowest applied force per tooth. This ensures longer wear life for the sprocket. In addition the sprockets are designed in such a way that chain elongation tolerances can be absorbed. This will assure a life-long positive engagement between chain and sprocket.*
5. *Screws used to assemble the sprockets are paired with nickel or zinc plated steel nuts to ensure easy removal.*

Kettenräder

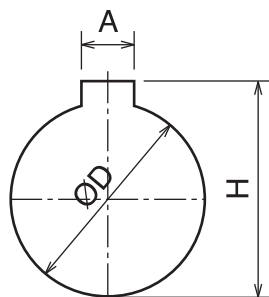
Das Kettenrad ist eines der wichtigsten Komponenten in Transportanlagen. Eine intelligentes Design gewährleistet einen ruhigen Lauf und Effizienz für einen langen Zeitraum. Wir bieten ein umfangreiches Programm in gefräster oder gespritzter Ausführung um Ihren Anforderungen entgegen zu kommen. Movex Kettenräder basieren auf jahrelangen Erfahrungen aus den verschiedenen Industrien und vereinen diese Erkenntnisse in einem innovativem Design.

1. *Alle unsere Kettenräder sind zweigeteilt, d.h. einfache Montage und Demontage ohne großen Zeitaufwand*
2. *Alle Oberflächen sind glatt um Schmutzablagerungen zu vermeiden dies erleichtert eine schnelle und einfache Reinigung.*
3. *Die Materialien sind so gewählt um eine längere Lebensdauer bieten zu können*
4. *Die Zahnform ist so gewählt um maximale Kontaktfläche mit der Kette / Mattenkette zu erzielen. Dies ermöglicht eine länger Lebensdauer des Kettenrades. Die Ausführung ist so gewählt das eine Kettenlängung vom Kettenrad aufgenommen werden kann ohne sofort die Kette tauschen zu müssen.*
5. *Schrauben aus Edelstahl verbunden mit einer selbstsichernde Mutter aus vernickeltem Stahl. Dies garantiert eine problemlose Demontage auch noch nach Jahren.*



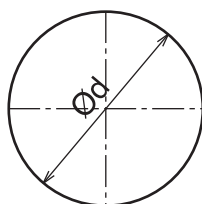
Informazioni tecniche, tolleranze e dimensioni
Technical information, tolerances and dimensions
Technische Information, Toleranzen und Abmessungen

RUOTA DIVISA SPLIT SPROCKET GETEILTE KETTENRÄDER					
ØD		A		H	
Nom.	Tol.	Nom.	Tol.	Nom.	Tol.
20	P9	6	P9	22.8	+0.1/0
25	P9	8	P9	28.3	+0.2/0
30	P9	8	P9	33.3	+0.2/0
35	P9	10	P9	38.3	+0.2/0
40	P9	12	P9	43.3	+0.2/0
45	P9	14	P9	48.8	+0.2/0
50	P9	14	P9	53.8	+0.2/0

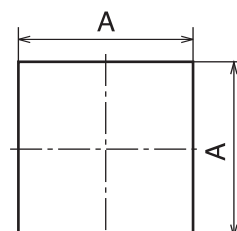


RUOTA DIVISA VERSIONE "PLUS" SPLIT SPROCKET "PLUS" VERSION GETEILTE KETTENRÄDER "PLUS"					
D		A		H	
Nom.	Tol.	Nom.	Tol.	Nom.	Tol.
20	+0.25/+0.15	6	+0.2/+0.3	22.8	+0.2/+0.4
25	+0.25/+0.15	8	+0.2/+0.3	28.3	+0.2/+0.4
30	+0.25/+0.15	8	+0.2/+0.3	33.3	+0.2/+0.4
35	+0.25/+0.15	10	+0.2/+0.3	38.3	+0.2/+0.4
40	+0.25/+0.15	12	+0.2/+0.3	43.3	+0.2/+0.4
45	+0.25/+0.15	14	+0.2/+0.3	48.8	+0.2/+0.4
50	+0.25/+0.15	14	+0.2/+0.3	53.8	+0.2/+0.4

RUOTA RINVIÒ IDLER UMLENKROLLE	
Ød	
Nom.	Tol.
20	+0.3/+0.4
25	+0.3/+0.4
30	+0.3/+0.4
35	+0.3/+0.4
40	+0.3/+0.4
45	+0.3/+0.4
50	+0.3/+0.4



FORO QUADRO SQUARE BORE VIERKANT BOHRUNG	
AxAx	
Nom.	Tol.
20x20	+0.3/+0.5
25x25	+0.3/+0.5
30x30	+0.3/+0.5
35x35	+0.3/+0.5
40x40	+0.3/+0.5
45x45	+0.3/+0.5
50x50	+0.3/+0.5



chain sprockets

Series 815



pag. 30

Series 815



pag. 30

Series 815



pag. 31

Series 815



pag. 31

Series 881



pag. 32

Series 881



pag. 32

Series 881



pag. 33

Series 881



pag. 33

Series 805



pag. 34

Series 805



pag. 34

Series 8157



pag. 35

Series 8157



pag. 35

Series 820



pag. 36

Series 820



pag. 36

Series 820



pag. 37

Series 820



pag. 37

Series 880



pag. 38

Series 880



pag. 38

Series 880



pag. 39

Series 880



pag. 39

Series 882



pag. 40

Series 882



pag. 40

Series 882



pag. 41

Series 882



pag. 41

Series 512



pag. 42

Series 512



pag. 42

Series 815



pag. 43

Series 8157



pag. 43

Series 805

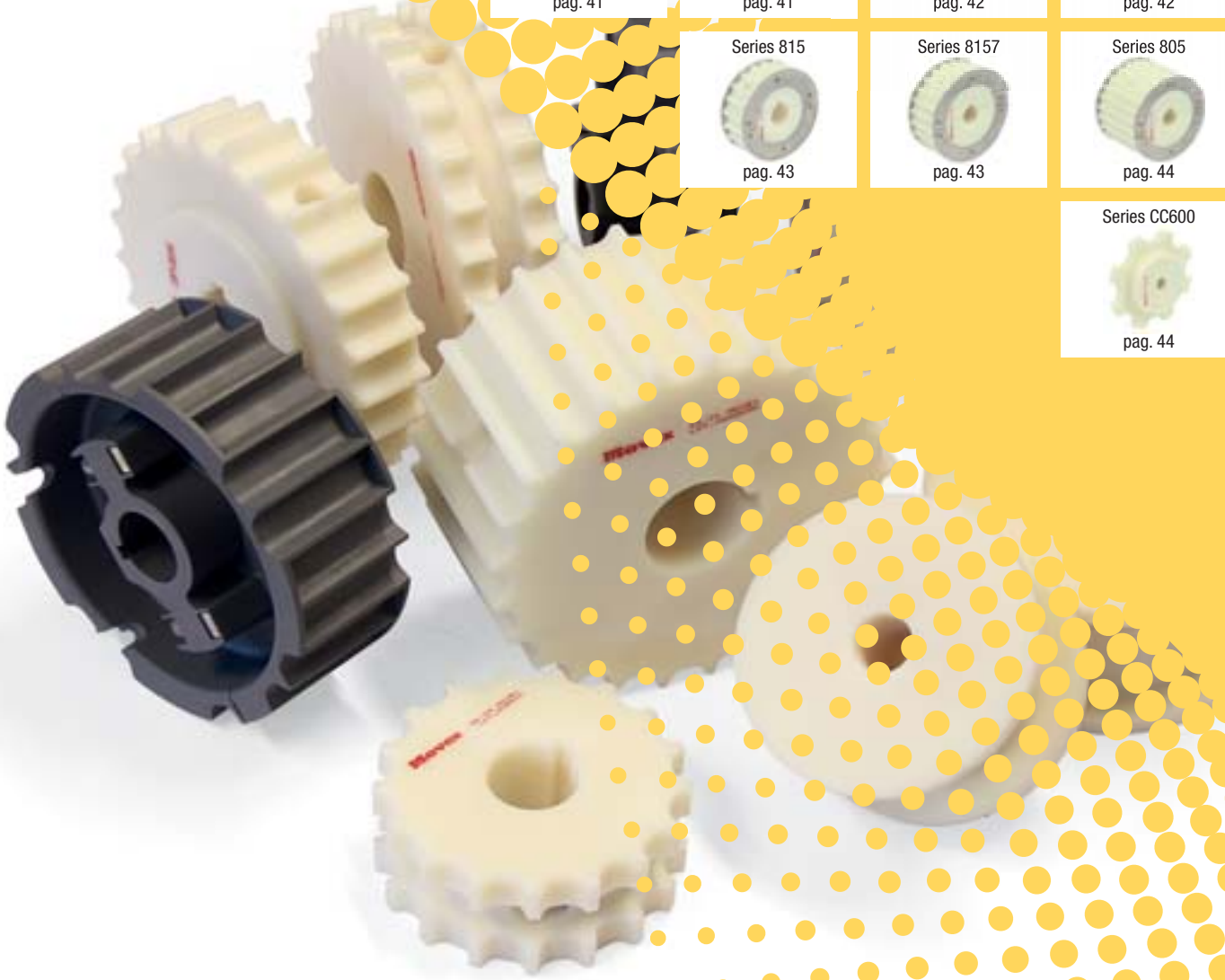


pag. 44

Series CC600



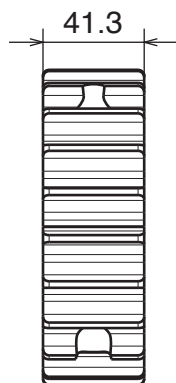
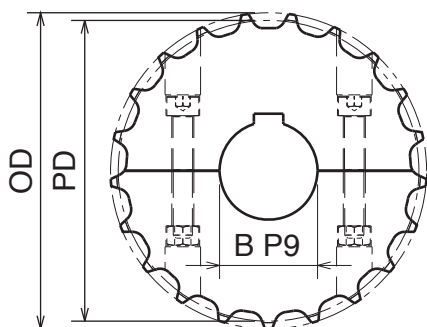
pag. 44



Materiale:	Material:	Materialien:
Poliammide	Polyamide	Polyamid
Viti: Acciaio inox	Screws: Stainless steel	Schrauben: Edelstahl
Dadi: ferro zincato	Nuts: zinc plated steel	Mutter: verzinkter Stahl



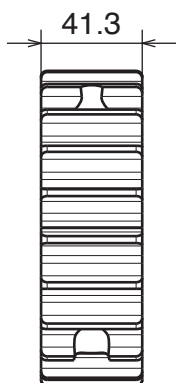
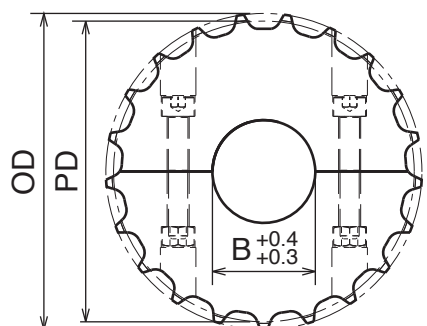
Ruota traino divisa, fresata / Split drive sprocket, machined / geteiltes Antriebskettenrad, gefräst



Part	Article-Nr.	Z-	Bore	PD	OD
501	50101	17	25	105,5	103,9
501	50102		30		
501	50103		35		
501	50104		40		
502	50201	19	25	117,3	117,0
502	50202		30		
502	50203		35		
502	50204		40		
503	50301	21	25	129,3	129,0
503	50302		30		
503	50303		35		
503	50304		40		
504	50401	23	25	141,2	142,0
504	50402		30		
504	50403		35		
504	50404		40		
505	50501	25	25	153,2	154,0
505	50502		30		
505	50503		35		
505	50504		40		
506	50601	27	25	165,2	166,8
506	50602		30		
506	50603		35		
506	50604		40		
507	50701	29	25	177,2	178,5
507	50702		30		
507	50703		35		
507	50704		40		



Ruota rinvio divisa, fresata / Split idler sprocket, machined / geteiltes Umlenkrad, gefräst

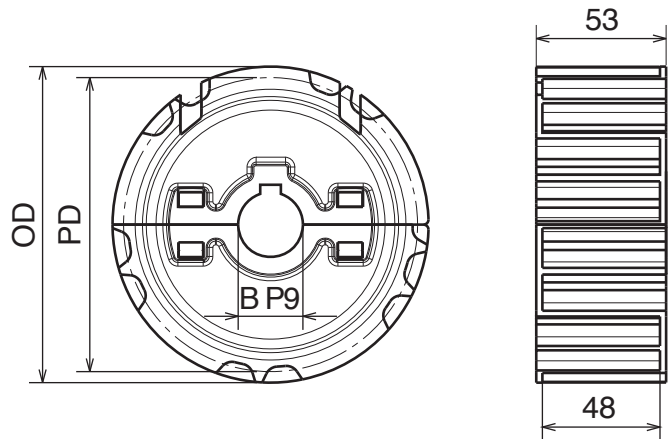


Part	Article-Nr.	Z-	Bore	PD	OD
501	50150	17	18*	105,5	103,9
501	50151		25		
501	50152		30		
501	50153		35		
501	50154		40		
502	50250	19	18*	117,3	117,0
502	50251		25		
502	50252		30		
502	50253		35		
502	50254		40		
503	50350	21	18*	129,3	129,0
503	50351		25		
503	50352		30		
503	50353		35		
503	50354		40		
504	50450	23	18*	141,2	142,0
504	50451		25		
504	50452		30		
504	50453		35		
504	50454		40		
505	50550	25	18*	153,2	154,0
505	50551		25		
505	50552		30		
505	50553		35		
505	50554		40		
506	50650	27	18*	165,2	166,8
506	50651		25		
506	50652		30		
506	50653		35		
506	50654		40		
507	50750	29	18*	177,2	178,5
507	50751		25		
507	50752		30		
507	50753		35		
507	50754		40		

Materiale:	Material:	Materialien:
Poliammide rinforzato	Polyamide reinforced	Verstärktes Polyamid
Viti: Acciaio inox	Screws: Stainless steel	Schrauben: Edelstahl
Dadi: ottone nichelato	Nuts: nickel plated brass	Mutter: Messing vernickelt

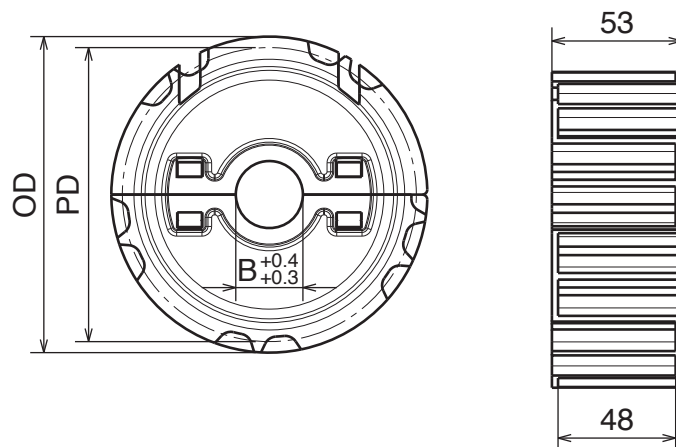
Ruota traino divisa, stampata / Split drive sprocket, molded / geteiltes Antriebskettenrad, gespritzt

Part	Article-Nr.	Z-	Bore	PD	OD
508	50801	21	25	129,3	129,0
508	50802		30		
508	50803		35		
508	50804		40		
509	50901	23	25	141,2	142,0
509	50902		30		
509	50903		35		
509	50904		40		
510	51001	25	25	153,2	154,0
510	51002		30		
510	51003		35		
510	51004		40		



Ruota rinvio divisa, stampata / Split idler sprocket, molded / geteiltes Umlenkrad, gespritzt

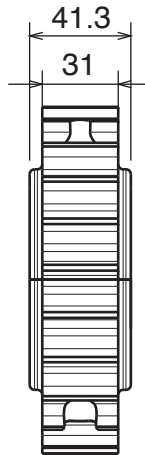
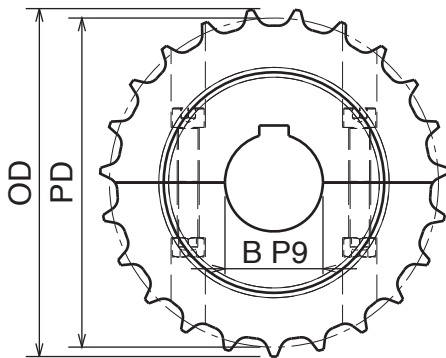
Part	Article-Nr.	Z-	Bore	PD	OD
508	50851	21	25	129,3	129,0
508	50852		30		
508	50853		35		
508	50854		40		
509	50951	23	25	141,2	142,0
509	50952		30		
509	50953		35		
509	50954		40		
510	51051	25	25	153,2	154,0
510	51052		30		
510	51053		35		
510	51054		40		



Materiale:	Material:	Materialien:
Poliammide	Polyamide	Polyamid
Viti: Acciaio inox	Screws: Stainless steel	Schrauben: Edelstahl
Dadi: ferro zincato	Nuts: zinc plated steel	Mutter: verzinkter Stahl



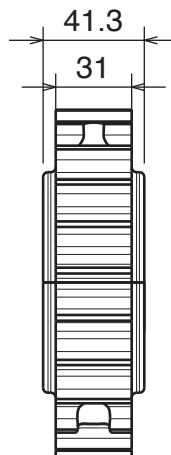
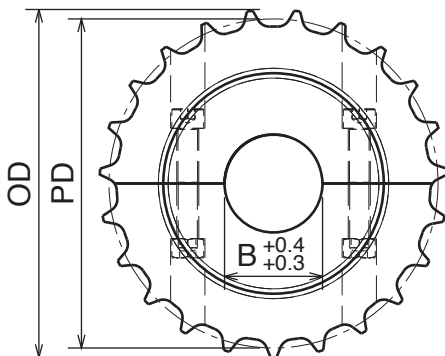
Ruota traino divisa, fresata / Split drive sprocket, machined / geteiltes Antriebskettenrad, gefräst



Part	Article-Nr.	Z-	Bore	PD	OD
511	51101	17	25	105,5	103,9
511	51102		30		
511	51103		35		
511	51104		40		
512	51201	19	25	117,3	117,0
512	51202		30		
512	51203		35		
512	51204		40		
513	51301	21	25	129,3	129,0
513	51302		30		
513	51303		35		
513	51304		40		
514	51401	23	25	141,2	142,0
514	51402		30		
514	51403		35		
514	51404		40		
515	51501	25	25	153,2	154,0
515	51502		30		
515	51503		35		
515	51504		40		
516	51601	27	25	165,2	166,8
516	51602		30		
516	51603		35		
516	51604		40		
517	51701	29	25	177,2	178,5
517	51702		30		
517	51703		35		
517	51704		40		



Ruota rinvio divisa, fresata / Split idler sprocket, machined / geteiltes Umlenkrad, gefräst

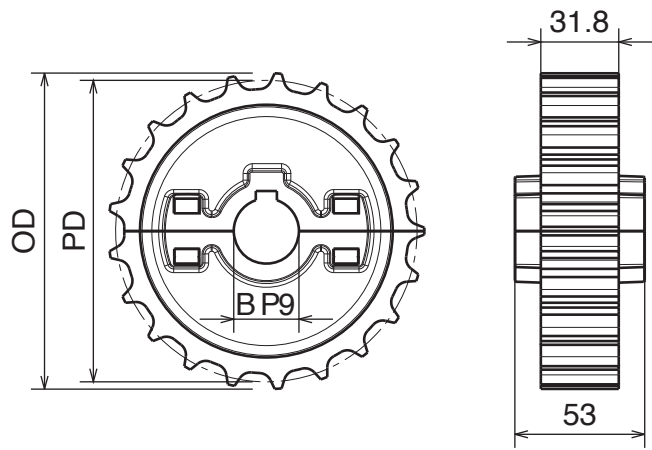


Part	Article-Nr.	Z-	Bore	PD	OD
511	51150	17	18*	105,5	103,9
511	51151		25		
511	51152		30		
511	51153		35		
511	51154		40		
512	51250	19	18*	117,3	117,0
512	51251		25		
512	51252		30		
512	51253		35		
512	51254		40		
513	51350	21	18*	129,3	129,0
513	51351		25		
513	51352		30		
513	51353		35		
513	51354		40		
514	51450	23	18*	141,2	142,0
514	51451		25		
514	51452		30		
514	51453		35		
514	51454		40		
515	51550	25	18*	153,2	154,0
515	51551		25		
515	51552		30		
515	51553		35		
515	51554		40		
516	51650	27	18*	165,2	166,8
516	51651		25		
516	51652		30		
516	51653		35		
516	51654		40		
517	51750	29	18*	177,2	178,5
517	51751		25		
517	51752		30		
517	51753		35		
517	51754		40		

Materiale:	Material:	Materialien:
Poliammide rinforzato	Polyamide reinforced	Verstärktes Polyamid
Viti: Acciaio inox	Screws: Stainless steel	Schrauben: Edelstahl
Dadi: ottone nichelato	Nuts: nickel plated brass	Mutter: Messing vernickelt

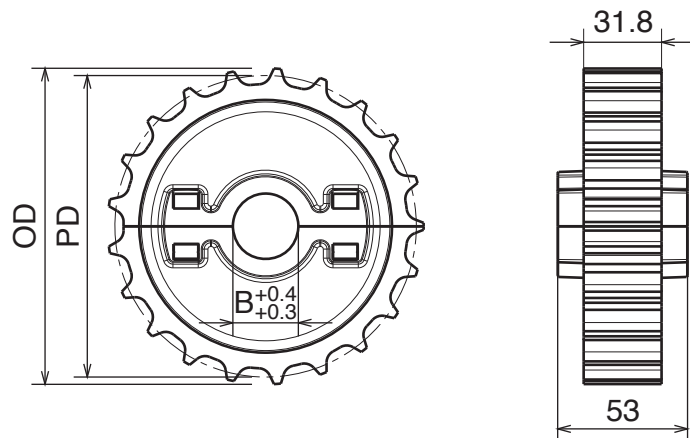
Ruota traino divisa, stampata / Split drive sprocket, molded / geteiltes Antriebskettenrad, gespritzt

Part	Article-Nr.	Z-	Bore	PD	OD
518	51801	21	25	129,3	129,0
518	51802		30		
518	51803		35		
518	51804		40		
519	51901	23	25	141,2	142,0
519	51902		30		
519	51903		35		
519	51904		40		
520	52001	25	25	153,2	154,0
520	52002		30		
520	52003		35		
520	52004		40		



Ruota rinvio divisa, stampata / Split idler sprocket, molded / geteiltes Umlenkrad, gespritzt

Part	Article-Nr.	Z-	Bore	PD	OD
518	51851	21	25	129,3	129,0
518	51852		30		
518	51853		35		
518	51854		40		
519	51951	23	25	141,2	142,0
519	51952		30		
519	51953		35		
519	51954		40		
520	52051	25	25	153,2	154,0
520	52052		30		
520	52053		35		
520	52054		40		



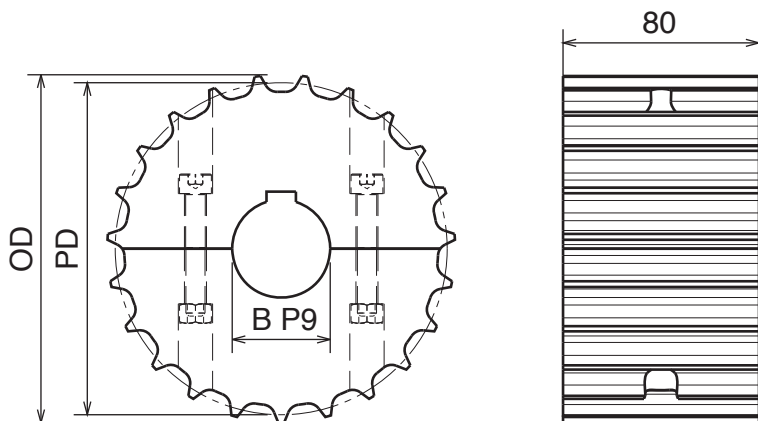
805-821

Ruote Fresate
Machined Sprockets
Gefräste Kettenräder

Materiale:	Material:	Materialien:
Poliammide	Polyamide	Polyamid
Viti: Acciaio inox	Screws: Stainless steel	Schrauben: Edelstahl
Dadi: ferro zincato	Nuts: zinc plated steel	Mutter: verzinkter Stahl



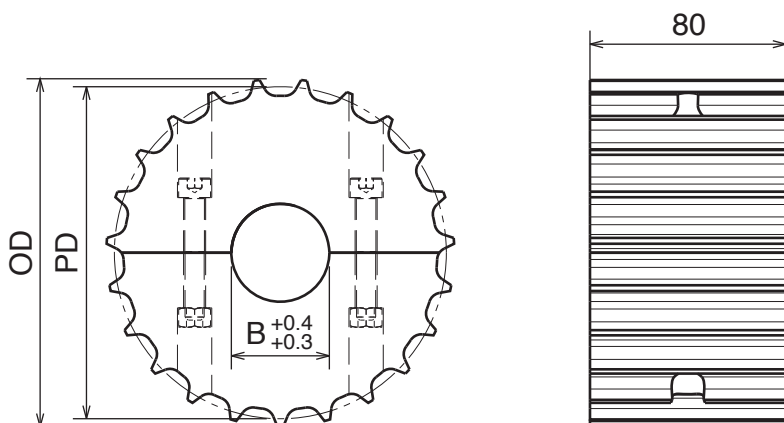
Ruota traino divisa, fresata / Split drive sprocket, machined / geteiltes Antriebskettenrad, gefräst



Part	Article-Nr.	Z-	Bore	PD	OD
521	52101	17	25	105,5	103,9
521	52102		30		
521	52103		35		
521	52104		40		
522	52201	19	25	117,3	117,0
522	52202		30		
522	52203		35		
522	52204		40		
523	52301	21	25	129,3	129,0
523	52302		30		
523	52303		35		
523	52304		40		
524	52401	23	25	141,2	142,0
524	52402		30		
524	52403		35		
524	52404		40		
525	52501	25	25	153,2	154,0
525	52502		30		
525	52503		35		
525	52504		40		
526	52601	27	25	165,2	166,8
526	52602		30		
526	52603		35		
526	52604		40		
527	52701	29	25	177,2	178,5
527	52702		30		
527	52703		35		
527	52704		40		



Ruota rinvio divisa, fresata / Split idler sprocket, machined / geteiltes Umlenkrad, gefräst

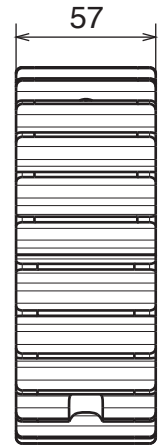
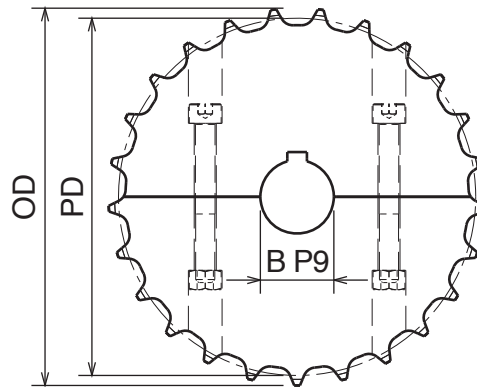


Part	Article-Nr.	Z-	Bore	PD	OD
521	52150	17	18*	105,5	103,9
521	52151		25		
521	52152		30		
521	52153		35		
521	52154		40		
522	52250	19	18*	117,3	117,0
522	52251		25		
522	52252		30		
522	52253		35		
522	52254		40		
523	52350	21	18*	129,3	129,0
523	52351		25		
523	52352		30		
523	52353		35		
523	52354		40		
524	52450	23	18*	141,2	142,0
524	52451		25		
524	52452		30		
524	52453		35		
524	52454		40		
525	52550	25	18*	153,2	154,0
525	52551		25		
525	52552		30		
525	52553		35		
525	52554		40		
526	52650	27	18*	165,2	166,8
526	52651		25		
526	52652		30		
526	52653		35		
526	52654		40		
527	52750	29	18*	177,2	178,5
527	52751		25		
527	52752		30		
527	52753		35		
527	52754		40		

Materiale:	Material:	Materialien:
Poliammide	Polyamide	Polyamid
Viti: Acciaio inox	Screws: Stainless steel	Schrauben: Edelstahl
Dadi: ferro zincato	Nuts: zinc plated steel	Mutter: verzinkter Stahl

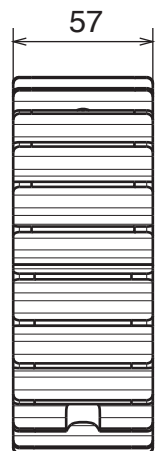
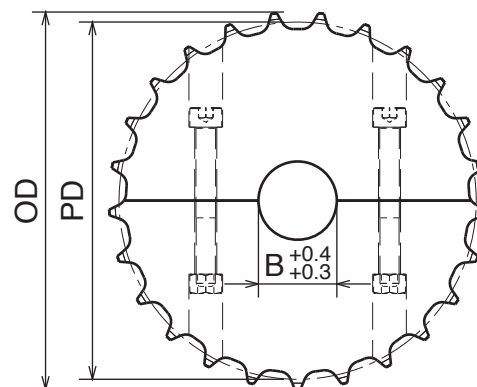
Ruota traino divisa, fresata / Split drive sprocket, machined / geteiltes Antriebskettenrad, gefräst

Part	Article-Nr.	Z-	Bore	PD	OD
528	52801	17	25	105,5	103,9
528	52802		30		
528	52803		35		
528	52804		40		
529	52901	19	25	117,3	117,0
529	52902		30		
529	52903		35		
529	52904		40		
530	53001	21	25	129,3	129,0
530	53002		30		
530	53003		35		
530	53004		40		
531	53101	23	25	141,2	142,0
531	53102		30		
531	53103		35		
531	53104		40		
532	53201	25	25	153,2	154,0
532	53202		30		
532	53203		35		
532	53204		40		
533	53301	27	25	165,2	166,8
533	53302		30		
533	53303		35		
533	53304		40		
534	53401	29	25	177,2	178,5
534	53402		30		
534	53403		35		
534	53404		40		



Ruota rinvio divisa, fresata / Split idler sprocket, machined / geteiltes Umlenkrad, gefräst

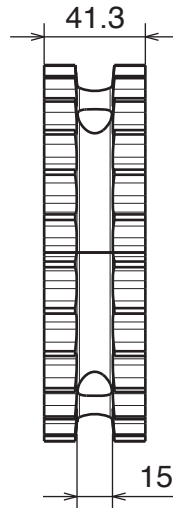
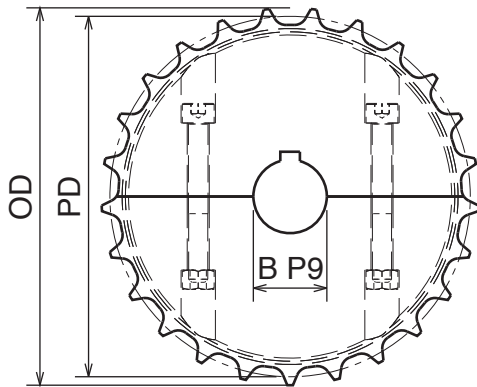
Part	Article-Nr.	Z-	Bore	PD	OD
528	52850	17	18*	105,5	103,9
528	52851		25		
528	52852		30		
528	52853		35		
528	52854		40		
529	52950	19	18*	117,3	117,0
529	52951		25		
529	52952		30		
529	52953		35		
529	52954		40		
530	53050	21	18*	129,3	129,0
530	53051		25		
530	53052		30		
530	53053		35		
530	53054		40		
531	53150	23	18*	141,2	142,0
531	53151		25		
531	53152		30		
531	53153		35		
531	53154		40		
532	53250	25	18*	153,2	154,0
532	53251		25		
532	53252		30		
532	53253		35		
532	53254		40		
533	53350	27	18*	165,2	166,8
533	53351		25		
533	53352		30		
533	53353		35		
533	53354		40		
534	53450	29	18*	177,2	178,5
534	53451		25		
534	53452		30		
534	53453		35		
534	53454		40		



Materiale:	Material:	Materialien:
Poliammide	Polyamide	Polyamid
Viti: Acciaio inox	Screws: Stainless steel	Schrauben: Edelstahl
Dadi: ferro zincato	Nuts: zinc plated steel	Mutter: verzinkter Stahl



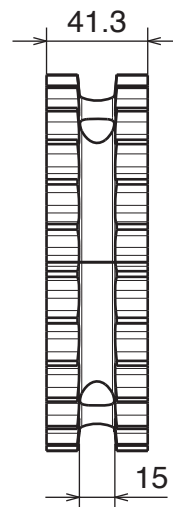
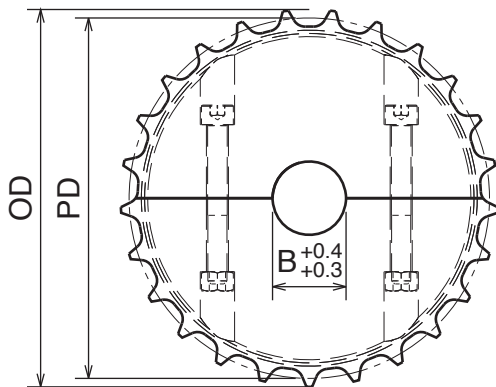
Ruota traino divisa, fresata / Split drive sprocket, machined / geteiltes Antriebskettenrad, gefräst



Part	Article-Nr.	Z-	Bore	PD	OD
535	53501	17	25	105,5	103,9
535	53502		30		
535	53503		35		
535	53504		40		
536	53601	19	25	117,3	117,0
536	53602		30		
536	53603		35		
536	53604		40		
537	53701	21	25	129,3	129,0
537	53702		30		
537	53703		35		
537	53704		40		
538	53801	23	25	141,2	142,0
538	53802		30		
538	53803		35		
538	53804		40		
539	53901	25	25	153,2	154,0
539	53902		30		
539	53903		35		
539	53904		40		
540	54001	27	25	165,2	166,8
540	54002		30		
540	54003		35		
540	54004		40		
541	54101	29	25	177,2	178,5
541	54102		30		
541	54103		35		
541	54104		40		



Ruota rinvio divisa, fresata / Split idler sprocket, machined / geteiltes Umlenkrad, gefräst

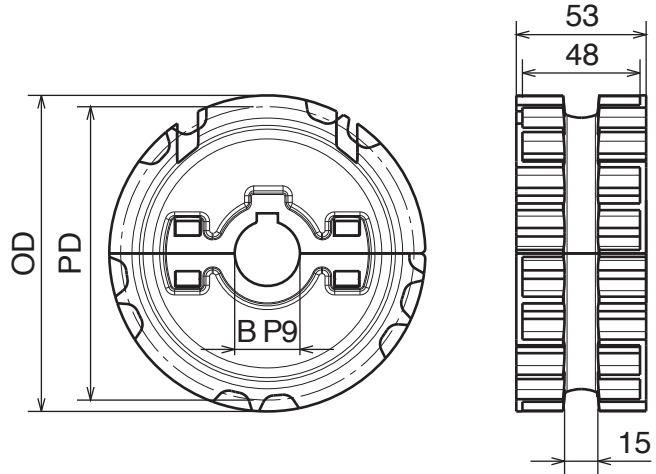


Part	Article-Nr.	Z-	Bore	PD	OD
535	53550	17	18*	105,5	103,9
535	53551		25		
535	53552		30		
535	53553		35		
535	53554		40		
536	53650	19	18*	117,3	117,0
536	53651		25		
536	53652		30		
536	53653		35		
536	53654		40		
537	53750	21	18*	129,3	129,0
537	53751		25		
537	53752		30		
537	53753		35		
537	53754		40		
538	53850	23	18*	141,2	142,0
538	53851		25		
538	53852		30		
538	53853		35		
538	53854		40		
539	53950	25	18*	153,2	154,0
539	53951		25		
539	53952		30		
539	53953		35		
539	53954		40		
540	54050	27	18*	165,2	166,8
540	54051		25		
540	54052		30		
540	54053		35		
540	54054		40		
541	54150	29	18*	177,2	178,5
541	54151		25		
541	54152		30		
541	54153		35		
541	54154		40		

Materiale:	Material:	Materialien:
Poliammide rinforzato	Polyamide reinforced	Verstärktes Polyamid
Viti: Acciaio inox	Screws: Stainless steel	Schrauben: Edelstahl
Dadi: ottone nichelato	Nuts: nickel plated brass	Mutter: Messing vernickelt

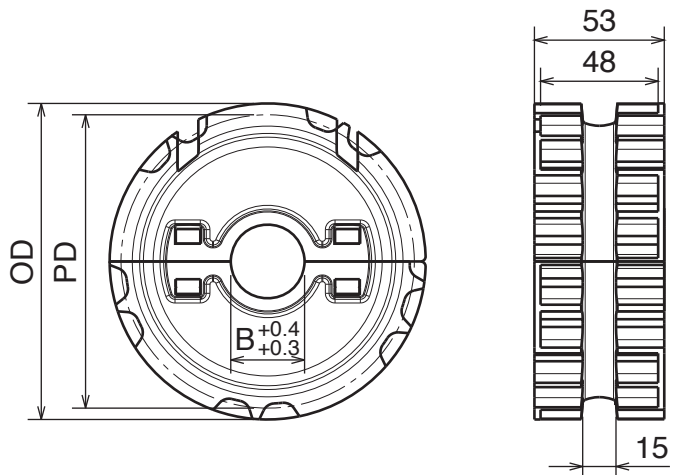
Ruota traino divisa, stampata / Split drive sprocket, molded / geteiltes Antriebskettenrad, gespritzt

Part	Article-Nr.	Z-	Bore	PD	OD
542	54201	21	25	129,3	129,0
542	54202		30		
542	54203		35		
542	54204		40		
543	54301	23	25	141,2	142,0
543	54302		30		
543	54303		35		
543	54304		40		
544	54401	25	25	153,2	154,0
544	54402		30		
544	54403		35		
544	54404		40		



Ruota rinvio divisa, stampata / Split idler sprocket, molded / geteiltes Umlenkrad, gespritzt

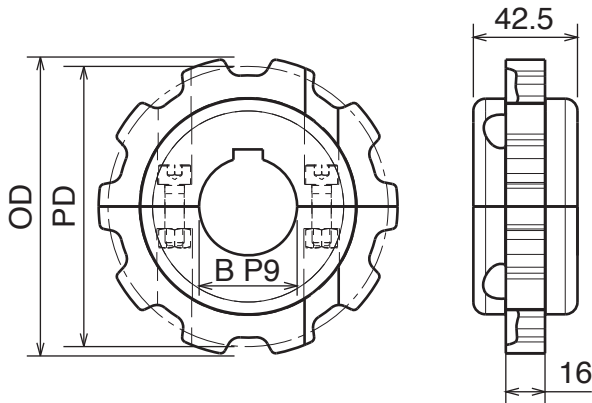
Part	Article-Nr.	Z-	Bore	PD	OD
542	54251	21	25	129,3	129,0
542	54252		30		
542	54253		35		
542	54254		40		
543	54351	23	25	141,2	142,0
543	54352		30		
543	54353		35		
543	54354		40		
544	54451	25	25	153,2	154,0
544	54452		30		
544	54453		35		
544	54454		40		



Materiale:	Material:	Materialien:
Poliammide	Polyamide	Polyamid
Viti: Acciaio inox	Screws: Stainless steel	Schrauben: Edelstahl
Dadi: ferro zincato	Nuts: zinc plated steel	Mutter: verzinkter Stahl



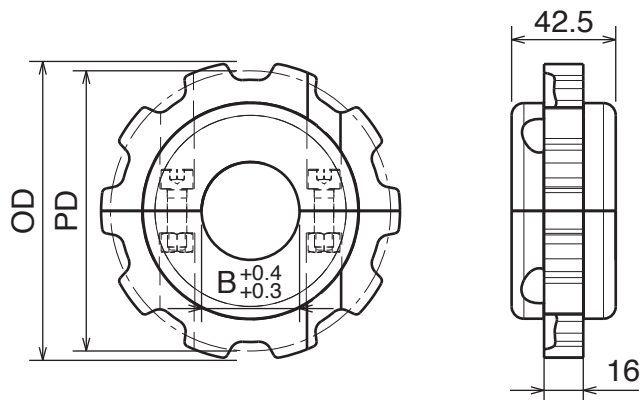
Ruota traino divisa, fresata / Split drive sprocket, machined / geteiltes Antriebskettenrad, gefräst



Part	Article-Nr.	Z-	Bore	PD	OD
545	54501	9	25	111,4	110,0
545	54502		30		
545	54503		35		
545	54504		40		
546	54601	10	25	123,3	122,0
546	54602		30		
546	54603		35		
546	54604		40		
547	54701	11	25	135,2	135,0
547	54702		30		
547	54703		35		
547	54704		40		
548	54801	12	25	147,2	147,3
548	54802		30		
548	54803		35		
548	54804		40		



Ruota rinvio divisa, fresata / Split idler sprocket, machined / geteiltes Umlenkrad, gefräst

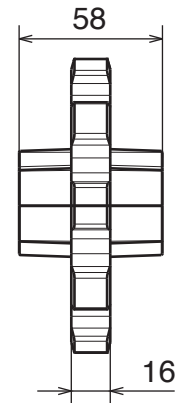
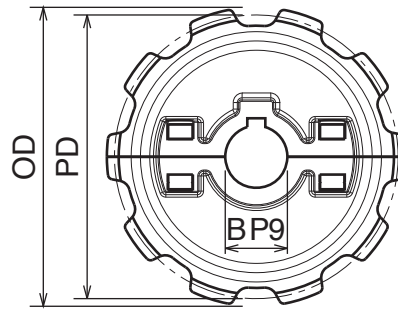


Part	Article-Nr.	Z-	Bore	PD	OD
545	54550	9	18*	111,4	110,0
545	54551		25		
545	54552		30		
545	54553		35		
545	54554		40		
546	54650	10	18*	123,3	122,0
546	54651		25		
546	54652		30		
546	54653		35		
546	54654		40		
547	54750	11	18*	135,2	135,0
547	54751		25		
547	54752		30		
547	54753		35		
547	54754		40		
548	54850	12	18*	147,2	147,3
548	54851		25		
548	54852		30		
548	54853		35		
548	54854		40		

Materiale:	Material:	Materialien:
Poliammide rinforzato	Polyamide reinforced	Verstärktes Polyamid
Viti: Acciaio inox	Screws: Stainless steel	Schrauben: Edelstahl
Dadi: ottone nichelato	Nuts: nickel plated brass	Mutter: Messing vernickelt

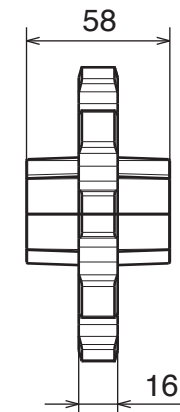
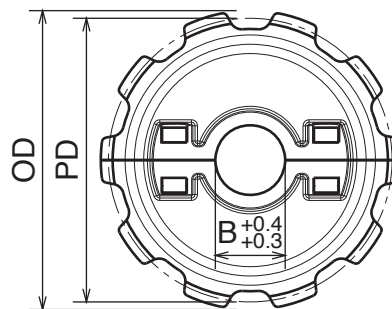
Ruota traino divisa, stampata / Split drive sprocket, molded / geteiltes Antriebskettenrad, gespritzt

Part	Article-Nr.	Z-	Bore	PD	OD
549	54901	10	25	123,2	122,0
549	54902		30		
549	54903		35		
549	54904		40		
550	55001	12	25	147,2	147,3
550	55002		30		
550	55003		35		
550	55004		40		



Ruota rinvio divisa, stampata / Split idler sprocket, molded / geteiltes Umlenkrad, gespritzt

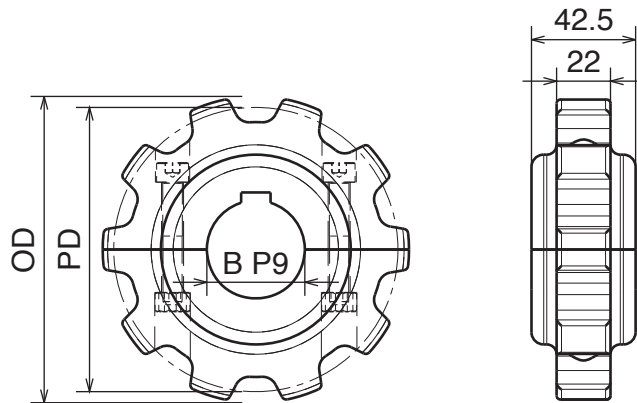
Part	Article-Nr.	Z-	Bore	PD	OD
549	54951	10	25	123,2	122,0
549	54952		30		
549	54953		35		
549	54954		40		
550	55051	12	25	147,2	147,3
550	55052		30		
550	55053		35		
550	55054		40		



Materiale:	Material:	Materialien:
Poliammide	Polyamide	Polyamid
Viti: Acciaio inox	Screws: Stainless steel	Schrauben: Edelstahl
Dadi: ferro zincato	Nuts: zinc plated steel	Mutter: verzinkter Stahl



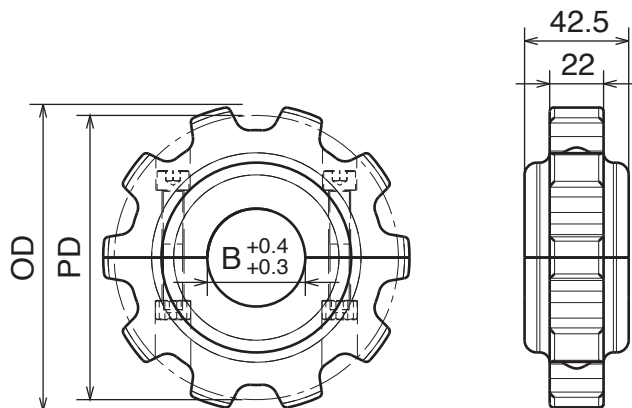
Ruota traino divisa, fresata / Split drive sprocket, machined / geteiltes Antriebskettenrad, gefräst



Part	Article-Nr.	Z-	Bore	PD	OD
551	55101	9	25	111,4	112,0
551	55102		30		
551	55103		35		
551	55104		40		
552	55201	10	25	123,2	125,0
552	55202		30		
552	55203		35		
552	55204		40		
553	55301	11	25	135,2	137,0
553	55302		30		
553	55303		35		
553	55304		40		
554	55401	12	25	147,2	149,0
554	55402		30		
554	55403		35		
554	55404		40		



Ruota rinvio divisa, fresata / Split idler sprocket, machined / geteiltes Umlenkrad, gefräst

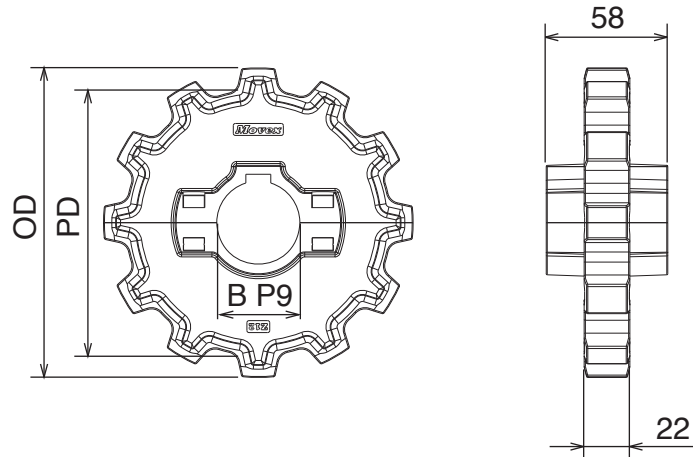


Part	Article-Nr.	Z-	Bore	PD	OD
551	55150	9	18*	111,4	112,0
551	55151		25		
551	55152		30		
551	55153		35		
551	55154		40		
552	55250	10	18*	123,2	125,0
552	55251		25		
552	55252		30		
552	55253		35		
552	55254		40		
553	55350	11	18*	135,2	137,0
553	55351		25		
553	55352		30		
553	55353		35		
553	55354		40		
554	55450	12	18*	147,2	149,0
554	55451		25		
554	55452		30		
554	55453		35		
554	55454		40		

Materiale:	Material:	Materialien:
Poliamide rinforzato	Polyamide reinforced	Verstärktes Polyamid
Viti: Acciaio inox	Screws: Stainless steel	Schrauben: Edelstahl
Dadi: ottone nichelato	Nuts: nickel plated brass	Mutter: messing vernickelt

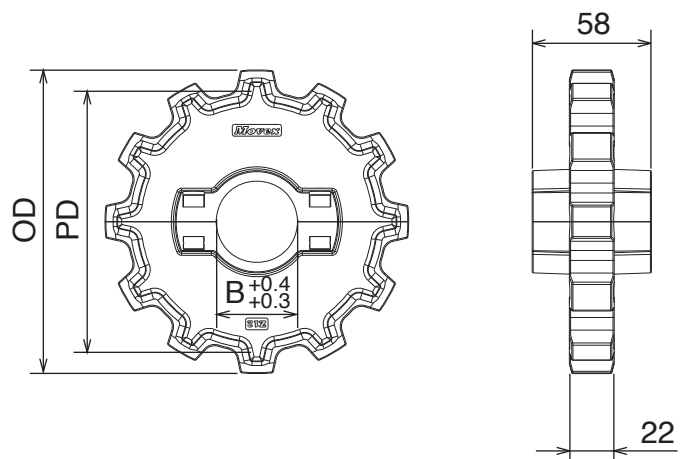
Ruota traino divisa, stampata / Split drive sprocket, molded / geteiltes Antriebskettenrad, gespritzt

Part	Article-Nr.	Z-	Bore	PD	OD
555	55501	10	25	123,2	125,0
555	55502		30		
555	55503		35		
555	55504		40		
556	55601	12	25	147,2	149,0
556	55602		30		
556	55603		35		
556	55604		40		



Ruota rinvio divisa, stampata / Split idler sprocket, molded / geteiltes Umlenkrad, gespritzt

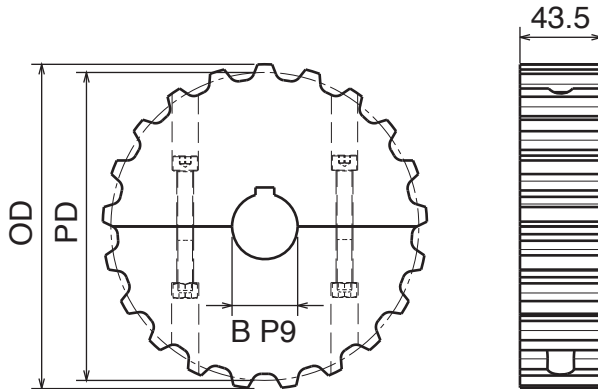
Part	Article-Nr.	Z-	Bore	PD	OD
555	55551	10	25	123,2	125,0
555	55552		30		
555	55553		35		
555	55554		40		
556	55651	12	25	147,2	149,0
556	55652		30		
556	55653		35		
556	55654		40		



Materiale:	Material:	Materialien:
Poliammide	Polyamide	Polyamid
Viti: Acciaio inox	Screws: Stainless steel	Schrauben: Edelstahl
Dadi: ferro zincato	Nuts: zinc plated steel	Mutter: verzinkter Stahl



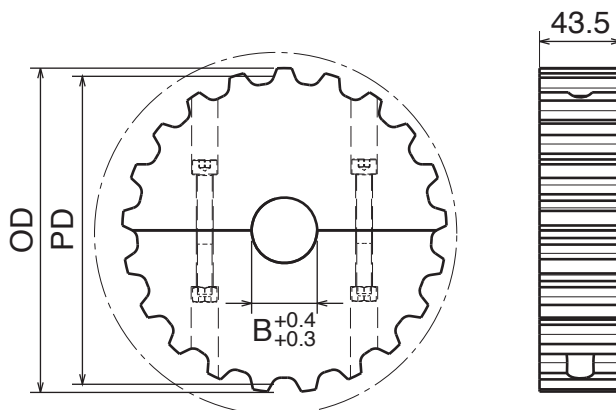
Ruota traino divisa, fresata / Split drive sprocket, machined / geteiltes Antriebskettenrad, gefräst



Part	Article-Nr.	Z-	Bore	PD	OD
557	55701	13	25	108,0	106,1
557	55702		30		
557	55703		35		
557	55704		40		
558	55801	15	25	124,0	122,2
558	55802		30		
558	55803		35		
558	55804		40		
559	55901	17	25	138,2	138,2
559	55902		30		
559	55903		35		
559	55904		40		
560	56001	18	25	146,3	146,4
560	56002		30		
560	56003		35		
560	56004		40		
561	56101	19	25	154,3	155,7
561	56102		30		
561	56103		35		
561	56104		40		
562	56201	21	25	170,4	173,0
562	56202		30		
562	56203		35		
562	56204		40		
563	56301	23	25	186,5	190,0
563	56302		30		
563	56303		35		
563	56304		40		
564	56401	25	25	202,7	204,0
564	56402		30		
564	56403		35		
564	56404		40		



Ruota rinvio divisa, fresata / Split idler sprocket, machined / geteiltes Umlenkrad, gefräst



Part	Article-Nr.	Z-	Bore	PD	OD
557	55750	13	18*	108,0	106,1
557	55751		25		
557	55752		30		
557	55753		35		
557	55754		40		
558	55850	15	18*	124,0	122,2
558	55851		25		
558	55852		30		
558	55853		35		
558	55854		40		
559	55950	17	18*	138,2	138,2
559	55951		25		
559	55952		30		
559	55953		35		
559	55954		40		
560	56050	18	18*	146,3	146,4
560	56051		25		
560	56052		30		
560	56053		35		
560	56054		40		
561	56150	19	18*	154,3	155,7
561	56151		25		
561	56152		30		
561	56153		35		
561	56154		40		
562	56250	21	18*	170,4	173,0
562	56251		25		
562	56252		30		
562	56253		35		
562	56254		40		
563	56350	23	18*	186,5	190,0
563	56351		25		
563	56352		30		
563	56353		35		
563	56354		40		
564	56450	25	18*	202,7	204,0
564	56451		25		
564	56452		30		
564	56453		35		
564	56454		40		

Materiale:	Material:	Materialien:
Poliammide	Polyamide	Polyamid
Viti: Acciaio inox	Screws: Stainless steel	Schrauben: Edelstahl
Dadi: ferro zincato	Nuts: zinc plated steel	Mutter: verzinkter Stahl
Flange: Acciaio inox	Guides: Stainless steel	Bordscheibe: Edelstahl

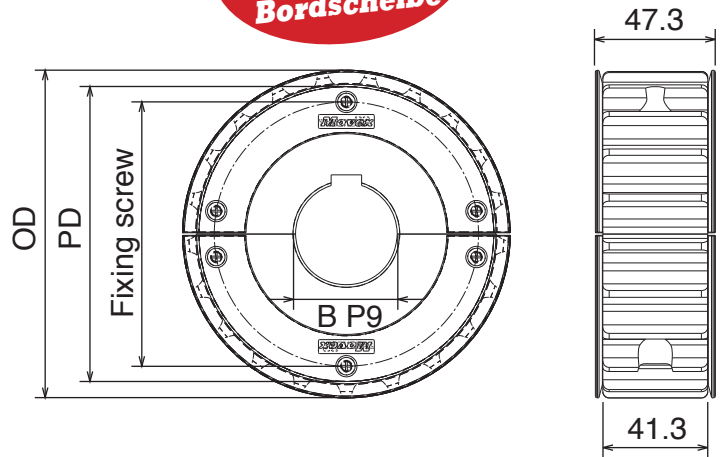
815

Ruota flangiata divisa, fresata / Split sprocket with guides, machined / Geteiltes Kettenrad mit Bordscheibe, gefräst

Part	Article-Nr.	Z-	Bore	PD	OD	Ø screw
503	50301G	21	25	129,3	129,0	104,0
503	50302G		30			
503	50303G		35			
503	50304G		40			
504	50401G	23	25	141,2	142,0	116,0
504	50402G		30			
504	50403G		35			
504	50404G		40			
505	50501G	25	25	153,2	154,0	128,0
505	50502G		30			
505	50503G		35			
505	50504G		40			



Anelli Inox
SS rings
Edelstahl
Bordscheibe



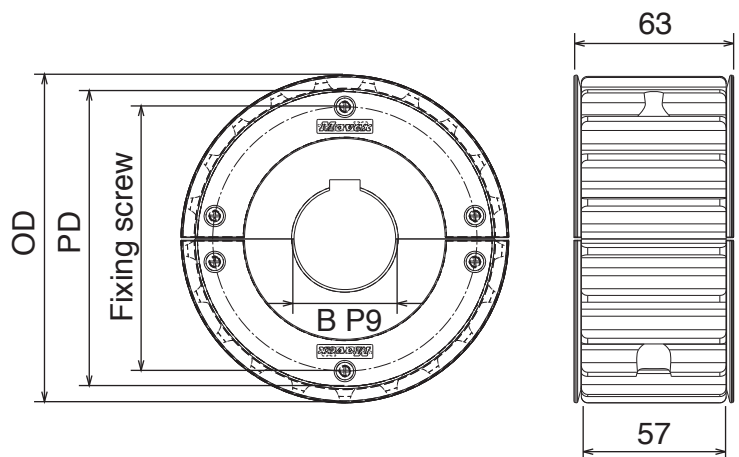
8157

Ruota flangiata divisa, fresata / Split sprocket with guides, machined / Geteiltes Kettenrad mit Bordscheibe, gefräst

Part	Article-Nr.	Z-	Bore	PD	OD	Ø screw
530	53001G	21	25	129,3	129,0	104,0
530	53002G		30			
530	53003G		35			
530	53004G		40			
531	53101G	23	25	141,2	142,0	116,0
531	53102G		30			
531	53103G		35			
531	53104G		40			
532	53201G	25	25	153,2	154,0	128,0
532	53202G		30			
532	53203G		35			
532	53204G		40			



Anelli Inox
SS rings
Edelstahl
Bordscheibe

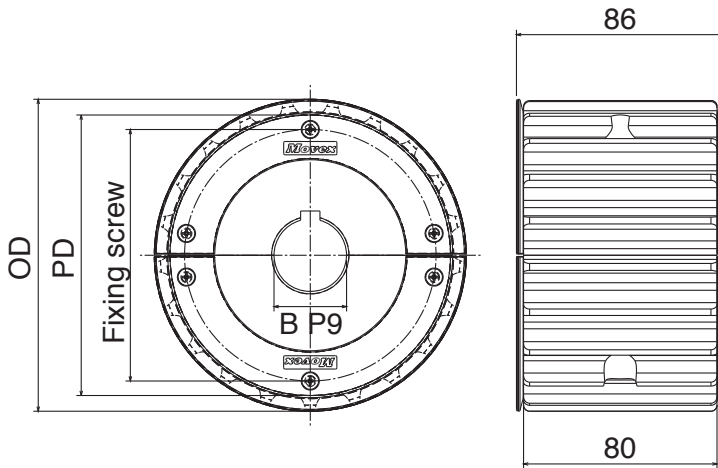


805-CC 600

Ruote Fresate
Machined Sprockets
Gefräste Kettenräder



**Anelli Inox
SS rings
Edelstahl
Bordscheibe**



805

Ruota flangiata divisa, fresata / Split sprocket with guides, machined / Geteiltes Kettenrad mit Bordscheibe, gefräst

Part	Article-Nr.	Z-	Bore	PD	OD	Ø screw
523	52301G	21	25	129,3	129,0	104,0
523	52302G		30			
523	52303G		35			
523	52304G		40			
524	52401G	23	25	141,2	142,0	116,0
524	52402G		30			
524	52403G		35			
524	52404G		40			
525	52501G	25	25	153,2	154,0	128,0
525	52502G		30			
525	52503G		35			
525	52504G		40			

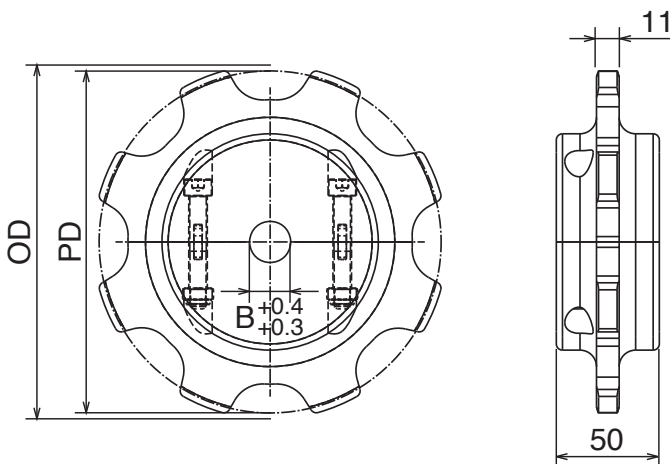


CC600

Ruota rinvio divisa, fresata / Split idler sprocket, machined / geteiltes Umlenkrad, gefräst

Part	Article-Nr.	Z-	Bore	PD	OD
565	56550	8	20	172,0	166,0
566	56650	10	20	215,0	205,0
567	56750	12	20	256,0	246,0
568	56850	14	20	297,0	286,0

For adequate quantities these sprockets can be delivered with finished bore.



chains idler wheels

Series 815



pag. 46

Series 815



pag. 46

Series 805



pag. 47

Series 821



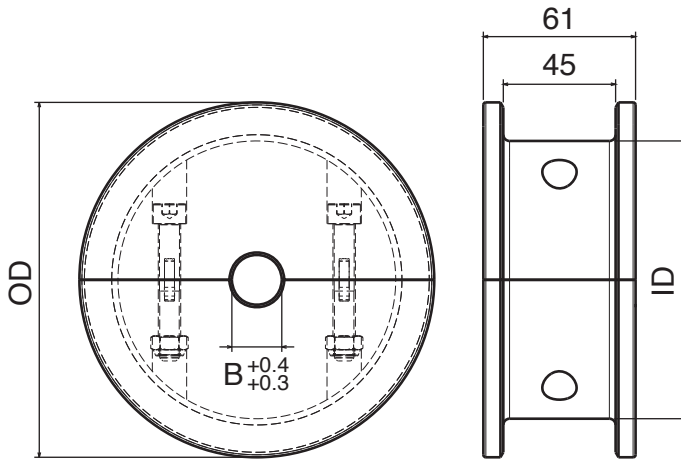
pag. 47

Series 881



pag. 48



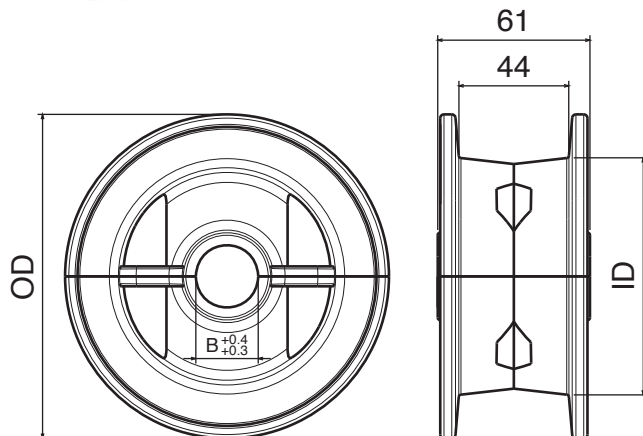


Suitable also for series
881M - 820 - 831 - 828
879/879M - 880/880M

Materiale:	Material:	Materialien:
Poliammide	Polyamide	Polyamid
Viti: Acciaio inox	Screws: Stainless steel	Schrauben: Edelstahl
Dadi: ferro zincato per fresate	Nuts: zinc plated steel for machined	Mutter: verzinkter Stahl für gefräste Version
Dadi: ottone nichelato per stampate	Nuts: nickel plated brass for molded	Mutter: Messing vernickelt für gespritzt Version

Ruota rinvio liscia, divisa, fresata / Split idler wheel, machined / geteilte Umlenkrolle, gefräst

Part	Article-Nr.	ecq.	Z-	Bore	OD	ID
601	60100	17	20	104,0	75,2	
601	60101			25		
601	60102			30		
601	60103			35		
601	60104			40		
602	60200	19	20	117,0	92,2	
602	60201			25		
602	60202			30		
602	60203			35		
602	60204			40		
603	60300	21	20	129,8	105,0	
603	60301			25		
603	60302			30		
603	60303			35		
603	60304			40		
604	60400	23	20	142,2	111,3	
604	60401			25		
604	60402			30		
604	60403			35		
604	60404			40		
605	60500	25	20	154,7	124,7	
605	60501			25		
605	60502			30		
605	60503			35		
605	60504			40		
606	60600	27	20	167,2	135,0	
606	60601			25		
606	60602			30		
606	60603			35		
606	60604			40		
607	60700	29	20	179,3	140,0	
607	60701			25		
607	60702			30		
607	60703			35		
607	60704			40		



Ruota rinvio liscia, divisa, stampata / Split idler wheel, molded / geteilte Umlenkrolle, gespritzt

Part	Article-Nr.	ecq.	Z-	Bore	OD	ID
608	60801	21	25	129,8	94,8	
608	60802			30		
608	60803			35		
608	60804			40		
609	60901	23	25	142,2	99,3	
609	60902			30		
609	60903			35		
609	60904			40		
610	61001	25	25	154,7	102,0	
610	61002			30		
610	61003			35		
610	61004			40		

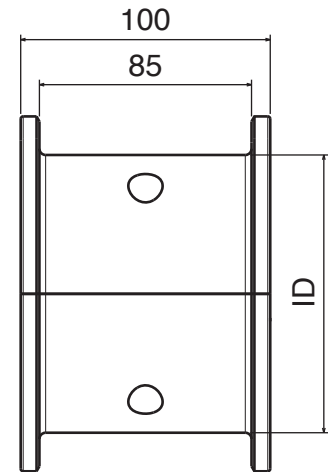
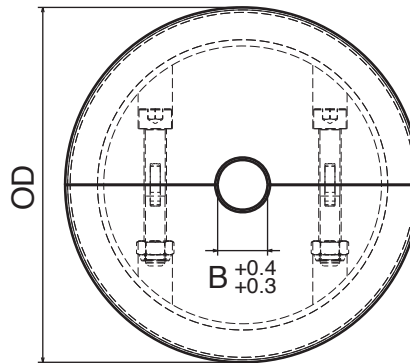
Suitable also for series
881M - 820 - 831 - 828
879/879M - 880/880M

Materiale:	Material:	Materialien:
Poliammide	Polyamide	Polyamid
Viti: Acciaio inox	Screws: Stainless steel	Schrauben: Edelstahl
Dadi: ferro zincato	Nuts: zinc plated steel	Mutter: verzinkter Stahl

805

Ruota rinvio liscia, divisa, fresata / Split idler wheel, machined / geteilte Umlenkrolle, gefräst

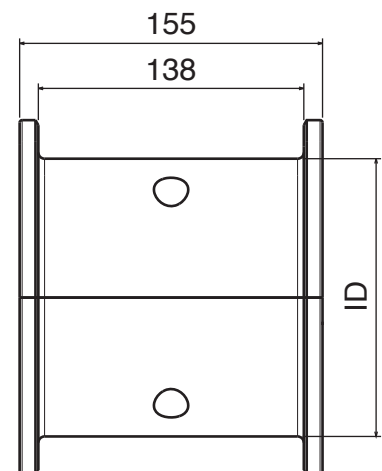
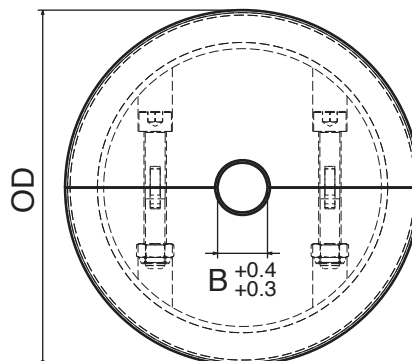
Part	Article-Nr.	ecq.	Z-	Bore	OD	ID
611	61100	17		20	104,0	75,2
611	61101			25		
611	61102			30		
611	61103			35		
611	61104			40		
612	61200	19		20	117,0	92,2
612	61201			25		
612	61202			30		
612	61203			35		
612	61204			40		
613	61300	21		20	129,8	105,0
613	61301			25		
613	61302			30		
613	61303			35		
613	61304			40		
614	61400	23		20	142,2	111,3
614	61401			25		
614	61402			30		
614	61403			35		
614	61404			40		
615	61500	25		20	154,7	124,7
615	61501			25		
615	61502			30		
615	61503			35		
615	61504			40		
616	61600	27		20	167,2	135,0
616	61601			25		
616	61602			30		
616	61603			35		
616	61604			40		
617	61700	29		20	179,3	140,0
617	61701			25		
617	61702			30		
617	61703			35		
617	61704			40		



821

Ruota rinvio liscia, divisa, fresata / Split idler wheel, machined / geteilte Umlenkrolle, gefräst

Part	Article-Nr.	ecq.	Z-	Bore	OD	ID
625	62500	19		20	117,0	92,2
625	62501			25		
625	62502			30		
625	62503			35		
625	62504			40		
626	62600	21		20	129,8	105,0
626	62601			25		
626	62602			30		
626	62603			35		
626	62604			40		
627	62700	23		20	142,2	111,3
627	62701			25		
627	62702			30		
627	62703			35		
627	62704			40		
628	62800	25		20	154,7	124,7
628	62801			25		
628	62802			30		
628	62803			35		
628	62804			40		

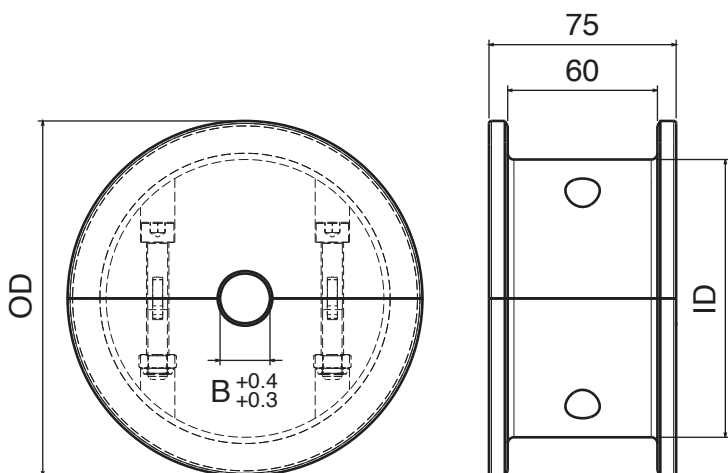


881 Tab

Ruote Rinvio Fresate
Machined Idler Wheels
Gefräste Umlenkrolle



Ruota rinvio liscia, divisa, fresata / Split idler wheel, machined / geteilte Umlenkrolle, gefräst



Suitable also for series
882M - 8257

Materiale:	Material:	Materialien:
Poliammide	Polyamide	Polyamid
Viti: Acciaio inox	Screws: Stainless steel	Schrauben: Edelstahl
Dadi: ferro zincato	Nuts: zinc plated steel	Mutter: verzinkter Stahl

Part	Article-Nr.	ecq.	Z-	Bore	OD	ID
618	61800	17	20	104,0	75,2	
618	61801			25		
618	61802			30		
618	61803			35		
618	61804			40		
619	61900	19	20	117,0	92,2	
619	61901			25		
619	61902			30		
619	61903			35		
619	61904			40		
620	62000	21	20	129,8	105,0	
620	62001			25		
620	62002			30		
620	62003			35		
620	62004			40		
621	62100	23	20	142,2	111,3	
621	62101			25		
621	62102			30		
621	62103			35		
621	62104			40		
622	62200	25	20	154,7	124,7	
622	62201			25		
622	62202			30		
622	62203			35		
622	62204			40		
623	62300	27	20	167,2	135,0	
623	62301			25		
623	62302			30		
623	62303			35		
623	62304			40		
624	62400	29	20	179,3	140,0	
624	62401			25		
624	62402			30		
624	62403			35		
624	62404			40		

Curve

Tipologia di curve 1) Magnetiche - 2) Tab - 3) Bevel

Caratteristiche delle curve magnetiche La curva magnetica rappresenta il sistema più efficace ed affidabile per trasportatori con catene a cerniera. Le nostre curve magnetiche sono prodotte da lastre di UHMW-PE di elevata qualità con magneti permanenti alloggiati all'interno della lastra. I magneti mantengono la catena nella via tracciata in curva garantendo la planarità della superficie di trasporto della catena, migliorando la stabilità del prodotto trasportato.

Vantaggi - Igiene: La catena sulla via di scorrimento in curva può essere facilmente sollevata per consentire più facilmente pulizia e manutenzione.

Intercambiabilità: Catene in plastica e in acciaio possono essere utilizzate sulle nostre curve semplificando progetto/realizzazione del trasportatore e consentendo di ridurre scorte di ricambi a magazzino. **Materiali:** La parte superiore delle nostre curve è ottenuta da UHMW-PE di elevata qualità che consente una più lunga durata di catene e delle stesse curve. **Attrito:** I magneti vengono accuratamente selezionati e posizionati per garantire il campo magnetico più idoneo al mantenimento della catena nella sede. Un campo magnetico troppo elevato aumenta l'attrito e riduce la durata di curva e catena.

Corner Tracks

Types of Corner Track 1) Magnetic - 2) Tab - 3) Bevel

Characteristics of Magnetic Corner Tracks The magnetic corner track is the most effective and reliable system for the table top conveyor design. Our magnetic corner tracks are made of high quality UHMW - PE with permanent magnets embedded in the curve. The magnets hold the chain on the corner track and this provides a flat carrying surface for the chain; thus, improving product stability and support for the conveyor.

Benefits - Hygiene: Chains on the magnetic corner tracks can be easily lifted such that it is easier for cleaning and maintenance. **Inter-changeable:** Plastic and S.S. chains can be used on the curve thus reducing inventory and simpler conveyor design. **Materials:** The upper track of the corner tracks uses high quality UHMW-PE which gives a longer wear life for both the chain and the curve. **Frictional force:** Magnets are carefully selected and positioned to provide the correct magnetic field which is just sufficient to keep the chain down. Too high a magnetic force will increase the frictional force and reduces wear life of both chains and curve.

Kurvenführungen

Typen 1) Magnet - 2) TAB - 3) Schwalbenschanz

Charakteristik der Magnet-Kurvenführung Die Magnet-Kurvenführung ist das effektivste und bewährteste System für Transporteure mit Scharnierbandketten. Unsere Magnetkurven sind aus hochwertigem UHMW-PE mit permanenten in die Führung eingebetteten Magneten ausgeführt. Die Magnete halten die Scharnierbandkette in der Führung und dies resultiert in einem ruhigen Lauf der Kette, damit wird eine bessere Produktstabilität erreicht.

Vorteile - Hygiene: zur Reinigung können die Scharnierband-Ketten einfach, ohne großen Aufwand, aus der Führung herausgenommen werden. Dies erspart Zeit und verkürzt die Standzeiten. **Versatilität:** Kunststoff- als auch Edelstahl-Scharnierband-Ketten können mit dieser Kurvenführung verwendet werden, dies vereinfacht die Konstruktion des Transporteurs und reduziert die Lagerhaltung. **Materialien:** Das Oberteil der Magnetkurve ist aus hochwertigem UHMW-PE gefertigt und bietet eine längere Standzeit nicht nur für die Führung sondern auch für die Scharnierbandkette. **Reibung:** Die Magnete sind so angeordnet und ausgewählt um ein homogenes und konstantes Magnetfeld zu erzeugen um ein ruhiges und rückenfreies Laufen der Kette zu gewährleisten.

tab & magnetic corner tracks

Curve Magnetiche Magnetic Curves Magnet Kurven

Movex-RS 
High Performance Tracks

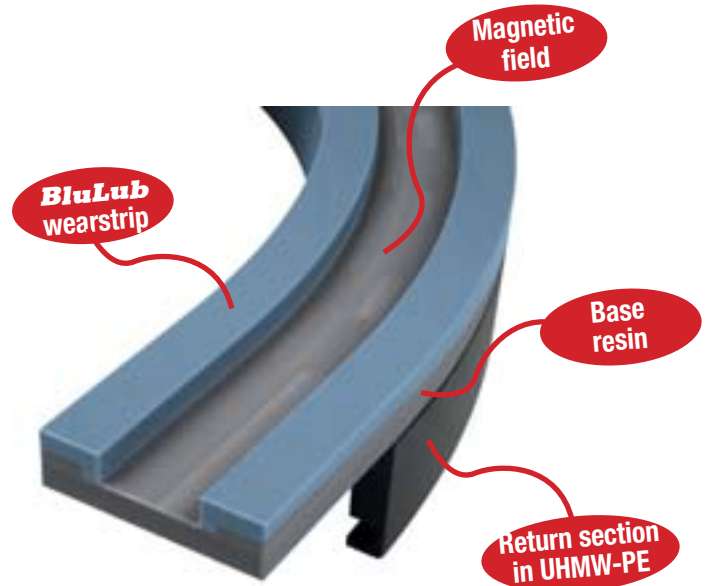
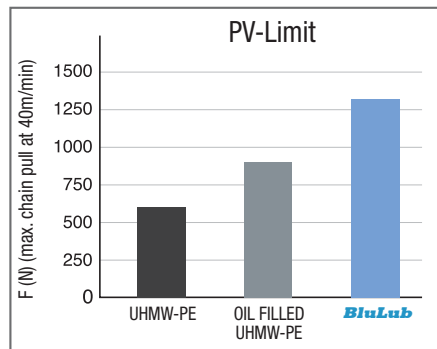
Movex presenta la nuova curva magnetica **RS** in grado di offrire sensibili miglioramenti in campo applicativo. Il nuovo prodotto è dotato di guide di scorrimento in **BluLub**, un materiale innovativo ad alte prestazioni, additivato con lubrificanti solidi e particolarmente indicato per applicazioni con limitate lubrificazioni o completamente a secco. Le curve magnetiche dotate di inserti in **BluLub** impiegano meno energia, riducono il PV-limite ed il basso coefficiente d'attrito aumenta la stabilità del prodotto nonché la vita operativa di catene e tappeti modulari. Le nuove curve **RS** sono perfettamente intercambiabili con le versioni tradizionali a catalogo.

Movex introduces a new magnetic curve **RS** in order to offer greater conveyor performance. The new product is equipped with wear-strips in **BluLub**, an innovative high-tech material with solid lubricants. **BluLub** contributes to improved PV-properties, compared to standard UHMW-PE curves, especially in applications with limited lubrication, higher speeds and/or higher loads. Curves **RS**, equipped with **BluLub** inserts, need less energy and with the lower coefficient of friction, improve the product stability and wear-life of chains and belts. The new **RS** curves are perfectly interchangeable with the traditional versions in the catalog.

Movex präsentiert die neue Magnetkurve **RS**. Diese bietet eine bessere Performance. Unser neues Produkt hat integrierte Leisten aus **BluLub**, ein innovatives Material für hohe Anforderungen. **BluLub** trägt, im Vergleich zu Standard UHMWPE, dazu bei den PV-Limit zu verbessern. Besonders bei Anwendungen mit verminderter Schmierung, hohen Geschwindigkeiten und/oder hoher Belastung kann die Verwendung von **BluLub** Material eine Lösung sein. Ein weiterer Vorteil unserer Magnetkurven **RS** ist die Verringerung des Energieverbrauchs durch Minimierung der Reibwerte gegenüber Standardkurven. Die extrem niedrige Friktion erhöht die Stabilität des zu transportierenden Produktes und verlängert die Standzeit der Scharnierbandketten/Mattenketten. Unsere Magnetkurve **RS** ist mit allen gängigen Standardkurven aus unserem Katalog kompatibel.

Advantages:

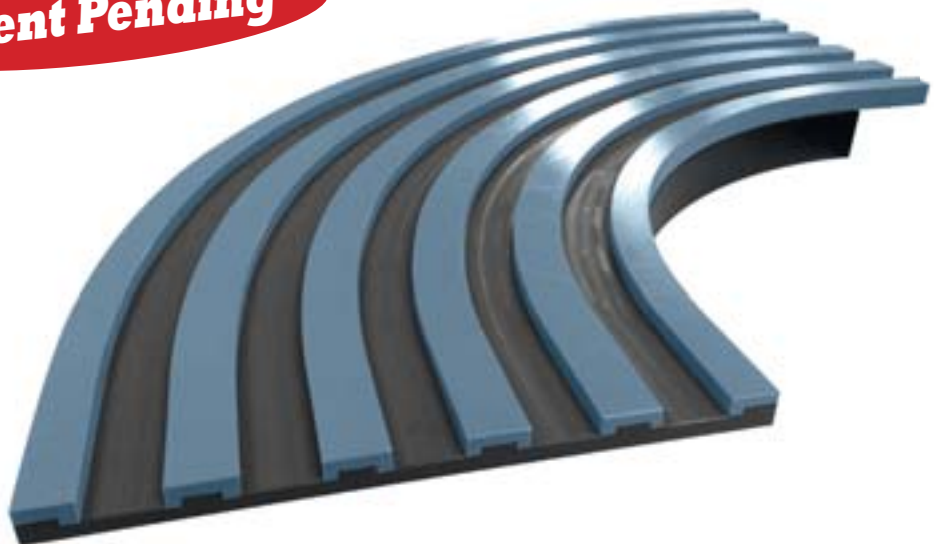
- **Low Noise**
- **Lower Friction**
- **Lower Wear**
- **Less Energy**



Patent Pending

Available Versions

M6	pag. 52
M7	pag. 53
M10	pag. 54
M8	pag. 56
M42	pag. 57
M9	pag. 58



Curve magnetiche / Magnetic curves / Magnet Kurven

Series 880-881 Rm500



pag. 52

Series 880-881 Rm500



pag. 53

Series 880-881 Rm500



pag. 54

Series 880-881 Rm500



pag. 55

Series 880-881 Rm750



pag. 56

Series 880-881 Rm750



pag. 57

Series 880-881 Rm750



pag. 58

Series 880-881 Rm860



pag. 59

Series 880-881 K450 - Rm500



pag. 60

Series 880-881 K450 - Rm610



pag. 61

Series 880-881 K750 - Rm610



pag. 62

Series 880-881 K750 - Rm860/750/1000



pag. 63

Series 882-8857 K750 - Rm610



pag. 64

Series 882-8857 K750 - Rm750



pag. 65

Series 882-8857 K750 - Rm860



pag. 66

Series 882-8857 K750 - Rm1000



pag. 67

Series 882-8857 K1000 - Rm860



pag. 68

Series 882-8857 K1200 - Rm860



pag. 69

Series LBP 882 K750 - Rm860



pag. 70

Series LBP 882 K1000 - Rm860



pag. 71

Series LBP 882 K1200 - Rm860



pag. 72

Series 250M-260M



pag. 73

Series 251M



pag. 74

Curve Tab / Tab curves / Tab Kurven

Series 880-881 K325 - K450 - K750



pag. 75

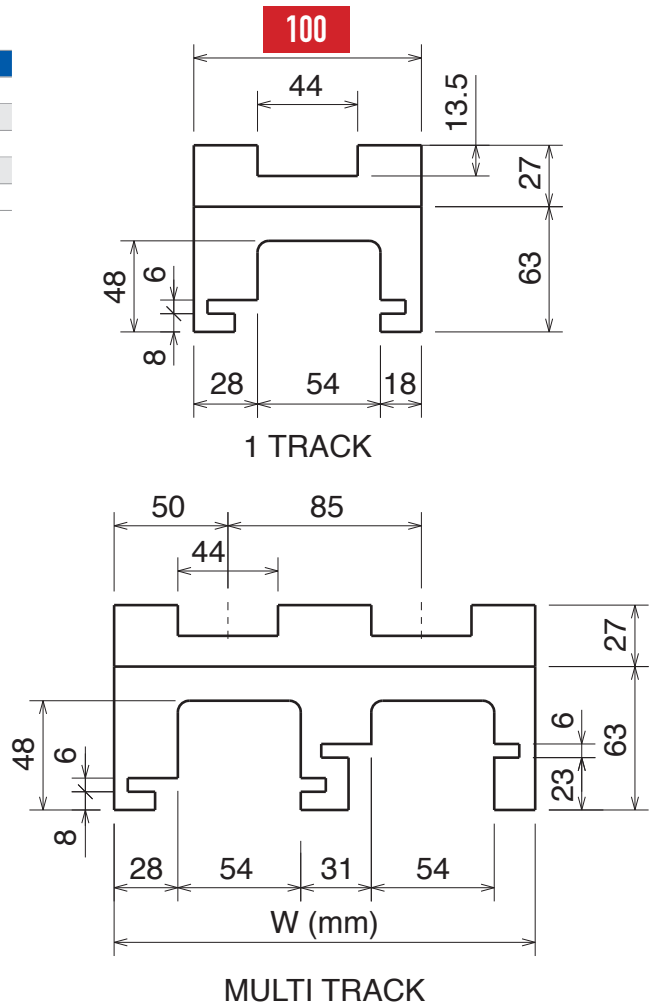
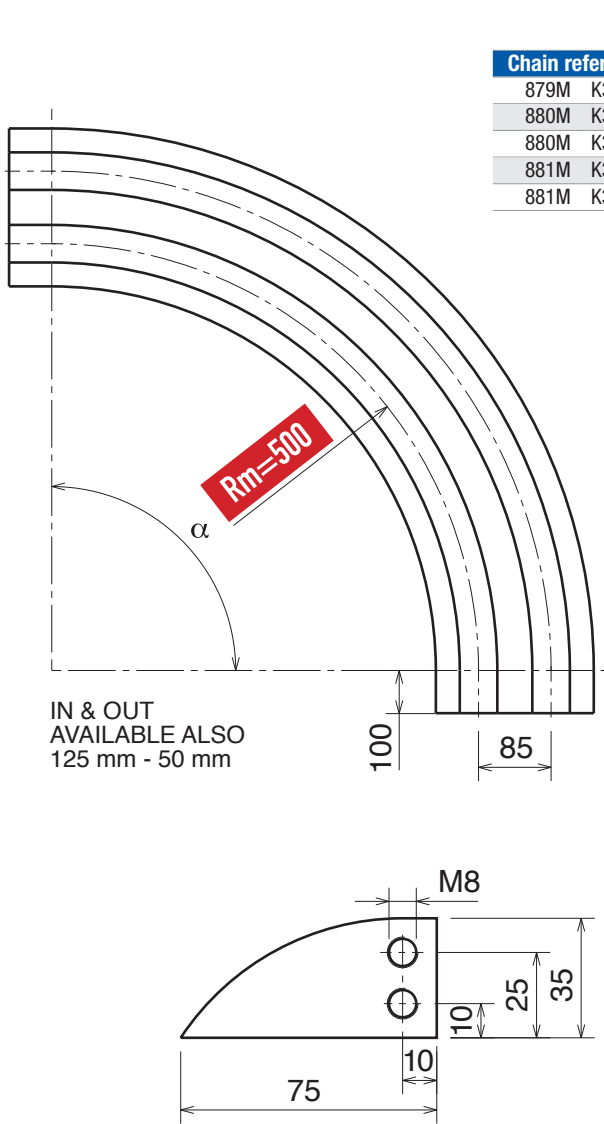
Series 882 K750 - K1000 - K1200



pag. 76

tab & magnetic corner tracks

Curva Larghezza Base = 100 mm; Passo = 85 mm / Curve Basic Width = 100 mm; Pitch = 85 mm / Kurve Basisbreite = 100 mm; Teilung = 85 mm



Magnetic System



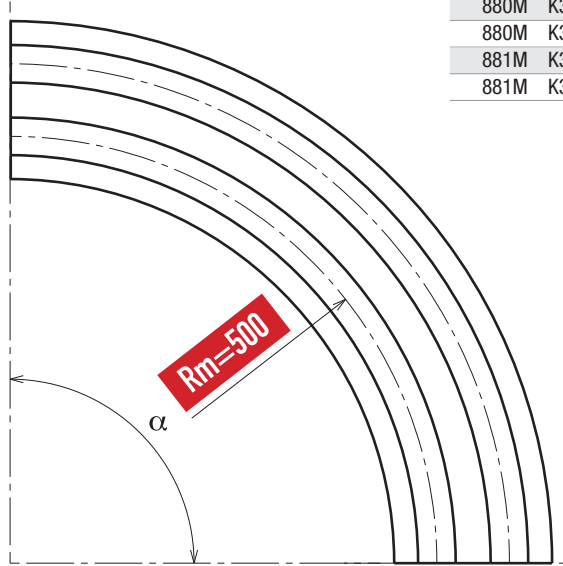
Part	α 15°	α 30°	α 45°	α 60°	α 75°	α 90°	Tracks	W
701	70111114	70111214	70111314	70111414	70111514	70111614	1	100
701	70111124	70111224	70111324	70111424	70111524	70111624	2	185
701	70111134	70111234	70111334	70111434	70111534	70111634	3	270
701	70111144	70111244	70111344	70111444	70111544	70111644	4	355
701	70111154	70111254	70111354	70111454	70111554	70111654	5	440
701	70111164	70111264	70111364	70111464	70111564	70111664	6	525
701	70111174	70111274	70111374	70111474	70111574	70111674	7	610
701	70111184	70111284	70111384	70111484	70111584	70111684	8	695

Upper part available, on request, also in **BluLub**  and for abrasive applications.

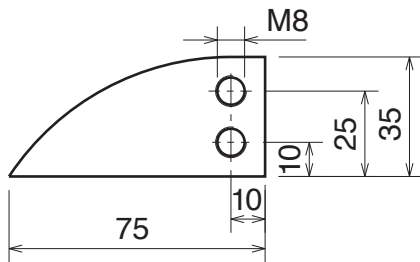


Materiale: Polietilene UHMW-PE
Material: Polyethylene UHMW-PE
Materialien: Polyäthylen UHMW-PE

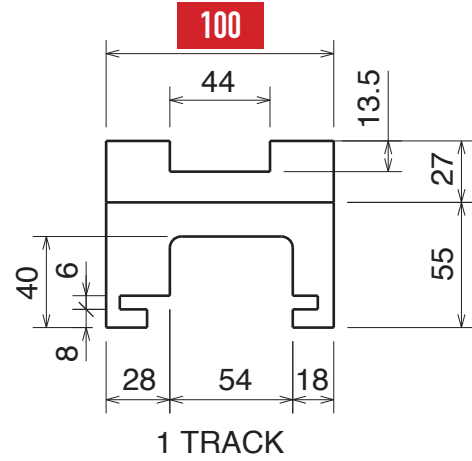
Curva Larghezza Base = 100 mm; Passo = 85 mm / Curve Basic Width = 100 mm; Pitch = 85 mm / Kurve Basisbreite = 100 mm; Teilung = 85 mm



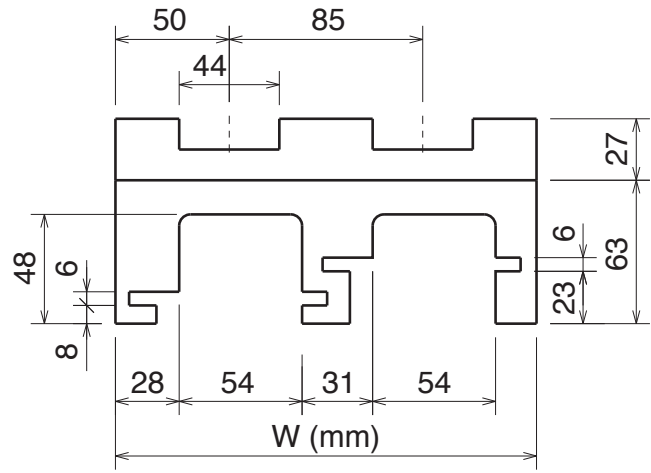
IN & OUT AVAILABLE ALSO 125 mm - 50 mm



Chain reference	
879M	K325
880M	K325
880M	K330
881M	K325
881M	K330



1 TRACK



MULTI TRACK

Magnetic System



Part	α 15°	α 30°	α 45°	α 60°	α 75°	α 90°	Tracks	W
701	70111110	70111210	70111310	70111410	70111510	70111610	1	100
701	70111120	70111220	70111320	70111420	70111520	70111620	2	185
701	70111130	70111230	70111330	70111430	70111530	70111630	3	270
701	70111140	70111240	70111340	70111440	70111540	70111640	4	355
701	70111150	70111250	70111350	70111450	70111550	70111650	5	440
701	70111160	70111260	70111360	70111460	70111560	70111660	6	525
701	70111170	70111270	70111370	70111470	70111570	70111670	7	610
701	70111180	70111280	70111380	70111480	70111580	70111680	8	695

Upper part available, on request, also in **BluLub**  and for abrasive applications.



standard codes on table



add "B" for BluLub 

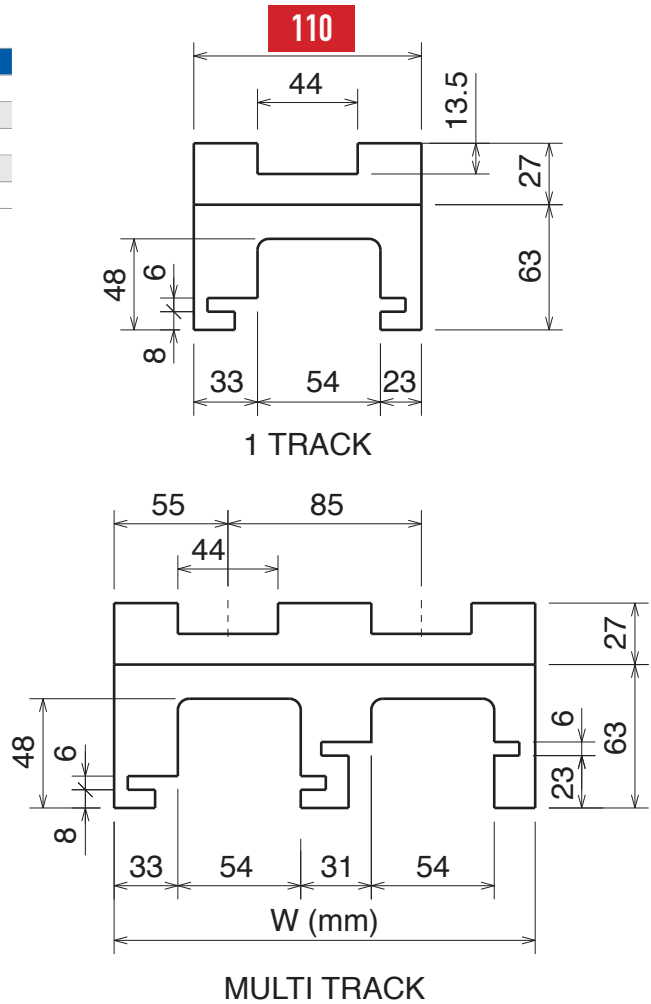
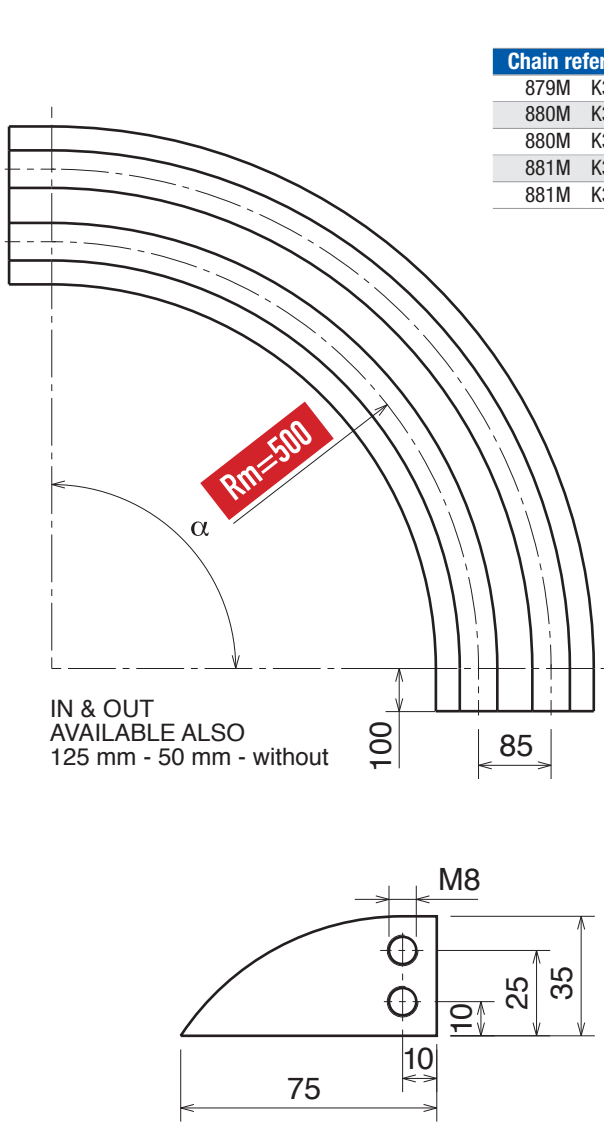


add "C" for abrasive applications



add "RS" for **RS** 

Curva Larghezza Base = 110 mm; Passo = 85 mm / Curve Basic Width = 110 mm; Pitch = 85 mm / Kurve Basisbreite = 110 mm; Teilung = 85 mm



Magnetic System



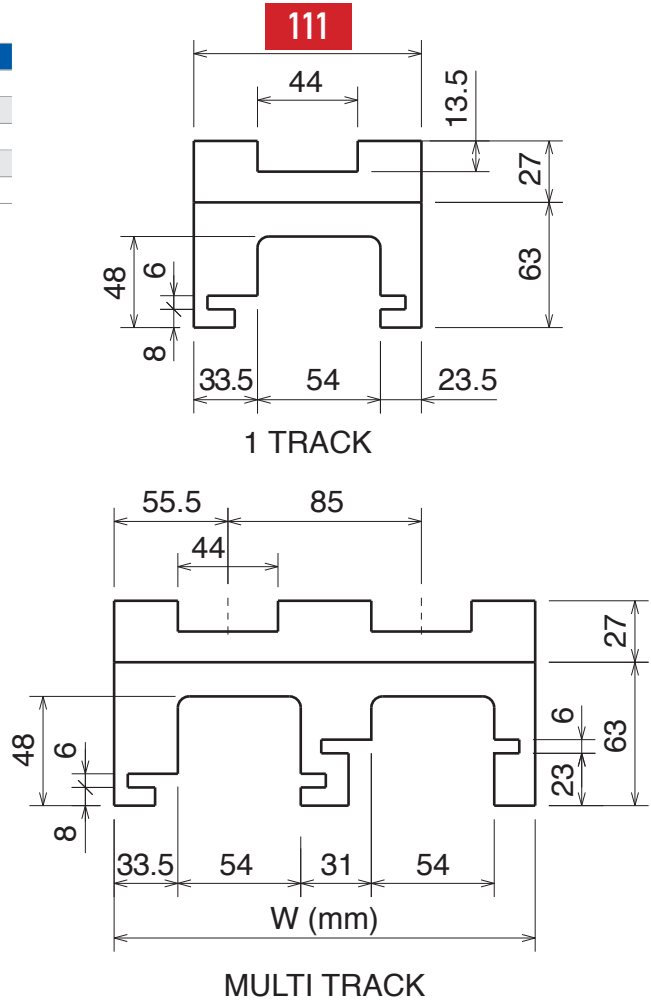
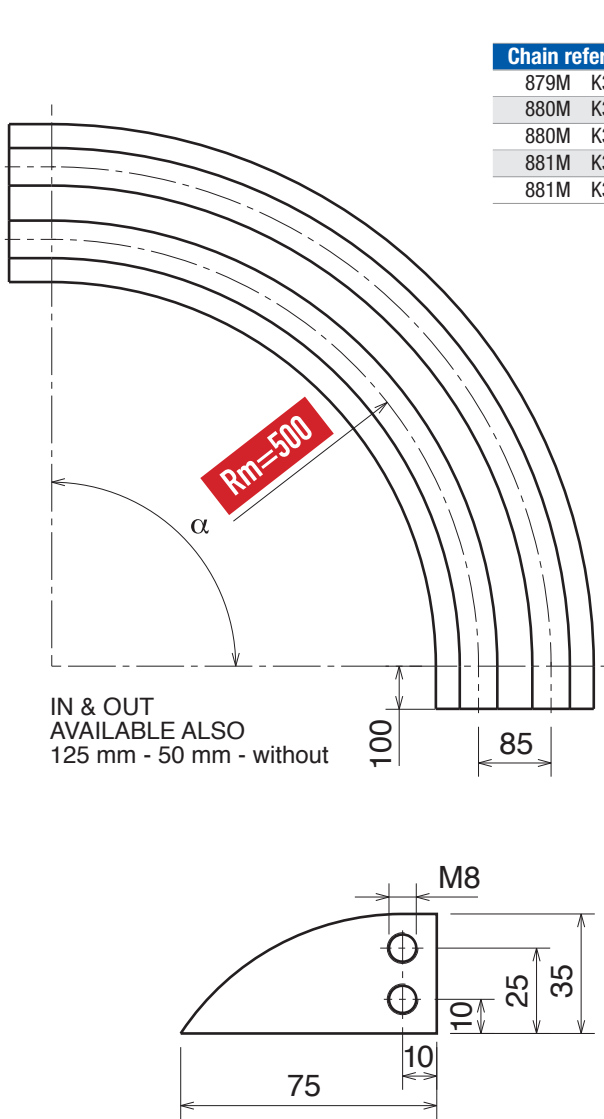
Part	α 15°	α 30°	α 45°	α 60°	α 75°	α 90°	Tracks	W
711	71111114	71111214	71111314	71111414	71111514	71111614	1	110
711	71111124	71111224	71111324	71111424	71111524	71111624	2	195
711	71111134	71111234	71111334	71111434	71111534	71111634	3	280
711	71111144	71111244	71111344	71111444	71111544	71111644	4	365
711	71111154	71111254	71111354	71111454	71111554	71111654	5	450
711	71111164	71111264	71111364	71111464	71111564	71111664	6	535
711	71111174	71111274	71111374	71111474	71111574	71111674	7	620
711	71111184	71111284	71111384	71111484	71111584	71111684	8	705

Upper part available, on request, also in **BluLub**  and for abrasive applications.



Materiale: Polietilene UHMW-PE
Material: Polyethylene UHMW-PE
Materialien: Polyäthylen UHMW-PE

Curva Larghezza Base = 111 mm; Passo = 85 mm / Curve Basic Width = 111 mm; Pitch = 85 mm / Kurve Basisbreite = 111 mm; Teilung = 85 mm



Magnetic System



Part	$\alpha 15^\circ$	$\alpha 30^\circ$	$\alpha 45^\circ$	$\alpha 60^\circ$	$\alpha 75^\circ$	$\alpha 90^\circ$	Tracks	W
712	71211114	71211214	71211314	71211414	71211514	71211614	1	111
712	71211124	71211224	71211324	71211424	71211524	71211624	2	196
712	71211134	71211234	71211334	71211434	71211534	71211634	3	281
712	71211144	71211244	71211344	71211444	71211544	71211644	4	366
712	71211154	71211254	71211354	71211454	71211554	71211654	5	451
712	71211164	71211264	71211364	71211464	71211564	71211664	6	536
712	71211174	71211274	71211374	71211474	71211574	71211674	7	621
712	71211184	71211284	71211384	71211484	71211584	71211684	8	706

Upper part available, on request, also in **BluLub**  and for abrasive applications.



standard codes on table

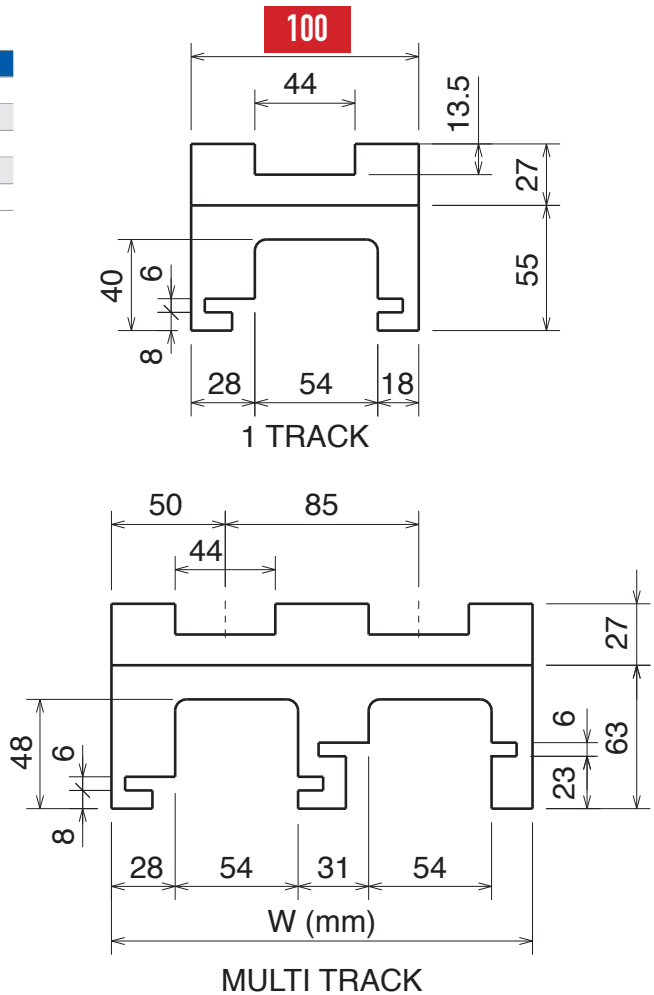
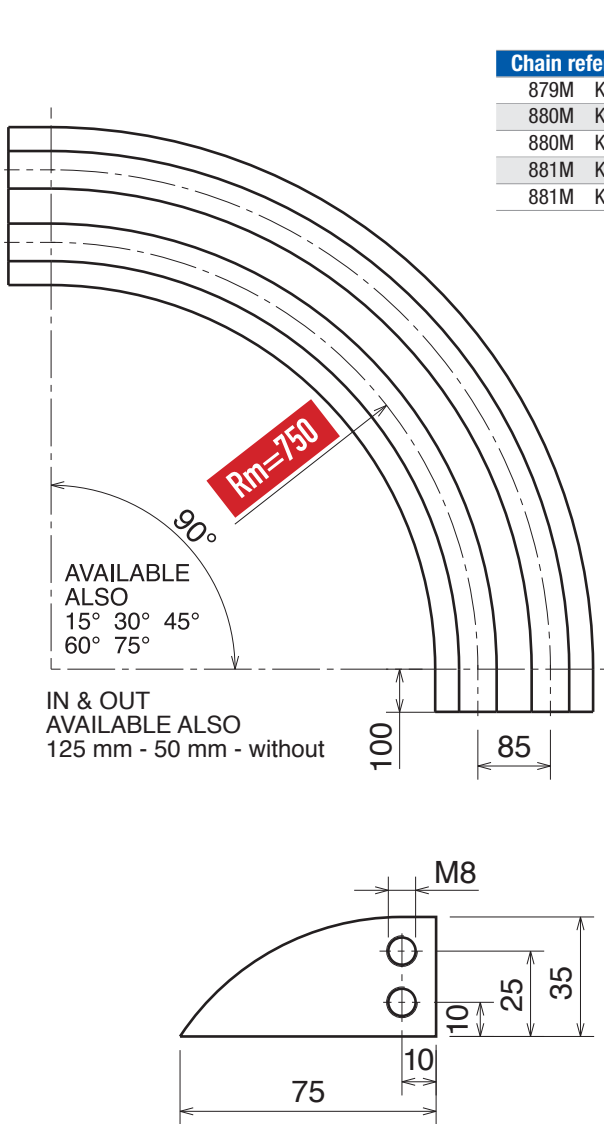


add "B" for BluLub 



add "C" for abrasive applications

Curva Larghezza Base = 100 mm; Passo = 85 mm / Curve Basic Width = 100 mm; Pitch = 85 mm / Kurve Basisbreite = 100 mm; Teilung = 85 mm



Magnetic System

Part	Article-Nr.	Tracks	W
702	70216614	1	100
702	70216624	2	185
702	70216634	3	270
702	70216644	4	355
702	70216654	5	440
702	70216664	6	525
702	70216674	7	610
702	70216684	8	695



Upper part available, on request,
also in **BluLub** 
Movex Enhanced-Performance UHMW-PE
and for abrasive applications.



standard codes
on table



add "B" for
BluLub 
Movex Enhanced-Performance UHMW-PE



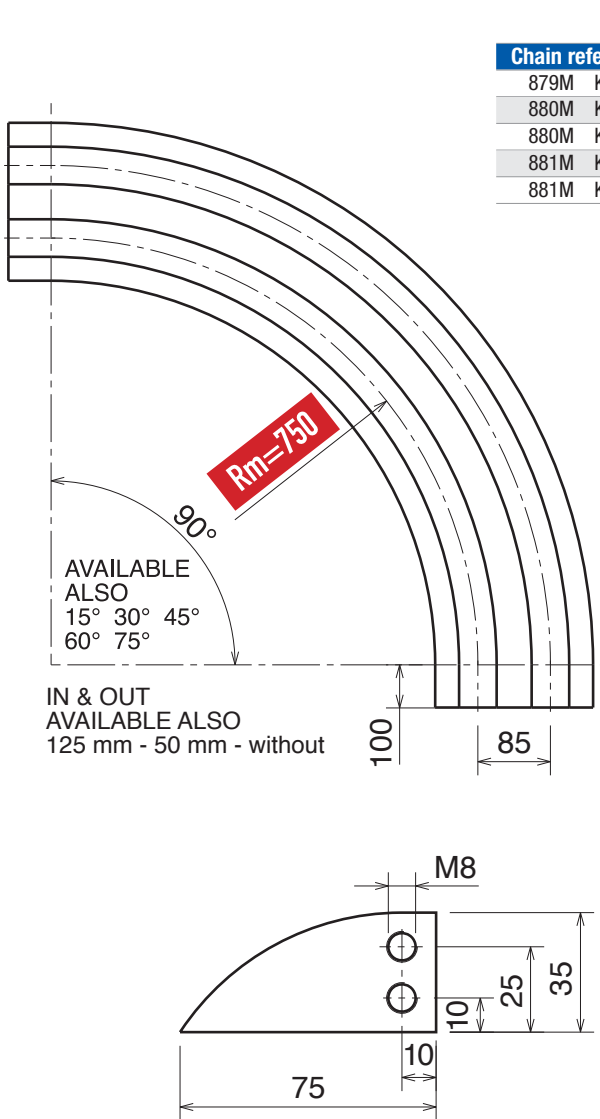
add "C"
for abrasive
applications



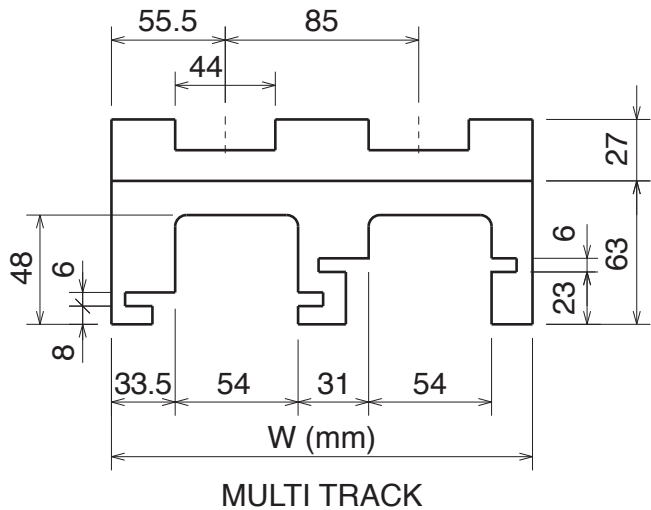
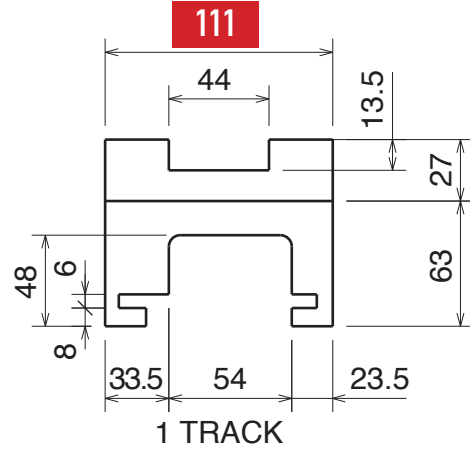
add "RS" for
RS 

Materiale: Polietilene UHMW-PE
Material: Polyethylene UHMW-PE
Materialien: Polyäthylen UHMW-PE

Curva Larghezza Base = 111 mm; Passo = 85 mm / Curve Basic Width = 111 mm; Pitch = 85 mm / Kurve Basisbreite = 111 mm; Teilung = 85 mm



Chain reference	
879M	K325
880M	K325
880M	K330
881M	K325
881M	K330



□□□ Magnetic System



Upper part available, on request, also in **BluLub** □□□
Movex Enhanced-Performance UHMW-PE
 and for abrasive applications.



standard codes on table

add "B" for BluLub

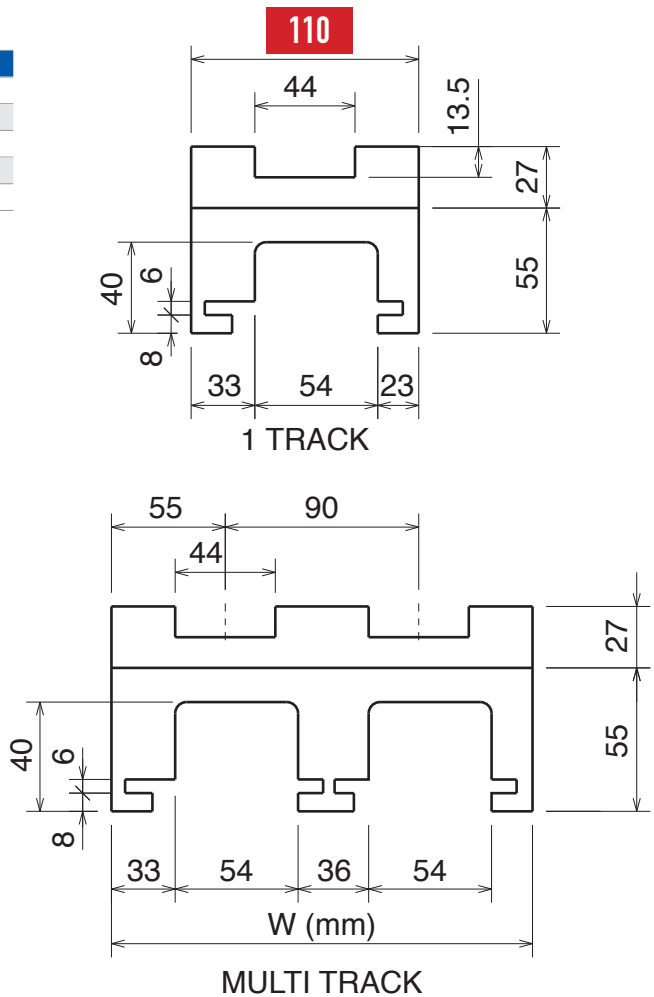
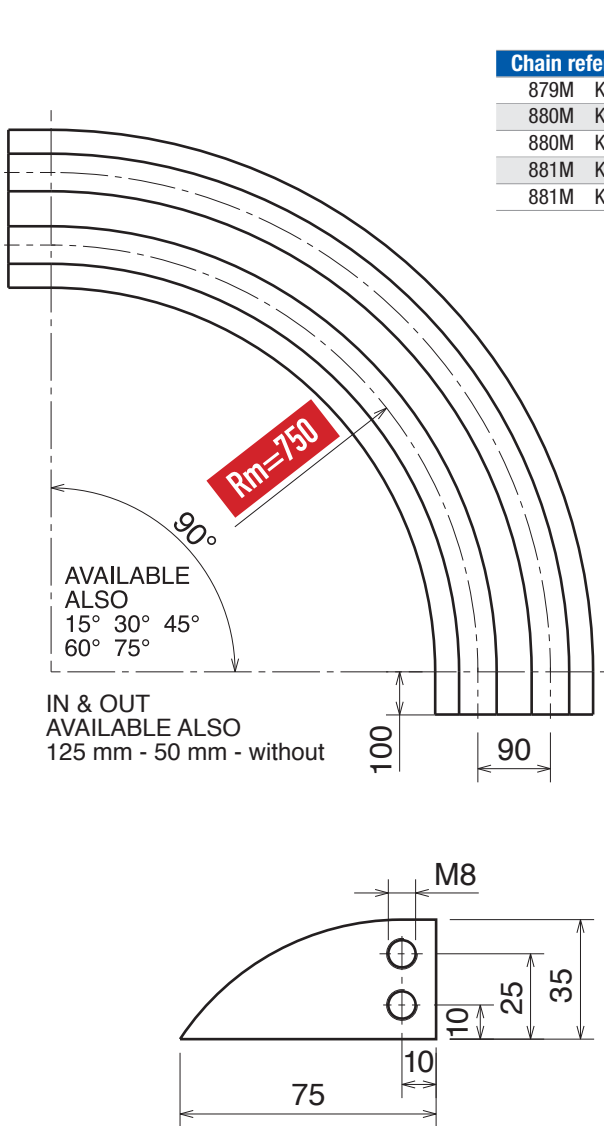
add "C" for abrasive applications



add "RS" for RS

Part	Article-Nr.	Tracks	W
713	71316614	1	111
713	71316624	2	196
713	71316634	3	281
713	71316644	4	366
713	71316654	5	451
713	71316664	6	536
713	71316674	7	621
713	71316684	8	706

Curva Larghezza Base = 110 mm; Passo = 90 mm / Curve Basic Width = 110 mm; Pitch = 90 mm / Kurve Basisbreite = 110 mm; Teilung = 90 mm



Magnetic System

Part	Article-Nr.	Tracks	W
714	71416614	1	110
714	71416624	2	200
714	71416634	3	290
714	71416644	4	380
714	71416654	5	470
714	71416664	6	560
714	71416674	7	650
714	71416684	8	740



Upper part available, on request,
also in **BluLub** 
Movex Enhanced-Performance UHMW-PE
and for abrasive applications.



standard codes
on table



add "B" for
BluLub 
Movex Enhanced-Performance UHMW-PE



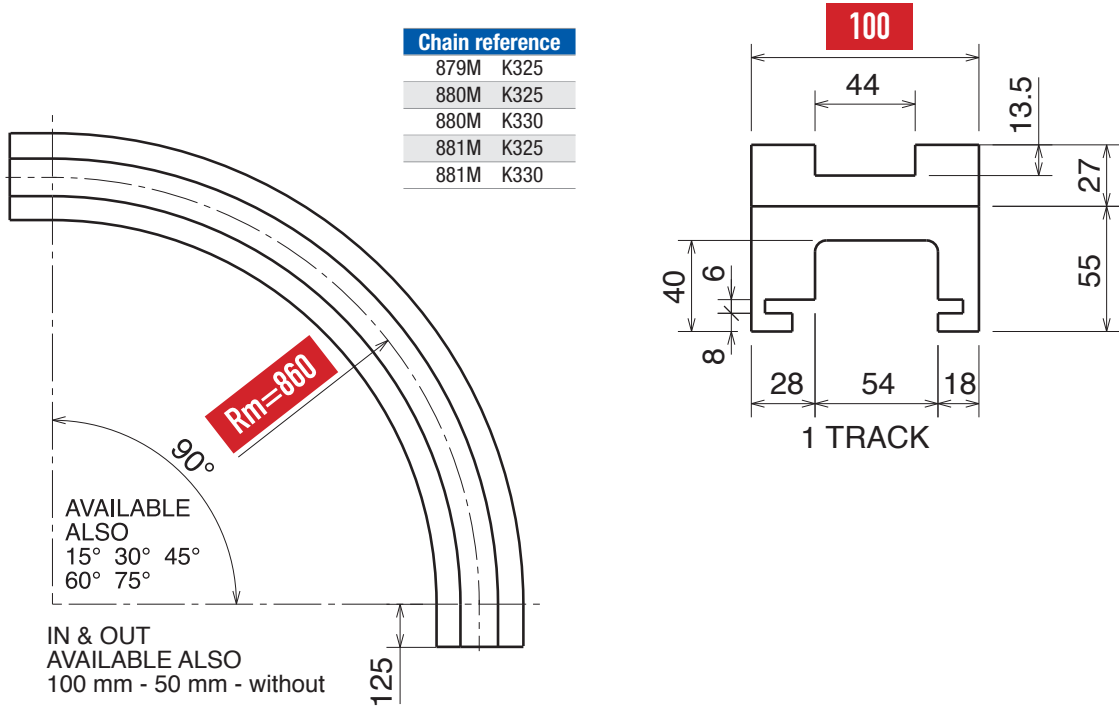
add "C"
for abrasive
applications



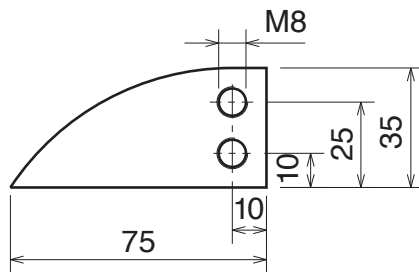
add "RS" for
RS 

Materiale:	Material:	Materialien:
Polietilene UHMW-PE	Polyethylene UHMW-PE	Polyäthylen UHMW-PE

Curva Larghezza Base = 100 mm; Passo = 85 mm / Curve Basic Width = 100 mm; Pitch = 85 mm / Kurve Basisbreite = 100 mm; Teilung = 85 mm



Chain reference	
879M	K325
880M	K325
880M	K330
881M	K325
881M	K330



□□□ Magnetic System

Part	Article-Nr.	Tracks	W
703	70318615	1	100



Upper part available, on request, also in **BluLub** Movex Enhanced-Performance UHMW-PE and for abrasive applications.

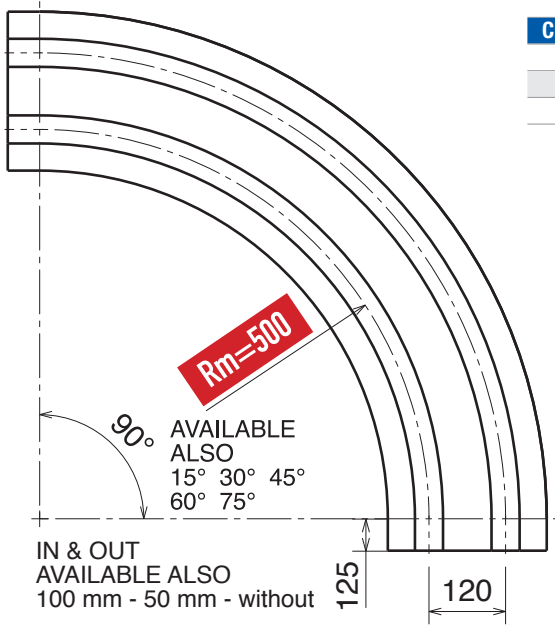


standard codes on table

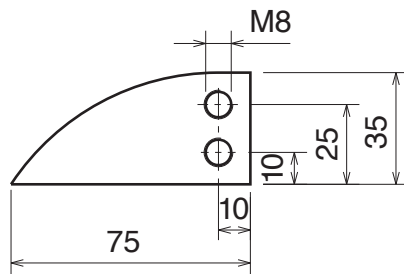
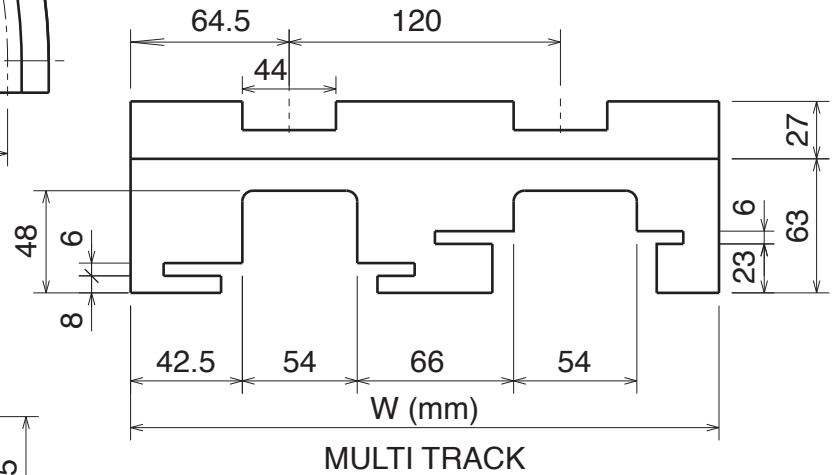
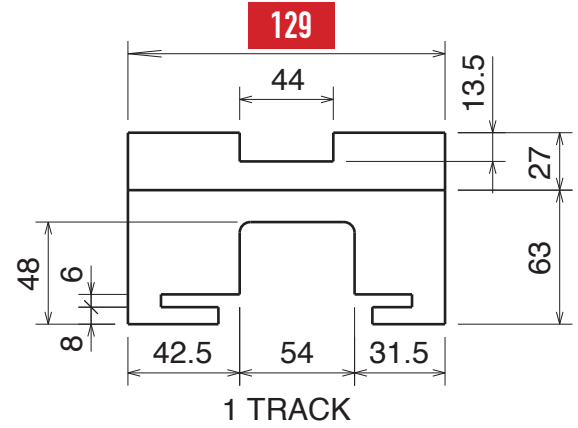
add "B" for BluLub

add "C" for abrasive applications

Curva Larghezza Base = 129 mm; Passo = 120 mm / Curve Basic Width = 129 mm; Pitch = 120 mm / Kurve Basisbreite = 129 mm; Teilung = 120 mm



Chain reference	
879M	K450
880M	K450
881M	K450



Magnetic System

Part	Article-Nr.	Tracks	W
715	71511615	1	129
715	71511625	2	249
715	71511635	3	369
715	71511645	4	489
715	71511655	5	609

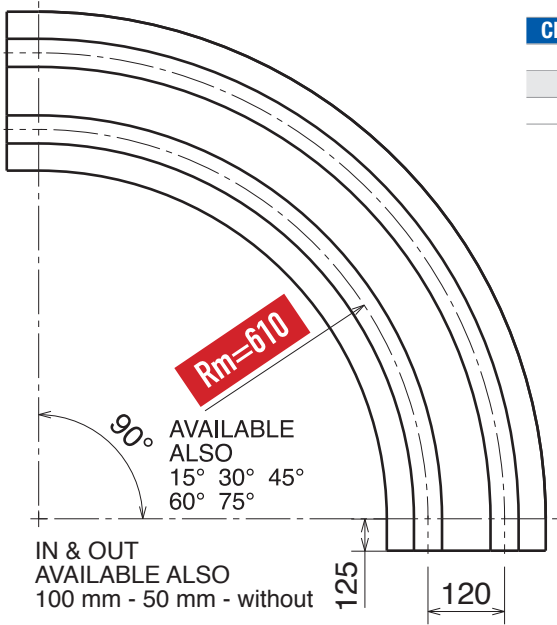


Upper part available, on request, also in **BluLub**  Movex Enhanced-Performance UHMW-PE and for abrasive applications.

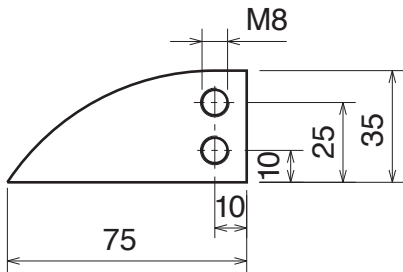
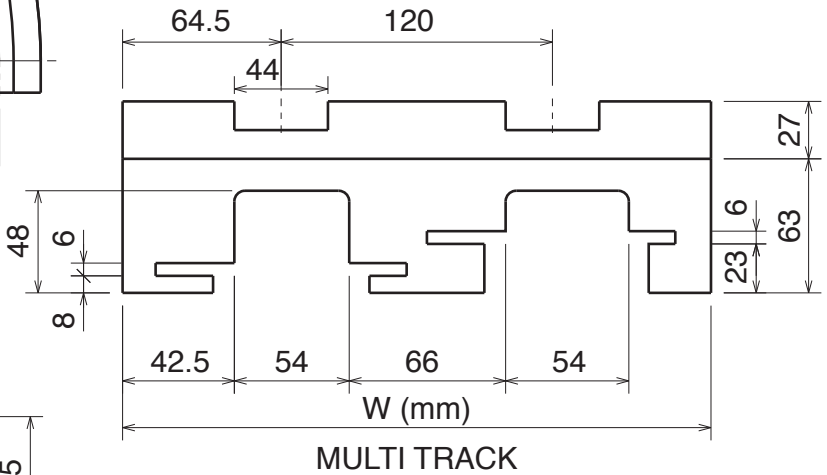
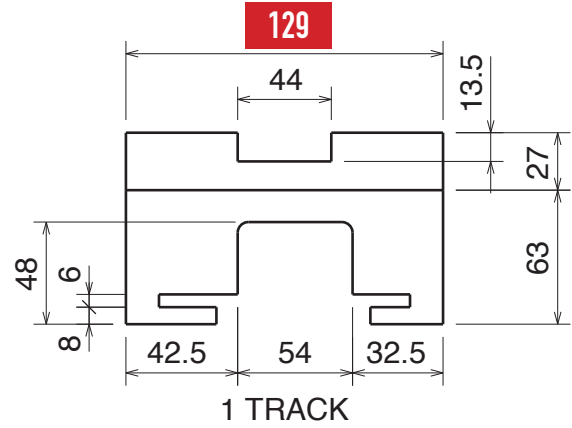


Materiale:	Material:	Materialien:
Polietilene UHMW-PE	Polyethylene UHMW-PE	Polyäthylen UHMW-PE

Curva Larghezza Base = 129 mm; Passo = 120 mm / Curve Basic Width = 129 mm; Pitch = 120 mm / Kurve Basisbreite = 129 mm; Teilung = 120 mm



Chain reference	
879M	K450
880M	K450
881M	K450



□□□ Magnetic System

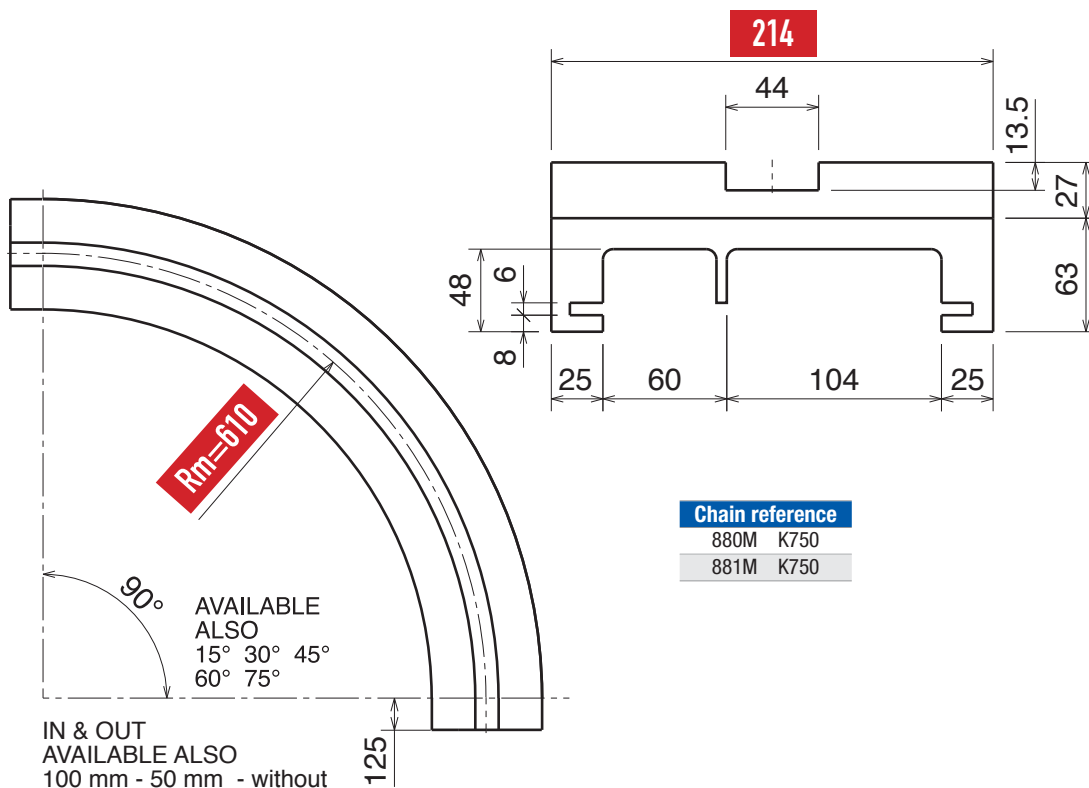
Part	Article-Nr.	Tracks	W
704	70413615	1	129
704	70413625	2	249
704	70413635	3	369
704	70413645	4	489
704	70413655	5	609



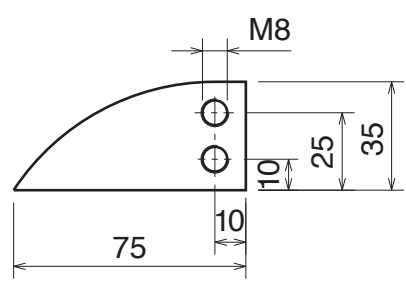
Upper part available, on request, also in **BluLub** Movex Enhanced-Performance UHMW-PE and for abrasive applications.



Curva Larghezza Base = 214 mm / Curve Basic Width = 214 mm / Kurve Basisbreite = 214 mm



Chain reference	
880M	K750
881M	K750



Magnetic System

Part	Article-Nr.	Tracks	W
716	71613615	1	214



Upper part available, on request, also in **BluLub**  Movex Enhanced-Performance UHMW-PE and for abrasive applications.

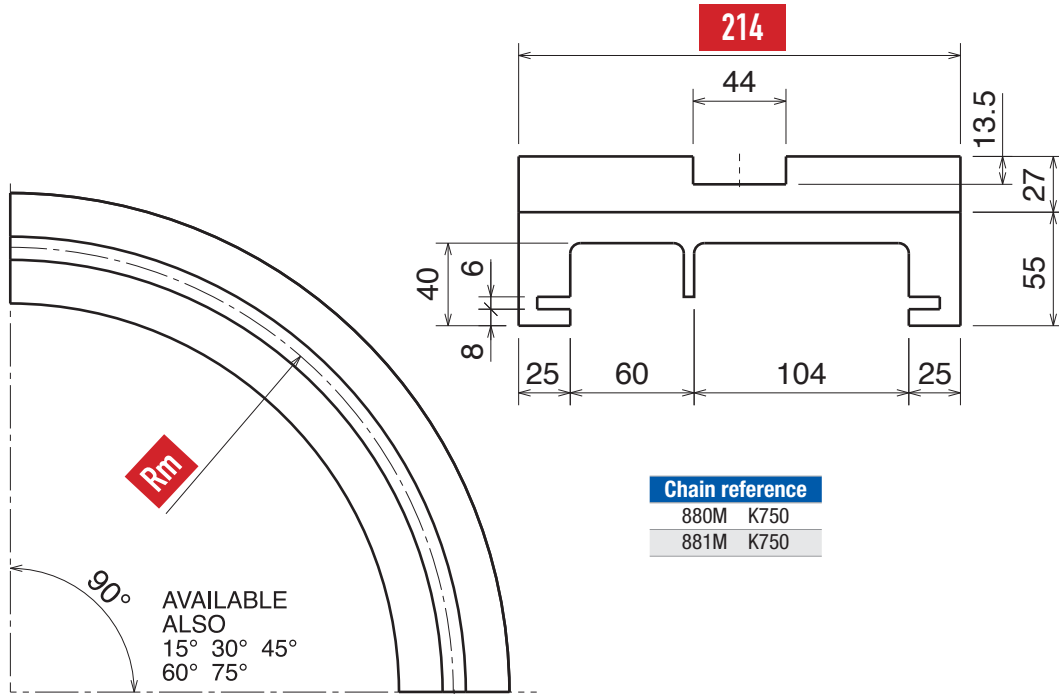


Materiale:	Material:	Materialien:
Polietilene UHMW-PE	Polyethylene UHMW-PE	Polyäthylen UHMW-PE

 **M62 Series** Rm=750
 **M66 Series** Rm=860
 **M65 Series** Rm=1000

880-881 K750

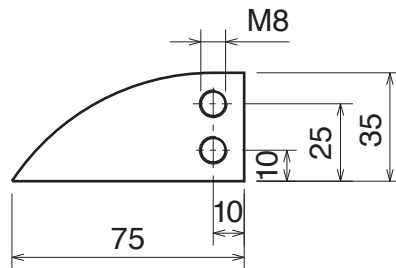
Curva Larghezza Base = 214 mm / Curve Basic Width = 214 mm / Kurve Basisbreite = 214 mm



Chain reference

880M K750
881M K750

IN & OUT
AVAILABLE ALSO
125 mm - 100 mm - 50 mm



 Magnetic System

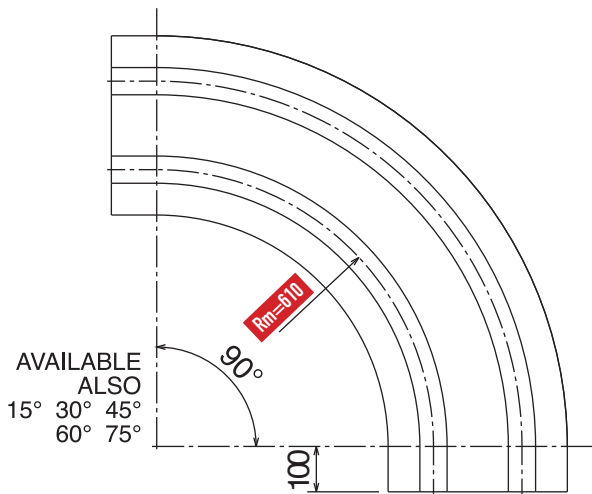
Part	Article-Nr.	Tracks	W	Rm
707	70716610	1	214	750
707	70718610	1	214	860
707	70719610	1	214	1000



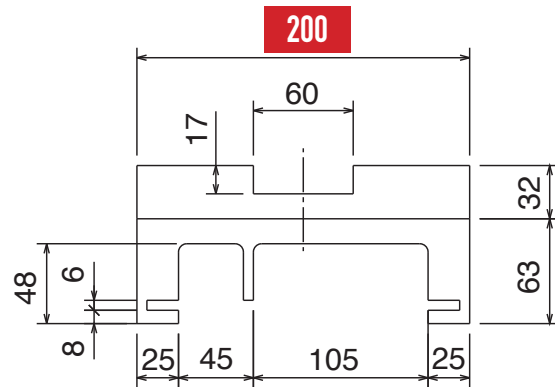
Upper part available, on request,
also in **BluLub** 
Movex Enhanced-Performance UHMW-PE
and for abrasive applications.



Curva Larghezza Base = 200 mm / Curve Basic Width = 200 mm / Kurve Basisbreite = 200 mm

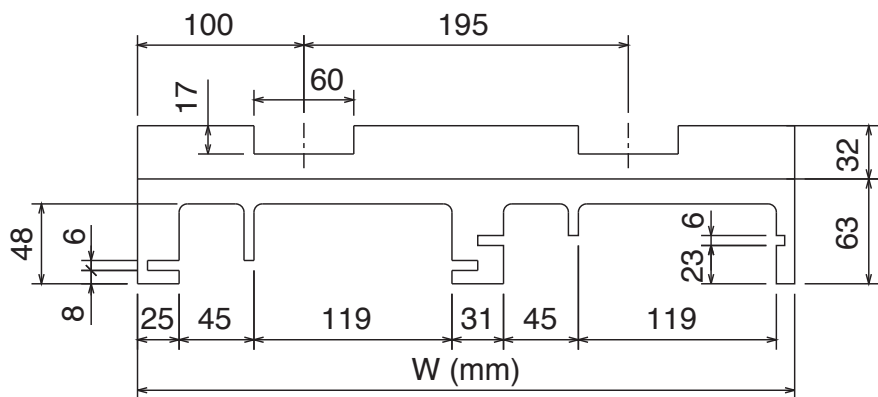
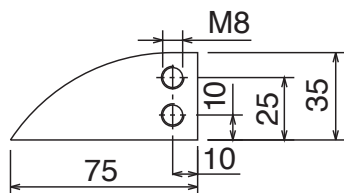


IN & OUT
AVAILABLE ALSO
125 mm - 100 mm - without



1 TRACK

Chain reference
882M K750
8857M K750



MULTI TRACK

Magnetic System

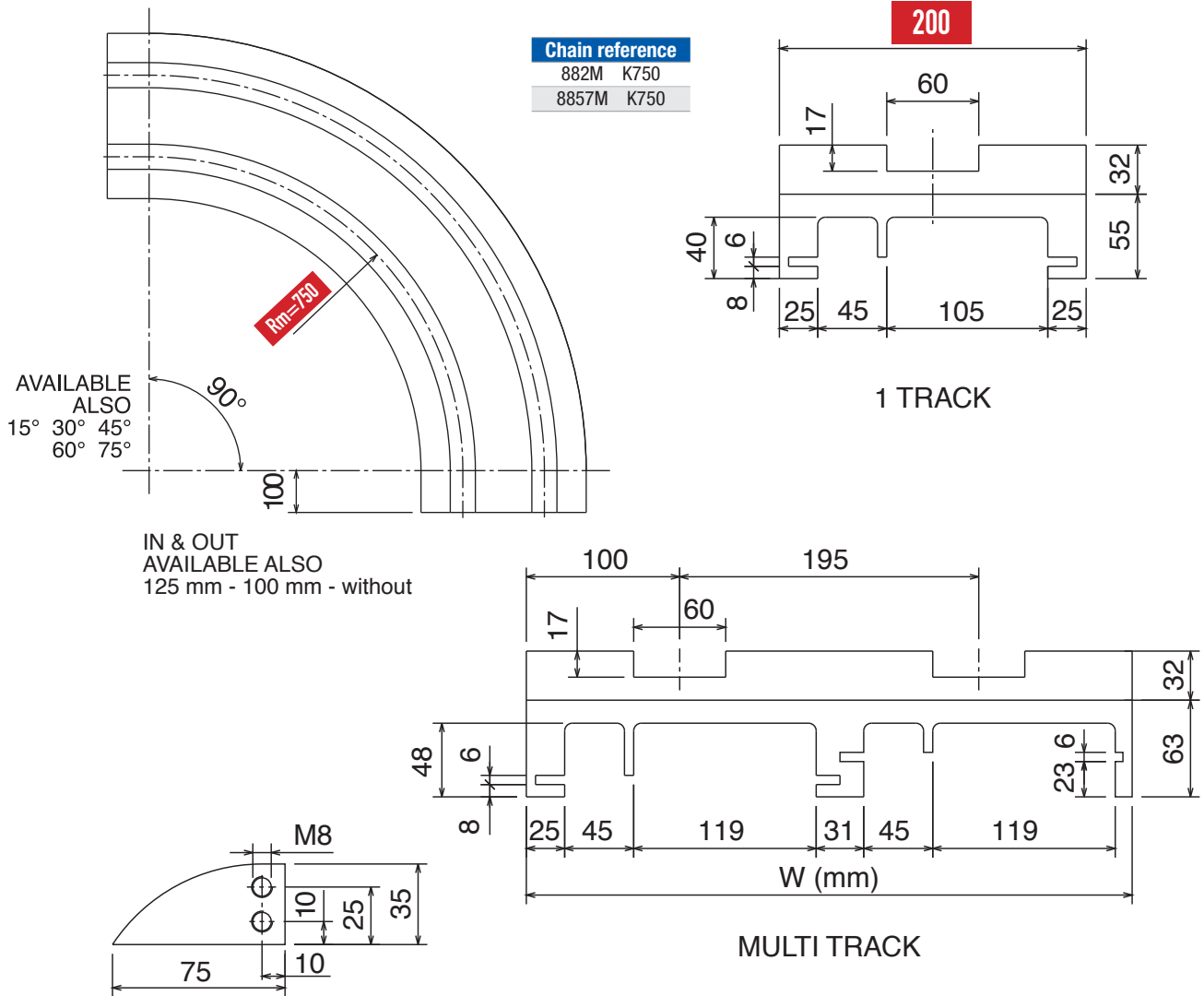
Part	Article-Nr.	Tracks	W
717	71713614	1	200
717	71713624	2	395
717	71713634	3	590
717	71713644	4	785



Upper part available, on request,
also in **BluLub** M81 Series
Movex Enhanced-Performance UHMW-PE
and for abrasive applications.



Curva Larghezza Base = 200 mm / Curve Basic Width = 200 mm / Kurve Basisbreite = 200 mm



□□□ Magnetic System

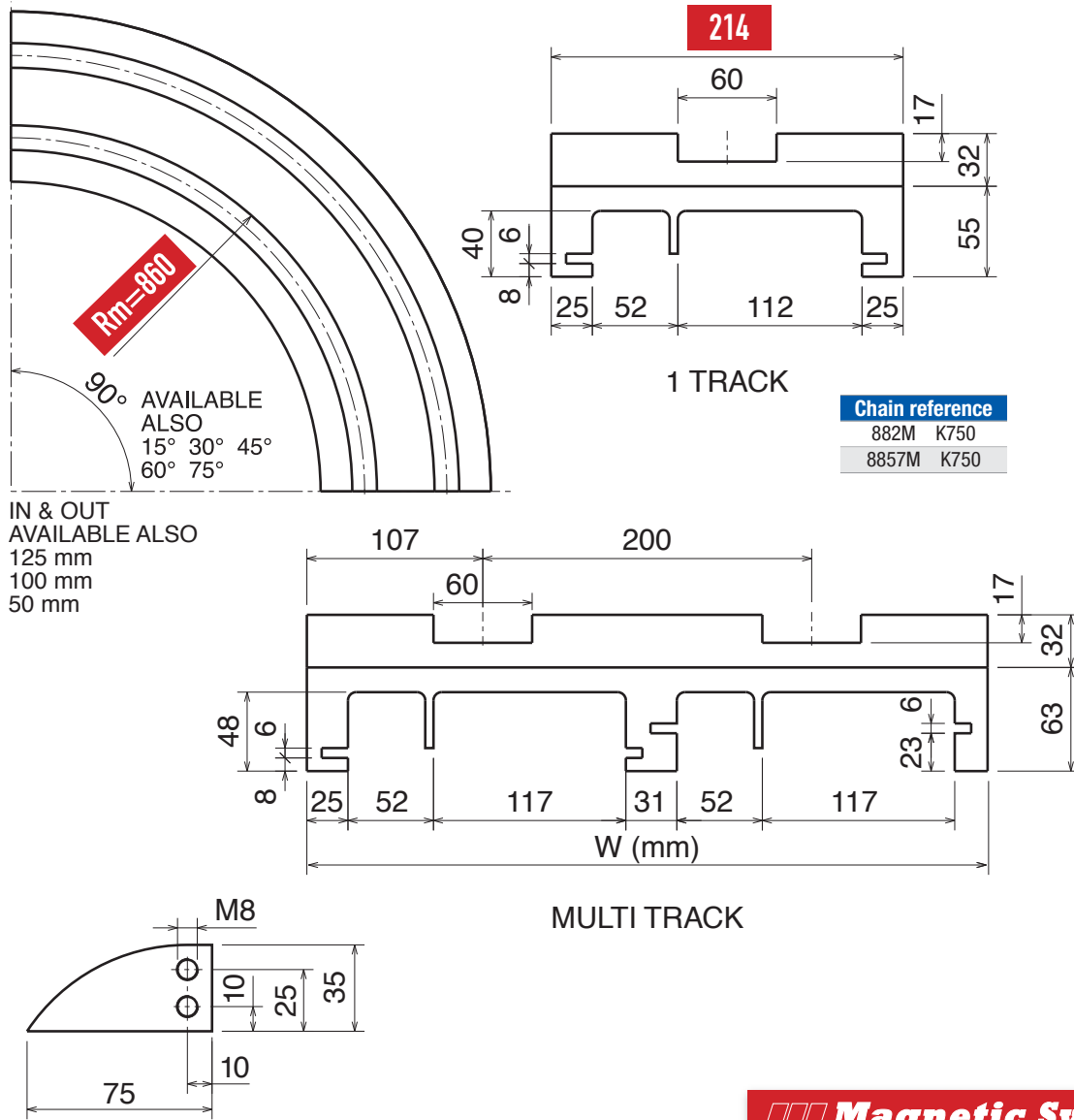
Part	Article-Nr.	Tracks	W
718	71816614	1	200
718	71816624	2	395
718	71816634	3	590



Upper part available, on request,
also in **BluLub** □□□
Movex Enhanced-Performance UHMW-PE
and for abrasive applications.



Curva Larghezza Base = 214 mm; Passo = 200 mm / Curve Basic Width = 214 mm; Pitch = 200 mm / Kurve Basisbreite = 214 mm; Teilung = 200 mm



Magnetic System



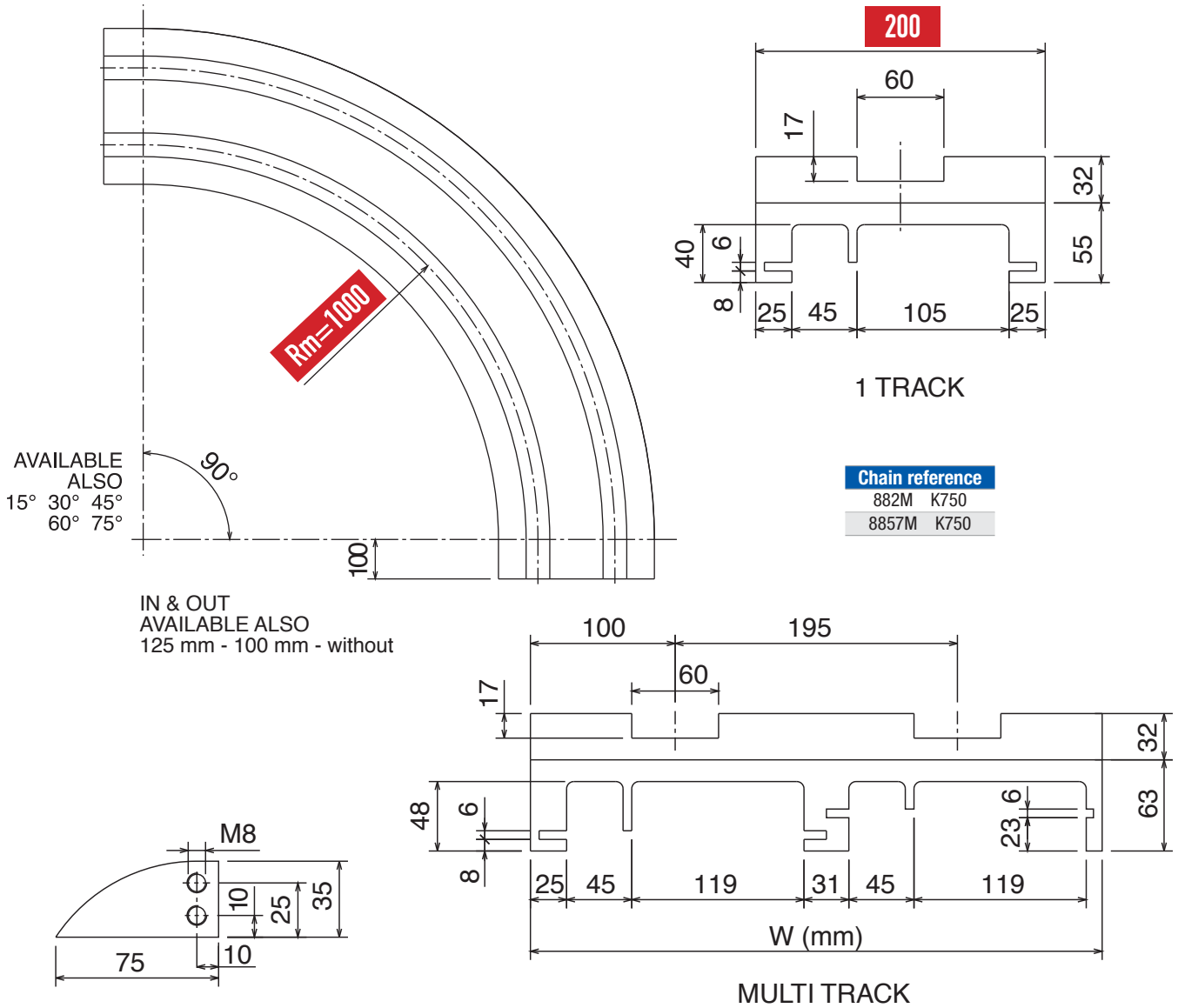
Part	Article-Nr.	Tracks	W
708	70818610	1	214
708	70818620	2	410
708	70818630	3	606

Upper part available, on request, also in **BluLub** M86 Series Movex Enhanced-Performance UHMW-PE and for abrasive applications.



Materiale: Polietilene UHMW-PE Material: Polyethylene UHMW-PE Materialien: Polyäthylen UHMW-PE

Curva Larghezza Base = 200 mm / Curve Basic Width = 200 mm / Kurve Basisbreite = 200 mm



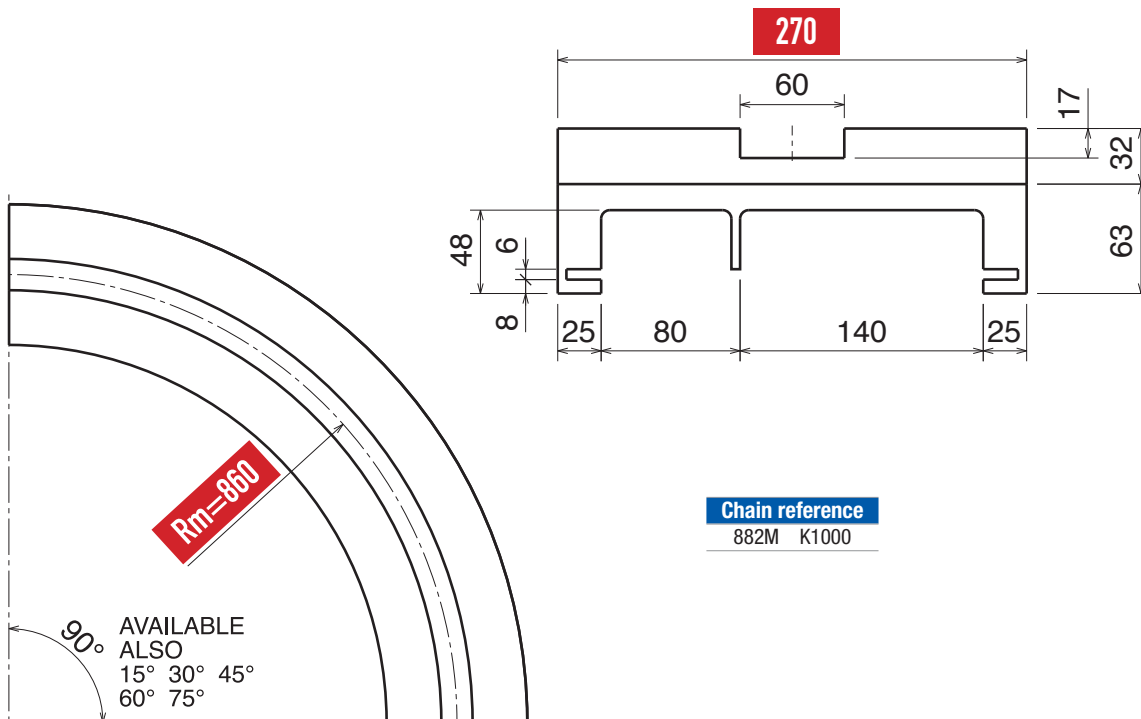
□□□ Magnetic System

Part	Article-Nr.	Tracks	W
719	71919614	1	200
719	71919624	2	395
719	71919634	3	590

Upper part available, on request,
also in **BluLub** Movex Enhanced-Performance UHMW-PE
and for abrasive applications.

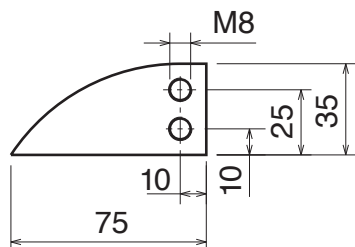


Curva Larghezza Base = 270 mm / Curve Basic Width = 270 mm / Kurve Basisbreite = 270 mm



Chain reference
882M K1000

IN & OUT
AVAILABLE ALSO
125 mm - 100 mm - 50 mm



Magnetic System

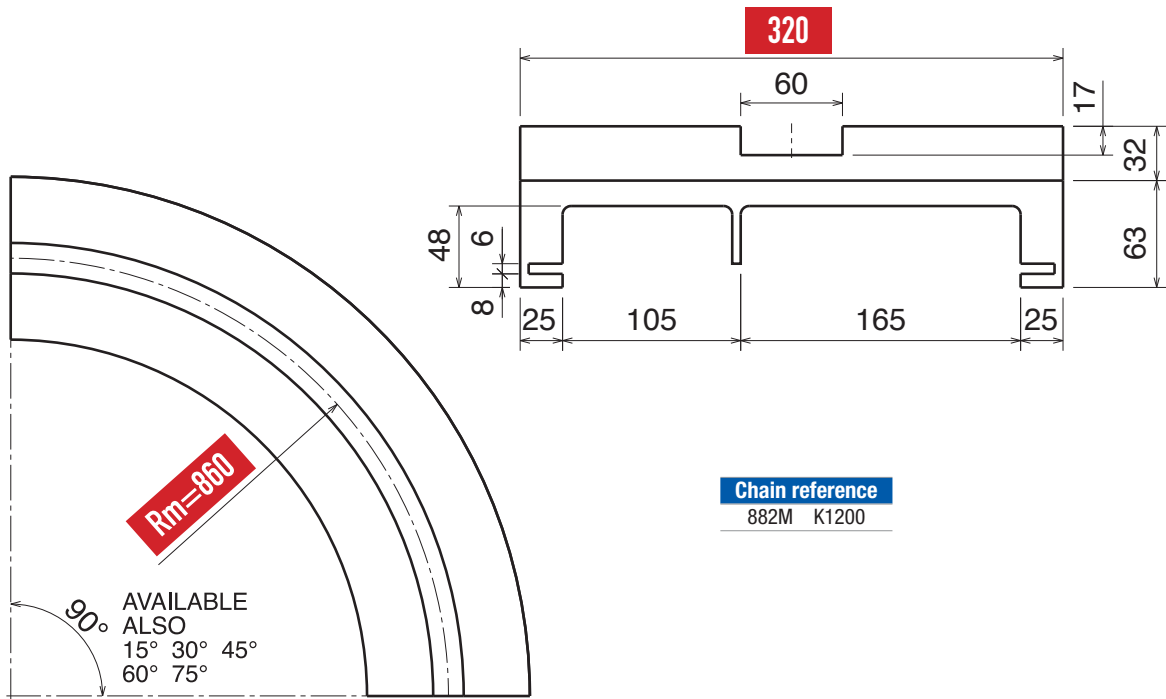
Part	Article-Nr.	Tracks	W
709	70918610	1	270



Upper part available, on request,
also in **BluLub** 
Movex Enhanced-Performance UHMW-PE
and for abrasive applications.

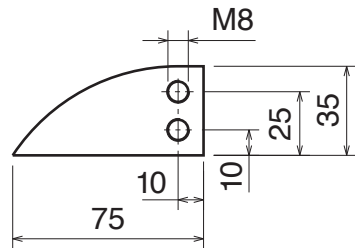


Curva Larghezza Base = 320 mm / Curve Basic Width = 320 mm / Kurve Basisbreite = 320 mm



Chain reference
882M K1200

IN & OUT
AVAILABLE ALSO
125 mm - 100 mm - 50 mm



□□□ Magnetic System

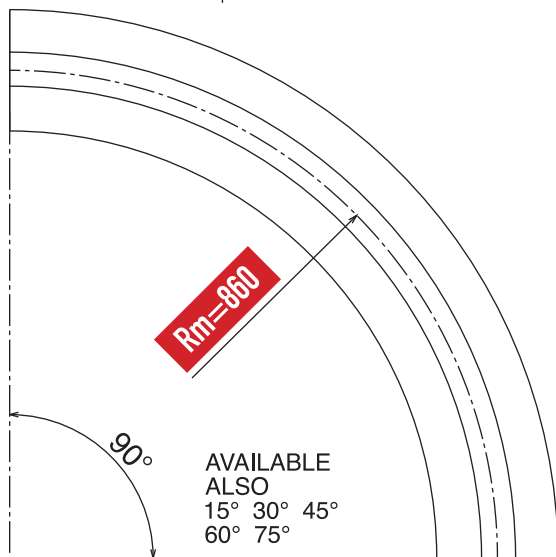
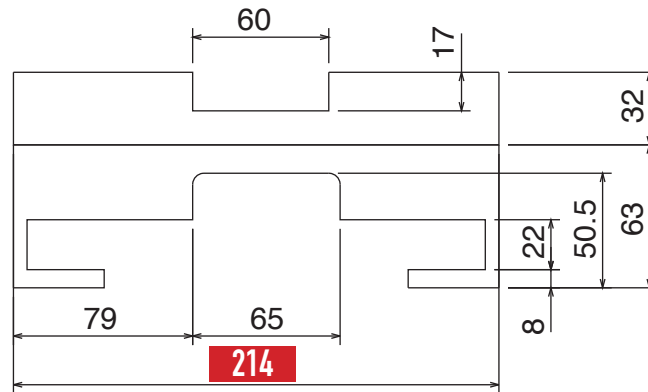


Part	Article-Nr.	Tracks	W
710	71018610	1	320

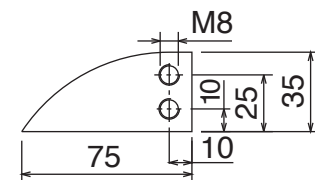
Upper part available, on request,
also in **BluLub** □□□
Movex Enhanced-Performance UHMW-PE
and for abrasive applications.



Curva Larghezza Base = 214 mm / Curve Basic Width = 214 mm / Kurve Basisbreite = 214 mm



Chain reference
LBP 882M K750



IN & OUT
AVAILABLE ALSO
125 mm - 100 mm - 50 mm

Magnetic System

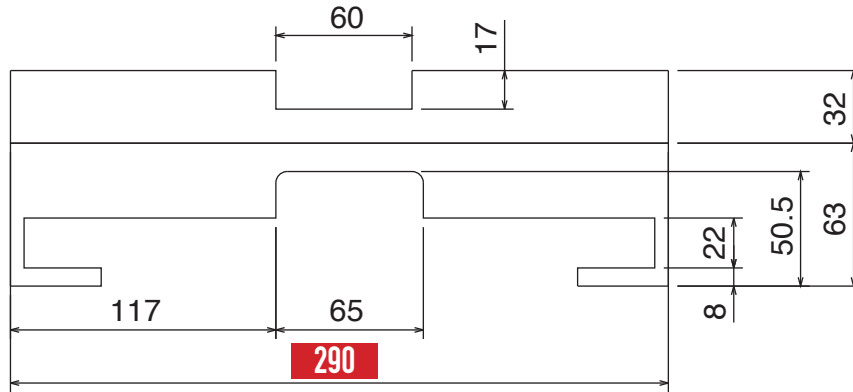


Part	Article-Nr.	Tracks	W
781	78118610	1	214

Upper part available, on request,
also in **BluLub** Movex Enhanced-Performance UHMW-PE
and for abrasive applications.

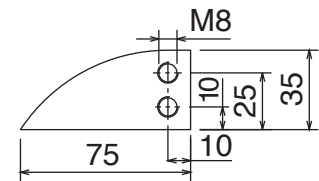


Curva Larghezza Base = 290 mm / Curve Basic Width = 290 mm / Kurve Basisbreite = 290 mm



IN & OUT
AVAILABLE ALSO
125 mm - 100 mm - 50 mm

Chain reference
LBP 882M K1000



Magnetic System

Part	Article-Nr.	Tracks	W
782	78218610	1	290



Upper part available, on request,
also in **BluLub** Movex Enhanced-Performance UHMW-PE
and for abrasive applications.

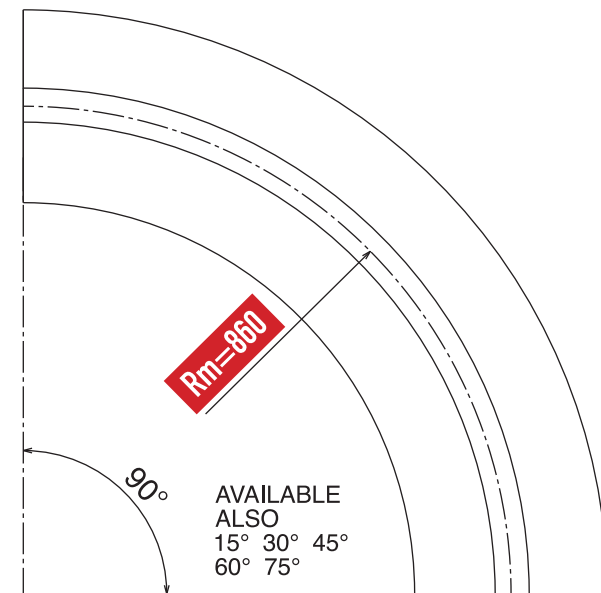
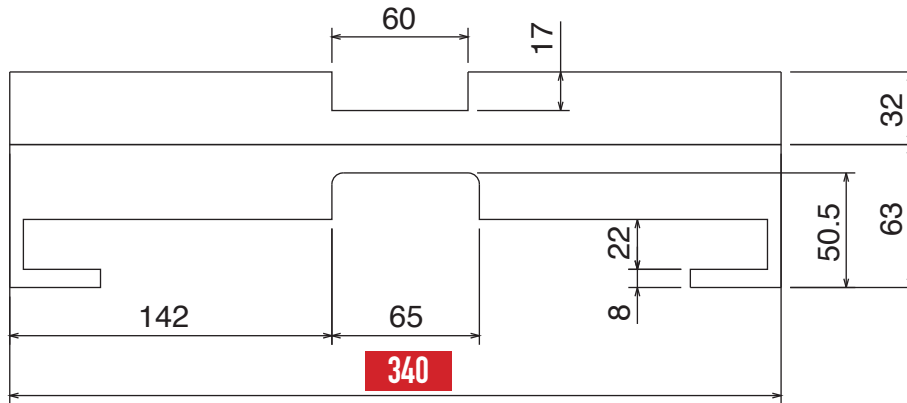


standard codes
on table

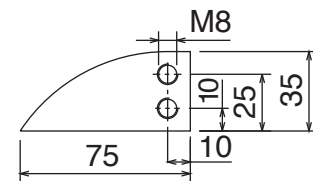
add "B" for
BluLub

add "C"
for abrasive
applications

Curva Larghezza Base = 340 mm / Curve Basic Width = 340 mm / Kurve Basisbreite = 340 mm



Chain reference
LBP 882M K1200



IN & OUT
AVAILABLE ALSO
125 mm - 100 mm - 50 mm

Magnetic System



Part	Article-Nr.	Tracks	W
783	78318610	1	340

Upper part available, on request,
also in **BluLub** MP96 Series
Movex Enhanced-Performance UHMW-PE
and for abrasive applications.

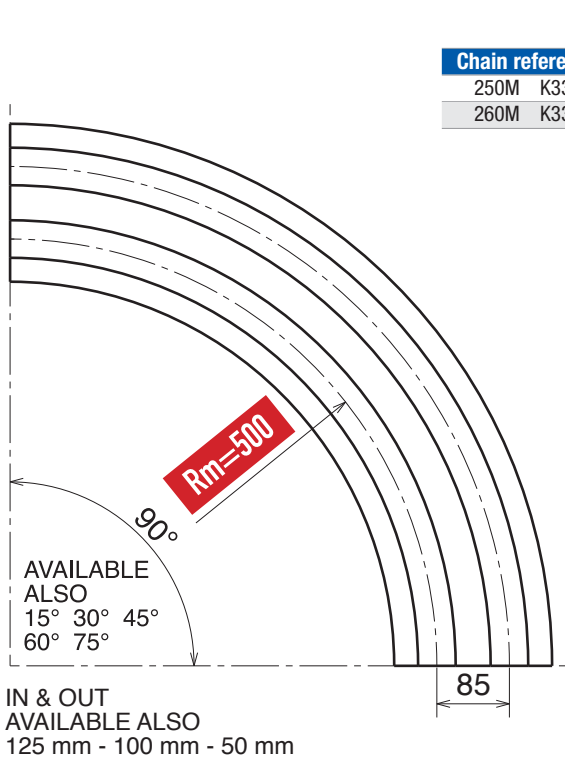


standard codes
on table

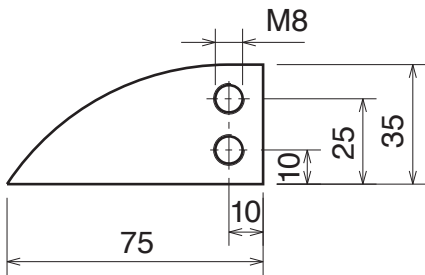
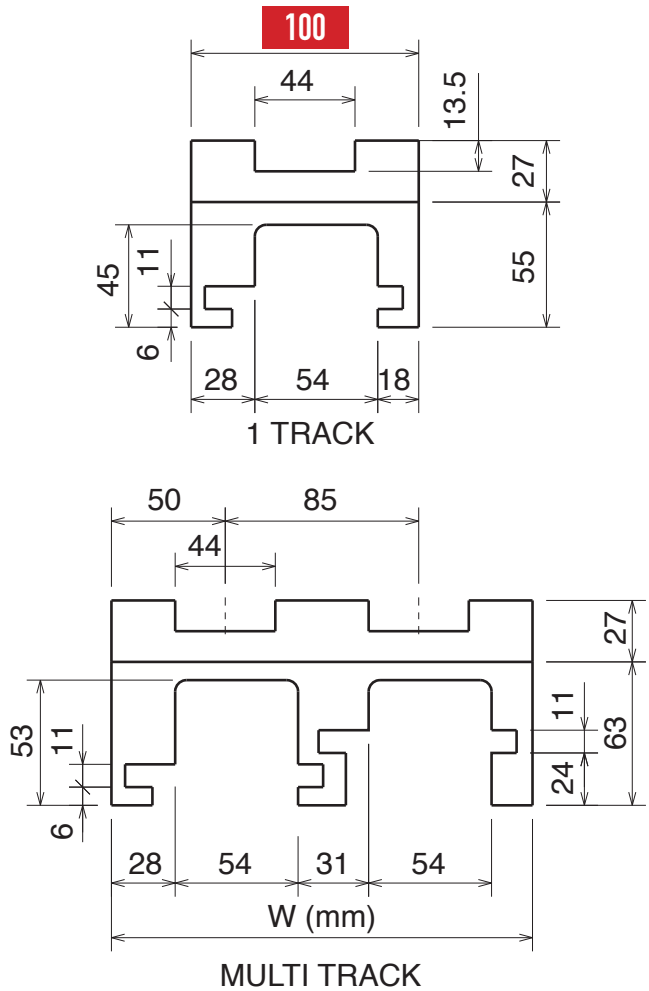
add "B" for
BluLub MP96 Series

add "C"
for abrasive
applications

Curva Larghezza Base = 100 mm; Passo = 85 mm / Curve Basic Width = 100 mm; Pitch = 85 mm / Kurve Basisbreite = 100 mm; Teilung = 85 mm



Chain reference	
250M	K330
260M	K330



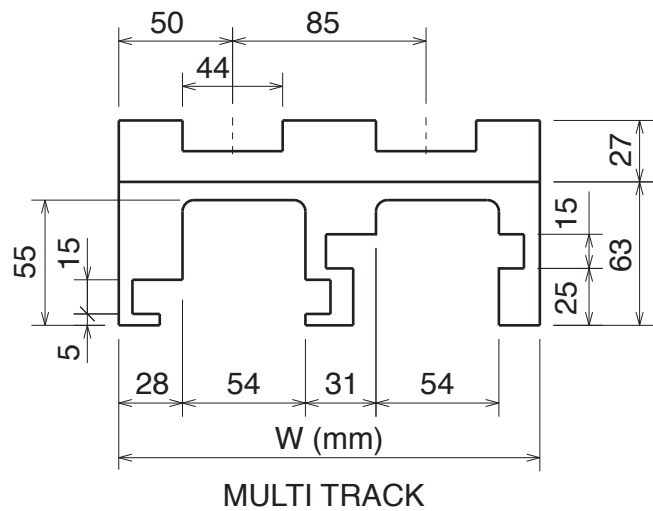
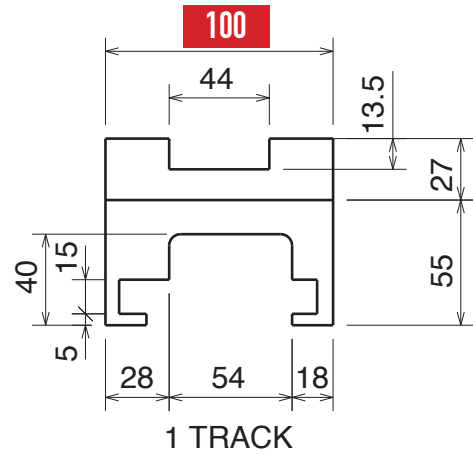
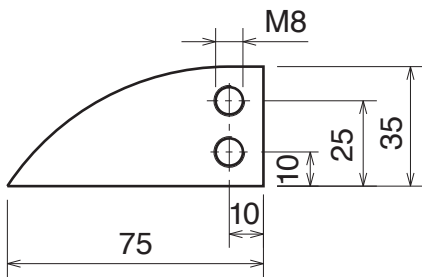
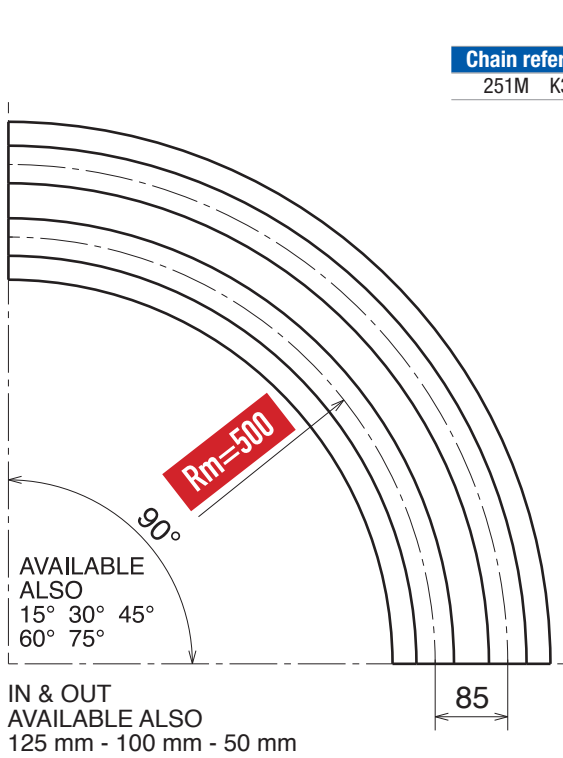
Upper part available, on request,
also in **BluLub** Movex Enhanced-Performance UHMW-PE
and for abrasive applications.



Magnetic System

Part	Article-Nr.	Tracks	W
705	70511610	1	100
705	70511620	2	185
705	70511630	3	270
705	70511640	4	355
705	70511650	5	440
705	70511660	6	525
705	70511670	7	610
705	70511680	8	695

Curva Larghezza Base = 100 mm; Passo = 85 mm / Curve Basic Width = 100 mm; Pitch = 85 mm / Kurve Basisbreite = 100 mm; Teilung = 85 mm



Magnetic System

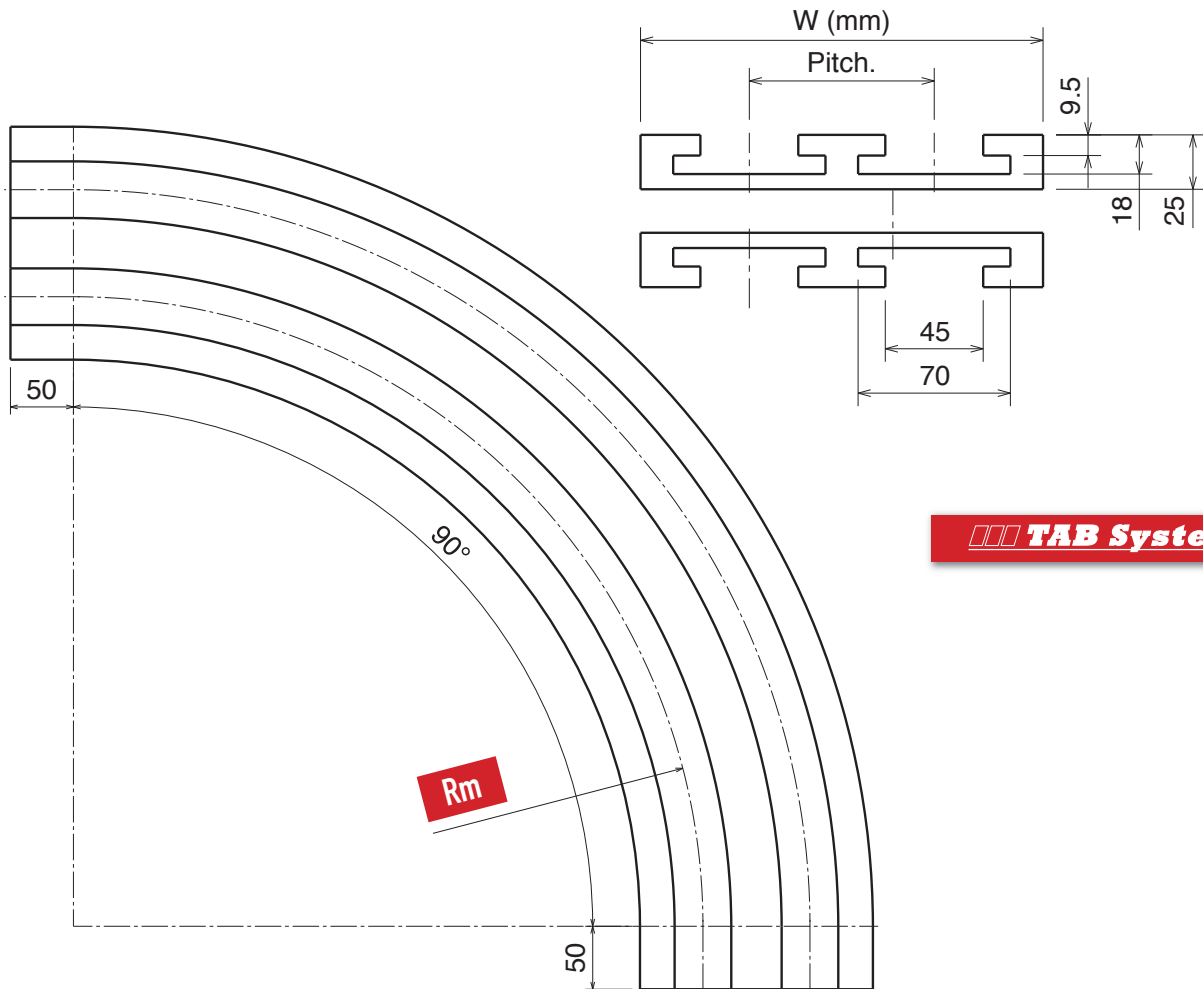
Part	Article-Nr.	Tracks	W
706	70611610	1	100
706	70611620	2	185
706	70611630	3	270
706	70611640	4	355
706	70611650	5	440
706	70611660	6	525
706	70611670	7	610
706	70611680	8	695



Upper part available, on request,
also in **BluLub** 
Movex Enhanced-Performance UHMW-PE
and for abrasive applications.



Curva 880-881 TAB K325-K450-K750 / Curve 880-881 TAB K325-K450-K750 / Kurve 880-881 TAB K325-K450-K750

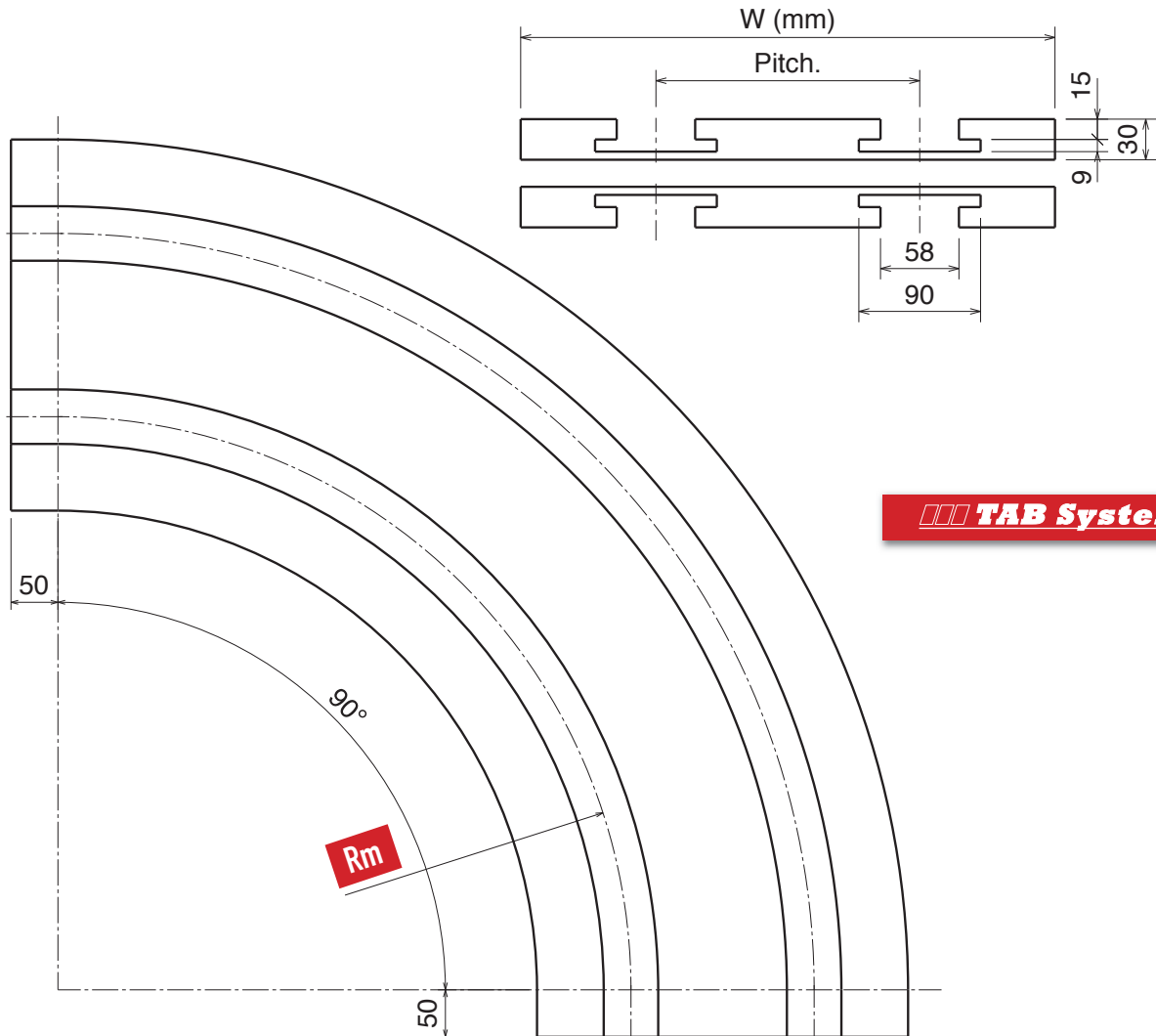


TAB System



Part	Article-Nr.	Tracks	W	Rm	Pitch
K325					
720	72021612	1	100	500	85
720	72021622	2	185		
720	72021632	3	270		
720	72021642	4	355		
720	72021652	5	440		
720	72021662	6	525		
K450					
721	72123612	1	130	610	120
721	72123622	2	250		
721	72123632	3	370		
721	72123642	4	490		
721	72123652	5	610		
721	72123662	6	720		
K750					
722	72223612	1	200	610	195
722	72223622	2	395		
722	72223632	3	590		
722	72223642	4	785		









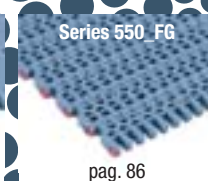





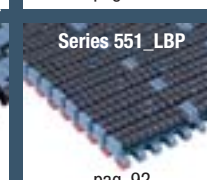





Curva 882 TAB K750-K1000-K1200 / Curve 882 TAB K750-K1000-K1200 / Kurve 882 TAB K750-K1000-K1200

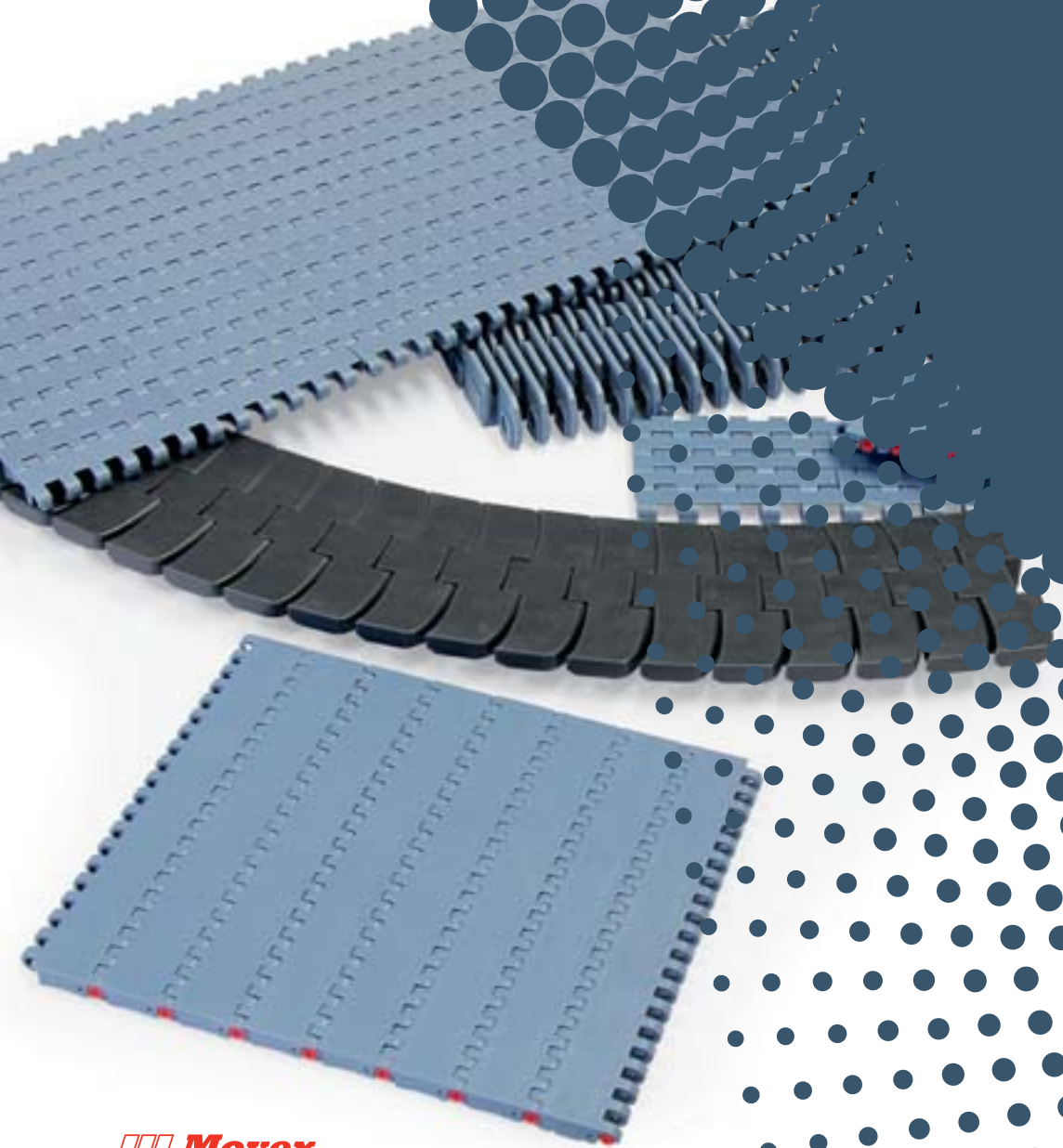


TAB System



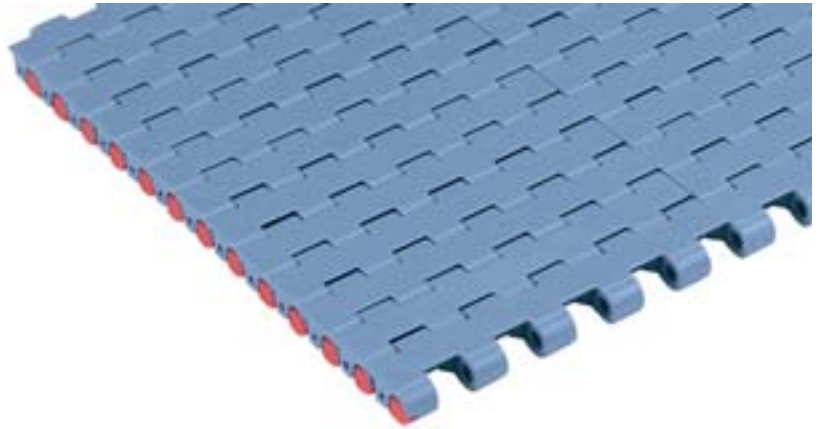
Part	Article-Nr.	Tracks	W	Rm	Pitch
K750					
723	72323612	1	200	610	195
723	72323622	2	395		
723	72323632	3	590		
723	72323642	4	785		
K1000					
724	72423612	1	270	610	230
724	72423622	2	530		
724	72423632	3	790		
724	72423642	4	1050		
K1200					
725	72523612	1	320	610	310
725	72523622	2	630		
725	72523632	3	940		
725	72523642	4	1250		

 <p>Series 520 pag. 78</p>	 <p>Series 520_FG pag. 79</p>	 <p>Series 520_GT pag. 80</p>	 <p>Series 520_LBP pag. 81</p>	 <p>Series 521 pag. 82</p>	 <p>Series 521 pag. 83</p>
 <p>Series 590 pag. 84</p>	 <p>Series 550 pag. 85</p>	 <p>Series 550_FG pag. 86</p>	 <p>Series 550_GT pag. 87</p>	 <p>Series 550_GT_SI pag. 88</p>	 <p>Series 551 pag. 89</p>
 <p>Series 551_GT pag. 90</p>	 <p>Series 551_GT_SI pag. 91</p>	 <p>Series 551_LBP pag. 92</p>	 <p>Series 600 pag. 93</p>	 <p>Series 500RR pag. 94</p>	
		 <p>Series 260 M pag. 94</p>	 <p>Series 260 M pag. 95</p>	 <p>Series 260 TAB pag. 95</p>	



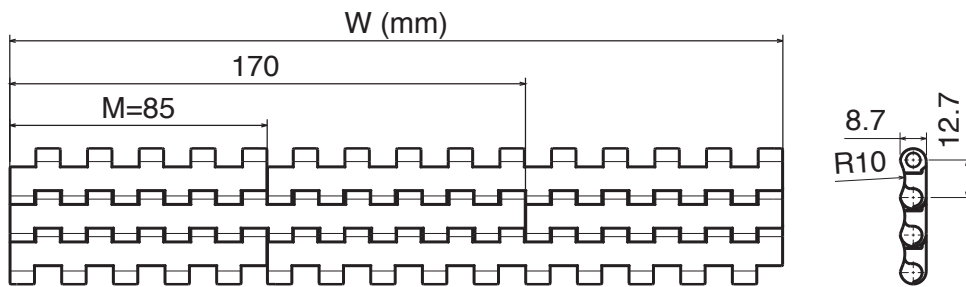
Tappeto Modulare 520 FT, H=8,7 M=85 / Modular Belt Series 520 FT, H=8,7 M=85 / Modulare Mattenkette 520 FT, H=8,7 M=85

Series	Material	Width	Version	Series	Material	Width	Version
5201	*	0085	A	5201	*	0850	A
5201	*	0170	A	5201	*	0935	A
5201	*	0255	A	5201	*	1020	A
5201	*	0340	A	5201	*	1105	A
5201	*	0425	A	5201	*	1190	A
5201	*	0510	A	5201	*	1275	A
5201	*	0595	A	5201	*	1360	A
5201	*	0680	A	5201	*	1445	A
5201	*	0765	A	5201	*	1530	A



CODE STRUCTURE GUIDE			
5201	03	0340	C
Series	Material	Width	Version

VERSION A - STANDARD



* Material

01 LFA - Acetal Resin



Max working load: 21500 N/m
Weight: 7,8 kg/m
Temperature range:
dry -40÷80 °C
wet -40÷65 °C
Pin material: PBT white

03 MX - PBT



Max working load: 17500 N/m
Weight: 7,5 kg/m
Temperature range:
dry -40÷120 °C
wet -40÷60 °C
Pin material: POM grey

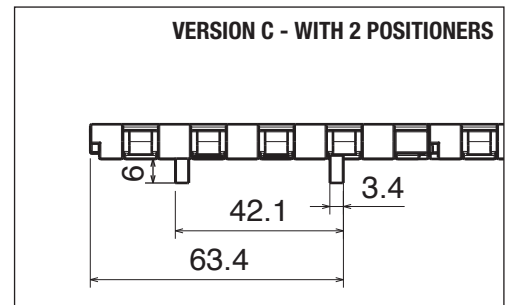
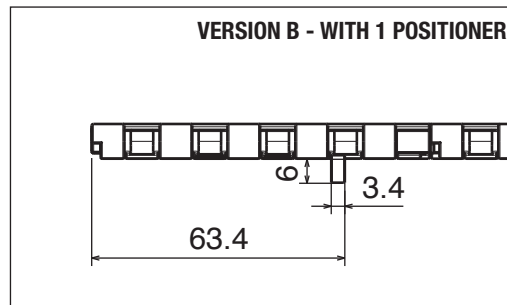
08 MK

Super Performance Acetal



Max working load: 20700 N/m
Weight: 7,8 kg/m
Temperature range:
dry -40÷80 °C
wet -40÷65 °C
Pin material: PBT white

Also available, on request,
other materials and widths



Series	Material	Width	Version
5201	*	0085	B
5201	*	0170	B
5201	*	0255	B
5201	*	0340	B
5201	*	0425	B
5201	*	0510	B
5201	*	0595	B
5201	*	0680	B
5201	*	0765	B

Series	Material	Width	Version
5201	*	0850	B
5201	*	0935	B
5201	*	1020	B
5201	*	1105	B
5201	*	1190	B
5201	*	1275	B
5201	*	1360	B
5201	*	1445	B
5201	*	1530	B

Series	Material	Width	Version
5201	*	0085	C
5201	*	0170	C
5201	*	0255	C
5201	*	0340	C
5201	*	0425	C
5201	*	0510	C
5201	*	0595	C
5201	*	0680	C
5201	*	0765	C

Series	Material	Width	Version
5201	*	0850	C
5201	*	0935	C
5201	*	1020	C
5201	*	1105	C
5201	*	1190	C
5201	*	1275	C
5201	*	1360	C
5201	*	1445	C
5201	*	1530	C





Tappeto Modulare 520 FG, H=8,7 M=85 / Modular Belt Series 520 FG, H=8,7 M=85 / Modulare Mattenkette 520 FG, H=8,7 M=85

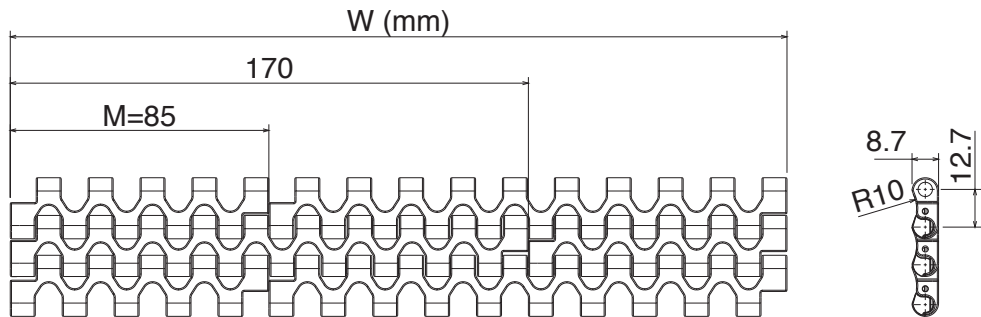
Series	Material	Width	Version
5202	*	0085	A
5202	*	0170	A
5202	*	0255	A
5202	*	0340	A
5202	*	0425	A
5202	*	0510	A
5202	*	0595	A
5202	*	0680	A
5202	*	0765	A

Series	Material	Width	Version
5202	*	0850	A
5202	*	0935	A
5202	*	1020	A
5202	*	1105	A
5202	*	1190	A
5202	*	1275	A
5202	*	1360	A
5202	*	1445	A
5202	*	1530	A




CODE STRUCTURE GUIDE			
5202	01	0765	A
Series	Material	Width	Version

VERSION A - STANDARD




*** Material**

01 LFA - Acetal Resin



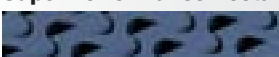
Max working load: 21500 N/m
Weight: 7,5 kg/m
Temperature range:
dry -40÷80 °C
wet -40÷65 °C
Pin material: PBT white

03 MX - PBT



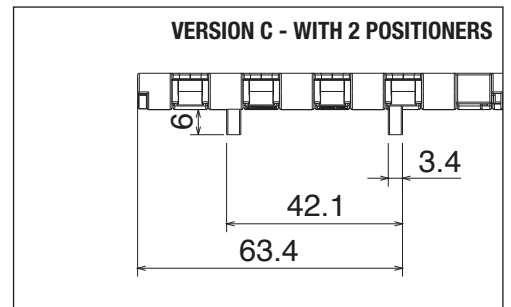
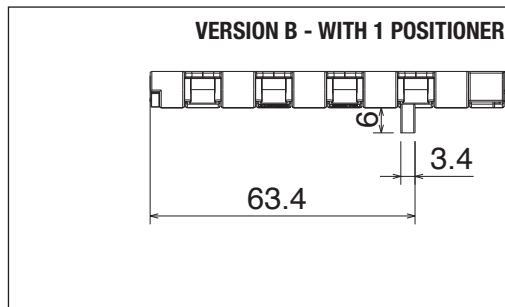
Max working load: 17500 N/m
Weight: 7,2 kg/m
Temperature range:
dry -40÷120 °C
wet -40÷60 °C
Pin material: POM grey

08 MK Super Performance Acetal



Max working load: 20700 N/m
Weight: 7,5 kg/m
Temperature range:
dry -40÷80 °C
wet -40÷65 °C
Pin material: PBT white

Also available, on request, other materials and widths



Series	Material	Width	Version
5202	*	0085	B
5202	*	0170	B
5202	*	0255	B
5202	*	0340	B
5202	*	0425	B
5202	*	0510	B
5202	*	0595	B
5202	*	0680	B
5202	*	0765	B

Series	Material	Width	Version
5202	*	0850	B
5202	*	0935	B
5202	*	1020	B
5202	*	1105	B
5202	*	1190	B
5202	*	1275	B
5202	*	1360	B
5202	*	1445	B
5202	*	1530	B

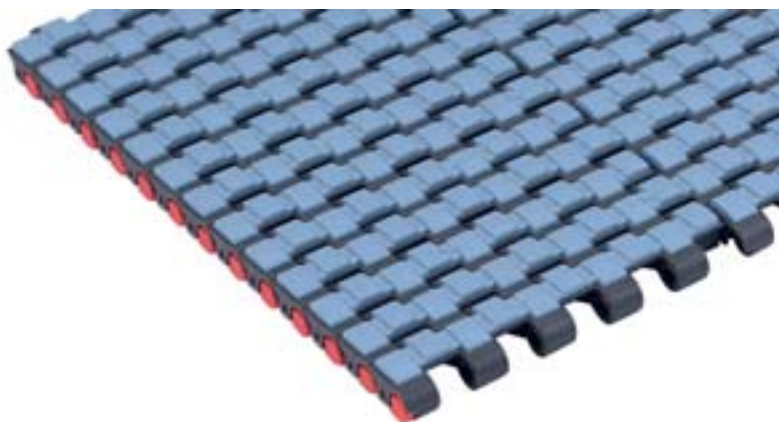
Series	Material	Width	Version
5202	*	0085	C
5202	*	0170	C
5202	*	0255	C
5202	*	0340	C
5202	*	0425	C
5202	*	0510	C
5202	*	0595	C
5202	*	0680	C
5202	*	0765	C

Series	Material	Width	Version
5202	*	0850	C
5202	*	0935	C
5202	*	1020	C
5202	*	1105	C
5202	*	1190	C
5202	*	1275	C
5202	*	1360	C
5202	*	1445	C
5202	*	1530	C



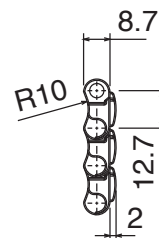
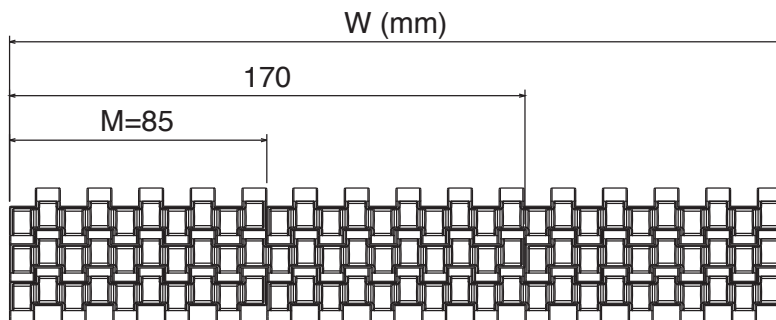
Tappeto Modulare 520 GT, H=8,7 M=85 / Modular Belt Series 520 GT, H=8,7 M=85 / Modulare Mattenkette 520 GT, H=8,7 M=85

Series	Material	Width	Version	Series	Material	Width	Version
5203	*	0085	A	5203	*	0850	A
5203	*	0170	A	5203	*	0935	A
5203	*	0255	A	5203	*	1020	A
5203	*	0340	A	5203	*	1105	A
5203	*	0425	A	5203	*	1190	A
5203	*	0510	A	5203	*	1275	A
5203	*	0595	A	5203	*	1360	A
5203	*	0680	A	5203	*	1445	A
5203	*	0765	A	5203	*	1530	A



CODE STRUCTURE GUIDE			
5203	02	0510	B
Series	Material	Width	Version

VERSION A - STANDARD



* Material

01 LFA - Acetal Resin



Max working load: 21500 N/m
Weight: 9,0 kg/m
Temp. range: dry -40÷80 °C
wet -40÷65 °C
Pin material: PBT white
Hardness: 75 ShA

02 PP - Polypropylene



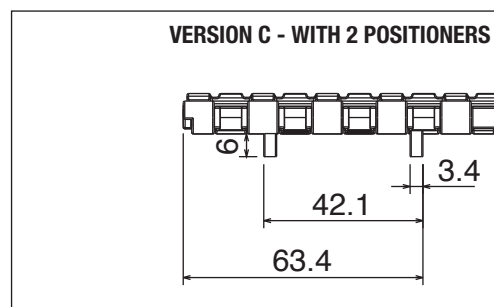
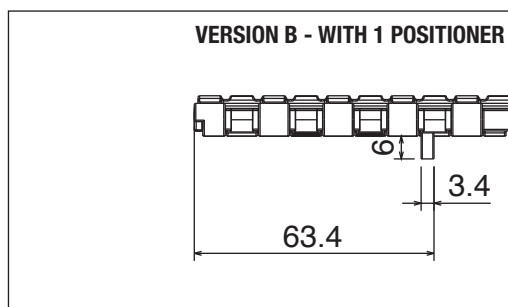
Max working load: 13000 N/m
Weight: 7,5 kg/m
Temp. range: dry 4÷80 °C
wet 4÷65 °C
Pin material: PP blu
Hardness: 75 ShA

03 MX - PBT



Max working load: 17500 N/m
Weight: 9,3 kg/m
Temp. range: dry -40÷120 °C
wet -40÷60 °C
Pin material: POM grey
Hardness: 75 ShA

Also available, on request,
other materials and widths



Series	Material	Width	Version
5203	*	0085	B
5203	*	0170	B
5203	*	0255	B
5203	*	0340	B
5203	*	0425	B
5203	*	0510	B
5203	*	0595	B
5203	*	0680	B
5203	*	0765	B

Series	Material	Width	Version
5203	*	0850	B
5203	*	0935	B
5203	*	1020	B
5203	*	1105	B
5203	*	1190	B
5203	*	1275	B
5203	*	1360	B
5203	*	1445	B
5203	*	1530	B

Series	Material	Width	Version
5203	*	0085	C
5203	*	0170	C
5203	*	0255	C
5203	*	0340	C
5203	*	0425	C
5203	*	0510	C
5203	*	0595	C
5203	*	0680	C
5203	*	0765	C

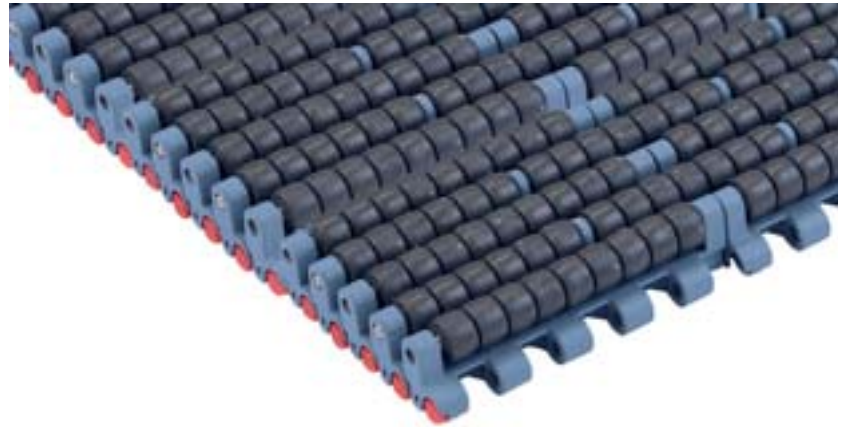
Series	Material	Width	Version
5203	*	0850	C
5203	*	0935	C
5203	*	1020	C
5203	*	1105	C
5203	*	1190	C
5203	*	1275	C
5203	*	1360	C
5203	*	1445	C
5203	*	1530	C





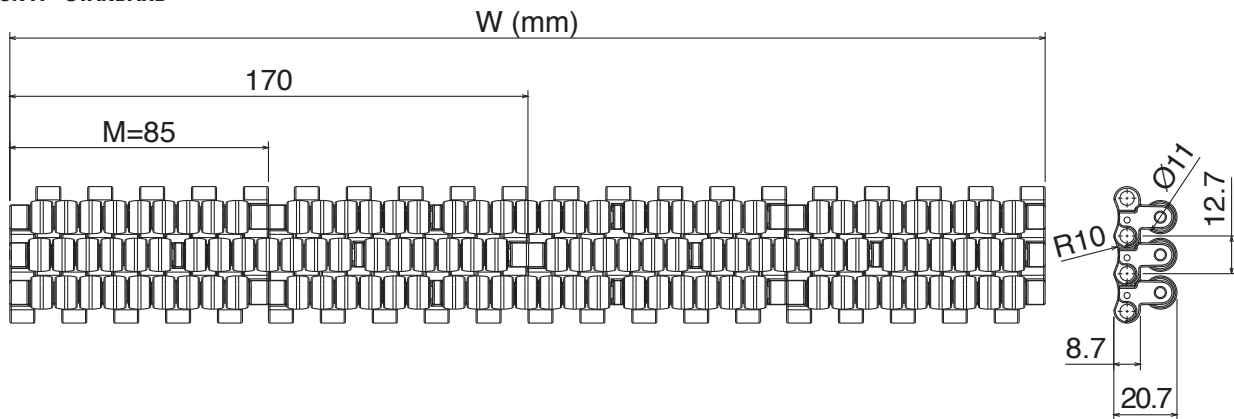
Tappeto Modulare 520 LBP, H=8,7 M=85 / Modular Belt Series 520 LBP, H=8,7 M=85 / Modulare Mattenkette 520 LBP, H=8,7 M=85

Series	Material	Width	Version	Series	Material	Width	Version
5204	*	0085	A	5204	*	0850	A
5204	*	0170	A	5204	*	0935	A
5204	*	0255	A	5204	*	1020	A
5204	*	0340	A	5204	*	1105	A
5204	*	0425	A	5204	*	1190	A
5204	*	0510	A	5204	*	1275	A
5204	*	0595	A	5204	*	1360	A
5204	*	0680	A	5204	*	1445	A
5204	*	0765	A	5204	*	1530	A



CODE STRUCTURE GUIDE			
5204	01	1530	C
Series	Material	Width	Version

VERSION A - STANDARD



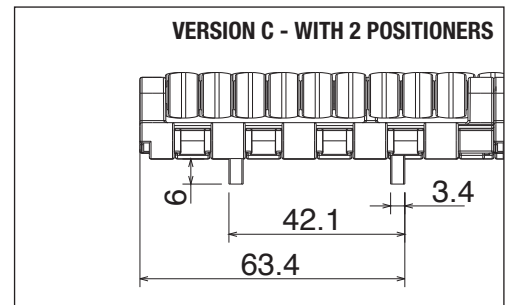
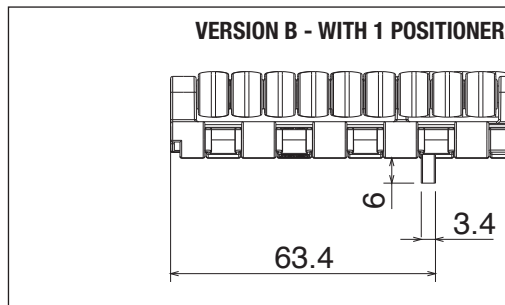
*** Material**

01 LFA - Acetal Resin



Max working load: 21500 N/m
Weight: 24,0 kg/m
Temperature range:
dry -40÷80 °C
wet 1÷65 °C
Pin material: PBT white

Also available, on request, other materials and widths



Series	Material	Width	Version
5204	*	0085	B
5204	*	0170	B
5204	*	0255	B
5204	*	0340	B
5204	*	0425	B
5204	*	0510	B
5204	*	0595	B
5204	*	0680	B
5204	*	0765	B

Series	Material	Width	Version
5204	*	0850	B
5204	*	0935	B
5204	*	1020	B
5204	*	1105	B
5204	*	1190	B
5204	*	1275	B
5204	*	1360	B
5204	*	1445	B
5204	*	1530	B

Series	Material	Width	Version
5204	*	0085	C
5204	*	0170	C
5204	*	0255	C
5204	*	0340	C
5204	*	0425	C
5204	*	0510	C
5204	*	0595	C
5204	*	0680	C
5204	*	0765	C

Series	Material	Width	Version
5204	*	0850	C
5204	*	0935	C
5204	*	1020	C
5204	*	1105	C
5204	*	1190	C
5204	*	1275	C
5204	*	1360	C
5204	*	1445	C
5204	*	1530	C



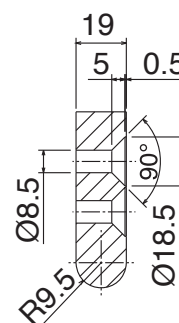
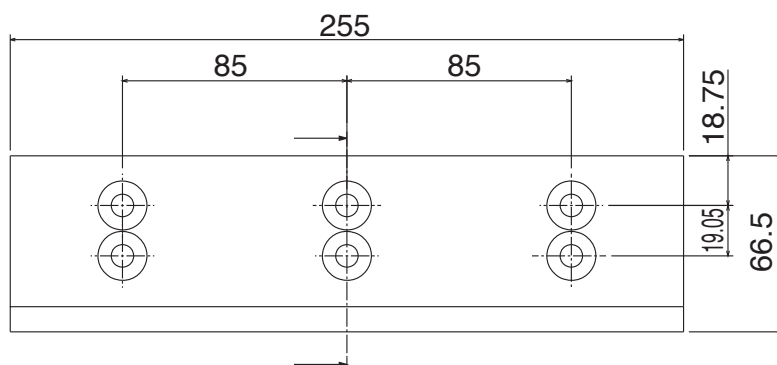
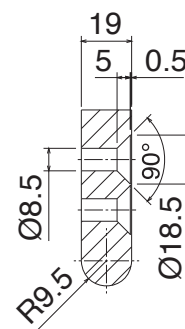
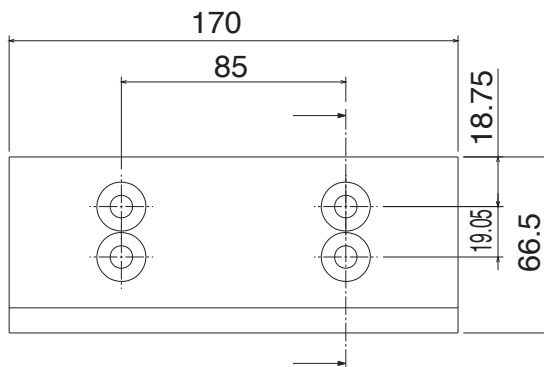
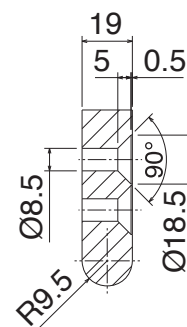
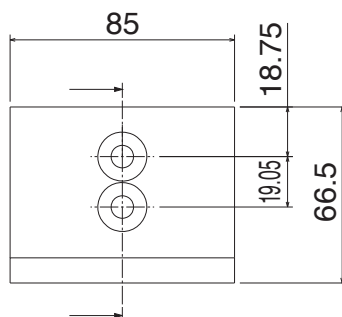
Materiale:	Material:	Materialien:
UHMW-PE	UHMW-PE	UHMW-PE

Piatto di trasferimento / Transfer Plate / Überschubplatte



New

Part	Article-Nr.	L
228	22801	85
228	22802	170
228	22803	255



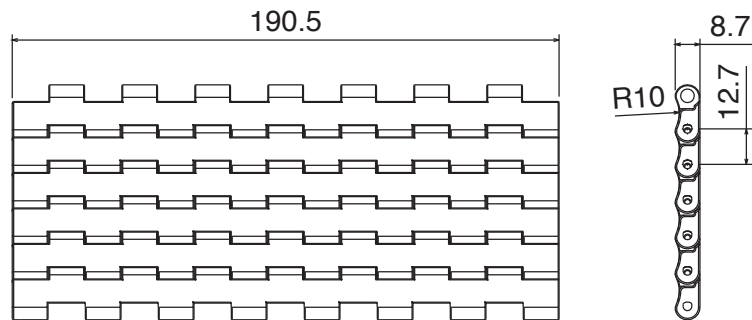
Tappeto Modulare 521 FT, H=8,7 M=750 / Modular Belt Series 521 FT, H=8,7 M=750 / Modulare Mattenkette 521 FT, H=8,7 M=750

Series	Material	Width	Version
5311	*	9750	A

CODE STRUCTURE GUIDE			
5311	01	9750	C
Series	Material	Width	Version



VERSION A - STANDARD



* Material

01 LFA - Acetal Resin



Max working load: 21500 N/m
Weight: 8,0 kg/m
Temperature range:
dry -40÷80 °C
wet -40÷65 °C
Pin material: PBT white

03 MX - PBT



Max working load: 17500 N/m
Weight: 7,8 kg/m
Temperature range:
dry -40÷120 °C
wet -40÷60 °C
Pin material: POM grey

08 MK

Super Performance Acetal



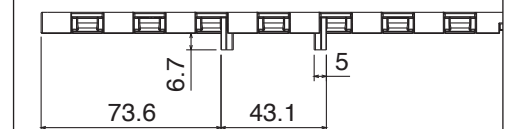
Max working load: 20700 N/m
Weight: 8,0 kg/m
Temperature range:
dry -40÷80 °C
wet -40÷65 °C
Pin material: PBT white

Also available, on request,
other materials and widths



pg 100

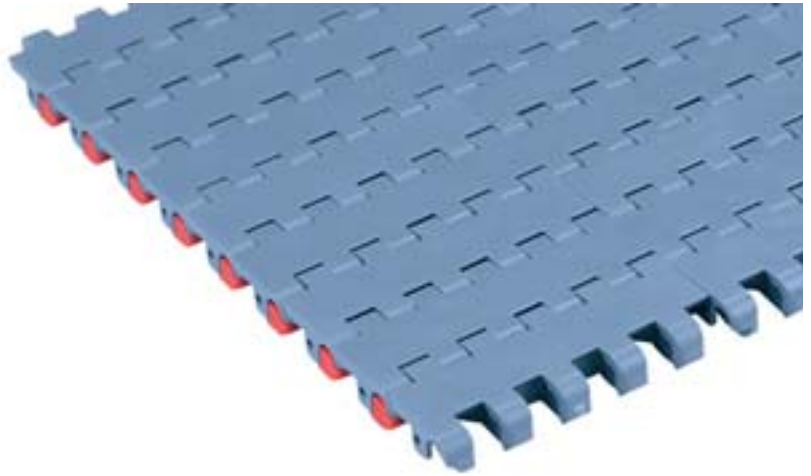
VERSION C - WITH 2 POSITIONERS



Series	Material	Width	Version
5311	*	9750	C

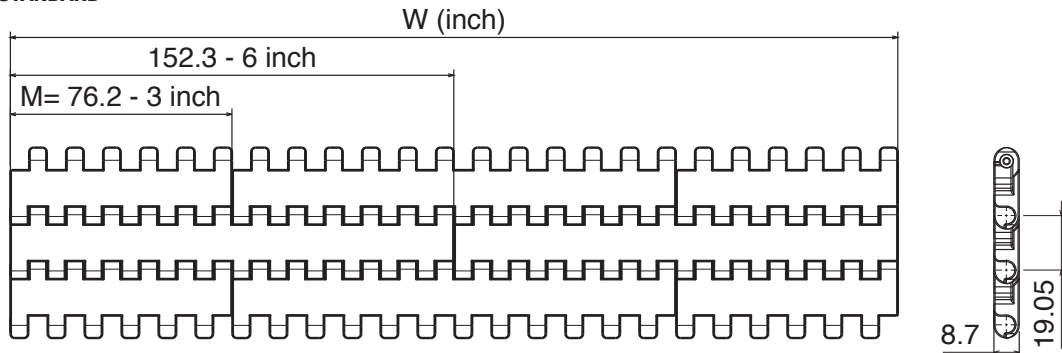
Tappeto Modulare 590 FT, H=8,7 M=3" / Modular Belt Series 590 FT, H=8,7 M=3" / Modulare Mattenkette 590 FT, H=8,7 M=3"

Series	Material	Width	Version	Series	Material	Width	Version
5301	*	0003	A	5301	*	0030	A
5301	*	0006	A	5301	*	0033	A
5301	*	0009	A	5301	*	0036	A
5301	*	0012	A	5301	*	0039	A
5301	*	0015	A	5301	*	0042	A
5301	*	0018	A	5301	*	0045	A
5301	*	0021	A	5301	*	0048	A
5301	*	0024	A	5301	*	0051	A
5301	*	0027	A	5301	*	0054	A



CODE STRUCTURE GUIDE			
5301	01	0009	C
Series	Material	Width	Version

VERSION A - STANDARD



* Material

01 LFA - Acetal Resin



Max working load: 30000 N/m
Weight: 7,2 kg/m
Temperature range:
dry -40÷80 °C
wet -40÷65 °C
Pin material: PBT white

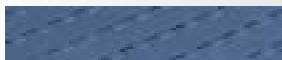
03 MX - PBT



Max working load: 24000 N/m
Weight: 7,0 kg/m
Temperature range:
dry -40÷120 °C
wet -40÷60 °C
Pin material: POM grey

08 MK

Super Performance Acetal

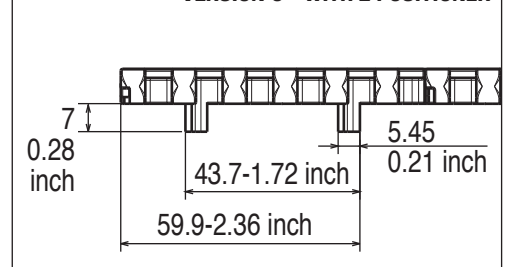


Max working load: 28800 N/m
Weight: 7,2 kg/m
Temperature range:
dry -40÷80 °C
wet -40÷65 °C
Pin material: PBT white

Also available, on request,
other materials and widths



VERSION C - WITH 2 POSITIONER



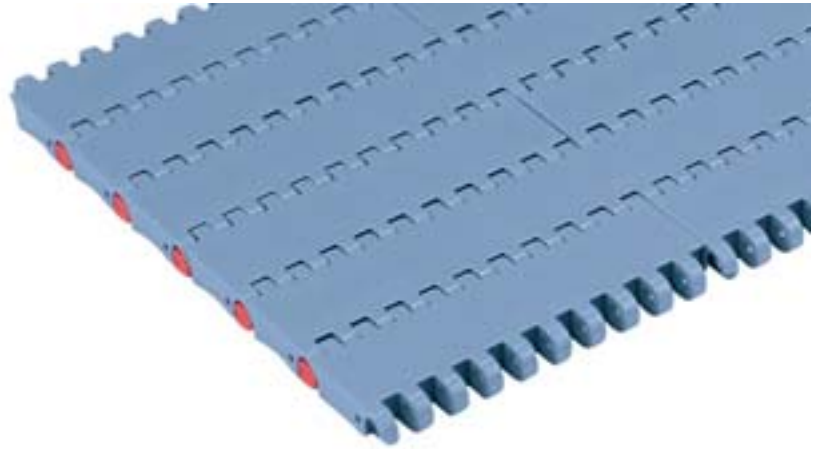
Series	Material	Width	Version
5301	*	0003	C
5301	*	0006	C
5301	*	0009	C
5301	*	0012	C
5301	*	0015	C
5301	*	0018	C
5301	*	0021	C
5301	*	0024	C
5301	*	0027	C

Series	Material	Width	Version
5301	*	0030	C
5301	*	0033	C
5301	*	0036	C
5301	*	0039	C
5301	*	0042	C
5301	*	0045	C
5301	*	0048	C
5301	*	0051	C
5301	*	0054	C

Tappeto Modulare 550 FT, H=8,7 M=85 / Modular Belt Series 550 FT, H=8,7 M=85 / Modulare Mattenkette 550 FT, H=8,7 M=85

Series	Material	Width	Version
5221	*	0085	A
5221	*	0170	A
5221	*	0255	A
5221	*	0340	A
5221	*	0425	A
5221	*	0510	A
5221	*	0595	A
5221	*	0680	A
5221	*	0765	A

Series	Material	Width	Version
5221	*	0850	A
5221	*	0935	A
5221	*	1020	A
5221	*	1105	A
5221	*	1190	A
5221	*	1275	A
5221	*	1360	A
5221	*	1445	A
5221	*	1530	A

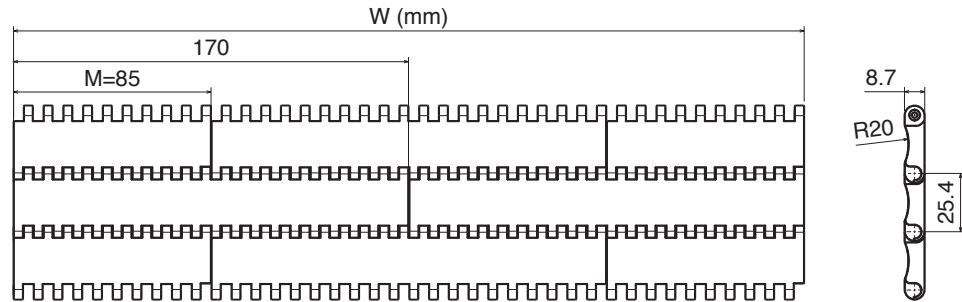


CODE STRUCTURE GUIDE			
5221	08	0255	A
Series	Material	Width	Version

VERSION A - STANDARD

One Track Belt - K330

Series	Material	Width	Version
5221	*	9330	A
5221	*	9330	C



* Material

01 LFA - Acetal Resin

Max working load: 27500 N/m
Weight: 8,5 kg/m
Temperature range:
dry -40÷80 °C
wet -40÷65 °C
Pin material: PBT white

03 MX - PBT

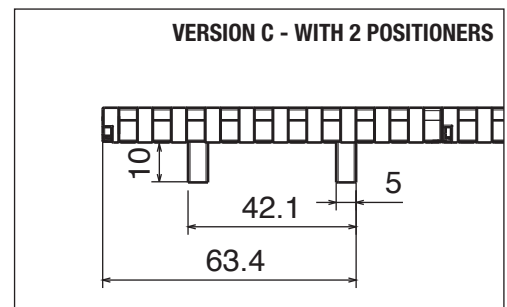
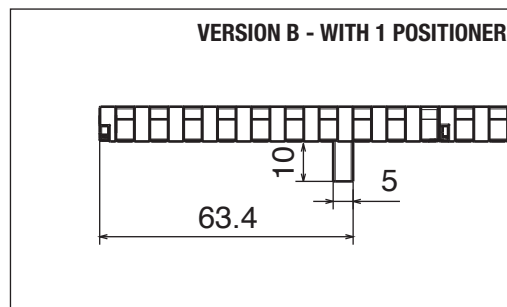
Max working load: 22000 N/m
Weight: 8,2 kg/m
Temperature range:
dry -40÷120 °C
wet -40÷60 °C
Pin material: POM grey

08 MK

Super Performance Acetal

Max working load: 26500 N/m
Weight: 8,5 kg/m
Temperature range:
dry -40÷80 °C
wet -40÷65 °C
Pin material: PBT white

Also available, on request,
other materials and widths



Series	Material	Width	Version
5221	*	0085	B
5221	*	0170	B
5221	*	0255	B
5221	*	0340	B
5221	*	0425	B
5221	*	0510	B
5221	*	0595	B
5221	*	0680	B
5221	*	0765	B

Series	Material	Width	Version
5221	*	0850	B
5221	*	0935	B
5221	*	1020	B
5221	*	1105	B
5221	*	1190	B
5221	*	1275	B
5221	*	1360	B
5221	*	1445	B
5221	*	1530	B

Series	Material	Width	Version
5221	*	0085	C
5221	*	0170	C
5221	*	0255	C
5221	*	0340	C
5221	*	0425	C
5221	*	0510	C
5221	*	0595	C
5221	*	0680	C
5221	*	0765	C

Series	Material	Width	Version
5221	*	0850	C
5221	*	0935	C
5221	*	1020	C
5221	*	1105	C
5221	*	1190	C
5221	*	1275	C
5221	*	1360	C
5221	*	1445	C
5221	*	1530	C

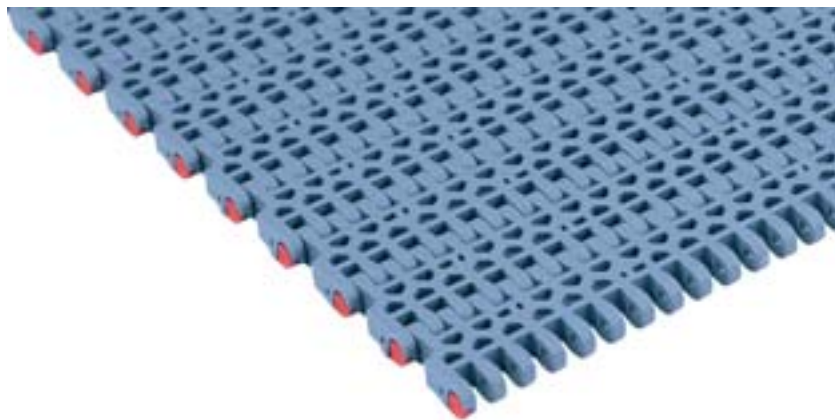




Tappeto Modulare 550 FG, H=8,7 M=85 / Modular Belt Series 550 FG, H=8,7 M=85 / Modulare Mattenkette 550 FG, H=8,7 M=85

Series	Material	Width	Version
5222	*	0085	A
5222	*	0170	A
5222	*	0255	A
5222	*	0340	A
5222	*	0425	A
5222	*	0510	A
5222	*	0595	A
5222	*	0680	A
5222	*	0765	A

Series	Material	Width	Version
5222	*	0850	A
5222	*	0935	A
5222	*	1020	A
5222	*	1105	A
5222	*	1190	A
5222	*	1275	A
5222	*	1360	A
5222	*	1445	A
5222	*	1530	A

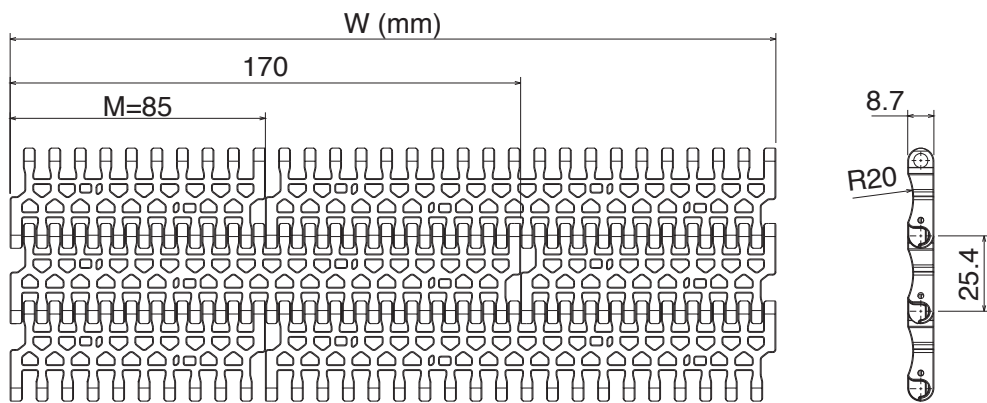


CODE STRUCTURE GUIDE			
5222	01	0850	C
Series	Material	Width	Version

VERSION A - STANDARD

One Track Belt - K330

Series	Material	Width	Version
5222	*	9330	A
5222	*	9330	C



* Material

01 LFA - Acetal Resin



Max working load: 27500 N/m
Weight: 7,0 kg/m
Temperature range:
dry -40÷80 °C
wet -40÷65 °C
Pin material: PBT white

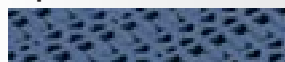
03 MX - PBT



Max working load: 22000 N/m
Weight: 6,7 kg/m
Temperature range:
dry -40÷120 °C
wet -40÷60 °C
Pin material: POM grey

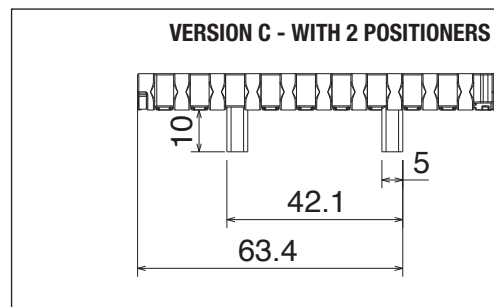
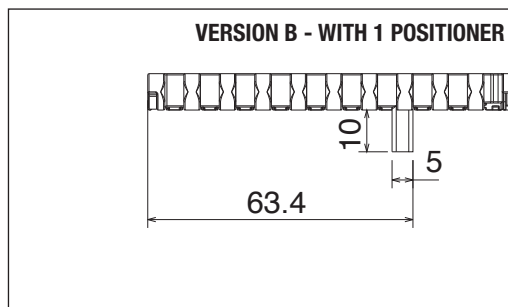
08 MK

Super Performance Acetal



Max working load: 26500 N/m
Weight: 7,0 kg/m
Temperature range:
dry -40÷80 °C
wet -40÷65 °C
Pin material: PBT white

Also available, on request,
other materials and widths



Series	Material	Width	Version
5222	*	0085	B
5222	*	0170	B
5222	*	0255	B
5222	*	0340	B
5222	*	0425	B
5222	*	0510	B
5222	*	0595	B
5222	*	0680	B
5222	*	0765	B

Series	Material	Width	Version
5222	*	0850	B
5222	*	0935	B
5222	*	1020	B
5222	*	1105	B
5222	*	1190	B
5222	*	1275	B
5222	*	1360	B
5222	*	1445	B
5222	*	1530	B

Series	Material	Width	Version
5222	*	0085	C
5222	*	0170	C
5222	*	0255	C
5222	*	0340	C
5222	*	0425	C
5222	*	0510	C
5222	*	0595	C
5222	*	0680	C
5222	*	0765	C

Series	Material	Width	Version
5222	*	0850	C
5222	*	0935	C
5222	*	1020	C
5222	*	1105	C
5222	*	1190	C
5222	*	1275	C
5222	*	1360	C
5222	*	1445	C
5222	*	1530	C





Tappeto Modulare 550 GT, H=8,7 M=85 / Modular Belt Series 550 GT, H=8,7 M=85 / Modulare Mattenkette 550 GT, H=8,7 M=85

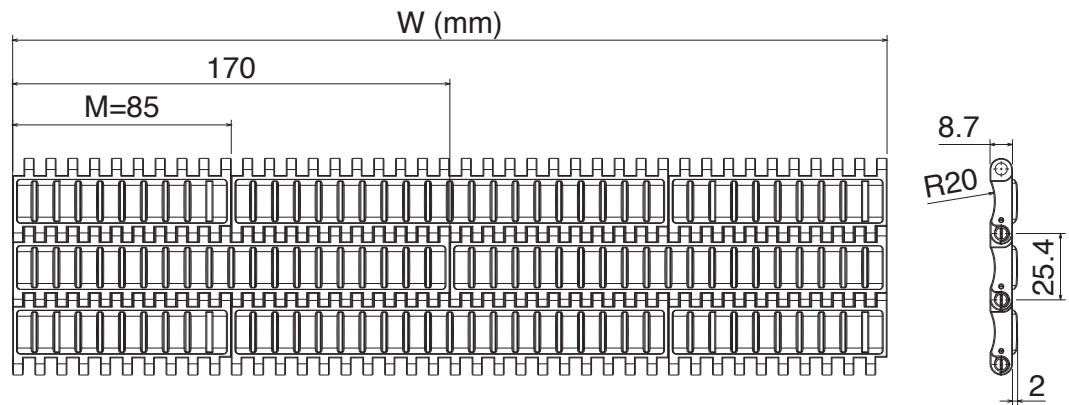
Series	Material	Width	Version
5223	*	0085	A
5223	*	0170	A
5223	*	0255	A
5223	*	0340	A
5223	*	0425	A
5223	*	0510	A
5223	*	0595	A
5223	*	0680	A
5223	*	0765	A

Series	Material	Width	Version
5223	*	0850	A
5223	*	0935	A
5223	*	1020	A
5223	*	1105	A
5223	*	1190	A
5223	*	1275	A
5223	*	1360	A
5223	*	1445	A
5223	*	1530	A




CODE STRUCTURE GUIDE			
5223	02	1020	A
Series	Material	Width	Version

VERSION A - STANDARD




*** Material**

01 LFA - Acetal Resin




Max working load: 27500 N/m
Weight: 10,1 kg/m
Temp. range: dry -40÷80 °C
wet -40÷65 °C
Pin material: PBT white
Hardness: 75 ShA

02 PP - Polypropylene



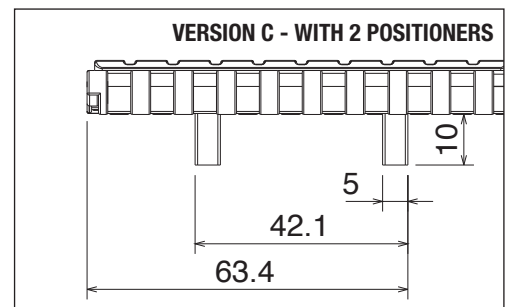
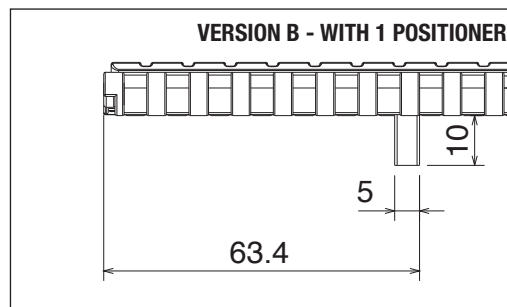
Max working load: 16500 N/m
Weight: 8,4 kg/m
Temp. range: dry 4÷80 °C
wet 4÷65 °C
Pin material: PP blu
Hardness: 75 ShA

03 MX - PBT



Max working load: 21500 N/m
Weight: 10,5 kg/m
Temp. range: dry -40÷120 °C
wet -40÷60 °C
Pin material: POM grey
Hardness: 75 ShA

Also available, on request, other materials and widths



Series	Material	Width	Version
5223	*	0085	B
5223	*	0170	B
5223	*	0255	B
5223	*	0340	B
5223	*	0425	B
5223	*	0510	B
5223	*	0595	B
5223	*	0680	B
5223	*	0765	B

Series	Material	Width	Version
5223	*	0850	B
5223	*	0935	B
5223	*	1020	B
5223	*	1105	B
5223	*	1190	B
5223	*	1275	B
5223	*	1360	B
5223	*	1445	B
5223	*	1530	B

Series	Material	Width	Version
5223	*	0085	C
5223	*	0170	C
5223	*	0255	C
5223	*	0340	C
5223	*	0425	C
5223	*	0510	C
5223	*	0595	C
5223	*	0680	C
5223	*	0765	C

Series	Material	Width	Version
5223	*	0850	C
5223	*	0935	C
5223	*	1020	C
5223	*	1105	C
5223	*	1190	C
5223	*	1275	C
5223	*	1360	C
5223	*	1445	C
5223	*	1530	C

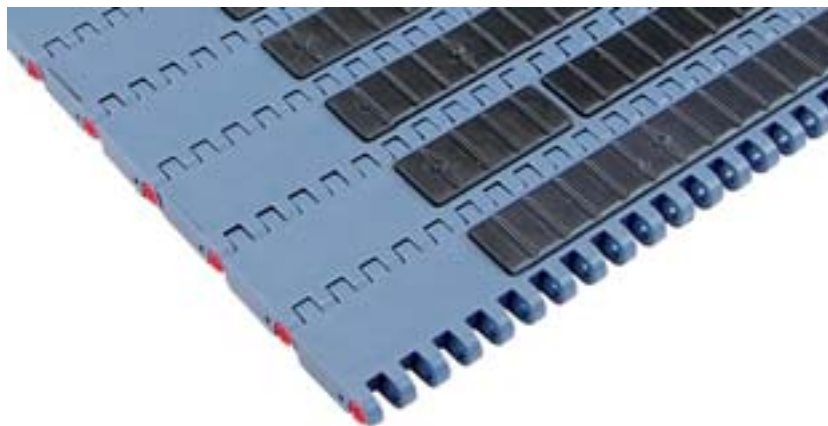




Tappeto Modulare 550 GT, H=8,7 M=85 / Modular Belt Series 550 GT, H=8,7 M=85 / Modulare Mattenkette 550 GT, H=8,7 M=85

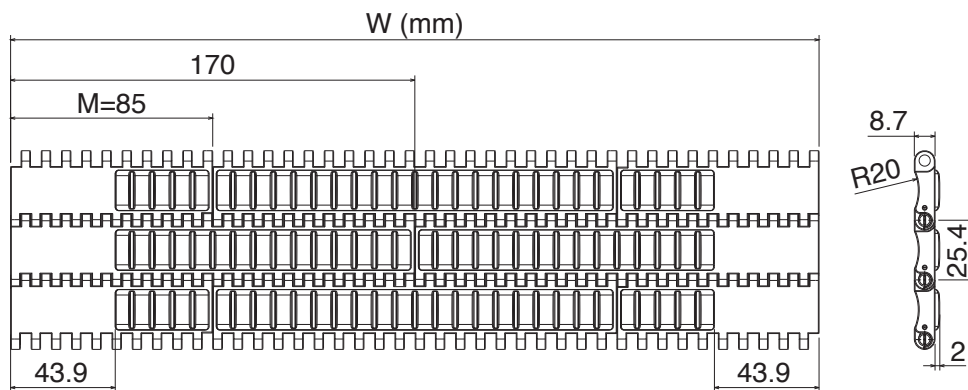
Series	Material	Width	Version
5225	*	0255	A
5225	*	0340	A
5225	*	0425	A
5225	*	0510	A
5225	*	0595	A
5225	*	0680	A
5225	*	0765	A
5225	*	0850	A

Series	Material	Width	Version
5225	*	0935	A
5225	*	1020	A
5225	*	1105	A
5225	*	1190	A
5225	*	1275	A
5225	*	1360	A
5225	*	1445	A
5225	*	1530	A




CODE STRUCTURE GUIDE			
5225	02	0595	B
Series	Material	Width	Version

VERSION A - STANDARD




*** Material**

01 LFA - Acetal Resin




Max working load: 27500 N/m
Weight: 9,8 kg/m
Temp. range: dry -40÷80 °C
wet -40÷65 °C
Pin material: PBT white
Hardness: 75 ShA

02 PP - Polypropylene



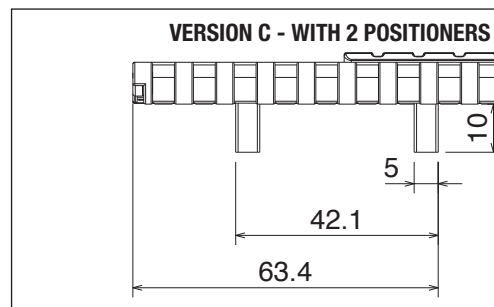
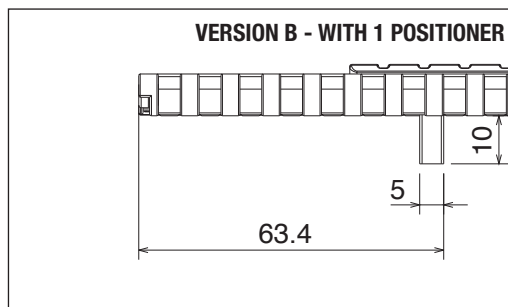
Max working load: 16500 N/m
Weight: 8,2 kg/m
Temp. range: dry 4-80 °C
wet 4-65 °C
Pin material: PP blu
Hardness: 75 ShA

03 MX - PBT



Max working load: 21500 N/m
Weight: 10,3 kg/m
Temp. range: dry -40÷120 °C
wet -40÷60 °C
Pin material: POM grey
Hardness: 75 ShA

Also available, on request, other materials and widths



Series	Material	Width	Version
5225	*	0255	B
5225	*	0340	B
5225	*	0425	B
5225	*	0510	B
5225	*	0595	B
5225	*	0680	B
5225	*	0765	B
5225	*	0850	B

Series	Material	Width	Version
5225	*	0935	B
5225	*	1020	B
5225	*	1105	B
5225	*	1190	B
5225	*	1275	B
5225	*	1360	B
5225	*	1445	B
5225	*	1530	B

Series	Material	Width	Version
5225	*	0255	C
5225	*	0340	C
5225	*	0425	C
5225	*	0510	C
5225	*	0595	C
5225	*	0680	C
5225	*	0765	C
5225	*	0850	C

Series	Material	Width	Version
5225	*	0935	C
5225	*	1020	C
5225	*	1105	C
5225	*	1190	C
5225	*	1275	C
5225	*	1360	C
5225	*	1445	C
5225	*	1530	C



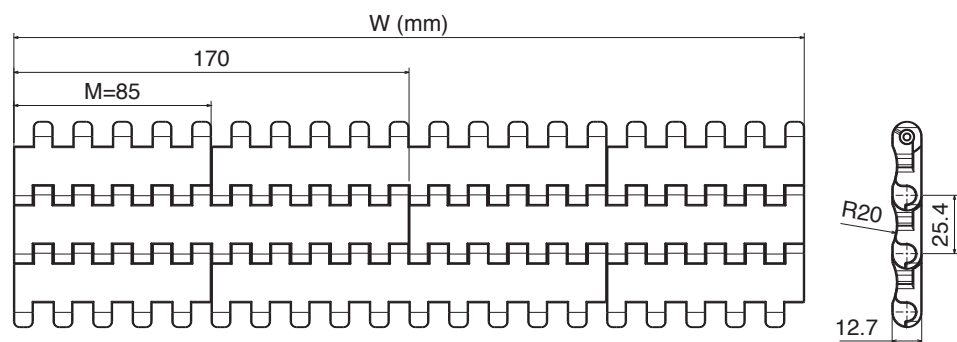
Tappeto Modulare 551 FT, H=12,7 M=85 / Modular Belt Series 551 FT, H=12,7 M=85 / Modulare Mattenkette 551 FT, H=12,7 M=85

Series	Material	Width	Version	Series	Material	Width	Version
5231	*	0085	A	5231	*	0850	A
5231	*	0170	A	5231	*	0935	A
5231	*	0255	A	5231	*	1020	A
5231	*	0340	A	5231	*	1105	A
5231	*	0425	A	5231	*	1190	A
5231	*	0510	A	5231	*	1275	A
5231	*	0595	A	5231	*	1360	A
5231	*	0680	A	5231	*	1445	A
5231	*	0765	A	5231	*	1530	A




CODE STRUCTURE GUIDE			
5231	01	0680	C
Series	Material	Width	Version

VERSION A - STANDARD




*** Material**

01 LFA - Acetal Resin




Max working load: 41500 N/m
Weight: 12,5 kg/m
Temperature range:
dry -40÷80 °C
wet 0÷65 °C
Pin material: PBT white

03 MX - PBT



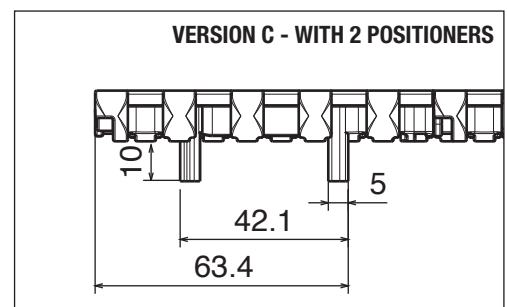
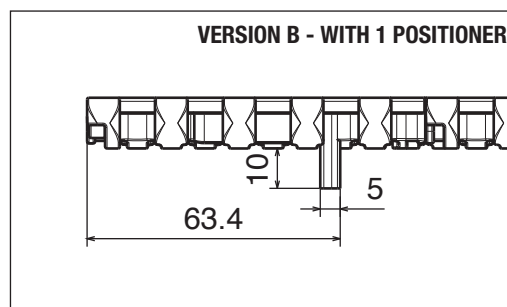
Max working load: 33500 N/m
Weight: 12,0 kg/m
Temperature range:
dry -40÷120 °C
wet -40÷60 °C
Pin material: POM grey

08 MK Super Performance Acetal



Max working load: 40000 N/m
Weight: 12,5 kg/m
Temperature range:
dry -40÷80 °C
wet 0÷65 °C
Pin material: PBT white

Also available, on request,
other materials and widths



Series	Material	Width	Version
5231	*	0085	B
5231	*	0170	B
5231	*	0255	B
5231	*	0340	B
5231	*	0425	B
5231	*	0510	B
5231	*	0595	B
5231	*	0680	B
5231	*	0765	B

Series	Material	Width	Version
5231	*	0850	B
5231	*	0935	B
5231	*	1020	B
5231	*	1105	B
5231	*	1190	B
5231	*	1275	B
5231	*	1360	B
5231	*	1445	B
5231	*	1530	B

Series	Material	Width	Version
5231	*	0085	C
5231	*	0170	C
5231	*	0255	C
5231	*	0340	C
5231	*	0425	C
5231	*	0510	C
5231	*	0595	C
5231	*	0680	C
5231	*	0765	C

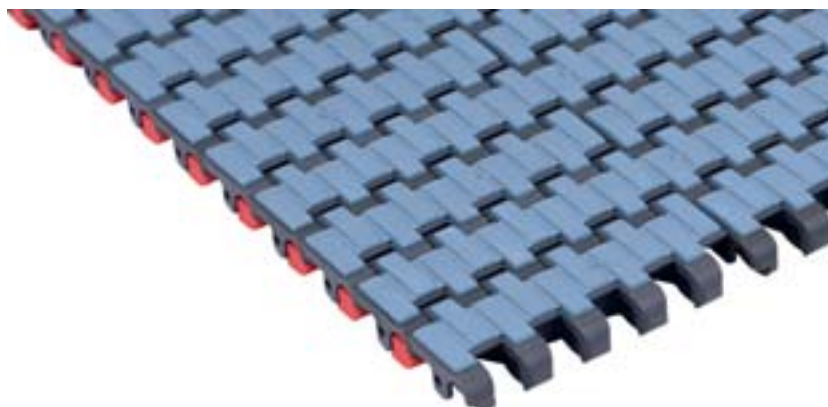
Series	Material	Width	Version
5231	*	0850	C
5231	*	0935	C
5231	*	1020	C
5231	*	1105	C
5231	*	1190	C
5231	*	1275	C
5231	*	1360	C
5231	*	1445	C
5231	*	1530	C



Tappeto Modulare 551 GT, H=12,7 M=85 / Modular Belt Series 551 GT, H=12,7 M=85 / Modulare Mattenkette 551 GT, H=12,7 M=85

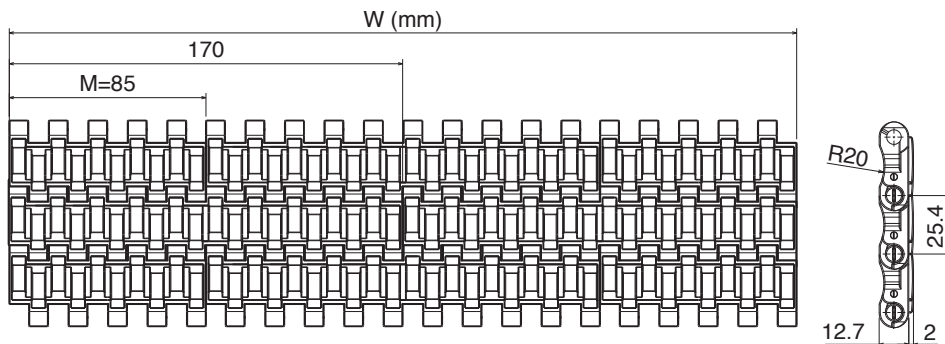
Series	Material	Width	Version
5233	*	0085	A
5233	*	0170	A
5233	*	0255	A
5233	*	0340	A
5233	*	0425	A
5233	*	0510	A
5233	*	0595	A
5233	*	0680	A
5233	*	0765	A

Series	Material	Width	Version
5233	*	0850	A
5233	*	0935	A
5233	*	1020	A
5233	*	1105	A
5233	*	1190	A
5233	*	1275	A
5233	*	1360	A
5233	*	1445	A
5233	*	1530	A



CODE STRUCTURE GUIDE			
5233	01	0255	B
Series	Material	Width	Version

VERSION A - STANDARD



* Material

01 LFA - Acetal Resin



Max working load: 41500 N/m
Weight: 13,5 kg/m
Temp. range: dry -40÷80 °C
wet -40÷65 °C
Pin material: PBT white
Hardness: 75 ShA

02 PP - Polypropylene



Max working load: 27000 N/m
Weight: 11,00 kg/m
Temp. range: dry 4÷65 °C
wet 4÷65 °C
Pin material: PP blu
Hardness: 75 ShA

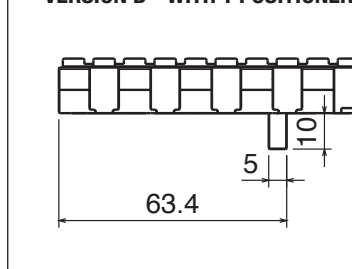
03 MX - PBT



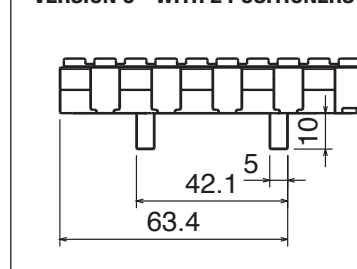
Max working load: 33500 N/m
Weight: 12,7 kg/m
Temp. range: dry -40÷120 °C
wet -40÷60 °C
Pin material: POM grey
Hardness: 75 ShA

Also available, on request,
other materials and widths

VERSION B - WITH 1 POSITIONER



VERSION C - WITH 2 POSITIONERS



Series	Material	Width	Version
5233	*	0085	B
5233	*	0170	B
5233	*	0255	B
5233	*	0340	B
5233	*	0425	B
5233	*	0510	B
5233	*	0595	B
5233	*	0680	B
5233	*	0765	B

Series	Material	Width	Version
5233	*	0850	B
5233	*	0935	B
5233	*	1020	B
5233	*	1105	B
5233	*	1190	B
5233	*	1275	B
5233	*	1360	B
5233	*	1445	B
5233	*	1530	B

Series	Material	Width	Version
5233	*	0085	C
5233	*	0170	C
5233	*	0255	C
5233	*	0340	C
5233	*	0425	C
5233	*	0510	C
5233	*	0595	C
5233	*	0680	C
5233	*	0765	C

Series	Material	Width	Version
5233	*	0850	C
5233	*	0935	C
5233	*	1020	C
5233	*	1105	C
5233	*	1190	C
5233	*	1275	C
5233	*	1360	C
5233	*	1445	C
5233	*	1530	C





Tappeto Modulare 551 GT, H=12,7 M=85 / Modular Belt Series 551 GT, H=12,7 M=85 / Modulare Mattenkette 551 GT, H=12,7 M=85

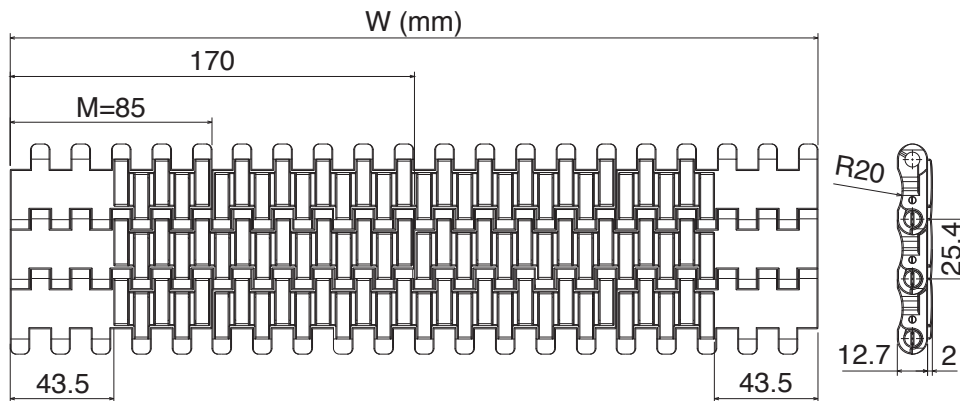
Series	Material	Width	Version
5235	*	0255	A
5235	*	0340	A
5235	*	0425	A
5235	*	0510	A
5235	*	0595	A
5235	*	0680	A
5235	*	0765	A
5235	*	0850	A

Series	Material	Width	Version
5235	*	0935	A
5235	*	1020	A
5235	*	1105	A
5235	*	1190	A
5235	*	1275	A
5235	*	1360	A
5235	*	1445	A
5235	*	1530	A



CODE STRUCTURE GUIDE			
5235	02	0765	A
Series	Material	Width	Version

VERSION A - STANDARD



*** Material**

01 LFA - Acetal Resin

Max working load: 41500 N/m
Weight: 13,2 kg/m
Temp. range: dry -40÷80 °C
wet -40÷65 °C
Pin material: PBT white
Hardness: 75 ShA

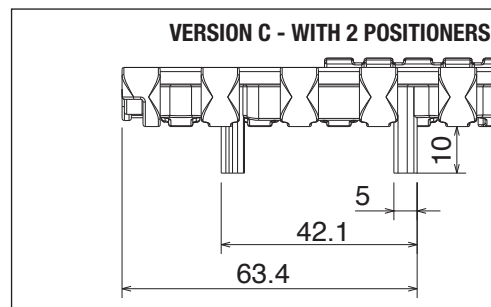
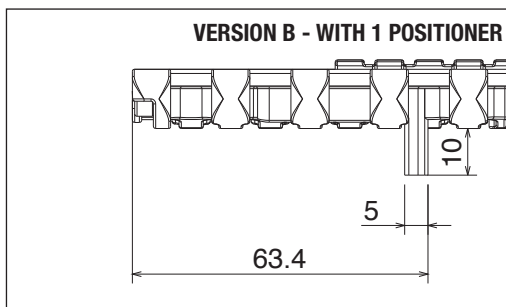
02 PP - Polypropylene

Max working load: 27000 N/m
Weight: 10,8 kg/m
Temp. range: dry 4÷65 °C
wet 4÷65 °C
Pin material: PP blu
Hardness: 75 ShA

03 MX - PBT

Max working load: 33500 N/m
Weight: 12,5 kg/m
Temp. range: dry -40÷120 °C
wet -40÷60 °C
Pin material: POM grey
Hardness: 75 ShA

Also available, on request,
other materials and widths



Series	Material	Width	Version
5235	*	0255	B
5235	*	0340	B
5235	*	0425	B
5235	*	0510	B
5235	*	0595	B
5235	*	0680	B
5235	*	0765	B
5235	*	0850	B

Series	Material	Width	Version
5235	*	0935	B
5235	*	1020	B
5235	*	1105	B
5235	*	1190	B
5235	*	1275	B
5235	*	1360	B
5235	*	1445	B
5235	*	1530	B

Series	Material	Width	Version
5235	*	0255	C
5235	*	0340	C
5235	*	0425	C
5235	*	0510	C
5235	*	0595	C
5235	*	0680	C
5235	*	0765	C
5235	*	0850	C

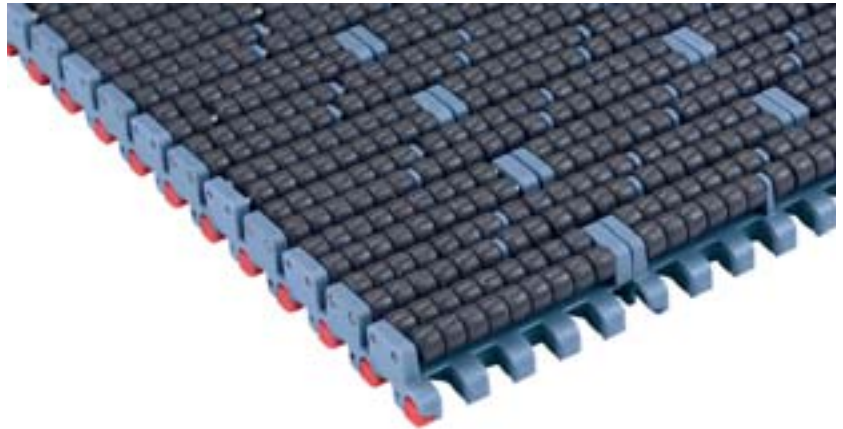
Series	Material	Width	Version
5235	*	0935	C
5235	*	1020	C
5235	*	1105	C
5235	*	1190	C
5235	*	1275	C
5235	*	1360	C
5235	*	1445	C
5235	*	1530	C



Tappeto Modulare 551 LBP, H=12,7 M=85 / Modular Belt Series 551 LBP, H=12,7 M=85 / Modulare Mattenkette 551 LBP, H=12,7 M=85

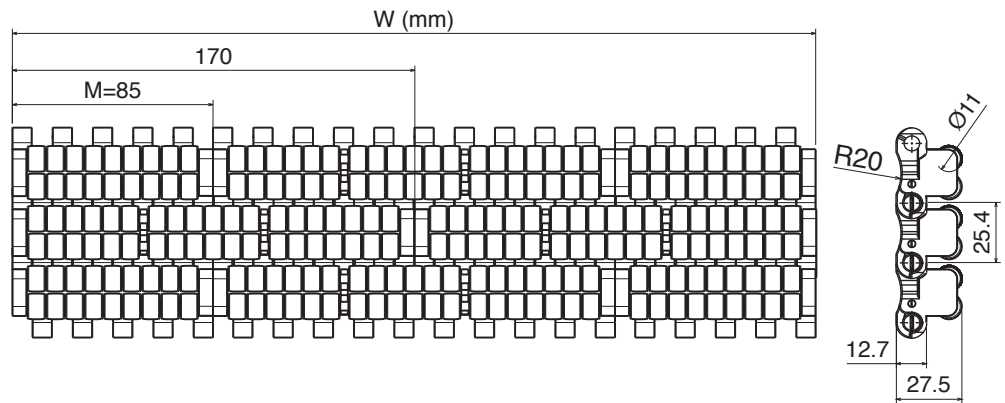
Series	Material	Width	Version
5234	*	0085	A
5234	*	0170	A
5234	*	0255	A
5234	*	0340	A
5234	*	0425	A
5234	*	0510	A
5234	*	0595	A
5234	*	0680	A
5234	*	0765	A

Series	Material	Width	Version
5234	*	0850	A
5234	*	0935	A
5234	*	1020	A
5234	*	1105	A
5234	*	1190	A
5234	*	1275	A
5234	*	1360	A
5234	*	1445	A
5234	*	1530	A



CODE STRUCTURE GUIDE			
5234	01	0425	A
Series	Material	Width	Version

VERSION A - STANDARD

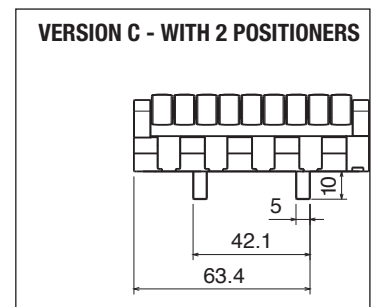
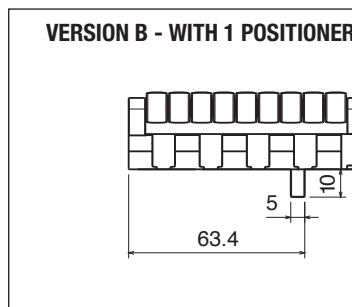


*** Material**

01 LFA - Acetal Resin

Max working load: 41500 N/m
Weight: 26,9 kg/m
Temperature range:
dry -40-80 °C
wet 1-65 °C
Pin material: PBT white

Also available, on request, other materials and widths



Series	Material	Width	Version
5234	*	0085	B
5234	*	0170	B
5234	*	0255	B
5234	*	0340	B
5234	*	0425	B
5234	*	0510	B
5234	*	0595	B
5234	*	0680	B
5234	*	0765	B

Series	Material	Width	Version
5234	*	0850	B
5234	*	0935	B
5234	*	1020	B
5234	*	1105	B
5234	*	1190	B
5234	*	1275	B
5234	*	1360	B
5234	*	1445	B
5234	*	1530	B

Series	Material	Width	Version
5234	*	0085	C
5234	*	0170	C
5234	*	0255	C
5234	*	0340	C
5234	*	0425	C
5234	*	0510	C
5234	*	0595	C
5234	*	0680	C
5234	*	0765	C

Series	Material	Width	Version
5234	*	0850	C
5234	*	0935	C
5234	*	1020	C
5234	*	1105	C
5234	*	1190	C
5234	*	1275	C
5234	*	1360	C
5234	*	1445	C
5234	*	1530	C

New

Tappeto Modulare Curvilineo Serie 600, H=12,7 M=85 / Side Flex Modular Belt Series 600, H=12,7 M=85 / Kurvengängige Mattenkette Serie 600, H=12,7 M=85

*** Material**

01 LFA - Acetal Resin



Max working load:
straight 30000N/m
curve 2500N
Weight: 7,7 kg/m
Temperature range:
dry -40÷80 °C
wet 1÷65 °C
Pin material: PBT white

03 MX - PBT



Max working load:
straight 24000N/m
curve 2000N
Weight: 7,5 kg/m
Temperature range:
dry -40÷120 °C
wet -40÷60 °C
Pin material: POM grey

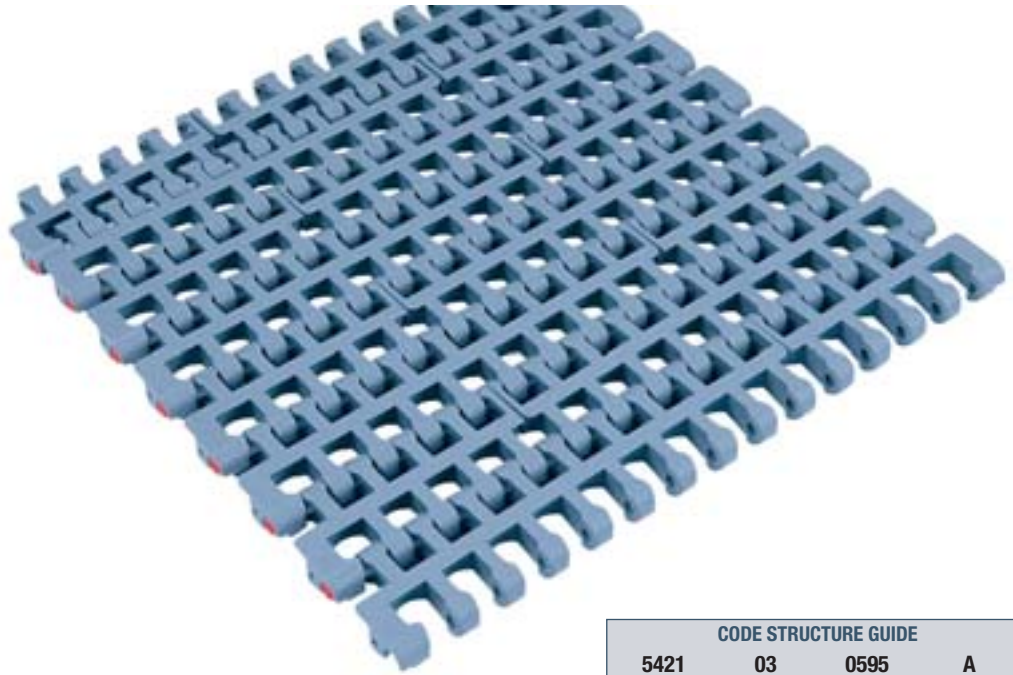
08 MK

Super Performance Acetal



Max working load:
straight 28800N/m
curve 2400N
Weight: 7,7 kg/m
Temperature range:
dry -40÷80 °C
wet 1÷65 °C
Pin material: PBT white

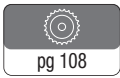
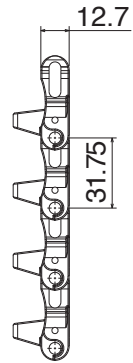
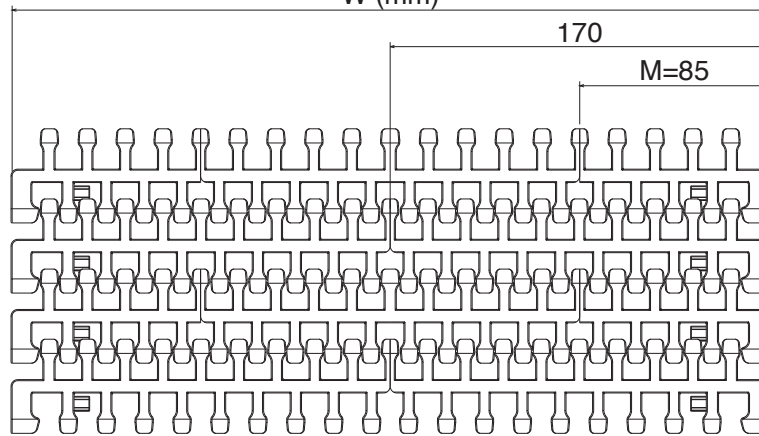
Also available, on request,
other materials and widths



CODE STRUCTURE GUIDE

5421	03	0595	A
Series	Material	Width	Version

W (mm)



**Min Radius
2 times
the width**

STANDARD



TAB



REVERSE TAB



**TrT
(TAB reverse TAB)**



Series	Material	Width	Version	min radius
5421	*	0255	A	510
5421	*	0340	A	680
5421	*	0425	A	850
5421	*	0510	A	1020
5421	*	0595	A	1190
5421	*	0680	A	1360
5421	*	0765	A	1530
5421	*	0850	A	1700

Series	Material	Width	Version	min radius
5421	*	0255	B	510
5421	*	0340	B	680
5421	*	0425	B	850
5421	*	0510	B	1020
5421	*	0595	B	1190
5421	*	0680	B	1360
5421	*	0765	B	1530
5421	*	0850	B	1700

Series	Material	Width	Version	min radius
5421	*	0255	C	510
5421	*	0340	C	680
5421	*	0425	C	850
5421	*	0510	C	1020
5421	*	0595	C	1190
5421	*	0680	C	1360
5421	*	0765	C	1530
5421	*	0850	C	1700

Series	Material	Width	Version	min radius
5421	*	0255	D	510
5421	*	0340	D	680
5421	*	0425	D	850
5421	*	0510	D	1020
5421	*	0595	D	1190
5421	*	0680	D	1360
5421	*	0765	D	1530
5421	*	0850	D	1700

Raised Rib Belt Series 500 RR

Series	Material	Width
1348	*	0060
1348	*	0063
1348	*	0066
1348	*	0069
1348	*	0072
1348	*	0075
1348	*	0078
1348	*	0081
1348	*	0084
1348	*	0087
1348	*	0090
1348	*	0093
1348	*	0096
1348	*	0099
1348	*	0102
1348	*	0105
1348	*	0108
1348	*	0111
1348	*	0114
1348	*	0117
1348	*	0120



CODE STRUCTURE GUIDE		
Series	Material	Width
1348	11	0090

* Material

02 PP - Polypropylene



Max working load: 30000 N/m
Weight: 10,65 kg/m
Temperature range: 4÷104° C
Pin material: PP grey

11 PPX - Polypropylene

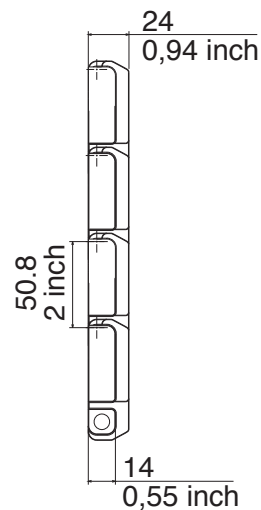
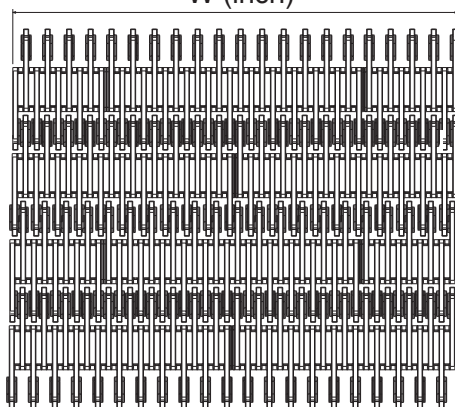


Max working load: 30000 N/m
Weight: 10,65 kg/m
Temperature range: 4÷104° C
Pin material: PP grey

Also available, on request,
other materials and widths

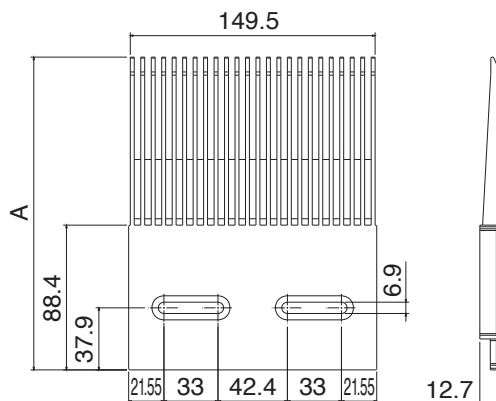


W (inch)



Pettine / Combs / Fingerplatte

Part	Article-Nr.	A
389	38901	152
389	38902	190





Catena curvilinea magnetica / Sideflexing magnetic belt/chain / Kurvengängige Magnetische Mattenkette

Part	Article-Nr.	Ref.
1151	11510103	K330

*** Material**

01 LFA - Acetal Resin



Max working load: 2000 N/m
Weight: 1,75 kg/m
Sideflex radius: 500 mm
Pin material: Ferritic SS

03 MX - PBT



Max working load: 1600 N/m
Weight: 1,70 kg/m
Sideflex radius: 500 mm
Pin material: Ferritic SS

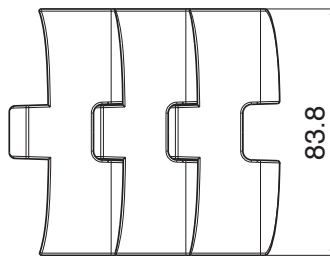
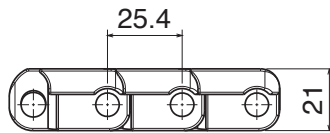
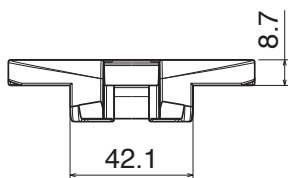
08 MK

Super Performance Acetal



Max working load: 1950 N/m
Weight: 1,75 kg/m
Sideflex radius: 500 mm
Pin material: Ferritic SS

Also available, on request,
other materials and widths



Magnetic System



Catena curvilinea / Sideflexing belt/chain / Kurvengängige Mattenkette

Part	Article-Nr.	Ref.
1152	11520103	K330

*** Material**

01 LFA - Acetal Resin



Max working load: 2000 N/m
Weight: 1,85 kg/m
Sideflex radius: 500 mm
Pin material: Martensitic SS

03 MX - PBT



Max working load: 1600 N/m
Weight: 1,80 kg/m
Sideflex radius: 500 mm
Pin material: Martensitic SS

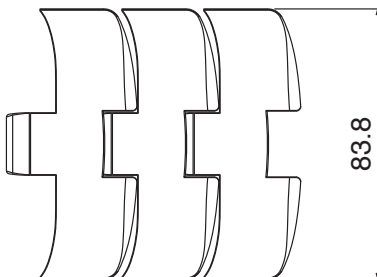
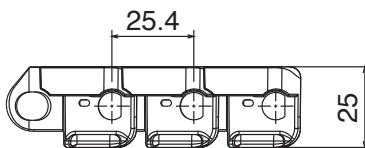
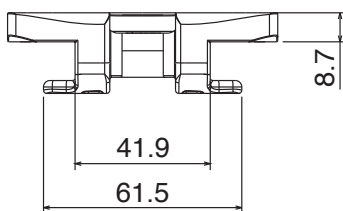
08 MK

Super Performance Acetal



Max working load: 1950 N/m
Weight: 1,85 kg/m
Sideflex radius: 500 mm
Pin material: Martensitic SS

Also available, on request,
other materials and widths



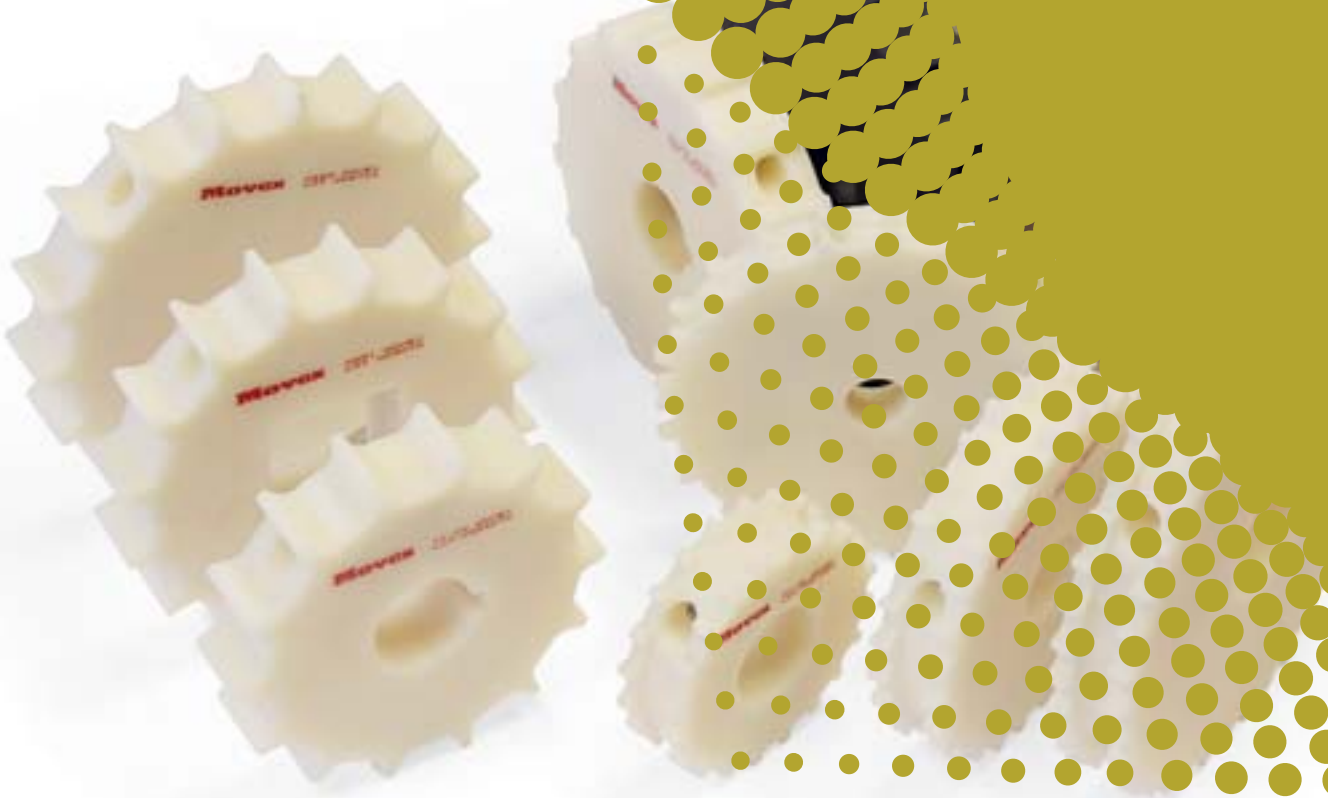
Tab System





belt sprockets

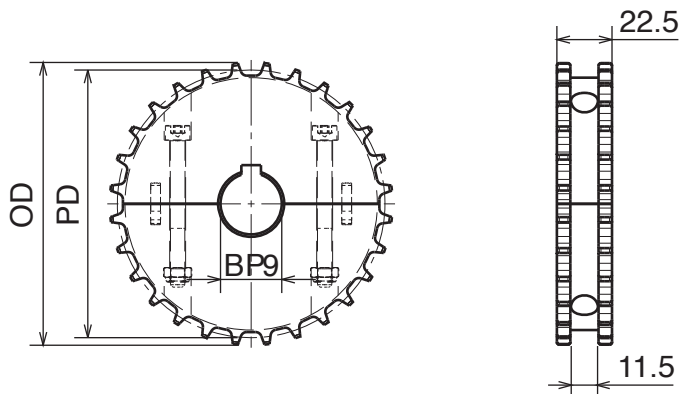
Series 520  pag. 98	Series 520  pag. 98	Series 520  pag. 99	Series 520  pag. 99	Series 521  pag. 100	Series 521  pag. 100
Series 590  pag. 101	Series 590  pag. 101	Series 550  pag. 102	Series 550  pag. 102	Series 550  pag. 103	Series 550  pag. 103
Series 551  pag. 104	Series 551  pag. 104	Series 551  pag. 105	Series 551  pag. 105	Series 260M-260TAB  pag. 106	
Series 260M-260TAB  pag. 106	Series 250M-251M  pag. 107	Series 250M-251M  pag. 107	Series 600  pag. 108		
		Series 600  pag. 108	Series 500RR  pag. 109		



Materiale:	Material:	Materialien:
Poliammide	Polyamide	Polyamid
Viti: Acciaio inox	Screws: Stainless steel	Schrauben: Edelstahl
Dadi: ferro zincato	Nuts: zinc plated steel	Mutter: verzinkter Stahl



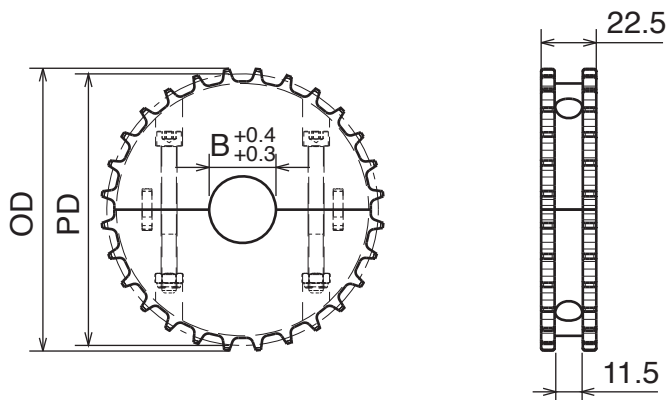
Ruota traino divisa, fresata / Split drive sprocket, machined / geteiltes Antriebskettenrad, gefräst



Part	Article-Nr.	z-	Bore	PD	OD
1501	150101	28	25	113,4	115,4
1501	150102		30		
1501	150103		35		
1501	150104		40		
☐	1501	150106	25*25		
☐	1501	150107	30*30		
☐	1501	150108	40*40		
1502	150201	36	25	145,7	147,7
1502	150202		30		
1502	150203		35		
1502	150204		40		
☐	1502	150206	25*25		
☐	1502	150207	30*30		
☐	1502	150208	40*40		
1503	150301	38	25	153,8	155,8
1503	150302		30		
1503	150303		35		
1503	150304		40		
☐	1503	150306	25*25		
☐	1503	150307	30*30		
☐	1503	150308	40*40		
1504	150401	40	25	161,9	163,8
1504	150402		30		
1504	150403		35		
1504	150404		40		
☐	1504	150406	25*25		
☐	1504	150407	30*30		
☐	1504	150408	40*40		



Ruota rinvio divisa, fresata / Split idler sprocket, machined / geteiltes Umlenkrad, gefräst

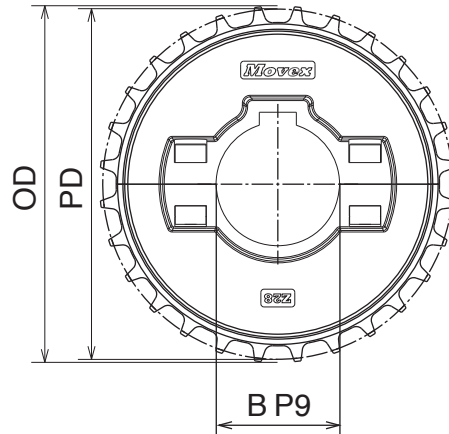


Part	Article-Nr.	z-	Bore	PD	OD
1501	150150	28	18*	113,4	115,4
1501	150151		25		
1501	150152		30		
1501	150153		35		
1501	150154		40		
1502	150250	36	18*	145,7	147,7
1502	150251		25		
1502	150252		30		
1502	150253		35		
1502	150254		40		
1503	150350	38	18*	153,8	155,8
1503	150351		25		
1503	150352		30		
1503	150353		35		
1503	150354		40		
1504	150450	40	18*	161,9	163,8
1504	150451		25		
1504	150452		30		
1504	150453		35		
1504	150454		40		

Materiale:	Material:	Materialien:
Poliamide rinforzato	Polyamide reinforced	Verstärktes Polyamid
Viti: Acciaio inox	Screws: Stainless steel	Schrauben: Edelstahl
Dadi: ottone nichelato	Nuts: nickel plated brass	Mutter: messing vernickelt

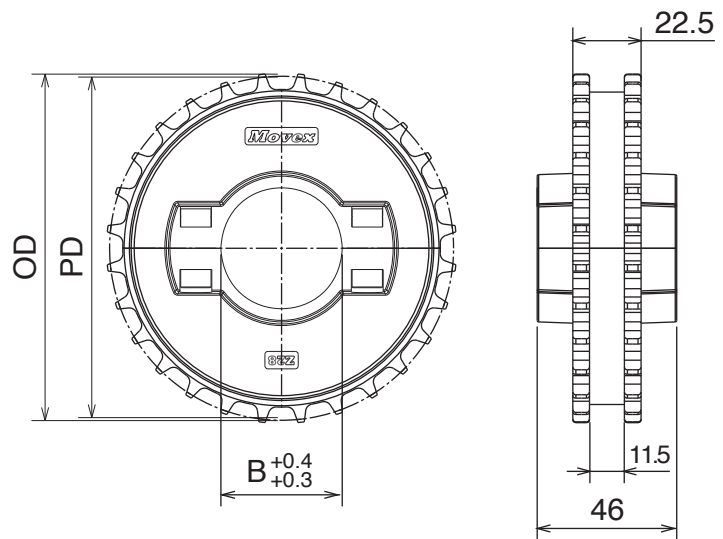
Ruota traino divisa, stampata / Split drive sprocket, molded / geteiltes Antriebskettenrad, gespritzt

Part	Article-Nr.	z-	Bore	PD	OD
1505	150501	24	25	97,3	99,3
1505	150502		30		
1505	150503		35		
1505	150504		40		
1505	150506		25*25		
1505	150507		30*30		
1505	150508		40*40		
1506	150601	28	25	113,4	115,4
1506	150602		30		
1506	150603		35		
1506	150604		40		
1506	150606		25*25		
1506	150607		30*30		
1506	150608		40*40		
1507	150701	36	25	145,7	147,7
1507	150702		30		
1507	150703		35		
1507	150704		40		
1507	150706		25*25		
1507	150707		30*30		
1507	150708		40*40		



Ruota rinvio divisa, stampata / Split idler sprocket, molded / geteiltes Umlenkrad, gespritzt

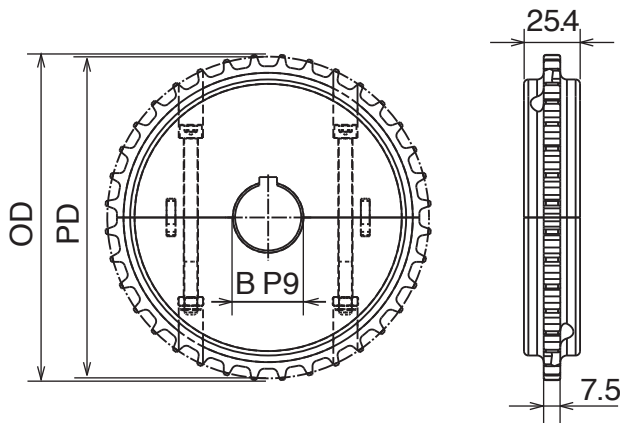
Part	Article-Nr.	z-	Bore	PD	OD
1505	150551	24	25	97,3	99,3
1505	150552		30		
1505	150553		35		
1505	150554		40		
1506	150651	28	25	113,4	115,4
1506	150652		30		
1506	150653		35		
1506	150654		40		
1507	150751	36	25	145,7	147,7
1507	150752		30		
1507	150753		35		
1507	150754		40		



Materiale:	Material:	Materialien:
Poliammide	Polyamide	Polyamid
Viti: Acciaio inox	Screws: Stainless steel	Schrauben: Edelstahl
Dadi: ferro zincato	Nuts: zinc plated steel	Mutter: verzinkter Stahl



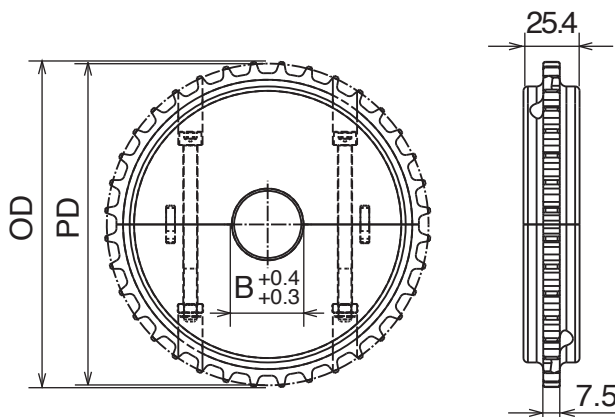
Ruota traino divisa, fresata / Split drive sprocket, machined / geteiltes Antriebskettenrad, gefräst



Part	Article-Nr.	z-	Bore	PD	OD
1561	156101	28	25	113,4	115,4
1561	156102		30		
1561	156103		35		
1561	156104		40		
□	1561	156106	25*25		
□	1561	156107	30*30		
□	1561	156108	40*40		
1562	156201	36	25	145,7	147,7
1562	156202		30		
1562	156203		35		
1562	156204		40		
□	1562	156206	25*25		
□	1562	156207	30*30		
□	1562	156208	40*40		
1563	156301	38	25	153,8	155,8
1563	156302		30		
1563	156303		35		
1563	156304		40		
□	1563	156306	25*25		
□	1563	156307	30*30		
□	1563	156308	40*40		
1564	156401	40	25	161,9	163,8
1564	156402		30		
1564	156403		35		
1564	156404		40		
□	1564	156406	25*25		
□	1564	156407	30*30		
□	1564	156408	40*40		



Ruota rinvio divisa, fresata / Split idler sprocket, machined / geteiltes Umlenkrad, gefräst

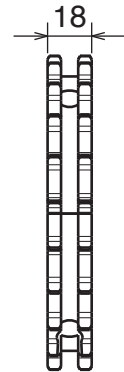
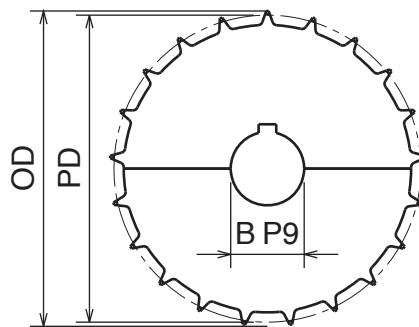


Part	Article-Nr.	z-	Bore	PD	OD
1561	156150	28	18*	113,4	115,4
1561	156151		25		
1561	156152		30		
1561	156153		35		
1561	156154		40		
1562	156250	36	18*	145,7	147,7
1562	156251		25		
1562	156252		30		
1562	156253		35		
1562	156254		40		
1563	156350	38	18*	153,8	155,8
1563	156351		25		
1563	156352		30		
1563	156353		35		
1563	156354		40		
1564	156450	40	18*	161,9	163,8
1564	156451		25		
1564	156452		30		
1564	156453		35		
1564	156454		40		

Materiale:	Material:	Materialien:
Poliammide	Polyamide	Polyamid
Viti: Acciaio inox	Screws: Stainless steel	Schrauben: Edelstahl
Dadi: ferro zincato	Nuts: zinc plated steel	Mutter: verzinkter Stahl

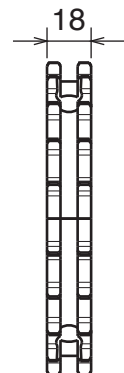
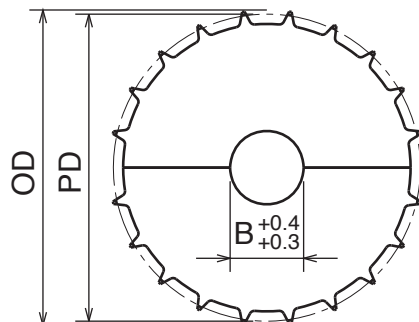
Ruota traino divisa, fresata / Split drive sprocket, machined / geteiltes Antriebskettenrad, gefräst

Part	Article-Nr.	z-	Bore	PD	OD
1511	151101	17	25	100,7	103,4
1511	151102		30		
1511	151103		35		
1511	151104		40		
1511	151106		25*25		
1511	151107		30*30		
1511	151108		40*40		
1512	151201	21	25	126	128,7
1512	151202		30		
1512	151203		35		
1512	151204		40		
1512	151206		25*25		
1512	151207		30*30		
1512	151208		40*40		
1513	151301	24	25	142,9	145,6
1513	151302		30		
1513	151303		35		
1513	151304		40		
1513	151306		25*25		
1513	151307		30*30		
1513	151308		40*40		
1514	151401	25	25	149	151,7
1514	151402		30		
1514	151403		35		
1514	151404		40		
1514	151406		25*25		
1514	151407		30*30		
1514	151408		40*40		



Ruota rinvio divisa, fresata / Split idler sprocket, machined / geteiltes Umlenkrad, gefräst

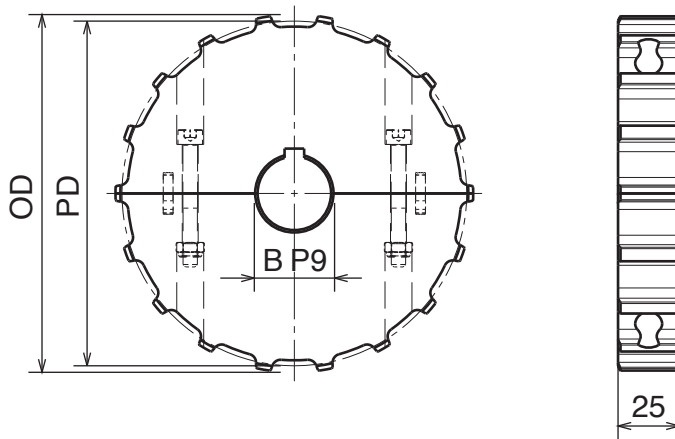
Part	Article-Nr.	z-	Bore	PD	OD
1511	151150	17	18*	100,7	103,4
1511	151151		25		
1511	151152		30		
1511	151153		35		
1511	151154		40		
1512	151250	21	18*	126	128,7
1512	151251		25		
1512	151252		30		
1512	151253		35		
1512	151254		40		
1513	151350	24	18*	142,9	145,6
1513	151351		25		
1513	151352		30		
1513	151353		35		
1513	151354		40		
1514	151450	25	18*	149	151,7
1514	151451		25		
1514	151452		30		
1514	151453		35		
1514	151454		40		



Materiale:	Material:	Materialien:
Poliammide	Polyamide	Polyamid
Viti: Acciaio inox	Screws: Stainless steel	Schrauben: Edelstahl
Dadi: ferro zincato	Nuts: zinc plated steel	Mutter: verzinkter Stahl



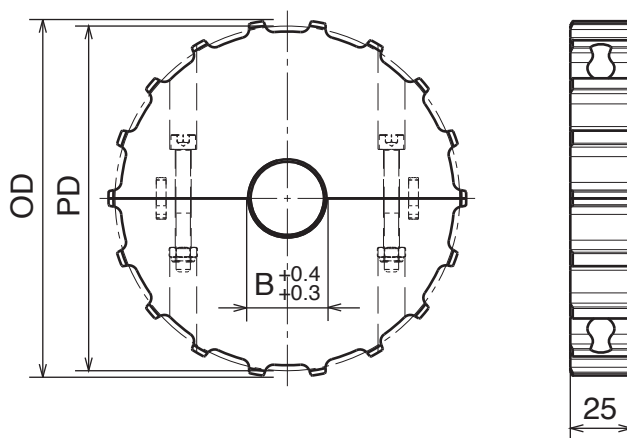
Ruota traino divisa, fresata / Split drive sprocket, machined / geteiltes Antriebskettenrad, gefräst



Part	Article-Nr.	z-	Bore	PD	OD
1521	152101	14	25	114,1	114
1521	152102		30		
1521	152103		35		
1521	152104		40		
1521	152106		25*25		
1521	152107		30*30		
1521	152108		40*40		
1522	152201	16	25	130,2	130
1522	152202		30		
1522	152203		35		
1522	152204		40		
1522	152206		25*25		
1522	152207		30*30		
1522	152208		40*40		
1523	152301	18	25	146,3	146
1523	152302		30		
1523	152303		35		
1523	152304		40		
1523	152306		25*25		
1523	152307		30*30		
1523	152308		40*40		
1524	152401	20	25	162,4	162
1524	152402		30		
1524	152403		35		
1524	152404		40		
1524	152406		25*25		
1524	152407		30*30		
1524	152408		40*40		



Ruota rinvio divisa, fresata / Split idler sprocket, machined / geteiltes Umlenkrad, gefräst

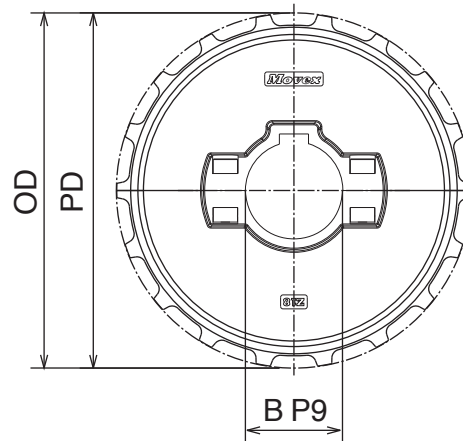


Part	Article-Nr.	z-	Bore	PD	OD
1521	152150	14	18*	114,1	114
1521	152151		25		
1521	152152		30		
1521	152153		35		
1521	152154		40		
1522	152250	16	18*	130,2	130
1522	152251		25		
1522	152252		30		
1522	152253		35		
1522	152254		40		
1523	152350	18	18*	146,3	146
1523	152351		25		
1523	152352		30		
1523	152353		35		
1523	152354		40		
1524	152450	20	18*	162,4	162
1524	152451		25		
1524	152452		30		
1524	152453		35		
1524	152454		40		

Materiale:	Material:	Materialien:
Poliamide rinforzato	Polyamide reinforced	Verstärktes Polyamid
Viti: Acciaio inox	Screws: Stainless steel	Schrauben: Edelstahl
Dadi: ottone nichelato	Nuts: nickel plated brass	Mutter: messing vernickelt

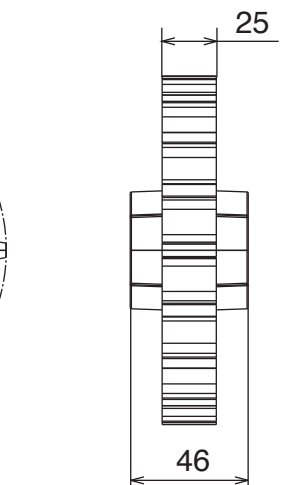
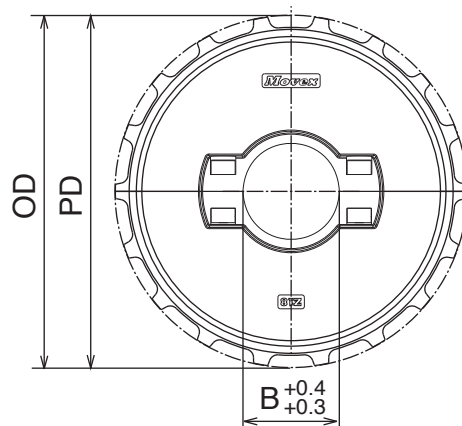
Ruota traino divisa, stampata / Split drive sprocket, molded / geteiltes Antriebskettenrad, gespritzt

Part	Article-Nr.	z-	Bore	PD	OD
1525	152501	14	25	114,1	114
1525	152502		30		
1525	152503		35		
1525	152504		40		
1525	152506		25*25		
1525	152507		30*30		
1525	152508		40*40		
1526	152601	16	25	130,2	130
1526	152602		30		
1526	152603		35		
1526	152604		40		
1526	152606		25*25		
1526	152607		30*30		
1526	152608		40*40		
1527	152701	18	25	146,3	146
1527	152702		30		
1527	152703		35		
1527	152704		40		
1527	152706		25*25		
1527	152707		30*30		
1527	152708		40*40		
1528	152801	20	25	162,4	162
1528	152802		30		
1528	152803		35		
1528	152804		40		
1528	152806		25*25		
1528	152807		30*30		
1528	152808		40*40		



Ruota rinvio divisa, stampata / Split idler sprocket, molded / geteiltes Umlenkrad, gespritzt

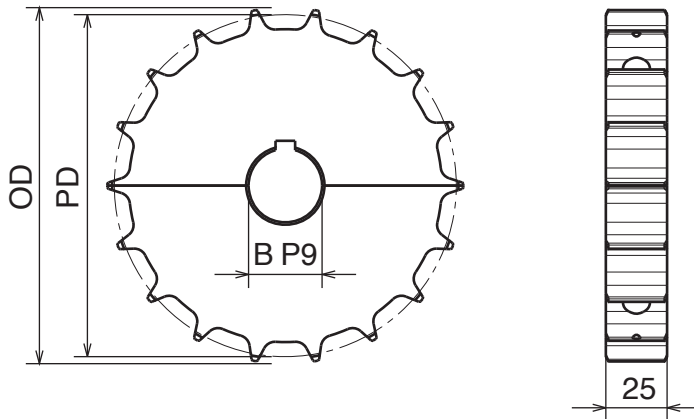
Part	Article-Nr.	z-	Bore	PD	OD
1525	152551	14	25	114,1	114
1525	152552		30		
1525	152553		35		
1525	152554		40		
1526	152651	16	25	130,2	130
1526	152652		30		
1526	152653		35		
1526	152654		40		
1527	152751	18	25	146,3	146
1527	152752		30		
1527	152753		35		
1527	152754		40		
1528	152851	20	25	162,4	162
1528	152852		30		
1528	152853		35		
1528	152854		40		



Materiale:	Material:	Materialien:
Poliammide	Polyamide	Polyamid
Viti: Acciaio inox	Screws: Stainless steel	Schrauben: Edelstahl
Dadi: ferro zincato	Nuts: zinc plated steel	Mutter: verzinkter Stahl



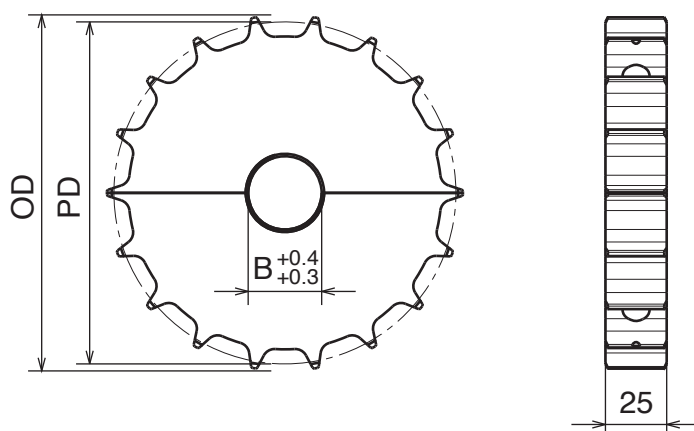
Ruota traino divisa, fresata / Split drive sprocket, machined / geteiltes Antriebskettenrad, gefräst



Part	Article-Nr.	z-	Bore	PD	OD
1531	153101	14	25	114,2	113,5
1531	153102		30		
1531	153103		35		
1531	153104		40		
1531	153106		25*25		
1531	153107		30*30		
1531	153108		40*40		
1532	153201	16	25	130,2	129
1532	153202		30		
1532	153203		35		
1532	153204		40		
1532	153206		25*25		
1532	153207		30*30		
1532	153208		40*40		
1533	153301	18	25	146,3	145,3
1533	153302		30		
1533	153303		35		
1533	153304		40		
1533	153306		25*25		
1533	153307		30*30		
1533	153308		40*40		
1534	153401	20	25	162,4	161,7
1534	153402		30		
1534	153403		35		
1534	153404		40		
1534	153406		25*25		
1534	153407		30*30		
1534	153408		40*40		



Ruota rinvio divisa, fresata / Split idler sprocket, machined / geteiltes Umlenkrad, gefräst

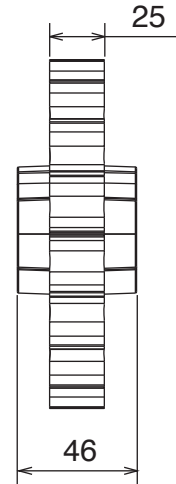
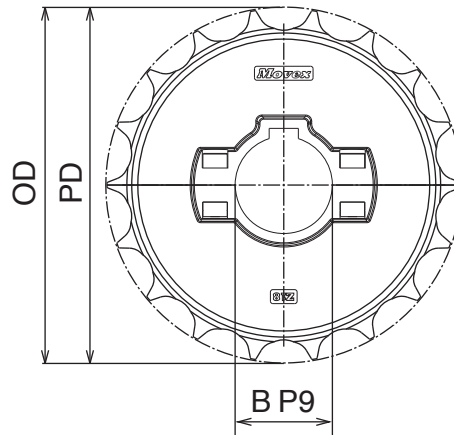


Part	Article-Nr.	z-	Bore	PD	OD
1531	153150	14	18*	114,2	114
1531	153151		25		
1531	153152		30		
1531	153153		35		
1531	153154		40		
1532	153250	16	18*	130,2	129
1532	153251		25		
1532	153252		30		
1532	153253		35		
1532	153254		40		
1533	153350	18	18*	146,3	145,3
1533	153351		25		
1533	153352		30		
1533	153353		35		
1533	153354		40		
1534	153450	20	18*	162,4	161,7
1534	153451		25		
1534	153452		30		
1534	153453		35		
1534	153454		40		

Materiale:	Material:	Materialien:
Poliamide rinforzato	Polyamide reinforced	Verstärktes Polyamid
Viti: Acciaio inox	Screws: Stainless steel	Schrauben: Edelstahl
Dadi: ottone nichelato	Nuts: nickel plated brass	Mutter: messing vernickelt

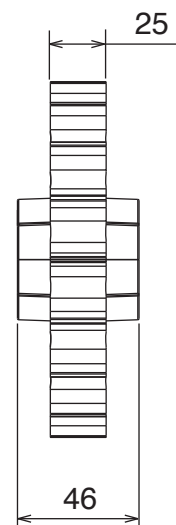
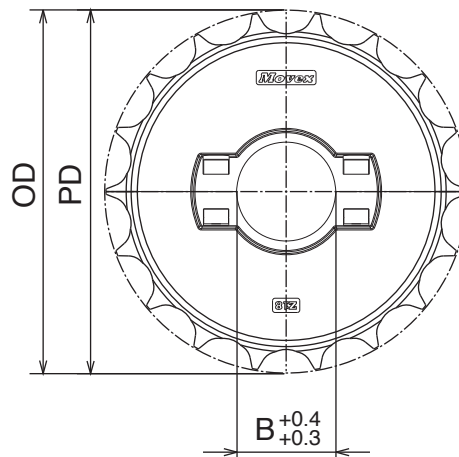
Ruota traino divisa, stampata / Split drive sprocket, molded / geteiltes Antriebskettenrad, gespritzt

Part	Article-Nr.	z-	Bore	PD	OD
1535	153501	14	25	114,2	114
1535	153502		30		
1535	153503		35		
1535	153504		40		
1535	153506		25*25		
1535	153507		30*30		
1535	153508		40*40		
1536	153601	16	25	130,2	129
1536	153602		30		
1536	153603		35		
1536	153604		40		
1536	153606		25*25		
1536	153607		30*30		
1536	153608		40*40		
1537	153701	18	25	146,3	145,3
1537	153702		30		
1537	153703		35		
1537	153704		40		
1537	153706		25*25		
1537	153707		30*30		
1537	153708		40*40		
1538	153801	20	25	162,4	161,7
1538	153802		30		
1538	153803		35		
1538	153804		40		
1538	153806		25*25		
1538	153807		30*30		
1538	153808		40*40		



Ruota rinvio divisa, stampata / Split idler sprocket, molded / geteiltes Umlenkrad, gespritzt

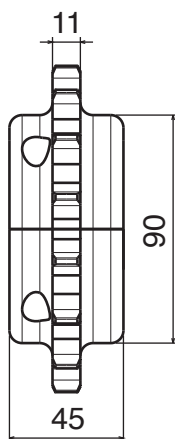
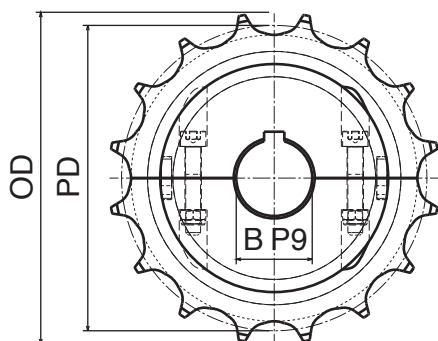
Part	Article-Nr.	z-	Bore	PD	OD
1535	153551	14	25	114,2	114
1535	153552		30		
1535	153553		35		
1535	153554		40		
1536	153651	16	25	130,2	129
1536	153652		30		
1536	153653		35		
1536	153654		40		
1537	153751	18	25	146,3	145,3
1537	153752		30		
1537	153753		35		
1537	153754		40		
1538	153851	20	25	162,4	161,7
1538	153852		30		
1538	153853		35		
1538	153854		40		



Materiale:	Material:	Materialien:
Poliammide	Polyamide	Polyamid
Viti: Acciaio inox	Screws: Stainless steel	Schrauben: Edelstahl
Dadi: ferro zincato	Nuts: zinc plated steel	Mutter: verzinkter Stahl



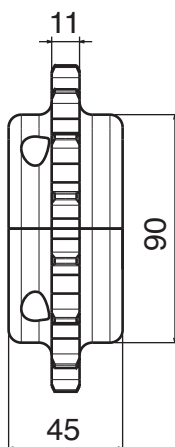
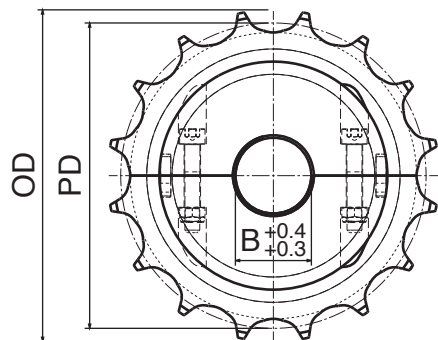
Ruota traino divisa, fresata / Split drive sprocket, machined / geteiltes Antriebskettenrad, gefräst



Part	Article-Nr.	z-	Bore	PD	OD
1541	154101	16	25	128,9	130,9
1541	154102		30		
1541	154103		35		
1541	154104		40		
1542	154201	18	25	144,8	146,8
1542	154202		30		
1542	154203		35		
1542	154204		40		
1543	154301	19	25	154,3	156,3
1543	154302		30		
1543	154303		35		
1543	154304		40		



Ruota rinvio divisa, fresata / Split idler sprocket, machined / geteiltes Umlenkrad, gefräst

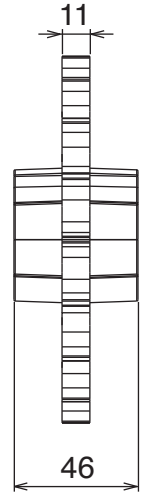
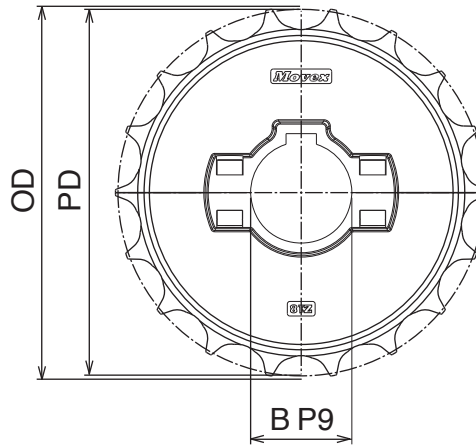


Part	Article-Nr.	z-	Bore	PD	OD
1541	154150	16	18*	128,9	130,9
1541	154151		25		
1541	154152		30		
1541	154153		35		
1541	154154		40		
1542	154250	18	18*	144,8	146,8
1542	154251		25		
1542	154252		30		
1542	154253		35		
1542	154254		40		
1543	154350	19	18*	154,3	156,3
1543	154351		25		
1543	154352		30		
1543	154353		35		
1543	154354		40		

Materiale:	Material:	Materialien:
Poliammide rinforzato	Polyamide reinforced	Verstärktes Polyamid
Viti: Acciaio inox	Screws: Stainless steel	Schrauben: Edelstahl
Dadi: ottone nichelato	Nuts: nickel plated brass	Mutter: Messing vernickelt

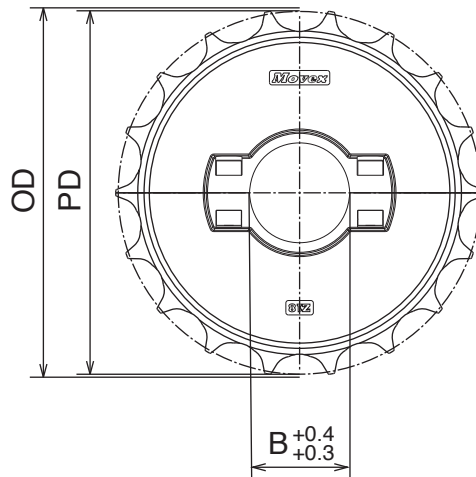
Ruota traino divisa, stampata / Split drive sprocket, molded / geteiltes Antriebskettenrad, gespritzt

Part	Article-Nr.	z-	Bore	PD	OD
1545	154501	16	25	128,9	130,9
1545	154502		30		
1545	154503		35		
1545	154504		40		
1545	154506		25*25		
1545	154507		30*30		
1545	154508		40*40		
1546	154601	18	25	144,8	146,8
1546	154602		30		
1546	154603		35		
1546	154604		40		
1546	154606		25*25		
1546	154607		30*30		
1546	154608		40*40		
1547	154701	19	25	154,3	156,3
1547	154702		30		
1547	154703		35		
1547	154704		40		
1547	154706		25*25		
1547	154707		30*30		
1547	154708		40*40		



Ruota rinvio divisa, stampata / Split idler sprocket, molded / geteiltes Umlenkrad, gespritzt

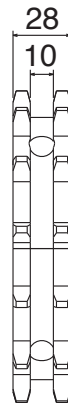
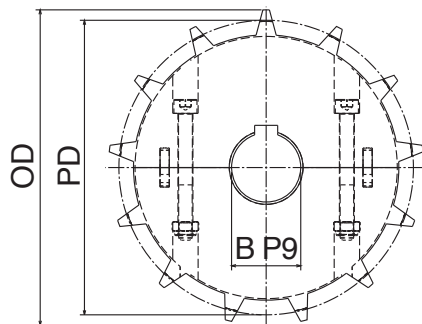
Part	Article-Nr.	z-	Bore	PD	OD
1545	154551	16	25	128,9	130,9
1545	154552		30		
1545	154553		35		
1545	154554		40		
1546	154651	18	25	144,8	146,8
1546	154652		30		
1546	154653		35		
1546	154654		40		
1547	154751	19	25	154,3	156,3
1547	154752		30		
1547	154753		35		
1547	154754		40		



Materiale:	Material:	Materialien:
Poliammide	Polyamide	Polyamid
Viti: Acciaio inox	Screws: Stainless steel	Schrauben: Edelstahl
Dadi: ferro zincato	Nuts: zinc plated steel	Mutter: verzinkter Stahl



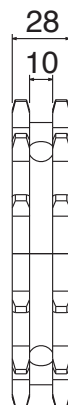
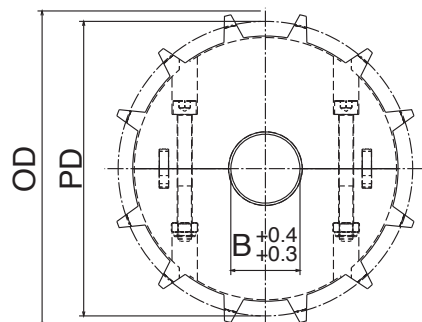
Ruota traino divisa, fresata / Split drive sprocket, machined / geteiltes Antriebskettenrad, gefräst



Part	Article-Nr.	z-	Bore	PD	OD
1571	157101	10	25	102,8	107,7
1571	157102		30		
1571	157103		35		
1571	157104		40		
1572	157201	13	25	132,7	138,8
1572	157202		30		
1572	157203		35		
1572	157204		40		
1573	157301	15	25	152,7	159,4
1573	157302		30		
1573	157303		35		
1573	157304		40		
1574	157401	16	25	162,8	169,6
1574	157402		30		
1574	157403		35		
1574	157404		40		



Ruota rinvio divisa, fresata / Split idler sprocket, machined / geteiltes Umlenkrad, gefräst



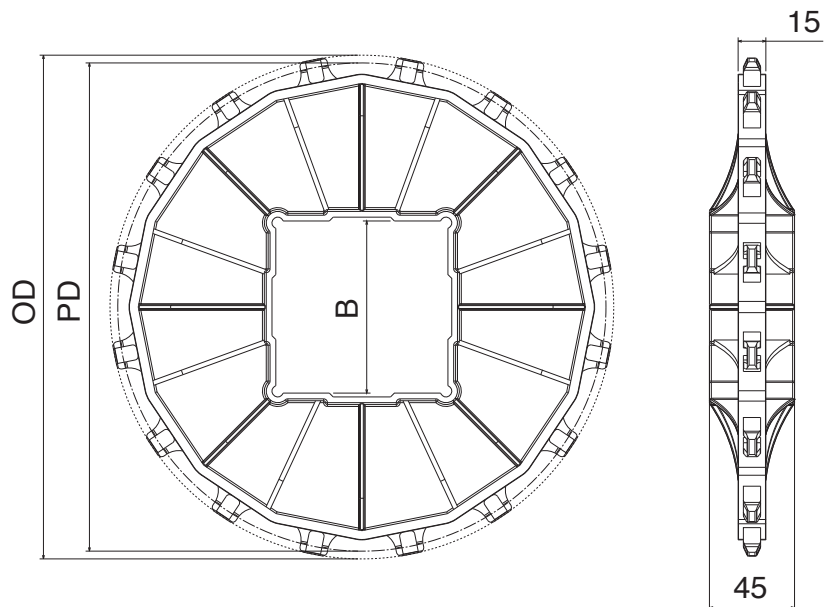
Part	Article-Nr.	z-	Bore	PD	OD
1571	157150	10	18*	102,8	107,7
1571	157151		25		
1571	157152		30		
1571	157153		35		
1571	157154		40		
1572	157250	13	18*	132,7	138,8
1572	157251		25		
1572	157252		30		
1572	157253		35		
1572	157254		40		
1573	157350	15	18*	152,7	159,4
1573	157351		25		
1573	157352		30		
1573	157353		35		
1573	157354		40		
1574	157450	16	18*	162,8	169,6
1574	157451		25		
1574	157452		30		
1574	157453		35		
1574	157454		40		

Materiale:	Material:	Materialien:
Poliamide rinforzato	Polyamide reinforced	Verstärktes Polyamid









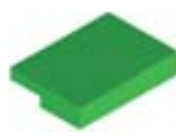



















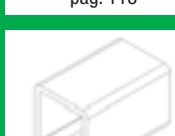
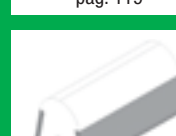
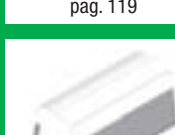
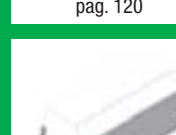

Ruota traino, stampata / Drive sprocket, molded / Antriebskettenrad, gespritzt



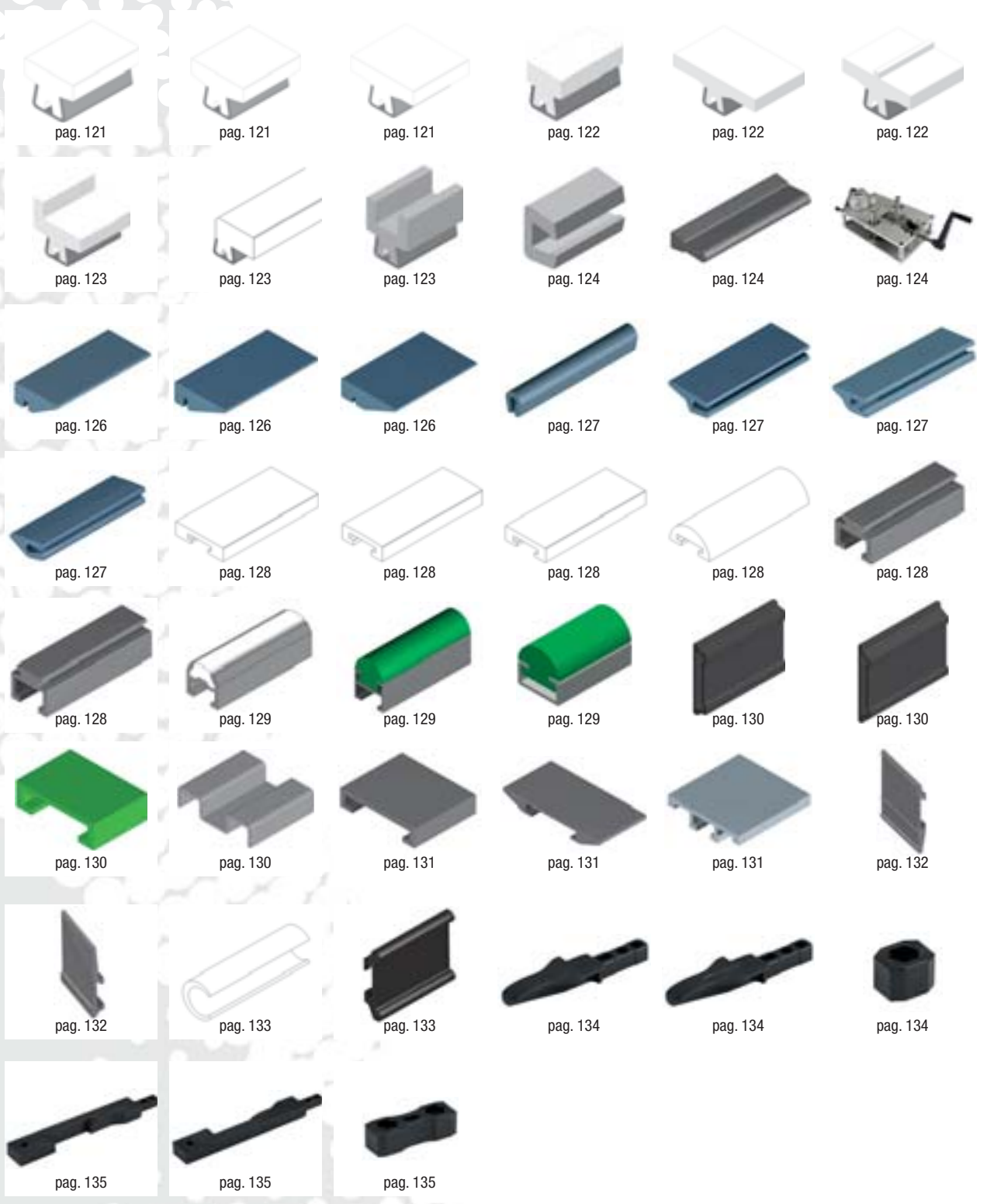
Part	Article-Nr.	z-	Bore	PD	OD
1551	155104	10	Ø40	164,4	163,1
1551	155105		Ø50		
1551	155106		40x40		
1551	155107		60x60		
1551	155108		65x65		
1552	155204	12	Ø40	196,3	196,3
1552	155206		40x40		
1552	155207		60x60		
1552	155208		65x65		
1553	155311	13	Ø65	212,3	209
1553	155310		Ø90		
1553	155306		40x40		
1553	155307		60x60		
1553	155308		65x65		
1553	155309		90x90		
1559	155910	16	Ø90	260,4	262
1559	155905		Ø2,5"		
1559	155908		65x65		
1559	155909		90x90		
1559	155912		120x120		





 pag. 113	 pag. 113	 pag. 113	 pag. 113	 pag. 113	 pag. 114
 pag. 114	 pag. 114	 pag. 114	 pag. 115	 pag. 115	 pag. 115
 pag. 115	 pag. 116	 pag. 116	 pag. 116	 pag. 116	 pag. 116
 pag. 117	 pag. 117	 pag. 117	 pag. 118	 pag. 118	
 pag. 118	 pag. 118	 pag. 118	 pag. 119		
	 pag. 119	 pag. 119	 pag. 120		
		 pag. 120	 pag. 120		
			 pag. 120		



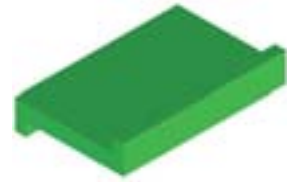
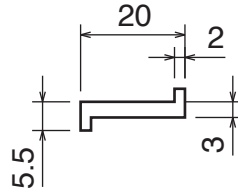


Materiale:	Material:	Materialien:
Polietilene (UHMW-PE)	Polyethylene (UHMW-PE)	Polyäthylen (UHMW-PE)

- RED = STOCK ITEM
- BLACK = ON REQUEST

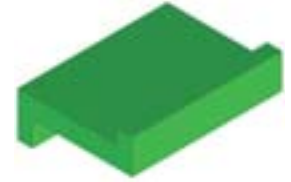
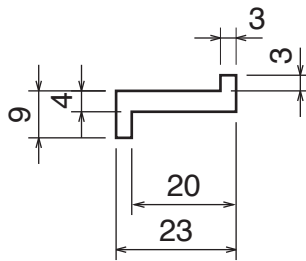
Profilo "Z" / Z-Profile / Z-Profil

Part	Article-Nr.	Colour
101	10101	black
101	10102	green



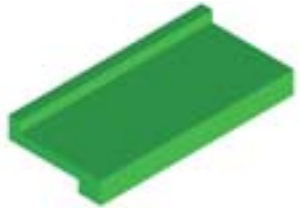
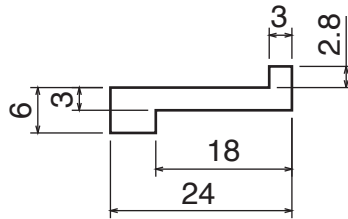
Profilo "Z" rinforzato / Z-Profile reinforced / Z-Profil, verstärkt

Part	Article-Nr.	Colour
102	10201	black
102	10202	green



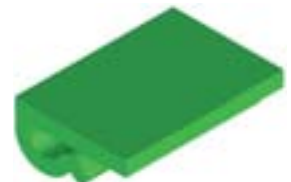
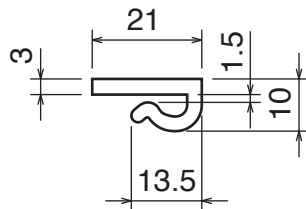
Profilo "Z" / Z-Profile / Z-Profil

Part	Article-Nr.	Colour
176	17601	black
176	17602	green



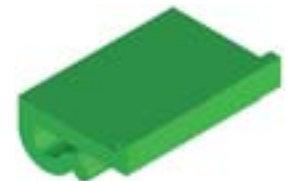
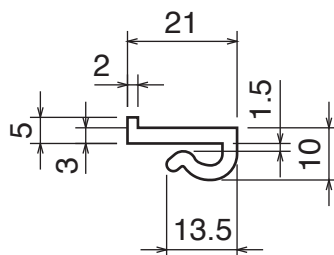
Profilo Z-clip senza bordo / Z-clip profile without nose / ZK-Profil ohne Nase

Part	Article-Nr.	Colour
103	10301	black
103	10302	green



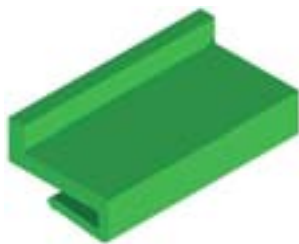
Profilo Z-clip con bordo / Z-clip profile with nose / ZK-Profil mit Nase

Part	Article-Nr.	Colour
104	10401	black
104	10402	green

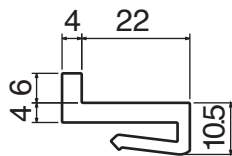


- RED = STOCK ITEM
- BLACK = ON REQUEST

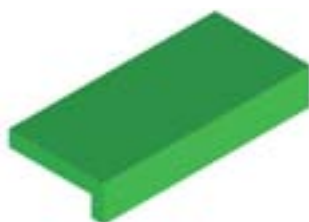
Materiale: Polietilene (UHMW-PE) Material: Polyethylene (UHMW-PE) Materialien: Polyäthylen (UHMW-PE)



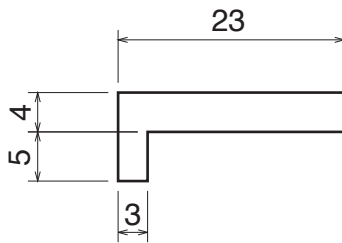
Profilo Z-clip con bordo / Z-clip profile with nose / ZK-Profil mit Nase



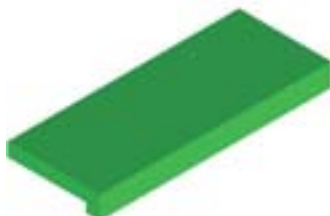
Part	Article-Nr.	L	Colour
179	17901C	3 m	black
179	17901	6 m	black
179	17902C	3 m	green
179	17902	6 m	green



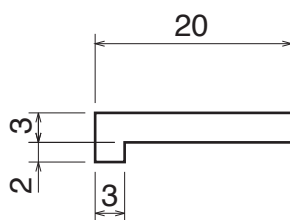
Profilo "L" / L-Profile / L-Profil



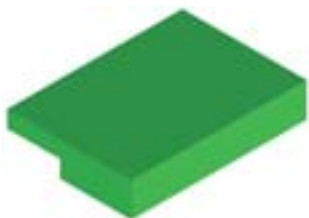
Part	Article-Nr.	Colour
175	17501	black
175	17502	green



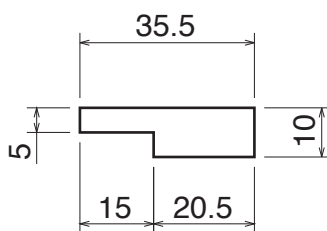
Profilo "L" / L-Profile / L-Profil



Part	Article-Nr.	Colour
150	15001	black
150	15002	green



Profilo "L" / L-Profile / L-Profil



Part	Article-Nr.	L	Colour
174	17401C	3 m	black
174	17401	6 m	black
174	17402C	3 m	green
174	17402	6 m	green



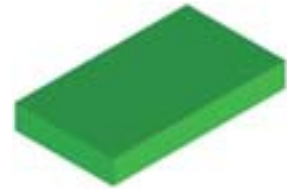
K450 (114.3 mm)

generally used with chains width K450 (114.3 mm)

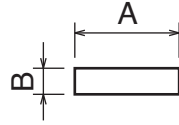
Materiale:	Material:	Materialien:
Polietilene (UHMW-PE)	Polyethylene (UHMW-PE)	Polyäthylen (UHMW-PE)

- RED = STOCK ITEM
- BLACK = ON REQUEST

Profilo piatto / Flat profile / Flachprofil



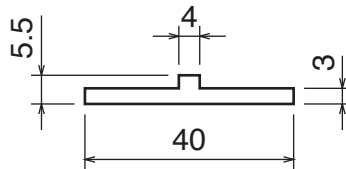
Part	Article-Nr.	A	B	Colour
105	10501	20	3	black
105	10502	20	3	green
105	10503	20	5	black
105	10504	20	5	green
105	10596	40	3	green
105	10505	60	3	black
105	10506	60	3	green
105	10507	70	3	black
105	10508	70	3	green



Profilo guida catena / Flat profile with nose / Wulst-Profil



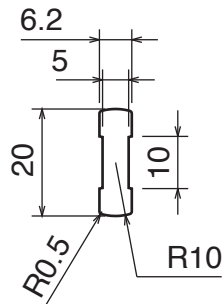
Part	Article-Nr.	Colour
106	10601	black
106	10602	green



Profilo guida catena / Wear strip / Rückführleiste



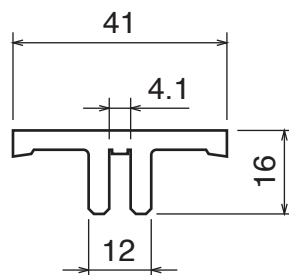
Part	Article-Nr.	Colour
107	10701	black
107	10702	green



Profilo T / T-profile / T-Profil



Part	Article-Nr.	L	Colour
108	10801C	3 m	black
108	10801	6 m	black
108	10802C	3 m	green
108	10802	6 m	green

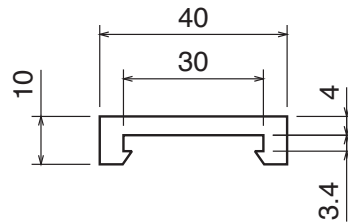


- RED = STOCK ITEM
- BLACK = ON REQUEST

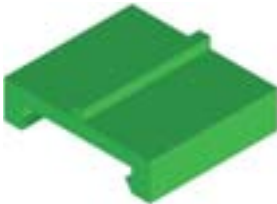
Materiale:	Material:	Materialien:
Profilato metallico: Acciaio inox o Alluminio	Metal profile: SS or Aluminum	Metall-Leiste: Edelstahl oder aluminium
Profilato plastico UHMW-PE	Plastic profile UHMW-PE	Kunststoff-Leiste UHMW-PE



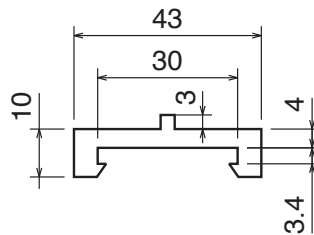
Profilo clip-on guida catena / Flat clip-on wear strip / U-Profil Clip-on



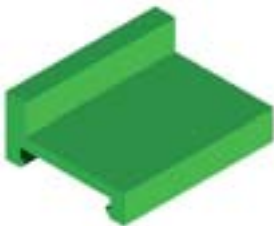
Part	Article-Nr.	L	Colour
109	10901C	3 m	black
109	10901	6 m	black
109	10902C	3 m	green
109	10902	6 m	green



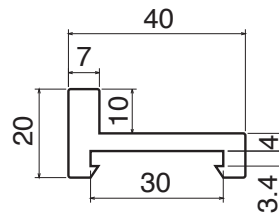
Profilo clip-on guida catena con bordo / Flat clip-on wear strip with nose / U-Profil Clip-on mit Nase



Part	Article-Nr.	L	Colour
110	11001C	3 m	black
110	11001	6 m	black
110	11002C	3 m	green
110	11002	6 m	green



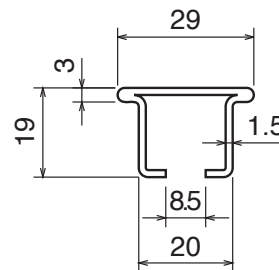
Profilo clip-on guida tappeto / Clip-on wear strip for belt / Clip-on m. Seitenführung



Part	Article-Nr.	L	Colour
156	15601C	3 m	black
156	15601	6 m	black
156	15602C	3 m	green
156	15602	6 m	green



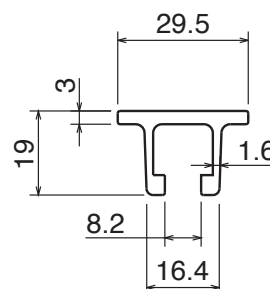
Profilo / Profile / Profil



Part	Article-Nr.	L	Material
112	11201C	3 m	AISI 304
112	11201	6 m	AISI 304
112	11202C	3 m	AISI 430
112	11202	6 m	AISI 430



Profilo in alluminio / Aluminum profile / Aluminium-Profil



Part	Article-Nr.	L	Material
147	14701C	3 m	aluminum
147	14701	6 m	aluminum

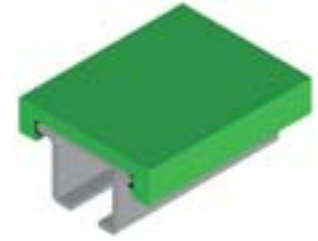
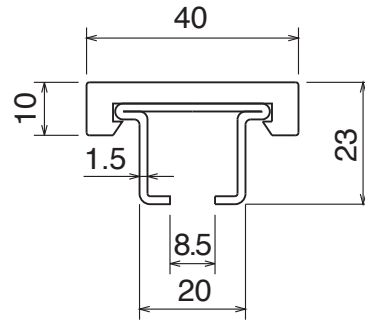


Materiale:	Material:	Materialien:
Profilato metallico: Acciaio inox o Alluminio	Metal profile: SS or Aluminum	Metall-Leiste: Edelstahl oder aluminium
Profilato plastico UHMW-PE	Plastic profile UHMW-PE	Kunststoff-Leiste UHMW-PE

- RED = STOCK ITEM
- BLACK = ON REQUEST

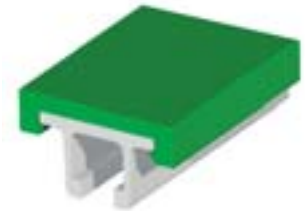
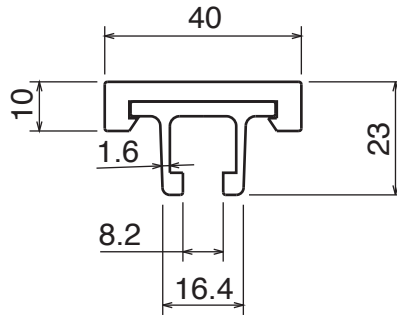
Profilo assemblato clip-on / Profile assembled clip-on / Profile montiert clip-on

Part	Article-Nr.	L	Material	Colour
133	13301C	3 m	AISI 304	green
133	13301	6 m	AISI 304	green
133	13302C	3 m	AISI 430	green
133	13302	6 m	AISI 430	green



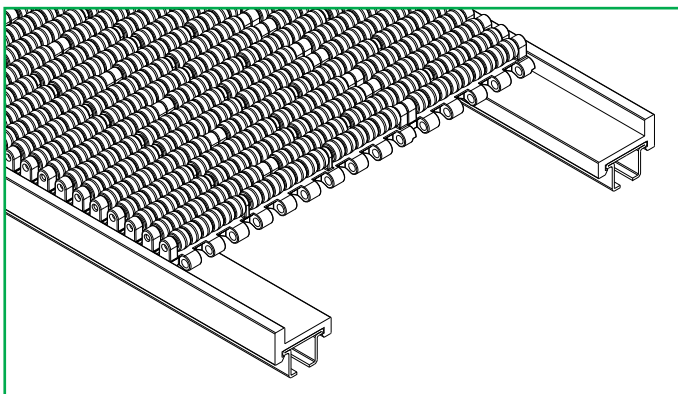
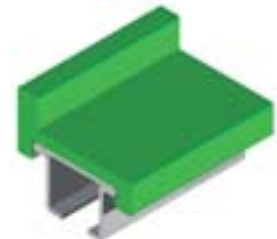
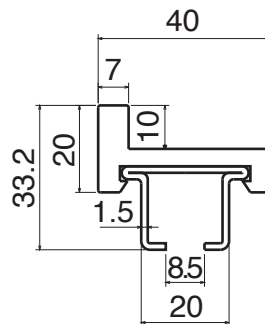
Profilo assemblato clip-on / Profile assembled clip-on / Profile montiert clip-on

Part	Article-Nr.	L	Material	Colour
148	14801C	3 m	aluminum	green
148	14801	6 m	aluminum	green



Profilo guida tappeto assemblato / Wear strip assembled for belt / Gleitleiste für mattenketten kpl montiert

Part	Article-Nr.	L	Material	Colour
157	15701C	3 m	AISI 304	green
157	15701	6 m	AISI 304	green
157	15702C	3 m	AISI 430	green
157	15702	6 m	AISI 430	green

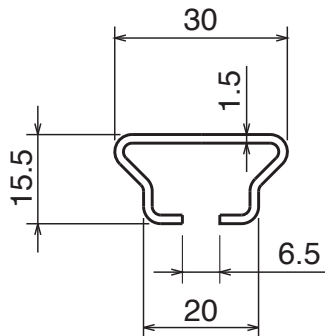


- RED = STOCK ITEM
- BLACK = ON REQUEST

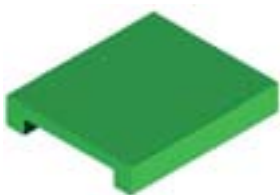
Materiale:	Material:	Materialien:
Profilato metallico: Acciaio inox	Metal profile: Stainless steel	Metall-Leiste: Edelstahl
Profilato plastico UHMW-PE	Plastic profile UHMW-PE	Kunststoff-Leiste UHMW-PE



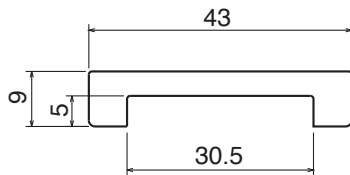
Profilo Delta / D-Profile / D-Profil



Part	Article-Nr.	L	Material
118	11801C	3 m	AISI 304
118	11801	6 m	AISI 304
118	11802C	3 m	AISI 430
118	11802	6 m	AISI 430



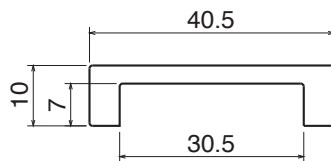
Profilo ad "U" / U-profile / U-Profil



Part	Article-Nr.	L	Colour
177	17701C	3 m	black
177	17701	6 m	black
177	17702C	3 m	green
177	17702	6 m	green



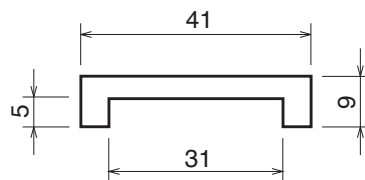
Profilo ad "U" / U-profile / U-Profil



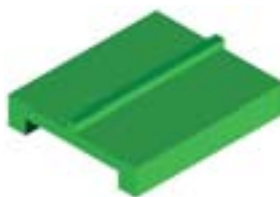
Part	Article-Nr.	L	Colour
178	17801C	3 m	black
178	17801	6 m	black
178	17802C	3 m	green
178	17802	6 m	green



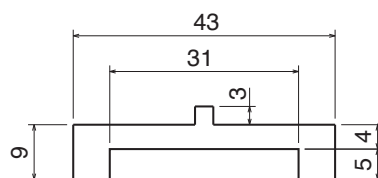
Profilo ad "U" / U-profile / U-Profil



Part	Article-Nr.	L	Colour
111	11101C	3 m	black
111	11101	6 m	black
111	11102C	3 m	green
111	11102	6 m	green



Profilo ad "U" con bordo / U-profile with nose / U-Profil mit Nase



Part	Article-Nr.	L	Colour
149	14950C	3 m	black
149	14950	6 m	black
149	14952C	3 m	green
149	14952	6 m	green

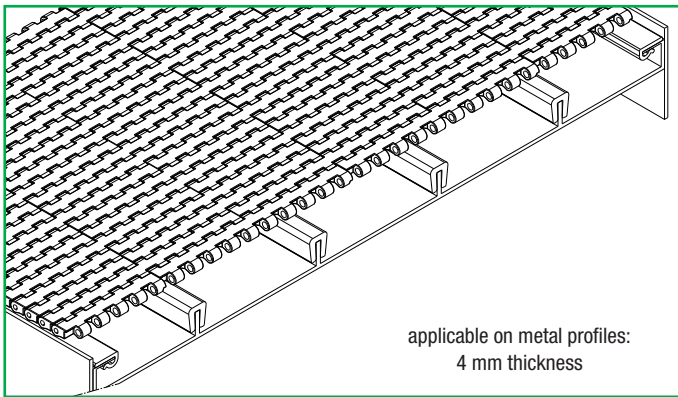
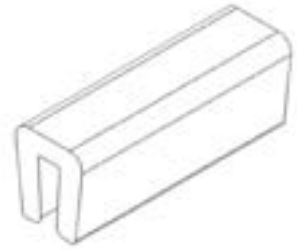
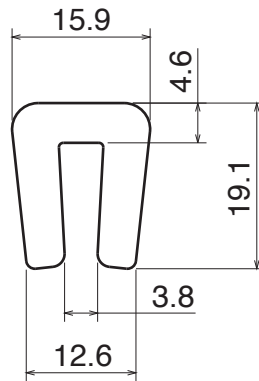


Materiale:	Material:	Materialien:
Polietilene (UHMW-PE)	Polyethylene (UHMW-PE)	Polyäthylen (UHMW-PE)

- RED = STOCK ITEM
- BLACK = ON REQUEST

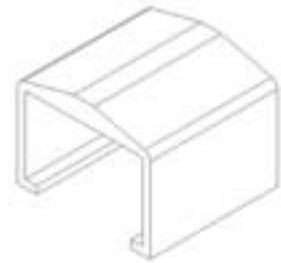
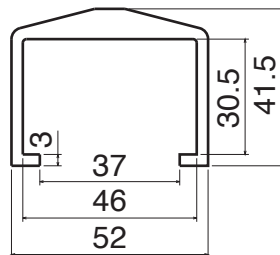
Copribarra / Bar cover / U-Profil

Part	Article-Nr.	Colour
153	15303-30	white



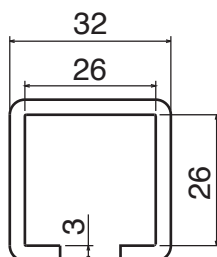
Copribarra / Bar cover / U-Profil clip-on

Part	Article-Nr.	L	Colour
180	18003C	3 m	white
180	18003	6 m	white



Copribarra / Bar cover / U-Profil clip-on

Part	Article-Nr.	L	Colour
181	18103C	3 m	white
181	18103	6 m	white



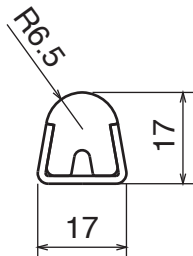
119-120-121-152

Guide Coniche
Guide rail
Konische Führungen

- RED = STOCK ITEM
- BLACK = ON REQUEST

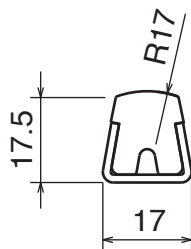
Materiale:	Material:	Materialien:
Profilato metallico: Acciaio inox o Ferro zincato	Metal profile: Stainless steel or Zinc plated steel	Metall-Leiste: Edelstahl oder Stahl Verzinkt
Profilato plastico UHMW-PE	Plastic profile UHMW-PE	Kunststoff-Leiste UHMW-PE

Guida conica tonda / Guide rail round / konische Führung rund



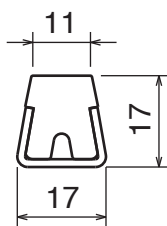
Part	Article-Nr.	Colour	Length	Metal profile	Type
119	11901C	white	3 m	AISI 304	
119	11901	white	6 m		
119	11902C	black	3 m		
119	11902	black	6 m	AISI 430	
119	11901SC	white	3 m		
119	11901S	white	6 m		
119	11902SC	black	3 m	FeZn	
119	11902S	black	6 m		
119	11901ZC	white	3 m		
119	11901Z	white	6 m	AISI 304	
119	11902ZC	black	3 m		
119	11902Z	black	6 m		
119	11953	white	3 m	FeZn	
119	11957	white	6 m		
119	11953Z	white	3 m		
119	11957Z	white	6 m		

Guida conica semitonda / Guide rail modified / konische Führung semi rund



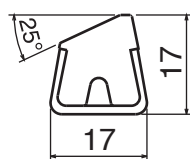
Part	Article-Nr.	Colour	Length	Metal profile	Type
120	12001C	white	3 m	AISI 304	
120	12001	white	6 m		
120	12002C	black	3 m		
120	12002	black	6 m	FeZn	
120	12001ZC	white	3 m		
120	12001Z	white	6 m		
120	12002ZC	black	3 m	AISI 304	
120	12002Z	black	6 m		
120	12053	white	3 m		
120	12057	white	6 m	FeZn	
120	12053Z	white	3 m		
120	12057Z	white	6 m		

Guida conica piatta / Guide rail flat / konische Führung flach



Part	Article-Nr.	Colour	Length	Metal profile	Type
121	12101C	white	3 m	AISI 304	
121	12101	white	6 m		
121	12102C	black	3 m		
121	12102	black	6 m	FeZn	
121	12101ZC	white	3 m		
121	12101Z	white	6 m		
121	12102ZC	black	3 m	AISI 304	
121	12102Z	black	6 m		
121	12153	white	3 m		
121	12157	white	6 m	FeZn	
121	12153Z	white	3 m		
121	12157Z	white	6 m		

Guida conica 25° / Guide rail 25° / konische Führung 25°








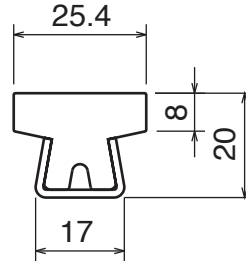
Part	Article-Nr.	Colour	Length	Metal profile	Type
152	15201C	white	3 m	AISI 304	
152	15201	white	6 m		
152	15202C	black	3 m		
152	15202	black	6 m	FeZn	
152	15201ZC	white	3 m		
152	15201Z	white	6 m		
152	15202ZC	black	3 m	AISI 304	
152	15202Z	black	6 m		
152	15253	white	3 m		
152	15257	white	6 m	FeZn	
152	15253Z	white	3 m		
152	15257Z	white	6 m		

- RED = STOCK ITEM
- BLACK = ON REQUEST






Materiale:	Material:	Materialien:
Profilato metallico: Acciaio inox o Ferro zincato	Metal profile: Stainless steel or Zinc plated steel	Metall-Leiste: Edelstahl oder Stahl Verzinkt
Profilato plastico UHMW-PE	Plastic profile UHMW-PE	Kunststoff-Leiste UHMW-PE

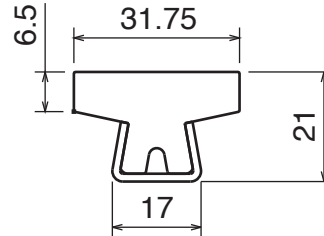
Guida conica profilo a T 25,4 mm / Guide rail T-shape 25,4 mm / konische Führung flach (T) 25,4 mm

Part	Article-Nr.	Colour	Length	Metal profile	Type
122	12201C	white	3 m	AISI 304	
122	12201	white	6 m		
122	12202C	black	3 m		
122	12202	black	6 m		
122	12201ZC	white	3 m	FeZn	
122	12201Z	white	6 m		
122	12202ZC	black	3 m	AISI 304	
122	12202Z	black	6 m		
122	12253	white	3 m	AISI 304	
122	12257	white	6 m		
122	12253Z	white	3 m	FeZn	
122	12257Z	white	6 m		








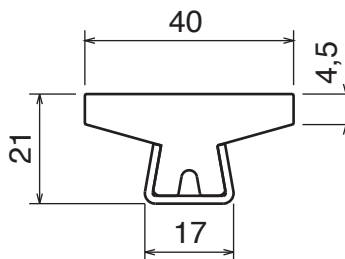
Guida conica profilo a T 31,75 mm / Guide rail T-shape 31,75 mm / konische Führung flach (T) 31,75 mm

Part	Article-Nr.	Colour	Length	Metal profile	Type
123	12301C	white	3 m	AISI 304	
123	12301	white	6 m		
123	12302C	black	3 m		
123	12302	black	6 m		
123	12301ZC	white	3 m	FeZn	
123	12301Z	white	6 m		
123	12302ZC	black	3 m	AISI 304	
123	12302Z	black	6 m		
123	12353	white	3 m	AISI 304	
123	12357	white	6 m		
123	12353Z	white	3 m	FeZn	
123	12357Z	white	6 m		



Guida conica profilo a T 40 mm / Guide rail T-shape 40 mm / konische Führung flach (T) 40 mm

Part	Article-Nr.	Colour	Length	Metal profile	Type
124	12401C	white	3 m	AISI 304	
124	12401	white	6 m		
124	12402C	black	3 m		
124	12402	black	6 m		
124	12401ZC	white	3 m	FeZn	
124	12401Z	white	6 m		
124	12402ZC	black	3 m	AISI 304	
124	12402Z	black	6 m		
124	12453	white	3 m	AISI 304	
124	12457	white	6 m		
124	12453Z	white	3 m	FeZn	
124	12457Z	white	6 m		



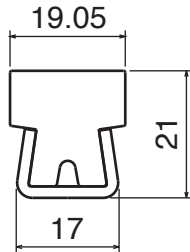
143-141-142

Guide Coniche Guide rail Konische Führungen

- RED = STOCK ITEM
- BLACK = ON REQUEST



Guida conica profilo a "T" 19,05 mm / Guide rail T-shape 19,05 mm / konische Führung flach (T) 19,05 mm

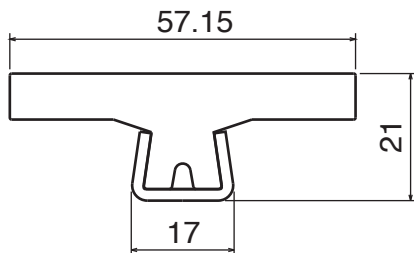


Materiale:	Material:	Materialien:
Profilato metallico: Acciaio inox o Ferro zincato	Metal profile: Stainless steel or Zinc plated steel	Metall-Leiste: Edelstahl oder Stahl Verzinkt
Profilato plastico UHMW-PE	Plastic profile UHMW-PE	Kunststoff-Leiste UHMW-PE

Part	Article-Nr.	Colour	Length	Metal profile	Type
143	14301C	white	3 m		
143	14301	white	6 m	AISI 304	
143	14302C	black	3 m		
143	14302	black	6 m		
143	14301ZC	white	3 m	FeZn	
143	14301Z	white	6 m		
143	14302ZC	black	3 m		
143	14302Z	black	6 m		
143	14353	white	3 m	AISI 304	
143	14357	white	6 m		
143	14353Z	white	3 m	FeZn	
143	14357Z	white	6 m		



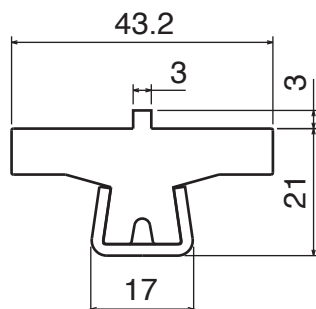
Guida conica profilo a "T" 57,15 mm / Guide rail T-shape 57,15 mm / konische Führung flach (T) 57,15 mm



Part	Article-Nr.	Colour	Length	Metal profile	Type
141	14101C	white	3 m		
141	14101	white	6 m	AISI 304	
141	14102C	black	3 m		
141	14102	black	6 m		
141	14101ZC	white	3 m	FeZn	
141	14101Z	white	6 m		
141	14102ZC	black	3 m		
141	14102Z	black	6 m		
141	14153	white	3 m	AISI 304	
141	14157	white	6 m		
141	14153Z	white	3 m	FeZn	
141	14157Z	white	6 m		



Guida conica profilo a "T" 43,2 mm / Guide rail T-shape 43,2 mm / konische Führung flach (T) 43,2 mm



Part	Article-Nr.	Colour	Length	Metal profile	Type
142	14201C	white	3 m		
142	14201	white	6 m	AISI 304	
142	14202C	black	3 m		
142	14202	black	6 m		
142	14201ZC	white	3 m	FeZn	
142	14201Z	white	6 m		
142	14202ZC	black	3 m		
142	14202Z	black	6 m		
142	14253	white	3 m	AISI 304	
142	14257	white	6 m		
142	14253Z	white	3 m	FeZn	
142	14257Z	white	6 m		

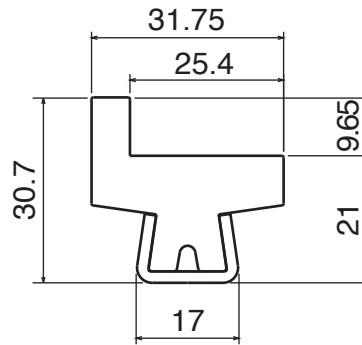


- RED = STOCK ITEM
- BLACK = ON REQUEST

Materiale:	Material:	Materialien:
Profilato metallico: Acciaio inox o Ferro zincato	Metal profile: Stainless steel or Zinc plated steel	Metall-Leiste: Edelstahl oder Stahl Verzinkt
Profilato plastico UHMW-PE	Plastic profile UHMW-PE	Kunststoff-Leiste UHMW-PE

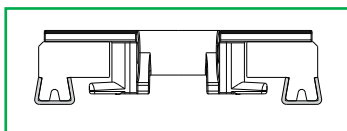
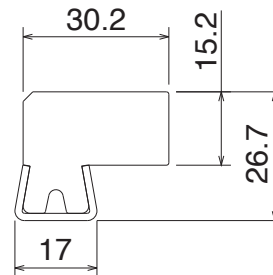
Guida conica profilo a "L" 31,75 mm / Guide rail L-shape 31,75 mm / konische Führung flach (L) 31,75 mm

Part	Article-Nr.	Colour	Length	Metal profile	Type
144	14401C	white	3 m	AISI 304	
144	14401	white	6 m		
144	14402C	black	3 m		
144	14402	black	6 m		
144	14401ZC	white	3 m		
144	14401Z	white	6 m		
144	14402ZC	black	3 m	FeZn	
144	14402Z	black	6 m		
144	14453	white	3 m	AISI 304	
144	14457	white	6 m		
144	14453Z	white	3 m	FeZn	
144	14457Z	white	6 m		



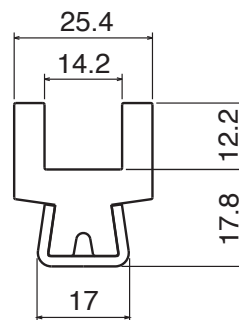
Guida conica per catena / Guide rail for chain / konische Führung

Part	Article-Nr.	Colour	Length	Metal profile	Type
184	18401C	white	3 m	AISI 304	
184	18401	white	6 m		
184	18402C	black	3 m		
184	18402	black	6 m		
184	18401ZC	white	3 m		
184	18401Z	white	6 m		
184	18402ZC	black	3 m	FeZn	
184	18402Z	black	6 m		
184	18453	white	3 m	AISI 304	
184	18457	white	6 m		
184	18453Z	white	3 m	FeZn	
184	18457Z	white	6 m		

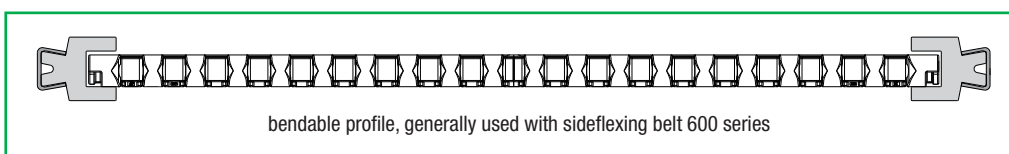


Guida tappeto / Belt side guide / Seitenführung für Mattenkette

Part	Article-Nr.	Colour	Length	Metal profile	Type
145	14503C	grey	3 m	AISI 304	
145	14503	grey	6 m		
145	14553	grey	3 m		
145	14557	grey	6 m		



Oil filled



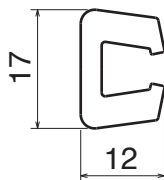
- RED = STOCK ITEM
- BLACK = ON REQUEST

Materiale:	Material:	Materialien:
Profilato metallico: Alluminio	Metal profile: Aluminum	Metall-Leiste: aluminium
Profilato plastico UHMW-PE o BluLub	Plastic profile UHMW-PE or BluLub	Kunststoff-Leiste UHMW-PE oder BluLub



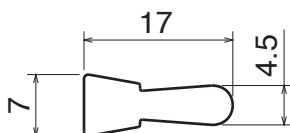
Profilo in alluminio / Aluminum rail for bottle guide / Aluminium profil

Part	Article-Nr.	L	Material
130	13001C	3 m	aluminium
130	13001	6 m	aluminium



Profilo guida bottiglia / Plastic rail for bottle guide / Flaschenführungs profil

Part	Article-Nr.	Material
131	13101	PE grey
131	13101B	BluLub



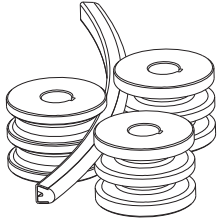
Macchina curvatrice / Bending machine / Biegemaschine

Part	Article-Nr.
199	P19999

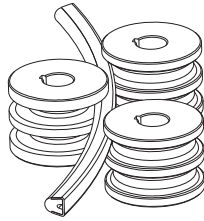
Materiale:	Material:	Materialien:
Poliamide	Polyamide	Polyamid

Rulli per macchina curvatrice / Roller for bending machine / Rollen für Biegemaschine

Internal curve

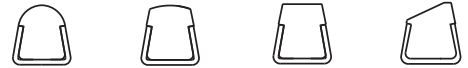


External curve

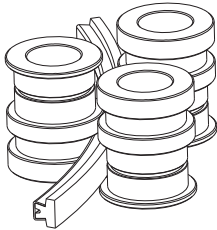


P15101

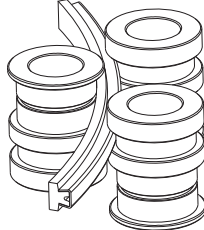
for part 119-120-121



Internal curve

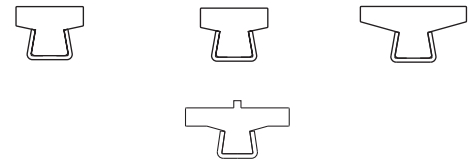


External curve

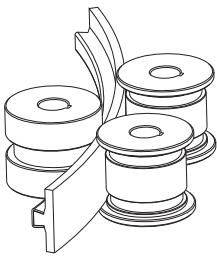


P15102

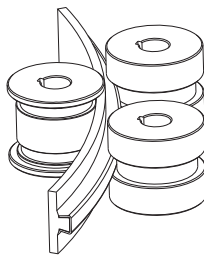
for part 122-123-124-142



Internal curve



External curve

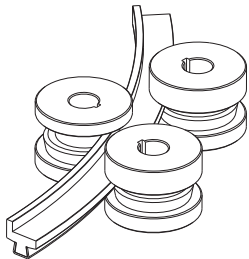


P15103

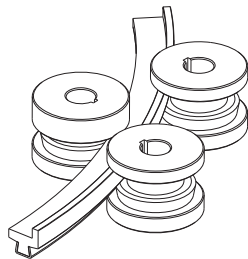
for part 141



Internal curve

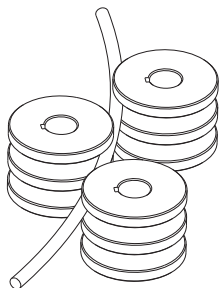


External curve



P15104

for part 144

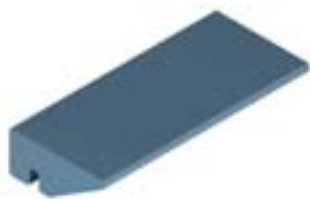


P15105

for Ø8-Ø10-Ø12 - Ø1/2"-Ø5/8"

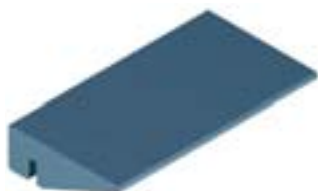
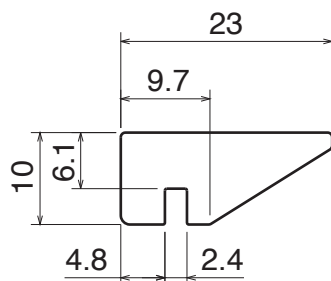
- RED = STOCK ITEM
- BLACK = ON REQUEST

Materiale: Material: Materialien:



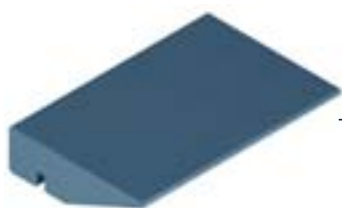
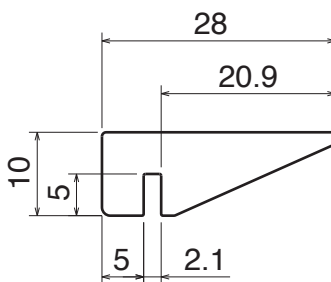
Guida collo / Neck guide / Nackenführung

Part	Article-Nr.	Colour
170	17000B	BluLub



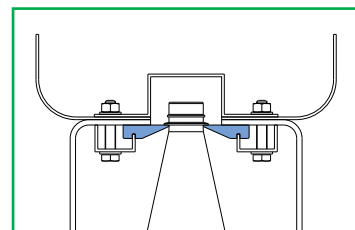
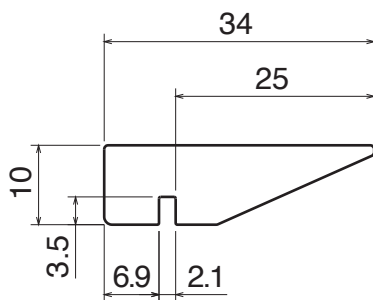
Guida collo / Neck guide / Nackenführung

Part	Article-Nr.	Colour
168	16800B	BluLub



Guida collo / Neck guide / Nackenführung

Part	Article-Nr.	Colour
169	16900B	BluLub

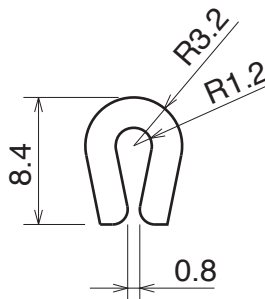
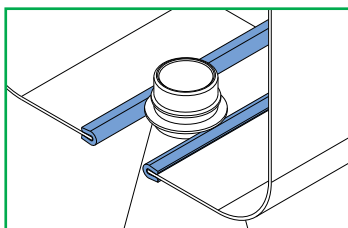


Materiale:	Material:	Materialien:
BluLub  <small>Movex Enhanced-Performance UHMW-PE</small>		

- RED = STOCK ITEM
- BLACK = ON REQUEST

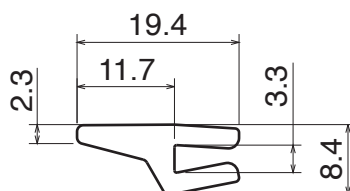
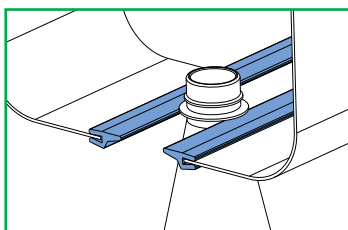
Guida collo / Neck guide / Nackenführung

Part	Article-Nr.	Colour
167	16700B	BluLub
167	16700B-30	BluLub



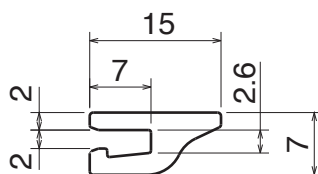
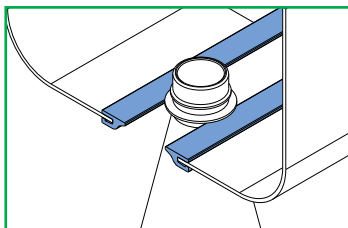
Guida collo / Neck guide / Nackenführung

Part	Article-Nr.	Colour
171	17100B	BluLub



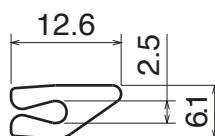
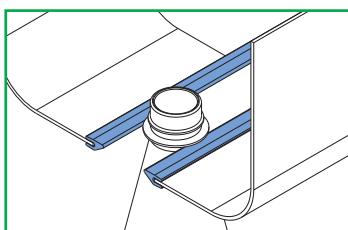
Guida collo / Neck guide / Nackenführung

Part	Article-Nr.	Colour
172	17200B	BluLub



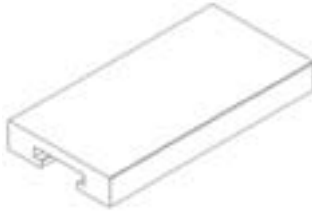
Guida collo / Neck guide / Nackenführung

Part	Article-Nr.	Colour
173	17300B	BluLub

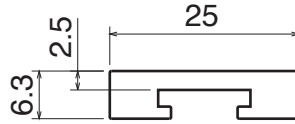


- RED = STOCK ITEM
- BLACK = ON REQUEST

Materiale:	Material:	Materialien:
Profilato metallico: Alluminio	Metal profile: Aluminium	Metall-Leiste: aluminium
Profilato plastico UHMW-PE	Plastic profile UHMW-PE	Kunststoff-Leiste UHMW-PE



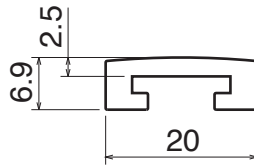
Profilo 25 mm per guida in alluminio / Profile 25 mm for aluminum guide / C-Profil f. Aluminiumprofil



Part	Article-Nr.	L	Colour
163	16303C	3 m	white
163	16303	6 m	white



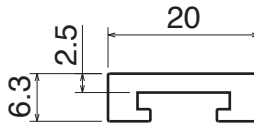
Profilo 20 mm per guida in alluminio / Profile 20 mm for aluminum guide / C-Profil f. Aluminiumprofil



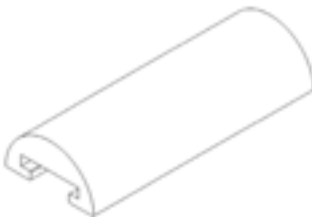
Part	Article-Nr.	L	Colour
160	16003C	3 m	white
160	16003	6 m	white



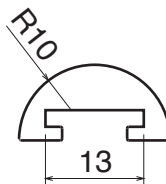
Profilo 20 mm per guida in alluminio / Profile 20 mm for aluminum guide / C-Profil f. Aluminiumprofil



Part	Article-Nr.	L	Colour
161	16103C	3 m	white
161	16103	6 m	white



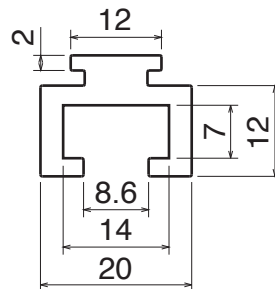
Profilo tondo per guida in alluminio / Round profile for aluminum guide / Pilzprofil f. Aluminiumprofil



Part	Article-Nr.	L	Colour
162	16202C	3 m	green
162	16202	6 m	green
162	16203C	3 m	white
162	16203	6 m	white



Guida in alluminio / Aluminum guide / Aluminiumprofil



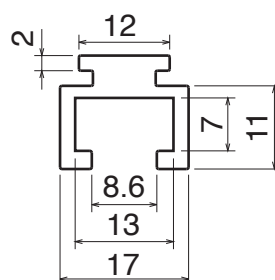
Part	Article-Nr.	L	Material
164	16401C	3 m	aluminum
164	16401	6 m	aluminum



Fixing screw:
M8 hex.head
or PART 362



Guida in alluminio / Aluminum guide / Aluminiumprofil



Part	Article-Nr.	L	Material
165	16501C	3 m	aluminum
165	16501	6 m	aluminum



Fixing screw:
M8 hex.head
or PART 362



- RED = STOCK ITEM
- BLACK = ON REQUEST

Materiale:	Material:	Materialien:
Profilato metallico: Alluminio o Acciaio Inox	Metal profile: Aluminum or SS	Metall-Leiste: Aluminium oder Edelstahl
Profilato plastico UHMW-PE o BluLub	Plastic profile UHMW-PE or BluLub	Kunststoff-Leiste UHMW-PE oder BluLub

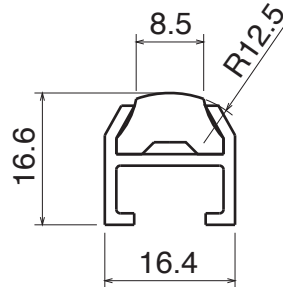
Guida laterale / Side guide rail / Seitenführungen



Part	Article-Nr.	L	Colour
154	15401C	3 m	white
154	15401	6 m	white
154	15401BC	3 m	BluLub
154	15401B	6 m	BluLub



Fixing screw:
M8 hex.head
or **PART 362**



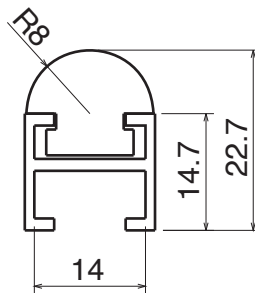
Guida laterale / Side guide rail / Seitenführungen



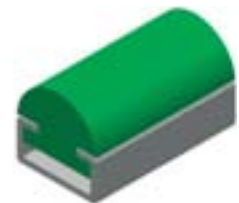
Part	Article-Nr.	L	Colour
155	15501C	3 m	green
155	15501	6 m	green



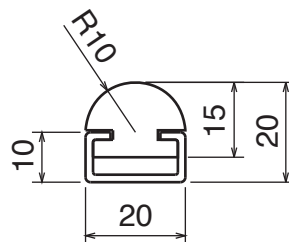
Fixing screw:
M8 hex.head
or **PART 362**



Guida standard / Standard guide rail / Seitenführung



Part	Article-Nr.	L	Colour
134	13401C	3 m	green
134	13401	6 m	green

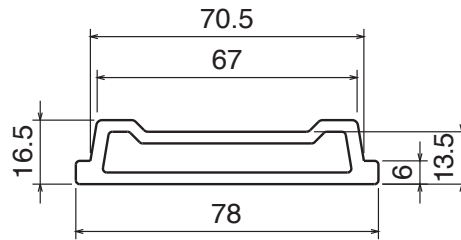


- RED = STOCK ITEM
- BLACK = ON REQUEST

Materiale:	Material:	Materialien:
Polietilene (UHMW-PE) BluLub	Polyethylene (UHMW-PE) BluLub	Polyäthylen (UHMW-PE) BluLub
Profilato metallico Acciaio inox	Metal profile Stainless steel	Metall-Leiste Edelstahl



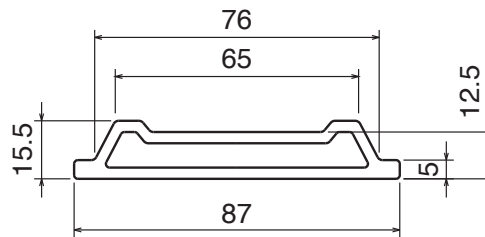
Guida laterale H.78 mm / Side guide H.78 mm / Seitenführung H.78 mm



Part	Article-Nr.	L	Colour
135	13501C	3 m	black
135	13501	6 m	black



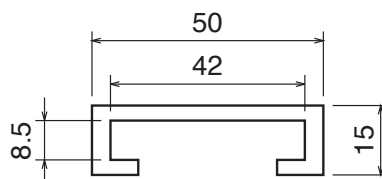
Guida laterale H.87 mm / Side guide H.87 mm / Seitenführung H.87 mm



Part	Article-Nr.	L	Colour
136	13601C	3 m	black
136	13601	6 m	black



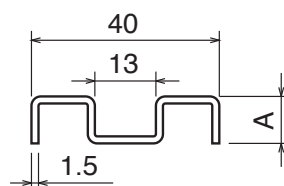
Profilo "C" / C-profile / C-Profil



Part	Article-Nr.	L	Colour
137	13701C	3 m	green
137	13701	6 m	green
137	13701BC	3 m	BluLub
137	13701B	6 m	BluLub



Profilo Omega / M-Profile / M-Profil



Part	Article-Nr.	L	A	Material
117	11701C	3 m	8	AISI 304
117	11701	6 m	10	AISI 304
117	11702C	3 m	8	AISI 304
117	11702	6 m	10	AISI 304

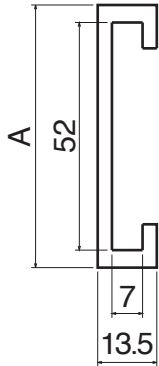
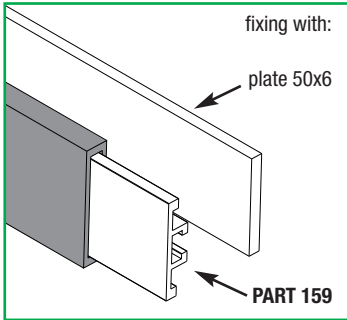


Materiale:	Material:	Materialien:
Profilato metallico: Alluminio	Metal profile: Aluminum	Metall-Leiste: aluminium
Profilato plastico UHMW-PE o BluLub	Plastic profile UHMW-PE or BluLub	Kunststoff-Leiste UHMW-PE oder BluLub

- RED = STOCK ITEM
- BLACK = ON REQUEST

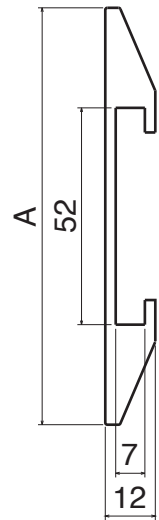
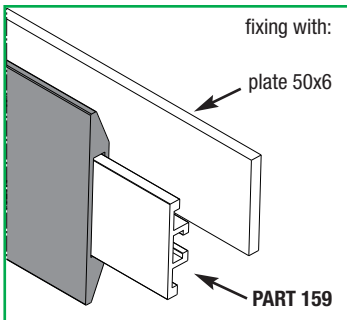
Guida laterale / Side guide rail / Seitenführung

Part	Article-Nr.	L	A	Colour
158	15800C	3 m	60	grey
158	15800	6 m	60	grey
158	15800BC	3 m	60	BluLub
158	15800B	6 m	60	BluLub



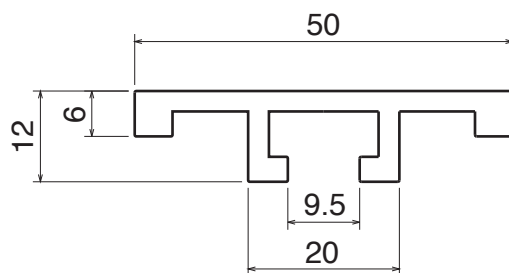
Guida laterale / Side guide rail / Seitenführung

Part	Article-Nr.	L	A	Colour
158	15801C	3 m	90	grey
158	15801	6 m	90	grey
158	15801BC	3 m	90	BluLub
158	15801B	6 m	90	BluLub
158	15802C	3 m	100	grey
158	15802	6 m	100	grey
158	15802BC	3 m	100	BluLub
158	15802B	6 m	100	BluLub
158	15803C	3 m	120	grey
158	15803	6 m	120	grey
158	15803BC	3 m	120	BluLub
158	15803B	6 m	120	BluLub



Guida in alluminio / Aluminum guide / Aluminiumprofil

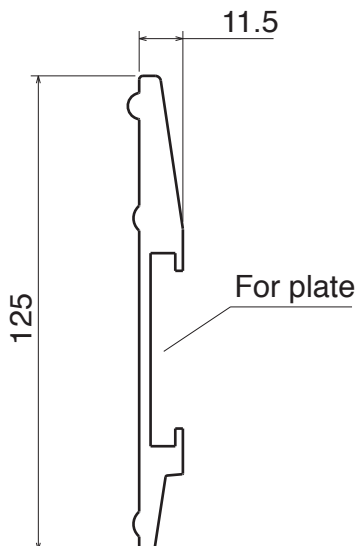
Part	Article-Nr.	L	Material
159	15901C	3 m	aluminum
159	15901	6 m	aluminum



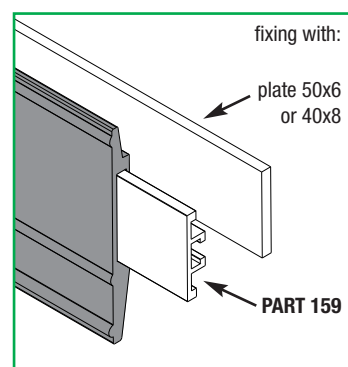
- RED = STOCK ITEM
- BLACK = ON REQUEST

Materiale:	Material:	Materialien:
Profilato plastico UHMW-PE o BluLub	Plastic profile UHMW-PE or BluLub	Kunststoff-Leiste UHMW-PE oder BluLub

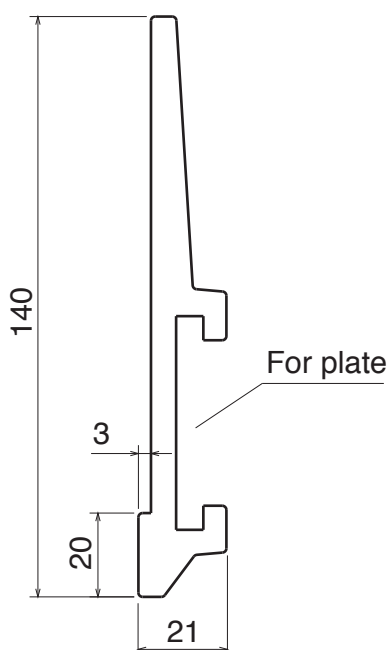
Guida laterale / Side guide rail / Seitenführung



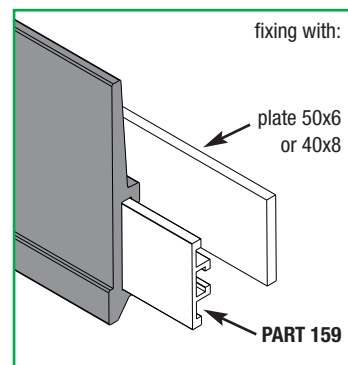
Part	Article-Nr.	L	For plate	Colour
182	18204C	3 m	50x6	grey
182	18204	6 m	50x6	grey
182	18200BC	3 m	50x6	BluLub
182	18200B	6 m	50x6	BluLub
182	18214C	3 m	40x8	grey
182	18214	6 m	40x8	grey
182	18210BC	3 m	40x8	BluLub
182	18210B	6 m	40x8	BluLub



Guida laterale / Side guide rail / Seitenführung



Part	Article-Nr.	L	For plate	Colour
149	14964C	3 m	50x6	grey
149	14964	6 m	50x6	grey
149	14960BC	3 m	50x6	BluLub
149	14960B	6 m	50x6	BluLub
149	14974C	3 m	40x8	grey
149	14974	6 m	40x8	grey
149	14970BC	3 m	40x8	BluLub
149	14970B	6 m	40x8	BluLub



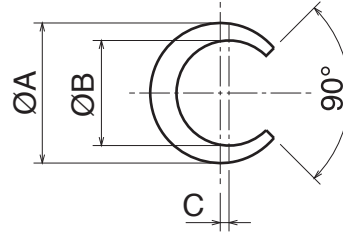
Materiale:	Material:	Materialien:
Profilato plastico UHMW-PE	Plastic profile UHMW-PE	Kunststoff-Leiste UHMW-PE

- RED = STOCK ITEM
- BLACK = ON REQUEST

Profilo per tondini / Round profile for steel rods / Clip-on Profil für Rundmaterial



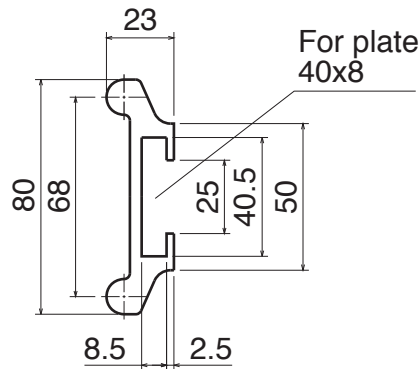
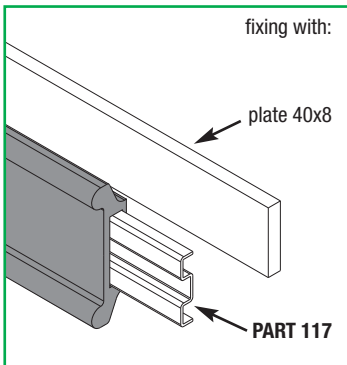
Part	Article-Nr.	A	B	Colour
166	16601	12	8	white
166	16602	14	10	white
166	16603	16	12	white
166	16604	20	16	white



Guida laterale / Side guide rail / Seitenführung



Part	Article-Nr.	L	Colour
183	18301C	3 m	black
183	18301	6 m	black
183	18301BC	3 m	BluLub
183	18301B	6 m	BluLub

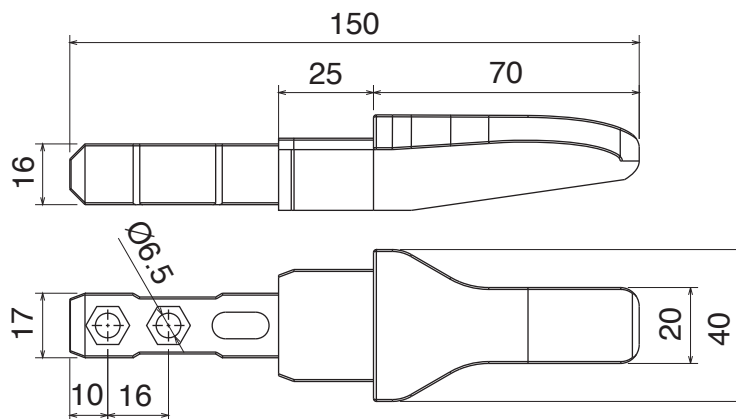


Materiale:	Material:	Materialien:
Poliamide rinforzato	Reinforced polyamide	Verstärktes Polyamid



Pattino guida catena, centrale / Central wear strip shoe / Zentraler Einlaufschuh

SENZA NERVATURA
WITHOUT NOSE
OHNE NASE

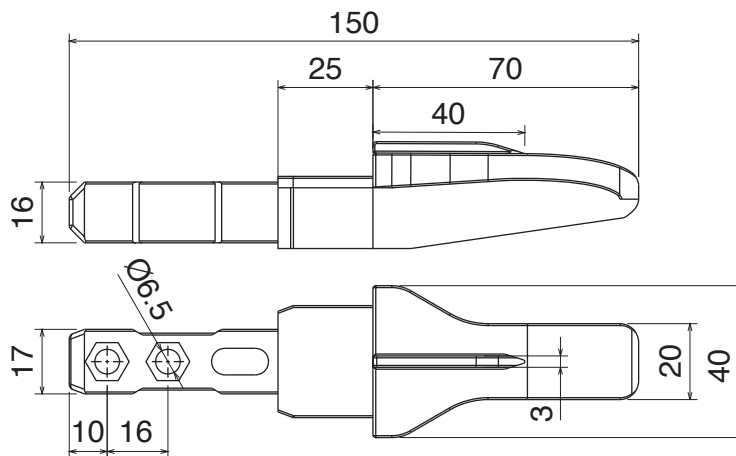


Part	Article-Nr.	Colour
113	11301	black



Pattino guida catena, centrale / Central wear strip shoe / Zentraler Einlaufschuh

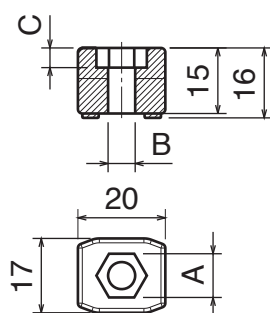
CON NERVATURA
WITH NOSE
MIT NASE



Part	Article-Nr.	Colour
113	11302	black



Blocchetto fissaggio / Fixing clamp / Fixierblock

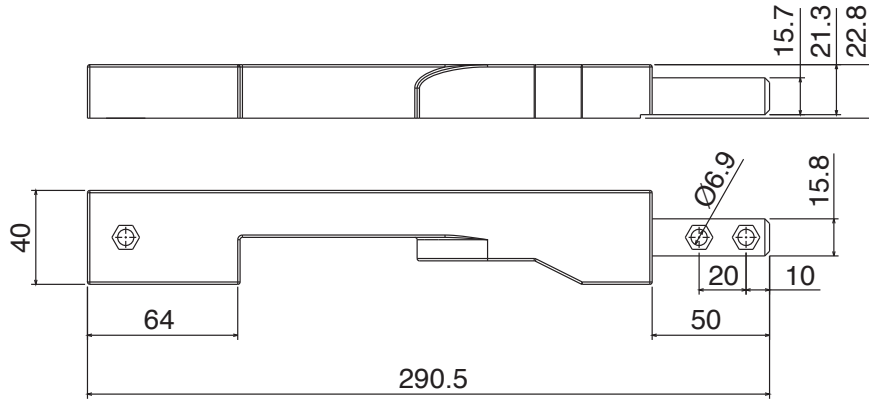


Part	Article-Nr.	A	B	C	Colour
114	11401	10	6.2	4.5	black
114	11402	13	8.2	6	black

Materiale:	Material:	Materialien:
Poliamide rinforzato	Reinforced polyamide	Verstärktes Polyamid

Pattino guida catena, laterale / Side transfer guide shoe / seitlicher Tranferschuh

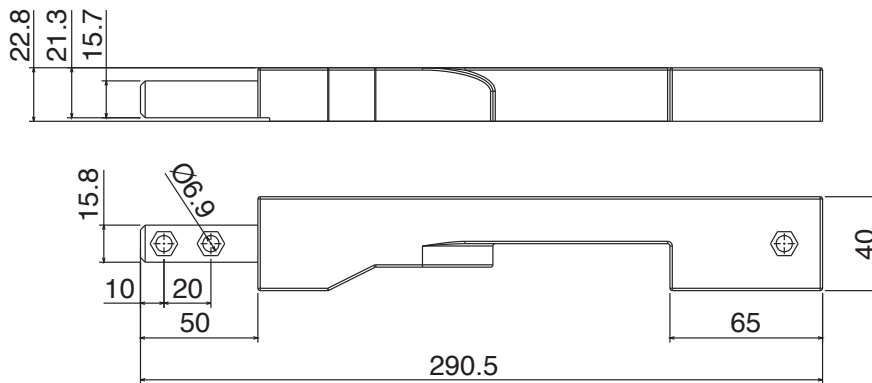
Part	Article-Nr.	Colour
116	11601	black



LEFT VERSION

Pattino guida catena, laterale / Side transfer guide shoe / seitlicher Tranferschuh

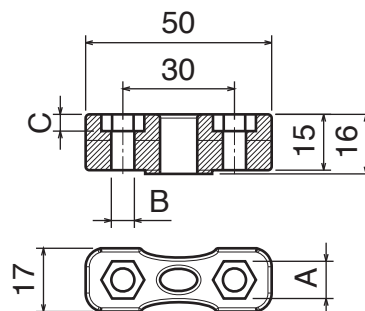
Part	Article-Nr.	Colour
116	11602	black



RIGHT VERSION

Blocchetto giunzione / Connecting element / Verbindungselement

Part	Article-Nr.	A	B	C	Colour
115	11501	10	6.2	4.5	black
115	11502	13	8.2	6	black





 <p>Ø40 pag. 138</p>	 <p>Ø50 pag. 138</p>	 <p>Ø60 pag. 138</p>	 <p>Ø47 pag. 139</p>	 <p>Ø57 pag. 139</p>	 <p>Ø67 pag. 139</p>
 <p>pag. 140</p>	 <p>pag. 140</p>	 <p>pag. 140</p>	 <p>pag. 141</p>	 <p>pag. 141</p>	 <p>pag. 141</p>
 <p>pag. 142</p>	 <p>pag. 142</p>	 <p>pag. 143</p>	 <p>pag. 143</p>	 <p>pag. 144</p>	
 <p>pag. 144</p>	 <p>pag. 145</p>	 <p>pag. 145</p>	 <p>pag. 145</p>		

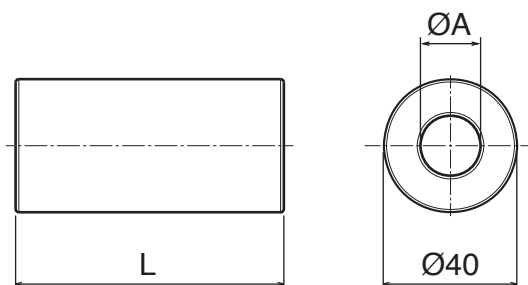


Materiale:	Material:	Materialien:
Polietilene (PE)	Polyethylene (PE)	Polyäthylen (PE)

Tenuta stagna
Watertight
Wasserdicht

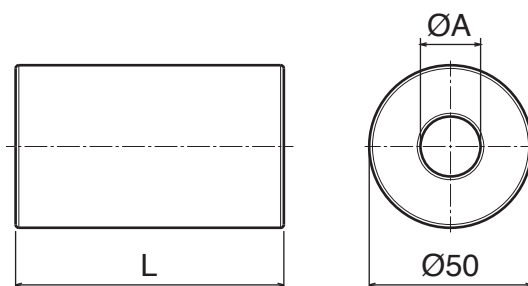
Rullini di ritorno D=40 mm / Return roller D=40 mm / Rückführrolle D=40 mm

Range extension



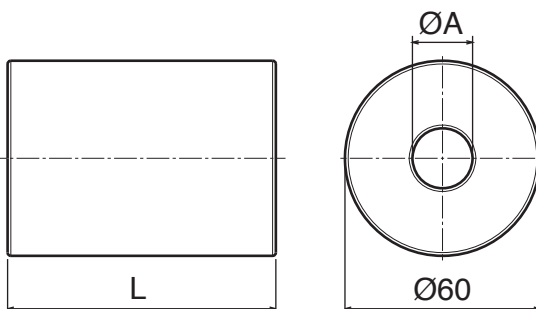
Part	Article-Nr.	L	ØA
219	21901	82,5	16
219	21902	82,5	18
219	21903	82,5	20
219	21951	41	16
219	21952	41	18
219	21953	41	20

Rullini di ritorno D=50 mm / Return roller D=50 mm / Rückführrolle D=50 mm



Part	Article-Nr.	L	ØA
201	20101	82,5	16
201	20102	82,5	18
201	20103	82,5	20
201	20151	41	16
201	20152	41	18
201	20153	41	20

Rullini di ritorno D=60 mm / Return roller D=60 mm / Rückführrolle D=60 mm



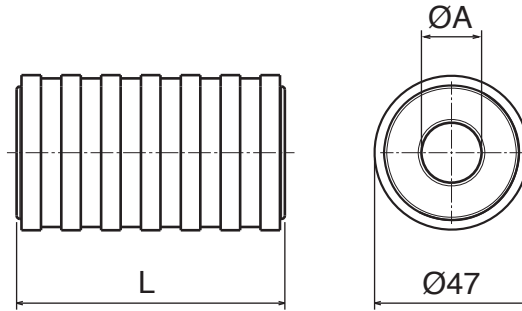
Part	Article-Nr.	L	ØA
202	20201	82,5	16
202	20202	82,5	18
202	20203	82,5	20
202	20251	41	16
202	20252	41	18
202	20253	41	20

Materiale:	Material:	Materialien:
Rullino e flangia: PE	Roller and flange: PE	Rolle und Seitenscheibe: PE
Gomma: TPR	Rubber: TPR	Gummi: TPR

Tenuta stagna
Watertight
Wasserdicht

Rullini di ritorno gommati D=47 mm / Return roller with rubber D=47 mm / Rückführrolle gummiert D=47 mm

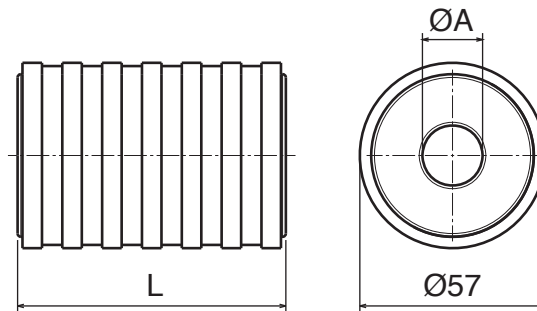
Part	Article-Nr.	L	ØA
220	22001	82,5	16
220	22002	82,5	18
220	22003	82,5	20
220	22051	41	16
220	22052	41	18
220	22053	41	20



Range extension

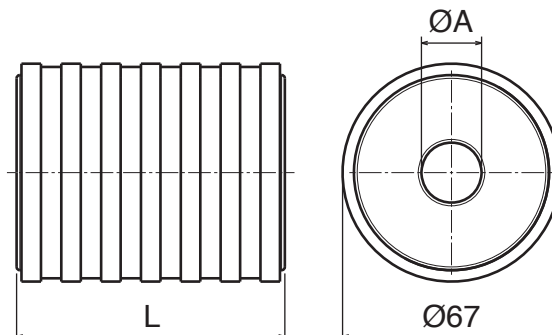
Rullini di ritorno gommati D=57 mm / Return roller with rubber D=57 mm / Rückführrolle gummiert D=57 mm

Part	Article-Nr.	L	ØA
203	20301	82,5	16
203	20302	82,5	18
203	20303	82,5	20
203	20351	41	16
203	20352	41	18
203	20353	41	20



Rullini di ritorno gommati D=67 mm / Return roller with rubber D=67 mm / Rückführrolle gummiert D=67 mm

Part	Article-Nr.	L	ØA
204	20401	82,5	16
204	20402	82,5	18
204	20403	82,5	20
204	20451	41	16
204	20452	41	18
204	20453	41	20



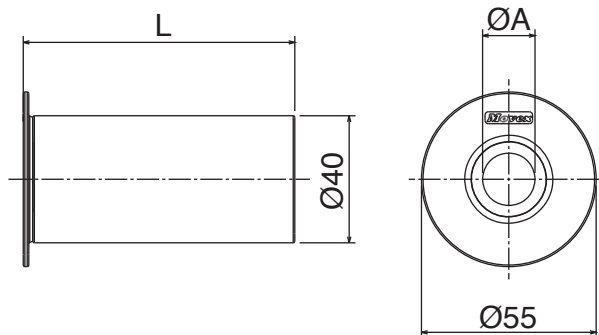
Materiale:	Material:	Materialien:
Polietilene (PE)	Polyethylene (PE)	Polyäthylen (PE)

Tenuta stagna
Watertight
Wasserdicht

Rullini di ritorno flangiati D=40 mm / Return roller with flange D=40 mm / Rückführrolle mit Seitenscheibe D=40 mm

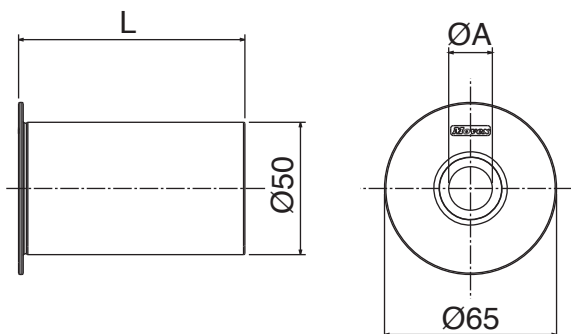


Range extension



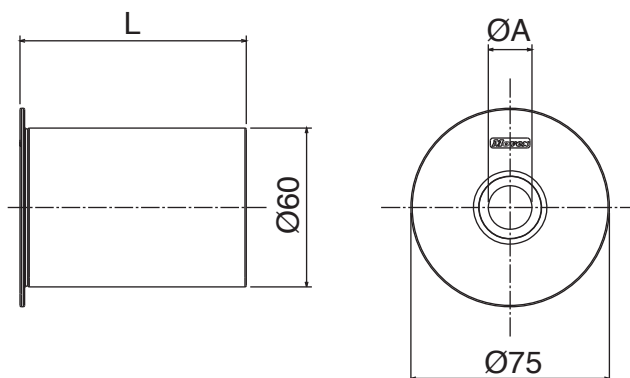
Part	Article-Nr.	L	ØA
222	22201	85,5	16
222	22202	85,5	18
222	22203	85,5	20
222	22251	43	16
222	22252	43	18
222	22253	43	20

Rullini di ritorno flangiati D=50 mm / Return roller with flange D=50 mm / Rückführrolle mit Seitenscheibe D=50 mm



Part	Article-Nr.	L	ØA
224	22401	85,5	16
224	22402	85,5	18
224	22403	85,5	20
224	22451	43	16
224	22452	43	18
224	22453	43	20

Rullini di ritorno flangiati D=60 mm / Return roller with flange D=60 mm / Rückführrolle mit Seitenscheibe D=60 mm



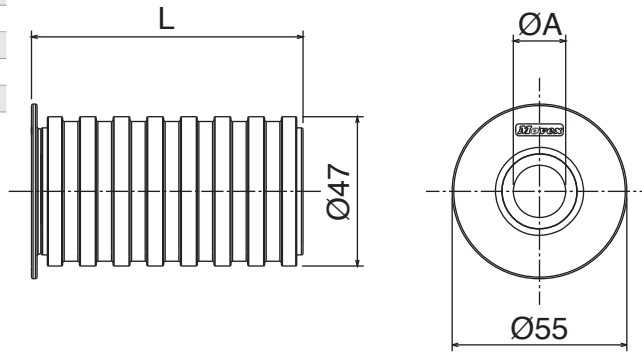
Part	Article-Nr.	L	ØA
226	22601	85,5	16
226	22602	85,5	18
226	22603	85,5	20
226	22651	43	16
226	22652	43	18
226	22653	43	20

Materiale:	Material:	Materialien:
Rullino e flangia: PE	Roller and flange: PE	Rolle und Seitenscheibe: PE
Gomma: TPR	Rubber: TPR	Gummi: TPR

Tenuta stagna
Watertight
Wasserdicht

Rullini di ritorno flangiati gommati D=47 mm / Return roller with flange and rubber D=47 mm / Rückführrolle gummiert mit Seitenscheibe D=47 mm

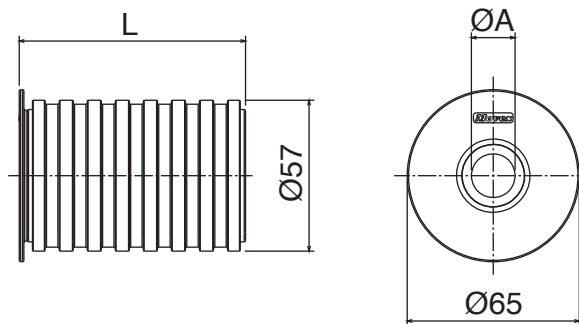
Part	Article-Nr.	L	ØA
223	22301	85,5	16
223	22302	85,5	18
223	22303	85,5	20
223	22351	43	16
223	22352	43	18
223	22353	43	20



Range extension

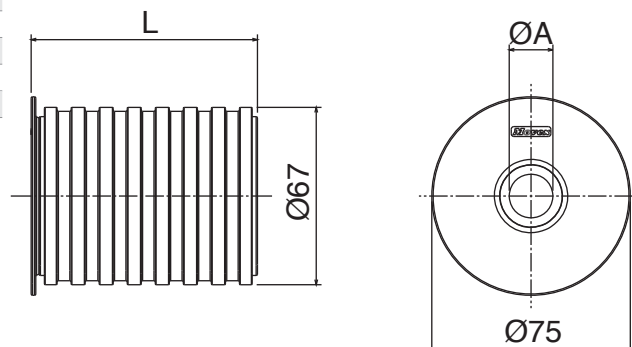
Rullini di ritorno flangiati gommati D=57 mm / Return roller with flange and rubber D=57 mm / Rückführrolle gummiert mit Seitenscheibe D=57 mm

Part	Article-Nr.	L	ØA
225	22501	85,5	16
225	22502	85,5	18
225	22503	85,5	20
225	22551	43	16
225	22552	43	18
225	22553	43	20



Rullini di ritorno flangiati gommati D=67 mm / Return roller with flange and rubber D=67 mm / Rückführrolle gummiert mit Seitenscheibe D=67 mm

Part	Article-Nr.	L	ØA
227	22701	85,5	16
227	22702	85,5	18
227	22703	85,5	20
227	22751	43	16
227	22752	43	18
227	22753	43	20

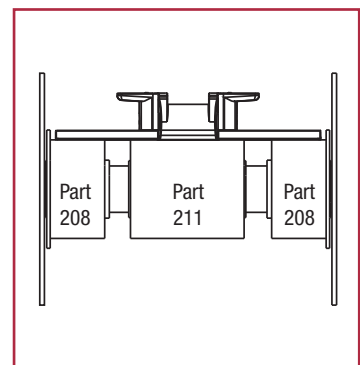
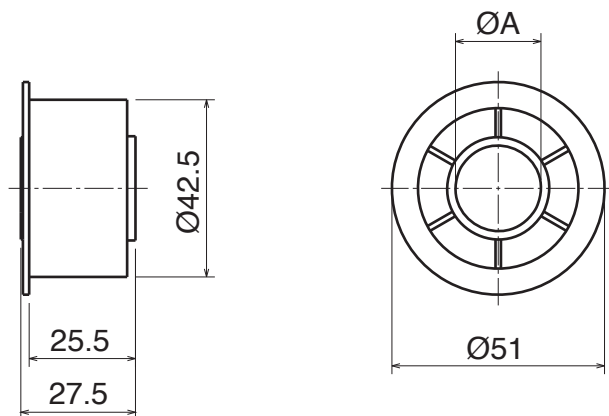


Materiale:	Material:	Materialien:
Polietilene (PE)	Polyethylene (PE)	Polyäthylen (PE)



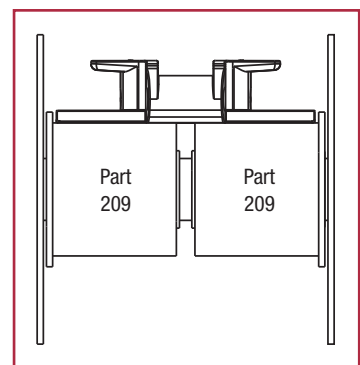
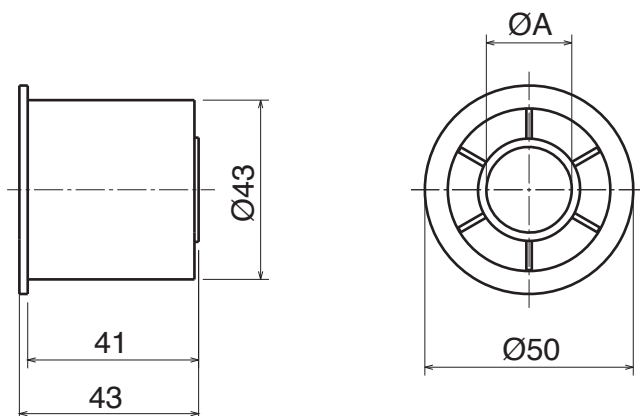
Rullini di ritorno flangiati D=42.5 mm / Return roller with flange D=42.5 mm / Rückführrolle mit Seitenscheibe D=42.5 mm

Part	Article-Nr.	ØA
208	20801	16
208	20802	18
208	20803	20



Rullini di ritorno flangiati D=42.5 mm / Return roller with flange D=42.5 mm / Rückführrolle mit Seitenscheibe D=42.5 mm

Part	Article-Nr.	ØA
209	20901	16
209	20902	18
209	20903	20

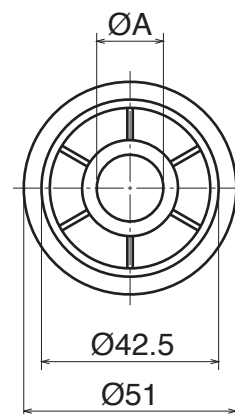
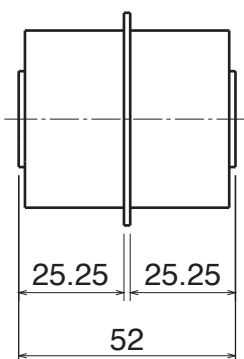
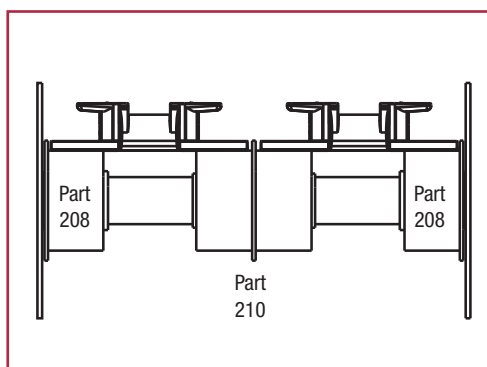


Materiale:	Material:	Materialien:
Polietilene (PE)	Polyethylene (PE)	Polyäthylen (PE)

Rullini doppio di ritorno / Double return roller / Doppel- Rücklaufrolle



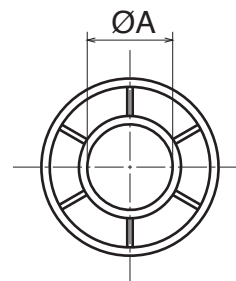
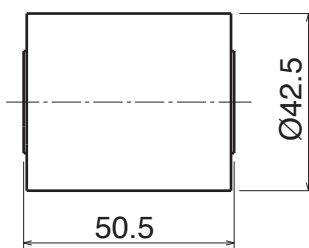
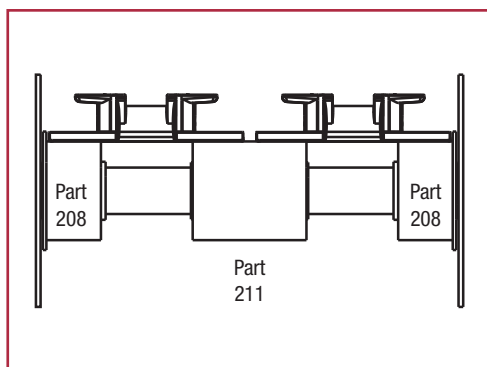
Part	Article-Nr.	ØA
210	21001	16
210	21002	18
210	21003	20



Rullini di ritorno D=43 mm / Return roller D=43 mm / Rückführrolle D=43 mm



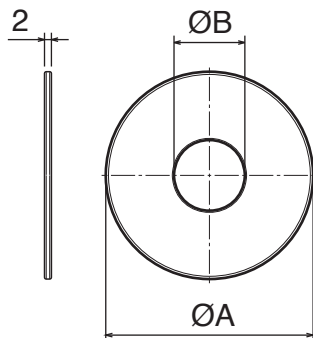
Part	Article-Nr.	ØA
211	21101	16
211	21102	18
211	21103	20



Materiale:	Material:	Materialien:
Polietilene (PE)	Polyethylene (PE)	Polyäthylen (PE)



Flangia / Flange / Seitenscheibe

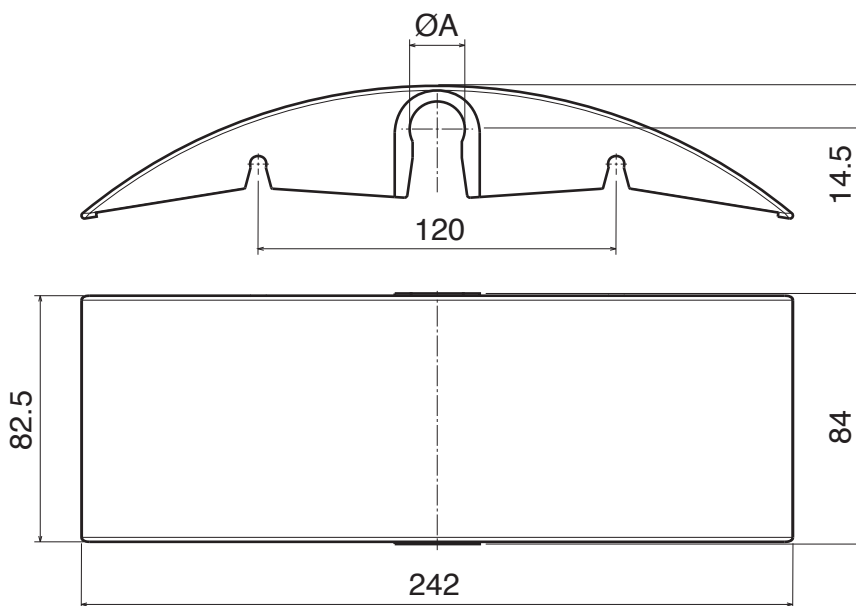


Part	Article-Nr.	ØA	ØB
207	20701	60	16
207	20702	60	18
207	20703	60	20
207	20704	70	16
207	20705	70	18
207	20706	70	20
207	20707	80	16
207	20708	80	18
207	20709	80	20



Pattino oscillante innesto rapido / Snap-on sliding shoe / Rücklaufschuh, aufsteckbar

Part	Article-Nr.	ØA
213	21301	16
213	21302	18
213	21303	20

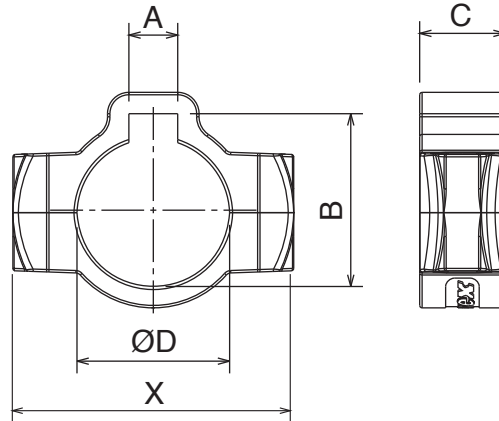


Materiale:	Material:	Materialien:
Pattino oscillante: PE	Sliding shoe: PE	Rücklaufschuh: PE
Collare di riferimento: PA	Split Collar: PA	Geteilter Stelling: PA
Viti e dadi:	Screws and nuts:	Schrauben und Mutter
Acciaio inox	Stainless steel	aus Edelstahl

Collare di riferimento con chiavetta / Split collar with keyway / geteilter Stelling mit Nut

Part	Article-Nr.	A	B	C	ØD	X
221	22101	8	28.3	14	25	46
221	22102	8	33.3	16	30	51
221	22103	10	38.3	16	35	57
221	22104	12	43.3	18	40	64

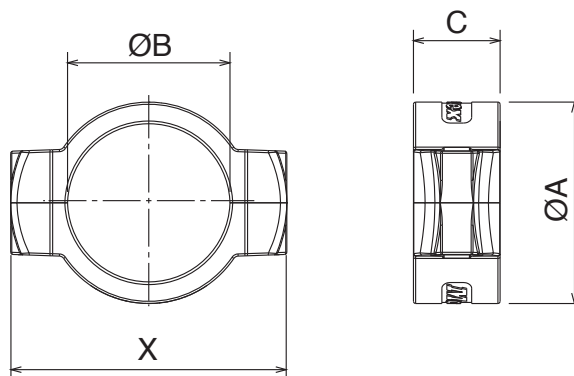
Part	Article-Nr.	A	B	C	ØD	X
221	22101Y	6,85	28,3	14	1"	46
221	22102Y	6,85	34,7	16	1,25"	52
221	22104Y	10,025	42,4	18	1,5"	64



Collare di riferimento / Split collar / geteilter Stelling

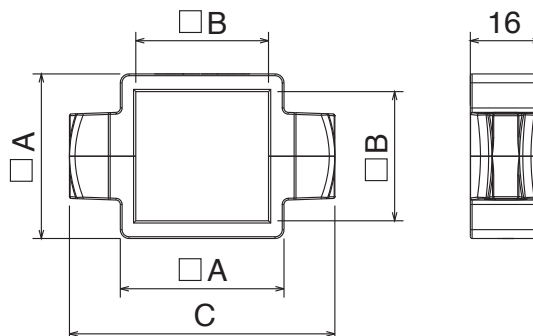
Part	Article-Nr.	ØA	ØB	C	X
215	21501	20	12	12	29.5
215	21502	22	14	12	31.5
215	21503	26	18	14	40
215	21504	28	20	14	40
215	21505	32	25	14	46
215	21506	38	30	16	51
215	21507	43	35	16	57
215	21508	48	40	18	64

Part	Article-Nr.	ØA	ØB	C	X
215	21501Y	20	0,5"	12	29,5
215	21503Y	26	0,75"	14	40
215	21505Y	32	1"	14	46
215	21506Y	38	1,25"	16	52
215	21508Y	48	1,5"	18	64



Collare di riferimento / Split collar / geteilter Stelling

Part	Article-Nr.	A	□B	C
217	21701	33	25	55
217	21702	37	30	60
217	21703	47	40	70
217	21704	59	50	81
217	21705	69	60	92

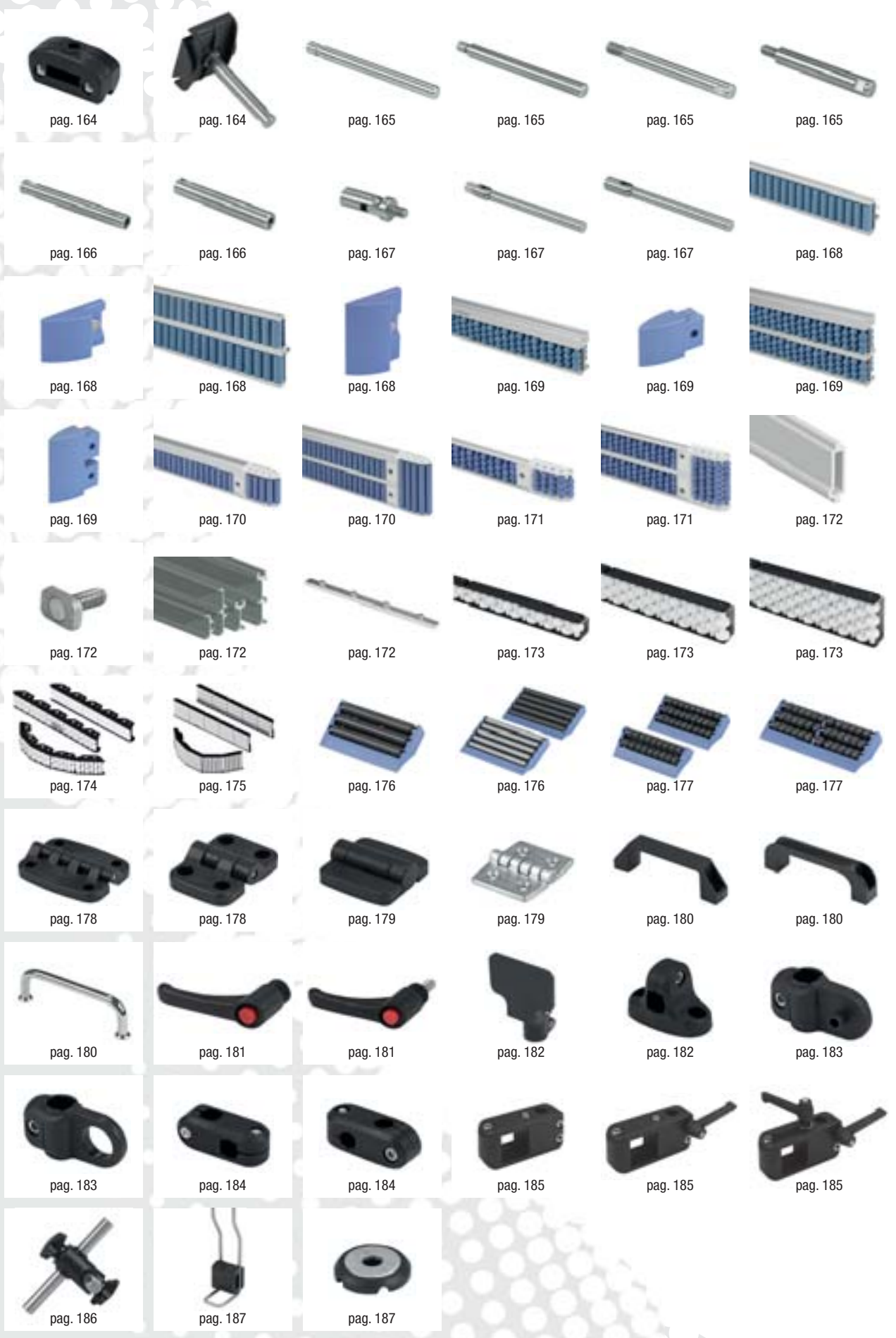




conveyor components

 pag. 149	 pag. 149	 pag. 150	 pag. 150	 pag. 151	 pag. 151
 pag. 152	 pag. 152	 pag. 153	 pag. 153	 pag. 154	 pag. 154
 pag. 155	 pag. 155	 pag. 155	 pag. 156	 pag. 156	 pag. 157
 pag. 157	 pag. 157	 pag. 158	 pag. 158	 pag. 159	 pag. 159
 pag. 159	 pag. 160	 pag. 160	 pag. 160	 pag. 160	
 pag. 161	 pag. 161	 pag. 161	 pag. 161		
 pag. 162	 pag. 162	 pag. 163			
 pag. 163	 pag. 164				

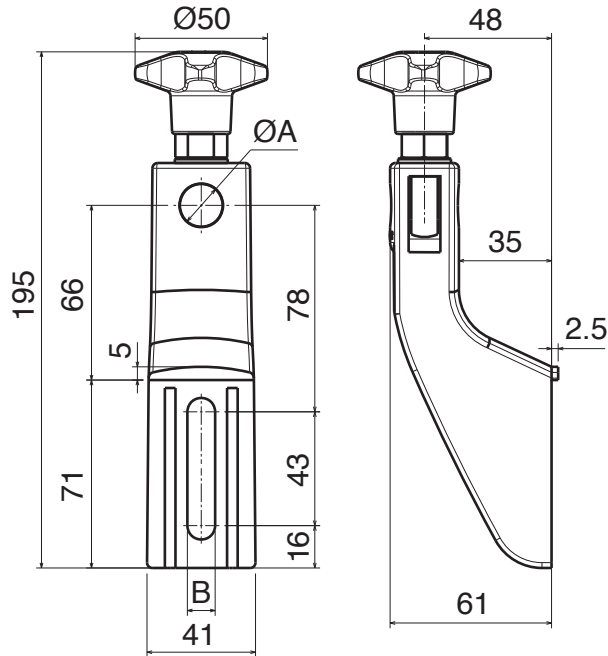




Materiale:	Material:	Materialien:
Supporto: PA	Support: PA	Halter: PA
Volantino: PA + ottone nichelato	Knob: PA + nickel plated brass	Sterngriff: PA + Messing vernickelt
Tirante: Acciaio inox	Eyebolt: Stainless steel	Augenschraube: Edelstahl

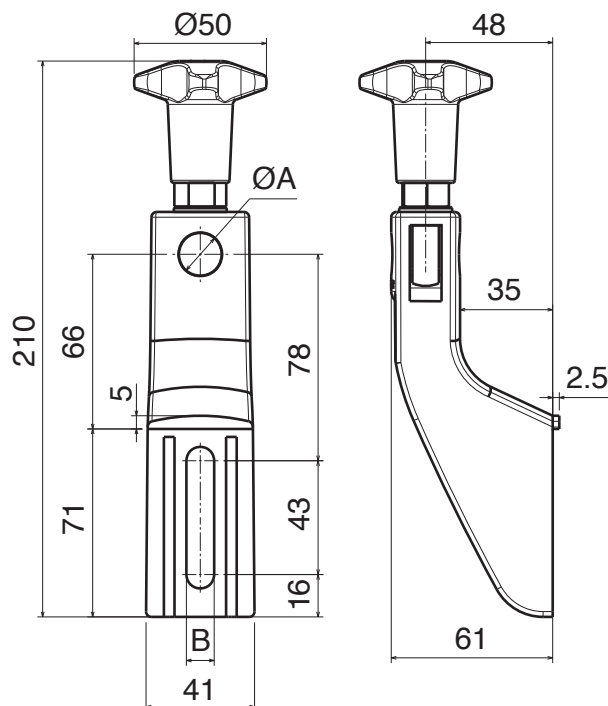
Supporto laterale -piccolo- / Side bracket -small- / Geländerhalter -klein-

Part	Article-Nr.	ØA	B
301	30101	12	9
301	30105	14	9
301	30102	16	9
301	30103	12	10,5
301	30106	14	10,5
301	30104	16	10,5



Supporto laterale -piccolo-, volantino alto / Side bracket -small- high knob / Geländerhalter -klein- hoher Sterngriff

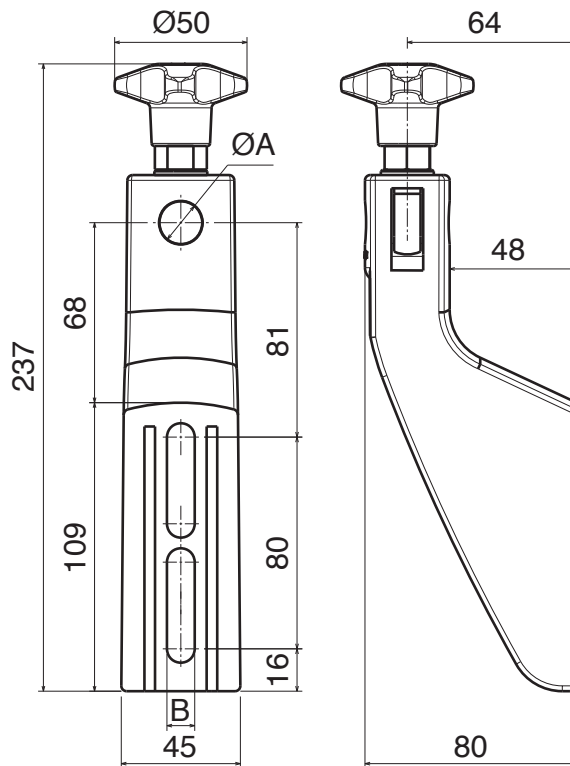
Part	Article-Nr.	ØA	B
302	30201	12	9
302	30205	14	9
302	30202	16	9
302	30203	12	10,5
302	30206	14	10,5
302	30204	16	10,5



Materiale:	Material:	Materialien:
Supporto: PA	Support: PA	Halter: PA
Volantino: PA + ottone nichelato	Knob: PA + nickel plated brass	Sterngriff: PA + Messing vernickelt
Tirante: Acciaio inox	Eyebolt: Stainless steel	Augenschraube: Edelstahl

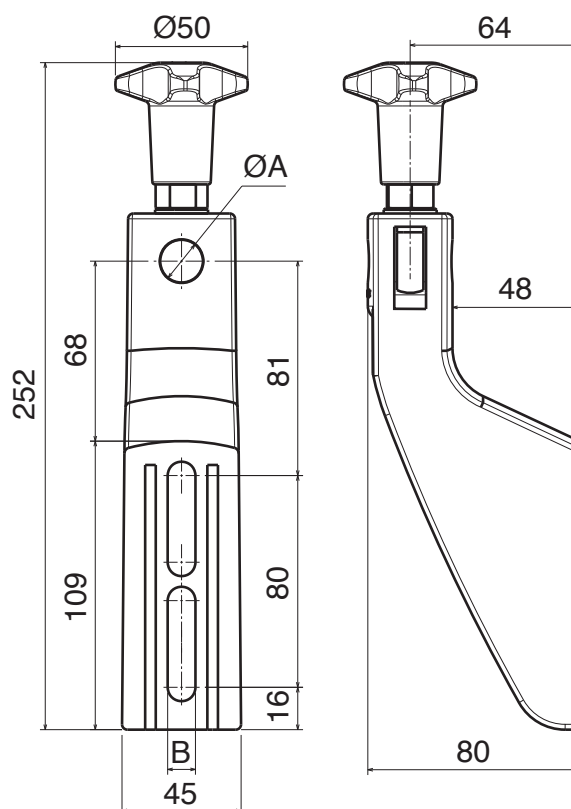


Supporto laterale -medio- / Side bracket -medium- / Geländerhalter -medium-



Part	Article-Nr.	$\varnothing A$	B
305	30501	12	9
305	30505	14	9
305	30502	16	9
305	30503	12	10,5
305	30506	14	10,5
305	30504	16	10,5

Supporto laterale -medio-, volantino alto / Side bracket -medium-, high knob / Geländerhalter -medium-, hoher Sterngriff

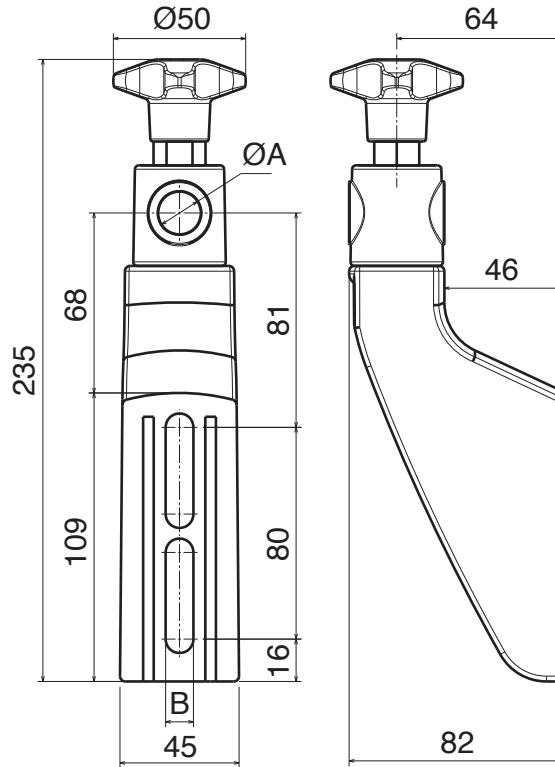


Part	Article-Nr.	$\varnothing A$	B
306	30601	12	9
306	30605	14	9
306	30602	16	9
306	30603	12	10,5
306	30606	14	10,5
306	30604	16	10,5

Materiale:	Material:	Materialien:
Supporto: PA	Support: PA	Halter: PA
Volantino: PA + ottone nichelato	Knob: PA + nickel plated brass	Sterngriff: PA + Messing vernickelt
Tirante: Acciaio inox	Eyebolt: Stainless steel	Augenschraube: Edelstahl
Testina: PA o Acciaio inox	Heads: PA or stainless steel	Schwenkopf: PA oder Edelstahl
Vite, rondella e dado: Acciaio inox	Screw, washers and nut: Stainless steel	Schraube, Unterlegs und Mutter: Edelstahl

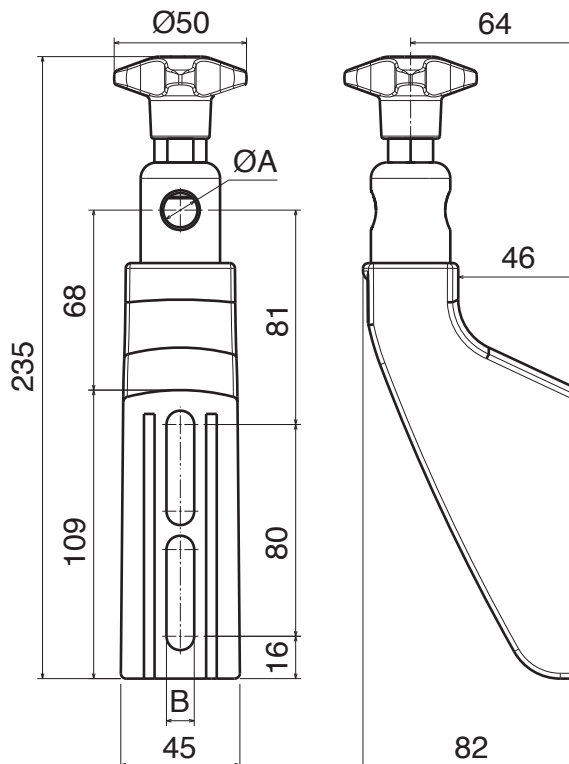
Supporto laterale -medio-, orientabile / Side bracket -medium-, adjustable / Geländerhalter -medium-, einstellbar

Part	Article-Nr.	ØA	B
307	30701	12	9
307	30705	14	9
307	30702	16	9
307	30703	12	10,5
307	30706	14	10,5
307	30704	16	10,5
307	30709	bracket	9
307	30710	bracket	10,5



Supporto laterale -medio-, orientabile INOX / Side bracket -medium-, adjustable SS / Geländerhalter -medium-, einstellbar Edelstahl

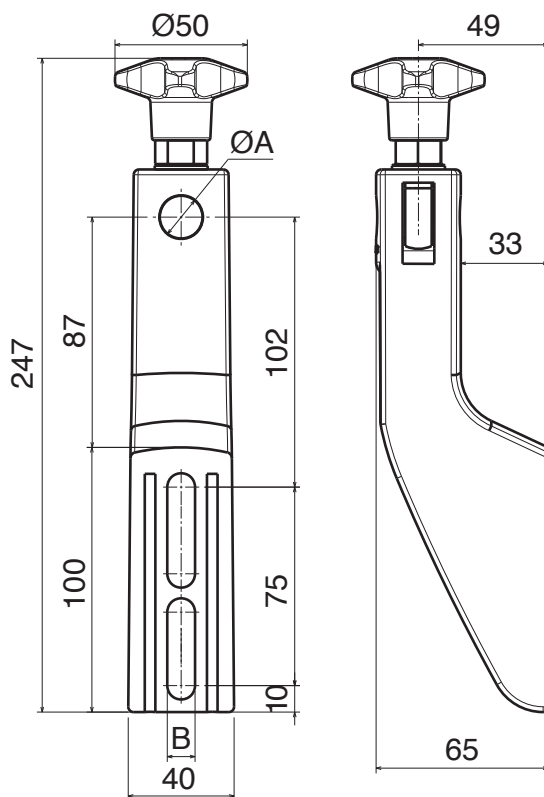
Part	Article-Nr.	ØA	B
308	30801	12	9
308	30805	14	9
308	30802	16	9
308	30803	12	10,5
308	30806	14	10,5
308	30804	16	10,5





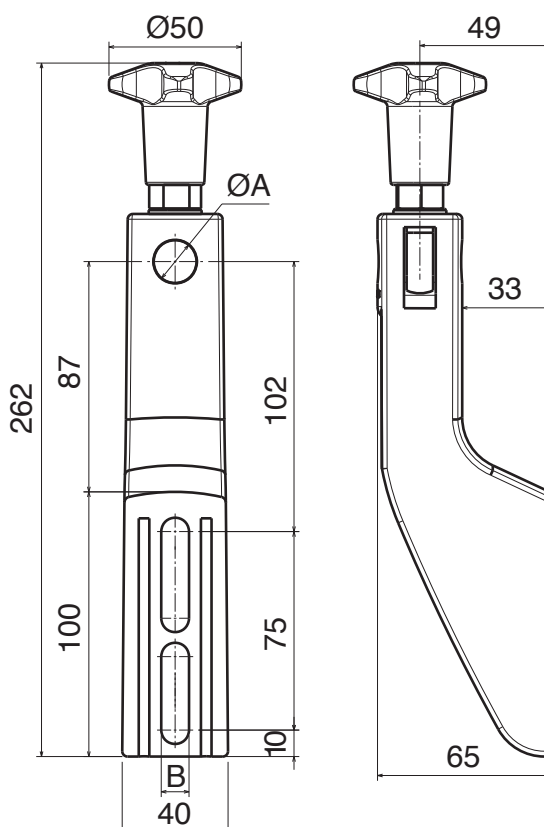
Materiale:	Material:	Materialien:
Supporto: PA	Support: PA	Halter: PA
Volantino: PA + ottone nichelato	Knob: PA + nickel plated brass	Sterngriff: PA + Messing vernickelt
Tirante: Acciaio inox	Eyebolt: Stainless steel	Augenschraube: Edelstahl

Supporto laterale -grande- / Side bracket -large- / Geländerhalter -groß-



Part	Article-Nr.	ØA	B
309	30901	12	9
309	30905	14	9
309	30902	16	9
309	30903	12	10,5
309	30906	14	10,5
309	30904	16	10,5

Supporto laterale -grande-, volantino alto / Side bracket -large-, high knob / Geländerhalter -groß-, hoher Sterngriff

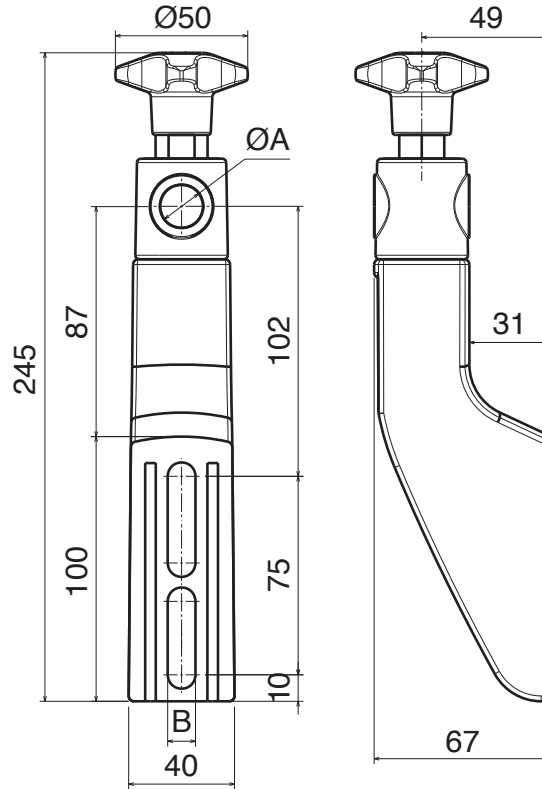


Part	Article-Nr.	ØA	B
310	31001	12	9
310	31005	14	9
310	31002	16	9
310	31003	12	10,5
310	31006	14	10,5
310	31004	16	10,5

Materiale:	Material:	Materialien:
Supporto: PA	Support: PA	Halter: PA
Volantino: PA + ottone nichelato	Knob: PA + nickel plated brass	Sterngriff: PA + Messing vernickelt
Tirante: Acciaio inox	Eyebolt: Stainless steel	Augenschraube: Edelstahl
Testina: PA o Acciaio inox	Heads: PA or stainless steel	Schwenkopf: PA oder Edelstahl
Vite, rondella e dado: Acciaio inox	Screw, washers and nut: Stainless steel	Schraube, Unterlegs und Mutter: Edelstahl

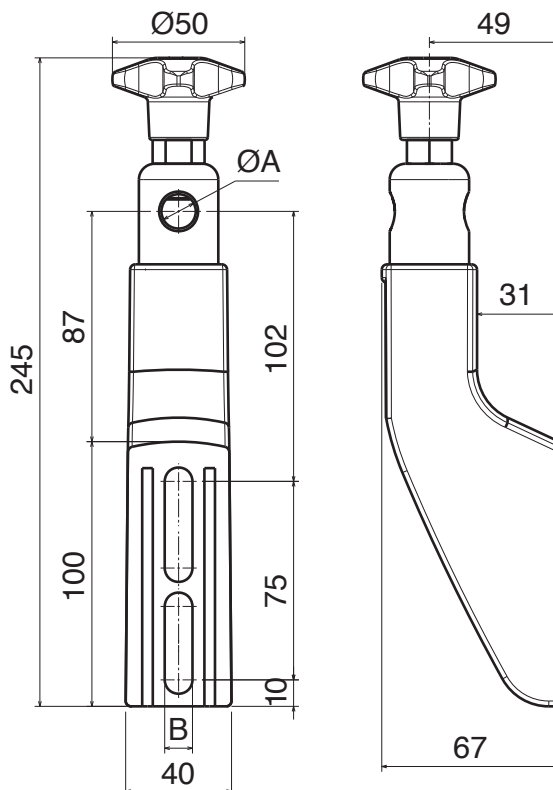
Supporto laterale -grande-, orientabile / Side bracket -large-, adjustable / Geländerhalter -groß-, einstellbar

Part	Article-Nr.	ØA	B
311	31101	12	9
311	31105	14	9
311	31102	16	9
311	31103	12	10,5
311	31106	14	10,5
311	31104	16	10,5
311	31109	bracket	9
311	31110	bracket	10,5



Supporto laterale -grande-, orientabile INOX / Side bracket -large-, adjustable SS / Geländerhalter -groß-, einstellbar Edelstahl

Part	Article-Nr.	ØA	B
312	31201	12	9
312	31205	14	9
312	31202	16	9
312	31203	12	10,5
312	31206	14	10,5
312	31204	16	10,5





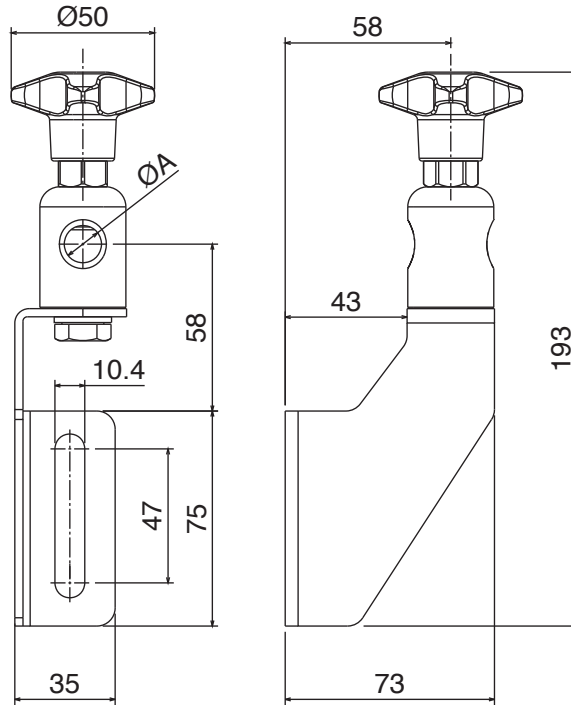
New



New

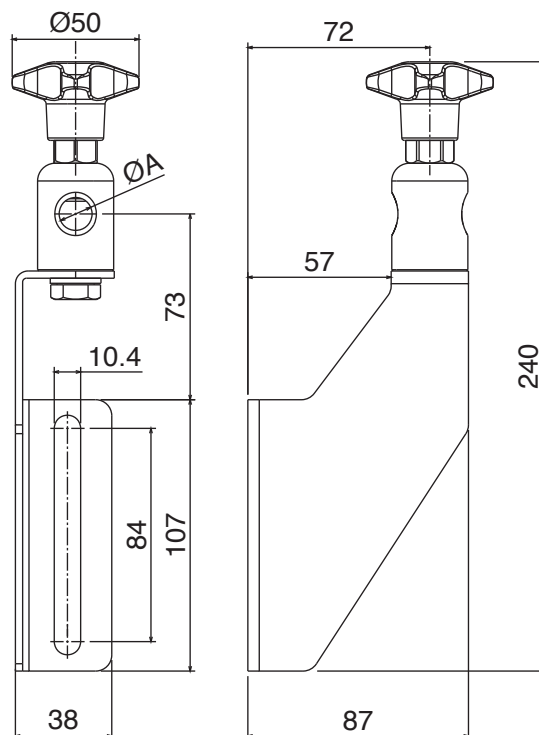
Materiale:	Material:	Materialien:
Supporto: PA	Support: PA	Halter: PA
Volantino: PA + ottone nichelato	Knob: PA + nickel plated brass	Sterngriff: PA + Messing vernickelt
Tirante: Acciaio inox	Eyebolt: Stainless steel	Augenschraube: Edelstahl

Supporto laterale inox -medio- orientabile / SS bracket -medium-, adjustable / Edelstahl Geländerhalter -medium-, einstellbar



Part	Article-Nr.	ØA
398	39860	12
398	39862	14
398	39861	16

Supporto laterale inox -grande- orientabile / SS bracket -large-, adjustable / Edelstahl Geländerhalter -groß-, einstellbar

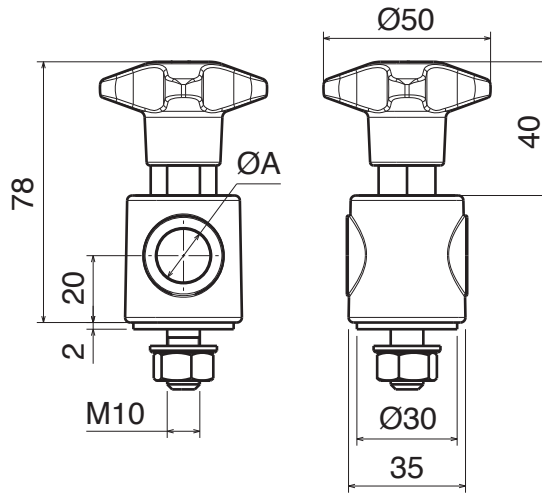
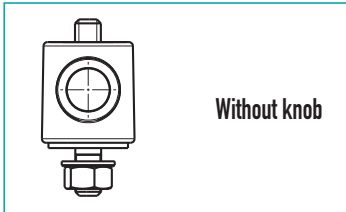


Part	Article-Nr.	ØA
398	39870	12
398	39872	14
398	39871	16

Materiale:	Material:	Materialien:
Volantino: PA + ottone nichelato	Knob: PA + nickel plated brass	Sterngriff: PA + Messing vernickelt
Tirante: Acciaio inox	Eyebolt: Stainless steel	Augenschraube: Edelstahl
Testina: PA o Acciaio inox	Heads: PA or stainless steel	Schwenkkopf: PA oder Edelstahl
Vite, rondella e dado: Acciaio inox	Screw, washers and nut: Stainless steel	Schraube, Unterlegs und Mutter: Edelstahl

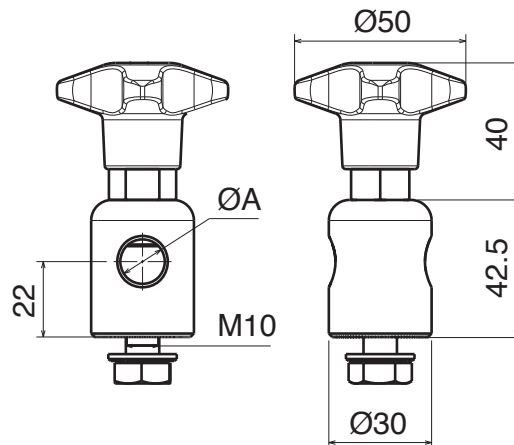
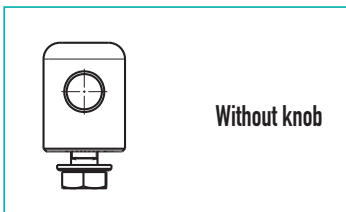
Testina orientabile / Adjustable head / Schwenkkopf

Part	Article-Nr.	ØA
313	31301	12
313	31303	14
313	31302	16
313	31311	12-without knob
313	31313	14-without knob
313	31312	16-without knob



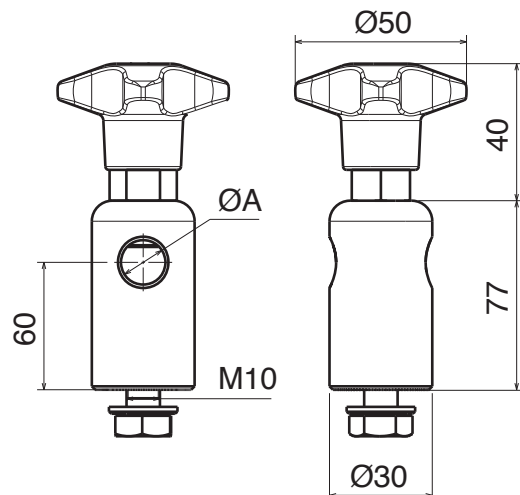
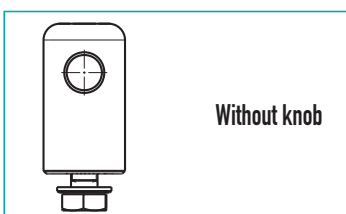
Testina orientabile, acciaio inox / Adjustable head, stainless steel / Schwenkkopf, Edelstahl

Part	Article-Nr.	ØA
314	31401	12
314	31403	14
314	31402	16
314	31411	12-without knob
314	31413	14-without knob
314	31412	16-without knob



Testina orientabile alta, acciaio inox / Adjustable head, stainless steel / Schwenkkopf, Edelstahl

Part	Article-Nr.	ØA
314	31409	12
314	31414	14
314	31410	16
314	31419	12-without knob
314	31421	14-without knob
314	31420	16-without knob

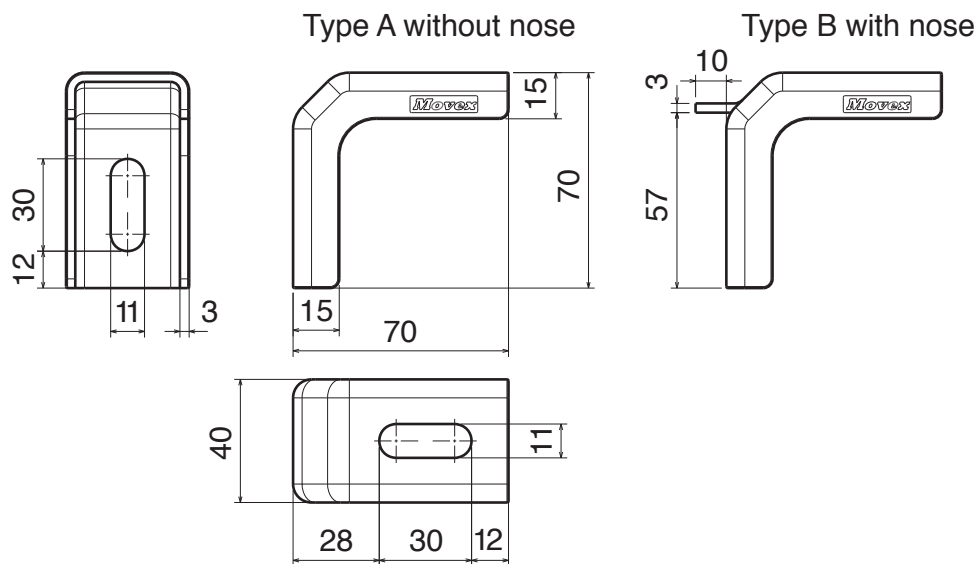


Materiale:	Material:	Materialien:
Acciaio inox	Stainless steel	Edelstahl



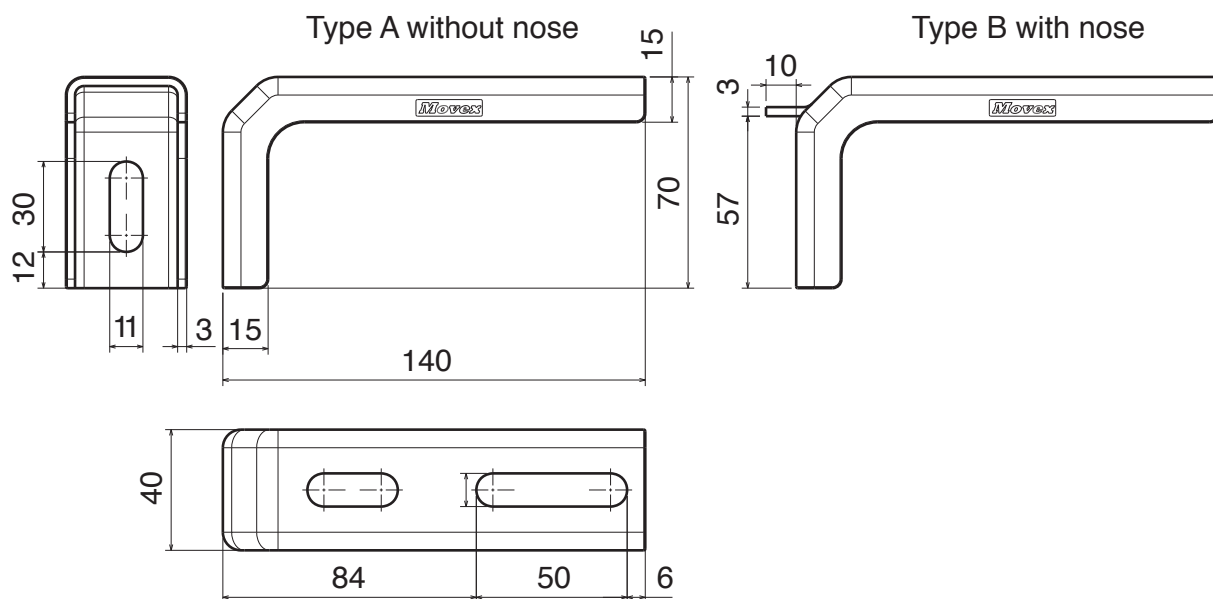
Supporto laterale "L" / L-bracket / Winkel

Part	Article-Nr.	Type
315	31501	A
315	31502	B



Supporto laterale "L" / L-bracket / Winkel

Part	Article-Nr.	Type
316	31601	A
316	31602	B

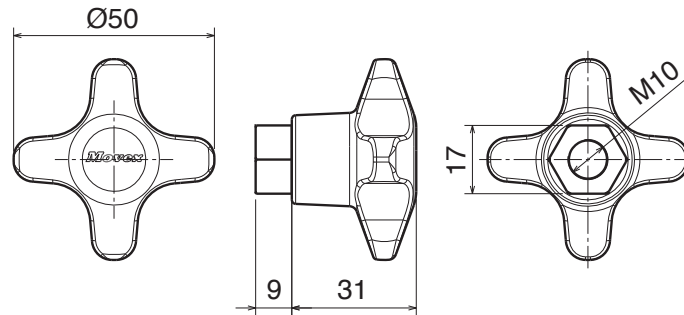


Materiale:	Material:	Materialien:
Poliammide + ottone nichelato	Polyamide + nickel plated brass	Polyamid + Messing vernickelt

Volantino / Star knob / Sterngriff

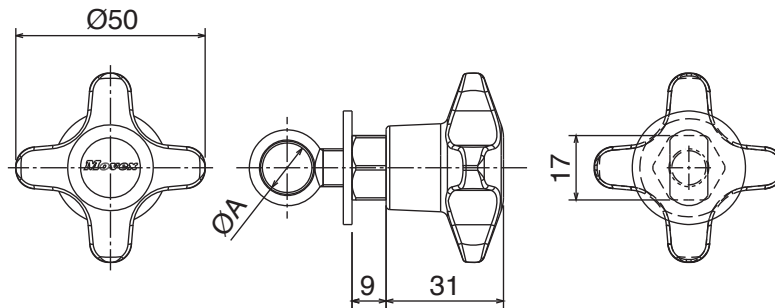


Part	Article-Nr.
317	31701



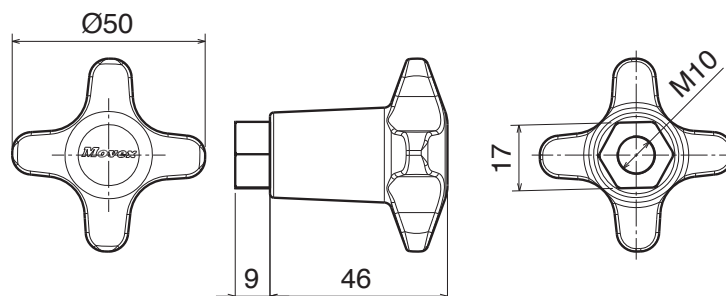
Volantino con tirante / Star knob with eye-bolt / Sterngriff mit Augenschraube

Part	Article-Nr.	ØA
317	31799	12
317	31797	14
317	31798	16



Volantino / Star knob / Sterngriff

Part	Article-Nr.
318	31801

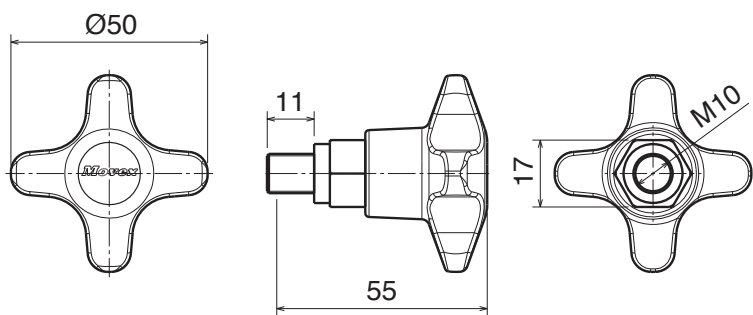


Materiale:	Material:	Materialien:
Poliamide + ottone nichelato	Polyamide + nickel plated brass	Polyamid + Messing vernickelt



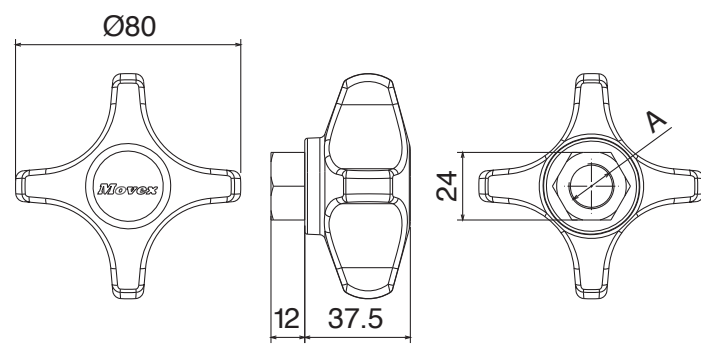
Volantino / Star knob / Sterngriff

Part	Article-Nr.
319	31901



Volantino Ø80 / Star knob Ø80 / Sterngriff Ø80

Part	Article-Nr.	A
320	32001	M12
320	32002	M16

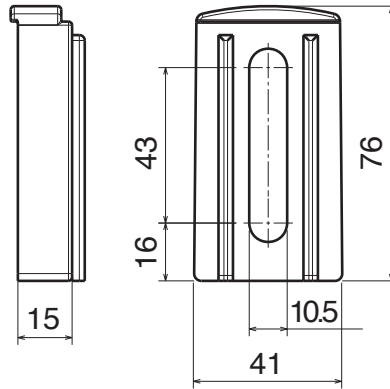


Materiale:	Material:	Materialien:
Poliamide	Polyamide	Polyamid

Distanziale per supporto -piccolo- / Spacer for bracket -small- / Distanzstück für Geländerhalter -klein-

Part Article-Nr.

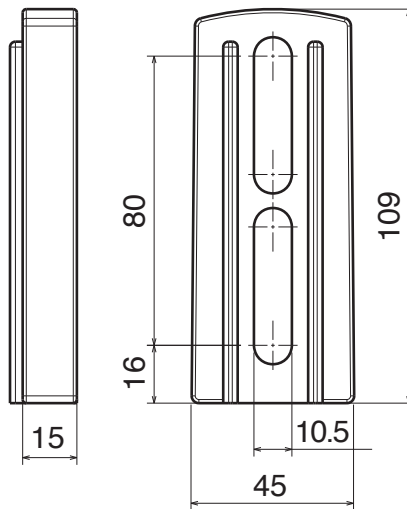
321 32101



Distanziale per supporto -medio- / Spacer for bracket -medium- / Distanzstück für Geländerhalter -medium-

Part Article-Nr.

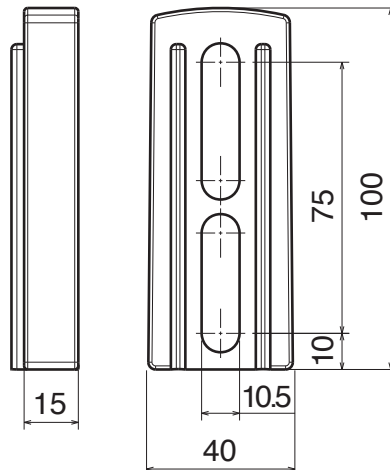
322 32201



Distanziale per supporto -grande- / Spacer for bracket -large- / Distanzstück für Geländerhalter -groß-

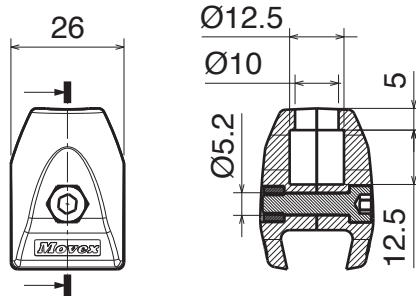
Part Article-Nr.

323 32301



Materiale:	Material:	Materialien:
Morsetti: PA	Clamp: PA	Klemme: PA
Vite, perno e rondella: Acciaio inox	Screw, pin and washer: Stainless steel	Schraube, Bolzen und Scheibe: Edelstahl
Dado: ottone nichelato	Nut: nickel plated brass	Mutter: Messing vernickelt

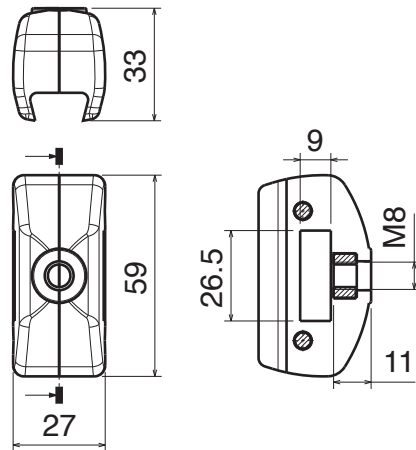
Morsetto singolo per guida laterale conica / Single clamp for conical side guide / Einfachklemme für konische Seitenführung



Part	Article-Nr.
324	32401



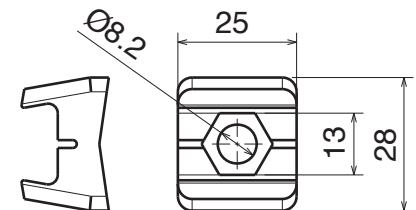
Morsetto singolo per guida laterale conica / Single clamp for conical side guide / Einfachklemme für konische Seitenführung



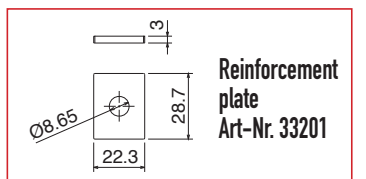
Part	Article-Nr.
325	32501



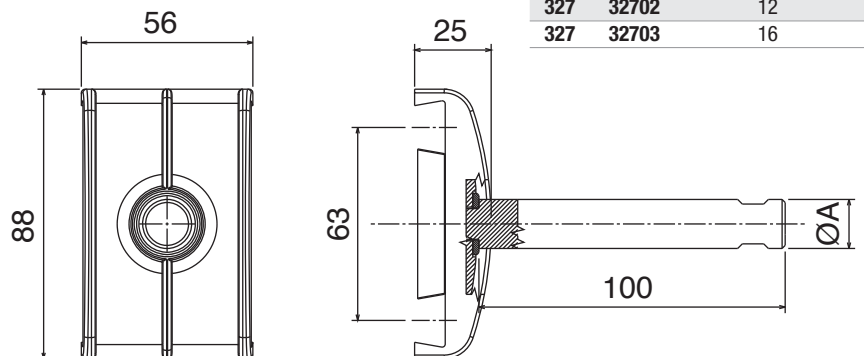
Morsetto singolo per guida laterale conica / Single clamp for conical side guide / Einfachklemme für konische Seitenführung



Part	Article-Nr.
326	32601



Morsetto doppio per guida laterale conica / Double clamp for conical side guide / Doppelklemme für konische Seitenführung

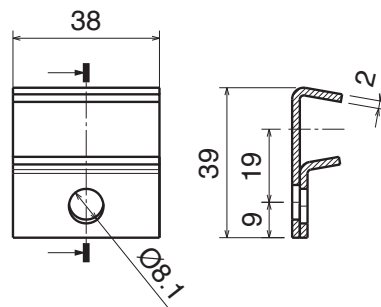


Part	Article-Nr.	ØA
327	32701	without pin
327	32702	12
327	32703	16

Materiale:	Material:	Materialien:
Acciaio inox	Stainless steel	Edelstahl

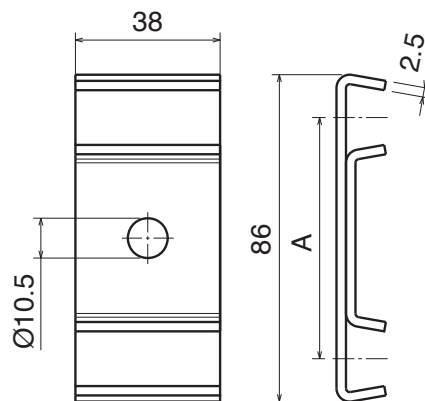
Morsetto singolo per guida laterale conica / Single clamp for conical side guide / Einfachklemme für konische Seitenführung

Part	Article-Nr.	Material
328	32801	Aisi 304
328	32811	Aisi 316



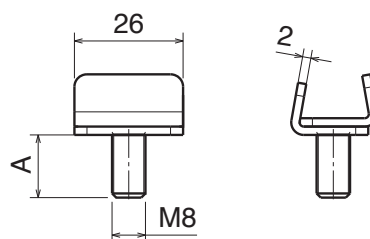
Morsetto doppio per guida laterale conica / Double clamp for conical side guide / Doppelklemme für konische Seitenführung

Part	Article-Nr.	A
329	32901	63.5
329	32902	82.5
329	32903	95.2



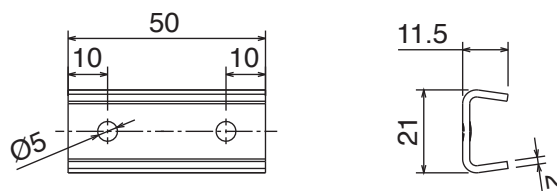
Morsetto singolo per guida laterale conica / Single clamp for conical side guide / Einfachklemme für konische Seitenführung

Part	Article-Nr.	A
330	33001	15
330	33002	25
330	33003	20
330	33004	30



Elemento di giunzione / Connecting element / Verbinder

Part	Article-Nr.
390	39001

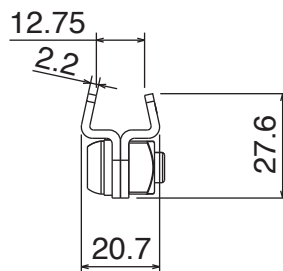
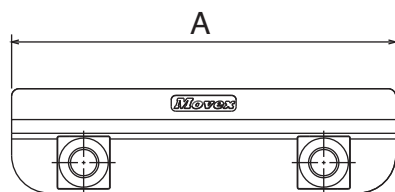


Materiale:	Material:	Materialien:
Acciaio inox	Stainless steel	Edelstahl



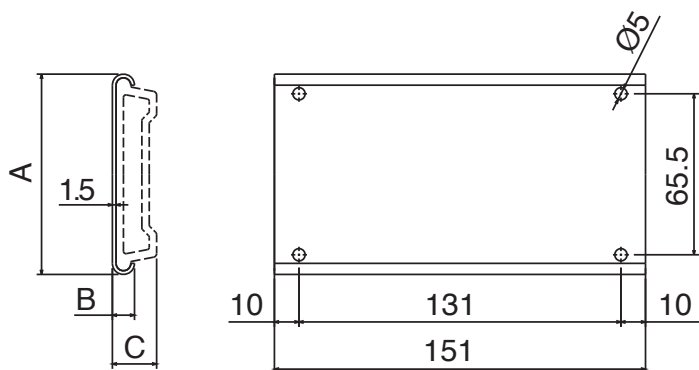
Elemento di connessione / Connecting clamp / Verbindungsklemme

Part	Article-Nr.	A
392	39201	75
392	39202	100
392	39203	150



Morsetto di giunzione / Joint clamp / Verbindungsplatte

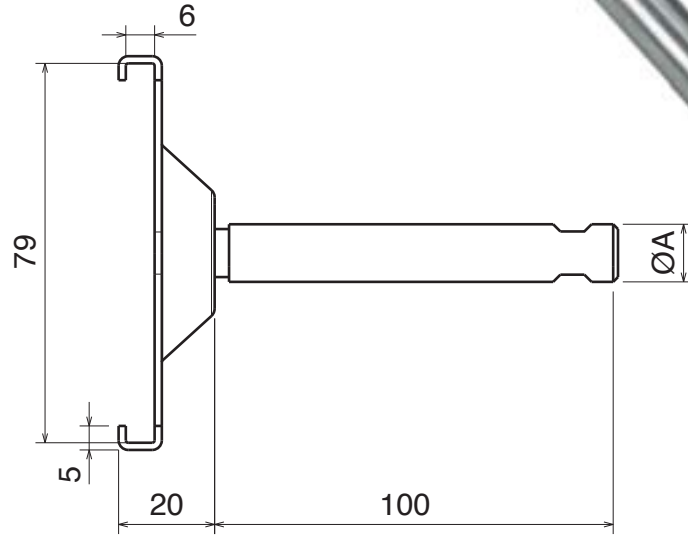
Part	Article-Nr.	A	B	C	
394	39401	81,5	9	18	used with part 135
394	39402	90	8	17	used with part 136



Materiale:	Material:	Materialien:
Morsetti: acciaio inox	Clamp: SS	Klemme: Edelstahl
Viti e perno: Acciaio inox	Screws and pin: Stainless steel	Schraube und Bolzen: Edelstahl
Dadi: ottone nichelato	Nuts: nickel plated brass	Mutter: Messing vernickelt

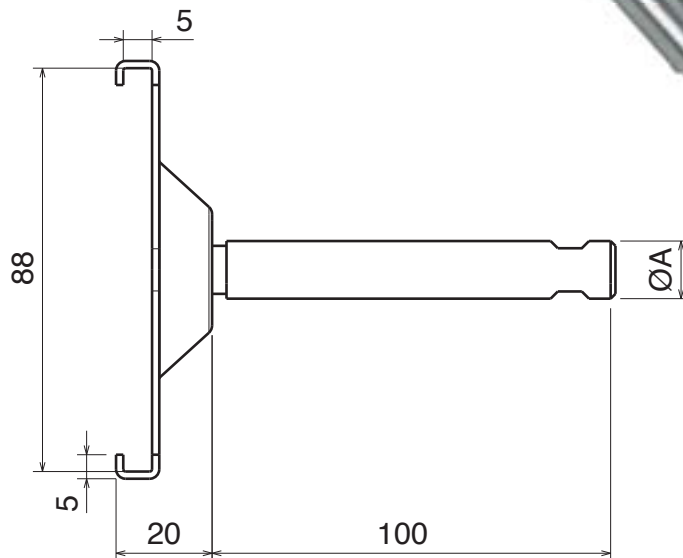
Morsetto acciaio inox / Clamp, stainless steel / Klemme, Edelstahl

Part	Article-Nr.	ØA
331	33101	without pin
331	33102	12
331	33103	16



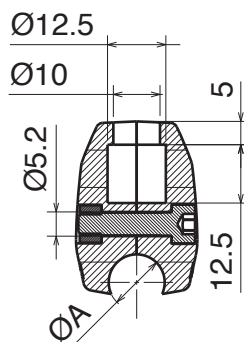
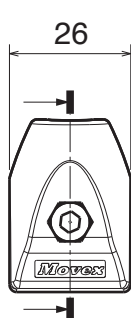
Morsetto acciaio inox / Clamp, stainless steel / Klemme, Edelstahl

Part	Article-Nr.	ØA
345	34501	without pin
345	34502	12
345	34503	16



Materiale:	Material:	Materialien:
Morsetti: PA	Clamp: PA	Klemme: PA
Vite, perno e rondella: Acciaio inox	Screw, pin and washer: Stainless steel	Schraube, Bolzen und Scheibe: Edelstahl
Dado: ottone nichelato	Nut: nickel plated brass	Mutter: Messing vernickelt

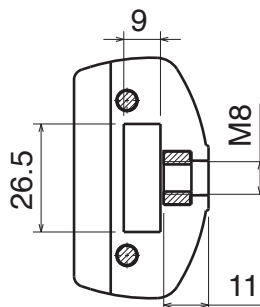
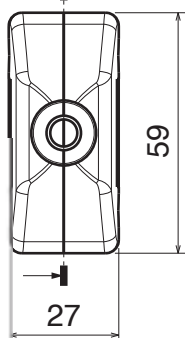
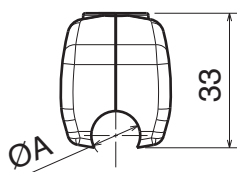
Morsetto singolo per tondino / Single clamp for round bar / Einfachklemme für Rund Profil



Part	Article-Nr.	ØA
337	33701	10
337	33702	12



Morsetto singolo per tondino / Single clamp for round bar / Einfachklemme für Rund Profil

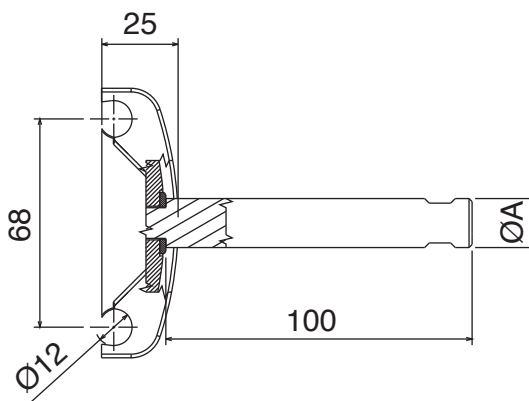
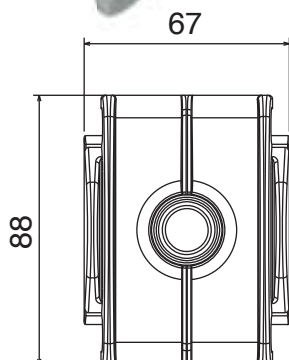


Part	Article-Nr.	ØA
338	33801	10
338	33802	12



Morsetto doppio per tondino / Double clamp for round bar / Doppelklemme für Rund Profil

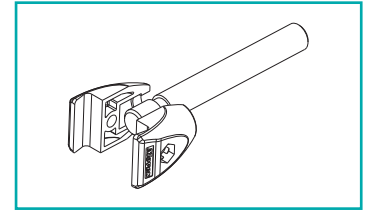
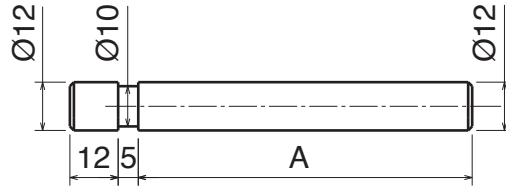
Part	Article-Nr.	ØA
339	33901	without pin
339	33902	12
339	33903	16



Materiale:	Material:	Materialien:
Acciaio inox	Stainless steel	Edelstahl

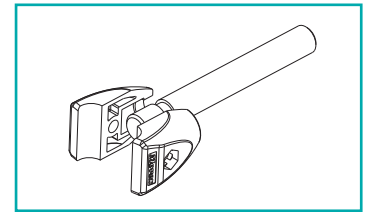
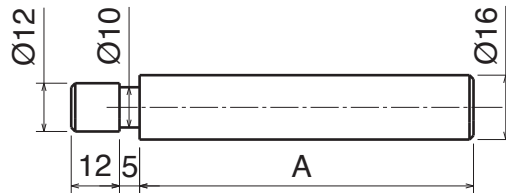
Perno / Rod / Bolzen

Part	Article-Nr.	A
349	34901	80
349	34902	100
349	34903	150



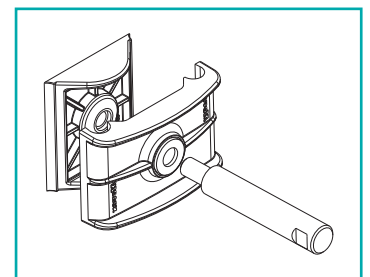
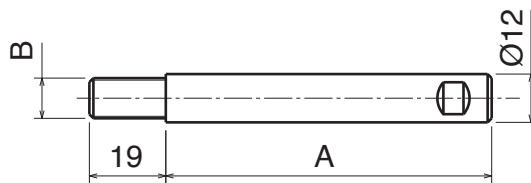
Perno / Rod / Bolzen

Part	Article-Nr.	A
350	35001	80
350	35002	100
350	35003	150



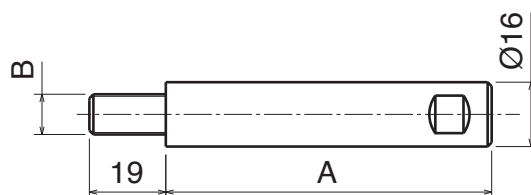
Perno / Rod / Bolzen

Part	Article-Nr.	A	B
351	35101	80	M10
351	35102	100	M10
351	35103	150	M10
351	35151	80	M8
351	35152	100	M8
351	35153	150	M8



Perno / Rod / Bolzen

Part	Article-Nr.	A	B
352	35201	80	M10
352	35202	100	M10
352	35203	150	M10
352	35251	80	M8
352	35252	100	M8
352	35253	150	M8

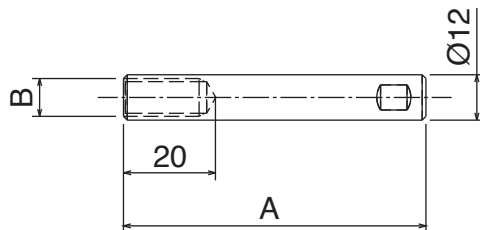


Materiale:	Material:	Materialien:
Acciaio inox	Stainless steel	Edelstahl



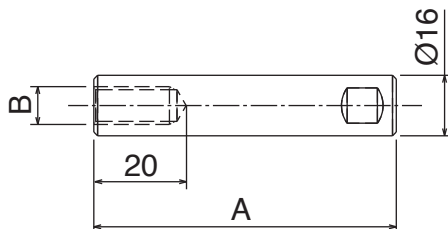
Perno filettato femmina / Rod / Bolzen

Part	Article-Nr.	A	B
347	34701	80	M10
347	34702	100	M10
347	34703	150	M10
347	34751	80	M8
347	34752	100	M8
347	34753	150	M8



Perno filettato femmina / Rod / Bolzen

Part	Article-Nr.	A	B
348	34801	80	M10
348	34802	100	M10
348	34503	150	M10
348	34851	80	M8
348	34852	100	M8
348	34553	150	M8

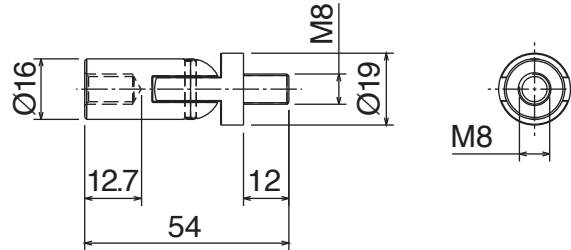


Materiale:	Material:	Materialien:
Acciaio inox	Stainless steel	Edelstahl

Snodo / Joint rod adapter / Gelenk



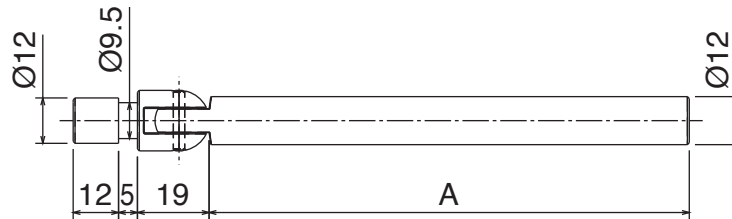
Part	Article-Nr.
346	34601



Perno snodato / Jointed rods / Gelenkbolzen



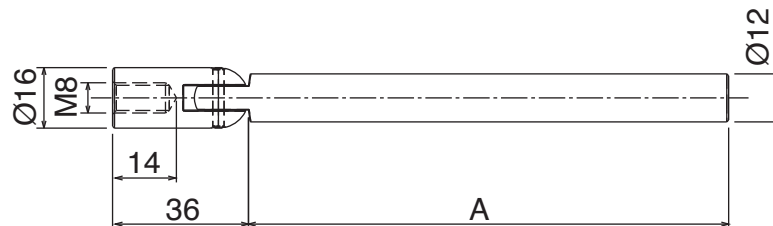
Part	Article-Nr.	A
356	35601	80
356	35602	100
356	35603	150



Perno snodato / Jointed rods / Gelenkbolzen



Part	Article-Nr.	A
357	35701	80
357	35702	100
357	35703	150



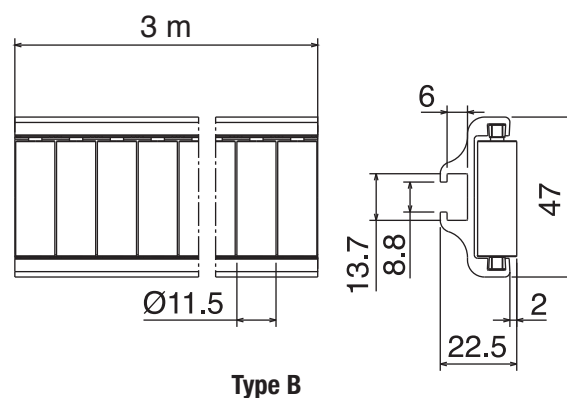
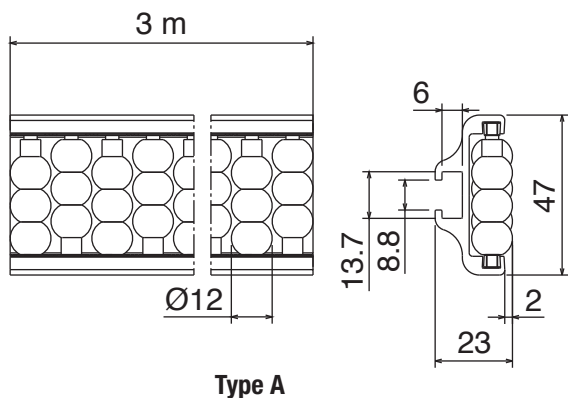
Materiale:	Material:	Materialien:
Guida: alluminio anodizzato	Guide: anodized aluminum	Führung: eloxiertem Aluminium
Rulli: resina acetale	Rollers: Acetal Resin	Röllchen: Azetal
Vite: Acciaio inox	Screw: Stainless steel	Schrauben: Edelstahl



Guide a rulli laterale / Roller guides / Röllchenführung

Part	Article-Nr.	Type
358	35802	A
358	35804	B

Max fixing load M8 screw: 15 N/m



Puntale / Shoe / Einlaufschuh

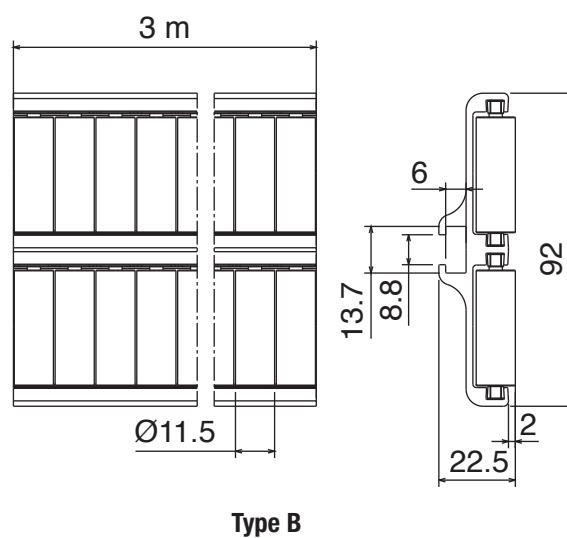
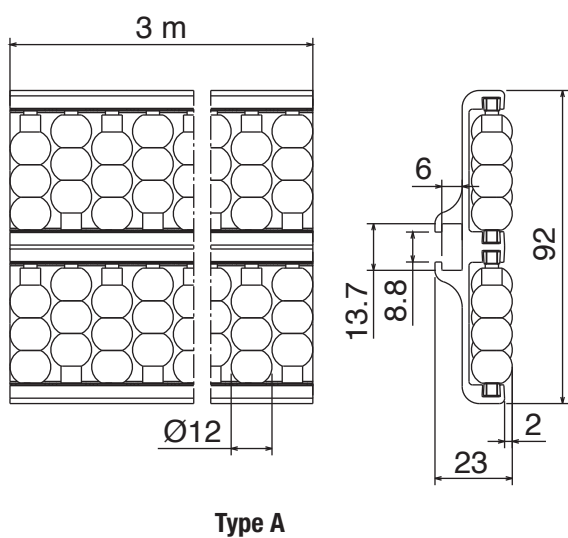
Part	Article-Nr.	Type
364	36401	fresato/machined/gefräst
364	36411	stampato/molded/gespritzt



Guide a rulli laterale / Roller guides / Röllchenführung

Part	Article-Nr.	Type
359	35902	A
359	35904	B

Max fixing load M8 screw: 15 N/m



Puntale / Shoe / Einlaufschuh

Part	Article-Nr.	Type
365	36501	fresato/machined/gefräst
365	36511	stampato/molded/gespritzt



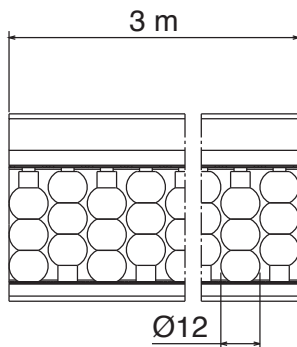
Materiale:	Material:	Materialien:
Guida: alluminio anodizzato	Guide: anodized aluminum	Führung: eloxiertem Aluminium
Rulli: resina acetica	Rollers: Acetal Resin	Röllchen: Azetal

Guide a rulli intermedia / Roller guides / Röllchenführung

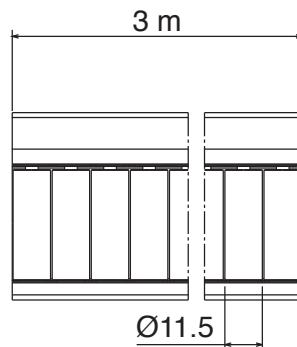
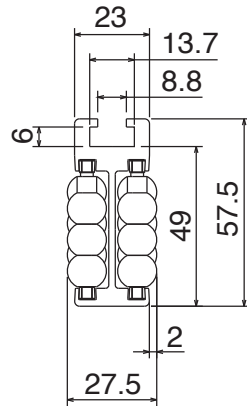


Part	Article-Nr.	Type
360	36002	A
360	36004	B

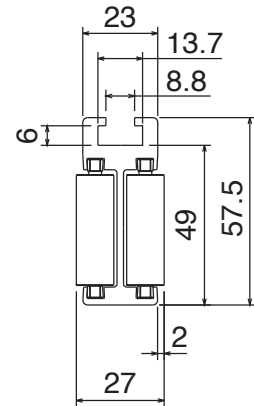
Max fixing load M8 screw: 15 N/m



Type A



Type B



Puntale / Shoe / Einlaufschuh

Part	Article-Nr.	Type
366	36601	fresato/machined/gefräst
366	36611	stampato/molded/gespritzt

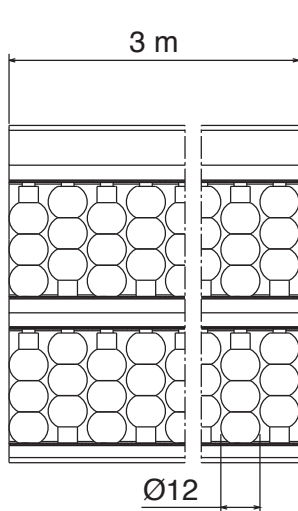


Guide a rulli intermedia / Roller guides / Röllchenführung

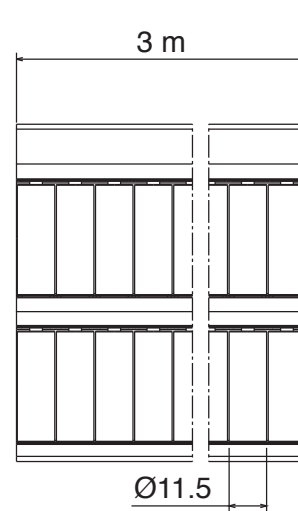
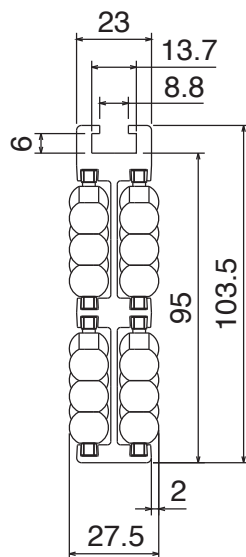


Part	Article-Nr.	Type
361	36102	A
361	36104	B

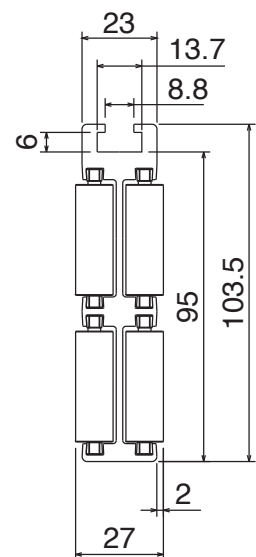
Max fixing load M8 screw: 15 N/m



Type A



Type B



Puntale / Shoe / Einlaufschuh

Part	Article-Nr.	Type
367	36701	fresato/machined/gefräst
367	36711	stampato/molded/gespritzt



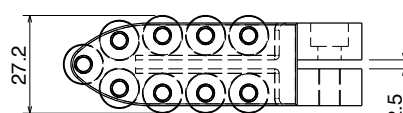
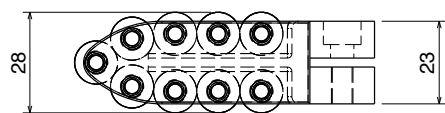
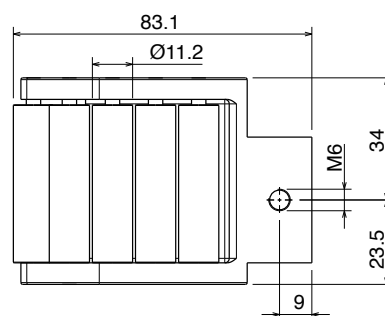
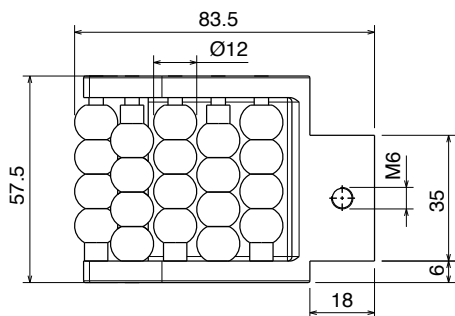
Materiale:	Material:	Materialien:
Puntale: PE HD	Shoe: PE HD	Corpus: PE HD
Perni: acciaio inox	Pins: SS	Bolzen: Edelstahl
Rulli: PE o acetalica	Rollers: PE or acetal resin	Röllchen: PE oder Azetal



Puntale centrale a rulli / Central roller shoe / Einlaufschuh mitting

Patent Pending

Part	Article-Nr.	Type
366	36621	A
366	36622	B



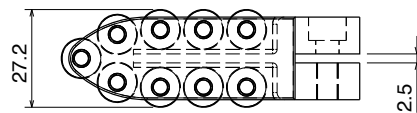
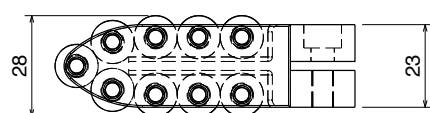
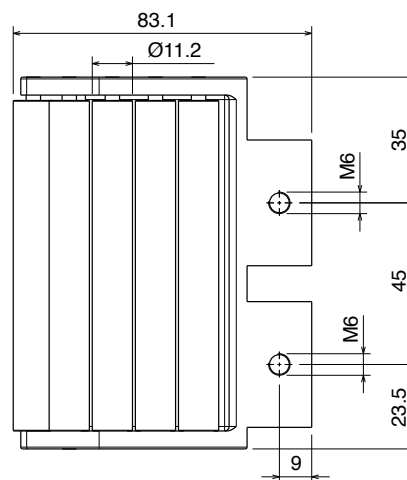
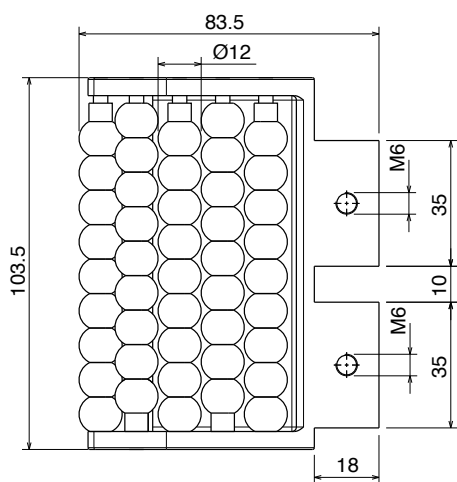
Type A

Type B



Patent Pending

Part	Article-Nr.	Type
367	36721	A
367	36722	B



Type A

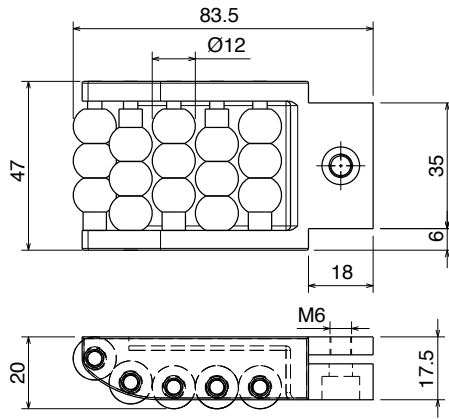
Type B

Materiale:	Material:	Materialien:
Puntale: PE HD	Shoe: PE HD	Corpus: PE HD
Perni: acciaio inox	Pins: SS	Bolzen: Edelstahl
Rulli: PE o acetalica	Rollers: PE or acetal resin	Röllchen: PE oder Azetal

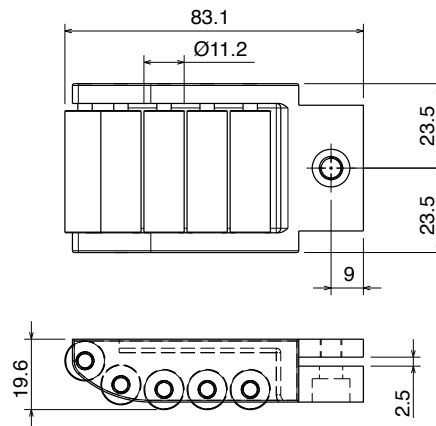
Puntale laterale a rulli / Side roller shoe / Einlaufschuh seitlich

Part	Article-Nr.	Type
364	36421	A
364	36422	B

Patent Pending



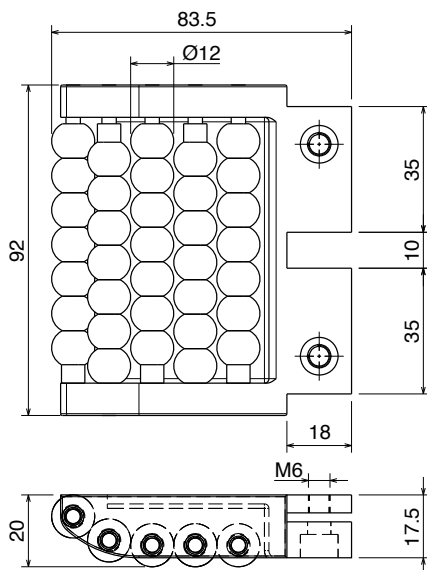
Type A



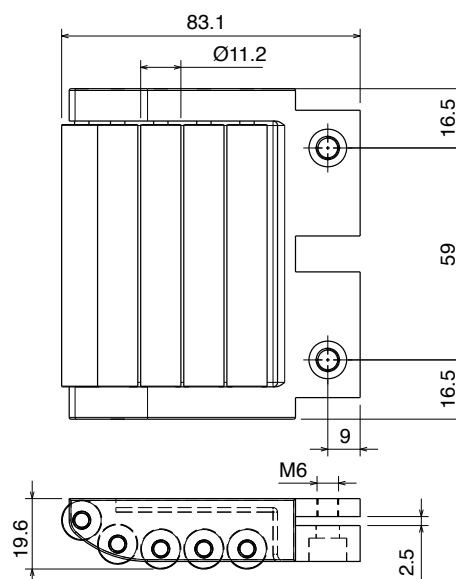
Type B

Part	Article-Nr.	Type
365	36521	A
365	36522	B

Patent Pending



Type A

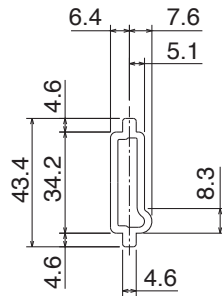


Type B

Materiale:	Material:	Materialien:
Profilo: PE	Profile: PE	Profil: PE
Guida: Alluminio	Guides: Aluminum	Führungen: Aluminium
Elemento di giunzione: Acciaio inox	Connecting elements: stainless steel	Verbindungselement: Edelstahl



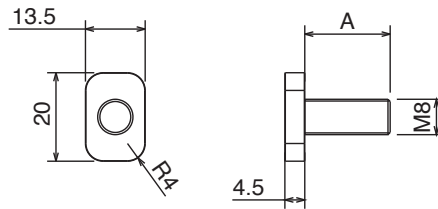
Guida laterale in PE / PE side guides / Seitenführung in PE



Part	Article-Nr.	L
395	39501	3m



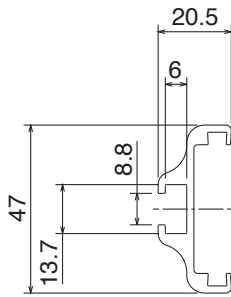
Vite a "T" / T-bolt / T-Schraube



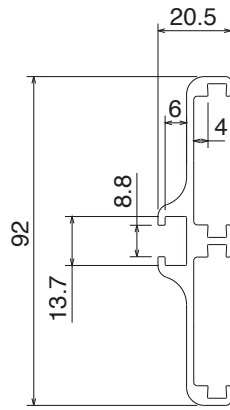
Part	Article-Nr.	A
362	36201	16
362	36202	19
362	36203	25



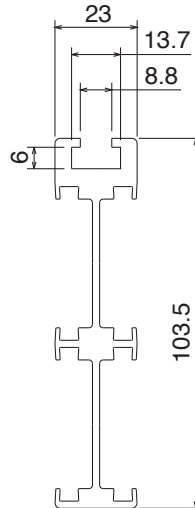
Guide in alluminio / Aluminum guides / Aluminiumführung



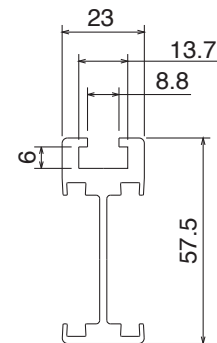
35800



35900



36100



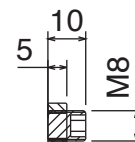
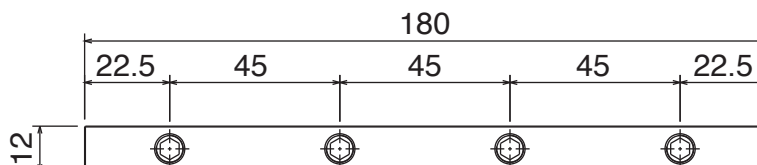
36000

Part	Article-Nr.	Version	Min. radius
358	35800	Single-lateral	250
359	35900	Double-lateral	500
360	36000	Single-central	500
361	36100	Double-central	750



Elemento di giunzione / Connecting elements / Verbindungselement

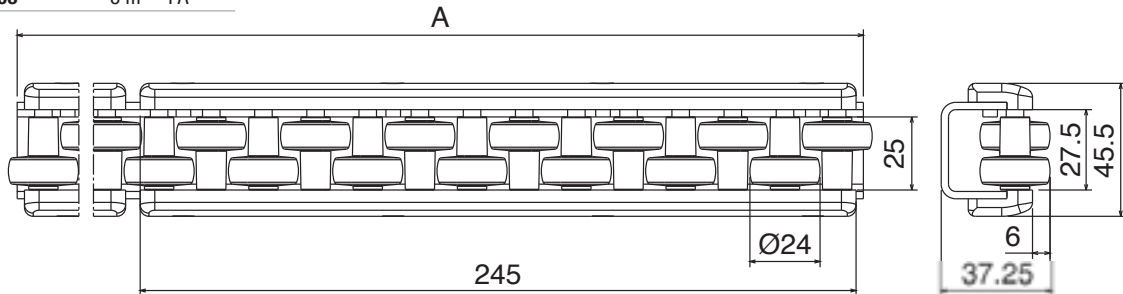
Part	Article-Nr.
333	33301



Materiale:	Material:	Materialien:
Profilo metallico e viti: Acciaio inox	Metal Profile and screws: Stainless steel	U-Schiene und Schrauben: Edelstahl
Modulo di connesse: PA	Connection module: PA	Module: PA
Rulli: resina acetica	Rollers: Acetal Resin	Röllchen: Azetal

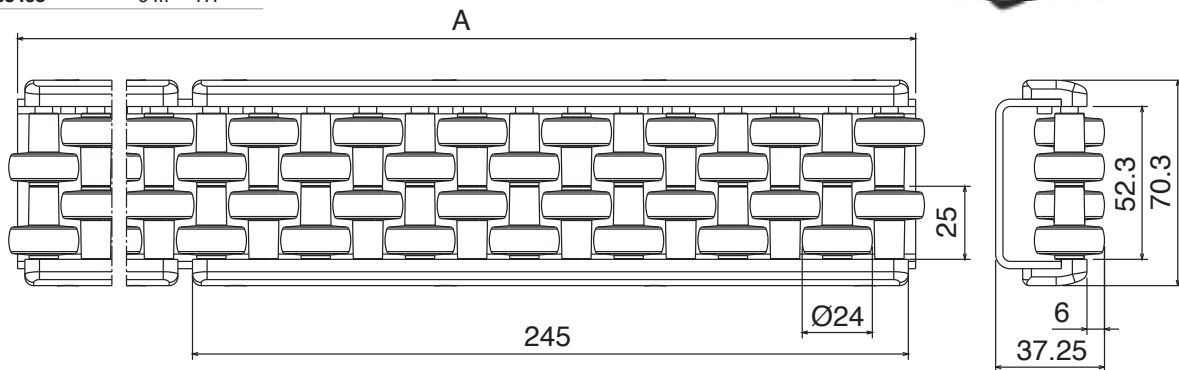
Guide a rulli di accumulo / Accumulation roller guides / Stauröllchenführung

Part	Article-Nr.	A	Pin
353	35301	1 m	PA
353	35302	2 m	PA
353	35303	3 m	PA



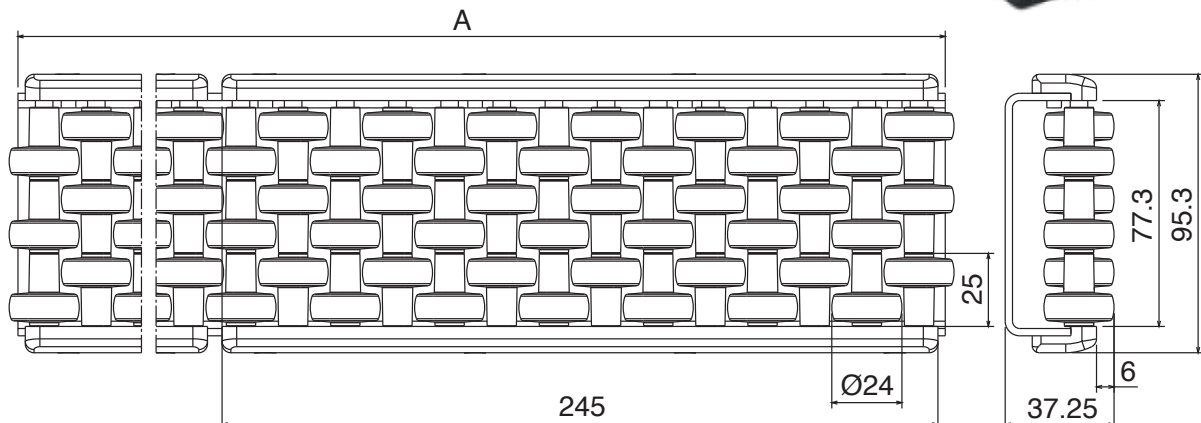
Guide a rulli di accumulo / Accumulation roller guides / Stauröllchenführung

Part	Article-Nr.	A	Pin
354	35401	1 m	PA
354	35402	2 m	PA
354	35403	3 m	PA



Guide a rulli di accumulo / Accumulation roller guides / Stauröllchenführung

Part	Article-Nr.	A	Pin
355	35501	1 m	SS
355	35502	2 m	SS
355	35503	3 m	SS

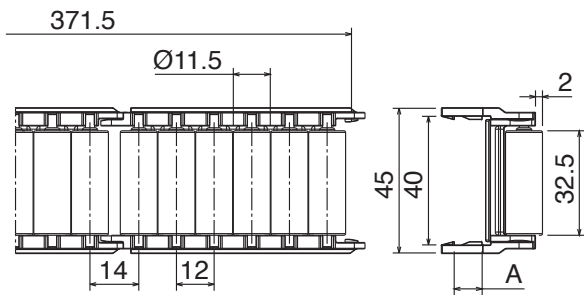


Materiale:	Material:	Materialien:
Resina acetalica	Acetal Resin	Azetal

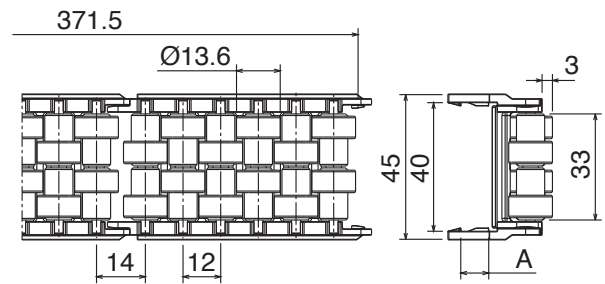
Guida a rulli flessibile / Flexible roller guide / Flexible Röllchenführung



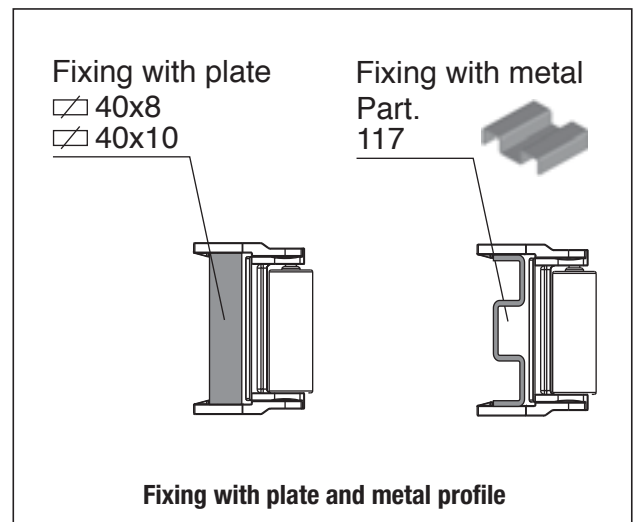
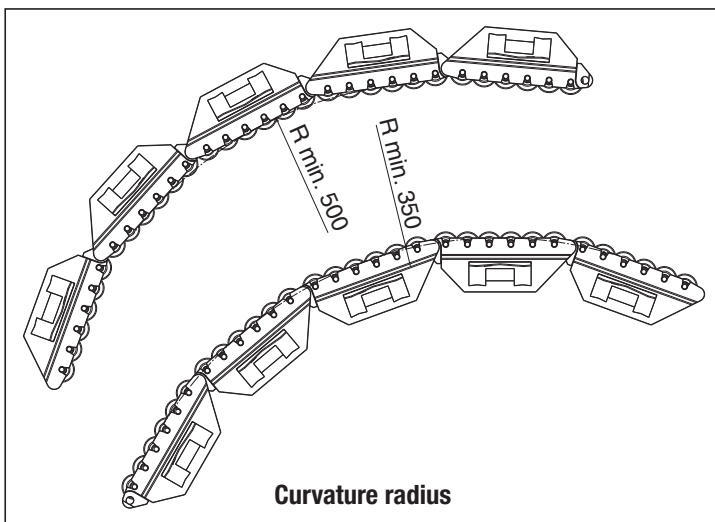
Part	Article-Nr.	Type	A
363	36301	A	8
363	36302	B	8
363	36303	A	10
363	36304	B	10



Type A



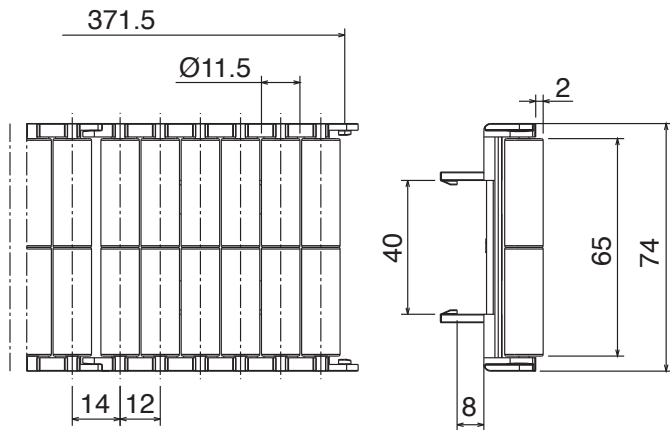
Type B



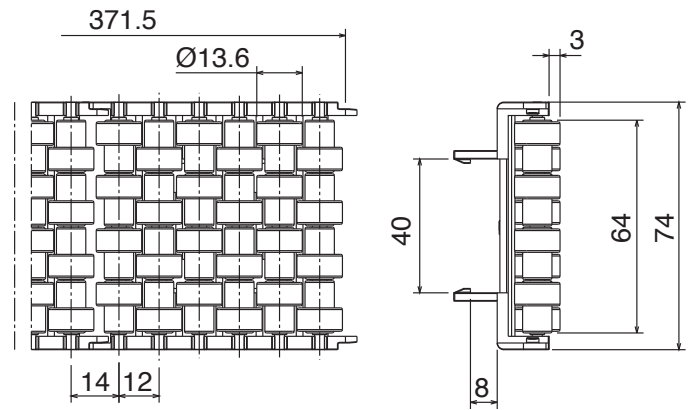
Materiale:	Material:	Materialien:
Resina acetatica	Acetal Resin	Azetal

Guida a rulli flessibile / Flexible roller guide / Flexible Röllchenführung

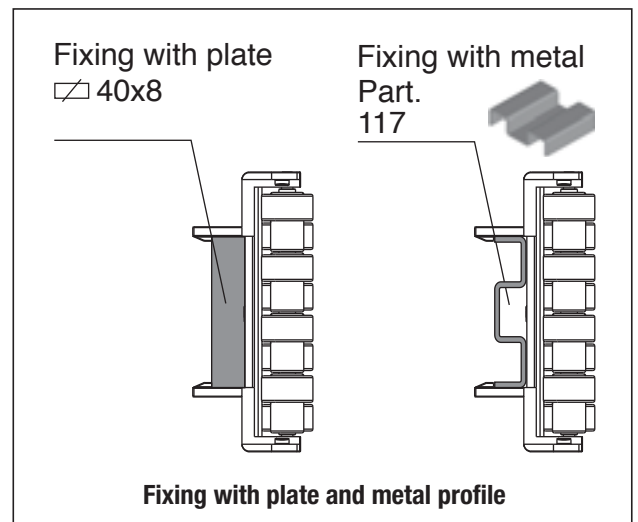
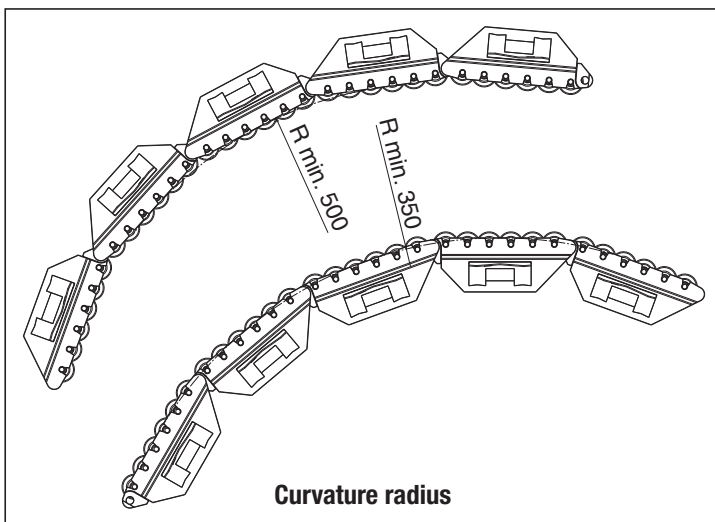
Part	Article-Nr.	Type
396	39601	A
396	39602	B



Type A



Type B

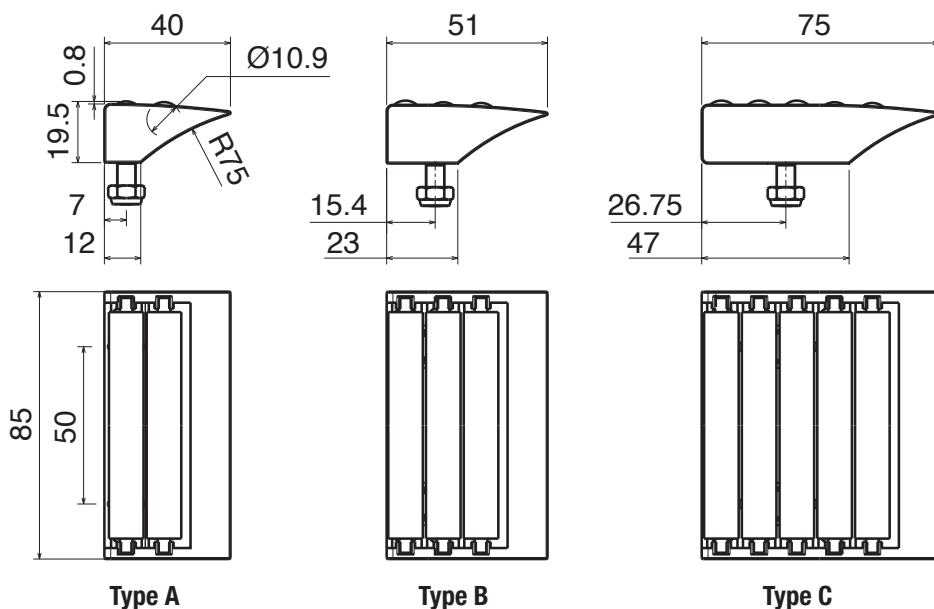


Materiale:	Material:	Materialien:
Modulo: resina acetilica	Moduls: acetal resin	Module: Azetal
Perni, viti e dadi: Acciaio inox	Pins, screws and nuts: Stainless steel	Bolzen, Schraube und Mutter: Edelstahl
Rulli: resina acetilica o acciaio inox	Rollers: acetal resin or stainless steel	Rolle: Azetal oder Edelstahl



Moduli di trasferimento L=85 mm / Transfer modules L=85 mm / Überschubmodul L=85 mm

Part	Article-Nr.	Type	Roller material
368	36801	A	Acetal resin
368	36802	B	Acetal resin
368	36803	C	Acetal resin
368	36801SS	A	Stainless steel
368	36802SS	B	Stainless steel
368	36803SS	C	Stainless steel

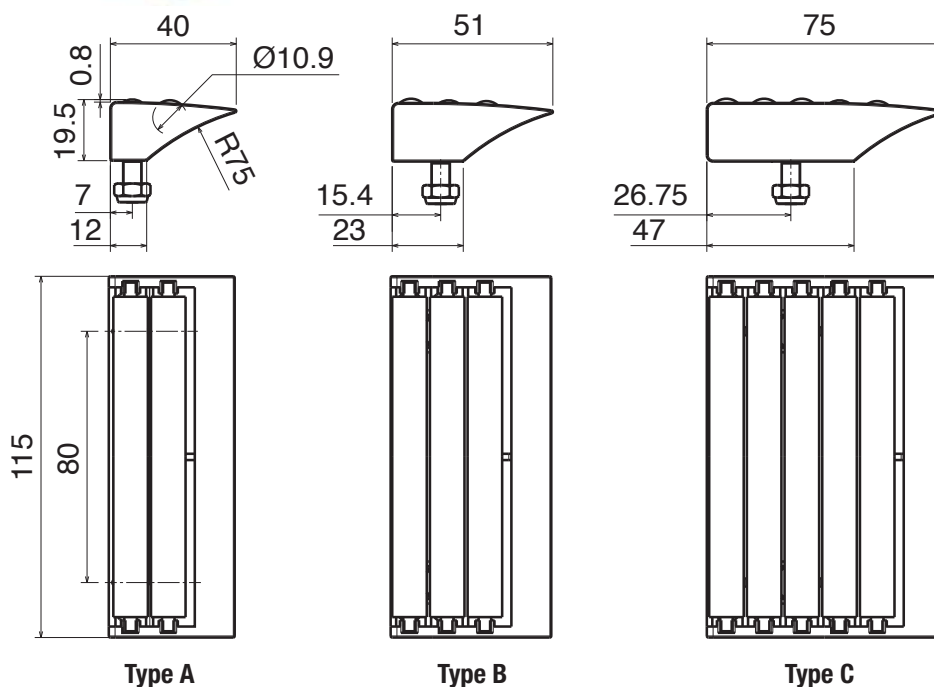


Smart Roll
with mini bearing
in stainless steel



Moduli di trasferimento L=115 mm / Transfer modules L=115 mm / Überschubmodul L=115 mm

Part	Article-Nr.	Type	Roller material
369	36901	A	Acetal resin
369	36902	B	Acetal resin
369	36903	C	Acetal resin
369	36901SS	A	Stainless steel
369	36902SS	B	Stainless steel
369	36903SS	C	Stainless steel



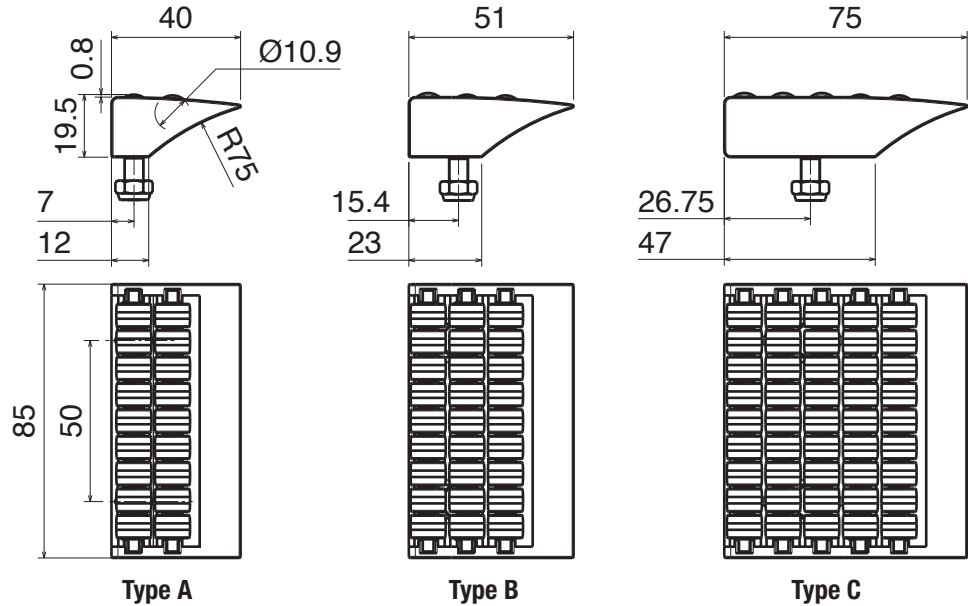
Smart Roll
with mini bearing
in stainless steel



Materiale:	Material:	Materialien:
Modulo e rulli: resina acetalica	Moduls and rollers: acetal resin	Module und Rolle Azetal
Perni, viti e dadi: Acciaio inox	Pins, screws and nuts: Stainless steel	Bolzen, Schraube und Mutter: Edelstahl

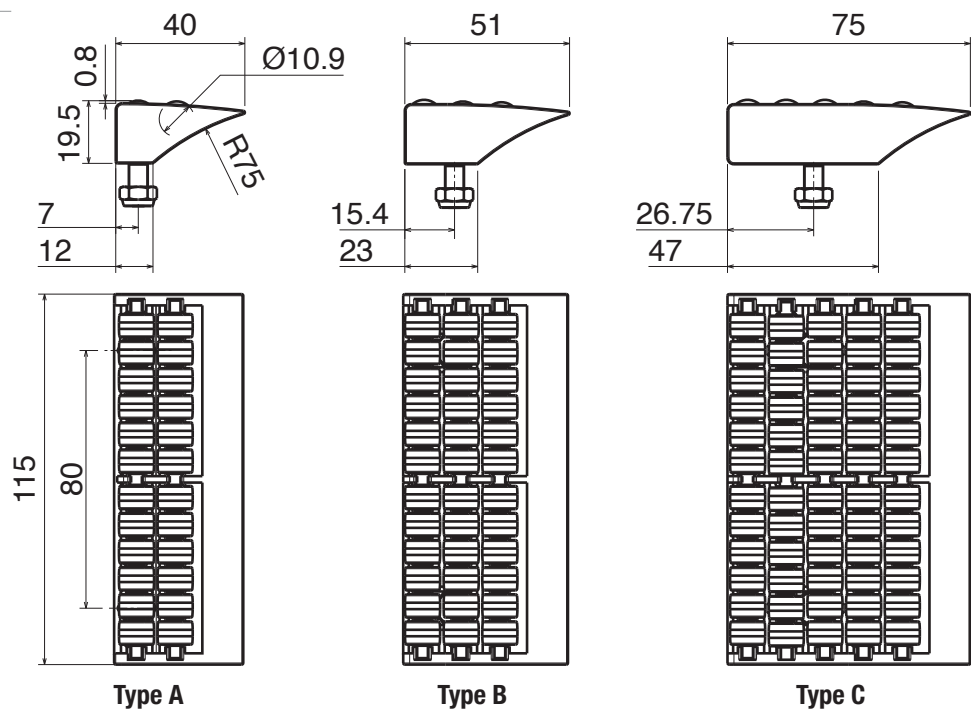
Moduli di trasferimento L=85 mm / Transfer modules L=85 mm / Überschubmodul L=85 mm

Part	Article-Nr.	Type
370	37001	A
370	37002	B
370	37003	C



Moduli di trasferimento L=115 mm / Transfer modules L=115 mm / Überschubmodul L=115 mm

Part	Article-Nr.	Type
371	37101	A
371	37102	B
371	37103	C

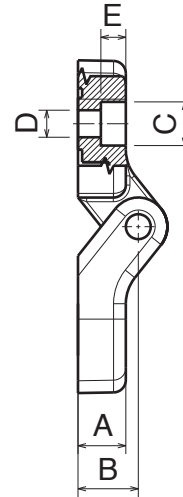
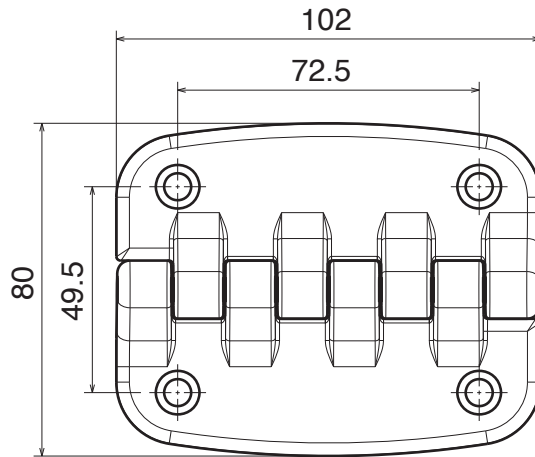


Materiale:	Material:	Materialien:
Cerniera: Poliammide	Hinges: Polyamide	Scharnier: Polyamid
Perni: Acciaio inox	Pins: Stainless steel	Bolzen: Edelstahl



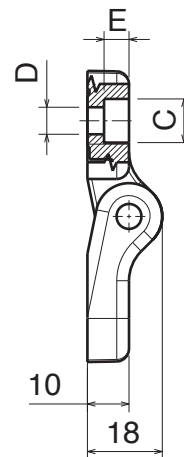
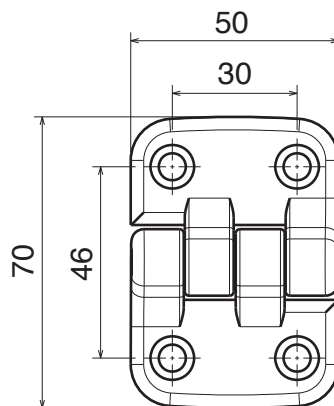
Cerniera / Hinge / Scharnier

Part	Article-Nr.	A	B	C	D	E
372	37201	11	14	10,5	6,5	6
372	37202	11	14	13,5	8,5	8
372	37203	18	21	13,5	8,5	8



Cerniera / Hinge / Scharnier

Part	Article-Nr.	C	D	E
373	37301	10,5	6,5	6
373	37302	13,5	8,5	4

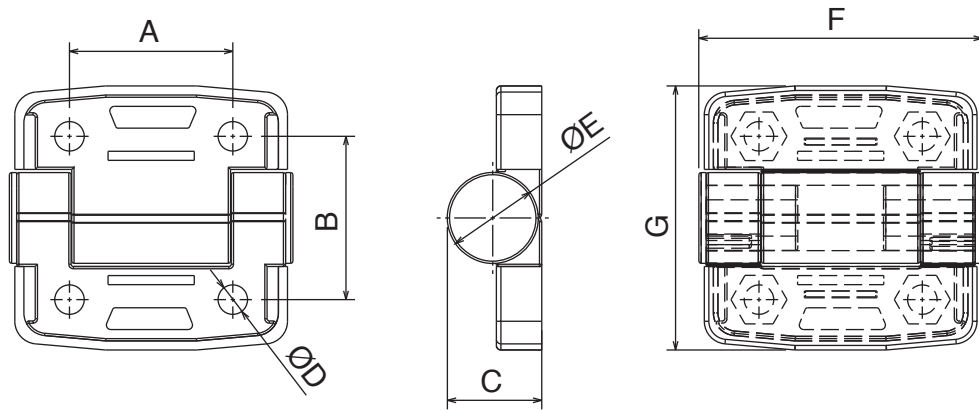


Materiale:	Material:	Materialien:
Cerniera: Poliammide o Acciaio inox	Hinges: Polyamide or Stainless steel	Scharnier: Polyamid oder Edelstahl

Cerniera / Hinge / Scharnier



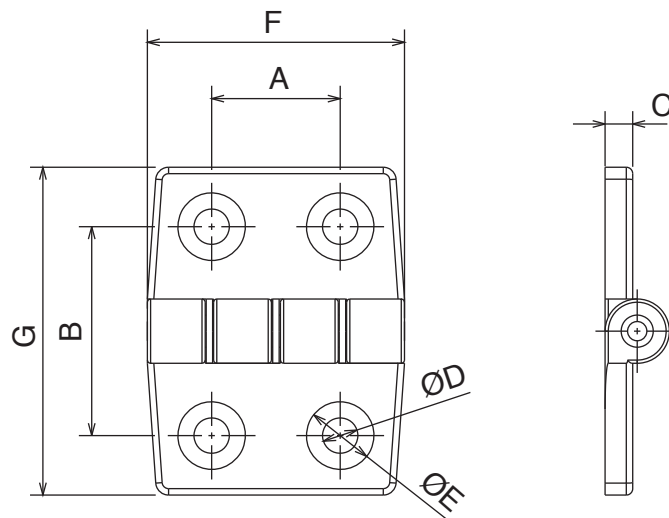
Part	Article-Nr.	A	B	C	ØD	ØE	F	G
383	38301	24	25	14,5	4,5	14	44,6	41
383	38302	36	36	20,8	6,5	20	62,5	58



Cerniera Acciaio Inox / SS Hinge / Edelstahl Scharnier



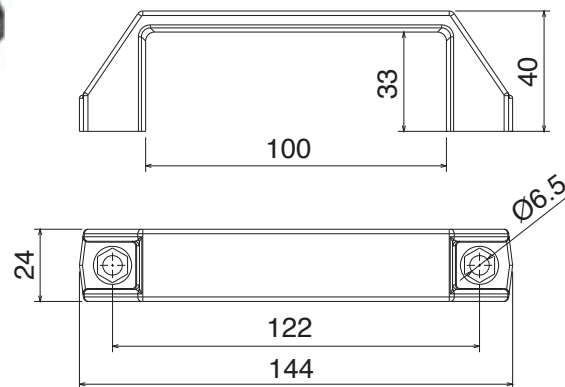
Part	Article-Nr.	A	B	C	ØD	ØE	F	G
384	38401	20	32,5	4,3	5,5	10,5	40	51
384	38402	30	41	5	6,5	12,5	60	71



Materiale:	Material:	Materialien:
Poliammide o Acciaio Inox	Polyamide or Stainless Steel	Polyamid oder Edelstahl



Maniglia ad impugnatura morbida / Soft touch handle / Handgriffe "Soft Touch"

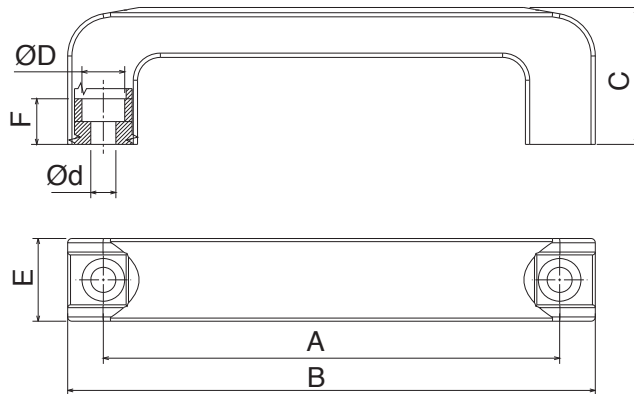


Part	Article-Nr.
385	38501



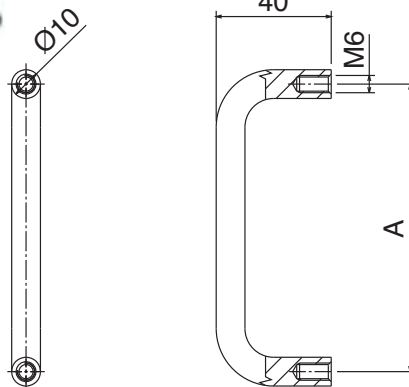
Maniglia / Handle / Handgriff

Part	Article-Nr.	A	B	C	Ød	ØD	E	F
386	38601	120	140	40	8,8	13	24,5	16
386	38602	160	185	48	8,8	15	29	16



Maniglia acciaio inox / Stainless Steel handle / Handgriffe Edelstahl

Part	Article-Nr.	A
397	39701	95
397	39702	100
397	39703	110



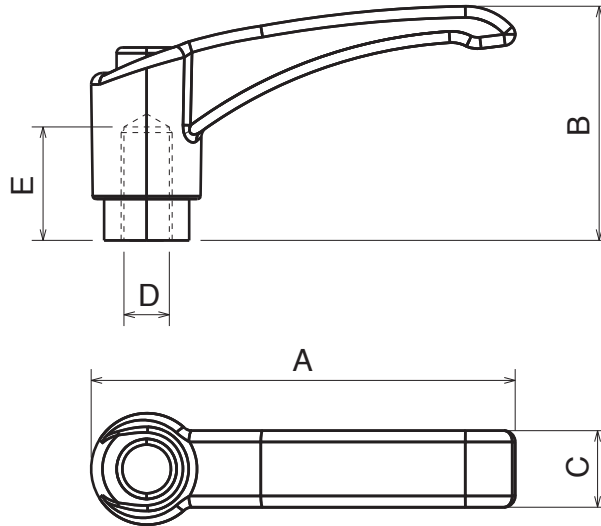
**Stainless steel
AISI 304**

Materiale:	Material:	Materialien:
Morsetti: Poliammide	Handels: Polyamide	Griff: Polyamid
Inserto femmina: ottone nichelato	Female insert: Nickel plated brass	Einsatz: Messing vernickelt
Inserto maschio: Acciaio inox	Male insert: Stainless steel	Aussengewinde: Edelstahl

Maniglia a ripresa / Adjustable handle / Ratschenhebel



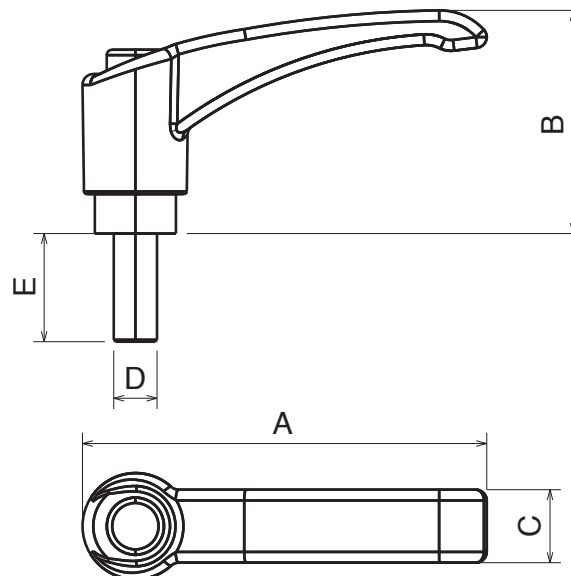
Part	Article-Nr.	A	B	C	D	E
374	37401	75	41	13	M8	11
374	37402	92	53	16	M10	16



Maniglia a ripresa / Adjustable handle / Ratschenhebel



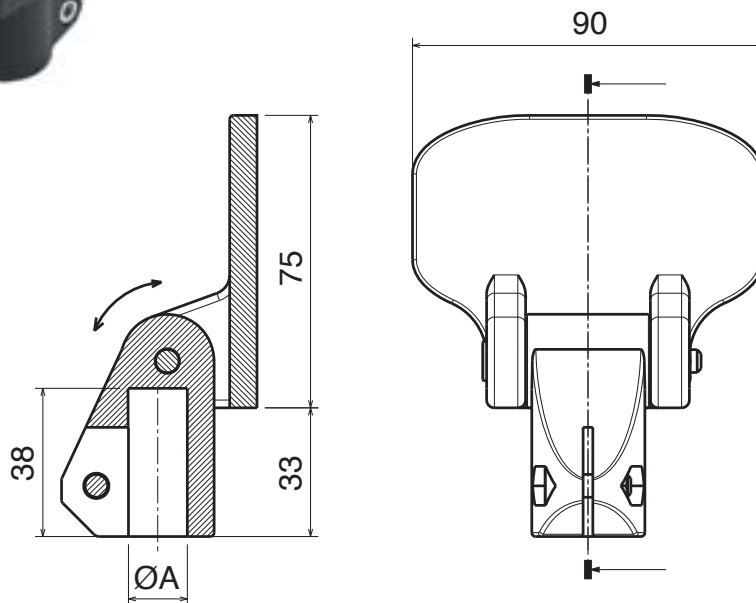
Part	Article-Nr.	A	B	C	D	E
375	37501	75	41	13	M8	20
375	37502	92	53	16	M10	25



Materiale:	Material:	Materialien:
Morsetti: Poliammide	Clamps: Polyamide	Klemme: Polyamid
Viti e dadi: Acciaio inox	Screws and nuts: Stainless steel	Schraube und Mutter: Edelstahl



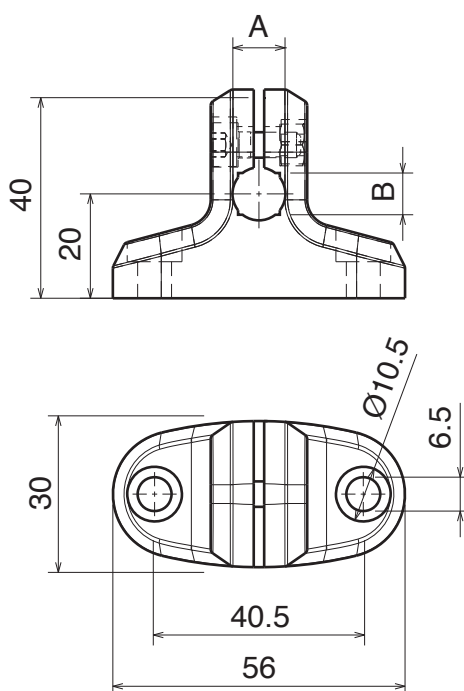
Morsetto standard per fotocellula o riflettore / Clamp for photocells or reflector / Klemme für Fotozelle oder Reflektor



Part	Article-Nr.	ØA
377	37701	14
377	37702	16
377	37703	20



Morsetti "T" / T-clamp / T-Klemme

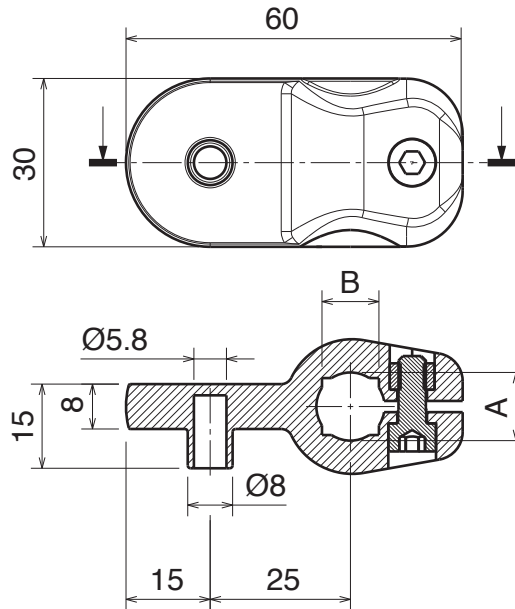


Part	Article-Nr.	A	B
378	37801	10	8
378	37802	12	10
378	37803	14	12

Materiale:	Material:	Materialien:
Morsetti: Poliammide	Clamps: Polyamide	Klemme: Polyamid
Viti e dadi: Acciaio inox	Screws and nuts: Stainless steel	Schraube und Mutter: Edelstahl

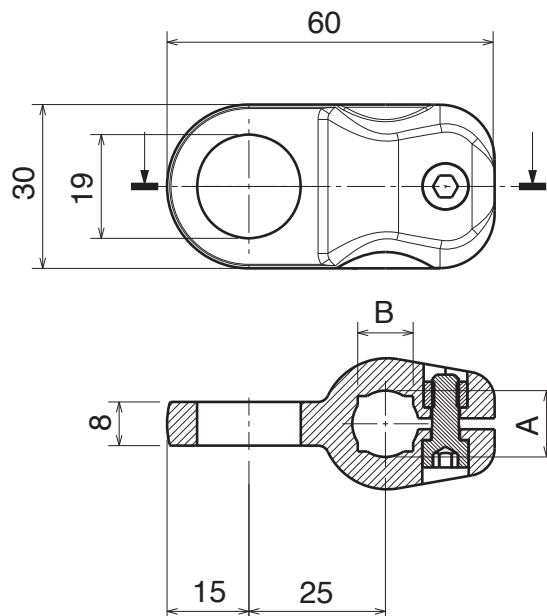
Morsetto per riflettore / Clamp for reflector / Reflektorklemme

Part	Article-Nr.	A	B
379	37901	10	8
379	37902	12	10
379	37903	14	12



Morsetto per fotocellule o sensori / Clamp for photocells or sensors / Klemme für Lichtschranke oder Sensoren

Part	Article-Nr.	A	B
380	38001	10	8
380	38002	12	10
380	38003	14	12

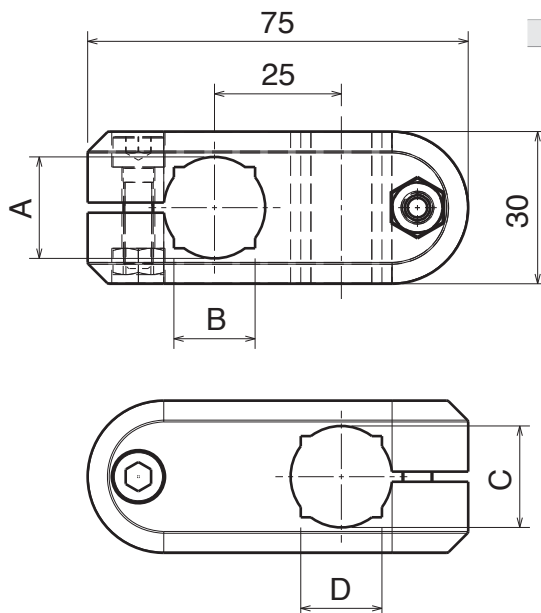


Materiale:	Material:	Materialien:
Morsetti: Poliammide	Clamps: Polyamide	Klemme: Polyamid
Viti e dadi: Acciaio inox	Screws and nuts: Stainless steel	Schraube und Mutter: Edelstahl



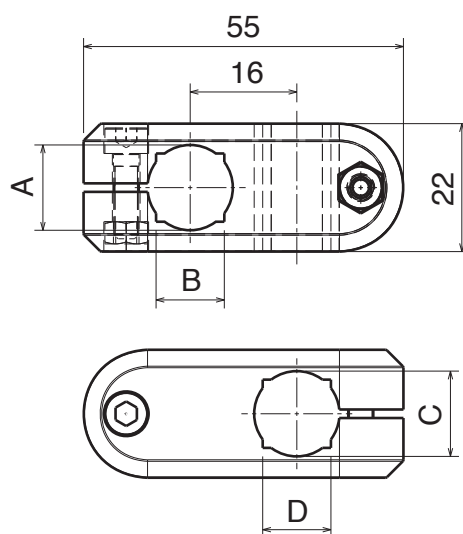
Morsetto a croce / Cross clamp / Kreuzklemme

Part	Article-Nr.	A	B	C	D
381	38101	14	12	14	12
381	38102	16	14	16	14
381	38103	18	-	18	-
381	38104	20	16	20	16



Morsetto a croce / Cross clamp / Kreuzklemme

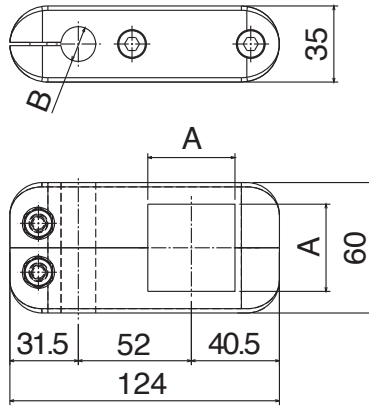
Part	Article-Nr.	A	B	C	D
382	38201	10	8	10	8
382	38202	12	10	12	10
382	38203	14	12	14	12



Materiale:	Material:	Materialien:
Volantino: PA+ ottone nichelato	Knob: PA+ nickel plated brass	Stengriff: PA+ messing vernickelt
Tirante e rondella: Acciaio inox	Eyebolt and washer: Stainless steel	Augenschraube und Unterlegs: Edelstahl
Corpo: PA	Body: PA	Korpus: PA

Morsetto a croce "extra" / Extra Cross Block / Kreuzklemme "Extra"

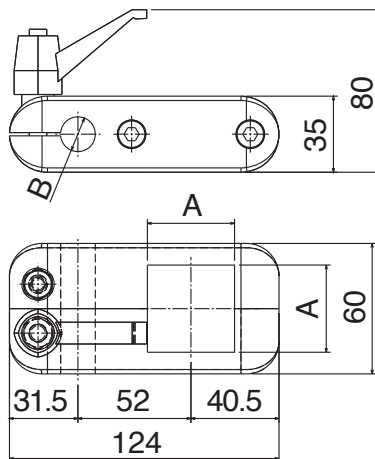
Part	Article-Nr.	A	B
376	37601	30x30	16
376	37602	40x40	16
376	37603	40x40	20



New

Morsetto a croce "extra" con maniglia / Extra Cross Block with handle / Kreuzklemme "Extra" m. Ratschenhebel

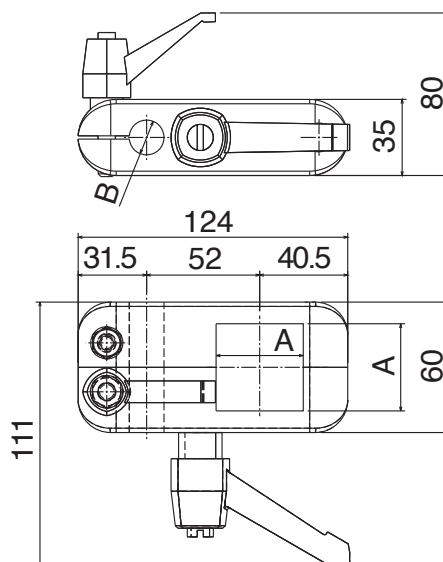
Part	Article-Nr.	A	B
376	37611	30x30	16
376	37612	40x40	16
376	37613	40x40	20



New

Morsetto a croce "extra" con maniglie / Extra Cross Block with handles / Kreuzklemme "Extra" m. Ratschenhebel

Part	Article-Nr.	A	B
376	37621	30x30	16
376	37622	40x40	16
376	37623	40x40	20



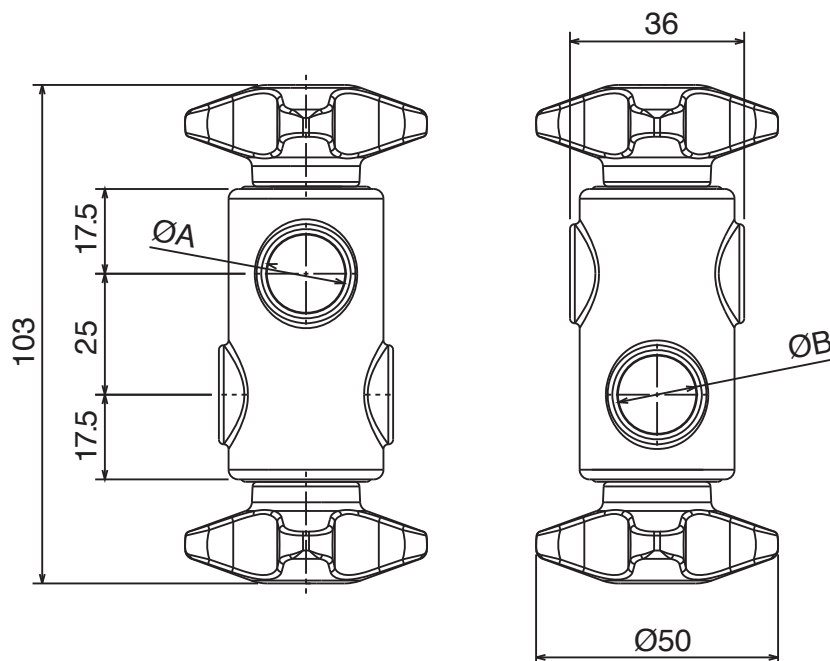
New



Materiale:	Material:	Materialien:
Volantino: PA+ ottone nichelato	Knob: PA+ nickel plated brass	Stengriff: PA+ messing vernickelt
Tirante e rondella: Acciaio inox	Eyebolt and washer: Stainless steel	Augenschraube und Unterlegs: Edelstahl
Corpo: PA	Body: PA	Korpus: PA

Morsetto a croce / Cross Block / Kreuzblock

Part	Article-Nr.	ØA	ØB
391	39101	12	12
391	39103	14	14
391	39102	16	16

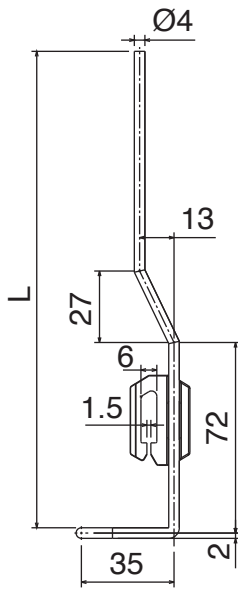


Materiale:	Material:	Materialien:
Supporto: Acciaio inox	Support: Stainless steel	Halter: Edelstahl
Morsetto: PA	Clamps: PA	Klemme: PA

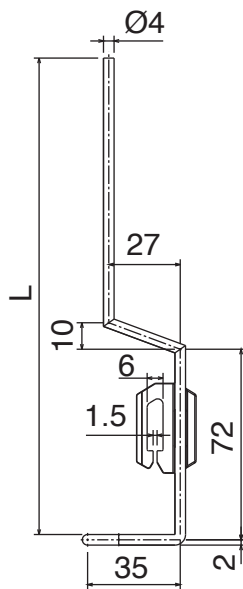
Sostegno per Sgocciolatoio / Drip Tray Supports / Tropfblechhalter



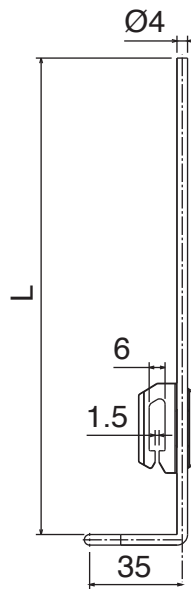
Part	Article-Nr.	L	Type
387	38701	180	A
387	38702	250	A
387	38703	180	B
387	38704	250	B
387	38705	280	B
387	38706	246	C
387	38707	396	C



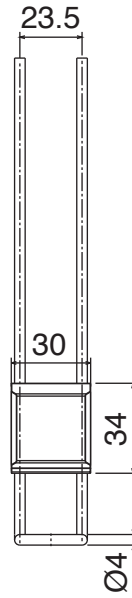
Type A



Type B



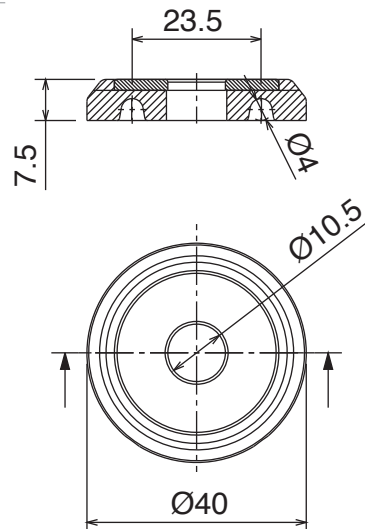
Type C



Rondella di fissaggio / Fixing washer / Fixierscheibe



Part	Article-Nr.
388	38801





conveyor support components

 pag. 190	 pag. 190	 pag. 191	 pag. 191	 pag. 192	 pag. 192
 pag. 193	 pag. 193	 pag. 194	 pag. 194	 pag. 194	 pag. 195
 pag. 195	 pag. 196	 pag. 197	 pag. 197	 pag. 198	
 pag. 199	 pag. 200	 pag. 200	 pag. 200		
	 pag. 201	 pag. 202	 pag. 202		
		 pag. 202	 pag. 202		

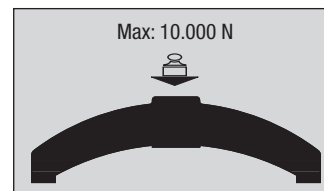
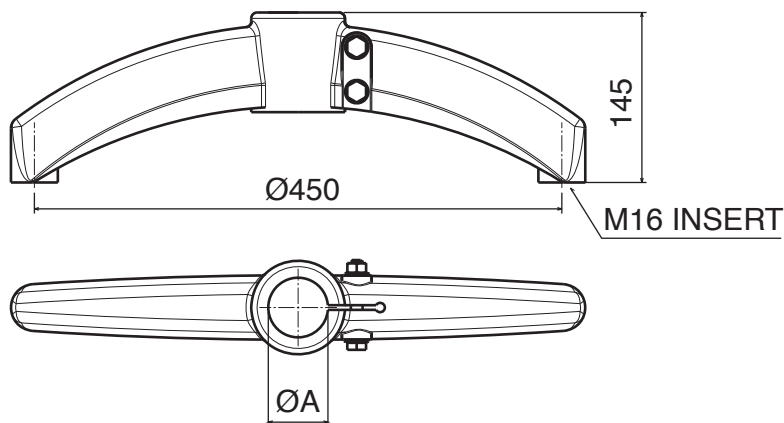


Materiale:	Material:	Materialien:
Basi: Poliammide	Base: Polyamide	Halter: Polyamid
Viti e rondelle: Acciaio inox	Screws and washers: Stainless steel	Schrauben und Scheibe Edelstahl
Inserti e dadi: ottone nichelato	Inserts nuts: nickel plated brass	Mutter: Messing vernickelt



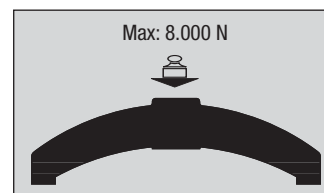
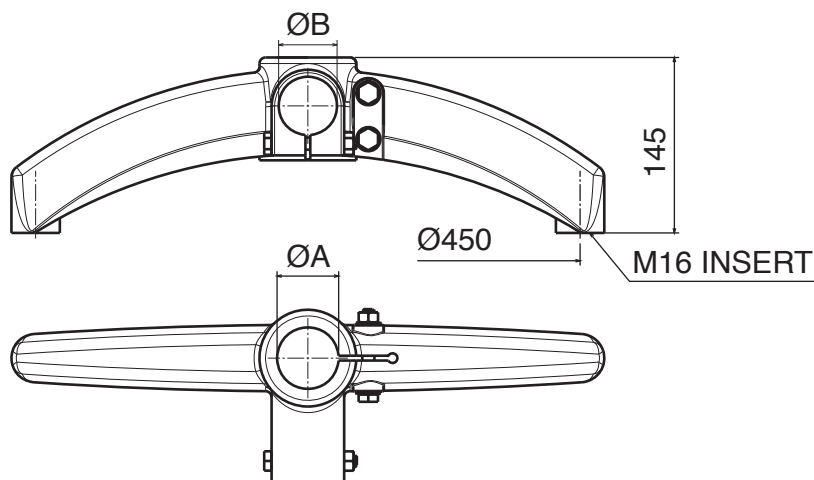
Base a due braccia / Bipod / Zweibeinhalter

Part	Article-Nr.	ØA
401	40101	48,3
401	40105	50,9
401	40102	60,3



Base a due braccia 180° con giunto / Bipod 180° with connector / Zweibeinhalter 180° m. Verbinder

Part	Article-Nr.	ØA	ØB
402	40201	48,3	48,3
402	40205	50,9	48,3
402	40202	60,3	48,3
402	40203	48,3	42,4
402	40206	50,9	42,4
402	40204	60,3	42,4

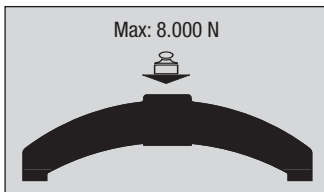
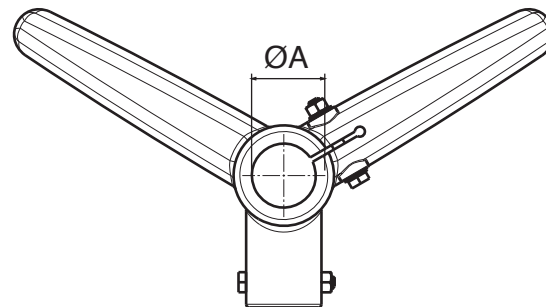
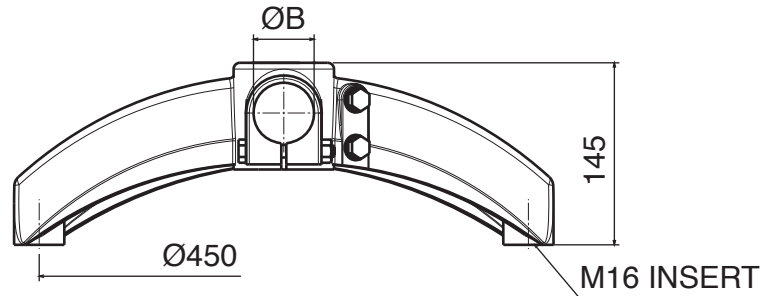


Materiale:	Material:	Materialien:
Basi: Poliammide	Base: Polyamide	Halter: Polyamid
Viti e rondelle: Acciaio inox	Screws and washers: Stainless steel	Schrauben und Scheibe Edelstahl
Inserti e dadi: ottone nichelato	Inserts nuts: nickel plated brass	Mutter: Messing vernickelt

Base a due braccia 120° con giunto / Bipod 120° with connector / Zweibeinhalter 120° m. Verbinder



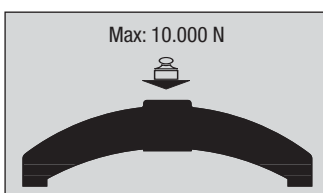
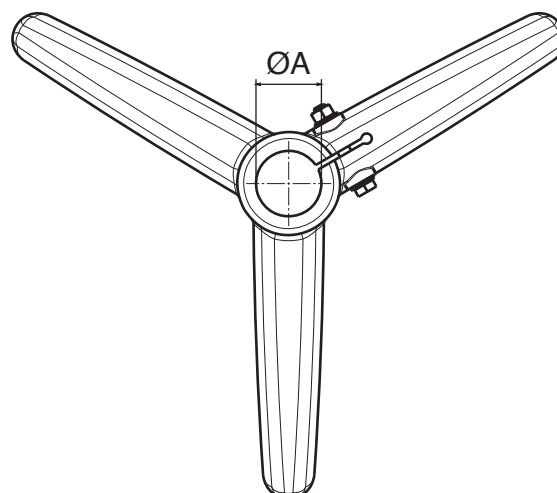
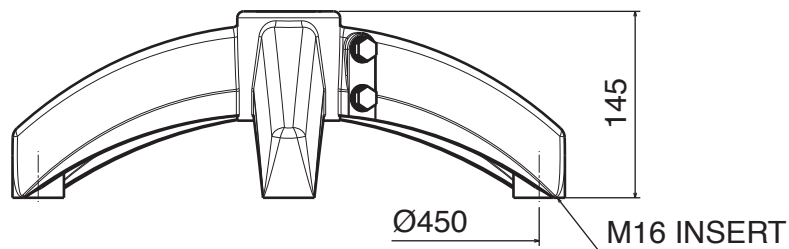
Part	Article-Nr.	ØA	ØB
403	40301	48,3	48,3
403	40305	50,9	48,3
403	40302	60,3	48,3
403	40303	48,3	42,4
403	40306	50,9	42,4
403	40304	60,3	42,4



Base a tre braccia / Tripod / Dreibeinhalter



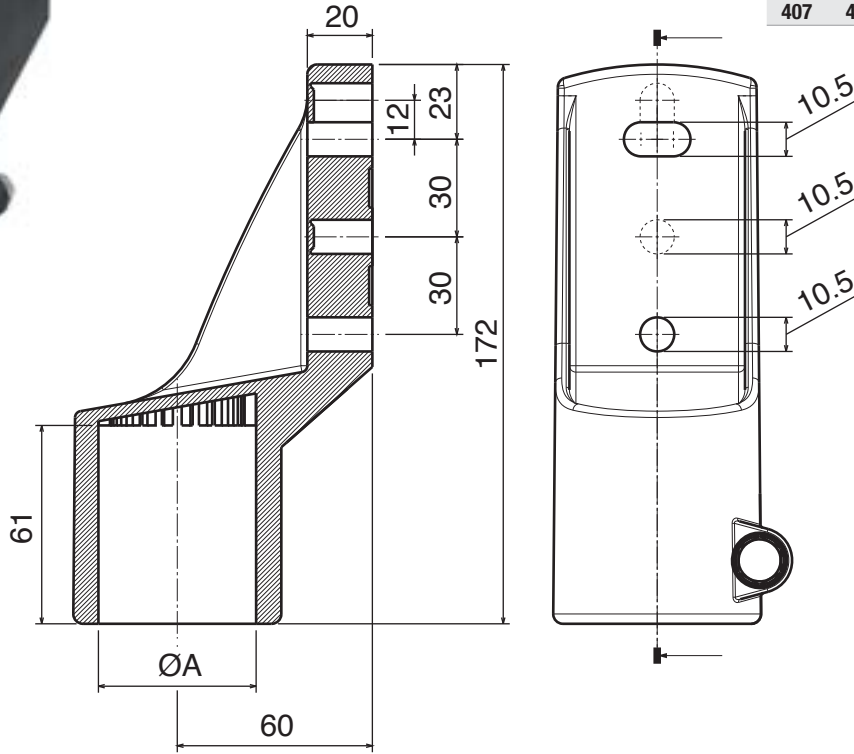
Part	Article-Nr.	ØA
404	40401	48,3
404	40405	50,9
404	40402	60,3



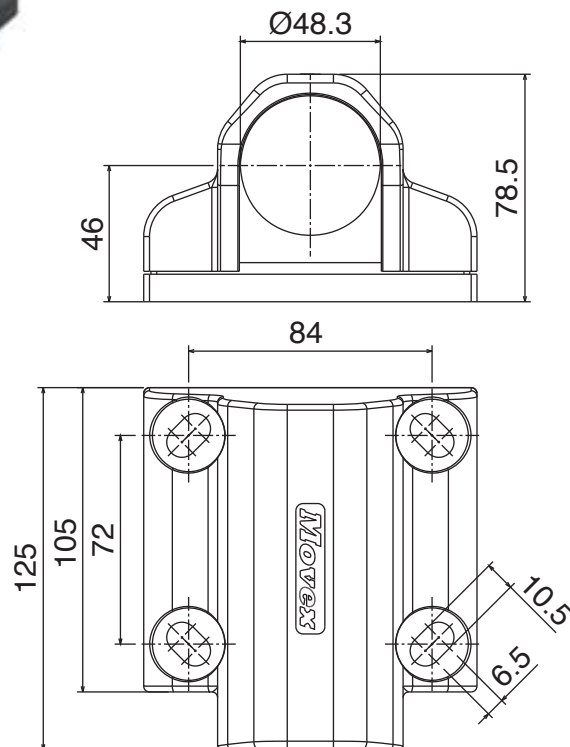
Materiale:	Material:	Materialien:
Testata: Poliammide	Side bracket: Polyamide	Halter: Polyamid
Viti e rondelle: Acciaio inox	Screws and washers: Stainless steel	Schrauben und Scheibe Edelstahl
Dadi: ottone nichelato	Nuts: nickel plated brass	Mutter: Messing vernickelt



Testata laterale / Side mounting top bracket / seitlicher Stützkopf



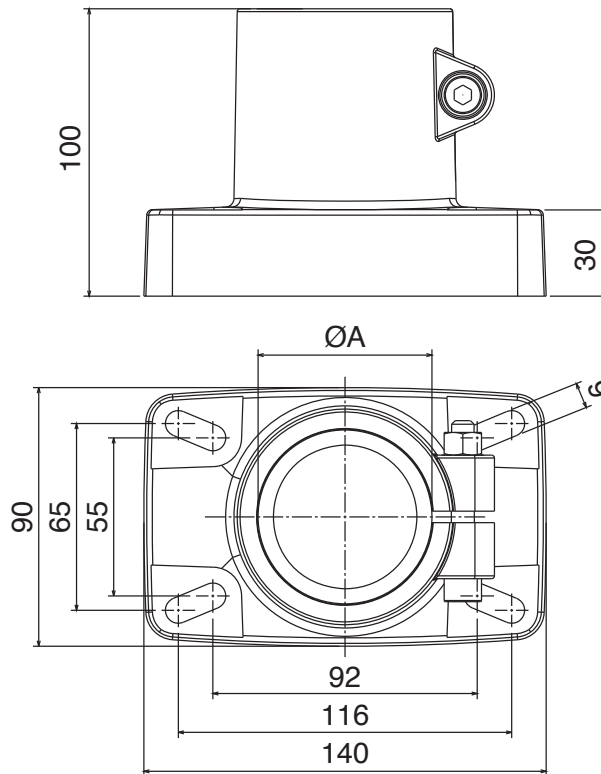
Testata laterale / Side mounting top bracket / seitlicher Stützkopf



Materiale:	Material:	Materialien:
Testata: Poliammide	Support head: Polyamide	Halter: Polyamid
Viti e rondelle e dado: Acciaio inox	Screws, washers and nut: Stainless steel	Schrauben, Scheibe und Mutter Edelstahl

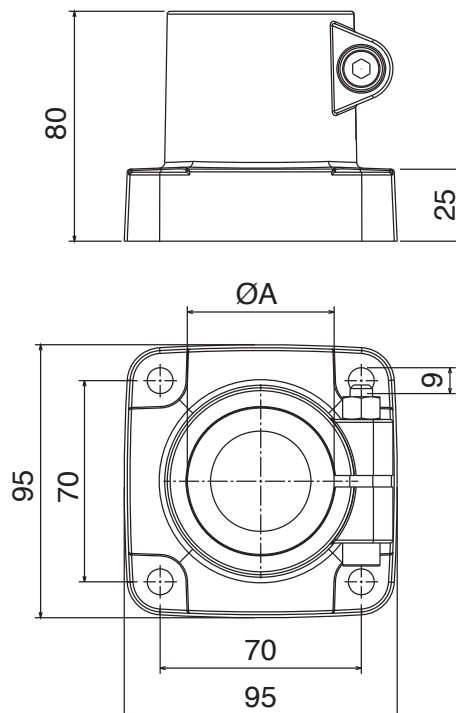
Testata d'appoggio / Support head / Stützkopf

Part	Article-Nr.	ØA
410	41001	48,3
410	41002	60,3



Testata d'appoggio / Support head / Stützkopf

Part	Article-Nr.	ØA
411	41101	48,3
411	41102	50,9

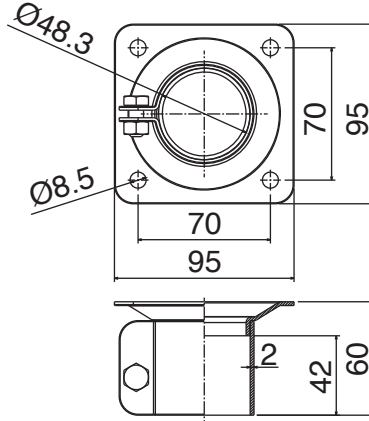


Materiale:	Material:	Materialien:
Acciaio inox	Stainless steel	Edelstahl



Testata d'appoggio / Support head / Stützkopf

Part	Article-Nr.
426	42601

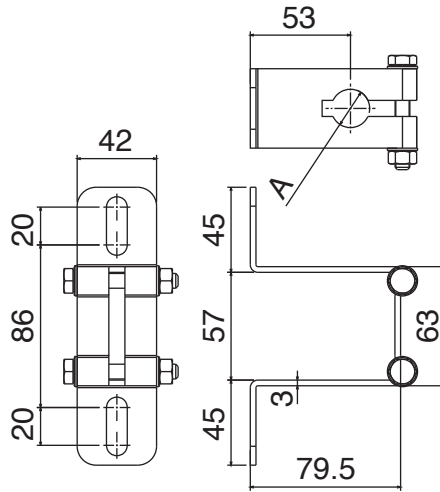


**Stainless steel
AISI 304**

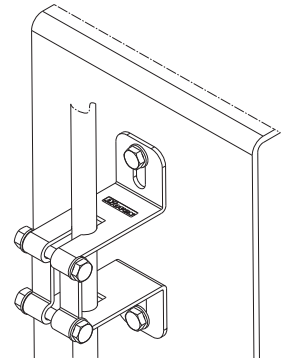


Supporto laterale / Side bracket / Seitenhalter

Part	Article-Nr.	A
427	42701	16
427	42702	20

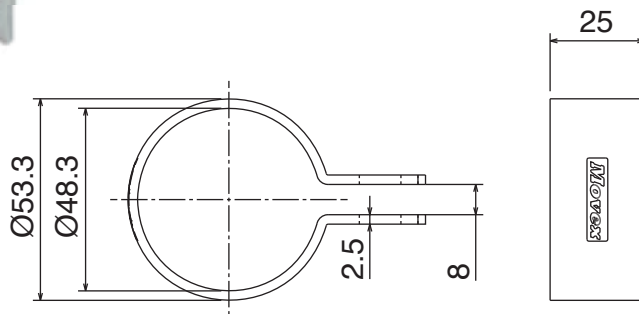


**Stainless steel
AISI 304**



Morsetto a collare / Clamp collar / Klemmschelle

Part	Article-Nr.
425	42501



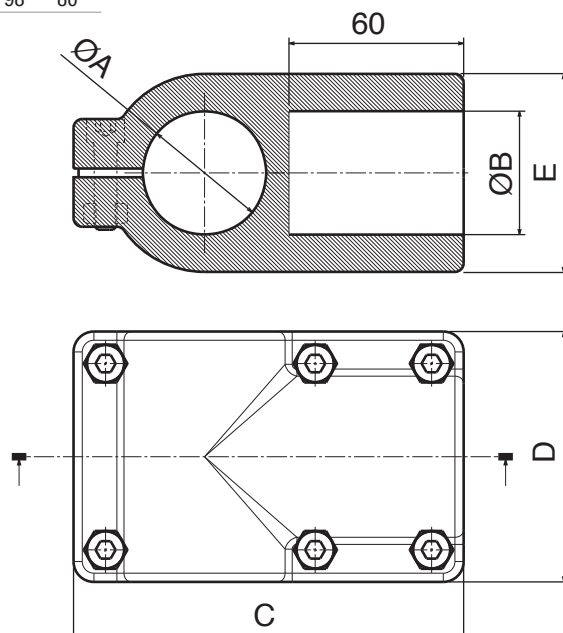
**Stainless steel
AISI 304**

Materiale:	Material:	Materialien:
Giunto: Poliammide	Joint: Polyamide	Verbinder: Polyamid
Viti e rondelle: Acciaio inox	Screws and washers: Stainless steel	Schrauben und Scheibe: Edelstahl
Dadi: ottone nichelato	Nuts: nickel plated brass	Mutter: Messing vernickelt

Giunto di collegamento / Connecting joint / Verbindungselement

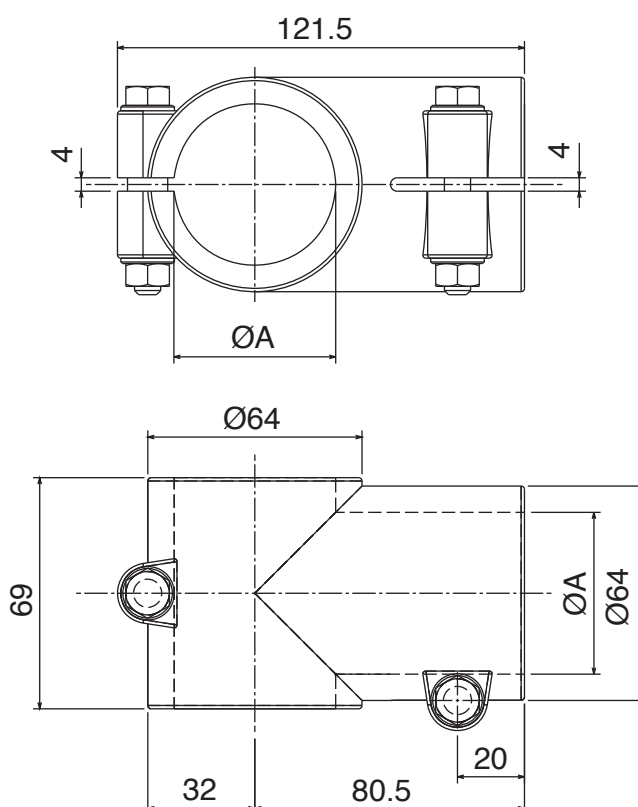


Part	Article-Nr.	ØA	ØB	C	D	E
413	41301	48,3	48,3	134	86	68
413	41302	60,3	48,3	146	98	80
413	41303	60,3	60,3	146	98	80



Giunto di collegamento / Connecting joint / Verbindungselement

Part	Article-Nr.	ØA
417	41701	48,3
417	41702	50,9



Materiale:
Acciaio inox

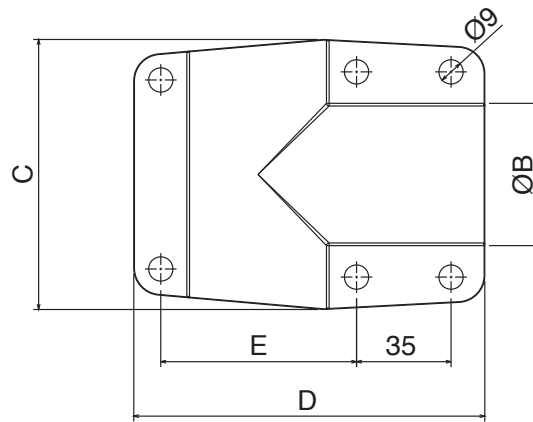
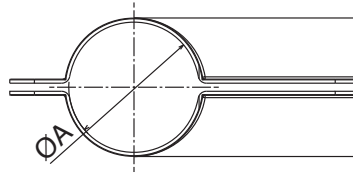
Material:
Stainless steel

Materialien:
Edelstahl



Giunto di collegamento (acciaio inox) / Connecting joint (SS) / Verbindungselement (Edelstahl)

Part	Article-Nr.	ØA	ØB	C	D	E
414	41401	48,3	48,3	100	130	72,5
414	41402	60,3	60,3	110	130	92,5



Stainless steel
AISI 304

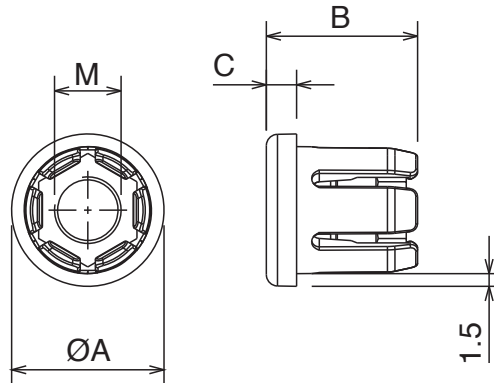


Materiale:	Material:	Materialien:
Tappo: Poliammide	Plug: Polyamide	Stopfen: Polyamid
Inserti: PA o ottone nichelato	Inserts: PA or nickel plated brass	Einsatz: PA oder Messing vernickelt

Tappi ad espansione / Expansions plugs / Gewindezapfen, Spreizbar



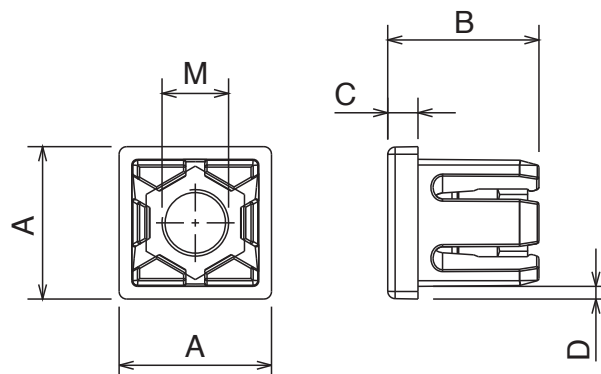
Part	Article-Nr.		ØA	B	C	M
	Brass Bush	PA Bush				
419	41901	-	20	20	4	M8
419	41902	-	20	20	4	M10
419	41903	41913	38	40	5	M8
419	41904	41914	38	40	5	M10
419	41905	41915	42,4	40	5	M8
419	41906	41916	42,4	40	5	M10



Tappi ad espansione / Expansions plugs / Gewindezapfen, Spreizbar



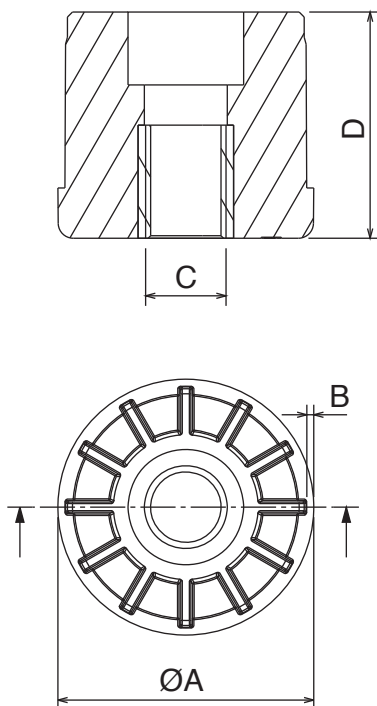
Part	Article-Nr.		A	B	C	D	M
	Brass Bush	PA Bush					
420	42001	-	20	20	4	1,5	M8
420	42002	-	20	20	4	1,5	M10
420	42003	-	20	20	4	2	M8
420	42004	-	20	20	4	2	M10
420	42005	42015	40	40	5	2	M8
420	42006	42016	40	40	5	2	M10





Materiale:	Material:	Materialien:
Tappo: Poliammide	Plug: Polyamide	Stopfen: Polyamid
Inserti: ottone nichelato	Inserts: nickel plated brass	Einsatz: Messing vernickelt

Tappi tondi filettati / Threaded bushings for round tubes / Gewindezapfen f. Rund-Rohr



Part	Article-Nr.	ØA	B	C	D	Part	Article-Nr.	ØA	B	C	D
415	41507			M10	33	415	41553			M10	48
415	41508		1	M12	33	415	41554			M12	48
415	41509			M14	33	415	41555		2	M14	48
415	41510			M16	33	415	41556			M16	48
415	41511			M10	33	415	41557		48,3	M20	48
415	41512		1,5	M12	33	415	41558			M10	48
415	41513			M14	33	415	41559		2,5	M12	48
415	41514			M16	33	415	41560			M14	48
415	41515	30		M10	33	415	41561			M16	48
415	41516		2	M12	33	415	41562			M20	48
415	41517			M14	33	415	41563			M10	50
415	41518			M16	33	415	41564			M12	50
415	41519			M10	33	415	41565	50	1,5	M14	50
415	41520		2,5	M12	33	415	41503			M16	50
415	41521			M14	33	415	41504			M20	50
415	41522			M16	33	415	41566			M10	50
415	41523			M10	40	415	41567			M12	50
415	41524		1,5	M12	40	415	41568		1,5	M14	50
415	41525			M14	40	415	41569			M16	50
415	41526			M16	40	415	41570			M20	50
415	41527			M10	40	415	41571			M10	50
415	41528		2	M12	40	415	41572			M12	50
415	41529	38		M14	40	415	41573	50,9	2	M14	50
415	41530			M16	40	415	41574			M16	50
415	41531			M10	40	415	41575			M20	50
415	41532		2,5	M12	40	415	41576			M10	50
415	41533			M14	40	415	41577			M12	50
415	41534			M16	40	415	41578		2,5	M14	50
415	41535			M10	43	415	41579			M16	50
415	41536			M12	43	415	41580			M20	50
415	41537		1,5	M14	43	415	41581			M10	55
415	41538			M16	43	415	41582			M12	55
415	41539			M20	43	415	41583		1,5	M14	55
415	41540			M10	43	415	41584			M16	55
415	41541			M12	43	415	41585			M20	55
415	41542	42,4	2	M14	43	415	41586			M10	55
415	41543			M16	43	415	41587			M12	55
415	41544			M20	43	415	41588	60,3	2	M14	55
415	41545			M10	43	415	41505			M16	55
415	41546			M12	43	415	41506			M20	55
415	41547		2,5	M14	43	415	41589			M10	55
415	41548			M16	43	415	41590			M12	55
415	41549			M20	43	415	41591		2,5	M14	55
415	41550			M10	48	415	41592			M16	55
415	41551			M12	48	415	41593			M20	55
415	41552	48,3	1,5	M14	48						
415	41501			M16	48						
415	41502			M20	48						

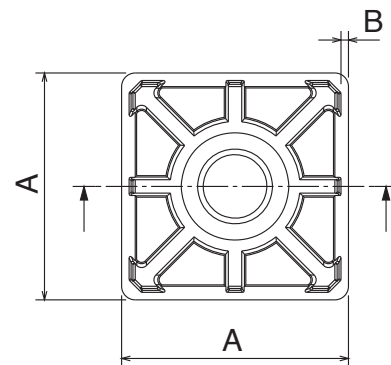
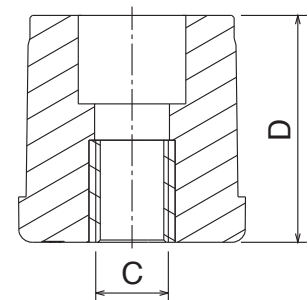
Materiale:	Material:	Materialien:
Tappo: Poliammide	Plug: Polyamide	Stopfen: Polyamid
Inseriti: ottone nichelato	Inserts: nickel plated brass	Einsatz: Messing vernickelt

Tappi quadrati filettati / Threaded bushings for square tubes / Gewindezapfen f. Vierkant-Rohr



Part	Article-Nr.	A	B	C	D
416	41601	25	1,5	M10	30
416	41602			M12	30
416	41611			M10	33
416	41603		1,5	M12	33
416	41612			M14	33
416	41604			M16	33
416	41613	30		M10	33
416	41614		2	M12	33
416	41615			M14	33
416	41616			M16	33
416	41617			M10	40
416	41618			M12	40
416	41619		1,5	M14	40
416	41620			M16	40
416	41621			M20	40
416	41622	35		M10	40
416	41623			M12	40
416	41624		2	M14	40
416	41625			M16	40
416	41626			M20	40
416	41681			M10	43
416	41682			M12	43
416	41683		1,6	M14	43
416	41684			M16	43
416	41685	38,1		M20	43
416	41686			M10	43
416	41687			M12	43
416	41688		3	M14	43
416	41689			M16	43
416	41690			M20	43
416	41627			M10	43
416	41628			M12	43
416	41629		1,2	M14	43
416	41630			M16	43
416	41631			M20	43
416	41632			M10	43
416	41605			M12	43
416	41633		1,5	M14	43
416	41606			M16	43
416	41634	40		M20	43
416	41635			M10	43
416	41636			M12	43
416	41637		2	M14	43
416	41607			M16	43
416	41608			M20	43
416	41638			M10	43
416	41639			M12	43
416	41640		2,5	M14	43
416	41641			M16	43
416	41642			M20	43

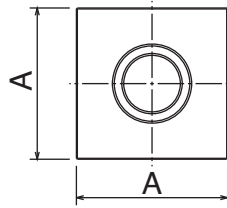
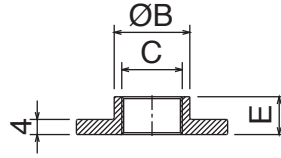
Part	Article-Nr.	A	B	C	D
416	41643			M10	45
416	41644			M12	45
416	41645	45	2	M14	45
416	41646			M16	45
416	41647			M20	45
416	41648			M10	50
416	41649			M12	50
416	41650		1,2	M14	50
416	41651			M16	50
416	41652			M20	50
416	41653			M10	50
416	41654			M12	50
416	41655		1,5	M14	50
416	41656			M16	50
416	41657			M20	50
416	41658			M10	50
416	41659			M12	50
416	41660	50	2	M14	50
416	41609			M16	50
416	41610			M20	50
416	41661			M10	50
416	41662			M12	50
416	41663		2,5	M14	50
416	41664			M16	50
416	41665			M20	50
416	41666			M10	50
416	41667			M12	50
416	41668		3	M14	50
416	41669			M16	50
416	41670			M20	50
416	41671			M10	55
416	41672			M12	55
416	41673		2	M14	55
416	41674			M16	55
416	41675			M20	55
416	41676	60		M10	55
416	41677			M12	55
416	41678		3	M14	55
416	41679			M16	55
416	41680			M20	55



Materiale:	Material:	Materialien:
Tappi: Acciaio Inox	Plug: SS	Stopfen: Edelstahl



Tappi quadrati filettati / Threaded bushings for square tube / Gewindezapfen f. Vierkant-Rohr

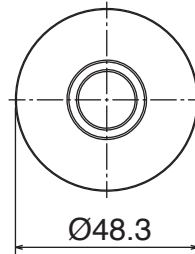
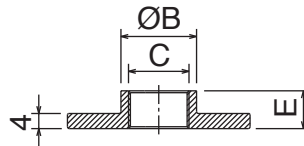


Part	Article-Nr.	A	C	ØB	E
428	42801	40	M16	20	10
428	42802	40	M20	23	11,5
428	42803	45	M16	20	10
428	42804	45	M20	23	11,5
428	42805	50	M16	20	10
428	42806	50	M20	23	11,5
428	42807	60	M16	20	10
428	42808	60	M20	23	11,5

**Stainless steel
 AISI 304**



Tappi tondi filettati / Threaded bushings for round tube / Gewindezapfen f. Rund-Rohr

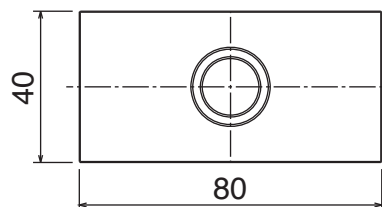
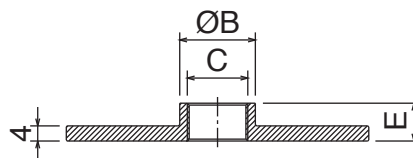


Part	Article-Nr.	C	ØB	E
429	42901	M16	20	10
429	42902	M20	23	11,5

**Stainless steel
 AISI 304**



Tappi rettangolari filettati / Threaded bushings for rectangular tube / Gewindezapfen f. Rechteck



Part	Article-Nr.	C	ØB	E
430	43001	M16	20	10
430	43002	M20	23	11,5

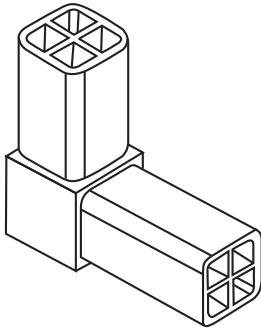
**Stainless steel
 AISI 304**

Materiale:	Material:	Materialien:
Poliamide	Polyamide	Polyamid

Giunto di collegamento / Connecting joint / Verbindungselement

Part	Article-Nr.	Type
418	41801	A
418	41802	B
418	41803	C
418	41804	D
418	41805	E
418	41806	F
418	41807	G
418	41808	H

For tubes
25x25x1,5 mm



Type A



Type B



Type C



Type D



Type E



Type F



Type G



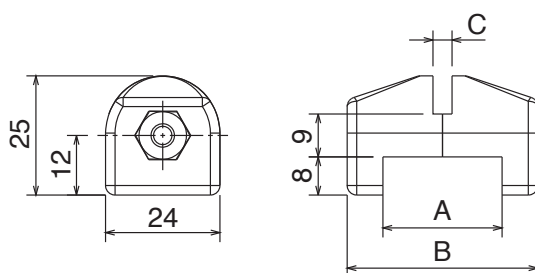
Type H



Materiale:	Material:	Materialien:
Poliammide	Polyamide	Polyamid



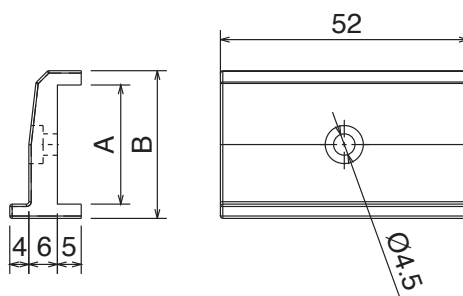
Blocco per pannelli / Panel clamp / Panelklemme



Part	Article-Nr.	A	B	C
421	42101	25	40	4
421	42102	25	40	5
421	42103	25	40	6
421	42104	30	45	4
421	42105	30	45	5
421	42106	30	45	6



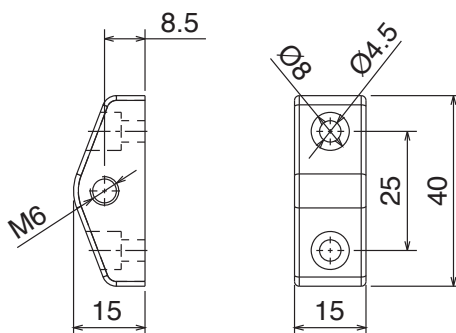
Fermaporta / Door stop / Türstopper



Part	Article-Nr.	A	B
422	42201	25	31
422	42202	30	36



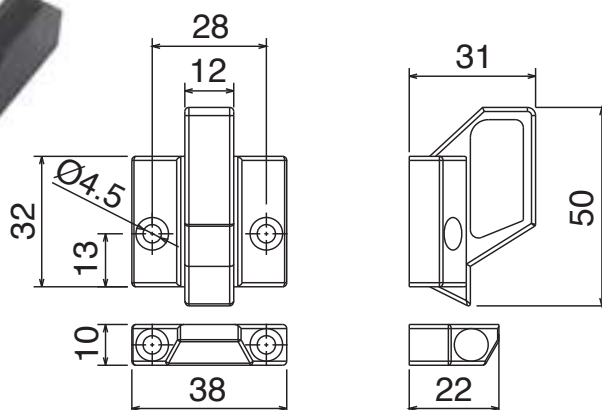
Blocchetto di fissaggio / Fixing lock / Anschlag



Part	Article-Nr.
423	42301



Fermaporta a molla / Spring loaded latch / Türverschluss



Part	Article-Nr.
424	42401

UCFL Series



UCF Series



UCF-H / UCFL-H Series



FL-F-FB Series



SUCFL-SUCF-SUCFK Series





COMPONENTI

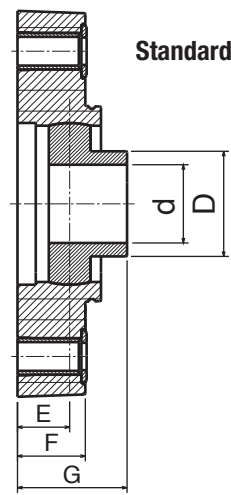
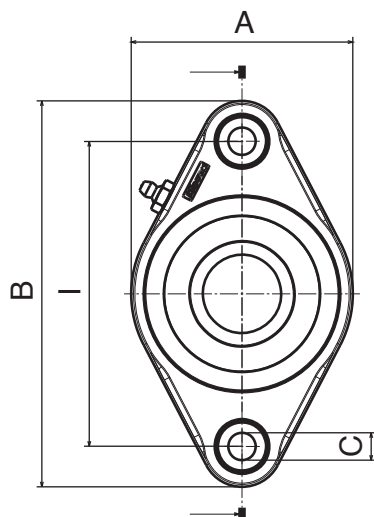
- Sede in poliammide rinforzato, con elevata resistenza meccanica e ottima resistenza contro agenti chimici corrosivi quali acqua, oli, benzina e liquidi contenenti alcool. Tutti i nostri cuscinetti possono essere utilizzati ad una temperatura compresa fra 0°C e +80°C
- I cuscinetti sono realizzati in acciaio al cromo, disponibili anche, su richiesta, nella versione in acciaio inox. Il cuscinetto all'interno della flangia può essere regolato di 2,5°.
- L'ingrassatore viene realizzato in ferro nichelato, o in acciaio inox nella versione con il cuscinetto in acciaio inox.
- Distanziali realizzati in ottone nichelato per rinforzare il foro di fissaggio
- Rondella in acciaio inox.

COMPONENTS

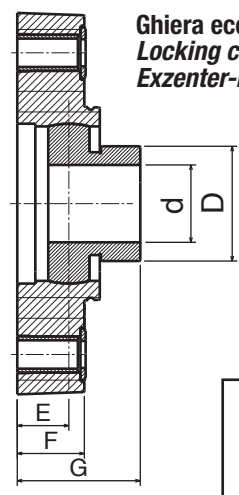
- *Housing in reinforced polyamide, with higher load capacity and good resistance to corrosive chemicals such as water, oils, petrol and alcoholic beverages. All our bearings can be used at temperatures between 0°C and +80°C.*
- *Ball bearings are made in chrome steel. They are also available, upon request, in stainless steel. Max misalignment between shaft and housing: 2.5°.*
- *Grease nipple are made in nickel plated steel, but they can also be made in stainless steel on the stainless steel bearing.*
- *Spacers from nickel plated brass to reinforce fixing holes.*
- *Washer stainless steel.*

KOMPONENTEN

- *Gehäuse gefertigt aus verstärktem Polyamid. Dies gewährleistet eine gute Widerstandsfähigkeit gegenüber mechanischen Einflüssen und eine gute Korrosionsbeständigkeit gegenüber Wasser, Ölen, Benzin, Flüssigkeiten mit Alkohol und Chemikalien. Alle unsere Gehäuse-Lagereinheiten können in einem Temperaturbereich von 0°C bis +80°C eingesetzt werden.*
- *Die Lagereinsätze sind aus Chrom-Stahl, auf Anfrage auch in Edelstahl erhältlich. Alle Lager gleichen einen Fluchtungsfehler von bis zu 2,5° selbstständig aus.*
- *Die Schmiernippel sind aus vernickeltem Stahl (aus Edelstahl wenn die Ausführung mit Edelstahl Einsatz gefragt ist).*
- *Alle Distanzstücke sind aus vernickeltem Messing und verstärken die Befestigungsbohrungen*
- *Alle Unterlegscheiben aus Edelstahl.*



Standard



Ghiera eccentrica
Locking collar
Exzenter-Klemmring



Safety Cap

Inserto standard / Standard insert / Standard-Flanschlager

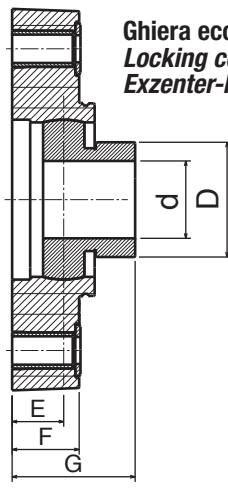
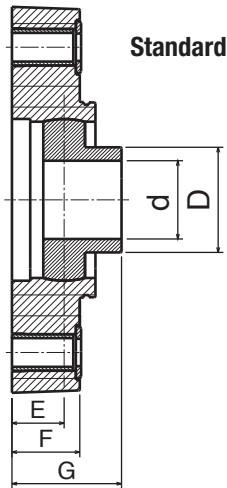
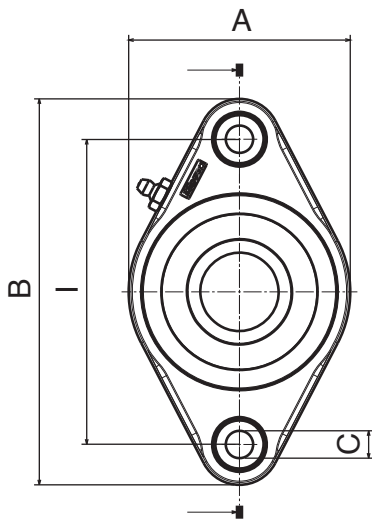
Part	Article-Nr.	Series	d	l	A	B	C	D	E	F	G	Article-Nr.
												89004
801	80110	UCFL204	20	90	62	116	11	29	16	20	34	89004
801	80100	UCFL204	20	90	71	130	11	29	17,5	22,5	33,5	89001
801	80121	UCFL205/90	25	90	85	116	11	34	14,5	20	34	89005
801	80101	UCFL205/90	25	90	71	130	11	34	16,8	22,5	36,3	89001
801	80111	UCFL205	25	99	71	130	11	34	16,8	22,5	36,3	89001
801	80122	UCFL206/90	30	90	85	116	11	40,3	14,5	20	36,5	89005
801	80132	UCFL206/99	30	99	85	130	11	40,3	20	26	42	89002
801	80102	UCFL206/99	30	99	85	148	11	40,3	20	26	42	89002
801	80112	UCFL206	30	117	85	148	11	40,3	20	26	42	89002
801	80103	UCFL207/117	35	117	93	148	11	48	19,5	26	43	89003
801	80113	UCFL207	35	130	93	162	11	48	19,5	26	43	89003
801	80104	UCFL208/117	40	117	93	148	11	53	19	26	44	89003
801	80114	UCFL208	40	130	93	162	11	53	19	26	44	89003

Inserto standard / Standard insert / Standard-Flanschlager

Part	Article-Nr.	Series	d	l	A	B	C	D	E	F	G	Article-Nr.
												89004
801	80110SS	UCFL204	20	90	62	116	11	29	16	20	34	89004
801	80100SS	UCFL204	20	90	71	130	11	29	17,5	22,5	33,5	89001
801	80121SS	UCFL205/90	25	90	85	116	11	34	14,5	20	34	89005
801	80101SS	UCFL205/90	25	90	71	130	11	34	16,8	22,5	36,3	89001
801	80111SS	UCFL205	25	99	71	130	11	34	16,8	22,5	36,3	89001
801	80122SS	UCFL206/90	30	90	85	116	11	40,3	14,5	20	36,5	89005
801	80132SS	UCFL206/99	30	99	85	130	11	40,3	20	26	42	89002
801	80102SS	UCFL206/99	30	99	85	148	11	40,3	20	26	42	89002
801	80112SS	UCFL206	30	117	85	148	11	40,3	20	26	42	89002
801	80103SS	UCFL207/117	35	117	93	148	11	48	19,5	26	43	89003
801	80113SS	UCFL207	35	130	93	162	11	48	19,5	26	43	89003
801	80104SS	UCFL208/117	40	117	93	148	11	53	19	26	44	89003
801	80114SS	UCFL208	40	130	93	162	11	53	19	26	44	89003

Inserto con ghiera eccentrica / Insert with locking collar / Flanschlager mit Exzenter-Klemmring

Part	Article-Nr.	Series	d	l	A	B	C	D	E	F	G	Article-Nr.
												89004
802	80210	UCFL204	20	90	62	116	11	33,3	16	20	39,9	89004
802	80200	UCFL204	20	90	71	130	11	33,3	17,5	22,5	41,4	89001
802	80221	UCFL205/90	25	90	85	116	11	38,1	14,5	20	37,9	89005
802	80201	UCFL205/90	25	90	71	130	11	38,1	16,8	22,5	40,2	89001
802	80211	UCFL205	25	99	71	130	11	38,1	16,8	22,5	40,2	89001
802	80222	UCFL206/90	30	90	85	116	11	44,5	14,5	20	42,2	89005
802	80232	UCFL206/99	30	99	85	130	11	44,5	20	26	47,7	89002
802	80202	UCFL206/99	30	99	85	148	11	44,5	20	26	47,7	89002
802	80212	UCFL206	30	117	85	148	11	44,5	20	26	47,7	89002
802	80203	UCFL207/117	35	117	93	148	11	55,6	19,5	26	49,9	89003
802	80213	UCFL207	35	130	93	162	11	55,6	19,5	26	49,9	89003
802	80204	UCFL208/117	40	117	93	148	11	60,3	19	26	53,7	89003
802	80214	UCFL208	40	130	93	162	11	60,3	19	26	53,7	89003



Solid Housing



NEW

Inserto standard / Standard insert / Standard-Flanschlager

	Part	Article-Nr.	Series	d	I	A	B	C	D	E	F	G	Article-Nr.
Chrome steel	822	82210	UCFL204	20	90	62	116	11	29	16	20	34	89004
	822	82211	UCFL205	25	99	71	130	11	34	16,8	22,5	36,3	89001
	822	82212	UCFL206	30	117	85	148	11	40,3	20	26	42	89002
	822	82213	UCFL207	35	130	93	162	11	48	19,5	26	43	89003
	822	82204	UCFL208/117	40	117	93	148	11	53	19	26	44	89003

NEW

Inserto standard / Standard insert / Standard-Flanschlager

	Part	Article-Nr.	Series	d	I	A	B	C	D	E	F	G	Article-Nr.
Stainless steel	822	82210SS	UCFL204	20	90	62	116	11	29	16	20	34	89004
	822	82211SS	UCFL205	25	99	71	130	11	34	16,8	22,5	36,3	89001
	822	82212SS	UCFL206	30	117	85	148	11	40,3	20	26	42	89002
	822	82213SS	UCFL207	35	130	93	162	11	48	19,5	26	43	89003
	822	82204SS	UCFL208/117	40	117	93	148	11	53	19	26	44	89003

NEW

Inserto con ghiera eccentrica / Insert with locking collar / Flanschlager mit Exzenter-Klemmring

	Part	Article-Nr.	Series	d	I	A	B	C	D	E	F	G	Article-Nr.
Chrome steel	823	82310	UCFL204	20	90	62	116	11	33,3	16	20	39,9	89004
	823	82311	UCFL205	25	99	71	130	11	38,1	16,8	22,5	40,2	89001
	823	82312	UCFL206	30	117	85	148	11	44,5	20	26	47,7	89002
	823	82313	UCFL207	35	130	93	162	11	55,6	19,5	26	49,9	89003
	822	82304	UCFL208/117	40	117	93	148	11	60,3	19	26	53,7	89003



COMPONENTI

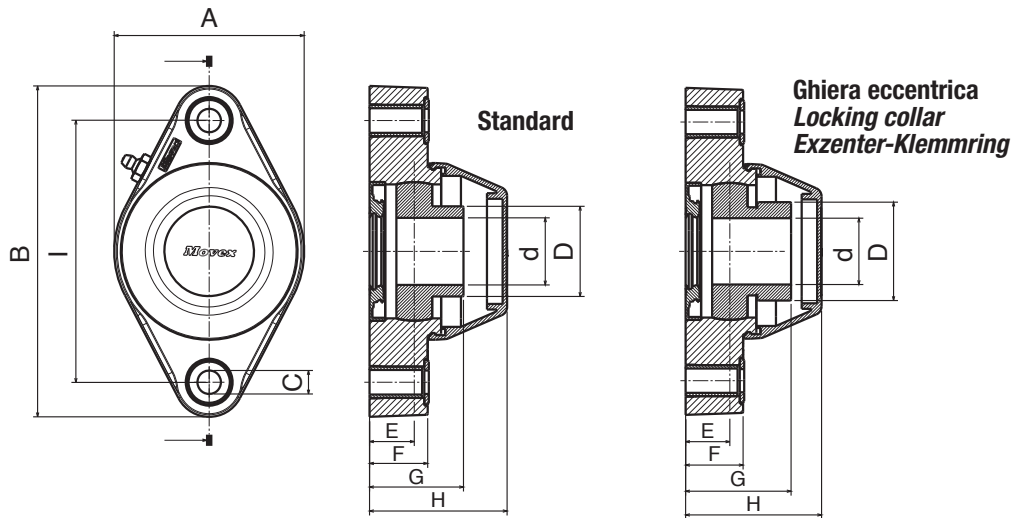
- Sede in poliammide rinforzato, con elevata resistenza meccanica e ottima resistenza contro agenti chimici corrosivi quali acqua, oli, benzina e liquidi contenenti alcool. Tutti i nostri cuscinetti possono essere utilizzati ad una temperatura compresa fra 0°C e +80°C.
- I cuscinetti sono realizzati in acciaio al cromo, disponibili anche, su richiesta, nella versione in acciaio inox. Il cuscinetto all'interno della flangia può essere regolato di 2,5°.
- L'ingrassatore viene realizzato in ferro nichelato, o in acciaio inox nella versione con il cuscinetto in acciaio inox.
- Distanziali realizzati in ottone nichelato per rinforzare il foro di fissaggio.
- Rondella in acciaio inox.
- Coperchio di sicurezza in Polietilene.
- Anello di tenuta in gomma NBR.
- O-ring in NBR rubber.

COMPONENTS

- *Housing in reinforced polyamide, with higher load capacity and good resistance to corrosive chemicals such as water, oils, petrol and alcoholic beverages. All our bearings can be used at temperatures between 0°C and +80°C.*
- *Ball bearings are made in chrome steel. They are also available, upon request, in stainless steel. Max misalignment between shaft and housing: 2.5°.*
- *Grease nipple are made in nickel plated steel, but they can also be made in stainless steel on the stainless steel bearing.*
- *Spacers from nickel plated brass to reinforce fixing holes.*
- *Washer stainless steel.*
- *Clip-on safety cap in Polyethylene.*
- *Rotary shaft seal ring in NBR rubber.*
- *O-ring in NBR rubber.*

KOMPONENTEN

- *Gehäuse gefertigt aus verstärktem Polyamid. Dies gewährleistet eine gute Widerstandsfähigkeit gegenüber mechanischen Einflüssen und eine gute Korrosionsbeständigkeit gegenüber Wasser, Ölen, Benzin, Flüssigkeiten mit Alkohol und Chemikalien. Alle unsere Gehäuse-Lagereinheiten können in einem Temperaturbereich von 0°C bis +80°C eingesetzt werden.*
- *Die Lagereinsätze sind aus Chrom-Stahl, auf Anfrage auch in Edelstahl erhältlich. Alle Lager gleichen eine Fluchtungsfehler von bis zu 2,5° selbstständig aus.*
- *Die Schmiernippel sind aus vernickeltem Stahl (aus Edelstahl wenn die Ausführung mit Edelstahl Einsatz gefragt ist).*
- *Alle Distanzstücke sind aus vernickeltem Messing und verstärken die Befestigungsbohrungen*
- *Alle Unterlegscheiben aus Edelstahl.*
- *Schutzkappe aus Polyäthylen*
- *Dichtringe aus NBR-Gummi*
- *O-Ringe aus NBR-Gummi*



Insero standard, con guarnizioni, versione aperta e chiusa / Standard insert, sealed, open and close version / Standard-Flanschlager, abgedichtet, offene und geschlossene Version

	Part	Art-close	Part	Art-open	Series	d	l	A	B	C	D	E	F	G	H
Chrome steel	803	80310	804	80410	UCFL204	20	90	62	116	11	29	16	20	34	51,5
	803	80300	804	80400	UCFL204	20	90	71	130	11	29	17,5	22,5	35,5	52
	803	80321	804	80421	UCFL205/90	25	90	85	116	11	34	14,5	20	34	55,5
	803	80301	804	80401	UCFL205/90	25	90	71	130	11	34	16,8	22,5	36,3	52
	803	80311	804	80411	UCFL205	25	99	71	130	11	34	16,8	22,5	36,3	52
	803	80322	804	80422	UCFL206/90	30	90	85	116	11	40,3	14,5	20	36,5	55,5
	803	80332	804	80432	UCFL206/99	30	99	85	130	11	40,3	20	26	42	61,5
	803	80302	804	80402	UCFL206/99	30	99	85	148	11	40,3	20	26	42	61,5
	803	80312	804	80412	UCFL206	30	117	85	148	11	40,3	20	26	42	61,5
	803	80303	804	80403	UCFL207/117	35	117	93	148	11	48	19,5	26	43	66,5
	803	80313	804	80413	UCFL207	35	130	93	162	11	48	19,5	26	43	66,5
	803	80304	804	80404	UCFL208/117	40	117	93	148	11	53	19	26	44	66,5
	803	80314	804	80414	UCFL208	40	130	93	162	11	53	19	26	44	66,5

Insero standard, con guarnizioni, versione aperta e chiusa / Standard insert, sealed, open and close version / Standard-Flanschlager, abgedichtet, offene und geschlossene Version

	Part	Art-close	Part	Art-open	Series	d	l	A	B	C	D	E	F	G	H
NEW Stainless steel	803	80310SS	804	80410SS	UCFL204	20	90	62	116	11	29	16	20	34	51,5
	803	80300SS	804	80400SS	UCFL204	20	90	71	130	11	29	17,5	22,5	35,5	52
	803	80321SS	804	80421SS	UCFL205/90	25	90	85	116	11	34	14,5	20	34	55,5
	803	80301SS	804	80401SS	UCFL205/90	25	90	71	130	11	34	16,8	22,5	36,3	52
	803	80311SS	804	80411SS	UCFL205	25	99	71	130	11	34	16,8	22,5	36,3	52
	803	80322SS	804	80422SS	UCFL206/90	30	90	85	116	11	40,3	14,5	20	36,5	55,5
	803	80332SS	804	80432SS	UCFL206/99	30	99	85	130	11	40,3	20	26	42	61,5
	803	80302SS	804	80402SS	UCFL206/99	30	99	85	148	11	40,3	20	26	42	61,5
	803	80312SS	804	80412SS	UCFL206	30	117	85	148	11	40,3	20	26	42	61,5
	803	80303SS	804	80403SS	UCFL207/117	35	117	93	148	11	48	19,5	26	43	66,5
	803	80313SS	804	80413SS	UCFL207	35	130	93	162	11	48	19,5	26	43	66,5
	803	80304SS	804	80404SS	UCFL208/117	40	117	93	148	11	53	19	26	44	66,5
	803	80314SS	804	80414SS	UCFL208	40	130	93	162	11	53	19	26	44	66,5

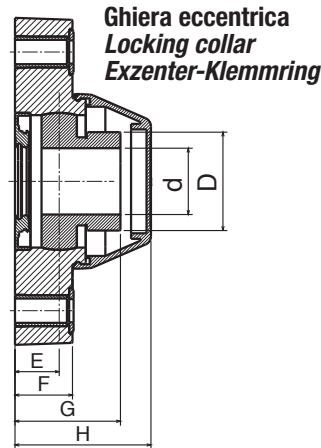
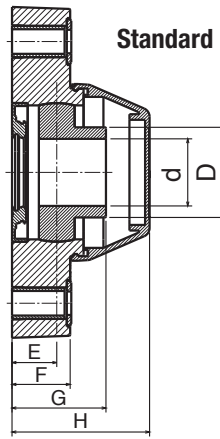
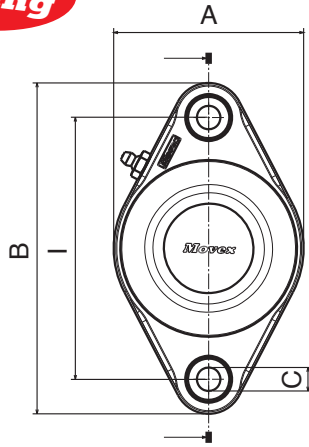
Insero "long life", con guarnizioni, versione aperta e chiusa / "Long life" insert, sealed, open and close version / "Long Life"-Flanschlager, abgedichtet, offene und geschlossene Version

	Part	Art-close	Part	Art-open	Series	d	l	A	B	C	D	E	F	G	H
NEW Chrome steel - "Long life"	803	80310L	804	80410L	UCFL204	20	90	62	116	11	29	16	20	34	51,5
	803	80300L	804	80400L	UCFL204	20	90	71	130	11	29	17,5	22,5	35,5	52
	803	80321L	804	80421L	UCFL205/90	25	90	85	116	11	34	14,5	20	34	55,5
	803	80301L	804	80401L	UCFL205/90	25	90	71	130	11	34	16,8	22,5	36,3	52
	803	80311L	804	80411L	UCFL205	25	99	71	130	11	34	16,8	22,5	36,3	52
	803	80322L	804	80422L	UCFL206/90	30	90	85	116	11	40,3	14,5	20	36,5	55,5
	803	80332L	804	80432L	UCFL206/99	30	99	85	130	11	40,3	20	26	42	61,5
	803	80302L	804	80402L	UCFL206/99	30	99	85	148	11	40,3	20	26	42	61,5
	803	80312L	804	80412L	UCFL206	30	117	85	148	11	40,3	20	26	42	61,5
	803	80303L	804	80403L	UCFL207/117	35	117	93	148	11	48	19,5	26	43	66,5
	803	80313L	804	80413L	UCFL207	35	130	93	162	11	48	19,5	26	43	66,5
	803	80304L	804	80404L	UCFL208/117	40	117	93	148	11	53	19	26	44	66,5
	803	80314L	804	80414L	UCFL208	40	130	93	162	11	53	19	26	44	66,5

Insero con ghiera eccentrica, guarnizioni, versione aperta e chiusa / Insert with locking collar, sealed, open and close version / Flanschlager mit Exzenter-Klemmring, abgedichtet, offene und geschlossene Version

	Part	Art-close	Part	Art-open	Series	d	l	A	B	C	D	E	F	G	H
Chrome steel	805	80510	806	80610	UCFL204	20	90	62	116	11	33,3	16	20	39,9	51,5
	805	80500	806	80600	UCFL204	20	90	71	130	11	33,3	17,5	22,5	41,4	52
	805	80521	806	80621	UCFL205/90	25	90	85	116	11	38,1	14,5	20	37,9	55,5
	805	80501	806	80601	UCFL205/90	25	90	71	130	11	38,1	16,8	22,5	40,2	52
	805	80511	806	80611	UCFL205	25	99	71	130	11	38,1	16,8	22,5	40,2	52
	805	80522	806	80622	UCFL206/90	30	90	85	116	11	44,5	14,5	20	42,2	55,5
	805	80532	806	80632	UCFL206/99	30	99	85	130	11	44,5	20	26	47,7	61,5
	805	80502	806	80602	UCFL206/99	30	99	85	148	11	44,5	20	26	47,7	61,5
	805	80512	806	80612	UCFL206	30	117	85	148	11	44,5	20	26	47,7	61,5
	805	80503	806	80603	UCFL207/117	35	117	93	148	11	55,6	19,5	26	49,9	66,5
	805	80513	806	80613	UCFL207	35	130	93	162	11	55,6	19,5	26	49,9	66,5
	805	80504	806	80604	UCFL208/117	40	117	93	148	11	60,3	19	26	53,7	66,5
	805	80514	806	80614	UCFL208	40	130	93	162	11	60,3	19	26	53,7	66,5

Solid Housing



NEW

Inserto standard, con guarnizioni, versione aperta e chiusa / Standard insert, sealed, open and close version / Standard-Flanschlagger, abgedichtet, offene und geschlossene Version

	Part	Art-close	Part	Art-open	Series	d	l	A	B	C	D	E	F	G	H
Chrome steel	824	82410	825	82510	UCFL204	20	90	62	116	11	29	16	20	34	51,5
	824	82411	825	82511	UCFL205	25	99	71	130	11	34	16,8	22,5	36,3	52
	824	82412	825	82512	UCFL206	30	117	85	148	11	40,3	20	26	42	61,5
	824	82413	825	82513	UCFL207	35	130	93	162	11	48	19,5	26	43	66,5
	824	82404	825	82504	UCFL208/117	40	117	93	148	11	53	19	26	44	66,5

NEW

Inserto standard, con guarnizioni, versione aperta e chiusa / Standard insert, sealed, open and close version / Standard-Flanschlagger, abgedichtet, offene und geschlossene Version

	Part	Art-close	Part	Art-open	Series	d	l	A	B	C	D	E	F	G	H
Stainless steel	824	82410SS	825	82510SS	UCFL204	20	90	62	116	11	29	16	20	34	51,5
	824	82411SS	825	82511SS	UCFL205	25	99	71	130	11	34	16,8	22,5	36,3	52
	824	82412SS	825	82512SS	UCFL206	30	117	85	148	11	40,3	20	26	42	61,5
	824	82413SS	825	82513SS	UCFL207	35	130	93	162	11	48	19,5	26	43	66,5
	824	82404SS	825	82504SS	UCFL208/117	40	117	93	148	11	53	19	26	44	66,5

NEW

Inserto "long life", con guarnizioni, versione aperta e chiusa / "Long life" insert, sealed, open and close version / "Long Life"-Flanschlagger, abgedichtet, offene und geschlossene Version

	Part	Art-close	Part	Art-open	Series	d	l	A	B	C	D	E	F	G	H
Chrome steel	824	82410L	825	82510L	UCFL204	20	90	62	116	11	29	16	20	34	51,5
	824	82411L	825	82511L	UCFL205	25	99	71	130	11	34	16,8	22,5	36,3	52
	824	82412L	825	82512L	UCFL206	30	117	85	148	11	40,3	20	26	42	61,5
	824	82413L	825	82513L	UCFL207	35	130	93	162	11	48	19,5	26	43	66,5
	824	82404L	825	82504L	UCFL208/117	40	117	93	148	11	53	19	26	44	66,5

NEW

Inserto con ghiera eccentrica, guarnizioni, versione aperta e chiusa / Insert with locking collar, sealed, open and close version / Flanschlagger mit Exzenter-Klemmring, abgedichtet, offene und geschlossene Version

	Part	Art-close	Part	Art-open	Series	d	l	A	B	C	D	E	F	G	H
Chrome steel	826	82610	827	82710	UCFL204	20	90	62	116	11	33,3	16	20	39,9	51,5
	826	82611	827	82711	UCFL205	25	99	71	130	11	38,1	16,8	22,5	40,2	52
	826	82612	827	82712	UCFL206	30	117	85	148	11	44,5	20	26	47,7	61,5
	826	82613	827	82713	UCFL207	35	130	93	162	11	55,6	19,5	26	49,9	66,5
	826	82604	827	82704	UCFL208/117	40	117	93	148	11	60,3	19	26	53,7	66,5



COMPONENTI

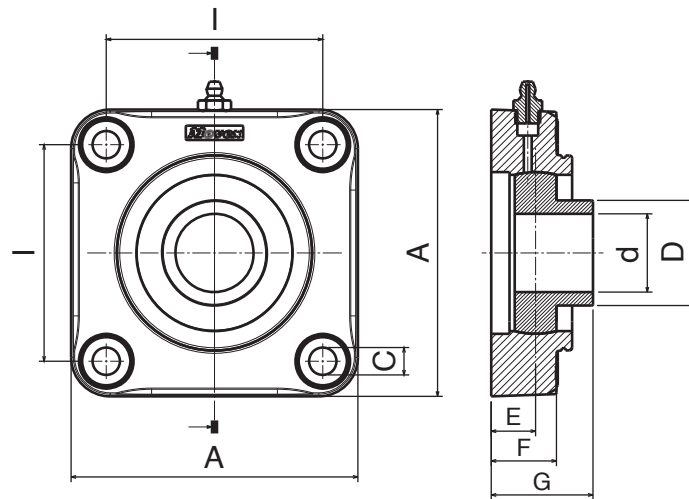
- Sede in poliammide rinforzato, con elevata resistenza meccanica e ottima resistenza contro agenti chimici corrosivi quali acqua, oli, benzina e liquidi contenenti alcool. Tutti i nostri cuscinetti possono essere utilizzati ad una temperatura compresa fra 0°C e +80°C
- I cuscinetti sono realizzati in acciaio al cromo, disponibili anche, su richiesta, nella versione in acciaio inox. Il cuscinetto all'interno della flangia può essere regolato di 2,5°.
- L'ingrassatore viene realizzato in ferro nichelato, o in acciaio inox nella versione con il cuscinetto in acciaio inox.
- Distanziali realizzati in ottone nichelato per rinforzare il foro di fissaggio
- Rondella in acciaio inox.

COMPONENTS

- *Housing in reinforced polyamide, with higher load capacity and good resistance to corrosive chemicals such as water, oils, petrol and alcoholic beverages. All our bearings can be used at temperatures between 0°C and +80°C.*
- *Ball bearings are made in chrome steel. They are also available, upon request, in stainless steel. Max misalignment between shaft and housing: 2.5°.*
- *Grease nipple are made in nickel plated steel, but they can also be made in stainless steel on the stainless steel bearing.*
- *Spacers from nickel plated brass to reinforce fixing holes.*
- *Washer stainless steel.*

KOMPONENTEN

- *Gehäuse gefertigt aus verstärktem Polyamid. Dies gewährleistet eine gute Widerstandsfähigkeit gegenüber mechanischen Einflüssen und eine gute Korrosionsbeständigkeit gegenüber Wasser, Ölen, Benzin, Flüssigkeiten mit Alkohol und Chemikalien. Alle unsere Gehäuse-Lagereinheiten können in einem Temperaturbereich von 0°C bis +80°C eingesetzt werden.*
- *Die Lagereinsätze sind aus Chrom-Stahl, auf Anfrage auch in Edelstahl erhältlich. Alle Lager gleichen einen Fluchtungsfehler von bis zu 2,5° selbstständig aus.*
- *Die Schmiernippel sind aus vernickeltem Stahl (aus Edelstahl wenn die Ausführung mit Edelstahl Einsatz gefragt ist).*
- *Alle Distanzstücke sind aus vernickeltem Messing und verstärken die Befestigungsbohrungen*
- *Alle Unterlegscheiben aus Edelstahl.*

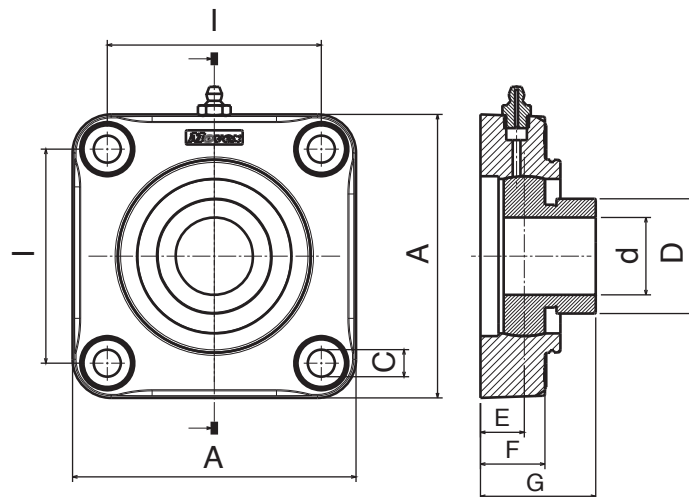


Inserto standard / Standard insert / Standard-Flanschlager

Chrome steel	Part	Article-Nr.	Series	d	I	A	C	D	E	F	G	Article-Nr.
	807	80701	UCF205		25	70	98	11	34	16	22	35,5
807	80702	UCF206		30	83	110	11	40,3	17	25	39	89002
807	80703	UCF207/83		35	83	110	11	48	20	25	43,5	89003
807	80713	UCF207		35	92	118	11	48	20	25	43,5	89003
807	80704	UCF208/83		40	83	110	11	53	19,5	25	44,5	89003
807	80714	UCF208		40	102	130	11	53	19	25	44	89003

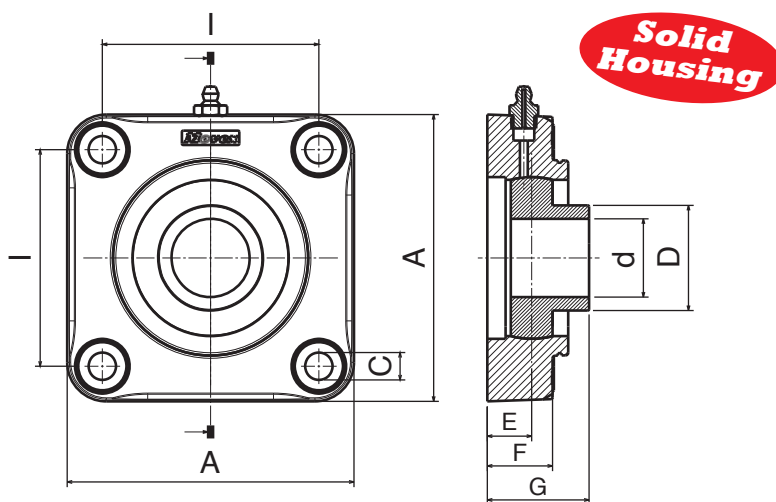
Inserto standard / Standard insert / Standard-Flanschlager

Stainless steel	Part	Article-Nr.	Series	d	I	A	C	D	E	F	G	Article-Nr.
	807	80701SS	UCF205		25	70	98	11	34	16	22	35,5
807	80702SS	UCF206		30	83	110	11	40,3	17	25	39	89002
807	80703SS	UCF207/83		35	83	110	11	48	20	25	43,5	89003
807	80713SS	UCF207		35	92	118	11	48	20	25	43,5	89003
807	80704SS	UCF208/83		40	83	110	11	53	19,5	25	44,5	89003
807	80714SS	UCF208		40	102	130	11	53	19	25	44	89003



Inserto con ghiera eccentrica / Insert with locking collar / Flanschlager mit Exzenter-Klemmring

Chrome steel	Part	Article-Nr.	Series0	d	I	A	C	D	E	F	G	Article-Nr.
	808	80801	UCF205		25	70	98	11	38,1	16	22	39,4
808	80802	UCF206		30	83	110	11	44,5	17	25	44,7	89002
808	80803	UCF207/83		35	83	110	11	55,6	20	25	50,4	89003
808	80813	UCF207		35	92	118	11	55,6	20	25	50,4	89003
808	80804	UCF208/83		40	83	110	11	60,3	19,5	25	54,2	89003
808	80814	UCF208		40	102	130	11	60,3	19	25	53,7	89003



NEW

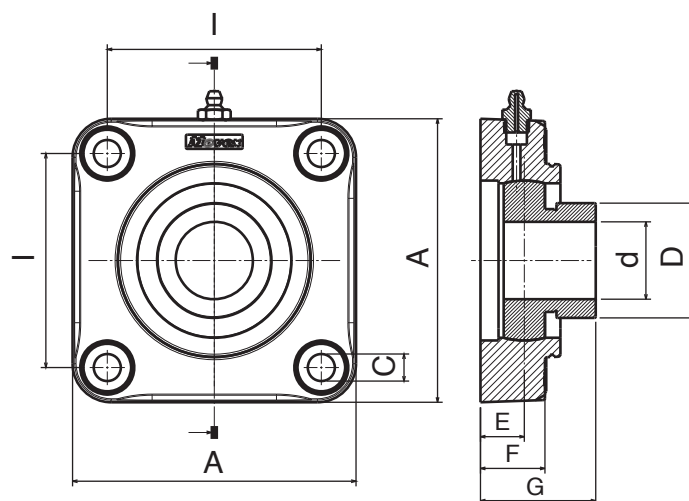
Inserto standard / Standard insert / Standard-Flanschlager

Chrome steel	Part	Article-Nr.	Series	d	I	A	C	D	E	F	G	Article-Nr.
	828	82801	UCF205	25	70	98	11	34	16	22	35,5	89001
	828	82802	UCF206	30	83	110	11	40,3	17	25	39	89002
	828	82813	UCF207	35	92	118	11	48	20	25	43,5	89003
	828	82804	UCF208/83	40	83	110	11	53	19,5	25	44,5	89003

NEW

Inserto standard / Standard insert / Standard-Flanschlager

Stainless steel	Part	Article-Nr.	Series	d	I	A	C	D	E	F	G	Article-Nr.
	828	82801SS	UCF205	25	70	98	11	34	16	22	35,5	89001
	828	82802SS	UCF206	30	83	110	11	40,3	17	25	39	89002
	828	82813SS	UCF207	35	92	118	11	48	20	25	43,5	89003
	828	82804SS	UCF208/83	40	83	110	11	53	19,5	25	44,5	89003



NEW

Inserto con ghiera eccentrica / Insert with locking collar / Flanschlager mit Exzenter-Klemmring

Chrome steel	Part	Article-Nr.	Series	d	I	A	C	D	E	F	G	Article-Nr.
	829	82901	UCF205	25	70	98	11	38,1	16	22	39,4	89001
	829	82902	UCF206	30	83	110	11	44,5	17	25	44,7	89002
	829	82913	UCF207	35	92	118	11	55,6	20	25	50,4	89003
	829	82904	UCF208/83	40	83	110	11	60,3	19,5	25	54,2	89003



COMPONENTI

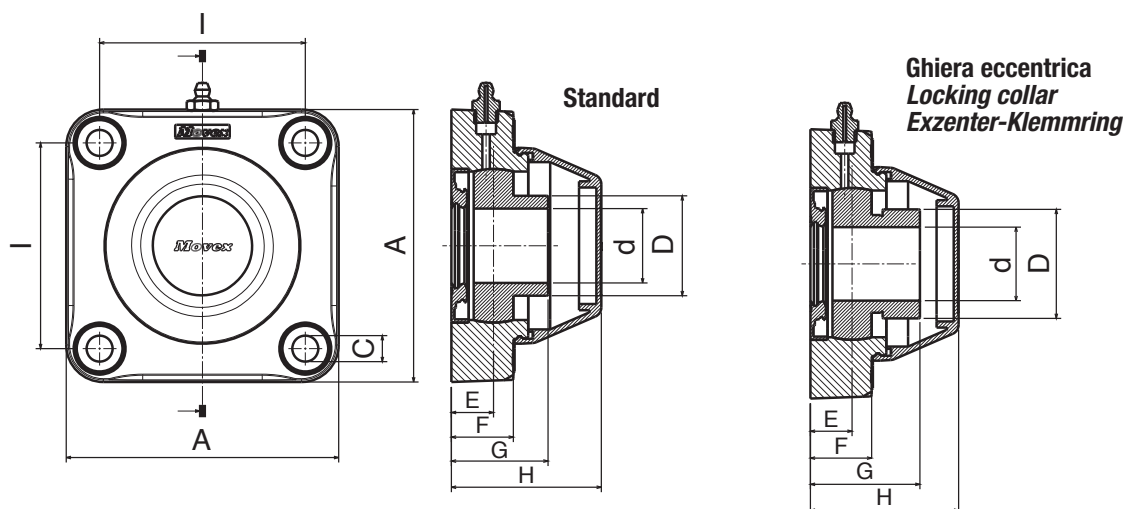
- Sede in poliammide rinforzato, con elevata resistenza meccanica e ottima resistenza contro agenti chimici corrosivi quali acqua, oli, benzina e liquidi contenenti alcool. Tutti i nostri cuscinetti possono essere utilizzati ad una temperatura compresa fra 0°C e +80°C.
- I cuscinetti sono realizzati in acciaio al cromo, disponibili anche, su richiesta, nella versione in acciaio inox. Il cuscinetto all'interno della flangia può essere regolato di 2,5°.
- L'ingrassatore viene realizzato in ferro nichelato, o in acciaio inox nella versione con il cuscinetto in acciaio inox.
- Distanziali realizzati in ottone nichelato per rinforzare il foro di fissaggio.
- Rondella in acciaio inox.
- Coperchio di sicurezza in Polietilene.
- Anello di tenuta in gomma NBR.
- O-ring in NBR rubber.

COMPONENTS

- *Housing in reinforced polyamide, with higher load capacity and good resistance to corrosive chemicals such as water, oils, petrol and alcoholic beverages. All our bearings can be used at temperatures between 0°C and +80°C.*
- *Ball bearings are made in chrome steel. They are also available, upon request, in stainless steel. Max misalignment between shaft and housing: 2.5°.*
- *Grease nipple are made in nickel plated steel, but they can also be made in stainless steel on the stainless steel bearing.*
- *Spacers from nickel plated brass to reinforce fixing holes.*
- *Washer stainless steel.*
- *Clip-on safety cap in Polyethylene.*
- *Rotary shaft seal ring in NBR rubber.*
- *O-ring in NBR rubber.*

KOMPONENTEN

- *Gehäuse gefertigt aus verstärktem Polyamid. Dies gewährleistet eine gute Widerstandsfähigkeit gegenüber mechanischen Einflüssen und eine gute Korrosionsbeständigkeit gegenüber Wasser, Ölen, Benzin, Flüssigkeiten mit Alkohol und Chemikalien. Alle unsere Gehäuse-Lagereinheiten können in einem Temperaturbereich von 0°C bis +80°C eingesetzt werden.*
- *Die Lagereinsätze sind aus Chrom-Stahl, auf Anfrage auch in Edelstahl erhältlich. Alle Lager gleichen eine Fluchtungsfehler von bis zu 2,5° selbstständig aus.*
- *Die Schmiernippel sind aus vernickeltem Stahl (aus Edelstahl wenn die Ausführung mit Edelstahl Einsatz gefragt ist).*
- *Alle Distanzstücke sind aus vernickeltem Messing und verstärkten die Befestigungsbohrungen*
- *Alle Unterlegscheiben aus Edelstahl.*
- *Schutzkappe aus Polyäthylen*
- *Dichtringe aus NBR-Gummi*
- *O-Ringe aus NBR-Gummi*



Inserto standard, con guarnizioni, versione aperta e chiusa / Standard insert, sealed, open and close version, Standard-Flanschlager, abgedichtet, offene und geschlossene Version

Chrome steel	Part	Art-close	Part	Art-open	Series	d	l	A	C	D	E	F	G	H
	809	80901	810	81001	UCF205	25	70	98	11	34	16	22	35,5	51,5
809	80902	810	81002	UCF206	30	83	110	11	40,3	17	25	39	60,5	
809	80903	810	81003	UCF207/83	35	83	110	11	48	20	25	43,5	65,5	
809	80913	810	81013	UCF207	35	92	118	11	48	20	25	43,5	65,5	
809	80904	810	81004	UCF208/83	40	83	110	11	53	19,5	25	44,5	65,5	
809	80914	810	81014	UCF208	40	102	130	11	53	19	25	44	65,5	

Inserto standard, con guarnizioni, versione aperta e chiusa / Standard insert, sealed, open and close version, Standard-Flanschlager, abgedichtet, offene und geschlossene Version

Stainless steel	Part	Art-close	Part	Art-open	Series	d	l	A	C	D	E	F	G	H
	809	80901SS	810	81001SS	UCF205	25	70	98	11	34	16	22	35,5	51,5
809	80902SS	810	81002SS	UCF206	30	83	110	11	40,3	17	25	39	60,5	
809	80903SS	810	81003SS	UCF207/83	35	83	110	11	48	20	25	43,5	65,5	
809	80913SS	810	81013SS	UCF207	35	92	118	11	48	20	25	43,5	65,5	
809	80904SS	810	81004SS	UCF208/83	40	83	110	11	53	19,5	25	44,5	65,5	
809	80914SS	810	81014SS	UCF208	40	102	130	11	53	19	25	44	65,5	

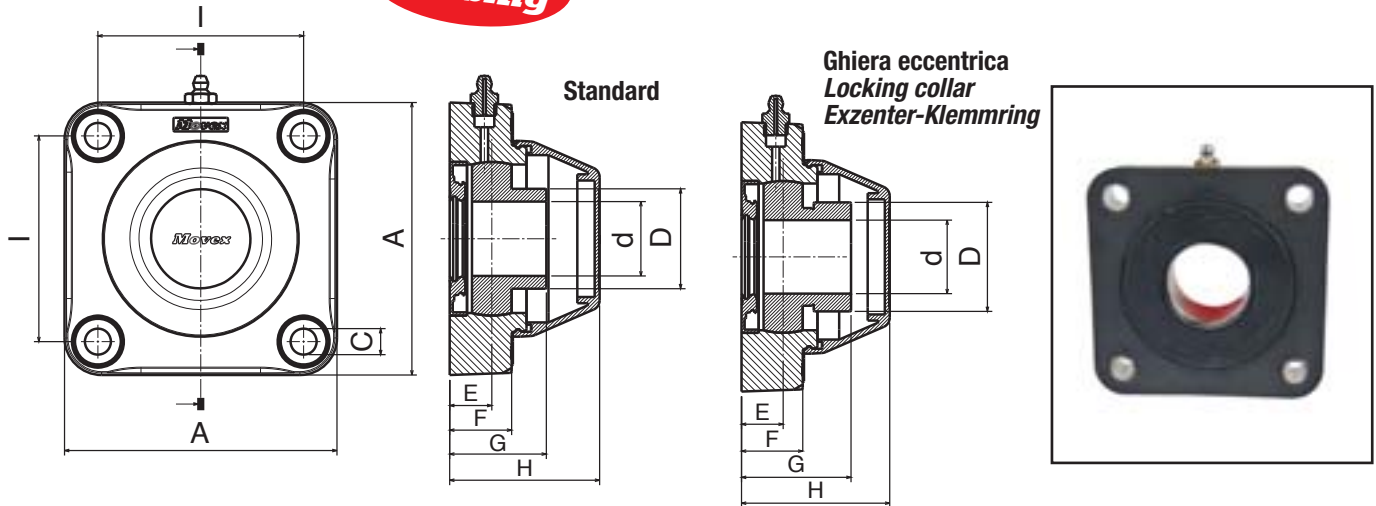
Inserto "Long life", con guarnizioni, versione aperta e chiusa / "Long life" insert, sealed, open and close version, "Long life"-Flanschlager, abgedichtet, offene und geschlossene Version

Chrome steel - "Long life"	Part	Art-close	Part	Art-open	Series	d	l	A	C	D	E	F	G	H
	809	80901L	810	81001L	UCF205	25	70	98	11	34	16	22	35,5	51,5
809	80902L	810	81002L	UCF206	30	83	110	11	40,3	17	25	39	60,5	
809	80903L	810	81003L	UCF207/83	35	83	110	11	48	20	25	43,5	65,5	
809	80913L	810	81013L	UCF207	35	92	118	11	48	20	25	43,5	65,5	
809	80904L	810	81004L	UCF208/83	40	83	110	11	53	19,5	25	44,5	65,5	
809	80914L	810	81014L	UCF208	40	102	130	11	53	19	25	44	65,5	

Inserto con ghiera eccentrica, guarnizioni, versione aperta e chiusa / Insert with locking collar, sealed, open and close version Flanschlager mit Exzenter-Klemmring, abgedichtet, offene und geschlossene Version

Chrome steel	Part	Art-close	Part	Art-open	Series	d	l	A	C	D	E	F	G	H
	811	81101	812	81201	UCF205	25	70	98	11	38,1	16	22	39,4	51,5
811	81102	812	81202	UCF206	30	83	110	11	44,5	17	25	44,7	60,5	
811	81103	812	81203	UCF207/83	35	83	110	11	55,6	20	25	50,4	65,5	
811	81113	812	81213	UCF207	35	92	118	11	55,6	20	25	50,4	65,5	
811	81104	812	81204	UCF208/83	40	83	110	11	60,3	19,5	25	54,2	65,5	
811	81114	812	81214	UCF208	40	102	130	11	60,3	19	25	53,7	65,5	

Solid Housing



NEW Inserto standard, con guarnizioni, versione aperta e chiusa / *Standard insert, sealed, open and close version, Standard-Flanschlagler, abgedichtet, offene und geschlossene Version*

Chrome steel	Part	Art-close	Part	Art-open	Series	d	l	A	C	D	E	F	G	H
	830	83001	831	83101	UCF205	25	70	98	11	34	16	22	35,5	51,5
830	83002	831	83102	UCF206	30	83	110	11	40,3	17	25	39	60,5	
830	83013	831	83113	UCF207	35	92	118	11	48	20	25	43,5	65,5	
830	83004	831	83104	UCF208/83	40	83	110	11	53	19,5	25	44,5	65,5	

NEW Inserto standard, con guarnizioni, versione aperta e chiusa / *Standard insert, sealed, open and close version, Standard-Flanschlagler, abgedichtet, offene und geschlossene Version*

Stainless steel	Part	Art-close	Part	Art-open	Series	d	l	A	C	D	E	F	G	H
	830	83001SS	831	83101SS	UCF205	25	70	98	11	34	16	22	35,5	51,5
830	83002SS	831	83102SS	UCF206	30	83	110	11	40,3	17	25	39	60,5	
830	83013SS	831	83113SS	UCF207	35	92	118	11	48	20	25	43,5	65,5	
830	83004SS	831	83104SS	UCF208/83	40	83	110	11	53	19,5	25	44,5	65,5	

NEW Inserto "Long life", con guarnizioni, versione aperta e chiusa / *"Long life" insert, sealed, open and close version, "Long life"-Flanschlagler, abgedichtet, offene und geschlossene Version*

Chrome steel	Part	Art-close	Part	Art-open	Series	d	l	A	C	D	E	F	G	H
	830	83001L	831	83101L	UCF205	25	70	98	11	34	16	22	35,5	51,5
830	83002L	831	83102L	UCF206	30	83	110	11	40,3	17	25	39	60,5	
830	83013L	831	83113L	UCF207	35	92	118	11	48	20	25	43,5	65,5	
830	83004L	831	83104L	UCF208/83	40	83	110	11	53	19,5	25	44,5	65,5	

NEW Inserto con ghiera eccentrica, guarnizioni, versione aperta e chiusa / *Insert with locking collar, sealed, open and close version Flanschlagler mit Exzenter-Klemmring, abgedichtet, offene und geschlossene Version*

Chrome steel	Part	Art-close	Part	Art-open	Series	d	l	A	C	D	E	F	G	H
	832	83201	833	83301	UCF205	25	70	98	11	38,1	16	22	39,4	51,5
832	83202	833	83302	UCF206	30	83	110	11	44,5	17	25	44,7	60,5	
832	83213	833	83313	UCF207	35	92	118	11	55,6	20	25	50,4	65,5	
832	83204	833	83304	UCF208/83	40	83	110	11	60,3	19,5	25	54,2	65,5	



New

**COVER IN
STAINLESS STEEL**



COMPONENTI

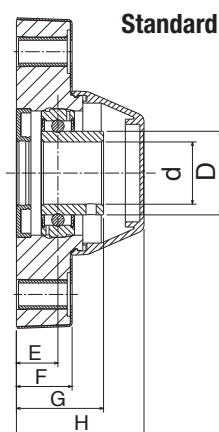
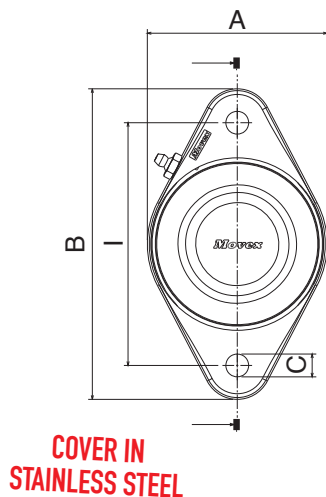
- Sede in poliammide rinforzato, con elevata resistenza meccanica e ottima resistenza contro agenti chimici corrosivi quali acqua, oli, benzina e liquidi contenenti alcool. Tutti i nostri cuscinetti possono essere utilizzati ad una temperatura compresa fra 0°C e +80°C
- I cuscinetti sono realizzati in acciaio al cromo, disponibili anche, su richiesta, nella versione in acciaio inox. Il cuscinetto all'interno della flangia può essere regolato di 2,5°.
- L'ingrassatore viene realizzato in ferro nichelato, o in acciaio inox nella versione con il cuscinetto in acciaio inox.
- Distanziali realizzati in ottone nichelato per rinforzare il foro di fissaggio
- Rondella in acciaio inox.
- **"Cover"** in acciaio inox.

COMPONENTS

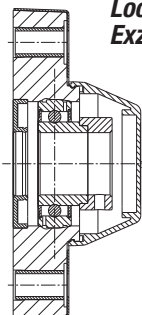
- *Housing in reinforced polyamide, with higher load capacity and good resistance to corrosive chemicals such as water, oils, petrol and alcoholic beverages. All our bearings can be used at temperatures between 0°C and +80°C.*
- *Ball bearings are made in chrome steel. They are also available, upon request, in stainless steel. Max misalignment between shaft and housing: 2.5°.*
- *Grease nipple are made in nickel plated steel, but they can also be made in stainless steel on the stainless steel bearing.*
- *Spacers from nickel plated brass to reinforce fixing holes.*
- *Washer stainless steel.*
- **"Cover"** in stainless steel

KOMPONENTEN

- *Gehäuse gefertigt aus verstärktem Polyamid. Dies gewährleistet eine gute Widerstandsfähigkeit gegenüber mechanischen Einflüssen und eine gute Korrosionsbeständigkeit gegenüber Wasser, Ölen, Benzin, Flüssigkeiten mit Alkohol und Chemikalien. Alle unsere Gehäuse-Lagereinheiten können in einem Temperaturbereich von 0°C bis +80°C eingesetzt werden.*
- *Die Lagereinsätze sind aus Chrom-Stahl, auf Anfrage auch in Edelstahl erhältlich. Alle Lager gleichen einen Fluchtungsfehler von bis zu 2,5° selbstständig aus.*
- *Die Schmiernippel sind aus vernickeltem Stahl (aus Edelstahl wenn die Ausführung mit Edelstahl Einsatz gefragt ist).*
- *Alle Distanzstücke sind aus vernickeltem Messing und verstärken die Befestigungsbohrungen*
- *Alle Unterlegscheiben aus Edelstahl.*
- **"Cover"** aus Edelstahl.



Ghiera eccentrica
Locking collar
Exzenter-Klemmring



Solid Housing



NEW Insetto standard, con guarnizioni, versione aperta e chiusa / Standard insert, sealed, open and close version / Standard-Flanschlagler, abgedichtet, offene und geschlossene Version

Chrome steel	Part	Art-close	Part	Art-open	Series	d	l	A	B	C	D	E	F	G	H
	824	82412H	825	82512H	UCFL-H206	30	117	86,7	149,7	11	40,3	20	26,85	42	61,5
	824	82404H	825	82504H	UCFL-H208/117	40	117	94,7	149,7	11	53	19	26,85	44	67

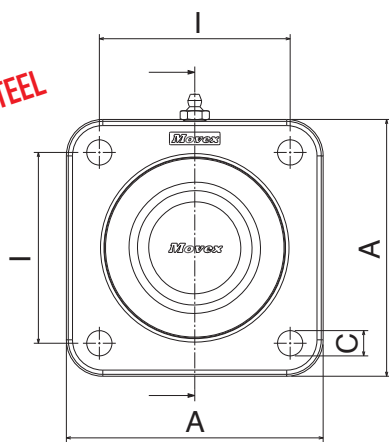
NEW Insetto "long life", con guarnizioni, versione aperta e chiusa / "Long life" insert, sealed, open and close version / "Long Life"-Flanschlagler, abgedichtet, offene und geschlossene Version

Chrome steel	Part	Art-close	Part	Art-open	Series	d	l	A	B	C	D	E	F	G	H
	824	82412LH	825	82512LH	UCFL-H206	30	117	86,7	149,7	11	40,3	20	26,85	42	61,5
	824	82404LH	825	82504LH	UCFL-H208/117	40	117	94,7	149,7	11	53	19	26,85	44	67

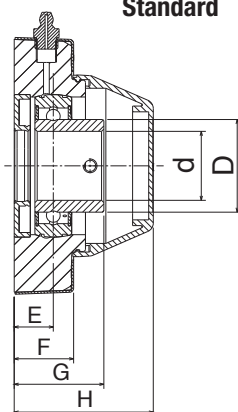
NEW Insetto con ghiera eccentrica, guarnizioni, versione aperta e chiusa / Insert with locking collar, sealed, open and close version / Flanschlagler mit Exzenter-Klemmring, abgedichtet, offene und geschlossene Version

Chrome steel	Part	Art-close	Part	Art-open	Series	d	l	A	B	C	D	E	F	G	H
	826	82612H	827	82712H	UCFL-H206	30	117	86,7	149,7	11	44,5	20	26,85	47,7	61,5
	826	82604H	827	82704H	UCFL-H208/117	40	117	94,7	149,7	11	60,3	19	26,85	54	67

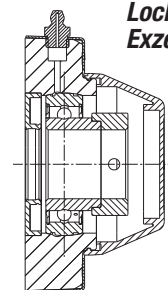
COVER IN STAINLESS STEEL



Standard



Ghiera eccentrica
Locking collar
Exzenter-Klemmring



Solid Housing

NEW Insetto standard, con guarnizioni, versione aperta e chiusa / Standard insert, sealed, open and close version / Standard-Flanschlagler, abgedichtet, offene und geschlossene Version

Chrome steel	Part	Art-close	Part	Art-open	Series	d	l	A	C	D	E	F	G	H
	830	83002H	831	83102H	UCFL-H206	30	83	111,7	11	40,3	17	25	39	60,5
	830	83004H	831	83104H	UCFL-H208/83	40	83	111,7	11	53	19,5	25	44,5	65,5

NEW Insetto "long life", con guarnizioni, versione aperta e chiusa / "Long life" insert, sealed, open and close version / "Long Life"-Flanschlagler, abgedichtet, offene und geschlossene Version

Chrome steel	Part	Art-close	Part	Art-open	Series	d	l	A	C	D	E	F	G	H
	830	83002LH	831	83102LH	UCFL-H206	30	83	111,7	11	40,3	17	25	39	60,5
	830	83004LH	831	83104LH	UCFL-H208/83	40	83	111,7	11	53	19,5	25	44,5	65,5

NEW Insetto con ghiera eccentrica, guarnizioni, versione aperta e chiusa / Insert with locking collar, sealed, open and close version / Flanschlagler mit Exzenter-Klemmring, abgedichtet, offene und geschlossene Version

Chrome steel	Part	Art-close	Part	Art-open	Series	d	l	A	C	D	E	F	G	H
	832	83202H	833	83302H	UCFL-H206	30	83	111,7	11	44,5	17	25	47,7	60,5
	832	83204H	833	83304H	UCFL-H208/83	40	83	111,7	11	60,3	19,5	25	54,2	65,5



CUSCINETTI BIANCHI

- Sede in Poliammide Bianco.
- I cuscinetti sono realizzati in Acciaio Inox, è possibile regolarli di 2.5° all'interno della flangia.
- L'ingrassatore viene realizzato in Acciaio Inox.
- Distanziali realizzati in Acciaio Inox.
- Rondella per ingrassatore realizzata in Polietilene.

BEARING UNITS –WHITE–

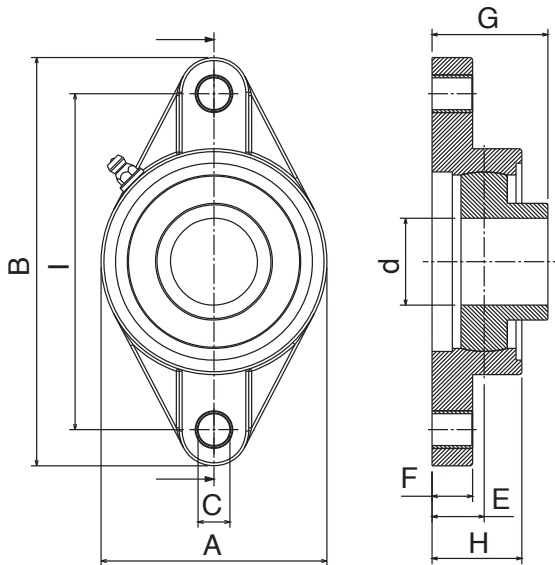
- *Housing in reinforced Polyamide, white*
- *Ball bearings are made in stainless steel, they allow a misalignment between shaft and housing of max. 2.5°.*
- *Grease nipple made in stainless steel.*
- *Spacers in stainless steel to reinforce fixing holes.*
- *Washer for grease nipple in PE.*

FLANSCHLAGER –WEISS–

- *Lagergehäuse gefertigt aus verstärktem Polyamid, weiß.*
- *Lagereinsatz aus Edelstahl, alle Lager gleichen einen Fluchtungsfehler von bis zu 2,5° selbständig aus.*
- *Schmiernippel aus Edelstahl.*
- *Distanzstücke aus Edelstahl und verstärken die Befestigungsbohrungen.*
- *Unterlegscheibe für Schmiernippel aus Edelstahl.*



Series	Article-Nr.
FL204	89801
FL205	89802
FL206	89803
FL207	89804
FL208	89805

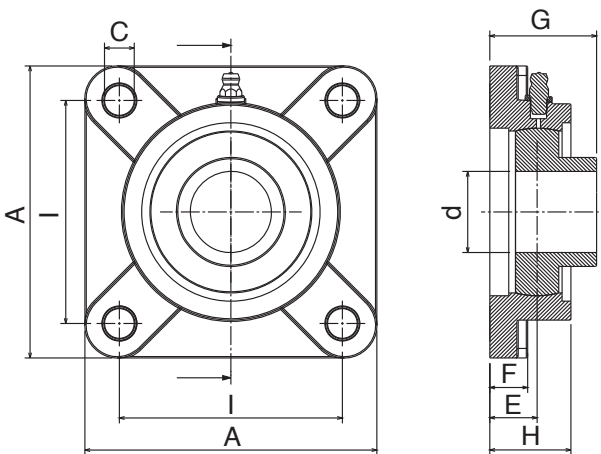


**SS
insert**

FL

Inserto standard / Standard insert / Standard-Flanschlager

Part	Art.-Nr.	Series	d	I	A	B	C	E	F	G	H
813	81300	FL204	20	90	64	113	11	15,4	11,4	33,7	26,5
813	81301	FL205	25	99	70	131	11	17	13,5	36,7	29,1
813	81302	FL206	30	117	80	148	11	19	13,3	41,2	30,5
813	81303	FL207	35	130	90	164	13	18	16,1	43,4	32,8
813	81304	FL208	40	144	100	176	14	21,5	20	51,7	37,5

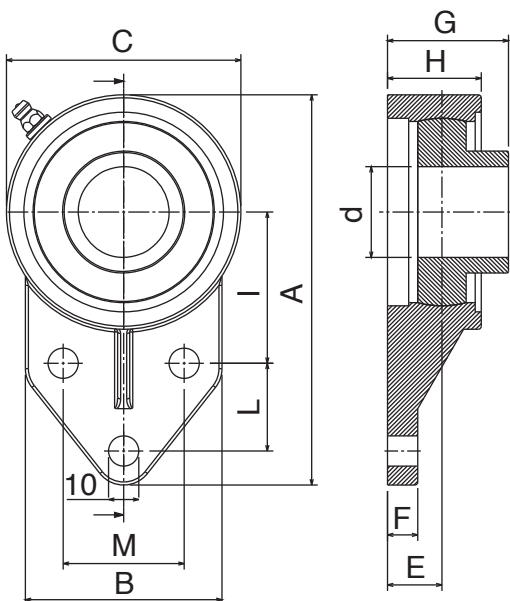


**SS
insert**

F

Inserto standard / Standard insert / Standard-Flanschlager

Part	Art.-Nr.	Series	d	I	A	C	E	F	G	H
814	81400	F204	20	63,5	86	11	18	13,4	36,3	27,8
814	81401	F205	25	70	95	11	17	14	36,7	28,0
814	81402	F206	30	83	107	11	19,2	14,3	41,4	31,5
814	81403	F207	35	92	118	13	21,5	15,5	46,9	34,8
814	81404	F208	40	102	130	14	23	17	53,2	37,5



**SS
insert**

FB-Stainless steel

Inserto standard / Standard insert / Standard-Flanschlager

Part	Art.-Nr.	Series	d	A	I	L	M	B	C	E	F	G	H
815	81500	FB204	20	108,5	42,9	22,2	38,1	62	62	15,4	12	33,7	26,2
815	81501	FB205	25	120,6	46	20,6	41,3	63,5	68,5	21	12	40,7	33,5
815	81502	FB206	30	140	52,4	31,8	47,6	75	83	19	14	41,2	31,5
815	81503	FB207	35	157	60,3	31,8	50,8	89	95	21,4	16	46,8	36,5
815	81504	FB208	40	164	60,3	41,3	50	78	100	22	18	47,5	35,7

FB-Chrome steel

Inserto standard / Standard insert / Standard-Flanschlager

Part	Art.-Nr.	Series	d	A	I	L	M	B	C	E	F	G	H
816	81600	FB204	20	108,5	42,9	22,2	38,1	62	62	15,4	12	33,7	26,2
816	81601	FB205	25	120,6	46	20,6	41,3	63,5	68,5	21	12	40,7	33,5
816	81602	FB206	30	140	52,4	31,8	47,6	75	83	19	14	41,2	31,5
816	81603	FB207	35	157	60,3	31,8	50,8	89	95	21,4	16	46,8	36,5
816	81604	FB208	40	164	60,3	41,3	50	78	100	22	18	47,5	35,7



CUSCINETTI ACCIAIO INOX

- Sede in Acciaio Inox, ottimale per l'utilizzo nei processi alimentari e farmaceutici.
- I cuscinetti sono realizzati in Acciaio inox, è possibile regolarli di 2.5° all'interno della flangia.
- Ingrassatore realizzato in Acciaio inox.
- Rondella per ingrassatore realizzata in Polietilene.

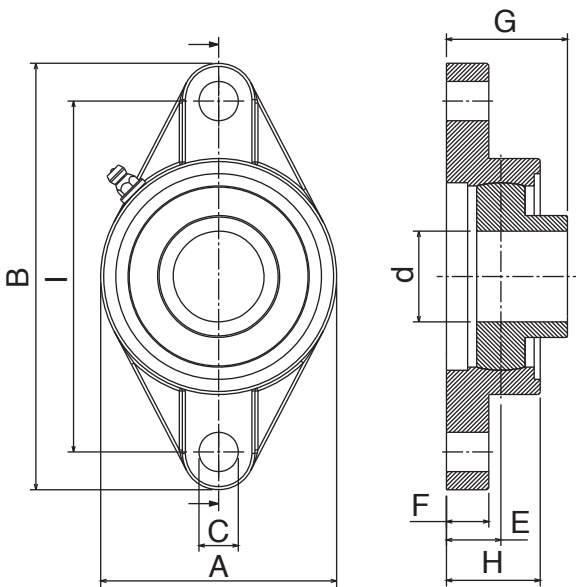
BEARING UNITS IN STAINLESS STEEL

- *Housing in stainless steel, best choice for processes in food or pharmaceutical industries.*
- *Ball bearings are made in stainless steel, they allow a misalignment between shaft and housing of max. 2.5°.*
- *Grease nipple made in stainless steel.*
- *Washer for grease nipple in PE.*

FLANCSHLAGER AUS EDELSTAHL

Flanschlager aus Edelstahl

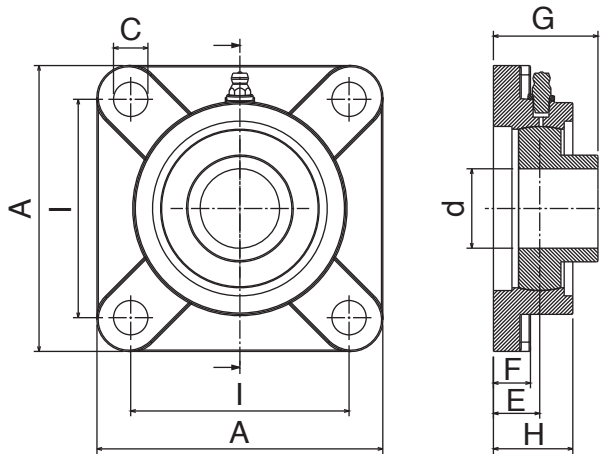
- *Lagergehäuse aus Edelstahl, optimal für den Einsatz in der Lebensmittel- oder Pharmaindustrie.*
- *Lagereinsatz aus Edelstahl, alle Lager gleichen einen Fluchtungsfehler von bis zu 2,5° selbständig aus.*
- *Schmiernippel aus Edelstahl.*
- *Unterlegscheibe für Schmiernippel aus PE.*



SUCFL

Inserto standard / Standard insert / Standard-Flanschlager

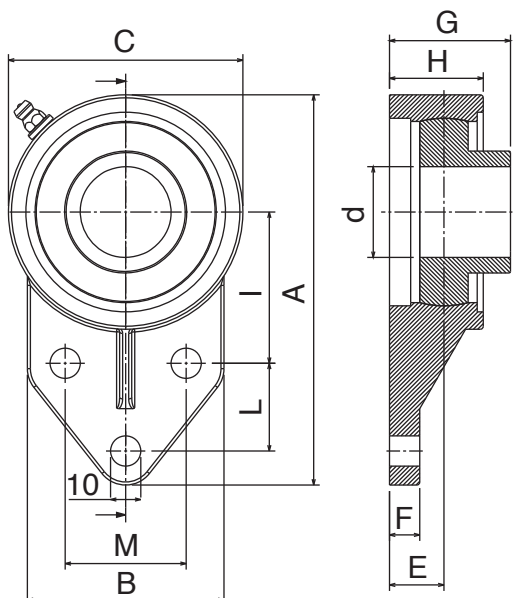
Part	Art.-Nr.	Series	d	I	A	B	C	E	F	G	H
817	81700	SUCFL 204	20	90	60	113	12	15	11	33,3	25,5
817	81701	SUCFL 205	25	99	68	130	16	16	13	35,8	27
817	81702	SUCFL 206	30	117	80	148	16	18	13	40,2	31
817	81703	SUCFL 207	35	130	90	161	16	19	15	44,4	34
817	81704	SUCFL 208	40	144	100	175	16	21	15	51,2	36



SUCF

Inserto standard / Standard insert / Standard-Flanschlager

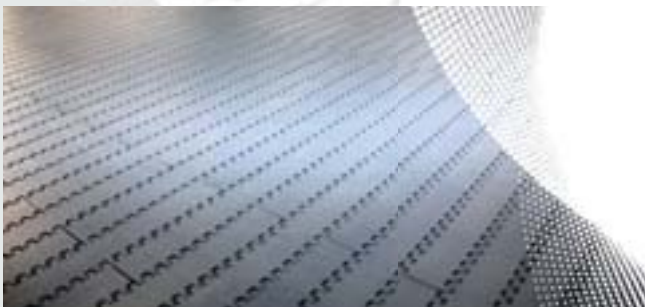
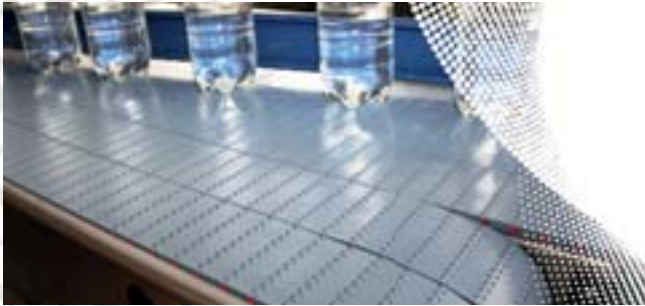
Part	Art.-Nr.	Series	d	I	A	C	E	F	G	H
819	81900	SUCF 204	20	64	86	12	15	12	33,3	25,5
819	81901	SUCF 205	25	70	95	12	16	14	35,8	27
819	81902	SUCF 206	30	83	108	12	18	14	40,2	31
819	81903	SUCF 207	35	92	117	14	19	15	44,4	34
819	81904	SUCF 208	40	102	130	16	21	15	51,2	36



SUCFK

Inserto standard / Standard insert / Standard-Flanschlager

Part	Art.-Nr.	Series	d	A	I	L	M	B	C	E	F	G	H
821	82100	SUCFK 204	20	110	42	27	32	52	62	15	13	33,3	25,5
821	82101	SUCFK 205	25	116	45	27	34	56	68	16	13	35,7	27
821	82102	SUCFK 206	30	130	50	29	40	65	78	18	13	40,2	31
821	82103	SUCFK 207	35	144	55	32	46	70	90	19	15	44,4	34
821	82104	SUCFK 208	40	164	60	41	50	78	100	21	16	51,2	36



leveling pads

Ø40-Ø50-Ø60



pag. 224

Ø80-Ø100



pag. 226

Ø80-Ø100-Ø120



pag. 228

Ø110



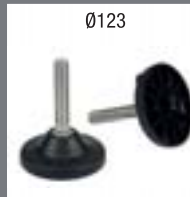
pag. 230

Ø123



pag. 232

Ø123



pag. 234

Ø50-Ø75-Ø100-Ø125



pag. 236

Ø75-Ø100



pag. 238

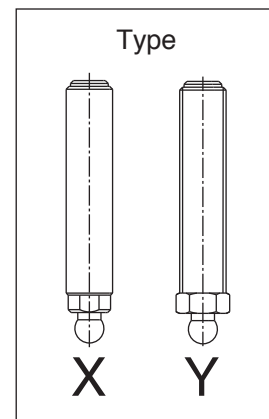
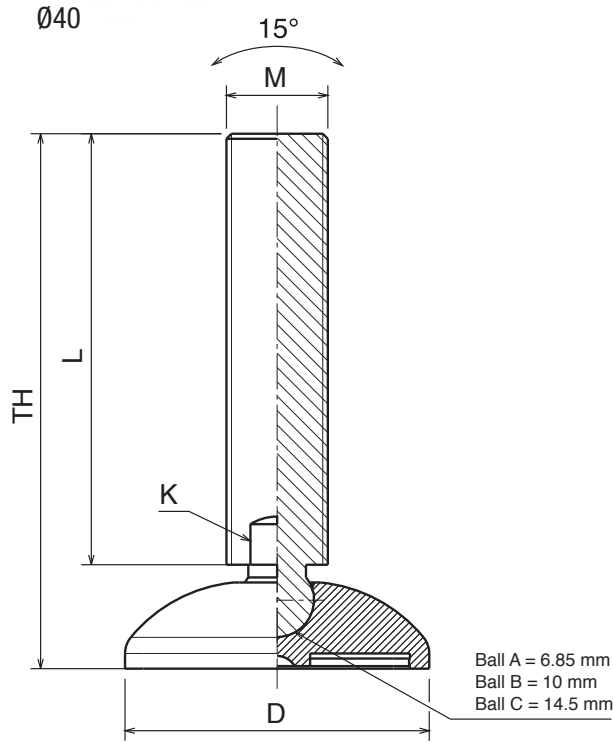
Ø123



pag. 240



Materiale:	Material:	Materialien:
Basi: Poliammide	Base plate: Polyamide	Fussplatte: Polyamid
Stelo: Acciaio inox o Ferro zincato	Spindle: Stainless steel or Zinc plated steel	Spindel: Edelstahl oder Stahl Verzinkt



ACCESSORI / ACCESSORIES / ZUBEHÖR

Gomma anti-scivolo / Anti-slip pad / Gummiplatte



Part	Article-Nr.	For base
996	99601	Ø40
996	99602	Ø50
996	99603	Ø60

Dadi acciaio inox / Stainless steel nuts / Mutter Edelstahl



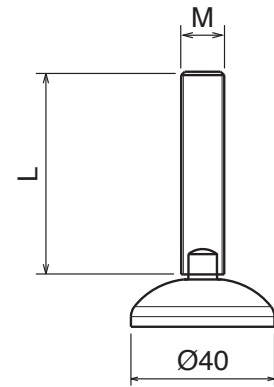
Part	Article-Nr.	Spindle
998	99801	M10
998	99802	M12
998	99804	M16
998	99805	M20

Piede diam. 40 mm / Leveller diam. 40 mm / Gelenkfuss Diam. 40 mm

Part	Spindle material		D	Spindle	K	TH	L	Ball	Type	N
	SS	Fe.Zn.								
901	90101	90101Z	40	M10	7	50	35	A	X	10.000
901	90102	90102Z	40	M10	7	100	85	A	X	10.000
901	90103	90103Z	40	M10	7	150	135	A	X	10.000
902	90201	90201Z	40	M12	9	75	60	B	X	12.000
902	90202	90202Z	40	M12	9	100	85	B	X	12.000
902	90203	90203Z	40	M12	9	150	135	B	X	12.000
903	90301	90301Z	40	M16	13	75	60	B	X	15.000
903	90302	90302Z	40	M16	13	100	85	B	X	15.000
903	90303	90303Z	40	M16	13	150	135	B	X	15.000
903	90301H	90301ZH	40	M16	16	75	60	B	Y	15.000
903	90302H	90302ZH	40	M16	16	100	85	B	Y	15.000
903	90303H	90303ZH	40	M16	16	150	135	B	Y	15.000

SS: Acciaio inox / Stainless steel / Edelstahl

FeZn: Ferro zincato / Zinc plated steel / Stahl Verzinkt

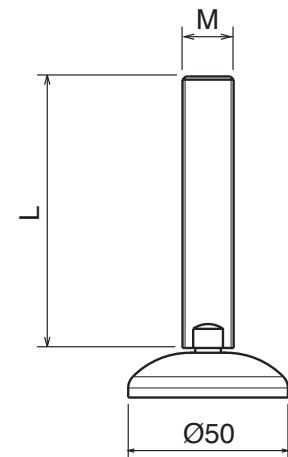


Piede diam. 50 mm / Leveller diam. 50 mm / Gelenkfuss Diam. 50 mm

Part	Spindle material		D	Spindle	K	TH	L	Ball	Type	N
	SS	Fe.Zn.								
904	90401	90401Z	50	M10	7	50	35	A	X	10.000
904	90402	90402Z	50	M10	7	100	85	A	X	10.000
904	90403	90403Z	50	M10	7	150	135	A	X	10.000
905	90501	90501Z	50	M12	9	75	60	B	X	12.000
905	90502	90502Z	50	M12	9	100	85	B	X	12.000
905	90503	90503Z	50	M12	9	150	135	B	X	12.000
906	90601	90601Z	50	M16	13	75	60	B	X	15.000
906	90602	90602Z	50	M16	13	100	85	B	X	15.000
906	90603	90603Z	50	M16	13	150	135	B	X	15.000
906	90601H	90601ZH	50	M16	16	75	60	B	Y	15.000
906	90602H	90602ZH	50	M16	16	100	85	B	Y	15.000
906	90603H	90603ZH	50	M16	16	150	135	B	Y	15.000

SS: Acciaio inox / Stainless steel / Edelstahl

FeZn: Ferro zincato / Zinc plated steel / Stahl Verzinkt

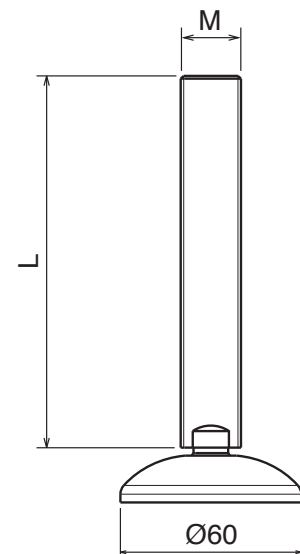


Piede diam. 60 mm / Leveller diam. 60 mm / Gelenkfuss Diam. 60 mm

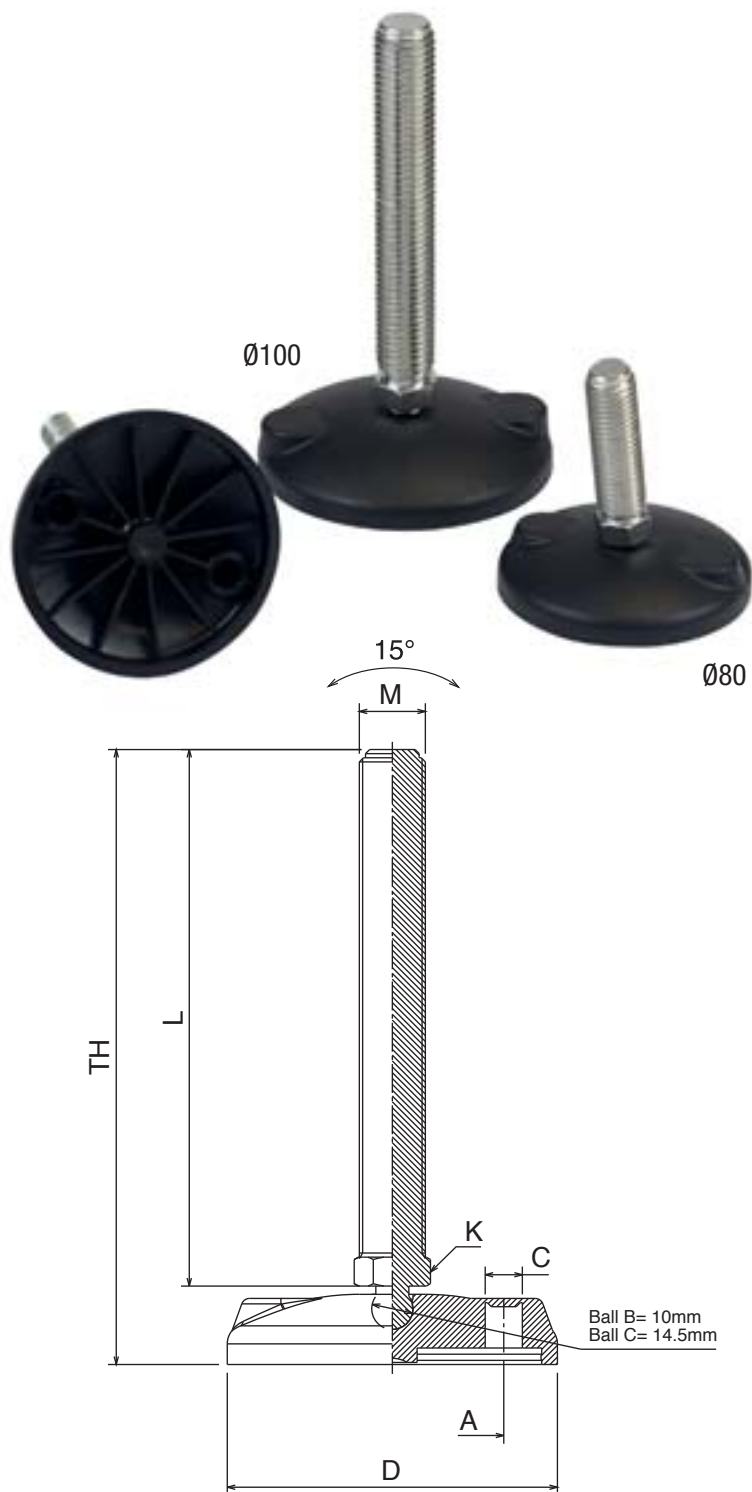
Part	Spindle material		D	Spindle	K	TH	L	Ball	Type	N
	SS	Fe.Zn.								
907	90701	90701Z	60	M12	9	80	60	B	X	12.000
907	90702	90702Z	60	M12	9	105	85	B	X	12.000
907	90703	90703Z	60	M12	9	155	135	B	X	12.000
908	90801	90801Z	60	M16	13	105	85	B	X	15.000
908	90802	90802Z	60	M16	13	155	135	B	X	15.000
908	90803	90803Z	60	M16	13	205	185	B	X	15.000
908	90801H	90801ZH	60	M16	16	105	85	B	Y	15.000
908	90802H	90802ZH	60	M16	16	155	135	B	Y	15.000
908	90803H	90803ZH	60	M16	16	205	185	B	Y	15.000
909	90901	90901Z	60	M20	16	105	85	C	X	16.000
909	90902	90902Z	60	M20	16	155	135	C	X	16.000
909	90903	90903Z	60	M20	16	205	185	C	X	16.000
909	90901H	90901ZH	60	M20	20	105	85	C	Y	16.000
909	90902H	90902ZH	60	M20	20	155	135	C	Y	16.000
909	90903H	90903ZH	60	M20	20	205	185	C	Y	16.000

SS: Acciaio inox / Stainless steel / Edelstahl

FeZn: Ferro zincato / Zinc plated steel / Stahl Verzinkt



Materiale:	Material:	Materialien:
Basi: Poliammide	Base plate: Polyamide	Fussplatte: Polyamid
Stelo: Acciaio inox o Ferro zincato	Spindle: Stainless steel or Zinc plated steel	Spindel: Edelstahl oder Stahl Verzinkt



ACCESSORI / ACCESSORIES / ZUBEHÖR

Gomma anti-scivolo / Anti-slip pad / Gummiplatte



Part	Article-Nr.	For base
996	99604	Ø80
996	99605	Ø100

Dadi acciaio inox / Stainless steel nuts / Mutter Edelstahl



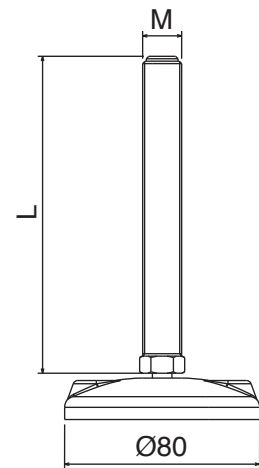
Part	Article-Nr.	Spindle
998	99802	M12
998	99804	M16
998	99805	M20

Piede diam. 80 mm / Leveller diam. 80 mm / Gelenkfuss Diam. 80 mm

Part	Spindle material		D	Spindle	K	TH	L	Ball	Type	N
	SS	Fe.Zn.								
953	95301	95301Z	80	M12	9	80	60	B	X	12.000
953	95302	95302Z	80	M12	9	105	85	B	X	12.000
953	95303	95303Z	80	M12	9	155	135	B	X	12.000
954	95401	95401Z	80	M16	13	105	85	B	X	15.000
954	95402	95402Z	80	M16	13	155	135	B	X	15.000
954	95403	95403Z	80	M16	13	205	185	B	X	15.000
954	95401H	95401ZH	80	M16	16	105	85	B	Y	15.000
954	95402H	95402ZH	80	M16	16	155	135	B	Y	15.000
954	95403H	95403ZH	80	M16	16	205	185	B	Y	15.000
955	95501	95501Z	80	M20	16	105	85	C	X	18.000
955	95502	95502Z	80	M20	16	155	135	C	X	18.000
955	95503	95503Z	80	M20	16	205	185	C	X	18.000
955	95501H	95501ZH	80	M20	20	105	85	C	Y	18.000
955	95502H	95502ZH	80	M20	20	155	135	C	Y	18.000
955	95503H	95503ZH	80	M20	20	205	185	C	Y	18.000

SS: Acciaio inox / Stainless steel / Edelstahl

FeZn: Ferro zincato / Zinc plated steel / Stahl Verzinkt

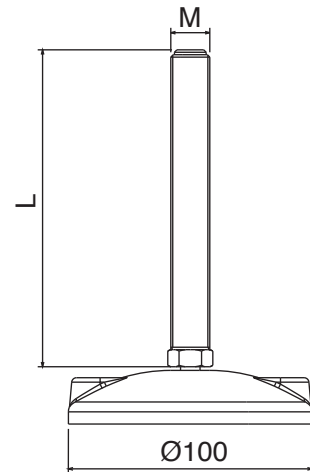


Piede diam. 100 mm / Leveller diam. 100 mm / Gelenkfuss Diam. 100 mm

Part	Spindle material		D	Spindle	K	TH	L	Ball	Type	N
	SS	Fe.Zn.								
956	95601	95601Z	100	M16	13	108	85	B	X	15.000
956	95602	95602Z	100	M16	13	158	135	B	X	15.000
956	95603	95603Z	100	M16	13	208	185	B	X	15.000
956	95601H	95601ZH	100	M16	16	108	85	B	Y	15.000
956	95602H	95602ZH	100	M16	16	158	135	B	Y	15.000
956	95603H	95603ZH	100	M16	16	208	185	B	Y	15.000
957	95701	95701Z	100	M20	16	108	85	C	X	18.000
957	95702	95702Z	100	M20	16	158	135	C	X	18.000
957	95703	95703Z	100	M20	16	208	185	C	X	18.000
957	95701H	95701ZH	100	M20	20	108	85	C	Y	18.000
957	95702H	95702ZH	100	M20	20	158	135	C	Y	18.000
957	95703H	95703ZH	100	M20	20	208	185	C	Y	18.000

SS: Acciaio inox / Stainless steel / Edelstahl

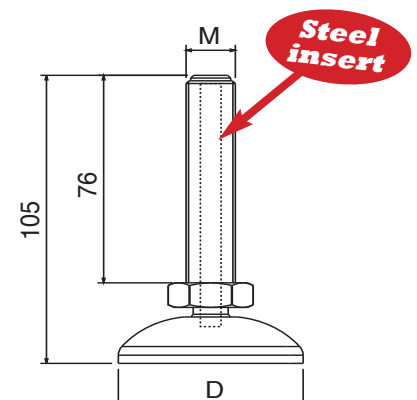
FeZn: Ferro zincato / Zinc plated steel / Stahl Verzinkt



Piede diam. 60-80-100 mm / Leveller diam. 60-80-100 mm / Gelenkfuss Diam. 60-80-100 mm

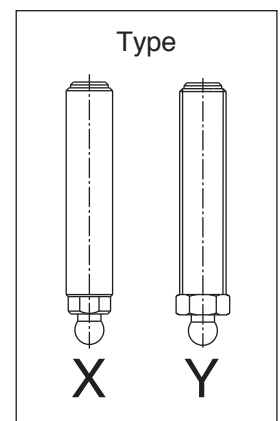
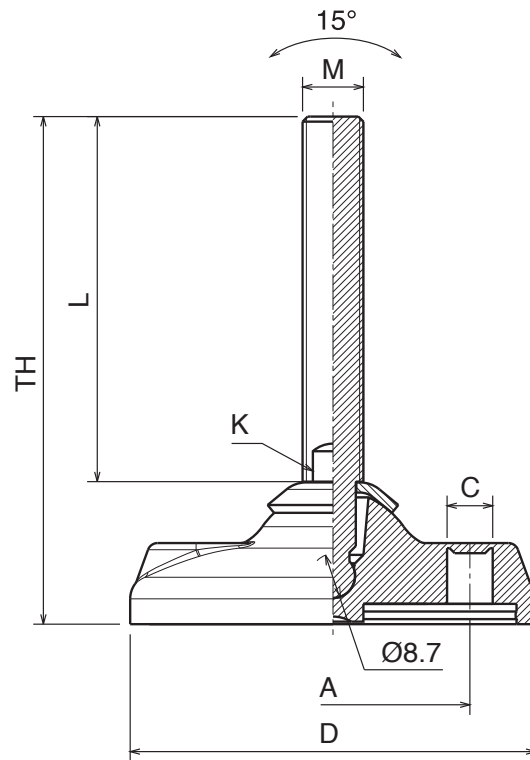
Part	Art.-Nr.	D	Spindle	K	Type	N
908	90810PH	60	M16	24	C	13.000
954	95410PH	80	M16	24	C	13.000
957	95710PH	100	M16	24	C	13.000

Base and spindle: Poliammide / Polyamide / Polyamid



910-918 STANDARD *Piede snodato Adjustable leveller Gelenkfuss*

Materiale:	Material:	Materialien:
Basi: Poliammide	Base plate: Polyamide	Fussplatte: Polyamid
Stelo: Acciaio inox o Ferro zincato	Spindle: Stainless steel or Zinc plated steel	Spindel: Edelstahl oder Stahl Verzinkt



ACCESSORI / ACCESSORIES / ZUBEHÖR

Gomma anti-scivolo / Anti-slip pad / Gummiplatte



Part	Article-Nr.	For base
996	99604	Ø80
996	99605	Ø100
996	99606	Ø120

Dadi acciaio inox / Stainless steel nuts / Mutter Edelstahl



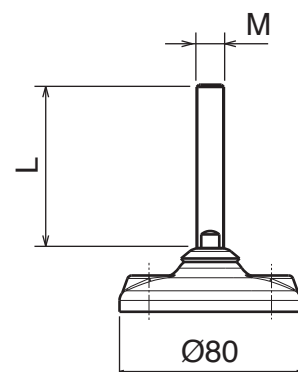
Part	Article-Nr.	Spindle
998	99802	M12
998	99804	M16
998	99805	M20
998	99806	M24

Piede diam. 80 mm / Leveller diam. 80 mm / Gelenkfuss Diam. 80 mm

Spindle material											
Part	SS	Fe.Zn.	D	Spindle	K	TH	L	A	C	Type	N
910	91001	91001Z	80	M12	9	100	72	54	9	X	12.000
910	91002	91002Z	80	M12	9	150	122	54	9	X	12.000
910	91003	91003Z	80	M12	9	200	172	54	9	X	12.000
911	91101	91101Z	80	M16	13	95	67	54	9	X	15.000
911	91102	91102Z	80	M16	13	145	117	54	9	X	15.000
911	91103	91103Z	80	M16	13	195	167	54	9	X	15.000
911	91101H	91101ZH	80	M16	16	95	67	54	9	Y	15.000
911	91102H	91102ZH	80	M16	16	145	117	54	9	Y	15.000
911	91103H	91103ZH	80	M16	16	195	167	54	9	Y	15.000
912	91201	91201Z	80	M20	16	120	92	54	9	X	16.000
912	91202	91202Z	80	M20	16	170	142	54	9	X	16.000
912	91203	91203Z	80	M20	16	220	192	54	9	X	16.000
912	91201H	91201ZH	80	M20	20	120	92	54	9	Y	16.000
912	91202H	91202ZH	80	M20	20	170	142	54	9	Y	16.000
912	91203H	91203ZH	80	M20	20	220	192	54	9	Y	16.000

SS: Acciaio inox / Stainless steel / Edelstahl

FeZn: Ferro zincato / Zinc plated steel / Stahl Verzinkt

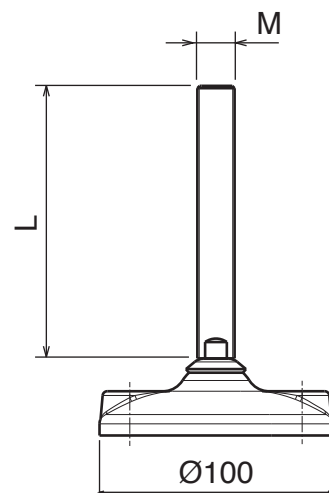


Piede diam. 100 mm / Leveller diam. 100 mm / Gelenkfuss Diam. 100 mm

Spindle material											
Part	SS	Fe.Zn.	D	Spindle	K	TH	L	A	C	Type	N
913	91301	91301Z	100	M16	13	100	67	74	13	X	15.000
913	91302	91302Z	100	M16	13	150	117	74	13	X	15.000
913	91303	91303Z	100	M16	13	200	167	74	13	X	15.000
913	91301H	91301ZH	100	M16	16	100	67	74	13	Y	15.000
913	91302H	91302ZH	100	M16	16	150	117	74	13	Y	15.000
913	91303H	91303ZH	100	M16	16	200	167	74	13	Y	15.000
914	91401	91401Z	100	M20	16	125	92	74	13	X	16.000
914	91402	91402Z	100	M20	16	175	142	74	13	X	16.000
914	91403	91403Z	100	M20	16	225	192	74	13	X	16.000
914	91401H	91401ZH	100	M20	20	125	92	74	13	Y	16.000
914	91402H	91402ZH	100	M20	20	175	142	74	13	Y	16.000
914	91403H	91403ZH	100	M20	20	225	192	74	13	Y	16.000
915	91501	91501Z	100	M24	19	125	92	74	13	X	18.000
915	91502	91502Z	100	M24	19	175	142	74	13	X	18.000
915	91503	91503Z	100	M24	19	225	192	74	13	X	18.000

SS: Acciaio inox / Stainless steel / Edelstahl

FeZn: Ferro zincato / Zinc plated steel / Stahl Verzinkt

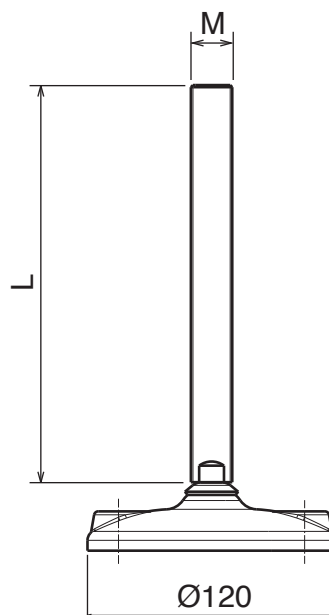


Piede diam. 120 mm / Leveller diam. 120 mm / Gelenkfuss Diam. 120 mm

Spindle material											
Part	SS	Fe.Zn.	D	Spindle	K	TH	L	A	C	Type	N
916	91601	91601Z	120	M16	13	100	67	90	13	X	15.000
916	91602	91602Z	120	M16	13	150	117	90	13	X	15.000
916	91603	91603Z	120	M16	13	200	167	90	13	X	15.000
916	91601H	91601ZH	120	M16	16	100	67	90	13	Y	15.000
916	91602H	91602ZH	120	M16	16	150	117	90	13	Y	15.000
916	91603H	91603ZH	120	M16	16	200	167	90	13	Y	15.000
917	91701	91701Z	120	M20	16	125	92	90	13	X	16.000
917	91702	91702Z	120	M20	16	175	142	90	13	X	16.000
917	91703	91703Z	120	M20	16	225	192	90	13	X	16.000
917	91701H	91701ZH	120	M20	20	125	92	90	13	Y	16.000
917	91702H	91702ZH	120	M20	20	175	142	90	13	Y	16.000
917	91703H	91703ZH	120	M20	20	225	192	90	13	Y	16.000
918	91801	91801Z	120	M24	19	125	92	90	13	X	18.000
918	91802	91802Z	120	M24	19	175	142	90	13	X	18.000
918	91803	91803Z	120	M24	19	225	192	90	13	X	18.000

SS: Acciaio inox / Stainless steel / Edelstahl

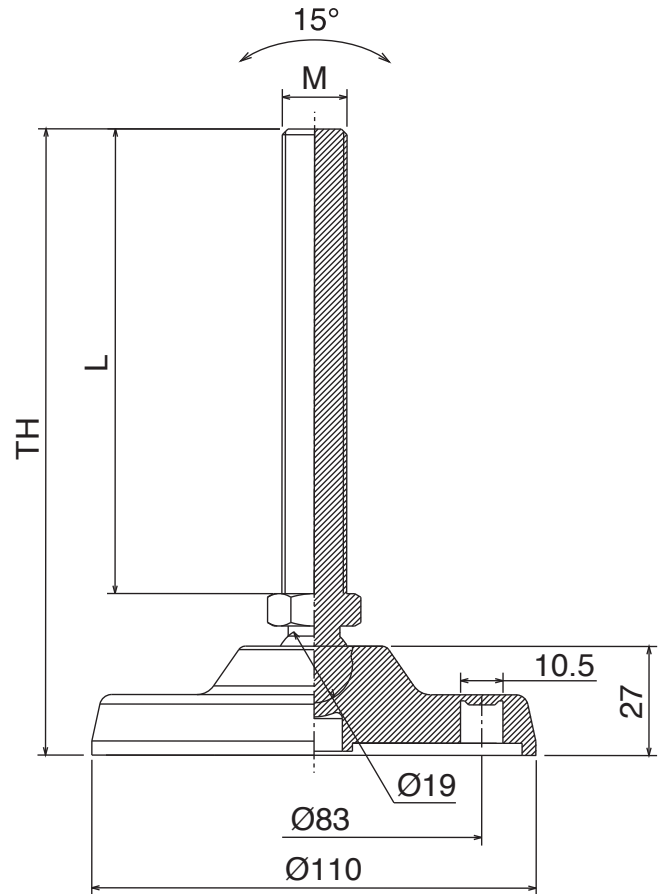
FeZn: Ferro zincato / Zinc plated steel / Stahl Verzinkt



943-947 Ø110

Piede snodato
Adjustable leveller
Gelenkfuss

Materiale:	Material:	Materialien:
Basi: Poliammide	Base plate: Polyamide	Fussplatte: Polyamid
Stelo: Acciaio inox o Ferro zincato	Spindle: Stainless steel or Zinc plated steel	Spindel: Edelstahl oder Stahl Verzinkt



ACCESSORI / ACCESSORIES / ZUBEHÖR

Gomma anti-scivolo / Anti-slip pad / Gummiplatte



Part	Article-Nr.	For base
996	99607	Ø110

Dadi acciaio inox / Stainless steel nuts / Mutter Edelstahl



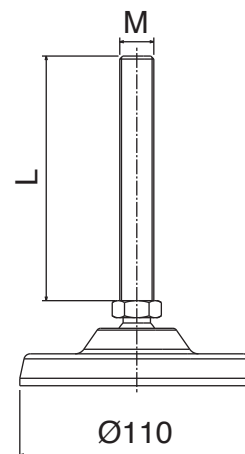
Part	Article-Nr.	Spindle
998	99804	M16
998	99805	M20
998	99806	M24

Piede diam. 110 mm / Leveller diam. 110 mm / Gelenkfuss Diam. 110 mm

WITHOUT ANTISLIP RUBBER



Part	SS	Fe.Zn.	Spindle	K	TH	L	N
943	94301H	94301ZH	M16	20	155	115	15.000
943	94302H	94302ZH	M16	20	185	145	15.000
943	94303H	94303ZH	M16	20	235	195	15.000
944	94401H	94401ZH	M20	20	155	115	15.000
944	94402H	94402ZH	M20	20	185	145	15.000
944	94403H	94403ZH	M20	20	235	195	15.000
945	94501H	94501ZH	M24	24	155	115	18.000
945	94502H	94502ZH	M24	24	185	145	18.000
945	94503H	94503ZH	M24	24	235	195	18.000



WITH ANTISLIP RUBBER



Part	SS	Fe.Zn.	Spindle	K	TH	L	N
943	94351H	94351ZH	M16	20	155	115	15.000
943	94352H	94352ZH	M16	20	185	145	15.000
943	94353H	94353ZH	M16	20	235	195	15.000
944	94451H	94451ZH	M20	20	155	115	15.000
944	94452H	94452ZH	M20	20	185	145	15.000
944	94453H	94453ZH	M20	20	235	195	15.000
945	94551H	94551ZH	M24	24	155	115	18.000
945	94552H	94552ZH	M24	24	185	145	18.000
945	94553H	94553ZH	M24	24	235	195	18.000

SS: Acciaio inox / Stainless steel / Edelstahl

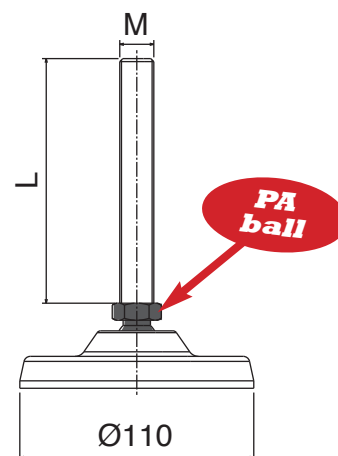
FeZn: Ferro zincato / Zinc plated steel / Stahl Verzinkt

Piede diam. 110 mm / Leveller diam. 110 mm / Gelenkfuss Diam. 110 mm

WITHOUT ANTISLIP RUBBER



Part	SS	Fe.Zn.	Spindle	K	TH	L	N
946	94601H	94601ZH	M16	20	155	115	12.000
946	94602H	94602ZH	M16	20	185	145	12.000
946	94603H	94603ZH	M16	20	235	195	12.000
947	94701H	94701ZH	M20	20	155	115	12.000
947	94702H	94702ZH	M20	20	185	145	12.000
947	94703H	94703ZH	M20	20	235	195	12.000



WITH ANTISLIP RUBBER



Part	SS	Fe.Zn.	Spindle	K	TH	L	N
946	94651H	94651ZH	M16	20	155	115	12.000
946	94652H	94652ZH	M16	20	185	145	12.000
946	94653H	94653ZH	M16	20	235	195	12.000
947	94751H	94751ZH	M20	20	155	115	12.000
947	94752H	94752ZH	M20	20	185	145	12.000
947	94753H	94753ZH	M20	20	235	195	12.000

SS: Acciaio inox / Stainless steel with PA sphere / Edelstahl

FeZn: Ferro zincato / Zinc plated steel with PA sphere / Stahl Verzinkt

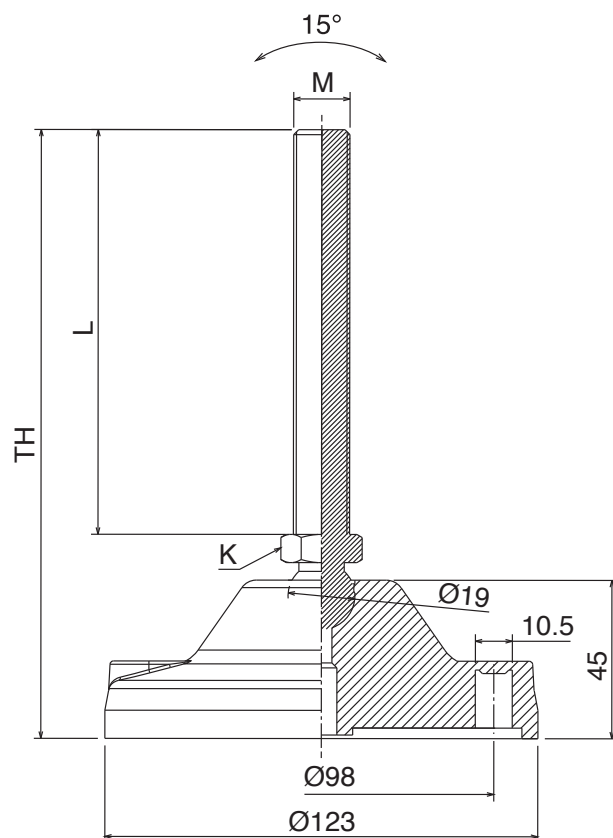
948-952 Ø123

Piede snodato
Adjustable leveller
Gelenkfuss

Materiale:	Material:	Materialien:
Basi: Poliammide	Base plate: Polyamide	Fussplatte: Polyamid
Stelo: Acciaio inox o Ferro zincato	Spindle: Stainless steel or Zinc plated steel	Spindel: Edelstahl oder Stahl Verzinkt



Ø123



ACCESSORI / ACCESSORIES / ZUBEHÖR

Gomma anti-scivolo / Anti-slip pad / Gummiplatte



Part	Article-Nr.	For base
996	99608	Ø123

Dadi acciaio inox / Stainless steel nuts / Mutter Edelstahl

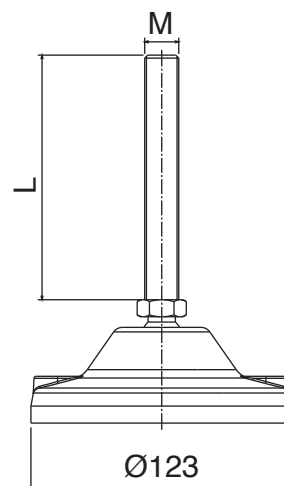


Part	Article-Nr.	Spindle
998	99804	M16
998	99805	M20
998	99806	M24

Piede diam. 123 mm / Leveller diam. 123 mm / Gelenkfuss Diam. 123 mm

WITHOUT ANTISLIP RUBBER

Part	SS	Fe.Zn.	Spindle	K	TH	L	N
948	94801H	94801ZH	M16	20	175	115	25.000
948	94802H	94802ZH	M16	20	205	145	25.000
948	94803H	94803ZH	M16	20	255	195	25.000
949	94901H	94901ZH	M20	20	175	115	25.000
949	94902H	94902ZH	M20	20	205	145	25.000
949	94903H	94903ZH	M20	20	255	195	25.000
950	95001H	95001ZH	M24	24	175	115	25.000
950	95002H	95002ZH	M24	24	205	145	25.000
950	95003H	95003ZH	M24	24	255	195	25.000



WITH ANTISLIP RUBBER

Part	SS	Fe.Zn.	Spindle	K	TH	L	N
948	94851H	94851ZH	M16	20	175	115	25.000
948	94852H	94852ZH	M16	20	205	145	25.000
948	94853H	94853ZH	M16	20	255	195	25.000
949	94951H	94951ZH	M20	20	175	115	25.000
949	94952H	94952ZH	M20	20	205	145	25.000
949	94953H	94953ZH	M20	20	255	195	25.000
950	95051H	95051ZH	M24	24	175	115	25.000
950	95052H	95052ZH	M24	24	205	145	25.000
950	95053H	95053ZH	M24	24	255	195	25.000

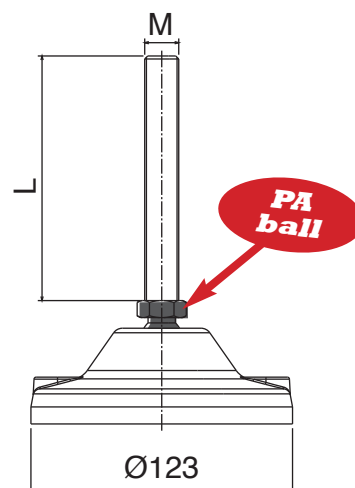
SS: Acciaio inox / Stainless steel / Edelstahl

FeZn: Ferro zincato / Zinc plated steel / Stahl Verzinkt

Piede diam. 123 mm / Leveller diam. 123 mm / Gelenkfuss Diam. 123 mm

WITHOUT ANTISLIP RUBBER

Part	SS	Fe.Zn.	Spindle	K	TH	L	N
951	95101H	95101ZH	M16	20	175	115	20.000
951	95102H	95102ZH	M16	20	205	145	20.000
951	95103H	95103ZH	M16	20	255	195	20.000
952	95201H	95201ZH	M20	20	175	115	20.000
952	95202H	95202ZH	M20	20	205	145	20.000
952	95203H	95203ZH	M20	20	255	195	20.000



WITH ANTISLIP RUBBER

Part	SS	Fe.Zn.	Spindle	K	TH	L	N
951	95151H	95151ZH	M16	20	175	115	20.000
951	95152H	95152ZH	M16	20	205	145	20.000
951	95153H	95153ZH	M16	20	255	195	20.000
952	95251H	95251ZH	M20	20	175	115	20.000
952	95252H	95252ZH	M20	20	205	145	20.000
952	95253H	95253ZH	M20	20	255	195	20.000

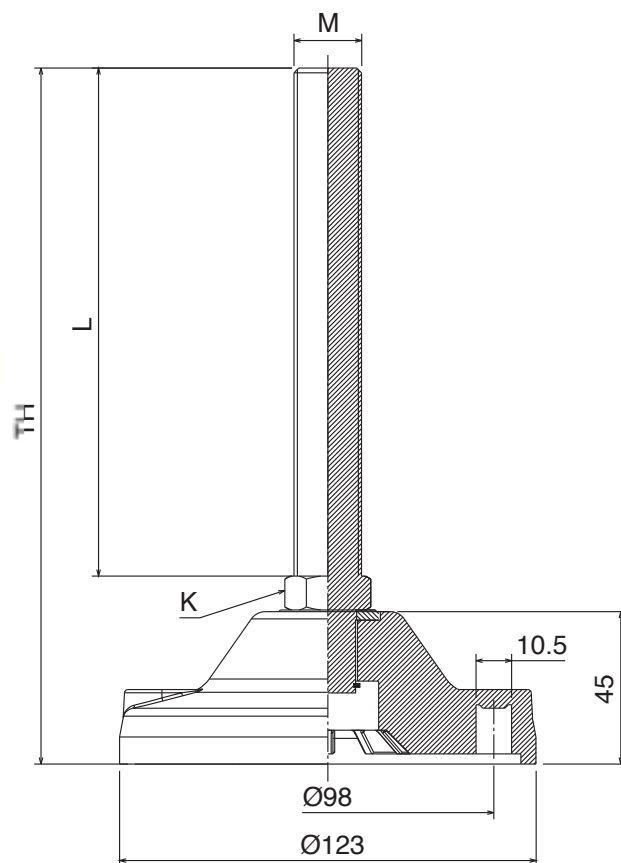
SS: Acciaio inox / Stainless steel with PA sphere / Edelstahl

FeZn: Ferro zincato / Zinc plated steel with PA sphere / Stahl Verzinkt

Materiale:	Material:	Materialien:
Basi: Poliammide	Base plate: Polyamide	Fussplatte: Polyamid
Stelo: Acciaio inox o Ferro zincato	Spindle: Stainless steel or Zinc plated steel	Spindel: Edelstahl oder Stahl Verzinkt



Ø123



ACCESSORI / ACCESSORIES / ZUBEHÖR

Gomma anti-scivolo / Anti-slip pad / Gummiplatte



Part	Article-Nr.	For base
996	99608	Ø123

Dadi acciaio inox / Stainless steel nuts / Mutter Edelstahl



Part	Article-Nr.	Spindle
998	99804	M16
998	99805	M20
998	99806	M24

Piede diam. 123 mm / Leveller diam. 123 mm / Gelenkfuss Diam. 123 mm

WITHOUT ANTISLIP RUBBER



Part	SS	Fe.Zn.	Spindle	K	TH	L	N
958	95801H	95801ZH	M20	20	150	98	30.000
958	95802H	95802ZH	M20	20	200	148	30.000
958	95803H	95803ZH	M20	20	250	198	30.000
959	95901H	95901ZH	M24	24	150	98	30.000
959	95902H	95902ZH	M24	24	200	148	30.000
959	95903H	95903ZH	M24	24	250	198	30.000

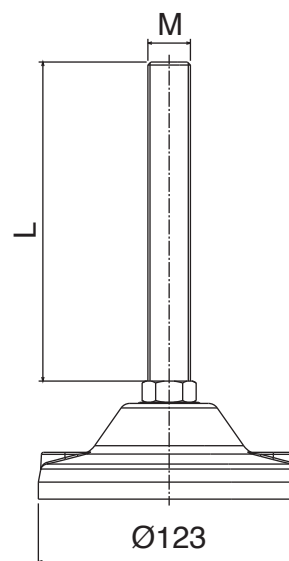
WITH ANTISLIP RUBBER



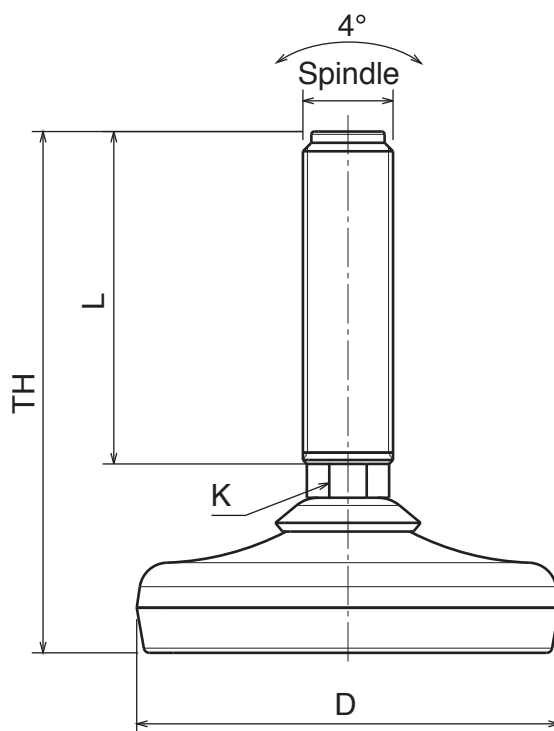
Part	SS	Fe.Zn.	Spindle	K	TH	L	N
958	95851H	95851ZH	M20	20	150	98	30.000
958	95852H	95852ZH	M20	20	200	148	30.000
958	95853H	95853ZH	M20	20	250	198	30.000
959	95951H	95951ZH	M24	24	150	98	30.000
959	95952H	95952ZH	M24	24	200	148	30.000
959	95953H	95953ZH	M24	24	250	198	30.000

SS: Acciaio inox / Stainless steel / Edelstahl

FeZn: Ferro zincato / Zinc plated steel / Stahl Verzinkt



Materiale:	Material:	Materialien:
Basi, stelo e rondella: Acciaio inox	Base plate, spindle and washer: Stainless steel	Fussplatte, Spindel und Scheibe: Edelstahl



ACCESSORI / ACCESSORIES / ZUBEHÖR

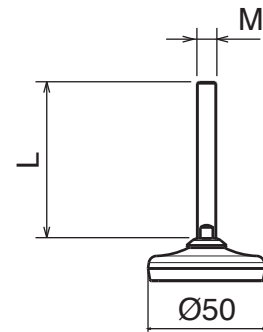
Dadi acciaio inox / Stainless steel nuts / Mutter Edelstahl



Part	Article-Nr.	Spindle
998	99802	M12
998	99804	M16
998	99805	M20
998	99806	M24
998	99807	M30

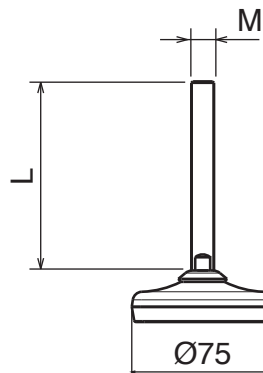
Piede diam. 50 mm / Leveller diam. 50 mm / Stellfuss Diam. 50 mm

Part	Article-Nr.	D	Spindle	K	TH	L	N
919	91901	50	M12	9	75	50	3.000
919	91902	50	M12	9	100	75	3.000
919	91903	50	M12	9	150	125	3.000
920	92001	50	M16	13	90	65	3.000
920	92002	50	M16	13	140	115	3.000
920	92003	50	M16	13	190	165	3.000
921	92101	50	M20	16	90	65	3.000
921	92102	50	M20	16	115	90	3.000
921	92103	50	M20	16	165	140	3.000



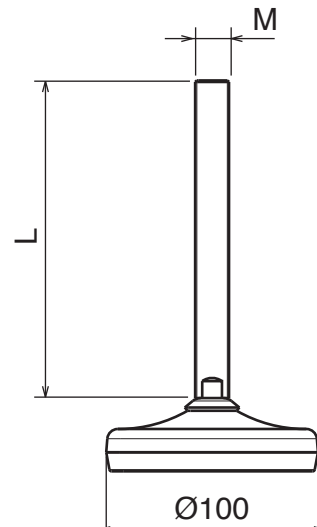
Piede diam. 75 mm / Leveller diam. 75 mm / Stellfuss Diam. 75 mm

Part	Article-Nr.	D	Spindle	K	TH	L	N
922	92201	75	M12	9	80	50	8.000
922	92202	75	M12	9	105	75	8.000
922	92203	75	M12	9	155	125	8.000
923	92301	75	M16	13	95	65	8.000
923	92302	75	M16	13	145	115	8.000
923	92303	75	M16	13	195	165	8.000
924	92401	75	M20	16	95	65	8.000
924	92402	75	M20	16	120	90	8.000
924	92403	75	M20	16	170	140	8.000



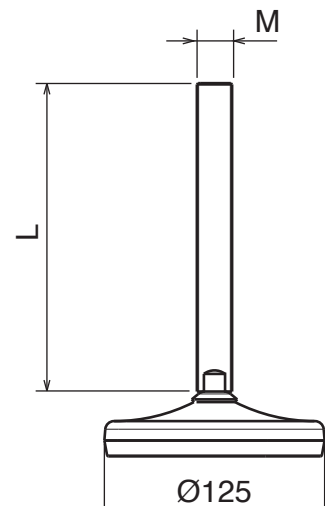
Piede diam. 100 mm / Leveller diam. 100 mm / Stellfuss Diam. 100 mm

Part	Article-Nr.	D	Spindle	K	TH	L	N
925	92501	100	M16	13	100	65	20.000
925	92502	100	M16	13	150	115	20.000
925	92503	100	M16	13	200	165	20.000
926	92601	100	M20	16	125	90	20.000
926	92602	100	M20	16	175	140	20.000
926	92603	100	M20	16	225	190	20.000
927	92701	100	M24	19	125	90	20.000
927	92702	100	M24	19	175	140	20.000
927	92703	100	M24	19	225	190	20.000



Piede diam. 125 mm / Leveller diam. 125 mm / Stellfuss Diam. 125 mm

Part	Article-Nr.	D	Spindle	K	TH	L	N
928	92801	125	M20	16	130	90	30.000
928	92802	125	M20	16	180	140	30.000
928	92803	125	M20	16	230	190	30.000
929	92901	125	M24	19	130	90	30.000
929	92902	125	M24	19	180	140	30.000
929	92903	125	M24	19	230	190	30.000
930	93001	125	M30	24	155	115	30.000
930	93002	125	M30	24	205	165	30.000
930	93003	125	M30	24	255	215	30.000

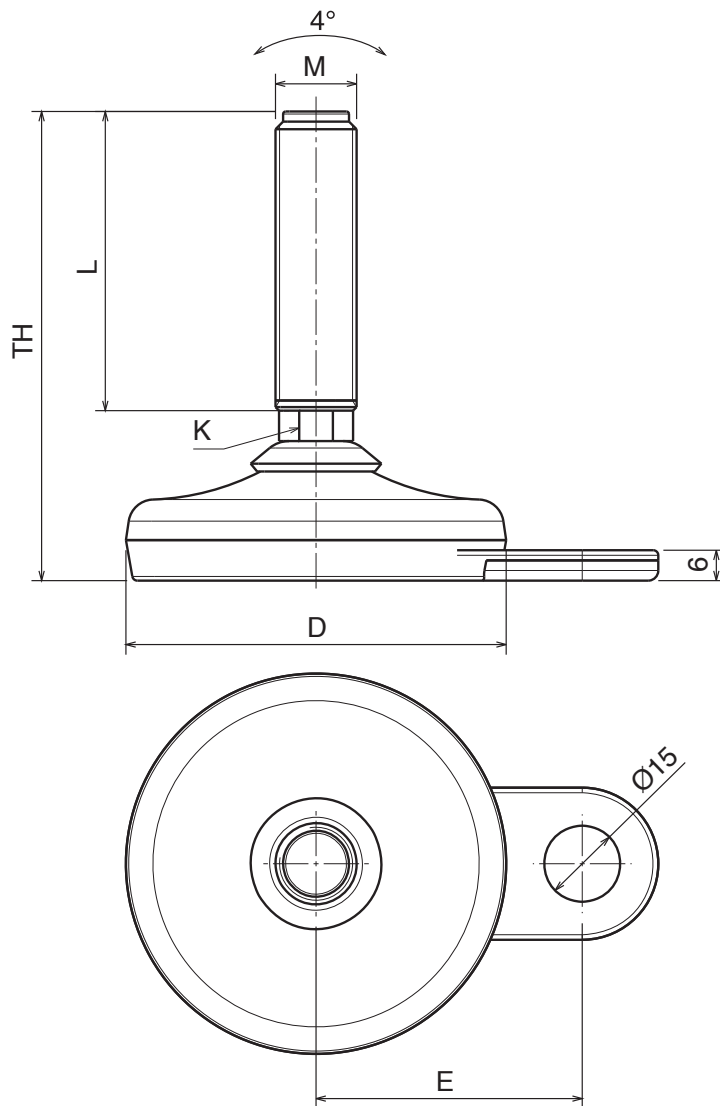


934-939

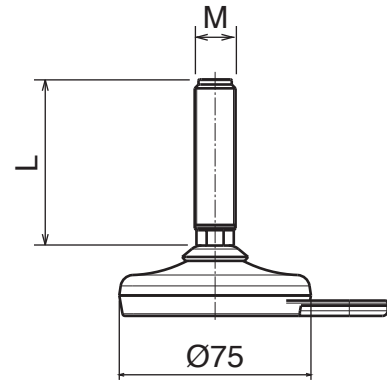
EASY CLEAN

Piede con Foro Fissaggio
Leveller with Fixing Hole
Stellfuss mit Befestigungsbohrung

Materiale:	Material:	Materialien:
Basi, stelo e rondella: Acciaio inox	Base plate, spindle and washer: Stainless steel	Fussplatte, Spindel und Scheibe: Edelstahl

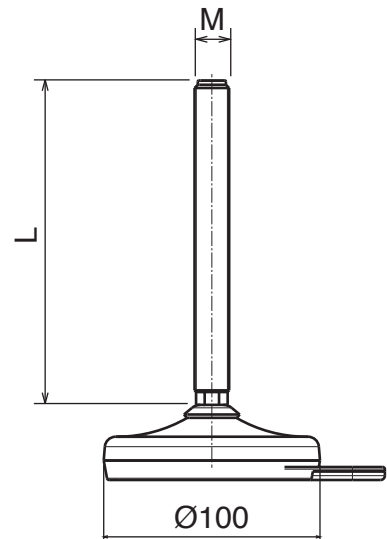


Piede diam. 75 mm con fori fissaggio / Leveller diam. 75 mm with fixing holes
 Stellfuss diam. 75 mm mit Befestigungsbohrung



Part	Article-Nr.	D	E	Spindle	K	TH	L	N
934	93401	75	52,5	M12	9	80	50	8.000
934	93402	75	52,5	M12	9	105	75	8.000
934	93403	75	52,5	M12	9	155	125	8.000
935	93501	75	52,5	M16	13	95	65	8.000
935	93502	75	52,5	M16	13	145	115	8.000
935	93503	75	52,5	M16	13	195	165	8.000
936	93601	75	52,5	M20	16	95	65	8.000
936	93602	75	52,5	M20	16	120	90	8.000
936	93603	75	52,5	M20	16	170	140	8.000

Piede diam. 100 mm con fori fissaggio / Leveller diam. 100 mm with fixing holes
 Stellfuss diam. 100 mm mit Befestigungsbohrung



Part	Article-Nr.	D	E	Spindle	K	TH	L	N
937	93701	100	65	M16	13	100	65	20.000
937	93702	100	65	M16	13	150	115	20.000
937	93703	100	65	M16	13	200	165	20.000
938	93801	100	65	M20	16	125	90	20.000
938	93802	100	65	M20	16	175	140	20.000
938	93803	100	65	M20	16	225	190	20.000
939	93901	100	65	M24	19	125	90	20.000
939	93902	100	65	M24	19	175	140	20.000
939	93903	100	65	M24	19	225	190	20.000

ACCESSORI / ACCESSORIES / ZUBEHÖR

Dadi acciaio inox / Stainless steel nuts / Mutter Edelstahl

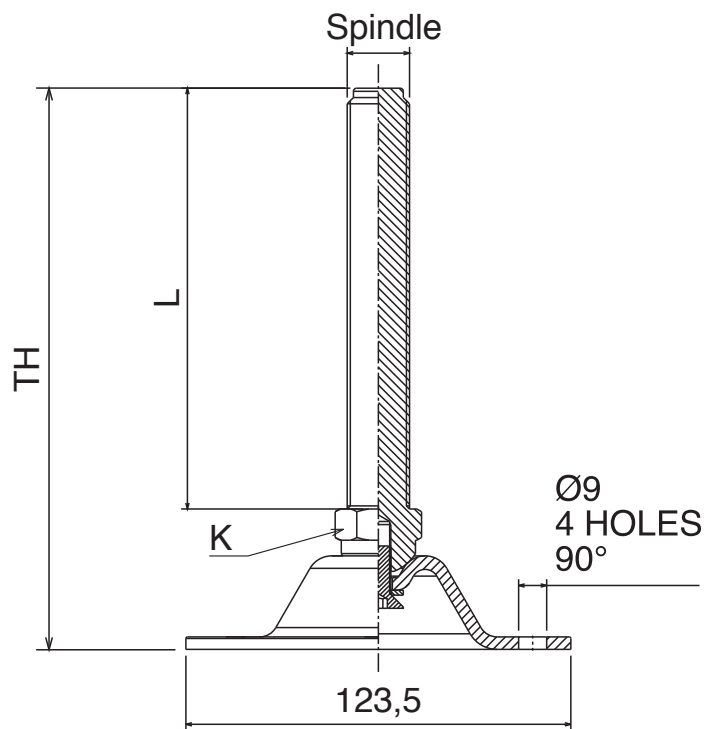


Part	Article-Nr.	Spindle
998	99802	M12
998	99804	M16
998	99805	M20
998	99806	M24

Materiale:	Material:	Materialien:
Acciaio inox o Ferro zincato	Stainless steel or Zinc plated steel	Edelstahl oder Stahl Verzinkt



Ø123



ACCESSORI / ACCESSORIES / ZUBEHÖR

Dadi acciaio inox / Stainless steel nuts / Mutter Edelstahl



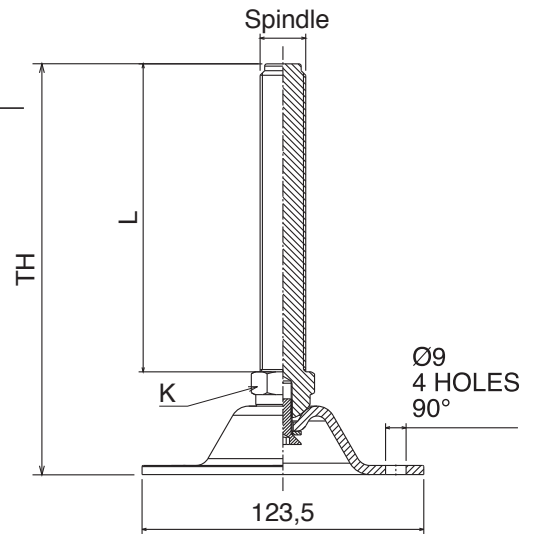
Part	Article-Nr.	Spindle
998	99804	M16
998	99805	M20
998	99806	M24
998	99807	M30

Piede diam. 123 mm con 4 fori 90° / Leveller diam. 123 mm with 4 holes 90°
Stellfuss diam. 123 mm mit 4 Befestigungsbohrung 90°

Spindle material							
Part	SS	Fe.Zn.	Spindle	K	TH	L	N
960	P96001H	P96001ZH	M16	20	155	115	10.000
960	P96002H	P96002ZH	M16	20	175	135	10.000
961	P96101H	P96101ZH	M20	24	155	115	10.000
961	P96102H	P96102ZH	M20	24	175	135	10.000
962	P96201H	P96201ZH	M24	24	170	125	10.000
962	P96202H	P96202ZH	M24	24	230	185	10.000
963	P96301H	P96301ZH	M30	30	170	125	10.000
963	P96302H	P96302ZH	M30	30	230	185	10.000

SS: Acciaio inox / Stainless steel / Edelstahl

FeZn: Ferro zincato / Zinc plated steel / Stahl Verzinkt

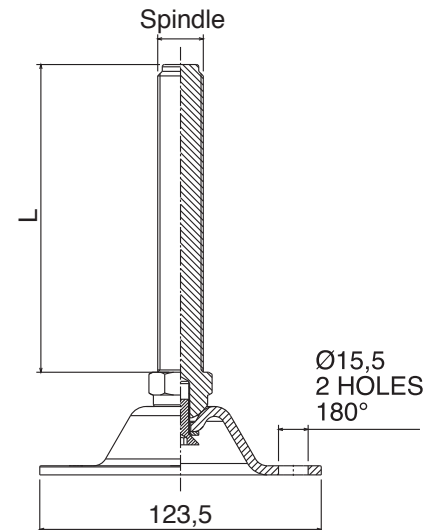


Piede diam. 123 mm con 2 fori 180° / Leveller diam. 123 mm with 2 holes 180°
Stellfuss diam. 123 mm mit 2 Befestigungsbohrung 180°

Spindle material							
Part	SS	Fe.Zn.	Spindle	K	TH	L	N
964	P96401H	P96401ZH	M16	20	155	115	10.000
964	P96402H	P96402ZH	M16	20	175	135	10.000
965	P96501H	P96501ZH	M20	24	155	115	10.000
965	P96502H	P96502ZH	M20	24	175	135	10.000
966	P96601H	P96601ZH	M24	24	170	125	10.000
966	P96602H	P96602ZH	M24	24	230	185	10.000
967	P96701H	P96701ZH	M30	30	170	125	10.000
967	P96702H	P96702ZH	M30	30	230	185	10.000

SS: Acciaio inox / Stainless steel / Edelstahl

FeZn: Ferro zincato / Zinc plated steel / Stahl Verzinkt

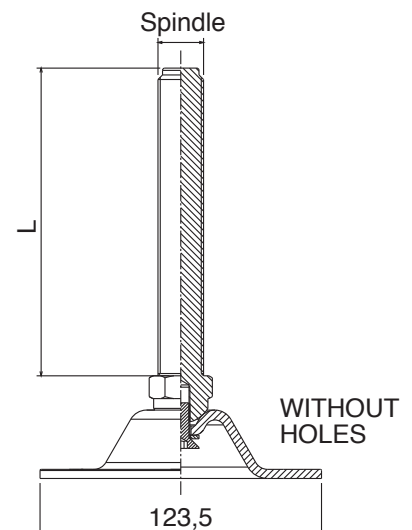


Piede diam. 123 mm senza fori / Leveller diam. 123 mm without holes
Stellfuss diam. 123 mm ohne Befestigungsbohrung

Spindle material							
Part	SS	Fe.Zn.	Spindle	K	TH	L	N
968	P96801H	P96801ZH	M16	20	155	115	10.000
968	P96802H	P96802ZH	M16	20	175	135	10.000
969	P96901H	P96901ZH	M20	24	155	115	10.000
969	P96902H	P96902ZH	M20	24	175	135	10.000
970	P97001H	P97001ZH	M24	24	170	125	10.000
970	P97002H	P97002ZH	M24	24	230	185	10.000
971	P97101H	P97101ZH	M30	30	170	125	10.000
971	P97102H	P97102ZH	M30	30	230	185	10.000

SS: Acciaio inox / Stainless steel / Edelstahl

FeZn: Ferro zincato / Zinc plated steel / Stahl Verzinkt



www.moveexii.com

CHEMICAL RESISTANCES

Chemical Agent up to 65°C	Polyamide	Steel	Stainless Steel Aisi 304	Stainless Steel Aisi 430	<i>LF</i>	<i>MK</i>	<i>MX</i>	UHMW PE	PP
Acetone	G	U	G	G	G	G	A	G	G
Acetic acid (max. 5%)	U	U	G	U	U	U	G	G	G
Alcohol	G	G	G	G	G	G	G	G	G
Ammonia	G	A	G	G	U	U	A	G	G
Beer	G	G	G	G	G	G	G	G	G
Benzene	G	G	G	G	G	G	U	A	G
Benzol	G	G	G	G	G	G	G	G	A
Carbon tetrachloride	G	A	A	A	G	G	/	A	U
Chocolat	A	G	G	G	G	G	G	A	G
Citric acid	A	U	G	A	A	A	G	G	G
Formic acid	U	G	G	G	G	G	A	G	\
Fresh water	G	U	G	G	G	G	G	G	G
Fruit juices	G	U	G	A	G	G	G	G	G
Hydrochloric acid (max.2%)	U	U	U	U	U	U	A	A	G
Hydrogen peroxide	U	U	G	A	U	U	/	A	\
Iodine	U	A	A	A	A	A	/	A	\
Lactic acid	G	U	G	U	G	G	G	G	G
Milk	G	G	G	G	G	G	G	G	G
Mustard	A	G	G	G	A	A	/	A	G
Nitric acid	U	U	G	A	U	U	U	A	G
Oil (vegetable or mineral)	G	G	G	G	G	G	U	G	G
Paraffin	G	G	G	G	G	G	G	G	\
Petrol	G	G	G	G	G	G	G	A	G
Phosphoric acid (max10%)	U	U	G	U	U	U	U	G	G
Sea water	U	A	G	A	G	G	G	G	G
Soap and water	G	A	G	G	G	G	G	G	G
Sodium hydrochloride	G	U	A	U	G	G	A	G	G
Sodium hydroxide (max.25%)	G	U	G	G	U	U	U	G	\
Sodium hypochlorite	G	U	U	U	U	U	A	G	G
Soft Drinks	G	G	G	G	G	G	G	G	G
Spirits	G	G	G	G	G	G	G	G	G
Sulphide acid	U	U	U	U	U	U	G	U	G
Toluene	U	U	U	U	G	G	G	A	G
Turpentine	U	G	G	G	U	U	G	A	\
Vegetable juices	G	A	G	G	G	G	G	G	G
Vinegar	G	U	A	U	G	G	G	G	G
Whisky	G	G	G	G	G	G	G	G	G
Wine	G	G	G	G	G	G	G	G	G
Xilol	U	U	U	U	U	U	G	U	U

G=good
A=average
U=unsatisfactory

Index

10101	113	12053	120	14964	132	18457	123	21502	145
10102	113	12057	120	14974	132	20101	138	21503	145
10201	113	12101	120	15001	114	20102	138	21504	145
10202	113	12102	120	15002	114	20103	138	21505	145
10301	113	12153	120	15201	120	20151	138	21506	145
10302	113	12157	120	15202	120	20152	138	21507	145
10401	113	12201	121	15253	120	20153	138	21508	145
10402	113	12202	121	15257	120	20201	138	21701	145
10501	115	12253	121	15401	129	20202	138	21702	145
10502	115	12257	121	15501	129	20203	138	21703	145
10503	115	12301	121	15601	116	20251	138	21704	145
10504	115	12302	121	15602	116	20252	138	21705	145
10505	115	12302C	121	15701	117	20253	138	21901	138
10506	115	12353	121	15702	117	20301	139	21902	138
10507	115	12357	121	15800	131	20302	139	21903	138
10508	115	12401	121	15801	131	20303	139	21951	138
10596	115	12402	121	15802	131	20351	139	21952	138
10601	115	12453	121	15803	131	20352	139	21953	138
10602	115	12457	121	15901	131	20353	139	22001	139
10701	115	13001	124	16003	128	20401	139	22002	139
10702	115	13101	124	16103	128	20402	139	22003	139
10801	115	13301	117	16202	128	20403	139	22051	139
10802	115	13302	117	16203	128	20451	139	22052	139
10901	116	13401	129	16303	128	20452	139	22053	139
10902	116	13501	130	16401	128	20453	139	22101	145
11001	116	13601	130	16501	128	20701	144	22102	145
11002	116	13701	130	16601	133	20702	144	22103	145
11101	118	14101	122	16602	133	20703	144	22104	145
11102	118	14102	122	16603	133	20704	144	22201	140
11201	116	14153	122	16604	133	20705	144	22202	140
11202	116	14157	122	17401	114	20706	144	22203	140
11301	134	14201	122	17402	114	20707	144	22251	140
11302	134	14202	122	17501	114	20708	144	22252	140
11401	134	14253	122	17502	114	20709	144	22253	140
11402	134	14257	122	17601	113	20801	142	22301	141
11501	135	14301	122	17602	113	20802	142	22302	141
11502	135	14302	122	17701	118	20803	142	22303	141
11601	135	14353	122	17702	118	20901	142	22351	141
11602	135	14357	122	17801	118	20902	142	22352	141
11701	130	14401	123	17802	118	20903	142	22353	141
11702	130	14402	123	17901	114	21001	143	22401	140
11801	118	14453	123	17902	114	21002	143	22402	140
11802	118	14457	123	18003	119	21003	143	22403	140
11802C	118	14503	123	18103	119	21101	143	22451	140
11901	120	14553	123	18204	132	21102	143	22452	140
11902	120	14557	123	18214	132	21103	143	22453	140
11953	120	14701	116	18301	133	21301	144	22501	141
11957	120	14801	117	18401	123	21302	144	22502	141
12001	120	14950	118	18402	123	21303	144	22503	141
12002	120	14952	118	18453	123	21501	145	22551	141

22552	141	30905	152	32901	161	35701	167	37611	185
22553	141	30906	152	32902	161	35702	167	37612	185
22601	140	31001	152	32903	161	35703	167	37613	185
22602	140	31002	152	33001	161	35800	172	37621	185
22603	140	31003	152	33002	161	35802	168	37622	185
22651	140	31004	152	33003	161	35804	168	37623	185
22652	140	31005	152	33004	161	35900	172	37701	182
22653	140	31006	152	33101	163	35902	168	37702	182
22701	141	31101	153	33102	163	35904	168	37703	182
22702	141	31102	153	33103	163	36000	172	37801	182
22703	141	31103	153	33301	172	36002	169	37802	182
22751	141	31104	153	33701	164	36004	169	37803	182
22752	141	31105	153	33702	164	36100	172	37901	183
22753	141	31106	153	33801	164	36102	169	37902	183
22801	82	31109	153	33802	164	36104	169	37903	183
22801	82	31110	153	33901	164	36201	172	38001	183
22802	82	31201	153	33902	164	36202	172	38002	183
22802	82	31202	153	33903	164	36203	172	38003	183
22803	82	31203	153	34501	163	36301	174	38101	184
22803	82	31204	153	34502	163	36302	174	38102	184
30101	149	31205	153	34503	163, 166	36303	174	38103	184
30102	149	31206	153	34553	166	36304	174	38104	184
30103	149	31301	155	34701	166	36401	168	38201	184
30104	149	31302	155	34702	166	36411	168	38202	184
30105	149	31303	155	34703	166	36421	171	38203	184
30106	149	31311	155	34751	166	36422	171	38301	179
30201	149	31312	155	34752	166	36501	168	38302	179
30202	149	31313	155	34753	166	36511	168	38401	179
30203	149	31401	155	34801	166	36521	171	38402	179
30204	149	31402	155	34802	166	36522	171	38501	180
30205	149	31403	155	34851	166	36601	169	38601	180
30206	149	31409	155	34852	166	36611	169	38602	180
30501	150	31410	155	34901	165, 167	36621	170	38701	187
30502	150	31411	155	34902	165	36622	170	38702	187
30503	150	31412	155	34903	165	36701	169	38703	187
30504	150	31413	155	35001	165	36711	169	38704	187
30505	150	31414	155	35002	165	36721	170	38705	187
30506	150	31419	155	35003	165	36722	170	38706	187
30601	150	31420	155	35101	165	36801	176	38707	187
30602	150	31421	155	35102	165	36802	176	38801	187
30603	150	31501	156	35103	165	36803	176	38901	94
30604	150	31502	156	35151	165	36901	176	38901	94
30605	150	31601	156	35152	165	36902	176	38902	94
30606	150	31602	156	35153	165	36903	176	38902	94
30701	151	31701	157	35201	165	37001	177	39001	161
30702	151	31797	157	35202	165	37002	177	39101	186
30703	151	31798	157	35203	165	37003	177	39102	186
30704	151	31799	157	35251	165	37101	177	39103	186
30705	151	31801	157	35252	165	37102	177	39201	162
30706	151	31901	158	35253	165	37103	177	39202	162
30709	151	32001	158	35301	173	37201	178	39203	162
30710	151	32002	158	35302	173	37202	178	39401	162
30801	151	32101	159	35303	173	37203	178	39402	162
30802	151	32201	159	35401	173	37301	178	39501	172
30803	151	32301	159	35402	173	37302	178	39601	175
30804	151	32401	160	35403	173	37401	181	39602	175
30805	151	32501	160	35501	173	37402	181	39701	180
30806	151	32601	160	35502	173	37501	181	39702	180
30901	152	32701	160	35503	173	37502	181	39703	180
30902	152	32702	160	35601	167	37601	185	39860	154
30903	152	32703	160	35602	167	37602	185	39861	154
30904	152	32801	161	35603	167	37603	185	39862	154

39870	154	41530	198	41592	198	41661	199	42105	202
39871	154	41531	198	41593	198	41662	199	42106	202
39872	154	41532	198	41601	199	41663	199	42201	202
40101	190	41533	198	41602	199	41664	199	42202	202
40102	190	41534	198	41603	199	41665	199	42301	202
40105	190	41535	198	41604	199	41666	199	42401	202
40201	190	41536	198	41605	199	41667	199	42501	194
40202	190	41537	198	41606	199	41668	199	42601	194
40203	190	41538	198	41607	199	41669	199	42701	194
40204	190	41539	198	41608	199	41670	199	42702	194
40205	190	41540	198	41609	199	41671	199	42801	200
40206	190	41541	198	41610	199	41672	199	42802	200
40301	191	41542	198	41611	199	41673	199	42803	200
40302	191	41543	198	41612	199	41674	199	42804	200
40303	191	41544	198	41613	199	41675	199	42805	200
40304	191	41545	198	41614	199	41676	199	42806	200
40305	191	41546	198	41615	199	41677	199	42807	200
40306	191	41547	198	41616	199	41678	199	42808	200
40401	191	41548	198	41617	199	41679	199	42901	200
40402	191	41549	198	41618	199	41680	199	42902	200
40405	191	41550	198	41619	199	41681	199	43001	200
40701	192	41551	198	41620	199	41682	199	43002	200
40702	192	41552	198	41621	199	41683	199	50101	30
40801	192	41553	198	41622	199	41684	199	50101	30
41001	193	41554	198	41623	199	41685	199	50102	30
41002	193	41555	198	41624	199	41686	199	50103	30
41101	193	41556	198	41625	199	41687	199	50104	30
41102	193	41557	198	41626	199	41688	199	50150	30
41301	195	41558	198	41627	199	41689	199	50151	30
41302	195	41559	198	41628	199	41690	199	50152	30
41303	195	41560	198	41629	199	41701	195	50153	30
41401	196	41561	198	41630	199	41702	195	50154	30
41402	196	41562	198	41631	199	41801	201	50201	30
41501	198	41563	198	41632	199	41802	201	50202	30
41502	198	41564	198	41633	199	41803	201	50203	30
41503	198	41565	198	41634	199	41804	201	50204	30
41504	198	41566	198	41635	199	41805	201	50250	30
41505	198	41567	198	41636	199	41806	201	50251	30
41506	198	41568	198	41637	199	41807	201	50252	30
41507	198	41569	198	41638	199	41808	201	50253	30
41508	198	41570	198	41639	199	41901	197	50254	30
41509	198	41571	198	41640	199	41902	197	50301	30
41510	198	41572	198	41641	199	41903	197	50302	30
41511	198	41573	198	41642	199	41904	197	50303	30
41512	198	41574	198	41643	199	41905	197	50304	30
41513	198	41575	198	41644	199	41906	197	50350	30
41514	198	41576	198	41645	199	41913	197	50351	30
41515	198	41577	198	41646	199	41914	197	50352	30
41516	198	41578	198	41647	199	41915	197	50353	30
41517	198	41579	198	41648	199	41916	197	50354	30
41518	198	41580	198	41649	199	42001	197	50401	30
41519	198	41581	198	41650	199	42002	197	50402	30
41520	198	41582	198	41651	199	42003	197	50403	30
41521	198	41583	198	41652	199	42004	197	50404	30
41522	198	41584	198	41653	199	42005	197	50450	30
41523	198	41585	198	41654	199	42006	197	50451	30
41524	198	41586	198	41655	199	42015	197	50452	30
41525	198	41587	198	41656	199	42016	197	50453	30
41526	198	41588	198	41657	199	42101	202	50454	30
41527	198	41589	198	41658	199	42102	202	50501	30
41528	198	41590	198	41659	199	42103	202	50502	30
41529	198	41591	198	41660	199	42104	202	50503	30

50504	30	51251	32	51952	33	52652	34	53350	35
50550	30	51252	32	51953	33	52653	34	53351	35
50551	30	51253	32	51954	33	52654	34	53352	35
50552	30	51254	32	52001	33	52701	34	53353	35
50553	30	51301	32	52002	33	52702	34	53354	35
50554	30	51302	32	52003	33	52703	34	53401	35
50601	30	51303	32	52004	33	52704	34	53402	35
50602	30	51304	32	52051	33	52750	34	53403	35
50603	30	51350	32	52052	33	52751	34	53404	35
50604	30	51351	32	52053	33	52752	34	53450	35
50650	30	51352	32	52054	33	52752	34	53451	35
50651	30	51353	32	52101	34	52753	34	53452	35
50652	30	51354	32	52102	34	52754	34	53453	35
50652	30	51401	32	52103	34	52801	35	53454	35
50653	30	51402	32	52104	34	52802	35	53501	36
50654	30	51403	32	52150	34	52803	35	53502	36
50701	30	51404	32	52151	34	52804	35	53502	36
50702	30	51450	32	52152	34	52850	35	53503	36
50703	30	51452	32	52153	34	52851	35	53504	36
50704	30	51453	32	52154	34	52852	35	53550	36
50750	30	51454	32	52201	34	52853	35	53551	36
50751	30	51501	32	52202	34	52854	35	53552	36
50752	30	51502	32	52203	34	52901	35	53553	36
50754	30	51503	32	52204	34	52902	35	53554	36
50801	31	51504	32	52250	34	52903	35	53601	36
50802	31	51550	32	52251	34	52904	35	53602	36
50803	31	51551	32	52252	34	52950	35	53603	36
50804	31	51552	32	52253	34	52951	35	53604	36
50851	31	51553	32	52254	34	52952	35	53650	36
50852	31	51554	32	52301	34	52953	35	53651	36
50853	31	51601	32	52302	34	52954	35	53652	36
50854	31	51602	32	52303	34	53001	35	53653	36
50901	31	51603	32	52304	34	53002	35	53654	36
50902	31	51604	32	52350	34	53003	35	53701	36
50903	31	51650	32	52351	34	53004	35	53702	36
50904	31	51651	32	52352	34	53050	35	53703	36
50951	31	51652	32	52353	34	53051	35	53704	36
50952	31	51653	32	52354	34	53052	35	53750	36
50953	31	51654	32	52401	34	53053	35	53751	36
50954	31	51701	32	52402	34	53054	35	53751	36
51001	31	51702	32	52403	34	53101	35	53752	36
51002	31	51703	32	52404	34	53102	35	53753	36
51003	31	51704	32	52450	34	53103	35	53754	36
51004	31	51750	32	52451	34	53104	35	53801	36
51051	31	51751	32	52452	34	53150	35	53801	36
51052	31	51752	32	52453	34	53151	35	53802	36
51053	31	51753	32	52454	34	53152	35	53803	36
51054	31	51754	32	52501	34	53153	35	53804	36
51101	32	51801	33	52502	34	53154	35	53850	36
51102	32	51802	33	52503	34	53201	35	53851	36
51103	32	51803	33	52504	34	53202	35	53852	36
51104	32	51804	33	52550	34	53203	35	53853	36
51150	32	51851	33	52551	34	53204	35	53854	36
51151	32	51852	33	52552	34	53250	35	53901	36
51152	32	51853	33	52553	34	53251	35	53901	36
51153	32	51854	33	52554	34	53252	35	53902	36
51154	32	51901	33	52601	34	53253	35	53903	36
51201	32	51902	33	52602	34	53254	35	53904	36
51202	32	51902	33	52603	34	53301	35	53950	36
51203	32	51903	33	52604	34	53302	35	53951	36
51204	32	51904	33	52650	34	53303	35	53952	36
51250	32	51951	33	52651	34	53304	35	53953	36

53954	36	54701	38	55401	40	56102	42	60502	46
54001	36	54702	38	55402	40	56103	42	60503	46
54002	36	54703	38	55403	40	56104	42	60504	46
54003	36	54704	38	55404	40	56150	42	60600	46
54004	36	54750	38	55450	40	56151	42	60601	46
54050	36	54751	38	55451	40	56152	42	60602	46
54051	36	54752	38	55452	40	56153	42	60603	46
54052	36	54753	38	55453	40	56154	42	60604	46
54053	36	54754	38	55454	40	56201	42	60700	46
54054	36	54801	38	55501	41	56202	42	60701	46
54101	36	54802	38	55502	41	56203	42	60702	46
54102	36	54803	38	55503	41	56204	42	60703	46
54103	36	54804	38	55504	41	56250	42	60704	46
54104	36	54850	38	55551	41	56251	42	60801	46
54150	36	54851	38	55552	41	56252	42	60802	46
54151	36	54852	38	55553	41	56253	42	60803	46
54152	36	54853	38	55554	41	56254	42	60804	46
54153	36	54854	38	55601	41	56301	42	60901	46
54153	36	54901	39	55602	41	56302	42	60902	46
54154	36	54902	39	55603	41	56303	42	60903	46
54201	37	54903	39	55604	41	56304	42	60904	46
54202	37	54904	39	55651	41	56350	42	61001	46
54203	37	54951	39	55652	41	56351	42	61002	46
54204	37	54952	39	55653	41	56352	42	61003	46
54251	37	54953	39	55654	41	56353	42	61004	46
54252	37	54954	39	55701	42	56354	42	61100	47
54253	37	55001	39	55702	42	56401	42	61101	47
54254	37	55002	39	55703	42	56402	42	61102	47
54301	37	55003	39	55704	42	56403	42	61103	47
54302	37	55004	39	55750	42	56404	42	61104	47
54303	37	55051	39	55751	42	56450	42	61200	47
54304	37	55052	39	55752	42	56451	42	61201	47
54351	37	55053	39	55753	42	56452	42	61202	47
54352	37	55054	39	55754	42	56453	42	61203	47
54353	37	55101	40	55801	42	56454	42	61204	47
54354	37	55102	40	55802	42	56550	44	61300	47
54401	37	55103	40	55803	42	56650	44	61301	47
54402	37	55104	40	55804	42	56750	44	61302	47
54403	37	55150	40	55850	42	56850	44	61303	47
54404	37	55151	40	55851	42	60100	46	61304	47
54451	37	55152	40	55852	42	60101	46	61400	47
54452	37	55153	40	55853	42	60102	46	61401	47
54453	37	55154	40	55854	42	60103	46	61402	47
54454	37	55201	40	55901	42	60104	46	61403	47
54501	38	55202	40	55902	42	60200	46	61404	47
54502	38	55203	40	55903	42	60201	46	61500	47
54503	38	55204	40	55904	42	60202	46	61501	47
54504	38	55250	40	55950	42	60203	46	61502	47
54550	38	55251	40	55951	42	60204	46	61503	47
54551	38	55252	40	55952	42	60300	46	61504	47
54552	38	55253	40	55953	42	60301	46	61600	47
54553	38	55254	40	55954	42	60302	46	61601	47
54554	38	55301	40	56001	42	60303	46	61602	47
54601	38	55302	40	56002	42	60304	46	61603	47
54602	38	55303	40	56003	42	60400	46	61604	47
54603	38	55304	40	56004	42	60400	46	61700	47
54604	38	55350	40	56050	42	60401	46	61701	47
54650	38	55351	40	56051	42	60402	46	61702	47
54651	38	55352	40	56052	42	60403	46	61703	47
54652	38	55353	40	56053	42	60404	46	61704	47
54653	38	55354	40	56054	42	60500	46	61800	48
54654	38	55401	40	56101	42	60501	46	61801	48

61802	48	80113	205	80610	208	81603	219	83113	215
61803	48	80114	205	80611	208	81604	219	83201	215
61804	48	80121	205	80612	208	81700	221	83202	215
61900	48	80122	205	80613	208	81701	221	83204	215
61901	48	80132	205	80614	208	81702	221	83213	215
61902	48	80200	205	80621	208	81703	221	83301	215
61903	48	80201	205	80622	208	81704	221	83302	215
61904	48	80202	205	80632	208	81900	221	83304	215
62000	48	80203	205	80701	211	81901	221	83313	215
62001	48	80204	205	80702	211	81902	221	89001	205, 206, 211, 212
62002	48	80210	205	80703	211	81903	221	89002	205, 206, 211, 212
62003	48	80211	205	80704	211	81904	221	89003	205, 206, 211, 212
62004	48	80212	205	80713	211	82100	221	89004	205, 206
62100	48	80213	205	80714	211	82101	221	89005	205
62101	48	80214	205	80801	211	82102	221	89801	219
62102	48	80221	205	80802	211	82103	221	89802	219
62103	48	80222	205	80803	211	82104	221	89803	219
62104	48	80232	205	80804	211	82204	206	89804	219
62200	48	80300	208	80813	211	82210	206	89805	219
62201	48	80301	208	80814	211	82211	206	89901	205
62202	48	80302	208	80901	214	82212	206	89902	205
62203	48	80303	208	80902	214	82213	206	89903	205
62204	48	80304	208	80903	214	82304	206	89904	205
62300	48	80310	208	80904	214	82310	206	89905	205
62301	48	80311	208	80913	214	82311	206	90101	225
62302	48	80312	208	80914	214	82312	206	90102	225
62303	48	80313	208	81001	214	82313	206	90103	225
62304	48	80314	208	81002	214	82404	209	90201	225
62400	48	80321	208	81003	214	82410	209	90202	225
62401	48	80322	208	81004	214	82411	209	90203	225
62402	48	80332	208	81013	214	82412	209	90301	225
62403	48	80400	208	81014	214	82413	209	90302	225
62404	48	80401	208	81101	214	82504	209	90303	225
62500	47	80402	208	81102	214	82510	209	90401	225
62501	47	80403	208	81103	214	82511	209	90402	225
62502	47	80404	208	81104	214	82512	209	90403	225
62503	47	80410	208	81113	214	82513	209	90501	225
62504	47	80411	208	81114	214	82604	209	90502	225
62600	47	80412	208	81201	214	82610	209	90503	225
62601	47	80413	208	81202	214	82611	209	90601	225
62602	47	80414	208	81203	214	82612	209	90602	225
62602	47	80421	208	81204	214	82613	209	90603	225
62603	47	80422	208	81213	214	82704	209	90701	225
62604	47	80432	208	81214	214	82710	209	90702	225
62700	47	80500	208	81300	219	82711	209	90703	225
62701	47	80501	208	81301	219	82712	209	90801	225
62702	47	80502	208	81302	219	82713	209	90802	225
62703	47	80503	208	81303	219	82801	212	90803	225
62704	47	80504	208	81304	219	82802	212	90901	225
62800	47	80510	208	81400	219	82804	212	90902	225
62801	47	80511	208	81401	219	82813	212	90903	225
62802	47	80512	208	81402	219	82901	212	91001	229
62803	47	80513	208	81403	219	82902	212	91002	229
62804	47	80514	208	81404	219	82904	212	91003	229
80100	205	80521	208	81500	219	82913	212	91101	229
80101	205	80522	208	81501	219	83001	215	91102	229
80102	205	80532	208	81502	219	83002	215	91103	229
80103	205	80600	208	81503	219	83004	215	91201	229
80104	205	80601	208	81504	219	83013	215	91202	229
80110	205	80602	208	81600	219	83101	215	91203	229
80111	205	80603	208	81601	219	83102	215	91301	229
80112	205	80604	208	81602	219	83104	215	91302	229

91303	229	93702	239	150208	98	150754	99	152202	102
91401	229	93703	239	150250	98	151101	101	152203	102
91402	229	93801	239	150251	98	151102	101	152204	102
91403	229	93802	239	150252	98	151103	101	152206	102
91501	229	93803	239	150253	98	151104	101	152207	102
91502	229	93901	239	150254	98	151106	101	152208	102
91503	229	93902	239	150301	98	151107	101	152250	102
91601	229	93903	239	150302	98	151108	101	152251	102
91602	229	95301	227	150303	98	151150	101	152252	102
91603	229	95302	227	150304	98	151151	101	152253	102
91701	229	95303	227	150306	98	151152	101	152254	102
91702	229	95401	227	150307	98	151153	101	152301	102
91703	229	95402	227	150308	98	151154	101	152302	102
91801	229	95403	227	150350	98	151201	101	152303	102
91802	229	95501	227	150351	98	151202	101	152304	102
91803	229	95502	227	150352	98	151203	101	152306	102
91901	237	95503	227	150353	98	151204	101	152307	102
91902	237	95601	227	150354	98	151206	101	152308	102
91903	237	95602	227	150401	98	151207	101	152350	102
92001	237	95603	227	150402	98	151208	101	152351	102
92002	237	95701	227	150403	98	151250	101	152352	102
92003	237	95702	227	150404	98	151251	101	152353	102
92101	237	95703	227	150406	98	151252	101	152354	102
92102	237	99601	224	150407	98	151253	101	152401	102
92103	237	99602	224	150408	98	151254	101	152402	102
92201	237	99603	224	150450	98	151301	101	152403	102
92202	237	99604	226,228	150451	98	151302	101	152404	102
92203	237	99605	226,228	150452	98	151303	101	152406	102
92301	237	99606	228	150453	98	151304	101	152407	102
92302	237	99607	230	150454	98	151306	101	152408	102
92303	237	99608	232,234	150501	99	151307	101	152450	102
92401	237	99801	224	150502	99	151308	101	152451	102
92402	237	99802	224 226, 228	150503	99	151350	101	152452	102
92403	237		236, 239	150504	99	151351	101	152453	102
92501	237	99804	224, 226, 228,	150506	99	151352	101	152454	102
92502	237		230, 232, 234,	150507	99	151353	101	152501	103
92503	237		236, 239, 240	150508	99	151354	101	152502	103
92601	237	99805	224, 226, 228,	150551	99	151401	101	152503	103
92602	237		230, 232, 234,	150552	99	151402	101	152504	103
92603	237		236, 239, 240	150553	99	151403	101	152506	103
92701	237	99806	228, 230, 232,	150554	99	151404	101	152507	103
92702	237		234, 236, 239, 240	150601	99	151406	101	152508	103
92703	237	99807	236,24	150602	99	151407	101	152551	103
92801	237	14253Z	122	150603	99	151408	101	152552	103
92802	237	150101	98	150604	99	151450	101	152553	103
92803	237	150102	98	150606	99	151451	101	152554	103
92901	237	150103	98	150607	99	151452	101	152601	103
92902	237	150104	98	150608	99	151453	101	152602	103
92903	237	150106	98	150651	99	151454	101	152603	103
93001	237	150107	98	150652	99	152101	102	152604	103
93002	237	150108	98	150653	99	152102	102	152606	103
93003	237	150150	98	150654	99	152103	102	152607	103
93401	239	150151	98	150701	99	152104	102	152608	103
93402	239	150152	98	150702	99	152106	102	152651	103
93403	239	150153	98	150703	99	152107	102	152652	103
93501	239	150154	98	150704	99	152108	102	152653	103
93502	239	150201	98	150706	99	152150	102	152654	103
93503	239	150202	98	150707	99	152151	102	152701	103
93601	239	150203	98	150708	99	152152	102	152702	103
93602	239	150204	98	150751	99	152153	102	152703	103
93603	239	150206	98	150752	99	152154	102	152704	103
93701	239	150207	98	150753	99	152201	102	152706	103

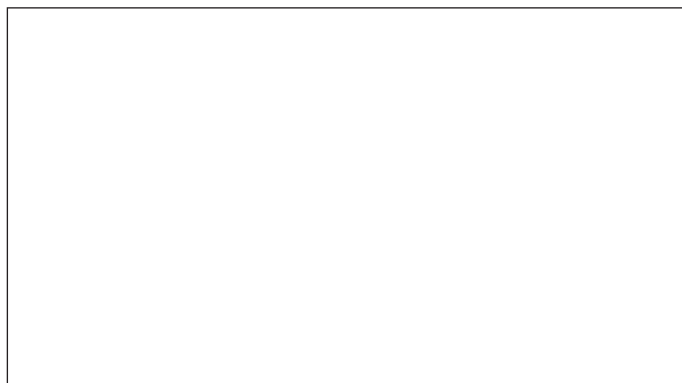
152707	103	153452	104	154252	106	155909	109	157202	108
152708	103	153453	104	154253	106	155910	109	157203	108
152751	103	153454	104	154254	106	155912	109	157204	108
152752	103	153501	105	154301	106	15602C	116	157250	108
152753	103	153502	105	154302	106	156101	100	157251	108
152754	103	153503	105	154303	106	156102	100	157252	108
152801	103	153504	105	154304	106	156103	100	157253	108
152802	103	153506	105	154350	106	156104	100	157254	108
152803	103	153507	105	154351	106	156106	100	157301	108
152804	103	153508	105	154352	106	156107	100	157302	108
152806	103	153551	105	154353	106	156108	100	157303	108
152807	103	153552	105	154354	106	156150	100	157304	108
152808	103	153553	105	154502	107	156151	100	157350	108
152851	103	153554	105	154501	107	156152	100	157351	108
152852	103	153601	105	154503	107	156153	100	157352	108
152853	103	153602	105	154504	107	156154	100	157353	108
152854	103	153603	105	154506	107	156201	100	157354	108
153101	104	153604	105	154507	107	156202	100	157401	108
153102	104	153606	105	154508	107	156203	100	157402	108
153103	104	153607	105	154551	107	156204	100	157403	108
153104	104	153608	105	154552	107	156206	100	157404	108
153106	104	153651	105	154553	107	156207	100	157450	108
153107	104	153652	105	154554	107	156208	100	157451	108
153108	104	153653	105	154601	107	156250	100	157452	108
153150	104	153654	105	154602	107	156251	100	157453	108
153151	104	153701	105	154603	107	156252	100	157454	108
153152	104	153702	105	154604	107	156253	100	328811	161
153153	104	153703	105	154606	107	156254	100	10010102	8
153154	104	153704	105	154607	107	156301	100	10010103	8
153201	104	153706	105	154608	107	156302	100	10010104	8
153202	104	153707	105	154651	107	156303	100	10010105	8
153203	104	153708	105	154652	107	156304	100	10010106	8
153204	104	153751	105	154653	107	156306	100	10010107	8
153206	104	153752	105	154654	107	156307	100	10010202	8
153207	104	153753	105	154701	107	156308	100	10010203	8
153208	104	153754	105	154702	107	156350	100	10010204	8
153250	104	153801	105	154703	107	156351	100	10010205	8
153251	104	153802	105	154704	107	156352	100	10010206	8
153252	104	153803	105	154706	107	156353	100	10010207	8
153253	104	153804	105	154707	107	156354	100	10010302	8
153254	104	153806	105	154708	107	156401	100	10010303	8
153301	104	153807	105	154751	107	156402	100	10020202	12
153302	104	153808	105	154752	107	156403	100	10030107	8
153303	104	153851	105	154753	107	156404	100	10030207	8
153304	104	153852	105	154754	107	156406	100	10040207	12
153306	104	153853	105	155104	109	156407	100	10070100	9
153307	104	153854	105	155105	109	156408	100	10070101	9
153308	104	154101	106	155106	109	156450	100	10070108	9
153350	104	154102	106	155107	109	156451	100	10070109	9
153351	104	154103	106	155108	109	156452	100	10080102	10
153352	104	154104	106	155204	109	156453	100	10080103	10
153353	104	154150	106	155206	109	156454	100	10080105	10
153354	104	154151	106	155207	109	157101	108	10080107	10
153401	104	154152	106	155208	109	157102	108	10080202	10
153402	104	154153	106	155306	109	157103	108	10080203	10
153403	104	154154	106	155307	109	157104	108	10080205	10
153404	104	154201	106	155308	109	157150	108	10080207	10
153406	104	154202	106	155309	109	157151	108	10080302	10
153407	104	154203	106	155310	109	157152	108	10080303	10
153408	104	154204	106	155311	109	157153	108	10100102	10
153450	104	154250	106	155905	109	157154	108	10100105	10
153451	104	154251	106	155908	109	157201	108	10100107	10

10100202	10	11140108	23	70111264	52	70111654	52	71111324	54
10120102	10	11140109	23	70111270	53	70111660	53	71111334	54
10120105	10	11150107	22	70111274	52	70111664	52	71111344	54
10120107	10	11150108	22	70111280	53	70111670	53	71111354	54
10140102	11	11150109	22	70111284	52	70111674	52	71111364	54
10140103	11	11160107	23	70111310	53	70111680	53	71111374	54
10140104	11	11160108	23	70111314	52	70111684	52	71111384	54
10140105	11	11160109	23	70111320	53	70216614	56	71111414	54
10140107	11	11170107	22	70111324	52	70216624	56	71111424	54
10140202	11	11170108	22	70111330	53	70216634	56	71111434	54
10140203	11	11170109	22	70111334	52	70216644	56	71111444	54
10140205	11	11180107	24	70111340	53	70216654	56	71111454	54
10140207	11	11180108	24	70111344	52	70216664	56	71111464	54
10160102	11	11180109	24	70111350	53	70216674	56	71111474	54
10160104	11	11190102	18	70111354	52	70216684	56	71111484	54
10160105	11	11190105	18	70111360	53	70318615	59	71111514	54
10160107	11	11200102	25	70111364	52	70413615	61	71111524	54
10180107	11	11200202	25	70111370	53	70413625	61	71111534	54
11010102	14	11200302	25	70111374	52	70413635	61	71111544	54
11010103	14	11210102	25	70111380	53	70413645	61	71111554	54
11010104	14	11210202	25	70111384	52	70413655	61	71111564	54
11010105	14	11210302	25	70111410	53	70511610	73	71111574	54
11010106	14	11220400	26	70111414	52	70511620	73	71111584	54
11010107	14	11230400	26	70111420	53	70511630	73	71111614	54
11010114	14	11240102	19	70111424	52	70511640	73	71111624	54
11020102	14	11240105	19	70111430	53	70511650	73	71111634	54
11020103	14	11250102	19	70111434	52	70511660	73	71111644	54
11030102	15	11250105	19	70111440	53	70511670	73	71111654	54
11030105	15	11280102	25	70111444	52	70511680	73	71111664	54
11030107	15	11280302	25	70111450	53	70611610	74	71111674	54
11040107	15	11290102	25	70111454	52	70611620	74	71111684	54
11040108	15	11290202	25	70111460	53	70611630	74	71211114	55
11040109	15	11290302	25	70111464	52	70611640	74	71211124	55
11050107	16	11510103	95	70111470	53	70611650	74	71211134	55
11050108	16	11520103	95	70111474	52	70611660	74	71211144	55
11050109	16	70111110	53	70111480	53	70611670	74	71211154	55
11060107	16	70111114	52	70111484	52	70611680	74	71211164	55
11060108	16	70111120	53	70111510	53	70716610	63	71211174	55
11060109	16	70111124	52	70111514	52	70718610	63	71211184	55
11070107	17	70111130	53	70111520	53	70719610	63	71211214	55
11070108	17	70111134	52	70111524	52	70818610	66	71211224	55
11070109	17	70111140	53	70111530	53	70818620	66	71211234	55
11080107	17	70111144	52	70111534	52	70818630	66	71211244	55
11080108	17	70111150	53	70111540	53	70918610	68	71211254	55
11080109	17	70111154	52	70111544	52	71018610	69	71211264	55
11090107	18	70111160	53	70111550	53	71111114	54	71211274	55
11090108	18	70111164	52	70111554	52	71111124	54	71211284	55
11090109	18	70111170	53	70111560	53	71111134	54	71211314	55
11100102	20	70111174	52	70111564	52	71111144	54	71211324	55
11100103	20	70111180	53	70111570	53	71111154	54	71211334	55
11100105	20	70111184	52	70111574	52	71111164	54	71211344	55
11110102	20	70111210	53	70111580	53	71111174	54	71211354	55
11110103	20	70111214	52	70111584	52	71111184	54	71211364	55
11110105	20	70111220	53	70111610	53	71111214	54	71211374	55
11120102	21	70111224	52	70111614	52	71111224	54	71211384	55
11120103	21	70111230	53	70111620	53	71111234	54	71211414	55
11120105	21	70111234	52	70111624	52	71111244	54	71211424	55
11130107	21	70111240	53	70111630	53	71111254	54	71211434	55
11130108	21	70111244	52	70111634	52	71111264	54	71211444	55
11130109	21	70111250	53	70111640	53	71111274	54	71211454	55
11140105	23	70111254	52	70111644	52	71111284	54	71211464	55
11140107	23	70111260	53	70111650	53	71111314	54	71211474	55

71211484	55	72223622	75	12202C	121	14457Z	123	17901C	114
71211514	55	72223632	75	12202Z	121	14503C	123	17902C	114
71211524	55	72223642	75	12202ZC	121	14701C	116	18003C	119
71211534	55	72323612	76	12253Z	121	14801C	117	18103C	119
71211544	55	72323622	76	12257Z	121	14950C	118	18200B	132
71211554	55	72323632	76	12301C	121	14952C	118	18200BC	132
71211564	55	72323642	76	12301Z	121	14960B	132	18204C	132
71211574	55	72423612	76	12301ZC	121	14960BC	132	18210B	132
71211584	55	72423622	76	12302Z	121	14964C	132	18210BC	132
71211614	55	72423632	76	12302ZC	121	14970B	132	18214C	132
71211624	55	72423642	76	12353Z	121	14970BC	132	18301B	133
71211634	55	72523612	76	12357Z	121	14974C	132	18301BC	133
71211644	55	72523622	76	12401C	121	15201C	120	18301C	133
71211654	55	72523632	76	12401Z	121	15201Z	120	18401C	123
71211664	55	72523642	76	12401ZC	121	15201ZC	120	18401Z	123
71211674	55	78118610	70	12402C	121	15202C	120	18401ZC	123
71211684	55	78218610	71	12402Z	121	15202Z	120	18402C	123
71316614	57	78318610	72	12402ZC	121	15202ZC	120	18402Z	123
71316624	57	10801C	115	12453Z	121	15253Z	120	18402ZC	123
71316634	57	10802C	115	12457Z	121	15257Z	120	18453Z	123
71316644	57	10901C	116	13001C	124	15303C	119	18457Z	123
71316654	57	10902C	116	13101B	124	15401B	129	21501Y	145
71316664	57	11001C	116	13301C	117	15401BC	129	21503Y	145
71316674	57	11002C	116	13302C	117	15401C	129	21505Y	145
71316684	57	11101C	118	13401C	129	15501C	129	21506Y	145
71416614	58	11102C	118	1348*	94	15601C	116	21508Y	145
71416624	58	11201C	116	1348*	94	15701C	117	22101Y	145
71416634	58	11202C	116	13501C	130	15702C	117	22102Y	145
71416644	58	11701C	130	13601C	130	15800B	131	22104Y	145
71416654	58	11702C	130	13701B	130	15800BC	131	36801SS	176
71416664	58	11801C	118	13701BC	130	15800C	131	36802SS	176
71416674	58	11901C	120	13701C	130	15801B	131	36803SS	176
71416684	58	11901S	120	14101C	122	15801BC	131	36901SS	176
71511615	60	11901SC	120	14101Z	122	15801C	131	36902SS	176
71511625	60	11901Z	120	14101ZC	122	15802B	131	36903SS	176
71511635	60	11901ZC	120	14102C	122	15802BC	131	50301G	43
71511645	60	11902C	120	14102Z	122	15802C	131	50302G	43
71511655	60	11902S	120	14102ZC	122	15803B	131	50303G	43
71613615	62	11902SC	120	14153Z	122	15803BC	131	50304G	43
71713614	64	11902Z	120	14157Z	122	15803C	131	50401G	43
71713624	64	11902ZC	120	14201C	122	15901C	131	50402G	43
71713634	64	11953Z	120	14201Z	122	16003C	128	50403G	43
71713644	64	11957Z	120	14201ZC	122	16103C	128	50404G	43
71816614	65	12001C	120	14202C	122	16202C	128	50501G	43
71816624	65	12001Z	120	14202Z	122	16203C	128	50502G	43
71816634	65	12001ZC	120	14202ZC	122	16303C	128	50503G	43
71919614	67	12002C	120	14257Z	122	16401C	128	50504G	43
71919624	67	12002Z	120	14301C	122	16501C	128	5201*	78
71919634	67	12002ZC	120	14301Z	122	16700B	127	5202*	79
72021612	75	12053Z	120	14301ZC	122	16700B-30	127	5203*	80
72021622	75	12057Z	120	14302C	122	16800B	126	5204*	81
72021632	75	12101C	120	14302Z	122	16900B	126	5221*	85
72021642	75	12101Z	120	14302ZC	122	17000B	126	5222*	86
72021652	75	12101ZC	120	14353Z	122	17100B	127	5223*	87
72021662	75	12102C	120	14357Z	122	17200B	127	5225*	88
72123612	75	12102Z	120	14401C	123	17300B	127	52301G	44
72123622	75	12102ZC	120	14401Z	123	17401C	114	52302G	44
72123632	75	12153Z	120	14401ZC	123	17402C	114	52303G	44
72123642	75	12157Z	120	14402C	123	17701C	118	52304G	44
72123652	75	12201C	121	14402Z	123	17702C	118	5231*	89
72123662	75	12201Z	121	14402ZC	123	17801C	118	5233*	90
72223612	75	12201ZC	121	14453Z	123	17802C	118	5234*	92

5235*	91	80400L	208	82404L	209	83304H	217	91103H	229
52401G	44	80400SS	208	82404LH	217	90101Z	225	91103Z	229
52402G	44	80401L	208	82404SS	209	90102Z	225	91103ZH	229
52403G	44	80401SS	208	82410L	209	90103Z	225	91201H	229
52404G	44	80402L	208	82410SS	209	90201Z	225	91201Z	229
52501G	44	80402SS	208	82411L	209	90202Z	225	91201ZH	229
52502G	44	80403L	208	82411SS	209	90203Z	225	91202H	229
52503G	44	80403SS	208	82412H	217	90301H	225	91202Z	229
52504G	44	80404L	208	82412L	209	90301Z	225	91202ZH	229
53001G	43	80404SS	208	82412LH	217	90301ZH	225	91203H	229
53002G	43	80410L	208	82412SS	209	90302H	225	91203Z	229
53004G	43	80410SS	208	82413L	209	90302Z	225	91203ZH	229
5301*	84	80411L	208	82413SS	209	90302ZH	225	91301H	229
53101G	43	80411SS	208	82504H	217	90303H	225	91301Z	229
53102G	43	80412L	208	82504L	209	90303Z	225	91301ZH	229
53103G	43	80412SS	208	82504LH	217	90303ZH	225	91302H	229
53104G	43	80413L	208	82504SS	209	90401Z	225	91302Z	229
5311*	83	80413SS	208	82510L	209	90402Z	225	91302ZH	229
53201G	43	80414L	208	82510SS	209	90403Z	225	91303H	229
53202G	43	80414SS	208	82511L	209	90501Z	225	91303Z	229
53203G	43	80421L	208	82511SS	209	90502Z	225	91303ZH	229
53204G	43	80421SS	208	82512H	217	90503Z	225	91401H	229
5421*	93	80422L	208	82512L	209	90601H	225	91401Z	229
80100SS	205	80422SS	208	82512LH	217	90601Z	225	91401ZH	229
80101SS	205	80432L	208	82512SS	209	90601ZH	225	91402H	229
80102SS	205	80432SS	208	82513L	209	90602H	225	91402Z	229
80103SS	205	80701SS	211	82513SS	209	90602Z	225	91402ZH	229
80104SS	205	80702SS	211	82604H	217	90602ZH	225	91403H	229
80110SS	205	80703SS	211	82612H	217	90603H	225	91403Z	229
80111SS	205	80704SS	211	82704H	217	90603ZH	225	91403ZH	229
80112SS	205	80713SS	211	82712H	217	90603Z	225	91501Z	229
80113SS	205	80714SS	211	82801SS	212	90701Z	225	91502Z	229
80114SS	205	80901L	214	82802SS	212	90702Z	225	91503Z	229
80121SS	205	80901SS	214	82804SS	212	90703Z	225	91601H	229
80122SS	205	80902L	214	82813SS	212	90801H	225	91601Z	229
80132SS	205	80902SS	214	83001L	215	90801Z	225	91601ZH	229
80300L	208	80903L	214	83001SS	215	90801ZH	225	91602H	229
80300SS	208	80903SS	214	83002H	217	90802H	225	91602Z	229
80301L	208	80904L	214	83002L	215	90802Z	225	91602ZH	229
80301SS	208	80904SS	214	83002LH	217	90802ZH	225	91603H	229
80302L	208	80905L	214	83002SS	215	90803H	225	91603Z	229
80302SS	208	80905SS	214	83004H	217	90803Z	225	91603ZH	229
80303L	208	80906L	214	83004L	215	90803ZH	225	91701H	229
80303SS	208	80906SS	214	83004LH	217	90810PH	227	91701Z	229
80304L	208	81001L	214	83004SS	215	90901H	225	91701ZH	229
80304SS	208	81001SS	214	83013L	215	90901Z	225	91702H	229
80310L	208	81002L	214	83013SS	215	90901ZH	225	91702Z	229
80310SS	208	81002SS	214	83101L	215	90902H	225	91702ZH	229
80311L	208	81003L	214	83101SS	215	90902Z	225	91703H	229
80311SS	208	81003SS	214	83102H	217	90902ZH	225	91703Z	229
80312L	208	81004L	214	83102L	215	90903H	225	91703ZH	229
80312SS	208	81004SS	214	83102LH	217	90903Z	225	91801Z	229
80313L	208	81005L	214	83102SS	215	90903ZH	225	91802Z	229
80313SS	208	81005SS	214	83104H	217	91001Z	229	91803Z	229
80314L	208	81006L	214	83104L	215	91002Z	229	94301H	231
80314SS	208	81006SS	214	83104LH	217	91003Z	229	94301ZH	231
80321L	208	82204SS	206	83104SS	215	91101H	229	94302H	231
80321SS	208	82210SS	206	83113L	215	91101Z	229	94302ZH	231
80322L	208	82211SS	206	83113SS	215	91101ZH	229	94303H	231
80322SS	208	82212SS	206	83202H	217	91102H	229	94303ZH	231
80332L	208	82213SS	206	83204H	217	91102Z	229	94351H	231
80332SS	208	82404H	217	83302H	217	91102ZH	229	94351ZH	231


94352H	231	94853ZH	233	95501H	227	P96201ZH	241
94352ZH	231	94901H	233	95501Z	227	P96202H	241
94353H	231	94901ZH	233	95501ZH	227	P96202ZH	241
94353ZH	231	94902H	233	95502H	227	P96301H	241
94401H	231	94902ZH	233	95502Z	227	P96301ZH	241
94401ZH	231	94903H	233	95502ZH	227	P96302H	241
94402H	231	94903ZH	233	95503H	227	P96302ZH	241
94402ZH	231	94951H	233	95503Z	227	P96401H	241
94403H	231	94951ZH	233	95503ZH	227	P96401ZH	241
94403ZH	231	94952H	233	95601H	227	P96402H	241
94451H	231	94952ZH	233	95601Z	227	P96402ZH	241
94451ZH	231	94953H	233	95601ZH	227	P96501H	241
94452H	231	94953ZH	233	95602H	227	P96501ZH	241
94452ZH	231	95001H	233	95602Z	227	P96502H	241
94453ZH	231	95001ZH	233	95602ZH	227	P96502ZH	241
94501H	231	95002H	233	95603H	227	P96601H	241
94501ZH	231	95002ZH	233	95603Z	227	P96601ZH	241
94502H	231	95003H	233	95603ZH	227	P96602H	241
94502ZH	231	95003ZH	233	95701H	227	P96602ZH	241
94503H	231	95051H	233	95701Z	227	P96701H	241
94503ZH	231	95051ZH	233	95701ZH	227	P96701ZH	241
94551H	231	95052H	233	95702H	227	P96702H	241
94551ZH	231	95052ZH	233	95702Z	227	P96702ZH	241
94552H	231	95053H	233	95702ZH	227	P96801H	241
94552ZH	231	95053ZH	233	95703Z	227	P96801ZH	241
94553H	231	95101H	233	95703H	227	P96802H	241
94553ZH	231	95101ZH	233	95703ZH	227	P96802ZH	241
94601H	231	95102H	233	95710PH	227	P96901H	241
94601ZH	231	95102ZH	233	95801H	235	P96901ZH	241
94602H	231	95103H	233	95801ZH	235	P96902H	241
94602ZH	231	95103ZH	233	95802H	235	P96902ZH	241
94603H	231	95151H	233	95802ZH	235	P97001H	241
94603ZH	231	95151ZH	233	95803H	235	P97001ZH	241
94651H	231	95152H	233	95803ZH	235	P97002H	241
94651ZH	231	95152ZH	233	95851H	235	P97002ZH	241
94652H	231	95153H	233	95851ZH	235	P97101H	241
94652ZH	231	95153ZH	233	95852H	235	P97101ZH	241
94653H	231	95201H	233	95852ZH	235	P97102H	241
94653ZH	231	95201ZH	233	95853H	235	P97102ZH	241
94701H	231	95202H	233	95853ZH	235		
94701ZH	231	95202ZH	233	95901H	235		
94702H	231	95203H	233	95901ZH	235		
94702ZH	231	95203ZH	233	95902H	235		
94703H	231	95251H	233	95902ZH	235		
94703ZH	231	95251ZH	233	95903H	235		
94751H	231	95252H	233	95903ZH	235		
94751ZH	231	95252ZH	233	95951H	235		
94752H	231	95253H	233	95951ZH	235		
94752ZH	231	95253ZH	233	95952H	235		
94753H	231	95301Z	227	95952ZH	235		
94753ZH	231	95302Z	227	95953H	235		
94801H	233	95303Z	227	95953ZH	235		
94801ZH	233	95401H	227	P19999	124		
94802H	233	95401Z	227	P96001H	241		
94802ZH	233	95401ZH	227	P96001ZH	241		
94803H	233	95402H	227	P96002H	241		
94803ZH	233	95402Z	227	P96002ZH	241		
94851H	233	95402ZH	227	P96101H	241		
94851ZH	233	95403H	227	P96101ZH	241		
94852H	233	95403Z	227	P96102H	241		
94852ZH	233	95403ZH	227	P96102ZH	241		
94853H	233	95410PH	227	P96201H	241		






 **Movex S.p.A. Industrial Innovations**
Via Tasso (angolo Via Noli Marenzi)
24060 Telgate (Bergamo) - Italy
Phone +39.035.8359711
Fax +39.035.4420873



 **Movex GmbH Industrial Innovations**
Alfred-Nobel-Strasse, 4
68519 Viernheim - Germany
Phone +49.(0)6204.9375-0
Fax +49.(0)6204.9375-55



 **Movex Industrial Innovations UK Ltd.**
Unit 7, Dene Valley Business Centre
Kineton CV35 0JD, Warwickshire - UK
Phone +44.1926.642933

 **Movex France - Sales Office**
Phone +33.06.06.81.99.76
Fax +33.09.70.62.50.98

 **Movex Nederland - Sales Office**
Phone +31.(0)630.99.48.50

 **Movex Singapore - Sales Office**
Phone +65.9815.0482

 **MOVEXII SA de CV**
Av. Aviacion 6503 Bodega B5
Ciudad Granja - Zapopan, Jalisco
45010 Mexico
Phone (33) 3110-0808
Cel. (33) 1845-8187