

Conveyor components
Expansions plugs

Movex[®]

RANGE EXTENSION

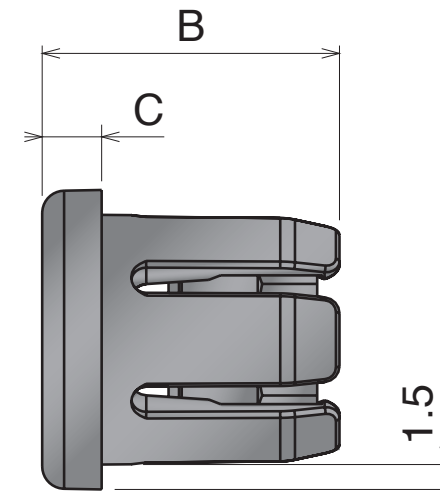
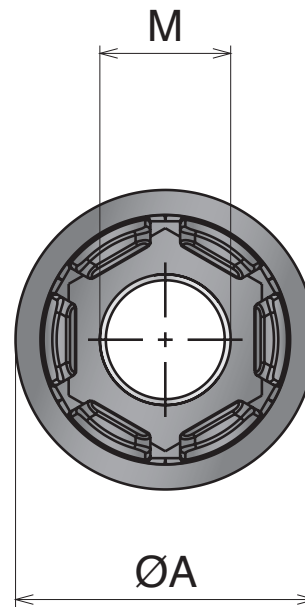
Expansions plugs

Part 419

Tappi ad espansione/ Gewindezapfen, Spreizbar



	Article-Nr.		ØA	B	C	M	
	Part	Brass Bush					PA Bush
Range Extension C = 3 mm	419	41907	-	20	19	3	M8
	419	41908	-	20	19	3	M10
	419	41901	-	20	20	4	M8
	419	41902	-	20	20	4	M10
	419	41903	41913	38	40	5	M8
	419	41904	41914	38	40	5	M10
	419	41905	41915	42,4	40	5	M8
	419	41906	41916	42,4	40	5	M10



Materiale / Material / Materialien:
 Tappo: Poliammide / Plug: Polyamide / Stopfen: Polyamid
 Inserti: PA o ottone nichelato / Inserts: PA or nickel plated brass
 Einsatz: PA oder Messing vernickelt

Movex[®]

www.movexii.com

RANGE EXTENSION