

## Curve

**Tipologia di curve** 1) Magnetiche - 2) Tab - 3) Bevel

**Caratteristiche delle curve magnetiche** La curva magnetica rappresenta il sistema più efficace ed affidabile per trasportatori con catene a cerniera. Le nostre curve magnetiche sono prodotte da lastre di UHMW-PE di elevata qualità con magneti permanenti alloggiati all'interno della lastra. I magneti mantengono la catena nella via tracciata in curva garantendo la planarità della superficie di trasporto della catena, migliorando la stabilità del prodotto trasportato.

**Vantaggi - Igiene:** La catena sulla via di scorrimento in curva può essere facilmente sollevata per consentire più facilmente pulizia e manutenzione.

**Intercambiabilità:** Catene in plastica e in acciaio possono essere utilizzate sulle nostre curve semplificando progetto/realizzazione del trasportatore e consentendo di ridurre scorte di ricambi a magazzino. **Materiali:** La parte superiore delle nostre curve è ottenuta da UHMW-PE di elevata qualità che consente una più lunga durata di catene e delle stesse curve. **Attrito:** I magneti vengono accuratamente selezionati e posizionati per garantire il campo magnetico più idoneo al mantenimento della catena nella sede. Un campo magnetico troppo elevato aumenta l'attrito e riduce la durata di curva e catena.

## Corner Tracks

**Types of Corner Track** 1) Magnetic - 2) Tab - 3) Bevel

**Characteristics of Magnetic Corner Tracks** The magnetic corner track is the most effective and reliable system for the table top conveyor design. Our magnetic corner tracks are made of high quality UHMW - PE with permanent magnets embedded in the curve. The magnets hold the chain on the corner track and this provides a flat carrying surface for the chain; thus, improving product stability and support for the conveyor.

**Benefits - Hygiene:** Chains on the magnetic corner tracks can be easily lifted such that it is easier for cleaning and maintenance. **Inter-changeable:** Plastic and S.S. chains can be used on the curve thus reducing inventory and simpler conveyor design. **Materials:** The upper track of the corner tracks uses high quality UHMW-PE which gives a longer wear life for both the chain and the curve. **Frictional force:** Magnets are carefully selected and positioned to provide the correct magnetic field which is just sufficient to keep the chain down. Too high a magnetic force will increase the frictional force and reduces wear life of both chains and curve.

## Kurvenführungen

**Typen** 1) Magnet - 2) TAB - 3) Schwalbenschanz

**Charakteristik der Magnet-Kurvenführung** Die Magnet-Kurvenführung ist das effektivste und bewährteste System für Transporteure mit Scharnierbandketten. Unsere Magnetkurven sind aus hochwertigem UHMW-PE mit permanenten in die Führung eingebetteten Magneten ausgeführt. Die Magnete halten die Scharnierbandkette in der Führung und dies resultiert in einem ruhigen Lauf der Kette, damit wird eine bessere Produktstabilität erreicht.

**Vorteile - Hygiene:** zur Reinigung können die Scharnierband-Ketten einfach, ohne großen Aufwand, aus der Führung herausgenommen werden. Dies erspart Zeit und verkürzt die Standzeiten. **Versatilität:** Kunststoff- als auch Edelstahl-Scharnierband-Ketten können mit dieser Kurvenführung verwendet werden, dies vereinfacht die Konstruktion des Transporteurs und reduziert die Lagerhaltung. **Materialien:** Das Oberteil der Magnetkurve ist aus hochwertigem UHMW-PE gefertigt und bietet eine längere Standzeit nicht nur für die Führung sondern auch für die Scharnierbandkette. **Reibung:** Die Magnete sind so angeordnet und ausgewählt um ein homogenes und konstantes Magnetfeld zu erzeugen um ein ruhiges und rückenfreies Laufen der Kette zu gewährleisten.



Curve magnetice / Magnetic curves / Magnet Kurven

Series 880-881 Rm500



pag. 52

Series 880-881 Rm500



pag. 53

Series 880-881 Rm500



pag. 54

Series 880-881 Rm500



pag. 55

Series 880-881 Rm750



pag. 56

Series 880-881 Rm750



pag. 57

Series 880-881 Rm750



pag. 58

Series 880-881 Rm860



pag. 59

Series 880-881 K450 - Rm500



pag. 60

Series 880-881 K450 - Rm610



pag. 61

Series 880-881 K750 - Rm610



pag. 62

Series 880-881 K750 - Rm860/750/1000



pag. 63

Series 882-8857 K750 - Rm610



pag. 64

Series 882-8857 K750 - Rm750



pag. 65

Series 882-8857 K750 - Rm860



pag. 66

Series 882-8857 K750 - Rm1000



pag. 67

Series 882-8857 K1000 - Rm860



pag. 68

Series 882-8857 K1200 - Rm860



pag. 69

Series LBP 882 K750 - Rm860



pag. 70

Series LBP 882 K1000 - Rm860



pag. 71

Series LBP 882 K1200 - Rm860



pag. 72

Series 250M-260M



pag. 73

Series 251M



pag. 74

Curve Tab / Tab curves / Tab Kurven

Series 880-881 K325 - K450 - K750



pag. 75

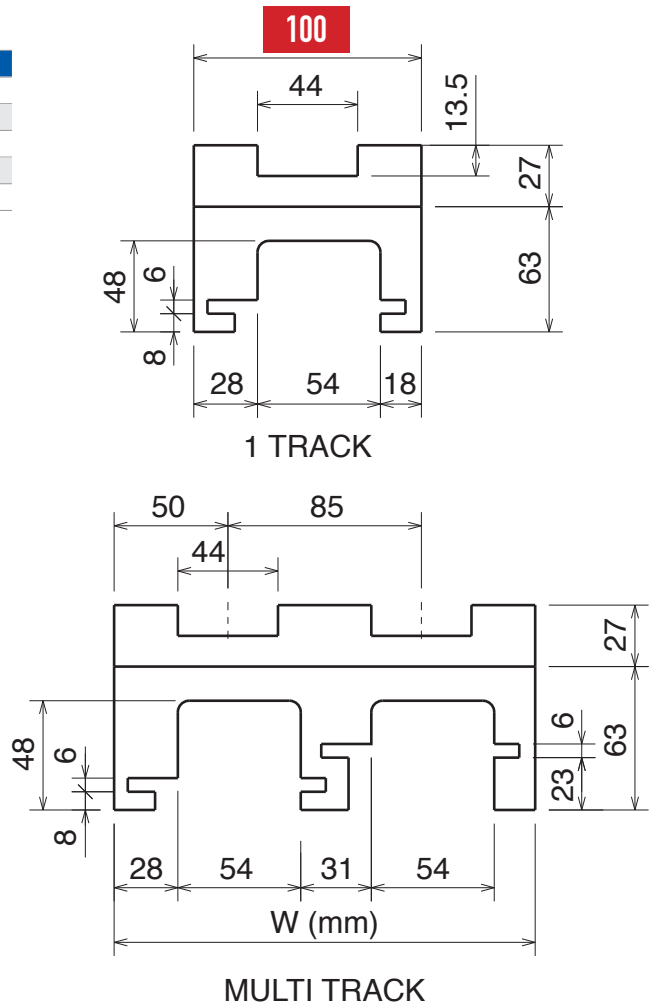
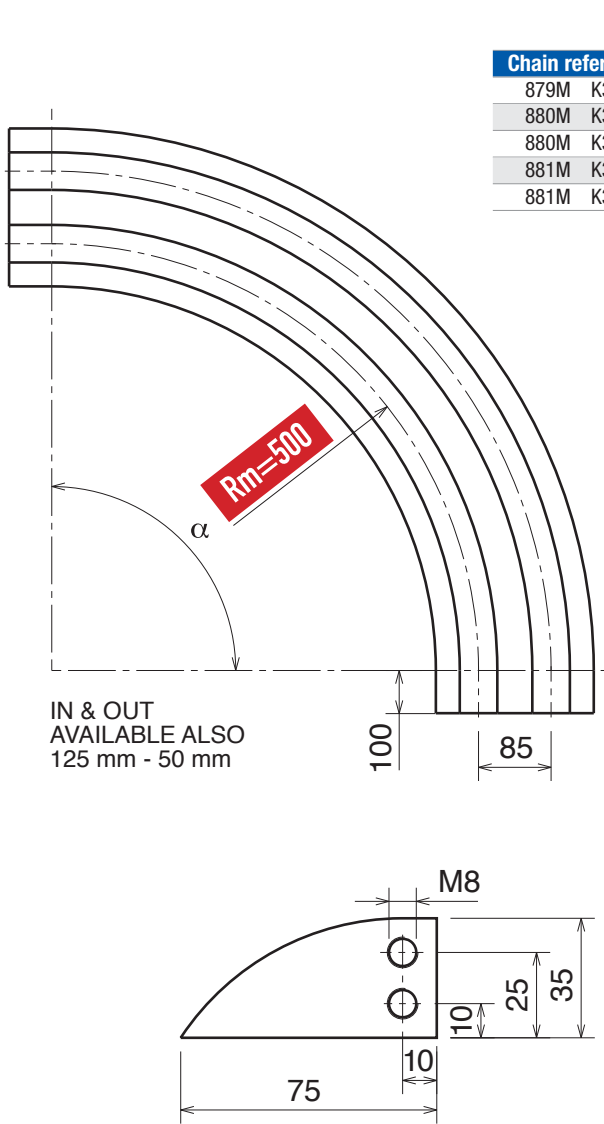
Series 882 K750 - K1000 - K1200



pag. 76

tab & magnetic corner tracks


Curva Larghezza Base = 100 mm; Passo = 85 mm / Curve Basic Width = 100 mm; Pitch = 85 mm / Kurve Basisbreite = 100 mm; Teilung = 85 mm



## Magnetic System



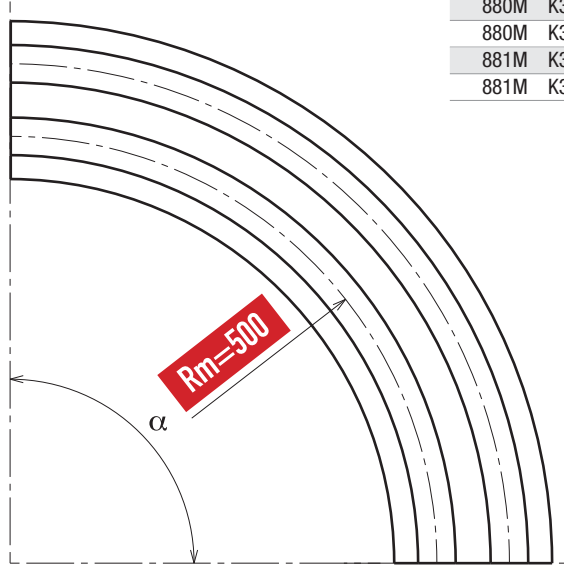
Part	$\alpha$ 15°	$\alpha$ 30°	$\alpha$ 45°	$\alpha$ 60°	$\alpha$ 75°	$\alpha$ 90°	Tracks	W
701	70111114	70111214	70111314	70111414	70111514	70111614	1	100
701	70111124	70111224	70111324	70111424	70111524	70111624	2	185
701	70111134	70111234	70111334	70111434	70111534	70111634	3	270
701	70111144	70111244	70111344	70111444	70111544	70111644	4	355
701	70111154	70111254	70111354	70111454	70111554	70111654	5	440
701	70111164	70111264	70111364	70111464	70111564	70111664	6	525
701	70111174	70111274	70111374	70111474	70111574	70111674	7	610
701	70111184	70111284	70111384	70111484	70111584	70111684	8	695

Upper part available, on request, also in  and for abrasive applications.

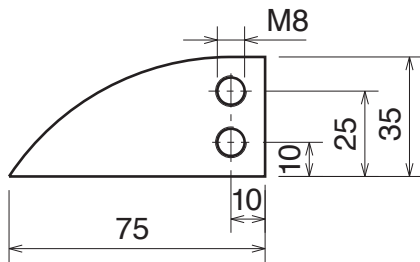


**Materiale:** Polietilene UHMW-PE  
**Material:** Polyethylene UHMW-PE  
**Materialien:** Polyäthylen UHMW-PE

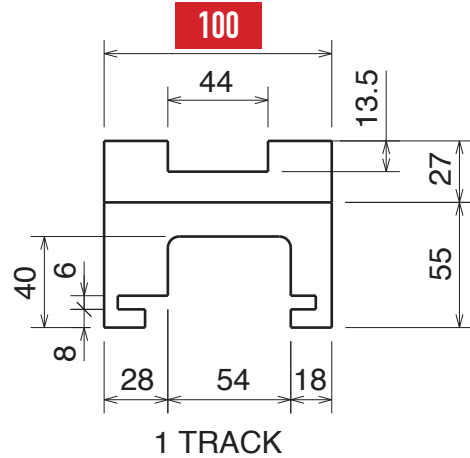
Curva Larghezza Base = 100 mm; Passo = 85 mm / Curve Basic Width = 100 mm; Pitch = 85 mm / Kurve Basisbreite = 100 mm; Teilung = 85 mm



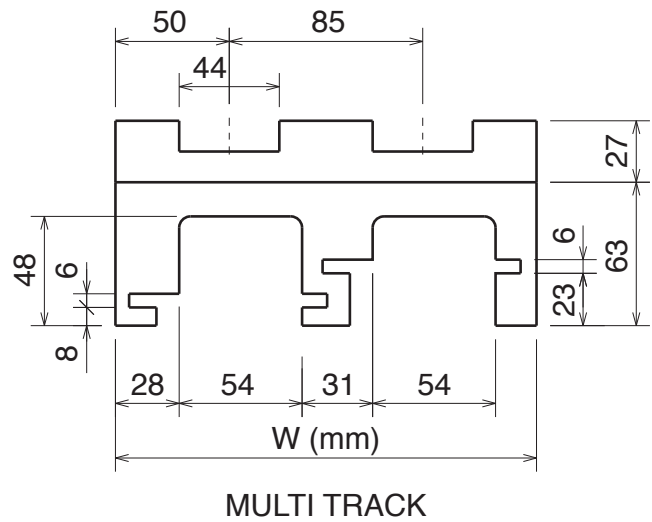
IN & OUT AVAILABLE ALSO 125 mm - 50 mm



Chain reference	
879M	K325
880M	K325
880M	K330
881M	K325
881M	K330



1 TRACK



MULTI TRACK

## Magnetic System

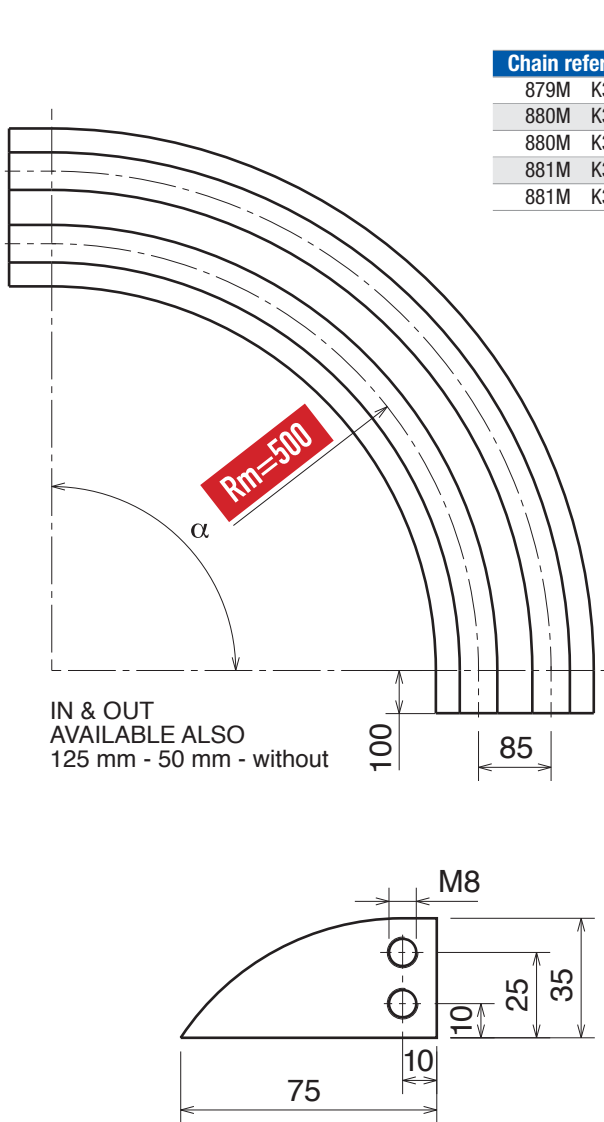


Part	$\alpha$ 15°	$\alpha$ 30°	$\alpha$ 45°	$\alpha$ 60°	$\alpha$ 75°	$\alpha$ 90°	Tracks	W
701	70111110	70111210	70111310	70111410	70111510	70111610	1	100
701	70111120	70111220	70111320	70111420	70111520	70111620	2	185
701	70111130	70111230	70111330	70111430	70111530	70111630	3	270
701	70111140	70111240	70111340	70111440	70111540	70111640	4	355
701	70111150	70111250	70111350	70111450	70111550	70111650	5	440
701	70111160	70111260	70111360	70111460	70111560	70111660	6	525
701	70111170	70111270	70111370	70111470	70111570	70111670	7	610
701	70111180	70111280	70111380	70111480	70111580	70111680	8	695

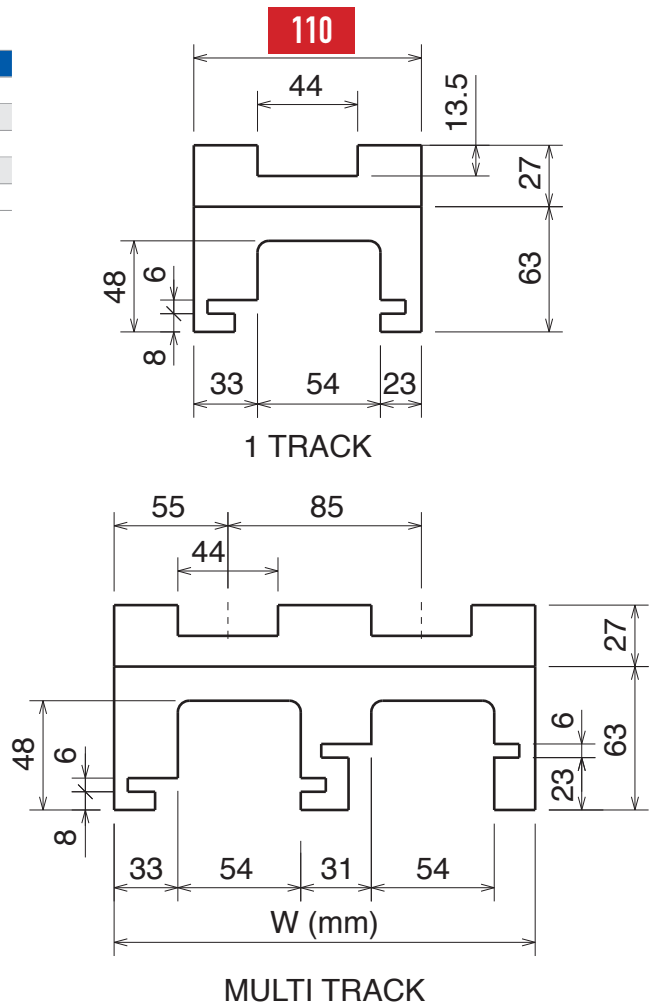
Upper part available, on request, also in **BluLub** and for abrasive applications.



Curva Larghezza Base = 110 mm; Passo = 85 mm / Curve Basic Width = 110 mm; Pitch = 85 mm / Kurve Basisbreite = 110 mm; Teilung = 85 mm




Chain reference	
879M	K325
880M	K325
880M	K330
881M	K325
881M	K330



## Magnetic System




Part	$\alpha$ 15°	$\alpha$ 30°	$\alpha$ 45°	$\alpha$ 60°	$\alpha$ 75°	$\alpha$ 90°	Tracks	W
711	71111114	71111214	71111314	71111414	71111514	71111614	1	110
711	71111124	71111224	71111324	71111424	71111524	71111624	2	195
711	71111134	71111234	71111334	71111434	71111534	71111634	3	280
711	71111144	71111244	71111344	71111444	71111544	71111644	4	365
711	71111154	71111254	71111354	71111454	71111554	71111654	5	450
711	71111164	71111264	71111364	71111464	71111564	71111664	6	535
711	71111174	71111274	71111374	71111474	71111574	71111674	7	620
711	71111184	71111284	71111384	71111484	71111584	71111684	8	705

Upper part available, on request, also in  and for abrasive applications.



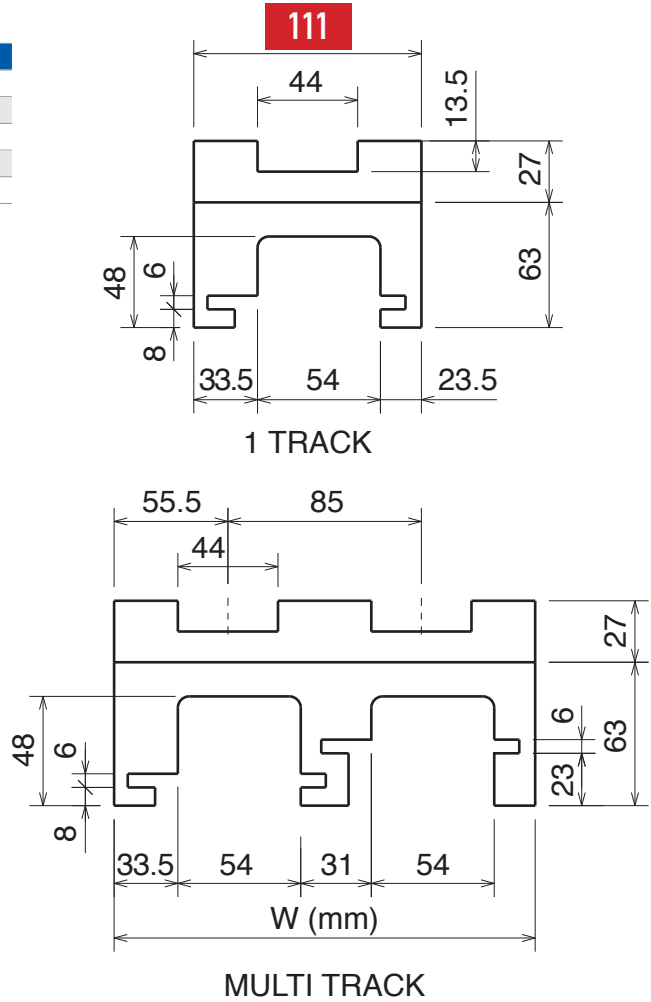
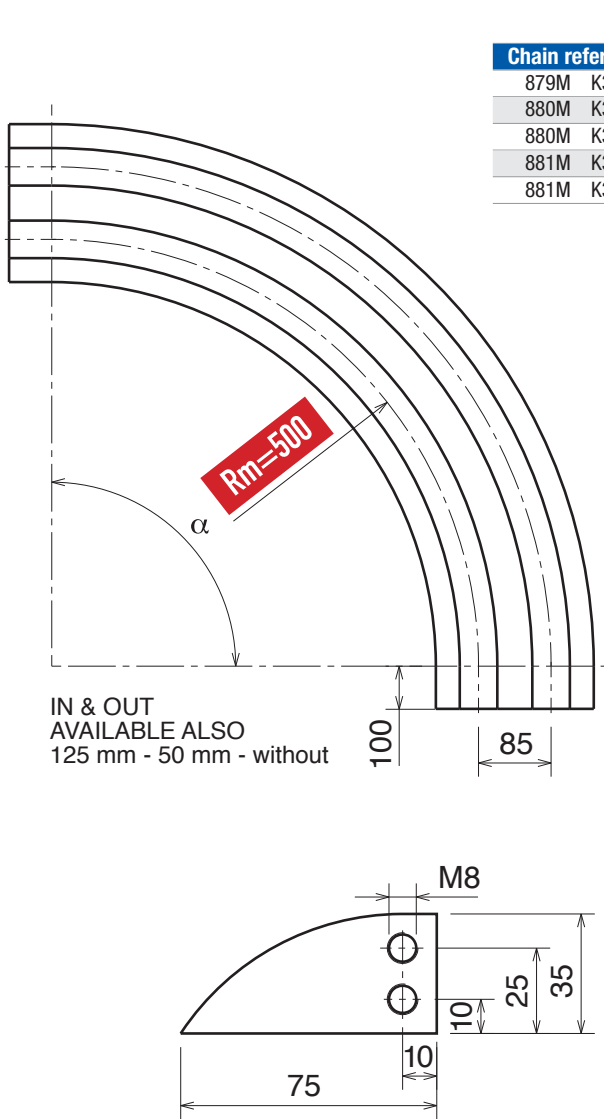
standard codes on table

add "B" for 

add "C" for abrasive applications

**Materiale:** Polietilene UHMW-PE  
**Material:** Polyethylene UHMW-PE  
**Materialien:** Polyäthylen UHMW-PE

Curva Larghezza Base = 111 mm; Passo = 85 mm / Curve Basic Width = 111 mm; Pitch = 85 mm / Kurve Basisbreite = 111 mm; Teilung = 85 mm



## Magnetic System



Part	$\alpha 15^\circ$	$\alpha 30^\circ$	$\alpha 45^\circ$	$\alpha 60^\circ$	$\alpha 75^\circ$	$\alpha 90^\circ$	Tracks	W
712	71211114	71211214	71211314	71211414	71211514	71211614	1	111
712	71211124	71211224	71211324	71211424	71211524	71211624	2	196
712	71211134	71211234	71211334	71211434	71211534	71211634	3	281
712	71211144	71211244	71211344	71211444	71211544	71211644	4	366
712	71211154	71211254	71211354	71211454	71211554	71211654	5	451
712	71211164	71211264	71211364	71211464	71211564	71211664	6	536
712	71211174	71211274	71211374	71211474	71211574	71211674	7	621
712	71211184	71211284	71211384	71211484	71211584	71211684	8	706

Upper part available, on request, also in **BluLub** and for abrasive applications.



standard codes on table

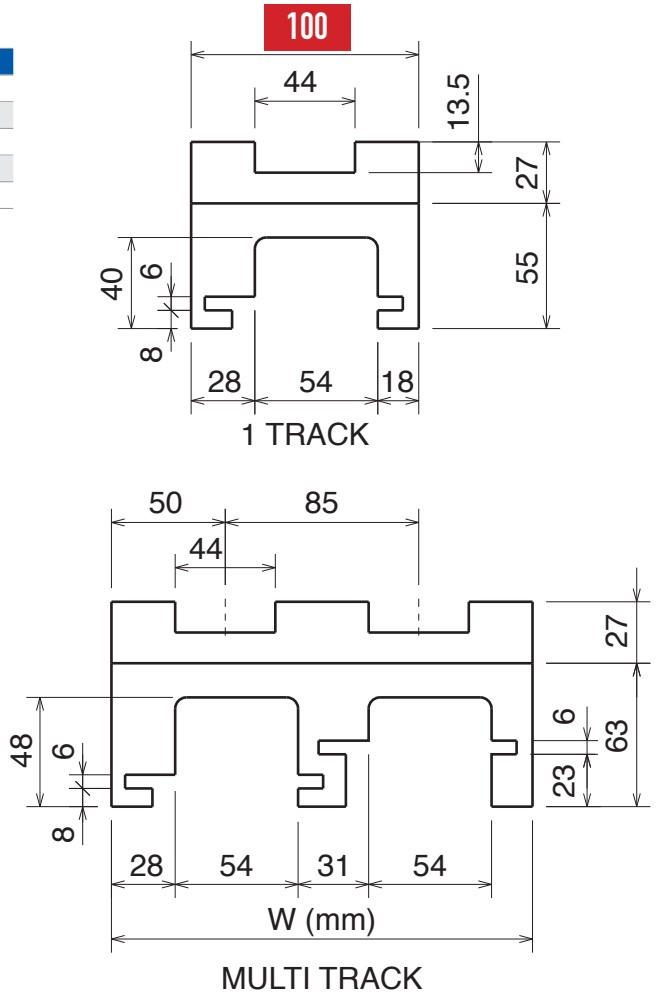
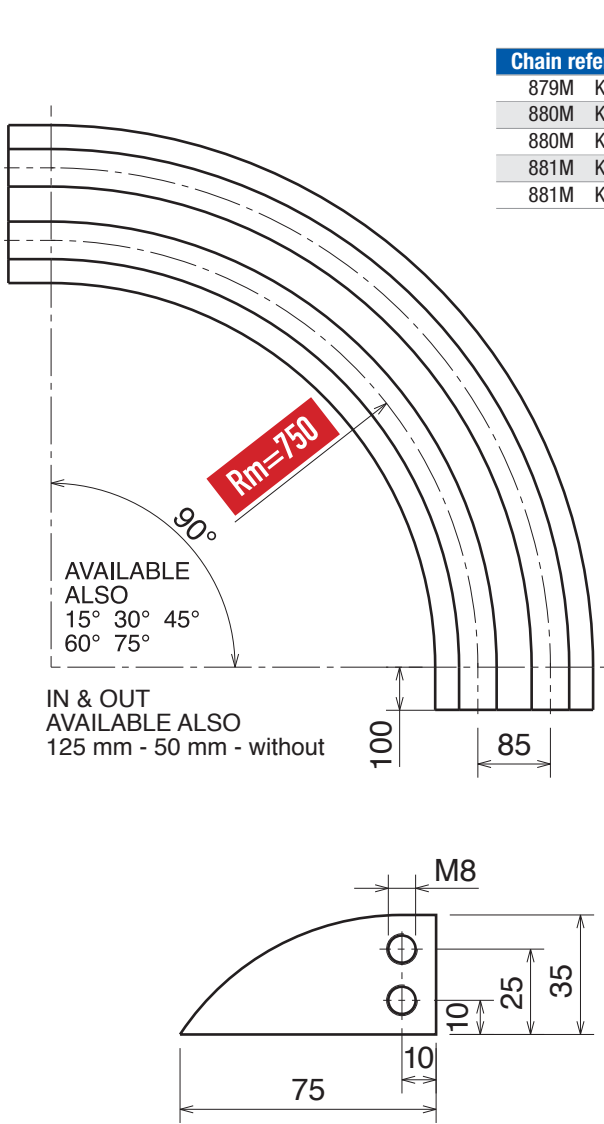


add "B" for BluLub



add "C" for abrasive applications

Curva Larghezza Base = 100 mm; Passo = 85 mm / Curve Basic Width = 100 mm; Pitch = 85 mm / Kurve Basisbreite = 100 mm; Teilung = 85 mm



## Magnetic System

Part	Article-Nr.	Tracks	W
702	70216614	1	100
702	70216624	2	185
702	70216634	3	270
702	70216644	4	355
702	70216654	5	440
702	70216664	6	525
702	70216674	7	610
702	70216684	8	695



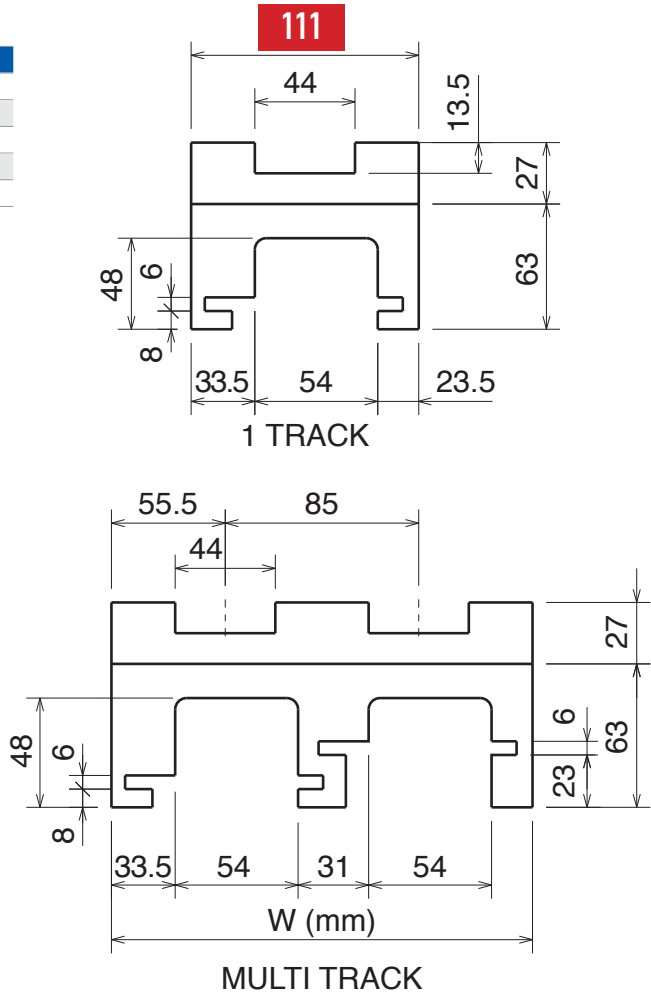
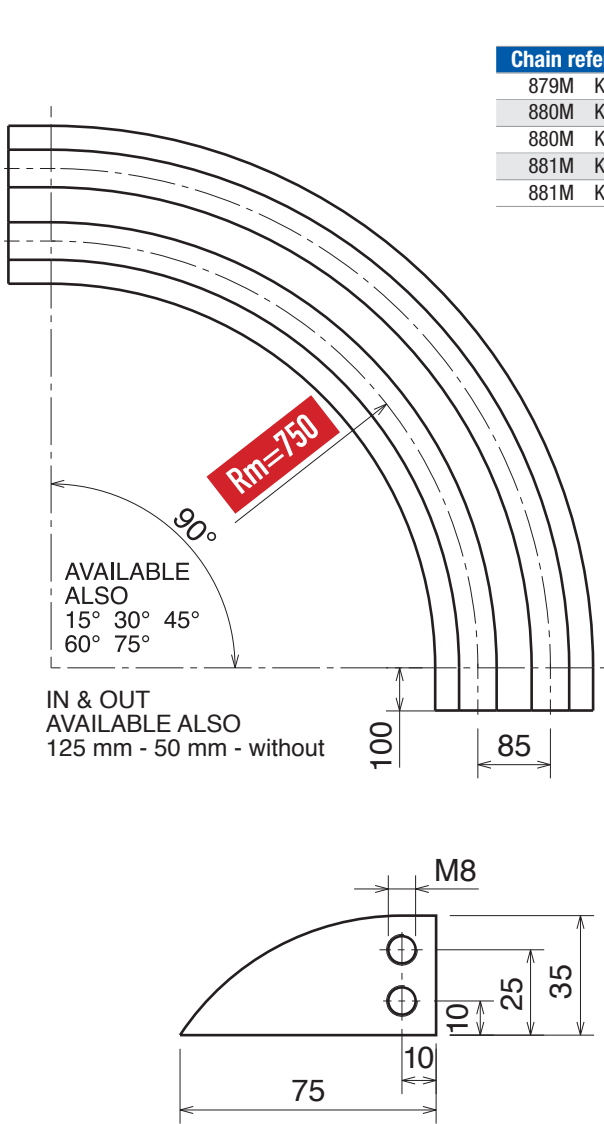
Upper part available, on request,  
also in   
and for abrasive applications.





**Materiale:** Polietilene UHMW-PE  
**Material:** Polyethylene UHMW-PE  
**Materialien:** Polyäthylen UHMW-PE

Curva Larghezza Base = 111 mm; Passo = 85 mm / Curve Basic Width = 111 mm; Pitch = 85 mm / Kurve Basisbreite = 111 mm; Teilung = 85 mm



## Magnetic System

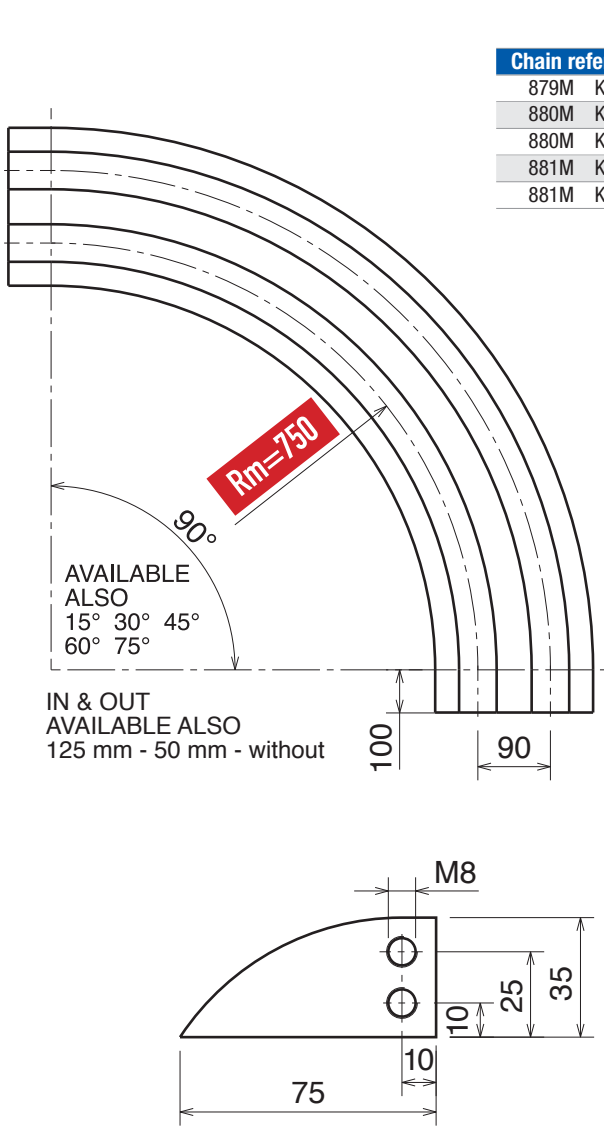


Upper part available, on request, also in **BluLub** and for abrasive applications.

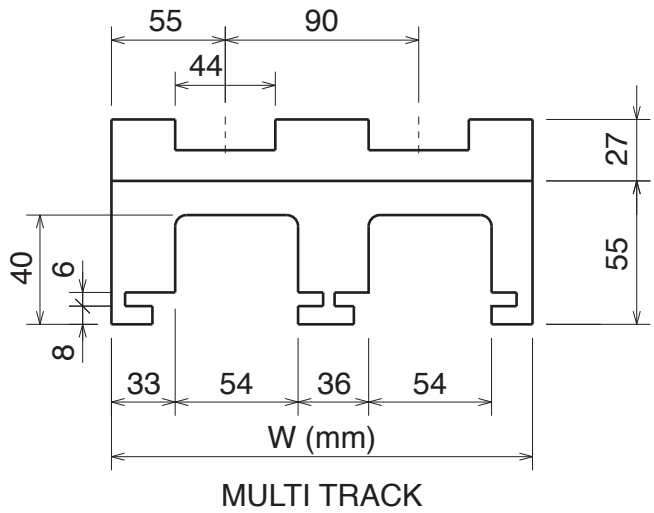
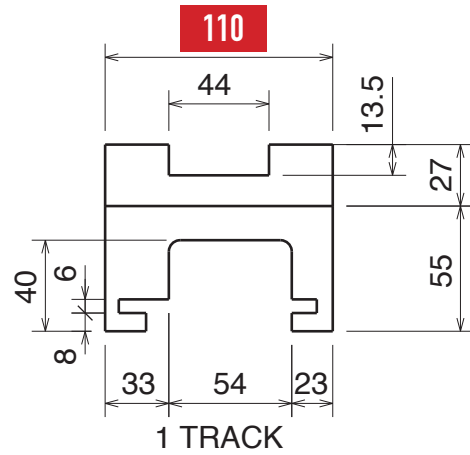


Part	Article-Nr.	Tracks	W
713	71316614	1	111
713	71316624	2	196
713	71316634	3	281
713	71316644	4	366
713	71316654	5	451
713	71316664	6	536
713	71316674	7	621
713	71316684	8	706

Curva Larghezza Base = 110 mm; Passo = 90 mm / Curve Basic Width = 110 mm; Pitch = 90 mm / Kurve Basisbreite = 110 mm; Teilung = 90 mm



Chain reference	
879M	K325
880M	K325
880M	K330
881M	K325
881M	K330



## Magnetic System

Part	Article-Nr.	Tracks	W
714	71416614	1	110
714	71416624	2	200
714	71416634	3	290
714	71416644	4	380
714	71416654	5	470
714	71416664	6	560
714	71416674	7	650
714	71416684	8	740

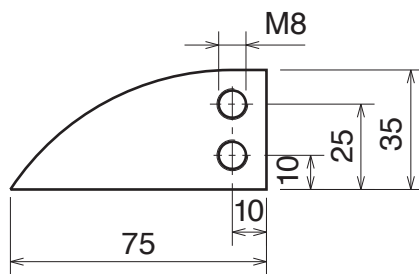
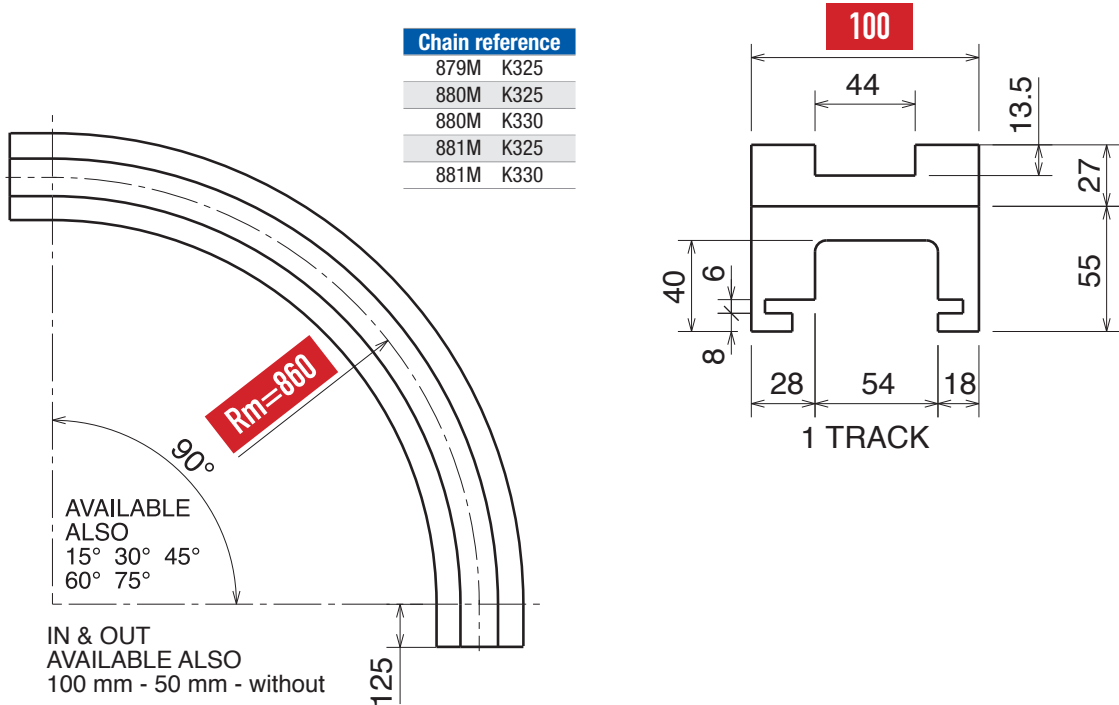


Upper part available, on request, also in  and for abrasive applications.



Materiale:	Material:	Materialien:
Polietilene UHMW-PE	Polyethylene UHMW-PE	Polyäthylen UHMW-PE

Curva Larghezza Base = 100 mm; Passo = 85 mm / Curve Basic Width = 100 mm; Pitch = 85 mm / Kurve Basisbreite = 100 mm; Teilung = 85 mm



## Magnetic System

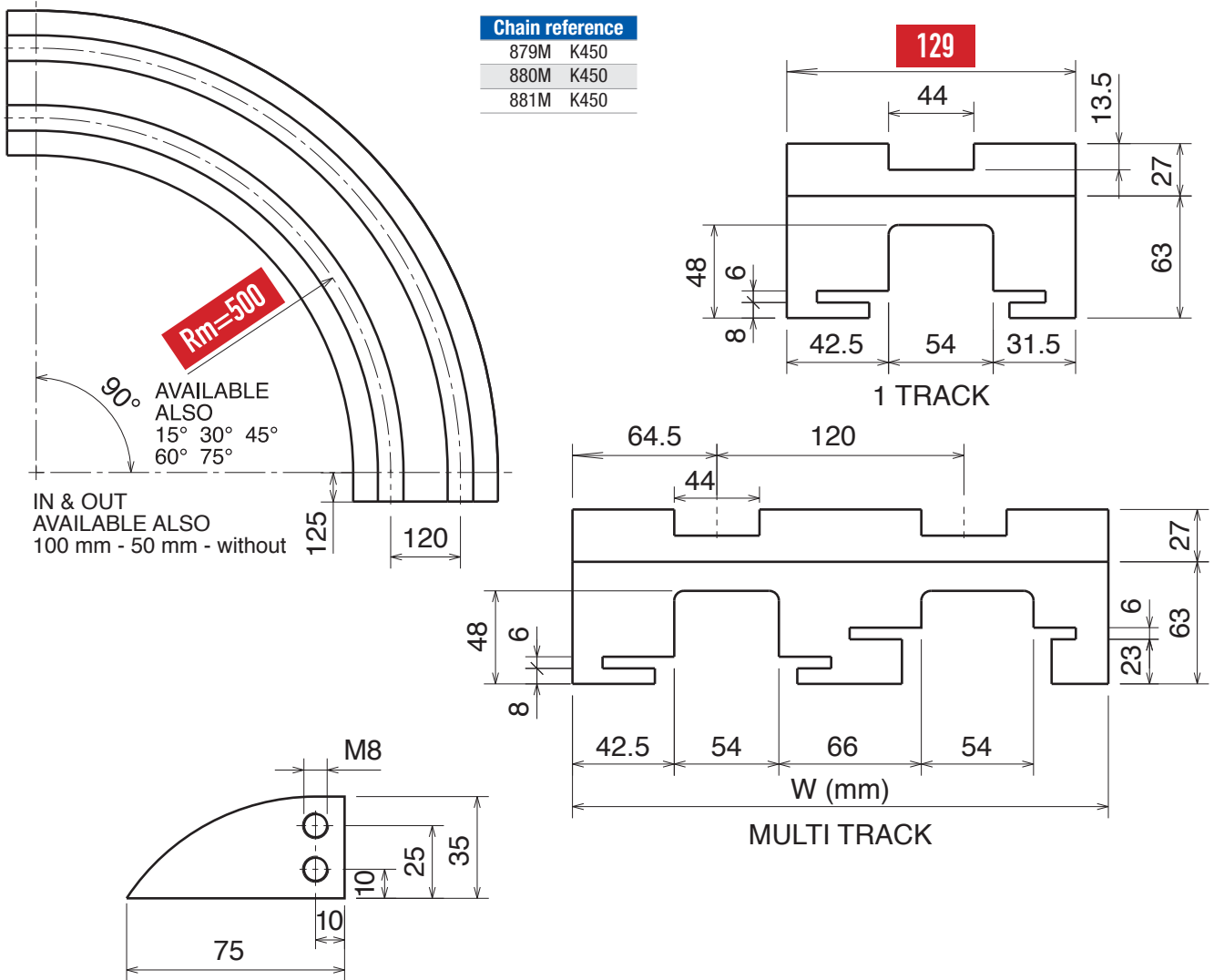
Part	Article-Nr.	Tracks	W
703	70318615	1	100



Upper part available, on request,  
also in **BluLub**   
and for abrasive applications.



Curva Larghezza Base = 129 mm; Passo = 120 mm / Curve Basic Width = 129 mm; Pitch = 120 mm / Kurve Basisbreite = 129 mm; Teilung = 120 mm



## Magnetic System

Part	Article-Nr.	Tracks	W
715	71511615	1	129
715	71511625	2	249
715	71511635	3	369
715	71511645	4	489
715	71511655	5	609

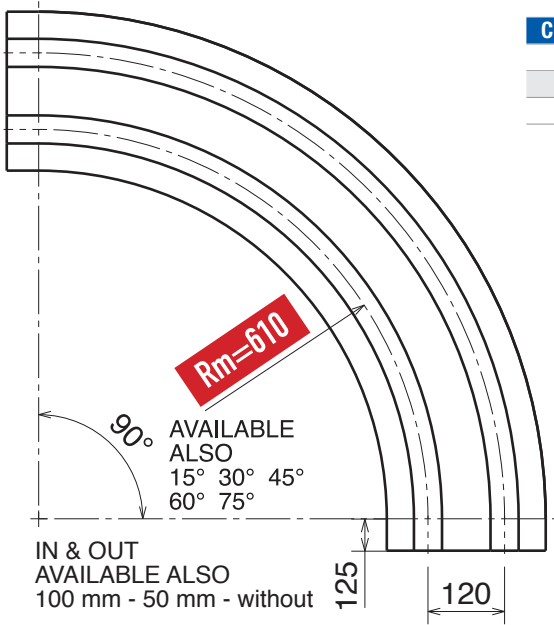


Upper part available, on request, also in  and for abrasive applications.

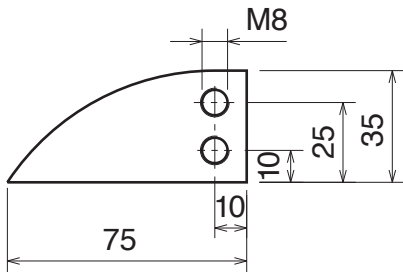
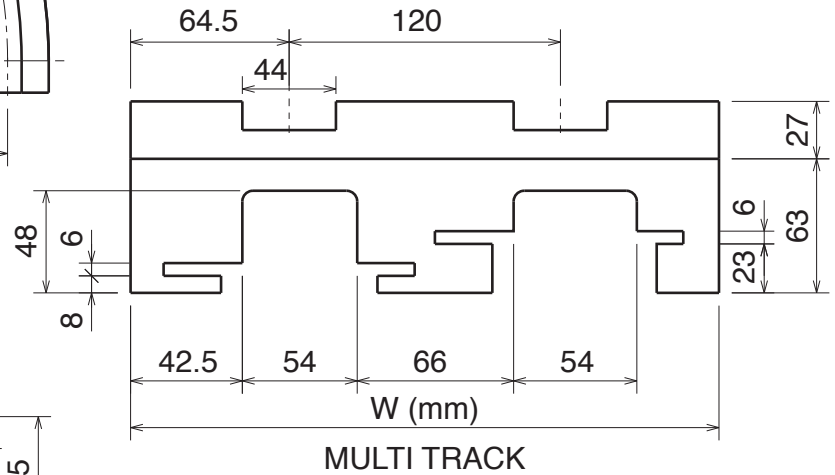
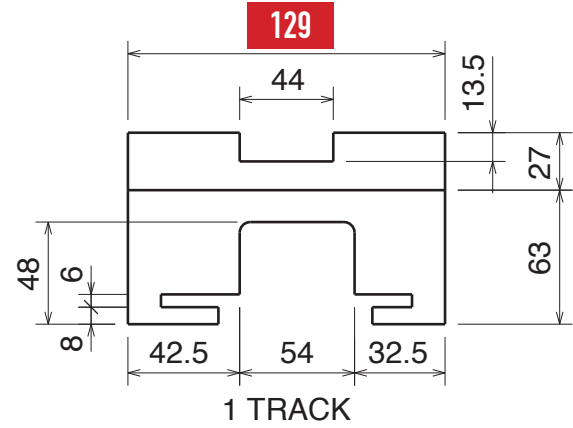


**Materiale:** Polietilene UHMW-PE   
**Material:** Polyethylene UHMW-PE   
**Materialien:** Polyäthylen UHMW-PE

Curva Larghezza Base = 129 mm; Passo = 120 mm / Curve Basic Width = 129 mm; Pitch = 120 mm / Kurve Basisbreite = 129 mm; Teilung = 120 mm



Chain reference	
879M	K450
880M	K450
881M	K450



## □□□ Magnetic System

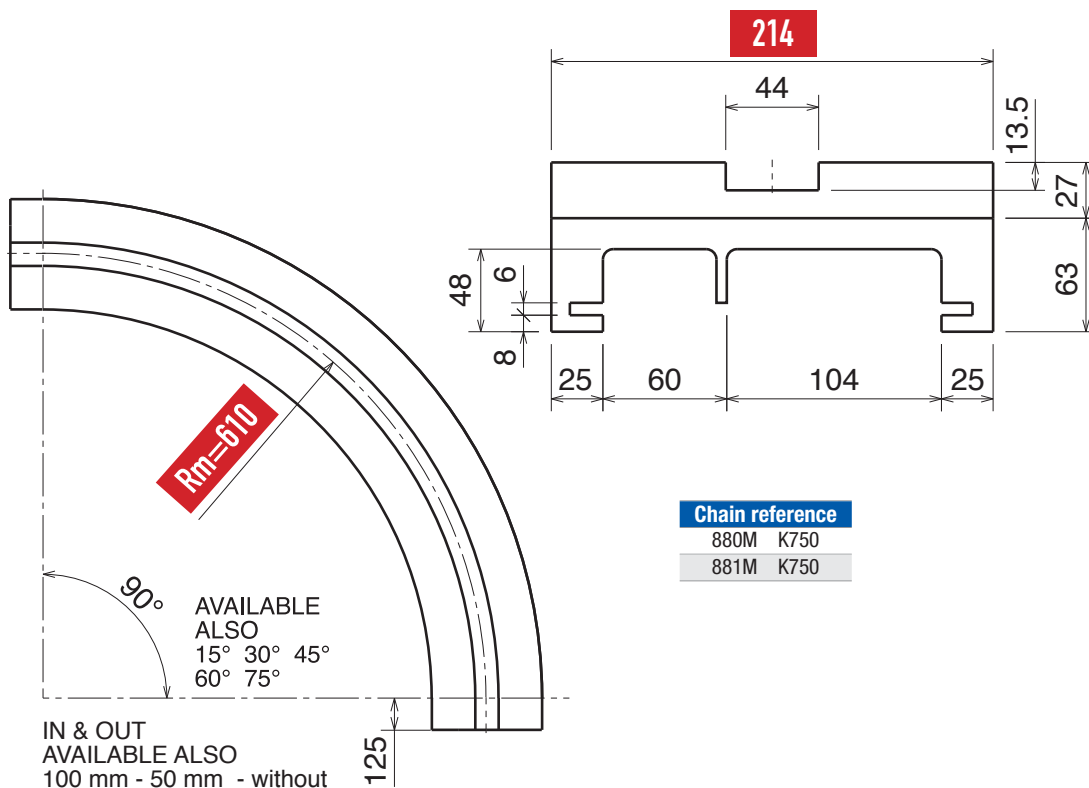
Part	Article-Nr.	Tracks	W
704	70413615	1	129
704	70413625	2	249
704	70413635	3	369
704	70413645	4	489
704	70413655	5	609



Upper part available, on request, also in **BluLub** and for abrasive applications.

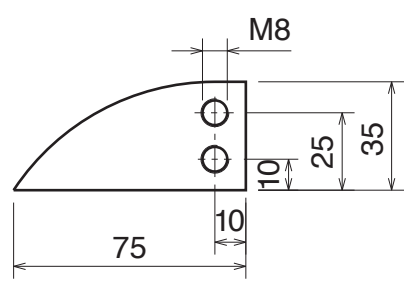


Curva Larghezza Base = 214 mm / Curve Basic Width = 214 mm / Kurve Basisbreite = 214 mm



**Chain reference**

880M	K750
881M	K750



## Magnetic System

Part	Article-Nr.	Tracks	W
716	71613615	1	214



Upper part available, on request, also in **BluLub**  and for abrasive applications.

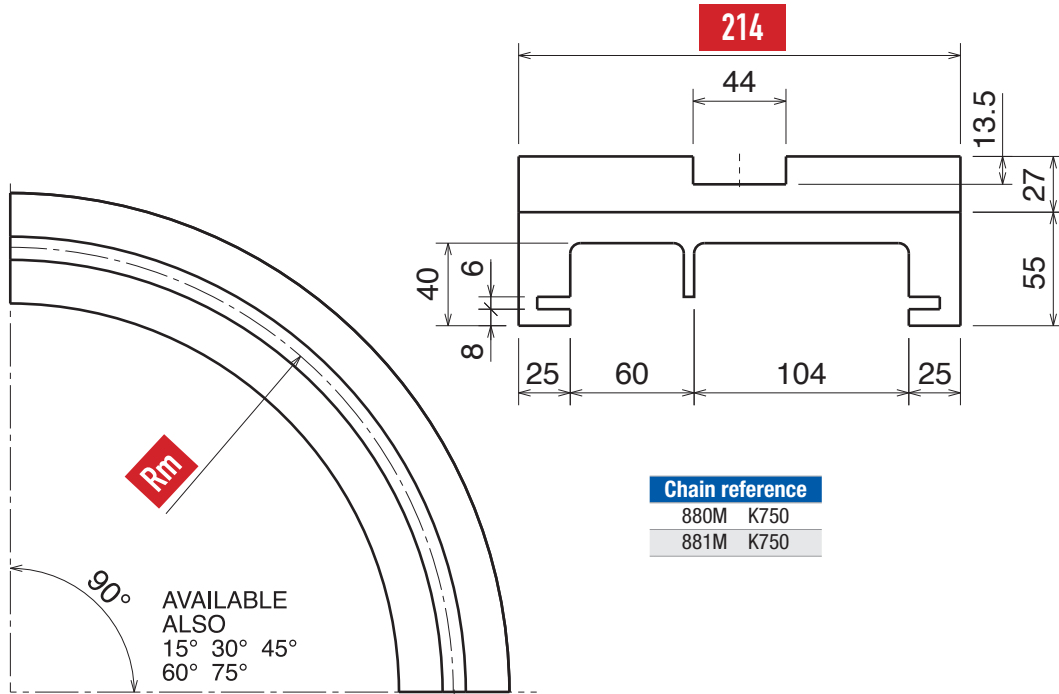


<b>Materiale:</b>	<b>Material:</b>	<b>Materialien:</b>
Polietilene UHMW-PE	Polyethylene UHMW-PE	Polyäthylen UHMW-PE

<b>M62 Series</b>	Rm=750
<b>M66 Series</b>	Rm=860
<b>M65 Series</b>	Rm=1000

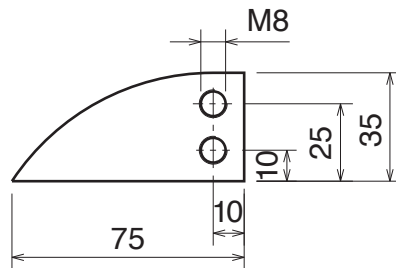
# 880-881 K750

Curva Larghezza Base = 214 mm / Curve Basic Width = 214 mm / Kurve Basisbreite = 214 mm



Chain reference	
880M	K750
881M	K750

IN & OUT  
AVAILABLE ALSO  
125 mm - 100 mm - 50 mm



## Magnetic System

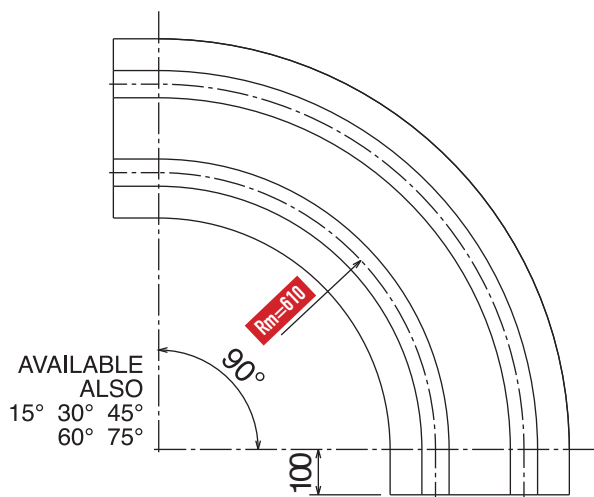
Part	Article-Nr.	Tracks	W	Rm
707	70716610	1	214	750
707	70718610	1	214	860
707	70719610	1	214	1000



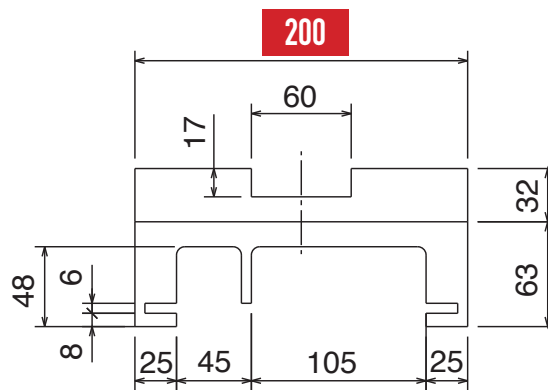
Upper part available, on request,  
also in **BluLub**   
and for abrasive applications.



Curva Larghezza Base = 200 mm / Curve Basic Width = 200 mm / Kurve Basisbreite = 200 mm



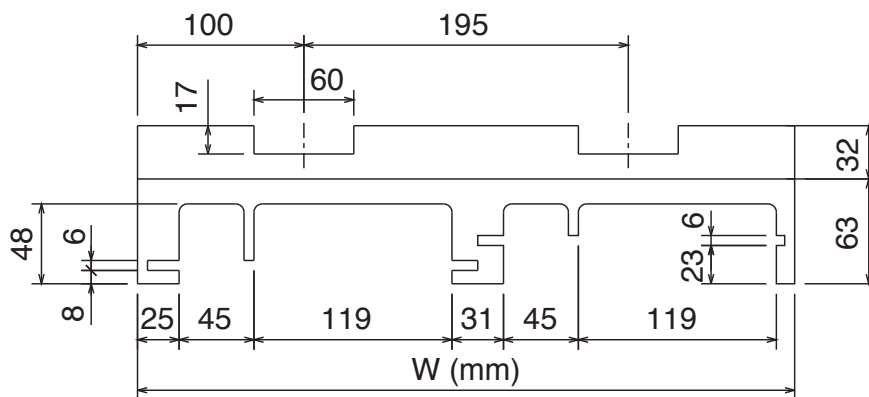
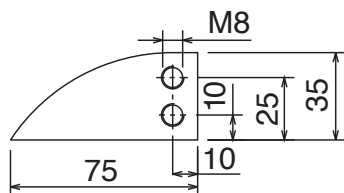
IN & OUT  
AVAILABLE ALSO  
125 mm - 100 mm - without



1 TRACK

**Chain reference**

882M K750  
8857M K750



MULTI TRACK

## Magnetic System



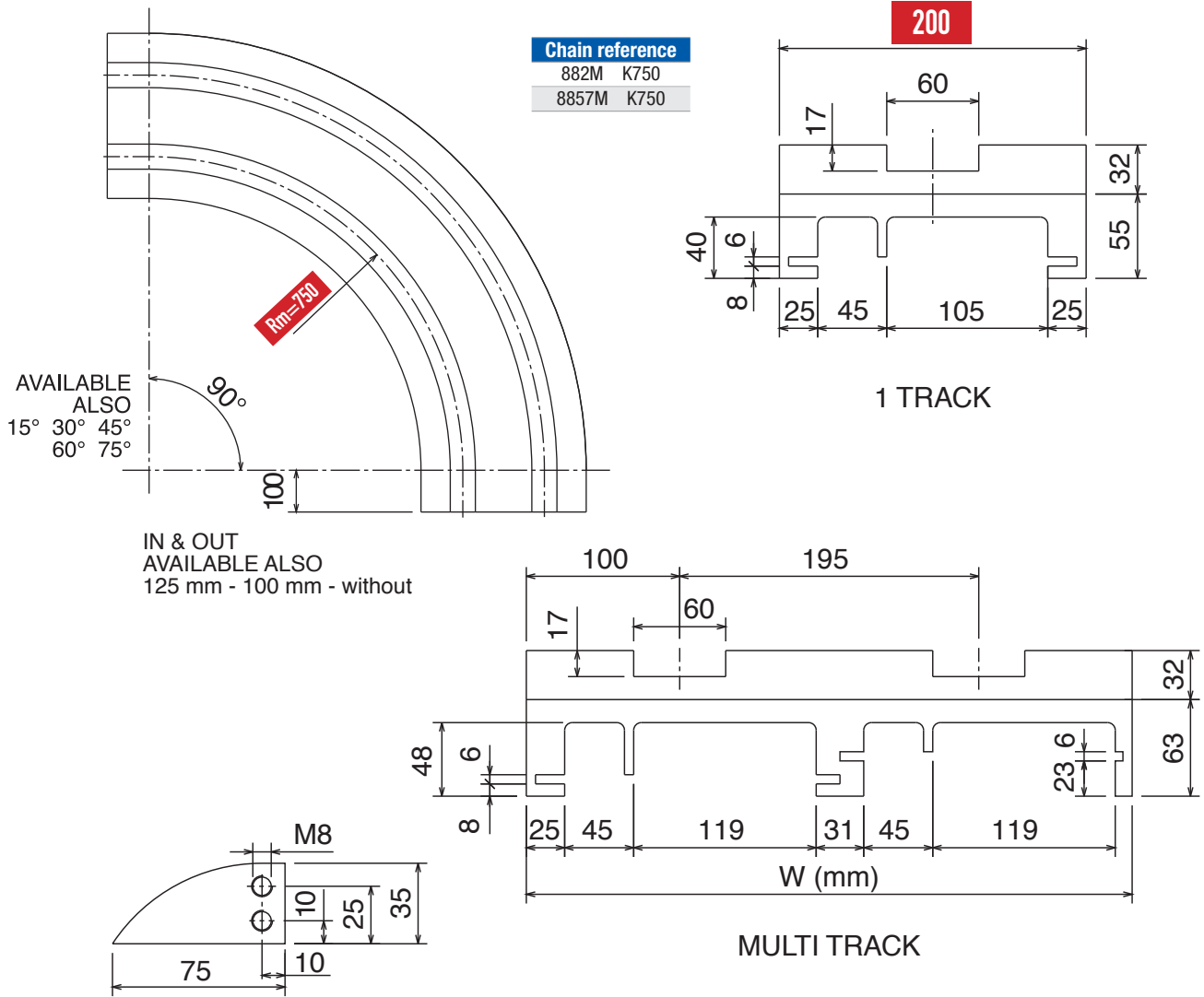
Upper part available, on request,  
also in **BluLub** M81  
Movexi - Polietilene UHMW-PE  
and for abrasive applications.



Part	Article-Nr.	Tracks	W
717	71713614	1	200
717	71713624	2	395
717	71713634	3	590
717	71713644	4	785



Curva Larghezza Base = 200 mm / Curve Basic Width = 200 mm / Kurve Basisbreite = 200 mm



**Magnetic System**

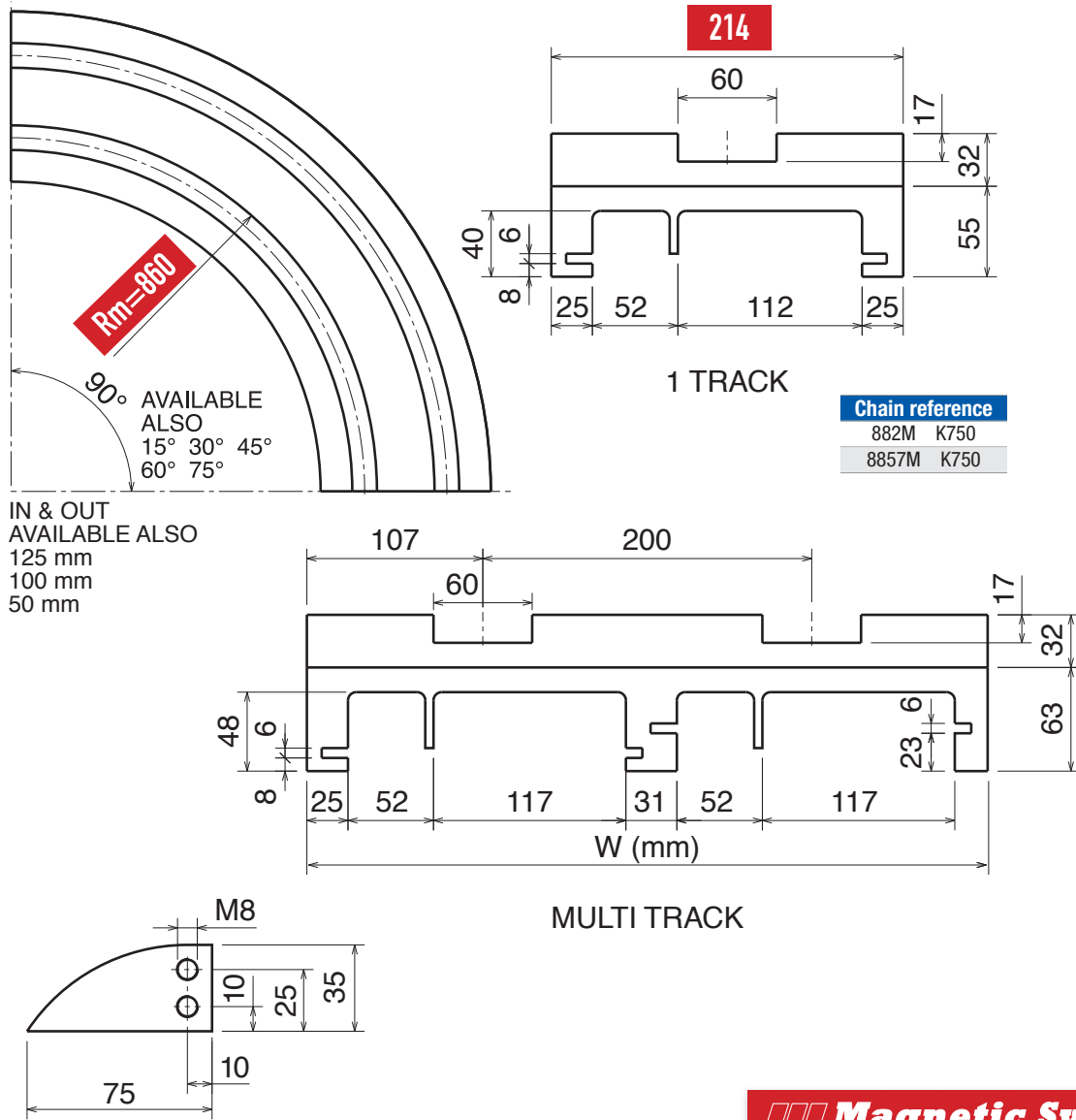
Part	Article-Nr.	Tracks	W
718	71816614	1	200
718	71816624	2	395
718	71816634	3	590



Upper part available, on request,  
also in **BluLub** Movex Industrial Innovations UHMW-PE  
and for abrasive applications.



Curva Larghezza Base = 214 mm; Passo = 200 mm / Curve Basic Width = 214 mm; Pitch = 200 mm / Kurve Basisbreite = 214 mm; Teilung = 200 mm



## Magnetic System



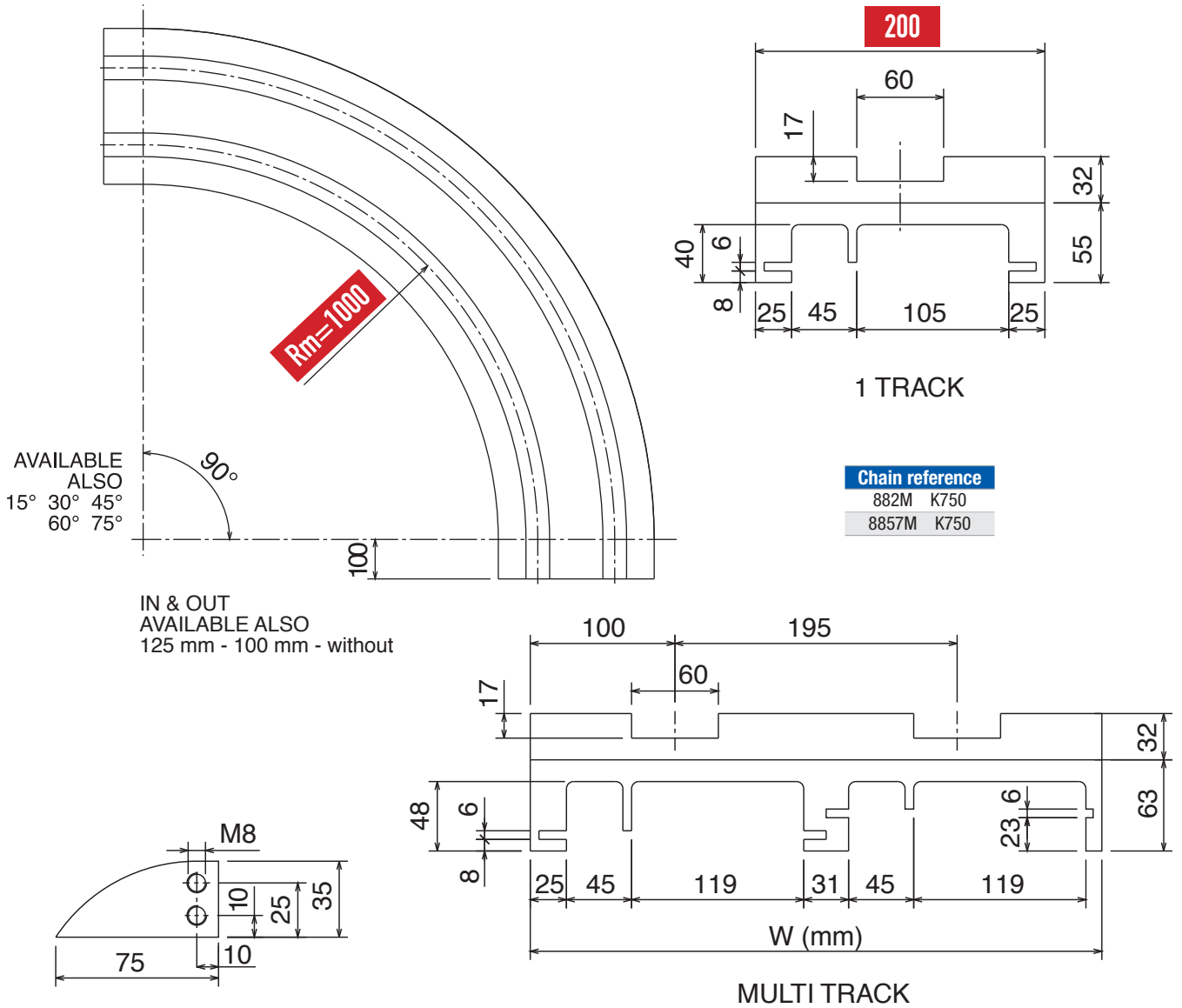
Part	Article-Nr.	Tracks	W
708	70818610	1	214
708	70818620	2	410
708	70818630	3	606

Upper part available, on request, also in **BluLub** and for abrasive applications.



Materiale: Polietilene UHMW-PE    Material: Polyethylene UHMW-PE    Materialien: Polyäthylen UHMW-PE

Curva Larghezza Base = 200 mm / Curve Basic Width = 200 mm / Kurve Basisbreite = 200 mm



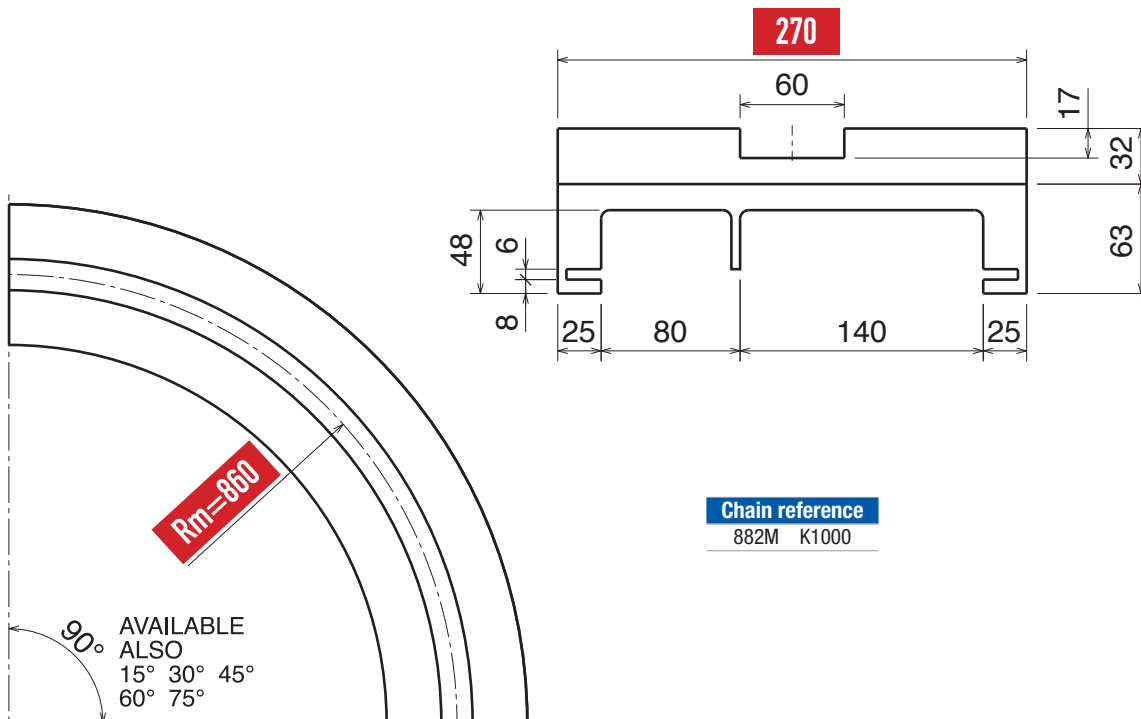
Upper part available, on request, also in **BluLub** and for abrasive applications.



## Magnetic System

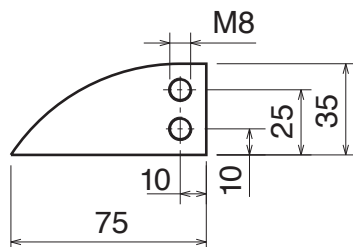
Part	Article-Nr.	Tracks	W
719	71919614	1	200
719	71919624	2	395
719	71919634	3	590

Curva Larghezza Base = 270 mm / Curve Basic Width = 270 mm / Kurve Basisbreite = 270 mm



**Chain reference**  
882M K1000

IN & OUT  
AVAILABLE ALSO  
125 mm - 100 mm - 50 mm



## Magnetic System

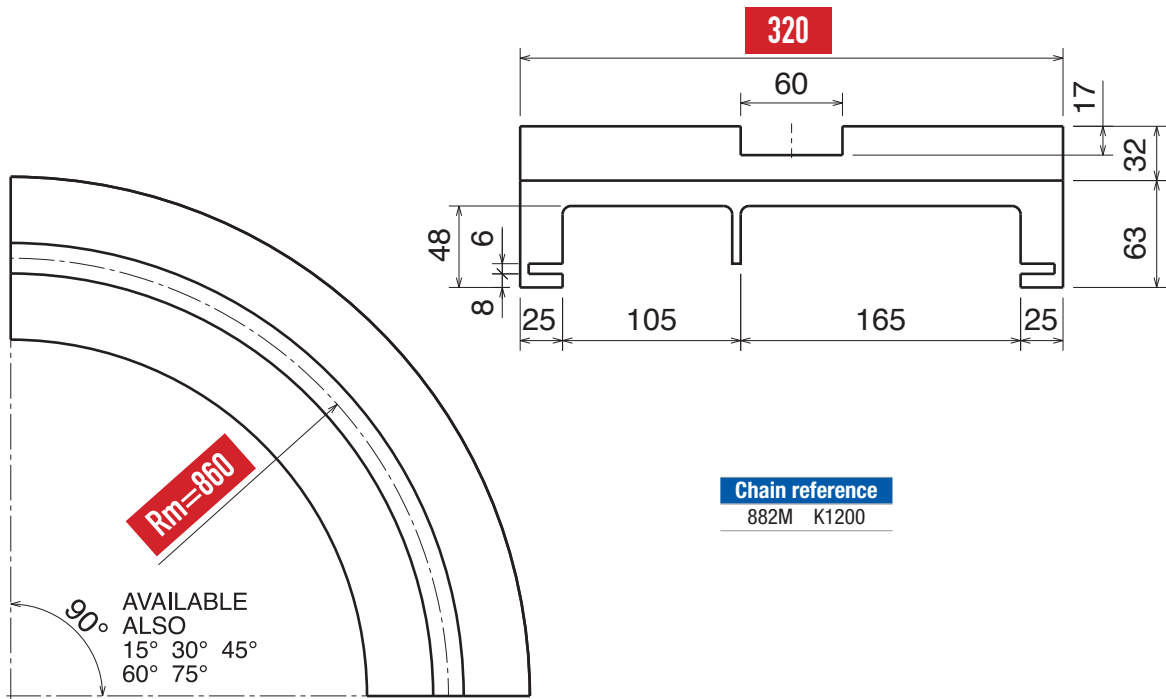


Part	Article-Nr.	Tracks	W
709	70918610	1	270

Upper part available, on request, also in **BluLub** M93 and for abrasive applications.

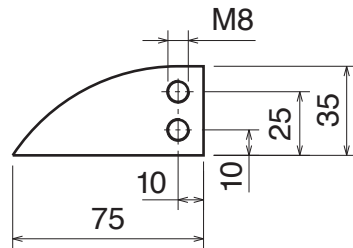


Curva Larghezza Base = 320 mm / Curve Basic Width = 320 mm / Kurve Basisbreite = 320 mm



**Chain reference**  
882M K1200

IN & OUT  
AVAILABLE ALSO  
125 mm - 100 mm - 50 mm



## □□□ Magnetic System



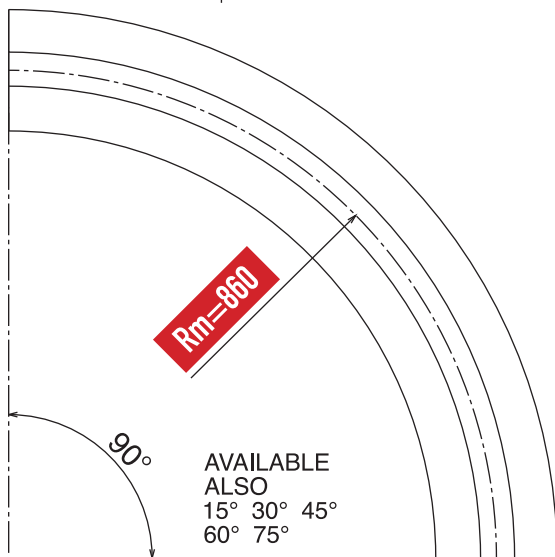
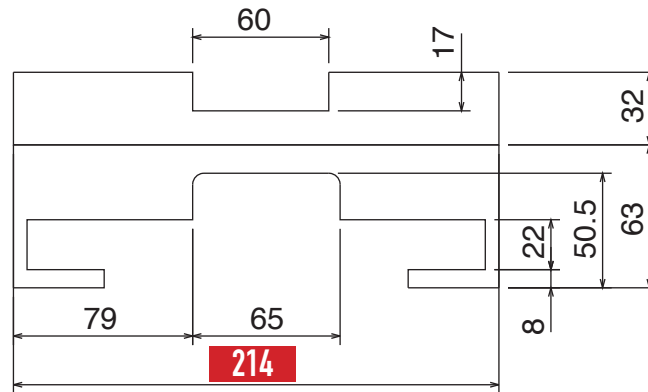
Part	Article-Nr.	Tracks	W
710	71018610	1	320

Upper part available, on request,  
also in **BluLub**   
and for abrasive applications.

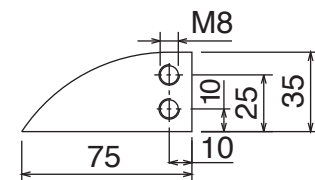


<b>Materiale:</b>	<b>Material:</b>	<b>Materialien:</b>
Polietilene UHMW-PE	Polyethylene UHMW-PE	Polyäthylen UHMW-PE

Curva Larghezza Base = 214 mm / Curve Basic Width = 214 mm / Kurve Basisbreite = 214 mm



**Chain reference**  
LBP 882M K750



IN & OUT  
AVAILABLE ALSO  
125 mm - 100 mm - 50 mm

### Magnetic System



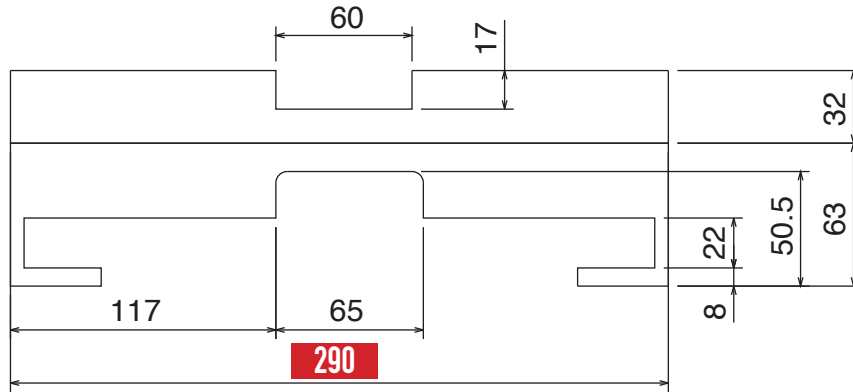
Part	Article-Nr.	Tracks	W
781	78118610	1	214

Upper part available, on request, also in **BluLub** and for abrasive applications.



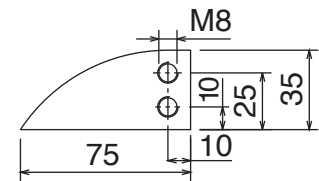
<b>Materiale:</b>	<b>Material:</b>	<b>Materialien:</b>
Polietilene UHMW-PE	Polyethylene UHMW-PE	Polyäthylen UHMW-PE

Curva Larghezza Base = 290 mm / Curve Basic Width = 290 mm / Kurve Basisbreite = 290 mm



IN & OUT  
AVAILABLE ALSO  
125 mm - 100 mm - 50 mm

**Chain reference**  
LBP 882M K1000

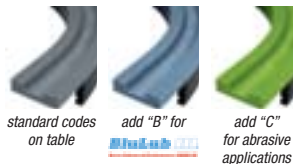


## Magnetic System

Part	Article-Nr.	Tracks	W
782	78218610	1	290

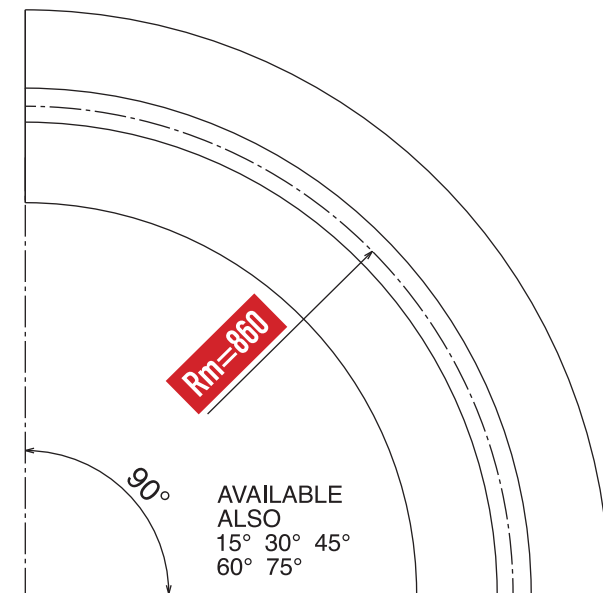
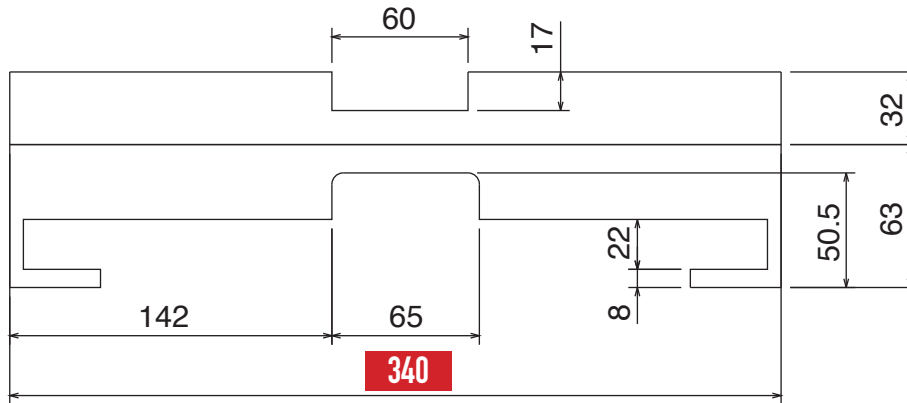


Upper part available, on request,  
also in **BluLub**  
and for abrasive applications.

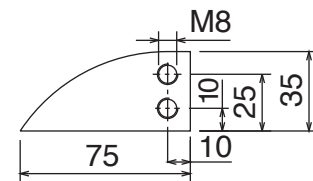


standard codes on table    add "B" for BluLub    add "C" for abrasive applications

Curva Larghezza Base = 340 mm / Curve Basic Width = 340 mm / Kurve Basisbreite = 340 mm



**Chain reference**  
LBP 882M K1200




IN & OUT  
AVAILABLE ALSO  
125 mm - 100 mm - 50 mm

## **MP96 Magnetic System**

Part	Article-Nr.	Tracks	W
783	78318610	1	340

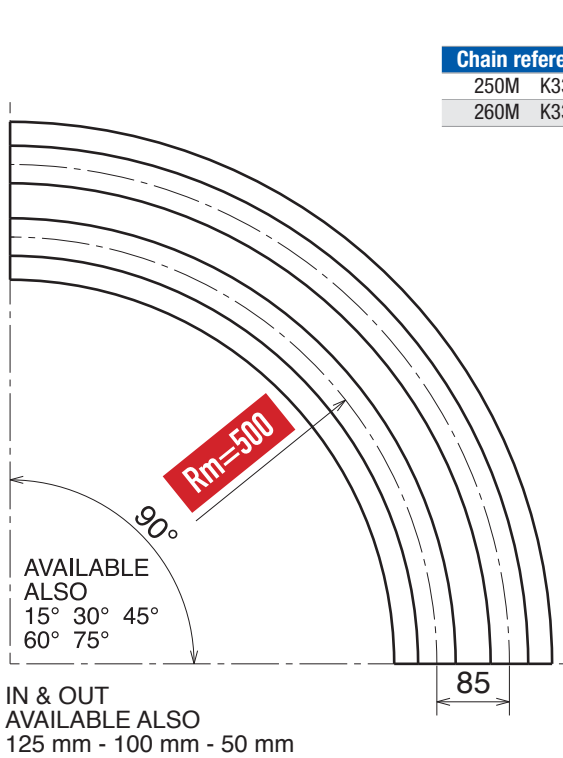


Upper part available, on request,  
also in **BluLub**   
and for abrasive applications.

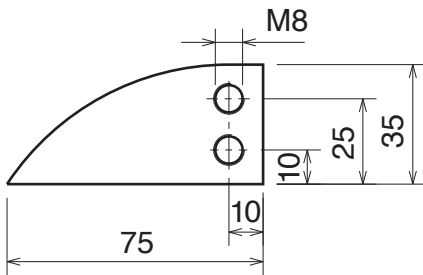
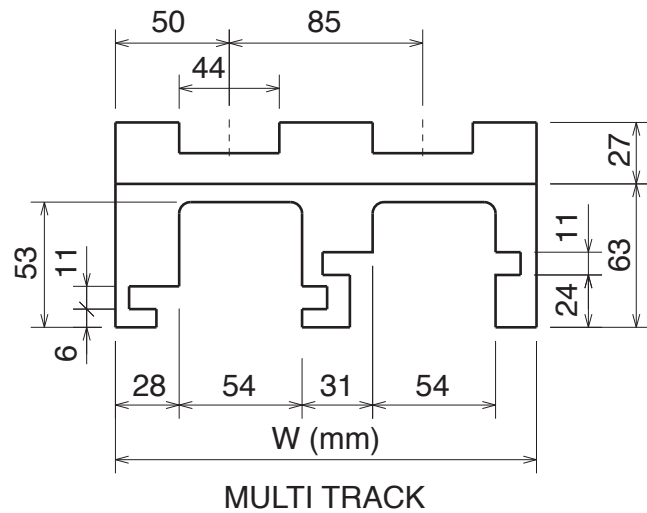
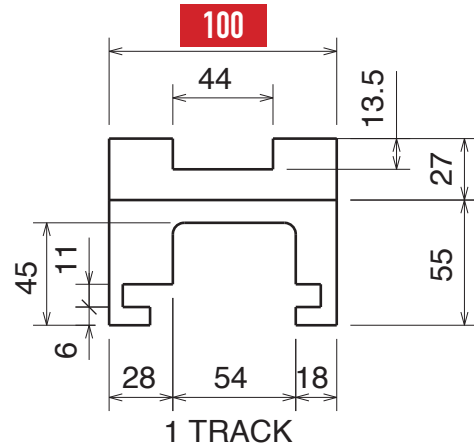




Curva Larghezza Base = 100 mm; Passo = 85 mm / Curve Basic Width = 100 mm; Pitch = 85 mm / Kurve Basisbreite = 100 mm; Teilung = 85 mm



Chain reference	
250M	K330
260M	K330



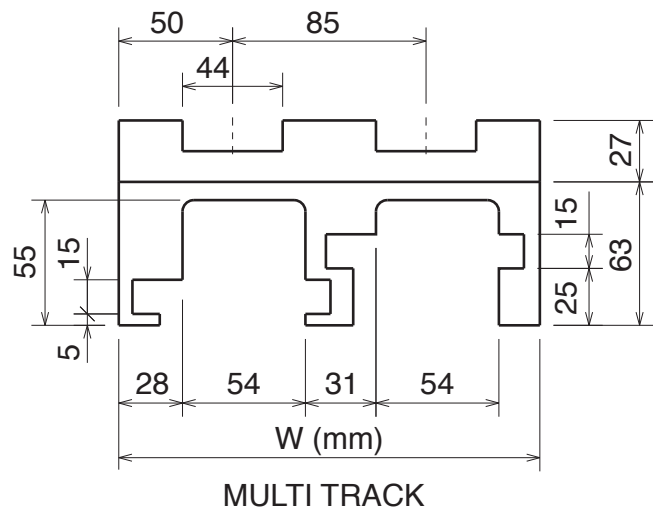
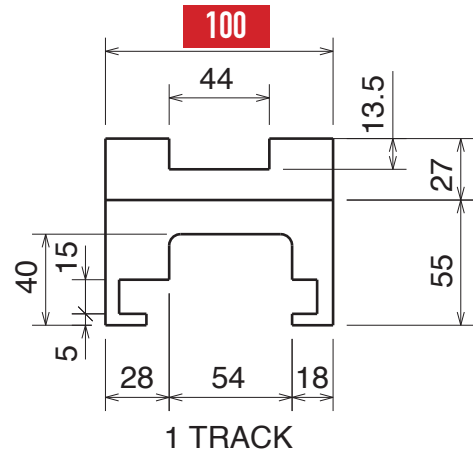
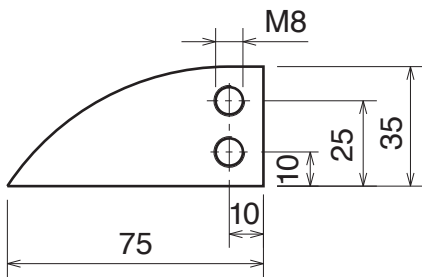
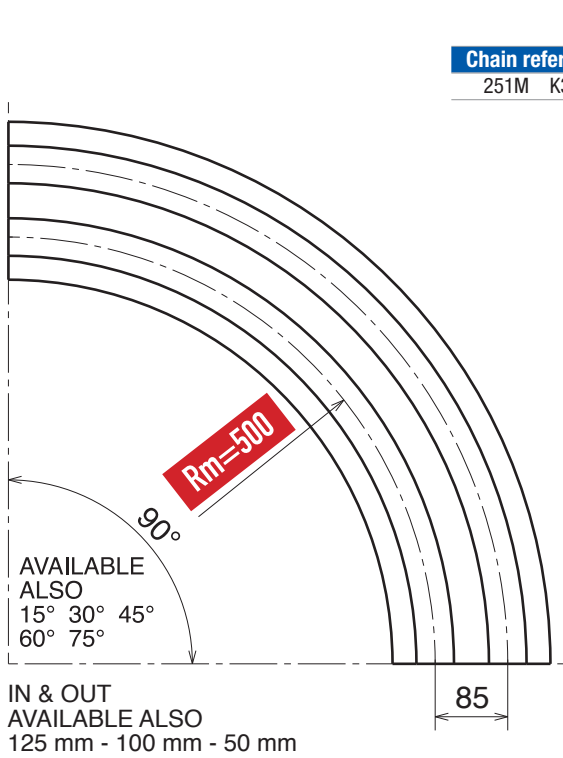
Upper part available, on request,  
also in **BluLub** Movex Engineering Professional UHMW-PE  
and for abrasive applications.



## Magnetic System

Part	Article-Nr.	Tracks	W
705	70511610	1	100
705	70511620	2	185
705	70511630	3	270
705	70511640	4	355
705	70511650	5	440
705	70511660	6	525
705	70511670	7	610
705	70511680	8	695

Curva Larghezza Base = 100 mm; Passo = 85 mm / Curve Basic Width = 100 mm; Pitch = 85 mm / Kurve Basisbreite = 100 mm; Teilung = 85 mm



## Magnetic System

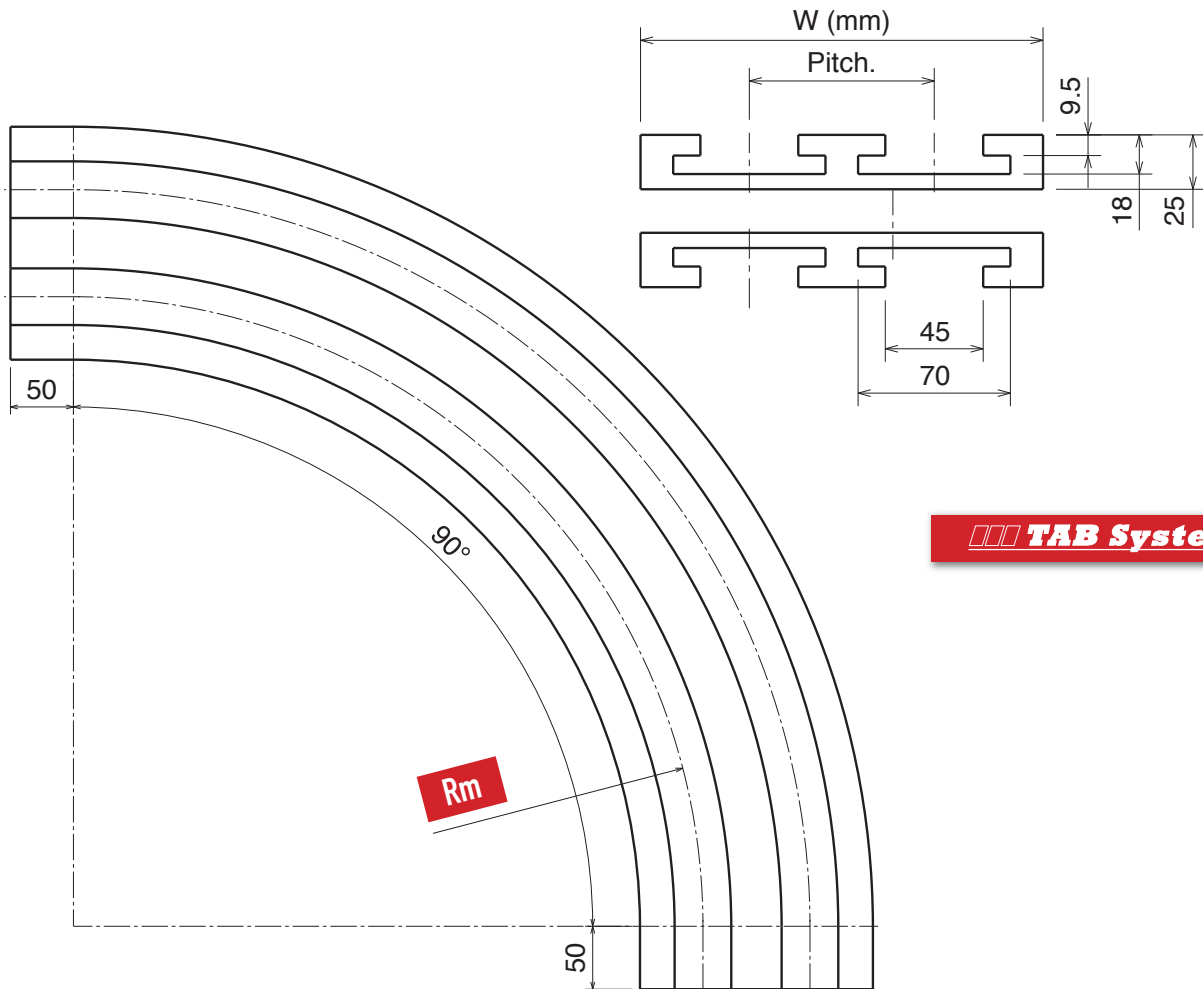
Part	Article-Nr.	Tracks	W
706	70611610	1	100
706	70611620	2	185
706	70611630	3	270
706	70611640	4	355
706	70611650	5	440
706	70611660	6	525
706	70611670	7	610
706	70611680	8	695



Upper part available, on request,  
also in   
and for abrasive applications.



Curva 880-881 TAB K325-K450-K750 / Curve 880-881 TAB K325-K450-K750 / Kurve 880-881 TAB K325-K450-K750



**TAB System**



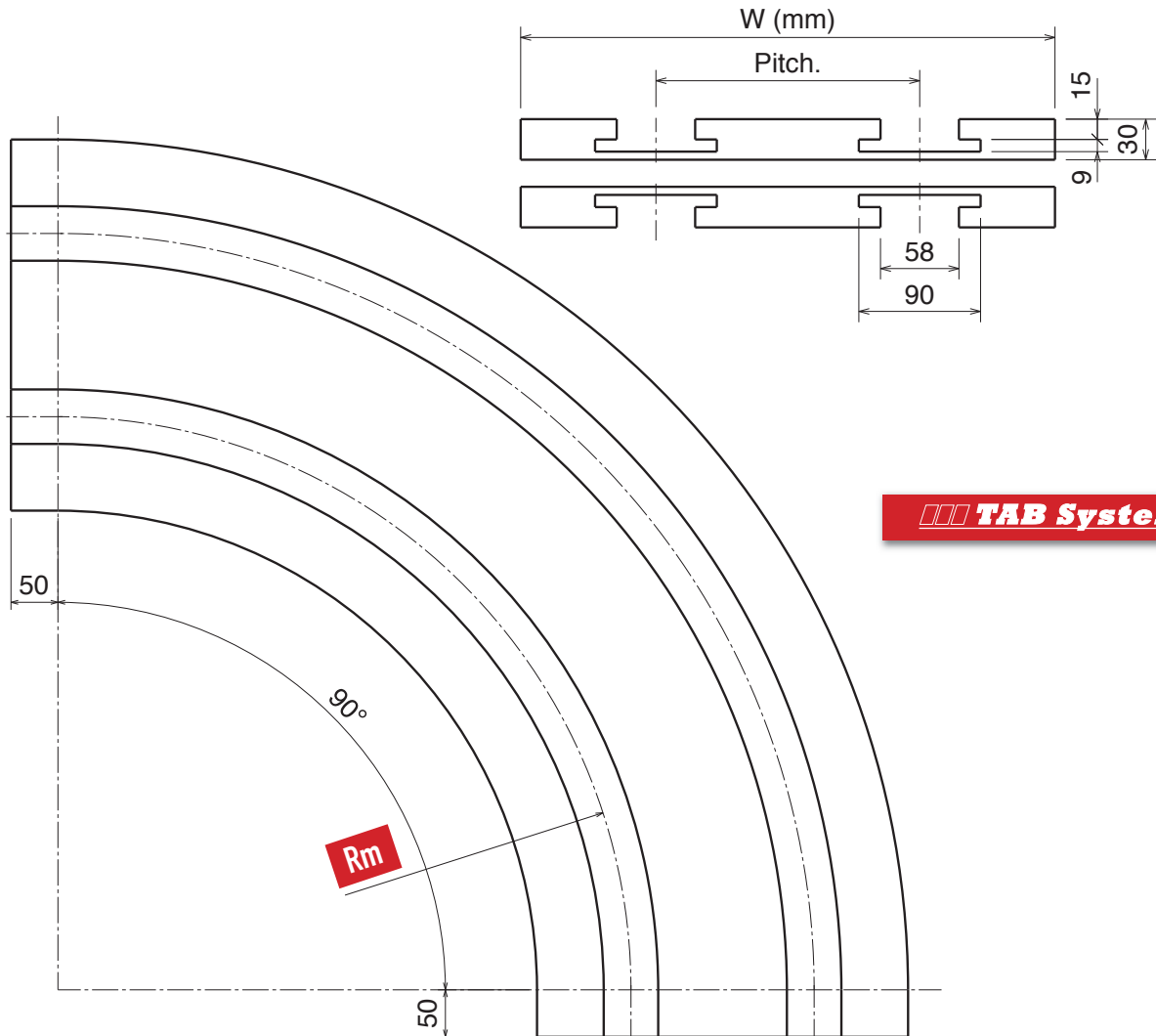
Part	Article-Nr.	Tracks	W	Rm	Pitch
<b>K325</b>					
720	72021612	1	100	500	85
720	72021622	2	185		
720	72021632	3	270		
720	72021642	4	355		
720	72021652	5	440		
720	72021662	6	525		
<b>K450</b>					
721	72123612	1	130	610	120
721	72123622	2	250		
721	72123632	3	370		
721	72123642	4	490		
721	72123652	5	610		
721	72123662	6	720		
<b>K750</b>					
722	72223612	1	200	610	195
722	72223622	2	395		
722	72223632	3	590		
722	72223642	4	785		

# 882 TAB

Curve Rm=610  
Curves Rm=610  
Kurven Rm=610

Materiale:	Material:	Materialien:
Polietilene UHMW-PE	Polyethylene UHMW-PE	Polyäthylen UHMW-PE

Curva 882 TAB K750-K1000-K1200 / Curve 882 TAB K750-K1000-K1200 / Kurve 882 TAB K750-K1000-K1200



**TAB System**



Part	Article-Nr.	Tracks	W	Rm	Pitch
<b>K750</b>					
723	72323612	1	200	610	195
723	72323622	2	395		
723	72323632	3	590		
723	72323642	4	785		
<b>K1000</b>					
724	72423612	1	270	610	230
724	72423622	2	530		
724	72423632	3	790		
724	72423642	4	1050		
<b>K1200</b>					
725	72523612	1	320	610	310
725	72523622	2	630		
725	72523632	3	940		
725	72523642	4	1250		



**Movex S.r.l. Industrial Innovations**  
Via Tasso (angolo Via Noli Marenzi)  
24060 Telgate (Bergamo) - Italy  
Phone +39.035.8359711  
Fax +39.035.4420873



**Movex GmbH Industrial Innovations**  
Alfred-Nobel-Strasse, 4  
68519 Viernheim - Germany  
Phone +49.(0)6204.9375-0  
Fax +49.(0)6204.9375-55



**Movex Industrial Innovations UK Ltd.**  
Unit 7, Dene Valley Business Centre  
Kineton CV35 0JD, Warwickshire - UK  
Phone +44.1926.642933

**Movex France - Sales Office**  
Phone +33.06.06.81.99.76  
Fax +33.09.70.62.50.98

**Movex Nederland - Sales Office**  
Phone +31.(0)630.99.48.50

**Movex Singapore - Sales Office**  
Phone +65.9815.0482