

modular belts

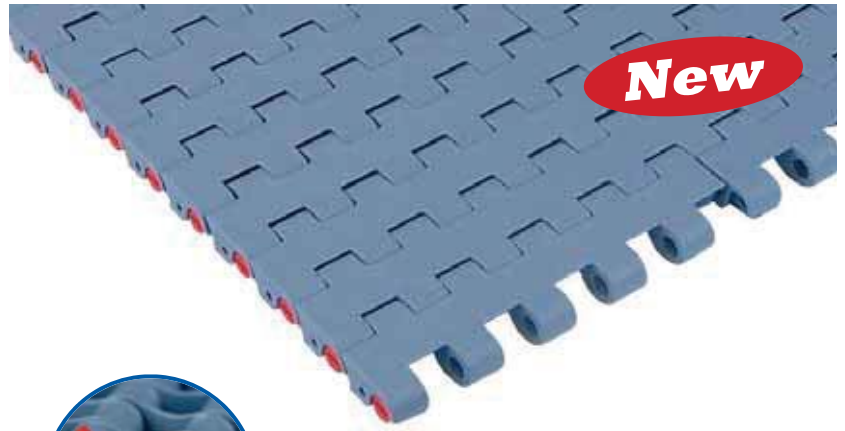
# *News*

*525-530 series  
15 mm pitch*

***Movex***



Tappeto Modulare 525 FT, H=8,7 M=85 / Modular Belt Series 525 FT, H=8,7 M=85 / Modulare Mattenkette 525 FT, H=8,7 M=85

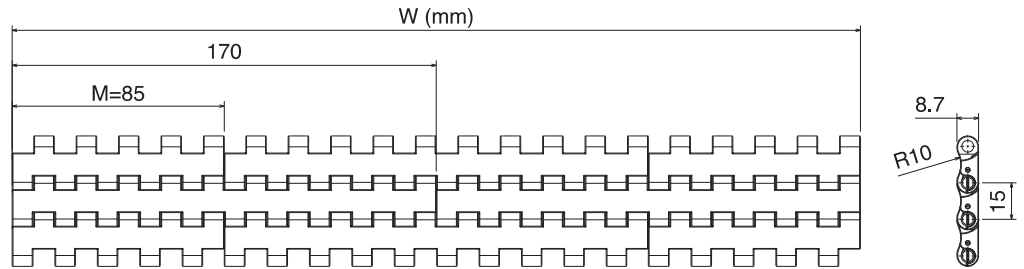


| Series | Material | Width | Version |
|--------|----------|-------|---------|
| 5251   | *        | 0085  | A       |
| 5251   | *        | 0170  | A       |
| 5251   | *        | 0255  | A       |
| 5251   | *        | 0340  | A       |
| 5251   | *        | 0425  | A       |
| 5251   | *        | 0510  | A       |
| 5251   | *        | 0595  | A       |
| 5251   | *        | 0680  | A       |
| 5251   | *        | 0765  | A       |

| Series | Material | Width | Version |
|--------|----------|-------|---------|
| 5251   | *        | 0850  | A       |
| 5251   | *        | 0935  | A       |
| 5251   | *        | 1020  | A       |
| 5251   | *        | 1105  | A       |
| 5251   | *        | 1190  | A       |
| 5251   | *        | 1275  | A       |
| 5251   | *        | 1360  | A       |
| 5251   | *        | 1445  | A       |
| 5251   | *        | 1530  | A       |


**VERSION A - STANDARD**

| CODE STRUCTURE GUIDE |          |       |         |
|----------------------|----------|-------|---------|
| 5251                 | 03       | 0340  | C       |
| Series               | Material | Width | Version |




**\* Material**

**01 LFA - Acetal Resin**




Max w. load: 21500 N/m  
Weight: 7,8 kg/m<sup>2</sup>  
Temperature range: dry -40÷80 °C, wet -40÷65 °C  
Pin material: PBT white

**03 MX - PBT**



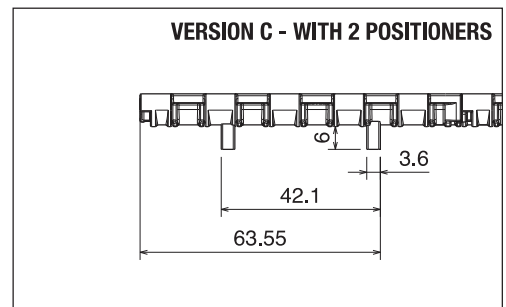
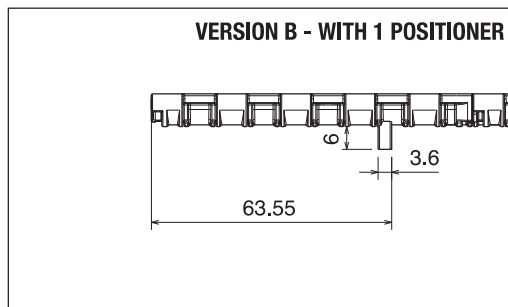
Max w. load: 17500 N/m  
Weight: 7,5 kg/m<sup>2</sup>  
Temperature range: dry -40÷120 °C, wet -40÷60 °C  
Pin material: PBT white

**08 MK Super Performance Acetal**



Max w. load: 20700 N/m  
Weight: 7,8 kg/m<sup>2</sup>  
Temperature range: dry -40÷80 °C, wet -40÷65 °C  
Pin material: PBT white

*On request also available in other materials and widths*



| Series | Material | Width | Version |
|--------|----------|-------|---------|
| 5251   | *        | 0085  | B       |
| 5251   | *        | 0170  | B       |
| 5251   | *        | 0255  | B       |
| 5251   | *        | 0340  | B       |
| 5251   | *        | 0425  | B       |
| 5251   | *        | 0510  | B       |
| 5251   | *        | 0595  | B       |
| 5251   | *        | 0680  | B       |
| 5251   | *        | 0765  | B       |

| Series | Material | Width | Version |
|--------|----------|-------|---------|
| 5251   | *        | 0850  | B       |
| 5251   | *        | 0935  | B       |
| 5251   | *        | 1020  | B       |
| 5251   | *        | 1105  | B       |
| 5251   | *        | 1190  | B       |
| 5251   | *        | 1275  | B       |
| 5251   | *        | 1360  | B       |
| 5251   | *        | 1445  | B       |
| 5251   | *        | 1530  | B       |

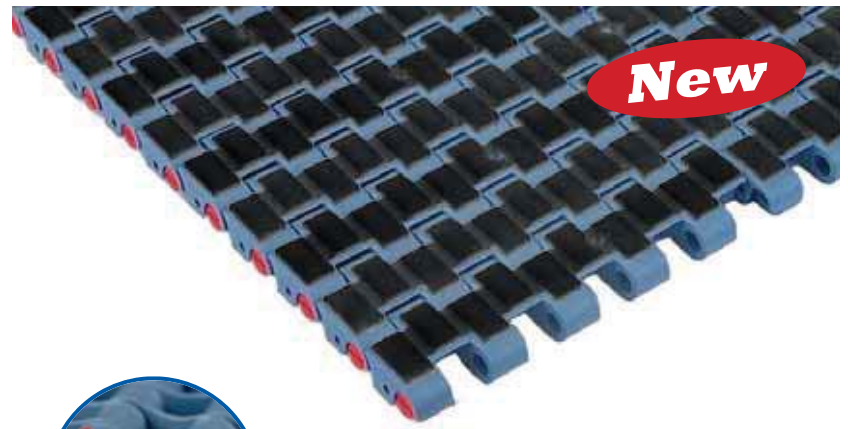
| Series | Material | Width | Version |
|--------|----------|-------|---------|
| 5251   | *        | 0085  | C       |
| 5251   | *        | 0170  | C       |
| 5251   | *        | 0255  | C       |
| 5251   | *        | 0340  | C       |
| 5251   | *        | 0425  | C       |
| 5251   | *        | 0510  | C       |
| 5251   | *        | 0595  | C       |
| 5251   | *        | 0680  | C       |
| 5251   | *        | 0765  | C       |

| Series | Material | Width | Version |
|--------|----------|-------|---------|
| 5251   | *        | 0850  | C       |
| 5251   | *        | 0935  | C       |
| 5251   | *        | 1020  | C       |
| 5251   | *        | 1105  | C       |
| 5251   | *        | 1190  | C       |
| 5251   | *        | 1275  | C       |
| 5251   | *        | 1360  | C       |
| 5251   | *        | 1445  | C       |
| 5251   | *        | 1530  | C       |



**Metric  
Sizes**

Tappeto Modulare 525 GT, H=8,7 M=85 / Modular Belt Series 525 GT, H=8,7 M=85 / Modulare Mattenkette 525 GT, H=8,7 M=85

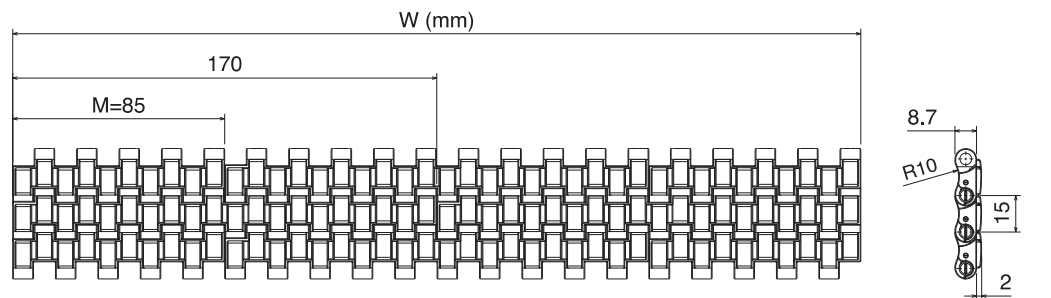


| Series | Material | Width | Version |
|--------|----------|-------|---------|
| 5253   | *        | 0085  | A       |
| 5253   | *        | 0170  | A       |
| 5253   | *        | 0255  | A       |
| 5253   | *        | 0340  | A       |
| 5253   | *        | 0425  | A       |
| 5253   | *        | 0510  | A       |
| 5253   | *        | 0595  | A       |
| 5253   | *        | 0680  | A       |
| 5253   | *        | 0765  | A       |

| Series | Material | Width | Version |
|--------|----------|-------|---------|
| 5253   | *        | 0850  | A       |
| 5253   | *        | 0935  | A       |
| 5253   | *        | 1020  | A       |
| 5253   | *        | 1105  | A       |
| 5253   | *        | 1190  | A       |
| 5253   | *        | 1275  | A       |
| 5253   | *        | 1360  | A       |
| 5253   | *        | 1445  | A       |
| 5253   | *        | 1530  | A       |


**VERSION A - STANDARD**

| CODE STRUCTURE GUIDE |                 |              |                |
|----------------------|-----------------|--------------|----------------|
| <b>5253</b>          | <b>01</b>       | <b>0765</b>  | <b>A</b>       |
| <i>Series</i>        | <i>Material</i> | <i>Width</i> | <i>Version</i> |




**\* Material**

**01 LFA - Acetal Resin**




Max w. load: 21500 N/m  
Weight: 7,8 kg/m<sup>2</sup>  
Temp. range: dry -40÷80 °C  
wet -40÷65 °C  
Pin material: PBT white  
Hardness: 75 ShA

**02 PP - Polypropylene**



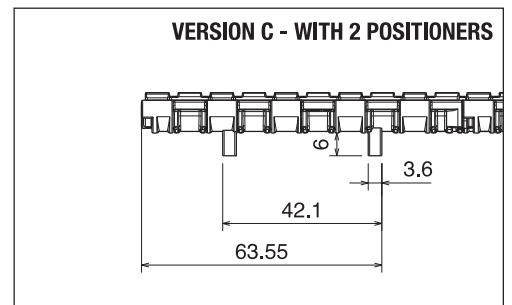
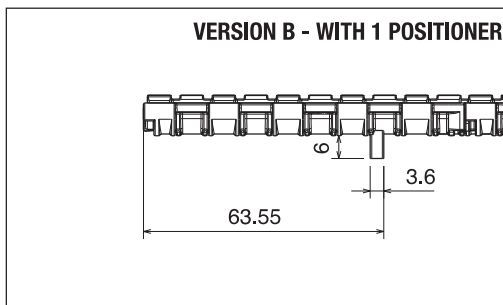
Max w. load: 13000 N/m  
Weight: 7,5 kg/m<sup>2</sup>  
Temp. range: dry 4÷80 °C  
wet 4÷65 °C  
Pin material: PP blu  
Hardness: 75 ShA

**03 MX - PBT**



Max w. load: 20700 N/m  
Weight: 7,8 kg/m<sup>2</sup>  
Temp. range: dry -40÷120 °C  
wet -40÷60 °C  
Pin material: POM grey  
Hardness: 75 ShA

*On request also available in other materials and widths*



| Series | Material | Width | Version |
|--------|----------|-------|---------|
| 5253   | *        | 0085  | B       |
| 5253   | *        | 0170  | B       |
| 5253   | *        | 0255  | B       |
| 5253   | *        | 0340  | B       |
| 5253   | *        | 0425  | B       |
| 5253   | *        | 0510  | B       |
| 5253   | *        | 0595  | B       |
| 5253   | *        | 0680  | B       |
| 5253   | *        | 0765  | B       |

| Series | Material | Width | Version |
|--------|----------|-------|---------|
| 5253   | *        | 0850  | B       |
| 5253   | *        | 0935  | B       |
| 5253   | *        | 1020  | B       |
| 5253   | *        | 1105  | B       |
| 5253   | *        | 1190  | B       |
| 5253   | *        | 1275  | B       |
| 5253   | *        | 1360  | B       |
| 5253   | *        | 1445  | B       |
| 5253   | *        | 1530  | B       |

| Series | Material | Width | Version |
|--------|----------|-------|---------|
| 5253   | *        | 0085  | C       |
| 5253   | *        | 0170  | C       |
| 5253   | *        | 0255  | C       |
| 5253   | *        | 0340  | C       |
| 5253   | *        | 0425  | C       |
| 5253   | *        | 0510  | C       |
| 5253   | *        | 0595  | C       |
| 5253   | *        | 0680  | C       |
| 5253   | *        | 0765  | C       |

| Series | Material | Width | Version |
|--------|----------|-------|---------|
| 5253   | *        | 0850  | C       |
| 5253   | *        | 0935  | C       |
| 5253   | *        | 1020  | C       |
| 5253   | *        | 1105  | C       |
| 5253   | *        | 1190  | C       |
| 5253   | *        | 1275  | C       |
| 5253   | *        | 1360  | C       |
| 5253   | *        | 1445  | C       |
| 5253   | *        | 1530  | C       |



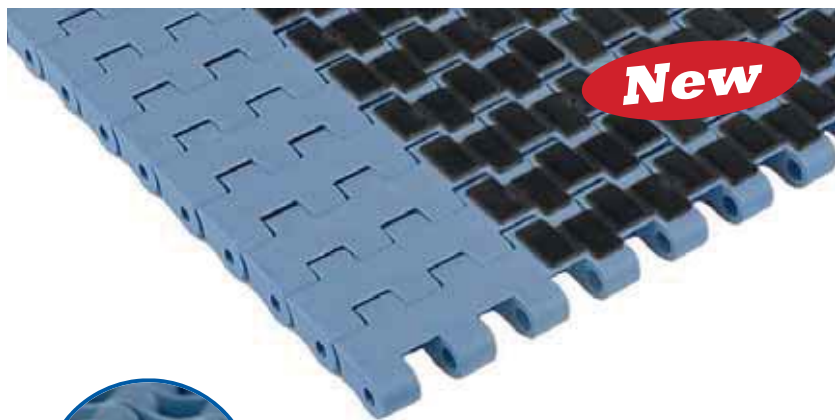




Tappeto Modulare 525 GT, H=8,7 M=85 / Modular Belt Series 525 GT, H=8,7 M=85 / Modulare Mattenkette 525 GT, H=8,7 M=85

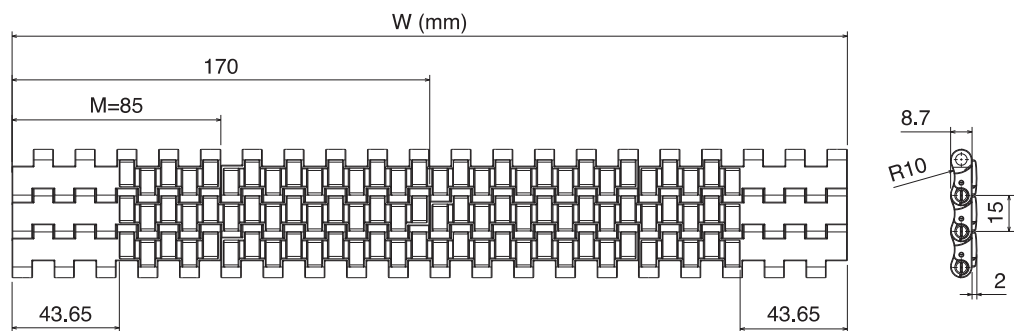
| Series | Material | Width | Version |
|--------|----------|-------|---------|
| 5255   | *        | 0255  | A       |
| 5255   | *        | 0340  | A       |
| 5255   | *        | 0425  | A       |
| 5255   | *        | 0510  | A       |
| 5255   | *        | 0595  | A       |
| 5255   | *        | 0680  | A       |
| 5255   | *        | 0765  | A       |
| 5255   | *        | 0850  | A       |

| Series | Material | Width | Version |
|--------|----------|-------|---------|
| 5255   | *        | 0935  | A       |
| 5255   | *        | 1020  | A       |
| 5255   | *        | 1105  | A       |
| 5255   | *        | 1190  | A       |
| 5255   | *        | 1275  | A       |
| 5255   | *        | 1360  | A       |
| 5255   | *        | 1445  | A       |
| 5255   | *        | 1530  | A       |



### VERSION A - STANDARD

| CODE STRUCTURE GUIDE |          |       |         |
|----------------------|----------|-------|---------|
| 5255                 | 03       | 0340  | C       |
| Series               | Material | Width | Version |



**\* Material**

**01 LFA - Acetal Resin**

Max w. load: 21500 N/m  
Weight: 7,8 kg/m<sup>2</sup>  
Temp. range: dry -40÷80 °C  
wet -40÷65 °C  
Pin material: PBT white  
Hardness: 75 ShA

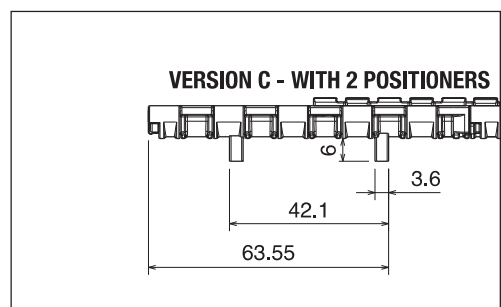
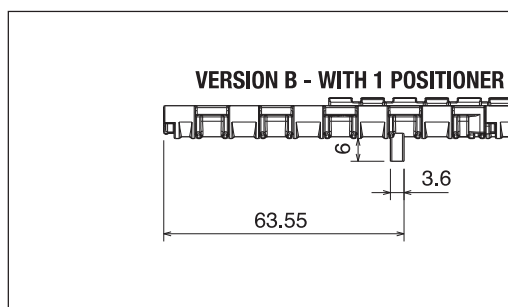
**02 PP - Polypropylene**

Max w. load: 13000 N/m  
Weight: 7,5 kg/m<sup>2</sup>  
Temp. range: dry 4÷80 °C  
wet 4÷65 °C  
Pin material: PP blu  
Hardness: 75 ShA

**03 MX - PBT**

Max w. load: 20700 N/m  
Weight: 7,8 kg/m<sup>2</sup>  
Temp. range: dry -40÷120 °C  
wet -40÷60 °C  
Pin material: POM grey  
Hardness: 75 ShA

*On request also available in other materials and widths*



| Series | Material | Width | Version |
|--------|----------|-------|---------|
| 5255   | *        | 0255  | B       |
| 5255   | *        | 0340  | B       |
| 5255   | *        | 0425  | B       |
| 5255   | *        | 0510  | B       |
| 5255   | *        | 0595  | B       |
| 5255   | *        | 0680  | B       |
| 5255   | *        | 0765  | B       |
| 5255   | *        | 0850  | B       |

| Series | Material | Width | Version |
|--------|----------|-------|---------|
| 5255   | *        | 0935  | B       |
| 5255   | *        | 1020  | B       |
| 5255   | *        | 1105  | B       |
| 5255   | *        | 1190  | B       |
| 5255   | *        | 1275  | B       |
| 5255   | *        | 1360  | B       |
| 5255   | *        | 1445  | B       |
| 5255   | *        | 1530  | B       |

| Series | Material | Width | Version |
|--------|----------|-------|---------|
| 5255   | *        | 0255  | C       |
| 5255   | *        | 0340  | C       |
| 5255   | *        | 0425  | C       |
| 5255   | *        | 0510  | C       |
| 5255   | *        | 0595  | C       |
| 5255   | *        | 0680  | C       |
| 5255   | *        | 0765  | C       |
| 5255   | *        | 0850  | C       |

| Series | Material | Width | Version |
|--------|----------|-------|---------|
| 5255   | *        | 0935  | C       |
| 5255   | *        | 1020  | C       |
| 5255   | *        | 1105  | C       |
| 5255   | *        | 1190  | C       |
| 5255   | *        | 1275  | C       |
| 5255   | *        | 1360  | C       |
| 5255   | *        | 1445  | C       |
| 5255   | *        | 1530  | C       |





Tappeto Modulare 530 FT, H=8,7 M=3" / Modular Belt Series 530 FT, H=8,7 M=3" / Modulare Mattenkette 530 FT, H=8,7 M=3"

| Series | Material | Width | Version |
|--------|----------|-------|---------|
| 5321   | *        | 0003  | A       |
| 5321   | *        | 0006  | A       |
| 5321   | *        | 0009  | A       |
| 5321   | *        | 0012  | A       |
| 5321   | *        | 0015  | A       |
| 5321   | *        | 0018  | A       |
| 5321   | *        | 0021  | A       |
| 5321   | *        | 0024  | A       |
| 5321   | *        | 0027  | A       |

| Series | Material | Width | Version |
|--------|----------|-------|---------|
| 5321   | *        | 0030  | A       |
| 5321   | *        | 0033  | A       |
| 5321   | *        | 0036  | A       |
| 5321   | *        | 0039  | A       |
| 5321   | *        | 0042  | A       |
| 5321   | *        | 0045  | A       |
| 5321   | *        | 0048  | A       |
| 5321   | *        | 0051  | A       |
| 5321   | *        | 0054  | A       |




VERSION A - STANDARD

| CODE STRUCTURE GUIDE |                 |              |                |
|----------------------|-----------------|--------------|----------------|
| 5321                 | 01              | 0042         | A              |
| <i>Series</i>        | <i>Material</i> | <i>Width</i> | <i>Version</i> |


**\* Material**

**01 LFA - Acetal Resin**




Max w. load: 21500 N/m  
Weight: 7,8 kg/m<sup>2</sup>  
Temperature range:  
dry -40÷80 °C  
wet -40÷65 °C  
Pin material: PBT white

**03 MX - PBT**



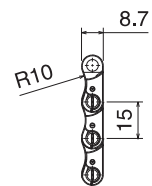
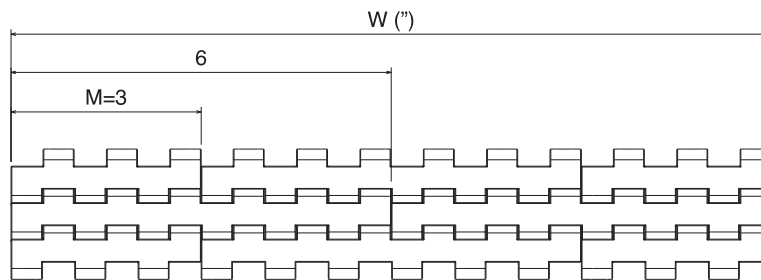
Max w. load: 17500 N/m  
Weight: 7,5 kg/m<sup>2</sup>  
Temperature range:  
dry -40÷120 °C  
wet -40÷60 °C  
Pin material: POM grey

**08 MK Super Performance Acetal**



Max w. load: 20700 N/m  
Weight: 7,8 kg/m<sup>2</sup>  
Temperature range:  
dry -40÷80 °C  
wet -40÷65 °C  
Pin material: PBT white

*On request also available in other materials and widths*

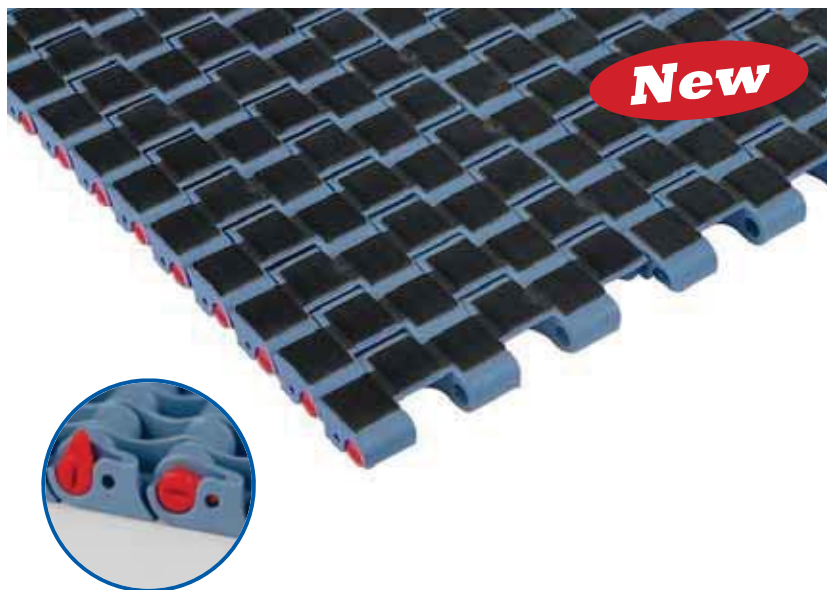




Tappeto Modulare 530 GT, H=8,7 M=3" / Modular Belt Series 530 GT, H=8,7 M=3" / Modulare Mattenkette 530 GT, H=8,7 M=3"

| Series | Material | Width | Version |
|--------|----------|-------|---------|
| 5323   | *        | 0003  | A       |
| 5323   | *        | 0006  | A       |
| 5323   | *        | 0009  | A       |
| 5323   | *        | 0012  | A       |
| 5323   | *        | 0015  | A       |
| 5323   | *        | 0018  | A       |
| 5323   | *        | 0021  | A       |
| 5323   | *        | 0024  | A       |
| 5323   | *        | 0027  | A       |

| Series | Material | Width | Version |
|--------|----------|-------|---------|
| 5323   | *        | 0030  | A       |
| 5323   | *        | 0033  | A       |
| 5323   | *        | 0036  | A       |
| 5323   | *        | 0039  | A       |
| 5323   | *        | 0042  | A       |
| 5323   | *        | 0045  | A       |
| 5323   | *        | 0048  | A       |
| 5323   | *        | 0051  | A       |
| 5323   | *        | 0054  | A       |



**VERSION A - STANDARD**

| CODE STRUCTURE GUIDE |                 |              |                |
|----------------------|-----------------|--------------|----------------|
| <b>5323</b>          | <b>01</b>       | <b>0009</b>  | <b>A</b>       |
| <i>Series</i>        | <i>Material</i> | <i>Width</i> | <i>Version</i> |

**\* Material**

**01 LFA - Acetal Resin**



Max w. load: 21500 N/m  
Weight: 7,8 kg/m<sup>2</sup>  
Temp. range: dry -40÷80 °C  
wet -40÷65 °C  
Pin material: PBT white  
Hardness: 75 ShA

**02 PP - Polypropylene**



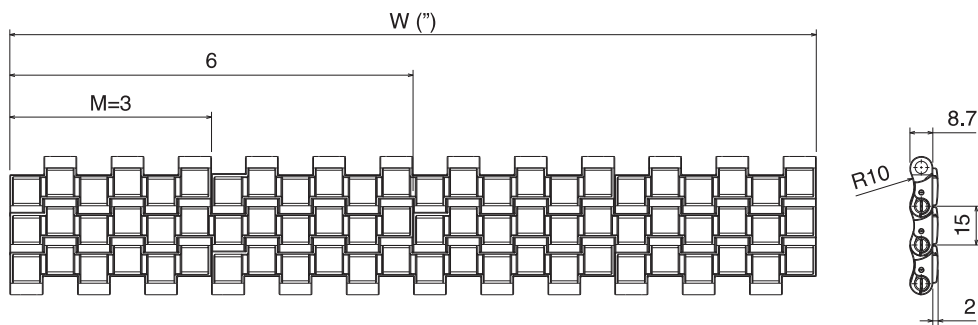
Max w. load: 13000 N/m  
Weight: 7,5 kg/m<sup>2</sup>  
Temp. range: dry 4÷80 °C  
wet 4÷65 °C  
Pin material: PP blu  
Hardness: 75 ShA

**03 MX - PBT**



Max w. load: 20700 N/m  
Weight: 7,8 kg/m<sup>2</sup>  
Temp. range: dry -40÷120 °C  
wet -40÷60 °C  
Pin material: POM grey  
Hardness: 75 ShA

On request also available in other materials and widths

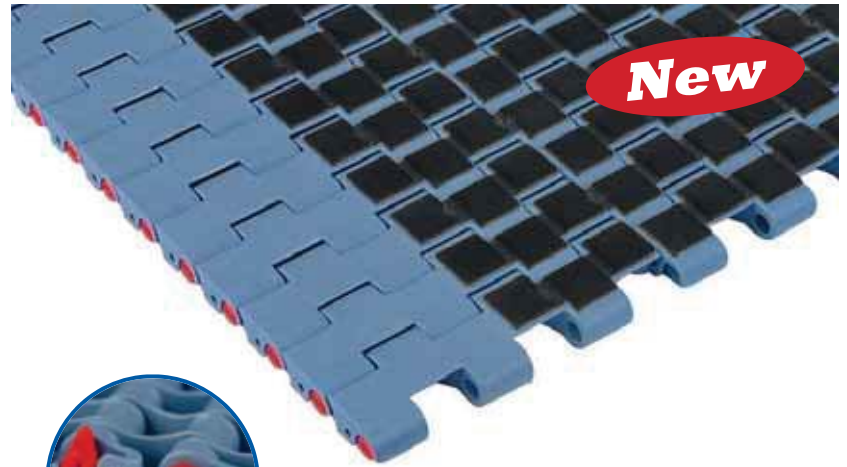




Tappeto Modulare 530 GT, H=8,7 M=3" / Modular Belt Series 530 GT, H=8,7 M=3" / Modulare Mattenkette 530 GT, H=8,7 M=3"

| Series | Material | Width | Version |
|--------|----------|-------|---------|
| 5325   | *        | 0009  | A       |
| 5325   | *        | 0012  | A       |
| 5325   | *        | 0015  | A       |
| 5325   | *        | 0018  | A       |
| 5325   | *        | 0021  | A       |
| 5325   | *        | 0024  | A       |
| 5325   | *        | 0027  | A       |
| 5325   | *        | 0030  | A       |

| Series | Material | Width | Version |
|--------|----------|-------|---------|
| 5325   | *        | 0033  | A       |
| 5325   | *        | 0036  | A       |
| 5325   | *        | 0039  | A       |
| 5325   | *        | 0042  | A       |
| 5325   | *        | 0045  | A       |
| 5325   | *        | 0048  | A       |
| 5325   | *        | 0051  | A       |
| 5325   | *        | 0054  | A       |



**VERSION A - STANDARD**

| CODE STRUCTURE GUIDE |                 |              |                |
|----------------------|-----------------|--------------|----------------|
| <b>5325</b>          | <b>01</b>       | <b>0027</b>  | <b>A</b>       |
| <i>Series</i>        | <i>Material</i> | <i>Width</i> | <i>Version</i> |

**\* Material**

**01 LFA - Acetal Resin**



Max w. load: 21500 N/m  
Weight: 7,8 kg/m<sup>2</sup>  
Temp. range: dry -40÷80 °C  
wet -40÷65 °C  
Pin material: PBT white  
Hardness: 75 ShA

**02 PP - Polypropylene**



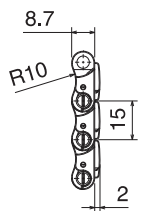
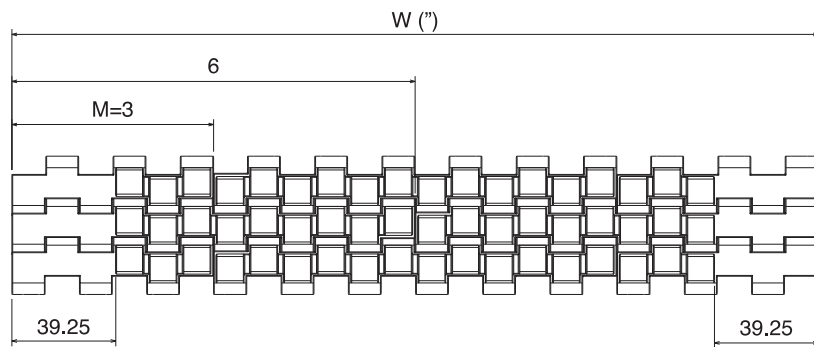
Max w. load: 13000 N/m  
Weight: 7,5 kg/m<sup>2</sup>  
Temp. range: dry 4÷80 °C  
wet 4÷65 °C  
Pin material: PP blu  
Hardness: 75 ShA

**03 MX - PBT**



Max w. load: 20700 N/m  
Weight: 7,8 kg/m<sup>2</sup>  
Temp. range: dry -40÷120 °C  
wet -40÷60 °C  
Pin material: POM grey  
Hardness: 75 ShA

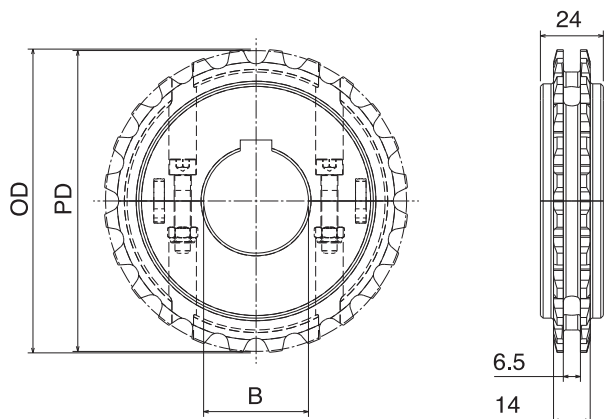
On request also available in other materials and widths



| Materiale:          | Material:               | Materialien:             |
|---------------------|-------------------------|--------------------------|
| Poliammide          | Polyamide               | Polyamid                 |
| Viti: Acciaio inox  | Screws: Stainless steel | Schrauben: Edelstahl     |
| Dadi: ferro zincato | Nuts: zinc plated steel | Mutter: verzinkter Stahl |



### Ruota traino divisa, fresata / Split drive sprocket, machined / geteiltes Antriebskettenrad, gefräst

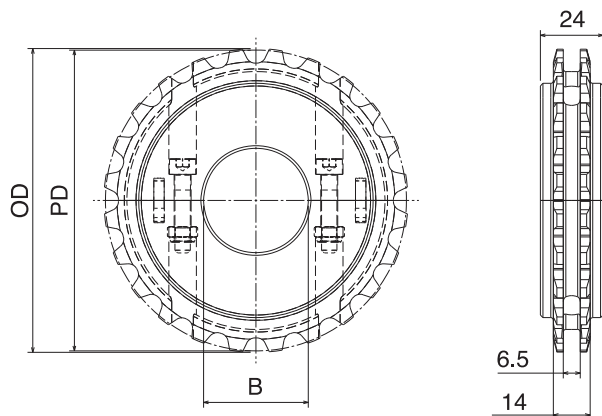


| Part | Article-Nr. | Z-  | Bore  | PD    | OD    |
|------|-------------|-----|-------|-------|-------|
| 1581 | 158101E     | 12* | 25    | 58,1  | 58,2  |
| 1581 | 158106E     |     | 25x25 |       |       |
| 1582 | 158201E     | 16* | 25    | 77,1  | 77,7  |
| 1582 | 158202E     |     | 30    |       |       |
| 1582 | 158206E     |     | 25x25 |       |       |
| 1582 | 158207E     |     | 30x30 |       |       |
| 1583 | 158301      | 24  | 25    | 114,9 | 115,5 |
| 1583 | 158302      |     | 30    |       |       |
| 1583 | 158303      |     | 35    |       |       |
| 1583 | 158304      |     | 40    |       |       |
| 1583 | 158306      |     | 25x25 |       |       |
| 1583 | 158307      |     | 30x30 |       |       |
| 1583 | 158308      |     | 40x40 |       |       |
| 1584 | 158401      | 32  | 25    | 153,4 | 154,8 |
| 1584 | 158402      |     | 30    |       |       |
| 1584 | 158403      |     | 35    |       |       |
| 1584 | 158404      |     | 40    |       |       |
| 1584 | 158406      |     | 25x25 |       |       |
| 1584 | 158407      |     | 30x30 |       |       |
| 1584 | 158408      |     | 40x40 |       |       |

\*Sprocket Z-12 and Z-16 are supplied non-split.



### Ruota rinvio divisa, fresata / Split idler sprocket, machined / geteiltes Umlenkrad, gefräst



| Part | Article-Nr. | Z-   | Bore | PD    | OD    |
|------|-------------|------|------|-------|-------|
| 1581 | 158150E     | 12** | 18*  | 58,1  | 58,2  |
| 1581 | 158151E     |      | 25   |       |       |
| 1582 | 158250E     | 16** | 18*  | 77,1  | 77,7  |
| 1582 | 158251E     |      | 25   |       |       |
| 1582 | 158252E     |      | 30   |       |       |
| 1583 | 158350      | 24   | 18*  | 114,9 | 115,5 |
| 1583 | 158351      |      | 25   |       |       |
| 1583 | 158352      |      | 30   |       |       |
| 1583 | 158353      |      | 35   |       |       |
| 1583 | 158354      |      | 40   |       |       |
| 1584 | 158450      | 32   | 18*  | 153,4 | 154,8 |
| 1584 | 158451      |      | 25   |       |       |
| 1584 | 158452      |      | 30   |       |       |
| 1584 | 158453      |      | 35   |       |       |
| 1584 | 158454      |      | 40   |       |       |

\*\*Idler sprocket Z-12 and Z-16 are supplied non-split.

\*Plain Bore