

plastic chains

Series 820



pag. 14

Series 828



pag. 14

Series 831



pag. 15

Series 821



pag. 15

Series 821 GT



pag. 16

Series 821 LBP



pag. 16

Series 8257



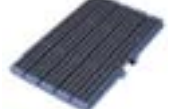
pag. 17

Series 8257 GT



pag. 17

Series 8257 LBP



pag. 18

Series 878 TAB



pag. 18

Series 879 M



pag. 19

Series 879 TAB



pag. 19

Series 880 M



pag. 20

Series 880 TAB



pag. 20

Series 880 B



pag. 21

Series 882 M



pag. 21

Series 882 M GT



pag. 22

Series 882 M LBP



pag. 22

Series 882 TAB



pag. 23

Series 882 TAB GT



pag. 23

Series 882 TAB LBP



pag. 24

Series 1873 GRIPPER



pag. 25

Series CC 600



pag. 26

Series CC 600 TAB



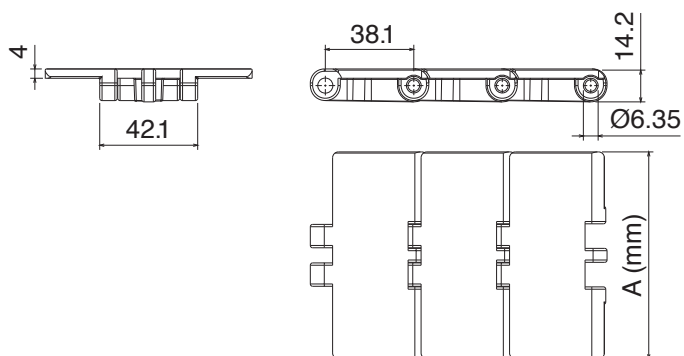
pag. 26



820

catena rettilinea / straight running chain / geradegängige Scharnierbandkette

Part	Article-Nr.	Ref.	A	Weight Kg/m
1101	11010102	820 K325	82,5	0,89
1101	11010103	820 K330	83,8	0,90
1101	11010104	820 K350	88,9	0,91
1101	11010114	820 K400	101,6	0,95
1101	11010105	820 K450	114,3	1,00
1101	11010106	820 K600	152,4	1,22
1101	11010107	820 K750	190,5	1,43



	Material	Breaking load
01	LF Standard Material Acetal Resin	5000 N
03	MX Available also in Max Performance	4000 N
08	MK	4800 N

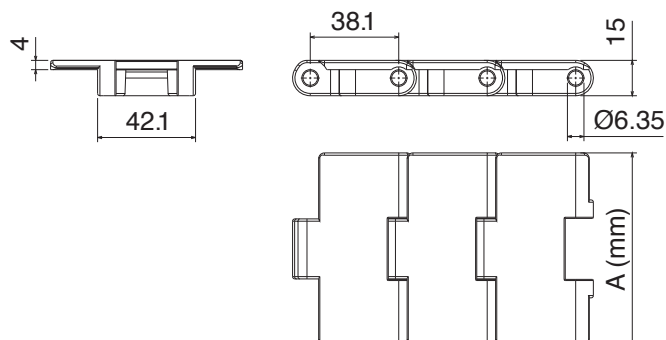
Pins: Austenitic Steel



828

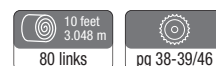
catena rettilinea / straight running chain / geradegängige Scharnierbandkette

Part	Article-Nr.	Ref.	A	Weight Kg/m
1102	11020102	828 K325	82,5	1,07
1102	11020103	828 K330	83,8	1,13



	Material	Breaking load
01	LF Standard Material Acetal Resin	6000 N
03	MX Available also in Max Performance	5000 N
08	MK	5700 N

Pins: Austenitic Steel



831

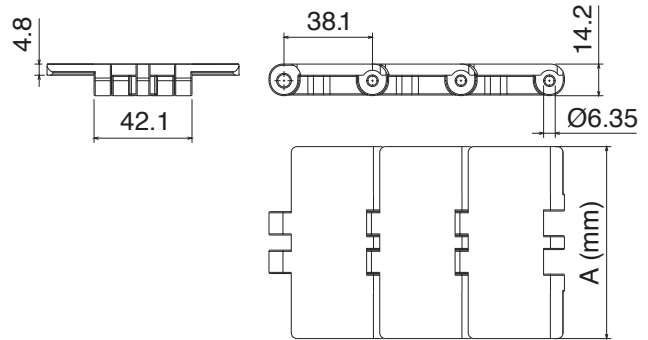
catena rettilinea / straight running chain / geradegängige Scharnierbandkette

Part	Article-Nr.	Ref.	A	Weight Kg/m
1103	11030102	831 K325	82,5	1,00
1103	11030105	831 K450	114,3	1,28
1103	11030107	831 K750	190,5	1,80



	Material	Breaking load
01	LF Standard Material Acetal Resin	5000 N
03	MX Available also in Max Performance	4000 N
08	MK	4800 N

Pins: Austenitic Steel



821

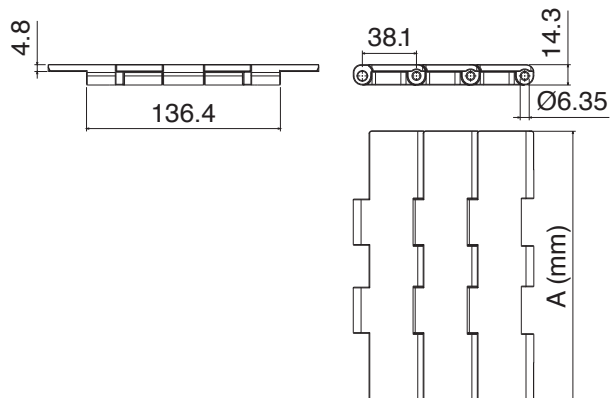
catena rettilinea / straight running chain / geradegängige Scharnierbandkette

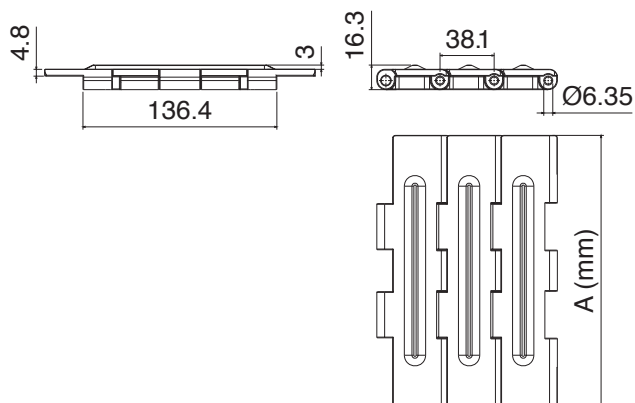
Part	Article-Nr.	Ref.	A	Weight Kg/m
1104	11040107	821 K750	190,5	2,55
1104	11040108	821 K1000	254,0	3,05
1104	11040109	821 K1200	304,8	3,35



	Material	Breaking load
01	LF Standard Material Acetal Resin	8000 N
03	MX Available also in Max Performance	7500 N
08	MK	7900 N

Pins: Austenitic Steel





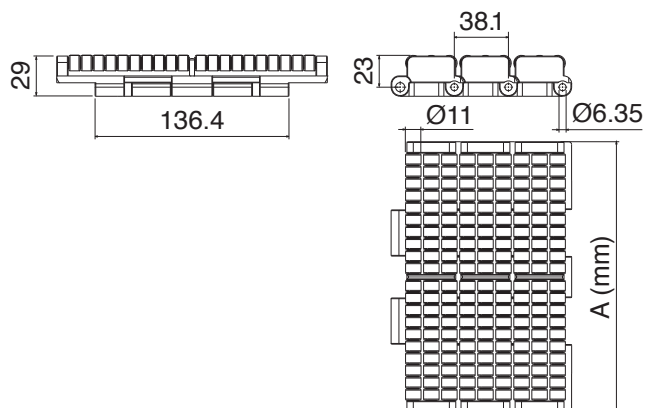
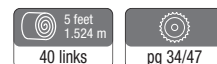
821 GT

catena rettilinea / straight running chain / geradegängige Scharnierbandkette

Part	Article-Nr.	Ref.	A	Weight Kg/m
1105	11050107	821 GT K750	190,5	2,25
1105	11050108	821 GT K1000	254,0	3,20
1105	11050109	821 GT K1200	304,8	3,70

	Material	Breaking load
01	LF Standard Material Acetal Resin	8000 N
03	MX Available also in Max Performance	7500 N

Rubber: Hardness 75ShA
TPR
Pins: Austenitic Steel



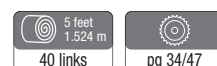
821 LBP

catena rettilinea / straight running chain / geradegängige Scharnierbandkette

Part	Article-Nr.	Ref.	A	Weight Kg/m
1106	11060107	821 LBP K750	190,5	5,70
1106	11060108	821 LBP K1000	254,0	7,05
1106	11060109	821 LBP K1200	304,8	8,21

	Material	Breaking load
01	LFA Standard Material Acetal Resin	8000 N

Roller
Acetal Resin
Pins: Austenitic Steel



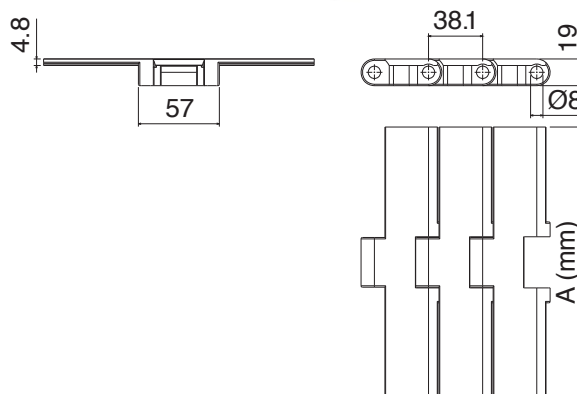
8257

catena rettilinea / straight running chain / geradegängige Scharnierbandkette

Part	Article-Nr.	Ref.	A	Weight Kg/m
1107	11070107	8257 K750	190,5	2,20
1107	11070108	8257 K1000	254,0	2,50
1107	11070109	8257 K1200	304,8	2,85

	Material	Breaking load
01	LF Standard Material Acetal Resin	10000 N
03	MX Available also in Max Performance	9000 N
08	MK	9700 N

Pins: Austenitic Steel



8257 GT

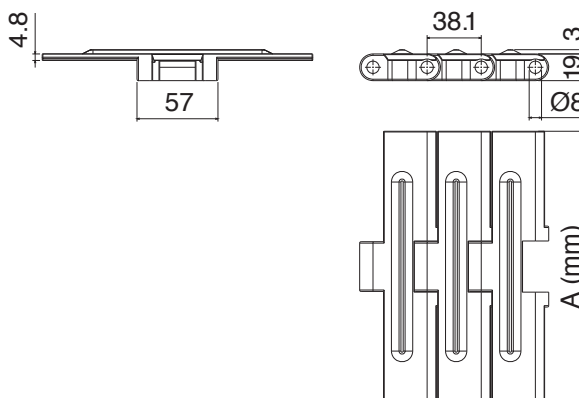
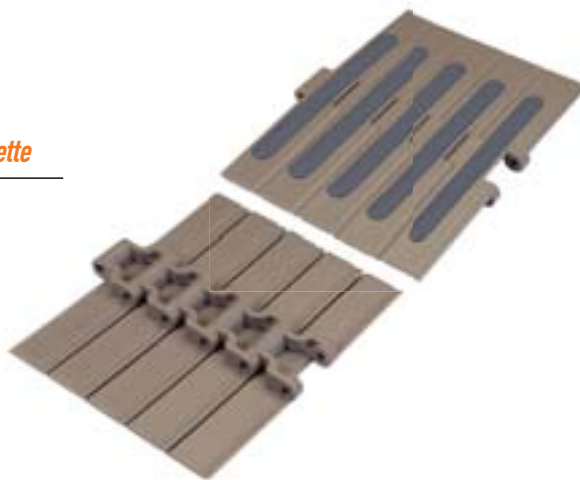
catena rettilinea / straight running chain / geradegängige Scharnierbandkette

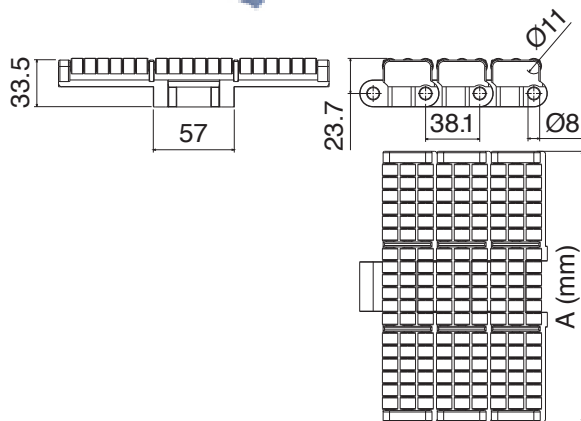
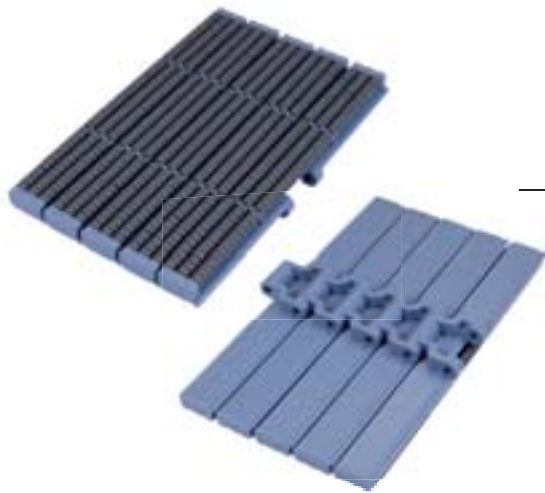
Part	Article-Nr.	Ref.	A	Weight Kg/m
1108	11080107	8257 GT K750	190,5	2,25
1108	11080108	8257 GT K1000	254,0	2,60
1108	11080109	8257 GT K1200	304,8	2,95

	Material	Breaking load
01	LF Standard Material Acetal Resin	10000 N
03	MX Available also in Max Performance	9000 N

Rubber: Hardness 75ShA
TPR

Pins: Austenitic Steel



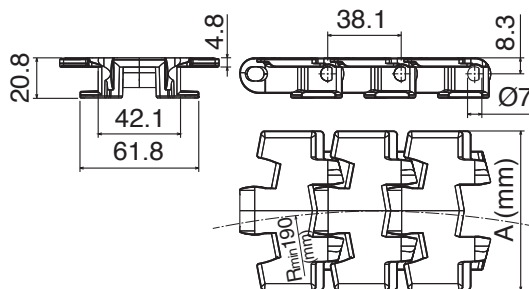


8257 LBP

catena rettilinea / straight running chain / geradegängige Scharnierbandkette

Part	Article-Nr.	Ref.	A	Weight Kg/m
1109	11090107	8257 LBP K750	190,5	5,65
1109	11090108	8257 LBP K1000	254,0	7,15
1109	11090109	8257 LBP K1200	304,8	8,05

	Material	Breaking load
01	LFA Standard Material Acetal Resin	10000 N
	Roller Acetal Resin	
	Pins: Austenitic Steel	



878 TAB

catena curvilinea / Sideflexing chain / kurvengängige Scharnierbandkette

Part	Article-Nr.	Ref.	A	Weight Kg/m
1119	11190102	878 TAB K325	82,5	1,06
1119	11190105	878 TAB K450	114,3	1,18

	Material	Breaking load
01	LF Standard Material Acetal Resin	6000 N
03	MX Available also in Max Performance	5000 N
08	MK	5700 N
	Pins: Ferritic Stainless Steel	



Tab System

879 M

catena curvilinea / Sideflexing chain / kurvengängige Scharnierbandkette



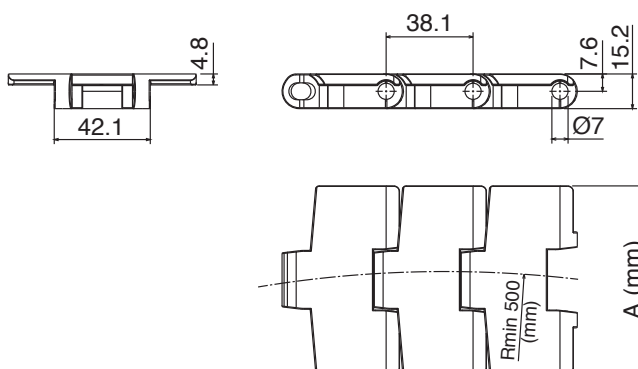
Part	Article-Nr.	Ref.	A	Weight Kg/m
1124	11240102	879 M K325	82,5	1,05
1124	11240105	879 M K450	114,3	1,15

	Material	Breaking load
01	LF Standard Material Acetal Resin	6000 N
03	MX Available also in Max Performance	5000 N
08	MK	5700 N

Pins: Ferritic Stainless Steel



Max Performance
Magnetic System



879 TAB

catena curvilinea / Sideflexing chain / kurvengängige Scharnierbandkette



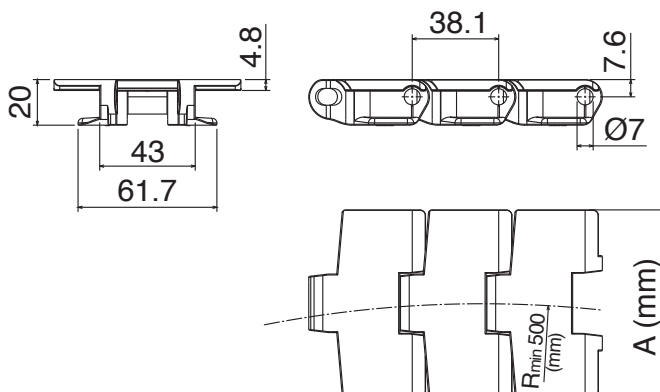
Part	Article-Nr.	Ref.	A	Weight Kg/m
1125	11250102	879 TAB K325	82,5	1,01
1125	11250105	879 TAB K450	114,3	1,13

	Material	Breaking load
01	LF Standard Material Acetal Resin	6000 N
03	MX Available also in Max Performance	5000 N
08	MK	5700 N

Pins: Ferritic Stainless Steel



Tab System





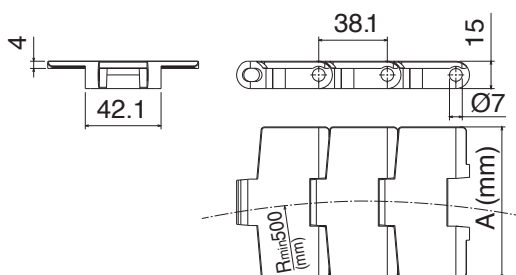
880 M

catena curvilinea / Sideflexing chain / kurvengängige Scharnierbandkette

Part	Article-Nr.	Ref.	A	Weight Kg/m
1110	11100102	880 M K325	82,5	1,05
1110	11100103	880 M K330	83,8	1,09
1110	11100105	880 M K450	114,3	1,15

	Material	Breaking load
01	LF Standard Material Acetal Resin	5800 N
03	MX Available also in Max Performance	5200 N
08	MK	5500 N

Pins: Ferritic Stainless Steel



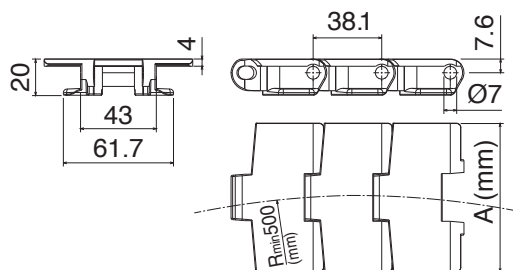
880 TAB

catena curvilinea / Sideflexing chain / kurvengängige Scharnierbandkette

Part	Article-Nr.	Ref.	A	Weight Kg/m
1111	11110102	880 TAB K325	82,5	1,015
1111	11110103	880 TAB K330	83,8	1,018
1111	11110105	880 TAB K450	114,3	1,09

	Material	Breaking load
01	LF Standard Material Acetal Resin	6000 N
03	MX Available also in Max Performance	5000 N
08	MK	5700 N

Pins: Austenitic Steel



880 B

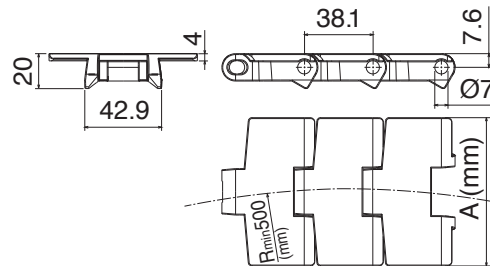
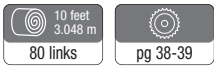
catena curvilinea / Sideflexing chain / kurvengängige Scharnierbandkette



Part	Article-Nr.	Ref.	A	Weight Kg/m
1112	11120102	880 B K325	82,5	0,89
1112	11120103	880 B K330	83,8	0,91
1112	11120105	880 B K450	114,3	1,05

	Material	Breaking load
01	LF Standard Material Acetal Resin	6000 N
03	MX Available also in Max Performance	5000 N
08	MK	5700 N

Pins: Austenitic Steel



Bevel System

882 M

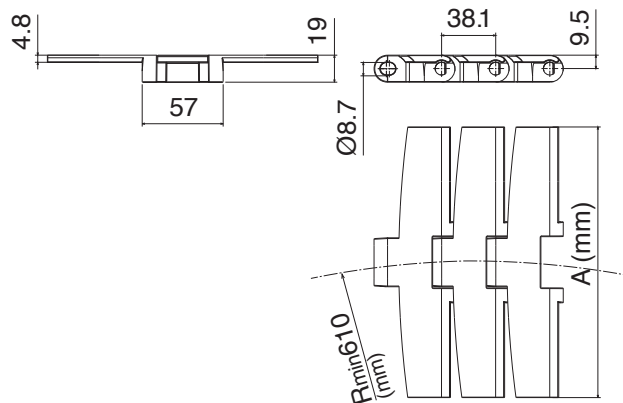
catena curvilinea / Sideflexing chain / kurvengängige Scharnierbandkette



Part	Article-Nr.	Ref.	A	Weight Kg/m
1113	11130107	882 M K750	190,5	2,14
1113	11130108	882 M K1000	254,0	2,45
1113	11130109	882 M K1200	304,8	2,68

	Material	Breaking load
01	LF Standard Material Acetal Resin	10000 N
03	MX Available also in Max Performance	9000 N
08	MK	9500 N

Pins: Ferritic Stainless Steel



Magnetic System



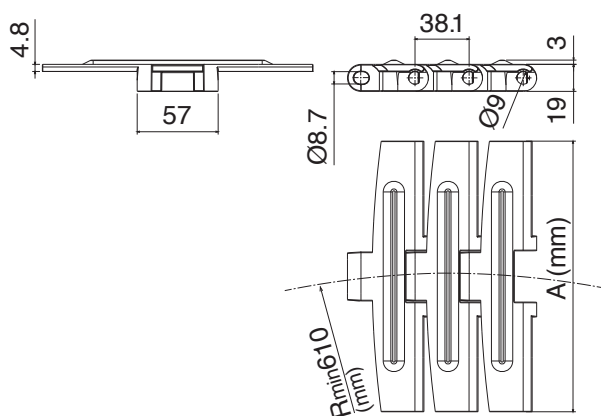
882 M GT

catena curvilinea / Sideflexing chain / kurvengängige Scharnierbandkette

Part	Article-Nr.	Ref.	A	Weight Kg/m
1115	11150107	882 M GT K750	190,5	2,10
1115	11150108	882 M GT K1000	254,0	2,45
1115	11150109	882 M GT K1200	304,8	2,74

	Material	Breaking load
01	LF Standard Material Acetal Resin	10000 N
03	MX Available also in Max Performance	9000 N

Rubber: Hardness 75ShA
TPR
Pins: Ferritic Stainless Steel



Magnetic System



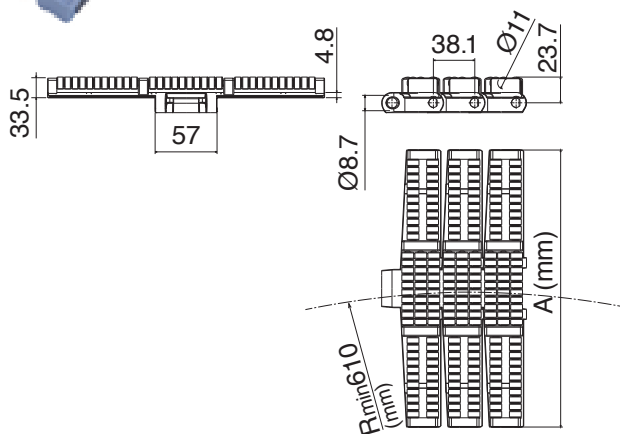
882 M LBP

catena curvilinea / Sideflexing chain / kurvengängige Scharnierbandkette

Part	Article-Nr.	Ref.	A	Weight Kg/m
1117	11170107	882 M LBP K750	190,5	3,92
1117	11170108	882 M LBP K1000	254,0	4,94
1117	11170109	882 M LBP K1200	304,8	5,82

	Material	Breaking load
01	LFA Standard Material Acetal Resin	10000 N

Roller
Acetal Resin
Pins: Ferritic Stainless Steel



Magnetic System

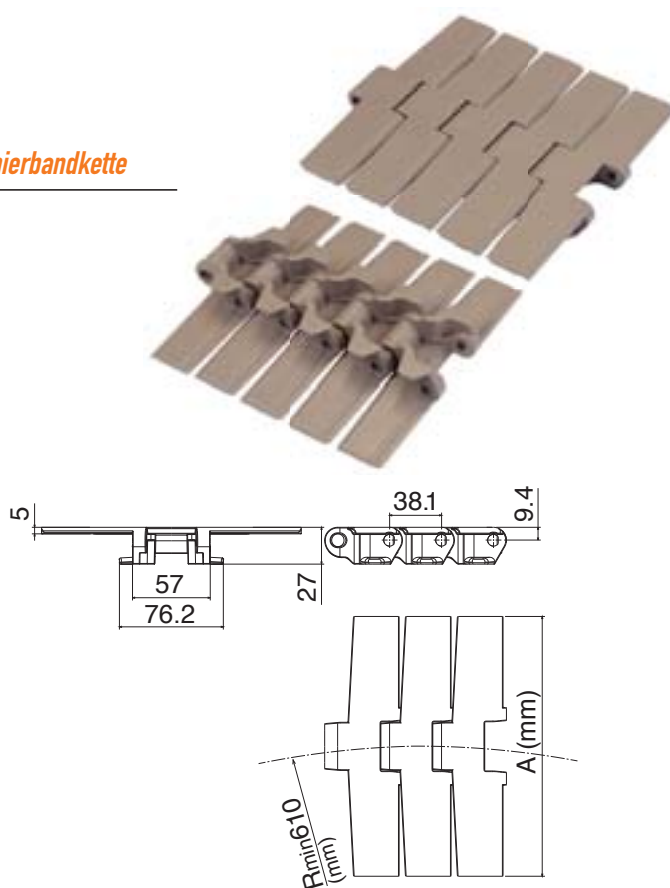
882 TAB

catena curvilinea / Sideflexing chain / kurvengängige Scharnierbandkette

Part	Article-Nr.	Ref.	A	Weight Kg/m
1114	11140105	882 TAB K450	114,3	2,05
1114	11140107	882 TAB K750	190,5	2,45
1114	11140108	882 TAB K1000	254,0	2,85
1114	11140109	882 TAB K1200	304,8	3,40

Material		Breaking load
01	LF Standard Material Acetal Resin	10000 N
03	MX Available also in Max Performance	9000 N
08	MK	9500 N

Pins: Austenitic Steel



Tab System

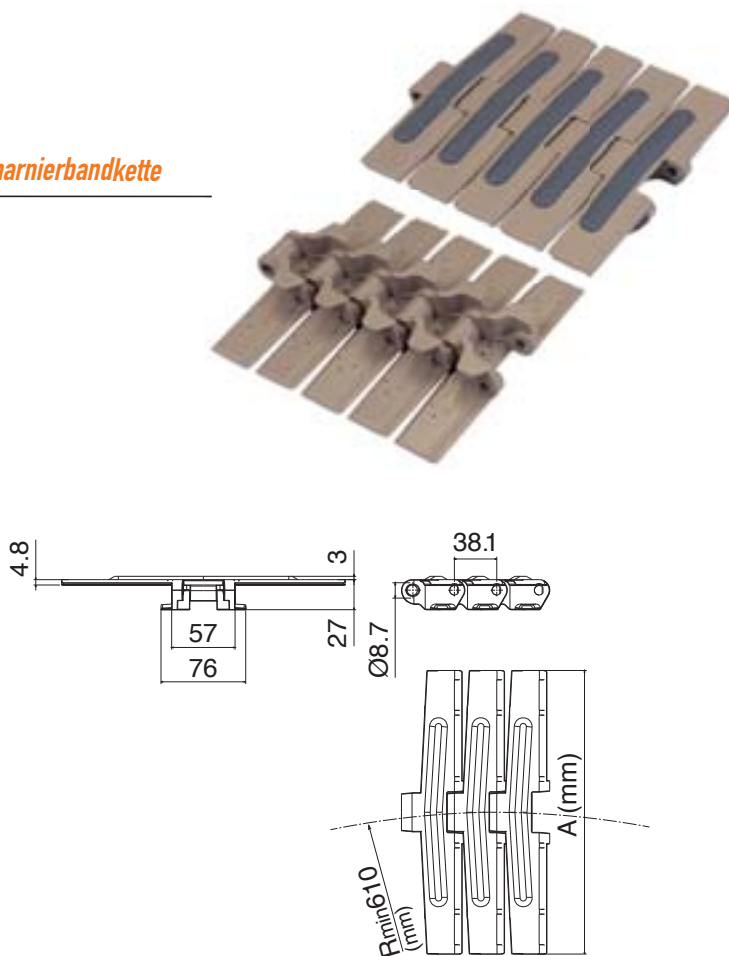
882 TAB GT

catena curvilinea / Sideflexing chain / kurvengängige Scharnierbandkette

Part	Article-Nr.	Ref.	A	Weight Kg/m
1116	11160107	882 TAB GT K750	190,5	2,37
1116	11160108	882 TAB GT K1000	254,0	2,67
1116	11160109	882 TAB GT K1200	304,8	2,92

Material		Breaking load
01	LF Standard Material Acetal Resin	10000 N
03	MX Available also in Max Performance	9000 N

Rubber: Hardness 75Sha
TPR
Pins: Austenitic Steel



Tab System

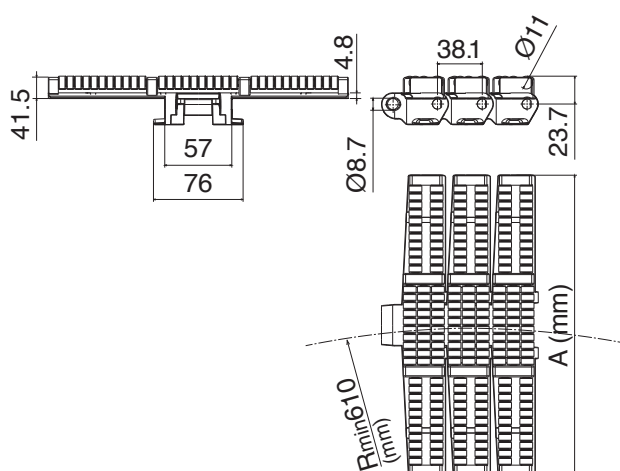


882 TAB LBP

catena curvilinea / Sideflexing chain / kurvengängige Scharnierbandkette

Part	Article-Nr.	Ref.	A	Weight Kg/m
1118	11180107	882 TAB LBP K750	190,5	4,70
1118	11180108	882 TAB LBP K1000	254,0	5,95
1118	11180109	882 TAB LBP K1200	304,8	6,55

	Material	Breaking load
01	LFA Standard Material Acetal Resin	10000 N
Roller		
	Acetal Resin	
Pins: Austenitic Steel		



Tab System

1873 GRIPPER

catena curvilinea / Sideflexing chain / kurvengängige Scharnierbandkette



Part	Article-Nr.	Plate	Chain	Rubber	Ref.	Breaking load	Weight Kg/m
1120	11200102	LFD	C45	TPR	1873 TAB K325 GR	27000 N	4,354
1120	11200202	LFD	Nickel Plated Steel	TPR	1873 NP TAB K325 GR	21000 N	
1120	11200302	LFD	Stainless Steel	TPR	1873 SS TAB K325 GR	21000 N	
1121	11210102	PP	C45	EPDM-PP	1873 TAB K325 GR	27000 N	
1121	11210202	PP	Nickel Plated Steel	EPDM-PP	1873 NP TAB K325 GR	21000 N	
1121	11210302	PP	Stainless Steel	EPDM-PP	1873 SS TAB K325 GR	21000 N	

Material

PP LFD Standard
Acetal Resin

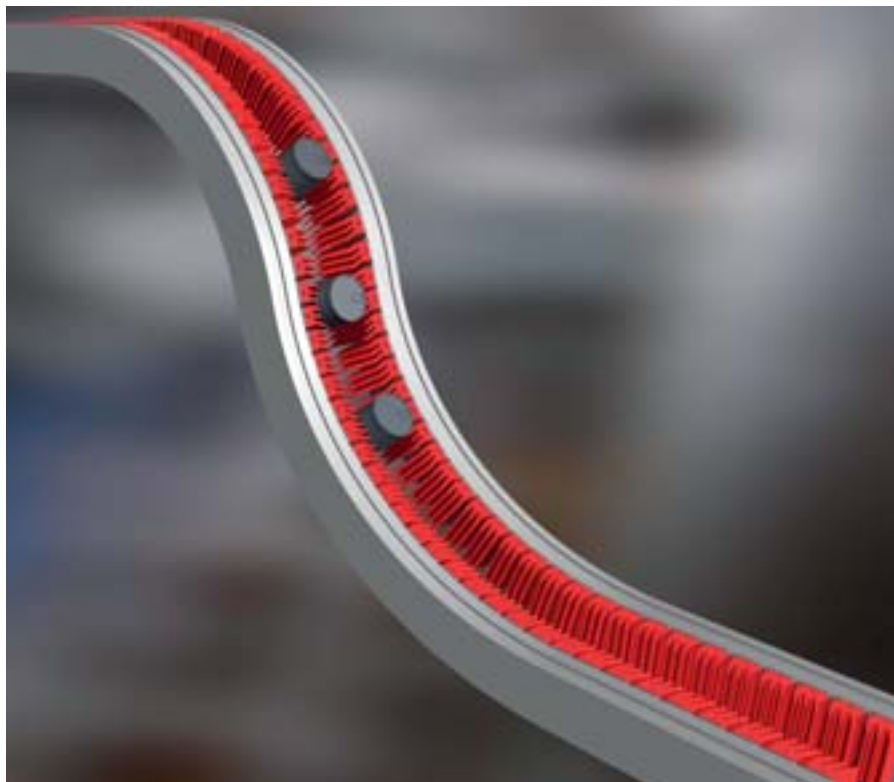
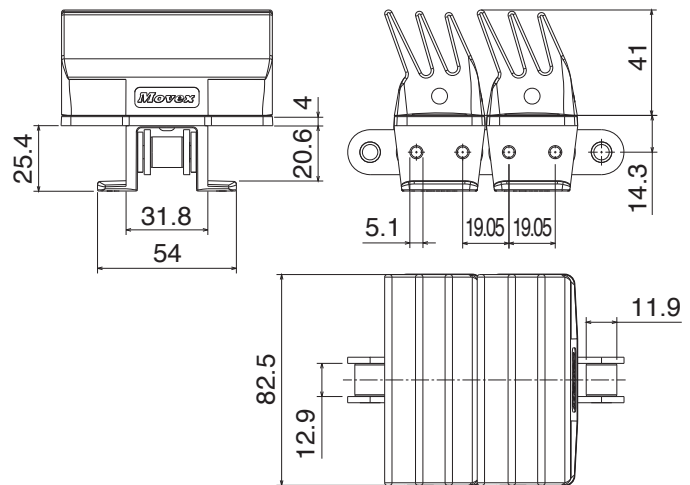
Rubber: Hardness 45ShA

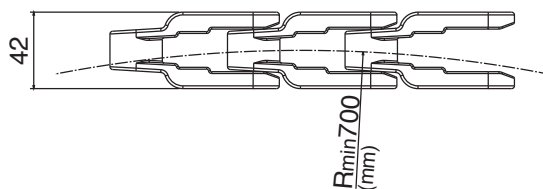
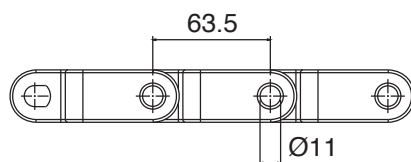
TPR EPDM-PP

Roller chain

C45; Nickel Plated Steel; Stainless Steel

10 feet
3.048 m
80 links





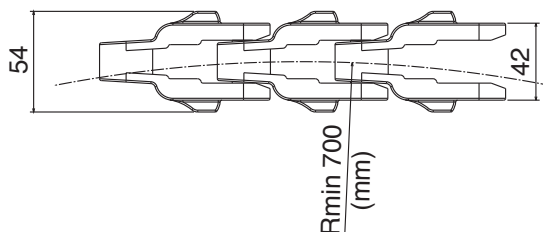
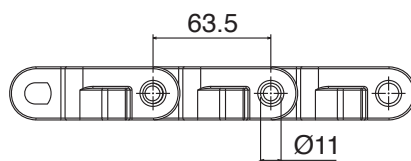
CC 600

catena curvilinea / Sideflexing chain / kurvengängige Scharnierbandkette

Part	Article-Nr.	Ref.	Breaking load	Weight Kg/m
1122	11220400	CC 600	14000 N	1,35

Material	
04	LFN Standard Material Acetal Resin
03	MX Available also in Max Performance

Pins: Stainless Steel



CC 600 TAB

catena curvilinea / Sideflexing chain / kurvengängige Scharnierbandkette

Part	Article-Nr.	Ref.	Breaking load	Weight Kg/m
1123	11230400	CC 600 TAB	14000 N	1,45

Material	
04	LFN Standard Material Acetal Resin
03	MX Available also in Max Performance

Pins: Stainless Steel

