

Actuator

LD2

LD2 features its compact design, which is suitable for light load applications in constrained space, such as window opener and partition walls.



Features and Options

Main applications: Medical, Industrial

Standard features:

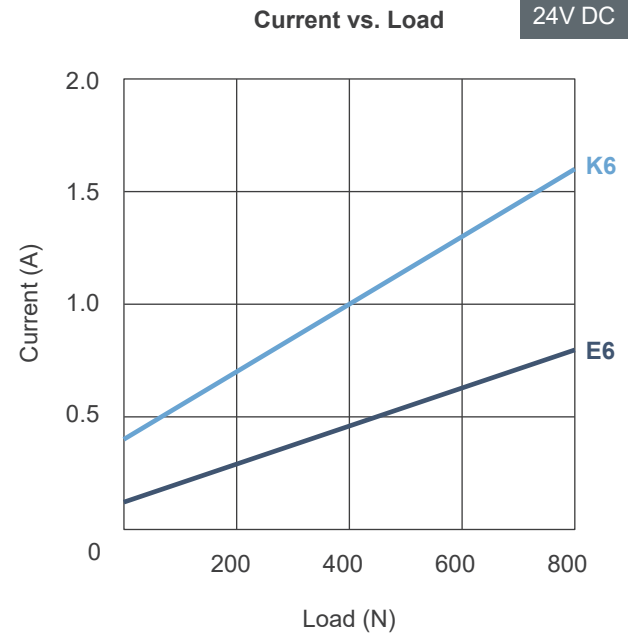
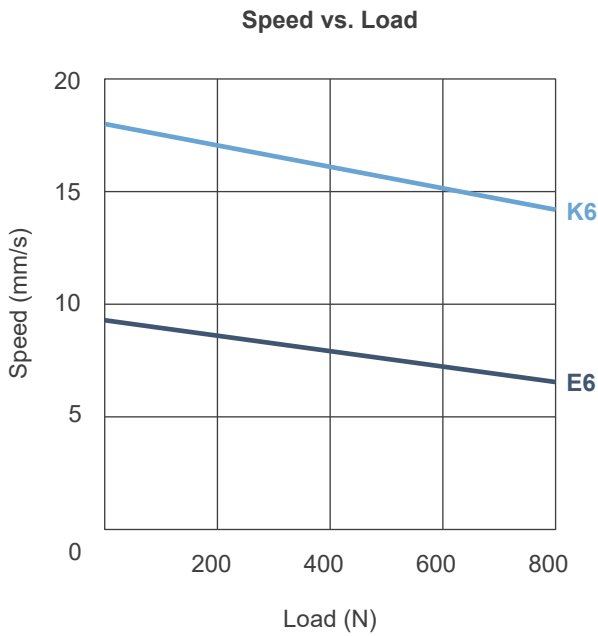
- Input voltage: 24V DC
- Max. load: 800N (push / pull)
- Max. speed at no load: 18 mm/sec (Typical value)
- Max. speed at full load: 14.1 mm/sec (Typical value @ 800N Loaded)
- Stroke: 50 ~ 300 mm
- IP Protection level: IP43
- Color: Aluminum gray
- Preset limit switches
- Duty cycle: 10%, max. 2 min. continuous operation in 20 min.
- Ambient operation temperature: -25°C ~ +65°C
- Certified: CE marking, EMC Directive 2014/30/EU

Options:

- IP54 Protection level
- Clamp (C15): Clamp connection is available if rear connector is not preferred.
- Mounting bracket (MB22)

Performance Data

Model No.	Push / Pull Max. (N)	*Typical Speed (mm/s)		*Typical Current (A)		Noise level (dB)
		No load	Full load	No load	Full load	
LD2-24-30-E6-XXX-CXX-XX-XX	800	9.3	6.5	0.13	0.8	≤ 55
LD2-24-30-K6-XXX-CXX-XX-XX	800	18.0	14.1	0.4	1.6	≤ 70



Remarks:

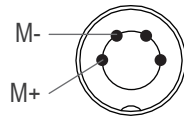
- * The typical speed or typical current means the average value neither upper limit nor lower limit. The performance curves are made with typical values.

Compatibility

Product	Model	LD2 spec
Control box	T control, CS1, CS2, CBT2, CB3T, CB4M	- Without positioning sensor feedback - 4-pin Moteck F-type DIN plug
	CF12H	- Without positioning sensor feedback - With Moteck L3-type minifit 6-pin plug

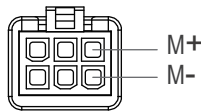
Cable Plug

- Moteck F-type DIN plug



4-pin DIN plug

- Moteck L3-type minifit plug



L3-type minifit 6-pin plug



F-type

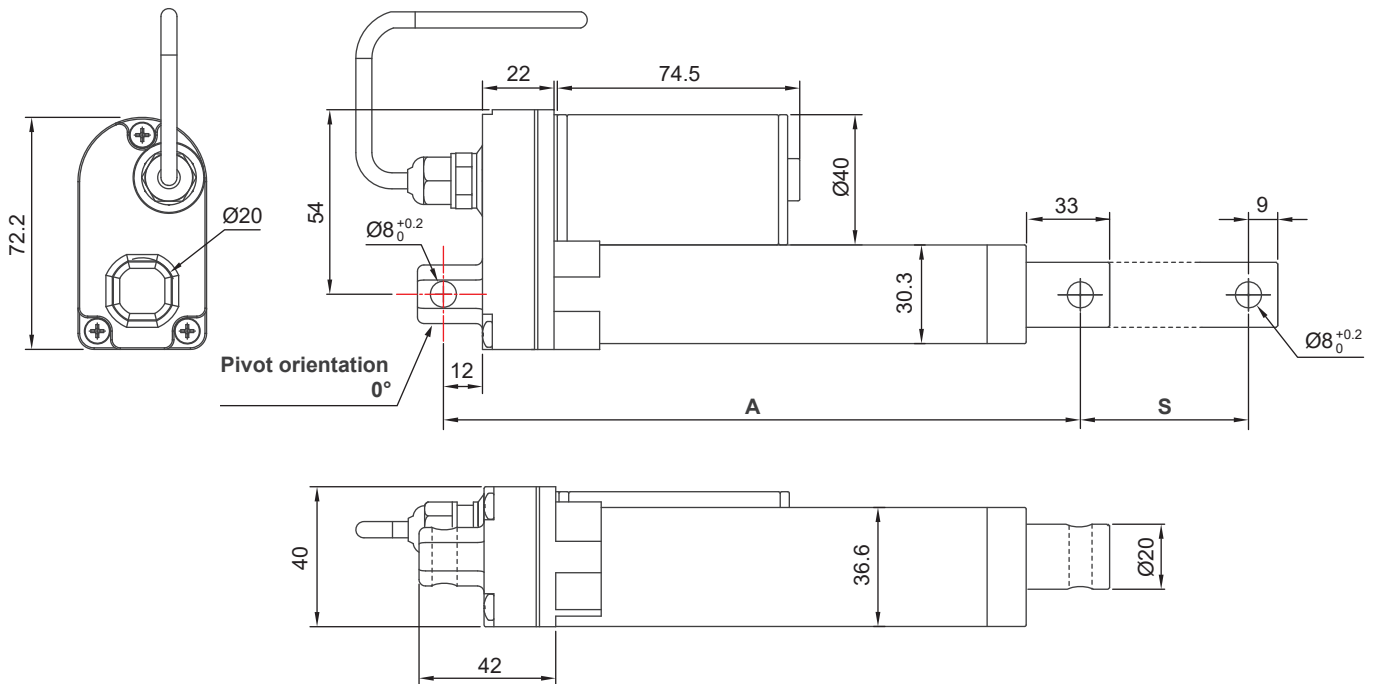
L3-type

Note:

Connect Pin (M+) to “+” & Pin (M-) to “-“ of DC power, the actuator will extend.

Dimensions

• LD2



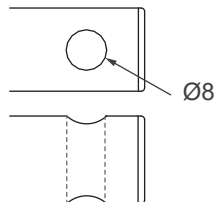
Note: As an example in 0° orientation for rear connector.

Front connector code	Retracted length (A)	Stroke (S)					
		50	100	150	200	250	300
1	$A \geq S + 109 \text{ mm } (\pm 3\text{mm})$	159	209	260	311	362	413
2	$A \geq S + 128 \text{ mm } (\pm 3\text{mm})$	178	228	278	328	378	428
3	$A \geq S + 138 \text{ mm } (\pm 3\text{mm})$	188	238	288	338	388	438

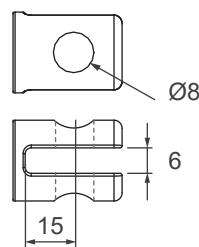
Available stroke (S) range = 50 ~ 300 mm
 Extended length = S + A

• Front connector

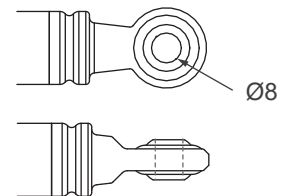
1: Drilled hole



2: Plastic slot

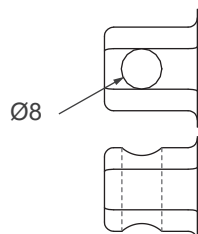


3: Spherical rod eye

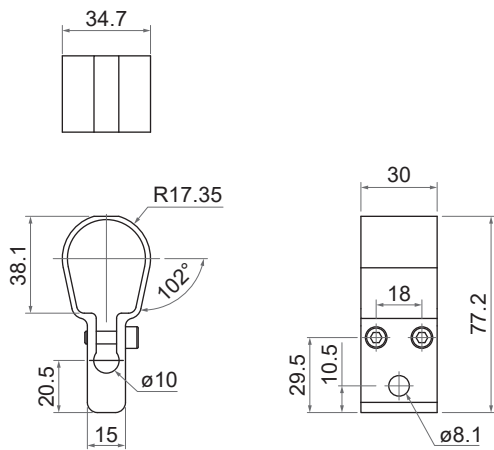


• Rear connector

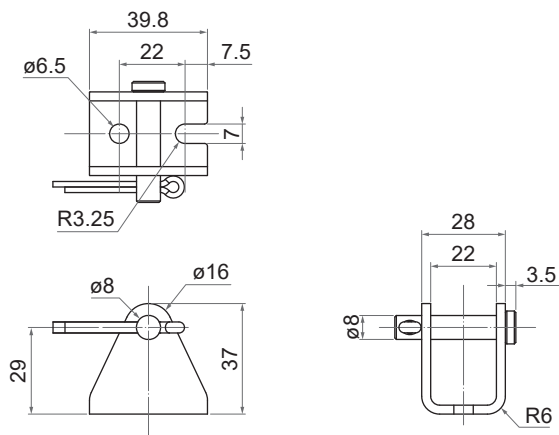
2: Metal



• C15 Clamp



• MB22 Mounting bracket



Ordering Key

LD2 - 24 - 30 - E6 - 100 - C 3 2 - 54 - M2

Input voltage	24: 24V DC
Gear ratio	30: 30:1
Motor and Spindle type	E6 K6 (Refer to Performance Data)
Stroke	050: 50 mm 100: 100 mm 150: 150 mm 200: 200 mm 250: 250 mm 300: 300 mm
Front connector	1: Drilled hole 2: Plastic slot 3: Spherical rod eye (Refer to Dimensions)
Rear connector	2: Metal (Refer to Dimensions)
IP Protection level	43: IP43 (standard) 54: IP54
Mounting bracket (MB22)	Blank: None M1: Mounting bracket x 1 M2: Mounting bracket x 2