



Bonfiglioli Mobile

Solutions for road machinery



 **Bonfiglioli**
Forever Forward



Solutions for **Road Machinery**



Bonfiglioli Trasmital's wide range of final drives for mobile machinery is aimed to satisfy every application requirement for road construction and maintenance machinery, including:

- milling and recycling machines
- road compactors, in all versions
- tracked and wheeled road pavers.

Each of these machines has its own specific structural and duty characteristics, which Bonfiglioli Trasmital is well aware of, thanks to over 30 years of experience in the industry, working in close partnership with the leading manufacturers of road machinery.

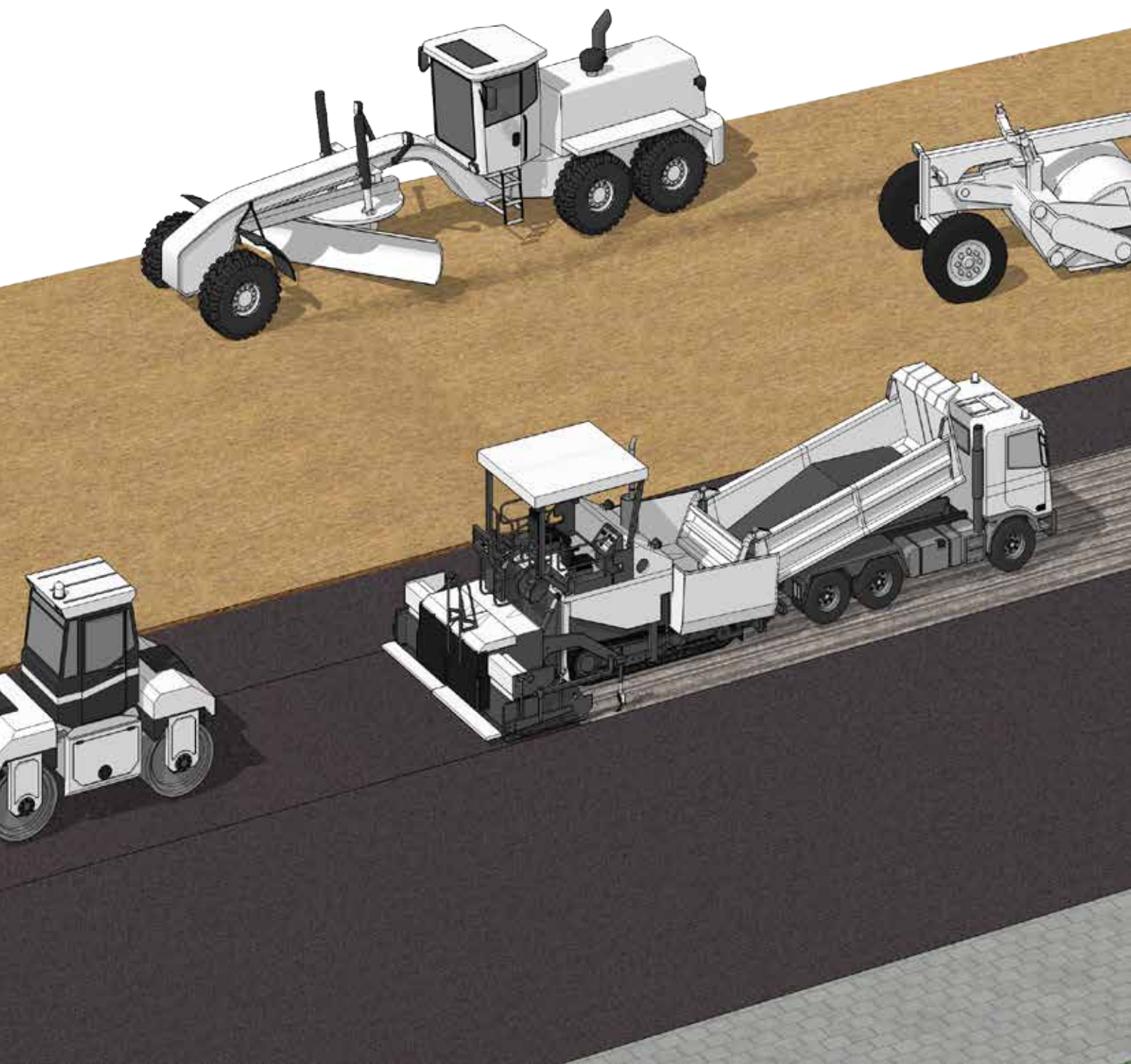
Bonfiglioli is thus able to offer a range of products perfectly tailored to meet a broad variety of drive specifications: from highly compact track drives for milling machines to final drives for road compactors, including wheel drives for road pavers, with 2 speed shift option: slow for operating on work sites and fast for transfer between sites.

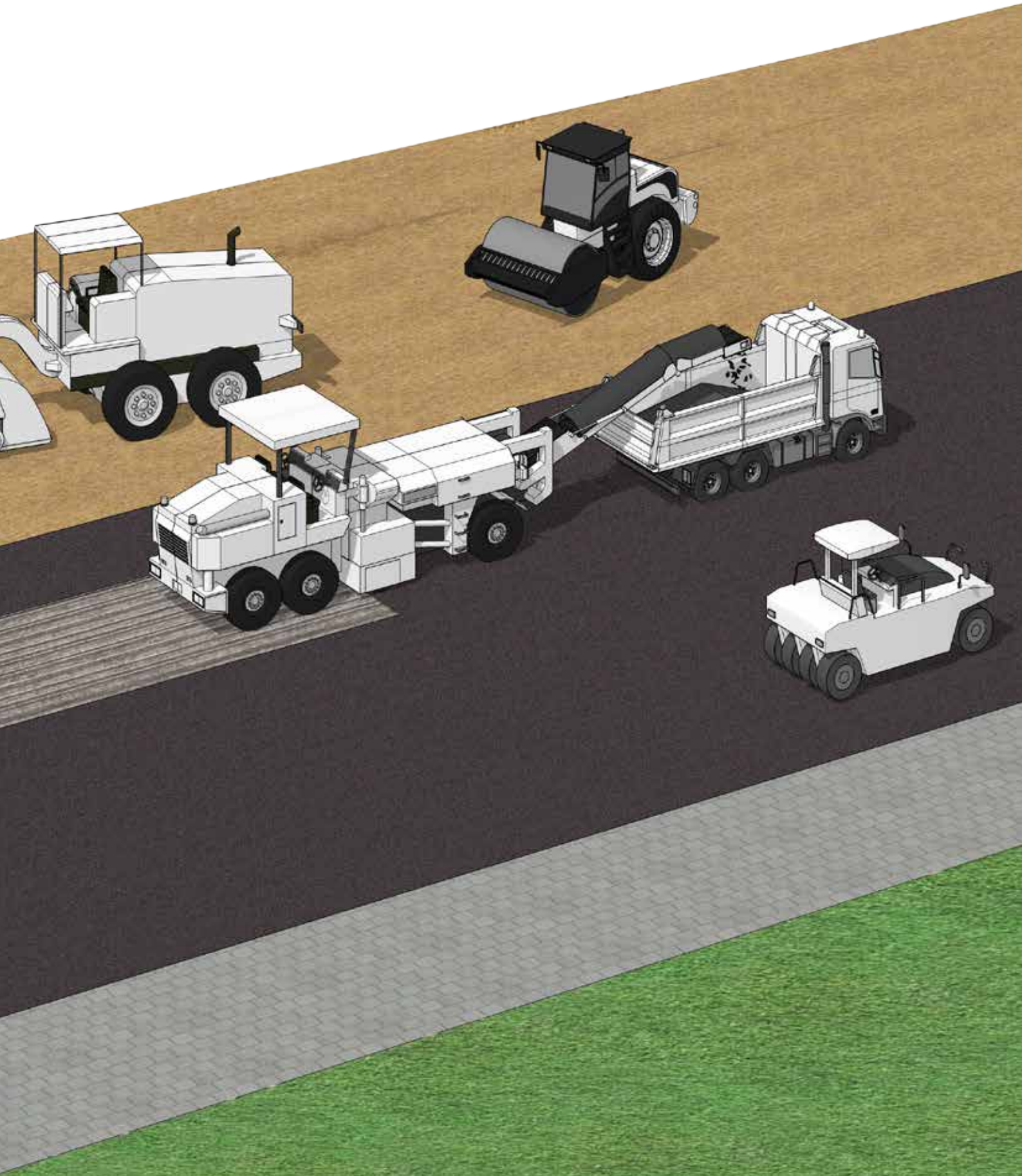
A vast range of customised solutions and extensive expertise in the industry, make Bonfiglioli the ideal partner for all manufacturers of road machinery.



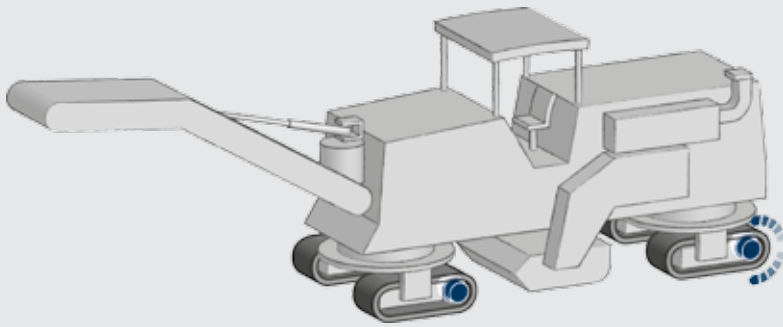
Bonfiglioli road machinery

Drives for road machinery





Track drives for milling machines from 5 to 45 tons.



700C

Travel drives

Leadership is never achieved without continuing efforts and consistent product development.

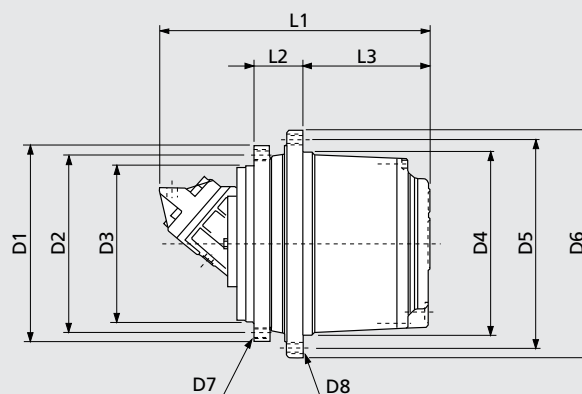
Any crawler machine, no matter how big or small, will find the suitable travel drive within the range of the 700C series.

All units available with a failsafe parking brake and for most cartridge type fixed or variable displacement hydraulic motors.

Type	Torque (Nm)
703 C	4000
705 C	10000
706 C	18000
710 C	36000

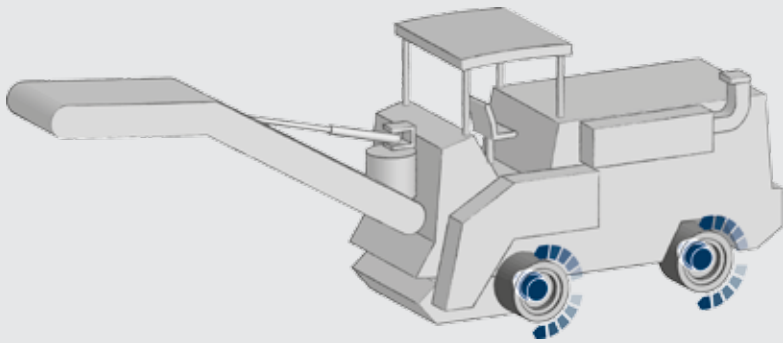


TYPE	WEIGHT	MAX. MILLING WIDTH	MAX. MILLING DEPTH	OUTPUT TORQUE	RATIOS	MOTOR TYPE
	tons	mm	mm	Nm	1:	
703 C	5 ÷ 8	500	160	4000	19 ÷ 40	high speed
705 C	8 ÷ 25	1300	300	9000	41 ÷ 53	
706 C	25 ÷ 36	2000	300	16000	35 ÷ 68	
710 C	36 ÷ 45	2200	350	36000	55 ÷ 166	



Tipo	D1	D2	D3	D4	D5	D6	D7	D8	L1	L2	L3
703 C	270	230	190	200	240	280	M16x2 n°8	M20x1.5 n°8	Depend on motor type	72	128
705 C	270	230	190	220	260	300	M16x2 n°12	M16x2 n°16		72	158
706 C	330	300	270	280	330	370	M16x2 n°18	M16x2 n°18		115	190
710 C	375	340	300	350	400	435	M20x2.5 n°16	M20x2.5 n°16		91	243

Wheel drives for milling machines from 8 to 20 tons.



700C

Travel drives

Leadership is never achieved without continuing efforts and consistent product development.

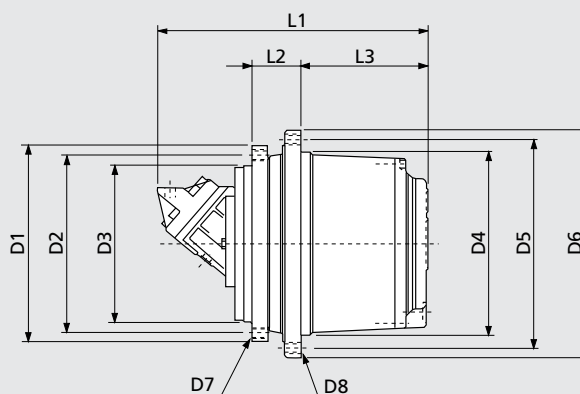
Any crawler machine, no matter how big or small, will find the suitable travel drive within the range of the 700C series.

All units available with a failsafe parking brake and for most cartridge type fixed or variable displacement hydraulic motors.

Type	Torque (Nm)
703 C	4000
705 C	10000

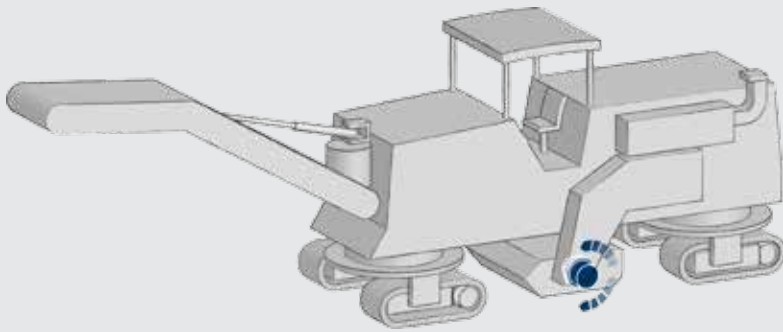


TYPE	WEIGHT	MAX. MILLING WIDTH	MAX. MILLING DEPTH	OUTPUT TORQUE	RATIOS	MOTOR TYPE
	tons	mm	mm	Nm	1:	
703 C	up to 8	500	160	4000	19 ÷ 40	high speed
705 C	8 ÷ 20	1000	280	9000	41 ÷ 53	high speed



Tipo	D1	D2	D3	D4	D5	D6	D7	D8	L1	L2	L3
703 C	270	230	190	200	240	280	M16x2 n°8	M20x1.5 n°8	Depend on motor type	72	128
705 C	270	230	190	220	260	300	M16x2 n°12	M16x2 n°16		72	158

Drum drives for milling machines from 15 to 35 tons.



700C

Drum drives

Cold Planers and Milling machine with the following features:

- Machine weight from 15 to 35 tons
- Engine power from 200 to 460 kW
- Rotor width from 1.0 to 2.5 m
- Rotor tip speed from 4 to 6 m/s

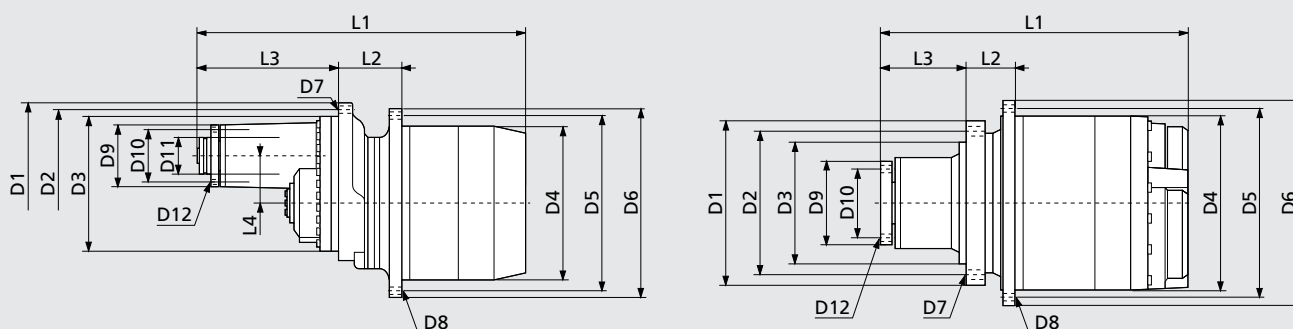
Planetary gearbox specifically designed for drum drive:

- Dual stage planetary reduction
- Integrated pulley support shaft with reinforced bearings
- Optimized housing design for improved lubrication performance
- Offset input available for increased cutting depth
- Integrated cooling system (optional)

Type	Torque (Nm)	
713 C2 H		25000
716 C2 H		45000

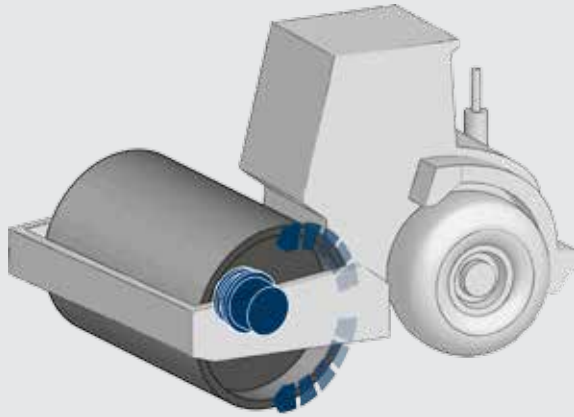


TYPE	RATIOS	MAX CUTTING TORQUE	MAX INPUT POWER	BEARINGS LOAD RATINGS		VERSION
				C dyn. (kN)	C0 stat. (kN)	
	1:	Nm	kW			
713 C2 H	16.4 - 19 - 22.9	25000	220	473	950	Offset
716 C2 H	18.5 - 21.8	45000	380	484	1000	In line



TYPE	VERS.	D1	D2	D3	D4	D5	D6	D7	D8	D9	D10	D11	D12	L1	L2	L3	L4
713 C2 H	Offset	420	385	350	400	450	490	M20x2.5 n°23	Ø22 n°23	160	130	95	M12x1.75 n°8	834	160	325	120
716 C2 H	In line	435	381	323.85	460	500	540	M20x2.5 n°23	Ø22 n°24	240	160	-	M16x2 n°6	799	125	224.5	-

Front drum drives for soil compactor machines from 2.5 to 25 tons.



700C

Travel drives

Leadership is never achieved without continuing efforts and consistent product development.

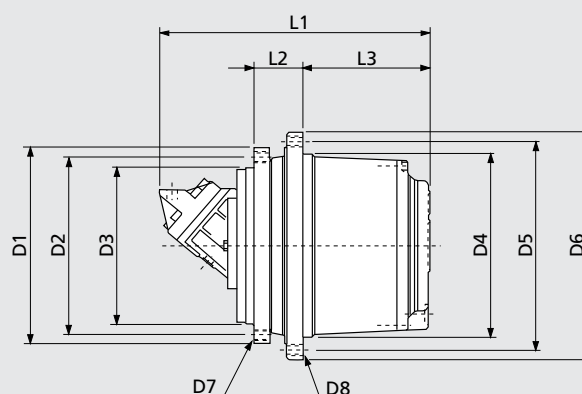
Any crawler machine, no matter how big or small, will find the suitable travel drive within the range of the 700C series.

All units available with a failsafe parking brake and for most cartridge type fixed or variable displacement hydraulic motors.

Type	Torque (Nm)
703 C	4000
705 C	10000
706 C	18000
707 C	26000
709 C	30000
710 C	36000
713 C	60000
715 C	85000

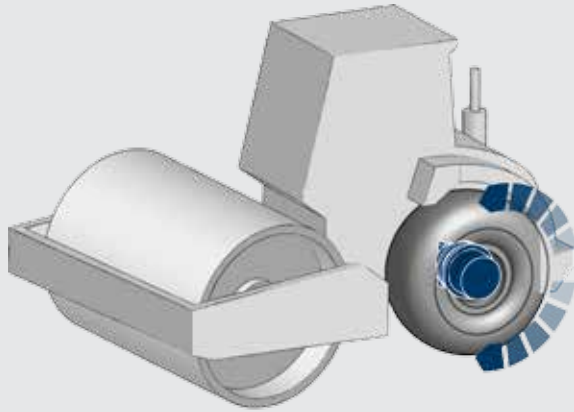


TYPE	WEIGHT	OUTPUT TORQUE	RATIOS	MOTOR TYPE
	tons	Nm	1:	
703 C	2.5 ÷ 5	4000	19 ÷ 40	high speed
705 C	5 ÷ 7	8000	41 ÷ 53	high speed
706 C	7 ÷ 9	14000	35 ÷ 44	high speed
707 C	9 ÷ 12	26000	55 ÷ 120	high speed
709 C	12 ÷ 16	30000	55 ÷ 147	high speed
710 C	16 ÷ 18	36000	55 ÷ 166	high speed
713 C	18 ÷ 20	50000	56 ÷ 147	high speed
715 C	20 ÷ 25	80000	62 ÷ 156	high speed



TYPE	D1	D2	D3	D4	D5	D6	D7	D8	L1	L2	L3
703 C	270	230	190	200	240	280	M16x2 n°8	M20x1.5 n°8	Depend on motor type	72	128
705 C	270	230	190	220	260	300	M16x2 n°12	M16x2 n°16		72	158
706 C	330	300	270	280	330	370	M16x2 n°18	M16x2 n°18		115	190
707 C	317	285	240	300	340	370	M20x2.5 n°20	M16x2 n°20		82	233
709 C	375	340	300	330	370	400	M20x2.5 n°16	M16x2 n°30		91	243
710 C	375	340	300	350	400	435	M20x2.5 n°16	M20x2.5 n°16		91	243
711 C	425	325	290	410	455	490	M20x2.5 n°24	M20x2.5 n°24		110	265
713 C	425	325	290	410	455	490	M20x2.5 n°24	M20x2.5 n°24		110	280
715 C	500	460	420	460	510	550	M20x2.5 n°24	M20x2.5 n°24		130	315

Wheel drives for soil compactor machines from 2.5 to 20 tons.



600

Wheel drives

Benefit from the experience of the leading manufacturer.

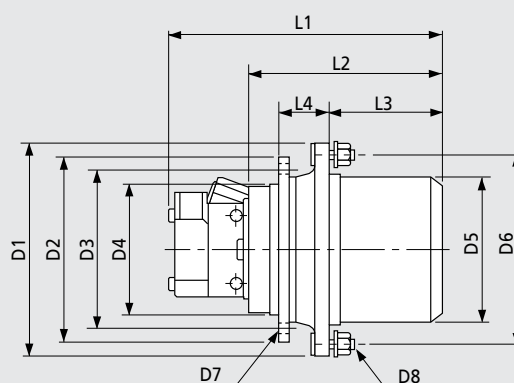
Whether you are designing a wheeled agriculture or construction equipment, the 600 series will offer you the right choice for your vehicle.

A disengagement device to tow the vehicle in an emergency is optionally available.

Type	Torque (Nm)
603 W	4000
605 W	7000
606 W	12000
607 W	17000
609 W	23000

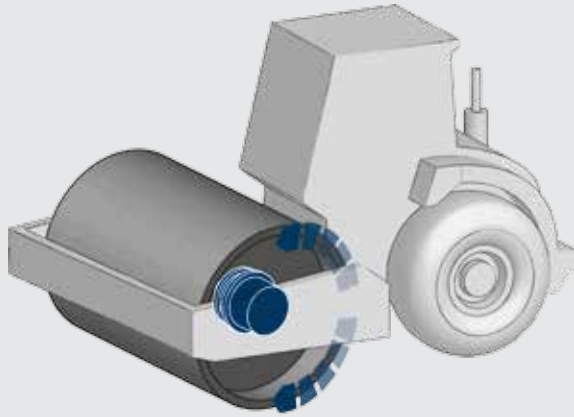


TYPE	WEIGHT	OUTPUT TORQUE	RATIOS	MOTOR TYPE
	tons	Nm	1:	
603 W	2.5 ÷ 5	4000	19 ÷ 24	high speed
605 W	5 ÷ 7	8000	41 ÷ 53	high speed
606 W	7 ÷ 9	14000	35 ÷ 44	high speed
607 W	9 ÷ 12	17000	55 ÷ 120	high speed
607 W	12 ÷ 16	17000	55 ÷ 120	high speed
609 W	16 ÷ 18	23000	55 ÷ 147	high speed
609 W	18 ÷ 20	23000	62 ÷ 147	high speed



TYPE	D1	D2	D3	D4	D5	D6	D7	D8	L1	L2	L3	L4
603 W	280	270	230	190	200	245	M16x2 n°8	M18x1.5 n°6	Depend on motor type	230	128	72
603 W	280	270	230	190	160	205	M16x2 n°8	M18x1.5 n°6		230	25	175
605 W	310	270	230	190	220	275	M16x2 n°8	M20x1.5 n°6		260	158	72
606 W	370	330	300	270	280	335	M16x2 n°18	M22x1.5 n°10		330	200	115
607 W	400	317	285	240	300	355	M20x2.5 n°20	M18x1.5 n°20		335	233	82
609 W	435	375	340	300	350	400	M20x2.5 n°16	M22x1.5 n°16		350	243	91

Drives for soil compactor machines from 2.5 to 9 tons.



700CT

Track drive gearmotors

Integrated design will result into the best possible product combination.

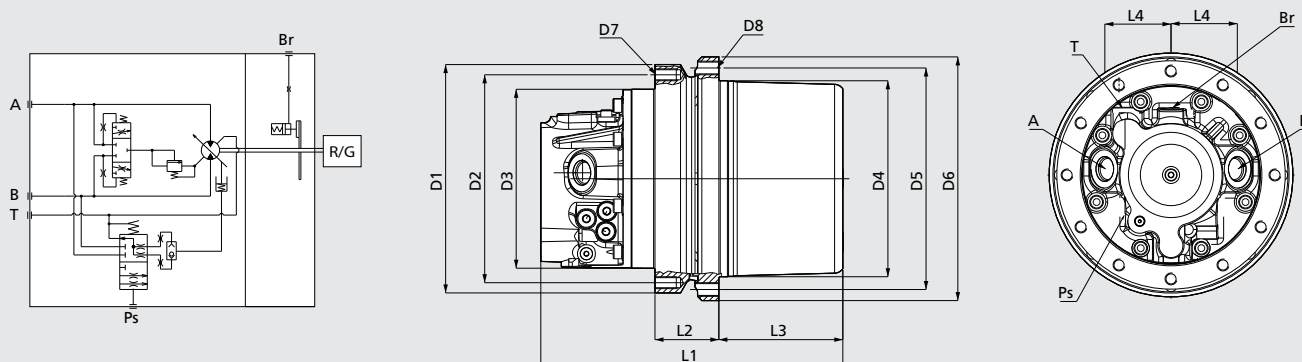
Extreme compactness, lightweight, efficiency and smooth operation are the key features of the 700CT series track drives, powered by integrated axial piston hydraulic motors.

Available for machines in the 2.5 to 9 Ton class range.

Type	Torque (Nm)
702 C2 T	3500
704 C2 T	5000
705 C2 T	9000
706 C2 T	12500

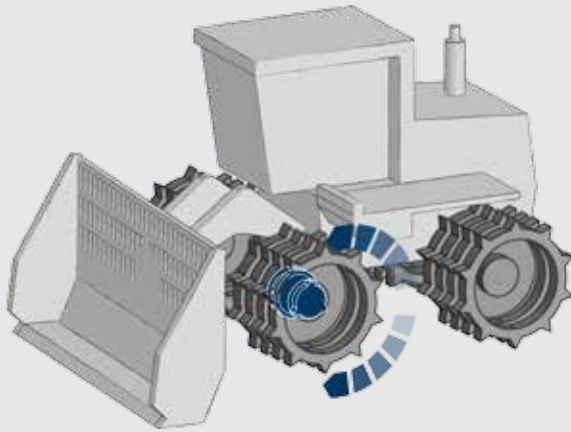


TYPE	WEIGHT	OUTPUT TORQUE	RATIOS	MOTOR TYPE
	tons	Nm	1:	
702 C2 T	2.5 - 3.5	3500	15 ÷ 22	high speed
704 C2 T	3.5 - 5	5000	18	high speed
705 C2 T	5 - 7	9000	25 ÷ 30	high speed
706 C2 T	7 - 9	12500	53	high speed



TYPE	D1	D2	D3	D4	D5	D6	D7	D8	L1	L2	L3	L4	A-B	T	PS
702 C2 T	270	240	210	210	245	275	M16x2 n°8	M16x2 n°12	340	153	70	77	1" 1/16-12 UNF	3/4"-16 UNF	9/16"-18 UNF
704 C2 T	268	244	210	230	260	286	M14x2 n°12	M16x2 n°8	355	75	146	77			
705 C2 T	268	244	210	230	260	286	M14x2 n°12	M14x2 n°12	355	75	144	77			
706 C2 T	308	280	246	275	305	331	M14x2 n°16	M14x2 n°16	390	100	156	77			

Drum drives for soil compactor machines from 18 to 40 tons.



700C

Travel drives

Leadership is never achieved without continuing efforts and consistent product development.

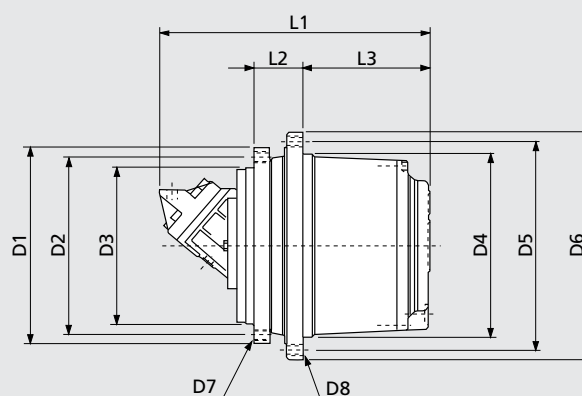
Any crawler machine, no matter how big or small, will find the suitable travel drive within the range of the 700C series.

All units available with a failsafe parking brake and for most cartridge type fixed or variable displacement hydraulic motors.

Type	Torque (Nm)
703 C	60000
705 C	85000
715 C	100000

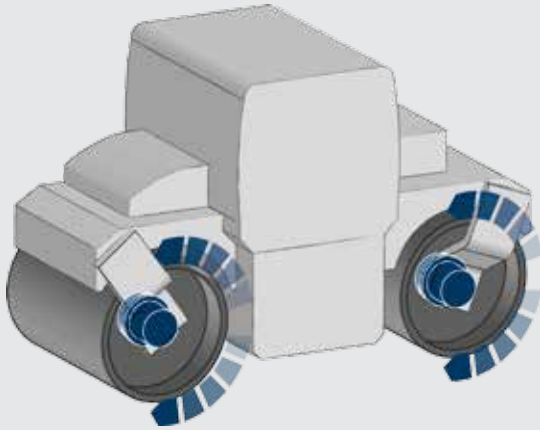


TYPE	WEIGHT	OUTPUT TORQUE	RATIOS	MOTOR TYPE
	tons	Nm	1:	
713 C3 B	18 ÷ 20	50000	56 ÷ 147	high speed
715 C3 B	20 ÷ 27	80000	62 ÷ 156	high speed
716 C3 B	27 ÷ 40	95000	83 ÷ 174	high speed



TYPE	D1	D2	D3	D4	D5	D6	D7	D8	L1	L2	L3
713 C3 B	425	325	290	410	455	490	M20x2.5 n°24	M20x2.5 n°24	Depend on motor type	110	280
715 C3 B	500	460	420	460	510	550	M20x2.5 n°24	M20x2.5 n°24		130	315
716 C3 B	500	460	420	460	500	550	M24x3 n°24	M18x1.5 n°36		165	308

Drum drives for tandem vibratory roller machines from 1 to 20 tons.



700C

Travel drives

Leadership is never achieved without continuing efforts and consistent product development.

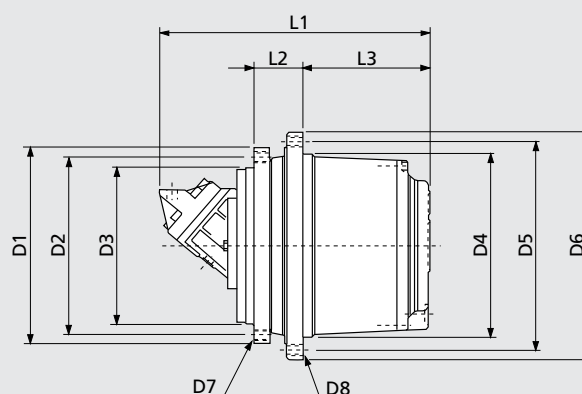
Any crawler machine, no matter how big or small, will find the suitable travel drive within the range of the 700C series.

All units available with a failsafe parking brake and for most cartridge type fixed or variable displacement hydraulic motors.

Type	Torque (Nm)
700 C	1000
701 C	2200
703 C	4000
705 C	10000
706 C	18000
707 C	26000
709 C	30000
710 C	36000
713 C	60000

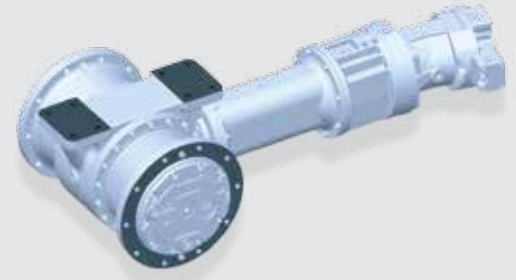
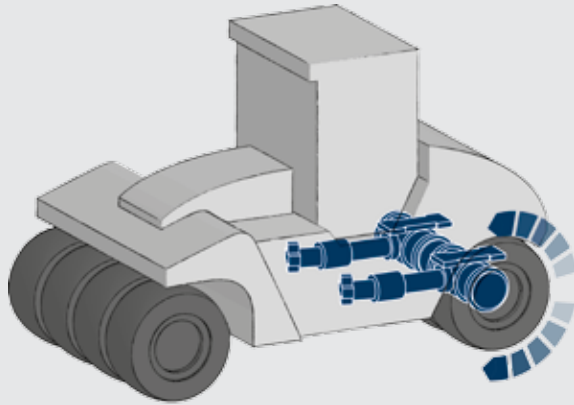


TYPE	WEIGHT	OUTPUT TORQUE	RATIOS	MOTOR TYPE
	tons	Nm	1:	
700 C	1 ÷ 1.5	1000	5.25	high speed
701 C	1.5 ÷ 2.5	2100	6.2	high speed
703 C	2.5 ÷ 5	4000	19 ÷ 24	high speed
705 C	5 ÷ 7.5	9000	41 ÷ 53	high speed
706 C	7.5 ÷ 12	16000	35 ÷ 44	high speed
707 C	12 ÷ 13	26000	55 ÷ 120	high speed
709 C	13 ÷ 15	30000	55 ÷ 147	high speed
710 C	15 ÷ 17	36000	55 ÷ 166	high speed
713 C	17 ÷ 20	55000	56 ÷ 147	high speed



TYPE	D1	D2	D3	D4	D5	D6	D7	D8	L1	L2	L3
700 C	195	175	155	160	180	200	M10x1.5 n°8	M10x1.5 n°8	Depend on motor type	40	80
701 C	230	200	180	190	210	230	M10x1.5 n°8	M10x1.5 n°8		40	105
703 C	270	230	190	200	240	280	M16x2 n°8	M20x1.5 n°8		72	128
705 C	270	230	190	220	260	300	M16x2 n°12	M16x2 n°16		72	158
706 C	330	300	270	280	330	370	M16x2 n°18	M16x2 n°18		115	190
707 C	317	285	240	300	340	370	M20x2.5 n°20	M16x2 n°20		82	233
709 C	375	340	300	330	370	400	M20x2.5 n°16	M16x2 n°30		91	243
710 C	375	340	300	350	400	435	M20x2.5 n°16	M20x2.5 n°16		91	243
713 C	425	325	290	410	455	490	M20x2.5 n°24	M20x2.5 n°24		110	280

Wheel drives for pneumatic tyred roller machines up to 28 tons.



606 Y3

Wheel drives

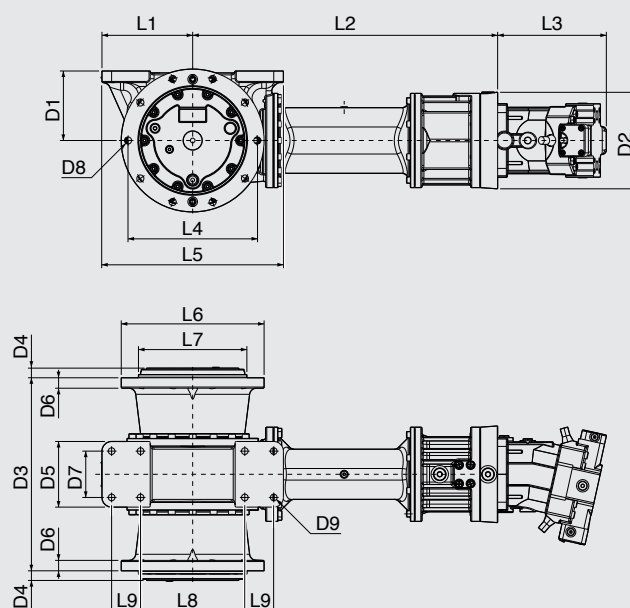
Benefit from the experience of the leading manufacturer.

Whether you are designing a wheeled agriculture or construction equipment, the 600 series will offer you the right choice for your vehicle.

Type	Torque (Nm)	
605 Y3		14000
606 Y3		22000

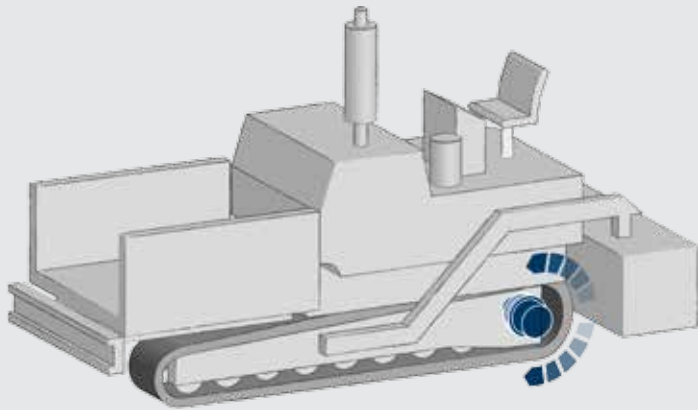


TYPE	WEIGHT	OUTPUT TORQUE	RATIOS	MOTOR TYPE
	tons	Nm	1:	
605 Y3	12 ÷ 18	14000	30	axial piston, variable displacement
606 Y3	18 ÷ 28	22000	32	



TYPE	D1	D2	D3	D4	D5	D6	D7	D8	D9	L1	L2	L3	L4	L5	L6	L7	L8	L9
605 Y3	200	250	500	44	170	27	130	M20x1.5 n°10	M20x2.5 n°8	230	830	Depend on motor type	335	460	370	280.8	260	75
606 Y3	180	250	500	25	170	27	120	M20x1.5 n°10	M20x2.5 n°8	236	790		335	471	370	280.8	270	75

Track drives for crawled paver machine from 7.5 to 20 tons.



700C

Travel drives

Leadership is never achieved without continuing efforts and consistent product development.

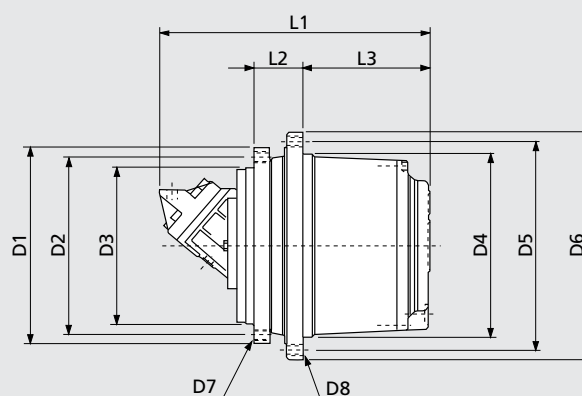
Any crawler machine, no matter how big or small, will find the suitable travel drive within the range of the 700C series.

All units available with a failsafe parking brake and for most cartridge type fixed or variable displacement hydraulic motors.

Type	Torque (Nm)
706 C	18000
707 C	26000
709 C	30000
710 C	36000
713 C	60000

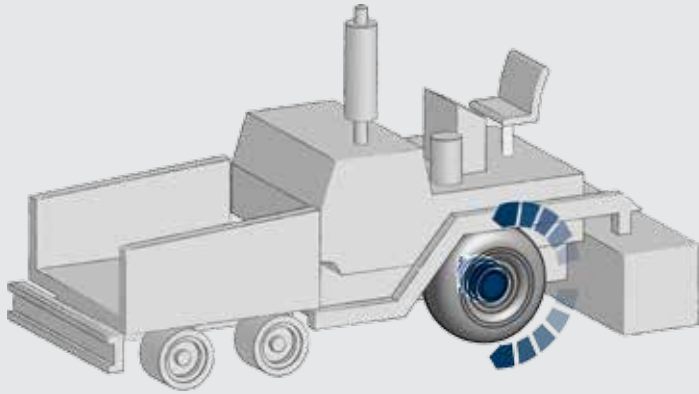


TYPE	WEIGHT	OUTPUT TORQUE	RATIOS	MOTOR TYPE
	tons	Nm	1:	
706 C	7.5 ÷ 12	16000	35 ÷ 44	high speed
707 C	12 ÷ 13	26000	55 ÷ 120	high speed
709 C	13 ÷ 15	30000	55 ÷ 147	high speed
710 C	15 ÷ 17	36000	55 ÷ 166	high speed
713 C	17 ÷ 20	60000	56 ÷ 147	high speed



TYPE	D1	D2	D3	D4	D5	D6	D7	D8	L1	L2	L3
706 C	330	300	270	280	330	370	M16x2 n°18	M16x2 n°18	Depend on motor type	115	190
707 C	317	285	240	300	340	370	M20x2.5 n°20	M16x2 n°20		82	233
709 C	375	340	300	330	370	400	M20x2.5 n°16	M16x2 n°30		91	243
710 C	375	340	300	350	400	435	M20x2.5 n°16	M20x2.5 n°16		91	243
713 C	425	325	290	410	455	490	M20x2.5 n°24	M20x2.5 n°24		110	280

Wheel drives for wheeled paver machines from 8 to 36 tons.



700C

Travel drives

Leadership is never achieved without continuing efforts and consistent product development.

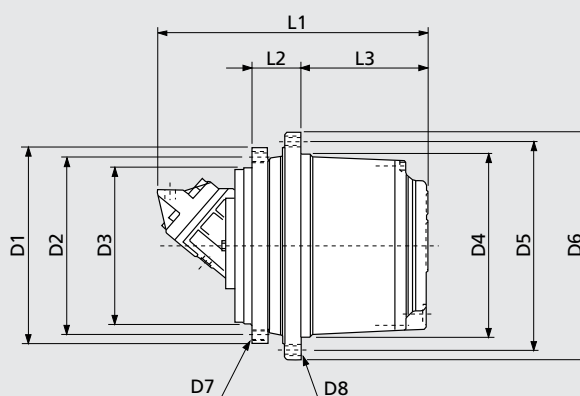
Any crawler machine, no matter how big or small, will find the suitable travel drive within the range of the 700C series.

All units available with a failsafe parking brake and for most cartridge type fixed or variable displacement hydraulic motors.

Type	Torque (Nm)
707 C	26000
709 C	30000
710 C	36000
713 C	60000

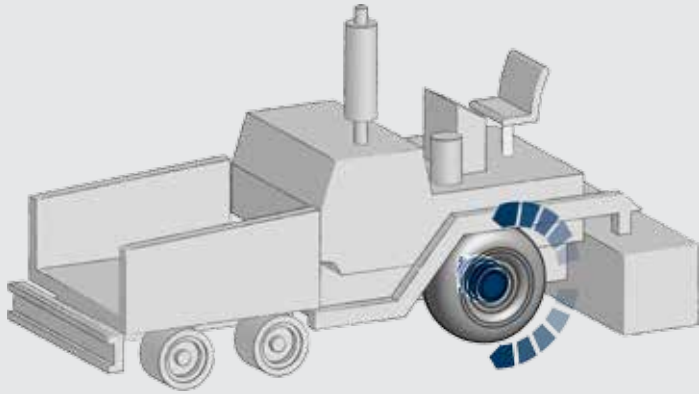


TYPE	WEIGHT	OUTPUT TORQUE	RATIOS	MOTOR TYPE
	tons	Nm	1:	
707 C	up to 18	26000	55 ÷ 120	high speed
709 C	18 ÷ 25	30000	55 ÷ 147	high speed
710 C	25 ÷ 28	36000	55 ÷ 166	high speed
713 C	28 ÷ 35	60000	56 ÷ 147	high speed



TYPE	D1	D2	D3	D4	D5	D6	D7	D8	L1	L2	L3
707 C	317	285	240	300	340	370	M20x2.5 n°20	M16x2 n°20	Depend on motor type	82	233
709 C	375	340	300	330	370	400	M20x2.5 n°16	M16x2 n°30		91	243
710 C	375	340	300	350	400	435	M20x2.5 n°16	M20x2.5 n°16		91	243
713 C	425	325	290	410	455	490	M20x2.5 n°24	M20x2.5 n°24		110	280

Wheel drives for wheeled paver machines from 8 to 28 tons.



600W2/3 Wheel drives

Gear shift final drive LO-HI Speed.

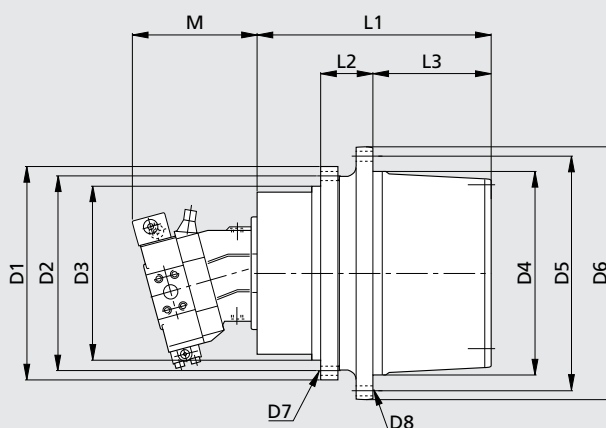
This gear shift final drive is specifically designed for wheeled and tracked machines featuring a significantly different travel/operating speed ratio.

The product is the ideal solution for road paving machines, construction equipment, as well as agricultural and forestry machines.

Type	Torque (Nm)	
606W2/3	15000	
610W2/3		40000
611W2/3		50000

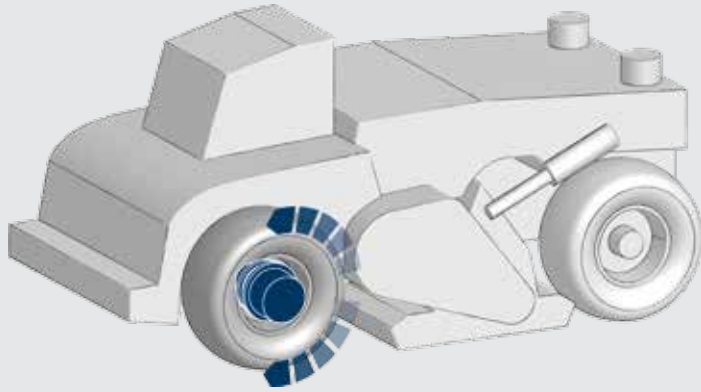


TYPE	WEIGHT	OUTPUT TORQUE	RATIOS	MOTOR TYPE
	tons	Nm	1:	
606W2/3	up to 14	15000	20 - 24 Hi speed 70 - 114 Lo speed	axial piston, variable displacement
610W2/3	18 ÷ 28	40000	20.5 - 24.5 Hi speed 71 - 141 Lo speed	axial piston, variable displacement
611W2/3	28 ÷ 36	55000	35 Hi speed 234 Lo speed	axial piston, variable displacement



TYPE	D1	D2	D3	D4	D5	D6	D7	D8	L1	L2	L3
606W2/3	430	360	300	290	335	370	M16x2 n°16	M22x1.5 n°10	305	188	135
610W2/3	375	340	300	350	400	435	M20x2.5 n°16	M20x2.5 n°16	388	91	203
611W2/3	570	525	465	410	455	488	Ø22 n°12	M22x1.5 n°20	366	113	219

Wheel drives for road reclaimer / soil stabilizer machines from 22 to 36 tons.



600

Wheel drives

Benefit from the experience of the leading manufacturer.

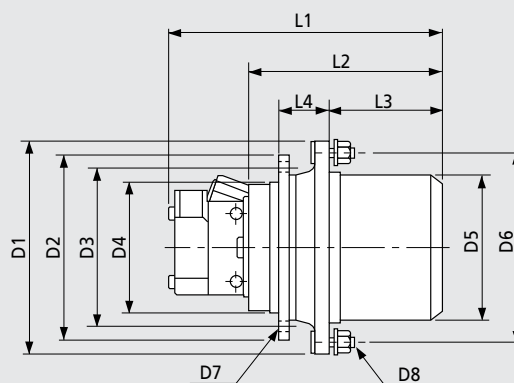
Whether you are designing a wheeled agriculture or construction equipment, the 600 series will offer you the right choice for your vehicle.

A disengagement device to tow the vehicle in an emergency is optionally available.

Type	Torque (Nm)
610 W	30000
611 W	45000
613 W	60000

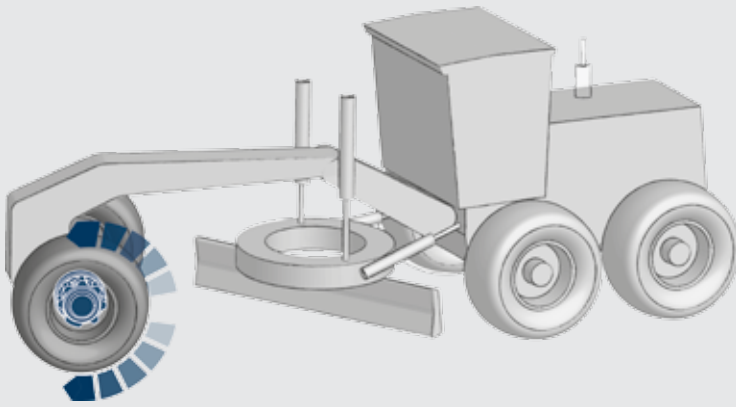


TYPE	WEIGHT	OUTPUT TORQUE	RATIOS	MOTOR TYPE
	tons	Nm	1:	
610 W	22 ÷ 36	30000	65 ÷ 123	high speed
611 W	22 ÷ 36	45000	71 ÷ 127	high speed
613 W	22 ÷ 36	60000	71 ÷ 126	high speed



TYPE	D1	D2	D3	D4	D5	D6	D7	D8	L1	L2	L3	L4
610 W	435	375	340	300	350	400	M20x2.5 n°16	M22x1.5 n°16	Depend on motor type	350	243	91
611 W	490	425	325	290	410	455	M20x2.5 n°24	M20x1.5 n°24		375	242	110
613 W	490	425	325	280	410	455	M20x2.5 n°24	3/4-16 UNF n°24		405	275	110

Front wheel drive with clutch for grader from 14 to 26 tons.



600

Wheel drives

Benefit from the experience of the leading manufacturer.

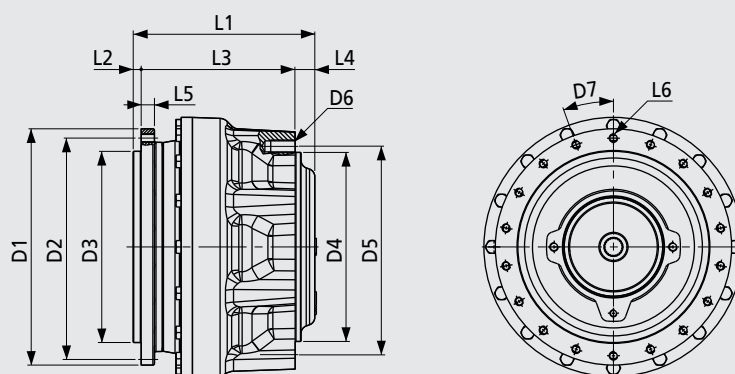
Whether you are designing a wheeled agriculture or construction equipment, the 600 series will offer you the right choice for your vehicle.

A disengagement device to tow the vehicle in an emergency is optionally available.

Type	Torque (Nm)
606 W2	15000



TYPE	WEIGHT	OUTPUT TORQUE	RATIOS	MOTOR TYPE
	tons	Nm	1:	
606 W2	14 ÷ 26	15000	30	high speed



TYPE	D1	D2	D3	D4	D5	D6	D7	L1	L2	L3	L4	L5	L6
606 W2	488	410	360 h8	356 h8	410	M24x3 n°8	20°	342	15	290	37	25	M16x2 n°18

Bonfiglioli Worldwide



Headquarters

ITALY • Lippo di Calderara, Bologna



Branches

AUSTRALIA • Sydney
BRAZIL • São Paulo
CANADA • Toronto
CHINA • Shanghai
FRANCE • Paris
GERMANY • Neuss
GERMANY • Krefeld
GERMANY • Hattingen
INDIA • Chennai, Tamil Nadu
INDIA • Mannur, Tamil Nadu
INDIA • Bangalore, Karnataka
ITALY • Milano
ITALY • Rovereto
NEW ZEALAND • Auckland
SOUTH AFRICA • Johannesburg
SINGAPORE • Singapore
SPAIN • Barcelona
TURKEY • Izmir
UNITED KINGDOM • Redditch
UNITED KINGDOM • Warrington
USA • Hebron, Kentucky
VIETNAM • Ho Chi Minh



Production facilities

ITALY • Calderara di Reno, Bologna
 Casting and gearcutting plant
 VFW series manufacturing and assembly plant
ITALY • Vignola, Modena
 A, C, F series manufacturing and assembly plant
 Precision gearbox manufacturing and assembly plant
ITALY • Forlì
 Planetary gearboxes manufacturing and assembly plant
ITALY • Rovereto, Trento
 Brushless motor and precision gearboxes production
GERMANY • Krefeld
 Inverter plant
GERMANY • Hattingen
 Large planetary gearboxes manufacturing and assembly plant
SLOVAKIA • Považská Bystrica
 Large gearboxes manufacturing plant
INDIA • Chennai, Tamil Nadu
 Planetary gearbox manufacturing and assembly plant
INDIA • Mannur, Tamil Nadu
 Gearmotors manufacturing and assembly plant
INDIA • Bangalore, Karnataka
 Cabinet control production
VIETNAM • Ho Chi Minh
 Electric motor plant
CHINA • Shanghai
 Planetary gearboxes manufacturing and assembly plant
BRAZIL • São Paulo
 Planetary gearboxes manufacturing and assembly plant
USA • Hebron, Kentucky
 Planetary gearboxes manufacturing and assembly plant

Resellers

AFRICA • Algeria, Egypt, Kenya, Morocco, South Africa, Tunisia
ASIA • Bahrain, China, Emirates, Japan, Jordan, Hong Kong, India, Indonesia, Iran, Israel, Kuwait, Malaysia, Oman, Pakistan, Philippine, Qatar, Saudi Arabia, Singapore, South Korea, Syria, Thailand, Taiwan, Vietnam
EUROPE • Albania, Austria, Belgium, Bielorusia, Bulgaria, Cyprus, Croatia, Czech Republic, Denmark, Estonia, Finland, France, Holland, Hungary, Germany, Great Britain, Greece, Ireland, Italy, Lettonia, Lituania, Luxemburg, Malta, Montenegro, Norway, Poland, Portugal, Romania, Russia, Slovakian Republic, Serbia, Slovenia, Spain, Sweden, Switzerland, Turkey, Ucraina
LATIN AMERICA • Argentine, Bolivia, Brasil, Chile, Colombia, Costa Rica, Ecuador, Guatemala, Honduras, Mexico, Peru, Uruguay, Venezuela
NORTH AMERICA • Canada, United States
OCEANIA • Australia, New Zealand

Bonfiglioli Worldwide Locations

Bonfiglioli Australia

2, Cox Place Glendenning NSW 2761
Locked Bag 1000 Plumpton NSW 2761
Tel. (+ 61) 2 8811 8000 - Fax (+ 61) 2 9675 6605
www.bonfiglioli.com.au

Bonfiglioli Brasil

Travessa Cláudio Armando 171
Bloco 3 - CEP 09861-730 - Bairro Assunção
São Bernardo do Campo - São Paulo
Tel. (+55) 11 4344 2323 - Fax (+55) 11 4344 2322
www.bonfigliolidobrasil.com.br

Bonfiglioli Canada

2-7941 Jane Street - Concord, Ontario L4K 4L6
Tel. (+1) 905 7384466 - Fax (+1) 905 7389833
www.bonfigliolicanada.com

Bonfiglioli China

Bonfiglioli Drives (Shanghai) Co., Ltd.
#68, Hui-Lian Road, QingPu District,
Shanghai, China, 201707
Ph. (+86) 21 6700 2000 - Fax (+86) 21 6700 2100
www.bonfiglioli.cn

Bonfiglioli Deutschland

Industrial, Mobile, Wind
Sperberweg 12 - 41468 Neuss
Tel. +49 (0) 2131 2988 0 - Fax +49 (0) 2131 2988 100
www.bonfiglioli.de
Industrial
Europark Fichtenhain B6 - 47807 Krefeld
Tel. +49 (0) 2151 8396 0 - Fax +49 (0) 2151 8396 999
www.bonfiglioli.de
O&K Antriebstechnik
Ruhrallee 8-12 - 45525 Hattingen
Tel. +49 (0) 2324 2050 1 - Fax +49 (0) 2324 2054 29
www.oundka.com

Bonfiglioli España

Industrial, Mobile, Wind
Tecnotrans Bonfiglioli S.A.
Pol. Ind. Zona Franca sector C, calle F, n°6
08040 Barcelona
Tel. (+34) 93 4478400 - Fax (+34) 93 3360402
www.tecnotrans.bonfiglioli.com

Bonfiglioli France

14 Rue Eugène Pottier
Zone Industrielle de Moimont II - 95670 Marly la Ville
Tel. (+33) 1 34474510 - Fax (+33) 1 34688800
www.bonfiglioli.fr

Bonfiglioli India

Industrial
Bonfiglioli Transmission PVT Ltd.
Survey No. 528, Perambakkam High Road
Mannur Village, Sriperambudur Taluk,
Chennai - 602105, Tamil Nadu
Tel. +91(0) 44 6710 3800 - Fax +91(0) 44 6710 3999
www.bonfiglioli.in

Mobile, Wind

Bonfiglioli Transmission PVT Ltd.
PLOT AC7-AC11 Sidco Industrial Estate
Thirumudivakkam - Chennai 600 044
Tel. +91(0) 44 24781035 - 24781036 - 24781037
Fax +91(0) 44 24780091 - 24781904
www.bonfiglioli.in

Industrial

Bonfiglioli Renewable Power Conversion India (P) Ltd
No. 543, 14th Cross, 4th Phase,
Peenya Industrial Area, Bangalore - 560 058
Tel. +91 80 2836 1014/15 - Fax +91 80 2836 1016
www.bonfiglioli.in

Bonfiglioli Italia

Headquarters

Bonfiglioli Riduttori S.p.A.
Via Giovanni XXIII, 7/A
40012 Lippo di Calderara di Reno - Bologna (Italy)
Tel. +39 051 647 3111 - Fax +39 051 647 3126
www.bonfiglioli.it

Mobile, Wind

Via Enrico Mattei, 12 Z.I. Villa Selva
Forli, 47100 Italy
Tel. +39 0543 789111 - Fax +39 0543789242
www.bonfiglioli.it

Industrial

Via Bazzane, 33/A
Calderara di Reno (BO), 40012 Italy
Tel. +39 051 6473111 - Fax +39 051 6473330
www.bonfiglioli.it

Industrial

Via Trinità, 1 - Vignola (MO), 41058 Italy
Tel. +39 059 768511 - Fax +39 059 768522
www.bonfiglioli.it

Industrial

Via Sandro Pertini lotto 7b - 20080 Carpiano (Milano)
Tel. (+39) 02 985081 - Fax (+39) 02 985085817
www.bonfiglioli.it

Bonfiglioli Mechatronic Research

Via F. Zeni 8 - 38068 Rovereto (Trento)
Tel. (+39) 0464 443435/36 - Fax (+39) 0464 443439
www.bonfiglioli.it

Bonfiglioli New Zealand

88 Hastie Avenue, Mangere Bridge, Auckland
2022, New Zealand - PO Box 11795, Ellerslie
Tel. (+64) 09 634 6441 - Fax (+64) 09 634 6445
www.bonfiglioli.co.nz

Bonfiglioli South East Asia

24 Pioneer Crescent #02-08
West Park Bizcentral - Singapore, 628557
Tel. (+65) 6268 9869 - Fax. (+65) 6268 9179
www.bonfiglioli.com

Bonfiglioli South Africa

55 Galaxy Avenue,
Linbro Business Park - Sandton
Tel. (+27) 11 608 2030 OR - Fax (+27) 11 608 2631
www.bonfiglioli.co.za

Bonfiglioli Türkiye

Atatürk Organize Sanayi Bölgesi,
10007 Sk. No. 30 Atatürk Organize Sanayi Bölgesi,
35620 Çiğli - Izmir
Tel. +90 (0) 232 328 22 77 (pbx)
Fax +90 (0) 232 328 04 14
www.bonfiglioli.com.tr

Bonfiglioli United Kingdom

Industrial

Unit 7, Colemeadow Road
North Moons Moat - Redditch,
Worcestershire B98 9PB
Tel. (+44) 1527 65022 - Fax (+44) 1527 61995
www.bonfiglioli.co.uk

Mobile, Wind

3 - 7 Grosvenor Grange, Woolston
Warrington - Cheshire WA1 4SF
Tel. (+44) 1925 852667 - Fax (+44) 1925 852668
www.bonfiglioli.co.uk

Bonfiglioli USA

3541 Hargrave Drive Hebron, Kentucky 41048
Tel. (+1) 859 334 3333 - Fax (+1) 859 334 8888
www.bonfiglioliusa.com

Bonfiglioli Vietnam

Lot C-9D-CN My Phuoc Industrial Park 3
Ben Cat - Binh Duong Province
Tel. (+84) 650 3577411 - Fax (+84) 650 3577422
www.bonfiglioli.vn



Bonfiglioli has been designing and developing innovative and reliable power transmission and control solutions for industry, mobile machinery and renewable energy applications since 1956.

HEADQUARTERS

Bonfiglioli Riduttori S.p.A.
Via Giovanni XXIII, 7/A
40012 Lippo di Calderara di Reno
Bologna (Italy)

tel: +39 051 647 3111
fax: +39 051 647 3126
bonfiglioli@bonfiglioli.com
www.bonfiglioli.com

TR_CAT_ROMA_STD_ENG_R02_3

