

## 800 series Winch drives

**Gear units for winch application.**  
The units of the 800 series are specifically designed for winch applications, and can be easily accommodated within the drum itself.

Available in various gear ratios, units feature heavy duty bearings and an optional failsafe parking or emergency multidisc brake.



Type	Torque [Nm]
805 W2	5000
806 W2	10000
810 F2	17500
811 W2	27000
813 W3	42000

Type	Max. line rope N
805 W2	35000
806 W2	50000
810 F2	85000
811 W2	120000
813 W3	170000



**Torque Range**  
5000 Nm ... 42000 Nm

**Line rope range**  
35000 N to 170000 N

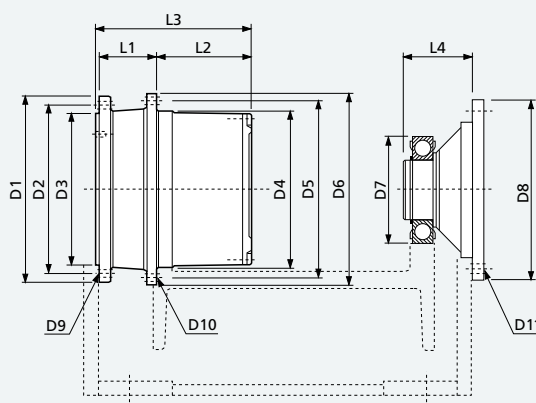
**Gear Ratios**  
21 ... 108

**Key Features**  
Rotating housing flange  
Rugged construction  
High torque capacity  
High load capacity  
Freewheel for antirun-back device, as an optional

**Applicable hydraulic motors**  
Flanged axial piston motors  
Orbit motors

**Brake**  
Hydraulically released parking brake on request

Type	Range of ratios	Max. input speed	Braking torque	Min. opening pressure	Weight
	1:	min -1	Nm	bar	Kg
805 W2	22 - 53	3000	500 - 750	15 - 25	70
806 W2	30 - 44	3000	700 - 1000	15 - 25	95
810 F2	21 - 46	3000	800 - 1200	15 - 25	160
811 W2	42	2500	900 - 1300	15 - 25	270
813 W3	60 - 108	2500	900 - 1300	15 - 25	310



Type	D1	D2	D3	D4	D5	D6	D7	D8	D9	D10	D11	L1	L2	L3	L4
805 W2	265	240	215	225	250	270	140	210	M12x1.75 n°16	ø13 n°16	ø13 n°8	75	158	250	95
806 W2	330	300	270	280	315	340	140	210	M16x2 n°12	ø17 n°12	ø13 n°8	100	165	280	95
810 F2	270	240	215	350	375	410	190	320	M16x2 n°18	ø13 n°24	ø19 n°12	25	310	360	110
811 W2	420	325	280	410	455	490	190	320	M20x2.5 n°21	ø22 n°24	ø19 n°12	110	260	390	110
813 W3	420	325	280	410	455	490	190	320	M20x2.5 n°21	ø22 n°24	ø19 n°12	110	275	405	110