



700C series Travel drives

Leadership is never achieved without continuing efforts and consistent product development. Any crawler machine, no matter how big or small, will find the suitable travel drive within the range

of the 700C series. All units available with a failsafe parking brake and for most cartridge type fixed or variable displacement hydraulic motors.



Type	Torque [Nm]
700 C1 H	1000
701 C1	2200
703 C2 H	4000
705 C2 H	10000
706 C3 B	18000
707 C3 B	26000
709 C3 B	30000
710 C3 B	36000
711 C3 B	45000
713 C3 B	60000
715 C3 B	85000
716 C3 B	100000
717 C3 H	130000
718 C3 H	180000
720 C3 H	220000
722 C3 H	330000



Torque Range
1000 ... 330000 Nm

Gear Ratios
5.3 ... 364

Key Features
Rotating housing
Rugged design
High torque capacity
High load capacity

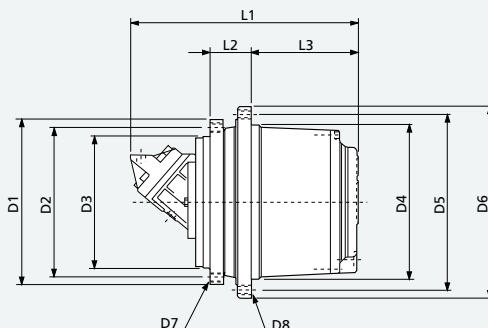
Mechanical lifetime seals
Compact design

Applicable hydraulic motors
Cartridge axial piston motors
Flanged axial piston motors
Orbit motors

Brake
Hydraulically released parking brake on request

Type	Range of ratios	Max. input speed	Hydraulic motor drive	Braking torque	Min. opening pressure	Weight
	1:	min -1	(1)	Nm	bar	Kg
700 C1 H	5.25	1000	LS	140 - 250	15 - 25	20
701 C1	6.2	1000	LS	250 - 350	20 - 30	25
703 C2 H	19-40	3500	HS	210	18	42
705 C2 H	22-53	3500	HS	220 - 310	10 - 20	60
706 C3 B	68-173	3500	HS	250 - 500	10 - 20	95
707 C3 B	55-120	3500	HS	250 - 500	10 - 20	135
709 C3 B	55-147	3500	HS	250 - 600	10 - 20	180
710 C3 B	55-123	3500	HS	250 - 600	10 - 20	200
711 C3 B	89-173	3500	HS	400 - 800	10 - 20	270
713 C3 B	81-142	3000	HS	400 - 800	10 - 20	310
715 C3 B	108-156	3000	HS	600 - 1000	10 - 20	350
716 C3 B	83-175	3000	HS	800 - 1200	10 - 20	400
717 C3 H	148-210	3000	HS	800 - 1200	10 - 20	630
718 C3 H	207	3000	HS	800 - 1200	10 - 20	750
720 C3 H	287	3000	HS	800 - 1200	10 - 20	820
722 C3 H	296-364	3000	HS	1500 - 2000	15 - 30	1300

(1) LS = Low speed motor
HS = High speed motor



Type	D1	D2	D3	D4	D5	D6	D7	D8	L1	L2	L3
700 C1 H	195	175	155	160	180	200	M10x1.5 n°8	M10x1.5 n°8	Depend on motor type	40	80
701 C1	230	200	180	190	210	230	M10x1.5 n°8	M10x1.5 n°8		40	105
703 C2 H	270	230	190	200	240	280	M16x2 n°8	M20x1.5 n°8		72	128
705 C2 H	270	230	190	220	260	300	M16x2 n°12	M16x2 n°16		72	158
706 C3 B	330	300	270	280	330	370	M16x2 n°18	M16x2 n°18		115	190
707 C3 B	317	285	240	300	340	370	M20x2.5 n°20	M16x2 n°20		82	233
709 C3 B	375	340	300	330	370	400	M20x2.5 n°16	M16x2 n°30		91	243
710 C3 B	375	340	300	350	400	435	M20x2.5 n°16	M20x2.5 n°16		91	243
711 C3 B	425	325	290	410	455	490	M20x2.5 n°24	M20x2.5 n°24		110	265
713 C3 B	425	325	290	410	455	490	M20x2.5 n°24	M20x2.5 n°24		110	280
715 C3 B	500	460	420	460	510	550	M20x2.5 n°24	M20x2.5 n°24		130	315
716 C3 B	500	460	420	460	500	550	M24x3 n°24	M18x1.5 n°36		165	308
717 C3 H	570	510	450	560	610	660	M30x3.5 n°20	M24x3 n°24		170	350
718 C3 H	570	510	450	576	626	670	M24x3 n°30	M24x3 n°20		170	350
720 C3 H	650	600	460	610	680	735	M30x3.5 n°30	M30x3.5 n°24	170	370	
722 C3 H	735	680	580	660	730	785	M30x3.5 n°30	M30x3.5 n°30	430	900	