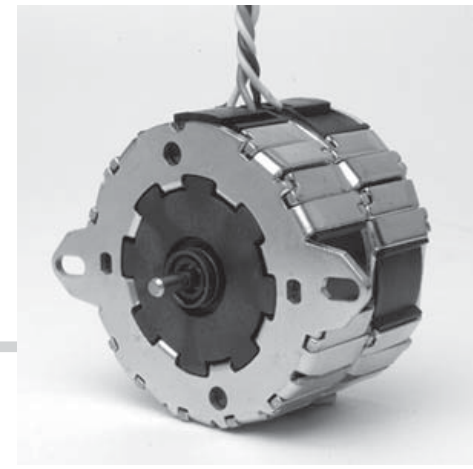




Motor Series **MTS8c**

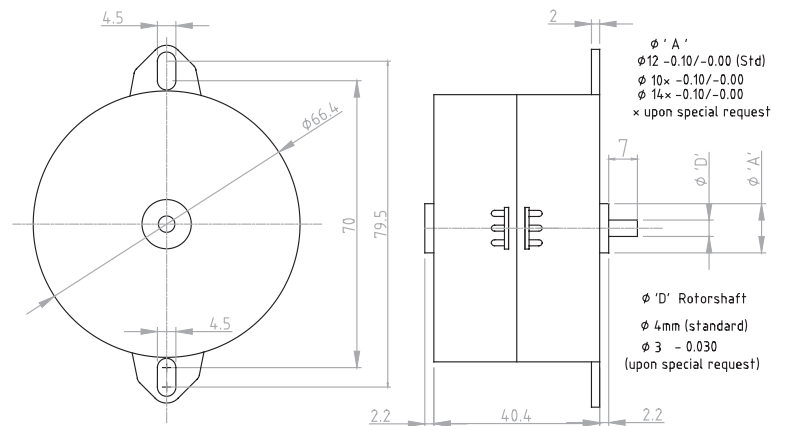
Stepper Motor 11.25°



Technical Data

Steps per revolution		32
Winding Type		bipolar
Rated Voltage	V	4.5
Resistance per winding	W	3.7
Thermal Class	°C	130max.
Holding torque	gm-cm	3000
Axial Force	gm	600
Lateral Force	gm	1500
Detent torque	gm-cm	250
Rotor inertia	gmcm2	155

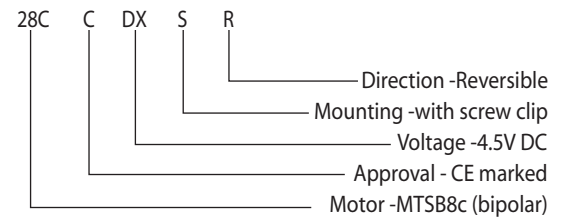
Drawing



Technical Data (Strong Magnet)

Steps per revolution		32
Winding Type		bipolar
Rated Voltage	V	4.5
Resistance per winding	W	3.7
Thermal Class	°C	130max.
Holding torque	gm-cm	4500
Axial Force	gm	600
Lateral Force	gm	1500
Detent torque	gm-cm	750
Rotor inertia	gmcm2	180

Ordering Data (eg.)



Torque Graphs

