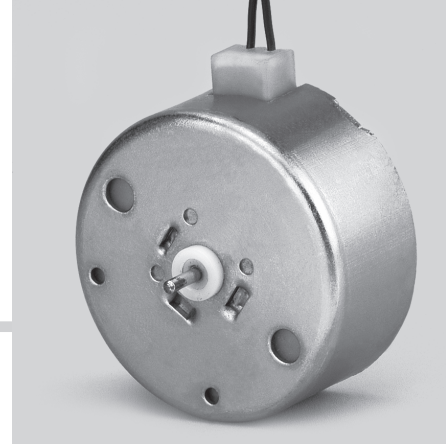


Motor Series **MT6b**



Uni-Directional Synchronous Motor - 500RPM

Application

Instrumentation, diamond machinery, peristaltic pumps, motorised displays, programming devices, cam timers, medical equipment.

Design

MT6 is a unidirectional synchronous motor. The direction of the motor is either cw or ccw which is fixed with help of reversing stopper while manufacturing. This non reversing device also guarantees at all times starting in the desired direction with high starting torque. The motor consists of a cylindrical sheet iron stator which form the poles.

Mounted on the hardened and highly polished rotor shaft is a high corrosivity sintered magnet ring around whose circumference 10 poles of alternate polarity are disposed. Special version of motor without the non reversing device is also available. In this case the motor can start in any direction. Motor can be provided with screw clip for fixing.

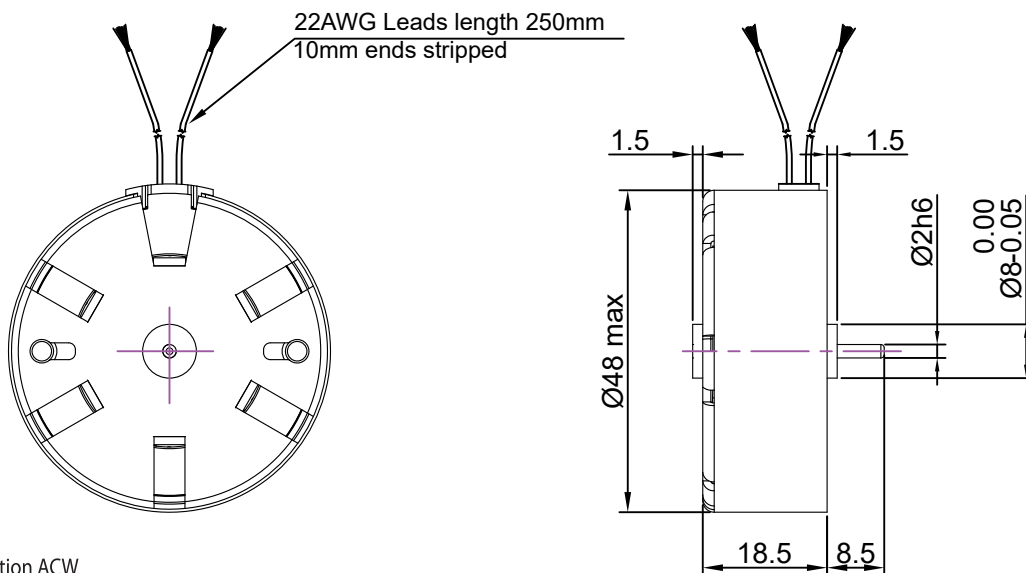
Standard Data

Motor type		Uni directional synchronous; with mechanical anti return device
Ambient temperature operation	°C	-15...+ 55
Ambient temperature storage	°C	-20...+100
Thermal class	°C	105
Electrical Enclosure	IP	40
Connections		Flexible Leads 22 AWG, 250mm length; ends stripped & tinned 10 mm
Life expectancy		3 Years in continuous operation
Mounting		Any position
HVT		As per standard IEC60034-1
Weight	g	100
Rotor stalling		Motor can be stopped when voltage is applied, without being overheated
Rotor shaft		Hardened steel , ground & polished
Bearings		Polymer
External dimensions		dia 48 x 18.5 mm

Technical data

Standard Motor Voltages Lead colour (Vn)	V	12 Red	24 Grey/Black	110 Grey	230 Black
Tolerance of voltage	%	-10....+15% of rated voltage			
Duty cycle	%	100			
Rated frequency	Hz	50		60	
Power output at rated voltage	W	0.47		0.5	
Speed	rpm	500		600	
Running torque at rated voltage	Ncm	0.9		0.8	
Power consumption at rated voltage	W	3.7		2.8	

Dimensional Drawing



Ordering Data (eg.)

